



**NATIONAL INTELLECTUAL PROPERTY CENTER OF GEORGIA
SAKPATENTI**

**OFFICIAL BULLETIN
OF THE INDUSTRIAL PROPERTY**

2(462)

**2017
TBILISI**

INID CODES FOR IDENTIFICATION OF BIBLIOGRAPHIC DATA

INVENTIONS, UTILITY MODELS

- (10) Number of publication for application, which has been examined
- (11) Number of patent and kind of document
- (21) Serial number of application
- (22) Date of filing of the application
- (23) Date of exhibition or the date of the earlier filing and the number of application, if any
- (24) Date from which patent may have effect
- (31) Number of priority application
- (32) Date of filing of priority application
- (33) Code of the country or regional organization allotting priority application number
- (44) Date of publication of application not granted, but examined and number of bulletin
- (45) Date of publication of registered document
- (51) International Patent Classification Index
- (54) Title of the invention
- (57) Abstract
- (60) Number of examined patent document granted by foreign patent office, date from which patent has effect and country code
- (62) Number of the earlier application and in case of divided application, date of filing an application
- (71) Name, surname and address of applicant (country code)
- (72) Name, surname of inventor (country code)
- (73) Name, surname and address of patent owner (country code)
- (74) Name, surname of representative or patent attorney
- (85) Date of commencement of the national phase of International Application
- (86) Number and date of filing of international application
- (87) Number and date of publication of international application

DESIGNS

- (10) Number of publication for application
- (11) Number of patent and kind of document or number of registration
- (15) Date of registration/Date of patent renewal
- (18) Expected expiration date of patent or registration
- (21) Serial number of application
- (22) Date of filing of the application
- (23) Date of exhibition or the date of the earlier filing and the number of application, if any
- (24) Date from which patent may have effect
- (28) Number of designs included in the application
- (30) Data relating to priority (number of application, date of filing of application, two-letter code identifying the authority with whom the priority application was made)
- (31) Number of priority application
- (32) Date of filing of priority application
- (33) Code of the country or regional organization allotting priority application number
- (34) Two-letter code according to WIPO St.3 identifying the authority with which the priority application was made
- (44) Date of publication of design and number of bulletin (the first publication)
- (45) Date of publication of design registered by WIPO and number of bulletin
- (51) International Classification for designs (class and subclass of the Locarno Classification)
- (54) Title of the invention
- (55) Reproduction of the design
- (57) Description of characteristic features of the design including indication of colors
- (58) Date of recording of any kind of amendment in the Register
- (62) Number of the earlier application, registration and document number and if available the date of filing an application in case of divided application
- (71) Name, surname and address of applicant (country code)
- (72) Name, surname of creator (country code)
- (73) Name, surname and address of patent owner (country code)
- (74) Name, surname of representative or patent attorney
- (81) Contracting states concerned
 - II designated contracting states according to the 1960 Act
 - III designated contracting states according to the 1999 Act
- (85) Owner's permanent address
- (86) Owner's nationality
- (87) Owner's residence
- (88) State in which the owner has a real and effective industrial or commercial establishment

TRADEMARKS

- (111) - Number of registration
- (151) - Date of registration
- (156) - Date of the renewal
- (181) - Expected expiration date of registration
- (186) - Renewal expiration date of registration
- (141) - Date of cancel of duration of the mark
- (210) - Serial number of application
- (220) - Date of filing of the application
- (230) - Date concerning exhibition
- (260) - Number of application, for which favorable decision of examination about registration has been taken (publication number)
- (310) - Number of the first application
- (320) - Date of filing of the first application
- (330) - Code, identifying national or regional Office where the first application was made
- (511) - International Classification of Goods and Services for the purposes of registration of trade marks and/or list of goods and/or services classified according thereto
- (531) - Description of figurative elements of Trade Marks according to the International Classification of the Figurative Elements of Marks
- (540) - Reproduction of Trade Mark
- (550) - Nature and kind of Trade Mark
- (580) - Date of recording of any kind changes in respect of applications or registrations
- (591) - Information concerning colors claimed
- (731) - Name and address of the applicant
- (732) - Name and address of the holder of the registration
- (740) - Name and address of the representative
- (750) - Address for correspondence
- (770) - Name and address of the previous applicant or holder in case of change in ownership
- (771) - Previous name and address of the applicant or holder in case of change in ownership
- (791) - Name and address of the licensee
- (793) - Indication of conditions and/or restrictions under the license (Type of license, number of license agreement, data of license, data of validity of license)
- (800) - Certain data relating to the international registration of Trade Marks under the Protocol Relating to Madrid Agreement (International registration number)

CODES FOR PUBLICATION IN BULLETIN

- (21) AP 0000 000000 - serial number of application for invention
- (10) AP 0000 0000 A - number of published application for invention (first publication)
- (11) P 0000 0000 B - number of patent for invention (second publication)
- (21) API 0000 000000 - number of application for imported patent
- (11) PI 0000 0000 A - number of imported patent (first publication)
- (21) AU 0000 000000 - serial number of application for utility model
- (10) AU 0000 000 U - number of published application for utility model (first publication)
- (11) U 0000 000 Y - number of patent for utility model (second publication)
- (21) AD 0000 000000 - serial number of application for design
- (10) AD 0000 000 S - number of published application for design (first publication)
- (11) D 0000 000 S - number of patent for design (second publication)

INTERNATIONAL PATENT CLASSIFICATION FOR INVENTIONS AND UTILITY MODELS

- SECTION A - HUMAN NECESSITIES
- SECTION B - PERFORMING OPERATIONS; TRANSPORTING
- SECTION C - CHEMISTRY; METALLURGY
- SECTION D - TEXTILES; PAPER
- SECTION E - FIXED CONSTRUCTIONS
- SECTION F - MECHANICAL ENGINEERING; LIGHTING; HEATING; WEAPONS; BLASTING
- SECTION G - PHYSICS
- SECTION H - ELECTRICITY

-
- M - Trade Mark
 - (210) AM 0000 000000 - Serial number of application;
 - (260) AAM 0000 00000 A - Publication number of application;
 - (111) M 0000 00000 R - Number of registration;
 - (111) MMM0000 00000 Rn - Number of renewals, in which n=1,2,3;
 - (111) M 0000 00000 R(P) - Number of registration under partial assignment of rights
-

LIST OF CODES, IN ALPHABETIC SEQUENCE, AND THE CORRESPONDING (SHORT) NAMES OF STATES, OTHER ENTITIES AND INTERGOVERNMENTAL ORGANIZATIONS
(WIPO STANDARD ST.3)

AD	Andorra				
AE	United Arab Emirates				
AF	Afghanistan				
AG	Antigua and Barbuda				
AI	Anguilla				
AL	Albania				
AM	Armenia				
AN	Netherlands Antilles				
AO	Angola				
AP	African Regional Intellectual Property Organization (ARIPO)				
AR	Argentina				
AT	Austria				
AU	Australia				
AW	Aruba				
AZ	Azerbaijan				
BA	Bosnia and Herzegovina				
BB	Barbados				
BD	Bangladesh				
BE	Belgium				
BF	Burkina Faso				
BG	Bulgaria				
BH	Bahrain				
BI	Burundi				
BJ	Benin				
BM	Bermuda				
BN	Brunei Darussalam				
BO	Bolivia				
BR	Brazil				
BS	Bahamas				
BT	Bhutan				
BV	Bouvet Island				
BW	Botswana				
BX	Benelux Office for Intellectual Property (BOIP)				
BY	Belarus				
BZ	Belize				
CA	Canada				
CD	Democratic Republic of the Congo				
CF	Central African Republic				
CG	Congo				
CH	Switzerland				
CI	Cote d'Ivoire				
CK	Cook Islands				
CL	Chile				
CM	Cameroon				
CN	China				
CO	Colombia				
CR	Costa Rica				
CU	Cuba				
CV	Cape Verde				
CY	Cyprus				
CZ	Czech Republic				
DE	Germany				
DJ	Djibouti				
DM	Dominica				
DO	Dominican Republic				
DZ	Algeria				
EA	Eurasian Patent Organization (EAPO)				
EC	Ecuador				
EE	Estonia				
EG	Egypt				
EH	Western Sahara				
EM	Office for Harmonization in the Internal Market (Trademarks and Designs)(OHIM)				
EP	European Patent Office (EPO)				
ER	Eritrea				
ES	Spain				
ET	Ethiopia				
FI	Finland				
FJ	Fiji				
FK	Falkland Islands (Malvinas)				
FO	Faroe Islands				
FR	France				
GA	Gabon				
GB	United Kingdom				
GC	Patent Office of the Cooperation Council for the Arab States of the Gulf (GCC)				
GD	Grenada				
GG	Guernsey				
GH	Ghana				
GI	Gibraltar				
GT	Guatemala				
GW	Guinea- Bissau				
GY	Guyana				
HK	The Hong Kong Special Administrative Region of the People's Republic of China				
HN	Honduras				
HR	Croatia				
HT	Haiti				
HU	Hungary				
IB	International Bureau of the World Intellectual Property Organization (WIPO)				
ID	Indonesia				
IE	Ireland				
IL	Israel				
IM	Isle of Man				
IN	India				
IQ	Iraq				
ID	Indonesia				
IE	Ireland				
IL	Israel				
IM	Isle of Man				
IN	India				
IQ	Iraq				
IR	Iran (Islamic Republic of)				
IS	Iceland				
IT	Italy				
JE	Jersey				
JM	Jamaica				
JO	Jordan				
JP	Japan				
KE	Kenya				
KG	Kyrgyzstan				
KH	Cambodia				
KI	Kiribati				
KM	Saint Kitts and Nevis				
KP	Democratic People's Republic of Korea				
KR	Republic of Korea				
KW	Kuwait				
KY	Cayman Islands				
KZ	Kazakhstan				
LA	Lao People's Democratic Republic				
LB	Lebanon				
LC	Saint Lucia				
LI	Liechtenstein				
LK	Sri Lanka				
LR	Liberia				
LS	Lesotho				
LT	Lithuania				
LU	Luxembourg				
LV	Latvia				
LY	Libyan Arab Jamahiriya				
MA	Morocco				
MC	Monaco				
MD	Republic of Moldova				
ME	Montenegro				
MG	Madagascar				
MK	The former Yugoslav Republic of Macedonia				
ML	Mali				
MM	Myanmar				
MN	Mongolia				
MO	Macao				
MP	Northern Mariana Islands				
MR	Mauritania				
MS	Montserrat				
MT	Malta				
MU	Mauritius				
MV	Maldives				
MW	Malawi				
MX	Mexico				
MY	Malaysia				
MZ	Mozambique				
NA	Namibia				
NE	Niger				
NG	Nigeria				
NI	Nicaragua				
NL	Netherlands				
NO	Norway				
NP	Nepal				
NR	Nauru				
NZ	New Zealand				
OA	African Intellectual Property Organization (OAPI)				
OM	Oman				
PA	Panama				
PE	Peru				
PG	Papua New Guinea				
PH	Philippines				
PK	Pakistan				
PL	Poland				
PT	Portugal				
PW	Palau				
PY	Paraguay				
QA	Qatar				
QZ	Community Plant Variety Office (European Community) (CPVO)				
RO	Romania				
RS	Serbia				
RU	Russian Federation				
RW	Rwanda				
SA	Saudi Arabia				
SB	Solomon Islands				
SC	Seychelles				
SD	Sudan				
SG	Singapore				
SH	Saint Helena				
SI	Slovenia				
SK	Slovakia				
SL	Sierra Leone				
SM	San Marino				
SN	Senegal				
SO	Somalia				
SR	Suriname				
ST	Sao Tome and Principe				
SV	El Salvador				
SY	Syrian Arab Republic				
SZ	Swaziland				
TC	Turks and Caicos Islands				
TD	Chad				
TG	Togo				
TH	Thailand				
TJ	Tajikistan				
TL	Timor-Leste				
TM	Turkmenistan				
TN	Tunisia				
TO	Tonga				
TR	Turkey				
SE	Sweden				
TT	Trinidad and Tobago				
TV	Tuvalu				
TW	Taiwan, Province of China				
TZ	United Republic of Tanzania				
UA	Ukraine				
UG	Uganda				
US	United States of America				
UY	Uruguay				
UZ	Uzbekistan				
VA	Holy See				
VC	Saint Vincent and the Grenadines				
VE	Venezuela				
VG	Virgin Islands (British)				
VN	Viet Nam				
VU	Vanuatu				
WO	World Intellectual Property Organization (WIPO)				
WS	Samoa				
XN	Nordic Patent Institute (NPI)				
YE	Yemen				
ZA	South Africa				
ZM	Zambia				
ZW	Zimbabwe				

**NATIONAL INTELLECTUAL PROPERTY CENTER OF GEORGIA
SAKPATENTI**

**OFFICIAL BULLETIN
OF THE INDUSTRIAL PROPERTY**

2(462)

**INVENTIONS
UTILITY MODELS
DESIGNS
TRADEMARKS**

DATE OF PUBLICATION
2017 01 25

CONTENTS

PUBLISHED TITLES OF PROTECTION	2
INVENTIONS	
▪ APPLICATIONS APPROVED FOR GRANTING PATENTS	4
▪ PATENTED INVENTIONS	6
UTILITY MODELS	
▪ APPLICATION APPROVED FOR GRANTING PATENTS	8
▪ PATENTED UTILITY MODELS	9
DESIGNS	
▪ APPLICATIONS APPROVED FOR REGISTRATION	11
▪ REGISTERED DESIGN	17
TRADEMARKS	
▪ APPLICATIONS FILED UNDER THE NATIONAL PROCEDURE APPROVED FOR REGISTRATION	18
▪ REGISTERED TRADEMARKS	27
▪ TRADEMARKS REGISTERED ACCORDING TO THE ACCELERATED PROCEDURE	30
▪ INTERNATIONAL TRADEMARKS FOR WHICH A DECISION ON GANTING PROTECTION IS TAKEN	33
▪ INTERNATIONAL TRADEMARKS PROTECTED IN GEORGIA	46
OFFICIAL NOTIFICATIONS	
INVENTIONS	
▪ RENEWAL OF A PATENTS	66
UTILITY MODELS	
▪ RENEWAL OF A PATENTS	67
DESIGNS	
▪ CANSSELLING OF REGISTRATION	67
▪ INTERNATIONAL DESIGNS APPLICATION, WHICH WAS REGISTERED ON THE TERRITORY OF GEORGIA	69
TRADEMARKS	
▪ RENEWAL OF REGISTRATIONS	71
▪ COMPLETE TRANSFER OF RIGHTS	77
▪ CHANGES IN NAMES AND/OR ADDRESSES OF OWNERS	80
▪ INVALIDATION OF TRADEMARKS REGISTRATION	83
CLASSIFICATION INDEXES	
INVENTIONS	89
UTILITY MODELS	90
DESIGNS	92
TRADEMARKS	93

PUBLISHED TITLES OF PROTECTION

INVENTIONS

- **APPLICATIONS APPROVED FOR GRANTING PATENTS:**
13941; 12994; 14073; 13491; 13770
- **PATENTED INVENTIONS:**
6603-6610

UTILITY MODELS

- **APPLICATION APPROVED FOR GRANTING PATENT:**
14121
- **PATENTED UTILITY MODELS:**
1921-1925

DESIGNS

- **APPLICATIONS APPROVED FOR REGISTRATION:**
927; 930
- **REGISTERED DESIGN:**
695

TRADEMARKS

- **APPLICATIONS FILED UNDER THE NATIONAL PROCEDURE APPROVED FOR REGISTRATION:**
85023*; 86012; 86122; 86857; 86989; 87001; 87196; 87218, 87219; 87222; 87237, 87238; 87242; 87257, 87258; 87260, 87261; 87263, 87264; 87267; 87269-87272; 87274-87279; 87284-87286; 87294; 87297, 87298; 87300; 87302; 87304; 87334, 87335; 87367; 87386; 87399; 87529-87532; 87617; 87622; 87657-87660; 87691
- **REGISTERED TRADEMARKS:**
28051-28076
- **TRADEMARKS REGISTERED ACCORDING TO THE ACCELERATED PROCEDURE:**
28040-28050; 28077
- **INTERNATIONAL TRADEMARKS FOR WHICH A DECISION ON GRANTING PROTECTIONS IS TAKEN:**
85911; 86019; 86069; 86073; 86187; 86291; 86459; 86468; 86483; 86491; 86517; 86521; 86523; 86525; 86527; 86566; 86622, 86623; 86625; 86628; 86648; 86698; 86716, 86717; 86720-86722; 86738-86742; 86775; 86787; 86789; 86793; 86804; 86808, 86809; 86811-86813; 86837, 86838; 86870, 86871; 86923-86925; 86927; 87048; 87050-87052; 87102-87104; 87106-87108; 87110; 87169, 87170; 87206
- **INTERNATIONAL TRADEMARKS PROTECTED IN GEORGIA:**
80660; 83741; 84239; 84389; 84567-84569; 84573; 84583; 84590; 84602; 84605; 84618, 84619; 84660, 84661; 84668-84671; 84674; 84676, 84677; 84710; 84722-84724; 84727; 84731; 84735, 84736; 84760-84762; 84765-84767; 84777; 84781; 84785, 84786; 84806-84815; 84817-84819; 84821-84823; 84828; 84833; 84835-84844; 84863-84866; 84868-84870; 84873-84876; 84890, 84891; 84913-84915; 84955; 85009; 85012; 85015; 85028; 85057, 85058; 85068; 85076, 85077; 85087; 85092; 85096, 85097; 85099-85105; 85147; 85200-85202; 85204, 85205; 85272-85274; 85276; 85312; 85317; 85322; 85373; 85448; 85451, 85452; 85455, 85456; 85458, 85459; 85593; 85622; 85638-85641; 85707, 85708; 85719; 85801; 85804; 85808; 85876; 85907

INVENTIONS

APPLICATIONS APPROVED FOR GRANTING PATENTS

The decision can be appealed at the Chamber of Appeal of Sakpatenti within 3 months from the publication or at the Mtskheta District Court Administrative Cases Board (Address: №17, Samkhedro str., Mtskheta), within 1 month following the publication.

PART A

A 61

- (10) AP 2017 13941 A (51) Int. Cl. (2006)
A 61 K 31/00
A 61 K 31/40
A 61 P 1/16
- (21) AP 2013 013941 (22) 2013 06 25
(31) 1468/MUM/2013
(32) 2013 04 22
(33) IN
(71) CADILA HEALTHCARE LIMITED (IN)
Zydus Tower, Satellite Cross Roads
Ahmedabad 380015 Gujarat (IN)
(72) PATEL, Pankaj (IN);
HARIPRASAD JANI, Rajendrakumar (IN)
(74) Aleksandre Gegechkori
(85) 2015 09 17
(86) PCT/IN2013/000391, 2013 06 25
(54) **NOVEL COMPOSITION FOR
NONALCOHOLIC FATTY LIVER
DISEASE (NAFLD)**
(57) Pharmaceutical compositions for nonalcoholic fatty liver disease comprising effective therapeutic amount of compound of formula (I) and methods of using the compounds for treating or prevention disorder such as nonalcoholic fatty liver disease (NAFLD).
Claims: 4 independent
20 dependent
Fig.: 4
-

PART B

B 01

- (10) AP 2017 12994 A (51) Int. Cl. (2006)
B 01 D 53/62
C 01 B 31/24
C 01 F 11/18
- (21) AP 2011 012994 (22) 2011 07 08
(31) 61/362,607; 61/370,030; 61/406,536;
61/451,078
(32) 2010 07 08; 2010 08 02; 2010 10 25;
2011 03 09
(33) US; US; US; US
(71) SKYONIC CORPORATION (US)
900 South Capital of TX Highway, Suite 475
Austin, TX 78746 (US)
(72) JONES, Joe, David (US);
YABLONSKY, Al (US)
(74) Giorgi Meipariani
(85) 2013 02 07
(86) PCT/US2011/043470, 2011 07 08
(54) **CARBON DIOXIDE SEQUESTRA-
TIONS INVOLVING TWO-SALT-BASED
THERMOLYTIC PROCESSES**
(57) An invention relates to energy efficient carbon dioxide sequestration processes whereby Group 2 silicate minerals and CO₂ are converted into limestone and sand using two-salt. Thermolytic process allows for cycling of heat and chemicals from one step to another.
Claims: 6 independent
68 dependent
Fig.: 37
Table: 25
-

PART C**C 03**

(10) AP 2017 14073 A (51) Int. Cl. (2006)
C 03 C 7/04

(21) AP 2016 014073 (22) 2016 02 29

(71) Irine Berdzenishvili (GE)

Chrelashvilis q. 4, b. 1, 0144, Tbilisi (GE)

(72) Irine Berdzenishvili (GE)

(54) **FRIT FOR DIRECT-ON ENAMELING**

(57) A frit for direct-on enameling contains SiO₂, Al₂O₃, B₂O₃, Na₂O, K₂O, TiO₂, ZrO₂, Co₂O₃, CuO, alternate with this that it additionally contains ZnO and Na₂SiF₆, with following correlation of componentry, in mass%:

SiO₂ 31,8-40,3

Al₂O₃ 1,5-2,3

B₂O₃ 9,2-18,0

Na₂O 16,4-17,2

K₂O 3,0-3,6

TiO₂ 6,2-8,7

ZrO₂ 2,5-3,6

Co₂O₃ 0,5-0,8

CuO 0,6-1,0

ZnO 1,4-2,4

Na₂SiF₆ 11,4-15,5

Claims: 1 independent

Table: 2

C 09

(10) AP 2017 13491 A (51) Int. Cl. (2006)
C 09 D 11/00

C 09 D 11/02

B 41 M 3/14

B 42 D 15/00

C 09 B 5/02

C 09 B 69/10

C 07 D 311/00

C 07 D 471/00

C 07 D 221/00

(21) AP 2012 013491 (22) 2012 10 30

(31) PCT/EP2011/069885; 61/558,236

(32) 2011 11 10; 2011 11 10

(33) IB; US

(71) SICPA HOLDING SA (CH)

Av. de Florissant 41 CH-1008 Prilly (CH)

(72) PASQUIER, Cécile (CH);

WYSS, Patrick (CH)

(74) Larisa Amirkhanyan

(85) 2014 06 05

(86) PCT/EP2012/071449, 2012 10 30

(54) **POLYMER-BONDED POLYCYCLIC AROMATIC HYDROCARBONS HAVING NITROGEN CONTAINING SUBSTITUENTS**

(57) The invention concerns a polymer-bonded polycyclic aromatic hydrocarbon compound and a process for making such a compound, and the use therein a printing ink composition, which can be used in particular for making marking or security features.

Claims: 9 independent

27 dependent

PART G**G 11**

(10) AP 2017 13770 A (51) Int. Cl. (2006)
G 11 C 17/00

(21) AP 2015 013770 (22) 2015 03 25

(71) Iliia Gelashvili (GE)

Varketilis 3, IIIa mkr., korp. 333, b. 10, 0163, Tbilisi (GE)

(72) Iliia Gelashvili (GE)

(54) **MEMORY PROM, EXECUTED AS INDEPENDENT DETACHABLE DEVICE**

(57) Information storage device includes couple of modules switched to each other and executed capable of joint action with outer device, for example, with computer. First one includes storage cells PROM and decoders of said cells, and second – a programmer capable to record received information from outer device in first one memory PROM.

Claims: 1 independent

8 dependent

Fig.: 1

PATENTED INVENTIONS

PART A

A 61

- (11) **P 2017 6610 B** (51) **Int. Cl. (2006)**
A 61 F 9/007
 (10) AP 2016 13944 A (44) 19(455)/2016
 (21) AP 2015 013944
 (22) 2015 09 25
 (24) 2015 09 25
 (73) Vakhtang Zarnadze (GE)
 Rustavelis q. 120, 2400, Terjola (GE)
 (72) Vakhtang Zarnadze (GE)
 (54) **DEVICE FOR INTRAOCULAR
 PRESSURE CONTROL**

- (11) **P 2017 6606 B** (51) **Int. Cl. (2006)**
A 61 K 9/00
A 61 K 9/107
A 61 K 47/14
 (10) AP 2016 13046 A (44) 19(455)/2016
 (21) AP 2011 013046
 (22) 2011 09 02
 (24) 2011 09 02
 (31) 12/875,805; 10175337.4
 (32) 2010 09 03; 2010 09 03
 (33) US; EP
 (86) PCT/EP2011/065236, 2011 09 02
 (73) SANTEN SAS (FR)
 1 rue Pierre Fontaine, Bâtiment Genavenir
 IV F-91000 Evry (FR)
 (72) LALLEMAND, Frédéric (FR);
 GARRIGUE, Jean-Sébastien (FR);
 PHILIPS, Betty (FR)
 (74) Tamar Kochlamazashvili
 (85) 2013 04 03
 (86) PCT/EP2011/065236, 2011 09 02
 (54) **WATER-IN-OIL TYPE EMULSION
 FOR TREATING A DISEASE OF THE
 EYE**

- (11) **P 2017 6609 B** (51) **Int. Cl. (2006)**
A 61 K 31/164
A 61 K 31/415
A 61 K 31/4174
A 61 K 31/525
A 61 P 11/02
 (10) AP 2016 13539 A (44) 19(455)/2016
 (21) AP 2012 013539
 (22) 2012 09 25
 (24) 2012 09 25
 (31) 10 2011 122 588.2; 10 2012 005 452.1
 (32) 2011 12 30; 2012 03 20

- (33) DE; DE
 (86) PCT/EP2012/003995, 2012 09 25
 (73) MARIA CLEMENTINE MARTIN
 KLOSTERFRAU VERTRIEBSGESEL-
 LSCHAFT MBH (DE)
 Gereonsmühlengasse 1-11, 50670, Köln (DE)
 (72) GREVE, Harald (DE)
 (74) Tamar Kochlamazashvili
 (54) **COMPOSITION FOR NASAL
 APPLICATION WITH IMPROVED
 STABILITY**

PART C

C 07

- (11) **P 2017 6608 B** (51) **Int. Cl. (2006)**
C 07 D 401/10
C 07 D 401/14
C 07 D 405/14
C 07 D 413/10
C 07 D 413/14
C 07 D 417/14
C 07 D 498/08
A 61 K 31/506
A 61 K 31/444
A 61 P 25/282
 (10) AP 2016 13457 A (44) 19(455)/2016
 (21) AP 2012 013457
 (22) 2012 10 03
 (24) 2012 10 03
 (31) 2011-222741
 (32) 2011 10 07
 (33) JP
 (86) PCT/JP2012/076257, 2012 10 03
 (73) TAKEDA PHARMACEUTICAL
 COMPANY LIMITED (JP)
 1-1, Doshomachi 4-chome, Chuo-ku,
 Osaka-shi, Osaka 5410045 (JP)
 (72) KOIKE, Tatsuki (JP);
 YOSHIKAWA, Masato (JP);
 ANDO, Haruhi (JP);
 FARNABY, William John (GB)
 (74) Shalva Gvaramadze
 (54) **1 - ARYLCARBONYL - 4 - OXY - PIPERI-
 DINE COMPOUNDS USEFUL FOR THE
 TREATMENT OF NEURODEGENERA-
 TIVE DISEASES**

- (11) P 2017 6604 B** **(51) Int. Cl. (2006)**
C 07 K 16/26
A 61 K 39/395
A 61 P 35/00
- (10) AP 2016 12707 A (44) 19(455)/2016
(21) AP 2010 012707
(22) 2010 10 15
(24) 2010 10 15
(31) PCT/EP/2010/006329; 61/252,625
(32) 2010 10 15; 2009 10 16
(33) IB; US
(86) PCT/EP2010/006329, 2010 10 15
(73) INSTITUT NATIONAL DE LA SANTÉ
ET DE LA RECHERCHÉ MÉDICALE
(INSERM) (FR)
101 rue de Tolbiac F-75654 Paris
Cedex 13 (FR);
CENTRE NATIONAL DE LA RECHERCHÉ
SCIENTIFIQUE (FR)
Campus Gérard-Mégie, 3 rue Michel-Ange,
F-75794 Paris Cedex 16 (FR);
LES LABORATOIRES SERVIER (FR)
35, rue de Verdun, 92284 Suresnes
Cedex (FR)
(72) PANNEQUIN, Julie (FR);
BOUDIER, Laure (FR);
JOUBERT, Dominique (FR);
HOLLANDE, Frédéric (FR)
(74) Tamaz Shilakadze
(54) **MONOCLONAL ANTIBODIES TO
PROGASTRIN AND THEIR USES**

- (11) P 2017 6605 B** **(51) Int. Cl. (2006)**
C 07 K 16/32
A 61 K 39/395
A 61 P 35/00
- (10) AP 2016 13006 A (44) 19(455)/2016
(21) AP 2011 013006
(22) 2011 08 22
(24) 2011 08 22
(31) 61//375,408
(32) 2010 08 20
(33) US
(86) PCT/EP2011/064407, 2011 08 22
(73) NOVARTIS AG (CH)
Lichtstrasse 35 CH-4056 Basel (CH)
(72) ELIS, Winfried (DE);
ETTENBERG, Seth (US);
GARNER, Andrew Paul (GB);
HAUBST, Nicole (DE);
KUNZ, Christian Carsten Silvester (DE);
REISINGER SPRAGUE, Elizabeth Anne (US)
(74) Aleksandre Kartvelishvili
(54) **ANTIBODIES FOR EPIDERMAL
GROWTH FACTOR RECEPTOR
3 (HER3)**

C 08

- (11) P 2017 6607 B** **(51) Int. Cl. (2006)**
C 08 B 15/00
A 61 P 25/28
A 61 K 31/717
- (10) AP 2016 13083 A (44) 19(455)/2016
(21) AP 2011 013083
(22) 2011 10 06
(24) 2011 10 06
(31) 2010141697
(32) 2010 10 11
(33) RU
(86) PCT/RU2011/000785, 2011 10 06
(73) LLC "NEARMEDIC PLUS" (RU)
Ul. Aviakonstruktora Mikoyana, dom 12,
152252 Moscow (RU)
(72) ERSHOV, Felix Ivanovich (RU);
NESTERENKO, Vladimir Georgievich (RU);
SARYMSAKOV, Abdushukur
Abdukhaliilovich (UZ);
ALEKSEEVA, Natalya Uryevna (RU)
(74) Shalva Gvaramadze
(54) **METHOD FOR PRODUCING AND
USING COPOLYMER OF SODIUM
CARBOXYMETHYL CELLULOSE AND
GOSSYPOL**

C 10

- (11) P 2017 6603 B** **(51) Int. Cl. (2006)**
C 10 G 1/04
C 09 K 8/60
C 23 F 11/173
C 23 G 1/24
- (10) AP 2016 12413 A (44) 19(455)/2016
(21) AP 2009 012413
(22) 2009 03 13
(24) 2009 03 13
(86) PCT/US2009/037112, 2009 03 13
(73) GREEN SOURCE ENERGY LLC (US)
6 Waterford Circle, the Woodlands,
TX 77381-6613 (US)
(72) FAN, Liang-tseng (US);
SHAFIE, Mohammad, Reza (IR);
TOLLAS, Julius, Michael (US);
LEE, William, Arthur Fitzhugh (US)
(74) Tamar Kochlamazashvili
(54) **EXTRACTION OF HYDROCARBONS
FROM HYDROCARBON-CONTAINING
MATERIALS AND/OR PROCESSING OF
HYDROCARBON-CONTAINING
MATERIALS**

UTILITY MODELS

APPLICATION APPROVED FOR GRANTING PATENT

The decision can be appealed at the Chamber of Appeal of Sakpatenti within 3 months from the publication or at the Mtskheta District Court Administrative Cases Board (Address: №17, Samkhedro str., Mtskheta), within 1 month following the publication.

PART A

A 01

(10) AU 2017 14121 U (51) Int. Cl. (2006)

A 01 G 7/00

(21) AU 2016 014121 (22) 2016 04 19

(71) Shalva Bichiashvili (GE)

Didi Dighomi, Demetre Tavdadebulis q. 2,

b. 77, 0159, Tbilisi (GE)

(72) Shalva Bichiashvili (GE);

Tamaz Bichiashvili (GE)

(54) **METHOD FOR PLANT PHYSIOLO-**

GICAL CONDITION DETERMINATION

(57) A method provides controlled and tested plants biopotential measuring. At that, to execute above mentioned, the electrodes are fastened on the plants and their biopotential registration is executed. Tested plants physiological condition estimation is executed accordingly comparative biophysical constant magnitude, calculated accordingly represented formula.

Claims: 1 independent

PATENTED UTILITY MODELS

PART A

A 01

- (11) U 2017 1922 Y** **(51) Int. Cl. (2006)**
A 01 C 1/06
- (10) AU 2016 13830 U (44) 19(455)/2016
 (21) AU 2015 013830
 (22) 2015 05 20
 (24) 2015 05 20
 (73) Givi Papava (GE)
 Shatberashvilis q. 4, b. 5, 0179, Tbilisi (GE);
 Marine Gurgenshvili (GE)
 Sop. Kandaura, 3812, Sagarejo (GE);
 Eldar Gugava (GE)
 Iosebidzis q. 51, b.92, 0160 Tbilisi (GE);
 Ia Chitrekashvili (GE)
 Tsulukidzis q. 23, b. 56, 0190, Tbilisi (GE);
 Nazi Gelashvili (GE)
 Dolidzis q., korp. 14, b. 24, 0171, Tbilisi (GE);
 Nora Dokhturishvili (GE)
 Dolidzis q. 25, b. 98, 0171, Tbilisi (GE);
 Nunu Maisuradze (GE)
 Dolidzis q. 25, b. 98, 0171, Tbilisi (GE);
 Vitali Sherozia (GE)
 Nutsupidzis q. 14a, b. 4, 0177, Tbilisi (GE);
 Eter Gavashelidze (GE)
 Vazha-Pshavelas gamz. IV kvart., korp. 25,
 b. 14, 0186, Tbilisi (GE);
 Shalva Papava (GE)
 Shatberashvilis q. 4, b. 5, 0179, Tbilisi (GE);
 Nanuli Khotenashvili (GE)
 Iv. Javakhishvilis q. 13, 0102, Tbilisi (GE);
 Riva Liparteliani (GE)
 Didi Dighomi, Giorgi Brtskinvalis q. 41, 0131,
 Tbilisi (GE)
 (72) Givi Papava (GE);
 Marine Gurgenshvili (GE);
 Eldar Gugava (GE);
 Ia Chitrekashvili (GE);
 Nazi Gelashvili (GE);
 Nora Dokhturishvili (GE);
 Nunu Maisuradze (GE);
 Vitali Sherozia (GE);
 Eter Gavashelidze (GE);
 Shalva Papava (GE);
 Nanuli Khotenashvili (GE);
 Riva Liparteliani (GE)
 (54) **METHOD FOR PROLONGED
 ACTION POLYMERIC NITROGENOUS
 FERTILIZER PRODUCTION**

A 23

- (11) U 2017 1923 Y** **(51) Int. Cl. (2006)**
A 23 L 1/06
- (10) AU 2016 13936 U (44) 19(455)/2016
 (21) AU 2015 013936
 (22) 2015 09 15
 (24) 2015 09 15
 (73) Aleksandre Tsereteli (GE)
 V. Bagrationis q. 22, 0154, Tbilisi (GE);
 Enver Mdivani (GE)
 Shemokmedis Administratsiuli erteuli, 3523,
 Ozurgeti (GE)
 (72) Aleksandre Tsereteli (GE);
 Enver Mdivani (GE)
 (54) **METHOD FOR DIABETIC JAM
 PREPARATION**

PART F

F 04

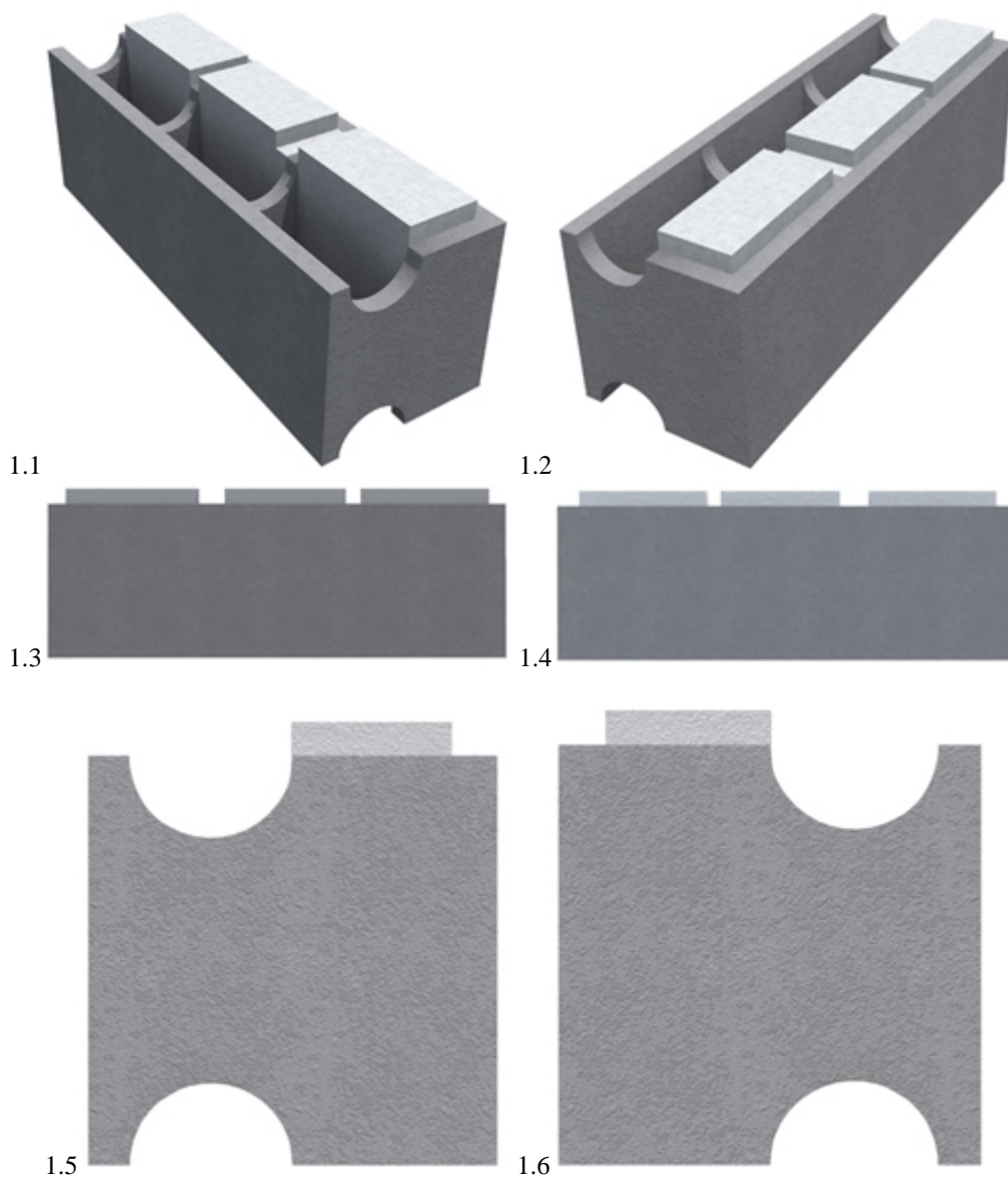
- (11) U 2017 1924 Y** **(51) Int. Cl. (2006)**
F 04 C 2/32
- (10) AU 2016 14054 U (44) 19(455)/2016
 (21) AU 2016 014054
 (22) 2016 02 09
 (24) 2016 02 09
 (73) Dimitri Gvekhidze (GE)
 Kindzmaraulis Shesakhv., korp. 10, b. 72,
 0121, Tbilisi (GE)
 (72) Dimitri Gvekhidze (GE)
 (54) **ROTARY PUMP**
-
- (11) U 2017 1925 Y** **(51) Int. Cl. (2006)**
F 04 C 2/32
- (10) AU 2016 14055 U (44) 19(455)/2016
 (21) AU 2016 014055
 (22) 2016 02 09
 (24) 2016 02 09
 (73) Dimitri Gvekhidze (GE)
 Kindzmaraulis Shesakhv., korp. 10, b. 72,
 0121, Tbilisi (GE)
 (72) Dimitri Gvekhidze (GE)
 (54) **ROTARY PUMP**

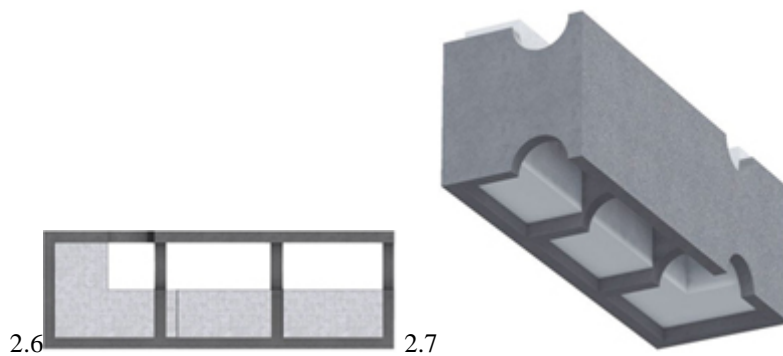
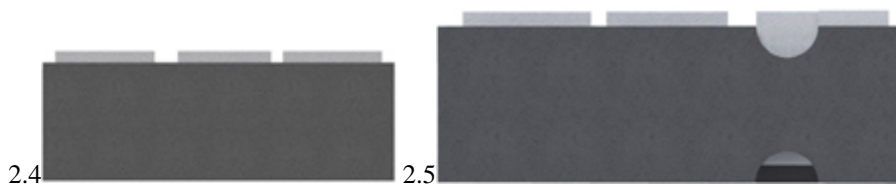
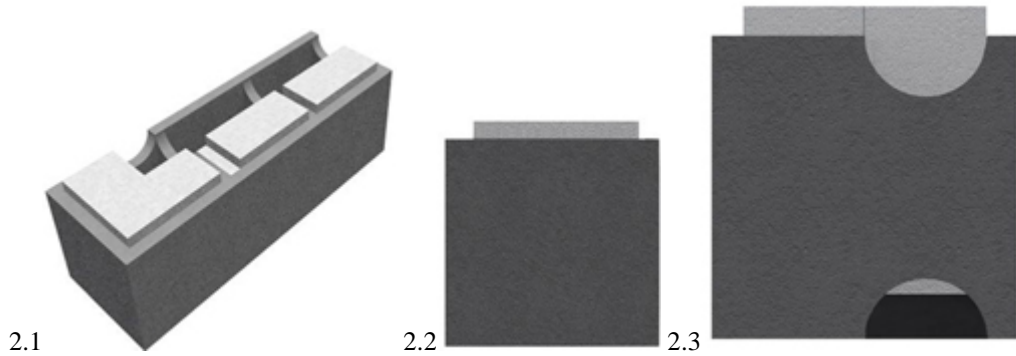
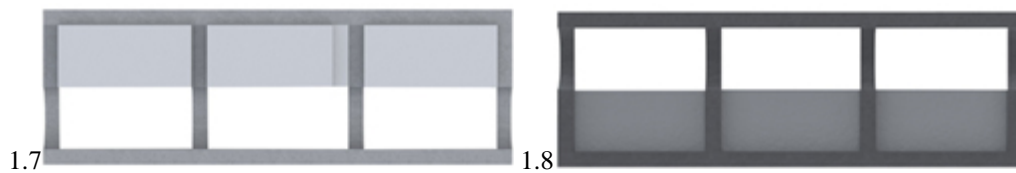
DESIGNS

APPLICATIONS APPROVED FOR REGISTRATIONS

The decision can be appealed at the Chamber of Appeal of Sakpatenti within 3 months from the publication or at the Mtskheta District Court Administrative Cases Board (Address: №17, Samkhedro str., Mtskheta), within 1 month following the publication.

- (10) AD 2017 927 S (51) 25-01
- (21) AD 2016 000927
- (22) 2016 10 07
- (28) 2
- (71) Taniel Chigogidze (GE)
Panaskertelis q. korp. 11, b. 85, 0194, Tbilisi (GE)
- (72) Taniel Chigogidze (GE)
- (74) Tamaz Shilakadze
- (54) **1.-2. HOLLOW CONSTRUCTION BLOCK**
- (55)





(10) AD 2017 930 S (51) 25-02

(21) AD 2016 000930

(22) 2016 11 01

(28) 4

(71) Giorgi Bidzinashvili (GE)

D. Uznadzis q. 91a, b. 1, 0102, Tbilisi (GE)

(72) Giorgi Bidzinashvili (GE)

(54) 1. SAFE, 2. DOOR WITH FRAME AND LATTICE, 3. DOOR WITH FRAME,
4. DOOR WITH FRAME AND SLUICE

(55)



1.1



1.2



1.3



2.1





2.8



3.1



3.2



3.3



3.4



3.5



3.6



4.1



4.2



4.3



4.4

REGISTERED DESIGN

- (11) **D 2017 695 S** (51) **20-03**
(10) AD 2016 910 S (44) 19(455)/2016
(21) AD 2016 000910
(22) 2016 06 01
(24) 2016 06 01
(28) 5
(18) 2021 06 01
(73) Ibrahim Onder (TR)
 Merkez Mah. Muhammet Kabaoğlu Cad.
 N16/7 Ardeşen, Rize (TR)
(72) Ibrahim Onder (TR)
(74) Vakhtang Torotadze
(54) **1.-5. ADVERTISING EQUIPMENT**
-

TRADEMARKS

APPLICATIONS FILED UNDER THE NATIONAL PROCEDURE APPROVED FOR REGISTRATION

The decision can be appealed at the Chamber of Appeal of Sakpatenti within 3 months from the publication or at the Mtskheta District Court Administrative Cases Board (Address: №17, Samkhedro St., Mtskheta), within 1 month following the publication.

(260) AM 2017 85023 A*
(210) AM 85023
(220) 2015 12 04
(731) LTD "GEORGIAN DISTRIBUTION-
MARKETING COMPANY"
Moskovis gamz. 31b, Isani-Samgoris raioni,
0120, Tbilisi, Georgia
(740) Vakhtang Torotadze
(540)



(591) White, black, orange, green, dark green
(531) 05.09.06, 08.07.11, 26.05.01, 26.05.22, 28.19,
29.01.14
(526) The trademark is protected as a whole.
"ბარბარე ჯორჯადე" shall not be subject to inde-
pendent legal protection.
(511) 29, 30, 35

(260) AM 2017 86012 A
(210) AM 86012
(220) 2016 02 08
(731) LTD "H. SHADREVANI TRADING
COMPANY"
M. Kostavas pirveli shes. 3, sad. 2, b. 53,
0179, Tbilisi, Georgia
(740) Giorgi Taktakishvili
(540)



(591) Red, black
(531) 26.11.12, 27.05.11, 27.05.15, 27.05.23, 28.19,
29.01.12
(511) 33

(260) AM 2017 86122 A
(210) AM 86122
(220) 2016 02 10
(731) LTD "GLOBALPHARMI"
Almasianis q. 13a/Berbutis q. 8, 0171, Tbilisi,
Georgia
(740) Giorgi Ghvinadze
(540)

თქვენი ოცნების სახლი!
Дом Вашей Мечты!
House of Your Dream!

(511) 35

(260) AM 2017 86857 A
(210) AM 86857
(220) 2016 04 01
(731) BRIDGESTONE LICENSING SERVICES,
INC. (a Delaware corporation)
535 Marriott Drive, Nashville, Tennessee
37214, USA
(740) Tamar Kochlamazashvili
(540)



(591) Red, white
(531) 26.03.18, 29.01.12, 26.03.06, 24.01.15
(511) 12

(260) AM 2017 86989 A
 (210) AM 86989
 (220) 2016 04 12
 (731) ABDULKERİM ELÇEOĞLU
 İSTOC TICARET MERKEZİ 15 ADA
 NO.93-95 MAHMUTBEY BAGCILAR,
 İSTANBUL, Turkey
 (740) Shalva Gvaramadze
 (540)



(591) Black, dark grey, grey, red, white
 (531) 26.04.10, 27.05.02, 29.01.14, 01.01.05,
 01.01.10, 01.11.08, 26.01.20
 (511) 6, 7, 11

(260) AM 2017 87001 A
 (210) AM 87001
 (220) 2016 04 13
 (731) MOTUL
 119, Boulevard Félix Faure, 93300
 AUBERVILLIERS, France
 (740) Shalva Gvaramadze
 (540)

MOTUL 300V

გენიალური უპირატესობა

(511) 1, 4

(260) AM 2017 87196 A
 (210) AM 87196
 (220) 2016 05 06
 (731) TAREK NOHRA
 Jumeirah Village Circl Al Masaar
 Residence, Buil. 305, 96011,
 United Arab Emirates
 (740) Tina Chauri
 (540)



(591) Black, white
 (531) 05.03.14, 27.05.01, 27.05.11, 28.01
 (526) Trademark protection is required completely.
 (511) 43

(260) AM 2017 87218 A
 (210) AM 87218
 (220) 2016 05 13
 (731) JSC "LOMISI"
 Sop. Natakhtari, 3308, Mtskheta, Georgia
 (740) Elguja Amozashvili
 (540)



(591) Yellow, blue, orange
 (531) 05.07.11, 05.07.22, 25.01.19, 27.05.03,
 29.01.13
 (511) 32

(260) AM 2017 87219 A
 (210) AM 87219
 (220) 2016 05 13
 (731) JSC "LOMISI"
 Sop. Natakhtari, 3308, Mtskheta, Georgia
 (740) Elguja Amozashvili
 (540)



(591) Green, yellow, blue
 (531) 05.07.12, 05.07.22, 25.01.19, 27.05.03,
 29.01.13
 (511) 32

(260) AM 2017 87222 A
 (210) AM 87222
 (220) 2016 05 13
 (731) JSC "LOMISI"
 Sop. Natakhtari, 3308, Mtskheta, Georgia
 (740) Elguja Amozashvili
 (540)



(591) Red, blue, green

(531) 01.15.15, 05.07.08, 25.01.19, 27.05.03,
29.01.13
(511) 32

(260) AM 2017 87237 A
(210) AM 87237
(220) 2016 05 16
(731) MON'DELEZ RUS LLC
ul. Frantsa Shtolverka 10, Vladimirskaya
Oblast, Petushinskiy Rayon, g. Pokrov,
601123, Russian Federation
(740) Giorgi Taktakishvili
(540)



(591) White, yellow, red, green, sky-blue, lilac
(531) 01.15.01, 26.04.06, 26.04.09, 26.11.12, 28.19,
29.01.15
(511) 30

(260) AM 2017 87238 A
(210) AM 87238
(220) 2016 05 16
(731) MON'DELEZ RUS LLC
ul. Frantsa Shtolverka 10, Vladimirskaya
Oblast, Petushinskiy Rayon, g. Pokrov,
601123, Russian Federation
(740) Giorgi Taktakishvili
(540)

მამის ფანი

(511) 30

(260) AM 2017 87242 A
(210) AM 87242
(220) 2016 05 16
(731) MERCK KGAA
Frankfurter Strasse 250, 64293 Darmstadt,
Germany
(740) Shalva Gvaramadze
(540)

METAFOLIN

(511) 1, 5

(260) AM 2017 87257 A
(210) AM 87257
(220) 2016 05 18
(731) ORION CORPORATION
13, Baekbeom-ro 90da-gil, Yongsan-gu,
Seoul, Republic of Korea
(740) Shalva Gvaramadze
(540)

통아몬드

(591) Black, white
(531) 28.03
(511) 30

(260) AM 2017 87258 A
(210) AM 87258
(220) 2016 05 18
(731) ORION CORPORATION
13, Baekbeom-ro 90da-gil, Yongsan-gu,
Seoul, Republic of Korea
(740) Shalva Gvaramadze
(540)

참붕어빵

(591) Black, white
(531) 28.03
(511) 30

(260) AM 2017 87260 A
(210) AM 87260
(220) 2016 05 18
(731) ORION CORPORATION
13, Baekbeom-ro 90da-gil, Yongsan-gu,
Seoul, Republic of Korea
(740) Shalva Gvaramadze
(540)

마켓오 리얼 브라우니

(591) Black, white
(531) 28.03
(511) 30

(260) AM 2017 87261 A
(210) AM 87261
(220) 2016 05 18
(731) ORION CORPORATION
13, Baekbeom-ro 90da-gil, Yongsan-gu,
Seoul, Republic of Korea
(740) Shalva Gvaramadze

(540)

마켓오 리얼 브라우니 바닐라 케이크

(591) Black, white

(531) 28.03

(511) 30

(260) AM 2017 87263 A

(210) AM 87263

(220) 2016 05 18

(731) ORION CORPORATION

13, Baekbeom-ro 90da-gil, Yongsan-gu,

Seoul, Republic of Korea

(740) Shalva Gvaramadze

(540)

마켓오 리얼 브라우니 블룬디

(591) Black, white

(531) 28.03

(511) 30

(260) AM 2017 87264 A

(210) AM 87264

(220) 2016 05 18

(731) ORION CORPORATION

13, Baekbeom-ro 90da-gil, Yongsan-gu,

Seoul, Republic of Korea

(740) Shalva Gvaramadze

(540)

마켓오 리얼치즈칩

(591) Black, white

(531) 28.03

(511) 30

(260) AM 2017 87267 A

(210) AM 87267

(220) 2016 05 18

(731) ORION CORPORATION

13, Baekbeom-ro 90da-gil, Yongsan-gu,

Seoul, Republic of Korea

(740) Shalva Gvaramadze

(540)

마켓오 리얼크래커 초코

(591) Black, white

(531) 28.03

(511) 30

(260) AM 2017 87269 A

(210) AM 87269

(220) 2016 05 18

(731) ORION CORPORATION

13, Baekbeom-ro 90da-gil, Yongsan-gu,

Seoul, Republic of Korea

(740) Shalva Gvaramadze

(540)

젤리데이 레몬

(591) Black, white

(531) 28.03

(511) 30

(260) AM 2017 87270 A

(210) AM 87270

(220) 2016 05 18

(731) ORION CORPORATION

13, Baekbeom-ro 90da-gil, Yongsan-gu,

Seoul, Republic of Korea

(740) Shalva Gvaramadze

(540)

젤리데이 포도

(591) Black, white

(531) 28.03

(511) 30

(260) AM 2017 87271 A

(210) AM 87271

(220) 2016 05 18

(731) ORION CORPORATION

13, Baekbeom-ro 90da-gil, Yongsan-gu,

Seoul, Republic of Korea

(740) Shalva Gvaramadze

(540)

젤리데이 복숭아

(591) Black, white

(531) 28.03

(511) 30

(260) AM 2017 87272 A

(210) AM 87272

(220) 2016 05 18

(731) ORION CORPORATION

13, Baekbeom-ro 90da-gil, Yongsan-gu,

Seoul, Republic of Korea

(740) Shalva Gvaramadze

(540)

닥터유 에너지바

(591) Black, white

(531) 28.03

(511) 30

(260) AM 2017 87274 A

(210) AM 87274

(220) 2016 05 18

(731) ORION CORPORATION
13, Baekbeom-ro 90da-gil, Yongsan-gu,
Seoul, Republic of Korea

(740) Shalva Gvaramadze
(540)

닥터유 에너지바 미니

(591) Black, white
(531) 28.03
(511) 30

(260) AM 2017 87275 A
(210) AM 87275
(220) 2016 05 18

(731) ORION CORPORATION
13, Baekbeom-ro 90da-gil, Yongsan-gu,
Seoul, Republic of Korea

(740) Shalva Gvaramadze
(540)

닥터유 키즈 호박

(591) Black, white
(531) 28.03
(511) 30

(260) AM 2017 87276 A
(210) AM 87276
(220) 2016 05 18

(731) ORION CORPORATION
13, Baekbeom-ro 90da-gil, Yongsan-gu,
Seoul, Republic of Korea

(740) Shalva Gvaramadze
(540)

닥터유 키즈 치즈

(591) Black, white
(531) 28.03
(511) 30

(260) AM 2017 87277 A
(210) AM 87277
(220) 2016 05 18

(731) ORION CORPORATION
13, Baekbeom-ro 90da-gil, Yongsan-gu,
Seoul, Republic of Korea

(740) Shalva Gvaramadze
(540)

닥터유 키즈 우유

(591) Black, white
(531) 28.03
(511) 30

(260) AM 2017 87278 A

(210) AM 87278
(220) 2016 05 18

(731) ORION CORPORATION
13, Baekbeom-ro 90da-gil, Yongsan-gu,
Seoul, Republic of Korea

(740) Shalva Gvaramadze
(540)

닥터유 다이제 오리지널

(591) Black, white
(531) 28.03
(511) 30

(260) AM 2017 87279 A

(210) AM 87279
(220) 2016 05 18

(731) ORION CORPORATION
13, Baekbeom-ro 90da-gil, Yongsan-gu,
Seoul, Republic of Korea

(740) Shalva Gvaramadze
(540)

닥터유 다이제 초코

(591) Black, white
(531) 28.03
(511) 30

(260) AM 2017 87284 A

(210) AM 87284
(220) 2016 05 18

(731) ORION CORPORATION
13, Baekbeom-ro 90da-gil, Yongsan-gu,
Seoul, Republic of Korea

(740) Shalva Gvaramadze
(540)

마이구미

(591) Black, white
(531) 28.03
(511) 30

(260) AM 2017 87285 A

(210) AM 87285
(220) 2016 05 18

(731) ORION CORPORATION
13, Baekbeom-ro 90da-gil, Yongsan-gu,
Seoul, Republic of Korea

(740) Shalva Gvaramadze
(540)

예감 치즈 그라탕

(591) Black, white

(531) 28.03
(511) 30

(260) AM 2017 87286 A
(210) AM 87286
(220) 2016 05 18
(731) ORION CORPORATION
13, Baekbeom-ro 90da-gil, Yongsan-gu,
Seoul, Republic of Korea

(740) Shalva Gvaramadze
(540)

예감 어니언

(591) Black, white
(531) 28.03
(511) 30

(260) AM 2017 87294 A
(210) AM 87294
(220) 2016 05 18
(731) ORION CORPORATION
13, Baekbeom-ro 90da-gil, Yongsan-gu,
Seoul, Republic of Korea

(740) Shalva Gvaramadze
(540)

왕고래밥 볶음

(591) Black, white
(531) 28.03
(511) 30

(260) AM 2017 87297 A
(210) AM 87297
(220) 2016 05 18
(731) ORION CORPORATION
13, Baekbeom-ro 90da-gil, Yongsan-gu,
Seoul, Republic of Korea

(740) Shalva Gvaramadze
(540)

고래밥 허니밀크

(591) Black, white
(531) 28.03
(511) 30

(260) AM 2017 87298 A
(210) AM 87298
(220) 2016 05 18
(731) ORION CORPORATION
13, Baekbeom-ro 90da-gil, Yongsan-gu,
Seoul, Republic of Korea

(740) Shalva Gvaramadze
(540)

초코파이 바나나

(591) Black, white
(531) 28.03
(511) 30

(260) AM 2017 87300 A
(210) AM 87300
(220) 2016 05 18
(731) ORION CORPORATION
13, Baekbeom-ro 90da-gil, Yongsan-gu,
Seoul, Republic of Korea

(740) Shalva Gvaramadze
(540)

초코송이

(591) Black, white
(531) 28.03
(511) 30

(260) AM 2017 87302 A
(210) AM 87302
(220) 2016 05 18
(731) ORION CORPORATION
13, Baekbeom-ro 90da-gil, Yongsan-gu,
Seoul, Republic of Korea

(740) Shalva Gvaramadze
(540)

고소미

(591) Black, white
(531) 28.03
(511) 30

(260) AM 2017 87304 A
(210) AM 87304
(220) 2016 05 18
(731) ORION CORPORATION
13, Baekbeom-ro 90da-gil, Yongsan-gu,
Seoul, Republic of Korea

(740) Shalva Gvaramadze
(540)

후레쉬베리

(591) Black, white
(531) 28.03
(511) 30

(260) AM 2017 87334 A
 (210) AM 87334
 (220) 2016 05 19
 (731) NISSAN CHEMICAL INDUSTRIES, LTD
 7-1, Kanda-Nishiki-cho 3-chome, Chiyoda-ku,
 Tokyo, 101-0054, Japan
 (740) Merab Kvimsadze
 (540)

ACHIBA

(591) Black, white
 (531) 27.05.17
 (511) 5

(260) AM 2017 87335 A
 (210) AM 87335
 (220) 2016 05 19
 (731) SANTA FARMA İLAÇ SANAYİİ
 ANONİM ŞİRKETİ
 Okmeydanı, Boru Çiçeği Sk. No.16 Kat:4,
 34382 Şişli İSTANBUL, Turkey
 (740) Pavle Meipariani
 (540)

Tioflex

(591) Black, white
 (531) 27.05.17
 (511) 5

(260) AM 2017 87367 A
 (210) AM 87367
 (220) 2016 05 24
 (731) TIANJIN LOVOL HEAVY INDUSTRY
 GROUP CO., LTD.
 No.77, Gaoxin Road, Beichen Science and
 Technology Park, Tianjin, P.R. China
 (740) Shalva Gvaramadze
 (540)



(591) Black, white
 (531) 03.07.05, 27.05.05, 27.05.22
 (511) 7, 9

(260) AM 2017 87386 A
 (210) AM 87386
 (220) 2016 05 25
 (731) EMBRIA HEALTH SCIENCES, LLC
 a limited liability company of the State

of Iowa, 2105 SE Creekview Drive, Ankeny,
 Iowa 50021, USA
 (740) Tamar Kochlamazashvili
 (540)

EPICOR

(591) Black, white
 (531) 27.05.22
 (511) 5, 30

(260) AM 2017 87399 A
 (210) AM 87399
 (220) 2016 05 27
 (731) LTD "IPM RESEARCH"
 N. Baratashvilis q. 8, Tbilisi, Georgia
 (740) Gocha Tskitishvili
 (540)



(591) White, black, green
 (531) 26.04.18, 27.05.10, 29.01.13
 (511) 35

(260) AM 2017 87529 A
 (210) AM 87529
 (220) 2016 06 07
 (731) Pharmaceutical Chemical Cosmetic Industry
 ALKALOID AD - Skopje
 Boulevard of Alexander Macedonian 12,
 1000, Last Republic of Yugoslavia Macedonia
 (740) Vakhtang Torotadze
 (540)

Bronles

(511) 5

(260) AM 2017 87530 A
 (210) AM 87530
 (220) 2016 06 07
 (731) Pharmaceutical Chemical Cosmetic Industry
 ALKALOID AD - Skopje
 Boulevard of Alexander Macedonian 12,
 1000, Last Republic of Yugoslavia Macedonia
 (740) Vakhtang Torotadze
 (540)

HEFEROL

(511) 5

(260) AM 2017 87531 A
 (210) AM 87531
 (220) 2016 06 07
 (731) Pharmaceutical Chemical Cosmetic Industry
 ALKALOID AD - Skopje
 Boulevard of Alexander Macedonian 12,
 1000, Last Republic of Yugoslavia Macedonia
 (740) Vakhtang Torotadze
 (540)

SKOPRYL

(511) 5

(260) AM 2017 87532 A
 (210) AM 87532
 (220) 2016 06 07
 (731) Pharmaceutical Chemical Cosmetic Industry
 ALKALOID AD - Skopje
 Boulevard of Alexander Macedonian 12,
 1000, Last Republic of Yugoslavia Macedonia
 (740) Vakhtang Torotadze
 (540)

SKOPRYL Plus

(511) 5

(260) AM 2017 87617 A
 (210) AM 87617
 (220) 2016 06 16
 (731) SE PIN
 Sintszian province, Urumchi, Chang Chun
 Str. 616, China
 (740) Shalva Gvaramadze
 (540)



(591) Black, red, white, grey
 (531) 01.17.11, 26.04.24, 29.01.14
 (511) 33

(260) AM 2017 87622 A
 (210) AM 87622
 (220) 2016 06 16
 (731) APPLE, INC
 1, Infinite Loop, Cupertino, California 95014,
 USA

(740) Tamar Kochlamazashvili
 (540)

APPLE

(511) 18

(260) AM 2017 87657 A
 (210) AM 87657
 (220) 2016 06 21
 (731) SIDELA SA
 Av. 18 de Julio 1117, Montevideo, Uruguay
 (740) Tamaz Shilakadze
 (540)



(554) Three-dimensional
 (591) Bordeaux, yellow, white, light blue
 (531) 19.03.03, 27.05.17, 29.01.14
 (511) 1, 16

(260) AM 2017 87658 A
 (210) AM 87658
 (220) 2016 06 21
 (731) SIDELA SA
 Av. 18 de Julio 1117, Montevideo, Uruguay
 (740) Tamaz Shilakadze
 (540)



(554) Three-dimensional
 (591) Blue, yellow, white
 (531) 19.03.03, 27.05.17, 29.01.13
 (511) 1, 16

(260) AM 2017 87659 A
 (210) AM 87659
 (220) 2016 06 21
 (731) SIDE LA SA
 Av. 18 de Julio 1117, Montevideo, Uruguay
 (740) Tamaz Shilakadze
 (540)



(554) Three-dimensional
 (591) Orange, purple, blue
 (531) 19.03.03, 27.05.17, 29.01.13
 (511) 1, 16

(540)



(591) Black, grey, bordeaux, light yellow, golden
 (531) 05.03.04, 05.07.10, 06.19.07, 07.01.09,
 18.01.02, 19.09.02, 23.01.01, 24.01.03,
 24.01.11, 24.03.07, 25.01.05, 25.01.19, 28.05,
 28.19
 (511) 33, 35, 43

(260) AM 2017 87660 A
 (210) AM 87660
 (220) 2016 06 21
 (731) SIDE LA SA
 Av. 18 de Julio 1117, Montevideo, Uruguay
 (740) Tamaz Shilakadze
 (540)



(591) Purple, black, white, red, yellow
 (531) 04.05.15, 27.05.05, 29.01.15
 (511) 1, 16

(260) AM 2017 87691 A
 (210) AM 87691
 (220) 2016 06 23
 (731) IRAKLI SHIOSHVILI
 Al.Chavchavadzis II shesak., sakhli 4, daba
 Tskneti, 0181, Tbilisi, Georgia
 (740) Irakli Shioshvili

REGISTERED TRADEMARKS

<p>(111) M 2017 28051 R (151) 2017 01 19 (181) 2027 01 19 (260) AM 2016 78564 A (220) 2014 09 08 (732) LTD "MY CONSALTING HOUSE" D. Aghmasheneblis gamz. 93, b.19, 0102, Tbilisi, Georgia</p>	<p>Wickhams Cay 1, Road Town, Tortola, British Virgin Islands</p>
<p>(111) M 2017 28052 R (151) 2017 01 19 (181) 2027 01 19 (260) AM 2016 79667 A (220) 2014 11 26 (732) PJSC "KOBLEVO" Vul. Odeska, Bud. 6, S. Kobleve, Berezinskiy raion, Mikolaivska Obl., 57453, Ukraine</p>	<p>(111) M 2017 28057 R (151) 2017 01 19 (181) 2027 01 19 (260) AM 2016 84076 A (220) 2015 10 05 (732) KRBL LIMITED 5190, Lahori Gate, Delhi – 110 006, India</p>
<p>(111) M 2017 28053 R (151) 2017 01 19 (181) 2027 01 19 (260) AM 2016 80769 A (220) 2015 02 13 (732) LTD "TURGE" Pushkinis q. 35, me-3 sart., b.5a, bloki "a", Batumi, Georgia</p>	<p>(111) M 2017 28058 R (151) 2017 01 19 (181) 2027 01 19 (260) AM 2016 84077 A (220) 2015 10 05 (732) KRBL LIMITED 5190, Lahori Gate, Delhi – 110 006, India</p>
<p>(111) M 2017 28054 R (151) 2017 01 19 (181) 2027 01 19 (260) AM 2016 81347 A (220) 2015 03 20 (732) SAVENCIA SA 42 Rue Rieussec, 78220 Viroflay, France</p>	<p>(111) M 2017 28059 R (151) 2017 01 19 (181) 2027 01 19 (260) AM 2016 84228 A (220) 2015 10 16 (732) HARRINGTON DEVELOPMENT INC Elvira Mendez Street, Vallario Bldg, 3rd floor, Panama, Panama</p>
<p>(111) M 2017 28055 R (151) 2017 01 19 (181) 2027 01 19 (260) AM 2016 83660 A (220) 2015 09 03 (732) ELEMENTOS TRADE LIMITED Avlonos, 1 Maria House 1075, Cyprus</p>	<p>(111) M 2017 28060 R (151) 2017 01 19 (181) 2027 01 19 (260) AM 2016 84236 A (220) 2015 10 19 (732) VERIZON TRADEMARK SERVICES LLC a Delaware limited liability company 1320 North Court House Road, 9th floor, Arlington, Virginia 22201 USA</p>
<p>(111) M 2017 28056 R (151) 2017 01 19 (181) 2027 01 19 (260) AM 2016 83699 A (220) 2015 09 04 (732) SILK ROAD GROUP S.A. Kara Bldg., 24 De Castro Street,</p>	<p>(111) M 2017 28061 R (151) 2017 01 19 (181) 2027 01 19 (260) AM 2016 84316 A (220) 2015 10 23 (732) LTD "MARJI" R. Tabukashvilis q. 27, 0108, Tbilisi, Georgia</p>
<p>(111) M 2017 28057 R (151) 2017 01 19 (181) 2027 01 19 (260) AM 2016 84428 A</p>	<p>(111) M 2017 28062 R (151) 2017 01 19 (181) 2027 01 19 (260) AM 2016 84428 A</p>

(220) 2015 11 02
(732) LTD "EKOMAKS KVISA DA KHIS
KOMPANIA KUTAISI TIZ"
Avtomsheneblis 88, 4600, Kutaisi, Georgia

(111) M 2017 28063 R
(151) 2017 01 20
(181) 2027 01 20
(260) AM 2016 84485 A
(220) 2015 11 04
(732) WD-40 MANUFACTURING COMPANY
1061 Cudahy Place, San Diego, California
92110, USA

(111) M 2017 28064 R
(151) 2017 01 20
(181) 2027 01 20
(260) AM 2016 84672 A
(220) 2015 11 13
(732) ID SOFTWARE LLC
1500 North Greenville Avenue, Floor 7,
Richardson, Texas 75081, USA

(111) M 2017 28065 R
(151) 2017 01 20
(181) 2027 01 20
(260) AM 2016 84734 A
(220) 2015 11 19
(732) HARRINGTON DEVELOPMENT INC
Elvira Mendez Street, Vallarino Bldg, 3-rd
Floor, Panama, Panama

(111) M 2017 28066 R
(151) 2017 01 20
(181) 2027 01 20
(260) AM 2016 84738 A
(220) 2015 11 19
(732) HARRINGTON DEVELOPMENT INC
Elvira Mendez Street, Vallarino Bldg, 3-rd
Floor, Panama, Panama

(111) M 2017 28067 R
(151) 2017 01 20
(181) 2027 01 20
(260) AM 2016 84959 A
(220) 2015 12 01
(732) LTD "ULTRA PLUS 2010"
Sop. Kizilajlo, 3017, Marneulis r-ni, Georgia

(111) M 2017 28068 R
(151) 2017 01 20
(181) 2027 01 20
(260) AM 2016 85033 A

(220) 2015 12 04
(732) LTD "G-M-P"
Sop. Ponitchala 65, 0165, Tbilisi, Georgia

(111) M 2017 28069 R
(151) 2017 01 20
(181) 2027 01 20
(260) AM 2016 85040 A
(220) 2015 12 07
(732) DIP N DIP INC
5045 Orbitor Dr., Bldg 9, Suite 300,
Mississauga, ON, L4W 4Y4, Canada

(111) M 2017 28070 R
(151) 2017 01 20
(181) 2027 01 20
(260) AM 2016 85042 A
(220) 2015 12 07
(732) DIP N DIP INC
5045 Orbitor Dr., Bldg 9, Suite 300,
Mississauga, ON, L4W 4Y4, Canada

(111) M 2017 28071 R
(151) 2017 01 20
(181) 2027 01 20
(260) AM 2016 85043 A
(220) 2015 12 07
(732) DIP N DIP INC
5045 Orbitor Dr., Bldg 9, Suite 300,
Mississauga, ON, L4W 4Y4, Canada

(111) M 2017 28072 R
(151) 2017 01 20
(181) 2027 01 20
(260) AM 2016 85089 A
(220) 2015 12 09
(732) LTD "EBRU"
K. Apkhazis q. 55, 0105, Tbilisi, Georgia

(111) M 2017 28073 R
(151) 2017 01 20
(181) 2027 01 20
(260) AM 2016 85283 A
(220) 2015 12 18
(732) SWISS PHARMA INTERNATIONAL AG
Waldmannstrasse 8, 8001 Zurich, Switzerland

(111) M 2017 28074 R
(151) 2017 01 20
(181) 2027 01 20
(260) AM 2016 85310 A
(220) 2015 12 21
(732) UNIVERSAL PROTEIN SUPPLEMENTS

CORPORATION DBA UNIVERSAL
NUTRITION
3 Terminal Road, New Brunswick, New Jersey
08901, USA

(111) M 2017 28075 R
(151) 2017 01 20
(181) 2027 01 20
(260) AM 2016 85743 A
(220) 2016 01 13
(732) LTD "G-M-P"
Sop. Ponitchala 65, 0165, Tbilisi, Georgia

(111) M 2017 28076 R
(151) 2017 01 20
(181) 2027 01 20
(260) AM 2016 86011 A
(220) 2016 02 05
(732) LTD "G-M-P"
Sop. Ponitchala 65, 0165, Tbilisi, Georgia

TRADEMARKS REGISTERED ACCORDING TO THE ACCELERATED PROCEDURE

The decision can be appealed at the Chamber of Appeal of Sakpatenti within 3 months from the publication.

(111) M 2017 28040 R
(151) 2017 01 06
(181) 2027 01 06
(210) AM 90043
(220) 2016 12 21
(310) 689949
(320) 2016 06 27
(330) CH
(732) JAPAN TOBACCO INC
2-2-1 Toranomon, Minato-Ku, Tokyo, Japan
(740) Shalva Gavaramadze
(540)



(591) Black, white
(531) 26.01.06, 26.11.12, 27.05.10, 27.05.15
(526) The trademark is protected as a whole.
"LESS SMELL" shall not be subject to independent
legal protection.
(511) 34

(111) M 2017 28041 R
(151) 2017 01 09
(181) 2027 01 09
(210) AM 90065
(220) 2016 12 23
(732) LTD "BOLERO & COMPANY"
Kuchishvilis q. 12-14-16, b. 13, 0179, Tbilisi,
Georgia
(740) Mamuka Potolashvili
(540)

სანადირო
SANADIRO
САНАДИРО

(511) 33

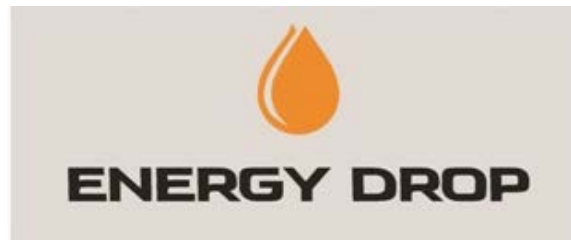
(111) M 2017 28042 R
(151) 2017 01 11
(181) 2027 01 11
(210) AM 90122
(220) 2016 12 26

(732) LTD "TEGETA MOTORS"
D. Aghmasheneblis kheivani me-12 km. 5,
0131, Tbilisi, Georgia
(740) Giorgi Kartvelishvili
(540)



(591) Red, white
(531) 26.04.24, 27.05.10, 27.05.24, 29.01.12
(511) 4, 39

(111) M 2017 28043 R
(151) 2017 01 11
(181) 2027 01 11
(210) AM 90124
(220) 2016 12 26
(732) LTD "TEGETA MOTORS"
D. Aghmasheneblis kheivani me-12 km. 5,
0131, Tbilisi, Georgia
(740) Giorgi Kartvelishvili
(540)



(591) Orange, black, grey
(531) 01.15.15, 27.05.01, 29.01.13
(511) 4, 39

(111) M 2017 28044 R
(151) 2017 01 11
(181) 2027 01 11
(210) AM 90147
(220) 2016 12 27
(732) IOSEB SHAVERDASHVILI
Sanzona korp. 2b, b. 1, 0192, Tbilisi,
Georgia
(740) IOSEB SHAVERDASHVILI

(540)



(591) Red, yellow, green, sky-blue
 (531) 04.03.03, 27.05.03, 29.01.15
 (511) 29, 30

(111) M 2017 28045 R
 (151) 2017 01 11
 (181) 2027 01 11
 (210) AM 90161
 (220) 2016 12 29
 (732) LTD "FRUIT MASTER GROUP"
 Varketili 3, 3a m/r, korp. 340, b. 5, Tbilisi,
 Georgia
 (740) Meral Shamoyan
 (540)



(554) Three-dimensional
 (591) White, red, green
 (531) 19.07.02, 28.05, 29.01.13
 (511) 6, 32

(111) M 2017 28046 R
 (151) 2017 01 12
 (181) 2027 01 12
 (210) AM 90162
 (220) 2016 12 29
 (732) LTD "LENDO"
 I. Chavchavadzis gamz. 23-23a, 0179, Tbilisi,
 Georgia

(740) Irakli Tsurtsunia
 (540)



(591) Red, black, white
 (531) 26.04.03, 26.04.18, 29.01.13
 (511) 36

(111) M 2017 28047 R
 (151) 2017 01 12
 (181) 2027 01 12
 (210) AM 90163
 (220) 2016 12 29
 (732) LTD "LENDO"
 I. Chavchavadzis gamz. 23-23a, 0179, Tbilisi,
 Georgia
 (740) Irakli Tsurtsunia
 (540)



(591) Yellow, black
 (531) 28.19, 29.01.12
 (511) 36

(111) M 2017 28048 R
 (151) 2017 01 17
 (181) 2027 01 17
 (210) AM 90012
 (220) 2016 12 19
 (732) VLADIMER MAMNIASHVILI
 Lilos das., I kv., kot. 4. b. 1, 0198, Tbilisi,
 Georgia
 (740) VLADIMER MAMNIASHVILI
 (540)



(591) Black and Golden
 (531) 26.04.24, 27.05.24, 29.01.12, 05.07.10,
 11.03.01

(526) The trademark is protected as a whole.
"Georgia" shall not be subject to independent legal protection.
(511) 33

(732) LTD "GN KO"
I. Chavchavadzis gamz. 16, Tbilisi, Georgia
(740) Ketevan Bantsuri
(540)

(111) M 2017 28049 R
(151) 2017 01 17
(181) 2027 01 17
(210) AM 90165
(220) 2016 12 30
(732) LTD "INTRADE"
M. Kavtaradzis q. 11, 0180, Tbilisi, Georgia
(740) Melano Gogisvanidze
(540)



(591) Blue and white
(531) 07.01.24, 27.05.11, 27.05.22, 27.07.17
(511) 44



(591) Black, red, yellow, brown, beige
(531) 05.07.02, 25.01.01, 25.01.19, 28.05, 29.01.15
(511) 33

(111) M 2017 28050 R
(151) 2017 01 18
(181) 2027 01 18
(210) AM 90059
(220) 2016 12 23
(732) NINO ZHIZHILASHVILI
Debi Ishkhnelebis q. 6, b. 6, 0160, Tbilisi,
Georgia
(740) Giorgi Meipariani
(540)

პოლიტმეტრი
POLITMETRI

(511) 38, 41

(111) M 2017 28077 R
(151) 2017 01 20
(181) 2027 01 20
(210) AM 89989
(220) 2016 12 15

INTERNATIONAL TRADEMARKS FOR WHICH A DECISION ON GRANTING PROTECTIONS IS TAKEN

The decision can be appealed at the Chamber of Appeal of Sakpatenti within 3 months from the publication or at the Mtskheta District Court Administrative Cases Board (Address: №17, Samkhedro str., Mtskheta), within 1 month following the publication.

(260) AM 2016 85911 A

(800) 1284859

(891) 2015 10 15

(731) Société à responsabilité limitée "OBLAKA"
RU-119034 Barykovsky per., 3, Moscou,
Russian Federation

(540)



(591) Black, white

(511)

32 – Non-alcoholic aperitifs; waters [beverages]; kvass [non-alcoholic beverage]; non-alcoholic cocktails; lemonades; milk of almonds [beverage]; isotonic beverages; non-alcoholic beverages; peanut milk [non-alcoholic beverage]; whey beverages; fruit beverages; fruit nectars; orgeat; powders for effervescing beverages; sarsaparilla [non-alcoholic beverage]; syrups for lemonade; syrups for beverages; tomato juices [beverages]; apple juices; vegetable juices [beverages]; fruit juices; products for making aerated water; preparations for making liqueurs; products for making mineral water; preparations for making beverages; must; grape must; pastilles for effervescing beverages; sherbets [beverages]; non-alcoholic fruit extracts; essences for making beverages.

(260) AM 2017 86019 A

(800) 1286187

(891) 2015 10 06

(731) PPF a.s.

Evropská 2690/17, CZ-160 41 Praha 6, Czech Republic

(540)



(591) Black, white

(511)

35 – Updating and maintenance of data in computer databases, cost price analysis, procurement services for others [purchasing goods and services for other businesses], outsourced administrative management for companies, invoicing, economic forecasting, business information, commercial administration of the licensing of the goods and services of others, marketing, marketing studies, business management and organization consultancy, business investigations, business information, business appraisals, organization of exhibitions for commercial or advertising purposes, personnel management consultancy, compilation of information into computer databases, business management consultancy, organization of trade fairs for commercial or advertising purposes, business auditing, business research, business investigations, marketing research, opinion polling, payroll preparation, advertising, publicity, advisory management services for business, secretarial services, negotiation and conclusion of commercial transactions for third parties, arranging of commercial and business contacts, public relations, outsourcing services, systemization of information into computer databases, book-keeping, accounting, publication of publicity texts, organization of exhibitions for commercial or advertising purposes, arranging subscriptions to telecommunication services for others, personnel recruitment.

36 – Financial analysis, banking, credit bureaux, fiscal valuations, mutual funds, electronic funds transfer, financial analysis and information, financial evaluation [insurance, banking, real estate], financial consultancy, surety services/bail-bonding/guarantees, financial consultancy, financial management, financing services, financial sponsorship, mortgage banking, insurance information, capital investment, real estate agencies, insurance consultancy, hire-purchase financing, credit card services, stock brokerage services, lease-purchase financing, real estate brokerage, real estate management, fiscal assessments, financial evaluation [insurance, banking, real estate], online banking, exchanging money, provident fund services, insurance underwriting, life insurance underwriting, insurance brokerage, insurance consultancy, providing financial information via a web site, leasing of real estate, rental of offices [real estate], loans [financing], lending against security, real estate agencies, exchanging money, trusteeship, fiduciary, accident insurance underwriting, securities

brokerage, issuance of credit cards, arranging finance for construction projects, financial clearing-houses, surety services/bail-bonding/guarantees.

37 – Building construction supervision, construction consultation, installation, maintenance and repair of computer hardware, construction information, construction.

38 – Electronic mail, electronic bulletin board services [telecommunications services], communications by telephone, cellular telephone communication, communications by computer terminals, message sending, providing access to databases, providing telecommunications connections to a global computer network, rental of message sending apparatus, rental of modems, rental of telephones, rental of telecommunication equipment, telecommunications routing and junction services, telephone services, information about telecommunication, broadcasting, message sending.

39 – Transport freight forwarding, message delivery, delivery of goods, carting, electricity distribution, horse rental, transportation logistics, transport and storage of trash, rental of warehouses, distribution of energy, storage, removal services, transport brokerage.

40 – Decontamination of hazardous materials, destruction of waste and trash, recycling of waste and trash, incineration of waste and trash, printing, production of energy, waste treatment [transformation].

41 – Theatre productions, electronic desktop publishing, boarding schools, entertainment or education club services, arranging and conducting of colloquiums, music-halls, health club services [health and fitness training, coaching [training], providing of museum facilities, arranging and conducting of concerts, arranging and conducting of conferences, arranging and conducting of congresses, arranging and conducting of seminars, arranging and conducting of symposiums, organization of exhibitions for cultural or educational purposes, organization of sports competitions, arranging and conducting of workshops, operating lotteries, rental of sports ground, rental of stadium facilities, providing sports facilities, services of schools [education], instruction services, arranging and conducting of workshops, booking of seats for shows, publication of books, teaching, educational services, organization of shows [impresario services], ticket agency services [entertainment].

42 – Updating of computer software, architectural consultation, bacteriological research, biological research, electronic data storage, installation of computer software, clinical trials (clinical research), chemical analysis, chemical research, engineering, clinical trials, computer software consultancy, information technology [IT] consulting services, scientific laboratory services, recovery of computer data, com-

puter programming, maintenance of computer software, construction drafting, technical project studies, rental of computer software, chemistry services, computer system design, computer software design, maintenance of computer software, scientific research, research and development of new products.

43 – Snack-bars, cafeterias and canteens, restaurants.

44 – Pharmacy services, nursing homes, health spa services, hospitals, medical equipment rental, health care, health counseling, medical clinic services, health centers.

45 – Intellectual property consultancy, licensing of intellectual property, monitoring intellectual property rights for legal advisory purposes, registration of domain names [legal services], licensing of computer software [legal services], intellectual property consultancy, litigation services, copyright management.

(260) AM 2016 86069 A

(800) 1232076

(891) 2015 12 03

(731) ALTUNKAYA İNŞAAT NAKLİYAT GIDA
TİCARET ANONİM ŞİRKETİ
4. Organize Sanayi Bölgesi, 83409 nolu Cadde
No:8 Gaziantep, Turkey

(540)



(591) Blue, dark blue, black and white

(511)

5 – disinfectants; preparations for destroying vermin; fungicides, herbicides.

16 – Paper, cardboard and goods made from these materials, not included in other classes; printed matter; bookbinding material; photographs; stationery; adhesives for stationery or household purposes; artists' materials; paint brushes; typewriters and office requisites (except furniture); instructional and teaching material (except apparatus); plastic materials for packaging (not included in other classes); printers' type; printing blocks; paper tissues.

(260) AM 2016 86073 A

(800) 1285735

(891) 2015 07 27

(731) VERBENA S.r.l.

Via Toscana, 9 I-46041 ASOLA (Mantova),
Italy

(540)



(591) Black,white

(511)

25 – Socks; short socks; knitted tights; leggings; sheer tights, pantyhose (Am.); hold-up stockings; socks for men, women, children; underwear; linen articles of clothing; nightwear; nightshirts; pyjamas, pajamas (Am.); dressing gowns.

(260) AM 2017 86187 A

(800) 1286929

(891) 2015 11 30

(731) KATUSHA IP AG

c/o MOORE STEPHENS ZUG AG,

Alpenstrasse 15, CH-6300 Zug, Switzerland

(540)



(591) Black,white

(511)

9 – Electronic agendas; decorative magnets; downloadable computer software applications; videotapes; directional compasses; magnetic identification bracelets; digital photo frames; protective helmets for sports; video cassettes; footwear for protection against accidents; clothing for protection against accidents or injury for cyclists; USB flash drives; cell phone straps; sound recording disks; compact disks [audio-video]; telephone receivers; time recording apparatus; distance recording apparatus; kilometer recorders for vehicles; spectacle cases; downloadable music files; downloadable image files; frequency meters; gloves for protection against accidents; covers for laptop computers; speed indicators; temperature indicators; slope indicators; binoculars; game software; software [recorded programs]; optical goods; spectacles [optics]; sunglasses; anti-glare glasses; goggles for sports; spectacle frames; hands-free kits for telephones; notebook computers; computer programs [downloadable software]; bells [warning apparatus]; mouse pads; computer peripheral devices.

12 – Vehicles; apparatus for locomotion by land, air or water; anti-theft devices for vehicles; tyres for bicycles, cycles; tires for cycles; bicycles, cycles; tubeless tires for cycles; frames for cycles; chains for bicycles, cycles; inner tubes for cycles; gears for cycles; bicycle brakes; handle bars for bicycles, cycles; saddle covers for cycles; direction indicators for cycles; bicycle rims; cranks for cycles; cycle hubs; special baskets for cycles and bicycles; pedals for cycles; bicycle pumps; bicycle spokes; adhesive rubber patches for repairing inner tubes; wheels for cyc-

les and bicycles; saddlebags adapted for cycles; cycle saddles; bicycle bells; spoke clips for wheels; tricycles; delivery tricycles; repair outfits for inner tubes.

21 – Works of art of porcelain, ceramic, earthenware or glass; figurines [statuettes] of porcelain, ceramic, earthenware or glass; statuettes of porcelain, ceramic, earthenware or glass; insulating flasks; refrigerating bottles; bottles; fitted picnic baskets, including dishes; isothermal bags; tableware; toilet utensils.

25 – Clothing, footwear, headgear; thermal protection clothing; caps (bonnets); barrettes [headgear]; caps; headwear; cap peaks; headbands [clothing]; stockings; boxer shorts; belts [clothing]; money belts [clothing]; socks; tights; combinations [clothing]; ear muffs [clothing]; sports tank tops; underclothing; underwear; sock suspenders; ankle garters; gloves [clothing]; cyclists' clothing; sports singlets; cuffs [clothing]; mittens; mittens; waterproof clothing; non-slipping devices for footwear; footwear for sports.

28 – Games, toys; gymnastic and sporting articles not included in other classes; decorations for Christmas trees; stationary exercise bicycles; rollers for stationary exercise bicycles; snow globes; figurines [toys]; scale model vehicles; scale model kits [toys]; body protectors for sports; shin guards for sports.

41 – Education; training; entertainment; sporting and cultural activities; publication of books; electronic publication of books and periodicals on-line; provision of non-downloadable online electronic publications; ticket agency services [entertainment]; organization of competitions [education or entertainment]; holiday camp services [entertainment]; entertainment information; game services provided online from a computer network; provision of non-downloadable music online; provision of non-downloadable videos online; providing museum facilities [presentation, exhibitions]; organization of exhibitions for cultural or educational purposes; sports camp services; organization of sports competitions; practical training [demonstration]; organization and conducting of training workshops.

(260) AM 2017 86291 A

(800) 1288290

(891) 2016 01 08

(731) CLOSURELOGIC GMBH

Mainzer Straße 185, 67547 Worms, Germany

(540)

SPARKLING STAR

(511)

6 – Sealing caps, bottle closures and individual parts therefor of metal, in particular for vessels of metal, glass, plastic, porcelain, ceramic and wood.

(260) AM 2016 86459 A

(800) 1289507

(891) 2016 01 28

(731) FERRING B.V.

Polarisavenue 144, NL-2132 JX Hoofddorp,
Netherlands

(540)

FEB-RIN

(511)

5 – Pharmaceutical preparations and substances.

10 – Medical apparatus and instruments.

(260) AM 2017 86468 A

(800) 1290693

(891) 2015 10 28

(731) THE ASSOCIATED PRESS

450 W. 33 Street, New York, NY 10001, USA

(540)

AP

(591) Red, white, black

(511)

41 – News agency services providing news reports, photographs, videos, audio recordings, dispatches, newspaper features, broadcast features, and press releases; providing an on-line publication in the nature of a manual in the field of writing style for journalists.

(260) AM 2017 86483 A

(800) 1290079

(891) 2015 10 21

(731) VİKİNG KAĞIT VE SELÜLOZ ANONİM
ŞİRKETİ

Hürriyet Caddesi No:474 Aliğa, İzmir,
Turkey

(540)

Select

(591) gray and white

(511)

3 – Perfumery; cosmetics; fragrances; deodorants for personal use and animals; soaps; dental care preparations; abrasive preparations; emery cloth; sandpaper; pumice stone; abrasive pastes; polishing preparations for leather, vinyl, metal, wood.

5 – Pharmaceutical and veterinary preparations for medical purposes; chemical preparations for medical purposes; dental preparations and articles; deodorants, other than for human beings or for animals; air deodorising preparations; disinfectants; antiseptics; detergents for medical purposes.

16 – Paper and cardboard and product made of them; plastic materials for packaging and wrapping purposes; printing blocks and types; bookbinding material; printed matter; printed publications; calendars; posters; photographs (printed); paintings; stickers (stationery); postage stamps; stationery, office stationery, instructional and teaching material (except furniture and apparatus); office requisites; paint rollers and paintbrushes for painting.

(260) AM 2017 86491 A

(800) 1290343

(891) 2016 02 04

(731) ISISPHARMA FRANCE

29 avenue de la Marne, Parc des 3 Chènes,
F-59290 WASQUEHAL, France

(540)

SECALIA

(511)

3 – Bleaching preparations and other substances for laundry use; cleaning, polishing, degreasing and abrasive preparations; soaps; perfumery, essential oils, cosmetics, hair lotions; dentifrices.

(260) AM 2017 86517 A

(800) 1290936

(891) 2016 01 28

(731) MERCK KGAA

Frankfurter Strasse 250, 64293 Darmstadt,
Germany

(540)

EULADA

(511)

5 – Pharmaceutical preparations for human use.

(260) AM 2017 86521 A

(800) 1291009

(891) 2015 10 06

(731) ALLPA B.V.

Kerkenbos 10-15 NL-6546 BB Nijmegen,
Netherlands

(540)

ALLPA

(511)

3 – Bleaching preparations and other substances for laundry; cleaning, polishing, scouring and abrasive preparations; soap; perfumery, essential oils, cosmetics, hair lotions; dentifrices.

4 – Industrial oils and greases; lubricants; products for absorbing, wetting and binding dust; fuels (including motor spirit) and illuminants; candles and wicks for lighting.

6 – Metal building materials; transportable buildings of metal; metal materials for railways; non-electric metal cables and wires; locksmith's products and ironmongery; metal pipes; safes; ores; pipes and tubes of metal; metal swivel and twist and connectors – fittings and flanges; metal folding stairs, platforms and gangways; anchors, metal chains for boats; non-electric metal cables and wires.

7 – Boat motors and components therefor; motors (except for land vehicles); machine coupling and transmission components (except for land vehicles); machines for water transport; engines include parts (except engines for land vehicles); generators; clutches, transmission components (except for land vehicles); pumps (included in this class); components for ships and yachts, not included in other classes, such as propeller shaft, bearings, glands, couplers, greasing devices.

9 – Scientific, nautical, measuring, signaling and life-saving apparatus and instruments; diving equipment and – instruments; protective clothing for diving, including undergarments for divers; diving suits; lifejackets; inflatable vests and jackets for diving; protective headgear for sports; protective boots; diver gloves and mittens; goggles; nose clips and protective earplugs for diving and water sports; weights for diving; underwater telephone for divers; compasses; depth gauges.

11 – Apparatus for lighting, heating, steam generating, cooking, refrigerating, drying, ventilating, water supply and sanitary purposes.

12 – Vehicles; apparatus for locomotion by water including ships, boats, canoes, pedal boats, water scooters and jet skis; parts and accessories for boats (not included in other classes), including deck equipment, oars, boat hooks, cleats and bollards, deck fittings, mast fittings, chain plates, tillers, deck accessories (boat), construction material, schoot- and anchor winches, wipers, steering wheels; fender.

17 – Rubber, gutta-percha, gum, asbestos, mica; semi-finished plastic products; packing, stopping and insulating materials; non-metallic flexible pipes.

20 – Furniture, mirrors, picture frames; wooden mosquito nets and bathing stairs (movable); flexible tanks, water tanks and fuel tanks (not of metal or rubber), including the cover and filler caps, deck chairs.

21 – Utensils and containers for household or kitchen (not of precious metal or coated therewith); combs and sponges; brushes (except paint brushes); materials for the brush manufacturing; cleaning ma-

terial; steel wool; unworked or semi-worked glass (except glass used in building); glassware, porcelain and earthenware not included in other classes.

22 – Ropes, string, nets, tents, tarpaulins, sails, sacks and bags (not included in other classes); material to fill cushions (except of rubber or plastic); raw fibrous textile materials.

24 – Textiles and textile goods, not included in other classes; bed and table covers.

25 – Sportswear, namely wetsuits, drysuits and waders; boots, gloves, mittens and hats mainly made of neoprene for sports purposes; belts.

28 – Aquatics, not included in other classes, namely flippers and fins, snorkels, surfboards, knee boards, wakeboards (being a kind of wide mono water skiing), water skis, tubes, fun tubes, ski lines and their parts.

35 – Advertising and business management; retail services in the field of water sports equipment and vessels; trade information relating to water sports, water sports and vessels; organization of fairs and exhibitions for commercial purposes; the aforesaid services whether or not via the internet.

(260) AM 2016 86523 A

(800) 1291050

(891) 2015 11 12

(731) FATER S.P.A.

Via Alessandro Volta, 10 I-65129 PESCARA,
Italy

(540)



(591) Blue and red

(511)

3 – Bleaching preparations and other substances for laundry use; cleaning, polishing, scouring and abrasive preparations; soaps; perfumery, essential oils, cosmetics, hair lotions; dentifrices; javelle water; washing and bleaching preparations; cleaning preparations.

(260) AM 2017 86525 A

(800) 1172796

(891) 2016 01 06

(731) SWISS INTERNATIONAL HOTELS
SERVICE AG

c/o Hotz & Goldmann Dorfstrasse 16,
CH-6340 Baar, Switzerland

(540)

Swiss International
HOTELS & RESORTS

(591) Black, white

(511)

35 – Advertising; business management; business administration; office functions.

41 – Education; training; entertainment; sporting and cultural activities.

43 – Services for providing food and drink; temporary accommodation.

(260) AM 2017 86527 A

(800) 1278769

(891) 2016 02 12

(731) NEWLONG MACHINE WORKS, LTD

4-14, Higashiueno 6-chome, Taito-ku,
TOKYO 110-0015, Japan

(540)



(591) Black, white

(511)

7 – Sewing machines; bag making machines; bag closing machines; packing machines; wrapping machines; sealing machines and their parts and accessories.

(260) AM 2017 86566 A

(800) 1292004

(891) 2015 12 23

(731) "NATURA SIBERICA" Ltd.

ul. Yuzhnobutovskaya, komnata 18a, dom
101, RU-117042 Moscow Russian Federation

(540)

DR. KONOPKA'S little herbal company

(591) Black, white

(511)

3 – Abrasives; amber [perfume]; scale removing preparations for household purposes; antistatic preparations for household purposes; aromatics [essential oils]; air fragrancing preparations; cake flavourings [essential oils]; flavorings [flavourings] for beverages [essential oils]; breath freshening sprays; canned pressurized air for cleaning and dusting purposes; balms other than for medical purposes; lip glosses; polishing stones; abrasive paper; emery paper; polishing paper; petroleum jelly for cosmetic purposes; shoe polish; cobblers' wax; cotton wool for cosmetic

purposes; sachets for perfuming linen; drying agents for dishwashing machines; adhesives for cosmetic purposes; scented water; Javelle water; lavender water; toilet water; laundry wax; floor wax; non-slipping wax for floors; depilatory wax; moustache wax; tailors' wax; creams for leather; waxes for leather; polish for furniture and flooring; shoemakers' wax; polishing wax; massage gels other than for medical purposes; heliotropine; dental bleaching gels; geraniol; make-up; deodorants for pets; deodorants for human beings or for animals; depilatory preparations; scented wood; perfumes; non-slipping liquids for floors; windshield cleaning liquids; greases for cosmetic purposes; volcanic ash for cleaning; perfumery; decorative transfers for cosmetic purposes; ionone [perfumery]; shaving stones [astringents]; smoothing stones; eyebrow pencils; cosmetic pencils; silicon carbide [abrasive]; carbides of metal [abrasives]; alum stones [astringents]; tripoli stone for polishing; adhesives for affixing false eyelashes; adhesives for affixing false hair; hair conditioners; quillaia bark for washing; corundum [abrasive]; beard dyes; colorants for toilet purposes; cosmetic dyes; laundry starch; laundry glaze; shoe cream; polishing creams; cosmetic creams; skin whitening creams; polishing rouge; incense; hair spray; nail polish; hair lotions; lotions for cosmetic purposes; after-shave lotions; beauty masks; oils for perfumes and scents; oils for cosmetic purposes; oils for toilet purposes; essential oils; essential oils of cedarwood; essential oils of lemon; essential oils of citron; oils for cleaning purposes; bergamot oil; gaultheria oil; jasmine oil; lavender oil; almond oil; rose oil; oil of turpentine for degreasing; whitening; cleaning chalk; almond milk for cosmetic purposes; cleansing milk for toilet purposes; musk [perfumery]; soap; disinfectant soap; deodorant soap; shaving soap; soap for brightening textile; cakes of toilet soap; medicated soap; antiperspirant soap; soap for foot perspiration; almond soap; mint for perfumery; cosmetic kits; emery; nail art stickers; false nails; eau de Cologne; bases for flower perfumes; cotton sticks for cosmetic purposes; joss sticks; pastes for razor strops; dentifrices; pumice stone; hydrogen peroxide for cosmetic purposes; breath freshening strips; abrasive cloth; glass cloth; lipsticks; pomades for cosmetic purposes; shaving preparations; cosmetic preparations for baths; toiletries; hair straightening preparations; hair waving preparations; laundry soaking preparations; grinding preparations; douching preparations for personal sanitary or deodorant purposes [toiletries]; smoothing preparations [starching]; color-removing preparations; leather bleaching preparations; polishing preparations; denture polishes; mouthwashes, not for medical purposes; cosmetic preparations for slimming purposes; starch glaze for laundry purposes; refurbishing preparations; fabric softeners for laundry use; laundry bleach; dry-cleaning preparations; paint stripping preparations; lacquer-removing

preparations; make-up removing preparations; floor wax removers [scouring preparations]; varnish-removing preparations; rust removing preparations; nail care preparations; cleaning preparations; preparations for cleaning dentures; wallpaper cleaning preparations; preparations for unblocking drain pipes; laundry preparations; aloe vera preparations for cosmetic purposes; sunscreen preparations; color-[colour-] brightening chemicals for household purposes [laundry]; shining preparations [polish]; make-up powder; diamantine [abrasive]; stain removers; scouring solutions; false eyelashes; tissues impregnated with cosmetic lotions; tissues impregnated with make-up removing preparations; safrol; laundry blueing; turpentine, for degreasing; potpourris [fragrances]; bleaching soda; washing soda, for cleaning; bath salts, not for medical purposes; bleaching salts; fumigation preparations [perfumes]; preservatives for leather [polishes]; ammonia [volatile alkali] [detergent]; astringents for cosmetic purposes; eyebrow cosmetics; make-up preparations; sun-tanning preparations [cosmetics]; hair dyes; neutralizers for permanent waving; preparations to make the leaves of plants shiny; cosmetic preparations for eyelashes; cosmetic preparations for skin care; shoe wax; cosmetics; cosmetics for animals; mascara; detergents other than for use in manufacturing operations and for medical purposes; degreasers other than for use in manufacturing processes; bleaching preparations [decolorants] for cosmetic purposes; antiperspirants [toiletries]; talcum powder, for toilet use; terpenes [essential oils]; emery cloth; cloths impregnated with a detergent for cleaning; henna [cosmetic dye]; shampoos; shampoos for pets; dry shampoos; sandpaper; soda lye; extracts of flowers [perfumes]; ethereal essences; badian essence; mint essence [essential oil].

(260) AM 2017 86622 A

(800) 1291466

(891) 2015 12 14

(731) BAŞAK TRAKTÖR TARIM ZİRAAT VE İŞ MAKİNALARI SANAYİ TİCARET ANONİM ŞİRKETİ

Burak Mah. Sani Konukoğlu, Bulvarı No:221, Şehitkamil/Gaziantep, Turkey

(540)



(591) red

(511)

7 – Construction machines and robotic mechanisms (machines) for use in construction; bulldozers, diggers (machines), excavators, road construction and road paving machines, drilling machines, rock drilling machines, road sweeping machines; engines and motors, other than for land vehicles, parts and

fittings therefor; hydraulic and pneumatic controls for engines and motors, brakes other than for vehicles, brake linings for engines, crankshafts, gearboxes, other than for land vehicles, gearboxes, cylinders for engines, pistons for engines, turbines, not for land vehicles, filters for engines and motors, oil, air and fuel filters for land vehicle engines, exhausts for land vehicle engines, exhaust manifolds for land vehicle engines, engine cylinders for land vehicles, engine cylinder heads for land vehicles, pistons for land vehicle engines, carburetors for land vehicles, fuel conversion apparatus for land vehicle engines, injectors for land vehicle engines, fuel economisers for land vehicle engines, pumps for land vehicle engines, valves for land vehicle engines, starter motors for land vehicles, dynamos for land vehicle engines, sparking plugs for land vehicle engines; alternators, current generators, electric generators, current generators operated with solar energy; joints (parts of engines).

8 – Forks, spoons, knives and non-electric cutters, slicers, peelers for kitchen use, including those made of precious metals; side arms and blades (weapons); tools and apparatus included in this class for personal beauty care use; tools and apparatus included in this class for shaving, epilation, manicure and pedicure, electric hand implements for straightening and curling hair, scissors; hand-operated (non-electric) hand tools included in this class for the repair of machines, apparatus and vehicles and for use in construction, agriculture, horticultural and forestry, none of them being power tools.

12 – Motor land vehicles, motorcycles, automobiles, trucks, buses, tow trucks, tractors, refrigerated vehicles, namely, trailers, trucks, concrete mixing and transporting vehicle mopeds; engines and motors for land vehicles; clutches for land vehicles; transmissions, transmission belts and transmission chains for land vehicles; gearing for land vehicles; brakes, brake discs and brake linings for land vehicles; vehicle chassis, automobile bonnets, vehicle suspension springs, shock absorbers for automobiles, gearboxes for land vehicles, steering wheels for vehicles, rims for vehicle wheels; bicycles and their bodies; handlebars and mudguards for bicycles; vehicle bodies; tipping bodies for trucks; trailers for tractors; frigorific bodies for land vehicles; trailer hitches for vehicles; vehicle seats; head-rests for vehicle seats; safety seats for children, for vehicles; seat covers for vehicles; vehicle covers (shaped); sun-blinds adapted for vehicles; direction signals and arms for direction signals for vehicles; windscreen wipers and wiper arms for vehicles; inner and outer tires for vehicle wheels; tubeless tires; tire-fixing sets comprised of tire patches and tire valves for vehicles; windows for vehicles, safety windows for vehicles, rearview mirrors and wing mirrors for vehicles; anti-skid chains for vehicles; luggage carriers for vehic-

les; bicycle and ski carriers for cars; saddles for bicycles or motorcycles; air pumps for vehicles, for inflating tires; anti-theft alarms for vehicles, horns for vehicles; safety belts for vehicle seats, air bags (safety devices for automobiles); baby carriages, wheelchairs, pushchairs; wheelbarrows; shopping carts; single or multi-wheeled wheelbarrows; shopping trolleys; grocery carts; handling carts; rail vehicles; locomotives; trains; trams; waggons; cable cars; chairlifts; vehicles for locomotion by water and their parts, other than their motors and engines; vehicles for locomotion by air and their parts, other than their motors and engines.

(260) AM 2017 86623 A
(800) 1291643
(891) 2015 12 30
(731) ZUCAMI POULTRY EQUIPMENT, S.L.U.
Polig. Morea Norte, C/C nº 2 E-31191 Beriain,
NAVARRA, Spain

(540)



(591) Green, black and gray.
(511)
6 – Poultry cages of metal; transportable buildings of metal.
7 – Incubators for eggs; incubators for poultry; modular egg conveyors; nesting boxes for poultry (machines); transporting cages (machines); hoppers for feeding animals (machines).
37 – Installation, assembly and maintenance of poultry cages of metal, transportable buildings of metal, egg incubators, incubators for poultry, modular egg conveyors, nesting boxes for poultry, transporting cages and hoppers for feeding animals (machines).

(260) AM 2017 86625 A
(800) 1291657
(891) 2015 12 14
(731) ETİ GIDA SANAYİ VE TİCARET
ANONİM ŞİRKETİ
Organize Sanayi Bölgesi 11. Cadde,
ESKİŞEHİR, Turkey

(540)



(591) Orange, black, white and grey.
(511)
30 – Biscuits, chocolates, pastries, crackers, wafers, cakes, tarts, prepared desserts pastries, baked goods confectionery chocolate and desserts, ice creams, edible ices.

(260) AM 2017 86628 A
(800) 1291710
(891) 2015 12 16
(731) KRKA, tovarna zdravil, d.d., Novo mesto
Šmarješka cesta 6, SI-8000 Novo mesto,
Slovenia

(540)

TADILAS

(511)
5 – Pharmaceutical preparations.

(260) AM 2017 86648 A
(800) 1291871
(891) 2015 12 16
(731) Limited Liability Company "PLANETA
ORGANICA"
Checherskiy proezd, d. 24, RU-117042
Moscow, Russian Federation

(540)



(591) Dark-beige, black and white
(511)
3 – Abrasives; amber [perfume]; scale removing preparations for household purposes; antistatic preparations for household purposes; aromatics [essential oils]; air fragrancing preparations; cake flavourings [essential oils]; flavorings [flavourings] for beverages [essential oils]; breath freshening sprays; canned pressurized air for cleaning and dusting purposes; balms other than for medical purposes; lip glosses; polishing stones; abrasive paper; emery paper; polishing paper; petroleum jelly for cosmetic purposes; shoe polish; cobblers' wax; cotton wool for cosmetic purposes; sachets for perfuming linen; drying agents for dishwashing machines; adhesives for cosmetic purposes; scented water; Javelle water; lavender water; toilet water; laundry wax; floor wax; non-slipping wax for floors; depilatory wax; moustache wax; tailors' wax; creams for leather; waxes for leather; polish for furniture and flooring; shoemakers' wax; polishing wax; massage gels other than for medical purposes; heliotropine; dental bleaching gels; gerani-

ol; make-up; deodorants for pets; deodorants for human beings or for animals; depilatory preparations; scented wood; perfumes; non-slipping liquids for floors; windshield cleaning liquids; greases for cosmetic purposes; volcanic ash for cleaning; perfume-ry; decorative transfers for cosmetic purposes; ionone [perfumery]; shaving stones [astringents]; smoo-thing stones; eyebrow pencils; cosmetic pencils; sili-con carbide [abrasive]; carbides of metal [abrasives]; alum stones [astringents]; tripoli stone for polishing; adhesives for affixing false eyelashes; adhesives for affixing false hair; hair conditioners; quillaia bark for washing; corundum [abrasive]; beard dyes; co-lorants for toilet purposes; cosmetic dyes; laundry starch; laundry glaze; shoe cream; polishing creams; cosmetic creams; skin whitening creams; polishing rouge; incense; hair spray; nail polish; hair lotions; lotions for cosmetic purposes; aftershave lotions; beauty masks; oils for perfumes and scents; oils for cosmetic purposes; oils for toilet purposes; essential oils; essential oils of cedarwood; essential oils of le-mon; essential oils of citron; oils for cleaning pur-poses; bergamot oil; gaultheria oil; jasmine oil; la- vander oil; almond oil; rose oil; oil of turpentine for degreasing; whiting; cleaning chalk; almond milk for cosmetic purposes; cleansing milk for toilet purpo- ses; musk [perfumery]; soap; disinfectant soap; deo- dorant soap; shaving soap; soap for brightening tex- tile; cakes of toilet soap; medicated soap; antiperspi- rant soap; soap for foot perspiration; almond soap; mint for perfumery; cosmetic kits; emery; nail art stickers; false nails; eau de Cologne; bases for flow- er perfumes; cotton sticks for cosmetic purposes; joss sticks; pastes for razor strops; dentifrices; pu- mice stone; hydrogen peroxide for cosmetic purpo- ses; breath freshening strips; abrasive cloth; glass cloth; lipsticks; pomades for cosmetic purposes; sha- ving preparations; cosmetic preparations for baths; toiletries; hair straightening preparations; hair wa- ving preparations; laundry soaking preparations; grinding preparations; douching preparations for personal sanitary or deodorant purposes [toiletries]; smoothing preparations [starching]; color-removing preparations; leather bleaching preparations; polish- ing preparations; denture polishes; mouthwashes, not for medical purposes; cosmetic preparations for slimming purposes; starch glaze for laundry purpo- ses; furbishing preparations; fabric softeners for lau- ndry use; laundry bleach; dry-cleaning preparati- ons; paint stripping preparations; lacquer-removing preparations; make-up removing preparations; floor wax removers [scouring preparations]; varnish-re- moving preparations; rust removing preparations; nail care preparations; cleaning preparations; prepa- rations for cleaning dentures; wallpaper cleaning preparations; preparations for unblocking drain pi- pes; laundry preparations; aloe vera preparations for cosmetic purposes; sunscreen preparations; color- [colour-] brightening chemicals for household pur-

poses [laundry]; shining preparations [polish]; make- up powder; diamantine [abrasive]; stain removers; scouring solutions; false eyelashes; tissues impreg- nated with cosmetic lotions; tissues impregnated with make-up removing preparations; safrol; laundry blueing; turpentine, for degreasing; potpourris [frag- rances]; bleaching soda; washing soda, for cleaning; bath salts, not for medical purposes; bleaching salts; fumigation preparations [perfumes]; preservatives for leather [polishes]; ammonia [volatile alkali] [de- tergent]; astringents for cosmetic purposes; eyebrow cosmetics; make-up preparations; sun-tanning prepa- rations [cosmetics]; hair dyes; neutralizers for per- manent waving; preparations to make the leaves of plants shiny; cosmetic preparations for eyelashes; cosmetic preparations for skin care; shoe wax; cos- metics; cosmetics for animals; mascara; detergents other than for use in manufacturing operations and for medical purposes; degreasers other than for use in manufacturing processes; bleaching preparations [decolorants] for cosmetic purposes; antiperspirants [toiletries]; talcum powder, for toilet use; terpenes [essential oils]; emery cloth; cloths impregnated with a detergent for cleaning; henna [cosmetic dye]; sha- mpoos; shampoos for pets; dry shampoos; sandpa- per; soda lye; extracts of flowers [perfumes]; etheral essences; badian essence; mint essence [essential oil].

(260) AM 2016 86698 A

(800) 1292609

(891) 2016 01 20

(731) HYUNDAI MOTOR COMPANY

12, Heolleung-ro, Seocho-gu, Seoul, Republic
of Korea

(540)

GT84

(591) black and white

(511)

12 – Automobiles; passenger cars; trucks; vans; parts and accessories for automobiles; shock absor- bers for automobiles; brake systems for vehicles; en- gines for land vehicles; transmissions for land ve- hicles; locomotives; sports cars; wagons.

(260) AM 2016 86716 A

(800) 1292247

(891) 2016 01 22

(731) IBSA INSTITUT BIOCHIMIQUE SA

Via al Ponte 13, CH-6903 Lugano,
Switzerland

(540)

PROFHILO

(511)

3 – Cosmetics.

5 – Chemical-pharmaceutical preparations; dermatological products.

10 – Medical apparatus and instruments for the field of dermal esthetics.

(260) AM 2017 86717 A

(800) 1292255

(891) 2015 07 28

(731) PDL FINANCE LIMITED

6th Floor, 25 Farringdon Street, London
EC4A 4AB, United Kingdom

(540)

Mr Lender

(591) Black, white

(511)

36 – Financial services; financial planning and management; financial investigation services; financial services provided over the Internet; monetary affairs; financial analysis and financial consulting services; loan services; loan finance services; payday loan services; lending on mortgages; credit and debit card services; bill payment services; advisory and information services relating to the aforesaid services.

(260) AM 2017 86720 A

(800) 1292633

(891) 2015 06 04

(731) HANWHA Q CELLS GMBH

Sonnenallee 17-21, 06766 Bitterfeld-Wolfen/
OT Thalheim, Germany

(540)

powered by
Q.ANTUM

(591) black and white

(511)

9 – Photovoltaic installation apparatus, namely, solar modules for production of electricity; solar collectors for electricity generation, tracking mechanisms and concentrating optics, and electronic control systems; photovoltaic systems that convert sunlight into electric energy; parts for the foregoing goods, namely, solar cells, solar modules, solar inverters, photovoltaic inverters and silicon wafers.

(260) AM 2017 86721 A

(800) 1293074

(891) 2015 12 22

(731) Pryvatne aktsionerne tovarystvo

"Ekologoohoronna firma "KREOMA-FARM"
Ul. Radischeva, 3, Kyiv 03680, Ukraine

(540)

Entalen

(591) Blue and white

(511)

5 – Pharmaceutical and veterinary preparations; sanitary preparations for medical purposes; dietetic foods and substances for medical or veterinary purposes; dietary supplements for human beings or for animals; medical preparations for slimming purposes; drugs for medical purposes; medicines for veterinary purposes; medicated animal feed.

(260) AM 2017 86722 A

(800) 1292647

(891) 2015 09 17

(731) REAL TROPICAL FOOD B.V.

Kingsfordweg 151, NL-1043 GR Amsterdam,
Netherlands

(540)

SHAKURA
HIGH CLASS ENERGY DRINK

(591) black and white

(511)

32 – Beers; mineral and aerated waters and other non-alcoholic beverages; fruit beverages and fruit juices; syrups and other preparations for making beverages.

(260) AM 2017 86738 A

(800) 1053970

(891) 2016 02 04

(731) VAFO PRAHA, S.R.O.

Chrástany 94, CZ-252 19 Chrástany, Czech
Republic

(540)



(591) Black, white

(511)

5 – Vitamin and mineral supplements for pets.

29 – Meat and meat derivatives.

31 – Dry, semi-moist, wet complete and complementary pet food; pet treats.

(260) AM 2017 86739 A

(800) 1105144

(891) 2016 02 04

(731) SEVENFRIDAY AG

Staffelstrasse 10, CH-8045 Zürich,
Switzerland

(540)

SEVENFRIDAY

(511)

14 – Precious metals and their alloys and goods in precious metals or coated therewith, not included in

other classes; jewelry, precious stones, in particular amulets, pins, bracelets, rings, brooches, earrings, clip earrings, tiaras, rings, wedding bands, ankle bracelets, neck chains, cuff links, tie pins; horological and chronometric instruments, in particular wrist-watches, sports watches, chronographs, electric clocks, travelling alarm clocks, jewelry watches, desk clocks, sundials, stopwatches, watches, diving watches, desk table clocks, clocks for motor cars, clocks comprising a radio, alarm clocks, watch trinkets, watch bands, watch fobs, cases for clock and watch-making, movements for clocks and watches, clock cases, pendulums, clock dials, clockworks, dials, watch clasps.

(260) AM 2017 86740 A
 (800) 1149088
 (891) 2016 01 28
 (731) GIAMPIERO BODINO AG
 Hinterbergstrasse 22, CH-6312 Steinhausen,
 Switzerland
 (540)



(591) Black, white
 (511)
 14 – Cuff links, tie clips, rings, bracelets, earrings, necklaces, brooches; watches, chronometers, clocks, watch bands, watch straps, boxes and cases of precious metal for jewelry and timepieces.

(260) AM 2017 86741 A
 (800) 1207310
 (891) 2016 02 05
 (731) TAGO Przedsiębiorstwo Przemysłu
 Cukierniczego Tadeusz Gołębiowski
 Ciemne ul. Wołomińska 125, PL-05-250
 Radzymin, Poland
 (540)



(591) Yellow and dark blue

(511)
 5 – Dietary foods; dietary supplements for humans; dietetic confectionery.

29 – Jellies, jams, fruits in sugar, preserved fruits and vegetables, dried fruits and vegetables, salted fruits and vegetables.

30 – Bakery products, pastry and confectionery; ices; coffee, tea, cocoa-based drinks; preparations based on chocolate.

(260) AM 2017 86742 A
 (800) 1292335
 (891) 2015 12 28
 (731) Otkryitoe aktsionernoe obshchestvo
 "PUSHKINSKIY ZAVOD"
 Yaroslavskoe sh., 1-A, RU-141200
 g. Pushkino, Moskovskaya oblast, Russian
 Federation

(540)
SPUTNIK

(591) Black, white
 (511)
 1 – Anti-knock substances for internal combustion engines; antifreeze; acetates [chemicals]; acetone; water-softening preparations; surface-active chemical agents; chemicals for the manufacture of paints; distilled water; acidulated water for recharging accumulators; glycerine for industrial purposes; oil dispersants; petroleum dispersants; detergent additives to gasoline [petrol]; chemical additives for oils; additives, chemical, to motor fuel; fluids for hydraulic circuits; liquids for removing sulfates from accumulators; power steering fluid; brake fluid; transmission fluid; fillers for automobile bodies; oil cement [putty]; filtering materials [unprocessed plastics]; filtering materials [mineral substances]; filtering materials [chemical preparations]; combusting preparations [chemical additives to motor fuel]; anti-boil preparations for engine coolants; engine-decarbonising chemicals; solvents for varnishes; anti-frothing solutions for accumulators; water-purifying chemicals; oil-purifying chemicals; radiator flushing chemicals; industrial chemicals; coolants for vehicle engines; fissionable chemical elements; glycol ether; ethers.

4 – Benzine; benzene; benzol; petroleum jelly for industrial purposes; wax [raw material]; oil-gas; fuel gas; solidified gases [fuel]; fuel; additives, non-chemical, to motor-fuel; cutting fluids; grease for leather; tallow; industrial grease; xylene; xylol; mazut; oils for paints; lubricating oil; industrial oil; motor oil; sunflower oil for industrial purposes; lubricants; naphtha; petroleum, raw or refined; oleine; non-slipping preparations for belts; grease for arms [weapons]; lubricating grease; grease for belts; vaporized fuel mixtures; dust binding compositions for swe-

eping; dust laying compositions; alcohol [fuel]; diesel oil; mineral fuel; carburants; fuel with an alcoholic base; petroleum ether; methylated spirit.

(260) AM 2017 86775 A

(800) 1293932

(891) 2016 01 18

(731) BİSKOT BİSKÜVİ GIDA SANAYİ VE
TİCARET ANONİM ŞİRKETİ
Organize Sanayi Bölgesi, Ereğli Yolu
Üzeri, Karaman, Turkey

(540)

ÇİKOBEST

(591) Black, white

(511)

30 – Confectionery, chocolate, biscuits, crackers, wafers.

(260) AM 2017 86787 A

(800) 1293249

(891) 2016 01 20

(731) HYUNDAI MOTOR COMPANY
12, Heolleung-ro, Seocho-gu, Seoul, Republic
of Korea

(540)

GC64

(591) black and white

(511)

12 – Automobiles; passenger cars; trucks; vans; parts and accessories for automobiles; shock absorbers for automobiles; brake systems for vehicles; engines for land vehicles; transmissions for land vehicles; locomotives; sports cars; wagons.

(260) AM 2017 86789 A

(800) 1293287

(891) 2015 12 10

(731) NOKIA TECHNOLOGIES OY
Karaportti 3, FI-02610 Espoo, Finland

(540)

OZO

(511)

9 – Photographic, cinematographic and optical apparatus and instruments; apparatus for recording, capturing, storing, processing, editing, displaying, transmission, reproduction and play back of sound or images; digital and optical recording media; audio, video, imaging, virtual-reality and presence-capture software; cameras; audio, video, imaging, virtual-reality and presence-capture sensors; head-mounted displays; spectacles (optics); downloadable sound and image files; audio, video and images encoder/decoder (codec); computer programs and software, namely algorithms for the compression, decom-

pression, encoding, decoding and processing of audio, video and imaging data; electronic publications; chips [integrated circuits]; microprocessors; parts, fittings and accessories of all the aforementioned goods.

41 – Audio, video and images editing and production services; rental of audio, video, digital media and multimedia hardware.

42 – Audio, video, imaging, digital media, multimedia and virtual reality technology services and research relating thereto; engineering and development of audio, imaging, video, digital media, multimedia and virtual reality hardware and software; technological analysis, research, development, support, technical troubleshooting and consultancy services in the field of audio, imaging, video, digital media, multimedia, virtual reality and presence capture technologies; data encoding and decoding services; software as a service [SaaS]; platform-as-a-service (PaaS); rental of virtual reality software and hardware; rental of audio, imaging, video, digital media, multimedia, virtual reality and presence capture software; rental of scientific and technological imaging and presence capture hardware.

(260) AM 2017 86793 A

(800) 1294049

(891) 2016 02 04

(731) CITIZEN HOLDINGS KABUSHIKI
KAISHA ALSO TRADING AS CITIZEN
HOLDINGS CO., LTD.
1-12, 6-chome, Tanashi-cho, Nishi-tokyo-shi,
Tokyo 188-8511, Japan

(540)

Ambiluna

(591) Black, white

(511)

14 – Watches, clocks and parts and fittings thereof.

(260) AM 2017 86804 A

(800) 1213265

(891) 2016 03 09

(731) LAMBRINI LIMITED
The Sovereign Distillery, Wilson Road,
Huyton Business Park, Liverpool L36 6AD,
United Kingdom

(540)

LAMBRINI

(511)

33 – Wines, spirits, liqueurs and cocktails; fortified wines; cider, perry; low alcohol drinks containing more than 1.2% alcohol by volume; mixtures of all the aforesaid goods; preparations for making all the aforesaid goods.

(260) AM 2017 86808 A
 (800) 1293555
 (891) 2015 10 01
 (731) SOUTHWIRE COMPANY, LLC
 One Southwire Drive, Carrollton GA 30119,
 USA

(540)

SOUTHWIRE

(511)

7 – Ultrasonic degassing equipment, namely, equipment that ultrasonically removes dissolved hydrogen from molten aluminum for the purpose of preparing the aluminum for casting; ultrasonic grain refining equipment, namely, equipment that ultrasonically refines metal grains in processing molten metal.

9 – Electrical wire and cable; electricity conduits; plastic conduit for electrical use; software that prepares sag and tension data for aerial conductors; hand tools used in construction, namely, tape measures, levels, namely, conduit bending levels; hand tools for electricians, namely, conduit levels, analog and digital multimeters; voltage and continuity testers; circuit testers, battery testers, infrared thermometers not for medical purposes, borescope inspection cameras; hand-operated tools used in wire or cable installations, namely, conduit layout tools, namely, levels and conduit electrical spacing template designed to identify locations for knockout and to evenly space conduit runs, telephony and telecom tester, network cable testers, cable testers, fiber cable testers, tone and probe tracers for tracking and monitoring voltage usage, telephone line tester, cctv testers, phone line testers, cable tracers for purpose of ensuring proper installation and identification of wires, signal testers for low voltage data communications wire and signal cables, signal meters laser distance meters; ultrasonic computer software for electrical engineering design.

(260) AM 2017 86809 A
 (800) 1293590
 (891) 2015 11 28
 (731) KARSTEN UNGER
 Daimlerstr. 2-4, 77948 Friesenheim, Germany

(540)

MORA-Academy

(511)

41 – Education academy services.

(260) AM 2016 86811 A
 (800) 1293608
 (891) 2016 01 12
 (731) DEUTSCHE GESELLSCHAFT FÜR
 INTERNATIONALE ZUSAMMENARBEIT
 (GIZ) GMBH
 Dag-Hammarskjöld-Weg 1-5, 65760
 Eschborn, Germany

(540)



(591) Green and white.

(511)

35 – Personnel placement, in particular placement of German and European employees to employers in developing countries, placement of employees from developing countries when returning to their country of origin and placement of employees from developing countries to German employers; business management and organization consultancy; personnel management consultancy, in particular consultancy on employee mobility and migration.

36 – Financial sponsorship, in particular financial support to German and European employees working in developing countries and financial support to migrants and migrant organizations when starting up a business and life in their country of origin.

41 – Arranging and conduction of seminars, in particular seminars on employee mobility and migration.

(260) AM 2017 86812 A
 (800) 1293612
 (891) 2016 01 11
 (731) MLP SAĞLIK HİZMETLERİ ANONİM
 ŞİRKETİ
 Emirhan Caddesi Barbaros Plaza 113 K.16,
 Dikilitaş, BEŞİKTAŞ, İSTANBUL, Turkey

(540)

VM Medicalpark

(511)

44 – Medical services; veterinary services; hygienic and beauty care for human beings or animals; agriculture, horticulture and forestry services.

(260) AM 2017 86813 A
 (800) 1293679
 (891) 2016 01 28
 (731) MERCK KGAA
 Frankfurter Strasse 250, 64293 Darmstadt,
 Germany

(540)

IDACIO

(511)

5 – Pharmaceutical preparations for human use.

(260) AM 2017 86837 A
 (800) 1293816
 (891) 2015 10 05

(731) GOLDEN SEASON S.R.L.

Via Corfù, 66, I-25124 BRESCIA (BS), Italy

(540)

AT.P.CO

(591) Black, white

(511)

3 – Abrasive paper; abrasives; adhesives for affixing false eyelashes; adhesives for affixing false hair; adhesives for cosmetic purposes; after-shave lotions; air fragrancing preparations; almond milk for cosmetic purposes; almond oil; almond soap; aloe vera preparations for cosmetic purposes; alum stones [astringents]; amber [perfume]; ammonia [volatile alkali] [detergent]; antiperspirant soap; antiperspirants [toiletries]; antistatic preparations for household purposes; aromatics [essential oils]; astringents for cosmetic purposes; badian essence; balms other than for medical purposes; bases for flower perfumes; bath salts, not for medical purposes; beard dyes; beauty masks; bergamot oil; bleaching preparations [decolorants] for cosmetic purposes; bleaching salts; bleaching soda; breath freshening sprays; breath freshening strips; cake flavourings [essential oils]; cakes of soap; canned pressurized air for cleaning and dusting purposes; carbides of metal [abrasives]; cleaning chalk; cleaning preparations; cleansing milk for toilet purposes; cloths impregnated with a detergent for cleaning; cobblers' wax; color-brightening chemicals for household purposes [laundry]; color-removing preparations; colorants for toilet purposes; corundum [abrasive]; cosmetic creams; cosmetic dyes; cosmetic kits; cosmetic pencils; cosmetic preparations for baths; cosmetic preparations for eyelashes; cosmetic preparations for skin care; cosmetic preparations for slimming purposes; cosmetics; cosmetics for animals; cotton sticks for cosmetic purposes; cotton wool for cosmetic purposes; decorative transfers for cosmetic purposes; degreasers other than for use in manufacturing processes; dental bleaching gels; dentifrices; denture polishes; deodorant soap; deodorants for human beings or for animals; deodorants for pets; depilatories; depilatory wax; detergents other than for use in manufacturing operations and for medical purposes; diamantine [abrasive]; disinfectant soap; douching preparations for personal sanitary or deodorant purposes [toiletries]; dry-cleaning preparations; dry shampoos; drying agents for dish-washing machines; eau de cologne; emery; emery cloth; emery paper; essential oils of cedarwood; essential oils of citron; essential oils of lemon; ethereal essences; ethereal oils; extracts of flowers [perfumes]; eyebrow cosmetics; eyebrow pencils; fabric softeners for laundry use; false eyelashes; false nails; flavorings for beverages [essential oils]; floor wax; floor wax removers [scouring preparations]; fumigation preparations [perfumes]; refurbishing preparations; gaultheria oil; geraniol; glass cloth; greases for cosmetic purposes; grinding preparations; hair

dyes; hair lotions; hair spray; hair waving preparations; heliotropine; henna [cosmetic dye]; hydrogen peroxide for cosmetic purposes; incense; ionone [perfumery]; jasmine oil; javelle water; joss sticks; lacquer-removing preparations; laundry bleach; laundry blueing; laundry glaze; laundry preparations; laundry soaking preparations; laundry starch; laundry wax; lavender oil; lavender water; leather bleaching preparations; leather preservatives [polishes]; lip glosses; lipsticks; lotions for cosmetic purposes; make-up; make-up powder; make-up preparations; make-up removing preparations; mascara; massage gels other than for medical purposes; medicated soap; mint essence [essential oil]; mint for perfumery; mouth washes, not for medical purposes; musk [perfumery]; mustache wax; nail art stickers; nail care preparations; nail polish; neutralizers for permanent waving; non-slipping liquids for floors; non-slipping wax for floors; oil of turpentine for degreasing; oils for cleaning purposes; oils for cosmetic purposes; oils for perfumes and scents; oils for toilet purposes; paint stripping preparations; pastes for razor strops; perfumery; perfumes; petroleum jelly for cosmetic purposes; polish for furniture and flooring; polishing creams; polishing paper; polishing preparations; polishing rouge; polishing stones; polishing wax; pomades for cosmetic purposes; potpourris [fragrances]; preparations for cleaning dentures; preparations for unblocking drain pipes; preparations to make shiny the leaves of plants; pumice stone; quillaia bark for washing; rose oil; rust removing preparations; sachets for perfuming linen; safrol; sandcloth; sandpaper; scale removing preparations for household purposes; scented water; scented wood; scouring solutions; shampoos; shampoos for pets; shaving preparations; shaving soap; shaving stones [astringents]; shining preparations [polish]; shoe cream; shoe polish; shoe wax; shoemakers' wax; silicon carbide [abrasive]; skin whitening creams; smoothing preparations [starching]; smoothing stones; soap; soap for brightening textile; soap for foot perspiration; soda lye; stain removers; starch glaze for laundry purposes; sun-tanning preparations [cosmetics]; sunscreen preparations; tailors' wax; talcum powder, for toilet use; terpenes [essential oils]; tissues impregnated with cosmetic lotions; toilet water; toiletries; tripoli stone for polishing; turpentine, for degreasing; varnish-removing preparations; volcanic ash for cleaning; wallpaper cleaning preparations; washing soda, for cleaning; waxes for leather; whitening; windscreen cleaning liquids.

18 – Alpenstocks; attaché cases; backpacks; bags; bags for campers; bags for climbers; bags for sports; bandoliers; beach bags; bits for animals [harness]; blinders [harness]; boxes of leather or leather board; boxes of vulcanised fibre; bridles [harness]; bridons; briefcases; butts [parts of hides]; canes; card cases [notecases]; cases, of leather or leatherboard; casings, of leather, for springs; cat o'nine tails; cattle

skins; chain mesh purses; chamois leather, other than for cleaning purposes; chin straps, of leather; clothing for pets; collars for animals; coverings of skins [furs]; covers for horse-saddles; curried skins; fastenings for saddles; frames for umbrellas or parasols; fur; furniture coverings of leather; game bags [hunting accessories]; garment bags for travel; girths of leather; goldbeaters' skin; gut for making sausages; halters; handbag frames; handbags; harness fittings; harness for animals; harness straps; hat boxes of leather; haversacks; horse blankets; horse collars; horseshoes; imitation leather; key cases; kid; kneepads for horses; leather laces; leather leads; leather straps; leather trimmings for furniture; leather twist; leather, unworked or semi-worked; leatherboard; moleskin [imitation of leather]; music cases; muzzles; net bags for shopping; nose bags [feed bags]; pads for horse saddles; parasols; parts of rubber for stirrups; pelts; pocket wallets; pouch baby carriers; pouches, of leather, for packaging; purses; reins; riding saddles; saddle trees; saddlery; school bags; shopping bags; sling bags for carrying infants; slings for carrying infants; stirrup leathers; stirrups; straps for skates; straps for soldiers' equipment; straps of leather [saddlery]; suitcase handles; suitcases; tool bags of leather, empty; traces [harness]; travelling bags; travelling sets [leatherware]; travelling trunks; trunks [luggage]; umbrella covers; umbrella handles; umbrella or parasol ribs; umbrella rings; umbrella sticks; umbrellas; valises; valves of leather; vanity cases, not fitted; walking cane handles; walking stick seats; wheeled shopping bags; whips.

25 – Anti-sweat underwear; aprons [clothing]; ascots; babies' pants [clothing]; bandanas [neckchiefs]; bath robes; bath sandals; bath slippers; bathing caps; bathing trunks; beach clothes; beach shoes; belts [clothing]; berets; bibs, not of paper; boas [necklets]; bodices [lingerie]; boot uppers; boots; boots for sports; brassieres; breeches for wear; camisoles; cap peaks; caps [headwear]; chasubles; clothing; clothing for gymnastics; clothing of imitations of leather; clothing of leather; coats; combinations [clothing]; corselets; corsets [underclothing]; cuffs; cyclists' clothing; detachable collars; dress shields; dresses; dressing gowns; ear muffs [clothing]; esparto shoes or sandals; fishing vests; fittings of metal for footwear; football boots; footmuffs, not electrically heated; footwear; footwear uppers; fur stoles; furs [clothing]; gabardines [clothing]; gaiter straps; galoshes; garters; girdles; gloves [clothing]; gymnastic shoes; half-boots; hat frames [skeletons]; hats; headbands [clothing]; headgear for wear; heelpieces for footwear; heelpieces for stockings; heels; hoods [clothing]; hosiery; inner soles; jackets [clothing]; jerseys [clothing]; jumper dresses; knitwear [clothing]; lace boots; layettes [clothing]; leg warmers; leggings [trousers]; liveries; maniples; mantillas; masquerade costumes; miters [hats]; mittens; money belts [clothing]; motorists' clothing; muffs [cloth-

ing]; neckties; non-slipping devices for footwear; outerclothing; pants; paper clothing; paper hats [clothing]; parkas; pelerines; pelisses; petticoats; pocket squares; pockets for clothing; ponchos; pullovers; pyjamas; ready-made clothing; ready-made linings [parts of clothing]; sandals; saris; sarongs; sashes for wear; scarfs; shawls; shirt fronts; shirt yokes; shirts; shoes; short-sleeve shirts; shoulder wraps; shower caps; singlets; ski boots; ski gloves; skirts; skorts; skull caps; sleep masks; slippers; slips [undergarments]; smocks; sock suspenders; socks; soles for footwear; spats; sports shoes; stocking suspenders; stockings; studs for football boots; stuff jackets [clothing]; suits; suspenders; sweat-absorbent stockings; sweaters; swimsuits; teddies [undergarments]; tee-shirts; tights; tips for footwear; togas; top hats; topcoats; trousers; turbans; underpants; underwear; uniforms; veils [clothing]; vests; visors [headwear]; waterproof clothing; welts for footwear; wet suits for water-skiing; wimples; wooden shoes.

(260) AM 2017 86838 A

(800) 1293820

(891) 2015 10 12

(731) ETİ GIDA SANAYİ VE TİCARET ANONİM ŞİRKETİ

Organize Sanayi Bölgesi 11. Cadde,
ESKİŞEHİR, Turkey

(540)



(591) Black, brown, white, red, gold and yellow.

(511)

30 – Biscuits, chocolates, pastries, crackers, wafers, cakes, tarts; bakery desserts, desserts based on flour and chocolate, mousse desserts, ice desserts; ice creams, edible ices.

(260) AM 2016 86870 A

(800) 1294330

(891) 2015 12 28

(731) WORLD MEDICINE İLAÇ SANAYİ VE TİCARET ANONİM ŞİRKETİ

Evren Mah. Camiyolu Cad. No:50 K:1

B Zemin 4-5-6, Güneşli Bağcılar İstanbul,
Turkey

(540)

AYRUMED
АЙРУМЕД

(591) black and white

(511)

5 – Medicines for human purposes, medicines for veterinary purposes, vitamin preparations, chemical

preparations for medical purposes, dietetic substances adapted for medical use; dietetic foods adapted for medical purposes; baby foods, medicinal herbs, herbal beverages adapted for medical purposes, nutritional supplements, pollen dietary supplements, mineral food supplements, protein dietary supplements; dietary supplements for animals; fodder supplements for veterinary purposes; medicines for dental purposes, hygienic products for medical purposes including sanitary pads, breast-nursing pads and bunion pads, waddings for medical purposes, plasters for medical purposes, dressings for medical purposes, babies' napkins, preparations for destroying noxious plants, preparations for destroying noxious animals, fungicides, deodorants other than for human beings or for animals, air deodorising preparations, disinfectants for hygiene purposes, antiseptics, detergents for medical purposes.

(260) AM 2017 86871 A

(800) 1294382

(891) 2015 12 29

(731) Otkrytoe aktsionernoe obshchestvo
"TUROVSKIY MOLOCHNY KOMBINAT"
ul. Leninskaya 154, Zhitkovichskiy rayon,
247980 Gomelskaya oblast, Belarus

(540)



(591) black and white

(511)

29 – Milk; milk products.

(260) AM 2017 86923 A

(800) 1294575

(891) 2016 02 11

(731) APPLE INC.

1 Infinite Loop, Cupertino CA 95014, USA

(540)

**IPAD PRO SMART
KEYBOARD**

(591) Black, white

(511)

9 – Accessory for a handheld mobile digital electronic device that functions as a protective and decorative cover, a keyboard, and a stand.

(260) AM 2017 86924 A

(800) 1294577

(891) 2016 02 18

(731) COHERUS BIOSCIENCES, INC.

333 Twin Dolphin Dr, Suite 600, Redwood
City CA 94065, USA

(540)

COHERUS BIOSCIENCES

(511)

5 – Pharmaceuticals.

40 – Manufacturing services for others in the field of pharmaceutical products.

42 – Research, development and consulting services in the medical, pharmaceutical and biotechnology fields.

44 – Providing information in the fields of health and medicine.

(260) AM 2016 86925 A

(800) 1294578

(891) 2016 02 19

(731) COHERUS BIOSCIENCES, INC.

333 Twin Dolphin Dr, Suite 600, Redwood
City CA 94065, USA

(540)



(591) Black, white

(511)

5 – Pharmaceuticals.

40 – Manufacturing services for others in the field of pharmaceutical products.

42 – Research, development and consulting services in the medical, pharmaceutical and biotechnology fields.

44 – Providing information in the fields of health and medicine.

(260) AM 2017 86927 A

(800) 1294585

(891) 2016 01 20

(731) Open joint stock company

"TATSPIRTPROM"

Bauman str., 44/8, RU-420111 Kazan,
Republic of Tatarstan, Russian Federation

(540)



(591) Black, yellow, red and dark red.

(511)

32 – Beers; mineral and aerated waters and other non-alcoholic drinks; fruit drinks and fruit juices; syrups and other preparations for making beverages.

33 – Alcoholic beverages (except beers).

35 – Market studies; import-export agency services; sales promotion for others including the bringing together, for the benefit of others, of goods of classes 32 and 33, excluding the transport thereof, enabling customers to conveniently view and purchase those goods; procurement services for others [purchasing goods and services for other businesses]; commercial or industrial management assistance; demonstration of goods; organization of trade fairs for commercial or advertising purposes.

(260) AM 2017 87048 A

(800) 1295466

(891) 2015 11 02

(731) MANIFATTURA MARIO COLOMBO & C. S.P.A.

Via Olimpia, 3 I-20900 MONZA (MB), Italy

(540)

COLMAR

(591) Black,white

(511)

18 – Luggage; trunks; travelling bags with or without wheels; suitcases with or without wheels; garment bags for travel; overnight bags; briefcases; attaché cases; handbags; shoulder bags; clutch bags; tote bags; shopping bags; duffel bags; backpacks; waist bags; billfolds; wallets; key cases; coin purses; purses; bags for men's shaving kits, sold empty; cosmetic bags sold empty; toiletry cases sold empty; beauty cases sold empty; umbrellas; parasols.

25 – Clothing for men, women and children namely jackets, sports-type jackets, trousers, jeans, coats, overcoats, cloaks, raincoats, waistcoats, duffel coats, anoraks, shirts, blouses, skirts, shorts, bermuda shorts, dresses, suits, T-shirts, overalls, sweatshirts, knit shirts, polo shirts, sport shirts, sport pants, sport shorts, sweaters, pullovers, cardigans, jumpers; socks, sport socks; neckties, bow-ties; belts, sashes; hats, caps, hoods, berets, bonnets, head bands; gloves; shawls, scarves, headscarves; pyjamas, night dresses, night shirts, nightgowns; bathrobes; lingerie, briefs, underpants and undershirts, boxer shorts, corsets, singlets, brassiere, culottes, bustiers, camisoles, petticoats; bathing suits, bathing costumes; pareos, cover-ups, sundresses; shoes, sandals, boots, slippers and sports footwear; sports uniforms; ski gloves, snowboard gloves.

28 – Golf gloves, baseball gloves, cricket gloves, football gloves; skis, ski poles, snowboards, snowshoe rackets; tennis rackets, tennis balls; golf balls, baseball balls, cricket balls, football balls; cricket bats, baseball bats; golf clubs; golf bags with or without wheels; bags for football equipment, bags for tennis rackets, bags for baseball bats, bags for cricket bats; bags for skis, bags for snowboards; bags

specially adapted for sporting equipment; swimming flippers.

(260) AM 2017 87050 A

(800) 1295473

(891) 2015 09 30

(731) CITADELE BANKA, AS

Republikas laukums 2A, LV-1010 Riga,
Latvia

(540)

CBL Bank

(591) Black,white

(511)

36 – Insurance, including insurance brokerage services; financial affairs; monetary affairs; financial and banking services; deposit-taking and other repayable fund management services; crediting services, including trade finance and consumer lending services; financial leasing and factoring services; payment services, including money transfers and cash transaction services including cash withdrawal services through POS terminals and cash deposit and withdrawal services through ATMs; services regarding issuing and servicing of payment cards and other means of payment; currency exchange services; performance of transactions with a currency or financial instruments or gold investment, including money market instruments, financial future and option contracts, currency rate and interest rate instruments, and transferable securities for others; fiduciary operations (trust); provision of investment services and non-core investment services; capital transfer services; securities issuance and custody services; guarantee services, including issuance of guarantee and other binding obligations, which create an obligation to be liable to the creditor for the debts of a third person; safekeeping of valuables; rental of safe deposit boxes; consultations to the clients regarding issues of a financial nature; electronic services, particularly, the financial settlement services for accounts with a global computer network, telephone and fax services and settlement services; fund management services; cash collection services.

(260) AM 2017 87051 A

(800) 1295284

(891) 2015 11 27

(731) SURYS

22 avenue de l'Europe, Parc d'activités
Gustave Eiffel, Bussy Saint Georges,
F-77607 MARNE LA VALLÉE, France

(540)

SURYS

(511)

9 – Scientific (other than medical) apparatus and instruments for authentication, traceability, security,

certification, protection, unalterable marking, digital fingerprint capture, customization, content recognition, illegal copy detection and the fight against counterfeiting; equipment for data processing and computers; software (recorded programs) for authentication, traceability, security, filtering, certification, protection, unalterable marking, digital fingerprint capture, customization, content recognition, illegal copy detection and the fight against counterfeiting; memory cards or chip cards; chips, databases, holographic security labels, holograms; electronic machines for applying security tags; optical security images; optical films, marking films; optical authentication films, optical protection films; retro-reflective plastic security sheets, data readers, luminescent tracer readers, smart card readers, scanning units; products in the nature of magnetic, optical or electronic information media, namely, tokens, stickers, labels, stamps, tags, strips, disks, meters, cards and plates with coding systems and/or diffraction structures and/or holographic structures used as a means of authentication or validation; optical security devices for examining, identifying and authenticating goods.

16 – Printed matter, printing type; labels of paper; adhesive holographic labels; authentication or identification labels of paper or plastics; paper or plastic cards used as forms of authentication or identification; documents, fiduciary documents and travel documents of paper or plastic; covering foils mainly of plastic and equipped with coding systems and/or diffraction structures and/or microstructures producing a security image for authentication and/or traceability marking; laminating films for documents.

40 – Printing; treatment of materials for authentication, traceability and security; optical treatment of materials; information relating to treatment of materials, namely, affixing and including devices and materials for security and authentication of goods and documents for protection against counterfeiting, alteration or misappropriation, and to ensure the traceability and integrity of authentic products and documents; engraving services; galvanization; gilding and hot-press printing; silkscreen printing; photoengraving services; offset printing, lithographic printing, inkjet printing; laser engraving; electroplating; metallization, demetallization; microlithography; authenticity, traceability and security marking, unalterable marking; document laminating services, transfer of information by pressure.

42 – Engineering and technical research services relating to authentication, traceability, security, certification, protection, unalterable marking, fingerprint capture, customization, content recognition, illegal copy detection and anti-counterfeiting solutions; technological and industrial analysis and research services relating to authentication, traceability, security, certification, protection, unalterable marking,

fingerprint capture, customization, content recognition, illegal copy detection and anti-counterfeiting solutions; technical project studies relating to authentication, traceability, security, certification, protection, unalterable marking, fingerprint capture, customization, content recognition, illegal copy detection and anti-counterfeiting solutions; engineering work; expert reports relating to authentication, traceability, security, certification, protection, unalterable marking, fingerprint capture, customization, content recognition, illegal copy detection and anti-counterfeiting solutions; design, development, installation, updating and maintenance of software for authentication, traceability, security, certification, protection, unalterable marking, fingerprint capture, customization, content recognition, illegal copy detection and anti-counterfeiting solutions; design, development and operation of data banks and databases; design, development and operation of data banks and databases applied to the fight against counterfeiting; programming for computers; computer programming applied to the fight against counterfeiting; technical and technological advice and consultancy relating to authentication, traceability, security, certification, protection, unalterable marking, fingerprint capture, customization, content recognition, illegal copy detection and anti-counterfeiting solutions; technical and technological design, development, advice and consultancy; installation, updating and maintenance of software for authentication, traceability, security, certification, protection, unalterable marking, fingerprint capture, customization, content recognition, illegal copy detection and anti-counterfeiting.

45 – Consulting services relating to security; consultancy in the fields of authentication and traceability of goods and documents, monitoring and protection of the brand, the fight against counterfeiting, alteration, diversion, certification and authentication of products and documents; computer security services, particularly insurance, security and administration services for digital keys and digital certificates; security printing, namely, identification information for coding documents and goods.

(260) AM 2017 87052 A

(800) 1295309

(891) 2015 12 31

(731) INVICTA

Zone Industrielle, Lieu dit la Gravette,
F-08350 Donchery, France

(540)

INVICTA

(511)

11 – Cooking apparatus and installations; cooking apparatus; kilns; cookers (cooking stoves); bread baking ovens; apparatus for grilling and roasting;

barbecues; grills [cooking appliances]; hot plates; roasting spits; plate warmers; cooking rings; hot water bottles; stoves; bakers' ovens; heating apparatus; heating apparatus for solid, liquid or gaseous fuels; heating plates; stoves (heating apparatus); radiators; central heating radiators; solar thermal collectors (heating); boilers other than parts of machines; heating boilers; gas boilers; flues for heating boilers; hot water heating installations; electric heating apparatus; water heaters; boilers; heat accumulators; steam accumulators; apartment fireplaces; furnace grates; fire bars; chimney flues; structural plates for ovens; oven fittings made of fire clay; automatic ash conveyor installations; hearth ash pans; hearths; brackets for gas burners; acetylene burners; gas burners; alcohol burners, oil burners; incandescent burners; friction lighters for igniting gas; fountains; all goods only for household use; electric cooking plates.

21 – Kitchen utensils and containers, non-electric cooking utensils; kitchen utensils; kitchen utensils of cast iron; kitchen containers of cast iron; cookware; frying pans; earthenware saucepans; cauldrons; non-electrically heated hot pots; frying pans; dripping pans; grill pans; roasting pans; stew-pans; pots; pressure cooker; cooking pots; heat-insulated containers; grills (cooking utensils); cooking pots; casseroles; Dutch ovens; woks; soup bowls; dishes; roasters; gratin dishes; dish covers; services (table utensils); teapots; non-electric kettles; cooking skewers, of metal; grill supports; picnic sets (dishes); bottle openers; corkscrews.

(260) AM 2017 87102 A
(800) 1295769
(891) 2016 01 14
(731) HAMBURGER HAFEN UND LOGISTIK AG
Bei St. Annen 1, 20457 Hamburg, Germany
(540)



(591) Blue, red, silver and white
(511)

6 – Containers of metal [storage, transport].

35 – Personnel management consultancy; business consultancy and advisory services; professional business consulting; EDP consultancy; office functions relating to inscribing containers for transport purposes; office functions relating to completion of documents required for transshipment in the context of logistics services.

36 – Real estate management and brokerage; rental and leasing of real estate (facility management); customs brokerage; completion of documents required for customs clearance (customs brokerage).

37 – Cleaning, maintenance and repair of containers; pest control, other than for agricultural purposes; connecting of refrigerated containers; installation services for installations and buildings in the harbour sector, in particular flood protection installations, office buildings, transshipment installations and installation services for transport vessels, in particular containers.

39 – Stevedoring (loading and unloading of ships); transportation of containers, shipment of goods by motor vehicle and rail; packaging and storage and warehousing of goods; rental of container bridges, cranes, reach stackers, van carriers, container chassis and fork-lift trucks for transshipment purposes; secure loading of containers, in particular for marine vessels and river boats; container rental; logistics in the transport sector; transport.

41 – Personnel development by means of training and further training.

42 – Technical consultancy, technical inspection of installation and maintenance of refrigerated containers; drawing up of technical damage reports; weighing of goods.

(260) AM 2017 87103 A
(800) 1295810
(891) 2015 11 18
(731) CARL FREUDENBERG KG
Höhnerweg 2-4, 69469 Weinheim, Germany
(540)



(591) Red, green, blue and white
(511)

3 – Bleaching preparations and other substances for laundry use; cleaning, polishing, scouring and abrasive preparations; moisture-impregnated disposable cloths; polishing preparations; cleaning preparations for household purposes; household cleaners; cleaning preparations for hard surfaces; cleaning preparations for glass, in particular window glass, cleaning preparations for surfaces of metal, including stainless steel, chrome, bronze and copper; cleaning preparations for range and stove surfaces; cleaning preparations for counter surfaces; cleaning preparations for cabinet surfaces; cleaning preparations for heating and cooking implements and utensils such as silverware, dishes, pots, and pans; cleaning preparations for wood; bathroom cleaning preparations, cleaning preparations for stone surfaces, including marble surfaces and granite surfaces; cleaning preparations for tile and grout; all-purpose cleaning preparations; automotive cleaning preparations; general

purpose cleaning and polishing liquids; cleaning preparations for carpets; destainers; pet stain removers; mould removing preparations; soap, in particular household soaps, shoe care preparations, in particular shoe cream, shoe wax; scouring agents, impregnating agents for household surfaces and/or textiles; in particular scouring milk, scouring cream, scouring powder, scale removing preparations, fabric softeners for laundry use; preparations for the cleaning care, treatment and beautification of fabrics; all of the aforesaid goods being with or without a disinfecting and/or deodorising effect or component.

7 – Machines, namely electric floor cleaning apparatus and cleaning robots, electric floor cleaning brushes, parts of machines, electric window cleaning apparatus, electric cleaning machines and apparatus for carpets and carpeted flooring, electric vacuum cleaners, electric window vacuum cleaners.

21 – Articles for cleaning purposes, especially household cloths, window cloths made of leather and artificial leather, dust cloths, cloths for washing dishes, cloths for cleaning surfaces, dusters, scouring cloths, multi-purpose cloths, floor-cloths, microfiber cloths, sponge cloths, cloths made of nonwovens, cloths made of woven or knitted fabrics, dry disposable cloths, scouring pads made of nonwoven material with and without sponge section; cloths, sponges or sponge cloths made wholly or principally of generated cellulose, especially for household cleaning purposes or as draining mats; steel wool for cleaning, especially steel wool cleaners with and without handles, made of foamed plastic, steel wool pads with soap; sponges for household purposes, especially plastic-coated scouring sponges, cleaning sponges made of viscose or plastic; household or kitchen utensils, especially manually operated, non-electrical cleaning instruments, especially brooms, brushes, dustpans, mops, devices for wringing out mops, toilet brushes, holders for toilet brushes, window cleaning devices, water wipers, household gloves made of latex or plastic; disposable gloves for household or gardening purposes; gardening gloves and wiping gloves; drying devices for laundry (not heat, not electrical), drying racks for clothes and laundry, rotary clothes dryers for clothes and laundry, drying mounts for clothes and laundry, clothes-pegs, ironing boards, sleeve boards, ironing board supports, ironing cloths, iron cleaning cloths; containers for household or kitchen, especially water buckets, pedal bins, waste bins, sorting containers of plastic for laundry; laundry baskets of plastic; non-metallic parts, for hand-operated, non-electrical cleaning instruments, being fitted goods, included in this class.

(260) AM 2017 87104 A

(800) 1295812

(891) 2015 12 22

(731) ADP GAUSELMANN GMBH

Merkur-Allee 1-15, 32339 Espelkamp,
Germany

(540) S

SECRET AREA 81

(511)

9 – Scientific, nautical, surveying, photographic, cinematographic, weighing, measuring, signalling, checking (supervision), life-saving and teaching apparatus and instruments; apparatus and instruments for conducting, switching, transforming, accumulating, regulating or controlling electricity; apparatus for recording, transmission or reproduction of sound or images; magnetic data carriers, recording discs; compact discs, DVDs and other digital recording media; cash registers, calculating machines, data processing equipment, computers; computer software; fire-extinguishing apparatus; musical jukeboxes and parts for the aforesaid automatic machines; automatic cash dispensers, automatic money counting and money changing machines; mechanisms for coin-operated apparatus; computer and video games software; games software for use on any computer platform, including electronic entertainment and games consoles; computer games (programs for-); computer games; video games (software); computer games provided through a global computer network or supplied by means of multi-media electronic broadcast or through telecommunications or electronic transmission or via the internet; computer games, leisure and recreational software, video games and computer software, all provided in the form of storage media; programs for operating electric and electronic apparatus for games, amusement and/or entertainment purposes; automatic lottery machines; computer software for computer games on the internet; online games (software); computer software in the form of an app for mobile devices and computers; calculating apparatus in coin-operated machines and parts for the aforesaid goods; apparatus for recording, transmission, processing or reproduction of data, including sound or images, including parts for all the aforesaid goods, except radio sets, television receivers, hi-fi systems, video recorders, telephone apparatus, fax machines and telephone answering machines; computer hardware and software for casino and amusement arcade games, for gaming machines, slot machines or video lottery gaming machines or games of chance via the internet; electric, electronic or automatic apparatus for identifying data carriers, identity cards and credit cards, bank notes and coins; electric, electronic alarm and monitoring installations, including video cameras and apparatus for image transmission and image processing; data processing apparatus and computers, including data processing apparatus and computers being compo-

nents for data networks and parts facilitating data network communications; electric wiring harnesses; circuit boards, printed boards assemblies (electronic components) and combinations thereof being assemblies and equipment parts, included in this class.

28 – Games; toys; gymnastic and sporting articles not included in other classes; decorations for christmas trees; gaming apparatus (including coin-operated apparatus); coin-operated arcade games (machines); games for amusement arcades (included in this class); coin-operated video gaming apparatus; video games apparatus adapted for use with external screens or monitors only; casino fittings, namely roulette tables, roulette wheels; coin-operated automatic gaming machines and gaming machines, in particular for gaming arcades, with or without a prize payout; electronic or electrotechnical gaming apparatus, gaming machines, games machines and slot machines operated by coins, tokens, banknotes, tickets or by means of electronic, magnetic or biometric storage media, in particular for commercial use in casinos and amusement arcades, with or without a prize payout; automatic gaming machines and gaming machines, in particular for commercial use in casinos and gaming arcades, with or without a prize payout; coin-operated gaming machines and/or electronic money-based gaming apparatus (machines), with or without prizes; housings adapted for gaming machines, gaming apparatus and automatic gaming machines, operated by means of coins, tokens, tickets or by means of electronic, magnetic or biometric storage media, in particular for commercial use in casinos and gaming arcades, with or without a prize payout; electronic games; apparatus for electronic games and parts thereof; video output game machines; drawing apparatus for prize games and lotteries, draws or raffles; housings of metal, plastic and/or wood for coin-operated automatic machines; apparatus for games (including video games), other than adapted for use with external screens or monitors only; electropneumatic and electric slot machines with pulling handles (gaming machines); gaming tables, in particular for table football, billiards, sliding games; arrows and flying discs (toys); gaming machines, namely, electric, electronic or electromechanical apparatus for bingo games, lotteries or video lottery games and for betting offices, connected or unconnected to a computer network; LCD games consoles; automatic gaming machines; apparatus and devices for accepting and storing money, being fittings for the aforesaid automatic machines, included in this class.

41 – Education; providing of training; entertainment; sporting and cultural activities; rental of automatic slot machines and entertainment machines for casinos; arranging and conducting games; gambling; operating lotteries; online game services provided via the internet, including online and being applica-

tions for smartphones; online games services provided via a computer network; provision of entertainment and/or educational content for apps for mobile devices and computers; conducting quizzes by means of smartphone applications; providing casino facilities (gambling), betting offices; operating gaming establishments, arcades and/or online internet casinos and betting platforms; gambling services via the internet.

(260) AM 2017 87106 A

(800) 1295951

(891) 2016 01 29

(731) DANYA COSMETICS LTD.

16, Hakadar Street, Old Industrial Area,
42377 Netanya, Israel

(540)

GA-DE

(591) Black, white

(511)

3 – Cosmetic and make-up preparations, namely, make-up foundation, concealers, face powder, blusher, skin bronzers, face and body beauty creams, night and day face creams, eye creams, anti-wrinkle creams, moisturizing creams, beauty serums, non-medicated anti-aging serums, make-up primer, mascara, eye-shadow, eyeliners, brow liners, make-up pencils, lipstick, lip gloss, lip balm [non-medicated]; nail enamels, nail enamel hardeners, nail enamel removers; cleansers, namely, cleansing gel, cleansing milk, cleansing lotions; toning lotions; body masks; facial beauty masks; non-medicated skin exfoliating preparations; suntan preparations, namely, sun tan lotions, oils and milks; bath and shower gels and milks [non-medicated]; fragrances and perfumery; deodorants for personal use; essential oils for personal use; body and face soaps [non-medicated].

35 – Advertising, marketing and promotion services in the field of cosmetics, make-up preparations, perfumery and fragrances; computerized on-line retail store services in the field of cosmetics, make-up preparations, perfumery and fragrances; retail cosmetic and perfumery stores.

(260) AM 2017 87107 A

(800) 1295956

(891) 2016 02 03

(731) CLASADO IP LIMITED

3rd Floor, 2-6 Church Street, St Helier
JE2 3NN, Jersey

(540)

BIMUNO

(511)

5 – Pharmaceutical and veterinary preparations; sanitary preparations for medical purposes; dietetic fo-

od and substances adapted for medical or veterinary use, food for babies; food and dietary supplements for humans and animals; nutritional supplements in lotion/powder form sold as a component of nutritional skin care products; nutritional and dietary supplements; nutritional and dietary additives, namely, a prebiotic for use in food and dietary supplements for human consumption; probiotics and prebiotics.

(260) AM 2017 87108 A

(800) 1295974

(891) 2015 12 11

(731) WORLD MEDICINE İLAÇ SANAYİ VE
TİCARET ANONİM ŞİRKETİ
Evren Mah. Camiyolu Cad. No.50, Kat 1 B
Zemin 4-5-6, Günesli / Bağcılar / İstanbul,
Turkey

(540)

FORSAJ
ФОРСАЖ

(591) Black, white

(511)

5 – Medicines for human purposes, medicines for veterinary purposes, vitamin preparations, chemical preparations for medical purposes, dietetic substances adapted for medical use; dietetic foods adapted for medical purposes; baby foods, medicinal herbs, herbal beverages adapted for medical purposes, nutritional supplements, pollen dietary supplements, mineral food supplements, protein dietary supplements; dietary supplements for animals; fodder supplements for veterinary purposes; medicines for dental purposes, hygienic products for medical purposes including sanitary pads, breast-nursing pads and bunion pads, waddings for medical purposes, plasters for medical purposes, dressings for medical purposes, babies' napkins, preparations for destroying noxious plants, preparations for destroying noxious animals, fungicides, deodorants other than for human beings or for animals, air deodorising preparations, disinfectants for hygiene purposes, antiseptics, detergents for medical purposes.

(260) AM 2017 87110 A

(800) 1296025

(891) 2016 02 29

(731) INTERNATIONAL ROAD FEDERATION
Fifth Floor, Madison Place, 500 Montgomery
Street, Alexandria VA 22314, USA

(540)



(591) Blue, white, and green

(511)

16 – Educational publications, namely, training manuals in the field of roadway safety, construction, management and maintenance; printed instructional, educational and teaching materials in the field of roadway safety, construction, management and maintenance; printed periodicals, namely, magazines, journals, books and promotional materials in the field of roadway safety, construction, management and maintenance.

41 – Educational services, namely, providing classes, seminars, workshops, tutorials and on-line classes in the field of roadway safety, construction, management and maintenance; organization of educational conferences, conventions, symposiums, seminars, and workshops in the field of roadway safety, construction, management and maintenance; educational services, namely, conducting on-line educational exhibitions, displays, and interactive exhibits in the field of roadway safety, construction, management and maintenance.

(260) AM 2017 87169 A

(800) 1296126

(891) 2016 03 03

(731) INTERNATIONAL ROAD FEDERATION
500 Montgomery Street, Fifth Floor, Madison
Place, Alexandria VA 22314, USA

(540)



(591) black and white

(511)

16 – Educational publications, namely, training manuals in the field of roadway safety, construction, management and maintenance; printed instructional, educational and teaching materials in the roadway safety, construction, management and maintenance; printed periodicals, namely, magazines, journals, books and promotional materials in the field of roadway safety, construction, management and maintenance.

41 – Educational services, namely, providing classes, seminars, workshops, tutorials and on-line classes in the field of roadway safety, construction, management and maintenance; organization of educational conferences, conventions, symposiums, seminars, and workshops in the field of roadway safety, construction, management and maintenance; educa-

tional services, namely, conducting on-line educational exhibitions, displays, and interactive exhibits in the field of roadway safety, construction, management and maintenance.

(260) AM 2017 87170 A

(800) 1296159

(891) 2016 03 14

(731) MCCONNELL, CHRISTOPHER BOYD

451 – 1027 Davie Street, Vancouver BC V6E
4L2, Canada

(540)

SILLYBUGGARS

(511)

35 – Providing on-line registration services for pick-up rugby games.

41 – Providing facilities for sports tournaments; providing facilities for rugby tournaments.

(260) AM 2017 87206 A

(800) 1296532

(891) 2016 01 08

(731) TECTONE TEKNOLOJİ SANAYİ VE

TİCARET ANONİM ŞİRKETİ

Organize Sanayi Bölgesi, Atatürk Caddesi 8,

Sokak No:8, Karaağaç Köyü, Kapaklı

TR-59510 TEKİRDAĞ, Turkey

(540)



(591) Black, red

(511)

7 – Machines and machine tools; motors and engines (except for land vehicles); machine coupling and transmission components (except for land vehicles); agricultural implements other than hand-operated; incubators for eggs; automatic vending machines.

9 – Scientific, nautical, surveying, photographic, cinematographic, optical, weighing, measuring, signalling, checking (supervision), life-saving and teaching apparatus and instruments; apparatus and instruments for conducting, switching, transforming, accumulating, regulating or controlling electricity; apparatus for recording, transmission or reproduction of sound or images; magnetic data carriers, recording discs; compact discs, DVDs and other digital recording media; mechanisms for coin-operated apparatus; cash registers, calculating machines, data processing equipment, computers; computer software; fire-extinguishing apparatus.

11 – Apparatus for lighting, heating, steam generating, cooking, refrigerating, drying, ventilating, water supply and sanitary purposes.

INTERNATIONAL TRADEMARKS PROTECTED IN GEORGIA

(260) AM 2016 80660 A
(800) 1232679
(151) 2014 10 17
(181) 2024 10 17
(891) 2014 10 17
(511) 16

(260) AM 2016 84573 A
(800) 1271515
(151) 2015 07 16
(181) 2025 07 16
(891) 2015 07 16
(511) 30

(260) AM 2016 83741 A
(800) 1262653
(151) 2015 06 25
(181) 2025 06 25
(891) 2015 06 25
(511) 30

(260) AM 2016 84583 A
(800) 1272373
(151) 2015 07 22
(181) 2025 07 22
(891) 2015 07 22
(511) 07, 12

(260) AM 2016 84239 A
(800) 1267697
(151) 2015 08 12
(181) 2025 08 12
(891) 2015 08 12
(511) 05

(260) AM 2016 84590 A
(800) 1271638
(151) 2015 08 06
(181) 2025 08 06
(891) 2015 08 06
(511) 05, 10

(260) AM 2016 84389 A
(800) 1269316
(151) 2015 07 15
(181) 2025 07 15
(891) 2015 07 15
(511) 09, 41

(260) AM 2016 84602 A
(800) 642935
(151) 1995 08 23
(181) 2025 08 23
(891) 2015 08 24
(511) 14

(260) AM 2016 84567 A
(800) 1272311
(151) 2014 12 29
(181) 2024 12 29
(891) 2014 12 29
(511) 05, 41, 42

(260) AM 2016 84605 A
(800) 642936
(151) 1995 08 23
(181) 2025 08 23
(891) 2015 08 23
(511) 14

(260) AM 2016 84568 A
(800) 1272312
(151) 2014 12 29
(181) 2024 12 29
(891) 2014 12 29
(511) 05, 41, 42

(260) AM 2016 84618 A
(800) 1244965
(151) 2015 03 31
(181) 2025 03 31
(891) 2015 10 16
(511) 43

(260) AM 2016 84569 A
(800) 1271503
(151) 2014 12 29
(181) 2024 12 29
(891) 2014 12 29
(511) 05, 41, 42

(260) AM 2016 84619 A
(800) 1221899
(151) 2014 08 11
(181) 2024 08 11
(891) 2015 10 20
(511) 30

(260) AM 2016 84660 A
(800) 1271874
(151) 2015 05 13
(181) 2025 05 13
(891) 2015 05 13
(511) 35

(260) AM 2016 84661 A
(800) 1271891
(151) 2015 07 29
(181) 2025 07 29
(891) 2015 07 29
(511) 14, 18, 24, 35

(260) AM 2016 84668 A
(800) 1272204
(151) 2015 09 14
(181) 2025 09 14
(891) 2015 09 14
(511) 14

(260) AM 2016 84669 A
(800) 1272205
(151) 2015 09 14
(181) 2025 09 14
(891) 2015 09 14
(511) 14

(260) AM 2016 84670 A
(800) 1272206
(151) 2015 09 14
(181) 2025 09 14
(891) 2015 09 14
(511) 14

(260) AM 2016 84671 A
(800) 1272207
(151) 2015 09 14
(181) 2025 09 14
(891) 2015 09 14
(511) 14

(260) AM 2016 84674 A
(800) 1272251
(151) 2015 06 11
(181) 2025 06 11
(891) 2015 06 11
(511) 35, 39, 43

(260) AM 2016 84676 A
(800) 1272253
(151) 2015 09 22
(181) 2025 09 22

(891) 2015 09 22
(511) 05

(260) AM 2016 84677 A
(800) 1272254
(151) 2015 09 22
(181) 2025 09 22
(891) 2015 09 22
(511) 05

(260) AM 2016 84710 A
(800) 1272674
(151) 2015 05 13
(181) 2025 05 13
(891) 2015 05 13
(511) 03, 05, 16, 21

(260) AM 2016 84722 A
(800) 1273126
(151) 2014 12 19
(181) 2024 12 19
(891) 2014 12 19
(511) 02, 16, 35

(260) AM 2016 84723 A
(800) 1272942
(151) 2015 05 11
(181) 2025 05 11
(891) 2015 05 11
(511) 09, 35

(260) AM 2016 84724 A
(800) 1273127
(151) 2015 03 11
(181) 2025 03 11
(891) 2015 03 11
(511) 03, 09, 14, 18, 25, 35

(260) AM 2016 84727 A
(800) 1273146
(151) 2015 01 26
(181) 2025 01 26
(891) 2015 01 26
(511) 09, 14, 16, 18, 21, 25, 35

(260) AM 2016 84731 A
(800) 1273254
(151) 2015 09 08
(181) 2025 09 08
(891) 2015 09 08
(511) 36, 39

(260) AM 2016 84735 A
(800) 1272998
(151) 2015 07 23
(181) 2025 07 23
(891) 2015 07 23
(511) 25

(260) AM 2016 84736 A
(800) 1272999
(151) 2015 08 05
(181) 2025 08 05
(891) 2015 08 05
(511) 09, 28, 41

(260) AM 2016 84760 A
(800) 1273287
(151) 2015 08 31
(181) 2025 08 31
(891) 2015 08 31
(511) 38, 41

(260) AM 2016 84761 A
(800) 1273320
(151) 2015 04 27
(181) 2025 04 27
(891) 2015 04 27
(511) 10, 24

(260) AM 2016 84762 A
(800) 1273329
(151) 2015 07 31
(181) 2025 07 31
(891) 2015 07 31
(511) 30

(260) AM 2016 84765 A
(800) 1273341
(151) 2015 06 12
(181) 2025 06 12
(891) 2015 06 12
(511) 30, 32

(260) AM 2016 84766 A
(800) 1273344
(151) 2014 11 18
(181) 2024 11 18
(891) 2014 11 18
(511) 07, 09, 11

(260) AM 2016 84767 A
(800) 1273346
(151) 2015 09 08
(181) 2025 09 08

(891) 2015 09 08
(511) 16, 36, 39

(260) AM 2016 84777 A
(800) 1273498
(151) 2015 07 14
(181) 2025 07 14
(891) 2015 07 14
(511) 33

(260) AM 2016 84781 A
(800) 714158
(151) 1999 06 04
(181) 2019 06 04
(891) 2015 09 21
(511) 01, 04

(260) AM 2016 84785 A
(800) 1219879
(151) 2014 07 15
(181) 2024 07 15
(891) 2015 10 27
(511) 28

(260) AM 2016 84786 A
(800) 1226622
(151) 2014 04 29
(181) 2024 04 29
(891) 2015 09 18
(511) 41, 43

(260) AM 2016 84806 A
(800) 1274324
(151) 2015 10 19
(181) 2025 10 19
(891) 2015 10 19
(511) 10

(260) AM 2016 84807 A
(800) 1274325
(151) 2015 05 26
(181) 2025 05 26
(891) 2015 05 26
(511) 05

(260) AM 2016 84808 A
(800) 1274328
(151) 2015 09 08
(181) 2025 09 08
(891) 2015 09 08
(511) 05

(260) AM 2016 84809 A
(800) 1274329
(151) 2015 09 08
(181) 2025 09 08
(891) 2015 09 08
(511) 05

(260) AM 2016 84810 A
(800) 1274330
(151) 2015 09 08
(181) 2025 09 08
(891) 2015 09 08
(511) 05

(260) AM 2016 84811 A
(800) 1274331
(151) 2015 09 08
(181) 2025 09 08
(891) 2015 09 08
(511) 05

(260) AM 2016 84812 A
(800) 1274332
(151) 2015 09 08
(181) 2025 09 08
(891) 2015 09 08
(511) 05

(260) AM 2016 84813 A
(800) 1274333
(151) 2015 09 08
(181) 2025 09 08
(891) 2015 09 08
(511) 05

(260) AM 2016 84814 A
(800) 1274334
(151) 2015 09 08
(181) 2025 09 08
(891) 2015 09 08
(511) 05

(260) AM 2016 84815 A
(800) 1274335
(151) 2015 09 08
(181) 2025 09 08
(891) 2015 09 08
(511) 05

(260) AM 2016 84817 A
(800) 1274367
(151) 2015 09 08
(181) 2025 09 08

(891) 2015 09 08
(511) 05

(260) AM 2016 84818 A
(800) 1274368
(151) 2015 09 08
(181) 2025 09 08
(891) 2015 09 08
(511) 05

(260) AM 2016 84819 A
(800) 1274369
(151) 2015 09 08
(181) 2025 09 08
(891) 2015 09 08
(511) 05

(260) AM 2016 84821 A
(800) 1274371
(151) 2015 09 08
(181) 2025 09 08
(891) 2015 09 08
(511) 05

(260) AM 2016 84822 A
(800) 1274372
(151) 2015 09 08
(181) 2025 09 08
(891) 2015 09 08
(511) 05

(260) AM 2016 84823 A
(800) 1274373
(151) 2015 09 08
(181) 2025 09 08
(891) 2015 09 08
(511) 05

(260) AM 2016 84828 A
(800) 1274700
(151) 2015 09 08
(181) 2025 09 08
(891) 2015 09 08
(511) 05

(260) AM 2016 84833 A
(800) 1274701
(151) 2015 09 08
(181) 2025 09 08
(891) 2015 09 08
(511) 05

(260) AM 2016 84835 A
(800) 1274702
(151) 2015 09 08
(181) 2025 09 08
(891) 2015 09 08
(511) 05

(260) AM 2016 84836 A
(800) 1274484
(151) 2015 06 15
(181) 2025 06 15
(891) 2015 06 15
(511) 05, 21

(260) AM 2016 84837 A
(800) 1274703
(151) 2015 09 08
(181) 2025 09 08
(891) 2015 09 08
(511) 05

(260) AM 2016 84838 A
(800) 1274704
(151) 2015 09 08
(181) 2025 09 08
(891) 2015 09 08
(511) 05

(260) AM 2016 84839 A
(800) 1274705
(151) 2015 09 08
(181) 2025 09 08
(891) 2015 09 08
(511) 05

(260) AM 2016 84840 A
(800) 1274718
(151) 2015 09 08
(181) 2025 09 08
(891) 2015 09 08
(511) 05

(260) AM 2016 84841 A
(800) 1274719
(151) 2015 09 08
(181) 2025 09 08
(891) 2015 09 08
(511) 05

(260) AM 2016 84842 A
(800) 1274487
(151) 2015 06 08
(181) 2025 06 08

(891) 2015 06 08
(511) 39

(260) AM 2016 84843 A
(800) 1274720
(151) 2015 09 08
(181) 2025 09 08
(891) 2015 09 08
(511) 05

(260) AM 2016 84844 A
(800) 1274721
(151) 2015 09 08
(181) 2025 09 08
(891) 2015 09 08
(511) 05

(260) AM 2016 84863 A
(800) 1274825
(151) 2015 10 15
(181) 2025 10 15
(891) 2015 10 15
(511) 12, 25, 28

(260) AM 2016 84864 A
(800) 1274826
(151) 2015 10 15
(181) 2025 10 15
(891) 2015 10 15
(511) 12, 28

(260) AM 2016 84865 A
(800) 1274827
(151) 2015 10 15
(181) 2025 10 15
(891) 2015 10 15
(511) 12, 25, 28

(260) AM 2016 84866 A
(800) 592007
(151) 1992 06 10
(181) 2022 06 10
(891) 2015 09 14
(511) 09, 11, 37

(260) AM 2016 84868 A
(800) 1063572
(151) 2010 12 15
(181) 2020 12 15
(891) 2015 09 21
(511) 01, 05

(260) AM 2016 84869 A
(800) 1142988
(151) 2012 10 29
(181) 2022 10 29
(891) 2015 10 29
(511) 07, 09

(260) AM 2016 84870 A
(800) 1157432
(151) 2013 02 13
(181) 2023 02 13
(891) 2015 11 03
(511) 18, 25, 27, 28

(260) AM 2016 84873 A
(800) 1196541
(151) 2014 01 24
(181) 2024 01 24
(891) 2015 07 15
(511) 05

(260) AM 2016 84874 A
(800) 1203255
(151) 2013 11 27
(181) 2023 11 27
(891) 2015 10 30
(511) 30

(260) AM 2016 84875 A
(800) 1213926
(151) 2014 01 17
(181) 2024 01 17
(891) 2015 10 02
(511) 05

(260) AM 2016 84876 A
(800) 1259774
(151) 2015 05 14
(181) 2025 05 14
(891) 2015 10 28
(511) 10, 44

(260) AM 2016 84890 A
(800) 1264976
(151) 2014 11 21
(181) 2024 11 21
(891) 2015 10 29
(511) 05, 16, 29, 30, 43, 44

(260) AM 2016 84891 A
(800) 1267377
(151) 2015 07 17

(181) 2025 07 17
(891) 2015 11 03
(511) 09, 11, 37, 42

(260) AM 2016 84913 A
(800) 1274045
(151) 2015 04 21
(181) 2025 04 21
(891) 2015 04 21
(511) 29, 30, 32

(260) AM 2016 84914 A
(800) 1274024
(151) 2015 02 12
(181) 2025 02 12
(891) 2015 02 12
(511) 07, 09, 12, 35, 36, 37

(260) AM 2016 84915 A
(800) 1274025
(151) 2015 03 16
(181) 2025 03 16
(891) 2015 03 16
(511) 03, 04, 08, 09, 10, 11, 12, 14, 15, 16, 18, 20,
21, 24, 25, 27, 28, 30, 32, 33, 34, 35, 36, 38,
39, 41, 42, 43

(260) AM 2016 84955 A
(800) 1274933
(151) 2015 09 11
(181) 2025 09 11
(891) 2015 09 11
(511) 14

(260) AM 2016 85009 A
(800) 1275330
(151) 2015 06 30
(181) 2025 06 30
(891) 2015 06 30
(511) 09, 28, 41

(260) AM 2016 85012 A
(800) 1275340
(151) 2015 06 09
(181) 2025 06 09
(891) 2015 06 09
(511) 30, 35

(260) AM 2016 85015 A
(800) 1275344
(151) 2015 07 17
(181) 2025 07 17

(891) 2015 07 17
(511) 09, 28, 41

(260) AM 2016 85028 A
(800) 1275356
(151) 2015 07 30
(181) 2025 07 30
(891) 2015 07 30
(511) 09, 28, 41

(260) AM 2016 85057 A
(800) 1275577
(151) 2015 08 28
(181) 2025 08 28
(891) 2015 08 28
(511) 05

(260) AM 2016 85058 A
(800) 1275578
(151) 2015 08 28
(181) 2025 08 28
(891) 2015 08 28
(511) 05

(260) AM 2016 85068 A
(800) 1275485
(151) 2015 09 23
(181) 2025 09 23
(891) 2015 09 23
(511) 03, 05

(260) AM 2016 85076 A
(800) 1275590
(151) 2015 03 05
(181) 2025 03 05
(891) 2015 03 05
(511) 09, 28, 41

(260) AM 2016 85077 A
(800) 1275617
(151) 2015 07 09
(181) 2025 07 09
(891) 2015 07 09
(511) 05

(260) AM 2016 85087 A
(800) 1275618
(151) 2015 07 09
(181) 2025 07 09
(891) 2015 07 09
(511) 05

(260) AM 2016 85092 A
(800) 1275626
(151) 2015 07 08
(181) 2025 07 08
(891) 2015 07 08
(511) 33

(260) AM 2016 85096 A
(800) 1275686
(151) 2015 09 24
(181) 2025 09 24
(891) 2015 09 24
(511) 05, 10, 42, 44

(260) AM 2016 85097 A
(800) 1275692
(151) 2015 10 07
(181) 2025 10 07
(891) 2015 10 07
(511) 33

(260) AM 2016 85099 A
(800) 1275693
(151) 2015 10 07
(181) 2025 10 07
(891) 2015 10 07
(511) 33

(260) AM 2016 85100 A
(800) 1275701
(151) 2015 08 27
(181) 2025 08 27
(891) 2015 08 27
(511) 34

(260) AM 2016 85101 A
(800) 1275774
(151) 2015 09 08
(181) 2025 09 08
(891) 2015 09 08
(511) 05, 30

(260) AM 2016 85102 A
(800) 1275832
(151) 2015 09 22
(181) 2025 09 22
(891) 2015 09 22
(511) 34

(260) AM 2016 85103 A
(800) 1275633
(151) 2015 08 10

(181) 2025 08 10
(891) 2015 08 10
(511) 09, 28, 41

(260) AM 2016 85104 A
(800) 1275573
(151) 2015 08 28
(181) 2025 08 28
(891) 2015 08 28
(511) 05

(260) AM 2016 85105 A
(800) 1275574
(151) 2015 08 28
(181) 2025 08 28
(891) 2015 08 28
(511) 05

(260) AM 2016 85147 A
(800) 1275915
(151) 2015 10 12
(181) 2025 10 12
(891) 2015 10 12
(511) 05

(260) AM 2016 85200 A
(800) 1276831
(151) 2015 09 18
(181) 2025 09 18
(891) 2015 09 18
(511) 05

(260) AM 2016 85201 A
(800) 1276444
(151) 2015 08 25
(181) 2025 08 25
(891) 2015 08 25
(511) 05, 10

(260) AM 2016 85202 A
(800) 1276885
(151) 2015 10 12
(181) 2025 10 12
(891) 2015 10 12
(511) 05

(260) AM 2016 85204 A
(800) 1276473
(151) 2015 10 12
(181) 2025 10 12
(891) 2015 10 12
(511) 33

(260) AM 2016 85205 A
(800) 1276518
(151) 2015 10 12
(181) 2025 10 12
(891) 2015 10 12
(511) 05

(260) AM 2016 85272 A
(800) 825978
(151) 2004 05 12
(181) 2024 05 12
(891) 2015 11 04
(511) 03, 08

(260) AM 2016 85273 A
(800) 1277128
(151) 2015 09 14
(181) 2025 09 14
(891) 2015 09 14
(511) 05, 10

(260) AM 2016 85274 A
(800) 1277134
(151) 2015 09 04
(181) 2025 09 04
(891) 2015 09 04
(511) 03

(260) AM 2016 85276 A
(800) 1277191
(151) 2015 09 30
(181) 2025 09 30
(891) 2015 09 30
(511) 01, 05

(260) AM 2016 85312 A
(800) 1277503
(151) 2015 09 01
(181) 2025 09 01
(891) 2015 09 01
(511) 25, 28

(260) AM 2016 85317 A
(800) 1277587
(151) 2015 10 13
(181) 2025 10 13
(891) 2015 10 13
(511) 03

(260) AM 2016 85322 A
(800) 1277704
(151) 2015 06 10

(181) 2025 06 10
(891) 2015 06 10
(511) 03, 04, 05, 11

(260) AM 2016 85373 A
(800) 1278426
(151) 2015 10 21
(181) 2025 10 21
(891) 2015 10 21
(511) 07

(260) AM 2016 85448 A
(800) 1279209
(151) 2015 10 21
(181) 2025 10 21
(891) 2015 10 21
(511) 05

(260) AM 2016 85451 A
(800) 1279220
(151) 2015 10 29
(181) 2025 10 29
(891) 2015 10 29
(511) 05

(260) AM 2016 85452 A
(800) 1279221
(151) 2015 10 29
(181) 2025 10 29
(891) 2015 10 29
(511) 05

(260) AM 2016 85455 A
(800) 1279247
(151) 2015 07 24
(181) 2025 07 24
(891) 2015 07 24
(511) 09

(260) AM 2016 85456 A
(800) 1279321
(151) 2015 09 17
(181) 2025 09 17
(891) 2015 09 17
(511) 05

(260) AM 2016 85458 A
(800) 1279800
(151) 2015 04 27
(181) 2025 04 27
(891) 2015 04 27
(511) 11, 35

(260) AM 2016 85459 A
(800) 1279807
(151) 2015 10 15
(181) 2025 10 15
(891) 2015 10 15
(511) 32

(260) AM 2016 85593 A
(800) 1281167
(151) 2015 10 29
(181) 2025 10 29
(891) 2015 10 29
(511) 34

(260) AM 2016 85622 A
(800) 1232530
(151) 2014 10 24
(181) 2024 10 24
(891) 2015 10 19
(511) 39

(260) AM 2016 85638 A
(800) 1281679
(151) 2015 11 10
(181) 2025 11 10
(891) 2015 11 10
(511) 09, 16, 41

(260) AM 2016 85639 A
(800) 1281680
(151) 2015 11 13
(181) 2025 11 13
(891) 2015 11 13
(511) 42

(260) AM 2016 85640 A
(800) 1281682
(151) 2015 11 13
(181) 2025 11 13
(891) 2015 11 13
(511) 41

(260) AM 2016 85641 A
(800) 1281731
(151) 2015 11 26
(181) 2025 11 26
(891) 2015 11 26
(511) 11

(260) AM 2016 85707 A
(800) 1282306
(151) 2015 11 30

(181) 2025 11 30
(891) 2015 11 30
(511) 12

(260) AM 2016 85708 A
(800) 1282317
(151) 2015 12 04
(181) 2025 12 04
(891) 2015 12 04
(511) 05

(260) AM 2016 85719 A
(800) 1282656
(151) 2015 06 29
(181) 2025 06 29
(891) 2015 06 29
(511) 09, 36

(260) AM 2016 85801 A
(800) 1217200
(151) 2014 05 21
(181) 2024 05 21
(891) 2015 12 23
(511) 10, 44

(260) AM 2016 85804 A
(800) 1283445
(151) 2015 07 09
(181) 2025 07 09
(891) 2015 07 09
(511) 05

(260) AM 2016 85808 A
(800) 1283499
(151) 2015 10 21
(181) 2025 10 21
(891) 2015 10 21
(511) 09, 28, 41

(260) AM 2016 85876 A
(800) 1284029
(151) 2015 10 22
(181) 2025 10 22
(891) 2015 10 22
(511) 25

(260) AM 2016 85907 A
(800) 1284819
(151) 2015 07 03
(181) 2025 07 03
(891) 2015 07 03
(511) 05

OFFICIAL NOTIFICATIONS

INVENTIONS

RENEWAL OF A PATENTS

(11) P 2004 3343 B

(73) Nikoloz Vasjutin (GE)

(54) **AIR HUNTING RIFLE MAGAZINE**

DATE OF RENEWAL: 25 01 2017

(11) P 2004 3344 B

(73) Nikoloz Vasjutin (GE)

(54) **HUNTING RIFLE**

DATE OF RENEWAL: 25 01 2017

(11) P 2014 6124 B

(73) BOEHRINGER INGELHEIM INTERNATIONAL GMBH (DE)

(54) **NOVEL CCR2 RECEPTOR ANTAGONISTS AND USAGE THEREOF**

DATE OF RENEWAL: 25 01 2017

(11) P 2015 6377 B

(73) LTD GeoMax International (GE)

(54) **METHOD FOR BLUEBERRY MICROPLANT GROW STIMULATION**

DATE OF RENEWAL: 25 01 2017

(11) P 2002 2671 B

(73) Roin Nachkebia (GE)

(54) **PLANT MEDICINAL MEANS AND ITS USE**

DATE OF RENEWAL: 25 01 2017

(11) P 2013 5841 B

(73) Ioseb Orjonikidze (GE);

Vazha Jamarashvili (GE);

Aleks Mirianashvili (GE)

(54) **AIR-CONDITIONING SYSTEM WITH DEEP SEA WATER**

DATE OF RENEWAL: 25 01 2017

(11) P 2014 6118 B

(73) Lia Zhghenti (GE);

Tamta Kikvadze (GE)

(54) **DEVICE PICKING-UP HAZELNUTS FROM SOIL SURFACE**

DATE OF RENEWAL: 25 01 2017

(11) P 2016 6498 B

(73) Roland Zhorzholiani (GE)

(54) **WALL BLOCK**

DATE OF RENEWAL: 25 01 2017

UTILITY MODELS

RENEWAL OF A PATENTS

(11) U 2011 1657 Y

(73) LTD "AVERSI-RATIONAL" (GE)

(54) **MAGITRON TABLET**

DATE OF RENEWAL: 25 01 2017

(11) U 2014 1819 Y

(73) Giorgi Bikov (GE)

(54) **POKER TYPE CARD GAME SYSTEM**

DATE OF RENEWAL: 25 01 2017

DESIGNS

CANCELLING OF REGISTRATION

(Validity of the registration is possible within 6 months after the expiration of the action)

(11) D 2012 506 S

(73) Ekaterine Asatiani (GE)

Kekelidzis q. 25, b. 138, 0179, Tbilisi (GE)

(54) **SCARF**

(18) 2016 12 01

(58) 2016 12 13

GROUND: Not payment for prolongation of registration on the following of 5 years.

(11) D 2012 500 S

(73) Ia Kvaratskhelia (GE)

I. Chavchavadzis gamz. 22, b. 7, 0179, Tbilisi (GE)

(54) **1. PENDENT; 2. RING, 3. EARRING**

(18) 2016 12 08

(58) 2016 12 13

GROUND: Not payment for prolongation of registration on the following of 5 years.

(11) D 2013 530 S

(73) MARS, INCORPORATED (US)

6885 Elm Street Mclean, Virginia 22101-3883 (US)

(54) **FOOD PRODUCT PACKAGING (CONTAINER)**

(18) 2016 12 15

(58) 2017 01 11

GROUND: Not payment for prolongation of registration on the following of 5 years.

(11) D 2012 488 S

(73) Ioseb Abaiadze (GE)

Gamsakhurdias gamz. I kvart., korp. 6b, b. 18, 0171, Tbilisi (GE)

(54) **CLAY BOTTLE**

(18) 2017 01 04

(58) 2017 01 11

GROUND: Not payment for prolongation of registration on the following of 5 years.

INTERNATIONAL DESIGNS APPLICATION, WHICH WAS REGISTERED
ON THE TERRITORY OF GEORGIA

(11) DM/082 556
(15) 2013 12 19
(24) 2013 12 19
(18) 2018 12 19
(44) 17(453); 2016 09 12
(45) 2016/25; 2016 06 24

(11) DM/086 843
(15) 2015 06 19
(24) 2015 06 19
(18) 2020 06 19
(44) 17(453); 2016 09 12
(45) 2016/26; 2016 07 01

(11) DM/087 046
(15) 2015 07 14
(24) 2015 07 14
(18) 2020 07 14
(44) 17(453); 2016 09 12
(45) 2016/28; 2016 07 15

(11) DM/087 832
(15) 2015 10 09
(24) 2015 10 09
(18) 2020 10 09
(44) 17(453); 2016 09 12
(45) 2016/25; 2016 06 24

(11) DM/087 839
(15) 2015 10 02
(24) 2015 10 02
(18) 2020 10 02
(44) 17(453); 2016 09 12
(45) 2016/26; 2016 07 01

(11) DM/087 884
(15) 2015 10 05
(24) 2015 10 05
(18) 2020 10 05
(44) 17(453); 2016 09 12
(45) 2016/25; 2016 06 24

(11) DM/088 885
(15) 2016 01 06
(24) 2016 01 06
(18) 2021 01 06
(44) 17(453); 2016 09 12
(45) 2016/27; 2016 07 08

(11) DM/088 916
(15) 2016 01 11
(24) 2016 01 11
(18) 2021 01 11
(44) 17(453); 2016 09 12
(45) 2016/28; 2016 07 15

(11) DM/088 923
(15) 2016 01 13
(24) 2016 01 13
(18) 2021 01 13
(44) 17(453); 2016 09 12
(45) 2016/28; 2016 07 15

(11) DM/088 961
(15) 2016 01 14
(24) 2016 01 14
(18) 2021 01 14
(44) 17(453); 2016 09 12
(45) 2016/28; 2016 07 15

(11) DM/088 964
(15) 2016 01 14
(24) 2016 01 14
(18) 2021 01 14
(44) 17(453); 2016 09 12
(45) 2016/28; 2016 07 15

(11) DM/088 965
(15) 2016 01 15
(24) 2016 01 15
(18) 2021 01 15
(44) 17(453); 2016 09 12
(45) 2016/28; 2016 07 15

(11) DM/089 008
(15) 2016 01 04
(24) 2016 01 04
(18) 2021 01 04
(44) 17(453); 2016 09 12
(45) 2016/27; 2016 07 08

(11) DM/089 044
(15) 2015 12 24
(24) 2015 12 24
(18) 2020 12 24
(44) 17(453); 2016 09 12
(45) 2016/25; 2016 06 24

(11) DM/089 088
(15) 2016 01 22
(24) 2016 01 22
(18) 2021 01 22
(44) 17(453); 2016 09 12
(45) 2016/29; 2016 07 22

(11) DM/091 147
(15) 2016 06 10
(24) 2016 06 10
(18) 2021 06 10
(44) 17(453); 2016 09 12
(45) 2016/26; 2016 07 01

(11) DM/091 315
(15) 2016 01 27
(24) 2016 01 27
(18) 2021 01 27
(44) 17(453); 2016 09 12
(45) 2016/27; 2016 07 08

(11) DM/091 321
(15) 2016 05 19
(24) 2016 05 19
(18) 2021 05 19
(44) 17(453); 2016 09 12
(45) 2016/27; 2016 07 08

(11) DM/091 361
(15) 2016 06 22
(24) 2016 06 22
(18) 2021 06 22
(44) 17(453); 2016 09 12
(45) 2016/27; 2016 07 08

TRADEMARKS

RENEWAL OF REGISTRATIONS

(111) M 2006 16862 R1
(156) 2016 11 22
(186) 2026 10 04
(732) JSC "TBILAVIAMSHENTI"
B. Khmelnitskiy st. 181, 0136, Tbilisi,
Georgia

(111) M 2006 16942 R1
(156) 2016 10 26
(186) 2026 10 26
(732) GLOBAL NAME SERVICES LLP
A limited liability partnership of the State of
Delaware 2711 Centerville Road,
Wilmington, Delaware 19808, USA

(111) M 2006 16943 R1
(156) 2016 10 26
(186) 2026 10 26
(732) GLOBAL NAME SERVICES LLP
A limited liability partnership of the State of
Delaware 2711 Centerville Road,
Wilmington, Delaware 19808, USA

(111) M 2006 16958 R1
(156) 2016 12 05
(186) 2026 10 26
(732) JSC CORPORATION "KINDZMARAUЛИ"
Ilia Chavchavadzis q. 55, 4800, Kvareli,
Georgia

(111) M 2006 16999 R1
(156) 2017 01 10
(186) 2026 10 26
(732) GIORGI KALANDADZE
Panaskertel-Tsitsishvilis q. korp. 11, b. 35,
0194, Tbilisi, Georgia

(111) M 2006 16972 R1
(156) 2016 12 06
(186) 2026 10 26
(732) Zakrytoe aktsionerное obshchestvo so 100%
inostrannymi investitsiyami RUST
INKORPOREYTED
Litera A., 52, Pulkovskoe sh., p. Shushary,
196140 Saint Petersburg, Russian Federation

(111) M 2006 17103 R1
(156) 2016 11 15
(186) 2026 11 15
(732) GLOBAL NAME SERVICES LLP
A limited liability partnership of the State of
Delaware
2711 Centerville Road, Wilmington,
Delaware 19808, USA

(111) M 2006 17129 R1
(156) 2016 12 09
(186) 2026 11 28
(732) CHEMTURA CORPORATION
Benson Road, Middlebury, CT 06749, USA

(111) M 2006 17135 R1
(156) 2016 12 05
(186) 2026 11 28
(732) LTD "VAZI -1"
Sop. Tserovani, 3318, Mtskhetis raioni,
Georgia

(111) M 2006 17161 R1
(156) 2016 12 14
(186) 2026 12 14
(732) LTD "AVERSI-PHARMA"
Davit Agmasheneblis gamz. 148/2, 0112,
Tbilisi, Georgia

(111) M 2006 17162 R1
(156) 2016 12 14
(186) 2026 12 14
(732) LTD "AVERSI-PHARMA"
Davit Agmasheneblis gamz. 148/2, 0112,
Tbilisi, Georgia

(111) M 2006 17163 R1
(156) 2016 12 14
(186) 2026 12 14
(732) LTD "AVERSI-PHARMA"
Davit Agmasheneblis gamz. 148/2, 0112,
Tbilisi, Georgia

(111) M 2006 17164 R1
(156) 2016 12 14
(186) 2026 12 14

(732) LTD "AVERSI-PHARMA"
Davit Agmasheneblis gamz. 148/2, 0112,
Tbilisi, Georgia

(111) M 2006 17165 R1

(156) 2016 12 14

(186) 2026 12 14

(732) LTD "AVERSI-PHARMA"
Davit Agmasheneblis gamz. 148/2, 0112,
Tbilisi, Georgia

(111) M 2006 17170 R1

(156) 2016 12 15

(186) 2026 12 15

(732) FIL LIMITED
Pembeoke Hall, 42 Crow Lane, Pembroke
HM 19, P.O. Box HM 670, Hamilton HMCX,
Bermuda

(111) M 2006 17209 R1

(156) 2016 12 27

(186) 2026 12 27

(732) AMGEN INC.
One Amgen Center Drive, Thousand Oaks,
California 91320-1799, USA

(111) M 2007 17221 R1

(156) 2017 01 16

(186) 2027 01 16

(732) HYUNDAI MOTOR COMPANY
(a Korean limited liability company
incorporated under the laws of Republic of
Korea)
231, Yangjae-Dong, Seocho-Gu, Seoul,
137-938, Republic of Korea

(111) M 2007 17230 R1

(156) 2017 01 16

(186) 2027 01 16

(732) GALLAHER LIMITED
Members Hill, Brooklands Road, Weybridge,
Surrey KT13 0QU, United Kingdom

(111) M 2007 17236 R1

(156) 2017 01 16

(186) 2027 01 16

(732) MILLENNIUM PHARMACEUTICALS,
INC., (a Delaware corporation)
40 Landsdowne Street, Cambridge,
Massachusetts, USA

(111) M 2007 17237 R1

(156) 2017 01 16

(186) 2027 01 16

(732) LTD "PSP PHARMA"
Iakob Tsurtavelis q. 54, 1700, Dmanisi,
Georgia

(111) M 2007 17238 R1

(156) 2017 01 16

(186) 2027 01 16

(732) LTD "PSP PHARMA"
Iakob Tsurtavelis q. 54, 1700, Dmanisi,
Georgia

(111) M 2007 17239 R1

(156) 2017 01 16

(186) 2027 01 16

(732) LTD "PSP PHARMA"
Iakob Tsurtavelis q. 54, 1700, Dmanisi,
Georgia

(111) M 2007 17374 R1

(156) 2017 03 26

(186) 2027 03 26

(732) MEY ALKOLLU ICKILER SANAYII VE
TICARET ANONIM SIRKETI
Abide-i Hurriyet Cad. No:211 Bolkan Center
B Blok SISLI 34381 ISTANBUL, Turkey

(111) M 2007 17375 R1

(156) 2017 03 26

(186) 2027 03 26

(732) MEY ALKOLLU ICKILER SANAYII VE
TICARET ANONIM SIRKETI
Abide-i Hurriyet Cad. No:211 Bolkan Center
B Blok SISLI 34381 ISTANBUL, Turkey

(111) M 2007 17598 R1

(156) 2017 06 28

(186) 2027 06 28

(732) KIA MOTORS CORPORATION
231 Yangjae-dong, Seocho-gu, Seoul
137-938, Republic of Korea

(111) M 1996 2288 R2

(156) 2016 06 10

(186) 2026 06 10

(732) LUXOTTICA GROUP S.P.A.
Piazzale Cadorna 3, Milano 20123, Italy

(111) M 1996 3089 R2
 (156) 2016 09 13
 (186) 2026 09 13
 (732) PHARMACIA & UPJOHN COMPANY
 7000 Portage Road, Kalamazoo, Michigan
 49001, USA

(111) M 1996 3913 R2
 (156) 2016 11 08
 (186) 2026 11 08
 (732) FAÇONNABLE SARL
 25 C, boulevard Royal, L- 2449 Luxembourg,
 Luxembourg

(111) M 1996 3098 R2
 (156) 2016 09 13
 (186) 2026 09 13
 (732) PHARMACIA & UPJOHN COMPANY
 7000 Portage Road, Kalamazoo, Michigan
 49001, USA

(111) M 1996 3914 R2
 (156) 2016 11 08
 (186) 2026 11 08
 (732) FAÇONNABLE SARL
 25 C, boulevard Royal, L- 2449 Luxembourg,
 Luxembourg

(111) M 1996 3437 R2
 (156) 2016 09 30
 (186) 2026 09 30
 (732) GABRIELLE STUDIO, INC.
 240 West 40th Street, New York, New York
 10018, USA

(111) M 1996 3915 R2
 (156) 2016 11 08
 (186) 2026 11 08
 (732) FAÇONNABLE SARL
 25 C, boulevard Royal, L- 2449 Luxembourg,
 Luxembourg

(111) M 1996 3463 R2
 (156) 2016 10 02
 (186) 2026 10 02
 (732) SOCIETE VYGON
 5/11, rue Adeline, 95440 Ecouen, France

(111) M 1996 4051 R2
 (156) 2016 11 20
 (186) 2026 11 20
 (732) CANDIA
 1-3 rue des italiens, 75009 Paris, France

(111) M 1996 3564 R2
 (156) 2016 10 10
 (186) 2026 10 10
 (732) OPINEL SAS
 508 boulevard Henry Bordeaux, 73000
 Chambéry, France

(111) M 1996 4061 R2
 (156) 2016 11 22
 (186) 2026 11 22
 (732) HANES IP EUROPE S.À.R.L.
 Atrium Buisiness Park, 33 rue du Puits
 Romain, L-8070 Bertrange, Grand Duchy of,
 Luxembourg

(111) M 1996 3746 R2
 (156) 2016 10 29
 (186) 2026 10 29
 (732) CANDIA
 1-3 rue des italiens, 75009 Paris, France

(111) M 1996 4168 R2
 (156) 2016 12 05
 (186) 2026 12 05
 (732) GEDORE WERKZEUGFABRIK OTTO
 DOWIDAT
 149, Remscheider Strasse, D-5600
 Remscheid 11, Germany

(111) M 1996 3860 R2
 (156) 2016 11 06
 (186) 2026 11 06
 (732) JOHNSON & JOHNSON
 One Johnson & Johnson Plaza, New
 Brunswick, New Jersey 08933-7001, USA

(111) M 1996 4188 R2
 (156) 2016 12 12
 (186) 2026 12 12
 (732) MARLEY TILE S.A.
 42, Rue de l'Avenir, L-1147, Luxembourg

(111) M 1996 3912 R2
 (156) 2016 11 08
 (186) 2026 11 08
 (732) FAÇONNABLE SARL
 25 C, boulevard Royal, L- 2449 Luxembourg,
 Luxembourg

(111) M 1996 4211 R2
 (156) 2016 12 16
 (186) 2026 12 16

(732) HILTON WORLDWIDE HOLDING LLP
Maple Court Central Park, Reeds Crescent,
Watford, WD24 4QQ, United Kingdom

(111) M 1996 4286 R2

(156) 2016 12 23

(186) 2026 12 23

(732) MERCK SANTE, SAS

37, rue St. Romain, 69008 Lyon, France

(111) M 1997 4311 R2

(156) 2017 01 05

(186) 2027 01 05

(732) MIGUEL TORRES S.A.

Miquel Torres i Carbó 6, 08720 Vilafranca
del Penedyès (Barcelona), Spain

(111) M 1997 4398 R2

(156) 2017 01 24

(186) 2027 01 24

(732) DUNHILL TOBACO OF LONDON

LIMITED

Globe House, 4 Temple Place, London
WC2R 2PG, United Kingdom

(111) M 1997 4440 R2

(156) 2017 01 30

(186) 2027 01 30

(732) HOECHST AKTIENGESSELLSCHAFT

D-65926 Frankfurt am Main, Germany

(111) M 1997 4459 R2

(156) 2017 02 03

(186) 2027 02 03

(732) DIAGEO IRELAND

St.James's Gate, Dublin 8, Ireland

(111) M 1997 4501 R2

(156) 2017 02 05

(186) 2027 02 05

(732) L'OREAL

14, rue Royale, F-75008 Paris, France

(111) M 1997 4502 R2

(156) 2017 02 05

(186) 2027 02 05

(732) L'OREAL

14, rue Royale, F-75008 Paris, France

(111) M 1997 4515 R2

(156) 2017 02 05

(186) 2027 02 05

(732) SOCIÉTÉ DES PRODUITS NESTLÉ S.A.

1800 Vevey, Switzerland

(111) M 1997 4540 R2

(156) 2017 02 06

(186) 2027 02 06

(732) SOCIETE DES PRODUITS NESTLE S.A.

1800 Vevey, Switzerland

(111) M 1997 4541 R2

(156) 2017 02 06

(186) 2027 02 06

(732) SOCIÉTÉ DES PRODUITS NESTLÉ S.A.

1800 Vevey, Switzerland

(111) M 1997 4544 R2

(156) 2017 02 06

(186) 2027 02 06

(732) VIACOM INTERNATIONAL INC.

1515 Broadway, New York, NY 10036, USA

(111) M 1997 4545 R2

(156) 2017 02 06

(186) 2027 02 06

(732) VIACOM INTERNATIONAL INC.

1515 Broadway, New York, NY 10036, USA

(111) M 1997 4583 R2

(156) 2017 02 10

(186) 2027 02 10

(732) DIAGEO BRANDS B.V.

Molenwerf 10-12, 1014 BG Amsterdam,
Netherlands

(111) M 1997 4594 R2

(156) 2017 02 10

(186) 2027 02 10

(732) L' OREAL

14 Rue Royale, 75008 Paris, France

(111) M 1997 4604 R2

(156) 2017 02 10

(186) 2027 02 10

(732) VIACOM INTERNATIONAL INC.

1515 Broadway, New York, NY 10036, USA

(111) M 1997 4608 R2

(156) 2017 02 10

(186) 2027 02 10

(732) GALLUP, INC.

1001 Gallup Drive, Omaha, State of
Nebraska 68102, USA

(111) M 1997 4609 R2

(156) 2017 02 10

(186) 2027 02 10

(732) ASTRAZENECA AB

Vastra Malarehamnen 9, 15185 Sodertalje,
Sweden

Lago Alberto N156, Colonia Anahuac,

Mexico, D.F. 11320, Mexico

(111) M 1997 4622 R2

(156) 2017 02 12

(186) 2027 02 12

(732) BAYER AG

D-51368 Leverkusen, Germany

(111) M 1997 5158 R2

(156) 2017 04 18

(186) 2027 04 18

(732) MODELO MKT DE MEXICO, S.DE R.L.

DE C.V.

Lago Alberto N156, Colonia Anahuac,

Mexico, D.F. 11320, Mexico

(111) M 1997 4658 R2

(156) 2017 02 28

(186) 2027 02 28

(732) SONY CORPORATION

1-7-1 Konan, Minato-ku, Tokyo, Japan

(111) M 1997 5159 R2

(156) 2017 04 18

(186) 2027 04 18

(732) MODELO MKT DE MEXICO, S.DE R.L.

DE C.V.

Lago Alberto N156, Colonia Anahuac,

Mexico, D.F. 11320, Mexico

(111) M 1997 4839 R2

(156) 2017 03 28

(186) 2027 03 28

(732) A. NATTERMANN & CIE. GmbH

Nattermannallee 1, 5000 Koln 30
(Bocklemund), Germany

(111) M 1997 5442 R2

(156) 2017 06 04

(186) 2027 06 04

(732) CHAMPION PRODUCTS EUROPE

LIMITED

Blanchardstown Corporate Park Unit 4B,

Block 2, 1st Floor, Blanchardstown Dublin

15, Ireland

(111) M 1997 4840 R2

(156) 2017 03 28

(186) 2027 03 28

(732) A. NATTERMANN & CIE. GmbH

Nattermannallee 1, 5000 Koln 30
(Bocklemund), Germany

(111) M 1997 5443 R2

(156) 2017 06 04

(186) 2027 06 04

(732) SARA LEE FOODS, INC. (a Delaware

corporation)

10151 Carver Road, Cincinnati, Ohio 45242,

USA

(111) M 1997 4841 R2

(156) 2017 03 28

(186) 2027 03 28

(732) A. NATTERMANN & CIE. GmbH

Nattermannallee 1, 5000 Koln 30
(Bocklemund), Germany

(111) M 1997 5465 R2

(156) 2017 06 06

(186) 2027 06 06

(732) DIAGEO BRANDS B.V.

Molenwerf 10-12, 1014 BG Amsterdam,

Netherlands

(111) M 1997 4937 R2

(156) 2017 04 03

(186) 2027 04 03

(732) ARETEX S.A. (CONDOR S.A.);

Arenys de mar, Barcelona 08350, Rial
de sa clavella 89, Spain

(111) M 1997 5908 R2

(156) 2017 07 14

(186) 2027 07 14

(732) REVLON CONSUMER PRODUCTS

CORPORATION

One New York Plaza, New York,

New York 10004, USA

(111) M 1997 5157 R2

(156) 2017 04 18

(186) 2027 04 18

(732) MODELO MKT DE MEXICO, S.DE R.L.

DE C.V.

(111) M 1997 6879 R2
(156) 2017 09 22
(186) 2027 09 22
(732) REVLON CONSUMER PRODUCTS
CORPORATION
One New York Plaza, New York,
New York 10004, USA

(111) M 1997 7763 R2
(156) 2017 12 05
(186) 2027 12 05
(732) HENKEL AG & Co. KGaA
Henkelstrasse 67, 40589 Dusseldorf,
Germany

(111) M 1997 6881 R2
(156) 2017 09 22
(186) 2027 09 22
(732) REVLON CONSUMER PRODUCTS
CORPORATION
One New York Plaza, New York,
New York 10004, USA

(111) M 1997 6885 R2
(156) 2017 09 22
(186) 2027 09 22
(732) REVLON CONSUMER PRODUCTS
CORPORATION
One New York Plaza, New York,
New York 10004, USA

(111) M 1997 7160 R2
(156) 2017 10 10
(186) 2027 10 10
(732) JAPAN TOBACCO INC.
2-2-1, Toranomom, Minato-ku, Tokyo, Japan

(111) M 1997 7167 R2
(156) 2017 10 13
(186) 2027 10 13
(732) OBSHCHESTVO S OGRANICHENNOI
OTVESTVENNOSTYOU "PETRO"
198206, SANKT-PETERBURG,
PETERGOFSKOE SHOSSE D.71, Russian
Federation

(111) M 1997 7585 R2
(156) 2017 11 18
(186) 2027 11 18
(732) SOLENIS TECHNOLOGIES
CAYMAN, L.P.
Mühlentalstrasse 38, 8200, Schaffhausen,
Switzerland

(111) M 1997 7761 R2
(156) 2017 12 05
(186) 2027 12 05
(732) HENKEL AG & Co. KGaA
Henkelstrasse 67, 40589 Dusseldorf,
Germany

COMPLETE TRANSFER OF RIGHTS

(111) M 2015 26153 R
 (732) JSC "KHRAMKHESI 2"
 D. Aghmasheneblis q. 2a, Gardabani,
 Georgia
 (770) LTD "MTKVARI ENERGETIC"
 D. Aghmasheneblis q. 2a, Gardabani,
 Georgia
 (580) 2016 09 26

(111) M 1999 013063 R1
 (732) ABBOTT PRODUCTS OPERATIONS AG
 Hegenheimerweg 127, 4123 Allschwil,
 Switzerland
 (770) MYLAN MEDICAL SAS
 42, rue Rouget de Lisle, 92150 Suresnes,
 France
 (580) 2017 01 18

(111) M 2006 016942 R1
 (732) GLOBAL NAME SERVICES LLP
 A limited liability partnership of the State of
 Delaware
 2711 Centerville Road, Wilmington,
 Delaware 19808, USA
 (770) DLA Piper UK LLP
 3 Noble Street London EC2V 7EE, United
 Kingdom
 (580) 2017 01 06

(111) M 2006 016943 R1
 (732) GLOBAL NAME SERVICES LLP
 A limited liability partnership of the State of
 Delaware
 2711 Centerville Road, Wilmington,
 Delaware 19808, USA
 (770) DLA Piper UK LLP
 3 Noble Street London EC2V 7EE, United
 Kingdom
 (580) 2017 01 06

(111) M 2006 017103 R1
 (732) GLOBAL NAME SERVICES LLP
 A limited liability partnership of the State of
 Delaware
 2711 Centerville Road, Wilmington,
 Delaware 19808, USA
 (770) DLA Piper UK LLP
 3 Noble Street London EC2V 7EE, United
 Kingdom
 (580) 2017 01 06

(111) M 2009 020134 R
 (732) COORS BREWING COMPANY
 1801 California Street, Suite 4600, Denver,
 Colorado 80202, USA
 (770) MILER BREWING INTERNATIONAL INC
 (Delaware Corporation)
 3939 West Highland Boulevard, Milwaukee,
 Wisconsin 53208, USA
 (580) 2017 01 13

(111) M 2010 020302 R
 (732) BLOCK DRUG COMPANY, INC.
 of Corporation Service Company
 830 Bear Tavern Road, West Trenton,
 New Jersey 08628, USA
 (770) GLAXOSMITHKLINE LLC
 Corporation Service Company
 2711 Centerville Road, Suite 400,
 Wilmington, Delaware 19808, USA
 (580) 2017 01 10

(111) M 2011 021114 R
 (732) COORS BREWING COMPANY
 1801 California Street, Suite 4600, Denver,
 Colorado 80202, USA
 (770) MILER BREWING INTERNATIONAL,
 INC. a Delaware Corporation
 3939 West Highland Boulevard, Milwaukee,
 Wisconsin 53208, USA
 (580) 2017 01 13

(111) M 2011 021261 R
 (732) LTD "PSP Pharma"
 Iakob Tsurtavelis q. 54, 1700, Dmanisi,
 Georgia
 (770) LTD "ORANGE PHARMACENTRE"
 Nutsubidzis III mkr., II kv., korp. I, b. 37,
 0186, Tbilisi, Georgia
 (580) 2017 01 05

(111) M 2011 021264 R
 (732) LTD "PSP Pharma"
 Iakob Tsurtavelis q. 54, 1700, Dmanisi,
 Georgia
 (770) LTD "ORANGE PHARMACENTRE"
 Nutsubidzis III mkr., II kv., korp. I, b. 37,
 0186, Tbilisi, Georgia
 (580) 2017 01 05

(111) M 2011 021265 R
(732) LTD "PSP Pharma"
Iakob Tsurtavelis q. 54, 1700, Dmanisi,
Georgia
(770) LTD "ORANGE PHARMACENTRE"
Nutsubidzis III mkr., II kv., korp. I, b. 37,
0186, Tbilisi, Georgia
(580) 2017 01 05

(111) M 2011 021656 R
(732) LTD "PSP Pharma"
Iakob Tsurtavelis q. 54, 1700, Dmanisi,
Georgia
(770) LTD "ORANGE PHARMACENTRE"
Nutsubidzis perdobi, III mkr., II kv., korp. I,
b. 37, 0186, Tbilisi, Georgia
(580) 2017 01 05

(111) M 2012 023063 R
(732) Alexander Shklyaruk
Kholmogorskaya 25a, Kiev, Ukraine
(770) LTD "VINTIJI"
FREE INDUSTRIAL ZONA of Poti,
nakveti 307, satskobi 1d-1, 4400, Tbilisi,
Georgia
(580) 2017 01 16

(111) M 2013 024364 R
(732) COORS BREWING COMPANY
1801 California Street, Suite 4600, Denver,
Colorado 80202, USA
(770) MILER BREWING INTERNATIONAL,
INC. a Delaware Corporation
3939 West Highland Boulevard, Milwaukee,
Wisconsin 53208, USA
(580) 2017 01 13

(111) M 1996 003912 R2
(732) FAÇONNABLE SARL
25 C, boulevard Royal, L- 2449 Luxembourg,
Luxembourg
(770) FACONNABLE SAS
107, Route de Canta-Galet, F-06200 Nice, France
(580) 2017 01 05

(111) M 1996 003913 R2
(732) FAÇONNABLE SARL
25 C, boulevard Royal, L- 2449 Luxembourg,
Luxembourg
(770) FACONNABLE SAS
107, Route de Canta-Galet, F-06200 Nice, France
(580) 2017 01 05

(111) M 1996 003914 R2
(732) FAÇONNABLE SARL
25 C, boulevard Royal, L- 2449 Luxembourg,
Luxembourg
(770) FACONNABLE SAS
107, Route de Canta-Galet, F-06200 Nice,
France
(580) 2017 01 05

(111) M 1996 003915 R2
(732) FAÇONNABLE SARL
25 C, boulevard Royal, L- 2449 Luxembourg,
Luxembourg
(770) FACONNABLE SAS
107, Route de Canta-Galet, F-06200 Nice,
France
(580) 2017 01 05

(111) M 1997 004314 R1
(732) INDUSTRIAS VINICOLAS PEDRO
DOMECQ, S.A. DE C.V.
Paseo de los Tamarindos No:100, Pisos 3 y 4,
Bosques de las Lomas 05120 Cuajimalpa,
D.F.Mexico, Mexico
(770) PERNOD RICARD ESPANA SA
Avenida Ortega y Gasset n° 201, 29006
Malaga, Spain
(580) 2017 01 04

(111) M 1997 004314 R1
(732) PERNOD RICARD MEXICO, S.A. de C.V.
Paseo de los Tamarindos No:100, Floors 3 &
4, Col. Bosques de las Lomas, Cuajimalpa de
Morelos 05120, Mexico D.F., Mexico
(770) INDUSTRIAS VINICOLAS PEDRO
DOMECQ, S.A. de C.V.
Paseo de los Tamarindos No: 100, Pisos 3 y
4, Bosques de las Lomas 05120 Cuajimalpa,
D.F. Mexico, Mexico
(580) 2017 01 04

(111) M 1997 004315 R1
(732) INDUSTRIAS VINICOLAS PEDRO
DOMECQ, S.A. de C.V.,
Paseo de los Tamarindos No:100, Pisos 3 y 4,
Bosques de las Lomas 05120 Cuajimalpa,
D.F. Mexico, Mexico
(770) PERNOD RICARD ESPANA SA
Avenida Ortega y Gasset n° 201, 29006
Malaga, Spain
(580) 2017 01 04

(111) M 1997 004315 R1
(732) PERNOD RICARD MEXICO, S.A. de C.V.
Paseo de los Tamarindos No:100, Floors 3 &
4, Col. Bosques de las Lomas, Cuajimalpa de
Morelos 05120, Mexico D.F., Mexico
(770) INDUSTRIAS VINICOLAS PEDRO
DOMECQ, S.A. de C.V.
Paseo de los Tamarindos No:100, Pisos 3 y 4,
Bosques de las Lomas 05120 Cuajimalpa,
D.F. Mexico, Mexico
(580) 2017 01 04

Bosques de las Lomas 05120 Cuajimalpa,
D.F. Mexico, Mexico
(580) 2017 01 04

(111) M 1997 004317 R1
(732) INDUSTRIAS VINICOLAS PEDRO
DOMECQ, S.A. de C.V.,
Paseo de los Tamarindos No:100, Pisos 3 y 4,
Bosques de las Lomas 05120 Cuajimalpa,
D.F. Mexico, Mexico
(770) PERNOD RICARD ESPANA SA
Avenida Ortega y Gasset n° 201, 29006
Malaga, Spain
(580) 2017 01 04

(111) M 1997 004980 R1
(732) KABUSHIKI KAISHA HITACHI
SEISAKUSHO
6-6, Marunouchi 1-chome, Chiyoda-ku,
Tokio, Japan
(770) HITACHI ALOKA MEDICAL, LTD.
6-22-1, Mure, Mitaka-shi, Tokyo, Japan
(580) 2017 01 10

(111) M 1997 004317 R1
(732) PERNOD RICARD MEXICO, S.A. de C.V.
Paseo de los Tamarindos No:100, Floors 3 &
4, Col. Bosques de las Lomas, Cuajimalpa de
Morelos 05120, Mexico D.F., Mexico
(770) INDUSTRIAS VINICOLAS PEDRO
DOMECQ, S.A. de C.V.
Paseo de los Tamarindos No:100, Pisos 3 y 4,
Bosques de las Lomas 05120 Cuajimalpa,
D.F. Mexico, Mexico
(580) 2017 01 04

(111) M 1997 004318 R1
(732) INDUSTRIAS VINICOLAS PEDRO
DOMECQ, S.A. de C.V.
Paseo de los Tamarindos No:100, Pisos 3 y 4,
Bosques de las Lomas 05120 Cuajimalpa,
D.F. Mexico, Mexico
(770) PERNOD RICARD ESPANA SA
Avenida Ortega y Gasset n° 201, 29006
Malaga, Spain
(580) 2017 01 04

(111) M 1997 004318 R1
(732) PERNOD RICARD MEXICO, S.A. de C.V.
Paseo de los Tamarindos No: 100, Floors 3 &
4, Col. Bosques de las Lomas, Cuajimalpa de
Morelos 05120, Mexico D.F., Mexico
(770) INDUSTRIAS VINICOLAS PEDRO
DOMECQ, S.A. de C.V.
Paseo de los Tamarindos No:100, Pisos 3 y 4,

CHANGES IN NAMES AND/OR ADDRESSES OF OWNERS

-
- (111) M 2015 26545 R
(732) NIKON CORPORATION
2-15-3, Konan, Minato-ku, Tokyo,
Japan
(770) NIKON CORPORATION
4-6, Kanda-Surugaday, Chioda-ku,
Tokio, Japan
(580) 2017 01 20
-
- (111) M 2001 013991 R1
(732) AVAYA INC.
4655 Great America Parkway, Santa Clara,
California 95054, USA
(770) AVAYA INC.
211 Mount Airy Road, Basking Ridge,
New Jersey 07920, USA
(580) 2017 01 10
-
- (111) M 2001 013993 R1
(732) AVAYA INC.
4655 Great America Parkway, Santa Clara,
California 95054, USA
(770) AVAYA INC.
211 Mount Airy Road, Basking Ridge,
New Jersey 07920, USA
(580) 2017 01 10
-
- (111) M 2002 014734 R1
(732) GABRIELLE STUDIO, INC.
550 Seventh Avenue, New York, New York
10018, USA
(770) GABRIELLE STUDIO, INC.
(a New York corporation)
87 Mayfield Avenue, Edison, New Jersey
08837, USA
(580) 2017 01 05
-
- (111) M 2002 014734 R1
(732) GABRIELLE STUDIO, INC.
240 West 40th Street, New York, New York
10018, USA
(770) GABRIELLE STUDIO, INC.
550 Seventh Avenue, New York, New York
10018, USA
(580) 2017 01 05
-
- (111) M 2006 016612 R1
(732) (OSI) EYETECH, INC.
400 Somerset Corporate Blvd., Bridgewater,
NJ 08807, USA
(770) (OSI) EYETECH, INC.
- 3 Times Square, 12 th Floor, New York,
New York 10036, USA
(580) 2016 12 15
-
- (111) M 2006 016972 R1
(732) CJSC 100% foreigninvestment "RUST
INCORPORATED"
Litera A., 52, Pulkovskoe sh., p. Shushary,
196140 Saint Petersburg, Russian Federation
(770) CJSC 100% foreigninvestment "RUST
INCORPORATED"
ul. 1905 goda, d. 7, 123846, Moscow,
Russian Federation
(580) 2016 12 28
-
- (111) M 2006 017020 R1
(732) SANOVEL ILAC SANAYI VE TICARET
ANONIM SIRKETI
Buyukdere Cad. Ilaç Sanayi Yolu No:14
Istinye-Sariyer 34460 Istanbul, Turkey
(770) SANOVEL ILAC SANAYII VE TICARET
ANONIM SIRKETI
Buyukdere Caddesi Zagra Is Merkezi C Blok
Maslak, Istanbul, Turkey
(580) 2016 12 16
-
- (111) M 2006 017021 R1
(732) SANOVEL ILAC SANAYI VE TICARET
ANONIM SIRKETI
Buyukdere Cad. Ilaç Sanayi Yolu No:14
Istinye-Sariyer 34460 Istanbul, Turkey
(770) SANOVEL ILAC SANAYII VE TICARET
ANONIM SIRKETI
Buyukdere Caddesi Zagra Is Merkezi C Blok
Maslak, Istanbul, Turkey
(580) 2016 12 16
-
- (111) M 2006 017022 R1
(732) SANOVEL ILAC SANAYI VE TICARET
ANONIM SIRKETI
Buyukdere Cad. Ilaç Sanayi Yolu No:14
Istinye-Sariyer 34460 Istanbul, Turkey
(770) SANOVEL ILAC SANAYII VE TICARET
ANONIM SIRKETI
Buyukdere Caddesi Zagra Is Merkezi C Blok
Maslak, Istanbul, Turkey
(580) 2016 12 16
-
- (111) M 2006 017023 R1
(732) SANOVEL ILAC SANAYI VE TICARET
ANONIM SIRKETI
-

Buyukdere Cad. Ilaç Sanayi Yolu No:14
Istinye-Sariyer 34460 Istanbul, Turkey
(770) SANOVEL ILAC SANAYII VE TICARET
ANONIM SIRKETI
Buyukdere Caddesi Zagra Is Merkezi C Blok
Maslak, Istanbul, Turkey
(580) 2016 12 16

(111) M 2006 017024 R1
(732) SANOVEL ILAC SANAYI VE TICARET
ANONIM SIRKETI
Buyukdere Cad. Ilaç Sanayi Yolu No:14
Istinye-Sariyer 34460 Istanbul, Turkey
(770) SANOVEL ILAC SANAYII VE TICARET
ANONIM SIRKETI
Buyukdere Caddesi Zagra Is Merkezi C blok
Maslak, Istanbul, Turkey
(580) 2016 12 16

(111) M 2006 017089 R1
(732) SANOVEL ILAC SANAYI VE TICARET
ANONIM SIRKETI
Buyukdere Cad. Ilaç Sanayi Yolu No:14
Istinye-Sariyer 34460 Istanbul, Turkey
(770) SANOVEL ILAC SANAYII VE TICARET
ANONIM SIRKETI
Buyukdere Caddesi Zagra Is Merkezi C blok
Maslak, Istanbul, Turkey
(580) 2016 12 16

(111) M 2006 017090 R1
(732) SANOVEL ILAC SANAYI VE TICARET
ANONIM SIRKETI
Buyukdere Cad. Ilaç Sanayi Yolu No: 14
Istinye-Sariyer 34460 Istanbul, Turkey
(770) SANOVEL ILAC SANAYII VE TICARET
ANONIM SIRKETI
Buyukdere Caddesi Zagra Is Merkezi C Blok
Maslak, Istanbul, Turkey
(580) 2016 12 16

(111) M 2006 017091 R1
(732) SANOVEL ILAC SANAYI VE TICARET
ANONIM SIRKETI
Buyukdere Cad. Ilaç Sanayi Yolu No:14
Istinye-Sariyer 34460 Istanbul, Turkey
(770) SANOVEL ILAC SANAYII VE TICARET
ANONIM SIRKETI
Buyukdere Caddesi Zagra Is Merkezi C Blok
Maslak, Istanbul, Turkey
(580) 2016 12 16

(111) M 2006 017197 R1
(732) CUMMINS FILTRATION INC.
500 Jackson Street, Colimbus, Indiana, USA
(770) FLEETGUARD, INC.
a, corporation organized and existing under
the laws State on Indiana
500 Jackson Street, Columbus, Indiana, USA
(580) 2016 12 15

(111) M 2006 017209 R1
(732) AMGEN INC.
One Amgen Center Drive, Thousand Oaks,
California 91320-1799, USA
(770) AMGEN INC.
One Amgen Center Drive, Thousand Oaks,
California 91320-1789, USA
(580) 2017 01 16

(111) M 2007 017993 R
(732) KT & G Corporation
71, Beottkot-gil, Daedeok-Gu, Daejeon,
Republic of Korea
(770) KT & G Corporation
100, Pyeongchon-Dong, Daedeok-Gu,
Daejeon, Republic of Korea
(580) 2016 12 19

(111) M 1996 002071 R2
(732) LABORATORIES DR NG PAYOT
6, Boulevard du Parc, 92200 Neuilly-sur-
Seine, France
(770) LABORATORIES Dr. N.G. PAYOT, S.A.
7, Boulevard d'Oсны, 95808 Cergy-
Pontoise, France
(580) 2016 12 15

(111) M 2011 021813 R
(732) JSC "SAQARTVELOS RKINIGZA"
Tamar mefis gamz.15, 0112, Tbilisi, Georgia
(770) LTD "SAQARTVELOS RKINIGZA"
Tamar mefis gamz.15, 0112, Tbilisi, Georgia
(580) 2016 12 15

(111) M 2012 022572 R
(732) KT & G CORPORATION
71, Beottkot-gil, Daedeok-Gu, Daejeon,
Republic of Korea
(770) KT & G CORPORATION
100, Pyong chon-dong, Daedeog-gu,
Daejeon, Republic of Korea
(580) 2016 12 19

(111) M 2012 022863 R
(732) THE PROACTIV COMPANY SARL
Avenue de Gratta-Paille 2, 1018 Lausanne,
Switzerland
(770) GR SWISS JV, LLC
41-550 Eclectic Street, Suite 200, Palm
Desert, California 92260, USA
(580) 2017 01 04

(111) M 1996 002288 R2
(732) LUXOTTICA GROUP S.P.A.
Piazzale Cadorna 3, Milano 20123, Italy
(770) LUXOTTICA GROUP S.P.A.
Via Cesare Cantu, 2-20123 Milano (MI),
Italy
(580) 2017 01 10

(111) M 1996 003437 R2
(732) GABRIELLE STUDIO, INC.
240 West 40th Street, New York, New York
0018, USA
(770) GABRIELLE STUDIO, INC.
550 Seventh Avenue, New York, New York
10018, USA
(580) 2017 01 05

(111) M 1996 003746 R2
(732) CANDIA
1-3 rue des italiens, 75009 Paris, France
(770) CANDIA
42, Cours Suchet, 69002 Lyon, France
(580) 2017 01 04

(111) M 1996 004051 R2
(732) CANDIA
1-3 rue des italiens, 75009 Paris, France
(770) CANDIA
42, Cours Suchet, 69002 Lyon, France
(580) 2017 01 04

(111) M 1997 004658 R2
(732) SONY CORPORATION
1-7-1 Konan, Minato-ku, Tokyo, Japan
(770) SONY KABUSHIKI KAISHA
(also trading as Sony Corporation)
7-35 Kitashinagawa 6-chome, Shinagawa-
Ku, Tokio, Japan
(580) 2017 01 04

(111) M 1997 005305 R2
(732) TYSON FOODS, INC.
2200 Don Tyson Parkway, Springdale,
Arkansas 72762, USA

(770) TYSON FOODS, INC.
2210 W. Oaklawn Drive, Springdale,
Arkansas 72762, USA
(580) 2017 01 04

(111) M 1997 007311 R1
(732) SONY CORPORATION
1-7-1 Konan, Minato-ku, Tokyo, Japan
(770) SONY KABUSHIKI KAISHA
7-35, Kitashinagawa 6-chome, Shinagawa-
ku, Tokyo, Japan
(580) 2017 01 04

(111) M 1997 007313 R1
(732) SONY CORPORATION
1-7-1 Konan, Minato-ku, Tokyo, Japan
(770) SONY KABUSHIKI KAISHA
7-35, Kitashinagawa 6-chome, Shinagawa-
ku, Tokyo, Japan
(580) 2017 01 04

(111) M 1997 007389 R1
(732) SONY CORPORATION
1-7-1 Konan, Minato-ku, Tokyo, Japan
(770) SONY KABUSHIKI KAISHA
7-35, Kitashinagawa 6-chome, Shinagawa-
ku, Tokyo, Japan
(580) 2017 01 04

(111) M 1997 007395 R1
(732) SONY CORPORATION
1-7-1 Konan, Minato-ku, Tokyo, Japan
(770) SONY KABUSHIKI KAISHA
7-35, Kitashinagawa 6-chome, Shinagawa-
ku, Tokyo, Japan
(580) 2017 01 04

INVALIDATION OF TRADEMARKS REGISTRATION

(111) M 2006 16689 R
 (141) 2016 12 15, Not payment for prolongation of registration on the following of 10 years
 (732) LTD "A-B-C PHARMACEUTICALS"
 Lisis tba 1, 0171, Tbilisi, Georgia

(111) M 2006 16697 R
 (141) 2016 12 28, Not payment for prolongation of registration on the following of 10 years
 (732) DAVITZODELAVA
 Titsian Tabidzis 1 shes., 4, 0162, Tbilisi, Georgia

(111) M 2006 16698 R
 (141) 2016 12 28, Not payment for prolongation of registration on the following of 10 years
 (732) DAVITZODELAVA
 Titsian Tabidzis 1 shes., 4, 0162, Tbilisi, Georgia

(111) M 2006 16700 R
 (141) 2016 12 28, Not payment for prolongation of registration on the following of 10 years
 (732) DAVITZODELAVA
 Titsian Tabidzis 1 shes., 4, 0162, Tbilisi, Georgia

(111) M 2006 16701 R
 (141) 2016 12 28, Not payment for prolongation of registration on the following of 10 years
 (732) MITTAL STEEL TECHNOLOGIES LIMITED
 IFS Court, 28, Cybercity, Ebene, Mauritius

(111) M 2006 16703 R
 (141) 2016 12 28, Not payment for prolongation of registration on the following of 10 years
 (732) RASHEN DAIEMOND LIMITID
 LAIEBILITI KOMPANI
 34, ul. miklukho-maklaya, offici IV, room 37, RU-117279, Moscow, Russian Federation

(111) M 2006 16705 R
 (141) 2016 12 28, Not payment for prolongation of registration on the following of 10 years
 (732) YILDIZ HOLDING A.S.
 Kisikli mah. Ferah Cad. Kisikli Cesme Sk.
 No:2/4 B. Camlica, Uskudar, ISTANBUL, Turkey

(111) M 2006 16706 R
 (141) 2016 12 28, Not payment for prolongation of registration on the following of 10 years
 (732) BIOGEN IDEC MA INC.
 (a Massachusetts corporation)
 14 Cambridge Center, Cambridge, MA
 02142, USA

(111) M 2006 16707 R
 (141) 2016 12 28, Not payment for prolongation of registration on the following of 10 years
 (732) ARCELORMITTAL S.A.
 Avenue de la Liberte, 19-L2930
 Luxembourg, Luxembourg

(111) M 2006 16708 R
 (141) 2016 12 28, Not payment for prolongation of registration on the following of 10 years
 (732) JSC "GOMI SPIRITS AND VODKA COMPANY"
 Sop. Gomi, 5702, Khashuris raioni, Georgia

(111) M 2006 16709 R
 (141) 2017 01 12, Not payment for prolongation of registration on the following of 10 years
 (732) JSC "GOMI SPIRITS AND VODKA COMPANY"
 Sop. Gomi, 5702, Khashuris raioni, Georgia

(111) M 2006 16711 R
 (141) 2017 01 12, Not payment for prolongation of registration on the following of 10 years
 (732) GIA BAAZOV
 Chiqobavas q. 42/5, 0102, Tbilisi, Georgia

(111) M 2006 16712 R
 (141) 2017 01 12, Not payment for prolongation of registration on the following of 10 years
 (732) LTD "MEGVINEOBA KHAREBA"
 Davit Agmasheneblis kheivani me-6 km.,
 0131, Tbilisi, Georgia

(111) M 2006 16713 R
 (141) 2017 01 12, Not payment for prolongation of registration on the following of 10 years
 (732) LTD "MEGVINEOBA KHAREBA"
 Davit Agmasheneblis kheivani me-6 km.,
 0131, Tbilisi, Georgia

(111) M 2006 16717 R
 (141) 2017 01 12, Not payment for prolongation of registration on the following of 10 years
 (732) INTERVET INTERNATIONAL B.V.
 Wim de Körverstraat 35, 5831 AN Boxmeer, Netherlands

(111) M 2006 16718 R
 (141) 2017 01 12, Not payment for prolongation of registration on the following of 10 years
 (732) LTD "PARADIS"
 S. Chiqovanis q. 20/36, 0177, Tbilisi, Georgia

(111) M 2006 16719 R
 (141) 2017 01 12, Not payment for prolongation of registration on the following of 10 years
 (732) LTD "PARADIS"
 S. Chiqovanis q. 20/36, 0177, Tbilisi, Georgia

(111) M 2006 16720 R
 (141) 2017 01 12, Not payment for prolongation of registration on the following of 10 years
 (732) LTD "PARADIS"
 S. Chiqovanis q. 20/36, 0177, Tbilisi, Georgia

(111) M 2006 16721 R
 (141) 2017 01 12, Not payment for prolongation of registration on the following of 10 years
 (732) LTD "PARADIS"
 S. Chiqovanis q. 20/36, 0177, Tbilisi, Georgia

(111) M 2006 16725 R
 (141) 2017 01 12, Not payment for prolongation of registration on the following of 10 years
 (732) MERCK SHARP & DOHME CORP.
 One Merck Drive, Whitehouse Station, New Jersey 08889, USA

(111) M 2006 16726 R
 (141) 2017 01 12, Not payment for prolongation of registration on the following of 10 years
 (732) PRECIOUS MOMENTS, INC.
 AN ILLINOIS CORPORATION
 4321 Chapel Road, Carthage, Missouri 64836, USA

(111) M 2006 16727 R
 (141) 2017 01 12, Not payment for prolongation of registration on the following of 10 years

(732) PETRE MESKHIDZE
 Gamsakhurdias gamz. 37, b. 24, 0160, Tbilisi, Georgia

(111) M 2006 16728 R
 (141) 2017 01 12, Not payment for prolongation of registration on the following of 10 years
 (732) NUTRI PHARMA ASA
 P.O. Box 1477, 0116 Oslo, Norway

(111) M 2006 16729 R
 (141) 2017 01 12, Not payment for prolongation of registration on the following of 10 years
 (732) LTD "GEO-POL"
 Charglis q. 73, Tbilisi, Georgia

(111) M 2006 16730 R
 (141) 2017 01 12, Not payment for prolongation of registration on the following of 10 years
 (732) DOMINO'S IP HOLDER LLC
 24 Frank Lloyd Wright Drive, P.O. Box 485, Ann Arbor, Michigan 48106, USA

(111) M 2006 16732 R
 (141) 2017 01 12, Not payment for prolongation of registration on the following of 10 years
 (732) LTD "WINE CELLAR OF DUGLADZE"
 Akhvledianis chikhi 8, Orkhevi, 0109, Tbilisi, Georgia

(111) M 2006 16735 R
 (141) 2017 01 12, Not payment for prolongation of registration on the following of 10 years
 (732) LTD "WINE CELLAR OF DUGLADZE"
 Akhvledianis chikhi 8, Orkhevi, 0109, Tbilisi, Georgia

(111) M 2006 16736 R
 (141) 2017 01 12, Not payment for prolongation of registration on the following of 10 years
 (732) LTD "NEW WAYI"
 Mitropane Lagidzis q. 21, 0108, Tbilisi, Georgia

(111) M 2006 16737 R
 (141) 2017 01 12, Not payment for prolongation of registration on the following of 10 years
 (732) LTD "TDAN"
 Tsotne Dadianis q. 17, 4800, Kvareli, Georgia

(111) M 2006 16738 R
(141) 2017 01 12, Not payment for prolongation of registration on the following of 10 years
(732) LTD "TDAN"
Tsotne Dadianis q. 17, 4800, Kvareli, Georgia

(111) M 2006 16739 R
(141) 2017 01 12, Not payment for prolongation of registration on the following of 10 years
(732) HARRINGTON DEVELOPMENT INC.
Arango-Orillac Bldg. East 54 th street, Panama, Panama

(111) M 2006 16740 R
(141) 2017 01 12, Not payment for prolongation of registration on the following of 10 years
(732) ZAZA KHURTSIDZE
Rustavelis q. 54, b. 44, 3900, Samtredia, Georgia

(111) M 2006 16742 R
(141) 2017 01 13, Not payment for prolongation of registration on the following of 10 years
(732) BESIK LASHKARADZE
Tamarashvilis 6, 0177, Tbilisi, Georgia

(111) M 2006 16743 R
(141) 2017 01 13, Not payment for prolongation of registration on the following of 10 years
(732) JSC "TFILISIS MARANI"
Paliashvilis q. 33, 0179, Tbilisi, Georgia

(111) M 2006 16746 R
(141) 2017 01 13, Not payment for prolongation of registration on the following of 10 years
(732) LTD "ASPHARMA"
Shevchenkos q. 12, 0108, Tbilisi, Georgia

(111) M 2006 16747 R
(141) 2017 01 13, Not payment for prolongation of registration on the following of 10 years
(732) LTD "GPC"
Marjanishvilis q. 26, 0102, Tbilisi, Georgia

(111) M 2006 16748 R
(141) 2017 01 13, Not payment for prolongation of registration on the following of 10 years
(732) LTD "GPC"
Marjanishvilis q. 26, 0102, Tbilisi, Georgia

(111) M 2006 16749 R
(141) 2017 01 13, Not payment for prolongation of registration on the following of 10 years
(732) LTD "GPC"
Marjanishvilis q. 26, 0102, Tbilisi, Georgia

(111) M 2006 16750 R
(141) 2017 01 13, Not payment for prolongation of registration on the following of 10 years
(732) LTD "AVITA"
Gabashvilis q. 7/6, 0177, Tbilisi, Georgia

(111) M 1996 2468 R1
(141) 2006 12 26, Not payment for prolongation of registration on the following of 10 years
(732) ARAMIS INC.
767 Fifth Avenue, New York, New York, USA

(111) M 1996 2472 R1
(141) 2006 12 26, Not payment for prolongation of registration on the following of 10 years
(732) KODAK S.A.
26, Rue Villiot, 75012 Paris, France

(111) M 1996 2484 R1
(141) 2006 12 26, Not payment for prolongation of registration on the following of 10 years
(732) LUCENT TECHNOLOGIES INC.
600 Mountain Avenue, Murray Hill, New Jersey 07974-0636, USA

(111) M 1996 2485 R1
(141) 2006 12 26, Not payment for prolongation of registration on the following of 10 years
(732) AT&T INTELLECTUAL PROPERTY II, L.P.
645 East Plumb Lane, Reno, Nevada 89502, USA

(111) M 1996 2490 R1
(141) 2006 12 26, Not payment for prolongation of registration on the following of 10 years
(732) MERCK SHARP & DOHME CORP.
One Merck Drive, Whitehouse Station, New Jersey 08889, USA

(111) M 1996 2491 R1
(141) 2006 12 26, Not payment for prolongation of registration on the following of 10 years
(732) MERCK SHARP & DOHME CORP.
One Merck Drive, Whitehouse Station, New Jersey 08889, USA

(111) M 1996 2492 R1
(141) 2006 12 26, Not payment for prolongation of registration on the following of 10 years
(732) MERCK SHARP & DOHME CORP.
One Merck Drive, Whitehouse Station, New Jersey 08889, USA

(111) M 1996 2495 R1
(141) 2006 12 26, Not payment for prolongation of registration on the following of 10 years
(732) MERCK SHARP & DOHME CORP.
One Merck Drive, Whitehouse Station, New Jersey 08889, USA

(111) M 1996 2498 R1
(141) 2006 12 26, Not payment for prolongation of registration on the following of 10 years
(732) GIORGIO ARMANI S.p.A.
Milan, Swiss Branch Mendrisio
Via Penate 4, 6850 Mendrisio, Switzerland

(111) M 1996 2504 R1
(141) 2006 12 27, Not payment for prolongation of registration on the following of 10 years
(732) GIORGIO ARMANI S.p.A.
Milan, Swiss Branch Mendrisio
Via Penate 4, 6850 Mendrisio, Switzerland

(111) M 1996 2505 R1
(141) 2006 12 27, Not payment for prolongation of registration on the following of 10 years
(732) GIORGIO ARMANI S.p.A.
Milan, Swiss Branch Mendrisio
Via Penate 4, 6850 Mendrisio, Switzerland

(111) M 1996 2516 R1
(141) 2006 12 27, Not payment for prolongation of registration on the following of 10 years
(732) COMPASS GROUP NEDERLAND B.V.
Laarderhoogtweg 11, 1101 DZ Amsterdam ZO, Netherlands

(111) M 1996 2520 R1
(141) 2006 12 27, Not payment for prolongation of registration on the following of 10 years
(732) DeZURIK, INC.
250 Riverside Avenue North, Sartell, Minnesota 56377, USA

(111) M 1996 2523 R1
(141) 2006 06 28, Not payment for prolongation of registration on the following of 10 years

(732) RENAULT S.A.S.
92100 BOULOGNE-BILLANCOURT,
France

(111) M 1996 2526 R1
(141) 2006 06 28, Not payment for prolongation of registration on the following of 10 years
(732) RENAULT s.a.s.
92100 BOULOGNE-BILLANCOURT,
France

(111) M 1996 2536 R1
(141) 2006 12 28, Not payment for prolongation of registration on the following of 10 years
(732) HENKEL AG & Co. KgaA
Henkelstrasse 67, 40589 Dusseldorf,
Germany

(111) M 1996 2548 R1
(141) 2006 07 03, Not payment for prolongation of registration on the following of 10 years
(732) SOCIÉTÉ DES PRODUITS NESTLÉ S.A.
1800 Vevey, Switzerland

(111) M 1996 2560 R1
(141) 2006 07 04, Not payment for prolongation of registration on the following of 10 years
(732) JVC KENWOOD CORPORATION
3-12, Moriyacho, Kanagawa-Ku, Yokohama-Shi,
Kanagawa, Japan

(111) M 1996 2581 R1
(141) 2007 01 09, Not payment for prolongation of registration on the following of 10 years
(732) LAGOS GMBH
Furstenberger Strasse 2, 16775 Dannenwalde,
Germany

(111) M 1996 2583 R1
(141) 2007 01 09, Not payment for prolongation of registration on the following of 10 years
(732) GRUNENTHAL GmbH
Zieglerstrasse 6, D-52078 Aachen, Germany

(111) M 1996 2584 R1
(141) 2007 01 09, Not payment for prolongation of registration on the following of 10 years
(732) GRUNENTHAL GmbH
Zieglerstrasse 6, D-52078 Aachen, Germany

(111) M 1996 2590 R1
(141) 2007 01 09, Not payment for prolongation of registration on the following of 10 years
(732) INTRUM JUSTITIA LICENSING AG
Gotthardstrasse 20, 6304 Zug, Switzerland

(111) M 1996 2604 R1
(141) 2007 01 10, Not payment for prolongation of registration on the following of 10 years
(732) INDUSTRIA COLOMBIANA DE CAFES.A.
Medellin, Colombia

(111) M 1996 2627 R1
(141) 2007 01 16, Not payment for prolongation of registration on the following of 10 years
(732) HENRI WINTERMANS CIGARS B.V.
Nieuwstraat 75, 5521 CB Eersel,
Netherlands

(111) M 1996 2638 R1
(141) 2007 01 16, Not payment for prolongation of registration on the following of 10 years
(732) HARDENBERG-WILTHEN AG
Vorderhaus 2, D-37176 Norten-Hardenberg,
Germany

(111) M 1996 2639 R1
(141) 2007 01 16, Not payment for prolongation of registration on the following of 10 years
(732) EGRI Dohanygyar KFT
Torvenyhaz u.4, 3300 Eger, Hungary

(111) M 1996 2642 R1
(141) 2007 01 16, Not payment for prolongation of registration on the following of 10 years
(732) EGRI Dohanygyar KFT
Torvenyhaz u.4, 3300 Eger, Hungary

(111) M 1996 2643 R1
(141) 2007 01 16, Not payment for prolongation of registration on the following of 10 years
(732) EGRI Dohanygyar KFT
Torvenyhaz u.4, 3300 Eger, Hungary

(111) M 1996 2644 R1
(141) 2007 01 16, Not payment for prolongation of registration on the following of 10 years
(732) EGRI Dohanygyar KFT
Torvenyhaz u.4, 3300 Eger, Hungary

(111) M 1996 2645 R1
(141) 2007 01 17, Not payment for prolongation of registration on the following of 10 years
(732) EGRI Dohanygyar KFT
Torvenyhaz u.4, 3300 Eger, Hungary

(111) M 1996 2647 R1
(141) 2007 01 17, Not payment for prolongation of registration on the following of 10 years
(732) EGRI Dohanygyar KFT
Torvenyhaz u.4, 3300 Eger, Hungary

(111) M 1996 2656 R1
(141) 2007 01 17, Not payment for prolongation of registration on the following of 10 years
(732) WYETH
Five Giralda Farms, Madison, New Jersey
07940, USA

(111) M 1996 2657 R1
(141) 2007 01 17, Not payment for prolongation of registration on the following of 10 years
(732) WYETH
Five Giralda Farms, Madison, New Jersey
07940, USA

(111) M 1996 2659 R1
(141) 2006 07 18, Not payment for prolongation of registration on the following of 10 years
(732) EXXON MOBIL CORPORATION
5959 Las Colinas Boulevard, Irving, Texas
75039-2298, USA

(111) M 1996 2662 R1
(141) 2007 01 17, Not payment for prolongation of registration on the following of 10 years
(732) ASTRAZENECA AB
Vastra Malarehamnen 9, 15185 Sodertalje,
Sweden

(111) M 1996 2670 R1
(141) 2007 01 18, Not payment for prolongation of registration on the following of 10 years
(732) THE COCA-COLA COMPANY
One Coca-Cola Plaza, Atlanta, Georgia
30313, USA

(111) M 1996 2676 R1
(141) 2007 01 18, Not payment for prolongation of registration on the following of 10 years
(732) CHUGAI SEIYAKU KABUSHIKI KAISHA

(CHUGAI PHARMACEUTICAL CO., LTD)
Tokyo, Japan

(111) M 1996 2677 R1

(141) 2007 01 18, Not payment for prolongation of
registration on the following of 10 years

(732) CHUGAI SEIYAKU KABUSHIKI KAISHA
(CHUGAI PHARMACEUTICAL CO., LTD)
Tokyo, Japan

(111) M 1996 2678 R1

(141) 2007 01 18, Not payment for prolongation of
registration on the following of 10 years

(732) CHUGAI SEIYAKU KABUSHIKI KAISHA
(CHUGAI PHARMACEUTICAL CO., LTD)
Tokyo, Japan

CLASSIFICATION INDEXES

INVENTIONS

CONCORDANCE TABLE OF INTERNATIONAL CLASSIFICATION INDEX AND PUBLICATION NUMBERS

INTERNATIONAL CLASSIFICATION INDEXES (51)	NUMBER OF PUBLISHED APPLICATION (10)
A 61 K 31/00; A 61 K 31/40; A 61 P 1/16	AP 2017 13941 A
B 01 D 53/62; C 01 B 31/24; C 01 F 11/18	AP 2017 12994 A
C 03 C 7/04	AP 2017 14073 A
C 09 D 11/00; C 09 D 11/02; B 41 M 3/14; B 42 D 15/00; C 09 B 5/02; C 09 B 69/10; C 07 D 311/00; C 07 D 471/00; C 07 D 221/00	AP 2017 13491 A
G 11 C 17/00	AP 2017 13770 A

CONCORDANCE TABLE OF PUBLICATION NUMBERS AND INTERNATIONAL CLASSIFICATION INDEX

NUMBER OF PUBLISHED APPLICATION (10)	INTERNATIONAL CLASSIFICATION INDEXES (51)
AP 2017 12994 A	B 01 D 53/62; C 01 B 31/24; C 01 F 11/18
AP 2017 13491 A	C 09 D 11/00; C 09 D 11/02; B 41 M 3/14; B 42 D 15/00; C 09 B 5/02; C 09 B 69/10; C 07 D 311/00; C 07 D 471/00; C 07 D 221/00
AP 2017 13770 A	G 11 C 17/00;
AP 2017 13941 A	A 61 K 31/00; A 61 K 31/40; A 61 P 1/16
AP 2017 14073 A	C 03 C 7/04

CONCORDANCE TABLE OF INTERNATIONAL CLASSIFICATION INDEX, PATENT NUMBERS AND PUBLICATION NUMBERS

INTERNATIONAL CLASSIFICATION INDEX (51)	NUMBER OF PATENT (11)	NUMBER OF PUBLISHED APPLICATION (10)
A 61 F 9/007	P 2017 6610 B	AP 2016 13944 A
A 61 K 9/00; A 61 K 9/107; A 61 K 47/14	P 2017 6606 B	AP 2016 13046 A
A 61 K 31/164; A 61 K 31/415; A 61 K 31/4174; A 61 K 31/525; A 61 P 11/02	P 2017 6609 B	AP 2016 13539 A
C 07 D 401/10; C 07 D 401/14; C 07 D 405/14; C 07 D 413/10; C 07 D 413/14; C 07 D 417/14; C 07 D 498/08; A 61 K 31/506; A 61 K 31/444; A 61 P 25/282	P 2017 6608 B	AP 2016 13457 A
C 07 K 16/26; A 61 K 39/395; A 61 P 35/00	P 2017 6604 B	AP 2016 12707 A
C 07 K 16/32; A 61 K 39/395; A 61 P 35/00	P 2017 6605 B	AP 2016 13006 A
C 08 B 15/00; A 61 P 25/28; A 61 K 31/717	P 2017 6607 B	AP 2016 13083 A
C 10 G 1/04; C 09 K 8/60; C 23 F 11/173; C 23 G 1/24	P 2017 6603 B	AP 2016 12413 A

**CONCORDANCE TABLE OF PATENT NUMBERS,
PUBLICATION NUMBERS AND INTERNATIONAL CLASSIFICATION INDEX**

NUMBER OF PATENT (11)	NUMBER OF PUBLISHED APPLICATION (10)	INTERNATIONAL CLASSIFICATION INDEX (51)
P 2017 6603 B	AP 2016 12413 A	C 10 G 1/04; C 09 K 8/60; C 23 F 11/173; C 23 G 1/24
P 2017 6604 B	AP 2016 12707 A	C 07 K 16/26; A 61 K 39/395; A 61 P 35/00
P 2017 6605 B	AP 2016 13006 A	C 07 K 16/32; A 61 K 39/395; A 61 P 35/00
P 2017 6606 B	AP 2016 13046 A	A 61 K 9/00; A 61 K 9/107; A 61 K 47/14
P 2017 6607 B	AP 2016 13083 A	C 08 B 15/00; A 61 P 25/28; A 61 K 31/717
P 2017 6608 B	AP 2016 13457 A	C 07 D 401/10; C 07 D 401/14; C 07 D 405/14; C 07 D 413/10; C 07 D 413/14; C 07 D 417/14; C 07 D 498/08; A 61 K 31/506; A 61 K 31/444; A 61 P 25/282
P 2017 6609 B	AP 2016 13539 A	A 61 K 31/164; A 61 K 31/415; A 61 K 31/4174; A 61 K 31/525; A 61 P 11/02
P 2017 6610 B	AP 2016 13944 A	A 61 F 9/007

CONCORDANCE TABLE OF APPLICATION NUMBERS, PUBLICATION NUMBERS AND PATENTS

NUMBER OF APPLICATION (21)	NUMBER OF PUBLISHED APPLICATION (10)	NUMBER OF PATENT (11)
AP 2009 012413	AP 2016 12413 A	P 2017 6603 B
AP 2010 012707	AP 2016 12707 A	P 2017 6604 B
AP 2011 013006	AP 2016 13006 A	P 2017 6605 B
AP 2011 013046	AP 2016 13046 A	P 2017 6606 B
AP 2011 013083	AP 2016 13083 A	P 2017 6607 B
AP 2012 013457	AP 2016 13457 A	P 2017 6608 B
AP 2012 013539	AP 2016 13539 A	P 2017 6609 B
AP 2015 013944	AP 2016 13944 A	P 2017 6610 B

UTILITY MODELS

CONCORDANCE TABLE OF INTERNATIONAL CLASSIFICATION INDEX AND PUBLICATION NUMBERS

INTERNATIONAL CLASSIFICATION INDEXES (51)	NUMBER OF PUBLISHED APPLICATION (10)
A 01 G 7/00	AU 2017 14121 U

**CONCORDANCE TABLE OF PUBLICATION NUMBERS
AND INTERNATIONAL CLASSIFICATION INDEX**

NUMBER OF PUBLISHED APPLICATION (10)	INTERNATIONAL CLASSIFICATION INDEXES (51)
AU 2017 14121 U	A 01 G 7/00

**CONCORDANCE TABLE OF INTERNATIONAL CLASSIFICATION INDEX,
PATENT NUMBERS AND PUBLICATION NUMBERS**

INTERNATIONAL CLASSIFICATION INDEX (51)	NUMBER OF PATENT (11)	NUMBER OF PUBLISHED APPLICATION (10)
A 01 C 1/06	U 2017 1922 Y	AU 2016 13830 U
A 23 L 1/06	U 2017 1923 Y	AU 2016 13936 U
F 04 C 2/32	U 2017 1924 Y	AU 2016 14054 U
F 04 C 2/32	U 2017 1925 Y	AU 2016 14055 U
G 09 F 3/00	U 2017 1921 Y	AU 2016 13606 U

**CONCORDANCE TABLE OF PATENT NUMBERS,
PUBLICATION NUMBERS AND INTERNATIONAL CLASSIFICATION INDEX**

NUMBER OF PATENT (11)	NUMBER OF PUBLISHED APPLICATION (10)	INTERNATIONAL CLASSIFICATION INDEX (51)
U 2017 1921 Y	AU 2016 13606 U	G 09 F 3/00
U 2017 1922 Y	AU 2016 13830 U	A 01 C 1/06
U 2017 1923 Y	AU 2016 13936 U	A 23 L 1/06
U 2017 1924 Y	AU 2016 14054 U	F 04 C 2/32
U 2017 1925 Y	AU 2016 14055 U	F 04 C 2/32

**CONCORDANCE TABLE OF APPLICATION NUMBERS, PUBLICATION NUMBERS
AND PATENTS**

NUMBER OF APPLICATION (21)	NUMBER OF PUBLISHED APPLICATION (10)	NUMBER OF PATENT (11)
AU 2014 013606	AU 2016 13606 U	U 2017 1921 Y
AU 2015 013830	AU 2016 13830 U	U 2017 1922 Y
AU 2015 013936	AU 2016 13936 U	U 2017 1923 Y
AU 2016 014054	AU 2016 14054 U	U 2017 1924 Y
AU 2016 014055	AU 2016 14055 U	U 2017 1925 Y

DESIGNS**REGISTERED DESIGNS****CONCORDANCE TABLE OF INTERNATIONAL CLASSIFICATION INDEX
AND PUBLICATION NUMBERS**

INTERNATIONAL CLASSIFICATION INDEXES (51)	NUMBER OF PUBLISHED APPLICATION (10)
25-01	AD 2017 927 S
25-02	AD 2017 930 S

**CONCORDANCE TABLE OF PUBLICATION NUMBERS
AND INTERNATIONAL CLASSIFICATION INDEX**

NUMBER OF PUBLISHED APPLICATION (10)	INTERNATIONAL CLASSIFICATION INDEXES (51)
AD 2017 927 S	25-01
AD 2017 930 S	25-02

**CONCORDANCE TABLE OF INTERNATIONAL CLASSIFICATION INDEX,
PATENT NUMBERS AND PUBLICATION NUMBERS**

INTERNATIONAL CLASSIFICATION INDEX (51)	NUMBER OF PATENT (11)	NUMBER OF PUBLISHED APPLICATION (10)
20-03	D 2017 695 S	AD 2016 910 S

**CONCORDANCE TABLE OF PATENT NUMBERS,
PUBLICATION NUMBERS AND INTERNATIONAL CLASSIFICATION INDEX**

NUMBER OF PATENT (11)	NUMBER OF PUBLISHED APPLICATION (10)	INTERNATIONAL CLASSIFICATION INDEX (51)
D 2017 695 S	AD 2016 910 S	20-03

**CONCORDANCE TABLE OF APPLICATION NUMBERS, PUBLICATION NUMBERS
AND PATENTS**

NUMBER OF APPLICATION (21)	NUMBER OF PUBLISHED APPLICATION (10)	NUMBER OF PATENT (11)
AD 2016 000910	AD 2016 910 S	D 2017 695 S

TRADEMARKS

CONCORDANCE TABLE OF REGISTRATION NUMBERS, APPLICATION NUMBERS, PUBLICATION NUMBERS AND BULLETIN NUMBERS

NUMBER OF REGISTRATION (111)	NUMBER OF APPLICATIONS (210)	NUMBER OF PUBLISHED APPLICATIONS (260)	NUMBER OF BULLETIN
M 2017 28040 R	AM 90043	-	2(462)2017
M 2017 28041 R	AM 90065	-	2(462)2017
M 2017 28042 R	AM 90065	-	2(462)2017
M 2017 28043 R	AM 90124	-	2(462)2017
M 2017 28044 R	AM 90147	-	2(462)2017
M 2017 28045 R	AM 90161	-	2(462)2017
M 2017 28046 R	AM 90162	-	2(462)2017
M 2017 28047 R	AM 90163	-	2(462)2017
M 2017 28048 R	AM 90012	-	2(462)2017
M 2017 28049 R	AM 90165	-	2(462)2017
M 2017 28050 R	AM 90059	-	2(462)2017
M 2017 28051 R	AM 78564	AM 2016 78564 A	11(447)2016
M 2017 28052 R	AM 79667	AM 2016 79667 A	11(447)2016
M 2017 28053 R	AM 80769	AM 2016 80769 A	11(447)2016
M 2017 28054 R	AM 81347	AM 2016 81347 A	13(449)2016
M 2017 28055 R	AM 83660	AM 2016 83660 A	11(447)2016
M 2017 28056 R	AM 83699	AM 2016 83699 A	17(453)2016
M 2017 28057 R	AM 84076	AM 2016 84076 A	12(448)2016
M 2017 28058 R	AM 84077	AM 2016 84077 A	12(448)2016
M 2017 28059 R	AM 84228	AM 2016 84228 A	11(447)2016
M 2017 28060 R	AM 84236	AM 2016 84236 A	15(451)2016
M 2017 28061 R	AM 84316	AM 2016 84316 A	12(448)2016
M 2017 28062 R	AM 84428	AM 2016 84428 A	11(447)2016
M 2017 28063 R	AM 84485	AM 2016 84485 A	14(450)2016
M 2017 28064 R	AM 84672	AM 2016 84672 A	13(449)2016
M 2017 28065 R	AM 84734	AM 2016 84734 A	11(447)2016
M 2017 28066 R	AM 84738	AM 2016 84738 A	11(447)2016
M 2017 28067 R	AM 84959	AM 2016 84959 A	13(449)2016
M 2017 28068 R	AM 85033	AM 2016 85033 A	17(453)2016
M 2017 28069 R	AM 85040	AM 2016 85040 A	15(451)2016
M 2017 28070 R	AM 85042	AM 2016 85042 A	15(451)2016
M 2017 28071 R	AM 85043	AM 2016 85043 A	15(451)2016
M 2017 28072 R	AM 85089	AM 2016 85089 A	15(451)2016
M 2017 28073 R	AM 85283	AM 2016 85283 A	15(451)2016
M 2017 28074 R	AM 85310	AM 2016 85310 A	15(451)2016
M 2017 28075 R	AM 85743	AM 2016 85743 A	17(453)2016
M 2017 28076 R	AM 86011	AM 2016 86011 A	17(453)2016
M 2017 28077 R	AM 89989	-	2(462)2017

**CONCORDANCE TABLE OF PUBLICATION NUMBERS
AND APPLICATION NUMBERS**

NUMBER OF PUBLISHED APPLICATION (260)	NUMBER OF APPLICATION (210)	1	2
		1	2
AM 2017 85023 A*	AM 85023 A	AM 2017 87275 A	AM 87275 A
AM 2017 86012 A	AM 86012 A	AM 2017 87276 A	AM 87276 A
AM 2017 86122 A	AM 86122 A	AM 2017 87277 A	AM 87277 A
AM 2017 86857 A	AM 86857 A	AM 2017 87278 A	AM 87278 A
AM 2017 86989 A	AM 86989 A	AM 2017 87279 A	AM 87279 A
AM 2017 87001 A	AM 87001 A	AM 2017 87284 A	AM 87284 A
AM 2017 87196 A	AM 87196 A	AM 2017 87285 A	AM 87285 A
AM 2017 87218 A	AM 87218 A	AM 2017 87286 A	AM 87286 A
AM 2017 87219 A	AM 87219 A	AM 2017 87294 A	AM 87294 A
AM 2017 87222 A	AM 87222 A	AM 2017 87297 A	AM 87297 A
AM 2017 87237 A	AM 87237 A	AM 2017 87298 A	AM 87298 A
AM 2017 87238 A	AM 87238 A	AM 2017 87300 A	AM 87300 A
AM 2017 87242 A	AM 87242 A	AM 2017 87302 A	AM 87302 A
AM 2017 87257 A	AM 87257 A	AM 2017 87304 A	AM 87304 A
AM 2017 87258 A	AM 87258 A	AM 2017 87334 A	AM 87334 A
AM 2017 87260 A	AM 87260 A	AM 2017 87335 A	AM 87335 A
AM 2017 87261 A	AM 87261 A	AM 2017 87367 A	AM 87367 A
AM 2017 87263 A	AM 87263 A	AM 2017 87386 A	AM 87386 A
AM 2017 87264 A	AM 87264 A	AM 2017 87399 A	AM 87399 A
AM 2017 87267 A	AM 87267 A	AM 2017 87529 A	AM 87529 A
AM 2017 87269 A	AM 87269 A	AM 2017 87530 A	AM 87530 A
AM 2017 87270 A	AM 87270 A	AM 2017 87531 A	AM 87531 A
AM 2017 87271 A	AM 87271 A	AM 2017 87532 A	AM 87532 A
AM 2017 87272 A	AM 87272 A	AM 2017 87617 A	AM 87617 A
AM 2017 87274 A	AM 87274 A	AM 2017 87622 A	AM 87622 A
		AM 2017 87657 A	AM 87657 A
		AM 2017 87658 A	AM 87658 A
		AM 2017 87659 A	AM 87659 A
		AM 2017 87660 A	AM 87660 A
		AM 2017 87691 A	AM 87691 A

**CONCORDANCE TABLE OF INDEX OF GOODS AND/OR SERVICES
AND APPLICATION NUMBERS**

INDEX OF GOODS AND/OR SERVICES (511)	NUMBER OF PUBLISHED APPLICATIONS (26)	1	2
		1	2
		5	AM 2017 87530 A
		5	AM 2017 87531 A
		5	AM 2017 87532 A
		6	AM 2017 86989 A
		7	AM 2017 86989 A
		7	AM 2017 87367 A
		9	AM 2017 87367 A
		11	AM 2017 86989 A
		12	AM 2017 86857 A
		16	AM 2017 87657 A
		16	AM 2017 87658 A
		16	AM 2017 87659 A
		16	AM 2017 87660 A
		18	AM 2017 87622 A
		29	AM 2017 85023 A*
		30	AM 2017 85023 A*
		30	AM 2017 87237 A

1	2	1	2
30	AM 2017 87238 A	30	AM 2017 87286 A
30	AM 2017 87257 A	30	AM 2017 87294 A
30	AM 2017 87258 A	30	AM 2017 87297 A
30	AM 2017 87260 A	30	AM 2017 87298 A
30	AM 2017 87261 A	30	AM 2017 87300 A
30	AM 2017 87263 A	30	AM 2017 87302 A
30	AM 2017 87264 A	30	AM 2017 87304 A
30	AM 2017 87267 A	30	AM 2017 87386 A
30	AM 2017 87269 A	32	AM 2017 87218 A
30	AM 2017 87270 A	32	AM 2017 87219 A
30	AM 2017 87271 A	32	AM 2017 87222 A
30	AM 2017 87272 A	33	AM 2017 86012 A
30	AM 2017 87274 A	33	AM 2017 87617 A
30	AM 2017 87275 A	33	AM 2017 87691 A
30	AM 2017 87276 A	35	AM 2017 85023 A*
30	AM 2017 87277 A	35	AM 2017 86122 A
30	AM 2017 87278 A	35	AM 2017 87399 A
30	AM 2017 87279 A	35	AM 2017 87691 A
30	AM 2017 87284 A	43	AM 2017 87196 A
30	AM 2017 87285 A	43	AM 2017 87691 A

**CONCORDANCE TABLE OF INDEX OF GOODS AND/OR SERVICES
AND NUMBERS OF TRADEMARKS REGISTERED ACCORDING
TO THE ACCELERATED PROCEDURE**

INDEX OF GOODS AND/OR SERVICES (511)	NUMBERS OF REGISTERED ACCORDING TO THE ACCELERATED PROCEDURE (111)
4	M 2017 28042 R
4	M 2017 28043 R
6	M 2017 28045 R
29	M 2017 28044 R
30	M 2017 28044 R
32	M 2017 28045 R
33	M 2017 28041 R
33	M 2017 28048 R
33	M 2017 28049 R
34	M 2017 28040 R
36	M 2017 28046 R
36	M 2017 28047 R
38	M 2017 28050 R
39	M 2017 28042 R
39	M 2017 28043 R
41	M 2017 28050 R
44	M 2017 28077 R

OFFICIAL BULLETIN OF THE INDUSTRIAL PROPERTY

2(462)

EDITOR-IN-CHIEF: N. Bebrishvili

EDITORS-TRANSLATORS: E. Gabunia

PROOFREADER: A. Shikhashvili

COMPUTER LAYOUT: M. Ordenidze
K. Svanidze

www.sakpatenti.org.ge

E-mail: info@sakpatenti.org.ge