

Official Bulletin of the Industrial Property

Inventions

Utility Models

Designs

Trademarks



საქართველოს ინტელექტუალური
საკუთრების ეროვნული ცენტრი

საკპატი

SAKPATENTI

NATIONAL INTELLECTUAL PROPERTY
CENTER OF GEORGIA

www.sakpatenti.gov.ge

Date of Publication – 2021 06 25

11(567)

INID CODES FOR IDENTIFICATION OF BIBLIOGRAPHIC DATA

INVENTIONS, UTILITY MODELS

- (10) Number of publication for application, which has been examined
- (11) Number of patent and kind of document
- (21) Serial number of application
- (22) Date of filing of the application
- (23) Date of exhibition or the date of the earlier filing and the number of application, if any
- (24) Date from which patent may have effect
- (31) Number of priority application
- (32) Date of filing of priority application
- (33) Code of the country or regional organization allotting priority application number
- (44) Date of publication of application not granted, but examined and number of bulletin
- (45) Date of publication of registered document
- (51) International Patent Classification Index

- (54) Title of the invention
- (57) Abstract
- (60) Number of examined patent document granted by foreign patent office, date from which patent has effect and country code
- (62) Number of the earlier application and in case of divided application, date of filing an application
- (71) Name, surname and address of applicant (country code)
- (72) Name, surname of inventor (country code)
- (73) Name, surname and address of patent owner (country code)
- (74) Name, surname of representative or patent attorney
- (85) Date of commencement of the national phase of International Application
- (86) Number and date of filing of international application
- (87) Number and date of publication of international application
- (94) Calculated date of expiry of the SPC or the duration of the SPC

DESIGNS

- (10) Number of publication for application
- (11) Number of patent and kind of document or number of registration
- (15) Date of registration/Date of patent renewal
- (18) Expected expiration date of patent or registration
- (21) Serial number of application
- (22) Date of filing of the application
- (23) Date of exhibition or the date of the earlier filing and the number of application, if any
- (24) Date from which patent may have effect
- (28) Number of designs included in the application
- (30) Data relating to priority (number of application, date of filing of application, two-letter code identifying the authority with whom the priority application was made)
- (31) Number of priority application
- (32) Date of filing of priority application
- (33) Code of the country or regional organization allotting priority application number
- (34) Two-letter code according to WIPO St.3 identifying the authority with which the priority application was made
- (44) Date of publication of design and number of bulletin (the first publication)
- (45) Date of publication of design registered by WIPO and number of bulletin

- (51) International Classification for designs (class and subclass of the Locarno Classification)
- (54) Title of the invention
- (55) Reproduction of the design
- (57) Description of characteristic features of the design including indication of colors
- (58) Date of recording of any kind of amendment in the Register
- (62) Number of the earlier application, registration and document number and if available the date of filing an application in case of divided application
- (71) Name, surname and address of applicant (country code)
- (72) Name, surname of creator (country code)
- (73) Name, surname and address of patent owner (country code)
- (74) Name, surname of representative or patent attorney
- (81) Contracting states concerned
 - II designated contracting states according to the 1960 Act
 - III designated contracting states according to the 1999 Act
- (85) Owner's permanent address
- (86) Owner's nationality
- (87) Owner's residence
- (88) State in which the owner has a real and effective industrial or commercial establishment

TRADEMARKS

- (111) - Number of registration
- (151) - Date of registration
- (156) - Date of the renewal
- (181) - Expected expiration date of registration
- (186) - Renewal expiration date of registration
- (141) - Date of cancel of duration of the mark
- (210) - Serial number of application
- (220) - Date of filing of the application
- (230) - Data concerning exhibition
- (260) - Number of application, for which favorable decision of examination about registration has been taken (publication number)
- (310) - Number of the first application
- (320) - Date of filing of the first application
- (330) - Code, identifying national or regional Office where the first application was made
- (511) - International Classification of Goods and Services for the purposes of registration of trade marks and/or list of goods and/or services classified according thereto
- (526) - Disclaimer
- (531) - Description of figurative elements of Trade Marks according to the International Classification of the Figurative Elements of Marks

- (540) - Reproduction of Trade Mark
- (550) - Nature and kind of Trade Mark
- (551) - Indication to the effect that the mark is a collective mark, a certification mark or a guarantee mark
- (554) - Three-dimensional mark
- (580) - Date of recording of any kind changes in respect of applications or registrations
- (591) - Information concerning colors claimed
- (731) - Name and address of the applicant
- (732) - Name and address of the holder of the registration
- (740) - Name and address of the representative
- (750) - Addreses for correspondence
- (770) - Name and address of the previous applicant or holder in case of change in ownership
- (771) - Previous name and address of the applicant or holder in case of change in ownership
- (791) - Name and address of the licensee
- (793) - Indication of conditions and/or restrictions under the license (Type of license, number of license agreement, data of license, data of validity of license)
- (800) - Certain data relating to the international registration of Trade Marks under the Protocol Relating to Madrid Agreement (International registration number
- (852) - Partial cancellation of the list of goods and services
- (891) - Date of subsequent designation

CODES FOR PUBLICATION IN BULLETIN

- (21) AP 0000 000000 - serial number of application for invention
- (10) AP 0000 0000 A - number of published application for invention (first publication)
- (11) P 0000 0000 B - number of patent for invention (second publication)
- (21) API 0000 000000 - number of application for imported patent
- (11) PI 0000 0000 A - number of imported patent (first publication)
- (21) AU 0000 000000 - serial number of application for utility model
- (10) AU 0000 000 U - number of published application for utility model (first publication)
- (11) U 0000 000 Y - number of patent for utility model (second publication)
- (21) AD 0000 000000 - serial number of application for design
- (10) AD 0000 000 S - number of published application for design (first publication)
- (11) D 0000 000 S - registered design

INTERNATIONAL PATENT CLASSIFICATION FOR INVENTIONS AND UTILITY MODELS

- SECTION A - HUMAN NECESSITIES
- SECTION B - PERFORMING OPERATIONS; TRANSPORTING
- SECTION C - CHEMISTRY; METALLURGY
- SECTION D - TEXTILES; PAPER
- SECTION E - FIXED CONSTRUCTIONS
- SECTION F - MECHANICAL ENGINEERING; LIGHTING; HEATING; WEAPONS; BLASTING
- SECTION G - PHYSICS
- SECTION H - ELECTRICITY

-
- M - Trade Mark
 - (210) AM 0000 000000 - Serial number of application;
 - (260) AAM 0000 00000 A - Publication number of application;
 - (111) M 0000 00000 R - Number of registration;
 - (111) MMM0000 00000 Rn - Number of renewals, in which n=1,2,3;
 - (111) M 0000 00000 R(P) - Number of registration under partial assignment of rights
-

Official Bulletin of the Industrial Property

Inventions

Utility Models

Designs

Trademarks

CONTENTS

PUBLISHED TITLES OF PROTECTION	3
INVENTIONS	
▪ APPLICATION APPROVED FOR GRANTING PATENT	4
▪ PATENTED INVENTIONS	5
UTILITY MODELS	
▪ APPLICATION APPROVED FOR GRANTING PATENT	7
▪ PATENTED UTILITY MODELS	8
DESIGNS	
▪ APPLICATION APPROVED FOR REGISTRATION	9
▪ REGISTERED DESIGNS	11
▪ DESIGNS, WHICH HAVE BEEN REGISTERED WITH THE INTERNATIONAL BUREAU CLAIMING PRIORITY ON THE TERRITORY OF GEORGIA	12
TRADEMARKS	
▪ APPLICATIONS FILED UNDER THE NATIONAL PROCEDURE APPROVED FOR REGISTRATION	30
▪ REGISTERED TRADEMARKS	38
▪ TRADEMARKS REGISTERED ACCORDING TO THE ACCELERATED PROCEDURE	41
▪ INTERNATIONAL TRADEMARKS FOR WHICH A DECISION ON GRANTING PROTECTION IS TAKEN	45
▪ INTERNATIONAL TRADEMARKS PROTECTED IN GEORGIA	118
OFFICIAL NOTIFICATIONS	
INVENTIONS	
▪ EXPIRATION OF PATENTS RESTORATION	126
▪ ABOLITION OF PATENTS WITH THE RIGHT TO RESTORE	126
▪ EXPIRATION OF TERM OF RESTORATION OF PATENT	127
UTILITY MODELS	
▪ EXPIRATION OF PATENTS RESTORATION	129
▪ ABOLITION OF PATENTS WITH THE RIGHT TO RESTORE	129
▪ EXPIRATION OF TERM OF RESTORATION OF PATENTS	130
DESIGN	
▪ CANCELLATION OF REGISTRATION OF DESIGN	130
TRADEMARKS	
▪ RENEWAL OF REGISTRATIONS	131
▪ COMPLETE TRANSFER OF RIGHTS	132
▪ CHANGES OF NAMES AND/OR ADDRESSES OF OWNER	133
▪ CANCELLATION OF TRADEMARKS REGISTRATIONS	135
▪ ABOLITION OF INTERNATIONAL TRADEMARK BY A COURT DECISION	137
▪ INTERNATIONAL LICENSE AGREEMENTS	137
CLASSIFICATION INDEXES	
INVENTIONS	138
UTILITY MODELS	139
DESIGNS	141
TRADEMARKS	142

PUBLISHED TITLES OF PROTECTION

INVENTIONS

- **APPLICATION APPROVED FOR GRANTING PATENT:**
14598
- **PATENTED INVENTIONS:**
7265-7269

UTILITY MODELS

- **APPLICATION APPROVED FOR GRANTING PATENT:**
15477
- **PATENTED UTILITY MODELS:**
2089-2091

DESIGNS

- **APPLICATION APPROVED FOR REGISTRATION:**
1199
- **REGISTERED DESIGNS:**
896, 897
- **DESIGNS, WHICH HAVE BEEN REGISTERED WITH THE INTERNATIONAL BUREAU CLAIMING PRIORITY ON THE TERRITORY OF GEORGIA:**
213347; 213502; 213504; 213607; 213727; 210959; 213783, 213784; 213863

TRADEMARKS

- **APPLICATIONS FILED UNDER THE NATIONAL PROCEDURE APPROVED FOR REGISTRATION:**
92160*;108586; 108957; 109044; 109948; 109952; 110299, 110300; 110302; 110363; 110368, 110369; 110371, 110372; 110380; 110445; 110453, 110454; 110473; 110475; 110481; 110510; 110515; 110521; 110523; 110531, 110532; 110534, 110535; 110544; 110601; 110615; 110691; 110696; 110748; 110763; 110772, 110773; 110778; 110792; 110795, 110796; 110869
- **REGISTERED TRADEMARKS:**
34199-34232
- **TRADEMARKS REGISTERED ACCORDING TO THE ACCELERATED PROCEDURE:**
34185-34198; 34233-34236
- **INTERNATIONAL TRADEMARKS FOR WHICH A DECISION ON GRANTING PROTECTIONS IS TAKEN:**
106018*; 108135; 108548; 108701; 108715; 109343; 109531, 109532; 109538-109540; 109542; 109556-109561; 109581- 109585; 109614-109617; 109622; 109627-109629; 109631-109633; 109638; 109642- 109644; 109646-109649; 109683-109685; 109692; 109694; 109696; 109699; 109701-109703; 109705; 109711-109713; 109719-109722; 109728; 109783;109786-109788; 109803, 109804; 109809; 109814, 109815; 109818-109820; 109860-109865; 109869; 109893, 109894; 109902; 109908; 109965, 109966; 109968-109972; 109974, 109975; 109986, 109987; 110004-110007; 110049-110053; 110055-110060; 110072-110076; 110151, 110152; 110162-110165; 110240; 110250, 110251; 110326, 110327
- **INTERNATIONAL TRADEMARKS PROTECTED IN GEORGIA:**
104599; 105844; 105946; 106326; 106708; 106726; 107088; 108151; 108155; 108232; 108257; 108282-108285; 108287; 108323-108325; 108327; 108329-108340; 108356-108360; 108367; 108371; 108448; 108450-108452; 108463; 108467; 108473; 108475; 108540; 108544; 108547; 108549; 108621-108631; 108642; 108653; 108655, 108702; 108704, 108705; 108712; 108716-108718; 108720, 108721; 108727; 108796, 108797; 108803, 108804; 108805-108810; 108831; 108833;, 108835; 108837; 108839-108842; 108844, 108845; 108916; 108918-108920; 108983; 108985

INVENTIONS

APPLICATION APPROVED FOR GRANTING PATENT

The decision can be appealed at the Chamber of Appeal of Sakpatenti within 3 months from the publication or at the Mtskheta District Court Administrative Cases Board (Address: №17, Samkhedro str., Mtskheta), within 1 month following the publication.

PART B

B 05

(10) AP 2021 14598 A (51) Int. Cl. (2006)
B 05 D 3/00
C 09 D 137/00
C 09 D 7/40

(21) AP 2017 14598 (22) 2017 09 29

(31) 16191982.4

(32) 2016 09 30

(33) EP

(71) DAW SE (DE)

Roßdörfer Straße 50, 64372 Ober-Ramstadt,
Germany (DE)

(72) BERNER, Thomas (DE);

WEINHOLD, Petra (DE);

GROSKOPF, Jean (DE)

(74) Liliana Darakhvelidze

(54) AQUEOUS TREATMENT COMPOUND FOR
BUILDING WALLS, CEILINGS OR FLOORS,
STAINING OR PRIMING, SUBSTRATE
WITH COATING, AND MASS USAGE
FOR TREATMENT

(57) An invention relates to aqueous treatment mass for building walls, ceilings or floors containing a binder, a thickener, substrate wetting additive, and other additives, if needed. The invention relates to said aqueous mass usage together with biocides for building surfaces sanitare or biocidal treatment, as well.

Claims: 6 independents

10 dependents

PATENTED INVENTIONS

PART A

A 61

- (11) P 2021 7266 B (51) Int. Cl. (2006)
A 61 K 31/436
A 61 P 25/00
C 07 D 491/04
C 07 D 491/18
- (10) AP 2021 15056 A (44) 1(557)/2021
(21) AP 2017 15056
(22) 2017 09 25
(24) 2017 09 25
(31) 62/400,150
(32) 2016 09 27
(33) US
(86) PCT/US2017/053155, 2017 09 25
(73) Merck Sharp & Dohme Corp. (US)
126 East Lincoln Avenue, Rahway,
NJ 07065-0907, USA (US)
- (72) ARASAPPAN, Ashok (US);
DEMONG, Duane (US);
HOYT, Scott, B. (US);
SEBHAT, Iyassu, K. (US);
WILKENING, Robert, R. (US)
- (74) Shalva Gvaramadze
- (54) CHROMANE, ISOCHROMANE
AND DIHYDROISOBENZOFURAN
DERIVATIVES AS mGluR2-NEGATIVE
ALLOSTERIC MODULATORS,
COMPOSITIONS, AND THEIR USE

- (11) P 2021 7265 B (51) Int. Cl. (2006)
A 61 K 31/4427
A 61 K 31/497
A 61 P 3/00
C 07 D 401/14
C 07 D 405/14
C 07 D 413/14
C 07 D 471/04
C 07 D 487/04
- (10) AP 2021 15110 A (44) 3(559)/2021
(21) AP 2017 15110
(22) 2017 12 01
(24) 2017 12 01
(31) 62/435,533
(32) 2016 12 16
(33) US
(86) PCT/IB2017/057577, 2017 12 01
(73) Pfizer Inc. (US)
235 East 42nd Street, New York,
NY 10017, USA (US)

- (72) BAGLEY, Scott W. (US);
DOWLING, Matthew S. (US);
FLANAGAN, Mark E. (US);
FUTATSUGI, Kentaro (US);
GRIFFITH, David A. (US);
HUARD, Kim (US);
INGLE, Gajendra (US);
JIAO, Wenhua (US);
LIMBERAKIS, Chris (US);
PIOTROWSKI, David W. (US);
RUGGERI, Roger B. (US);
CURTO, John M. (US);
EDMONDS, David James (US);
ASPNES, Gary Erik (US);
MATHIOWETZ, Alan M. (US)
- (74) Shalva Gvaramadze
- (54) GLP-1 RECEPTOR AGONISTS AND
USES THEREOF

- (11) P 2021 7269 B (51) Int. Cl. (2006)
A 61 K 31/506
A 61 K 31/5377
A 61 P 13/12
C 07 D 403/14
C 07 D 413/14
C 07 D 471/04
C 07 D 487 04
- (10) AP 2021 15076 A (44) 1(557)/2021
(21) AP 2017 15076
(22) 2017 10 09
(24) 2017 10 09
(31) 16193953.3
(32) 2016 10 14
(33) EP
(86) PCT/EP2017/075630, 2017 10 09
(73) Bayer Pharma Aktiengesellschaft (DE)
Müllerstraße 178, Berlin, 13353,
Germany (DE);
Bayer Aktiengesellschaft (DE)
Kaiser-Wilhelm-Allee 1, Leverkusen, 51373,
Germany (DE)
- (72) KAHNERT, Antje (DE);
DREHER, Jan (DE);
GROMOV, Alexey (DE);
SCHMECK, Carsten (DE);
LINDNER, Niels (DE);
MÜLLER, Thomas (DE);
GIESE, Anja (DE);
KLAR, Jürgen (DE);
EHRMANN, Alexander (US);
ENGEL, David (DE);
DIESKAU, Andre Philippe (DE);
WILLWACHER, Jens (DE);

COLLINS, Karl (DE);
ANDREEVSKI, Anna Lena (DE)
(74) Giorgi Kartvelishvili
(54) SUBSTITUTED 6-(1H-PYRAZOL-1-YL)
PYRIMIDIN-4-AMINE DERIVATIVES
AND USES THEREOF

PART C

C 02

(11) P 2021 7268 B (51) Int. Cl. (2006)
C 02 F 1/52
C 02 F 1/57
(10) AP 2021 15037 A (44) 2(558)/2021
(21) AP 2019 15037
(22) 2019 03 28
(24) 2019 03 28
(73) LLC "Georgian Minerals Group" (GE)
Al. Griboedov St. 31, app. 19, Ozurgeti,
Georgia (GE)
(72) Tengiz Sharashidze (GE);
Sergey Ayrapetyan (AM)
(74) Irakli Gogoladze
(54) COMPOSITE FLOCCULANT

PART F

F 03

(11) P 2021 7267 B (51) Int. Cl. (2006)
F 03 D 1/06
(10) AP 2021 15001 A (44) 3(559)/2021
(21) AP 2019 15001
(22) 2019 02 13
(24) 2019 02 13
(73) Batumi State Maritime Academy (GE)
Rustaveli St. 53, 6010, Batumi, Georgia (GE)
(72) Vladimer Chkhaidze (GE);
Tsiuri Kurshubadze (GE);
Makvala Bekirishvili (GE);
Jemal Nakashidze (GE)
(54) WIND ENERGETICAL DEVICE TURBINE

UTILITY MODELS

APPLICATION APPROVED FOR GRANTING PATENT

The decision can be appealed at the Chamber of Appeal of Sakpatenti within 3 months from the publication or at the Mtskheta District Court Administrative Cases Board (Address: №17, Samkhedro str., Mtskheta), within 1 month following the publication.

PART A

A 01

(10) AU 2021 15477 U (51) Int. Cl. (2006)

A 01 K 67/033

(21) AU 2020 15477 (22) 2020 10 27

(71) Mamuka Verulava (GE)

Baratashvili St. 12, app. 2, Tbilisi, Georgia (GE)

(72) Mamuka Verulava (GE)

(74) Tamaz Shilakadz

(54) METHOD FOR HOUSEFLY WORM

GROWTH

(57) A method provides housefly worm cultivation in organic waste substrate placed in a capacity disposed horizontally, creating necessary microclimate therein, particularly, heating, ventilating and wetting. The method additionally provides periodical mixing of substrate with worms; at that, the capacity is executed as plastic barrel; and organic waste, particularly, bird droppings, is used as substrate.

Claims: 1 independent

PATENTED UTILITY MODELS

PART A

A 47

(11) U 2021 2089 Y (51) Int. Cl. (2006)
A 47 G 19/14
A 47 J 27/21
A 47 J 36/06
(10) AU 2021 15287 U (44) 3(559)/2021
(21) AU 2020 15287
(22) 2020 02 19
(24) 2020 02 19
(31) 2019131385
(32) 2019 10 04
(33) RU
(73) OOO "Polaris International Limited" (RU)
Ul. Elektrodnaya, Dom 8, Stroenie 2, Moscow,
111524, Russian Federation (RU)
(72) RIZHOV, Viktor Igorevich (RU)
(74) Shalva Gvaramadze
(54) TEAPOT LID

(11) U 2021 2090 Y (51) Int. Cl. (2006)
A 47 G 19/14
A 47 J 36/06
A 47 J 27/21
(10) AU 2021 15286 U (44) 3(559)/2021
(21) AU 2020 15286
(22) 2020 02 19
(24) 2020 02 19
(31) 2019131382
(32) 2019 10 04
(33) RU
(73) OOO "Polaris International Limited" (RU)
Ul. Elektrodnaya, Dom 8, Stroenie 2, Moscow,
111524, Russian Federation (RU)
(72) RIZHOV, Viktor Igorevich (RU)
(74) Shalva Gvaramadze
(54) TEAPOT LID

(11) U 2021 2091 Y (51) Int. Cl. (2006)
A 47 G 19/14
A 47 J 36/06
A 47 J 27/21
(10) AU 2021 15285 U (44) 3(559)/2021
(21) AU 2020 15285
(22) 2020 02 19
(24) 2020 02 19
(31) 2019131380
(32) 2019 10 04
(33) RU

(73) OOO "Polaris International Limited" (RU)
Ul. Elektrodnaya, Dom 8, Stroenie 2, Moscow,
111524, Russian Federation (RU)
(72) RIZHOV, Viktor Igorevich (RU)
(74) Shalva Gvaramadze
(54) TEAPOT LID

DESIGNS

APPLICATION APPROVED FOR REGISTRATION

The decision can be appealed at the Chamber of Appeal of Sakpatenti within 3 months from the publication or at the Mtskheta District Court Administrative Cases Board (Address: №17, Samkhedro str., Mtskheta), within 1 month following the publication.

- (10) AD 2021 1199 S (51) 32-00
(21) AD 2021 1199 (22) 2021 01 20
(28) 5
(71) Sopio Chkhaidze (GE)
Bidzina Baratashvili St. 14, 0105, Tbilisi, Georgia (GE);
Elizaveta Chkhaidze (GE)
Bidzina Baratashvili St. 14, 0105, Tbilisi, Georgia (GE)
(72) Sopio Chkhaidze (GE);
Elizaveta Chkhaidze (GE)
(74) Davit Dzamukashvili (GE)
(54) GRAPHICAL SYMBOL
(55)



1.1



2.1

DEBI



3.1



REGISTERED DESIGNS

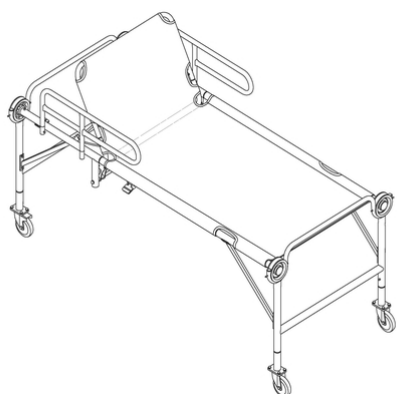
(11) D 2021 897 S (51) 18-03
(10) AD 2021 1188 S (44) 2021 03 10 №4
(21) AD 2020 1188
(22) 2020 10 14
(24) 2020 10 14
(28) 1
(18) 2025 10 14
(73) Mamuka Nachkebia (GE)
Irakli Abashidze St. 68, app. 52, 0162, Tbilisi,
Georgia (GE)
(72) Mamuka Nachkebia (GE)
(74) Nino Bakhtadze (GE)
(54) FONT

(11) D 2021 896 S (51) 29-02
(10) AD 2021 1189 S (44) 2021 03 10 №4
(21) AD 2020 1189
(22) 2020 10 22
(24) 2020 10 22
(28) 1
(18) 2025 10 22
(73) Aleksandre Tsivtsivadze (GE)
Revaz Japaridze St. 1, Lane I, House 3, 0179,
Tbilisi, Georgia (GE);
Mariam Chakhrakia (GE)
Tamarashvili St. 1, app. 40, 0177, Tbilisi,
Georgia (GE)
(72) Alexander Tsivtsivadze (GE);
Mariam Chakhrakia (GE)
(54) VEIL

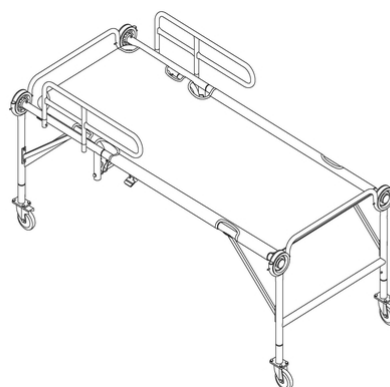
DESIGNS, WHICH HAVE BEEN REGISTERED WITH THE INTERNATIONAL BUREAU CLAIMING PRIORITY ON THE TERRITORY OF GEORGIA

The decision can be appealed at the Chamber of Appeal of Sakpatenti within 3 months from the publication or at the Mtskheta District Court Administrative Cases Board (Address: №17, Samkhedro Str., Mtskheta), within 1 month following the publication.

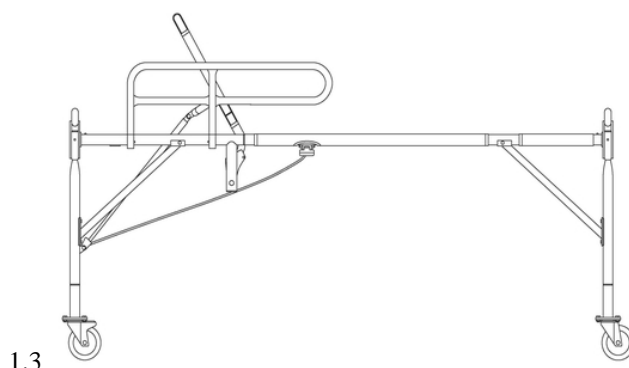
- (11) DM/213 347 (51) 06-02
(15) 2020 02 24 (44) 13/2021 (2021 04 02)
(22) 2020 02 24
(28) 1
(73) Disc-O-Bed Holdings Limited
3 Chrysanthou Mylona, 3030 Limassol (CY)
(85) EM
(86) EM
(87) EM
(88) EM
(89) EM
(81) III. KG, WS, LI, MK, GE, CA, OM, BA, RS, NO, EG, RU, RW, SY, IS, AM, BW, TJ, MD, VN, TN, KH, TR, SR, GH, ST, MN, IL, KP, CH, JP, KR, LV, MX, AL, UA, BN, OA, NA, SG, MC, BZ, ME, AZ, TM, SM (30)
No. 1: 25.09.2020; WIPO97790; IB; DAS: 8F0C
(72) Richard BONATZ
63 Gerhardus Road, Unit 11 Maxman Centre, 1406, Elandsfontein, Alberton (ZA)
(74) ABG Intellectual Property Law, S.L.
Avenida De Burgos, 16D, 28036 Madrid (ES)
(54) 1. Mobile care bed
(55)



1.1

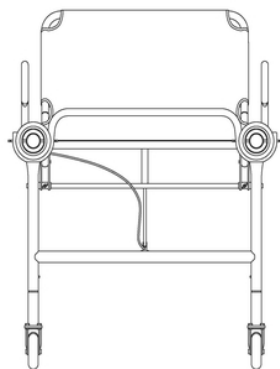


1.2

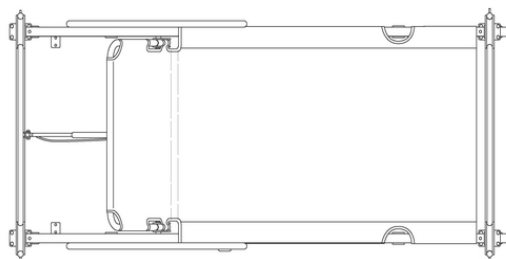


1.3

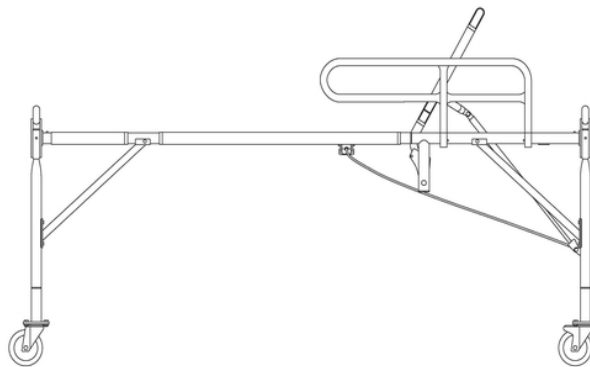
1.4



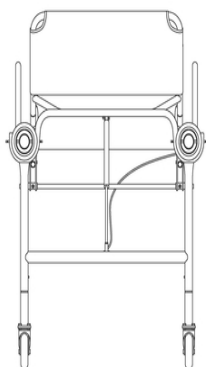
1.5



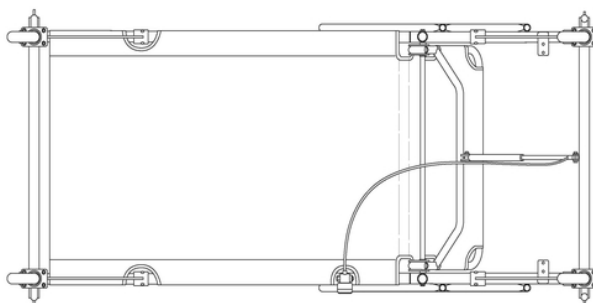
1.6



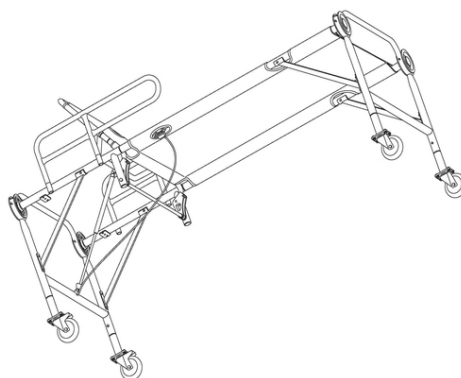
1.7



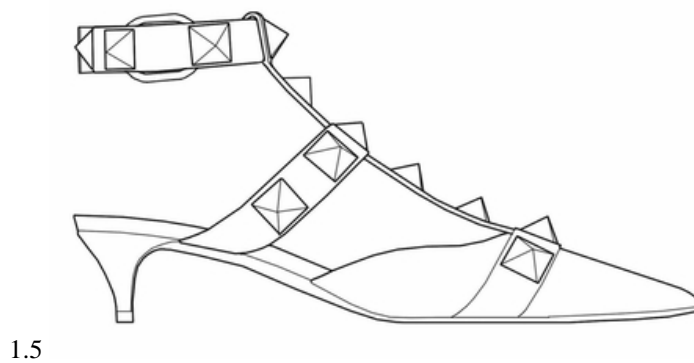
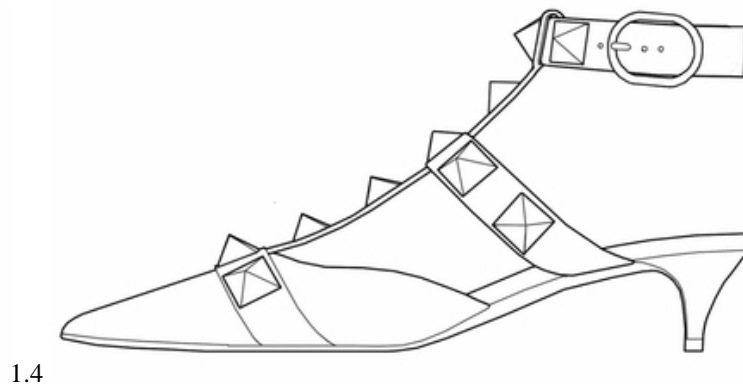
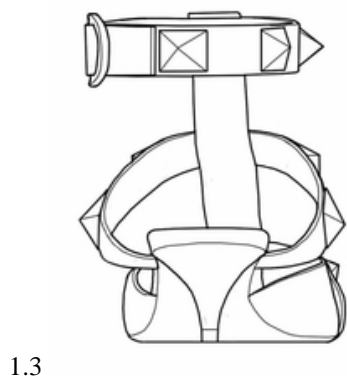
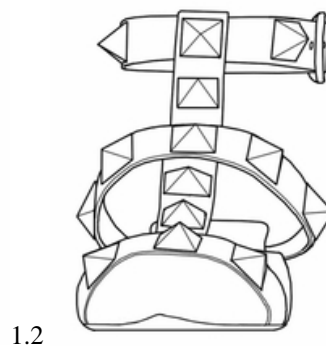
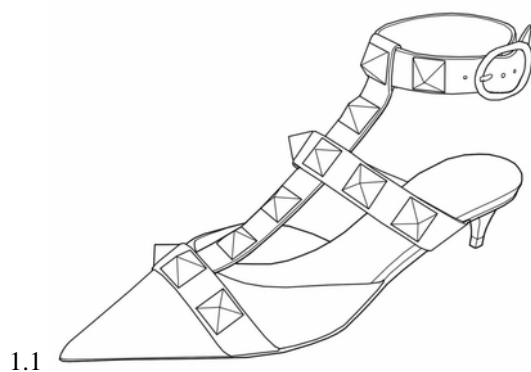
1.8

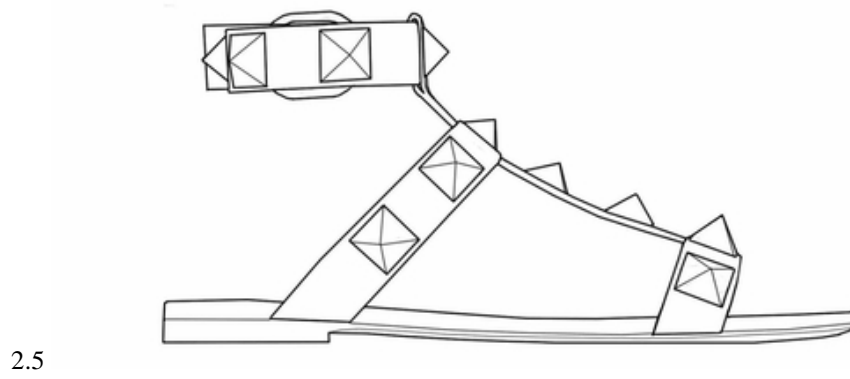
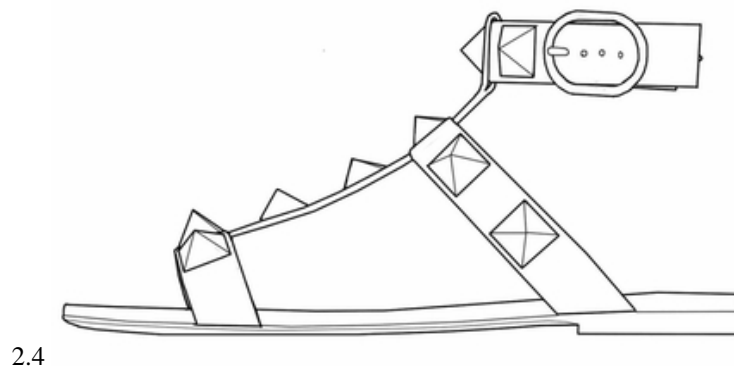
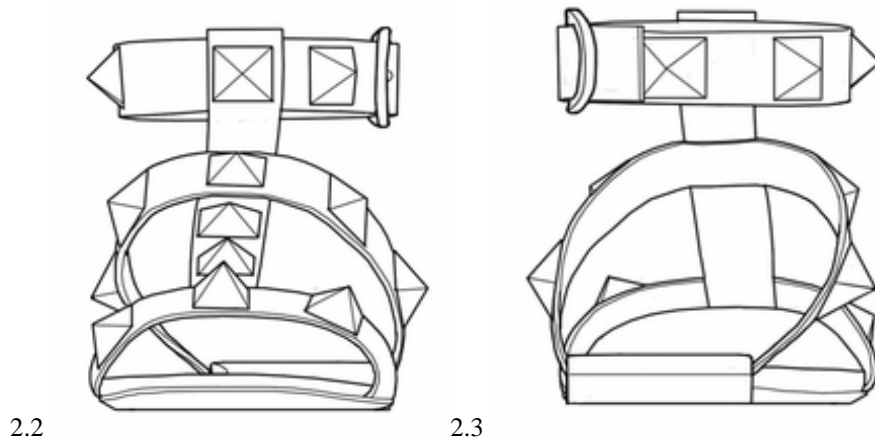
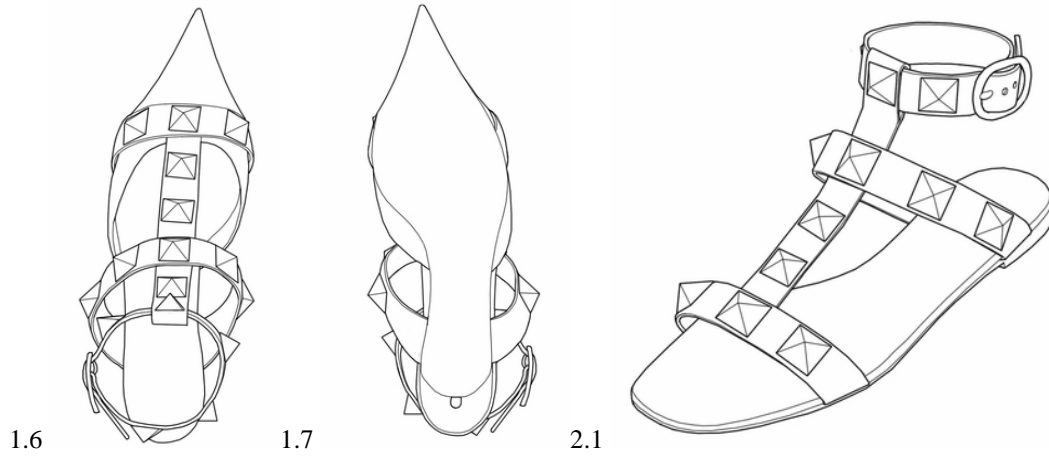


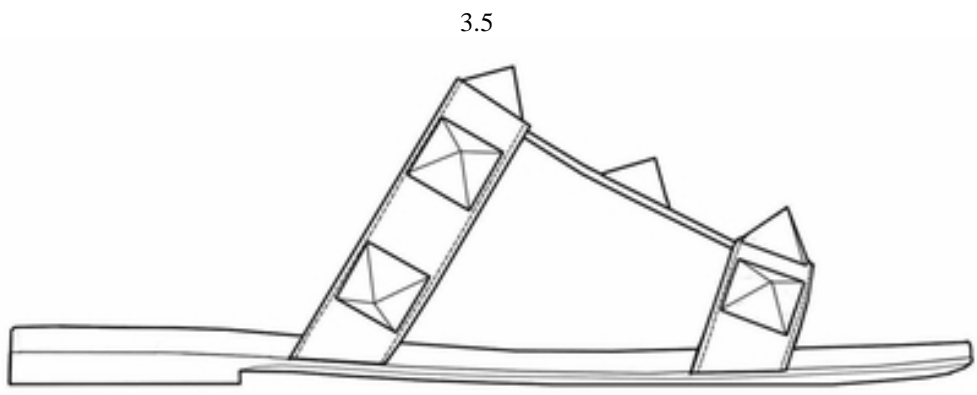
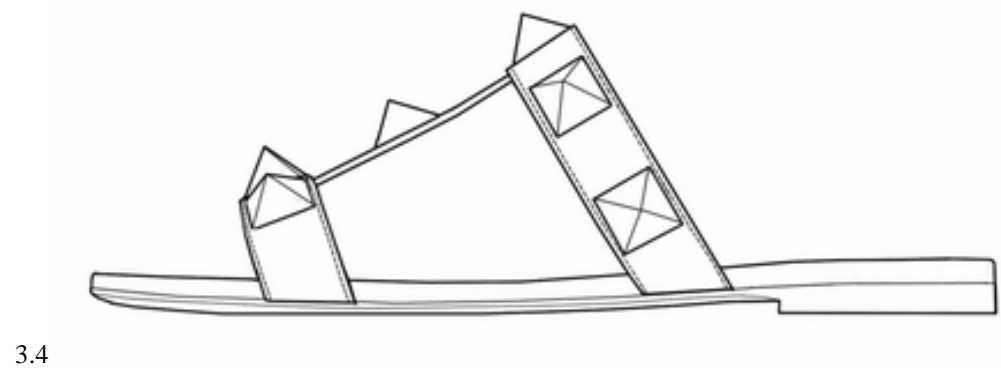
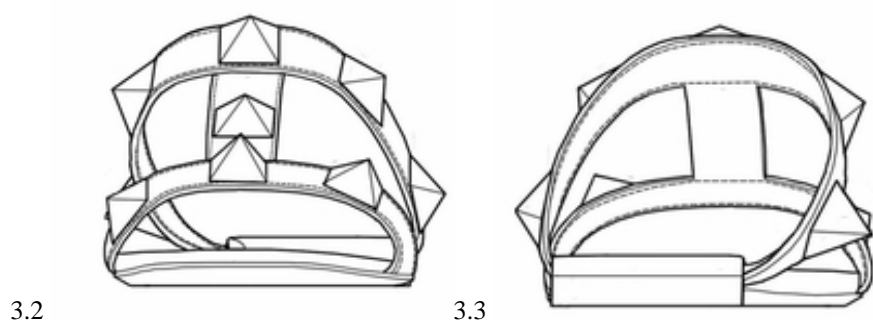
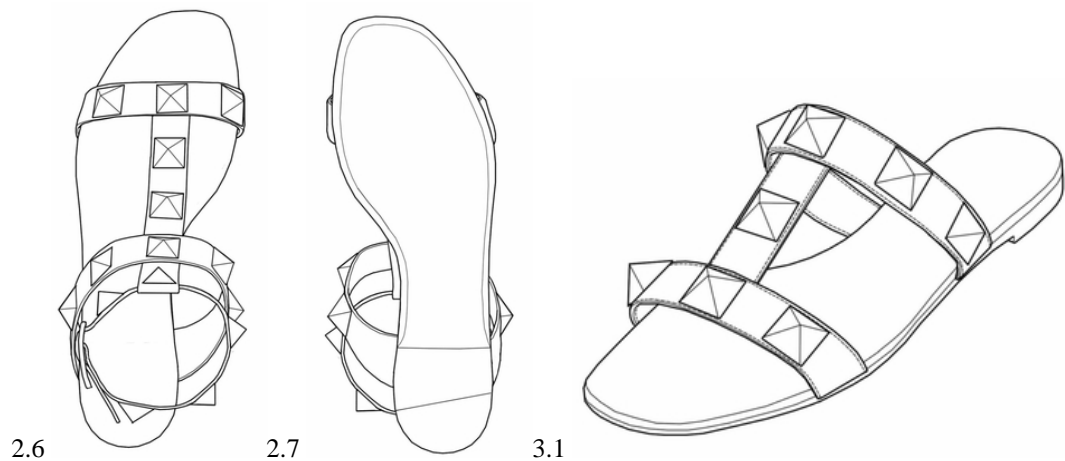
1.9

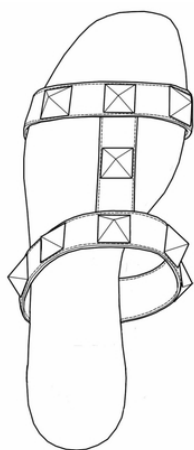


- (11) DM/213 502 (51) 02-04
(15) 2021 03 25 (44) 14/2021 (2021 04 09)
(22) 2021 03 25
(28) 6
(73) Valentino S.p.A
Via Turati 16/18, 20121 Milano (EM)
(85) –
(86) EM, IT
(87) EM, IT
(88) EM, IT
(89) EM
(81) III. KG, UA, TR, GE, RU, TJ, JP, KR, EM, AZ, GB
(72) Pierpaolo PICCIOLI
C/o Valentino S.p.A., Via Turati, 16/18, 20121, Milano (IT)
(74) Matteo Matteo
C/o Jacobacci & Partners, Via Senato, 8, 20121 Milano (IT)
(54) 1.-6. Shoe
(55)

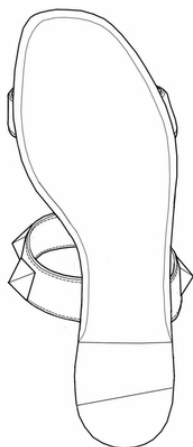




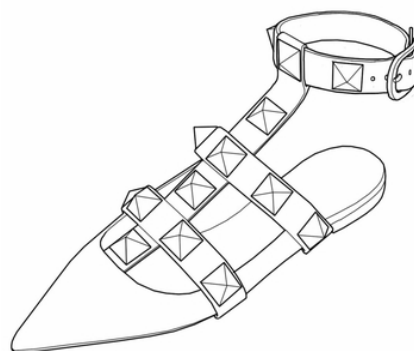




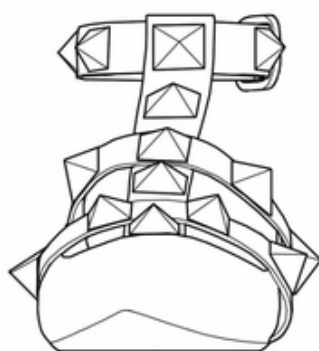
3.6



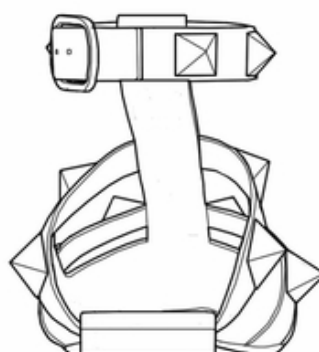
3.7



4.1



4.2



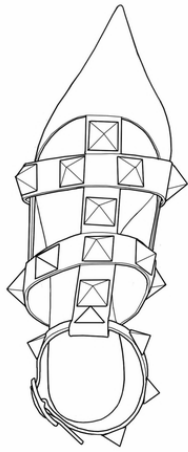
4.3



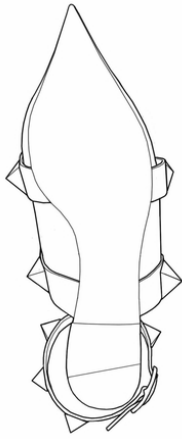
4.4



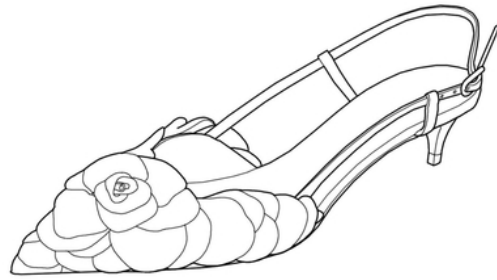
4.5



4.6



4.7



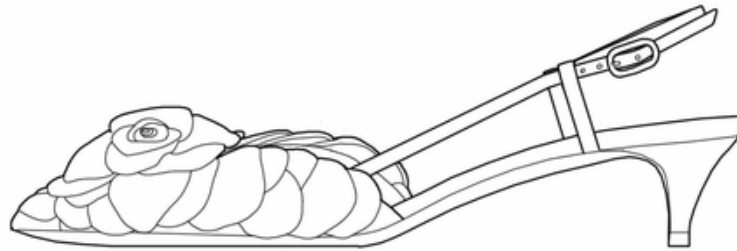
5.1



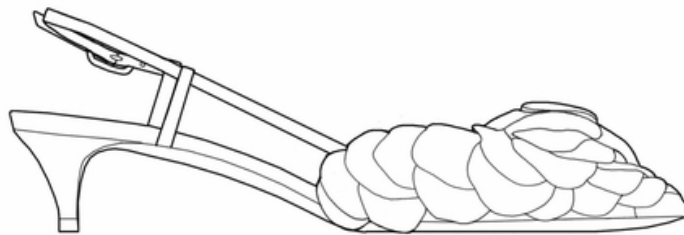
5.2



5.3



5.4



5.5



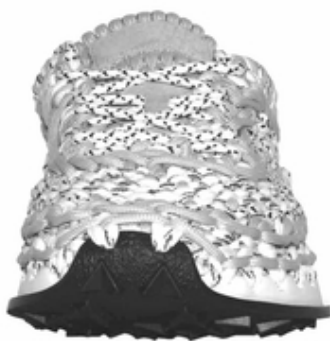
5.6



5.7



6.1



6.2



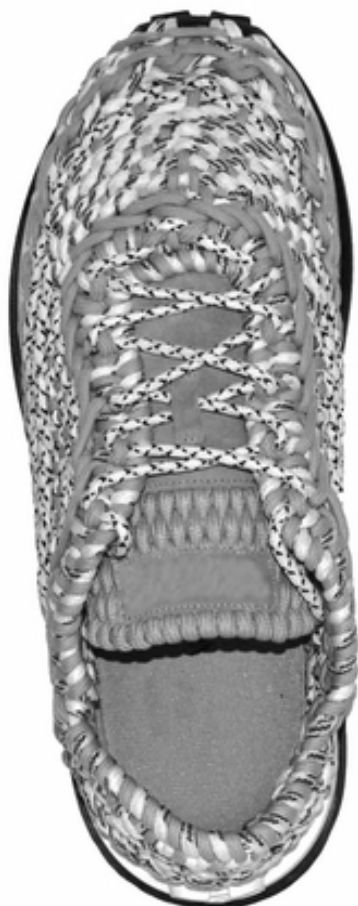
6.3



6.4



6.5



6.6

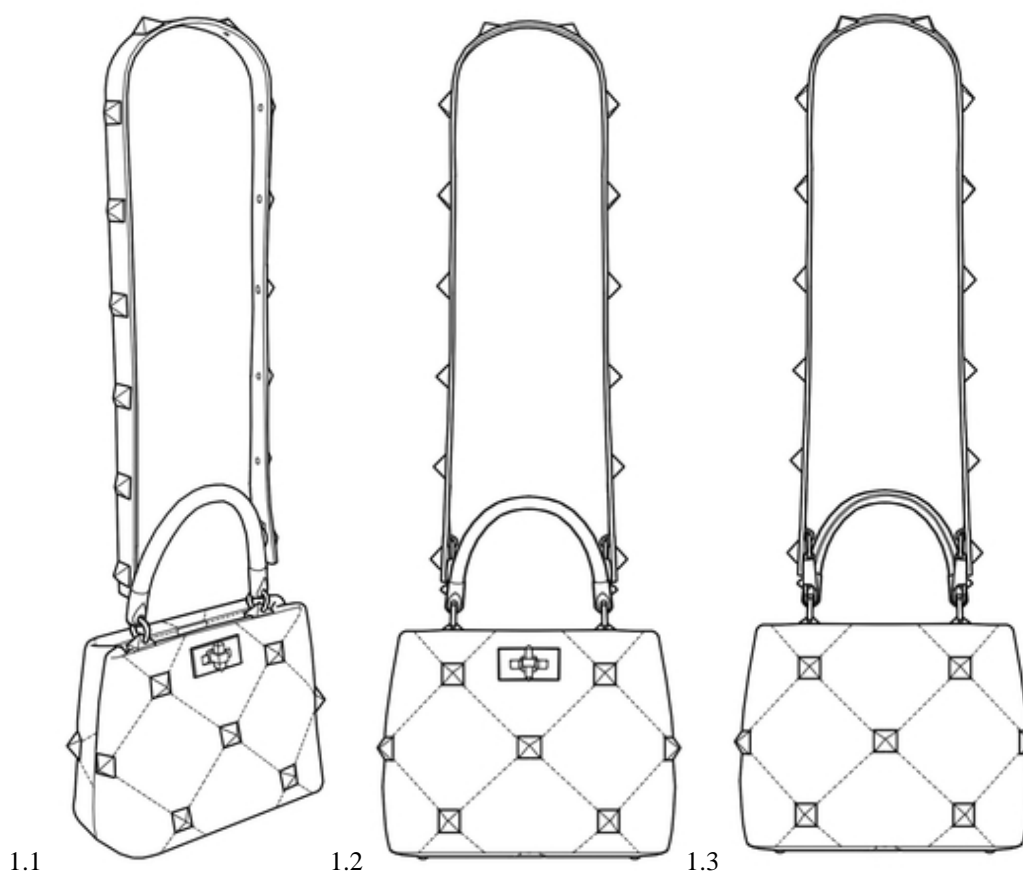


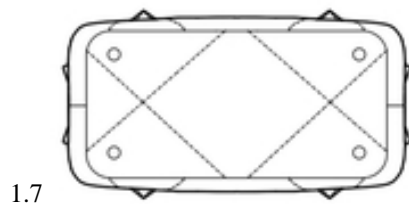
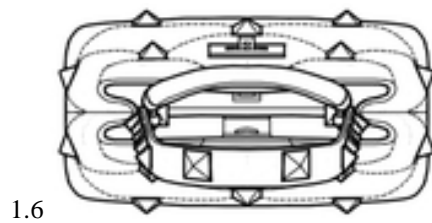
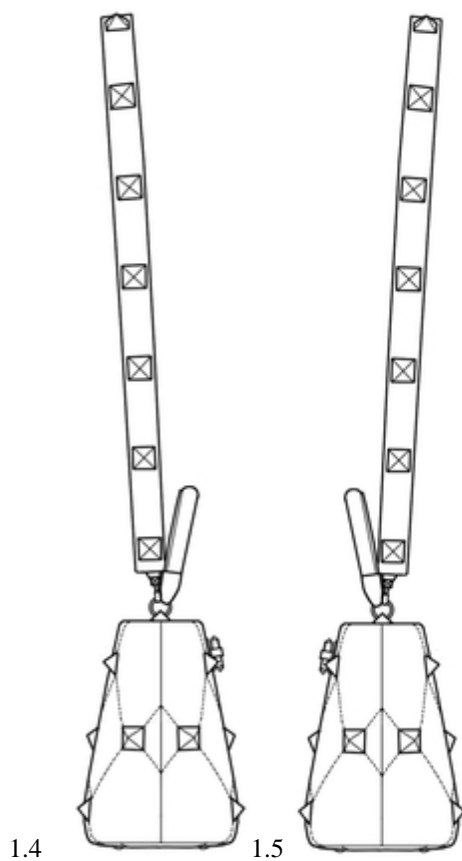
6.7



6.8

- (11) DM/213 504 (51) 03-01
(15) 2021 03 25 (44) 14/2021 (2021 04 09)
(22) 2021 03 25
(28) 1
(73) Valentino S.p.A
Via Turati 16/18, 20121 Milano (EM)
(85) --
(86) EM, IT
(87) EM, IT
(88) EM, IT
(89) EM
(81) III. KG, UA, GE, TR, US, RU, TJ, JP, KR, EM, AZ, GB
(72) Pierpaolo PICCIOLI
C/o Valentino S.p.A., Via Turati, 16/18, 20121, Milano (IT)
(74) Matteo Mozzi
C/o Jacobacci & Partners, Via Senato, 8, 20121 Milano (IT)
(54) 1. Bag
(55)





- (11) DM/213 607 (51) 15-07
(15) 2021 04 02 (44) 15/2021 (2021 04 16)
(22) 2021 04 02
(28) 4
(73) Talat Semih Onal
Göktürk Mahallesi İstanbul Caddesi N0: 25 A2 Blok Daire 3 İstanbul (TR)
(85) TR
(86) TR
(87) TR
(88) TR
(89) TR
(81) III. GE, EM, AZ
(72) Talat Semih Onal
Göktürk Mahallesi İstanbul Caddesi N0: 25 A2 Blok Daire 3 İstanbul (TR)
(74) Diş Patent Marka Tescil Ve Danışmanlık Hizmetleri Ltd
Şti, Bay Plaza Girne Mah. Elifli Sok. No:27 Kat:5-6-7 PK 34852 Maltepe, 34852 İstanbul (TR)
(54) 1.-4. Refrigerating apparatus
(55)



1.1



2.1



3.1



4.1

(11) DM/213 727 (51) 09-01
(15) 2021 02 15 (44) 16/2021 (2021 04 24)
(22) 2021 02 15

(28) 1
(30) No1: 11.09.2020; 008165070-0001; EM
(73) Shiseido Company, Limited
7-5-5 Ginza, Chuo-ku, 104-0061 Tokyo (JP)

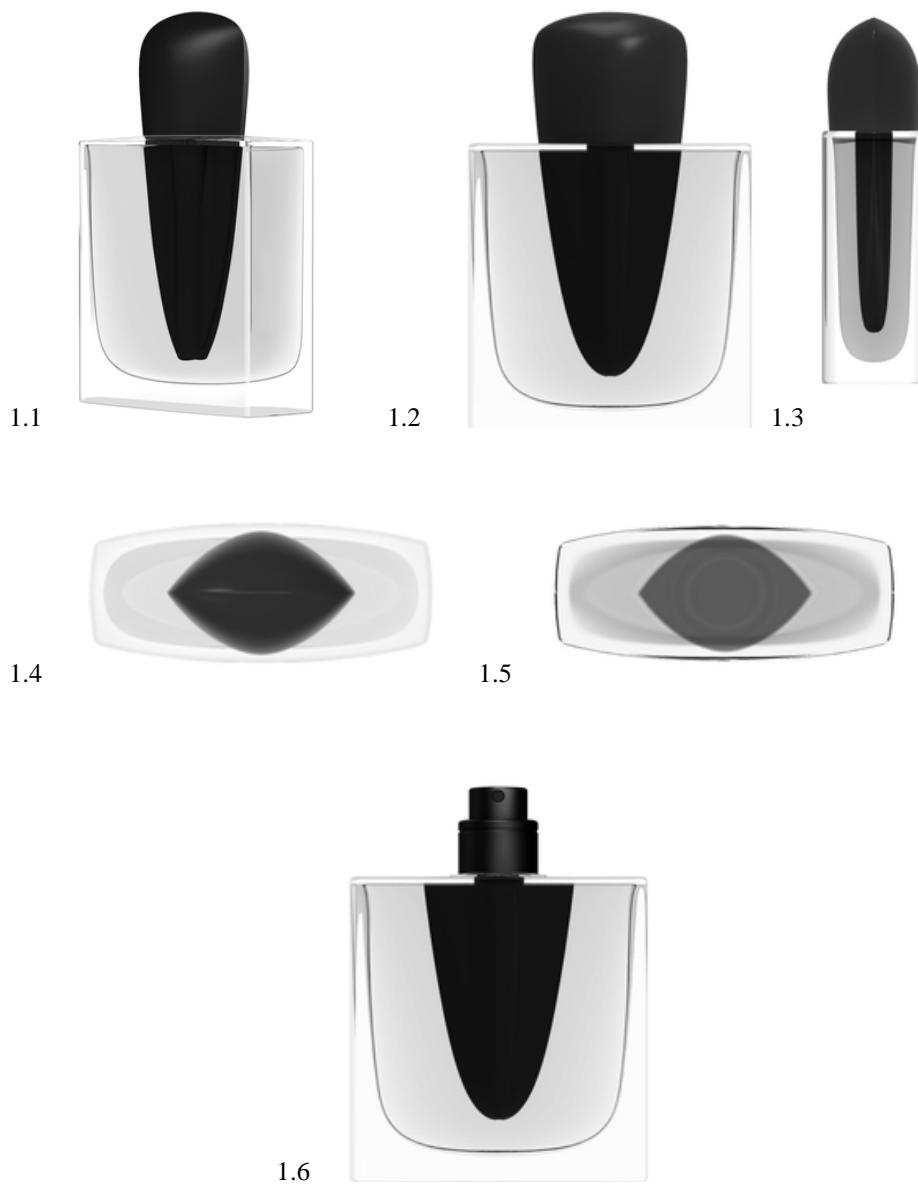
(85) –
(86) JP
(87) JP
(88) FR
(89) JP

(81) II. MA III. GE, MK, TR, OM, BA, RS, NO, EG, IL, RU, CH, JP, IS, UA, AZ, TN, GB

(72) Constance GUISSSET
14 Rue Cavé, 75018, Paris (FR)

(74) Tmark Conseils
9 Avenue Percier, 75008 Paris (FR)

(54) 1. Perfume bottle
(55)



- (11) DM/210 959 (51) 11-01
 (15) 2020 10 22 (44) 16/2021 (2021 04 23)
 (22) 2020 10 22
 (28) 3
 (73) Harry Winston SA
 Chemin Du Tourbillon 8, 1228 Plan-les-Ouates (CH)
 (85) CH
 (86) CH
 (87) CH
 (88) CH
 (89) CH
 (81) IL, MA III, KG, LI, CA, TR, MK, GE, OM, BA, NO, MN, CH, EM, AL, UA, AM, SG, MC, MD, ME, BZ,
 AZ, TN, GB
 (72) 1 Dominique RIVIERE
 C/o Harry Winston Inc., 718 Fifth Avenue, 10019, New York (US);
 2-3 Rie YATSUGI-KANG
 C/o Harry Winston Inc., 718 Fifth Avenue, 10019, New York (US)
 (74) The Swatch Group AG (The Swatch Group SA) (The Swatch Group Ltd.)
 Faubourg Du Lac 6, 2501 Biel/Bienne (CH)
 (54) 1. Finger ring, 2. Bracelet, 3. Finger ring
 (55)



1.1



1.2



1.3



1.4



1.5



1.6



1.7



1.8



2.1



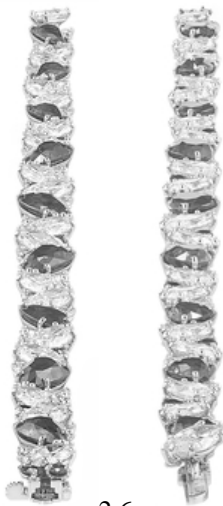
2.2



2.3

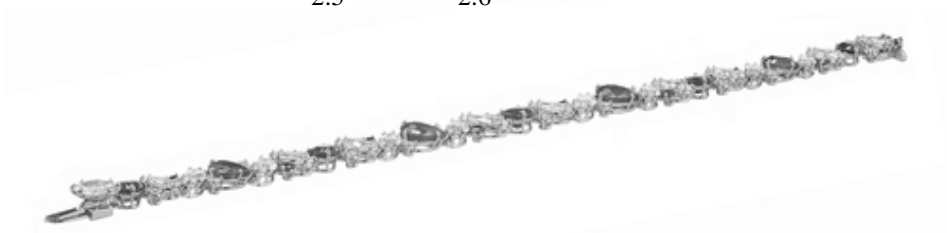


2.4



2.5

2.6



2.7



2.8



3.1



3.2



3.3



3.4



3.5



3.6



3.7



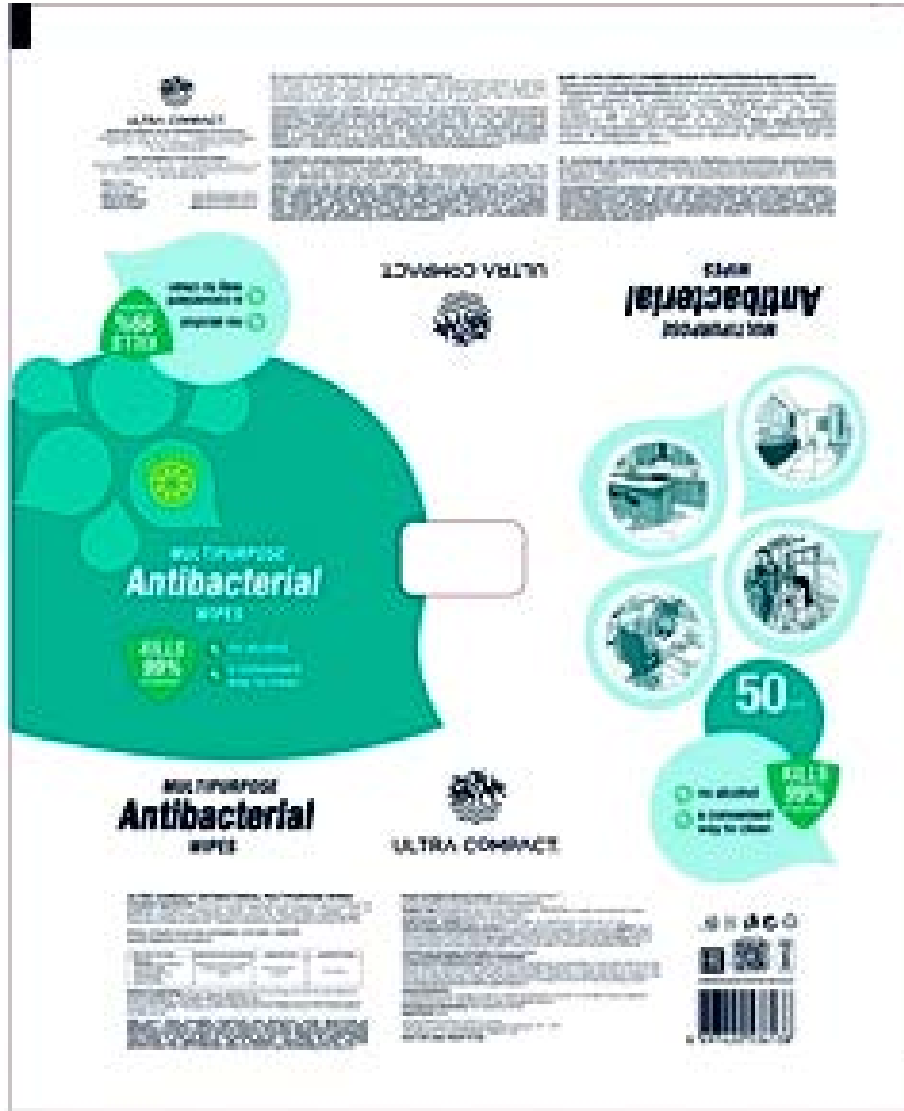
3.8

- (11) DM/213 783 (51) 09-03
 (15) 2020 12 17 (44) 17/2021 (2021 04 30)
 (22) 2020 12 17
 (28) 1
 (73) Arsan Kimya Sanayi Ve Ticaret Anonim Şirketi
 Cumhuriyet Mahallesi, Gürpınar Yolu Caddesi, Kaya Millennium İş Merkezi C Blok Kat:6 No:135-136-137-138 Büyükçekmece İstanbul (TR)
 (85) TR
 (86) TR
 (87) TR
 (88) TR
 (89) TR
 (81) III. KG, US, GE, MK, OM, CA, BA, NO, RS, RU, EM, IS, AM, TJ, MD, TN, GB, GH, IL, CH, AL, UA, OA, SG, BX, ME, TM, AZ
 (72) Orhan İrmak
 Göksu Evleri Sitesi Polmiye Caddesi C/12 Anadolu Hisari, İstanbul (TR)
 (74) Destek Patent Anonim Şirketi
 Ruzi Plaza, Konak Mh. İzmir Yolu Cd, Kudret Sk. No: 20 D:Kat 6 Beşevler Nilüfer, 16110 Bursa (TR)
 (54) 1. Graphic design for packaging
 (55)



1.1

- (11) DM/213 784 (51) 09-03
 (15) 2020 12 17 (44) 17/2021 (2021 04 30)
 (22) 2020 12 17
 (28) 1
 (73) Arsan Kimya Sanayi Ve Ticaret Anonim Şirketi
 Cumhuriyet Mahallesi, Gürpınar Yolu Caddesi, Kaya Millennium İş Merkezi C Blok Kat:6 No:135-136-137-138 Büyükçekmece İstanbul (TR)
 (85) TR
 (86) TR
 (87) TR
 (88) TR
 (89) TR
 (81) III. KG, OM, US, CA, GE, MK, BA, NO, RS, RU, EM, IS, AM, TJ, MD, TN, GB, GH, IL, CH, AL, UA, OA, SG, BX, ME, TM, AZ
 (72) Orhan İrmak
 Göksu Evleri Sitesi Polmiye Caddesi C/12 Anadolu Hisari, İstanbul (TR)
 (74) Destek Patent Anonim Şirketi
 Ruzi Plaza, Konak Mh. İzmir Yolu Cd, Kudret Sk. No: 20 D:Kat 6 Beşevler Nilüfer, 16110 Bursa (TR)
 (54) 1. Graphic design for packaging
 (55)

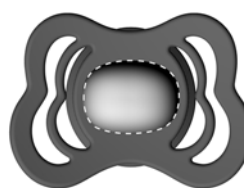


1.1

- (11) DM/213 863 (51) 24-04
(15) 2021 04 08 (44) 17/2021 (2021-04-30)
(22) 2021 04 08
(28) 1
(73) AH License ApS
Høgevej 19, 3400 Hillerød (DK)
(85) –
(86) DK
(87) DK
(88) –
(89) DK
(81) III. GE, US, CA, MK, OM, TR, BA, NO, RS, EG, IL, RU, CH, JP, KR, EM, IS, MX, UA, SG, VN, GB
(72) Henrik Larsen
Gøgevænget 12 Gadevang, 3400, Hillerød (DK)
(74) Elmann IPR
Stockholmsgade 41, 2100 Copenhagen Ø (DK)
(54) 1. Pacifier for babies
(55)



1.1



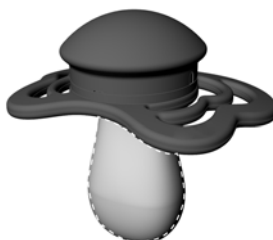
1.2



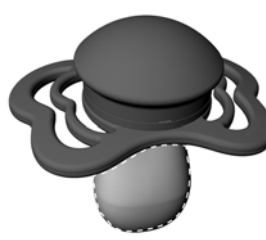
1.3



1.4



1.5



1.6



1.7



1.8



1.9

TRADEMARKS

APPLICATIONS FILED UNDER THE NATIONAL PROCEDURE APPROVED FOR REGISTRATION

The decision can be appealed at the Chamber of Appeal of Sakpatenti within 3 months from the publication or at the Mtskheta District Court Administrative Cases Board (Address: №17, Samkhedro St., Mtskheta), within 1 month following the publication.

(260) AM 2021 92160 A*
(210) AM 92160
(220) 2017 05 16
(731) Federal Treasury Enterprise "Sojuzplodoimport"
(FKP "Sojuzplodoimport")
Orlikov Pereulok, 1/11, Moscow, 107139,
Russian Federation
(740) Zurab Lomsadze
(540)



(591) Black-white
(531) 03.03.01; 25.01.19; 27.01.09; 27.01.12
(511) 33

(260) AM 2021 108586 A
(210) AM 108586
(220) 2020 12 07
(731) LTD "Grand Maison"
M. Machavariani St. 100, Batumi, Georgia
(540)



(591) Blue, white
(531) 26.04.04; 26.04.05; 26.04.24; 26.11.08;
26.13.25; 27.05.01; 27.05.24; 29.01.12
(511) 35, 36, 37, 39, 41, 43
(260) AM 2021 108957 A
(210) AM 108957
(220) 2020 12 10
(731) LTD "Madli"
Vill. Kvemo Lisi, Mtskheta, Georgia
(740) Vakhtang Torotadze
(540)



(591) D6F1F9 sky-blue, F9D4F9 pink, 000000 black,
FFFFFF white, FF021B red, F3CD48 yellow
(531) 03.13.04; 24.07.01; 27.05.01; 28.19; 29.01.15
(526) საქართველოს დროშის ელემენტები
(511) 32

(260) AM 2021 109044 A
(210) AM 109044
(220) 2020 12 09
(731) LTD "GeOil"
Moskow Av., corp. 36e, app. 39, Tbilisi
Georgia
(540)



(591) Red, white
(531) 07.11.10; 25.05.01; 26.04.02; 26.04.07;
26.04.16; 26.04.22; 26.04.24; 26.11.12;
27.05.01; 27.05.24
(511) 35

(260) AM 2021 109948 A
 (210) AM 109948
 (220) 2020 09 30
 (731) LLC "Maidan Group"
 Kote Abkhazi St. 44, Tbilisi, Georgia
 (740) Tamar Lagvilava
 (540)



(591) Black, golden
 (531) 26.04.16; 26.04.19; 26.11.08; 27.05.11; 28.19;
 29.01.13
 (526) თბილისი Tbilisi
 (511) 33, 35, 41

(260) AM 2021 109952 A
 (210) AM 109952
 (220) 2020 09 30
 (731) LLC "Maidan Group"
 Kote Abkhazi St. 44, Tbilisi, Georgia
 (740) Tamar Lagvilava
 (540)

თბილისი ვედინგ ფეარ tbilisi wedding fear

(591) Black-white
 (526) თბილისი tbilisi
 (511) 41

(260) AM 2021 110299 A
 (210) AM 110299
 (220) 2020 10 28
 (731) LTD "Easy"
 Medea Chakhava St. 9, 1st fl., Office Space 1,
 0177, Vake District, Tbilisi, Georgia
 (540)



(591) Sky-blue, white
 (531) 26.01.01; 26.01.03; 26.01.20; 26.01.24;
 27.05.01; 27.05.24; 29.01.12
 (511) 16

(260) AM 2021 110300 A
 (210) AM 110300
 (220) 2020 10 28
 (731) LTD "Easy"
 Medea Chakhava St. 9, 1st fl., Office Space 1,
 0177, Vake District, Tbilisi, Georgia
 (540)



(591) Sky-blue, white
 (531) 26.01.01; 26.01.03; 26.01.20; 26.01.24; 28.19;
 29.01.12
 (511) 16

(260) AM 2021 110302 A
 (210) AM 110302
 (220) 2020 10 29
 (731) N(N)LE "Association Atinati"
 D. Aghmashenebeli St. 29, 2100, Zugdidi,
 Georgia
 (540)

ათინათი

(591) Black-white
 (511) 35, 38, 41

(260) AM 2021 110363 A
 (210) AM 110363
 (220) 2020 11 02
 (731) LTD "Belus"
 Melikishvili St. / Parnavaz Mepe St. 43/101,
 6010, Batumi, Georgia
 (540)



(591) Green, swampy green
 (531) 26.15.01; 27.05.01; 27.05.11; 29.01.12
 (511) 35, 37

(260) AM 2021 110368 A
 (210) AM 110368
 (220) 2020 11 02
 (731) JSC "Gefa"
 Ak. Beliashvili St. 142, 0159, Tbilisi Georgia
 (740) Salome Jeladze
 (540)

KOREAN BEAUTY

(591) Black-white
 (511) 44

(260) AM 2021 110369 A
 (210) AM 110369
 (220) 2020 11 03
 (731) JSC "Gefa"
 Ak. Beliashvili St. 142, 0159, Tbilisi Georgia
 (740) Salome Jeladze
 (540)

K-Beauty Corner

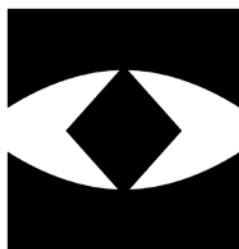
(591) Black-white
 (511) 44

(260) AM 2021 110371 A
 (210) AM 110371
 (220) 2020 11 03
 (731) Hangzhou Hikmicro Sensing
 Technology Co., Ltd
 Building A1, No. 299, Qiushi Road, Tonglu
 Economic Development Zone, Tonglu County,
 Hangzhou 311501, China
 (740) Tamaz Shilakadze
 (540)

HIKMICRO

(591) Black-white
 (511) 9, 42

(260) AM 2021 110372 A
 (210) AM 110372
 (220) 2020 11 03
 (731) Hangzhou Hikmicro Sensing
 Technology Co., Ltd
 Building A1, No. 299, Qiushi Road, Tonglu
 Economic Development Zone, Tonglu County,
 Hangzhou 311501, China
 (740) Tamaz Shilakadze
 (540)



(591) Black-white
 (531) 02.09.04; 26.01.02; 26.01.11; 26.04.02;
 26.04.10; 26.04.14
 (511) 9, 42

(260) AM 2021 110380 A
 (210) AM 110380
 (220) 2020 11 05
 (731) Tamaz Tskhakaia
 Arakishvili St. 2, Paliashvili St. 37/2, Tbilisi,
 Georgia
 (540)



(591) Black-white
 (531) 02.09.04; 26.01.02; 26.01.21
 (511) 9, 25, 35, 41, 42

(260) AM 2021 110445 A
 (210) AM 110445
 (220) 2020 11 06
 (731) JSC "Gefa"
 Ak. Beliashvili St. 142, 0159, Tbilisi Georgia
 (740) Salome Jeladze
 (540)

ნიმესულიდი ბენე

Nimesulide BENE

Нимесулид БЕНЕ

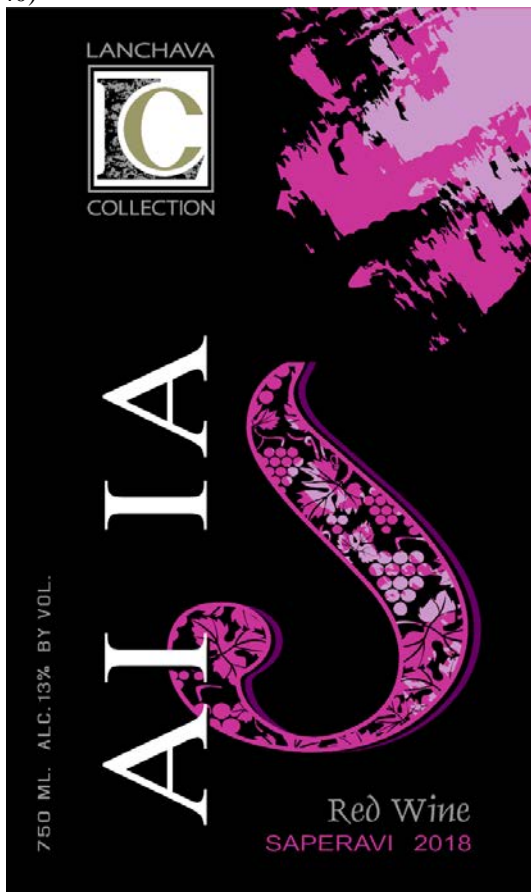
(591) Black-white
 (511) 5

(260) AM 2021 110453 A
 (210) AM 110453
 (220) 2020 11 09
 (731) Tribe Hotel Group Pty LTD
 443-449 Toorak Rd, TOORAK, VIC 3142,
 Australia
 (740) Shalva Gvaramadze
 (540)



(591) Black-white
 (531) 26.04.02; 26.04.05; 26.04.22; 27.05.01;
 27.05.17
 (511) 43

(260) AM 2021 110454 A
 (210) AM 110454
 (220) 2020 11 09
 (731) Davit Lanchava
 Al. Kazbegi Ave. 24, Tbilisi, Georgia
 (740) Davit Lanchava
 (540)



(591) White, black, grey, ivory, lilac, pink
 (531) 05.07.10; 25.01.19; 26.04.01; 26.04.02;
 26.04.07; 26.04.18; 26.04.22; 26.04.24;
 26.13.25; 27.05.04; 27.05.10; 27.05.22;
 27.05.24; 29.01.15
 (526) "SAPERAVI 2018", "750 ML. ALC. 13%
 BY VOL"
 (511) 33

(260) AM 2021 110473 A
 (210) AM 110473
 (220) 2020 11 10
 (731) Dow AgroSciences LLC
 9330 Zionsville Road, Indianapolis, Indiana
 46268, USA
 (740) Tamaz Shilakadze

(540)

DELEGATE

(591) Black-white
 (511) 5

(260) AM 2021 110475 A
 (210) AM 110475
 (220) 2020 11 11
 (731) Giorgi Giligashvili
 Ioseliani St. 40, Saburtalo, Tbilisi, Georgia
 (540)



(591) Golden, white, black
 (531) 26.01.01; 26.01.04; 26.01.18; 26.01.22;
 27.01.06; 27.05.22; 28.19; 29.01.13
 (511) 35, 36

(260) AM 2021 110481 A
 (210) AM 110481
 (220) 2020 11 12
 (731) ჰსიანგ ლუნ ინტერნეიშენალ კორპ.
 6F, NO. 106, ჩანგ-ან ვ. რდ., ტაიპეი,
 ტაივანი, ჩინეთის პროვინცია
 Hsiang Lun International Corp.
 6f, No. 106, Chang-An W. Rd., Taipei, Taiwan,
 Province of China
 (740) Giorgi Kartvelishvili
 (540)



(591) FFFFFFF white, 000000 black
 (531) 25.07.03; 25.07.04; 26.04.09; 27.05.01;
 27.05.02; 27.05.08; 27.05.09; 27.05.10;
 27.05.21
 (511) 7, 12, 17

(260) AM 2021 110510 A
 (210) AM 110510
 (220) 2020 11 16
 (731) Legal Development
 Nikoloz Khudadov St. 7, Chugureti District,
 Tbilisi, Georgia
 (540)



(591) 2F2F7A blue, E1E817 yellow
 (531) 03.07.05; 25.05.02; 26.04.02; 26.04.09;
 26.04.15; 29.01.12
 (511) 45

(260) AM 2021 110515 A
 (210) AM 110515
 (220) 2020 11 16
 (731) JSC "Georgian Beer Company"
 Vill. Saguramo, 3311, Mtskheta,
 Georgia
 (540)

ჯიშიანი
Jishiani

(591) Black-white
 (511) 29, 30, 32

(260) AM 2021 110521 A
 (210) AM 110521
 (220) 2020 11 17
 (731) INPHA LLP Representative Office
 in Georgia
 Nearby Besiki St. 4, Plot 46/10, 0108,
 Tbilisi, Georgia
 (540)

Donaflex
Донафлекс
დონაფლექს

(591) Black-white
 (511) 5

(260) AM 2021 110523 A
 (210) AM 110523
 (220) 2020 11 18
 (731) LTD "IDS Borjomi Beverages Company"
 Pareraveg 45, Curaçao
 (Lesser Antilles Islands)
 (740) Giorgi Jikharidze

(540)



(554) Three-dimensional
 (591) White, green, red, pink, silver
 (531) 01.15.21; 19.03.01; 28.19; 29.01.15
 (511) 32, 35

(260) AM 2021 110531 A
 (210) AM 110531
 (220) 2020 11 18
 (731) LTD "IDS Borjomi Beverage Company"
 Pareraveg 45, Curaçao (Lesser Antilles Islands)
 (740) Giorgi Jokharidze
 (540)



(554) Three-dimensional
 (591) White, green, pink, silver, burgundy
 (531) 01.15.21; 19.03.01; 28.19; 29.01.14
 (511) 32, 35

(260) AM 2021 110532 A
 (210) AM 110532
 (220) 2020 11 18
 (731) LTD "IDS Borjomi Beverage Company"
 Pararaveg 45, Curaçao (Lesser Antilles Islands)
 (740) Giorgi Jokharidze
 (540)

**ლიკანი ხილით – რას აღარ
 უხდება!**

(591) Black-white
 (511) 32, 35

(260) AM 2021 110534 A
 (210) AM 110534
 (220) 2020 11 18
 (731) LTD "IDS Borjomi Beverage Company"
 Pararaveg 45, Curaçao (Lesser Antilles Islands)
 (740) Giorgi Jokharidze
 (540)

**ლიკანი ხილით – ყველაფერს
 უხდება!**

(591) Black-white
 (511) 32, 35

(260) AM 2021 110535 A
 (210) AM 110535
 (220) 2020 11 18
 (731) LTD "IDS Borjomi Beverage Company"
 Pararaveg 45, Curaçao (Lesser Antilles Islands)
 (740) Giorgi Jokharidze
 (540)

**ლიკანი – ცოცხალი მინერალების
 ძალა**

(591) Black-white
 (511) 32, 35

(260) AM 2021 110544 A
 (210) AM 110544
 (220) 2020 11 19
 (731) LTD "Kartveli"
 Kakheti Highway 110a, 0151, Isani-Samgori
 District, Tbilisi, Georgia
 (740) Davit Dzumukashvili
 (540)

**Zena
 ზენა**

(591) Black-white
 (511) 33

(260) AM 2021 110601 A
 (210) AM 110601
 (220) 2020 11 20
 (731) JSC "Gefa"
 Ak. Beliashvili St. 142, 0159, Tbilisi Georgia
 (740) Salome Jeladze
 (540)

**MartiV
 მარტიV**

(591) Black-white
 (511) 35

(260) AM 2021 110615 A
 (210) AM 110615
 (220) 2020 11 26
 (731) The British Broadcasting Corporation
 Broadcasting House, Portland Place, London
 W1A 1AA, United Kingdom
 (740) Shalva Gvaramadze
 (540)

ცეკვავენ ვარსკვლავები

(591) Black-white
 (511) 41

(260) AM 2021 110691 A
 (210) AM 110691
 (220) 2020 12 02
 (731) The Sporting Exchange Limited
 Waterfront Hammersmith Embankment,
 Chancellors Road, London W6 9HP, Great
 Britain, United Kingdom
 (740) Tamaz Shilakadze
 (540)

betfair

(591) Black-white
 (531) 24.15.02; 27.05.01
 (511) 9, 41

(260) AM 2021 110696 A
 (210) AM 110696
 (220) 2020 12 03
 (731) JSC "Kotekhi-Gurjaani Wine Factory"
 K. Koroghlishvili St. 38, 1500, Gurjaani,
 Georgia
 (740) Dimitri Dzumukashvili
 (540)

**ტკიბელი
 TKIBELI**

(591) Black-white
 (511) 33

(260) AM 2021 110748 A
 (210) AM 110748
 (220) 2020 12 07
 (731) LTD "Kartveli"
 Kakheti Highway 110a, 0151, Isani-Samgori
 District, Tbilisi, Georgia
 (740) Davit Dzamukashvili
 (540)

CHKHAIDZE
BROTHERS
1880

(591) Blck, grey
 (531) 27.05.01; 27.05.10; 27.05.15; 27.07.01
 (511) 32, 33

(260) AM 2021 110763 A
 (210) AM 110763
 (220) 2020 12 07
 (731) LTD "Pilgrim"
 Mukhran Machavariani St. 6b, app. 8, Saburtalo
 District, Tbilisi, Georgia
 (540)

Ecoland
ეკოლენდი
ЭКОЛЭНД

(591) Black-white
 (511) 43

(260) AM 2021 110772 A
 (210) AM 110772
 (220) 2020 12 08
 (731) LTD "SVG Alco"
 Moscow Av., corp. 37, app. 2, Samgori District,
 Tbilisi, Georgia
 (540)

БЛАГО ДАР
GOOD GIFT

(591) Black-white
 (511) 32

(260) AM 2021 110773 A
 (210) AM 110773
 (220) 2020 12 08
 (731) LTD "SVG Alco"
 Moscow Av., corp. 37, app. 2, Samgori District,
 Tbilisi, Georgia

(540)



(591) Black, grey
 (531) 02.07.11; 21.01.16; 27.05.01; 27.05.17; 28.05
 (511) 29

(260) AM 2021 110778 A
 (210) AM 110778
 (220) 2020 12 09
 (731) LTD "SVG Alco"
 Moscow Av., corp. 37, app. 2, Samgori District,
 Tbilisi, Georgia
 (540)

The gift of mountains
დარ გორ

(591) Black-white
 (511) 29

(260) AM 2021 110792 A
 (210) AM 110792
 (220) 2020 12 11
 (731) LTD "Rich Group"
 Vill. Mughanlo, Marneuli District, Georgia
 (540)

Unicenta
უნიცენტა

(591) Black-white
 (511) 5

(260) AM 2021 110795 A
 (210) AM 110795
 (220) 2020 12 11
 (731) LTD "Rich Group"
 Vill. Mughanlo, Marneuli District, Georgia
 (540)

Meocil
მეოცილი

(591) Black-white
(511) 5

(260) AM 2021 110796 A
(210) AM 110796
(220) 2020 12 11
(731) LTD "Rich Group"
Vill. Mughanlo, Marneuli District, Georgia
(540)

Semed
სემედი

(591) Black-white
(511) 5

(260) AM 2021 110869 A
(210) AM 110869
(220) 2020 12 14
(731) LLC "M S Group"
Chirnakhuli St. 4, 0151, Tbilisi, Georgia
(740) Tamar Lomashvili
(540)



მე მს ჯგუფი
MS GROUP

(591) White, bordeaux, morengo
(531) 26.03.23; 26.11.01; 26.11.08; 29.01.12
(511) 8, 11, 21

REGISTERED TRADEMARKS

(111) M 2021 34199
(151) 2021 06 18
(181) 2031 06 18
(260) AM 2020 105362 A
(220) 2020 03 19
(732) LTD "Kakhetian Wine Cellar"
Nutsubidze St. 171, 0186, Tbilisi, Georgia

(111) M 2021 34200 R
(151) 2021 06 18
(181) 2031 06 18
(260) AM 2020 105547 A
(220) 2020 05 01
(732) LTD "Geochem"
Kindzmarauli St. 33, Tbilisi, Georgia

(111) M 2021 34201 R
(151) 2021 06 18
(181) 2031 06 18
(260) AM 2020 105661 A
(220) 2020 08 14
(732) LTD "Adjara Group"
Kostava St. 14, 0108, Tbilisi, Georgia

(111) M 2021 34202 R
(151) 2021 06 18
(181) 2031 06 18
(260) AM 2020 105662 A
(220) 2020 08 14
(732) LTD "Adjara Group"
Kostava St. 14, 0108, Tbilisi, Georgia

(111) M 2021 34203 R
(151) 2021 06 18
(181) 2031 06 18
(260) AM 2020 107986 A
(220) 2020 04 24
(732) LLC "Georgian Wine House"
Vill. Zegaani, 1500, Gurjaani, Georgia

(111) M 2021 34204 R
(151) 2021 06 18
(181) 2031 06 18
(260) AM 2020 108057 A
(220) 2020 04 24
(732) LLC "Georgian Wine House"
Vill. Zegaani, 1500, Gurjaani, Georgia

(111) M 2021 34205 R
(151) 2021 06 18
(181) 2031 06 18
(260) AM 2020 108064 A
(220) 2020 04 28
(732) Ameribeg (UK) Limited
Doughty Street 42, WC1N2LY, London,
United Kingdom

(111) M 2021 34206 R
(151) 2021 06 18
(181) 2031 06 18
(260) AM 2020 108292 A
(220) 2020 05 15
(732) Kelp Products International (PTY) LTD
Blue Waters Close, Cnr. Main and Red Hill
Roads, Simons Town 7995, Cape Town,
South Africa

(111) M 2021 34207 R
(151) 2021 06 18
(181) 2031 06 18
(260) AM 2020 108297 A
(220) 2020 05 18
(732) Inpha LLP Representative Office In Georgia
nearby Besiki St. 4, (plot 46/10), 0108, Tbilisi,
Georgia

(111) M 2021 34208 R
(151) 2021 06 18
(181) 2031 06 18
(260) AM 2020 108397 A
(220) 2020 05 25
(732) LLC "Artpharma"
Gamrekeli St. 19 (512), 0160, Tbilisi, Georgia

(111) M 2021 34209 R
(151) 2021 06 18
(181) 2031 06 18
(260) AM 2020 108398 A
(220) 2020 05 25
(732) LLC "Artpharma"
Gamrekeli St. 19 (512), 0160, Tbilisi,
Georgia

(111) M 2021 34210 R
(151) 2021 06 18
(181) 2031 06 18
(260) AM 2020 108488 A

(220) 2020 05 29
(732) Zoetis Services LLC
10 Sylvan Way, Parsippany, NJ, 07054, USA

10400 Fernwood Rd, Bethesda,
MD 20817, USA

(111) M 2021 34211 R
(151) 2021 06 18
(181) 2031 06 18
(260) AM 2020 108514 A
(220) 2020 06 03
(732) Giorgi Isakadze
Vill. Krikhi, 0402, Ambrolauri, Georgia

(111) M 2021 34217 R
(151) 2021 06 18
(181) 2031 06 18
(260) AM 2020 108757 A
(220) 2020 06 23
(732) LLC "Nili"
XII mcr. 19, app. 6, Rustavi, Georgia

(111) M 2021 34212 R
(151) 2021 06 18
(181) 2031 06 18
(260) AM 2020 108593 A
(220) 2020 06 09
(732) Inpha LLP Representative Office In Georgia
Plot 46/10 nearby Besiki St. 4, 0108,
Tbilisi, Georgia

(111) M 2021 34218 R
(151) 2021 06 18
(181) 2031 06 18
(260) AM 2020 108783 A
(220) 2020 06 25
(732) Elena Jishiashvili
Tbilisi St. 16, app. 13, Tkibuli, Georgia

(111) M 2021 34213 R
(151) 2021 06 18
(181) 2031 06 18
(260) AM 2020 108594 A
(220) 2020 06 09
(732) Vetements Group AG
Binzstrasse 44, Zürich, 8045, Switzerland

(111) M 2021 34219 R
(151) 2021 06 18
(181) 2031 06 18
(260) AM 2020 108954 A
(220) 2020 07 08
(732) LTD "Georgian Distribution and Logistics"
Marshal Gelovani Av. 2, Saburtalo District,
0159, Tbilisi, Georgia

(111) M 2021 34214 R
(151) 2021 06 18
(181) 2031 06 18
(260) AM 2020 108610 A
(220) 2020 06 11
(732) Reckitt Benckiser LLC
399 Interpace Parkway, Parsippany,
NJ 07054, USA

(111) M 2021 34220 R
(151) 2021 06 18
(181) 2031 06 18
(260) AM 2020 109009 A
(220) 2020 07 10
(732) LLC "Solomone"
Kedri St., I Lane 9, 0162, Tbilisi, Georgia

(111) M 2021 34215 R
(151) 2021 06 18
(181) 2031 06 18
(260) AM 2020 108693 A
(220) 2020 06 18
(732) Marriott Worldwide Inc.
10400 Fernwood Rd, Bethesda,
MD 20817, USA

(111) M 2021 34221 R
(151) 2021 06 18
(181) 2031 06 18
(260) AM 2020 109034 A
(220) 2020 07 13
(732) LTD "Almendinger"
Sulkhan-Saba St. 41, 1100, Bolnisi, Georgia

(111) M 2021 34216 R
(151) 2021 06 18
(181) 2031 06 18
(260) AM 2020 108695 A
(220) 2020 06 18
(732) Marriott Worldwide Inc.

(111) M 2021 34222 R
(151) 2021 06 18
(181) 2031 06 18
(260) AM 2020 109041 A
(220) 2020 07 14
(732) LTD "Tera Motors"
Ivane Meskhi St. 2, Batumi, Georgia

(111) M 2021 34223 R
(151) 2021 06 18
(181) 2031 06 18
(260) AM 2020 109046 A
(220) 2020 07 15

(732) Gallaher Limited
Members Hili Bruklendz Roudi, Ueibriji,
Sari, KT13 0QU, United Kingdom

(111) M 2021 34229 R
(151) 2021 06 18
(181) 2031 06 18
(260) AM 2020 109293 A
(220) 2020 08 04

(732) LTD "Farmahabi"
Akaki Tsereteli Av. 116, Didube district, Tbilisi,
Georgia

(111) M 2021 34224 R
(151) 2021 06 18
(181) 2031 06 18
(260) AM 2020 109054 A
(220) 2020 07 16

(732) LTD "Alcoholic Beverage Factory"
Vil. Martkopi, Vaziani Settlement 1320,
Gardabani, Georgia

(111) M 2021 34230 R
(151) 2021 06 18
(181) 2031 06 18
(260) AM 2020 109294 A
(220) 2020 08 04

(732) LTD "Farmahabi"
Akaki Tsereteli Av. 116, Didube district, Tbilisi,
Georgia

(111) M 2021 34225 R
(151) 2021 06 18
(181) 2031 06 18
(260) AM 2020 109115 A
(220) 2020 07 17

(732) Joie International Co., Limited
31/F, Tower Two, Times Square, 1 Matheson
Street, Causeway Bay, Hong Kong

(111) M 2021 34231 R
(151) 2021 06 18
(181) 2031 06 18
(260) AM 2020 109123 A
(220) 2020 07 20

(732) Beijing Xiaoxiyang Technology Development
Co., Ltd
1-27, HUOXING 3RD ST., South Area,
Tongzhou Economic & Technological
Development Zone, Beijing, China

(111) M 2021 34226 R
(151) 2021 06 18
(181) 2031 06 18
(260) AM 2020 109208 A
(220) 2020 07 24

(732) LTD "G&A Group"
Demetre Tavdadebuli St. 29, Tbilisi, Georgia

(111) M 2021 34232 R
(151) 2021 06 18
(181) 2031 06 18
(260) AM 2019 102358 A
(220) 2019 03 22

(732) LTD "Lugela"
Vill. Jgali, Tsalenjikha Region, Georgia

(111) M 2021 34227 R
(151) 2021 06 18
(181) 2031 06 18
(260) AM 2020 109210 A
(220) 2020 07 24

(732) LLC "Business and Technology University"
Ilia Chavchavadze Av. 82, Tbilisi, Georgia

(111) M 2021 34228 R
(151) 2021 06 18
(181) 2031 06 18
(260) AM 2020 109211 A
(220) 2020 07 24

(732) LLC "Business and Technology University"
Ilia Chavchavadze Av. 82, Tbilisi, Georgia

TRADEMARKS REGISTERED ACCORDING TO THE ACCELERATED PROCEDURE

The decision can be appealed at the Chamber of Appeal of Sakpatenti within 3 months from the publication.

(111) M 2021 34185 R
(151) 2021 06 08
(181) 2031 06 08
(210) AM 113349
(220) 2021 06 04
(732) LLC "Born Sofkimia"
Marneuli St. 44, 0165, Tbilisi, Georgia
(540)



(591) Black, dark green, light green
(531) 05.03.13; 05.03.14; 26.01.01; 26.01.19;
26.11.12; 27.05.01; 28.19; 29.01.13
(511) 35

(111) M 2021 34186 R
(151) 2021 06 08
(181) 2031 06 08
(210) AM 113212
(220) 2021 05 30
(732) Irakli Burdiladze
Vakhtang Abashidze St. 10, 0114, Tbilisi,
Georgia
(540)



(591) Black, golden, KURZ LUXOR 397,
4146C dark blue, Pantone 4146C
(531) 01.15.23; 01.15.24; 29.01.12
(511) 32, 33, 43

(111) M 2021 34187 R
(151) 2021 06 08
(181) 2031 06 08
(210) AM 113136
(220) 2021 05 26
(732) LTD "Savane"
Shrosha St. 8-10, app. 25, Vake District, Tbilisi,
Georgia
(540)



WINE WOOD

(591) Black-white
(531) 19.09.02; 27.03.01; 27.03.15; 27.05.01
(511) 33, 43

(111) M 2021 34188 R
(151) 2021 06 10
(181) 2031 06 10
(210) AM 113282
(220) 2021 06 03
(732) LTD "Advantour Caucasus"
Z. Paliashvili St. 98, Tbilisi, Georgia
(540)



(591) 15DEED light sky-blue-turquoise
(531) 01.05.01; 27.05.01; 29.01.04
(511) 39, 43

(111) M 2021 34189 R
(151) 2021 06 10
(181) 2031 06 10
(210) AM 113206
(220) 2021 05 29
(732) LTD "Palm Residence"
Loria St. 3, app. 30, Batumi, Georgia
(740) Edward Khimshiashvili
(540)

პალმ რეზიდენსი
Palm Residence
Пальм Резиденс

(591) Black-white
(511) 35

(111) M 2021 34190 R
(151) 2021 06 10
(181) 2031 06 10
(210) AM 113207
(220) 2021 05 29
(732) LTD "Palm Residence"
Loria St. 3, app. 30, Batumi, Georgia
(740) Edward Khimshiashvili
(540)

პალმ აპარტმენტს
Palm Apartments
Пальм Апартаментс

(591) Black-white
(511) 35

(111) M 2021 34191 R
(151) 2021 06 10
(181) 2031 06 10
(210) AM 113257
(220) 2021 06 01
(732) JSC "Gefa"
Ak. Beliashvili St. 142, 0159, Tbilisi Georgia
(740) Salome Jeladze
(540)



(591) ED3237 red, 3659A6 blue
(531) 24.13.01; 24.13.09; 28.19; 29.01.13
(511) 35, 44

(111) M 2021 34192 R
(151) 2021 06 10
(181) 2031 06 10
(210) AM 113258
(220) 2021 06 01
(732) JSC "Gefa"
Ak. Beliashvili St. 142, 0159, Tbilisi Georgia
(740) Salome Jeladze
(540)

ლურჯი ჯვარი
BLUE CROSS

(591) Black-white
(511) 35, 44

(111) M 2021 34193 R
(151) 2021 06 10
(181) 2031 06 10
(210) AM 113256
(220) 2021 06 01
(732) LTD "Kaso"
D. Guramishvili St. II Line 5, Khashuri,
Georgia
(740) Giorgi Taktakishvili
(540)



(591) White, brown
(531) 24.03.07; 24.03.18; 26.01.04; 26.01.18;
26.01.21; 27.05.22; 29.01.12
(511) 29

(111) M 2021 34194 R
(151) 2021 06 10
(181) 2031 06 10
(210) AM 113126
(220) 2021 05 25
(732) LTD "Kakhetian Traditional Winery"
Sulkhan Tsintsadze St. 12, 0192, Tbilisi,
Georgia
(540)

მაღლარი
Маглари
Maglari

(591) Black-white
(511) 33

(111) M 2021 34195 R
(151) 2021 06 10
(181) 2031 06 10
(210) AM 113340
(220) 2021 06 04
(732) LTD "Glavspirtprom"
Lilo St. 51, 0198, Tbilisi, Georgia

(540)

სულიკო
Suliko

(591) Black-white
(511)

(111) M 2021 34196 R

(151) 2021 06 17

(181) 2031 06 17

(210) AM 113416

(220) 2021 06 09

(732) LTD "LiveMax"

Descent of Giorgi Saakadze 6,
Commercial space 14, 5th fl., Tbilisi,
Georgia

(540)



(591) Green, blue

(531) 02.09.15; 27.05.01; 29.01.12

(511) 5

(111) M 2021 34197 R

(151) 2021 06 17

(181) 2031 06 17

(210) AM 113254

(220) 2021 06 01

(732) Tamar Vachadze

I. Chavchavadze Av. 83, block 6, app. 16, 0162,
Tbilisi, Georgia

(540)



(591) Black-white

(531) 26.01.18; 26.01.20; 26.01.24; 26.04.10;
26.04.22; 27.05.01; 27.05.24

(511) 31, 33, 43

(111) M 2021 34198 R

(151) 2021 06 17

(181) 2031 06 17

(210) AM 113268

(220) 2021 06 02

(732) "Wineman LTD"

Gudiashvili St. 11, 0105, Tbilisi, Georgia

(740) Shalva Gvaramadze

(540)



IKHALTO
— GEORGIA —

(591) Black, white, golden, beige

(531) 06.01.02; 07.01.03; 27.01.12; 27.05.01;
29.01.12(526) "IKHALTO", "GEORGIA", "Image of Ikalto
Monastery"

(511) 33

(111) M 2021 34233 R

(151) 2021 06 21

(181) 2031 06 21

(210) AM 113488

(220) 2021 06 11

(732) Ramaz Kharebava

Gldani, VI mcr., corp. 7, app. 12, 0107, Tbilisi,
Georgia

(740) Zurab Bezhashvili

(540)



(591) Green, yellow, white

(531) 28.19; 29.01.13

(511) 43

(111) M 2021 34234 R

(151) 2021 06 21

(181) 2031 06 21

(210) AM 113489

(220) 2021 06 11

(732) Ramaz Kharebava

Gldani, VI mcr., corp. 7, app. 12, 0107, Tbilisi,
Georgia

(740) Zurab Bezhashvili

(540)

MacRoll

(591) Orange, white
(531) 27.05.01; 29.01.01
(526) "Roll"
(511) 32

(111) M 2021 34235 R
(151) 2021 06 21
(181) 2031 06 21
(210) AM 113490
(220) 2021 06 11
(732) Ramaz Kharebava
Gldani, VI mcr., corp. 7, app. 12, 0107, Tbilisi,
Georgia
(740) Zurab Bezhashvili
(540)

მაკროლი

(591) Orange, white
(531) 28.19; 29.01.01
(511) 43

(111) M 2021 34236 R
(151) 2021 06 21
(181) 2031 06 21
(210) AM 113196
(220) 2021 05 28
(732) Philip Morris Products S.A.
Quai Jeanrenaud 3, 2000 Neuchâtel,
Switzerland
(740) Pavle Meipariani
(540)

INTRODUCED BY IQOS

(591) Black-white
(511) 34

INTERNATIONAL TRADEMARKS FOR WHICH A DECISION ON GRANTING PROTECTIONS IS TAKEN

The decision can be appealed at the Chamber of Appeal of Sakpatenti within 3 months from the publication or at the Mtskheta District Court Administrative Cases Board (Address: №17, Samkhedro str., Mtskheta), within 1 month following the publication.

(260) AM 2021 106018 A*

(800) 1501702

(151) 2019 05 30

(891) 2019 05 30

(731) BTA HAVA LİMANLARI YİYECEK VE İÇECEK HİZMETLERİ ANONİM ŞİRKETİ
Vadistanbul Bulvar, Ayazağa Mahallesi
Cendere Caddesi, No:109L 2C Blok Kat: 2,
TR-34485 Istanbul, Turkey

(540)

Cakes&Bakes

(591) Black, white

(531) 24.17.09; 24.17.25; 27.05.17

(511)

35 – Advertising, marketing and public relations; organization of exhibitions and trade fairs for commercial or advertising purposes; design for advertising; provision of an online marketplace for buyers and sellers of goods and services; office functions; secretarial services; arranging newspaper subscriptions for others; compilation of statistics; rental of office machines; systemization of information into computer databases; telephone answering for unavailable subscribers; auctioneering; the bringing together, for the benefit of others, of a variety of goods, namely, meat, fish, poultry and game, processed meat products, dried pulses, soups, bouillon, processed olives, olive paste, milks of animal origin, milks of herbal origin, milk products, butter, edible oils, dried, preserved, frozen, cooked, smoked or salted fruits and vegetables, tomato paste, prepared nuts and dried fruits as snacks, hazelnut spreads and peanut butter, tahini (sesame seed paste), eggs and powdered eggs, potato chips, coffee, cocoa, coffee or cocoa based beverages, chocolate based beverages, pasta, stuffed dumplings, noodles, pastries and bakery products based on flour, desserts based on flour and chocolate, bread, simit [Turkish ring-shaped bagel covered with sesame seeds], pogaça [Turkish bagel], pita, sandwiches, katmer [Turkish pastry], pies, cakes, baklava [Turkish dessert based on dough coated with syrup], kadayif [Turkish dessert based on dough], desserts based on dough coated with syrup, puddings, custard, kazandibi [Turkish pudding], rice pudding, keskül [Turkish pudding], honey, bee glue for human consumption, propolis for food purposes, condiments for foodstuff, vanilla (flavoring), spices, sauces (condiments), tomato sauce, ye-

ast, baking powder, flour, semolina, starch for food, sugar, cube sugar, powdered sugar, tea, ice tea, confectionery, chocolate, biscuits, crackers, wafers, chewing gums, ice-cream, edible ices, salt, cereal-based snack food, popcorn, crushed oats, corn chips, breakfast cereals, processed wheat for human consumption, crushed barley for human consumption, processed oats for human consumption, processed rye for human consumption, rice, molasses for food, beers, preparations for making beer, mineral water, spring water, table water, soda water, fruit and vegetable juices, fruit and vegetable concentrates and extracts for making beverages, non-alcoholic soft drinks, energy drinks, protein-enriched soft drinks, energy drinks, protein-enriched sports beverages, alcoholic beverages (except beers), wines, raki [traditional Turkish alcoholic drink], whisky, liqueurs, alcoholic cocktails, tobacco, chewing tobacco, cigarettes, cigars, smokers' articles including those made of precious metals, pipes, mouthpieces for cigars and cigarettes, ashtrays, tobacco boxes, pocket apparatus for rolling cigarettes, cigarette paper, tobacco pipes, firestones, lighters for smokers, electronic cigarettes and their cartridges, matches, enabling customers to conveniently view and purchase those goods, such services may be provided by retail stores, wholesale outlets, by means of electronic media or through mail order catalogues.

43 – Services for providing food and drink; temporary accommodation; reservation of temporary accommodation; rental of rooms for wedding ceremonies; providing rooms for conferences and various meetings; day-nurseries (crèches); boarding for animals.

(260) AM 2021 108135 A

(800) 1528315

(151) 2019 12 23

(891) 2019 12 23

(731) Proizvodstvennoe respublikanskoe unitarnoe predpriyatie "Minskintercaps"
ul. Inzhenernaya 26, 220075 Minsk,
Belarus

(540)

С И М Е Т

(591) Black, white

(531) 28.05

(511)

5 – Drug with the active substance simeticone for the symptomatic treatment of disorders of the gastrointestinal tract caused by excess gas formation.

(260) AM 2021 108548 A

(800) 1533934

(151) 2020 04 27

(891) 2020 04 27

(731) BRANDBQ Sp. z o.o.

ul. Aleja Pokoju 18; PL-30-564 Kraków,
Poland

(540)

MEDICINE

EVERYDAY THERAPY

(591) Black, white

(531) 27.05.01

(511)

18 – Umbrellas and parasols; luggage, bags, wallets and other carriers; card holders made of imitation leather; labels of leather; imitation leather; worked or semi-worked hides and other leather; leather luggage straps; girths of leather; straps made of imitation leather; card holders made of leather; document cases of leather; leather, unworked or semi-worked; leather and imitations of leather; imitation leather hat boxes; boxes of leather or leatherboard; boxes made of leather; faux fur; toiletry bags sold empty.

25 – Hats; shoes; clothing; gloves [clothing]; underwear; nightwear; clothing of leather; coats; stockings; tights; socks; scarves; trousers; skirts; ladies' dresses; dresses for infants and toddlers; shift dresses; tennis dresses; women's ceremonial dresses; maternity smocks; Cheongsams (Chinese gowns); christening robes; sundresses; maternity dresses; leather dresses; dresses made from skins; bridesmaid dresses; costumes; sweaters; leotards; dressing gowns; short-sleeved t-shirts; casualwear.

35 – Retail services in relation to clothing accessories; retail services in relation to fashion accessories; retail services relating to home textiles; retail services relating to fake furs; wholesale services relating to fake furs; online retail store services relating to clothing; retail services in relation to printed matter; retail services in relation to headgear; retail services in relation to fabrics; retail services connected with stationery; retail services in relation to jewellery; retail services in relation to disposable paper products; retail services in relation to footwear; retail services in relation to clothing; retail services in relation to umbrellas; retail services in relation to bags; retail services in relation to luggage; retail services in relation to stationery supplies; retail services in relation to works of art; retail services connected with the sale of clothing and clot-

hing accessories; retail services relating to furs; online retail services relating to luggage; online retail services relating to jewelry; online retail services relating to clothing; online retail services relating to handbags; wholesale services in relation to stationery supplies; wholesale services in relation to jewellery; wholesale services in relation to works of art; wholesale services in relation to footwear; wholesale services in relation to umbrellas; wholesale services in relation to fabrics; wholesale services in relation to bags; wholesale services in relation to printed matter; wholesale services in relation to disposable paper products; wholesale services in relation to headgear; wholesale services in relation to clothing; wholesale services in relation to luggage; mail order retail services connected with clothing accessories; retail store services in the field of clothing; mail order retail services for clothing; wholesale services relating to furs.

(260) AM 2021 108701 A

(800) 1535917

(151) 2020 05 15

(891) 2020 05 15

(731) HANKOOK & COMPANY CO., LTD.

286, Pangyo-ro, Bundang-gu, Seongnam-si,
Gyeonggi-do, Republic of Korea

(540)



(591) Black, white

(531) 24.13.09; 24.13.25; 26.11.12

(511)

12 – Pneumatic tires; automobile tires; tires for land vehicles; tires for two-wheeled motor vehicles or bicycles; tubular tires; pumps for inflating vehicle tyres; anti-skid studs for vehicle tires; retreaded tires for vehicles; tires for vehicle wheels; patches for repairing vehicle tires; valves for vehicle tires; spare tire covers; pneumatic tyres and inner tubes for motorcycles; motorcycle tires; inner tubes [for two-wheeled motor vehicles or bicycles]; tire patches; tire inflators; spikes for tires; tubes for vehicle wheels; repair outfits for inner tubes.

(260) AM 2021 108715 A

(800) 1536236

(151) 2020 05 04

(891) 2020 05 04

(731) BERWICK BIOTECH S.a.r.l.

3, Rue Belle-Vue, L-1227 Luxembourg,
Grand Duchy of Luxembourg, Luxembourg

(540)

MEDIZINE

(591) Black, white

(511)

35 – Administrative assistance in responding to calls for tenders; administrative assistance in responding to requests for proposals [RFPs]; administrative processing of purchase orders; administration of consumer loyalty programs; administration of frequent flyer programs; cost price analysis; business auditing; financial auditing; auctioneering; outsourced administrative management for companies; accounting; web indexing for commercial or advertising purposes; book-keeping; negotiation of business contracts for others; market studies; opinion polling; invoicing; arranging newspaper subscriptions for others; arranging subscriptions to telecommunication services for others; payroll preparation; tax preparation; demonstration of goods; business inquiries; business management assistance; commercial or industrial management assistance; advisory services for business management; business research; economic forecasting; providing business information via a web site; compilation of information into computer databases; compilation of statistics; providing business information; business management of performing artists; business management for freelance service providers; business management of hotels; business management of sports people; business management of reimbursement programmes for others; interim business management; providing commercial information and advice for consumers in the choice of products and services; commercial administration of the licensing of the goods and services of others; computerized file management; personnel management consultancy; business management consultancy; consultancy regarding advertising communication strategies; consultancy regarding public relations communication strategies; business organization consultancy; marketing; marketing in the framework of software publishing; targeted marketing; marketing research; typing; providing commercial and business contact information; provision of an online marketplace for buyers and sellers of goods and services; writing of curriculum vitae for others; writing of resumes for others; writing of publicity texts; scriptwriting for advertising purposes; word processing; updating of advertising material; updating and maintenance of data in computer databases; updating and maintenance of information in registries; organization of exhibitions for commercial or advertising purposes; organization of fashion shows for promotional purposes; organization of trade fairs; rental of advertising space; shop window dressing; business appraisals; personnel recruitment; business management and organization consultancy; business intermediary services relating to the matching of potential private investors with entrepreneurs needing funding; commercial information agency services; employment agency services; business efficiency expert services; outsourcing services [business assistance]; commercial intermediation services; business project management services for cons-

truction projects; competitive intelligence services; layout services for advertising purposes; appointment reminder services [office functions]; news clipping services; price comparison services; administrative services for the relocation of businesses; market intelligence services; photocopying services; procurement services for others [purchasing goods and services for other businesses]; appointment scheduling services [office functions]; gift registry services; tax filing services; import-export agency services; modelling for advertising or sales promotion; advertising agency services; secretarial services; public relations; wholesale services for pharmaceutical, veterinary and sanitary preparations and medical supplies; online retail services for downloadable digital music; online retail services for downloadable ring tones; online retail services for downloadable and pre-recorded music and movies; retail services for works of art provided by art galleries; retail services for pharmaceutical, veterinary and sanitary preparations and medical supplies; data search in computer files for others; sponsorship search; search engine optimization for sales promotion; presentation of goods on communication media, for retail purposes; telephone answering for unavailable subscribers; rental of billboards [advertising boards]; office machines and equipment rental; publicity material rental; rental of advertising time on communication media; rental of vending machines; rental of sales stands; rental of photocopying machines; direct mail advertising; psychological testing for the selection of personnel; publication of publicity texts; radio advertising; registration of written communications and data; advertising; pay per click advertising; outdoor advertising; advertising by mail order; online advertising on a computer network; bill-posting; distribution of samples; dissemination of advertising matter; business investigations; systemization of information into computer databases; drawing up of statements of accounts; compiling indexes of information for commercial or advertising purposes; sales promotion for others; promotion of goods and services through sponsorship of sports events; production of teleshopping programmes; production of advertising films; shorthand; transcription of communications [office functions]; television advertising; telemarketing services; negotiation and conclusion of commercial transactions for third parties; professional business consultancy.

38 – Telex services; providing access to databases; providing user access to global computer networks; providing internet chatrooms; providing online forums; providing telecommunications connections to a global computer network; providing telecommunication channels for teleshopping services; communications by fibre optic networks; communications by computer terminals; communications by cellular phones; providing information in the field of telecommunications; paging services [radio, telephone or other means

of electronic communication]; video-on-demand transmission; transmission of greeting cards online; transmission of electronic mail; computer aided transmission of messages and images; transmission of telegrams; transmission of digital files; message sending; videoconferencing services; voice mail services; electronic bulletin board services [telecommunications services]; telecommunications routing and junction services; news agency services; teleconferencing services; streaming of data; rental of message sending apparatus; rental of modems; rental of telecommunication equipment; rental of telephones; rental of facsimile apparatus; rental of access time to global computer networks; radio communications; radio broadcasting; satellite transmission; television broadcasting; cable television broadcasting; communications by telegrams; communications by telephone; wireless broadcasting; facsimile transmission.

41 – Arranging and conducting of congresses; arranging and conducting of colloquiums; arranging and conducting of conferences; arranging and conducting of concerts; arranging and conducting of in-person educational forums; arranging and conducting of workshops [training]; arranging and conducting of seminars; arranging and conducting of symposiums; gymnastic instruction; electronic desktop publishing; nursery schools; dubbing; providing online videos, not downloadable; providing online electronic publications, not downloadable; providing television programmes, not downloadable, via video-on-demand services; providing films, not downloadable, via video-on-demand services; correspondence courses; game services provided online from a computer network; providing information relating to recreational activities; providing information in the field of education; cinema presentations; cultural, educational or entertainment services provided by art galleries; microfilming; videotape editing; training services provided via simulators; tutoring; screenplay writing; scriptwriting, other than for advertising purposes; writing of texts; organization of exhibitions for cultural or educational purposes; organization of competitions [education or entertainment]; educational services; educational services provided by schools; sign language interpretation; lending library services; layout services, other than for advertising purposes; language interpreter services; coaching [training]; karaoke services; movie studio services; club services [entertainment or education]; health club services [health and fitness training]; translation; mobile library services; news reporters services; recording studio services; photographic reporting; practical training [demonstration]; games equipment rental; rental of cinematographic apparatus; rental of motion pictures; rental of radio and television sets; vocational retraining; vocational guidance [education or training advice]; online publication of electronic books and journals; publication of books; publication of texts, other than publici-

ty texts; radio entertainment; entertainment services; production of radio and television programmes; film production, other than advertising films; subtitling; physical education.

42 – Computer system analysis; information technology services provided on an outsourcing basis; recovery of computer data; interior design; packaging design; off-site data backup; bacteriological research; biological research; cosmetic research; technological research; chemical research; research and development of new products for others; mechanical research; research in the field of environmental protection; research in the field of physics; duplication of computer programs; electronic data storage; electronic monitoring of personally identifying information to detect identity theft via the internet; electronic monitoring of credit card activity to detect fraud via the internet; providing information relating to computer technology and programming via a web site; providing search engines for the internet; engineering; installation of computer software; clinical trials; computer programming; conversion of data or documents from physical to electronic media; conversion of computer programs and data, other than physical conversion; computer technology consultancy; telecommunications technology consultancy; internet security consultancy; data security consultancy; information technology [IT] consultancy; computer software consultancy; computer security consultancy; consultancy in the design and development of computer hardware; web site design consultancy; quality control; monitoring of computer systems for detecting unauthorized access or data breach; monitoring of computer systems to detect breakdowns; monitoring of computer systems by remote access; scientific research; surveying; maintenance of computer software; updating of computer software; digitization of documents [scanning]; platform as a service [PaaS]; data encryption services; scientific laboratory services; chemistry services; computer virus protection services; conducting technical project studies; software as a service [SaaS]; computer software design; rental of web servers; computer rental; rental of computer software; industrial design; computer system design; software development in the framework of software publishing; technical writing; creating and maintaining web sites for others; creating and designing website-based indexes of information for others [information technology services]; technological consultancy; chemical analysis; cloud computing; server hosting; styling [industrial design].

45 – Arbitration services; intellectual property consultancy; leasing of internet domain names; licensing [legal services] in the framework of software publishing; licensing of intellectual property; licensing of computer software [legal services]; mediation; monitoring intellectual property rights for legal advisory purposes; babysitting; pet sitting; legal watching services; legal document preparation services; litigation

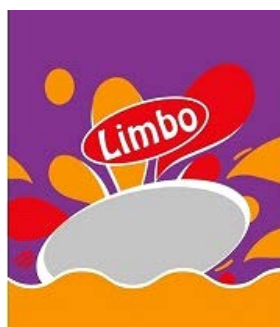
services; online social networking services; alternative dispute resolution services; legal administration of licences; legal research; copyright management; legal advice in responding to requests for proposals [RFPs]; legal advice in responding to calls for tenders; legal services in relation to the negotiation of contracts for others.

(260) AM 2021 109343 A
 (800) 920680
 (151) 2006 10 31
 (891) 2020 06 25
 (731) Tetra GmbH
 Herrenteich 78, 49324 Melle, Germany
 (540)

Tetra 

(591) Black, white
 (531) 03.07.03; 26.01.15; 26.01.16; 27.05.01
 (511)
 1 – Water conditioners; fertilizers; chemical preparations for the specification of chemical and physical characteristics of water.
 5 – Veterinary preparations, algacides, herbicides, fungicides, preparations for destroying vermin, disinfectants.
 31 – Foodstuffs for animals.

(260) AM 2021 109531 A
 (800) 1547160
 (151) 2020 04 20
 (891) 2020 04 20
 (731) "KONTI-RUS" JOINT STOCK COMPANY
 ul. Zolotaia, 13, Kursk, RU-305000 Kursk
 oblast, Russian Federation
 (540)



(591) Orange, red, purple, grey and white
 (531) 01.15.15; 26.01.02; 26.01.18; 26.04.05;
 26.04.10; 26.04.13; 27.05.24; 29.01.15
 (511)
 30 – Confectionery; pastries.

(260) AM 2021 109532 A
 (800) 1547178
 (151) 2020 05 20
 (891) 2020 05 20
 (731) FERRERO S.P.A.
 Piazzale Pietro Ferrero 1, I-12051 Alba,
 Cuneo, Italy
 (540)

**MON
 CHÉRI**

(591) Gold
 (531) 27.05.01; 29.01.02
 (511)
 30 – Pastries; confectionery; chocolate; chocolate products; chocolates filled with alcohol; filled chocolates; pralines; ice cream.

(260) AM 2021 109538 A
 (800) 1547357
 (151) 2020 05 20
 (891) 2020 05 20
 (731) Incyte Holdings Corporation
 1801 Augustine Cut-Off, Wilmington
 DE 19803, USA
 (540)

INIVIP

(591) Black, white
 (511)
 5 – Pharmaceutical preparations for the treatment and prevention of cancer, oncological disorders, autoimmune disorders, inflammation and inflammatory disorders, hematological disorders, respiratory and infectious diseases, tissue and organ transplant rejection, dermatological disorders, connective tissue disorders, musculo-skeletal disorders, and ophthalmology disorders.
 44 – Providing patients and healthcare professionals with healthcare information regarding diseases, diagnosis and treatment of diseases, medicines, via a website.

(260) AM 2021 109539 A
 (800) 1547364
 (151) 2020 04 21
 (891) 2020 04 21
 (731) adp Gauselmann GmbH
 Merkur-Allee 1-15, 32339 Espelkamp,
 Germany
 (540)

Fruit Burst

(591) Black, white

(511)

9 – Computer software; coin-operated mechanisms; computer and video games software; games software in particular for use on any computer platform, including electronic entertainment and games consoles; computer game programs; video games (software); computer games provided through a global computer network or supplied by means of multi-media electronic broadcast or through telecommunications or electronic transmission or via the internet; computer games, leisure and recreational software, video games and computer software, all being provided in the form of storage media; programs for operating electric and electronic apparatus for games, entertainment and/or amusement purposes; computer software for computer games on the internet; online games (software), in particular for online betting games, online prize games, online gambling games, online games of skill and online casino games; computer software in the form of an app for mobile devices and computers; calculating apparatus in coin-operated machines and parts for the aforesaid goods; electric, electronic, optical or automatic apparatus, for identifying data carriers, identity cards and credit cards, bank notes and coins; software in particular for casino and/or amusement arcade games, for gaming machines and/or slot machines with or without prize payouts; gaming software that generates or displays wager outcomes of gaming machines; operational computer games software; computer software for managing of games (game collection); computer programs for video games; computer video game software.

28 – Games; toys; gaming apparatus (including coin-operated apparatus); coin-operated arcade games (machines); games for amusement arcades (included in this class); coin-operated video gaming apparatus; video games apparatus adapted for use with external screens or monitors only; casino fittings, namely roulette tables, roulette wheels; coin-operated automatic gaming machines and gaming machines, in particular for gaming arcades, with or without a prize payout; electronic or electrotechnical gaming apparatus, automatic gaming machines, gaming machines, slot machines operated by coins, tokens, banknotes, tickets or by means of electronic, magnetic or biometric storage media, in particular for commercial use in casinos and amusement arcades, with or without a prize payout; automatic gaming machines and gaming machines, in particular for commercial use in casinos and gaming arcades, with or without a prize payout; coin-operated gaming machines and/or electronic money-based gaming apparatus (machines), with or without prizes; housings adapted for gaming machines, gaming apparatus and automatic gaming machines, operated by means of coins, tokens, tickets or by means of electronic, magnetic or biometric storage media, in particular for commercial use in casinos and gaming arcades, with or without a prize payout; electronic games;

electronic game entertainment apparatus and parts thereof; video output game machines; drawing apparatus for prize games and lotteries, draws or raffles; housings of metal, plastic and/or wood for coin-operated automatic amusement machines; apparatus for games (including video games), other than adapted for use with external screens or monitors only; electro-pneumatic and electric slot machines with pulling handles (gaming machines); gaming tables, in particular for table football, billiards, sliding games; flying discs (toys) and darts; lcd games consoles; automatic gaming machines; all the aforesaid automatic machines operating in networks; apparatus and devices for accepting and storing money, being fittings for the aforesaid automatic machines, included in this class; automatic lottery machines.

(260) AM 2021 109540 A

(800) 1547367

(151) 2020 02 17

(891) 2020 02 17

(731) Limited Liability Company "OPLATI"

Kropotkina str., 91, office 14, room 16,

220002 g. Minsk, Belarus

(540)



(591) Black, white

(531) 26.04.08; 28.05

(511)

36 – Credit bureau services; debt collection agency services; real estate agency services; financial analysis; rental of apartments; rental of offices for co-working; rental of offices for shared work of various specialists; rental of real estate; rental of farms; lease-purchase financing; savings bank services; accommodation bureau services [apartments]; rent collection; issuance of travelers' checks; issuance of credit cards; issuance of tokens of value; capital investment; insurance information; financial information; financial research; clearing, financial; insurance consultancy; financial consultancy; stock exchange quotations; business liquidation services, financial; brokerage; financial management; exchanging money; online banking; processing of debit card payments; processing of credit card payments; factoring; organization of monetary collections; antique appraisal; jewelry appraisal; stamp appraisal; real estate appraisal; numismatic appraisal; art appraisal; financial evaluation [insurance, banking, real estate]; repair costs evaluation [financial appraisal]; electronic funds transfer; surety services; securities brokerage; real estate brokerage; insurance brokerage; loans [financing]; pawnbrokerage; providing financial information via a web site; check verification; charitable fund raising; financial sponsorship; mortgage banking; instalment loans; in-

surance underwriting; apartment house management; real estate management; actuarial services; banking; retirement payment services; trusteeship; mutual funds; financing services; safe deposit services; deposits of valuables; fiscal valuation.

38 – News agency services; television broadcasting; cable television broadcasting; electronic bulletin board services [telecommunications services]; telecommunication information; providing user access to global computer networks; providing access to databases; providing Internet chatrooms; providing telecommunications connections to a global computer network, transmission of greeting cards online; message sending; computer aided transmission of messages and images; transmission of telegrams, transmission of digital files; rental of message sending apparatus; rental of access time to global computer networks; rental of modems; rental of telecommunication equipment; rental of telephones; rental of facsimile apparatus; radio broadcasting; transmission of electronic mail; communications by fiber optic networks; communications by cellular phones; communications by computer terminals; satellite transmission; communications by telegrams; communications by telephone; facsimile transmission; paging services [radio, telephone or other means of electronic communication]; teleconferencing services; telex services; voice mail services; telecommunications routing and junction services, telegraph services; telephone services.

42 – Computer system analysis; chemical analysis; recovery of computer data, graphic arts design; computer virus protection services; oil-field surveys; oil-field research; geological surveys; geological examination; engineering; installation of computer software; meteorological information; clinical trials; material testing; textile testing; bacteriological research; biological research; geological research; research in the field of environmental protection; cosmetic research; mechanical research; research in the field of physics; chemical research; research and development of new products for others; scientific research; calibration [measuring]; computer security consultancy; information technology [IT] consultancy; consultancy in the design and development of computer hardware; architectural consultancy; Internet security consultancy; computer software consultancy; data security consultancy; quality control; land surveying; dress designing; updating of computer software; monitoring of computer systems to detect breakdowns; monitoring of computer systems for detecting unauthorized access or data breach; monitoring of computer systems by remote access; software as a service [SaaS]; maintenance of computer software; authenticating works of art; design of interior decor; conversion of data or documents from physical to electronic media; urban planning; providing information relating to computer technology and programming via a web site; providing search engines for the Internet; providing a software

platform ready for use of cloud services (PaaS); conversion of computer programs and data, other than physical conversion; conducting technical project studies; computer system design; rental of web servers; computer rental; rental of computer software; hosting computer sites [web sites]; development of computer platforms; computer software design; creating and designing website-based indexes of information for others [information technology services]; creating and maintaining web sites for others; computer programming; technical writing; cloud computing; chemistry services; information technology services provided on an outsourcing basis; packaging design; computer technology consultancy; telecommunications technology consultancy; data encryption services; electronic data storage; surveying; electronic monitoring of credit card activity to detect fraud via the Internet; electronic monitoring of personally identifying information to detect identity theft via the Internet; geological surveys.

(260) AM 2021 109542 A
 (800) 1547383
 (151) 2020 05 20
 (891) 2020 05 20
 (731) Incyte Holdings Corporation
 1801 Augustine Cut-Off, Wilmington
 DE 19803, USA

(540)

INZYL

(591) Black, white

(511)

5 – Pharmaceutical preparations for the treatment and prevention of cancer, oncological disorders, autoimmune disorders, inflammation and inflammatory disorders, hematological disorders, respiratory and infectious diseases, tissue and organ transplant rejection, dermatological disorders, connective tissue disorders, musculo-skeletal disorders, and ophthalmology disorders.

44 – Providing patients and healthcare professionals with healthcare information regarding diseases, diagnosis and treatment of diseases, medicines, via a website.

(260) AM 2021 109556 A
 (800) 1547575
 (151) 2020 07 17
 (891) 2020 07 17
 (731) Sunecho Limited
 Julia House, 3 Themistokli Dervi Street, P.C.,
 CY-1066 Nicosia, Cyprus

(540)

ACTIBO

(591) Black, white

(511)
30 – Tea; cocoa; coffee; cocoa beverages with milk; coffee beverages with milk; coffee-based beverages; tea-based beverages; chocolate beverages with milk; chocolate-based beverages; infusions, not medicinal; iced tea.

32 – Mineral and aerated waters and other non-alcoholic beverages; fruit beverages and fruit juices; syrups and other non-alcoholic preparations for making beverages; waters; kvass [non-alcoholic beverage]; cocktails, non-alcoholic; lemonades; powders for effervescing beverages; syrups for lemonade; syrups for beverages; tomato juice [beverage]; apple juice; vegetable juices [beverages]; preparations for making carbonated water; preparations for making beverages; non-alcoholic fruit extracts.

(260) AM 2021 109557 A

(800) 1547617

(151) 2020 05 14

(891) 2020 05 14

(731) GUANGZHOU WANG LAO JI GREAT HEALTH INDUSTRY CO., LTD.
Room 106 (Not using as Factory Building),
No. 3 Shuangshan Road, Nansha District,
Guangzhou City; Guangdong Province, China

(540)



(591) Black, white

(531) 25.01.05; 25.01.06; 28.03

(511)

32 – Beer; non-alcoholic preparations for making beverages; waters [beverages]; non-alcoholic beverages; plant-based beverages; fruit juices; smoothies; soya-based beverages.

(260) AM 2021 109558 A

(800) 1547663

(151) 2020 07 14

(891) 2020 07 14

(731) Limited Liability Company "Volga-Oil"
Oksky syezd street, 1, room 2, room 1,
Nizhny Novgorod, RU-603022 Nizhny
Novgorod region, Russian Federation

(540)

ВОЛГА – ОЙЛ
VOLGA - OIL

(591) Black, white

(531) 28.05

(526) Ойл, Oil

(511)

4 – Petroleum jelly for industrial purposes; fuel; lubricating graphite; cutting fluids; fish oil, not edible; lanolin; wool grease; oils for lighting; grease for leather; grease for footwear; greases for the preservation of leather; oils for the preservation of leather; tallow; industrial grease; kerosene; ligroin; mazut; fuel oil; oils for paints; oils for releasing form work [building]; oils for the preservation of masonry; textile oil; lubricating oil; industrial oil; moistening oil; coal tar oil; coal naphtha; castor oil for industrial purposes; bone oil for industrial purposes; motor oil; sunflower oil for industrial purposes; rape oil for industrial purposes; lubricants; naphtha; petroleum, raw or refined; soya bean oil preparations for non-stick treatment of cooking utensils; non-slipping preparations for belts; grease for arms [weapons]; lubricating grease; grease for belts.

(260) AM 2021 109559 A

(800) 1547675

(151) 2020 03 31

(891) 2020 03 31

(731) JINJIANG SHUNCHANG MACHINERY MANUFACTURING CO., LTD.
No. 7 Lima Road, Jinjiang Economic
Development Zone, Quanzhou City, 362000
Fujian Province, China

(540)



(591) Black, white

(531) 27.05.09; 28.03

(511)

7 – Machines used in the production of sanitary towels; machines used in the production of diapers; heel-making machines; sewing machines; brick making machines; battery machinery; glass working machines.

(260) AM 2021 109560 A

(800) 1547709

(151) 2020 07 23

(891) 2020 07 23

(731) Alcon Inc.
Rue Louis-d'Affry 6, CH-1701 Fribourg,
Switzerland

(540)

CLAREON+

(591) Black, white

(511)
10 – Surgical apparatus and instruments for ophthalmic surgery; intraocular lenses.

(260) AM 2021 109561 A

(800) 1547750

(151) 2020 05 18

(891) 2020 05 18

(731) TERAPLAST SA

sat Saratel, DN 15A, km 45+500, com.

Sieu-Magherus, 427301 jud.Bistrita-Nasaud,
Romania

(540)



(591) Red and blue

(531) 26.03.04; 26.03.24; 29.01.12

(511)

1 – Chemicals for use in industry, science and photography, as well as in agriculture, horticulture and forestry; unprocessed artificial resins, unprocessed plastics; fire extinguishing and fire prevention compositions; tempering and soldering preparations; substances for tanning animal skins and hides; adhesives for use in industry; putties and other paste fillers; compost, manures, fertilizers; biological preparations for use in industry and science.

11 – Apparatus and installations for lighting, heating, cooling, steam generating, cooking, drying, ventilating, water supply and sanitary purposes.

16 – Paper and cardboard; printed matter; bookbinding material; photographs; stationery and office requisites, except furniture; adhesives for stationery or household purposes; drawing materials and materials for artists; paintbrushes; instructional and teaching materials; plastic sheets, films and bags for wrapping and packaging; printers' type, printing blocks.

17 – Unprocessed and semi-processed rubber, gutta-percha, gum, asbestos, mica and substitutes for all these materials; plastics and resins in extruded form for use in manufacture; packing, stopping and insulating materials; flexible pipes, tubes and hoses, not of metal.

19 – Materials, not of metal, for building and construction; rigid pipes, not of metal, for building; asphalt, pitch, tar and bitumen; transportable buildings, not of metal; monuments, not of metal.

20 – Furniture, mirrors, picture frames; containers, not of metal, for storage or transport; unworked or semi-worked bone, horn, whalebone or mother-of-pearl; shells; meerschaum; yellow amber.

35 – Advertising; business management; business administration; office functions.

39 – Transport; packaging and storage of goods; travel arrangement.

42 – Scientific and technological services and research and design relating thereto; industrial analysis, industrial research and industrial design services; quality control and authentication services; design and development of computer hardware and software.

(260) AM 2021 109581 A

(800) 1461109

(151) 2019 02 25

(891) 2020 06 30

(731) SANSURE BIOTECH INC.

NO. 680, LUSONG ROAD, CHANGSHA

HIGH-TECH INDUSTRIAL, DEVELOP-

MENT ZONE, CHANGSHA, HUNAN, China

(540)

Sansure

(591) Black, white

(531) 27.05.01

(511)

5 – Chinese medicine nostrum in the nature of natural remedy preparation; chemico-pharmaceutical preparations; chemical reagents for medical or veterinary purposes; dietetic foods adapted for medical purposes; diagnostic preparations for medical purposes; vaccines; injectable pharmaceuticals for treatment of anaphylactic reactions; medical diagnostic reagents; reagents for use in medical genetic testing; biochemical preparations for medical purposes.

10 – Artificial limbs; diagnostic apparatus for medical purposes; apparatus for use in medical analysis; medical apparatus and instruments; surgical apparatus and instruments; orthopedic articles; suture materials; medical x-ray equipment; sterilization equipment; electronic hearing aids.

(260) AM 2021 109582 A

(800) 1470920

(151) 2019 04 11

(891) 2020 07 22

(731) Individual entrepreneur, Tovstik Roman
Vladimirovich

prospekt Vernadskogo, d. 94, korp. 2, kv. 2,
RU-119571 Moskva, Russian Federation

(540)

SKLAER CKJAEP

(591) Black, white

(531) 28.05

(511)

3 – Breath freshening sprays; dental bleaching gels; deodorants for personal use; perfumery; cosmetic pen-

cils; cosmetic dyes; cosmetic creams; hair spray; nail polish; hair lotions; lotions for cosmetic purposes; beauty masks; oils for cosmetic purposes; cleansing milk for toilet purposes; soap; cosmetic kits; non-medicated dentifrices; pomades for cosmetic purposes; shaving preparations; cosmetic preparations for baths; toiletry preparations; hair waving preparations; mouthwashes, not for medical purposes; nail care preparations; hair dyes; neutralizers for permanent waving; cosmetic preparations for eyelashes; cosmetic preparations for skin care; cosmetics; shampoos

(260) AM 2021 109583 A
 (800) 1485185
 (151) 2019 05 21
 (891) 2020 05 11
 (731) GUANGDONG OPPO MOBILE
 TELECOMMUNICATIONS CORP., LTD.
 No. 18 Haibin Road, Wusha, Chang'an,
 Dongguan, Guangdong, China

(540)

Find Y

(591) Black, white
 (511)
 9 – Computers; computer peripheral devices; computer software, recorded; notebook computers; electronic publications, downloadable; computer programs, downloadable; computer game software, downloadable; usb flash drives; tablet computers; smartglasses; smartwatches; interactive touch screen terminals; humanoid robots with artificial intelligence; smart rings; smartphone software applications, downloadable; personal digital assistants [pdas]; computer software platforms, recorded or downloadable; wearable computers; virtual reality game software; lcd monitors; light emitting diode displays; usb card readers; face recognition devices; transmitters of electronic signals; intercommunication apparatus; telephone apparatus; global positioning system [gps] apparatus; smartphones; mobile telephones; cell phones; network communication equipment; wearable activity trackers; cases for smartphones; protective films adapted for smartphones; selfie sticks for use with smartphones; stands adapted for mobile phones; gps navigation device; in-car telephone handset cradles; sound transmitting apparatus; portable media players; electronic book readers; earphones; virtual reality headsets; wearable video display monitors; hd (high definition) televisions; dmb (digital multimedia broadcasting) televisions; selfie sticks [hand-held monopods]; selfie lenses; audiovisual teaching apparatus; wires, electric; usb cables; semi-conductors; electronic chips; electric plugs; video screens; remote control apparatus; optical fibres [light conducting filaments]; heat regulating apparatus; lightning conductors; eyeglasses; batteries, electric; rechargeable batteries; wireless chargers; usb chargers; chargers for electronic cigarettes; animated

cartoons; portable remote controlled car arrester; optical apparatus and instruments; gesture recognition software; biometric retinal scanners; ear pads for headphones.

(260) AM 2021 109584 A
 (800) 1512903
 (151) 2019 08 16
 (891) 2020 07 16
 (731) Deroni Ltd.
 86, Saedinenie Blvd., BG-6300 Haskovo,
 Bulgaria

(540)



(591) Red, white, yellow and green
 (531) 02.01.13; 02.01.21; 02.01.23; 03.04.01;
 03.04.24; 18.01.02; 25.01.15; 27.05.24;
 27.07.01; 29.01.14

(511)

29 – Ajvar [preserved peppers]; peas, preserved; mushrooms, preserved; tomato juice for cooking; tomato puree; jellies for food; vegetables, tinned; vegetable mousses; vegetable salads; vegetable juices for cooking; vegetables, preserved; vegetables, cooked; vegetables, dried; olive oil for food; kimchi [fermented vegetable dish]; sauerkraut; fruit, stewed; gherkins; lentils, preserved; onions, preserved; hummus [chickpea paste]; aubergine paste; vegetable marrow paste; pectin for culinary purposes; fruit pulp; fruit chips; fruits, tinned; fruit, preserved; fruit jellies; oils for food; jams; ginger jam; sunflower oil for food; beans, preserved; preserved garlic; apple puree; artichokes, preserved; fruit based snack food; vegetable soup preparations; cranberry compote; marmalade; olives, preserved; fruit peel; fruit salads; frozen fruits; truffles, preserved.

30 – Mustard; tomato sauce; ketchup [sauce]; couscous [semolina]; relish [condiment]; mayonnaise; noodles; macaroni; chow-chow [condiment]; honey; corn [milled]; corn [roasted]; rice; rice-based snack food; vinegar; pesto [sauce]; fruit jellies [confectionery]; fruit coulis [sauces]; soya sauce; sauces [condiments]; meat gravies; pasta sauce; dressings for salad; spaghetti; ribbon vermicelli; vermicelli [noodles]; beer vinegar; garden herbs, preserved [seasonings]; cereal preparations; capers; spices; seasonings; condiments; minced garlic [condiment]; cloves [spice]; noodle-based prepared meals; piccalilli.

(260) AM 2021 109585 A

(800) 1542309

(151) 2020 05 19

(891) 2020 07 28

(731) Limited Liability Company "DVA MYACHA"
2-ya Zvenigorodskaya ul., 13, stroenie 1, pom.
VIII, room 10, RU-123022 Moscow, Russian
Federation

(540)



(591) Black, white

(531) 21.03.01; 28.05

(511)

25 – Wimples; bandanas [neckerchiefs]; underwear; sweat-absorbent underwear; blouses; stuff jackets [clothing]; boas [necklets]; bodies [underclothing]; boots; breeches for wear; trousers; football shoes; brassieres; collars [clothing]; pelerines; detachable collars; shirt yokes; veils [clothing]; galoshes; neckties; ascots; leggings [leg warmers]; boot uppers; vests; sports jerseys; hosiery; heels; panties; hoods [clothing]; hat frames [skeletons]; pocket squares; pockets for clothing; visors [headwear]; tights; combinations [clothing]; wet suits for water-skiing; bodices [lingerie]; suits; swimsuits; masquerade costumes; beach clothes; jackets [clothing]; fishing vests; liveries; camisoles; tee-shirts; cuffs; short-sleeve shirts; mantillas; coats; sleep masks; furs [clothing]; hand warmers [fingerless gloves]; miters [hats]; muffs [clothing]; footmuffs, not electrically heated; heelpieces for footwear; bibs, not of paper; fur stoles; ear muffs [clothing]; socks; bath sandals; bath slippers; beach shoes; sports shoes; footwear; paper clothing; outerclothing; ready-made clothing; motorists' clothing; cyclists' clothing; clothing for gymnastics; gabardines [clothing]; jerseys [clothing]; clothing of imitations of leather; clothing of leather; knitwear [clothing]; uniforms; clothing; fittings of metal for footwear; maniples; overcoats; parkas; gloves [clothing]; pajamas; bathing trunks; scarves; dresses; waterproof clothing; headbands [clothing]; garters; sock suspenders; stocking suspenders; ready-made linings [parts of clothing]; dress shields; soles for footwear; suspenders; lace boots; belts [clothing]; money belts [clothing]; layettes [clothing]; non-slipping devices for footwear; pullovers; heelpieces for stockings; welts for footwear; chasubles; shirts; wooden shoes; sandals; saris; sweaters; footwear uppers; inner soles; togas; underpants; gymnastic shoes; slippers; shoes; turbans; headgear for wear; aprons [clothing]; dressing gowns; tips for footwear; shower caps; stockings; sweat-absorbent stockings; shawls; paper hats [clothing]; skull caps; bathing caps; studs for football boots; babies' pants

[underwear]; trouser straps; pelisses; esparto shoes or sandals; skirts; petticoats.

(260) AM 2021 109614 A

(800) 1547918

(151) 2020 07 09

(891) 2020 07 09

(731) QINGSEN YU

1104 Room, No. 16 Zhile Street, Tianhe

District, Guangzhou City, 510000 Guangdong, China

(540)



Kisonli

(591) Black, white

(531) 26.03.06; 26.03.24; 26.13.25; 27.05.01

(511)

9 – Headphones; computer hardware; horns for loudspeakers; 3D spectacles; wearable activity trackers; electrical plugs and sockets; cabinets for loudspeakers; bags adapted for laptops; computer peripheral devices.

(260) AM 2021 109615 A

(800) 1547925

(151) 2020 07 01

(891) 2020 07 01

(731) Shandong Yongfeng Tyres Co., Ltd.

Phase II of Economic Development Zone,

(Located in South to Yishui Xian Yangdu,

Trading Co. Ltd.), Yishui County, Linyi City,

Shandong Province, China

(540)

CACHLAND

(591) Black, white

(531) 27.05.01

(511)

12 – Vehicle wheel spokes; tires for vehicle wheels; automobile tires; inner tubes for pneumatic tires; adhesive rubber patches for repairing inner tubes; tubeless tires for bicycles; tires for aircraft wheels; repair outfits for inner tubes; wheels for automobiles; hubs for automobile wheels.

(260) AM 2021 109616 A

(800) 1547969

(151) 2020 08 05

(891) 2020 08 05

(731) Guangzhou Wondfo Biotech. Co., Ltd.
No.8 Lizhishan Road, Scientific City,
Luogang District, Guangzhou, Guangdong,
China

(540)



(591) Black, white

(531) 27.05.01

(511)

10 – Blood testing apparatus; medical apparatus and instruments; apparatus for use in medical analysis; testing apparatus for medical purposes; diagnostic apparatus for medical purposes; x-ray apparatus for medical purposes; lasers for medical purposes; physiotherapy apparatus; dialyzers; instrument cases for use by surgeons and doctors.

(260) AM 2021 109617 A

(800) 1548029

(151) 2020 03 11

(891) 2020 03 11

(731) SARTECH YAPI MALZEMELERİ SANAYİ
VE TİCARET LİMİTED ŞİRKETİ
Organize Sanayi Bölgesi 1.Kısım, 7.Cadde
No:6 Döşemealtı, Antalya, Turkey

(540)



(591) Black, white

(531) 01.01.01; 25.07.01; 27.05.10; 29.01.13

(526) bau professional" and "world wide

(511)

17 – Insulating materials for building, insulating plaster, insulating paper, insulating bands, insulating tapes, duct tapes, insulating fabrics, insulating felt, insulating oils, insulating paints, insulating coatings, insulating tiles, insulating varnish, insulating waterproofing membranes, insulation in the form of floor coverings, insulating refractory materials, graphite sheets for insulating, substances for insulating buildings against moisture, glass wool for building insulation, mineral wool for building insulation, slag wool for building insulation, foils of metal for building insulation, foam sheeting for use as building insulation, foam insulation materials for use in building and construction, polyurethane foam sheeting for use as building

insulation, fiberglass insulation materials for buildings, fiberglass fabrics for building insulation, polyurethane films for use in sealing and insulating buildings, acoustical insulation for buildings, soundproofing materials for buildings, vulcanized fiber for use in the manufacture of building insulation materials, insulation jackets for pipes, bamboo fibers for insulation, bark coverings for sound insulation, latex-based ceramic insulation for use in building and construction, sealants for buildings, waterproof sealants, polyurethane sealants, adhesive sealant compounds, dust proofing sealants, sealant compounds for joints, sealants for pavement joints, non-metallic seals for joints, expansion joint fillers, sealing strips made of plastics, sealing strips made of synthetic rubber, seals of metal for preventing leakage of fluids, non-metallic seals for preventing leakage of fluids, rings of rubber for use as pipe connection seals; silicone-based sealants for construction particularly for use in glazing, siding and trim; urethane-based sealants for construction particularly for use in glazing, siding and trim; acrylic-based sealants for construction particularly for use in glazing, siding and trim; construction mastic sealants for ceiling, wall and floor tiles, wood panel and asphalt; adhesive bands other than for stationery and not for medical or household purposes; O-rings for sealing purposes, pipe gaskets, anti-dazzle films for windows [tinted films], weatherstripping compositions, not of metal, for buildings.

(260) AM 2021 109622 A

(800) 1548187

(151) 2020 05 29

(891) 2020 05 29

(731) DELI GROUP CO., LTD.

Deli Industrial Park, Ninghai County, Ningbo,
Zhejiang, China

(540)



(591) Black, white

(531) 27.05.01; 27.05.17

(511)

6 – Safes [metal or non-metal]; metals in foil or powder form for 3D printers; sleeves [metal hardware]; ladders of metal; binding screws of metal for cables; screws of metal; chains of metal; clothes hooks of metal; bells; bag hangers of metal; locks of metal, other than electric; ironmongery; winding spools of metal, non-mechanical, for flexible hoses; tool boxes of metal, empty; rods of metal for welding.

7 – Blowing machines; aerocondensers; compressed air machines; holding devices for machine tools; glaziers' diamonds [parts of machines]; trimming machines; tools [parts of machines]; machines and apparatus for polishing [electric]; hand-held tools, other

than hand-operated; drilling heads [parts of machines]; cutting machines; screwdrivers, electric; 3D printers; 3D printing pens; electric hammers; electrical apparatus for sealing plastics [packaging]; electric welding apparatus; meat choppers [machines]; drilling machines; ironing machines; motors, electric, other than for land vehicles; packaging machines; machines and apparatus for cleaning, electric; washing installations for vehicles; spray guns for paint; thermic lances [machines]; soldering blow pipes, gas-operated; reels, mechanical, for flexible hoses; pneumatic jacks; cranes [lifting and hoisting apparatus]; pumps [machines]; lubricators [parts of machines]; die-cutting and tapping machines; grindstones [parts of machines]; metalworking machines; saws [machines]; glue guns, electric; dynamos; packing machines; agricultural machines; lawnmowers [machines]; mortising machines; mixing machines.

9 – Bar code readers; scanners [data processing equipment]; slide projectors; tablet computers; mouse pads; video screens; monitors [computer hardware]; hygrometers; gloves for protection against accidents; rulers [measuring instruments]; altimeters; telemeters; scales; temperature indicators; air analysis apparatus; levels [instruments for determining the horizontal]; barometers; electronic pens [visual display units]; toner cartridges, unfilled, for printers and photocopiers; teaching robots; USB flash drives; computer keyboards; printers for use with computers; electric sockets; time clocks [time recording devices]; punched card machines for offices; electronic access control systems for interlocking doors; electric door bells; counterfeit coin detectors; money counting and sorting machines; cash registers; megaphones; electronic interactive whiteboards; optical discs; chargers for electric batteries; materials for electricity mains [wires, cables]; pocket calculators; magnifying glasses [optics]; batteries, electric; bags adapted for laptops; measuring devices, electric; surveying apparatus and instruments; protection devices for personal use against accidents; automatic indicators of low pressure in vehicle tyres; safety restraints, other than for vehicle seats and sports equipment; protective helmets.

28 – Games; board games; toys; scooters [toys]; jigsaw puzzles; drones [toys]; toy robots; toy putty; toy dough; draughts [games]; chess games; playing cards; building blocks [toys]; targets; body-building apparatus; playing balls; gloves for games; bells for Christmas trees; fishing tackle.

35 – Presentation of goods on communication media, for retail purposes; online advertising on a computer network; rental of advertising time on communication media; commercial information and advice for consumers in the choice of products and services; business management assistance; marketing in the framework of software publishing; provision of an online marketplace for buyers and sellers of goods and services;

import-export agency services; search engine optimization for sales promotion; administrative processing of purchase orders; web site traffic optimization; updating and maintenance of data in computer databases; compiling indexes of information for commercial or advertising purposes; book-keeping; rental of vending machines; sponsorship search; rental of sales stands; retail services for pharmaceutical, veterinary and sanitary preparations and medical supplies; employment agency services; advertising.

(260) AM 2021 109627 A

(800) 1548286

(151) 2020 05 29

(891) 2020 05 29

(731) DELI GROUP CO., LTD.

Deli Industrial Park, Ninghai County, Ningbo, Zhejiang, China

(540)

NUSIGN

(591) Black, white

(531) 27.05.01

(511)

8 – Manicure sets; flat irons; scissors; daggers; table cutlery [knives, forks and spoons]; agricultural implements, hand-operated; garden tools, hand-operated; blades [hand tools]; cutting tools [hand tools]; palette knives; hobby knives [scalpels]; knives; drawing knives; handles for hand-operated hand tools.

9 – Chronographs [time recording apparatus]; reflective articles for wear, for the prevention of accidents; surveying instruments; electronic burglar alarms; fire extinguishing apparatus; electric door bells; eyeglasses; hygrometers; thermometers, not for medical purposes; teaching apparatus; slide projectors; counterfeit coin detectors; magnifying glasses [optics]; video screens; punched card machines for offices; scales; rulers [measuring instruments]; electrical adapters; cash registers; money counting and sorting machines; pocket calculators; USB flash drives; electronic pens [visual display units]; stands adapted for laptops; mouse pads; mouse [computer peripheral]; chargers for electric batteries; bags adapted for laptops; materials for electricity mains [wires, cables]; electric plugs; scanners [data processing equipment]; electronic interactive whiteboards; thermal printers; projection screens; video projectors.

16 – Moisteners [office requisites]; staple removers; staples for paper; drawing pins; bookends; cabinets for stationery [office requisites]; elastic bands for offices; T-squares for drawing; inking pads; stamps [seals]; sealing machines for offices; garbage bags of paper or of plastics; marking pens [stationery]; index cards [stationery]; plastic film for wrapping; square rulers for drawing; copying paper [stationery]; paper;

carbon paper; envelopes [stationery]; terrestrial globes; photograph stands; bookbinding apparatus and machines [office equipment]; paper cutters [office requisites]; paper shredders for office use; pads [stationery]; tags for index cards; ledgers [books]; note books; steel pens; adhesive bands for stationery or household purposes; adhesives [glues] for stationery or household purposes; writing instruments; ink; clipboards; folders for papers; boxes of paper or cardboard; pencils; paint trays; pencil sharpeners; writing cases [stationery]; rubber erasers; correcting tapes [office requisites]; oil pastels; compasses for drawing; punches [office requisites]; covers [stationery]; staplers for paper; document laminators for office use; bookbinding machines for office use; expanding files [stationery]; pen cases; polymer modelling clay; pencil holders; stands for desk calendars; document holders [stationery]; inking ribbons; adhesive tape dispensers [office requisites]; pencil sharpening machines, electric or non-electric; desktop document stands; holders for adhesive tapes; magnetic boards [office requisites]; paper-clips; name badge holders [office requisites]; photograph albums; stationery; letter trays; placards of paper or cardboard.

18 – Card cases [notecases]; bags; rucksacks; tool bags, empty; briefcases; umbrellas, umbrella covers; school satchels; business card cases; shopping bags; mountaineering sticks.

(260) AM 2021 109628 A
(800) 1548290
(151) 2020 06 01
(891) 2020 06 01
(731) British American Tobacco (Brands) Limited
Globe House, 4 Temple Place, London
WC2R 2PG, United Kingdom
(540)



The logo for BAT (British American Tobacco) features the letters 'BAT' in a bold, black, sans-serif font. To the right of the letters is a stylized, curved graphic element resembling a swoosh or a flame, also in black.

(591) Black, white
(531) 26.11.02; 26.11.12; 26.11.22; 27.05.01
(511)
34 – Cigarettes; tobacco, raw or manufactured; tobacco products; tobacco substitutes (not for medical purposes); cigars; cigarillos; cigarettes lighters; matches; smokers' articles; cigarette paper; cigarette tubes; cigarette filters; pocket apparatus for rolling cigarettes; hand held machines for injecting tobacco into paper tubes; electronic cigarettes; cartridges for electronic cigarettes; liquids for electronic cigarettes; tobacco products for the purpose of being heated; devices and parts for devices for heating tobacco; tobacco substitutes for the purpose of inhalation; cigarettes containing tobacco substitutes; cigarette cases; cigarette bo-

xes; snus with tobacco; snuff with tobacco; snus without tobacco; snuff without tobacco; tobacco free oral nicotine pouches (not for medical use); oral vaporizers for smoking purposes.

(260) AM 2021 109629 A
(800) 1548298
(151) 2020 06 01
(891) 2020 06 01
(731) DHC CORPORATION
2-7-1, Minami-azabu, Minato-ku,
Tokyo 106-8571, Japan
(540)

DHC

(591) Black, white
(511)
3 – Soaps and detergents; natural perfumery comprising of vegetables ingredients; natural perfumery prepared from animals-derived ingredients; synthetic perfumery; blended perfumery; food flavorings prepared from essential oils; incense; cosmetics; false nails; false eyelashes; dentifrices; polishing preparations; abrasive paper [sand paper]; abrasive cloth; abrasive sand; artificial pumice stone; polishing paper; shoe cream; shoe black [shoe polish]; paint stripping preparations.

(260) AM 2021 109631 A
(800) 1548349
(151) 2020 02 24
(891) 2020 02 24
(731) KOPOS HOLDING, a.s.
Šumavská 46, CZ-120 00 PRAHA 2 –
Vinohrady, Czech Republic
(540)



The logo for KOPOS features the word 'KOPOS' in a bold, black, sans-serif font. The letters are enclosed within a double-lined rectangular border with rounded corners.

(591) Black, white
(531) 26.04.04; 26.04.07; 26.04.18; 27.05.02
(511)
6 – Wires, fixed and flexible metal tubes, fixing material of metal, boxes, rods, channels, plates and other various moldings for surface and flush mounting made of metal.
7 – Replaceable accessories and mechanical preparations for injection and mechanical presses, single – purpose machines and equipment for listed products, included in this class.
9 – Varnished wires for needs in and outside electrical engineering, wiring storage material for high and low current lines, fixed and flexible tubes, boxes, rods, channels, plates and other various moldings for surfa-

ce and flush mounting and for electrical installations, heavy current electrical equipment and apparatuses, switchboards.

17 – Plastic fastening material, various plastic moldings for electrotechnics and other fields.

20 – Special plastic products, coils, shielding fittings, extruded profiles of special shapes.

35 – Advertising activity.

37 – Assembly and repairs of single-purpose machines and equipment, tools, molds and mechanical preparations.

39 – Transport and transport services for transportation of own and foreign goods including its storage.

(260) AM 2021 109632 A

(800) 1548356

(151) 2020 05 29

(891) 2020 05 29

(731) Shanghai Hanting Hotel Management Group Co., Ltd.

4th Floor, Building 57, No. 461, Hongcao Road, Xuhui District, Shanghai, China

(540)



HUAZHU

(591) Black, white

(531) 05.05.20

(511)

35 – Advertising; presentation of goods on communication media for retail purposes; business management assistance; commercial administration of the licensing of the goods and services of others; marketing; personnel recruitment; administrative services for the relocation of businesses; accounting; sponsorship search; business management of hotels; provide online marketplaces for buyers and sellers of goods and services; publicity; business appraisals; personnel management consultancy; photocopying services; business auditing; office machines and equipment rental; advertising planning; commercial information and advice for consumers [consumer advice shop].

43 – Accommodation bureaux [hotels, boarding houses]; canteens; hotel reservations; temporary accommodation reservations; bar services; mobile catering; teahouse; food and drink catering; rental of chairs, tables, table linen, glassware; hotels; cafés; motels; rental of meeting rooms; retirement homes; boarding for animals; day-nurseries [crèches]; rental of cooking

apparatus; tourist homes; cafeterias; providing campground facilities; boarding house bookings; rental of transportable buildings.

(260) AM 2021 109633 A

(800) 1548366

(151) 2020 07 21

(891) 2020 07 21

(731) Yagupov Artyom Artyomovich

Volgogradskiy prospect, dom 74, korpus 3, kv. 41, RU-109462 Moscow, Russian Federation

(540)

**ANCHUYT YAN CHUN
TANG YASHENG**

(591) Black, white

(511)

3 – Abrasives; amber [perfume]; descaling preparations for household purposes; antistatic preparations for household purposes; aromatics [essential oils]; air fragrancing preparations; cake flavorings [essential oils]; flavorings for beverages [essential oils]; food flavorings [essential oils]; breath freshening sprays; canned pressurized air for cleaning and dusting purposes; balms, other than for medical purposes; lip glosses; polishing stones; abrasive paper; emery paper; polishing paper; petroleum jelly for cosmetic purposes; shoe polish; cobblers' wax; cotton wool for cosmetic purposes; sachets for perfuming linen; drying agents for dishwashing machines; adhesives for cosmetic purposes; scented water; javelle water; lavender water; toilet water; wax for parquet floors; floor wax; non-slipping wax for floors; depilatory wax; mustache wax; tailors' wax; creams for leather; polish for furniture and flooring; shoemakers' wax; polishing wax; massage gels, other than for medical purposes; heliotropine; dental bleaching gels; geraniol; make-up; deodorants for pets; deodorants for human beings or for animals; depilatory preparations; air fragrance reed diffusers; scented wood; perfumes; non-slipping liquids for floors; windshield cleaning liquids; greases for cosmetic purposes; volcanic ash for cleaning; perfumery; decorative transfers for cosmetic purposes; ionone [perfumery]; shaving stones [astringents]; smoothing stones; eyebrow pencils; cosmetic pencils; silicon carbide [abrasive]; carbides of metal [abrasives]; alum stones [astringents]; tripoli stone for polishing; adhesives for affixing false eyelashes; adhesives for affixing false hair; hair conditioners; quillaia bark for washing; corundum [abrasive]; beard dyes; colorants for toilet purposes; cosmetic dyes; laundry starch; laundry glaze; shoe cream; polishing creams; cosmetic creams; skin whitening creams; polishing rouge; incense; hair spray; nail polish; hair lotions; lotions for cosmetic purposes; after-shave lotions; beauty masks; oils for perfumes and scents; oils for cosme-

tic purposes; oils for toilet purposes; essential oils; essential oils of cedarwood; essential oils of lemon; essential oils of citron; oils for cleaning purposes; bergamot oil; gaultheria oil; jasmine oil; lavender oil; almond oil; rose oil; oil of turpentine for degreasing; whitening; cleaning chalk; almond milk for cosmetic purposes; cleansing milk for toilet purposes; musk [perfumery]; soap; deodorant soap; shaving soap; soap for brightening textile; cakes of toilet soap; antiperspirant soap; soap for foot perspiration; almond soap; mint for perfumery; cosmetic kits; emery; nail art stickers; false nails; eau de cologne; bases for flower perfumes; joss sticks; pastes for razor strops; dentifrices; pumice stone; lipstick cases; hydrogen peroxide for cosmetic purposes; breath freshening strips; teeth whitening strips; abrasive cloth; glass cloth [abrasive cloth]; lipsticks; pomades for cosmetic purposes; shaving preparations; cosmetic preparations for baths; bath preparations, not for medical purposes; hair straightening preparations; hair waving preparations; laundry soaking preparations; grinding preparations; smoothing preparations [starching]; color-removing preparations; leather bleaching preparations; polishing preparations; denture polishes; mouthwashes, not for medical purposes; cosmetic preparations for slimming purposes; starch glaze for laundry purposes; eye-washes, not for medical purposes; fabric softeners for laundry use; laundry bleach; dry-cleaning preparations; paint stripping preparations; lacquer-removing preparations; make-up removing preparations; floor wax removers [scouring preparations]; varnish-removing preparations; rust removing preparations; nail care preparations; cleaning preparations; preparations for cleaning dentures; wallpaper cleaning preparations; preparations for unblocking drain pipes; chemical cleaning preparations for household purposes; collagen preparations for cosmetic purposes; bleaching preparations [decolorants] for household purposes; laundry preparations; aloe vera preparations for cosmetic purposes; sunscreen preparations; color-brightening chemicals for household purposes [laundry]; breath freshening preparations for personal hygiene; shining preparations [polish]; make-up powder; diamantine [abrasive]; stain removers; nail varnish removers; vaginal washes for personal sanitary or deodorant purposes; scouring solutions; false eyelashes; tissues impregnated with cosmetic lotions; tissues impregnated with make-up removing preparations; saffron; massage candles for cosmetic purposes; laundry blueing; turpentine for degreasing; potpourris [fragrances]; bleaching soda; washing soda, for cleaning; bath salts, not for medical purposes; bleaching salts; fumigation preparations [perfumes]; preservatives for leather [polishes]; ammonia [volatile alkali] [detergent]; astringents for cosmetic purposes; eyebrow cosmetics; make-up preparations; sun-tanning preparations [cosmetics]; hair dyes; neutralizers for permanent waving; preparations to make shiny the leaves of plants; cosmetic preparations for eyelashes; cosmetic preparati-

ons for skin care; cosmetics; cosmetics for children; cosmetics for animals; mascara; cleansers for intimate personal hygiene purposes, non medicated; douching preparations for personal sanitary or deodorant purposes [toiletries]; detergents, other than for use in manufacturing operations and for medical purposes; degreasers, other than for use in manufacturing processes; bleaching preparations [decolorants] for cosmetic purposes; toiletry preparations; antiperspirants [toiletries]; phytocosmetic preparations; talcum powder, for toilet use; cotton sticks for cosmetic purposes; terpenes [essential oils]; emery cloth; cloths impregnated with a detergent for cleaning; henna [cosmetic dye]; shampoos; shampoos for animals [non-medicated grooming preparations]; shampoos for pets [non-medicated grooming preparations]; dry shampoos; sandpaper; soda lye; herbal extracts for cosmetic purposes; extracts of flowers [perfumes]; ethereal essences; badian essence; mint essence [essential oil].

(260) AM 2021 109638 A

(800) 1548515

(151) 2020 04 07

(891) 2020 04 07

(731) Franchajzi DV Limited liability company

Prospect 60 years October, 152, Khabarovsk,

RU-680014 Khabarovsk Krai, Russian

Federation

(540)

KRATON

(591) Black, white

(511)

3 – adhesives for affixing false eyelashes; adhesives for affixing false hair; adhesives for cosmetic purposes; after-shave lotions; air fragrance reed diffusers; air fragrancing preparations; almond milk for cosmetic purposes; almond oil; almond soap; aloe vera preparations for cosmetic purposes; alum stones [astringents]; amber [perfume]; antiperspirant soap; antiperspirants [toiletries]; aromatics [essential oils]; astringents for cosmetic purposes; baby wipes impregnated with cleaning preparations; badian essence; balms, other than for medical purposes; bases for flower perfumes; basma [cosmetic dye]; bath preparations, not for medical purposes; bath salts, not for medical purposes; beard dyes; beauty masks; bergamot oil; bleaching preparations [decolorants] for cosmetic purposes; breath freshening preparations for personal hygiene; breath freshening sprays; breath freshening strips; cake flavorings [essential oils]; cakes of toilet soap; cleansers for intimate personal hygiene purposes, non medicated; cleansing milk for toilet purposes; collagen preparations for cosmetic purposes; colorants for toilet purposes; cosmetic creams; cosmetic dyes; cosmetic kits; cosmetic pencils; cosmetic preparations for baths; cosmetic preparations for eyelashes; cosmetic preparations for skin care; cosmetic preparati-

ons for slimming purposes; cosmetics; cosmetics for animals; cosmetics for children; cotton sticks for cosmetic purposes; cotton wool for cosmetic purposes; creams for leather; decorative transfers for cosmetic purposes; dental bleaching gels; dentifrices; denture polishes; deodorant soap; deodorants for pets; depilatory preparations; depilatory wax; douching preparations for personal sanitary or deodorant purposes [toiletries]; dry shampoos; drying agents for dishwashing machines; eau de cologne; essential oils; essential oils of cedarwood; essential oils of citron; essential oils of lemon; ethereal essences; extracts of flowers [perfumes]; eyebrow cosmetics; eyebrow pencils; eye-washes, not for medical purposes; fabric softeners for laundry use; false eyelashes; false nails; flavorings for beverages [essential oils]; food flavorings [essential oils]; fumigation preparations [perfumes]; gaultheria oil; geraniol; greases for cosmetic purposes; grinding preparations; hair conditioners; hair dyes; hair lotions; hair spray; hair straightening preparations; hair waving preparations; heliotropine; henna [cosmetic dye]; herbal extracts for cosmetic purposes; hydrogen peroxide for cosmetic purposes; incense; ionone [perfumery]; jasmine oil; javelle water; joss sticks; lacquer-removing preparations; lip glosses; lipstick cases; lipsticks; lotions for cosmetic purposes; make-up; make-up powder; make-up preparations; make-up removing preparations; mascara; massage candles for cosmetic purposes; massage gels, other than for medical purposes; mint essence [essential oil]; mint for perfumery; mouthwashes, not for medical purposes; musk [perfumery]; mustache wax; nail art stickers; nail care preparations; nail polish; nail varnish removers; neutralizers for permanent waving; oils for cosmetic purposes; oils for perfumes and scents; oils for toilet purposes; paint stripping preparations; pastes for razor strops; perfumery; perfumes; petroleum jelly for cosmetic purposes; phytocosmetic preparations; pomades for cosmetic purposes; potpourris [fragrances]; preparations for cleaning dentures; pumice stone; rose oil; sachets for perfuming linen; safrol; scented water; scented wood; shampoos; shampoos for animals [non-medicated grooming preparations]; shampoos for pets [non-medicated grooming preparations]; shaving preparations; shaving soap; shaving stones [astringents]; skin whitening creams; smoothing preparations [starching]; smoothing stones; soap; soap for brightening textile; soap for foot perspiration; sunscreen preparations; sun-tanning preparations [cosmetics]; tailors' wax; talcum powder, for toilet use; teeth whitening strips; terpenes [essential oils]; tissues impregnated with cosmetic lotions; tissues impregnated with make-up removing preparations; toilet water; toiletry preparations; vaginal washes for personal sanitary or deodorant purposes; varnish-removing preparations.

8 – Abrading instruments [hand instruments]; adzes [tools]; agricultural forks [hand tools]; agricultural implements, hand-operated; air pumps, hand-operated;

ted; annular screw plates; apparatus for destroying plant parasites, hand-operated; apparatus for tattooing; augers [hand tools]; awls; axes; bayonets; beard clippers; bench vices [hand implements]; bill-hooks; bits [hand tools]; bits [parts of hand tools]; blade sharpening instruments; blades [hand tools]; blades [weapons]; blades for planes; border shears; borers; bow saws; box cutters; braiders [hand tools]; branding irons; breast drills; budding knives; carpenters' augers; cattle shearers; caulking irons; centre punches [hand tools]; ceramic knives; chisels; choppers [knives]; clamps for carpenters or coopers; cleavers; crimping irons; crow bars; curling tongs; cuticle tweezers; cutlery; cutter bars [hand tools]; cutters; cutting tools [hand tools]; daggers; depilation appliances, electric and non-electric; dies [hand tools]; diggers [hand tools]; ditchers [hand tools]; drawing knives; drill holders [hand tools]; ear-piercing apparatus; earth rammers [hand tools]; edge tools [hand tools]; embossers [hand tools]; emergency hammers; emery boards; emery files; emery grinding wheels; engraving needles; expanders [hand tools]; extension pieces for braces for screw taps; eyelash curlers; farriers' knives; files [tools]; fire irons; fireplace bellows [hand tools]; fish tapes [hand tools]; flat irons; foundry ladles [hand tools]; frames for handsaws; fruit corers; fruit pickers [hand tools]; fruit segmenters; fulling tools [hand tools]; garden tools, hand-operated; gimlets [hand tools]; glaziers' diamonds [parts of hand tools]; goffering irons; gouges [hand tools]; grafting tools [hand tools]; graving tools [hand tools]; grindstones [hand tools]; guns [hand tools]; guns, hand-operated, for the extrusion of mastics; hackles [hand tools]; hainault scythes; hair braiders, electric; hair clippers for animals [hand instruments]; hair clippers for personal use, electric and non-electric; hair-removing tweezers; hammers [hand tools]; hand drills, hand-operated; hand implements for hair curling; hand pumps; hand tools, hand-operated; handles for hand-operated hand tools; harpoons; harpoons for fishing; hatchets; hobby knives [scalpels]; holing axes; hollowing bits [parts of hand tools]; hoop cutters [hand tools]; hunting knives; ice picks; implements for decanting liquids [hand tools]; insecticide sprayers [hand tools]; instruments and tools for skinning animals; instruments for punching tickets; irons [non-electric hand tools]; jig-saws; kitchen mandolines; knife handles; knives; ladles [hand tools]; laser hair removal apparatus, other than for medical purposes; lasts [shoemakers' hand tools]; lawn clippers [hand instruments]; leather strops; levers; lifting jacks, hand-operated; livestock marking tools; machetes; mallets [hand instruments]; manicure sets; manicure sets, electric; marline spikes; masons' hammers; mattocks; meat claws; metal band stretchers [hand tools]; metal wire stretchers [hand tools]; milling cutters [hand tools]; mincing knives [hand tools]; mitre boxes [hand tools]; molding irons; money scoops; mortars for pounding [hand tools]; mortise chisels; nail drawers [hand tools]; nail files; nail files, el-

etric; nail nippers; nail pullers, hand-operated; nail punches; needle files; non-electric caulking guns; numbering punches; oyster openers; palette knives; paring irons [hand tools]; paring knives; pedicure sets; penknives; perforating tools [hand tools]; pestles for pounding [hand tools]; pickaxes; pickhammers; picks [hand tools]; pin punches; plane irons; planes; pliers; polishing irons [glazing tools]; priming irons [hand tools]; pruning knives; pruning shears; punch pliers [hand tools]; punch rings [knuckle dusters]; punches [hand tools]; rabbeting planes; rakes [hand tools]; rams [hand tools]; rasps [hand tools]; ratchets [hand tools]; razor blades; razor cases; razor strops; razors, electric or non-electric; reamer sockets; reamers; riveters [hand tools]; riveting hammers [hand tools]; sabres; sand trap rakes; saw blades [parts of hand tools]; saw holders; saws [hand tools]; scaling knives; scissors; scrapers [hand tools]; scrapers for skis; scraping tools [hand tools]; screwdrivers, non-electric; sculptors' chisels; scythe handles; scythe rings; scythe stones; scythes; secateurs; sharpening instruments; sharpening steels; sharpening stones; shaving cases; shear blades; shearers [hand instruments]; shears; shovels [hand tools]; sickles; side arms, other than firearms; silver plate [knives, forks and spoons]; ski edge sharpening tools, hand-operated; sledgehammers; spades [hand tools]; spatulas [hand tools]; spatulas for use by artists; spoons; squares [hand tools]; stamping-out tools [hand tools]; sterile body piercing instruments; stirring sticks for mixing paint; stone hammers; stropping instruments; sword scabbards; swords; syringes for spraying insecticides; table cutlery [knives, forks and spoons]; table forks; table knives, forks and spoons for babies; table knives, forks and spoons of plastic; tap wrenches; taps [hand tools]; tattoo needles; thistle extractors [hand tools]; tool belts [holders]; tree pruners; trowels; trowels [gardening]; truncheons; tube cutters [hand tools]; tube cutting instruments; tweezers; vegetable choppers; vegetable peelers [hand tools]; vegetable slicers; vices; weeding forks [hand tools]; whetstone holders; wick trimmers [scissors]; wine bottle foil cutters, hand-operated; wire strippers [hand tools]; wrenches [hand tools].

9 – Abacuses; accelerometers; accumulators, electric; accumulators, electric, for vehicles; acid hydrometers; acidimeters for batteries; acoustic alarms; acoustic conduits; acoustic couplers; actinometers; adding machines; aerometers; air analysis apparatus; alarm bells, electric; alarms; alcoholmeters; alidades; altimeters; ammeters; amplifiers; amplifying tubes; anemometers; animated cartoons; anode batteries; anodes; answering machines; antennas; anticathodes; anti-glare glasses; anti-interference devices [electricity]; anti-theft warning apparatus; apertometers [optics]; apparatus and installations for the production of x-rays, not for medical purposes; apparatus and instruments for astronomy; apparatus and instruments for physics; apparatus for changing record player needles; apparatus

for editing cinematographic film; apparatus for fermentation [laboratory apparatus]; apparatus for measuring the thickness of skins; apparatus to check fraying; appliances for measuring the thickness of leather; armatures [electricity]; asbestos clothing for protection against fire; asbestos gloves for protection against accidents; asbestos screens for firemen; audio and video-receivers; audio interfaces; audio mixers; audiovisual teaching apparatus; automated teller machines [atm]; automatic indicators of low pressure in vehicle tires; azimuth instruments; baby monitors; baby scales; bags adapted for laptops; balances [steelyards]; balancing apparatus; bar code readers; barometers; bathroom scales; batteries for electronic cigarettes; batteries for lighting; batteries, electric; battery boxes; battery chargers; battery jars; beacons, luminous; bells [warning devices]; betatrons; binoculars; biochips; black boxes [data recorders]; blueprint apparatus; boiler control instruments; branch boxes [electricity]; breathing apparatus for underwater swimming; breathing apparatus, except for artificial respiration; bullet-proof clothing; bullet-proof vests; buzzers; cabinets for loudspeakers; cables, electric; calculating machines; calibrating rings; calipers; calorimeters; camcorders; cameras [photography]; capillary tubes; carpenters' rules; carriers for dark plates [photography]; cases especially made for photographic apparatus and instruments; cases for smartphones; cash registers; cassette players; cathodes; cathodic anti-corrosion apparatus; cell phone straps; cell switches [electricity]; cellular phones; centering apparatus for photographic transparencies; chargers for electric accumulators; chargers for electronic cigarettes; charging stations for electric vehicles; chemistry apparatus and instruments; chips [integrated circuits]; choking coils [impedance]; chromatography apparatus for laboratory use; chronographs [time recording apparatus]; cinematographic cameras; cinematographic film, exposed; circuit breakers; circuit closers; circular slide rules; cleaning apparatus for sound recording discs; climate control digital thermostats; close-up lenses; clothing especially made for laboratories; clothing for protection against accidents, irradiation and fire; clothing for protection against fire; coaxial cables; coils, electric; coin-operated mechanisms for television sets; coin-operated musical automata [juke boxes]; collectors, electric; commutators; compact disc players; compact discs [audio-video]; comparators; compasses for measuring; computer game software, downloadable; computer game software, recorded; computer hardware; computer keyboards; computer memory devices; computer operating programs, recorded; computer peripheral devices; computer programs, downloadable; computer programs, recorded; computer screen saver software, recorded or downloadable; computer software applications, downloadable; computer software platforms, recorded or downloadable; computer software, recorded; computers; condensers [capacitors]; conductors, electric; connected bracelets [mea-

asuring instruments]; connections for electric lines; contact lenses; contacts, electric; containers for contact lenses; containers for microscope slides; control panels [electricity]; converters, electric; copper wire, insulated; cordless telephones; correcting lenses [optics]; cosmographic instruments; counterfeit coin detectors; counters; couplers [data processing equipment]; couplings, electric; covers for electric outlets; covers for personal digital assistants [pdas]; covers for smartphones; covers for tablet computers; crash test dummies; crucibles [laboratory]; current rectifiers; cyclotrons; darkroom lamps [photography]; darkrooms [photography]; data gloves; data processing apparatus; decompression chambers; decorative magnets; demagnetizing apparatus for magnetic tapes; densimeters; densitometers; detectors; devices for the projection of virtual keyboards; diagnostic apparatus, not for medical purposes; diaphragms [acoustics]; diaphragms [photography]; diaphragms for scientific apparatus; dictating machines; diffraction apparatus [microscopy]; digital photo frames; digital signs; digital weather stations; directional compasses; discharge tubes, electric, other than for lighting; disk drives for computers; disks, magnetic; distance measuring apparatus; distance recording apparatus; distillation apparatus for scientific purposes; distribution boards [electricity]; distribution boxes [electricity]; distribution consoles [electricity]; divers' masks; diving suits; dna chips; dog whistles; dosage dispensers; downloadable graphics for mobile phones; downloadable image files; downloadable music files; drainers for use in photography; dressmakers' measures; droppers for measuring, other than for medical or household purposes; drying apparatus for photographic prints; drying racks [photography]; ducts [electricity]; dvd players; dynamometers; ear plugs for divers; egg timers [sandglasses]; egg-candlers; electric and electronic effects units for musical instruments; electric apparatus for commutation; electric door bells; electric installations for the remote control of industrial operations; electric loss indicators; electric plugs; electric sockets; electric wire harnesses for automobiles; electrical adapters; electricity conduits; electrified fences; electrified rails for mounting spot lights; electro-dynamic apparatus for the remote control of railway points; electro-dynamic apparatus for the remote control of signals; electrolyzers; electromagnetic coils; electronic access control systems for interlocking doors; electronic agendas; electronic book readers; electronic collars to train animals; electronic interactive whiteboards; electronic key fobs being remote control apparatus; electronic notice boards; electronic numeric displays; electronic pens [visual display units]; electronic pocket translators; electronic publications, downloadable; electronic sheet music, downloadable; electronic tags for goods; encoded identification bracelets, magnetic; encoded key cards; encoded magnetic cards; enlarging apparatus [photography]; epidiascopes; equalizers [audio apparatus]; ergometers; exposure meters [light

meters]; eyeglass cases; eyeglass chains; eyeglass cords; eyeglass frames; eyeglasses; eyepieces; eyewear; facsimile machines; fiber optic cables; film cutting apparatus; films, exposed; filters for respiratory masks; filters for ultraviolet rays, for photography; filters for use in photography; finger sizers; fire alarms; fire beaters; fire blankets; fire boats; fire engines; fire escapes; fire extinguishers; fire extinguishing apparatus; fire hose; fire hose nozzles; fire pumps; flash-bulbs [photography]; flashing lights [luminous signals]; flashlights [photography]; floppy disks; flowmeters; fluorescent screens; fog signals, non-explosive; food analysis apparatus; frames for photographic transparencies; frequency meters; furnaces for laboratory use; furniture especially made for laboratories; fuse wire; fuses; galena crystals [detectors]; galvanic batteries; galvanic cells; galvanometers; gas testing instruments; gasoline gauges; gasometers [measuring instruments]; gauges; glazing apparatus for photographic prints; global positioning system [gps] apparatus; gloves for divers; gloves for protection against accidents; gloves for protection against x-rays for industrial purposes; goggles for sports; grids for batteries; hairdressing training heads [teaching apparatus]; hand-held electronic dictionaries; hands-free kits for telephones; head cleaning tapes [recording]; head guards for sports; headgear being protective helmets; headphones; heat regulating apparatus; height measuring instruments; heliographic apparatus; high-frequency apparatus; holders for electric coils; holograms; horns for loudspeakers; humanoid robots with artificial intelligence; hydrometers; hygrometers; identification sheaths for electric wires; identification threads for electric wires; identity cards, magnetic; igniting apparatus, electric, for igniting at a distance; incubators for bacteria culture; inductors [electricity]; infrared detectors; ink cartridges, unfilled, for printers and photocopiers; instruments containing eyepieces; integrated circuit cards [smart cards]; integrated circuits; interactive touch screen terminals; intercommunication apparatus; interfaces for computers; inverters [electricity]; invoicing machines; ionization apparatus not for the treatment of air or water; jigs [measuring instruments]; joysticks for use with computers, other than for video games; juke boxes for computers; junction boxes [electricity]; junction sleeves for electric cables; kilometer recorders for vehicles; knee-pads for workers; laboratory centrifuges; laboratory pipettes; laboratory robots; laboratory trays; lactodensimeters; lactometers; laptop computers; lasers, not for medical purposes; lens hoods; lenses for astrophotography; letter scales; levelling instruments; levelling staffs [surveying instruments]; levels [instruments for determining the horizontal]; life belts; life buoys; life jackets; lifeboats; life-saving capsules for natural disasters; life-saving rafts; light-emitting diodes [led]; light-emitting electronic pointers; lighting ballasts; lightning rods; limiters [electricity]; locks, electric; logs [measuring instruments]; magic lanterns; magnetic data

media; magnetic encoders; magnetic resonance imaging [mri] apparatus, not for medical purposes; magnetic tape units for computers; magnetic tapes; magnetic wires; magnets; magnifying glasses [optics]; marine compasses; marine depth finders; marking buoys; marking gauges [joinery]; masts for wireless aerials; material testing instruments and machines; materials for electricity mains [wires, cables]; mathematical instruments; measures; measuring apparatus; measuring devices, electric; measuring glassware; measuring instruments; measuring spoons; mechanical signs; mechanisms for coin-operated apparatus; mechanisms for counter-operated apparatus; megaphones; memory cards for video game machines; mercury levels; metal detectors for industrial or military purposes; meteorological balloons; meteorological instruments; metronomes; micrometer screws for optical instruments; micrometers; microphones; microprocessors; microscopes; microtomes; mirrors [optics]; mirrors for inspecting work; modems; money counting and sorting machines; monitoring apparatus, other than for medical purposes; monitors [computer hardware]; monitors [computer programs]; mouth guards for sports; nanoparticle size analysers; nautical apparatus and instruments; naval signalling apparatus; navigation apparatus for vehicles [on-board computers]; navigational instruments; needles for record players; needles for surveying compasses; neon signs; nets for protection against accidents; nose clips for divers and swimmers; notebook computers; objectives [lenses] [optics]; observation instruments; octants; ohmmeters; optical apparatus and instruments; optical character readers; optical condensers; optical data media; optical discs; optical fibers [light conducting filaments]; optical glass; optical lamps; optical lenses; organic light-emitting diodes [oled]; oscillographs; oxygen transvasing apparatus; ozonisers [ozonators]; parking meters; particle accelerators; pedometers; peepholes [magnifying lenses] for doors; periscopes; personal digital assistants [pdas]; personal stereos; petri dishes; photocopiers [photographic, electrostatic, thermic]; photometers; phototelegraphy apparatus; photovoltaic cells; piezoelectric sensors; pince-nez; pitot tubes; plane tables [surveying instruments]; planimeters; plates for batteries; plotters; plumb bobs; plumb lines; pocket calculators; polarimeters; portable media players; precision balances; precision measuring apparatus; pressure gauges; pressure indicator plugs for valves; pressure indicators; pressure measuring apparatus; printed circuit boards; printed circuits; printers for use with computers; prisms [optics]; probes for scientific purposes; processors [central processing units]; projection apparatus; projection screens; protection devices against x-rays, not for medical purposes; protection devices for personal use against accidents; protective films adapted for computer screens; protective films adapted for smartphones; protective helmets; protective helmets for sports; protective masks; protective suits for aviators; protractors [measuring ins-

truments]; punched card machines for offices; push buttons for bells; pyrometers; quantity indicators; quantum dot light-emitting diodes [qled]; radar apparatus; radio pagers; radiological apparatus for industrial purposes; radiology screens for industrial purposes; radios; radiotelegraphy sets; radiotelephony sets; railway traffic safety appliances; range finders; rearview cameras for vehicles; record players; reflective articles for wear, for the prevention of accidents; reflective safety vests; refractometers; refractors; regulating apparatus, electric; relays, electric; remote control apparatus; rescue flares, non-explosive and non-pyrotechnic; rescue laser signalling flares; resistances, electric; respirators for filtering air; respiratory masks, other than for artificial respiration; resuscitation mannequins [teaching apparatus]; resuscitation training simulators; retorts; retorts' stands; revolution counters; rheostats; riding helmets; ring sizers; road signs, luminous or mechanical; rods for water diviners; rulers [measuring instruments]; rules [measuring instruments]; saccharometers; safety nets; safety tarpaulins; salinometers; satellite finder meters; satellite navigational apparatus; satellites for scientific purposes; scales; scales with body mass analysers; screens for photoengraving; screw-tapping gauges; security surveillance robots; security tokens [encryption devices]; selfie lenses; selfie sticks [hand-held monopods]; semi-conductors; sextants; sheaths for electric cables; shutter releases [photography]; shutters [photography]; signal bells; signal lanterns; signalling buoys; signalling panels, luminous or mechanical; signalling whistles; signals, luminous or mechanical; signs, luminous; simulators for the steering and control of vehicles; sirens; sleeves for laptops; slide calipers; slide projectors; slide-rules; slope indicators; smart rings; smartglasses; smartphones; smartwatches; smoke detectors; snorkels; solar batteries; solar panels for the production of electricity; solderers' helmets; solenoid valves [electromagnetic switches]; sonars; sound locating instruments; sound recording apparatus; sound recording carriers; sound recording discs; sound recording strips; sound reproduction apparatus; sound transmitting apparatus; sounding apparatus and machines; sounding leads; sounding lines; spark-guards; speaking tubes; spectacle lenses; spectrograph apparatus; spectrosopes; speed checking apparatus for vehicles; speed indicators; speed measuring apparatus [photography]; speed regulators for record players; spherometers; spirit levels; spools [photography]; sports whistles; sprinkler systems for fire protection; square rulers for measuring; squares for measuring; stage lighting regulators; stands adapted for laptops; stands for photographic apparatus; starter cables for motors; steering apparatus, automatic, for vehicles; step-up transformers; stereoscopes; stereoscopic apparatus; stills for laboratory experiments; stroboscopes; subwoofers; sulfimeters; sunglasses; surveying apparatus and instruments; surveying chains; surveying instruments; surveyors' levels; survival blankets; swit-

chboards; switchboxes [electricity]; switches, electric; tablet computers; tachometers; tape recorders; taximeters; teaching apparatus; teaching robots; teeth protectors; telecommunication apparatus in the form of jewellery; telegraph wires; telegraphs [apparatus]; telephone apparatus; telephone receivers; telephone transmitters; telephone wires; telepresence robots; teleprinters; teleprompters; telerupters; telescopes; telescopic sights for artillery; telescopic sights for firearms; television apparatus; temperature indicator labels, not for medical purposes; temperature indicators; terminals [electricity]; test tubes; testing apparatus not for medical purposes; theft prevention installations, electric; theodolites; thermal imaging cameras; thermionic tubes; thermo-hygrometers; thermometers, not for medical purposes; thermostats; thermostats for vehicles; thin client computers; thread counters; ticket dispensers; time clocks [time recording devices]; time recording apparatus; time switches, automatic; tone arms for record players; totalizers; traffic cones; traffic-light apparatus [signalling devices]; transformers [electricity]; transistors [electronic]; transmitters [telecommunication]; transmitters of electronic signals; transmitting sets [telecommunication]; transparencies [photography]; transponders; triodes; tripods for cameras; t-squares for measuring; urinometers; usb flash drives; vacuum gauges; vacuum tubes [radio]; variometers; vehicle breakdown warning triangles; vehicle radios; verniers; video baby monitors; video cassettes; video game cartridges; video recorders; video screens; video telephones; videotapes; viewfinders, photographic; virtual reality headsets; viscosimeters; visors for helmets; voltage regulators for vehicles; voltage surge protectors; voltmeters; voting machines; wafers for integrated circuits; wah-wah pedals; walkie-talkies; washing trays [photography]; water level indicators; wavemeters; wearable computers; wearable video display monitors; weighbridges; weighing apparatus and instruments; weighing machines; weights; whistle alarms; wind socks for indicating wind direction; wire connectors [electricity]; wires, electric; workmen's protective face-shields; wrist rests for use with computers; x-ray apparatus not for medical purposes; x-ray films, exposed; x-ray photographs, other than for medical purposes; x-ray tubes not for medical purposes.

12 – Adhesive rubber patches for repairing inner tubes; aerial conveyors; aeronautical apparatus, machines and appliances; aeroplanes; air bags [safety devices for automobiles]; air cushion vehicles; air vehicles; aircraft; airships; ambulances; amphibious airplanes; anti-glare devices for vehicles; anti-skid chains; anti-theft alarms for vehicles; anti-theft devices for vehicles; armored vehicles; ashtrays for automobiles; automobile bodies; automobile chains; automobile chassis; automobile hoods; automobile tires; autonomous underwater vehicles for seabed inspections; axle journals; axles for vehicles; bags adapted for pus-

hchairs; balance weights for vehicle wheels; bands for wheel hubs; barges; baskets adapted for bicycles; bellows for articulated buses; bicycle bells; bicycle brakes; bicycle chains; bicycle cranks; bicycle frames; bicycle handlebars; bicycle kickstands; bicycle motors; bicycle mudguards; bicycle pedals; bicycle saddles; bicycle trailers; bicycle tyres; bicycle wheels; bicycles; boat hooks; boats; bodies for vehicles; bogies for railway cars; brake discs for vehicles; brake linings for vehicles; brake pads for automobiles; brake segments for vehicles; brake shoes for vehicles; brakes for vehicles; buffers for railway rolling stock; bumpers for automobiles; cable transport apparatus and installations; caissons [vehicles]; camera drones; canoes; caps for vehicle fuel tanks; caravans; cars; cars for cable transport installations; carts; casings for pneumatic tyres; casters for trolleys [vehicles]; casting carriages; chairlifts; cigar lighters for automobiles; civilian drones; cleats [nautical]; clips adapted for fastening automobile parts to automobile bodies; clutches for land vehicles; concrete mixing vehicles; connecting rods for land vehicles, other than parts of motors and engines; couplings for land vehicles; covers for vehicle steering wheels; crankcases for land vehicle components, other than for engines; davits for boats; delivery drones; delivery tricycles; dining cars; disengaging gear for boats; doors for vehicles; dredgers [boats]; dress guards for bicycles; driverless cars [autonomous cars]; driving chains for land vehicles; driving motors for land vehicles; ejector seats for aircraft; electric bicycles; electric vehicles; engine mounts for land vehicles; engines for land vehicles; fenders for ships; ferry boats; fishing trolleys; fitted footmuffs for prams; fitted footmuffs for pushchairs; fitted stroller mosquito nets; flanges for railway wheel tires; forklift trucks; freewheels for land vehicles; funiculars; funnels for locomotives; funnels for ships; gear boxes for land vehicles; gearing for land vehicles; gears for bicycles; golf carts [vehicles]; handling carts; headlight wipers; head-rests for vehicle seats; helicams; helicopters; hoods for vehicle engines; hoods for vehicles; horns for vehicles; hose carts; hot air balloons; hub caps; hubs for bicycle wheels; hubs for vehicle wheels; hydraulic circuits for vehicles; hydroplanes; inclined ways for boats; inner tubes for bicycle tires; inner tubes for pneumatic tires; jet engines for land vehicles; kick sledges; launches; locomotives; lug nuts for vehicle wheels; luggage carriers for vehicles; luggage nets for vehicles; masts for boats; military drones; military vehicles for transport; mine cars; mine cart wheels; mobility scooters; mopeds; motor buses; motor coaches; motor homes; motor racing cars; motor scooters; motorcycle chains; motorcycle engines; motorcycle frames; motorcycle handlebars; motorcycles; motors, electric, for land vehicles; mudguards; non-skid devices for vehicle tires; oars; paddles for canoes; panniers adapted for bicycles; panniers adapted for motorcycles; parachutes; pet strollers; pneumatic tires; pontoons; portholes; prams;

propulsion mechanisms for land vehicles; pumps for bicycle tires; push scooters [vehicles]; railway carriages; railway couplings; rearview mirrors; reduction gears for land vehicles; refrigerated railway wagons; refrigerated vehicles; remote control vehicles, other than toys; remotely operated vehicles for underwater inspections; repair outfits for inner tubes; rescue sleds; reversing alarms for vehicles; rims for bicycle wheels; rims for vehicle wheels; robotic cars; roll cage trolleys; rolling stock for funicular railways; rolling stock for railways; rowlocks; rubbish trucks; rudders; saddle covers for bicycles; saddle covers for motorcycles; saddlebags adapted for bicycles; safety belts for vehicle seats; safety seats for children, for vehicles; screw-propellers; screw-propellers for boats; screws [propellers] for ships; sculls; seaplanes; seat covers for vehicles; security harness for vehicle seats; ship hulls; ships; shock absorbers for automobiles; shock absorbing springs for vehicles; shopping trolleys; side cars; signal arms for vehicles; ski carriers for cars; ski lifts; sleeping berths for vehicles; sleeping cars; sleighs [vehicles]; snowmobiles; solid tires for vehicle wheels; space vehicles; spare wheel covers; spars for ships; spikes for tires; spoilers for vehicles; spoke clips for wheels; spokes for bicycle wheels; sports cars; sprinkling trucks; steering gears for ships; stroller covers; stroller hoods; strollers; sunblinds adapted for automobiles; suspension shock absorbers for vehicles; tailboard lifts [parts of land vehicles]; telfer railways [cable cars]; tilt trucks; tilting-carts; timbers [frames] for ships; tipping apparatus [parts of railway wagons]; tipping bodies for trucks; tires for vehicle wheels; torque converters for land vehicles; torsion bars for vehicles; tow trucks; tractors; trailer hitches for vehicles; trailers [vehicles]; trailers for transporting bicycles; tramcars; transmission chains for land vehicles; transmission shafts for land vehicles; transmissions for land vehicles; treads for retreading tires; treads for vehicles [tractor type]; tricycles; trolleys; trucks; trucks with a crane feature incorporated; tubeless tires for bicycles; turbines for land vehicles; two-wheeled trolleys; tyre mousse inserts; undercarriages for vehicles; upholstery for vehicles; valves for vehicle tires; vans [vehicles]; vehicle bonnet pins; vehicle bumpers; vehicle chassis; vehicle covers [shaped]; vehicle joysticks; vehicle running boards; vehicle seats; vehicle suspension springs; vehicle wheel spokes; vehicle wheels; water vehicles; wheelchairs; windows for vehicles; windscreens; windshield wipers; yachts.

20 – Air beds, not for medical purposes; air cushions, not for medical purposes; air mattresses, not for medical purposes; air pillows, not for medical purposes; ambroid bars; ambroid plates; animal claws; animal hooves; animal horns; anti-roll cushions for babies; baby changing mats; bag hangers, not of metal; bakers' bread baskets; bamboo; bamboo curtains; barrel hoops, not of metal; barrels, not of metal; bead cur-

tains for decoration; bed bases; bedding, except linen; beds; beds for household pets; bedsteads of wood; beehives; benches [furniture]; birdhouses; bolsters; book rests [furniture]; bookcases; bottle casings of wood; bottle racks; brush mountings; bumper guards for cots, other than bed linen; cabinet work; camping mattresses; carts for computers [furniture]; cask stands, not of metal; casks of wood for decanting wine; casks, not of metal; chopping blocks [tables]; clothes hooks, not of metal; coatstands; coffin fittings, not of metal; coffins; console tables; coral; corozo; costume stands; cots for babies; counters [tables]; covers for clothing [wardrobe]; cradles; cupboards; curtain holders, not of textile material; curtain rods; curtain tie-backs; cushions; desks; dinner wagons [furniture]; display boards; display stands; divans; dog kennels; door bells, not of metal, non-electric; door bolts, not of metal; door closers, not of metal, non-electric; door fasteners, not of metal; door fittings, not of metal; door handles, not of metal; door knockers, not of metal; door stops, not of metal or rubber; doors for furniture; drafting tables; dressing tables; fans for personal use, non-electric; faucets, not of metal, for casks; feet for furniture; filing cabinets; flower-pot pedestals; flower-stands [furniture]; fodder racks; freestanding partitions [furniture]; funerary urns; furniture of metal; furniture partitions of wood; furniture shelves; garment covers [storage]; gun racks; hairdressers' chairs; hand-held mirrors [toilet mirrors]; hat stands; head positioning pillows for babies; head support cushions for babies; head-rests [furniture]; horn, unworked or semi-worked; hospital beds; imitation tortoiseshell; index cabinets [furniture]; indoor window blinds [furniture]; indoor window blinds of paper; indoor window blinds of textile; indoor window blinds of woven wood; inflatable furniture; inflatable publicity objects; lap desks; lecterns; legs for furniture; library shelves; loading gauge rods, not of metal, for railway wagons; lockers; locks, not of metal, for vehicles; locks, other than electric, not of metal; magazine racks; massage tables; mats for infant playpens; mattresses; meat safes; meerscham; mirrors [looking glasses]; mobile boarding stairs, not of metal, for passengers; mobiles [decoration]; moldings for picture frames; mooring buoys, not of metal; mooses baskets; mother-of-pearl, unworked or semi-worked; office furniture; oyster shells; pet cushions; pillows; plaited straw, except matting; plate racks; playpens for babies; racks [furniture]; rattan; reeds [plaiting materials]; reels, not of metal, non-mechanical, for flexible hoses; registration plates, not of metal; removable mats or covers for sinks; saw benches [furniture]; saw horses; school furniture; scratching posts for cats; screens [furniture]; screens for fireplaces [furniture]; seats of metal; sections of wood for beehives; settees; shells; shelves for file cabinets; shelves for storage; shelving units; shoulder poles [yokes]; showcases [furniture]; sideboards; silvered glass [mirrors]; sleeping mats; sofas; stag antlers; stair rods; stakes, not of metal, for plants

or trees; standing desks; stands for calculating machines; staves of wood; steps [ladders], not of metal; stools; straw edgings; straw mattresses; straw plaits; stuffed animals; stuffed birds; tables of metal; tanks, not of metal nor of masonry; tea carts; tortoiseshell; towel stands [furniture]; trestles [furniture]; trolleys [furniture]; troughs, not of metal, for mixing mortar; valves, not of metal, other than parts of machines; vats, not of metal; vice benches [furniture]; wall-mounted baby changing platforms; wardrobes; washstands [furniture]; waterbeds, not for medical purposes; whalebone, unworked or semi-worked; wickerwork; wind chimes [decoration]; wood ribbon; work benches; yellow amber.

(260) AM 2021 109642 A
 (800) 1548557
 (151) 2020 06 27
 (891) 2020 06 27
 (731) Asena Didem Alperen
 Sanddornweg 10, 86169 Augsburg, Germany
 (540)



(591) Black, white
 (531) 03.01.08; 03.01.16; 03.01.24; 26.01.01;
 26.01.03; 26.01.15; 26.04.05; 26.04.10;
 26.04.15; 26.04.18; 26.04.24; 27.05.01;
 27.05.08
 (511)
 5 – Dietary supplements and dietetic preparations; sanitary preparations and articles; pest control preparations and articles; dental preparations and articles, and medicated dentifrices.
 32 – Beer and brewery products; non-alcoholic beverages; cola; preparations for making beverages; dilutable preparations for making beverages; energy drinks.
 35 – Advertising, marketing and promotional consultancy, advisory and assistance services; business analysis, research and information services; business assistance, management and administrative services; promotion, advertising and marketing of on-line websites; advertising, marketing and promotional services.

(260) AM 2021 109643 A
 (800) 1548589
 (151) 2020 07 23
 (891) 2020 07 23
 (731) Multibrands International Ltd
 Royds Hall, Royds Hall Lane, Low Moor,
 Bradford, Bradford BD12 0EJ, United
 Kingdom
 (540)



(591) Black, white
 (531) 01.01.02; 01.01.12; 01.01.14; 26.01.03;
 26.01.19; 27.05.02
 (511)
 9 – Breathing masks; respiratory mask filters [non-medical]; anti-pollution masks for respiratory protection; dust protective masks; gas masks.

(260) AM 2021 109644 A
 (800) 1548661
 (151) 2020 07 08
 (891) 2020 07 08
 (731) Kinopoisk LLC
 Ulitsa Sadovnicheskaya, 82, Building 2, Office
 9A01, RU-115035 Moscow, Russian Federation
 (540)

Kinopoisk

(591) Black, white
 (511)
 9 – 3D spectacles; DVD players; ticket dispensers; coin-operated musical automata [juke boxes]; accumulators, electric; high-frequency apparatus; remote control apparatus; sound recording apparatus; Global Positioning System [GPS] apparatus; sound transmitting apparatus; projection apparatus; telephone apparatus; electronic tags for goods; encoded identification bracelets, magnetic; electronic key fobs being remote control apparatus; camcorders; video baby monitors; video cassettes; video telephones; video screens; mechanical signs; signs, luminous; hands-free kits for telephones; dictating machines; floppy disks; sound recording discs; disks, magnetic; optical discs; electronic interactive whiteboards; electronic notice boards; signal bells; audio interfaces; interfaces for computers; cinematographic cameras; identity cards, magnetic; video game cartridges; memory cards for video game machines; encoded magnetic cards; cinematographic film, exposed; electronic book readers; electronic agendas; compact discs [audio-video]; computers; laptop computers; tablet computers; notebook computers; wearable computers; portable media pla-

yers; diaphragms [acoustics]; mechanisms for coin-operated apparatus; coin-operated mechanisms for television sets; monitors [computer hardware]; monitors [computer programs]; headphones; sound recording carriers; magnetic data media; optical data media; electronic sheet music, downloadable; computer software, recorded; computer hardware; signalling panels, luminous or mechanical; telephone transmitters; transmitters of electronic signals; data gloves; computer software platforms, recorded or downloadable; wafers for integrated circuits; printed circuit boards; compact disc players; cassette players; sound recording strips; personal digital assistants [PDAs]; distance recording apparatus; teaching apparatus; audio- and video-receivers; computer software applications, downloadable; computer programs, recorded; computer game software, downloadable; computer game software, recorded; computer programs, downloadable; computer operating programs, recorded; computer screen saver software, recorded or downloadable; record players; processors [central processing units]; electronic publications, downloadable; baby monitors; transmitting sets [telecommunication]; radios; vehicle radios; walkie-talkies; teaching robots; telepresence robots; humanoid robots with artificial intelligence; hand-held electronic dictionaries; integrated circuit cards [smart cards]; smartglasses; smartphones; smartwatches; audiovisual teaching apparatus; radiotelephony sets; cordless telephones; cellular phones; video recorders; sound reproduction apparatus; data processing apparatus; devices for the projection of virtual keyboards; apparatus for editing cinematographic film; couplers [data processing equipment]; computer peripheral devices; electric and electronic effects units for musical instruments; bar code readers; downloadable image files; downloadable music files; animated cartoons; filters for use in photography; USB flash drives; virtual reality headsets; equalizers [audio apparatus]; downloadable graphics for mobile phones; epidiascopes; downloadable emoticons for mobile phones; compact discs [read-only memory]; ear pads for headphones; scanners [data processing equipment]; readers [data processing equipment]; downloadable ring tones for mobile phones.

35 – Import-export agency services; commercial information agency services; advertising agency services; cost price analysis; rental of advertising space; computerized file management; demonstration of goods; opinion polling; market studies; business investigations; business research; marketing research; consultancy regarding advertising communication strategies; consultancy regarding public relations communication strategies; layout services for advertising purposes; marketing; marketing in the framework of software publishing; targeted marketing; business management of performing artists; scriptwriting for advertising purposes; news clipping services; updating and maintenance of information in registries; updating and

maintenance of data in computer databases; updating of advertising material; word processing; online retail services for downloadable and pre-recorded music and movies; online retail services for downloadable ring tones; online retail services for downloadable digital music; organization of exhibitions for commercial or advertising purposes; arranging newspaper subscriptions for others; organization of fashion shows for promotional purposes; shop window dressing; data search in computer files for others; commercial intermediation services; providing business information via a web site; providing commercial and business contact information; web indexing for commercial or advertising purposes; economic forecasting; auctioneering; sales promotion for others; promotion of goods and services through sponsorship of sports events; production of teleshopping programmes; production of advertising films; rental of advertising time on communication media; publicity material rental; rental of billboards [advertising boards]; rental of vending machines; rental of sales stands; publication of publicity texts; radio advertising; bill-posting; distribution of samples; dissemination of advertising matter; direct mail advertising; registration of written communications and data; writing of publicity texts; advertising; online advertising on a computer network; advertising by mail order; television advertising; compilation of statistics; compilation of information into computer databases; business inquiries; systemization of information into computer databases; negotiation of business contracts for others; negotiation and conclusion of commercial transactions for third parties; compiling indexes of information for commercial or advertising purposes; telemarketing services; commercial administration of the licensing of the goods and services of others; business management of reimbursement programs for others; administration of consumer loyalty programs; administration of frequent flyer programs; administrative processing of purchase orders; public relations; commercial lobbying services; modelling for advertising or sales promotion; market intelligence services; web site traffic optimization; search engine optimization for sales promotion; gift registry services; price comparison services; pay per click advertising; procurement services for others [purchasing goods and services for other businesses]; outsourcing services [business assistance]; business efficiency expert services; providing business information; providing commercial information and advice for consumers in the choice of products and services; organization of trade fairs for commercial or advertising purposes; provision of an online marketplace for buyers and sellers of goods and services; media relations services; presentation of goods on communication media, for retail purposes; retail or wholesale services for goods, including retail or wholesale services of goods via the Internet.

38 – News agency services; wireless broadcasting; television broadcasting; cable television broadcasting; electronic bulletin board services [telecommunications services]; providing user access to global computer networks; providing access to databases; providing telecommunications connections to a global computer network; providing telecommunication channels for teleshopping services; video-on-demand transmission; message sending; computer aided transmission of messages and images; transmission of telegrams; transmission of digital files; providing online forums; videoconferencing services; rental of message sending apparatus; rental of access time to global computer networks; rental of telecommunication equipment; radio broadcasting; radio communications; transmission of electronic mail; communications by fiber optic networks; communications by cellular phones; communications by computer terminals; satellite transmission; communications by telegrams; communications by telephone; facsimile transmission; teleconferencing services; voice mail services; streaming of data; telephone services; providing internet chatrooms; transmission of greeting cards online; telecommunications routing and junction services.

41 – Academies [education]; rental of artwork; lending library services; booking of seats for shows; videotaping; production of music; discotheque services; dubbing; publication of books; film distribution; movie studio services; layout services, other than for advertising purposes; microfilming; videotape editing; production of radio and television programmes; screenplay writing; correspondence courses; practical training [demonstration]; training services provided via simulators; providing recreation facilities; arranging and conducting of colloquiums; arranging and conducting of congresses; arranging and conducting of conferences; arranging and conducting of concerts; arranging and conducting of workshops [training]; arranging and conducting of seminars; arranging and conducting of symposiums; organization of competitions [education or entertainment]; organization of cosplay entertainment events; organization of lotteries; organization of sports competitions; vocational guidance [education or training advice]; television entertainment; providing online videos, not downloadable; providing online music, not downloadable; providing television programs, not downloadable, via video-on-demand services; providing films, not downloadable, via video-on-demand services; cinema presentations; providing online electronic publications, not downloadable; presentation of circus performances; presentation of variety shows; presentation of live performances; theatre productions; film production, other than advertising films; rental of audio equipment; rental of video cameras; rental of video cassette recorders; rental of videotapes; rental of sound recordings; rental of cinematographic apparatus; rental of motion pictures; rental of radio and television sets; electronic desktop

publishing; online publication of electronic books and journals; publication of texts, other than publicity texts; radio entertainment; entertainer services; entertainment services; writing of texts; news reporters services; film directing, other than advertising films; party planning [entertainment]; music composition services; subtitling; video editing services for events; disc jockey services; sound engineering services for events; game services provided online from a computer network; karaoke services; club services [entertainment or education]; songwriting; cultural, educational or entertainment services provided by art galleries; providing museum facilities [presentation, exhibitions]; teaching; orchestra services; scriptwriting, other than for advertising purposes; ticket agency services [entertainment]; recording studio services; photography; photographic reporting; timing of sports events; production of shows; providing information in the field of education; providing information relating to recreational activities; providing information in the field of entertainment; organization of exhibitions for cultural or educational purposes; arranging and conducting of in-person educational forums.

42 – Computer system analysis; graphic design of promotional materials; computer virus protection services; installation of computer software; research and development of new products for others; web site design consultancy; computer security consultancy; information technology [IT] consultancy; consultancy in the design and development of computer hardware; internet security consultancy; computer software consultancy; data security consultancy; updating of computer software; monitoring of computer systems to detect breakdowns; monitoring of computer systems for detecting unauthorized access or data breach; monitoring of computer systems by remote access; software as a service [SaaS]; maintenance of computer software; conversion of data or documents from physical to electronic media; providing search engines for the internet; conversion of computer programs and data, other than physical conversion; computer system design; rental of web servers; computer rental; rental of computer software; hosting computer sites [web sites]; development of computer platforms; computer software design; software development in the framework of software publishing; server hosting; creating and designing website-based indexes of information for others [information technology services]; creating and maintaining web sites for others; computer programming; technical writing; copying of computer programs; cloud computing; off-site data backup; computer technology consultancy; data encryption services; electronic data storage; electronic monitoring of credit card activity to detect fraud via the internet; electronic monitoring of personally identifying information to detect identity theft via the internet; providing information relating to computer technology and programming via a web site; platform as a

service [PaaS]; information technology services provided on an outsourcing basis.

(260) AM 2021 109646 A

(800) 1548782

(151) 2020 05 09

(891) 2020 05 09

(731) WEIHAI LIYU INDUSTRIAL CO., LTD

8 Huizhou Road, Wendeng Economic, Development Zone, Weihai, 264200 Shandong Province, China

(540)



(591) Black, white

(531) 26.11.01; 26.11.11; 26.11.13; 27.05.01; 27.05.11; 27.05.17

(511)

8 – Agricultural implements [hand-operated]; garden tools [hand-operated]; skinning animals (instruments and tools for -); oyster openers; graving tools [hand tools]; side arms, except firearms; knife handles.

(260) AM 2021 109647 A

(800) 1548827

(151) 2020 05 25

(891) 2020 05 25

(731) JTC Electronics Corp.

Yong-Sheng Industrial Area, Dong-Cheng Rd., Dong-Sheng Town, Zhongshan, Guangdong, 528414, China

(540)

JTC  **OmniBlend**

(591) Black, white

(531) 18.03.21

(511)

7 – Blenders, electric, for household purposes; whisks, electric, for household purposes; fruit presses, electric, for household purposes; electric shears for household purposes; electric smoothie makers; vacuum cleaners; garbage disposals; washing-up machines; kitchen machines, electric; food processors, electric.

(260) AM 2021 109648 A

(800) 1548847

(151) 2020 03 31

(891) 2020 03 31

(731) MITSUBISHI CORPORATION

3-1, Marunouchi 2-chome, Chiyoda-ku, Tokyo 100-8086, Japan

(540)

MITSUBISHI

(591) Black, white

(531) 27.05.17

(511)

7 – Steam engine boilers; boiler tubes [parts of machines]; steam turbines, other than for land vehicles; gas turbines, other than for land vehicles; hydraulic turbines; wind turbines; current generators; combined cycle power generators; geothermal power generators; cogeneration power generators; windpowered electricity generators; nuclear power generators and their parts and fittings; decontamination apparatuses for use in nuclear power plants; engines, not for land vehicles; engines for marine vessels; engines for agricultural machines and implements; diesel engines, not for land vehicles; steam engines, not for land vehicles; jet engines, not for land vehicles; engines for boats; injectors for engines; ignition devices for engines of land vehicles; engine valves; generators of electricity; diesel engine power generators; electric motors other than for land vehicles; turbochargers for machines; propulsion mechanisms other than for land vehicles; control mechanisms for engines or motors; pumps for machines; centrifugal pumps; turbo-molecular pumps; vacuum pumps; blowing machines for compression, exhaustion and transport of gases; apparatus for separating gases by pressure swing adsorption; compressors for air conditioners and refrigerators; condensing installations; oil centrifuges and other centrifuges; rotary drum filtering machines; horizontal tilting pan filter for chemical processing; automatic self-cleaning type filters for chemical processing; chemical reactors and chemical processing apparatuses; mixers [machines]; pressure washing machines; heat exchangers [parts of machines]; sulfuric acid manufacturing machines; polyacetal manufacturing machines; edible oil refining machines for food processing; formalin manufacturing machines; ethylene manufacturing machines; carbon black manufacturing machines; machine tools; apparatus for machining with computerized control devices; cutting tools for machinery; drilling bits [parts of machines]; drilling rods for metalworking machines, mining machines and construction machines; carbide tools; molds [parts of machines]; rotary parts of machines; grinding machines; milling machines; roller bridges; cranes [lifting and hoisting apparatus]; container cranes; transfer cranes; floating cranes; tower cranes; unloaders; loaders [earth moving machines]; derricks; belt conveyors; handling apparatus for loading and unloading; iron and steel manufacturing machines; rolling mills; plastic moulding machines; tire vulcanizers; textile machines; paper making and paper-working machines; machines for packaging food; vacuum packaging machines; bottling machines; canning machines; bottle filling machines; bottle washing machines; can filling machines; can seamers for

packaging; presses [machines for industrial purposes]; printing machines; offset printing presses; web offset printing presses; washing machines (laundry); industrial robots; offshore excavators; oil refining machines; oil storage and distribution machines; construction machines; hydraulic excavators; road paving machines; road making machines; road repairing machines; graders [earth moving machines]; boring machines; crawler drills; shield machines; hydraulic equipment; clutches other than for land vehicles; carburetor; power transmissions, other than for land vehicles; gear boxes, other than for land vehicles; reduction gears, other than for land vehicles; torque converters, other than for land vehicles; springs [parts of machines]; agricultural machines; tractortowed harvesters; tractor-towed broadcast seeders; tractortowed mowers; rotary power tillers; power tillers; combine harvesters; threshing machines; transplanting machines and implements; grass trimmers, electric; lawn mowers; hullers; elevators; escalators; moving sidewalks; industrial sewing machines; clutch motors for sewing machines; clutch mechanisms, other than for land vehicles; electric motors, not for land vehicles; generators of electricity; fuel injector; distributors for motor vehicle engines; ignition coils for automotive engines; electronic controlled carburetors; ignition coils [parts of engines]; spark plug for engines; steam turbine generators; geared motor; pumps [parts of machines, engines or motors]; pumps [machines]; hoist; starter motors; throttle body for fuel engines; electrical discharge machines; machine for semiconductor surface processing by ionized cluster beam; machines or machine tools for clamping manufactured articles or workpiece; seam welders; industrial robot for lifting apparatus; speed governors for machines; mechanical and pneumatic hoisting machines; fans for motors and engines; oil rotary vacuum pumps; aerators; electrically control sewing machines; starters for motors and engines; servo motors for sewing machine; dynamos; hydro turbine generators; electric mixers, for household use; washing machines for household purposes; ironing machines; kitchen machines, electric; oil filter for vehicles motors and engines; air filter for vehicles motors and engines; pistons for engine; 3D printers; O-rings [parts of machines]; grease rings [parts of machines]; gaskets for internal combustion engines; gaskets of metal for vehicle engines; gaskets, not of metal, for vehicle engines; electric vacuum cleaners; servo motors; laser processing machines for factory automation; turbogenerators; moving pavements [sidewalks]; solar power generator; actuators for vehicles; fuel injection system for engines; igniting magnetos for engines; metal working machines and tools; metal working machine tools; cutting machines; cutting tools for machinery; drilling heads [parts of machines]; drills [parts of machines]; drill bits [parts of machines]; end mills [parts of machines]; blades [parts of machines]; milling machines for metal working; drilling machines [for metal working]; gear cutters [ma-

chine tools]; cutting inserts and cutting tips being parts of cutting tool for machinery; power-driven hand-held tools; electric drills [handheld]; cemented carbide tools; cemented carbide cutting tools; cemented carbide tips; sintered CBN (cubic boron nitride) cutting tools; diamond cutting tools; diamond-pointed metal cutting tools; diamond drill bits; sintered diamond cutting tools; moulds and dies for metal-forming; holding devices for machine tools; taps being machine tools; chucks [parts of machines]; grindstones [parts of machines]; collet chucks [parts of machines]; tool holders [parts of machines]; spindles [machine elements other than for land vehicles]; primary metal forming machines and apparatus; secondary metal forming machines and apparatus; mechanical presses for metal working; forging machines; wire forming machines; mining machines and apparatus; mineworking machines; printing plates; printing platemaking machines and apparatus; punching machines; coating machines; coating and painting machines; coating machines for packages for food or beverages.

37 – Shipbuilding; machinery installation in the field of aircraft and aerospace; repair and maintenance services of ships, propellers for ships or contrarotating propellers for ships; repair and maintenance of bridges; repair and maintenance of tunnel ventilation apparatus; repair and maintenance of storage tanks; repair and maintenance of hydraulic gates, steel stacks; repair and maintenance of mechanical parking systems; repair and maintenance of transport container; repair and maintenance services of aero engines or engines for aircraft; repair and maintenance of computer hard ware for use in aerospace industry; repair and maintenance services of missiles; installation, repair and maintenance services of boilers, steam turbines, gas turbines, water turbines; maintenance, servicing, tuning and repair of motors and engines; construction, installation, repair and maintenance of chemical plants or industrial plants; construction, installation, repair and maintenance services of thermal power generating plants, geothermal power generating plants, wind-power generating plants, hydroelectric power generating plants, diesel power generating plants, combined cycle power generating plants, power generating plants or nuclear power plants; construction, installation, repair and maintenance services of movable seat equipment for sports, cultural, amusement or commercial facilities; repair and maintenance services of agricultural machinery, construction machinery, chemical machinery, iron and steel manufacturing machinery, plastic injection molding machinery; repair and maintenance services of pumps, air blowers, power shift transmissions; repair and maintenance services of pulp-making, papermaking or paperworking machines and apparatus, printing machinery or food packaging machinery; installation, repair and maintenance services of air pollution prevention plants; installation, repair and maintenance of enviro-

nmental control systems; installation, repair and maintenance of refrigeration apparatus; installation, repair and maintenance of air conditioning apparatus; repair and maintenance services of machine tools; repair and maintenance of industrial robots; repair and maintenance of turbochargers; repair and maintenance of forklift trucks, tractors, tanks [weapons], armored cars, ambulances, fire trucks, refrigerated vehicles, mobile cranes, bulldozers, road rollers, diggers, dump trucks or graders [earth moving machines]; construction supervision services; construction, reconstruction, and restoration of residential, retail store, hotel, commercial, industrial and institutional buildings; construction and maintenance services relating to civil engineering; construction management of civil and infrastructure construction projects; installation, repair and maintenance of consumer electric appliances; installation, repair and maintenance of elevators, escalators or moving sidewalks; installation, repair and maintenance of freezing machines and apparatus or heating apparatus; installation, repair and maintenance of lighting apparatus; installation, repair and maintenance services of computer hardware; installation, repair and maintenance of office machines and apparatus; installation, repair and maintenance of film projectors or photographic apparatus; installation, repair and maintenance of electric wires or cables, radio receivers, television receivers, electronic apparatus; installation, repair and maintenance of tire alarms or burglar alarms; installation, repair and maintenance of measuring or testing machines and instruments; installation, repair and maintenance of medical apparatus; installation, repair and maintenance of flight simulators, computer hardware for simulating a design of machines and installations or computer hardware for simulating virtual reality used with electronic games apparatus; installation, repair and maintenance of signalling apparatus; installation, repair and maintenance of electric or electronic equipment in automobiles; repair and maintenance of building; repair and maintenance of telecommunication apparatus; vehicle maintenance and repair; vehicle polishing; vehicle lubrication; vehicle greasing; vehicle washing; vehicle cleaning; anti-rust treatment for vehicles; vehicle service stations [refueling and maintenance]; reconstruction and equipment installation of ships, aircrafts, buses, trucks, automobiles, forklift, cars for agriculture, sounding rockets, transportation rockets, space vehicles, tanks [weapons], armored cars, ambulances, fire trucks, refrigerated vehicles, mobile cranes, bulldozers, road rollers, diggers, dump trucks, tractors or graders [earth moving machines]; repair and maintenance of 3D printers; remote monitoring of operating condition of elevators, escalators and moving sidewalks; remote monitoring of operating condition of air conditioning, heating, plumbing and sanitary installation for buildings; remote monitoring of operating condition of building equipment; providing informa-

tion on remote monitoring of operating condition of building equipment; remote monitoring of repair and maintenance of agricultural machines and providing information relating thereto; remote monitoring of driving condition of vehicles and vehicle equipment; remote monitoring of operating condition of facilities at factories and plants; repair and maintenance of metal working machines; repair and maintenance of electronic telecommunication machines and apparatus; repair and maintenance of power distribution and control machines; repair and maintenance of power generators; maintenance of operating condition of elevators by remote control apparatus; maintenance of operating condition of escalators by remote control apparatus; maintenance of moving sidewalks by remote control apparatus; maintenance of operating condition of air conditioning, heating, plumbing and sanitation for buildings by remote control apparatus; maintenance of operating condition of building equipment by remote control apparatus; providing information on maintenance of operating condition of building equipment by remote control apparatus; maintenance of repair and maintenance of agricultural machines by remote control apparatus and providing information relating thereto; maintenance of driving condition of vehicles by remote control apparatus; maintenance of condition of vehicle cargo and freight by remote control apparatus; maintenance of physical condition of vehicle occupants by remote control apparatus; maintenance of operating condition of factories and plants by remote control apparatus.

(260) AM 2021 109649 A
 (800) 1548878
 (151) 2020 05 12
 (891) 2020 05 12
 (731) CAMOZZI AUTOMATION S.P.A.
 Via Eritrea, 20/I, I-25126 BRESCIA, Italy
 (540)



(591) Black and red
 (531) 26.11.08; 26.13.25; 27.05.01; 29.01.12
 (511)

6 – Common metals and their alloys; ores; building materials of metal; buildings, transportable, of metal; non-electric cables and wires of common metal; small items of metal hardware; metal containers for storage or transport; safes [strong boxes]; valves of metal (other than parts of machine); manual operated valves of metal (other than parts of machine); water-pipe valves of metal; pipes of metal and junctions of metal; mani-

folds of metal for pipelines; pipe muffers of metal; fittings of metal for compressed air lines; adaptors, couplings and manifolds of metal for hydraulic and pneumatic systems; components of metal for use in particular in constructions of plants, machines and motors for the civil and industrial sectors; castings of metal alloys; components of metal for use in particular in constructions of plants and structures for the steel, energy, petrochemical, wind, nuclear and mechanical industries; metal mouldings.

7 – Machines, machine tools, power-operated tools; motors, other than for land vehicles; machine coupling and transmission components, except for land vehicles; agricultural implements, other than hand-operated; incubators for eggs; vending machines; valves of metal [parts of machines]; cylinders, seals and junctions [parts of machines]; locks, brakes and absorbers for pneumatic cylinders; pressure governors and reducers; components of compressed air and pneumatic machines, in particular cylinders, valves and pneumatic grippers; hydraulic and pneumatic valve actuators; pneumatic pumps; filters and exhaust silencers [parts of machines]; machines and fittings for textile industry; machines for cutting and processing fabrics and fibers; parts and accessories of machines and installations for textile industry; machine tools, in particular milling machines, boring machines, lathes [machine tools], rotor slotters and hole cutters; cutters; parts and fittings of machine tools, in particular milling machines, boring machines, lathes [machine tools], rotor slotters and hole cutters; die-stamping machines; molds [parts of machines]; cylinders and matrices for use in printing; basket presses; machines for processing, molding and extrusion of plastic.

9 – Scientific, nautical, surveying, photographic, cinematographic, optical, weighing, measuring, signalling, checking (supervision), life-saving and teaching apparatus and instruments; apparatus and instruments for conducting, switching, transforming, accumulating, regulating or controlling electricity; apparatus for recording, transmission or reproduction of sound or images; magnetic data carriers, recording discs; compact discs, DVDs and other digital recording media; mechanisms for coin-operated apparatus; cash registers, calculating machines, data processing equipment, computers; computer software; fire extinguishers; electrical control valves; solenoid valves [electromagnetic switches]; electric valve actuators; regulating apparatus; pressure indicators for valves; pressure switches and sensors for monitoring, controlling and driving of hydraulic and pneumatic systems; computer software, recorded; computer software platforms, recorded or downloadable; production, warehouse and logistics management software; software for creation of digital platforms for data collection.

17 – Unprocessed and semi-processed rubber, gutta-percha, gum, asbestos, mica and substitutes for all

these materials; plastics and resins in extruded form for use in manufacture; packing, stopping and insulating materials; flexible hoses, not of metal; rings of rubber; water-tight rings; gaskets; cylinder jointings; pipe gaskets; rubber, raw or semi-worked; plastic substances, semi-processed; waterproof packings; fittings, not of metal, for compressed air lines; pipe muffers, not of metal; caulking materials; shock-absorbing buffers of rubber; junctions, not of metal, for pipes; washers of rubber or vulcanized fiber; rubber stoppers; clack valves of rubber; plastic seals for valves; junctions, pipes, couplings and valves not of metal; hose fittings, not of metal; hoses made of plastic; air hoses for pneumatic tools.

(260) AM 2021 109683 A

(800) 1549024

(151) 2020 07 01

(891) 2020 07 01

(731) SOPHARMA AD

Iliensko shose Str. 16, BG-1220 SOFIA,
Bulgaria

(540)

TRACHIELP
ТРАХИЕЛП

(591) Black, white

(531) 28.05

(511)

5 – Pharmaceuticals, medical and veterinary preparations; sanitary preparations for medical purposes; dietetic food and substances adapted for medical or veterinary use, food for babies; dietary supplements for human beings and animals; plasters, materials for dressings; material for stopping teeth, dental wax; disinfectants; preparations for destroying vermin; fungicides, herbicides.

(260) AM 2021 109684 A

(800) 1549071

(151) 2020 06 22

(891) 2020 06 22

(731) Hipp & Co

Brünigstr. 141, CH-6072 Sachseln, Switzerland

(540)

HMP

(591) Black, white

(511)

5 – Food for babies and baby food; beverages for infants; dietetic substances for children and invalids, adapted for medical use; dietetic foods adapted for medical use; dietetic beverages for babies adapted for medical purposes; foodstuffs for special medical purposes; pharmaceuticals; dietetic substances for infants, babies, toddlers and children; milk powders

[foodstuff for babies]; powdered milk foods for infants; medical goods for consumption and internal use; nutritional supplements; powder, lotions, creams and bath preparations for medical purposes, and intended in particular for babies and toddlers; pharmaceuticals and natural remedies; breast-nursing pads; absorbent articles for personal hygiene; nappies for babies and incontinents; disposable diapers; cloth diapers; teething (preparations to facilitate); moist wipes impregnated with a pharmaceutical lotion.

29 – Meat, fish, poultry, game and meat products; meat extracts; meat, fish, fruit and vegetable jellies; jams; freeze-dried fruit and vegetables; compotes; eggs, milk and milk products, in particular butter, cheese, cream, yoghurt, quark, dried milk, powdered milk; fruit bars, consisting primarily of fruit and/or nuts, including those with added grains, muesli, cereals, pseudocereals, preparations made from cereals, preparations made from pseudocereals and/or sugar; vegetable pulp; fruit pulp; vegetable purees; fruit purees; purees and pulps consisting primarily of meat, fish, poultry, game, fruit and/or vegetables, either singly or in combination; snacks made from fruits and/or vegetables; snacks based on fruits and/or vegetables; desserts, puddings and sweet dishes, predominantly of milk, milk products and/or fruit; prepared and semi-prepared meals, consisting primarily of meat, poultry, game, fish, fruit, vegetables, eggs, milk products, pulses and/or potatoes; soups; meat, fish, poultry, game, vegetable, fruit and milk preserves; edible oils and fats; dietetic food, not adapted for medical use, based on proteins, fats and/or fatty acids, all also including added vitamins, minerals, trace elements, either singly or in combination.

30 – Tea; tea drinks; infusions, not medicinal; cocoa; glucose; rice; tapioca; sago; flour; semolina; cereal flakes and pseudocereal flakes and other preparations made from cereals and preparations made from pseudocereals (other than animal fodder); bread; cookies; cakes; pastries; long-life cakes and pastries; snack products, in particular the aforesaid consisting predominantly of cereal flakes, pseudocereal flakes, corn flakes, oat flakes, cereal preparations, pseudocereal preparations, biscuits, cakes, pastries, confectionery, chocolate, sugar confectionery, muesli, cereals, either singly or in combination, including the aforesaid with added fruits and/or nuts; confectionery products; farinaceous food pastes; chocolate; sweets; glucose preparations; bee preparations; desserts, puddings and sweet dishes with a base of carbohydrates; prepared meals and semi-prepared meals, consisting primarily of cereals, pseudocereals, preparations made from cereals, preparations made from pseudocereals, rice and/or pasta; spices; dressings for food; prepared foodstuffs in the form of sauces; muesli, consisting primarily of fruit, grains, cereals, pseudocereals, preparations made from cereals and/or preparations made from pseudocereals, also including added nuts and/or

sugar; cereal and pseudocereal bars, consisting primarily of grains, muesli, preparations made from cereals, preparations made from pseudocereals, cereals and/or pseudocereals, all also including added fruit, nuts and/or sugar; muesli bars, consisting primarily of fruit, grains, preparations made from cereals, preparations made from pseudocereals, cereals and/or pseudocereals, all also including added fruit, nuts and/or sugar; ready-to-eat cereal and/or pseudocereal foods; dietetic food, not adapted for medical use, in particular based on carbohydrates and/or roughage, all including added vitamins, fatty acids, minerals, trace elements, either singly or in combination.

32 – Waters and other non-alcoholic drinks, in particular fruit juices, fruit juice beverages, sparkling fruit juices; fruit syrups and other non-alcoholic fruit preparations for making non-alcoholic beverages.

(260) AM 2021 109685 A

(800) 1549108

(151) 2020 06 01

(891) 2020 06 01

(731) WEICHAI POWER CO., LTD.

197, Section A, Fu Shou East Street,
High Technology Industrial, Development
Zone, Weifang, 261061 Shandong, China

(540)

LinDrive

(591) Black, white

(531) 27.05.01; 27.05.15

(526) Drive

(511)

7 – Hydraulic engines and motors; hydraulic elevating apparatus; hoists; mechanical and hydraulic lifts; pumps [parts of machines, engines or motors]; hydraulic pressure pump; valves [parts of machines]; hydraulic pressure valve; hydraulic controls for machines, motors and engines; hydraulic pressure coupling ware.

12 – Fork lift trucks; electric cars; land vehicle diesel engine; trailers [vehicles]; motors for land vehicles; driving motors for land vehicles; land vehicle transmission mechanism; gearing for land vehicles; gear boxes for land vehicles; electric vehicles.

(260) AM 2021 109692 A

(800) 1549236

(151) 2020 04 28

(891) 2020 04 28

(731) Tecomaria Investments Limited

1, Lampousas Street, CY-1095 Nicosia, Cyprus

(540)

БиоКлот А

(591) Black, white

(531) 28.05

(511)

5 – Pharmaceutical and veterinary preparations; medicines for humans; bacterial and bacteriological preparations for medical or veterinary purposes; cultures of microorganisms for medical or veterinary purposes; preparations of microorganisms for medical or veterinary purposes; dietetic substances adapted for medical purposes; baby food; dietary supplements for humans or animals; germicides; biological preparations for medical purposes; immunomodulators and immunostimulants for medical purposes; antiseptics; antiviral drugs for medical purposes; pharmaceutical preparations for the treatment and prevention of infectious diseases; enzymes for medical purposes; enzyme preparations for medical purposes; anti-inflammatory preparations for medical purposes.

(260) AM 2021 109694 A

(800) 1549245

(151) 2019 10 21

(891) 2019 10 21

(731) INDUSTRIAL FARMACEUTICA
CANTABRIA, S.A.

Carretera de Cazoña-Adarzo, s/n, E-39011
SANTANDER (Cantabria), Spain

(540)

MEDISUN

(591) Black, white

(511)

5 – Pharmaceutical products, preparations for medical and veterinary use; hygiene and sanitary products for medical use; dietetic food and substances for medical or veterinary use, food for babies; food supplements for humans or animals; plasters, material for dressings; material for dental fillings and impressions; disinfectants; products for destroying vermin; fungicides, herbicides.

(260) AM 2021 109696 A

(800) 1549292

(151) 2020 04 28

(891) 2020 04 28

(731) Tecomaria Investments Limited

1, Lampousas Street, CY-1095 Nicosia, Cyprus

(540)

резоглобин

(591) Black, white

(531) 28.05

(511)

5 – Bacterial preparations for medical and veterinary use; bacteriological preparations for medical and veterinary use; albuminous preparations for medical purposes;

biological preparations for medical purposes; immunostimulants; depuratives; medicines for human purposes; drugs for medical purposes; pharmaceutical preparations; pharmaceuticals; ferments for pharmaceutical purposes; chemico-pharmaceutical preparations; chemical preparations for medical purposes; chemical preparations for pharmaceutical purposes.

(260) AM 2021 109699 A

(800) 1549380

(151) 2020 07 20

(891) 2020 07 20

(731) British American Tobacco (Brands) Limited
Globe House, 4 Temple Place, London
WC2R 2PG, United Kingdom

(540)



(591) Black, white

(531) 26.11.02; 26.11.12

(511)

34 – Cigarettes; tobacco, raw or manufactured; tobacco products; tobacco substitutes (not for medical purposes); cigars; cigarillos; lighters; matches; smokers' articles; cigarette paper; cigarette tubes; cigarette filters; pocket apparatus for rolling cigarettes; hand held machines for injecting tobacco into paper tubes; electronic cigarettes; cartridges for electronic cigarettes; liquids for electronic cigarettes; tobacco products for the purpose of being heated; devices and parts for devices for heating tobacco; tobacco substitutes for the purpose of inhalation; cigarettes containing tobacco substitutes; cigarette cases; cigarette boxes; snus with tobacco; snuff with tobacco; snus without tobacco; snuff without tobacco; tobacco free oral nicotine pouches (not for medical use); oral vaporizers for smoking purposes.

(260) AM 2021 109701 A

(800) 1549390

(151) 2020 07 17

(891) 2020 07 17

(731) Limited Liability Company "Russian Mining
Chemical Company"

Lyusinovskaya ul., d. 36, str. 1, et 8,
RU-115093 Moskva, Russian Federation

(540)



(591) Brown, light brown, pale orange and black

(531) 26.13.25; 29.01.12

(511)

1 – Chemicals intended for industrial use; chemicals for use in the manufacture of magnesium compounds; raw materials for use in the production of magnesium compounds.

(260) AM 2021 109702 A

(800) 1549400

(151) 2020 07 09

(891) 2020 07 09

(731) Bit Bio Limited

Pioneer House Vision Park, Histon,
Cambridge, Cambridgeshire CB24 9NL,
United Kingdom

(540)

OPTI-OX

(591) Black, white

(511)

1 – Stem cells for research purposes; stem cells for scientific purposes; stem cells other than for medical or veterinary purposes; skeletal myocytes for research purposes; cortical neurons for research purposes; biological tissue for research and scientific purposes; biological tissue cultures other than for medical or veterinary purposes; cultures of cell media [other than for medical or veterinary use]; chemical reagents for use in biotechnology, other than for medical or veterinary use; nutritive agents for processing living cells [other than for medical use]; semi-processed natural proteins for manufacturing food; proteins for use in the manufacture of food products; proteins for use in recombinant DNA technology [other than for medical use]; cell growth media, tissue culture media, cytokines, antibodies, and reagents for medical research.

5 – Cell therapeutics; genetically or otherwise modified cells; cells which are propagated, cultivated and expanded in bioreactors; cells for the purpose of tissue regeneration; living cells for medical use; cells for medical use; biological preparations for medical use; diagnostic preparations for medical and/or veterinary purposes; cell preparations for drug screening; cell preparations for genetic testing, screening; stem cells for medical purposes; stem cells for veterinary purposes; cell growth media, tissue culture media, cytokines, antibodies, and reagents for medical or diagnostic use; tissue culture media, growth factors, growth media, serum, and nutritional supplements for in vitro culturing, development, maintenance, expansion, assay or manipulation of cells; cell separation reagents; dietary supplements; protein supplements; nutrition supplements.

9 – Computer software and computer hardware for the separation of biological and non-biological materials; bioinformatics software; software for the control of

laboratory robots; software program and algorithm for medical, clinical, research and biomanufacturing purposes; bioreactors; bioreactors for biomanufacturing; bioreactors for research use; bioreactor for cell culturing; bioreactors for laboratory use; manufacturing software; smart manufacturing system controls; electronic control units; laboratory apparatus for magnetic cell separation; magnetic cell separation equipment.

29 – Meat; meat substitutes; tissue engineered meat; synthetic meat; cultured meat; laboratory-grown meat; fish, not live.

40 – Custom manufacture of biopharmaceuticals; processing of biopharmaceutical materials for others; custom manufacture of stem cells for research purposes, stem cells for scientific purposes, stem cells other than for medical or veterinary purposes, skeletal myocytes for research purposes, cortical neurons for research purposes, biological tissue for research and scientific purposes, biological tissue cultures other than for medical or veterinary purposes, cultures of cell media [other than for medical or veterinary use], chemical reagents for use in biotechnology, other than for medical or veterinary use, nutritive agents for processing living cells [other than for medical use], semi-processed natural proteins for manufacturing food, proteins for use in the manufacture of food products, proteins for use in recombinant dna technology [other than for medical use], cell therapeutics, genetically or otherwise modified cells, cells which are propagated, cultivated and expanded in bioreactors, cells for the purpose of tissue regeneration, living cells for medical use, cells for medical use, biological preparations for medical use, diagnostic preparations for medical and/or veterinary purposes, cell preparations for drug screening, cell preparations for genetic testing, screening, stem cells for medical purposes, stem cells for veterinary purposes, cell growth media, tissue culture media, cytokines, antibodies, and reagents for medical, medical research or diagnostic use, tissue culture media, growth factors, growth media, serum, and nutritional supplements for in vitro culturing, development, maintenance, expansion, assay or manipulation of cells, cell separation reagents, magnetic cell separation equipment, dietary supplements, protein supplements, nutrition supplements, meat, meat substitutes, tissue engineered meat, synthetic meat, cultured meat, laboratory-grown meat and fish, not live.

42 – Biotechnology research; biotechnology testing; stem cell research; synthetic biology services; stem cell biology services; scientific services relating to the isolation and cultivation of human tissues and cells; research and development in the field of microorganisms and cells; research and development in relation to genetic testing, screening; research and development in relation to drug screening; cell separation technology services; cell separation research services; consultancy relating to biotechnology; consultancy

relating to drug screening; consultancy relating to genetic screening; consultancy relating to cell therapy; laboratory research; research on food; research and development in the field of animal cells cultivated within bioreactors; research in the reduction of carbon emissions; development and testing of computing methods, algorithms and software for medical, clinical, research and biomanufacturing purposes.

(260) AM 2021 109703 A

(800) 1549418

(151) 2020 05 14

(891) 2020 05 14

(731) H. Lundbeck A/S

Ottiliavej 9, DK-2500 Valby, Denmark

(540)



(591) Red, blue and orange

(531) 26.03.04; 26.03.05; 26.03.07; 29.01.12

(511)

5 – Pharmaceuticals and medical preparations and substances; vaccines; pharmaceutical preparations and substances for the prevention and treatment of disorders and diseases in, generated by or acting on the central nervous system; pharmaceutical preparations and substances acting on the central nervous system; central nervous system stimulants; pharmaceutical preparations and substances for the prevention and treatment of psychiatric and neurological disorders and diseases; pharmaceutical preparations and substances used for the prevention, management and treatment of headaches, migraines, pain, immune and inflammatory disorders and diseases; pharmaceutical preparations and substances for the prevention and treatment of dementia, Alzheimer's disorder and disease, dizziness, seizures, stroke, depression, cognitive impairment, cognitive disorders and diseases, mood disorders, psychosis, anxiety, apathy, epilepsy, Lennox-Gastaut syndrome (LGS), sclerosis, porphyria, Huntington's disorder and disease, insomnia, Parkinson's disorder and disease, falls, movement disorders and diseases, dyskinesia, poor or absent motor functions, tremor, schizophrenia, bipolar disorder and disease, mania, ADHD, PTSD, agitation, aggression, autism, melancholy, OCD, Tourette's syndrome, progressive supranuclear palsy (PSP), restlessness, akathisia, fatigue, somnolence, nausea, cancer, alcoholism and dependency; preparations, substances, reagents and agents for diagnostic and medical purposes.

(260) AM 2021 109705 A

(800) 1549431

(151) 2020 03 31

(891) 2020 03 31

(731) MITSUBISHI CORPORATION

3-1, Marunouchi 2-chome, Chiyoda-ku,
Tokyo 100-8086, Japan

(540)



(591) Red

(531) 24.11.18; 24.11.25; 26.04.03; 26.04.04;
26.04.09; 26.04.24; 29.01.01

(511)

7 – Steam engine boilers; boiler tubes [parts of machines]; steam turbines, other than for land vehicles; gas turbines, other than for land vehicles; hydraulic turbines; wind turbines; current generators; combined cycle power generators; geothermal power generators; cogeneration power generators; wind-powered electricity generators; nuclear power generators and their parts and fittings; decontamination apparatuses for use in nuclear power plants; engines, not for land vehicles; engines for marine vessels; engines for agricultural machines and implements; diesel engines, not for land vehicles; steam engines, not for land vehicles; jet engines, not for land vehicles; engines for boats; injectors for engines; ignition devices for engines of land vehicles; engine valves; generators of electricity; diesel engine power generators; electric motors other than for land vehicles; turbochargers for machines; propulsion mechanisms other than for land vehicles; control mechanisms for engines or motors; pumps for machines; centrifugal pumps; turbo-molecular pumps; vacuum pumps; blowing machines for compression, exhaustion and transport of gases; apparatus for separating gases by pressure swing adsorption; compressors for air conditioners and refrigerators; condensing installations; oil centrifuges and other centrifuges; rotary drum filtering machines; horizontal tilting pan filter for chemical processing; automatic self-cleaning type filters for chemical processing; chemical reactors and chemical processing apparatuses; mixers [machines]; pressure washing machines; heat exchangers [parts of machines]; sulfuric acid manufacturing machines; polyacetal manufacturing machines; edible oil refining machines for food processing; formalin manufacturing machines; ethylene manufacturing machines; carbon black manufacturing machines; machine tools; apparatus for machining with computerized control devices; cutting tools for machinery; drilling bits [parts of machines]; drilling rods for metalworking

machines, mining machines and construction machines; carbide tools; molds [parts of machines]; rotary parts of machines; grinding machines; milling machines; roller bridges; cranes [lifting and hoisting apparatus]; container cranes; transfer cranes; floating cranes; tower cranes; unloaders; loaders [earth moving machines]; derricks; belt conveyors; handling apparatus for loading and unloading; iron and steel manufacturing machines; rolling mills; plastic moulding machines; tire vulcanizers; textile machines; paper making and paper-working machines; machines for packaging food; vacuum packaging machines; bottling machines; canning machines; bottle filling machines; bottle washing machines; can filling machines; can seamers for packaging; presses [machines for industrial purposes]; printing machines; offset printing presses; web offset printing presses; washing machines (laundry); industrial robots; offshore excavators; oil refining machines; oil storage and distribution machines; construction machines; hydraulic excavators; road paving machines; road making machines; road repairing machines; graders [earth moving machines]; boring machines; crawler drills; shield machines; hydraulic equipment; clutches other than for land vehicles; carburetor; power transmissions, other than for land vehicles; gear boxes, other than for land vehicles; reduction gears, other than for land vehicles; torque convertors, other than for land vehicles; springs [parts of machines]; agricultural machines; tractor-towed harvesters; tractor-towed broadcast seeders; tractor-towed mowers; rotary power tillers; power tillers; combine harvesters; threshing machines; transplanting machines and implements; grass trimmers, electric; lawn mowers; hullers; elevators; escalators; moving sidewalks; industrial sewing machines; clutch motors for sewing machines; clutch mechanisms, other than for land vehicles; electric motors, not for land vehicles; generators of electricity; fuel injector; distributors for motor vehicle engines; ignition coils for automotive engines; electronic controlled carburetors; ignition coils [parts of engines]; spark plug for engines; steam turbine generators; geared motor; pumps [parts of machines, engines or motors]; pumps [machines]; hoist; starter motors; electronic controlled throttle body; electrical discharge machines; machine for semiconductor surface processing by ionized cluster beam; machines or machine tools for clamping manufactured articles or workpiece; seam welders; industrial robot for lifting apparatus; speed governors for machines; mechanical and pneumatic hoisting machines; fans for motors and engines; oil rotary vacuum pumps; aerators; electrically control sewing machines; starters for motors and engines; servo motors for sewing machine; dynamos; hydro turbine generators; electric mixers, for household use; washing machines for household purposes; ironing machines; kitchen machines, electric; oil filter for vehicles motors and engines; air filter for vehicles motors and engines; pistons for engine; 3D printers; O-rings [parts of machines]; grease rings [parts of ma-

chines]; gaskets for internal combustion engines; gaskets of metal for vehicle engines; gaskets, not of metal, for vehicle engines; electric vacuum cleaners; servo motors; laser processing machines for factory automation; turbogenerators; moving pavements [sidewalks]; solar power generator; actuators for vehicles; fuel injection system for engine; igniting magnetos for engines; metal working machines and tools; metal working machine tools; cutting machines; cutting tools for machinery; drilling heads [parts of machines]; drills [parts of machines]; drill bits [parts of machines]; end mills [parts of machines]; blades [parts of machines]; milling machines for metal working; drilling machines [for metal working]; gear cutters [machine tools]; cutting inserts and cutting tips being parts of cutting tool for machinery; power-driven hand-held tools; electric drills [hand-held]; cemented carbide tools; cemented carbide cutting tools; cemented carbide tips; sintered CBN (cubic boron nitride) cutting tools; diamond cutting tools; diamond-pointed metal cutting tools; diamond drill bits; sintered diamond cutting tools; moulds and dies for metal-forming; holding devices for machine tools; taps being machine tools; chucks [parts of machines]; grindstones [parts of machines]; collet chucks [parts of machines]; tool holders [parts of machines]; spindles [machine elements other than for land vehicles]; primary metal forming machines and apparatus; secondary metal forming machines and apparatus; mechanical presses for metal working; forging machines; wire forming machines; mining machines and apparatus; mineworking machines; printing plates; printing platemaking machines and apparatus; punching machines; coating machines; coating and painting machines; coating machines for packages for food or beverages.

37 – Shipbuilding; machinery installation in the field of aircraft and aerospace; repair and maintenance services of ships, propellers for ships or contrarotating propellers for ships; repair and maintenance of bridges; repair and maintenance of tunnel ventilation apparatus; repair and maintenance of storage tanks; repair and maintenance of hydraulic gates, steel stacks; repair and maintenance of mechanical parking systems; repair and maintenance of transport container; repair and maintenance services of aero engines or engines for aircraft; repair and maintenance of computer hard ware for use in aerospace industry; repair and maintenance services of missiles; installation, repair and maintenance services of boilers, steam turbines, gas turbines, water turbines; maintenance, servicing, tuning and repair of motors and engines; construction, installation, repair and maintenance of chemical plants or industrial plants; construction, installation, repair and maintenance services of thermal power generating plants, geothermal power generating plants, wind-power generating plants, hydroelectric power generating plants, diesel power generating plants, combined cycle power generating plants, po-

wer generating plants or nuclear power plants; construction, installation, repair and maintenance services of movable seat equipment for sports, cultural, amusement or commercial facilities; repair and maintenance services of agricultural machinery, construction machinery, chemical machinery, iron and steel manufacturing machinery, plastic injection molding machinery; repair and maintenance services of pumps, air blowers, power shift transmissions; repair and maintenance services of pulp-making, papermaking or paper-working machines and apparatus, printing machinery or food packaging machinery; installation, repair and maintenance services of air pollution prevention plants; installation, repair and maintenance of environmental control systems; installation, repair and maintenance of refrigeration apparatus; installation, repair and maintenance of air conditioning apparatus; repair and maintenance services of machine tools; repair and maintenance of industrial robots; repair and maintenance of turbochargers; repair and maintenance of forklift trucks, tractors, tanks [weapons], armored cars, ambulances, fire trucks, refrigerated vehicles, mobile cranes, bulldozers, road rollers, diggers, dump trucks or graders [earth moving machines]; construction supervision services and planning services for construction project; construction, reconstruction, and restoration of residential, retail store, hotel, commercial, industrial and institutional buildings; construction and maintenance services relating to civil engineering; construction management of civil and infrastructure construction projects; installation, repair and maintenance of consumer electric appliances; installation, repair and maintenance of elevators, escalators or moving sidewalks; installation, repair and maintenance of freezing machines and apparatus or heating apparatus; installation, repair and maintenance of lighting apparatus; installation, repair and maintenance of telephones; installation, repair and maintenance services of computer hardware; installation, repair and maintenance of office machines and apparatus; installation, repair and maintenance of film projectors or photographic apparatus; installation, repair and maintenance of electric wires or cables, radio receivers, television receivers, electronic apparatus; installation, repair and maintenance of tire alarms or burglar alarms; installation, repair and maintenance of measuring or testing machines and instruments; installation, repair and maintenance of medical apparatus; installation, repair and maintenance of flight simulators, computer hardware for simulating a design of machines and installations or computer hardware for simulating virtual reality used with electronic games apparatus; installation, repair and maintenance of signalling apparatus; installation, repair and maintenance of electric or electronic equipment in automobiles; repair and maintenance of building; repair and maintenance of telecommunication apparatus; vehicle maintenance and repair; vehicle polishing; vehicle lubrication; vehicle greasing; vehicle washing; vehicle

cleaning; anti-rust treatment for vehicles; vehicle service stations [refueling and maintenance]; reconstruction and equipment installation of ships, aircrafts, buses, trucks, automobiles, forklift, cars for agriculture, sounding rockets, transportation rockets, space vehicles, tanks [weapons], armored cars, ambulances, fire trucks, refrigerated vehicles, mobile cranes, bulldozers, road rollers, diggers, dump trucks, tractors or graders [earth moving machines]; repair and maintenance of 3D printers; remote monitoring of operating condition of elevators, escalators and moving sidewalks; remote monitoring of operating condition of air conditioning, heating, plumbing and sanitary installation for buildings; remote monitoring of operating condition of building equipment; providing information on remote monitoring of operating condition of building equipment; remote monitoring of repair and maintenance of agricultural machines and providing information relating thereto; remote monitoring of driving condition of vehicles and vehicle equipment; remote monitoring of operating condition of facilities at factories and plants; repair and maintenance of metal working machines; repair and maintenance of electronic telecommunication machines and apparatus; repair and maintenance of power distribution and control machines; repair and maintenance of power generators; maintenance of operating condition of elevators by remote control apparatus; maintenance of operating condition of escalators by remote control apparatus; maintenance of moving sidewalks by remote control apparatus; maintenance of operating condition of air conditioning, heating, plumbing and sanitation for buildings by remote control apparatus; maintenance of operating condition of building equipment by remote control apparatus; providing information on maintenance of operating condition of building equipment by remote control apparatus; maintenance of repair and maintenance of agricultural machines by remote control apparatus and providing information relating thereto; maintenance of driving condition of vehicles by remote control apparatus; maintenance of condition of vehicle cargo and freight by remote control apparatus; maintenance of physical condition of vehicle occupants by remote control apparatus; maintenance of operating condition of factories and plants by remote control apparatus.

(260) AM 2021 109711 A

(800) 1549535

(151) 2020 06 29

(891) 2020 06 29

(731) NOVARTIS AG

CH-4002 Basel, Switzerland

(540)



(591) Black, white

(531) 26.11.12; 26.13.25; 27.05.01

(511)

5 – Pharmaceutical preparations.

(260) AM 2021 109712 A

(800) 1549607

(151) 2020 04 08

(891) 2020 04 08

(731) BİOTA BİTKİSEL İLAÇ VE KOZMETİK
LABORATUARLARI A.Ş.Emek Mah. Ordu Cad., Sivataş Yolu No:9
Sancaktepe, İstanbul, Turkey

(540)

Proxentin

(591) Black, white

(531) 27.05.01

(511)

5 – Insecticides, preparations for destroying noxious plants, fungicides, and preparations for destroying rodents or insecticides, herbicides, fungicides, and vermin destroying preparations; deodorants, air purifying and odor neutralizing preparations, except for people and animals; disinfectants, antiseptics (germicidal agents), medicinal detergents, medicated soaps, disinfecting soaps, antibacterial hand lotions.

(260) AM 2021 109713 A

(800) 1549633

(151) 2020 07 16

(891) 2020 07 16

(731) Arnold & Richter Cine Technik GmbH & Co.
Betriebs KG
Herbert-Bayer-Str. 10, 80807 München,
Germany

(540)

Signature Zoom

(591) Black, white

(511)

9 – Multifunctional remote controls for film and video recorders; camera lenses; objectives; zoom lenses for cameras; anamorphic lenses; anamorphic objectives; adaptors; accessories for the aforementioned goods as well as spare parts as far as included in this class; adapted cases for carrying the aforementioned goods.

(260) AM 2021 109719 A

(800) 1549901

(151) 2020 06 02

(891) 2020 06 02

(731) Shandong Ruichen Industry & Trade Co., Ltd.
International Steel Market, Xingfu Town,
Boxing County, Binzhou City, Shandong
Province, China

(540)



(591) Black, white

(531) 07.01.08; 07.03.11; 26.01.01; 26.01.16;

26.01.18; 27.05.01; 27.05.09; 27.05.10; 28.03

(511)

6 – Galvanized iron plate; steel sheets; laths of metal; iron slabs; building materials of metal; railway material of metal; wire cloth; wire gauze; packaging containers of metal; rods of metal for welding.

(260) AM 2021 109720 A

(800) 1549903

(151) 2020 04 22

(891) 2020 04 22

(731) Midea Group Co., Ltd.
B26-28F, Midea Headquarter Building,
No.6 Midea Avenue, Beijiao, Shunde,
Foshan, Guangdong, China

(540)

MIDEA

(591) Black, white

(531) 27.05.01

(511)

7 – Disintegrators; wringing machines for laundry; industrial robots; handling machines, automatic [manipulators]; starters for motors and engines; dynamos; generators of electricity; dynamo belts; motors, other than for land vehicles; engines, other than for land vehicles; compressors [machines]; turbocompressors; compressors for refrigerators; compressed air machines; pumps [machines]; faucets [parts of machines, engines or motors]; vacuum cleaners; machines and apparatus for cleaning, electric; electric sweepers; steam mops; cleaning appliances utilizing steam; dust removing installations for cleaning purposes; garbage disposal units; curtain drawing devices, electrically operated; agricultural machines; printing presses; machines for the textile industry; mixing machines; agitators; churns; mills [machines]; butter machines; fo-

od preparation machines, electromechanical; beverage preparation machines, electromechanical; dishwashers; fruit presses, electric, for household purposes; blenders, electric, for household purposes; kitchen machines, electric; beaters, electric; food processors, electric; coffee grinders, other than hand-operated; washing machines [laundry]; cigarette machines for industrial purposes; leather-working machines; ironing machines; rotary steam presses, portable, for fabrics; bicycle assembling machines; engraving machines; cord making machines; wrapping machines; machines for processing plastics; glass-working machines; electromechanical machines for chemical industry; rinsing machines; rolling mills; drilling rigs, floating or non-floating; hoists; stamping machines; metalworking machines; steam engines; carburettors; hydraulic turbines; hand-held tools, other than hand-operated; pressure regulators [parts of machines]; welding machines, electric.

9 – Application software for mobile phones; data processing apparatus; computer programs, recorded; copiers [data processing equipment]; monitors [computer programs]; humanoid robots with artificial intelligence; personal digital assistants [PDAs]; USB flash drives; mouse pads; cases for smartphones; tablet computers; encoded key cards; sleeves for laptops; scales; weighing apparatus and instruments; electrodynamic apparatus for the remote control of signals; transponders; smartphones; modems; virtual reality headsets; security surveillance robots; monitoring apparatus, other than for medical purposes; portable media players; video baby monitors; electronic book readers; cabinets for loudspeakers; surveying apparatus and instrument; air analysis apparatus; food analysis apparatus; detectors; temperature indicators; thermostats; materials for electricity mains [wires, cables]; semi-conductors; switches, electric; control panels [electricity]; electric plugs; connectors [electricity]; chips [integrated circuits]; integrated circuits; electronic key fobs being remote control apparatus; remote control apparatus; electronic numeric displays; computer software applications, downloadable; climate control digital thermostats; alarms; theft prevention installations, electric; locks, electric; electronic access control systems for interlocking doors; smoke detectors; eyeglasses; eyeglass cases; batteries, electric; battery chargers; time recording apparatus; apparatus to check stamping mail; counterfeit coin detectors; ticket dispensers; measures; electronic notice boards; cameras [photography]; optical lenses; electric installations for the remote control of industrial operations; heat regulating apparatus; electrolyzers; fire extinguishing apparatus; radiological apparatus for industrial purposes; protection devices for personal use against accidents; animated cartoons; electrified fences; decorative magnets.

11 – Lamps; lamp casings; kettles, electric; microwave ovens [cooking apparatus]; food steamers, electric;

autoclaves, electric, for cooking; pressure cookers, electric; coffee machines, electric; bread-making machines; multicookers; cooking apparatus and installations; heating and cooling apparatus for dispensing hot and cold beverages; cooking utensils, electric; electric rice cookers; kitchen ranges [ovens]; cooking stoves; roasters; heated display cabinets; refrigerators; ice machines and apparatus; freezers; cooling appliances and installations; refrigerating display cabinets; wine cellars, electric; fans [air-conditioning]; air purifying apparatus and machines; air-conditioning installations; electric hair dryers; fabric steamers; laundry driers, electric; drying apparatus and installations; extractor hoods for kitchens; heat pumps; burners; fireplaces, domestic; dampers [heating]; heating installations; pipes [parts of sanitary installations]; bath installations; heaters for baths; flushing apparatus; toilets [water-closets]; toilet seats; sanitary apparatus and installations; water purifying apparatus and machines; water filtering apparatus; disinfectant apparatus; water purification installations; water sterilisers; oil-scrubbing apparatus; radiators, electric; pocket warmers; stoves [heating apparatus]; gas lighters; electric lamps; lighting apparatus and installations.

(260) AM 2021 109721 A

(800) 725917

(151) 1999 12 15

(891) 2020 08 10

(731) cargo-partner brand rights GmbH

Airportstraße 9, A-2401 Fischamend, Austria

(540)



(591) Black, white

(531) 01.03.02; 03.07.16; 26.01.01; 27.05.01

(511)

39 – Transport; packaging and storage of goods; travel arrangement.

(260) AM 2021 109722 A

(800) 1042380

(151) 2010 05 21

(891) 2020 05 22

(731) Apple Inc.

One Apple Park Way, Cupertino CA 95014,
USA

(540)

WebKit

(591) Black, white

(511)

9 – Computer software for use in developing internet browser software.

(260) AM 2021 109728 A

(800) 1542443

(151) 2020 02 25

(891) 2020 08 21

(731) Human Gesellschaft für Biochemica und Diagnostica mbH
Max-Planck-Ring 21, 65205 Wiesbaden,
Germany

(540)



(591) Black, red and pink

(531) 26.11.03; 26.11.11; 26.11.13; 27.05.11;
29.01.13

(511)

5 – Reactants for medical diagnosis; diagnostic preparations for medical or veterinary purposes; in vitro diagnostic preparations for medical use; reagents for use in diagnostic tests [for medical purposes]; reagents and media for medical and veterinary diagnostic purposes; medical diagnostic reagents and assays for testing of body fluids; chemical preparations for the diagnosis of diabetes; diagnostic reagents for medical use; diagnostic reagents for medical use; reagents for use in diagnostic pregnancy tests; clinical diagnostic reagents; chemical reagents for veterinary use; reagents for analytical purposes [for medical purposes]; reagents for use with analyzers [for medical purposes]; reagents for use in analysis [for medical purposes]; test strips for measuring blood glucose levels; chemical preparations for testing blood for medical purposes; reagents for blood grouping [for medical purposes]; medical diagnostic test strips.

10 – Medical instruments; laboratory apparatus and apparatus for medical, veterinary or diagnostic purposes; measuring apparatus and instruments for medical, veterinary and diagnostic purposes; diagnostic apparatus for medical and veterinary use; testing apparatus for medical and/or veterinary purposes; tools for medical diagnostics; diagnostic, examination, and monitoring equipment for medical and medical diagnostic purposes; scanners for medical diagnosis; medical diagnostic apparatus for medical purposes; medical test kits for diabetes monitoring for home use; diagnostic testing instruments for use in immunoassay procedure [medical]; analysers for medical use; physical analysis apparatus for medical and medical diagnostic purposes; electronic analyzers for medical purposes; blood group analysers for medical use; automatic analyzers for medical diagnosis; automated analyzers for body fluids [for medical use]; body composition analyzers for medical purposes; laboratory apparatus for analysing, detecting and monitoring genome information [for medical and medical diagnostic purposes]; laboratory apparatus for analysing, detecting and monitoring the microbiological or virological genome [for medical and medical diagnostic

purposes]; incubator with controlled heating capability for medical and medical diagnostic purposes; centrifuges for medical and medical diagnostic use; chromatography apparatus for medical and medical diagnostic use; blood glucose testing apparatus; meters for measuring blood glucose; blood glucose monitoring apparatus; meters for measuring blood glucose; medical apparatus for testing the level of glucose in the blood; haemoglobinometers; apparatus for measuring cholesterol; urine testing instruments for medical diagnostic purposes; blood testing apparatus; hemocytometers; blood testing apparatus; blood testing apparatus; blood collecting tubules; capillary tubes for blood; filters for blood and blood components; apparatus for blood tests [for medical use]; meters for measuring blood glucose; pipetting instruments for medical use; pipetting instruments for medical use; pipetting instruments for medical use; blood coagulation measuring apparatus.

(260) AM 2021 109783 A

(800) 1550265

(151) 2020 04 22

(891) 2020 04 22

(731) Parilov Ruslan Anatolyevich
Yuzhnaya St., 16, Anosino village, Istra district,
RU-143581 Moscow region, Russian
Federation

(540)

(591) Gray, light gray, blue, dark blue, red, dark red,
claret-red and white

(531) 28.05; 29.01.13

(511)

6 – Bolts of metal; anchors; eye bolts; screws of metal; nuts of metal; keys.

7 – Crank shafts; fans for motors and engines; transmission shafts, other than for land vehicles; emergency power generators; alternators; dynamos; bicycle dynamos; current generators; generators of electricity; starters for motors and engines; cylinder heads for engines; tools [parts of machines]; hand-held tools, other than hand-operated; jacks [machines]; rack and pinion jacks; carburettors; brake pads, other than for vehicles; piston segments; pressure reducers [parts of machines]; taps [parts of machines, engines or motors]; cranes [lifting and hoisting apparatus]; roller bridges; water separators; winches; superchargers; pumps [machines]; pumps [parts of machines, engines or motors]; vacuum pumps [machines]; compressed air pumps; pumps for heating installations; lubricating pumps; self-regulating fuel pumps; fuel dispensing pumps for service stations; centrifugal pumps; exhaust manifold for engines; hangers [parts of machines]; anti-friction bearings for machines; roller bearings; self-

oiling bearings; bearings for transmission shafts; ball-bearings; pistons for cylinders; shock absorber plungers [parts of machines]; springs [parts of machines]; radiators [cooling] for motors and engines; belts for machines; fan belts for motors and engines; sparking plugs for internal combustion engines; shaft couplings [machines]; wind turbines; hydraulic turbines; turbines, other than for land vehicles; turbocompressors; connecting rods for machines, motors and engines; joints [parts of engines]; heat exchangers [parts of machines]; igniting devices for internal combustion engines; elevating apparatus; lifting apparatus; cylinders for motors and engines; universal joints [Cardan joints]; filter presses; filters being parts of machines or engines; filters for cleaning cooling air, for engines; pulleys [parts of machines]; brushes, electrically operated [parts of machines].

8 – Lifting jacks, hand-operated; sledgehammers; files [tools]; emery files; hammers [hand tools]; stone hammers; masons' hammers; riveting hammers [hand tools]; mortise chisels; gouges [hand tools]; caulking irons; bits; bits [parts of hand tools]; hollowing bits [parts of hand tools]; vices.

9 – Commutators; fire extinguishers; tachometers.

11 – Light bulbs for directional signals for vehicles; fans [air-conditioning]; fans [parts of air-conditioning installations]; heating apparatus for defrosting vehicle windows; radiator caps; heating installations; heaters for vehicles; hot water heating installations.

12 – Shock absorbers for automobiles; suspension shock absorbers for vehicles; bumpers for automobiles; vehicle bumpers; luggage carriers for vehicles; ski carriers for cars; transmission shafts for land vehicles; cardan shafts for vehicles; cardan shaft crosses for vehicles; vehicle wheels; bands for wheel hubs; brake pads for automobiles; brake linings for vehicles; air pumps [vehicle accessories]; axles for vehicles; clutches for land vehicles; gearing for land vehicles; shock absorbing springs for vehicles; reduction gears for land vehicles; safety belts for vehicle seats; security harness for vehicle seats; vehicle suspension springs; hydraulic circuits for vehicles; hubs for vehicle wheels; trailer hitches for vehicles; turbines for land vehicles; direction indicators for vehicles; brakes for vehicles; transmission chains for land vehicles; undercarriages for vehicles; motors, electric, for land vehicles; tubeless tires for bicycles; bicycle tyres; automobile tires; tires for land vehicles; pneumatic tires; windshield wipers, including levers, drives, electric motors for them; direction indicators for bicycles.

35 – Promoting the goods of others; dissemination of advertising matter; advertising.

(260) AM 2021 109786 A

(800) 1550312

(151) 2020 05 06

(891) 2020 05 06

(731) Obschestvo s ogranichennoy otvetstvennost'yu "NL Kontinent"

ul. Yadrintsevskaya, d. 53/1, of. 1015,

RU-630099 Novosibirsk, Russian Federation

(540)

BIODRONE

(591) Black, white

(511)

3 – Abrasives; amber [perfume]; descaling preparations for household purposes; antistatic preparations for household purposes; aromatics [essential oils]; air fragrancing preparations; cake flavorings [essential oils]; flavorings for beverages [essential oils]; food flavorings [essential oils]; breath freshening sprays; canned pressurized air for cleaning and dusting purposes; balms, other than for medical purposes; basma [cosmetic dye]; lip glosses; nail glitter; polishing stones; abrasive paper; emery paper; polishing paper; petroleum jelly for cosmetic purposes; shoe polish; cobblers' wax; cotton wool for cosmetic purposes; sachets for perfuming linen; drying agents for dishwashing machines; adhesives for cosmetic purposes; scented water; javelle water; lavender water; toilet water; wax for parquet floors; floor wax; non-slipping wax for floors; depilatory wax; mustache wax; creams for leather; polish for furniture and flooring; shoemakers' wax; polishing wax; tailors' wax; massage gels, other than for medical purposes; heliotropine; dental bleaching gels; geraniol; make-up; deodorants for pets; deodorants for human beings or for animals; depilatory preparations; air fragrance reed diffusers; scented wood; perfumes; non-slipping liquids for floors; windshield cleaning liquids; greases for cosmetic purposes; volcanic ash for cleaning; perfumery; decorative transfers for cosmetic purposes; ionone [perfumery]; shaving stones [astringents]; smoothing stones; eyebrow pencils; cosmetic pencils; silicon carbide [abrasive]; carbides of metal [abrasives]; alum stones [astringents]; tripoli stone for polishing; adhesives for affixing false eyelashes; adhesives for affixing false hair; hair conditioners; quillaia bark for washing; corundum [abrasive]; beard dyes; colorants for toilet purposes; cosmetic dyes; laundry starch; laundry glaze; shoe cream; polishing creams; cosmetic creams; skin whitening creams; polishing rouge; incense; hair spray; nail polish; hair lotions; lotions for cosmetic purposes; after-shave lotions; beauty masks; oils for cleaning purposes; oils for perfumes and scents; oils for cosmetic purposes; oils for toilet purposes; essential oils; essential oils of cedarwood; essential oils of lemon; essential oils of citron; bergamot oil; gaultheria oil; jasmine oil; lavender oil; almond oil; rose oil; oil of turpentine for degreasing; whitening; cleaning chalk; almond milk for cosmetic purposes; cleansing

milk for toilet purposes; musk [perfumery]; soap; deodorant soap; shaving soap; soap for brightening textile; cakes of toilet soap; antiperspirant soap; soap for foot perspiration; almond soap; mint for perfumery; cosmetic kits; emery; gel eye patches for cosmetic purposes; nail art stickers; false nails; eau de cologne; bases for flower perfumes; joss sticks; pastes for razor strops; dentifrices; pumice stone; lipstick cases; hydrogen peroxide for cosmetic purposes; breath freshening strips; teeth whitening strips; abrasive cloth; glass cloth [abrasive cloth]; lipsticks; pomades for cosmetic purposes; breath freshening preparations for personal hygiene; shaving preparations; bath preparations, not for medical purposes; cosmetic preparations for baths; hair straightening preparations; hair waving preparations; laundry soaking preparations; grinding preparations; smoothing preparations [starching]; color-removing preparations; leather bleaching preparations; polishing preparations; denture polishes; mouthwashes, not for medical purposes; cosmetic preparations for slimming purposes; starch glaze for laundry purposes; preparations to make the leaves of plants shiny; shining preparations; eye-washes, not for medical purposes; fabric softeners for laundry use; laundry bleach; dry-cleaning preparations; paint stripping preparations; lacquer-removing preparations; make-up removing preparations; floor wax removers [scouring preparations]; varnish-removing preparations; rust removing preparations; nail care preparations; cleaning preparations; preparations for cleaning dentures; wall-paper cleaning preparations; preparations for unblocking drain pipes; chemical cleaning preparations for household purposes; collagen preparations for cosmetic purposes; bleaching preparations [decolorants] for household purposes; laundry preparations; aloe vera preparations for cosmetic purposes; sunscreen preparations; color-brightening chemicals for household purposes [laundry]; shining preparations [polish]; make-up powder; diamantine [abrasive]; stain removers; nail varnish removers; vaginal washes for personal sanitary or deodorant purposes; scouring solutions; false eyelashes; tissues impregnated with cosmetic lotions; tissues impregnated with make-up removing preparations; baby wipes impregnated with cleaning preparations; saffrol; massage candles for cosmetic purposes; laundry blueing; turpentine for degreasing; potpourris [fragrances]; bleaching soda; washing soda, for cleaning; bath salts, not for medical purposes; bleaching salts; fumigation preparations [perfumes]; preservatives for leather [polishes]; ammonia [volatile alkali] [detergent]; astringents for cosmetic purposes; eyebrow cosmetics; make-up preparations; sun-tanning preparations [cosmetics]; hair dyes; neutralizers for permanent waving; cosmetic preparations for eyelashes; cosmetic preparations for skin care; polishes for shining shoes; cosmetics; cosmetics for children; cosmetics for animals; mascara; detergents, other than for use in manufacturing operations and for medical purposes; cleansers for intimate personal hygiene pur-

poses, non medicated; douching preparations for personal sanitary or deodorant purposes [toiletries]; degreasers, other than for use in manufacturing processes; bleaching preparations [decolorants] for cosmetic purposes; toiletry preparations; antiperspirants [toiletries]; phytocosmetic preparations; talcum powder, for toilet use; cotton sticks for cosmetic purposes; terpenes [essential oils]; emery cloth; cloths impregnated with a detergent for cleaning; henna [cosmetic dye]; shampoos; shampoos for animals [non-medicated grooming preparations]; shampoos for pets [non-medicated grooming preparations]; dry shampoos; sandpaper; soda lye; herbal extracts for cosmetic purposes; extracts of flowers [perfumes]; ethereal essences; badian essence; mint essence [essential oil].

5 – Acaricides; aconitine; alkaloids for medical purposes; alginates for pharmaceutical purposes; algicides; aldehydes for pharmaceutical purposes; dental amalgams of gold; dental amalgams; amino acids for veterinary purposes; amino acids for medical purposes; analgesics; anaesthetics; antibiotics; antiseptics; medicine cases, portable, filled; first-aid boxes, filled; aluminium acetate for pharmaceutical purposes; acetates for pharmaceutical purposes; germicides; balms for medical purposes; bandages for dressings; diagnostic biomarker reagents for medical purposes; biocides; bracelets impregnated with insect repellent; bromine for pharmaceutical purposes; paper for mustard plasters; fly catching paper; reagent paper for veterinary purposes; reagent paper for medical purposes; mothproofing paper; petroleum jelly for medical purposes; vaccines; oxygen baths; antiseptic cotton; aseptic cotton; absorbent cotton; wadding for medical purposes; cotton for medical purposes; dietetic substances adapted for medical use; radiological contrast substances for medical purposes; nutritive substances for microorganisms; radioactive substances for medical purposes; bismuth subnitrate for pharmaceutical purposes; melissa water for pharmaceutical purposes; sea water for medicinal bathing; mineral waters for medical purposes; thermal water; dietary fiber; molding wax for dentists; gases for medical purposes; guaiacol for pharmaceutical purposes; sexual stimulant gels; hematogen; hemoglobin; hydrastine; hydrastinine; glycerine for medical purposes; glycerophosphates; glucose for medical purposes; gentian for pharmaceutical purposes; hormones for medical purposes; mustard for pharmaceutical purposes; mustard plasters; mud for baths; medicinal mud; gamboge for medical purposes; gurjun balsam for medical purposes; disinfectants; deodorants, other than for human beings or for animals; air deodorising preparations; deodorants for clothing and textiles; diastase for medical purposes; digitalin; vitamin supplement patches; mineral food supplements; nutritional supplements; albumin dietary supplements; dietary supplements for animals; yeast dietary supplements; alginate dietary supplements; glucose dietary supplements; casein die-

tary supplements; lecithin dietary supplements; linseed oil dietary supplements; propolis dietary supplements; protein dietary supplements; protein supplements for animals; royal jelly dietary supplements; pollen dietary supplements; wheat germ dietary supplements; linseed dietary supplements; acai powder dietary supplements; dietary supplements with a cosmetic effect; enzyme dietary supplements; yeast for pharmaceutical purposes; gelatine for medical purposes; cod liver oil; isotopes for medical purposes; immunostimulants; insecticides; iodine for pharmaceutical purposes; iodides for pharmaceutical purposes; alkaline iodides for pharmaceutical purposes; iodoform; calomel [fungicide]; cream of tartar for pharmaceutical purposes; tartar for pharmaceutical purposes; camphor for medical purposes; capsules for medicines; cachets for pharmaceutical purposes; capsules made of dendrimer-based polymers, for pharmaceuticals; hemostatic pencils; wart pencils; caustic pencils; carbolineum [parasiticide]; caustics for pharmaceutical purposes; cachou for pharmaceutical purposes; quassia for medical purposes; quebracho for medical purposes; oxygen for medical purposes; gallic acid for pharmaceutical purposes; humic acid for pharmaceutical purposes; acids for pharmaceutical purposes; adhesives for dentures; surgical glues; stem cells for veterinary purposes; stem cells for medical purposes; cocaine; collagen for medical purposes; collodion for pharmaceutical purposes; corn rings for the feet; medicated sweets; angostura bark for medical purposes; barks for pharmaceutical purposes; cedar wood for use as an insect repellent; condurango bark for medical purposes; croton bark; mangrove bark for pharmaceutical purposes; myrobalan bark for pharmaceutical purposes; quinquina for medical purposes; medicated animal feed; medicinal roots; rhubarb roots for pharmaceutical purposes; lint for medical purposes; starch for dietetic or pharmaceutical purposes; creosote for pharmaceutical purposes; blood for medical purposes; cultures of microorganisms for medical or veterinary use; curare; dental lacquer; liquorice for pharmaceutical purposes; lactose for pharmaceutical purposes; vitamin drops; adhesive plasters; medicines for alleviating constipation; adhesive tapes for medical purposes; lecithin for medical purposes; lotions for veterinary purposes; medicated hair lotions; lotions for pharmaceutical purposes; medicated after-shave lotions; personal sexual lubricants; lupulin for pharmaceutical purposes; magnesia for pharmaceutical purposes; liniments; frostbite salve for pharmaceutical purposes; ointments for pharmaceutical purposes; sunburn ointments; mercurial ointments; gauze for dressings; medicinal oils; mustard oil for medical purposes; camphor oil for medical purposes; castor oil for medical purposes; oil of turpentine for pharmaceutical purposes; dill oil for medical purposes; dental mastics; dental abrasives; dental impression materials; teeth filling material; dressings, medical; surgical dressings; drugs for medical purposes;

medicines for veterinary purposes; serotherapeutic medicines; medicines for human purposes; medicines for dental purposes; menthol; medicinal drinks; moleskin for medical purposes; almond milk for pharmaceutical purposes; powdered milk for babies; royal jelly for pharmaceutical purposes; milk ferments for pharmaceutical purposes; irish moss for medical purposes; flour for pharmaceutical purposes; linseed meal for pharmaceutical purposes; fish meal for pharmaceutical purposes; fly glue; antibacterial soap; disinfectant soap; medicated soap; freeze-dried meat adapted for medical purposes; mint for pharmaceutical purposes; dietetic beverages adapted for medical purposes; malted milk beverages for medical purposes; injectable dermal fillers; narcotics; medicinal infusions; tincture of iodine; eucalyptol for pharmaceutical purposes; tinctures for medical purposes; opium; opodeldoc; decoctions for pharmaceutical purposes; anti-parasitic collars for animals; cotton sticks for medical purposes; stick liquorice for pharmaceutical purposes; sulfur sticks [disinfectants]; pastilles for pharmaceutical purposes; medicated dentifrices; pectin for pharmaceutical purposes; pepsins for pharmaceutical purposes; peptones for pharmaceutical purposes; hydrogen peroxide for medical purposes; pesticides; food for babies; leeches for medical purposes; blood plasma; nicotine patches for use as aids to stop smoking; eyepatches for medical purposes; poultices; compresses; scapulars for surgical purposes; babies' diapers; diapers for pets; diapers for incontinence; breast-nursing pads; bunion pads; pomades for medical purposes; powder of cantharides; pyrethrum powder; chilblain preparations; mothproofing preparations; anti-uric preparations; bacterial preparations for medical and veterinary use; bacteriological preparations for medical and veterinary use; balsamic preparations for medical purposes; albuminous preparations for medical purposes; biological preparations for veterinary purposes; biological preparations for medical purposes; veterinary preparations; bismuth preparations for pharmaceutical purposes; vitamin preparations; diagnostic preparations for veterinary purposes; diagnostic preparations for medical purposes; douching preparations for medical purposes; bath preparations for medical purposes; therapeutic preparations for the bath; hemorrhoid preparations; preparations for callouses; lice treatment preparations [pediculicides]; acne treatment preparations; preparations to facilitate teething; preparations for the treatment of burns; fumigation preparations for medical purposes; opotherapy preparations; air purifying preparations; bronchodilating preparations; preparations for reducing sexual activity; sterilising preparations; soil-sterilising preparations; corn remedies; pharmaceutical preparations for treating dandruff; preparations for destroying noxious animals; herbicides; preparations for destroying dry rot fungus; larvae exterminating preparations; fly destroying preparations; preparations for destroying mice; slug exterminating preparations; vermin destro-

ying preparations; pharmaceutical preparations for skin care; contact lens cleaning preparations; lime-based pharmaceutical preparations; preparations of microorganisms for medical or veterinary use; styptic preparations; medicated eye-washes; medicinal hair growth preparations; nutraceutical preparations for therapeutic or medical purposes; opiates; anticryptogamic preparations; aloe vera preparations for pharmaceutical purposes; preparations of trace elements for human and animal use; sulfonamides [medicines]; pharmaceutical preparations; pharmaceutical preparations for treating sunburn; enzyme preparations for veterinary purposes; enzyme preparations for medical purposes; phytotherapy preparations for medical purposes; chemico-pharmaceutical preparations; chemical preparations for veterinary purposes; chemical preparations for the diagnosis of pregnancy; chemical preparations for medical purposes; chemical preparations for treating diseases affecting cereal plants; chemical preparations for treating wheat blight; chemical preparations for treating diseases affecting vine plants; chemical preparations for treating mildew; chemical preparations for treating phyloxera; chemical preparations for pharmaceutical purposes; collyrium; lead water; chemical conductors for electrocardiograph electrodes; albuminous foodstuffs for medical purposes; dietetic foods adapted for medical purposes; by-products of the processing of cereals for dietetic or medical purposes; homogenized food adapted for medical purposes; freeze-dried food adapted for medical purposes; pharmaceuticals; sanitary towels; panty liners [sanitary]; propolis for pharmaceutical purposes; pearl powder for medical purposes; radium for medical purposes; solvents for removing adhesive plasters; hydrated chloral for pharmaceutical purposes; vaginal washes for medical purposes; solutions for contact lenses; chemical reagents for medical or veterinary purposes; gum for medical purposes; rubber for dental purposes; chewing gum for medical purposes; nicotine gum for use as an aid to stop smoking; insect repellents; insect repellent incense; repellents for dogs; tissues impregnated with pharmaceutical lotions; sarsaparilla for medical purposes; sugar for medical purposes; asthmatic tea; fumigating sticks; massage candles for therapeutic purposes; suppositories; linseed for pharmaceutical purposes; tobacco-free cigarettes for medical purposes; siccatives [drying agents] for medical purposes; syrups for pharmaceutical purposes; turpentine for pharmaceutical purposes; milking grease; greases for veterinary purposes; greases for medical purposes; lacteal flour for babies; infant formula; soporifics; bicarbonate of soda for pharmaceutical purposes; mineral water salts; bath salts for medical purposes; salts for mineral water baths; salts for medical purposes; potassium salts for medical purposes; sodium salts for medical purposes; smelling salts; malt for pharmaceutical purposes; semen for artificial insemination; alcohol for pharmaceutical purposes; medicinal alcohol; alloys of preci-

ous metals for dental purposes; ergot for pharmaceutical purposes; cooling sprays for medical purposes; digestives for pharmaceutical purposes; nervines; antibacterial handwashes; adjuvants for medical purposes; astringents for medical purposes; vermifuges; disinfectants for hygiene purposes; disinfectants for chemical toilets; appetite suppressants for medical purposes; medical preparations for slimming purposes; parasiticides; mouthwashes for medical purposes; febrifuges; depuratives; animal washes [insecticides]; detergents for medical purposes; cattle washes [insecticides]; dog washes [insecticides]; insecticidal veterinary washes; vesicants; purgatives; chemical contraceptives; antiparasitic preparations; remedies for perspiration; remedies for foot perspiration; sedatives; laxatives; tonics [medicines]; medicated toiletry preparations; media for bacteriological cultures; steroids; strychnine; serums; antioxidant pills; tanning pills; appetite suppressant pills; slimming pills; jujube, medicated; sanitary tampons; vulnerary sponges; thymol for pharmaceutical purposes; biological tissue cultures for veterinary purposes; biological tissue cultures for medical purposes; smoking herbs for medical purposes; medicinal herbs; transplants [living tissues]; surgical implants comprised of living tissues; babies' diaper-pants; pants, absorbent, for incontinence; sanitary panties; charcoal for pharmaceutical purposes; fennel for medical purposes; porcelain for dental prostheses; phenol for pharmaceutical purposes; enzymes for veterinary purposes; enzymes for medical purposes; ferments for pharmaceutical purposes; formic aldehyde for pharmaceutical purposes; phosphates for pharmaceutical purposes; fungicides; quinine for medical purposes; chinoline for medical purposes; diabetic bread adapted for medical use; chloroform; flowers of sulfur for pharmaceutical purposes; cement for animal hooves; bone cement for surgical and orthopaedic purposes; dental cements; medicinal tea; herbal teas for medicinal purposes; insecticidal animal shampoos; medicated shampoos; medicated shampoos for pets; pediculicidal shampoos; medicated dry shampoos; pre-filled syringes for medical purposes; eucalyptus for pharmaceutical purposes; herbal extracts for medical purposes; plant extracts for pharmaceutical purposes; tobacco extracts [insecticides]; extracts of hops for pharmaceutical purposes; elixirs [pharmaceutical preparations]; ethers for pharmaceutical purposes; esters for pharmaceutical purposes; cellulose esters for pharmaceutical purposes; cellulose ethers for pharmaceutical purposes; rat poison; poisons; bacterial poisons; jalap.

(260) AM 2021 109787 A
 (800) 1550329
 (151) 2020 07 10
 (891) 2020 07 10
 (731) NOVARTIS AG
 CH-4002 Basel, Switzerland

(540)

EYELOVE

(591) Black, white

(511)

44 – Health care services relating to dry eye disease; providing medical information about dry eye disease and the treatment thereof.

(260) AM 2021 109788 A

(800) 1550391

(151) 2020 05 06

(891) 2020 05 06

(731) Bit Bio Limited

Pioneer House, Vision Park, Histon,
Cambridge, Cambridgeshire CB24 9NL,
United Kingdom

(540)


 The logo for 'bit bio' features the word 'bit' in a bold, black, lowercase sans-serif font. To its right, the word 'bio' is written in a lowercase sans-serif font where each letter is a different color: 'b' is blue, 'i' is orange, and 'o' is purple.

(591) Black, white

(531) 27.05.01; 29.01; 29.01.14

(511)

1 – Stem cells for research purposes; stem cells for scientific purposes; stem cells other than for medical or veterinary purposes; skeletal myocytes for research purposes; cortical neurons for research purposes; biological tissue for research and scientific purposes; biological tissue cultures other than for medical or veterinary purposes; cultures of cell media [other than for medical or veterinary use]; chemical reagents for use in biotechnology, other than for medical or veterinary use; nutritive agents for processing living cells [other than for medical use]; semi-processed natural proteins for manufacturing food; proteins for use in the manufacture of food products; proteins for use in recombinant DNA technology [other than for medical use]; cell growth media, tissue culture media, cytokines, antibodies, and reagents for medical research use; cell preparations for drug screening for research use; genetically or otherwise modified cells for research use; cells which are propagated, cultivated and expanded in bioreactors for research use.

5 – Cell therapeutics for medical, therapeutic or clinical use; genetically or otherwise modified cells for medical, therapeutic or clinical use; cells which are propagated, cultivated and expanded in bioreactors for medical, therapeutic or clinical use; cells for the purpose of tissue regeneration; living cells for medical use; cells for medical use; biological preparations for medical use; diagnostic preparations for medical and/or veterinary purposes; cell preparations for drug screening for medical, therapeutic or clinical use; cell preparations for genetic testing, screening for medical, therapeutic or clinical purposes; stem cells for medical purposes; stem cells for veterinary purposes; cell

growth media, tissue culture media, cytokines, antibodies, and reagents for medical or diagnostic use; tissue culture media, growth factors, growth media, serum, and nutritional supplements for in vitro culturing, development, maintenance, expansion, assay or manipulation of cells for medical, therapeutic or clinical purposes; cell separation reagents for medical, therapeutic or clinical purposes; dietary supplements; protein supplements; nutrition supplements.

9 – Computer software and computer hardware for the separation of biological and non-biological materials; bioreactors; bioreactors for biomanufacturing; bioreactors for research use; bioreactor for cell culturing; bioreactors for laboratory use; manufacturing software; smart manufacturing system controls; electronic control units; magnetic cell separation laboratory equipment.

29 – Meat; meat substitutes; tissue engineered meat; synthetic meat; cultured meat; laboratory-grown meat; fish, not live.

40 – Custom manufacture of biopharmaceuticals; processing of biopharmaceutical materials for others; custom manufacture of stem cells for research purposes, stem cells for scientific purposes, stem cells other than for medical or veterinary purposes, skeletal myocytes for research purposes, cortical neurons for research purposes, biological tissue for research and scientific purposes, biological tissue cultures other than for medical or veterinary purposes, cultures of cell media [other than for medical or veterinary use], chemical reagents for use in biotechnology, other than for medical or veterinary use, nutritive agents for processing living cells [other than for medical use], semi-processed natural proteins for manufacturing food, proteins for use in the manufacture of food products, proteins for use in recombinant DNA technology [other than for medical use], cell therapeutics, genetically or otherwise modified cells, cells which are propagated, cultivated and expanded in bioreactors, cells for the purpose of tissue regeneration, living cells for medical use, cells for medical use, biological preparations for medical use, diagnostic preparations for medical and/or veterinary purposes, cell preparations for drug screening, cell preparations for genetic testing, screening, stem cells for medical purposes, stem cells for veterinary purposes, cell growth media, tissue culture media, cytokines, antibodies, and reagents for medical, medical research or diagnostic use, tissue culture media, growth factors, growth media, serum, and nutritional supplements for in vitro culturing, development, maintenance, expansion, assay or manipulation of cells, cell separation reagents, magnetic cell separation equipment, dietary supplements, protein supplements, nutrition supplements, meat, meat substitutes, tissue engineered meat, synthetic meat, cultured meat, laboratory-grown meat and fish, not live.

42 – Biotechnology research; biotechnology testing; stem cell research; synthetic biology services; stem cell biology services; scientific services relating to the isolation and cultivation of human tissues and cells; research and development in the field of microorganisms and cells; research and development in relation to genetic testing, screening; research and development in relation to drug screening; cell separation technology services; cell separation research services; consultancy relating to biotechnology; scientific and technological consultancy relating to drug screening; scientific and technological consultancy relating to genetic screening; scientific and technological consultancy relating to cell therapy; laboratory research; research on food; research and development in the field of animal cells cultivated within bioreactors; research in the reduction of carbon emissions.

(260) AM 2021 109803 A

(800) 1550973

(151) 2020 06 02

(891) 2020 06 02

(731) Euro Games Technology Ltd.

4, "Maritsa" Str., "Vranya-Lozen-Triugulnika",
BG-1151 Sofia, Bulgaria

(540)



(591) Red, green, brown, white, yellow and black

(531) 27.05.02; 28.03; 29.01.15

(511)

9 – Software; computer gaming software; computer software packages; computer operating system software; computer software, recorded; software drivers; virtual reality software; games software; entertainment software for computer games; computer programs for network management; operating computer software for main frame computers; monitors (computer hardware); computer hardware; apparatus for recording images; monitors (computer programs); computer game programs; computer programs for recorded games; apparatus for recording, transmission or reproduction of sound or images; communications servers [computer hardware]; electronic components for gambling machines; computer application software featuring games and gaming; computer software for the administration of on-line games and gaming; computer hardware for games and gaming; electronic components and computer software for gambling, gambling machines, gambling games on the internet and via telecommunication network.

28 – Gaming machines for gambling; chips for gambling; mah-jong; arcade games; gambling machines operating with coins, notes and cards; games; elec-

tronic games; parlor games; gaming chips; gaming tables; slot machines [gaming machines]; LCD game machines; slot machines and gaming devices; coin-operated amusement machines; roulette chips; poker chips; chips and dice [gaming equipment]; equipment for casinos; roulette tables; gaming roulette wheels; casino games; gambling machines and amusement machines, automatic and coin-operated; coin-operated amusement machines and/or electronic coin-operated amusement machines with or without the possibility of gain; boxes for coin-operated machines, slot machines and gaming machines; electronic or electrotechnical amusement machines and apparatus, gaming machines, coin-operated entertainment machines; housings for coin-operated machines, gaming equipment, gaming machines, machines for gambling; electropneumatic and electrical slot machines (gaming machines for gambling).

41 – Gambling; services related to gambling; gaming services for entertainment purposes; casino, gaming and gambling services; training in the development of software systems; provision of equipment for gambling halls; providing casino equipment [gambling]; gaming machine entertainment services; providing casino facilities [gambling]; gaming hall services; amusement arcade services; games equipment rental; rental of gaming machines; providing amusement arcade services; rental of gaming machines with images of fruits; editing or recording of sounds and images; sound recording and video entertainment services; hire of sound reproducing apparatus; provision of gaming equipment for casinos; providing of casino facilities; online gambling services; casino, gaming and gambling services; provision of gaming facilities, gaming halls, Internet casinos, online gaming services.

(260) AM 2021 109804 A

(800) 1551004

(151) 2020 06 01

(891) 2020 06 01

(731) PREDO SAĞLIK ÜRÜNLERİ SANAYİ VE
TİCARET ANONİM ŞİRKETİ

2. Organize Sanayi Bölgesi Batı 4, Nolu Cadde
No:2, Başpınar Şehitkamil, Gaziantep, Turkey

(540)



(591) Blue, dark blue, red and green
 (531) 06.03.01; 24.03.01; 25.01.19; 27.05.10;
 29.01.15

(526) Fabric softener

(511)

3 – Bleaching and cleaning preparations, detergents other than for use in manufacturing operations and for medical purposes, laundry bleach, fabric softeners for laundry use, stain removers, dishwasher detergents.

(260) AM 2021 109809 A

(800) 1551157

(151) 2020 06 02

(891) 2020 06 02

(731) Euro Games Technology Ltd.

4, "Maritsa" Str., "Vranya-Lozen-Triugulnika",
 BG-1151 Sofia, Bulgaria

(540)



(591) Yellow, gold, beige, red, brown, orange, white and black

(531) 25.01.25; 27.05.04; 28.03; 29.01.15

(511)

9 – Software; computer gaming software; computer software packages; computer operating system software; computer software, recorded; software drivers; virtual reality software; games software; entertainment software for computer games; computer programs for network management; operating computer software for main frame computers; monitors (computer hardware); computer hardware; apparatus for recording images; monitors (computer programs); computer game programs; computer programs for recorded games; apparatus for recording, transmission or reproduction of sound or images; communications servers [computer hardware]; electronic components for gambling machines; computer application software featuring games and gaming; computer software for the administration of on-line games and gaming; computer hardware for games and gaming; electronic components and computer software for gambling, gambling machines, gambling games on the internet and via telecommunication network.

28 – Gaming machines for gambling; chips for gambling; mah-jong; arcade games; gambling machines operating with coins, notes and cards; games; electronic games; parlor games; gaming chips; gaming tables; slot machines [gaming machines]; LCD game machines; slot machines and gaming devices; coin-operated amusement machines; roulette chips; poker chips; chips and dice [gaming equipment]; equipment for casinos; roulette tables; gaming roulette wheels; casino games; gambling machines and amusement machines, automatic and coin-operated; coin-operated

amusement machines and/or electronic coin-operated amusement machines with or without the possibility of gain; boxes for coin-operated machines, slot machines and gaming machines; electronic or electro-technical amusement machines and apparatus, gaming machines, coin-operated entertainment machines; housings for coin-operated machines, gaming equipment, gaming machines, machines for gambling; electropneumatic and electrical slot machines (gaming machines for gambling).

41 – Gambling; services related to gambling; gaming services for entertainment purposes; casino, gaming and gambling services; training in the development of software systems; provision of equipment for gambling halls; providing casino equipment [gambling]; gaming machine entertainment services; providing casino facilities [gambling]; gaming hall services; amusement arcade services; games equipment rental; rental of gaming machines; providing amusement arcade services; rental of gaming machines with images of fruits; editing or recording of sounds and images; sound recording and video entertainment services; hire of sound reproducing apparatus; provision of gaming equipment for casinos; providing of casino facilities; online gambling services; casino, gaming and gambling services; provision of gaming facilities, gaming halls, Internet casinos, online gaming services.

(260) AM 2021 109814 A

(800) 1029459

(151) 2009 12 02

(891) 2020 08 31

(731) G. Pohl-Boskamp GmbH & Co. KG

Kieler Strasse 11, 25551 Hohenlockstedt,
 Germany

(540)

GeloRevoice

(591) Black, white

(511)

5 – Pharmaceutical and veterinary preparations; sanitary preparations for medical purposes; dietetic substances adapted for medical use, food for babies; plasters, materials for dressings; material for stopping teething, dental wax; disinfectants; preparations for destroying vermin; fungicides, herbicides.

(260) AM 2021 109815 A

(800) 1068528

(151) 2010 12 09

(891) 2020 08 18

(731) Obschestvo s ogranichennoi, .otvetstvennostiou

"SARANSKIY DISTILLERS"

d.58a, pr.Lenina, RU-430003 Saransk,

Republic of Modova, Russian Federation

(540)

МЛЕЧНЫЙ ПУТЬ

(591) Black, white

(531) 28.05

(511)

33 – Alcoholic beverages except beers, aperitifs; arak; brandy; wine; piquette; whisky; vodka; gin; digesters (liqueurs and spirits); cocktails; liqueurs; alcoholic beverages; alcoholic beverages containing fruit; spirits (beverages); distilled beverages; hydromel (mead); peppermint liqueurs; bitters; rum; sake; cider; rice alcohol; alcoholic extracts; fruit extracts, alcoholic; alcoholic essences.

(260) AM 2021 109818 A

(800) 1383847

(151) 2017 09 12

(891) 2020 08 03

(731) Obschestvo s ogranichennoy otvetstvennost'yu "Tabak-invest"

Gusovskogo St. d. 22, 220073 Minsk, Belarus

(540)

KORONA

(591) Black, white

(511)

34 – Tobacco; chewing tobacco; snuff; herbs for smoking; tobacco pipes; pocket machines for rolling cigarettes; cigarette paper; cigarette filters; cigarette tips; electronic cigarettes; cigarettes; cigarettes containing tobacco substitutes, not for medical purposes; cigarettos; cigars; match holders; matches; lighters for smokers; cigar cutters; cigarette holders; mouthpieces for cigarette holders; tips of yellow amber for cigar and cigarette holders; ashtrays for smokers; spittoons for tobacco users; pipe racks for tobacco pipes; pipe cleaners for tobacco pipes; snuff boxes; tobacco jars; tobacco pouches; humidors.

(260) AM 2021 109819 A

(800) 1417734

(151) 2018 06 05

(891) 2020 09 03

(731) REMY COINTREAU EUROPE & MEA SA

Route de Pré-Bois 20, Case Postale 1875,

CH-1215 Genève 15, Switzerland

(540)



(591) Copper, blue, white and gold

(531) 01.01.05; 01.03.01; 01.03.12; 01.03.15;

02.01.04; 02.01.08; 19.07.01; 19.07.09;

19.07.17; 24.05.03; 24.05.07; 24.05.25;

29.01.14

(526) All written elements apart from the words "METAXA" and "S. METAXA".

(511)

33 – Alcoholic beverages, except beers; spirits and liqueurs.

(260) AM 2021 109820 A

(800) 1435411

(151) 2018 09 27

(891) 2020 06 29

(731) Obschestvo s ogranichennoy otvetstvennost'yu "NL Kontinent"

ul. Yadrintsevskaya, d. 53/1, of. 1015,

RU-630099 Novosibirsk, Russian Federation

(540)



(591) Black, green

(531) 05.03.13; 05.03.14; 26.11.02; 28.05; 29.01.12

(511)

5 – Acaricides; aconitine; alkaloids for medical purposes; alginates for pharmaceutical purposes; algicides; aldehydes for pharmaceutical purposes; dental amalgams of gold; dental amalgams; amino acids for veterinary purposes; amino acids for medical purposes; analgesics; anaesthetics; antibiotics; antiseptics; medicine cases, portable, filled; first-aid boxes, filled; aluminium acetate for pharmaceutical purposes; acetates for pharmaceutical purposes; germicides; balms for medical purposes; bandages for dressings; diagnostic biomarker reagents for medical purposes; biocides; bromine for pharmaceutical purposes; paper for mustard plasters; fly catching paper; reagent paper for veterinary purposes; reagent paper for medical purposes; mothproofing paper; petroleum jelly for medical purposes; vaccines; oxygen baths; antiseptic cotton; aseptic cotton; absorbent cotton; wadding for medical purposes; cotton for medical purposes; dietetic substances adapted for medical use; radiological contrast substances for medical purposes; nutritive substances for microorganisms; radioactive substances for medical purposes; melissa water for pharmaceutical purposes; sea water for medicinal bathing; mineral waters for medical purposes; thermal water; dietary fiber; molding wax for dentists; gases for medical purposes; guaiacol for pharmaceutical purposes; sexual stimulant gels; hematogen; hemoglobin; hydrastine; hydrastinine; glycerine for medical purposes; glycerophosphates; glucose for medical purposes; gentian for pharmaceutical purposes; hormones for medical pur-

poses; mustard for pharmaceutical purposes; mustard plasters; mud for baths; medicinal mud; gamboge for medical purposes; gurjun balsam for medical purposes; air deodorising preparations; deodorants, other than for human beings or for animals; deodorants for clothing and textiles; diastase for medical purposes; digitalin; mineral food supplements; nutritional supplements; albumin dietary supplements; dietary supplements for animals; yeast dietary supplements; alginate dietary supplements; glucose dietary supplements; casein dietary supplements; lecithin dietary supplements; linseed oil dietary supplements; propolis dietary supplements; protein dietary supplements; protein supplements for animals; royal jelly dietary supplements; pollen dietary supplements; wheat germ dietary supplements; linseed dietary supplements; enzyme dietary supplements; yeast for pharmaceutical purposes; gelatine for medical purposes; cod liver oil; isotopes for medical purposes; immunostimulants; insecticides; iodine for pharmaceutical purposes; iodides for pharmaceutical purposes; alkaline iodides for pharmaceutical purposes; iodoform; calomel [fungicide]; tartar for pharmaceutical purposes; camphor for medical purposes; capsules for medicines; cachets for pharmaceutical purposes; hemostatic pencils; wart pencils; caustic pencils; carbolineum [parasiticide]; caustics for pharmaceutical purposes; cachou for pharmaceutical purposes; quassia for medical purposes; quebracho for medical purposes; oxygen for medical purposes; gallic acid for pharmaceutical purposes; acids for pharmaceutical purposes; adhesives for dentures; surgical glues; stem cells for veterinary purposes; stem cells for medical purposes; cocaine; collagen for medical purposes; collodion for pharmaceutical purposes; corn rings for the feet; candy, medicated; angostura bark for medical purposes; barks for pharmaceutical purposes; cedar wood for use as an insect repellent; condurango bark for medical purposes; croton bark; mangrove bark for pharmaceutical purposes; myrobalan bark for pharmaceutical purposes; quinquina for medical purposes; medicated animal feed; medicinal roots; rhubarb roots for pharmaceutical purposes; lint for medical purposes; starch for dietetic or pharmaceutical purposes; creosote for pharmaceutical purposes; blood for medical purposes; cultures of microorganisms for medical or veterinary use; curare; dental lacquer; liquorice for pharmaceutical purposes; lactose for pharmaceutical purposes; candy for medical purposes; adhesive plasters; medicines for alleviating constipation; lecithin for medical purposes; lotions for veterinary purposes; medicated hair lotions; lotions for pharmaceutical purposes; medicated aftershave lotions; personal sexual lubricants; lupulin for pharmaceutical purposes; magnesia for pharmaceutical purposes; liniments; ointments for pharmaceutical purposes; sunburn ointments; mercurial ointments; frostbite salve for pharmaceutical purposes; gauze for dressings; medicinal oils; mustard oil for medical purposes; camphor oil for medical purposes; castor oil for

medical purposes; oil of turpentine for pharmaceutical purposes; dill oil for medical purposes; dental mastics; dental abrasives; dental impression materials; teeth filling material; dressings, medical; surgical dressings; drugs for medical purposes; medicines for veterinary purposes; serotherapeutic medicines; medicines for human purposes; medicines for dental purposes; menthol; medicinal drinks; moleskin for medical purposes; almond milk for pharmaceutical purposes; powdered milk for babies; royal jelly for pharmaceutical purposes; milk ferments for pharmaceutical purposes; Irish moss for medical purposes; flour for pharmaceutical purposes; linseed meal for pharmaceutical purposes; fish meal for pharmaceutical purposes; fly glue; antibacterial soap; disinfectant soap; medicated soap; freeze-dried meat adapted for medical purposes; mint for pharmaceutical purposes; dietetic beverages adapted for medical purposes; malted milk beverages for medical purposes; narcotics; medicinal infusions; tincture of iodine; eucalyptol for pharmaceutical purposes; tinctures for medical purposes; opium; opodeldoc; decoctions for pharmaceutical purposes; antiparasitic collars for animals; stick liquorice for pharmaceutical purposes; sulfur sticks [disinfectants]; medicated dentifrices; pectin for pharmaceutical purposes; pepsins for pharmaceutical purposes; peptones for pharmaceutical purposes; hydrogen peroxide for medical purposes; pesticides; food for babies; leeches for medical purposes; blood plasma; eyepatches for medical purposes; poultices; compresses; scapulars for surgical purposes; babies' diapers; diapers for pets; diapers for incontinents; bunion pads; breast-nursing pads; pomades for medical purposes; powder of cantarides; pyrethrum powder; anti-uric preparations; bacterial preparations for medical and veterinary use; bacteriological preparations for medical and veterinary use; balsamic preparations for medical purposes; albuminous preparations for medical purposes; biological preparations for veterinary purposes; biological preparations for medical purposes; veterinary preparations; bismuth preparations for pharmaceutical purposes; vitamin preparations; diagnostic preparations for medical purposes; bath preparations for medical purposes; therapeutic preparations for the bath; hemorrhoid preparations; preparations for callouses; lice treatment preparations [pediculicides]; acne treatment preparations; preparations to facilitate teething; preparations for the treatment of burns; fumigation preparations for medical purposes; opotherapy preparations; air purifying preparations; bronchodilating preparations; preparations for reducing sexual activity; sterilising preparations; soil-sterilising preparations; corn remedies; pharmaceutical preparations for treating dandruff; preparations for destroying noxious animals; herbicides; preparations for destroying dry rot fungus; larvae exterminating preparations; fly destroying preparations; preparations for destroying mice; slug exterminating preparations; vermin destroying preparations; pharmaceutical preparations for skin ca-

re; contact lens cleaning preparations; preparations of microorganisms for medical or veterinary use; lime-based pharmaceutical preparations; medicated eye-washes; medicinal hair growth preparations; nutraceutical preparations for therapeutic or medical purposes; opiates; anticryptogamic preparations; aloe vera preparations for pharmaceutical purposes; preparations of trace elements for human and animal use; sulfonamides [medicines]; pharmaceutical preparations; pharmaceutical preparations for treating sunburn; enzyme preparations for veterinary purposes; enzyme preparations for medical purposes; phytotherapy preparations for medical purposes; chemico-pharmaceutical preparations; chemical preparations for veterinary purposes; chemical preparations for the diagnosis of pregnancy; chemical preparations for medical purposes; chemical preparations to treat wheat blight; vine disease treating chemicals; chemical preparations to treat mildew; chemical preparations for treating phylloxera; chemical preparations for pharmaceutical purposes; chilblain preparations; mothproofing preparations; collyrium; lead water; chemical conductors for electrocardiograph electrodes; albuminous foodstuffs for medical purposes; dietetic foods adapted for medical purposes; by-products of the processing of cereals for dietetic or medical purposes; homogenized food adapted for medical purposes; freeze-dried food adapted for medical purposes; pharmaceuticals; sanitary towels; panty liners [sanitary]; propolis for pharmaceutical purposes; pearl powder for medical purposes; radium for medical purposes; hydrated chloral for pharmaceutical purposes; solvents for removing adhesive plasters; vaginal washes for medical purposes; solutions for contact lenses; chemical reagents for medical or veterinary purposes; gum for medical purposes; rubber for dental purposes; chewing gum for medical purposes; insect repellents; insect repellent incense; repellents for dogs; tissues impregnated with pharmaceutical lotions; sarsaparilla for medical purposes; sugar for medical purposes; asthmatic tea; fumigating sticks; linseed for pharmaceutical purposes; tobacco-free cigarettes for medical purposes; siccatives [drying agents] for medical purposes; syrups for pharmaceutical purposes; turpentine for pharmaceutical purposes; greases for veterinary purposes; greases for medical purposes; lacteal flour for babies; infant formula; soporifics; bicarbonate of soda for pharmaceutical purposes; bath salts for medical purposes; salts for mineral water baths; salts for medical purposes; potassium salts for medical purposes; sodium salts for medical purposes; smelling salts; mineral water salts; malt for pharmaceutical purposes; semen for artificial insemination; alcohol for pharmaceutical purposes; medicinal alcohol; alloys of precious metals for dental purposes; ergot for pharmaceutical purposes; cooling sprays for medical purposes; antibacterial handwashes; adjuvants for medical purposes; astringents for medical purposes; vermifuges; disinfectants for hygiene purposes; disinfectants for chemical toi-

lets; douching preparations for medical purposes; appetite suppressants for medical purposes; medical preparations for slimming purposes; parasiticides; mouthwashes for medical purposes; febrifuges; depuratives; animal washes [insecticides]; detergents for medical purposes; cattle washes [insecticides]; dog washes [insecticides]; insecticidal veterinary washes; vesicants; purgatives; remedies for perspiration; remedies for foot perspiration; chemical contraceptives; antiparasitic preparations; laxatives; tonics [medicines]; medicated toiletry preparations; digestives for pharmaceutical purposes; nervines; media for bacteriological cultures; steroids; strychnine; serums; tanning pills; appetite suppressant pills; slimming pills; antioxidant pills; sanitary tampons; vulnerary sponges; thymol for pharmaceutical purposes; biological tissue cultures for veterinary purposes; biological tissue cultures for medical purposes; smoking herbs for medical purposes; medicinal herbs; surgical implants comprised of living tissues; pants, absorbent, for incontinents; sanitary panties; babies' diaper-pants; charcoal for pharmaceutical purposes; porcelain for dental prostheses; phenol for pharmaceutical purposes; enzymes for veterinary purposes; enzymes for medical purposes; ferments for pharmaceutical purposes; formic aldehyde for pharmaceutical purposes; phosphates for pharmaceutical purposes; fungicides; quinine for medical purposes; chinoline for medical purposes; diabetic bread adapted for medical use; chloroform; flowers of sulfur for pharmaceutical purposes; cement for animal hooves; bone cement for surgical and orthopaedic purposes; dental cements; medicinal tea; herbal teas for medicinal purposes; insecticidal animal shampoo; medicated shampoos; medicated shampoos for pets; pediculicidal shampoos; medicated dry shampoos; pre-filled syringes for medical purposes; eucalyptus for pharmaceutical purposes; herbal extracts for medical purposes; plant extracts for pharmaceutical purposes; tobacco extracts [insecticides]; extracts of hops for pharmaceutical purposes; elixirs [pharmaceutical preparations]; ethers for pharmaceutical purposes; esters for pharmaceutical purposes; cellulose esters for pharmaceutical purposes; cellulose ethers for pharmaceutical purposes; rat poison; poisons; bacterial poisons; jalap; disinfectants; bismuth subnitrate for pharmaceutical purposes; fennel for medical purposes; transplants [living tissues]; jujube, medicated; sedatives; milking grease; suppositories; diagnostic preparations for veterinary purposes; pastilles for pharmaceutical purposes; cotton sticks for medical purposes; adhesive tapes for medical purposes; cream of tartar for pharmaceutical purposes.

29 – Ajvar [preserved peppers]; aloe vera prepared for human consumption; alginates for culinary purposes; anchovy, not live; peanuts, prepared; artichokes, preserved; albumen for culinary purposes; white of eggs; beans, preserved; soya beans, preserved, for food; bo-

uillon; ginger jam; ham; fatty substances for the manufacture of edible fats; edible birds' nests; peas, preserved; mushrooms, preserved; guacamole [mashed avocado]; game, not live; gelatine; meat jellies; jellies for food; fruit jellies; yolk of eggs; coconut fat; bone oil for food; lard; suet for food; edible fats; fruit-based snack food; milk substitutes; charcuterie; raisins; caviar; eggplant paste; vegetable marrow paste; fish roe, processed; yogurt; galbi [grilled meat dish]; sauerkraut; kephir [milk beverage]; isinglass for food; clams, not live; potato-based dumplings; milk shakes; black pudding; onion rings; arrangements of processed fruit; compotes; meat, tinned; vegetables, tinned; fish, tinned; fruits, tinned; bouillon concentrates; gherkins; shrimps, not live; prawns, not live; buttercream; croquettes; silkworm chrysalis for human consumption; sweet corn, processed; kumys [milk beverage]; spiny lobsters, not live; lecithin for culinary purposes; salmon, not live; onions, preserved; margarine; marmalade; oils for food; peanut butter; cocoa butter for food; coconut oil for food; coconut butter; corn oil for food; sesame oil for food; olive oil for food; palm oil for food; palm kernel oil for food; sunflower oil for food; colza oil for food; butter; soya bean oil for food; shellfish, not live; almonds, ground; animal marrow for food; mussels, not live; milk; peanut milk; peanut milk for culinary purposes; coconut milk; coconut milk for culinary purposes; almond milk; almond milk for culinary purposes; oat milk; rice milk; rice milk for culinary purposes; albumin milk; condensed milk; soya milk; powdered milk; fish meal for human consumption; vegetable mousses; fish mousses; fruit pulp; meat; meat, preserved; freeze-dried meat; milk beverages, milk predominating; peanut milk-based beverages; coconut milk-based beverages; almond milk-based beverages; edible insects, not live; sausage casings, natural or artificial; vegetables, preserved; freeze-dried vegetables; vegetables, dried; vegetables, cooked; potato fritters; olives, preserved; lobsters, not live; flavored nuts; candied nuts; coconut, desiccated; nuts, prepared; tomato purée; liver pâté; pectin for culinary purposes; liver; pickles; jams; powdered eggs; milk products; fish-based foodstuffs; prostokvasha [soured milk]; poultry, not live; bulgogi [Korean beef dish]; pollen prepared as foodstuff; cranberry compote; apple purée; crayfish, not live; crustaceans, not live; fish, preserved; fish, not live; salted fish; ryazhenka [fermented baked milk]; vegetable salads; fruit salads; bacon; sardines, not live; pork; herrings, not live; seeds, prepared; sunflower seeds, prepared; cream [dairy products]; whipped cream; vegetable-based cream; fat-containing mixtures for bread slices; smetana [sour cream]; lemon juice for culinary purposes; tomato juice for cooking; vegetable juices for cooking; salted meats; sausages; sausages in batter; hot dog sausages; preparations for making bouillon; preparations for making soup; nut-based spreads; tripe; soups; vegetable soup preparations; whey; cheese; tahini [sesame seed paste]; tofu; truffles, preserved;

tuna, not live; oysters, not live; falafel; milk ferments for culinary purposes; rennet; dates; crystallized fruits; frozen fruits; fruit, preserved; fruit preserved in alcohol; fruit, stewed; hazelnuts, prepared; potato flakes; hummus [chickpea paste]; fruit peel; preserved garlic; lentils, preserved; potato chips; low-fat potato chips; fruit chips; non-alcoholic eggnog; seaweed extracts for food; meat extracts; escamoles [edible ant larvae, prepared]; berries, preserved; snail eggs for consumption; eggs; yakitori; sea-cucumbers, not live; fish fillets; extra virgin olive oil for food; linseed oil for food; corn dogs; kimchi [fermented vegetable dish].

30 – Vanilla flavorings for culinary purposes; flavorings, other than essential oils, for cakes; flavorings, other than essential oils, for beverages; coffee flavorings; food flavorings, other than essential oils; star aniseed; baozi [stuffed buns]; cereal bars; high-protein cereal bars; pancakes; noodle-based prepared meals; freeze-dried dishes with the main ingredient being pasta; freeze-dried dishes with the main ingredient being rice; buns; bread rolls; edible rice paper; edible paper; burritos; vanillin [vanilla substitute]; varenik [stuffed dumplings]; waffles; vermicelli [noodles]; natural sweeteners; sausage binding materials; binding agents for ice cream; sea water for cooking; seaweed [condiment]; malt biscuits; cloves [spice]; mirror icing [mirror glaze]; cake frosting [icing]; glucose for culinary purposes; mustard; gluten additives for culinary purposes; yeast; thickening agents for cooking foodstuffs; leaven; rice-based snack food; cereal-based snack food; artificial coffee; vegetal preparations for use as coffee substitutes; dressings for salad; fruit jellies [confectionery]; candy decorations for cakes; confectionery for decorating Christmas trees; cakes; pastries; peanut confectionery; almond confectionery; pasta; ginger [spice]; frozen yogurt [confectionery ices]; cocoa; capers; caramels [candy]; curry [spice]; ketchup [sauce]; gimbap [Korean rice dish]; quiches; gluten prepared as foodstuff; flour-based dumplings; sweetmeats [candy]; liquorice [confectionery]; peppermint sweets; dulce de leche; cinnamon [spice]; coffee; unroasted coffee; starch for food; crackers; custard; hominy grits; semolina; oatmeal; crushed barley; groats for human food; ice cubes; corn, milled; corn, roasted; meat pies; turmeric; couscous [semolina]; noodles; ice for refreshment; ice, natural or artificial; edible ices; candy; rice cakes; mayonnaise; macarons [pastry]; macaroni; maltose; hominy; piccalilli; marinades; marzipan; honey; royal jelly; ice cream; bean meal; tapioca flour; potato flour; corn flour; nut flours; flour; wheat flour; soya flour; barley meal; dessert mousses [confectionery]; chocolate mousses; museli; mint for confectionery; cocoa beverages with milk; coffee beverages with milk; coffee-based beverages; cocoa-based beverages; chamomile-based beverages; tea-based beverages; chocolate beverages with milk; chocolate-based beverages; infusions, not medicinal; crushed oats; husked oats; okonomiyaki

[Japanese savory pancakes]; onigiri [rice balls]; nutmegs; chocolate-coated nuts; stick liquorice [confectionery]; pastilles [confectionery]; molasses for food; pâtés en croûte; pelmeni [dumplings stuffed with meat]; pepper; allspice; peppers [seasonings]; pesto [sauce]; cookies; petit-beurre biscuits; bibimbap [rice mixed with vegetables and beef]; pies; pizzas; meat gravies; fondants [confectionery]; popcorn; powders for making ice cream; baking powder; mustard meal; pralines; condiments; meat tenderizers for household purposes; cereal preparations; oat-based food; propolis; gingerbread; spices; petits fours [cakes]; puddings; cake powder; fruit coulis [sauces]; ravioli; ramen [Japanese noodle-based dish]; chewing gum; relish [condiment]; rice; instant rice; wheat germ for human consumption; spring rolls; sago; palm sugar; sugar; sesame seeds [seasonings]; linseed for culinary purposes [seasoning]; processed seeds for use as a seasoning; aniseed; agave syrup [natural sweetener]; confectionery; batter mixes for okonomiyaki [Japanese savory pancakes]; baking soda [bicarbonate of soda for cooking purposes]; malt for human consumption; salt for preserving foodstuffs; cooking salt; celery salt; sherbets [ices]; ham glaze; soya sauce; tomato sauce; sauces [condiments]; pasta sauce; spaghetti; seasonings; chocolate-based spreads; chocolate spreads containing nuts; preparations for stiffening whipped cream; rusks; breadcrumbs; sushi; sandwiches; tabbouleh; tacos; tapioca; tarts; dough; pastry dough; almond paste; rice pulp for culinary purposes; cake dough; garden herbs, preserved [seasonings]; chocolate decorations for cakes; vinegar; beer vinegar; ferments for pastes; halvah; bread; unleavened bread; chips [cereal products]; corn flakes; oat flakes; hot dog sandwiches; jiaozi [stuffed dumplings]; chicory [coffee substitute]; tea; iced tea; chutneys [condiments]; minced garlic [condiment]; cheeseburgers [sandwiches]; chow-chow [condiment]; saffron [seasoning]; chocolate; malt extract for food; essences for foodstuffs, except etheric essences and essential oils; husked barley; cream of tartar for culinary purposes; flowers or leaves for use as tea substitutes; golden syrup; soya bean paste [condiment].

32 – Aperitifs, non-alcoholic; lithia water; seltzer water; soda water; waters [beverages]; aerated water; mineral water [beverages]; table waters; kvass [non-alcoholic beverage]; cocktails, non-alcoholic; beer-based cocktails; lemonades; non-alcoholic beverages; isotonic beverages; non-alcoholic honey-based beverages; rice-based beverages, other than milk substitutes; soya-based beverages, other than milk substitutes; aloe vera drinks, non-alcoholic; whey beverages; protein-enriched sports beverages; soft drinks; non-alcoholic beverages flavored with coffee; non-alcoholic beverages flavored with tea; non-alcoholic fruit juice beverages; fruit nectars, non-alcoholic; orgeat; beer; ginger beer; malt beer; powders for effervescing beverages; sarsaparilla [non-alcoholic beverage]; syrups

for lemonade; syrups for beverages; smoothies; tomato juice [beverage]; cider, non-alcoholic; vegetable juices [beverages]; fruit juices; preparations for making aerated water; preparations for making liqueurs; preparations for making beverages; must; grape must, unfermented; beer wort; malt wort; pastilles for effervescing beverages; non-alcoholic fruit extracts; extracts of hops for making beer; essences for making beverages; sherbets [beverages].

(260) AM 2021 109860 A

(800) 1551419

(151) 2020 08 13

(891) 2020 08 13

(731) CELLTRION, INC.

23, Academy-ro, Yeonsu-gu, Incheon 22014,
Republic of Korea

(540)

Olybevma

(591) Black, white

(511)

5 – Pharmaceutical preparations for the treatment of cancer; antibodies for medical purposes.

(260) AM 2021 109861 A

(800) 1551434

(151) 2020 07 30

(891) 2020 07 30

(731) Limited Liability Company "Facade company
VID"

Avenue of Glory, 131, RU-308015 Belgorod
city, Russian Federation

(540)

МНОГО — ГРАННИКИ

(591) Black, white

(531) 28.05

(511)

6 – Arbours [structures] of metal; aviaries [structures] of metal; baskets of metal; bicycle parking installations of metal; bolts, flat; brackets of metal for building; bronzes [works of art]; building or furniture fittings of nickel-silver; building panels of metal; buildings of metal; buildings, transportable, of metal; busts of common metal; cabanas of metal; ceilings of metal; chests of metal; chimney cowls of metal; chimney shafts of metal; clothes hooks of metal; containers of metal [storage, transport]; cornices of metal; couplings of metal for chains; crampons of metal [cramps]; door bells of metal, non-electric; door bolts of metal; door frames of metal; door scrapers; doors of metal; duckboards of metal; elbows of metal for pipes; fences of metal; firedogs [andirons]; fittings of metal for building; fittings of metal for furniture; floor

tiles of metal; frames of metal for building; framework of metal for building; furnace fireguards of metal; gates of metal; greenhouse frames of metal; grilles of metal; gutter pipes of metal; hooks of metal for clothes rails; identity plates of metal; ironwork for doors; ironwork for windows; jalousies of metal; ladders of metal; latch bars of metal; laths of metal; letter boxes of metal; letters and numerals of common metal, except type; lintels of metal; locks of metal, other than electric; memorial plates of metal; metal knockers; moldings of metal for cornices; outdoor blinds of metal; palings of metal; partitions of metal; porches [structures] of metal; prefabricated houses [kits] of metal; roller blinds of steel; roof gutters of metal; roofing of metal; shutters of metal; signboards of metal; sills of metal; staircases of metal; statues of common metal; steel buildings; street gutters of metal; tile floorings of metal; tiles of metal for building; wall claddings of metal for building; wall linings of metal for building; weather- or wind-vanes of metal; wind-driven bird-repelling devices made of metal; window fasteners of metal; window frames of metal; windows of metal; works of art of common metal.

11 – Barbecues; ceiling lights; chandeliers; electric fans for personal use; fountains; hearths; lamps; lampshade holders; lanterns for lighting; luminous house numbers; ornamental fountains; roasting spits; standard lamps; lamp shades.

19 – Arbours [structures], not of metal; artificial stone; balustrades, not of metal; beams, not of metal; building materials, not of metal; building panels, not of metal; building stone; buildings, not of metal; buildings, transportable, not of metal; busts of stone, concrete or marble; ceilings, not of metal; chimney cowl, not of metal; concrete building elements; cornices, not of metal; door panels, not of metal; doors, not of metal; door frames, not of metal; fences, not of metal; figurines of stone, concrete or marble; fireplace mantles, not of metal; floor tiles, not of metal; floors, not of metal; folding doors, not of metal; framework, not of metal, for building; gates, not of metal; greenhouse frames, not of metal; jalousies, not of metal; laths, not of metal; linings, not of metal, for building; lintels, not of metal; moldings, not of metal, for building; mosaics for building; outdoor blinds, not of metal and not of textile; palisading, not of metal; pantiles, not of metal; parquet flooring; partitions, not of metal; refractory construction materials, not of metal; roof coverings, not of metal; roof gutters, not of metal; roofing tiles, not of metal; roofing, not of metal, incorporating photovoltaic cells; shutters, not of metal; sills, not of metal; stair-treads [steps], not of metal; staircases, not of metal; statues of stone, concrete or marble; street gutters, not of metal; tiles, not of metal, for building; trellises, not of metal; vinyl siding; wainscoting, not of metal; wall claddings, not of metal, for building; wall linings, not of metal, for building; windows, not of metal; wood panelling; wooden floor

boards; works of art of stone, concrete or marble; works of stonemasonry.

20 – Armchairs; benches [furniture]; busts of wood, wax, plaster or plastic; cabinet work; chairs [seats]; chests of drawers; chests, not of metal; coatstands; covers for clothing [wardrobe]; curtain holders, not of textile material; curtain rails; display boards; divans; door bells, not of metal, non-electric; door knockers, not of metal; figurines of wood, wax, plaster or plastic; filing cabinets; freestanding partitions [furniture]; furniture of metal; furniture partitions of wood; house numbers, not of metal, non-luminous; kennels for household pets; keyboards for hanging keys; letter boxes, not of metal or masonry; meat safes; medicine cabinets; mirrors [looking glasses]; moldings for picture frames; picture frames; picture frame brackets; placards of wood or plastics; plate racks; racks [furniture]; screens [furniture]; screens for fireplaces [furniture]; sideboards; signboards of wood or plastics; statues of wood, wax, plaster or plastic; stools; tables; trestles [furniture]; works of art of wood, wax, plaster or plastic.

35 – Administrative processing of purchase orders; advertising; bill-posting; business efficiency expert services; dissemination of advertising matter; online advertising on a computer network; outsourcing services [business assistance]; presentation of goods on communication media, for retail purposes; procurement services for others [purchasing goods and services for other businesses]; providing commercial information and advice for consumers in the choice of products and services; sales promotion for others.

37 – Bricklaying; building construction supervision; building insulating; building sealing; carpentry services; cleaning of buildings [exterior surface]; construction; furnace installation and repair; installation of doors and windows; masonry; painting or repair of signs; painting, interior and exterior; plastering; providing construction information.; roofing services; rustproofing.

40 – Blacksmithing; chromium plating; custom assembling of materials for others; engraving; framing of works of art; galvanization; metal treating; millworking; providing information relating to material treatment; soldering; woodworking.

42 – Architectural consultancy; architectural services; conducting technical project studies; construction drafting; design of interior decor; engineering; graphic arts design; industrial design; quality control; research and development of new products for others; styling [industrial design]; surveying.

(260) AM 2021 109862 A
 (800) 1551471
 (151) 2020 07 29
 (891) 2020 07 29
 (731) HYUNDAI MOTOR COMPANY
 12, Heolleung-ro, Seocho-gu, Seoul,
 Republic of Korea
 (540)

BAYON

(591) Black, white
 (511)
 12 – Automobiles; sports cars; vans (vehicles); trucks;
 motor buses; electric vehicles; parts and accessories
 for automobiles.

(260) AM 2021 109863 A
 (800) 1551478
 (151) 2020 07 16
 (891) 2020 07 16
 (731) CANTINE CECI S.p.A.
 Strada Provinciale di Golese 99, I-43056
 TORRILE (PARMA), Italy
 (540)

OTELLO CECI

(591) Black, white
 (511)
 33 – Wine; spirits for human consumption; liqueurs;
 alcoholic beverages, except beer.

(260) AM 2021 109864 A
 (800) 1551495
 (151) 2020 07 22
 (891) 2020 07 22
 (731) PERNOD RICARD
 5 cours Paul Ricard, F-75008 Paris, France
 (540)



(591) Black, white
 (531) 01.03.01; 29.01.04
 (511)
 33 – Alcoholic beverages, except beers.

35 – Retail or wholesale services for beverages; retail
 or wholesale services for products intended for the
 tasting of beverages, namely glasses and bar acces-
 sories; provision of on-line sales spaces for buyers
 and sellers; grouping services (except transport) for
 the benefit of third parties; presentation of goods on

any means of communication for retail or wholesale
 of beverages and of products intended for the tasting
 of beverages, namely glasses and bar accessories;
 point-of-sale advertising; distribution of brochures,
 samples, advertising items; dissemination of adverti-
 sements; publication of advertising texts; demonstra-
 tion of goods; advertising by mail order; radio adver-
 tising; television advertising; online advertising; orga-
 nization of events, trade fairs, competitions, shows,
 exhibitions for commercial or advertising purposes re-
 lated to the beverage industry; customer loyalty servi-
 ces and customer club services for commercial, pro-
 motivational and/or advertising purposes; commercial and
 administrative business management; commercial ad-
 ministration; commercial or industrial company ma-
 nagement assistance; business management and orga-
 nization consultancy; linkage between commercial
 and professional contacts.

(260) AM 2021 109865 A
 (800) 1551500
 (151) 2020 08 11
 (891) 2020 08 11
 (731) Open-Type Joint Stock Company
 "ROT FRONT"
 2-oy Novokuznetskiy pereulok, d. 13/15,
 RU-115184 Moscow, Russian Federation
 (540)



(591) Green, light green, white, red, black, yellow,
 purple, orange, light blue and grey
 (531) 04.05.01; 05.07.08; 19.03.24; 28.05; 29.01.13
 (526) клубника со сливками
 (511)
 30 – Confectionery.

(260) AM 2021 109869 A
 (800) 1551554
 (151) 2020 07 10
 (891) 2020 07 10
 (731) SHENZHEN FITTOP HEALTH
 TECHNOLOGY, CO., LTD.
 3/F, BLDG 9, 3, 4, 5/F, BLDG 4, Hualian
 Industrial Estate, Xinshi Community, Dalang,
 Longhua District, Shenzhen, 518000
 Guangdong Province, China
 (540)

FITTOP

(591) Black, white

(531) 27.05.01

(511)

10 – Foot massagers; massage apparatus for personal use; massage apparatus for eyes; massage apparatus for medical purposes; surgical apparatus; scalp massagers, battery-operated; scalp massagers; esthetic massage apparatus; massage apparatus; medical apparatus and instruments; vibromassage apparatus; testing apparatus for medical purposes; sanitary masks for dust isolation for medical purposes; sanitary masks for medical purposes; facial masks for sanitary purposes; sanitary masks for fungus isolation purposes; ear thermometer; masks for use by medical personnel; infrared thermometers for medical purposes; medical gowns.

(260) AM 2021 109893 A

(800) 1552010

(151) 2020 02 21

(891) 2020 02 21

(731) ZHEJIANG PDW INDUSTRIAL CO., LTD

Jinyanshan Industrial Park, Quanxi Town,
Wuyi County, Zhejiang Province 310004,
China

(540)

The logo consists of the letters 'PDW' in a bold, sans-serif font. To the right of the letters are four vertical bars of varying heights, creating a stylized graphic element.

(591) Black, white

(531) 26.11.03; 26.11.06; 26.11.09

(511)

9 – Surveying apparatus and instruments; automatic indicators of low pressure in vehicle tyres; speed checking apparatus for vehicles; milage recorders for vehicles; steering apparatus, automatic, for vehicles; voltage regulators for vehicles; tire pressure measuring device; tire pressure gauge; pressure measuring apparatus; measuring devices, electric.

(260) AM 2021 109894 A

(800) 1552067

(151) 2020 07 20

(891) 2020 07 20

(731) Limited Liability Company "AvtoGazTrans"

ul. 22 Partsiezda, 10A, office 21, Samara,
RU-443022 Samarskaya oblast, Russian
Federation

(540)



(591) Black, white

(531) 27.05.01; 27.05.19; 27.05.22

(511)

6 – Containers of metal for compressed gas or liquid air; vessels for compressed gases or liquid air, metal; tanks of metal.

7 – Carbon dioxide and ammonia compressors; pumps for pumping carbon dioxide; carbon dioxide refrigeration condensers; gasifiers of liquid carbon dioxide.

9 – Technological electronic scales.

11 – Gas scrubbers [parts of gas installations]; gas condensers, other than parts of machines; evaporators; cooling appliances and installations; level controlling valves in tanks; heat exchangers, other than parts of machines.

(260) AM 2021 109902 A

(800) 1126382

(151) 2012 03 30

(891) 2020 09 10

(731) Ehrmann AG

A.-Ehrmann-Straße 2, 87770 Oberschöneegg,
Germany

(540)

Grand Dessert

(591) Black, white

(511)

29 – Preserved, dried and cooked fruits and vegetables, compotes; jellies; jams, fruit puree; soups; milk, powdered milk for food, gelatinised, flavoured and foamed milk; milk products, namely milk desserts, yoghurts, drinking yoghurt, mousses, cream, dessert cream, creme fraiche, butter, cheese spread, cheese, matured cheese, matured blue cheese, non-matured cream cheese and cheese in brine, curds, cream cheese in liquid or paste form, natural or flavoured; desserts, mainly of milk and/or yoghurt and/or curds and/or cream, which may contain binding agents with a starch base; beverages made mainly from milk or milk products, milk beverages containing fruit; fermented natural or flavoured milk products, milk ferments (milk predominating).

30 – Coffee, tea, cocoa, coffee based beverages, cocoa-based beverages, chocolate-based beverages; tarts and pies (sweet or savoury, included in this class); cereal preparations for food, breakfast cereals; prepared meals mainly consisting of pie dough; bread, rusks, biscuits (sweet or savoury), wafers, waffles, cakes, pastries; all these products being natural and/or with toppings and/or stuffed and/or flavoured; confectionery; edible ices, ices mainly consisting of yoghurt, ice cream, sorbet (ice), frozen yoghurt (confectionery ices), flavoured ice.

32 – Aerated and non-aerated water (mineral water or non-mineral water); fruit or vegetables juices, fruit or vegetable drinks, lemonades, soda water, sherbets (beverages), preparations for making beverages, syrups for beverages, non-alcoholic fruit or vegetable extracts; non-alcoholic beverages with a low milk ferment content.

(260) AM 2021 109908 A

(800) 1408664

(151) 2018 02 01

(891) 2020 08 14

(731) Obshchestvo s ogranichennoy otvetstvennostyu "Likerovodochniy zavod "Saranskiy" pr-kt Lenina, d. 58A, RU-430003 Saransk, Russian Federation

(540)

GOLDEN SPELTA

(591) Black, white

(531) 27.05.01

(511)

33 – Alcoholic beverages, except beer; aperitifs; ar-rack [arak]; brandy; wine; piquette; whisky; vodka; anisette [liqueur]; kirsch; gin; digesters [liqueurs and spirits]; cocktails; curacao; anise [liqueur]; liqueurs; pre-mixed alcoholic beverages, other than beer-based; alcoholic beverages containing fruit; spirits [beverages]; distilled beverages; mead [hydromel]; peppermint liqueurs; bitters; rum; sake; perry; cider; rice alcohol; alcoholic extracts; fruit extracts, alcoholic; alcoholic essences.

(260) AM 2021 109965 A

(800) 1552490

(151) 2020 07 15

(891) 2020 07 15

(731) LEKHIM Joint Stock Company
Shota Rustaveli str., 23, Kyiv 01033, Ukraine

(540)

ALZHMERAT

(591) Black, white

(511)

5 – Medicines; medicines for human purposes; pharmaceutical preparations; pharmaceuticals for the treatment of disorders of the nervous system of various etiologies; pharmaceuticals, namely parasympathomimetics; pharmaceuticals for the treatment of disorders of human consciousness, brain damage of various etiologies.

(260) AM 2021 109966 A

(800) 1552537

(151) 2020 05 29

(891) 2020 05 29

(731) Euro Games Technology Ltd.
4, "Maritsa" Str., "Vranya-Lozen-Triugulnika",
BG-1151 Sofia, Bulgaria

(540)



(591) Brown, gold, orange, red, blue, yellow, white and black

(531) 27.05.02; 27.07.02; 28.03; 29.01.15

(511)

9 – Software; computer gaming software; computer software packages; computer operating system software; computer software, recorded; software drivers; virtual reality software; games software; entertainment software for computer games; computer programs for network management; operating computer software for main frame computers; monitors (computer hardware); computer hardware; apparatus for recording images; monitors (computer programs); computer game programs; computer programs for recorded games; apparatus for recording, transmission or reproduction of sound or images; communications servers [computer hardware]; electronic components for gambling machines; computer application software featuring games and gaming; computer software for the administration of on-line games and gaming; computer hardware for games and gaming; computer game software, downloadable, for gambling, gambling machines, gambling games on the Internet and via telecommunication network.

28 – Gaming machines for gambling; chips for gambling; mah-jong; arcade games; gambling machines operating with coins, notes and cards; games; electronic games; parlor games; gaming chips; gaming tables; slot machines [gaming machines]; LCD game machines; slot machines and gaming devices; coin-operated amusement machines; roulette chips; poker chips; chips and dice [gaming equipment]; gaming equipment for casinos; roulette tables; gaming roulette wheels; playing cards for casino games; gambling machines and amusement machines, automatic and coin-operated; coin-operated amusement machines and/or electronic coin-operated gaming machines with or without the possibility of gain; boxes for coin-operated amusement machines, slot machines and gaming machines; electronic or electrotechnical gaming devices, automats and machines, coin-operated amusement machines; housings for coin-operated amusement machines, gaming equipment, gaming machines, machines for gambling; electropneumatic and electrical gambling machines (slot machines).

41 – Gambling; services related to gambling; gaming services for entertainment purposes; casino, gaming and gambling services; training in the development of software systems; rental of gambling machines for gambling halls; providing casino equipment [gambling]; gaming machine entertainment services; providing casino facilities [gambling]; gaming hall services; amusement arcade services; games equipment rental; rental of gaming machines; providing amusement arcade services; rental of gaming machines with images of fruits; editing or recording of sounds and images; sound recording and video entertainment services; hire of sound reproducing apparatus; provision of gaming equipment for casinos; providing of casino facilities; online gambling services; casino, gaming and gambling services; organisation and provision of games in gaming establishments and gaming halls, Internet casino services, online gaming services.

(260) AM 2021 109968 A

(800) 1552568

(151) 2020 06 02

(891) 2020 06 02

(731) Euro Games Technology Ltd.

4, "Maritsa" Str., "Vranya-Lozen-Triugulnika",
BG-1151 Sofia, Bulgaria

(540)



(591) Brown, gold, yellow, red and black

(531) 24.05.07; 27.05.03; 28.03; 29.01.15

(511)

9 – Software; computer gaming software; computer software packages; computer operating system software; computer software, recorded; software drivers; virtual reality software; games software; entertainment software for computer games; computer programs for network management; operating computer software for main frame computers; monitors (computer hardware); computer hardware; apparatus for recording images; monitors (computer programs); computer game programs; computer programs for recorded games; apparatus for recording, transmission or reproduction of sound or images; communications servers [computer hardware]; electronic components for gambling machines; computer application software featuring games and gaming; computer software for the administration of on-line games and gaming; computer hardware for games and gaming; electronic components and computer software for gambling, gambling machines, gambling games on the Internet and via telecommunication network.

28 – Gaming machines for gambling; chips for gambling; mah-jong; arcade games; gambling machines

operating with coins, notes and cards; games; electronic games; parlor games; gaming chips; gaming tables; slot machines [gaming machines]; LCD game machines; slot machines and gaming devices; coin-operated amusement machines; roulette chips; poker chips; chips and dice [gaming equipment]; equipment for casinos; roulette tables; gaming roulette wheels; casino games; gambling machines and amusement machines, automatic and coin-operated and gambling machines; coin-operated amusement machines and/or electronic coin-operated amusement machines with or without the possibility of gain; boxes for coin-operated machines, slot machines and gaming machines; electronic or electrotechnical amusement machines and apparatus, gaming machines, coin-operated entertainment machines; housings for coin-operated machines, gaming equipment, gaming machines, machines for gambling; electropneumatic and electrical gambling machines (slot machines).

41 – Gambling; services related to gambling; gaming services for entertainment purposes; casino, gaming and gambling services; training in the development of software systems; provision of equipment for gambling halls; providing casino equipment [gambling]; gaming machine entertainment services; providing casino facilities [gambling]; gaming hall services; amusement arcade services; games equipment rental; rental of gaming machines; providing amusement arcade services; rental of gaming machines with images of fruits; editing or recording of sounds and images; sound recording and video entertainment services; hire of sound reproducing apparatus; provision of gaming equipment for casinos; providing of casino facilities; online gambling services; casino, gaming and gambling services; provision of gaming facilities, gaming hall facilities, Internet casinos and online gaming services.

(260) AM 2021 109969 A

(800) 1552678

(151) 2020 07 16

(891) 2020 07 16

(731) STADA Arzneimittel AG

Stadastraße 2-18, 61118 Bad Vilbel, Germany

(540)

NIZOCARE

(591) Black, white

(511)

3 – Bleaching preparations and other substances for laundry use; cleaning, polishing, scouring and abrasive preparations; soap; perfumery, essential oils, cosmetics, hair lotions, in particular cosmetics and cosmetics for skin and hair care; dentifrices.

5 – Pharmaceuticals, medical and veterinary preparations; sanitary preparations for medical purposes; dietetic products for medical purposes, baby food;

plasters, materials for dressings; material for dental fillings and dental impressions; disinfectants; preparations for destroying noxious animals; fungicides, herbicides.

(260) AM 2021 109970 A
 (800) 1552693
 (151) 2020 07 21
 (891) 2020 07 21
 (731) Shenzhen Renqing Excellent Technology Co., Ltd.
 104, No.15, Longfu Industrial Zone, Huarong Road, Tongsheng Community, Dalang Street, Longhua District, Shenzhen, China

(540)



(591) Black, white
 (531) 26.04.09; 26.04.24
 (511)

9 – Integrated circuit cards [smart cards]; cabinets for loudspeakers; headphones; cameras [photography]; electrical plugs and sockets; camcorders; optical lenses; battery chargers; rechargeable electric batteries; dashboard cameras; encoded identification bracelets, magnetic; computer programs, recorded; sleeves for laptops; scales; covers for telephone receivers; cases for pocket calculators; computer operating programs, recorded; identity cards, magnetic; smartglasses (data processing apparatus); smartwatches (data processing apparatus); pedometers; counters; time recording apparatus; automatic measuring instruments; navigational instruments; satellite navigational apparatus; Global Positioning System [GPS] apparatus; smartphones; precision measuring apparatus; network routers; video recorders; television cameras; headsets; measuring apparatus; galena crystals [detectors]; electronic chip cards; light-emitting diodes [LED]; electrical adapters; fluorescent screens; remote control apparatus; optical fibers [light conducting filaments]; eyeglasses; accumulators, electric, for vehicles; accumulators, electric; protective films adapted for computer screens; wearable activity trackers; covers for smartphones; cases for smartphones; protective films adapted for mobile phone screens; selfie sticks [hand-held monopods]; distance recording apparatus; wireless headsets for use with cellular phones; USB cables for cellular phones; micro USB cables; cables for the transmission of sounds and images; optical fibers for the transmission of sounds and images; cables for transmitting and receiving cable television signals; data synchronization cables; plugboards; hands-free holders for cellular phones; in-car telephone handset cradles.

(260) AM 2021 109971 A
 (800) 1552695
 (151) 2020 07 21
 (891) 2020 07 21
 (731) Shenzhen Renqing Excellent Technology Co., Ltd.
 104, No.15, Longfu Industrial Zone, Huarong Road, Tongsheng Community, Dalang Street, Longhua District, Shenzhen, China

(540)

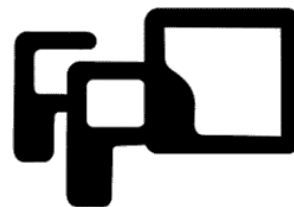


(591) Black, white
 (531) 26.04.04; 26.04.09
 (511)

7 – Industrial robots; washing machines [laundry]; kitchen machines, electric; cowlings [parts of machines]; knives, electric; battery cable rolling machines; battery core pressing machines; 3D printers; cutting machines; cutters [machines]; shredders [machines] for industrial use; rubber cutting machines.

(260) AM 2021 109972 A
 (800) 1552711
 (151) 2020 07 01
 (891) 2020 07 01
 (731) SHENZHEN KTC TECHNOLOGY CO., LTD.
 Floor 1-5, Building 1, No.4023 Wuhe Avenue, Gangtuo Community, Bantian Street, Longgang District, Shenzhen, Guangdong, China

(540)



(591) White, black and crimson
 (531) 27.05.01; 27.05.22
 (511)

9 – Data processing apparatus; monitors [computer hardware]; notebook computers; mobile phones; audio- and video-receivers; megaphones; television apparatus; video recorders; horns for loudspeakers; camcorders; portable media players; audiovisual teaching apparatus; video screens; light emitting diode displays; coin-operated mechanisms for television sets; monitors [computer programs]; electronic pens [visual display units]; headphones; interactive touch screen terminals; electronic interactive whiteboards; computer software, recorded; computer software applications, downloadable; cabinets for loudspeakers; wearable video display monitors; microphones; transparency projection apparatus; projection screens; electronic numeric displays.

(260) AM 2021 109974 A

(800) 1552732

(151) 2020 06 05

(891) 2020 06 05

(731) Lysoform Pharma GmbH & Co. Verwaltungs
KG

Kaiser- Wilhelm-Str. 133, 12247 Berlin,

Germany

(540)

LYSOFORM
Seit ▪ Since ▪ Depuis 1900

(591) Black, green

(531) 27.05.09; 27.05.10; 29.01.12

(511)

3 – Laundry preparations; scented room sprays; non-medicated cosmetics and toiletry preparations; moist wipes impregnated with a cosmetic lotion; sanitary preparations being toiletries; deodorants for human beings or for animals; bleaching preparations.

5 – Disinfectants; fungicides; herbicides; sanitary preparations for medical purposes; sanitary preparations and articles; medicated lotions; medical preparations; medicated soap; medicated shampoos; medicated dentifrices; pharmaceuticals; air deodorizing preparations; veterinary preparations.

10 – Surgical apparatus and instruments; veterinary apparatus and instruments; dental apparatus and instruments.

44 – Preparation of prescriptions by pharmacists; dentistry; animal healthcare services; weed killing; vermin exterminating for agriculture, aquaculture, horticulture and forestry; animal grooming services; farming (animals); lawn care; pharmaceutical advice; optometric services; medical services; landscape design; hospital services; hygienic and beauty care for animals; human hygiene and beauty care; x-ray imaging for medical purposes; medical analysis services relating to the treatment of persons provided by a medical laboratory; medical and healthcare clinics; convalescent home services; health spa services; rest home services; plant nursery services; aquaculture services; horticulture; agriculture services; mental health services; agriculture, horticulture and forestry services; human tissue bank services; blood bank services.

(260) AM 2021 109975 A

(800) 1552740

(151) 2020 06 05

(891) 2020 06 05

(731) Lysoform Pharma GmbH & Co. Verwaltungs
KG

Kaiser-Wilhelm-Str. 133, 12247 Berlin,

Germany

(540)



(591) Green

(531) 27.05.05; 27.05.10; 27.05.24; 29.01.12

(511)

3 – Laundry preparations; scented room sprays; non-medicated cosmetics and toiletry preparations; moist wipes impregnated with a cosmetic lotion; sanitary preparations being toiletries; deodorants for human beings or for animals; bleaching preparations.

5 – Disinfectants; fungicides; herbicides; sanitary preparations for medical purposes; sanitary preparations and articles; medicated lotions; medical preparations; medicated soap; medicated shampoos; medicated dentifrices; pharmaceuticals; air deodorizing preparations; veterinary preparations.

10 – Surgical apparatus and instruments; veterinary apparatus and instruments; dental apparatus and instruments.

44 – Preparation of prescriptions by pharmacists; dentistry; animal healthcare services; weed killing; vermin exterminating for agriculture, aquaculture, horticulture and forestry; animal grooming services; farming (animals); lawn care; pharmaceutical advice; optometric services; medical services; landscape design; hospital services; hygienic and beauty care for animals; human hygiene and beauty care; x-ray imaging for medical purposes; medical analysis services relating to the treatment of persons provided by a medical laboratory; medical and healthcare clinics; convalescent home services; health spa services; rest home services; plant nursery services; aquaculture services; horticulture; agriculture services; mental health services; agriculture, horticulture and forestry services; human tissue bank services; blood bank services.

(260) AM 2021 109986 A

(800) 1552865

(151) 2020 05 29

(891) 2020 05 29

(731) Euro Games Technology Ltd.

4, "Maritsa" Str., "Vranya-Lozen-Triugulnika",
BG-1151 Sofia, Bulgaria

(540)

THE STORY OF ALEXANDER

(591) Black, white

(511)

9 – Software; computer gaming software; computer software packages; computer operating system software; computer software, recorded; software drivers; virtual reality software; games software; entertainment software for computer games; computer programs for network management; operating computer software for main frame computers; monitors (computer hardware); computer hardware; apparatus for recording images; monitors (computer programs); computer game programs; computer programs for recorded games; apparatus for recording, transmission or reproduction of sound or images; communications servers [computer hardware]; electronic components for gambling machines; computer application software featuring games and gaming; computer software for the administration of on-line games and gaming; computer hardware for games and gaming; electronic components and computer software for gambling, gambling machines, gambling games on the Internet and via telecommunication network.

28 – Gaming machines for gambling; chips for gambling; mah-jong; arcade games; gambling machines operating with coins, notes and cards; games; electronic games; parlor games; gaming chips; gaming tables; slot machines [gaming machines]; LCD game machines; slot machines and gaming devices; coin-operated amusement machines; roulette chips; poker chips; chips and dice [gaming equipment]; equipment for casinos; roulette tables; gaming roulette wheels; casino games; gambling machines and amusement machines, automatic and coin-operated and gambling machines; coin-operated amusement machines and/or electronic coin-operated amusement machines with or without the possibility of gain; boxes for coin-operated machines, slot machines and gaming machines; electronic or electrotechnical amusement machines and apparatus, gaming machines, coin-operated entertainment machines; housings for coin-operated machines, gaming equipment, gaming machines, machines for gambling; electropneumatic and electrical gambling machines (slot machines).

41 – Gambling; services related to gambling; gaming services for entertainment purposes; casino, gaming and gambling services; training in the development of software systems; provision of equipment for gambling halls; providing casino equipment [gambling]; gaming machine entertainment services; providing casino facilities [gambling]; gaming hall services; amusement arcade services; games equipment rental; rental of gaming machines; providing amusement arcade services; rental of gaming machines with images

of fruits; editing or recording of sounds and images; sound recording and video entertainment services; hire of sound reproducing apparatus; provision of gaming equipment for casinos; providing of casino facilities; online gambling services; casino, gaming and gambling services; provision of gaming facilities, gaming hall facilities, Internet casinos, online gaming services.

(260) AM 2021 109987 A

(800) 1552932

(151) 2020 04 23

(891) 2020 04 23

(731) DKV EURO SERVICE GmbH + Co. KG

Balcke-Dürr-Allee 3, 40882 Ratingen, Germany

(540)



(591) Orange, blue, white

(531) 26.01.03; 26.01.18; 26.04.09; 26.04.10;
26.04.18; 26.04.24; 27.05.08; 27.05.09;
27.05.10; 27.05.17; 27.05.24; 29.01.13

(511)

9 – Computer programs (recorded or downloadable) for transportation of goods and freight logistics as well as vehicle management; computer programs for apps for driving as economically as possible and for economical refueling in order to reduce fuel costs; computer programs for creating weekly results reports in transportation and vehicle management; magnetic cards, magnetic identification cards; smart cards and microprocessor cards; electronic location and global positioning systems; system for the geolocation and for the recognition of positions or for the recognition of passages; electronic satellite geotracking apparatus and instruments for geolocation, known as GPS or GPS-GPRS; telematic (data transmission) and GPS-vehicle locating systems for the localisation of vehicles in real time and for the transmission of data of vehicle use and vehicle handling; non-voice telecommunication apparatus and instruments for the transmission of data over short distances between road systems and mobile units; data cards for third generation cellular telephone networks; GSM (Global System for Mobile Communication) data cards, data cards compatible with the broadband wireless telephone standard GPRS (General Packet Radio Services); apparatus for recording, transmission and reproduction of sound and images; computer software and software for the traffic management on roads and motorways, for the toll management and for the creation of road itineraries/routes; computer software; measuring, detecting and monitoring instruments and devices; acceleration sensors for the measurement of the speed-

up behaviour and braking characteristics, also independently of the geo positioning; electronic transmitting and receiving equipment [on-board units] for use on toll roads; radio and telecommunications equipment, as well as equipment for navigation, direction finding and localization; transmitters, transceivers; audio and video receivers; antennas; sensors; control and monitoring equipment; satellite navigation instalments; equipment for recording and measuring distances; data processing equipment and computers; communication equipment; programmed machine-readable data carriers of all kinds; navigation equipment for vehicles (on-board computers); mobile apps; application software for mobile devices, for mobile operating systems, for navigation devices, for smartphones, for wireless devices, for cloud computing services; application software for mobile devices with traffic light systems for displaying current and forecast fuel prices; apps for evaluating petrol stations; apps for individual conditions in transport and vehicle management and for the display of petrol station networks; apps for the creation of road itineraries/routes; apps for the display of driving styles in the areas of braking, speed, acceleration and cruise control; smartphones, computers; parts of all the aforementioned goods [included in Class 9].

12 – Vehicle parts, parts and accessories for vehicles as far as not included in other classes.

35 – Computer based preparation and balancing of invoices of fees for frontier-clearance (office functions); computer based preparation of invoices of cargo and cargo procurement costs (office functions); arrangement of contracts for the assignment of access authorizations for toll lanes and tunnels through the arrangement of contracts for the purchase and sale of vignettes and the input of data in data processing equipment (office functions); computer based preparation of invoices of tunnel fees (office functions); computer based preparation of invoices of repair services (office functions); computer based preparation of invoices of fuels (office functions); processing of foreign value-added-mineral-oil-tax return service in different countries (office functions); preparation and balancing of invoices (billing) (within the scope of cashless payment transactions), based mainly on customer-oriented and developed software programs, computer-aided billing (within the scope of cashless payment transactions) and billing management for fuel, ferry fees, motorway fees, toll fees and/or value-added tax; customer invoicing, for others; accident services, namely procurement of contracts for others for replacement vehicles and two vehicles as well as towing services; price comparison services, in particular provision of information relating to the price of fuels at home and abroad; business management; business administration; office functions; accounting services; auditing; advertising; recording of personal- and vehicle-related data (office functions); office functions, namely com-

puter based compilation and processing by preparation of statistics and statistical analysis of vehicle master data, of tank data invoices, of motor vehicle costs and revenues; office functions, namely computer based order planning including systematically capture of data and capture and planning both in terms of organization and business planning of motor vehicles and orders; address administration; vehicle fleet management; consumer information, namely providing of information and advice for consumers in matters of cashless in-transit supply in the field of goods and passenger transport; office functions, namely compilation of information and setting up notification functions to send automated reports; advertising in the field of toll collection and transport infrastructure; price comparison services, in particular provision of information relating to the price of fuels at home and abroad; execution, organization, management and monitoring of incentive schemes; organization and management of customer loyalty schemes including for commercial, promotional and advertising purposes; evaluation of companies (filling stations); benchmarking services; compilation of different filling station services and fuel offers, for others, to facilitate the comparison and purchase of these services; data entry and data processing (collection, systemization, updating and maintenance of data) in computer data bases (office functions); arranging radio mobile services.

36 – Issue of service cards with payment function to industrial freight and passenger transport businesses for the cashless in-transit supplying of automobiles, heavy trucks, busses and their drivers; computer based (aided) settlement of finance transactions/-deals, with service cards with payment function; services in the field of the cashless in-transit provisioning of nationally and internationally-active businesses involved in industrial goods and passenger transport, of commercial vehicle fleets of passenger vehicles and/or lorries, and in the transport sector, namely preparation and balancing of invoices (billing) (within the scope of cashless payment transactions), based mainly on customer-oriented and developed software programs, computer-aided billing (within the scope of cashless payment transactions) and billing management for fuel, ferry fees, motorway fees, toll fees and/or value-added tax; electronic processing of foreign value-added-mineral-oil-tax return service; conducting cashless payment transactions in the field of payment of road toll fees and other road fees; debt collection; handling electronic payment transactions; services for payment processing via service cards, in particular concluding contracts with toll plazas; frontier-clearance and ferry services, for access entitlement to toll roads and tunnels (customs clearance for others); collecting utilization fees by the issue of vignettes; issue of vignettes; preparation of financial damage reports.

37 – Services of a motor vehicle repair workshop; service station services and its sales and services busi-

sses relating thereto, namely cleaning of motor vehicles, repair of motor vehicles; breakdown assistance, namely repair of motor vehicles on site and at motor vehicle repair shops; maintenance of motor vehicles; repair of tyres and motor vehicle cooling systems; maintenance of tyres and motor vehicle cooling systems; operation of a multilingual breakdown service via a hotline on the Internet, namely advice from motor vehicle specialists on repairing vehicle breakdowns; installation of toll logging and toll billing equipment; maintenance of toll logging and toll billing equipment; installation and maintenance of units equipped with a system for geo localisation and position recognition or for recognition of passages; installation and maintenance of electronic satellite geo tracking apparatus and instruments, known as GPS or GPS-GPRS; installation and maintenance of tele matic (data transmission) and GPS-vehicle locating systems for the localisation of vehicles in real time and for the transmission of data of vehicle use and vehicle handling; installation and maintenance of non-voice telecommunication apparatus and instruments for the transmission of data over short distances between road systems and mobile units; installation and maintenance of apparatus for recording, transmission and reproduction of sound and images, installation and maintenance of electronic transmitting and receiving equipment [on-board units] for use on toll roads; installation, repair and maintenance of radio and telecommunications equipment as well as equipment for navigation, direction finding and localization, transmitters, transceivers, receivers, antennas, sensors, control and monitoring equipment; operation of a multilingual breakdown service via a hotline on the Internet, namely advice from motor vehicle specialists on repairing vehicle breakdowns.

38 – Telecommunications (telecommunications services) including radio services, namely radio guidance of motor vehicles in industrial freight and commercial passenger transportation; provision of multilingual breakdown services, namely procurement of access to technical expertise with regard to roadside assistance via the Internet; providing access to and transmission of messages, data and information on the Internet; telecommunication services for nationally and internationally operating industrial freight and commercial passenger transport services, namely the transmission of information about the state of roads, the traffic situation, the location of service stations, the location of vehicles, technical vehicle matters, the price of fuel at home and abroad via the Internet and radio services; transmission of information via computer servers, data transmission services with free access; transmission and exchange of information via multimedia carriers; telecommunications services for the delocalisation; access providing services to a worldwide computer network; connection by telecommunication to a worldwide computer network; IT services, name-

ly installation of notification functions and delivery (transmission) of automated reports, namely E-Mail-services; rental of telecommunications equipment for the transmission of messages and On-Board-Units; professional consultancy on the field of telecommunications, in particular with regard to delocalisation installations in connection with traffic conditions on road and motorway networks and with regard to On-Board-Units; telecommunications services for remote access to On-Board-Units for the purpose of updating and/or extending the personalization data.

39 – Rental of construction vehicles and other special-purpose vehicles; tracking of passenger or freight vehicles by computer or via GPS (transport information); vehicle breakdown services, namely vehicle towing and rescue services; automobile towing services; car rental; rental services, namely rental of busses and vehicles for the freight forwarding sector; transport of motor vehicles by rail; rolling road (intermodal transportation), namely transport systems whether or not accompanied for the combined railway traffic, namely transport of complete trucks or semi-tractor trailers by rail; packaging of goods; storage of goods; travel arrangements; transshipment of transport goods; information services for the nationally and internationally operating industrial freight and commercial passenger transport services, about the state of roads, the traffic situation, the location of service stations, the location of vehicles, technical vehicle matters; location of broken-down goods vehicles with computers through computer-aided map systems; car navigation systems (road guidance systems) via services of mobile radiotelephony, namely controlling of fleet vehicles using electronic navigational and positioning apparatus as well as via radio services; transport services, in particular freight forwarding, except the customs clearance of goods; provision of information, namely with city, travel and traffic information; delivery of telehopping offers for others; booking of travel; parking space search service [provision of information on the availability and location of parking spaces, display of free parking spaces using electronic navigation and positioning devices]; itinerary travel advice services; freight forwarding, namely customs clearance for others.

41 – Provision of multilingual breakdown services, namely interpreting services; ticket procurement services; organization of contests; coaching with the goal of increasing the motivation of the users, operators.

42 – Installation and maintenance of software for toll registration and toll invoicing devices as well as for systems for the global positioning and position recognition or recognition of passages, for electronic satellite geotracking apparatus and instruments, for transmitting and receiving equipment [on-board units], for navigation equipment; preparation of databases; operation of data centers, namely leasing of

computer capacities in computer centers; design and planning of telecommunications equipment; technical consultancy via help desk services and hotline services; technical development of magnetic and chip cards and other computer-aided verifications; electronic data storage; design of internet sites and homepages; creation of internet sites and homepages; drawing up of technical damage reports; research and preparation of technical reports in the field of industrial freight and commercial passenger transport services, namely preparation and technical evaluation of reports and statistics on the localization of vehicles in real time and for the transmission of data of vehicle use and vehicle handling [for example travel time, speed, accelerations] as well as comparison and evaluation of the GEO-positions of vehicles with maps used GEO-positions; creation of software for sending automated reports; creation of software for the remote access to On-Board-Units to update and/or extend the personalization data, for updating the software version of the On-Board-Unit operating system, and for updating maps or other data relevant to toll collection; creation, installation and adaptation of application software for multimedia content delivery and customized software for navigation devices.

43 – Reservation services for hotels.

45 – Legal consulting on taxation; legal consultancy services in the field of security, namely relating to data protection, data security, data access, data archiving services, certification services, testify services (security strategies); consultancy and advice services relating to legal questions concerning road safety.

(260) AM 2021 110004 A
 (800) 1244819
 (151) 2014 12 18
 (891) 2020 08 24
 (731) Ashley Furniture Industries, LLC
 One Ashley Way, Arcadia WI 54612, USA
 (540)

THIS IS HOME

(591) Black, white
 (511)
 35 – Retail store services featuring furniture and home furnishings.

(260) AM 2021 110005 A
 (800) 1254383
 (151) 2015 01 26
 (891) 2020 08 24
 (731) Ashley Furniture Industries, LLC
 One Ashley Way, Arcadia WI 54612, USA
 (540)

URBANOLOGY

(591) Black, white
 (511)
 35 – Retail store services in the field of furniture and home furnishings.

(260) AM 2021 110006 A
 (800) 1285520
 (151) 2015 10 01
 (891) 2020 09 10
 (731) BEAL INTERNATIONAL
 Rue des Bailleries, 4; B-5081 Meux,
 Belgium
 (540)

MORTEX

(591) Black, white
 (511)
 1 – Water-repellent coatings [chemical, other than paints] for protecting surfaces; water-repellent products for masonry excluding paints; water-repellent solutions; compounds for binding concrete; sealing coatings for concrete [chemical products, other than paints]; sealing coatings [chemical products].

2 – Paints and coatings; water-repellent paints; water-repellent products in the form of paints; protective coatings for concrete structures [paints]; coatings in the form of sprays [paints].

19 – Concrete; refractory concrete; synthetic concrete; concrete blocks (all the above-mentioned goods with the exception of prefabricated elements and scaffolding for construction of formwork, in whole or in part); concrete pipes; concrete slabs; concrete construction elements, (all the above-mentioned goods with the exception of prefabricated elements and scaffolding for construction of formwork, in whole or in part); concrete construction materials, (all the above-mentioned goods with the exception of prefabricated elements and scaffolding for construction of formwork, in whole or in part); concrete coating, (all the above-mentioned goods with the exception of prefabricated elements and scaffolding for construction of formwork, in whole or in part); statues of concrete; lime; mortar; mortar mixture; cement mortar for building; water-resistant mortar; sand used for making mortar; screed coatings; bituminous coatings for building purposes; artificial stone.

21 – Basins (receptacles); pottery; vases.

27 – Floor coverings.

(260) AM 2021 110007 A
 (800) 1298535
 (151) 2016 04 07
 (891) 2020 08 24
 (731) Ashley Furniture Industries, LLC
 One Ashley Way, Arcadia WI 54612, USA

(540)

VINTAGE CASUAL

(591) Black, white

(511)

35 – Retail store services in the field of furniture and home furnishings.

(260) AM 2021 110049 A

(800) 1553435

(151) 2020 07 27

(891) 2020 07 27

(731) mytheresa.com GmbH

Einsteinring 9, 85609 Aschheim, Germany

(540)

mytheresa

(591) Black, white

(511)

25 – Clothing; footwear; headgear.

35 – Retail services in relation to clothing, footwear, headgear, leather goods, bags, spectacles and/or jewelry; online retail services and mail order retail services in the field of clothing, footwear, headgear, leather goods, bags, spectacles and/or jewelry; the bringing together and displaying of clothing, footwear, headgear, leather goods, bags, spectacles and/or jewelry, enabling customers to conveniently view and purchase those goods; advertising services.

(260) AM 2021 110050 A

(800) 1553444

(151) 2020 08 17

(891) 2020 08 17

(731) Obshchestvo s ogranichennoy otvetstvennostyu

"Likerovodochniy zavod "Saranskiy"

Pr-kt Lenina, d. 58A, Saransk, RU-430003

Republic of Mordovia, Russian Federation

(540)

CAMOBAP

(591) Black, white

(531) 28.05

(511)

33 – Alcoholic beverages, except beer.

(260) AM 2021 110051 A

(800) 1553496

(151) 2020 07 24

(891) 2020 07 24

(731) Santen Pharmaceutical Co., Ltd.

4-20 Ofuka-cho, Kita-ku, Osaka-shi,

Osaka 530-8552, Japan

(540)

PURALID

(591) Black, white

(511)

3 – Non-medical skin cleansing preparations.

5 – Ophthalmic preparations and sanitary preparations.

(260) AM 2021 110052 A

(800) 1553524

(151) 2020 07 16

(891) 2020 07 16

(731) Future Enterprises Pte. Ltd.

31 Harrison Road, #08-01 Food Empire

Building, Singapore 369649, Singapore

(540)



(591) Background in special blue and tone of blue

(531) 01.15; 01.15.15; 02.03; 02.03.01; 02.03.23; 05.07; 05.07.27; 11.03; 11.03.04; 11.03.14; 19.03; 19.03.01; 19.03.05; 19.03.06; 25.01; 25.01.06; 25.01.25; 28.05; 29.01; 29.01.15

(511)

30 – Coffee; iced coffee; coffee beans; coffee drinks; ground coffee; instant coffee; cappuccino; flavoured coffee; coffee-based beverages; coffee substitutes; chicory [coffee substitute]; coffee beverages with milk; coffee mixtures; cocoa; cocoa mixes; cocoa powder; hot cocoa mix; cocoa beverages; cocoa-based beverages; cocoa beverages with milk; tea; iced tea; black tea; green tea; fruit flavoured tea; tea-based beverages; tea-based beverages with fruit flavoring; chocolate-based beverages.

35 – Wholesale services; retail services; advertising, marketing and promotional services.

(260) AM 2021 110053 A

(800) 1553548

(151) 2020 07 22

(891) 2020 07 22

(731) Stafford-Miller (Ireland) Limited

Clocherane, Younghal Road, Dungarvan, Co.

Waterford, Ireland

(540)



(591) Dark blue and light blue

(531) 26.11.13; 29.01.04

(511)

3 – Non-medicated toilet preparations, dentifrices, mouthwashes and breath fresheners; oral care preparations, dental gels, bleaching preparations, tooth polishing preparations, tooth whitening preparations and accelerators, cosmetic stain removal preparations.

5 – Medicated oral care preparations, medicated tooth polishing preparations, medicated tooth whitening preparations, medicated mouthwashes, medicated bleaching preparations, medicated chewing gum and lozenges for dental hygiene.

10 – Dental care apparatus, flexible and disposable dental trays.

21 – Toothbrushes, toothpicks, dental floss, brushes and sponges.

(260) AM 2021 110055 A

(800) 1553562

(151) 2020 07 22

(891) 2020 07 22

(731) Stafford-Miller (Ireland) Limited
Clocherane, Youghal Road, Dungarvan, Co.
Waterford, Ireland

(540)

SENSODYNE



(591) Black, white

(531) 26.11.01; 26.11.13

(511)

3 – Non-medicated toilet preparations, dentifrices, mouthwashes and breath fresheners; oral care preparations, dental gels, bleaching preparations, tooth polishing preparations, tooth whitening preparations and accelerators, cosmetic stain removal preparations.

5 – Medicated oral care preparations, medicated tooth polishing preparations, medicated tooth whitening preparations, medicated mouthwashes, medicated bleaching preparations, medicated chewing gum and lozenges for dental hygiene.

10 – Dental care apparatus, flexible and disposable dental trays.

21 – Toothbrushes, toothpicks, dental floss, brushes and sponges.

(260) AM 2021 110056 A

(800) 1553590

(151) 2020 09 09

(891) 2020 09 09

(731) Shenzhen Century Digital Technology Co., Ltd.
Block C 39A, Electronic Science and
Technology Building, 2070 Shennan Middle
Road, Fuqiang Community, Huaqiang North
Street Futian District, Shenzhen, Guangdong,
China

(540)

fingertime

(591) Black, white

(531) 26.11.12; 27.03.15; 27.05.01

(511)

9 – Battery chargers; selfie sticks for mobile phones; earphones; wearable activity trackers; USB cables for cellular phones; headphones; cabinets for loudspeakers; 3D spectacles.

(260) AM 2021 110057 A

(800) 1553614

(151) 2020 07 16

(891) 2020 07 16

(731) Future Enterprises Pte. Ltd.
31 Harrison Road, #08-01 Food Empire
Building, Singapore 36964, Singapore

(540)



(591) Background in special red and tone of red

(531) 01.15; 01.15.15; 02.03; 02.03.01; 02.03.23;
05.07; 05.07.27; 11.03; 11.03.04; 11.03.14;
19.03.05; 19.03.06; 25.01; 25.01.25; 28.05;
29.01; 29.01.15

(511)

30 – Coffee; iced coffee; coffee beans; coffee drinks; ground coffee; instant coffee; cappuccino; flavoured coffee; coffee-based beverages; coffee substitutes; chicory [coffee substitute]; coffee beverages with milk; coffee mixtures; cocoa; cocoa mixes; cocoa powder; hot cocoa mix; cocoa beverages; cocoa-based

beverages; cocoa beverages with milk; tea; iced tea; black tea; green tea; fruit flavoured tea; tea-based beverages; tea-based beverages with fruit flavoring; chocolate-based beverages.

35 – Wholesale services; retail services; advertising, marketing and promotional services.

(260) AM 2021 110058 A

(800) 1553627

(151) 2020 06 02

(891) 2020 06 02

(731) Euro Games Technology Ltd.

4, "Maritsa" Str., "Vranya-Lozen-Triugulnika",

BG-1151 Sofia, Bulgaria

(540)


 The logo for 'Red Collection GS' features the word 'RED' in small red capital letters above the word 'COLLECTION' in large, bold, red capital letters with a white outline and a slight 3D effect. To the right of 'COLLECTION' is the letters 'GS' in a green, stylized font with a white outline and a slight 3D effect.

(591) Grey, red, green, white and black.

(531) 27.05.02; 29.01.15

(511)

9 – Software; computer gaming software; computer software packages; computer operating system software; computer software, recorded; software drivers; virtual reality software; games software; entertainment software for computer games; computer programs for network management; operating computer software for main frame computers; monitors (computer hardware); computer hardware; apparatus for recording images; monitors (computer programs); computer game programs; computer programs for recorded games; apparatus for recording, transmission or reproduction of sound or images; communications servers [computer hardware]; electronic components for gambling machines; computer application software featuring games and gaming; computer software for the administration of on-line games and gaming; computer hardware for games and gaming; electronic components and computer software for gambling, gambling machines, gambling games on the internet and via telecommunication network.

28 – Gaming machines for gambling; chips for gambling; mah-jong; arcade games; gambling machines operating with coins, notes and cards; games; electronic games; parlor games; gaming chips; gaming tables; slot machines [gaming machines]; LCD game machines; slot machines and gaming devices; coin-operated amusement machines; roulette chips; poker chips; chips and dice [gaming equipment]; equipment for casinos; roulette tables; gaming roulette wheels; casino games; gambling machines and amusement machines, automatic and coin-operated; coin-operated amusement machines and/or electronic coin-operated amusement machines with or without the possibility of gain; boxes for coin-operated machines, slot machines and gaming machines; electronic or electrotechnical amusement machines and apparatus, gaming

machines, coin-operated entertainment machines; housings for coin-operated machines, gaming equipment, gaming machines, machines for gambling; electropneumatic and electrical slot machines (gaming machines for gambling).

41 – Gambling; services related to gambling; gaming services for entertainment purposes; casino, gaming and gambling services; training in the development of software systems; provision of equipment for gambling halls; providing casino equipment [gambling]; gaming machine entertainment services; providing casino facilities [gambling]; gaming hall services; amusement arcade services; games equipment rental; rental of gaming machines; providing amusement arcade services; rental of gaming machines with images of fruits; editing or recording of sounds and images; sound recording and video entertainment services; hire of sound reproducing apparatus; provision of gaming equipment for casinos; providing of casino facilities; online gambling services; casino, gaming and gambling services; provision of gaming facilities, gaming halls, Internet casinos, online gaming services.

(260) AM 2021 110059 A

(800) 1553631

(151) 2020 08 05

(891) 2020 08 05

(731) INVO Bioscience, Inc.

5582 BROADCAST COURT, SARASOTA

FL 34240, USA

(540)

INVOCELL

(591) Black, white

(511)

10 – Cell culture apparatus for medical use, namely, cell culture vessels and intravaginal cell culture vessels; retention devices for cradling cell culture vessels intravaginally.

(260) AM 2021 110060 A

(800) 1553639

(151) 2020 06 02

(891) 2020 06 02

(731) Euro Games Technology Ltd.

4, "Maritsa" Str., "Vranya-Lozen-Triugulnika",

BG-1151 Sofia, Bulgaria

(540)


 The logo for 'Green Collection GS' features the word 'GREEN' in small green capital letters above the word 'COLLECTION' in large, bold, green capital letters with a white outline and a slight 3D effect. To the right of 'COLLECTION' is the letters 'GS' in a red, stylized font with a white outline and a slight 3D effect.

(591) Grey, red, green, white and black

(531) 27.05.02; 29.01.15

(511)

9 – Software; computer gaming software; computer software packages; computer operating system soft-

ware; computer software, recorded; software drivers; virtual reality software; games software; entertainment software for computer games; computer programs for network management; operating computer software for main frame computers; monitors (computer hardware); computer hardware; apparatus for recording images; monitors (computer programs); computer game programs; computer programs for recorded games; apparatus for recording, transmission or reproduction of sound or images; communications servers [computer hardware]; electronic components for gambling machines; computer application software featuring games and gaming; computer software for the administration of on-line games and gaming; computer hardware for games and gaming; electronic components and computer software for gambling, gambling machines, gambling games on the internet and via telecommunication network.

28 – Gaming machines for gambling; chips for gambling; mah-jong; arcade games; gambling machines operating with coins, notes and cards; games; electronic games; parlor games; gaming chips; gaming tables; slot machines [gaming machines]; LCD game machines; slot machines and gaming devices; coin-operated amusement machines; roulette chips; poker chips; chips and dice [gaming equipment]; equipment for casinos; roulette tables; gaming roulette wheels; casino games; gambling machines and amusement machines, automatic and coin-operated; coin-operated amusement machines and/or electronic coin-operated amusement machines with or without the possibility of gain; boxes for coin-operated machines, slot machines and gaming machines; electronic or electrotechnical amusement machines and apparatus, gaming machines, coin-operated entertainment machines; housings for coin-operated machines, gaming equipment, gaming machines, machines for gambling; electropneumatic and electrical slot machines (gaming machines for gambling).

41 – Gambling; services related to gambling; gaming services for entertainment purposes; casino, gaming and gambling services; training in the development of software systems; provision of equipment for gambling halls; providing casino equipment [gambling]; gaming machine entertainment services; providing casino facilities [gambling]; gaming hall services; amusement arcade services; games equipment rental; rental of gaming machines; providing amusement arcade services; rental of gaming machines with images of fruits; editing or recording of sounds and images; sound recording and video entertainment services; hire of sound reproducing apparatus; provision of gaming equipment for casinos; providing of casino facilities; online gambling services; casino, gaming and gambling services; provision of gaming facilities, gaming halls, Internet casinos, online gaming services.

(260) AM 2021 110072 A
(800) 1554064
(151) 2020 07 24
(891) 2020 07 24
(731) ZHEJIANG RAIN FLOWER BUILDING MATERIAL CO.,LTD
Room 322, NO.1121, Chouzhou North RD,
Futian Street, Yiwu City, Zhejiang Province,
China
(540)



(591) Black, white
(531) 01.15.15; 12.03.04; 19.01.04; 27.03.15
(511)
11 – Floor drains; bath installations; shower; fountains; water supply installations; regulating and safety accessories for water apparatus; automatic faucets; toilets [water-closets]; faucets; hair driers.

(260) AM 2021 110073 A
(800) 1554076
(151) 2020 09 15
(891) 2020 09 15
(731) HUAWEI TECHNOLOGIES CO., LTD.
Administration Building, Huawei Technologies Co., Ltd., Bantian, Longgang District,
Shenzhen, China
(540)

HONOR Magic-Pencil

(591) Black, white
(531) 27.05.01
(511)
9 – Notebook computers; laptop computers; sleeves for laptops; bags adapted for laptops; touch screen pens; wearable computers; liquid crystal displays (LCD) with large screens; electronic pens; electronic diaries; personal digital assistants (PDAs); computer styluses; computer memories; computer keyboards; computer software, recorded; computer hardware; flexible flat panel displays for computers; interactive touch screen terminals; computer programs, downloadable; computer software applications, downloadable; downloadable mobile phone software applications; tablet computers; covers for tablet computers; stands adapted for tablet computers; flat panel displays; mouse (computer peripheral); liquid crystal displays (LCD); computer screen saver software, recorded or downloadable; computer software platforms, recorded or downloadable; computer operating programs, recorded; computer programs, recorded; smart rings; smartwatches; smartglasses; computer peripheral devices; human face recognition devices; fingerprint

identifier; telecommunication apparatus in the form of jewellery; network communication apparatus; radios; smartphones; portable media players; earphones; loudspeakers; cameras (photography); selfie lenses; connected bracelets (measuring instruments); USB data lines or data cables; materials for electricity mains (wires, cables); touch screens; sensors; electric plugs; electric sockets; electronic chips; electronic key fobs being remote control apparatus; integrated circuits; video screens; electric batteries; mobile power source (rechargeable batteries).

(260) AM 2021 110074 A

(800) 1554124

(151) 2020 05 27

(891) 2020 05 27

(731) Morozov Denis Sergeevich

Directions of the 2nd Line, 76, Krasnodar,
RU-350047 Krasnodar Territory, Russian
Federation

(540)

DOGMA

(591) Black, white

(531) 27.05.01; 27.05.17

(511)

36 – Credit bureau services; debt collection agency services; real estate agency services; financial analysis; rental of apartments; rental of offices for co-working; rental of real estate; rental of offices [real estate]; rental of farms; lease-purchase financing; hire-purchase financing; savings bank services; accommodation bureau services [apartments]; rent collection; issuance of travelers' checks; issuance of travellers' cheques; issuance of credit cards; issuance of tokens of value; capital investment; providing insurance information; providing financial information; financial research; clearing, financial; clearing-houses, financial; insurance consultancy; financial consultancy; debt advisory services; stock exchange quotations; lending against security; business liquidation services, financial; brokerage; financial management; exchanging money; online banking; processing of debit card payments; processing of credit card payments; factoring; organization of monetary collections; arranging finance for construction projects; antique appraisal; jewellery appraisal; jewelry appraisal; financial evaluation of standing timber; financial valuation of standing timber; stamp appraisal; real estate appraisal; numismatic appraisal; art appraisal; financial evaluation of development costs relating to the oil, gas and mining industries; financial evaluation of wool; financial valuation of wool; financial evaluation [insurance, banking, real estate]; financial appraisals in responding to calls for tenders; financial appraisals in responding to requests for proposals [RFPs]; repair costs evaluation [financial appraisal]; electronic funds transfer; surety

services; securities brokerage; real estate brokerage; brokerage of carbon credits; insurance brokerage; providing rebates at participating establishments of others through use of a membership card; loans [financing]; pawn brokerage; providing financial information via a web site; cheque verification; check verification; investment of funds; charitable fund raising; stocks and bonds brokerage; financial sponsorship; mortgage banking; instalment loans; insurance underwriting; life insurance underwriting; health insurance underwriting; accident insurance underwriting; marine insurance underwriting; fire insurance underwriting; apartment house management; real estate management; financial management of reimbursement payments for others; actuarial services; banking; stock brokerage services; retirement payment services; bail-bonding; trusteeship; fiduciary; provident fund services; financial customs brokerage services; mutual funds; financing services; safe deposit services; deposits of valuables; fiscal valuation.

37 – Building sealing; damp-proofing [building]; building insulating; providing construction information; providing information relating to repairs; bricklaying; construction consultancy; scaffolding; building construction supervision; paper hanging; wallpapering; masonry; roofing services; painting, interior and exterior; carpentry services; plastering; quarrying services; demolition of buildings; factory construction; warehouse construction and repair; construction; installation of doors and windows.

(260) AM 2021 110075 A

(800) 1554202

(151) 2020 08 11

(891) 2020 08 11

(731) Limited Liability Company "SLADKIJ ORESHEK"

d. Melechkin, stroenie 123, Solnechnogorsky
rayon, RU-141554 Moskovskaya oblast,
Russian Federation

(540)



(591) White, beige-gold, red, burgundy, pink and dark Pink

(531) 26.11.03; 26.11.08; 29.01.13

(511)

30 – Aromatic preparations for food; vanilla flavorings for culinary purposes; flavorings, other than essential oils, for cakes; flavorings, other than essential

oils, for beverages; coffee flavorings; food flavorings, other than essential oils; star aniseed; baozi [stuffed buns]; cereal bars; high-protein cereal bars; freeze-dried dishes with the main ingredient being pasta; freeze-dried dishes with the main ingredient being rice; noodle-based prepared meals; buns; bulgur; edible rice paper; edible paper; burritos; vanillin [vanilla substitute]; vareniki [stuffed dumplings]; vermicelli [noodles]; natural sweeteners; sausage binding materials; binding agents for ice cream; sea water for cooking; seaweed [condiment]; cloves [spice]; mirror icing [mirror glaze]; cake frosting [icing]; glucose for culinary purposes; mustard; croûtons; buckwheat, processed; gluten additives for culinary purposes; yeast; thickening agents for cooking foodstuffs; leaven; vegetal preparations for use as coffee substitutes; dressings for salad; pasta; ginger [spice]; capers; curry [spice]; ketchup [sauce]; gimbap [Korean rice dish]; kimchijeon [fermented vegetable pancakes]; quinoa, processed; quiches; gluten prepared as foodstuff; flour-based dumplings; cinnamon [spice]; starch for food; crackers; custard; hominy grits; semolina; oatmeal; crushed barley; groats for human food; ice cubes; corn, milled; corn, roasted; meat pies; turmeric; couscous [semolina]; noodles; soba noodles; udon noodles; ice for refreshment; ice, natural or artificial; edible ices; lomper [potato-based flatbread]; mayonnaise; macaroons [pastry]; macaroni; maltose; hominy; piccalilli; marinades; bean meal; buckwheat flour; tapioca flour; potato flour; corn flour; nut flours; flour; wheat flour; soya flour; barley meal; infusions, not medicinal; crushed oats; husked oats; okonomiyaki [Japanese savory pancakes]; onigiri [rice balls]; nutmegs; miso; molasses for food; pâtés en croûte; pelmeni [dumplings stuffed with meat]; pepper; allspice; peppers [seasonings]; pesto [sauce]; cookies; bibimbap [rice mixed with vegetables and beef]; pizzas; meat gravies; powders for making ice cream; baking powder; mustard meal; condiments; meat tenderizers for household purposes; cereal preparations; oat-based food; propolis; gingerbread; spices; cake powder; fruit coulis [sauces]; ravioli; ramen [Japanese noodle-based dish]; relish [condiment]; rice; instant rice; wheat germ for human consumption; spring rolls; sago; sugar; palm sugar; sesame seeds [seasonings]; linseed for culinary purposes [seasoning]; processed seeds for use as a seasoning; aniseed; agave syrup [natural sweetener]; golden syrup; batter mixes for okonomiyaki [Japanese savory pancakes]; baking soda [bicarbonate of soda for cooking purposes]; malt for human consumption; salt for preserving foodstuffs; cooking salt; celery salt; sherbets [ices]; ham glaze; cranberry sauce [condiment]; soya sauce; tomato sauce; pasta sauce; sauces [condiments]; apple sauce [condiment]; spaghetti; seasonings; preparations for stiffening whipped cream; shaved ice with sweetened red beans; rusks; breadcrumbs; sushi; tabbouleh; tapioca; tarts; dough; pastry dough; almond paste; rice pulp for culinary purposes; cake dough; garden herbs, preserved [sea-

sonings]; vinegar; beer vinegar; ferments for pastes; bread; unleavened bread; corn flakes; oat flakes; chips [cereal products]; flowers or leaves for use as tea substitutes; jiaozi [stuffed dumplings]; chicory [coffee substitute]; chutneys [condiments]; minced garlic [condiment]; chow-chow [condiment]; saffron [seasoning]; malt extract for food; essences for foodstuffs, except etheric essences and essential oils; husked barley.

(260) AM 2021 110076 A
 (800) 1554209
 (151) 2020 08 13
 (891) 2020 08 13
 (731) Guangzhou Weini Technology Development Co., Ltd.
 No. 2, Xingye Road, Xicheng Industrial Zone, Renhe Town, Baiyun District, 510000
 Guangzhou City, Guangdong Province, China

(540)



(591) Black, white
 (531) 27.05.01; 27.05.13
 (511)

9 – Computers; reflective articles for wear, for the prevention of accidents; intercommunication apparatus; protection devices for personal use against accidents; filters for respiratory masks; breathing apparatus, except for artificial respiration; workmen's protective face-shields; spark-guards; igniting apparatus, electric, for igniting at a distance; eyeglasses.

10 – Medical apparatus and instruments; dental apparatus and instruments; physiotherapy apparatus; sanitary masks for medical purposes; surgical masks; gloves for medical purposes; feeding bottles; condoms; surgical implants comprised of artificial materials; orthopaedic articles; thread, surgical.

(260) AM 2021 110151 A
 (800) 1554911
 (151) 2020 05 07
 (891) 2020 05 07
 (731) Egis Gyógyszergyár Zrt.
 Keresztúri út 30-38, H-1106 Budapest, Hungary

(540)

REPAWELL

(591) Black, white
 (511)
 3 – Cosmetics, personal sanitary preparations.

5 – Pharmaceutical preparations for human use; ointments for pharmaceutical purposes; suppositories; hemorrhoidal ointments; antihemorrhoidal suppositories; haemorrhoid preparations; dietetic substances adapted for medical use; vitamin compositions, mineral food supplements, dietary supplements; sanitary preparations for medical purposes.

(260) AM 2021 110152 A

(800) 1554986

(151) 2020 08 18

(891) 2020 08 18

(731) Limited Liability Company "SLADKIJ

ORESHEK"

d. Melechkin, stroenie 123, Solnechnogorsky rayon, RU-141554 Moskovskaya oblast, Russian Federation

(540)



(591) Black, beige and white

(531) 03.13.01; 03.13.24; 17.01.02; 25.07.25;
29.01.13

(511)

30 – Aromatic preparations for food; vanilla flavorings for culinary purposes; flavorings, other than essential oils, for cakes; flavorings, other than essential oils, for beverages; coffee flavorings; food flavorings, other than essential oils; star aniseed; baozi [stuffed buns]; cereal bars; high-protein cereal bars; pancakes; freeze-dried dishes with the main ingredient being pasta; freeze-dried dishes with the main ingredient being rice; noodle-based prepared meals; buns; bulgur; bread rolls; edible rice paper; edible paper; burritos; vanillin [vanilla substitute]; vareniki [stuffed dumplings]; waffles; vermicelli [noodles]; natural sweeteners; sausage binding materials; binding agents for ice cream; sea water for cooking; seaweed [condiment]; malt biscuits; cloves [spice]; mirror icing [mirror glaze]; cake frosting [icing]; glucose for culinary purposes; mustard; croutons; buckwheat, processed; gluten additives for culinary purposes; yeast; thickening agents for cooking foodstuffs; leaven; rice-based snack food; cereal-based snack food; artificial coffee; vegetal preparations for use as coffee substitutes; dressings for salad; zephyr [confectionery]; fruit jellies [confectionery]; candy decorations for cakes; confectionery for decorating Christmas trees; cakes; pastries; peanut confectionery; almond confectionery; pasta; ginger [spice]; frozen yogurt [confectionery ices]; co-

coa; cream of tartar for culinary purposes; capers; caramels [candy]; curry [spice]; ketchup [sauce]; gim-bap [Korean rice dish]; kimchiyeon [fermented vegetable pancakes]; quinoa, processed; quiches; gluten prepared as foodstuff; flour-based dumplings; sweetmeats [candy]; liquorice [confectionery]; peppermint sweets; mints for breath freshening; dulce de leche; cinnamon [spice]; coffee; unroasted coffee; starch for food; crackers; custard; hominy grits; semolina; oatmeal; crushed barley; groats for human food; ice cubes; corn, milled; corn, roasted; meat pies; turmeric; couscous [semolina]; noodles; soba noodles; udon noodles; ice for refreshment; candies; ice, natural or artificial; edible ices; rice cakes; lomper [potato-based flatbread]; mayonnaise; macaroons [pastry]; macaroni; maltose; hominy; piccalilli; marinades; marzipan; honey; royal jelly; ice cream; bean meal; buckwheat flour; tapioca flour; potato flour; corn flour; nut flours; flour; wheat flour; soya flour; barley meal; dessert mousses [confectionery]; chocolate mousses; musli; mint for confectionery; cocoa beverages with milk; coffee beverages with milk; coffee-based beverages; cocoa-based beverages; chamomile-based beverages; tea-based beverages; chocolate beverages with milk; chocolate-based beverages; infusions, not medicinal; crushed oats; husked oats; okonomiyaki [Japanese savory pancakes]; onigiri [rice balls]; chocolate-coated nuts; nutmegs; stick liquorice [confectionery]; miso; pastila [confectionery]; pastilles [confectionery]; molasses for food; pâtés en croûte; pelmeni [dumplings stuffed with meat]; pepper; allspice; peppers [seasonings]; pesto [sauce]; cookies; petit-beurre biscuits; bibimbap [rice mixed with vegetables and beef]; pies; pizzas; meat gravies; fondants [confectionery]; popcorn; powders for making ice cream; baking powder; mustard meal; pralines; condiments; meat tenderizers for household purposes; cereal preparations; oat-based food; propolis; gingerbread; spices; petits fours [cakes]; puddings; rice pudding; cake powder; fruit coulis [sauces]; ravioli; ramen [Japanese noodle-based dish]; chewing gum; chewing gum for breath freshening; relish [condiment]; rice; instant rice; wheat germ for human consumption; spring rolls; sago; sugar; palm sugar; sesame seeds [seasonings]; linseed for culinary purposes [seasoning]; processed seeds for use as a seasoning; aniseed; agave syrup [natural sweetener]; golden syrup; confectionery; batter mixes for okonomiyaki [Japanese savory pancakes]; baking soda [bicarbonate of soda for cooking purposes]; malt for human consumption; salt for preserving foodstuffs; cooking salt; celery salt; sherbets [ices]; ham glaze; cranberry sauce [condiment]; soya sauce; tomato sauce; pasta sauce; sauces [condiments]; apple sauce [condiment]; spaghetti; seasonings; chocolate-based spreads; chocolate spreads containing nuts; preparations for stiffening whipped cream; shaved ice with sweetened red beans; rusks; breadcrumbs; sushi; senbei [rice crackers]; sandwiches; tabbouleh; tacos; tapioca; tarts; dough; pastry

dough; almond paste; rice pulp for culinary purposes; cake dough; tortillas; garden herbs, preserved [seasonings]; chocolate decorations for cakes; vinegar; beer vinegar; ferments for pastes; halvah; bread; unleavened bread; corn flakes; oat flakes; chips [cereal products]; hot dog sandwiches; flowers or leaves for use as tea substitutes; jiaozi [stuffed dumplings]; chicory [coffee substitute]; tea; iced tea; chutneys [condiments]; minced garlic [condiment]; cheeseburgers [sandwiches]; chow-chow [condiment]; saffron [seasoning]; chocolate; malt extract for food; essences for foodstuffs, except etheric essences and essential oils; husked barley.

(260) AM 2021 110162 A

(800) 1555404

(151) 2020 07 15

(891) 2020 07 15

(731) Tovarystvo z obmezheniou vidpovidalnistiu

"Invert"

vul. Marshala Biriuzova, 26/1, Poltava 36007, Ukraine

(540)



(591) Black, white

(531) 26.13.25; 27.05.01

(511)

30 – Peanut confectionery; baozi (stuffed buns); cereal bars; high-protein cereal bars; bean meal; nut flours; buckwheat flour; tapioca flour; flour; bulgur; bread rolls; buns; burritos; vareniki (stuffed dumplings); waffles; vermicelli; flour-based dumplings; oatmeal; oat flakes; biscuits; cake frosting [icing]; glucose for culinary purposes; chocolate-coated nuts; mirror icing [mirror glaze]; chewing gum for breath freshening; chewing gum; custard; ferments for pastes; cereal-based snack food; rice-based snack food; frozen yogurt [confectionery ices]; wheat germ for human consumption; cereal preparations; zephyr [confectionery]; edible paper; edible rice paper; caramels [candies]; quiches; confectionery; confectionery for decorating Christmas trees; sugar confectionery; crackers; hominy grits; groats for human food; croutons; corn flour; corn flakes; couscous [semolina]; liquorice [confectionery]; noodles; soba noodles; udon noodles; mints for breath freshening; macaroni; pasta; macarons [confectionery]; hominy; semolina; marzipan; honey; molasses for food; almond paste; almond confectionery; pancakes; dessert mousses [confectionery]; chocolate mousses; muesli; peppermint sweets; okonomi-

yaki [Japanese savoury pancakes]; stick liquorice [confectionery]; pastila [confectionery]; lozenges [confectionery]; baking powder; petits fours [cakes]; cookies; pies; pâtés en croûte; meat pies; pizzas; chips [cereal products]; fondants [confectionery]; pralines; candy decorations for cakes; chocolate decorations for cakes; unleavened bread; oat-based food; gingerbread; puddings; cake powder; wheat flour; rice pulp for culinary purposes; rice pudding; rice cakes; sandwiches; senbei [rice crackers]; soya flour; malt biscuits; sweets [candies]; spaghetti; chocolate-based spreads; chocolate spreads containing nuts; spring rolls; batter mixes for okonomiyaki [Japanese savoury pancakes]; croutons; rusks; breadcrumbs; petit-beurre biscuits; tarts; cakes; dough; cake batter; pastry dough; cake dough; tortillas; fruit jellies [confectionery]; fruit coulis [sauces]; halvah; bread; pastries; jiaozi; candies; sugar; chocolate; apple sauce [condiment]; barley meal.

35 – Administrative processing of purchase orders; demonstration of goods; compilation of information into computer databases; providing commercial information and advice for consumers in the choice of products and services; consultancy regarding advertising communication strategies; marketing; updating and maintenance of data in computer databases; organization of exhibitions for commercial or advertising purposes; organization of trade fairs; commercial intermediation services; wholesale services for jellies, jams, compotes, yogurts, pastas and noodles, flour and cereal preparations, breads, pastries, confectionery, chocolate, ice cream, sugar, honey, baking powder, raw and unprocessed grains and seeds; online retail services for jellies, jams, compotes, yogurts, pastas and noodles, flour and cereal preparations, breads, pastries, confectionery, chocolate, ice cream, sugar, honey, baking powder, raw and unprocessed grains and seeds; search engine optimization for sales promotion; presentation of goods on communication media, for retail purposes; rental of advertising time on communication media; advertising; online advertising on a computer network; systemization of information into computer databases; negotiation and conclusion of commercial transactions for third parties.

(260) AM 2021 110163 A

(800) 1555418

(151) 2020 07 06

(891) 2020 07 06

(731) Otkrytoe aktsionernoe obshchestvo "Minskiy molochny zavod N°1"
ul. Vokzalnaya 11, Zaslavl, 223034 Minskiy rayon, Belarus

(540)



(591) Red and white

(531) 26.11.25; 28.05; 29.01.12

(511)

29 – Ajvar [preserved peppers]; ayran [fermented milk drink]; aloe vera prepared for human consumption; alginates for culinary purposes; anchovy, not live; peanuts, prepared; artichokes, preserved; acidophilus milk; albumen for culinary purposes; white of eggs; beans, preserved; soya beans, preserved, for food; bouillon; jam; ginger jam; ham; fatty substances for the manufacture of edible fats; laver, fried; edible birds' nests; peas, preserved; mushrooms, preserved; game, not live; gelatine; meat jellies; jellies for food; fruit jellies; yolk of eggs; coconut fat; bone oil for food; lard; suet for food; edible fats; fruit-based snack food; charcuterie; raisins; caviar; eggplant paste; vegetable marrow paste; fish roe, prepared; yogurt; sauerkraut; kephir; isinglass for food; clams, not live; potato-based dumplings; milk shakes; black pudding; arrangements of processed fruit; compotes; meat, tinned; vegetables, tinned; fish, tinned; fruits, tinned; bouillon concentrates; gherkins; shrimps, not live; prawns, not live; buttercream; croquettes; silkworm chrysalis for human consumption; kumys; spiny lobsters, not live; lecithin for culinary purposes; salmon, not live; onions, preserved; margarine; oils for food; peanut butter; cocoa butter for food; coconut oil for food; coconut butter; corn oil for food; sesame oil for food; linseed oil for food; olive oil for food; palm oil for food; palm kernel oil for food; sunflower oil for food; colza oil for food; butter; clarified butter; shellfish, not live; almonds, ground; animal marrow for food; mussels, not live; milk; baked milk; peanut milk for culinary purposes; goat milk; almond milk for culinary purposes; sheep's milk; rice milk; condensed milk; soya milk; albumin milk; powdered milk; fish meal for human consumption; vegetable mousses; fish mousses; fruit pulp; meat; meat, preserved; milk beverages, milk predominating; lactic acid drinks; lactic acid drinks enriched with protein; milk-based beverages containing fruit juice; vegetables, frozen; vegetables, preserved; vegetables, cooked; vegetables, dried; potato fritters; olives, preserved; lobsters, not live; flavored nuts; candied nuts; coconut, desiccated; nuts, prepared; tomato puree; liver pate; pectin for culinary purposes; liver; pickles; powdered eggs; milk products; fermented milk; fish-based foodstuffs; curd; poultry, not live; bulgogi; pollen prepared as foodstuff; cranberry compote; apple puree; crayfish, not live; crustaceans, not live; fish, preserved; fish, not live; salted fish; ryazhenka [fermented baked milk]; vegetable salads; fruit salads; bacon; sardines, not live; pork; herrings, not live; sunflower seeds, prepared;

whipped cream; cream [dairy products]; fat-containing mixtures for bread slices; smetana; dried fruit mixes; snack mixes consisting of processed fruits, processed nuts or raisins; vegetable juices for cooking; tomato juice for cooking; salted meats; sausages; sausages in batter; preparations for making bouillon; preparations for making soup; dairy-based spreads; tripe; soups; vegetable soup preparations; whey; smoked cheese; cheese spreads; cheese; cheese products; processed cheese products; curd cheese; glazed curd snacks; tan [fermented milk drink]; tahini; tofu; cottage cheese [fermented milk product]; cereal curd, including fat-free, with greens; fillers for cottage cheese, namely jams; oysters, not live; milk ferments for culinary purposes; rennet; fish fillets; dates; crystallized fruits; frozen fruits; fruit, preserved; fruits, dried; fruit preserved in alcohol; fruit, stewed; hazelnuts, prepared; potato flakes; hummus; fruit peel; preserved garlic; lentils, preserved; potato chips; low-fat potato chips; fruit chips; non-alcoholic eggnog; seaweed extracts for food; meat extracts; berries, preserved; eggs; snail eggs for consumption; yakitori.

30 – Aromatic preparations for food; vanilla flavorings for culinary purposes; flavorings, other than essential oils, for cakes; flavorings, other than essential oils, for beverages; coffee flavorings; food flavorings, other than essential oils; star aniseed; baozi; cereal bars; high-protein cereal bars; pancakes; freeze-dried dishes with the main ingredient being pasta; freeze-dried dishes with the main ingredient being rice; noodle-based prepared meals; buns; bread rolls; edible rice paper; edible paper; burritos; vanillin [vanilla substitute]; dumplings [stuffed dough balls]; waffles; vermicelli; natural sweeteners; sausage binding materials; binding agents for ice cream; sea water for cooking; seaweed [condiment]; malt biscuits; cloves [spice]; mirror icing [mirror glaze]; cake frosting [icing]; glucose for culinary purposes; mustard; gluten additives for culinary purposes; yeast; thickening agents for cooking foodstuffs; leaven; rice-based snack food; cereal-based snack food; vegetal preparations for use as coffee substitutes; artificial coffee; dressings for salad; fruit jellies [confectionery]; candy decorations for cakes; confectionery for decorating Christmas trees; cakes; pastries; peanut confectionery; almond confectionery; pasta; ginger [spice]; frozen yogurt [confectionery ices]; cocoa; cream of tartar for culinary purposes; capers; caramels [sweets]; curry [spice]; ketchup [sauce]; kimbap [Korean rice-based dish]; quiches; gluten prepared as foodstuff; flour-based dumplings; sweets; liquorice [confectionery]; peppermint sweets; dulce de leche; cinnamon [spice]; coffee; unroasted coffee; starch for food; crackers; custard; hominy grits; semolina; oatmeal; crushed barley; groats for human food; ice cubes; corn, milled; corn, roasted; meat pies; turmeric; couscous; noodles; boiled sweet, non-medicinal; ice for refreshment; ice, natural or artificial; edible ices; rice cakes; mayonnaise; macarons;

macaroni; maltose; hominy; piccalilli; marinades; marzipan; honey; royal jelly; ice cream; bean meal; tapioca flour; potato flour; corn flour; nut flours; flour; wheat flour; soya flour; barley meal; dessert mousses [confectionery]; chocolate mousses; muesli; mint for confectionery; cocoa beverages with milk; coffee beverages with milk; coffee-based beverages; cocoa-based beverages; chamomile-based beverages; tea-based beverages; chocolate beverages with milk; chocolate-based beverages; infusions, not medicinal; crushed oats; husked oats; okonomiyaki [Japanese piquant pancakes]; onigiri; chocolate-coated nuts; nutmegs; stick liquorice [confectionery]; soya paste [seasoning]; pastilles [confectionery]; molasses for food; pâtés en croûte; pelmeni; pepper; allspice; peppers [seasonings]; pesto; cookies; petit-beurre biscuits; bibimbap [rice mixed with vegetables and beef]; pies; pizzas; meat gravies; fondants [confectionery]; popcorn; powders for making ice cream; baking powder; mustard meal; pralines; condiments; meat tenderizers for household purposes; cereal preparations; oat-based food; propolis; gingerbread; spices; petits fours; puddings; rice pudding; cake powder; fruit coulis [sauces]; ravioli; ramen; chewing gum, not for medical purposes; relish [condiment]; rice; instant rice; wheat germ for human consumption; spring rolls; sago; sugar; palm sugar; sesame seeds [seasonings]; linseed for culinary purposes [seasoning]; processed seeds for use as a seasoning; aniseed; agave syrup [natural sweetener]; golden syrup; treacle; confectionery; okonomiyaki mixes [savory pacake]; baking soda [bicarbonate of soda for cooking purposes]; malt for human consumption; ham glaze; soya sauce; tomato sauce; pasta sauce; sauces [condiments]; spaghetti; seasonings; chocolate-based spreads; chocolate spreads containing nuts; preparations for stiffening whipped cream; breadcrumbs; sushi; sandwiches; tabbouleh; tacos; tapioca; tarts; dough; pastry dough; almond paste; rice pulp for culinary purposes; cake dough; tortillas; garden herbs, preserved [seasonings]; chocolate decorations for cakes; vinegar; beer vinegar; ferments for pastes; halvah; bread; unleavened bread; bakery products; corn flakes; oat flakes; chips [cereal products]; hot dog sandwiches; flowers or leaves for use as tea substitutes; jiaozi; chicory [coffee substitute]; tea; iced tea; chutneys [condiments]; minced garlic [condiment]; cheeseburgers [sandwiches]; chow-chow [condiment]; saffron [seasoning]; chocolate; malt extract for food; essences for foodstuffs, except etheric essences and essential oils; husked barley.

(260) AM 2021 110164 A
 (800) 1555444
 (151) 2020 08 10
 (891) 2020 08 10
 (731) Golub Svitlana Isaakivna
 vul. Bolgarska, 82, kv. 8, m. Odesa 65000,
 Ukraine;

Hinda Yuliia Stepanivna
 vul. Agronomichna, 127; m. Odesa 65000,
 Ukraine;
 Shmulevych Vitalii Naumovych
 vul. Levanevskoho, 7, kv. 63, m. Odesa 65062,
 Ukraine

(540)

BOLGRAD БОЛГРАД
GRANDE ROSSO

(591) Black, white
 (531) 27.05.09; 27.05.10; 28.05
 (511)
 33 – Wine.

(260) AM 2021 110165 A
 (800) 1555456
 (151) 2020 08 10
 (891) 2020 08 10
 (731) "KONTI-RUS" JOINT STOCK COMPANY
 ul. Zolotaia, 13, RU-305000 Kursk,
 Russian Federation

(540)



(591) Red, white, pink, raspberry, purple, blue, light green and green
 (531) 05.03.11; 05.07.08; 05.07.09; 25.07.25;
 26.01.02; 26.01.22; 28.05
 (526) The words in Cyrillic transliterated into "Krem" and "yogurt", there are realistic depictions of berries.
 (511)
 30 – Waffles; fruit jellies [confectionery]; pastries; peanut confectionery; caramels [candy]; confectionery; sweetmeats [candy]; candies; marzipan; dessert mousses [confectionery]; chocolate mousses; chocolate-coated nuts; cookies; petit-beurre biscuits; cakes; fondants [confectionery]; pralines; gingerbread; halvah; chocolate.

(260) AM 2021 110240 A
 (800) 1556310
 (151) 2020 07 29
 (891) 2020 07 29
 (731) KRKA, tovarna zdravil, d.d., Novo mesto
 Šmarješka cesta 6, SI-8000 Novo mesto,
 Slovenia

(540)

ДЕКСИАКС

(591) Black, white

(531) 28.05

(511)

5 – Pharmaceutical preparations.

(260) AM 2021 110250 A

(800) 1556591

(151) 2019 12 27

(891) 2019 12 27

(731) International Fruit Genetics, LLC

8224 Espresso Drive, Suite 2006 Bakersfield
CA 93312, USA

(540)

COTTON CANDY

(591) Black, white

(511)

29 – Preserved, dried and cooked fruits and vegetables; jellies, jams and compotes; milk and milk products.

30 – Seasonings, spices; sauces and other condiments.

31 – Fresh fruits and vegetables; grape vines, plants and plant propagating material.

32 – Beers; non-alcoholic beverages; mineral and aerated waters; fruit beverages and fruit juices; syrups and other non-alcoholic preparations for making beverages.

33 – Alcoholic beverages (except beers); preparations (for example flavorings and essences) for making alcoholic beverages (term considered too vague by the International Bureau – Rule 13 (2) (b) of the Regulations).

(260) AM 2021 110251 A

(800) 1556605

(151) 2020 09 10

(891) 2020 09 10

(731) AFTERSHOKZ, LLC

1801 Burnet Avenue, Suite 102, SYRACUSE
NY 13206, USA

(540)

Openmove

(591) Black, white

(511)

9 – Batteries; battery chargers; chargers for batteries; earphones; electronic memories; headphones; lithium ion batteries; megaphones; memory modules; microphones; smart glasses; spectacles; virtual reality headsets; wireless speakers; horns for loudspeakers; MP3 players.

(260) AM 2021 110326 A

(800) 1557913

(151) 2020 08 11

(891) 2020 08 11

(731) Apple Inc.

One Apple Park Way, Cupertino CA 95014,
USA

(540)

SERVICETALK

(591) Black, white

(511)

42 – Computer software consulting and advisory services; computer software services, namely support and consultation services for developing computer systems, databases and computer software applications; design and development of computer software in the fields of mobile computer software application development, database development and management, software development, and network infrastructure management; providing computer software information online; website creation, design and maintenance services; providing online non-downloadable computer software used in developing other software applications; computer services, namely, creating computer network-based indexes of information, websites and resources.

(260) AM 2021 110327 A

(800) 1557924

(151) 2020 06 02

(891) 2020 06 02

(731) Euro Games Technology Ltd.

4, "Maritsa" Str., "Vranya-Lozen-Triugulnika",
BG-1151 Sofia, Bulgaria

(540)



(591) Blue, pink, purple, gold, yellow and black

(531) 24.17.18; 27.05.03; 28.03; 29.01.14

(511)

9 – Software; computer gaming software; computer software packages; computer operating system software; computer software, recorded; software drivers; virtual reality software; games software; entertainment software for computer games; computer programs for network management; operating computer software for main frame computers; monitors (computer hardware); computer hardware; apparatus for recording images; monitors (computer programs); computer game programs; computer programs for recorded games; apparatus for recording, transmission or reproduction of sound or images; communications servers [computer hardware]; electronic components

for gambling machines; computer application software featuring games and gaming; computer software for the administration of on-line games and gaming; computer hardware for games and gaming; electronic components and computer software for gambling, gambling machines, gambling games on the Internet and via telecommunication network.

28 – Gaming machines for gambling; chips for gambling; mah-jong; arcade games; gambling machines operating with coins, notes and cards; games; electronic games; parlor games; gaming chips; gaming tables; slot machines [gaming machines]; LCD game machines; slot machines and gaming devices; coin-operated amusement machines; roulette chips; poker chips; chips and dice [gaming equipment]; gaming equipment for casinos; roulette tables; gaming roulette wheels; playing cards for casino games; gambling machines and amusement machines, automatic and coin-operated; coin-operated amusement machines and/or electronic coin-operated gaming machines with or without the possibility of gain; boxes for coin-operated amusement machines, slot machines and gaming machines; electronic or electrotechnical gaming devices, automats and machines, coin-operated amusement machines; housings for coin-operated amusement machines, gaming equipment, gaming machines, machines for gambling electropneumatic and electrical gambling machines (slot machines).

41 – Gambling; services related to gambling; gaming services for entertainment purposes; casino, gaming and gambling services; training in the development of software systems; rental of gambling machines for gambling halls; providing casino equipment [gambling]; gaming machine entertainment services; providing casino facilities [gambling]; gaming hall services; amusement arcade services; games equipment rental; rental of gaming machines; providing amusement arcade services; rental of gaming machines with images of fruits; editing or recording of sounds and images; sound recording and video entertainment services; hire of sound reproducing apparatus; provision of gaming equipment for casinos; providing of casino facilities; online gambling services; casino, gaming and gambling services; entertainment services provided by gaming establishments, gaming halls, Internet casinos and via online gambling sites.

INTERNATIONAL TRADEMARKS PROTECTED IN GEORGIA

(260) AM 2021 104599 A
(800) 1482880
(151) 2019 04 24
(181) 2029 04 24
(891) 2019 04 24
(511) 29, 30, 31, 32, 33, 35, 43

(260) AM 2021 108151 A
(800) 1528695
(151) 2020 02 20
(181) 2030 02 20
(891) 2020 02 20
(511) 33

(260) AM 2021 105844 A
(800) 1499343
(151) 2019 06 05
(181) 2029 06 05
(891) 2019 06 05
(511) 29, 30, 31, 32, 33, 35, 43

(260) AM 2021 108155 A
(800) 1528760
(151) 2020 02 18
(181) 2030 02 18
(891) 2020 02 18
(511) 42, 44

(260) AM 2021 105946 A
(800) 1500717
(151) 2019 10 01
(181) 2029 10 01
(891) 2019 10 01
(511) 05

(260) AM 2021 108232 A
(800) 1529768
(151) 2020 01 13
(181) 2030 01 13
(891) 2020 01 13
(511) 33

(260) AM 2021 106326 A
(800) 1497968
(151) 2019 07 18
(181) 2029 07 18
(891) 2019 07 18
(511) 03, 05, 10

(260) AM 2021 108257 A
(800) 1530185
(151) 2019 12 10
(181) 2029 12 10
(891) 2019 12 10
(511) 12, 27

(260) AM 2021 106708 A
(800) 1509853
(151) 2019 11 27
(181) 2029 11 27
(891) 2019 11 27
(511) 10, 31, 32

(260) AM 2021 108282 A
(800) 1530869
(151) 2020 01 25
(181) 2030 01 25
(891) 2020 01 25
(511) 34, 43

(260) AM 2021 106726 A
(800) 1510088
(151) 2019 12 06
(181) 2029 12 06
(891) 2019 12 06
(511) 33

(260) AM 2021 108283 A
(800) 403823
(151) 1973 10 29
(181) 2023 10 29
(891) 2020 04 28
(511) 09, 25, 28

(260) AM 2021 107088 A
(800) 1514039
(151) 2019 11 27
(181) 2029 11 27
(891) 2019 11 27
(511) 35

(260) AM 2021 108284 A
(800) 535003
(151) 1989 02 15
(181) 2029 02 15
(891) 2020 04 22
(511) 33

(260) AM 2021 108285 A
(800) 1135807
(151) 2012 09 24
(181) 2022 09 24
(891) 2020 04 24
(511) 05

(260) AM 2021 108287 A
(800) 1423867
(151) 2018 03 20
(181) 2028 03 20
(891) 2020 03 06
(511) 03, 08, 10, 35, 41, 44

(260) AM 2021 108323 A
(800) 1531014
(151) 2020 02 24
(181) 2030 02 24
(891) 2020 02 24
(511) 09

(260) AM 2021 108324 A
(800) 1531033
(151) 2020 02 28
(181) 2030 02 28
(891) 2020 02 28
(511) 30

(260) AM 2021 108325 A
(800) 1531048
(151) 2020 02 28
(181) 2030 02 28
(891) 2020 02 28
(511) 30

(260) AM 2021 108327 A
(800) 1531056
(151) 2020 02 28
(181) 2030 02 28
(891) 2020 02 28
(511) 30

(260) AM 2021 108329 A
(800) 1531106
(151) 2019 09 30
(181) 2029 09 30
(891) 2019 09 30
(511) 35, 36, 38, 41

(260) AM 2021 108330 A
(800) 1531117
(151) 2020 03 06
(181) 2030 03 06
(891) 2020 03 06
(511) 03, 05, 10, 35

(260) AM 2021 108331 A
(800) 1531124
(151) 2020 03 06
(181) 2030 03 06
(891) 2020 03 06
(511) 03, 05, 10, 35

(260) AM 2021 108332 A
(800) 1531143
(151) 2019 12 18
(181) 2029 12 18
(891) 2019 12 18
(511) 03, 09, 14, 18, 25

(260) AM 2021 108333 A
(800) 1531146
(151) 2020 03 06
(181) 2030 03 06
(891) 2020 03 06
(511) 03, 05, 10, 35

(260) AM 2021 108334 A
(800) 1531150
(151) 2020 02 20
(181) 2030 02 20
(891) 2020 02 20
(511) 05

(260) AM 2021 108335 A
(800) 1531154
(151) 2020 03 06
(181) 2030 03 06
(891) 2020 03 06
(511) 03, 05, 10, 35

(260) AM 2021 108336 A
(800) 1531256
(151) 2020 01 18
(181) 2030 01 18
(891) 2020 01 18
(511) 05

(260) AM 2021 108337 A
(800) 1531265
(151) 2019 12 05
(181) 2029 12 05
(891) 2019 12 05
(511) 03, 30, 32

(260) AM 2021 108359 A
(800) 1531868
(151) 2020 04 01
(181) 2030 04 01
(891) 2020 04 01
(511) 10

(260) AM 2021 108338 A
(800) 1531304
(151) 2020 04 10
(181) 2030 04 10
(891) 2020 04 10
(511) 29

(260) AM 2021 108360 A
(800) 1531969
(151) 2020 02 11
(181) 2030 02 11
(891) 2020 02 11
(511) 01, 04

(260) AM 2021 108339 A
(800) 1531319
(151) 2020 04 10
(181) 2030 04 10
(891) 2020 04 10
(511) 29

(260) AM 2021 108367 A
(800) 1532137
(151) 2019 12 27
(181) 2029 12 27
(891) 2019 12 27
(511) 08, 21, 35

(260) AM 2021 108340 A
(800) 1531321
(151) 2020 02 28
(181) 2030 02 28
(891) 2020 02 28
(511) 30

(260) AM 2021 108371 A
(800) 1532227
(151) 2020 02 21
(181) 2030 02 21
(891) 2020 02 21
(511) 05

(260) AM 2021 108356 A
(800) 1531791
(151) 2020 02 07
(181) 2030 02 07
(891) 2020 02 07
(511) 03, 05, 34, 35, 40

(260) AM 2021 108448 A
(800) 1532509
(151) 2020 04 29
(181) 2030 04 29
(891) 2020 04 29
(511) 12

(260) AM 2021 108357 A
(800) 1531815
(151) 2020 03 30
(181) 2030 03 30
(891) 2020 03 30
(511) 05

(260) AM 2021 108450 A
(800) 1532601
(151) 2020 03 18
(181) 2030 03 18
(891) 2020 03 18
(511) 10

(260) AM 2021 108358 A
(800) 1531822
(151) 2020 03 30
(181) 2030 03 30
(891) 2020 03 30
(511) 05

(260) AM 2021 108451 A
(800) 1532620
(151) 2019 11 13
(181) 2029 11 13
(891) 2019 11 13
(511) 37, 42

(260) AM 2021 108452 A
(800) 1532624
(151) 2020 01 28
(181) 2030 01 28
(891) 2020 01 28
(511) 30

(260) AM 2021 108547 A
(800) 1533925
(151) 2020 01 18
(181) 2030 01 18
(891) 2020 01 18
(511) 05

(260) AM 2021 108463 A
(800) 1532836
(151) 2020 02 05
(181) 2030 02 05
(891) 2020 02 05
(511) 09

(260) AM 2021 108549 A
(800) 1533958
(151) 2020 03 17
(181) 2030 03 17
(891) 2020 03 17
(511) 33

(260) AM 2021 108467 A
(800) 1532997
(151) 2020 02 14
(181) 2030 02 14
(891) 2020 02 14
(511) 29, 30, 35

(260) AM 2021 108621 A
(800) 1534743
(151) 2020 04 02
(181) 2030 04 02
(891) 2020 04 02
(511) 10

(260) AM 2021 108473 A
(800) 1533226
(151) 2020 03 17
(181) 2030 03 17
(891) 2020 03 17
(511) 02

(260) AM 2021 108622 A
(800) 1534753
(151) 2019 12 24
(181) 2029 12 24
(891) 2019 12 24
(511) 03

(260) AM 2021 108475 A
(800) 1533299
(151) 2020 01 18
(181) 2030 01 18
(891) 2020 01 18
(511) 05

(260) AM 2021 108623 A
(800) 1534788
(151) 2020 03 17
(181) 2030 03 17
(891) 2020 03 17
(511) 30

(260) AM 2021 108540 A
(800) 1533735
(151) 2020 01 18
(181) 2030 01 18
(891) 2020 01 18
(511) 05

(260) AM 2021 108624 A
(800) 1534809
(151) 2020 01 13
(181) 2030 01 13
(891) 2020 01 13
(511) 09

(260) AM 2021 108544 A
(800) 1533905
(151) 2020 05 01
(181) 2030 05 01
(891) 2020 05 01
(511) 39, 41, 43

(260) AM 2021 108625 A
(800) 1534849
(151) 2020 05 11
(181) 2030 05 11
(891) 2020 05 11
(511) 25

(260) AM 2021 108626 A
(800) 1534850
(151) 2020 05 11
(181) 2030 05 11
(891) 2020 05 11
(511) 05

(260) AM 2021 108653 A
(800) 1113725
(151) 2011 12 05
(181) 2021 12 05
(891) 2020 04 27
(511) 29, 30

(260) AM 2021 108627 A
(800) 1534861
(151) 2020 05 11
(181) 2030 05 11
(891) 2020 05 11
(511) 25

(260) AM 2021 108655 A
(800) 1478445
(151) 2019 02 26
(181) 2029 02 26
(891) 2020 05 11
(511) 09, 28, 35

(260) AM 2021 108628 A
(800) 1534892
(151) 2020 05 11
(181) 2030 05 11
(891) 2020 05 11
(511) 07

(260) AM 2021 108702 A
(800) 1535957
(151) 2020 04 21
(181) 2030 04 21
(891) 2020 04 21
(511) 14, 16, 18, 20, 21, 24, 25, 28

(260) AM 2021 108629 A
(800) 1534965
(151) 2020 03 13
(181) 2030 03 13
(891) 2020 03 13
(511) 18, 25

(260) AM 2021 108704 A
(800) 1536039
(151) 2020 04 16
(181) 2030 04 16
(891) 2020 04 16
(511) 30

(260) AM 2021 108630 A
(800) 1535071
(151) 2019 12 26
(181) 2029 12 26
(891) 2019 12 26
(511) 19, 35, 37, 40

(260) AM 2021 108705 A
(800) 1536065
(151) 2019 12 16
(181) 2029 12 16
(891) 2019 12 16
(511) 32, 43

(260) AM 2021 108631 A
(800) 1535107
(151) 2019 12 13
(181) 2029 12 13
(891) 2019 12 13
(511) 29, 32, 35, 43

(260) AM 2021 108712 A
(800) 1536214
(151) 2020 02 17
(181) 2030 02 17
(891) 2020 02 17
(511) 03, 21, 29, 30, 31, 32, 33, 43, 45

(260) AM 2021 108642 A
(800) 1535445
(151) 2020 04 23
(181) 2030 04 23
(891) 2020 04 23
(511) 03, 05

(260) AM 2021 108716 A
(800) 1536309
(151) 2019 12 09
(181) 2029 12 09
(891) 2019 12 09
(511) 09, 38

(260) AM 2021 108717 A
(800) 1536330
(151) 2019 11 06
(181) 2029 11 06
(891) 2019 11 06
(511) 06

(260) AM 2021 108718 A
(800) 1536363
(151) 2019 12 19
(181) 2029 12 19
(891) 2019 12 19
(511) 01, 16, 35, 36, 37, 38, 39, 40, 41, 42

(260) AM 2021 108720 A
(800) 1536411
(151) 2020 05 14
(181) 2030 05 14
(891) 2020 05 14
(511) 11

(260) AM 2021 108721 A
(800) 1536450
(151) 2020 04 28
(181) 2030 04 28
(891) 2020 04 28
(511) 05

(260) AM 2021 108727 A
(800) 1536719
(151) 2020 05 14
(181) 2030 05 14
(891) 2020 05 14
(511) 12

(260) AM 2021 108796 A
(800) 1537034
(151) 2020 05 19
(181) 2030 05 19
(891) 2020 05 19
(511) 05, 44

(260) AM 2021 108797 A
(800) 1537059
(151) 2020 04 29
(181) 2030 04 29
(891) 2020 04 29
(511) 43

(260) AM 2021 108803 A
(800) 1537279
(151) 2020 04 21
(181) 2030 04 21
(891) 2020 04 21
(511) 10

(260) AM 2021 108804 A
(800) 1537327
(151) 2020 03 30
(181) 2030 03 30
(891) 2020 03 30
(511) 03, 05

(260) AM 2021 108805 A
(800) 1537342
(151) 2020 03 30
(181) 2030 03 30
(891) 2020 03 30
(511) 03, 05

(260) AM 2021 108806 A
(800) 1537347
(151) 2020 01 30
(181) 2030 01 30
(891) 2020 01 30
(511) 03, 05, 10

(260) AM 2021 108807 A
(800) 1537372
(151) 2020 02 14
(181) 2030 02 14
(891) 2020 02 14
(511) 05

(260) AM 2021 108808 A
(800) 1537375
(151) 2020 01 16
(181) 2030 01 16
(891) 2020 01 16
(511) 16, 25, 35, 41

(260) AM 2021 108809 A
(800) 1537393
(151) 2019 07 17
(181) 2029 07 17
(891) 2019 07 17
(511) 41

(260) AM 2021 108810 A
(800) 1537397
(151) 2020 05 26
(181) 2030 05 26
(891) 2020 05 26
(511) 12

(260) AM 2021 108841 A
(800) 1425322
(151) 2018 05 10
(181) 2028 05 10
(891) 2020 05 26
(511) 19, 37, 42

(260) AM 2021 108831 A
(800) 1537971
(151) 2020 04 21
(181) 2030 04 21
(891) 2020 04 21
(511) 12

(260) AM 2021 108842 A
(800) 1448155
(151) 2018 09 14
(181) 2028 09 14
(891) 2020 06 08
(511) 29, 31

(260) AM 2021 108833 A
(800) 1538036
(151) 2020 05 21
(181) 2030 05 21
(891) 2020 05 21
(511) 05

(260) AM 2021 108844 A
(800) 1482403
(151) 2019 06 21
(181) 2029 06 21
(891) 2020 06 04
(511) 03

(260) AM 2021 108835 A
(800) 1538098
(151) 2020 04 28
(181) 2030 04 28
(891) 2020 04 28
(511) 11

(260) AM 2021 108845 A
(800) 1522880
(151) 2019 11 28
(181) 2029 11 28
(891) 2020 03 17
(511) 03, 04, 09, 12, 14, 16, 18, 21, 25, 28, 32, 35, 36,
37, 38, 39, 41, 42

(260) AM 2021 108837 A
(800) 884932
(151) 2006 05 18
(181) 2026 05 18
(891) 2020 03 31
(511) 05

(260) AM 2021 108916 A
(800) 1538877
(151) 2020 02 18
(181) 2030 02 18
(891) 2020 02 18
(511) 09, 35, 42

(260) AM 2021 108839 A
(800) 1310084
(151) 2016 02 26
(181) 2026 02 26
(891) 2020 05 26
(511) 19, 37, 42

(260) AM 2021 108918 A
(800) 1538947
(151) 2020 01 30
(181) 2030 01 30
(891) 2020 01 30
(511) 03, 05, 10

(260) AM 2021 108840 A
(800) 1419748
(151) 2018 06 08
(181) 2028 06 08
(891) 2020 05 26
(511) 19

(260) AM 2021 108919 A
(800) 1538965
(151) 2020 02 20
(181) 2030 02 20
(891) 2020 02 20
(511) 06, 19

(260) AM 2021 108920 A
(800) 1538989
(151) 2019 09 27
(181) 2029 09 27
(891) 2019 09 27
(511) 38, 41, 42

(260) AM 2021 108983 A
(800) 1539663
(151) 2020 05 12
(181) 2030 05 12
(891) 2020 05 12
(511) 05

(260) AM 2021 108985 A
(800) 1539706
(151) 2020 04 13
(181) 2030 04 13
(891) 2020 04 13
(511) 25

OFFICIAL NOTIFICATIONS
INVENTIONS
EXPIRATION OF PATENTS RESTORATION

(21) AP 2013 13676
(11) P 2017 6705 B
(73) Arven Ilac Sanayi Ve Ticaret A.S.
(54) INHALATOR
DATE OF CANCELLATION OF PATENT: 2021 05 21
THE TERM OF RESTORATION OF PATENT: 2021 06 25

(21) AP 2015 14706
(11) P 2020 7111 B
(73) Ariad Pharmaceuticals Inc.
(54) Heteroaryl compounds for kinase inhibition
DATE OF CANCELLATION OF PATENT: 2021 05 13
THE TERM OF RESTORATION OF PATENT: 2021 06 25

(21) AP 2017 14948
(11) P 2021 7211 B
(73) Pfizer Inc.
(54) SUBSTITUTED CARBONUCLEOSIDE DERIVATIVES USEFUL AS ANTICANCER AGENTS
DATE OF CANCELLATION OF PATENT: 2021 06 03
THE TERM OF RESTORATION OF PATENT: 2021 06 25

ABOLITION OF PATENTS WITH THE RIGHT TO RESTORE

(21) AP 2012 12736
(11) P 2015 6339 B
(73) Les Laboratoires Servier
(54) NEW CO-CRYSTALS OF AGOMELATINE, PROCESS FOR THEIR PREPARATION AND PHARMACEUTICAL COMPOSITIONS CONTAINING THEM
DATE OF CANCELLATION OF PATENT: 2021 06 05
THE TERM OF RESTORATION OF PATENT: 2022 06 05

(21) AP 2011 12941
(11) P 2015 6234 B
(73) Les Laboratoires Servier
(54) AGOMELATINE INTERMEDIATES AND PREPARATION METHOD THEREOF
DATE OF CANCELLATION OF PATENT: 2021 06 08
THE TERM OF RESTORATION OF PATENT: 2022 06 08

(21) AP 2014 13984
(11) P 2017 6762 B
(73) Takeda Pharmaceutical Company Limited
(54) PEPTIDE COMPOUND
DATE OF CANCELLATION OF PATENT: 2021 05 27
THE TERM OF RESTORATION OF PATENT: 2022 05 27

(21) AP 2016 14160
(11) P 2018 6907 B
(73) LEPL Ferdinand Tavadze Institute of Metallurgy and Materials Science
(54) METHOD TO RECEIVE NANOSTRUCTURED SOLID MATERIALS ON BORON CARBIDE BASIS
DATE OF CANCELLATION OF PATENT: 2021 06 01
THE TERM OF RESTORATION OF PATENT: 2023 06 01

(21) AP 2015 14361
(11) P 2018 6923 B
(73) Egish Diodserdiar ZRT.
(54) DASATINIB SALTS
DATE OF CANCELLATION OF PATENT: 2021 05 26
THE TERM OF RESTORATION OF PATENT: 2022 05 26

(21) AP 2017 14948
(11) P 2021 7211 B
(73) Pfizer Inc.
(54) SUBSTITUTED CARBONUCLEOSIDE DERIVATIVES USEFUL AS ANTICANCER AGENTS
DATE OF CANCELLATION OF PATENT: 2021 06 03
THE TERM OF RESTORATION OF PATENT: 2023 06 03

(21) AP 2005 9756
(11) P 2010 4895 B
(73) Upjohn US 1 LLC
(54) PREPARATION OF PREGABALIN AND RELATED COMPOUNDS
DATE OF CANCELLATION OF PATENT: 2021 06 09
THE TERM OF RESTORATION OF PATENT: 2022 06 09

EXPIRATION OF TERM OF RESTORATION OF PATENTS

(21) AP 2007 11010
(11) P 2010 5125 B
(73) Novartis AG
(54) SALTS OF N-HYDROXY-3-[4-[[[2-(2-METHYL-1H-INDOL-3-YL) ETHYL] AMINO] METHYL]
PHENYL]-2E-2-PROPENAMIDE
DATE OF CANCELLATION OF PATENT: 2020 06 07
THE TERM OF RESTORATION OF PATENT VALIDITY HAS EXPIRED: 2021 06 07

(21) AP 2007 11011
(11) P 2011 5175 B
(73) Novartis AG
(54) POLYMORPHS OF N-HYDROXY-3-[4-[[[2-(2-METHYL-1H-INDOL-3- YL)ETHYL]
AMINO]METHYL]PHENYL]-2E-2-PROPENAMIDE
DATE OF CANCELLATION OF PATENT: 2020 06 07
THE TERM OF RESTORATION OF PATENT VALIDITY HAS EXPIRED: 2021 06 07

(21) AP 2010 11816
(11) P 2013 5760 B
(73) Anzor Getsadze;
Leila Getsadze;
Tamar Machitidze;
Natali Samkharadze

(54) DRUG TREATING HIGHMORITIS AND FRONTITIS

DATE OF CANCELLATION OF PATENT: 2020 05 28

THE TERM OF RESTORATION OF PATENT VALIDITY HAS EXPIRED: 2021 05 28

(21) AP 2010 11817

(11) P 2013 5761 B

(73) Anzor Getsadze;

Leila Getsadze

(54) VEGETABLE COLLECTION TREATING BRONCHITIS (ACUTE, HRONIC) AND BRONCHIAL
ASTHMA

DATE OF CANCELLATION OF PATENT: 2020 05 28

THE TERM OF RESTORATION OF PATENT VALIDITY HAS EXPIRED: 2021 05 28

(21) AP 2010 11818

(11) P 2013 5762 B

(73) Anzor Getsadze;

Leila Getsadze

(54) COLLECTION TREATING HEMORRHOID

DATE OF CANCELLATION OF PATENT: 2020 05 28

THE TERM OF RESTORATION OF PATENT VALIDITY HAS EXPIRED: 2021 05 28

(21) AP 2017 14509

(11) P 2019 6975 B

(73) Rususdan Bitsadze;

Simo Bitsadze

(54) MAGNETIC PUSHER

DATE OF CANCELLATION OF PATENT: 2020 06 05

THE TERM OF RESTORATION OF PATENT VALIDITY HAS EXPIRED: 2021 06 05

(21) AP 2006 9432

(11) P 2008 4378 B

(73) OOO "Nizhny Novgorod Chemical-Pharmaceutical Company"

(54) COMPOSITION WITH HEPATOPROECTIVE AND METABOLISM NORMALIZING ACTIVITY

DATE OF CANCELLATION OF PATENT: 2020 06 05

THE TERM OF RESTORATION OF PATENT VALIDITY HAS EXPIRED: 2021 06 05

(21) AP 2005 9805

(11) P 2009 4851 B

(73) University of Tennessee Research Foundation

(54) SELECTIVE ANDROGEN RECEPTOR MODULATORS AND METHODS OF USE THEREOF

DATE OF CANCELLATION OF PATENT: 2020 06 07

THE TERM OF RESTORATION OF PATENT VALIDITY HAS EXPIRED: 2021 06 07

UTILITY MODELS EXPIRATION OF PATENTS RESTORATION

(21) AU 2015 13918
(11) U 2017 1934 Y
(73) LTD "Scientific-Technological Pharmaceutical Firm "Polisani"
(54) MEDICINAL PREPARATION FOR ORAL INTAKE
DATE OF CANCELLATION OF PATENT: 2020 08 25
THE TERM OF RESTORATION OF PATENT: 2021 06 25

(21) AU 2015 13995
(11) U 2018 1960 Y
(73) LTD "Scientific-Technological Pharmaceutical Firm "Polisani"
(54) DRUG FOR PARENTERAL USAGE
DATE OF CANCELLATION OF PATENT: 2020 11 18
THE TERM OF RESTORATION OF PATENT: 2021 06 25

ABOLITION OF PATENTS WITH THE RIGHT TO RESTORE

(21) AU 2013 13112
(11) U 2014 1825 Y
(73) Elguja Shapakidze;
Vladimer Miruashvili
(54) DEVICE REELING THREAD FROM COCOON
DATE OF CANCELLATION OF PATENT: 2021 06 06
THE TERM OF RESTORATION OF PATENT: 2022 06 06

(21) AU 2018 14800
(11) U 2020 2031 Y
(73) Bagrat Godibadze;
Akaki Peikrishvili;
Vakhtang Peikrishvili;
Grigor Mamniashvili;
Tatiana Gegechkori
(54) SHOCK CONSOLIDATION OF MGB2 SUPERCONDUCTING COMPOSITES IN LIQUID CONDITION
DATE OF CANCELLATION OF PATENT: 2021 05 29
THE TERM OF RESTORATION OF PATENT: 2022 05 29

(21) AU 2019 15097
(11) U 2020 2036 Y
(73) Revaz Sikharulidze
(54) DEVICE FOR PRODUCING TWO-LAYER BLOCKS
DATE OF CANCELLATION OF PATENT: 2021 05 30
THE TERM OF RESTORATION OF PATENT: 2022 05 30

EXPIRATION OF TERM OF RESTORATION OF PATENTS

(21) AU 2018 14799

(11) U 2019 2018 Y

(73) Vyacheslav Nikolaevich Bochkaryov;

Pavel Nikolaevich Bochkariov;

Konstantin Yurievich Diomin;

Alexei Alekseevich Popkov

(54) DEVICE FOR PRESSURE CONTROL IN BRAKE CYLINDER

DATE OF CANCELLATION OF PATENT: 2020 05 29

THE TERM OF RESTORATION OF PATENT VALIDITY HAS EXPIRED: 2021 05 29

DESIGNS

CANCELLATION OF REGISTRATION OF DESIGN

(11) D 2010 446 S

(73) Lasha Malania (GE)

III Massif, Upper Plateau, corp. 51 b, app. 6, 0182, Tbilisi, Georgia (GE)

(54) POLYETHYLENE ECOLOGICAL PACKET

(18) 2020 11 30

(58) 2021 06 08

TRADEMARKS

RENEWAL OF REGISTRATIONS

(111) M 2001 14069 R2
(156) 2001 10 18
(186) 2031 10 18
(732) Yves Saint Laurent Parfums
28/34 Boulevard du Parc, 92521 Neuilly
Cedex, France

(111) M 2001 14166 R2
(156) 2001 12 04
(186) 2031 12 04
(732) Shure Incorporated
5800 West Touhy Avenue, Niles, Illinois
60714-4608, USA

(111) M 2011 21696 R1
(156) 2011 08 23
(186) 2031 08 23
(732) Vasil Sulkhaniashvili
Irakli Abashidze St. 72, app. 51, 0162
Tbilisi, Georgia

(111) M 2011 21766 R1
(156) 2011 09 16
(186) 2031 09 16
(732) Eneos Corporation
1-2, Otemachi 1-chome, Chiyoda-ku, Tokyo
100- 8162, Japan

(111) M 2011 21767 R1
(156) 2011 09 16
(186) 2031 09 16
(732) Eneos Corporation
1-2, Otemachi 1-chome, Chiyoda-ku, Tokyo
100- 8162, Japan

(111) M 2011 21768 R1
(156) 2011 09 16
(186) 2031 09 16
(732) Eneos Corporation
1-2, Otemachi 1-chome, Chiyoda-ku, Tokyo
100- 8162, Japan

COMPLETE TRANSFER OF RIGHTS

(111) M 2004 15807 R
(732) Perrigo Poland sp. z o.o.
Al. Niepodleglosci 18, 02-653 Warszawa,
Poland
(770) Nepentes Pharma SP z.o.o.
Bonifraterska St. 17, 00-203 Warsaw, Poland
(580) 2021 06 02

(111) M 2004 15807 R
(732) Omega Pharma Innovation&Development NV
Venecoweg 26, 9810 Nazareth, Belgium
(770) Perrigo Poland Sp. z o.o.
Al. Niepodleglosci 18, 02-653 Warszawa,
Poland
(580) 2021 06 02

(111) M 2016 27947 R
(732) JSC "Gefa"
Akaki Beliashvili St. 142, 0159, Tbilisi,
Georgia
(770) Tea Tseradze
Lortkipanidze St. 26, Tbilisi, Georgia
(580) 2021 05 24

CHANGES OF NAMES AND/OR ADDRESS OF OWNERS

(111) M 1997 6992 R	647-15, Yoksam-dong, Kangnam-gu, Seoul, Republic of Korea
(732) Discovery Communications LLC 8403 Colesville Road, Silver Spring, Maryland 20910, USA	(580) 2021 05 21
(770) Discovery Communications LLC One Discovery Place, Silver Spring, Maryland 20910, USA	
(580) 2021 06 07	
(111) M 2010 20982 R	(111) M 2014 25244 R
(732) Apollo Tyres AG Mellingerstrasse 2a, CH-5400 Baden, Switzerland	(732) Discovery Communications LLC 8403 Colesville Road, Silver Spring, Maryland 20910, USA
(770) Apollo Tyres AG Landis + Gyr-Strasse 1, 6300 Zug, Switzerland	(770) Discovery Communications LLC One Discovery Place, Silver Spring, Maryland 20910, USA
(580) 2021 05 05	(580) 2021 06 07
(111) M 1996 3639 R	(111) M 2015 25719 R
(732) Societe Des Produits D'armagnac Sas Route de Cazaubon, 32800 Eauze, France	(732) Hankook & Company Co., LTD 286, Pangyo-ro, Bundang-gu, Seongnam -si, Gyeonggi-do, Republic of Korea
(770) Societe Des Produits D'armagnac Chateau de Campagne d'Armagnac, 32800 Eauze, France	(770) Hankook Tire Worldwide Co., LTD 647-15, Yoksam-dong, Kangnam-gu, seoul, Republic of Korea
(580) 2021 05 31	(580) 2021 05 21
(111) M 2013 23799 R	(111) M 2015 26420 R
(732) Diskoveri Komunikeishens LLC 8403 Colesville Road, Silver Spring, Maryland 20910, USA	(732) Hankook & Company Co., LTD 286, Pangyo-ro, Bundang-gu, Seongnam -si, Gyeonggi-do, Republic of Korea
(770) Discovery Communications LLC One Discovery Place, Silver Spring, Maryland 20910, USA	(770) Hankook Tire Worldwide Co., LTD N 647-15, Yoksam-dong, Kangnam-gu, Seoul, Republic of Korea
(580) 2021 06 07	(580) 2021 05 21
(111) M 2013 23889 R	(111) M 2015 26278 R
(732) Hankook & Company Co., LTD 286, Pangyo-ro, Bundang-gu, Seongnam -si, Gyeonggi-do, Republic of Korea	(732) Discovery Communications LLC 8403 Colesville Road, Silver Spring, Maryland 20910, USA
(770) Hankook Tire Worldwide Co., LTD 647-15, Yoksam-dong, Kangnam-gu, Seoul, Republic of Korea	(770) Discovery Communications LLC One Discovery Place, Silver Spring, Maryland 20910, USA
(580) 2021 05 21	(580) 2021 06 07
(111) M 2013 23898 R	(111) M 2016 27429 R
(732) Hankook & Company Co., LTD 286, Pangyo-ro, Bundang-gu, Seongnam -si, Gyeonggi-do, Republic of Korea	(732) Hankook & Company Co., LTD 286, Pangyo-ro, Bundang-gu, Seongnam -si, Gyeonggi-do, Republic of Korea
(770) Hankook Tire Worldwide Co., LTD	(770) Hankook Tire Worldwide Co., LTD N 647-15, Yoksam-dong, Kangnam-gu, Seoul, Republic of Korea
	(580) 2021 05 21

(111) M 2017 28867 R
(732) Turner Broadcasting System Inc.
One CNN Center, Atlanta GA 30303, USA
(770) Turner Broadcasting System LLC
One CNN Center, Atlanta GA 30303, USA
(580) 2021 05 05

(111) M 2017 28954 R
(732) Turner Broadcasting System Inc.
One CNN Center, Atlanta GA 30303, USA
(770) TTurner Broadcasting System, LLC
One CNN Center, Atlanta GA 30303, USA
(580) 2021 05 05

(111) M 2017 28955 R
(732) Turner Broadcasting System Inc.
One CNN Center, Atlanta GA 30303, USA
(770) Turner Broadcasting System LLC
One CNN Center, Atlanta GA 30303, USA
(580) 2021 05 05

(111) M 2018 30170 R
(732) Hankook & Company Co., LTD
286, Pangyo-ro, Bundang-gu, Seongnam -si,
Gyeonggi-do, Republic of Korea
(770) Hankook Tire Worldwide Co., LTD
N 647-15, Ioksam-dong, Kangnam-gu, Seuli,
Republic of Korea
(580) 2021 05 21

(111) M 2018 30581 R
(732) Hankook & Company Co., LTD
286, Pangyo-ro, Bundang-gu, Seongnam -si
Gyeonggi-do, Republic of Korea
(770) Hankook Tire Worldwide Co., LTD
N647-15, Yoksam-dong, Kangnam-gu, Seoul,
Republic of Korea
(580) 2021 05 21

CANCELLATION OF TRADEMARKS REGISTRATIONS

(111) M 2000 13606 R
(151) 2000 11 28
(732) CTBAT International Co. Limited
29 th Floor Oxford House, Taikoo Place,
979 King's Road, Island East, Hong Kong
(141) 2021 06 07

(111) M 2000 13607 R
(151) 2000 11 28
(732) CTBAT International Co. Limited
29 th Floor Oxford House, Taikoo Place,
979 King's Road, Island East, Hong Kong
(141) 2021 06 07

(111) M 2000 13608 R
(151) 2000 11 28
(732) CTBAT International Co. Limited
29 th Floor Oxford House, Taikoo Place,
979 King's Road, Island East, Hong Kong
(141) 2021 06 07

(111) M 2000 13609 R
(151) 2000 11 28
(732) CTBAT International Co. Limited
29 th Floor Oxford House, Taikoo Place,
979 King's Road, Island East, Hong Kong
(141) 2021 06 07

(111) M 2000 13610 R
(151) 2000 11 28
(732) CTBAT International Co. Limited
29 th Floor Oxford House, Taikoo Place,
979 King's Road, Island East, Hong Kong
(141) 2021 06 07

(111) M 2000 13612 R
(151) 2000 11 28
(732) DIAGEO NORTH AMERICA, INC.
Three World Trade Center, 175 Greenwich
Street, New York, NY 10007, USA
(141) 2021 06 07

(111) M 2000 13605 R
(151) 2000 11 28
(732) Glaxo Group Limited
980 Great West Road, Brentford, Middlesex
TW8 9GS, United Kingdom
(141) 2021 06 07

(111) M 2000 13620 R
(151) 2000 11 28
(732) LTD "Aversi-Pharma"
Davit Agmashenebeli Av. 148/2, 0112,
Tbilisi Georgia
(141) 2021 06 07

(111) M 2000 13615 R
(151) 2000 11 28
(732) Colgate-Palmolive Company
300 Park Avenue, New York, NY 10022, USA
(141) 2021 06 07

(111) M 2010 20965 R
(151) 2010 12 03
(732) LTD "R & R Group"
Aerodrome Settlement 6, b. 2, 0182, Tbilisi,
Georgia
(141) 2021 06 15

(111) M 2010 20966 R
(151) 2010 12 03
(732) LTD "R & R Group"
Aerodrome Settlement 6, b. 2, 0182, Tbilisi,
Georgia
(141) 2021 06 15

(111) M 2010 20967 R
(151) 2010 12 03
(732) Golden Brands Limited
Arch. Makariou Iii, 284, Fortuna Court
Block B, 2nd Floor, P.C. 3105, Limassol,
Cyprus
(141) 2021 06 15

(111) M 2010 20969 R
(151) 2010 12 03
(732) LTD "Orcva"
Vill. Menjistskali, 6412, Khelvachauri District,
Georgia
(141) 2021 06 15

(111) M 2010 20970 R
(151) 2010 12 03
(732) JSC "Nikora"
M. Kavtaradze St. 11, 0120, Tbilisi, Georgia
(141) 2021 06 15

(111) M 2010 20957 R
(151) 2010 11 30
(732) BASF Agro Trademarks GmbH
Carl-Bosch-Strasse 38, Ludwigshafen,
Germany
(141) 2021 06 07

(111) M 2010 20959 R
(151) 2010 11 30
(732) British American Tobacco (Brands) Inc.
251 Little Falls Drive, Suite 100, Delaware,
19808-1674, Wilmington, USA
(141) 2021 06 07

(111) M 2010 20975 R
(151) 2010 12 06
(732) Davit Mchedlishvili
Tskneti St., corp. 14, app. 7, 0162, Tbilisi,
Georgia
(141) 2021 06 15

(111) M 2010 20964 R
(151) 2010 12 02
(732) Harrington Development Inc.
Arango-Orillac Bldg., East 54th street,
Republic of Panama
(141) 2021 06 10

ABOLITION OF INTERNATIONAL TRADEMARK BY A COURT DECISION

(800) 1070700
(210) 62106
(732) Pryvatne aktsionerne tovarystvo "Kharkivska biskvitna fabryka"
vul. Lozivska, 8, Kharkiv 61017, Ukraine
(540)

ЗООЛЕНД ZOO LAND

(141) 2021 05 28

GROUND: Order №469/12 of May 28 2021 of Chairman of Sakpatenti on enforcement of the enacted ruling of December 7, 2018 of Chamber of Civil Cases of Tbilisi Court of Appeals (Case №2/1953-17).

REGISTRATION OF LICENSE AGREEMENTS

(111) M 2010 20387 R
(732) ООО "Ingapharm"
St. Ryabinovaya 26, building 10, room. 6-21,
Municipal District Ochakovo-Matveevskoe, ext. Ter. G.,
121471, Moscow, Russian Federation
(791) JSC "Valenta Pharmaceutica"
St. Phabrichnaya 2, Shcholkovo, Moscow District,
141108, Russian Federation
(793) №11643
Validity period: 19 02 2021 – For the validity
of the trademark
License type: Special
Class: 3, 5

(111) M 2018 29443 R
(732) ООО "Ingapharm"
St. Ryabinovaya 26, building 10, room. 6-21,
Municipal District Ochakovo-Matveevskoe, ext. Ter. G.,
121471, Moscow, Russian Federation
(791) JSC "Valenta Pharmaceutica"
St. Phabrichnaya 2, Shcholkovo, Moscow District,
141108, Russian Federation
(793) №1644
Validity period: 19 02 2021 – For the validity
of the trademark
License type: Special
Class: 5

CLASSIFICATION INDEXES

INVENTIONS

CONCORDANCE TABLE OF INTERNATIONAL CLASSIFICATION INDEX AND PUBLICATION NUMBERS

INTERNATIONAL CLASSIFICATION INDEXES (51)	NUMBER OF PUBLISHED APPLICATION (10)
B 05 D 3/00; C 09 D 137/00; C 09 D 7/40	AP 2021 14598 A

CONCORDANCE TABLE OF PUBLICATION NUMBERS AND INTERNATIONAL CLASSIFICATION INDEX

NUMBER OF PUBLISHED APPLICATION (10)	INTERNATIONAL CLASSIFICATION INDEXES (51)
AP 2021 14598 A	B 05 D 3/00; C 09 D 137/00; C 09 D 7/40

CONCORDANCE TABLE OF INTERNATIONAL CLASSIFICATION INDEX, PATENT NUMBERS AND PUBLICATION NUMBERS

INTERNATIONAL CLASSIFICATION INDEX (51)	NUMBER OF PATENT (11)	NUMBER OF PUBLISHED APPLICATION (10)
A 61 K 31/436; A 61 P 25/00; C 07 D 491/04; C 07 D 491/18	P 2021 7266 B	AP 2021 15056 A
A 61 K 31/4427; A 61 K 31/497; A 61 P 3/00; C 07 D 401/14; C 07 D 405/14; C 07 D 413/14; C 07 D 471/04; C 07 D 487/04	P 2021 7265 B	AP 2021 15110 A
A 61 K 31/506; A 61 K 31/5377; A 61 P 13/12; C 07 D 403/14; C 07 D 413/14; C 07 D 471/04; C 07 D 487 04	P 2021 7269 B	AP 2021 15076 A
C 02 F 1/52; C 02 F 1/57	P 2021 7268 B	AP 2021 15037 A
F 03 D 1/06	P 2021 7267 B	AP 2021 15001 A

**CONCORDANCE TABLE OF PATENT NUMBERS,
PUBLICATION NUMBERS AND INTERNATIONAL CLASSIFICATION INDEX**

NUMBER OF PATENT (11)	NUMBER OF PUBLISHED APPLICATION (10)	INTERNATIONAL CLASSIFICATION INDEX (51)
P 2021 7265 B	AP 2021 15110 A	A 61 K 31/4427; A 61 K 31/497; A 61 P 3/00; C 07 D 401/14; C 07 D 405/14; C 07 D 413/14; C 07 D 471/04; C 07 D 487/04
P 2021 7266 B	AP 2021 15056 A	A 61 K 31/436; A 61 P 25/00; C 07 D 491/04; C 07 D 491/18
P 2021 7267 B	AP 2021 15001 A	F 03 D 1/06
P 2021 7268 B	AP 2021 15037 A	C 02 F 1/52; C 02 F 1/57
P 2021 7269 B	AP 2021 15076 A	A 61 K 31/506; A 61 K 31/5377; A 61 P 13/12; C 07 D 403/14; C 07 D 413/14; C 07 D 471/04; C 07 D 487 04

**CONCORDANCE TABLE OF APPLICATION NUMBERS,
PUBLICATION NUMBERS AND PATENTS**

NUMBER OF APPLICATION (21)	NUMBER OF PUBLISHED APPLICATION (10)	NUMBER OF PATENT (11)
AP 2019 15037	AP 2021 15037 A	P 2021 7268 B
AP 2017 15056	AP 2021 15056 A	P 2021 7266 B
AP 2017 15076	AP 2021 15076 A	P 2021 7269 B
AP 2017 15110	AP 2021 15110 A	P 2021 7265 B
AP 2021 15001	AP 2021 15001 A	P 2021 7267 B

UTILITY MODELS

INTERNATIONAL CLASSIFICATION INDEXES (51)	NUMBER OF PUBLISHED APPLICATION (10)
A 01 K 67/033	AU 2021 15477 U

**CONCORDANCE TABLE OF PUBLICATION NUMBERS
AND INTERNATIONAL CLASSIFICATION INDEX**

NUMBER OF PUBLISHED APPLICATION (10)	INTERNATIONAL CLASSIFICATION INDEXES (51)
AU 2021 15477 U	A 01 K 67/033

**CONCORDANCE TABLE OF INTERNATIONAL CLASSIFICATION INDEX,
PATENT NUMBERS AND PUBLICATION NUMBERS**

INTERNATIONAL CLASSIFICATION INDEX (51)	NUMBER OF PATENT (11)	NUMBER OF PUBLISHED APPLICATION (10)
A 47 G 19/14; A 47 J 27/21; A 47 J 36/06	U 2021 2089 Y	AU 2021 15287 U
A 47 G 19/14; A 47 J 36/06; A 47 J 27/21	U 2021 2090 Y	AU 2021 15286 U
A 47 G 19/14; A 47 J 36/06; A 47 J 27/21	U 2021 2091 Y	AU 2021 15285 U

**CONCORDANCE TABLE OF PATENT NUMBERS,
PUBLICATION NUMBERS AND INTERNATIONAL CLASSIFICATION INDEX**

NUMBER OF PATENT (11)	NUMBER OF PUBLISHED APPLICATION (10)	INTERNATIONAL CLASSIFICATION INDEX (51)
U 2021 2089 Y	AU 2021 15287 U	A 47 G 19/14; A 47 J 27/21; A 47 J 36/06
U 2021 2090 Y	AU 2021 15286 U	A 47 G 19/14; A 47 J 36/06; A 47 J 27/21
U 2021 2091 Y	AU 2021 15285 U	A 47 G 19/14; A 47 J 36/06; A 47 J 27/21

**CONCORDANCE TABLE OF APPLICATION NUMBERS,
PUBLICATION NUMBERS AND PATENTS**

NUMBER OF APPLICATION (21)	NUMBER OF PUBLISHED APPLICATION (10)	NUMBER OF PATENT (11)
AU 2020 15285	AU 2021 15285 U	U 2021 2091 Y
AU 2020 15286	AU 2021 15286 U	U 2021 2090 Y
AU 2020 15287	AU 2021 15287 U	U 2021 2089 Y

DESIGNS**CONCORDANCE TABLE OF INTERNATIONAL CLASSIFICATION INDEX
AND PUBLICATION NUMBERS**

INTERNATIONAL CLASSIFICATION INDEXES (51)	NUMBER OF PUBLISHED APPLICATION (10)
32-00	AD 2021 1199 S

**CONCORDANCE TABLE OF PUBLICATION NUMBERS
AND INTERNATIONAL CLASSIFICATION INDEX**

NUMBER OF PUBLISHED APPLICATION (10)	INTERNATIONAL CLASSIFICATION INDEXES (51)
AD 2021 1199 S	32-00

**CONCORDANCE TABLE OF INTERNATIONAL CLASSIFICATION INDEX,
REGISTRATION NUMBERS AND PUBLICATION NUMBERS**

INTERNATIONAL CLASSIFICATION INDEX (51)	NUMBER OF REGISTRATION (11)	NUMBER OF PUBLISHED APPLICATION (10)
18-03	D 2021 897 S	AD 2021 1188 S
29-02	D 2021 896 S	AD 2021 1189 S

**CONCORDANCE TABLE OF REGISTRATION NUMBERS,
PUBLICATION NUMBERS AND INTERNATIONAL CLASSIFICATION INDEX**

NUMBER OF REGISTRATION (11)	NUMBER OF PUBLISHED APPLICATION (10)	INTERNATIONAL CLASSIFICATION INDEX (51)
D 2021 896 S	AD 2021 1189 S	29-02
D 2021 897 S	AD 2021 1188 S	18-03

**CONCORDANCE TABLE OF APPLICATION NUMBERS, PUBLICATION NUMBERS
AND NUMBER OF REGISTRATION**

NUMBER OF APPLICATION (21)	NUMBER OF PUBLISHED APPLICATION (10)	NUMBER OF REGISTRATION (11)
AD 2020 1188	AD 2021 1188 S	D 2021 897 S
AD 2020 1189	AD 2021 1189 S	D 2021 896 S

TRADEMARKS

CONCORDANCE TABLE OF REGISTRATION NUMBERS, APPLICATION NUMBERS, PUBLICATION NUMBERS AND BULLETIN NUMBERS

NUMBER OF REGISTRATION (111)	NUMBER OF APPLICATIONS (210)	NUMBER OF PUBLISHED APPLICATIONS (260)	NUMBER OF BULLETIN
1	2	3	4
M 2021 34185 R	AM 113349	–	11(567)2021
M 2021 34186 R	AM 113212	–	11(567)2021
M 2021 34187 R	AM 113136	–	11(567)2021
M 2021 34188 R	AM 113282	–	11(567)2021
M 2021 34189 R	AM 113206	–	11(567)2021
M 2021 34190 R	AM 113207	–	11(567)2021
M 2021 34191 R	AM 113257	–	11(567)2021
M 2021 34192 R	AM 113258	–	11(567)2021
M 2021 34193 R	AM 113256	–	11(567)2021
M 2021 34194 R	AM 113126	–	11(567)2021
M 2021 34195 R	AM 113340	–	11(567)2021
M 2021 34196 R	AM 113416	–	11(567)2021
M 2021 34197 R	AM 113254	–	11(567)2021
M 2021 34198 R	AM 113268	–	11(567)2021
M 2021 34199 R	AM 105362	AM 2020 105362 A	23(555)2020
M 2021 34200 R	AM 105547	AM 2020 105547 A	23(555)2020
M 2021 34201 R	AM 105661	AM 2021 105661 A	3(559)2021
M 2021 34202 R	AM 105662	AM 2021 105662 A	3(559)2021
M 2021 34203 R	AM 107986	AM 2020 107986 A	23(555)2020
M 2021 34204 R	AM 108057	AM 2020 108057 A	23(555)2020
M 2021 34205 R	AM 108064	AM 2020 108064 A	23(555)2020
M 2021 34206 R	AM 108292	AM 2020 108292 A	24(556)2020
M 2021 34207 R	AM 108297	AM 2021 108297 A	1(557)2021
M 2021 34208 R	AM 108397	AM 2021 108397 A	1(557)2021
M 2021 34209 R	AM 108398	AM 2021 108398 A	1(557)2021
M 2021 34210 R	AM 108488	AM 2020 108488 A	24(556)2020
M 2021 34211 R	AM 108514	AM 2021 108514 A	3(559)2021
M 2021 34212 R	AM 108593	AM 2021 108593 A	2(558)2021
M 2021 34213 R	AM 108594	AM 2021 108594 A	2(558)2021
M 2021 34214 R	AM 108610	AM 2021 108610 A	2(558)2021
M 2021 34215 R	AM 108693	AM 2021 108693 A	2(558)2021
M 2021 34216 R	AM 108695	AM 2021 108695 A	2(558)2021
M 2021 34217 R	AM 108757	AM 2021 108757 A	2(558)2021
M 2021 34218 R	AM 108783	AM 2021 108783 A	2(558)2021
M 2021 34219 R	AM 108954	AM 2021 108954 A	3(559)2021
M 2021 34220 R	AM 109009	AM 2021 109009 A	3(559)2021
M 2021 34221 R	AM 109034	AM 2021 109034 A	3(559)2021
M 2021 34222 R	AM 109041	AM 2021 109041 A	3(559)2021
M 2021 34223 R	AM 109046	AM 2021 109046 A	3(559)2021
M 2021 34224 R	AM 109054	AM 2021 109054 A	3(559)2021
M 2021 34225 R	AM 109115	AM 2021 109115 A	3(559)2021
M 2021 34226 R	AM 109208	AM 2021 109208 A	3(559)2021
M 2021 34227 R	AM 109210	AM 2021 109210 A	3(559)2021
M 2021 34228 R	AM 109211	AM 2021 109211 A	3(559)2021
M 2021 34229 R	AM 109293	AM 2021 109293 A	3(559)2021
M 2021 34230 R	AM 109294	AM 2021 109294 A	3(559)2021

1	2	3	4
M 2021 34231 R	AM 109123	AM 2021 109123 A	3(559)2021
M 2021 34232 R	AM 102358	AM 2021 102358 A	3(559)2021
M 2021 34233 R	AM 113488	–	11(567)2021
M 2021 34234 R	AM 113489	–	11(567)2021
M 2021 34235 R	AM 113490	–	11(567)2021
M 2021 34236 R	AM 113196	–	11(567)2021

**CONCORDANCE TABLE OF PUBLICATION NUMBERS
AND APPLICATION NUMBERS**

NUMBER OF PUBLISHED APPLICATION (260)	NUMBER OF APPLICATION (210)	1	2
1	2		
AM 2021 92160 A*	AM 92160	AM 2021 110475 A	AM 110475
AM 2021 108586 A	AM 108586	AM 2021 110481 A	AM 110481
AM 2021 108957 A	AM 108957	AM 2021 110510 A	AM 110510
AM 2021 109044 A	AM 109044	AM 2021 110515 A	AM 110515
AM 2021 109948 A	AM 109948	AM 2021 110521 A	AM 110521
AM 2021 109952 A	AM 109952	AM 2021 110523 A	AM 110523
AM 2021 110299 A	AM 110299	AM 2021 110531 A	AM 110531
AM 2021 110300 A	AM 110300	AM 2021 110532 A	AM 110532
AM 2021 110302 A	AM 110302	AM 2021 110534 A	AM 110534
AM 2021 110363 A	AM 110363	AM 2021 110535 A	AM 110535
AM 2021 110368 A	AM 110368	AM 2021 110544 A	AM 110544
AM 2021 110369 A	AM 110369	AM 2021 110601 A	AM 110601
AM 2021 110371 A	AM 110371	AM 2021 110615 A	AM 110615
AM 2021 110372 A	AM 110372	AM 2021 110691 A	AM 110691
AM 2021 110380 A	AM 110380	AM 2021 110696 A	AM 110696
AM 2021 110445 A	AM 110445	AM 2021 110748 A	AM 110748
AM 2021 110453 A	AM 110453	AM 2021 110763 A	AM 110763
AM 2021 110454 A	AM 110454	AM 2021 110772 A	AM 110772
AM 2021 110473 A	AM 110473	AM 2021 110773 A	AM 110773
		AM 2021 110778 A	AM 110778
		AM 2021 110792 A	AM 110792
		AM 2021 110795 A	AM 110795
		AM 2021 110796 A	AM 110796

CONCORDANCE TABLE OF INDEX OF GOODS AND/OR SERVICES
AND APPLICATION NUMBERS

INDEX OF GOODS AND/OR SERVICES (511)	NUMBER OF PUBLISHED APPLICATIONS (260)	1	2
1	2		
5	AM 2021 110445 A	33	AM 2021 110544 A
5	AM 2021 110473 A	33	AM 2021 110696 A
5	AM 2021 110521 A	33	AM 2021 110748 A
5	AM 2021 110792 A	35	AM 2021 108586 A
5	AM 2021 110795 A	35	AM 2021 109044 A
5	AM 2021 110796 A	35	AM 2021 109948 A
7	AM 2021 110481 A	35	AM 2021 110302 A
8	AM 2021 110869 A	35	AM 2021 110363 A
9	AM 2021 110371 A	35	AM 2021 110380 A
9	AM 2021 110372 A	35	AM 2021 110475 A
9	AM 2021 110380 A	35	AM 2021 110523 A
9	AM 2021 110691 A	35	AM 2021 110531 A
11	AM 2021 110869 A	35	AM 2021 110532 A
12	AM 2021 110481 A	35	AM 2021 110534 A
16	AM 2021 110299 A	35	AM 2021 110535 A
16	AM 2021 110300 A	35	AM 2021 110601 A
17	AM 2021 110481 A	36	AM 2021 108586 A
21	AM 2021 110869 A	36	AM 2021 110475 A
25	AM 2021 110380 A	37	AM 2021 108586 A
29	AM 2021 110515 A	37	AM 2021 110363 A
29	AM 2021 110773 A	38	AM 2021 110302 A
29	AM 2021 110778 A	39	AM 2021 108586 A
30	AM 2021 110515 A	41	AM 2021 108586 A
32	AM 2021 108957 A	41	AM 2021 109948 A
32	AM 2021 110515 A	41	AM 2021 109952 A
32	AM 2021 110523 A	41	AM 2021 110302 A
32	AM 2021 110531 A	41	AM 2021 110380 A
32	AM 2021 110532 A	41	AM 2021 110615 A
32	AM 2021 110534 A	41	AM 2021 110691 A
32	AM 2021 110535 A	42	AM 2021 110371 A
32	AM 2021 110748 A	42	AM 2021 110372 A
32	AM 2021 110772 A	42	AM 2021 110380 A
33	AM 2021 92160 A*	43	AM 2021 108586 A
33	AM 2021 109948 A	43	AM 2021 110453 A
33	AM 2021 110454 A	43	AM 2021 110763 A
		44	AM 2021 110368 A
		44	AM 2021 110369 A
		45	AM 2021 110510 A

CONCORDANCE TABLE OF INDEX OF GOODS AND/OR SERVICES
AND NUMBERS OF TRADEMARKS REGISTERED ACCORDING
TO THE ACCELERATED PROCEDURE

INDEX OF GOODS AND/OR SERVICES (511)	NUMBERS OF REGISTERED ACCORDING TO THE ACCELERATED PROCEDURE (111)
5	M 2021 34196 R
29	M 2021 34193 R
31	M 2021 34197 R
32	M 2021 34186 R
33	M 2021 34186 R
33	M 2021 34187 R
33	M 2021 34194 R
33	M 2021 34195 R
33	M 2021 34197 R
33	M 2021 34198 R
34	M 2021 34236 R
35	M 2021 34185 R
35	M 2021 34189 R
35	M 2021 34190 R
35	M 2021 34191 R
35	M 2021 34192 R
39	M 2021 34188 R
43	M 2021 34186 R
43	M 2021 34187 R
43	M 2021 34188 R
43	M 2021 34197 R
43	M 2021 34233 R
43	M 2021 34234 R
43	M 2021 34235 R
44	M 2021 34191 R
44	M 2021 34192 R
44	M 2021 34236 R

OFFICIAL BULLETIN OF THE INDUSTRIAL PROPERTY

**INVENTIONS
UTILITY MODELS
DESIGNS
TRADEMARKS**

11(567)

EDITOR-IN-CHIEF: N. Bebrishvili

EDITOR-TRANSLATOR: E. Gabunia

PROOFREADER: A. Shikhashvili

COMPUTER LAYOUT: M. Ordenidze
K. Svanidze

www.sakpatenti.gov.ge

E-mail: info@sakpatenti.org.ge