

Official Bulletin of the Industrial Property

Inventions

Utility Models

Designs

Trademarks



საქართველოს ინტელექტუალური
საკუთრების ეროვნული ცენტრი

საქპატენტი

SAKPATENTI

NATIONAL INTELLECTUAL PROPERTY
CENTER OF GEORGIA

www.sakpatenti.gov.ge

Date of Publication – 2023 06 12

11(614)

INID CODES FOR IDENTIFICATION OF BIBLIOGRAPHIC DATA

INVENTIONS, UTILITY MODELS

- (10) Number of publication for application, which has been examined
- (11) Number of patent and kind of document
- (21) Serial number of application
- (22) Date of filing of the application
- (23) Date of exhibition or the date of the earlier filing and the number of application, if any
- (24) Date from which patent may have effect
- (31) Number of priority application
- (32) Date of filing of priority application
- (33) Code of the country or regional organization allotting priority application number
- (44) Date of publication of application not granted, but examined and number of bulletin
- (45) Date of publication of registered document
- (51) International Patent Classification Index

- (54) Title of the invention
- (57) Abstract
- (60) Number of examined patent document granted by foreign patent office, date from which patent has effect and country code
- (62) Number of the earlier application and in case of divided application, date of filing an application
- (71) Name, surname and address of applicant (country code)
- (72) Name, surname of inventor (country code)
- (73) Name, surname and address of patent owner (country code)
- (74) Name, surname of representative or patent attorney
- (85) Date of commencement of the national phase of International Application
- (86) Number and date of filing of international application
- (87) Number and date of publication of international application
- (94) Calculated date of expiry of the SPC or the duration of the SPC

DESIGNS

- (10) Number of publication for application
- (11) Number of patent and kind of document or number of registration
- (15) Date of registration/Date of patent renewal
- (18) Expected expiration date of patent or registration
- (21) Serial number of application
- (22) Date of filing of the application
- (23) Date of exhibition or the date of the earlier filing and the number of application, if any
- (24) Date from which patent may have effect
- (28) Number of designs included in the application
- (30) Data relating to priority (number of application, date of filing of application, two-letter code identifying the authority with whom the priority application was made)
- (31) Number of priority application
- (32) Date of filing of priority application
- (33) Code of the country or regional organization allotting priority application number
- (34) Two-letter code according to WIPO St.3 identifying the authority with which the priority application was made
- (44) Date of publication of design and number of bulletin (the first publication)
- (45) Date of publication of design registered by WIPO and number of bulletin

- (51) International Classification for designs (class and subclass of the Locarno Classification)
- (54) Title of the invention
- (55) Reproduction of the design
- (57) Description of characteristic features of the design including indication of colors
- (58) Date of recording of any kind of amendment in the Register
- (62) Number of the earlier application, registration and document number and if available the date of filing an application in case of divided application
- (71) Name, surname and address of applicant (country code)
- (72) Name, surname of creator (country code)
- (73) Name, surname and address of patent owner (country code)
- (74) Name, surname of representative or patent attorney
- (81) Contracting states concerned
 - II designated contracting states according to the 1960 Act
 - III designated contracting states according to the 1999 Act
- (85) Owner's permanent address
- (86) Owner's nationality
- (87) Owner's residence
- (88) State in which the owner has a real and effective industrial or commercial establishment

TRADEMARKS

- (111) - Number of registration
- (151) - Date of registration
- (156) - Date of the renewal
- (181) - Expected expiration date of registration
- (186) - Renewal expiration date of registration
- (141) - Date of cancel of duration of the mark
- (210) - Serial number of application
- (220) - Date of filing of the application
- (230) - Data concerning exhibition
- (260) - Number of application, for which favorable decision of examination about registration has been taken (publication number)
- (310) - Number of the first application
- (320) - Date of filing of the first application
- (330) - Code, identifying national or regional Office where the first application was made
- (511) - International Classification of Goods and Services for the purposes of registration of trade marks and/or list of goods and/or services classified according thereto
- (526) - Disclaimer
- (531) - Description of figurative elements of Trade Marks according to the International Classification of the Figurative Elements of Marks

- (540) - Reproduction of Trade Mark
- (550) - Nature and kind of Trade Mark
- (551) - Indication to the effect that the mark is a collective mark, a certification mark or a guarantee mark
- (554) - Three-dimensional mark
- (580) - Date of recording of any kind changes in respect of applications or registrations
- (591) - Information concerning colors claimed
- (731) - Name and address of the applicant
- (732) - Name and address of the holder of the registration
- (740) - Name and address of the representative
- (750) - Addreses for correspondence
- (770) - Name and address of the previous applicant or holder in case of change in ownership
- (771) - Previous name and address of the applicant or holder in case of change in ownership
- (791) - Name and address of the licensee
- (793) - Indication of conditions and/or restrictions under the license (Type of license, number of license agreement, data of license, data of validity of license)
- (800) - Certain data relating to the international registration of Trade Marks under the Protocol Relating to Madrid Agreement (International registration number)
- (852) - Partial cancellation of the list of goods and services
- (891) - Date of subsequent designation

CODES FOR PUBLICATION IN BULLETIN

- (21) AP 0000 000000 - serial number of application for invention
- (10) AP 0000 0000 A - number of published application for invention (first publication)
- (11) P 0000 0000 B - number of patent for invention (second publication)
- (21) API 0000 000000 - number of application for imported patent
- (11) PI 0000 0000 A - number of imported patent (first publication)
- (21) AU 0000 000000 - serial number of application for utility model
- (10) AU 0000 000 U - number of published application for utility model (first publication)
- (11) U 0000 000 Y - number of patent for utility model (second publication)
- (21) AD 0000 000000 - serial number of application for design
- (10) AD 0000 000 S - number of published application for design (first publication)
- (11) D 0000 000 S - registered design

INTERNATIONAL PATENT CLASSIFICATION FOR INVENTIONS AND UTILITY MODELS

- SECTION A - HUMAN NECESSITIES
- SECTION B - PERFORMING OPERATIONS; TRANSPORTING
- SECTION C - CHEMISTRY; METALLURGY
- SECTION D - TEXTILES; PAPER
- SECTION E - FIXED CONSTRUCTIONS
- SECTION F - MECHANICAL ENGINEERING; LIGHTING; HEATING; WEAPONS; BLASTING
- SECTION G - PHYSICS
- SECTION H - ELECTRICITY

-
- M - Trade Mark
 - (210) AM 0000 000000 - Serial number of application;
 - (260) AAM 0000 00000 A - Publication number of application;
 - (111) M 0000 00000 R - Number of registration;
 - (111) MMM0000 00000 Rn - Number of renewals, in which n=1,2,3;
 - (111) M 0000 00000 R(P) - Number of registration under partial assignment of rights
-

Official Bulletin of the Industrial Property

Inventions

Utility Models

Designs

Trademarks

CONTENT

PUBLISHED TITLES OF PROTECTION	3
INVENTIONS	
▪ APPLICATIONS APPROVED FOR GRANTING PATENT	4
▪ PATENTED INVENTIONS	9
DESIGNS	
▪ APPLICATION APPROVED FOR REGISTRATION	11
▪ REGISTERED DESIGNS	12
▪ DESIGNS REGISTERED ACCORDING TO THE ACCELERATED PROCEDURE	13
▪ DESIGNS, WICH HAVE BEEN REGISTERED WITH THE INTERNATIONAL BUREAU CLAIMING PRIORITY ON THE TERRITORY OF GEORGIA	14
TRADEMARKS	
▪ APPLICATIONS FILED UNDER THE NATIONAL PROCEDURE APPROVED FOR REGISTRATION	28
▪ REGISTERED TRADEMARKS	37
▪ TRADEMARKS REGISTERED ACCORDING TO THE ACCELERATED PROCEDURE	41
▪ INTERNATIONAL TRADEMARKS FOR WHICH A DECISION ON GRANTING PROTECTION IS TAKEN	44
▪ INTERNATIONAL TRADEMARKS PROTECTED IN GEORGIA	142
OFFICIAL NOTIFICATIONS	
INVENTIONS	
▪ RESTORATION OF PATENT	154
▪ ABOLITION OF PATENTS WITH THE RIGHT TO RESTORE	154
▪ DATE OF PATENTS RESTORATION EXPIRATION	155
UTILITY MODELS	
▪ RESTORATION OF PATENT	156
▪ ABOLITION OF PATENTS WITH THE RIGHT TO RESTORE	156
DESIGNS	
▪ EXTENSION OF TERMS OF DESIGN REGISTRATION	157
▪ CANCELLATION OF DESIGNS REGISTRATION	157
▪ EXTENSION OF TERMS OF INTERNATIONAL DESIGNS REGISTRATION	158
▪ CANCELLATION OF INTERNATIONAL DESIGNS REGISTRATION	161
TRADEMARKS	
▪ EXTENSION OF TERMS OF TRADEMARKS REGISTRATION	162
▪ COMPLETE TRANSFER OF RIGHTS	166
▪ CHANGES OF NAMES AND/OR ADDRESSES OF TRADEMARKS OWNERS	172
▪ CANCELLATION OF TRADEMARKS REGISTRATION	177
▪ CORRECTION OF PUBLISHED INFORMATION	178
CLASSIFICATION INDEXES	
INVENTIONS	179
DESIGNS	181
TRADEMARKS	183

PUBLISHED TITLES OF PROTECTION

INVENTIONS

- **APPLICATIONS APPROVED FOR GRANTING PATENT:**
15696; 15782; 15725; 15439; 15715; 15527; 15728; 15234; 15430; 15751; 15961; 15951
- **PATENTED INVENTIONS:**
7512-7515

DESIGNS

- **APPLICATION APPROVED FOR REGISTRATION:**
1290
- **REGISTERED DESIGNS:**
972, 973
- **DESIGN REGISTERED ACCORDING TO THE ACCELERATED PROCEDURE:**
971
- **DESIGNS, WHICH HAVE BEEN REGISTERED WITH THE INTERNATIONAL BUREAU CLAIMING PRIORITY ON THE TERRITORY OF GEORGIA:**
227312; 227318; 227326, 227327; 227582; 224114; 224181

TRADEMARKS

- **APPLICATIONS FILED UNDER THE NATIONAL PROCEDURE APPROVED FOR REGISTRATION:**
119085, 119086; 119486; 119580; 119705; 119761; 119769; 119794; 119798; 119880; 119887; 119890; 119900-119904; 119917; 119983, 119984; 119993; 120002; 120027; 120033-120040; 120043, 120044; 120052; 120131; 120136, 120137; 120175-120177; 120235-120237; 120241; 120246; 120250; 120260; 120335; 120337; 120341, 120342; 120344; 120363, 120364; 120368; 120502
- **REGISTERED TRADEMARKS:**
36881; 36888-36901; 36903-36924
- **TRADEMARKS REGISTERED ACCORDING TO THE ACCELERATED PROCEDURE:**
36880; 36882-36887; 36902; 36925
- **INTERNATIONAL TRADEMARKS FOR WHICH A DECISION ON GRANTING PROTECTIONS IS TAKEN:**
116462; 117941; 118117; 118781; 119045; 119243; 119296-119301; 119303; 119305; 119314; 119316; 119320-119325; 119331; 119341, 119342; 119377-119392; 119394-119409; 119420-119430; 119432, 119433; 119440; 119443; 119446; 119449-119461; 119466-119474; 119476; 119511-119513; 119525-119527; 119529-119531; 119533, 119534-119542; 119553; 119556; 119573-119576; 119620-119622; 119625; 119636-119656; 119660; 119666; 119670; 119672, 119673; 119749-119753; 119762; 119834-119838; 119927-119931; 119973-119975; 120086; 120089-120091; 120104-120106; 120188; 120268; 120304
- **INTERNATIONAL TRADEMARKS PROTECTED IN GEORGIA:**
112808; 112854; 113471; 114635; 115268; 115388; 115581; 116605; 117203; 117585, 117586; 117676, 117677; 117702-117706; 117709; 117799, 117800; 117848, 117849; 117851-117853; 117857-117863; 117868; 117884-117886; 117899; 117933-117935; 117937-117940; 117942-117955; 117961; 117963-117965; 117971-117973; 118025-118034; 118045-118055; 118057-118059; 118085-118099; 118110-118116; 118118-118129; 118176; 118187; 118196-118202; 118204-118206; 118211; 118213-118217; 118275-118277; 118327-118335; 118346; 118417-118419; 118421; 118426-118434

INVENTIONS

APPLICATIONS APPROVED FOR GRANTING PATENT

The decision can be appealed at the Chamber of Appeal of Sakpatenti within 3 months from the publication or at the Mtskheta District Court Administrative Cases Board (Address: №17, Samkhedro St., Mtskheta), within 1 month following the publication.

PART A

A 23

- (10) AP 2023 15696 A (51) Int. Cl. (2006)
A 23 B 4/027
A 23 L 17/30
- (21) AP 2019 15696 (22) 2019 11 20
- (31) 102018132386.7; 62/780,356; 18212833.0
- (32) 2018 12 17; 2018 12 17; 2018 12 17
- (33) US; EP; DE
- (71) Alfred-Wegener-Institut, Helmholtz-Zentrum Für Polar- Und Meeresforschung (DE)
Am Handelshafen 12, Bremerhaven, 27570, Germany (DE)
- (72) KÖHLER-GÜNTHER, Angela (DE)
- (74) Tamar Kochlamazashvili
- (85) 2021 07 15
- (86) PCT/DE2019/100993, 2019 11 20
- (54) METHOD FOR PRODUCING CAVIAR OR CAVIAR-LIKE PRODUCT FROM LIVING, MATURE EGGS OF FISH OR CRUSTACEANS, AND PRODUCTS OF THIS KIND

(57) A method for producing caviar and caviar-like products from living fish or living crustaceans provides the living, mature eggs treatment with table salt solution, and then cation component, wherein the cation component is potassium water solution with a concentration of 0.1 mmol/l - 3.0 mmol/l.

Claims: 2 independents

19 dependents

Fig.: 27

A 61

- (10) AP 2023 15782 A (51) Int. Cl. (2006)
A 61 B 17/34
A 61 B 17/32
A 61 F 2/10
- (21) AP 2021 15782 (22) 2021 11 02
- (71) Tamaz Shioshvili (GE)
Ir. Abashidze St 46, ap. 17, 0179, Tbilisi, Georgia (GE)
- (72) Tamaz Shioshvili (GE)
- (54) DEVICE FOR ENGRAVEING AND TRANSPLANTING HAIR STRANDS

(57) A device includes a case 9, engraving needle 1 placed therein, a pipe 3 connected to engraving needle hingedly with one end, and to an engine 5 – with another, a piston 6 having pushing stem 7, a spring 8 connected to a piston, and suction system 14 connected to one of case holes; at that, engraving needle, the piston with pushing stem and the spring are placed inside of pipe, and in same cross section as case perforation 13; from outside the pipe is perforated 12, and a collar 15 is placed on the pipe between thereof.

Claims: 1 independent

Fig.: 1

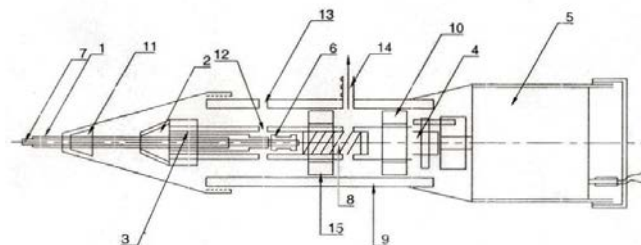


Fig. 1

- (10) AP 2023 15725 A (51) Int. Cl. (2006)
A 61 K 9/00
A 61 K 9/08
A 61 K 31/201
A 61 K 31/202
A 61 P 37/02
A 61 P 29/00

(21) AP 2020 15725 (22) 2020 01 30

(31) 10-2019-0013115

(32) 2019 01 31

(33) KR

(71) HK Inno.N Corporation (KR)
6F, 7F, 8F, 100, Eulji-ro, 04551 Jung-Gu Seoul, Republic of Korea (KR)

(72) CHO, Tae Keun (KR);
KIM, Dongkyu (KR);
HWANG, Do Seok (KR)

(74) Shalva Gvaramadze

(85) 2021 08 27

(86) PCT/KR2020/001419, 2020 01 30

(54) PHARMACEUTICAL COMPOSITION COMPRISING OMEGA FATTY ACIDS, AND INFUSION PREPARATION COMPRISING THE SAME

(57) Pharmaceutical composition comprises soybean oil, olive oil, medium-chain triglycerides, and fish oil;

at that, it includes omega-3 and omega-6 fatty acids, in 1:0.75-1:1.25 weight ratio. Said composition is used for the prevention or treatment of immunodeficiency diseases.

Claims: 5 independents

7 dependents

Fig.: 4

(10) AP 2023 15439 A (51) Int. Cl. (2006)
A 61 K 31/437
A 61 P 11/00
C 07 D 513/22
C 07 D 515/22

(21) AP 2019 15439 (22) 2019 02 14

(31) 62/631453

(32) 2018 02 15

(33) US

(71) Vertex Pharmaceuticals Incorporated (US)
50 Northern Avenue, Boston, MA 02210,
USA (US)

(72) ZHOU, Jinglan (US);
VOGEL, Carl V. (US);
UY, Johnny (US);
TERMIN, Andreas (US);
SWIFT, Sara E. (US);
PIERRE, Fabrice (US);
PARASELLI, Prasuna (US);
MILLER, Mark Thomas (US);
MCCARTNEY, Jason (US);
KHATUYA, Haripada (US);
KANG, Ping (US);
HSIA, Clara Kuang-Ju (US);
HADIDA RUAH, Sara Sabina (US);
GULEVICH, Anton V. (US);
GROOTENHUIS, Peter (US);
GHIRMAI, Senait G. (US);
FRIEMAN, Bryan (US);
COON, Timothy Richard (US);
CLEVELAND, Thomas (US);
CHEN, Weichao George (US);
BUSCH, Brett B. (US);
ANDERSON, Corey Don (US);
ABELA, Alexander Russell (US);
CLEMENS, Jeremy J. (US)

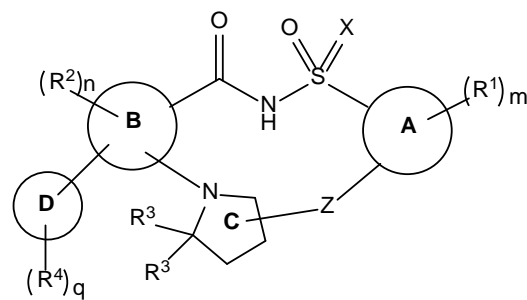
(74) Nikoloz Gogilidze

(85) 2020 09 10

(86) PCT/US2019/018042, 2019 02 14

(54) MACROCYCLES AS MODULATORS OF
CYSTIC FIBROSIS TRANSMEMBRANE
CONDUCTANCE REGULATOR, PHAR-
MACEUTICAL COMPOSITIONS THEREOF,
THEIR USE IN THE TREATMENT OF
CYCSTIC FIBROSIS, AND PROCESS FOR
MAKING THEM

(57) Present invention relates to macrocyclic com-
pounds of formula (I),



(I)

pharmaceutically acceptable salts, and deuterated derivatives thereof; pharmaceutical compositions comprising the same, and usage for treating mucoviscidosis are disclosed, as well.

Claims: 17 independents

50 dependents

Fig.: 2

(10) AP 2023 15715 A (51) Int. Cl. (2006)
A 61 M 1/34

(21) AP 2020 15715 (22) 2020 01 13

(31) 62/791,617

(32) 2019 01 11

(33) US

(71) Marker Holdings AG (CH)
Bahnhofstrasse 20, Zug 6300, Switzerland (CH)

(72) WENTHOLD, Randy (US)

(74) Tamar Kochlamazashvili

(85) 2021 08 09

(86) PCT/IB2020/050236, 2020 01 13

(54) PLASMA DETOXIFICATION METHODS
AND SYSTEMS

(57) The methods, systems, and devices for removing cytokines, and other substances from blood of a subject in a closed fluid circuit are disclosed. The methods, systems, and devices involve: (i) passing venous blood from the subject through a plasma separator, thereby separating the blood into blood cells and plasma; (ii) passing the plasma received from the plasma separator through an adsorption chamber located in the circuit to form processed plasma, where materials in the adsorption chamber adsorb cytokines in the plasma to form the processed plasma, and where the materials include, by weight, 50-70% activated carbon and 30-50% non-ionic resin; (iii) combining the processed plasma, received directly from the adsorption chamber, with the blood cells in a combining chamber to form processed blood, without exchanging any of the plasma for another fluid; and (iv) transfusing the processed blood from the circuit directly into the subject, where no fluid besides the subject's blood is added to the circuit before the transfusing of the processed blood into the subject is completed.

Claims: 4 independents

11 dependents

Fig.: 2

PART B**B 61**

- (10) AP 2023 15527 A (51) Int. Cl. (2006)
B 61 H 1/00
F 16 D 65/06
F 16 D 69/00
- (21) AP 2019 15527 (22) 2019 04 11
(31) 2018120029
(32) 2018 05 30
(33) RU
- (71) OJSC "Ural Plant of Auto-Textille Products" (RU)
Plekhanov St. 64, Asbest, Sverdlovsk Rgn. 624269, Russian Federation (RU)
- (72) ROMANENKO, Vitaliy Valerievich (RU);
KUZMINICH, Andrey Germanovich (RU);
SUKHAREV, Evgeniy Albertovich (RU)
- (74) Larisa Amirkhanyan
(85) 2020 12 25
(86) PCT/RU2019/000238, 2019 04 11
- (54) RAILWAY VEHICLE BRAKE SHOE
(57) Railway vehicle brake shoe includes metallic frame, and polymer composite friction component, in the center whereof the depression is made from shoe working surface. The shoe has compressibility C directed radially during operating loading of shoe eye, within the range of $0.1\Pi-0.2\Pi$, wherein Π is allowable wear, in accordance to the mileage.
Claims: 1 independent

PART C**C 23**

- (10) AP 2023 15728 A (51) Int. Cl. (2006)
C 23 C 14/28
H 01 L 21/203
- (21) AP 2021 15728 (22) 2021 09 03
- (71) Waldemar Maier (DE)
Füssener Str. 80, Königsbrunn 86343, Germany (DE);
Paata Kervalishvili (GE)
Zaza Panaskerteli St. 6 -30, 0194, Tbilisi, Georgia (GE);
Habibollah Bakhtiari (GE)
Anna Politikovsaya St. 47, ap. 129, 0186, Tbilisi, Georgia (GE)
- (72) Waldemar Maier (DE);
Paata Kervalishvili (GE);
Habibollah Bakhtiari (GE)
- (74) Paata Kervalishvili

(54) DEVICE FOR OBTAINING SOLID-STATE FILMS BY LASER-PLASMA METHOD

(57) A device contains vacuum chamber, a system of pumps, hermetic windows, and laser power source located outside the chamber. Vacuum chamber houses the target material, and base-layer having holders, wherein target material and base-layer are executed rotatable, and capable to change inclination angle thereof.

Claims: 1 independent

1 dependent

Fig.: 3

C 25

- (10) AP 2023 15234 A (51) Int. Cl. (2006)
C 25 D 3/04
G 01 N 27/28
- (21) AP 2019 15234 (22) 2019 12 12
- (71) Georgian Technical University (GE)
Merab Kostava St. 77, 0171, Tbilisi, Georgia (GE)
- (72) Elguja Butskhrikidze (GE);
Vladimer Padiurashvili (GE);
Tamaz Dzaganian (GE);
Archil Prangishvili (GE)
- (74) Givi Sibashvili
- (54) METHOD FOR MAKING SILVER CHLORIDE ELECTRODE

(57) A method for making silver chloride electrode provides applying silver to the base-layer, and then chlorinating it; at that, electrode base-layer is prepared with insulating material perforated at the head and end; 9-10 turns of silver wire is wrapped around it, and the lead is inserted into the electric circuit; then electrode surface is purified by placing it in nitric acid solution of 15%, for 2-3 min-s; then it is washed with distilled water; after that, purified product is placed in hydrochloric acid water solution electrolyte bathroom of 0.1 normal for chlorination, wherein platinum electrode is used as a cathode, and chlorine electrode – as an anode, and it is chlorinated at current of $100+0.5 \mu\text{A-s}$ for $24+0.5 \text{ h-s}$.

Claims: 1 independent

Fig.: 1

PART E

E 02

- (10) AP 2023 15430 A (51) Int. Cl. (2006)
E 02 B 9/08
F 03 B 13/00
F 03 B 17/06
F 03 B 13/26
F 03 B 3/00
- (21) AP 2019 15430 (22) 2019 02 01
- (31) 2993857
- (32) 2018 02 02
- (33) CA
- (71) Waterotor Energy Technologies Inc. (CA)
236, Metcalfe St, Ottawa, ON K2P IR3
Canada (CA)
- (72) FERGUSON, Frederic D. (CA)
- (74) Shalva Gvaramadze
- (85) 2020 09 02
- (86) PCT/CA2019/050125, 2019 02 01

(54) SYSTEMS AND METHODS FOR GENERATING ELECTRICAL ENERGY

(57) The apparatuses and a method for extracting power from water flow are disclosed in the invention, wherein the apparatuses include a plurality of central cores, and each is executed rotatable around vertical axis, and have at least one blade member extending from each core, and flow provides to increase the effectiveness and efficiency of said device; at that, the plurality of central cores is disposed in flow direction, behind at least one main guide.

Claims: 3 independents
17 dependents

Fig.: 47

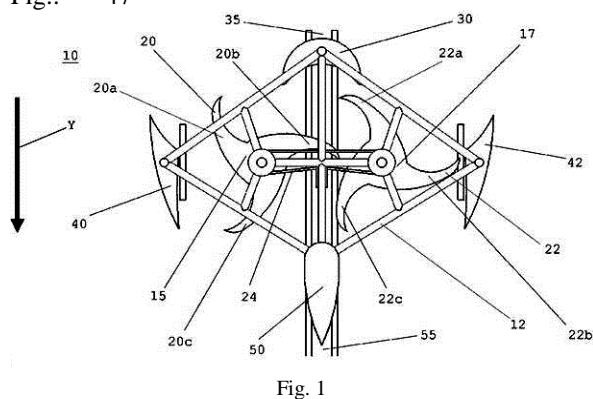


Fig. 1

PART F

F 03

- (10) AP 2023 15751 A (51) Int. Cl. (2006)
F 03 B 3/00
F 03 B 3/12
- (21) AP 2021 15751 (22) 2021 10 07
- (71) JSC "Zago Technology" (GE)
Besiki St. 4, Business Center on Besiki,
Office No. 203, 0108, Tbilisi, Georgia (GE)
- (72) Vyacheslav Zaguruychenko (GE)
- (74) Levan Nikoladze
- (54) DOUBLE SCREW TURBINE MACHINE

(57) A machine includes main spiral blades 1, main two coaxial shafts 15 and 16, whereon said main spiral blades are attached, water jet receiving and distributing main chamber 13, and main adjustable confusor nozzle 11 generating jet, it includes additional spiral blades 2, additional coaxial shafts 17 and 18, as well, whereon additional spiral blades 2 are attached, water jet receiving and distributing additional chamber 14, additional adjustable confusor nozzle 12 producing jet, common pressure pipeline 10, and two water flow converting conductors 8 and 9 connected thereto with one ends, and other ends whereof are connected to said water jet generating main and additional adjustable confusing nozzles, wherein main and additional spiral blades have same constructions, and are disposed on the shafts so that one therefrom is turned on 180° relative to another; at that, water jet receiving-distributing main chamber, main adjustable confusor nozzle generating the jet, water jet receiving-distributing additional chamber, and additional adjustable confluent nozzle generating the jet are disposed so that created axial forces generated on main and additional spiral blades by means of water jets, are disposed opposite relative to each other.

Claims: 1 independent
1 dependent

Fig.: 7

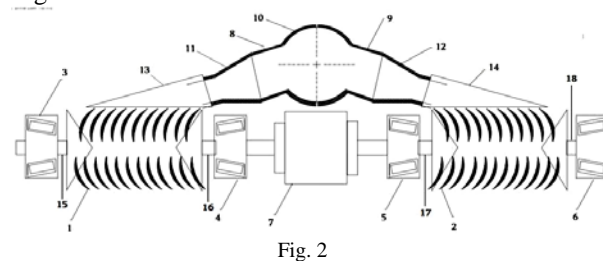


Fig. 2

(10) AP 2023 15961 A (51) Int. Cl. (2006)

F 03 D 9/00

(21) AP 2022 15961 (22) 2022 05 27

(71) Tamaz Shioshvili (GE)

Ir. Abashidze St. 46, ap. 17, 0179, Tbilisi,
Georgia (GE)

(72) Tamaz Shioshvili (GE)

(54) WIND GEARLESS ELECTRIC MOTOR

(57) Wind electric motor includes wind energy receiving device 1, on stationary support 14 whereof the vertical-axis turbine 5 having rotating base 12 is installed, magneto-electric generator, a rotor 3 whereof is placed on upper stationary torso 2 of wind energy receiving device is made in the form of ring with permanent magnets 7 located thereon, and are connected by springs 8 to device axis capable to move radially on rails in horizontal plane of torso, and the stator is made in the form of windings 9 arranged at equal distance from both sides in the parallel plane of rotor magnets; at that, rotating base of turbine blades of wind energy receiving device is equipped with at least two equally spaced permanent magnets 13, the poles whereof are equally oriented in vertical plane, and turbine stationary support of device on the perimeter is also equipped with permanent magnets 15, directed to the magnets located on the rotating base with the same poles, as well.

Claims: 1 independent

1 dependent

Fig.: 2

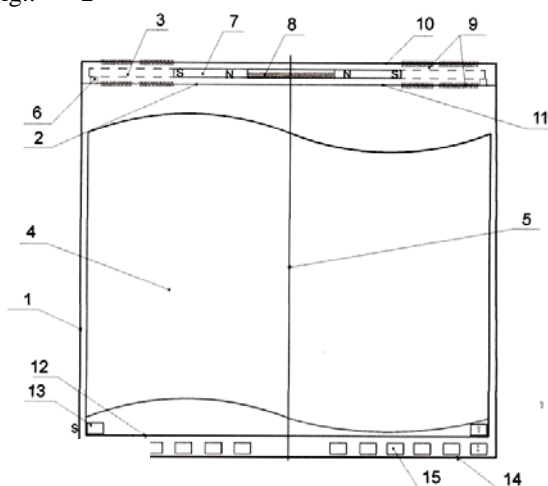


Fig. 1

PART G

G 01

(10) AP 2023 15951 A (51) Int. Cl. (2006)

G 01 J 4/00

G 01 N 21/21

(21) AP 2022 15951 (22) 2022 05 18

(71) Barbara Kilosanidze (GE)

Nutsubidze St. 48, bld. 3, ap. 4, 0186, Tbilisi,
Georgia (GE);

Giorgi Kakauridze (GE)

Bichinashvili St. 3, 0180, Tbilisi, Georgia (GE);

Georgian Technical University (GE)

Merab Kostava St. 77, 0186, Tbilisi,

Georgia (GE);

Shota Rustaveli National Science Foundation
of Georgia (GE)

Merab Aleksidze II Lane 2, 0193, Tbilisi,
Georgia (GE)

(72) Barbara Kilosanidze (GE);

Giorgi Kakauridze (GE)

(74) Shalva Gvaramadze

(54) EQUIPMENT FOR POLARIZATION STATE
AND CHANGE DETERMINATION AND
USAGE THEREIN ELLIPSOMETRY

(57) An equipment includes arranged sequentially along light beams path the reflected light collecting lens, narrow-band filter, polarization-holographic diffraction componentry, with two polarization-holographic messages recorded thereon, and a camera of photographers. All of these componentry is switched to the computer, ensuring the correction of intensities of diffracted light beams on diffraction medium. Usage of device in ellipsometry is disclosed, as well.

Claims: 2 independents

Fig.: 4

PATENTED IVENTIONS

PART A

A 61

- (11) P 2023 7515 B (51) Int. Cl. (2006)
 A 61 K 31/4015
 A 61 K 31/4025
 A 61 P 31/14
 C 07 D 403/12
 C 07 D 497/04
 C 07 D 403/14
 C 07 D 401/12
 C 07 D 207/267
- (10) AP 2023 15794 A (44) 2(605)/2023
 (21) AP 2021 15794
 (22) 2021 08 06
 (24) 2021 08 06
 (31) 63/073,982; 63/143,435; 63/170,158;
 63/194,241
 (32) 2020 09 03; 2021 01 29; 2021 04 02; 2021 05
 28
 (33) US; US; US; US
 (86) PCT/IB2021/057281, 2021 08 06
 (71) Pfizer Inc. (US)
 235 East 42nd Street, New York, NY 10017,
 USA (US)
 (72) PETTERSSON, Martin Youngjin (US);
 YANG, Qingyi (US);
 VERHOEST, Patrick Robert (US);
 TUTTLE, Jamison Bryce (US);
 OWEN, Dafydd Rhys (US);
 REESE, Matthew Richard (US);
 WEI, Liuqing (US);
 SAMMONS, Matthew Forrest (US);
 YANG, Xiaojing (US)
 (74) Tamar Kochlamazashvili
 (54) NITRILE-CONTAINING ANTIVIRAL
 COMPOUNDS

-
- (11) P 2023 7513 B (51) Int. Cl. (2006)
 A 61 K 39/395
 C 07 K 16/10
 C 07 K 16/00
- (10) AP 2023 15128 A (44) 3(606)/2023
 (21) AP 2017 15128
 (22) 2017 12 20
 (24) 2017 12 20
 (31) 201621044139
 (32) 2016 12 23
 (33) IN
 (86) PCT/IB2017/058194, 2017 12 20

- (73) Serum Institute Of India Private Limited (IN)
 212/2, Off Soli Poonawalla Road, Hadapsar
 Pune, Maharashtra 411028, India (IN)
 (72) MHALASAKANT, Dhare Rajeev (IN);
 SHANKAR, Pisal Sambhaji (IN);
 REDDY, Peddi Reddy Srinivas (IN);
 CHAHAR, Singh Digamber (IN);
 RAVINDRA, Yeolekar Leena (IN);
 SINGH, Chouhan Pankaj (IN);
 DATTATRAY, Avalaskar Nikhil (IN)
 (74) Tamaz Shilakadze
 (54) IMPROVED METHODS FOR ENHANCING
 ANTIBODY PRODUCTIVITY IN MAMMA-
 LIAN CELL CULTURE AND MINIMIZING
 AGGREGATION DURING DOWNSTREAM,
 FORMULATION PROCESSES AND
 STABLE ANTIBODY FORMULATIONS
 OBTAINED THEREOF

PART B

B 21

- (11) P 2023 7514 B (51) Int. Cl. (2006)
 B 21 B 17/02
 B 21 B 17/00
- (10) AP 2023 15906 A (44) 4(607)/2023
 (21) AP 2022 15906
 (22) 2022 03 14
 (24) 2022 03 14
 (72) LEPL "Rapiel Dvali Institute of Machine
 Mechanics" (GE)
 Mindeli St. 10, 0168, Tbilisi, Georgia (GE)
 (72) Tamaz Natriashvili (GE);
 Slava Mebonia (GE);
 Jemal Melkadze (GE);
 Revaz Kavtaradze (GE)
 (54) LONGITUDINAL PIPE ROLLING STRUT

PART F

F 03

- (11) P 2023 7512 B (51) Int. Cl. (2006)
F 03 B 17/02
- (10) AP 2023 15886 A (44) 3(606)/2023
- (21) AP 2020 15886
- (22) 2020 08 13
- (24) 2020 08 13
- (31) 2019126771
- (32) 2019 08 26
- (33) RU
- (86) PCT/RU2020/050186, 2020 08 13
- (73) Tiaglin, Denis Valentinovich (RU)
Gorsky Microrayon, bld. 8, Litera A, ap. 300,
630073, Novosibirsk, Russian Federation (RU)
- (72) TIAGLIN, Denis Valentinovich (RU)
- (74) Shalva Gvaramadze
- (54) ENERGY GENERATOR
-

DESIGNS

APPLICATION APPROVED FOR REGISTRATION

The decision can be appealed at the Chamber of Appeal of Sakpatenti within 3 months from the publication or at the Mtskheta District Court Administrative Cases Board (Address: №17, Samkhedro str., Mtskheta), within 1 month following the publication.

- (10) AD 2023 1290 S (51) 09-01
- (21) AD 2023 1290 (22) 2023 01 24
- (28) 1
- (71) LLC "WINPAK PROFESSIONAL" (GE)
University St. 24, entrance 4, fl. 7, 0186, Tbilisi, Georgia (GE)
- (72) Erdinç Kola (GE)
- (54) PLASTIC BOTTLE
- (55)

1.1

REGISTERED DESIGNS

(11) D 2023 972 S (51) 09-01
(10) AD 2023 1276 S (44) 2023 02 27 №4
(21) AD 2022 1276
(22) 2022 10 04
(24) 2022 10 04
(28) 1
(18) 2027 10 04
(73) Tovarischestvo s Ogranichennoy Otvetstven-
nostju "Asia Su Company" (KZ)
Ak Malinskaya Oblast, 020006, Kokshetau,
Promyshlennaya Zona Severnaya, Proezd 11,
bld. 54/1, Kazakhstan (KZ)
(72) KOSPANOV, Erbolat Dulatovich (KZ)
(74) Liliana Darakhvelidze (GE)
(54) BOTTLE

(11) D 2023 973 S (51) 09-01
(10) AD 2023 1277 S (44) 2023 02 27 №4
(21) AD 2022 1277
(22) 2022 10 04
(24) 2022 10 04
(28) 1
(18) 2027 10 04
(73) Tovarischestvo s Ogranichennoy Otvetstven-
nostju "Asia Su Company" (KZ)
Ak Malinskaya Oblast, 020006, Kokshetau,
Promyshlennaya Zona Severnaya, Proezd 11,
bld. 54/1, Kazakhstan (KZ)
(72) KOSPANOV, Erbolat Dulatovich (KZ)
(74) Liliana Darakhvelidze (GE)
(54) BOTTLE

DESIGNS REGISTERED ACCORDING TO THE ACCELERATED PROCEDURE

The decision can be appealed at the Chamber of Appeal of Sakpatenti within 3 months from the publication.

- (11) D 2023 971 S (51) 01-01
(21) AD 2023 1300 (22) 2023 03 06
(24) 2023 03 06
(28) 1
(18) 2028 03 06
(73) Erekle Loladze (GE)
Mukhiani II m/r, bld.7, ap. 40, 0172, Tbilisi, Georgia (GE)
(72) Erekle Loladze (GE)
(54) CHOCOLATE
(55)



1.1



1.2

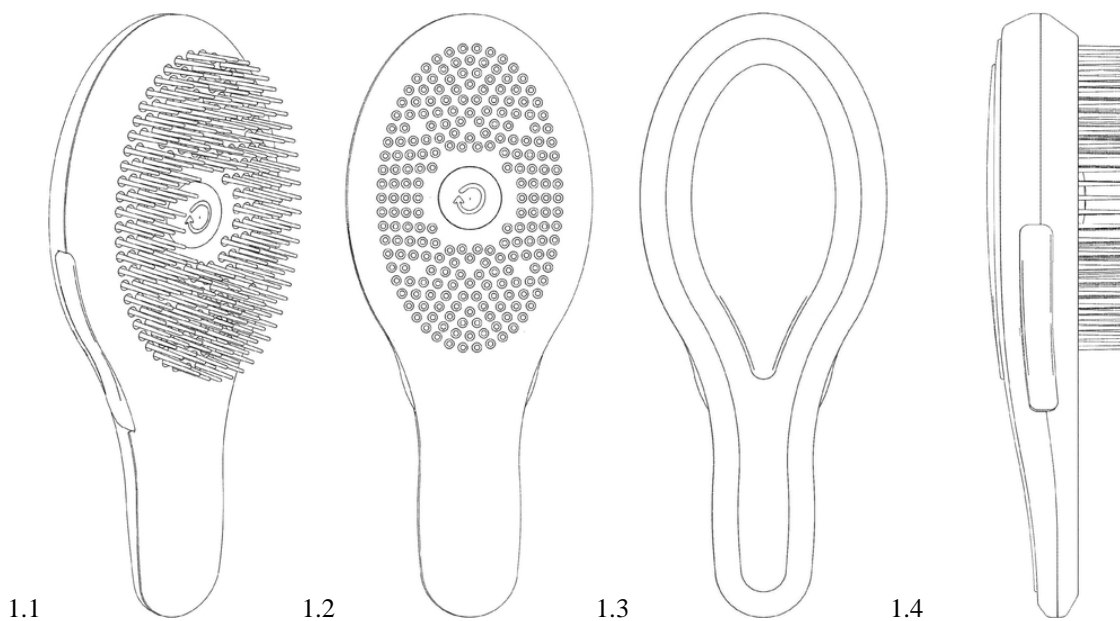


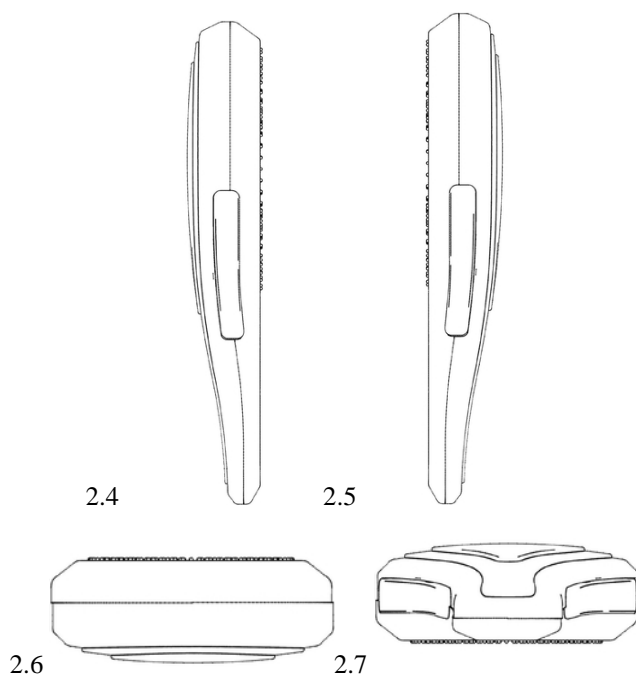
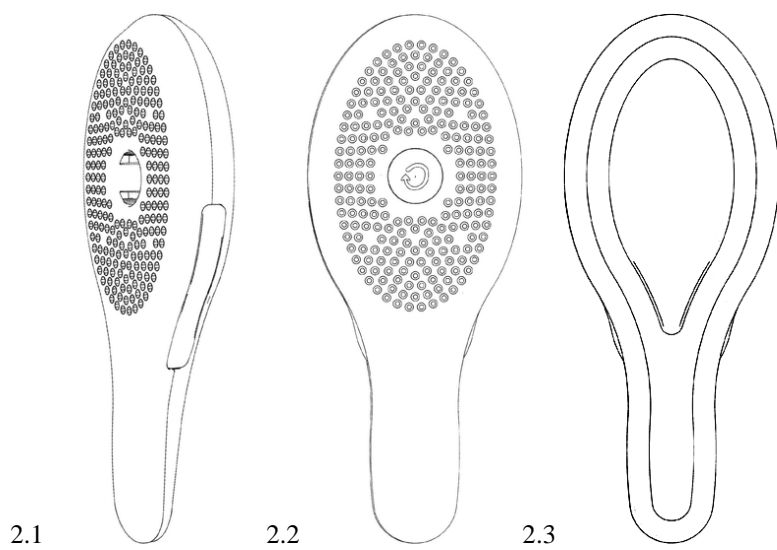
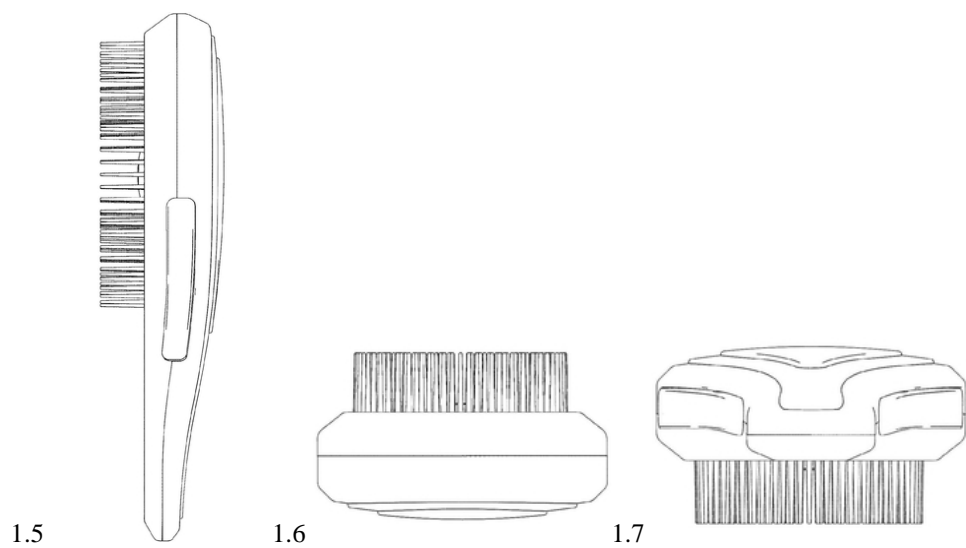
1.3

DESIGNS, WHICH HAVE BEEN REGISTERED WITH THE INTERNATIONAL BUREAU CLAIMING PRIORITY ON THE TERRITORY OF GEORGIA

The decision can be appealed at the Chamber of Appeal of Sakpatenti within 3 months from the publication or at the Mtskheta District Court Administrative Cases Board (Address: №17, Samkhedro St., Mtskheta), within 1 month following the publication.

- (11) DM/227 312 (51) 04-02
(15) 2023 03 01 (44) 11/2023 (2023 03 17)
(22) 2023 03 01
(28) 2
(30) No1: 22.09.2022; 009181670-0001; EM; No2: 22.09.2022; 009181670-0002; EM
(73) Industrias Beter S.A.
C/ d'Aribau, 200, 7 planta, 08036 Barcelona (ES)
(85) –
(86) ES
(87) –
(88) –
(89) EM
(81) III. UA, GE, NO, EG, RU, MX
(72) Maria Luisa Mestre Massa
C/ d'Aribau, 200, 7 planta, 08036, Barcelona (ES)
(74) Duran-Corretjer S.L.P.
C/ de Còrsega, 329 (P° de Gràcia / Diagonal), 08037 Barcelona (ES)
(46) 2023 03 17
(54) 1.-2. HAIR BRUSH
(55)





(11) DM/227 318

(51) 12-08

(15) 2023 02 19

(44) 11/2023 (2023 03 17)

(22) 2023 02 19

(28) 1

(73) AXL Electric Vehicles Inc.

9225 Leslie Street, Suite 201, L4B 3H6 Richmond Hill, Ontario (CA)

(85) CA

(86) CA

(87) CA

(88) CA

(89) CA

(81) III. KG, KH, CA, US, GE, TR, NO, IL, RU, CH, JP, KR, EM, MX, CN, AM, UA, SG, MC, BY, VN, AZ, TM, GB

(72) Ali Eslami

9225 Leslie Street, Suite 201, L4B 3H6, Richmond Hill, Ontario (CA)

(46) 2023 03 17

(54) 1. ELECTRIC CAR

(55)



1.1



1.2



1.3



1.4



1.5



1.6



1.7

- (11) DM/227 326 (51) 32-01
(15) 2023 02 22 (44) 11/2023 (2023 03 17)
(22) 2022 02 22
(28) 1
(30) No1: 01.09.2022; 2022503801; RU
(73) Gesellschaft Mit Beschränkter Haftung "Ehrmann"
D. 15, P. Ramensky Agrokhimstantsii (RAOS), 140126 Ramenskiy G.o., Moscow Region (RU)
(85) –
(86) –
(87) RU
(88) –
(89) RU
(81) III. AM, KG, GE, MN, RS, TJ, BY, MD, AZ, TM
(72) Alina Muratovna Balgimbaeva
Prospekt Seifullina, 574/5, Kv. 43, 050013, Almaty (KZ)
(74) Patent And Law Firm "YUS"
D. 6, Prospekt Mira, 129090, Moscow (RU)
(46) 2023 03 17
(54) 1. GRAPHIC DESIGN [TWO-DIMENSIONAL]
(55)



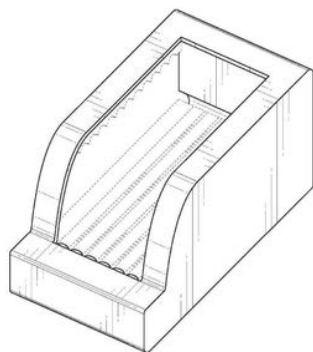
1.1

- (11) DM/227 327 (51) 32-01
(15) 2023 02 22 (44) 11/2023 (2023 03 17)
(22) 2023 02 22
(28) 1
(30) No1: 01.09.2022; 2022503802; RU
(73) Gesellschaft Mit Beschränkter Haftung "Ehrmann"
D. 15, P. Ramensky Agrokhimstantsii (RAOS), 140126 Ramenskiy G.o., Moscow Region (RU)
(85) –
(86) –
(87) RU
(88) –
(89) RU
(81) III. AM, KG, GE, MN, RS, TJ, BY, MD, AZ, TM
(72) Alina Muratovna Balgimbaeva
Prospekt Seifullina, 574/5, Kv. 43, 050013, Almaty (KZ)
(74) Patent And Law Firm "YUS"
D. 6, Prospekt Mira, 129090, Moscow (RU)
(46) 2023 03 17
(54) 1. GRAPHIC DESIGN [TWO-DIMENSIONAL]
(55)

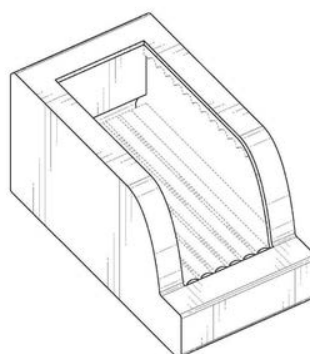


1.1

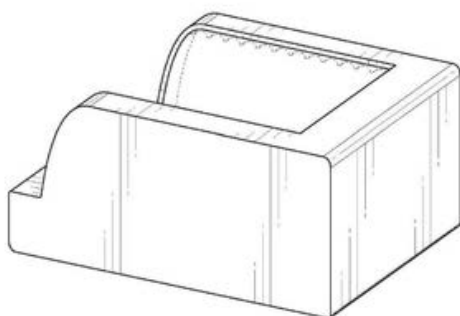
- (11) DM/227 582
- (15) 2022 11 01
- (22) 2022 11 01
- (28) 1
- (30) No1: 04.05.2022; 212540; CA
- (73) Ben Star
1388 Campbell Rd., V0R 1L6 Cobble Hill, British Columbia (CA)
- (85) CA
- (86) CA
- (87) CA
- (88) CA
- (89) CA
- (81) III. RO, OM, GE, EE, NO, RS, RW, BG, SY, DK, EM, AM, BW, TJ, MD, VN, TN, PL, SR, MN, JP, KR, LT, CN, UA, OA, MA, SI, BX, ME, AZ, SM, WS, KG, LI, MK, US, BA, DE, EG, FI, JM, RU, IS, HU, ES, BY, GB, KH, TR, GH, ST, IL, KP, CH, HR, LV, AL, MX, BN, FR, NA, SG, MC, BZ, TM
- (72) Ben Star
1388 Campbell Rd., V0R 1L6 Cobble Hill, British Columbia (CA)
- (74) Nexus Law Group LLP
Suite 2000, 777 Hornby St., V6Z 1S4 Vancouver, British Columbia (CA)
- (46) 2023 03 24
- (54) 1. PET TOILET
- (55)



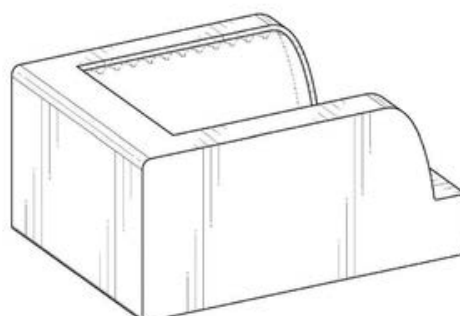
1.1



1.2



1.3



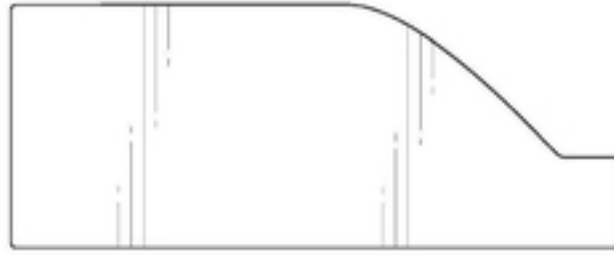
1.4



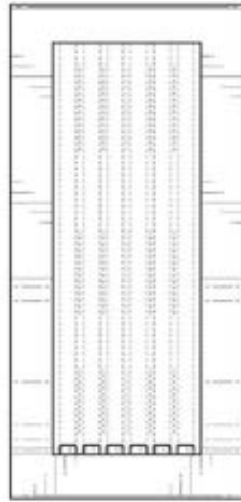
1.5



1.6



1.7

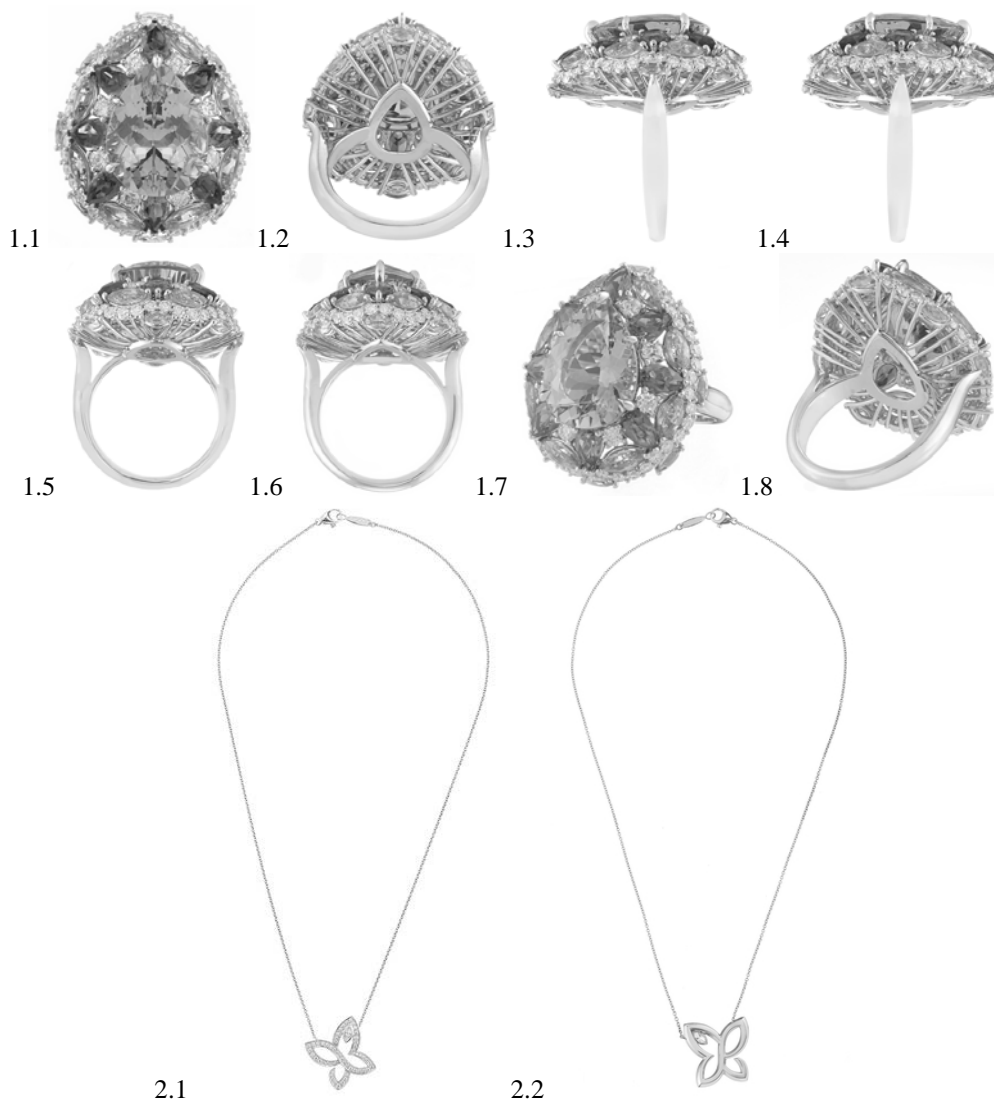


1.8

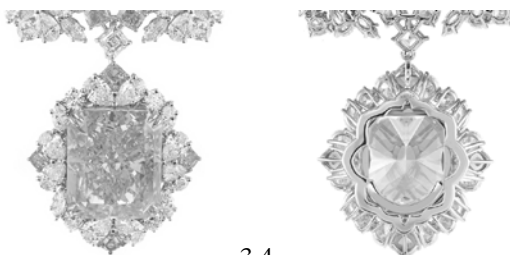


1.9

- (11) DM/224 114 (51) 11-01
 (15) 2022 09 26 (44) 13/2023 (2023 03 31)
 (22) 2022 09 26
 (28) 5
 (73) Harry Winston SA
 Chemin Du Tourbillon 8, 1228 Plan-les-Ouates (CH)
 (85) CH
 (86) CH
 (87) CH
 (88) CH
 (89) CH
 (81) III. KG, LI, TR, GE, OM, MK, CA, BA, NO, MN, CH, EM, AL, UA, AM, MA, SG, MC, MD, BZ, ME, AZ, TN, GB
 (72) 1, 3, 5 Rie Yatsugi-Kang
 C/o Harry Winston Inc., 718 Fifth Avenue, 10019, New York (US);
 2 Tobias WUEST
 C/o Harry Winston Inc., 718 Fifth Avenue, 10019, New York (US);
 4 Delphine ABDOURAHIM
 C/o Harry Winston Inc., 718 Fifth Avenue, 10019, New York (US)
 (74) The Swatch Group AG (The Swatch Group SA) (The Swatch Group Ltd.)
 Faubourg Du Lac 6, 2501 Biel/Bienne (CH)
 (46) 2023 03 31
 (54) 1. FINGER RING, 2.-5. NECKLACE
 (55)







3.3

3.4



3.5



3.6



3.7



3.8



3.9



4.1



4.2



4.3



4.4



4.5



4.6



4.7



4.8



5.1



5.2



5.3



5.4



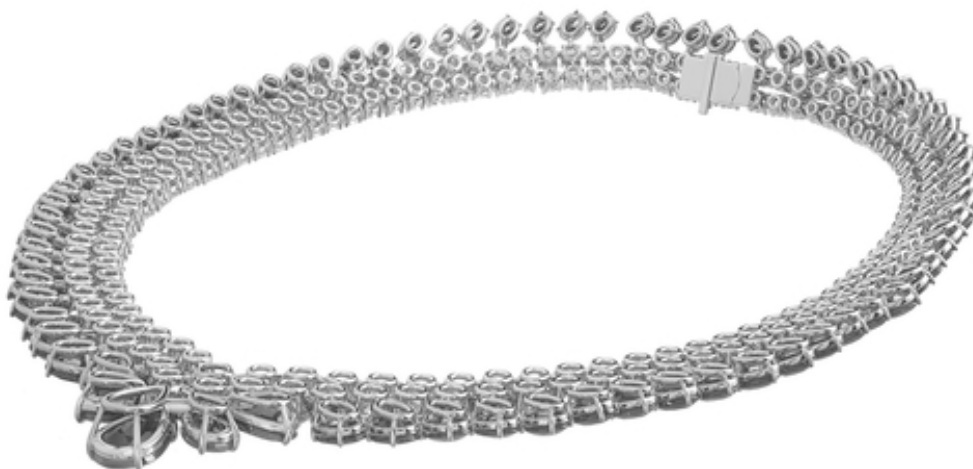
5.5



5.6

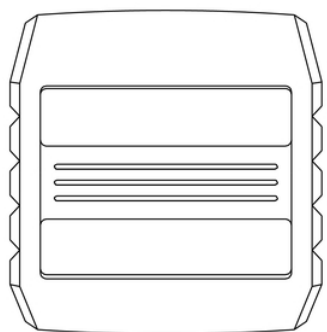


5.7

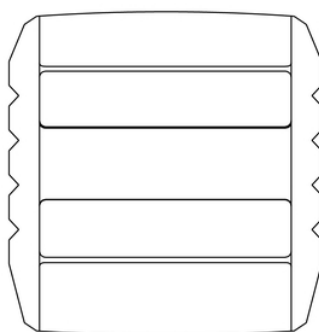


5.8

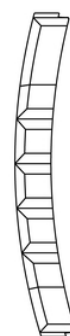
- (11) DM/224 181 (51) 10-07
 (15) 2022 10 04 (44) 14/2023 (2023 04 07)
 (22) 2022 10 04
 (28) 1
 (73) Compagnie des Montres Longines, Francillon S.A. (Longines Watch Co. Francillon Ltd.)
 Les Longines 8, 2610 St-Imier (CH)
 (85) CH
 (86) CH
 (87) CH
 (88) CH
 (89) CH
 (81) III. KG, LI, CA, GE, MK, OM, BA, NO, RU, EM, AM, MD, TN, GB, TR, MN, CH, KR, AL, UA, SG, MA,
 MC, BZ, ME, AZ
 (72) Gaïane DEMUR
 c/o Compagnie des Montres Longines, Francillon S.A. Les Longines 8, 2610, St-Imier (CH)
 (74) The Swatch Group AG (The Swatch Group SA) (The Swatch Group Ltd.)
 Faubourg du Lac 6, 2501 Biel/Bienne (CH)
 (46) 2023 04 07
 (54) 1. BUCKLE FOR WATCH BRACELET
 (55)



1.1



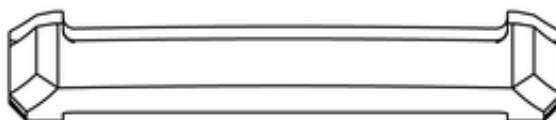
1.2



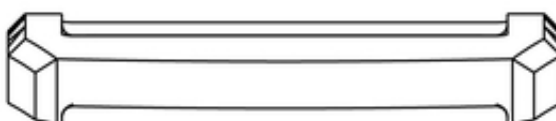
1.3



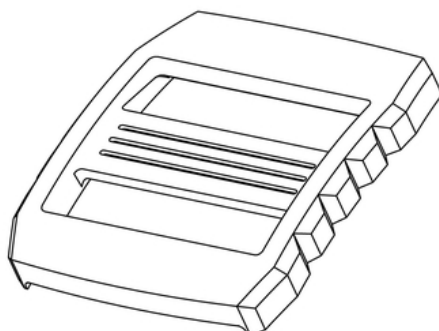
1.4



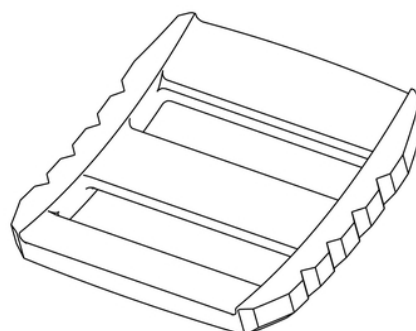
1.5



1.6



1.7



1.8

TRADEMARKS

APPLICATIONS FILED UNDER THE NATIONAL PROCEDURE APPROVED FOR REGISTRATION

The decision can be appealed at the Chamber of Appeal of Sakpatenti within 3 months from the publication or at the Mtskheta District Court Administrative Cases Board (Address: №17, Samkhedro St., Mtskheta), within 1 month following the publication.

(260) AM 2023 119085 A
(210) AM 119085
(220) 2022 08 23
(731) Fonterra Brands (Singapore) Pte Limited
182 Cecil Street, No. 15-01, Frasers Tower,
069547, Singapore
(740) Tamar Kotchlamazashvili
(540)

AHKOP

(591) Black-white
(511) 5, 29, 32

(260) AM 2023 119086 A
(210) AM 119086
(220) 2022 08 23
(731) Fonterra Brands (Singapore) Pte Limited
182 Cecil Street, No. 15-01, Frasers Tower,
069547, Singapore
(740) Tamar Kotchlamazashvili
(540)

ANCHOR

(591) Black-white
(511) 5, 29

(260) AM 2023 119486 A
(210) AM 119486
(220) 2022 09 19
(731) LTD "Pharao"
Arbo St., bld. 1, ap. 52, 0141, Nadzaladevi
District, Tbilisi, Georgia
(540)



(591) 000F99 blue, FFC300 yellow
(531) 26.04.02; 26.04.16; 26.04.22; 26.04.24;
26.13.25; 27.05.01; 27.05.24; 29.01.12
(511) 9, 28, 41, 42

(260) AM 2023 119580 A
(210) AM 119580
(220) 2022 09 23
(731) JSC "Argo"
Lilo, Lochini Ravine (plot N05/001), 0151,
Tbilisi, Georgia
(540)



(591) EF1010 red, black, white
(531) 26.11.01; 26.11.12; 27.05.01; 27.05.02;
27.05.03; 27.05.11; 29.01.13
(511) 32, 35

(260) AM 2023 119705 A
(210) AM 119705
(220) 2022 10 05
(731) LTD "Impexpharm"
Giorgi Saakadze II Exit 17, 0160, Tbilisi,
Georgia
(740) Nugzar Ksovreli
(540)

Forsilac

(591) Black-white
(511) 5

(260) AM 2023 119761 A
(210) AM 119761
(220) 2022 10 07
(731) Anna Guzina
Ilia Chavchavadze Av. 80, ap. 18, 0162, Tbilisi,
Georgia
(540)

JA

JUST ADVISORS

Law in your language

(591) Black-white
(531) 26.11.08; 27.05.09; 27.05.10; 27.05.11
(511) 35, 36, 45

(260) AM 2023 119769 A
(210) AM 119769
(220) 2022 10 07
(731) LTD "Orovela"
Vill. Chabinaani, 0910, Akhmet Region,
Georgia
(540)

ოდელა
Odela

(591) Black-white
(511) 32

(260) AM 2023 119794 A
(210) AM 119794
(220) 2022 10 12
(731) British American Tobacco (Brands) Inc.
(a Delaware Corporation)
251 Little Falls Drive, Suite 100, Wilmington,
Delaware, 19808-1674, USA
(740) Tamar Kotchlamazashvili
(540)

BLAST

(591) Black-white
(531) 27.05.01
(511) 34

(260) AM 2023 119798 A
(210) AM 119798
(220) 2022 10 12
(731) LTD "Geo-Coop"
A. Tvalchrelidze St. 5, 0182, Tbilisi, Georgia
(540)

GrandMaster®

(591) Red, white
(531) 27.05.05; 29.01.01
(511) 30

(260) AM 2023 119880 A
(210) AM 119880
(220) 2022 10 17
(731) Mariam Katsitadze
Tamarashvili St. 11, ap. 126, 0169, Tbilisi,
Georgia

(540)



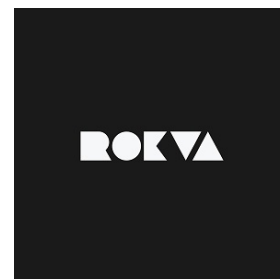
(591) Metallic dark pink (crimson)
(531) 28.19; 29.01.12
(511) 25

(260) AM 2023 119887 A
(210) AM 119887
(220) 2022 10 18
(731) Bagi Professional Cleaning Products LTD
194 Akko Roudi, Kiriati Bialik 27232, Israel
(740) Davit Kimutsadze
(540)

BAGI
ბაგო

(591) Black-white
(511) 3

(260) AM 2023 119890 A
(210) AM 119890
(220) 2022 10 18
(731) LTD "Afterbeat Group"
Nutsbidze St. 72, Block 2, Floor 15, ap. 134,
0177, Tbilisi, Georgia
(540)



(591) Black-white
(531) 26.04.01; 26.04.22; 26.04.24; 27.05.01;
27.05.24
(511) 41

(260) AM 2023 119900 A
(210) AM 119900
(220) 2022 10 20
(731) LTD "Rich Group"
Vill. Mughanlo, Marneuli Region, Georgia

(540)

KALIDROP
კალიდროპი

(591) Black-white
(511) 5

(260) AM 2023 119901 A
(210) AM 119901
(220) 2022 10 20
(731) LTD "Rich Group"
Vill. Mughanlo, Marneuli Region, Georgia
(540)

REGENOPIA
რეგენოპია

(591) Black-white
(511) 5

(260) AM 2023 119902 A
(210) AM 119902
(220) 2022 10 20
(731) LTD "Rich Group"
Vill. Mughanlo, Marneuli Region, Georgia
(540)

LIPITRES
ლიპიტრესი

(591) Black-white
(511) 5

(260) AM 2023 119903 A
(210) AM 119903
(220) 2022 10 20
(731) LTD "Rich Group"
Vill. Mughanlo, Marneuli Region, Georgia
(540)

ALTIN
ალტინი

(591) Black-white
(511) 5

(260) AM 2023 119904 A
(210) AM 119904
(220) 2022 10 20
(731) LLC "Gegidze Agency"
Konstantine Stanislavskiy St. 12, flat 36,
Didube District, Tbilisi, Georgia
(540)



(591) Black-white
(531) 26.01.18; 27.05.01; 28.19
(511) 42

(260) AM 2023 119917 A
(210) AM 119917
(220) 2022 10 21
(731) "Grand Candy" LLC
31 Masis St., 0061, Yerevan, Armenia
(740) Giorgi Taktakishvili
(540)



(591) Yellow, green, turquoise, lilac, brown, white
(531) 05.01.03; 05.05.04; 08.01.19; 08.01.23;
13.01.11; 25.01.25; 25.07.25; 28.05; 29.01.15
(511) 30

(260) AM 2023 119983 A
(210) AM 119983
(220) 2022 10 21
(731) "Grand Candy" LLC
31 Masis St., 0061, Yerevan, Armenia
(740) Giorgi Taktakishvili
(540)



(591) Yellow, red, sky-blue, orange, lilac, brown,
black, white
(531) 01.01.01; 01.01.10; 02.03.01; 04.05.02;
04.05.03; 04.05.04; 05.01.03; 08.01.19;
08.01.23; 13.01.11, 29.01.15
(511) 30

(260) AM 2023 119984 A
 (210) AM 119984
 (220) 2022 10 21
 (731) LLC "Zenni"
 Moldovakan St. 43/6, 1800, Erevan, Armenia
 (740) Ioane Iarajuli
 (540)



(591) 050404 balck, F9F7F7 white
 (531) 26.04.18; 26.04.24; 27.05.01
 (511) 18, 25

(260) AM 2023 119993 A
 (210) AM 119993
 (220) 2022 10 21
 (731) Andrey Partskhaladze
 Shalva Nutsubidze Plateau, V m/r., bld. 3,
 ap. 32, Tbilisi, Georgia
 (540)



(591) Light Green, dark green
 (531) 27.05.01; 27.05.04; 29.01.03
 (511) 10, 20, 28

(260) AM 2023 120002 A
 (210) AM 120002
 (220) 2022 10 21
 (731) LLC "Kakhetian Traditional Winemaking"
 S. Tsintsadze St. 12, 0160, Tbilisi, Georgia
 (540)

ნანე
Nane
Нане

(591) Black-white
 (511) 33

(260) AM 2023 120027 A
 (210) AM 120027
 (220) 2022 10 25
 (731) LLC "Distileria"
 Mtskheta St. Exit 13, fl. 3, ap. 5, Tbilisi,
 Georgia
 (540)



(591) Green, copper, white
 (531) 01.03.07; 01.03.16; 26.04.02; 26.04.13;
 26.04.22; 26.04.24; 27.05.01; 27.05.24;
 29.01.13
 (511) 33

(260) AM 2023 120033 A
 (210) AM 120033
 (220) 2022 10 26
 (731) LLC "M² Group"
 Givi Kartoziya St. 10, entrance 6, G-floor,
 Commercial Space 13, 0177, Saburtalo
 District, Tbilisi, Georgia
 (540)

**იცხოვრე ისე, როგორც
 არავის უცხოვრია!
 იცხოვრე შენი ცხოვრებით!**

(591) Black-white
 (511) 36, 37

(260) AM 2023 120034 A
 (210) AM 120034
 (220) 2022 10 26
 (731) LLC "M² Group"
 Givi Kartoziya St. 10, entrance 6, G-floor,
 Commercial Space 13, 0177, Saburtalo
 District, Tbilisi, Georgia
 (540)

**იცხოვრე შენი
 ცხოვრებით!**

(591) Black-white
 (511) 36, 37

(260) AM 2023 120035 A
 (210) AM 120035
 (220) 2022 10 26
 (731) LLC "M² Group"
 Givi Kartoziya St. 10, entrance 6, G-floor,
 Commercial Space 13, 0177, Saburtalo
 District, Tbilisi, Georgia
 (540)

**იცხოვრე შენი ცხოვრებით!
 იცხოვრე ისე, როგორც
 გინდა! იცხოვრე, როგორც
 გსურს!**

(591) Black-white
 (511) 36, 37

(260) AM 2023 120036 A
 (210) AM 120036
 (220) 2022 10 26
 (731) LLC "M² Group"
 Givi Kartozia St. 10, entrance 6, G-floor,
 Commercial Space 13, 0177, Saburtalo
 District, Tbilisi, Georgia

(540)

იცხოვრე სხვისი ცხოვრებით!

(591) Black-white
 (511) 36, 37

(260) AM 2023 120037 A
 (210) AM 120037
 (220) 2022 10 26
 (731) LLC "M² Group"
 Givi Kartozia St. 10, entrance 6, G-floor,
 Commercial Space 13, 0177, Saburtalo
 District, Tbilisi, Georgia

(540)

**იცხოვრე ისე, როგორც არავინ
 იცხოვრებს**

(591) Black-white
 (511) 36, 37

(260) AM 2023 120038 A
 (210) AM 120038
 (220) 2022 10 26
 (731) LLC "M² Group"
 Givi Kartozia St. 10, entrance 6, G-floor,
 Commercial Space 13, 0177, Saburtalo
 District, Tbilisi, Georgia

(540)

**იცხოვრე ისე, როგორც არავინ
 ცხოვრობს**

(591) Black-white
 (511) 36, 37

(260) AM 2023 120039 A
 (210) AM 120039
 (220) 2022 10 26
 (731) LLC "M² Group"
 Givi Kartozia St. 10, entrance 6, G-floor,
 Commercial Space 13, 0177, Saburtalo
 District, Tbilisi, Georgia

(540)

იცხოვრე, როგორც არავინ!

(591) Black-white
 (511) 36, 37

(260) AM 2023 120040 A
 (210) AM 120040
 (220) 2022 10 26
 (731) LLC "M² Group"
 Givi Kartozia St. 10, entrance 6, G-floor,
 Commercial Space 13, 0177, Saburtalo
 District, Tbilisi, Georgia

(540)

**იცხოვრე, როგორც არასდროს
 გიცხოვრია!**

(591) Black-white
 (511) 36, 37

(260) AM 2023 120043 A
 (210) AM 120043
 (220) 2022 10 26
 (731) LLC "M² Group"
 Givi Kartozia St. 10, entrance 6, G-floor,
 Commercial Space 13, 0177, Saburtalo
 District, Tbilisi, Georgia

(540)

**იცხოვრე, როგორც არასდროს
 იცხოვრებ!**

(591) Black-white
 (511) 36, 37

(260) AM 2023 120044 A
 (210) AM 120044
 (220) 2022 10 26
 (731) LLC "M² Group"
 Givi Kartozia St. 10, entrance 6, G-floor,
 Commercial Space 13, 0177, Saburtalo
 District, Tbilisi, Georgia

(540)

იცხოვრე სტილით!

(591) Black-white
 (511) 36, 37

(260) AM 2023 120052 A
 (210) AM 120052
 (220) 2022 10 27
 (731) Shanxi Xinghuacun Fenjiu Distillery Co., Ltd.
 Xinghuacun Village, Fenyang City, Shanxi
 Province, People's Republic of China

(740) Giorgi Kartvelishvili
 (540)

青花汾酒

— QINGHUA —
 FENJIU

(591) Black-white
(531) 28.03
(511) 33, 35

(260) AM 2023 120131 A
(210) AM 120131
(220) 2022 10 28
(731) Meri Tetemadze
Haidar Abashidze St. 20, Batumi, Georgia
(740) Meri Tetemadze
(540)

სილვა  Silva

(591) Grey, azure
(531) 01.13.15; 28.19; 29.01.12
(511) 3

(260) AM 2023 120136 A
(210) AM 120136
(220) 2022 10 31
(731) Samer Al Gaddah International General Trading
Co. L.L.C.
P.O. Box: 377922, Dubai, United Arab
Emirates
(740) Liliana Darakhvelidze
(540)

 V8 lubricants

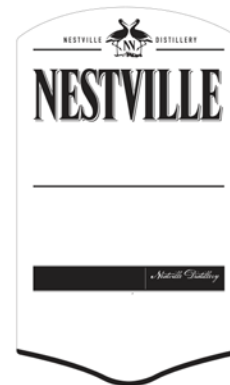
(591) Black, white, yellow
(531) 27.05.02; 27.05.09; 27.05.10; 29.01.13
(511) 4

(260) AM 2023 120137 A
(210) AM 120137
(220) 2022 10 31
(731) Samer Al Gaddah International General Trading
Co. L.L.C.
P.O. Box: 377922, Dubai, United Arab
Emirates
(740) Liliana Darakhvelidze
(540)

 VENOL
MOTOR OIL

(591) Black, white, red
(531) 26.04.02; 26.04.09; 26.04.22; 26.04.24;
27.05.01; 27.05.02; 27.05.09; 27.05.10;
27.05.24; 29.01.13
(511) 1, 4, 35

(260) AM 2023 120175 A
(210) AM 120175
(220) 2022 11 03
(731) BGV s.r.o.
Hniezdne 471, SK-06501 Hniezdne, Slovakia
(740) Nino Bakhtadze
(540)



(591) Black-white
(531) 03.07.07; 25.01.19; 25.03.03; 27.05.01;
27.05.03
(511) 33

(260) AM 2023 120176 A
(210) AM 120176
(220) 2022 11 03
(731) BGV s.r.o.
Hniezdne 471, SK-06501 Hniezdne, Slovakia
(740) Nino Bakhtadze
(540)



(591) Black-white
(531) 03.07.07; 06.01.01; 25.01.17; 25.01.19;
25.05.02; 27.05.01; 27.05.03; 27.05.09;
27.05.10
(511) 33

(260) AM 2023 120177 A
(210) AM 120177
(220) 2022 11 04
(731) BGV s.r.o.
Hniezdne 471, SK-06501 Hniezdne, Slovakia

(740) Nino Bakhtadze
(540)



(591) Black-white
(531) 03.07.07; 05.13.08; 25.01.09; 25.01.10;
25.01.19; 25.01.25
(511) 33

(260) AM 2023 120235 A
(210) AM 120235
(220) 2022 11 07
(731) LLC "LB Capital"
Ilia Chavchavadze Av. 34, shop 12A, 0179,
Vake District, Tbilisi, Georgia
(740) Zurab Bezhashvili;
Ioane Iarajuli;
Lia Shikhiashvili
(540)

Kikibaby

(591) Black-white
(511) 3, 5

(260) AM 2023 120236 A
(210) AM 120236
(220) 2022 11 07
(731) Clear White Technologies
J. Basanavičiaus g. 26, LT-03224 Vilnius,
Lithuania
(540)



(591) Dark blue, golden, white
(531) 03.04.01; 03.04.13; 27.05.01; 29.01.12
(511) 9, 36, 42

(260) AM 2023 120237 A
(210) AM 120237
(220) 2022 11 07
(731) Levan Gvaramadze
Al. Kazbegi St. 2, ap. 12, 0160, Tbilisi Georgia
(740) Levan Gvaramadze

(540)

უდარდელო
UDARDELI
УДАРДЕЛИ

(591) Black-white
(511) 33

(260) AM 2023 120241 A
(210) AM 120241
(220) 2022 11 08
(731) LTD "Blink"
Davit Bakradze St. 6, 0119, Tbilisi, Georgia
(540)



(591) FFFFFFF white, FF1D25 red, 000000 black
(531) 02.09.04; 26.01.14; 27.05.01; 27.05.17;
29.01.13
(511) 34, 35, 43

(260) AM 2023 120246 A
(210) AM 120246
(220) 2022 11 08
(731) Blago Company LLC
Vorovskogo Str., Bld. 57, Armavir, Krasnodar
Krai, 352900, Russian Federation
(740) Tamar Kotchlamazashvili
(540)



(554) Three Dimensional
 (591) Black-white
 (531) 19.07.02; 19.07.12; 19.07.17; 19.07.23
 (511) 29

(260) AM 2023 120250 A
 (210) AM 120250
 (220) 2022 11 09
 (731) LLC "Matanat"
 Saburtalo St. 38, 0160, Tbilisi, Georgia
 (740) Kakhaber Tsertsvadze
 (540)



(591) Fire color, black, white
 (531) 01.15.05; 27.05.01; 29.01.12
 (511) 2, 17, 19, 35, 37, 39, 40

(260) AM 2023 120260 A
 (210) AM 120260
 (220) 2022 11 10
 (731) RC Alvazi
 Vill. Jvarisa, Ambrolauri Municipality, Georgia
 (540)



(591) FFFFFF yellow, red, black, straw color
 (531) 05.03.04; 05.07.10; 24.01.05; 24.01.15;
 25.01.05; 27.05.01; 29.01.13
 (511) 33

(260) AM 2023 120335 A
 (210) AM 120335
 (220) 2022 11 11
 (731) Biomedical News of Georgia
 Vazha-Pshavela Av. 33, 0101, Tbilisi, Georgia

(540)



(591) White, black, bluish
 (531) 26.04.02; 26.04.22; 26.04.24; 27.05.01;
 27.05.10; 27.05.24; 29.01.13
 (511) 16

(260) AM 2023 120337 A
 (210) AM 120337
 (220) 2022 11 11
 (731) Roland DG Corporation
 1-6-4 Shinmiyakoda, Kita-ku, Hamamatsu-shi,
 Shizuoka-ken, 431-2103, Japan
 (740) Giorgi Kartvelishvili
 (540)



(591) Black-white
 (531) 26.04.02; 26.04.09; 26.11.01; 26.11.05;
 26.11.06; 27.05.01
 (511) 42

(260) AM 2023 120341 A
 (210) AM 120341
 (220) 2022 11 14
 (310) 18772722
 (320) 2022 10 06
 (330) EUIPO
 (731) Philip Morris Products S.A.
 Quai Jeanrenaud 3, 2000 Neuchâtel,
 Switzerland
 (740) Pavle Meipariani
 (540)

VEEV NOW

(591) Black-white
 (511) 34

(260) AM 2023 120342 A
 (210) AM 120342
 (220) 2022 11 14
 (310) 18772723
 (320) 2022 10 06
 (330) EUIPO
 (731) Philip Morris Products S.A.
 Quai Jeanrenaud 3, 2000 Neuchâtel,
 Switzerland
 (740) Pavle Meipariani
 (540)

NOW

(591) Black-white
 (511) 34

- (260) AM 2023 120344 A
- (210) AM 120344
- (220) 2022 11 15
- (731) "Grand Candy" LLC
33 Hrant Vardanyan St., Yerevan, 0061,
Armenia
- (740) Giorgi Taktakishvili

(540)

BALLET БАЛЕТ

- (591) Black-white
- (511) 30

- (260) AM 2023 120363 A
- (210) AM 120363
- (220) 2022 11 16
- (731) LTD "Inter Pharma"
Guramishvili Av. 64, 0141, Tbilisi, Georgia

(540)



- (591) 339933 green, FFFFFFF white, 840E36
dark carnelian, 050505 black
- (531) 02.01.01; 02.03.01; 19.03.24; 29.01.14
- (511) 5

- (260) AM 2023 120364 A
- (210) AM 120364
- (220) 2022 11 16
- (731) LTD "Inter Pharma"

Guramishvili Av. 64, 0141, Tbilisi,
Georgia

(540)



- (591) 7B7BAA grey, 000066 dark blue,
FFFFFF white, 050505 black, EE0027
red, lilac
- (531) 19.03.24; 25.07.04; 27.05.01; 27.05.10;
27.05.24; 29.01.15
- (511) 5

- (260) AM 2023 120368 A
- (210) AM 120368
- (220) 2022 11 17
- (310) 87902
- (320) 2022 10 31
- (330) JM
- (731) Philip Morris Products S.A.
Quai Jeanrenaud 3, 2000 Neuchâtel,
Switzerland
- (740) Pavle Meipariani

(540)

VEEV XPRS

- (591) Black-white
- (511) 34

- (260) AM 2023 120502 A
- (210) AM 120502
- (220) 2022 11 25
- (731) JSC "Nizhegorodskiy Khimiko-Pharmatsev-
ticheskiy Zavod"
Salganskaya St. 7, Nizhniy Novgorod, 603105,
Russian Federation
- (740) Giorgi Taktakishvili

(540)

ГЕПАТРОМБИН

- (591) Black-white
- (531) 28.05
- (511) 5

REGISTERED TRADEMARKS

(111) M 2023 36881 R

(151) 2023 05 30

(181) 2033 05 30

(260) AM 2022 116214 A

(220) 2022 01 14

(732) JSC "Lomisi"

Vill. Natakhtari, 3308, Mtskheta, Georgia

(111) M 2023 36888 R

(151) 2023 05 30

(181) 2033 05 30

(260) AM 2022 117299 A

(220) 2022 04 04

(732) Riot Games Inc.

12333 W. Olympic Blvd., Los Angeles,
CA 90064, USA

(111) M 2023 36889 R

(151) 2023 05 30

(181) 2033 05 30

(260) AM 2022 118403 A

(220) 2022 07 06

(732) LTD "Tiflisi Marani"

Zakaria Paliashvili St. 33, ap. 6, 0179, Tbilisi,
Georgia

(111) M 2023 36890 R

(151) 2023 05 30

(181) 2033 05 30

(260) AM 2021 115851 A

(220) 2021 12 20

(732) LLC "Winery Khareba"

Davit Aghmashenebeli Alley 170a, 0131,
Tbilisi, Georgia

(111) M 2023 36891 R

(151) 2023 05 30

(181) 2033 05 30

(260) AM 2022 118169 A

(220) 2022 06 16

(732) Philip Morris Products S.A.

Quai Jeanrenaud 3, 2000 Neuchâtel,
Switzerland

(111) M 2023 36892 R

(151) 2023 05 30

(181) 2033 05 30

(260) AM 2022 118404 A

(220) 2022 07 06

(732) LTD "Tfilisis Marani"

Paliashvili St. 33, ap. 6, 0179, Tbilisi, Georgia

(111) M 2023 36893 R

(151) 2023 05 30

(181) 2033 05 30

(260) AM 2022 118405 A

(220) 2022 07 06

(732) LTD "Tfilisis Marani"

Paliashvili St. 33, ap. 6, 0179, Tbilisi, Georgia

(111) M 2023 36894 R

(151) 2023 05 30

(181) 2033 05 30

(260) AM 2022 117305 A

(220) 2022 04 04

(732) Crane Holdings Co.

100 First Stamford Place, Stamford, Connecticut
06902, USA

(111) M 2023 36895 R

(151) 2023 05 30

(181) 2033 05 30

(260) AM 2022 117315 A

(220) 2022 04 05

(732) Giorgi Khechuashvili

Badri Shoshitaishvili Dead End 6, ap. 9
Tbilisi, Georgia;
Ekaterine Tskhadadze
David Guramishvili Ave. 1, ap. 10
Tbilisi, Georgia

(111) M 2023 36896 R

(151) 2023 05 30

(181) 2033 05 30

(260) AM 2022 118247 A

(220) 2022 06 23

(732) Companhia Minuano De Alimentos

Av. Senador Alberto Pasqualine, No.1535,
Lajeado 95913-162, Brazil

(111) M 2023 36897 R

(151) 2023 05 30

(181) 2033 05 30

(260) AM 2022 118754 A

(220) 2022 07 28

(732) JSC "Insurance Company Imedi L"

Anna Politkovskaya St. 9, Tbilisi, Georgia

(111) M 2023 36898 R
(151) 2023 05 30
(181) 2033 05 30
(260) AM 2022 117717 A
(220) 2022 05 06
(732) LLC "Wine Company Shumi"
Lionidze St. 33, Telavi, Georgia

(111) M 2023 36899 R
(151) 2023 05 30
(181) 2033 05 30
(260) AM 2022 117539 A
(220) 2022 04 20
(732) Derayah Financial Company
2nd Floor, Olaya Center, Olaya Main Street,
Riyadh 11323, PO Box 286546, Saudi Arabia

(111) M 2023 36900 R
(151) 2023 05 30
(181) 2033 05 30
(260) AM 2022 117928 A
(220) 2022 05 25
(732) Amazon Technologies Inc.
410 Terry Avenue North, Seattle, Washington,
98109, USA

(111) M 2023 36901 R
(151) 2023 05 30
(181) 2033 05 30
(260) AM 2022 117977 A
(220) 2022 05 27
(732) Amazon Technologies Inc.
410 Terry Avenue North, Seattle, Washington,
98109, USA

(111) M 2023 36903 R
(151) 2023 06 02
(181) 2033 06 02
(260) AM 2022 117449 A
(220) 2022 04 13
(732) Alkaloid AD Skopje
Blvd. Aleksandar Makedonski 12, 1000
Skopje, Republic of North Macedonia

(111) M 2023 36904 R
(151) 2023 06 02
(181) 2033 06 02
(260) AM 2022 117450 A
(220) 2022 04 13
(732) Alkaloid AD Skopje
Blvd. Aleksandar Makedonski 12, 1000
Skopje, Republic of North Macedonia

(111) M 2023 36905 R
(151) 2023 06 02
(181) 2033 06 02
(260) AM 2022 117296 A
(220) 2022 04 04
(732) Basf SE
Carl-Bosch-Straße 38, Ludwigshafen am
Rhein, Germany

(111) M 2023 36906 R
(151) 2023 06 02
(181) 2033 06 02
(260) AM 2022 117297 A
(220) 2022 04 04
(732) Basf SE
Carl-Bosch-Straße 38, Ludwigshafen am
Rhein, Germany

(111) M 2023 36907 R
(151) 2023 06 02
(181) 2033 06 02
(260) AM 2022 117927 A
(220) 2022 05 25
(732) Genadi Sul Khanishvili
Mekhishvili St. 14/46, Rustavi, Georgia

(111) M 2023 36908 R
(151) 2023 06 05
(181) 2033 06 05
(260) AM 2022 118551 A
(220) 2022 07 13
(732) LTD "Loris Parfum Georgia"
Shota Rustaveli Ave. 26, Tbilisi, Georgia

(111) M 2023 36909 R
(151) 2023 06 05
(181) 2033 06 05
(260) AM 2022 118301 A
(220) 2022 06 28
(732) Shenzhen GreenSound High-Tech Co., LTD
2nd/3rd Flor Bilding Si, 2nd/3rd Flor Bilding
Di, 13rd Tonfuiu Industrial Park, Hepin
Qomiuniti, Fuhai Strit Bao'an Distriqt,
Shenjen Siti 518000, People's Republic of China

(111) M 2023 36910 R
(151) 2023 06 05
(181) 2033 06 05
(260) AM 2022 117420 A
(220) 2022 04 11
(732) Marsa Yağ Sanayi Ve Ticaret Anonim Şirketi
Ramazanoğlu Mah. Mahmut Bayram CAD.
No: 9 ŞEYHLİ Pendik İstanbul, Türkiye

(111) M 2023 36911 R
(151) 2023 06 05
(181) 2033 06 05
(260) AM 2022 118388 A
(220) 2022 07 04
(732) Gela Peradze
S. Tsintsadze St. 34, ap. 2, 0160, Tbilisi,
Georgia

(111) M 2023 36912 R
(151) 2023 06 05
(181) 2033 06 05
(260) AM 2022 118152 A
(220) 2022 06 15
(732) Reckitt Health Pain (US) LLC
399 Interpace Parkway, Parsippany, New
Jersey, 07054, USA

(111) M 2023 36913 R
(151) 2023 06 05
(181) 2033 06 05
(260) AM 2022 118161 A
(220) 2022 06 16
(732) Reckitt & Colman (Overseas) Hygiene
Home Limited
103-105 Bath Road, Slough, Berkshire,
SL1 3UH, United Kingdom

(111) M 2023 36914 R
(151) 2023 06 05
(181) 2033 06 05
(260) AM 2022 118562 A
(220) 2022 07 14
(732) LTD "Nik-2007"
Akhvlediani St., Lane 6, 0103, Chughureti
District, Tbilisi, Georgia

(111) M 2023 36915 R
(151) 2023 06 05
(181) 2033 06 05
(260) AM 2022 117925 A
(220) 2022 05 25
(732) Alkaloid AD Skopje
Blvd. Aleksandar Makedonski 12, 1000
Skopje, The Republic of North Macedonia

(111) M 2023 36916 R
(151) 2023 06 05
(181) 2033 06 05
(260) AM 2022 118396 A
(220) 2022 07 06
(732) Fabson Import Export Limited
P.O. Box No. 61257, Jebel Ali, Dubai, United
Arab Emirates

(111) M 2023 36917 R
(151) 2023 06 05
(181) 2033 06 05
(260) AM 2022 117435 A
(220) 2022 04 12
(732) LLC "Kani"
Giorgi Saakadze Slope №11, Tbilisi, Georgia

(111) M 2023 36918 R
(151) 2023 06 05
(181) 2033 06 05
(260) AM 2022 117436 A
(220) 2022 04 12
(732) LLC "Kani"
Giorgi Saakadze Slope №11, Tbilisi, Georgia

(111) M 2023 36919 R
(151) 2023 06 05
(181) 2033 06 05
(260) AM 2022 118016 A
(220) 2022 06 02
(732) Zarbee's Inc.
50 Old Field Road, Greenwich CT 06830,
USA

(111) M 2023 36920 R
(151) 2023 06 05
(181) 2033 06 05
(260) AM 2022 118162 A
(220) 2022 06 16
(732) Reckitt & Colman (Overseas)
Hygiene Home Limited
103-105 Bath Road, Slough, Berkshire,
SL1 3UH, United Kingdom

(111) M 2023 36921 R
(151) 2023 06 05
(181) 2033 06 05
(260) AM 2022 117901 A
(220) 2022 05 20
(732) LLC "Grand Candy"
31 Masis St. , 0061, Yerevan, Armenia

(111) M 2023 36922 R
(151) 2023 06 05
(181) 2033 06 05
(260) AM 2022 117981 A
(220) 2022 05 27
(732) Target Brands Inc.
1000 Nicollet Mall, Minneapolis, Minnesota
55403, USA

(111) M 2023 36923 R
(151) 2023 06 05
(181) 2033 06 05
(260) AM 2022 117982 A
(220) 2022 05 27
(732) Target Brands Inc.
1000 Nicollet Mall, Minneapolis, Minnesota
55403, USA

(111) M 2023 36924 R
(151) 2023 06 05
(181) 2033 06 05
(260) AM 2022 117983 A
(220) 2022 05 27
(732) Target Brands Inc.
1000 Nicollet Mall, Minneapolis, Minnesota
55403, USA

TRADEMARKS REGISTERED ACCORDING TO THE ACCELERATED PROCEDURE

The decision can be appealed at the Chamber of Appeal of Sakpatenti within 3 months from the publication.

(111) M 2023 36880 R
(151) 2023 05 23
(181) 2033 05 23
(210) AM 122746
(220) 2023 05 10
(732) LTD "Geneo"
Zurab Gorgiladze St. 69, fl. 3, ap. 3, Batumi,
Georgia
(740) Giorgi Kartvelishvili
(540)



(591) Purple, white
(531) 05.03.15; 26.01.01; 26.01.24; 26.13.25;
29.01.05; 29.01.12
(511) 41, 44

(111) M 2023 36882 R
(151) 2023 05 30
(181) 2033 05 30
(210) AM 122509
(220) 2023 04 20
(732) LTD "Tifliski Vini Pogreb"
Yumashev St. 27, 0198, Tbilisi, Georgia
(740) Shalva Gvaramadze
(540)



(591) Black-white
(531) 02.01.04; 25.01.10; 25.01.15; 25.01.17;
25.01.19; 27.05.01; 27.05.10
(526) შოთა რუსთაველის პორტრეტი,
RUSTAVELI
(511) 33

(111) M 2023 36883 R
(151) 2023 05 30
(181) 2033 05 30
(210) AM 122489
(220) 2023 04 18
(732) Philip Morris Products S.A.
Quai Jeanrenaud 3, 2000 Neuchâtel,
Switzerland
(740) Pavle Meipariani
(540)



(591) Various shades of grey, white
(531) 10.01.18; 19.03.24; 25.01.19; 27.05.01
(511) 34

(111) M 2023 36884 R
(151) 2023 05 30
(181) 2033 05 30
(210) AM 122490
(220) 2023 04 18
(732) Philip Morris Products S.A.
Quai Jeanrenaud 3, 2000 Neuchâtel,
Switzerland
(740) Pavle Meipariani
(540)



(591) Various shades of grey, white
(531) 10.01.18; 19.03.24; 27.05.01
(511) 34

(111) M 2023 36885 R

(151) 2023 05 30

(181) 2033 05 30

(210) AM 122494

(220) 2023 04 18

(732) Philip Morris Products S.A.

Quai Jeanrenaud 3, 2000 Neuchâtel,

Switzerland

(740) Pavle Meipariani

(540)



(591) Various shades of gray, white

(531) 10.01.18; 19.03.24; 27.05.01; 27.05.10

(511) 34

(111) M 2023 36886 R

(151) 2023 05 30

(181) 2033 05 30

(210) AM 122496

(220) 2023 04 18

(732) Philip Morris Products S.A.

Quai Jeanrenaud 3, 2000 Neuchâtel,

Switzerland

(740) Pavle Meipariani

(540)



(591) Various shades of grey, white

(531) 10.01.18; 19.03.24; 27.05.01; 27.05.10

(511) 34

(111) M 2023 36887 R

(151) 2023 05 30

(181) 2033 05 30

(210) AM 122497

(220) 2023 04 18

(732) Philip Morris Products S.A.

Quai Jeanrenaud 3, 2000 Neuchâtel,

Switzerland

(740) Pavle Meipariani

(540)



(591) Various shades of grey, white

(531) 10.01.18; 19.03.24; 27.05.01; 27.05.10

(511) 34

(111) M 2023 36902 R

(151) 2023 05 31

(181) 2033 05 31

(210) AM 122732

(220) 2023 05 08

(732) Davit Chkpoia

Shalva Nutsbidze Slope, IV m/r., bld. 10v,

ap. 31, 0183, Vake District, Tbilisi, Georgia

(540)



(591) Golden, black, white

(531) 02.09.14; 02.09.15; 05.07.16; 25.01.25;

27.05.01; 28.05; 28.19; 29.01.13

(511) 33, 35

(111) M 2023 36925 R

(151) 2023 06 05

(181) 2033 06 05

(210) AM 122510

(220) 2023 04 20

(732) LTD "Tifliski Vini Pogreb"

Yumashev St. 27, 0198, Tbilisi, Georgia

(740) Shalva Gvaramadze
(540)



(591) Black-white
(531) 02.01.02; 02.01.04; 23.01.01; 25.01.19
(526) აშოტ I კურაპალატი, TSINANDALI
(511) 33

INTERNATIONAL TRADEMARKS FOR WHICH A DECISION ON GRANTING PROTECTIONS IS TAKEN

The decision can be appealed at the Chamber of Appeal of Sakpatenti within 3 months from the publication or at the Mtskheta District Court Administrative Cases Board (Address: №17, Samkhedro St., Mtskheta), within 1 month following the publication.

(260) AM 2023 116462 A

(800) 1641540

(151) 2021 12 07

(891) 2021 12 07

(731) GODOX PHOTO EQUIPMENT CO., LTD.

4th Floor of Building 1, 1st to 4th Floor, of Building 2, 4th Floor of Building 3, 1st to 4th Floor of Building 4, Yaochuan, Industrial Zone, Tangwei Community, Fuhai Street, Bao'an District, 518000 Shenzhen, China

(540)



(591) Black, white

(531) 27.05.01; 27.05.17

(511)

11 – Germicidal lamps for purifying air; freezers; air purifying apparatus and machines; germicidal burners; radiators [heating]; bath installations; disinfectant apparatus.

(260) AM 2023 117941 A

(800) 1662847

(151) 2021 09 16

(891) 2021 09 16

(731) TOYOBO CO., LTD.

13-1, Umeda 1-chome, Kita-ku, Osaka-shi, Osaka 530-0001, Japan

(540)



(591) Black, blue

(531) 27.05.01; 29.01.12

(511)

1 – Industrial chemicals; chemical preparations for scientific purposes, other than for medical or veterinary use; ferments for chemical purposes; chemical reagents, other than for medical or veterinary purposes; stem cells, other than for medical or veterinary purposes; industrial chemicals; enzymes for industrial purposes; enzyme preparations for industrial purposes; chemical preparations for analyses in laboratories, other than for medical or veterinary purposes; catalysts; biological tissue cultures, other than for medical or veterinary purposes; glue and adhesives for industrial purposes; plant growth regulating preparations; agricultural chemicals, except fungicides, herbicides, in-

secticides and parasiticides; fertilizers; ceramic glazings; priming putty; higher fatty acids; alkaline metals; rare earths; fissionable material for nuclear energy; non-metallic minerals; chemical compositions for developing and printing photographs; sensitized paper; photosensitive plates; chemical preparations for use in photography; sensitized films, unexposed; reagent paper [not for medical purposes]; artificial sweeteners; flour and starch for industrial purposes; plastics [raw materials]; synthetic resins, unprocessed; artificial resins, unprocessed; plastics, unprocessed; wood pulp; biological preparations, other than for medical or veterinary purposes; fatty acids; astatine; alkaline-earth metals; radioactive elements for scientific purposes; silicon; fuel for nuclear reactors; metalloids; sulfur; borax; by-products of the processing of cereals for industrial purposes; bacteriological preparations for acetification; bacterial preparations, other than for medical and veterinary use; preparations of microorganisms, other than for medical and veterinary use; dendrimer-based polymers for use in the manufacture of capsules for pharmaceuticals; preparations of trace elements for plants; soil for growing; potting soil; topsoil; glaziers' putty; chimney cleaners, chemical; detergents for use in manufacturing processes; transmission fluid; transmission oil; power steering fluid; brake fluid; fluids for hydraulic circuits; milk ferments for chemical purposes; milk ferments for the food industry; cultures of microorganisms, other than for medical and veterinary use; ceramic compositions for sintering [granules and powders]; conductive paste.

(260) AM 2023 118117 A

(800) 1665666

(151) 2021 09 17

(891) 2021 09 17

(731) SİMFER DAYANIKLI TÜKETİM MAMÜLLERİ TİCARET VE SANAYİ ANONİM ŞİRKETİ
15 Temmuz Mah., Bahar Cad. No: 6/42, Bağcılar, İstanbul, Türkiye

(540)



(591) Black, white

(531) 27.05.01

(511)

7 – Machines, machine tools and industrial robots for processing and shaping wood, metals, glass, plastics

and minerals, 3D printers; construction machines and robotic mechanisms (machines) for use in construction; bulldozers, diggers (machines), excavators, road construction and road paving machines, drilling machines, rock drilling machines, road sweeping machines; lifting, loading and transmission machines and robotic mechanisms (machines) for lifting, loading and transmission purposes; elevators, escalators and cranes; machines and robotic mechanisms (machines) for use in agriculture and animal breeding, machines and robotic mechanisms (machines) for processing cereals, fruits, vegetables and food; engines and motors, other than for land vehicles, parts and fittings therefor; hydraulic and pneumatic controls for engines and motors, brakes other than for vehicles, brake linings for engines, crankshafts, gearboxes, other than for land vehicles, cylinders for engines, pistons for engines, turbines, not for land vehicles, filters for engines and motors, oil, air and fuel filters for land vehicle engines, exhausts for land vehicle engines, exhaust manifolds for land vehicle engines, engine cylinders for land vehicles, engine cylinder heads for land vehicles, pistons for land vehicle engines, carburetors for land vehicles, fuel conversion apparatus for land vehicle engines, injectors for land vehicle engines, fuel economisers for land vehicle engines, pumps for land vehicle engines, starter motors for land vehicles, dynamos for land vehicle engines, sparking plugs for land vehicle engines; bearings (parts of machines), roller or ball bearings; machines for mounting and detaching tires; alternators, current generators, electric generators, current generators operated with solar energy; painting machines, automatic spray guns for paint, electric, hydraulic and pneumatic punching machines and guns, electric adhesive tape dispensers (machines), electric guns for compressed gas or liquid spraying machines, electric hand drills, electric hand saws, electric jigsaw machines, spiral machines, compressed air machines, compressors (machines), vehicle washing installations, robotic mechanisms (machines) with the abovementioned functions; electric and gas-operated welding apparatus, electric arc welding apparatus, electric soldering apparatus, electric arc cutting apparatus, electrodes for welding machines, industrial robots (machines) with the abovementioned functions; printing machines; packaging machines, filling, plugging and sealing machines, labellers (machines), sorting machines, industrial robots (machines) with the abovementioned functions, electric packing machines for plugging and sealing of plastics; fuel pumps for engines, fuel dispensing pumps for service stations, self-regulating fuel pumps automatic vending machines; galvanizing and electroplating machines; electric door openers and closers; joints (parts of engines).

8 – Side arms and blades (weapons); tools and apparatus included in this class for personal beauty care use; tools and apparatus included in this class for shaving, epilation, manicure and pedicure, electric

hand implements for straightening and curling hair, scissors; tool handles made of all kinds of materials.

9 – Measurement apparatus and equipment including those for scientific, nautical, topographic, meteorologic, industrial and laboratory purposes, thermometers, not for medical purposes, barometers, ammeters, voltmeters, hygrometers, testing apparatus not for medical purposes, telescopes, periscopes, directional compasses, speed indicators, laboratory apparatus, microscopes, magnifying glasses, stills; apparatus for recording, transmission or reproduction of sound or images, cameras, photographic cameras, television apparatus, video recorders, CD and DVD players and recorders, MP3 players, computers, desktop computers, tablet computers, microphones, loudspeakers, earphones, telecommunications apparatus, apparatus for the reproduction of sound or images, computer peripheral devices, cell phones, covers for cell phones, telephone apparatus, computer printers, scanners [data processing equipment], photocopiers; magnetic and optic data carriers and computer software and programmes recorded thereto, downloadable and recordable electronic publications, encoded magnetic and optic cards, motion pictures, serials and video music clips recorded on magnetic, optical and electronic media; antennas, satellite antennas, amplifiers for antennas, parts of the aforementioned goods; ticket dispensers, automatic teller machines (ATM); electronic components used in the electronic parts of machines and apparatus, semi-conductors, electronic circuits, integrated circuits, chips [integrated circuits], diodes, transistors [electronic], magnetic heads for electronic apparatus, electronic locks, photocells, remote control apparatus for opening and closing doors, optical sensors; counters and quantity indicators for measuring the quantity of consumption, automatic time switches; clothing for protection against accidents, irradiation and fire, safety vests and life-saving apparatus and equipment; eyeglasses, sunglasses, optical lenses and cases, containers, parts and components thereof; apparatus and instruments for conducting, transforming, accumulating or controlling electricity, electric plugs, junction boxes [electricity], electric switches, circuit breakers, fuses, lighting ballasts, battery starter cables, electrical circuit boards, electric resistances, electric sockets, transformers [electricity], electrical adapters, battery chargers, electric door bells, electric and electronic cables, batteries, electric accumulators, solar panels for electricity generation; alarms and anti-theft alarms, other than for vehicles, electric bells; signalling apparatus and instruments, luminous or mechanical signs for traffic use; fire extinguishing apparatus, fire engines, fire hose and fire hose nozzles; radar apparatus, sonars, night vision apparatus and instruments; decorative magnets; metronomes.

(260) AM 2023 118781 A

(800) 1674553

(151) 2022 03 08

(891) 2022 03 08

(731) SIMONELLI GROUP S.P.A.

Via Emilio Betti 1, I-62020 BELFORTE DEL
CHIANTI (MC), Italy

(540)

BLACK EAGLE MAVERICK

(591) Black, white

(531) 27.05.01

(511)

11 – Coffee machines, electric; espresso machines, electric; coffee percolators, electric; electric wireless coffeepots; automatic installations for making coffee; coffee roasters; coffee roasting ovens; electric coffee filters; coffee roasting machines; electric chocolate makers; heating and cooling apparatus for dispensing hot and cold beverages; apparatus for keeping hot drinks warm; thermoelectric apparatus for heating beverages; refrigerated units for dispensing beverages; beverage cooling apparatus; refrigerating apparatus and machines; refrigerators; apparatus for heating, steam generating, cooking, drying and water supply.

(260) AM 2023 119045 A

(800) 1678449

(151) 2022 06 30

(891) 2022 06 30

(731) Limited liability company "PROMOMED
RUS"pr-kt Mira, d. 13, str. 1, of. 13, RU-129090
Moscow, Russian Federation

(540)

**АМБЕНЕ
AMBENE**

(591) Black, white

(531) 27.05.01; 28.05

(511)

35 – Arranging subscriptions to telecommunication services for others; import-export agency services; commercial information agency services; advertising agency services; cost price analysis; rental of advertising space; account auditing; employment agency services; computerized file management; book-keeping; invoicing; business efficiency expert services; demonstration of goods; transcription of communications [office functions]; opinion polling; market studies; providing business information; commercial information and advice for consumers; business investigations; business research; marketing research; personnel recruitment; business management and organization consultancy; business organization consultancy; business management consultancy; personnel management consultancy; professional business consul-

tancy; layout services for advertising purposes; marketing; business management of performing artists; business management of sports people; news clipping services; updating of advertising material; word processing; organization of exhibitions for commercial or advertising purposes; arranging newspaper subscriptions for others; organization of fashion shows for promotional purposes; organization of trade fairs for commercial or advertising purposes; shop window dressing; business appraisals; payroll preparation; data search in computer files for others; sponsorship search; business management assistance; commercial or industrial management assistance; presentation of goods on communication media, for retail purposes; economic forecasting; auctioneering; promoting the goods of others; production of advertising films; office machines and equipment rental; rental of advertising time on communication media; publicity material rental; rental of vending machines; rental of photocopying machines; publication of publicity texts; radio advertising; bill-posting; outdoor advertising; distribution of samples; dissemination of advertising matter; direct mail advertising; editing of publicity texts; advertising; online advertising on a computer network; advertising by mail order; television advertising; document reproduction; compilation of statistics; compilation of information into computer databases; business inquiries; systemization of information into computer databases; advisory services for business management; tax preparation; drawing up of statements of accounts; copywriting in newspapers for advertising and promotional purposes; telemarketing services; psychological testing for the selection of personnel; business management of hotels; commercial administration of the licensing of the goods and services of others; administrative processing of purchase orders; public relations; modelling for advertising or sales promotion; typing; administrative services for the relocation of businesses; price comparison services; secretarial services; procurement services for others [purchasing goods and services for other businesses]; shorthand; outsourcing services [business assistance]; telephone answering for unavailable subscribers; photocopying services.

(260) AM 2023 119243 A

(800) 1680770

(151) 2022 06 23

(891) 2022 06 23

(731) SHENZHEN JINGWEIXIAN TECHNOLOGY
CO., LTD1-4F, Bldg. C, Xinhang Science and
Technology Park, No. 229, Qingshui Road,
Wulian Community, Longgang Street,
Longgang District, Shenzhen, 518100
Guangdong Province, China

(540)

Icon See

(591) Black, white

(511)

7 – Computerized engraving machines; 3D printers; 3D printing pens; stamping presses; embossing machines; paper cutting machines; engraving machines; tools [parts of machines].

(260) AM 2023 119296 A

(800) 1681136

(151) 2022 07 13

(891) 2022 07 13

(731) Individual entrepreneur Miticheva Olga

Valentinovna

Dubnenskaya naberezhnaya, d. 35, Dubna,

RU-141980 Moskovskaya oblast, Russian

Federation

(540)



NOGTIKA

(591) Black, white

(531) 26.04.05; 26.04.18; 26.04.24; 26.13.25;
27.05.01; 27.05.09; 27.05.10; 27.05.24

(511)

3 – Abrasives; amber [perfume]; descaling preparations for household purposes; antistatic preparations for household purposes; aromatics [essential oils]; air fragrancing preparations; cake flavourings [essential oils]; flavourings for beverages [essential oils]; food flavourings [essential oils]; breath freshening sprays; canned pressurized air for cleaning and dusting purposes; balms, other than for medical purposes; basma [cosmetic dye]; lip glosses; nail glitter; body glitter; polishing stones; abrasive paper; emery paper; polishing paper; petroleum jelly for cosmetic purposes; shoe polish; cobblers' wax; cotton wool for cosmetic purposes; cotton wool impregnated with make-up removing preparations; sachets for perfuming linen; drying agents for dishwashing machines; adhesives for cosmetic purposes; scented water; Javelle water; lavender water; micellar water; toilet water; wax for parquet floors; floor wax; non-slipping wax for floors; depilatory wax; moustache wax; tailors' wax; creams for leather; polish for furniture and flooring; shoemakers' wax; polishing wax; massage gels, other than for medical purposes; heliotropine; dental bleaching gels; geraniol; make-up; deodorants for pets; deodorants for human beings or for animals; depilatory preparations; air fragrance reed diffusers; scented wood; perfumes; non-slipping liquids for floors; windscreen cleaning liquids; greases for cosmetic purposes; volcanic ash for cleaning; perfumery; decorative transfers for cosmetic purposes; ionone [perfumery]; shaving stones [astringents]; smoothing stones; eyebrow pencils; cosmetic pencils; silicon carbide [abrasive]; carbides of metal [abrasives]; alum stones [astringents]; tripoli

stone for polishing; adhesives for affixing false eyelashes; adhesives for affixing false hair; hair conditioners; quillaia bark for washing; corundum [abrasive]; beard dyes; colorants for toilet purposes; cosmetic dyes; body paint for cosmetic purposes; starch for laundry purposes; shoe cream; polishing creams; cosmetic creams; skin whitening creams; polishing rouge; incense; hair spray; nail varnish; liquid latex body paint for cosmetic purposes; hair lotions; lotions for cosmetic purposes; after-shave lotions; beauty masks; oils for perfumes and scents; oils for cosmetic purposes; oils for toilet purposes; essential oils; essential oils of cedarwood; essential oils of lemon; essential oils of citron; oils for cleaning purposes; bergamot oil; gaultheria oil; jasmine oil; lavender oil; almond oil; rose oil; oil of turpentine for degreasing; whitening; cleaning chalk; almond milk for cosmetic purposes; cleansing milk for toilet purposes; musk [perfumery]; soap; deodorant soap; shaving soap; soap for brightening textile; cakes of toilet soap; antiperspirant soap; soap for foot perspiration; almond soap; mint for perfumery; cosmetic kits; emery; gel eye patches for cosmetic purposes; nail art stickers; double eyelid tapes; false nails; eau de Cologne; joss sticks; pastes for razor strops; toothpaste; pumice stone; lipstick cases; hydrogen peroxide for cosmetic purposes; breath freshening strips; teeth whitening strips; sandcloth; glass cloth [abrasive cloth]; lipsticks; pomades for cosmetic purposes; shaving preparations; cosmetic preparations for baths; bath preparations, not for medical purposes; hair straightening preparations; hair waving preparations; laundry soaking preparations; grinding preparations; smoothing preparations [starching]; colour-removing preparations; leather bleaching preparations; polishing preparations; denture polishes; mouthwashes, not for medical purposes; cosmetic preparations for slimming purposes; laundry glaze; preparations to make the leaves of plants shiny; eye-washes, not for medical purposes; fabric softeners for laundry use; preparations for washing; dry-cleaning preparations; paint stripping preparations; lacquer-removing preparations; make-up removing preparations; floor wax removers [scouring preparations]; varnish-removing preparations; rust removing preparations; nail care preparations; cleaning preparations; preparations for cleaning dentures; wallpaper cleaning preparations; preparations for unblocking drain pipes; chemical cleaning preparations for household purposes; collagen preparations for cosmetic purposes; bleaching preparations [decolorants] for household purposes; bleaching and laundry preparations; aloe vera preparations for cosmetic purposes; sunscreen preparations; colour-brightening chemicals for household purposes [laundry]; breath freshening preparations for personal hygiene; shining preparations [polish]; make-up powder; diamantine [abrasive]; stain removers; nail varnish removers; vaginal washes for personal sanitary or deodorant purposes; scouring solutions; false eyelashes; antistatic dryer sheets; baby wipes impregnated

with cleaning preparations; colour run prevention laundry sheets; tissues impregnated with cosmetic lotions; tissues impregnated with make-up removing preparations; safrol; massage candles for cosmetic purposes; laundry blueing; turpentine for degreasing; pot-pourris [fragrances]; bleaching soda; washing soda, for cleaning; bath salts, not for medical purposes; bleaching salts; fumigation preparations [perfumes]; leather preservatives [polishes]; ammonia [volatile alkali] [detergent]; astringents for cosmetic purposes; eyebrow cosmetics; make-up preparations; sun-tanning preparations [cosmetics]; hair dyes; neutralizers for permanent waving; cosmetic preparations for eyelashes; cosmetic preparations for skin care; dentifrices; cosmetics; cosmetics for children; cosmetics for animals; mascara; cleansers for intimate personal hygiene purposes, non medicated; douching preparations for personal sanitary or deodorant purposes [toiletries]; detergents, other than for use in manufacturing operations and for medical purposes; degreasers, other than for use in manufacturing processes; bleaching preparations [decolorants] for cosmetic purposes; toiletry preparations; antiperspirants [toiletries]; phyto-cosmetic preparations; talcum powder, for toilet use; cotton swabs for cosmetic purposes; terpenes [essential oils]; emery cloth; cloths impregnated with a detergent for cleaning; henna [cosmetic dye]; shampoos; shampoos for animals [non-medicated grooming preparations]; shampoos for pets [non-medicated grooming preparations]; dry shampoos; sandpaper; soda lye; herbal extracts for cosmetic purposes; extracts of flowers [perfumes]; ethereal essences; badian essence; mint essence [essential oil].

8 – Glaziers' diamonds [parts of hand tools]; apparatus for tattooing; laser hair removal apparatus, other than for medical purposes; razors, electric or non-electric; sharpening steels; scythe stones; gimlets [hand tools]; borers; augers [hand tools]; carpenters' augers; pickhammers; carving forks; table forks; agricultural forks [hand tools]; lawn clippers [hand instruments]; harpoons; harpoons for fishing; nail extractors, hand-operated; rakes [hand tools]; sand trap rakes; cutter bars [hand tools]; whetstone holders; priming irons [hand tools]; sculptors' chisels; lifting jacks, hand-operated; hand drills, hand-operated; truncheons; clamps for carpenters or coopers; spades [hand tools]; rabbling planes; chisels; engraving needles; tattoo needles; cutlery; edge tools [hand tools]; garden tools, hand-operated; abrading instruments [hand instruments]; numbering punches; goffering irons; implements for decanting liquids [hand tools]; depilation appliances, electric and non-electric; sharpening instruments; blade sharpening instruments; livestock marking tools; nail clippers, electric or non-electric; oyster openers; polishing irons [glazing tools]; ear-piercing apparatus; tube cutting instruments; wire strippers [hand tools]; riveters [hand tools]; expanders [hand tools]; cutters; cutting tools [hand tools]; ski edge sharpening tools, hand-operated; hand tools, hand-operated; sterile body

piercing instruments; stamping-out tools [hand tools]; picks [hand tools]; sharpening stones; punch rings [knuckle dusters]; trowels; centre punches [hand tools]; daggers; pickaxes; mallets [hand instruments]; pliers; punch pliers [hand tools]; blades [weapons]; annular screw plates; spanners [hand tools]; tap wrenches; ladles [hand tools]; foundry ladles [hand tools]; meat claws; breast drills; lasts [shoemakers' hand tools]; scythe rings; instruments for punching tickets; diggers [hand tools]; rams [hand tools]; scythes; hainault scythes; fire irons; emery grinding wheels; grindstones [hand tools]; sledgehammers; thistle extractors [hand tools]; nail nippers; tree pruners; nail drawers [hand tools]; ice picks; blades [hand tools]; razor blades; blades for planes; plane irons; jig-saws; spoons; table knives, forks and spoons for babies; table knives, forks and spoons of plastic; crow bars; trowels [gardening]; shovels [hand tools]; palette knives; machetes; beard clippers; hair clippers for personal use, electric and non-electric; hair clippers for animals [hand instruments]; taps [hand tools]; fireplace bellows [hand tools]; swords; hammers [hand tools]; emergency hammers; fullers [hand tools]; stone hammers; masons' hammers; riveting hammers [hand tools]; mattocks; ditchers [hand tools]; mincing knives; manicure sets; manicure sets, electric; pedicure sets; needle files; bits [hand tools]; files [tools]; emery files; air pumps, hand-operated; hand pumps; shaving cases; knives; cheese slicers, non-electric; fruit segmenters; egg slicers, non-electric; vegetable knives; pizza cutters, non-electric; scaling knives; hobby knives [scalpels]; fruit corers; moulding irons; ceramic knives; tin openers, non-electric; farriers' knives; budding knives; hunting knives; penknives; grafting tools [hand tools]; carving knives; braiders [hand tools]; box cutters; bill-hooks; paring knives; cleavers; scissors; wick trimmers [scissors]; shears; cattle shearers; border shears; pruning shears; shearers [hand instruments]; sword scabbards; kitchen mandolines; vegetable slicers, hand-operated; vegetable spiralizers, hand-operated; vegetable peelers, hand-operated; agricultural implements, hand-operated; side arms, other than firearms; stropping instruments; screwdrivers, non-electric; sabres; stirring sticks for mixing paint; reamer sockets; drill holders [hand tools]; perforating tools [hand tools]; rammers [hand tools]; emery boards; nail files; nail files, electric; saws [hand tools]; bow saws; tweezers; hair-removing tweezers; guns [hand tools]; non-electric caulking guns; guns, hand-operated, for the extrusion of mastics; dies [hand tools]; fruit pickers [hand tools]; saw blades [parts of hand tools]; shear blades; tool belts [holders]; hair braiders, electric; table cutlery [knives, forks and spoons]; crimping irons; hand implements for hair curling; vegetable choppers; money scoops; instruments and tools for skinning animals; fingernail polishers, electric or non-electric; hackles [hand tools]; pin punches; nail punches; fish tapes [hand tools]; punches [hand tools]; insecticide vaporizers [hand tools]; sy-

rings for spraying insecticides; reamers; frames for handsaws; saw holders; rasps [hand tools]; paring irons [hand tools]; graving tools [hand tools]; milling cutters [hand tools]; razor strops; leather strops; planes; scythe handles; knife handles; handles for hand-operated hand tools; levers; marline spikes; bits [parts of hand tools]; hollowing bits [parts of hand tools]; pruning scissors; silver plate [knives, forks and spoons]; pruning knives; sickles; drawing knives; scrapers [hand tools]; scrapers for skis; mortise chisels; caulking irons; gouges [hand tools]; mortars for pounding [hand tools]; mitre boxes [hand tools]; branding irons; hatchets; adzes [tools]; vices; bench vices [hand implements]; hoop cutters [hand tools]; axes; holing axes; fulling tools [hand tools]; earth rammers [hand tools]; tube cutters [hand tools]; hoes [hand tools]; squares [hand tools]; extension pieces for braces for screw taps; embossers [hand tools]; apparatus for destroying plant parasites, hand-operated; metal wire stretchers [hand tools]; metal band stretchers [hand tools]; flat irons; irons [non-electric hand tools]; razor cases; ratchets [hand tools]; scraping tools [hand tools]; awls; choppers being knives; spatulas [hand tools]; spatulas for use by artists; wine bottle foil cutters, hand-operated; bayonets; pincers; curling tongs; cuticle tweezers; eyelash curlers.

16 – Fountain pens; aquarelles; albums; almanacs; document laminators for office use; mimeograph apparatus and machines; atlases; banknotes; banners of paper; paper bows, other than haberdashery or hair decorations; name badges [office requisites]; table linen of paper; tickets; baggage claim check tags of paper; forms, printed; announcement cards [stationery]; glitter for stationery purposes; note books; pads [stationery]; drawing pads; wristbands for the retention of writing instruments; pamphlets; booklets; paper; paper sheets [stationery]; waxed paper; paper for medical examination tables; paper for recording machines; paper for radiograms; papers for painting and calligraphy; electrocardiograph paper; drawer liners of paper, perfumed or not; wood pulp paper; carbon paper; copying paper [stationery]; parchment paper; writing paper; rice paper; luminous paper; toilet paper; wrapping paper; filter paper; washi; blotters; newsletters; rollers for typewriters; house painters' rollers; composing sticks; modelling wax, not for dental purposes; signboards of paper or cardboard; sewing patterns; bunting of paper; newspapers; electrotypes; hectographs; modelling clay; polymer modelling clay; terrestrial globes; drawing sets; engravings; slate pencils; pencil leads; document holders [stationery]; pencil holders; chalk holders; holders for cheque books; holders for stamps [seals]; page holders; name badge holders [office requisites]; diagrams; table runners of paper; engraving plates; writing slates; blackboards; galley racks [printing]; drawing boards; advertisement boards of paper or cardboard; duplicators; punches [office requisites]; cream containers of paper; magazines [periodicals]; money clips; clips for name badge

holders [office requisites]; tags for index cards; pen clips; bookmarks; etching needles; tracing needles for drawing purposes; periodicals; printed publications; paper shredders for office use; graphic representations; credit card imprinters, non-electric; paper creators [office requisites]; graining combs; drawing instruments; calendars; tracing paper; tracing cloth; tracing patterns; gums [adhesives] for stationery or household purposes; lithographic stones; ink stones [ink reservoirs]; pencils; pencil lead holders; charcoal pencils; pictures; transfers [decalcomanias]; paintings [pictures], framed or unframed; cardboard; wood pulp board [stationery]; hat boxes of cardboard; cards; index cards [stationery]; geographical maps; paper tapes and cards for the recordal of computer programmes; trading cards, other than for games; perforated cards for Jacquard looms; catalogues; spools for inking ribbons; flower-pot covers of paper; paintbrushes; painters' brushes; writing brushes; typewriter keys; glue for stationery or household purposes; isinglass for stationery or household purposes; gluten [glue] for stationery or household purposes; starch paste [adhesive] for stationery or household purposes; printing blocks; books; colouring books; manifolds [stationery]; comic books; drawing pins; cigar bands; envelopes [stationery]; boxes of paper or cardboard; cases for stamps [seals]; paint boxes for use in schools; correcting fluids [office requisites]; printed coupons; stencils [stationery]; French curves; paper ribbons, other than haberdashery or hair decorations; gummed tape [stationery]; typewriter ribbons; barcode ribbons; adhesive tapes for stationery or household purposes; correcting tapes [office requisites]; inking ribbons; self-adhesive tapes for stationery or household purposes; square rulers for drawing; drawing rulers; flyers; absorbent sheets of paper or plastic for foodstuff packaging; humidity control sheets of paper or plastic for foodstuff packaging; viscose sheets for wrapping; sheets of reclaimed cellulose for wrapping; plastic bubble packs for wrapping or packaging; steel letters; type [numerals and letters]; lithographs; letter trays; paint trays; architects' models; postage stamps; plastics for modelling; graphic prints; modelling materials; teaching materials [except apparatus]; sealing compounds for stationery purposes; adhesives [glues] for stationery or household purposes; padding materials of paper or cardboard; bookbinding material; packing [cushioning, stuffing] materials of paper or cardboard; packaging material made of starches; filtering materials of paper; dish mats of paper; addressing machines; pencil sharpening machines, electric or non-electric; bookbinding apparatus and machines [office equipment]; typewriters, electric or non-electric; franking machines for office use; chalk for lithography; writing chalk; tailors' chalk; marking chalk; spray chalk; bags [envelopes, pouches] of paper or plastics, for packaging; garbage bags of paper or of plastics; plastic bags for pet waste disposal; painters' easels; hand-rests for painters; printing sets, portable [office

requisites]; bibs of paper; bibs, sleeved, of paper; stickers [stationery]; fingerstalls for office use; writing cases [stationery]; cords for bookbinding; paper knives [letter openers]; printed sheet music; numbering apparatus; bottle envelopes of paper or cardboard; sealing wafers; covers [stationery]; passport holders; protective covers for books; plastic cling film, extensible, for palletization; embroidery designs [patterns]; handwriting specimens for copying; oleographs; musical greeting cards; greeting cards; postcards; etchings; conical paper bags; paper bags for use in the sterilization of medical instruments; bags for microwave cooking; palettes for painters; pantographs [drawing instruments]; loose-leaf binders; files [office requisites]; folders for papers; papier mâché; pastels [crayons]; modelling paste; pen cases; pen wipers; office perforators; pens [office requisites]; nibs of gold; nibs; steel pens; drawing pens; song books; seals [stamps]; sealing stamps; posters; clipboards; address plates for addressing machines; handkerchiefs of paper; plastic film for wrapping; transparencies [stationery]; desk mats; trays for sorting and counting money; coasters of paper; bookends; stamp stands; mats of paper for beer glasses; stands for pens and pencils; photograph stands; obliterating stamps; inking pads; stamp pads; binding strips [bookbinding]; face towels of paper; towels of paper; inking sheets for document reproducing machines; inking sheets for duplicators; cloth for bookbinding; gummed cloth for stationery purposes; printers' blankets, not of textile; portraits; paperweights; writing cases [sets]; inkstands; office requisites, except furniture; writing materials; writing instruments; drawing materials; school supplies [stationery]; adhesive tape dispensers [office requisites]; hand labelling appliances; printed matter; lithographic works of art; prospectuses; printed timetables; ledgers [books]; printers' galleys; indexes; paper cutters [office requisites]; rubber erasers; elastic bands for offices; T-squares for drawing; graphic reproductions; retractable reels for name badge holders [office requisites]; penholders; marking pens [stationery]; tissues of paper for removing make-up; paper wipes for cleaning; dental tray covers of paper; place mats of paper; tablemats of paper; tablecloths of paper; paper clasps; document files [stationery]; scrapers [erasers] for offices; paper-clips; clips for offices; erasing products; biological samples for use in microscopy [teaching materials]; histological sections for teaching purposes; steatite [tailor's chalk]; writing board erasers; composing frames [printing]; sealing wax; arithmetical tables; placards of paper or cardboard; writing or drawing books; fabrics for bookbinding; stationery; pencil sharpeners, electric or non-electric; stencil plates; stencils for decorating food and beverages; cardboard tubes; Indian inks; moisteners [office requisites]; moisteners for gummed surfaces [office requisites]; squares for drawing; chart pointers, non-electronic; bottle wrappers of paper or cardboard; envelope sealing machines for offices; sealing machines for offi-

ces; vignetting apparatus; apparatus for mounting photographs; stapling presses [office requisites]; manuals [handbooks]; figurines of papier mâché; paper coffee filters; flags of paper; silver paper; moulds for modelling clays [artists' materials]; photo-engravings; photographs [printed]; stencil cases; canvas for painting; chromolithographs [chromos]; animation cels; compasses for drawing; numbers [type]; artists' water-colour saucers; ink; correcting ink [heliography]; inkwells; blueprints; stencils; erasing shields; balls for ball-point pens; desktop cabinets for stationery [office requisites]; printing type; address stamps; stamps [seals]; shields [paper seals]; prints [engravings]; labels of paper or cardboard.

35 – Arranging subscriptions to telecommunication services for others; import-export agency services; commercial information agency services; advertising agency services; cost price analysis; rental of office equipment in co-working facilities; rental of advertising space; business auditing; financial auditing; business intermediary services relating to the matching of potential private investors with entrepreneurs needing funding; employment agency services; computerized file management; book-keeping; invoicing; demonstration of goods; transcription of communications [office functions]; opinion polling; market studies; business investigations; business research; marketing research; personnel recruitment; business management and organization consultancy; business organization consultancy; business management consultancy; personnel management consultancy; professional business consultancy; consultancy regarding advertising communication strategies; consultancy regarding public relations communication strategies; layout services for advertising purposes; marketing; marketing in the framework of software publishing; targeted marketing; business management of performing artists; business management of sports people; writing of curriculum vitae for others; scriptwriting for advertising purposes; news clipping services; updating and maintenance of information in registries; updating and maintenance of data in computer databases; updating of advertising material; word processing; online retail services for downloadable and pre-recorded music and movies; online retail services for downloadable ring tones; online retail services for downloadable digital music; organization of exhibitions for commercial or advertising purposes; arranging newspaper subscriptions for others; organization of fashion shows for promotional purposes; organization of trade fairs; shop window dressing; business appraisals; payroll preparation; data search in computer files for others; sponsorship search; administrative assistance in responding to calls for tenders; business management assistance; commercial or industrial management assistance; commercial intermediation services; providing business information; providing business information via a website; providing commercial and business contact information; providing commercial information

and advice for consumers in the choice of products and services; provision of an online marketplace for buyers and sellers of goods and services; providing user reviews for commercial or advertising purposes; web indexing for commercial or advertising purposes; providing user rankings for commercial or advertising purposes; presentation of goods on communication media, for retail purposes; media relations services; economic forecasting; auctioneering; retail or wholesale services for pharmaceutical, veterinary and sanitary preparations and medical supplies; retail services for works of art provided by art galleries; sales promotion for others; promotion of goods and services through sponsorship of sports events; production of teleshopping programmes; production of advertising films; office machines and equipment rental; rental of advertising time on communication media; publicity material rental; rental of billboards [advertising boards]; rental of vending machines; rental of sales stands; rental of photocopying machines; consumer profiling for commercial or marketing purposes; publication of publicity texts; radio advertising; development of advertising concepts; bill-posting; distribution of samples; dissemination of advertising matter; direct mail advertising; registration of written communications and data; editing of publicity texts; advertising; online advertising on a computer network; outdoor advertising; advertising by mail order; television advertising; compilation of statistics; compilation of information into computer databases; business inquiries; systemization of information into computer databases; administrative services for medical referrals; corporate communications services; negotiation of business contracts for others; negotiation and conclusion of commercial transactions for third parties; compiling indexes of information for commercial or advertising purposes; tax preparation; drawing up of statements of accounts; telemarketing services; psychological testing for the selection of personnel; interim business management; outsourced administrative management for companies; business management of hotels; business management for freelance service providers; business project management services for construction projects; commercial administration of the licensing of the goods and services of others; business management of reimbursement programmes for others; administration of consumer loyalty programs; administration of frequent flyer programs; administrative processing of purchase orders; administrative services for the relocation of businesses; public relations; commercial lobbying services; competitive intelligence services; modelling for advertising or sales promotion; typing; market intelligence services; appointment reminder services [office functions]; website traffic optimization; appointment scheduling services [office functions]; tax filing services; search engine optimization for sales promotion; retail services relating to bakery products; gift registry services; price comparison services; pay per click advertising; procurement ser-

vices for others [purchasing goods and services for other businesses]; shorthand; outsourcing services [business assistance]; telephone answering for unavailable subscribers; telephone switchboard services; photocopying services.

(260) AM 2023 119297 A

(800) 1681157

(151) 2022 07 04

(891) 2022 07 04

(731) GUANGDONG HEGU HARDWARE

PRECISION MANUFACTURE CO., LTD.

Jieyang Industrial, Transfer Industrial Park,

North Of Zhishui Street, East Of Zhaohui Road,

China

(540)

思造 SEZAO

(591) Black, white

(531) 27.05.17; 28.03

(511)

6 – Chains of metal; hinges of metal; fittings of metal for furniture; door bolts of metal; ironmongery; locks of metal, other than electric; pulleys of metal, other than for machines; nails.

(260) AM 2023 119298 A

(800) 1681197

(151) 2022 07 15

(891) 2022 07 15

(731) LEO GROUP CO., LTD.

No.1 Leo Road, Binhai Town, Wenling City,

317503 Zhejiang Province, China

(540)

Acquaer

(591) Black, white

(531) 01.15.15; 27.03.12; 27.05.08; 27.05.17

(511)

7 – Centrifugal pumps; pumps [machines]; lawnmowers [machines]; cultivators [machines]; dynamos; pumps [parts of machines, engines or motors]; pumps for heating installations; spraying machines; starters for motors and engines; washing apparatus.

(260) AM 2023 119299 A

(800) 1681200

(151) 2022 06 24

(891) 2022 06 24

(731) Guangdong Mcdodo Industrial Co., Ltd.

Room 3402, Building A, No. 30 Tianhe

Straight Road, Tianhe Dist, Guangzhou,

Guangdong, China

(540)

McDodo

(591) Black, white

(531) 27.05.01; 27.05.09

(511)

17 – Rubber, semi-worked; sealant compounds for joints; rubber sleeves for protecting parts of machines; rubber sleeves; polypropylene film, other than for wrapping; organic glass, semi-processed; bags of rubber for packaging; waterproof packings.

(260) AM 2023 119300 A

(800) 1681267

(151) 2022 07 05

(891) 2022 07 05

(731) Dongguan Williams Technology Co., Ltd.
Room 803, No.228 Chang 'an Zhen 'an Mid
Road, Chang 'an Town, Dongguan,
Guangdong, China

(540)



(591) Black, white

(531) 04.05.21

(511)

34 – Electronic cigarettes as substitutes for traditional cigarettes; electronic cigars; electronic cigarette boxes; liquid nicotine solutions for electronic cigarettes; smokeless cigarette vaporizer pipes; devices for heating tobacco for the purpose of inhalation; liquid nicotine solutions for electronic cigarettes; electronic cigarettes; flavours for electronic cigarettes other than essential oils; electronic hookahs; liquid solutions for use in electronic cigarettes; electronic smoking pipes; oral vaporizers for smokers.

(260) AM 2023 119301 A

(800) 1681290

(151) 2022 05 07

(891) 2022 05 07

(731) Shenzhen Coban Electronics Co., Ltd.
602, Bldg. C2, Xinqiao Industrial Park,
Tongfuyu Industrial Area, Xinhe Avenue,
Gonghe Community, Shajing Sub-District,
Bao'an District, Shenzhen, China

(540)



(591) Black, white

(531) 01.05.02; 01.05.11; 01.05.15; 18.05.10

(511)

9 – Smartphone software applications, downloadable; smartwatches [data processing apparatus]; wearable activity trackers; electronic devices used to locate lost articles employing the global positioning system or cellular communication networks; smartphones; Global Positioning System [GPS] apparatus; protection devices for personal use against accidents; theft prevention installations, electric; wearable smartphones.

(260) AM 2023 119303 A

(800) 1681319

(151) 2022 06 28

(891) 2022 06 28

(731) ATA SİLAH SANAYİ ANONİM ŞİRKETİ
ALEMDAĞ MAH/SEMT ELMALI
SK. 5 A 1, Çekmeköy İstanbul, Türkiye

(540)



(591) Black and red

(531) 27.05.01; 27.05.09; 27.05.10; 29.01.12

(511)

13 – Firearms, air pistols, and spring-loaded firearms and adapted cases and shoulder straps therefor; heavy weapons being tanks and cannons, mortars being firearms, and rockets.

(260) AM 2023 119305 A

(800) 1681341

(151) 2022 08 03

(891) 2022 08 03

(731) Limited liability company "FOOD-INNOVATION"
ul. Novo-Sadovaya, zd. 1B, of. 4, s. Kurumoch,
s.p. Kurumoch, Volzhskiy m. r-n, RU-443544
Samarskaya oblast, Russian Federation

(540)

TUNNER

(591) Black, white

(531) 27.05.01

(511)

5 – Dietetic substances adapted for medical use; dietary fibre; vitamin supplement patches; mineral dietary supplements; dietary supplements; albumin die-

tary supplements; yeast dietary supplements; alginate dietary supplements; glucose dietary supplements; casein dietary supplements; lecithin dietary supplements; linseed oil dietary supplements; propolis dietary supplements; protein dietary supplements; royal jelly dietary supplements; pollen dietary supplements; wheat germ dietary supplements; linseed dietary supplements; acai powder dietary supplements; dietary supplements with a cosmetic effect; enzyme dietary supplements; immunostimulants; collagen for medical purposes; medicated sweets; milk ferments for pharmaceutical purposes; dietetic beverages adapted for medical purposes; malted milk beverages for medical purposes; stick liquorice for pharmaceutical purposes; pastilles for pharmaceutical purposes; albuminous preparations for medical purposes; vitamin preparations; pharmaceutical preparations for skin care; medicinal hair growth preparations; aloe vera preparations for pharmaceutical purposes; preparations of trace elements for human and animal use; pharmaceutical preparations; phytotherapy preparations for medical purposes; albuminous foodstuffs for medical purposes; dietetic foods adapted for medical purposes; by-products of the processing of cereals for dietetic or medical purposes; homogenized food adapted for medical purposes; freeze-dried food adapted for medical purposes; pharmaceuticals; appetite suppressants for medical purposes; medical preparations for slimming purposes; purgatives; sedatives; tonics [medicines]; digestives for pharmaceutical purposes; nervines; headache relief sticks; serums; enzymes for medical purposes; ferments for pharmaceutical purposes; herbal extracts for medical purposes; plant extracts for pharmaceutical purposes; extracts of hops for pharmaceutical purposes.

29 – Fruit-based snack food; milk substitutes; milk shakes; milk; peanut milk; peanut milk for culinary purposes; coconut milk; coconut milk for culinary purposes; almond milk; almond milk for culinary purposes; oat milk; rice milk; rice milk for culinary purposes; albumin milk; soured milk; soya milk; powdered milk; fermented baked milk; lactic acid drinks; milk beverages, milk predominating; peanut milk-based beverages; coconut milk-based beverages; almond milk-based beverages; milk products; seaweed extracts for food.

30 – Cereal bars; high-protein cereal bars; malt biscuits; rice-based snack food; cereal-based snack food; vegetal preparations for use as coffee substitutes; fruit jellies [confectionery]; pastries; peanut confectionery; almond confectionery; fruit confectionery; frozen yogurt [confectionery ices]; crackers; rice crackers; groats for human food; ice pops; ice cream; muesli; cocoa beverages with milk; coffee beverages with milk; coffee-based beverages; cocoa-based beverages; chamomile-based beverages; tea-based beverages; tea beverages with milk; chocolate beverages with milk; chocolate-based beverages; infusions, not medicinal;

nougat; pastilles [confectionery]; biscuits; coconut macaroons; petit-beurre biscuits; cereal preparations; oat-based food; wheat germ for human consumption; processed seeds for use as a seasoning; rusks; chips [cereal products]; corn flakes; oat flakes; chicory [coffee substitute]; kelp tea; iced tea; tea.

32 – Aperitifs, non-alcoholic; carbonated water; lithia water; seltzer water; soda water; waters [beverages]; mineral water [beverages]; table waters; cocktails, non-alcoholic; non-alcoholic beverages; non-alcoholic dried fruit beverages; isotonic beverages; non-alcoholic honey-based beverages; rice-based beverages, other than milk substitutes; soya-based beverages, other than milk substitutes; aloe vera drinks, non-alcoholic; whey beverages; protein-enriched sports beverages; soft drinks; non-alcoholic beverages flavoured with coffee; non-alcoholic beverages flavoured with tea; non-alcoholic fruit juice beverages; energy drinks; fruit nectars, non-alcoholic; powders for effervescing beverages; sarsaparilla [non-alcoholic beverage]; syrups for beverages; smoothies; tomato juice [beverage]; cider, non-alcoholic; vegetable juices [beverages]; fruit juices; preparations for making non-alcoholic beverages; non-alcoholic fruit extracts; non-alcoholic essences for making beverages.

(260) AM 2023 119314 A

(800) 1681614

(151) 2022 02 24

(891) 2022 02 24

(731) DAIO PAPER CORPORATION

2-60, Mishima-Kamiya-cho, Shikokuchuo-shi,
Ehime-ken 799-0402, Japan

(540)

DAIO

(591) Black, white

(511)

1 – Cellulosic plastic; cellulosic resin; cellulose in the form of nanofiber; glue for industrial purposes; adhesives for industrial purposes; plant growth regulating preparations; fertilising preparations; oleic acid; stearic acid; non-metallic minerals for use in manufacture; chemical compositions for developing photographs; artificial sweeteners [chemical preparations]; flour and starch for industrial purposes; plastics, unprocessed; paper pulp; wood pulp; cellulose pulp; unprocessed cellulosic plastic; unprocessed cellulose acetate plastic; pulp consisting of cellulose fiber; cultures of microorganisms, other than for medical and veterinary use; culture mediums and culture solution for use in cellular culture for medical research.

5 – Culture mediums and culture solution for use in cellular culture for medical test; adjuvants for medical purposes; absorbent cotton of cellulose for medical purposes; medical culture mediums and cellular culture; nutritional additives for medical purposes consisting primarily of food fiber and plant fiber; reagent

paper for medical purposes; medical foodstuff additives for veterinary use; preparations for destroying noxious animals; greases for medical purposes; adhesive tapes for medical purposes; drug delivery agents in the form of edible wafers for wrapping powdered pharmaceuticals; gauze for dressings; empty capsules for pharmaceuticals; ear bandages; menstruation bandages; menstruation tampons; sanitary napkins; sanitary panty liners; sanitary panties; absorbent cotton; adhesive plasters; bandages for dressings; liquid bandages; breast-nursing pads; cotton swabs for medical purposes; dental impression materials; teeth filling material; dental cements; dental wax; dental adhesives; materials for artificial teeth; incontinence pads; disposable liners for incontinence diapers; disposable diaper liners; babies' diapers; adult diapers; diapers for incontinence; diaper covers; fly catching paper; lacteal flour for babies; dietary supplements for humans; dietary fiber used as food additives, namely powder cellulose and liquid cellulose which are processed into fine fibers; dietary fiber; dietetic beverages adapted for medical purposes; dietetic foods adapted for medical purposes; beverages for babies; food for babies; dietary supplements for animals; semen for artificial insemination; diagnostic media for bacteriological cultures; bacteriological culture mediums; cellulose esters for pharmaceutical purposes; babies' napkin-pants [diaper-pants] of paper and cellulose, disposable; medicated preparations for use as food additives for human consumption; dietary supplements consisting primarily of crystalline cellulose; dietary supplements consisting primarily of free amino acid powder, cellulose powder, and lemon powder; dietary supplements consisting primarily of soy lecithin, soy protein and cellulose; bone cement for medical use.

7 – Printing machines; bookbinding apparatus and machines for industrial purposes; automatic labelling machines for labels with integrated radio-frequency identification [RFID] chips or tags with integrated radio-frequency identification [RFID] chips; paper box making machines; banding machine; sealing machines for industrial purposes; plastic sorting machines for chemical processing, or plastic waste sorting machines; nonferrous metal sorting machines for chemical processing, or nonferrous metal waste sorting machines; metal sorting machines for chemical processing, or metal waste sorting machines; glass sorting machines for chemical processing, or glass waste sorting machines; construction machines; self-propelled industrial robots for the handling and conveying of luggage racks of items for industrial use; self-propelled industrial robots for the handling and conveying of items for industrial use; parts and fittings of self-propelled industrial robots for the handling and conveying of items for industrial use; cranes [lifting and hoisting apparatus]; conveyors [machines]; escalators; elevators [lifts]; moving walkways; jacks [machines]; agitators for chemical processing; filtering machines for chemical processing; separating machines for che-

mical processing; presses for chemical processing; water separators; oil separators; blending machines for chemical processing; centrifuges [machines]; electromechanical machines for chemical industry; machines for making textile articles; machines for processing foodstuffs; beverage processing machine; wood-working machines; sawmills; veneer manufacturing machines; pulp making machines; papermaking machines; paper cutting machines; agricultural machines; agricultural implements, other than hand-operated; wrapping machines; packing machines; machines for processing plastics; rubber manufacturing machines; vending machines; 3D printers; starter motors; electric motors and parts thereof, other than for land vehicles; alternators; direct current generators; automatic labellers [machines]; corrugated paperboard making machines; sheaf-binding machines; strapping machines; sorting machines for chemical processing; glassware manufacturing machines.

8 – Paper spoons; paper forks [cutlery]; disposable knives made of paper pulp; tweezers; braiders [hand tools]; hoes [hand tools]; digging forks [spading forks]; rakes [hand tools]; lasts [shoemakers' hand tools]; electric flat irons; razors, electric; electric hair clippers; knives; edge tools [hand tools]; hand tools, hand operated, other than bladed or pointed hand tools; egg slicers, non-electric; non-electric planes for flaking dried blocks of bonito; can openers, non-electric; spoons; cheese slicers, non-electric; pizza cutters, non-electric; forks [cutlery]; dressmakers' chalk sharpeners; fireplace bellows [hand tools]; fire tongs; bludgeons; shaving cases; pedicure sets; eyelash curlers; manicure sets; ice axes; diving knives; diving knife holders.

9 – Chips [integrated circuits]; integrated circuit cards; radio-frequency identification [RFID] tags; labels with integrated radio-frequency identification [RFID] chips; writers for tags or labels with integrated radio-frequency identification [RFID] chips; readers for tags or labels with integrated radio-frequency identification [RFID] chips; electronic tags for goods and readers thereof; readers [data processing equipment]; magnetometers; optical character readers; automatic character readers; print inspection apparatus; weighing apparatus and instruments; electronic tags for goods; quality testing apparatus for hen eggs; egg-candlers; apparatus for testing and encoding integrated circuit cards; apparatus for testing and encoding magnetic coded cards; magnetometers; network cameras; game programs for arcade video game machines; laboratory apparatus and instruments; photographic apparatus and instruments; cinematographic machines and apparatus; optical apparatus and instruments; distance measuring apparatus; measuring devices, electric; material testing instruments and machines; baby scales; power distribution or control machines and apparatus; rotary converters; phase modifiers; solar batteries; electrical cells and batteries; frequency meters;

voltmeters; ammeters; electric wires and cables; mobile telephones; cell phone straps; camcorders; portable media players; television apparatus; headphones; personal digital assistants; computer programs, downloadable; computer programs, recorded; application software; computers; computer hardware; computer peripheral devices; computer game software, recorded; computer game software, downloadable; hand-held electronic dictionaries; downloadable cryptographic keys for receiving and spending crypto assets; electronic agendas; USB flash drives; respirators for filtering air; gas masks; welding masks; fireproof garments; gloves for protection against accidents; eyeglasses; consumer video game programs; electronic circuits and CD-ROMs recorded with programs for hand-held games with liquid crystal displays; phonograph records; downloadable music files; downloadable image files; pre-recorded videos; pre-recorded video discs; exposed cinematographic films; exposed slide films; slide film mounts; reading and writing apparatus for radio-frequency identification [RFID] tags; reading and writing apparatus for integrated circuit cards; writers for integrated circuit cards for credit cards or magnetic coded cards.

10 – Bone prostheses; bone void fillers comprised of artificial materials; finger guards for medical purposes; teething rings; ice bag pillows for medical purposes; support bandages; surgical catgut; feeding cups for medical purposes; dropping pipettes for medical purposes; feeding bottle teats; medical ice bags; medical ice bag holders; baby bottles; nursing bottles; contraceptives, non-chemical; artificial tympanic membranes; prosthetics or fillings materials, not for dental use; ear plugs for sleeping; ear plugs for protection against noise; diagnostic apparatus for medical purposes; sphygmomanometers; clinical thermometers; pulse meters; incubators for babies; childbirth mattresses; beds specially made for medical purposes; electric massage apparatus for household use; gloves for medical purposes; bed pans; ear picks; sanitary masks.

16 – Pastes and other adhesives for stationery or household purposes; industrial packaging containers of paper; bags [envelopes, pouches] of plastics for packaging; food wrapping plastic film for household purposes; garbage bags of paper; garbage bags of plastic; dressmaking patterns; tailors' chalk; banners of paper; flags of paper; shipping labels of paper; paintings and calligraphic works; photographs [printed]; photograph stands; stuffing of paper or cardboard; coasters of paper; paper coffee filters; tablemats of paper; tablecloths of paper; stencils for decorating food and beverages; bags for microwave cooking; kitchen paper; dental tray covers of paper; bags [envelopes, pouches] of paper or plastics, for packaging; absorbent sheets of paper or plastic for foodstuff packaging; humidity control sheets of paper or plastic for foodstuff packaging; viscose sheets for wrapping; plastic film for wrapping; covers of paper for flower pots; drawer li-

ners of paper, perfumed or not; signboards of paper or cardboard; origami folding paper.

20 – Clothes hangers of paper; clothes hangers; loading pallets, not of metal; containers for transport, not of metal; locks, other than electric, not of metal; cushions; Japanese floor cushions [Zabuton]; pillows; mattresses; industrial packaging containers of wood, bamboo or plastics; hand-held flat fans; hand fans; dog kennels; nesting boxes for small birds; beds for household pets; hand-held supermarket shopping baskets, not of metal; hanging display boards [Japanese style pegboards using positional hooks]; fixed non-metallic towel dispensers; furniture; indoor blinds; blinds of reed, rattan or bamboo [Sudare]; bead curtains for decoration; window shades; screens [furniture]; oriental folding partition screens (byoubu); benches; inflatable publicity objects; upright signboards of wood or plastics; cradles; infant walkers; picture frames.

21 – Beverage stirrers of paper; beverage stirrers; dishware of paper; floss for dental purposes; unworked or semi-worked glass, not for building; cosmetic utensils; gloves for household purposes; industrial packaging containers of glass or porcelain; plastic bottles for packaging; kitchen utensils and containers, not including gas water heaters for household use, non-electric cooking heaters for household purposes, kitchen sinks incorporating integrated worktops for household purpose and kitchen sinks for household purpose; brooms; dust pans; dustbins; cleaning rags; laundry baskets; mops; mop heads; scrubbing brushes; cleaning pads; cleaning sponges; flower pots; hydroponic plant pots for home gardening; watering cans; bird cages; bird baths; feeding vessels for pets; brushes for pets; clothes brushes; chamber pots; metal boxes for dispensing paper towels; soap dispensers; toilet paper holders; vases; flower bowls; insect collectors' boxes; paper hand towel dispensers, not of metal.

24 – Baby buntings; woven fabrics; knitted fabrics; felt and non-woven textile fabrics; oilcloth; gummed waterproof cloth; rubberized cloth; filtering materials of textile; Japanese ceremonial wrapping cloth (Fukusa); Japanese general wrapping cloth (Furoshiki); towels [of textile]; handkerchiefs of textile; bedsheets; futon quilts; futon quilt covers; pillowcases; blanket throws; table napkins of textile; dish towels; shower curtains; banners of textile or plastic; bunting of textile or plastic; fitted toilet seat covers of textile; wall hangings of textile; curtains; table cloths, not of paper; draperies [thick drop curtains]; shrouds; billiard cloth; sleeping bags.

25 – Coats; jackets [clothing]; shirts; blouses; sweaters; knitwear [clothing]; cardigans; overalls; trousers; skirts; collars [clothing]; pajamas; underclothing; underwear; hats; headwear; aprons [clothing]; scarves; shawls; socks; tights; neckties; mufflers [clothing];

gloves [clothing]; mittens; leg warmers; ear muffs [clothing]; garters; sock suspenders; braces [suspenders] for clothing; waistbands; belts [clothing]; masquerade costumes; special footwear for sports; golf shoes; anoraks; golf caps; golf shirts; golf pants; golf skirts.

31 – Natural flower wreaths; freeze-dried fishing bait; fishing bait, live; hops; edible aquatic animals, live; seaweed, unprocessed, for human consumption; vegetables, fresh; unprocessed sugar crops; fruit, fresh; malt; unprocessed foxtail millet; unprocessed proso millet; edible sesame, unprocessed; buckwheat, unprocessed; maize; unprocessed Japanese barnyard millet; wheat; barley; oats; rice, unprocessed; unprocessed sorghum; protein-enriched feed for animal consumption; animal foodstuffs; seeds; bulbs; trees; grasses [plants]; turf, natural; dried flowers; seedlings; saplings; flowers [natural]; potted dwarfed trees [Bonsai]; live mammals; fish, live; live birds; live insects; silkworm eggs; cocoons for silkworm breeding; eggs for hatching; Urushi tree seeds; rough cork; palms [leaves of the palm tree].

35 – Providing commercial information and advice for consumers in the choice of products and services; news clipping services; retail services and wholesale services for diapers, babies' diapers, adult diapers, and diapers for incontinence; retail services and wholesale services for kitchen paper towel; retail services or wholesale services for kitchen utensils, kitchen containers, cleaning tools and washing utensils, brooms, dust pans, dustbins, cleaning rags, laundry baskets, mops, mop heads, scrubbing brushes, cleaning pads and cleaning sponges; retail services or wholesale services for menstruation tampons, sanitary napkins, sanitary panties, incontinence pads and disposable liners for incontinence diapers; retail services and wholesale services for medical supplies; retail services and wholesale services for woven fabrics and beddings; retail services and wholesale services for clothing; retail services and wholesale services for bags and pouches; retail services and wholesale services for personal articles, towels of textile, handkerchiefs of textile, bath towels, hand-held folding fans, hand-held flat fans, garters, sock suspenders, braces [suspenders] for clothing, waistbands, belts [clothing], jewellery, other than semi-wrought precious stones and their imitations, hair decorations, hair ornaments, cosmetic utensils, other than electric toothbrushes, umbrellas, canes.

37 – Repair or maintenance of cinematographic machines and apparatus; repair or maintenance of optical machines and instruments; repair or maintenance of photographic machines and apparatus; repair or maintenance of loading-unloading machines and apparatus; repair or maintenance of office machines and apparatus; repair or maintenance of electronic machines and apparatus; repair or maintenance of telecommunication machines and apparatus, other than tele-

phone apparatus, radio receivers and television receivers; repair or maintenance of construction machines and apparatus; repair or maintenance of consumer electrical appliances; repair or maintenance of electric lighting apparatus; repair or maintenance of electric motors; repair or maintenance of power distribution or control machines and apparatus; repair or maintenance of power generators; repair or maintenance of laboratory apparatus and instruments; repair or maintenance of measuring and testing machines and instruments; repair or maintenance of medical machines and apparatus; repair or maintenance of printing or bookbinding machines and apparatus; repair or maintenance of chemical processing machines and apparatus; repair or maintenance of machines and apparatus for lumbering; repair or maintenance of machines and apparatus for woodworking; repair or maintenance of machines and apparatus for veneer making; repair or maintenance of textile machines and apparatus; repair or maintenance of machines and apparatus for paperworking; repair or maintenance of machines and apparatus for papermaking; repair or maintenance of machines and apparatus for pulp-making; repair or maintenance of packing or wrapping machines and apparatus; repair or maintenance of medical machines and apparatus.

39 – Railway transport; taxi transport; transportation by truck; bus transport; car transport; providing road and traffic information; vehicle-driving services; vessel transport; air transport; packaging of goods; freight brokerage; cargo unloading; warehousing services; temporary safekeeping of personal belongings; temporary storage of deliveries; gas supplying [distribution]; electricity distribution; water supplying [distribution]; heat supplying [distribution]; rental of warehouse space; rental of loading-unloading machines and apparatus; car rental; rental of packing or wrapping machines and apparatus; mail forwarding; conducting of travel tours; escorting of travel tours; travel arrangement and reservation services, excluding those for lodging; waste collection.

40 – Metalworking; processing of rubber; processing of plastics; ceramic processing; woodworking; paper treating; processing of bamboo, tree barks, rattan, vines or other mineral vegetable materials, other than processing of ingredients; processing of cinematographic films; photographic enlarging; photographic printing; photographic film development; bookbinding; recycling of waste and trash; rental of machines and apparatus for treating textiles; rental of machines and apparatus for film development, photograph printing, photograph enlargement or photograph finishing; rental of bookbinding machines; rental of machines and apparatus for lumbering; rental of machines and apparatus for pulp-making; rental of machines and apparatus for papermaking; rental of paper cutting machines; rental of waste compacting machines and apparatus; rental of waste crushing machines and appa-

ratus; rental of chemical processing machines and apparatus; rental of 3D printers; providing material treatment information; printing; waste processing; recycling of waste and trash; rental of printing machines and apparatus.

41 – Educational services in the field of arts, crafts or sports; instruction services in the field of arts, crafts or sports; teaching; arranging, conducting and organization of seminars; providing online electronic publications, not downloadable; reference libraries of literature and documentary records; book rental; art exhibitions; gardens for public admission; caves for public admission; publication of books; organizing and arranging movies, shows, plays or musical performances; movie theatre presentations; production and distribution of movies; presentation of live show performances; directing of plays; theatre productions; presentation of musical performances; production of radio or television programs; video production in the field of education, culture, entertainment or sports [not for movies or television programs and not for advertising or publicity]; organization, arranging and conducting of professional golf tournaments or competitions; organization, arranging and conducting of sports competitions; providing audio or video studio services; providing sports facilities; providing facilities for movies, shows, plays, music or educational training; booking of seats for shows; rental of sports equipment, except vehicles; toy rental.

(260) AM 2023 119316 A
(800) 1681719
(151) 2022 07 11
(891) 2022 07 11
(731) Grand River Enterprises International SA
Bahnhofstrasse 16, CH-8808 Pfäffikon,
Switzerland

(540)

MARK ONE THE FRIEND

(591) Black, white
(511)
34 – Tobacco and tobacco substitutes; cigarettes and cigars; electronic cigarettes and oral sprays for smokers; smokers' articles; matches.

(260) AM 2023 119320 A
(800) 1681782
(151) 2022 05 23
(891) 2022 05 23
(731) Richter Gedeon Nyrt.
Gyömrői út 19-21., H-1103 Budapest, Hungary

(540)

ГИНОФОРТ

(591) Black, white
(531) 28.05

(511)
5 – Pharmaceutical preparations.

(260) AM 2023 119321 A
(800) 1681783
(151) 2022 06 29
(891) 2022 06 29
(731) ALI GROUP S.r.l.
Via Gobetti 2/A, I-20063 CERNUSCO
SUL NAVIGLIO (MI), Italy

(540)

BARON

(591) Black, white
(511)
7 – Dishwashers; cupwashers; traywashers; cutlery washers; washing machines for pots; kitchen machines, electric; food preparation machines, electromechanical.

11 – Cooking apparatus; cooking installations; cooking ovens; coffee percolators, electric; refrigerating apparatus; refrigerating installations; blast chillers; refrigerated cabinets for the storage of drink; refrigerated cabinets for the storage of food; refrigerating counters; refrigerated food counters; refrigerated food display apparatus; ice cream makers; ice-cream making machines; desiccating apparatus; sterilizers; kitchen sinks; wash fountains; stainless steel sink tops; extractor hoods for kitchens; ventilation hoods for stoves.

20 – Kitchen furniture; food racks; counters [tables]; table tops; tables of metal; tables [furniture]; hanging storage racks [furniture]; metal wall units [furniture]; furniture of metal; furniture.

(260) AM 2023 119322 A
(800) 1681786
(151) 2022 05 31
(891) 2022 05 31
(731) Lebzelterei-Cafe-Konditorei Schmid
GmbH
Wiener Straße 8, A-3712 Maissau, Austria

(540)



(591) Red85, green41 and blue136
(531) 26.04.07; 26.04.17; 26.04.18; 26.04.24;
27.05.01; 27.05.09; 27.05.10; 27.05.24;
27.07.01; 27.07.24; 29.01.12

(511)

30 – Ready-to-bake dough products; flour ready for baking; ready-made baking mixtures; bakery goods; preparations for making bakery products; preparations for making bakery products; chocolate fillings for bakery products; confectionery chips for baking; prepared desserts [pastries]; preparations for making bakery products; confectioners' glaze; dairy confectionery; flour confectionery; confectionery items coated with chocolate; candy coated confections; non-medicated confectionery in jelly form; non-medicated flour confectionery; chocolate confectionery containing pralines; chocolate for confectionery and bread; truffles [confectionery]; snack foods consisting principally of confectionery; prepared desserts [confectionery]; chocolate candies; gingerbread; fruit cakes; chocolate cakes; chocolate covered cakes; pie shells; candy decorations for cakes; candy decorations for cakes; candy decorations for cakes; icing; cake frosting [icing]; cake frosting [icing]; candy decorations for cakes; vegan cakes; cake powder; candy cake; cake frosting [icing]; cake mixes; cake bars; cake batter; cake mixes; cake flour; cake powder; chocolate decorations for cakes; candy decorations for cakes; tarts; tortellini; cake doughs; covered tarts; candy decorations for cakes; chocolate decorations for cakes; tarts [sweet or savoury]; preparations for making gâteaux; pastries, cakes, tarts and biscuits (cookies).

(260) AM 2023 119323 A

(800) 1681814

(151) 2022 07 22

(891) 2022 07 22

(731) Parfums Christian Dior

33 avenue Hoche, F-75008 Paris,
France

(540)

**DIOR
SOLAR**

(591) Black, white

(531) 27.05.01; 27.05.10

(511)

3 – Perfumery products; make-up products; cosmetic products.

(260) AM 2023 119324 A

(800) 1681822

(151) 2022 08 02

(891) 2022 08 02

(731) Aktsionernoe obshchestvo "Moskovsky pivo-

bezalkogolny kombinat "OCHAKOVO"

ul. Ryabinovaya, d. 44, RU-121471 MOSKVA,
Russian Federation

(540)



(591) Yellow, black and white-grey

(531) 25.05.03; 27.05.01; 29.01.13

(511)

32 – Aperitifs, non-alcoholic; barley wine [beer]; carbonated water; lithia water; seltzer water; soda water; mineral water [beverages]; waters [beverages]; table waters; kvass; cocktails, non-alcoholic; beer-based cocktails; lemonades; non-alcoholic beverages; non-alcoholic dried fruit beverages; isotonic beverages; non-alcoholic honey-based beverages; rice-based beverages, other than milk substitutes; soya-based beverages, other than milk substitutes; aloe vera drinks, non-alcoholic; whey beverages; protein-enriched sports beverages; soft drinks; non-alcoholic beverages flavoured with coffee; non-alcoholic beverages flavoured with tea; non-alcoholic fruit juice beverages; energy drinks; fruit nectars, non-alcoholic; orgeat; beer; ginger beer; malt beer; powders for effervescing beverages; sarsaparilla [non-alcoholic beverage]; syrups for lemonade; syrups for beverages; starch-based dry mixes for beverage preparation; smoothies; vegetable juices [beverages]; fruit juices; tomato juice [beverage]; cider, non-alcoholic; preparations for making carbonated water; must; grape must, unfermented; beer wort; malt wort; pastilles for effervescing beverages; shandy; sherbets [beverages]; non-alcoholic fruit extracts; extracts of hops for making beer; non-alcoholic essences for making beverages.

33 – Aperitifs; arrack [arak]; brandy; wine; piquette; whisky; vodka; anisette [liqueur]; kirsch; gin; digestifs [liqueurs and spirits]; cocktails; curacao; anise [liqueur]; liqueurs; grain-based distilled alcoholic beverages; alcoholic beverages, except beer; sugarcane-based alcoholic beverages; pre-mixed alcoholic beverages, other than beer-based; alcoholic beverages containing fruit; wine-based beverages; distilled beverages; spirits [beverages]; hydromel [mead]; peppermint liqueurs; bitters; rum; sake; perry; cider; rice alcohol; alcoholic extracts; fruit extracts, alcoholic; alcoholic essences.

(260) AM 2023 119325 A

(800) 1681825

(151) 2022 02 04

(891) 2022 02 04

(731) COOP ITALIA SOCIETA' COOPERATIVA

VIA DEL LAVORO 6-8, I-40033

CASALECCHIO DI RENO BO, Italy

(540)



(591) Light blue, sky blue and white

(531) 05.03.13; 05.03.15; 05.03.16; 26.01.19;
27.05.10; 27.05.24; 29.01.12

(511)

29 – Almonds, ground; processed almonds; jams; jellies for food; jellies, jams, compotes, fruit and vegetable spreads; organic milk; mozzarella sticks; ham; prosciutto; preserved vegetables (in oil); meat; tuna in oil; fish, not live; cheese; cream cheese; prostokvasha [soured milk]; lactose-free milk and milk products; yoghurt; flavoured yoghurts; drinking yogurts; yogurt drinks; yoghurt desserts; soya yoghurt; soya milk; soy-based snack foods; powdered soya milk; dried fruit; dried fruit-based snacks; nut-based snack foods; smoked salmon; olive oil; extra virgin olive oil for food; olive oil for food; sunflower oil for food; eggs; salami; fish sausages; roasted peanuts; white of eggs; powdered egg whites; meat spreads; cooked fruits; fruit, preserved; vegetables, processed; vegetables, cooked; peeled vegetables; vegetables, dried; drinks made from dairy products; fruit desserts; desserts made from milk products; milk ferments for culinary purposes; soups and broths; jellies, jams, compotes; preserved, frozen, dried and cooked fruits and vegetables; pickles; sausages; dried pulses; margarine; hazelnuts, prepared; prepared walnuts; freeze-dried meat; compotes; tomato paste; nut-based spreads; crustaceans, not live; soya beans, preserved, for food; milk shakes; sliced fruit; oat milk; peanut milk; coconut milk; rice milk; soya milk; powdered milk; vegetables, preserved; processed pine nuts; meat, fish, poultry and game; meat extracts; milk and milk products; edible oils and fats; fruit peel; butter; peanut butter; cocoa butter for food; coconut butter; meat, preserved; milk substitutes; tofu; tuna, not live; prepared meat dishes; anchovy fillets; olives, preserved; mushrooms, preserved; pickled hot peppers; pickled vegetables; processed legumes; cut vegetables; grilled vegetables; vegetable pate; vegetable pastes; vegetables, tinned; vegetable puree; salted vegetables; pre-cut vegetables for salads; vegetable-based snack foods; vegetable-based spreads; prepared vegetable dishes; vegetable-based meat substitutes; prepared meals consisting principally of vegetables; vegetable-based concentrate for cooking; cured sausages; gluten free cheeses; ricotta cheese.

30 – Cocoa; cocoa-based beverages; cocoa powder; cocoa mixes; cocoa products; cocoa for use in making beverages; cocoa-based ingredients for confectionery products; coconut meal for human consumption; almond flour; potato flour; potato flour; starch for food;

corn flour; corn starch [for food]; sugar; granulated sugar; candy; icing sugar; pizza mixes; pizza dough mix; mixes for the preparation of bread; wholemeal bread mixes; cereals; cereal flour; ready-to-eat cereals; hot breakfast cereals; cereal preparations; biological honey for human consumption; pies; pizzas; preserved pizzas; pizzas [prepared]; frozen pizzas; pizza bases; shortcrust pastry; dried pasta; puff pastry; fresh pasta; rice; wholemeal rice; meat gravies; mixes for preparing sauces; pasta sauce; gravy mixes in granular form; vinegar; balsamic vinegar; flavoured vinegar; wine vinegar; coffee; tea extracts; tea substitutes; coffee, teas and cocoa and substitutes therefor; tea mixtures; black tea; green tea; chocolate; chocolate desserts; cereal bars and energy bars; filled chocolate bars; chocolate-coated bars; candies; chocolate bars; food mixtures consisting of cereal flakes and dried fruits; snack bars containing a mixture of grains, nuts and dried fruit [confectionery]; crackers; rusks; thin breadsticks; cupcakes; fruited scones; bread rolls; bread and buns; breadcrumbs; rice pasta; rice pulp for culinary purposes; tarts; vegan cakes; fruit cakes; pasta for soups; flour; yeast and leavening agents; semolina; biscuits; biscuits containing fruit; ice, ice creams, frozen yogurts and sorbets; dairy confectionery; herbal teas; herb teas, other than for medicinal use; infusions, not medicinal; tea bags (non-medicated -); popcorn; coffee capsules, filled; gluten-free pizza; prepared meals containing [principally] pasta; cake mixes; seasoning mixes; flour mixes; cookie mixes; pastry mixes; frosting mixes; dough mix; pandoro; coffee, tea, cocoa and coffee substitutes; tapioca and sago; flour and preparations made from cereals; bread, pastries and confectionery; edible ices; sugar, honey, treacle; yeast, baking-powder; salt; mustard; vinegar, sauces (condiments); spices; ice [frozen water]; coffee flavourings; food flavourings, other than essential oils; oatmeal; beverages (cocoa-based -); coffee-based beverages; coffee based drinks; chamomile-based beverages; chocolate-based beverages; beverages (chocolate-based -); drinking chocolate; tea-based beverages; buns; puddings; capers; caramels [candy]; waffles; chocolate-based spreads; chocolate spreads containing nuts; confectionery; cakes; chewing gum; muesli; husked barley; royal jelly; ravioli; tomato sauce; processed seeds for use as a seasoning; coffee substitutes; frozen yoghurt [confectionery ices]; panettone; pesto [sauce]; alimentary seasonings; spices in the form of powders; flavorings and seasonings; chili oil for use as a seasoning or condiment; condiments; ice cream desserts; mousse confections; chocolate eggs; plumcake; gluten free bakery products; gluten free pasta; gluten-free cookies; gluten-free bakery products; gluten-free crackers; prepared meals primarily based on gluten-free pasta.

31 – Almonds [fruits]; organic fresh vegetables; organic fresh fruit; organic fresh herbs; meal for consumption by animals; beverages for pets; foodstuffs for domestic animals; fruit, fresh; fresh pine nuts; raw

and unprocessed grains and seeds; natural plants and flowers; live animals; malt; algae for human or animal consumption; berries, fresh; crustaceans, live; grains [cereals]; fresh pulses; nuts [fruits]; aromatic sand [litter] for pets; fish spawn; fresh chillies; chillies (fresh -); agricultural, aquaculture, horticultural and forestry products in raw and unprocessed state; fresh fruits and vegetables, fresh herbs; plant bulbs, seeds and seeds; food and beverage products for animals.

32 – Organic fruit juice; lemon squash; non-alcoholic beverages flavoured with tea; water-based beverages containing tea extracts; fruit drinks; fruit squashes; nut and soy based beverages; fruit nectars, non-alcoholic; juices; vegetable juices [beverages]; non-alcoholic beverages containing fruit juices; beverages consisting of a blend of fruit and vegetable juices; beer and brewery products; beer; mineral and aerated waters and other non-alcoholic beverages; fruit juice beverages; syrups and other preparations for making beverages; seltzer water; isotonic beverages; protein-enriched sports beverages; ginger beer; soda water; sherbets [beverages]; sherbet beverages; vegetable juices (drinks); gluten free beers.

(260) AM 2023 119331 A

(800) 1682035

(151) 2021 12 28

(891) 2021 12 28

(731) BioNTech SE

An der Goldgrube 12, 55131 Mainz,
Germany

(540)

BIONTECH

(591) Black, white

(531) 27.05.01; 27.05.09

(511)

1 – Chemicals for use in pharmaceutical industry; active chemical ingredients for use in manufacture of anti-cancer drugs and vaccines; adjuvants for use in manufacture of vaccines; nucleic acids, proteins and peptides for laboratory use; diagnostic preparations for scientific or research use.

9 – Mobile apps and computer software to enable healthcare professionals and patients to access information on pharmaceutical, medical and vaccine products and services; e-commerce software to enable users to perform electronic business transactions via a global computer network.

10 – Surgical and medical apparatus and instruments; medical diagnostic devices; medical diagnostic devices for analysis of body fluids and biopsies for diagnosis and monitoring of cancer, infectious diseases, and immunological diseases; medical diagnostic devices for analysis of body fluids and biopsies for patient stratification.

42 – Scientific research for medical purposes; medical and scientific research in the field of treatment of immunological diseases, cancer treatment, and treatment of infectious diseases; providing medical and scientific research information, consultancy, and advisory services, all in the fields of treatment of immunological diseases, cancer treatment, and treatment of infectious diseases; medical and scientific research services by compiling data for clinical trials and drug admission.

44 – Medical, hygienic and beauty care; healthcare services; provision of medical information and services; provision of information to patients and healthcare professionals concerning pharmaceutical products, vaccines, medical products, medical diseases and disorders and related treatments via the internet; medical services in the field of gene therapy; medical services in the field of cell therapy; medical and psychological counselling services; health counseling and medical services; medical services, namely, providing therapies for treating cancer, infectious diseases and immunological diseases; veterinary services, namely, providing therapies for treating cancer, infectious diseases, and immunological diseases; medical and pharmaceutical consultation; medical diagnostic testing, monitoring and reporting services; genetic testing for medical purposes; provision of customer information on pharmaceutical and medical products through an on-line computer network.

(260) AM 2023 119341 A

(800) 1620503

(151) 2021 08 09

(891) 2022 08 23

(731) Pentair Flow Services AG

Freier Platz 10, CH-8200 Schaffhausen,
Switzerland

(540)

PENTAIR

(591) Black, white

(511)

9 – Downloadable software applications for mobile devices enabling users to find, view, evaluate, compare and purchase goods and services via the Internet.

35 – Online retail services for water filtration and softening products, aquaculture equipment, water filtration equipment, water supply and disposal products for swimming pools, parts for filters, parts for heating apparatus and heat pumps, parts for swimming pool cleaners, parts for pumps, parts for valves, maintenance and safety equipment, automation parts, water filters, systems for the whole home, parts for sinks, replacement filter cartridges, water softening systems, accessories for water systems, sump pumps, wastewater pumps, jet pumps, utility pumps, pumps for sprinklers, pumps for swimming pools, submersible pumps for wells, booster pumps, water tanks.

(260) AM 2023 119342 A
 (800) 1657597
 (151) 2022 03 11
 (891) 2022 05 31
 (731) Fontaine Limited
 c/o Tmf Group 8th Floor, 20 Farringdon Street,
 London EC4A 4AB, United Kingdom

(540)

WIND FLOWERS

(591) Black, white

(511)

3 – Perfumes; fragrances; eau de parfum; toilet water; colognes; shaving preparations; shaving gels; shaving soaps; shaving foams; aftershave preparations; shaving balms; lotions for beards; non-medicated toiletry preparations for personal use, namely, soaps, bath and shower preparations, body lotions and body oils; shampoos, conditioners and oils for the hair; oils for grooming; essential oils; scented oils; deodorants for personal use; room fragrances.

4 – Candles; perfumed candles.

(260) AM 2023 119377 A

(800) 1682156

(151) 2022 02 24

(891) 2022 02 24

(731) JETHARAM NEMARAM GEHLOT

101, Shree White Heights Apartment,
 Saraswati Nagar, Hirawadi Road, Panchavati,
 Nashik, Maharashtra 422003, India

(540)

Yutika

(591) Black, white

(531) 27.05.01

(511)

3 – Mehendi being body art stickers; mehendi cone being temporary tattoos for cosmetic purposes; heena black mehendi being hair dyeing preparations; hair colour and hair dye cosmetics; toilet preparations; cleaning preparations; non-medicated cleansing preparations; polishing preparations; scouring preparations; abrasives; skin care preparations, creams, lotions, soaps, shampoos; ultramarine blue being laundry preparations; self sticking bindies being body art stickers; kum kum being make-up powder; perfumeries, hair oils, hair gels, bath oils, deodorants and antiperspirants for personal use and dentifrices.

(260) AM 2023 119378 A

(800) 1682231

(151) 2022 06 24

(891) 2022 06 24

(731) CHANGCHUN GENESCIENCE

PHARMACEUTICAL CO., LTD.

No. 72 Tianhe Street, Changchun, High-Tech

Industrial Development Zone, No. 1718 Yueda
 Road, 250101 Changchun High-Tech Industrial,
 China

(540)



(591) Black, white

(531) 01.13.01; 01.13.15; 27.05.01

(511)

5 – Pharmaceutical preparations; vaccines; hormones for medical purposes; medicines for human purposes; chemical reagents for medical or veterinary purposes; crude drugs; dietetic beverages adapted for medical purposes; dietetic substances adapted for medical use; nutritional supplements; chemical conductors for electrocardiograph electrodes.

(260) AM 2023 119379 A

(800) 1682233

(151) 2021 12 28

(891) 2021 12 28

(731) BioNTech SE

An der Goldgrube 12, 55131 Mainz, Germany

(540)

BioNTech

(591) Black, white

(511)

1 – Chemicals for use in pharmaceutical industry; active chemical ingredients for use in manufacture of anti-cancer drugs and vaccines; adjuvants for use in manufacture of vaccines; nucleic acids, proteins and peptides for laboratory use; diagnostic preparations for scientific or research use.

9 – Mobile apps and computer software to enable healthcare professionals and patients to access information on pharmaceutical, medical and vaccine products and services; e-commerce software to enable users to perform electronic business transactions via a global computer network.

10 – Surgical and medical apparatus and instruments; medical diagnostic devices; medical diagnostic devices for analysis of body fluids and biopsies for diagnosis and monitoring of cancer, infectious diseases, and immunological diseases; medical diagnostic devices for analysis of body fluids and biopsies for patient stratification.

42 – Scientific research for medical purposes; medical and scientific research in the field of treatment of immunological diseases, cancer treatment, and treatment of infectious diseases; providing medical and scientific research information, consultancy, and advisory services, all in the fields of treatment of immunological diseases, cancer treatment, and treatment of infectious diseases; medical and scientific research services

by compiling data for clinical trials and drug admission.

44 – Medical, hygienic and beauty care; healthcare services; provision of medical information and services; provision of information to patients and healthcare professionals concerning pharmaceutical products, vaccines, medical products, medical diseases and disorders and related treatments via the internet; medical services in the field of gene therapy; medical services in the field of cell therapy; medical and psychological counselling services; health counseling and medical services; medical services, namely, providing therapies for treating cancer, infectious diseases and immunological diseases; veterinary services, namely, providing therapies for treating cancer, infectious diseases, and immunological diseases; medical and pharmaceutical consultation; medical diagnostic testing, monitoring and reporting services; genetic testing for medical purposes; provision of customer information on pharmaceutical and medical products through an on-line computer network.

(260) AM 2023 119380 A

(800) 1682245

(151) 2022 07 22

(891) 2022 07 22

(731) Bosch Tiernahrung GmbH & Co. KG

Engelhardshäuser Str. 55 + 57, 74572

Blaufelden-Wiesebach, Germany

(540)



(591) Blue and gray

(531) 26.01.06; 26.01.24; 26.11.08; 26.11.12;
27.05.10; 29.01.12

(511)

31 – Foodstuffs and fodder for animals.

(260) AM 2023 119381 A

(800) 1682353

(151) 2022 01 18

(891) 2022 01 18

(731) TRINO Sp. z o.o.

ul. H. Modrzejewskiej 30, PL-31-327 Kraków,

Poland

(540)

gogrip

(591) Black, white

(511)

9 – Fire resistant gloves; gloves for protection against accidents; gloves for protection against injuries; protective work gloves; protective work gloves; protec-

tive gloves; industrial safety gloves; gloves for light industrial work; gloves for protection against accidents, injury, radiation, chemicals and fire; protective gloves for industrial and laboratory use; rescue gloves; data gloves.

10 – Surgical gloves, examination gloves for medical purposes, gloves for dental use, gloves for veterinary use, gloves for cosmetic use; gloves for massage; gloves for medical purposes, gloves for surgical use, gloves for veterinary use, gloves for dental use; gloves for use in hospitals; disposable gloves for medical purposes; gloves for medical examinations; gloves for use during operations; protective gloves for use by persons working in medicine; protective gloves for medical, dental, veterinary and cosmetic use; surgical gloves; gloves for medical purposes; gloves for veterinary use; gloves for dental use; gloves for medical examinations; disposable protective gloves for medical purposes; gloves for use in hospitals.

17 – Insulating gloves for protection against electrical shock made of plastic nitrile rubber, insulating gloves; absorbent booms; insulating gloves.

21 – Oven mitts, gardening gloves, gloves for household use; gloves for household purposes; gloves for household purposes; oven mitts, gloves for cleaning, gloves for maintenance use, gloves for cleaning work; gardening gloves; gloves for use in catering; hairdressing gloves; polishing gloves; oven mitts; oven mitts; oven mitts; abrasive mitts for scrubbing the skin; animal grooming gloves; dusting gloves; car washing mitts; abrasive gloves for scrubbing vegetables; gloves for cleaning; oven mitts; household gloves for cleaning purposes.

(260) AM 2023 119382 A

(800) 1682356

(151) 2022 02 25

(891) 2022 02 25

(731) Hoyer Asset Management GmbH & Co. KG

Rudolf-Diesel-Straße 1, 27374 Visselhövede,

Germany

(540)

HOYER

(591) Black, white

(531) 27.05.01; 27.05.17

(511)

1 – Chemicals for use in industry, science and photography, as well as in agriculture, horticulture and forestry; unprocessed artificial resins, unprocessed plastics; fire extinguishing and fire prevention compositions; tempering and soldering preparations; adhesives for use in industry; putties and other paste fillers; compost, manures, fertilizers; biological preparations for use in industry and science; antifreeze; gases for industrial purposes; chemical additives for fuels made from petroleum products and for technical oils and

fuel oils; chemical additives for fuel treatment; chemicals for cleaning exhaust gases in chemical processes, for reducing exhaust gases and for preventing the emission of pollutants in exhaust gases; fluids for hydraulic circuits; chemical additives for fluids in hydraulic circuits; oils for brakes and hydraulic circuits and buffers [hydraulic fluids]; chemical preparations for economizing fuel; chemical additives for greases and lubricants; distilled water.

2 – Paints; varnishes; lacquers; anti-corrosive preparations; wood preservatives; colorants; dyes; wood stains; stains for leather; raw natural resins; metals in foil and powder form for painting, decorating, printing and art; anti-rust preparations.

3 – Non-medicated cosmetics and toiletry preparations; non-medicated dentifrices; perfumery, essential oils; bleaching preparations and other substances for laundry use; cleaning, polishing, scouring and abrasive preparations; automobile cleaners; hand cleansers; hand care creams.

4 – Industrial oils and greases; lubricants; dust absorbents, dust absorbing, wetting and binding compositions; fuels, including motor fuels, and illuminants; candles and wicks for lighting purposes; fuel oil; diesel fuel; petrol; liquefied gases; gas mixtures; gas cartridges and gas bottles sold filled with combustible gases; natural gas; liquefied natural gas; wood heating pellets [fuels]; charcoal [fuel]; wood briquettes; fossil fuels and synthetic fuels; alcohol [fuel]; coal [fuel]; non-chemical additives for technical oils, greases, fuels, combustibles and lubricants.

9 – Scientific, research, navigation, surveying, photographic, cinematographic, audio-visual, optical, weighing, measuring, signalling, detecting, testing, inspecting, life-saving and teaching apparatus and instruments; apparatus and instruments for conducting, switching, transforming, accumulating, regulating or controlling the distribution or use of electricity; apparatus and instruments for recording, transmitting, reproducing or processing sound, images or data; recorded and downloadable media, computer software, blank digital or analogue recording and storage media; mechanisms for coin-operated apparatus; cash registers, calculating devices; computers and computer peripheral devices; hardware for data processing; fire extinguishing apparatus; coded cards with identification and payment functions and related input and reading devices; computer software for use in and for processing mobile payments and contactless transactions via mobile terminals, in particular for transmitting, processing, facilitating, verifying, and authenticating credit card information, debit card information as well as for credit card transactions, debit card transactions, and for payment information; computer software for ensuring the security of mobile payments and contactless transactions; computer software for use in

connection with customer loyalty programs and loyalty cards.

(260) AM 2023 119383 A

(800) 1682385

(151) 2022 06 22

(891) 2022 06 22

(731) FELLOWSHIP OF CHRISTIAN ATHLETES

8701 Leeds Road, Kansas City MO 64129,

USA

(540)



(591) Black, white

(531) 26.03.23; 27.05.10

(511)

41 – Amateur youth sports services, namely, organizing and providing youth sports activities; arrangement of sports competitions; arranging and conducting athletic competitions; arranging and conducting youth sports programs; coaching in the field of sports; conducting of sports competitions; organizing sporting events, namely, athletic and sports competitions, practices, and training; providing information on youth sports via a website; providing information relating to sports and sporting events; providing religious instruction; providing sports facilities; providing sports information; providing sports information by means of an internet website portal; providing sports information via a website; religious education and training services for athletes and athletic coaches, namely, organizing, and conducting religious camps, training workshops, practices, clinics, small group meetings, training sessions, workshops, and seminars in the field of sports and religion, and distribution of printed materials in connection therewith; religious education services for athletic coaches, namely, organizing and conducting workshops, small group meetings, educational sessions, workshops, and seminars in the fields of religion and of utilizing religion in developing the philosophy of coaching and leadership strategies, and distribution of printed and on-line materials in connection therewith, all of the foregoing excluding personal fitness training and consultancy.

45 – Christian ministry services; evangelistic ministerial services; providing christian evangelistic and ministerial services directed towards athletes, coaches, and those whom they influence; providing faith-based devotionals via social networks; providing information about ministerial services via a website; online social networking services provided through a sports community website.

(260) AM 2023 119384 A
 (800) 1682412
 (151) 2021 10 19
 (891) 2021 10 19
 (731) YATAŞ YATAK VE YORGAN SAN.TİC.A.Ş
 YILDIZEVLER MH SİVAS CD 325,
 KOCASINAN, KAYSERİ, Türkiye

(540)

puffy

(591) Black, white
 (531) 01.07.06; 27.05.01; 27.05.08
 (511)

20 – Furniture, made of any kind of material; mattresses; pillows; air mattresses and cushions, not for medical purposes, water beds; mirrors; beehives, artificial honeycombs and sections of wood for honeycombs; bouncing chairs for babies, playpens for babies, cradles, infant walkers; display boards, frames for pictures and paintings, identification plates, identification tags, nameplates, identification labels made of wood or synthetic materials; packaging containers of wood or plastics, casks for use in transportation or storage, storage drums, boxes of wood or plastic, storage containers, transportation containers, chests, loading pallets and closures for the aforementioned goods, of wood or plastics; small hardware goods of wood or synthetic materials included in this class, furniture fittings, of wood or synthetic materials, opening and closing mechanisms of wood or synthetic materials; ornaments and decorative goods of wood, cork, reed, cane, wicker, horn, bone, ivory, whalebone, shell, amber, mother-of-pearl, meerschaum, beeswax, plastic or plaster namely figurines, holiday ornaments for walls, sculptures, trophies; baskets, not of metal, fishing baskets; kennels, nesting boxes and beds for household pets; portable ladders and mobile boarding stairs of wood or synthetic materials; bamboo curtains, roller indoor blinds [for interiors], slatted indoor blinds, trip curtains, bead curtains for decoration, curtain hooks, curtain rings, curtain tie-backs, curtain rods; non-metal wheel chocks; storage containers, not of metal; barrels for industrial packaging purposes; storage tanks of plastic.

(260) AM 2023 119385 A
 (800) 1682429
 (151) 2021 12 24
 (891) 2021 12 24
 (731) NİTEKS DENİM SANAYİ VE TİCARET
 ANONİM ŞİRKETİ
 BİRLİK MAH. 876. SK. 9 2, Esenler; İstanbul,
 Türkiye

(540)

CLAUSE
 JEANSWEAR

(591) Dark blue color CLAUSE word and grey colour JEANSWEAR word on white colour background.
 (531) 27.05.10; 29.01.12

(511)

25 – Clothing, including underwear and outer-clothing, other than special purpose protective clothing; socks, mufflers [clothing], shawls, bandanas, scarves, belts [clothing]; footwear, shoes, slippers, sandals; headgear, hats, caps with visors, berets, caps [headwear], skull caps.

35 – Advertising, marketing and public relations; organization of exhibitions and trade fairs for commercial or advertising purposes; design for advertising (terms considered too vague in the opinion of the International Bureau – Rule 13 (2) (b) of the Common Regulations); provision of an online marketplace for buyers and sellers of goods and services; the bringing together, for the benefit of others, of a variety of goods, namely, clothing, including underwear and outer-clothing, other than special purpose protective clothing, socks, mufflers [clothing], shawls, bandanas, scarves, belts [clothing], footwear, shoes, slippers, sandals, headgear, hats, caps with visors, berets, caps [headwear], skull caps, enabling customers to conveniently view and purchase those goods, such services may be provided by retail stores, wholesale outlets, by means of electronic media or through mail order catalogues.

(260) AM 2023 119386 A
 (800) 1682437
 (151) 2022 02 18
 (891) 2022 02 18
 (731) Fenix International Limited
 4th Floor, Imperial House, 8 Kean Street,
 London WC2B4AS, United Kingdom

(540)

OnlyFans

(591) Blue and light
 (531) 27.05.01; 27.05.09; 27.05.10; 27.05.22;
 29.01.04

(511)

9 – Downloadable computer software for enabling transmission of photographs; computer software for the collection, organizing, transmission, storage and sharing of data and information; computer software which facilitates online services for social networking, building social networking applications and for allowing data retrieval, upload, download, access and management; computer software to enable uploading, downloading, accessing, posting, displaying, tagging,

blogging, streaming, linking, sharing or otherwise providing electronic media or information via computer and communication networks; computer software platforms.

35 – Online subscription services for the purpose of allowing individuals to subscribe and access content uploaded by members of the service for sporting, fitness and entertainment purposes.

38 – Telecommunications; providing access to interactive communication services (blogs); providing Internet chatrooms; telecommunications services, namely electronic transmission of data, messages, graphics, images and information; peer-to-peer photo sharing services, namely, electronic transmission of digital photo files among internet users; providing access to computer, electronic and online databases; providing online forums for communication on topics of user interest; providing online chat rooms and electronic bulletin boards; broadcasting services over computer or other communication networks namely, uploading, posting, displaying, tagging, and electronically transmitting data, information, messages, graphics, and images; photo sharing and data sharing services, namely, electronic transmission of digital photo files, videos, audio visual content and data among internet and mobile device users; electronic exchange of messages via chat lines, chatrooms and Internet forums; video-on-demand transmission services; video broadcasting; providing a web site that gives users the ability to upload photographs.

41 – Providing entertainment services, namely, providing non-downloadable video, photographs, images, audio, and text via a global computer network; providing entertainment, also in the fields of social and community interest groups, specifically sporting, fitness and entertainment community interest groups through computer, electronic and online databases; publishing of electronic journals and web logs featuring user generated or specified content in relation to sporting, fitness and entertainment purposes; electronic publishing services for others.

42 – Technical support services, namely, providing help desk services in the field of computer software, namely, providing users with instructions and advice on the use of downloadable computer software, provided online and via e-mail; computer services, namely, providing an interactive website featuring technology that allows users to manage their online photograph and social networking accounts; online providing of non-downloadable software for displaying and sharing user location data, photographs and images, and for searching for and locating other users and places and interacting therewith; provision of non-downloadable software online for displaying and sharing user location data, photographs and images, and for searching for and locating other users and places and interacting therewith; updating of internet pages; soft-

ware design services; design of computer systems; installation and maintenance of software for internet access; rental and maintenance of memory space for websites, for others (hosting); providing or rental of electronic memory space on the internet (web space).

(260) AM 2023 119387 A

(800) 1682479

(151) 2022 04 12

(891) 2022 04 12

(731) Koval Yevhenii Olehovych

street Velyka Panasivska, 232, bld g. 1, apt. 80
(UA)UA, Kharkiv 61040, Ukraine

(540)



(591) Black, white

(531) 18.05.10; 27.03.15; 27.05.01; 27.05.08

(511)

9 – Downloadable graphics for mobile phones; computer screen saver software, recorded on computer media; downloadable computer screen saver software; electronic tags for goods; interfaces for computers; mouse pads; computer game software, downloadable; computer game software, recorded; downloadable computer programs; recorded computer programs; computer software, downloadable, for application development; recorded computer software platforms for application development; downloadable computer software platforms for application development; decorative magnets; credit card terminals; bags adapted for laptops; covers for tablet computers; covers for smartphones.

14 – Agates; atomic clocks; watch bands; alarm clocks; retractable key rings; jet, unwrought or semi-wrought; watches; clocks; clocks and watches, electric; watch chains; watch springs; watch glasses; diamonds; precious stones; cufflinks; clasps for jewellery; tie clips; ingots of precious metals; badges of precious metal; gold, unwrought or beaten; iridium; cabochons; rosaries; split rings of precious metal for keys; jewellery findings; clock cases; medals; precious metals, unwrought or semi-wrought; beads for making jewellery; semi-precious stones; wristwatches; osmium; palladium; charms for key rings; busts of precious metal; presentation boxes for watches; presentation boxes for jewellery; ornaments of jet; ornamental pins; rhodium; crucifixes of precious metal, other than jewellery; crucifixes as jewellery; ruthenium; movements for clocks and watches; stopwatches; earrings; jewellery boxes; boxes of precious metal; sundials; alloys of precious metal; silver, unwrought or beaten;

statues of precious metal; paste jewellery; clock hands; watch hands; works of art of precious metal; figurines of precious metal; jewellery rolls; chronographs as watches; chronometers; chronometric instruments; chronoscopes; jewellery hat pins; tie pins; jewellery; jewellery of yellow amber; cloisonné jewellery; ivory jewellery; jewellery charms; shoe jewellery; hat jewellery.

16 – Fountain pens; address plates for addressing machines; address stamps; addressing machines; aquarelles; almanacs; papers for painting and calligraphy; architects' models; atlases; paper bows, other than haberdashery or hair decorations; tags for index cards; glitter for stationery purposes; drawing pads; wristbands for the retention of writing instruments; plastic bubble packs for wrapping or packaging; rollers for typewriters; house painters' rollers; signboards of paper or cardboard; viscose sheets for wrapping; greeting cards; drawer liners of paper, perfumed or not; cream containers of paper; waxed paper; charcoal pencils; newspapers; electrotypes; hectographs; geographical maps; toilet paper; bunting of paper; histological sections for teaching purposes; modelling clay; polymer modelling clay; terrestrial globes; engraving plates; engravings; graphic representations; graphic reproductions; graining combs; pencil leads; rubber erasers; elastic bands for offices; bibs of paper; printing blocks; typewriters, electric or non-electric; printing type; graphic prints; labels of paper or cardboard; bookmarks; note books; money clips; pen clips; writing board erasers; writing or drawing books; credit card imprinters, non-electric; calendars; tracing patterns; tracing paper; tracing cloth; trading cards, other than for games; cardboard; cardboard tubes; flower-pot covers of paper; typewriter keys; glue for stationery or household purposes; adhesive tapes for stationery or household purposes; bookends; comic books; drawing pins; carbon paper; tracing needles for drawing purposes; hat boxes of cardboard; boxes of paper or cardboard; squares for drawing; spools for inking ribbons; tailors' chalk; chalk for lithography; spray chalk; drawing boards; drawing instruments; french curves; drawing pens; printed coupons; document laminators for office use; absorbent sheets of paper or plastic for foodstuff packaging; sheets of reclaimed cellulose for wrapping; humidity control sheets of paper or plastic for foodstuff packaging; musical greeting cards; drawing rulers; lithographs; lithographic works of art; lithographic stones; paint trays; pictures; sealing compounds for stationery purposes; bookbinding material; envelope sealing machines for offices; sealing machines for offices; franking machines for office use; pencil sharpening machines, electric or non-electric; plastic bags for pet waste disposal; garbage bags of paper or of plastics; modeling wax, not for dental purposes; painters' easels; padding materials of paper or cardboard; dental tray covers of paper; fingerstalls for office use; table runners of paper; handkerchiefs of paper; printed sheet music; pro-

tective covers for books; passport holders; sealing wafers; oleographs; pencils; pencil lead holders; slate pencils; bottle wrappers of paper or cardboard; office perforators; etchings; etching needles; printers' blankets, not of textile; bags for microwave cooking; bottle envelopes of paper or cardboard; conical paper bags; paper bags for use in the sterilization of medical instruments; palettes for painters; papier mâché; electrocardiograph paper; paper for recording machines; paper for medical examination tables; wrapping paper; paper for radiograms; wood pulp paper; luminous paper; paper; folders for papers; loose-leaf binders; modelling paste; pen cases; paintbrushes; painters' brushes; steel pens; parchment paper; pen wipers; perforated cards for jacquard looms; writing chalk; writing paper; writing slates; writing instruments; writing brushes; letter trays; trays for sorting and counting money; hand-rests for painters; stands for pens and pencils; photograph stands; coasters of paper; mats of paper for beer glasses; stamp stands; desk mats; tablemats of paper; place mats of paper; song books; posters; clipboards; plastic film for wrapping; plastic cling film, extensible, for palletization; animation cels; paper shredders for office use; stamp pads; banners of paper; canvas for painting; cloth for bookbinding; portraits; postcards; postage stamps; obliterating stamps; flags of paper; paperweights; blotters; printers' galleys; t-squares for drawing; rice paper; printed timetables; marking chalk; penholders; face towels of paper; towels of paper; self-adhesive tapes for stationery or household purposes; blueprints; tissues of paper for removing make-up; paper wipes for cleaning; table napkins of paper; cigar bands; tablecloths of paper; paper-clips; silver paper; table linen of paper; balls for ball-point pens; typewriter ribbons; paper ribbons, other than haberdashery or hair decorations; paper tapes and cards for the recordal of computer programmes; barcode ribbons; sealing wax; placards of paper or cardboard; fabrics for bookbinding; stationery; pencil sharpeners, electric or non-electric; stencils; stencil plates; stencils for decorating food and beverages; mimeograph apparatus and machines; chalk holders; pencil holders; holders for cheque books; page holders; indian inks; chart pointers, non-electronic; paint boxes for use in schools; figurines of papier mâché; paper coffee filters; filter paper; photo- engravings; compasses for drawing; artists' watercolour saucers; inkwells; inking sheets for duplicators; inking sheets for document reproducing machines; inking pads; inkstands; ink sticks; inking ribbons; square rulers for drawing; stencil cases; erasing shields; blackboards; cords for bookbinding; sealing stamps; washi.

21 – Abrasive pads for kitchen purposes; autoclaves, non-electric, for cooking; wine aerators; indoor aquaria; perfume burners; cookie jars; decanter tags; saucers; demijohns; vases; fruit bowls; epergnes; inflatable bath tubs for babies; plungers for clearing blocked drains; waffle irons, non-electric; signboards of

porcelain or glass; diaper disposal pails; ice buckets; buckets; mop wringer buckets; buckets made of woven fabrics; whisks, non-electric, for household purposes; towel rails and rings; boxes for dispensing paper towels; containers for household or kitchen use; tea caddies; disposable aluminium foil containers for household purposes; thermally insulated containers for food; lunch boxes; horsehair for brush-making; furniture dusters; cloth for washing floors; polishing cloths; dishcloths; cloths for cleaning; candle extinguishers; buttonhooks; jugs; feeding troughs; heads for electric toothbrushes; pots; flower pots; decanters; large-toothed combs for the hair; combs for animals; electric combs; combs; abrasive sponges for scrubbing the skin; sponges for household purposes; bath sponges; dripping pans; broom handles; soap dispensers; toilet paper dispensers; cutting boards for the kitchen; bread boards; washing boards; ironing boards; china ornaments; kitchen grinders, non-electric; plug-in diffusers for mosquito repellents; beverage urns, non-electric; chamois leather for cleaning; blenders, non-electric, for household purposes; pasta makers, hand-operated; toothpicks; coffeepots, non-electric; coffee percolators, non-electric; coffee grinders, hand-operated; cauldrons; mess-tins; stew-pans; earthenware saucepans; rolling pins, domestic; flower-pot covers, not of paper; baking mats; napkin rings; poultry rings; polishing leather; glue-pots; cages for household pets; birdcages; boxes of glass; cosmetic spatulas; waste paper baskets; bread baskets for household purposes; fitted picnic baskets, including dishes; baskets for household purposes; droppers for cosmetic purposes; droppers for household purposes; reusable ice cubes; decorative glass spheres; bulb basters; mugs; beer mugs; tankards; cooking pots, non-electric; couscous cooking pots, non-electric; cookery moulds; oven mitts; funnels; ice cream scoops; spatulas for kitchen use; pie servers; crumb trays; litter boxes for pets; butter dishes; material for brush-making; opal glass; noodle machines, hand-operated; lint removers, electric or non-electric; soap boxes; soap holders; pet feed bowls; pet feeding bowls, automatic; mouse traps; brooms; decorating bags for confectioners; pepper mills, hand-operated; mosaics of glass, not for building; saucepan scourers of metal; steel wool for cleaning; fly swatters; fly traps; cooking pot sets; cruet sets for oil and vinegar; heaters for feeding bottles, non-electric; cake decorating tips and tubes; pot lids; butter-dish covers; dish covers; cheese-dish covers; aquarium hoods; drinking troughs; wine pourers; nozzles for watering cans; nozzles for watering hose; tablemats, not of paper or textile; floss for dental purposes; chamber pots; washtubs; opaline glass; portable cool boxes, non-electric; cold packs for chilling food and beverages; chopsticks; cocktail stirrers; food steamers, non-electric; insect traps; rat traps; basting brushes; make-up brushes; pepper pots; nest eggs, artificial; trays for household purposes; trays of paper, for household purposes; lazy susans; coasters,

not of paper or textile; knife rests for the table; stands for portable baby baths; shaving brush stands; flat-iron stands; tea bag rests; egg cups; place mats, not of paper or textile; wine-tasting pipettes; feather-dusters; plates for diffusing aromatic oil; plates to prevent milk boiling over; cruets; drinking bottles for sports; crushers for kitchen use, non-electric; scouring pads; watering cans; polishing gloves; shaving brushes; dishes; drinking vessels; fruit presses, non-electric, for household purposes; trouser presses; tie presses; make-up removing appliances; syringes for watering flowers and plants; mop wringers; bottle openers, electric and non-electric; egg yolk separators; boot jacks; egg poachers; clothing stretchers; glove stretchers; drying racks for laundry; rotary washing lines; electric devices for attracting and killing insects; pot-holders; clothes-pegs; glass stoppers; powder compacts, empty; powder puffs; shoe horns; pastry cutters; drinking horns; foam toe separators for use in pedicures; candle drip rings; shoe trees; boot trees; gloves for household purposes; car washing mitts; abrasive mitts for scrubbing the skin; animal grooming gloves; gardening gloves; salad bowls; piggy banks; egg separators, non-electric, for household purposes; serving ladles; siphon bottles for carbonated water; salt cellars; coin banks; enamelled glass, not for building; glass incorporating fine electrical conductors; glass, unworked or semi-worked, except building glass; glass wool, other than for insulation; vitreous silica fibres, other than for textile use; fibreglass, other than for insulation or textile use; fibreglass thread, other than for textile use; powdered glass for decoration; drinking glasses; frying pans; currycombs; scoops for household purposes; straws for drinking; mortars for kitchen use; soup tureens; tajines, non-electric; disposable table plates; paper plates; table plates; heat-insulated containers for beverages; insulating flasks; hot pots, not electrically heated; graters for kitchen use; pestles for kitchen use; sponge holders; toothpick holders; toilet paper holders; menu card holders; table napkin holders; roller tubes for peeling garlic; tea cosies; flasks; hip flasks; cake moulds; ice cube moulds; deep fryers, non-electric; comb cases; bread bins; strainers for household purposes; boxes for sweets; sugar bowls; teapots; kettles, non-electric; tea infusers; tea strainers; cups; ladles for serving wine; ironing board covers, shaped; cooking skewers of metal; mops; cocktail shakers; corkscrews, electric and non-electric; pig bristles for brush-making; ice tongs; nutcrackers; salad tongs; sugar tongs; shoe brushes; horse brushes; lamp-glass brushes; dishwashing brushes; ski wax brushes; toilet brushes; brushes for cleaning tanks and containers; scrubbing brushes; toothbrushes; toothbrushes, electric; eyebrow brushes; eyelash brushes; nail brushes; mangers for animals; window-boxes; dustbins.

25 – Stuff jackets; sweaters; hats; paper hats for use as clothing items; cap peaks; visors being headwear; collars; petticoats; skorts; sports jerseys; sports

singlets; dresses; tee-shirts; caps being headwear; socks.

41 – Videotaping; virtual reality game services provided on-line from a computer network; organization of lotteries; party planning.

(260) AM 2023 119388 A
 (800) 1682535
 (151) 2022 06 08
 (891) 2022 06 08
 (731) SHENZHEN HMF TECHNOLOGY LIMITED
 Room 202, Section D, Building 3,
 Hengmingwan Chuanhui Center, Huilongpu
 Community, Longcheng Street, Longgang
 District, Shenzhen, China
 (540)



(591) Black, white
 (531) 26.04.04; 26.04.05; 26.04.18; 26.04.24;
 26.11.01; 26.11.06; 26.11.12; 27.05.01;
 27.05.09; 27.05.10; 27.05.24; 27.07.01;
 27.07.11; 27.07.21

(526) VAPOR
 (511)

34 – Electronic cigarette liquid (e-liquid) comprised of flavorings in liquid form, other than essential oils, used to refill electronic cigarette cartridges; Electronic cigarette liquid (e-liquid) comprised of propylene glycol; Electronic cigarette liquid (e-liquid) comprised of vegetable glycerin; Electronic cigarettes.

(260) AM 2023 119389 A
 (800) 1682571
 (151) 2022 06 21
 (891) 2022 06 21
 (731) FERRETTI S.P.A.
 VIA IRMA BANDIERA, 62, I-47841
 CATTOLICA (RN), Italy

(540)
RIVA CLASSICHE

(591) Black, white
 (511)

12 – Water vehicles, namely yachts, motorboats, ships, sailing boats; land vehicles; boat bumpers; structural components for vehicles, including cleats [nautical], vehicle wheels, boat steering wheels, steering wheels for vehicles, boat fenders, fenders for land vehicles.

37 – Construction services; installation and repair services; yachts building; shipbuilding; construction

and repair of buildings; marine construction; repair of water vehicles; repair and maintenance of yachts; yachts and boat conversion, renovation, refit and repair.

41 – Educational services, namely conducting classes, seminars, conferences and workshops in the field of sailing and boating; sailing and boating club services, namely organizing sailing and boating activities and providing club members access to sailboats and powerboats; providing group training in the field of organizational effectiveness featuring team building and leadership development activities; entertainment services in the nature of power and sail boat races; entertainment in the nature of yachts races; organization of yachting competitions; organization, arranging and conducting of boat races; organization of yachting rallies; organization of rallies of historical vehicles; fan club service (entertainment).

(260) AM 2023 119390 A
 (800) 1682614
 (151) 2022 06 20
 (891) 2022 06 20
 (731) Shanghai Tobacco Group Beijing Cigarette
 Factory Co., Ltd.
 No. 99, WanSheng NanJie TongZhou District,
 101121 Beijing, China
 (540)



(591) Black, white
 (531) 28.03
 (511)

34 – Tobacco; cigarettes; cigars; cigarette case, non-precious metals; ashtray of non-precious metal; matches; lighters for smokers; cigarette filter; cigarette paper; tobacco pipes.

(260) AM 2023 119391 A
 (800) 1682625
 (151) 2022 07 26
 (891) 2022 07 26
 (731) NM Nevada Trust
 3200 Las Vegas Boulevard, Las Vegas
 NV 89109, USA

(540)
**BERGDORF
 GOODMAN**

(591) Black, white
 (531) 27.05.01; 27.05.19

(511)

25 – Clothing, namely, tops, bottoms, sweaters, jackets, pants, vests, shorts, scarves, pajamas, socks, underwear, and gloves; men's and women's apparel, namely, headwear, footwear, jackets, pants, shirts, dresses, skirts, suits, swim suits.

35 – Retail department store services; online retail department store services.

(260) AM 2023 119392 A

(800) 1682637

(151) 2022 07 28

(891) 2022 07 28

(731) Travers Therapeutics, Inc.

Suite 300, 3611 Valley Centre Drive, San Diego
CA 92130, USA

(540)



(591) The color(s) blue and purple is/are claimed as a feature of the mark

(531) 02.09.14; 26.15.01; 29.01.12

(511)

5 – Pharmaceutical preparations for the treatment of kidney disease; pharmaceutical preparations for the treatment of focal segmental glomerulosclerosis (FSGS); pharmaceutical preparations for the treatment of Immunoglobulin A Nephropathy (IgAN); pharmaceutical preparations for the treatment of Alport Syndrome; pharmaceutical preparations for the treatment of glomerulonephropathy; pharmaceutical preparations for the treatment of glomerulonephritis.

(260) AM 2023 119394 A

(800) 1682697

(151) 2022 07 12

(891) 2022 07 12

(731) SYSTEME ELECTRIC JOINT STOCK COMPANY

ul. Dvintsev, d.12, k.1, etazh 6, pom I kom 15,
RU-127018 Moscow, Russian Federation

(540)

(591) Dark-green and orange

(531) 26.11.02; 26.11.06; 26.11.08; 27.05.11; 29.01.12

(511)

7 – Fuel economisers for motors and engines; electrical apparatus for sealing plastics [packaging]; electric arc cutting apparatus; electric arc welding apparatus;

electric welding apparatus; electric soldering apparatus; gasoline pumps for service stations; self-regulating fuel pumps; fuel dispensing pumps for service stations; electroplating apparatus; door closers, electric; door openers, electric; elevator operating apparatus; welding electrodes; soldering irons, electric; soldering lamps.

9 – Scientific, nautical, surveying, photographic, cinematographic, optical, weighing, measuring, signalling, checking [supervision], life-saving and teaching apparatus and instruments; apparatus and instruments for conducting, switching, transforming, accumulating, regulating or controlling electricity; apparatus for recording, transmission or reproduction of sound or images; magnetic data carriers, recording discs; mechanisms for coin-operated apparatus; cash registers, calculating machines, data processing equipment, computers; fire extinguishing apparatus; DVD players; ticket dispensers; juke boxes, musical; fire engines; answering machines; accumulators, electric; batteries, electric, for vehicles; actinometers; alidades; altimeters; ammeters; anemometers; anodes; aerials; anticathodes; apertometers [optics]; high-frequency apparatus; testing apparatus not for medical purposes; remote control apparatus; electro-dynamic apparatus for the remote control of railway points; electro-dynamic apparatus for the remote control of signals; monitoring apparatus, other than for medical purposes; sound recording apparatus; distillation apparatus for scientific purposes; diffraction apparatus [microscopy]; air analysis apparatus; apparatus to check franking; fermentation apparatus for laboratory use; breathing apparatus, except for artificial respiration; breathing apparatus for underwater swimming; apparatus and installations for the production of X-rays, not for medical purposes; electric apparatus for commutation; intercommunication apparatus; stills for laboratory experiments; projection apparatus; X-ray apparatus not for medical purposes; radiological apparatus for industrial purposes; blueprint apparatus; flashing lights [luminous signals]; stereoscopic apparatus; telegraphs (apparatus); telephone apparatus; telephone transmitters; facsimile machines; phototelegraphy apparatus; igniting apparatus, electric, for igniting at a distance; acid hydrometers; salinometers; acidimeters for batteries; aerometers; beacons, luminous; barometers; anode batteries; galvanic batteries; batteries for pocket lamps; ignition batteries; solar batteries; batteries, electric; balances [steelyards]; betatrons; binoculars; electronic tags for goods; magnetic tape units for computers; computer memory devices; fire hose nozzles; encoded identification bracelets, magnetic; safety tarpaulins; signalling buoys; life buoys; marking buoys; directional compasses; vacuum gauges; electrolysis apparatus for laboratory use; variometers; scales; letter scales; weighbridges; precision balances; levelling staffs [surveying instruments]; camcorders; video cassettes; video telephones; video screens; viewfinders, photographic; electric plugs; electric soc-

kets; micrometer screws for optical instruments; viscosimeters; circuit closers; wavemeters; voltmeters; coin-operated mechanisms for operating gates for car parking lots; mechanical signs; switchboxes [electricity]; current rectifiers; jigs (measuring instruments); gas testing instruments; gasometers [measuring instruments]; galvanometers; heliographic apparatus; hygrometers; hydrometers; weights; peepholes [magnifying lenses] for doors; holograms; plotters; loudspeakers; sounding leads; plumb bobs; range finders; densimeters; densitometers; optical goods; detectors; galena crystals (detectors); smoke detectors; counterfeit coin detectors; transparencies [photography]; slide projectors; diaphragms [photography]; dictating machines; dynamometers; floppy disks; disks, magnetic; optical discs; circular slide rules; disk drives for computers; juke boxes for computers; DNA chips; electronic notice boards; capacitance meters; bullet-proof vests; life jackets; identification threads for electric wires; nose clips for divers and swimmers; locks, electric; bells [warning devices]; alarm bells, electric; electric door bells; signal bells; acoustic conduits; mirrors for inspecting work; road signs, luminous or mechanical; signs, luminous; marine depth finders; probes for scientific purposes; buzzers; electronic buzzers; needles for record players; measures; pressure measuring apparatus; simulators for the steering and control of vehicles; inverters [electricity]; pressure indicators; electronic indicators; temperature indicators; incubators for bacteria culture; measuring instruments; mathematical instruments; levelling instruments; surveying instruments; azimuth instruments; interfaces for computers; ionization apparatus not for the treatment of air; spark-guards; coaxial cables; fibre optic cables; cables, electric; calipers; slide calipers; screw-tapping gauges; calculating machines; pocket calculators; decompression chambers; cinematographic cameras; electronic pens [visual display units]; holders for electric coils; identity cards, magnetic; video game cartridges; encoded magnetic cards; riding helmets; protective helmets; carriers for dark plates [photography]; automated teller machines [ATM]; cathodes; choking coils [impedance]; coils, electric; electromagnetic coils; spools [photography]; cinematographic film, exposed; computer keyboards; solenoid valves [electromagnetic switches]; wire connectors [electricity]; electronic agendas; push buttons for bells; mouse pads; magnetic encoders; visors for helmets; collectors, electric; calibrating rings; protective suits for aviators; commutators; compact discs [audio-video]; compact discs [read-only memory]; comparators; marine compasses; notebook computers; condensers [capacitors]; contacts, electric; contacts, electric, of precious metal; wind socks for indicating wind direction; branch boxes [electricity]; distribution boxes [electricity]; connectors (electricity); junction boxes [electricity]; battery boxes; cabinets for loudspeakers; diving suits; reflecting discs for wear, for the prevention of traffic accidents; covers for electric

outlets; logs [measuring instruments]; lasers, not for medical purposes; lactodensimeters; lactometers; darkroom lamps [photography]; neon signs; thermionic valves; thermionic valves (radio); amplifying tubes; flashlights [photography]; head cleaning tapes [recording]; magnetic tapes; videotapes; surveying chains; fire escapes; measuring rules; slide-rules; contact lenses; correcting lenses [optics]; optical lenses; close-up lenses; optical condensers; sounding lines; electricity conduits; measuring spoons; magnifying glasses [optics]; thread counters; magnets; decorative magnets; resuscitation mannequins [teaching apparatus]; mouse [computer peripheral]; pressure gauges; divers' masks; solderers' helmets; protective masks, not for medical purposes; material for electricity mains (wires, cables); voting machines; money counting and sorting machines; material testing instruments and machines; hemline markers; megaphones; diaphragms [acoustics]; diaphragms for scientific apparatus; metal detectors for industrial or military purposes; metronomes; rules [measuring instruments]; carpenters' rules; dressmakers' measures; coin-operated mechanisms for television sets; shutter releases [photography]; micrometers; microprocessors; microscopes; microtomes; microphones; modems; lightning conductors; monitors [computer hardware]; animated cartoons; terminals [electricity]; junction sleeves for electric cables; cases fitted with dissecting instruments (microscopy); teeth protectors; knee-pads for workers; headphones; surveyors' levels; verniers; sound recording carriers; optical data media; sheaths for electric cables; identification sheaths for electric wires; weighing machines; punched card machines for offices; furniture especially made for laboratories; shoes for protection against accidents, irradiation and fire; objectives [lenses] [optics]; lenses for astrophotography; egg-candles; fire extinguishers; electrified fences; electrical terminators; clothing for protection against accidents, irradiation and fire; clothing for protection against fire; asbestos clothing for protection against fire; clothing especially made for laboratories; ozonisers [ozonators]; octants; eyepieces; ohmmeters; wrist rests for use with computers; spectacle frames; pince-nez mountings; oscillographs; plumb lines; mirrors [optics]; spectacles; sunglasses; goggles for sports; signalling panels, luminous or mechanical; radio pagers; pince-nez; electronic pocket translators; transmitters [telecommunication]; transmitters of electronic signals; switches, electric; periscopes; gloves for divers; asbestos gloves for protection against accidents; gloves for protection against accidents; gloves for protection against X-rays for industrial purposes; furnaces for laboratory use; pipettes; pyrometers; planimeters; plane tables [surveying instruments]; plates for batteries; silicon wafers for integrated circuits; compact disc players; cassette players; sound recording strips; X-ray films, exposed; films, exposed; life-saving rafts; laboratory trays; semi-conductors; polarimeters; fire pumps; measuring glassware; life belts; circuit brea-

kers; fuses; converters, electric; telerupters; food analysis apparatus; diagnostic apparatus, not for medical purposes; distance measuring apparatus; speed measuring apparatus [photography]; apparatus for measuring the thickness of skins; appliances for measuring the thickness of leather; speed checking apparatus for vehicles; time recording apparatus; distance recording apparatus; apparatus and instruments for astronomy; navigational instruments; apparatus and instruments for physics; chemistry apparatus and instruments; measuring apparatus; measuring devices, electric; boiler control instruments; cosmographic instruments; meteorological instruments; naval signalling apparatus; observation instruments; navigation apparatus for vehicles [on-board computers]; satellite navigational apparatus; regulating apparatus, electric; precision measuring apparatus; instruments containing eyepieces; audio- and video-receivers; prisms [optics]; printers for use with computers; apparatus for changing record player needles; retorts' stands; drainers for use in photography; cleaning apparatus for phonograph records; fire beaters; sighting telescopes for firearms; test tubes; pressure indicator plugs for valves; magnetic wires; telegraph wires; telephone wires; wires, electric; conductors, electric; copper wire, insulated; fuse wire; computer operating programs, recorded; computer game software, downloadable; computer programs, downloadable; record players; processors [central processing units]; rods for water diviners; electronic publications, downloadable; distribution consoles [electricity]; control panels [electricity]; radar apparatus; vacuum tubes; masts for wireless aeri-als; transmitting sets [telecommunication]; radios; vehicle radios; frames for photographic transparencies; screens for photoengraving; walkie-talkies; voltage surge protectors; voltage regulators for vehicles; light dimmers [regulators], electric; stage lighting regulators; speed regulators for record players; cell switches [electricity]; washing trays [photography]; marking gauges [joinery]; time switches; relays, electric; safety restraints, other than for vehicle seats and sports equipment; X-ray photographs, other than for medical purposes; rheostats; respirators, other than for artificial respiration; respirators for filtering air; retorts; refractometers; refractors; grids for batteries; horns for loudspeakers; saccharometers; optical fibres [light conducting filaments]; traffic lights; dog whistles; signalling whistles; sextants; inductors [electricity]; safety nets; nets for protection against accidents; fire alarms; signals, luminous or mechanical; sirens; scanners [data processing equipment]; integrated circuit cards [smart cards]; connections for electric lines; couplings, electric; sonars; sound locating instruments; lighting ballasts; resistances, electric; spectrograph apparatus; spectrosopes; speed indicators; alcoholmeters; satellites for scientific purposes; protection devices for personal use against accidents; audiovisual teaching apparatus; radiotelegraphy sets; radiotelephony sets; spectacle lenses; optical glass; anti-glare

glasses; personal stereos; stereoscopes; fire boats; sulfotometers; carrying cases for mobile phones; drying racks [photography]; spherometers; integrated circuits; printed circuits; counters; parking meters; mileage recorders for vehicles; revolution counters; abacuses; taximeters; ear plugs for divers; tachometers; word processors; television apparatus; telescopes; teleprompters; teleprinters; cordless telephones; theodolites; thermometers, not for medical purposes; thermostats; thermostats for vehicles; crucibles [laboratory]; tone arms for record players; totalizators; transistors [electronic]; protractors [measuring instruments]; step-up transformers; transformers [electricity]; vehicle breakdown warning triangles; starter cables for motors; discharge tubes, electric, other than for lighting; capillary tubes for laboratory use; X-ray tubes not for medical purposes; telephone receivers; quantity indicators; automatic indicators of low pressure in tires; petrol gauges; water level indicators; electric loss indicators; light-emitting electronic pointers; slope indicators; levels [instruments for determining the horizontal]; mercury levels; spirit levels; urinometers; amplifiers; particle accelerators; sprinkler systems for fire protection; electric installations for the remote control of industrial operations; steering apparatus, automatic, for vehicles; balancing apparatus; video recorders; sound reproduction apparatus; invoicing machines; tape recorders; protection devices against X-rays, not for medical purposes; railway traffic safety appliances; data processing apparatus; oxygen transvasing apparatus; theft prevention installations, electric; time clocks (time recording devices); film cutting apparatus; drying apparatus for photographic prints; optical character readers; centering apparatus for photographic transparencies; dosage dispensers; chargers for electric accumulators; acoustic alarms; sounding apparatus and machines; life-saving apparatus and equipment; apparatus for editing cinematographic film; cathodic anti-corrosion apparatus; couplers [data processing equipment]; computer peripheral devices; anti-interference devices [electricity]; demagnetizing apparatus for magnetic tapes; acoustic couplers; anti-theft warning apparatus; alarms; fog signals, non-explosive; adding machines; readers [data processing equipment]; heat regulating apparatus; photocopiers [photographic, electrostatic, thermic]; bar code readers; filters for respiratory masks; filters for ultraviolet rays, for photography; filters for use in photography; magic lanterns; optical lanterns; signal lanterns; cameras [photography]; glazing apparatus for photographic prints; shutters [photography]; darkrooms [photography]; photometers; flash-bulbs [photography]; enlarging apparatus [photography]; photovoltaic cells; containers for contact lenses; spectacle cases; pince-nez cases; containers for microscope slides; cases especially made for photographic apparatus and instruments; chromatography apparatus for laboratory use; chronographs [time recording apparatus]; pince-nez chains; cyclotrons; compasses for measu-

ring; frequency meters; egg timers [sandglasses]; fire blankets; chips [integrated circuits]; pedometers; meteorological balloons; electrified rails for mounting spot lights; asbestos screens for firemen; protective helmets for sports; pince-nez cords; tripods for cameras; switchboards; distribution boards [electricity]; workmen's protective face-shields; projection screens; radiology screens for industrial purposes; fluorescent screens; screens [photography]; exposure meters [light meters]; ducts [electricity]; galvanic cells; epidiascopes; ergometers; armatures [electricity].

11 – Apparatus for lighting, heating, steam generating, cooking, refrigerating, drying, ventilating, water supply and sanitary purposes; lampshades; steam accumulators; heat accumulators; defrosters for vehicles; electric water heating apparatus; distillation apparatus; desiccating apparatus; disinfectant apparatus; air deodorizing apparatus; tanning beds; ionisation apparatus for the treatment of air; coffee roasters; beverage cooling apparatus; hand drying apparatus for washrooms; water purifying apparatus and machines; refrigerating apparatus and machines; drying apparatus and installations; freezers; drying apparatus; fruit roasters; framework of metal for ovens; coolers for furnaces; expansion tanks for central heating installations; refining towers for distillation; bidets; boilers, other than parts of machines; bath tubs; spa baths (vessels); bath tubs for sitz baths; waffle irons, electric; fans [air-conditioning]; fans [parts of air-conditioning installations]; electric fans for personal use; roasting spits; refrigerating display cabinets; water heaters; water flushing installations; air reheaters; extractor hoods for kitchens; gas generation plants for industrial purposes; gas condensers, other than parts of machines; acetylene generators; hydrants; burners; acetylene burners; gas burners; burners for lamps; germicidal burners; incandescent burners; oxyhydrogen burners; laboratory burners; oil burners; alcohol burners; hot water bottles; footwarmers, electric or non-electric; bed warmers; pocket warmers; lampshade holders; stills; showers; chimney flues; refrigerating containers; gas lighters; friction lighters for igniting gas; chimney blowers; coils [parts of distilling, heating or cooling installations]; furnace ash boxes; evaporators; flares; shower cubicles; Turkish bath cabinets, portable; heating apparatus; refrigerating chambers; fireplaces, domestic; autoclaves (electric pressure cookers); air valves for steam heating installations; level controlling valves in tanks; thermostatic valves [parts of heating installations]; electrically heated carpets; light bulbs; light bulbs, electric; solar thermal collectors [heating]; distillation columns; lamp globes; air-conditioning apparatus; gas boilers; laundry room boilers; heating boilers; coffee machines, electric; faucets for pipes; taps; mixer taps for water pipes; forges, portable; lava rocks for use in barbecue grills; lights, electric, for Christmas trees; acetylene flares; safety lamps; gas lamps; curling lamps; germicidal lamps for purifying air; projector lamps; lamps

for directional signals of automobiles; light bulbs for directional signals for vehicles; arc lamps; laboratory lamps; oil lamps; ultraviolet ray lamps, not for medical purposes; miners' lamps; electric lamps; chandeliers; barbecues; bread baking machines; watering machines for agricultural purposes; footmuffs, electrically heated; heaters, electric, for feeding bottles; heaters for baths; heaters for heating irons; immersion heaters; brackets for gas burners; anti-splash tap nozzles; heat pumps; filaments for electric lamps; heating filaments, electric; magnesium filaments for lighting; luminous house numbers; bath linings; heating apparatus for defrosting vehicle windows; hot air bath fittings; bath fittings; loading apparatus for furnaces; kiln furniture [supports]; sauna bath installations; refrigerating appliances and installations; blankets, electric, not for medical purposes; lamp reflectors; vehicle reflectors; clean chambers (sanitary installations); steam boilers, other than parts of machines; pasteurisers; lamp mantles; sockets for electric lights; coffee percolators, electric; furnaces, other than for laboratory use; stoves [heating apparatus]; bakers' ovens; hot air ovens; microwave ovens [cooking apparatus]; microwave ovens for industrial purposes; incinerators; kilns; solar furnaces; urinals being sanitary fixtures; feeding apparatus for heating boilers; heating plates; cooking stoves; kitchen ranges (ovens); aquarium heaters; aquarium lights; heating cushions, electric, not for medical purposes; electric cooking pots for household purposes; water intake apparatus; deodorising apparatus, not for personal use; apparatus for dehydrating food waste; griddles (cooking appliances); fumigation apparatus, not for medical purposes; gas scrubbing apparatus; oil-scrubbing apparatus; glue-heating appliances; drying apparatus for fodder and forage; water filtering apparatus; air purifying apparatus and machines; ice machines and apparatus; cooling appliances and installations; cooking apparatus and installations; lighting apparatus and installations; sanitary apparatus and installations; cooking rings; lighting apparatus for vehicles; heating apparatus for solid, liquid or gaseous fuels; heating apparatus, electric; hot air apparatus; steam facial apparatus [saunas]; safety accessories for water or gas apparatus and pipes; regulating and safety accessories for gas apparatus; regulating accessories for water or gas apparatus and pipes; regulating and safety accessories for water apparatus; regulating and safety accessories for gas pipes; roasting jacks; anti-dazzle devices for automobiles (lamp fittings); plate warmers; electric appliances for making yogurt; rotisseries; radiator caps; diving lights; flashlights (torches); washers for water taps; anti-glare devices for vehicles [lamp fittings]; radiators [heating]; central heating radiators; radiators, electric; sinks; drip irrigation emitters [irrigation fittings]; light diffusers; nuclear reactors; heat regenerators; flushing tanks; pressure water tanks; furnace grates; roasters; lamps; standard lamps; street lamps; ceiling lights; toilet seats; lighting installations for air vehicles; gas scru-

bbers [parts of gas installations]; lamp glasses; sterilizers; water sterilizers; air sterilizers; air dryers; laundry dryers, electric; hair dryers; malt roasters; tobacco roasters; heat exchangers, other than parts of machines; bread toasters; discharge tubes, electric, for lighting; lamp chimneys; luminous tubes for lighting; flues for heating boilers; boiler pipes [tubes] for heating installations; pipes [parts of sanitary installations]; toilets [water-closets]; toilets, portable; humidifiers for central heating radiators; wash-hand basins [parts of sanitary installations]; toilet bowls; water conduits installations; bath installations; air-conditioning installations; ventilation [air-conditioning] installations for vehicles; desalination plants; installations for processing nuclear fuel and nuclear moderating material; watering installations, automatic; cooling installations for water; cooling installations for liquids; milk cooling installations; cooling installations for tobacco; water purification installations; purification installations for sewage; steam generating installations; water distribution installations; air filtering installations; swimming pool chlorinating apparatus; ventilation [air-conditioning] installations and apparatus; water softening apparatus and installations; cooling installations and machines; heating installations; heaters for vehicles; heating installations [water]; polymerisation installations; water supply installations; ash conveyor installations, automatic; whirlpool-jet apparatus; air cooling apparatus; hearths; aquarium filtration apparatus; flare stacks for use in the oil industry; headlights for automobiles; vehicle headlights; air filters for industrial and household purposes; water filters for industrial purposes; filters for air conditioning; coffee filters, electric; filters for drinking water; lights for automobiles; bicycle lights; lights for vehicles; electric torches; lanterns for lighting; Chinese lanterns; fountains; ornamental fountains; deep fryers, electric; oven fittings made of fireclay; fittings, shaped, for furnaces; refrigerators; chromatography apparatus for industrial purposes; kettles, electric; dampers [heating]; ventilation hoods; ventilation hoods for laboratories; dental ovens; refrigerating cabinets; ice boxes; carbon for arc lamps; heating elements; table lamps; socks, electrically heated.

12 – Cigar lighters for automobiles.

21 – Glass incorporating fine electrical conductors.

(260) AM 2023 119395 A

(800) 1682763

(151) 2022 07 08

(891) 2022 07 08

(731) ROLEX SA

3-5-7, rue François-Dussaud, CH-1211

GENEVE 26, Switzerland

(540)

ROLEX SUPERLATIVE

(591) Black, white

(511)

14 – Timepieces, namely, watches, wrist-watches, component parts for timepieces and accessories for timepieces not included in other classes, clocks and other chronometric instruments, chronometers, chronographs (timepieces), watch bands, dials (timepieces), boxes and cases for timepieces and jewelry, watch movements and their parts; jewelry, jewelry items; precious stones and semi-precious stones; precious metals and alloys thereof; pins (jewelry).

(260) AM 2023 119396 A

(800) 1682768

(151) 2022 01 28

(891) 2022 01 28

(731) ÖMER FARUK YILDIRIM

BEŞEVLER CAD. BEŞEVLER MAH.,

YILDIRIM SİTESİ C BLOK K:2 D:4, Nilüfer,

Bursa, Türkiye

(540)



MARJINAL

PREMIUM HOOKAH TOBACCO

(591) Black, white

(531) 02.01.01; 02.01.04; 02.01.23; 03.07.17;

27.05.10

(511)

34 – Tobacco, chewing tobacco, cigarettes, cigars; smokers' articles including those made of precious metals, pipes, mouthpieces for cigars and cigarettes, ashtrays, tobacco boxes, pocket apparatus for rolling cigarettes, cigarette paper, tobacco pipes, firestones, lighters for smokers; electronic cigarettes and their cartridges; matches.

35 – Advertising, marketing and public relations; organization of exhibitions and trade fairs for commercial or advertising purposes; development of advertising concepts; provision of an online marketplace for buyers and sellers of goods and services; office functions; secretarial services; arranging newspaper subscriptions for others; compilation of statistics; rental of office machines; systemization of information into computer databases; telephone answering for unavailable subscribers; business management, business administration and business consultancy; accounting; commercial consultancy services; personnel recruitment, personnel placement, employment agencies, import-export agencies; temporary personnel placement services; auctioneering; the bringing together, for the benefit of others, of a variety of goods, namely, tobacco, chewing tobacco, cigarettes, cigars, smokers' articles including those made of precious metals, pipes,

mouthpieces for cigars and cigarettes, ashtrays, tobacco boxes, pocket apparatus for rolling cigarettes, cigarette paper, tobacco pipes, firestones, lighters for smokers, electronic cigarettes and their cartridges, matches, enabling customers to conveniently view and purchase those goods, such services may be provided by retail stores, wholesale outlets, by means of electronic media or through mail order catalogues.

(260) AM 2023 119397 A

(800) 1682772

(151) 2022 05 06

(891) 2022 05 06

(731) Shenzhen Baanool Robot Co., Ltd.

5/F, Block 22, An'le Industrial Zone, NO. 15
Guankou 2nd Road, Anle community, Nantou
sub-district, Nanshan district, Shenzhen,
Guangdong, China

(540)

BAANOOL

(591) Black, white

(531) 27.05.01; 27.05.17

(511)

7 – Floor scrubbing machines; rechargeable sweepers; electric cordless sweepers; machines and apparatus for cleaning, electric; cordless vacuum cleaners; electric window cleaning machines; garbage disposal units; road sweeping machines, self-propelled; industrial robots; conveyors [machines].

9 – Teaching robots; security surveillance robots; wearable smartphones; wearable activity trackers; electronic devices used to locate lost articles employing the global positioning system or cellular communication networks; Global Positioning System [GPS] apparatus; humanoid robots with artificial intelligence for use in scientific research; smartwatches [data processing apparatus]; smartphone software applications, downloadable.

35 – Advertising; business management and organization consultancy; providing commercial information and advice for consumers in the choice of products and services; negotiation and conclusion of commercial transactions for third parties; providing business information via a web site; import-export agency services; sales promotion for others; provision of an online marketplace for buyers and sellers of goods and services; procurement services for others [purchasing goods and services for other businesses]; updating and maintenance of data in computer databases.

(260) AM 2023 119398 A

(800) 1682780

(151) 2022 05 13

(891) 2022 05 13

(731) AIRSCREAM AUSTRALIA PTY LTD.

10 FEATHER PLACE, POINT COOK VIC
3030, Australia;

AIRSCREAM UK LIMITED

ASHVILLE PARK, SHORT WAY,

THORNBURY, Bristol BS35 3UU, United
Kingdom

(540)

AirsPops

(591) Black, white

(511)

34 – Personal oral vaporizers for smokers; electronic cigarettes; flavourings, other than essential oils, for tobacco; liquid solutions for use in electronic cigarettes; cartridges for electronic cigarettes; cartridges sold filled with chemical flavorings in liquid form for electronic cigarettes; chemical flavorings in liquid form used to refill electronic cigarette cartridges; electronic cigarette atomizers; electronic cigarette cartomizers; electronic cigarette liquid [e-liquid] comprised of propylene glycol; electronic cigarette liquid [e-liquid] comprised of flavorings in liquid form used to refill electronic cigarette cartridges; electronic cigarette liquid [e-liquid] comprised of vegetable glycerin; electronic cigarettes; electronic cigars; electronic nicotine inhalation devices; flavourings, other than essential oils, for use in electronic cigarettes; inhalers for use as an alternative to tobacco cigarettes; liquid solutions for use in electronic cigarettes; oral vaporizers for smokers; refill cartridges for electronic cigarettes; smokeless cigarette vaporizer pipes; smoking sets for electronic cigarettes; tobacco tar for use in electronic cigarettes.

(260) AM 2023 119399 A

(800) 1682816

(151) 2022 04 14

(891) 2022 04 14

(731) Euro Games Technology Ltd.

"Maritsa" Str. 4, "Vranya-Lozen-Triugulnika",
BG-1151 Sofia, Bulgaria

(540)

Pearls of Wealth

(591) Black, white

(511)

9 – Software; computer gaming software; computer software packages; computer operating system software; computer software, recorded; software drivers; virtual reality software; games software; entertainment software for computer games; computer programs for network management; operating computer software for main frame computers; monitors (computer hardware); computer hardware; apparatus for recording images; monitors (computer programs); computer game programs; computer programs for recorded games; apparatus for recording, transmission or reproduction of sound or images; communications servers [computer hardware]; electronic components

for gambling machines; computer application software featuring games and gaming; computer software for the administration of on-line games and gaming; computer hardware for games and gaming; hardware and software for gambling, gambling machines, gambling games on the Internet and via telecommunication network.

28 – Gaming machines for gambling; chips for gambling; mah-jong; arcade games; gambling machines operating with coins, notes and cards; games; electronic games; parlor games; gaming chips; gaming tables; slot machines [gaming machines]; LCD game machines; slot machines and gaming devices; coin-operated amusement machines; roulette chips; poker chips; chips and dice [gaming equipment]; equipment for casinos; roulette tables; gaming roulette wheels; casino games; automats and gambling machines; coin-operated machines and/or electronic coin-operated machines with or without the possibility of gain; boxes for coin-operated machines, slot machines and gaming machines; electronic or electrotechnical gaming devices, automats and machines, coin-operated machines; housings for coin-operated machines, gaming equipment, gaming machines, machines for gambling; electropneumatic and electrical gambling machines (slot machines).

41 – Gambling; services related to gambling; gaming services for entertainment purposes; casino, gaming and gambling services; training in the development of software systems; provision of gaming equipment for gambling halls; providing casino equipment [gambling]; gaming machine entertainment services; providing casino facilities [gambling]; halls with gaming machines; amusement arcade services; games equipment rental; rental of gaming machines; providing amusement arcade services; rental of gaming machines with images of fruits; editing or recording of sounds and images; sound recording and video entertainment services; hire of sound reproducing apparatus; provision of gaming equipment for casinos; providing of casino facilities; online gambling services; casino management services; operation of gaming establishments, gaming halls, Internet casinos, online gambling sites.

(260) AM 2023 119400 A
(800) 1682835
(151) 2022 03 24
(891) 2022 03 24
(731) Passaggio Obbligato S.p.A.
Piazza Cavour 3, Milano, Italy
(540)

NARAMILANO

(591) Black, white
(511)

18 – Luggage, bags, wallets and carrying bags; leather and imitations of leather.

25 – Clothing; footwear; parts of clothing, footwear and headgear included in this class; shirts.

(260) AM 2023 119401 A
(800) 1682847
(151) 2022 02 24
(891) 2022 02 24
(731) 1. MR. NARPAT LAL S/O NEMARAM, 2.
MR. HANS RAJ S/O NEMA RAM.
101, Shree White Heights Apartment,
Saraswati Nagar, Hirawadi Road, Panchavati,
Nashik, Maharashtra 422003, India

(540)

Neeta

(591) Black, white
(531) 27.05.01
(511)
3 – Henna for cosmetic purposes; kali mehendi being hair dyeing preparations; hair dye; hair colourants; nilgiri oil being essential oils.

(260) AM 2023 119402 A
(800) 1682848
(151) 2022 03 08
(891) 2022 03 08
(731) Qingdao Yeelink Information Technology Co.,
Ltd
Room B4, Floor 10, Building B, Qingdao
International Innovation Park, No. 1 Keyuanwei
One Road, Laoshan District, Qingdao,
Shandong, China

(540)



(591) Black, white
(531) 26.13.25
(511)
9 – Switches, electric; power switch; lighting switches; flashing lights [luminous signals]; traffic-light apparatus [signalling devices]; rotating signaling lights.

(260) AM 2023 119403 A
(800) 1682865
(151) 2022 03 11
(891) 2022 03 11
(731) Insurance Auto Auctions, Inc.
Suite 500, Two Westbrook Corporate Center,
Westchester IL 60154, USA

(540)

IAA AUCTIONNOW

(591) Black, white

(511)

35 – Auctioneering services, namely, holding auctions open exclusively to registered buyers composed principally of licensed dealers and automobile dismantlers, of salvaged and severely damaged vehicles provided via downloadable computer, mobile and tablet applications.

(260) AM 2023 119404 A

(800) 1682868

(151) 2022 03 10

(891) 2022 03 10

(731) JINAN SHENGQUAN GROUP SHARE-HOLDING CO., LTD.

Industrial and economic development zone,
Diao town, Zhangqiu City, Jinan City,
Shandong, China

(540)



(591) Black, white

(531) 26.05.01; 26.05.12; 26.05.24; 27.05.01; 28.03

(511)

22 – Raw silk; silk cords [ropes]; raw fibrous textile; tarpaulins; padding and stuffing materials, not of rubber, plastics, paper or cardboard; vehicle covers, not fitted; textile fibres; sacks for the transport and storage of materials in bulk; awnings of textile; network.

23 – Polyethylene monofilament yarn for textile use; silk thread and yarn; filament yarn; woollen thread and yarn; rayon thread and yarn; spun silk; stretch yarn (for textile); rayon; silk yarn for textile use.

25 – Hosiery; clothing; shoes; underwear; gloves [clothing]; girdles; hats; scarves; wedding dresses; layettes [clothing].

(260) AM 2023 119405 A

(800) 1682876

(151) 2022 05 23

(891) 2022 05 23

(731) August Storck KG

Waldstrasse 27, 13403 Berlin, Germany

(540)

Lamoon

(591) Black, white

(511)

30 – Sweets; confectionery; fruit gums; chocolate foam kisses being confectionery; chocolate; chocolate products; pastries; ice-cream; popcorn; preparations for making the aforementioned products, included in this class.

(260) AM 2023 119406 A

(800) 1682983

(151) 2022 01 06

(891) 2022 01 06

(731) CTS Eventim AG & Co. KgaA

Rablstraße 26, 81669 München, Germany

(540)

EVENTIM

(591) Black, white

(511)

9 – Sound and image carriers (included in this class) and data carriers of all kinds, in particular audio and video tapes, audio and video cassettes, CDs, records, DAT tapes, video tapes, magnetic data carriers, audio/video discs and DVDs, floppy disks, CDs-ROMs, all the aforesaid goods in recorded and unrecorded form; apparatus for recording, transmission or reproduction of sound or images; sound or video recordings and downloadable publications; mini disks; laser discs; video recordings, motion pictures and motion pictures for television broadcasting recorded on digital data carriers; data processing hardware, data processing equipment and computers; computer programs, software and software applications [apps]; application software for mobile telephones; computer software and firmware; multimedia software and devices for computers; interactive game software; game software for video and computer games, video game cartridges and cassettes; computer software for gaming machines and slot machine games; software programs for video games; computer software, magnetic and optical program data carriers supplied in electronic form online or via the internet; digital recordings of images, music, sound recordings and other artistic performances provided via the internet; mousepads for computers; telecommunication apparatus; ticket dispensers; ticket printers; ticket canceling machines; hardware for access systems and payment systems; coin-operated mechanisms; spectacles; spectacle cases; sunglasses.

16 – Paper; cardboard; printed matter; printed publications; magazines [periodicals]; periodicals; books; promotional literature; printed programmes; program leaflets; concert posters; posters; banner; flyers; handouts; leaflets; tickets; passes; entry forms; photographs [printed]; stickers [stationery]; greeting cards; postcards; note books; calendars; planners; diaries; mats for beer glasses; coasters; all of the aforesaid goods made from paper materials or cardboard; transfers

[decals, stickers]; stationery; folders; plastic materials for packaging, included in this class.

35 – Advertising; business management; public relations services; business administration; office functions; radio advertising; rental of sales stands; retail services, including online, in relation to name tags, keys, key blanks, identification plates of metal, locks (except electric), figures of metal, statues and statuettes, tin cans of metal, recorded and unrecorded audio, video and data carriers of all kinds, in particular audio and video tapes, audio and video cassettes, CDs, records, DAT tapes, video tapes, audio-video disks and DVDs, floppy disks, CD-ROMs, sound recorders, sound or image recordings and publications, mini discs, laser discs, audio cassettes, magnetic tapes, video recordings recorded on digital data carriers, motion pictures and motion pictures for television broadcasting, video games for use with televisions, computer software and firmware, multimedia products for computers, interactive games, game software for video and computer games, video game cartridges and cassettes, game equipment for playing a computer game, computer software for gaming machines and slot machine games, software for video games, computer software provided in electronic form online or via the internet, magnetic and optical program data carriers, digital recordings of images, music, sound recordings and other artistic performances provided via the internet, mouse pads for computers, glasses, glasses cases, sunglasses, key rings and key chains made wholly or principally of common metal; retail services, including online, of paper, cardboard, printed matter, printed publications, magazines [periodicals], periodicals, books, advertising brochures, programs and booklets, concert posters, posters, banners, flyers, handouts and leaflets, entry forms, photographs, stickers, greeting cards and postcards, notebooks, calendars, planners and diaries, beer mats and coasters, all of the aforesaid goods made from paper materials or cardboard; retail services, including online, of removable tattoos, stationery, folders, plastic packaging material, leather and imitations of leather, hides, trunks and traveling bags, umbrellas, parasols, walking sticks, clothing, footwear, headgear, T-shirts, sweatshirts, sweatpants, sweaters, suits, jerseys, vests, headscarves, shirts, hats, caps, baseball caps, gloves, stockings, slippers, dressing gowns, underwear, capes, jeans, pajamas, children's clothing, pullovers, jogging suits, bomber jackets, waterproof clothing, windbreakers, overcoats, jackets, socks, rugby shirts, fleece tops [clothing], belts, polo shirts, dresses, hosiery, swimwear, shorts, blouses, sweaters, cardigans, coats, pants, mini skirts, aprons, stoles, overalls, dance wear, leotards, leggings, shoes, boots, training shoes, sandals, bandanas, scarves, ties, bow ties, wall hangings from paper or cardboard, fruit beverages, fruit juices, syrups for making beverages, preparations for making beverages, beers, mineral waters and other non-alcoholic beverages; services of an agency of performing artists,

namely, talent agency services including booking of disc jockeys [business management of performing artists]; arranging and concluding commercial transactions for others, arranging contracts for the purchase and sale of goods and provision or acceptance of services, including all of the aforesaid services in connection with communications networks; marketing services for cultural, artistic, leisure, social and sporting activities and events of all kinds; retail services, including online, in relation to tickets; database management services, namely collecting, processing, archiving, analyzing and updating of business data; professional business consultancy for franchising concepts; commercial information and advice for consumers in the choice of products and services; computerized file management; administrative data processing; telemarketing services; event marketing; commercial administration of the licensing of the goods and services of others; sponsorship search consultancy services; arranging and conducting of promotional and marketing events; arranging and conducting of advertising events; sales promotion for others; promoting the goods and services of others through advertisements on internet websites; rental of advertising space on the internet; arranging of trade and business contacts, also via the internet; auctioneering services provided on the internet; management of data in computer databases in connection with sponsorship brokering; systematic ordering and collation of data in computer databases; updating of data in computer databases; commercial intermediary services; arranging business contacts, in particular of individuals, groups of people, organizations, in particular at events, by an individual, an organization or a commercially oriented company in the form of money, goods and services for commercial or marketing purposes; management of customer loyalty programs; providing information relating to commercial intermediation between sponsors and organizers; corporate communications services; professional business and organizational consultancy in relation to communication strategy in connection with digital media; planning and development of marketing concepts relating to sports and entertainment events; operation of ticket sales points for travel tickets; ticket agency services relating to trade fairs; reservation of tickets for trade fairs.

39 – Passenger transport; shuttle service; arranging of transportation for travel tours; arranging trips to events and leisure activities; booking and/or issuing of travel tickets as well as reservation services for travel and public and private transport (bus, train, plane, ferry).

41 – Entertainment and recreational services; arranging and conducting entertainment events and performing arts festivals; arranging and conducting entertainment, educational, cultural and sporting events for charitable purposes; artistic and musical entertainment services; festival services; performance of music, dan-

ce, comedy, theater, poetry and circus entertainment, including such services provided online from a computer database or via the internet; entertainment in clubs; operation of night clubs [events] and organization of night club events; recording studio services; rental of audio and video equipment; arranging and conducting musical events, shows, concerts, festivals, performances and live performances by bands; compilation of radio and television programmes; movie studio services; videotape production; production and presentation of radio and film reports, sound recordings, image recordings, videos, films, concerts, shows; music composition services; production of music; providing online electronic, non-downloadable publications containing information about all of the aforesaid services from a computer database or via the internet; music and text publications; music and visual entertainment provided online from a computer database or via the internet; providing digital music via the internet; providing electronic games via the internet or other online services; information, education and advice in connection with all of the aforesaid services, including from a computer database or via the internet; ticket agency services [entertainment]; pre-reservation and pre-booking services for tickets for concerts, shows, and other events; ticket agency services relating to concerts, musicals, shows, presentations, conferences, meetings, workshops, educational and training events, entertainment events, cultural events, museums, theaters, exhibitions, art events, leisure and sporting events, social events, food and/or drink testing events, get-to-know-you parties, virtual events such as streaming, video-on-demand, and other online or non-live events; reservation of tickets for concerts, musicals, shows, presentations, conferences, meetings, workshops, educational and training events, entertainment events, cultural events, museums, theaters, exhibitions, art events, leisure and sporting events, social events, food and/or drink testing events, get-to-know-you parties, virtual events such as streaming, video-on-demand, and other online or non-live events; booking and reservation services for tickets and seat reservations for concerts, shows and other events.

42 – Maintenance of computer software; provision of technical consultancy related to planning and design of information technology systems (software and hardware) for business franchises; design and development of computers and computer programs; data mining; it services for the installation and maintenance of networks [software]; platform hosting; programming of software for information platforms; programming of software applications for the internet and mobile phones; software as a service [SaaS] and software as a platform [SaaS].

43 – Accommodation and catering services; catering and accommodation services for guests in the context of sports and entertainment events; providing food

and drink [catering services] in sports events, concerts, conventions and exhibitions; accommodation and catering services for guests as part of sports and entertainment events; rental of tents and providing temporary accommodation at tent sites; reservation services for hotels, guest rooms and apartments for temporary accommodation; ticket agency services relating to dining events; reservation of tickets for dining events.

45 – Licensing, sub-licensing of computer-supported accounting systems; exploitation of industrial property rights and copyrights through licensing for merchandising purposes.

(260) AM 2023 119407 A

(800) 1682985

(151) 2022 05 14

(891) 2022 05 14

(731) BWT Holding GmbH

Walter Simmer-Straße 4, A-5310 Mondsee,
Austria

(540)



(591) Turquoise and black

(531) 01.15.15; 26.01.04; 26.01.24; 26.13.25;

27.05.01; 27.05.10; 29.01.13

(511)

7 – Swimming pool equipment, namely circulating pump installations (machines and parts of machines); pneumatically operable valves; swimming bath cleaning machines; pumps [machines], in particular pumps for counter-current swimming; attrition machines for cleaning; filtering machines; swimming pool cleaning machines; robotic swimming pool cleaning machines; robotic cleaning machines; reeling apparatus, mechanical; parts and fittings of the aforesaid goods, not included in other classes; membrane filters for use as parts of machines; brushes [parts of machines] for swimming pool cleaning; tubes being fitted parts of machines for swimming pool cleaning machines; filters being parts of machines.

9 – Pool alarms; radio buoys; mobile apps; software for monitoring, analysing, controlling and running physical world operations; measuring, detecting, monitoring and controlling devices; thermometers.

11 – Shower columns (shower panels); heating apparatus for swimming pools; water conduits installations; shower heads; water distribution installations; regulating and safety accessories for water apparatus; water purifying apparatus and machines; distributors, not included in other classes, for disinfectants or for means of regulating the ph or salinity of water; lighting apparatus and installations for swimming pools; swimming pool chlorinating apparatus; sterilizers;

water supply installations; regulating accessories for water apparatus and pipes; taps for pipes and pipelines; decorative fountains, sprinkler and irrigation systems; solar water heaters; thermal storage instruments [solar energy] for heating.

21 – Brushes for swimming pools; brooms for swimming pools; hand-operated skimmers (cleaning utensils) for cleaning swimming pools; handles as parts of brushes and skimmers (cleaning utensils) for cleaning swimming pools, not included in other classes; handles as parts of non-electric pool sweepers for manual cleaning of swimming pools, not included in other classes.

(260) AM 2023 119408 A

(800) 1682989

(151) 2022 05 25

(891) 2022 05 25

(731) FURKAN ATILGAN

TANTAVI MAH. ESTERGAN CAD.,

NO:14 ÜMRANIYE, İSTANBUL, Türkiye

(540)



(591) Red and black

(531) 26.13.25; 29.01.12

(511)

12 – Motor land vehicles, motorcycles, mopeds; engines and motors for land vehicles; clutches for land vehicles; transmissions, transmission belts and transmission chains for land vehicles; gearing for land vehicles; brakes, brake discs and brake linings for land vehicles; vehicle chassis, automobile bonnets, vehicle suspension springs, shock absorbers for automobiles, gearboxes for land vehicles, steering wheels for vehicles, rims for vehicle wheels; bicycles and their bodies; handlebars and mudguards for bicycles; vehicle bodies; tipping bodies for trucks; trailers for tractors; frigorific bodies for land vehicles; trailer hitches for vehicles; vehicle seats; head-rests for vehicle seats; safety seats for children, for vehicles; seat covers for vehicles; vehicle covers (shaped); sun-blinds adapted for vehicles; direction signals and arms for direction signals for vehicles; windscreen wipers and wiper arms for vehicles; inner and outer tires for vehicle wheels; tubeless tires; tire-fixing sets comprised of tire patches and tire valves for vehicles; windows for vehicles, safely windows for vehicles, rearview mirrors and wing mirrors for vehicles; anti-skid chains for vehicles; luggage carriers for vehicles; bicycle and ski carriers for cars; saddles for bicycles or motorcycles; air pumps for vehicles, for inflating tires; anti-theft al-

arms for vehicles, horns for vehicles; safety belts for vehicle seats, air bags (safety devices for automobiles); baby carriages, wheelchairs, pushchairs; wheelbarrows; shopping carts; single or multi-wheeled wheelbarrows; shopping trolleys; grocery carts; handling carts; rail vehicles; locomotives; trains; trams; waggons; cable cars; chairlifts; vehicles for locomotion by water and their parts, other than their motors and engines; vehicles for locomotion by air and their parts, other than their motors and engines.

(260) AM 2023 119409 A

(800) 1683019

(151) 2022 08 12

(891) 2022 08 12

(731) FibroGen, Inc.

409 Illinois Street, San Francisco CA 94158,

USA

(540)

RIVZEPRI

(591) Black, white

(511)

5 – Pharmaceutical preparations for the treatment of chronic fibrotic and proliferative disorders; pharmaceutical preparations for the treatment of cancer, muscular dystrophy and idiopathic pulmonary fibrosis.

(260) AM 2023 119420 A

(800) 1683438

(151) 2022 08 12

(891) 2022 08 12

(731) Kurchyna Olena Hennadiivna

vul. Drahomyrova, 18A, kv.35, m. Kyiv,

01003, Ukraine

(540)

DISAL

(591) Black, white

(511)

5 – Antiseptics; germicides; bacterial preparations for medical use; bacteriological preparations for medical use; biological preparations for medical purposes; biocides; disinfectants; disinfectants for hygiene purposes; antibacterial handwashes; antibacterial soap; disinfectant soap; fungicides.

(260) AM 2023 119421 A

(800) 1683469

(151) 2022 06 20

(891) 2022 06 20

(731) Shanghai Tobacco Group Beijing Cigarette

Factory Co., Ltd.

No. 99, WanSheng NanJie TongZhou District,

101121 Beijing, China

(540)

中南海

(591) Black, white

(531) 28.03

(511)

34 – Tobacco; cigarettes; cigars; cigarette case, non-precious metals; ashtray of non-precious metal; matches; lighters for smokers; cigarette filter; cigarette paper; tobacco pipes.

(260) AM 2023 119422 A

(800) 1683490

(151) 2022 04 04

(891) 2022 04 04

(731) Bezer Iurie

Str. Ghidighici nr.3/14, MD-2069 Chişinău,
Republic of Moldova

(540)

Life's code

(591) Black, white

(511)

5 – Pharmaceuticals, medical and veterinary products; sanitary preparations for medical purposes; dietetic substances and foods for veterinary use; dietary supplements for animals; plasters, materials for dressing; materials for stopping teeth, dental wax; disinfectants; preparations for destroying vermin; fungicides, herbicides; all the aforesaid goods, with the exception of vitamins and vitamin preparations, medicinal oils, vitamin oils for human consumption.

(260) AM 2023 119423 A

(800) 1683506

(151) 2022 06 23

(891) 2022 06 23

(731) İLHAMÍ AKDENİZ

SEYİDNİZAM MAH. AK EVLER, SİTESİ
NO:12-13, ZEYTİNBURNU, Türkiye

(540)

SteelWay

(591) Black, white

(531) 27.05.01

(511)

25 – Inner-outer clothes, socks, made of all kinds of materials, except those for protective purposes; footwear; headwear.

35 – The bringing together, for the benefit of others, of a variety of goods, enabling customers to conveniently view and purchase those goods, such services may be provided by retail stores, wholesale outlets, by

means of electronic media or through mail order catalogues.

(260) AM 2023 119424 A

(800) 1683507

(151) 2022 04 17

(891) 2022 04 17

(731) Otkry`toe akcionerhoe obshhestvo

"Krasnoyarskij zavod czvetny`x metallov imeni
V.N. Gulidova"

Transportny`j proezd, dom 1, g. Krasnoyarsk,
RU-660123 Krasnoyarskij kraj, Russian
Federation

(540)



(591) Golden gradient, dark grey

(531) 24.09.01; 24.09.14; 27.05.02; 27.05.08;
27.05.21; 29.01.12

(511)

1 – Getters [chemically active substances]; catalysts.

14 – Jewelry; jewellery; precious metals, unwrought or semi-wrought.

42 – Engineering; scientific research.

(260) AM 2023 119425 A

(800) 1683551

(151) 2022 04 07

(891) 2022 04 07

(731) Six Continents Limited

Broadwater Park, Denham, Buckinghamshire
UB9 5HR, United Kingdom

(540)

IHG ONE REWARDS

(591) Black, white

(511)

35 – Customer loyalty services for commercial, promotional and/or advertising purposes; customer incentive program services; administration of customer loyalty program; administration of customer incentive programs; promoting hotel, resort, travel, and vacation services through a customer loyalty program; promoting hotel, resort, travel, and vacation services through a customer incentive program.

(260) AM 2023 119426 A

(800) 1683609

(151) 2022 05 31

(891) 2022 05 31

(731) Seylانه sabz Manufacturing and commercial Co

No.1, Alley 1st, Apadana St, Golshan St,
Sohrevardi Ave, Tehran, Islamic Republic of
Iran

(540)

دافی
DAFI

(591) Black, white

(531) 28.01

(511)

3 – Herbal extracts for cosmetic purposes; body creams; non-medicated mouthwashes; cleansing and moisturizing creams, oils, lotions and preparations; body cream; face cream; soaps; cotton pads for cosmetic use; hair straightening treatments; hair dyeing preparations; deodorants and anti-perspirants for personal use; eye shadow; cosmetic creams, lotions and other preparations for sun tanning; herbal distillates; nail care preparations; aftershave gels; hair wax; emollient repair creams for daily skin care; after shave moisturizing milk; lotions for face and body care; liquid dentifrices; hydrogen peroxide for cosmetic purposes; hair oil; sun creams; hair strengthening treatment lotions; hair care preparations; cosmetic powder; sunscreen lotions for cosmetic purposes; eyebrow pencils; aromatherapy oils; face milk and lotions; eye cream; aromatic oils; cloths impregnated with a detergent for cleaning; make-up pencils; antiperspirants [toilettries]; non-medicated skin serums; body creams [cosmetics]; hair conditioner; eyeliners; after-shave lotion; baby shampoo; tooth whitening gels; cream for whitening the skin; cleansing milk for toilet purposes; gaultheria oil; skin whitening creams; eye makeup remover; facial oils; baby oil; lip gloss; skin emollients; deodorants; non-medicated foot creams; liquid soap; hair sprays; plant distillates; creams for the hair; body lotions; dry shampoo; skin bronzing creams; bath foam; eyebrow styling gels; nail varnish; cleaning foams; hair lotions; eyeliner; body sprays; nail polish; shampoos*; anti-aging cream; hair styling gel; non-medicated foot cream; fumigation preparations [perfumes]; cosmetic creams; preparations for softening and removing stains; essential oils; after-shave creams (non-medicated); washing liquids; body cream for cosmetic use; polishing preparations; skin creams; bleaches for use on the hair; non-medicated preparations for the care of skin, hair and scalp; cosmetic facial cleansers; oils for toilet purposes; cleaning pads impregnated with toilet preparations; dishwashing liquid; lotions for strengthening the nails; hair spray; body lotion; anti-wrinkle cream; mascara; massage creams, not medicated; body spray used as a personal deodorant and as a fragrance; hand masks for skin care; shining preparations; non-medicated soaps for babies; cosmetic oils for the skin; skin lightening compositions [cosmetics]; hair styling preparations; moisturising skin creams [cosmetics]; shampoos and conditioners;

oils for cleaning purposes; skin emollients for cosmetic purposes; eye masks for cosmetic purposes; shaving gel; body firming creams; herbal cosmetics; mascara; varnish-removing preparations; cosmetics for eyelashes; ethereal oils; denture cleaning preparations; moisturizing creams; baby lotion; oils for perfumes and scents; face masks [cosmetics]; hair dyes; antiperspirants; hair masks; oxidizing drain cleaners; lipsticks; paint removers; sunscreen; eye shadow; hair dye; baby lotion; cosmetic creams and gels for the face, hands and body; eyebrow pencils; hair shampoos and conditioners; cosmetic pencils; sharpening preparations; perfumed creams; lipsticks; skin lotions; cosmetics for bronzing the skin; perfumes; hair gel; toilet water; after-shave lotions; tooth powders; shampoos; lip liner; cleaning pads impregnated with cosmetics; baby oil; cosmetic preparations for eyelashes; cosmetic preparations for skin care; skin lighteners; essential vegetable oils; hair dyes; skin cleansing foams; shampoos for the hair; hair curling preparations; cosmetic preparations for skin care and skin treatment; topical skin sprays for cosmetic purposes; aftershave lotions; essential oils for use in the manufacture of scented products; cosmetic creams, milks, lotions, gels and powders for the face, hands and body.

(260) AM 2023 119427 A

(800) 1683615

(151) 2022 06 27

(891) 2022 06 27

(731) BETAFARMA S.P.A.

Via E. de Nicola 10, I-20090 Cesano Boscone
(MI), Italy

(540)

BETADENT

(591) Black, white

(511)

3 – Dentifrices.

5 – Medicated mouthwashes; periodontal gels for medical use; medicinal sprays for oral use, diagnostic preparations for medical purposes for detecting tartars and plaques, adhesives for dentures; disinfectant tablets for prostheses.

(260) AM 2023 119428 A

(800) 1683619

(151) 2022 06 28

(891) 2022 06 28

(731) ATA SİLAH SANAYİ ANONİM ŞİRKETİ

ALEMDAĞ MAH/SEMT ELMALI, SK. 5 A 1,
Çekmeköy, İstanbul, Türkiye

(540)

TURQUA

(591) Black, white

(511)

13 – Firearms, air pistols, and spring-loaded firearms and adapted cases and shoulder straps therefor; heavy weapons, namely, tank guns and cannons, mortars being firearms, and rockets.

(260) AM 2023 119429 A

(800) 1683621

(151) 2022 06 29

(891) 2022 06 29

(731) RAUCH Fruchtsäfte GmbH

Langgasse 1, A-6830 Rankweil, Austria

(540)

Limessa

(591) Black, white

(511)

30 – Coffee, tea, cocoa and coffee substitutes; coffee-based beverages; tea drinks; tea-based beverages; iced tea; beverages made on the basis of tea, coffee, cocoa or chocolate; chocolate-based beverages; cocoa-based beverages; coffee beverages with milk; coffee-based beverages with milk; cappuccino; macchiato; latte-macchiato; iced coffee; vinegar; tea-based beverages with fruit taste or fruit flavouring; fruit teas; green tea; beverages based on green tea.

32 – Beer; shandy; beer-based beverages; waters; mineral and aerated waters; non-alcoholic beverages; juices; fruit beverages and fruit juices; apple juice; orange juice; non-alcoholic beverages made from juice concentrates; nectars; fruit nectars; fruit nectar beverages; vegetable juices, vegetable-based beverages and vegetable juice beverages; syrups and other preparations for making non-alcoholic beverages; energy drinks; lemonades; soft drinks, in particular flavoured with fruit; smoothies; water-based beverages; coconut juice; coconut water; tomato juice; fruit juice concentrates; cocktails, non-alcoholic; isotonic beverages; non-alcoholic beverages containing coffee or flavoured with coffee; must; whey beverages; non-alcoholic beverages with fruit flavouring; syrups for beverages; fruit syrups and other non-alcoholic fruit preparations for making non-alcoholic beverages; non-alcoholic sparkling wine; non-alcoholic beverages flavoured with tea; non-alcoholic beverages flavoured with coffee; non-alcoholic beverages containing tea or tea extracts; alcohol free wine.

(260) AM 2023 119430 A

(800) 1683626

(151) 2022 07 12

(891) 2022 07 12

(731) Tovarishchestvo s ogranichennoy

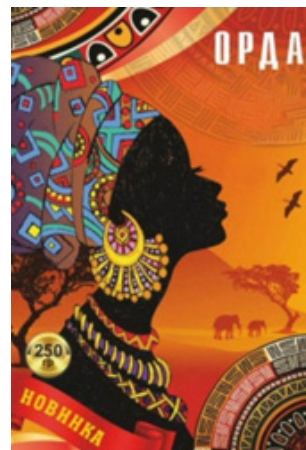
otvetstvennostyu "Orda Trade Astana"

ulitsa Amageldy Imanova, dom 11, n.p. 4,

rayon Baykonyr, 010000 gorod Nur-Sultan,

Kazakhstan

(540)



(591) Black, brown, yellow-brown, pale brown, white, yellow-orange, red-orange, orange, dark orange, apricot, yellow, red, red-brown, blue, green-blue, purple, pink and dark purple

(531) 02.03.04; 03.02.01; 03.07.16; 06.06.01; 25.01.25; 28.05; 29.01.15

(511)

30 – Tea.

(260) AM 2023 119432 A

(800) 1683836

(151) 2022 07 27

(891) 2022 07 27

(731) Jiangsu Baichuan High-Tech New Materials Co., Ltd.

No. 55 Jianshe Road, Yunting District, Jiangyin City, Jiangsu Province, China

(540)

BCCHEM

(591) Black, white

(531) 27.05.01

(511)

1 – Acetone; spirits of vinegar [dilute acetic acid]; formic acid; formic aldehyde for chemical purposes; caustic soda for industrial purposes; sulfuric acid; cobalt oxide for industrial purposes; trimellitic anhydride; acetic acid, sodium salt trihydrate; sodium formate; toluol; trimethylolpropane; di-trimethylolpropane; propylene glycol monomethyl ether; n-methylpyrrolidone; ethyl acetate; propyl acetate; n-butyl acetate; tri- (2-ethylhexyl) trimellitate; propylene glycol monomethyl ether acetate; graphite for industrial purposes; iron (iii) phosphate tetrahydrate; lithium iron phosphate; lithium carbonate; nickel cobalt manganese hydroxide; cobalt sulfate heptahydrate; brimstone; carbon; carbon powder for battery; ammonium sulphate; sodium sulfate; acrylate; trimethylolpropane triacrylate; tripropylene glycol diacrylate; 1, 6-hexanediol diacrylate; ethoxylated trimethylolpropane triacrylate; pentaerythritol; sodium polyacrylate; sodium acrylate; trimethyl trimellitate.

(260) AM 2023 119433 A

(800) 1683852

(151) 2022 02 04

(891) 2022 02 04

(731) COOP ITALIA SOCIETA' COOPERATIVA

VIA DEL LAVORO 6-8, I-40033

CASALECCHIO DI RENO BO, Italy

(540)



(591) Red

(531) 27.05.01; 27.05.17; 27.05.19; 29.01.01

(511)

3 – Fabric softeners for laundry use; perfumed tissues; face wipes; wipes incorporating cleaning preparations; baby wipes; moist wipes for sanitary and cosmetic purposes; impregnated cleaning pads impregnated with toilet preparations; wipes impregnated with a skin cleanser; baby wipes impregnated with cleaning preparations; cotton wool in the form of wipes for cosmetic use; paper hand towels impregnated with cosmetics; disposable wipes impregnated with cleaning compounds for use on the face; cosmetics for children; biological laundry detergents; detergents; cleansing masks; washing creams; cleansing lotions; cleansing gels; cleaning sprays; cleansing oil; cleansing mousse; cleansing balm; dishwasher detergents; toilet cleaners; cleansers for household purposes; cloths impregnated with a detergent for cleaning; facial washes [cosmetic]; skin cleansing lotion; cakes of soap for body washing; skin cleansing cream; facial cleansers [cosmetic]; cleansing products for the eyes; cleansing milks for skin care; feminine hygiene cleansing towelettes; tooth cleaning preparations; cleansers for intimate personal hygiene purposes, non medicated; vaginal washes for personal sanitary or deodorant purposes; paper hand towels impregnated with cleaning agents; toothpaste; all-purpose cotton buds for personal use; cotton swabs impregnated with make-up removing preparations; impregnated paper tissues for cleaning dishware; impregnated tissues for cleaning [non-medicated, for use on the person]; bath foam; foaming bath gels; shower and bath foam; baby bubble bath; shampoos; shampoos; aftershave balms; conditioning creams; lip balms [non-medicated]; baby hair conditioner; baby powder; baby oils; baby lotions; baby shampoo; baby suncreams; baby body milks; body mask cream; hair masks; hair care masks; beauty masks; tissues impregnated with make-up removing preparations; pre-moistened cosmetic wipes; deodorant soap; litter tray cleaners incorporating a deodorizer; cotton wool for cosmetic purposes; cotton wool impregnated with make-up removing preparations; cotton balls for cosmetic purposes; depilatory lotions; depilatory wax; depilatory creams; preparations for cleaning dentures; shaving foam; sun creams; cosmetics; functional cosmetics; natural cosmetics;

baby wipes impregnated with cleaning products; baby wipes soaked in cleaning products; facial cleansers [for cosmetic use].

5 – Breast-nursing pads; breastfeeding pads; disposable paper baby diapers; disposable cellulose diapers for children; homogenized food adapted for medical purposes; sanitizing wipes; impregnated antiseptic wipes; disinfectants impregnated into tissues; impregnated medicated wipes; infant formula; beverages for infants; food for babies; dietetic preparations for children; dietary supplements for infants; paper diapers; babies' diapers; dietetic foods adapted for infants; food for babies and infants; menthol vapor bath preparations for babies; disposable swim diapers for children and infants; food preparations for babies and infants; powdered milk foods for infants; powdered milk for babies and infants; probiotic supplements; cleansing solutions for medical use; antibacterial facial cleanser; nutritional supplements; vitamin supplements; mineral dietary supplements; medicated food supplements; dietary and nutritional supplements; mineral nutritional supplements; food supplements in liquid form; nutraceuticals for use as a dietary supplement; vitamin preparations in the nature of food supplements; medicated dental rinses; sanitary towels; absorbent articles for personal hygiene; cotton swabs for medical purposes; tissues impregnated with antibacterial preparations; moist wipes impregnated with a pharmaceutical lotion; disposable diapers; diapers for incontinence; adult diapers; disposable training pants [diapers]; disposable training pants of cellulose for infants; nappies for babies and incontinents; babies' diaper-pants; disposable pants of paper for holding a babies napkin in place; pantyliners; medicated baby oils; babies' creams [medicated]; medicated baby powders; lacteal flour for babies; powdered milk for babies; lactose free infant's formula; flour for pharmaceutical purposes; tisanes [medicated beverages]; herbal teas for medicinal purposes; adhesive plasters; pharmaceutical drugs; medicines for veterinary purposes; air freshener sprays; absorbent cotton; antiseptic cotton; cotton for medical purposes; alcohol-based antibacterial skin sanitizer gels.

29 – Almonds, ground; processed almonds; jams; jellies for food; jellies, jams, compotes, fruit and vegetable spreads; organic milk; mozzarella sticks; ham; prosciutto; preserved vegetables (in oil); meat; tuna in oil; fish, not live; cheese; cream cheese; prostokvasha [soured milk]; lactose-free milk and milk products; yoghurt; flavoured yoghurts; drinking yogurts; yogurt drinks; yoghurt desserts; soya yoghurt; soya milk; soy-based snack foods; powdered soya milk; dried fruit; dried fruit-based snacks; nut-based snack foods; smoked salmon; olive oil; extra virgin olive oil for food; olive oil for food; sunflower oil for food; eggs; salami; fish sausages; roasted peanuts; white of eggs; powdered egg whites; meat spreads; cooked fruits; fruit, preserved; vegetables, processed; vegetables, co-

oked; peeled vegetables; vegetables, dried; drinks made from dairy products; fruit desserts; desserts made from milk products; milk ferments for culinary purposes; soups and broths; jellies, jams, compotes; preserved, frozen, dried and cooked fruits and vegetables; pickles; sausages; dried pulses; margarine; hazelnuts, prepared; prepared walnuts; freeze-dried meat; compotes; tomato paste; nut-based spreads; crustaceans, not live; soya beans, preserved, for food; milk shakes; sliced fruit; oat milk; peanut milk; coconut milk; rice milk; soya milk; powdered milk; vegetables, preserved; processed pine nuts; meat, fish, poultry and game; meat extracts; milk and milk products; edible oils and fats; fruit peel; butter; peanut butter; cocoa butter for food; coconut butter; meat, preserved; milk substitutes; tofu; tuna, not live; prepared meat dishes; anchovy fillets; olives, preserved; mushrooms, preserved; pickled hot peppers; pickled vegetables; processed legumes; cut vegetables; grilled vegetables; vegetable pate; vegetable pastes; vegetables, tinned; vegetable puree; salted vegetables; pre-cut vegetables for salads; vegetable-based snack foods; vegetable-based spreads; prepared vegetable dishes; vegetable-based meat substitutes; prepared meals consisting principally of vegetables; vegetable-based concentrate for cooking; cured sausages; gluten free cheeses; ricotta cheese.

30 – Cocoa; cocoa-based beverages; cocoa powder; cocoa mixes; cocoa products; cocoa for use in making beverages; cocoa-based ingredients for confectionery products; coconut meal for human consumption; almond flour; potato flour; starch for food; corn flour; corn starch [for food]; sugar; granulated sugar; candy; icing sugar; pizza mixes; pizza dough mix; mixes for the preparation of bread; wholemeal bread mixes; cereals; cereal flour; ready-to-eat cereals; hot breakfast cereals; cereal preparations; biological honey for human consumption; pies; pizzas; preserved pizzas; pizzas [prepared]; frozen pizzas; pizza bases; shortcrust pastry; dried pasta; puff pastry; fresh pasta; rice; wholemeal rice; meat gravies; mixes for preparing sauces; pasta sauce; gravy mixes in granular form; vinegar; balsamic vinegar; flavoured vinegar; wine vinegar; coffee; tea extracts; tea substitutes; coffee, teas and cocoa and substitutes therefor; tea mixtures; black tea; green tea; chocolate; chocolate desserts; cereal bars and energy bars; filled chocolate bars; chocolate-coated bars; candies; chocolate bars; food mixtures consisting of cereal flakes and dried fruits; snack bars containing a mixture of grains, nuts and dried fruit [confectionery]; crackers; rusks; thin breadsticks; cupcakes; fruited scones; bread rolls; bread and buns; breadcrumbs; rice pasta; rice pulp for culinary purposes; tarts; vegan cakes; fruit cakes; pasta for soups; flour; yeast and leavening agents; semolina; biscuits; biscuits containing fruit; ice, ice creams, frozen yogurts and sorbets; dairy confectionery; herbal teas; herb teas, other than for medicinal use; infusions, not medicinal; tea bags (non-medicated -);

popcorn; coffee capsules, filled; gluten-free pizza; prepared meals containing [principally] pasta; cake mixes; seasoning mixes; flour mixes; cookie mixes; pastry mixes; frosting mixes; dough mix; pandoro; coffee, tea, cocoa and coffee substitutes; tapioca and sago; flour and preparations made from cereals; bread, pastries and confectionery; edible ices; sugar, honey, treacle; yeast, baking-powder; salt; mustard; vinegar, sauces (condiments); spices; ice [frozen water]; coffee flavourings; food flavourings, other than essential oils; oatmeal; beverages (cocoa-based -); coffee-based beverages; coffee based drinks; chamomile-based beverages; chocolate-based beverages; beverages (chocolate-based -); drinking chocolate; tea-based beverages; buns; puddings; capers; caramels [candy]; waffles; chocolate-based spreads; chocolate spreads containing nuts; confectionery; cakes; chewing gum; muesli; husked barley; royal jelly; ravioli; tomato sauce; processed seeds for use as a seasoning; coffee substitutes; frozen yoghurt [confectionery ices]; panettone; pesto [sauce]; alimentary seasonings; spices in the form of powders; flavorings and seasonings; chili oil for use as a seasoning or condiment; condiments; ice cream desserts; mousse confections; chocolate eggs; plumcake; gluten free bakery products; gluten free pasta; gluten-free cookies; gluten-free bread; gluten-free pizza; gluten-free bakery products; gluten-free crackers; prepared meals primarily based on gluten-free pasta.

31 – Almonds [fruits]; organic fresh vegetables; organic fresh fruit; organic fresh herbs; meal for consumption by animals; beverages for pets; foodstuffs for domestic animals; fruit, fresh; fresh pine nuts; raw and unprocessed grains and seeds; natural plants and flowers; live animals; malt; algae for human or animal consumption; berries, fresh; crustaceans, live; grains [cereals]; fresh pulses; nuts [fruits]; aromatic sand [litter] for pets; fish spawn; fresh chillies; chillies (fresh-); agricultural, aquaculture, horticultural and forestry products in raw and unprocessed state; fresh fruits and vegetables, fresh herbs; plant bulbs, seeds and seeds; food and beverage products for animals.

32 – Organic fruit juice; lemon squash; non-alcoholic beverages flavoured with tea; water-based beverages containing tea extracts; fruit drinks; fruit squashes; nut and soy based beverages; fruit nectars, non-alcoholic; juices; vegetable juices [beverages]; non-alcoholic beverages containing fruit juices; beverages consisting of a blend of fruit and vegetable juices; beer and brewery products; beer; mineral and aerated waters and other non-alcoholic beverages; fruit juice beverages; syrups and other preparations for making beverages; seltzer water; isotonic beverages; protein-enriched sports beverages; ginger beer; soda water; sherbets [beverages]; sherbet beverages; vegetable juices (drinks); gluten free beers.

33 – Alcoholic beverages [except beers]; cocktails; wine; spirits [beverages]; bitters; alcoholic aperitif bit-

ters; alcoholic fruit cocktail drinks; alcoholic preparations for making beverages; liqueurs; cream liqueurs; herb liqueurs; extracts of spiritous liquors; digestifs [liqueurs and spirits]; coffee-based liqueurs; prepared wine cocktails.

35 – Services of wholesale and retail sale, also on line, of sale by mail as well as of grouping, on behalf of third parties (except their transport) such as to allow the consumer to easily see and buy products related to the sectors of health and personal medication of adults and infants, veterinary products, personal, domestic and industrial hygiene, food, beverages, clothing and footwear, jewelry, goldsmiths, jewelry, watches, entertainment, musical instruments, gardening, tools, interior and exterior decoration, home furnishings and fittings, beauty and care products, maintenance products, car products, sporting goods, games and toys, kitchen and household items and utensils, including industrial items, leather goods, travel goods, stationery, household appliances, office equipment and accessories, televisions, furniture, telecommunications equipment, textiles, haberdashery and smoking articles; organization and management of loyalty programs involving discounts and incentives; rental of advertising time on communication media; administration of consumer loyalty programs; cost price analysis; dissemination of advertisements; demonstration of goods; distribution of samples for publicity purposes; direct mail advertising; provision of an on-line marketplace for buyers and sellers of goods and services; web indexing for commercial or advertising purposes; providing business information via a web site; commercial information and advice for consumers [consumer advice shop]; rental of advertising space; marketing; presentation of goods on communication media, for retail purposes; production of advertising films; development of advertising concepts; sales promotion for others; advertising; on-line advertising on a computer network; advertising by mail order; radio advertising; television advertising; writing of publicity texts; public relations services; conducting of marketing studies; marketing studies; marketing research; research (market -); market research; procurement services for others [purchasing goods and services for other businesses]; price comparison services; telemarketing services; opinion polling; auctioneering services; decoration of shop windows; demonstration of products and services through electronic means also for the benefit of the so-called tele-purchase and home-purchase services; direct marketing; providing consumer product advice; provision of commercial information; providing consumer information relating to goods and services; providing consumer product information relating to food or drink products; commercial management; business management for shops; business management of reimbursement programmes for others; preparation of advertising material; arranging the buying of goods for others; arranging of demonstrati-

ons for advertising purposes; organization of events, exhibitions, fairs and shows for commercial, promotional and advertising purposes; sales promotion; sales promotion for others provided through the distribution and the administration of privileged user cards; promotion of goods and services through sponsorship; promoting the goods and services of others by means of a preferred customer program; advertising of the goods of other vendors, enabling customers to conveniently view and compare the goods of those vendors; digital advertising services; advertising for others; consultancy regarding business organisation and business economics; business management consultancy and advisory services; data management services; administrative support and data processing services; business management; vending machine services; business administration; clerical services; market campaigns; development of promotional campaigns; preparation of advertising campaigns.

(260) AM 2023 119440 A

(800) 1683936

(151) 2022 06 14

(891) 2022 06 14

(731) FERTIBERIA, S.A.

Calle Agustín de Foxá, 27 Plantas 8-11,
E-28036 Madrid, Spain

(540)

FERTIBERIA

(591) Black, white

(511)

1 – Chemicals used in industry, science and photography, as well as in agriculture, horticulture and forestry; unprocessed artificial resins, unprocessed plastics; compositions for extinguishing and preventing fires; tempering and soldering preparations; substances for tanning animal skins and hides; adhesives used in industry; putties and other paste fillers; compost, manures, fertilizers; biological preparations for use in industry and science.

5 – Pharmaceuticals, medical and veterinary preparations; sanitary preparations for medical purposes; dietetic food and substances adapted for medical or veterinary use, food for babies; dietary supplements for human beings and animals; plasters, materials for dressings; material for stopping teeth, dental wax; disinfectants; preparations for destroying noxious animals; fungicides, herbicides.

35 – Advertising; business management, organisation and administration; office functions; retail and wholesale services in relation to the following goods: chemicals used in industry, science and photography, as well as in agriculture, horticulture and forestry; retail and wholesale services in relation to the following goods: artificial resins, unprocessed, plastics, unprocessed; retail and wholesale services in relation to the following goods: fire extinguishing and fire preventi-

on compositions; retail and wholesale services in relation to the following goods: tempering and soldering preparations; retail and wholesale services in relation to the following goods: substances for tanning animal skins and hides; retail and wholesale services in relation to the following goods: adhesives for use in industry; retail and wholesale services in relation to the following goods: putties and other filler materials in paste form; retail and wholesale services in relation to the following goods: compost, manures, fertilizers; retail and wholesale services in relation to the following goods: biological preparations for industry and science; retail and wholesale services in relation to the following goods: pharmaceuticals, preparations for medical and veterinary purposes; retail and wholesale services in relation to the following goods: sanitary preparations for medical purposes; retail and wholesale services in relation to the following goods: dietetic substances and foods adapted for medical and veterinary use, food for babies; retail and wholesale services in relation to the following goods: dietary supplements for human beings and animals; retail and wholesale services in relation to plasters and materials for dressings; retail and wholesale services in relation to the following goods: material for stopping teeth; retail and wholesale services in relation to disinfectants; retail and wholesale services in relation to the following goods: preparations for killing vermin; retail and wholesale services relating to fungicides and herbicides.

(260) AM 2023 119443 A

(800) 1684004

(151) 2022 07 27

(891) 2022 07 27

(731) Brzhezyskyi Valentyn Valentynovych
34 Akademika Filatova 30, Odesa 65080,
Ukraine

(540)



(591) Blue and green

(531) 26.01.01; 26.01.04; 26.01.18; 27.05.01;
29.01.12

(511)

9 – 3d spectacles; answering machines; ticket dispensers; circuit breakers; automatic indicators of low pressure in vehicle tires; electrical adapters; aerometers; asbestos clothing for protection against fire; asbestos gloves for protection against accidents; asbestos screens for firemen; accelerometers; actinometers; batte-

ries for electronic cigarettes; accumulators, electric; acoustic couplers; alidades; altimeters; ear pads for headphones; ammeters; nanoparticle size analysers; anemometers; anodes; anode batteries; antennas; anti-cathodes; fire extinguishing apparatus; remote control apparatus*; apparatus for editing cinematographic film; data processing apparatus; apparatus to check franking; film cutting apparatus; apparatus for fermentation [laboratory apparatus]; igniting apparatus, electric, for igniting at a distance; apparatus and installations for the production of x-rays, not for medical purposes; magnetic resonance imaging [mri] apparatus, not for medical purposes; global positioning system [gps] apparatus; weighing apparatus and instruments; testing apparatus not for medical purposes; apertometers [optics]; acid hydrometers; acidimeters for batteries; apparatus and instruments for astronomy; audio- and video-receivers; audiovisual teaching apparatus; audio interfaces; balancing apparatus; lighting ballasts; battery jars; automated teller machines [atm]; barometers; batteries for lighting; batteries, electric; accumulators, electric, for vehicles; cordless telephones; balances [steelyards]; betatrons; binoculars; biochips; lightning rods; electric and electronic effects units for musical instruments; computer memory devices; black boxes [data recorders]; fire hose nozzles; connected bracelets [measuring instruments]; scales; baby scales; scales with body mass analysers; bathroom scales; weighbridges; plumb bobs; vacuum gauges; vacuum tubes [radio]; variometers; shoes for protection against accidents, irradiation and fire; electric plugs; measuring instruments; gauges; measuring apparatus; measuring devices, electric; measures; current rectifiers; high-frequency apparatus; flowmeters; branch boxes [electricity]; wearable video display monitors; video screens; camcorders; video cassettes; video baby monitors; video telephones; viewfinders, photographic; telescopic sights for firearms; visors for helmets; viscosimeters; wind socks for indicating wind direction; levelling staffs [surveying instruments]; peepholes [magnifying lenses] for doors; fire extinguishers; diving suits; divers' masks; fiber optic cables; voltmeters; ear plugs for divers; gas testing instruments; gasometers [measuring instruments]; discharge tubes, electric, other than for lighting; galena crystals [detectors]; galvanic batteries; galvanic cells; galvanometers; virtual reality headsets; hands-free kits for telephones; heliographic apparatus; surveying apparatus and instruments; surveying instruments; surveying chains; weights; hygrometers; hydrometers; needles for surveying compasses; needles for record players; hairdressing training heads [teaching apparatus]; holograms; measuring glassware; downloadable graphics for mobile phones; sounding leads; loudspeakers; range finders; piezoelectric sensors; decompression chambers; densimeters; densitometers; detectors; smoke detectors; counterfeit coin detectors; electric wire harnesses for automobiles; bells [warning devices]; mirrors [optics]; mirrors for inspecting work;

dictating machines; dynamometers; floppy disks; disks, magnetic; disk drives for computers; juke boxes for computers; telerupters; distillation apparatus for scientific purposes; diffraction apparatus [microscopy]; breathing apparatus for underwater swimming; breathing apparatus, except for artificial respiration; diagnostic apparatus, not for medical purposes; transparencies [photography]; diaphragms [acoustics]; diaphragms [photography]; diaphragms for scientific apparatus; dna chips; adding machines; dosage dispensers; fuse wire; choking coils [impedance]; equalizers [audio apparatus]; screens [photography]; exposure meters [light meters]; electrified fences; electrified rails for mounting spot lights; electric installations for the remote control of industrial operations; electro-dynamic apparatus for the remote control of railway points; electro-dynamic apparatus for the remote control of signals; electromagnetic coils; electronic key fobs being remote control apparatus; electronic publications, downloadable; electronic numeric displays; electronic interactive whiteboards; electronic pocket translators; electronic collars to train animals; electronic sheet music, downloadable; electronic pens [visual display units]; electronic notice boards; electronic access control systems for interlocking doors; electronic tags for goods; downloadable emoticons for mobile phones; epidiascopes; ergometers; pressure indicator plugs for valves; encoded identification bracelets, magnetic; locks, electric; electronic agendas; voltage surge protectors; fuses; battery chargers; chargers for electronic cigarettes; charging stations for electric vehicles; protection devices for personal use against accidents; protection devices against x-rays, not for medical purposes; protective suits for aviators; goggles for sports; protective films adapted for computer screens; protective films adapted for smartphones; head guards for sports; mouth guards for sports; protective helmets; protective helmets for sports; acoustic alarms; sound reproduction apparatus; sound recording apparatus; sound recording discs; sound recording carriers; sound recording strips; sound transmitting apparatus; acoustic conduits; connectors [electricity]; couplers [data processing equipment]; connections for electric lines; couplings, electric; wire connectors [electricity]; mechanical signs; probes for scientific purposes; sounding apparatus and machines; buzzers; readers [data processing equipment]; bar code readers; identity cards, magnetic; inverters [electricity]; slope indicators; pressure indicators; incubators for bacteria culture; height measuring instruments; instruments containing eyepieces; integrated circuits; interactive touch screen terminals; interfaces for computers; infrared detectors; ionization apparatus not for the treatment of air or water; spark-guards; electricity conduits; starter cables for motors; cables, electric; calipers; calibrating rings; calorimeters; pocket calculators; rearview cameras for vehicles; teeth protectors*; capillary tubes; memory cards for video game machines; integrated circuit cards [smart cards];

encoded key cards; carriers for dark plates [photography]; video game cartridges; cash registers; cathodes; mouse pads; cinematographic film, exposed; cinematographic cameras; terminals [electricity]; push buttons for bells; coaxial cables; encoded magnetic cards; collectors, electric; dog whistles; compact discs [audio-video]; compact discs [read-only memory]; comparators; directional compasses; marine compasses; computers; wearable computers; thin client computers; computer hardware; computer software, recorded; computer game software, downloadable; computer game software, recorded; joysticks for use with computers, other than for video games; computer keyboards; printers for use with computers*; magnetic tape units for computers; computer peripheral devices; computer programs, downloadable; computer programs, recorded; computer operating programs, recorded; commutators; electric apparatus for commutation; condensers [capacitors]; contacts, electric; contact lenses; containers for contact lenses; boiler control instruments; correcting lenses [optics]; junction boxes [electricity]; cabinets for loudspeakers; battery boxes; squares for measuring; cosmographic instruments; clothing for protection against fire; spools [photography]; coils, electric; inductors [electricity]; droppers for measuring, other than for medical or household purposes; pedometers; circular slide rules; bullet-proof clothing; bullet-proof vests; azimuth instruments; laboratory trays; logs [measuring instruments]; lasers, not for medical purposes; lactodensimeters; lactometers; darkroom lamps [photography]; flash-bulbs [photography]; spectacle chains; laptop computers; spectacle lenses; rulers [measuring instruments]; carpenters' rules; optical lamps; counters; revolution counters; distance recording apparatus; kilometer recorders for vehicles; slide-rules; sounding lines; magnifying glasses [optics]; magnets; decorative magnets; magnetic encoders; magnetic data media; magnetic wires; magnetic tapes; videotapes; crash test dummies; resuscitation mannequins [teaching apparatus]; pressure gauges; solderers' helmets; mathematical instruments; materials for electricity mains [wires, cables]; weighing machines; money counting and sorting machines; material testing instruments and machines; furniture especially made for laboratories; megaphones; portable media players; metal detectors for industrial or military purposes; meteorological instruments; meteorological balloons; rules [measuring instruments]; dressmakers' measures; metronomes; mechanisms for counter-operated apparatus; mechanisms for coin-operated apparatus; coin-operated mechanisms for television sets; mouse [computer peripheral]; micrometers; micrometer screws for optical instruments; microprocessors; microscopes; microtomes; microphones; audio mixers; measuring spoons; mobile telephones; modems; monitors [computer hardware]; monitors [computer programs]; nautical apparatus and instruments; marine depth finders; naval signalling apparatus; coin-operated musical automata [juke bo-

xes]; animated cartoons; junction sleeves for electric cables; navigational instruments; navigation apparatus for vehicles [on-board computers]; headphones; teaching apparatus; headgear being protective helmets; knee-pads for workers; covers for electric outlets; semiconductors; neon signs; identification threads for electric wires; thread counters; surveyors' levels; leveling instruments; verniers; nose clips for divers and swimmers; notebook computers; objectives [lenses] [optics]; lenses for astrophotography; close-up lenses; selfie lenses; limiters [electricity]; sheaths for electric cables; identification sheaths for electric wires; clothing for protection against accidents, irradiation and fire; clothing especially made for laboratories; ozonizers [ozonators]; octants; spectacles; sunglasses; eyepieces; ohmmeters; spectacle frames; optical apparatus and instruments; eyewear; optical fibers [light conducting filaments]; optical discs; optical character readers; optical condensers; optical lenses; optical data media; telescopic sights for artillery; oscillographs; cleaning apparatus for sound recording discs; selfie sticks [hand-held monopods]; parking meters; safety restraints, other than for vehicle seats and sports equipment; wah-wah pedals; stills for laboratory experiments; intercommunication apparatus; speaking tubes; transmitters of electronic signals; switchboxes [electricity]; switchboards; switches, electric; time switches, automatic; converters, electric; periscopes; personal stereos; personal digital assistants [pdas]; punched card machines for offices; furnaces for laboratory use; amplifying tubes; amplifiers; wrist rests for use with computers; stands adapted for laptops; laboratory pipettes; pyrometers; planimeters; plane tables [surveying instruments]; tablet computers; plates for batteries; wafers for integrated circuits; printed circuit boards; dvd players; cassette players; compact disc players; films, exposed; plotters; fire escapes; fire engines; fire pumps; fire blankets; fire beaters; fire alarms; fire boats; fire hose; electric loss indicators; quantity indicators; gasoline gauges; water level indicators; survival blankets; sprinkler systems for fire protection; polarimeters; vehicle breakdown warning triangles; letter scales; precision balances; prisms [optics]; ring sizers; finger sizers; air analysis apparatus; food analysis apparatus; distance measuring apparatus; appliances for measuring the thickness of leather; apparatus for measuring the thickness of skins; speed measuring apparatus [photography]; apparatus for changing record player needles; speed checking apparatus for vehicles; time recording apparatus; demagnetizing apparatus for magnetic tapes; cathodic anti-corrosion apparatus; particle accelerators; hemline markers; railway traffic safety appliances; steering apparatus, automatic, for vehicles; invoicing machines; video recorders; tape recorders; satellite finder meters; oxygen transensing apparatus; devices for the projection of virtual keyboards; electronic book readers; telecommunication apparatus in the form of jewellery; centering apparatus for photographic transparencies; test

tubes; flashing lights [luminous signals]; conductors, electric; wires, electric; ducts [electricity]; record players; projection apparatus; projection screens; washing trays [photography]; anti-theft warning apparatus; theft prevention installations, electric; processors [central processing units]; rods for water diviners; plumb lines; control panels [electricity]; radar apparatus; radiological apparatus for industrial purposes; radiology screens for industrial purposes; baby monitors; radio pagers; transmitting sets [telecommunication]; radios; vehicle radios; walkie-talkies; radiotelegraphy sets; radiotelephony sets; masts for wireless aerials; frames for photographic transparencies; screens for photoengraving; abacuses; calculating machines; voting machines; regulating apparatus, electric; voltage regulators for vehicles; light dimmers [regulators], electric; stage lighting regulators; speed regulators for record players; cell switches [electricity]; resistances, electric; marking gauges [joinery]; t-squares for measuring; relays, electric; cell phone straps; x-ray apparatus not for medical purposes; x-ray tubes not for medical purposes; x-ray photographs, other than for medical purposes; rheostats; respirators for filtering air; respiratory masks, other than for artificial respiration; retorts; refractometers; refractors; grids for batteries; downloadable ring tones for mobile phones; levels [instruments for determining the horizontal]; security surveillance robots; telepresence robots; laboratory robots; teaching robots; electric sockets; distribution boxes [electricity]; distribution consoles [electricity]; distribution boards [electricity]; slide calipers; mercury levels; circuit closers; gloves for divers; gloves for protection against x-rays for industrial purposes; gloves for protection against accidents; data gloves; horns for loudspeakers; life saving apparatus and equipment; safety tarpaulins; life-saving capsules for natural disasters; life-saving rafts; life belts; subwoofers; sports whistles; whistle alarms; light-emitting electronic pointers; reflective articles for wear, for the prevention of accidents; light-emitting diodes [led]; quantum dot light-emitting diodes [qled]; organic light-emitting diodes [oled]; lens hoods; blueprint apparatus; traffic-light apparatus [signalling devices]; sextants; signals, luminous or mechanical; signal bells; alarm bells, electric; signal lanterns; alarms*; signalling whistles; simulators for the steering and control of vehicles; resuscitation training simulators; sirens; safety nets; nets for protection against accidents; scanners [data processing equipment]; anti-glare glasses; optical glass; hand-held electronic dictionaries; smartwatches; smart rings; smartglasses; smartphones; salinometers; solenoid valves [electromagnetic switches]; sonars; solar batteries; solar panels for the production of electricity; spectrograph apparatus; spectrosopes; spirit levels; alcoholmeters; speed indicators; monitoring apparatus, other than for medical purposes; observation instruments; shutter releases [photography]; stereoscopes; stereoscopic apparatus; head cleaning tapes [recording]; strobosco-

pes; sulfimeters; bags adapted for laptops; satellites for scientific purposes; satellite navigational apparatus; drying apparatus for photographic prints; drying racks [photography]; spherometers; printed circuits; time clocks [time recording devices]; egg timers [sandglasses]; taximeters; tachometers; television apparatus; telegraphs [apparatus]; telegraph wires; telescopes; teleprompters; teleprinters; telephone apparatus; telephone transmitters; telephone wires; telephone receivers; temperature indicators; temperature indicator labels, not for medical purposes; theodolites; thermal imaging cameras; heat regulating apparatus; thermo-hygrometers; thermionic tubes; thermometers, not for medical purposes; thermostats; thermostats for vehicles; climate control digital thermostats; crucibles [laboratory]; pressure measuring apparatus; security tokens [encryption devices]; tone arms for record players; toner cartridges, unfilled, for printers and photocopiers; totalizers; precision measuring apparatus; transistors [electronic]; transmitters [telecommunication]; transponders; protractors [measuring instruments]; transformers [electricity]; step-up transformers; trackballs [computer peripherals]; holders for electric coils; tripods for cameras; triodes; snorkels; pitot tubes; urinometers; downloadable image files; downloadable music files; facsimile machines; apparatus and instruments for physics; filters for use in photography; filters for respiratory masks; filters for ultraviolet rays, for photography; wearable activity trackers; usb flash drives; fluorescent screens; cameras [photography]; glazing apparatus for photographic prints; drainers for use in photography; photovoltaic cells; shutters [photography]; enlarging apparatus [photography]; photocopiers [photographic, electrostatic, thermic]; darkrooms [photography]; photometers; flashlights [photography]; phototelegraphy apparatus; spectacle cases; containers for microscope slides; cases for smartphones; cases especially made for photographic apparatus and instruments; wavemeters; chemistry apparatus and instruments; chromatography apparatus for laboratory use; chronographs [time recording apparatus]; laboratory centrifuges; cyclotrons; compasses for measuring; digital weather stations; digital signs; digital photo frames; saccharometers; magic lanterns; frequency meters; petri dishes; chips [integrated circuits]; lifeboats; ink cartridges, unfilled, for printers and photocopiers; square rulers for measuring; sleeves for laptops; covers for personal digital assistants [pdas]; covers for tablet computers; covers for smartphones; jigs [measuring instruments]; spectacle cords; riding helmets; retorts' stands; stands for photographic apparatus; sound locating instruments; workmen's protective face-shields; armatures [electricity].

35 – Administrative assistance in responding to calls for tenders; administrative processing of purchase orders; auctioneering; negotiation of business contracts for others; market studies; demonstration of goods; providing business information via a web site; pro-

viding business information; providing commercial and business contact information; providing commercial information and advice for consumers in the choice of products and services; providing user rankings for commercial or advertising purposes; compilation of information into computer databases; computerized file management; marketing services; provision of an online marketplace for buyers and sellers of goods and services; updating and maintenance of data in computer databases; updating and maintenance of information in registries; organization of exhibitions for commercial or advertising purposes; organization of fashion shows for promotional purposes; organization of trade fairs; web site traffic optimization; procurement services for others [purchasing goods and services for other businesses]; import-export agency services; advertising agency services; commercial intermediation services; wholesale services for pharmaceutical, veterinary and sanitary preparations and medical supplies; retail services relating to bakery products; search engine optimization for sales promotion; presentation of goods on communication media, for retail purposes; direct mail advertising; advertising; pay per click advertising; outdoor advertising; advertising by mail order; online advertising on a computer network; distribution of samples; dissemination of advertising matter; sales promotion for others; promotion of goods and services through sponsorship of sports events; production of advertising films; production of teleshopping programmes; television advertising; telemarketing services; negotiation and conclusion of commercial transactions for third parties; professional business consultancy.

(260) AM 2023 119446 A

(800) 1684032

(151) 2022 08 12

(891) 2022 08 12

(731) Faron Pharmaceuticals Oy

Joukahaisenkatu 6, FI-20520 Turku, Finland

(540)

BEXCLEVY

(591) Black, white

(511)

5 – Pharmaceuticals; medical preparations; veterinary preparations; sanitary preparations for medical purposes; pharmaceutical preparations and substances for the treatment of cancer; tumor suppressing agents; antineoplastics; anti-cancer preparations; compounds for treating cancer; antibodies; biological preparations for medical purposes; adjuvants for medical purposes; vaccine adjuvants; anti-neoplastic preparations of chemical origin; anti-neoplastic preparations of microbial origin; antigens; biological preparations for the treatment of cancer; biopharmaceuticals for the treatment of cancer; biotechnological preparations for medical use; immunomodulators; pharmaceutical preparations for the treatment of immune system related diseases

and disorders; pharmaceutical preparations and substances for use in oncology; pharmaceutical preparations for the prevention of disorders of the immune system; serotherapeutic medicines; pharmaceutical preparations for immunity adjustment; pharmaceutical preparations for regulating the immune system; pharmaceutical preparations for the treatment of autoimmune diseases; pharmaceutical preparations for use in hematology.

(260) AM 2023 119449 A

(800) 1684051

(151) 2022 05 27

(891) 2022 05 27

(731) ACCOR

82 rue Henri Farman, F-92130 ISSY-LES-MOULINEAUX, France

(540)

HANDWRITTEN COLLECTION

(591) Black, white

(511)

43 – Hotels; hotel services; services for providing food and drink; restaurants; cafeteria, tea room, bar services (with the exception of clubs); temporary accommodation; tourist homes; hotel room reservation services for travelers; booking services for temporary accommodation; consulting and advice in connection with hotels and restaurants; rental of rooms for meetings and conferences; provision of facilities for conferences and meetings; hotel and restaurant reservation services; provision of information online relating to hotel and restaurant reservations; butler services.

(260) AM 2023 119450 A

(800) 1684080

(151) 2022 08 10

(891) 2022 08 10

(731) Amusnet Interactive

Garitage Park, Building No. 4, Floor 2, 2 Donka Ushlinova Str., BG-1766 Sofia, Bulgaria

(540)



(591) Golden, brown, green and purple

(531) 27.05.01; 27.05.03; 27.05.12; 29.01.14

(511)

9 – Computer software for the administration of on-line games and gaming; computer application software featuring games and gaming; betting software; gaming software that generates or displays wager outcomes of gaming machines.

28 – Slot machines [gaming machines]; gaming machines for gambling.

41 – Providing of casino and gaming facilities; gambling services.

(260) AM 2023 119451 A

(800) 1684081

(151) 2022 08 10

(891) 2022 08 10

(731) Amusnet Interactive

Garitage Park, Building No. 4, Floor 2, 2 Donka Ushlinova Str., BG-1766 Sofia, Bulgaria

(540)



(591) Golden, grey and brown

(531) 03.06.06; 07.15.08; 25.12.03; 27.05.10; 29.01.13

(511)

9 – Computer software for the administration of on-line games and gaming; computer application software featuring games and gaming; betting software; gaming software that generates or displays wager outcomes of gaming machines.

28 – Slot machines [gaming machines]; gaming machines for gambling.

41 – Providing of casino and gaming facilities; gambling services.

(260) AM 2023 119452 A

(800) 1684082

(151) 2022 08 10

(891) 2022 08 10

(731) Amusnet Interactive

Garitage Park, Building No. 4, Floor 2, 2 Donka Ushlinova Str., BG-1766 Sofia, Bulgaria

(540)



(591) Yellow, golden and blue

(531) 01.15.15; 25.12.03; 26.11.01; 26.11.13; 27.03.12; 27.05.12; 29.01.13

(511)

9 – Computer software for the administration of on-line games and gaming; computer application software featuring games and gaming; betting software; gaming software that generates or displays wager outcomes of gaming machines.

28 – Slot machines [gaming machines]; gaming machines for gambling.

41 – Providing of casino and gaming facilities; betting services.

(260) AM 2023 119453 A
 (800) 1684083
 (151) 2022 08 10
 (891) 2022 08 10
 (731) Amusnet Interactive
 Garitage Park, Building No. 4, Floor 2, 2 Donka
 Ushlina Str., BG-1766 Sofia, Bulgaria

(540)



(591) Orange and yellow
 (531) 27.05.02; 27.05.12; 29.01.12
 (511)

9 – Computer software for the administration of on-line games and gaming; computer application software featuring games and gaming; betting software; gaming software that generates or displays wager outcomes of gaming machines.

28 – Slot machines [gaming machines]; gaming machines for gambling.

41 – Providing of casino and gaming facilities; gambling services.

(260) AM 2023 119454 A
 (800) 1684084
 (151) 2022 08 10
 (891) 2022 08 10
 (731) Amusnet Interactive
 Garitage Park, Building No. 4, Floor 2, 2 Donka
 Ushlina Str., BG-1766 Sofia, Bulgaria

(540)



(591) Purple, golden, red and beige
 (531) 02.09.22; 05.05.01; 05.05.20; 05.05.22;
 24.11.25; 29.01.14

(511)

9 – Computer software for the administration of on-line games and gaming; computer application software featuring games and gaming; betting software; gaming software that generates or displays wager outcomes of gaming machines.

28 – Slot machines [gaming machines]; gaming machines for gambling.

41 – Providing of casino and gaming facilities; betting services.

(260) AM 2023 119455 A
 (800) 1684085
 (151) 2022 08 10
 (891) 2022 08 10
 (731) Amusnet Interactive
 Garitage Park, Building No. 4, Floor 2, 2 Donka
 Ushlina Str., BG-1766 Sofia, Bulgaria

(540)



(591) Yellow and golden
 (531) 01.15.09; 25.12.03; 27.05.12; 29.01.12
 (511)

9 – Computer application software featuring games and gaming; computer software for the administration of on-line games and gaming; betting software; gaming software that generates or displays wager outcomes of gaming machines.

28 – Slot machines [gaming machines]; gaming machines for gambling.

41 – Providing of casino and gaming facilities; gambling services.

(260) AM 2023 119456 A
 (800) 1684086
 (151) 2022 08 10
 (891) 2022 08 10
 (731) Amusnet Interactive
 Garitage Park, Building No. 4, Floor 2, 2 Donka
 Ushlina Str., BG-1766 Sofia, Bulgaria

(540)



(591) Grey, red and golden
 (531) 02.09.04; 04.03.03; 27.03.02; 27.05.01;
 27.05.08; 29.01.13

(511)

9 – Computer software for the administration of on-line games and gaming; computer application software featuring games and gaming; betting software; gaming software that generates or displays wager outcomes of gaming machines.

28 – Slot machines [gaming machines]; gaming machines for gambling.

(260) AM 2023 119457 A
 (800) 1684087
 (151) 2022 08 10
 (891) 2022 08 10
 (731) Amusnet Interactive
 Garitage Park, Building No. 4, Floor 2, 2 Donka
 Ushlina Str., BG-1766 Sofia, Bulgaria

(540)



(591) Golden, yellow, red and green

(531) 01.15.09; 25.01.25; 27.05.02; 29.01.14

(511)

9 – Computer software for the administration of on-line games and gaming; computer application software featuring games and gaming; betting software; gaming software that generates or displays wager outcomes of gaming machines.

28 – Slot machines [gaming machines]; gaming machines for gambling.

41 – Providing of casino and gaming facilities; gambling services.

(260) AM 2023 119458 A

(800) 1684088

(151) 2022 08 10

(891) 2022 08 10

(731) Amusnet Interactive

Garitage Park, Building No. 4, Floor 2, 2 Donka Ushlinova Str., BG-1766 Sofia, Bulgaria

(540)



(591) Yellow, golden and blue

(531) 27.05.02; 27.05.08; 29.01.13

(511)

9 – Computer software for the administration of on-line games and gaming; computer application software featuring games and gaming; betting software; gaming software that generates or displays wager outcomes of gaming machines.

28 – Slot machines [gaming machines]; gaming machines for gambling.

41 – Providing of casino and gaming facilities; gambling services.

(260) AM 2023 119459 A

(800) 1684089

(151) 2022 08 10

(891) 2022 08 10

(731) Amusnet Interactive

Garitage Park, Building No. 4, Floor 2, 2 Donka Ushlinova Str., BG-1766 Sofia, Bulgaria

(540)



(591) Golden

(531) 27.05.02; 29.01.02

(511)

9 – Betting software; gaming software that generates or displays wager outcomes of gaming machines.

28 – Slot machines [gaming machines]; gaming machines for gambling.

41 – Providing of casino and gaming facilities; gambling services.

(260) AM 2023 119460 A

(800) 1684090

(151) 2022 08 10

(891) 2022 08 10

(731) Amusnet Interactive

Garitage Park, Building No. 4, Floor 2, 2 Donka Ushlinova Str., BG-1766 Sofia, Bulgaria

(540)



(591) Golden.

(531) 24.09.02; 24.09.07; 24.09.16; 27.05.07; 29.01.02

(511)

9 – Computer software for the administration of on-line games and gaming; computer application software featuring games and gaming; betting software; gaming software that generates or displays wager outcomes of gaming machines.

28 – Slot machines [gaming machines]; gaming machines for gambling.

41 – Providing of casino and gaming facilities; gambling services.

(260) AM 2023 119461 A

(800) 1684102

(151) 2022 06 29

(891) 2022 06 29

(731) ALI GROUP S.r.l.

Via Gobetti 2/A, I-20063 CERNUSCO SUL NAVIGLIO (MI), Italy

(540)



(591) Red and white

(531) 26.01.03; 26.01.18; 27.05.21; 29.01.12

(511)

7 – Dishwashers; cupwashers; traywashers; cutlery washers; washing machines for pots; kitchen machines, electric; food preparation machines, electromechanical.

11 – Cooking apparatus; cooking installations; cooking ovens; coffee percolators, electric; refrigerating apparatus; refrigerating installations; blast chillers; refrigerated cabinets for the storage of drink; refrigerated cabinets for the storage of food; refrigerating counters; refrigerated food counters; refrigerated food display apparatus; ice cream makers; ice-cream making machines; desiccating apparatus; sterilizers; kitchen sinks; wash fountains; stainless steel sink tops; extractor hoods for kitchens; ventilation hoods for stoves.

20 – Kitchen furniture; food racks; counters [tables]; table tops; tables of metal; tables [furniture]; hanging storage racks [furniture]; metal wall units [furniture]; furniture of metal; furniture.

(260) AM 2023 119466 A

(800) 1087127

(151) 2011 06 16

(891) 2022 08 30

(731) YEREVAN BRANDY COMPANY CJSC
2, Admiral Isakov Avenue, 0082 YEREVAN,
Armenia

(540)

ARARAT

(591) Black, white

(511)

33 – Alcoholic beverages (except beers).

(260) AM 2023 119467 A

(800) 1137330

(151) 2012 08 23

(891) 2022 08 24

(731) IRIDE S.r.l.

Via M. D'Enghien, 5/B, Martina Franca (TA),
Italy

(540)



(591) Black, white

(531) 24.07.03; 27.05.24

(511)

25 – Clothing, footwear, headgear.

(260) AM 2023 119468 A

(800) 1322763

(151) 2016 01 13

(891) 2022 07 20

(731) Baby College Ltd

41 Cornmarket Street, Oxford OX1 3HA,
United Kingdom

(540)



(591) Pink and blue.

(531) 02.05.06; 02.07.09; 27.05.17; 29.01.12

(511)

16 – Training and teaching materials and manuals; educational children's books; printed teaching aids.

28 – Soft toys; educational toys for use at home and in classes.

41 – Education services relating to the development of infants, information (education) classes for parents, training for teachers, educational seminars, production of recordings on compact discs and video tapes for use as teaching aids.

(260) AM 2023 119469 A

(800) 1479348

(151) 2019 06 04

(891) 2022 08 15

(731) Private entrepreneur Mednikov Anton
Andreevich

Ostrovityanova ul., 31-199, RU-117279
Moscow, Russian Federation

(540)



(591) Black, white

(531) 27.05.01

(526) Home

(511)

3 – Aromatics [essential oils]; air fragrancing preparations; scented water; fumigation preparations [perfumes]; potpourris [fragrances]; essential oils of lemon; ethereal essences; essential oils of citron.

4 – Perfumed candles; nightlights [candles].

(260) AM 2023 119470 A

(800) 1498911

(151) 2019 08 07

(891) 2022 07 01

(731) Obshchestvo s ogranichennoy otvetstvennostyu
"Vologodskoe Morozhenoe"

ul. Klubova, d. 87Б g. Vologda, RU-160021
Vologodskaya obl., Russian Federation

(540)



(591) Brown, yellow, red, white, light green, blue and light blue

(531) 25.03.01; 26.11.08; 28.05; 29.01.14

(511)

30 – Ice cream.

(260) AM 2023 119471 A

(800) 1540910

(151) 2020 05 06

(891) 2022 08 04

(731) Limited liability company AKSIOMA
BAZHOVA STR. 2/1, RU-129128 MOSCOW,
Russian Federation

(540)



(591) Gray, light gray and red

(531) 26.05.01; 26.05.08; 27.05.01; 27.05.17;
27.05.23; 29.01.12

(511)

5 – Pharmaceutical and veterinary preparations; sanitary preparations for medical purposes; dietetic food and substances adapted for medical or veterinary use, food for babies; dietary supplements for humans and animals; plasters, materials for dressings; material for stopping teeth, dental wax; disinfectants; preparations for destroying vermin; fungicides, herbicides.

7 – Machines and machine tools; motors and engines (except for land vehicles); machine coupling and transmission components (except for land vehicles); agricultural implements other than hand-operated; incubators for eggs; automatic vending machines.

8 – Hand tools and implements (hand-operated); cutlery; side arms; razors.

9 – Scientific, nautical, photographic, cinematographic, optical, weighing, measuring, signalling, checking (supervision), life-saving and teaching apparatus and instruments; apparatus and instruments for conducting, switching, transforming, accumulating, regulating or controlling electricity; apparatus for recording, transmission or reproduction of sound or images; mechanisms for coin-operated apparatus; cash registers; calculating machines; fire-extinguishing apparatus.

11 – Apparatus for lighting, heating, steam generating, cooking, refrigerating, drying, ventilating, water supply and sanitary purposes; beverage cooling apparatus; bath tubs; electric fans for personal use; water heaters; showers; air conditioning apparatus; sauna bath installations; water filtering apparatus; water sterilizers; cooling installations for water; cooling installations for liquids; water supply installations; water purification installations; filters for drinking water; refrigerators.

21 – Household or kitchen utensils and containers; combs and sponges; brushes (except paintbrushes); brush-making materials; articles for cleaning purposes; steelwool; unworked or semi-worked glass (except glass used in building); glassware, porcelain and earthenware not included in other classes; containers for household or kitchen use; glass jars [carboys]; heat-insulated containers for beverages; thermally insulated containers for food; glass flasks [containers]; isothermic bags; siphon bottles for carbonated water; blenders, non-electric, for household purposes; refrigerating bottles; cups of paper or plastic; insulating flasks; flasks; strainers for household purposes.

35 – Advertising; business management; business administration; office functions; arranging subscriptions to telecommunication services for others; import-export agency services; commercial information agency services; publicity agency services; cost price analysis; rental of advertising space; business auditing; employment agency services; computerized file management; book-keeping; invoicing; business efficiency expert services; demonstration of goods; transcription of communications; opinion polling; market studies; business information; commercial information and advice for consumers [consumer advice shop]; business investigations; business research; marketing research; personnel recruitment; business management and organization consultancy; business organization consultancy; business management consultancy; personnel management consultancy; professional business consultancy; layout services for advertising purposes; marketing; business management of performing artists; business management of sports people; news clipping services; updating of advertising material; word processing; organization of exhibitions for commercial or advertising purposes; arranging newspaper subscriptions for others; organization of fashion shows for promotional purposes; organization of trade fairs for commercial or advertising purposes; shop window dressing; business appraisals; payroll preparation; data search in computer files for others; sponsorship search; business management assistance; commercial or industrial management assistance; presentation of goods on communication media, for retail purposes; economic forecasting; auctioneering; promoting the goods of others; production of advertising films; office machines and equipment rental; rental of advertising time on communication media; publicity material ren-

tal; rental of vending machines; rental of photocopying machines; publication of publicity texts; radio advertising; bill-posting; outdoor advertising; distribution of samples; dissemination of advertising matter; direct mail advertising; writing of publicity texts; on-line advertising on a computer network; advertising by mail order; television advertising; document reproduction; compilation of statistics; compilation of information into computer databases; business inquiries; systemization of information into computer databases; advisory services for business management; tax preparation; drawing up of statements of accounts; telemarketing services; psychological testing for the selection of personnel; business management of hotels; commercial administration of the licensing of the goods and services of others; administrative processing of purchase orders; retail or wholesale services; retail and wholesale store services; retail and wholesale services for goods using Internet sites; public relations; modelling for advertising or sales promotion; typing; administrative services for the relocation of businesses; secretarial services; procurement services for others [purchasing goods and services for other businesses]; shorthand; outsourcing services [business assistance]; telephone answering for unavailable subscribers; photocopying services.

43 – Services for providing food and drink; temporary accommodation.

(260) AM 2023 119472 A
 (800) 1591046
 (151) 2021 04 13
 (891) 2022 08 29
 (731) AZUFRERA Y FERTILIZANTES
 PALLARES, S.A.
 Avda. de Europa, 1-7 Constantí, E-43120
 Tarragona, Spain
 (540)

ORGANOSUL

(591) Black, white
 (511)
 1 – Fertilizers.

(260) AM 2023 119473 A
 (800) 1662106
 (151) 2022 03 09
 (891) 2022 08 29
 (731) Galderma Holding SA
 Zählerweg 10, CH-6300 Zug, Switzerland
 (540)

GAIN

(591) Black, white
 (511)
 41 – Conducting educational seminars in the field of healthcare, namely, skin health, aesthetics and derma-

tology; educational services, namely, providing classes, seminars, conferences, workshops and panel discussions in the fields of skin health, aesthetics and dermatology; all of the foregoing specifically excluding physical rehabilitation, physical therapy and chiropractic.

44 – Health and medical information concerning skin health, aesthetics and dermatology; providing medical information concerning skin health, skin health care, aesthetics and dermatology; providing medical information concerning skin health, skin health care, aesthetics and dermatology online via a website; providing medical information; providing medical information online.

(260) AM 2023 119474 A
 (800) 1662107
 (151) 2022 03 09
 (891) 2022 08 29
 (731) Galderma Holding SA
 Zählerweg 10, CH-6300 Zug, Switzerland
 (540)

AART

(591) Black, white
 (511)
 41 – Conducting educational seminars in the field of healthcare, namely, skin health, aesthetics and dermatology; educational services, namely, providing classes, seminars, conferences, workshops and panel discussions in the fields of skin health, aesthetics and dermatology; all of the foregoing specifically excluding physical rehabilitation, physical therapy and chiropractic.

44 – Health and medical information concerning skin health, aesthetics and dermatology; providing medical information concerning skin health, skin health care, aesthetics and dermatology; providing medical information concerning skin health, skin health care, aesthetics and dermatology online via a website; providing medical information; providing medical information online.

(260) AM 2023 119476 A
 (800) 1679434
 (151) 2022 04 08
 (891) 2022 08 26
 (731) Wolf GmbH
 Industriestr. 1, 84048 Mainburg,
 Germany
 (540)

FHA

(591) Black, white
 (511)
 7 – Circulation pumps.

9 – Physical, electric and electronic measuring, control and regulating apparatus, and, control valves, especially, in relation to the following goods: heat pumps, heat pump installations, heating systems, heating regulators; regulating valves; time switches, automatic; thermostats; data carriers of all types; computer software; electric and electronic installations and apparatus for the remote control of heat pumps, heating, ventilating, air conditioning, water supply and steam generating installations and solar collectors and photovoltaic installations; signalling apparatus.

11 – Heat pump installations, heat pump apparatus, heating installations, unit heaters, ventilating installations, apparatus for ventilating, water conduits installations, apparatus for supplying water, steam generating installations, steam generating apparatus, specifically, oil burners, gas burners, dual fuel burners, non-electric parts of the aforesaid goods; air-conditioning installations; heating plants, mainly consisting of boilers, oil, gas or dual-fuel burners and/or solar collectors, heat accumulators, control and regulating apparatus, hydraulic distributors, circulation pumps and parts therefor; igniters; hot water tanks and boilers; heating pumps; specifically, air-to-water heat pumps, monoblock heat pumps, parts of the aforesaid goods; ventilating installations; ventilating fans, parts of the aforesaid goods; combined heat and power generating installations, and parts therefor; water heaters, mainly consisting of heat exchangers and reservoirs; expansion tanks and buffer tanks for central heating installations; range or insulating boiler, storage water heaters, parts of the aforesaid goods.

(260) AM 2023 119511 A

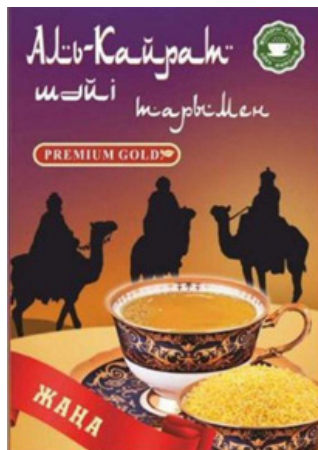
(800) 1684182

(151) 2022 07 12

(891) 2022 07 12

(731) Tovarishchestvo s ogranichennoy otvetstvennostyu "Orda Trade Astana" ulitsa Amageldy Imanova, dom 11, n.p. 4, rayon Baykonyr, 010000 gorod Nur-Sultan, Kazakhstan

(540)



(591) Purple, white, black, light red, light brown, gold, beige, terracotta orange and light green

(531) 02.01.16; 02.01.21; 03.02.13; 03.02.24; 08.07.25; 11.03.04; 25.01.06; 25.03.01; 26.04.05; 26.04.16; 26.04.18; 26.04.24; 28.01; 29.01.15

(526) All alphabetic and verbal designations, except "Al-Kairat"

(511)

30 – Tea.

(260) AM 2023 119512 A

(800) 1684199

(151) 2022 08 09

(891) 2022 08 09

(731) NanTong Acetic Acid Chemical Co., Ltd. No. 968 Jiangshan Road, Nantong Economic and, Technological Development Zone, Nantong City, 226000 Jiangsu Province, China

(540)

NTAC
醋化股份

(591) Black, white

(531) 27.05.01; 27.05.11; 27.05.17; 27.05.19; 28.03

(511)

1 – Spirits of vinegar [dilute acetic acid]; alcohol; ethyl alcohol; crotonic aldehyde; acetates [chemicals]; chemicals for the manufacture of pigments; artificial sweeteners [chemical preparations]; esters; vitamins for the food industry; ketones; aldehydes; industrial chemicals; chemical substances for preserving food-stuffs.

(260) AM 2023 119513 A

(800) 1684204

(151) 2022 05 09

(891) 2022 05 09

(731) Euro Games Technology Ltd. 4, "Maritsa" Str., "Vranya-Lozen-Triugulnika", BG-1151 Sofia, Bulgaria

(540)

BURNING WINS

(591) Black, white

(511)

9 – Software; computer gaming software; computer software packages; computer operating system software; computer software, recorded; software drivers; virtual reality software; games software; entertainment software for computer games; computer programs for network management; operating computer software for main frame computers; monitors (computer hardware); computer hardware; apparatus for recording images; monitors (computer programs); com-

puter game programs; computer programs for recorded games; apparatus for recording, transmission or reproduction of sound or images; communications servers [computer hardware]; electronic components for gambling machines; computer application software featuring games and gaming; computer software for the administration of on-line games and gaming; computer hardware for games and gaming; hardware and software for gambling, gambling machines, gambling games on the Internet and via telecommunication network.

28 – Gaming machines for gambling; chips for gambling; mah-jong; arcade games; gambling machines operating with coins, notes and cards; games; electronic games; parlor games; gaming chips; gaming tables; slot machines [gaming machines]; LCD game machines; slot machines and gaming devices; coin-operated amusement machines; roulette chips; poker chips; chips and dice [gaming equipment]; gaming equipment for casinos; roulette tables; gaming roulette wheels; casino games; gambling machines and amusement machines, automatic and coin-operated; coin-operated amusement machines and/or electronic coin-operated amusement machines with or without the possibility of gain; boxes for coin-operated machines, slot machines and gaming machines; electronic or electrotechnical amusement machines and apparatus, gaming machines, coin-operated entertainment machines; housings for coin-operated machines, gaming equipment, gaming machines, machines for gambling; electropneumatic and electrical gambling machines (slot machines).

41 – Gambling; entertainment services related to gambling; gaming services for entertainment purposes; casino, gaming and gambling services; training in the development of software systems; provision of gaming equipment for gambling halls; providing casino equipment [gambling]; gaming machine entertainment services; providing casino facilities [gambling]; gaming hall services; amusement arcade services; games equipment rental; rental of gaming machines; providing amusement arcade services; rental of gaming machines with images of fruits; editing or recording of sounds and images; sound recording and video entertainment services; hire of sound reproducing apparatus; provision of gaming equipment for casinos; providing of casino facilities; online gambling services; casino, gaming and gambling services; provision of gaming facilities, gaming hall facilities, Internet casinos and online gambling services.

(260) AM 2023 119525 A
(800) 1684503
(151) 2022 07 18
(891) 2022 07 18
(731) JOINT STOCK COMPANY "FATS AND OIL INTEGRATED WORKS"

UL. TITOVA 27, EKATERINBURG,
RU-620085 SVERDLOVSKAYA OBLAST,
Russian Federation

(540)



(591) Red, yellow and dark yellow

(531) 24.03.09; 28.05; 29.01.12

(511)

29 – Oils and fats for food; butter; margarine; cream-vegetable oils for food; spreads, namely dairy-based spreads, spreads made from vegetable oils and fats; buttercream; fat-containing mixtures for bread slices.

(260) AM 2023 119526 A

(800) 1684553

(151) 2022 06 02

(891) 2022 06 02

(731) TÜRKİYE TURİZM TANITIM VE
GELİŞTİRME AJANSI

Esentepe Mahallesi, Büyükdere Caddesi,
Astoria 127 B/71, Şişli, İstanbul, Türkiye

(540)



(591) Yellow, black and white

(531) 27.05.01; 27.05.09; 29.01.12

(511)

35 – Advertising, marketing and public relations; organization of exhibitions and trade fairs for commercial or advertising purposes; development of advertising concepts; provision of an online marketplace for buyers and sellers of goods and services; office functions; secretarial services; arranging newspaper subscriptions for others; compilation of statistics; rental of office machines; systemization of information into computer databases; telephone answering for unavailable subscribers; business management, business administration and business consultancy; accounting; commercial consultancy services; personnel recruitment, personnel placement, employment agencies, import-export agencies; temporary personnel placement services; auctioneering.

39 – Land, water and air transport services; rental of land, water or air vehicles; arranging of travel tours; travel reservation; issuing of tickets for travel; courier services (messages or merchandise), car parking; garage rental.

(260) AM 2023 119527 A

(800) 1684568

(151) 2022 07 29

(891) 2022 07 29

(731) Chanel SARL

Quai du Général-Guisan 24, CH-1204 Genève,
Switzerland

(540)

LES BEIGES CHANEL

(591) Black, white

(511)

3 – Cosmetics and make-up products.

(260) AM 2023 119529 A

(800) 1684696

(151) 2022 01 14

(891) 2022 01 14

(731) OKUYUCULAR GIDA KOZMETİK TURİZM

TİCARET VE SANAYİ LİMİTED ŞİRKETİ

Sultan Orhan Mah. 1181/1, Sok. No:5 Gebze,
Kocaeli, Türkiye

(540)

LORIS

(591) Black and white

(531) 27.05.01

(511)

3 – Non-medicated cosmetics and toiletry preparations, non-medicated dentifrices, perfumery, essential oils, bleaching preparations for laundry use, cleaning, polishing, scouring and abrasive preparations.

(260) AM 2023 119530 A

(800) 1684748

(151) 2022 06 03

(891) 2022 06 03

(731) B.S.A.

Tour Maine Montparnasse, 33 avenue du
Maine, F-75015 PARIS, France

(540)



(591) Brown, orange, green, white

(531) 05.03.13; 05.03.15; 05.05.20; 26.04.04;
26.04.05; 26.04.15; 26.04.16; 26.11.01;
26.11.08; 26.11.14; 26.13.25; 26.15.09;
29.01.15

(511)

29 – Meat, fish, poultry and game; meat extracts; charcuterie; croquettes (food); preserved, dried and cooked fruit and vegetables; processed fruits and vegetables; jellies, jams, marmelades, stewed fruit; broths; eggs; dairy products and substitutes, milk, butter, cheese, specialty cheese products, fondu cheese, yogurt, drinking yogurt, milk desserts, cream (dairy products), whipped cream, buttercream, fermented or non-fermented milk, fermented or non-fermented dairy specialty, powdered milk, milk-based spreads, milk beverages, milk predominating; edible oils and fats; plant- and nut-based dairy substitutes; coconut milk; soy milk; fats of plant origin; vegetable juices for cooking; hummus; desserts based on milk, vegetable milk and dairy substitutes; milk-based beverages; beverages made from yogurt; food preparations and cooked dishes based on the aforesaid goods.

30 – Tea, cocoa, sugar, chocolate, rice, tapioca, sago; flours and cereal preparations, soy flour, bread, pastry and confectionery, edible ices; honey, golden syrup; salt, mustard, vinegar, sauces (condiments); spices; ice for refreshment, pancakes, cocoa-based foodstuffs; coffee-based foodstuffs; plant preparations used as coffee substitutes; chocolate-based beverages; oat-based food; cookies and biscuits, cakes, rusks; flavoured desserts based on chocolate, rice, almond, coffee; cooked dishes based on the aforesaid goods.

32 – Beers, mineral and aerated waters and other non-alcoholic beverages; non-alcoholic beverages not consisting of milk; fruit-based beverages; fruit juices; tomato juice; syrups and other preparations for beverages; fruit smoothies; lemonade; vegetable juices (beverages); non-alcoholic beverages based on tea, rice, soy, almonds, oats, coconut, cocoa, chocolate, honey, coffee; milk of almonds [beverage]; whey-based beverages; cereal and vegetable-based beverages; beverages made with nuts and soy; non-alcoholic beverages not consisting of milk.

35 – Advertising; television and computer network advertizing; commercial business management; commercial administration; office functions; dissemination of advertising material (prospectuses, samples); rental of advertising time on all communication media; publication of advertising texts; dissemination of advertisements, public relations; arranging newspaper subscriptions for others; business consultancy, information or inquiries; document reproduction; employment agencies; computer file management; organization of exhibitions for commercial or advertising purposes; advertising sponsorship; sales promotion for third parties; retail services for the sale of foodstuffs, namely, meat, fish, poultry and game, meat extracts, charcuterie, food croquettes, preserved, dried and cooked fruits and vegetables, processed fruits and vegetables, jellies, jams, marmalades, compotes, broth, eggs, dairy products and substitutes, milk, butter, cheese, specialty cheese products, fondu cheese, yogurt,

drinking yogurt, milk desserts, cream [dairy products], whipped cream, buttercream, fermented or non-fermented milk, fermented or non-fermented dairy specialty, powdered milk, milk-based spreads, milk beverages, milk predominating, edible oils and fats, dairy substitutes based on plants and nuts, coconut milk, soy milk, plant-based fats, vegetable juices for cooking, hummus, food preparations and cooked dishes based on the aforesaid goods, tea, cocoa, sugar, chocolate, rice, tapioca, sago, flour and preparations made from cereals, soy flour, bread, pastry and confectionery, edible ices, honey, treacle, salt, mustard, vinegar, sauces [condiments], spices, ice for refreshment, pancakes [foodstuffs], cocoa-based foodstuffs, coffee-based foodstuffs, plant preparations for use as coffee substitutes, chocolate-based beverages, oat-based food, cookies, cakes, rusks, flavored desserts based on chocolate, rice, almond, coffee, cooked dishes based on the aforesaid goods, desserts based on milk, plant-based milk and dairy substitutes, beers, mineral and aerated waters and other alcohol-free beverages, non-alcoholic beverages whether or not consisting of milk, yogurt beverages, fruit-based beverages, fruit juice, tomato juice, syrups and other preparations for beverages, smoothies, lemonade, vegetable juices [beverages], non-alcoholic beverages based on tea, rice, soy, almonds, oats, coconut, cocoa, chocolate, honey, coffee, almond milk [beverage], whey-based beverages, cereal and vegetable-based beverages, nut and soy-based beverages.

(260) AM 2023 119531 A

(800) 1684749

(151) 2022 06 03

(891) 2022 06 03

(731) B.S.A.

Tour Maine Montparnasse, 33 avenue du
Maine, F-75015 PARIS, France

(540)



(591) Green, light green, white

(531) 05.03.13; 05.03.15; 24.17.04; 26.04.04;

26.04.05; 26.13.01; 27.05.01; 27.05.03;

27.05.07; 29.01.12

(511)

29 – Meat, fish, poultry and game; meat extracts; charcuterie; croquettes (food); preserved, dried and cooked fruit and vegetables; processed fruits and vegetables; jellies, jams, marmelades, stewed fruit; broths; eggs; dairy products and substitutes, milk, bu-

tter, cheese, specialty cheese products, fondu cheese, yogurt, drinking yogurt, milk desserts, cream (dairy products), whipped cream, buttercream, fermented or non-fermented milk, fermented or non-fermented dairy specialty, powdered milk, milk-based spreads, milk beverages, milk predominating; edible oils and fats; plant- and nut-based dairy substitutes; coconut milk; soy milk; fats of plant origin; vegetable juices for cooking; hummus; desserts based on milk, vegetable milk and dairy substitutes; milk-based beverages; beverages made from yogurt; food preparations and cooked dishes based on the aforesaid goods.

30 – Tea, cocoa, sugar, chocolate, rice, tapioca, sago; flours and cereal preparations, soy flour, bread, pastry and confectionery, edible ices; honey, golden syrup; salt, mustard, vinegar, sauces (condiments); spices; ice for refreshment, pancakes, cocoa-based foodstuffs; coffee-based foodstuffs; plant preparations used as coffee substitutes; chocolate-based beverages; oat-based food; cookies and biscuits, cakes, rusks; flavoured desserts based on chocolate, rice, almond, coffee; cooked dishes based on the aforesaid goods.

32 – Beers, mineral and aerated waters and other non-alcoholic beverages; non-alcoholic beverages not consisting of milk; fruit-based beverages; fruit juices; tomato juice; syrups and other preparations for beverages; fruit smoothies; lemonade; vegetable juices (beverages); non-alcoholic beverages based on tea, rice, soy, almonds, oats, coconut, cocoa, chocolate, honey, coffee; milk of almonds [beverage]; whey-based beverages; cereal and vegetable-based beverages; beverages made with nuts and soy; non-alcoholic beverages not consisting of milk.

35 – Advertising; television and computer network advertizing; commercial business management; commercial administration; office functions; dissemination of advertising material (prospectuses, samples); rental of advertising time on all communication media; publication of advertising texts; dissemination of advertisements, public relations; arranging newspaper subscriptions for others; business consultancy, information or inquiries; document reproduction; employment agencies; computer file management; organization of exhibitions for commercial or advertising purposes; advertising sponsorship; sales promotion for third parties; retail services for the sale of foodstuffs, namely, meat, fish, poultry and game, meat extracts, charcuterie, food croquettes, preserved, dried and cooked fruits and vegetables, processed fruits and vegetables, jellies, jams, marmalades, compotes, broth, eggs, dairy products and substitutes, milk, butter, cheese, specialty cheese products, fondu cheese, yogurt, drinking yogurt, milk desserts, cream [dairy products], whipped cream, buttercream, fermented or non-fermented milk, fermented or non-fermented dairy specialty, powdered milk, milk-based spreads, milk beverages, milk predominating, edible oils and fats, dairy substitutes based on plants and nuts, coco-

nut milk, soy milk, plant-based fats, vegetable juices for cooking, hummus, food preparations and cooked dishes based on the aforesaid goods, tea, cocoa, sugar, chocolate, rice, tapioca, sago, flour and preparations made from cereals, soy flour, bread, pastry and confectionery, edible ices, honey, treacle, salt, mustard, vinegar, sauces [condiments], spices, ice for refreshment, pancakes [foodstuffs], cocoa-based foodstuffs, coffee-based foodstuffs, plant preparations for use as coffee substitutes, chocolate-based beverages, oat-based food, cookies, cakes, rusks, flavored desserts based on chocolate, rice, almond, coffee, cooked dishes based on the aforesaid goods, desserts based on milk, plant-based milk and dairy substitutes, beers, mineral and aerated waters and other alcohol-free beverages, non-alcoholic beverages whether or not consisting of milk, yogurt beverages, fruit-based beverages, fruit juice, tomato juice, syrups and other preparations for beverages, smoothies, lemonade, vegetable juices [beverages], non-alcoholic beverages based on tea, rice, soy, almonds, oats, coconut, cocoa, chocolate, honey, coffee, almond milk [beverage], whey-based beverages, cereal and vegetable-based beverages, nut and soy-based beverages.

(260) AM 2023 119533 A
(800) 1684886

(151) 2022 08 09

(891) 2022 08 09

(731) Shenzhen Buluoyinji Technology Co., Ltd.
501 Of Building 5, Puxia Industrial Area,
Henggang Street, Longgang District, Shenzhen,
Guangdong, China

(540)

Tribesigns

(591) Black, white

(531) 05.03.13; 05.03.15; 14.07.01; 27.03.11;
27.03.15; 27.05.01; 27.05.07; 27.05.08;
27.05.17

(511)

20 – Benches [furniture]; office furniture; furniture;
chairs [seats]; tables; divans; beds; sofas; works of art
of bamboo.

(260) AM 2023 119534 A
(800) 1684890

(151) 2022 07 29

(891) 2022 07 29

(731) ZHEJIANG GEELY HOLDING GROUP CO.,
LTD.
1760 JIANGLING ROAD, BINJIANG
DISTRICT, HANGZHOU, ZHEJIANG,
China

(540)



(591) Black, white

(531) 26.04.03; 26.04.04; 26.04.08; 26.04.24;
26.11.02; 26.11.06; 26.11.09

(511)

12 – Electric vehicles; vehicles for locomotion by
land, air, water or rail; gear boxes for land vehicles;
propulsion mechanisms for land vehicles; motorcyc-
les; cars; automobile chassis; self-balancing boards;
tyres for vehicle wheels; brakes for vehicles.

37 – Construction consultancy; construction; uphol-
tery repair; heating equipment installation and repair;
electric appliance installation and repair; motor vehi-
cle maintenance and repair; charging of electric vehi-
cles; rustproofing; retreading of tyres; furniture main-
tenance.

(260) AM 2023 119535 A
(800) 1684891

(151) 2022 07 29

(891) 2022 07 29

(731) ZHEJIANG GEELY HOLDING GROUP CO.,
LTD.
1760 JIANGLING ROAD, BINJIANG
DISTRICT, HANGZHOU, ZHEJIANG, China

(540)

LIVAN

(591) Black, white

(531) 27.05.17

(511)

12 – Electric vehicles; vehicles for locomotion by
land, air, water or rail; gear boxes for land vehicles;
propulsion mechanisms for land vehicles; motorcyc-
les; cars; automobile chassis; self-balancing boards;
tyres for vehicle wheels; brakes for vehicles.

(260) AM 2023 119536 A
(800) 1685015

(151) 2022 04 29

(891) 2022 04 29

(731) ZF FRIEDRICHSHAFEN AG
Löwentaler Str. 20, 88046 Friedrichshafen,
Germany

(540)

ARAIIV

(591) Black, white

(511)

9 – Computer software for providing transportation services of passengers and goods; computer software for communicating with robotic transport vehicles; mobile apps related to transportation services of passengers and goods; data, documents, information, video, sound, text and other media or multi-media, all being electronically recorded or downloadable from the internet or other communications networks related to transportation services of passengers and goods; computer software for tracking, monitoring and remotely controlling vehicles; mobile application for scheduling, tracking, monitoring, and retrieving deliveries; computer operating systems in the field of automobiles, namely, an operating system for use in autonomous vehicles and vehicles with intelligent driver assistance system, for turning standard vehicles into autonomous vehicles and vehicles with intelligent driver assistance system, and for the operation of autonomous and vehicles with intelligent driver assistance system; computer software in the field of automobiles, namely, software for use in vehicles to facilitate the transmission of data between vehicles and between vehicles and another application; open platforms, computer software systems and application programming interface (API) software for use in the development of computer operating systems for driving, navigating, parking and monitoring autonomous cars and driverless cars with intelligent driver assistance systems; downloadable computer software platforms and recorded computer software platforms for use in computer operating systems for driving, navigating, parking and monitoring autonomous cars and driverless cars; artificial intelligence software, virtual assistant software and computer systems for driverless cars with intelligent driver assistance system; artificial intelligence and machine learning software in the field of autonomous driving and intelligent driver assistance; computer software for voice, speech, facial, image, motion and gesture recognition and for data collection, processing, conversion and output for use in automated and autonomous driving assistance systems.

12 – Robotic transport vehicles; apparatus for locomotion by land, air or water; autonomous, remotely-controlled and self-driving vehicles; robotic vehicles; parts and fittings for the aforesaid goods.

39 – Transport and delivery of passengers and goods; collection, storage, transportation, arranging of transportation and delivery of packets, packages, parcels, letters, messages, newspapers, periodical publications, freight and of passengers and goods; courier services; advice and proof of delivery services related to transportation services of passengers and goods; rental of vehicles; freight forwarding; warehousing; rental of warehouses.

42 – Platform as a service (PaaS) providing access to source codes and software in the fields of autonomous vehicles, smart vehicles, Internet of vehicles and inte-

lligent transportation; platform as a service (PaaS) providing a platform for the development of source codes and software in the fields of autonomous vehicles, smart vehicles, Internet of vehicles and intelligent transportation; research, design, development, engineering, installation, updating, maintenance and consulting of open platforms, computer software systems, application programming interface (API) and operating systems in the field of autonomous driving, of artificial intelligence software and computer systems for driverless cars and of computer operating systems for driving, navigating, parking and monitoring driverless cars; development of computer software application solutions in the field of autonomous driving and driving assistance.

(260) AM 2023 119537 A

(800) 1685120

(151) 2022 05 06

(891) 2022 05 06

(731) Stada Arzneimittel AG

Stadastraße 2-18, 61118 Bad Vilbel, Germany

(540)

НизоСаре

(591) Black, white

(531) 27.05.01; 28.05

(511)

3 – Bleach and household detergents; cleaning, polishing, scouring and abrasive preparations; soap; perfumery, essential oils; cosmetics; hair lotions; cosmetics, in particular for skin and hair; dentifrices.

5 – Pharmaceutical and veterinary preparations; medicine; sanitary preparations for medical purposes; dietetic substances for medical purposes; food for babies; plasters, materials for dressings; material for stopping teeth, impression material for dental purposes; disinfectants; preparations for destroying vermin; fungicides; herbicides.

(260) AM 2023 119538 A

(800) 1685130

(151) 2022 07 18

(891) 2022 07 18

(731) JOINT STOCK COMPANY "FATS AND OIL INTEGRATED WORKS"
UL. TITOVA 27, EKATERINBURG,
RU-620085 SVERDLOVSKAYA OBLAST,
Russian Federation

(540)



(591) Yellow, light yellow, dark yellow, gold, red, crimson, dark crimson, white, brown, dark brown and light brown

(531) 08.07.05; 25.05.02; 25.07.07; 25.07.08; 26.04.05; 26.04.16; 26.04.24; 28.05; 29.01.15

(511)

29 – Oils and fats for food; butter; margarine; cream-vegetable oils for food; spreads, namely dairy-based spreads, spreads made from vegetable oils and fats; buttercream; fat-containing mixtures for bread slices.

(260) AM 2023 119539 A

(800) 1685151

(151) 2022 06 02

(891) 2022 06 02

(731) Euro Games Technology Ltd.

4, "Maritsa" Str., "Vranya-Lozen-Triugulnika", BG-1151 Sofia, Bulgaria

(540)

Gods & Kings

(591) Black, white

(511)

9 – Software; computer gaming software; computer software packages; computer operating system software; computer software, recorded; software drivers; virtual reality software; games software; entertainment software for computer games; computer programs for network management; operating computer software for main frame computers; monitors (computer hardware); computer hardware; apparatus for recording images; monitors (computer programs); computer game programs; computer programs for recorded games; apparatus for recording, transmission or reproduction of sound or images; communications servers [computer hardware]; electronic components for gambling machines; computer application software featuring games and gaming; computer software for the administration of on-line games and gaming; computer hardware for games and gaming; hardware and software for gambling, gambling machines, gambling games on the Internet and via telecommunication network.

28 – Gaming machines for gambling; chips for gambling; mah-jong; arcade games; gambling machines operating with coins, notes and cards; games; electronic games; parlor games; gaming chips; gaming tables; slot machines [gaming machines]; LCD game machines; slot machines and gaming devices; coin-operated amusement machines; roulette chips; poker chips; chips and dice [gaming equipment]; gaming equipment for casinos; roulette tables; gaming roulette wheels; casino games; gambling machines and amusement machines, automatic and coin-operated; coin-operated amusement machines and/or electronic coin-operated amusement machines with or without the possibility of gain; boxes for coin-operated machines, slot machines and gaming machines; electronic or el-

ectrotechnical amusement machines and apparatus, gaming machines, coin-operated entertainment machines; housings for coin-operated machines, gaming equipment, gaming machines, machines for gambling; electropneumatic and electrical gambling machines (slot machines).

41 – Gambling; entertainment services related to gambling; gaming services for entertainment purposes; casino, gaming and gambling services; training in the development of software systems; provision of gaming equipment for gambling halls; providing casino equipment [gambling]; gaming machine entertainment services; providing casino facilities [gambling]; gaming hall services; amusement arcade services; games equipment rental; rental of gaming machines; providing amusement arcade services; rental of gaming machines with images of fruits; editing or recording of sounds and images; sound recording and video entertainment services; hire of sound reproducing apparatus; provision of gaming equipment for casinos; providing of casino facilities; online gambling services; casino, gaming and gambling services; provision of gaming facilities, gaming hall facilities, Internet casinos and online gambling services.

(260) AM 2023 119540 A

(800) 1685153

(151) 2022 06 09

(891) 2022 06 09

(731) "GRAND CANDY" LLC

31 Masis str., 0061 Yerevan, Armenia

(540)



(591) Yellow, light and dark sky blue, white, brown, blue, red, purple, orange, cinnamon brown, light and dark grey and black

(531) 08.01.09; 08.01.10; 18.01.07; 18.01.08; 19.03.24; 27.05.02; 28.19; 29.01.15

(554) ժոկոլոբոտի

(526) Choco Burger, ՉՈԿՈ ԲՈՒՐԳԵՐ (in Arm.), Sweet & Soft Chocolate Pies, Open Here

(511)
30 – Confectionery, particularly chocolate burger, biscuit.

(260) AM 2023 119541 A

(800) 1685191

(151) 2022 08 10

(891) 2022 08 10

(731) BASF SE

Carl-Bosch-Str. 38, 67063 Ludwigshafen
am Rhein, Germany

(540)

CONTRION

(591) Black, white

(511)

5 – Preparations for destroying and combating vermin; insecticides, fungicides, herbicides, pesticides.

(260) AM 2023 119542 A

(800) 1685192

(151) 2022 08 10

(891) 2022 08 10

(731) BASF SE

Carl-Bosch-Str. 38, 67063 Ludwigshafen
am Rhein, Germany

(540)

CERTISSON

(591) Black, white

(511)

5 – Preparations for destroying and combating vermin; insecticides, fungicides, herbicides, pesticides.

(260) AM 2023 119553 A

(800) 1685418

(151) 2021 11 17

(891) 2021 11 17

(731) ATH&S GmbH

Bröninghauser Straße 26, 33729 Bielefeld,
Germany

(540)

Zentparts

(591) Black, white

(511)

6 – Statues and works of art of common metals; containers of metal for storage, transport and packaging; structures and transportable buildings of metal; building and construction materials and elements of metal; doors, gates, windows and window coverings of metal; unwrought or semi-wrought common metals; small items of metal hardware.

7 – Winch motors; push rods [vehicle engine parts]; brake linings for machines; brake shoes, other than for vehicles; connecting rods [internal combustion engine

parts]; engine bearings; internal combustion engines for boats; exhaust pipes for land vehicles; alternating current motors for airborne vehicles; temperature control valves [parts of machines]; water heaters [parts of machines]; blades being parts of gas turbine engines treated with alloys; hydraulic motors for excavators; lockable valves [parts of machines]; hangers [parts of machines]; fuel conversion apparatus for internal combustion engines; spindle adapter flanges for machine tools; manifolds [parts of engines]; carburettors; distributor manifolds being parts of machines, engines or motors; fuel pumps for motor vehicles; hydraulic controls for machines, motors and engines; steam boilers for steam generating [parts of machines]; torsion bars for machines; fuel injection systems for engines; fluid couplings being parts of machines; self-oiling bearings; servomotors [other than for land vehicles]; engine cylinders for automobiles; diesel engines not for land vehicles; regulators [parts of machines]; discs for clutch thrust bearings, other than for land vehicles; casings for industrial machines; ignition devices for motors of land vehicles; brake parts (machine -) made of materials having frictional properties; springs being parts of anti-vibration mountings for machines; bearings for transmission shafts; belt pulleys being parts of machines; power transmissions [other than for land vehicles]; fuel/air ratio controls [parts of engines or motors]; wheel hubs being parts of machines; gearing for air vehicles; boat engines; brake linings, other than for vehicles; cam chains; ball valves being parts of machines; linear actuators [mechanical]; speed change gears being parts of machines; girder clips being parts of power transmission gear; drive pulleys for power transmission belts of industrial machines; grease rings [parts of machines]; rotary to linear actuators; gear levers other than for land vehicles; electric driving motors for machines; motors, other than for land vehicles; exhaust silencers; moving and handling equipment; die holders for use with machines; machine coupling and transmission components, except for land vehicles, and parts therefor; machine couplings and transmissions, except for land vehicles; bearings [parts of machines]; dynamo pulleys for vehicles; industrial process controllers [pneumatic]; motor drive units [other than for land vehicles]; adaptors for tool bits [parts of machines]; shaft mounted gear units [other than for land vehicles]; metal pulleys being parts of machines; clack valves [parts of machines]; fittings for engine boilers; cemented carbide tips for machine tool bits; gear boxes for hydraulic transmissions [other than for land vehicles]; vibration motors; marine engines; electric motors for machines with a digital servo drive controller; injectors for engines; filters being parts of machines; exhaust systems for vehicles; housings for ball bushings [machine parts]; drums [parts of machines]; radiators [cooling] for motors and engines; spline shank bits [parts of gearing for water vehicles]; power-operated grinding wheels; piston pins; splines (sliding -) [parts of machines]; co-

nnecting rods for machines; overload couplings [parts of machines]; clamping tools for holding piece parts during machining; engine cylinders for vehicles; butterfly valves being parts of machines; linings for brakes [parts of machines]; mechanical engine parts for land vehicles; hydraulic accumulators being parts of machines; engine cases [vehicle parts]; hydraulic valves; alternating current motors; rocket motor propulsion apparatus for boats; slide valves [parts of machines]; bearings for machines; angle valves being parts of machines; heat recovery devices [parts of machines]; splash preventers [parts of machines]; valve closure mechanisms; generating sets for use with engines; power transmissions for water vehicles; engines for model vehicles; de-aerators for feedwater; carburettor feeders; belt pulleys; shaft bearings for vacuum pumps; drive pulleys; afterburners for air vehicle engines; sliding bearings for machines; milling grinding motors; exhaust gas recirculation [egr] valves for motors and engines; traps for liquids [part of machines]; workpiece carriers [parts of machines]; hydraulically operated butterfly valves; diesel engines for water vehicles; rocket propulsion engines for boats; torque converters, other than for land vehicles; governors; timing belts for machines; wheels and tracks for machines; ball bearings for roller skates; sewing machine motors; aviation drive trains; servo-mechanisms being alternating current servo motors or electric motors for machines with a digital servo drive controller; feeding units for size reduction machines; spray prevention guards for machines; carbon brushes for electrical machines; tamping rollers [parts of machines]; elevator gears; engine housings; anti-vibration mounts (parts of machines); cranks [parts of water vehicles]; disc brakes for machines; shock absorber plungers [parts of machines]; adaptors for pipes [parts of machines]; camshafts for water vehicles; hydraulic controls for motors; actuating mechanisms for controlling rudders; steam engines, other than for land vehicles; sound absorbers being parts of machines; torsion dampers for machines; belts (timing -) for vehicle engines; power transmissions for aircraft; power transmission couplings [other than for land vehicles]; shock absorbers for machines; bearings for shafts; screening rollers [parts of machines]; machine coupling and transmission components (except for land vehicles); industrial robots; non-metallic hoses being structural parts of hydraulic systems in machines; combustion engines for machines; actuating mechanisms for controlling slats; silencers as part of vehicle exhaust systems; work clamps for machine tools; heat insulated metal piping elements [parts of machines]; glow plugs for diesel engines; spray valves [parts of machines]; water separators; power transmission belting for machines; venturi scrubbers; disc brakes being parts of machines; diesel engines for machines; flexible couplings [parts of machines]; starters for asynchronous electric cage motors; fans for motors and engines; power transmission belts for machines, motors and en-

gines used in industrial applications; disposable blades for use with machines; rubber stamps [parts of machines]; motors for model boats; carbon brushes [electricity]; heat sinks for use in machines; roller bearings; valve assemblies of metal [parts of machines]; motor driven windlasses; distributor caps [internal combustion engine parts]; sealing joints [parts of machines]; non-metallic hoses being structural parts of machines for transferring hydraulic power in machines; spark plugs for vehicle engines; gears, other than for land vehicles; turbines for power generation; drive belts for machines; drive chains for machines; butterfly valves (non-metallic -) being parts of machines; diesel injection devices; dashpot plungers [parts of engines or motors]; graders [machines] and parts of graders; lubricators [parts of machines]; fuel injectors for internal combustion engines; camshafts for machines; conveyor rollers; waste gas return valves [parts of machines]; brushes [parts of machines]; ignition coils for automotive engines; rocket propulsion engines for weapons; gaskets for internal combustion engines; engines for compressors; bearings [parts of machines]; spindle shafts [parts of machines]; drives for converting rotary motion to linear motion [other than for land vehicles]; gear assemblies, other than for land vehicles; ignition distributors for internal combustion engines; transmission shafts for air vehicles; pneumatic fuel injectors for engines; tolerance rings [machine tool parts]; electric alternators for land vehicles; facing heads; hydraulic valve actuators; starters for motors and engines; check valves (non-metallic -) [parts of machines]; filters for internal combustion engines; starting couplings for air vehicles; self-centring chucks [parts of machines]; mechanical power transmitting mechanisms [other than for land vehicles]; elevator motors; pistons for internal combustion engines; crankcases for land vehicles engines; workpiece clamping attachments [parts of machines]; crank shafts; sleeve type linear ball bearings for use in linear movement; air filters for automobile engines; filter housings being parts of machines; housings [parts of machines]; engines for the generation of electricity; timing belt pulleys; compressed air pilot valves; ignition magnetos for engines; sparking-plugs; bearing inserts; gear changing mechanisms for machines; timing belts for industrial motors; sparking plugs not for land vehicles; transmission shafts for machines; bearing inserts [machine parts]; pulleys [parts of motors]; ball rings for bearings; dosing valves [parts of machines]; tensioning pieces being parts of machines; pressure pipes of metal [parts of machines]; cast iron parts for pipes [parts of machines]; jigs for holding a component during machining; transmission components (except for land vehicles); steam marine engines [not for land vehicles]; rocket motor propulsion apparatus for water craft; steering linkages for machines; bearing brackets for ball bearings; joints for tubes (metal -) [parts of engines]; worm gears for machines; block brakes [machine elements not for land vehic-

les]; hydraulic pliers (parts of constructing machines); turbo-superchargers for land vehicle engines; coils [internal combustion engine parts]; clamping machines; joysticks being parts of machines, other than for game machines; starting couplings for water vehicles; transmissions for water vehicles; piston rods; servo-control valves; ramjets [other than for land vehicles]; ball bearings for in-line skates; mufflers [parts of exhaust systems]; rocker arms [parts of machines]; brake motors; submersible electric motors [other than for land vehicles]; power transmission chains; oil tank plugs and caps [vehicle engine parts]; oil coolers [vehicle engine parts]; dispensing valves being machine parts; damping rollers being parts of machines; belt drives; fuel pumps; power transmission belts for industrial machines; electric motors for heating installations; engines for aerostats; carbon brushes for starter motors; spark arrestors being parts of machines; pumps [parts of machines, engines or motors]; jigs for locating a component during machining; spline shank bits [parts of gearing for aircraft]; electric propulsion mechanisms for water vehicles; driving devices for machines; ceramic tips [tools for machines]; mechanical transmissions [other than for land vehicles]; roller bearings for machines; oil tanks [vehicle engine parts]; motor drive mechanisms [other than for land vehicles]; cocks [valves] of metal parts of machines; carburetors [vehicle parts]; moving coil servomotors; metal engine gaskets for vehicles; collets being parts of machines; positive crankcase ventilation [pcv] valves for motors and engines; valves; brakes for machines; rolling bearing cages; rotary actuators; tips for tool bits [parts of machines]; electronic starters for engines; mounted bearings [parts of machines]; gear boxes being parts of machines; clamping devices for use with machine tools; drive pulleys for power transmission belts of agricultural machines; plug cocks [parts of machines]; dressers for blades [machine tool]; gear couplings for machines; pressure regulators [parts of machines]; spindles for machine tools; traps for dust [part of machines]; hydraulic actuators; electric alternators for machines; distributor rotors [internal combustion engine parts]; couplings for pneumatic apparatus; pistons for vehicle engines; reels [parts of machines]; motorised fans for machines; steam engines; suspension ball joints [parts of machines]; feeders [parts of machines]; splines (square -) [parts of machines]; frictional drive components for machines; slitting machines for industrial use; holding devices for machine tools; direct current motors; pistons [parts of machines or engines]; rotary shoes [parts of machines]; fastener setting tools [parts of machines]; servomotors; engines and motors for model vehicles, aircraft and boats; couplings for machines; axles for machines; electric power supplies [generators]; feeders for machines; grease filters [parts of machines]; engines for air cushion vehicles; cams being parts of machines; rocket motor propulsion apparatus for aircraft; fuel and air mixture regulators

being parts of internal combustion engines; cylinder liners; machine holders being stands [being adapted for the machine]; universal joints [cardan joints]; compressed air engines; ram air turbines [other than for land vehicles]; intake manifolds for internal combustion engines; power operated valves; cam rollers [parts of machines]; cam sprockets; hydraulic circuits for machines; pneumatically operable valves; planetary gear motors; servo motors for sewing machines; balances for power operated tools; expansion tanks [parts of machines]; rocket engines for the propulsion of missiles; timing belt pulleys [parts of engines]; hydraulic intensifiers being parts of machines; anti-lock brake apparatus for machines; differential gear mechanisms for machines; electronic ignitions for vehicles; kerosene engines, not for land vehicles; electric drives for machine tools; free wheel couplings [other than for land vehicles]; metal safety valves [parts of machines]; filter housings being parts of engines; expansion tanks [parts of vehicle cooling radiators]; slide rests [parts of machines]; speed change gears being parts of machines; mud catchers and collectors [machines]; brushes being parts of motors, generators and dynamos; spindle shafts [parts of engines]; linking devices [parts of machines]; key cutting machine bits; shock absorbing springs for machines; power transmission couplings for sea craft; outboard engines for boats; fuel injector parts for land and water vehicle engines; bushings for use with rolling bearings [parts of machines]; turbine vanes being parts of gas turbine engines; journal boxes [parts of machines]; electric alternating current motor drives; ball rings for machines; steam traps; internal combustion engines for power generation; ball bearings for skateboards; industrial process controllers [hydraulic]; step-up gears for machines; compressors for supercharging internal combustion engines; safety couplings [other than for land vehicles]; anti-pollution devices for motors and engines; sound absorbers [silencers] being parts of exhaust systems for machines; current generators; linear actuators; workpiece locators [parts of machines]; electrically operated brushes, being parts of machines; transmission control mechanisms; inert gas generators [machines]; catalytic converters being parts of vehicle exhausts; clamp connectors for piping [parts of machines]; afterburners for water vehicle engines; power transmission mechanisms [other than for land vehicles]; sludge cocks [valves] being parts of machines; cylinder blocks [parts of machines]; membrane filters for use as parts of machines; spark plug ignition wires; electric motors for use with doors; self-regulating fuel pumps; cylinders for vehicles other than land vehicles; gas engines; alternators for land vehicles; hydraulic torque converters [machine elements not for land vehicles]; starter pinions; wire brushes [parts of machines]; actuating mechanisms for operating aircraft flaps; reducing gears [parts of machines]; turbine blades for power generation; rocket motor propulsion apparatus for weapons;

band brakes [machine elements not for land vehicles]; pressure controllers [valves] being parts of machines; fuel valves; variable speed drives for machines; fan belts for land vehicle engines; electric ignition coils; rotary tables for machine tools; magnetic positioners [parts of machines]; electric ignition apparatus for internal combustion engines; spray prevention flaps for machines; condensers [ignition parts for internal combustion engines]; articulated transmissions for machines; clutch levers, other than for land vehicles; ball bushings; cone brakes being parts of machines; anti-shock pads [parts of machines]; power transmission couplings for water vehicles; suction turbines [other than for land vehicles]; chucks [parts of machines]; plain journal bearings; pneumatic actuating apparatus; exhaust mufflers for watercraft; plastics pipes [fitted parts of machines]; pneumatic actuators for control valves; engine cylinders for land vehicles; unidirectional clutches for machines; rocket engines not for land vehicles; turbines, other than for land vehicles; water pumps for use in motors and engines; pressure valves [parts of machines]; air filters for motorcycle engines; cylinder head gaskets, not of metal, for vehicle engines; electrical drives for machines; ignition wires for motor vehicles; starters for stationary engines; ball screws in the nature of mechanical linear actuators; step-up gears for vehicles [other than land vehicles]; power trains for sea craft; cam chains, being engine timing components; transmissions for air vehicles; transmissions, other than for land vehicles; turbochargers for machines; outboard motors; spring bushes [parts of machines]; machine coupling components, except for land vehicles; gear units, other than for land vehicles; electrical brakes for machines; pressure regulating valves being parts of machines; workpiece locators [machines]; bearing housings [machine parts]; spark plugs for engines; rocker arms [vehicle engine parts]; overdrive units, other than for land vehicles; thrusters for machinery; engine mounts, other than for land vehicles; pump-motor assemblies; control mechanisms for machines, engines or motors; steam engine boilers for power generation, other than for land vehicles; brake pads, other than for vehicles; grabs [parts of machines]; drives for conveyors; mud motors; internal combustion motors [other than for land vehicles]; vacuum control valves [parts of machines]; cranks [parts of machines]; regulators [parts of machines]; gears for machines; non-return valves of plastic [parts of machines]; jet engines; workpiece slide tables [machines]; magnetic brakes for machines; pipes [fitted parts of machines]; idling pulleys being parts of machines; internal combustion engines for power generation, other than for land vehicles; filters for gases [machines]; engines for scale models; engine camshafts; connecting rods for land vehicle engines; splines (involute -) [parts of machines]; self-lubricating bearings for use in aerospace engines; joints for tubes (metal -) [parts of machines]; safety couplings for machines; cable cylinders [parts of machi-

nes]; cemented carbide tips [tools for machines]; speed governors [mechanical] for machines, engines and motors; machines and machine tools for treatment of materials and for manufacturing; hydraulic controls for machines; power transmission couplings for machines; driving chains, other than for land vehicles; disc screens [parts of machines]; disengaging mechanisms being parts of machines; drive belts for water vehicles; articulated transmissions for aircraft; gas turbines; power valve for carburetors [vehicle parts]; tensioning devices for endless drive power transmissions [other than for land vehicles]; slewing gear; couplings of metal for hydraulic apparatus; waste gas conduits [parts of machines]; engine fuel pumps; pumps for land vehicle engines; alternating current motors for jet engines; braking components for machines; slide bearings; bellows [parts of machines]; superheaters; copper tubes [parts of machines]; tensioning heads being parts of machines; scale collectors for machine boilers; pressure release screws being parts of machines; airsprings for machines; gear units for power transmissions, other than for land vehicles; metal branching pipes [parts of machines]; steam boilers [parts of machines]; pistons for engines; hydraulic valves [parts of machines]; drives for elevator cabin doors; fuel injection pumps; radiators [cooling] for vehicle motors and engines; machine drain cocks; auger bits for use with power tools; head attachments for power tools; inlet systems for gas turbines; rotating centres [parts of machines]; gas turbines not for land vehicles; headers as part of vehicle exhaust system; jaw type shaft couplings other than for land vehicles; taps [parts of machines, engines or motors]; stop valves of metal [parts of machines]; filters for hot gases for use with internal combustion engines; butterfly valves being parts of machines; servomotors incorporating encoders; intake manifolds [vehicle parts]; radiator caps for cooling radiators of engines; sorting slides [parts of industrial sorting machines]; bushings being parts of machines; spark plugs for land vehicle engines; driving belts, other than for land vehicles; catalytic converters for motors and engines; aeroplane engines; machine guides [parts of machines]; valves [mechanical] for regulating fluid flow; machine tool holders; fuel filters for vehicle engines; exhaust gas treatment systems for diesel engines; turbogenerators; couplings, other than for land vehicles; connecting rods for machines, motors and engines; catalytic converter units for vehicle exhausts; emission reduction units for motors and engines; turbo-superchargers for engines; tables for machines; power generators for vehicles; stuffing boxes [parts of machines]; exhausters being suction ventilators; agricultural, earthmoving, construction, oil and gas extraction and mining equipment; driving chains for machines; core chucks [parts of machines]; splines (square -) [parts of water vehicle gearing]; shaft couplings [machines]; transmission belts for industrial applications; digital electro-hydraulic proportioning valves; turbine shafts

[parts of machines]; crankcases for machines; drive units, other than for land vehicles; electric propulsion mechanisms for machines; pressure regulating apparatus being parts of machines; crankcases for machines, motors and engines; motors for boats; cylinder heads for engines; impellers for turbo-superchargers; bearing housings; pistons for cylinders; anti-kickback devices for power tools; ceramic masses being parts of motors; transmission shafts for water vehicles; belts for machines; intake manifolds for motors; mechanical seals [machine parts]; power transmission belts for sea craft; filters being parts of machines or engines; ball-bearings; machine tool couplings; grease boxes [parts of machines]; ball bearings for engines; oil filters for motors and engines; belt tensioners; rocker arms [parts of engines]; handles being parts of mechanically operated tools; electric motors, and their parts, not for land vehicles; pressure regulators for lubricating installations; pressure reducers [parts of machines]; indexing drives; taper shank bits [parts of machines]; actuators for mechanisms; angle joints [parts of machines]; pinions [other than for land vehicles]; sweeping, cleaning, washing and laundering machines; butterfly valves of metal being parts of machines; aprons [parts of machines]; collets for power tools; piston segments; hydraulic engines and motors; cylinders for motors and engines; turbocompressors; stern drives for ships; shutter valves; combustion engines for water vessels; planing tools [parts of machines]; aircraft engines; valves [parts of machines]; motors for aeronautical purposes; pneumatic controls for machines, motors and engines; cam covers [vehicle parts]; gear box casings, other than for land vehicles; propellers for machines; discharge screws for compressed air [parts of machines]; speed governors for machines; stators [parts of machines]; feed pipes for carburettors; sound absorbers [silencers] being parts of vehicle exhaust systems; helical gear units for industrial purposes; timing belts for motors; sprung sheet metal guides [parts of machines]; spools of metal [parts of machines]; electric ignition devices for internal combustion engines; fuel injection devices for internal combustion engines; spool adaptors [parts for industrial machine]; drive chains for driving aircraft; multiple nut runner motors; gear train parts, other than for land vehicles; flues for engine boilers; bearing brackets for roller bearings; pumps, compressors and blowers; differential gear mechanisms for sea craft; trolling plate for propeller driven watercrafts; cowlings [parts of machines]; aeronautical engines; valve diaphragms; mufflers [parts of machines]; power transmissions and gearing for machines [not for land vehicles]; clamping devices being parts of machine tools; saw benches [parts of machines]; power transmission couplings for aircraft; fuel economisers for motors and engines; pneumatic controls for machines; rocket nozzles; pneumatic controls for motors; stands for hydraulic jacks; crankcases for motors; rocket engines for the propulsion of aircraft; feedwater regu-

lators; belts (driving -) for transmitting motion to land vehicles; chainguards [parts of machines]; adapters for machine tools; shaft bearings [parts of machines]; discharge screws for hydraulic fluids [parts of machines]; marine propulsion units; discharge screws for gaseous materials [parts of machines]; transmissions for machines; discharge screws for liquid materials [parts of machines]; soundproof hoods [parts of machines]; pistons [internal combustion engine parts]; knives [parts of machines]; sprung guide rails [parts of machines]; splash guards [parts of machines]; oil pumps for land vehicle engines; hangers for internal combustion engines [parts of internal combustion engines]; steam turbines [other than for land vehicles]; splines (sliding -) [parts of water vehicle gearing]; tappets for engines; actuators for dampers; blades for aircraft turbines; tumbler gears, other than for land vehicles; gas turbine engines for sea vehicles; shock absorbing cylinders [parts of machines]; electric motors for refrigerators; worm gear reduction units; starter alternators; rolling gearings [other than for land vehicles]; alternating current servo motors; bearing rod ends; regulators for engines; expansion boxes for exhausts; plunger type valves for use with tanks; silencers being parts of exhaust systems; ball screw cartridges; power transmissions for machines; automotive engine blocks; igniting devices for internal combustion engines; drum filters; taps being parts of machines; jet engines, other than for land vehicles; electrical rotary converters; transmission shafts, other than for land vehicles; dampers [parts of machines]; pistons for machines; workpiece slide tables [parts of machines]; clutches for machines; fractional horsepower electric motors; engines for boats; gear motors other than for land vehicles; pre-insulated bonded pipes (non-metallic -) [parts of machines]; reciprocating feeders [parts of machines]; gas turbine engines for air vehicles; turboprop engines [not for land vehicles]; shafts for ball bushings; exhaust manifold for engines; thrusters [marine propulsion apparatus]; casing rings [parts of machines]; linear motors, other than for land vehicles; change speed transmissions [other than for land vehicles]; pump impellers; workpiece indexing devices [parts of machines]; articulated transmissions for watercraft; combustion engines for industrial machines; differential gear mechanisms for air vehicles; gear change knobs, other than for land vehicles; steam pressure variation engines; bearings and bushings [machine parts]; cam sprockets, being engine timing components; valves operated automatically by pneumatic control; wood grippers [parts of machines]; core bits [machine tools]; fuel injectors; speed reducers [machine parts]; motors for model aircraft; guides for machines; gas turbine engines; sole plates for supporting shaft bearings; cam drive systems for internal combustion engines; camshafts for vehicle engines; clutches, other than for land vehicles; dynamo belts; air cleaners [air filters] for engines; emergency and rescue machines and machine tools, namely emergen-

cy power generators, hydraulic cutters, rams and spreaders [hand-held rescue tools]; cam shafts; automotive exhaust pipe; drives for elevators; stands for machines; shock absorbing springs being parts of machine suspension; power transmission parts [other than for land vehicles]; fans for cooling vehicle engines; vacuum accumulators for internal combustion engines; wire brushes for use in machines; valves operated by changes in pressure; timing belt tensioners for land vehicle engines; gasoline engines not for land vehicles; couplings for agricultural implements; non-return valves of metal [parts of machines]; permanent chucks [parts of machines]; actuators incorporating a gear mechanism for pipeline valves; push rods for engines; distributors for vehicle engines; power transmission belts for agricultural machines; wind turbines; tool bits for machines; turbine vanes, other than parts of land vehicle engines; rotary tool bits [parts of machines]; brake segments, other than for vehicles; non-metal engine gaskets for vehicles; oil pumps for use in motors and engines; tensioning devices for endless drive power transmissions [parts of machines]; magnetic holders for machine tools; sparking plugs for internal combustion engines; automotive intake manifolds; diesel engines for air vehicles; actuators for valves; non-return flaps of metal [parts of machines]; cylinder covers [parts of machines]; starting couplings for machines; thermostatic control valves for machines; torque converters for machines; power shift transmissions [other than for land vehicles]; bearing to shaft locking devices; drive mechanisms for machine tools; hydraulic accumulators; toolholders for metal-working machines (machine parts); heat exchangers [parts of machines]; steam engine boilers; shuttles [parts of machines]; level regulating valves [parts of machines]; pneumatic valve actuators; chasers [machines or parts for machines]; oil filters [machine parts]; camshafts for air vehicles; manifolds [parts of machines]; cylinders being parts of machines; dispensing machines; boiler tubes [parts of machines]; saw benches being parts of machines; hydraulic turbines; baffles [parts of machines, engines or motors]; vacuum control valves [parts of engines]; propeller shafts; rotary brushes for machines; plain thrust bearings; steam condensers [parts of machines]; machine couplings [other than pipe]; driving motors, other than for land vehicles; cylinders for machines; tube reamers [parts of machines]; filters for cleaning cooling air, for engines; compressed air switch valves; hydro-pneumatic accumulators; exhaust bypasses; drive belts for driving aircraft; points [ignition parts for internal combustion engines]; fan belts for motors and engines; exhausts; roller chains being parts of machines; belts for motors and engines; helical gear units being parts of machines; anti-friction bearings for machines; control cables for machines, engines or motors; automobile oil pans; engine's air inlet ducts; servo-valves; machine transmission components, except for land vehicles; brakes for industrial machines; cylinder he-

ads made of castings of light metal alloys [parts of machines]; planetary gear transmissions, other than for land vehicles; catalytic converters; shaft couplings, not for land vehicles; geared electric motors, other than for land vehicles; clutch cylinders, other than for land vehicles; geared electric motors for aircraft; combustion engines for aircraft; metal branching pipes [parts of engines]; rocket motor propulsion apparatus for missiles; fuel systems for internal combustion engines; joints for pipes (metal -) [parts of machines]; wear plates for machines; timing belt tensioners for land vehicles; break rings for horizontal casters; tapping valves for metallurgical purposes; hydraulically operated pressure switches being parts of machines; electrical engines, other than for land vehicles; carburetors for internal combustion engines; sumps being parts of vehicle gearboxes [other than land vehicle]; keys for securing bits [machine]; joints [parts of engines]; bearing cages being parts of machines; superchargers; electric alternators for water vehicles; jaws of life [powered rescue shears]; ball rings for machine tools; hydraulic transmissions, other than for land vehicles; cemented carbide tools [machine]; sprockets for water vehicle gearing; piston rings [internal combustion engine parts]; sockets [parts for machines]; single sheet diffusion transfer plates [parts of machines]; journals [parts of machines]; hoses (metal -) for transferring hydraulic power in machines; freewheels, other than for land vehicles; multiple shell grippers [machines]; safety valves [parts of machines]; collets [power tool parts]; spring motors; mufflers for motors and engines; linear motors; drives for ventilation flaps; igniting magnetos; handles being parts of machine tools; elevating or lifting work platforms [mechanical]; electric drives for elevators; bearing brackets for machines; geared electric motors for water craft; pistons for land vehicle engines; fans being parts of machines; non-metallic hoses being structural parts of machines for use in machine hydraulic systems; oil coolers for motors; heat pumps [parts of machines]; tubes being fitted parts of machines; pre-insulated bonded metal pipes [fitted parts of machines]; transmission chains, other than for land vehicles; indexing drive machines; linking mechanisms [parts of machines]; catalytic converters for the exhaust gases of internal combustion engines; sludge valves being parts of machines; recoil starters for engines other than for vehicles; reduction gears, other than for land vehicles; exhausts for motors and engines; shaft couplings as parts of machines; link chains for driving purposes [other than for land vehicles]; speed governors for machines, engines and motors; stop valves [parts of machines]; rotary hydraulic motors [other than for land vehicles]; springs [parts of machines]; magnetic clamps [parts of machines]; water swivels [hydraulic couplings]; kick starters for motorcycles; hydrostatic drives; stop valves of plastic [parts of machines]; fuel filters; laminated leaf-springs being parts of machines; valves operated automati-

cally by hydraulic control; progressive starters for asynchronous motors; roller bearings [machine parts]; modular couplings for machine tools; turbo-superchargers for vehicle engines.

9 – Safety, security, protection and signalling devices; optical devices, enhancers and correctors; navigation, guidance, tracking, targeting and map making devices; magnets, magnetizers and demagnetizers; information technology and audio-visual, multimedia and photographic devices; scientific and laboratory devices for treatment using electricity; diving equipment; recorded content; measuring, detecting, monitoring and controlling devices; scientific research and laboratory apparatus, educational apparatus and simulators; apparatus, instruments and cables for electricity; electronic servo motor controllers; electronic controls for motors.

11 – Fireplaces; air and water filters for industrial and household use; nuclear installations; drying installations; flues and installations for conveying exhaust gases; industrial water treatment [water purification] installations; sanitary installations, water supply and sanitation equipment; burners, boilers and heaters; sun tanning appliances; cooking, heating, cooling and preservation equipment, for food and beverages; personal heating and drying implements; refrigerating and freezing equipment; igniters; regulating and safety accessories for water and gas installations; heating, ventilating, and air conditioning and purification equipment (ambient); lighting and lighting reflectors.

12 – Vehicles and conveyances.

(260) AM 2023 119556 A
(800) 1685698
(151) 2022 08 11
(891) 2022 08 11
(731) Soda Pop LLC
1090 Doris Road, Auburn Hills MI 48326, USA
(540)

SODA POP

(591) Black, white
(511)
34 – Smokable hemp; dried and cured hemp flower for smoking; smokeable hemp flower in the nature of loose dried hemp prepackaged for smoking; natural plants, namely, dried hemp flowers; smokable concentrates derived from hemp; none of the foregoing containing ingredients derived from cannabis with a delta-9 tetrahydrocannabinol (THC) concentration of not more than 0.3 percent on a dry weight basis.

(260) AM 2023 119573 A
(800) 1662245
(151) 2021 11 30
(891) 2022 08 10

(731) fischerwerke GmbH & Co. KG
Klaus-Fischer-Straße 1, 72178 Waldachtal,
Germany

(540)



(591) Black, white
(531) 03.09.01; 03.09.24; 26.04.15; 26.04.24;
27.05.01

(511)

19 – Building materials (non-metallic), including fire-proof building materials, in particular for construction of fire protection bulkheads and plates; self-hardening mortar, in particular for the anchoring of fastening elements; expanding foam; mounting foams for building, including in the form of fireproof substances; mortar, artificial resin mortar; mineral mortar; cements; fire cushions, fire protection bricks and fire protection collars of non-flammable material, in the form of construction materials (non-metallic) for sealing off pipes, tubes or cables.

(260) AM 2023 119574 A
(800) 1662248
(151) 2021 11 30
(891) 2022 07 27
(731) fischerwerke GmbH & Co. KG
Klaus-Fischer-Straße 1, 72178 Waldachtal,
Germany

(540)

fischer

(591) Black, white
(511)
19 – Building materials (non-metallic), including fire-proof building materials, in particular for construction of fire protection bulkheads and plates; self-hardening mortar, in particular for the anchoring of fastening elements; Expanding foam; Mounting foams for building, including in the form of fireproof substances; Mortar, Artificial resin mortar; Mineral mortar; Cements.

(260) AM 2023 119575 A
(800) 1674425
(151) 2022 03 24
(891) 2022 07 26
(731) TOSKANI S.L.
Passatge Ciutadans, 4, E-08005 BARCELONA,
Spain

(540)



(591) Black, white
 (531) 26.04.01; 26.04.05; 26.04.22; 27.05.10
 (511)

5 – Pharmaceutical preparations; dietetic substances adapted for medical use; sanitary preparations for medicinal use; amino acids for medicinal use and vitamin preparations; dietary supplements consisting of amino acids; plant extracts for pharmaceutical use; antioxidant pills; ointments for medical pharmaceutical purposes; chemical preparations for pharmaceutical and medical use; biological preparations for pharmaceutical and medical use; enzyme preparations for medical use; restorative tonics [drugs]; tonics (medicines); adhesive plasters; injectable dermal filler; injectable pharmaceutical products; hygienic and sanitary products for medical use, for treatment of skin diseases; amino acids for medical use and vitamin preparations; acids for pharmaceutical use; antitoxins; dietetic substances for medical use, namely plant-based food supplements, vitamin and mineral preparations; vitamin and mineral supplements; pomades for medical use; chemical preparations for pharmaceutical use and medical use; tonics [medicines]; plasters for medical use; materials for dressings; cosmetic cream for medical use.

(260) AM 2023 119576 A
 (800) 1680884
 (151) 2022 04 08
 (891) 2022 09 02
 (731) Wolf GmbH
 Industriestr. 1, 84048 Mainburg, Germany
 (540)

CHA

(591) Black, white
 (511)
 7 – Circulation pumps.

9 – Physical, electric and electronic measuring, control and regulating apparatus, and, control valves, especially, in relation to heat pumps, heat pump installations, heating systems, heating regulators; electric and electronic regulating valves; time switches, automatic; thermostats; data carriers of all types; computer software; electric and electronic installations and apparatus for the remote control of heat pumps, heating, ventilating, air conditioning, water supply and steam generating installations and solar collectors and photovoltaic installations; signalling apparatus; electric control devices for heating management; heat regulating apparatus.

11 – Heat pump installations, heat pump apparatus, heating installations, unit heaters, ventilating installations, apparatus for ventilating, water conduits installations, apparatus for supplying water, steam generating installations, steam generating apparatus, specifically, oil burners, gas burners, dual fuel burners, non-electric parts of the aforesaid goods; air-conditioning

installations; heating plants, mainly consisting of boilers, oil, gas or dual-fuel burners and/or solar collectors, heat accumulators, hydraulic distributors, and parts therefor; igniters; hot water tanks and boilers; heat pumps, specifically air-to-water heat pumps, monoblock heat pumps and parts of the aforesaid goods; ventilating installations; ventilating fans, parts of the aforesaid goods; cogeneration power installations, and parts therefor; water heaters, mainly consisting of heat exchangers and reservoirs; expansion vessels, buffer storage units, range or insulating boiler, storage water heaters and parts of the aforesaid goods for heating installations.

(260) AM 2023 119620 A
 (800) 1685822
 (151) 2022 03 22
 (891) 2022 03 22
 (731) NINGBO HIDROTEK CO., LTD.
 No. 168 Jincheng Road, Zhenhai, Ningbo,
 China
 (540)

HIDROTEK

(591) Black, white
 (531) 01.01.02; 01.01.09; 01.15.15; 27.05.01;
 27.05.04; 27.05.17

(511)
 11 – Electric kettles; water magnetizer; drinking water fountains; water purification installations; water filtering apparatus; water sterilizers; water softening apparatus and installations; aquarium filtration apparatus; electric hair driers; portable electric heaters.

17 – Sheets or foil of regenerated cellulose, other than for wrapping; synthetic resins (semi-finished products); artificial resins (semi-finished products); plastic substances (semi-processed); plastic fibers not for textile use; filtering materials of semi-processed foams or films of plastic.

(260) AM 2023 119621 A
 (800) 1685832
 (151) 2022 05 24
 (891) 2022 05 24
 (731) A1 (Xiamen) Food Science and Technology
 Co., Ltd.
 Unit 901, No. 65 Chengyibei Avenue, Software
 Park Phase III, Xiamen, Fujian Province, China
 (540)



(591) Black, white
 (531) 26.04.01; 26.04.04; 26.04.17; 26.04.18;
 26.04.24; 27.05.21; 27.07.21

(511)

29 – Sausage casings, natural or artificial; dried shrimp floss; dried fish floss; meat; meat, tinned; fruit-based snack food; hoshi-nori [sheets of dried laver]; eggs; milk products; oils for food; fruit jellies; nuts, prepared; dried edible mushroom; bean curd products.

30 – Cocoa; tea; sugar; confectionery; honey; biscuits; meat pies; cereal preparations; noodles; cereal-based snack food; starch for food; ice cream; condiments; pies; pastries.

32 – Beer; fruit juices; fruit nectars, non-alcoholic; waters [beverages]; aerated water; protein-enriched sports beverages; non-alcoholic honey-based beverages; non-alcoholic beverages.

(260) AM 2023 119622 A

(800) 1685872

(151) 2022 05 30

(891) 2022 05 30

(731) Euro Games Technology Ltd.

4, "Maritsa" Str., "Vranya-Lozen-Triugulnika",
BG-1151 Sofia, Bulgaria

(540)



The logo features the words "PURPLE HD" in a small, bold, purple font above the word "COLLECTION" in a large, stylized, purple and white gradient font with a 3D effect.

(591) Purple, white, silver, black and pink

(531) 26.04.18; 27.05.03; 27.05.09; 27.05.17;
29.01.14

(511)

9 – Software; computer gaming software; computer software packages; computer operating system software; computer software, recorded; software drivers; virtual reality software; games software; entertainment software for computer games; computer programs for network management; operating computer software for main frame computers; monitors (computer hardware); computer hardware; apparatus for recording images; monitors (computer programs); computer game programs; computer programs for recorded games; apparatus for recording, transmission or reproduction of sound or images; communications servers [computer hardware]; electronic components for gambling machines; computer application software featuring games and gaming; computer software for the administration of on-line games and gaming; computer hardware for games and gaming; hardware and software for gambling, gambling machines, gambling games on the Internet and via telecommunication network.

28 – Gaming machines for gambling; chips for gambling; mah-jong; arcade games; gambling machines operating with coins, notes and cards; games; electronic games; parlor games; gaming chips; gaming tables; slot machines [gaming machines]; LCD game machines; slot machines and gaming devices; coin-operated

amusement machines; roulette chips; poker chips; chips and dice [gaming equipment]; gaming equipment for casinos; roulette tables; gaming roulette wheels; casino games; gambling machines and amusement machines, automatic and coin-operated; coin-operated amusement machines and/or electronic coin-operated amusement machines with or without the possibility of gain; boxes for coin-operated machines, slot machines and gaming machines; electronic or electrotechnical amusement machines and apparatus, gaming machines, coin-operated entertainment machines; housings for coin-operated machines, gaming equipment, gaming machines, machines for gambling; electropneumatic and electrical gambling machines (slot machines).

41 – Gambling; entertainment services related to gambling; gaming services for entertainment purposes; casino, gaming and gambling services; training in the development of software systems; provision of gaming equipment for gambling halls; providing casino equipment [gambling]; gaming machine entertainment services; providing casino facilities [gambling]; gaming hall services; amusement arcade services; games equipment rental; rental of gaming machines; providing amusement arcade services; rental of gaming machines with images of fruits; editing or recording of sounds and images; sound recording and video entertainment services; hire of sound reproducing apparatus; provision of gaming equipment for casinos; providing of casino facilities; online gambling services; casino, gaming and gambling services; provision of gaming facilities, gaming hall facilities, Internet casinos and online gambling services.

(260) AM 2023 119625 A

(800) 1685905

(151) 2022 08 18

(891) 2022 08 18

(731) Evapify Sp. z o.o.

ul. Złota 75A/7, PL-00-819 Warszawa, Poland

(540)



(591) Black, white

(531) 27.05.01; 27.05.21; 27.05.25

(511)

9 – Batteries for electronic cigarettes; battery chargers for electronic cigarettes; USB chargers for electronic cigarettes; portable charging cases for electronic cigarettes and vaporizers; firmware and software for electronic cigarettes; application software for wireless devices; software for mobile device management.

34 – Smokeless cigarette vaporizer pipes; oral vaporizers for smokers; personal vaporisers and electronic

cigarettes, and flavourings and solutions therefor; electronic cigarettes; electronic cigarette boxes; electronic cigarette cases; holders for electronic cigarettes; electronic cigarette atomizers; electronic cigarette cartridges; cartridges for electronic cigarettes; electronic cigarette cleaners; smoking sets for electronic cigarettes; replaceable cartridges for electronic cigarettes; refill cartridges for electronic cigarettes; liquid solutions for use in electronic cigarettes; tobacco tar for use in electronic cigarettes; electronic cigarette liquid [e-liquid] comprised of flavorings in liquid form used to refill electronic cigarette cartridges; electronic cigarette liquid [e-liquid] comprised of propylene glycol; electronic cigarette liquid [e-liquid] comprised of vegetable glycerin; cartridges sold filled with chemical flavorings in liquid form for electronic cigarettes; chemical flavorings in liquid form used to refill electronic cigarette cartridges; flavourings, other than essential oils, for use in electronic cigarettes.

(260) AM 2023 119636 A

(800) 1686195

(151) 2022 06 24

(891) 2022 06 24

(731) Schweizerische Eidgenossenschaft v.d.
Bundesamt für Rüstung armasuisse
Eidgenössisches Departement für Verteidigung,
Bevölkerungsschutz und Sport, Guisanplatz 1,
CH-3003 Bern, Switzerland

(540)



(591) Red and white

(531) 24.03.09; 24.07.01; 24.07.23; 24.13.01;
27.05.01; 29.01.13

(511)

3 – Cosmetics and toiletries; skin care preparations; sunscreen preparations; shampoos and conditioners for pets (non-medicated grooming preparations, other than for veterinary use); deodorants for pets; all the aforesaid goods of Swiss origin.

9 – Binoculars; safety helmets; cell and battery chargers; external batteries; batteries (cells); electric cells (batteries); accumulator boxes; dry cells; electric cells and batteries; anode batteries; batteries for mobile telephones; fuel cells; solar batteries; cases for mobile telephones; leather cases for portable telephones; bags for laptop computers; bags adapted for tablet computers; electric sockets; USB flash drives; plug connectors; jack cables; converters for electric plugs; holders for mobile telephones; all the aforesaid goods of Swiss origin.

18 – Cases for keys; empty toiletry sets; business card cases; collars, leashes and clothing for animals; bags for carrying animals; clothing for pets; electronic pet collars; all the aforesaid goods of Swiss origin.

20 – Beds and cots for household pets; portable beds for pets; pet cushions; transport boxes for pets; game houses for pets; nesting boxes for household pets; kennels for household pets; pet grooming tables; all the aforesaid goods of Swiss origin.

21 – Drinking bottles for sports (of plastic materials or of metal); drinking bottles for sporting activities; non-electric kettles; glassware, porcelain and earthenware; cups; heat-insulated containers; feeding bowls for pets; animal grooming gloves; cages for household pets; all the aforesaid goods of Swiss origin.

24 – Blankets for outdoor use, picnic blankets; bed covers, lap robes, bed blankets, duvets of textile materials; bed throws, terry-cloth bedspreads; tablecloths of textile; felt and non-woven textile fabrics; woolen cloths; cotton fabrics; bed throws; blankets for household pets; all the aforesaid goods of Swiss origin.

30 – Chocolate, chocolate bars, chocolate-based beverages; cereal bars; muesli bars; all the aforesaid goods of Swiss origin.

(260) AM 2023 119637 A

(800) 1686250

(151) 2022 05 25

(891) 2022 05 25

(731) STADA Arzneimittel AG
Stadastraße 2-18, 61118 Bad Vilbel, Germany

(540)

NizoExpert

(591) Black, white

(511)

3 – Bleach and other detergents; cleaning, polishing, scouring and abrasive preparations; soap; perfumery, essential oils; cosmetics; hair lotions; cosmetics, in particular for skin and hair; dentifrices.

5 – Pharmaceutical and veterinary preparations; sanitary preparations for medical purposes; dietetic substances for medical purposes; food for babies; plasters, materials for dressings; material for stopping teeth, impression material for dental purposes; disinfectants; preparations for destroying vermin; fungicides; herbicides.

(260) AM 2023 119638 A

(800) 1686251

(151) 2022 05 25

(891) 2022 05 25

(731) STADA Arzneimittel AG
Stadastraße 2-18, 61118 Bad Vilbel,
Germany

(540)

Nizoral Expert

(591) Black, white

(511)

3 – Bleach and other detergents; cleaning, polishing, scouring and abrasive preparations; soap; perfumery, essential oils; cosmetics; hair lotions; cosmetics, in particular for skin and hair; dentifrices.

5 – Pharmaceutical and veterinary preparations; sanitary preparations for medical purposes; dietetic substances for medical purposes; food for babies; plasters, materials for dressings; material for stopping teeth, impression material for dental purposes; disinfectants; preparations for destroying vermin; fungicides; herbicides.

(260) AM 2023 119639 A

(800) 1686282

(151) 2022 06 29

(891) 2022 06 29

(731) H & M Hennes & Mauritz AB

Mäster Samuelsgatan 46A, SE-106 38
Stockholm, Sweden

(540)

ShapeMove

(591) Black, white

(511)

24 – Textiles and substitutes for textiles; coated textiles; textiles used in the manufacture of articles of clothing; waterproof fabric for use in the manufacture of clothing; textile fabrics for use in the manufacture of sportswear; waterproofed textile piece goods.

25 – Clothing; headgear; athletic clothing; bathing trunks; bathing suits; bath robes; bikinis; pantsuits; athletic pants; neckerchiefs; gloves [clothing]; sports jackets; shell jackets; soft shell jackets; quilted jackets [clothing]; training shorts; skirts; underwear for sports; short-sleeve shirts; athletic jumpers; coveralls; pocket squares; turtleneck shirts; rainwear; neck scarves; sports jerseys; beach clothes; sports singlets; sports bras; athletic tights; sports socks; sweaters (pullovers); sports t-shirts; waistcoats; underwear; mittens; outerclothing; coats; jackets [clothing]; children's wear; tee-shirts; shorts; footless tights; tank tops; pants; jerseys [clothing]; stockings.

(260) AM 2023 119640 A

(800) 1686317

(151) 2022 08 03

(891) 2022 08 03

(731) TOYOTA JIDOSHA KABUSHIKI KAISHA

(also trading as TOYOTA MOTOR
CORPORATION)

1, Toyota-cho, Toyota-shi, Aichi-ken
471-8571, Japan

(540)

BEYOND ZERO

(591) Black, white

(511)

7 – Industrial robots.

9 – Humanoid robots with artificial intelligence; telepresence robots.

12 – Automobiles and structural parts thereof; buses; structural parts for buses; trucks; structural parts for trucks; electric cars; structural parts for electric cars; recreational vehicles; structural parts for recreational vehicles; fuel cell cars; structural parts for fuel cell cars; vans [vehicles]; sports utility vehicles; coaches; hybrid cars; ambulances; racing cars; camping cars; hearses; automobile bodies; automobile bonnets; automobile bumpers; automobile chassis; automobile dashboards; automobile doors; automobile door handles; automobile hoods; automobile horns; automobile seats; automobile seat covers; automobile sunroofs; automobile tires; automobile wheels; spokes for automobile wheels; inner tubes for automobile tires; automobile wheel rims; rearview mirrors for automobiles; automobile windows; automobile windcreens; automobile windshields; automobile convertible tops; safety belts for automobile seats; safety harnesses for automobile racing; safety harnesses for automobile seats; security harness for automobile seats; steering wheels for automobiles; steering wheel covers for automobiles; air bags for automobiles, buses and trucks; seat belt pre-tensioners for automobiles; direction signals for automobiles; leather upholstery for automobile seats; leather upholstery for automobiles; cigar lighters for automobiles; shaped automobile covers; mudguards for automobiles; luggage carriers for automobiles; spare wheel holders for automobiles; automobile roof racks; headlight wipers; windscreen wipers; windscreen wiper blades.

35 – Advertising and publicity services; arranging and conducting of promotional and marketing events; advertising services to create corporate and brand identity; advertising services to promote public awareness of environmental matters; advertising services to promote public awareness of traffic accident matters.

(260) AM 2023 119641 A

(800) 1686376

(151) 2022 03 18

(891) 2022 03 18

(731) Akciju Sabiedrība "Olainfarm"

Rūpnīcu iela 5, LV-2114 Olaine, Latvia

(540)

TIGLAIN

(591) Black, white

(511)

5 – Pharmaceutical preparations.

(260) AM 2023 119642 A

(800) 1686424

(151) 2022 06 02

(891) 2022 06 02

(731) Euro Games Technology Ltd.

4, "Maritsa" Str., "Vranya-Lozen-Triugulnika",
BG-1151 Sofia, Bulgaria

(540)

SHINING CROWN 6
HEELS

(591) Yellow, orange, red, black and white

(531) 27.05.01; 27.05.03; 27.05.09; 27.05.10;

27.07.01; 27.07.02; 27.07.11; 29.01.15

(511)

9 – Software; computer gaming software; computer software packages; computer operating system software; computer software, recorded; software drivers; virtual reality software; games software; entertainment software for computer games; computer programs for network management; operating computer software for main frame computers; monitors (computer hardware); computer hardware; apparatus for recording images; monitors (computer programs); computer game programs; computer programs for recorded games; apparatus for recording, transmission or reproduction of sound or images; communications servers [computer hardware]; electronic components for gambling machines; computer application software featuring games and gaming; computer software for the administration of on-line games and gaming; computer hardware for games and gaming; hardware and software for gambling, gambling machines, gambling games on the Internet and via telecommunication network.

28 – Gaming machines for gambling; chips for gambling; mah-jong; arcade games; gambling machines operating with coins, notes and cards; games; electronic games; parlor games; gaming chips; gaming tables; slot machines [gaming machines]; LCD game machines; slot machines and gaming devices; coin-operated amusement machines; roulette chips; poker chips; chips and dice [gaming equipment]; gaming equipment for casinos; roulette tables; gaming roulette wheels; casino games; gambling machines and amusement machines, automatic and coin-operated; coin-operated amusement machines and/or electronic coin-operated amusement machines with or without the possibility of gain; boxes for coin-operated machines, slot machines and gaming machines; electronic or electrotechnical amusement machines and apparatus, gaming machines, coin-operated entertainment machines; housings for coin-operated machines, gaming equipment, gaming machines, machines for gambling; electropneumatic and electrical gambling machines (slot machines).

41 – Gambling; entertainment services related to gambling; gaming services for entertainment purposes; casino, gaming and gambling services; training in the

development of software systems; provision of gaming equipment for gambling halls; providing casino equipment [gambling]; gaming machine entertainment services; providing casino facilities [gambling]; gaming hall services; amusement arcade services; games equipment rental; rental of gaming machines; providing amusement arcade services; rental of gaming machines with images of fruits; editing or recording of sounds and images; sound recording and video entertainment services; hire of sound reproducing apparatus; provision of gaming equipment for casinos; providing of casino facilities; online gambling services; casino, gaming and gambling services; provision of gaming facilities, gaming hall facilities, Internet casinos and online gambling services.

(260) AM 2023 119643 A

(800) 1686426

(151) 2022 06 08

(891) 2022 06 08

(731) Euro Games Technology Ltd.

4, "Maritsa" Str., "Vranya-Lozen-Triugulnika",
BG-1151 Sofia, Bulgaria

(540)

Shiny Cash

(591) Black, white

(511)

9 – Software; computer gaming software; computer software packages; computer operating system software; computer software, recorded; software drivers; virtual reality software; games software; entertainment software for computer games; computer programs for network management; operating computer software for main frame computers; monitors (computer hardware); computer hardware; apparatus for recording images; monitors (computer programs); computer game programs; computer programs for recorded games; apparatus for recording, transmission or reproduction of sound or images; communications servers [computer hardware]; electronic components for gambling machines; computer application software featuring games and gaming; computer software for the administration of on-line games and gaming; computer hardware for games and gaming; hardware and software for gambling, gambling machines, gambling games on the Internet and via telecommunication network.

28 – Gaming machines for gambling; chips for gambling; mah-jong; arcade games; gambling machines operating with coins, notes and cards; games; electronic games; parlor games; gaming chips; gaming tables; slot machines [gaming machines]; LCD game machines; slot machines and gaming devices; coin-operated amusement machines; roulette chips; poker chips; chips and dice [gaming equipment]; gaming equipment for casinos; roulette tables; gaming roulette wheels; casino games; gambling machines and amuse-

ment machines, automatic and coin-operated; coin-operated amusement machines and/or electronic coin-operated amusement machines with or without the possibility of gain; boxes for coin-operated machines, slot machines and gaming machines; electronic or electrotechnical amusement machines and apparatus, gaming machines, coin-operated entertainment machines; housings for coin-operated machines, gaming equipment, gaming machines, machines for gambling; electropneumatic and electrical gambling machines (slot machines).

41 – Gambling; entertainment services related to gambling; gaming services for entertainment purposes; casino, gaming and gambling services; training in the development of software systems; provision of gaming equipment for gambling halls; providing casino equipment [gambling]; gaming machine entertainment services; providing casino facilities [gambling]; gaming hall services; amusement arcade services; games equipment rental; rental of gaming machines; providing amusement arcade services; rental of gaming machines with images of fruits; editing or recording of sounds and images; sound recording and video entertainment services; hire of sound reproducing apparatus; provision of gaming equipment for casinos; providing of casino facilities; online gambling services; casino, gaming and gambling services; provision of gaming facilities, gaming hall facilities, Internet casinos and online gambling services.

(260) AM 2023 119644 A

(800) 1686427

(151) 2022 06 08

(891) 2022 06 08

(731) Euro Games Technology Ltd.

4, "Maritsa" Str., "Vranya-Lozen-Triugulnika",
BG-1151 Sofia, Bulgaria

(540)

9 CRYSTAL Bonanza

(591) Black, white

(511)

9 – Software; computer gaming software; computer software packages; computer operating system software; computer software, recorded; software drivers; virtual reality software; games software; entertainment software for computer games; computer programs for network management; operating computer software for main frame computers; monitors (computer hardware); computer hardware; apparatus for recording images; monitors (computer programs); computer game programs; computer programs for recorded games; apparatus for recording, transmission or reproduction of sound or images; communications servers [computer hardware]; electronic components for gambling machines; computer application software featuring games and gaming; computer software for the administration of on-line games and gaming; com-

puter hardware for games and gaming; hardware and software for gambling, gambling machines, gambling games on the Internet and via telecommunication network.

28 – Gaming machines for gambling; chips for gambling; mah-jong; arcade games; gambling machines operating with coins, notes and cards; games; electronic games; parlor games; gaming chips; gaming tables; slot machines [gaming machines]; LCD game machines; slot machines and gaming devices; coin-operated amusement machines; roulette chips; poker chips; chips and dice [gaming equipment]; gaming equipment for casinos; roulette tables; gaming roulette wheels; casino games; gambling machines and amusement machines, automatic and coin-operated; coin-operated amusement machines and/or electronic coin-operated amusement machines with or without the possibility of gain; boxes for coin-operated machines, slot machines and gaming machines; electronic or electrotechnical amusement machines and apparatus, gaming machines, coin-operated entertainment machines; housings for coin-operated machines, gaming equipment, gaming machines, machines for gambling; electropneumatic and electrical gambling machines (slot machines).

41 – Gambling; entertainment services related to gambling; gaming services for entertainment purposes; casino, gaming and gambling services; training in the development of software systems; provision of gaming equipment for gambling halls; providing casino equipment [gambling]; gaming machine entertainment services; providing casino facilities [gambling]; gaming hall services; amusement arcade services; games equipment rental; rental of gaming machines; providing amusement arcade services; rental of gaming machines with images of fruits; editing or recording of sounds and images; sound recording and video entertainment services; hire of sound reproducing apparatus; provision of gaming equipment for casinos; providing of casino facilities; online gambling services; casino, gaming and gambling services; provision of gaming facilities, gaming hall facilities, Internet casinos and online gambling services.

(260) AM 2023 119645 A

(800) 1686428

(151) 2022 06 08

(891) 2022 06 08

(731) Euro Games Technology Ltd.

4, "Maritsa" Str., "Vranya-Lozen-Triugulnika",
BG-1151 Sofia, Bulgaria

(540)

Carnaval de la Calavera

(591) Black, white

(511)

9 – Software; computer gaming software; computer software packages; computer operating system soft-

ware; computer software, recorded; software drivers; virtual reality software; games software; entertainment software for computer games; computer programs for network management; operating computer software for main frame computers; monitors (computer hardware); computer hardware; apparatus for recording images; monitors (computer programs); computer game programs; computer programs for recorded games; apparatus for recording, transmission or reproduction of sound or images; communications servers [computer hardware]; electronic components for gambling machines; computer application software featuring games and gaming; computer software for the administration of on-line games and gaming; computer hardware for games and gaming; hardware and software for gambling, gambling machines, gambling games on the Internet and via telecommunication network.

28 – Gaming machines for gambling; chips for gambling; mah-jong; arcade games; gambling machines operating with coins, notes and cards; games; electronic games; parlor games; gaming chips; gaming tables; slot machines [gaming machines]; LCD game machines; slot machines and gaming devices; coin-operated amusement machines; roulette chips; poker chips; chips and dice [gaming equipment]; gaming equipment for casinos; roulette tables; gaming roulette wheels; casino games; gambling machines and amusement machines, automatic and coin-operated; coin-operated amusement machines and/or electronic coin-operated amusement machines with or without the possibility of gain; boxes for coin-operated machines, slot machines and gaming machines; electronic or electrotechnical amusement machines and apparatus, gaming machines, coin-operated entertainment machines; housings for coin-operated machines, gaming equipment, gaming machines, machines for gambling; electropneumatic and electrical gambling machines (slot machines).

41 – Gambling; entertainment services related to gambling; gaming services for entertainment purposes; casino, gaming and gambling services; training in the development of software systems; provision of gaming equipment for gambling halls; providing casino equipment [gambling]; gaming machine entertainment services; providing casino facilities [gambling]; gaming hall services; amusement arcade services; games equipment rental; rental of gaming machines; providing amusement arcade services; rental of gaming machines with images of fruits; editing or recording of sounds and images; sound recording and video entertainment services; hire of sound reproducing apparatus; provision of gaming equipment for casinos; providing of casino facilities; online gambling services; casino, gaming and gambling services; provision of gaming facilities, gaming hall facilities, Internet casinos and online gambling services.

(260) AM 2023 119646 A
(800) 1686449
(151) 2022 06 29
(891) 2022 06 29
(731) ALI GROUP S.r.l.
VIA GOBETTI 2/A, I-20063 CERNUSCO
SUL NAVIGLIO (MI), Italy
(540)

OLIS

(591) Black, white
(511)
7 – Dishwashers; cupwashers; traywashers; cutlery washers; washing machines for pots; kitchen machines, electric; food preparation machines, electromechanical.

11 – Cooking apparatus; cooking installations; cooking ovens; coffee percolators, electric; refrigerating apparatus; refrigerating installations; blast chillers; refrigerated cabinets for the storage of drink; refrigerated cabinets for the storage of food; refrigerating counters; refrigerated food counters; refrigerated food display apparatus; ice cream makers; ice-cream making machines; desiccating apparatus; sterilizers; kitchen sinks; wash fountains; stainless steel sink tops; extractor hoods for kitchens; ventilation hoods for stoves.

20 – Kitchen furniture; food racks; counters [tables]; table tops; tables of metal; tables [furniture]; hanging storage racks [furniture]; metal wall units [furniture]; furniture of metal; furniture.

(260) AM 2023 119647 A
(800) 1686544
(151) 2022 05 19
(891) 2022 05 19
(731) Euro Games Technology Ltd.
4, "Maritsa" Str., "Vranya-Lozen-Triugulnika",
BG-1151 Sofia, Bulgaria
(540)



(591) Yellow, orange, purple, red, green, silver, blue, white and black
(531) 05.07.24; 24.15.01; 24.15.13; 27.05.01;
27.05.02; 27.07.01; 27.07.02; 29.01.15
(511)
9 – Software; computer gaming software; computer software packages; computer operating system software; computer software, recorded; software drivers;

virtual reality software; games software; entertainment software for computer games; computer programs for network management; operating computer software for main frame computers; monitors (computer hardware); computer hardware; apparatus for recording images; monitors (computer programs); computer game programs; computer programs for recorded games; apparatus for recording, transmission or reproduction of sound or images; communications servers [computer hardware]; electronic components for gambling machines; computer application software featuring games and gaming; computer software for the administration of on-line games and gaming; computer hardware for games and gaming; hardware and software for gambling, gambling machines, gambling games on the Internet and via telecommunication network.

28 – Gaming machines for gambling; chips for gambling; mah-jong; arcade games; gambling machines operating with coins, notes and cards; games; electronic games; parlor games; gaming chips; gaming tables; slot machines [gaming machines]; LCD game machines; slot machines and gaming devices; coin-operated amusement machines; roulette chips; poker chips; chips and dice [gaming equipment]; gaming equipment for casinos; roulette tables; gaming roulette wheels; casino games; gambling machines and amusement machines, automatic and coin-operated; coin-operated amusement machines and/or electronic coin-operated amusement machines with or without the possibility of gain; boxes for coin-operated machines, slot machines and gaming machines; electronic or electrotechnical amusement machines and apparatus, gaming machines, coin-operated entertainment machines; housings for coin-operated machines, gaming equipment, gaming machines, machines for gambling; electropneumatic and electrical gambling machines (slot machines).

41 – Gambling; entertainment services related to gambling; gaming services for entertainment purposes; casino, gaming and gambling services; training in the development of software systems; provision of gaming equipment for gambling halls; providing casino equipment [gambling]; gaming machine entertainment services; providing casino facilities [gambling]; gaming hall services; amusement arcade services; games equipment rental; rental of gaming machines; providing amusement arcade services; rental of gaming machines with images of fruits; editing or recording of sounds and images; sound recording and video entertainment services; hire of sound reproducing apparatus; provision of gaming equipment for casinos; providing of casino facilities; online gambling services; casino, gaming and gambling services; provision of gaming facilities, gaming hall facilities, Internet casinos and online gambling services.

(260) AM 2023 119648 A

(800) 1686545

(151) 2022 06 02

(891) 2022 06 02

(731) Euro Games Technology Ltd.

4, "Maritsa" Str., "Vranya-Lozen-Triugulnika",

BG-1151 Sofia, Bulgaria

(540)



(591) Yellow, orange, red, black, silver and white

(531) 26.04.05; 26.04.18; 26.04.24; 27.05.01;

27.05.02; 27.05.03; 27.05.09; 27.05.10;

29.01.14

(511)

9 – Software; computer gaming software; computer software packages; computer operating system software; computer software, recorded; software drivers; virtual reality software; games software; entertainment software for computer games; computer programs for network management; operating computer software for main frame computers; monitors (computer hardware); computer hardware; apparatus for recording images; monitors (computer programs); computer game programs; computer programs for recorded games; apparatus for recording, transmission or reproduction of sound or images; communications servers [computer hardware]; electronic components for gambling machines; computer application software featuring games and gaming; computer software for the administration of on-line games and gaming; computer hardware for games and gaming; hardware and software for gambling, gambling machines, gambling games on the Internet and via telecommunication network.

28 – Gaming machines for gambling; chips for gambling; mah-jong; arcade games; gambling machines operating with coins, notes and cards; games; electronic games; parlor games; gaming chips; gaming tables; slot machines [gaming machines]; LCD game machines; slot machines and gaming devices; coin-operated amusement machines; roulette chips; poker chips; chips and dice [gaming equipment]; gaming equipment for casinos; roulette tables; gaming roulette wheels; casino games; gambling machines and amusement machines, automatic and coin-operated; coin-operated amusement machines and/or electronic coin-operated amusement machines with or without the possibility of gain; boxes for coin-operated machines, slot machines and gaming machines; electronic or electrotechnical amusement machines and apparatus, gaming machines, coin-operated entertainment machines; housings for coin-operated machines, gaming equipment, gaming machines, machines for gambling; electropneumatic and electrical gambling machines (slot machines).

41 – Gambling; entertainment services related to gambling; gaming services for entertainment purposes; casino, gaming and gambling services; training in the development of software systems; provision of gaming equipment for gambling halls; providing casino equipment [gambling]; gaming machine entertainment services; providing casino facilities [gambling]; gaming hall services; amusement arcade services; games equipment rental; rental of gaming machines; providing amusement arcade services; rental of gaming machines with images of fruits; editing or recording of sounds and images; sound recording and video entertainment services; hire of sound reproducing apparatus; provision of gaming equipment for casinos; providing of casino facilities; online gambling services; casino, gaming and gambling services; provision of gaming facilities, gaming hall facilities, Internet casinos and online gambling services.

(260) AM 2023 119649 A

(800) 1686579

(151) 2022 07 14

(891) 2022 07 14

(731) Midea Group Co., Ltd.

B26-28F, Midea Headquarter Building, No. 6
Midea Avenue, Beijiao, Shunde, Foshan
Guangdong, China

(540)



(591) Black, white

(531) 24.01.15; 24.01.25; 27.05.01; 27.05.09;
27.05.17

(511)

11 – Air-conditioning installations; air-conditioning apparatus; ventilation [air-conditioning] installations and apparatus; ventilation [air-conditioning] installations for vehicles; air sterilizers; humidifiers; dehumidifiers; heat pumps; heating installations; disinfectant apparatus.

(260) AM 2023 119650 A

(800) 1686594

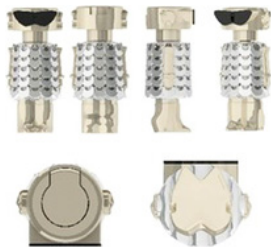
(151) 2022 07 06

(891) 2022 07 06

(731) PUIG FRANCE

65/67 avenue des Champs-Élysées, F-75008
PARIS, France

(540)



(591) Gold, silver, black

(531) 26.15.25; 29.01.13

(511)

3 – Non-medicated toiletry preparations and cosmetic products; non-medicated dentifrices; perfumery products, essential oils; bleaching preparations and other substances for laundry use; cleaning, polishing, degreasing and abrasive preparations; fragrances for personal use; eau de Cologne; eau de parfum; eaux de toilette; scented waters; perfumes; extracts of perfumes; non-medicinal products for mouth hygiene; wash and care products for the body not for medical use; lotions, milks and creams for the body not for medical use; deodorants for personal use; antiperspirants for personal use; non-medicinal soaps; non-medicinal soaps for personal use; non-medicinal soaps in liquid, solid or gel form for personal use; bath gels not for medical use; shower gels not for medical use; bathing preparations not for medical use; bath salts not for medical use; skin care preparations other than for medical use; exfoliants; talcum powder for toilet use; perfumed powders; wipes, cottons and towels impregnated with perfuming and non-medicinal cosmetic lotions; cosmetics other than for medical use, non-medicinal toiletries and perfumery products for eyelash, eyebrow, eye, lip and nail care and beauty; non-medicated lip balms; nail polish; nail polish removers; adhesives for cosmetic use; cosmetic slimming preparations other than for medical use; hair treatments and preparations other than for medical use; shampoos other for medical use; make-up products; make-up removing products; depilatories; non-medicinal shaving products; non-medicinal pre-shave products; non-medicinal after-shave products; beauty products other than for medical use; cosmetic preparations for tanning and self-tanning, other than for medical use; cosmetic kits; household perfumes; incense; potpourris [fragrances]; scented wood; sachets for perfuming linen; aromatic extracts; non-medicinal preparations for animal care and cleaning; tailors' and cobblers' wax; cleaning and polishing preparations for leather and footwear.

(260) AM 2023 119651 A

(800) 1686618

(151) 2022 02 20

(891) 2022 02 20

(731) AIPHARMA DEVELOPMENT LLC

16192 COASTAL HIGHWAY, LEWES DE
19958, USA

(540)

QiFENDA

(591) Black, white

(511)

5 – Pharmaceutical preparations, in the form of pills and liquid oral spray, for killing viruses, bacteria, coronaviruses including COVID-19, biofilms, fungi, mold, and spores, and for the treatment and preventi-

on of diabetes; pharmaceutical preparations, namely, anti-infectives for use in or as chemotherapeutics; pharmaceutical preparations for the treatment of viral diseases for use in or as chemotherapeutics; disinfectants; sanitizing preparations for household, commercial, and hospital use; all purpose disinfectants for killing viruses, bacteria, coronaviruses including COVID-19, biofilms, fungi, mold, and spores.

(260) AM 2023 119652 A

(800) 1686653

(151) 2022 06 28

(891) 2022 06 28

(731) DOLCE & GABBANA TRADEMARKS S.r.l.
VIA GOLDONI 10, I-20129 MILANO (IT),
Italy

(540)



(591) Black, white

(531) 24.01.01; 24.09.03; 24.09.05; 24.17.25;
27.05.01; 27.05.07; 27.05.09; 27.05.10

(511)

3 – Cosmetics; perfumes; deodorants for human beings or for animals; soap; cakes of toilet soap; cosmetic preparations for baths; dentifrices; shampoos; essential oils; hair lotions; neutralizers for permanent waving; hair conditioners; hair dyes; hair spray; hair straightening preparations; hair waving preparations; massage gels, other than for medical purposes; cosmetic dyes; cosmetic creams; mascara; eyebrow pencils; cosmetic pencils; make-up preparations; make-up powder; lipsticks; nail varnish; nail care preparations; nail varnish removers; oils for cosmetic purposes; sun-tanning preparations [cosmetics].

(260) AM 2023 119653 A

(800) 1686656

(151) 2022 04 06

(891) 2022 04 06

(731) LORO PIANA S.p.A.
Corso Rolandi, 10, I-13017 Quarona (VC),
Italy

(540)



(591) Green, light green, gold

(531) 01.01.03; 05.13.07; 05.13.08; 24.01.05;
24.01.10; 24.01.13; 25.01.25; 27.05.10;
29.01.13

(511)

24 – Textiles and textile goods; textile fabrics for clothing and household furnishings; woven or knitted fabrics; non-woven textile fabrics; apparel fabrics; bed covers; table covers; travelling rugs [lap robes]; cushion covers; curtains of plastic or textile; linens; cushion covers; quilts; bed linen; bed sheets; hooded towels; towels of textile; make-up removal cloths [textile], other than impregnated with toilet preparations; guest towels; beach towels; table linen; textile napkins; placemats; pocket squares of textile material; labels of textile; upholstery fabrics; traced cloths for embroidery; fabric for footwear; linings [textile]; lingerie fabric; woven fabrics for furniture; wall hangings of textile; table mats; fabrics for textile use; covers for sofas; textiles for making waterproof clothing; textile piece goods for use in the manufacture of protective clothing; textile fabrics for use in the manufacture of sportswear, waterproof fabrics for use in the manufacture of gloves; waterproof textile fabrics; waterproof fabrics for use in the manufacture of jackets; breathable waterproof fabrics; elastic fabrics for clothing.

25 – Clothing for men, women, and children; pyjamas; lounging robes; nighties; layettes [clothing]; robes; briefs; robes; bathing drawers; swimming costumes; sweaters; waistcoats; knitwear (clothing); shirts; short-sleeve shirts; ready-to-wear clothing; underwear; underwear; slippers [underclothing]; tee-shirts; trousers shorts; bermuda shorts; jackets [clothing]; gowns; clothing for men and women; tailleurs; uniforms; mantles; coats; blousons; rainproof clothing; topcoats; parkas; pea coats; skirts; boots; half-boots; men's, women's and children's shoes; beach shoes; casual shoes; sandals; bath sandals; mules; clothing accessories for men, women and children; hats; berets; bonnets; gloves [clothing]; sashes for wear; shoulder scarves; neckties; bow tie; waist bells; money belts (clothing); foulards [clothing articles]; beach wraps; shawls; stockings; socks; tights; clothing of leather and of imitations of leather; stoles of fur; pelisses; weather resistant outer clothing; rainwear, clothing for skiing; sportswear; mackintoshes; riding shoes; golf footwear; rainshoes; waterproof shoes; indies' boots; waterproof boots; rain boots; deck shoes; ski gloves.

(260) AM 2023 119654 A

(800) 1686748

(151) 2022 08 04

(891) 2022 08 04

(731) Chanel SARL
Quai du Général-Guisan 24, CH-1204 Genève,
Switzerland

(540)

INIMITABLE CHANEL

(591) Black, white

(511)

3 – Cosmetics and make-up products.

(260) AM 2023 119655 A

(800) 1686833

(151) 2022 06 21

(891) 2022 06 21

(731) Brzhezyskyi Valentyn Valentynovych
Vul. Akademika Filatova, Bud. 34, Kv. 30,
Odesa, 65080, Ukraine

(540)

YOKI

(591) Black and yellow

(531) 26.04; 26.04.04; 26.04.08; 26.04.09; 27.05;
27.05.01; 27.05.23; 29.01; 29.01.13

(511)

9 – 3d spectacles; answering machines; ticket dispensers; circuit breakers; automatic indicators of low pressure in vehicle tires; electrical adapters; aerometers; asbestos clothing for protection against fire; asbestos gloves for protection against accidents; asbestos screens for firemen; accelerometers; actinometers; batteries for electronic cigarettes; accumulators, electric; acoustic couplers; alidades; altimeters; ear pads for headphones; ammeters; nanoparticle size analysers; anemometers; anodes; anode batteries; antennas; anticathodes; fire extinguishing apparatus; remote control apparatus; apparatus for editing cinematographic film; data processing apparatus; apparatus to check franking; film cutting apparatus; apparatus for fermentation [laboratory apparatus]; igniting apparatus, electric, for igniting at a distance; apparatus and installations for the production of x-rays, not for medical purposes; magnetic resonance imaging [mri] apparatus, not for medical purposes; global positioning system [gps] apparatus; weighing apparatus and instruments; testing apparatus not for medical purposes; apertometers [optics]; acid hydrometers; acidimeters for batteries; apparatus and instruments for astronomy; audio- and video-receivers; audiovisual teaching apparatus; audio interfaces; balancing apparatus; lighting ballasts; battery jars; automated teller machines [atm]; barometers; batteries for lighting; batteries, electric; accumulators, electric, for vehicles; cordless telephones; balances [steelyards]; betatrons; binoculars; biochips; lightning rods; electric and electronic effects units for musical instruments; computer memory devices; black boxes [data recorders]; fire hose nozzles; connected bracelets [measuring instruments]; scales; baby scales; scales with body mass analysers; bathroom scales; weighbridges; plumb bobs; vacuum gauges; vacuum tubes [radio]; variometers; shoes for protecti-

on against accidents, irradiation and fire; electric plugs; measuring instruments; gauges; measuring apparatus; measuring devices, electric; measures; current rectifiers; high-frequency apparatus; flowmeters; branch boxes [electricity]; wearable video display monitors; video screens; camcorders; video cassettes; video baby monitors; video telephones; viewfinders, photographic; telescopic sights for firearms; visors for helmets; viscosimeters; wind socks for indicating wind direction; levelling staffs [surveying instruments]; peepholes [magnifying lenses] for doors; fire extinguishers; diving suits; divers' masks; fiber optic cables; voltmeters; ear plugs for divers; gas testing instruments; gasometers [measuring instruments]; discharge tubes, electric, other than for lighting; galena crystals [detectors]; galvanic batteries; galvanic cells; galvanometers; virtual reality headsets; hands-free kits for telephones; heliographic apparatus; surveying apparatus and instruments; surveying instruments; surveying chains; weights; hygrometers; hydrometers; needles for surveying compasses; needles for record players; hairdressing training heads [teaching apparatus]; holograms; measuring glassware; downloadable graphics for mobile phones; sounding leads; loudspeakers; range finders; piezoelectric sensors; decompression chambers; densimeters; densitometers; detectors; smoke detectors; counterfeit coin detectors; electric wire harnesses for automobiles; bells [warning devices]; mirrors [optics]; mirrors for inspecting work; dictating machines; dynamometers; floppy disks; disks, magnetic; disk drives for computers; juke boxes for computers; telerupters; distillation apparatus for scientific purposes; diffraction apparatus [microscopy]; breathing apparatus for underwater swimming; breathing apparatus, except for artificial respiration; diagnostic apparatus, not for medical purposes; transparencies [photography]; diaphragms [acoustics]; diaphragms [photography]; diaphragms for scientific apparatus; dna chips; adding machines; dosage dispensers; fuse wire; choking coils [impedance]; equalizers [audio apparatus]; screens [photography]; exposure meters [light meters]; electrified fences; electrified rails for mounting spot lights; electric installations for the remote control of industrial operations; electro-dynamic apparatus for the remote control of railway points; electro-dynamic apparatus for the remote control of signals; electromagnetic coils; electronic key fobs being remote control apparatus; electronic publications, downloadable; electronic numeric displays; electronic interactive whiteboards; electronic pocket translators; electronic collars to train animals; electronic sheet music, downloadable; electronic pens [visual display units]; electronic notice boards; electronic access control systems for interlocking doors; electronic tags for goods; downloadable emoticons for mobile phones; epidiascopes; ergometers; pressure indicator plugs for valves; encoded identification bracelets, magnetic; locks, electric; electronic agendas; voltage surge protectors; fuses; battery chargers; chargers for

electronic cigarettes; charging stations for electric vehicles; protection devices for personal use against accidents; protection devices against x-rays, not for medical purposes; protective suits for aviators; goggles for sports; protective films adapted for computer screens; protective films adapted for smartphones; head guards for sports; mouth guards for sports; protective helmets; protective helmets for sports; acoustic alarms; sound reproduction apparatus; sound recording apparatus; sound recording discs; sound recording carriers; sound recording strips; sound transmitting apparatus; acoustic conduits; connectors [electricity]; couplers [data processing equipment]; connections for electric lines; couplings, electric; wire connectors [electricity]; mechanical signs; probes for scientific purposes; sounding apparatus and machines; buzzers; readers [data processing equipment]; bar code readers; identity cards, magnetic; inverters [electricity]; slope indicators; pressure indicators; incubators for bacteria culture; height measuring instruments; instruments containing eyepieces; integrated circuits; interactive touch screen terminals; interfaces for computers; infrared detectors; ionization apparatus not for the treatment of air or water; spark-guards; electricity conduits; starter cables for motors; cables, electric; calipers; calibrating rings; calorimeters; pocket calculators; rearview cameras for vehicles; teeth protectors; capillary tubes; memory cards for video game machines; integrated circuit cards [smart cards]; encoded key cards; carriers for dark plates [photography]; video game cartridges; cash registers; cathodes; mouse pads; cinematographic film, exposed; cinematographic cameras; terminals [electricity]; push buttons for bells; coaxial cables; encoded magnetic cards; collectors, electric; dog whistles; compact discs [audio-video]; compact discs [read-only memory]; comparators; directional compasses; marine compasses; computers; wearable computers; thin client computers; computer hardware; computer software, recorded; computer game software, downloadable; computer game software, recorded; joysticks for use with computers, other than for video games; computer keyboards; printers for use with computers; magnetic tape units for computers; computer peripheral devices; computer programs, downloadable; computer programs, recorded; computer operating programs, recorded; commutators; electric apparatus for commutation; condensers [capacitors]; contacts, electric; contact lenses; containers for contact lenses; boiler control instruments; correcting lenses [optics]; junction boxes [electricity]; cabinets for loudspeakers; battery boxes; squares for measuring; cosmographic instruments; clothing for protection against fire; spools [photography]; coils, electric; inductors [electricity]; droppers for measuring, other than for medical or household purposes; pedometers; circular slide rules; bullet-proof clothing; bullet-proof vests; azimuth instruments; laboratory trays; logs [measuring instruments]; lasers, not for medical purposes; lactodensimeters; lactometers; dar-

kroom lamps [photography]; flash-bulbs [photography]; spectacle chains; laptop computers; spectacle lenses; rulers [measuring instruments]; carpenters' rules; optical lamps; counters; revolution counters; distance recording apparatus; kilometer recorders for vehicles; slide-rules; sounding lines; magnifying glasses [optics]; magnets; decorative magnets; magnetic encoders; magnetic data media; magnetic wires; magnetic tapes; videotapes; crash test dummies; resuscitation mannequins [teaching apparatus]; pressure gauges; solderers' helmets; mathematical instruments; materials for electricity mains [wires, cables]; weighing machines; money counting and sorting machines; material testing instruments and machines; furniture especially made for laboratories; megaphones; portable media players; metal detectors for industrial or military purposes; meteorological instruments; meteorological balloons; rules [measuring instruments]; dressmakers' measures; metronomes; mechanisms for counter-operated apparatus; mechanisms for coin-operated apparatus; coin-operated mechanisms for television sets; mouse [computer peripheral]; micrometers; micrometer screws for optical instruments; microprocessors; microscopes; microtomes; microphones; audio mixers; measuring spoons; mobile telephones; modems; monitors [computer hardware]; monitors [computer programs]; nautical apparatus and instruments; marine depth finders; naval signalling apparatus; coin-operated musical automata [juke boxes]; animated cartoons; junction sleeves for electric cables; navigational instruments; navigation apparatus for vehicles [on-board computers]; headphones; teaching apparatus; headgear being protective helmets; knee-pads for workers; covers for electric outlets; semiconductors; neon signs; identification threads for electric wires; thread counters; surveyors' levels; levelling instruments; verniers; nose clips for divers and swimmers; notebook computers; objectives [lenses] [optics]; lenses for astrophotography; close-up lenses; selfie lenses; limiters [electricity]; sheaths for electric cables; identification sheaths for electric wires; egg-candlers; clothing for protection against accidents, irradiation and fire; clothing especially made for laboratories; ozonisers [ozonators]; octants; spectacles; sunglasses; eyepieces; ohmmeters; spectacle frames; optical apparatus and instruments; eyewear; optical fibers [light conducting filaments]; optical discs; optical character readers; optical condensers; optical lenses; optical data media; telescopic sights for artillery; oscillographs; cleaning apparatus for sound recording discs; selfie sticks [hand-held monopods]; parking meters; safety restraints, other than for vehicle seats and sports equipment; wah-wah pedals; pince-nez; stills for laboratory experiments; intercommunication apparatus; speaking tubes; transmitters of electronic signals; switchboxes [electricity]; switchboards; switches, electric; time switches, automatic; converters, electric; periscopes; personal stereos; personal digital assistants [pdas]; punched card machines for offices; furnaces for labo-

ratory use; amplifying tubes; amplifiers; wrist rests for use with computers; stands adapted for laptops; laboratory pipettes; pyrometers; planimeters; plane tables [surveying instruments]; tablet computers; plates for batteries; wafers for integrated circuits; printed circuit boards; dvd players; cassette players; compact disc players; films, exposed; plotters; fire escapes; fire engines; fire pumps; fire blankets; fire beaters; fire alarms; fire boats; fire hose; electric loss indicators; quantity indicators; gasoline gauges; water level indicators; survival blankets; sprinkler systems for fire protection; polarimeters; vehicle breakdown warning triangles; letter scales; precision balances; prisms [optics]; ring sizers; finger sizers; air analysis apparatus; food analysis apparatus; distance measuring apparatus; appliances for measuring the thickness of leather; apparatus for measuring the thickness of skins; speed measuring apparatus [photography]; apparatus for changing record player needles; speed checking apparatus for vehicles; time recording apparatus; demagnetizing apparatus for magnetic tapes; cathodic anti-corrosion apparatus; particle accelerators; hemline markers; railway traffic safety appliances; steering apparatus, automatic, for vehicles; invoicing machines; video recorders; tape recorders; satellite finder meters; oxygen transpiring apparatus; devices for the projection of virtual keyboards; electronic book readers; telecommunication apparatus in the form of jewellery; centering apparatus for photographic transparencies; test tubes; flashing lights [luminous signals]; conductors, electric; wires, electric; ducts [electricity]; record players; projection apparatus; projection screens; washing trays [photography]; anti-interference devices [electricity]; anti-theft warning apparatus; theft prevention installations, electric; processors [central processing units]; rods for water diviners; plumb lines; control panels [electricity]; radar apparatus; radiological apparatus for industrial purposes; radiology screens for industrial purposes; baby monitors; radio pagers; transmitting sets [telecommunication]; radios; vehicle radios; walkie-talkies; radiotelegraphy sets; radiotelephony sets; masts for wireless aerials; frames for photographic transparencies; screens for photoengraving; abacuses; calculating machines; voting machines; regulating apparatus, electric; voltage regulators for vehicles; light dimmers [regulators], electric; stage lighting regulators; speed regulators for record players; cell switches [electricity]; resistances, electric; marking gauges [joinery]; t-squares for measuring; relays, electric; cell phone straps; x-ray apparatus not for medical purposes; x-ray films, exposed; x-ray tubes not for medical purposes; x-ray photographs, other than for medical purposes; rheostats; respirators for filtering air; respiratory masks, other than for artificial respiration; retorts; refractometers; refractors; grids for batteries; downloadable ring tones for mobile phones; levels [instruments for determining the horizontal]; screw-tapping gauges; security surveillance robots; telepresence robots; laboratory

robots; teaching robots; electric sockets; distribution boxes [electricity]; distribution consoles [electricity]; distribution boards [electricity]; slide calipers; mercury levels; circuit closers; gloves for divers; gloves for protection against x-rays for industrial purposes; gloves for protection against accidents; data gloves; horns for loudspeakers; life saving apparatus and equipment; safety tarpaulins; life-saving capsules for natural disasters; life-saving rafts; life belts; subwoofers; sports whistles; whistle alarms; light-emitting electronic pointers; reflective articles for wear, for the prevention of accidents; light-emitting diodes [led]; quantum dot light-emitting diodes [qled]; organic light-emitting diodes [oled]; lens hoods; blueprint apparatus; traffic-light apparatus [signalling devices]; sextants; fog signals, non-explosive; signals, luminous or mechanical; signal bells; alarm bells, electric; signal lanterns; alarms; signalling whistles; simulators for the steering and control of vehicles; resuscitation training simulators; sirens; safety nets; nets for protection against accidents; scanners [data processing equipment]; anti-glare glasses; optical glass; hand-held electronic dictionaries; smartwatches; smart rings; smartglasses; smartphones; salinometers; solenoid valves [electromagnetic switches]; sonars; solar batteries; solar panels for the production of electricity; spectrograph apparatus; spectroscopes; spirit levels; alcoholmeters; speed indicators; monitoring apparatus, other than for medical purposes; observation instruments; shutter releases [photography]; stereoscopes; stereoscopic apparatus; head cleaning tapes [recording]; stroboscopes; sulfitemeters; bags adapted for laptops; satellites for scientific purposes; satellite navigational apparatus; drying apparatus for photographic prints; drying racks [photography]; spherometers; printed circuits; time clocks [time recording devices]; egg timers [sandglasses]; taximeters; tachometers; television apparatus; telegraphs [apparatus]; telegraph wires; telescopes; teleprompters; teleprinters; telephone apparatus; telephone transmitters; telephone wires; telephone receivers; temperature indicators; temperature indicator labels, not for medical purposes; theodolites; thermal imaging cameras; heat regulating apparatus; thermo-hygrometers; thermionic tubes; thermometers, not for medical purposes; thermostats; thermostats for vehicles; climate control digital thermostats; crucibles [laboratory]; pressure measuring apparatus; security tokens [encryption devices]; tone arms for record players; toner cartridges, unfilled, for printers and photocopiers; totalizers; precision measuring apparatus; transistors [electronic]; transmitters [telecommunication]; transponders; protectors [measuring instruments]; transformers [electricity]; step-up transformers; trackballs [computer peripherals]; holders for electric coils; tripods for cameras; triodes; snorkels; pitot tubes; urinometers; downloadable image files; downloadable music files; facsimile machines; apparatus and instruments for physics; filters for use in photography; filters for respiratory

masks; filters for ultraviolet rays, for photography; wearable activity trackers; usb flash drives; fluorescent screens; cameras [photography]; glazing apparatus for photographic prints; drainers for use in photography; photovoltaic cells; shutters [photography]; enlarging apparatus [photography]; photocopiers [photographic, electrostatic, thermic]; darkrooms [photography]; photometers; flashlights [photography]; phototelegraphy apparatus; spectacle cases; containers for microscope slides; cases for smartphones; cases especially made for photographic apparatus and instruments; wavemeters; chemistry apparatus and instruments; chromatography apparatus for laboratory use; chronographs [time recording apparatus]; laboratory centrifuges; cyclotrons; compasses for measuring; digital weather stations; digital signs; digital photo frames; saccharometers; magic lanterns; frequency meters; petri dishes; chips [integrated circuits]; lifeboats; ink cartridges, unfilled, for printers and photocopiers; square rulers for measuring; sleeves for laptops; covers for personal digital assistants [pdas]; covers for tablet computers; covers for smartphones; jigs [measuring instruments]; spectacle cords; riding helmets; retorts' stands; stands for photographic apparatus; sound locating instruments; workmen's protective face-shields; armatures [electricity].

35 – Administrative assistance in responding to calls for tenders; administrative processing of purchase orders; auctioneering; negotiation of business contracts for others; market studies; demonstration of goods; providing business information via a web site; providing business information; providing commercial and business contact information; providing commercial information and advice for consumers in the choice of products and services; providing user rankings for commercial or advertising purposes; compilation of information into computer databases; computerized file management; marketing services; provision of an online marketplace for buyers and sellers of goods and services; updating and maintenance of data in computer databases; updating and maintenance of information in registries; organization of exhibitions for commercial or advertising purposes; organization of fashion shows for promotional purposes; organization of trade fairs; web site traffic optimization; procurement services for others [purchasing goods and services for other businesses]; import-export agency services; advertising agency services; commercial intermediation services; wholesale services for pharmaceutical, veterinary and sanitary preparations and medical supplies; retail services relating to bakery products; search engine optimization for sales promotion; presentation of goods on communication media, for retail purposes; direct mail advertising; advertising; pay per click advertising; outdoor advertising; advertising by mail order; online advertising on a computer network; distribution of samples; dissemination of advertising matter; sales promotion for others; promotion of goods and services through sponsorship of

sports events; production of advertising films; production of teleshopping programmes; television advertising; telemarketing services; negotiation and conclusion of commercial transactions for third parties; professional business consultancy.

(260) AM 2023 119656 A

(800) 1686903

(151) 2022 06 22

(891) 2022 06 22

(731) Limited Liability Company "Russian Mining Chemical Company"

Pavlovskaya str., 7, p. 1, 5th floor, RU-115093
Moscow, Russian Federation

(540)



(591) Green and its shades, black

(531) 26.05.02; 26.05.04; 26.05.24; 27.05.01;

27.05.09; 27.05.10; 29.01.12

(511)

1 – Bentonite; dolomite for industrial purposes; magnesium carbonate; flocculants; chemicals for use in forestry, except fungicides, herbicides, insecticides and parasiticides; magnesite; magnesium silicate; magnesium chloride; alkaline-earth metals; salts of alkaline-earth metals; salts [fertilizers]; talc [magnesium silicate]; fertilizers; horticultural chemicals, except fungicides, herbicides, insecticides and parasiticides; chemicals for industrial use; agricultural chemicals, except fungicides, herbicides, insecticides and parasiticides; chemical reagents, other than for medical or veterinary purposes.

(260) AM 2023 119660 A

(800) 1687065

(151) 2022 06 15

(891) 2022 06 15

(731) ZKTECO CO., LTD.

No. 32, Pingshan Industrial Avenue, Tangxia
Town, Dongguan City, Guangdong Province,
China

(540)

ARMATURA

(591) Black, white

(531) 27.05.01; 27.05.01

(511)

9 – Radio-frequency identification (rfid) tags; radio-frequency identification (rfid) readers; encoded identity cards; bar code readers; attendance registering machines; computer network adapters; prisms [optics]; switches, electric; biometric identity cards; theft prevention installations, electric; detectors; data processing apparatus; computer peripheral devices; computer software, recorded; downloadable computer application software for mobile phones; time recording

apparatus; facial recognition device; point-of-sale terminals; punched card machines for offices; electrodynamic apparatus for the remote control of signals; electric and electronic video surveillance installations; chips [integrated circuits]; apparatus and installations for the production of x-rays, not for medical purposes; alarms; computer programs, recorded; computer software applications, downloadable; fingerprint scanners; security surveillance robots; infrared thermometers; not for medical purposes; infrared detectors; humanoid robots with artificial intelligence for use in scientific research; radios; baby monitors; telepresence robots.

42 – Updating of computer software; maintenance of computer software; computer systems analysis; electronic data storage; monitoring of computer systems for detecting unauthorized access or data breach; data encryption services; software as a service [saas]; conversion of computer programs and data, other than physical conversion; consulting services in the field of cloud computing; computer software design; platform as a service [paas]; development of computer platforms; design and development of software in the field of mobile applications; designing computer software for controlling self-service terminals; design and development of electronic data security systems; server hosting; research in the field of artificial intelligence.

(260) AM 2023 119666 A
(800) 624212
(151) 1994 08 19
(891) 2022 09 08
(731) SCHOTT AKTIENGESELLSCHAFT
Hattenbergstrasse 10, 55122 Mainz, Germany
(540)

Pyranova

(591) Black, white
(531) 27.05.01
(511)
19 – Building glass, glass panes for refractory glazing.

(260) AM 2023 119670 A
(800) 1443643
(151) 2018 10 31
(891) 2022 08 26
(731) TARCZYŃSKI S.A.
Ujeździec Mały 80, PL-55-100 TRZEBNICA,
Poland
(540)



(591) White, dark blue and dark orange
(531) 26.04.02; 26.04.06; 26.04.07; 26.04.18;
29.01.13

(511)
29 – Meat; preserved meat; beef burgers; hamburgers; bacon; chorizo; veal; poultry; game; extracts of poultry; meat extracts; hotdog sausages; tripe; knuckle of ham; meat gelatines; hummus [chickpea paste]; meat sticks; black pudding; pepperoni; smoked sausages; uncooked sausages; sausages in batter; bottled cooked meat; pie fillings of meat; sliced meat; mortadella; meat spreads; pates; liver pâté; salami; uncooked sausages; shish kabobs; ham; vegetarian sausages; croquettes; preserved, pickles; nut-based snack foods; soy-based snack foods; meat-based snack foods; tofu-based snacks; vegetable-based snack foods; vegetable-based entrees; faggots [food]; mousses (vegetable -); vegetable salads; chicharron; lard; fatty substances for the manufacture of edible fats; edible fats; animal fats for food; tofu; fish; dishes of fish; prepared dishes consisting principally of meat; prepared meals consisting primarily of meat substitutes.

30 – Cheeseburgers [sandwiches]; flaky pastry containing ham; pies containing meat; gluten additives for culinary purposes; pies containing poultry; pies containing game; boxed lunches consisting of rice, with added meat, fish or vegetables; hot dogs (prepared); sandwiches; hamburgers contained in bread rolls; frankfurter sandwiches; sandwiches containing chicken; sandwiches containing meat; sandwiches containing chicken; sandwiches containing minced beef; meat pies [prepared]; pot pies; meat pies; muesli; frozen pastry stuffed with meat and vegetables; pancakes; pastry; puddings; ravioli; pelmeni [dumplings stuffed with meat]; pizza; spring rolls; sushi; pre-packaged lunches consisting primarily of rice, and also including meat, fish or vegetables; poultry and game meat pies; spices; ham glaze; pesto [sauce].

35 – Opinion polling; market research and marketing studies; public relations studies; advertising and marketing consultancy; professional business consulting; professional business consulting; arranging of demonstrations for advertising purposes; organisation and conducting of product presentations; demonstration of goods for promotional purposes; presentation of goods on communication media, for retail purposes; dissemination of advertising matter; public relations services; advertising; retail services relating to food; wholesale services in relation to foodstuffs.

(260) AM 2023 119672 A
(800) 1518463
(151) 2019 11 27
(891) 2022 09 01
(731) Obshchestvo s ogranichennoy otvetstvennostyu
Holding "AMAR GRUPP"
ul. Chekistov, d. 191, kab. 1, pos.

Zubchaninovka, RU-443044 Samara,
Samarskaya obl., Russian Federation

(540)



(591) Red, white

(531) 03.07.03; 25.01.19; 27.05.01; 28.01; 29.01.12

(526) RUSSIAN CHICKEN

(511)

29 – White of eggs; chicken stock; prepared meals containing chicken; yolk of eggs; chicken fat for food; charcuterie consisting primarily of chicken; tinned food containing primarily chicken; patties consisting primarily of chicken; chicken; chicken, preserved; freeze-dried chicken; vegetables stuffed with fillings containing chicken; chicken liver pâté; powdered eggs; poultry, not live; salads containing chicken; fat-containing mixtures for bread slices containing chicken; sausages consisting primarily of chicken; preparations for making bouillon containing chicken; preparations for making soup containing chicken; chicken giblets; soups containing chicken; mince consisting primarily of chicken; chicken extracts; eggs.

30 – Pancakes stuffed with fillings containing chicken; burritos stuffed with fillings containing chicken; chicken pâtés en croute; pelmeni [dumplings stuffed primarily with chicken]; pies stuffed with fillings containing chicken; chicken sandwiches; chicken cheeseburgers.

(260) AM 2023 119673 A

(800) 1531523

(151) 2020 03 31

(891) 2022 09 14

(731) KRKA, tovarna zdravil, d.d., Novo mesto
Šmarješka cesta 6, SI-8000 Novo mesto,
Slovenia

(540)

DABIXOM

(591) Black, white

(511)

5 – Pharmaceutical preparations.

(260) AM 2023 119749 A

(800) 1688345

(151) 2022 08 16

(891) 2022 08 16

(731) Immersive Health Solutions LLC
1209 Orange Street, Wilmington DE 19801,
USA

(540)

REALITY ONE

(591) Black, white

(511)

28 – Toys; games; playthings; hand-held consoles for playing video games; apparatus for games; controllers for game consoles; gloves for games; portable games and toys incorporating telecommunication functions; video game consoles; video game machines; video game apparatus.

37 – Installation, maintenance and repair of computer hardware and computer peripherals; information, advice and consultancy relating to the aforesaid services.

38 – Providing access to databases; leasing access time to a computer database; communications by computer terminals; computer aided transmission of messages and images; message sending; providing online forums; streaming of data; transmission of digital files; video-on-demand transmission; wireless broadcasting; transmission of information by electronic communications networks; providing of access to data and information via electronic communications networks.

41 – Provision of education, training and instruction; providing educational and entertainment services and information; arranging and conducting of conferences, seminars, workshops, educational exhibitions, and forums; game services provided on-line from a computer network; games equipment rental; health and fitness training; providing films, not downloadable, via video-on-demand transmission services; movie studio services; providing on-line electronic publications, not downloadable; providing on-line music, not downloadable; providing on-line videos, not downloadable; organization of exhibitions for cultural or educational purposes; production of shows; providing non-downloadable video-on-demand transmission.

(260) AM 2023 119750 A

(800) 1688358

(151) 2022 08 25

(891) 2022 08 25

(731) Apple Inc.

One Apple Park Way, Cupertino CA 95014,
USA

(540)



(591) The color(s) blue and white is/are claimed as a feature of the mark

(531) 05.07.13; 10.03.11; 26.04.04; 26.04.05;
26.04.16; 29.01.13

(511)

35 – Retail store and online retail store services featuring computers, computer hardware and peripherals, computer software, consumer electronics, tablet computers, smartwatches, smartphones, home automation products, set-top boxes, media players, entertainment products, audio speakers, headphones, earphones, wireless routers, computer monitors, computer keyboards, computer mice, computer cables, computer power adapters, carrying cases, computer printers for printing documents and photos, scanners and peripherals, gift cards, and accessories for the foregoing.

(260) AM 2023 119751 A

(800) 786357

(151) 2002 07 12

(891) 2022 07 13

(731) Borbone S.p.A.

Via Privata Cesare Mangili 2, I-20121 Milano,
Italy

(540)

BORBONESE

(591) Black, white

(511)

18 – Leather and imitations of leather, and goods made of these materials and not included in other classes; animal skins, hides; trunks and travelling bags; umbrellas, parasols and walking sticks; whips, harness and saddlery.

25 – Clothing, footwear, headgear.

(260) AM 2023 119752 A

(800) 1222299

(151) 2014 09 25

(891) 2022 09 16

(731) Syngenta Participations AG

Rosentalstrasse 67, CH-4058 Basel, Switzerland

(540)

AMPEXIO

(591) Black, white

(511)

5 – Products for destroying vermin; fungicides, herbicides, pesticides, insecticides.

(260) AM 2023 119753 A

(800) 1488612

(151) 2019 06 26

(891) 2022 09 01

(731) 42

96 boulevard Bessières, F-75017 Paris,
France

(540)



(591) Black, white

(531) 27.07.01

(511)

35 – Computer file management; data entry; organization of exhibitions for commercial or advertising purposes.

38 – Provision of on-line forums; provision of access to databases.

41 – Training; teaching; education; education and training services, particularly in the computer and coding field; interactive learning and provision of information in connection with training on any open or closed computer network, including the Internet; schools, institutes and practice schools; organization and conducting of educational tests and training workshops; entertainment; organization of competitions (education or entertainment); organization and conducting of colloquiums, conferences, events, workshops or congresses for educational purposes; organization of exhibitions for cultural or educational purposes; booking of seats for shows.

42 – Design and development of computers and software; research and development of new products for third parties; conducting of technical project studies; technical studies; technical feasibility studies; research in the field of computer programs, computer hardware and software; software design, development, installation, maintenance, updating or rental; programming for computers; provision of information with respect to computer software design and development; computer system analysis; computer system design; consultancy relating to computers; hosting of servers; information technology consultancy services; providing information relating to computer programming; conversion of computer programs and data, other than physical conversion; conversion of data or documents from physical to electronic media.

(260) AM 2023 119762 A

(800) 1685117

(151) 2022 06 10

(891) 2022 06 10

(731) BINTECH ROBOT TEKNOLOJİLERİ
ANONİM ŞİRKETİ FERHATPAŞA MAH.
KARADENİZ CAD.
GÖKMEN BEY İŞ MERKEZİ NO:85, İÇ
KAPI NO: 2, ATAŞEHİR/İSTANBUL,
Türkiye

(540)



(591) Orange, white

(531) 18.01.08; 27.05.01; 27.05.09; 27.05.10;
27.05.22; 29.01.12

(526) ROBOTIC SYSTEMS

(511)

7 – Machines and apparatus for cleaning, electric, dust exhausting installations for cleaning purposes, dust removing installations for cleaning purposes, industrial robots, road sweeping machines, self-propelled, suction machines for industrial purposes, vacuum cleaners, vacuum cleaner hoses, vacuum cleaner bags, vacuum pumps [machines], washing apparatus, washing installations for vehicles/vehicle washing installations, whitewashing machines/colour-washing machines, puddling machines, central vacuum cleaning installations, machines and apparatus for carpet shampooing, electric, cleaning appliances utilizing steam.

(260) AM 2023 119834 A

(800) 1688993

(151) 2022 05 02

(891) 2022 05 02

(731) Thyssenkrupp AG

ThyssenKrupp Allee 1, 45143 Essen, Germany;

Thyssenkrupp Bilstein GmbH

August-Bilstein-Str. 4, 58256 Ennepetal,

Germany

(540)

BILSTEIN

(591) Black, white

(531) 27.05.01; 27.05.17; 27.05.23

(511)

7 – Shock absorber plungers; shock absorbers for machines; gas-filled shock absorbers, in particular hydropneumatic shock absorbers for use as machine parts; spring shock absorbers for machines; shock absorbing springs being parts of machine suspension; dashpot plungers [parts of engines or motors].

12 – Parts for motor vehicles; hydraulic units for motor vehicles in the form of shock absorbing and/or stabilising elements for chassis and chassis superstructures of motor vehicles; vibration dampers for wheel suspensions of motor vehicles, and individual parts and attachments therefor; suspension struts for land vehicles; suspension struts for vehicles; air suspension struts for land vehicles; combined spring/damper modules for vehicles; MacPherson suspension struts for land vehicles; suspension struts with steel springs or air springs for wheel suspensions of motor vehicles, and individual parts and attachments therefor; gas-

filled shock absorbers; hydropneumatic shock absorbers for motor vehicles; support bearings for motor vehicle vibration dampers; springs for wheel suspensions of motor vehicles, in particular helical compression springs, air springs and single air springs; vehicle shock absorbers; shock absorbers [vehicle parts]; shock absorbers for vehicles; shock absorbers for vehicle suspension; suspension shock absorbers for vehicles; hydraulic rotary shock absorbers for vehicles; shock absorbers being parts of vehicle suspension; combined spring and shock absorber units for vehicles; torsion dampers for vehicles; hydraulic rotary dampers for vehicles; shock absorbing cylinders [parts of vehicles]; shock absorbing springs for automobiles; shock absorbing springs being parts of vehicle suspension; shock absorbers for the suspension units of vehicles.

(260) AM 2023 119835 A

(800) 1689068

(151) 2021 09 29

(891) 2021 09 29

(731) UAB Crocus group

Motoru g. 1, LT-02190 Vilnius, Lithuania

(540)



(591) Black, white

(531) 27.05.01; 27.05.14; 27.05.21

(511)

34 – Electronic hookahs; electronic cigarettes; electronic cigarette boxes; electronic cigarette cases; e-cigarette refills; electronic cigarette lighters; holders for electronic cigarettes; replaceable refills for electronic cigarettes; cleaning sticks specially adapted for electronic cigarettes; smoking kits for electronic cigarettes; oral vaporizers for smokers; vaporizers for smoking purposes; smokeless cigarette vaporizer pipes; accessories for electronic cigarettes; liquid solutions for use in electronic cigarettes; tobacco tar for use in electronic cigarettes; essences, other than essential oils, for electronic cigarettes; liquid nicotine solutions for use in electronic cigarettes; e-cigarette liquid, e-liquid containing flavorings in liquid form used for filling e-cigarette cartridges; electronic cigarette liquid composed of propylene glycol; electronic cigarette liquid, electronic liquid, composed of vegetable glycerin; cartridges sold filled with chemical flavorings in liquid form for electronic cigarettes; chemical flavorings in liquid form used for refilling e-cigarette cartridges; tobacco vaporizers for personal use, electronic cigarettes and flavorings, other than essential oils,

for use in electronic cigarettes; electronic devices for inhalation of nicotine-containing liquid; electronic devices for inhalation of nicotine-containing e-liquid; tobacco substitutes; cigarettes containing tobacco substitutes; herbal molasses, essences, other than essential oils, for tobacco substitutes; devices for heating tobacco substitutes for the purpose of inhalation; tobacco and tobacco substitutes; cigarettes; menthol cigarettes; cigarette lighters; nicotine-free cigarettes other than for medical purposes; inhalers for use as an alternative to tobacco cigarettes; cigarettes containing tobacco substitutes, not for medical purposes; shisha, various types of hookah tobacco; various types of flavored hookah tobacco; hookahs; wired vaporizer for electronic cigarettes and electronic smoking devices; tobacco, raw or manufactured; tobacco products, including cigars, cigarettes, cigarillos, tobacco for roll your own cigarettes, pipe tobacco, chewing tobacco, snuff tobacco, kretek for non-medical purposes; snus; tobacco substitutes (not for medical purposes); smokers' articles, including cigarette paper and tubes, cigarette filters, tobacco tins, cigarette cases and ashtrays, pipes, pocket apparatus for rolling cigarettes, lighters for smokers; matches; tobacco sticks, tobacco products for the purpose of being heated, electronic devices and their parts for the purpose of heating cigarettes or tobacco in order to release nicotine-containing aerosol for inhalation; electronic smoking devices; electronic cigarettes as substitute for traditional cigarettes; electronic devices for the inhalation of nicotine-containing aerosol; oral vaporising devices for use by smokers, tobacco products and tobacco substitutes; smokers' articles for electronic cigarettes; extinguishers for heated cigarettes and cigars as well as heated tobacco sticks; disposable e-cigarettes; reusable e-cigarettes.

35 – Advertising; marketing; online advertising on a computer network; online advertising via a computer communications network; online advertising network matching services for connecting advertisers to websites; provision of an online marketplace for buyers and sellers of goods and services; presentation of goods and services; presentation of companies and their goods and services on the internet; communication media (presentation of goods on -), for retail purposes; presentation of goods for retail purposes by means of communication; wholesale services in relation to electronic hookahs and electronic cigarettes; advertising via the internet; advertising on the internet for others; advertisement for others on the internet; business management services relating to ecommerce; distribution of samples; distribution of advertising materials; import and export agency services; commercial information; business information services provided online from a computer database or the internet; business information services provided online from a global computer network or the internet; online advertising on computer networks; electronic order processing; administrative services for accepting sales

orders; administrative processing of customer orders; negotiation of commercial transactions for third parties; online ordering services; trade information services (provided via a global computer network); negotiation of business contracts (for others); commercial intermediation services; corporate communications services; conducting of auction sales; arranging of auction sales; auction sales; creation of promotional materials; creating advertising material; advertising flyer distribution; distribution of advertising announcements; distribution of advertising samples; publication of advertising texts; invoicing; business mediation services; all of the aforementioned services being strictly related to the sale of tobacco products and/or products, related to tobacco.

(260) AM 2023 119836 A

(800) 1689087

(151) 2022 03 21

(891) 2022 03 21

(731) Comodita GmbH

Königsallee 60 C, 40212 Düsseldorf, Germany

(540)

Comodita

(591) Black, white

(511)

20 – Beds; bedsprings; mattresses; mattress toppers; mattress bases; pillows; memory foam pillows; stuffed pillows; travel pillows; latex mattresses; latex pillows; cushions.

24 – Fabrics; filtering materials of textile; textiles and substitutes for textiles.

35 – Retail services in relation to furniture; retail services in relation to furnishings; retail services in relation to kitchen appliances; retail services in relation to cookware; retail services in relation to food cooking equipment; provision of an online marketplace for buyers and sellers of goods and services.

(260) AM 2023 119837 A

(800) 1689127

(151) 2022 06 17

(891) 2022 06 17

(731) Huddlestock Fintech AS

Kanalsletta 2, N-4033 Stavanger, Norway

(540)

HUDDLESTOCK

(591) Black, white

(511)

9 – Software; downloadable software; mobile applications; software for financial services; software for financial management; software for making investments; software for financial information, information analysis; software for financial consultancy; software for financial research and analysis; software for bro-

kerage services; software allowing a users to manage investments; software allowing one user to interact with other users regarding investments; software allowing users to manage investments via the internet; mobile software applications enabling ongoing connection to an investment portfolio; software for trading in financial markets; software for trading in financial instruments; software facilitating wisdom-of-the-crowd for investment decisions.

36 – Financial services; investment services; financial services for users of the internet; financial services relating to the trading of financial instruments; financial services allowing users to manage investments via the internet; financial management; financial management of investments on-line; financial management of investments that are influenced by investments made by others; financial consultancy by investors to users of the internet; financial services facilitating wisdom-of-the-crowd; financial information and analysis based on the investments of large groups of users; financial management services for trading and exchange of financial instruments via online platform; financial information; financial information analysis; providing financial information via a website; brokerage services; financial information regarding financial markets and instruments; financial consultancy; financial research and analysis.

42 – Software as a service [SaaS]; SaaS for financial services; SaaS for making investments; SaaS for financial information, information analysis; SaaS for financial management; SaaS for financial consultancy; SaaS for financial research and analysis; SaaS for brokerage services; SaaS allowing one user to interact with other users regarding investments; SaaS allowing users to manage investments via the internet; SaaS enabling ongoing connection to an investment portfolio; SaaS for trading in financial markets; SaaS for trading financial instruments; creating an on-line community for registered users to participate in discussions, to share content, photos, videos, text, data, images and other electronic works, and engage in social networking, provision of information, consultancy and advisory services relating to the aforesaid.

45 – On-line social networking services; on-line social networking services for investment; on-line social networking service for investors; on-line social networking service for making investments; on-line social networking services for investors allowing one user to interact with other users regarding investments; on-line social networking services facilitating communication between the users on financial information; on-line social networking services for investors allowing trading financial instruments.

(260) AM 2023 119838 A

(800) 1689159

(151) 2022 07 25

(891) 2022 07 25

(731) Euro Games Technology Ltd.

4, "Maritsa" Str., "Vranya-Lozen-Triugulnika",
BG-1151 Sofia, Bulgaria

(540)

Book of Shining Hot

(591) Black, white

(511)

9 – Software; computer gaming software; computer software packages; computer operating system software; computer software, recorded; software drivers; virtual reality software; games software; entertainment software for computer games; computer programs for network management; operating computer software for main frame computers; monitors (computer hardware); computer hardware; apparatus for recording images; monitors (computer programs); computer game programs; computer programs for recorded games; apparatus for recording, transmission or reproduction of sound or images; communications servers [computer hardware]; electronic components for gambling machines; computer application software featuring games and gaming; computer software for the administration of on-line games and gaming; computer hardware for games and gaming; hardware and software for gambling, gambling machines, gambling games on the Internet and via telecommunication network.

28 – Gaming machines for gambling; chips for gambling; mah-jong; arcade games; gambling machines operating with coins, notes and cards; games; electronic games; parlor games; gaming chips; gaming tables; slot machines [gaming machines]; LCD game machines; slot machines and gaming devices; coin-operated amusement machines; roulette chips; poker chips; chips and dice [gaming equipment]; gaming equipment for casinos; roulette tables; gaming roulette wheels; casino games; gambling machines and amusement machines, automatic and coin-operated; coin-operated amusement machines and/or electronic coin-operated amusement machines with or without the possibility of gain; boxes for coin-operated machines, slot machines and gaming machines; electronic or electrotechnical amusement machines and apparatus, gaming machines, coin-operated entertainment machines; housings for coin-operated machines, gaming equipment, gaming machines, machines for gambling; electropneumatic and electrical gambling machines (slot machines).

41 – Gambling; entertainment services related to gambling; gaming services for entertainment purposes; casino, gaming and gambling services; training in the development of software systems; provision of gaming equipment for gambling halls; providing casino equipment [gambling]; gaming machine entertainment

services; providing casino facilities [gambling]; gaming hall services; amusement arcade services; games equipment rental; rental of gaming machines; providing amusement arcade services; rental of gaming machines with images of fruits; editing or recording of sounds and images; sound recording and video entertainment services; hire of sound reproducing apparatus; provision of gaming equipment for casinos; providing of casino facilities; online gambling services; casino, gaming and gambling services; provision of gaming facilities, gaming hall facilities, Internet casinos and online gambling services.

(260) AM 2023 119927 A

(800) 1690308

(151) 2022 09 13

(891) 2022 09 13

(731) DFreight Shipping LLC

Emaar Building 4, Emaar Square, Office
No. 402, Dubai, United Arab Emirates

(540)



(591) Blue and black.

(531) 27.01.03; 27.01.05; 27.05.01; 27.05.09;
27.05.17; 29.01.12

(511)

39 – Transportation services, packing and storage of goods, tour and travel organization services in this class.

(260) AM 2023 119928 A

(800) 1690319

(151) 2022 08 31

(891) 2022 08 31

(731) Yandex LLC

Leo Tolstoy Str., 16, RU-119021 Moscow,
Russian Federation

(540)



(591) White, black, yellow and dark yellow

(531) 26.04.04; 26.04.08; 26.04.24; 29.01.13

(511)

4 – Benzine; biomass fuel; petrol; producer gas; solidified gases [fuel]; fuel; additives, non-chemical, to motor fuel; cutting fluids; industrial grease; kerosene; mazut; fuel oil; lubricating oil; industrial oil; motor oil; lubricants; vaporized fuel mixtures; benzene fuel; diesel oil; lighting fuel; xylene fuel; mineral fuel; carburants; fuel with an alcohol base; peat [fuel]; peat

briquettes [fuel]; charcoal [fuel]; electrical energy; ethanol [fuel].

6 – Bottles [containers] of metal for compressed gas or liquid air; cramps of metal [crampons]; wheel clamps [boots]; rivets of metal; padlocks of metal; box fasteners of metal; locks of metal for vehicles; locks of metal, other than electric; spring locks; closures of metal for containers; metal plugs; latches of metal; tension links; couplings of metal for chains; road signs, non-luminous and non-mechanical, of metal; signs, non-luminous and non-mechanical, of metal; buckles of common metal [hardware]; telfer cables; ropes of metal; jerrycans of metal; keys of metal; containers of metal [storage, transport]; rope thimbles of metal; ferrules of metal for walking sticks; belt stretchers of metal; stretchers for metal bands [tension links]; wire stretchers [tension links]; stretchers for iron bands [tension links]; braces of metal for handling loads; crash barriers of metal for roads; props of metal; metal ramps for use with vehicles; transport pallets of metal; loading pallets of metal; handling pallets of metal; straps of metal for handling loads; slings of metal for handling loads; wire rope; bicycle parking installations of metal; chains of metal; safety chains of metal; badges of metal for vehicles; registration plates of metal; paving slabs of metal; cables of metal, non-electric; window closers of metal, non-electric; window openers of metal, non-electric.

9 – Ticket dispensers; DVD players; fire engines; electrical adapters; accumulators, electric; batteries, electric, for vehicles; accelerometers; actinometers; alidades; altimeters; ammeters; nanoparticle size analysers; anemometers; anodes; aerials; anticathodes; apertometers [optics]; high-frequency apparatus; testing apparatus not for medical purposes; remote control apparatus; electro-dynamic apparatus for the remote control of railway points; electro-dynamic apparatus for the remote control of signals; monitoring apparatus, other than for medical purposes; sound recording apparatus; Global Positioning System [GPS] apparatus; distillation apparatus for scientific purposes; air analysis apparatus; sound transmitting apparatus; breathing apparatus for underwater swimming; breathing apparatus, except for artificial respiration; apparatus and installations for the production of X-rays, not for medical purposes; cash registers; electric apparatus for commutation; intercommunication apparatus; stills for laboratory experiments; projection apparatus; fire extinguishing apparatus; radiological apparatus for industrial purposes; X-ray apparatus not for medical purposes; blueprint apparatus; flashing lights [luminous signals]; stereoscopic apparatus; telephone apparatus; facsimile machines; phototelegraphy apparatus; igniting apparatus, electric, for igniting at a distance; acid hydrometers; salinometers; acidimeters for batteries; aerometers; beacons, luminous; battery jars; automated teller machines [ATM]; barometers; anode batteries; galvanic batteries; ignition batteries; solar

batteries; solar panels for the production of electricity; batteries, electric; balances [steelyards]; betatrons; binoculars; biochips; electronic tags for goods; lens hoods; magnetic tape units for computers; computer memory devices; fire hose nozzles; encoded identification bracelets, magnetic; connected bracelets [measuring instruments]; safety tarpaulins; electronic key fobs being remote control apparatus; bullet-proof clothing; signalling buoys; life buoys; marking buoys; directional compasses; vacuum gauges; electrolysis apparatus for laboratory use; variometers; verniers; scales; weighbridges; precision balances; levelling staffs [surveying instruments]; camcorders; video baby monitors; video cassettes; video telephones; video screens; viewfinders, photographic; electric plugs; micrometer screws for optical instruments; viscosimeters; circuit closers; wavemeters; voltmeters; mechanical signs; illuminated signs; switchboxes [electricity]; current rectifiers; gas testing instruments; gasometers [measuring instruments]; galvanometers; hands-free kits for telephones; heliographic apparatus; hygrometers; hydrometers; weights; peepholes [magnifying lenses] for doors; holograms; plotters; loudspeakers; sounding leads; plumb bobs; range finders; piezoelectric sensors; densimeters; densitometers; detectors; smoke detectors; infrared detectors; counterfeit coin detectors; joysticks for use with computers, other than for video games; transparencies [photography]; slide projectors; diaphragms [photography]; dictating machines; dynamometers; light-emitting diodes [LED]; quantum dot light-emitting diodes [QLED]; organic light-emitting diodes [OLED]; floppy disks; phonograph records; disks, magnetic; optical discs; circular slide rules; disk drives for computers; juke boxes for computers; wearable video display monitors; electronic numeric displays; DNA chips; electronic interactive whiteboards; electronic notice boards; electric wire harnesses for automobiles; bullet-proof vests; life jackets; reflective safety vests; identification threads for electric wires; nose clips for divers and swimmers; locks, electric; bells [warning devices]; alarm bells, electric; electric door bells; signal bells; acoustic conduits; mirrors for inspecting work; road signs, luminous or mechanical; signs, luminous; downloadable emoticons for mobile phones; marine depth finders; probes for scientific purposes; buzzers; needles for surveying compasses; needles for record players; eyewear; reflective articles for wear, for the prevention of accidents; measures; pressure measuring apparatus; simulators for the steering and control of vehicles; inverters [electricity]; pressure indicators; automatic indicators of low pressure in vehicle tyres; temperature indicators; incubators for bacteria culture; measuring instruments; cosmographic instruments; mathematical instruments; levelling instruments; instruments containing eyepieces; surveying instruments; azimuth instruments; interfaces for computers; ionization apparatus not for the treatment of air or water; satellite finder meters; spark-guards; coaxial cables;

fibre optic cables; cables, electric; calipers; slide calipers; screw-tapping gauges; calorimeters; calculating machines; pocket calculators; decompression chambers; rearview cameras for vehicles; cinematographic cameras; thermal imaging cameras; mouth guards for sports; life-saving capsules for natural disasters; electronic pens [visual display units]; holders for electric coils; identity cards, magnetic; video game cartridges; ink cartridges, unfilled, for printers and photocopiers; memory cards for video game machines; encoded magnetic cards; riding helmets; protective helmets; carriers for dark plates [photography]; cathodes; spools [photography]; choking coils [impedance]; coils, electric; electromagnetic coils; cinematographic film, exposed; computer keyboards; solenoid valves [electromagnetic switches]; wire connectors [electricity]; thin client computers; encoded key cards; electronic book readers; electronic agendas; push buttons for bells; magnetic encoders; visors for helmets; collectors, electric; calibrating rings; smart rings; ring sizers; protective suits for aviators; commutators; compact discs [audio-video]; compact discs [read-only memory]; comparators; marine compasses; computers; laptop computers; tablet computers; notebook computers; wearable computers; condensers [capacitors]; contacts, electric; wind socks for indicating wind direction; traffic cones; branch boxes [electricity]; distribution boxes [electricity]; junction boxes [electricity]; connectors [electricity]; battery boxes; cabinets for loudspeakers; diving suits; galena crystals [detectors]; covers for electric outlets; logs [measuring instruments]; lasers, not for medical purposes; lactodensimeters; lactometers; vacuum tubes [radio]; darkroom lamps [photography]; thermionic valves; amplifying tubes; flashlights [photography]; head cleaning tapes [recording]; magnetic tapes; videotapes; surveying chains; fire escapes; rulers [measuring instruments]; square rulers for measuring; slide-rules; contact lenses; correcting lenses [optics]; optical lenses; optical condensers; sounding lines; electricity conduits; measuring spoons; magnifying glasses [optics]; thread counters; magnets; decorative magnets; close-up lenses; crash test dummies; resuscitation mannequins [teaching apparatus]; trackballs [computer peripherals]; pressure gauges; security tokens [encryption devices]; divers' masks; solderers' helmets; protective masks, not for medical purposes; respiratory masks, other than for artificial respiration; materials for electricity mains [wires, cables]; voting machines; money counting and sorting machines; material testing instruments and machines; furniture especially made for laboratories; megaphones; portable media players; diaphragms [acoustics]; diaphragms for scientific apparatus; metal detectors for industrial or military purposes; digital weather stations; metronomes; rules [measuring instruments]; carpenters' rules; dressmakers' measures; mechanisms for coin-operated apparatus; mechanisms for counter-operated apparatus; coin-operated mechanisms for television sets;

shutter releases [photography]; micrometers; microprocessors; microscopes; microtomes; microphones; audio mixers; modems; lightning conductors; monitors [computer hardware]; monitors [computer programs]; selfie sticks [hand-held monopods]; terminals [electricity]; junction sleeves for electric cables; teeth protectors; temperature indicator labels, not for medical purposes; knee-pads for workers; ear pads for headphones; headphones; surveyors' levels; sound recording carriers; magnetic data media; optical data media; sheaths for electric cables; identification sheaths for electric wires; weighing machines; computer hardware; punched card machines for offices; life saving equipment; objectives [lenses] [optics]; egg-candlers; fire extinguishers; rescue laser signalling flares; electrified fences; limiters [electricity]; clothing for protection against accidents, irradiation and fire; clothing for protection against fire; asbestos clothing for protection against fire; clothing especially made for laboratories; survival blankets; ozonisers [ozonators]; octants; eyepieces; ohmmeters; wrist rests for use with computers; spectacle frames; oscillographs; plumb lines; mirrors [optics]; spectacles; sunglasses; goggles for sports; finger sizers; signalling panels, luminous or mechanical; wah-wah pedals; radio pagers; pince-nez; electronic pocket translators; transmitters [telecommunication]; telephone transmitters; transmitters of electronic signals; switches, electric; periscopes; data gloves; gloves for protection against accidents; gloves for protection against X-rays for industrial purposes; asbestos gloves for protection against accidents; furnaces for laboratory use; droppers for measuring, other than for medical or household purposes; laboratory pipettes; pyrometers; planimeters; plane tables [surveying instruments]; plates for batteries; computer software platforms, recorded or downloadable; wafers for integrated circuits; printed circuit boards; compact disc players; cassette players; sound recording strips; X-ray films, exposed; films, exposed; life-saving rafts; laboratory trays; digital signs; stands adapted for laptops; semi-conductors; polarimeters; personal digital assistants [PDAs]; fire pumps; measuring glassware; life belts; fuses; circuit breakers; converters, electric; telerupters; food analysis apparatus; diagnostic apparatus, not for medical purposes; distance recording apparatus; distance measuring apparatus; speed measuring apparatus [photography]; appliances for measuring the thickness of leather; speed checking apparatus for vehicles; teaching apparatus; time recording apparatus; apparatus and instruments for astronomy; surveying apparatus and instruments; weighing apparatus and instruments; nautical apparatus and instruments; navigational instruments; optical apparatus and instruments; apparatus and instruments for physics; chemistry apparatus and instruments; measuring apparatus; measuring devices, electric; boiler control instruments; meteorological instruments; naval signalling apparatus; observation instruments; navigation apparatus for vehicles [on-board computers];

satellite navigational apparatus; regulating apparatus, electric; telecommunication apparatus in the form of jewellery; precision measuring apparatus; audio- and video-receivers; prisms [optics]; computer software applications, downloadable; printers for use with computers; hemline markers; retorts' stands; apparatus for changing record player needles; drainers for use in photography; cleaning apparatus for phonograph records; fire beaters; sighting telescopes for firearms; telescopic sights for artillery; test tubes; pressure indicator plugs for valves; magnetic wires; telegraph wires; telephone wires; wires, electric; conductors, electric; copper wire, insulated; fuse wire; computer game software, downloadable; recorded computer game programs; computer programs, downloadable; computer screen saver software, recorded or downloadable; record players; processors [central processing units]; rods for water diviners; electronic publications, downloadable; distribution consoles [electricity]; control panels [electricity]; radar apparatus; masts for wireless aerials; transmitting sets [telecommunication]; radios; vehicle radios; sprinkler systems for fire protection; frames for photographic transparencies; screens for photoengraving; flowmeters; walkie-talkies; voltage surge protectors; voltage regulators for vehicles; stage lighting regulators; speed regulators for record players; cell switches [electricity]; washing trays [photography]; marking gauges [joinery]; T-squares for measuring; time switches, automatic; relays, electric; X-ray photographs, other than for medical purposes; rheostats; respirators for filtering air; retorts; refractometers; refractors; grids for batteries; security surveillance robots; laboratory robots; teaching robots; telepresence robots; humanoid robots with artificial intelligence for use in scientific research; electric sockets; height measuring instruments; speaking tubes; horns for loudspeakers; subwoofers; saccharometers; optical fibres [light conducting filaments]; traffic-light apparatus [signalling devices]; signalling whistles; sports whistles; sextants; inductors [electricity]; safety nets; nets for protection against accidents; fire alarms; signals, luminous or mechanical; rescue flares, non-explosive and non-pyrotechnic; sirens; electronic access control systems for interlocking doors; scanners [data processing equipment]; hand-held electronic dictionaries; integrated circuit cards [smart cards]; smartglasses; smartphones; smartwatches; connections for electric lines; couplings, electric; sonars; sound locating instruments; lighting ballasts; resistances, electric; spectrograph apparatus; spectroscopes; speed indicators; alcoholmeters; satellites for scientific purposes; protection devices for personal use against accidents; audiovisual teaching apparatus; charging stations for electric vehicles; radiotelegraphy sets; radiotelephony sets; spectacle lenses; anti-glare glasses; optical glass; personal stereos; stereoscopes; stands for photographic apparatus; stroboscopes; fire boats; sulfimeters; bags adapted for laptops; drying racks [photography]; spherometers; integrated cir-

cuits; printed circuits; counters; parking meters; mileage recorders for vehicles; revolution counters; abacuses; taximeters; ear plugs for divers; tachometers; television apparatus; telegraphs [apparatus]; telescopes; teleprompters; teleprinters; cordless telephones; mobile telephones; theodolites; interactive touch screen terminals; thermo-hygrometers; thermometers, not for medical purposes; thermostats; thermostats for vehicles; climate control digital thermostats; crucibles [laboratory]; tone arms for record players; totalizers; transistors [electronic]; transponders; protractors [measuring instruments]; transformers [electricity]; step-up transformers; resuscitation training simulators; vehicle breakdown warning triangles; triodes; starter cables for motors; discharge tubes, electric, other than for lighting; capillary tubes for laboratory use; neon signs; Pitot tubes; X-ray tubes not for medical purposes; telephone receivers; headgear being protective helmets; squares for measuring; quantity indicators; petrol gauges; water level indicators; electric loss indicators; light-emitting electronic pointers; slope indicators; levels [instruments for determining the horizontal]; mercury levels; spirit levels; urinometers; amplifiers; particle accelerators; electric installations for the remote control of industrial operations; baby monitors; steering apparatus, automatic, for vehicles; balancing apparatus; video recorders; sound reproduction apparatus; invoicing machines; tape recorders; protection devices against X-rays, not for medical purposes; railway traffic safety appliances; data processing apparatus; oxygen transvasing apparatus; theft prevention installations, electric; devices for the projection of virtual keyboards; film cutting apparatus; drying apparatus for photographic prints; optical character readers; centering apparatus for photographic transparencies; dosage dispensers; battery chargers; chargers for electric accumulators; chargers for electronic cigarettes; acoustic alarms; sounding apparatus and machines; apparatus for editing cinematographic film; cathodic anti-corrosion apparatus; couplers [data processing equipment]; anti-theft warning apparatus; computer peripheral devices; anti-interference devices [electricity]; demagnetizing apparatus for magnetic tapes; acoustic couplers; alarms; fog signals, non-explosive; whistle alarms; adding machines; readers [data processing equipment]; heat regulating apparatus; photocopiers [photographic, electrostatic, thermic]; electric and electronic effects units for musical instruments; bar code readers; downloadable image files; downloadable music files; animated cartoons; filters for respiratory masks; filters for ultraviolet rays, for photography; filters for use in photography; USB flash drives; magic lanterns; optical lanterns; signal lanterns; cameras [photography]; glazing apparatus for photographic prints; shutters [photography]; dark-rooms [photography]; photometers; flash-bulbs [photography]; digital photo frames; enlarging apparatus [photography]; photovoltaic cells; containers for contact lenses; spectacle cases; containers for microscope

slides; cases for smartphones; cases especially made for photographic apparatus and instruments; chromatography apparatus for laboratory use; chronographs [time recording apparatus]; laboratory centrifuges; spectacle chains; cyclotrons; compasses for measuring; frequency meters; time clocks [time recording devices]; Petri dishes; sleeves for laptops; covers for personal digital assistants [PDAs]; covers for tablet computers; fire blankets; chips [integrated circuits]; jigs [measuring instruments]; pedometers; meteorological balloons; electrified rails for mounting spot lights; asbestos screens for firemen; fire hose; virtual reality headsets; protective helmets for sports; head guards for sports; lifeboats; snorkels; cell phone straps; spectacle cords; tripods for cameras; switchboards; distribution boards [electricity]; equalizers [audio apparatus]; screens [photography]; workmen's protective face-shields; projection screens; radiology screens for industrial purposes; fluorescent screens; exposure meters [light meters]; ducts [electricity]; galvanic cells; downloadable graphics for mobile phones; epidiascopes; ergometers; armatures [electricity]; black boxes [data recorders]; 3D spectacles; magnetic resonance imaging [MRI] apparatus, not for medical purposes; audio interfaces; toner cartridges, unfilled, for printers and photocopiers; mouse pads; mouse [computer peripheral]; computer software, recorded; shoes for protection against accidents, irradiation and fire; mobile phone screen protectors; computer programs, recorded; computer operating programs, recorded; light dimmers [regulators], electric; safety restraints, other than for vehicle seats and sports equipment; wearable activity trackers; downloadable ring tones for mobile phones.

11 – Steam accumulators; heat accumulators; defrosters for vehicles; disinfectant apparatus for medical purposes; distillation apparatus; desiccating apparatus; ionization apparatus for the treatment of air or water; fans [parts of air-conditioning installations]; electric fans for personal use; water heaters; fairy lights for festive decoration; burners; acetylene burners; gas burners; burners for lamps; germicidal burners; incandescent burners; oxyhydrogen burners; laboratory burners; oil burners; alcohol burners; hot water bottles; footwarmers, electric or non-electric; air-conditioning apparatus; air conditioners for vehicles; germicidal lamps for purifying air; light bulbs for directional signals for vehicles; arc lamps; electric lamps; heating apparatus for defrosting vehicle windows; lamp reflectors; vehicle reflectors; lighting apparatus for vehicles; light-emitting diodes [LED] lighting apparatus; heating apparatus for solid, liquid or gaseous fuels; heating apparatus, electric; anti-glare devices for vehicles [lamp fittings]; searchlights; cooling installations for liquids; air filtering installations; ventilation [air-conditioning] installations and apparatus; ventilation [air-conditioning] installations for vehicles; heaters for vehicles; headlights for automobiles; vehicle headlights; lights for automobiles; bi-

cycle lights; motorcycle lights; lights for vehicles; electric torches; head torches; lanterns for lighting; gas lighters.

12 – Motor buses; motor coaches; camping cars; driverless cars [autonomous cars]; motor racing cars; cars; robotic cars; sports cars; concrete mixing vehicles; refrigerated vehicles; caravans; shock absorbers for automobiles; suspension shock absorbers for vehicles; space vehicles; aircraft; aeronautical apparatus, machines and appliances; air cushion vehicles; ski carriers for cars; luggage carriers for vehicles; bumpers for automobiles; vehicle bumpers; tyres for vehicle wheels; barges; brake shoes for vehicles; tailboard lifts [parts of land vehicles]; armored vehicles; buffers for railway rolling stock; mine cars; tilt trucks; railway carriages; sleeping cars; dining carriages; refrigerated railway wagons; transmission shafts for land vehicles; bicycles; electric bicycles; valves for vehicle tyres; helicopters; helicams; automobile hoods; push-chair hoods; hoods for vehicles; oars; paddles for canoes; sculls; screws [propellers] for ships; lug nuts for vehicle wheels; seaplanes; flanges for railway wheel tyres; goods vehicles; trucks with a crane feature incorporated; horns for vehicles; treads for vehicles [tractor type]; doors for vehicles; bicycle motors; motorcycle engines; engines for land vehicles; jet engines for land vehicles; driving motors for land vehicles; screw-propellers; screw-propellers for boats; airships; brake discs for vehicles; self-balancing boards; dredgers [boats]; handcars; military drones; civilian drones; delivery drones; camera drones; clips adapted for fastening automobile parts to automobile bodies; vehicle bonnet pins; adhesive rubber patches for repairing inner tubes; bicycle bells; rearview mirrors; side view mirrors for vehicles; portholes; cars for cable transport installations; inner tubes for pneumatic tyres; inner tubes for bicycle tyres; canoes; hoods for vehicle engines; crankcases for land vehicle components, other than for engines; boats; caissons [vehicles]; bicycle wheels; vehicle wheels; mine cart wheels; steering wheels for vehicles; casters for trolleys [vehicles]; brake pads for automobiles; hub caps; pet strollers; side cars; prams; brake linings for vehicles; ships; baskets adapted for bicycles; gear boxes for land vehicles; ship hulls; panniers adapted for cycles; fenders for ships; bands for wheel hubs; ejector seats for aircraft; wheelchairs; boat hooks; automobile bodies; tipping bodies for lorries; bodies for vehicles; treads for retreading tyres; locomotives; masts for boats; golf carts [vehicles]; sprinkling trucks; propulsion mechanisms for land vehicles; self-balancing electric unicycles; mopeds; motor scooters; motorcycles; rubbish trucks; tyre mousse inserts; freewheels for land vehicles; clutches for land vehicles; repair outfits for inner tubes; air pumps [vehicle accessories]; pumps for bicycle tyres; upholstery for vehicles; rims for bicycle wheels; vehicle wheel rims; windows for vehicles; omnibuses; engine mounts for land vehicles; axles for vehicles; headlight wipers; parachutes; ferry

boats; bicycle pedals; ashtrays for automobiles; gearing for land vehicles; carts; head-rests for vehicle seats; bicycle kickstands; vehicle running boards; air bags [safety devices for automobiles]; ski lifts; chairlifts; casings for pneumatic tyres; sleeping berths for vehicles; pontoons; torque converters for land vehicles; cigar lighters for automobiles; non-skid devices for vehicle tyres; anti-glare devices for vehicles; anti-theft devices for vehicles; sun-blinds adapted for automobiles; trailers for transporting bicycles; bicycle trailers; balance weights for vehicle wheels; shock absorbing springs for vehicles; bicycle frames; motorcycle frames; spars for ships; reduction gears for land vehicles; safety belts for vehicle seats; security harness for vehicle seats; vehicle suspension springs; rudders; bicycle handlebars; motorcycle handlebars; vehicle joysticks; bicycle cranks; aeroplanes; amphibious airplanes; sleighs [vehicles]; rescue sleds; kick sledges; brake segments for vehicles; bicycle saddles; motorcycle saddles; luggage nets for vehicles; dress guards for bicycles; anti-theft alarms for vehicles; reversing alarms for vehicles; safety seats for children, for vehicles; vehicle seats; bellows for articulated buses; hydraulic circuits for vehicles; scooters [vehicles]; mobility scooters; self-balancing scooters; snowmobiles; rolling stock for railways; rolling stock for funicular railways; spokes for bicycle wheels; vehicle wheel spokes; spoilers for vehicles; vehicles for locomotion by land, air, water or rail; ambulances; autonomous underwater vehicles for seabed inspections; water vehicles; remotely operated vehicles for underwater inspections; remote control vehicles, other than toys; electric vehicles; tricycles; delivery tricycles; inclined ways for boats; windscreens; windshield wipers; motorcycle kickstands; hubs for bicycle wheels; hubs for vehicle wheels; bags adapted for strollers; saddlebags adapted for bicycles; railway couplings; trailer hitches for vehicles; couplings for land vehicles; wheelbarrows; handling carts; two-wheeled trolleys; shopping trolleys; fishing trolleys; hose carts; bogies for railway cars; casting carriages; tilting-carts; roll cage trolleys; forklift trucks; cleaning trolleys; bicycle brakes; brakes for vehicles; torsion bars for vehicles; tractors; tramcars; transmission mechanisms for land vehicles; military vehicles for transport; aerial conveyors; trailers [vehicles]; funnels for ships; funnels for locomotives; cleats [nautical]; turbines for land vehicles; signal arms for vehicles; rowlocks; disengaging gear for boats; cable transport apparatus and installations; spoke clips for wheels; funiculars; vans [vehicles]; bicycle chains; motorcycle chains; drive chains for land vehicles; anti-skid chains; transmission chains for land vehicles; undercarriages for vehicles; pram covers; spare wheel covers; covers for vehicle steering wheels; saddle covers for bicycles; saddle covers for motorcycles; seat covers for vehicles; vehicle covers [shaped]; automobile chassis; vehicle chassis; connecting rods for land vehicles, other than parts of motors and engines; axle journals; gears

for bicycles; tubeless tyres for bicycles; bicycle tyres; automobile tyres; pneumatic tyres; spikes for tyres; davits for boats; launches; timbers [frames] for ships; tow trucks; motors, electric, for land vehicles; yachts; hot air balloons; telfer railways [cable cars]; pushchairs; caps for vehicle fuel tanks; fitted footmuffs for prams; fitted footmuffs for pushchairs; fitted pushchair mosquito nets; air vehicles; steering gears for ships; tipping apparatus [parts of railway wagons]; solid tyres for vehicle wheels; mudguards; bicycle mudguards.

35 – Advertising agency services; cost price analysis; rental of advertising space; computerized file management; demonstration of goods; opinion polling; market studies; business information; providing commercial information and advice for consumers in the choice of products and services; business investigations; business research; marketing research; layout services for advertising purposes; marketing; targeted marketing; news clipping services; updating and maintenance of information in registries; updating and maintenance of data in computer databases; updating of advertising material; word processing; online retail services for downloadable and pre-recorded music and movies; online retail services for downloadable ring tones; online retail services for downloadable digital music; organization of exhibitions for commercial or advertising purposes; payroll preparation; data search in computer files for others; providing business information via a website; providing commercial and business contact information; provision of an online marketplace for buyers and sellers of goods and services; web indexing for commercial or advertising purposes; media relations services; economic forecasting; sales promotion for others; promotion of goods and services through sponsorship of sports events; production of teleshopping programmes; production of advertising films; office machines and equipment rental; rental of advertising time on communication media; publicity material rental; rental of billboards [advertising boards]; rental of vending machines; rental of sales stands; rental of photocopying machines; publication of publicity texts; radio advertising; bill-posting; distribution of samples; dissemination of advertising matter; direct mail advertising; registration of written communications and data; editing of publicity texts; advertising; online advertising on a computer network; outdoor advertising; advertising by mail order; television advertising; document reproduction; compilation of statistics; compilation of information into computer databases; business inquiries; systemization of information into computer databases; business management advisory services; corporate communications services; negotiation of business contracts for others; negotiation and conclusion of commercial transactions for third parties; compiling indexes of information for commercial or advertising purposes; commercial administration of the licensing of the goods and services of others; business mana-

gement of reimbursement programmes for others; administration of consumer loyalty programs; administration of frequent flyer programs; administrative processing of purchase orders; public relations; commercial lobbying services; competitive intelligence services; modelling for advertising or sales promotion; market intelligence services; appointment reminder services [office functions]; website traffic optimization; search engine optimization for sales promotion; price comparison services; pay per click advertising; procurement services for others [purchasing goods and services for other businesses]; business efficiency expert services; wholesale and retail sale services, including via the Internet; marketing in the framework of software publishing; presentation of goods on communication media, for retail purposes; appointment scheduling services [office functions]; secretarial services.

37 – Asphaltting; drilling of wells; rebuilding engines that have been worn or partially destroyed; rebuilding machines that have been worn or partially destroyed; retreading of tyres; vulcanization of tyres [repair]; building sealing; disinfecting; rat exterminating services, other than for agriculture, aquaculture, horticulture and forestry; vehicle battery charging; road paving; vehicle washing; rustproofing; anti-rust treatment for vehicles; sanding; pumicing; vehicle maintenance; painting or repair of signs; vehicle polishing; vehicle breakdown repair services; rental of bulldozers; rental of drainage pumps; rental of road sweeping machines; rental of cleaning machines; rental of cranes [construction equipment]; rental of construction equipment; rental of excavators; laying of cable; motor vehicle maintenance and repair; vehicle greasing; vehicle service stations [refuelling and maintenance]; cleaning of buildings [interior]; snow removal; street cleaning; vermin exterminating, other than for agriculture, aquaculture, horticulture and forestry; tyre balancing; pest control services, other than for agriculture, aquaculture, horticulture and forestry; hydraulic fracturing services; refilling of toner cartridges; refilling of ink cartridges; burglar alarm installation and repair; installation and repair of air-conditioning apparatus; fire alarm installation and repair; electric appliance installation and repair; installation, maintenance and repair of computer hardware; machinery installation, maintenance and repair; office machines and equipment installation, maintenance and repair; interference suppression in electrical apparatus; vehicle cleaning; leather care, cleaning and repair.

38 – Wireless broadcasting; television broadcasting; cable television broadcasting; electronic bulletin board services [telecommunications services]; providing access to databases; providing internet chatrooms; video-on-demand transmission; message sending; computer aided transmission of messages and images; transmission of digital files; providing online forums; videoconferencing services; radio broadcasting; radio

communications; transmission of electronic mail; streaming of data.

39 – Air transport; motor coach rental; boat rental; garage rental; rental of vehicle roof racks; aircraft rental; parking place rental; rental of warehouses; rental of tractors; booking of seats for travel; travel reservation; transport reservation; towing; vehicle breakdown towing services; bottling services; water distribution; delivery of newspapers; message delivery; parcel delivery; delivery of goods; delivery of goods by mail order; flower delivery; replenishment of vending machines; launching of satellites for others; warehousing information; transportation logistics; rescue operations [transport]; arranging of cruises; arranging of passenger transportation services for others via an online application; armoured-car transport; hauling; carting; transport and storage of waste; transporting furniture; lighterage services; ferry-boat transport; removal services; transport of travellers; guarded transport of valuables; bus transport; car transport; barge transport; boat transport; railway transport; marine transport; passenger transport; river transport; ambulance transport; tram transport; portage; refloating of ships; cash replenishment of automated teller machines; shipbrokerage; transport brokerage; freight brokerage [forwarding (Am.)]; providing driving directions for travel purposes; car rental; railway truck rental; rental of diving bells; rental of diving suits; rental of motor racing cars; rental of aircraft engines; railway coach rental; rental of horses for transportation purposes; rental of freezers; rental of navigational systems; refrigerator rental; vehicle rental; stevedoring; unloading cargo; electricity distribution; distribution of energy; packaging of goods; collection of recyclable goods [transport]; ice-breaking; piloting; water supplying; escorting of travellers; transport by pipeline; wrapping of goods; operating canal locks; car parking; chauffeur services; pleasure boat transport; car sharing services; courier services [messages or merchandise]; salvaging; salvage of ships; gift wrapping; underwater salvage; taxi transport; transport; luggage storage; franking of mail; freight [shipping of goods]; freighting; boat storage; storage of goods; storage; freight forwarding; rental of electric wine cellars; providing traffic information; providing transportation information; arranging of transportation for travel tours; rental of wheelchairs; rental of storage containers; physical storage of electronically stored data or documents.

42 – Water analysis; computer system analysis; chemical analysis; energy auditing; recovery of computer data; business card design; graphic design of promotional materials; industrial design; computer virus protection services; oil-field surveys; geological surveys; engineering; installation of computer software; clinical trials; material testing; textile testing; biological research; geological research; research in the field of environmental protection; mechanical research; research in the field of welding; research in the

field of telecommunications technology; research in the field of physics; chemical research; research and development of new products for others; scientific and technological research relating to patent mapping; scientific and technological research in the field of natural disasters; scientific research; analysis for oil-field exploitation; underwater exploration; technological research; calibration [measuring]; website design consultancy; computer security consultancy; information technology [IT] consultancy; consultancy in the design and development of computer hardware; computer software consultancy; data security consultancy; technological consultancy; oil-well testing; quality control; vehicle roadworthiness testing; land surveying; updating of computer software; monitoring of computer systems to detect breakdowns; monitoring of computer systems for detecting unauthorized access or data breach; monitoring of computer systems by remote access; software as a service [SaaS]; maintenance of computer software; digitization of documents [scanning]; conversion of data or documents from physical to electronic media; urban planning; providing information relating to computer technology and programming via a website; providing scientific information, advice and consultancy relating to carbon offsetting; providing search engines for the internet; conversion of computer programs and data, other than physical conversion; conducting technical project studies; computer system design; rental of web servers; computer rental; rental of computer software; unlocking of mobile phones; geological prospecting; oil prospecting; hosting computer websites; server hosting; development of computer platforms; computer software design; consultancy in the field of energy-saving; creating and designing website-based indexes of information for others [information technology services]; creating and maintaining websites for others; computer programming; technical writing; duplication of computer programs; providing virtual computer systems through cloud computing; chemistry services; off-site data backup; telecommunications technology consultancy; scientific laboratory services; exploration services in the field of the oil, gas and mining industries; data encryption services; electronic data storage; surveying; electronic monitoring of personally identifying information to detect identity theft via the Internet; platform as a service [PaaS]; information technology services provided on an outsourcing basis; electronic monitoring of credit card activity to detect fraud via the internet.

43 – Food and drink catering.

(260) AM 2023 119929 A

(800) 1690423

(151) 2022 09 19

(891) 2022 09 19

(731) Apple Inc.

One Apple Park Way, Cupertino CA 95014, USA

(540)

APPLE WATCH ULTRA

(591) Black, white

(526) WATCH

(511)

14 – Horological and chronometric instruments; watches; timepieces; chronographs for use as timepieces; chronometers; watchstraps; watch bands; cases for watches, and horological and chronometric instruments; parts for watches and horological and chronometric instruments.

(260) AM 2023 119930 A

(800) 1690450

(151) 2022 09 21

(891) 2022 09 21

(731) Glow Beverages, Inc.

9233 Charles Smith Ave., #200, Rancho
Cucamonga CA 91730, USA

(540)

GLOW

(591) Black, white

(511)

32 – Non-alcoholic drinks, namely, energy shots, beauty shots, and wellness shots; non-alcoholic water-based beverages; energy drinks; powders used in the preparation of hydration beverages and energy beverages; drinking water.

(260) AM 2023 119931 A

(800) 1690472

(151) 2022 08 08

(891) 2022 08 08

(731) Chanel SARL

Quai du Général-Guisan 24, CH-1204 Genève,
Switzerland

(540)

PLATINUM EGOISTE

(591) Black, white

(511)

3 – Preparations for cosmetic use for skin and scalp care, preparations for cosmetic use for skin and scalp application; perfumery products; perfumes; eau de Cologne; eau de toilette; after-shave lotions; shaving soap; shaving products; essential oils; toiletries for non-medical use; deodorants/antiperspirants for personal use.

(260) AM 2023 119973 A

(800) 895885

(151) 2006 03 31

(891) 2022 09 28

(731) Nicolas CAPPELAERE

32 rue Paul Bounin, F-06100 NICE, France;

LABORATOIRES INELDEA (SAS)

4ème avenue – 10ème rue -, 267 Zone

Industrielle, F-06510 CARROS, France

(540)



(591) Black, pink, yellow, blue

(531) 26.01.03; 26.07.03; 26.07.15; 29.01.14

(511)

3 – Bleaching preparations and other substances for laundry use; cleaning, polishing, scouring and abrasive preparations; soaps; perfumery, essential oils, cosmetics, hair lotions; dentifrices; sanitary preparations for children's hair in the form of lotions, shampoos, aerosols.

5 – Pharmaceutical products and sanitary products (for medical use); dietetic substances adapted for medical use, food for babies; food supplements for medical use; vitamin preparations for children; plasters, materials for dressings; material for stopping teeth and dental wax; dietetic and energy bars for medical use; food supplements designed for children for medical use based on proteins and/or vitamins and/or minerals and/or plant extracts and/or fruits and/or herbs and/or fibers and/or lipids in the form of capsules, compressed tablets, ampules, concentrates for drinking, powders for diluting; parasiticides; products for destroying vermin; herbicides; fungicides; products against lice; lice-repelling hair lotions against contamination by lice; products against lice; lice-repelling preparations based on essential oils against contamination by lice.

(260) AM 2023 119974 A

(800) 1094150

(151) 2011 08 31

(891) 2022 10 05

(731) IPack B.V.

Cruquiusweg 98 W, NL-1019 AJ Amsterdam,
Netherlands

(540)

CHOUFFE

(591) Black, white

(511)

32 – Beers, namely ale, lager, porter, stout.

(260) AM 2023 119975 A

(800) 1119633

(151) 2012 03 27

(891) 2022 09 26

(731) BEIJING YING TIAN KE DI,

INTELLECTUAL PROPERTY RIGHTS,
AGENCY CO., LTD.

Room C502, Tower C, No. 76, East 4th Ring
Middle Road, Chaoyang District, Beijing, China

(540)



(591) Black, white

(531) 26.01.18; 26.02.05; 26.02.24

(511)

45 – Mediation; arbitration; intellectual property consultancy; copyright management; intellectual property licensing; intellectual property monitoring; legal research; litigation services; computer software licensing (legal services); domain name registration.

(260) AM 2023 120086 A

(800) 1692244

(151) 2022 09 07

(891) 2022 09 07

(731) PAPER HAZE

809 rue Favre de Saint Castor, F-34080
Montpellier, France

(540)

JACKER

(591) Black, white

(511)

25 – Clothing, footwear, headwear; shirts; clothing of leather or imitation of leather; belts (clothing); furs (clothing); gloves (clothing); scarves; neckties; hosiery; socks; bedroom slippers; beach, ski or sports footwear; underwear.

(260) AM 2023 120089 A

(800) 1692345

(151) 2022 04 14

(891) 2022 04 14

(731) Barry Callebaut AG

Hardturmstrasse 181, CH-8005 Zürich,
Switzerland

(540)

BCBE

(591) Black, white

(511)

3 – Fats and oils for skin preservation.

4 – Technical greases.

29 – Fatty substances for the manufacture of edible fats; coconut fat; fat for vegetable cream; edible fats; milk fat substitutes; oil substitutes; cocoa butter substitutes; edible oils; vegetable oils; peanut butter; cocoa butter; coconut oil for food; corn oil; sesame oil; rapeseed oil; butter; palm oil; palm kernel oil; sunflower oil; fats for food; cocoa butter substitute; dairy beverages; cocoa-flavored milk beverages.

30 – Flavorings for cakes [other than essential oils]; flavorings for beverages [other than essential oils]; confectionery; confectionery products made from sweet dough, mainly with a filling; peanut-based con-

fectionery products; almond-based confectionery products; pasta; pastries; cocoa; cocoa-based products; chocolate beverages; cocoa beverages; pralines.

(260) AM 2023 120090 A

(800) 1692361

(151) 2022 08 16

(891) 2022 08 16

(731) SHIVA manufacturing company

Ferdowsi Blvd., Main town., Amirieh industrial
town, Central part, Firoozkooh city,
3986117116 Tehran province, Islamic Republic
of Iran

(540)

شيبا
SHIBA

(591) Black, white

(531) 28.01

(511)

29 – Pickles; meat jellies; buttercream; gelatine for food; fruit pulp; milk powder; frozen fruits; cocoa butter; fruit jellies; gelatin; jams; tomato paste; milk; almond butter; meat; vegetables, cooked; vegetables, dried; vegetables, preserved; potato chips; tomato juice for cooking; jellies for food; jellies, jams, compotes; eggs; fruit-based desserts; hazelnut oil; cashew nut butter; prepared dates; prepared soy beans; peanut butter; cocoa butter; candied fruits; coffee creamer; milk beverages flavored with coffee.

30 – Flavorings, other than essential oils, for beverages; pancakes; seasonings; molasses for food; almond paste; gluten-free bread; croissants; chocolate biscuits; waffles; chewing gum for breath freshening; fruit confectionery; peppers [seasonings]; petit-beurre biscuits; vinegar; peanut confectionery; coffee beverages with milk; crackers; cocoa products; cookies; dessert mousses [confectionery]; fruit coulis [sauces]; cakes; pastry; candy decorations for cakes; chocolate beverages with milk; ferments for pastes; cooking salt; pepper; malt biscuits; buns; ketchup [sauce]; bread; cocoa-based beverages; pastry dough; cake flour; golden syrup; rice bread; pastries; cake paste; nougat; cheese bread; flavorings, other than essential oils; coffee capsules, filled; cocoa; saffron [seasoning]; ice pops; rice cakes; powders for ice cream; coffee-based beverages; flavorings, other than essential oils, for cakes; dulce de leche; bread rolls; chips [cereal products]; powders for making ice cream; mint for confectionery; curry [spice]; puddings; honey; macarons [pastry]; coffee flavorings; caramels [candy]; fruit sweets; brown rice; propolis [bee glue] for human consumption; condiments; frozen yoghurt [confectionery ices]; biscuits; fondants [confectionery]; brown sugar; tea; cake powder; sugar confectionery; pudding powder; stick liquorice [confectionery]; pastry dough;

chocolate-based beverages; cocoa beverages with milk; liquorice [confectionery]; confectionery; cacao powder; ice cream; sauces [condiments]; rusks; almond confectionery; chewing gum, not for medical purposes; flour for food; rice; gluten-free bread; coffee; sherbets [ices]; mustard; chocolate powder; tarts; chocolate; tea; rice; honey; salt; mustard; pepper; vinegar; powdered cocoa-based preparations for making beverages; cake powder; chewing gum; gummy candies; chocolate; cocoa; candy cake decorations; fruit coulis; donuts; candy with caramel; candy with cocoa; ice-cream cakes; powdered coffee in drip bags; cake flour; cookies; waffles; saffron; coffee; caramels; cakes; spices; sugar; cake dough; biscuits; sweet biscuits.

(260) AM 2023 120091 A

(800) 1692369

(151) 2022 08 05

(891) 2022 08 05

(731) HANGZHOU TONGZHOU
BIOTECHNOLOGY CO., LTD.
ROOM 102, 1ST FLOOR, BUILDING 4,
NO. 191, XINTIAN ROAD, YUNHE STREET,
LINPING DISTRICT, HANGZHOU CITY,
310018 ZHEJIANG PROVINCE, China

(540)



(591) Black, white

(531) 26.04.05; 26.04.24; 27.05.10; 27.05.15;
27.05.17; 27.05.19; 27.05.24

(511)

5 – Medical diagnostic preparations; dietetic substances adapted for medical use; chemical reagents for medical or veterinary use; depuratives; diagnostic preparations for veterinary use; medical cotton swab; chemical preparations for the diagnosis of pregnancy; medical biomarker diagnostic reagents; disinfectants; herbicides.

10 – Artificial surgical graft; medical apparatus and instruments; dental apparatus and instruments; gloves for medical purposes; contraceptives, non-chemical; medical dropper; orthopedic articles; suture materials; diagnostic apparatus for medical purposes; medical ultrasound instruments.

(260) AM 2023 120104 A

(800) 1692558

(151) 2022 07 06

(891) 2022 07 06

(731) CONTAINEX Container-Handelsgesellschaft
m.b.H.
IZ NÖ-Süd, Straße 14, Objekt 15, A-2355
Wiener Neudorf, Austria

(540)



(591) Black, blue, yellow

(531) 26.04.07; 26.04.12; 26.15.11; 26.15.25; 28.05;
29.01.12

(511)

6 – Buildings of metal; containers of metal [storage, transport]; prefabricated houses [kits] of metal; buildings, transportable, of metal; staircases of metal; packaging containers of metal; mobile homes [portable buildings] of metal; portable mobile metal office buildings; containers of metal for transport.

19 – Prefabricated houses [kits], not of metal; non-metallic transportable buildings; buildings, transportable, not of metal.

20 – Containers, not of metal [storage, transport].

(260) AM 2023 120105 A

(800) 1692574

(151) 2022 09 16

(891) 2022 09 16

(731) JOINT STOCK COMPANY "FATS AND OIL
INTEGRATED WORKS"
UL. TITOVA 27, EKATERINBURG,
RU-620085 SVERDLOVSKAYA OBLAST,
Russian Federation

(540)



(591) Blue

(531) 02.09.01; 26.13.25; 28.05; 29.01.04

(511)

29 – Frozen prepared dishes consisting principally of meat; ham; cabbage rolls stuffed with meat; milk substitutes; buttercream; croquettes; margarine; oils for food, including flavoured oil for food; blended oil for food; peanut butter; cocoa butter for food; coconut oil for food; coconut butter; maize oil for food; sesame oil for food; linseed oil for food; extra virgin olive oil for food; olive oil for food; palm oil for food; palm kernel oil for food; sunflower oil for food; rape oil for food; soya bean oil for food; milk; peanut milk; peanut milk for culinary purposes; coconut milk; coconut milk for culinary purposes; almond milk; almond milk for culinary purposes; oat milk; rice milk; rice milk

for culinary purposes; condensed milk; soured milk; soya milk; powdered milk; fermented baked milk; meat, including fresh meat; meat, frozen; fresh pre-cooked meat; frozen pre-cooked meat; frozen meat products; meat, preserved; peanut milk-based beverages; coconut milk-based beverages; almond milk-based beverages; liver pâté; liver; milk products; pork; cream [dairy products]; whipped cream; tripe; vegetable-based cream; fat-containing mixtures for bread slices; preparations for making bouillon; mixes for making soup, preparations for making soup, liquid preparations for making soup; preparations and mixes for making second courses consisting principally of dried vegetables; soups, including frozen soups; nut-based spreads; cottage cheese; strained soft white cheeses; vegetable yogurt; broth; frozen vegetables; frozen vegetable mixes.

30 – Mustard; buckwheat, processed; pasta; dressings for salad; dressings for soup; ketchup [sauce]; dulce de leche; hominy grits; semolina; oatmeal; crushed barley; groats for human food; mayonnaise; macaroni; cocoa beverages with milk; coffee beverages with milk; chocolate beverages with milk; pies; pizzas; condiments; rice; soya sauce; tomato sauce; sauces [condiments], including cream sauce; pasta sauce; preparations and mixes for making second courses consisting principally of groats; preparations and mixes for making second courses consisting principally of pasta; dough, including frozen dough; pastry dough; frozen pastry dough; pastries.

(260) AM 2023 120106 A
(800) 1692584
(151) 2022 10 05
(891) 2022 10 05
(731) MMD-Monitors & Displays Nederland B.V.
Prins Bernhardplein 200, NL-1097 JB
Amsterdam, Netherlands
(540)

E V N I A

(591) Black, white
(531) 27.05.01
(511)
9 – Lcd monitors; computer display monitors; computer monitors; computer mice; wireless computer mice; pc mice; computer keyboards; wireless keyboards; multifunction computer keyboards; keyboards; headsets; wireless headsets; headsets for use with computers; virtual reality headsets; headsets for virtual reality games; virtual reality headsets adapted for use in playing video games; communications head sets; mousepads; computer mousepads; speakers; audio speakers; loud speakers; wireless speakers; speakers for computers; monitors; monitor speakers; tv monitors; televisions; digital signage display panels; visual display screens; led screen displays; display monitors; digital signage; digital signage monitors; virtual reali-

ty hardware; liquid crystal displays; display screens; flat panel displays.

20 – Office chairs; chairs.

(260) AM 2023 120188 A
(800) 1693202
(151) 2022 04 14
(891) 2022 04 14
(731) Barry Callebaut AG
Hardturmstrasse 181, CH-8005 Zurich,
Switzerland
(540)

БСБИ

(591) Black, white
(531) 28.05
(511)
3 – Fats and oils for skin preservation.
4 – Technical greases.

29 – Fatty substances for the manufacture of edible fats; coconut fat; fat for vegetable cream; edible fats; milk fat substitutes; oil substitutes; cocoa butter substitutes; edible oils; vegetable oils; peanut butter; cocoa butter; coconut oil for food; corn oil; sesame oil; rapeseed oil; butter; palm oil; palm kernel oil; sunflower oil; fats for food; cocoa butter substitute; dairy beverages; cocoa-flavored milk beverages.

30 – Flavorings for cakes [other than essential oils]; flavorings for beverages [other than essential oils]; confectionery; confectionery products made from sweet dough, mainly with a filling; peanut-based confectionery products; almond-based confectionery products; pasta; pastries; cocoa; cocoa-based products; chocolate beverages; cocoa beverages; pralines.

(260) AM 2023 120268 A
(800) 1694151
(151) 2022 07 22
(891) 2022 07 22
(731) Limited Liability Company "WIMM-BILL-DANN FOODS"
Dmitrovskoe shosse, d.108, RU-127591
Moscow, Russian Federation
(540)



(591) White, red, light grey, grey, dark green and green

(531) 02.09.01; 25.01.18; 28.05; 29.01.13

(511)

5 – Food for babies; infant formula; lacteal flour for babies.

29 – Fruit-based snack food; yogurt; kephir; milk shakes; compotes; buttercream; kumys; butter; milk; albumin milk; condensed milk; soya milk; powdered milk; fruit pulp; milk beverages, milk predominating; milk products; curd; cranberry compote; apple purée; fermented baked milk; cream [dairy products]; whipped cream; fat-containing mixtures for bread slices; smetana; whey; cheese; tofu.

30 – Leaven; rice-based snack food; cereal-based snack food; frozen yogurt [confectionery ices]; ice cream; cocoa beverages with milk; coffee beverages with milk; chocolate beverages with milk; sorbets [ices].

32 – Whey beverages.

(260) AM 2023 120304 A

(800) 1695161

(151) 2022 06 08

(891) 2022 06 08

(731) SmithKline Beecham Limited

980 Great West Road, Brentford, Middlesex

TW8 9GS, United Kingdom

(540)



(591) Black, white

(531) 27.05.01

(511)

5 – Pharmaceutical and medicinal preparations and substances; chemical, biochemical and biological preparations and agents for medical purposes; therapeutic agents (medical); adhesive patches for medical purposes; adhesive patches for surgical purposes; adhesive patches incorporating a pharmaceutical preparation; medicated patches, plasters and dressings for the treatment of skin diseases, conditions and disorders; vaccines; adjuvants for medical purposes; vitamins, minerals and food supplements; dietary preparations; dietary supplements and dietetic preparations; diagnostic preparations; disinfectants and antiseptics; medical dressings and medical plasters; pharmaceuticals and natural remedies; medicated and sanitising soaps and detergents; sanitary preparations and articles; drug delivery agents that facilitate the delivery of pharmaceutical preparations.

10 – Surgical and medical apparatus and instruments; inhalers; injectors for medical purposes; medical apparatus and instruments for use in the diagnosis and treatment of skin diseases, conditions and disorders; artificial skin for surgical purposes; artificial skin rep-

lacing membranes; suture materials; skin biopsy punches; surgical punches; apparatus for carrying out diagnostic tests of the skin for medical purposes; medical and diagnostic apparatus for allergy testing; transcutaneous electrical nerve stimulation devices to treat body pain; bioelectronic treatment devices for medical purposes; implantable electrodes for medical purposes; adaptive open and or closed-loop bioelectronic medical devices that deliver stimulation and/or blocking to a nerve and optionally can record incoming action potentials and physiological parameters, analyse data in real time and modulate neural signalling; drug delivery devices for the deferred, controlled or immediate release of pharmaceutical preparations into the human body; sleep monitoring devices for medical purposes; electromagnetic therapy devices and electromagnetic apparatus for medical purposes; infrared therapy devices and infrared apparatus for medical purposes; ultrasound therapy devices and ultrasound apparatus for medical purposes; laser therapy devices and laser apparatus for medical purposes; diagnostic apparatus for medical purposes; electronic instruments for medical use; thermometers for medical use; cooling patches for medical use; parts and fittings for all aforesaid goods; artificial organs and implants; contraceptive devices; diagnostic, examination, and monitoring equipment; suture and wound closing materials and products; surgical and wound treating equipment; prosthetics and artificial implants; medical imaging apparatus; diagnostic apparatus for medical purposes; electronic monitoring instruments for medical use; medical instruments for recording, collecting and storing physiological data; applicators for pharmaceutical preparations; receptacles for applying medicines.

42 – Scientific research for medical and healthcare purposes; research and development services in the fields of bioelectronics, drug discovery, drug discovery products, pharmaceuticals, medicinal diagnostics, biochemicals, biotechnology, biological products, medical apparatus, devices and instruments; conducting clinical trials; genetic testing and genetic fingerprinting for research purposes; scientific consulting; supply of information in the area of laboratory technology; medical laboratory services; provision of scientific information; design of computational models and systems of artificial intelligence; medical and pharmacological research services; scientific and technological services; testing, authentication and quality control; software development, programming and implementation; scientific research in the field of gene and cell therapy; provision of information, consultancy and advisory services relating to any of the aforesaid services.

INTERNATIONAL TRADEMARKS PROTECTED IN GEORGIA

(260) AM 2023 112808 A
(800) 1588430
(151) 2020 12 31
(181) 2030 12 31
(891) 2020 12 31
(511) 16

(260) AM 2023 116605 A
(800) 1644101
(151) 2021 09 22
(181) 2031 09 22
(891) 2021 09 22
(511) 32, 35

(260) AM 2023 112854 A
(800) 1589196
(151) 2020 11 19
(181) 2030 11 19
(891) 2020 11 19
(511) 29, 30, 35, 43

(260) AM 2023 117203 A
(800) 1651222
(151) 2021 12 29
(181) 2031 12 29
(891) 2021 12 29
(511) 30

(260) AM 2023 113471 A
(800) 681575
(151) 1997 05 13
(181) 2027 05 13
(891) 2021 05 07
(511) 12

(260) AM 2023 117585 A
(800) 1657236
(151) 2021 05 04
(181) 2031 05 04
(891) 2021 05 04
(511) 12, 36

(260) AM 2023 114635 A
(800) 1613263
(151) 2021 06 15
(181) 2031 06 15
(891) 2021 06 15
(511) 01, 05

(260) AM 2023 117586 A
(800) 1657238
(151) 2021 05 04
(181) 2031 05 04
(891) 2021 05 04
(511) 12, 36

(260) AM 2023 115268 A
(800) 1624019
(151) 2021 02 19
(181) 2031 02 19
(891) 2021 02 19
(511) 08, 10, 21

(260) AM 2023 117676 A
(800) 1659072
(151) 2022 02 01
(181) 2032 02 01
(891) 2022 02 01
(511) 41

(260) AM 2023 115388 A
(800) 1625789
(151) 2021 02 23
(181) 2031 02 23
(891) 2021 02 23
(511) 08, 10, 21

(260) AM 2023 117677 A
(800) 1659076
(151) 2022 02 01
(181) 2032 02 01
(891) 2022 02 01
(511) 09

(260) AM 2023 115581 A
(800) 1135754
(151) 2012 06 26
(181) 2022 06 26
(891) 2021 10 15
(511) 34

(260) AM 2023 117702 A
(800) 1659818
(151) 2021 12 09
(181) 2031 12 09
(891) 2021 12 09
(511) 06, 07, 11, 19

(260) AM 2023 117703 A
(800) 1659824
(151) 2022 01 03
(181) 2032 01 03
(891) 2022 01 03
(511) 03, 05

(260) AM 2023 117704 A
(800) 1659962
(151) 2022 02 09
(181) 2032 02 09
(891) 2022 02 09
(511) 29

(260) AM 2023 117705 A
(800) 182775
(151) 1955 02 15
(181) 2025 02 15
(891) 2022 03 28
(511) 03

(260) AM 2023 117706 A
(800) 968968
(151) 2008 06 06
(181) 2028 06 06
(891) 2022 04 15
(511) 35, 41

(260) AM 2023 117709 A
(800) 1379004
(151) 2017 10 11
(181) 2027 10 11
(891) 2022 04 19
(511) 03, 05, 44

(260) AM 2023 117799 A
(800) 1648167
(151) 2022 01 18
(181) 2032 01 18
(891) 2022 04 13
(511) 34

(260) AM 2023 117800 A
(800) 1648614
(151) 2022 01 18
(181) 2032 01 18
(891) 2022 04 13
(511) 34

(260) AM 2023 117848 A
(800) 1661146
(151) 2022 04 08
(181) 2032 04 08

(891) 2022 04 08
(511) 05

(260) AM 2023 117849 A
(800) 1661151
(151) 2022 04 11
(181) 2032 04 11
(891) 2022 04 11
(511) 25

(260) AM 2023 117851 A
(800) 1661313
(151) 2022 03 17
(181) 2032 03 17
(891) 2022 03 17
(511) 25

(260) AM 2023 117852 A
(800) 1661404
(151) 2022 04 12
(181) 2032 04 12
(891) 2022 04 12
(511) 12

(260) AM 2023 117853 A
(800) 1661450
(151) 2022 01 12
(181) 2032 01 12
(891) 2022 01 12
(511) 09, 28, 41

(260) AM 2023 117857 A
(800) 1661593
(151) 2022 03 01
(181) 2032 03 01
(891) 2022 03 01
(511) 03

(260) AM 2023 117858 A
(800) 1661643
(151) 2022 03 10
(181) 2032 03 10
(891) 2022 03 10
(511) 06, 07, 09, 11, 12, 14, 16, 18, 19, 20, 25, 28, 35,
36, 37, 38, 39, 40, 41, 42, 43, 45

(260) AM 2023 117859 A
(800) 1661672
(151) 2021 11 30
(181) 2031 11 30
(891) 2021 11 30
(511) 05, 30, 32, 35, 41, 43

(260) AM 2023 117860 A
(800) 1661673
(151) 2021 12 09
(181) 2031 12 09
(891) 2021 12 09
(511) 25

(260) AM 2023 117861 A
(800) 1661683
(151) 2022 02 21
(181) 2032 02 21
(891) 2022 02 21
(511) 06

(260) AM 2023 117862 A
(800) 1661689
(151) 2022 04 05
(181) 2032 04 05
(891) 2022 04 05
(511) 05, 16, 44

(260) AM 2023 117863 A
(800) 1661736
(151) 2021 12 14
(181) 2031 12 14
(891) 2021 12 14
(511) 01, 02, 06, 07, 08, 16, 17, 19, 20, 24, 27, 35, 37,
42

(260) AM 2023 117868 A
(800) 1661960
(151) 2022 02 15
(181) 2032 02 15
(891) 2022 02 15
(511) 03, 05

(260) AM 2023 117884 A
(800) 626849
(151) 1994 10 06
(181) 2024 10 06
(891) 2022 05 03
(511) 30, 35, 42

(260) AM 2023 117885 A
(800) 1239257
(151) 2014 08 22
(181) 2024 08 22
(891) 2022 04 12
(511) 30, 32, 33

(260) AM 2023 117886 A
(800) 1343199
(151) 2017 01 27
(181) 2027 01 27
(891) 2022 01 07
(511) 37

(260) AM 2023 117899 A
(800) 1650590
(151) 2022 01 19
(181) 2032 01 19
(891) 2022 04 27
(511) 06

(260) AM 2023 117933 A
(800) 1662642
(151) 2022 03 10
(181) 2032 03 10
(891) 2022 03 10
(511) 34

(260) AM 2023 117934 A
(800) 1662667
(151) 2022 02 07
(181) 2032 02 07
(891) 2022 02 07
(511) 09, 12, 39

(260) AM 2023 117935 A
(800) 1662669
(151) 2022 03 25
(181) 2032 03 25
(891) 2022 03 25
(511) 25

(260) AM 2023 117937 A
(800) 1662760
(151) 2021 12 18
(181) 2031 12 18
(891) 2021 12 18
(511) 30

(260) AM 2023 117938 A
(800) 1662769
(151) 2021 12 15
(181) 2031 12 15
(891) 2021 12 15
(511) 18, 25, 35

(260) AM 2023 117939 A
(800) 1662816
(151) 2022 02 09
(181) 2032 02 09
(891) 2022 02 09
(511) 29, 30, 32

(260) AM 2023 117940 A
(800) 1662843
(151) 2021 08 17
(181) 2031 08 17
(891) 2021 08 17
(511) 09, 35, 42

(260) AM 2023 117942 A
(800) 1662879
(151) 2021 10 14
(181) 2031 10 14
(891) 2021 10 14
(511) 03, 11, 20, 24, 35

(260) AM 2023 117943 A
(800) 1662907
(151) 2022 01 26
(181) 2032 01 26
(891) 2022 01 26
(511) 16

(260) AM 2023 117944 A
(800) 1662916
(151) 2022 01 25
(181) 2032 01 25
(891) 2022 01 25
(511) 09

(260) AM 2023 117945 A
(800) 1662919
(151) 2022 02 07
(181) 2032 02 07
(891) 2022 02 07
(511) 41

(260) AM 2023 117946 A
(800) 1662922
(151) 2021 12 09
(181) 2031 12 09
(891) 2021 12 09
(511) 20

(260) AM 2023 117947 A
(800) 1662938
(151) 2022 02 08
(181) 2032 02 08

(891) 2022 02 08
(511) 05, 30

(260) AM 2023 117948 A
(800) 1662955
(151) 2022 01 26
(181) 2032 01 26
(891) 2022 01 26
(511) 34

(260) AM 2023 117949 A
(800) 1662981
(151) 2022 04 01
(181) 2032 04 01
(891) 2022 04 01
(511) 05

(260) AM 2023 117950 A
(800) 1662992
(151) 2022 02 24
(181) 2032 02 24
(891) 2022 02 24
(511) 05

(260) AM 2023 117951 A
(800) 1663006
(151) 2022 04 19
(181) 2032 04 19
(891) 2022 04 19
(511) 05

(260) AM 2023 117952 A
(800) 1663029
(151) 2022 04 01
(181) 2032 04 01
(891) 2022 04 01
(511) 12

(260) AM 2023 117953 A
(800) 1663088
(151) 2022 04 19
(181) 2032 04 19
(891) 2022 04 19
(511) 05

(260) AM 2023 117954 A
(800) 1663090
(151) 2022 04 22
(181) 2032 04 22
(891) 2022 04 22
(511) 04

(260) AM 2023 117955 A
(800) 1663095
(151) 2022 04 28
(181) 2032 04 28
(891) 2022 04 28
(511) 08

(260) AM 2023 117961 A
(800) 1663376
(151) 2022 04 12
(181) 2032 04 12
(891) 2022 04 12
(511) 36

(260) AM 2023 117963 A
(800) 1663535
(151) 2022 03 29
(181) 2032 03 29
(891) 2022 03 29
(511) 07, 09, 37

(260) AM 2023 117964 A
(800) 1663548
(151) 2022 03 01
(181) 2032 03 01
(891) 2022 03 01
(511) 09, 28, 41

(260) AM 2023 117965 A
(800) 1010502
(151) 2009 02 04
(181) 2029 02 04
(891) 2022 04 12
(511) 05, 29

(260) AM 2023 117971 A
(800) 1421377
(151) 2018 06 29
(181) 2028 06 29
(891) 2022 04 01
(511) 14

(260) AM 2023 117972 A
(800) 1546286
(151) 2020 05 25
(181) 2030 05 25
(891) 2022 04 26
(511) 10

(260) AM 2023 117973 A
(800) 1622125
(151) 2021 09 13
(181) 2031 09 13

(891) 2022 05 10
(511) 32

(260) AM 2023 118025 A
(800) 1663659
(151) 2022 03 25
(181) 2032 03 25
(891) 2022 03 25
(511) 11

(260) AM 2023 118026 A
(800) 1663676
(151) 2022 03 04
(181) 2032 03 04
(891) 2022 03 04
(511) 36, 39

(260) AM 2023 118027 A
(800) 1663741
(151) 2022 03 02
(181) 2032 03 02
(891) 2022 03 02
(511) 05

(260) AM 2023 118028 A
(800) 1663761
(151) 2021 03 31
(181) 2031 03 31
(891) 2021 03 31
(511) 41

(260) AM 2023 118029 A
(800) 1663763
(151) 2021 12 16
(181) 2031 12 16
(891) 2021 12 16
(511) 09, 28, 41

(260) AM 2023 118030 A
(800) 1663764
(151) 2021 12 16
(181) 2031 12 16
(891) 2021 12 16
(511) 09, 28, 41

(260) AM 2023 118031 A
(800) 1663766
(151) 2021 10 25
(181) 2031 10 25
(891) 2021 10 25
(511) 43

(260) AM 2023 118032 A
(800) 1663770
(151) 2022 01 13
(181) 2032 01 13
(891) 2022 01 13
(511) 34

(260) AM 2023 118033 A
(800) 1663818
(151) 2022 02 02
(181) 2032 02 02
(891) 2022 02 02
(511) 09, 28, 41

(260) AM 2023 118034 A
(800) 1663982
(151) 2022 03 30
(181) 2032 03 30
(891) 2022 03 30
(511) 09

(260) AM 2023 118045 A
(800) 1664321
(151) 2022 03 02
(181) 2032 03 02
(891) 2022 03 02
(511) 41

(260) AM 2023 118046 A
(800) 1664357
(151) 2022 03 16
(181) 2032 03 16
(891) 2022 03 16
(511) 03

(260) AM 2023 118047 A
(800) 1664430
(151) 2021 10 13
(181) 2031 10 13
(891) 2021 10 13
(511) 01, 03, 05, 29, 30, 32

(260) AM 2023 118048 A
(800) 1664461
(151) 2022 01 15
(181) 2032 01 15
(891) 2022 01 15
(511) 03, 04, 21, 35

(260) AM 2023 118049 A
(800) 1664489
(151) 2022 03 16
(181) 2032 03 16

(891) 2022 03 16
(511) 09, 12, 35, 39, 42

(260) AM 2023 118050 A
(800) 1664503
(151) 2022 02 16
(181) 2032 02 16
(891) 2022 02 16
(511) 06, 19

(260) AM 2023 118051 A
(800) 1664504
(151) 2022 04 06
(181) 2032 04 06
(891) 2022 04 06
(511) 05

(260) AM 2023 118052 A
(800) 1664634
(151) 2022 02 22
(181) 2032 02 22
(891) 2022 02 22
(511) 25, 41

(260) AM 2023 118053 A
(800) 1664686
(151) 2022 02 24
(181) 2032 02 24
(891) 2022 02 24
(511) 01

(260) AM 2023 118054 A
(800) 1664691
(151) 2022 02 24
(181) 2032 02 24
(891) 2022 02 24
(511) 01

(260) AM 2023 118055 A
(800) 1664692
(151) 2022 02 24
(181) 2032 02 24
(891) 2022 02 24
(511) 01

(260) AM 2023 118057 A
(800) 937436
(151) 2007 08 09
(181) 2027 08 09
(891) 2022 05 17
(511) 07, 09

(260) AM 2023 118058 A
(800) 1453032
(151) 2018 12 11
(181) 2028 12 11
(891) 2022 05 17
(511) 29, 30, 32

(260) AM 2023 118059 A
(800) 1473222
(151) 2019 02 25
(181) 2029 02 25
(891) 2022 04 25
(511) 03, 04

(260) AM 2023 118085 A
(800) 1664706
(151) 2022 02 02
(181) 2032 02 02
(891) 2022 02 02
(511) 09, 28, 41

(260) AM 2023 118086 A
(800) 1664730
(151) 2022 02 24
(181) 2032 02 24
(891) 2022 02 24
(511) 01

(260) AM 2023 118087 A
(800) 1664732
(151) 2022 03 15
(181) 2032 03 15
(891) 2022 03 15
(511) 09, 41, 43, 44

(260) AM 2023 118088 A
(800) 1664736
(151) 2022 03 16
(181) 2032 03 16
(891) 2022 03 16
(511) 09, 42

(260) AM 2023 118089 A
(800) 1664768
(151) 2021 11 08
(181) 2031 11 08
(891) 2021 11 08
(511) 01, 02, 03, 04

(260) AM 2023 118090 A
(800) 1664858
(151) 2022 04 08
(181) 2032 04 08

(891) 2022 04 08
(511) 05

(260) AM 2023 118091 A
(800) 1664921
(151) 2021 12 22
(181) 2031 12 22
(891) 2021 12 22
(511) 05

(260) AM 2023 118092 A
(800) 1664946
(151) 2021 11 23
(181) 2031 11 23
(891) 2021 11 23
(511) 06, 07, 08, 09, 10, 14, 16, 40, 42

(260) AM 2023 118093 A
(800) 1664947
(151) 2022 01 10
(181) 2032 01 10
(891) 2022 01 10
(511) 03

(260) AM 2023 118094 A
(800) 1664963
(151) 2022 04 08
(181) 2032 04 08
(891) 2022 04 08
(511) 12

(260) AM 2023 118095 A
(800) 1664964
(151) 2022 05 05
(181) 2032 05 05
(891) 2022 05 05
(511) 12

(260) AM 2023 118096 A
(800) 1665016
(151) 2022 03 07
(181) 2032 03 07
(891) 2022 03 07
(511) 07, 12

(260) AM 2023 118097 A
(800) 1665050
(151) 2022 04 02
(181) 2032 04 02
(891) 2022 04 02
(511) 05

(260) AM 2023 118098 A
(800) 1665063
(151) 2022 02 24
(181) 2032 02 24
(891) 2022 02 24
(511) 01

(260) AM 2023 118099 A
(800) 1665097
(151) 2021 12 16
(181) 2031 12 16
(891) 2021 12 16
(511) 35, 36

(260) AM 2023 118110 A
(800) 1665372
(151) 2022 01 26
(181) 2032 01 26
(891) 2022 01 26
(511) 09, 39, 42

(260) AM 2023 118111 A
(800) 1665391
(151) 2022 03 16
(181) 2032 03 16
(891) 2022 03 16
(511) 09, 12, 35, 39, 42

(260) AM 2023 118112 A
(800) 1665500
(151) 2022 02 24
(181) 2032 02 24
(891) 2022 02 24
(511) 01

(260) AM 2023 118113 A
(800) 1665599
(151) 2021 10 14
(181) 2031 10 14
(891) 2021 10 14
(511) 05, 10, 35

(260) AM 2023 118114 A
(800) 1665616
(151) 2022 03 09
(181) 2032 03 09
(891) 2022 03 09
(511) 39

(260) AM 2023 118115 A
(800) 1665640
(151) 2022 04 05
(181) 2032 04 05

(891) 2022 04 05
(511) 05

(260) AM 2023 118116 A
(800) 1665655
(151) 2022 04 21
(181) 2032 04 21
(891) 2022 04 21
(511) 01, 16, 17, 42

(260) AM 2023 118118 A
(800) 1665678
(151) 2022 03 05
(181) 2032 03 05
(891) 2022 03 05
(511) 03

(260) AM 2023 118119 A
(800) 1665679
(151) 2022 03 13
(181) 2032 03 13
(891) 2022 03 13
(511) 10

(260) AM 2023 118120 A
(800) 1665697
(151) 2022 04 12
(181) 2032 04 12
(891) 2022 04 12
(511) 09

(260) AM 2023 118121 A
(800) 1665708
(151) 2022 04 13
(181) 2032 04 13
(891) 2022 04 13
(511) 05

(260) AM 2023 118122 A
(800) 1665716
(151) 2022 04 08
(181) 2032 04 08
(891) 2022 04 08
(511) 09, 36, 42

(260) AM 2023 118123 A
(800) 1665743
(151) 2022 01 13
(181) 2032 01 13
(891) 2022 01 13
(511) 16, 41

(260) AM 2023 118124 A
(800) 1665779
(151) 2022 03 28
(181) 2032 03 28
(891) 2022 03 28
(511) 43

(260) AM 2023 118125 A
(800) 1665806
(151) 2022 02 17
(181) 2032 02 17
(891) 2022 02 17
(511) 35

(260) AM 2023 118126 A
(800) 714381
(151) 1999 06 15
(181) 2029 06 15
(891) 2022 05 02
(511) 12

(260) AM 2023 118127 A
(800) 1465448
(151) 2019 01 18
(181) 2029 01 18
(891) 2022 05 24
(511) 02, 05, 10, 35, 44

(260) AM 2023 118128 A
(800) 1506171
(151) 2018 11 09
(181) 2028 11 09
(891) 2022 05 05
(511) 04, 06, 07, 12

(260) AM 2023 118129 A
(800) 1506255
(151) 2018 10 29
(181) 2028 10 29
(891) 2022 05 05
(511) 04, 06, 07, 12

(260) AM 2023 118176 A
(800) 1666086
(151) 2022 05 05
(181) 2032 05 05
(891) 2022 05 05
(511) 35

(260) AM 2023 118187 A
(800) 1666434
(151) 2021 12 01
(181) 2031 12 01

(891) 2021 12 01
(511) 35, 42

(260) AM 2023 118196 A
(800) 1666839
(151) 2022 04 13
(181) 2032 04 13
(891) 2022 04 13
(511) 32, 33

(260) AM 2023 118197 A
(800) 1666896
(151) 2022 02 16
(181) 2032 02 16
(891) 2022 02 16
(511) 25

(260) AM 2023 118198 A
(800) 1666995
(151) 2022 01 11
(181) 2032 01 11
(891) 2022 01 11
(511) 05

(260) AM 2023 118199 A
(800) 1667064
(151) 2022 02 28
(181) 2032 02 28
(891) 2022 02 28
(511) 05

(260) AM 2023 118200 A
(800) 1667066
(151) 2022 02 28
(181) 2032 02 28
(891) 2022 02 28
(511) 05

(260) AM 2023 118201 A
(800) 1667099
(151) 2021 12 24
(181) 2031 12 24
(891) 2021 12 24
(511) 03, 05, 10

(260) AM 2023 118202 A
(800) 1667140
(151) 2022 01 28
(181) 2032 01 28
(891) 2022 01 28
(511) 41

(260) AM 2023 118204 A
(800) 1667243
(151) 2022 04 01
(181) 2032 04 01
(891) 2022 04 01
(511) 30

(260) AM 2023 118205 A
(800) 1667371
(151) 2021 11 19
(181) 2031 11 19
(891) 2021 11 19
(511) 35, 43

(260) AM 2023 118206 A
(800) 437196A
(151) 1978 05 10
(181) 2028 05 10
(891) 2022 06 02
(511) 07, 20

(260) AM 2023 118211 A
(800) 1440497
(151) 2018 07 26
(181) 2028 07 26
(891) 2022 05 06
(511) 12

(260) AM 2023 118213 A
(800) 1491915
(151) 2019 04 23
(181) 2029 04 23
(891) 2022 04 21
(511) 05

(260) AM 2023 118214 A
(800) 1562015
(151) 2020 10 20
(181) 2030 10 20
(891) 2022 04 07
(511) 03

(260) AM 2023 118215 A
(800) 1598504
(151) 2021 05 13
(181) 2031 05 13
(891) 2022 05 12
(511) 05

(260) AM 2023 118216 A
(800) 1639779
(151) 2021 06 29
(181) 2031 06 29

(891) 2022 02 07
(511) 03, 05, 07, 08, 09, 10, 11, 12, 16, 18, 19, 20, 21,
24, 25, 28, 29, 30, 31, 32, 35

(260) AM 2023 118217 A
(800) 1649934
(151) 2021 12 30
(181) 2031 12 30
(891) 2022 04 27
(511) 03

(260) AM 2023 118275 A
(800) 1668388
(151) 2022 03 16
(181) 2032 03 16
(891) 2022 03 16
(511) 08, 16, 17, 19, 20, 21

(260) AM 2023 118276 A
(800) 1668411
(151) 2022 03 02
(181) 2032 03 02
(891) 2022 03 02
(511) 35, 36, 41

(260) AM 2023 118277 A
(800) 1668465
(151) 2022 03 07
(181) 2032 03 07
(891) 2022 03 07
(511) 25, 35

(260) AM 2023 118327 A
(800) 1669054
(151) 2022 04 11
(181) 2032 04 11
(891) 2022 04 11
(511) 11

(260) AM 2023 118328 A
(800) 1669071
(151) 2021 12 29
(181) 2031 12 29
(891) 2021 12 29
(511) 05, 10

(260) AM 2023 118329 A
(800) 1669137
(151) 2021 11 19
(181) 2031 11 19
(891) 2021 11 19
(511) 09, 16, 25, 28, 35, 38, 41, 42

(260) AM 2023 118330 A
 (800) 1669138
 (151) 2021 11 19
 (181) 2031 11 19
 (891) 2021 11 19
 (511) 09, 16, 25, 28, 35, 38, 41, 42

(260) AM 2023 118331 A
 (800) 1669156
 (151) 2021 12 15
 (181) 2031 12 15
 (891) 2021 12 15
 (511) 05

(260) AM 2023 118332 A
 (800) 1669220
 (151) 2022 03 15
 (181) 2032 03 15
 (891) 2022 03 15
 (511) 05

(260) AM 2023 118333 A
 (800) 1669335
 (151) 2022 04 01
 (181) 2032 04 01
 (891) 2022 04 01
 (511) 43

(260) AM 2023 118334 A
 (800) 1669340
 (151) 2022 04 26
 (181) 2032 04 26
 (891) 2022 04 26
 (511) 03, 05

(260) AM 2023 118335 A
 (800) 1669343
 (151) 2022 04 26
 (181) 2032 04 26
 (891) 2022 04 26
 (511) 03, 05

(260) AM 2023 118346 A
 (800) 1669771
 (151) 2022 02 10
 (181) 2032 02 10
 (891) 2022 02 10
 (511) 35, 37, 39, 40, 42, 45

(260) AM 2023 118417 A
 (800) 1669981
 (151) 2022 05 06
 (181) 2032 05 06

(891) 2022 05 06
 (511) 09

(260) AM 2023 118418 A
 (800) 1669986
 (151) 2022 05 16
 (181) 2032 05 16
 (891) 2022 05 16
 (511) 05

(260) AM 2023 118419 A
 (800) 1670001
 (151) 2022 03 28
 (181) 2032 03 28
 (891) 2022 03 28
 (511) 32

(260) AM 2023 118421 A
 (800) 1670048
 (151) 2022 05 06
 (181) 2032 05 06
 (891) 2022 05 06
 (511) 11

(260) AM 2023 118426 A
 (800) 1670342
 (151) 2022 04 07
 (181) 2032 04 07
 (891) 2022 04 07
 (511) 35

(260) AM 2023 118427 A
 (800) 1670346
 (151) 2022 04 08
 (181) 2032 04 08
 (891) 2022 04 08
 (511) 03, 35, 41, 44

(260) AM 2023 118428 A
 (800) 1670376
 (151) 2021 12 30
 (181) 2031 12 30
 (891) 2021 12 30
 (511) 10

(260) AM 2023 118429 A
 (800) 1670378
 (151) 2022 01 25
 (181) 2032 01 25
 (891) 2022 01 25
 (511) 09

(260) AM 2023 118430 A
(800) 1670394
(151) 2022 05 05
(181) 2032 05 05
(891) 2022 05 05
(511) 30

(260) AM 2023 118431 A
(800) 1670485
(151) 2022 05 12
(181) 2032 05 12
(891) 2022 05 12
(511) 34

(260) AM 2023 118432 A
(800) 1670516
(151) 2022 04 13
(181) 2032 04 13
(891) 2022 04 13
(511) 35

(260) AM 2023 118433 A
(800) 1670537
(151) 2021 10 08
(181) 2031 10 08
(891) 2021 10 08
(511) 06, 40

(260) AM 2023 118434 A
(800) 1670578
(151) 2022 02 26
(181) 2032 02 26
(891) 2022 02 26
(511) 01, 19

**OFFICIAL NOTIFICATIONS
INVENTIONS
RESTORATION OF PATENT**

(21) AP 2012 12581
(11) P 2013 5895 B
(73) Eter Kemertelidze;
Aleksandre Skhirtladze;
Tsisana Sulakvelidze
(54) METHOD OF OBTAINING DIGITONIN
DATE OF PATENT CANCELLATION: 2023 02 20
DATE OF PATENT RESTORATION: 2023 06 12

ABOLITION OF PATENTS WITH THE RIGHT TO RESTORE

(21) AP 2009 12116
(11) P 2014 6027 B
(73) Cent & Cent GMBH & CO. KG
(54) METHOD FOR PRODUCING STEEL FIBERS
DATE OF PATENT CANCELLATION: 2023 05 23
LIMITED DATE OF PATENT RESTORATION: 2024 05 23

(21) AP 2013 13676
(11) P 2017 6705 B
(73) Arven Ilac Sanayi Ve Ticaret A.S.
(54) INHALATOR
DATE OF PATENT CANCELLATION: 2023 05 21
LIMITED DATE OF PATENT RESTORATION: 2024 05 21

(21) AP 2016 14622
(11) P 2019 7020 B
(73) H. Lundbeck A/S
(54) VORTIOXETINE PYROGLUTAMATE
DATE OF PATENT CANCELLATION: 2023 05 11
LIMITED DATE OF PATENT RESTORATION: 2024 05 11

(21) AP 2018 14792
(11) P 2019 7023 B
(73) Giorgi Loladze
(54) METHOD FOR MAKING HEATEFFICIENT CONSTRUCTION COMPONENT
DATE OF PATENT CANCELLATION: 2023 05 22
LIMITED DATE OF PATENT RESTORATION: 2024 05 22

(21) AP 2019 15077
(11) P 2020 7175 B
(73) LEPL "Institute of Micro and Nanoelectronics"
(54) METHOD FOR INTEGRAL TWO RANGE ULTRAVIOLET AND INFRARED PHOTO DETECTOR
CREATION

DATE OF PATENT CANCELLATION: 2023 05 13
LIMITED DATE OF PATENT RESTORATION: 2024 05 13

(21) AP 2018 15219
(11) P 2021 7318 B
(73) H. Lundbeck A/S
(54) PYRAZOLE MAGL INHIBITORS
DATE OF PATENT CANCELLATION: 2023 05 22
LIMITED DATE OF PATENT RESTORATION: 2024 05 22

(21) AP 2019 15479
(11) P 2022 7443 B
(73) H. Lundbeck A/S
(54) MAGL INHIBITORS
DATE OF PATENT CANCELLATION: 2023 05 14
LIMITED DATE OF PATENT RESTORATION: 2024 05 14

(21) AP 2021 15628
(11) P 2022 7362 B
(73) Niko Melikidze
(54) PACKAGE FOR CIGARETTES
DATE OF PATENT CANCELLATION: 2023 05 13
LIMITED DATE OF PATENT RESTORATION: 2024 05 13

(21) AP 2004 8200
(11) P 2006 3744 B
(73) Giorgi Kakhiani
(54) METHOD FOR PRODUCTION OF VACCINE AGAINST ANTHRAX
DATE OF PATENT CANCELLATION: 2023 05 10
LIMITED DATE OF PATENT RESTORATION: 2024 05 10

DATE OF PATENTS RESTORATION EXPIRATION

(21) AP 2006 10433
(11) P 2010 5055 B
(73) Interdigital Technology Corporation
(54) METHOD AND APPARATUS FOR POWER CONTROL IN A MULTIPLE ANTENNA SYSTEM
DATE OF PATENT CANCELLATION: 2022 05 16
DATE OF PATENT RESTORATION EXPIRATION:2023 05 16

(21) AP 2012 12708
(11) P 2014 6185 B
(73) Miner Enterprises Inc.
(54) RAILROAD FREIGHT CAR DRAFT GEAR
DATE OF PATENT CANCELLATION: 2022 05 10
DATE OF PATENT RESTORATION EXPIRATION:2023 05 10

(21) AP 2012 13325
(11) P 2017 6715 B
(73) Takeda AS
(54) ROLLED COLLAGEN CARRIER
DATE OF PATENT CANCELLATION: 2022 05 24
DATE OF PATENT RESTORATION EXPIRATION: 2023 05 24

UTILITY MODELS RESTORATION OF PATENT

(21) AU 2021 15545
(11) U 2021 2101 Y
(73) Giorgi Chiradze
(54) METHOD FOR MULTILAYER ARTICLE PREPARATION WITH PLYWOOD
DATE OF PATENT CANCELLATION: 2023 01 28
DATE OF PATENT RESTORATION: 2023 06 12

ABOLITION OF PATENTS WITH THE RIGHT TO RESTORE

(21) AU 2017 14497
(11) U 2021 2079 Y
(73) Anzor Kuparadze
(54) METHOD FOR BIODIESEL PRODUCTION
DATE OF PATENT CANCELLATION: 2023 05 19
LIMITED DATE OF PATENT RESTORATION: 2024 05 19

(21) AU 2019 15092
(11) U 2020 2038 Y
(73) Givi Kevlishvili
(54) SURFBOARD
DATE OF PATENT CANCELLATION: 2023 05 22
LIMITED DATE OF PATENT RESTORATION: 2024 05 22

(21) AU 2021 15629
(11) U 2022 2132 Y
(73) Nikoloz Kozanashvili
(54) FOOD FIXTURE
DATE OF PATENT CANCELLATION: 2023 05 13
LIMITED DATE OF PATENT RESTORATION: 2024 05 13

(21) AU 2021 15637
(11) U 2022 2120 Y
(73) LTD "Eco Bohemia"
(54) DISINFECTANT ANTIBACT

DATE OF PATENT CANCELLATION: 2023 05 24
LIMITED DATE OF PATENT RESTORATION: 2024 05 24

DESIGNS

EXTENSION OF TERMS OF DESIGN REGISTRATION

(11) D 2018 754 S
(73) Marina Nioradze (GE)
Abashidze St. 81, ap. 1, 0162, Tbilisi, Georgia (GE)
(54) 1.-2. HANDMADE PURSE
(28) 2
(24) 2018 03 05
(18) 2028 03 05
(58) 2023 05 24

CANCELLATION OF DESIGNS REGISTRATION

(11) D 2018 774 S
(73) Natela Kakhniashvili (GE)
Dighomi, II qu., bld. 9a, ap. 46, 0139, Tbilisi, Georgia (GE)
(54) LOGO
(18) 2022 11 09
(58) 2023 05 18

(11) D 2017 738 S
(73) Anzor Suliauri (GE)
Pilia St. 7, 0104, Tbilisi, Georgia (GE)
(54) CANDLE PACKAGING
(18) 2022 11 17
(58) 2023 06 02

EXTENSION OF TERMS OF INTERNATIONAL DESIGNS REGISTRATION

(11) DM/100256
(73) Re-Power International Limited
Sixth Floor, 9 Argyll Street London W1F 7TG (GB)
(15) 2018 03 07
(24) 2018 03 07
(18) 2028 03 07
(28) 6
(28') 6
(54) CARPORTS

(11) DM/101070
(73) Fontini S.A.
Pol. Ind. Can Bernades-Subira, C/Anoia 15, E-08130 Santa Perpetua de Mogoda (Barcelona (ES))
(15) 2018 05 09
(24) 2018 05 09
(18) 2028 05 09
(28) 1
(28') 1
(54) ELECTRIC SWITCH

(11) DM/101 418
(73) Omega SA (Omega AG) (Omega LTD.)
Jakob-Stämpfli-Strasse 96, CH-2502 Biel/Bienne (CH)
(15) 2018 05 29
(24) 2018 05 29
(18) 2028 05 29
(28) 1

(28') 1
(54) 1. WATCH BRACELET

(11) DM/103 684
(73) PolarityTE Inc.
1960 S 4250 W Salt Lake City UT 84104 (US)
(15) 2018 05 17
(24) 2018 05 17
(18) 2028 05 17
(28) 1
(28') 1
(54) 1. PACKAGING FOR TRANSPORT AND HANDLING OF BIOLOGICAL MATERIALS

(11) DM/70108
(73) Sara Lee Household AND Body Care Nederland B.V.,
Vleutensevaart 35, NL-3532 AD Utrecht (NL)
(15) 2008 05 08
(24) 2008 05 08
(18) 2028 05 08
(28) 1
(28') 1
(54) AIR DEODORIZING APPARATUS

(11) DM/70128
(73) Swatch AG (Swatch SA) (Swatch LTD.)
 Jakob-Stämpfli-Strasse 94, CH-2502 Biel/Bienne (CH)
(15) 2008 05 16
(24) 2008 05 16
(18) 2028 05 16
(28) 1
(28') 1
(54) WRISTWATCH

(11) DM/70167
(73) Swatch AG (Swatch SA)(Swatch LTD)
 Jakob-Stämpfli-Strasse 94, CH-2502 BIEL/BIENNE (CH)
(15) 2008 05 16
(24) 2008 05 16
(18) 2028 05 16
(28) 3
(28') 3
(54) WRISTWATCHES

(11) DM/70188
(73) Omega SA (Omega AG) (Omega LTD.)
 Jakob-Stämpfli-Strasse 96, CH-2502 Biel/Bienne (CH)
(15) 2008 05 22
(24) 2008 05 22
(18) 2028 05 22
(28) 2
(28') 2
(54) 1. WRISTWATCH, 2. WATCH BRACELET CLASP

(11) DM/70251
(73) Omega SA (Omega AG) (Omega LTD.)
 Jakob-Stämpfli-Strasse 96, CH-2502 Biel/Bienne (CH)
(15) 2008 05 28
(24) 2008 05 28
(18) 2028 05 28
(28) 1
(28') 1
(54) WRISTWATCH

(11) DM/70252
(73) Blancpain SA
 Le Rocher 12 1348 LE Brassus (CH)
(15) 2008 05 28
(24) 2008 05 28
(18) 2028 05 28
(28) 5
(28') 5
(54) 1.-5. WRISTWATCHES

(11) DM/70254
(73) Swatch AG (Swatch SA)(Swatch LTD)
 Jakob-Stämpfli-Strasse 94, CH-2502 BIEL/Bienne (CH)
(15) 2008 05 28

(24) 2008 05 28
(18) 2028 05 28
(28) 1
(28') 1
(54) WRISTWATCH

(11) DM/70551
(73) Krüger GmbH & Co. KG
Senefelderstraße 44, 51469 Bergisch Gladbach (DE)
(15) 2008 07 23
(24) 2008 07 23
(18) 2028 07 23
(28) 2
(28') 2
(54) 1.-2. BOTTLES FOR LIQUID FOOD

(11) DM/80642
(73) Ipek Kagit Sanayi Ve Ticaret Anonim Sirketi
Kanyon Ofis Buyukdere Caddesi No: 185, TR-34394 Istanbul (TR)
(15) 2013 03 27
(24) 2013 03 27
(18) 2028 03 27
(28) 1
(28') 1
(54) EMBOSsing PATTERN FOR ARTICLES OF ABSORBENT PAPER

(11) DM/80862
(73) Saverglass
3 rue de la Gare, F-60960 FEUQUIERES (FR)
(15) 2013 04 26
(24) 2013 04 26
(18) 2028 04 26
(28) 1
(28') 1
(54) Bottle

(11) DM/80864
(73) Saverglass
3 rue de la Gare, F-60960 Feuquieres (FR)
(15) 2013 04 26
(24) 2013 04 26
(18) 2028 04 26
(28) 1
(28') 1
(54) BOTTLE

(11) DM/80929
(73) Japan Tobacco Inc.
1-1, Toranomom 4-chome, Minato-ku Tokyo (JP)
(15) 2013 04 23
(24) 2013 04 23
(18) 2028 04 23
(28) 11
(28') 11

(54) GRAPHIC DESIGNS

(11) DM/81066
(73) Omega SA (Omega AG) (Omega LTD.)
 Jakob-Stämpfli-Strasse 96, CH-2502 Biel/Bienne (CH)
(15) 2013 05 15
(24) 2013 05 15
(18) 2028 05 15
(28) 1
(28') 1
(54) BELT BUCKLE

CANCELLATION OF INTERNATIONAL DESIGNS REGISTRATION

(11) DM/69233
(73) Swatch AG (Swatch SA) (Swatch LTD.)
 Jakob-Stämpfli-Strasse 94, CH-2502 Biel/Bienne (CH)
DATE OF REGISTRATION CANCELLATION: 2022 08 27
(58) 2023 05 25

(11) DM/69265
(73) Swatch AG (Swatch SA) (Swatch LTD.)
 Jakob-Stämpfli-Strasse 94, CH-2502 Biel/Bienne (CH)
DATE OF REGISTRATION CANCELLATION: 2022 09 07
(58) 2023 05 25

(11) DM/69292
(73) Eta Sa Manufacture Horlogere Suisse
 CH-2540 GRENCHE (CH)
DATE OF REGISTRATION CANCELLATION: 2022 09 14
(58) 2023 05 25

(11) DM/96290
(73) Valentino S.P.A.
 Via Turati, 16/18, I-20121 MILANO (EM)
DATE OF REGISTRATION CANCELLATION: 2022 06 01
(58) 2023 05 25

(11) DM/97798
(73) Valentino S.P.A.
 Via Turati, 16/18, I-20121 Milano (EM)
DATE OF REGISTRATION CANCELLATION: 2022 09 01
(58) 2023 05 25

(11) DM/97817
(73) Edge Of Belgravia Limited
 Dept 140, 128 Aldersgate Street, London EC1A 4AE (EM)
DATE OF REGISTRATION CANCELLATION: 2022 08 22
(58) 2023 05 25

TRADEMARKS

EXTENSION OF TERMS OF TRADEMARKS REGISTRATION

(111) M 2002 14803 R2

(151) 2002 11 15

(186) 2032 11 15

(732) Osotspa Public Company Limited
348 Ramkhamhaeng Road, Huamak,
Bangkapi, Bangkok 10240, Thailand

(111) M 2002 14802 R2

(151) 2002 11 15

(186) 2032 11 15

(732) Osotspa Public Company Limited
348 Ramkhamhaeng Road, Huamak,
Bangkapi, Bangkok 10240, Thailand

(111) M 2003 14936 R2

(151) 2003 01 30

(186) 2033 01 30

(732) Fram Group IP LLC
127 Public Square, Suite 5300, Cleveland,
Ohio 44114, USA

(111) M 2003 15007 R2

(151) 2003 03 04

(186) 2033 03 04

(732) Wilmar International Limited
56 Neil Road, Singapore 088830, Singapore

(111) M 2003 15178 R2

(151) 2003 06 27

(186) 2033 06 27

(732) Wilmar International Limited
56 Neil Road, Singapore 088830, Singapore

(111) M 2003 15179 R2

(151) 2003 06 27

(186) 2033 06 27

(732) Wilmar International Limited
56 Neil Road, Singapore 088830, Singapore

(111) M 2003 15180 R2

(151) 2003 06 27

(186) 2033 06 27

(732) Wilmar Trading (China) Pte. LTD.
56 Neil Road, Singapore 088830, Singapore

(111) M 2003 15181 R2

(151) 2003 06 27

(186) 2033 06 27

(732) Wilmar International Limited
56 Neil Road, Singapore 088830, Singapore

(111) M 2003 15182 R2

(151) 2003 06 27

(186) 2033 06 27

(732) Wilmar International Limited
56 Neil Road, Singapore 088830, Singapore

(111) M 2003 15183 R2

(151) 2003 06 27

(186) 2033 06 27

(732) Wilmar International Limited
56 Neil Road, Singapore 088830, Singapore

(111) M 2003 15184 R2

(151) 2003 06 27

(186) 2033 06 27

(732) Wilmar International Limited
56 Neil Road, Singapore 088830, Singapore

(111) M 2003 15226 R2

(151) 2003 08 14

(186) 2033 08 14

(732) The Coca-Cola Company
One Coca-Cola Plaza, Atlanta, Georgia 30313,
USA

(111) M 2003 15227 R2

(151) 2003 08 14

(186) 2033 08 14

(732) The Coca-Cola Company
One Coca-Cola Plaza, Atlanta, Georgia 30313,
USA

(111) M 2003 15230 R2

(151) 2003 08 14

(186) 2033 08 14

(732) The Coca-Cola Company
One Coca-Cola Plaza, Atlanta, Georgia 30313,
USA

(111) M 2003 15264 R2
(151) 2003 09 29
(186) 2033 09 29
(732) Walton International Limited
P.O. Box 1586, George Town, Grand
Cayman KY1-1110, Cayman Islands

(111) M 2012 23163 R1
(151) 2012 12 10
(186) 2032 12 10
(732) 3M Company, a corporation of
the State of Delaware
3M Center, 2501 Hudson Road, St. Paul,
Minnesota 55144, USA

(111) M 2012 23164 R1
(151) 2012 12 10
(186) 2032 12 10
(732) 3M Company, a corporation of
the State of Delaware
3M Center, 2501 Hudson Road, St. Paul,
Minnesota 55144, USA

(111) M 2012 23079 R1
(151) 2012 11 12
(186) 2032 11 12
(732) The Hercules Tire & Rubber Company,
a Connecticut corporation
12200 Herbert Wayne Court, Suite 150,
Huntersville, North Carolina 28078, USA

(111) M 2012 23127 R1
(151) 2012 11 29
(186) 2032 11 29
(732) The North Face Apparel Corp.
3411 Silverside Road, Willmington, Delaware
19810, USA

(111) M 2012 23128 R1
(151) 2012 11 29
(186) 2032 11 29
(732) The North Face Apparel Corp.
3411 Silverside Road, Willmington, Delaware
19810, USA

(111) M 2012 23129 R1
(151) 2012 11 29
(186) 2032 11 29
(732) The North Face Apparel Corp.
3411 Silverside Road, Willmington, Delaware
19810, USA

(111) M 2012 23130 R1
(151) 2012 11 29
(186) 2032 11 29
(732) The North Face Apparel Corp.
3411 Silverside Road, Willmington, Delaware
19810, USA

(111) M 2012 23131 R1
(151) 2012 11 29
(186) 2032 11 29
(732) The North Face Apparel Corp.
3411 Silverside Road, Willmington, Delaware
19810, USA

(111) M 2013 23379 R1
(151) 2013 02 27
(186) 2033 02 27
(732) LLC "Aversi-Pharma"
David Aghmashenebli Av. 148/2, 0112,
Tbilisi, Georgia

(111) M 2013 23380 R1
(151) 2013 02 27
(186) 2033 02 27
(732) LLC "Aversi-Pharma"
David Aghmashenebli Av. 148/2, 0112,
Tbilisi, Georgia

(111) M 2013 23381 R1
(151) 2013 02 27
(186) 2033 02 27
(732) LLC "Aversi-Pharma"
David Aghmashenebli Av. 148/2, 0112,
Tbilisi, Georgia

(111) M 2013 23382 R1
(151) 2013 02 27
(186) 2033 02 27
(732) LLC "Aversi-Pharma"
David Aghmashenebli Av. 148/2, 0112,
Tbilisi, Georgia

(111) M 2013 23383 R1
(151) 2013 02 27
(186) 2033 02 27
(732) LLC "Aversi-Pharma"
David Aghmashenebli Av. 148/2, 0112,
Tbilisi, Georgia

(111) M 2013 23384 R1

(151) 2013 02 27

(186) 2033 02 27

(732) LLC "Aversi-Pharma"

David Aghmashenebli Av. 148/2, 0112,
Tbilisi, Georgia

(111) M 2013 23671 R1

(151) 2013 05 17

(186) 2033 05 17

(732) Caterpillar Global Mining LLC

875 W. Cushing St., Tucson, AZ 85745, USA

(111) M 2013 23672 R1

(151) 2013 05 17

(186) 2033 05 17

(732) Caterpillar Global Mining LLC

875 W. Cushing St., Tucson, AZ 85745, USA

(111) M 2013 23345 R1

(151) 2013 02 12

(186) 2033 02 12

(732) LLC "Aversi-Pharma"

David Aghmashenebli Av. 148/2, 0112,
Tbilisi, Georgia

(111) M 2013 23450 R1

(151) 2013 03 13

(186) 2033 03 13

(732) Bionime Corporation

No. 100, Sec. 2, Daqing St. South Dist.
Taichung City 40242, Taiwan, Province
of China

(111) M 2013 23789 R1

(151) 2013 06 25

(186) 2033 06 25

(732) General Motors LLC

300 Renaissance Center, City of Detroit,
State of Michigan 48265-3000, USA

(111) M 2013 24069 R1

(151) 2013 09 30

(186) 2033 09 30

(732) KT & G Corporation

100, Pyeongchon-dong Daedeok-gu,
Taejeon 306-712, Republic of Korea

(111) M 2013 23760 R1

(151) 2013 06 07

(186) 2033 06 07

(732) Accor

82 rue Henri Farman, 92130 Issy-les-
Moulineaux, France

(111) M 2013 23761 R1

(151) 2013 06 07

(186) 2033 06 07

(732) Accor

82 rue Henri Farman, 92130 Issy-les-
Moulineaux, France

(111) M 2013 23897 R1

(151) 2013 08 14

(186) 2033 08 14

(732) KYB Corporation

4-1, Hamamatsu-Cho 2-Chome, Minato-Ku,
Tokyo, Japan

(111) M 2013 23820 R1

(151) 2013 06 25

(186) 2033 06 25

(732) Egis Gyógyszergyár ZRT (shortly: Egis ZRT)

30-38, Keresztúri út., H-1106, Budapest,
Hungary

(111) M 2013 24140 R1

(151) 2013 10 17

(186) 2033 10 17

(732) Soria Natural S.A.

Poligono La Sacea, 1, 42162 Garray, Spain

(111) M 2013 23904 R1

(151) 2013 08 14

(186) 2033 08 14

(732) OKF Corporation

714, Bokjeung-Dong, Sujeung-Gu,
Sungnam City, Gyeonggi-Do 461-200,
Republic of Korea

(111) M 2013 23927 R1

(151) 2013 08 14

(186) 2033 08 14

(732) The Coca-Cola Company

One Coca-Cola Plaza, Atlanta,
Georgia 30313, USA

(111) M 2013 24337 R1

(151) 2013 12 13

(186) 2033 12 13

(732) Aero Club

2168 Gudwara Road, Karol Bagh,
New Delhi-110005, India

(111) M 2013 24293 R1
(151) 2013 11 18
(186) 2033 11 18
(732) S.C. Johnson & Son Inc.,
a Wisconsin corporation
1525 Howe Street, Racine, Wisconsin
53403-2236, USA

(111) M 2013 24362 R1
(151) 2013 12 13
(186) 2033 12 13
(732) Transatlantic Holdings Inc.
18th Floor, One Liberty Plaza, 165 Broadway,
New York, NY 10006, USA

(111) M 2013 24363 R1
(151) 2013 12 13
(186) 2033 12 13
(732) Transatlantic Holdings Inc.
18th Floor, One Liberty Plaza, 165 Broadway,
New York, NY 10006, USA

(111) M 2013 23659 R1
(151) 2013 05 15
(186) 2033 05 15
(732) LTD "Geo Latex"
Didi Dighomi, D. Taviddebuli St. 30,
0131, Tbilisi, Georgia

COMPLETE TRANSFER OF RIGHTS

(111) M 1997 4683 R
 (732) A. Nattermann & Cie. GmbH
 Brueningstrasse 50, D-65926 Frankfurt
 am Main, Germany
 (770) Sanofi-Aventis Deutschland GmbH
 Brueningstrasse 50, D-65926 Frankfurt
 am Main, Germany
 (580) 2023 04 11

(111) M 2022 35902 R
 (732) Cerba Healthcare
 (RCS No. 897 725 438)
 11-13 Rue René Jacques, 92130, Issy Les
 Moulineaux, France
 (770) Cerba Healthcare (RCS No. 824 987 697)
 11-13 Rue René Jacques, 92130, Issy Les
 Moulineaux, France
 (580) 2023 05 03

(111) M 2023 36588 R
 (732) Akcionerhoe Obshchestvo "zakritii
 Nediversificirovannii Venchurnii
 Korporativnii Investitsionnii Fond "Ariston"
 59 Zhilyanska street, Kyiv 01033, Ukraine
 (770) Nunu Mtchedlishvili
 Vill. Agaraki, Agaraki St. 14, Vake District,
 Tbilisi, Georgia
 (580) 2023 05 22

(111) M 1998 9732 R
 (732) A. Nattermann & Cie. GmbH
 Brueningstrasse 50, D-65926 Frankfurt
 am Main, Germany
 (770) Sanofi-Aventis deutschland GmbH
 Bruningstrasse 50, D-65926 Frankfurt
 am Main, Germany
 (580) 2023 04 11

(111) M 1998 9730 R
 (732) A. Nattermann & Cie. GmbH
 Brueningstrasse 50, D-65926 Frankfurt
 am Main, Germany
 (770) Sanofi-Aaventis deutschland GmbH
 Bruningstrasse 50, D-65926 Frankfurt
 am Main, Germany
 (580) 2023 04 11

(111) M 1998 10516 R
 (732) Talerno Co LTD
 Karaiskaka, 38, Kanika Alexander Center,
 2nd floor, Flat/Office number 213G, 3032,
 Limassol, Cyprus

(770) Onomento Co LTD
 Karaiskaki, 38, Kanika Aleqsander CTR,
 Me-2 Flori, Ofisi 213C, P.C.3032, Limasoli,
 Cyprus
 (580) 2023 05 22

(111) M 1998 10517 R
 (732) Talerno Co LTD
 Karaiskaka, 38, Kanika Alexander Center,
 2nd floor, Flat/Office number 213G, 3032,
 Limassol, Cyprus
 (770) Onomento Co LTD
 Karaiskaki, 38, Kanika Aleqsander CTR,
 Me-2 Flori, Ofisi 213C, P.C.3032, Limasoli,
 Cyprus
 (580) 2023 05 22

(111) M 1996 2043 R
 (732) Talisman Brands Inc.
 1013 Centre Road, Suite 403-B,
 City of Wilmington, County of New Castle,
 State of Delaware 19805, USA
 (770) TechnicolOR USA Inc.
 8921 Lindblade Street, Culver City, CA 90232,
 USA
 (580) 2023 05 03

(111) M 2007 17883 R
 (732) Talerno Co LTD
 Karaiskaka, 38, Kanika Alexander Center,
 2nd floor, Flat/Office number 213G, 3032,
 Limassol, Cyprus
 (770) Onomento Co LTD
 2-4 Arch. Makariou III Avenue,
 Capital Center, 9th floor, 1065 Nicosia, Cyprus
 (580) 2023 05 22

(111) M 2007 17799 R
 (732) World Medicine İlaç Sanayi Ve Ticaret
 Anonim Şirketi
 15 Temmuz Mah., Cami Yolu cad. No.50,
 Gunesli / Bagcilar, Istanbul, Türkiye
 (770) Rotapharm Limited
 Graund Flori, Ged Hauzi, Arkadia Aveniu,
 Finchli, Londoni N3 2JU, United Kingdom
 (580) 2023 05 01

(111) M 2007 17800 R
 (732) World Medicine İlaç Sanayi Ve Ticaret
 Anonim Şirketi
 15 Temmuz Mah., Cami Yolu Cad. No.50,
 Gunesli / Bagcilar, Istanbul, Türkiye

(770) Rotapharm Limited
 Graund Flori, Ged Hauzi, Arkadia Aveniu,
 Finchli, Londoni N3 2JU, United Kingdom
 (580) 2023 05 01

(111) M 2008 18864 R
 (732) World Medicine İlaç Sanayİ Ve Ticaret
 Anonim Şirketi
 15 Temmuz Mah., Cami Yolu Cad.
 No.50, Gunesli / Bagcilar, Istanbul, Türkiye
 (770) World Medicine Limited
 48 Quenn Anne Street, London W1G9JJ,
 United Kingdom
 (580) 2023 05 01

(111) M 2008 18703 R
 (732) World Medicine İlaç Sanayi Ve Ticaret
 Anonim Şirketi
 15 Temmuz Mah., Cami Yolu Cad. No.50,
 Gunesli / Bagcilar, Istanbul, Türkiye
 (770) Rotapharm Limited
 Graund Flori, Ged Hauzi, Arkadia Aveniu,
 Finchli, Londoni N3 2JU, United Kingdom
 (580) 2023 05 01

(111) M 2008 18679 R
 (732) World Medicine İlaç Sanayi Ve Ticaret
 Anonim Şirketi
 15 Temmuz Mah., Cami Yolu Cad. No.50,
 Gunesli / Bagcilar, Istanbul, Türkiye
 (770) Rotapharm Limited
 Graund Flori, Ged Hauzi, Arkadia Aveniu,
 Finchli, Londoni N3 2JU, United Kingdom
 (580) 2023 05 01

(111) M 2008 18706 R
 (732) World Medicine İlaç Sanayi Ve Ticaret
 Anonim Şirketi
 15 Temmuz Mah., Cami Yolu Cad. No.50,
 Gunesli / Bagcilar, Istanbul, Türkiye
 (770) Rotapharm Limited
 Graund Flori, Ged Hauzi, Arkadia Aveniu,
 Finchli, Londoni N3 2JU, United Kingdom
 (580) 2023 05 01

(111) M 2008 18707 R
 (732) World Medicine İlaç Sanayi Ve Ticaret
 Anonim Şirketi
 15 Temmuz Mah., Cami Yolu Cad. No.50,
 Gunesli / Bagcilar, Istanbul, Türkiye
 (770) Rotapharm Limited
 Graund Flori, Ged Hauzi, Arkadia Aveniu,
 Finchli, Londoni N3 2JU, United Kingdom
 (580) 2023 05 01

(111) M 2008 18708 R
 (732) World Medicine İlaç Sanayi Ve Ticaret
 Anonim Şirketi
 15 Temmuz Mah., Cami Yolu Cad. No.50,
 Gunesli / Bagcilar, Istanbul, Türkiye
 (770) Rotapharm Limited
 Graund Flori, Ged Hauzi, Arkadia Aveniu,
 Finchli, Londoni N3 2JU, United Kingdom
 (580) 2023 05 01

(111) M 2008 18710 R
 (732) World Medicine İlaç Sanayi Ve Ticaret
 Anonim Şirketi
 15 Temmuz Mah., Cami Yolu Cad. No.50,
 Gunesli / Bagcilar, Istanbul, Türkiye
 (770) Rotapharm Limited
 Graund Flori, Ged Hauzi, Arkadia Aveniu,
 Finchli, Londoni N3 2JU, United Kingdom
 (580) 2023 05 01

(111) M 2008 18905 R
 (732) World Medicine İlaç Sanayi Ve Ticaret
 Anonim Şirketi
 15 Temmuz Mah., Cami Yolu Cad. No.50,
 Gunesli / Bagcilar, Istanbul, Türkiye
 (770) Rotapharm Limited
 Graund Flori, Ged Hauzi, Arkadia Aveniu,
 Finchli, Londoni N3 2JU, United Kingdom
 (580) 2023 05 01

(111) M 2009 19142 R
 (732) A. Nattermann & Cie. GmbH
 Brüningstrasse 50, 65929 Frankfurt am Main,
 Germany
 (770) Sanofi-Aventis Deutschland GmbH
 Brueningstrasse 50, D-65926 Frankfurt
 am Main, Germany
 (580) 2023 04 11

(111) M 2009 19227 R
 (732) Talerno Co LTD
 Karaiskaka, 38, Kanika Alexander Center,
 2nd floor, Flat/Office number 213G, 3032,
 Limassol, Cyprus
 (770) Onomento Co LTD
 Karaiskaki, 38, Kanika Aleqsander CTR,
 Me-2 Flori, Ofisi 213C, P.C.3032, Limasoli,
 Cyprus
 (580) 2023 05 22

(111) M 2009 19190 R
 (732) World Medicine İlaç Sanayi Ve Ticaret
 Anonim Şirketi
 15 Temmuz Mah., Cami Yolu Cad. No.50,
 Gunesli / Bagcilar, Istanbul, Türkiye

(770) World Medicine Limited
Commonwealth Trust Limited, Drake
Chambers, Tortola, Virgin Islands (British)
(580) 2023 05 10

(111) M 2009 19469 R
(732) World Medicine İlaç Sanayi Ve Ticaret
Anonim Şirketi
15 Temmuz Mah., Cami Yolu Cad. No.50,
Gunesli / Bağcılar, İstanbul, Türkiye
(770) Rotapharm Limited
Graund Flori, Ged Hauzi, Arkadia Aveniu,
Finchli, Londoni N3 2JU, United Kingdom
(580) 2023 05 01

(111) M 2009 19470 R
(732) World Medicine İlaç Sanayi Ve Ticaret
Anonim Şirketi
15 Temmuz Mah., Cami Yolu Cad. No.50,
Gunesli / Bağcılar, İstanbul, Türkiye
(770) Rotapharm Limited
Graund Flori, Ged Hauzi, Arkadia Aveniu,
Finchli, Londoni N3 2JU, United Kingdom
(580) 2023 05 01

(111) M 2010 20165 R
(732) World Medicine İlaç Sanayi Ve Ticaret
Anonim Şirketi
15 Temmuz Mah., Cami Yolu Cad. No.50,
Gunesli / Bağcılar, İstanbul, Türkiye
(770) LTD "Globalpharm"
Tamar Mepe Av. 7/13, 0112, Tbilisi, Georgia
(580) 2023 04 27

(111) M 2010 20169 R
(732) World Medicine İlaç Sanayi Ve Ticaret
Anonim Şirketi
15 Temmuz Mah., Cami Yolu Cad. No.50,
Gunesli / Bağcılar, İstanbul, Türkiye
(770) LTD "Globalpharm"
Tamar Mepe Av. 7/13, 0112, Tbilisi, Georgia
(580) 2023 04 27

(111) M 2010 20170 R
(732) World Medicine İlaç Sanayi Ve Ticaret
Anonim Şirketi
15 Temmuz Mah., Cami Yolu Cad. No.50,
Gunesli / Bağcılar, İstanbul, Türkiye
(770) LTD "Globalpharm"
Tamar Mepe Av. 7/13, 0112, Tbilisi, Georgia
(580) 2023 04 27

(111) M 2010 20173 R
(732) World Medicine İlaç Sanayi Ve Ticaret
Anonim Şirketi
15 Temmuz Mah., Cami Yolu Cad. No.50,
Gunesli / Bağcılar, İstanbul, Türkiye
(770) LTD "Globalpharm"
Tamar Mepe Av. 7/13, 0112, Tbilisi, Georgia
(580) 2023 04 27

(111) M 2010 20175 R
(732) World Medicine İlaç Sanayi Ve Ticaret
Anonim Şirketi
15 Temmuz Mah., Cami Yolu Cad. No.50,
Gunesli / Bağcılar, İstanbul, Türkiye
(770) LTD "Globalpharm"
Tamar Mepe Av. 7/13, 0112, Tbilisi, Georgia
(580) 2023 04 27

(111) M 2010 20176 R
(732) World Medicine İlaç Sanayi Ve Ticaret
Anonim Şirketi
15 Temmuz Mah., Cami Yolu Cad. No.50,
Gunesli / Bağcılar, İstanbul, Türkiye
(770) LTD "Globalpharm"
Tamar Mepe Av. 7/13, 0112, Tbilisi, Georgia
(580) 2023 04 27

(111) M 2011 21080 R
(732) World Medicine İlaç Sanayi Ve Ticaret
Anonim Şirketi
15 Temmuz Mah., Cami Yolu Cad. No.50,
Gunesli / Bağcılar, İstanbul, Türkiye
(770) LTD "Globalpharm"
Tamar Mepe Av. 7/13, 0112, Tbilisi, Georgia
(580) 2023 04 27

(111) M 2010 20177 R
(732) World Medicine İlaç Sanayi Ve Ticaret
Anonim Şirketi
15 Temmuz Mah., Cami Yolu Cad. No.50,
Gunesli / Bağcılar, İstanbul, Türkiye
(770) LTD "Globalpharm"
Tamar Mepe Av. 7/13, 0112, Tbilisi, Georgia
(580) 2023 04 27

(111) M 2010 20178 R
(732) World Medicine İlaç Sanayi Ve Ticaret
Anonim Şirketi
15 Temmuz Mah., Cami Yolu Cad. No.50,
Gunesli / Bağcılar, İstanbul, Türkiye
(770) LTD "Globalpharm"
Tamar Mepe Av. 7/13, 0112, Tbilisi, Georgia
(580) 2023 04 27

(111) M 2010 20179 R
(732) World Medicine İlaç Sanayi Ve Ticaret
Anonim Şirketi
15 Temmuz Mah., Cami Yolu Cad. No.50,
Gunesli / Bağcılar, İstanbul, Türkiye
(770) LTD "Globalpharm"
Tamar Mepe Av. 7/13, 0112, Tbilisi, Georgia
(580) 2023 04 27

(111) M 2010 20192 R
(732) World Medicine İlaç Sanayi Ve Ticaret
Anonim Şirketi
15 Temmuz Mah., Cami Yolu Cad. No.50,
Gunesli / Bağcılar, İstanbul, Türkiye
(770) LTD "Globalpharm"
Tamar Mepe Av. 7/13, 0112, Tbilisi, Georgia
(580) 2023 04 28

(111) M 2010 20180 R
(732) World Medicine İlaç Sanayi Ve Ticaret
Anonim Şirketi
15 Temmuz Mah., Cami Yolu Cad. No.50,
Gunesli / Bağcılar, İstanbul, Türkiye
(770) LTD "Globalpharm"
Tamar Mepe Av. 7/13, 0112, Tbilisi, Georgia
(580) 2023 04 27

(111) M 2010 20193 R
(732) World Medicine İlaç Sanayi Ve Ticaret
Anonim Şirketi
15 Temmuz Mah., Cami Yolu Cad. No.50,
Gunesli / Bağcılar, İstanbul, Türkiye
(770) LTD "Globalpharm"
Tamar Mepe Av. 7/13, 0112, Tbilisi, Georgia
(580) 2023 04 28

(111) M 2010 20181 R
(732) World Medicine İlaç Sanayi Ve Ticaret
Anonim Şirketi
15 Temmuz Mah., Cami Yolu Cad. No.50,
Gunesli / Bağcılar, İstanbul, Türkiye
(770) LTD "Globalpharm"
Tamar Mepe Av. 7/13, 0112, Tbilisi, Georgia
(580) 2023 04 27

(111) M 2010 20195 R
(732) World Medicine İlaç Sanayi Ve Ticaret
Anonim Şirketi
15 Temmuz Mah., Cami Yolu Cad. No.50,
Gunesli / Bağcılar, İstanbul, Türkiye
(770) LTD "Globalpharm"
Tamar Mepe Av. 7/13, 0112, Tbilisi, Georgia
(580) 2023 04 28

(111) M 2010 20182 R
(732) World Medicine İlaç Sanayi Ve Ticaret
Anonim Şirketi
15 Temmuz Mah., Cami Yolu Cad. No.50,
Gunesli / Bağcılar, İstanbul, Türkiye
(770) LTD "Globalpharm"
Tamar Mepe Av. 7/13, 0112, Tbilisi, Georgia
(580) 2023 04 27

(111) M 2010 20317 R
(732) World Medicine İlaç Sanayi Ve Ticaret
Anonim Şirketi
15 Temmuz Mah., Cami Yolu Cad. No.50,
Gunesli / Bağcılar, İstanbul, Türkiye
(770) LTD "Globalpharm"
Tamar Mepe Av. 7/13, 0112, Tbilisi, Georgia
(580) 2023 04 28

(111) M 2010 20188 R
(732) World Medicine İlaç Sanayi Ve Ticaret
Anonim Şirketi
15 Temmuz Mah., Cami Yolu Cad. No.50,
Gunesli / Bağcılar, İstanbul, Türkiye
(770) LTD "Globalpharm"
Tamar Mepe Av. 7/13, 0112, Tbilisi, Georgia
(580) 2023 04 27

(111) M 2010 20318 R
(732) World Medicine İlaç Sanayi Ve Ticaret
Anonim Şirketi
15 Temmuz Mah., Cami Yolu Cad. No.50,
Gunesli / Bağcılar, İstanbul, Türkiye
(770) LTD "Globalpharm"
Tamar Mepe Av. 7/13, 0112, Tbilisi, Georgia
(580) 2023 04 28

(111) M 2010 20190 R
(732) World Medicine İlaç Sanayi Ve Ticaret
Anonim Şirketi
15 Temmuz Mah., Cami Yolu Cad. No.50,
Gunesli / Bağcılar, İstanbul, Türkiye
(770) LTD "Globalpharm"
Tamar Mepe Av. 7/13, 0112, Tbilisi, Georgia
(580) 2023 04 27

(111) M 2010 20319 R
(732) World Medicine İlaç Sanayi Ve Ticaret
Anonim Şirketi
15 Temmuz Mah., Cami Yolu Cad. No.50,
Gunesli / Bağcılar, İstanbul, Türkiye
(770) LTD "Globalpharm"
Tamar Mepe Av. 7/13, 0112, Tbilisi, Georgia
(580) 2023 04 28

(111) M 2010 20322 R
(732) World Medicine İlaç Sanayi Ve Ticaret
Anonim Şirketi
15 Temmuz Mah., Cami Yolu Cad. No.50,
Gunesli / Bağcılar, İstanbul, Türkiye
(770) LTD "Globalpharm"
Tamar Mepe Av. 7/13, 0112, Tbilisi, Georgia
(580) 2023 04 28

(111) M 2010 20323 R
(732) World Medicine İlaç Sanayi Ve Ticaret
Anonim Şirketi
15 Temmuz Mah., Cami Yolu Cad. No.50,
Gunesli / Bağcılar, İstanbul, Türkiye
(770) LTD "Globalpharm"
Tamar Mepe Av. 7/13, 0112, Tbilisi, Georgia
(580) 2023 04 28

(111) M 2010 20325 R
(732) World Medicine İlaç Sanayi Ve Ticaret
Anonim Şirketi
15 Temmuz Mah., Cami Yolu Cad. No.50,
Gunesli / Bağcılar, İstanbul, Türkiye
(770) LTD "Globalpharm"
Tamar Mepe Av. 7/13, 0112, Tbilisi, Georgia
(580) 2023 04 28

(111) M 2010 20327 R
(732) World Medicine İlaç Sanayi Ve Ticaret
Anonim Şirketi
15 Temmuz Mah., Cami Yolu Cad. No.50,
Gunesli / Bağcılar, İstanbul, Türkiye
(770) LTD "Globalpharm"
Tamar Mepe Av. 7/13, 0112, Tbilisi, Georgia
(580) 2023 04 28

(111) M 2010 20981 R
(732) World Medicine İlaç Sanayi Ve Ticaret
Anonim Şirketi
15 Temmuz Mah., Cami Yolu Cad. No.50,
Gunesli / Bağcılar, İstanbul, Türkiye
(770) Rotapharm Limited
48 Quenn Anne Street, London W1G9JJ,
United Kingdom
(580) 2023 05 01

(111) M 2011 21172 R
(732) World Medicine İlaç Sanayi Ve Ticaret
Anonim Şirketi
15 Temmuz Mah., Cami Yolu Cad. No.50,
Gunesli / Bağcılar, İstanbul, Türkiye
(770) LTD "Globalpharm"
Tamar Mepe Av. 7/13, 0112, Tbilisi, Georgia

(580) 2023 04 28

(111) M 2011 21175 R
(732) World Medicine İlaç Sanayi Ve Ticaret
Anonim Şirketi
15 Temmuz Mah., Cami Yolu Cad. No.50,
Gunesli / Bağcılar, İstanbul, Türkiye
(770) LTD "Globalpharm"
Tamar Mepe Av. 7/13, 0112, Tbilisi, Georgia
(580) 2023 04 28

(111) M 2011 21177 R
(732) World Medicine İlaç Sanayi Ve Ticaret
Anonim Şirketi
15 Temmuz Mah., Cami Yolu Cad. No.50,
Gunesli / Bağcılar, İstanbul, Türkiye
(770) LTD "Globalpharm"
Tamar Mepe Av. 7/13, 0112, Tbilisi, Georgia
(580) 2023 04 28

(111) M 2011 21182 R
(732) World Medicine İlaç Sanayi Ve Ticaret
Anonim Şirketi
15 Temmuz Mah., Cami Yolu Cad. No.50,
Gunesli / Bağcılar, İstanbul, Türkiye
(770) LTD "Globalpharm"
Tamar Mepe Av. 7/13, 0112, Tbilisi, Georgia
(580) 2023 04 28

(111) M 2011 21521 R
(732) World Medicine İlaç Sanayi Ve Ticaret
Anonim Şirketi
15 Temmuz Mah., Cami Yolu Cad. No.50,
Gunesli / Bağcılar, İstanbul, Türkiye
(770) LTD "Globalpharm"
Tamar Mepe Av. 7/13, 0112, Tbilisi, Georgia
(580) 2023 04 28

(111) M 2011 21527 R
(732) World Medicine İlaç Sanayi Ve Ticaret
Anonim Şirketi
15 Temmuz Mah., Cami Yolu Cad. No.50,
Gunesli / Bağcılar, İstanbul, Türkiye
(770) LTD "Globalpharm"
Tamar Mepe Av. 7/13, 0112, Tbilisi, Georgia
(580) 2023 04 28

(111) M 2011 21691 R
(732) World Medicine İlaç Sanayi Ve Ticaret
Anonim Şirketi
15 Temmuz Mah., Cami Yolu Cad. No.50,
Gunesli / Bağcılar, İstanbul, Türkiye

(770) LTD "Globalpharm"
Tamar Mepe Av. 7/13, 0112, Tbilisi, Georgia
(580) 2023 04 28

(111) M 2011 21742 R
(732) World Medicine İlaç Sanayi Ve Ticaret
Anonim Şirketi
15 Temmuz Mah., Cami Yolu Cad. No.50,
Gunesli / Bagcilar, Istanbul, Türkiye
(770) LTD "Globalpharm"
Tamar Mepe Av. 7/13, 0112, Tbilisi, Georgia
(580) 2023 04 28

(111) M 2011 21743 R
(732) World Medicine İlaç Sanayi Ve Ticaret
Anonim Şirketi
15 Temmuz Mah., Cami Yolu Cad. No.50,
Gunesli / Bagcilar, Istanbul, Türkiye
(770) LTD "Globalpharm"
Tamar Mepe Av. 7/13, 0112, Tbilisi, Georgia
(580) 2023 04 28

(111) M 2012 22206 R
(732) World Medicine İlaç Sanayi Ve Ticaret
Anonim Şirketi
15 Temmuz Mah., Cami Yolu Cad. No.50,
Gunesli / Bagcilar, Istanbul, Türkiye
(770) Rotapharm Limited
Commonwealth Trust Limited, Drake
Chambers, Tortola, Virgin Islands (British)
(580) 2023 04 27

(111) M 2012 22454 R
(732) World Medicine İlaç Sanayi Ve Ticaret
Anonim Şirketi
15 Temmuz Mah., Cami Yolu Cad. No.50,
Gunesli / Bagcilar, Istanbul, Türkiye
(770) Rotapharm Limited
Commonwealth Trust Limited, Drake
Chambers, Tortola, Virgin Islands (British)
(580) 2023 04 27

(111) M 2013 23719 R
(732) LLC "Balge International"
Police St., I Lane 5, fl. 2, ap. 4a, Samgori
District, Tbilisi, Georgia
(770) LLC "BALDOSI"
Airport Settlements, bld. 130, ap. 12, Tbilisi,
Georgia
(580) 2023 05 19

(111) M 2013 23691 R
(732) Irakli Manelidze
Avto Varazi St. 64, ap. 9, Tbilisi, Georgia
(770) Irakli Manelidze
Dighomi, II qu., bld 11, ap. 67, Tbilisi,
Georgia
(580) 2023 05 08

(111) M 2015 26056 R
(732) Merck Sharp & Dohme LLC
126 East Lincoln Ave., P.O.Box 2000,
Rahway, New Jersey 07065, USA
(770) Merck Sharp & Dohme Corp.
One Merc Drive, Whitehouse Station,
New Jersey, 08889, USA
(580) 2023 05 11

(111) M 1996 3017 R
(732) A. Nattermann & Cie. GmbH
Brüningstrasse 50, 65929 Frankfurt am Main,
Germany
(770) Sanofi-Aventis Deutschland GmbH
Brueningstrasse 50, D-65926 Frankfurt
am Main, Germany
(580) 2023 04 11

(111) M 2018 30311 R
(732) A. Nattermann & Cie. GmbH
Brueningstrasse 50, D-65926 Frankfurt
am Main, Germany
(770) Sanofi-Aventis Deutschland GmbH
Brüningstrasse 50, 65926 Frankfurt am Main,
Germany
(580) 2023 04 11

(111) M 2019 31410 R
(732) World Medicine İlaç Sanayi Ve Ticaret
Anonim Şirketi
15 Temmuz Mah., Cami Yolu Cad. No.50,
Gunesli / Bagcilar, Istanbul, Türkiye
(770) LTD "Globalpharm"
Almasiani St. 13a/Berbuti St. 8, 0171,
Tbilisi, Georgia
(580) 2023 04 28

(111) M 2019 31411 R
(732) World Medicine İlaç Sanayi Ve Ticaret
Anonim Şirketi
15 Temmuz Mah., Cami Yolu Cad. No.50,
Gunesli / Bagcilar, Istanbul, Türkiye

(770) LTD "Globalpharm"
Almasiani St. 13a/Berbuti St. 8, 0171,
Tbilisi, Georgia
(580) 2023 04 28

(111) M 2019 31295 R
(732) World Medicine İlaç Sanayi Ve Ticaret
Anonim Şirketi
15 Temmuz Mah., Cami Yolu Cad. No.50,
Gunesli / Bağcılar, İstanbul, Türkiye
(770) LTD "Globalpharm"
Almasiani St. 13a/Berbuti St. 8, 0171,
Tbilisi, Georgia
(580) 2023 04 28

CHANGES OF NAMES AND/OR ADDRESSES OF TRADEMARKS OWNERS

(111) M 2022 35638 R
(732) Netis Technology Co., LTD.
1F Factory Building, No.6 Tongjiu Road,
Pingxiang Economic and Technological
Development District, Pingxiang, Jiangxi,
China
(770) Pingxiang Netis Technology Co., LTD.
1F Factory Building, No.6 Tongjiu Road,
Pingxiang Economic and Technological
development district, Pingxiang, Jiangxi,
China
(580) 2023 05 20

(111) M 1997 7023 R
(732) Societe BIC
12-22 boulevard Victor Hugo, 92110 Clichy,
France
(770) Societe BIC
14 rue Jeanne d'Asnieres, 92110 Clichy,
France
(580) 2023 05 08

(111) M 2023 36423 R
(732) Avaya Inc.
350 Mt. Kembel Aveniu Moristaun, Niu-jersi
07960, USA
(770) Avaya Inc.
2605 Meridian Parkway, Suite 200, Durham,
North Carolina 27713, USA
(580) 2023 05 03

(111) M 2023 36424 R
(732) Avaya Inc.
350 Mt. Kemble Avenue Morristown,
New Jersey 07960, USA
(770) Avaya Inc.
2605 Meridian Parkway, Suite 200, Durham,
North Carolina 27713, USA
(580) 2023 05 03

(111) M 2023 36695 R
(732) Avaya Inc.
350 Mt. Kemble Avenue Morristown,
New Jersey 07960, USA
(770) Avaya Inc.
2605 Meridian Parkway, Suite 200, Durham,
North Carolina 27713, USA
(580) 2023 05 03

(111) M 2023 36785 R
(732) Avaya Inc.
350 Mt. Kemble Avenue Morristown,
New Jersey 07960, USA
(770) Avaya Inc.
2605 Meridian Parkway, Suite 200, Durham,
North Carolina 27713, USA
(580) 2023 05 03

(111) M 1998 11222 R
(732) Havana Club Holding S.A.
5 Place de la Gare, L-1616 Luxembourg,
Luxembourg
(770) Havana Club Holding S.A.

5, rue Eugene Ruppert, 2453 Luxembourg,
Luxembourg
(580) 2023 05 01

(111) M 2001 13991 R
(732) Avaya Inc.
350 Mt. Kemble Avenue Morristown,
New Jersey 07960, USA
(770) Avaya Inc.
2605 Meridian Parkway, Suite 200, Durham,
North Carolina 27713, USA
(580) 2023 05 03

(111) M 2001 13993 R
(732) Avaya Inc.
350 Mt. Kemble Avenue Morristown,
New Jersey 07960, USA
(770) Avaya Inc.
2605 Meridian Parkway, Suite 200, Durham,
North Carolina 27713, USA
(580) 2023 05 03

(111) M 1996 2043 R
(732) Technicolor USA, Inc.
8921 Lindblade Street, Culver City,
CA 90232, USA
(770) Technicolor USA, Inc.
101 W. 103rd Street, Indianapolis, Indiana
46290, USA
(580) 2023 05 03

(111) M 2002 14801 R
(732) Osotspa Public Company Limited
348 Ramkhamhaeng Road, Huamak,
Bangkapi, Bangkok 10240, Thailand
(770) Osotspa Co., LTD.
348 Ramkhamhaeng Road, Huamak,
Bangkapi, Bangkok 10240, Thailand
(580) 2023 05 03

(111) M 2002 14802 R
(732) Osotspa Public Company Limited
348 Ramkhamhaeng Road, Huamak,
Bangkapi, Bangkok 10240, Thailand
(770) Osotspa Co., LTD.
348 Ramkhamhaeng Road, Huamak,
Bangkapi, Bangkok 10240, Thailand
(580) 2023 05 03

(111) M 2003 14936 R
(732) Fram Group IP LLC
127 Public Square, Suite 5300, Cleveland,
Ohio 44114, USA

(770) Fram Group IP LLC
39 Old Ridgebury Road, Danbury,
Connecticut 06810-5109, USA
(580) 2023 05 24

(111) M 2003 14867 R
(732) Church & Dwight Co., Inc.
500 Charles Ewing Boulevard, Ewing, New
Jersey, 08628, USA
(770) Church & Dwight Co., Inc.
469 North Harrison Street, Princeton,
New Jersey 08543, USA
(580) 2023 04 27

(111) M 2008 18739 R
(732) Niterra Co., LTD.
1-1-1, Higashisakura, Higashi-ku, Nagoya-shi,
Japan
(770) Ngk Spark Plug Co., LTD.
1-1-1, Higashisakura, Higashi-ku, Nagoya-shi,
Japan
(580) 2023 05 29

(111) M 2008 18916 R
(732) Niterra Co., LTD.
1-1-1, Higashisakura, Higashi-ku, Nagoya-shi,
Japan
(770) NGK Spark Plug Co., LTD
1-1-1, Higashisakura, Higashi-ku, Nagoya-shi,
Japan
(580) 2023 05 29

(111) M 2009 19420 R
(732) Nitera Co., LTD.
1-1-1, Higashisakura, Higashi-ku, Nagoya-shi,
Japan
(770) NGK Spark Plug Co., LTD
1-1-1, Higashisakura, Higashi-ku, Nagoya-shi,
Japan
(580) 2023 05 29

(111) M 2009 19421 R
(732) Niterra Co., LTD.
1-1-1, Higashisakura, Higashi-ku, Nagoya-shi,
Japan
(770) NGK Spark Plug Co., LTD
1-1-1, Higashisakura, Higashi-ku, Nagoya-shi,
Japan
(580) 2023 05 29

(111) M 2009 19476 R
(732) Niterra Co., LTD.
1-1-1, Higashisakura, Higashi-ku, Nagoya-shi,
Japan

(770) NGK Spark Plug Co., LTD
1-1-1, Higashisakura, Higashi-ku, Nagoya-shi,
Japan
(580) 2023 05 29

(111) M 2009 19531 R
(732) Niterra Co., LTD.
1-1-1, Higashisakura, Higashi-ku, Nagoya-shi,
Japan
(770) NGK Spark Plug Co., LTD
1-1-1, Higashisakura, Higashi-ku, Nagoya-shi,
Japan
(580) 2023 05 29

(111) M 2009 19532 R
(732) Niterra Co., LTD.
1-1-1, Higashisakura, Higashi-ku, Nagoya-shi,
Japan
(770) NGK Spark Plug Co., LTD
1-1-1, Higashisakura, Higashi-ku, Nagoya-shi,
Japan
(580) 2023 05 29

(111) M 2009 19817 R
(732) Havana Club Holding S.A.
5 Place de la Gare, L-1616 Luxembourg,
Luxembourg
(770) Havana Club Holding S.A.
5, rue Eugene Ruppert, 2453 Luxembourg,
Luxembourg
(580) 2023 05 01

(111) M 2009 19733 R
(732) Niterra Co., LTD.
1-1-1, Higashisakura, Higashi-ku, Nagoya-shi,
Japan
(770) NGK Spark Plug Co., LTD
1-1-1, Higashisakura, Higashi-ku, Nagoya-shi,
Japan
(580) 2023 05 29

(111) M 2009 19930 R
(732) Niterra Co., LTD.
1-1-1, Higashisakura, Higashi-ku, Nagoya-shi,
Japan
(770) NGK Spark Plug Co., LTD
1-1-1, Higashisakura, Higashi-ku, Nagoya-shi,
Japan
(580) 2023 05 29

(111) M 2009 19735 R
(732) Niterra Co., LTD.
1-1-1, Higashisakura, Higashi-ku, Nagoya-shi,
Japan

(770) NGK Spark Plug Co., LTD
1-1-1, Higashisakura, Higashi-ku, Nagoya-shi,
Japan
(580) 2023 05 29

(111) M 1996 3234 R
(732) Societe BIC
12-22 boulevard Victor Hugo, 92110 clichy,
France
(770) Societe BIC
14 rue Jeanne d'Asnieres, 92110 Clichy,
France
(580) 2023 05 08

(111) M 1996 3235 R
(732) Societe BIC
12-22 boulevard Victor Hugo, 92110 Clichy,
France
(770) Societe BIC
14 rue Jeanne d'Asnieres, 92110 Clichy,
France
(580) 2023 05 08

(111) M 1996 3236 R
(732) Societe BIC
12-22 boulevard Victor Hugo, 92110 Clichy,
France
(770) Societe BIC
14 rue Jeanne d'Asnieres, 92110 Clichy,
France
(580) 2023 05 08

(111) M 2012 23079 R
(732) The Hercules Tire & Rubber Company,
a Connecticut corporation
12200 Herbert Wayne Court, Suite 150,
Huntersville, North Carolina 28078, USA
(770) The Hercules Tire & Rubber Company,
a Connecticut corporation
16380 U.S. Route 224 East, suite 200,
Findlay, OH 4580, USA
(580) 2023 05 10

(111) M 2012 23127 R
(732) The North Face Apparel Corp.
3411 Silverside Road, Willmington,
Delaware 19810, USA
(770) The North Face Apparel Corp.
3411 Silverside Road, Hanby 200,
Willmington, DE 19810, USA
(580) 2023 05 29

(111) M 2012 23128 R
(732) The North Face Apparel Corp.
3411 Silverside Road, Willmington,
Delaware 19810, USA
(770) The North Face Apparel Corp.
3411 Silverside Road, Hanby 200,
Willmington, DE 19810, USA
(580) 2023 05 29

(111) M 2012 23129 R
(732) The North Face Apparel Corp.
3411 Silverside Road, Willmington,
Delaware 19810, USA
(770) The North Face Apparel Corp.
3411 Silverside Road, Hanby 200,
Willmington, DE 19810, USA
(580) 2023 05 29

(111) M 2012 23130 R
(732) The North Face Apparel Corp.
3411 Silverside Road, Willmington,
Delaware 19810, USA
(770) The North Face Apparel Corp.
3411 Silverside Road, Hanby 200,
Willmington, DE 19810, USA
(580) 2023 05 29

(111) M 2012 23131 R
(732) The North Face Apparel Corp.
3411 Silverside Road, Willmington,
Delaware 19810, USA
(770) The North Face Apparel Corp.
3411 Silverside Road, Hanby 200,
Willmington, DE 19810, USA
(580) 2023 05 29

(111) M 1996 2420 R
(732) Niterra Co., LTD.
1-1-1, Higashisakura, Higashi-ku,
Nagoya-shi, Japan
(770) NGK Spark Plug Co., LTD
1-1-1, Higashisakura, Higashi-ku, Nagoya-shi,
Japan
(580) 2023 05 29

(111) M 2013 23671 R
(732) Caterpillar Global Mining LLC
875 W. Cushing St., Tucson, AZ 85745,
USA
(770) Caterpillar Global Mining LLC
6744 South Howell, South Milwaukee,
Wisconsin 53172-0500, USA
(580) 2023 04 26

(111) M 2013 23672 R
(732) Caterpillar Global Mining LLC
875 W. Cushing St., Tucson, AZ 85745, USA
(770) Caterpillar Global Mining LLC
6744 South Howell, South Milwaukee,
Wisconsin 53172-0500, USA
(580) 2023 04 26

(111) M 2013 23450 R
(732) Bionime Corporation
No. 100, Sec. 2, Daqing St., South Dist.,
Taichung City 40242, Taiwan, Province
of China
(770) Bionime Corporation
694 Renhua road, Dali Dist., Taichung City
412, Taiwan, Province of China
(580) 2023 03 13

(111) M 2013 23897 R
(732) KYB Corporation
4-1, Hamamatsu-Cho 2-Chome, Minato-Ku,
Tokyo, Japan
(770) KYB Corporation
World Trade Center Bldg., 4-1, Hamamatsu-
Cho 2-Chome, Minato-Ku, Tokyo, Japan
(580) 2023 04 25

(111) M 2013 24362 R
(732) Transatlantic Holdings Inc.
18th Floor, One Liberty Plaza, 165 Broadway,
New York, NY 10006, USA
(770) Transatlantic Holdings Inc.
80 Pine Street, New-York, NY 10005, USA
(580) 2023 05 22

(111) M 2013 24363 R
(732) Transatlantic Holdings Inc.
18th Floor, One Liberty Plaza, 165 Broadway,
New York, NY 10006, USA
(770) Transatlantic Holdings Inc.
80 Pine Street, New-York, NY 10005, USA
(580) 2023 05 22

(111) M 2016 26650 R
(732) Société BIC
12-22 boulevard Victor Hugo, 92110 Clichy,
France
(770) Société BIC
14, Rue Jeanne D'Asnières, Clichy 92110,
France
(580) 2023 05 08

(111) M 2015 26207 R

(732) Niterra Co., LTD.

1-1-1, Higashisakura, Higashi-ku, Nagoya-shi,
Japan

(770) NGK Spark Plug Co., LTD.

1-1-1, Higashisakura, Higashi-ku, Nagoya-shi,
Japan

(580) 2023 05 29

(111) M 2015 26124 R

(732) Niterra Co., LTD.

1-1-1, Higashisakura, Higashi-ku, Nagoya-shi,
Japan

(770) NGK Spark Plug Co., LTD.

1-1-1, Higashisakura, Higashi-ku, Nagoya-shi,
Japan

(580) 2023 05 29

(111) M 2018 30096 R

(732) Avaya Inc.

350 Mt. Kemble Avenue Morristown,
New Jersey 07960, USA

(770) Avaya Inc.

2605 Meridian Parkway, Suite 200, Durham,
North Carolina 27713, USA

(580) 2023 05 03

CANCELLATION OF TRADEMARKS REGISTRATION

<p>(111) M 2002 14786 R (151) 2002 11 15 (732) Harrington Development Inc. Elivira Mendez Street, Valerino Bldg, 3rd Floor, Panama, Republic of Panama (141) 2023 06 01</p> <hr/>	<p>Restaurants - EM/Group" Marshall Gelovani Av. 2, 5th floor, 0159, Tbilisi, Georgia (141) 2023 05 31</p> <hr/>
<p>(111) M 2002 14789 R (151) 2002 11 15 (732) Balkanfarma Trojan ad "Krajrechna" 1, Trojan 5600 , Bulgaria (141) 2023 05 25</p> <hr/>	<p>(111) M 2012 23068 R (151) 2012 11 12 (732) JSC "Management Group of Hotels and Restaurants - EM/Group" Marshall Gelovani Av. 2, 5th floor, 0159, Tbilisi, Georgia (141) 2023 05 31</p> <hr/>
<p>(111) M 2002 14790 R (151) 2002 11 15 (732) Eminence Speaker, LLC P.O. Box 360, 838 Mulberry Pike, Eminence, KY 40019-0360 , USA (141) 2023 05 25</p> <hr/>	<p>(111) M 2012 23069 R (151) 2012 11 12 (732) JSC "Management Group of Hotels and Restaurants - EM/Group" Marshall Gelovani Av. 2, 5th floor, 0159, Tbilisi, Georgia (141) 2023 05 31</p> <hr/>
<p>(111) M 2002 14799 R (151) 2002 11 15 (732) EGIS Gyógyszergyár Nyilvánosan Működő Részvénytársaság 30-38, Keresztúri út., H-1106, Budapest , Hungary (141) 2023 05 25</p> <hr/>	<p>(111) M 2012 23070 R (151) 2012 11 12 (732) JSC "Management Group of Hotels and Restaurants - EM/Group" Marshall Gelovani Av. 2, 5th floor, 0159, Tbilisi, Georgia (141) 2023 05 31</p> <hr/>
<p>(111) M 2012 23065 R (151) 2012 11 12 (732) JSC "Management Group of Hotels and Restaurants - EM/Group" Marshall Gelovani Av. 2, 5th floor, 0159, Tbilisi, Georgia (141) 2023 05 31</p> <hr/>	<p>(111) M 2012 23071 R (151) 2012 11 12 (732) LLC Miso "Mo Money Credit" Gamsakhurdia St., Lane 4, 1th floor, ap. 4, 0171, Tbilisi, Georgia (141) 2023 05 30</p> <hr/>
<p>(111) M 2012 23066 R (151) 2012 11 12 (732) JSC "Management Group of Hotels and Restaurants - EM/Group" Marshall Gelovani Av. 2, 5th floor, 0159, Tbilisi, Georgia (141) 2023 05 31</p> <hr/>	<p>(111) M 2012 23072 R (151) 2012 11 12 (732) JSC "G-P-C" Sanapiro St. 6, 0108, Old Tbilisi District, Tbilisi, Georgia (141) 2023 05 30</p> <hr/>
<p>(111) M 2012 23067 R (151) 2012 11 12 (732) JSC "Management Group of Hotels and</p>	<p>(111) M 2012 23073 R (151) 2012 11 12 (732) LLC "Pharmaceutical House +" Lviv St. 92, Tbilisi, Georgia (141) 2023 05 30</p> <hr/>

(111) M 2012 23074 R
(151) 2012 11 12
(732) Pro Bono Bio Entrepreneur Limited
4 th Floor, Reading Bridge House,
georg Street, Reading, Berkshire RG1 8LS,
United Kingdom
(141) 2023 05 25

(111) M 2012 23075 R
(151) 2012 11 12
(732) Pro Bono Bio Entrepreneur Limited
4 th Floor, Reading Bridge House,
georg Street, Reading, Berkshire RG1 8LS,
United Kingdom
(141) 2023 05 25

(111) M 2012 23080 R
(151) 2012 11 12
(732) Sony Interactive Entertainment Inc.
1-7-1 Konan, Minato-ku, Tokyo, Japan
(141) 2023 05 31

(111) M 2012 23086 R
(151) 2012 11 19
(732) LLC "Georgia Perfumery"
Vazha-Pshavela St. 27, 4600, Kutaisi, Georgia
(141) 2023 05 30

(111) M 2012 23084 R
(151) 2012 11 13
(732) LLC "AS Georgia"
Vazisubani, IV m/r, II qu., bld. 9, ap. 83, 0152,
Tbilisi, Georgia
(141) 2023 05 31

CORRECTION OF PUBLISHED INFORMATION

(800) 1587376
(260) AM 2023 112746 A
(210) AM 112746
(220) 2021 04 30
(731) Hyundai Motor Company 12, Heolleung-ro, Seocho-gu, Seoul, Republic of Korea
Class: 36

CLASSIFICATION INDEXES

INVENTIONS

CONCORDANCE TABLE OF INTERNATIONAL CLASSIFICATION INDEX AND PUBLICATION NUMBERS

INTERNATIONAL CLASSIFICATION INDEXES (51)	NUMBER OF PUBLISHED APPLICATION (10)
A 23 B 4/027; A 23 L 17/30	AP 2023 15696 A
A 61 B 17/34; A 61 B 17/32; A 61 F 2/10	AP 2023 15782 A
A 61 K 9/00; A 61 K 9/08; A 61 K 31/201; A 61 K 31/202; A 61 P 37/02; A 61 P 29/00	AP 2023 15725 A
A 61 K 31/437; A 61 P 11/00; C 07 D 513/22; C 07 D 515/22	AP 2023 15439 A
A 61 M 1/34	AP 2023 15715 A
B 61 H 1/00; F 16 D 65/06; F 16 D 69/00	AP 2023 15527 A
C 23 C 14/28 ; H 01 L 21/203	AP 2023 15728 A
C 25 D 3/04; G 01 N 27/28	AP 2023 15234 A
E 02 B 9/08; F 03 B 13/00; F 03 B 17/06; F 03 B 13/26; F 03 B 3/00	AP 2023 15430 A
F 03 B 3/00; F 03 B 3/12	AP 2023 15751 A
F 03 D 9/00	AP 2023 15961 A
G 01 J 4/00; G 01 N 21/21	AP 2023 15951 A

CONCORDANCE TABLE OF PUBLICATION NUMBERS AND INTERNATIONAL CLASSIFICATION INDEX

NUMBER OF PUBLISHED APPLICATION (10)	INTERNATIONAL CLASSIFICATION INDEXES (51)
AP 2023 15234 A	C 25 D 3/04; G 01 N 27/28
AP 2023 15430 A	E 02 B 9/08; F 03 B 13/00; F 03 B 17/06; F 03 B 13/26; F 03 B 3/00
AP 2023 15439 A	A 61 K 31/437; A 61 P 11/00; C 07 D 513/22; C 07 D 515/22
AP 2023 15527 A	B 61 H 1/00; F 16 D 65/06; F 16 D 69/00
AP 2023 15696 A	A 23 B 4/027; A 23 L 17/30
AP 2023 15715 A	A 61 M 1/34
AP 2023 15725 A	A 61 K 9/00; A 61 K 9/08; A 61 K 31/201; A 61 K 31/202; A 61 P 37/02; A 61 P 29/00
AP 2023 15728 A	C 23 C 14/28 ; H 01 L 21/203
AP 2023 15751 A	F 03 B 3/00; F 03 B 3/12
AP 2023 15782 A	A 61 B 17/34; A 61 B 17/32; A 61 F 2/10
AP 2023 15951 A	G 01 J 4/00; G 01 N 21/21
AP 2023 15961 A	F 03 D 9/00

**CONCORDANCE TABLE OF INTERNATIONAL CLASSIFICATION INDEX,
PATENT NUMBERS AND PUBLICATION NUMBERS**

INTERNATIONAL CLASSIFICATION INDEX (51)	NUMBER OF PATENT (11)	NUMBER OF PUBLISHED APPLICATION (10)
A 61 K 31/4015; A 61 K 31/4025; A 61 P 31/14; C 07 D 403/12; C 07 D 497/04; C 07 D 403/14; C 07 D 401/12; C 07 D 207/267	P 2023 7515 B	AP 2023 15794 A
A 61 K 39/395; C 07 K 16/10; C 07 K 16/00	P 2023 7513 B	AP 2023 15128 A
B 21 B 17/02; B 21 B 17/00	P 2023 7514 B	AP 2023 15906 A
F 03 B 17/02	P 2023 7512 B	AP 2023 15886 A

**CONCORDANCE TABLE OF PATENT NUMBERS,
PUBLICATION NUMBERS AND INTERNATIONAL CLASSIFICATION INDEX**

NUMBER OF PATENT (11)	NUMBER OF PUBLISHED APPLICATION (10)	INTERNATIONAL CLASSIFICATION INDEX (51)
P 2023 7512 B	AP 2023 15886 A	F 03 B 17/02
P 2023 7513 B	AP 2023 15128 A	A 61 K 39/395; C 07 K 16/10; C 07 K 16/00
P 2023 7514 B	AP 2023 15906 A	B 21 B 17/02; B 21 B 17/00
P 2023 7515 B	AP 2023 15794 A	A 61 K 31/4015; A 61 K 31/4025; A 61 P 31/14; C 07 D 403/12; C 07 D 497/04; C 07 D 403/14; C 07 D 401/12; C 07 D 207/267

**CONCORDANCE TABLE OF APPLICATION NUMBERS,
PUBLICATION NUMBERS AND PATENTS**

NUMBER OF APPLICATION (21)	NUMBER OF PUBLISHED APPLICATION (10)	NUMBER OF PATENT (11)
AP 2017 15128	AP 2023 15128 A	P 2023 7513 B
AP 2021 15794	AP 2023 15794 A	P 2023 7515 B
AP 2020 15886	AP 2023 15886 A	P 2023 7512 B
AP 2022 15906	AP 2023 15906 A	P 2023 7514 B

DESIGNS**CONCORDANCE TABLE OF INTERNATIONAL CLASSIFICATION INDEX
AND PUBLICATION NUMBERS**

INTERNATIONAL CLASSIFICATION INDEXES (51)	NUMBER OF PUBLISHED APPLICATION (10)
09-01	AD 2023 1290 S

**CONCORDANCE TABLE OF PUBLICATION NUMBERS
AND INTERNATIONAL CLASSIFICATION INDEX**

NUMBER OF PUBLISHED APPLICATION (10)	INTERNATIONAL CLASSIFICATION INDEXES (51)
AD 2023 1290 S	09-01

**CONCORDANCE TABLE OF INTERNATIONAL CLASSIFICATION INDEX,
NUMBERS OF REGISTRATION AND PUBLICATION NUMBERS**

INTERNATIONAL CLASSIFICATION INDEX (51)	NUMBER OF REGISTRATION (11)	NUMBER OF PUBLISHED APPLICATION (10)
09-01	D 2023 972 S	AD 2023 1276 S
09-01	D 2023 973 S	AD 2023 1277 S

**CONCORDANCE TABLE OF NUMBERS OF REGISTRATION,
PUBLICATION NUMBERS AND INTERNATIONAL CLASSIFICATION INDEX**

NUMBER OF REGISTRATION (11)	NUMBER OF PUBLISHED APPLICATION (10)	INTERNATIONAL CLASSIFICATION INDEX (51)
D 2023 972 S	AD 2023 1276 S	09-01
D 2023 973 S	AD 2023 1277 S	09-01

**CONCORDANCE TABLE OF APPLICATION NUMBERS,
PUBLICATION NUMBERS AND NUMBERS OF REGISTRATION**

NUMBER OF APPLICATION (21)	NUMBER OF PUBLISHED APPLICATION (10)	NUMBER OF REGISTRATION (11)
AD 2022 1276	AD 2023 1276 S	D 2023 972 S
AD 2022 1277	AD 2023 1277 S	D 2023 973 S

**DESIGNS REGISTERED ACCORDING TO THE ACCELERATED
PROCEDURE**CONCORDANCE TABLE OF INTERNATIONAL CLASSIFICATION INDEX
AND PUBLICATION NUMBERS

INTERNATIONAL CLASSIFICATION INDEXES (51)	NUMBER OF REGISTRATION (11)
01-01	D 2023 971 S

CONCORDANCE TABLE OF PUBLICATION NUMBERS
AND INTERNATIONAL CLASSIFICATION INDEX

NUMBER OF REGISTRATION (11)	INTERNATIONAL CLASSIFICATION INDEXES (51)
D 2023 971 S	01-01

CONCORDANCE TABLE OF APPLICATION NUMBERS,
PUBLICATION NUMBERS AND PATENTS

NUMBER OF APPLICATION (21)	NUMBER OF REGISTRATION (11)
AD 2023 1300	D 2023 971 S

TRADEMARKS

CONCORDANCE TABLE OF REGISTRATION NUMBERS, APPLICATION NUMBERS, PUBLICATION NUMBERS AND BULLETIN NUMBERS

NUMBER OF REGISTRATION (111)	NUMBER OF APPLICATIONS (210)	NUMBER OF PUBLISHED APPLICATIONS (260)	NUMBER OF BULLETIN
1	2	3	4
M 2023 36816 R	AM 117654	AM 2023 117654 A	1(604)2023
M 2023 36817 R	AM 122562	–	10(613)2023
M 2023 36818 R	AM 118226	AM 2023 118226 A	2(605)2023
M 2023 36819 R	AM 118227	AM 2023 118227 A	2(605)2023
M 2023 36820 R	AM 118067	AM 2022 118067 A	24(603)2022
M 2023 36821 R	AM 118392	AM 2023 118392 A	2(605)2023
M 2023 36822 R	AM 118550	AM 2023 118550 A	2(605)2023
M 2023 36823 R	AM 118548	AM 2023 118548 A	2(605)2023
M 2023 36824 R	AM 118303	AM 2023 118303 A	2(605)2023
M 2023 36825 R	AM 118477	AM 2023 118477 A	2(605)2023
M 2023 36826 R	AM 118479	AM 2023 118479 A	2(605)2023
M 2023 36827 R	AM 117414	AM 2022 117414 A	22(601)2022
M 2023 36828 R	AM 117171	AM 2022 117171 A	22(601)2022
M 2023 36829 R	AM 118537	AM 2023 118537 A	2(605)2023
M 2023 36830 R	AM 117169	AM 2022 117169 A	20(599)2022
M 2023 36831 R	AM 118141	AM 2023 118141 A	2(605)2023
M 2023 36832 R	AM 118565	AM 2023 118565 A	2(605)2023
M 2023 36833 R	AM 117432	AM 2022 117432 A	21(600)2022
M 2023 36834 R	AM 117193	AM 2022 117193 A	21(600)2022
M 2023 36835 R	AM 122561	–	10(613)2023
M 2023 36836 R	AM 122581	–	10(613)2023
M 2023 36837 R	AM 122589	–	10(613)2023
M 2023 36838 R	AM 122590	–	10(613)2023
M 2023 36839 R	AM 122591	–	10(613)2023
M 2023 36840 R	AM 122592	–	10(613)2023
M 2023 36841 R	AM 122663	–	10(613)2023
M 2023 36842 R	AM 122665	–	10(613)2023
M 2023 36843 R	AM 122673	–	10(613)2023
M 2023 36844 R	AM 118414	AM 2023 118414 A	2(605)2023
M 2023 36845 R	AM 117541	AM 2022 117541 A	22(601)2022
M 2023 36846 R	AM 118532	AM 2023 118532 A	2(605)2023
M 2023 36847 R	AM 118533	AM 2023 118533 A	2(605)2023
M 2023 36848 R	AM 118377	AM 2023 118377 A	2(605)2023
M 2023 36849 R	AM 118645	AM 2023 118645 A	2(605)2023
M 2023 36850 R	AM 118644	AM 2023 118644 A	2(605)2023
M 2023 36851 R	AM 117841	AM 2022 117841 A	24(603)2022
M 2023 36852 R	AM 117840	AM 2023 117840 A	2(605)2023
M 2023 36853 R	AM 117929	AM 2022 117929 A	24(603)2022
M 2023 36854 R	AM 114913	AM 2022 114913 A	20(599)2022
M 2023 36855 R	AM 117183	AM 2022 117183 A	21(600)2022
M 2023 36856 R	AM 118017	AM 2022 118017 A	24(603)2022
M 2023 36857 R	AM 117554	AM 2022 117554 A	22(601)2022
M 2023 36858 R	AM 118305	AM 2023 118305 A	2(605)2023
M 2023 36859 R	AM 118307	AM 2023 118307 A	2(605)2023
M 2023 36860 R	AM 118306	AM 2023 118306 A	2(605)2023
M 2023 36861 R	AM 122724	–	10(613)2023

1	2	3	4
M 2023 36862 R	AM 118293	AM 2023 118293 A	2(605)2023
M 2023 36863 R	AM 118534	AM 2023 118534 A	2(605)2023
M 2023 36864 R	AM 118535	AM 2023 118535 A	2(605)2023
M 2023 36865 R	AM 118288	AM 2023 118288 A	2(605)2023
M 2023 36866 R	AM 118289	AM 2023 118289 A	2(605)2023
M 2023 36867 R	AM 118291	AM 2023 118291 A	2(605)2023
M 2023 36868 R	AM 118290	AM 2023 118290 A	2(605)2023
M 2023 36869 R	AM 118292	AM 2023 118292 A	2(605)2023
M 2023 36870 R	AM 122735	–	10(613)2023
M 2023 36871 R	AM 122564	–	10(613)2023
M 2023 36872 R	AM 122570	–	10(613)2023
M 2023 36873 R	AM 118241	AM 2023 118241 A	2(605)2023
M 2023 36874 R	AM 118164	AM 2023 118164 A	1(604)2023
M 2023 36875 R	AM 118138	AM 2023 118138 A	1(604)2023
M 2023 36876 R	AM 118311	AM 2023 118311 A	2(605)2023
M 2023 36877 R	AM 118310	AM 2023 118310 A	2(605)2023
M 2023 36878 R	AM 118309	AM 2023 118309 A	2(605)2023
M 2023 36879 R	AM 118308	AM 2023 118308 A	2(605)2023

CONCORDANCE TABLE OF PUBLICATION NUMBERS
AND APPLICATION NUMBERS

NUMBER OF PUBLISHED APPLICATION (260)	NUMBER OF APPLICATION (210)	1	2
		1	2
AM 2023 118766 A	AM 118766	AM 2023 119897 A	AM 119897
AM 2023 119100 A	AM 119100	AM 2023 119898 A	AM 119898
AM 2023 119360 A	AM 119360	AM 2023 119906 A	AM 119906
AM 2023 119607 A	AM 119607	AM 2023 119995 A	AM 119995
AM 2023 119610 A	AM 119610	AM 2023 119996 A	AM 119996
AM 2023 119611 A	AM 119611	AM 2023 120001 A	AM 120001
AM 2023 119619 A	AM 119619	AM 2023 120042 A	AM 120042
AM 2023 119680 A	AM 119680	AM 2023 120133 A	AM 120133
AM 2023 119699 A	AM 119699	AM 2023 120149 A	AM 120149
AM 2023 119766 A	AM 119766	AM 2023 120150 A	AM 120150
AM 2023 119781 A	AM 119781	AM 2023 120166 A	AM 120166
AM 2023 119782 A	AM 119782	AM 2023 120167 A	AM 120167
AM 2023 119818 A	AM 119818	AM 2023 120168 A	AM 120168
AM 2023 119895 A	AM 119895	AM 2023 120170 A	AM 120170
AM 2023 119896 A	AM 119896	AM 2023 120238 A	AM 120238
		AM 2023 120346 A	AM 120346
		AM 2023 120347 A	AM 120347
		AM 2023 120348 A	AM 120348
		AM 2023 120356 A	AM 120356

CONCORDANCE TABLE OF INDEX OF GOODS AND/OR SERVICES
AND APPLICATION NUMBERS

INDEX OF GOODS AND/OR SERVICES (511)	NUMBER OF PUBLISHED APPLICATIONS (260)	1	2
1	2		
3	AM 2023 119607 A	33	AM 2023 119619 A
3	AM 2023 119610 A	33	AM 2023 119781 A
3	AM 2023 119611 A	33	AM 2023 119782 A
3	AM 2023 119818 A	33	AM 2023 120001 A
3	AM 2023 120238 A	33	AM 2023 120166 A
5	AM 2023 119360 A	33	AM 2023 120167 A
5	AM 2023 119607 A	33	AM 2023 120168 A
5	AM 2023 119610 A	34	AM 2023 119895 A
5	AM 2023 119611 A	34	AM 2023 119896 A
5	AM 2023 119680 A	34	AM 2023 119897 A
5	AM 2023 119906 A	34	AM 2023 119898 A
5	AM 2023 120170 A	35	AM 2023 119607 A
5	AM 2023 120346 A	35	AM 2023 119610 A
5	AM 2023 120347 A	35	AM 2023 119611 A
5	AM 2023 120348 A	35	AM 2023 119781 A
5	AM 2023 120356 A	35	AM 2023 119782 A
9	AM 2023 119607 A	35	AM 2023 119995 A
9	AM 2023 119610 A	35	AM 2023 119996 A
9	AM 2023 119611 A	35	AM 2023 120001 A
9	AM 2023 120149 A	36	AM 2023 119781 A
10	AM 2023 119607 A	36	AM 2023 119782 A
10	AM 2023 119610 A	41	AM 2023 119607 A
10	AM 2023 119611 A	41	AM 2023 119610 A
12	AM 2023 119766 A	41	AM 2023 119611 A
21	AM 2023 119607 A	42	AM 2023 119607 A
21	AM 2023 119610 A	42	AM 2023 119610 A
21	AM 2023 119611 A	42	AM 2023 119611 A
29	AM 2023 120150 A	43	AM 2023 118766 A
30	AM 2023 120042 A	43	AM 2023 119699 A
32	AM 2023 120133 A	43	AM 2023 119781 A
33	AM 2023 119100 A	43	AM 2023 119782 A
		43	AM 2023 120001 A
		44	AM 2023 119607 A
		44	AM 2023 119610 A
		44	AM 2023 119611 A

CONCORDANCE TABLE OF INDEX OF GOODS AND/OR SERVICES
AND NUMBERS OF TRADEMARKS REGISTERED ACCORDING
TO THE ACCELERATED PROCEDURE

INDEX OF GOODS AND/OR SERVICES (511)	NUMBERS OF REGISTERED ACCORDING TO THE ACCELERATED PROCEDURE (111)
5	M 2023 36836 R
5	M 2023 36837 R
5	M 2023 36838 R
5	M 2023 36839 R
5	M 2023 36840 R
5	M 2023 36842 R
6	M 2023 36871 R
9	M 2023 36817 R
9	M 2023 36835 R
9	M 2023 36872 R
11	M 2023 36841 R
25	M 2023 36861 R
30	M 2023 36836 R
31	M 2023 36836 R
35	M 2023 36872 R
36	M 2023 36872 R
39	M 2023 36872 R
41	M 2023 36872 R
42	M 2023 36817 R
42	M 2023 36835 R
42	M 2023 36872 R
43	M 2023 36843 R
43	M 2023 36870 R

OFFICIAL BULLETIN OF THE INDUSTRIAL PROPERTY

INVENTIONS
UTILITY MODELS
DESIGNS
TRADEMARKS

11(614)

EDITOR-IN-CHIEF: N. Bebrishvili

EDITOR-TRANSLATOR: E. Gabunia

PROOFREADER: A. Shixashvili

COMPUTER LAYOUT: M. Ordenidze
K. Svanidze

ISSN 2720-8486

info@sakpatenti.gov.ge
www.sakpatenti.gov.ge