

Official Bulletin of the Industrial Property

Inventions

Utility Models

Designs

Trademarks

Appellations of Origin of Goods



საქართველოს ინტელექტუალური
საკუთრების ეროვნული ცენტრი

საკპატი

SAKPATENTI

NATIONAL INTELLECTUAL PROPERTY
CENTER OF GEORGIA

www.sakpatenti.gov.ge

Date of Publication – 2021 01 25

1(557)

INID CODES FOR IDENTIFICATION OF BIBLIOGRAPHIC DATA

INVENTIONS, UTILITY MODELS

- (10) Number of publication for application, which has been examined
- (11) Number of patent and kind of document
- (21) Serial number of application
- (22) Date of filing of the application
- (23) Date of exhibition or the date of the earlier filing and the number of application, if any
- (24) Date from which patent may have effect
- (31) Number of priority application
- (32) Date of filing of priority application
- (33) Code of the country or regional organization allotting priority application number
- (44) Date of publication of application not granted, but examined and number of bulletin
- (45) Date of publication of registered document
- (51) International Patent Classification Index

- (54) Title of the invention
- (57) Abstract
- (60) Number of examined patent document granted by foreign patent office, date from which patent has effect and country code
- (62) Number of the earlier application and in case of divided application, date of filing an application
- (71) Name, surname and address of applicant (country code)
- (72) Name, surname of inventor (country code)
- (73) Name, surname and address of patent owner (country code)
- (74) Name, surname of representative or patent attorney
- (85) Date of commencement of the national phase of International Application
- (86) Number and date of filing of international application
- (87) Number and date of publication of international application
- (94) Calculated date of expiry of the SPC or the duration of the SPC

DESIGNS

- (10) Number of publication for application
- (11) Number of patent and kind of document or number of registration
- (15) Date of registration/Date of patent renewal
- (18) Expected expiration date of patent or registration
- (21) Serial number of application
- (22) Date of filing of the application
- (23) Date of exhibition or the date of the earlier filing and the number of application, if any
- (24) Date from which patent may have effect
- (28) Number of designs included in the application
- (30) Data relating to priority (number of application, date of filing of application, two-letter code identifying the authority with whom the priority application was made)
- (31) Number of priority application
- (32) Date of filing of priority application
- (33) Code of the country or regional organization allotting priority application number
- (34) Two-letter code according to WIPO St.3 identifying the authority with which the priority application was made
- (44) Date of publication of design and number of bulletin (the first publication)
- (45) Date of publication of design registered by WIPO and number of bulletin

- (51) International Classification for designs (class and subclass of the Locarno Classification)
- (54) Title of the invention
- (55) Reproduction of the design
- (57) Description of characteristic features of the design including indication of colors
- (58) Date of recording of any kind of amendment in the Register
- (62) Number of the earlier application, registration and document number and if available the date of filing an application in case of divided application
- (71) Name, surname and address of applicant (country code)
- (72) Name, surname of creator (country code)
- (73) Name, surname and address of patent owner (country code)
- (74) Name, surname of representative or patent attorney
- (81) Contracting states concerned
 - II designated contracting states according to the 1960 Act
 - III designated contracting states according to the 1999 Act
- (85) Owner's permanent address
- (86) Owner's nationality
- (87) Owner's residence
- (88) State in which the owner has a real and effective industrial or commercial establishment

TRADEMARKS

- (111) - Number of registration
- (151) - Date of registration
- (156) - Date of the renewal
- (181) - Expected expiration date of registration
- (186) - Renewal expiration date of registration
- (141) - Date of cancel of duration of the mark
- (210) - Serial number of application
- (220) - Date of filing of the application
- (230) - Data concerning exhibition
- (260) - Number of application, for which favorable decision of examination about registration has been taken (publication number)
- (310) - Number of the first application
- (320) - Date of filing of the first application
- (330) - Code, identifying national or regional Office where the first application was made
- (511) - International Classification of Goods and Services for the purposes of registration of trade marks and/or list of goods and/or services classified according thereto
- (526) - Disclaimer
- (531) - Description of figurative elements of Trade Marks according to the International Classification of the Figurative Elements of Marks

- (540) - Reproduction of Trade Mark
- (550) - Nature and kind of Trade Mark
- (551) - Indication to the effect that the mark is a collective mark, a certification mark or a guarantee mark
- (554) - Three-dimensional mark
- (580) - Date of recording of any kind changes in respect of applications or registrations
- (591) - Information concerning colors claimed
- (731) - Name and address of the applicant
- (732) - Name and address of the holder of the registration
- (740) - Name and address of the representative
- (750) - Addreses for correspondence
- (770) - Name and address of the previous applicant or holder in case of change in ownership
- (771) - Previous name and address of the applicant or holder in case of change in ownership
- (791) - Name and address of the licensee
- (793) - Indication of conditions and/or restrictions under the license (Type of license, number of license agreement, data of license, data of validity of license)
- (800) - Certain data relating to the international registration of Trade Marks under the Protocol Relating to Madrid Agreement (International registration number
- (852) - Partial cancellation of the list of goods and services
- (891) - Date of subsequent designation

CODES FOR PUBLICATION IN BULLETIN

- (21) AP 0000 000000 - serial number of application for invention
- (10) AP 0000 0000 A - number of published application for invention (first publication)
- (11) P 0000 0000 B - number of patent for invention (second publication)
- (21) API 0000 000000 - number of application for imported patent
- (11) PI 0000 0000 A - number of imported patent (first publication)
- (21) AU 0000 000000 - serial number of application for utility model
- (10) AU 0000 000 U - number of published application for utility model (first publication)
- (11) U 0000 000 Y - number of patent for utility model (second publication)
- (21) AD 0000 000000 - serial number of application for design
- (10) AD 0000 000 S - number of published application for design (first publication)
- (11) D 0000 000 S - registered design

INTERNATIONAL PATENT CLASSIFICATION FOR INVENTIONS AND UTILITY MODELS

- SECTION A - HUMAN NECESSITIES
- SECTION B - PERFORMING OPERATIONS; TRANSPORTING
- SECTION C - CHEMISTRY; METALLURGY
- SECTION D - TEXTILES; PAPER
- SECTION E - FIXED CONSTRUCTIONS
- SECTION F - MECHANICAL ENGINEERING; LIGHTING; HEATING; WEAPONS; BLASTING
- SECTION G - PHYSICS
- SECTION H - ELECTRICITY

-
- M - Trade Mark
 - (210) AM 0000 000000 - Serial number of application;
 - (260) AAM 0000 00000 A - Publication number of application;
 - (111) M 0000 00000 R - Number of registration;
 - (111) MMM0000 00000 Rn - Number of renewals, in which n=1,2,3;
 - (111) M 0000 00000 R(P) - Number of registration under partial assignment of rights
-

Official Bulletin of the Industrial Property

Inventions

Utility Models

Designs

Trademarks

Appellations of Origin of Goods

CONTENTS

PUBLISHED TITLES OF PROTECTION	3
INVENTIONS	
▪ APPLICATIONS APPROVED FOR GRANTING PATENTS	4
▪ PATENTED INVENTIONS	7
UTILITY MODELS	
▪ APPLICATION APPROVED FOR GRANTING PATENT	9
▪ PATENTED UTILITY MODELS	10
DESIGNS	
▪ DESIGNS, WHICH HAVE BEEN REGISTERED WITH THE INTERNATIONAL BUREAU CLAIMING PRIORITY ON THE TERRITORY OF GEORGIA	12
TRADEMARKS	
▪ APPLICATIONS FILED UNDER THE NATIONAL PROCEDURE APPROVED FOR REGISTRATION	19
▪ REGISTERED TRADEMARKS	33
▪ TRADEMARKS REGISTERED ACCORDING TO THE ACCELERATED PROCEDURE	38
▪ INTERNATIONAL TRADEMARKS FOR WHICH A DECISION ON GRANTING PROTECTION IS TAKEN	42
▪ INTERNATIONAL TRADEMARKS PROTECTED IN GEORGIA	130
APPELLATIONS OF ORIGIN OF GOODS	
▪ PROTECTED INTERNATIONAL APPELLATIONS OF ORIGIN OF GOODS	150
OFFICIAL NOTIFICATIONS	
INVENTIONS	
▪ EXPIRATION OF PATENTS RESTORATION	151
▪ ABOLITION OF PATENTS WITH THE RIGHT TO RESTORE	151
▪ EXPIRATION OF TERM OF RESTORATION OF PATENT	153
▪ EXPIRATION OF PATENT	153
▪ CHANGES OF NAMES AND/OR ADDRESSES OF PATENTOWNER	153
UTILITY MODELS	
▪ EXPIRATION OF PATENTS RESTORATION	154
▪ EXPIRATION OF TERM OF RESTORATION OF PATENTS	155
DESIGN	
▪ CANCELLATION OF REGISTRATION OF DESIGNS	155
▪ CHANGING OF REPRESENTATIVE DATA	156
▪ OWNER' DATA CHANGING	156
▪ TRANSFER OF RIGHT	157
▪ EXTENSION OF REGISTRATION OF INTERNATIONAL DESIGNS	157
TRADEMARKS	
▪ RENEWAL OF REGISTRATIONS	163
▪ COMPLETE TRANSFER OF RIGHTS	168
▪ CHANGES OF NAMES AND/OR ADDRESSES OF OWNER	169
▪ TERMINATION OF TRADEMARKS REGISTRATION	171
CLASSIFICATION INDEXES	
INVENTIONS	175
UTILITY MODELS	176
TRADEMARKS	178

PUBLISHED TITLES OF PROTECTION

INVENTIONS

- **APPLICATIONS APPROVED FOR GRANTING PATENT:**
15056; 15076; 15233; 14964; 15024; 15180; 15020
- **PATENTED INVENTIONS:**
7209-9214

UTILITY MODELS

- **APPLICATION APPROVED FOR GRANTING PATENT:**
15386
- **PATENTED UTILITY MODELS:**
2064-2068

DESIGNS

- **DESIGNS, WHICH HAVE BEEN REGISTERED WITH THE INTERNATIONAL BUREAU CLAIMING PRIORITY ON THE TERRITORY OF GEORGIA:**
211122; 211139; 211175; 211217

TRADEMARKS

- **APPLICATIONS FILED UNDER THE NATIONAL PROCEDURE APPROVED FOR REGISTRATION:**
106519; 106588; 106674; 108289-108291; 108294; 108297; 108309; 108313-108317; 108320, 108321; 108389; 108396-108401; 108405; 108409, 108410; 108412, 108413; 108419; 108429-108431; 108484; 108487; 108491-108494; 108499; 108501, 108502; 108505; 108516; 108522; 108524; 108576; 108579; 108588; 108590; 108596; 108600; 108602-108604; 108607; 108609; 108657-108660; 108663; 108667; 108669-108672; 108674; 108685-108687; 108690; 108692; 108694; 108697; 108735-108740; 108746; 108748; 108758; 108767, 108768; 110364
- **REGISTERED TRADEMARKS:**
33477-33525
- **TRADEMARKS REGISTERED ACCORDING TO THE ACCELERATED PROCEDURE:**
33468-33476; 33526-33532
- **INTERNATIONAL TRADEMARKS FOR WHICH A DECISION ON GRANTING PROTECTIONS IS TAKEN:**
103299*; 103919*; 105961; 106027; 106415; 106577, 106578; 106618; 107214; 107222; 107506-107509; 107518-107522; 107524-107537; 107539-107541; 107605, 107606; 107621, 107622; 107624-107626; 107628-107630; 107632; 107644; 107687-107694; 107700; 107706-107713; 107715-107729; 107732-107734; 107762-107766; 107768- 107771; 107773-107775; 107777-107779; 107786-107791; 107798-107800; 107844-107846; 107848-107850; 107853, 107854; 107856-107859; 107866; 107868, 107869; 107872-107874; 107878-107880; 107882-107884; 107931-107946; 107958-107967; 107978; 107996, 107997; 108000; 108026; 108029-108031; 108039, 108040; 108044; 108046-108050; 108052
- **INTERNATIONAL TRADEMARKS PROTECTED IN GEORGIA:**
102980; 103629; 104788; 104838; 105072; 105374; 105414; 105600; 105851; 105864; 105894, 105895; 105900-105904; 105912; 105917-105919; 105928, 105929; 105938-105944; 105947; 105952; 105955-105958; 105998, 105999; 106003-106005; 106007; 106010, 106011; 106013-106015; 106024-106026; 106028-106030; 106032-106040; 106101-106115; 106117; 106119-106125; 106128; 106133; 106136; 106138-106144; 106147, 106148; 106150- 106153; 106155; 106157; 106191-106195; 106197, 106198; 106202-106210; 106212, 106213; 106216-106219; 106221, 106222; 106224; 106228; 106236-106247; 106249-106253; 106255-106258; 106260, 106261; 106263-106267; 106269; 106271, 106272; 106292; 106294; 106336-106341; 106343-106346; 106348-106356; 106358; 106379-106386; 106388-106394; 106396-106400; 106403-106407; 106441-106445; 106454-106459; 106469-106475; 106491, 106492; 106494-106499; 106541; 106543-106545; 106558; 106560; 106562; 106564; 106584, 106585; 106617; 106629, 106630; 106718; 106723, 106724; 106727, 106728; 106855; 106877-106879; 106913-106916; 106975, 106976; 106979; 106993-106995; 107016-107018; 107136-107139; 107141-107145; 107200-107205; 107242-107245; 107364-107373

APPELLATIONS OF ORIGIN OF GOODS

- **PROTECTED INTERNATIONAL APPELLATION OF ORIGIN OF GOODS:**
1133; 1135

INVENTIONS

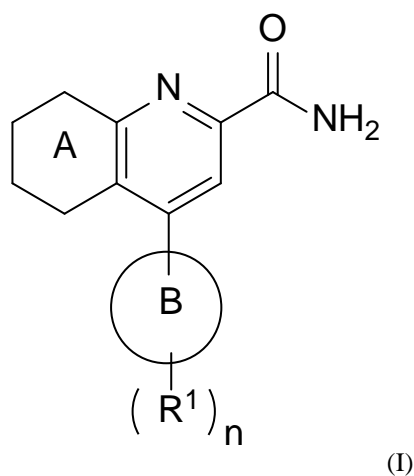
APPLICATIONS APPROVED FOR GRANTING PATENTS

The decision can be appealed at the Chamber of Appeal of Sakpatenti within 3 months from the publication or at the Mtskheta District Court Administrative Cases Board (Address: №17, Samkhedro str., Mtskheta), within 1 month following the publication.

PART A

A 61

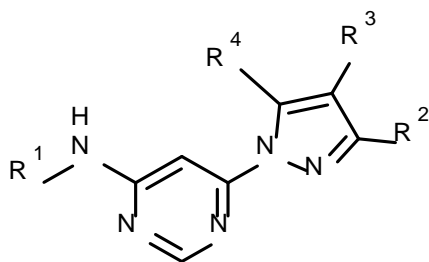
- (10) AP 2021 15056 A (51) Int. Cl. (2006)
A 61 K 31/436
A 61 P 25/00
C 07 D 491/04
C 07 D 491/18
- (21) AP 2017 15056 (22) 2017 09 25
(31) 62/400,150
(32) 2016 09 27
(33) US
(71) MERCK SHARP & DOHME CORP. (US)
126 East Lincoln Avenue, Rahway,
NJ 07065-0907, USA (US)
(72) WILKENING, Robert, R. (US)
SEBHAT, Iyassu, K. (US);
HOYT, Scott, B. (US);
DEMONG, Duane (US);
ARASAPPAN, Ashok (US)
(74) Shalva Gvaramadze
(85) 2019 04 22
(86) PCT/US2017/053155, 2017 09 25
(54) CHROMANE, ISOCHROMANE AND
DIHYDROISOBENZOFURAN DERIVATIVES
AS mGluR2-NEGATIVE ALLOSTERIC
MODULATORS, COMPOSITIONS, AND
THEIR USE
(57) Compound of formula (I):



wherein values of A, B cores and R1 substitutes are provided in the claims or their stereoisomers or pharmaceutically acceptable salt, and pharmaceutical composition on the basis thereof, and usage thereof the treatment of mild cognitive impairment, schizophrenia, mood- and sleep disorders or depression.
Claims: 7 independents
25 dependents
Table: 3

- (10) AP 2021 15076 A (51) Int. Cl. (2006)
A 61 K 31/506
A 61 K 31/5377
A 61 P 13/12
C 07 D 403/14
C 07 D 413/14
C 07 D 471/04
C 07 D 487/04
- (21) AP 2017 15076 (22) 2017 10 09
(31) 16193953.3
(32) 2016 10 14
(33) EP
(71) Bayer Pharma Aktiengesellschaft (DE)
Müllerstraße 178, Berlin, 13353, Germany (DE);
BAYER AKTIENGESELLSCHAFT (DE)
Kaiser-Wilhelm-Allee 1, Leverkusen, 51373,
Germany (DE)
(72) ANDREEVSKI, Anna Lena (DE);
COLLINS, Karl (DE);
WILLWACHER, Jens (DE);
DIESKAU, Andre Philippe (DE);
ENGEL, David (DE);
EHRMANN, Alexander (US);
KLAR, Jürgen (DE);
GIESE, Anja (DE);
MÜLLER, Thomas (DE);
LINDNER, Niels (DE);
SCHMECK, Carsten (DE);
GROMOV, Alexey (DE);
DREHER, Jan (DE);
KAHNERT, Antje (DE)
(74) Giorgi Kartvelishvili
(85) 2019 05 12
(86) PCT/EP2017/075630, 2017 10 09
(54) SUBSTITUTED 6-(1H-PYRAZOL-1-YL)
PYRIMIDIN-4-AMINE DERIVATIVES
AND USES THEREOF

(57) Compound of common formula (I),



(I)

wherein values of R¹, R², R³, R⁴ substituents are provided in the claims, the medicine on the basis thereof, preparation method, and usage thereof for the treatment of hyperphosphatemia, phosphate homeostasis imbalance, soft tissue calcification, chronic kidney disease (CKD), etc.

Claims: 11 independents

8 dependents

Table: 2

- (10) AP 2021 15233 A (51) Int. Cl. (2006)
A 61 K 36/00
(21) AP 2019 15233 (22) 2019 12 09
(71) Giorgi Aleksidze (GE)
N. Nikoladze St. 2, 0108, Tbilisi, Georgia (GE)
(72) Giorgi Aleksidze (GE)
(74) Davit Dzumakashvili
(54) HERBAL IMMUNOMODULATORY
IMMUNOCORRECTIVE INJECTION
REMEDY AND PREPARATION
METHOD THEREOF

(57) Injection remedy contains three protein fractions obtained from ripe seeds of celandines *Chelidonium majus* L.

Claims: 2 independents

- (10) AP 2021 14964 A (51) Int. Cl. (2006)
A 61 K 39/00
C 07 K 16/18
C 07 K 16/46
(21) AP 2017 14964 (22) 2017 06 01
(31) 62/344,746
(32) 2016 06 02
(33) US
(71) MEDIMMUNE LIMITED (GB)
Milstein Bld. Granta Park, Cambridge CB21
6GH, GB, UK (GB)
(72) SCHOFIELD, Darren (GB);
PERKINTON, Michael (GB);
THOM, George (GB);
IRVING, Lorraine (GB)
(74) Shalva Gvaramadze
(85) 2018 12 17
(86) PCT/EP2017/063406, 2017 06 01
(54) ANTIBODIES TO α -SYNUCLEIN
AND USES THEREOF

(57) An invention relates to antibodies or antigen-binding fragment thereof that specifically bind human α -synuclein, and reduces spreading therein vivo. Said antibodies are useful at the treatment of diseases of central nervous system, in particular, diseases related to α -synucleinopathies, such as Parkinson disease (PD), dementia with lewy bodies (DLB) and multiple systemic diseases.

Claims: 7 independents

27 dependents

Fig.: 19

A 63

- (10) AP 2021 15024 A (51) Int. Cl. (2006)
A 63 H 33/08
E 04 B 11/10
(21) AP 2019 15024 (22) 2019 03 19
(71) Mikheil Ivanishvili (GE)
Mukhiani, IVa mcr., corp. 5, app. 87, 0172,
Tbilisi, Georgia (GE);
Mariam Kublashvili (GE)
Zghvisubani, III mcr., II qu., corp. 28, app. 50,
0197, Tbilisi, Georgia (GE);
(72) Mikheil Ivanishvili (GE);
Mariam Kublashvili (GE)

(54) TOY CONSTRUCTOR

(57) Toy constructor includes construction componentry – the poles 1 and columns 2 connecting them. Each pole has shape of rectangular parallelepiped, and central ledges 4 are executed on side walls in front of poles. The edges, in their turn, have cross-shape ledges 5, and height thereof are half of construction component height. Connecting column has angular-shape; and a groove 6 having equal shape and geometrical size of angle created at poles connection, is executed on connecting column shelves, on whole length, from inner side thereof.

Claims: 1 independent

Fig.: 9

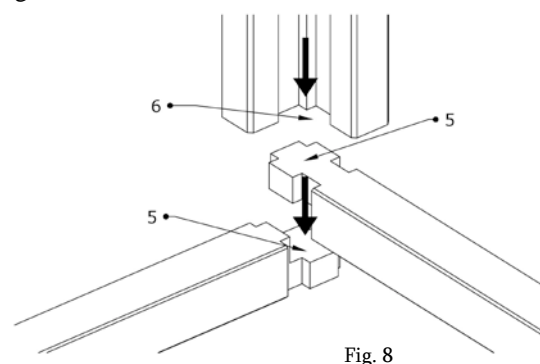


Fig. 8

PART B

B 21

(10) AP 2021 15180 A (51) Int. Cl. (2006)
 B 21 C 27/06
 E 04 C 5/04

(21) AP 2017 15180 (22) 2017 02 09
 (71) OFFICINE MACCAFERRI S.P.A. (IT)
 Via Kennedy 10, Zola Predosa (BO),
 40069, Italy (IT)

(72) FERRAILOLO, Francesco (IT)

(74) Aleksandre Gegechkori

(85) 2019 09 03

(86) PCT/IB2017/050700, 2017 02 09

(54) MACHINE AND METHOD FOR
 MANUFACTURING A REINFORCED NET
 AND REINFORCED NET

(57) A machine for manufacturing reinforced net (1, 10) having hexagonal meshes comprising a plurality of permanently deformable wires (2, 2', 3, 3'), and at least one reinforcing element (5), comprises a mechanism for reciprocal coiling of first wires (2, 2') and second wires (3, 3') in twos, which mechanism is provided with passages for reinforcing elements (5), and feed system for first wires (2, 2'), fed in from a plurality of containers (90, 90'), that are mounted on board of machine, and provided internally with predetermined length of said first wires (2, 2'), for part of second wires (3), fed in alternately with first wires so, as to be interwoven therewith in twos in coiling mechanism, and for reinforcing elements (5), fed into the machine, wherein, for all of reinforcing elements (5) the wire receptacle (202) is provided for one of said second wires (3'), and wire receptacle being rotatable around reinforcing element.

Claims: 3 independents
 7 dependents

Fig.: 9

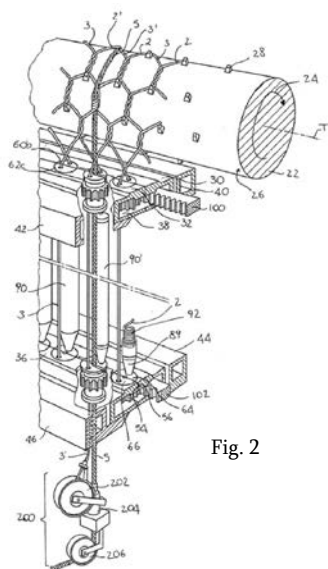


Fig. 2

PART F

F 41

(10) AP 2021 15020 A (51) Int. Cl. (2006)
 F 41 A 23/34
 F 41 A 23/54
 F 41 F 1/06

(21) AP 2016 15020 (22) 2016 10 06
 (71) New Technologies Global Systems S.L. (ES)
 Calle Buriel 65, Collado Villalba (Madrid),
 28400, Spain (ES)

(72) ESTRELLA MOLINA, Javier (ES)

(74) Aleksandre Gegechkori

(85) 2019 03 04

(86) PCT/ES2016/070711, 2016 10 06

(54) DUAL BASE PLATE FOR TRANSFERRING
 FORCES TO THE GROUND FOR VEHICLE-
 MOUNTED MORTARS

(57) Dual base plate comprises bottom base plate (3), whereon the mortar barrel base end is mounted, and has a flat plate with several self-centering shafts (6), top base plate (2) containing a construction with several cut cone-shaped elements (4) attached to the said construction, and by means whereof it rests onto self-centered shafts (6) of bottom base plate (3). It also contains connecting means between top- (2) and bottom (3) base plates consisting of restricting ropes (7) passing inside self-centering shafts (6), and are attached to bottom base plate (3) by means of bottom restraints (10), and with top base plate (2) and cone-shaped elements (4) by means of top restraints (9). Dual base plate is also equipped with pressing base (5) attached and joined to the construction of top base plate (2) on the bottom end thereof, and to the load-bearing area of mortar vehicle.

Claims: 1 independent

Fig.: 7

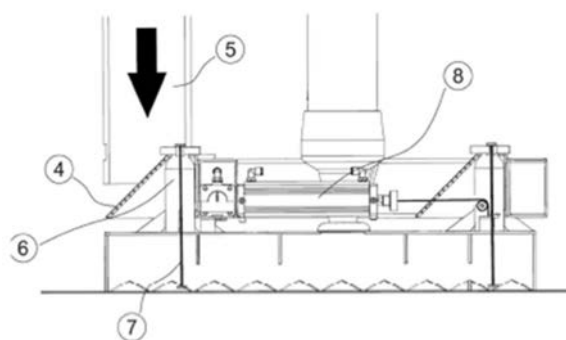


Fig. 3

PATENTED INVENTIONS

PART A

A 61

- (11) P 2021 7214 B (51) Int. Cl. (2006)
 A 61 K 31/4439
 A 61 P 27/00
 A 61 P 9/00
 A 61 P 37/00
 A 61 P 35/00
 C 07 D 401/12
- (10) AP 2020 14933 A (44) 15(547)/2020
 (21) AP 2017 14933
 (22) 2017 04 25
 (24) 2017 04 25
 (31) 16167652.3
 (32) 2016 04 29
 (33) EP
 (86) PCT/EP2017/059767, 2017 04 25
- (73) Bayer Pharma Aktiengesellschaft (DE)
 Müllerstraße 178, Berlin, 13353,
 Germany (DE)
- (72) THALER, Tobias (DE);
 PLATZEK, Johannes (DE);
 GUIMOND, Nicolas (DE)
- (74) Tamar Kochlamazashvili
- (54) POLYMORPHIC FORM OF N-{6-(2-HYDROXYPROPAN-2-YL)-2-[2-(METHYLSULPHONYL)ETHYL]-2H-INDAZOL-5-YL}-6-(TRIFLUOROMETHYL)PYRIDINE-2-CARBOXAMIDE

- (11) P 2021 7211 B (51) Int. Cl. (2006)
 A 61 K 31/519
 A 61 K 31/505
 A 61 K 31/53
 A 61 P 35/00
 C 07 D 491/048
 C 07 D 239/42
 C 07 D 519/00
 C 07 D 239/84
 C 07 D 251/18
 C 07 D 487/04
- (10) AP 2020 14948 A (44) 15(547)/2020
 (21) AP 2017 14948
 (22) 2017 06 03
 (24) 2017 06 03
 (31) 62/346,226; 62/376,856; 62/431,714;
 62/506,076
 (32) 2016 06 06; 2016 08 18; 2016 12 08;
 2017 05 15
 (33) US; US; US; US
 (86) PCT/IB2017/053295, 2017 06 03

- (73) PFIZER INC. (US)
 235 East 42 St., New-York,
 NY 10017, USA (US)
- (72) PATMAN, Ryan (US);
 RUI, Eugene Yuanjin (US);
 TATLOCK, John Howard (US);
 MCALPINE, Indrawan James (US);
 MCTIGUE, Michele Ann (US);
 KUMPF, Robert Arnold (US);
 TRAN-DUBE, Michelle Bich (US);
 WYTHES, Martin James (US)
- (74) Tamar Kochlamazashvili
- (54) SUBSTITUTED CARBONUCLEOSIDE DERIVATIVES USEFUL AS ANTICANCER AGENTS

PART B

B 05

- (11) P 2021 7209 B (51) Int. Cl. (2006)
 B 05 B 17/08
- (10) AP 2020 15052 A (44) 17(549)/2020
 (21) AP 2019 15052
 (22) 2019 04 19
 (24) 2019 04 19
- (73) Nugzar Abzhandadze (GE)
 Vill. Sareki, 4010, Sachkhere District,
 Georgia (GE)
- (72) Nugzar Abzhandadze (GE)
- (54) DEVICE FOR DANCING FOUNTAIN JETS CONTROL

B 22

- (11) P 2021 7210 B (51) Int. Cl. (2006)
 B 22 D 11/06
- (10) AP 2020 14937 A (44) 15(547)/2020
 (21) AP 2018 14937
 (22) 2018 11 26
 (24) 2018 11 26
- (73) Giorgi Kevkhashvili (GE)
 Burdzgla St. 100 app. 39, 0160, Tbilisi,
 Georgia (GE);
 Giorgi Tavadze (GE)
 D. Uznadze St. 4, app. 77, 0102, Tbilisi,
 Georgia (GE)
- (72) Giorgi Kevkhashvili (GE);
 Giorgi Tavadze (GE)

(54) FERROALLOY CONTINUOUS CASTING
ROTOR-TYPE UNIVERSAL MACHINE

PART C

C 08

- (11) P 2021 7213 B (51) Int. Cl. (2006)
C 08 G 73/00
C 08 G 63/00
- (10) AP 2020 15135 A (44) 18(550)/2020
(21) AP 2019 15135
(22) 2019 07 11
(24) 2019 07 11
- (73) Georgian State Agrarian University (GE)
Davit Aghmashenebeli Alley 240, 0131, Tbilisi,
Georgia (GE)
- (72) Nino Zavrashvili (GE);
Sopio Kobauri (GE);
Nino Kupatadze (GE);
Tengiz Kantaria (GE);
Davit Tughushi (GE);
Ramaz Katsarava (GE)
- (54) MULTIAMINES AND L-ARGININE BASED
BIODEGRADABLE CATIONIC PSEUDO-
PROTEINS AND METHOD OF THEIR
SYNTHESIS
-

PART F

F 03

- (11) P 2021 7212 B (51) Int. Cl. (2006)
F 03 D 1/00
- (10) AP 2020 15117 A (44) 16(548)/2020
(21) AP 2019 15117
(22) 2019 06 18
(24) 2019 06 18
- (73) Zurab Sordia (GE)
Nutsbidze Plateau, II mcr., III qu., corp. 5,
app. 23, 0183, Tbilisi, Georgia (GE)
- (72) Zurab Sordia (GE)
- (54) WIND POWER STATION
-

UTILITY MODELS

APPLICATION APPROVED FOR GRANTING PATENT

The decision can be appealed at the Chamber of Appeal of Sakpatenti within 3 months from the publication or at the Mtskheta District Court Administrative Cases Board (Address: №17, Samkhedro str., Mtskheta), within 1 month following the publication.

PART A

A 61

- (10) AU 2021 15386 U (51) Int. Cl. (2006)
A 61 K 31/74
A 61 K 31/225
A 61 P 17/14
- (21) AU 2020 15386 (22) 2020 07 10
- (71) Nino Vadachkoria (GE)
Iosebidge St. 51b, Tbilisi, Georgia (GE);
Salome Vadachkoria (GE)
Zhiuli Shartava St. 39, 15th fl., app. 77, Tbilisi,
Georgia (GE)
- (72) Nino Vadachkoria (GE);
Salome Vadachkoria (GE)
- (54) POLYLACTIC ACID – POLYLACTIDE (PLA)
AND USAGE OF POLYMERS THEREWITH
NOVEL DESTINATION
- (57) The PLA is useful to stimulate hair stem cell proliferation, differentiation and initiation, avoid hair loss, and regulate hair growth cycle.
- Claims: 1 independent
2 dependents
-

PATENTED UTILITY MODELS

PART A

A 01

- (11) U 2021 2064 Y (51) Int. Cl. (2006)
A 01 G 13/02
C 08 J 5/18
- (10) AU 2020 15177 U (44) 17(549)/2020
(21) AU 2019 15177
(22) 2019 08 26
(24) 2019 08 26
- (73) LLC "GEO MULCH" (GE)
Mtkvari St. 3, 0105, Tbilisi, Georgia (GE)
- (72) Mikheil Mestvirishvili (GE);
Kukuri Goginashvili (GE)
- (74) Ana Tskhadadze
- (54) EXCLUSIVE TECHNOLOGY FOR
ECOLOGICALLY PURE "BIOORGANIC
MULCH" PRODUCTION
-

A 47

- (11) U 2021 2066 Y (51) Int. Cl. (2006)
A 47 B 21/06
A 47 B 13/00
A 47 B 17/00
A 47 B 19/00
A 47 B 41/00
- (10) AU 2020 15275 U (44) 13(545)/2020
(21) AU 2020 15275
(22) 2020 02 13
(24) 2020 02 13
- (73) Davit Chichua (GE)
Kldiashvili St. 17/13, 3700, Rustavi,
Georgia (GE)
- (72) Davit Chichua (GE)
- (54) MOBILE SYSTEM FOR EDUCATIONAL,
EXAMINATION OR CONFERENCE
PURPOSES
-

PART E

E 04

- (11) U 2021 2067 Y (51) Int. Cl. (2006)
E 04 C 2/16
- (10) AU 2020 15167 U (44) 14(546)/2020
(21) AU 2019 15167
(22) 2019 08 08
(24) 2019 08 08
- (73) Tamaz Nadirashvili (GE)
Nutsbidze Plateau, II mcr., IV qu., corp. 1,
app. 71, 0183, Tbilisi, Georgia (GE);
Mariam Lomtadze (GE)
Mtatsminda Lane 7b, app. 16, 0108, Tbilisi,
Georgia (GE)
- (72) Tamaz Nadirashvili (GE)
Mariam Lomtadze (GE)
- (54) METHOD FOR WALL BUILDING
MATERIAL PRODUCTON WITH
STUBBLE
-

E 06

- (11) U 2021 2068 Y (51) Int. Cl. (2006)
E 06 B 3/00
E 06 B 9/24
- (10) AU 2020 15048 U (44) 16(548)/2020
(21) AU 2019 15048
(22) 2019 04 16
(24) 2019 04 16
- (73) Giorgi Chechelashvili (GE)
Turtle Lake I Lane 1, 0162, Tbilisi,
Georgia (GE);
Ivane Chkhaidze (GE)
Melikishvili Ave. 1/6, app. 8, 0171, Tbilisi,
Georgia (GE)
- (72) Giorgi Chechelashvili (GE);
Ivane Chkhaidze (GE)
- (74) Tamaz Shilakadze
- (54) WINDOW
-

PART G**G 06**

- (11) U 2021 2065 Y (51) Int. Cl. (2006)
 G 06 F 17/40
 G 06 Q 10/00
- (10) AU 2020 15101 U (44) 17(549)/2020
- (21) AU 2019 15101
- (22) 2019 06 01
- (24) 2019 06 01
- (73) Giorgi Gvenetadze (GE)
 Shalva Nutsubidze Plateau, III mcr., III qu.,
 corp. 3, app. 27, Tbilisi, Georgia (GE)
- (72) Giorgi Gvenetadze (GE);
 Levan Sharangia (GE)
- (54) COMPUTER SYSTEM FOR SCHOOL
 ADMINISTRATION
-

DESIGNS, WHICH HAVE BEEN REGISTERED WITH THE INTERNATIONAL BUREAU CLAIMING PRIORITY ON THE TERRITORY OF GEORGIA

The decision can be appealed at the Chamber of Appeal of Sakpatenti within 3 months from the publication or at the Mtskheta District Court Administrative Cases Board (Address: №17, Samkhedro Str., Mtskheta), within 1 month following the publication.

- (11) DM/211 122 (51) 11-02
- (15) 2020 04 02 (44) 46/2020 (2020 11 13)
- (22) 2020 04 02
- (28) 1
- (73) Johan Lambertus Kamperman
Hobbemastraat 16, 7141 XD Groenlo (NL)
- (85) BX
- (86) BX
- (87) BX
- (88) BX
- (89) BX
- (81) II. GR, GA, MA, SN, SR, IT, BJ, NE, CI, ML III. ES, HU, IS, MN, PL, GB, LT, KR, JP, FR, BN, AL, HR, LV, TM, BZ, MC, SG, NA, DE, BA, MK, US, LI, KG, WS, FI, RU, EG, AM, VN, MD, TJ, BW, GH, ST, TR, KH, TN, KP, CH, IL, UA, AZ, ME, BX, SI, OA, NO, RS, EE, CA, OM, GE, RO, SM, EM, DK, SY, BG, RW
- (72) Johan Lambertus Kamperman
Hobbemastraat 16, 7141 XD Groenlo (NL)
- (74) Margaretha Aleida Maria Kamperman-Verheij
Hobbemastraat 16, 7141 XD Groenlo (NL)
- (54) 1. Wind chime
- (55)

1.1



(11) DM/211 139 (51) 02-02
 (15) 2019 06 14 (44) 47/2020 (2020 11 20)
 (22) 2019 06 14
 (28) 3

(73) Steffie Johanna Catharina Antonia Christiaens
 Broekhuizerweg 24A, 5866 BA Swolgen (NL)

(85) EM

(86) EM

(87) EM

(88) EM

(89) EM

(81) III. ES, HU, IS, MN, PL, GB, LT, KR, JP, FR, BN, AL, HR, LV, TM, BZ, MC, SG, NA, DE, BA, US, MK,
 LI, KG, RU, FI, EG, AM, MD, TJ, BW, ST, GH, TR, KH, TN, CH, KP, UA, AZ, ME, SI, BX, OA, NO, RS,
 EE, CA, OM, GE, RO, SM, EM, DK, SY, RW, BG

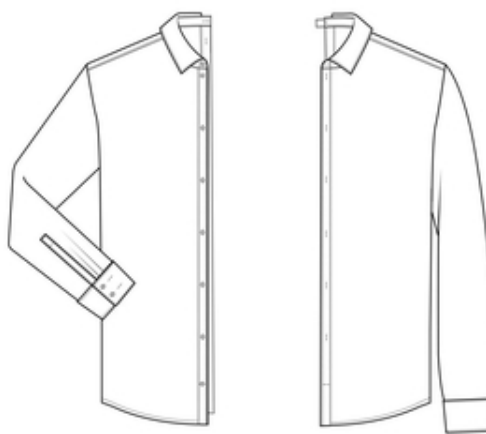
(72) Steffie Johanna Catharina Antonia Christiaens
 Broekhuizerweg 24A, 5866 BA Swolgen (NL)

(54) 1. Shirt, 2. Set of shirts, 3. T-shirt

(55)



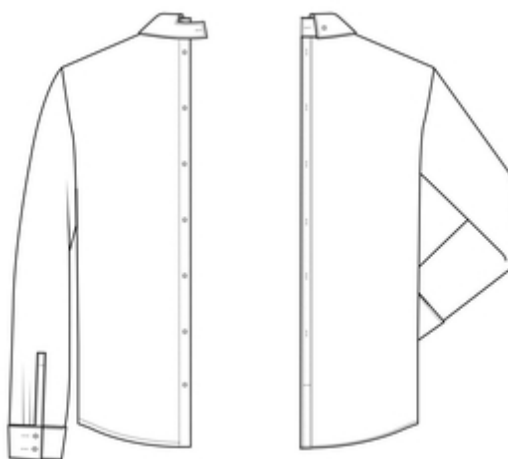
1.1



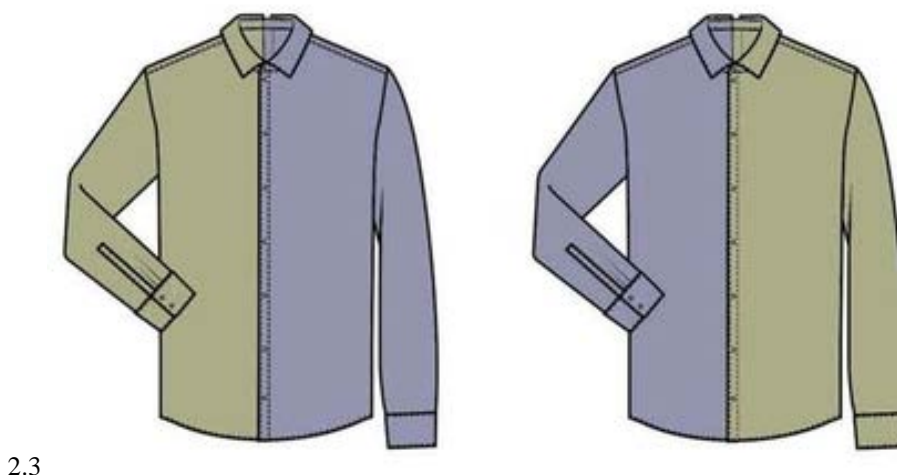
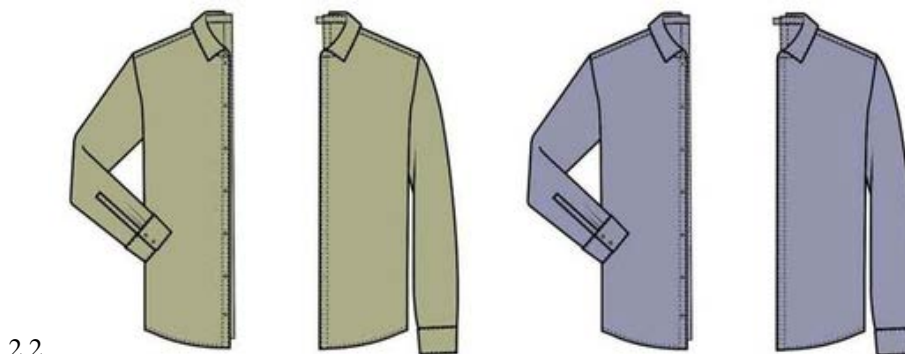
1.2



1.3



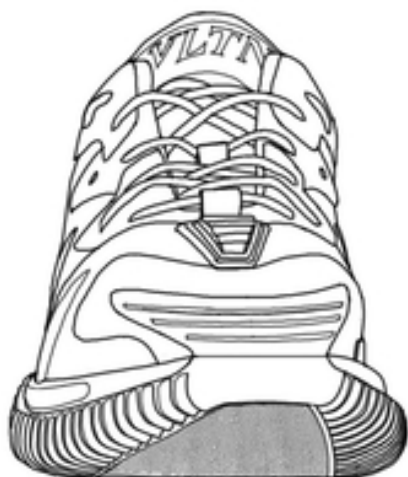
1.4



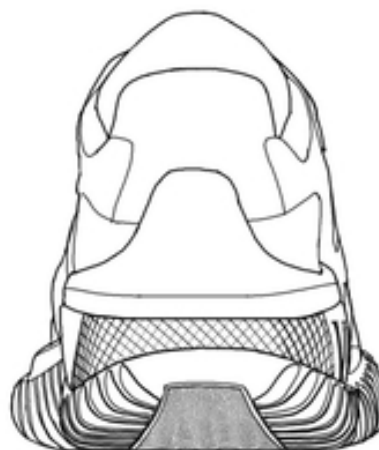
- (11) DM/211 175 (51) 02-04
(15) 2020 11 03 (44) 47/2020 (2020 11 20)
(22) 2020 11 03
(28) 1
(73) Valentino S.p.A
Via Turati 16/18, I-20121 Milano (EM)
(85) –
(86) EM, IT
(87) EM, IT
(88) EM, IT
(89) EM
(81) III. US, TR, GE, UA, KG, AZ, EM, TJ, RU
(72) Jacopo Venturini
C/o Valentino S.p.A. Via Turati 16/18, I-20121, Milano (IT)
(74) Salvatore Giovanni Pennacchio
C/o Jacobacci & Partners Via Senato, 8, I-20121 Milano (IT)
(54) 1. Shoe
(55)



1.1



1.2



1.3



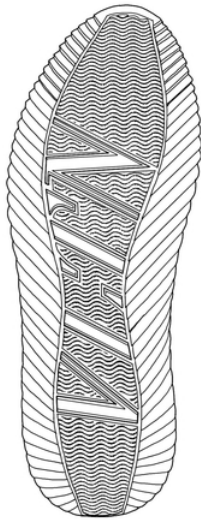
1.4



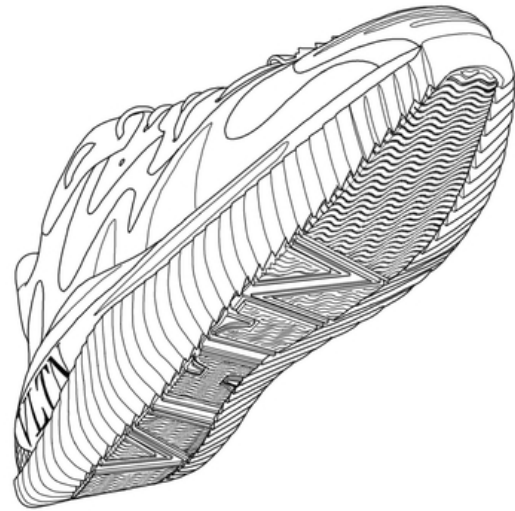
1.5



1.6



1.7



1.8

- (11) DM/211 217 (51) 06-02
(15) 2020 09 04 (44) 47/2020 (2020 11 20)
(22) 2020 09 04
(28) 1
(30) No1: 10.04.2020; 2020501682; RU
(73) Boris Fedorovich Arabadzhi
Ul. Nagornayz 8, Kv. 285, 108843 Troitsk, Moskovskaya Oblas (RU)
(85) –
(86) RU
(87) RU
(88) –
(89) RU
(81) III. ES, FR, MX, LV, HR, BX, SI, DE, NO, EE, CA, TR, US, GE, PL, LT, DK, CH, FI
(72) Boris Fedorovich Arabadzhi
Ul. Nagornayz 8, Kv. 285, 108843 Troitsk, Moskovskaya Oblas (RU)
(74) Galina Gavrilova
P/o Box 9004, 249039 Obninsk, Kaluzhskaya Oblast (RU)
(54) 1. Transformable baby cot
(55)



1.1



1.2



1.3



1.4



1.5



1.6



1.7

TRADEMARKS

APPLICATIONS FILED UNDER THE NATIONAL PROCEDURE APPROVED FOR REGISTRATION

The decision can be appealed at the Chamber of Appeal of Sakpatenti within 3 months from the publication or at the Mtskheta District Court Administrative Cases Board (Address: №17, Samkhedro St., Mtskheta), within 1 month following the publication.

(260) AM 2021 106519 A
(210) AM 106519
(220) 2020 06 15
(731) Levan Adamia
I. Chavchavadze Av. 27/29, Tbilisi,
Georgia
(540)



(591) Black-white
(531) 01.15.11; 11.03.01; 11.03.02; 26.04.02;
26.04.16; 26.04.22; 26.04.24; 27.05.24
(511) 35, 43

(260) AM 2021 106674 A
(210) AM 106674
(220) 2020 06 23
(731) LTD "CLC"
Ioane Petritsi St., corp. 13, app. 24, Tbilisi,
Georgia
(540)



(591) Black-white
(531) 26.04.04; 26.04.09; 27.05.01; 27.05.10;
27.05.17; 27.05.23
(511) 35, 37

(260) AM 2021 106588 A
(210) AM 106588
(220) 2020 06 19
(731) LTD "Doctor Bubnovsky Centre"
M. Kostava St. 74, b. 66, 0171, Tbilisi,
Georgia
(540)



(591) Blue, green, white
(531) 26.04.01; 26.04.04; 26.04.18; 26.04.24; 28.19;
29.01.13
(511) 16, 28, 44

(260) AM 2021 108289 A
(210) AM 108289
(220) 2020 05 15
(731) LLC "PAY UNICARD"
Petriashvili St. 25-27-29/4, app. 26, Tbilisi,
Georgia
(740) Tamar Dididze
(540)



(591) Light green, white
(531) 26.04.02; 26.04.04; 26.04.09; 28.19; 29.01.03
(511) 9, 16, 35, 36

(260) AM 2021 108290 A
(210) AM 108290
(220) 2020 05 15
(731) LLC "PAY UNICARD"
Petriashvili St. 25-27-29/4, app. 26, Tbilisi,
Georgia
(740) Tamar Dididze

(540)



(591) Light green, white
 (531) 26.04.04; 26.04.09; 26.04.24; 29.01.03
 (511) 9, 16, 35, 36

(260) AM 2021 108291 A
 (210) AM 108291
 (220) 2020 05 15
 (731) Nika Peradze
 Ilia Chavchavadze Av. 83, Block II, app. 83,
 0162, Tbilisi, Georgia

(540)

მაიმუნების კაკაო
Monkeys' Cocoa

(591) Black-white
 (511) 32

(260) AM 2021 108294 A
 (210) AM 108294
 (220) 2020 05 15
 (731) BARNABELI
 Geguti St. 2, 0101, Tbilisi, Georgia

(540)



(591) Dark golden, grey, dark green
 (531) 05.03.13; 05.03.14; 27.05.01; 28.19; 29.01.12;
 29.01.13
 (511) 30, 31

(260) AM 2021 108297 A
 (210) AM 108297
 (220) 2020 05 18
 (731) INPHA LLP REPRESENTATIVE OFFICE
 IN GEORGIA
 nearby Besiki St. 4, (plot 46/10), 0108,
 Tbilisi, Georgia

(540)

Stadiol
Стадиол
სტადიოლ

(591) Black-white
 (511) 5

(260) AM 2021 108309 A
 (210) AM 108309
 (220) 2020 05 19
 (731) JSC "Kindzmarauli Corporation"
 Ilia Chavchavadze St. 55, 4800, Kvareli,
 Georgia

(540)

Harvest
Харвест
ჰარვესტ

(591) Black-white
 (511) 43

(260) AM 2021 108313 A
 (210) AM 108313
 (220) 2020 05 20
 (731) JSC "GEFA"
 Akaki Beliashvili St. 142, 0159, Tbilisi,
 Georgia

(740) Salome Jeladze

(540)

ბენე 48 პროგრამა

Bene 48 Program

Бене Програма 48

(591) Black-white
 (511) 5

(260) AM 2021 108314 A
 (210) AM 108314
 (220) 2020 05 20
 (731) JSC "GEFA"
 Akaki Beliashvili St. 142, 0159, Tbilisi,
 Georgia

(740) Salome Jeladze

(540)

ბენე გრა
Bene Gra
Бене Гра

(591) Black-white
 (511) 5

(260) AM 2021 108315 A
 (210) AM 108315
 (220) 2020 05 20
 (731) JSC "GEFA"
 Akaki Beliashvili St. 142, 0159, Tbilisi, Georgia
 (740) Salome Jeladze
 (540)

გასტრო ბენე
Gastro Bene
Гастро Бене

(591) Black-white
(511) 5

(260) AM 2021 108316 A

(210) AM 108316

(220) 2020 05 20

(731) JSC "GEFA"

Akaki Beliashvili St. 142, 0159, Tbilisi,
Georgia;
LTD "Wayne Enterprise"
Gldani, II mcr, corp. 28, app. 97, Tbilisi,
Georgia

(740) Salome Jeladze

(540)

იმუნო ბენე
Immuno Bene
Иммуно Бене

(591) Black-white
(511) 5

(260) AM 2021 108317 A

(210) AM 108317

(220) 2020 05 20

(731) Visa International Service Association

900 Metro Center Blvd., Foster City,
CA 94404, USA

(740) Giorgi Meipariani

(540)

ვიზა

(591) Black-white
(511) 36

(260) AM 2021 108320 A

(210) AM 108320

(220) 2020 05 21

(731) LLC "RTVELISI"

R. Schmerling St. 19, Saburtalo District,
0131, Tbilisi, Georgia

(540)



(591) Black-white
(531) 27.05.22; 28.19
(511) 33, 35

(260) AM 2021 108321 A

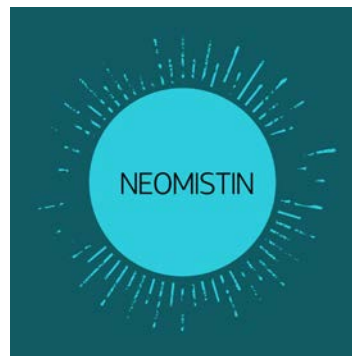
(210) AM 108321

(220) 2020 05 21

(731) LLC "HASH TERRA FT"

Samgori District, nearby Lilo Destination,
Tbilisi, Georgia

(540)



(591) Dark turquoise, light sky-blue, black
(531) 01.03.01; 01.03.13; 01.03.15; 27.05.01;
29.01.13

(511) 5

(260) AM 2021 108389 A

(210) AM 108389

(220) 2020 05 25

(731) Kraft Foods Schweiz Holding GmbH

Chollerstraße 4, Zug 6300, Switzerland

(740) Giorgi Taktakishvili

(540)

MILKA

(591) Black-white
(511) 30

(260) AM 2021 108396 A

(210) AM 108396

(220) 2020 05 25

(310) 18157765

(320) 2019 11 26

(330) EUIPO

(731) Energy Beverages LLC

2390 Anselmo Drive, Corona, CA
92879, USA

(740) Natela Otardidze

(540)

BURN SOUR TWIST

(591) Black-white
(511) 32

(260) AM 2021 108397 A
 (210) AM 108397
 (220) 2020 05 25
 (731) LLC "ARTPHARMA"
 Gamrekeli St. 19 (512), 0160, Tbilisi,
 Georgia
 (740) Giorgi Taktakishvili
 (540)

კაფეროლი
Kaferol
Каферол

(591) Black-white
 (511) 5

(260) AM 2021 108398 A
 (210) AM 108398
 (220) 2020 05 25
 (731) LLC "ARTPHARMA"
 Gamrekeli St. 19 (512), 0160, Tbilisi, Georgia
 (740) Giorgi Taktakishvili
 (540)

ამოქსარტი
Amoxart
Амоксарт

(591) Black-white
 (511) 5

(260) AM 2021 108399 A
 (210) AM 108399
 (220) 2020 05 25
 (731) M/S TEJ RAM DHARAM PAUL
 93, Chanderlok, Pitampura, DELHI, 110034,
 India
 (740) Liliana Darakhvelidze
 (540)

WHITE MYTH

(591) Black-white
 (511) 34

(260) AM 2021 108400 A
 (210) AM 108400
 (220) 2020 05 25
 (731) M/S TEJ RAM DHARAM PAUL
 93, Chanderlok, Pitampura, DELHI, 110034,
 India
 (740) Liliana Darakhvelidze
 (540)

THE MYTH

(591) Black-white
 (511) 34

(260) AM 2021 108401 A
 (210) AM 108401
 (220) 2020 05 25
 (731) Berko İlaç ve Kimya Sanayi A.Ş.
 Yenişehir Mah. Özgür Sokak No: 16-18 Ataşehir
 Istanbul, 34779, Turkey
 (740) Nino Bakhtadze
 (540)

Dropatus

(591) Black-white
 (511) 5

(260) AM 2021 108405 A
 (210) AM 108405
 (220) 2020 05 26
 (731) LTD "MARANI UTSKINARI"
 Gutani St. 28, Tbilisi, Georgia
 (740) Irakli Gvilia
 (540)



უწყინბარი

(591) Black-white
 (531) 19.09.02; 27.05.22; 28.19
 (511) 33

(260) AM 2021 108409 A
 (210) AM 108409
 (220) 2020 05 27
 (731) LTD "KARMEN"
 D. Aghmashenebeli Av. 34a, Batumi,
 Georgia
 (540)



(591) F7F7F7, 070707
 (531) 05.01.11; 05.01.13; 05.01.16; 25.01.10;
 26.04.15; 26.04.22; 27.05.24
 (511) 30

(260) AM 2021 108410 A
 (210) AM 108410
 (220) 2020 05 27
 (731) JSC "Kindzmarauli Corporation"
 Iliа Chavchavadze St. 55, 4800, Kvareli,
 Georgia
 (540)

999

(591) Black-white
 (511) 33, 35

(260) AM 2021 108412 A
 (210) AM 108412
 (220) 2020 05 28
 (310) 40 2019 0189931
 (320) 2019 12 06
 (330) KR
 (731) Hyundai Motor Company
 12, Heolleung-ro, Seocho-gu, Seoul,
 Republic of Korea
 (740) Tamar Kochlamazashvili
 (540)



(591) Black-white
 (531) 03.07.17; 24.01.15; 24.01.18; 24.11.25
 (511) 4

(260) AM 2021 108413 A
 (210) AM 108413
 (220) 2020 05 28
 (310) 40 2019 0189932
 (320) 2019 12 06
 (330) KR
 (731) Hyundai Motor Company
 12, Heolleung-ro, Seocho-gu, Seoul,
 Republic of Korea
 (740) Tamar Kochlamazashvili
 (540)



(591) Black-white
 (531) 03.07.17; 24.01.15; 24.01.18; 24.11.25
 (511) 6

(260) AM 2021 108419 A
 (210) AM 108419
 (220) 2020 05 28
 (731) LTD "KL COFFEE COMPANY"
 Giorgi Saakadze St., II Exit 12, Tbilisi,
 Georgia

(540)



(591) Black-white
 (531) 05.07.01
 (511) 30

(260) AM 2021 108429 A
 (210) AM 108429
 (220) 2020 05 28
 (731) BASF SE
 Carl-Bosch-Straße 38, Ludwigshafen am
 Rhein, Germany
 (740) Giorgi Taktakishvili
 (540)

IDELTIS

(591) Black-white
 (511) 1, 5, 31

(260) AM 2021 108430 A
 (210) AM 108430
 (220) 2020 05 28
 (731) LTD "Alazani Winery"
 Dimitri Tavdadebuli St. 3, 4800, Kvareli,
 Georgia
 (740) Giorgi Kartvelishvili
 (540)



(591) B7AEAE grey, E51414 red,
 FFFFFFF white
 (531) 05.01.04; 05.01.16; 27.05.13; 29.01.12
 (511) 33

(260) AM 2021 108431 A
 (210) AM 108431
 (220) 2020 05 29
 (731) Advanced New Technologies Co., Ltd.
 Cayman Corporate Centre, 27 Hospital Road,
 George Town, Grand Cayman KY1-9008,
 Cayman Islands
 (740) Tamaz Shilakadze
 (540)

ANTCHAIN

(591) Black-white
 (511) 9, 36, 42

(260) AM 2021 108484 A
 (210) AM 108484
 (220) 2020 05 29
 (731) Irine Egadze
 N. Zhvania St. 10, Tbilisi, Georgia
 (540)

Alice Q.

(591) Black-white
 (531) 27.05.01
 (511) 41

(260) AM 2021 108487 A
 (210) AM 108487
 (220) 2020 05 29
 (731) Zoetis Services LLC
 10 Sylvan Way, Parsippany,
 NJ 07054, USA
 (740) Natela Otariidze
 (540)

DURAMUNE

(591) Black-white
 (511) 5

(260) AM 2021 108491 A
 (210) AM 108491
 (220) 2020 05 29
 (731) LLC "PIANO"
 Vazha-Pshavela Av., II qu., corp. 27,
 app. 4, 0186, Tbilisi, Georgia
 (540)

პიანო
 piano
 пиано

(591) Black-white
 (511) 43

(260) AM 2021 108492 A
 (210) AM 108492
 (220) 2020 05 30
 (731) New Technology Impex
 M. Kostava St. 37/39, 0190, Tbilisi, Georgia
 (540)



(591) Green, blue, white
 (531) 26.05.01; 26.05.18; 26.05.19; 26.05.24;
 27.05.01; 29.01.14
 (511) 10

(260) AM 2021 108493 A
 (210) AM 108493
 (220) 2020 06 01
 (731) Khvicha Medulashvili
 V. Barnov St. 71, 0179, Tbilisi, Georgia
 (540)



(591) Green, sky-blue, yellow, white
 (531) 01.03.01; 01.03.06; 01.03.15; 01.15.24;
 06.01.01; 06.01.02; 27.05.01; 27.05.24;
 29.01.14
 (511) 39

(260) AM 2021 108494 A
 (210) AM 108494
 (220) 2020 06 01
 (731) KAWAI MUSICAL INSTRUMENTS
 MANUFACTURING Co., Ltd.
 No. 200, Terajima-cho, Naka-ku, Hamamatsu-
 shi, Shizuoka-ken, Japan
 (740) Tamar Kochlamazashvili
 (540)

KAWAI

(591) Black-white
 (531) 27.05.17
 (511) 15

(260) AM 2021 108499 A
 (210) AM 108499
 (220) 2020 06 02
 (731) LLC "CAPITAL CLUB"
 Kakheti Highway 110a, 0101, Samgori
 District, Tbilisi, Georgia
 (740) David Dzamukashvili

(540)

ილიკო
ILIKO
ИЛИКО

(591) Black-white
(511) 33

(260) AM 2021 108501 A
(210) AM 108501
(220) 2020 06 02
(731) LTD "FOODSERVICE"
T. Chantladze St. 40, 0109, Tbilisi, Georgia

(540)



(591) Green
(531) 01.03.01; 01.03.17; 01.03.18; 26.11.12;
29.01.03
(511) 30

(260) AM 2021 108502 A
(210) AM 108502
(220) 2020 06 02
(731) LTD "FOODSERVICE"
T. Chantladze St. 40, 0109, Tbilisi, Georgia

(540)



(591) Dark orange, green, yellow
(531) 01.03.01; 01.03.17; 01.03.18; 26.11.12;
28.19; 29.01.13
(511) 30

(260) AM 2021 108505 A
(210) AM 108505
(220) 2020 06 02
(731) Getz Pharma International FZ LLC
Office No. 1307, 13th Floor, Al-Thuraya
Tower 1, Dubai Media City, Dubai, Dubai,
United Arab Emirates
(740) Merab Kvimsadze
(540)

FORTILIV

(591) Black-white
(531) 27.05.01
(511) 5

(260) AM 2021 108516 A
(210) AM 108516
(220) 2020 06 03
(731) Shandong FUJIZY Elevator Co., Ltd.
South End of Taishan Road, Economic
Development Zone of Ningjin, Shandong
Province, China
(740) Giorgi Kartvelishvili
(540)

FUJIZY

(591) Black-white
(511) 7

(260) AM 2021 108522 A
(210) AM 108522
(220) 2020 06 04
(731) Aleksandr Levakov
N. Kipshidze St. 3b, app. 82, 0162, Tbilisi,
Georgia
(740) Shalva Gvaramadze
(540)

NAGAZI

(591) Black-white
(511) 33

(260) AM 2021 108524 A
(210) AM 108524
(220) 2020 06 04
(731) Enriko Beridze
T. Tabidze St. 10, Lane I, Tbilisi, Georgia
(740) Salome Jeladze
(540)

ZESOFLURA

(591) Black-white
(511) 33

(260) AM 2021 108576 A
(210) AM 108576
(220) 2020 06 05
(731) Kukuri Laghadze
Shartava St. 35/37, Tbilisi, Georgia
(540)



(591) Green, white, black, yellow, lilac, red
 (531) 02.01.01; 02.01.13; 02.01.15; 05.09.24;
 11.03.05; 11.03.08; 11.03.10; 26.01.01;
 26.01.04; 26.01.14; 26.01.15; 26.01.21;
 29.01.15
 (511) 35

(260) AM 2021 108579 A
 (210) AM 108579
 (220) 2020 06 08
 (731) LTD "COFFEE LABORATORY"
 Z. Paliashvili St. 24, Tbilisi, Georgia
 (540)



(591) Black-white
 (531) 26.11.03; 26.11.05; 26.11.09; 27.05.01;
 27.05.21; 28.19
 (511) 30

(260) AM 2021 108588 A
 (210) AM 108588
 (220) 2020 06 08
 (731) HOCO TECHNOLOGY DEVELOPMENT
 (SHENZHEN) CO., LTD
 Room 408, 4th Floor, Block A, Weidonglong
 Business Building, Meilong Road, Longhua
 New District, Shenzhen, China
 (740) George Meipariani
 (540)

BOROFONE

(591) Black-white
 (531) 27.05.01
 (511) 9

(260) AM 2021 108590 A
 (210) AM 108590
 (220) 2020 06 09
 (731) Giorgi Stepanishvili
 St. Petersburg St. 2, Tbilisi, Georgia;
 Giorgi Mchedlidze
 Tibaani Exit 14, Tbilisi, Georgia
 (540)



(591) Black-white
 (531) 01.01.02; 01.01.10; 02.09.12; 08.01.06;
 08.01.10; 08.05.03; 09.07.19; 11.01.04;
 11.03.03; 11.03.07; 16.03.13; 26.01.01;
 26.01.03; 26.01.14; 26.01.16; 26.01.20;
 26.01.24
 (511) 43

(260) AM 2021 108596 A
 (210) AM 108596
 (220) 2020 06 10
 (731) LTD "KANTI"
 Sándor Petöfi St. 4, 0190, Tbilisi, Georgia
 (540)

თეთრი ყვავი

(591) Black-white
 (511) 32, 33, 35

(260) AM 2021 108600 A
 (210) AM 108600
 (220) 2020 06 10
 (731) CORPORACION HABANOS S.A.
 Carretera Vieja de Guanabacoa y Linea del
 Ferrocarril Final, Guanabacoa, La Habana,
 Cuba
 (740) Tamaz Shilakadze
 (540)

ROMEO Y JULIETA

(591) Black-white
 (511) 14

(260) AM 2021 108602 A
 (210) AM 108602
 (220) 2020 06 10
 (731) LTD "Martin Pamachi"
 Village Patara Pamaji, Akhaltsikhe, Georgia
 (740) Giorgi Abashidze
 (540)



(591) 272926 Black, EF7E22 orange,
E41D30 red, 6DB6E3 sky-blue, white
(531) 02.01.20; 02.01.21; 02.01.23; 03.07.24;
05.05.04; 05.05.20; 25.01.01; 25.01.25;
25.07.25; 29.01.15
(511) 30

(260) AM 2021 108603 A
(210) AM 108603
(220) 2020 06 10
(731) Bayer Consumer Care AG
Peter Merian-St. 84, 4052 Basel, Switzerland
(740) Shalva Gvaramadze
(540)

MENEVIT

(591) Black-white
(511) 5

(260) AM 2021 108604 A
(210) AM 108604
(220) 2020 06 10
(731) Laboratorio Elea Foeniqs S.a.
Av. Del Libertador 6550 3rd Fl.
– CIUDAD DE BUENOS AIRES, Argentina
(740) Merab Kvimsadze
(540)

ELEA PHOENIX

(591) Black-white
(531) 27.05.01
(511) 5

(260) AM 2021 108607 A
(210) AM 108607
(220) 2020 06 11
(310) № 88/723,075
(320) 2019 12 11
(330) US
(731) Amgen Inc.
One Amgen Center Drive, Thousand Oaks,
CA 91320-1799, USA
(740) Merab Kvimsadze
(540)

KINHARTO

(591) Black-white
(531) 27.05.01
(511) 5

(260) AM 2021 108609 A
(210) AM 108609
(220) 2020 06 11
(731) Oleksandr Oleynikov

Dneprostroevskaya St., House 47N,
Dnepropetrovskaya District, Kamenskoe,
Ukraine
(540)



(591) Red, green, lilac, orange, sky-blue, blue,
purple, scarlet
(531) 27.05.01; 27.05.04; 29.01.15
(511) 2, 3, 19

(260) AM 2021 108657 A
(210) AM 108657
(220) 2020 06 12
(731) Aleksii Morchiladze
Chkondideli St. 22, Tbilisi, Georgia
(540)

iame

(591) Black-white
(511) 29, 30, 31, 32, 35

(260) AM 2021 108658 A
(210) AM 108658
(220) 2020 06 12
(731) Bayer Consumer Care AG
Peter Merian-St. 84, 4052 Basel, Switzerland
(740) Shalva Gvaramadze
(540)

MENAVIT

(591) Black-white
(511) 5

(260) AM 2021 108659 A
(210) AM 108659
(220) 2020 06 12
(731) Bayer Consumer Care AG
Peter Merian-St. 84, 4052 Basel, Switzerland
(740) Shalva Gvaramadze
(540)

MEHABIT

(591) Black-white
(511) 5

(260) AM 2021 108660 A
(210) AM 108660
(220) 2020 06 12
(731) Tengiz Khunashvili
Elisabeth Orbeliani st. 1, Tbilisi, Georgia

(540)

ძალიან ცუდი კომპანია
very bad company

(591) Black-white
(511) 35

(260) AM 2021 108663 A

(210) AM 108663

(220) 2020 06 14

(731) LLC "NAMU"

Sokhumi St. 5, Tskneti, Tbilisi, Georgia

(540)

ნამუ

(591) Black-white

(511) 43

(260) AM 2021 108667 A

(210) AM 108667

(220) 2020 06 15

(731) LLC "CITY 12"

Krtsanisi St. 7, Tbilisi, Georgia

(540)

სეიფსეფტი
SAFE SEPT

(591) Black-white

(511) 5

(260) AM 2021 108669 A

(210) AM 108669

(220) 2020 06 15

(731) LTD "PARK GIDA"

5th District 46a, 6200, Vill. Khutsubani,
Kobuleti, Georgia

(740) Dato Jaiani

(540)

Alo
Modi 

(591) Blue, green

(531) 02.01.15; 02.01.16; 02.01.23; 02.01.30;
18.01.05; 27.05.01; 27.05.15; 29.01.12

(511) 39

(260) AM 2021 108670 A

(210) AM 108670

(220) 2020 06 15

(731) LTD "PARK GIDA"

5th District 46a, 6200, Vill. Khutsubani,
Kobuleti, Georgia

(740) Dato Jaiani

(540)

Alo
Taxi 

(591) Blue, green, white

(531) 16.01.11; 27.05.01; 29.01.14

(511) 39

(260) AM 2021 108671 A

(210) AM 108671

(220) 2020 06 15

(731) Bayer Consumer Care AG

Peter Merian-St. 84, Bazeli, 4052,
Switzerland

(740) Shalva Gvaramadze

(540)


МЕНАВИТ

(591) Dark blue, sky-blue

(531) 02.09.01; 27.05.01; 27.05.07; 27.05.08;
29.01.04

(511) 5

(260) AM 2021 108672 A

(210) AM 108672

(220) 2020 06 16

(731) Hakki Öztürk

Khelvachauri District, Batumi, Georgia

(540)

WONDAX 

(591) Blue, yellow and orange

(531) 27.05.02; 27.05.04; 29.01.14

(511) 3, 5

(260) AM 2021 108674 A

(210) AM 108674

(220) 2020 06 16

(731) LTD "New Pharm & Company"

Irodion Evdoshvili st. 18, Office Space 2,
0154, Didube District, Tbilisi, Georgia

(540)

იმუკომაქსი
Imucomax
ИМУКОМАКС

(591) Black-white
(511) 5

(260) AM 2021 108685 A
(210) AM 108685
(220) 2020 06 17
(731) AFFINITY PETCARE S.A.
PLAZA EUROPA, 54-56, 08902
L'HOSPITALET DE LLOBREGAT,
BARCELONA, Spain
(740) Shalva Gvaramadze
(540)

NATURE'S VARIETY

(591) Black-white
(511) 31

(260) AM 2021 108686 A
(210) AM 108686
(220) 2020 06 17
(731) LTD "SANARI"
Dighomi, II qu., corp. 19, app. 1,
Didube District, Tbilisi, Georgia
(740) Shalva Gvaramadze
(540)

სანარი
SANARI

(591) Black-white
(511) 3

(260) AM 2021 108687 A
(210) AM 108687
(220) 2020 06 17
(731) LTD "GEORGIAN WINE HOUSE"
Vill. Zegaani, 1500, Gurjaani, Georgia
(740) Sopio Vacheishvili
(540)



(591) Golden, white
(531) 26.01.18; 26.01.21; 26.01.22; 27.05.22; 28.19
(511) 35, 43

(260) AM 2021 108690 A
(210) AM 108690
(220) 2020 06 18
(731) LTD "GEMOVANI"
Krtsanisi St. 22-24, app. 44, Tbilisi, Georgia
(540)

ჭვია

(591) Black-white
(511) 30

(260) AM 2021 108692 A
(210) AM 108692
(220) 2020 06 18
(731) Marriott Worldwide Corporation
10400 Fernwood Road, Bethesda, Maryland
20817, USA
(740) Tamaz Shilakadze
(540)

JW MARRIOTT

(591) Black-white
(511) 41

(260) AM 2021 108694 A
(210) AM 108694
(220) 2020 06 18
(731) Marriott Worldwide Corporation
10400 Fernwood Road, Bethesda, Maryland
20817, USA
(740) Tamaz Shilakadze
(540)



(591) Black-white
(531) 04.03.01; 04.03.20
(511) 41

(260) AM 2021 108697 A
(210) AM 108697
(220) 2020 06 18
(731) George Enriko Beridze
T. Tabidze St. 10, Lane I, 0108, Tbilisi,
Georgia
(740) Salome Jeladze
(540)

Khurotmodzghvari
ხუროთმოდღვარი

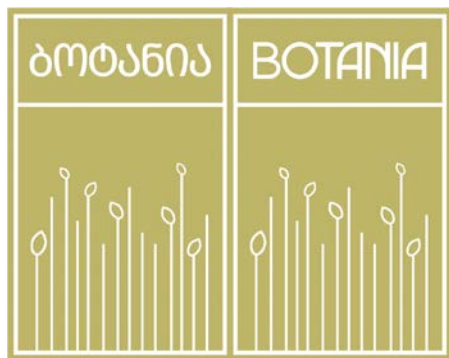
(591) Black-white
(511) 25, 35, 42

(260) AM 2021 108735 A
 (210) AM 108735
 (220) 2020 06 19
 (731) Reckitt Benckiser LLC
 399 Interpace Parkway, NJ,
 Parsippany, 07054, USA
 (740) Liliana Darakhvelidze
 (540)



(591) Golden, blue, white, red, sky-blue
 (531) 26.11.03; 26.11.06; 26.11.12; 27.05.01;
 27.05.19; 29.01.13
 (511) 3, 5, 21

(260) AM 2021 108736 A
 (210) AM 108736
 (220) 2020 06 19
 (731) LTD "COMBINAT"
 O. Lortkipanidze St. 29, b. 14, 0145, Tbilisi,
 Georgia
 (540)



(591) FFFFFFF White – C:0 M:0 Y:0 K:0, B3CF4A
 Olive – C:30 M:19 Y:71 K:0
 (531) 05.11.13; 25.05.02; 25.07.08; 26.04.09;
 26.04.24; 26.11.07; 27.05.01; 27.05.24; 28.19;
 29.01.12
 (511) 43

(260) AM 2021 108737 A
 (210) AM 108737
 (220) 2020 06 19
 (731) QPLAY GMBH
 Mevissenstr. 16/Briefkasten 03, 50668 Köln,
 Germany
 (740) Giorgi Meipariani

(540)



(591) Black-white
 (531) 27.05.01; 27.05.17
 (511) 12, 28

(260) AM 2021 108738 A
 (210) AM 108738
 (220) 2020 06 19
 (731) QPLAY GMBH
 Mevissenstr. 16/Briefkasten 03, 50668 Köln,
 Germany
 (740) Giorgi Meipariani (540)



(591) Black-white
 (531) 26.01.18
 (511) 12, 28

(260) AM 2021 108739 A
 (210) AM 108739
 (220) 2020 06 20
 (731) JSC "Gazprom Neft"
 Ul. Pochtamtskaya, d. 3-5, Litera A, Ch,
 Pomeshchenie 1n, Cabinet 2401, St.
 Petersburg, 190000, Russian Federation"
 (740) Tamar Kochlamazashvili
 (540)



(554) 3D
 (591) Blue, grey
 (531) 19.01.01; 19.01.06; 19.01.07; 29.01.12
 (511) 4

(260) AM 2021 108740 A
 (210) AM 108740
 (220) 2020 06 20
 (731) JSC "Gazprom Neft"
 Ul. Pochtamtskaya, dom 3-5, Litera A, Ch,
 Pomeshchenie 1n, Cabinet 2401, St.
 Petersburg, 190000, Russian Federation"
 (740) Tamar Kochlamazashvili
 (540)



(554) 3D
 (591) Orange, black
 (531) 19.01.01; 19.01.06; 19.01.07; 27.05.21
 (511) 4

(260) AM 2021 108746 A
 (210) AM 108746
 (220) 2020 06 23
 (731) City Express
 Tamarashvili St. 3, app. 20, Vake-Saburtalo
 District, Tbilisi, Georgia
 (540)



(591) Red, white
 (531) 20.05.13; 26.04.02; 26.04.11; 27.01.01;
 29.01.01
 (511) 39

(260) AM 2021 108748 A
 (210) AM 108748
 (220) 2020 06 23
 (731) LTD "KRINTI"
 Madneuli St. 10, vill. Kazreti, Bolnisi,
 Georgia

(540)

Wellposo

(591) Black-white
 (511) 11

(260) AM 2021 108758 A
 (210) AM 108758
 (220) 2020 06 23
 (731) LTD "ARSON TECHNOLOGY"
 Tsabadze St. 8-b, Bld. 2, Shop 3, 0112,
 Didube District, Tbilisi, Georgia
 (540)



(591) Green, lilac
 (531) 26.04.02; 26.04.05; 26.04.22; 26.04.24;
 27.05.01; 27.05.09; 27.05.10; 27.05.24;
 29.01.12
 (511) 35

(260) AM 2021 108767 A
 (210) AM 108767
 (220) 2020 06 24
 (731) LLC "ORI NABIJI"
 Navtlughi St. 39-41, 0113, Isani District,
 Tbilisi, Georgia
 (540)



(591) Beige
 (531) 26.04.02; 26.04.22; 28.19; 29.01.12
 (511) 3, 29, 30, 31, 35

(260) AM 2021 108768 A
 (210) AM 108768
 (220) 2020 06 24
 (731) LLC "ORI NABIJI"
 Navtlughi St. 39-41, 0113, Isani District,
 Tbilisi, Georgia

(540)



(591) Light green, bordeaux

(531) 28.19; 29.01.12

(511) 16, 35

(260) AM 2021 110364 A

(210) AM 110364

(220) 2020 11 02

(731) LTD "DAKO TRADE"

Saburtalo St. 41, app. 34, Tbilisi, Georgia

(740) Giorgi Batlidze

(540)



(591) Green, red, white

(531) 02.09.01; 26.11.12; 27.05.01; 28.19; 29.01.13

(511) 29, 30, 31, 32

REGISTERED TRADEMARKS

(111) M 2021 33477 R
(151) 2020 12 29
(181) 2030 12 29
(260) AM 2019 102169 A
(220) 2019 10 18

(732) Tiko Turabelidze
Kavtaradze St. 14, Tbilisi, Georgia

(111) M 2021 33478 R
(151) 2020 12 29
(181) 2030 12 29
(260) AM 2019 104563 A
(220) 2019 08 22

(732) FADER ALLIANCE LTD
Of. 101, Regico Offices, The Old Bank,
153 the Parade high Street, Watford,
WD 17 1 NA, United Kingdom

(111) M 2021 33479 R
(151) 2020 12 29
(181) 2030 12 29
(260) AM 2019 105038 A
(220) 2019 09 26

(732) Zviad Pachulia
Varketili 3, IV mkr., corp. 403, app. 200,
Tbilisi, Georgia

(111) M 2021 33480 R
(151) 2020 12 29
(181) 2030 12 29
(260) AM 2019 105226 A
(220) 2019 10 08

(732) LTD "OJALESHI"
N. Kipshidze St. 7, app. 31, Tbilisi,
Georgia

(111) M 2021 33481 R
(151) 2020 12 29
(181) 2030 12 29
(260) AM 2019 105347 A
(220) 2019 10 15

(732) Subway IP LLC
8400 Chrd-das, 36-e St., Sti 530, Doral,
Florida, 33166, USA

(111) M 2021 33482 R
(151) 2020 12 29
(181) 2030 12 29
(260) AM 2019 105351 A
(220) 2019 10 16

(732) LEPL "Georgian National Tourism
Administration"
Sanapiro St. 4, 0105, Tbilisi, Georgia

(111) M 2021 33483 R
(151) 2020 12 29
(181) 2030 12 29
(260) AM 2019 105461 A
(220) 2019 10 24

(732) Aleksi Morchiladze
Chkondideli St. 22, 0180, Tbilisi, Georgia

(111) M 2021 33484 R
(151) 2020 12 29
(181) 2030 12 29
(260) AM 2019 105553 A
(220) 2019 10 29

(732) Davit Elizarashvili
Kote Marjanishvili St. 16, Tbilisi, Georgia

(111) M 2021 33485 R
(151) 2020 12 29
(181) 2030 12 29
(260) AM 2019 105649 A
(220) 2019 11 05

(732) LTD "Georgian Wine House"
Vill. Zegaani, 1500, Gurjaani district,
Georgia

(111) M 2021 33486 R
(151) 2020 12 29
(181) 2030 12 29
(260) AM 2019 105652 A
(220) 2019 11 05

(732) LTD "Georgian Wine House"
Vill. Zegaani, 1500, Gurjaani district,
Georgia

(111) M 2021 33487 R
(151) 2020 12 29
(181) 2030 12 29
(260) AM 2019 105747 A
(220) 2019 11 09

(732) Aleksi Morchiladze
Chkondideli Str. 22, 0180, Tbilisi, Georgia

-
- (111) M 2021 33488 R
(151) 2020 12 29
(181) 2030 12 29
(260) AM 2019 105773 A
(220) 2019 11 15
(732) LTD "AQUIX"
D. Uznadze St. 111, app. 11, building 2,
Didube district, Tbilisi, Georgia
-
- (111) M 2021 33489 R
(151) 2020 12 29
(181) 2030 12 29
(260) AM 2019 105812 A
(220) 2019 11 20
(732) Petrovoll Limited
Suite 6, Mill Mall, P.O. Box: 3085, Wickhams
Cay 1, Road Town, Tortola, Virgin Islands
(British)
-
- (111) M 2021 33490 R
(151) 2020 12 29
(181) 2030 12 29
(260) AM 2019 105883 A
(220) 2019 11 27
(732) Groupe GO SPORT
17 Avenue de la Falaise, 383600 Sassenage,
France
-
- (111) M 2021 33491 R
(151) 2020 12 29
(181) 2030 12 29
(260) AM 2019 105884 A
(220) 2019 11 27
(732) Kia Motors Corporation
12, Heolleung-ro, Seocho-gu, Seoul,
Republic of Korea
-
- (111) M 2021 33492 R
(151) 2020 12 29
(181) 2030 12 29
(260) AM 2019 105984 A
(220) 2019 12 05
(732) BASF Agro B.V. Arnhem (NL)
Zweigniederlassung Freienbach
Huobstrasse 3, Pfäffikon SZ, Switzerland
-
- (111) M 2021 33493 R
(151) 2020 12 29
(181) 2030 12 29
(260) AM 2019 105987 A
(220) 2019 12 05
(732) Aleks Morchiladze
Tchkondideli St. 22, 0180, Tbilisi, Georgia
-
- (111) M 2021 33494 R
(151) 2020 12 29
(181) 2030 12 29
(260) AM 2019 105993 A
(220) 2019 12 05
(732) LTD "Georgian Wine House"
Vill. Zegaani, Gurjaani district, Georgia
-
- (111) M 2021 33495 R
(151) 2020 12 29
(181) 2030 12 29
(260) AM 2019 106087 A
(220) 2019 12 11
(732) LLC "Georgian-American Family Medicine
Clinic"
Berbuki St. 7, Tbilisi, Georgia
-
- (111) M 2021 33496 R
(151) 2020 12 29
(181) 2030 12 29
(260) AM 2019 106314 A
(220) 2019 12 25
(732) Rational Intellectual Holdings Limited
Douglas Bay Complex, King Edward Road,
IM3 1DZ Onchan, Isle of Man
-
- (111) M 2021 33497 R
(151) 2020 12 29
(181) 2030 12 29
(260) AM 2020 106508 A
(220) 2020 01 03
(732) JSC "Kotekhi-Gurjaani Wine Factory"
K. Koroghlishvili St. 38, 1500, Gurjaani,
Georgia
-
- (111) M 2021 33498 R
(151) 2020 12 29
(181) 2030 12 29
(260) AM 2020 106515 A
(220) 2020 01 08
(732) E.I. du Pont de Nemours & Company
Chestnut Run Plaza, 974 Centre Road,
Wilmington, Delaware 19805, USA
-
- (111) M 2021 33499 R
(151) 2020 12 29
(181) 2030 12 29
(260) AM 2020 106516 A
(220) 2020 01 08
(732) Cargill Palm Products Sdn. Bhd.
Menara Suezcap 2, KL Gateway, Level 26,
No. 2 Jalan Kerinchi, Gerbang Kerinchi
Lestari, Kuala Lumpur, 59200, Malaysia
-

(111) M 2021 33500 R
(151) 2020 12 29
(181) 2030 12 29
(260) AM 2020 106655 A
(220) 2020 01 21
(732) The Gillette Company LLC
One Gillette Park, Boston, Massachusetts
02127, USA

(111) M 2021 33501 R
(151) 2020 12 29
(181) 2030 12 29
(260) AM 2020 106660 A
(220) 2020 01 21
(732) LTD "BEGASO"
Givi Odisharia St. 25, app. 6, Rustavi, Georgia

(111) M 2021 33502 R
(151) 2020 12 29
(181) 2030 12 29
(260) AM 2020 106670 A
(220) 2020 01 23
(732) JAPAN TOBACCO INC.
2-2-1 Toranomon, Minato-ku, Tokyo, Japan

(111) M 2021 33503 R
(151) 2020 12 29
(181) 2030 12 29
(260) AM 2020 106749 A
(220) 2020 01 24
(732) CORPORACION HABANOS S.A.
Carretera Vieja de Guanabacoa y Linea del
Ferrocarril Final, Guanabacoa, La Habana,
Cuba

(111) M 2021 33504 R
(151) 2020 12 29
(181) 2030 12 29
(260) AM 2020 106754 A
(220) 2020 01 24
(732) FRESH FOOD CO. LTD
Jeddah, Al Agaweed district, Sahal Bin Amro
Street, Building No. (43), PO Box 4043 Postal
22442, Saudi Arabia

(111) M 2021 33505 R
(151) 2020 12 29
(181) 2030 12 29
(260) AM 2020 106756 A
(220) 2020 01 24
(732) Advanced New Technologies Co., Ltd
Cayman Corporate Centre, 27 Hospital Road,
George Town, Grand Cayman, KY1-9008,
Cayman Islands

(111) M 2021 33506 R
(151) 2020 12 29
(181) 2030 12 29
(260) AM 2020 106775 A
(220) 2020 01 29
(732) LTD "INVET"
D. Aghmashenebeli Av. 171, Tbilisi, Georgia

(111) M 2021 33507 R
(151) 2020 12 29
(181) 2030 12 29
(260) AM 2020 106776 A
(220) 2020 01 29
(732) LLC "Borjomi Product Company"
Vill. Zanavi, 1200, Borjomi, Georgia

(111) M 2021 33508 R
(151) 2020 12 29
(181) 2030 12 29
(260) AM 2020 106812 A
(220) 2020 01 30
(732) KOWA COMPANY LTD
6-29, Nishiki 3-chome, Naka-ku, Nagoya-shi,
Aichi-ken, Japan

(111) M 2021 33509 R
(151) 2020 12 29
(181) 2030 12 29
(260) AM 2020 106815 A
(220) 2020 01 30
(732) LTD "CRYPTOMAT"
Sulkhan Tsintsadze St. 12, non-residential
area 3-9 (Davit Gamrekelis 2), Tbilisi,
Georgia

(111) M 2021 33510 R
(151) 2020 12 29
(181) 2030 12 29
(260) AM 2020 106821 A
(220) 2020 01 31
(732) LLC "CryptX IQ"
Vill. Tsinandali, I Lane 1, Telavi District,
Georgia

(111) M 2021 33511 R
(151) 2020 12 29
(181) 2030 12 29
(260) AM 2020 106825 A
(220) 2020 01 31
(732) LLC "ROKO"
Javakhishvili St. 1, Chughureti District,
Tbilisi, Georgia

(111) M 2021 33512 R
(151) 2020 12 29
(181) 2030 12 29
(260) AM 2020 106834 A
(220) 2020 02 03
(732) LTD "ZEGVINO"
Taktakishvili St. 7, app. 5, Tbilisi, Georgia

(111) M 2021 33513 R
(151) 2020 12 29
(181) 2030 12 29
(260) AM 2020 106939 A
(220) 2020 02 04
(732) Berlin-Chemie AG
Glienicke Weg 125, Berlin, 12489,
Germany

(111) M 2021 33514 R
(151) 2020 12 29
(181) 2030 12 29
(260) AM 2020 106940 A
(220) 2020 02 04
(732) Berlin-Chemie AG
Glienicke Weg 125, Berlin, 12489,
Germany

(111) M 2021 33515 R
(151) 2020 12 29
(181) 2030 12 29
(260) AM 2020 106941 A
(220) 2020 02 04
(732) Berlin-Chemie AG
Glienicke Weg 125, Berlin, 12489,
Germany

(111) M 2021 33516 R
(151) 2020 12 29
(181) 2030 12 29
(260) AM 2020 106942 A
(220) 2020 02 04
(732) Berlin-Chemie AG
Glienicke Weg 125, Berlin, 12489,
Germany

(111) M 2021 33517 R
(151) 2020 12 29
(181) 2030 12 29
(260) AM 2020 106966 A
(220) 2020 02 06
(732) JSC "GEFA"
Akaki Beliashvili St. 142, 0159, Tbilisi,
Georgia

(111) M 2021 33518 R
(151) 2020 12 29
(181) 2030 12 29
(260) AM 2020 107039 A
(220) 2020 02 07
(732) LEPL Kutaisi International University
Ilia Chavchavadze Av. 39a, 0179,
Tbilisi, Georgia

(111) M 2021 33519 R
(151) 2020 12 29
(181) 2030 12 29
(260) AM 2020 107052 A
(220) 2020 02 11
(732) LTD "BESOUND"
Akaki Tsereteli Av. 12, app. 61, 0154, Tbilisi,
Georgia

(111) M 2021 33520 R
(151) 2020 12 29
(181) 2030 12 29
(260) AM 2020 107301 A
(220) 2020 02 26
(732) Saleh Abdulaziz Babaker Sons Co. for Trading
& Contracting
Al Furuisia street, Al Marwah, Riyadh, Saudi
Arabia

(111) M 2021 33521 R
(151) 2020 12 30
(181) 2030 12 30
(260) AM 2019 103783 A
(220) 2019 11 07
(732) LTD "SULA INTERNATIONAL"
Al. Kazbegi Av. 14, 0160, Tbilisi, Georgia

(111) M 2021 33522 R
(151) 2020 12 30
(181) 2030 12 30
(260) AM 2020 106789 A
(220) 2020 01 30
(732) LTD "SAGURAMO ESTATE"
Saguramo, Mtskheta, Georgia

(111) M 2021 33523 R
(151) 2020 12 30
(181) 2030 12 30
(260) AM 2020 107153 A
(220) 2020 02 14
(732) LLC "TUMBO"
Tashkenti St. 17, fl. 1, app. 1, 0160,
Tbilisi, Georgia

(111) M 2021 33524 R
(151) 2020 12 30
(181) 2030 12 30
(260) AM 2020 107289 A
(220) 2020 02 24
(732) LTD "GN-Invest"
Murman Lebanidze (former Borjomi) St. 8,
0112, Tbilisi, Georgia

(111) M 2021 33525 R
(151) 2020 12 30
(181) 2030 12 30
(260) AM 2020 107386 A
(220) 2020 02 28
(732) LLC "Meat Products Factory – VAKE"
Hero Cadets St., II Lane 7, Tbilisi, Georgia

**TRADEMARKS REGISTERED ACCORDING TO THE
ACCELERATED PROCEDURE**

The decision can be appealed at the Chamber of Appeal of Sakpatenti within 3 months from the publication.

(111) M 2021 33468 R
(151) 2020 12 21
(181) 2030 12 21
(210) AM 110872
(220) 2020 12 15
(732) Giorgi Paikidze
Vazha-Pshavela Av., II qu., corp. 9g,
app. 78, Tbilisi, Georgia

(540)

"შემოთხილეთ გუნაცვალე"

(591) 0D5602 Green
(531) 28.19; 29.01.03
(511) 43

(540)



(591) Black, white
(531) 26.01.02; 26.01.18; 27.05.01; 27.05.10
(511) 30, 31, 33, 35, 43

(111) M 2021 33469 R
(151) 2020 12 22
(181) 2030 12 22
(210) AM 110935
(220) 2020 12 18
(732) LTD "Yara Investment Company"
San Zona, bldg. 10a, b. 16, 0192, Nadzaladevi
District, Tbilisi, Georgia
(740) Mariam Ghviniashvili
(540)



(591) 5E3030 carnelian, E5CA50 yellow
DB3B3B red
(531) 03.02.01; 05.03.15; 25.03.01; 25.03.13;
25.03.15; 28.01; 29.01.12
(511) 30

(111) M 2021 33471 R
(151) 2020 12 24
(181) 2030 12 24
(210) AM 110882
(220) 2020 12 17
(732) NOBEL ILAC SANAYII VE TICARET
ANONIM SIRKETI Representative in
Georgia
Liberty Sq. 4, 0105, Tbilisi, Georgia
(740) Tinatin Tskhvediani
(540)

NBL PREGNA FORMULA
ნბლ პრეგნა ფორმულა

(591) Black, white
(511) 5, 35

(111) M 2021 33470 R
(151) 2020 12 22
(181) 2030 12 22
(210) AM 110863
(220) 2020 12 13
(732) Silvester Kankava
N. Gogol St. 50, 6600, Sukhumi, Georgia
(740) Silvester Kankava

(111) M 2021 33472 R
(151) 2020 12 24
(181) 2030 12 24
(210) AM 110883
(220) 2020 12 17
(732) NOBEL ILAC SANAYII VE TICARET
ANONIM SIRKETI Representative in
Georgia
Liberty Sq. 4, 0105, Tbilisi, Georgia
(740) Tinatin Tskhvediani
(540)

KEDAY XR
კედაი იქსარი

(591) Black, white
(511) 5, 35

(111) M 2021 33473 R
(151) 2020 12 24
(181) 2030 12 24
(210) AM 110879
(220) 2020 12 16
(732) LTD "ABG"

I. Javakhishvili St. 80, app. 58, Batumi,
Georgia

(540)



(591) Sky-blue, pink, purple, white
(531) 01.15.15; 05.05.02; 05.05.20; 05.05.21
(511) 3, 5

(111) M 2021 33474 R
(151) 2020 12 25
(181) 2030 12 25
(210) AM 110885
(220) 2020 12 17

(732) LLC "Aqua-Terra"
Adam Mitskevich St. 29-29a, Commercial
Space 1, 1st fl., 0194, Tbilisi, Georgia

(540)



(591) White, sky-blue, red
(531) 02.09.01; 02.09.14; 02.09.15; 03.01.06;
03.01.08; 27.05.01; 28.19; 29.01.13
(511) 35

(111) M 2021 33475 R
(151) 2020 12 29
(181) 2030 12 29
(210) AM 110946
(220) 2020 12 21

(732) Gega Kharchiladze
Davit Aghmashenebeli Av. 146, Tbilisi,
Georgia

(540)



(591) F90202 red, 000000 black, FFFFFFFF
white
(531) 03.04.01; 03.04.02; 03.04.04; 03.04.18
03.07.03; 26.01.15; 27.05.01; 28.19; 29.01.13
(511) 35

(111) M 2021 33476 R
(151) 2020 12 29
(181) 2030 12 29
(210) AM 110972
(220) 2020 12 23

(732) LLC "GEORGIAN LEMONADE"
M. Aleksidze St. 1, corp. 4, app. 25, 0133,
Saburtalo District, Tbilisi, Georgia

(540)

BATONO
BATOHO
ბატონო

(591) Black, white
(511) 32

(111) M 2021 33526 R
(151) 2020 12 30
(181) 2030 12 30
(210) AM 110961
(220) 2020 12 22

(732) LTD "ATLANTIC"
Pushkin St. 132g, Batumi, Georgia

(540)



(591) Black, golden

(531) 21.01.01; 21.01.07; 21.01.09; 26.01.01;
26.01.04; 26.01.18; 26.04.02; 26.04.24;
27.05.21; 27.05.24; 29.01.12
(511) 41

(111) M 2021 33527 R
(151) 2020 12 30
(181) 2030 12 30
(210) AM 111065
(220) 2020 12 28
(732) LTD "INTERMETAL GEORGIA"
Free Industrial Zone (former Port Extensive
Development Zone), Plot 545, Internal Land
Number 286, Poti, Georgia
(740) Giorgi Taktakishvili
(540)

Polmodyle

(591) Black, white
(511) 6

(111) M 2021 33528 R
(151) 2020 12 30
(181) 2030 12 30
(210) AM 111066
(220) 2020 12 28
(732) LLC "MEDI CLUB GEORGIA"
Tashkenti St. 22a, 0160, Tbilisi, Georgia
(740) Giorgi Taktakishvili
(540)

მედიკლუბი MediClub

(591) Black, white
(511) 44

(111) M 2021 33529 R
(151) 2020 12 31
(181) 2030 12 31
(210) AM 110975
(220) 2020 12 23
(732) JSC "Healthy Water"
Vill. Nabeghlavi, Chokhatauri District,
Georgia;
RAUCH Fruchtsäfte GmbH
Langgasse 1, 6830 Rankweil, Austria
(740) George Meipariani
(540)



(591) Black, white
(531) 06.01.01; 06.01.04; 26.11.02; 26.11.08;
27.05.01; 27.05.11
(511) 32, 33

(111) M 2021 33530 R
(151) 2020 12 31
(181) 2030 12 31
(210) AM 111084
(220) 2020 12 29
(732) Deniel Patrick Hartmann
Clarke Place, South Haven, MI
1449, USA
(740) Valeri Gorgisheli
(540)

COLIBRI

(591) Black, white
(511) 31

(111) M 2021 33531 R
(151) 2021 01 18
(181) 2031 01 18
(210) AM 111089
(220) 2020 12 30
(732) LLC "COMPANY ORBITA"
Akaki Tsereteli Av. 126, 0119, Tbilisi,
Georgia
(740) Zurab Bezhashvili
(540)



(591) D3AD5E golden, 231F20 black
(531) 02.09.08; 02.09.25; 24.01.01; 29.01.13
(511) 29, 30, 31

(111) M 2021 33532 R
(151) 2021 01 18
(181) 2031 01 18
(210) AM 111088
(220) 2020 12 30
(732) LLC "COMPANY ORBITA"
Akaki Tsereteli Av. 126, 0119, Tbilisi,
Georgia

(740) Zurab Bezhashvili
(540)



(591) D8B35B golden, 046A79 emerald
(531) 27.01.12; 27.05.01; 27.05.10; 29.01.12
(526) Since 2010
(511) 29, 30, 31

INTERNATIONAL TRADEMARKS FOR WHICH A DECISION ON GRANTING PROTECTIONS IS TAKEN

The decision can be appealed at the Chamber of Appeal of Sakpatenti within 3 months from the publication or at the Mtskheta District Court Administrative Cases Board (Address: №17, Samkhedro str., Mtskheta), within 1 month following the publication.

(260) AM 2021 103299 A*
 (800) 1416717
 (151) 2018 01 05
 (891) 2019 04 05
 (731) H & M Hennes & Mauritz AB
 Mäster Samuelsgatan 46A, SE-111 57
 Stockholm, Sweden
 (540)

WEEKDAY

(591) Black, white
 (511)
 25 – Clothing, footwear, headgear.

35 – Advertising; business management; business administration; office functions; online commercial information and advice for consumers in the choice of products and services; retail services relating to bleaching preparations and other substances for use in soaps, perfumery, essential oils, cosmetics, hair lotions, dentifrices, spectacle cases, spectacles, sunglasses, spectacle frames, cases for spectacles, chains for spectacles, precious metals and their alloys, jewellery, precious stones, horological and chronometric instruments, paper, cardboard, printed matter, bookbinding material, photographs, stationery, adhesives for stationery or household purposes, artists' materials, paint brushes, typewriters and office requisites (except furniture), instructional and teaching material (except apparatus), plastic materials for packaging, printers' type, printing blocks, printed publications, magazines (periodicals) and books, leather and imitations of leather, animal skins, hides, trunks and travelling bags, umbrellas and parasols, walking sticks, whips, harness and saddlery, clothing, footwear, headgear.

(260) AM 2021 103919 A*
 (800) 1475429
 (151) 2019 05 24
 (891) 2019 05 24
 (731) Guess? IP Holder L.P.
 1444 South Alameda Street, Los Angeles
 CA 90021, USA
 (540)



(591) Black, white
 (531) 27.05.19
 (511)
 14 – Bracelets; earrings; horological and chronometric instruments and parts thereof; cuff links and tie clips; necklaces; rings; watchbands; wrist watches; watches; jewelry of precious metal; jewelry.

(260) AM 2021 105961 A
 (800) 1364053
 (151) 2017 01 25
 (891) 2019 11 08
 (731) G.L.- IMPORTAÇÃO E EXPORTAÇÃO, S.A.
 PARQUE INDUSTRIAL DA AZAMBUJA,
 ESTRADA NACIONAL 3, KM 5,7, VILA
 NOVA DA RAINHA, P-2050-522 VILA
 NOVA DA RAINHA, Portugal
 (540)



(591) Black, white
 (531) 01.15.11; 04.05.21; 27.05.01
 (511)
 29 – Soups; broth [soup]; canned soups; soup powders; soup concentrates; vegetable preparations for making soup; meat, fish, poultry and game; preserved, dried and cooked fruits and vegetables; jellies, jams, compotes; milk and milk products; yoghurts; vegetable pulp and fruit pulp; vegetable salads and fruits salads.
 32 – Juices, concentrated juices, fruit juices, vegetable juices, almond extract based beverages; beverages consisting of a blend of fruit and vegetable juices, almond milk [beverage]; mineral and aerated waters and other non-alcoholic drinks; syrups and other preparations for making beverages.

(260) AM 2021 106027 A
 (800) 1501967
 (151) 2019 09 16
 (891) 2019 09 16

(731) ANGELINI HOLDING S.P.A.
Viale Amelia, 70, I-00181 Roma, Italy

(540)



(591) Grey and blue

(531) 27.01.05; 27.05.01; 27.05.21; 27.07.01;
29.01.12

(511)

43 – Rental of temporary accommodation; hotel reservations; restaurant services; rental of meeting rooms; hotel services; reception services for temporary accommodation [management of arrivals and departures]; accommodation bureau services [hotels, boarding houses]; retirement home services; food and drink catering; café services; holiday camp services [lodging]; canteen services; boarding house services; self-service restaurant services.

(260) AM 2021 106415 A

(800) 1498397

(151) 2019 06 17

(891) 2019 06 17

(731) INNER MONGOLIA YILI INDUSTRIAL
GROUP CO., LTD.
NO. 1 JINSHAN ROAD, JINSHAN
DEVELOPMENT ZONE, HOHHOT, 100033
INNER MONGOLIA, China

(540)



(591) Black, white

(531) 26.01.02; 26.01.20; 26.11.12; 28.03

(511)

5 – Chemical conductor for electrocardiogram electrode; semen for artificial insemination; dietary fiber; medium for culture of bacteria; dental lacquer; candy, medicated; dietetic foods adapted for medical purposes; yeast dietary supplements; lacteal flour for babies; contact lenses (solutions for use with -); insecticide; enzyme dietary supplements; casein dietary supplements; infant formula; infant milk powder; radium for medical purposes; medical gas; vitamin pre-

paration; depuratives; dietary supplement for animal; breast-nursing pads; nutritional supplement drinks for medical purposes; propolis dietary supplements; food for babies; dietary and nutritional supplements for medical use; mineral food supplement; nutritional supplement; protein dietary supplement; royal jelly dietary supplements; disinfectants for hygiene purposes; babies' napkin-pants; pet diaper; candy for medical purposes.

29 – Broth; butter; sausage casings, natural or artificial; whey; vegetables, preserved; soymilk powder; albumen for culinary purposes; seaweed extracts for food; fish, not live; fruits, tinned [canned (am.)]; eggs; milk products; cream [dairy products]; jellies for food; fruit and vegetable-based snacks; nuts, prepared; powdered milk; dried pieces of agar jelly; yogurt; cheese; margarine; edible oils; fruit jellies; curd; vegetable-based cream; whipped cream; ryazhenka [fermented baked milk]; prostokvasha [soured milk]; milk substitutes.

32 – Beer.

(260) AM 2021 106577 A

(800) 843462

(151) 2004 09 13

(891) 2019 12 24

(731) SAINT-GOBAIN WEBER

2-4 RUE MARCO POLO F-94370 SUCY-EN-
BRIE, France

(540)

WEBER

(591) Black, white

(511)

1 – Chemicals for the building industry and for public works; adhesives used in industry, including adhesives and glues used for laying building materials; unprocessed artificial resins.

2 – Paints (non-insulating); colors; varnishes (excluding insulants); lacquers (paints); coatings (paints); antitrust agents; products used for protecting building materials.

3 – Cleaning preparations; cleaning products and strippers for the building industry and for public works.

17 – Packing, stopping and insulating materials; thermal and sound insulation materials; jointing mastics.

19 – Building materials, not of metal; mortar for building use, concrete, coatings (building materials).

37 – Information with regard to construction and with regard to maintenance, cleaning, renovation and repair of works, buildings and civil engineering works; information with regard to construction and with regard to maintenance, cleaning, renovation and repair of works, buildings and civil engineering works provided via data processing systems, computer databases

or computer or telematic networks, including the global communication network and the World Wide Web; rental of tools and equipment for construction purposes.

41 – Training with regard to construction and with regard to maintenance, cleaning, renovation and repair of works, buildings and civil engineering works; practical training relating to the preparation of non-metallic building materials.

(260) AM 2021 106578 A

(800) 927823

(151) 2007 06 07

(891) 2019 12 24

(731) SAINT-GOBAIN WEBER

2-4 rue Marco Polo F-94370 SUCY-EN-BRIE,
France

(540)



(591) Black, white

(531) 26.07.25

(511)

1 – Chemical products for use in the building industry and for public works; adhesives used in industry, including adhesives and glues for laying building materials; unprocessed artificial resins.

2 – Paints (non-insulating); colorants; varnishes (excluding insulants); lacquers (paints); coatings (paints); anti-rust agents; products for the protection of building materials.

3 – Cleaning preparations; cleaning products and strippers for use in the building industry and for public works.

17 – Packing, stopping and insulating materials; thermal and sound insulation materials; jointing mastics.

19 – Non-metallic building materials; mortars for building, concretes, coatings (building materials).

37 – Construction information; rental of building tools and equipment.

41 – Training services.

(260) AM 2021 106618 A

(800) 1508850

(151) 2019 12 02

(891) 2019 12 02

(731) HUAWEI TECHNOLOGIES CO., LTD.

Administration Building, Huawei Technologies
Co., Ltd., Bantian, Longgang District, Shenzhen
City, Guangdong Province, China

(540)

HarmonyOS

(591) Black, white

(531) 27.05.01; 27.05.10

(511)

9 – Set-top boxes; television cameras; cameras [photography]; smartphones; graphics accelerators; computer central processing units; computer memory devices; processors [central processing units]; computer hardware; humanoid robots with artificial intelligence; smartglasses; smartwatches; smart rings; scales; human face recognition devices; video telephones; wearable activity trackers; telecommunication apparatus in the form of jewelry; navigation apparatus for vehicles [on-board computers]; loudspeakers; camcorders; television apparatus; headsets; virtual reality headsets; wearable video display monitors.

35 – business management for freelance service providers; personnel recruitment; relocation services for businesses; accounting; business auditing; account auditing; accounting services for mergers and acquisitions; accounting services for third parties; consultancy and information services relating to accounting; sponsorship search; import-export agency services; web site traffic optimization; rental of vending machines; wholesale or retail store services featuring drugs; wholesale or retail store services featuring veterinary drugs; retail services for pharmaceutical, veterinary and sanitary preparations and medical supplies; compilation of information into computer databases; systemization of information into computer databases; computerized file management; updating and maintenance of data in computer databases.

(260) AM 2021 107214 A

(800) 1515195

(151) 2019 10 02

(891) 2019 10 02

(731) GELITA AG

Uferstr. 7, 69412 Eberbach, Germany

(540)

VEGIGEL

(591) Black, white

(511)

1 – Chemical and organic compositions for use in the manufacture of food and beverages; agar-agar, in particular raw material, for scientific and industrial purposes and for the production of foodstuffs; agar; plant protein-based gelling agents.

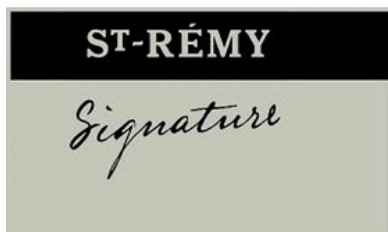
30 – Pastries; confectioneries; dessert goods, in particular puddings, dessert mousses, chocolate mousses, instant dessert puddings, prepared desserts [confectionery]; binding agents for cooking and baking purposes and for edible ices; plant-based gelling agents for food, in particular in sheet form or powder form; vegetarian preparations for stiffening whipped cream for the production of cream pastries, cream dishes and desserts; vegetable preparations for stiffening whipped cream for the production of cream pastries, cream dishes and desserts; plant-based preparations for stiffening whipped cream for the production of cream pastries, cream dishes and desserts; gelling agents for cooking and baking purposes, in particular in sheet form and powder form, included in this class; edible ices; ready-made baking mixtures.

(260) AM 2021 107222 A
(800) 1515247
(151) 2019 12 27
(891) 2019 12 27
(731) International Fruit Genetics, LLC
8224 Espresso Drive, Suite 200, Bakersfield
CA 93312, USA
(540)

CANDY DROPS

(591) Black, white
(511)
29 – Preserved, dried and cooked fruits and vegetables; milk and milk products.
30 – Seasonings, spices; sauces and other condiments.
31 – Fresh fruits and vegetables; grape vines, plants and plant propagating material.
32 – Beers; non-alcoholic beverages; mineral and aerated waters.
33 – Alcoholic beverages (except beers).

(260) AM 2021 107506 A
(800) 1518972
(151) 2020 01 20
(891) 2020 01 20
(731) E. REMY MARTIN & C°
20 rue de la Société Vinicole, F-16100
COGNAC, France
(540)



(591) Black, white

(531) 25.05.02; 26.04.02; 26.04.07; 26.04.22;
27.05.09; 27.05.13; 29.01.12
(511)
33 – Alcoholic beverages except beers.

(260) AM 2021 107507 A
(800) 1518977
(151) 2019 10 23
(891) 2019 10 23
(731) ALTUNKAYA İNŞAAT NAKLİYAT GIDA
TİCARET ANONİM ŞİRKETİ
4. Organize Sanayi Bölgesi, 83409 Nolu
Caddesi, No:8, Şehitkamil – Gaziantep,
Turkey
(540)



(591) Red, green and white
(531) 01.15.15; 05.03.14; 27.05.02; 29.01.13
(511)
29 – Meat, fish, poultry and game; processed meat products; dried pulses; soups, bouillon; processed olives, olive paste; milk and milk products, butter; edible oils; dried, preserved, frozen, cooked, smoked or salted fruits and vegetables; tomato paste; prepared nuts and dried fruits as snacks; hazelnut spreads and peanut butter; tahini (sesame seed paste); eggs and powdered eggs; potato chips; tomato paste; oils for food; olive oil for food; margarine; olives, preserved; olives, processed; olives, prepared; canned pulses; dried pulses; prepared pulses; beans, preserved; beans, prepared; beans, processed; canned chickpeas; chickpeas, processed; canned peas; broad beans, preserved; instant soup; fruit jellies; whipped cream; jams; cherry jam; fruit jams; canned fish; canned tuna; bouillon; jellies for food; black pudding; white pudding; whipped cream; pickles; cheddar cheese; yogurt; cream; powdered milk; kefir; fruit yogurts; kumys [milk beverage]; marmalades; tahini [sesame seed paste]; milk-based beverages containing fruits; dried lentils; lentils, preserved; milk drinks containing fruits.

30 – Coffee, cocoa; coffee or cocoa based beverages, chocolate based beverages; pasta, stuffed dumplings, noodles; pastries and bakery products based on flour; desserts based on flour and chocolate; bread, simit [Turkish ring-shaped bagel covered with sesame seeds], pasties, pita, sandwiches, pies, cakes, baklava [Turkish dessert based on dough coated with syrup]; desserts based on dough coated with syrup; puddings, custard; honey, bee glue for human consumption, propolis for food purposes; condiments for foodstuff, va-

nilla (flavoring), spices, sauces (condiments), tomato sauce; yeast, baking powder; flour, semolina, starch for food; sugar, cube sugar, powdered sugar; tea, iced tea; confectionery, chocolate, biscuits, crackers, wafers; chewing gums; ice-cream, edible ices; salt; cereal-based snack food, popcorn, crushed oats, corn chips, breakfast cereals, processed wheat for human consumption, crushed barley for human consumption, processed oats for human consumption, processed rye for human consumption, rice; molasses for food; breakfast cereals; cereals, processed; rice; popcorn; sugar; ketchup [sauce]; hot sauce; tomato sauce; mayonnaise; vinegar; flour; semolina; corn starch; salt; custard powder; cake mixes; yeast; cocoa; puddings; vanillin [vanilla substitute]; baking powder; cereal-based snack food; chips [cereal products]; coffee; cappuccino; hot chocolate; pomegranate molasses for food; mixes for making cakes; flavored and sweetened gelatins; bread; pizza; biscuits; crackers; wafers; cakes; tarts; chocolate; chewing gum; oatmeal; soy sauce; baking spices; chocolate powder for the preparation of chocolate-based drinks.

32 – Beers; preparations for making beer; mineral water, spring water, table water, soda water; fruit and vegetable juices, fruit and vegetable concentrates and extracts for making beverages, non-alcoholic soft drinks; energy drinks, protein-enriched sports beverages; powders used in the preparation of soft drinks; tonic water; grape juice.

(260) AM 2021 107508 A

(800) 1519068

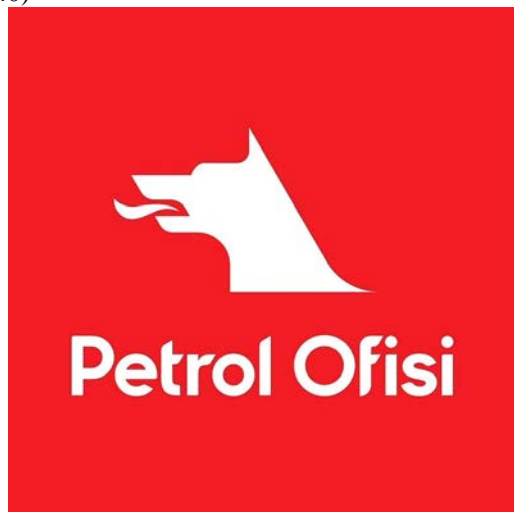
(151) 2020 01 29

(891) 2020 01 29

(731) PETROL OFİSİ ANONİM ŞİRKETİ

Ünalan Mahallesi Libadiye Caddesi, Emaar
Square Sitesi F Blok No:82 F/7, TR-34700
İstanbul, Turkey

(540)



(591) Red, white

(531) 01.15.05; 03.01.08; 29.01.12

(511)

4 – Industrial oils and greases; cutting fluids; dust absorbing, wetting and binding compositions; solid fuels, coal, firewood; liquid and gas fuels; petrol, diesel oil, liquified petroleum gas, natural gas, fuel oil and their non-chemical additives; candles; wicks; semi-finished wax; wax and paraffin for lighting purposes.

(260) AM 2021 107509 A

(800) 1519074

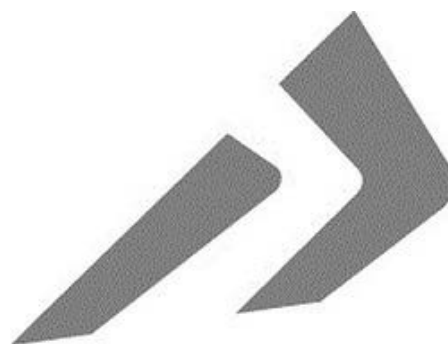
(151) 2019 12 16

(891) 2019 12 16

(731) Groupe GO SPORT

17 Avenue de la Falaise, F-38360
SASSENAGE, France

(540)



(591) Black, white

(531) 26.03.23; 26.04.04; 26.04.05; 26.04.24

(511)

18 – Luggage namely trunks, suitcases, traveling bags, handbags, beach bags, school bags, backpacks, bags with wheels, bags for climbers, bags for campers, bags for sports.

25 – Clothing, sportswear, headgear, footwear, sports footwear, underclothing and underwear.

28 – Gymnastic and sports articles for physical training, football, basketball, handball, volleyball, rugby, badminton, squash, tennis, table tennis, badminton, golf, athletics, running, dance, yoga, fitness, water sports (swimming, diving, boating, windsurfing, water skiing), beach games and games of skill, mountain sports (skiing, snowboarding, hiking, climbing), horse riding, combat sports, rollerblading, skateboarding, cycling, exercise treadmill, treadmill for physical exercise, running treadmill stand, benches for sports use, exercise benches, bodybuilding apparatus; all the aforesaid articles belong to class 28.

(260) AM 2021 107518 A

(800) 1519387

(151) 2019 12 17

(891) 2019 12 17

(731) "Unipharm-Ukraine", LLC

Moskovskyi prospect 9-V, Kyiv 04073,
Ukraine

(540)

НЕЙРОУРИДИН

(591) Black, white

(531) 28.05

(511)

3 – Non-medicated cosmetics and toiletry preparations; non-medicated dentifrices; perfumery, essential oils; bleaching preparations and other substances for laundry use; cleaning, polishing, scouring and abrasive preparations.

5 – Pharmaceuticals, medical and veterinary preparations; sanitary preparations for medical purposes; dietetic food and substances adapted for medical or veterinary use, food for babies; dietary supplements for human beings and animals; plasters, materials for dressings; material for stopping teeth, dental wax; disinfectants; preparations for destroying vermin; fungicides, herbicides.

10 – Surgical, medical, dental and veterinary apparatus and instruments; artificial limbs, eyes and teeth; orthopaedic articles; suture materials; therapeutic and assistive devices adapted for the disabled; massage apparatus; apparatus, devices and articles for nursing infants; sexual activity apparatus, devices and articles.

32 – Beers; non-alcoholic beverages; mineral and aerated waters; fruit beverages and fruit juices; syrups and other non-alcoholic preparations for making beverages.

(260) AM 2021 107519 A

(800) 1519426

(151) 2019 12 11

(891) 2019 12 11

(731) Limited Liability Company "RusBioAlliance"
Pryazhinskoye shosse, d. 2 KM, liter. B, floor 2,
office 10, RU-185013 Petrozavodsk, the
Republic of Karelia, Russian Federation

(540)

РусБиоАльянс

(591) Blue

(531) 28.05; 29.01.04

(511)

29 – Confitures; jams; frozen berries; frozen fruits; frozen vegetables; frozen mushrooms; frozen vegetable mixes including with added rice; fruit and berry-based fillings; berry purée.

30 – Berry sauces.

32 – Concentrated berry juices and nectars; fruit-drinks (morses); fruit drinks (morses) bases; berry juices and nectars.

(260) AM 2021 107520 A

(800) 1519429

(151) 2020 01 10

(891) 2020 01 10

(731) Vetprom AD

St. "Otets Paisiy" 26, BG-2400 Radomir,
Bulgaria

(540)

Sintuss СИНТУС

(591) Black, white

(531) 27.05.01; 28.05

(511)

5 – Alcohol for pharmaceutical purposes; amino acids for medicinal purposes; analgesics; anesthetics; antibiotics; antiseptics; bacterial preparations for medical and veterinary use; bacteriological preparations for medical and veterinary use; bactericides; balms for medical purposes; balsamic preparations for medical purposes; albuminous preparations for medical purposes; albuminous foodstuffs for medical purposes; biological preparations for medical purposes; veterinary preparations; vitamin preparations; mouthwash for medical purposes; glucose for medical purposes; dietetic substances for medical purposes; dietetic beverages for medical purposes; dietetic foods for medical purposes; elixirs [pharmaceutical preparations]; enzymes for medical purposes; enzyme nutritional supplements; medicines; veterinary medicines; medicines for human purposes; liniments; mineral nutritional supplements; decoctions for pharmaceutical purposes; syrups for pharmaceutical purposes, tinctures for medical purposes; pharmaceutical preparations; chemico-pharmaceutical preparations; chemical preparations for medical purposes; chemical preparations for pharmaceutical purposes; food supplements; dietary supplements for animals; infant formula; herbicides; capsules for pharmaceutical purposes; sedatives.

(260) AM 2021 107521 A

(800) 1519443

(151) 2020 01 18

(891) 2020 01 18

(731) ACULIFE HEALTHCARE PRIVATE
LIMITED

Commerce House-V, Besides Vodafone House,
Prahlanagar Corporate Road, Ahmedabad
380051, Gujarat, India

(540)

KETAQUI

(591) Black, white

(531) 27.05.01

(511)

5 – Medicinal and pharmaceutical preparations.

(260) AM 2021 107522 A

(800) 1519445

(151) 2019 12 12

(891) 2019 12 12

(731) "Inter Tobacco", Limited liability company
FEZ "Minsk", Novodvorsky r/c, 131, Minsk
District, 223016 Minsk Region, Belarus

(540)



(591) White and red

(531) 03.04.07; 03.04.13; 24.15.21; 26.03.07;
27.05.10; 29.01.12

(526) KING SIZE

(511)

34 – Cigarette paper; lighters for smokers; matchboxes; cigarette holders; cigar holders; liquid solutions for use in electronic cigarettes; electronic cigarettes; cigarettes; cigarettes containing tobacco substitutes, not for medical purposes; cigarillos; cigars; matches; tobacco; cigarette filters; cigarette tips; cigarette cases; mouthpieces for cigarette holders; snuff boxes.

(260) AM 2021 107524 A

(800) 1519657

(151) 2020 01 15

(891) 2020 01 15

(731) Closed Joint-Stock Company "Penza
Confectionery Factory"
ul. Kalinina, d. 112a, RU-440034 Penza,
Russian Federation

(540)

ПОЛЮШКО

(591) Black, white

(531) 28.05

(511)

30 – Confectionery.

(260) AM 2021 107525 A

(800) 1519775

(151) 2019 10 25

(891) 2019 10 25

(731) "HOLDING OF EMOTIONS "FEST" Limited
14 Rynok sq., Lviv 79008, Ukraine

(540)



(591) Red, green, beige, black, brown and pink

(531) 05.07.16; 25.01.06; 29.01.15

(511)

30 – Peanut confectionery; flavourings, other than essential oils, for beverages; food flavourings, other than essential oils; aromatic preparations for food; baozi [stuffed buns]; cereal bars; high-protein cereal bars; royal jelly; bibimbap [rice mixed with vegetables and beef]; bean meal; nut flours; buckwheat flour; tapioca flour; flour; bulgur; bread rolls; buns; burritos; vareniki [stuffed dumplings]; waffles; vermicelli [noodles]; flour-based dumplings; oatmeal; oat flakes; cookies; cake frosting [icing]; chocolate-coated nuts; dulce de leche; essences for foodstuffs, except etheric essences and essential oils; chewing gum for breath freshening; chewing gum; cranberry sauce [condiment]; custard; thickening agents for cooking foodstuffs; artificial coffee; frozen yoghurt [confectionery ices]; coffee; unroasted coffee; coffee flavourings; coffee beverages with milk; cocoa; caramels [candy]; potato flour; confectionery; confectionery for decorating Christmas trees; sugar confectionery; cinnamon [spice]; crackers; corn, milled; corn, roasted; corn flakes; noodles; mints for breath freshening; macaroni; pasta; macaroons [pastry]; hominy; marzipan; honey; almond paste; almond confectionery; ice cream; dessert mousses [confectionery]; nutmegs; muesli; coffee-based beverages; cocoa-based beverages; chamomile-based beverages; tea-based beverages; chocolate-based beverages; infusions, not medicinal; processed seeds for use as a seasoning; crushed oats; husked oats; pastila [confectionery]; lozenges [confectionery]; pelmeni [dumplings stuffed with meat]; pies; pizzas; popcorn; powders for making ice cream; pralines; candy decorations for cakes; propolis; gingerbread; spices; puddings; cake powder; ravioli; malt for human consumption; sweetmeats [candy]; sherbets [ices]; spaghetti; chocolate-based spreads; chocolate spreads containing nuts; cakes; dough; cake batter; cake dough; pastry dough; tortillas; fruit jellies [confectionery]; halvah; edible ices; bread; pastries; candy; chocolate; chocolate beverages with milk; barley meal; crushed barley.

33 – Alcoholic beverages, except beer; alcoholic beverages containing fruit; anisette [liqueur]; anise [liqueur]; aperitifs; arrack [arak]; baijiu [Chinese distilled alcoholic beverage]; brandy; wine; whisky; vodka; kirsch; perry; gin; digesters [liqueurs and spirits]; cocktails; curacao; liqueurs; hydromel [mead]; pep-

permint liqueurs; pre-mixed alcoholic beverages, other than beer-based; bitters; nira [sugarcane-based alcoholic beverage]; distilled beverages; piquette; rice alcohol; rum; sake; cider; spirits [beverages]; alcoholic extracts; alcoholic essences; fruit extracts, alcoholic.

35 – Administrative processing of purchase orders; administration of consumer loyalty programs; administration of frequent flyer programs; cost price analysis; business auditing; financial auditing; auctioneering; outsourced administrative management for companies; accounting; web indexing for commercial or advertising purposes; negotiation of business contracts for others; market studies; opinion polling; invoicing; arranging subscriptions to telecommunication services for others; payroll preparation; tax preparation; demonstration of goods; business inquiries; business management assistance; commercial or industrial management assistance; advisory services for business management; business research; economic forecasting; providing business information via a web site; compilation of information into computer databases; compilation of statistics; business information; business management of performing artists; business management for freelance service providers; business management of hotels; business management of reimbursement programs for others; interim business management; commercial information and advice for consumers in the choice of products and services; commercial administration of the licensing of the goods and services of others; computerized file management; personnel management consultancy; business management consultancy; consultancy regarding advertising communication strategies; consultancy regarding public relations communication strategies; business organization consultancy; marketing; marketing in the framework of software publishing; targeted marketing; marketing research; typing; provision of commercial and business contact information; provision of an online marketplace for buyers and sellers of goods and services; writing of curriculum vitae for others; writing of publicity texts; scriptwriting for advertising purposes; word processing; updating of advertising material; updating and maintenance of data in computer databases; updating and maintenance of information in registries; web site traffic optimization; organization of exhibitions for commercial or advertising purposes; organization of trade fairs for commercial or advertising purposes; rental of advertising space; shop window dressing; business appraisals; personnel recruitment; business management and organization consultancy; business intermediary services relating to the matching of potential private investors with entrepreneurs needing funding; commercial information agency services; employment agency services; business efficiency expert services; outsourcing services [business assistance]; business project management services for construction projects; competitive

intelligence services; corporate communications services; layout services for advertising purposes; appointment reminder services [office functions]; price comparison services; relocation services for businesses; market intelligence services; procurement services for others [purchasing goods and services for other businesses]; media relations services; gift registry services; import-export agency services; modelling for advertising or sales promotion; advertising agency services; public relations; commercial lobbying services; commercial intermediation services; online retail services for downloadable digital music; data search in computer files for others; sponsorship search; search engine optimization for sales promotion; presentation of goods on communication media, for retail purposes; telephone answering for unavailable subscribers; rental of billboards [advertising boards]; office machines and equipment rental; rental of office equipment in co-working facilities; publicity material rental; rental of advertising time on communication media; rental of vending machines; rental of sales stands; direct mail advertising; publication of publicity texts; radio advertising; registration of written communications and data; advertising; pay per click advertising; outdoor advertising; advertising by mail order; online advertising on a computer network; document reproduction; bill-posting; distribution of samples; dissemination of advertising matter; design of advertising materials; business investigations; systemization of information into computer databases; drawing up of statements of accounts; compiling indexes of information for commercial or advertising purposes; sales promotion for others; promotion of goods and services through sponsorship of sports events; production of advertising films; production of teleshopping programs; transcription of communications [office functions]; television advertising; telemarketing services; negotiation and conclusion of commercial transactions for third parties; professional business consultancy.

43 – Providing campground facilities; boarding house bookings; food and drink catering; information and advice in relation to the preparation of meals; rental of meeting rooms; rental of temporary accommodation; accommodation bureau services [hotels, boarding houses]; bar services; retirement home services; hotel services; day-nursery [crèche] services; canteen services; cafe services; cafeteria services; motel services; boarding house services; personal chef services; restaurant services; self-service restaurant services; washoku restaurant services; udon and soba restaurant services; snack-bar services; holiday camp services [lodging]; tourist home services; cake decorating; decorating of food; rental of tents; rental of cooking apparatus; rental of lighting apparatus; rental of transportable buildings; rental of chairs, tables, table linen, glassware; hotel reservations; temporary accommodation reservations; reception services for temporary ac-

commodation [management of arrivals and departures]; food sculpting.

(260) AM 2021 107526 A
 (800) 1519802
 (151) 2020 01 10
 (891) 2020 01 10
 (731) Alcon Inc.
 Rue Louis-d'Affry 6, CH-1701 Fribourg,
 Switzerland
 (540)

TETRA

(591) Black, white
 (511)
 10 – Surgical apparatus and instruments for use in ophthalmic surgery.

(260) AM 2021 107527 A
 (800) 1519872
 (151) 2020 02 05
 (891) 2020 02 05
 (731) ROBERT BOSCH GmbH
 Robert-Bosch-Platz 1, 70839 GERLINGEN,
 Germany
 (540)

UniversalHumid

(591) Black, white
 (511)
 9 – Measuring devices, in particular humidity measuring devices.

(260) AM 2021 107528 A
 (800) 1519879
 (151) 2020 01 29
 (891) 2020 01 29
 (731) Apple Inc.
 One Apple Park Way, Cupertino CA 95014,
 USA
 (540)

[AR]T

(591) Black, white
 (511)
 41 – Educational services in the field of augmented reality; arranging, organizing, conducting, and presenting seminars, workshops, and classes in the field of augmented reality; arranging, organizing, conducting, and presenting arts events and exhibitions; presentation of multimedia entertainment content; providing entertainment, animation, and arts programming by means of telecommunications networks, and wireless communications networks; providing non-downloadable entertainment, animation, and arts programming; storing, sharing, and viewing of images and multimedia content.

(260) AM 2021 107529 A
 (800) 1519899
 (151) 2019 09 24
 (891) 2019 09 24
 (731) DINA Limited Liability Company
 Skolkovo Innovation center, Bol'shoy bul'var,
 st. 42, bld. 1, fl. 0, office 150, work place 9,
 RU-121205 Moscow, Russian Federation
 (540)



Frame your ideal moment

(591) Black, white
 (531) 25.01.13; 26.03.23; 27.05.10
 (511)
 9 – 3D spectacles; remote control apparatus; lens hoods; camcorders; video screens; viewfinders, photographic; infrared detectors; diaphragms [photography]; light-emitting diodes [LED]; interfaces for computers; cinematographic cameras; thermal imaging cameras; notebook computers; flashlights [photography]; correcting lenses [optics]; closeup lenses; optical lenses; optical condensers; computer software, recorded; computer hardware; objectives [lenses] [optics]; lenses for astrophotography; mirrors [optics]; surveying apparatus and instruments; optical apparatus and instruments; navigation apparatus for vehicles [on-board computers]; prisms [optics]; computer software applications, downloadable; computer programs, recorded; computer game software, downloadable; downloadable cloud computing software; computer operating programs, recorded; electronic publications, downloadable; control panels [electricity]; humanoid robots with artificial intelligence; scanners [data processing equipment]; smartglasses; smartphones; anti-glare glasses; optical glass; stands for photographic apparatus; data processing apparatus; optical character readers; downloadable image files; filters for use in photography; filters for ultraviolet rays, for photography; cameras [photography]; shutters [photography]; digital photo frames; cases especially made for photographic apparatus and instruments; virtual reality headsets.

(260) AM 2021 107530 A
 (800) 1519917
 (151) 2019 09 24
 (891) 2019 09 24
 (731) LIMITED LIABILITY COMPANY "BRAND CONSULTING GROUP"
 Dehtiarna st., 9, ap. 31, m. Kyiv 04071, Ukraine

(540)

Nikita

(591) Black, white

(511)

32 – Beer, mineral and carbonated water and other non-alcoholic beverages, fruit drinks and fruit juices; syrups and other ingredients for making beverages; non-alcoholic aperitifs; coffee-flavored soft drinks; non-alcoholic beverages flavored with tea; honey-based soft drinks; non-alcoholic fruit extracts; unfermented grape must; water (beverages); extracts of hops for making beer; essences for making beverages; seltzer water; isotonic beverages; ginger beer, ginger ale; kvass [non-alcoholic beverage]; non-alcoholic cocktails; beer-based cocktails; lemonades; aloe vera drinks, non-alcoholic; rice-based beverages, other than milk substitutes; soya beverages other than milk substitutes; vegetable juices (beverages); orgeat, beer wort; concentrates for making carbonated beverages; sarsaparilla (non-alcoholic beverage); non-alcoholic cider; syrups for lemonade; preparations for making aerated water; smoothies; soda water; malt beer; malt wort; protein-enriched sports drinks; table water; beer wort; tomato juice (drink); non-alcoholic fruit nectars; sherbet (drinks); pastilles for effervescing beverages, whey beverages, lithia water, energy drinks, soft drinks, barley wine (beer).

33 – Alcoholic beverages (except beer); alcoholic beverages containing fruit; anise liqueur; aperitifs; arak; baijiu (Chinese distilled alcoholic beverage); brandy; wine; whiskey; vodka; perry; gin; digesters (liqueurs and spirits); cocktails; curacao; liqueurs; pre-mixed alcoholic beverages, other than beer-based; nira (sugarcane-based alcoholic beverage), distilled beverages; piquette (wine from grape purges); rice alcohol; rum; sake; cider; spirits (beverages); alcoholic extracts; alcoholic essences; alcoholic fruit extracts; anisette (liqueur); kirsch; mead (hydromel); peppermint liqueurs; bitters.

(260) AM 2021 107531 A

(800) 1519923

(151) 2019 12 23

(891) 2019 12 23

(731) Rodin Vasily Aleksandrovich

ul. Lesnaya, 39, kv. 1, g. Kaliningrad,

RU-236029 Kalinigradskaya oblast, Russian Federation

(540)

**SVETLOVSKAYA YARD**
СВЕТЛОВСКАЯ ВЕРФЬ

(591) red, white, blue

(531) 14.01.15; 18.04.02; 26.01.18; 26.11.08;
27.05.01; 27.05.11; 28.05; 29.01.13

(526) СВЕТЛОВСКАЯ ВЕРФЬ

(511)

12 – Oars; sculls; stern oars; screws [propellers] for ships; screw-propellers for boats; dredgers [boats]; boats; ships; ship hulls; fenders for ships; boat hooks; masts for boats; upholstery for vehicles; spars for ships; autonomous underwater vehicles for seabed inspections; water vehicles; remotely operated vehicles for underwater inspections; remote control vehicles, other than toys; inclined ways for boats; funnels for ships; cleats [nautical]; rowlocks; oarlocks; disengaging gear for boats; steering gears for ships; yachts.

37 – Rebuilding engines that have been worn or partially destroyed; repair information; riveting; rustproofing; anti-rust treatment for vehicles; vehicle maintenance; vehicle breakdown repair services; plumbing; underwater repair; pump repair; vehicle greasing; vehicle lubrication; shipbuilding; heating equipment installation and repair; installation and repair of air-conditioning apparatus; freezing equipment installation and repair; electric appliance installation and repair; machinery installation, maintenance and repair; interference suppression in electrical apparatus.

(260) AM 2021 107532 A

(800) 1519939

(151) 2019 10 10

(891) 2019 10 10

(731) JK Machinery, s.r.o.

Politických vězňů 912/10, CZ-110 00 Praha 1,
Nové Město, Czech Republic

(540)



(591) Black, white, grey

(531) 26.04.04; 26.04.05; 26.04.18

(511)

35 – Marketing, targeted marketing, business information, commercial intermediation services, online advertising on a computer network, business management and organization consultancy, organization of trade fairs for commercial or advertising purposes, professional business consultancy, advertising, business project management services for construction projects, business efficiency expert services, outsourcing services (business assistance), import-export agency services.

(260) AM 2021 107533 A

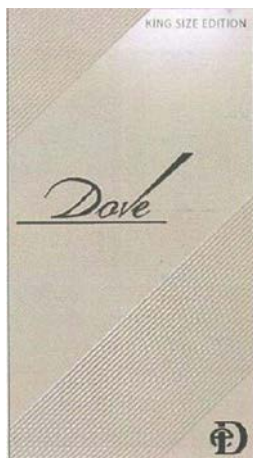
(800) 1519947

(151) 2019 12 12

(891) 2019 12 12

(731) "Inter Tobacco", Limited liability company
FEZ "Minsk", Novodvorsky r/c, 131, Minsk
District, 223016 Minsk, Belarus

(540)



(591) Golden, light golden and black

(531) 26.11.05; 26.11.09; 27.05.01; 27.05.10;
29.01.12

(526) KING SIZE EDITION

(511)

34 – Cigarette paper; lighters for smokers; matchboxes; cigarette holders; cigar holders; liquid solutions for use in electronic cigarettes; electronic cigarettes; cigarettes; cigarettes containing tobacco substitutes, not for medical purposes; cigarillos; cigars; matches; tobacco; cigarette filters; cigarette tips; cigarette cases; mouthpieces for cigarette holders; snuff boxes.

(260) AM 2021 107534 A

(800) 1519955

(151) 2019 12 16

(891) 2019 12 16

(731) Knauf PFT GmbH & Co. KG

Einersheimer Str. 53, 97346 Iphofen, Germany

(540)

G 4

(591) Black, white

(511)

7 – Construction machines; mixing machines for building; mixing machines, in particular continuous mixers, pan mixers, positive mixers, continuous mixers for dry mortar, render, mortar, fillers and adhesives; plastering machines (for making wall and ceiling plaster); coating and plastering machines; pumps [machines]; mixing pumps; feed pumps; screw pumps; progressing cavity pumps; rotors, in particular for pumps; stators, in particular for pumps; booster pumps; air compressors; valves [parts of machines]; couplings other than for land vehicles; injection hoods; machine parts; machine claddings; housings [parts of machines]; motors and engines, drives and general machine parts.

(260) AM 2021 107535 A

(800) 1520073

(151) 2020 01 09

(891) 2020 01 09

(731) Gulf Air B.S.C. (c)

P.O. Box 138, Manama, Bahrain

(540)



(591) Black, white

(531) 03.07.01; 03.07.16; 03.07.24; 27.05.01; 28.01;
29.01.12

(511)

43 – Services for providing food and drink; temporary accommodation; booking services for hotel accommodation; catering for air travel passengers; provision of hospitality lounges; child minding services; information, support, assistance, consultancy and advisory services in relation to the foregoing.

(260) AM 2021 107536 A

(800) 713598

(151) 1999 04 29

(891) 2019 10 18

(731) BELLA TEKSTİL SANAYİ VE TİCARET
ANONİM ŞİRKETİ

İkitelli Organize Sanayi Bölgesi, Aykoşan

Sanayi Sitesi, 2. Kısım, 3. Ada, D Blok, No.1,

Başakşehir, İstanbul, Turkey

(540)

WOODY

(591) Black, white

(531) 27.05.01; 27.05.17

(511)

25 – Clothing, underwear, socks, shoes, hats, scarfs, pyjamas and lingerie.

(260) AM 2021 107537 A

(800) 877211

(151) 2005 11 07

(891) 2020 01 27

(731) Montblanc-Simplo GmbH

Hellgrundweg 100, 22525 Hamburg, Germany

(540)



(591) Black, white
 (531) 05.05.20; 26.01.03; 26.01.15; 27.05.01
 (511)

25 – Overcoats and other coats, peignoirs, jackets, pullovers, trousers, pyjamas, shirts, skirts, socks, suits, bathing suits, sweaters, tee-shirts, trousers, shorts, gloves, neckties, scarves, shawls, hats and caps, and other clothing items; belts, braces, shoes, sports shoes, boots, slippers, and other footwear special clothing for sports and gymnastics; special footwear for sports and gymnastics.

(260) AM 2021 107539 A

(800) 1193094

(151) 2013 11 28

(891) 2020 02 05

(731) Carolina Herrera Ltd

501 Seventh Avenue, 17Th Floor, New York,
 New York 10018, USA

(540)

(591) Black, white

(531) 27.05.22

(511)

3 – Bleaching preparations and other substances for laundry use; cleaning, polishing, degreasing and abrasive preparations; soaps; perfumery products, essential oils, cosmetics, hair lotions; dentifrices; abrasives; almond oil; gaultheria oil; jasmine oil; lavender oil; rose oil; oil of turpentine [degreasing product]; oils for cleaning purposes; oils for perfumes and scents; oils for toiletry purposes; essential oils of cedarwood; essential oils of citron; essential oils of lemon; ethereal oils; oils for cosmetic use; cosmetic preparations for slimming; adhesives for affixing false eyelashes; adhesives for affixing false hair; adhesives for cosmetic use; breath freshening sprays; shaving products; grinding products; drying agents for dishwashing machines; eau de cologne; lavender water; toilet water; scented water; canned pressurized air for cleaning and dusting purposes; volatile alkali [ammonia] [detergent]; smoothing products [starching]; starch for laundry purposes; starch glaze for laundry purposes; musk [perfumery]; amber [perfumery]; bluing for laundry; antistatic preparations for household use; antiperspirants [toiletries]; aromatics [essential oils]; flavorings for cakes [essential oils]; flavorings for beverages [essential oils]; air fragrancing products; astringents for cosmetic use; color-brightening chemicals for household purposes [laundry]; balms other than for medical use; cosmetic preparations for baths; varnish-removing products; shoe black (shoe polish);

whiting; leather bleaching products; sachets for perfuming linen; products to make the leaves of plants shiny; shining products [polish]; lip glosses; sun-tanning preparations [cosmetics]; refurbishing preparations; hair waving preparations; silicon carbide [abrasive]; carbides of metal [abrasives]; eyebrow cosmetics; volcanic ash for cleaning; non-slipping wax for floors; laundry wax; tailors' wax; shoemakers' wax; depilatory wax; shoe wax; mustache wax; parquet floor wax; polishing wax; waxes for leather; shampoos; dry shampoos; shampoos for pets; preservatives for leather [polishes]; corundum [abrasive]; quillaia bark for washing; cosmetics; cosmetics for animals; skin whitening creams; cosmetic creams; boot polish; polishing creams; cosmetic products for skin care; floor wax removers [scouring preparations]; scouring solutions; bleaches for cosmetic use; dentifrices; depilatories; degreasers other than for use in manufacturing processes; scale removing preparations for household use; make-up removing preparations; deodorants for pets; deodorants [perfumery products]; detergents other than for use in manufacturing operations and for medical use; diamantine [abrasive]; douching preparations for personal sanitary or deodorant purposes [toiletries]; polish for furniture and flooring; mouthwashes not for medical use; badian essence; bergamot oil; mint essence [essential oil]; ethereal essences; emery; extracts of flowers [perfumery products]; bases for flower perfumes; fumigation products [perfumes]; dental bleaching gels; massage gels other than for medical use; geraniol; laundry glaze; greases for cosmetic use; cotton wool for cosmetic use; heliotropine; henna [dyes for cosmetic use]; swabs [toiletries]; incense; ionone [perfumery]; shaving soap; almond soap; soaps; antiperspirant soaps; soap for foot perspiration; disinfectant soaps; deodorant soaps; medicated soaps; soap for brightening textile; petroleum jelly for cosmetic use; nail polish; hair sprays; lacquer-removing products; breath freshening strips; eyebrow pencils; cosmetic pencils; almond milk for cosmetic use; cleansing milk for toilet purposes; Javelle water; soda lye; windshield cleaning liquids; preparations for cleaning dentures; dry-cleaning products; cleaning products; non-slipping liquids for floors; hair lotions; after-shave lotions; lotions for cosmetic use; scented wood; make-up; make-up products; mascara; beauty masks; mint for perfumery; decorative patterns for cosmetic use; cosmetic kits; neutralizers for permanent waving; cloths impregnated with a detergent for cleaning; emery paper; sandpaper; polishing paper; pastes for razor strops; bars of soap; nail art stickers; perfumery products; perfumes; hydrogen peroxide for cosmetic use; cosmetic preparations for eyelashes; false eyelashes; cobblers' wax; pumice stone; shaving stones [astringents]; alum stones [astringents]; polishing stones; smoothing stones; lipsticks; paint-stripping products; make-up powder; pomades for cosmetic use; potpourris [fragrances]; laundry pre-

parations; sunscreen preparations; aloe vera preparations for cosmetic use; preparations for unblocking drain pipes; bleaching products for laundry use; rust removing products; denture polishes; polishing preparations; stain removers; laundry soaking products; jewelers' rouge; safrol; bleaching salts; bath salts other than for medical use; washing soda for cleaning; bleaching soda; fabric softeners for laundry use; talcum powder, for toilet use; sandcloth; emery cloth; glass cloth; terpenes [essential oils]; cosmetic dyes; dyes for toilet purposes; hair dyes; beard dyes; color-removing products; cleaning chalk; tissues impregnated with cosmetic lotions; toiletries; turpentine [degreasing product]; tripoli stone for polishing; false nails; nail care products; joss sticks.

(260) AM 2021 107540 A
(800) 1221445
(151) 2014 08 22
(891) 2020 01 23
(731) Syngenta Participations AG
Rosentalstrasse 67, CH-4058 Basel,
Switzerland

(540)

ADEPIDYN

(591) Black, white
(511)
5 – Products for destroying vermin; fungicides, herbicides.

(260) AM 2021 107541 A
(800) 1243741
(151) 2014 12 05
(891) 2020 02 27
(731) FIDIA FARMACEUTICI S.p.A.
Via Ponte della Fabbrica, 3/A, I-35031 Abano
Terme (PD), Italy

(540)

HYAL 

(591) Black, white
(531) 27.01.01; 27.05.01
(511)
3 – Bleaching preparations and other substances for laundry use; cleaning, polishing, scouring and abrasive preparations; soaps, perfumery, essential oils, cosmetics, hair lotions, dentifrices; cosmetic preparations for the treatment of the skin; dermocosmetic preparations not for medical use.

5 – Pharmaceutical and veterinary preparations; sanitary preparations for medical purposes; dietetic food and substances adapted for medical or veterinary use, food for babies; dietary supplements for humans and animals; plasters, materials for dressings; material for stopping teeth, dental wax; disinfectants; preparations

for destroying vermin; fungicides, herbicides; medicines; medical products, substances and preparations for use in the diagnosis, prevention, control, therapy or reduction of diseases or sores; dermo-cosmetic preparations for medical use; dermatologic preparations; tissues or gauzes impregnated with antibacterial preparations, lotions or medicated creams; creams, sprays, lotions, gels or ointments for dermatologic purposes, wound healing and tissue repair.

10 – Surgical, medical, dental and veterinary apparatus and instruments, artificial limbs, eyes and teeth; orthopaedic articles; suture materials; applicators and medical devices for the administration of pharmaceutical preparations.

(260) AM 2021 107605 A
(800) 1520489
(151) 2019 12 04
(891) 2019 12 04
(731) Fujian Kirisun Communications Co., Ltd.
Building C, Haixi Electronic, Information
Industry Breeding Base, Technology Road,
Hi-tech Industrial Park, Fengze District,
Quanzhou City, Fujian Province, China

(540)

KIRISUN

(591) Black, white
(531) 27.05.01
(511)
9 – Interphones; audiovisual teaching apparatus; radio frequency transmitters; cameras [photography]; navigation apparatus for vehicles [on-board computers]; portable radio telephones; mp3 players; theft prevention installations, electric; network communication equipment; chargers for electric batteries.

(260) AM 2021 107606 A
(800) 1520493
(151) 2020 01 08
(891) 2020 01 08
(731) KEPRO S.P.A.
Via Chiese, 13, I-25015 Desenzano Del
Garda (BS), Italy

(540)

KAYCOLOR

(591) Black, white
(531) 27.05.17
(511)
3 – Soap; fragrances and perfumery; essential oils; cosmetics; hair lotions; hair treatment preparations; hair care preparations; hair dyes and bleaching products; hydrogen peroxide for use on the hair; hair

bleaching preparations; hair shampoos; hair masks; hair conditioners; hair creams; preparations for body and beauty care; non-medicated body care preparations; non-medicated preparations for the care of skin, hair and scalp; non-medicated hair care preparations.

(260) AM 2021 107621 A

(800) 1520903

(151) 2020 02 17

(891) 2020 02 17

(731) Jianxin Yang

No. 18, Xinqiaotou, Xialou Village, Linan Town, Xianyou County, Putian City, 351200 Fujian Province, China

(540)

ROLF

(591) Black, white

(531) 27.05.01

(511)

7 – Electric hammers; dimension stone cutting machines; spray guns; paring machines; engraving machines; electric wrenches; agricultural implements, other than hand-operated; electric hand drills; hand-held tools, other than hand-operated.

(260) AM 2021 107622 A

(800) 1520942

(151) 2020 02 10

(891) 2020 02 10

(731) Alcon Inc.

Rue Louis-d'Affry 6, CH-1701 Fribourg, Switzerland

(540)

TETRASPOT

(591) Black, white

(511)

10 – Surgical apparatus and instruments for use in ophthalmic surgery.

(260) AM 2021 107624 A

(800) 1520966

(151) 2020 01 30

(891) 2020 01 30

(731) Chanel SARL

Quai du Général-Guisan 24, CH-1204 Genève, Switzerland

(540)

LE LION DE CHANEL

(591) Black, white

(511)

3 – Preparations for cosmetic use for skin, scalp, hair or nail care; preparations for cosmetic use for appli-

cation on the skin, scalp, hair or nails; soaps; perfumery products; perfumes; eau de Cologne; eau de toilette; after-shave lotions; shaving soap; shaving products; essential oils; make-up products; cosmetics; toiletries for non-medical use; talcum powder for toilet use; deodorants, antiperspirants for personal use; make-up removing products, tissues impregnated with make-up removing preparations; nail polish removers; cosmetic sun-tanning preparations, sunscreen preparations, tissues impregnated with cosmetic lotions, massage gels other than for medical use; nail polish; artificial nails for cosmetic use; nail art stickers; adhesives for affixing artificial nails; temporary tattoos for cosmetic use; false eyelashes; air fragrances; pot-pourris [fragrances].

(260) AM 2021 107625 A

(800) 1520974

(151) 2020 02 07

(891) 2020 02 07

(731) BIOFARMA

50 rue Carnot, F-92284 Suresnes Cedex, France

(540)

DETRALFAT

(591) Black, white

(511)

5 – Pharmaceutical products; medical preparations; veterinary preparations; sanitary products for medical purposes; dietetic substances and foodstuffs for medical or veterinary use, food for babies; food supplements for humans and animals; plasters, materials for dressings; material for dental fillings and dental impressions; disinfectants; products for destroying vermin; fungicides, herbicides.

(260) AM 2021 107626 A

(800) 1521009

(151) 2020 02 05

(891) 2020 02 05

(731) BIOFARMA

50 rue Carnot, F-92284 Suresnes Cedex, France

(540)

Beauselsayso

(591) Black, white

(511)

44 – Medical services, medical information service, pharmaceutical information service.

(260) AM 2021 107628 A

(800) 1521089

(151) 2020 01 02

(891) 2020 01 02

(731) COASTROCK HOLDINGS LIMITED
Thasou 3, Dadlaw House, CY-1520 Nicosia,
Cyprus

(540)



(591) Black, white

(531) 26.04.01; 26.04.02; 26.04.09; 26.04.24;
27.05.10

(511)

35 – Administrative assistance in responding to calls for tenders; administrative processing of purchase orders; administration of consumer loyalty programs; cost price analysis; business auditing; financial auditing; outsourced administrative management for companies; book-keeping; web indexing for commercial or advertising purposes; negotiation of business contracts for others; market studies; payroll preparation; demonstration of goods; business inquiries; business management assistance; commercial or industrial management assistance; advisory services for business management; business research; economic forecasting; providing business information via a web site; compilation of information into computer databases; compilation of statistics; business information; commercial information and advice for consumers in the choice of products and services; commercial administration of the licensing of the goods and services of others; computerized file management; business management consultancy; consultancy regarding advertising communication strategies; consultancy regarding public relations communication strategies; business organization consultancy; marketing; marketing research; marketing in the framework of software publishing; targeted marketing; provision of commercial and business contact information; provision of an online marketplace for buyers and sellers of goods and services; writing of publicity texts; scriptwriting for advertising purposes; word processing; updating of advertising material; updating and maintenance of data in computer databases; web site traffic optimization; organization of exhibitions for commercial or advertising purposes; organization of trade fairs for commercial or advertising purposes; rental of advertising space; shop window dressing; business appraisals; personnel recruitment; business management and organization consultancy; business intermediary services relating to the matching of potential private investors with entrepreneurs needing funding; business efficiency expert services; outsourcing services [business assistance]; competitive intelligence services; corporate communications services; layout services for advertising purposes; appointment reminder services [office functions]; news clipping services; price comparison services; administrative services for the relocation of businesses; market intelligence services; presentation of goods on communication media, for retail

purposes; advertising agency services; procurement services for others [purchasing goods and services for other businesses]; media relations services; appointment scheduling services [office functions]; tax filing services; import-export agency services; commercial lobbying services; commercial intermediation services; data search in computer files for others; sponsorship search; search engine optimization for sales promotion; rental of billboards [advertising boards]; office machines and equipment rental; rental of office equipment in co-working facilities; rental of advertising time on communication media; publicity material rental; rental of vending machines; rental of sales stands; rental of photocopying machines; direct mail advertising; publication of publicity texts; radio advertising; registration of written communications and data; advertising; pay per click advertising; outdoor advertising; advertising by mail order; online advertising on a computer network; dissemination of advertising matter; development of advertising concepts; business investigations; systemization of information into computer databases; drawing up of statements of accounts; compiling indexes of information for commercial or advertising purposes; sales promotion for others; shorthand; television advertising; telemarketing services; negotiation and conclusion of commercial transactions for third parties; professional business consultancy; transcription of communications [office functions].

41 – Arranging and conducting of congresses; arranging and conducting of colloquiums; arranging and conducting of conferences; arranging and conducting of concerts; arranging and conducting of in-person educational forums; arranging and conducting of workshops [training]; arranging and conducting of seminars; arranging and conducting of symposiums; providing online electronic publications, not downloadable; providing online videos, not downloadable; correspondence courses; education information; entertainment information; training services provided via simulators; know-how transfer [training]; tutoring; organization of exhibitions for cultural or educational purposes; organization of competitions [education or entertainment]; photography.

42 – Computer system analysis; outsource service providers in the field of information technology; construction drafting; material testing; recovery of computer data; graphic arts design; graphic design of promotional materials; business card design; interior design; packaging design; off-site data backup; technological research; research and development of new products for others; mechanical research; research in the field of welding; research in the field of telecommunications technology; duplication of computer programs; electronic data storage; electronic monitoring of personally identifying information to detect identity theft via the Internet; providing information on computer technology and programming via a web site; provi-

ding search engines for the Internet; cloud seeding; engineering; installation of computer software; calibration [measuring]; computer programming; conversion of data or documents from physical to electronic media; conversion of computer programs and data, other than physical conversion; computer technology consultancy; telecommunications technology consultancy; consultancy in the field of energy-saving; Internet security consultancy; data security consultancy; information technology [IT] consultancy; computer software consultancy; computer security consultancy; consultancy in the design and development of computer hardware; web site design consultancy; quality control; monitoring of computer systems for detecting unauthorized access or data breach; monitoring of computer systems to detect breakdowns; monitoring of computer systems by remote access; scientific research; surveying; maintenance of computer software; digitization of documents [scanning]; urban planning; platform as a service [PaaS]; data encryption services; scientific laboratory services; chemistry services; computer virus protection services; conducting technical project studies; weather forecasting; software as a service [SaaS]; design of interior decor; computer system design; computer software design; rental of web servers; computer rental; rental of computer software; industrial design; hosting computer sites [web sites]; development of computer platforms; software development in the framework of software publishing; technical writing; creating and designing website-based indexes of information for others [information technology services]; technological consultancy; cloud computing; server hosting; styling [industrial design].

(260) AM 2021 107629 A
 (800) 1521170
 (151) 2019 09 20
 (891) 2019 09 20
 (731) Joint-Stock Company "Apatit"
 Severnoye Shosse, 75, Cherepovets,
 RU-162622 Vologda Oblast, Russian
 Federation
 (540)

Apaviva

(591) Black, white
 (511)
 1 – Fertilizers.

35 – Retail store and wholesale store services connected with the sale of fertilizers; retail online store and wholesale online store services connected with the sale of fertilizers.

(260) AM 2021 107630 A
 (800) 1521172
 (151) 2020 01 28
 (891) 2020 01 28
 (731) CENTRAL DEBORLA COMÉRCIO DE
 UTILIDADES, S.A.
 Rua da Boavista – Lugar de Barrancas,
 P-4416-401 Grijó, Portugal
 (540)

hôma
 Happy Home Living

(591) Yellow (Pantone 110C)
 (531) 27.05.01; 27.05.10; 29.01.07
 (526) No claim is made to the exclusive right to use "home" apart from the mark as shown.
 (511)
 35 – Business administration and management; commercial management; business organisation; business management planning.

(260) AM 2021 107632 A
 (800) 1521243
 (151) 2019 11 27
 (891) 2019 11 27
 (731) DENK PHARMA GmbH & Co. KG
 Prinzregentenstraße 79, 81675 München,
 Germany
 (540)

PERINAM-DENK

(591) Black, white
 (511)
 5 – Pharmaceutical and chemical products for medical purposes; preparations for medical purposes; dietetic substances adapted for medical use based on vitamins, minerals, trace elements, proteins and carbohydrates; food supplements for medical and non-medical purposes.

35 – Wholesale and retail services in relation to pharmaceutical and chemical products for industrial, scientific, agricultural, horticultural and forestry purposes, in particular for the food, nutritional supplement, pharmaceutical and cosmetics industries; wholesale and retail services in relation to artificial sweeteners, dyes and colourants, plant extracts and plant oils for cosmetic purposes, chemical products for pharmaceutical and medical purposes, animal and plant oils and plant extracts for pharmaceutical and medical purposes, proteins for pharmaceutical and medical purposes, nutritional supplements for pharmaceutical and medical purposes, minerals and vitamins.

(260) AM 2021 107644 A
 (800) 1503925
 (151) 2019 10 29
 (891) 2020 03 04
 (731) Global Blood Therapeutics, Inc.
 171 Oyster Point Blvd., Suite 300,
 South San Francisco CA 94080, USA
 (540)



(591) Black, white
 (531) 25.07.01; 26.01.06; 26.01.24
 (511)
 5 – Pharmaceutical preparations for the treatment of hematological disorders such as sickle cell disease; pharmaceutical preparations for the treatment of hypoxic and hypoxemic conditions.

(260) AM 2021 107687 A
 (800) 1521353
 (151) 2019 12 19
 (891) 2019 12 19
 (731) Limited liability company "GamaVetFarm"
 Gamalei str., 18, RU-123098 Moscow,
 Russian Federation
 (540)

ГАМАВИТ

(591) Black, white
 (531) 28.05
 (511)
 16 – Cardboard packaging boxes in made-up form.
 35 – Online advertising on a computer network.

(260) AM 2021 107688 A
 (800) 1521354
 (151) 2020 02 12
 (891) 2020 02 12
 (731) ORIMI Limited Liability Company
 15/4 plot, 1-st Mikrorayon Street,
 Sverdlov settlement, Vsevolozhsk district,
 RU-188682 Leningrad oblast, Russian
 Federation
 (540)



(591) White, beige
 (531) 02.03.01; 02.03.02; 27.05.10; 29.01.02
 (511)
 30 – Tea; iced tea; tea-based beverages.

(260) AM 2021 107689 A
 (800) 1521355
 (151) 2020 02 12
 (891) 2020 02 12
 (731) ORIMI Limited Liability Company
 15/4 plot, 1-st Mikrorayon Street,
 Sverdlov settlement, Vsevolozhsk district,
 RU-188682 Leningrad oblast, Russian
 Federation
 (540)



ПРИНЦЕССА®
ЯВА

(591) Black, white
 (531) 02.03.01; 02.03.02; 02.03.23; 05.03.11;
 05.03.13; 26.11.05; 28.05
 (511)
 30 – Tea; iced tea; tea-based beverages.

(260) AM 2021 107690 A
 (800) 1521393
 (151) 2019 12 25
 (891) 2019 12 25
 (731) ALVES ENERJI KABLO URETIM, SANAYI
 VE DIS TICARET ANONIM SIRKETI
 Ivedik Osb Mah 1354 Cad. 1358, Sok.
 No:29, Yenimahalle/Ankara, Turkey
 (540)

ALVES

(591) Black, white
 (511)
 9 – Measurement apparatus, equipment and indicators including those for scientific and laboratory use, laboratory equipment and apparatus; apparatus for recording, transmission or reproduction of sound or images; data processing apparatus, telecommunication apparatus, sound or image reproducing apparatus, computer peripheral devices; magnetic and optic data carriers; antennas, satellite antennas, amplifiers for antennas, parts of the aforementioned goods; ticket dispensers, automatic teller machines (ATM); electronic components used in the electronic parts of machines and apparatus; counters and quantity indicators for measuring the quantity of consumption, automatic time switches; clothing for protection against accidents, irradiation and fire, safety vests and life-saving

apparatus and equipment; eyeglasses, sunglasses, optical lenses and cases, containers, parts and components thereof; apparatus and instruments for conducting, transforming, accumulating or controlling electricity; electric cables and electrical power supplies, batteries, electric accumulators; alarms and anti-theft alarms, other than for vehicles, electric bells; signalling apparatus and instruments, luminous or mechanical signs for traffic use; signalling apparatus and instruments, luminous or mechanical signs for traffic use; radar apparatus, sonars, night vision apparatus and instruments; decorative magnets.

(260) AM 2021 107691 A
 (800) 1521422
 (151) 2019 09 20
 (891) 2019 09 20
 (731) Joint-Stock Company "Apatit"
 Severnoye Shosse, 75, Cherepovets, RU-162622
 Vologda Oblast, Russian Federation
 (540)

Nitriva

(591) Black, white
 (511)
 1 – Fertilizers.

31 – Animal foodstuffs.

35 – Retail store and wholesale store services connected with the sale of fertilizers and animal foodstuffs; retail online store and wholesale online store services connected with the sale of fertilizers and animal foodstuffs.

(260) AM 2021 107692 A
 (800) 1521424
 (151) 2019 11 15
 (891) 2019 11 15
 (731) ROVENSA, S.A.
 Alameda Dos Oceanos, Lote 1.06.1.1D, 3° A,
 P-1990-207 LISBOA, Portugal
 (540)



ROVENSA

— WELL BALANCED AGRICULTURE —

(591) Black, white
 (531) 26.02.03; 26.13.25; 27.05.10
 (511)

1 – Growing media, fertilizers and chemicals for use in agriculture, horticulture and forestry.

5 – Pest control preparations and articles; herbicides; fungicides for agricultural use; insecticides.

44 – Agriculture, aquaculture, horticulture and forestry services.

(260) AM 2021 107693 A
 (800) 1521431
 (151) 2019 10 23
 (891) 2019 10 23
 (731) Marks and Spencer plc
 Waterside House, 35 North Wharf Road,
 London W2 1NW, United Kingdom
 (540)

GOOD MOVE

(591) Black, white
 (511)

25 – Clothing, footwear, headwear; underwear; lingerie; belts; baby bodysuits; baby booties; baby boots; baby footwear; baby pajamas; baby shirts; baby shoes; baby shorts; baby sweaters; baby sweatpants; baby tops; bathing suits; bathing suits for children; bathing suits for men; bathing suits for women; bath robes; beach clothes; beach cover-ups; beach hats; beach sandals; beach wraps; belts for clothing; belts made from imitation leather; bikini bottoms; bikini briefs; bikini tops; blazers; blouses [business wear]; blue jeans; bobble hats; bomber jackets; boots and shoes; boots for children; bottoms for adults; bottoms for children; bottoms for men; bottoms for women; boxer briefs; boxer shorts; boy shorts [underwear]; braces for clothing [suspenders]; canvas shoes; Capri pants; cardigans; cargo crops; cargo pants; cashmere clothing; cashmere gloves; cashmere jackets; cashmere shawls; cashmere sweaters; casual footwear; casual pants; casual shoes; casual wear; children's socks; cloth bibs for children; clothing for sports; clothing of leather; coats; coats for women; coats made of cotton; cocktail dresses; collared shirts; collars [clothing]; collars for dresses; combat pants; costumes for use in children's dress up play; costumes for use in role-playing games; cotton jackets; cotton neckties; cotton shawls; cotton sweaters; cycling jackets; cycling pants; cycling shoes; cycling shorts; dance costumes; dance clothing; denim capris; denim clothing; deck shoes; denim coats; denim crop pants; denim crops; denim dresses; denim jackets; denim pedal pushers; denim shorts; denim skirts; dresses; dresses [business wear]; dresses for children; dresses for girls; dresses for women; dresses made from skins; dresses of cashmere; dresses of wool; dressing gowns; dress shoes; dress suits; duffle coats; ear muffs [clothing]; embroidered clothing; evening gowns; evening wear; fascinator hats; fashion hats; fingerless gloves; fishermen's jackets; fitted clothing for men; flat shoes; fleece bottoms; fleece jackets; fleece pullovers; fleeces; fleece shorts; fleece tops; flip-flops [footwear]; footwear for adults; footwear for children; footwear for men; footwear for women; formal wear for men; formal footwear; formal pants; fur clothing; fur coats; fur gloves; fur hats; fur

jackets; fur muffs; hats; hats for children; headbands being clothing; headbands [clothing]; hooded sweat-shirts; hooded tops; infants' boots; infants' footwear; infants' shoes; jeans; jerseys [clothing]; jogging tops; jumper dresses; jumpsuits [clothing]; knit bottoms; knit dresses; knit skirts; knitted gloves; knit tops; knitwear [clothing]; koshihimo [waist strings for kimonos]; lace shawls; leather belts [clothing]; leather coats; leather dresses; leather gloves; leather headgear; leather jackets; leather shirts; leather shoes; leather slippers; leggings [leg warmers]; leggings [trousers]; leisure footwear; leisure shoes; leisure wear; light-reflecting coats; light-reflecting jackets; lightweight jackets; lightweight sweaters; linen clothing; long jackets; long-sleeved blouses; long-sleeved jackets; long-sleeved shirts; long-sleeved sweaters; long-sleeved T-shirts; long-sleeved undershirts; loungewear; maternity clothing; maternity dresses; maternity leggings; maternity shirts; maternity shorts; maternity sleepwear; maternity smocks; maternity tops; maxi skirts; men's dress socks; men's socks; men's suits; mini-skirts; mock turtleneck sweaters; mock turtleneck tops; nightcaps; nightgowns; nightwear; one-piece playsuits; one-piece swimsuits; outdoor clothing; outer-clothing for babies; outer-clothing for boys; outer-clothing for children; outer-clothing for girls; overcoats; overshirts; padded jackets; pyjama bottoms; pyjamas for adults; pyjamas for children; pyjamas for men; pyjamas for women; parkas; plimsolls; polo knit tops; polo shirts; pram suits; printed T-shirts; pumps [footwear]; rain capes; raincoats; rain hats; rain jackets; ready-made clothes linings; ready-made clothing; running shoes; sandals for children; sandals for men; sandals for women; sarongs; scarfs; school uniforms; sheepskin gloves; shirts; shirts [business wear]; shirts for adults; shirts for children; shirts for men; shirts for wear with suits; shirts for women; shoes for adults; shoes for children; shoes for men; shoes for women; short sets [clothing]; shorts for adults; shorts for children; shorts for men; shorts for women; short-sleeved blouses; short-sleeved jackets; short-sleeved sports shirts; short-sleeved sweaters; short-sleeved T-shirts; silk scarves; silk shawls; skirts; skirts [business wear]; skirt suits; ski suits; sleepwear for babies; sleepwear for children; sleepwear for men; sleepwear for women; slippers; slipper socks; slips being underclothing; sports jerseys; sports shirts; sports vests; suits [business wear]; suits [clothing]; sundresses; sun hats; sunsuits; sweaters; sweaters for adults; sweaters for children; sweaters for men; sweaters for women; sweatpants; sweatpants for adults; sweatpants for children; sweatpants for men; sweatpants for women; swim shorts; thermal clothing; thermal headgear; thermal socks; tracksuits; tracksuit tops; trousers; trousers [business wear]; trousers for adults; trousers for babies; trousers for children; trousers for infants; trousers for men; trousers for women; T-shirts with logos; turtleneck shirts; turtleneck sweaters; turtleneck tops; uniforms; vest tops; visors be-

ing headwear; waterproof clothing; waterproof jackets; waterproof outer-clothing; weatherproof clothing; weatherproof jackets; weatherproof pants; weather-resistant outer-clothing; wellington boots [wellies]; winter boots; winter coats; winter gloves; women's socks; wool jackets; woollen clothing; woollen hats; woollen socks; woollen tights; wool shawls; wool sweaters; yoga bottoms; yoga pants; yoga tops.

35 – Advertising; business management; business administration; office functions; demonstration of goods; direct mail advertising; distribution of samples; import-export agency services; marketing; organization of exhibitions for commercial or advertising purposes; organization of fashion shows for promotional purposes; organization of trade fairs for commercial or advertising purposes; presentation of goods on communication media, for retail purposes; price comparison services; provision of an on-line marketplace for buyers and sellers of goods and services; sales promotion for others; organisation, operation and supervision of loyalty schemes and incentive schemes; retail services and online retail services connected with the sale of non-medicated cosmetics and toiletry preparations, non-medicated dentifrices, perfumery, essential oils, bleaching preparations and other substances for laundry use, cleaning, polishing, scouring and abrasive preparations, soaps, perfumery, perfumes, essential oils, cosmetics, make-up, toiletries, preparations for the care of the skin, body cleaning and beauty care preparations, hair care and hair styling preparations, dentifrices, pot-pourri, nail care preparations, nail polish, nail polish removers, shoe polish, suncare preparations, tanning preparations, sunless tanning preparations, toiletries travel bottle sets, bath beads, bath creams, bath crystals, not for medical purposes, bath foam, bath gel, bath lotions, body and beauty care preparations, deodorants for body care, after-sun creams, almond oil, aromatherapy creams, aromatherapy lotions, aromatherapy oils, aromatherapy preparations, bath and shower gels, not for medical purposes, body cream soap, body deodorants, body masks, cleansing and moisturizing creams, oils, lotions and preparations, scientific, research, navigation, surveying, photographic, cinematographic, audiovisual, optical, weighing, measuring, signalling, detecting, testing, inspecting apparatus and instruments, apparatus and instruments for recording, transmitting, reproducing or processing sound, images or data, recorded and downloadable media, computer software, blank digital or analogue recording and storage media, apparatus for recording, transmission or reproduction of sound or images, recording discs, compact discs, DVDs and other digital recording media, mechanisms for coin-operated apparatus, cash registers, calculating machines, data processing equipment, computers, computer software, mobile apps, radios, tape measures, radios incorporating alarm clocks, electric plug adapters, adapters, laptop cases, mobile telephone cases,

electronic devices for controlling and monitoring heating, cooling and ventilating systems, apparatus and instruments for regulating or controlling electricity, devices for monitoring and conserving energy use, devices for tracking energy use, thermostats, thermostat control apparatus, solar panels, solar panels for electricity generation, batteries, battery chargers, battery packs, battery charging equipment, charging docks, opticians' goods, glasses, reading glasses, spectacles, glasses cases, sunglasses, cases for sunglasses, chains for glasses, contact lenses, contact lens cases, adapter cables for headphones, apparatus for processing electronic payments, apparatus for the input, output, transmission and storage of data, apparatus for the recording of sound or images, application software for cloud computing services, audio recorders, backup drives for computers, blank CD-ROMs for sound or video recording, helmets, sports goggles, precious metals and their alloys, jewellery, precious and semi-precious stones, horological and chronometric instruments, jewellery, jewellery brooches, jewellery boxes and cases, jewellery rolls, ring holders of precious metal, horological and chronometric instruments, clocks, alarm clocks, electric alarm clocks, watches, watch cases, cufflinks, boxes for cufflinks, key rings and key chains, and charms therefor, key rings [trinkets or fobs], ornaments, statues and figurines made of, or coated with, precious or semi-precious metals or stones, or imitations thereof, ankle bracelets, automatic watches, automobile clocks, badges of precious metal, bangles, bead bracelets, beads for making jewellery, buckles for watch bands, bracelets of precious metal, cases adapted to contain items of jewellery, cases for chronometric instruments, cases for clocks and watches, cases for timepieces, charms for bracelets, clasps for jewellery, clock cases, closures for necklaces, decorative boxes of precious metal, decorative brooches [jewellery], decorative objects [ornaments] made of precious metal, decorative pins [jewellery], desk clocks, digital watches, drop earrings, ear clips, fancy key rings of precious metal, hat ornaments of precious metal, jewel cases, leather and imitations of leather, animal skins and hides, luggage and carrying bags, umbrellas and parasols, walking sticks, collars, leashes and clothing for animals, faux fur, trunks and travelling bags, umbrellas, parasols, walking sticks, bags, handbags, rucksacks, backpacks, bags for sports, briefcases, attaché cases, suitcases, luggage straps, luggage tags, luggage labels, bags for toiletries, cosmetic bags, make-up bags, beauty cases, wallets, pocket wallets, purses, card cases [notecases], document cases of leather, boxes of leather, cases of leather, leather laces, bags and holdalls for sports clothing, bags for campers, beach bags, beach umbrellas, book bags, business card cases in the nature of wallets, business cases, cosmetic purses, evening bags, evening purses [handbags], fashion handbags, flight bags, garment bags for travel made of leather, gentlemen's handbags, handbags, handbags for ladies, hand-

les for canes, hiking bags, hiking rucksacks, hiking sticks, household or kitchen utensils and containers, cookware and tableware, except forks, knives and spoons, combs and sponges, brushes, except paintbrushes, brush-making materials, articles for cleaning purposes, unworked or semi-worked glass, except building glass, glassware, porcelain and earthenware, combs and sponges, brushes (except paint brushes), brush-making materials, articles for cleaning purposes, steelwool, unworked or semi-worked glass (except glass used in building), glassware, porcelain ware and earthenware not included in other classes, crystal [glassware], ceramics for household purposes, chinaware, coffee makers (non-electric), juicers (non-electric), citrus press (non-electric), milk frother (non-electric), pepper and salt mills (manually operated), bread bins, chopping boards, cake tins, biscuit tins, storage containers (for food and drink), storage jars, ironing boards, ironing cloths, clothes pegs, laundry baskets, wash baskets, bins, thermally insulated containers (household) for food and drink, thermally insulated mugs, flower and plant pots, seed trays, bird feeders, gardening gloves, barbecue forks and tongs, utensil holders, tumbler holders, bakeware, baking dishes, tins and utensils, aluminium baking cases, baking trays made of aluminium, tableware, cutlery trays, crockery, dinner sets, dinnerware, plates, dishes, serving forks, spoons, tongs, dishes, bowls and trays, cups and mugs, drinking glasses, barware, place mats, not of paper or textile, napkin holders, napkin rings, air fragrancing apparatus, diffusers for air fresheners, incense diffusers, vases, candelabra, candle holders, cookware, cookware [pots and pans], ovenware, oven dishes, bathroom articles, soap dishes, soap dispensers, toilet brushes, toilet roll holders, toilet utensils, toilet sponges, cosmetic utensils, sponges for the skin, body puffs, powder puffs, nail brushes, combs, make-up brushes, manicure gloves, clothes brushes, toothbrushes, electric toothbrushes, toothbrush containers, holders for toothbrushes, toothbrush cases, ornaments, garden ornaments, statues, figurines and works of art made from glass, china, porcelain, earthenware, terracotta, ceramics or crystal, applicators for applying cosmetic skin lotions, bath brushes, bathroom glass holders, bathroom towel holders, bathroom tumblers, bath sponges, beer glasses, beer mugs, beverage glasses, beverage glassware, beverage stirrers, body scrub sponges, body sponges, bottle openers, bottle openers, electric, boxes for dispensing paper towels, boxes of glass, brooms, candle jars [holders], candy jars, ceramic bowls, ceramic mugs, water bottles, clothing, footwear, headwear, underwear, lingerie, belts, babies' diapers of textile, babies' napkins of textile, baby bodysuits, baby booties, baby boots, baby footwear, baby pajamas, baby shirts, baby shoes, baby shorts, baby sweaters, baby sweatpants, baby tops, bathing suits, bathing suits for children, bathing suits for men, bathing suits for women, bath robes, beach clothes, beach cover-ups, beach hats, beach sandals, beach

wraps, belts for clothing, belts made from imitation leather, bikini bottoms, bikini briefs, bikini tops, blazers, blouses [business wear], blue jeans, bobble hats, bomber jackets, boots and shoes, boots for children, bottoms for adults, bottoms for children, bottoms for men, bottoms for women, boxer briefs, boxer shorts, boy shorts [underwear], braces for clothing [suspenders], canvas shoes, capri pants, cardigans, cargo crops, cargo pants, cashmere clothing, cashmere gloves, cashmere jackets, cashmere shawls, cashmere sweaters, casual footwear, casual pants, casual shoes, casual wear, children's socks, cloth bibs for children, clothing for sports, clothing of leather, coats, coats for women, coats made of cotton, cocktail dresses, collared shirts, collars [clothing], collars for dresses, combat pants, costumes for use in children's dress up play, costumes for use in role-playing games, cotton jackets, cotton neckties, cotton shawls, cotton sweaters, cycling jackets, cycling pants, cycling shoes, cycling shorts, dance costumes, dance clothing, denim capris, denim clothing, deck shoes, denim coats, denim crop pants, denim crops, denim dresses, denim jackets, denim pedal pushers, denim shorts, denim skirts, dresses, dresses [business wear], dresses for children, dresses for girls, dresses for women, dresses made from skins, dresses of cashmere, dresses of wool, dressing gowns, dress shoes, dress suits, duffle coats, ear muffs [clothing], embroidered clothing, evening gowns, evening wear, fascinator hats, fashion hats, fingerless gloves, fishermen's jackets, fitted clothing for men, flat shoes, fleece bottoms, fleece jackets, fleece pullovers, fleeces, fleece shorts, fleece tops, flip-flops [footwear], footwear for adults, footwear for children, footwear for men, footwear for women, formal wear for men, formal footwear, formal pants, fur clothing, fur coats, fur gloves, fur hats, fur jackets, fur muffs, hats, hats for children, headbands being clothing, headbands [clothing], hooded sweatshirts, hooded tops, infants' boots, infants' footwear, infants' shoes, jeans, jerseys [clothing], jogging tops, jumper dresses, jumpsuits [clothing], knit bottoms, knit dresses, knit skirts, knitted gloves, knit tops, knitwear [clothing], koshihimo [waist strings for kimonos], lace shawls, leather belts [clothing], leather coats, leather dresses, leather gloves, leather headgear, leather jackets, leather shirts, leather shoes, leather slippers, leggings [leg warmers], leggings [trousers], leisure footwear, leisure shoes, leisure wear, light-reflecting coats, light-reflecting jackets, lightweight jackets, lightweight sweaters, linen clothing, long jackets, long-sleeved blouses, long-sleeved jackets, long-sleeved shirts, long-sleeved sweaters, long-sleeved T-shirts, long-sleeved undershirts, loungewear, maternity clothing, maternity dresses, maternity leggings, maternity shirts, maternity shorts, maternity sleepwear, maternity smocks, maternity tops, maxi skirts, men's dress socks, men's socks, men's suits, miniskirts, mock turtleneck sweaters, mock turtleneck tops, nightcaps, nightgowns, nightwear, one-piece playsuits, one-piece swimsuits,

outdoor clothing, outerclothing for babies, outerclothing for boys, outerclothing for children, outerclothing for girls, overcoats, overshirts, padded jackets, pyjama bottoms, pyjamas for adults, pyjamas for children, pyjamas for men, pyjamas for women, parkas, plimsolls, polo knit tops, polo shirts, pram suits, printed T-shirts, pumps [footwear], rain capes, raincoats, rain hats, rain jackets, ready-made clothes linings, ready-made clothing, running shoes, sandals for children, sandals for men, sandals for women, sarongs, scarfs, school uniforms, sheepskin gloves, shirts, shirts [business wear], shirts for adults, shirts for children, shirts for men, shirts for wear with suits, shirts for women, shoes for adults, shoes for children, shoes for men, shoes for women, short sets [clothing], shorts for adults, shorts for children, shorts for men, shorts for women, short-sleeved blouses, short-sleeved jackets, short-sleeved sports shirts, short-sleeved sweaters, short-sleeved T-shirts, silk scarves, silk shawls, skirts, skirts [business wear], skirt suits, ski suits, sleepwear for babies, sleepwear for children, sleepwear for men, sleepwear for women, slippers, slipper socks, slips being underclothing, sports jerseys, sports shirts, sports vests, suits [business wear], suits [clothing], sundresses, sun hats, sunsuits, sweaters, sweaters for adults, sweaters for children, sweaters for men, sweaters for women, sweatpants, sweatpants for adults, sweatpants for children, sweatpants for men, sweatpants for women, swim shorts, thermal clothing, thermal headgear, thermal socks, tracksuits, tracksuit tops, trousers, trousers [business wear], trousers for adults, trousers for babies, trousers for children, trousers for infants, trousers for men, trousers for women, T-shirts with logos, turtleneck shirts, turtleneck sweaters, turtleneck tops, uniforms, vest tops, visors being headwear, waterproof clothing, waterproof jackets, waterproof outerclothing, weatherproof clothing, weatherproof jackets, weatherproof pants, weather-resistant outerclothing, wellington boots [wellies], winter boots, winter coats, winter gloves, women's socks, wool jackets, woollen clothing, woollen hats, woollen socks, woollen tights, wool shawls, wool sweaters, yoga bottoms, yoga pants, yoga tops, carpets, rugs, mats and matting, linoleum and other materials for covering existing floors, wall hangings, not of textile, bath mats, play mats, bags for yoga mats, exercise mats, floor rugs, yoga mats, games, toys and playthings, video game apparatus, gymnastic and sporting articles, decorations for Christmas trees, playing cards, decorations and ornaments for Christmas trees, artificial Christmas trees, festive decorations, Christmas crackers, Christmas stockings, baby dolls, baby rattles incorporating teething rings, baby toys, bath toys, bean bag toys, Christmas dolls, crib toys, fantasy character toys; information, advisory and consultancy services relating to the aforesaid.

(260) AM 2021 107694 A
 (800) 1521478
 (151) 2020 02 11
 (891) 2020 02 11
 (731) "Delta Medical Promotions AG"
 Oetenbachgasse 26, CH-8001 Zurich,
 Switzerland
 (540)

FLEXTRA

(591) Black, white
 (511)

3 – Breath freshening sprays; amber [perfume]; air fragrancing preparations; balms, other than for medical purposes; cosmetic dyes; bergamot oil; shaving preparations; astringents for cosmetic purposes; petroleum jelly for cosmetic purposes; bath preparations, not for medical purposes; bath salts, not for medical purposes; cotton wool for cosmetic purposes; cotton swabs for cosmetic purposes / cotton sticks for cosmetic purposes; skin whitening creams; laundry bleaching preparations; dental bleaching gels; depilatory preparations; hair lotions; make-up; make-up preparations; make-up removing preparations; deodorants for pets; deodorants for human beings or for animals; deodorant soap; shampoos for pets [non-medicated grooming preparations]; scented water; extracts of flowers [perfumes]; ethereal essences; ethereal oils; greases for cosmetic purposes; aromatics [essential oils]; flavourings for beverages [essential oils]; cake flavourings [essential oils]; dentifrices; bases for flower perfumes; adhesives for cosmetic purposes; cosmetics; cosmetics for animals; make-up powder; beauty masks; cosmetic kits; cosmetic preparations for slimming purposes; cosmetic creams; cakes of toilet soap; lavender water; lavender oil; essential oils of lemon; lotions for cosmetic purposes; tissues impregnated with cosmetic lotions; mint for perfumery; mint essence [essential oil]; massage gels, other than for medical purposes; almond oil; almond soap; almond milk for cosmetic purposes; soap; soap for foot perspiration; antiperspirant soap; cleansing milk for toilet purposes; musk [perfumery]; nail care preparations; fumigation preparations [perfumes]; eau de Cologne; cosmetic pencils; oils for perfumes and scents; oils for cosmetic purposes; oils for toilet purposes; oils for cleaning purposes; breath freshening strips; scouring solutions; perfumery; perfumes; mouthwashes, not for medical purposes; pomades for cosmetic purposes; aloe vera preparations for cosmetic purposes; sun-tanning preparations [cosmetics]; sunscreen preparations; douching preparations for personal sanitary or deodorant purposes [toiletries]; potpourris [fragrances]; dry shampoos; talcum powder, for toilet use; terpenes [essential oils]; rose oil; toilet water; cosmetic dyes; shampoos; cosmetic preparations for skin care.

5 – Dental abrasives; acaricides; aconitine; alkaloids for medical purposes; alginates for pharmaceutical

purposes; alginate dietary supplements; algicides; aldehydes for pharmaceutical purposes; aluminium acetate for pharmaceutical purposes; dental amalgams; amino acids for veterinary purposes; amino acids for medical purposes; analgesics; angostura bark for medical purposes; anaesthetics; antibiotics; appetite suppressants for medical purposes; first-aid boxes, filled; acetates for pharmaceutical purposes; tonics [medicines]; germicides; bacterial poisons; bacterial preparations for medical and veterinary use; bouillons for bacteriological cultures; bacteriological preparations for medical and veterinary use; balms for medical purposes; balsamic preparations for medical purposes; aseptic cotton; bandages for dressings; tobacco-free cigarettes for medical purposes; albuminous preparations for medical purposes; albuminous foodstuffs for medical purposes; biological preparations for veterinary purposes; biological preparations for medical purposes; biocides; bismuth preparations for pharmaceutical purposes; bismuth subnitrate for pharmaceutical purposes; wart pencils; linseed meal for pharmaceutical purposes; flour for pharmaceutical purposes; bromine for pharmaceutical purposes; bronchodilating preparations; vaginal washes for medical purposes; chemical preparations for the diagnosis of pregnancy; petroleum jelly for medical purposes; vaccines; therapeutic preparations for the bath; salts for mineral water baths; oxygen baths; bath salts for medical purposes; lime-based pharmaceutical preparations; wadding for medical purposes; absorbent wadding; veterinary preparations; tartar for pharmaceutical purposes; chemical preparations for treating diseases affecting vine plants; vitamin preparations; sea water for medicinal bathing; mineral waters for medical purposes; hydrated chloral for pharmaceutical purposes; dietary fibre; medicinal hair growth preparations; charcoal for pharmaceutical purposes; gases for medical purposes; gallic acid for pharmaceutical purposes; guaiacol for pharmaceutical purposes; haematogen; haemoglobin; haemorrhoid preparations; herbicides; sanitary tampons; sanitary panties; sanitary towels; hydrastine; hydrastinine; mustard for pharmaceutical purposes; mustard oil for medical purposes; mustard plasters; vermifuges; glycerine for medical purposes; glycerophosphates; glucose for medical purposes; breast-nursing pads; headache relief sticks; hormones for medical purposes; preparations for destroying dry rot fungus; soil-sterilizing preparations; mud for baths; medicinal mud; rubber for dental purposes; gum for medical purposes; gamboge for medical purposes; gurjun balsam for medical purposes; disinfectants for hygiene purposes; disinfectants for chemical toilets; deodorants for clothing and textiles; deodorants, other than for human beings or for animals; air deodorizing preparations; detergents for medical purposes; digitalin; powdered milk for babies; babies' diaper-pants; diabetic bread adapted for medical use; diagnostic preparations for medical purposes; diastase for medical purposes; dietary supplements for animals; glucose die-

tary supplements; linseed dietary supplements; royal jelly dietary supplements; pollen dietary supplements; propolis dietary supplements; wheat germ dietary supplements; dietetic beverages adapted for medical purposes; dietetic substances adapted for medical use; dietetic foods adapted for medical purposes; milking grease; yeast for pharmaceutical purposes; yeast dietary supplements; eucalyptus for pharmaceutical purposes; eucalyptol for pharmaceutical purposes; chemical conductors for electrocardiograph electrodes; elixirs [pharmaceutical preparations]; esters for pharmaceutical purposes; ethers for pharmaceutical purposes; gelatine for medical purposes; cod liver oil; greases for veterinary purposes; greases for medical purposes; jujube, medicated; chewing gum for medical purposes; vulnerary sponges; medicines for alleviating constipation; semen for artificial insemination; nervines; chemical preparations for treating diseases affecting cereal plants; personal sexual lubricants; dental amalgams of gold; preparations to facilitate teething; teeth filling material; dental impression materials; dental lacquer; dental mastics; adhesives for dentures; dental cements; isotopes for medical purposes; immunostimulants; insecticides; Irish moss for medical purposes; caustics for pharmaceutical purposes; caustic pencils; iodine for pharmaceutical purposes; alkaline iodides for pharmaceutical purposes; iodides for pharmaceutical purposes; iodoform; casein dietary supplements; potassium salts for medical purposes; calomel [fungicide]; camphor for medical purposes; camphor oil for medical purposes; capsules for medicines; carbolineum [parasiticide]; cachou for pharmaceutical purposes; quassia for medical purposes; quebracho for medical purposes; oxygen for medical purposes; acids for pharmaceutical purposes; bone cement for surgical and orthopaedic purposes; fly glue; cocaine; collodion for pharmaceutical purposes; insect repellents; insect repellent incense; compresses; condurango bark for medical purposes; solutions for contact lenses; contact lens cleaning preparations; cedar wood for use as an insect repellent; barks for pharmaceutical purposes; quinquina for medical purposes; medicinal roots; rhubarb roots for pharmaceutical purposes; lint for medical purposes; cream of tartar for pharmaceutical purposes; creosote for pharmaceutical purposes; blood plasma; blood for medical purposes; depuratives; haemostatic pencils; styptic preparations; dill oil for medical purposes; croton bark; starch for dietetic or pharmaceutical purposes; cultures of microorganisms for medical or veterinary use; curare; smoking herbs for medical purposes; lactose for pharmaceutical purposes; adhesive plasters; lecithin for medical purposes; lecithin dietary supplements; larvae exterminating preparations; medicinal alcohol; medicine cases, portable, filled; medicines for veterinary purposes; medicines for human purposes; medicines for dental purposes; medicinal tea; medicinal herbs; remedies for foot perspiration; medicinal drinks; medicinal infusions; medicinal oils; liniments; liquorice for pharma-

ceutical purposes; lotions for veterinary purposes; lotions for pharmaceutical purposes; pharmaceutical preparations for treating dandruff; lupulin for pharmaceutical purposes; lozenges for pharmaceutical purposes; linseed for pharmaceutical purposes; mint for pharmaceutical purposes; magnesia for pharmaceutical purposes; ointments for pharmaceutical purposes; mangrove bark for pharmaceutical purposes; gauze for dressings; royal jelly for pharmaceutical purposes; melissa water for pharmaceutical purposes; menthol; almond milk for pharmaceutical purposes; myrobalan bark for pharmaceutical purposes; preparations for destroying mice; preparations of trace elements for human and animal use; nutritive substances for microorganisms; mothproofing paper; mothproofing preparations; mineral water salts; mineral food supplements; preparations for callouses; moleskin for medical purposes; milk ferments for pharmaceutical purposes; fly catching paper; fly destroying preparations; powder of cantharides; scapulars for surgical purposes; vesicants; narcotics; tincture of iodine; tinctures for medical purposes; sodium salts for medical purposes; antiparasitic collars for animals; smelling salts; fumigation preparations for medical purposes; fumigating sticks; frostbite salve for pharmaceutical purposes; chilblain preparations; oil of turpentine for pharmaceutical purposes; opiates; opium; preparations for the treatment of burns; opodeldoc; opotherapy preparations; poisons; collyrium; eyepatches for medical purposes; leeches for medical purposes; stick liquorice for pharmaceutical purposes; sulfur sticks [disinfectants]; paper for mustard plasters; vermin destroying preparations; parasiticides; pectin for pharmaceutical purposes; babies' diapers; diapers for incontinence; pepsins for pharmaceutical purposes; peptones for pharmaceutical purposes; dressings, medical; surgical dressings; surgical implants comprised of living tissues; pearl powder for medical purposes; hydrogen peroxide for medical purposes; pesticides; tanning pills; appetite suppressant pills; slimming pills; antioxidant pills; pyrethrum powder; remedies for perspiration; air purifying preparations; nutritional supplements; mouthwashes for medical purposes; pomades for medical purposes; porcelain for dental prostheses; laxatives; aloe vera preparations for pharmaceutical purposes; poultices; food for babies; purgatives; propolis for pharmaceutical purposes; protein dietary supplements; protein supplements for animals; asthmatic tea; febrifuges; chemical contraceptives; antiseptic cotton; antiseptics; corn rings for the feet; antiparasitic preparations; anti-uric preparations; anticryptogamic preparations; radium for medical purposes; radioactive substances for medical purposes; chemical reagents for medical or veterinary purposes; radiological contrast substances for medical purposes; insect repellents for dogs; fish meal for pharmaceutical purposes; ergot for pharmaceutical purposes; tissues impregnated with pharmaceutical lotions; solvents for removing adhesive plasters; mercurial ointments; sarsapa-

rilla for medical purposes; lead water; serotherapeutic medicines; siccatives [drying agents] for medical purposes; serums; syrups for pharmaceutical purposes; turpentine for pharmaceutical purposes; slug exterminating preparations; soporifics; dog washes [insecticides]; bicarbonate of soda for pharmaceutical purposes; salts for medical purposes; malt for pharmaceutical purposes; malted milk beverages for medical purposes; sunburn ointments; alloys of precious metals for dental purposes; douching preparations for medical purposes; sterilizing preparations; steroids; stem cells for veterinary purposes; stem cells for medical purposes; strychnine; sulfonamides [medicines]; animal washes [insecticides]; thermal water; thymol for pharmaceutical purposes; gentian for pharmaceutical purposes; herbal teas for medicinal purposes; digestives for pharmaceutical purposes; panty liners [sanitary]; tobacco extracts [insecticides]; pharmaceutical preparations; phenol for pharmaceutical purposes; fennel for medical purposes; ferments for pharmaceutical purposes; enzyme preparations for veterinary purposes; chemical preparations for treating phylloxera; formic aldehyde for pharmaceutical purposes; moulding wax for dentists; phosphates for pharmaceutical purposes; fungicides; chemico-pharmaceutical preparations; chemical preparations for veterinary purposes; chemical preparations for medical purposes; chemical preparations for pharmaceutical purposes; quinine for medical purposes; chinoline for medical purposes; chloroform; extracts of hops for pharmaceutical purposes; cattle washes [insecticides]; flowers of sulfur for pharmaceutical purposes; cellulose esters for pharmaceutical purposes; cellulose ethers for pharmaceutical purposes; medicated candies; sugar for medical purposes; pharmaceutical preparations for skin care; rat poison; jalap.

10 – Aerosol dispensers for medical purposes; obstetric apparatus; forceps; anaesthetic apparatus; arterial blood pressure measuring apparatus; bandages, elastic; soporific pillows for insomnia; dental burs; vaginal syringes; cases fitted for medical instruments; veterinary apparatus and instruments; arch supports for footwear; orthopaedic footwear; traction apparatus for medical purposes; castrating pincers; hot air vibrators for medical purposes; bed vibrators; vibromassage apparatus; containers especially made for medical waste; basins for medical purposes; waterbeds for medical purposes; hair prostheses; ear plugs [ear protection devices]; ear picks; galvanic belts for medical purposes; galvanic therapeutic appliances; pacifiers for babies; strait jackets; hot air therapeutic apparatus; gastroscopes; bed pans; hypogastric belts; plaster bandages for orthopaedic purposes; apparatus for the treatment of deafness; feeding bottle teats; clips for pacifiers; needles for medical purposes; suture needles; acupuncture needles; electric acupuncture instruments; artificial breasts; surgical sponges; defibrillators; mirrors for dentists; mirrors for surgeons; diagnostic ap-

paratus for medical purposes; dialyzers; drainage tubes for medical purposes; medical guidewires; radiology screens for medical purposes; elastic stockings for surgical purposes; stockings for varices; electrodes for medical use; electrocardiographs; heating cushions, electric, for medical purposes; clips, surgical; protection devices against X-rays, for medical purposes; probes for medical purposes; corn knives; dental apparatus and instruments; teething rings; dental apparatus, electric; sets of artificial teeth; injectors for medical purposes; inhalers; incubators for babies; incubators for medical purposes; insufflators; cannulae; heart pacemakers; catheters; quartz lamps for medical purposes; catgut; artificial limbs; enema apparatus for medical purposes; thermo-electric compresses [surgery]; compressors [surgical]; corsets for medical purposes; abdominal corsets; esthetic massage apparatus; dropper bottles for medical purposes; droppers for medical purposes; dentists' armchairs; armchairs for medical or dental purposes; blood testing apparatus; lasers for medical purposes; lamps for medical purposes; lancets; beds specially made for medical purposes; medical apparatus and instruments; spoons for administering medicine; lenses [intraocular prostheses] for surgical implantation; love dolls [sex dolls]; massage apparatus; gloves for massage; masks for use by medical personnel; uterine syringes; childbirth mattresses; furniture especially made for medical purposes; crutches; tips for crutches; microdermabrasion apparatus; douche bags; breast pumps; instrument cases for use by doctors; air mattresses for medical purposes; air pillows for medical purposes; air cushions for medical purposes; knee bandages, orthopaedic; finger guards for medical purposes; feeding bottles; thread, surgical; scissors for surgery; knives for surgical purposes; ambulance stretchers; stretchers, wheeled; fumigation apparatus for medical purposes; operating tables; orthodontic appliances; orthopedic articles; orthopaedic soles; orthopaedic belts; ophthalmometers; ophthalmoscopes; artificial eyes; gloves for medical purposes; pessaries; saws for surgical purposes; slings [supporting bandages]; draw-sheets for sick beds; hypodermic syringes; supports for flat feet; spittoons for medical purposes; bandages for joints, anatomical; cushions for medical purposes; pads for preventing pressure sores on patient bodies; pumps for medical purposes; appliances for washing body cavities; receptacles for applying medicines; maternity belts; belts, electric, for medical purposes; belts for medical purposes; condoms; pulse meters; balling guns; incontinence sheets; umbilical belts; radiological apparatus for medical purposes; resuscitation apparatus; X-ray apparatus for medical purposes; X-ray tubes for medical purposes; X-ray photographs for medical purposes; respirators for artificial respiration; surgical cutlery; urinals being vessels; scalpels; tongue scrapers; hearing aids; ear trumpets; clothing especially for operating rooms; spirometers [medical apparatus]; stents; sterile sheets, surgical; stethoscopes;

commode chairs; thermal packs for first aid purposes; thermometers for medical purposes; water bags for medical purposes; ice bags for medical purposes; trocars; radium tubes for medical purposes; blankets, electric, for medical purposes; filters for ultraviolet rays, for medical purposes; ultraviolet ray lamps for medical purposes; urethral probes; urethral syringes; urological apparatus and instruments; physical exercise apparatus for medical purposes; physiotherapy apparatus; surgical apparatus and instruments; surgical implants comprised of artificial materials; boots for medical purposes; abdominal belts; suture materials; splints, surgical; syringes for injections; syringes for medical purposes; pins for artificial teeth; artificial skin for surgical purposes; apparatus for artificial respiration.

(260) AM 2021 107700 A

(800) 1521763

(151) 2019 11 01

(891) 2019 11 01

(731) HUAWEI TECHNOLOGIES CO., LTD.

Administration Building, Huawei Technologies Co., Ltd., Bantian, Longgang District, Shenzhen, China

(540)

HarmonyOS

(591) Black, white

(531) 27.05.01

(511)

7 – Machines and apparatus for cleaning, electric; electric cordless sweepers; rechargeable sweepers; fruit presses, electric, for household purposes; juice extractors, electric; soybean milk making machines for household purposes; grating machines for vegetables for household purposes; coffee grinders, other than hand-operated; electric juicers; electric coffee grinders; dishwashers for household purposes; washing machines (laundry); dry-cleaning machine; butter machines; centrifugal mills; ironing machines; sewing machines for household purposes; kitchen machines, electric; meat mincers for household purposes; wringing machines for laundry; washing machines for laundry for household purposes; curtain drawing devices, electrically operated; shoe polishers, electric; 3D printers; electric food blenders for household purposes; hand-held electric blenders for household purposes; mixers (machines); vegetable spiralizers, electric; industrial robots; 3D printing pens; robotic vacuum cleaners; steam cleaning machines; mixing machines; food processors, electric; portable rotary steam presses for fabrics.

8 – Cuticle clippers; electric ear hair trimmers; electric pedicure sets; electric nose hair trimmers; cutting tools (hand tools); electric steam irons; hobby knives (scalpels); kitchen knives; kitchen mandolines; arms

(side-); tableware (knives, forks and spoons); knife handles; hand tools, hand-operated; agricultural implements (hand-operated); garden tools (hand-operated); skinning animals (instruments and tools for-); harpoons for fishing; razors, electric or non-electric; nail files, electric; eyelash curlers; electric hairdressing tools for hair styling; laser hair removal apparatus, other than for medical purposes; electric fingernail polishers.

10 – Sphygmotensimeters; thermometers for medical purposes; body composition monitors; body fat monitors; testing apparatus for medical purposes; massage apparatus for personal use; heart rate monitors; electric knives for surgical purposes; medical apparatus for moxibustion treatment; blood oxygen monitors; electric acupuncture instruments; blood pressure monitors; digital hearing aids; soporific pillows for insomnia; abdominal belts; electric massage apparatus for household use; vibromassage apparatus; massage apparatus for eyes; massage apparatus for medical purposes; foot massage apparatus; esthetic massage apparatus; massage apparatus; heart rate monitoring apparatus.

11 – Street lamps; ceiling lights; night lights; deep fryers, electric; microwave ovens (cooking apparatus); food steamers, electric; thermo-pots, electric; electric coffee pots; electric machines for making coffee; electric cookers for household purposes; electric baking ovens for household purposes; electric kitchen ranges for household purposes; oil burners for household purposes; refrigerators for household purposes; electric fans for household purposes; fabric steamers; air dryers; portable electric fans; anion generating humidifiers; ceiling fans; air purifiers; air conditioning apparatus; air conditioning fans; air purifiers for automobiles; toilet bowls; electric hot air hand dryers; bath lamps for heating; drinking fountain; electric water purifiers for household purposes; electric flashlights; electric kettles for household purposes; extractor hoods for kitchens; mineral water kettles.

12 – Cars; plug-in hybrid electric vehicles; plug-in electric cars; mopeds; electric scooters; self balancing unicycles; camera drones; driverless cars (autonomous cars); balance weights for vehicle wheels; push scooters (vehicles); folding bicycles; electric self-balancing scooters; helicams; aerial photography drones, other than toys; rearview mirrors.

20 – Shoe cabinets; bookcases; massage tables; mirrors (looking glasses); bathroom mirrors; decoration mirrors; pivot mirrors; decoration mobiles; cushions; throw pillows; neck pillows; curtain rings; beauty cabinets (furniture); tea tables.

21 – Electric devices for attracting and killing insects; plug-in diffusers for mosquito repellents.

28 – Building blocks (toys); inserting toy and building blocks; video game machines for household purposes; amusement apparatus adapted for use with television

receivers only; electronic games for the teaching of children; battery-powered computer game machines with liquid crystal displays (LCD); toy robots; scale model vehicles; scale model airplanes; hand-operated toys; electronic action toys; magic cube puzzles; action figure toys; scooters (toys); toy musical boxes (play articles); children's toy bicycles other than for transport; jigsaws and manipulative puzzles; manipulative logic games; automatic mahjong tables; running machines.

(260) AM 2021 107706 A

(800) 1521932

(151) 2020 02 27

(891) 2020 02 27

(731) Cecoagro central de compras

Lugar de Uriz, Ctra N.VI km 518, E-27373

Begonte, Spain

(540)

PETCOOL
pet-food

(591) Orange, gray and white

(531) 26.04.02; 26.04.05; 26.04.22; 26.04.24;
27.05.12; 29.01.13

(511)

31 – Foodstuffs and fodder for animals.

(260) AM 2021 107707 A

(800) 1521938

(151) 2019 12 18

(891) 2019 12 18

(731) Open Joint Stock Company "Mogilevsky zavod

liftovogo, mashinostroeniya", (OJSC

"Mogilevliftmash")

Prospekt Mira, 42, 212798 Mogilev, Belarus

(540)



(591) Blue, white

(531) 26.04.03; 26.04.05; 26.04.18; 28.05

(511)

7 – Motors, electric, other than for land vehicles; juice extractors, electric, for household purposes, spare parts and nozzles for them; meat choppers, electric [machines], meat mincers, electric [machines], spare parts, attachments and nozzles for them.

9 – Acoustic alarms, sound alarms.

12 – Motors, electric, for land vehicles.

(260) AM 2021 107708 A

(800) 1521943

(151) 2020 01 31

(891) 2020 01 31

(731) LİLA KOZMETİK SANAYİ ANONİM

ŞİRKETİ

Yaytaş Mahallesi, Organize Sanayi 1, Cadde

No: 23, Yenişehir, Diyarbakır, Turkey

(540)

LİLAFIX
P R O F E S S I O N A L

(591) Black, white

(531) 26.04.02; 26.04.24; 27.05.01

(511)

3 – Bleaching and cleaning preparations, detergents other than for use in manufacturing operations and for medical purposes, laundry bleach, fabric softeners for laundry use, stain removers, dishwasher detergents; perfumery; cosmetics; fragrances, deodorants for personal use and animals; soaps; dental care preparations; dentifrices, denture polishes, tooth whitening preparations, mouth washes, not for medical purposes.

(260) AM 2021 107709 A

(800) 1521949

(151) 2019 10 03

(891) 2019 10 03

(731) KUNA FINTECH LIMITED

7 Bell Yard, London WC2A 2JR,

United Kingdom

(540)

 **Kuna**

(591) Blue, Purple and Black

(531) 26.04.06; 27.01.01; 27.05.09; 29.01.13

(511)

36 – Acceptance of bill payments; acceptance of bills of exchange; accident insurance; accident insurance underwriting; accident insurance underwriting services; accommodation bureau services [apartments]; accommodation bureaux [apartments]; accommodation bureaux (real estate property); accommodation (leasing of -) [apartments]; accommodation letting agency [apartments]; accommodation (rental of -) [apartments]; account debiting services; accounts payable debiting services; accounts receivables financing; acquisition and transfer of monetary claims; acquisition for financial investment; acquisition of land to be let; actuarial consulting and advisory services; actuarial services; actuarial services relating to financial transactions; administration of capital investment services; administration of deposit taking; administration of financial affairs; administration of financial affairs re-

lating to real estate; financial management of financial covenants; administration of fund investment; administration of funds and investments; administration of investment funds; administration of mutual funds; administration of pension funds; administration of pension schemes; administration of property portfolios; administration of shares; administration of trusts; administrative services relating to investments; advancement of funds; advice on finance during retirement; advice on finance for retirement; advice on fiscal assessments; advice on fiscal valuations; advice regarding credit; advice regarding lending services; advice relating to insurance; advice relating to investment during retirement; advice relating to investment for retirement; advice relating to investments; advice relating to loan recovery services; advice relating to mortgages for residential properties; advice relating to pensions; advice services relating to enhancement of mortgages; advisory services relating to banking; advisory services relating to corporate finance; advisory services relating to credit; advisory services relating to finance; advisory services relating to financial asset management; advisory services relating to financial investment; advisory services relating to financial investments; advisory services relating to financial matters; advisory services relating to financial planning; advisory services relating to [financial] risk management; advisory services relating to financing; advisory services relating to futures; advisory services relating to insurance claims; advisory services relating to insurance contracts; advisory services relating to international securities; advisory services relating to investment finance; advisory services relating to investments; advisory services relating to investments and finance; advisory services relating to life insurance; advisory services relating to loan services; advisory services relating to money management; advisory services relating to mortgages; advisory services relating to mutual funds; advisory services relating to real estate ownership; advisory services relating to real estate valuations; advisory services relating to unit trusts; agencies for collecting electric power utility payments; agencies for collecting gas or electric power utility payments; agencies for collecting gas utility payments; agencies for commodity futures trading; agencies in the field of bonds and other securities; agencies in the field of credit for farming; agencies or brokerage for leasing or renting of land; agencies or brokerage for renting land; agencies or brokerage for renting of buildings; agency (estate -); agency services for arranging travel insurance; agency services for bonds; agency services for lending on mortgage; agency services for securities; financial management of pre-paid health care plans; financial management of savings accounts; financial management of group insurance; financial management of group insurance plans; financial management of insurance business; financial management of insurance claims; financial management of insurance claims adjustment; financial

management of insurance plans; financial management of insurance portfolios; financial management of mortgage business.

42 – Maintenance of software for Internet access; administration of mail servers; administration of user rights in computer networks; advice and consultancy in relation to computer networking applications; advice and development services relating to computer software; advice relating to the design of computer hardware; advice relating to the development of computer systems; advisory and consultancy services relating to computer and video games software; advisory and consultancy services relating to the design and development of computer hardware; advisory and consultancy services relating to the design and development of computer hardware; advisory and information services relating to the design and development of computer peripherals; advisory and information services relating to computer software; advisory and information services relating to the design and development of computer hardware; advisory and information services relating to the design and development of computer peripherals; advisory services in the field of product development and quality improvement of software; advisory services relating to architecture; advisory services relating to biochemistry; advisory services relating to building design; advisory services relating to chemical reagents for scientific research purposes; advisory services relating to computer based information systems; advisory services relating to the design and development of computer hardware; advisory services relating to computer hardware design; advisory services relating to computer programming; advisory services relating to computer software; advisory services relating to computer software design; advisory services relating to computer software used for graphics; advisory services relating to computer software used for printing; advisory services relating to computer software used for publishing; advisory services relating to computer systems analysis; advisory services relating to computer systems design; advisory services relating to design engineering; advisory services relating to energy efficiency; advisory services relating to environmental pollution; advisory services relating to environmental protection; advisory services relating to gene therapy research; advisory services relating to industrial design; advisory services relating to industrial engineering; advisory services relating to interior design; advisory services relating to man-machine interfaces for computer software; advisory services relating to material testing; advisory services relating to planning applications; advisory services relating to pollution control; advisory services relating to product testing; advisory services relating to science; advisory services relating to scientific instruments; advisory services relating to scientific research; advisory services relating to technological research; advisory services relating to the design of aqu-

aria; advisory services relating to the design of ponds; advisory services relating to the planning of football grounds; advisory services relating to the planning of premises; advisory services relating to the rental of computers or computer software; advisory services relating to the safety of the environment; advisory services relating to the use of computer software; advisory services relating to the use of energy; aerial surveying services; agricultural research; agricultural research services; agrochemical research services; air flow acoustic measurement services; air flow biochemical analysis services; air flow component testing services; air flow measurement services; air flow particle counting services; air quality data collection services; airborne remote monitoring relating to environmental explorations; airborne remote monitoring relating to scientific explorations; airborne remote sensing relating to environmental explorations; airborne remote sensing relating to scientific explorations; aircraft design; analysing of air in building environments; analysis and evaluation of product design; analysis and evaluation of product development; analysis and testing for oil workings; analysis and testing services for the oil industry; analysis and testing services in the field of oil exploitation; analysis and testing services in the field of oil exploration; analysis and testing services relating to electrical engineering apparatus; analysis (computer systems -); analysis for oil field exploration; analysis for oil research; analysis for oil-field exploitation; analysis in the field of molecular biology; analysis in the field of oil exploration; analysis of geological samples; analysis of human serum for medical research; analysis of human tissues for medical research; analysis of materials; analysis of oil deposits; analysis of oil fields; analysis of oil reservoirs; analysis of oil soakings; analysis of paints; analysis of polymeric coatings; analysis of product design; analysis of product development; analysis of stream water quality; analysis of telecommunication signals; analysis of the mode of action of chemical combinations on animals; analysis of the structural behaviour of building materials.

(260) AM 2021 107710 A
 (800) 1521970
 (151) 2020 01 30
 (891) 2020 01 30
 (731) US Pharmacia International, Inc.
 966 Hungerford Drive, Suite 3B, Rockville
 Maryland 20850, USA
 (540)

GRIPLEX

(591) Black, white
 (511)
 5 – Medicines for medical purposes, antipyretics and analgesics.

(260) AM 2021 107711 A
 (800) 1522013
 (151) 2019 12 17
 (891) 2019 12 17
 (731) Jacobs Douwe Egberts RTL SCC SG PTE.
 LTD.
 30 TUAS LINK 2, Super Group Building,
 6th Floor, SINGAPORE 638568, Singapore
 (540)



(591) Red, green, white
 (531) 05.03.20; 05.13.08; 25.07.25; 27.05.17;
 29.01.12
 (511)
 30 – Coffee; instant coffee; coffee substitutes; coffee extracts; decaffeinated coffee; coffee capsules, filled; coffee pods, filled; iced coffee; coffee-based beverages; coffee beverages containing milk, milk powder, coffee substitutes, cocoa, chocolate, cereals, fruits, sugar, herbs or spices or a combination of these products; cereal preparations; cereal bars; cereal-based snack food; noodle-based prepared meals; noodles / ribbon vermicelli; vermicelli [noodles]; udon noodles; soba noodles.

(260) AM 2021 107712 A
 (800) 1522056
 (151) 2019 10 09
 (891) 2019 10 09
 (731) GROUPE GO SPORT
 17 avenue de la Falaise, F-38360 Sassenage,
 France
 (540)

ENDURANCE SHOP

(591) Black, white
 (511)
 35 – Retail services and presentation on all means of communication chronometers, pedometers, heart-rate measuring units, energy drinks and foods for sport, watches, photographic cameras, cameras, global positioning system browsers, directional compasses, altimeters, binoculars, meteorological terminals, books, geographical maps, tents for camping, sleeping bags, sun block preparations, sports bags, rucksacks, bags for campers, clothing, sports clothing, footwear, headgear, underclothing and underwear, gymnastic and sporting articles, orthopedic articles, soles for footwear, spectacles, sleeves, walking sticks, wellness products for the care and beauty of the body and feet, braces, electric pocket torches, safety lamps, public

lighting, headlamps, solar lamps, headphones, computerized apparatus for the stimulation of muscles and appliances for gymnastics, body rehabilitation apparatus; the bringing together, for the benefit of others (excluding the transport thereof), of a variety of goods namely: chronometers, pedometers, heart-rate measuring units, energy drinks and foods for sport, watches, photographic cameras, cameras, global positioning system browsers, directional compasses, altimeters, binoculars, meteorological terminals, books, geographical maps, tents for camping, sleeping bags, sun block preparations, sports bags, rucksacks, bags for campers, clothing, sports clothing, footwear, headgear, underclothing and underwear, gymnastic and sporting articles, orthopedic articles, soles for footwear, spectacles, sleeves, walking sticks, wellness products for the care and beauty of the body and feet, braces, electric pocket torches, safety lamps, public lighting, headlamps, solar lamps, headphones, computerized apparatus for the stimulation of muscles and appliances for gymnastics, body rehabilitation apparatus; on-line retail and online ordering services for chronometers, pedometers, heart-rate measuring units, energy drinks and foods for sport, watches, photographic cameras, cameras, global positioning system browsers, directional compasses, altimeters, binoculars, meteorological terminals, books, geographical maps, tents for camping, sleeping bags, sun block preparations, sports bags, rucksacks, bags for campers, clothing, sports clothing, footwear, headgear, underclothing and underwear, gymnastic and sporting articles, orthopedic articles, soles for footwear, spectacles, sleeves, walking sticks, wellness products for the care and beauty of the body and feet, braces, electric pocket torches, safety lamps, public lighting, headlamps, solar lamps, headphones, computerized apparatus for the stimulation of muscles and appliances for gymnastics, body rehabilitation apparatus; sales promotion for others; administration of consumer loyalty programs; management of loyalty and incentive programs; management of customer loyalty, bonuses and promotions; organization and management of commercial incentive and loyalty programs; customer loyalty services for commercial, promotional or advertising purposes; promotion of goods and services by means of sponsorship of sports events.

41 – Information (other than for advertising) provided by means of telecommunications or computer networks, concerning sports and equipment relating thereto, in a retail store offering sports articles for sale; entertainment; organization of games and competitions; game services provided on-line from a computer network; sporting and cultural activities; organization of colloquiums, conferences, congresses, seminars, symposiums; organization of sports competitions; organizing and conducting of sports events; sports training services; sports entertainment services; sports camp services; organization and conducting of non-

virtual educational forums; club services (entertainment or education); coaching (training); health club services (health and fitness training); organization of exhibitions for cultural or educational purposes; organization and conducting of training workshops; planning of receptions (entertainment); organization of fashion shows for entertainment purposes; information relating to education and entertainment; online publication of specialized electronic books and journals; provision of non-downloadable online electronic publications; provision of non-downloadable music online; provision of non-downloadable videos online; electronic desktop publishing; photographic reporting; publication of newspapers, periodicals, catalogs and brochures; publication of printed matter, also in electronic form, other than for advertising purposes; rental of chronometers, pedometers, heart-rate measuring units, photographic cameras, cameras, directional compasses, altimeters, binoculars, books, geographical maps, bags for sports, gymnastic and sporting articles, walking sticks, headphones, computerized apparatus for the stimulation of muscles and appliances for gymnastics.

42 – Testing of new products; advisory services relating to product testing; rental of global positioning system browsers, meteorological terminals.

44 – Rental of orthopedic articles, soles, spectacles, leeves, wellness products for the care and beauty of the body and feet, sunscreen, braces, body rehabilitation apparatus.

45 – Rental of watches, rucksacks, bags for campers, clothing, sports clothing, footwear, headgear, underclothing and underwear.

(260) AM 2021 107713 A

(800) 1522065

(151) 2019 12 27

(891) 2019 12 27

(731) SARAY DÖKÜM VE MADENİ AKSAM

SANAYİ TURİZM ANONİM ŞİRKETİ

Bağlar Mah. Osmanpaşa Cad. No 89, Güneşli

Bağcılar, TR-34209 İSTANBUL, Turkey

(540)

SARAY

(591) Red

(531) 27.05.01; 29.01.01

(511)

1 – Chemicals for use in industry, science and photography, as well as in agriculture, horticulture and forestry; unprocessed artificial resins, unprocessed plastics; fire extinguishing and fire prevention compositions; tempering and soldering preparations; substances for tanning animal skins and hides; adhesives for use in industry; putties and other paste fillers; compost,

manures, fertilizers; biological preparations for use in industry and science.

17 – Unprocessed and semi-processed rubber, gutta-percha, gum, asbestos, mica and substitutes for all these materials; plastics and resins in extruded form for use in manufacture; packing, stopping and insulating materials; flexible pipes, tubes and hoses, not of metal.

19 – Materials, not of metal, for building and construction; rigid pipes, not of metal, for building; asphalt, pitch, tar and bitumen; transportable buildings, not of metal; monuments, not of metal.

20 – Furniture, mirrors, picture frames; containers, not of metal, for storage or transport; unworked or semi-worked bone, horn, whalebone or mother-of-pearl; shells; meerschaum; yellow amber.

40 – Treatment of materials; recycling of waste and trash; air purification and treatment of water; printing services; food and drink preservation.

(260) AM 2021 107715 A

(800) 1522116

(151) 2019 12 31

(891) 2019 12 31

(731) OakNorth (SG) Pte. Limited
137 TELOK AYER STREET, #08-01,
Singapore 068602, Singapore

(540)

OAKNORTH

(591) Black, white

(511)

9 – Computer programs [downloadable software]; computer software applications, downloadable; computer software for producing financial models.

36 – Financial services; commercial lending; money lending; commercial lending services; financing of loans; banking services; capital investment services; financial strategy consultancy services; consultation services relating to investment; financial analysis and research services.

42 – Software as a service [SaaS].

(260) AM 2021 107716 A

(800) 1522130

(151) 2020 01 15

(891) 2020 01 15

(731) Chanel SARL
Quai du Général-Guisan 24, CH-1204 Genève,
Switzerland

(540)

NO 8 DE CHANEL

(591) Black, white

(511)

3 – Cosmetics.

(260) AM 2021 107717 A

(800) 1522133

(151) 2020 01 22

(891) 2020 01 22

(731) SOREMARTEC S.A.
16, route de Trèves, L-2633 Senningerberg,
Luxembourg

(540)



(591) White; several shades of red, grey and beige

(531) 05.05.11; 05.05.19; 05.05.20; 08.01.22;
08.01.23; 19.03.03; 19.03.25; 26.11.02;
26.11.06; 26.11.12; 26.11.13; 26.11.25;
29.01.13

(554) მოცულობითი

(511)

30 – Pastry and confectionery; biscuits; filled wafers; coated wafers; pralines; chocolate and chocolate-based products; sweets [candy]; edible ices.

(260) AM 2021 107718 A

(800) 1522158

(151) 2020 02 19

(891) 2020 02 19

(731) BROUWERIJ L. HUYGHE, naamloze
Vennootschap
Brusselsesteenweg 282, B-9090 Melle, Belgium

(540)



(591) Blue, pink, white and black

(531) 03.02.01; 03.02.24; 25.01.15; 25.01.19;
26.04.01; 26.04.18; 27.01.13; 27.05.03;
27.05.05; 27.05.06; 27.05.07; 27.05.08;
27.05.21; 27.05.24; 29.01.13

(511)

32 – Beers; mineral and aerated waters and other non-alcoholic drinks; fruit drinks and fruit juices; syrups and other preparations for making beverages [non-alcoholic].

43 – Services for providing food and drink; services of cafés, bars and pubs; temporary accommodation.

(260) AM 2021 107719 A

(800) 1522169

(151) 2019 10 23

(891) 2019 10 23

(731) SAMSUNG ELECTRONICS CO., LTD.

129, Samsung-ro, Yeongtong-gu, Suwon-si,
Gyeonggi-do, Republic of Korea

(540)

Bixby

(591) Black, white

(511)

7 – Daily chores helping robots for household purposes; robotic vacuum cleaners; dish washing machines for household purposes; washing machines for household purposes; vacuum cleaners; vacuum cleaner bags.

9 – Watches incorporating MP3 players; watches incorporating cameras.

11 – LED lamps; LED light bulbs; dehumidifiers for household use; electric cooking ovens; electric clothes management apparatus in the nature of garment steamers for household purposes; electric clothes management machines for drying clothes for household purpose; air purifier; filters for air purifiers; electric fans; air conditioners; outdoor condensers, namely, outdoor air condensers for air conditioners; cooking apparatus and installations; electric refrigerators; electric ranges; electric laundry dryers; microwave ovens; apparatus for cooking, namely, cooktops.

14 – Necklaces; jewelry, namely, rings; wristwatches; clocks; watchbands; parts and fittings for watches; watch straps; electronic clocks and watches; control clocks (master clocks); jewelry, namely, bracelets.

35 – Providing information about products via telecommunication networks for advertising and sales purposes; commercial and business information agencies; organization of events, exhibitions, fairs and shows for commercial, promotional and advertising purposes; commercial information and advice for consumers in the choice of products and services; on-line ordering services; secretarial services using artificial intelligence program software; retrieval services for internet data; retail store services featuring electric audio and visual apparatus and instruments; retail store services featuring telecommunication machines and implements; providing telephone directory informa-

tion; telephone answering and message handling services; providing information and advice to consumers regarding the selection of products and items to be purchased; secretarial services using chatbot; online advertising on a computer network; retail store services featuring computers; retail store services of computer peripherals and accessories; data search in computer files for others.

38 – Providing user access to a global computer network; simulcasting broadcast television over global communication networks, the Internet and wireless networks; communications via multinational telecommunication networks; streaming of data; radio broadcasting; advisory and consultancy services relating to wireless communications and wireless communications equipment; rental of wireless communications machines and apparatus; virtual chat rooms established via text messaging; transmission of data/sound and images by satellite for shopping information service; transmission, broadcasting and reception of audio, video, still and moving images, text and data in real time; interactive videotext services; providing on-line chat rooms; provision and rental of telecommunication facilities and equipment; voice mail services; voice-activated dialing services; providing voice chat services; internet broadcasting services; electronic transmission of sound, images and other data and information of all kinds via the Internet; rental of telecommunication equipment; electronic bulletin board service (telecommunications services); electronic data transmission; text messaging services; television broadcasting; rental of communication systems; video-conferencing services.

(260) AM 2021 107720 A

(800) 1522307

(151) 2020 01 31

(891) 2020 01 31

(731) N.V. Organon

Kloosterstraat 6, NL-5349 AB Oss,
Netherlands

(540)

ALTRISTA

(591) Black, white

(511)

5 – Pharmaceutical preparations and over the counter pharmaceutical preparations and products.

10 – Surgical and medical apparatus, devices and instruments.

44 – Providing information in the fields of pharmaceuticals, medicines, medical devices, health, and wellness.

(260) AM 2021 107721 A

(800) 1522378

(151) 2020 02 19

(891) 2020 02 19

(731) Karl Lagerfeld B.V.

Herengracht 182, NL-1016 BR Amsterdam,
Netherlands

(540)

KARL LAGERFELD

(591) Black, white

(511)

27 – Non-slip mats; bath mats; textile wallpaper; wall-
paper; mats; gymnasium mats; linoleum; mats of wo-
ven rope for ski slopes; carpet underlay; reed mats;
floor coverings; vinyl floor coverings; rugs (floor -);
wall hangings (non-textile).

(260) AM 2021 107722 A

(800) 1522404

(151) 2020 01 24

(891) 2020 01 24

(731) Richter Gedeon Nyrt.

Gyömrői út 19-21, H-1103 Budapest,
Hungary

(540)

ESTERETTA

(591) Black, white

(511)

5 – Pharmaceutical preparations.

(260) AM 2021 107723 A

(800) 1522405

(151) 2020 01 24

(891) 2020 01 24

(731) Richter Gedeon Nyrt.

Gyömrői út 19-21, H-1103 Budapest,
Hungary

(540)

ЭСТЕРЕТТА

(591) Black, white

(531) 28.05

(511)

5 – Pharmaceutical preparations.

(260) AM 2021 107724 A

(800) 1522413

(151) 2020 02 07

(891) 2020 02 07

(731) Individual entrepreneur Bogatyrev Vasily
Alexandrovich

ul. Admiral Zhiltsov, 3 sq. 13, Ivanteevka,
RU-141280 Moscow region, Russian
Federation

(540)



(591) Black, grey and red

(531) 03.07.12; 26.03.02; 26.03.04; 26.03.05;

26.03.15; 27.01.16; 29.01.13

(511)

31 – Algarovilla for animal consumption; anchovy, li-
ve; oranges, fresh; peanuts, fresh; artichokes, fresh;
draff; beans, fresh; locust beans, raw; wreaths of natu-
ral flowers; grapes, fresh; algae, unprocessed, for hu-
man or animal consumption; fruit residue [marc]; dog
biscuits; peas, fresh; buckwheat, unprocessed; mush-
room spawn for propagation; mushrooms, fresh; trees;
palm trees; turf, natural; unsawn timber; undressed
timber; yeast for animal consumption; Christmas tre-
es; edible chews for animals; live animals; menagerie
animals; peanut cake for animals; oil cake; maize cake
for cattle; rape cake for cattle; bagasses of cane [raw
material]; cereal seeds, unprocessed; grains [cereals];
grains for animal consumption; lime for animal forage;
fish spawn; vegetable marrows, fresh; cocoa be-
ans, raw; koi carp, live; chestnuts, fresh; quinoa, un-
processed; arrangements of fresh fruit; copra; raw
barks; rough cork; animal foodstuffs; pet food; stall
food for animals; bird food; strengthening animal fo-
rage; chicory roots; roots for animal consumption; net-
tles; groats for poultry; maize; edible sesame, un-
processed; shrubs; rose bushes; spiny lobsters, live; le-
mons, fresh; vine plants; salmon, live; onions, fresh;
flower bulbs; leeks, fresh; olives, fresh; bran mash for
animal consumption; shellfish, live; almonds [fruits];
mussels, live; peanut meal for animals; linseed meal
for animal consumption; meal for animals; flax meal
[fodder]; rice meal for forage; fish meal for animal
consumption; straw mulch; beverages for pets; edible
insects, live; oats; vegetables, fresh; cucumbers, fresh;
lobsters, live; nuts, unprocessed; coconuts; kola nuts;
bran; distillery waste for animal consumption; residue
in a still after distillation; palms [leaves of the palm
tree]; cuttle bone for birds; peppers [plants]; aromatic
sand [litter] for pets; citrus fruit, fresh; litter for ani-
mals; mash for fattening livestock; unprocessed sweet
corn ears [husked or unhusked]; animal fattening pre-

parations; preparations for egg laying poultry; fishing bait, live; by-products of the processing of cereals, for animal consumption; seed germ for botanical purposes; poultry, live; wheat; pollen [raw material]; crayfish, live; crustaceans, live; seedlings; plants; aloe vera plants; plants, dried, for decoration; rhubarb, fresh; rice, unprocessed; rye; wheat germ for animal consumption; fish, live; lettuce, fresh; sardines, live; beet, fresh; herrings, live; seeds for planting; linseed for animal consumption; edible linseed, unprocessed; hay; coconut shell; bred stock; sanded paper [litter] for pets; malt for brewing and distilling; straw [forage]; straw litter; salt for cattle; trunks of trees; wood chips for the manufacture of wood pulp; litter peat; garden herbs, fresh; sea-cucumbers, live; sugarcane; truffles, fresh; tuna, live; squashes, fresh; oysters, live; fruit, fresh; hazelnuts, fresh; fodder; hops; flowers, natural; flowers, dried, for decoration; chicory, fresh; silkworms; garlic, fresh; lentils, fresh; pine cones; hop cones; spinach, fresh; juniper berries; berries, fresh; eggs for hatching, fertilized; silkworm eggs; barley.

32 – Aperitifs, non-alcoholic; barley wine [beer]; lithia water; seltzer water; soda water; waters [beverages]; aerated water; mineral water [beverages]; table waters; kvass; cocktails, non-alcoholic; beer-based cocktails; lemonades; non-alcoholic beverages; isotonic beverages; non-alcoholic honey-based beverages; rice-based beverages, other than milk substitutes; soya-based beverages, other than milk substitutes; aloe vera drinks, non-alcoholic; whey beverages; protein-enriched sports beverages; soft drinks; non-alcoholic beverages flavored with coffee; non-alcoholic beverages flavored with tea; non-alcoholic fruit juice beverages; energy drinks; fruit nectars, non-alcoholic; orgeat; beer; ginger beer; malt beer; powders for effervescing beverages; sarsaparilla [non-alcoholic beverage]; syrups for lemonade; syrups for beverages; smoothies; tomato juice [beverage]; cider, non-alcoholic; vegetable juices [beverages]; fruit juices; must; grape must, unfermented; beer wort; malt wort; pastilles for effervescing beverages; sherbets [beverages]; non-alcoholic fruit extracts; extracts of hops for making beer.

34 – Flavorings, other than essential oils, for tobacco; flavorings, other than essential oils, for use in electronic cigarettes; gas containers for cigar lighters; absorbent paper for tobacco pipes; cigarette paper; lighters for smokers; tobacco pouches; books of cigarette papers; humidors; matchboxes; firestones; cigar cutters; cigar holders; cigarette holders; mouthpieces for cigarette holders; tips of yellow amber for cigar and cigarette holders; ashtrays for smokers; spittoons for tobacco users; pipe racks for tobacco pipes; pipe cleaners for tobacco pipes; liquid solutions for use in electronic cigarettes; electronic cigarettes; cigarettes; cigarettes containing tobacco substitutes, not for medical purposes; cigarillos; cigars; tobacco jars; match holders; matches; oral vaporizers for smokers; tobac-

co; chewing tobacco; snuff; snuffboxes; herbs for smoking; tobacco pipes; pocket machines for rolling cigarettes; cigarette filters; cigarette tips; cigar cases; cigarette cases.

(260) AM 2021 107725 A

(800) 1522424

(151) 2019 12 19

(891) 2019 12 19

(731) VALENTINO S.P.A.

Via Turati 16/18, I-20121 Milano, Italy

(540)



(591) Black, white

(531) 26.04.18; 27.05.21

(511)

3 – Cosmetics, including night and day creams; preparations for cleaning and care of the face and body; bubble bath; shaving foam; aftershave; make-up foundations; nail polish; body deodorants for men and women; hand and body soap; shampoos and hair rinses; hair spray; dentifrices; fragrances, namely perfume, eau de Cologne, and essential oils for personal use for men and women.

9 – Optical apparatus and instruments, optical lenses, magnifying glasses, monocles, binoculars, opera glasses, goggles for sports, goggles for skiing, contact lenses, cases for contact lenses, spectacles, sunglasses, pince-nez; pince-nez mountings, cases for spectacles and sunglasses, cases for pince-nez, chains for spectacles and for sunglasses, frames for spectacles and sunglasses, eyeglass cords; telephone receivers, telephone apparatus, video telephones, mobile phones, antennas for mobile phones, batteries for mobile phones, chargers for mobile phones, cases for mobile phones, mobile phone straps, microphones for mobile phones, loudspeakers for mobile phones, earphones for mobile phones, hands-free kits for mobile phones; apparatus and instruments for recording, transmission or reproduction of sounds or images, magnetic data carriers, recording discs, sound recording discs, sound recording carriers, radios, television apparatus, recorded video discs, recorded video tapes, video recorders, compact discs, compact disc players, compact disc portable music players, portable music players, cases for portable music players; video cassettes, DVD players, DVD recorders; photographic and cinematographic apparatus and instruments, television cameras, digital cameras, video cameras; apparatus for recording, data processing and computer equipment, recorded computer software, downloadable computer programs, computers, floppy disks, computer keyboards, compact discs, computer peripheral devices, magnetic

cards, monitors, optical discs, notebook computers, mouse pads, computer game programs; chronographs, electronic agendas; protective helmets; covers for portable multimedia players; covers for mobile phones; covers for DVDs; covers for CDs; covers for computer cables; covers for audio reproduction devices; covers for palmtops; covers for electronic agendas; covers for photographic cameras and covers for film cameras.

14 – Precious metals and their alloys and goods in precious metals or coated therewith; precious stones and their imitations; jewelry cases; boxes of precious metal; jewelry and imitation of jewelry; earrings; bracelets; trinkets; brooches; tie clips; pins; necklaces; rings; cuff links; key rings; shoe ornaments of precious metal; clocks and watches; chronometers; alarm clocks; wrist watches; table clocks; pocket watches; cases for watches; watch chains; watch bands and straps.

18 – Leather and imitations of leather; purses; school book bags; bags (nose -) [feed bags]; card wallets [leatherware]; traveling trunks; travelling bags; backpacks; wallets; grocery tote bags; attache cases; beach bags; casual bags; handbags; travel baggage; handbag frames; purses; document cases; cases made of leather; beauty cases sold empty; key-cases of leather and skins; travel garment covers; sport bags; hat boxes of leather; bags (garment -) for travel; straps (leather shoulder -); straps (leather -); raw skins; dog collars; clothing for pets; umbrellas; walking sticks; walking staffs; whips, harness and saddlery; harness fittings.

25 – Clothing; coveralls; underwear; jumpers; shirts; sweaters; tutus; ready made clothing; breeches; tops [clothing]; articles of knitwear; coats; skirts; petticoats; sweaters; topcoats; jackets [clothing]; quilted jackets; ski jackets; ski trousers; parkas; leather clothing; tee-shirts; chemisettes; trousers; dressing gowns; tights; gilets; jerseys; pajamas (am.); robes; brassieres; vest tops; bustiers; briefs; children's wear; layettes; swimming caps; swimming costumes; clothing for gymnastics; rainproof clothing; mackintoshes; masquerade costumes; footwear; slippers; bath sandals; boots; boots for sports; riding shoes; galoshes; shoes; beach shoes; sandals; training shoes; gymnastic shoes; overshoes; headgear; hats; berets; visors; socks; stocking suspenders; stockings; garters; gloves [clothing]; fingerless gloves; muffs [clothing]; shawls; neckties; bow ties; scarves, sashes for wear; veils [clothing]; bandanas [neckerchiefs]; furs (clothing); stoles of fur; waist belts; wedding dresses.

35 – Advertising; business management; business administration; office functions; dissemination of advertisements; dissemination of advertising matter; rental of advertising space; commercial and industrial business management assistance and consultancy; professional business consulting; modelling for advertising or sales promotion; services rendered by a franchisor,

namely assistance in the running or management of industrial or commercial enterprises; provision of information relating to organisation of fashion shows for promotional purposes; providing an online marketplace for buyers and sellers of goods and services, presentation of goods on communications media, including online, for retail sales purposes; the bringing together, for others, of a variety of goods (excluding the transport thereof), enabling customers to conveniently view and purchase those goods; the aforesaid services may be provided via retail outlets, wholesale warehouses, mail order catalogues or by means of electronic media, including via websites; services relating to e-commerce included in this class, including online retail sales via websites on which users can view, search and buy goods of various kinds; retailing and wholesaling of cosmetics, spectacles, mobile telephones, jewellery, clocks and watches, bags, accessories of leather, clothing, footwear, haberdashery articles.

(260) AM 2021 107726 A

(800) 1522445

(151) 2020 02 10

(891) 2020 02 10

(731) Matchesfashion Limited

Level 7 The Shard, 32 London Bridge Street,
London SE1 9SG, United Kingdom

(540)

RAEY

(591) Black, white

(511)

3 – Cosmetics and toiletries; beauty products; bath oils and essences; perfumery; non-medicated toilet preparations; body lotions and creams; massage oils; creams, lotions, emulsions and concentrates for the protection, care and treatment of the skin; cleaners, moisturisers, toners, face masks, serum.

14 – Jewellery; costume and imitation jewellery; bracelets, wrist bands (bracelets); necklaces; earrings; watches; key rings and jewellery boxes; key rings predominantly of leather, or imitation leather.

18 – Bags and cases; bags, namely handbags, shoulder bags, rucksacks, backpacks, sports bags, beach bags, sling bags, hip bags; travel bags; clutch bags and purses; coin purses; luggage; garment bags for travel; carriers for suits, shirts and dresses; toiletry bags sold empty, shoe bags for travel, kit bags; wallets; purses; credit card holders; travel pass holders in the nature of travel fare card holders; calling card cases; jewellery pouches; leather pouches; pouches made out of cloth; drawstring pouches; umbrellas.

25 – Clothing, footwear, headgear; clothing, namely, suits, trousers, jeans, culottes, shorts; shirts, t-shirts, blouses, dresses, skirts, kilts, jumpers; cardigans, tank

tops, sweaters, sweatshirts, sweatpants, leotards, loungewear; outerwear, namely, jackets, raincoats, overcoats, and wind resistant jackets; sleepwear; dressing gowns and robes; bathing trunks; swimwear; bikinis; shrugs; scarves; stoles; headscarves; neckties; gloves; mittens; vests; waistcoats; bras; underwear; lingerie; hosiery; suspenders; socks; stockings; pantyhose; footwear; headgear, namely, berets, hats, caps; belts; leather belts; fabric belts.

35 – The bringing together, for the benefit of others, of a variety of small electrical goods, namely, USB devices, speakers, headphones, radios, mobile phones, laptops, tablets, portable music players, cameras, e-book readers, cosmetics, candles, bags and purses, clothing, jewellery, lingerie, hosiery, headgear and footwear enabling consumers conveniently to view and purchase those goods; retail services in relation to small electrical goods, namely, USB devices, speakers, headphones, radios, mobile phones, laptops, tablets, portable music players, cameras, e-book readers, cosmetics and beauty products, bags and purses, clothing, jewellery, lingerie, hosiery, headgear and footwear.

(260) AM 2021 107727 A

(800) 1522457

(151) 2019 12 23

(891) 2019 12 23

(731) SAAT VE SAAT SANAYİ VE TİCARET ANONİM ŞİRKETİ

Maslak Mah, Büyükdere Cad, Noramin İş Merkezi No:237/D Kat B-2, Sarıyer, İstanbul, Turkey

(540)

wesse

(591) Black, white

(531) 27.05.01; 27.05.17

(511)

9 – Measurement apparatus and equipment including those for scientific and laboratory purposes, thermometers, not for medical purposes, barometers, ammeters, voltmeters, hygrometers, testing apparatus not for medical purposes, telescopes, periscopes, directional compasses, indicators, laboratory apparatus, microscopes, magnifying glasses, stills, ovens and furnaces for laboratory experiments, magnetic optic and overexposed film data carriers, antennas, satellite antennas, amplifiers for antennas, parts of the aforementioned goods, ticket dispensers, automatic teller machines (ATM), electronic components used in the electronic parts of machines and apparatus, semi-conductors, electronic circuits, integrated circuits, chips [integrated circuits], diodes, transistors [electronic], magnetic heads for electronic apparatus, electronic locks, photocells, remote control apparatus for opening and closing doors, optical sensors, counters and

quantity indicators for measuring the quantity of consumption, automatic time switches, clothing for protection against accidents, irradiation and fire, safety vests and life-saving apparatus and equipment, eyeglasses, sunglasses, optical lenses and cases, containers, parts and components thereof, apparatus and instruments for conducting, transforming, accumulating or controlling electricity, electric plugs, junction boxes [electricity], electric switches, circuit breakers, fuses, lighting ballasts, battery starter cables, electrical circuit boards, electric resistances, electric sockets, transformers [electricity], electrical adapters, battery chargers, electric door bells, electric and electronic cables, batteries, electric accumulators, alarms and anti-theft alarms, other than for vehicles, electric bells, signalling apparatus and instruments, luminous or mechanical signs for traffic use, fire extinguishing apparatus, fire engines, fire hose and fire hose nozzles, radar apparatus, sonars, night vision apparatus and instruments, decorative magnets, metronomes.

14 – Jewellery, imitation jewellery, gold, precious stones and jewellery made thereof, tie pins, statuettes and figurines of precious metal, clocks, watches and chronometrical instruments, chronometers and their parts, watch straps.

25 – Clothing, including underwear and outer clothing, other than special purpose protective clothing; socks, mufflers [clothing], shawls, bandanas, scarves, belts [clothing]; footwear, shoes, slippers, sandals; headgear, hats, caps with visors, berets, caps [headwear], skull caps.

(260) AM 2021 107728 A

(800) 1522461

(151) 2020 01 30

(891) 2020 01 30

(731) Open-Type Joint Stock Company "ROT FRONT"

2-oy Novokuznetskiy pereulok, d. 13/15, RU-115184 Moscow, Russian Federation

(540)



(591) Green, dark green, yellow, black, yellow green, orange and white

(531) 05.03.16; 05.07.15; 19.03.24; 26.04.16; 28.05; 29.01.13

(511)

30 – Caramels [candies].

(260) AM 2021 107729 A
 (800) 1522496
 (151) 2020 01 29
 (891) 2020 01 29
 (731) Apple Inc.
 One Apple Park Way, Cupertino CA 95014, USA
 (540)

[AR]T LAB

(591) Black, white
 (511)
 41 – Educational services in the field of computers, software coding, and augmented reality; arranging, organizing, conducting, and presenting seminars, workshops, and classes in the field of computers, software coding, and augmented reality.

(260) AM 2021 107732 A
 (800) 1522517
 (151) 2020 02 14
 (891) 2020 02 14
 (731) Obschestvo s ogranichenoy otvetstvennostyu "MAY"
 Ozer'naya, dom 1 a, Fryazino, RU-141191
 Moskovskoy obl., Russian Federation
 (540)



(591) Black, white
 (531) 02.03.01; 26.01.14; 26.04.05; 26.04.10;
 26.04.24; 27.05.01; 27.05.24
 (511)
 30 – Artificial coffee; vegetal preparations for use as coffee substitutes; coffee; unroasted coffee; coffee-based beverages; chicory [coffee substitute].

(260) AM 2021 107733 A
 (800) 1522533
 (151) 2020 02 05
 (891) 2020 02 05
 (731) SERTRANS HOLDİNG A.Ş.
 Ömerli Mah. Hadimköy-İstanbul, Cad.
 No:260-262, TR-34555 İSTANBUL, Turkey
 (540)



(591) Green, blue and white

(531) 26.13.25; 27.05.01; 29.01.12
 (511)
 39 – Land, water and air transport services, rental of land, water or air vehicles, arranging of tours, travel reservation, issuing of tickets for travel, courier services; car parking, garage rental; boat storage; transport by pipeline; electricity distribution; water supplying; rescue operations for vehicles and goods; storage, wrapping and packaging of goods; transport and storage of trash; transport and storage of waste.

(260) AM 2021 107734 A
 (800) 1522563
 (151) 2020 02 17
 (891) 2020 02 17
 (731) BIOBEST GROUP NV
 Ilse Velden 18, B-2260 Westerlo, Belgium
 (540)



(591) Green, white, grey and black
 (531) 01.15.21; 21.01.16; 25.07.21; 26.04.01;
 26.04.24; 27.05.08; 29.01.13
 (511)
 9 – Mobile applications [apps] and computer software [downloadable or on data carriers] for scouting and monitoring harmful and beneficial organisms of cultivated crops in agriculture.

(260) AM 2021 107762 A
 (800) 1522994
 (151) 2019 08 26
 (891) 2019 08 26
 (731) Anhui Panpan Foods Co., Ltd.
 No. 365 Changjiang West Road, Chengdong
 Industrial Park, Economic and Technological,
 Development Zone, Chuzhou city, Anhui
 Province, China
 (540)



(591) Black, white
 (531) 28.03
 (511)
 5 – Propolis dietary supplements; royal jelly dietary supplements; yeast dietary supplements; medicines for human purposes; sanitary napkins; sanitizing wi-

pes; first-aid bags, filled; dietetic substances adapted for medical use; nutritional supplements; traditional Chinese medicine bag, portable, filled.

32 – Beer; fruit juice; mineral water [beverages]; non-alcoholic beverages; non-alcoholic fruit tea; isotonic beverages; cola drinks; pure water (drinks); plant-based drinks.

(260) AM 2021 107763 A

(800) 1523003

(151) 2020 01 06

(891) 2020 01 06

(731) Realme Chongqing Mobile

Telecommunications Corp., Ltd.

No. 178 Yulong Avenue, Yufengshan Yubei

District Chongqing, China

(540)

NARZO

(591) Black, white

(531) 27.05.01; 27.05.17

(511)

9 – Notebook computers; downloadable applications for use with mobile devices; smartwatches; smartglasses; smart rings; cell phones; smartphones; mobile telephones; smartphones in the shape of a watch; covers for cell phones; cases for cell phones; screen protector for mobile devices; cell phone straps; mobile phone holders; selfie sticks for use with mobile phones; wrist-mounted smartphones; cabinets for loudspeakers; headsets; headsets for mobile phones; wireless headsets for smartphones; materials for electricity mains [wires, cables]; USB cables; power adapters; batteries, electric; chargers for electric batteries; mobile power (rechargeable battery); television apparatus; set-top boxes.

35 – Advertising; online advertising on a computer network; presentation of goods on communication media, for retail purposes; on-line promotion of computer networks and websites; advertising by transmission of on-line publicity for third parties through electronic communications networks; rental of advertising space on websites; providing business information via a web site; providing business information, also via Internet, the cable network or other forms of data transfer; sales promotion for others; provision of an on-line marketplace for buyers and sellers of goods and services; import-export agency services; compiling indexes of information for commercial or advertising purposes; updating and maintenance of data in computer databases; rental of vending machines; rental of sales stands.

(260) AM 2021 107764 A

(800) 1523072

(151) 2020 01 27

(891) 2020 01 27

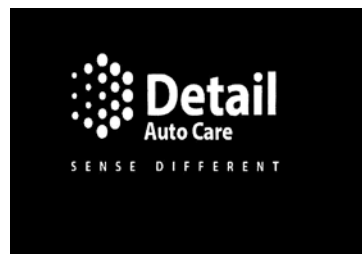
(731) Limited Liability Company "TH GraSS"

Rokossovskogo str., 41, Volgograd city,

RU-400012 Volgograd region, Russian

Federation

(540)



(591) Black, white

(531) 26.01.06; 26.04.05; 26.04.16; 26.04.24;
27.05.09; 27.05.10; 27.05.24

(526) Auto care

(511)

3 – Abrasives; descaling preparations for household purposes; antistatic preparations for household purposes; canned pressurized air for cleaning and dusting purposes; polishing stones; abrasive paper; emery paper; polishing paper; cotton wool for cosmetic purposes; sachets for perfuming linen; scented water; floor wax; non-slipping wax for floors; polish for furniture and flooring; scented wood; non-slipping liquids for floors; windshield cleaning liquids; greases for cosmetic purposes; volcanic ash for cleaning; perfumery; ionone [perfumery]; smoothing stones; silicon carbide [abrasive]; carbides of metal [abrasives]; alum stones [astringents]; tripoli stone for polishing; quillaia bark for washing; corundum [abrasive]; laundry starch; cosmetic creams; skin whitening creams; creams for leather; polishing rouge; incense; oils for cosmetic purposes; oils for toilet purposes; essential oils; essential oils of cedarwood; essential oils of lemon; oils for cleaning purposes; bergamot oil; gaultheria oil; jasmine oil; almond oil; lavender oil; rose oil; oil of turpentine for degreasing; whitening; cleaning chalk; musk [perfumery]; soap; deodorant soap; shaving soap; soap for brightening textile; cakes of toilet soap; antiperspirant soap; soap for foot perspiration; almond soap; mint for perfumery; cosmetic kits; emery; joss sticks; pastes for razor strops; dentifrices; pumice stone; hydrogen peroxide for cosmetic purposes; abrasive cloth; glass cloth [abrasive cloth]; shaving preparations; cosmetic preparations for baths; laundry soaking preparations; grinding preparations; smoothing preparations [starching]; leather bleaching preparations; mouthwashes, not for medical purposes; starch glaze for laundry purposes; fabric softeners for laundry use; laundry bleach; dry-cleaning preparations; paint stripping preparations; lacquer-removing preparations; floor wax removers [scouring preparati-

ons]; rust removing preparations; cleaning preparations; wallpaper cleaning preparations; preparations for unblocking drain pipes; color-brightening chemicals for household purposes [laundry]; diamantine [abrasive]; scouring solutions; tissues impregnated with cosmetic lotions; safrol; turpentine for degreasing; potpourris [fragrances]; bleaching soda; washing soda, for cleaning; bleaching salts; preservatives for leather [polishes]; fumigation preparations [perfumes]; ammonia [volatile alkali] [detergent]; astringents for cosmetic purposes; eyebrow cosmetics; make-up preparations; sun-tanning preparations [cosmetics]; hair dyes; neutralizers for permanent waving; cosmetic preparations for eyelashes; cosmetic preparations for skin care; cosmetics; cosmetics for animals; mascara; detergents, other than for use in manufacturing operations and for medical purposes; degreasers, other than for use in manufacturing processes; bleaching preparations [decolorants] for cosmetic purposes; antiperspirants [toilettries]; talcum powder, for toilet use; terpenes [essential oils]; cloths impregnated with a detergent for cleaning; shampoos; shampoos for pets [non-medicated grooming preparations]; sandpaper; soda lye; extracts of flowers [perfumes]; ethereal essences; badian essence; mint essence [essential oil]; shaving stones [astringents]; cotton sticks for cosmetic purposes; aromatics [essential oils]; laundry blueing; creams.

5 – Disinfectants; disinfectants for hygiene purposes.

(260) AM 2021 107765 A

(800) 1523073

(151) 2020 01 21

(891) 2020 01 21

(731) Limited Liability company "POLAR SEAFOOD RUSSIA"
Starye Kremenki St., 90, Jukovskiy district,
Kremenki city, RU-249185 Kalujskaya
region, Russian Federation

(540)



(591) Black, white

(531) 03.01.14; 03.01.24; 03.01.28; 27.05.01;
27.05.24

(511)

29 – Ajvar [preserved peppers]; artichokes, preserved; beans, preserved; laver, preserved; peas, preserved; mushrooms, processed; mushrooms, preserved; game, not live; fruit jellies; fruit-based snack food; tofu patties; soya patties; eggplant paste; aubergine paste; vegetable marrow paste; sauerkraut; kimchi [fermented vegetable dish]; potato-based dumplings; onion rings; arrangements of processed fruit; compotes; vegetables, tinned; vegetables, canned; fruits, tinned; fruits, canned; gherkins; sweet corn, processed; onions, preserved; marmalade; vegetable mousses; fruit pulp; vegetables, preserved; freeze-dried vegetables; lyophilized vegetables; lyophilised vegetables; vegetables, dried; vegetables, cooked; potato fritters; olives, preserved; nuts, prepared; tomato paste; pressed fruit paste; jams; cranberry compote; tomato purée; apple purée; vegetable salads; fruit salads; seeds, prepared; preparations for making soup; vegetable soup preparations; truffles, preserved; crystallized fruits; frosted fruits; frozen fruits; fruit, preserved; fruit, stewed; potato flakes; preserved garlic; lentils, preserved; potato chips; potato crisps; low-fat potato chips; low-fat potato crisps; fruit chips; seaweed extracts for food; yuba [tofu skin]; berries, preserved; fish extracts; fish, tinned; fish, canned; salted fish; fish fillets; fish-based foodstuffs, namely, frozen seafood; anchovy, not live; caviar; prawns, not live; spiny lobsters, not live; shellfish, not live; mussels, not live; lobsters, not live; crayfish, not live; crustaceans, not live; fish, not live; oysters, not live; shrimps, not live; salmon, not live; sardines, not live; herrings, not live; tuna, not live.

(260) AM 2021 107766 A

(800) 1523094

(151) 2020 02 21

(891) 2020 02 21

(731) VIETCAFE INC.
8, COPTHALL, ROSEAU VALLEY 00152,
Dominica

(540)

PhởBò

(591) Black and red

(531) 27.05.17; 29.01.12

(511)

43 – Café services; restaurant services.

(260) AM 2021 107768 A

(800) 1523122

(151) 2019 10 17

(891) 2019 10 17

(731) EVLIYA ŞEKERLEME SANAYİ VE
TİCARET LİMİTED ŞİRKETİ
3, Organize Sanayi Bölgesi, 14, Sokak, No. 7,
Selçuklu – Konya, Turkey

(540)



(591) Red and white

(531) 26.01.02; 26.01.20; 29.01.12

(526) ®

(511)

30 – Confectionery; sugar confectionery; fruit jellies [confectionery]; crystal sugar pieces [confectionery]; Turkish delights, halvahs, cotton candies, frozen yogurt (confectionery ices), chocolates, chocolate products, products covered with chocolate or candies, chocolate or candy products for decorating Christmas trees, chocolate based beverages; fruit jelly candy; fondants [confectionery]; biscuits, crackers, wafers, cakes, tarts, tea cakes.

(260) AM 2021 107769 A

(800) 1523130

(151) 2020 02 04

(891) 2020 02 04

(731) Beiersdorf AG

Unnastr. 48, 20253 Hamburg, Germany

(540)

COPPERTONE

(591) Black, white

(511)

3 – Non-medicated cosmetics, non-medicated preparations for body and beauty care, non-medicated sun care preparations for cosmetic and dermatological purposes, non-medicated after sun preparations for cosmetic and dermatological purposes.

5 – Medicated sun care preparations, medicated after sun preparations for cosmetic and dermatological purposes, medicated lip care preparations, medicated preparations for body and beauty care.

(260) AM 2021 107770 A

(800) 1523173

(151) 2019 11 22

(891) 2019 11 22

(731) DİLEK TEKSTİL ÜRÜNLERİ SANAYİ VE TİCARET LİMİTED ŞİRKETİ

Kaynarca Mh. Bahattin Veled, Cd. No: 37/ 1-2-3, Pendik İstanbul, Turkey

(540)



(591) Red and white

(531) 26.11.01; 26.11.06; 26.11.12; 27.05.24; 29.01.12

(511)

7 – Machines, machine tools and industrial robots for processing and shaping wood, metals, glass, plastics and minerals, 3D printers; construction machines and robotic mechanisms (machines) for use in construction: bulldozers, diggers (machines), excavators, road construction and road paving machines, drilling machines, rock drilling machines, road sweeping machines; lifting, loading and transmission machines and robotic mechanisms (machines) for lifting, loading and transmission purposes: elevators, escalators and cranes; machines and robotic mechanisms (machines) for use in agriculture and animal breeding, machines and robotic mechanisms (machines) for processing cereals, fruits, vegetables and food; machines for preparing and processing beverages; engines and motors, other than for land vehicles, parts and fittings therefor; hydraulic and pneumatic controls for engines and motors, brakes other than for vehicles, brake linings for engines; crankshafts, gearboxes, other than for land vehicles, gearboxes, cylinders for engines, pistons for engines, turbines, not for land vehicles, filters for engines and motors; oil, air and fuel filters for land vehicle engines, exhausts for land vehicle engines, exhaust manifolds for land vehicle engines, engine cylinders for land vehicles, engine cylinder heads for land vehicles, pistons for land vehicle engines, carburetors for land vehicles, fuel conversion apparatus for land vehicle engines, injectors for land vehicle engines, fuel economisers for land vehicle engines, pumps for land vehicle engines, valves for land vehicle engines, starter motors for land vehicles, dynamos for land vehicle engines, sparking plugs for land vehicle engines; bearings (parts of machines), roller or ball bearings; machines for mounting and detaching tires; alternators, current generators, electric generators, current generators operated with solar energy; painting machines, automatic spray guns for paint, electric, hydraulic and pneumatic punching machines and guns, electric adhesive tape dispensers (machines), electric guns for compressed gas or liquid spraying machines, electric hand drills, electric hand saws, electric jigsaw machines, spiral machines, compressed air machines, compressors (machines), vehicle washing installations, robotic mechanisms (machines) with the abovementioned functions; electric and gas-operated welding apparatus, electric arc welding apparatus, electric soldering apparatus, electric arc cutting apparatus, electrodes for welding machines, industrial robots (machines) with the abovementioned functions; printing machines; packaging machines, filling, plugging and sealing machines, labellers (machines), sorting machines, industrial robots (machines) with the abovementioned functions, electric packing machines for plugging and sealing of plastics; machines for textile processing, sewing machines, industrial robots (machines) with the abovementioned

functions; air pumps, fuel dispensing pumps for service stations, self-regulating fuel pumps; automatic vending machines; galvanizing and electroplating machines; electric door openers and closers; electric kitchen machines for chopping, grinding, crushing, mixing and mincing foodstuff; washing machines (including laundry washing machines, dishwashers), excluding spin driers (not heated); electric cleaning machines for cleaning floors, carpets or floorings, vacuum cleaners and parts thereof.

8 – Forks, spoons, knives and non-electric cutters, slicers, peelers for kitchen use, including those made of precious metals; side arms and blades (weapons); tools and apparatus included in this class for personal beauty care use; tools and apparatus included in this class for shaving, epilation, manicure and pedicure, electric hand implements for straightening and curling hair, scissors; hand-operated [non-electric] hand tools included in this class for the repair of machines, apparatus and vehicles and for use in construction, agriculture, horticulture and forestry, none of them being power tools; electric or non-electric irons; steam irons; handles for hand-operated hand tools.

21 – Hand-operated non-electric cleaning instruments and appliances, brushes, other than paintbrushes, steel wool, sponges for cleaning, steel wool for cleaning, cloths of textile for cleaning, gloves for dishwashing, non-electric polishing machines for household purposes, brooms for carpets, mops; toothbrushes, electric toothbrushes, dental floss, shaving brushes, hair brushes, combs; non-electric household or kitchen utensils, included in this class, [other than forks, knives, spoons], services [dishes], pots and pans, bottle openers, flower pots, drinking straws, non-electric cooking utensils; ironing boards and shaped covers therefor, drying racks for washing, clothes drying hangers; cages for household pets, indoor aquariums, vivariums and indoor terrariums for animals and plant cultivation; ornaments and decorative goods of glass, porcelain, earthenware or clay namely statues, figurines, vases and trophies; mouse traps, insect traps, electric devices for attracting and killing flies and insects, fly catchers, fly swatters; perfume burners, perfume sprayers, perfume vaporizers, electric or non-electric make-up removing appliances, powder puffs, toilet cases; nozzles for sprinkler hose, nozzles for watering cans, watering devices, garden watering cans; unworked or semi-worked glass, except building glass, mosaics of glass and powdered glass for decoration, except for building, glass wool other than for insulation or textile use.

24 – Woven or non-woven textile fabrics; textile goods for household use, not included in other classes; curtains, bed covers, sheets (textile), pillowcases, blankets, quilts, towels; flags, pennants, labels of textile; swaddling blankets; sleeping bags for camping.

(260) AM 2021 107771 A

(800) 1523189

(151) 2019 12 26

(891) 2019 12 26

(731) Limited Liability Company "ArtDesignStudio"
Abelmanovskaya street, Bldg. 7, basement
floor, office VI, room 1, RU-109147 Moscow,
Russian Federation

(540)

Битва престолов

(591) Black, white

(531) 28.05

(511)

9 – Scientific, research, navigation, surveying, photographic, cinematographic, audiovisual, optical, weighing, measuring, signalling, detecting, testing, inspecting, life-saving and teaching apparatus and instruments; apparatus and instruments for conducting, switching, transforming, accumulating, regulating or controlling the distribution or use of electricity; apparatus and instruments for recording, transmitting, reproducing or processing sound, images or data; recorded or downloadable media, computer software, blank digital or analogue recording and storage media; computers and computer peripheral devices; 3D spectacles; DVD players; ticket dispensers; coin-operated musical automata [juke boxes]; fire engines; answering machines; electrical adapters; batteries for electronic cigarettes; accumulators, electric; accumulators, electric, for vehicles; accelerometers; actinometers; alidades; altimeters; ear pads for headphones; ammeters; nanoparticle size analysers; anemometers; anodes; antennas; anticathodes; apertometers [optics]; high-frequency apparatus; testing apparatus not for medical purposes; remote control apparatus; electrodynamic apparatus for the remote control of railway points; electro-dynamic apparatus for the remote control of signals; monitoring apparatus, other than for medical purposes; sound recording apparatus; Global Positioning System [GPS] apparatus; distillation apparatus for scientific purposes; diffraction apparatus [microscopy]; air analysis apparatus; apparatus to check franking; sound transmitting apparatus; apparatus for fermentation [laboratory apparatus]; breathing apparatus for underwater swimming; breathing apparatus, except for artificial respiration; apparatus and installations for the production of X-rays, not for medical purposes; cash registers; electric apparatus for commutation; magnetic resonance imaging [MRI] apparatus, not for medical purposes; intercommunication apparatus; stills for laboratory experiments; projection apparatus; fire extinguishing apparatus; radiological apparatus for industrial purposes; X-ray apparatus not for medical purposes; blueprint apparatus; flashing lights [luminous signals]; stereoscopic apparatus; telephone apparatus; facsimile machines; phototelegraphy apparatus; igniting apparatus, electric, for

igniting at a distance; acid hydrometers; salinometers; acidimeters for batteries; aerometers; beacons, luminous; battery jars; automated teller machines [ATM]; barometers; anode batteries; galvanic batteries; batteries for lighting; solar batteries; solar panels for the production of electricity; batteries, electric; balances [steelyards]; betatrons; binoculars; biochips; electronic tags for goods; lens hoods; magnetic tape units for computers; computer memory devices; fire hose nozzles; encoded identification bracelets, magnetic; connected bracelets [measuring instruments]; safety tarpaulins; electronic key fobs being remote control apparatus; bullet-proof clothing; signalling buoys; life buoys; marking buoys; directional compasses; vacuum gauges; electrolyzers; variometers; verniers; scales; baby scales; bathroom scales; letter scales; weighbridges; precision balances; scales with body mass analysers; levelling staffs [surveying instruments]; camcorders; video baby monitors; video cassettes; video game cassettes; video telephones; video screens; viewfinders, photographic; electric plugs; micrometer screws for optical instruments; viscosimeters; circuit closers; wavemeters; voltmeters; mechanical signs; signs, luminous; switchboxes [electricity]; current rectifiers; gas testing instruments; gasometers [measuring instruments]; galvanometers; hands-free kits for telephones; heliographic apparatus; hygrometers; hydrometers; weights; peepholes [magnifying lenses] for doors; hairdressing training heads [teaching apparatus]; holograms; plotters; loudspeakers; sounding leads; plumb bobs; range finders; piezoelectric sensors; densimeters; densitometers; detectors; smoke detectors; infrared detectors; counterfeit coin detectors; joysticks for use with computers, other than for video games; transparencies [photography]; slide projectors; diaphragms [photography]; dictating machines; dynamometers; light-emitting diodes [LED]; quantum dot light-emitting diodes [QLED]; organic light-emitting diodes [OLED]; floppy disks; sound recording discs; disks, magnetic; optical discs; circular slide rules; disk drives for computers; juke boxes for computers; wearable video display monitors; electronic numeric displays; DNA chips; electronic interactive whiteboards; electronic notice boards; electric wire harnesses for automobiles; bullet-proof waistcoats; life jackets; reflective safety vests; identification threads for electric wires; nose clips for divers and swimmers; locks, electric; bells [warning devices]; alarm bells, electric; electric door bells; signal bells; audio interfaces; acoustic conduits; mirrors for inspecting work; road signs, luminous or mechanical; downloadable emoticons for mobile phones; marine depth finders; probes for scientific purposes; buzzers; needles for surveying compasses; needles for record players; eyewear; reflective articles for wear, for the prevention of accidents; measures; pressure measuring apparatus; simulators for the steering and control of vehicles; inverters [electricity]; pressure indicators; automatic indicators of low pressure in vehicle tires; temperature in-

dicators; incubators for bacteria culture; measuring instruments; cosmographic instruments; mathematical instruments; levelling instruments; instruments containing eyepieces; surveying instruments; azimuth instruments; interfaces for computers; ionization apparatus not for the treatment of air or water; satellite finder meters; spark-guards; coaxial cables; fiber optic cables; cables, electric; calipers; slide calipers; screw-tapping gauges; calorimeters; calculating machines; pocket calculators; decompression chambers; rearview cameras for vehicles; cinematographic cameras; thermal imaging cameras; mouth guards for sports; life-saving capsules for natural disasters; electronic pens [visual display units]; holders for electric coils; identity cards, magnetic; video game cartridges; toner cartridges, unfilled, for printers and photocopiers; ink cartridges, unfilled, for printers and photocopiers; memory cards for video game machines; encoded magnetic cards; riding helmets; protective helmets; carriers for dark plates [photography]; cathodes; choking coils [impedance]; coils, electric; electromagnetic coils; cinematographic film, exposed; computer keyboards; solenoid valves [electromagnetic switches]; wire connectors [electricity]; thin client computers; encoded key cards; electronic book readers; electronic agendas; push buttons for bells; mouse pads; magnetic encoders; visors for helmets; collectors, electric; calibrating rings; smart rings; ring sizers; protective suits for aviators; commutators; compact discs [audio-video]; video game discs; computer game programs downloadable via the Internet; compact discs [read-only memory]; comparators; marine compasses; computers; laptop computers; tablet computers; notebook computers; wearable computers; condensers [capacitors]; contacts, electric; wind socks for indicating wind direction; traffic cones; branch boxes [electricity]; distribution boxes [electricity]; junction boxes [electricity]; battery boxes; cabinets for loudspeakers; diving suits; galena crystals [detectors]; covers for electric outlets; logs [measuring instruments]; lasers, not for medical purposes; lactodensimeters; lactometers; vacuum tubes [radio]; flashlights [photography]; darkroom lamps [photography]; thermionic tubes; amplifying tubes; head cleaning tapes [recording]; magnetic tapes; videotapes; surveying chains; fire escapes; rulers [measuring instruments]; square rulers for measuring; slide-rules; contact lenses; correcting lenses [optics]; optical lenses; optical condensers; sounding lines; electricity conduits; measuring spoons; magnifying glasses [optics]; thread counters; magnets; decorative magnets; close-up lenses; crash test dummies; resuscitation mannequins [teaching apparatus]; mouse [computer peripheral]; trackballs [computer peripherals]; pressure gauges; security tokens [encryption devices]; divers' masks; solderers' helmets; protective masks; respiratory masks, other than for artificial respiration; materials for electricity mains [wires, cables]; voting machines; money counting and sorting machines; material testing instruments and machines;

furniture especially made for laboratories; megaphones; portable media players; diaphragms [acoustics]; diaphragms for scientific apparatus; metal detectors for industrial or military purposes; digital weather stations; metronomes; rules [measuring instruments]; carpenters' rules; dressmakers' measures; mechanisms for coin-operated apparatus; mechanisms for counter-operated apparatus; coin-operated mechanisms for television sets; shutter releases [photography]; micrometers; microprocessors; microscopes; microtomes; microphones; audio mixers; modems; lightning rods; monitors [computer hardware]; monitors [computer programs]; selfie sticks [hand-held monopods]; terminals [electricity]; junction sleeves for electric cables; teeth protectors; temperature indicator labels, not for medical purposes; knee-pads for workers; headphones; surveyors' levels; sound recording carriers; magnetic data media; optical data media; electronic sheet music, downloadable; laptops; computer software, recorded; sheaths for electric cables; identification sheaths for electric wires; weighing machines; computer hardware; punched card machines for offices; life saving apparatus and equipment; shoes for protection against accidents, irradiation and fire; objectives [lenses] [optics]; lenses for astrophotography; selfie lenses; egg-candlers; fire extinguishers; rescue laser signalling flares; electrified fences; limiters [electricity]; clothing for protection against accidents, irradiation and fire; clothing for protection against fire; asbestos clothing for protection against fire; clothing especially made for laboratories; survival blankets; ozonisers [ozonators]; octants; eyepieces; ohmmeters; wrist rests for use with computers; eyeglass frames; oscillographs; plumb lines; mirrors [optics]; eyeglasses; sunglasses; goggles for sports; electronic collars to train animals; finger sizers; signalling panels, luminous or mechanical; wah-wah pedals; radio pagers; pince-nez; electronic pocket translators; transmitters [telecommunication]; telephone transmitters; transmitters of electronic signals; switches, electric; periscopes; data gloves; gloves for divers; gloves for protection against accidents; gloves for protection against X-rays for industrial purposes; asbestos gloves for protection against accidents; furnaces for laboratory use; droppers for measuring, other than for medical or household purposes; laboratory pipettes; pyrometers; planimeters; plane tables [surveying instruments]; plates for batteries; computer software platforms, recorded or downloadable; wafers for integrated circuits; printed circuit boards; compact disc players; cassette players; protective films adapted for computer screens; protective films adapted for smartphones; sound recording strips; X-ray films, exposed; films, exposed; life-saving rafts; laboratory trays; digital signs; stands adapted for laptops; semi-conductors; polarimeters; personal digital assistants [PDAs]; fire pumps; measuring glassware; life belts; fuses; circuit breakers; converters, electric; telerupters; food analysis apparatus; diagnostic apparatus, not for medical purposes; distance

recording apparatus; distance measuring apparatus; speed measuring apparatus [photography]; appliances for measuring the thickness of leather; apparatus for measuring the thickness of skins; speed checking apparatus for vehicles; teaching apparatus; time recording apparatus; apparatus and instruments for astronomy; surveying apparatus and instruments; weighing apparatus and instruments; nautical apparatus and instruments; navigational instruments; optical apparatus and instruments; apparatus and instruments for physics; chemistry apparatus and instruments; measuring apparatus; measuring devices, electric; boiler control instruments; meteorological instruments; naval signalling apparatus; observation instruments; navigation apparatus for vehicles [on-board computers]; satellite navigational apparatus; regulating apparatus, electric; telecommunication apparatus in the form of jewellery; precision measuring apparatus; audio- and video-receivers; prisms [optics]; computer software applications, downloadable; printers for use with computers; hemline markers; retorts' stands; apparatus for changing record player needles; drainers for use in photography; cleaning apparatus for sound recording discs; fire beaters; telescopic sights for firearms; telescopic sights for artillery; test tubes; pressure indicator plugs for valves; magnetic wires; copper wire, insulated; fuse wire; computer programs, recorded; computer game software, downloadable; computer game software, recorded; computer programs, downloadable; computer video game software; computer video game software and manuals in electronic format sold as a unit; computer operating programs, recorded; computer screen saver software, recorded or downloadable; record players; processors [central processing units]; rods for water diviners; electronic publications, downloadable; distribution consoles [electricity]; control panels [electricity]; radar apparatus; baby monitors; masts for wireless aerials; transmitting sets [telecommunication]; radios; vehicle radios; sprinkler systems for fire protection; frames for photographic transparencies; screens for photoengraving; flowmeters; walkie-talkies; voltage surge protectors; voltage regulators for vehicles; stage lighting regulators; light dimmers [regulators], electric; speed regulators for record players; cell switches [electricity]; washing trays [photography]; marking gauges [joinery]; T-squares for measuring; time switches, automatic; relays, electric; safety restraints, other than for vehicle seats and sports equipment; X-ray photographs, other than for medical purposes; rheostats; respirators for filtering air; retorts; refractometers; refractors; grids for batteries; security surveillance robots; laboratory robots; teaching robots; telepresence robots; humanoid robots with artificial intelligence; electric sockets; height measuring instruments; speaking tubes; horns for loudspeakers; subwoofers; saccharometers; optical fibers [light conducting filaments]; traffic-light apparatus [signalling devices]; dog whistles; signalling whistles; sports whistles; sextants; inductors [electricity];

safety nets; nets for protection against accidents; fire alarms; signals, luminous or mechanical; rescue flares, non-explosive and non-pyrotechnic; sirens; electronic access control systems for interlocking doors; scanners [data processing equipment]; hand-held electronic dictionaries; integrated circuit cards [smart cards]; smartglasses; smartphones; smartwatches; connections for electric lines; couplings, electric; sonars; sound locating instruments; lighting ballasts; resistances, electric; spectrograph apparatus; spectrosopes; speed indicators; alcoholmeters; satellites for scientific purposes; protection devices for personal use against accidents; audiovisual teaching apparatus; charging stations for electric vehicles; radiotelegraphy sets; radiotelephony sets; spectacle lenses; anti-glare glasses; optical glass; personal stereos; stereoscopes; stands for photographic apparatus; stroboscopes; fire boats; sulfimeters; bags adapted for laptops; drying racks [photography]; spherometers; integrated circuits; printed circuits; counters; parking meters; kilometer recorders for vehicles; revolution counters; abacuses; egg timers [sandglasses]; taximeters; ear plugs for divers; tachometers; television apparatus; telegraphs [apparatus]; telescopes; teleprompters; teleprinters; cordless telephones; cellular phones; theodolites; interactive touch screen terminals; thermo-hygrometers; thermometers, not for medical purposes; thermostats; thermostats for vehicles; climate control digital thermostats; crucibles [laboratory]; tone arms for record players; totalizers; transistors [electronic]; transponders; protractors [measuring instruments]; transformers [electricity]; step-up transformers; resuscitation training simulators; vehicle breakdown warning triangles; triodes; starter cables for motors; discharge tubes, electric, other than for lighting; capillary tubes; neon signs; Pitot tubes; X-ray tubes not for medical purposes; telephone receivers; headgear being protective helmets; squares for measuring; gauges; quantity indicators; gasoline gauges; water level indicators; electric loss indicators; light-emitting electronic pointers; slope indicators; levels [instruments for determining the horizontal]; mercury levels; spirit levels; urinometers; amplifiers; particle accelerators; electric installations for the remote control of industrial operations; steering apparatus, automatic, for vehicles; balancing apparatus; video recorders; sound reproduction apparatus; invoicing machines; tape recorders; protection devices against X-rays, not for medical purposes; railway traffic safety appliances; data processing apparatus; oxygen transvasing apparatus; theft prevention installations, electric; devices for the projection of virtual keyboards; film cutting apparatus; drying apparatus for photographic prints; optical character readers; centering apparatus for photographic transparencies; dosage dispensers; battery chargers; chargers for electric batteries; chargers for electronic cigarettes; acoustic alarms; sounding apparatus and machines; apparatus for editing cinematographic film; cathodic anti-corrosion apparatus; coup-

lers [data processing equipment]; wearable activity trackers; anti-theft warning apparatus; computer peripheral devices; anti-interference devices [electricity]; demagnetizing apparatus for magnetic tapes; acoustic couplers; alarms; fog signals, non-explosive; whistle alarms; adding machines; readers [data processing equipment]; heat regulating apparatus; photocopiers [photographic, electrostatic, thermic]; electric and electronic effects units for musical instruments; bar code readers; downloadable ring tones for mobile phones; downloadable image files; downloadable music files; animated cartoons; filters for respiratory masks; filters for ultraviolet rays, for photography; filters for use in photography; USB flash drives; magic lanterns; optical lamps; signal lanterns; cameras [photography]; glazing apparatus for photographic prints; shutters [photography]; darkrooms [photography]; photometers; flash-bulbs [photography]; digital photo frames; enlarging apparatus [photography]; photovoltaic cells; containers for contact lenses; eyeglass cases; containers for microscope slides; cases for smartphones; cases especially made for photographic apparatus and instruments; chromatography apparatus for laboratory use; chronographs [time recording apparatus]; laboratory centrifuges; eyeglass chains; cyclotrons; compasses for measuring; frequency meters; time clocks [time recording devices]; Petri dishes; sleeves for laptops; covers for personal digital assistants [PDAs]; covers for tablet computers; covers for smartphones; fire blankets; chips [integrated circuits]; jigs [measuring instruments]; pedometers; meteorological balloons; electrified rails for mounting spot lights; asbestos screens for firemen; fire hose; virtual reality headsets; protective helmets for sports; head guards for sports; lifeboats; snorkels; cell phone straps; eyeglass cords; tripods for cameras; switchboards; distribution boards [electricity]; equalizers [audio apparatus]; screens [photography]; workmen's protective face-shields; projection screens; radiology screens for industrial purposes; fluorescent screens; exposure meters [light meters]; ducts [electricity]; galvanic cells; downloadable graphics for mobile phones; epidiascopes; ergometers; armatures [electricity]; black boxes [data recorders].

16 – Fountain pens; aquarelles; albums; almanacs; document laminators for office use; mimeograph apparatus and machines; atlases; posters; banknotes; banners of paper; paper bows, other than haberdashery or hair decorations; name badges [office requisites]; table linen of paper; tickets; baggage claim check tags of paper; forms, printed; announcement cards [stationery]; glitter for stationery purposes; note books; pads [stationery]; drawing pads; wristbands for the retention of writing instruments; pamphlets; booklets; paper; paper sheets [stationery]; paper for medical examination tables; paper for recording machines; paper for radiograms; papers for painting and calligraphy; electrocardiograph paper; drawer liners of paper, perfu-

med or not; wood pulp paper; carbon paper; copying paper [stationery]; parchment paper; writing paper; rice paper; luminous paper; toilet paper; wrapping paper; filter paper; wash; blotters; newsletters; rollers for typewriters; house painters' rollers; composing sticks; modelling wax, not for dental purposes; signboards of paper or cardboard; sewing patterns; bunting of paper; newspapers; electrotypes; hectographs; modelling clay; polymer modelling clay; terrestrial globes; drawing sets; engravings; slate pencils; pencil leads; document holders [stationery]; pencil holders; chalk holders; holders for cheque books; holders for stamps [seals]; page holders; name badge holders [office requisites]; diagrams; table runners of paper; engraving plates; writing slates; blackboards; galley racks [printing]; drawing boards; advertisement boards of paper or cardboard; duplicators; punches [office requisites]; cream containers of paper; magazines [periodicals]; money clips; clips for name badge holders [office requisites]; tags for index cards; pen clips; bookmarkers; etching needles; tracing needles for drawing purposes; periodicals; printed publications; paper shredders for office use; graphic representations; credit card imprinters, non-electric; graining combs; drawing instruments; calendars; tracing paper; tracing cloth; tracing patterns; gums [adhesives] for stationery or household purposes; lithographic stones; ink stones [ink reservoirs]; pencils; pencil lead holders; charcoal pencils; pictures; transfers [decalcomanias]; paintings [pictures], framed or unframed; cardboard; wood pulp board [stationery]; hat boxes of cardboard; cards; index cards [stationery]; geographical maps; paper tapes and cards for the recordal of computer programmes; trading cards, other than for games; perforated cards for Jacquard looms; catalogues; spools for inking ribbons; covers of paper for flower pots; paintbrushes; painters' brushes; writing brushes; typewriter keys; glue for stationery or household purposes; isinglass for stationery or household purposes; gluten [glue] for stationery or household purposes; starch paste [adhesive] for stationery or household purposes; printing blocks; books; manifolds [stationery]; comic books; drawing pins; cigar bands; envelopes [stationery]; boxes of paper or cardboard; cases for stamps [seals]; paint boxes for use in schools; correcting fluids [office requisites]; printed coupons; stencils [stationery]; French curves; paper ribbons, other than haberdashery or hair decorations; typewriter ribbons; barcode ribbons; gummed tape [stationery]; adhesive tapes for stationery or household purposes; correcting tapes [office requisites]; inking ribbons; square rulers for drawing; drawing rulers; flyers; absorbent sheets of paper or plastic for foodstuff packaging; humidity control sheets of paper or plastic for foodstuff packaging; viscose sheets for wrapping; sheets of reclaimed cellulose for wrapping; plastic bubble packs for wrapping or packaging; steel letters; type [numerals and letters]; lithographs; letter trays; paint trays; architects' models; postage stamps;

plastics for modelling; graphic prints; modelling materials; teaching materials [except apparatus]; sealing compounds for stationery purposes; adhesives [glues] for stationery or household purposes; stuffing of paper or cardboard; bookbinding material; packing [cushioning, stuffing] materials of paper or cardboard; packaging material made of starches; filtering materials of paper; tablemats of paper; addressing machines; pencil sharpening machines, electric or non-electric; bookbinding apparatus and machines [office equipment]; typewriters, electric or non-electric; paper creasers [office requisites]; franking machines for office use; chalk for lithography; writing chalk; tailors' chalk; marking chalk; spray chalk; bags [envelopes, pouches] of paper or plastics, for packaging; garbage bags of paper or of plastics; plastic bags for pet waste disposal; painters' easels; hand-rests for painters; printing sets, portable [office requisites]; bibs of paper; bibs, sleeved, of paper; stickers [stationery]; finger-stalls [office requisites]; writing cases [stationery]; cords for bookbinding; paper knives [letter openers]; printed sheet music; numbering apparatus; bottle envelopes of paper or cardboard; sealing wafers; passport holders; plastic cling film, extensible, for palletization; embroidery designs [patterns]; handwriting specimens for copying; oleographs; musical greeting cards; greeting cards; postcards; etchings; conical paper bags; paper bags for use in the sterilization of medical instruments; bags for microwave cooking; palettes for painters; ink sticks; pantographs [drawing instruments]; loose-leaf binders; files [office requisites]; papier mâché; pastels [crayons]; modelling paste; pen cases; pen wipers; office perforators; pens [office requisites]; nibs of gold; nibs; steel pens; drawing pens; song books; seals [stamps]; sealing stamps; clipboards; address plates for addressing machines; handkerchiefs of paper; plastic film for wrapping; desk mats; trays for sorting and counting money; coasters of paper; bookends; stamp stands; mats for beer glasses; stands for pens and pencils; photograph stands; obliterating stamps; inking pads; stamp pads; binding strips [bookbinding]; towels of paper; inking sheets for document reproducing machines; inking sheets for duplicators; bookbinding cloth; gummed cloth for stationery purposes; printers' blankets, not of textile; portraits; paperweights; writing cases [sets]; inkstands; office requisites, except furniture; writing materials; writing instruments; drawing materials; school supplies [stationery]; adhesive tape dispensers [office requisites]; hand labelling appliances; printed matter; lithographic works of art; prospectuses; printed timetables; ledgers [books]; printers' reglets; indexes; paper cutters [office requisites]; rubber erasers; elastic bands for offices; T-squares for drawing; graphic reproductions; retractable reels for name badge holders [office requisites]; marking pens [stationery]; tissues of paper for removing make-up; paper wipes for cleaning; dental tray covers of paper; face towels of paper; place mats of paper; tablecloths of paper; paper

clasps; document files [stationery]; scrapers [erasers] for offices; paper-clips; staples for offices; erasing products; biological samples for use in microscopy [teaching materials]; histological sections for teaching purposes; figurines of papier mâché; steatite [tailor's chalk]; writing board erasers; composing frames [printing]; sealing wax; arithmetical tables; placards of paper or cardboard; writing or drawing books; fabrics for bookbinding; stationery; pencil sharpeners, electric or non-electric; transparencies [stationery]; stencil plates; stencils for decorating food and beverages; cardboard tubes; Indian inks; moisteners [office requisites]; moisteners for gummed surfaces [office requisites]; squares for drawing; chart pointers, non-electronic; bottle wrappers of paper or cardboard; envelope sealing machines for offices; sealing machines for offices; vignetting apparatus; apparatus for mounting photographs; stapling presses [office requisites]; manuals [handbooks]; paper coffee filters; flags of paper; silver paper; molds for modelling clays [artists' materials]; photo-engravings; photographs [printed]; stencils; canvas for painting; chromolithographs [chromos]; animation cels; compasses for drawing; numbers [type]; artists' watercolor saucers; ink; correcting ink [heliography]; inkwells; blueprints; stencils; erasing shields; balls for ball-point pens; cabinets for stationery [office requisites]; printing type; address stamps; stamps [seals]; shields [paper seals]; prints [engravings]; labels of paper or cardboard.

35 – Arranging subscriptions to telecommunication services for others; import-export agency services; commercial information agency services; advertising agency services; cost price analysis; rental of office equipment in co-working facilities; rental of advertising space; business auditing; financial auditing; business intermediary services relating to the matching of potential private investors with entrepreneurs needing funding; employment agency services; computerized file management; book-keeping; invoicing; demonstration of goods; transcription of communications [office functions]; opinion polling; market studies; business information; commercial information and advice for consumers in the choice of products and services; business investigations; business research; marketing research; personnel recruitment; business management and organization consultancy; business organization consultancy; business management consultancy; personnel management consultancy; professional business consultancy; consultancy regarding advertising communication strategies; consultancy regarding public relations communication strategies; layout services for advertising purposes; marketing; marketing in the framework of software publishing; targeted marketing; business management of performing artists; business management of sports people; writing of résumés for others; scriptwriting for advertising purposes; updating and maintenance of information in registries; updating and maintenance of data

in computer databases; updating of advertising material; word processing; online retail services for downloadable and pre-recorded music and movies; online retail services for downloadable ring tones; online retail services for downloadable digital music; organization of exhibitions for commercial or advertising purposes; arranging newspaper subscriptions for others; organization of fashion shows for promotional purposes; organization of trade fairs for commercial or advertising purposes; shop window dressing; creation of advertising material; business appraisals; payroll preparation; data search in computer files for others; sponsorship search; administrative assistance in responding to calls for tenders; business management assistance; commercial or industrial management assistance; commercial intermediation services; providing business information via a web site; provision of commercial and business contact information; provision of an online marketplace for buyers and sellers of goods and services; web indexing for commercial or advertising purposes; presentation of goods on communication media, for retail purposes; media relations services; economic forecasting; auctioneering; wholesale services for pharmaceutical, veterinary and sanitary preparations and medical supplies; retail services for works of art provided by art galleries; retail services for pharmaceutical, veterinary and sanitary preparations and medical supplies; sales promotion for others; promotion of goods and services through sponsorship of sports events; production of teleshopping programmes; production of advertising films; office machines and equipment rental; rental of advertising time on communication media; publicity material rental; rental of billboards [advertising boards]; rental of vending machines; rental of sales stands; rental of photocopying machines; publication of publicity texts; radio advertising; bill-posting; distribution of samples; dissemination of advertising matter; direct mail advertising; registration of written communications and data; advertising; online advertising on a computer network; advertising by mail order; television advertising; document reproduction; compilation of statistics; compilation of information into computer databases; business inquiries; systemization of information into computer databases; advisory services for business management; corporate communications services; negotiation of business contracts for others; negotiation and conclusion of commercial transactions for third parties; compiling indexes of information for commercial or advertising purposes; tax preparation; drawing up of statements of accounts; telemarketing services; psychological testing for the selection of personnel; interim business management; outsourced administrative management for companies; business management of hotels; business management for freelance service providers; business project management services for construction projects; commercial administration of the licensing of the goods and services of others; business management of reimbursement prog-

rams for others; administration of consumer loyalty programs; administration of frequent flyer programs; administrative processing of purchase orders; public relations; commercial lobbying services; competitive intelligence services; modelling for advertising or sales promotion; typing; market intelligence services; appointment reminder services [office functions]; web site traffic optimization; relocation services for businesses; tax filing services; search engine optimization for sales promotion; appointment scheduling services [office functions]; gift registry services; price comparison services; pay per click advertising; secretarial services; procurement services for others [purchasing goods and services for other businesses]; shorthand; outsourcing services [business assistance]; telephone answering for unavailable subscribers; photocopying services; business efficiency expert services.

38 – Telecommunications; news agency services; wireless broadcasting; television broadcasting; cable television broadcasting; electronic bulletin board services [telecommunications services]; information about telecommunication; providing user access to global computer networks; providing access to databases; providing internet chatrooms; providing telecommunications connections to a global computer network; providing telecommunication channels for teleshopping services; video-on-demand transmission; transmission of greeting cards online; message sending; computer aided transmission of messages and images; transmission of telegrams; transmission of digital files; transmission of videos, movies, pictures, images, text, photos, games, user-generated content, audio content, and information via the Internet; providing online forums; videoconferencing services; rental of message sending apparatus; rental of access time to global computer networks; rental of modems; rental of telecommunication equipment; rental of telephones; rental of facsimile apparatus; radio broadcasting; radio communications; transmission of electronic mail; communications by fiber optic networks; communications by cellular phones; communications by computer terminals; satellite transmission; communications by telegrams; communications by telephone; facsimile transmission; paging services [radio, telephone or other means of electronic communication]; teleconferencing services; telex services; voice mail services; telecommunications routing and junction services; streaming of data; telegraph services; telephone services.

41 – Teaching; providing of training; entertainment services; sporting and cultural activities; modelling for artists; academies [education]; rental of indoor aquaria; rental of artwork; rental of sports grounds; rental of tennis courts; lending library services; booking of seats for shows; videotaping; physical education; production of music; discotheque services; animal training; dubbing; gambling services; electronic games services provided by means of the Internet

or other communication network; publication of books; education information; recreation information; entertainment information; film distribution; movie studio services; health club services [health and fitness training]; nightclub services [entertainment]; layout services, other than for advertising purposes; microfilming; videotape editing; production of radio and television programmes; screenplay writing; religious education; aikido instruction; gymnastic instruction; judo instruction; correspondence courses; practical training [demonstration]; training services provided via simulators; organization of balls; organization of exhibitions for cultural or educational purposes; providing recreation facilities; arranging and conducting of colloquiums; arranging and conducting of congresses; arranging and conducting of conferences; arranging and conducting of concerts; arranging and conducting of workshops [training]; arranging and conducting of in-person educational forums; arranging and conducting of seminars; arranging and conducting of symposiums; organization of competitions [education or entertainment]; arranging of beauty contests; organization of cosplay entertainment events; organization of lotteries; organization of fashion shows for entertainment purposes; organization of shows [impresario services]; organization of sports competitions; vocational guidance [education or training advice]; amusement park services; sign language interpretation; know-how transfer [training]; television entertainment; mobile library services; vocational retraining; providing online videos, not downloadable; providing online music, not downloadable; providing television programs, not downloadable, via video-on-demand services; providing films, not downloadable, via video-on-demand services; providing golf facilities; providing sports facilities; providing amusement arcade services; cinema presentations; providing online electronic publications, not downloadable; presentation of circus performances; presentation of variety shows; presentation of live performances; theatre productions; conducting guided climbing tours; conducting fitness classes; educational examination; film production, other than advertising films; rental of audio equipment; rental of video cameras; rental of video cassette recorders; rental of videotapes; rental of show scenery; rental of sound recordings; toy rental; rental of cinematographic apparatus; rental of motion pictures; games equipment rental; rental of stadium facilities; rental of lighting apparatus for theatrical sets or television studios; rental of radio and television sets; rental of skin diving equipment; rental of sports equipment, except vehicles; rental of stage scenery; electronic desktop publishing; online publication of electronic books and journals; publication of texts, other than publicity texts; radio entertainment; entertainer services; writing of texts; sado instruction [tea ceremony instruction]; zoological garden services; news reporters services; film directing, other than advertising films; party planning [entertainment]; mu-

sic composition services; subtitling; tutoring; holiday camp services [entertainment]; video editing services for events; conducting guided tours; disc jockey services; sound engineering services for events; game services provided online from a computer network; personal trainer services [fitness training]; providing casino facilities [gambling]; calligraphy services; karaoke services; club services [entertainment or education]; songwriting; cultural, educational or entertainment services provided by art galleries; providing museum facilities [presentation, exhibitions]; educational services provided by special needs assistants; educational services provided by schools; translation; scriptwriting, other than for advertising purposes; ticket agency services [entertainment]; educational examination for users to qualify to pilot drones; coaching [training]; lighting technician services for events; sport camp services; recording studio services; language interpreter services; nursery schools; photography; photographic reporting; timing of sports events; boarding school education; production of shows.

42 – Scientific and technological services and research and design relating thereto; industrial analysis and industrial research services; design and development of computer hardware and software; water analysis; computer system analysis; handwriting analysis [graphology]; chemical analysis; energy auditing; recovery of computer data; business card design; graphic design of promotional materials; interior design; industrial design; graphic arts design; computer virus protection services; oil-field surveys; geological surveys; engineering; installation of computer software; meteorological information; clinical trials; material testing; textile testing; bacteriological research; biological research; geological research; research in the field of environmental protection; cosmetic research; mechanical research; research in the field of welding; research in the field of building construction; research in the field of telecommunications technology; research in the field of physics; chemical research; research and development of new products for others; medical research; scientific and technological research relating to patent mapping; scientific and technological research in the field of natural disasters; scientific research; analysis for oil-field exploitation; underwater exploration; technological research; calibration [measuring]; web site design consultancy; computer security consultancy; information technology [IT] consultancy; consultancy in the design and development of computer hardware; architectural consultancy; internet security consultancy; computer software consultancy; data security consultancy; technological consultancy; oil-well testing; quality control; vehicle roadworthiness testing; land surveying; dress designing; updating of computer software; monitoring of computer systems to detect breakdowns; monitoring of computer systems for detecting unauthorized access or data breach; monitoring of computer sys-

tems by remote access; software as a service [SaaS]; maintenance of computer software; authenticating works of art; design of interior decor; quality evaluation of standing timber; quality evaluation of wool; digitization of documents [scanning]; conversion of data or documents from physical to electronic media; urban planning; providing information on computer technology and programming via a web site; programming of video game software; provision of scientific information, advice and consultancy in relation to carbon offsetting; providing search engines for the internet; platform as a service [PaaS]; conversion of computer programs and data, other than physical conversion; conducting technical project studies; computer system design; rental of web servers; computer rental; rental of computer software; unlocking of mobile phones; geological prospecting; oil prospecting; hosting computer sites [web sites]; server hosting; development of computer platforms; construction drafting; computer software design; development of video game software; design and development of video game software; software development in the framework of software publishing; cloud seeding; consultancy in the field of energy-saving; creating and designing website-based indexes of information for others [information technology services]; creating and maintaining web sites for others; computer programming; technical writing; copying of computer programs; cloud computing; architectural services; chemistry services; outsource service providers in the field of information technology; video game development services; packaging design; off-site data backup; computer technology consultancy; telecommunications technology consultancy; scientific laboratory services; weather forecasting; styling [industrial design]; cartography services; exploration services in the field of the oil, gas and mining industries; data encryption services; electronic data storage; exploration services to locate oil and gas; surveying; electronic monitoring of credit card activity to detect fraud via the internet; electronic monitoring of personally identifying information to detect identity theft via the internet.

(260) AM 2021 107773 A

(800) 1523243

(151) 2019 12 27

(891) 2019 12 27

(731) QILU PHARMACEUTICAL CO., LTD.

No. 317, Xinluo Road, High-tech Zone, Jinan,
250101 Shandong, China

(540)



(591) Black, white
(531) 26.13.25; 28.03
(511)

5 – Medicines for human purposes; pharmaceutical preparations; vitamin preparations; drugs for medical purposes; ointments for pharmaceutical purposes; antibiotics; preparations of microorganisms for medical or veterinary use; crude drugs; medicines for veterinary purposes; veterinary preparations.

(260) AM 2021 107774 A

(800) 1523265

(151) 2019 04 18

(891) 2019 04 18

(731) PT. SOFTEX INDONESIA

Jl. Taman Kebun Sirih II No. 3A Kel.,
Kampung Bali, Kec. Tanah Abang, Jakarta
Pusat, Indonesia

(540)



(591) Blue, white and green

(531) 02.09.01; 27.05.01; 27.05.02; 29.01.13

(511)

3 – Soap, bar/solid soap, liquid soap, liquid cleaner, hand soap, liquid for baby bottle, baby equipment, fruit and vegetable cleaning; shower foam; shampoo, conditioner, cream/lotion for hair; cream/lotion for skin; oil for baby hair; sunblock for baby; baby oil; liquid fragrance, plant based fragrance; cream/lotion for rash relieved that caused by diaper usage; baby powder, liquid baby powder, solid powder; wet tissue with fragrance; toothpaste for baby (safe if swallow); beauty cotton, beauty cotton ball.

5 – Disposable baby diaper pants made from paper and cellulose; baby diaper pants made from paper and cellulose; mosquito repellent in the form of lotion/liquid lotion/spray lotion, wet/sticker tissue; bug repellent in the form of lotion/liquid lotion/spray lotion wet/sticker tissue; baby food; breastfeeding pad/base; ointment/lotion for sunburned skin; medicated baby oil, cajuput oil; antiseptic soap/liquid; cooling plaster.

7 – Machine for shaking and stirring milk; machine for food processing; baby food maker machine; fruit squeezer machine; juicer; baby food processor; baby food maker.

8 – Spoon, soft tipped spoon for baby; nail clipping for baby.

9 – Water temperature gauge.

10 – Baby bottle, nipple, baby bottle with nipple, valve for baby milk bottle, clamping tool for baby bottle,

baby bottle for milk, bottle with nipple, bottle with spoon, bottle for breast milk storage; breast pump; measuring spoon for medicine dosage measurement and consumption; device for giving medicine; device for baby comfort; bracelet to be bitten by a teething baby, tether, pacifier; tool to remove mucus from the baby's nose; digital thermometer.

11 – Heater and germicide for milk and baby food, electric heater for baby bottle, germicide for milk, electric heater for baby food and milk; sterilizer tools, breast milk warmer; milk cooler installation; baby bottle heater.

16 – Advertising board from paper or cardboard, catalogues posters; printed publication; billboard from paper or cardboard; saliva reservoir from paper (terms too vague in the opinion of the International Bureau – Rule 13 (2) (b) of the Common Regulations).

18 – Bag for baby bottle; sling/fabric/belt for suspension supporting, carrying baby.

21 – Baby drinking glass with funnel shaped nipple, drinking glass with nipple, drinking glass with straw, drinking glass set (with nipple, funnel shaped nipple and straw); baby food plate, baby food bowl; sprinkle powder container; powder brush; milk powder container; soap container; baby bath tub; non-electric juicer; baby toothbrush; cleaning brush for straws; container for milk mixer and shaker; baby food container, baby food container; brush cleaner with foam, brush cleaner made from nylon; heat isolator bag for milk; cooler bag for baby milk to enable the milk lasts longer; electrical device to attract and kill insects.

22 – Rope to guide the toddler's path.

25 – Paper apron.

26 – Pin with safety.

(260) AM 2021 107775 A

(800) 1523277

(151) 2019 11 14

(891) 2019 11 14

(731) Zhejiang Geely Holding Group Co., Ltd.

1760 Jiangling Road, Binjiang District,
Hangzhou, Zhejiang, China

(540)



(591) Black, white

(531) 24.11.25; 26.05.12; 26.13.25

(511)

12 – Automobiles; automobile chassis; propulsion mechanisms for land vehicles; vehicles for locomotion by land, air, water or rail; tyres for vehicle wheels;

vehicle anti-theft equipment; electric vehicles; brakes for vehicles; gear boxes for land vehicles; motorcycles.

37 – Repair information; construction; vehicle maintenance; machinery installation, maintenance and repair; interference suppression in electrical apparatus; motor vehicle maintenance and repair; vehicle gas station, namely, refueling services for vehicles; retreading of tires; rubber tire repair; recreational sports facilities installation and repair.

(260) AM 2021 107777 A

(800) 1523335

(151) 2019 10 15

(891) 2019 10 15

(731) Oriflame Cosmetics AG

c/o Oriflame Global Management AG,
Bleicheplatz 3, CH-8200 Schaffhausen,
Switzerland

(540)

ORIFLAME GLACIER

(591) Black, white

(511)

3 – Non-medicated conditioning and care preparations for application to the hair, scalp, skin and nails; shampoos; hair conditioner; soaps; perfumes; perfumery; eau de cologne; toilet waters; essential and herbal oils; cosmetics; make-up; make-up preparations; lipsticks; nail varnishes; nail varnish removers; eyeliner; mascara; non-medicated toilet preparations; hair lotions; hair sprays and hair gels; preparations for use in the bath or shower; bath and shower oils, gels, creams and foams; face and body masks; face and body scrubs; facial washes; skin cleansers and hydrators; skin toners; skin moisturizers; blemish creams and blemish gels; deodorants; antiperspirants; preparations for use before shaving and after shaving; shaving soaps; shaving creams; shaving gels; after-shave preparations; pre-shave preparations; talcum powders; toiletries; dentifrices; toothpastes; foot care preparations (non-medicated).

(260) AM 2021 107778 A

(800) 1523382

(151) 2020 01 24

(891) 2020 01 24

(731) ARTDECO cosmetic GmbH

Gaußstr. 13, 85757 Karlsfeld, Germany

(540)

Green Couture

(591) Black, white

(511)

3 – Cosmetics, including body cleansing and care preparations, soaps and gels, skin care preparations, deodorants and antiperspirants, bath and shower prepara-

tions, nail care preparations; eyebrow cosmetics, eyebrow pencils, baths (cosmetic preparations for -), skin lotion, false eyelashes and nails, nail varnish, lipsticks, cosmetic masks, cosmetic preparations for slimming purposes, make-up powder; men's cosmetics, in particular shaving lotions, shaving creams, skin creams; hair lotions, shampoos, hair dyeing preparations; cleaning and fragrancing preparations; perfumery and fragrances; essential oils; aromatic extracts.

21 – Cosmetic brushes, combs and sponges, cosmetic utensils, powder puffs, toilet brushes, eyebrow brushes, nail brushes, cosmetic applicators and containers, applicators for cosmetics, appliances for removing make-up, non-electric, perfume vaporizers, cosmetic powder compacts, not of metal, toilet cases.

(260) AM 2021 107779 A

(800) 1523501

(151) 2019 11 21

(891) 2019 11 21

(731) PepsiCo, Inc. (a North Carolina corporation)

700 Anderson Hill Road, Purchase NY 10577,
USA

(540)



(591) Red, orange, white, black, yellow and light brown

(531) 03.01.04; 03.01.25; 08.07.25; 26.04.05;
26.04.16; 26.04.18; 26.04.24; 27.05.02;
27.05.03; 29.01.15

(511)

29 – Croquettes; fruit-based snack food; vegetables, dried; potato fritters; nuts, prepared; crystallized fruits; hazelnuts, prepared; potato flakes; potato chips; low-fat potato chips; fruit chips.

30 – Cereal bars; high-protein cereal bars; burritos; waffles; rice-based snack food; cereal-based snack food; dressings for salad; pastries; frozen yogurt [confectionery ices]; caramels [candy]; sweetmeats [cady]; crackers; corn, roasted; rice cakes; ice cream; dessert mousses [confectionery]; muesli; cookies; petit-beurre biscuits; cereal preparations; oat-based food; gingerbread; puddings; chewing gum; confectionery; sherbets [ices]; rusks; sandwiches; bread; corn flakes; oat

flakes; chips [cereal products]; cheeseburgers [sandwiches].

(260) AM 2021 107786 A
 (800) 1523608
 (151) 2019 10 11
 (891) 2019 10 11
 (731) Dynabrade, Inc.
 8989 Sheridan Drive, Clarence NY 14031,
 USA

(540)



(591) Black, white
 (531) 26.11.03; 26.11.08; 27.05.11
 (526) SERIES
 (511)

7 – Portable and bench mounted powered abrasive belt tools; stationary powered abrasive belt machines; portable powered die grinders; portable powered disc sanders; wet sanders; random orbital sanders and sander-polishers; portable powered abrasive and polishing wheel and brush tools; coil polishing machines; portable powered drills; portable powered reciprocating and rotary filing tools; bench mounts for powered tools; parts for powered abrasive belt tools, namely, contact arms, contact wheels, platen pads, guide wheels and pneumatic wheels for mounting abrasive belts; guards for abrasive wheels (Terms too vague in the opinion of the International Bureau – Rule 13 (2) (b) of the Common Regulations); shrouds for portable powered sanders; abrasive and polishing disc mounting pads (Terms too vague in the opinion of the International Bureau – Rule 13 (2) (b) of the Common Regulations); drill chucks and collets; drill bits for portable tools; portable vacuum dust collector for powered grinding and sanding tools; arbors (Terms too vague in the opinion of the International Bureau – Rule 13 (2) (b) of the Common Regulations), mandrels, threaded adapters, saw blades for portable powered tools, air line filters, regulators and lubricators for use with portable powered tools; rotary and random orbital sanding heads; bench mounted edge sanding machines; portable powered wheel grinders and polishing tools; portable powered buffing tools; replacement parts for pneumatic motors of portable powered tools; portable, powered sanding tools for contoured surfaces; portable and floor mounted powered descaling tools; and portable, pneumatic cut-off wheel tools.

(260) AM 2021 107787 A
 (800) 1523658
 (151) 2019 10 18
 (891) 2019 10 18
 (731) Obshchestvo s ogranichennoy otvetstvennostyu
 "Nuovita"
 1-y Institutskiy proezd, 3, str. 10,
 pomeshcheniye 54, RU-109428 Moskva,
 Russian Federation
 (540)

NUOVITA

(591) Black, white
 (511)
 9 – Computer programs, recorded; computer operating programs, recorded; record players; processors [central processing units]; computer software applications, downloadable; computer game software.

11 – Lamp shades; disinfectant apparatus for medical purposes; distillation apparatus; hydromassage bath apparatus; disinfectant apparatus; tanning apparatus [sun beds]; beverage cooling apparatus; refrigerating apparatus and machines; freezers; coolers for furnaces; refining towers for distillation; refrigerating display cabinets; gas condensers, other than parts of machines; acetylene generators; hydrants; burners; acetylene burners; gas burners; burners for lamps; germicidal burners; incandescent burners; oxyhydrogen burners; laboratory burners; oil burners; alcohol burners; lampshade holders; stills; refrigerating containers; gas lighters; lighters; friction lighters for igniting gas; chimney blowers; furnace ash boxes; evaporators; cool boxes, electric; refrigerating chambers; fireplaces, domestic; chimney flues; level controlling valves in tanks; light bulbs; light bulbs, electric; distillation columns; furnace grates; lamp globes; taps; mixer faucets for water pipes; forges, portable; electric lights for Christmas trees; acetylene flares; safety lamps; gas lamps; light bulbs for directional signals for vehicles; arc lamps; laboratory lamps; oil lamps; ultraviolet ray lamps, not for medical purposes; miners' lamps; electric lamps; chandeliers; watering machines for agricultural purposes; brackets for gas burners; anti-splash tap nozzles; filaments for electric lamps; magnesium filaments for lighting; heating filaments, electric; luminous house numbers; loading apparatus for furnaces; kiln furniture [supports]; refrigerating appliances and installations; fabric steamers; lamp reflectors; vehicle reflectors; hearths; steam boilers, other than parts of machines; pasteurisers; lamp mantles; sockets for electric lights; hot air ovens; incinerators; kilns; solar furnaces; dental ovens; wine cellars, electric; aquarium lights; water intake apparatus; fumigation apparatus, not for medical purposes; gas scrubbing apparatus; oil-scrubbing apparatus; forage drying apparatus; ice machines and apparatus; cooling appliances and installations; lighting apparatus and installations; lighting apparatus for vehicles; light-

emitting diodes [LED] lighting apparatus; regulating and safety accessories for gas apparatus; regulating accessories for water or gas apparatus and pipes; regulating and safety accessories for water apparatus; regulating and safety accessories for gas pipes; anti-glare devices for vehicles [lamp fittings]; searchlights; diving lights; washers for water faucets; drip irrigation emitters [irrigation fittings]; light diffusers; pressure water tanks; lamps; ceiling lights; lighting installations for air vehicles; gas scrubbers [parts of gas installations]; lamp glasses; laundry dryers, electric; malt roasters; tobacco roasters; discharge tubes, electric, for lighting; lamp chimneys; luminous tubes for lighting; water conduits installations; installations for processing nuclear fuel and nuclear moderating material; watering installations, automatic; cooling installations for water; cooling installations for liquids; milk cooling installations; cooling installations for tobacco; steam generating installations; water distribution installations; cooling installations and machines; water supply installations; flare stacks for use in the oil industry; ash conveyor installations, automatic; whirlpool-jet apparatus; air cooling apparatus; flaming torches; headlights for automobiles; vehicle headlights; lights for automobiles; bicycle lights; motorcycle lights; lights for vehicles; electric torches; lanterns for lighting; Chinese lanterns; fountains; ornamental fountains; chocolate fountains, electric; fittings, shaped, for ovens; oven fittings made of fireclay; refrigerators; chromatography apparatus for industrial purposes; book sterilization apparatus; refrigerating cabinets; carbon for arc lamps; fairy lights for festive decoration; faucets for pipes and pipelines; safety accessories for water or gas apparatus and pipes; standard lamps.

12 – Motor buses; motor coaches; motor homes; driverless cars [autonomous cars]; motor racing cars; cars; sports cars; concrete mixing vehicles; refrigerated vehicles; caravans; shock absorbers for automobiles; suspension shock absorbers for vehicles; space vehicles; aircraft; aeronautical apparatus, machines and appliances; air cushion vehicles; hot air balloons; ski carriers for cars; luggage carriers for vehicles; bumpers for automobiles; vehicle bumpers; tires for vehicle wheels; barges; brake shoes for vehicles; tailboard lifts [parts of land vehicles]; armored vehicles; buffers for railway rolling stock; mine cars; tilt trucks; sleeping cars; dining cars; refrigerated railway wagons; transmission shafts for land vehicles; bicycles; electric bicycles; valves for vehicle tires; automobile hoods; stroller hoods; hoods for vehicles; oars; paddles for canoes; sculls; screws [propellers] for ships; hydroplanes; seaplanes; flanges for railway wheel tires; trucks; horns for vehicles; treads for vehicles [tractor type]; doors for vehicles; bicycle motors; motorcycle engines; engines for land vehicles; jet engines for land vehicles; driving motors for land vehicles; screw-propellers; screw-propellers for boats; airs-

hips; brake discs for vehicles; telfer railways [cable cars]; dredgers [boats]; trolleys; military drones; civilian drones; adhesive rubber patches for repairing inner tubes; bicycle bells; rearview mirrors; side view mirrors for vehicles; portholes; cars for cable transport installations; inner tubes for pneumatic tires; inner tubes for bicycle tires; canoes; hoods for vehicle engines; crankcases for land vehicle components, other than for engines; boats; caissons [vehicles]; bicycle wheels; vehicle wheels; mine cart wheels; casters for trolleys [vehicles]; brake pads for automobiles; hub caps; strollers; side cars; prams; brake linings for vehicles; ships; baskets adapted for bicycles; gear boxes for land vehicles; ship hulls; panniers adapted for bicycles; panniers adapted for motorcycles; fenders for ships; bands for wheel hubs; ejector seats for aircraft; wheelchairs; caps for vehicle fuel tanks; boat hooks; automobile bodies; tipping bodies for trucks; bodies for vehicles; treads for retreading tires; locomotives; masts for boats; golf carts [vehicles]; sprinkling trucks; propulsion mechanisms for land vehicles; mopeds; motor scooters; motorcycles; tyre mousse inserts; fitted footmuffs for pushchairs; fitted footmuffs for prams; freewheels for land vehicles; clutches for land vehicles; repair outfits for inner tubes; air pumps [vehicle accessories]; pumps for bicycle tires; upholstery for vehicles; rims for bicycle wheels; rims for vehicle wheels; windows for vehicles; omnibuses; engine mounts for land vehicles; axles for vehicles; headlight wipers; parachutes; ferry boats; bicycle pedals; ashtrays for automobiles; gearing for land vehicles; carts; head-rests for vehicle seats; bicycle kickstands; vehicle running boards; air bags [safety devices for automobiles]; ski lifts; chairlifts; sleeping berths for vehicles; pontoons; torque converters for land vehicles; cigar lighters for automobiles; non-skid devices for vehicle tires; anti-glare devices for vehicles; anti-theft devices for vehicles; sun-blinds adapted for automobiles; balance weights for vehicle wheels; shock absorbing springs for vehicles; bicycle frames; motorcycle frames; spars for ships; reduction gears for land vehicles; safety belts for vehicle seats; security harness for vehicle seats; vehicle suspension springs; rudders; bicycle handlebars; motorcycle handlebars; vehicle joysticks; bicycle cranks; aeroplanes; amphibious airplanes; sleighs [vehicles]; kick sledges; brake segments for vehicles; bicycle saddles; luggage nets for vehicles; dress guards for bicycles; fitted stroller mosquito nets; anti-theft alarms for vehicles; reversing alarms for vehicles; safety seats for children, for vehicles; vehicle seats; bellows for articulated buses; hydraulic circuits for vehicles; push scooters [vehicles]; mobility scooters; snowmobiles; rolling stock for railways; rolling stock for funicular railways; spokes for bicycle wheels; vehicle wheel spokes; spoilers for vehicles; air vehicles; vehicles for locomotion by land, air, water or rail; ambulances; autonomous underwater vehicles for seabed inspections; water vehicles; remotely operated vehicles for under-

water inspections; remote control vehicles, other than toys; electric vehicles; tricycles; delivery tricycles; inclined ways for boats; windscreens; windshield wipers; hubs for bicycle wheels; hubs for vehicle wheels; bags adapted for pushchairs; saddlebags adapted for bicycles; railway couplings; trailer hitches for vehicles; couplings for land vehicles; wheelbarrows; handling carts; two-wheeled trolleys; shopping trolleys; hose carts; bogies for railway cars; casting carriages; tilting-carts; forklift trucks; cleaning trolleys; bicycle brakes; brakes for vehicles; torsion bars for vehicles; tractors; tramcars; transmissions for land vehicles; military vehicles for transport; aerial conveyors; trailers [vehicles]; funnels for ships; funnels for locomotives; cleats [nautical]; turbines for land vehicles; rowlocks; disengaging gear for boats; steering gears for ships; cable transport apparatus and installations; spoke clips for wheels; tipping apparatus [parts of railway wagons]; funiculars; vans [vehicles]; automobile chains; bicycle chains; motorcycle chains; driving chains for land vehicles; anti-skid chains; transmission chains for land vehicles; undercarriages for vehicles; stroller covers; spare wheel covers; covers for vehicle steering wheels; saddle covers for bicycles; saddle covers for motorcycles; seat covers for vehicles; vehicle covers [shaped]; automobile chassis; vehicle chassis; connecting rods for land vehicles, other than parts of motors and engines; axle journals; gears for bicycles; tubeless tires for bicycles; bicycle tyres; automobile tires; pneumatic tires; solid tires for vehicle wheels; spikes for tires; davits for boats; launches; timbers [frames] for ships; mudguards; bicycle mudguards; motors, electric, for land vehicles; yachts; railway carriages; steering wheels for vehicles; casings for pneumatic tyres.

16 – Fountain pens; aquarelles; albums; almanacs; document laminators for office use; mimeograph apparatus and machines; atlases; banknotes; banners of paper; table linen of paper; tickets; forms, printed; announcement cards [stationery]; note books; pads [stationery]; drawing pads; wristbands for the retention of writing instruments; pamphlets; booklets; paper sheets [stationery]; waxed paper; paper for recording machines; paper for radiograms; electrocardiograph paper; wood pulp paper; carbon paper; copying paper [stationery]; parchment paper; writing paper; rice paper; luminous paper; toilet paper; wrapping paper; filter paper; paper; blotters; newsletters; rollers for typewriters; house painters' rollers; composing sticks; modelling wax, not for dental purposes; signboards of paper or cardboard; sewing patterns; bunting of paper; newspapers; electrotypes; hectographs; modelling clay; polymer modelling clay; terrestrial globes; drawing sets; engravings; slate pencils; pencil leads; document holders [stationery]; pencil holders; chalk holders; holders for cheque books; holders for stamps [seals]; page holders; diagrams; table runners of paper; engraving plates; writing slates; blackboards; ga-

lley racks [printing]; drawing boards; advertisement boards of paper or cardboard; duplicators; punches [office requisites]; cream containers of paper; magazines [periodicals]; money clips; tags for index cards; pen clips; bookmarkers; etching needles; tracing needles for drawing purposes; periodicals; printed publications; paper shredders for office use; graphic representations; credit card imprinters, non-electric; graining combs; drawing instruments; calendars; tracing paper; tracing cloth; tracing patterns; gums [adhesives] for stationery or household purposes; lithographic stones; ink stones [ink reservoirs]; pencils; pencil lead holders; charcoal pencils; pictures; transfers [decalcomanias]; paintings [pictures], framed or unframed; wood pulp board [stationery]; cardboard; hat boxes of cardboard; files [office requisites]; cards; index cards [stationery]; geographical maps; paper tapes and cards for the recordal of computer programmes; trading cards, other than for games; perforated cards for Jacquard looms; catalogues; spools for inking ribbons; covers of paper for flower pots; paintbrushes; painters' brushes; writing brushes; typewriter keys; glue for stationery or household purposes; isinglass for stationery or household purposes; gluten [glue] for stationery or household purposes; starch paste [adhesive] for stationery or household purposes; printing blocks; books; manifolds [stationery]; comic books; drawing pins; envelopes [stationery]; boxes of paper or cardboard; cases for stamps [seals]; paint boxes for use in schools; correcting fluids [office requisites]; printed coupons; stencils [stationery]; French curves; paper tapes; typewriter ribbons; gummed tape [stationery]; adhesive bands for stationery or household purposes; correcting tapes [office requisites]; inking ribbons; adhesive tapes for stationery or household purposes; self-adhesive tapes for stationery or household purposes; square rulers for drawing; drawing rulers; absorbent sheets of paper or plastic for foodstuff packaging; humidity control sheets of paper or plastic for foodstuff packaging; viscose sheets for wrapping; sheets of reclaimed cellulose for wrapping; plastic bubble packs for wrapping or packaging; steel letters; type [numerals and letters]; lithographs; paint trays; architects' models; postage stamps; plastics for modelling; graphic prints; modelling materials; teaching materials [except apparatus]; sealing compounds for stationery purposes; adhesives [glues] for stationery or household purposes; stuffing of paper or cardboard; bookbinding material; packing [cushioning, stuffing] materials of paper or cardboard; packaging material made of starches; addressing machines; pencil sharpening machines, electric or non-electric; bookbinding apparatus and machines [office equipment]; typewriters, electric or non-electric; paper creasers [office requisites]; franking machines for office use; chalk for lithography; writing chalk; tailors' chalk; marking chalk; spray chalk; bags [envelopes, pouches] of paper or plastics, for packaging; garbage bags of paper or of plastics; plastic bags for pet waste dis-

posal; painters' easels; hand-rests for painters; printing sets, portable [office requisites]; bibs of paper; stickers [stationery]; finger-stalls [office requisites]; pantographs [drawing instruments]; folders for papers; papier mâché; pastels [crayons]; modelling paste; pen cases; pen wipers; office perforators; pens [office requisites]; nibs of gold; nibs; steel pens; drawing pens; song books; seals [stamps]; sealing stamps; clipboards; address plates for addressing machines; handkerchiefs of paper; plastic film for wrapping; letter trays; trays for sorting and counting money; coasters of paper; bookends; stamp stands; mats for beer glasses; stands for pens and pencils; photograph stands; obliterating stamps; inking pads; stamp pads; binding strips [bookbinding]; towels of paper; inking sheets for document reproducing machines; inking sheets for duplicators; bookbinding cloth; gummed cloth for stationery purposes; printers' blankets, not of textile; portraits; paperweights; writing cases [sets]; inkstands; office requisites, except furniture; writing materials; writing instruments; drawing materials; school supplies [stationery]; adhesive tape dispensers [office requisites]; hand labelling appliances; printed matter; lithographic works of art; prospectuses; printed timetables; ledgers [books]; printers' galleys; indexes; rubber erasers; elastic bands for offices; T-squares for drawing; graphic reproductions; penholders; marking pens [stationery]; tissues of paper for removing make-up; face towels of paper; place mats of paper; tablemats of paper; tablecloths of paper; paper clasps; document files [stationery]; scrapers [erasers] for offices; paper-clips; staples for offices; erasing products; biological samples for use in microscopy [teaching materials]; histological sections for teaching purposes; steatite [tailor's chalk]; writing board erasers; composing frames [printing]; sealing wax; arithmetical tables; placards of paper or cardboard; writing or drawing books; fabrics for bookbinding; stationery; pencil sharpeners, electric or non-electric; transparencies [stationery]; stencil plates; cardboard tubes; Indian inks; moisteners [office requisites]; moisteners for gummed surfaces [office requisites]; squares for drawing; chart pointers, non-electronic; bottle wrappers of paper or cardboard; envelope sealing machines for offices; sealing machines for offices; vignetting apparatus; apparatus for mounting photographs; stapling presses [office requisites]; manuals [handbooks]; paper coffee filters; flags of paper; silver paper; molds for modelling clays [artists' materials]; photo-engravings; photographs [printed]; stencil cases; canvas for painting; chromolithographs [chromos]; compasses for drawing; numbers [type]; artists' watercolor saucers; correcting ink [heliography]; ink; inkwells; blueprints; stencils; erasing shields; balls for ball-point pens; cabinets for stationery [office requisites]; printing type; address stamps; stamps [seals]; shields [paper seals]; prints [engravings]; labels of paper or cardboard; posters; paper bows, other than haberdashery or hair decorations; drawer liners of paper, perfumed

or not; cigar bands; flyers; filtering materials of paper; paper knives [letter openers]; desk mats; figurines of papier mâché.

18 – Mountaineering sticks; luggage tags; pocket wallets; business card cases; reins; reins for guiding children; sling bags for carrying infants; harness fittings; parts of rubber for stirrups; chamois leather, other than for cleaning purposes; umbrellas; parasols; saddle; frames for umbrellas or parasols; handbag frames; card cases [notecases]; cases of leather or leatherboard; valves of leather; whips; imitation leather; leather, unworked or semi-worked; leatherboard; casings, of leather, for springs; umbrella rings; hat boxes of leather; boxes of leather or leatherboard; boxes of vulcanized fiber; chain mesh purses; fastenings for saddles; butts [parts of hides]; saddle trees; bags [envelopes, pouches] of leather, for packaging; moleskin [imitation of leather]; travelling sets [leatherware]; knee-pads for horses; muzzles; halters; vanity cases, not fitted; furniture coverings of leather; clothing for pets; covers for animals; trimmings of leather for furniture; collars for animals; music cases; goldbeaters' skin; cat o' nine tails; leather leashes; pads for horse saddles; horseshoes; girths of leather; horse blankets; shoulder belts [straps] of leather; briefcases; traces [harness]; fur; randsels [Japanese school satchels]; haversacks; leather straps; straps for soldiers' equipment; harness straps; straps for skates; straps of leather [saddlery]; chin straps, of leather; stirrup leathers; umbrella handles; walking stick handles; suitcase handles; grips for holding shopping bags; rucksacks; travelling bags; riding saddles; net bags for shopping; umbrella or parasol ribs; stirrups; bags for climbers; tool bags, empty; handbags; beach bags; saddlebags; bags for sports; bags for campers; shopping bags; wheeled shopping bags; school satchels; bags; pouch baby carriers; travelling trunks; nose bags [feed bags]; bridoons; walking sticks; umbrella sticks; walking stick seats; tefillin [phylacteries]; bits for animals [harness]; bridles [harness]; harness for animals; key cases; horse collars; suitcases; suitcases with wheels; valises; attaché cases; covers for horse saddles; umbrella covers; kid; curried skins; animal skins; cattle skins; leather cord; blinkers [harness]; labels of leather; game bags [hunting accessories]; slings for carrying infants; saddlecloths for horses; credit card cases [wallets]; purses; garment bags for travel.

20 – Picture frame brackets; reels, not of metal, non-mechanical, for flexible hoses; pulleys of plastics for blinds; bolts, not of metal; casks of wood for decanting wine; mooring buoys, not of metal; casks, not of metal; barrels, not of metal; sideboards; busts of wood, wax, plaster or plastic; costume stands; bolsters; fans for personal use, non-electric; work benches; vice benches, not of metal; coat hangers; coatstands; shoulder poles [yokes]; screws, not of metal; display stands; showcases [furniture]; newspaper display

stands; comb foundations for beehives; signboards of wood or plastics; loading gauge rods, not of metal, for railway wagons; nuts, not of metal; covers for clothing [wardrobe]; nesting boxes; coffins; doors for furniture; curtain holders, not of textile material; pegs [pins], not of metal; divans; kennels for household pets; keyboards for hanging keys; display boards; plugs [dowels], not of metal; containers, not of metal, for liquid fuel; troughs, not of metal, for mixing mortar; packaging containers of plastic; flower-stands [furniture]; curtain tie-backs; binding screws, not of metal, for cables; rivets, not of metal; imitation tortoiseshell; locks, not of metal, for vehicles; locks, other than electric, not of metal; bead curtains for decoration; door bolts, not of metal; bottle closures, not of metal; closures, not of metal, for containers; latches, not of metal; mirrors [looking glasses]; hand-held mirrors [toilet mirrors]; bamboo; scratching posts for cats; animal claws; animal hooves; coral; meerschäum; whalebone, unworked or semi-worked; stag antlers; tortoiseshell; shells; horn, unworked or semi-worked; animal horns; rattan; corozo; plaited straw, except matting; wickerwork; hampers [baskets]; works of art of wood, wax, plaster or plastic; cabinet work; reeds [plaiting materials]; settees; curtain rods; index cabinets [furniture]; drain traps [valves] of plastic; water-pipe valves of plastic; valves, not of metal, other than parts of machines; staves of wood; mats for infant playpens; saw horses; bed casters, not of metal; furniture casters, not of metal; brush mountings; chopping blocks [tables]; wind chimes [decoration]; door bells, not of metal, non-electric; bottle caps, not of metal; cradles; tent pegs, not of metal; curtain rings; chests of drawers; floating containers, not of metal; containers, not of metal [storage, transport]; lecterns; dog kennels; bakers' bread baskets; baskets, not of metal; bottle casings of wood; faucets, not of metal, for casks; armchairs; hairdressers' chairs; deck chairs; hospital beds; bedsteads of wood; beds; edgings of plastic for furniture; table tops; hooks, not of metal, for clothes rails; curtain hooks; clothes hooks, not of metal; beds for household pets; nesting boxes for household pets; ladders of wood or plastics; playpens for babies; mannequins; air mattresses, not for medical purposes; mattresses; furniture of metal; office furniture; school furniture; mobiles [decoration]; door knockers, not of metal; curtain rails; barrel hoops, not of metal; furniture; moldings for picture frames; furniture partitions of wood; mother-of-pearl, unworked or semi-worked; mirror tiles; ambroid plates; registration plates, not of metal; identity plates, not of metal; loading pallets, not of metal; handling pallets, not of metal; transport pallets, not of metal; head-rests [furniture]; trays, not of metal; stakes for plants or trees; trestles [furniture]; magazine racks; book rests [furniture]; stands for calculating machines; flower-pot pedestals; baby changing mats; pet cushions; pillows; cushions; air cushions, not for medical purposes; air pillows, not for medical purposes; removable

mats or covers for sinks; racks [furniture]; library shelves; furniture shelves; shelves for storage; wood ribbon; straw edgings; towel stands [furniture]; hat stands; cask stands, not of metal; inflatable publicity objects; counters [tables]; bedding, except linen; corks for bottles; corks; sealing caps, not of metal; stair rods; standing desks; embroidery frames; towel dispensers, fixed, not of metal; picture frames; sections of wood for beehives; tanks, not of metal nor of masonry; fodder racks; curtain rollers; door handles, not of metal; knobs, not of metal; fishing baskets; writing desks; seats of metal; benches [furniture]; vats, not of metal; honeycombs; sofas; bungs, not of metal; statues of wood, wax, plaster or plastic; oyster shells; silvered glass [mirrors]; ambroid bars; umbrella stands; gun racks; carts for computers [furniture]; dressing tables; washstands [furniture]; typing desks; drafting tables; massage tables; tables of metal; wall-mounted baby changing platforms; desks; tea carts; dinner wagons [furniture]; tables; steps [ladders], not of metal; chairs [seats]; high chairs for babies; chests, not of metal; placards of wood or plastics; stools; crates; trolleys [furniture]; straw plaits; mobile boarding stairs, not of metal, for passengers; straw mattresses; decorations of plastic for foodstuffs; beehives; funerary urns; wax figures; door fittings, not of metal; coffin fittings, not of metal; bed fittings, not of metal; furniture fittings, not of metal; window fittings, not of metal; infant walkers; garment covers [storage]; stuffed animals; stuffed birds; hinges, not of metal; chaise longues; poles, not of metal; screens [furniture]; filing cabinets; medicine cabinets; meat safes, not of metal; plate racks; bamboo curtains; slatted indoor blinds; yellow amber; lockers; cases of wood or plastic; chests for toys; bottle racks; identification bracelets, not of metal, for hospitals; reels of wood for yarn, silk, cord; screw tops, not of metal, for bottles; house numbers, not of metal, non-luminous; freestanding partitions [furniture]; shelves for file cabinets; figurines of wood, wax, plaster or plastic; winding spools, not of metal, non-mechanical, for flexible hoses; wardrobes; screens for fireplaces [furniture]; letter boxes, not of metal or masonry.

21 – Indoor aquaria; wine aerators; candle jars [holders]; china ornaments; dishes; paper plates; vegetable dishes; saucers; mugs; candy boxes; bottles; demijohns; vases; epergnes; fruit cups; bird baths; baby baths, portable; plungers for clearing blocked drains; waffle irons, non-electric; coolers [ice pails]; mop wringer buckets; buckets made of woven fabrics; whisks, non-electric, for household purposes; towel rails and rings; hair for brushes; horsehair for brush-making; funnels; carpet beaters [hand instruments]; signboards of porcelain or glass; candle extinguishers; heads for electric toothbrushes; flower pots; chamber pots; glue-pots; cruets; decanters; large-toothed combs for the hair; combs for animals; tea cosies; abrasive sponges for scrubbing the skin; make-up spon-

ges; sponges for household purposes; toilet sponges; sponge holders; toothpick holders; soap holders; table napkin holders; holders for flowers and plants [flower arranging]; shaving brush stands; toilet paper holders; soap dispensers; plug-in diffusers for mosquito repellents; ironing boards; cutting boards for the kitchen; bread boards; washing boards; crushers for kitchen use, non-electric; strainers for household purposes; smoke absorbers for household purposes; containers for household or kitchen use; kitchen containers; glass jars [carboys]; heat-insulated containers; heat-insulated containers for beverages; thermally insulated containers for food; glass flasks [containers]; closures for pot lids; chamois leather for cleaning; toothpicks; ceramics for household purposes; majolica; kitchen grinders, non-electric; cleaning instruments, hand-operated; cabarets [trays]; stew-pans; covers, not of paper, for flower pots; shaving brushes; make-up brushes; baking mats; ladles for serving wine; polishing leather; hot pots, not electrically heated; glass bulbs [receptacles]; napkin rings; poultry rings; rings for birds; coin banks; piggy banks; bread baskets for household purposes; baskets for household purposes; waste paper baskets; feeding troughs; mangers for animals; lunch boxes; tea caddies; washtubs; earthenware saucepans; cauldrons; coffee percolators, non-electric; coffeepots, non-electric; coffee grinders, hand-operated; fused silica [semi-worked product], other than for building; beer mugs; tankards; rat traps; pot lids; aquarium hoods; butter-dish covers; dish covers; cheese-dish covers; buttonhooks; reusable ice cubes; pitchers; perfume burners; watering cans; fly traps; insect traps; ice cream scoops; mixing spoons [kitchen utensils]; basting spoons [cooking utensils]; pie servers; spatulas for kitchen use; litter boxes for pets; butter dishes; material for brush-making; polishing materials for making shiny, except preparations, paper and stone; tablemats, not of paper or textile; noodle machines, hand-operated; lint removers, electric or non-electric; polishing apparatus and machines, for household purposes, non-electric; pepper mills, hand-operated; mills for household purposes, hand-operated; feather-dusters; brooms; isothermic bags; confectioners' decorating bags [pastry bags]; bowls [basins]; mosaics of glass, not for building; saucepan scourers of metal; soap boxes; mouse traps; cooking pot sets; nozzles for watering cans; pouring spouts; fitted picnic baskets, including dishes; toilet cases; floss for dental purposes; fiberglass thread, other than for textile use; cookie [biscuit] cutters; pastry cutters; sprinklers; syringes for watering flowers and plants; cotton waste for cleaning; wool waste for cleaning; cleaning tow; cold packs for chilling food and beverages; chopsticks; cocktail stirrers; food steamers, non-electric; pepper pots; gloves for household purposes; car washing mitts; polishing gloves; gardening gloves; pestles for kitchen use; plates to prevent milk boiling over; dripping pans; trays for household purposes; trays of paper, for household purposes; lazy susans; heaters for

feeding bottles, non-electric; candelabra [candlesticks]; trivets [table utensils]; coasters, not of paper or textile; menu card holders; knife rests for the table; flat-iron stands; egg cups; abrasive pads for kitchen purposes; scouring pads; drinking troughs; serving ladles; powdered glass for decoration; pottery; pots; cooking pots; painted glassware; tableware, other than knives, forks and spoons; porcelain ware; earthenware; crystal [glassware]; cosmetic utensils; toilet utensils; trouser presses; tortilla presses, non-electric [kitchen utensils]; deodorizing apparatus for personal use; cruet sets for oil and vinegar; make-up removing appliances; spice sets; apparatus for wax-polishing, non-electric; bottle openers, electric and non-electric; glove stretchers; boot jacks; crumb trays; tie presses; pot-holders; clothes-pegs; glass stoppers; powder compacts; perfume vaporizers; powder puffs; dusting apparatus, non-electric; foam toe separators for use in pedicures; electric combs; combs; grills [cooking utensils]; sifters [household utensils]; drinking horns; shoe horns; candle drip rings; broom handles; salad bowls; place mats, not of paper or textile; sugar bowls; beaters, non-electric; egg separators, non-electric, for household purposes; services [dishes]; coffee services [tableware]; liqueur sets; tea services [tableware]; sieves [household utensils]; cinder sifters [household utensils]; tea strainers; siphon bottles for carbonated water; rolling pins, domestic; frying pans; steel wool for cleaning; currycombs; blenders, non-electric, for household purposes; scoops for household purposes; fruit presses, non-electric, for household purposes; salt cellars; drinking vessels; vessels of metal for making ices and iced drinks; refrigerating bottles; cups of paper or plastic; glasses [receptacles]; drinking glasses; glass for vehicle windows [semi-finished product]; plate glass [raw material]; opal glass; glass, unworked or semi-worked, except building glass; opaline glass; glass incorporating fine electrical conductors; enamelled glass, not for building; glass wool, other than for insulation; vitreous silica fibers, other than for textile use; fiberglass, other than for insulation or textile use; mortars for kitchen use; portable cool boxes, non-electric; soup bowls; drying racks for laundry; basins [receptacles]; table plates; disposable table plates; graters for kitchen use; insulating flasks; indoor terrariums [plant cultivation]; indoor terrariums [vivariums]; cloth for washing floors; polishing cloths; cloths for cleaning; dusting cloths [rags]; furniture dusters; urns; aerosol dispensers, not for medical purposes; wax-polishing appliances, non-electric, for shoes; water apparatus for cleaning teeth and gums; electric devices for attracting and killing insects; watering devices; utensils for household purposes; kitchen utensils; cooking utensils, non-electric; coffee filters, non-electric; flasks; hip flasks; drinking bottles for sports; molds [kitchen utensils]; cake moulds; ice cube molds; cookery moulds; deep fryers, non-electric; comb cases; bread bins; fly swatters; teapots; kettles, non-electric; cups;

garlic presses [kitchen utensils]; ironing board covers, shaped; tea infusers; glass bowls; mops; mop wringers; cocktail shakers; corkscrews, electric and non-electric; animal bristles [brushware]; pig bristles for brush-making; dishwashing brushes; ski wax brushes; brushes for cleaning tanks and containers; lamp-glass brushes; horse brushes; scrubbing brushes; toothbrushes; toothbrushes, electric; carpet sweepers; brushes for footwear; tar-brushes, long handled; toilet brushes; electric brushes, except parts of machines; brushes; eyebrow brushes; nail brushes; eyelash brushes; nutcrackers; ice tongs; salad tongs; sugar tongs; decanter tags; nest eggs, artificial; boxes for dispensing paper towels; dustbins; window-boxes; boxes of glass; pressure cookers, non-electric; buckets; cookie jars; busts of porcelain, ceramic, earthenware, terra-cotta or glass; cooking skewers of metal; clothing stretchers; birdcages; toilet paper dispensers; works of art of porcelain, ceramic, earthenware, terra-cotta or glass; basting brushes; shoe trees; mess-tins; cosmetic spatulas; nozzles for watering hose; oven mitts; grill supports; wine-tasting pipettes; drinking straws; bulb basters; statues of porcelain, ceramic, earthenware, terra-cotta or glass.

24 – Frieze [cloth]; banners of textile or plastic; velvet; household linen; diapered linen; bath linen, except clothing; bed linen; table linen, not of paper; buckram; fustian; sleeping bag liners; felt; bunting of textile or plastic; gauze [cloth]; damask; jersey [fabric]; drugget; shower curtains of textile or plastic; curtains of textile or plastic; net curtains; zephyr [cloth]; canvas for tapestry or embroidery; bolting cloth; baby buntings; crepe [fabric]; crepon; furniture coverings of textile; fabrics for textile use; filtering materials of textile; wall hangings of textile; non-woven textile fabrics; plastic material [substitute for fabrics]; textile material; tablemats of textile; sleeping bags; sleeping bags for babies; moleskin [fabric]; pillowcases; mattress covers; bed blankets; blankets for household pets; brocades; diaper changing cloths for babies; handkerchiefs of textile; travelling rugs [lap robes]; coasters of textile; linings [textile]; hat linings, of textile, in the piece; curtain holders of textile material; bed covers; bed covers of paper; furniture coverings of plastic; towels of textile; hemp cloth; gummed cloth, other than for stationery purposes; printers' blankets of textile; cloth; door curtains; sheets [textile]; eider-downs [down coverlets]; bath mitts; shrouds; glass cloths [towels]; cloths for removing make-up; face towels of textile; place mats of textile; table napkins of textile; mosquito nets; calico; oilcloth for use as tablecloths; tablecloths, not of paper; billiard cloth; taffeta [cloth]; ticks [mattress covers]; tick [linen]; lingerie fabric; fabric, impervious to gases, for aeronautical balloons; jute fabric; fabric for footwear; ramie fabric; esparto fabric; rayon fabric; fiberglass fabrics for textile use; adhesive fabric for application by heat; linen cloth; upholstery fabrics; hemp fabric; lining

fabric for footwear; traced cloth for embroidery; chenille fabric; printed calico cloth; knitted fabric; cotton fabrics; silk fabrics for printing patterns; woollen cloth; elastic woven material; fabric; fabric of imitation animal skins; haircloth [sackcloth]; cheese cloth; tulle; flags of textile or plastic; flannel [fabric]; trellis [cloth]; covers for cushions; fitted toilet lid covers of fabric; covers [loose] for furniture; pillow shams; chevots [cloth]; silk [cloth]; labels of textile; fabric table toppers; marabouts [cloth].

27 – Artificial turf; yoga mats; floor mats, fire-resistant, for fireplaces and barbecues; carpets; carpets for automobiles; bath mats; non-slip mats; linoleum; wallpaper; textile wallpaper; carpet underlay; vinyl floor coverings; floor coverings; door mats; mats; reed mats; decorative wall hangings, not of textile; gymnasium mats.

28 – Arcade video game machines; video game machines; gaming machines for gambling; amusement machines, automatic and coin-operated; toy vehicles; swimming pools [play articles]; trampolines; novelty toys for parties; scratch cards for playing lottery games; starting blocks for sports; bodyboards; skating boots with skates attached; dolls' feeding bottles; stationary exercise bicycles; creels [fishing traps]; shuttlecocks; spinning tops [toys]; jigsaw puzzles; clay pigeons [targets]; punching bags; bite sensors [fishing tackle]; hang gliders; flying discs [toys]; discuses for sports; dolls' houses; dominoes; swimming kickboards; surfboards; spring boards [sports articles]; skateboards; sailboards; chessboards; checkerboards; darts; Christmas trees of synthetic material; cups for dice; swimming jackets; ascenders [mountaineering equipment]; kites; toys; toys for pets; stuffed toys; plush toys; parlor games; board games; ring games; games; building games; kaleidoscopes; bladders of balls for games; rosin used by athletes; edges of skis; bingo cards; playing cards; fairground ride apparatus; reels for fishing; rocking horses; swings; skittles; skittles [games]; billiard cues; golf clubs; hockey sticks; seal skins [coverings for skis]; bells for Christmas trees; dolls' rooms; confetti; ice skates; roller skates; in-line roller skates; dice; paintball guns [sports apparatus]; ski bindings; dolls' beds; roulette wheels; fish hooks; building blocks [toys]; dolls; flippers for swimming; fishing lines; gut for fishing; bows for archery; skis; waterskis; surf skis; mah-jong; hunting game calls; puppets; carnival masks; theatrical masks; fencing masks; masts for sailboards; teddy bears; chalk for billiard cues; targets; electronic targets; scale model kits [toys]; scale model vehicles; balls for games; artificial fishing bait; billiard table cushions; knee guards [sports articles]; billiard cue tips; elbow guards [sports articles]; dolls' clothes; fencing weapons; twirling batons; paragliders; pachinkos; baseball gloves; boxing gloves; golf gloves; gloves for games; batting gloves [accessories for games]; fencing gauntlets; pinatas; toy pistols; percussion caps [toys]; caps

for pistols [toys]; rattles [playthings]; horseshoe games; candle holders for Christmas trees; Christmas tree stands; sole coverings for skis; water wings; floats for fishing; portable games with liquid crystal displays; swimming belts; decoys for hunting or fishing; scent lures for hunting or fishing; archery implements; kite reels; soap bubbles [toys]; divot repair tools [golf accessories]; billiard markers; protective paddings [parts of sports suits]; rackets; surfboard leashes; harness for sailboards; weight lifting belts [sports articles]; sling shots [sports articles]; rollers for stationary exercise bicycles; harpoon guns [sports articles]; scooters [toys]; sleds [sports articles]; bob-sleighs; butterfly nets; landing nets for anglers; nets for sports; tennis nets; bite indicators [fishing tackle]; slot machines [gaming machines]; appliances for gymnastics; quoits; bar-bells; climbers' harness; fishing tackle; artificial snow for Christmas trees; snowshoes; snowboards; clay pigeon traps; billiard tables; coin-operated billiard tables; tables for table tennis; tables for table football; strings for rackets; gut for rackets; cricket bags; slides [playthings]; radio-controlled toy vehicles; body-building apparatus; machines for physical exercises; backgammon games; men's athletic supporters [sports articles]; rods for fishing; ornaments for Christmas trees, except illumination articles and confectionery; tennis ball throwing apparatus; conjuring apparatus; apparatus for games; bowling apparatus and machinery; counters [discs] for games; chips for gambling; bags especially designed for skis and surfboards; marbles for games; billiard balls; playing balls; play balloons; paintballs [ammunition for paintball guns] [sports apparatus]; snow globes; chess games; checkers [games]; poles for pole vaulting; paper party hats; shin guards [sports articles]; camouflage screens [sports articles]; chest expanders [exercisers]; toy mobiles; novelty toys for playing jokes; controllers for game consoles; toy air pistols; golf bags, with or without wheels.

35 – Import-export agency services; advertising agency services; rental of advertising space; demonstration of goods; layout services for advertising purposes; marketing; updating of advertising material; organization of exhibitions for commercial or advertising purposes; organization of fashion shows for promotional purposes; organization of trade fairs for commercial or advertising purposes; shop window dressing; sponsorship search; sales promotion for others; production of advertising films; rental of advertising time on communication media; publicity material rental; publication of publicity texts; radio advertising; bill-posting; distribution of samples; dissemination of advertising matter; direct mail advertising; writing of publicity texts; advertising; online advertising on a computer network; advertising by mail order; television advertising; telemarketing services; modelling for advertising or sales promotion; procurement services for others [purchasing goods and services for other busi-

nesses]; presentation of goods on communication media, for retail purposes; retail services for pharmaceutical, veterinary and sanitary preparations and medical supplies; wholesale services for pharmaceutical, veterinary and sanitary preparations and medical supplies.

37 – Asphaltting; drilling of deep oil or gas wells; drilling of wells; rebuilding engines that have been worn or partially destroyed; rebuilding machines that have been worn or partially destroyed; retreading of tires; vulcanization of tires [repair]; building sealing; linen ironing; pressing of clothing; disinfecting; rat exterminating; vehicle battery charging; knife sharpening; building insulating; repair information; construction information; bricklaying; riveting; construction consultancy; varnishing; re-tinning; scaffolding; road paving; window cleaning; vehicle washing; building construction supervision; tuning of musical instruments; upholstering; rustproofing; anti-rust treatment for vehicles; sanding; pumicing; strong-room maintenance and repair; vehicle maintenance; paper hanging; painting or repair of signs; cleaning of buildings [exterior surface]; vehicle polishing; vehicle breakdown repair services; rental of bulldozers; rental of drainage pumps; rental of dish drying machines; rental of road sweeping machines; rental of cleaning machines; rental of cranes [construction equipment]; rental of dishwashing machines; rental of laundry washing machines; rental of construction equipment; rental of excavators; laying of cable; masonry; roofing services; painting, interior and exterior; carpentry services; underwater repair; plastering; quarrying services; repair of security locks; umbrella repair; parasol repair; motor vehicle maintenance and repair; burner maintenance and repair; film projector repair and maintenance; airplane maintenance and repair; safe maintenance and repair; clock and watch repair; repair of power lines; pump repair; upholstery repair; shoe repair; clothing repair; photographic apparatus repair; furniture restoration; restoration of musical instruments; restoration of works of art; vehicle greasing; demolition of buildings; warehouse construction and repair; vehicle service stations [refuelling and maintenance]; sterilization of medical instruments; washing; washing of linen; pipeline construction and maintenance; underwater construction; harbour construction; factory construction; building of fair stalls and shops; construction; shipbuilding; cleaning of buildings [interior]; street cleaning; vermin exterminating, other than for agriculture, aquaculture, horticulture and forestry; tire balancing; pest control services, other than for agriculture, aquaculture, horticulture and forestry; hydraulic fracturing services; artificial snow-making services; laundering; installation of doors and windows; irrigation devices installation and repair; elevator installation and repair; heating equipment installation and repair; burglar alarm installation and repair; furnace installation and repair; telephone installation and repair; installation and repair of air-con-

ditioning apparatus; fire alarm installation and repair; freezing equipment installation and repair; electric appliance installation and repair; kitchen equipment installation; installation, maintenance and repair of computer hardware; machinery installation, maintenance and repair; office machines and equipment installation, maintenance and repair; interference suppression in electrical apparatus; swimming-pool maintenance; furniture maintenance; chimney sweeping; boiler cleaning and repair; cleaning of clothing; dry cleaning; vehicle cleaning; diaper cleaning; leather care, cleaning and repair; fur care, cleaning and repair; renovation of clothing; mining extraction; refilling of ink cartridges; plumbing; pier breakwater building.

39 – Air transport; motor coach rental; boat rental; garage rental; rental of vehicle roof racks; aircraft rental; parking place rental; rental of warehouses; rental of tractors; booking of seats for travel; travel reservation; transport reservation; towing; vehicle breakdown towing services; water distribution; delivery of newspapers; message delivery; parcel delivery; delivery of goods; delivery of goods by mail order; flower delivery; launching of satellites for others; traffic information; transportation information; storage information; transportation logistics; rescue operations [transport]; arranging of cruises; organization of tours; armored-car transport; hauling; carting; transport and storage of trash; transporting furniture; lighterage services; ferry-boat transport; removal services; transport of travellers; guarded transport of valuables; bus transport; car transport; barge transport; boat transport; railway transport; marine transport; passenger transport; river transport; ambulance transport; street-car transport; portorage; refloating of ships; cash replenishment of automated teller machines; shipbrokerage; transport brokerage; freight brokerage [forwarding (Am.)]; providing driving directions for travel purposes; car rental; railway truck rental; rental of diving bells; rental of diving suits; rental of motor racing cars; rental of aircraft engines; railway coach rental; rental of wheelchairs; rental of storage containers; horse rental; rental of freezers; rental of navigational systems; refrigerator rental; vehicle rental; rental of electric wine cellars; stevedoring; unloading cargo; electricity distribution; distribution of energy; packaging of goods; collection of recyclable goods [transport]; ice-breaking; piloting; water supplying; escorting of travellers; transport by pipeline; wrapping of goods; operating canal locks; car parking; chauffeur services; pleasure boat transport; car sharing services; courier services [messages or merchandise]; salvaging; salvage of ships; gift wrapping; underwater salvage; taxi transport; transport; transport services for sightseeing tours; franking of mail; freight [shipping of goods]; freighting; physical storage of electronically stored data or documents; boat storage; storage of goods; storage; freight forwarding; bottling services.

40 – Paper finishing; applying finishes to textiles; up-cycling [waste recycling]; vulcanization [material treatment]; skin dressing; fruit crushing; embroidering; electroplating; engraving; decontamination of hazardous materials; air deodorizing; tanning; metal tempering; freezing of foods; gilding; gold plating; material treatment information; cadmium plating; permanent-press treatment of fabrics; food and drink preservation; food smoking; leather staining; fur dyeing; shoe staining; textile dyeing; cloth dyeing; laminating; lithographic printing; metal casting; fur glossing; tin plating; boilermaking; taxidermy; magnetization; nickel plating; abrasion; paper treating; water treating; woodworking; processing of cinematographic films; leather working; cloth edging; metal treating; fur conditioning; fur mothproofing; waste treatment [transformation]; textile mothproofing; fabric waterproofing; crease-resistant treatment for clothing; cloth fireproofing; textile treating; wool treating; framing of works of art; window tinting treatment, being surface coating; air freshening; fabric bleaching; air purification; soldering; clothing alteration; recycling of waste and trash; processing of oil; pattern printing; photographic printing; offset printing; metal plating; printing; burnishing by abrasion; flour milling; dressmaking; rental of boilers; knitting machine rental; rental of generators; rental of space heating apparatus; photographic film development; pottery firing; blacksmithing; custom assembling of materials for others; bookbinding; welding services; glass-blowing; saddlery working; grinding; cloth cutting; sawing of materials; refining services; timber felling and processing; fur satining; silver plating; incineration of waste and trash; laser scribing; warping [looms]; sorting of waste and recyclable material [transformation]; photocomposing services; quilting; planing of materials; felling of cloth; tinting of car windows; slaughtering of animals; destruction of waste and trash; cloth pre-shrinking; services of a dental technician; cryopreservation services; key cutting; dyeing services; sandblasting services; production of energy; custom tailoring; custom fashioning of fur; photogravure; millworking; chromium plating; colour separation services; silkscreen printing; optical glass grinding; galvanization; stripping finishes; rental of air-conditioning apparatus.

41 – Modelling for artists; academies [education]; rental of indoor aquaria; rental of artwork; rental of sports grounds; rental of tennis courts; lending library services; booking of seats for shows; videotaping; physical education; production of music; discotheque services; animal training; dubbing; gambling services; publication of books; education information; recreation information; entertainment information; movie studio services; nightclub services [entertainment]; layout services, other than for advertising purposes; microfilming; videotape editing; religious education; aikido instruction; gymnastic instruction; corresponden-

ce courses; practical training [demonstration]; training services provided via simulators; organization of balls; providing recreation facilities; arranging and conducting of colloquiums; arranging and conducting of congresses; arranging and conducting of conferences; arranging and conducting of concerts; arranging and conducting of workshops [training]; arranging and conducting of seminars; arranging and conducting of symposiums; organization of competitions [education or entertainment]; arranging of beauty contests; organization of lotteries; organization of fashion shows for entertainment purposes; organization of shows [impresario services]; organization of sports competitions; vocational guidance [education or training advice]; amusement park services; sign language interpretation; television entertainment; mobile library services; vocational retraining; providing online videos, not downloadable; providing online music, not downloadable; providing golf facilities; providing sports facilities; providing amusement arcade services; cinema presentations; presentation of circus performances; presentation of live performances; theatre productions; conducting fitness classes; educational examination; film production, other than advertising films; rental of audio equipment; rental of video cameras; rental of video cassette recorders; rental of videotapes; rental of show scenery; rental of sound recordings; toy rental; rental of cinematographic apparatus; rental of motion pictures; games equipment rental; rental of stadium facilities; rental of lighting apparatus for theatrical sets or television studios; rental of skin diving equipment; rental of sports equipment, except vehicles; rental of stage scenery; electronic desktop publishing; online publication of electronic books and journals; publication of texts, other than publicity texts; radio entertainment; entertainer services; entertainment services; writing of texts; sado instruction [tea ceremony instruction]; zoological garden services; news reporters services; party planning [entertainment]; music composition services; subtitling; tutoring; holiday camp services [entertainment]; conducting guided tours; disc jockey services; personal trainer services [fitness training]; providing casino facilities [gambling]; calligraphy services; karaoke services; club services [entertainment or education]; songwriting; providing museum facilities [presentation, exhibitions]; teaching; educational services provided by schools; orchestra services; translation; scriptwriting, other than for advertising purposes; ticket agency services [entertainment]; coaching [training]; sport camp services; recording studio services; language interpreter services; nursery schools; photography; photographic reporting; timing of sports events; boarding school education; production of shows; health club services [health and fitness training]; production of radio and television programmes; screenplay writing; providing online electronic publications, not downloadable; organization of exhibitions for cultural or educational purposes; arranging and con-

ducting of in-person educational forums; providing television programs, not downloadable, via video-on-demand services; providing films, not downloadable, via video-on-demand services; presentation of variety shows; rental of radio and television sets.

42 – Water analysis; computer system analysis; handwriting analysis [graphology]; chemical analysis; energy auditing; recovery of computer data; industrial design; graphic arts design; computer virus protection services; engineering; installation of computer software; meteorological information; clinical trials; material testing; textile testing; bacteriological research; biological research; geological research; research in the field of environmental protection; cosmetic research; mechanical research; chemical research; research and development of new products for others; scientific research; analysis for oil-field exploitation; underwater exploration; calibration [measuring]; web site design consultancy; computer security consultancy; information technology [IT] consultancy; consultancy in the design and development of computer hardware; architectural consultancy; internet security consultancy; computer software consultancy; data security consultancy; technological consultancy; oil-well testing; quality control; vehicle roadworthiness testing; land surveying; dress designing; updating of computer software; monitoring of computer systems to detect breakdowns; monitoring of computer systems for detecting unauthorized access or data breach; monitoring of computer systems by remote access; software as a service [SaaS]; maintenance of computer software; authenticating works of art; design of interior decor; quality evaluation of standing timber; quality evaluation of wool; digitization of documents [scanning]; conversion of data or documents from physical to electronic media; urban planning; providing information on computer technology and programming via a web site; providing search engines for the internet; conversion of computer programs and data, other than physical conversion; conducting technical project studies; computer system design; rental of web servers; computer rental; rental of computer software; unlocking of mobile phones; geological prospecting; oil prospecting; hosting computer sites [web sites]; construction drafting; computer software design; cloud seeding; consultancy in the field of energy-saving; creating and designing website-based indexes of information for others [information technology services]; creating and maintaining web sites for others; computer programming; technical writing; copying of computer programs; architectural services; chemistry services; outsource service providers in the field of information technology; packaging design; off-site data backup; computer technology consultancy; telecommunications technology consultancy; scientific laboratory services; weather forecasting; styling [industrial design]; cartography services; data encryption services; electronic data storage; surveying; electronic monitoring

of credit card activity to detect fraud via the internet; electronic monitoring of personally identifying information to detect identity theft via the internet; interior design; oil-field surveys; geological surveys; provision of scientific information, advice and consultancy in relation to carbon offsetting; server hosting; cloud computing; research in the field of physics.

(260) AM 2021 107788 A

(800) 1523669

(151) 2019 12 18

(891) 2019 12 18

(731) Harry Sanusi

Jl. Kuta Raya No. 11 RT. 017 RW. 07, Kel.
Kelapa Gading Barat, Kec Kelapa Gading,
Jakarta Utara 14240, Indonesia

(540)



(591) Blue, white and brown

(531) 01.15.24; 11.03.04; 27.01.01; 27.01.06;
27.01.12; 29.01.13

(526) Est. 2018

(511)

43 – Restaurant services; cafe services; cafeteria services; coffee shop services; take-away food services; catering services; coffee supply services for offices; preparation of food and beverages; provision of take away food and food and drink services.

(260) AM 2021 107789 A

(800) 820628

(151) 2004 01 20

(891) 2020 01 30

(731) Trenkwalder Group AG

Lugeck 1-2, A-1010 Wien, Austria

(540)

trenkwalder

(591) White, red

(531) 27.05.01; 29.01.01

(511)

35 – Employment agencies, especially hiring manpower; personnel selection using aptitude testing.

42 – Computer and software development and construction; software maintenance; Web page design;

scientific and technological services as well as research and design services relating thereto in the field of information technology.

45 – Personal and social services concerning individual needs.

(260) AM 2021 107790 A

(800) 887110A

(151) 2006 04 04

(891) 2020 02 18

(731) DGC Vitacare UK Ltd.

18 Gallagher Drive, Hamilton 3206,
New Zealand

(540)

NANNY

НЭННИ

(591) Black, white

(531) 28.05

(511)

5 – Food for babies.

29 – Milk; dairy products.

(260) AM 2021 107791 A

(800) 926627

(151) 2007 05 09

(891) 2020 02 18

(731) H & M Hennes & Mauritz AB

Mäster Samuelsgatan 46 A, SE-106 38
Stockholm, Sweden

(540)

MONKI

(591) Black, white

(511)

16 – Paper; napkins; notebooks; pencils; pens; crayons; paper clips; erasers; tape (for office use); books; magazines; photographs.

18 – Leather and imitations of leather; trunks; travelling bags; rucksacks; wallets; umbrellas; parasols.

(260) AM 2021 107798 A

(800) 1370914

(151) 2017 04 04

(891) 2019 10 31

(731) Kerymova Svitlana Valeriivna

vul. Dalekoskhidna, bud. 4B, kv.11,
Odesa 65006, Ukraine

(540)

WOMAN INSIGHT

(591) Black, white

(531) 27.05.01

(526) WOMAN.

(511)

41 – Academies [education]; educational services; videotaping; arranging and conducting of congresses; arranging and conducting of colloquiums; arranging and conducting of conferences; arranging and conducting of concerts; arranging and conducting of in-person educational forums; arranging and conducting of workshops [training]; arranging and conducting of seminars; arranging and conducting of symposiums; arranging of beauty contests; gymnastic instruction; electronic desktop publishing; educational examination; providing on-line videos, not downloadable; providing on-line electronic publications, not downloadable; providing on-line music, not downloadable; providing films, not downloadable, via video-on-demand transmission services; providing sports facilities; providing recreation facilities; correspondence courses; game services provided on-line from a computer network; recreation information; education information; entertainment information; cinema presentations; microfilming; videotape editing; training services provided via simulators; tutoring; boarding school education; providing museum facilities [presentation, exhibitions]; screenplay writing; songwriting; scriptwriting, other than for advertising purposes; writing of texts; organization of balls; organization of shows [impresario services]; organization of exhibitions for cultural or educational purposes; organization of competitions [education or entertainment]; organization of lotteries; organization of fashion shows for entertainment purposes; educational services provided by schools; party planning [entertainment]; coaching [training]; health club services [health and fitness training]; personal trainer services [fitness training]; holiday camp services [entertainment]; practical training [demonstration]; presentation of live performances; presentation of variety shows; conducting fitness classes; vocational retraining; vocational guidance [education or training advice]; on-line publication of electronic books and journals; publication of books; publication of texts, other than publicity texts; radio entertainment; religious education; entertainment services; production of shows; production of music; production of radio and television programmes; film production, other than advertising films; physical education; photography.

(260) AM 2021 107799 A

(800) 1502929

(151) 2019 10 10

(891) 2020 03 13

(731) LocalCover Group Holdings Limited
6/F, The Annex, Central Plaza, 18 Harbour
Road, Hong Kong, China

(540)



(591) Blue, light blue, white

(531) 03.01.08; 03.01.09; 03.01.26; 26.04.04;
26.04.15; 29.01.12

(511)

35 – Commercial intermediation services; business administration; commercial administration; office administration services (for others); administration services in relation to the arrangement, provision and support of warranties, product warranties, supplier warranties and manufacturer warranties, including administration services in relation to the assessment, diagnosis, settlement, adjudication, processing, payment and remediation of warranty claims; collection of commercial information; commercial information and advice for consumers in the choice of products and services; intermediary business services relating to the commercialisation of goods; organisation, administration and management of customer loyalty programmes; promotion and sale of naming and product supply rights (for others); commercial information services provided by access to a computer database; commercial information research studies; collection of market research information; promotion (advertising) of waste reduction, resource recovery, recycling, repair and refurbishment; provision of information, advisory and consultancy services in relation to the aforesaid.

36 – Brokerage of warranties and guarantees; warranty agency services; warranty services, including the arrangement, provision, financial support and administration of product warranties, supplier warranties and manufacturer warranties; warranty services, namely, services in relation to the financial support and administration of warranty claims, including the assessment, diagnosis, settlement, adjudication, processing, payment and remediation of warranty claims; warranty insurance services; warranty programme ser-

vices; extended warranty services; warranty advisory and consultancy services; warranty claim assessments; warranty claim settlements; processing of warranty claims; insurance brokerage; insurance agency services; insurance services including services in relation to the financial support and administration of insurance claims; insurance advisory and consultancy services; insurance claim assessments; insurance claim settlements; processing of insurance claims; contract guarantee services; provision of information, advisory and consultancy services in relation to the aforesaid.

(260) AM 2021 107800 A

(800) 1503608

(151) 2019 10 10

(891) 2020 03 13

(731) LocalCover Group Holdings Limited

6/F, The Annex, Central Plaza, 18 Harbour Road, Hong Kong, China

(540)

BOXER

(591) Black, white

(511)

36 – Brokerage of warranties and guarantees; warranty agency services; warranty services, including the arrangement, provision, financial support and administration of product warranties, supplier warranties and manufacturer warranties; warranty services, namely, services in relation to the financial support and administration of warranty claims, including the assessment, diagnosis, settlement, adjudication, processing, payment and remediation of warranty claims; warranty insurance services; warranty programme services; extended warranty services; warranty advisory and consultancy services; warranty claim assessments; warranty claim settlements; processing of warranty claims; insurance brokerage; insurance agency services; insurance services including services in relation to the financial support and administration of insurance claims; insurance advisory and consultancy services; insurance claim assessments; insurance claim settlements; processing of insurance claims; contract guarantee services; provision of information, advisory and consultancy services in relation to the aforesaid.

(260) AM 2021 107844 A

(800) 1523796

(151) 2019 08 26

(891) 2019 08 26

(731) Obschestvo s ogranichennoy otvetstvennostyu "MotoVeloZavod"

pr-t Partizanskiy, d. 8, korp. 28, kab. 15, 220033 Minsk, Belarus

(540)



(591) Black, white

(531) 20.01.03; 26.13.25; 27.05; 27.05.01

(511)

9 – Measuring, signalling, checking [supervision] apparatus and instruments; measures; distance measuring apparatus; speed indicators; bicycle speedometers; apparatus and instruments for conducting, switching, transforming, accumulating, regulating or controlling electricity; accumulators; bicycle accumulators; data processing apparatus; computers; bike computers; eyeglasses; sunglasses; goggles for sports; eyeglasses for cyclists; safety helmets (protective and safety equipment); headgear being protective helmets; head guards for sports; protective helmets; protective helmets for sports; protective helmets for cyclists.

12 – Vehicles; apparatus for locomotion by land; electric vehicles; remote control vehicles, other than toys; bicycles; electric bicycles; run bikes [balance bikes]; scooters [vehicles]; motorcycles; mopeds; motor scooters; quad bikes [vehicles]; push scooters [vehicles]; self-balancing scooters; self-balancing electric unicycles; parts and accessories of bicycles, electric bicycles, run bikes [balance bikes], scooters [vehicles], motorcycles, mopeds, motor scooters, quad bikes [vehicles], push scooters [vehicles], self-balancing scooters, self-balancing electric unicycles, included in this class; repair outfits for inner tubes.

28 – Sporting articles; machines for physical exercises; stationary exercise bicycles; apparatus for games and sports; tricycles for infants [toys]; scooters [toys]; run bikes [toys].

(260) AM 2021 107845 A

(800) 1523836

(151) 2020 01 30

(891) 2020 01 30

(731) BRENDSON COMPANY LIMITED

Spyrou Kyprianou 61, SK HOUSE, CY-4003 Limassol, Cyprus

(540)



(591) Blue, medium blue and white
 (531) 01.15.11; 27.05.03; 27.05.24; 29.01.12
 (511)

3 – Cloths impregnated with a detergent for cleaning; tissues impregnated with cosmetic lotions; tissues impregnated with make-up removing preparations; baby wipes impregnated with cleaning preparations; cotton wool for cosmetic purposes; cotton sticks for cosmetic purposes; cotton swabs for cosmetic purposes; cotton pads for cosmetic purposes.

5 – Tissues impregnated with pharmaceutical lotions; babies' napkins; disposable babies' napkins made of paper and/or cellulose; babies' napkins, disposable; babies' diapers; disposable babies' diapers made of paper and/or cellulose; babies' diapers, disposable; babies' diaper-pants; disposable babies' diaper-pants made of paper and/or cellulose; babies' diaper-pants, disposable; babies' napkin-pants; disposable babies' napkin-pants made of paper and/or cellulose; babies' napkin-pants, disposable; diapers for incontinence; diapers for incontinence, disposable; pants, absorbent, for incontinence; pants, absorbent, for incontinence, disposable; sanitary panties; sanitary panties, disposable; sanitary pants; sanitary pants, disposable.

(260) AM 2021 107846 A
 (800) 1523997
 (151) 2020 02 14
 (891) 2020 02 14
 (731) Obschestvo s ogranichennoy otvetstvennostyu "MAY"
 Ozernaya, dom 1 a, Fryazino, RU-141191
 Moskovskoy obl., Russian Federation
 (540)



(591) Black, white
 (531) 26.01.01; 26.01.04; 26.01.24; 26.04.05;
 26.04.10; 26.04.18; 26.04.24; 27.05.24
 (511)
 30 – Artificial coffee; vegetal preparations for use as coffee substitutes; coffee; unroasted coffee; coffee-based beverages; chicory [coffee substitute].

(260) AM 2021 107848 A
 (800) 1524016
 (151) 2019 03 11
 (891) 2019 03 11
 (731) ARMEN BAGHDASARYAN
 Pushkin street 15, apt. 26, Yerevan, Armenia
 (540)

BUCANERO

БУКАНЕРО

ԲՈՒԿԱՆԵՐՈ

(591) Black, white
 (531) 28.05; 28.19
 (511)
 34 – Cigarettes, smoking accessories, matches, raw and processed cigarettes; cigarettes, smokes; cigarette paper, namely, papyrus; cigarillos; cigars; chewing cigarettes; cigarette containing cigarette substitutes; smoking herbs for non-therapeutic purposes; snuff; electronic cigarettes, liquid solutions for electronic cigarettes, liquid solutions for electronic cigar perforators except essential oils, liquid solutions for cigarettes perforators except essential oils, matches, holders for matches, match boxes, cigarette lighter for smokers, gas cylinders for cigarette lighters, firestones, ashtrays, spitting containers for cigarettes, cigarette accessories, puffed beetles for cigars and cigarettes, cigarette packs, smoker capsules without cigarette parts, cigarette filters, pipes, pupils for cigars, pupils for cigarettes, tray endings for cigarettes pupils, pipes cleaning fixtures, tobacco rolling paper, absorbing paper for pipes, cigarettes paper, zipper machines, cigar boxes, boxes for cigarettes and smokers, moisturizing boxes for cigars, pocket fixtures for reel tobacco and cigars, oral vaporizers for smokers, hookah, accessories for hookah (including hookah cups and heads (endings) hookah hooks, hookah crockery and filters, hookah hooks, hookah rods, bags and cases for hookah, hookah vessels), molasses for using in tobacco production, smoking materials including molasses for non-medical purposes, aromatic mixtures for using in cigarettes and hookah.

(260) AM 2021 107849 A
 (800) 1524028
 (151) 2019 12 05
 (891) 2019 12 05
 (731) Xiaomi Inc.
 No.006, Floor 6, Building 6, Yard 33, Middle Xierqi Road, Haidian District, Beijing, China

(540)

xiaomi

(591) Black, white

(511)

8 – Abrading instruments [hand instruments]; agricultural implements, hand-operated; garden tools, hand-operated; instruments and tools for skinning animals; harpoons; beard clippers; nail clippers; electric hair clippers; needle files; borers; tweezers; scissors; punch rings [knuckle dusters]; table cutlery [knives, forks and spoons]; handles for hand-operated hand tools.

24 – Fabric; gummed cloth, other than for stationery purposes; wall hangings of textile; felt; towels of textile; household linen; tablecloths, not of paper; door curtains; fitted toilet lid covers of fabric; marabouts [cloth]; hada [traditional ceremonial or offering fabric made of silk]; flags of textile or plastic; shrouds.

(260) AM 2021 107850 A

(800) 1524102

(151) 2020 01 07

(891) 2020 01 07

(731) DeeZee Sp. z o.o.

ul. Krakowska 87, PL-32-050 Skawina, Poland

(540)

DeeZee

(591) Black, white

(531) 27.05.01

(511)

18 – Briefcase; luggage; card cases [wallets]; case for keys; imitations of leather; beauty cases; umbrellas; backpacks; travel bags for clothing; business card cases; sun umbrellas; boxes of leather or of composition leather; beach bags; travel bags; school bags [with shoulder strap]; handbags; suitcases; travel sets [leather goods].

25 – Albs; non-slipping devices for footwear; neck scarves [mufflers]; bandanas [neckerchiefs]; berets, underwear; brassieres; sweatshirts, overalls; jodhpurs; footwear; sport shoes; lace boots; boot uppers; scarves, foulards; caps being headwear; clogs; knitwear (clothing); jerseys (clothing); espadrilles; aprons (clothing); furs (clothing); leggings; corsets; corsets (underclothing); slippers [underclothing]; rubbers [footwear]; gaiters; waistcoats; millinery; hoods (clothing); swimming trunks; overalls; swim suits; shirts; shirts with short sleeves; t-shirts; ties; camisoles; casual jackets [clothing]; parkas; leggings; underpants; knickers; sleep masks, uniforms; headgear; heels; ear muffs [clothing]; footwear; gymnastic shoes; beach shoes; clothing; gymnastic clothing; imitation leather

dresses; outerclothing; headbands; slippers; dust coats; tights; gloves (clothing); fingerless gloves; sandals; bath sandals; skirts; trousers; bras; swimsuits; beach clothes; jerseys; shawls; scarves; dressing gowns; t-shirts; quilted jackets; bath slippers; belts [clothing]; girdles; shrugs; stuff jackets [clothing]; pyjamas; bath robes; soles for footwear; sports jerseys; sports singlets; garters; stockings; sweat absorbing stockings; pocket squares.

35 – Administration of consumer loyalty programs; updating and maintenance of data in computer databases; updating and maintaining information in registers; business research; business organization consultancy; consultancy in the field of organizing and conducting business activities; indexing of websites for commercial or advertising purposes; business information; systematization of data into computer databases; computerized file management; word processing; organization of fashion shows for promotional purposes; organization of trade fairs for commercial or advertising purposes; demonstration of goods; presenting products in the media for retail purposes; production of advertising films; development of advertising concepts; sales promotion for others; advertisement; on-line advertising via a computer network; dissemination of advertisements; preparing indexes of information for commercial or advertising purposes; creating advertising texts; updating advertising material; modeling for advertising or sales promotion; commercial intermediation services.

(260) AM 2021 107853 A

(800) 1524187

(151) 2020 03 12

(891) 2020 03 12

(731) CHINA KWEICHOW MOUTAI DISTILLERY (GROUP) CO., LTD.

No. 4 East Mountain Lane, East Road of
Outside Loop, Guiyang City, Guizhou
Province, China

(540)



(591) Black, white

(531) 28.03

(511)

33 – Wine; spirits [beverages]; baijiu [Chinese distilled alcoholic beverage]; whisky; sake; fruit extracts, alcoholic; alcoholic beverages, except beer; rice alcohol; cocktails; digesters [liqueurs and spirits].

(260) AM 2021 107854 A
 (800) 1524207
 (151) 2020 02 24
 (891) 2020 02 24
 (731) ERBOZETA S.p.A.
 Strada delle Seriole, 41/43, 47894
 CHIESANUOVA, San Marino
 (540)



(591) Black, white
 (531) 26.04.03; 26.04.18; 27.05.10
 (511)
 3 – Eau de Cologne; toilet water; hair conditioners; cosmetics; cosmetic creams; bleaching preparations [decolorants] for cosmetic purposes; dentifrices; almond milk for cosmetic purposes; after-shave lotions; hair lotions; mascara; beauty masks; eyebrow pencils; oils for toilet purposes; essential oils; depilatory preparations; perfumery; make-up removing preparations; perfumes; lipsticks; soap; shampoos; lotions for cosmetic purposes; cosmetic preparations for baths.

5 – Sea water for medicinal bathing; thermal water; nutritional supplements for medical purposes; food for babies; antibiotics; balms for medical purposes; dietetic beverages adapted for medical purposes; medicated sweets; collagen for medical purposes; collyrium; food supplements; albumin dietary supplements; compresses; medicated dentifrices; air deodorising preparations; detergents for medical purposes; digestives for pharmaceutical purposes; disinfectants; enzymes for medical purposes; medicinal herbs; plant extracts for pharmaceutical purposes; medicinal mud; milk ferments for pharmaceutical purposes; ferments for pharmaceutical purposes; dietary supplements; enzyme dietary supplements; royal jelly dietary supplements; propolis dietary supplements; protein dietary supplements; mineral food supplements; laxatives; almond milk for pharmaceutical purposes; vaginal washes for medical purposes; lotions for pharmaceutical purposes; medicines for human purposes; medicinal oils; slimming pills; pomades for medical purposes; aloe vera preparations for pharmaceutical purposes; vitamin preparations; pharmaceutical preparations; propolis for pharmaceutical purposes; antibacterial soap; disinfectant soap; medicated soap; medicated shampoos; dietetic substances adapted for medical use; medicinal tea; herbal teas for medicinal purposes.

10 – Aerosol dispensers for medical purposes; medical apparatus and instruments; urological apparatus and instruments; massage apparatus; physiotherapy

apparatus; nasal aspirators; basins for medical purposes; plaster bandages for orthopaedic purposes; anti-nausea wristbands; bandages, elastic; supportive bandages; inhalers; injectors for medical purposes; douche bags; vaginal syringes; vaporizers for medical purposes; cupping glasses; vibromassage apparatus; droppers for medical purposes; dropper bottles for medical purposes.

(260) AM 2021 107856 A
 (800) 1524260
 (151) 2020 02 14
 (891) 2020 02 14
 (731) PLANTIN
 Usine de la Rolande, F-84350 COURTHEZON,
 France
 (540)

FOLIAPLANT

(591) Black, white
 (511)
 1 – Foliar fertilizers.

(260) AM 2021 107857 A
 (800) 1524265
 (151) 2019 09 20
 (891) 2019 09 20
 (731) Joint-Stock Company "Apatit"
 Severnoye Shosse, 75, Cherepovets,
 RU-162622 Vologda Oblast, Russian
 Federation
 (540)

Apafeed

(591) Black, white
 (511)
 1 – Fertilizers.
 31 – Animal foodstuffs.

35 – Retail store and wholesale store services connected with the sale of fertilizers and animal foodstuffs; retail online store and wholesale online store services connected with the sale of fertilizers and animal foodstuffs.

(260) AM 2021 107858 A
 (800) 1524318
 (151) 2020 02 24
 (891) 2020 02 24
 (731) ANTISEPTICA Dr. Hans-Joachim Molitor
 GmbH
 Carl-Friedrich-Gauß-Strasse 7, 50259 Pulheim-
 Brauweiler, Germany
 (540)

DERMOGUARD

(591) Black, white

(511)

3 – Washing and bleaching agents; cleaning, polishing, degreasing and abrasive preparations; soaps; perfumery products, essential oils, cosmetics, with the exception of dermatological preparations for insect bite treatment; hair lotions; dentifrices.

5 – Skin cleansing products for medical use, particularly with antibacterial action, for depollution of skin colonized by bacterial pathogens.

(260) AM 2021 107859 A

(800) 1524325

(151) 2019 08 26

(891) 2019 08 26

(731) Obshchestvo s ogranichennoy otvetstvennostyu "MotoVeloZavod"
pr-t Partizanskiy, d. 8, korp. 28, kab. 15,
220033 Minsk, Belarus

(540)

KRAKKEN

(591) Black, white

(511)

9 – Measuring, signalling, checking [supervision] apparatus and instruments; measures; distance measuring apparatus; speed indicators; bicycle speedometers; apparatus and instruments for conducting, switching, transforming, accumulating, regulating or controlling electricity; accumulators; bicycle accumulators; data processing apparatus; computers; bike computers; eyeglasses; sunglasses; goggles for sports; eyeglasses for cyclists; safety helmets (protective and safety equipment); headgear being protective helmets; head guards for sports; protective helmets; protective helmets for sports; protective helmets for cyclists.

12 – Vehicles; apparatus for locomotion by land; electric vehicles; remote control vehicles, other than toys; bicycles; electric bicycles; run bikes [balance bikes]; scooters [vehicles]; motorcycles; mopeds; motor scooters; quad bikes [vehicles]; push scooters [vehicles]; self-balancing scooters; self-balancing electric unicycles; parts and accessories of bicycles, electric bicycles, run bikes [balance bikes], scooters [vehicles], motorcycles, mopeds, motor scooters, quad bikes [vehicles], push scooters [vehicles], self-balancing scooters, self-balancing electric unicycles, included in this class; repair outfits for inner tubes.

28 – Sporting articles; machines for physical exercises; stationary exercise bicycles; apparatus for games and sports; tricycles for infants [toys]; scooters [toys]; run bikes [toys].

(260) AM 2021 107866 A

(800) 1524637

(151) 2020 02 21

(891) 2020 02 21

(731) Astellas Pharma Inc.

5-1, Nihonbashi-Honcho 2-chome, Chuo-ku,
Tokyo 103-8411, Japan

(540)

XOSPATA

(591) Black, white

(531) 27.05.01

(511)

5 – Pharmaceutical preparations for the treatment of cancer.

(260) AM 2021 107868 A

(800) 1524679

(151) 2020 02 21

(891) 2020 02 21

(731) Astellas Pharma Inc.

5-1, Nihonbashi-Honcho 2-chome, Chuo-ku,
Tokyo 103-8411, Japan

(540)

XOSPATA

(591) Gold, dark purple, purple, light purple

(531) 27.05.01; 29.01.12

(511)

5 – Pharmaceutical preparations for the treatment of cancer.

(260) AM 2021 107869 A

(800) 1524729

(151) 2020 01 15

(891) 2020 01 15

(731) TM INVESTMENT SP. Z O. O.

Al. Jana Pawła II 23, PL-00-854 Warszawa,
Poland

(540)

RAFIL

(591) Black, white

(531) 27.05.01

(511)

1 – Adhesive cements; adhesive for mortar and plaster; oil cement; unprocessed resins.

2 – Paints for exteriors and interiors including paints for metal and concrete surfaces; epoxy paints; ornamental paints; primers; paints for protection against corrosion; acrylic paints; oil paints; anti-static paints; acrylic coatings; watercolors; preparations in the nature of paints; enamels in the nature of paints; enamels for painting; lacquers and varnishes; fixatives; binding preparations for paints and lacquers; raw natural resin;

epoxy resins for use in covering walls; natural resins for use in the manufacture of adhesives, varnishes and lacquers; thinners for paints.

17 – Insulating paints and lacquers; semi-processed resins.

(260) AM 2021 107872 A

(800) 1524784

(151) 2019 06 03

(891) 2019 06 03

(731) HERC Management Services LLC

780 5th Ave S, Suite #200, Naples FL 34102,
USA

(540)

ONE HEALTH SOLUTIONS

(591) Black, white

(511)

9 – Computer software linking users to websites providing veterinary services and medical services, including links to websites for providing medical consultations, providing medical diagnoses, scheduling medical appointments, accessing medical information, infectious disease monitoring featuring preventative care information, coordinating medical treatment and monitoring of natural disaster and emergency situations, providing remote patient monitoring and patient engagement, providing patients access to information and records, providing veterinary consultations, for providing veterinary diagnoses, for scheduling veterinary appointments, accessing medical information for animals, remote herd monitoring, infectious disease monitoring for animals featuring preventive care information, and coordinating medical treatment of animals and monitoring of natural disaster and emergency situations for animals; downloadable mobile application for linking users to websites providing veterinary services and medical services, including links to websites for providing medical consultations, providing medical diagnoses, scheduling medical appointments, accessing medical information, infectious disease monitoring featuring preventative care information, coordinating medical treatment and monitoring of natural disaster and emergency situations, providing remote patient monitoring and patient engagement, providing patients access to information and records, providing veterinary consultations, for providing veterinary diagnoses, for scheduling veterinary appointments, accessing medical information for animals, remote herd monitoring, infectious disease monitoring for animals featuring preventive care information, and coordinating medical treatment of animals and monitoring of natural disaster and emergency situations for animals.

42 – Hosting a web site featuring software that enables users to access a virtual animal care center and to access a virtual patient care center, where users can

access medical consultations, medical diagnoses and preventative care information for animals, schedule medical appointments, and request medical information, medical treatment, and infectious disease monitoring.

(260) AM 2021 107873 A

(800) 1524787

(151) 2019 12 17

(891) 2019 12 17

(731) Pischanskyi Vadym Ivanovych

vul. Garina, bud. 11, m. Dnipro 49127, Ukraine

(540)



(591) Black, white

(531) 01.15.23; 24.17.04; 27.05.01; 27.05.07

(511)

30 – Coffee, tea, cocoa and artificial coffee; rice; tapioca and sago; flour and preparations made from cereals; bread, pastries and confectionery; ice cream; sugar, honey, treacle; yeast, baking-powder; salt; mustard; vinegar, sauces (condiments); spices; edible ices; alcohol-flavored ice cream; multi-ball ice cream; sponge cakes; sponge cakes with ice cream; pastries; pastries with ice cream; buns; jam buns; sandwiches; vanilla ice cream; vareniki (stuffed dumplings); waffles; waffle cakes; high-fat ice-cream; ready-rolled pastry dough with fillings; oat-based food; binding agents for ice cream; hot dog sandwiches; garden herbs, preserved (seasonings); chocolate-coated nuts; ice cream desserts; desserts made of ice-cream; yeasted and non-yeasted pastries; eskimo (ice-cream); fruit and berry jellies (confectionery); jelly ice cream; jelly confectionery; custard; cereal-based snack food; rice-based snack food; spice substitutes; frozen kephir (confectionery ices); frozen yogurt (confectionery ices); frozen dough, frozen pastry sheets, frozen custard for making bakery products; aromatic preparations for food; thickening agents for cooking foodstuffs; corn-based snack foods; zephyr (confectionery); yogurt ice cream; coffee ice cream; cocoa ice cream; caramel ice cream; coffee-based beverages; cocoa-based beverages; coffee beverages with milk; cocoa beverages with milk; cocoa products; caramels (candy); gruel; cupcakes; ketchup (sauce); peanut brittle; ice cream confectionery; crackers; starch for food; croissants; groats for human food; confectionery for decorating Christmas trees; noodles; mints for breath freshening; mayonnaise; pasta; mandu (Korean-style dumplings); chow-chow (condiment); marzipan; pancakes; spring rolls; gruel, with a milk base, for food; ice-cream sandwich; chocolate-coated ice cream; ice-cream with various fillings; ice cream cornet; ice-

cream soufflé; sherbets; dessert mousses (confectionery); muesli; meat gravies; tea-based beverages; chocolate-based beverages; infusions, not medicinal; pastila (confectionery); baking powder; pelmeni (dumplings stuffed with meat); cookies; pies; pizzas; chips (cereal products); extra rich ice cream; fruit and berry ice cream; fondants (confectionery); powders for making ice cream; pralines; gingerbread; puddings; Turkish delight; rice cakes; rolls with various fillings; rolls with ice cream; cookie mixes; dessert souffles; rusks; sushi; tart shells; puff pastry dough; frozen dough; cakes; cakes and tarts made of ice cream; tarts; tomato sauce; fruit, citrus and berry ices; fruit and berry ice cream; halvah; chocolate decorations for cakes; pastries with cheese, fruits, vegetables, potatoes, legumes, cabbage, berries, cocoa, chocolate, poppy, meat, ham, bacon, fish, mushrooms, raisins, custard, condensed milk, jam; candy; iced tea; instant tea; mixes for making tea; grain-based chips; chocolate; chocolate ice cream; chocolate desserts; chocolate creams; chocolate beverages with milk.

(260) AM 2021 107874 A

(800) 1524957

(151) 2019 09 30

(891) 2019 09 30

(731) Obshestvo s ogranichennoy
otvetstvennostyu "MotoVeloZavod"
pr-t Partizanskiy, d. 8, korp. 28, kab. 15,
220033 Minsk, Belarus

(540)



(591) Black, white

(531) 26.03.01; 26.03.24; 27.05.01; 27.05.21;
27.07.01; 27.07.11

(511)

9 – Measuring, signalling, checking [supervision] apparatus and instruments; measures; distance measuring apparatus; speed indicators; apparatus and instruments for conducting, switching, transforming, accumulating, regulating or controlling electricity; accumulators; data processing apparatus; computers; eyeglasses; sunglasses.

(260) AM 2021 107878 A

(800) 1053808

(151) 2010 09 23

(891) 2020 03 25

(731) Keller Williams Realty, Inc.
1221 South Mopac Expressway, Suite 400,
Austin TX 78746, USA

(540)

KW

(591) Black, white

(511)

35 – Franchising, namely offering technical assistance in the establishment and/or operation of real estate brokerages.

36 – Real estate brokerage.

(260) AM 2021 107879 A

(800) 1059037

(151) 2010 09 23

(891) 2020 03 25

(731) Keller Williams Realty, Inc.
1221 South Mopac Expressway, Suite 400,
Austin TX 78746, USA

(540)

KELLER WILLIAMS

(591) Black, white

(511)

35 – Franchising, namely, offering consultation and assistance in business management organization relating to establishment and/or operation of real estate brokerages.

36 – Real estate brokerage services.

(260) AM 2021 107880 A

(800) 1213515

(151) 2014 03 28

(891) 2020 03 25

(731) Keller Williams Realty, Inc.
1221 South Mopac Expressway, Suite 400,
Austin TX 78746, USA

(540)

kw
KELLERWILLIAMS

(591) Black, white

(531) 27.05.10; 27.05.22

(511)

35 – Franchising, namely, offering consultation and assistance in business management organization relating to establishment and/or operation of real estate brokerages.

36 – Real estate brokerage services.

(260) AM 2021 107882 A

(800) 1262430

(151) 2015 02 18

(891) 2020 03 24

(731) Kerry Luxembourg S.à.r.l.
17 rue Antoine Jans, L-1820 Luxembourg,
Luxembourg

(540)



(591) Black, white

(531) 27.05.01; 27.05.09

(511)

30 – Flavouring syrups and sauces; confectionery; ice cream; frappes; frappe liquid base preparation; hot chocolate liquid mix; powders for making hot chocolate; chocolate sauces, vanilla sauces, dessert sauces, fruit sauces and preparations for making into sauces; sauces for ice cream; ice cream mixes; preparations for making ice cream and custard; icing; chilled and frozen desserts; binding agents for ice cream; chocolate mixes for bakery goods and cakes; custard powder; marzipan.

32 – Smoothies; non-alcoholic beverages; fruit juices.

(260) AM 2021 107883 A

(800) 1290993

(151) 2015 08 11

(891) 2020 02 28

(731) GENOSCREEN

1 rue du Professeur Calmette, F-59000 LILLE,
France

(540)

DEEPLEX

(591) Black, white

(511)

9 – Scientific apparatus and instruments for use in science, research and industry; scientific apparatus kits, analytical instruments and computer software for use in testing not for medical and veterinary purposes; scientific apparatus and instruments (other than medical), optical, weighing, measuring, signaling, checking (supervision), and teaching apparatus and instruments; magnetic recording media; data processing apparatus; computer programs; software; computer programs, computer software and algorithms designed for research and analysis in the field of science, biology, biotechnology, biochemistry, genomics, proteomics, transcriptomics, genetics, human health, life sciences, cloning, diagnostics or agri-food; computer programs, computer software and algorithms designed for the processing of biological data; computer programs designed for the scientific analysis of genetic sequences, biological platelets for use in scientific research; computer programs designed to identify DNA, detect diseases, analyze data in the agri-food field, test and develop drugs; testing apparatus not for medical use; apparatus for testing air, water, food; chemistry apparatus and instruments; diagnostic apparatus not

for medical use; quantity indicators; measuring instruments; DNA chips.

10 – Medical and veterinary apparatus and instruments; diagnostic test kits for use in testing for medical and veterinary purposes.

38 – Provision of access to databases; providing access to on-line computer databases; rental of access time to databases; providing access to computer databases containing information based on human genome sequencer results; providing access to electronic libraries of biological markers; providing access to a computing platform; provision, namely, providing access to computer and bioinformatics pipelines and software.

42 – Evaluations, analysis, scientific research and technological services in the field of pharmacy, biology, agri-food, chemistry, biotechnology, biochemistry, genomics, bacteriology, transcriptomics, genetics and life sciences; biomedical research, and biological, medical and veterinary product development, gene expression and protein profiling; genotyping and scientific services for genotyping based on biological markers; design and development of databases (programming) in the field of pharmaceuticals, biology, agri-food, biotechnology, biochemistry, genomics, transcriptomics, genetics and life sciences; gene sequencing services with a view to research relating to genome sequencing of plants and animals, micro-organisms, sequencing of DNA or RNA and epigenetic sequencing; development and updating of computer programs designed for scientific analysis of genetic sequences, genetic sequencing of the genes of individuals and cohorts; data storage and computer programming services for publishing data in a computer science environment designed for bioinformatics; bioinformatics computer engineering, namely large-scale DNA sequencing; development and updating of data management systems; database design and development applications in general of biological data processing; scientific development and validation of micro-satellite and mini-satellite markers; scientific services in the field of genomics for use in laboratories working on all kinds genomes (human animal, micro-organisms); research, mutation detection and identification of microorganisms; genotyping; development and testing of computer databases, software, algorithms and computing methods for generating and analyzing biological, genetic and epidemiological data; research and development services in the field of diagnostic methods, in the field of antibody technology, in the field of gene expression systems; rental of software and computer databases; scientific research and development services; medical laboratory services, scientific research, testing and analysis.

(260) AM 2021 107884 A
 (800) 1491815
 (151) 2019 08 19
 (891) 2020 03 11
 (731) VOOKS, INC.
 986 NE AYRSHIRE DR., HILLSBORO
 OR 97124, USA
 (540)

vooks

(591) Black, white
 (511)
 41 – Entertainment services in the field of video, television, film, namely, the creation, production and distribution of videos, animation, films, and computer generated images.

(260) AM 2021 107931 A
 (800) 1525047
 (151) 2019 12 04
 (891) 2019 12 04
 (731) VEROO GmbH
 IZ NÖ-Süd, Straße 14, Objekt 15, A-2355
 Wiener Neudorf, Austria
 (540)



VEROO

(591) Blue, black
 (531) 26.03.23; 27.05.09; 29.01.12
 (511)
 9 – Scientific research and laboratory apparatus, educational apparatus and simulators; apparatus, instruments and cables for electricity; recorded content; magnets, magnetizers and demagnetizers; measuring, detecting and monitoring instruments, indicators and controllers; navigation, guidance, tracking, targeting and map making devices; optical devices, enhancers and correctors; diving equipment; scientific and laboratory devices for treatment using electricity.
 38 – Telecommunication services; provision and rental of telecommunications facilities and equipment.
 39 – Vehicle parking and storage; transport; rental services related to transportation and storage; packaging and storage of goods; distribution by pipeline and cable; parking and vehicle storage, mooring.
 42 – Design services; information technology [IT] consultancy services; testing, authentication and quality control; scientific and technology services.

(260) AM 2021 107932 A
 (800) 1525143
 (151) 2019 12 27
 (891) 2019 12 27

(731) Ferronordic AB
 Nybrogatan 6, SE-114 34 Stockholm, Sweden
 (540)



FERRONORDIC

(591) Brown, black
 (531) 27.01.25; 27.05.10; 29.01.12
 (511)
 7 – Construction machines; road making machines; agricultural machines; motors and engines (except for land vehicles); machine coupling and transmission components (except for land vehicles); agricultural implements, other than hand-operated; excavators and loader buckets; cranes [lifting and hoisting apparatus]; road rollers and road rollers; loading ramps; handling apparatus for loading and unloading; controls (hydraulic -) for machines, motors and engines; hydraulic engines and motors; hydraulic devices for opening and closing doors; pumps [machines]; filters [parts of machines or engines]; spare parts and components for all the aforesaid goods.
 12 – Cars; vehicles; apparatus for locomotion by land, air or water; forklift trucks and forklift trucks; lorries and tipping bodies for lorries; motors for land vehicles; tires for vehicle wheels; spare parts and components for all the aforesaid goods.
 37 – Building construction; demolition of buildings; repair and maintenance of construction machines, road-making machines and agricultural machines, motors and engines (except for land vehicles), machine coupling and transmission components (except for vehicles), agricultural implements, other than hand-operated, excavators and loader buckets, cranes (lifting and hoisting apparatus), road rollers and road rollers, loading ramps, handling apparatus for loading and unloading, hydraulic controls for machines, motors and engines and engines, hydraulic engines and motors, hydraulic door openers and closers; repair and maintenance of pumps [machines], filters [parts of machines or engines], cars, vehicles, apparatus for locomotion by land, air or water, forklift trucks, lorries and tipping bodies for lorries, engines for vehicles, tyres for vehicle wheels, spare parts and components for all the aforesaid goods; installation services relating to equipment for construction machines, road-making machines and agricultural machines, motors and engines (except for land vehicles), machine coupling and transmission components (except for vehicles), agricultural implements, other than hand-operated, excavators and loader buckets, cranes (lifting and hoisting apparatus), road rollers and road rollers, loading ramps, handling apparatus for loading and unloading, hydraulic controls for machines, motors and engines and engines, hydraulic engines and motors, hydraulic door openers and closers; installation services relating to equipment for pumps (machines), filters [parts of machines or engines], cars, vehicles, appa-

tus for locomotion by land, air or water, forklift trucks, lorries and tipping bodies for lorries, engines for vehicles, tyres for vehicle wheels, spare parts and components for all the aforesaid goods; rental of excavators, earth-moving machines and construction equipment; asphaltting; tyre repair.

(260) AM 2021 107933 A

(800) 1525189

(151) 2019 11 05

(891) 2019 11 05

(731) Yongkang Kaidi Industry & Trade Co., Ltd.
Lingzhang Village, Xicheng Street, Yongkang
City, Zhejiang Province, China

(540)



(591) Black, white

(531) 27.05.01

(511)

21 – Brooms; cleaning cloth; cleaning instruments, hand-operated; mops; cotton waste for cleaning; non-electric sweepers; instruments for cleaning glasses of doors and windows; chamois leather for cleaning; sponges for household purposes; cloth for washing floors.

(260) AM 2021 107934 A

(800) 1525202

(151) 2020 01 30

(891) 2020 01 30

(731) APP GROUP (CANADA) INC.
600 rue Chabanel O., Montréal QC H2N 2K6,
Canada

(540)



(591) Black, white

(531) 05.05.02; 05.05.20; 05.05.21; 26.04.03;
26.04.24; 27.05.21

(511)

3 – Colognes; perfumes; cosmetics.

4 – Candles; scented candles.

9 – Bags adapted for laptops; eyeglasses; eyeglass cases; ski goggles; ski helmets; frames for spectacles and sunglasses.

14 – Charms for key chains; charms for key rings; key chains; jewellery.

16 – Boxes of paper or cardboard; gift boxes; packing paper; paper bags; paper gift wrapping ribbons; passport cases.

18 – Leather bags; leather cases; leather handbags; leather wallets; shoulder bags; credit card cases; diaper bags; luggage tags; backpacks; belt bags and hip bags; cosmetic cases sold empty; handbags, purses and wallets; umbrellas; luggage; duffel bags for travel.

25 – Ski boots; clothing for skiing; ski wear; ski and snowboard shoes and parts thereof; leather coats; pea coats; down jackets; suede jackets; fur jackets; leather jackets; bomber jackets; overcoats; snow pants; snowboard jackets; snowboard trousers; capes; leather pants; outerclothing; rainwear; trench coats; waterproof jackets; gloves; shawls and stoles; athletic clothing; balaclavas; bathing suits; boots; furs [clothing]; head bands; leg warmers; footwear for men and women; shoes; sneakers; socks; sweat pants; sweatshirts; swimsuits; winter boots; waist belts; blazers; blouses; coats; hats; pants; parkas; shirts; skirts; trousers; overalls; dresses; scarves; shorts; sweaters; t-shirts; ponchos; linings (ready-made -) [parts of clothing]; children's outerclothing; leggings [trousers]; winter coats.

26 – Ribbons; zipper pulls; buttons for clothing.

28 – Skis; ski bags; ski covers; ski poles; bags adapted for skis; snowboards.

35 – Organization of fashion shows for promotional purposes; online retail store services relating to clothing; online retail store services relating to cosmetic and beauty products; retail store services in the field of clothing; wholesale services in relation to clothing.

(260) AM 2021 107935 A

(800) 1525203

(151) 2019 11 27

(891) 2019 11 27

(731) UPL LTD.

upl house, 610 b/2, bandra village, off western
express highway, bandra (east), mumbai,
maharashtra 400051, India

(540)



(591) Black, white

(531) 27.05.01

(511)

1 – Fertilizer and chemical products for use in agriculture, plant nutrient, additive chemical to fungicides, additive chemical to insecticides, flower preservatives, chemicals for forestry, phosphorus, plant growth regulating preparations, carbolineum for the protection of plant.

5 – Pesticides, insecticides, herbicides, vermicides, rodenticides, weedicides, preparations for killing weeds and destroying vermin.

(260) AM 2021 107936 A

(800) 1525219

(151) 2019 09 20

(891) 2019 09 20

(731) Pryvatne aktsionerne tovarystvo

"Teleradiokompaniya Liuks"

ploshcha Halytska, 15, m. Lviv 79008, Ukraine

(540)



(591) Red and white

(531) 26.04.17; 26.11.12; 27.05.24; 27.07.24;

29.01.12

(511)

35 – Accounting; administration of frequent flyer programs; administration of consumer loyalty programs; administrative processing of purchase orders; advertising; advertising agency services; advertising by mail order; appointment scheduling services [office functions]; appointment reminder services [office functions]; auctioneering; bill-posting; rental of billboards [advertising boards]; book-keeping; business management assistance; business inquiries; business auditing; business management and organization consultancy; business management consultancy; business efficiency expert services; business appraisals; business investigations; business organization consultancy; business research; advisory services for business management; professional business consultancy; business information; business management of hotels; business management of performing artists; business management of sports people; business management for freelance service providers; business project management services for construction projects; providing business information via a web site; business management of reimbursement programmes for others; business management of reimbursement programs for others; business intermediary services relating to the matching of potential private investors with entrepreneurs needing funding; commercial information agency services; commercial or industrial management assistance; commercial information and advice for consumers in the choice of products and services; commercial administration of the licensing of the goods and services of others; provision of commercial and business contact information; commercial intermediation services; compilation of information into computer databases; compilation of statistics; compiling indexes of information for commercial or advertising purposes; com-

puterized file management; consultancy regarding public relations communication strategies; consultancy regarding advertising communication strategies; cost price analysis; data search in computer files for others; demonstration of goods; design of advertising materials; direct mail advertising; dissemination of advertising matter; distribution of samples; document reproduction; drawing up of statements of accounts; economic forecasting; employment agency services; import-export agency services; invoicing; layout services for advertising purposes; market studies; marketing research; marketing; marketing in the framework of software publishing; modelling for advertising or sales promotion; negotiation and conclusion of commercial transactions for third parties; negotiation of business contracts for others; news clipping services; arranging newspaper subscriptions for others; office machines and equipment rental; rental of office equipment in co-working facilities; online advertising on a computer network; provision of an online marketplace for buyers and sellers of goods and services; opinion polling; organization of exhibitions for commercial or advertising purposes; organization of trade fairs for commercial or advertising purposes; organization of fashion shows for promotional purposes; outdoor advertising; outsourced administrative management for companies; outsourcing services [business assistance]; pay per click advertising; payroll preparation; personnel management consultancy; personnel recruitment; photocopying services; rental of photocopying machines; presentation of goods on communication media, for retail purposes; price comparison services; procurement services for others [purchasing goods and services for other businesses]; production of advertising films; promotion of goods and services through sponsorship of sports events; psychological testing for the selection of personnel; public relations; publication of publicity texts; publicity; publicity agency services; publicity material rental; radio advertising; registration of written communications and data; relocation services for businesses; rental of advertising space; rental of advertising time on communication media; retail services for pharmaceutical, veterinary and sanitary preparations and medical supplies; sales promotion for others; rental of sales stands; scriptwriting for advertising purposes; search engine optimization for sales promotion; search engine optimization for sales promotion; secretarial services; shop window dressing; shorthand; sponsorship search; arranging subscriptions to telecommunication services for others; systemization of information into computer databases; targeted marketing; tax preparation; tax filing services; telemarketing services; telephone answering for unavailable subscribers; production of tele-shopping programmes; production of teleshopping programs; television advertising; transcription of communications [office functions]; typing; updating of advertising material; updating and maintenance of data in computer databases; updating and maintenance

of information in registries; rental of vending machines; web site traffic optimization; web indexing for commercial or advertising purposes; wholesale services for pharmaceutical, veterinary and sanitary preparations and medical supplies; word processing; writing of publicity texts; writing of curriculum vitae for others; writing of resumes for others.

38 – Cable television broadcasting; communications by telegrams; communications by telephone; communications by cellular phones; communications by computer terminals; communications by fiber optic networks; computer aided transmission of messages and images; electronic bulletin board services [telecommunications services]; facsimile transmission; rental of facsimile apparatus; information about telecommunication; providing access to databases; providing internet chatrooms; message sending; rental of access time to global computer networks; rental of message sending apparatus; rental of modems; news agency services; providing online forums; paging services [radio, telephone or other means of electronic communication]; radio broadcasting; radio communications; satellite transmission; streaming of data; rental of telecommunication equipment; providing telecommunication channels for teleshopping services; providing telecommunications connections to a global computer network; telecommunications routing and junction services; teleconferencing services; telegraph services; telephone services; rental of telephones; television broadcasting; telex services; transmission of telegrams; transmission of electronic mail; transmission of greeting cards online; transmission of digital files; providing user access to global computer networks; video-on-demand transmission; videoconferencing services; voice mail services; wireless broadcasting.

(260) AM 2021 107937 A
 (800) 1525238
 (151) 2020 03 02
 (891) 2020 03 02
 (731) N.V. Organon
 Kloosterstraat 6, NL-5349 AB OSS,
 Netherlands
 (540)



(591) Black, white
 (531) 24.17.02; 25.03.01; 25.03.03; 26.01.01;
 26.01.02; 26.04.09; 26.07.25; 26.11.06
 (511)
 5 – Pharmaceutical preparations and over the counter pharmaceutical preparations and products.

9 – Downloadable software in the nature of a mobile application for providing information on pharmaceuticals, medicines, medical devices, health and wellness.

10 – Surgical and medical apparatus, devices and instruments.

42 – Providing online, non-downloadable software for providing and managing health and healthcare information; scientific research for medical purposes.

44 – Providing information in the fields of pharmaceuticals, medicines, medical devices, health, and wellness.

(260) AM 2021 107938 A
 (800) 1525250
 (151) 2020 03 02
 (891) 2020 03 02
 (731) N.V. Organon
 Kloosterstraat 6, NL-5349 AB OSS,
 Netherlands

(540)



(591) Black, white
 (531) 05.01.03; 05.01.16; 26.01.06; 26.01.12;
 26.01.15

(511)
 5 – Pharmaceutical preparations and over the counter pharmaceutical preparations and products.

9 – Downloadable software in the nature of a mobile application for providing information on pharmaceuticals, medicines, medical devices, health and wellness.

10 – Surgical and medical apparatus, devices and instruments.

42 – Providing online, non-downloadable software for providing and managing health and healthcare information; scientific research for medical purposes.

44 – Providing information in the fields of pharmaceuticals, medicines, medical devices, health, and wellness.

(260) AM 2021 107939 A
 (800) 1525254
 (151) 2020 03 02
 (891) 2020 03 02
 (731) N.V. Organon
 Kloosterstraat 6, NL-5349 AB OSS,
 Netherlands

(540)



(591) Fuchsia

(531) 05.01.03; 05.01.16; 26.01.06; 26.01.12;
26.01.15; 29.01.12

(511)

5 – Pharmaceutical preparations and over the counter pharmaceutical preparations and products.

9 – Downloadable software in the nature of a mobile application for providing information on pharmaceuticals, medicines, medical devices, health and wellness.

10 – Surgical and medical apparatus, devices and instruments.

42 – Providing online, non-downloadable software for providing and managing health and healthcare information; scientific research for medical purposes.

44 – Providing information in the fields of pharmaceuticals, medicines, medical devices, health, and wellness.

(260) AM 2021 107940 A

(800) 1525329

(151) 2020 03 02

(891) 2020 03 02

(731) N.V. Organon

Kloosterstraat 6, NL-5349 AB OSS,
Netherlands

(540)



(591) Fuchsia and black

(531) 05.03.11; 05.03.16; 05.05.21; 24.17.02;
26.01.01; 29.01.12

(511)

5 – Pharmaceutical preparations and over the counter pharmaceutical preparations and products.

9 – Downloadable software in the form of mobile applications for provision of information regarding pharmaceutical products, medicines, medical apparatus, medical healthcare and medical well-being.

10 – Surgical and medical apparatus, devices and instruments.

42 – Making available non-downloadable software online for provision and management of information relating to medical health and medical healthcare; scientific research for medical purposes.

44 – Provision of information in the field of pharmaceutical products, medicines, medical apparatus, medical health care and medical well-being.

(260) AM 2021 107941 A

(800) 1525331

(151) 2019 11 11

(891) 2019 11 11

(731) BİGES GÜVENLİ HAYAT TEKNOLOJİLERİ
ELEKTRONİK ANONİM ŞİRKETİ

Halide Edip Adıvar Mah., Darülaceze Cad.

No: 18, Şişli, İstanbul, Turkey

(540)



(591) Blue and dark blue

(531) 26.05.01; 26.05.16; 26.15.09; 27.05.01;
29.01.12

(511)

9 – Measurement apparatus and equipment including those for scientific, nautical, topographic, meteorologic, industrial and laboratory purposes, thermometers, not for medical purposes, barometers, ammeters, voltmeters, hygrometers, testing apparatus not for medical purposes, telescopes, periscopes, directional compasses, speed indicators, laboratory apparatus, microscopes, magnifying glasses, stills for laboratory experiments, binoculars, ovens and furnaces for laboratory experiments, apparatus for recording, transmission or reproduction of sound or images, cameras, photographic cameras, television apparatus, video recorders, CD and DVD players and recorders, MP3 players, computers, desktop computers, tablet computers, wearable technological devices, namely, smartwatches, smart wristbands and head-mounted cameras; microphones, loudspeakers, earphones, telecommunications apparatus, apparatus for the reproduction of sound or images, computer peripheral devices, cell phones, covers for cell phones, telephone apparatus, computer printers, scanners [data processing equipment], photocopiers, magnetic and optical data carriers and computer software and programmes recorded thereto, downloadable and recorded electronic publications, encoded magnetic and optic cards, movies; TV series and video music clips recorded on magnetic, optical and electronic media, antennas, satellite antennas, amplifiers for antennas, parts of the aforementioned goods, ticket dispensers, automatic teller machines

(ATM), electronic components used in the electronic parts of machines and apparatus, semi-conductors, electronic circuits, integrated circuits, chips [integrated circuits], diodes, transistors [electronic], magnetic heads for electronic apparatus, electronic locks, photocells, remote control apparatus for opening and closing doors, optical sensors, counters and quantity indicators for measuring the quantity of consumption, automatic time switches, clothing for protection against accidents, irradiation and fire, safety vests and life-saving apparatus and equipment, eyeglasses, sunglasses, optical lenses and cases, containers, parts and components thereof, apparatus and instruments for conducting, transforming, accumulating or controlling electricity, electric plugs, junction boxes [electricity], electric switches, circuit breakers, fuses, lighting ballasts, battery starter cables, electrical circuit boards, electric resistances, electric sockets, transformers [electricity], electrical adapters, battery chargers, electric door bells, electric and electronic cables, batteries, electric accumulators, solar panels for production of electricity, alarms and anti-theft alarms, other than for vehicles, electric bells, signalling apparatus and instruments, luminous or mechanical signs for traffic use, fire extinguishing apparatus, fire engines, fire hose and fire hose nozzles, radar apparatus, sonars, night vision apparatus and instruments, decorative magnets, metronomes.

42 – Scientific and industrial analysis and research services; engineering; engineering and architectural design services; testing services for the certification of quality and standards, computer services, namely, computer programming, computer virus protection services, computer system design, creating, maintaining and updating websites for others, computer software design, updating and rental of computer software, providing search engines for the Internet, hosting websites, consultancy in the design and development of computer hardware, rental of computer hardware, industrial design services, other than engineering, computer and architectural design; graphic arts designing, authenticating works of art.

(260) AM 2021 107942 A

(800) 1525352

(151) 2020 01 20

(891) 2020 01 20

(731) The Body Shop International Limited
Watersmead, Littlehampton, West Sussex
BN17 6LS, United Kingdom

(540)



(591) Black, white

(531) 01.15.15; 03.07.17; 03.07.19; 26.11.12;
26.13.25

(511)

3 – Cosmetics and skin care products namely, foundation, concealer, mascara, eye shadow, eye and/or brow liners, lipstick, lip liner, lip balm, face powder, bronzer, blusher, moisturizers, make-up remover; non-medicated body powder; skin soaps; bath gel; bath oils, bath salts, bath beads, and effervescent bath preparations; non-medicated skin care preparations, namely, lotions, creams, cleansers, scrubs, masks and toners; hair care and hair styling preparations, namely, shampoos, conditioners, finishing spray, and gels; personal deodorants, sun-tanning preparations; sunscreen oils and lotions; shaving preparations; dentifrices; perfumes; eau de toilette; essential oils for personal use, perfume oils; nail care preparations; nail enamel; pumice stone, cotton sticks and wool swabs for non-medical purposes all for use on the body; scented room fragrances, incense sticks, potpourri and sachets; powdered cosmetic tissues; tissues impregnated with cosmetic lotions; kits and gift sets containing skin and/or hair care preparations.

21 – Hair brushes; hair combs, nail brushes, body sponges, bath brushes, bath sponges, body scrubbing puffs, loofahs, candle sticks and candle holders not of precious metal, candle jars, aroma jars, pots and stands not of precious metal, shaving brush stands, fragrant oil burners, plates for diffusing aromatic oil; aromatic oil diffusers, other than reed diffusers, back scratchers, scent sprays (atomizers), perfume atomizers, cosmetic powder compacts, powder compacts (cases), soap dishes, toothbrush holders, tea strainers, cosmetic applicators and accessories, namely face/body brushes, makeup brushes, facial sponges, brushes and combs for eyebrows and eyelashes, eyeliner brushes and combs, foam toe separators, foam cosmetic applicators, cosmetic sponges and powder puffs.

35 – Retail services connected with the sale of beauty and personal care products, cosmetics, skin care preparations, toiletries, hair care preparations and fragrances; retail services provided via the Internet connected with the sale of beauty and personal care products, cosmetics, skin care preparations, toiletries, hair care preparations and fragrances; telephone shop at home services and shop at home parties featuring beauty products; cosmetics, toiletries, skin care preparations, hair care preparations, fragrances, and personal care products; computerised online ordering services featuring beauty and personal care products, cosmetics, skin care preparations, toiletries, fragrances, hair care preparations and fragrances; mail order retail services for beauty and personal care products, cosmetics, skin care preparations, toiletries, fragrances, hair care preparations, skin care preparations and toiletries; retail services connected with the sale of subscription boxes containing beauty and personal care products, cosmetics, fragrances, toiletries, hair

care preparations and skin care preparations; presentation of goods namely beauty and personal care products, cosmetics, fragrances, toiletries, skin care preparations and hair care preparations, on communication media for retail purposes; retail services via catalogues related to beauty and personal care products, cosmetics, skin care preparations, toiletries, hair care preparations and fragrances.

36 – Charitable fundraising services.

(260) AM 2021 107943 A

(800) 1525359

(151) 2020 03 02

(891) 2020 03 02

(731) N.V. Organon

Kloosterstraat 6, NL-5349 AB OSS,

Netherlands

(540)



(591) Fuchsia, different shades of blue and green

(531) 24.17.02; 25.03.01; 25.03.03; 26.01.01;

26.01.02; 26.04.09; 26.07.25; 26.11.06;

29.01.14

(511)

5 – Pharmaceutical preparations and over the counter pharmaceutical preparations and products.

9 – Downloadable software in the nature of a mobile application for providing information on pharmaceuticals, medicines, medical devices, health and wellness.

10 – Surgical and medical apparatus, devices and instruments.

42 – Providing online, non-downloadable software for providing and managing health and healthcare information; scientific research for medical purposes.

44 – Providing information in the fields of pharmaceuticals, medicines, medical devices, health, and wellness.

(260) AM 2021 107944 A

(800) 1525379

(151) 2019 12 13

(891) 2019 12 13

(731) GSH TRADEMARKS LIMITED

Afroditis, 25 2nd Floor, Office 204, NICOSIA,

Cyprus

(540)

DISTILLED. 7 TIMES
KHORTY TSA
FILTERED 7 TIMES

(591) Black, white

(531) 25.01.15; 26.11.07; 27.05.02

(511)

33 – Anise [liqueur], anisette [liqueur], aperitifs, arack [arak]/arak [arrack], baijiu [Chinese distilled alcoholic beverage], alcoholic beverages, except beer, alcoholic beverages containing fruit, bitters, brandy, cider, cocktails, curacao digesters [liqueurs and spirits], distilled beverages, alcoholic essences, alcoholic extracts, fruit extracts, alcoholic, gin, hydromel [mead]/mead [hydromel], kirsch, liqueurs, nira [sugar cane-based alcoholic beverage], peppermint liqueurs, perry, piquette, pre-mixed alcoholic beverages, other than beer-based, rice alcohol, rum, sake, spirits [beverages], vodka, whisky, wine.

(260) AM 2021 107945 A

(800) 1525384

(151) 2019 12 17

(891) 2019 12 17

(731) UPL LTD.

UPL House, 610 b/2, Bandra Village, Off

Western Express Highway, Bandra (East),

Mumbai, Maharashtra 400051, India

(540)

PGM Active

(591) Black, white

(531) 27.05.01

(511)

1 – Fertilizer and chemical products for use in agriculture, plant nutrient, additive chemical to fungicides, additive chemical to insecticides, flower preservatives, chemicals for forestry, phosphorus, plant growth regulating preparations, carbolineum for the protection of plant.

5 – Pesticides, insecticides, fungicides, herbicides, vermicides, rodenticides, weedicides, preparations for killing weeds and destroying vermin.

(260) AM 2021 107946 A

(800) 1525393

(151) 2019 09 25

(891) 2019 09 25

(731) Systemair Aktiebolag
Industrivägen 3, SE-739 30 Skinnskatteberg,
Sweden

(540)



(591) Green
(531) 24.15.21; 26.03.23; 29.01.03
(511)
6 – Ventilation ducts of metal.

11 – Heat exchangers; parts and fittings for heat exchangers; air heat recovery installations; air heat recovery apparatus; parts and fittings for air heat recovery installations and apparatus; hvac systems (heating, ventilation and air conditioning); parts and fittings for hvac systems (heating, ventilation and air conditioning); apparatus for heating, drying and ventilation; parts and components for fans and ventilating apparatus including silencers, grids, butterfly dampers and multi-leaf dampers, fire valves, inflow and outflow apertures, cloth-covered apertures, air curtains, ventilation hoods; air supply units; speed regulators for fans; duct heaters; air supply and extractor devices; extractor hoods for kitchens; thermostatic valves (parts for heating installations); level-control valves for tanks.

(260) AM 2021 107958 A

(800) 1525592

(151) 2020 03 04

(891) 2020 03 04

(731) SOREMARTEC S.A.

16, Route de Trèves, L-2633 Senningerberg,
Luxembourg

(540)

CRISPETY, CRUNCHETY, PEANUT BUTTERY

(591) Black, white
(511)
30 – Pastries and confectionery; chocolate; ice cream; sorbets and other edible ices; chocolate confectionery; cocoa-based beverages; all the aforementioned goods containing peanut butter.

(260) AM 2021 107959 A

(800) 1525631

(151) 2020 03 19

(891) 2020 03 19

(731) BELCHIM CROP PROTECTION, naamloze
Vennootschap

Technologielaan 7, B-1840 Londerzeel,
Belgium

(540)

SHIRUDO

(591) Black, white

(511)

5 – Preparations for destroying vermin; insecticides; miticides for agricultural use; fungicides, herbicides.

(260) AM 2021 107960 A

(800) 1525671

(151) 2020 02 26

(891) 2020 02 26

(731) ROLEX SA

Rue François-Dussaud 3-5-7, CH-1211
Genève 26, Switzerland

(540)

ROLEX JUBILEE

(591) Black, white

(511)

14 – Timepieces, namely, watches, wrist-watches, component parts for timepieces and accessories for timepieces not included in other classes, clocks and other chronometric instruments, chronometers, chronographs (timepieces), watch bands, dials (timepieces), boxes and cases for timepieces and jewelry, watch movements and their parts; jewelry; precious stones and semi-precious stones; precious metals and their alloys; pins (jewelry).

(260) AM 2021 107961 A

(800) 1525692

(151) 2019 09 12

(891) 2019 09 12

(731) LUKASHYN SERGII

Partizanska street, building 49 A, Dergachivsky
district, Kharkiv region, Mala Danylivka
settlement 62343, Ukraine

(540)

ТОРГСОФТ

(591) Black, white

(531) 28.05

(511)

41 – Academies [education]; amusement park services; providing amusement arcade services; animal training; rental of audio equipment; arranging of beauty contests; boarding school education; booking of seats for shows; calligraphy services; providing casino facilities [gambling]; cinema presentations; rental of cinematographic apparatus; club services [entertainment or education]; coaching [training]; arranging and conducting of colloquiums; arranging and conducting of concerts; arranging and conducting of conferences; arranging and conducting of congresses; correspondence courses; disc jockey services; discotheque services; dubbing; education information; educational examination; electronic desktop publishing; entertainer services; entertainment services; entertainment informati-

on; film production, other than advertising films; conducting fitness classes; gambling services; game services provided on-line from a computer network; games equipment rental; providing golf facilities; conducting guided tours; gymnastic instruction; health club services [health and fitness training]; holiday camp services [entertainment]; arranging and conducting of in-person educational forums; karaoke services; language interpreter services; layout services, other than for advertising purposes; lending library services; rental of lighting apparatus for theatrical sets or television studios; microfilming; mobile library services; modelling for artists; rental of motion pictures; movie studio services; providing museum facilities [presentation, exhibitions]; music composition services; production of music; news reporters services; nightclub services [entertainment]; nursery schools; on-line publication of electronic books and journals; providing on-line electronic publications, not downloadable; providing on-line music, not downloadable; providing on-line videos, not downloadable; orchestra services; organization of competitions [education or entertainment]; organization of exhibitions for cultural or educational purposes; organization of sports competitions; organization of lotteries; organization of balls; organization of shows [impresario services]; organization of fashion shows for entertainment purposes; party planning [entertainment]; personal trainer services [fitness training]; photographic reporting; photography; physical education; practical training [demonstration]; presentation of circus performances; presentation of variety shows; presentation of live performances; publication of texts, other than publicity texts; publication of books; radio entertainment; rental of radio and television sets; production of radio and television programmes; recording studio services; providing recreation facilities; recreation information; religious education; services of schools [education]; screenplay writing; scriptwriting, other than for advertising purposes; arranging and conducting of seminars; rental of show scenery; production of shows; sign language interpretation; rental of skin diving equipment; songwriting; rental of sound recordings; sport camp services; providing sports facilities; rental of sports equipment, except vehicles; rental of sports grounds; rental of stadium facilities; rental of stage scenery; subtitling; arranging and conducting of symposiums; educational services; television entertainment; rental of tennis courts; theatre productions; ticket agency services [entertainment]; timing of sports events; toy rental; translation; tutoring; rental of video cassette recorders; rental of video cameras; videotape editing; rental of videotapes; videotaping; vocational guidance [education or training advice]; vocational retraining; arranging and conducting of workshops [training]; writing of texts; zoological garden service.

42 – Analysis for oil-field exploitation; architectural services; architectural consultancy; authenticating

works of art; bacteriological research; biological research; calibration [measuring]; cartography services; chemical analysis; chemical research; chemistry services; clinical trials; cloud seeding; cloud computing; computer rental; computer programming; computer software design; rental of computer software; computer system analysis; computer system design; computer software consultancy; computer virus protection services; computer technology consultancy; computer security consultancy; construction drafting; consultancy in the design and development of computer hardware; consultancy in the field of energy-saving; conversion of data or documents from physical to electronic media; cosmetic research; creating and maintaining web sites for others; data conversion of computer programs and data [not physical conversion]; design of interior decor; interior design; digitization of documents [scanning]; dress designing; duplication of computer programs; electronic data storage; energy auditing; engineering; geological surveys; geological prospecting; geological research; graphic arts design; handwriting analysis [graphology]; hosting computer sites [web sites]; industrial design; information technology [IT] consultancy; providing information on computer technology and programming via a web site; installation of computer software; land surveying; maintenance of computer software; mechanical research; meteorological information; monitoring of computer systems by remote access; off-site data backup; oil prospecting; oil-field surveys; oil-well testing; out-source service providers in the field of information technology; packaging design; research in the field of physics; quality control; quality evaluation of standing timber; quality evaluation of wool; recovery of computer data; research and development of new products for others; research in the field of environmental protection; provision of scientific information, advice and consultancy in relation to carbon offsetting; scientific laboratory services; scientific research; providing search engines for the internet; server hosting; software as a service [SaaS]; styling [industrial design]; surveying; technical research; technical project studies; technical writing; technological consultancy; telecommunications technology consultancy; material testing; textile testing; underwater exploration; updating of computer software; urban planning; vehicle roadworthiness testing; water analysis; weather forecasting; rental of web servers; web site design consultancy.

(260) AM 2021 107962 A

(800) 1525716

(151) 2019 11 16

(891) 2019 11 16

(731) Open Joint-Stock Company "Klimovichskij likero-vodochnyj zavod"
d. 10, ul. Naberezhnaja, g. Klimovichi,
Klimovichskij rajon, 213633 Mogilevskaja
oblast', Belarus

(540)

TERRA NOVA

(591) Black, white

(511)

33 – Alcoholic beverages, except beer; alcoholic preparations for making beverages.

(260) AM 2021 107963 A

(800) 1525801

(151) 2019 11 06

(891) 2019 11 06

(731) DIPTYQUE S.A.S.

34 boulevard Saint Germain, F-75005 Paris,
France

(540)



(591) Black, white

(531) 01.15.11; 11.03.11; 25.01.15

(511)

3 – Non-medicated toilet preparations; preparations and substances for the conditioning, care and appearance of the skin, hands, body, face, eyes, hair, scalp, teeth and nails; soaps, personal cleansing preparations, shower gels, bath gels and bath preparations; skin cleansers; skin moisturizers; skin toners; facial scrubs; body scrubs; exfoliating scrubs and creams; body creams and lotions; lip balm; perfumery, eau de parfum, colognes and toilet waters; deodorant preparations for personal use, anti-perspirants; cosmetics, colour cosmetics, eye cosmetics, nail cosmetics, lip cosmetics; make-up removers; cosmetic impregnated tissues; shampoos, hair conditioners, hair lotions; dentifrices; sun tanning preparations, sun-screening preparations; shaving preparations, after shave and pre-shave lotions and oils; depilatory preparations; essential oils, oils for toilet purposes; pomanders; potpourris, fragranced sachets for drawers; room fragrance, room perfume sprays, room scenting sprays, room perfume diffusers; incense; extracts of flowers [perfumes].

4 – Candles; scented candles; wicks.

(260) AM 2021 107964 A

(800) 1525862

(151) 2019 09 20

(891) 2019 09 20

(731) Joint-Stock Company "Apatit"

Severnoye Shosse, 75, Cherepovets,
RU-162622 Vologda Oblast, Russian
Federation

(540)

Apaliqua

(591) Black, white

(511)

1 – Fertilizers.

35 – Retail store and wholesale store services connected with the sale of fertilizers; retail online store and wholesale online store services connected with the sale of fertilizers.

(260) AM 2021 107965 A

(800) 1525892

(151) 2019 09 30

(891) 2019 09 30

(731) Obshchestvo s ogranichennoy otvetstvennostiu
"KAMI"ul. Spartakovskaya, 19, str. 3A, et. 1, pom. 118,
of. 3L, RU-105066 Moskva, Russian Federation

(540)

Aexperia

(591) Black, white

(511)

35 – Arranging subscriptions to telecommunication services for others; import-export agency services; commercial information agency services; advertising agencies; cost price analysis; rental of office equipment in co-working facilities; rental of advertising space; business auditing; financial auditing; business intermediary services relating to the matching of potential private investors with entrepreneurs needing funding; employment agency services; computerized file management; book-keeping; invoicing; demonstration of goods; transcription of communications [office functions]; opinion polling; market studies; business information; commercial information and advice for consumers in the choice of products and services; business investigations; business research; marketing research; personnel recruitment; business management and organization consultancy; business organization consultancy; business management consultancy; personnel management consultancy; professional business consultancy; consultancy regarding advertising communication strategies; consultancy regarding public relations communication strategies; layout services for advertising purposes; marketing; marketing in the framework of software publishing; targeted marketing; business management of performing artists; business management of sports people; writing of curriculum vitae for others; scriptwriting for advertising purposes; news clipping services; updating and maintenance of information in registries; updating and maintenance of data in computer databa-

ses; updating of advertising material; word processing; online retail services for downloadable and pre-recorded music and movies; online retail services for downloadable ring tones; online retail services for downloadable digital music; organization of exhibitions for commercial or advertising purposes; arranging newspaper subscriptions for others; organization of fashion shows for promotional purposes; organization of trade fairs for commercial or advertising purposes; shop window dressing; design of advertising materials; business appraisals; payroll preparation; data search in computer files for others; sponsorship search; administrative assistance in responding to calls for tenders; business management assistance; commercial or industrial management assistance; commercial intermediation services; providing business information via a web site; provision of commercial and business contact information; provision of an online marketplace for buyers and sellers of goods and services; web indexing for commercial or advertising purposes; presentation of goods on communication media, for retail purposes; media relations services; economic forecasting; auctioneering; wholesale services for pharmaceutical, veterinary and sanitary preparations and medical supplies; retail services for works of art provided by art galleries; retail services for pharmaceutical, veterinary and sanitary preparations and medical supplies; sales promotion for others; promotion of goods and services through sponsorship of sports events; production of teleshopping programmes; production of advertising films; office machines and equipment rental; rental of advertising time on communication media; publicity material rental; rental of billboards [advertising boards]; rental of vending machines; rental of sales stands; rental of photocopying machines; publication of publicity texts; radio advertising; bill-posting; distribution of samples; dissemination of advertising matter; direct mail advertising; registration of written communications and data; writing of publicity texts; advertising; online advertising on a computer network; outdoor advertising; advertising by mail order; television advertising; document reproduction; compilation of statistics; compilation of information into computer databases; business inquiries; systemization of information into computer databases; advisory services for business management; corporate communications services; negotiation of business contracts for others; negotiation and conclusion of commercial transactions for third parties; compiling indexes of information for commercial or advertising purposes; tax preparation; drawing up of statements of accounts; telemarketing services; psychological testing for the selection of personnel; interim business management; outsourced administrative management for companies; business management of hotels; business management for freelance service providers; business project management services for construction projects; commercial administration of the licensing of the goods and services of

others; business management of reimbursement programmes for others; administration of consumer loyalty programs; administration of frequent flyer programs; administrative processing of purchase orders; public relations; commercial lobbying services; competitive intelligence services; modelling for advertising or sales promotion; typing; market intelligence services; appointment reminder services [office functions]; web site traffic optimisation; relocation services for businesses; tax filing services; search engine optimisation for sales promotion; appointment scheduling services [office functions]; gift registry services; price comparison services; pay per click advertising; secretarial services; procurement services for others [purchasing goods and services for other businesses]; shorthand; outsourcing services [business assistance]; telephone answering for unavailable subscribers; photocopying services; business efficiency expert services.

39 – Air transport; motor coach rental; boat rental; garage rental; rental of vehicle roof racks; aircraft rental; parking place rental; rental of electric wine cellars; rental of warehouses; rental of tractors; booking of seats for travel; travel reservation; transport reservation; towing; vehicle breakdown towing services; bottling services; water distribution; delivery of newspapers; message delivery; parcel delivery; delivery of goods; delivery of goods by mail order; flower delivery; replenishment of vending machines; launching of satellites for others; traffic information; transportation information; storage information; transportation logistics; rescue operations [transport]; arranging of cruises; arranging of passenger transportation services for others via an online application; arranging of transportation for travel tours; armored-car transport; hauling; carting; transport and storage of trash; transporting furniture; lighterage services; ferry-boat transport; removal services; transport of travellers; guarded transport of valuables; bus transport; car transport; barge transport; boat transport; railway transport; marine transport; passenger transport; river transport; ambulance transport; streetcar transport; portorage; refloating of ships; cash replenishment of automated teller machines; shipbrokerage; transport brokerage; freight brokerage; providing driving directions for travel purposes; car rental; railway truck rental; rental of diving bells; rental of diving suits; rental of motor racing cars; rental of aircraft engines; railway coach rental; rental of wheelchairs; rental of storage containers; horse rental; rental of freezers; rental of navigational systems; refrigerator rental; vehicle rental; stevedoring; unloading cargo; electricity distribution; distribution of energy; packaging of goods; collection of recyclable goods [transport]; ice-breaking; piloting; water supplying; escorting of travellers; transport by pipeline; wrapping of goods; operating canal locks; car parking; chauffeur services; pleasure boat transport; car sharing services; courier services [messages

or merchandise]; salvaging; salvage of ships; gift wrapping; underwater salvage; taxi transport; transport; transport services for sightseeing tours; luggage storage; franking of mail; freight [shipping of goods]; freighting; physical storage of electronically stored data or documents; boat storage; storage of goods; storage; freight forwarding.

41 – Modelling for artists; academies [education]; rental of indoor aquaria; rental of artwork; rental of sports grounds; rental of tennis courts; lending library services; booking of seats for shows; videotaping; physical education; production of music; discotheque services; animal training; dubbing; gambling services; publication of books; education information; recreation information; entertainment information; film distribution; movie studio services; health club services [health and fitness training]; nightclub services [entertainment]; layout services, other than for advertising purposes; microfilming; videotape editing; production of radio and television programmes; screenplay writing; religious education; aikido instruction; gymnastic instruction; judo instruction; correspondence courses; practical training [demonstration]; training services provided via simulators; organization of balls; organization of exhibitions for cultural or educational purposes; providing recreation facilities; arranging and conducting of colloquiums; arranging and conducting of congresses; arranging and conducting of conferences; arranging and conducting of concerts; arranging and conducting of workshops [training]; arranging and conducting of in-person educational forums; arranging and conducting of seminars; arranging and conducting of symposiums; organization of competitions [education or entertainment]; arranging of beauty contests; organization of cosplay entertainment events; organization of lotteries; organization of fashion shows for entertainment purposes; organization of shows [impresario services]; organization of sports competitions; vocational guidance [education or training advice]; amusement park services; sign language interpretation; know-how transfer [training]; television entertainment; mobile library services; vocational retraining; providing online videos, not downloadable; providing online music, not downloadable; providing television programmes, not downloadable, via video-on-demand services; providing films, not downloadable, via video-on-demand services; providing golf facilities; providing sports facilities; providing amusement arcade services; cinema presentations; providing online electronic publications, not downloadable; presentation of circus performances; presentation of variety shows; presentation of live performances; theatre productions; conducting guided climbing tours; conducting fitness classes; educational examination; film production, other than advertising films; rental of audio equipment; rental of video cameras; rental of video cassette recorders; rental of videotapes; rental of show scenery; rental of sound re-

cordings; toy rental; rental of cinematographic apparatus; rental of motion pictures; games equipment rental; rental of stadium facilities; rental of lighting apparatus for theatrical sets or television studios; rental of radio and television sets; rental of skin diving equipment; rental of sports equipment, except vehicles; rental of stage scenery; electronic desktop publishing; online publication of electronic books and journals; publication of texts, other than publicity texts; radio entertainment; entertainer services; entertainment services; writing of texts; sado instruction [tea ceremony instruction]; zoological garden services; news reporters services; film directing, other than advertising films; party planning [entertainment]; music composition services; subtitling; tutoring; holiday camp services [entertainment]; video editing services for events; conducting guided tours; disc jockey services; sound engineering services for events; game services provided online from a computer network; personal trainer services [fitness training]; providing casino facilities [gambling]; calligraphy services; karaoke services; club services [entertainment or education]; songwriting; cultural, educational or entertainment services provided by art galleries; providing museum facilities [presentation, exhibitions]; teaching; educational services provided by special needs assistants; educational services provided by schools; orchestra services; translation; scriptwriting, other than for advertising purposes; ticket agency services [entertainment]; educational examination for users to qualify to pilot drones; coaching [training]; lighting technician services for events; sport camp services; recording studio services; language interpreter services; nursery schools; photography; photographic reporting; timing of sports events; boarding school education; production of shows.

43 – Accommodation bureau services [hotels, boarding houses]; rental of temporary accommodation; rental of meeting rooms; tourist home services; hotel reservations; boarding house bookings; temporary accommodation reservations; hotel services; retirement home services; snack-bar services; information and advice in relation to the preparation of meals; café services; cafeteria services; motel services; boarding house services; boarding for animals; rental of cooking apparatus; rental of chairs, tables, table linen, glassware; rental of lighting apparatus; rental of tents; rental of transportable buildings; rental of drinking water dispensers; restaurant services; self-service restaurant services; reception services for temporary accommodation [management of arrivals and departures]; food sculpting; canteen services; decorating of food; cake decorating; holiday camp services [lodging]; bar services; providing campground facilities; personal chef services; food and drink catering; was-hoku restaurant services; udon and soba restaurant services; day-nursery [crèche] services.

(260) AM 2021 107966 A

(800) 1525947

(151) 2020 01 29

(891) 2020 01 29

(731) MARCHI & BREVETTI INTERPRISE S.r.l.
Via Pietro Bortolotti 18, I-41125 MODENA
(MO), Italy

(540)



(591) Black, white

(531) 03.07.01; 03.07.16; 03.07.24; 05.03.13;
05.03.14; 27.05.01

(511)

9 – Dosage dispensers; measuring apparatus; automatic dosage apparatus; liquid dosage devices that measure the amounts to be dispensed; ammeters; timers for automatic apparatus; automatic time switches; distribution boards [electricity]; control panels [electricity]; panels for the distribution of electricity; electrical controls; electrical controls for measuring apparatus; measuring instruments for water quality parameters, namely for pool water, thermal water and spring and lake water.

11 – Water sterilizers; water treatment equipment, namely, ultraviolet sterilizers and chemical sterilization apparatus; disinfectant ultraviolet ray lamps for swimming pools, spas and bio-lakes; sterilization, disinfectant and decontamination apparatus; water filtering apparatus; water filtration apparatus; filters for swimming pools; water conditioning units; water purification units; water distilling units.

(260) AM 2021 107967 A

(800) 1525948

(151) 2020 02 20

(891) 2020 02 20

(731) GRAND CASINO KURSAAL BERN AG
c/o Kongress & Kursaal Bern AG,
Kornhausstrasse 3, CH-3013 Bern, Switzerland

(540)



(591) Red, gold and gray

(531) 21.01.02; 25.01.25; 27.05.10; 27.05.11;
27.07.01; 29.01.13

(511)

28 – Games, except as peripherals for external screens or monitors; toys; counters [discs] for games; playing cards, dice (games), gaming tables, gaming mats.

36 – Financial affairs; monetary affairs.

41 – Online game services; entertainment services, namely provision of games online via global computer networks (the Internet); casino services (gambling); gambling services; services provided by a cultural and congress center; organization, hosting and conducting of parties, fairs, congresses, conferences, sports competitions, symposiums, seminars and training workshops, musical performances, dance events, balls, theatrical performances, variety shows, exhibitions for cultural or educational purposes, live events; discotheque services, night club services; reservation of seats for entertainment and cultural events; publication of texts other than for advertising, printed matter and photographs, also in electronic form; provision of non-downloadable publications online; provision of information and advice regarding entertainment, sports and cultural activities and events; provision of interactive information, provided online from databases or on the Internet, regarding entertainment, sporting and cultural activities and events, information services relating to sporting and cultural events.

(260) AM 2021 107978 A

(800) 1519028

(151) 2019 03 06

(891) 2020 03 03

(731) Shenzhen HeyTap Technology Corp., Ltd.
207-2, Block B, Fu'an Science & Technology
Mansion, No.13 Gaoxinnanyi Avenue, Yuehai
Street, Nanshan District, Shenzhen,
Guangdong, China

(540)

Breeno

(591) Black, white

(511)

9 – Computers; computer peripheral devices; computer software, recorded; notebook computers; electronic publications, downloadable; computer programs [downloadable software]; computer game software, recorded; computer game software, downloadable; USB flash drives; tablet computers; smartglasses; smartwatches; interactive touch screen terminals; humanoid robots with artificial intelligence; smartphone software applications, downloadable; computer software platforms, recorded or downloadable; wearable computers; pedometers; transmitters of electronic signals; intercommunication apparatus; telephone apparatus; global positioning system [GPS] apparatus; smartphones; mobile telephones; cell phones; wearable activity trackers; sound transmitting apparatus; portable media players; headphones; selfie sticks [handheld monopods]; surveying instruments; wires, electric; semi-conductors; electric plugs; electric sockets; video screens; remote control apparatus; optical fibres [light conducting filaments]; eyeglasses; batteries, electric; optical apparatus and instruments.

38 – Television broadcasting; telephone services; communications by cellular phones; providing online forums; streaming of data; providing access to databases; communications by computer terminals; computer aided transmission of messages and images; providing telecommunications connections to a global computer network; providing internet chatrooms; message sending; information about telecommunication; video-on-demand transmission.

42 – Technical research; telecommunications technology consultancy; computer software design; software development in the framework of software publishing; platform as a service [PaaS]; software as a service [SaaS]; data encryption services; design and development of software in the field of mobile applications; cloud computing; recovery of smartphone data; design and development of virtual reality software.

(260) AM 2021 107996 A

(800) 1526310

(151) 2020 01 21

(891) 2020 01 21

(731) HUAWEI TECHNOLOGIES CO., LTD.

Administration Building, Huawei Technologies Co., Ltd., Bantian, Longgang District, Shenzhen, China

(540)

HONOR MagicWatch

(591) Black, white

(531) 27.05.01

(511)

9 – Security surveillance robots; wearable video display monitors; selfie lenses; laboratory robots; teaching robots; USB data lines or data cables; USB data lines or data cables for mobile phones; downloadable mobile phone software applications; holders for mobile phones; touch screens; television apparatus; electric plugs; electric sockets; intercoms; digital door locks; alarm central units; sensors; downloadable emoticons for mobile phones; computer operating programs, recorded; humanoid robots with artificial intelligence; electronic sheet music, downloadable; smart rings; audio interfaces; electric and electronic effects units for musical instruments; equalizers (audio apparatus); digital weather stations; biochips; infrared detectors; electronic key fobs being remote control apparatus; security tokens (encryption devices); fingerprint identifier; human face recognition devices; stored program controlled telephone switching apparatus; radios; air analysis apparatus; materials for electricity mains (wires, cables); video screens; integrated circuits; electronic chips; thermal imaging cameras; bathroom scales; scales with body mass analyzers; personal digital assistants (PDAs); computer software platforms, recorded or downloadable; thin client computers; hand-held electronic dictionaries; computer screen saver

software, recorded or downloadable; computer software, recorded; downloadable graphics for mobile phones; wearable computers; telecommunication apparatus in the form of jewellery; selfie sticks for mobile phones; liquid crystal displays (LCD) with large screens; electronic diaries; liquid crystal displays (LCD); electronic pens; video image printers; portable digital electronic scales; wrist-mounted smartphones; television apparatus for vehicles; computer styluses; computer programs, downloadable; computer programs (downloadable software); touch screen pens; 3D spectacles; bags adapted for laptops; smartglasses; smartwatches; smartphones; wearable activity trackers; cases for smartphones; covers for smartphones; protective films adapted for smartphones; selfie sticks (hand-held monopods); digital photo frames; microphones; computer hardware; computer memories; integrated circuit cards (smart cards); transponders; cabinets for loudspeakers; network communication apparatus; modems; sleeves for laptops; electric batteries; chargers for electric batteries; mobile power source (rechargeable batteries); tablet computers; covers for tablet computers; stands adapted for tablet computers; flat panel displays; flexible flat panel displays for computers; laptop computers; notebook computers; headphones; earphones; virtual reality headsets; digital video recorder for vehicles; set-top boxes; loudspeakers; portable media players; sound transmitting apparatus; camcorders; cameras (photography); computer keyboards; mouse (computer peripheral); pedometers; monitoring apparatus, other than for medical purposes; video monitors; connected bracelets (measuring instruments); computer programs, recorded; computer software applications, downloadable; optical lenses; switchboards; transmitters of electronic signals; transmitting sets (telecommunication); gas testing instruments; scales; black boxes (data recorders); interactive touch screen terminals.

(260) AM 2021 107997 A

(800) 1526331

(151) 2020 02 13

(891) 2020 02 13

(731) Qinhuangdao Frank Trading Co., Ltd.

66 Yanshan Street West Section, Haigang District, Qinhuangdao City, 066000 Hebei Province, China

(540)



(591) Black, white

(531) 07.05.25

(511)
33 – Wine; cocktails; spirits [beverages]; brandy; alcoholic beverages, except beer; rum; vodka; grain-based distilled alcoholic beverages.

(260) AM 2021 108000 A

(800) 1526347

(151) 2020 03 12

(891) 2020 03 12

(731) ZKTECO CO., LTD.

No. 26, Pingshan 188 Industry Zone, Tangxia Town, Dongguan City, Guangdong, China

(540)



(591) Black, white

(531) 27.05.10; 27.05.19; 27.05.23

(511)

35 – Advertising; commercial information agency services; business management assistance; commercial administration of the licensing of the goods and services of others; commercial or industrial management assistance; provision of commercial and business contact information; marketing; personnel management consultancy; computerized file management; compilation of information into computer databases; systemization of information into computer databases; web indexing for commercial or advertising purposes; appointment scheduling services [office functions]; accounting; payroll preparation; drawing up of statements of accounts; sponsorship search; presentation of goods on communication media, for retail purposes; online advertising on a computer network; providing business information via a web site; provision of an online marketplace for buyers and sellers of goods and services; sales promotion for others; import-export agency services; updating and maintenance of data in computer databases.

(260) AM 2021 108026 A

(800) 1526884

(151) 2020 03 24

(891) 2020 03 24

(731) HUAWEI TECHNOLOGIES CO., LTD.

Administration Building, Huawei Technologies Co., Ltd., Bantian, Longgang District, Shenzhen, China

(540)



(591) Black, white

(531) 27.05.01

(511)

9 – Radios (vehicle -); remote control apparatus for household purposes; network communication apparatus;

personal digital assistants (PDAs); mobile power source (rechargeable batteries); television apparatus; camcorders; television cameras; smartwatches; wearable activity trackers; projection apparatus; navigation apparatus for vehicles (on-board computers); satellite navigational apparatus; speed checking apparatus for vehicles; wide area network (WAN) routers; cabinets for loudspeakers; detectors; automatic indicators of low pressure in vehicle tyres; steering apparatus, automatic, for vehicles; integrated circuits; portable media players; sensors; video screens; remote control apparatus; photocopiers (photographic, electrostatic, thermic); anti-theft warning apparatus; eyeglasses; electric batteries; human face recognition devices; telecommunication apparatus in the form of jewellery; selfie sticks for mobile phones; wearable video display monitors; communication transmission apparatus; security surveillance robots; virtual reality headsets; telepresence robots; smart rings; electronic key fobs being remote control apparatus; earphones; set-top boxes; cameras (photography); 3D spectacles; baby monitors; optical communication apparatus; network routers; smartphones; bathroom scales; intercommunication apparatus; television apparatus for vehicles; document printers for use with computers; interactive touch screen terminals; smartglasses; humanoid robots with artificial intelligence; radio beacon devices and apparatus; rearview cameras for vehicles; sleeves for laptops; dictating machines; navigational instruments.

(260) M 2021 108029 A

(800) 1526980

(151) 2019 12 23

(891) 2019 12 23

(731) SHANTOU WANBANG INDUSTRIAL (GROUP) CO., LTD

1# Zhujin Erheng Street, Longhu District, Shantou, 515022 Guangdong, China

(540)



(591) Black, white

(531) 01.13.01; 27.05.01

(511)

3 – Shampoos; cloths impregnated with a detergent for cleaning; dentifrices; scented wood; cosmetics; laundry preparations; essential oils; body powders; cosmetics for animals.

(260) AM 2021 108030 A

(800) 1526990

(151) 2019 12 23

(891) 2019 12 23

(731) SHANTOU LANA CANE COSMETIC CO., LTD.

Floor 3, Building 2, Xiashan, Chaonan,
Shantou, 515144 Guangdong, China

(540)

ALOBON

(591) Black, white

(531) 27.05.01

(511)

3 – Shampoos; cloths impregnated with a detergent for cleaning; dentifrices; scented wood; cosmetics; laundry preparations; essential oils; body powders; cosmetics for animals.

(260) AM 2021 108031 A

(800) 1527049

(151) 2020 03 13

(891) 2020 03 13

(731) KIA MOTORS CORPORATION

12, Heolleung-ro, Seocho-gu., Seoul 06797,
Republic of Korea

(540)



(591) Black, white

(531) 27.05.01; 27.05.17; 27.05.19; 27.05.22;
27.05.23

(511)

38 – Telecommunications services provided via fiber optic, wireless and cable networks; data transmission and data broadcasting; providing access to data networks for navigation purposes; radio broadcasting; broadcasting and transmission of radio programs; rental of equipment for broadcasting; interactive broadcasting and communications services; transmission, broadcasting and reception of audio, video, still and moving images, text and data; telecommunications services; satellite transmission and television broadcasting services; communication by mobile telephone; electronic transmission of user location information via satellite and communication mechanism; providing access to applications via internet or mobile networks; internet broadcasting services; car telephone communications services; telephone communications; television broadcasting; rental of telecommunication machines and apparatus; transmission of automobile information via communication networks; communications services.

(260) AM 2021 108039 A

(800) 1527208

(151) 2020 03 13

(891) 2020 03 13

(731) KIA MOTORS CORPORATION

12, Heolleung-ro, Seocho-gu, Seoul 06797,
Republic of Korea

(540)



(591) Black, white

(531) 27.05.01; 27.05.17; 27.05.19; 27.05.22;
27.05.23

(511)

4 – Leather-preserving oils and greases; solid fuels; industrial oils and fats; industrial oil; grease for boots; gaseous fuels; fuel for lighters; lamp wicks; dust absorbing, wetting and binding compositions; wax [raw material]; biofuels; liquid fuels; candles; engine oils; fuel (including motor spirits); lubricants; electrical energy; candles and wicks for lighting; paraffin; tinder.

(260) AM 2021 108040 A

(800) 1527246

(151) 2020 01 31

(891) 2020 01 31

(731) SCAVOLINI S.P.A.

Via Risara, 60/70-74/78, I-61025 Montelabbate
(PU), Italy

(540)

СКАВОЛИНИ

(591) Black, white

(531) 28.05

(511)

11 – Apparatus and installations for lighting, including bathroom, kitchen and living room lighting apparatus and installations, for household purposes, lighting apparatus and installations for range hoods, for household purposes, apparatus and installations for heating for household purposes, apparatus and installations for cooling for household purposes, apparatus and installations for steam generating for household purposes, cooking, heating, cooling equipment for preservation of food and beverages, installations for heating foodstuffs, food warming lamps, electric sous-vide cookers, cooling electric appliances for food preservation, drying apparatus and installations for household purposes, including tumble dryers, hair and hand drying devices, apparatus and installations for ventilating, water supply and sanitary purposes for household purposes, water purifying apparatus and installations, air purifiers, filters for air purifiers for household purposes, bathroom sanitary apparatus and installations including shower cubicles, sinks, wash-hand basins, basins, bath tubs, water closets, bidets, taps, apparatus and installations for kitchens for household purposes, namely, kitchen sinks and tap water faucets, refrigerators, freezers, ovens, ovens build-in, built-in ovens, pyrolytic ovens, microwave ovens, built-in microwave ovens, cooktops, induction cooktops, barbecues, blast chillers, refrigerator drawer units equipped for marinating food and vacuum sealing function, warming drawers for food, warming drawers

equipped for leavening function, extractor hoods, electric wine coolers, electrical household appliances including electric coffee machines, electric egg-boilers, toasters, electric pressure cookers, electric slow cookers, electric rice cookers, electric egg cookers, electric deep fryers, electric waffle makers, electric coffee makers, electric kettles; parts and accessories for the abovementioned goods included in this class.

20 – Furniture and furnishings, namely, furniture for kitchens, fitted kitchen furniture, height adjustable kitchen furniture, furniture for bathrooms, modular bathroom furniture, living room furniture, lounge furniture, bedroom furniture, furniture being convertible into beds, furniture incorporating beds, transformable furniture, upholstered convertible furniture, upholstered furniture, composable furniture, furniture modular storage systems, furniture modular storage units, fitted furniture, furniture adapted for use by those with mobility difficulties, seating furniture, stools, benches, chairs, armchairs, pouffes [furniture], divans and sofas, divan beds, extendible sofas, divan bases, divans incorporating storage space, beds, foldaway beds, mattress bases, mattress supports, mattresses, pillows, cushions, tables [furniture], consoles [furniture], vanity units [furniture], shower chairs, bathroom cupboards, bathroom vanities [furniture], washstands [furniture], pedestal cabinets, cupboards fitted with mirrors, basin cabinets, towel stands [furniture], fixed towel dispensers, not of metal, bins, not of metal, clothes hooks not of metal, fitted cupboards, room dividing cupboards, cupboards for bedrooms, bedside cabinets, dressers, wardrobes, wardrobe sliding doors, wardrobe fittings, namely clothes baskets, clothing racks and rails, cabinet storage systems, drawers, clothes hangers, clothes lockers, buffets and cabinets [furniture], cupboards, containers not of metal for storage, cabinets for bowls and dishes, cupboards and credenzas being furniture, cupboards with dish drainers inside, cabinets for waste bins, kitchen cabinets, cupboard units, kitchen display units, cookbook holders, wine racks [furniture], kitchen tables, kitchen units, book holders [furniture], brochure holders [furniture], coat hangers, clothes hangers, clothes stands [furniture] and clothes hooks, clothes rails, tie rack, trouser rack, coat racks [furniture], hat racks [furniture], boot trays [furniture], desks [furniture], display furniture, serving trolleys [furniture], dinner wagons, ceramic pulls for cabinets, drawers and furniture, furniture fittings (non-metallic -), corner units [furniture], feet for furniture, legs for furniture, decorative wooden panels [furniture], drawer slides [furniture hardware], furniture frames, mobile storage racks [furniture], modular shelving [furniture], multi-purpose stands [furniture], stands [furniture] for use with television, partitions in the nature of furniture, partitions of metal [furniture], partitions of plastics [furniture], partitions of wood for furniture, furniture panels, furniture parts, furniture racks, furniture shelves, worktops, furniture units, dra-

wers [furniture parts], sliding dividers [furniture partitions] for rooms, sliding doors for furniture, sliding panel systems being furniture, space dividers [furniture], wall partitions [furniture], wall shelves [furniture], wall units [furniture], room divider panels [furniture], rotating stands [furniture], parts of furniture (non-metallic -), doors for furniture, furniture locks (non-metallic -), furniture made from wood, furniture made from substitutes for wood, furniture made of rattan, furniture made of steel, furniture made principally of glass, furniture of metal, furniture of plastic materials, mirrors, picture frames; containers, not of metal, for storage or transport; unworked or semi-worked bone, horn, whalebone or mother-of-pearl; shells; meerschaum; yellow amber.

35 – Advertising; business management; business administration; office functions; business administration assistance, commercial management of franchising, organization of commercial or advertising exhibitions, planning and organizing trade fairs, exhibitions or show based on commercial or advertising purposes; export-import agency services, sales promotion [for others], marketing management; wholesale and retail sale services for the benefit of third parties, also provided by means of electronic media or through mail order catalogues, including the Internet in relation to bathroom, kitchen and living room lighting apparatus and installations and integrated lighting systems, apparatus and installations for heating, cooling, steam generating, cooking, boiling, grilling, warming, refrigerating, drying, sweeping, cleaning, washing and laundering machines, apparatus and installations for ventilating, water supply and sanitary purposes, water purifying apparatus and installations, bathroom sanitary apparatus and installations, apparatus and installations for kitchens, electrical household appliances, furniture and furnishings, mirrors, picture frames and containers, opening and closing mechanisms applied to furnishing articles, household or kitchen utensils and containers, accessories and utensils for the kitchen and the lunchroom, utensils and containers for the bathroom and cosmetic and toilet utensils, cookware and tableware, combs and sponges, brushes, articles for cleaning purposes, unworked or semi-worked glass, except building glass, glassware, porcelain and earthenware.

(260) AM 2021 108044 A

(800) 1527353

(151) 2020 02 07

(891) 2020 02 07

(731) "Beluga Brands", LLC

Proletarskaya street, 40A, 112, Zvenigorod city,
RU-143180 Moscow region, Russian
Federation

(540)

ПАРКА

(591) Black, white

(531) 28.05

(511)

33 – Arrack; brandy; wine; piquette; whiskey; vodka; anisette [liqueur]; kirsch; gin; digesters [liqueurs and spirits]; cocktails; curacao; anise [liqueur]; liqueurs; pre-mixed alcoholic beverages, other than beer-based; alcoholic beverages, except beer; alcoholic beverages containing fruit; spirits [beverages]; distilled beverages; mead (hydromel); peppermint liqueurs; bitters; nira (sugarcane-based alcoholic beverage); rum; sake; perry; cider; rice alcohol; alcoholic extracts; alcoholic fruit extracts; alcoholic essences.

(260) AM 2021 108046 A

(800) 1255257

(151) 2015 04 03

(891) 2020 02 21

(731) KITO CORPORATION also trading as
KABUSHIKI KAISHA KITO
2000, Tsuijjarai, Showa-Cho, Nakakoma-Gun,
Yamanashi 409-3853, Japan

(540)

KITO

(591) Black, white

(531) 27.05.01

(511)

6 – Iron and steel; metal railings; nonferrous metals and their alloys; metal materials for building or construction; belts of metal for load handling; harness of metal for load handling; loading pallets of metal; turntables for load handling; traversers for load handling; metal pulleys, springs and valves [not including machine elements]; chains of metal, couplings of metal for chains, hooks [metal hardware] and other metal hardware; wire ropes.

7 – Metalworking machines and tools; mining machines and apparatus; construction machines and apparatus; cranes, hoisting or winding gears, conveyors and other loading-unloading machines and apparatus, and parts and accessories therefor; industrial fishing machines; non-electric prime movers [not for land vehicles] and parts thereof; machine elements [not for land vehicles]; starters for motors and engines; AC motors and DC motors [not including those for land vehicles but including "parts" for any AC motors and dc motors]; AC generators [alternators]; DC generators.

9 – Measuring or testing machines and instruments; switches, electric; power distribution or control machines and apparatus; rotary converters; phase modifiers; electric wires and cables; telecommunication machines and apparatus; electronic machines and apparatus, and parts and accessories therefor;

computer programs; magnetic cores; resistance wires; electronic publications.

(260) AM 2021 108047 A

(800) 1354732

(151) 2017 04 13

(891) 2020 03 27

(731) Beiersdorf AG

Unnastrasse 48, 20253 Hamburg, Germany

(540)

EUCERIN DERMOPURE

(591) Black, white

(511)

3–Cosmetic preparations for body and beauty care, dermatological skin care preparations [other than medicated].

5 – Medicated preparations for body and beauty care.

(260) AM 2021 108048 A

(800) 1394087

(151) 2018 01 30

(891) 2020 03 11

(731) NOVARTIS AG

CH-4002 Basel, Switzerland

(540)

BEPLIMO

(591) Black, white

(511)

5 – Pharmaceutical preparations.

(260) AM 2021 108049 A

(800) 1477450

(151) 2019 05 08

(891) 2020 03 11

(731) NOVARTIS AG

CH-4002 Basel, Switzerland

(540)

BONSPRI

(591) Black, white

(511)

5 – Pharmaceutical preparations.

(260) AM 2021 108050 A

(800) 1482820

(151) 2019 06 25

(891) 2020 03 11

(731) NOVARTIS AG

CH-4002 Basel, Switzerland

(540)

BEMYCEL

(591) Black, white
(511)
5 – Pharmaceutical preparations.

(260) AM 2021 108052 A
(800) 1514967
(151) 2019 12 23
(891) 2020 04 07
(731) Rothmans of Pall Mall Limited
Route de France 17, CH-2926 Boncourt,
Switzerland

(540)



(591) Blue, red, silver and white
(531) 03.01.01; 03.01.16; 03.01.24; 25.05.03;
25.07.21; 26.11.09; 27.05.01; 29.01.14

(511)
34 – Cigarettes; raw or manufactured tobacco; tobacco products; tobacco substitutes (other than for medical use); cigars, cigarillos; lighters; matches; smokers' articles; cigarette paper, cigarette tubes, cigarette filters; pocket apparatus for rolling cigarettes; hand-held machines for injecting tobacco into paper tubes; electronic cigarettes; liquids for electronic cigarettes; tobacco products for the purpose of being heated.

INTERNATIONAL TRADEMARKS PROTECTED IN GEORGIA

(260) AM 2021 102980 A
(800) 1464657
(151) 2019 02 22
(181) 2029 02 22
(891) 2019 02 22
(511) 44

(260) AM 2021 103629 A
(800) 1472156
(151) 2019 03 13
(181) 2029 03 13
(891) 2019 03 13
(511) 09, 35, 42, 44

(260) AM 2021 104788 A
(800) 1485898
(151) 2019 06 27
(181) 2029 06 27
(891) 2019 06 27
(511) 33

(260) AM 2021 104838 A
(800) 1486228
(151) 2019 06 27
(181) 2029 06 27
(891) 2019 06 27
(511) 33

(260) AM 2021 105072 A
(800) 1488720
(151) 2019 04 15
(181) 2029 04 15
(891) 2019 04 15
(511) 07, 11

(260) AM 2021 105374 A
(800) 1492448
(151) 2018 10 15
(181) 2028 10 15
(891) 2018 10 15
(511) 03, 09, 14, 16, 18, 24, 25, 26, 28, 35

(260) AM 2021 105414 A
(800) 1493288
(151) 2019 07 12
(181) 2029 07 12
(891) 2019 07 12
(511) 04

(260) AM 2021 105600 A
(800) 1495687
(151) 2019 06 20
(181) 2029 06 20
(891) 2019 06 20
(511) 34

(260) AM 2021 105851 A
(800) 1499427
(151) 2019 05 10
(181) 2029 05 10
(891) 2019 05 10
(511) 03, 05, 16, 21

(260) AM 2021 105864 A
(800) 1026384
(151) 2009 11 13
(181) 2019 11 13
(891) 2019 10 25
(511) 29

(260) AM 2021 105894 A
(800) 1499812
(151) 2019 10 07
(181) 2029 10 07
(891) 2019 10 07
(511) 03

(260) AM 2021 105895 A
(800) 1499819
(151) 2019 10 01
(181) 2029 10 01
(891) 2019 10 01
(511) 10

(260) AM 2021 105900 A
(800) 1499879
(151) 2019 09 17
(181) 2029 09 17
(891) 2019 09 17
(511) 32

(260) AM 2021 105901 A
(800) 1499880
(151) 2019 10 10
(181) 2029 10 10
(891) 2019 10 10
(511) 09, 34

(260) AM 2021 105902 A
(800) 1499881
(151) 2019 07 15
(181) 2029 07 15
(891) 2019 07 15
(511) 09, 28

(260) AM 2021 105903 A
(800) 1499884
(151) 2019 09 24
(181) 2029 09 24
(891) 2019 09 24
(511) 12

(260) AM 2021 105904 A
(800) 1499886
(151) 2019 08 29
(181) 2029 08 29
(891) 2019 08 29
(511) 05

(260) AM 2021 105912 A
(800) 1499933
(151) 2019 10 11
(181) 2029 10 11
(891) 2019 10 11
(511) 09, 34

(260) AM 2021 105917 A
(800) 1499974
(151) 2019 10 29
(181) 2029 10 29
(891) 2019 10 29
(511) 09

(260) AM 2021 105918 A
(800) 1500003
(151) 2019 10 04
(181) 2029 10 04
(891) 2019 10 04
(511) 05

(260) AM 2021 105919 A
(800) 1500009
(151) 2019 07 26
(181) 2029 07 26
(891) 2019 07 26
(511) 35

(260) AM 2021 105928 A
(800) 1500141
(151) 2019 08 28
(181) 2029 08 28

(891) 2019 08 28
(511) 07, 08, 16, 21

(260) AM 2021 105929 A
(800) 1500187
(151) 2019 10 09
(181) 2029 10 09
(891) 2019 10 09
(511) 36, 39

(260) AM 2021 105938 A
(800) 1500468
(151) 2019 07 13
(181) 2029 07 13
(891) 2019 07 13
(511) 08, 11, 21

(260) AM 2021 105939 A
(800) 1500469
(151) 2019 11 01
(181) 2029 11 01
(891) 2019 11 01
(511) 36

(260) AM 2021 105940 A
(800) 1500498
(151) 2019 05 28
(181) 2029 05 28
(891) 2019 05 28
(511) 07, 11

(260) AM 2021 105941 A
(800) 1500513
(151) 2019 05 15
(181) 2029 05 15
(891) 2019 05 15
(511) 09, 35, 42

(260) AM 2021 105942 A
(800) 1500522
(151) 2019 06 27
(181) 2029 06 27
(891) 2019 06 27
(511) 36, 41, 44

(260) AM 2021 105943 A
(800) 1500529
(151) 2019 10 09
(181) 2029 10 09
(891) 2019 10 09
(511) 36, 39

(260) AM 2021 105944 A
(800) 1500688
(151) 2019 11 01
(181) 2029 11 01
(891) 2019 11 01
(511) 06

(260) AM 2021 105947 A
(800) 1500739
(151) 2019 10 23
(181) 2029 10 23
(891) 2019 10 23
(511) 10

(260) AM 2021 105952 A
(800) 1500886
(151) 2019 09 09
(181) 2029 09 09
(891) 2019 09 09
(511) 03

(260) AM 2021 105955 A
(800) 1500933
(151) 2019 10 04
(181) 2029 10 04
(891) 2019 10 04
(511) 09, 16, 35, 41, 42, 45

(260) AM 2021 105956 A
(800) 1500950
(151) 2019 08 29
(181) 2029 08 29
(891) 2019 08 29
(511) 01, 02, 17, 19, 35, 37, 39, 40, 41, 42

(260) AM 2021 105957 A
(800) 1096644
(151) 2011 10 12
(181) 2021 10 12
(891) 2019 10 01
(511) 04

(260) AM 2021 105958 A
(800) 1153330
(151) 2012 07 26
(181) 2022 07 26
(891) 2019 09 27
(511) 34

(260) AM 2021 105998 A
(800) 1501194
(151) 2019 09 13
(181) 2029 09 13

(891) 2019 09 13
(511) 31

(260) AM 2021 105999 A
(800) 1501202
(151) 2019 09 13
(181) 2029 09 13
(891) 2019 09 13
(511) 25

(260) AM 2021 106003 A
(800) 1501316
(151) 2019 10 11
(181) 2029 10 11
(891) 2019 10 11
(511) 03

(260) AM 2021 106004 A
(800) 1501334
(151) 2019 09 17
(181) 2029 09 17
(891) 2019 09 17
(511) 10

(260) AM 2021 106005 A
(800) 1501363
(151) 2019 08 14
(181) 2029 08 14
(891) 2019 08 14
(511) 09, 28, 41

(260) AM 2021 106007 A
(800) 1501382
(151) 2019 09 18
(181) 2029 09 18
(891) 2019 09 18
(511) 09, 28

(260) AM 2021 106010 A
(800) 1501491
(151) 2019 08 06
(181) 2029 08 06
(891) 2019 08 06
(511) 08, 09, 10, 11, 14, 18, 24, 25, 26

(260) AM 2021 106011 A
(800) 1501495
(151) 2019 10 04
(181) 2029 10 04
(891) 2019 10 04
(511) 06

(260) AM 2021 106013 A
(800) 1501523
(151) 2019 05 30
(181) 2029 05 30
(891) 2019 05 30
(511) 09, 44

(260) AM 2021 106014 A
(800) 1501570
(151) 2019 04 30
(181) 2029 04 30
(891) 2019 04 30
(511) 06, 07, 17, 19, 37, 42

(260) AM 2021 106015 A
(800) 1501609
(151) 2019 10 29
(181) 2029 10 29
(891) 2019 10 29
(511) 04

(260) AM 2021 106024 A
(800) 1501887
(151) 2019 09 11
(181) 2029 09 11
(891) 2019 09 11
(511) 03

(260) AM 2021 106025 A
(800) 1501891
(151) 2019 07 16
(181) 2029 07 16
(891) 2019 07 16
(511) 28, 35

(260) AM 2021 106026 A
(800) 1501959
(151) 2019 08 06
(181) 2029 08 06
(891) 2019 08 06
(511) 21

(260) AM 2021 106028 A
(800) 1502028
(151) 2019 10 29
(181) 2029 10 29
(891) 2019 10 29
(511) 01, 02, 03, 04, 06, 17, 19, 21, 27, 37, 40

(260) AM 2021 106029 A
(800) 1502144
(151) 2019 06 05
(181) 2029 06 05

(891) 2019 06 05
(511) 01, 02, 03, 04

(260) AM 2021 106030 A
(800) 1502191
(151) 2019 10 11
(181) 2029 10 11
(891) 2019 10 11
(511) 05

(260) AM 2021 106032 A
(800) 1502231
(151) 2019 09 19
(181) 2029 09 19
(891) 2019 09 19
(511) 01, 04, 09, 16, 35, 36, 37, 42

(260) AM 2021 106033 A
(800) 1502298
(151) 2019 05 15
(181) 2029 05 15
(891) 2019 05 15
(511) 09, 35, 42

(260) AM 2021 106034 A
(800) 1502300
(151) 2019 08 22
(181) 2029 08 22
(891) 2019 08 22
(511) 09, 35, 36, 38, 39, 41, 42, 43, 45

(260) AM 2021 106035 A
(800) 1172109
(151) 2013 06 07
(181) 2023 06 07
(891) 2019 07 26
(511) 11

(260) AM 2021 106036 A
(800) 1226540
(151) 2014 09 25
(181) 2024 09 25
(891) 2019 11 18
(511) 25

(260) AM 2021 106037 A
(800) 1387668
(151) 2017 09 15
(181) 2027 09 15
(891) 2019 10 23
(511) 35, 37, 39, 41, 42

(260) AM 2021 106038 A
 (800) 1408886
 (151) 2018 03 23
 (181) 2028 03 23
 (891) 2019 11 07
 (511) 19

(260) AM 2021 106039 A
 (800) 1428706
 (151) 2018 07 12
 (181) 2028 07 12
 (891) 2019 11 19
 (511) 34

(260) AM 2021 106040 A
 (800) 1477566
 (151) 2019 01 09
 (181) 2029 01 09
 (891) 2019 11 19
 (511) 09, 35, 36, 38, 41, 42, 45

(260) AM 2021 106101 A
 (800) 1502377
 (151) 2019 10 31
 (181) 2029 10 31
 (891) 2019 10 31
 (511) 11, 20, 21

(260) AM 2021 106102 A
 (800) 1502419
 (151) 2019 10 24
 (181) 2029 10 24
 (891) 2019 10 24
 (511) 09

(260) AM 2021 106103 A
 (800) 1502422
 (151) 2019 10 24
 (181) 2029 10 24
 (891) 2019 10 24
 (511) 09

(260) AM 2021 106104 A
 (800) 1502580
 (151) 2019 09 02
 (181) 2029 09 02
 (891) 2019 09 02
 (511) 09, 11, 35

(260) AM 2021 106105 A
 (800) 1502623
 (151) 2019 10 08
 (181) 2029 10 08

(891) 2019 10 08
 (511) 22, 39

(260) AM 2021 106106 A
 (800) 1502716
 (151) 2019 09 18
 (181) 2029 09 18
 (891) 2019 09 18
 (511) 09, 12, 36, 37, 38, 39, 42

(260) AM 2021 106107 A
 (800) 1502740
 (151) 2019 08 19
 (181) 2029 08 19
 (891) 2019 08 19
 (511) 07

(260) AM 2021 106108 A
 (800) 1502773
 (151) 2019 05 15
 (181) 2029 05 15
 (891) 2019 05 15
 (511) 01, 17, 19

(260) AM 2021 106109 A
 (800) 1502795
 (151) 2019 08 07
 (181) 2029 08 07
 (891) 2019 08 07
 (511) 09, 42

(260) AM 2021 106110 A
 (800) 1502807
 (151) 2019 09 16
 (181) 2029 09 16
 (891) 2019 09 16
 (511) 05

(260) AM 2021 106111 A
 (800) 1502877
 (151) 2019 10 11
 (181) 2029 10 11
 (891) 2019 10 11
 (511) 03

(260) AM 2021 106112 A
 (800) 1502890
 (151) 2019 03 20
 (181) 2029 03 20
 (891) 2019 03 20
 (511) 08

(260) AM 2021 106113 A
(800) 1502941
(151) 2019 08 12
(181) 2029 08 12
(891) 2019 08 12
(511) 03, 05, 16

(260) AM 2021 106122 A
(800) 1503219
(151) 2019 07 23
(181) 2029 07 23
(891) 2019 07 23
(511) 03

(260) AM 2021 106114 A
(800) 1502955
(151) 2019 10 02
(181) 2029 10 02
(891) 2019 10 02
(511) 05

(260) AM 2021 106123 A
(800) 1503235
(151) 2019 11 06
(181) 2029 11 06
(891) 2019 11 06
(511) 29

(260) AM 2021 106115 A
(800) 1502957
(151) 2019 10 02
(181) 2029 10 02
(891) 2019 10 02
(511) 05

(260) AM 2021 106124 A
(800) 1503238
(151) 2019 09 30
(181) 2029 09 30
(891) 2019 09 30
(511) 33

(260) AM 2021 106117 A
(800) 1502968
(151) 2019 10 02
(181) 2029 10 02
(891) 2019 10 02
(511) 05

(260) AM 2021 106125 A
(800) 1503241
(151) 2019 10 24
(181) 2029 10 24
(891) 2019 10 24
(511) 05

(260) AM 2021 106119 A
(800) 1503035
(151) 2019 10 24
(181) 2029 10 24
(891) 2019 10 24
(511) 06, 07, 09, 12, 16, 20, 35, 36, 37, 38, 39, 41,
42, 45

(260) AM 2021 106128 A
(800) 1503250
(151) 2019 10 24
(181) 2029 10 24
(891) 2019 10 24
(511) 05

(260) AM 2021 106120 A
(800) 1503095
(151) 2019 10 24
(181) 2029 10 24
(891) 2019 10 24
(511) 03, 05

(260) AM 2021 106133 A
(800) 1503275
(151) 2019 09 30
(181) 2029 09 30
(891) 2019 09 30
(511) 33

(260) AM 2021 106121 A
(800) 1503172
(151) 2019 10 11
(181) 2029 10 11
(891) 2019 10 11
(511) 03, 05

(260) AM 2021 106136 A
(800) 1503285
(151) 2019 10 24
(181) 2029 10 24
(891) 2019 10 24
(511) 05

(260) AM 2021 106138 A
(800) 1503397
(151) 2019 09 25
(181) 2029 09 25
(891) 2019 09 25
(511) 35

(260) AM 2021 106139 A
(800) 1503424
(151) 2019 10 18
(181) 2029 10 18
(891) 2019 10 18
(511) 16, 18, 21

(260) AM 2021 106140 A
(800) 1503483
(151) 2019 08 27
(181) 2029 08 27
(891) 2019 08 27
(511) 31

(260) AM 2021 106141 A
(800) 360153
(151) 1969 07 21
(181) 2029 07 21
(891) 2019 08 22
(511) 01, 17, 20, 21, 28

(260) AM 2021 106142 A
(800) 870198
(151) 2005 04 11
(181) 2025 04 11
(891) 2019 11 27
(511) 03, 04, 35

(260) AM 2021 106143 A
(800) 943563
(151) 2007 09 27
(181) 2027 09 27
(891) 2019 11 27
(511) 24, 25

(260) AM 2021 106144 A
(800) 1017625
(151) 2009 09 25
(181) 2029 09 25
(891) 2019 11 21
(511) 25, 35

(260) AM 2021 106147 A
(800) 1095764
(151) 2011 09 29

(181) 2021 09 29
(891) 2019 11 21
(511) 25

(260) AM 2021 106148 A
(800) 1095816
(151) 2011 09 29
(181) 2021 09 29
(891) 2019 11 21
(511) 25

(260) AM 2021 106150 A
(800) 1123515
(151) 2012 05 04
(181) 2022 05 04
(891) 2019 11 07
(511) 29, 32

(260) AM 2021 106151 A
(800) 1141400
(151) 2012 08 13
(181) 2022 08 13
(891) 2019 11 08
(511) 03

(260) AM 2021 106152 A
(800) 1160870
(151) 2013 02 21
(181) 2023 02 21
(891) 2019 11 27
(511) 24, 25

(260) AM 2021 106153 A
(800) 1170556
(151) 2013 06 14
(181) 2023 06 14
(891) 2019 11 21
(511) 25

(260) AM 2021 106155 A
(800) 1229062
(151) 2014 11 28
(181) 2024 11 28
(891) 2019 04 11
(511) 09, 35, 42

(260) AM 2021 106157 A
(800) 1467767
(151) 2019 02 19
(181) 2029 02 19
(891) 2019 11 26
(511) 35, 41

(260) AM 2021 106191 A
(800) 1503531
(151) 2019 08 05
(181) 2029 08 05
(891) 2019 08 05
(511) 05

(260) AM 2021 106192 A
(800) 1503540
(151) 2019 08 05
(181) 2029 08 05
(891) 2019 08 05
(511) 34

(260) AM 2021 106193 A
(800) 1503651
(151) 2019 10 24
(181) 2029 10 24
(891) 2019 10 24
(511) 05

(260) AM 2021 106194 A
(800) 1503661
(151) 2019 10 24
(181) 2029 10 24
(891) 2019 10 24
(511) 05

(260) AM 2021 106195 A
(800) 1503677
(151) 2019 10 04
(181) 2029 10 04
(891) 2019 10 04
(511) 06

(260) AM 2021 106197 A
(800) 1503684
(151) 2019 10 24
(181) 2029 10 24
(891) 2019 10 24
(511) 05

(260) AM 2021 106198 A
(800) 1503693
(151) 2019 10 24
(181) 2029 10 24
(891) 2019 10 24
(511) 05

(260) AM 2021 106202 A
(800) 1503771
(151) 2019 08 05

(181) 2029 08 05
(891) 2019 08 05
(511) 09

(260) AM 2021 106203 A
(800) 1503797
(151) 2019 11 06
(181) 2029 11 06
(891) 2019 11 06
(511) 35

(260) AM 2021 106204 A
(800) 1503805
(151) 2019 10 31
(181) 2029 10 31
(891) 2019 10 31
(511) 20, 35

(260) AM 2021 106205 A
(800) 1503816
(151) 2019 10 21
(181) 2029 10 21
(891) 2019 10 21
(511) 35, 39, 41, 43

(260) AM 2021 106206 A
(800) 1503820
(151) 2019 08 05
(181) 2029 08 05
(891) 2019 08 05
(511) 29, 30, 31, 32, 33

(260) AM 2021 106207 A
(800) 1503835
(151) 2019 11 01
(181) 2029 11 01
(891) 2019 11 01
(511) 05

(260) AM 2021 106208 A
(800) 1503858
(151) 2019 11 01
(181) 2029 11 01
(891) 2019 11 01
(511) 35, 39, 43

(260) AM 2021 106209 A
(800) 1503862
(151) 2019 10 16
(181) 2029 10 16
(891) 2019 10 16
(511) 03

(260) AM 2021 106210 A
(800) 1503873
(151) 2019 10 16
(181) 2029 10 16
(891) 2019 10 16
(511) 34

(260) AM 2021 106212 A
(800) 1503898
(151) 2019 10 10
(181) 2029 10 10
(891) 2019 10 10
(511) 33

(260) AM 2021 106213 A
(800) 1504047
(151) 2019 11 11
(181) 2029 11 11
(891) 2019 11 11
(511) 03

(260) AM 2021 106216 A
(800) 1504086
(151) 2019 11 08
(181) 2029 11 08
(891) 2019 11 08
(511) 31

(260) AM 2021 106217 A
(800) 1504128
(151) 2019 08 20
(181) 2029 08 20
(891) 2019 08 20
(511) 30

(260) AM 2021 106218 A
(800) 1504152
(151) 2019 10 29
(181) 2029 10 29
(891) 2019 10 29
(511) 30

(260) AM 2021 106219 A
(800) 1504153
(151) 2019 10 29
(181) 2029 10 29
(891) 2019 10 29
(511) 30

(260) AM 2021 106221 A
(800) 1504168
(151) 2019 05 08

(181) 2029 05 08
(891) 2019 05 08
(511) 07, 11, 19, 37, 40, 42

(260) AM 2021 106222 A
(800) 1504179
(151) 2019 10 10
(181) 2029 10 10
(891) 2019 10 10
(511) 33

(260) AM 2021 106224 A
(800) 1504217
(151) 2019 11 22
(181) 2029 11 22
(891) 2019 11 22
(511) 09

(260) AM 2021 106228 A
(800) 1504239
(151) 2019 08 26
(181) 2029 08 26
(891) 2019 08 26
(511) 35

(260) AM 2021 106236 A
(800) 1504482
(151) 2019 11 22
(181) 2029 11 22
(891) 2019 11 22
(511) 06, 11

(260) AM 2021 106237 A
(800) 1504501
(151) 2019 09 25
(181) 2029 09 25
(891) 2019 09 25
(511) 10, 35, 42

(260) AM 2021 106238 A
(800) 1504507
(151) 2019 10 18
(181) 2029 10 18
(891) 2019 10 18
(511) 01, 27

(260) AM 2021 106239 A
(800) 1504510
(151) 2019 06 21
(181) 2029 06 21
(891) 2019 06 21
(511) 32, 33

(260) AM 2021 106240 A
(800) 1504530
(151) 2019 11 11
(181) 2029 11 11
(891) 2019 11 11
(511) 44

(260) AM 2021 106241 A
(800) 1504542
(151) 2019 07 17
(181) 2029 07 17
(891) 2019 07 17
(511) 35, 37, 42

(260) AM 2021 106242 A
(800) 1504547
(151) 2019 11 22
(181) 2029 11 22
(891) 2019 11 22
(511) 05

(260) AM 2021 106243 A
(800) 1504605
(151) 2019 11 08
(181) 2029 11 08
(891) 2019 11 08
(511) 09

(260) AM 2021 106244 A
(800) 1504621
(151) 2019 11 01
(181) 2029 11 01
(891) 2019 11 01
(511) 09

(260) AM 2021 106245 A
(800) 1504724
(151) 2019 10 22
(181) 2029 10 22
(891) 2019 10 22
(511) 18, 25

(260) AM 2021 106246 A
(800) 1504742
(151) 2019 11 08
(181) 2029 11 08
(891) 2019 11 08
(511) 09

(260) AM 2021 106247 A
(800) 1504762
(151) 2019 11 21

(181) 2029 11 21
(891) 2019 11 21
(511) 03

(260) AM 2021 106249 A
(800) 1504784
(151) 2019 08 14
(181) 2029 08 14
(891) 2019 08 14
(511) 16

(260) AM 2021 106250 A
(800) 1504853
(151) 2019 07 11
(181) 2029 07 11
(891) 2019 07 11
(511) 30

(260) AM 2021 106251 A
(800) 1504894
(151) 2019 08 29
(181) 2029 08 29
(891) 2019 08 29
(511) 35, 36, 41

(260) AM 2021 106252 A
(800) 1504910
(151) 2019 07 19
(181) 2029 07 19
(891) 2019 07 19
(511) 03, 05, 21

(260) AM 2021 106253 A
(800) 1504932
(151) 2019 10 16
(181) 2029 10 16
(891) 2019 10 16
(511) 29, 30, 35

(260) AM 2021 106255 A
(800) 1504972
(151) 2019 06 17
(181) 2029 06 17
(891) 2019 06 17
(511) 01, 04, 07, 09, 11, 12

(260) AM 2021 106256 A
(800) 1504984
(151) 2019 09 17
(181) 2029 09 17
(891) 2019 09 17
(511) 03, 06, 07, 08, 09, 16, 18, 20, 21, 24, 25, 35

(260) AM 2021 106257 A
(800) 1505021
(151) 2019 11 08
(181) 2029 11 08
(891) 2019 11 08
(511) 01

(260) AM 2021 106258 A
(800) 1505041
(151) 2019 08 14
(181) 2029 08 14
(891) 2019 08 14
(511) 09, 28, 41

(260) AM 2021 106260 A
(800) 1505063
(151) 2019 11 14
(181) 2029 11 14
(891) 2019 11 14
(511) 03

(260) AM 2021 106261 A
(800) 1505065
(151) 2019 11 22
(181) 2029 11 22
(891) 2019 11 22
(511) 06, 11

(260) AM 2021 106263 A
(800) 1505106
(151) 2019 09 20
(181) 2029 09 20
(891) 2019 09 20
(511) 03

(260) AM 2021 106264 A
(800) 1112905
(151) 2012 02 28
(181) 2022 02 28
(891) 2019 10 09
(511) 32

(260) AM 2021 106265 A
(800) 1127071
(151) 2011 09 29
(181) 2021 09 29
(891) 2019 11 21
(511) 03, 04, 06, 14, 18, 20, 21, 24, 28

(260) AM 2021 106266 A
(800) 1167642
(151) 2013 06 14

(181) 2023 06 14
(891) 2019 11 21
(511) 25

(260) AM 2021 106267 A
(800) 1314599
(151) 2016 06 28
(181) 2026 06 28
(891) 2019 10 22
(511) 05

(260) AM 2021 106269 A
(800) 1433484
(151) 2018 07 31
(181) 2028 07 31
(891) 2019 11 13
(511) 19

(260) AM 2021 106271 A
(800) 1459156
(151) 2019 01 31
(181) 2029 01 31
(891) 2019 12 03
(511) 30, 31

(260) AM 2021 106272 A
(800) 1480877
(151) 2019 03 25
(181) 2029 03 25
(891) 2019 12 04
(511) 32, 33

(260) AM 2021 106292 A
(800) 1497349
(151) 2019 08 21
(181) 2029 08 21
(891) 2019 08 21
(511) 02, 16

(260) AM 2021 106294 A
(800) 1497358
(151) 2019 07 01
(181) 2029 07 01
(891) 2019 07 01
(511) 41, 42

(260) AM 2021 106336 A
(800) 1505165
(151) 2019 11 21
(181) 2029 11 21
(891) 2019 11 21
(511) 25

(260) AM 2021 106337 A
(800) 1505166
(151) 2019 11 07
(181) 2029 11 07
(891) 2019 11 07
(511) 34

(260) AM 2021 106338 A
(800) 1505183
(151) 2019 11 26
(181) 2029 11 26
(891) 2019 11 26
(511) 05

(260) AM 2021 106339 A
(800) 1505191
(151) 2019 10 24
(181) 2029 10 24
(891) 2019 10 24
(511) 05

(260) AM 2021 106340 A
(800) 1505295
(151) 2019 11 05
(181) 2029 11 05
(891) 2019 11 05
(511) 05

(260) AM 2021 106341 A
(800) 1505301
(151) 2019 10 15
(181) 2029 10 15
(891) 2019 10 15
(511) 07

(260) AM 2021 106343 A
(800) 1505359
(151) 2019 08 22
(181) 2029 08 22
(891) 2019 08 22
(511) 09, 35, 36, 38, 39, 41, 42, 43, 45

(260) AM 2021 106344 A
(800) 1505371
(151) 2019 10 31
(181) 2029 10 31
(891) 2019 10 31
(511) 09, 28

(260) AM 2021 106345 A
(800) 1505375
(151) 2019 10 31

(181) 2029 10 31
(891) 2019 10 31
(511) 09, 28

(260) AM 2021 106346 A
(800) 1505384
(151) 2019 10 21
(181) 2029 10 21
(891) 2019 10 21
(511) 09, 28

(260) AM 2021 106348 A
(800) 1505398
(151) 2019 10 28
(181) 2029 10 28
(891) 2019 10 28
(511) 34

(260) AM 2021 106349 A
(800) 1505442
(151) 2019 11 22
(181) 2029 11 22
(891) 2019 11 22
(511) 09

(260) AM 2021 106350 A
(800) 1505466
(151) 2019 08 14
(181) 2029 08 14
(891) 2019 08 14
(511) 09, 28, 41

(260) AM 2021 106351 A
(800) 1505481
(151) 2019 08 15
(181) 2029 08 15
(891) 2019 08 15
(511) 35, 37, 41, 42

(260) AM 2021 106352 A
(800) 1505560
(151) 2019 06 21
(181) 2029 06 21
(891) 2019 06 21
(511) 03, 05

(260) AM 2021 106353 A
(800) 1505561
(151) 2019 07 19
(181) 2029 07 19
(891) 2019 07 19
(511) 05

(260) AM 2021 106354 A
(800) 1505627
(151) 2019 10 22
(181) 2029 10 22
(891) 2019 10 22
(511) 25, 41

(260) AM 2021 106355 A
(800) 1505635
(151) 2019 08 20
(181) 2029 08 20
(891) 2019 08 20
(511) 09

(260) AM 2021 106356 A
(800) 1505688
(151) 2019 08 08
(181) 2029 08 08
(891) 2019 08 08
(511) 09, 28, 41

(260) AM 2021 106358 A
(800) 1505743
(151) 2019 09 11
(181) 2029 09 11
(891) 2019 09 11
(511) 09, 25, 35, 38, 41

(260) AM 2021 106379 A
(800) 1506204
(151) 2019 10 18
(181) 2029 10 18
(891) 2019 10 18
(511) 01, 27

(260) AM 2021 106380 A
(800) 1506237
(151) 2019 05 31
(181) 2029 05 31
(891) 2019 05 31
(511) 11, 20

(260) AM 2021 106381 A
(800) 1506249
(151) 2019 09 24
(181) 2029 09 24
(891) 2019 09 24
(511) 03

(260) AM 2021 106382 A
(800) 1506275
(151) 2019 07 31

(181) 2029 07 31
(891) 2019 07 31
(511) 35, 37, 39

(260) AM 2021 106383 A
(800) 1506280
(151) 2019 11 07
(181) 2029 11 07
(891) 2019 11 07
(511) 09

(260) AM 2021 106384 A
(800) 1506311
(151) 2019 11 08
(181) 2029 11 08
(891) 2019 11 08
(511) 09

(260) AM 2021 106385 A
(800) 1506317
(151) 2019 11 13
(181) 2029 11 13
(891) 2019 11 13
(511) 40

(260) AM 2021 106386 A
(800) 1506334
(151) 2019 11 13
(181) 2029 11 13
(891) 2019 11 13
(511) 09, 42

(260) AM 2021 106388 A
(800) 978549
(151) 2008 07 22
(181) 2028 07 22
(891) 2019 12 10
(511) 09, 25

(260) AM 2021 106389 A
(800) 1031145
(151) 2009 12 09
(181) 2029 12 09
(891) 2019 12 11
(511) 16, 35, 41, 42

(260) AM 2021 106390 A
(800) 1096338
(151) 2011 10 21
(181) 2021 10 21
(891) 2019 12 11
(511) 11, 20

(260) AM 2021 106391 A
(800) 1101293
(151) 2011 09 29
(181) 2021 09 29
(891) 2019 11 21
(511) 25

(260) AM 2021 106392 A
(800) 1107298
(151) 2012 01 11
(181) 2022 01 11
(891) 2019 11 21
(511) 25

(260) AM 2021 106393 A
(800) 1257701
(151) 2014 11 14
(181) 2024 11 14
(891) 2019 07 03
(511) 06, 07, 19, 37

(260) AM 2021 106394 A
(800) 1311656
(151) 2016 04 06
(181) 2026 04 06
(891) 2019 12 05
(511) 03, 05

(260) AM 2021 106396 A
(800) 1399854
(151) 2017 09 19
(181) 2027 09 19
(891) 2019 12 05
(511) 32

(260) AM 2021 106397 A
(800) 1481492
(151) 2019 06 06
(181) 2029 06 06
(891) 2019 11 21
(511) 43

(260) AM 2021 106398 A
(800) 1490869
(151) 2019 08 14
(181) 2029 08 14
(891) 2019 11 27
(511) 05

(260) AM 2021 106399 A
(800) 1496818
(151) 2019 07 31

(181) 2029 07 31
(891) 2019 11 21
(511) 18, 25, 28

(260) AM 2021 106400 A
(800) 1498517
(151) 2019 08 29
(181) 2029 08 29
(891) 2019 12 06
(511) 32

(260) AM 2021 106403 A
(800) 1498130
(151) 2019 09 06
(181) 2029 09 06
(891) 2019 09 06
(511) 03, 05, 16, 29, 30, 31, 32, 35

(260) AM 2021 106404 A
(800) 1498242
(151) 2019 07 15
(181) 2029 07 15
(891) 2019 07 15
(511) 25

(260) AM 2021 106405 A
(800) 1498249
(151) 2019 05 10
(181) 2029 05 10
(891) 2019 05 10
(511) 09

(260) AM 2021 106406 A
(800) 1498278
(151) 2019 09 25
(181) 2029 09 25
(891) 2019 09 25
(511) 09

(260) AM 2021 106407 A
(800) 1498284
(151) 2019 08 01
(181) 2029 08 01
(891) 2019 08 01
(511) 01, 02, 03, 04

(260) AM 2021 106441 A
(800) 1506450
(151) 2019 08 09
(181) 2029 08 09
(891) 2019 08 09
(511) 05

(260) AM 2021 106442 A
(800) 1506454
(151) 2019 08 09
(181) 2029 08 09
(891) 2019 08 09
(511) 05

(260) AM 2021 106443 A
(800) 1506465
(151) 2019 11 26
(181) 2029 11 26
(891) 2019 11 26
(511) 05

(260) AM 2021 106444 A
(800) 1506477
(151) 2019 08 09
(181) 2029 08 09
(891) 2019 08 09
(511) 05

(260) AM 2021 106445 A
(800) 1506478
(151) 2019 08 09
(181) 2029 08 09
(891) 2019 08 09
(511) 05

(260) AM 2021 106454 A
(800) 1506765
(151) 2019 09 06
(181) 2029 09 06
(891) 2019 09 06
(511) 05

(260) AM 2021 106455 A
(800) 1506812
(151) 2019 10 09
(181) 2029 10 09
(891) 2019 10 09
(511) 16

(260) AM 2021 106456 A
(800) 1506814
(151) 2019 10 02
(181) 2029 10 02
(891) 2019 10 02
(511) 09, 11, 36, 38, 42

(260) AM 2021 106457 A
(800) 1506823
(151) 2019 11 14

(181) 2029 11 14
(891) 2019 11 14
(511) 03

(260) AM 2021 106458 A
(800) 1506850
(151) 2019 10 03
(181) 2029 10 03
(891) 2019 10 03
(511) 20, 35

(260) AM 2021 106459 A
(800) 1506885
(151) 2019 11 11
(181) 2029 11 11
(891) 2019 11 11
(511) 05, 10, 44

(260) AM 2021 106469 A
(800) 1507094
(151) 2019 10 22
(181) 2029 10 22
(891) 2019 10 22
(511) 10

(260) AM 2021 106470 A
(800) 1507102
(151) 2019 12 04
(181) 2029 12 04
(891) 2019 12 04
(511) 09

(260) AM 2021 106471 A
(800) 1507121
(151) 2019 11 11
(181) 2029 11 11
(891) 2019 11 11
(511) 42

(260) AM 2021 106472 A
(800) 1507129
(151) 2019 11 22
(181) 2029 11 22
(891) 2019 11 22
(511) 16, 34

(260) AM 2021 106473 A
(800) 1507165
(151) 2019 07 29
(181) 2029 07 29
(891) 2019 07 29
(511) 35, 41

(260) AM 2021 106474 A
(800) 1507202
(151) 2019 07 24
(181) 2029 07 24
(891) 2019 07 24
(511) 34, 35

(260) AM 2021 106475 A
(800) 1507276
(151) 2019 11 11
(181) 2029 11 11
(891) 2019 11 11
(511) 34

(260) AM 2021 106491 A
(800) 807031
(151) 2003 03 07
(181) 2023 03 07
(891) 2019 11 19
(511) 03, 05, 29, 30, 31, 32

(260) AM 2021 106492 A
(800) 877474
(151) 2005 12 05
(181) 2025 12 05
(891) 2019 11 07
(511) 05

(260) AM 2021 106494 A
(800) 1102506
(151) 2011 09 19
(181) 2021 09 19
(891) 2019 12 16
(511) 03

(260) AM 2021 106495 A
(800) 1164135
(151) 2013 02 27
(181) 2023 02 27
(891) 2019 12 03
(511) 25

(260) AM 2021 106496 A
(800) 1167854
(151) 2013 01 28
(181) 2023 01 28
(891) 2019 12 06
(511) 12

(260) AM 2021 106497 A
(800) 1174588
(151) 2013 01 28

(181) 2023 01 28
(891) 2019 12 06
(511) 12

(260) AM 2021 106498 A
(800) 1174589
(151) 2013 01 28
(181) 2023 01 28
(891) 2019 12 06
(511) 12

(260) AM 2021 106499 A
(800) 1317206
(151) 2016 09 09
(181) 2026 09 09
(891) 2019 12 17
(511) 03

(260) AM 2021 106541 A
(800) 1507916
(151) 2019 09 09
(181) 2029 09 09
(891) 2019 09 09
(511) 41

(260) AM 2021 106543 A
(800) 1507954
(151) 2019 12 02
(181) 2029 12 02
(891) 2019 12 02
(511) 29, 30

(260) AM 2021 106544 A
(800) 1507968
(151) 2019 08 30
(181) 2029 08 30
(891) 2019 08 30
(511) 11

(260) AM 2021 106545 A
(800) 1508019
(151) 2019 09 13
(181) 2029 09 13
(891) 2019 09 13
(511) 33

(260) AM 2021 106558 A
(800) 1508379
(151) 2019 11 06
(181) 2029 11 06
(891) 2019 11 06
(511) 12

(260) AM 2021 106560 A
(800) 1508405
(151) 2019 07 31
(181) 2029 07 31
(891) 2019 07 31
(511) 09, 37

(260) AM 2021 106562 A
(800) 1508461
(151) 2019 10 08
(181) 2029 10 08
(891) 2019 10 08
(511) 12

(260) AM 2021 106564 A
(800) 1508493
(151) 2019 10 18
(181) 2029 10 18
(891) 2019 10 18
(511) 06, 35, 37

(260) AM 2021 106584 A
(800) 1471037
(151) 2019 04 05
(181) 2029 04 05
(891) 2019 12 19
(511) 03

(260) AM 2021 106585 A
(800) 1502670
(151) 2019 09 02
(181) 2029 09 02
(891) 2019 12 20
(511) 16, 19, 20, 37, 41, 42

(260) AM 2021 106617 A
(800) 1508849
(151) 2019 10 25
(181) 2029 10 25
(891) 2019 10 25
(511) 09, 42

(260) AM 2021 106629 A
(800) 1509179
(151) 2019 10 30
(181) 2029 10 30
(891) 2019 10 30
(511) 06, 19, 21, 40

(260) AM 2021 106630 A
(800) 1509191
(151) 2019 07 17

(181) 2029 07 17
(891) 2019 07 17
(511) 09, 36, 42

(260) AM 2021 106718 A
(800) 1509963
(151) 2019 12 06
(181) 2029 12 06
(891) 2019 12 06
(511) 33

(260) AM 2021 106723 A
(800) 1510023
(151) 2019 11 19
(181) 2029 11 19
(891) 2019 11 19
(511) 12

(260) AM 2021 106724 A
(800) 1510057
(151) 2019 12 02
(181) 2029 12 02
(891) 2019 12 02
(511) 12

(260) AM 2021 106727 A
(800) 1510098
(151) 2019 11 19
(181) 2029 11 19
(891) 2019 11 19
(511) 01

(260) AM 2021 106728 A
(800) 1510163
(151) 2019 12 09
(181) 2029 12 09
(891) 2019 12 09
(511) 03

(260) AM 2021 106855 A
(800) 1510692
(151) 2019 11 26
(181) 2029 11 26
(891) 2019 11 26
(511) 05

(260) AM 2021 106877 A
(800) 1511035
(151) 2019 09 19
(181) 2029 09 19
(891) 2019 09 19
(511) 01, 04, 09, 16, 35, 36, 37, 42

(260) AM 2021 106878 A
(800) 1511039
(151) 2019 11 29
(181) 2029 11 29
(891) 2019 11 29
(511) 09

(260) AM 2021 106879 A
(800) 1511045
(151) 2019 12 23
(181) 2029 12 23
(891) 2019 12 23
(511) 12, 37

(260) AM 2021 106913 A
(800) 1511822
(151) 2019 09 17
(181) 2029 09 17
(891) 2019 09 17
(511) 09

(260) AM 2021 106914 A
(800) 1511835
(151) 2019 07 16
(181) 2029 07 16
(891) 2019 07 16
(511) 03

(260) AM 2021 106915 A
(800) 603604
(151) 1993 07 05
(181) 2023 07 05
(891) 2019 11 19
(511) 05, 29, 30, 32

(260) AM 2021 106916 A
(800) 694487
(151) 1998 05 05
(181) 2028 05 05
(891) 2019 12 17
(511) 30

(260) AM 2021 106975 A
(800) 1512236
(151) 2019 10 16
(181) 2029 10 16
(891) 2019 10 16
(511) 06, 08, 09, 11, 12, 25

(260) AM 2021 106976 A
(800) 1512258
(151) 2019 10 10

(181) 2029 10 10
(891) 2019 10 10
(511) 12

(260) AM 2021 106979 A
(800) 1512292
(151) 2019 12 09
(181) 2029 12 09
(891) 2019 12 09
(511) 05

(260) AM 2021 106993 A
(800) 1512594
(151) 2020 01 03
(181) 2030 01 03
(891) 2020 01 03
(511) 36

(260) AM 2021 106994 A
(800) 1512639
(151) 2019 10 16
(181) 2029 10 16
(891) 2019 10 16
(511) 06, 08, 09, 11, 12, 25

(260) AM 2021 106995 A
(800) 1512654
(151) 2019 12 27
(181) 2029 12 27
(891) 2019 12 27
(511) 13, 17

(260) AM 2021 107016 A
(800) 1109334
(151) 2011 08 26
(181) 2021 08 26
(891) 2019 12 20
(511) 07, 08, 09, 11, 21

(260) AM 2021 107017 A
(800) 1191650
(151) 2013 09 27
(181) 2023 09 27
(891) 2020 01 23
(511) 42

(260) AM 2021 107018 A
(800) 1196466
(151) 2013 11 14
(181) 2023 11 14
(891) 2020 01 22
(511) 35, 36, 41

(260) AM 2021 107136 A
(800) 1164936
(151) 2012 04 27
(181) 2022 04 27
(891) 2020 01 17
(511) 06, 11, 19, 21

(260) AM 2021 107137 A
(800) 1182079
(151) 2013 05 22
(181) 2023 05 22
(891) 2020 01 27
(511) 03, 09, 14, 16, 18

(260) AM 2021 107138 A
(800) 1325181
(151) 2016 05 06
(181) 2026 05 06
(891) 2020 01 13
(511) 06, 07, 09, 11, 17

(260) AM 2021 107139 A
(800) 1363475
(151) 2017 07 14
(181) 2027 07 14
(891) 2020 01 27
(511) 34

(260) AM 2021 107141 A
(800) 1389261
(151) 2017 11 09
(181) 2027 11 09
(891) 2020 01 27
(511) 05

(260) AM 2021 107142 A
(800) 1416098
(151) 2017 09 08
(181) 2027 09 08
(891) 2020 01 09
(511) 30

(260) AM 2021 107143 A
(800) 1417242
(151) 2018 06 11
(181) 2028 06 11
(891) 2020 01 29
(511) 05

(260) AM 2021 107144 A
(800) 1432850
(151) 2018 10 04

(181) 2028 10 04
(891) 2020 01 09
(511) 21

(260) AM 2021 107145 A
(800) 1462865
(151) 2019 02 06
(181) 2029 02 06
(891) 2020 01 17
(511) 03

(260) AM 2021 107200 A
(800) 1515048
(151) 2019 12 26
(181) 2029 12 26
(891) 2019 12 26
(511) 31

(260) AM 2021 107201 A
(800) 1515051
(151) 2019 12 16
(181) 2029 12 16
(891) 2019 12 16
(511) 41, 44

(260) AM 2021 107202 A
(800) 1515064
(151) 2019 12 26
(181) 2029 12 26
(891) 2019 12 26
(511) 31

(260) AM 2021 107203 A
(800) 1515068
(151) 2019 12 26
(181) 2029 12 26
(891) 2019 12 26
(511) 31

(260) AM 2021 107204 A
(800) 1515087
(151) 2019 12 26
(181) 2029 12 26
(891) 2019 12 26
(511) 31

(260) AM 2021 107205 A
(800) 1515089
(151) 2019 12 26
(181) 2029 12 26
(891) 2019 12 26
(511) 31

(260) AM 2021 107242 A
(800) 1515851
(151) 2019 07 30
(181) 2029 07 30
(891) 2019 07 30
(511) 35, 38, 41

(260) AM 2021 107243 A
(800) 1515853
(151) 2019 12 17
(181) 2029 12 17
(891) 2019 12 17
(511) 30

(260) AM 2021 107244 A
(800) 1515859
(151) 2019 12 13
(181) 2029 12 13
(891) 2019 12 13
(511) 03, 05, 16, 21, 22

(260) AM 2021 107245 A
(800) 1515882
(151) 2019 11 18
(181) 2029 11 18
(891) 2019 11 18
(511) 05

(260) AM 2021 107364 A
(800) 1517311
(151) 2019 12 20
(181) 2029 12 20
(891) 2019 12 20
(511) 06, 07, 19

(260) AM 2021 107365 A
(800) 1517324
(151) 2019 10 23
(181) 2029 10 23
(891) 2019 10 23
(511) 05, 09, 10, 11

(260) AM 2021 107366 A
(800) 1517348
(151) 2019 12 27
(181) 2029 12 27
(891) 2019 12 27
(511) 05

(260) AM 2021 107367 A
(800) 1517353
(151) 2020 01 16

(181) 2030 01 16
(891) 2020 01 16
(511) 05

(260) AM 2021 107368 A
(800) 1517362
(151) 2020 01 14
(181) 2030 01 14
(891) 2020 01 14
(511) 09

(260) AM 2021 107369 A
(800) 1517363
(151) 2019 12 06
(181) 2029 12 06
(891) 2019 12 06
(511) 30

(260) AM 2021 107370 A
(800) 1517369
(151) 2019 12 19
(181) 2029 12 19
(891) 2019 12 19
(511) 03, 05, 10, 32

(260) AM 2021 107371 A
(800) 1517386
(151) 2019 12 19
(181) 2029 12 19
(891) 2019 12 19
(511) 30

(260) AM 2021 107372 A
(800) 1517435
(151) 2020 01 20
(181) 2030 01 20
(891) 2020 01 20
(511) 25

(260) AM 2021 107373 A
(800) 1517446
(151) 2019 12 05
(181) 2029 12 05
(891) 2019 12 05
(511) 17

APPELLATIONS OF ORIGIN OF GOODS
PROTECTED INTERNATIONAL APPELLATION
OF ORIGIN OF GOODS

(800) 1133
(151) 2019 11 26
(732) Udruga, "Duvan Hercegovački Ravnjak"
Trg Herceg Bosne br.3, Grude, Bosnia and Herzegovina
(540)

DUVAN HERCEGOVAČKI RAVNJAK

(511)
34 – Tobacco.

(800) 1135
(151) 2019 12 22
(732) Producer or groups of producers benefiting from the appellation of origin concerned: Sohan & Halva
Trade Union of Qom city Qom city, Iran
(540)

Sohan e Qom e Iran

(511)
30 – Sohan.

OFFICIAL NOTIFICATIONS

INVENTIONS

EXPIRATION OF PATENTS RESTORATION

(21) AP 2016 14336
(11) P 2018 6815 B
(73) Jimsher Chkhaidze
(54) METHOD FOR WHISKY PREPARATION
DATE OF CANCELLATION OF PATENT: 2020 12 02
THE TERM OF RESTORATION OF PATENT: 2021 01 25

(21) AP 2016 14582
(11) P 2019 7008 B
(73) CAPBRAN HOLDINGS LLC
(54) FOOD PROCESSOR
DATE OF CANCELLATION OF PATENT: 2020 11 11
THE TERM OF RESTORATION OF PATENT: 2021 01 25

(21) AP 2017 14646
(11) P 2020 7152 B
(73) DAW SE
(54) AQUEOUS COMPOSITION FOR A TINTING SYSTEM, KIT-OF-PARTS TINTING SYSTEM, TINTED PAINT AND PLASTER SYSTEMS AND PAINTS AND PLASTERS OBTAINABLE BY APPLYING THE TINTED PAINT OR PLASTER SYSTEMS
DATE OF CANCELLATION OF PATENT: 2020 12 07
THE TERM OF RESTORATION OF PATENT: 2021 01 25

ABOLITION OF PATENTS WITH THE RIGHT TO RESTORE

(21) AP 2007 11311
(11) P 2012 5597 B
(73) Takeda Pharmaceutical Company Limited
(54) SUSTAINED-RELEASE COMPOSITION AND PRODUCTION METHOD THEREOF
DATE OF CANCELLATION OF PATENT: 2020 12 17
THE TERM OF RESTORATION OF PATENT: 2021 12 17

(21) AP 2008 11877
(11) P 2013 5855 B
(73) BIOCRYST PHARMACEUTICALS INC.
(54) APPLICATION OF PURINE NUCLEOSIDE PHOSPHORYLASE (PNP) INHIBITORS SUCH AS FORODESIN WITH ALKYLATING AGENTS OR ANTI-CD20 AGENTS COMPOSITION AT HEMATOLOGIC CANCERS TREATMENT
DATE OF CANCELLATION OF PATENT: 2020 12 10
THE TERM OF RESTORATION OF PATENT: 2021 12 10

(21) AP 2010 12789
(11) P 2014 6124 B
(73) Centrexion Therapeutics Corporation
(54) NOVEL CCR2 RECEPTOR ANTAGONISTS AND USAGE THEREOF
DATE OF CANCELLATION OF PATENT: 2020 12 13
THE TERM OF RESTORATION OF PATENT: 2021 12 13

(21) AP 2008 12864
(11) P 2015 6288 B
(73) BIOCRYST PHARMACEUTICALS INC.
(54) USAGE OF PURINE NUCLEOSIDE PHOSPHORYLASE (PNP) INHIBITORS SUCH AS FORODESINE
IN COMBINATION WITH ALKYLATING AGENTS AND ANTI-CD20 AGENTS TO TREAT
HEMATOLOGIC CANCERS
DATE OF CANCELLATION OF PATENT: 2020 12 10
THE TERM OF RESTORATION OF PATENT: 2021 12 10

(21) AP 2013 13881
(11) P 2018 6903 B
(73) Perion Science Inc.
(54) CHLORO-PYRAZINE CARBOXAMIDE DERIVATIVES USEFUL FOR THE
TREATMENT OF DISEASES FAVOURED BY INSUFFICIENT
MUCOSAL HYDRATION
DATE OF CANCELLATION OF PATENT: 2020 12 13
THE TERM OF RESTORATION OF PATENT: 2021 12 13

(21) AP 2015 14540
(11) P 2019 6991 B
(73) AZIENDE CHIMICHE RIUNITE ANGELINE FRANCESCO A.C.R.A.F. S.P.A.
(54) ANTIBACTERIAL COMPOUNDS HAVING BROAD SPECTRUM OF ACTIVITY
DATE OF CANCELLATION OF PATENT: 2020 12 14
THE TERM OF RESTORATION OF PATENT: 2021 12 14

(21) AP 2018 14958
(11) P 2020 7122 B
(73) LTD "SHILD"
(54) METHOD FOR AGRICULTURE PROTECTION FROM BROWN MARMORATED STINK BUG
DATE OF CANCELLATION OF PATENT: 2020 12 11
THE TERM OF RESTORATION OF PATENT: 2021 12 11

(21) AP 2006 9766
(11) P 2011 5355 B
(73) Ramzan Goitemirov;
Aslan Goitemirov
(54) INTERNAL COMBUSTION ENGINE
DATE OF CANCELLATION OF PATENT: 2020 12 15
THE TERM OF RESTORATION OF PATENT: 2021 12 15

(21) AP 2006 9767
(11) P 2011 5287 B
(73) Ramzan Goitemirov
(54) INTERNAL COMBUSTION ENGINE
DATE OF CANCELLATION OF PATENT: 2020 12 15
THE TERM OF RESTORATION OF PATENT: 2021 12 15

(21) AP 2006 9768
(11) P 2012 5412 B
(73) Ramzan Goitemirov
(54) INTERNAL COMBUSTION ENGINE
DATE OF CANCELLATION OF PATENT: 2020 12 15
THE TERM OF RESTORATION OF PATENT: 2021 12 15

EXPIRATION OF TERM OF RESTORATION OF PATENT

(21) AP 2004 9458
(11) P 2008 4505 B
(73) INCYTE CORPORATION
(54) 3-CYCLOALKYLAMINOPYRROLIDINE DERIVATIVES AS MODULATORS OF CHEMOKINE RECEPTORS
DATE OF CANCELLATION OF PATENT: 2019 12 16
THE TERM OF RESTORATION OF PATENT VALIDITY HAS EXPIRED: 2020 12 16

EXPIRATION OF PATENT

(21) AP 2000 6552
(11) P 2005 3532 B
(73) Zentiva A.S.
(54) CONTROLLED RELEASE PHARMACEUTICAL COMPOSITION CONTAINING TRAMADOL HYDROCHLORIDE
EXPIRATION DATE OF THE PATENT: 20 12 2020

CHANGES OF NAMES AND/OR ADDRESSES OF PATENTOWNER

(21) AP 2008 11722
(11) P 2012 5539 B
(54) FLAVOURED CLAY-BASED THERAPEUTIC COMPOSITION
New Name and/or Address: IPSEN CONSUMER HEALTHCARE (FR)
65 quai Georges Gorse 92100 Boulogne-Billancourt, France
Former Name and/or Address: Ipsen Pharma S.A.S.
65 quai Georges Gorse, F-92100, Boulogne-Billancourt, France;
FIRMENICH SA
Route des Jeunes 1 P.O. Box 239 CH-1211 Geneve 8 , Switzerland
Date of Registration: 21 12 2020

(21) AP 2005 9756

(11) P 2010 4895 B

(54) PREPARATION OF PREGABALIN AND RELATED COMPOUNDS

New Name and/or Address: WARNER-LAMBERT COMPANY LLC (US)
235 East 42nd Street, New York, NY 10017, (US)

Former Name and/or Address: WARNER-LAMBERT COMPANY LLC (US)
201 Taybor Road, Maurice Plains, New Jersey 07950, USA

Date of Registration: 21 12 2020

UTILITY MODELS

EXPIRATION OF PATENTS RESTORATION

(21) AU 2012 12912

(11) U 2015 1855 Y

(73) N(N)LE Tbilisi State Medical University

(54) METHOD OF TRITERPENIC SAPONINS PRODUCTION HAVING ANTIINFLAMMATORY ACTIVITY
AT INFLAMMATIONS OF NOSE APPENDAGES AND AURICLE SINUS

DATE OF CANCELLATION OF PATENT: 2020 12 06

THE TERM OF RESTORATION OF PATENT: 2021 01 25

(21) AU 2015 13782

(11) U 2016 1888 Y

(73) Zurab Chkhaidze;

Nodar Khodeli;

Otar Shengelia

(54) ARTIFICIAL APPARATUS FOR BLOOD CIRCULATION

DATE OF CANCELLATION OF PATENT: 2020 04 03

THE TERM OF RESTORATION OF PATENT: 2021 01 25

(21) AU 2015 13993

(11) U 2017 1920 Y

(73) Khvicha Tvalabeishvili

(54) THERAPEUTIC AGENT FOR LACTOSTASIS, MASTOPATHY, AND MASTITIS TREATMENT
AND/OR PROPHYLAXIS

DATE OF CANCELLATION OF PATENT: 2020 11 12

THE TERM OF RESTORATION OF PATENT: 2021 01 25

EXPIRATION OF TERM OF RESTORATION OF PATENTS

(21) AU 2015 14018

(11) U 2016 1913 Y

(73) Giorgi Chechelashvili;

Ivane Chkhaidze

(54) WINDOW

DATE OF CANCELLATION OF PATENT: 2019 12 17

THE TERM OF RESTORATION OF PATENT VALIDITY HAS EXPIRED: 2020 12 17

(21) AU 2016 14345

(11) U 2017 1949 Y

(73) Ketevan Tsanava;

Revaz Baghaturia;

Alexander Baghaturia;

Elene Shengelia

(54) TREATMENT AND PREVENTIVE BEVERAGE AGAINST HYPERURICEMY

DATE OF CANCELLATION OF PATENT: 2019 12 09

THE TERM OF RESTORATION OF PATENT VALIDITY HAS EXPIRED: 2020 12 09

DESIGNS

CANCELLATION OF REGISTRATION OF DESIGNS

(11) D 2005 256 S

(73) Anzor Chachua (GE)

Guramishvili Av. 12a, app. 63, 0192, Tbilisi, Georgia (GE)

(54) FERRY - CATAMARAN

(18) 2020 06 10

(58) 2020 12 21

(11) D 2016 675 S

(73) Teimuraz Katamadze (GE)

Rustaveli St. 292, 6200, Kobuleti, Georgia (GE)

(54) BOOTH

(18) 2020 05 27

(58) 2020 12 21

(11) D 2016 662 S

(73) LTD "GRAND CANDY" (GE)

Peikrebi St. 12, 0141, Tbilisi, Georgia (GE)

(54) ICE CREAM PACKAGING

(18) 2020 06 19

(58) 2020 12 30

CHANGING OF REPRESENTATIVE DATA

(11) D 1999 81 S

New Name and/or Address: Shalva Gvaramadze (GE)
Sulkhan Tsintsadze st. 56, b. 36, 0160, Tbilisi, Georgia (GE)

Former Name and/or Address: Guram Tsitsishvili (GE)
Ilia Chavchavadze Ave. 11, 0179, Tbilisi, Georgia (GE)

Date of Registration: 28 12 2020

OWNER'S DATA CHANGING

(11) D 1999 81 S

New Name and/or Address: Pfaizer Ireland Pharmaceuticals cooperation with other companies:
(A) C. P. Pharmaceuticals Inernational C. V., LLC has been established under the Dutch Legislation, and operated through its general partner – Pfizer Manufacturing, LLC, a limited liability company organized under the Delaware State Legislation, and office location is: 235 East 42nd Street, New York, NY 10017, USA, and Pfizer Production, LLC, a limited liability company organized under the Delaware State Legislation, and office location is: 235 East 42nd Street, New York, NY 10017, USA, and
(B) Pfizer Oasis Pharmaceuticals, ULC, a private unlimited company registered in Ireland (Registration No. 79355), and office location is: Pottery Rd., Dún Laoghaire, Dublin, Ireland (IE)
Operation Support Group, Ringaskiddy Cork, Ireland (IE)

Former Name and/or Address: Pfaizer Ireland Pharmaceuticals cooperation with other companies:
(A) C. P. Pharmaceuticals Inernational C. V., LLC has been established under the Dutch Legislation, and operated through its general partner – Pfizer Manufacturing, LLC, a limited liability company organized under the Delaware State Legislation, and office location is: 235 East 42nd Street, New York, NY 10017, USA, and Pfizer Production, LLC, a limited liability company organized under the Delaware State Legislation, and office location is: 235 East 42nd Street, New York, NY 10017, USA, and
(B) Pfizer Oasis Pharmaceuticals, ULC, a private unlimited company registered in Ireland (Registration No. 79355), and office location is: Pottery Rd., Dún Laoghaire, Dublin, Ireland (IE)

Date of Registration: 29 12 2020

TRANSFER OF RIGHT

New Owner: Upjohn Manufacturing Ireland Unlimited Company;
Operations Support Group, Ringaskiddy, County Cork, Ireland (IE)
Pfizer Ireland Pharmaceuticals cooperation with other companies:

Former Owner: (A) C. P. Pharmaceuticals International C. V., LLC has been established under the Dutch
Legislation, and operated through its general partner –
Pfizer Manufacturing, LLC, a limited liability company organized under the Delaware State
Legislation, and office location is:
235 East 42nd Street, New York, NY 10017, USA, and
Pfizer Production, LLC, a limited liability company organized under the Delaware State
Legislation, and office location is:
35 East 42nd Street, New York, NY 10017, USA, and
(B) Pfizer Oasis Pharmaceuticals, ULC, a private unlimited company registered in Ireland
(Registration No. 79355), and office location is:
Pottery Rd., Dún Laoghaire, Dublin, Ireland (IE)
Operation Support Group, Ringaskiddy Cork, Ireland (IE)

Date of Registration: 30 12 2020

EXTENSION OF REGISTRATION OF INTERNATIONAL DESIGNS

(11) DM/67139
(73) SWATCH AG (SWATCH SA) (SWATCH LTD.)
94, Rue Jakob Stämpfli, CH-2502 BIENNE (CH)
(15) 2005 11 21
(24) 2005 11 21
(18) 2025 11 21
(28) 11
(28') 11
(54) Wristwatches

(11) DM/67144
(73) SOCIÉTÉ DES PRODUITS NESTLÉ S.A.
CH-1800 Vevey (CH)
(15) 2005 11 14
(24) 2005 11 14
(18) 2025 11 14
(28) 1
(28') 1
(54) Coffee machine part

(11) DM/67431
(73) VOLKSWAGEN AKTIENGESELLSCHAFT
38436 Wolfsburg (DE)
(15) 2006 01 19
(24) 2006 01 19
(18) 2026 01 19
(28) 2
(28') 2
(54) Fenders for vehicles

(11) DM/67432
(73) VOLKSWAGEN AKTIENGESELLSCHAFT
38436 Wolfsburg (DE)
(15) 2006 01 19
(24) 2006 01 19
(18) 2026 01 19
(28) 4
(28') 4
(54) Headlamps for vehicles, Rear lights for vehicles

(11) DM/67736
(73) NESTLÉ WATERS
20, rue Rouget de Lisle, F-92130 ISSY-LES-MOULINEAUX (FR)
(15) 2005 12 28
(24) 2005 12 28
(18) 2025 12 28
(28) 1
(28') 1
(54) Bottle

(11) DM/74719
(73) SWATCH AG (SWATCH SA)(SWATCH LTD)
Jakob-Stämpfli-Strasse 94, CH-2502 BIEL/BIENNE (CH)
(15) 2010 11 12
(24) 2010 11 12
(18) 2025 11 12
(28) 3
(28') 3
(54) Wristwatches

(11) DM/74868
(73) SWATCH AG (SWATCH SA)(SWATCH LTD)
Jakob-Stämpfli-Strasse 94, CH-2502 BIEL/BIENNE (CH)
(15) 2010 11 26
(24) 2010 11 26
(18) 2025 11 26
(28) 1
(28') 1
(54) Wristwatch

(11) DM/85635
(73) TISSOT SA (TISSOT AG) (TISSOT LTD)
Chemin des Tourelles 17, CH-2400 Le Locle (CH)
(15) 2015 02 18
(24) 2015 02 18
(18) 2025 02 18
(28) 7
(28') 3
(54) Dial, Watch bracelet, Watch bracelets, Watch case, Watch cases

(11) DM/85637
(73) TISSOT SA (TISSOT AG) (TISSOT LTD)
Chemin des Tourelles 17, CH-2400 Le Locle (CH)
(15) 2015 02 18
(24) 2015 02 18
(18) 2025 02 18
(28) 13
(28') 10
(54) Dials, Watch bracelet, Watch bracelets, Watch case, Watch cases

(11) DM/85789
(73) MONTRES JAQUET DROZ SA (MONTRES JAQUET DROZ AG) (MONTRES JAQUET DROZ LTD.)
Allée du Tourbillon 2, CH-2300 La Chaux-de-Fonds (CH)
(15) 2015 03 09
(24) 2015 03 09
(18) 2025 03 09
(28) 10
(28') 7
(54) Dials, Oscillating weights, Watch, Watch case, Watch movement

(11) DM/86843
(73) SWATCH AG (SWATCH SA) (SWATCH LTD.)
Jakob-Stämpfli-Strasse 94, CH-2502 Biel/Bienne (CH)
(15) 2015 06 19
(24) 2015 06 19
(18) 2025 06 19
(28) 6
(28') 2
(54) Wristwatches

(11) DM/87833
(73) SAVERGLASS
3 rue de la Gare, F-60960 FEUQUIERES (FR)
(15) 2015 10 12
(24) 2015 10 12
(18) 2025 10 12
(28) 1
(28') 1
(54) Bottle

(11) DM/87835
(73) SAVERGLASS
3 rue de la Gare, F-60960 FEUQUIERES (FR)
(15) 2015 10 12
(24) 2015 10 12
(18) 2025 10 12
(28) 1
(28') 1
(54) Bottle

(11) DM/88089
(73) SWATCH AG (SWATCH SA) (SWATCH LTD.)
 Jakob-Stämpfli-Strasse 94, CH-2502 Biel/Bienne (CH)
(15) 2015 11 02
(24) 2015 11 02
(18) 2025 11 02
(28) 1
(28') 1
(54) Wristwatch

(11) DM/88090
(73) HARRY WINSTON SA
 Chemin du Tourbillon 8, CH-1228 Plan-les-Ouates (CH)
(15) 2015 11 02
(24) 2015 11 02
(18) 2025 11 02
(28) 2
(28') 2
(54) Finger ring,Pendant

(11) DM/88091
(73) SWATCH AG (SWATCH SA) (SWATCH LTD.)
 Jakob-Stämpfli-Strasse 94, CH-2502 Biel/Bienne (CH)
(15) 2015 11 02
(24) 2015 11 02
(18) 2025 11 02
(28) 2
(28') 2
(54) Wristwatches

(11) DM/88101
(73) HARRY WINSTON SA
 Chemin du Tourbillon 8, CH-1228 Plan-les-Ouates (CH)
(15) 2015 11 04
(24) 2015 11 04
(18) 2025 11 04
(28) 2
(28') 2
(54) Earring,Necklace

(11) DM/88150
(73) SWATCH AG (SWATCH SA) (SWATCH LTD.)
 Jakob-Stämpfli-Strasse 94, CH-2502 BIEL/BIENNE (CH)
(15) 2015 11 10
(24) 2015 11 10
(18) 2025 11 10
(28) 1
(28') 1
(54) Wristwatch

(11) DM/88236
(73) TISSOT SA (TISSOT AG) (TISSOT LTD.)
 Chemin des Tourelles 17, CH-2400 Le Locle (CH)
(15) 2015 11 17

(24) 2015 11 17
(18) 2025 11 17
(28) 1
(28') 1
(54) Dial

(11) DM/88280
(73) HARRY WINSTON SA
Chemin du Tourbillon 8, CH-1228 Plan-les-Ouates (CH)
(15) 2015 11 20
(24) 2015 11 20
(18) 2025 11 20
(28) 1
(28') 1
(54) Necklace

(11) DM/88369
(73) SWATCH AG (SWATCH SA) (SWATCH LTD.)
Jakob-Stämpfli-Strasse 94, CH-2502 Biel/Bienne (CH)
(15) 2015 11 25
(24) 2015 11 25
(18) 2025 11 25
(28) 2
(28') 2
(54) Wristwatches

(11) DM/88370
(73) SWATCH AG (SWATCH SA) (SWATCH LTD.)
Jakob-Stämpfli-Strasse 94, CH-2502 Biel/Bienne (CH)
(15) 2015 11 25
(24) 2015 11 25
(18) 2025 11 25
(28) 1
(28') 1
(54) Wristwatch

(11) DM/88375
(73) SAVERGLASS
3 rue de la Gare, F-60960 FEUQUIERES (FR)
(15) 2015 11 26
(24) 2015 11 26
(18) 2025 11 26
(28) 1
(28') 1
(54) Bottle

(11) DM/88376
(73) SAVERGLASS
3 rue de la Gare, F-60960 FEUQUIERES (FR)
(15) 2015 11 27
(24) 2015 11 27
(18) 2025 11 27
(28) 2

(28') 2
(54) Bottles

(11) DM/88441
(73) SAVERGLASS
3 rue de la Gare, F-60960 FEUQUIERES (FR)
(15) 2015 11 27
(24) 2015 11 27
(18) 2025 11 27
(28) 2
(28') 2
(54) Bottles

(11) DM/88464
(73) SWATCH AG (SWATCH SA) (SWATCH LTD.)
Jakob-Stämpfli-Strasse 94, CH-2502 Biel/Bienne (CH)
(15) 2015 11 18
(24) 2015 11 18
(18) 2025 11 18
(28) 2
(28') 2
(54) Wristwatches

(11) DM/88984
(73) GA.MA S.R.L.
Via Sant'Alberto, 1714, I-40018 San Pietro in Casale (BO) (IT)
(15) 2016 01 11
(24) 2016 01 11
(18) 2026 01 11
(28) 2
(28') 2
(54) Diffusing nozzles for hair-driers

TRADEMARKS

RENEWAL OF REGISTRATIONS

(111) M 2001 13672 R2
 (156) 2001 01 22
 (186) 2031 01 22
 (732) THE PROCTER & GAMBLE COMPANY
 One Procter & Gamble Plaza, Cincinnati,
 Ohio, USA

(111) M 2001 13695 R2
 (156) 2001 01 30
 (186) 2031 01 30
 (732) JAGUAR LAND ROVER LIMITED
 Abbey Road, Whitley, Coventry CV3 4LF,
 United Kingdom

(111) M 2000 13624 R2
 (156) 2000 12 21
 (186) 2030 12 21
 (732) AGILENT TECHNOLOGIES, INC.
 5301 Stevens Creek Boulevard, Santa Clara
 CA 95051, USA

(111) M 2001 13714 R2
 (156) 2001 01 30
 (186) 2031 01 30
 (732) JAGUAR LAND ROVER LIMITED
 Abbey Road, Whitley, Coventry CV3 4LF,
 United Kingdom

(111) M 2000 13625 R2
 (156) 2000 12 21
 (186) 2030 12 21
 (732) AGILENT TECHNOLOGIES, INC.
 5301 Stevens Creek Boulevard, Santa Clara
 CA 95051, USA

(111) M 2001 13715 R2
 (156) 2001 01 30
 (186) 2031 01 30
 (732) JAGUAR LAND ROVER LIMITED
 Abbey Road, Whitley, Coventry CV3 4LF,
 United Kingdom

(111) M 2000 13638 R2
 (156) 2000 12 21
 (186) 2030 12 21
 (732) The Gillette Company LLC
 One Gillette Park, Boston, Massachusetts
 02127, USA

(111) M 2001 13762 R2
 (156) 2001 02 22
 (186) 2031 02 22
 (732) Fox Media LLC
 10201 West Pico Boulevard, Los-Angeles,
 CA 90035, USA

(111) M 2000 13639 R2
 (156) 2000 12 21
 (186) 2030 12 21
 (732) The Gillette Company LLC
 One Gillette Park, Boston, Massachusetts
 02127, USA

(111) M 2001 13837 R2
 (156) 2001 04 04
 (186) 2031 04 04
 (732) Alcon Inc.
 Rue Louis-d'Affry 6, CH-1701 Fribourg,
 Switzerland

(111) M 2001 13678 R2
 (156) 2001 01 22
 (186) 2031 01 22
 (732) THE PROCTER & GAMBLE COMPANY
 One Procter & Gamble Plaza, Cincinnati,
 Ohio, USA

(111) M 2001 13921 R2
 (156) 2001 05 29
 (186) 2031 05 29
 (732) CHEVRON INTELLECTUAL PROPERTY
 LLC, a State of Delaware, Limited Company
 6001 Bollinger Canyon Road, San Ramon,
 California 94583, USA

(111) M 2001 13689 R2
 (156) 2001 01 30
 (186) 2031 01 30
 (732) JAGUAR LAND ROVER LIMITED
 Abbey Road, Whitley, Coventry CV3 4LF,
 United Kingdom

(111) M 2001 13922 R2
 (156) 2001 06 13
 (186) 2031 06 13
 (732) CHEVRON INTELLECTUAL
 LLC

a State of Delaware, Limited Liability
Company
6001 Bollinger Canyon Road, San Ramon,
California 94583, USA

(111) M 2001 13897 R2
(156) 2001 05 29
(186) 2031 05 29
(732) TOYOTA JIDOSHA KABUSHIKI KAISHA
(also trading as TOYOTA MOTOR
CORPORATION)
1, Toyota-Cho, Toyota-Shi, Aichi-Ken,
Japan

(111) M 2001 13898 R2
(156) 2001 05 29
(186) 2031 05 29
(732) TOYOTA JIDOSHA KABUSHIKI KAISHA
(also trading as TOYOTA MOTOR
CORPORATION)
1, Toyota-Cho, Toyota-Shi, Aichi-Ken,
Japan

(111) M 2001 13899 R2
(156) 2001 05 29
(186) 2031 05 29
(732) TOYOTA JIDOSHA KABUSHIKI KAISHA
(also trading as TOYOTA MOTOR
CORPORATION)
1, Toyota-Cho, Toyota-Shi, Aichi-Ken,
Japan

(111) M 2001 13900 R2
(156) 2001 05 29
(186) 2031 05 29
(732) TOYOTA JIDOSHA KABUSHIKI KAISHA
(also trading as TOYOTA MOTOR
CORPORATION)
1, Toyota-Cho, Toyota-Shi, Aichi-Ken,
Japan

(111) M 2001 13901 R2
(156) 2001 05 29
(186) 2031 05 29
(732) TOYOTA JIDOSHA KABUSHIKI KAISHA
(also trading as TOYOTA MOTOR
CORPORATION)
1, Toyota-Cho, Toyota-Shi, Aichi-Ken,
Japan

(111) M 2001 13903 R2
(156) 2001 05 29
(186) 2031 05 29
(732) TOYOTA JIDOSHA KABUSHIKI KAISHA
(also trading as TOYOTA MOTOR
CORPORATION)
1, Toyota-Cho, Toyota-Shi, Aichi-Ken,
Japan

(111) M 2001 13904 R2
(156) 2001 05 29
(186) 2031 05 29
(732) TOYOTA JIDOSHA KABUSHIKI KAISHA
(also trading as TOYOTA MOTOR
CORPORATION)
1, Toyota-Cho, Toyota-Shi, Aichi-Ken,
Japan

(111) M 2001 14192 R2
(156) 2001 12 13
(186) 2031 12 13
(732) NAUTICA APPAREL, INC.
40 West 57 th Street, 3rd Floor, New York,
New York 10019, USA

(111) M 2010 20866 R1
(156) 2010 10 25
(186) 2030 10 25
(732) European Refreshments
Southgate, Dublin Road, Drogheda,
A92 YK7W, Ireland

(111) M 2010 20867 R1
(156) 2010 10 25
(186) 2030 10 25
(732) European Refreshments
Southgate, Dublin Road, Drogheda,
A92 YK7W, Ireland

(111) M 2010 20931 R1
(156) 2010 11 25
(186) 2030 11 25
(732) Seagate Technology LLC
47488 Kato Road, Fremont, CA 94538,

(111) M 2011 21431 R1
(156) 2011 05 11
(186) 2031 05 11
(732) Abdi İbrahim İlaç Sanayi ve Ticaret Anonim
Şirketi
Reşitpaşa Mahallesi Eski Büyükdere Caddesi
No: 4 34467 Maslak-Sarıyer-İstanbul, Turkey

(111) M 2010 20559 R1
(156) 2010 06 11
(186) 2030 06 11
(732) LTD "Provizia"
I. Petritsi St. 6, app. 139, 0131, Tbilisi,
Georgia

(111) M 2010 20560 R1
(156) 2010 06 11
(186) 2030 06 11
(732) TEAL Brands Limited
The Entertainer, Boughton Business Park,
Lane, Little Chalfont, Bucks, HP6 6GL,
United Kingdom

(111) M 2010 20561 R1
(156) 2010 06 11
(186) 2030 06 11
(732) TEAL Brands Limited
The Entertainer, Boughton Business Park,
Bell Lane, Little Chalfont, Bucks, HP6 6GL,
United Kingdom

(111) M 2010 20562 R1
(156) 2010 06 11
(186) 2030 06 11
(732) TEAL Brands Limited
The Entertainer, Boughton Business Park,
Bell Lane, Little Chalfont, Bucks, HP6 6GL,
United Kingdom

(111) M 2010 21050 R1
(156) 2010 12 29
(186) 2030 12 29
(732) LTD "Aversi-Pharma"
Davit Aghmashenebeli Av. 148/2, 0112,
Tbilisi, Georgia

(111) M 2011 21230 R1
(156) 2011 03 01
(186) 2031 03 01
(732) Google LLC
1600 Amphitheatre Parkway, Mountain View,
CA 94043, USA

(111) M 2010 20991 R1
(156) 2010 12 13
(186) 2030 12 13
(732) LTD "Aversi-Pharma"
Davit Aghmashenebeli Av. 148/2, 0112,
Tbilisi, Georgia

(111) M 2011 21251 R1
(156) 2011 03 14
(186) 2031 03 14
(732) Kraft Foods Danmark Intellectual Property
ApS
Ringager 2 A, 2, DK-2605 Brøndby, Denmark

(111) M 2011 21061 R1
(156) 2011 01 17
(186) 2031 01 17
(732) Abdi İbrahim İlaç Sanayi ve Ticaret Anonim
Şirketi
Reşitpaşa Mahallesi Eski Büyükdere Caddesi
No: 4 34467 Maslak-Sarıyer-İstanbul, Turkey

(111) M 2011 21062 R1
(156) 2011 01 17
(186) 2031 01 17
(732) Abdi İbrahim İlaç Sanayi ve Ticaret Anonim
Şirketi
Reşitpaşa Mahallesi Eski Büyükdere Caddesi
No: 4 34467 Maslak-Sarıyer-İstanbul, Turkey

(111) M 2011 21063 R1
(156) 2011 01 17
(186) 2031 01 17
(732) Abdi İbrahim İlaç Sanayi ve Ticaret Anonim
Şirketi
Reşitpaşa Mahallesi Eski Büyükdere Caddesi
No: 4 34467 Maslak-Sarıyer-İstanbul, Turkey

(111) M 2011 21064 R1
(156) 2011 01 17
(186) 2031 01 17
(732) Abdi İbrahim İlaç Sanayi ve Ticaret Anonim
Şirketi
Reşitpaşa Mahallesi Eski Büyükdere Caddesi
No: 4 34467 Maslak-Sarıyer-İstanbul, Turkey

(111) M 2010 21003 R1
(156) 2010 12 13
(186) 2030 12 13
(732) JSC "LOMISI"
Ksnis Sanapiro St. 1, 0600, Daba Akhagori,
Georgia

(111) M 2010 21005 R1
(156) 2010 12 13
(186) 2030 12 13
(732) JSC "LOMISI"
Vill. Natakhtari, 3308, Mckhetis District,
Georgia

(111) M 2011 21078 R1
 (156) 2011 01 17
 (186) 2031 01 17
 (732) Nogra Pharma Limited
 33, Sir John Rogerson's Quay, Dublin 2,
 Ireland

(111) M 2011 21079 R1
 (156) 2011 01 17
 (186) 2031 01 17
 (732) Nogra Pharma Limited
 33, Sir John Rogerson's Quay, Dublin 2,
 Ireland

(111) M 2011 21153 R1
 (156) 2011 02 11
 (186) 2031 02 11
 (732) Jacobs Douwe Egberts DE GmbH
 Landgemarckstrasse 4-20, 28199 Bremen,
 Germany

(111) M 2011 21200 R1
 (156) 2011 02 25
 (186) 2031 02 25
 (732) BROWN-FORMAN CORPORATION
 850 Dixie Highway, Louisville, Kentucky
 40210, USA

(111) M 2011 21201 R1
 (156) 2011 02 25
 (186) 2031 02 25
 (732) BROWN-FORMAN CORPORATION
 850 Dixie Highway, Louisville, Kentucky
 40210, USA

(111) M 2011 21202 R1
 (156) 2011 02 25
 (186) 2031 02 25
 (732) Discover Financial Services
 2500 Lake Cook Road, Riverwoods, IL
 60015, USA

(111) M 2011 21203 R1
 (156) 2011 02 25
 (186) 2031 02 25
 (732) Discover Financial Services
 2500 Lake Cook Road, Riverwoods, IL
 60015, USA

(111) M 2011 21452 R1
 (156) 2011 05 11
 (186) 2031 05 11
 (732) Abdi İbrahim İlaç Sanayi ve Ticaret Anonim
 Şirketi
 Reşitpaşa Mahallesi Eski Büyükdere Caddesi
 No: 4 34467 Maslak-Sarıyer-İstanbul, Turkey

(111) M 2011 21453 R1
 (156) 2011 05 11
 (186) 2031 05 11
 (732) Abdi İbrahim İlaç Sanayi ve Ticaret Anonim
 Şirketi
 Reşitpaşa Mahallesi Eski Büyükdere Caddesi
 No: 4 34467 Maslak-Sarıyer-İstanbul, Turkey

(111) M 2011 21369 R1
 (156) 2011 04 13
 (186) 2031 04 13
 (732) Jack Daniel's Properties, Inc.
 4040 Civic Center Drive, Suite 528,
 San Rafael, California 94903, USA

(111) M 2011 21370 R1
 (156) 2011 04 13
 (186) 2031 04 13
 (732) Jack Daniel's Properties, Inc.
 4040 Civic Center Drive, Suite 528,
 San Rafael, California 94903, USA

(111) M 2011 21859 R1
 (156) 2011 10 17
 (186) 2031 10 17
 (732) ELVIS PRESLEY ENTERPRISES, INC.
 3734 Elvis Presley Boulevard, 38116
 Memphis, Tennessee, USA

(111) M 2011 21860 R1
 (156) 2011 10 17
 (186) 2031 10 17
 (732) ELVIS PRESLEY ENTERPRISES, INC.
 3734 Elvis Presley Boulevard, 38116
 Memphis, Tennessee, USA

(111) M 2011 21970 R1
 (156) 2011 11 17
 (186) 2031 11 17
 (732) LLC "BTM TEXTILE"
 Melikishvili St. 25, app. 3, 6000, Batumi,
 Georgia

(111) M 2011 22074 R1

(156) 2011 12 14

(186) 2031 12 14

(732) BRISTOL-MYERS SQUIBB COMPANY,
a Delaware Corporation
430 East 29th Street, 14th Floor, New York,
New York 10016, USA

COMPLETE TRANSFER OF RIGHTS

(111) M 2007 17525 R
(732) IMPERIAL TOBACCO
INTELLECTUAL PROPERTY LIMITED
21 Beckett Way, Park West, Nangor Road,
Dublin 12, Ireland
(770) John Player & Sons Limited
21 Beckett Way, Park West, Nangor Road,
Dublin 12, Ireland
(580) 2020 12 22

(111) M 2010 20560 R
(732) TEAL Brands Limited
The Entertainer, Boughton Business Park,
Bell Lane, Little Chalfont, Bucks, HP6 6GL,
United Kingdom
(770) Early Learning Centre Limitid
Cherry Tree Road, Watford, Hertfordshire,
WD24 6SH, United Kingdom
(580) 2020 12 10

(111) M 2010 20561 R
(732) TEAL Brands Limited
The Entertainer, Boughton Business Park,
Bell Lane, Little Chalfont, Bucks, HP6 6GL,
United Kingdom
(770) Early Learning Centre Limitid
Cherry Tree Road, Watford, Hertfordshire,
WD24 6SH, United Kingdom
(580) 2020 12 10

(111) M 2010 20562 R
(732) TEAL Brands Limited
The Entertainer, Boughton Business Park,
Bell Lane, Little Chalfont, Bucks, HP6 6GL ,
United Kingdom
(770) Early Learning Centre Limitid
Cherry Tree Road, Watford, Hertfordshire,
WD24 6SH, United Kingdom
(580) 2020 12 10

(111) M 2011 22096 R
(732) IMPERIAL TOBACCO INTELLECTUAL
PROPERTY LIMITED
21 Beckett Way, Park West, Nangor Road,
Dublin 12, Ireland
(770) John Player & Sons Limited
21 Beckett Way, Park West, Nangor Road,
Dublin 12, Ireland
(580) 2020 12 22

(111) M 1994 302 R
(732) IMPERIAL TOBACCO INTELLECTUAL
PROPERTY LIMITED
21 Beckett Way, Park West, Nangor Road,
Dublin 12, Ireland
(770) John Player & Sons Limited
21 Beckett Way, Park West, Nangor Road,
Dublin 12, Ireland
(580) 2020 12 22

(111) M 2015 26445 R
(732) LTD "QARTVELI"
Kakheti Highway 110a, Isani-Samgori
District, Tbilisi, Georgia
(770) LTD "GEORGIAN BRAND COMPANY"
Kakheti Highway 110a, Tbilisi, Georgia
(580) 2020 12 08

(111) M 2015 25847 R
(732) LTD "QARTVELI"
Kakheti Highway 110a, Isani-Samgori
District, Tbilisi, Georgia
(770) LTD "CAPITALCLUB"
Kakheti Highway 110a, 0198, Isani-Samgori
District, Tbilisi, Georgia
Kakheti Highway 110a, Tbilisi, Georgia
(580) 2020 12 08

(111) M 1997 6459 R
(732) IMPERIAL TOBACCO INTELLECTUAL
PROPERTY LIMITED
21 Beckett Way, Park West, Nangor Road,
Dublin 12, Ireland
(770) John Player & Sons Limited
21 Beckett Way, Park West Nangor Road,
Dublin 12, Ireland
(580) 2020 12 22

(111) M 2017 28906 R
(732) LTD "ABG"
Ivane Javakhishvili St. 80, app. 58, Batumi,
Georgia
(770) LTD "TBILISI PAKING"
Stanislavskiy St. 5, 0119, Tbilisi, Georgia
(580) 2020 12 18

CHANGES OF NAMES AND/OR ADDRESS OF OWNERS

-
- (111) M 2019 32012 R
(732) JSC "KETTER INVEST"
Sobinova St. 1, Dnipro, Ukraine
(770) JSC "ALEF-VINAL"
Sobinova St. 1, Dnipro, Ukraine
(580) 2020 12 21
-
- (111) M 1997 6220 R
(732) Aventisub LLC
55 Corporate Drive, Bridgewater, New Jersey
08807, USA
(770) Aventisub LLC
3711 Kennett Pike, Suite 200, Greenville,
Delaware 19807, USA
(580) 2020 12 25
-
- (111) M 1997 6221 R
(732) Aventisub LLC
55 Corporate Drive, Bridgewater,
New Jersey, USA
(770) Aventisub LLC
3711 Kennett Pike, Suite 200, Greenville,
Delaware 19807, USA
(580) 2020 12 25
-
- (111) M 1998 10400 R
(732) Aventisub LLC
55 Corporate Drive, Bridgewater,
New Jersey, USA
(770) Aventisub LLC
3711 Kennett Pike, Suite 200, Greenville,
Delaware 19807, USA
(580) 2020 12 25
-
- (111) M 2007 17576 R
(732) JSC "TECHNONIKOL"
Ul. Giliarovskovo, Dom 47, Stroenie 5,
Et. 5, Pom. 1, kom. 22, 129110, Moscow,
Russian Federation
(770) CJSC "TECHNONIKOL"
Crimean shaft. 8, 119049, Moscow, Russian
Federation
(580) 2020 12 10
-
- (111) M 2007 17720 R
(732) JSC "TECHNONIKOL"
Ul. Giliarovskovo, Dom 47, Stroenie 5,
Et. 5, Pom. 1, kom. 22, 129110, Moscow,
Russian Federation
-
- (770) CJSC "TECHNONIKOL"
Crimean shaft. 8, 119049, Moscow, Russian
Federation
(580) 2020 12 10
-
- (111) M 2009 19064 R
(732) Aventisub LLC
55 Corporate Drive, Bridgewater,
New Jersey, USA
(770) Aventisub LLC
3711 Kennett Pike, Suite 200, Greenville,
Delaware 19807, USA
(580) 2020 12 25
-
- (111) M 2010 20931 R
(732) Seagate Technology LLC
47488 Kato Road, Fremont, CA 94538,
USA
(770) Seagate Technology LLC
920 Disc Drive, Scotts Valley California
95066, USA
(580) 2020 12 14
-
- (111) M 2010 20560 R
(732) Early Learning Centre Limitid
Cherry Tree Road, Watford, Hertfordshire,
WD24 6SH, United Kingdom
(770) Early Learning Centre Limitid
South Marston Industrial Park, Swindon,
SN3 4 TJ, England, United Kingdom
(580) 2020 12 10
-
- (111) M 2010 20561 R
(732) Early Learning Centre Limitid
Cherry Tree Road, Watford, Hertfordshire,
WD24 6SH, United Kingdom
(770) Early Learning Centre Limitid
South Marston Industrial Park, Swindon,
SN3 4 TJ, England, United Kingdom
(580) 2020 12 10
-
- (111) M 2010 20562 R
(732) Early Learning Centre Limitid
Cherry Tree Road, Watford, Hertfordshire,
WD24 6SH, United Kingdom
(770) Early Learning Centre Limitid
South Marston Industrial Park, Swindon,
SN3 4 TJ, England, United Kingdom
(580) 2020 12 10
-

(111) M 2011 22074 R

(732) BRISTOL-MYERS SQUIBB COMPANY,
a Delaware Corporation
430 East 29th Street, 14th Floor,
New York, New York 10016, USA

(770) BRISTOL-MYERS SQUIBB COMPANY,
a Delaware Corporation
345 Park Avenue, New York,
New York 10154, USA

(580) 2020 12 11

(111) M 2017 29201 R

(732) Amazon Europe Core S.à r.l.
38 avenue John F. Kennedy, L-1855
Luxembourg, Luxembourg

(770) Amazon Europe Core S.à r.l.
5, Rue Plaetis, L-2338 Luxembourg,
Luxembourg

(580) 2020 12 09

TERMINATION OF TRADEMARKS REGISTRATION

(111) M 2000 13334 R
(151) 2000 06 09
(732) Tulip Food Company P/S
Tulipvej 1, 8940 Randers SV, Denmark
(141) 2021 01 18

(111) M 2000 13360 R
(151) 2000 06 09
(732) MARS, INCORPORATED
6885 Elm Street Mclean, Virginia
22101-3883, USA
(141) 2021 01 18

(111) M 2000 13319 R
(151) 2000 06 09
(732) WM.WRIGLEY JR.COMPANY
410 North Michigan Avenue, Chicago,
Illinois 60611, USA
(141) 2021 01 18

(111) M 2000 13320 R
(151) 2000 06 09
(732) Novartis International Pharmaceutical Ltd.
Horst Holme, 12 Trott Road, P.O. Box
HM LX, Bermuda
(141) 2021 01 18

(111) M 2000 13321 R
(151) 2000 06 09
(732) MARS INCORPORATED
6885 Elm Street, McLean, Virginia
22101-3883, USA
(141) 2021 01 18

(111) M 2000 13322 R
(151) 2000 06 09
(732) Opel Automobile GmbH
Bahnhofplatz, 65423 Rüsselsheim, Germany
(141) 2021 01 18

(111) M 2000 13324 R
(151) 2000 06 09
(732) Opel Automobile GmbH
Bahnhofplatz, 65423 Rüsselsheim, Germany
(141) 2021 01 18

(111) M 2000 13325 R
(151) 2000 06 09
(732) Opel Automobile GmbH
Bahnhofplatz, 65423 Rüsselsheim, Germany
(141) 2021 01 18

(111) M 2000 13361 R
(151) 2000 06 09
(732) Kabushiki Kaisha Sony Computer
Entertainment (also trading as Sony Computer
Entertainment inc.)
1-1, Akasaka 7-chome, Minato-ku,
Tokyo 107-0052, Japan
(141) 2021 01 18

(111) M 2000 13359 R
(151) 2000 06 09
(732) MARS, INCORPORATED
6885 Elm Street Mclean, Virginia
22101-3883, USA
(141) 2021 01 18

(111) M 2010 20519 R
(151) 2010 06 10
(732) Zurab Tevdorashvili
Moskovskaia oblast, Istrinskii raion, selo
Rozhdestveno, ulitsa Tsentralnaia N3, kv. N5,
Russian Federation
(141) 2021 01 18

(111) M 2010 20520 R
(151) 2010 06 10
(732) Zurab Tevdorashvili
Moskovskaya oblast, Istrinskiy raion, selo
Rozhdestveno, ulitsa Tsentralnaia 3, kv. 5,
Russian Federation
(141) 2021 01 18

(111) M 2010 20521 R
(151) 2010 06 10
(732) Zurab Tevdorashvili
Moskovskaya oblast, Istrinskiy raion, selo
Rozhdestveno, ulitsa Tsentralnaia 3, kv. 5,
Russian Federation
(141) 2021 01 18

(111) M 2010 20536 R
(151) 2010 06 11
(732) LTD "PRIME TIME"
M. Laghidze St. 4, 0108, Tbilisi, Georgia
(141) 2021 01 18

(111) M 2010 20564 R
(151) 2010 06 14
(732) Wyeth LLC
Five Giralda Farms, Madison, New Jersey,
07940, USA
(141) 2021 01 18

(111) M 2010 20565 R
(151) 2010 06 14
(732) Wyeth LLC
Five Giralda Farms, Madison, New Jersey,
07940, USA
(141) 2021 01 18

(111) M 2010 20538 R
(151) 2010 06 11
(732) Gocha Gochashvili
Tashkenti St. 18, app. 33, 0160, Tbilisi,
Georgia
(141) 2021 01 18

(111) M 2010 20539 R
(151) 2010 06 11
(732) Nunu Gogoladze
Kandelaki St. 8, app. 63, 0160, Tbilisi, Georgia
(141) 2021 01 18

(111) M 2010 20540 R
(151) 2010 06 11
(732) Guram Sanadze
Panaskerteli St. 19, app. 87, 0194, Tbilisi,
Georgia
(141) 2021 01 18

(111) M 2010 20543 R
(151) 2010 06 11
(732) LTD "GEONET"
Nucubidze St. 171, 0186, Tbilisi, Georgia
(141) 2021 01 18

(111) M 2010 20544 R
(151) 2010 06 11
(732) LTD "NEWPHARM"
Davit Agmashenebeli Alley, 12th km, 0131,
Tbilisi, Georgia
(141) 2021 01 18

(111) M 2010 20523 R
(151) 2010 06 10
(732) Ratiopharm GmbH
Graf-Arco-Str. 3, 89079, Ulm, Germany
(141) 2021 01 18

(111) M 2010 20524 R
(151) 2010 06 10
(732) Ratiopharm GmbH
Graf-Arco-Str. 3, 89079, Ulm, Germany
(141) 2021 01 18

(111) M 2010 20545 R
(151) 2010 06 11
(732) Pidilite International Pte. Ltd.
3 Phillip Street, Commerce Point, Singapore
048693, Singapore
(141) 2021 01 18

(111) M 2010 20525 R
(151) 2010 06 10
(732) BILIM ILAC SANAYI ve TICARET A.S.
Ayazağa Köyü Yolu No:6, TR-34398
Maslak, İstanbul, Turkey
(141) 2021 01 18

(111) M 2010 20526 R
(151) 2010 06 10
(732) BILIM ILAC SANAYI ve TICARET A.S.
Ayazağa Köyü Yolu No:6, TR-34398
Maslak, İstanbul, Turkey
(141) 2021 01 18

(111) M 2010 20527 R
(151) 2010 06 10
(732) BILIM ILAC SANAYI ve TICARET A.S.
Ayazağa Köyü Yolu No:6, TR-34398
Maslak, İstanbul, Turkey
(141) 2021 01 18

(111) M 2010 20528 R
(151) 2010 06 10
(732) BILIM ILAC SANAYI ve TICARET A.S.
Ayazağa Köyü Yolu No:6, TR-34398
Maslak, İstanbul, Turkey
(141) 2021 01 18

(111) M 2010 20529 R
(151) 2010 06 10
(732) BILIM ILAC SANAYI ve TICARET A.S.
Ayazağa Köyü Yolu No:6, TR-34398
Maslak, İstanbul, Turkey
(141) 2021 01 18

(111) M 2010 20530 R
(151) 2010 06 10
(732) LTD "New Way"
Mitropane Laghidze St. 21, 0108, Tbilisi,
Georgia
(141) 2021 01 18

(111) M 2010 20531 R
(151) 2010 06 10
(732) LTD "New Way"
Mitropane Laghidze St. 21, 0108, Tbilisi,
Georgia
(141) 2021 01 18

(111) M 2010 20532 R
(151) 2010 06 10
(732) Obshchestvo s ogranichennoi
otvetstvennostiu "Sigma"
28, prospekt pobedi, RU-456604,
Cheliabinskaia oblasti, kopeiiski,
Russian Federation
(141) 2021 01 18

(111) M 2010 20533 R
(151) 2010 06 10
(732) Obshchestvo s Ogranichennoy
Otvetstvennostij "Sigma"
28, Pobeda Av., RU-456604, Chelyabinskaya
Oblast, Kopeysky, Russian Federation
(141) 2021 01 18

(111) M 2010 20546 R
(151) 2010 06 11
(732) LTD "PHEASANT'S TEARS"
Baratashvili St. 18, 4200, Signaghi, Georgia
(141) 2021 01 18

(111) M 2010 20547 R
(151) 2010 06 11
(732) THE ROMPETROL GROUP NV
Strawinskylaan 807, Tower A-8,
1077XX Amsterdam, Netherlands
(141) 2021 01 18

(111) M 2010 20548 R
(151) 2010 06 11
(732) THE ROMPETROL GROUP NV
Strawinskylaan 807, Tower A-8,
1077XX Amsterdam, Netherlands
(141) 2021 01 18

(111) M 2010 20549 R
(151) 2010 06 11
(732) THE ROMPETROL GROUP NV
Strawinskylaan 807, Tower A-8,
1077XX Amsterdam, Netherlands
(141) 2021 01 18

(111) M 2010 20550 R
(151) 2010 06 11
(732) THE ROMPETROL GROUP NV
Strawinskylaan 807, Tower A-8,
1077XX Amsterdam, Netherlands
(141) 2021 01 18

(111) M 2010 20553 R
(151) 2010 06 11
(732) PRECISION FRANCHISING LLC
(a limited liability corporation of Virginia)
748 Miller Drive, S.E., LEESBURG,
Virginia 20175, USA
(141) 2021 01 18

(111) M 2010 20568 R
(151) 2010 06 14
(732) Akita, Inc. a Delaware corporation
2711 Centerville Road, Suite 400,
Wilmington, Delaware 19808, USA
(141) 2021 01 18

(111) M 2010 20555 R
(151) 2010 06 11
(732) Patron Spirits International AG
Quaistrasse 11, 8200 Schaffhausen,
Switzerland
(141) 2021 01 18

(111) M 2010 20556 R
(151) 2010 06 11
(732) Patron Spirits International AG
Quaistrasse 11, 8200 Schaffhausen,
Switzerland
(141) 2021 01 18

(111) M 2010 20558 R
(151) 2010 06 11
(732) NOVARTIS AG
4002 Basel, Switzerland
(141) 2021 01 18

(111) M 2020 32721 R

(151) 2020 05 28

(732) Amador Lopez Acevedo

C/ Alfonso XII, N 29, 13700 Tomelloso,

Ciudad Real, Spain

(141) 2020 12 30

CLASSIFICATION INDEXES

INVENTIONS

CONCORDANCE TABLE OF INTERNATIONAL CLASSIFICATION INDEX AND PUBLICATION NUMBERS

INTERNATIONAL CLASSIFICATION INDEXES (51)	NUMBER OF PUBLISHED APPLICATION (10)
A 61 K 31/436; A 61 P 25/00; C 07 D 491/04; C 07 D 491/18	AP 2021 15056 A
A 61 K 31/506; A 61 K 31/ 5377; A 61 P 13/12; C 07 D 403/14; C 07 D 413/14; C 07 D 471/ 04; C 07 D 487/04	AP 2021 15076 A
A 61 K 36/00	AP 2021 15233 A
A 61 K 39/00; C 07 K 16/18; C 07 K 16/46	AP 2021 14964 A
A 63 H 33/08; E 04 B 11/10	AP 2021 15024 A
B 21C 27/06; E 04 C 5/04	AP 2021 15180 A
F 41 A 23/34; F 41 A 23/54; F 41 F 1/06	AP 2021 15020 A

CONCORDANCE TABLE OF PUBLICATION NUMBERS AND INTERNATIONAL CLASSIFICATION INDEX

NUMBER OF PUBLISHED APPLICATION (10)	INTERNATIONAL CLASSIFICATION INDEXES (51)
AP 2021 14964 A	A 61 K 39/00; C 07 K 16/18; C 07 K 16/46
AP 2021 15020 A	F 41 A 23/34; F 41 A 23/54; F 41 F 1/06
AP 2021 15024 A	A 63 H 33/08; E 04 B 11/10
AP 2021 15056 A	A 61 K 31/436; A 61 P 25/00; C 07 D 491/04; C 07 D 491/18
AP 2021 15076 A	A 61 K 31/506; A 61 K 31/ 5377; A 61 P 13/12; C 07 D 403/14; C 07 D 413/14; C 07 D 471/ 04; C 07 D 487/04
AP 2021 15180 A	B 21C 27/06; E 04 C 5/04
AP 2021 15233 A	A 61 K 36/00

CONCORDANCE TABLE OF INTERNATIONAL CLASSIFICATION INDEX, PATENT NUMBERS AND PUBLICATION NUMBERS

INTERNATIONAL CLASSIFICATION INDEX (51)	NUMBER OF PATENT (11)	NUMBER OF PUBLISHED APPLICATION (10)
A 61 K 31/4439; A 61 P 27/00; A 61 P 9/00; A 61 P 37/00; A 61 P 35/00; C 07 D 401/12	P 2021 7214 B	AP 2020 14933 A
A 61 K 31/519; A 61 K 31/505; A 61 K 31/53; A 61 P 35/00; C 07 D 491/048; C 07 D 239/42; C 07 D 519/00; C 07 D 239/84; C 07 D 251/18; C 07 D 487/04	P 2021 7211 B	AP 2020 14948 A
B 05 B 17/08	P 2021 7209 B	AP 2020 15052 A
B 22 D 11/06	P 2021 7210 B	AP 2020 14937 A
C 08 G 73/00; C 08 G 63/00	P 2021 7213 B	AP 2020 15135 A
F 03 D 1/00	P 2021 7212 B	AP 2020 15117 A

**CONCORDANCE TABLE OF PATENT NUMBERS,
PUBLICATION NUMBERS AND INTERNATIONAL CLASSIFICATION INDEX**

NUMBER OF PATENT (11)	NUMBER OF PUBLISHED APPLICATION (10)	INTERNATIONAL CLASSIFICATION INDEX (51)
P 2021 7209 B	AP 2020 15052 A	B 05 B 17/08
P 2021 7210 B	AP 2020 14937 A	B 22 D 11/06
P 2021 7211 B	AP 2020 14948 A	A 61 K 31/519; A 61 K 31/505; A 61 K 31/53; A 61 P 35/00; C 07 D 491/048; C 07 D 239/42; C 07 D 519/00; C 07 D 239/84; C 07 D 251/18; C 07 D 487/04
P 2021 7212 B	AP 2020 15117 A	F 03 D 1/00
P 2021 7213 B	AP 2020 15135 A	C 08 G 73/00; C 08 G 63/00
P 2021 7214 B	AP 2020 14933 A	A 61 K 31/4439; A 61 P 27/00; A 61 P 9/00; A 61 P 37/00; A 61 P 35/00; C 07 D 401/12

**CONCORDANCE TABLE OF APPLICATION NUMBERS, PUBLICATION NUMBERS
AND PATENTS**

NUMBER OF APPLICATION (21)	NUMBER OF PUBLISHED APPLICATION (10)	NUMBER OF PATENT (11)
AP 2017 14933	AP 2020 14933 A	P 2021 7214 B
AP 2018 14937	AP 2020 14937 A	P 2021 7210 B
AP 2017 14948	AP 2020 14948 A	P 2021 7211 B
AP 2019 15052	AP 2020 15052 A	P 2021 7209 B
AP 2019 15117	AP 2020 15117 A	P 2021 7212 B
AP 2019 15135	AP 2020 15135 A	P 2021 7213 B

UTILITY MODELS

**CONCORDANCE TABLE OF INTERNATIONAL CLASSIFICATION INDEX
AND PUBLICATION NUMBERS**

INTERNATIONAL CLASSIFICATION INDEXES (51)	NUMBER OF PUBLISHED APPLICATION (10)
A 61 K 31/74; A 61 K 31/225; A 61 P 17/14	AU 2021 15386 U

**CONCORDANCE TABLE OF PUBLICATION NUMBERS
AND INTERNATIONAL CLASSIFICATION INDEX**

NUMBER OF PUBLISHED APPLICATION (10)	INTERNATIONAL CLASSIFICATION INDEXES (51)
AU 2021 15386 U	A 61 K 31/74; A 61 K 31/225; A 61 P 17/14

**CONCORDANCE TABLE OF INTERNATIONAL CLASSIFICATION INDEX,
PATENT NUMBERS AND PUBLICATION NUMBERS**

INTERNATIONAL CLASSIFICATION INDEX (51)	NUMBER OF PATENT (11)	NUMBER OF PUBLISHED APPLICATION (10)
A 01 G 13/02; C 08 J 5/18	U 2021 2064 Y	AU 2020 15177 U
A 47 B 21/06; A 47 B 13/00; A 47 B 17/00; A 47 B 19/00; A 47 B 41/00	U 2021 2066 Y	AU 2020 15275 U
E 04 C 2/16	U 2021 2067 Y	AU 2020 15167 U
E 06 B 3/00; E 06 B 9/24	U 2021 2068 Y	AU 2020 15048 U
G 06 F 17/40; G 06 Q 10/00	U 2021 2065 Y	AU 2020 15101 U

**CONCORDANCE TABLE OF PATENT NUMBERS,
PUBLICATION NUMBERS AND INTERNATIONAL CLASSIFICATION INDEX**

NUMBER OF PATENT (11)	NUMBER OF PUBLISHED APPLICATION (10)	INTERNATIONAL CLASSIFICATION INDEX (51)
U 2021 2064 Y	AU 2020 15177 U	A 01 G 13/02; C 08 J 5/18
U 2021 2065 Y	AU 2020 15101 U	G 06 F 17/40; G 06 Q 10/00
U 2021 2066 Y	AU 2020 15275 U	A 47 B 21/06; A 47 B 13/00; A 47 B 17/00; A 47 B 19/00; A 47 B 41/00
U 2021 2067 Y	AU 2020 15167 U	E 04 C 2/16
U 2021 2068 Y	AU 2020 15048 U	E 06 B 3/00; E 06 B 9/24

**CONCORDANCE TABLE OF APPLICATION NUMBERS, PUBLICATION NUMBERS
AND PATENTS**

NUMBER OF APPLICATION (21)	NUMBER OF PUBLISHED APPLICATION (10)	NUMBER OF PATENT (11)
AU 2019 15048	AU 2020 15048 U	U 2021 2068 Y
AU 2019 15101	AU 2020 15101 U	U 2021 2065 Y
AU 2019 15167	AU 2020 15167 U	U 2021 2067 Y
AU 2019 15177	AU 2020 15177 U	U 2021 2064 Y
AU 2020 15275	AU 2020 15275 U	U 2021 2066 Y

TRADEMARKS

CONCORDANCE TABLE OF REGISTRATION NUMBERS, APPLICATION NUMBERS, PUBLICATION NUMBERS AND BULLETIN NUMBERS

NUMBER OF REGISTRATION (111)	NUMBER OF APPLICATIONS (210)	NUMBER OF PUBLISHED APPLICATIONS (260)	NUMBER OF BULLETIN
1	2	3	4
M 2020 33468 R	AM 110872	–	2(558)2021
M 2020 33469 R	AM 110935	–	2(558)2021
M 2020 33470 R	AM 110863	–	2(558)2021
M 2020 33471R	AM 110882	–	2(558)2021
M 2020 33472 R	AM 110883	–	2(558)2021
M 2020 33473 R	AM 110879	–	2(558)2021
M 2020 33474 R	AM 110885	–	2(558)2021
M 2020 33475 R	AM 110946	–	2(558)2021
M 2020 33476 R	AM 110972	–	2(558)2021
M 2020 33477 R	AM 102169	AM 2020 102169 A	10(542)2020
M 2020 33478 R	AM 104563	AM 2020 104563 A	17(549)2020
M 2020 33479 R	AM 105038	AM 2020 105038 A	10(542)2020
M 2020 33480 R	AM 105226	AM 2020 105226 A	10(542)2020
M 2020 33481 R	AM 105347	AM 2020 105347 A	11(543)2020
M 2020 33482 R	AM 105351	AM 2020 105351 A	10(542)2020
M 2020 33483 R	AM 105461	AM 2020 105461 A	11(543)2020
M 2020 33484 R	AM 105553	AM 2020 105553 A	16(548)2020
M 2020 33485 R	AM 105649	AM 2020 105649 A	12(544)2020
M 2020 33486 R	AM 105652	AM 2020 105652 A	12(544)2020
M 2020 33487 R	AM 105747	AM 2020 105747 A	11(543)2020
M 2020 33488 R	AM 105773	AM 2020 105773 A	12(544)2020
M 2020 33489 R	AM 105812	AM 2020 105812 A	12(544)2020
M 2020 33490 R	AM 105883	AM 2020 105883 A	12(544)2020
M 2020 33491 R	AM 105884	AM 2020 105884 A	13(545)2020
M 2020 33492 R	AM 105984	AM 2020 105984 A	13(545)2020
M 2020 33493 R	AM 105987	AM 2020 105987 A	12(544)2020
M 2020 33494 R	AM 105993	AM 2020 105993 A	12(544)2020
M 2020 33495 R	AM 106087	AM 2020 106087 A	14(546)2020
M 2020 33496 R	AM 106314	AM 2020 106314 A	15(547)2020
M 2020 33497 R	AM 106508	AM 2020 106508 A	15(547)2020
M 2020 33498 R	AM 106515	AM 2020 106515 A	16(548)2020
M 2020 33499 R	AM 106516	AM 2020 106516 A	16(548)2020
M 2020 33500 R	AM 106655	AM 2020 106655 A	15(547)2020
M 2020 33501 R	AM 106660	AM 2020 106660 A	15(547)2020
M 2020 33502 R	AM 106670	AM 2020 106670 A	17(549)2020
M 2020 33503 R	AM 106749	AM 2020 106749 A	16(548)2020
M 2020 33504 R	AM 106754	AM 2020 106754 A	15(547)2020
M 2020 33505 R	AM 106756	AM 2020 106756 A	17(549)2020
M 2020 33506 R	AM 106775	AM 2020 106775 A	17(549)2020
M 2020 33507 R	AM 106776	AM 2020 106776 A	17(549)2020
M 2020 33508 R	AM 106812	AM 2020 106812 A	17(549)2020
M 2020 33509 R	AM 106815	AM 2020 106815 A	16(548)2020
M 2020 33510 R	AM 106821	AM 2020 106821 A	18(550)2020
M 2020 33511 R	AM 106825	AM 2020 106825 A	17(549)2020

1	2	3	4
M 2020 33512 R	AM 106834	AM 2020 106834 A	17(549)2020
M 2020 33513 R	AM 106939	AM 2020 106939 A	17(549)2020
M 2020 33514 R	AM 106940	AM 2020 106940 A	17(549)2020
M 2020 33515 R	AM 106941	AM 2020 106941 A	17(549)2020
M 2020 33516 R	AM 106942	AM 2020 106942 A	17(549)2020
M 2020 33517 R	AM 106966	AM 2020 106966 A	17(549)2020
M 2020 33518 R	AM 107039	AM 2020 107039 A	16(548)2020
M 2020 33519 R	AM 107052	AM 2020 107052 A	17(549)2020
M 2020 33520 R	AM 107301	AM 2020 107301 A	17(549)2020
M 2020 33521 R	AM 103783	AM 2020 103783 A	11(543)2020
M 2020 33522 R	AM 106789	AM 2020 106789 A	16(548)2020
M 2020 33523 R	AM 107153	AM 2020 107153 A	18(550)2020
M 2020 33524 R	AM 107289	AM 2020 107289 A	18(550)2020
M 2020 33525 R	AM 107386	AM 2020 107386 A	18(550)2020
M 2020 33526 R	AM 110961	–	2(558)2021
M 2020 33527 R	AM 111065	–	2(558)2021
M 2020 33528 R	AM 111066	–	2(558)2021
M 2020 33529 R	AM 110975	–	2(558)2021
M 2020 33530 R	AM 111084	–	2(558)2021
M 2020 33531 R	AM 111089	–	2(558)2021
M 2020 33532 R	AM 111088	–	2(558)2021

CONCORDANCE TABLE OF PUBLICATION NUMBERS
AND APPLICATION NUMBERS

NUMBER OF PUBLISHED APPLICATION (260)	NUMBER OF APPLICATION (210)	1	2
1	2		
AM 2021 106519 A	AM 106519	AM 2021 108505 A	AM 108505
AM 2021 106588 A	AM 106588	AM 2021 108516 A	AM 108516
AM 2021 106674 A	AM 106674	AM 2021 108522 A	AM 108522
AM 2021 108289 A	AM 108289	AM 2021 108524 A	AM 108524
AM 2021 108290 A	AM 108290	AM 2021 108576 A	AM 108576
AM 2021 108291 A	AM 108291	AM 2021 108579 A	AM 108579
AM 2021 108294 A	AM 108294	AM 2021 108588 A	AM 108588
AM 2021 108297 A	AM 108297	AM 2021 108590 A	AM 108590
AM 2021 108309 A	AM 108309	AM 2021 108596 A	AM 108596
AM 2021 108313 A	AM 108313	AM 2021 108600 A	AM 108600
AM 2021 108314 A	AM 108314	AM 2021 108602 A	AM 108602
AM 2021 108315 A	AM 108315	AM 2021 108603 A	AM 108603
AM 2021 108316 A	AM 108316	AM 2021 108604 A	AM 108604
AM 2021 108317 A	AM 108317	AM 2021 108607 A	AM 108607
AM 2021 108320 A	AM 108320	AM 2021 108609 A	AM 108609
AM 2021 108321 A	AM 108321	AM 2021 108657 A	AM 108657
AM 2021 108389 A	AM 108389	AM 2021 108658 A	AM 108658
AM 2021 108396 A	AM 108396	AM 2021 108659 A	AM 108659
AM 2021 108397 A	AM 108397	AM 2021 108660 A	AM 108660
AM 2021 108398 A	AM 108398	AM 2021 108663 A	AM 108663
AM 2021 108399 A	AM 108399	AM 2021 108667 A	AM 108667
AM 2021 108400 A	AM 108400	AM 2021 108669 A	AM 108669
AM 2021 108401 A	AM 108401	AM 2021 108670 A	AM 108670
AM 2021 108405 A	AM 108405	AM 2021 108671 A	AM 108671
AM 2021 108409 A	AM 108409	AM 2021 108672 A	AM 108672
AM 2021 108410 A	AM 108410	AM 2021 108674 A	AM 108674
AM 2021 108412 A	AM 108412	AM 2021 108685 A	AM 108685
AM 2021 108413 A	AM 108413	AM 2021 108686 A	AM 108686
AM 2021 108419 A	AM 108419	AM 2021 108687 A	AM 108687
AM 2021 108429 A	AM 108429	AM 2021 108690 A	AM 108690
AM 2021 108430 A	AM 108430	AM 2021 108692 A	AM 108692
AM 2021 108431 A	AM 108431	AM 2021 108694 A	AM 108694
AM 2021 108484 A	AM 108484	AM 2021 108697 A	AM 108697
AM 2021 108487 A	AM 108487	AM 2021 108735 A	AM 108735
AM 2021 108491 A	AM 108491	AM 2021 108736 A	AM 108736
AM 2021 108492 A	AM 108492	AM 2021 108737 A	AM 108737
AM 2021 108493 A	AM 108493	AM 2021 108738 A	AM 108738
AM 2021 108494 A	AM 108494	AM 2021 108739 A	AM 108739
AM 2021 108499 A	AM 108499	AM 2021 108740 A	AM 108740
AM 2021 108501 A	AM 108501	AM 2021 108746 A	AM 108746
AM 2021 108502 A	AM 108502	AM 2021 108748 A	AM 108748
		AM 2021 108758 A	AM 108758
		AM 2021 108767 A	AM 108767
		AM 2021 108768 A	AM 108768
		AM 2021 110364 A	AM 110364

CONCORDANCE TABLE OF INDEX OF GOODS AND/OR SERVICES
AND APPLICATION NUMBERS

INDEX OF GOODS AND/OR SERVICES (511)	NUMBER OF PUBLISHED APPLICATIONS (260)	1	2
1	2		
1	AM 2021 108429 A	12	AM 2021 108738 A
2	AM 2021 108609 A	14	AM 2021 108600 A
3	AM 2021 108609 A	15	AM 2021 108494 A
3	AM 2021 108672 A	16	AM 2021 106588 A
3	AM 2021 108686 A	16	AM 2021 108289 A
3	AM 2021 108735 A	16	AM 2021 108290 A
3	AM 2021 108767 A	16	AM 2021 108768 A
4	AM 2021 108412 A	19	AM 2021 108609 A
4	AM 2021 108739 A	21	AM 2021 108735 A
4	AM 2021 108740 A	25	AM 2021 108697 A
5	AM 2021 108297 A	28	AM 2021 106588 A
5	AM 2021 108313 A	28	AM 2021 108737 A
5	AM 2021 108314 A	28	AM 2021 108738 A
5	AM 2021 108315 A	29	AM 2021 108657 A
5	AM 2021 108316 A	29	AM 2021 108767 A
5	AM 2021 108321 A	29	AM 2021 110364 A
5	AM 2021 108397 A	30	AM 2021 108294 A
5	AM 2021 108398 A	30	AM 2021 108389 A
5	AM 2021 108401 A	30	AM 2021 108409 A
5	AM 2021 108429 A	30	AM 2021 108419 A
5	AM 2021 108487 A	30	AM 2021 108501 A
5	AM 2021 108505 A	30	AM 2021 108502 A
5	AM 2021 108603 A	30	AM 2021 108579 A
5	AM 2021 108604 A	30	AM 2021 108602 A
5	AM 2021 108607 A	30	AM 2021 108657 A
5	AM 2021 108658 A	30	AM 2021 108690 A
5	AM 2021 108659 A	30	AM 2021 108767 A
5	AM 2021 108667 A	30	AM 2021 110364 A
5	AM 2021 108671 A	31	AM 2021 108294 A
5	AM 2021 108672 A	31	AM 2021 108429 A
5	AM 2021 108674 A	31	AM 2021 108657 A
5	AM 2021 108735 A	31	AM 2021 108685 A
6	AM 2021 108413 A	31	AM 2021 108767 A
7	AM 2021 108516 A	31	AM 2021 110364 A
9	AM 2021 108289 A	31	AM 2021 110364 A
9	AM 2021 108290 A	32	AM 2021 108291 A
9	AM 2021 108431 A	32	AM 2021 108396 A
9	AM 2021 108588 A	32	AM 2021 108596 A
10	AM 2021 108492 A	32	AM 2021 108657 A
11	AM 2021 108748 A	32	AM 2021 110364 A
12	AM 2021 108737 A	33	AM 2021 108320 A
		33	AM 2021 108405 A
		33	AM 2021 108410 A
		33	AM 2021 108430 A
		33	AM 2021 108499 A
		33	AM 2021 108522 A
		33	AM 2021 108524 A

1	2	1	2
33	AM 2021 108596 A	36	AM 2021 108317 A
34	AM 2021 108399 A	36	AM 2021 108431 A
34	AM 2021 108400 A	37	AM 2021 106674 A
35	AM 2021 106519 A	39	AM 2021 108493 A
35	AM 2021 106674 A	39	AM 2021 108669 A
35	AM 2021 108289 A	39	AM 2021 108670 A
35	AM 2021 108290 A	39	AM 2021 108746 A
35	AM 2021 106519 A	41	AM 2021 108484 A
35	AM 2021 108320 A	41	AM 2021 108692 A
35	AM 2021 108410 A	41	AM 2021 108694 A
35	AM 2021 108576 A	42	AM 2021 108431 A
35	AM 2021 108596 A	42	AM 2021 108697 A
35	AM 2021 108657 A	43	AM 2021 106519 A
35	AM 2021 108660 A	43	AM 2021 108309 A
35	AM 2021 108687 A	43	AM 2021 108491 A
35	AM 2021 108697 A	43	AM 2021 108590 A
35	AM 2021 108758 A	43	AM 2021 108663 A
35	AM 2021 108767 A	43	AM 2021 108687 A
35	AM 2021 108768 A	43	AM 2021 108736 A
36	AM 2021 108289 A	44	AM 2021 106588 A
36	AM 2021 108290 A		

CONCORDANCE TABLE OF INDEX OF GOODS AND/OR SERVICES
AND NUMBERS OF TRADEMARKS REGISTERED ACCORDING
TO THE ACCELERATED PROCEDURE

INDEX OF GOODS AND/OR SERVICES (511)	NUMBERS OF REGISTERED ACCORDING TO THE ACCELERATED PROCEDURE (111)
3	M 2021 33473 R
5	M 2021 33471 R
5	M 2021 33472 R
5	M 2021 33473 R
6	M 2021 33527 R
29	M 2021 33531 R
29	M 2021 33532 R
30	M 2021 33469 R
30	M 2021 33470 R
30	M 2021 33531 R
30	M 2021 33532 R
31	M 2021 33470 R
31	M 2021 33530 R
31	M 2021 33531 R
31	M 2021 33532 R
32	M 2021 33476 R
32	M 2021 33529 R
33	M 2021 33470 R
33	M 2021 33529 R
35	M 2021 33470 R
35	M 2021 33471 R
35	M 2021 33472 R
35	M 2021 33474 R
35	M 2021 33475 R
41	M 2021 33526 R
43	M 2021 33468 R
43	M 2021 33470 R
44	M 2021 33528 R

OFFICIAL BULLETIN OF THE INDUSTRIAL PROPERTY

**INVENTIONS
UTILITY MODELS
DESIGNS
TRADEMARKS
APPELLATIONS OF ORIGIN OF GOODS**

1(557)

EDITOR-IN-CHIEF: N. Bebrishvili

EDITOR-TRANSLATOR: E. Gabunia

PROOFREADER: A. Shikhashvili

COMPUTER LAYOUT: M. Ordenidze
K. Svanidze

www.sakpatenti.gov.ge

E-mail: info@sakpatenti.org.ge