



Official Bulletin of the Industrial Property

Inventions

Designs

Trademarks



საქართველოს ინტელექტუალური
საკუთრების ეროვნული ცენტრი
საკპატი
SAKPATENTI
NATIONAL INTELLECTUAL PROPERTY
CENTER OF GEORGIA
www.sakpatenti.gov.ge

1(604)

INID CODES FOR IDENTIFICATION OF BIBLIOGRAPHIC DATA

INVENTIONS, UTILITY MODELS

- (10) Number of publication for application, which has been examined
- (11) Number of patent and kind of document
- (21) Serial number of application
- (22) Date of filing of the application
- (23) Date of exhibition or the date of the earlier filing and the number of application, if any
- (24) Date from which patent may have effect
- (31) Number of priority application
- (32) Date of filing of priority application
- (33) Code of the country or regional organization allotting priority application number
- (44) Date of publication of application not granted, but examined and number of bulletin
- (45) Date of publication of registered document
- (51) International Patent Classification Index

- (54) Title of the invention
- (57) Abstract
- (60) Number of examined patent document granted by foreign patent office, date from which patent has effect and country code
- (62) Number of the earlier application and in case of divided application, date of filing an application
- (71) Name, surname and address of applicant (country code)
- (72) Name, surname of inventor (country code)
- (73) Name, surname and address of patent owner (country code)
- (74) Name, surname of representative or patent attorney
- (85) Date of commencement of the national phase of International Application
- (86) Number and date of filing of international application
- (87) Number and date of publication of international application
- (94) Calculated date of expiry of the SPC or the duration of the SPC

DESIGNS

- (10) Number of publication for application
- (11) Number of patent and kind of document or number of registration
- (15) Date of registration/Date of patent renewal
- (18) Expected expiration date of patent or registration
- (21) Serial number of application
- (22) Date of filing of the application
- (23) Date of exhibition or the date of the earlier filing and the number of application, if any
- (24) Date from which patent may have effect
- (28) Number of designs included in the application
- (30) Data relating to priority (number of application, date of filing of application, two-letter code identifying the authority with whom the priority application was made)
- (31) Number of priority application
- (32) Date of filing of priority application
- (33) Code of the country or regional organization allotting priority application number
- (34) Two-letter code according to WIPO St.3 identifying the authority with which the priority application was made
- (44) Date of publication of design and number of bulletin (the first publication)
- (45) Date of publication of design registered by WIPO and number of bulletin

- (51) International Classification for designs (class and subclass of the Locarno Classification)
- (54) Title of the invention
- (55) Reproduction of the design
- (57) Description of characteristic features of the design including indication of colors
- (58) Date of recording of any kind of amendment in the Register
- (62) Number of the earlier application, registration and document number and if available the date of filing an application in case of divided application
- (71) Name, surname and address of applicant (country code)
- (72) Name, surname of creator (country code)
- (73) Name, surname and address of patent owner (country code)
- (74) Name, surname of representative or patent attorney
- (81) Contracting states concerned
 - II designated contracting states according to the 1960 Act
 - III designated contracting states according to the 1999 Act
- (85) Owner's permanent address
- (86) Owner's nationality
- (87) Owner's residence
- (88) State in which the owner has a real and effective industrial or commercial establishment

TRADEMARKS

- (111) - Number of registration
- (151) - Date of registration
- (156) - Date of the renewal
- (181) - Expected expiration date of registration
- (186) - Renewal expiration date of registration
- (141) - Date of cancel of duration of the mark
- (210) - Serial number of application
- (220) - Date of filing of the application
- (230) - Data concerning exhibition
- (260) - Number of application, for which favorable decision of examination about registration has been taken (publication number)
- (310) - Number of the first application
- (320) - Date of filing of the first application
- (330) - Code, identifying national or regional Office where the first application was made
- (511) - International Classification of Goods and Services for the purposes of registration of trade marks and/or list of goods and/or services classified according thereto
- (526) - Disclaimer
- (531) - Description of figurative elements of Trade Marks according to the International Classification of the Figurative Elements of Marks

- (540) - Reproduction of Trade Mark
- (550) - Nature and kind of Trade Mark
- (551) - Indication to the effect that the mark is a collective mark, a certification mark or a guarantee mark
- (554) - Three-dimensional mark
- (580) - Date of recording of any kind changes in respect of applications or registrations
- (591) - Information concerning colors claimed
- (731) - Name and address of the applicant
- (732) - Name and address of the holder of the registration
- (740) - Name and address of the representative
- (750) - Addreses for correspondence
- (770) - Name and address of the previous applicant or holder in case of change in ownership
- (771) - Previous name and address of the applicant or holder in case of change in ownership
- (791) - Name and address of the licensee
- (793) - Indication of conditions and/or restrictions under the license (Type of license, number of license agreement, data of license, data of validity of license)
- (800) - Certain data relating to the international registration of Trade Marks under the Protocol Relating to Madrid Agreement (International registration number
- (852) - Partial cancellation of the list of goods and services
- (891) - Date of subsequent designation

CODES FOR PUBLICATION IN BULLETIN

- (21) AP 0000 000000 - serial number of application for invention
- (10) AP 0000 0000 A - number of published application for invention (first publication)
- (11) P 0000 0000 B - number of patent for invention (second publication)
- (21) API 0000 000000 - number of application for imported patent
- (11) PI 0000 0000 A - number of imported patent (first publication)
- (21) AU 0000 000000 - serial number of application for utility model
- (10) AU 0000 000 U - number of published application for utility model (first publication)
- (11) U 0000 000 Y - number of patent for utility model (second publication)
- (21) AD 0000 000000 - serial number of application for design
- (10) AD 0000 000 S - number of published application for design (first publication)
- (11) D 0000 000 S - registered design

INTERNATIONAL PATENT CLASSIFICATION FOR INVENTIONS AND UTILITY MODELS

- SECTION A - HUMAN NECESSITIES
- SECTION B - PERFORMING OPERATIONS; TRANSPORTING
- SECTION C - CHEMISTRY; METALLURGY
- SECTION D - TEXTILES; PAPER
- SECTION E - FIXED CONSTRUCTIONS
- SECTION F - MECHANICAL ENGINEERING; LIGHTING; HEATING; WEAPONS; BLASTING
- SECTION G - PHYSICS
- SECTION H - ELECTRICITY

-
- M - Trade Mark
 - (210) AM 0000 000000 - Serial number of application;
 - (260) AAM 0000 00000 A - Publication number of application;
 - (111) M 0000 00000 R - Number of registration;
 - (111) MMM0000 00000 Rn - Number of renewals, in which n=1,2,3;
 - (111) M 0000 00000 R(P) - Number of registration under partial assignment of rights
-

Official Bulletin of the Industrial Property

Inventions

Designs

Trademarks

CONTENT

PUBLISHED TITLES OF PROTECTION	3
INVENTIONS	
▪ APPLICATIONS APPROVED FOR GRANTING PATENT	4
▪ PATENTED INVENTIONS	6
DESIGNS	
▪ DESIGN REGISTERED ACCORDING TO THE ACCELERATED PROCEDURE	8
▪ DESIGNS, WICH HAVE BEEN REGISTERED WITH THE INTERNATIONAL BUREAU CLAIMING PRIORITY ON THE TERRITORY OF GEORGIA	9
TRADEMARKS	
▪ APPLICATIONS FILED UNDER THE NATIONAL PROCEDURE APPROVED FOR REGISTRATION	21
▪ REGISTERED TRADEMARKS	26
▪ TRADEMARKS REGISTERED ACCORDING TO THE ACCELERATED PROCEDURE	30
▪ INTERNATIONAL TRADEMARKS FOR WHICH A DECISION ON GRANTING PROTECTION IS TAKEN	32
▪ INTERNATIONAL TRADEMARKS PROTECTED IN GEORGIA	201
OFFICIAL NOTIFICATIONS	
INVENTIONS	
▪ RESTORATION OF PATENT	210
▪ ABOLITION OF PATENTS WITH THE RIGHT TO RESTORE	210
▪ DATE OF PATENTS RESTORATION EXPIRATION	211
UTILITY MODELS	
▪ RESTORATION OF PATENT	212
▪ ABOLITION OF PATENTS WITH THE RIGHT TO RESTORE	212
▪ DATE OF PATENT RESTORATION EXPIRATION	212
DESIGNS	
▪ CANCELLATION OF DESIGN REGISTRATION	213
▪ EXTENSION OF TERMS OF INTERNATIONAL DESIGNS REGISTRATION	213
▪ CANCELLATION OF INTERNATIONAL DESIGNS REGISTRATION	215
TRADEMARKS	
▪ EXTENSION OF TERMS OF TRADEMARKS REGISTRATION	221
▪ COMPLETE TRANSFER OF RIGHTS	223
▪ CHANGES OF NAMES AND/OR ADDRESSES OF TRADEMARKS OWNERS	224
▪ REGISTRATION OF LISENCE AGREEMENT	224
CLASSIFICATION INDEXES	
INVENTIONS	225
DESIGNS	227
TRADEMARKS	228

PUBLISHED TITLES OF PROTECTION

INVENTIONS

- **APPLICATIONS APPROVED FOR GRANTING PATENT:**
15735; 15858; 15829
- **PATENTED INVENTIONS:**
7453-7458

DESIGNS

- **DESIGN REGISTERED ACCORDING TO THE ACCELERATED PROCEDURE:**
954
- **DESIGNS, WHICH HAVE BEEN REGISTERED WITH THE INTERNATIONAL BUREAU CLAIMING PRIORITY ON THE TERRITORY OF GEORGIA:**
224353; 220715; 224754; 221037; 224896

TRADEMARKS

- **APPLICATIONS FILED UNDER THE NATIONAL PROCEDURE APPROVED FOR REGISTRATION:**
109440; 116854; 117654; 117666; 117723; 117924; 118001; 118010; 118065, 118066; 118072, 118073; 118080; 118136; 118138; 118146; 118149; 118151; 118153, 118154; 118159; 118163, 118164; 118169, 118170; 118218; 118220; 118223; 118233, 118234; 118236; 118246
- **REGISTERED TRADEMARKS:**
36235-26244; 36246-36253; 36276-36296
- **TRADEMARKS REGISTERED ACCORDING TO THE ACCELERATED PROCEDURE:**
36269-36275
- **INTERNATIONAL TRADEMARKS FOR WHICH A DECISION ON GRANTING PROTECTIONS IS TAKEN:**
101786*; 101895*; 102330*; 113471*; 114080*; 114100*; 114822*; 114883*; 115034*; 115077*; 115448; 116564; 116672; 116681, 116682; 116689; 116698; 116711; 116877; 116917; 116999, 117000; 117002; 117013; 117051; 117053-117060; 117109; 117111; 117114-117116; 117128-117135; 117138-117147; 117155; 117158-117160; 117162; 117200-117202; 117211; 117228; 117231-117234; 117245-117252; 117321; 117327-117334; 117336, 117337; 117339-117344; 117346; 117350; 117352-117357; 117359- 117362; 117364; 117368; 117370, 117371; 117374, 117375; 117380; 117387-117391; 117393-117395; 117462; 117464; 117466-117470; 117472; 117476-117488; 117491, 117492; 117503-117510; 117512-117514; 117517; 117520-117522; 117560, 117561; 117565; 117583, 117584; 117587; 117589-117591; 117593; 117596-117610; 117626, 117627; 117674, 117675; 117684, 117685; 117692-117696; 117762-117765; 117788, 117789; 117792; 117794, 117795; 117877; 117894-117898; 117957-117960; 117966-117968; 118130-118133; 118171-118175; 118177-118182; 118184, 118185; 118611; 118966
- **INTERNATIONAL TRADEMARKS PROTECTED IN GEORGIA:**
115551; 115554; 115620; 115631-115639; 115651-115660; 115700-115708; 115713; 115715; 115729-115732; 115734-115741; 115764-115770; 115801-115810; 115835; 115924-115928; 115930-115933; 115944-115947; 115952, 115953; 116018-116021; 116023-116026; 116077-116079; 116126-116133; 116438-116440; 116445-116447; 116485-116490; 116492-116494; 116677; 116685; 116769-116771

INVENTIONS

APPLICATIONS APPROVED FOR GRANTING PATENT

The decision can be appealed at the Chamber of Appeal of Sakpatenti within 3 months from the publication or at the Mtskheta District Court Administrative Cases Board (Address: №17, Samkhedro St., Mtskheta), within 1 month following the publication.

PART F

F 01

- (10) AP 2023 15735 A (51) Int. Cl. (2006)
F 01 K 3/00
F 01 K 3/18
F 01 K 25/10
F 01 K 3/02
F 01 K 9/00
F 01 K 7/34
F 03 D 9/17
F 03 D 9/18
- (21) AP 2019 15735 (22) 2019 12 17
(31) 102019000002385
(32) 2019 02 19
(33) IT
(71) Energy Dome S.P.A. (IT)
Viale Abruzzi 94, 20131 Milano, Italy (IT)
(72) SPADACINI, Claudio (IT)
(74) Shalva Gvaramadze
(85) 2021 09 16
(86) PCT/IB2019/060896, 2019 12 17
(54) PLANT AND PROCESS FOR ENERGY
MANAGEMENT

(57) A plant for energy management (1) comprises a casing (5) for the storage of working fluid other than atmospheric air; a tank (9) for the storage of working fluid in liquid or super-critical phase with the temperature close to its own critical temperature; at that, said critical temperature is close to the temperature of the surrounding environment. The plant (1) is configured to actuate closed cyclic thermodynamic transformation (CTT), first in one direction in a charge configuration/phase and then in the opposite direction in a discharge configuration; at that, the plant accumulates heat and pressure in filling (charge) phase and generates energy in unload (discharge) phase.

Claims: 2 independents
13 dependents

Fig.: 13

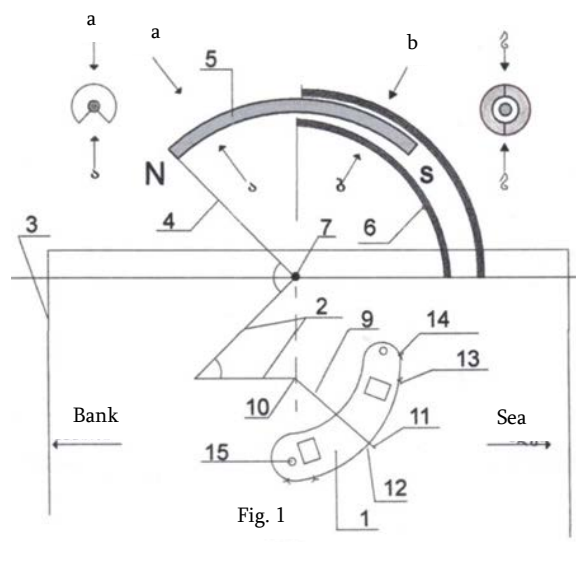
F 03

- (10) AP 2023 15858 A (51) Int. Cl. (2006)
F 03 B 13/12
- (21) AP 2022 15858 (22) 2022 01 21
(71) Tamaz Shioshvili (GE)
Ir. Abashidze Str. 46, ap. 17, 0179, Tbilisi,
Georgia (GE)
(72) Tamaz Shioshvili (GE)
(54) DEVICE FOR RECEIVING ENERGY FROM
SEA WAVES AND CONVERTING IT INTO
ELECTRIC POWER

(57) A device includes a buoy 1 and wave energy converter made as a generator and zigzag lever connected thereto. Arc-shaped permanent magnet 5 is rigidly connected to lever upper arm 4, and lower arm 2 is connected to the buoy; at that, it is equipped with a case having vertical walls, between whereof the buoy 1 is placed, and zigzag lever is attached to a frame by means of an axle 7 connecting upper and lower arms. The frame is placed on the case, and the stator 6 is fixed on the same frame. The buoy is rim-shaped, and installed so that convex part 12 thereof is directed downwards; at that, buoy peripheral part side walls have wheels 15 from both sides abutting onto side vertical walls ensuring its movement along thereof, and on the lower and side walls it has the blades 13 executed as plates bent in the middle.

Claims: 1 independent
8 dependents

Fig.: 3



F 24

(10) AP 2023 15829 A (51) Int. Cl. (2006)

F 24 J 2/42

(21) AP 2021 15829 (22) 2021 12 21

(71) Tamaz Shioshvili (GE)

Ir. Abashidze Srt. 46, ap. 17, 0179, Tbilisi,

Georgia (GE)

(72) Tamaz Shioshvili (GE)

(54) SOLAR SYSTEM FOR HOT WATER

SUPPLEMENT

(57) Solar system includes thermally non-insulated tank 1 for cold water situated above solar collector 5, the tank has filling floating locker 3 and temperature control element 6 connected to thermally non-insulated tank temperature control element, and thermally insulated tank temperature control element, and thermally insulated tank floating locker 10 is connected thereto, as well; at that, thermally non-insulated tank is black or red.

Claims: 1 independent

1 dependent

Fig.: 1

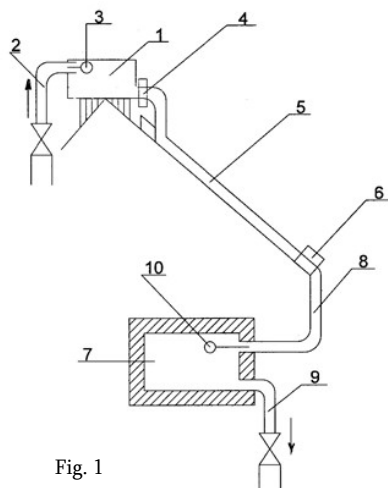


Fig. 1

PATENTED INVENTIONS

PARTA

A 61

- (11) P 2023 7454 B (51) Int. Cl. (2006)
A 61 K 31/165
A 61 P 1/00
A 61 P 11/00
C 07 C 231/02
C 07 C 237/22
- (10) AP 2022 15511 A (44) 16(595)/2022
(21) AP 2019 15511
(22) 2019 05 07
(24) 2019 05 07
(31) 2018117463
(32) 2018 05 11
(33) RU
(86) PCT/RU2019/050060, 2019 05 07
(73) IBD Therapeutics LLC (RU)
Bolshoj Boulevard, 42/1, 3rd fl., Space 1280,
Mozhaysky Municipality, Skolkovo Innovation
Centre, 121205 Moscow, Russian Federa-
tion (RU)
(72) NEBOLSIN, Vladimir Evgenievich (RU)
(74) Shalva Gvaramadze
(54) NOVEL MODULATOR OF METABOTRO-
PIC AND IONOTROPIC TRANSMEMBRANE
RECEPTORS AND USE THEREOF

-
- (11) P 2023 7453 B (51) Int. Cl. (2006)
A 61 K 31/496
A 61 P 3/10
C 07 D 413/14
C 07 D 405/12
C 07 D 405/14
- (10) AP 2022 15517 A (44) 17(596)/2022
(21) AP 2019 15517
(22) 2019 06 11
(24) 2019 06 11
(31) 62/684,696; 62/846,944; 62/851,206
(32) 2018 06 13; 2019 05 13; 2019 05 22
(33) US; US; US
(86) PCT/IB2019/054867, 2019 06 11
(73) Pfizer Inc. (US)
235 East 42nd Street, New York, NY 10017,
USA (US)
(72) ASPNES, Gary Erik (DE);
BAGLEY, Scott W. (US);
CURTO, John M. (US);
EDMONDS, David James (US);
FLANAGAN, Mark E. (US);
FUTATSUGI, Kentaro (US);

- GRIFFITH, David A. (US);
HUARD, Kim (US);
LIAN, Yajing (US);
LIMBERAKIS, Chris (US);
LONDREGAN, Allyn T. (US);
MATHIOWETZ, Alan M. (US);
PIOTROWSKI, David W. (US);
RUGGERI, Roger B. (US)
(74) Shalva Gvaramadze
(54) GLP-1 RECEPTOR AGONISTS AND
USES THEREOF

-
- (11) P 2023 7458 B (51) Int. Cl. (2006)
A 61 K 31/496
A 61 K 31/407
A 61 P 35/00
A 61 P 35/02
- (10) AP 2022 15447 A (44) 13(592)/2022
(21) AP 2019 15447
(22) 2019 07 22
(24) 2019 07 22
(31) 201810862170.9
(32) 2018 07 31
(33) CN
(86) PCT/CN2019/096968, 2019 07 22
(73) Ascentage Pharma (Suzhou) Co., LTD (CN)
Unit 701, bld B7, 218 Xinghu St., Suzhou
Industrial Park, Suzhou Jiangsu 215000, People
Republic of China (CN)
(72) YANG, Dajun (CN);
ZHAI, Yifan (CN);
TANG, Qiuqiong (CN);
FANG, Douglas Dong (CN)
(74) Tamaz Shilakadze
(54) COMBINATION PRODUCT OF BCL-2 INHI-
BITOR AND MDM2 INHIBITOR AND USE
THEREOF IN PREVENTION AND/OR
TREATMENT OF DISEASES

PART B**B 01**

- (11) P 2023 7456 B (51) Int. Cl. (2006)
 B 01 J 23/30
 B 01 J 23/652
 B 01 J 27/188
 B 01 J 35/10
 B 01 J 37/00
 B 01 J 37/02
 C 07 C 29/60
 C 07 C 31/10
- (10) AP 2022 15457 A (44) 13(592)/2022
 (21) AP 2019 15457
 (22) 2019 02 28
 (24) 2019 02 28
 (31) A 50173/2018
 (32) 2018 02 28
 (33) AT
 (86) PCT/AT2019/060065, 2019 02 28
 (73) OMV Downstream GmbH (AT)
 Trabrennstraße 6-8, 1020 Vienna, Austria (AT)
 (72) SCHÖFFL, Paul (AT)
 (74) Liliana Darakhvelidze
 (54) METHOD FOR THE CATALYTIC CONVERSION OF GLYCEROL TO PROPANOL
-

PART C**C 07**

- (11) P 2023 7457 B (51) Int. Cl. (2006)
 C 07 F 9/6558
 C 07 F 9/6521
- (10) AP 2022 15124 A (44) 13(592)/2022
 (21) AP 2018 15124
 (22) 2018 01 31
 (24) 2018 01 31
 (31) 62/453,437; 62/469,912; 62/488,366;
 62/575,248
 (32) 2017 02 01; 2017 03 10; 2017 04 21;
 2017 10 20
 (33) US; US; US; US
 (73) Atea Pharmaceuticals Inc. (US)
 125 Summer St., Boston, MA 02110, USA (US)
 (72) MOUSSA, Adel (US);
 SOMMADOSSI, Jean-Pierre (US)
 (74) Tamaz Shilakadze
 (54) NUCLEOTIDE HEMI-SULFATE SALT FOR TREATMENT OF HEPATITIS C VIRUS
-

PART G**G 06**

- (11) P 2023 7455 B (51) Int. Cl. (2006)
 G 06 N 20/00
- (10) AP 2022 15603 A (44) 13(592)/2022
 (21) AP 2019 15603
 (22) 2019 09 07
 (24) 2019 09 07
 (31) 2018-173142
 (32) 2018 09 15
 (33) JP
 (86) PCT/JP2019/035288, 2019 09 07
 (73) Broadleaf Co., LTD (JP)
 4-13-14 Higasi-Shinagawa, Shinagawa-ku,
 Tokio 1400002, Japan (JP)
 (72) OYAMA Kenji (JP)
 (74) Shalva Gvaramadze
 (54) AI CREATION VERIFICATION DEVICE
-

DESIGNS

DESIGN REGISTERED ACCORDING TO THE ACCELERATED PROCEDURE

The decision can be appealed at the Chamber of Appeal of Sakpatenti within 3 months from the publication.

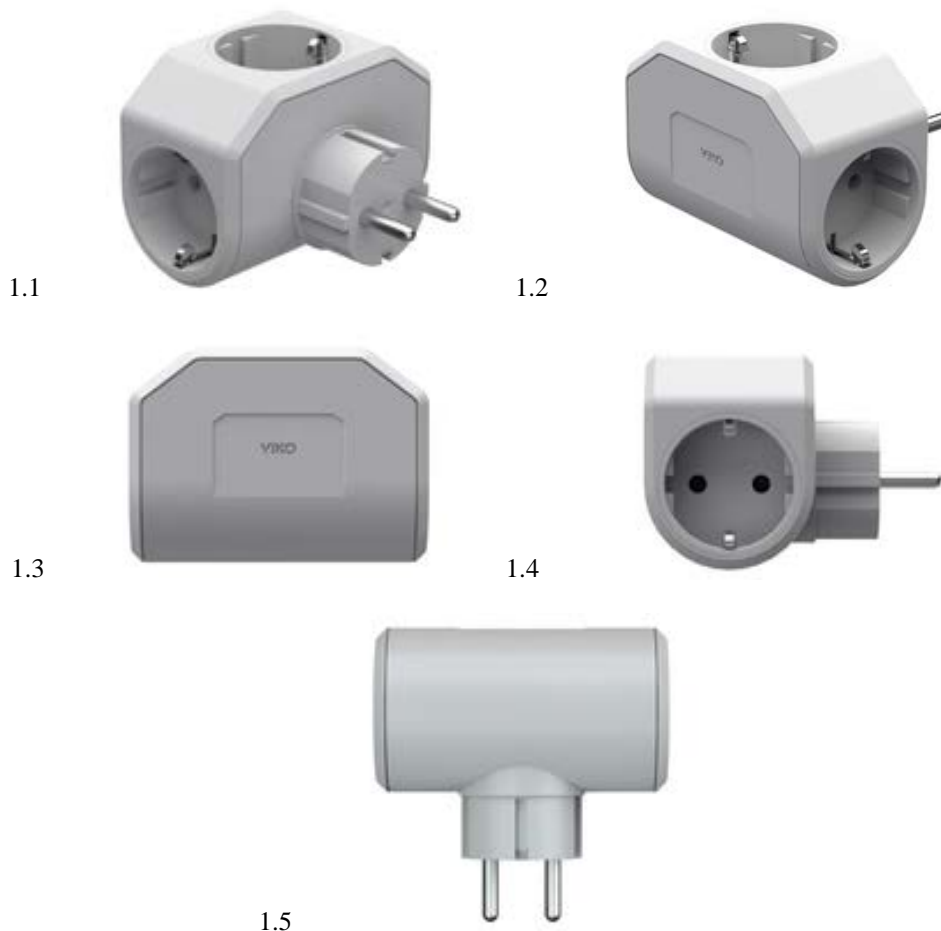
- (11) D 2023 954 S (51) 09-03
(21) AD 2022 1283 (22) 2022 11 17
(24) 2022 11 17
(28) 1
(18) 2027 11 17
(73) Darejan Berdzenishvili (GE)
 Vill. Khidistavi, Chokhatauri Municipality, 4900, Georgia (GE)
(72) Darejan Berdzenishvili (GE)
(54) CANDY PACKING
(55)



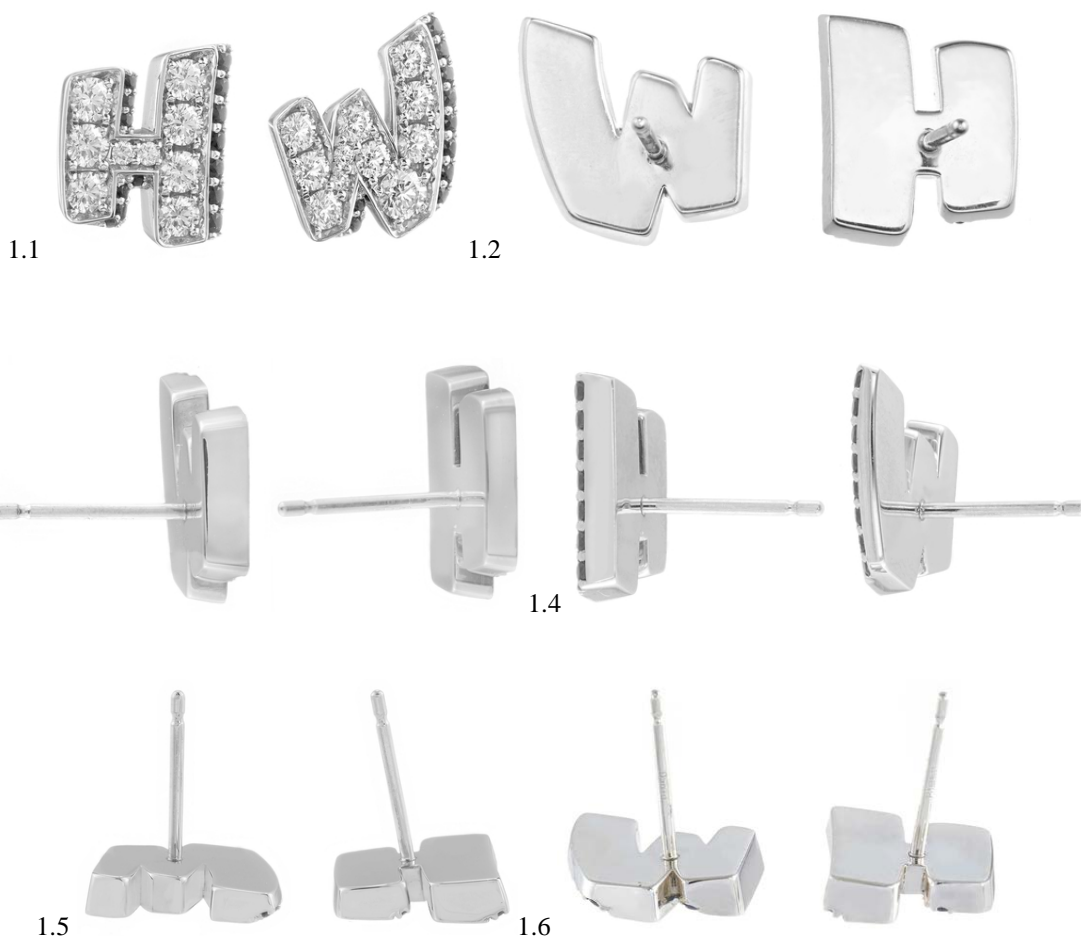
DESIGNS, WHICH HAVE BEEN REGISTERED WITH THE INTERNATIONAL BUREAU CLAIMING PRIORITY ON THE TERRITORY OF GEORGIA

The decision can be appealed at the Chamber of Appeal of Sakpatenti within 3 months from the publication or at the Mtskheta District Court Administrative Cases Board (Address: №17, Samkhedro St., Mtskheta), within 1 month following the publication.

- (11) DM/224 353 (51) 13-03
 (15) 2022 11 23 (44) 44/2022 (2022 11 04)
 (22) 2022 11 23
 (28) 1
 (30) No1: 01.07.2021; 2021/007838; TR
 (73) Panasonic Life Solutions Elektrik San. T ic. A .\\$
 Abdurrahmangazi Mah. Ebubekir Cad. No: 44, 34887 Istanbul (TR)
 (85) TR
 (86) TR
 (87) –
 (88) –
 (89) TR
 (81) III. AZ, BG, EE, GE, HR, MD, RO, RU, UA
 (72) MIRZAT KOC ABDURRAHMANGAZI MAH. EBUBEKIR CAD
 No:44, 34887, Istanbul (TR)
 (46) 2022 11 04
 (54) I. SOCKET (ELECTRICITY)
 (55)



- (11) DM/220 715 (51) 11-01
 (15) 2022 05 06 (44) 45/2022 (2022 1111)
 (22) 2022 05 06
 (28) 5
 (73) HARRY WINSTON SA
 Chemin du Tourbillon 8, 1228 Plan-les-Ouates (CH)
 (85) CH
 (86) CH
 (87) CH
 (88) CH
 (89) CH
 (81) IL, MA III, AL, AM, AZ, BA, BZ, CA, CH, EM, GB, GE, KG, LI, MC, MD, ME, MK, MN, NO, OM, SG, TN, TR, UA
 (72) 1-2: Christina YANG
 c/o Harry Winston Inc., 718 Fifth Avenue, 10019, New York, NY (US);
 3-4: Delphine ABDOURAHIM
 c/o Harry Winston Inc., 718 Fifth Avenue, 10019, New York, NY (US);
 5: Rie YATSUGI-KANG
 c/o Harry Winston Inc., 718 Fifth Avenue, 10019, New York, NY (US)
 (74) The Swatch Group AG (The Swatch Group SA) (The Swatch Group Ltd.)
 Faubourg du Lac 6, 2501 Biel/Bienne (CH)
 (46) 2022 11 11
 (54) 1. PAIR OF EARRINGS, 2. NECKLACE, 3. PAIR OF EARRINGS, 4.-5. NECKLACE
 (55)





1.7



1.8



2.1



2.2



2.3



2.4



2.5



2.6



2.7





4.4



4.5



4.6



4.7



4.8



5.1



5.2



5.3



5.4



5.5



5.6



5.7



5.8

- (11) DM/224 754 (51) 03-01
(15) 2022 10 04 (44) 46/2022 (2022 11 18)
(22) 2022 10 04
(28) 2
(30) No1: 04.04.2022; 2022/003678; TR; No2: 04.04.2022; 2022/003678; TR
(73) KOTON MAĞAZACILIK TEKSTİL SAN.VE TİC.A.Ş.
AYAZAĞA MAH. AYAZAĞA CENDERE CAD. A-B BLOK 3 0 Sarıyer İstanbul (TR)
(85) –
(86) –
(87) TR
(88) TR
(89) TR
(81) III. GE, MA, RO, RS, RU
(72) Begüm Tümay
Akat Mah. Ebulula Mardin Cad. C Blok K.1 D.6 Akatlar Beşiktaş, İstanbul (TR)
(74) ANKARA PATENT BUREAU
KAVAKLIDERE MAHALLESİ BESTEKAR CADDESİ NO:10 CANKAYA ANKARA (TR)
(46) 2022 11 18
(54) 1. WALLET, 2. BACKPACK
(55)



1.1



1.2



1.3



1.4



1.5



2.1



2.2



2.3



2.4

- (11) DM/221 037 (51) 11-01
 (15) 2022 05 17 (44) 46/2022 (2022 11 18)
 (22) 2022 05 17
 (28) 1
 (73) HARRY WINSTON SA
 Chemin Du Tourbillon 8, 1228 Plan-les-Ouates (CH)
 (85) CH
 (86) CH
 (87) CH
 (88) CH
 (89) CH
 (81) II. MA III. AL, AM, AZ, BA, BZ, CA, CH, EM, GB, GE, KG, LI, MC, MD, ME, MK, MN, NO, OM, RU,
 SG, TN, TR, UA
 (72) Rie YATSUGI-KANG
 C/o Harry Winston Inc., 718 Fifth Avenue, 10019, New York (US)
 (74) The Swatch Group AG (The Swatch Group SA) (The Swatch Group Ltd.)
 Faubourg Du Lac 6, 2501 Biel/Bienne (CH)
 (46) 2022 11 18
 (54) 1. FINGER RING
 (55)



1.1



1.2



1.3



1.4



1.5



1.6

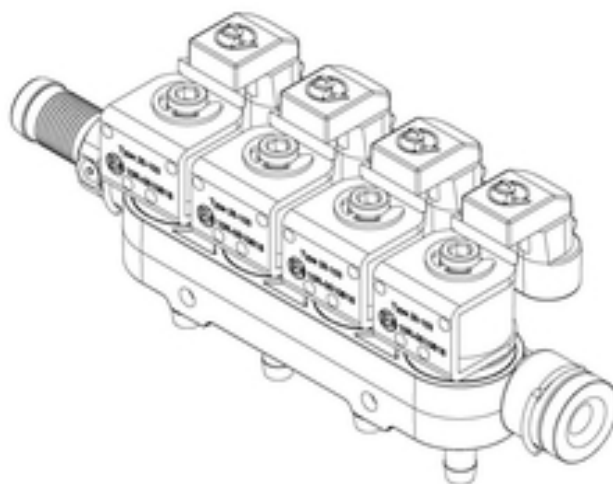


1.7

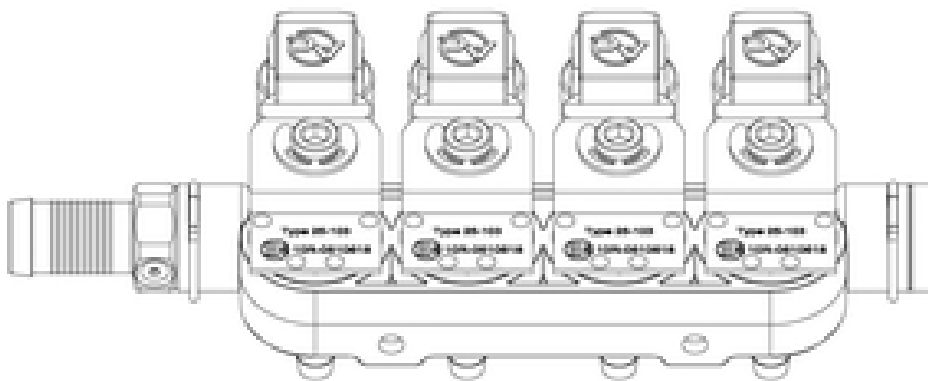


1.8

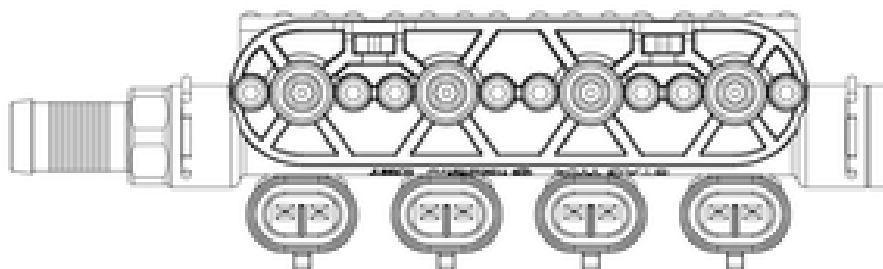
- (11) DM/224 896
- (15) 2022 09 08
- (22) 2022 09 08
- (28) 1
- (73) AC Spółka Akcyjna
42 Pułku Piechoty 50, 15-181 Białystok (PL)
- (85) PL
- (86) PL
- (87) –
- (88) PL
- (89) PL
- (81) III. AL, AM, AZ, EG, EM, GE, KG, KH, KR, MD, MK, OA, RS, RU, TJ, TM, TR, UA
- (72) Wojciech Czaplejewicz
Szarych Szeregów 5A/31, 15-666, Białystok (PL)
- (46) 2022 11 25
- (54) 1. GAS INJECTOR FOR INTERNAL COMBUSTION ENGINES
- (55)



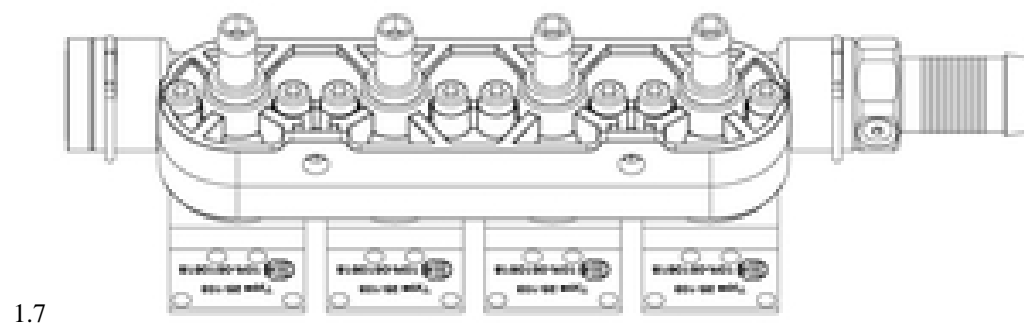
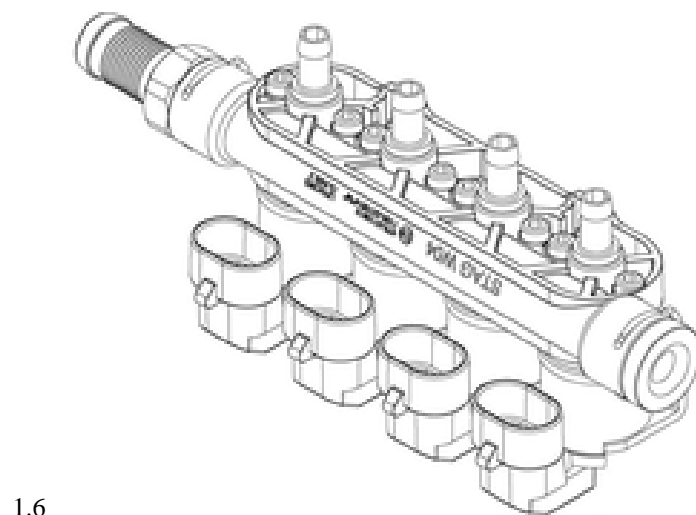
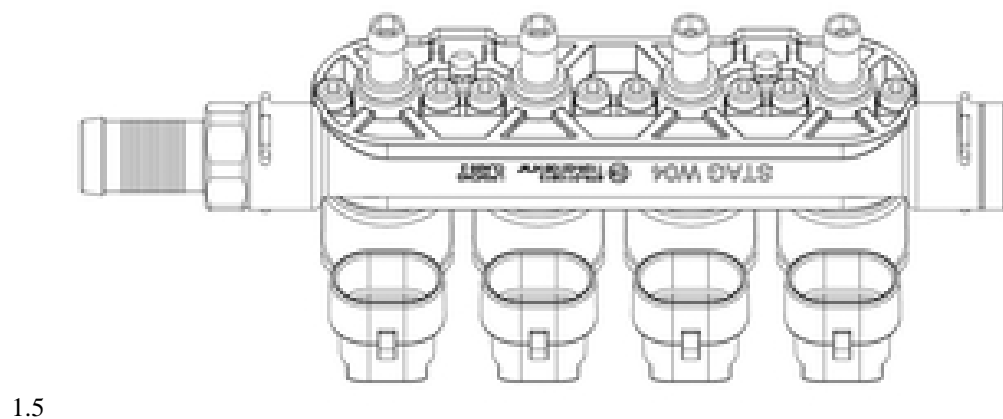
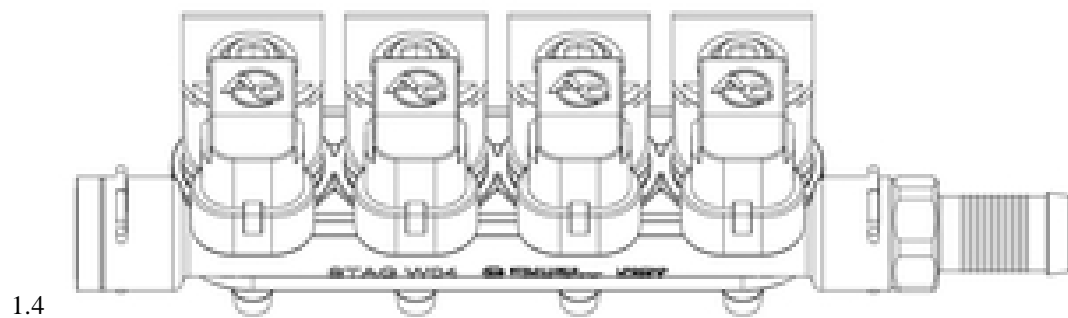
1.1

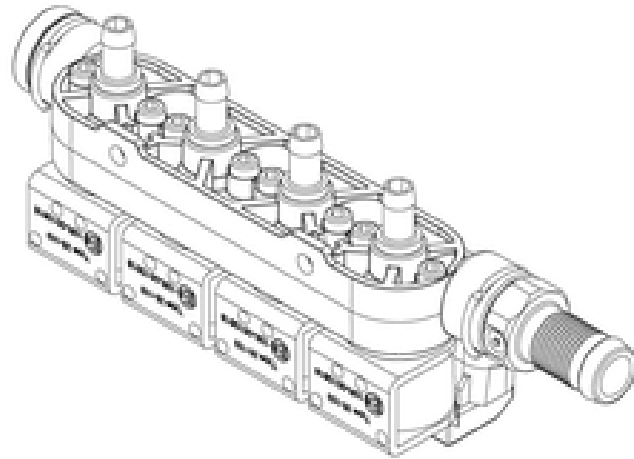


1.2

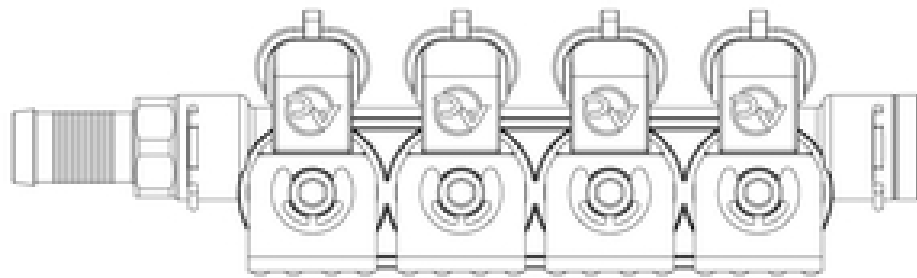


1.3

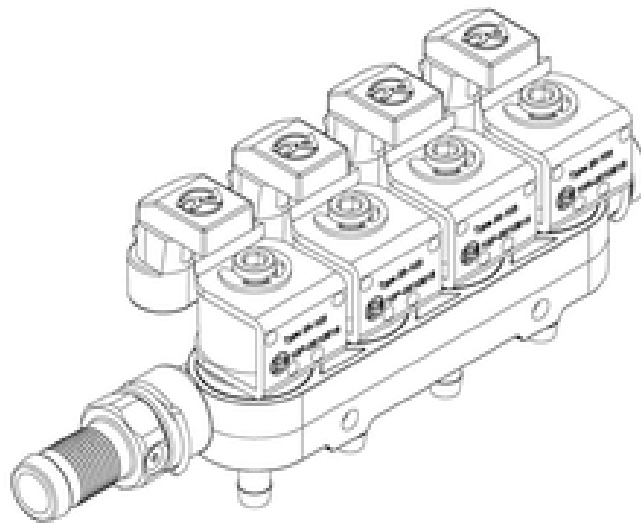




1.8



1.9



1.10

TRADEMARKS

APPLICATIONS FILED UNDER THE NATIONAL PROCEDURE APPROVED FOR REGISTRATION

The decision can be appealed at the Chamber of Appeal of Sakpatenti within 3 months from the publication or at the Mtskheta District Court Administrative Cases Board (Address: №17, Samkhedro St., Mtskheta), within 1 month following the publication.

(260) AM 2023 109440 A
(210) AM 109440
(220) 2020 08 20
(731) LTD "Hotels Management Group – HMG"
Didveli, 1200, Bakuriani, Georgia
(540)



CRYSTAL

(591) Sea blue, white
(531) 17.02.01; 17.02.02; 17.02.04; 26.11.08;
27.05.01; 27.05.11; 29.01.13
(511) 36, 37, 43

(260) AM 2023 116854 A
(210) AM 116854
(220) 2022 03 02
(731) Bagi Professional Cleaning Products LTD
194 Akko Rd, Kiryat Bialik 27232, Israel
(740) Davit Kimutsadze
(540)

JAVEL
ქაველი

(591) Black-white
(511) 3

(260) AM 2023 117654 A
(210) AM 117654
(220) 2022 05 02
(731) LLC "TV-Radio Company TV 24"
Al. Kazbegi Ave. 10a, ap. 58, Tbilisi, Georgia
(540)



(591) Dark blue, dark red, white, red, blue, black

(531) 26.04.17; 26.04.18; 26.04.24; 27.05.01;
27.05.17; 27.05.24; 27.07.01; 27.07.17;
27.07.24; 29.01.14
(511) 35, 38

(260) AM 2023 117666 A
(210) AM 117666
(220) 2022 05 05
(731) LTD "Petro Plus"
Krtsanisi Str. 3, bld. 3, ap. 17, 0114, Isani
District, Tbilisi, Georgia
(540)

WISEY  **ვიზეი**

(591) Dark lilac, lilac, green
(531) 24.17.20; 26.03.01; 26.03.05; 26.03.24;
27.05.01; 28.19; 29.01.13
(511) 4, 35, 36, 37, 39, 40, 42, 43

(260) AM 2023 117723 A
(210) AM 117723
(220) 2022 05 09
(731) LTD "Kvareli Cellar"
Vill. Chikaani, 4814, Kvareli, Georgia
(740) Khatuna Imnadze
(540)

VINIFERA
ვინიფერა
ВИНИФЕРА

(591) Black-white
(511) 33

(260) AM 2023 117924 A
(210) AM 117924
(220) 2022 05 25
(731) LTD "Multipurpose Advice-Diagnostic Center
Nino Medi Club"
Sulkhan Tsintsadze Str. 49, ap. 3a, Vake-
Saburtalo District, Tbilisi, Georgia
(740) Zaal Varsimashvili

(540)

MediZone
მედიზონი

(591) Black-white
(511) 44

(260) AM 2023 118001 A
(210) AM 118001
(220) 2022 05 30
(731) LTD "Waterland"
Vill. Natakhtari, Mtskheta Municipality,
Georgia
(740) Giorgi Kartvelishvili
(540)



(591) Purple, dark yellow, light yellow, sky-blue,
light green, white, black
(531) 07.01.01; 07.01.04; 07.01.25; 07.05.15;
07.05.25; 27.05.02; 29.01.15
(526) TBILISI
(511) 32

(260) AM 2023 118010 A
(210) AM 118010
(220) 2022 06 01
(731) Société des Produits Nestlé S.A.
1800 Vevey, Switzerland
(740) Tamaz Shilakadze
(540)

БЫСТРЁНОК

(591) Black-white
(511) 32

(260) AM 2023 118065 A
(210) AM 118065
(220) 2022 06 06
(731) JSC "Corporation Kindzmarauli"
Iia Chavchavadze Str. 55, 4800, Kvareli,
Georgia
(540)

ღვინის რესპუბლიკა
Wine Republic
Винная республика

(591) Black-white
(511) 43

(260) AM 2023 118066 A
(210) AM 118066
(220) 2022 06 06
(731) JSC "Corporation Kindzmarauli"
Iia Chavchavadze Str. 55, 4800, Kvareli,
Georgia
(540)

ლუდის რესპუბლიკა
Beer Republic
Пивная республика

(591) Black-white
(511) 43

(260) AM 2023 118072 A
(210) AM 118072
(220) 2022 06 07
(731) LLC "Element Construction"
Mgaloblishvili Str. 13, Commercial Space 2,
0160, Saburtalo District, Tbilisi, Georgia
(540)



(591) ED1E1E red, white, black
(531) 26.11.03; 26.11.06; 26.11.08; 28.19;
29.01.12
(511) 37

(260) AM 2023 118073 A
(210) AM 118073
(220) 2022 06 07
(731) Hanchjou Huachen Network Technology Co.,
LTD.
Rum 142, Bilding 2, No.2930 Nanuan Roud,
Binczian Distriqt, Hanchjou, Chjeczian,
China, 310053, People's Republic of China
(740) Liliana Darakhvelidze
(540)



(591) Black-white
(531) 27.05.01; 27.05.17
(511) 9, 42

(260) AM 2023 118080 A
(210) AM 118080
(220) 2022 06 09
(731) LLC "Element Construction"

Mgaloblishvili Str. 13, Commercial Space 2,
0160, Saburtalo District, Tbilisi, Georgia

(540)



(591) 4C3535 black, CC1C1C red, white
(531) 26.11.03; 26.11.06; 26.11.08; 27.05.01;
27.05.10; 29.01.12
(511) 37

(260) AM 2023 118136 A

(210) AM 118136

(220) 2022 06 10

(731) LTD "Online Moll"

V. Barnov/Tarkhnishvili Str. 49/29, ap. 6,
Tbilisi, Georgia

(540)

MYWISH მუიშიშ

(591) Black-white
(531) 27.05.01; 28.19
(511) 35

(260) AM 2023 118138 A

(210) AM 118138

(220) 2022 06 13

(731) N(N)LE "Aragvi Community Development
Group-Aragvi Local Action Group"

Vill. Kvemo Aranisi, Dusheti Region, Georgia

(540)



(591) White, sky-blue, blue
(531) 11.03.08; 19.07.01; 19.07.07; 19.07.25;
19.09.01; 26.01.12; 26.01.16; 26.01.21;
29.01.13
(511) 1, 6, 11, 20, 21, 27, 29, 30, 31, 32, 33, 41, 43

(260) AM 2023 118146 A

(210) AM 118146

(220) 2022 06 14

(731) LTD "Imexpharm"

Giorgi Saakadze II exit 17, 0160, Tbilisi,
Georgia

(740) Nugzar Ksovreli

(540)

Alicid

(591) Black-white

(511) 5

(260) AM 2023 118149 A

(210) AM 118149

(220) 2022 06 14

(731) The Gleason Works

1000 University Ave. Rochester, New York,
14607, USA

(740) Liliana Darakhvelidze

(540)

GLEASON

(591) Black-white

(511) 7, 9, 12, 37

(260) AM 2023 118151 A

(210) AM 118151

(220) 2022 06 15

(731) LTD "SBM Tim"

Tengiz Abuladze Str. 34, ap. 30, Tbilisi,
Georgia

(540)

joma®



(591) White, blue

(531) 26.01.18; 27.05.01; 27.05.21; 29.01.04

(511) 25, 28

(260) AM 2023 118153 A

(210) AM 118153

(220) 2022 06 15

(731) LTD "Batono"

Levan Gotua Str. 8, 0160, Tbilisi, Georgia

(540)

ბაიხარე

GAIKHARE

ГАЙХАРЕ

(591) Black-white

(511) 33

(260) AM 2023 118154 A

(210) AM 118154

(220) 2022 06 15

(731) LTD "Ori Nabiji"

Navtlughi Str. 39-41, 0113, Isani District,
Tbilisi, Georgia

(540)

2 ნაბოჯო

(591) Black-white

(511) 3, 29, 30, 31, 32, 33, 34, 35

(260) AM 2023 118159 A

(210) AM 118159

(220) 2022 06 15

(731) LTD "Brand R"

D. Sarajshvili Str. 23, ap. 14, Tbilisi, Georgia

(540)



(591) White, black, yellow

(531) 26.04.01; 26.04.12; 26.04.22; 26.11.09;
27.05.01; 29.01.12

(511) 11, 35

(260) AM 2023 118163 A

(210) AM 118163

(220) 2022 06 16

(731) RB Health (US) LLC

399 Interpace Parkway, Parsippany,
New Jersey, 07054, USA

(740) Liliana Darakhvelidze

(540)

MUCINEX

(591) Black-white

(511) 5

(260) AM 2023 118164 A

(210) AM 118164

(220) 2022 06 16

(731) Avtandil Kambarashvili

Shiukashvili Str. 1, 2201, Telavi, Georgia

(540)



(591) EFE281 golden, black, red, white

(531) 03.03.01; 04.03.05; 24.07.13; 24.13.01;
29.01.14

(511) 33, 44

(260) AM 2023 118169 A

(210) AM 118169

(220) 2022 06 16

(731) Philip Morris Products S.A.

Quai Jeanrenaud 3, 2000 Neuchâtel,
Switzerland

(740) Pavle Meipariani

(540)

VEEBA

(591) Black-white

(511) 34

(260) AM 2023 118170 A

(210) AM 118170

(220) 2022 06 17

(731) Lighthouse Enterprises Inc.

Radley Court, Upper Collymore Rock Rd,
St. Michael, BB14004, Barbados

(740) Giorgi Taktakishvili

(540)

VIVAZEN

(591) Black-white

(511) 5

(260) AM 2023 118218 A

(210) AM 118218

(220) 2022 06 17

(731) Bkairat General Trading (L.L.C)

Office 2802, Westbury Officestower - Marasi
Drive-Business Bay, Dubai, United Arab
Emirates

(740) Tamaz Shilakadze

(540)

ROZ

(591) Black-white

(511) 34

(260) AM 2023 118220 A

(210) AM 118220

(220) 2022 06 17

(731) LTD "Clintech"

Chitadze Str. 6, Office 505, Tbilisi, Georgia

(540)

HOBEE

(591) Silver

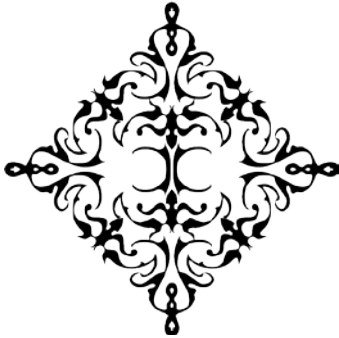
(531) 27.05.01; 27.05.17
(511) 32, 33

(260) AM 2023 118223 A
(210) AM 118223
(220) 2022 06 20
(731) LLC "White Square"
Taras Shevchenko Str. 1, Entrance 2, Floor 3,
ap. 41, 0186, Tbilisi, Georgia
(540)



(591) 9BEAEA water blue, white, black
(531) 26.04.09; 26.15.09; 26.15.11; 26.15.13;
28.19; 29.01.13
(511) 37

(260) AM 2023 118233 A
(210) AM 118233
(220) 2022 06 21
(731) Artessence FZC
Elob Office No. E2-127G-14, Hamriyah Free
Zone, Sharjahri Zon, Sharja, United Arab
Emirates
(740) Liliana Darakhvelidze
(540)



(591) Black-white
(531) 25.01.25; 26.04.03
(511) 3

(260) AM 2023 118234 A
(210) AM 118234
(220) 2022 06 21
(731) Artessence FZC
Elob Office No. E2-127G-14, Hamriyah Free
Zone, Sharjahri Zon, Sharja, United Arab
Emirates
(740) Liliana Darakhvelidze
(540)

INITIO
PARFUMS PRIVÉS

(591) Black-white
(531) 27.05.01; 27.05.10
(511) 3

(260) AM 2023 118236 A
(210) AM 118236
(220) 2022 06 21
(731) Viktor Vacharadze
Lvyy (Lvov) Str. 38, 0160, Tbilisi, Georgia
(540)



(591) White, black, green, red, yellow, sky-blue
(531) 05.01.04; 12.01.09; 12.01.15; 13.01.12;
13.01.17; 25.01.19; 29.01.15
(511) 33, 35

(260) AM 2023 118246 A
(210) AM 118246
(220) 2022 06 23
(731) LTD "Tsinandali+"
Chirnakhuli Str. 5-7, Samgori District, Tbilisi,
Georgia
(740) Vakhtang Torotadze
(540)

AURELIA

(591) Black, grey, light grey
(531) 27.05.02
(511) 33

REGISTERED TRADEMARKS

(111) M 2023 36235 R
(151) 2022 12 21
(181) 2032 12 21
(260) AM 2021 115212 A
(220) 2021 11 01

(732) Ketevan Meshveliani
Merab Kostava Str. 56/50, app. 53, 0179,
Tbilisi, Georgia

(111) M 2023 36236 R
(151) 2022 12 19
(181) 2032 12 19
(260) AM 2021 114978 A
(220) 2021 10 15

(732) Off-White LLC
360 Hamilton Ave., N100 White Plains,
New York, 10601, USA

(111) M 2023 36237 R
(151) 2022 12 19
(181) 2032 12 19
(260) AM 2021 115977 A
(220) 2021 12 28

(732) Alkaloid AD Skopje
Blvd. Aleksandar Makedonski 12, 1000 Skopje,
The Republic of North Macedonia

(111) M 2023 36238 R
(151) 2022 12 21
(181) 2032 12 21
(260) AM 2021 115978 A
(220) 2021 12 28

(732) Alkaloid AD Skopje
Blvd. Aleksandar Makedonski 12, 1000 Skopje,
The Republic of North Macedonia

(111) M 2023 36239 R
(151) 2022 12 20
(181) 2032 12 20
(260) AM 2022 116240 A
(220) 2022 01 18

(732) Nissan Jidosha Kabushiki Kaisha
(also trading as Nissan Motor Co., LTD.)
No.2, Takara-cho, Kanagawa-ku, Yokohama-
shi, Kanagawa-ken, Japan

(111) M 2023 36240 R
(151) 2022 12 19
(181) 2032 12 19
(260) AM 2022 116303 A
(220) 2022 01 21

(732) Kimberly-Clark Worldwide Inc.
Neenah, WI 54956, USA

(111) M 2023 36241 R
(151) 2022 12 19
(181) 2032 12 19
(260) AM 2021 115744 A
(220) 2021 12 10

(732) Amazon Technology Inc.
410 Teri Ave N, Sietli, Washingtoni, 98109,
USA

(111) M 2023 36242 R
(151) 2022 12 22
(181) 2032 12 22
(260) AM 2022 116237 A
(220) 2022 01 18

(732) Toyota Jidosha Kabushiki Kaisha
(also trading as Toyota Motor Corporation)
1, Toyota-cho, Toyota-shi, Aichi-ken, Japan

(111) M 2023 36243 R
(151) 2022 12 23
(181) 2032 12 23
(260) AM 2021 115992 A
(220) 2021 12 29

(732) Shenzhen YouMe Information Techno-
logy Co., LTD.
201, Building B, Dianlian technology building,
Nanhuan Avenue, Mashantou Community,
Matian street, Guangming District, Shenzhen,
518000, People Republic of China

(111) M 2023 36244 R
(151) 2022 12 23
(181) 2032 12 23
(260) AM 2021 115974 A
(220) 2021 12 24

(732) Close Joint Stok Company "Biznestrast"
Polina Osipenko St. 41, Office 326, Vladimir,
RU-600009, Russian Federation

(111) M 2023 36246 R
(151) 2022 12 23
(181) 2032 12 23
(260) AM 2022 116245 A
(220) 2022 01 19

(732) Shenzhen YouMe Information Techno-
logy Co., LTD
201, Building B, Dianlian technology building,
Nanhuan Avenue, Mashantou Community,

Matian street, Guangming District, Shenzhen,
518000, People Republic of China

(111) M 2023 36247 R
(151) 2022 12 23
(181) 2032 12 23
(260) AM 2021 115983 A
(220) 2021 12 28
(732) Giorgi Amilakhvari
Amaghleba Str. 12, Tbilisi, Georgia

(111) M 2023 36248 R
(151) 2022 12 23
(181) 2032 12 23
(260) AM 2021 115685 A
(220) 2021 12 08
(732) United States Polo Association
1400 Centrepark Blvd., Suite 200, 33401
West Palm Beach, Florida, USA

(111) M 2023 36249 R
(151) 2022 12 23
(181) 2032 12 23
(260) AM 2021 115763 A
(220) 2021 12 17
(732) Colgate-Palmolive Company
Delaware Corporation
300 Park Avenue, New York, New York
10022, USA

(111) M 2023 36250 R
(151) 2022 12 23
(181) 2032 12 23
(260) AM 2021 115841 A
(220) 2021 12 17
(732) Colgate-Palmolive Company
Delaware Corporation
300 Park Avenue, New York, New York
10022, USA

(111) M 2023 36251 R
(151) 2022 12 23
(181) 2032 12 23
(260) AM 2021 115971 A
(220) 2021 12 24
(732) ITV Studios Netherlands Content B.V.
Koos Postemalaan 8, 1217 ZC Hilversum,
Netherlands

(111) M 2023 36252 R
(151) 2022 12 26
(181) 2032 12 26
(260) AM 2021 115691 A

(220) 2021 12 09
(732) Jelly Belly Candy Company
One Jelly Belly Lane, Fairfield, California
94533, USA

(111) M 2023 36253 R
(151) 2022 12 26
(181) 2032 12 26
(260) AM 2021 115692 A
(220) 2021 12 09
(732) Jelly Belly Candy Company
One Jelly Belly Lane, Fairfield, California
94533, USA

(111) M 2023 36276 R
(151) 2022 12 26
(181) 2032 12 26
(260) AM 2022 117318 A
(220) 2022 04 07
(732) LTD "Formula"
Adam Mitskevich Str. 29, Tbilisi, Georgia

(111) M 2023 36277 R
(151) 2022 12 26
(181) 2032 12 26
(260) AM 2022 116171 A
(220) 2022 01 14
(732) Georgi Tsaguria
Samtredia Str. 13, ap. 48, 0119, Tbilisi, Georgia

(111) M 2023 36278 R
(151) 2022 12 26
(181) 2032 12 26
(260) AM 2022 116159 A
(220) 2022 01 12
(732) LTD "Santrade"
Varketili 3, IIIa mcr, bld. 340, ap. 8, 0163,
Tbilisi, Georgia

(111) M 2023 36279 R
(151) 2022 12 26
(181) 2032 12 26
(260) AM 2022 116319 A
(220) 2022 01 25
(732) LLC "Wellington"
Navtlughi Str. 8a, 0108, Isani District, Tbilisi,
Georgia

(111) M 2023 36280 R
(151) 2022 12 26
(181) 2032 12 26
(260) AM 2022 116320 A
(220) 2022 01 25
(732) LLC "Wellington"

Navtlughi Str. 8a, 0108, Isani District, Tbilisi,
Georgia

PO Box 1348, Camana Bay, Grand Cayman,
KY 1-1108, Cayman Islands

(111) M 2023 36281 R
(151) 2022 12 26
(181) 2032 12 26
(260) AM 2021 114908 A
(220) 2021 10 11
(732) BeiGene LTD
94 Solaris Ave., 1) c/o Mourant Ozannes
Corporate Services, 2) c/o Mourant
Governance Services (Cayman) Limited,
PO Box 1348, Camana Bay, Grand Cayman,
KY 1-1108, Cayman Islands

(111) M 2023 36286 R
(151) 2022 12 28
(181) 2032 12 28
(260) AM 2021 114911 A
(220) 2021 10 11
(732) BeiGene LTD
94 Solaris Ave., 1) c/o Mourant Ozannes
Corporate Services, 2) c/o Mourant
Governance Services (Cayman) Limited,
PO Box 1348, Camana Bay, Grand Cayman,
KY 1-1108, Cayman Islands

(111) M 2023 36282 R
(151) 2022 12 26
(181) 2032 12 26
(260) AM 2021 114909 A
(220) 2021 10 11
(732) BeiGene LTD
94 Solaris Ave., 1) c/o Mourant Ozannes
Corporate Services, 2) c/o Mourant
Governance Services (Cayman) Limited,
PO Box 1348, Camana Bay, Grand Cayman,
KY 1-1108, Cayman Islands

(111) M 2023 36287 R
(151) 2022 12 28
(181) 2032 12 28
(260) AM 2021 115984 A
(220) 2021 12 28
(732) Ashtel LLC
Suite 103, Alain Ahlia Insurance Bldg, Frij
Murar, Dubai, 89599, United Arab Emirates

(111) M 2023 36283 R
(151) 2022 12 26
(181) 2032 12 26
(260) AM 2021 115986 A
(220) 2021 12 28
(732) Ashtel LLC
Suite 103, Alain Ahlia Insurance Bldg, Frij
Murar, Dubai, 89599, United Arab Emirates

(111) M 2023 36288 R
(151) 2022 12 28
(181) 2032 12 28
(260) AM 2022 116148 A
(220) 2022 01 10
(732) LTD "Neogas"
Gazapkhuli Str. 18, Tbilisi, Georgia

(111) M 2023 36284 R
(151) 2022 12 26
(181) 2032 12 26
(260) AM 2021 115985 A
(220) 2021 12 28
(732) Ashtel LLC
Suite 103, Alain Ahlia Insurance Bldg, Frij
Murar, Dubai, 89599, United Arab Emirates

(111) M 2023 36289 R
(151) 2022 12 28
(181) 2032 12 28
(260) AM 2022 116215 A
(220) 2022 01 14
(732) LTD "G M Pharmaceuticals"
Rustavi Highway 52, 0114, Tbilisi, Georgia

(111) M 2023 36285 R
(151) 2022 12 28
(181) 2032 12 28
(260) AM 2021 114910 A
(220) 2021 10 11
(732) BeiGene LTD
94 Solaris Ave., 1) c/o Mourant Ozannes
Corporate Services, 2) c/o Mourant
Governance Services (Cayman) Limited,

(111) M 2023 36290 R
(151) 2022 12 28
(181) 2032 12 28
(260) AM 2022 116217 A
(220) 2022 01 14
(732) LTD "G M Pharmaceuticals"
Rustavi Highway 52, 0114, Tbilisi, Georgia

(111) M 2023 36291 R
(151) 2022 12 28
(181) 2032 12 28
(260) AM 2022 116219 A
(220) 2022 01 14

(732) LTD "G M Pharmaceuticals"
Rustavi Highway 52, 0114, Tbilisi, Georgia

(111) M 2023 36292 R
(151) 2022 12 28
(181) 2032 12 28
(260) AM 2022 116429 A
(220) 2022 02 03
(732) LTD "Zodiako"
E. Bezhanishvili Str., bld. A, ap. 69, Tbilisi,
Georgia

(111) M 2023 36293 R
(151) 2022 12 28
(181) 2032 12 28
(260) AM 2021 115676 A
(220) 2021 12 06
(732) Shenzhen City Heng Zhi He Technology Co. LTD
4F4006, Shenzhou computer building, Madame
Curie Avenue, wankecheng community,
Bantian street, Longgang District, Shenzhen,
People Republic of China

(111) M 2023 36294 R
(151) 2022 12 28
(181) 2032 12 28
(260) AM 2022 116216 A
(220) 2022 01 14
(732) LTD "G M Pharmaceuticals"
Rustavi Highway 52, 0114, Tbilisi, Georgia

(111) M 2023 36295 R
(151) 2022 12 28
(181) 2032 12 28
(260) AM 2022 116218 A
(220) 2022 01 14
(732) LTD "G M Pharmaceuticals"
Rustavi Highway 52, 0114, Tbilisi, Georgia

(111) M 2023 36296 R
(151) 2022 12 28
(181) 2032 12 28
(260) AM 2021 112702 A
(220) 2021 04 21
(732) The Hut.com Limited
5th Floor, Voyager House, Chicago Avenue,
Manchester Airport, Manchester M90 3DQ,
United Kingdom

**TRADEMARKS REGISTERED ACCORDING TO THE
ACCELERATED PROCEDURE**

The decision can be appealed at the Chamber of Appeal of Sakpatenti within 3 months from the publication.

(111) M 2023 36269 R
(151) 2022 12 20
(181) 2032 12 20
(210) AM 120633
(220) 2022 12 08
(732) LTD "NH"

Tengiz Chantladze Str. 95, Samgori District,
Tbilisi, Georgia

(540)



(591) Black-white

(531) 27.05.01; 27.05.09; 27.05.13

(511) 30

(111) M 2023 36270 R
(151) 2022 12 21
(181) 2032 12 21
(210) AM 120723
(220) 2022 12 13
(732) LLC "Kathedral Inn"

Chabua Amirejibi Highway 1, ap. 63,
(Block "A"), Tbilisi, Georgia

(740) Giorgi Chankotadze

(540)



(591) FFF9F9 white, 918E8E grey

(531) 26.04.17; 26.04.22; 26.04.24; 27.05.01;
27.05.22; 27.05.24; 27.07.01; 27.07.24;
27.07.25

(511) 35, 43

(111) M 2023 36271 R
(151) 2022 12 21
(181) 2032 12 21
(210) AM 120447
(220) 2022 11 24
(732) LTD "Kindzmarauli"

L. Asatiani Str. 13, Lagodekhi, Georgia

(540)



(591) Black, white, golden, sky-blue, red, blue

(531) 02.07.02; 02.07.04; 02.07.16; 05.03.04;
05.03.19; 05.07.10; 23.01.01; 24.13.01;
25.01.15; 25.01.17; 25.01.19; 26.01.04;
26.01.05; 26.01.14; 26.01.16; 26.01.24;
28.05; 29.01.15

(526) GEORGIA

(511) 33

(111) M 2023 36272 R

(151) 2022 12 21

(181) 2032 12 21

(210) AM 120709

(220) 2022 12 12

(732) LLC "Duty Free Points"

Al. Kazbegi Ave. 15, fl. 9, ap. 42,
Block "C", 0160, Saburtalo District, Tbilisi,
Georgia

(540)



(591) Brown, red, white
 (531) 01.15.21; 06.01.01; 06.01.02; 06.01.04;
 26.01.13; 26.01.16; 26.01.21; 27.01.12;
 29.01.13
 (511) 35

(111) M 2023 36273 R
 (151) 2022 12 21
 (181) 2032 12 21
 (210) AM 120623
 (220) 2022 12 07
 (732) LTD "Formula"
 Adam Mickiewicz Str. 29, Tbilisi, Georgia
 (540)



(591) FFFFFFF white, 000000 black
 (531) 02.01.23; 26.04.02; 26.04.14; 26.04.24
 (511) 9, 38, 41

(111) M 2023 36274 R
 (151) 2022 12 21
 (181) 2032 12 21
 (210) AM 120718
 (220) 2022 12 13
 (732) LTD "Melikishvili Inn. "
 Marshal Gelovani Ave. 13, fl. 10, 0159,
 Tbilisi, Georgia
 (540)

AFISHA
 • hotel •

(591) Red, white, black
 (531) 24.17.02; 27.05.01; 27.05.09; 27.05.10;
 27.05.17; 29.01.12
 (511) 33, 43

(111) M 2023 36275 R
 (151) 2022 12 22
 (181) 2032 12 22
 (210) AM 120632
 (220) 2022 12 08
 (732) N(N)LE "Fund GSH"
 Taras Shevchenko Str. 1, ap. 65a, Mtatsminda
 District, Tbilisi, Georgia

(540)



(591) Orange, white, light orange
 (531) 01.15.23; 01.17.11; 29.01.12
 (511) 45

INTERNATIONAL TRADEMARKS FOR WHICH A DECISION ON GRANTING PROTECTIONS IS TAKEN

The decision can be appealed at the Chamber of Appeal of Sakpatenti within 3 months from the publication or at the Mtskheta District Court Administrative Cases Board (Address: №17, Samkhedro St., Mtskheta), within 1 month following the publication.

(260) AM 2023 101786 A*

(800) 1283353

(151) 2014 10 13

(891) 2019 01 17

(731) Jack Wolfskin Ausrüstung für Draussen GmbH
& Co. KgaA

Jack Wolfskin-Kreisel 1, 65510 Idstein,
Germany

(540)



(591) Black, white

(531) 03.06.03

(511)

25 – Clothing, footwear, headgear; braces (suspenders), belts (clothing); inner soles, soles for footwear, sleeping masks.

35 – Consultancy with regard to advertising, and organisational consultancy and instruction for businesses with regard to the management and monitoring of shops; arranging and concluding commercial transactions for others; arranging contracts for the buying and selling of goods and services; management and operating of shops, for others, in particular shops selling clothing, outdoor equipment and sporting articles, and franchising in connection therewith, namely the arranging and concluding of commercial transactions in the field of the aforesaid services, and arranging and concluding of contracts, in particular licence agreements; providing of professional business, organisational and marketing consultancy to shop operators; sales promotion and advertising for shop operators; wholesaling and retailing in relation to the following goods, impregnating chemicals, in particular for clothing, footwear, awnings, textiles, textile goods, bleaching preparations and other substances for laundry use, washing preparations for weatherproof clothing, soaps, perfumery, essential oils, cosmetics, hair lotions, dentifrices, creams for leather, shoe cream, ironmongery, small items of metal hardware, goods of metal, tent pegs of metal, locks, scientific, nautical, surveying, photographic, cinematographic, optical, weighing, measuring, signalling, checking (supervision), life-saving and teaching apparatus and instru-

ments, protective helmets, electric apparatus and instruments, mechanical and electronic navigational instruments, directional compasses, altimeters, apparatus and instruments for conducting, switching, transforming, accumulating, regulating or controlling electricity, apparatus for recording, transmission or reproduction of sound or images, magnetic, optical and digital data carriers (other than unexposed films), including floppy disks, magnetic tapes, optical discs, CD-ROMs, CD-is, DVDs, USB flash drives, magnetic data carriers, recording discs, bags adapted for laptops, bags and cases for electric apparatus, including computers, mobile telephones, compact disc players, MP3 players, MD players, cameras, sunglasses, spectacle cases, anti-glare glasses and sleeping masks, mats and mattresses for medical purposes, bike bags, precious metals and their alloys and goods in precious metals or coated therewith, jewellery, precious stones, horological and chronometric instruments, key rings, of metal, charms for mobile telephones, zipper pulls of metal, paper, cardboard and goods made from these materials, bookbinding material, photographs, adhesives for stationery or household purposes, artists' materials, paint brushes, typewriters and office requisites (except furniture), instructional and teaching material (except apparatus), plastic materials for packaging, printers' type, printing blocks, leather and imitations of leather, goods of leather and imitations of leather, cases, in particular travelling bags, bags, briefcases, pouches, sacks, in particular trunks, sports bags, carrier bags and shoulder bags, travel pouches, carrying bags and packing bags, waist packs, backpacks and packsacks, daypacks, shopping bags, handbags, toilet cases and wash bags and pouches, towel bags and pouches, child carriers, school satchels, school bags, chest pouches, including for passports; document bags, briefcases, and belt pouches for documents, purses, pocket wallets, key cases, parasols and umbrellas, walking sticks, mountaineering sticks, trekking poles, saddlery, sleeping bags, mattresses, in particular air mattresses, containers for transporting and conserving liquids and foodstuffs, drinking bottles and containers, insulated flasks and mugs, crockery of porcelain and earthenware, camping crockery, picnic crockery, ropes, straps of textile, nets, tents, awnings, tarpaulins, sails, bags (envelopes, pouches) of textile, for packaging, sacks and bags, textiles and textile goods, cotton fabrics, woollen fabrics, linings (textile), non-woven fabrics, bath linen, except clothing, towels of textile, blankets namely travelling rugs, woollen blankets, fleece blankets, clothing, footwear, headgear,

clothing accessories, braces for clothing (suspenders), belts (clothing), insoles, shoe soles, shoelaces, key straps (lanyards), ornamental novelty badges (buttons), slide fasteners (zippers) and zipper pulls, mats, in particular for gymnastic, sporting, travel, trekking and camping purposes, games and playthings, gymnastic and sporting equipment, gymnastic and sporting articles, special bags for sporting equipment; arranging contracts, for others, for the providing of transport services.

(260) AM 2023 101895 A*

(800) 1209325

(151) 2013 10 09

(891) 2019 01 17

(731) JACK WOLFSKIN Ausrüstung für Draussen GmbH & Co. KgaA
Jack Wolfskin Kreisel 1, 65510 Idstein/Taunus,
Germany

(540)



(591) Black, white

(531) 03.06.03; 27.05.01

(511)

25 – Clothing, footwear, headgear; braces (suspenders), belts (clothing); inner soles, soles for footwear, sleeping masks.

35 – Consultancy with regard to advertising, and organisational consultancy for businesses with regard to the management and monitoring of shops; arranging and concluding commercial transactions for others; arranging contracts for the buying and selling of goods and the provision of services; management of shops, for others, in particular shops selling clothing, outdoor equipment and sporting articles, and franchising in connection therewith, namely the arranging and concluding of commercial transactions in the field of the aforesaid services, and arranging and concluding of contracts, in particular licence agreements; providing of professional business, organisational and marketing consultancy to shop operators; sales promotion and advertising for shop operators; wholesaling and retailing in relation to the following goods, impregnating chemicals, in particular for clothing, footwear, awnings, textiles, textile goods, bleaching preparations and other substances for laundry use, washing preparations for weatherproof clothing, soaps, perfumery, essential oils, cosmetics, hair lotions, dentifrices, creams for leather, shoe cream, scientific, nautical, surveying, photographic, cinematographic, optical, weighing, measuring, signalling, checking (su-

pervision), life-saving and teaching apparatus and instruments, protective helmets, electric apparatus and instruments, mechanical and electronic navigational instruments, directional compasses, altimeters, apparatus and instruments for conducting, switching, transforming, accumulating, regulating or controlling electricity, apparatus for recording, transmission or reproduction of sound or images, magnetic, optical and digital data carriers (other than unexposed films), including floppy disks, magnetic tapes, optical discs, CD-ROMs, CD-Is, DVDs, USB flash drives, magnetic data carriers, recording discs, bags adapted for laptops, bags and cases for electric apparatus, including computers, mobile telephones, compact disc players, MP3 players, MD players, cameras, sunglasses, spectacle cases, anti-glare glasses and sleeping masks, bags for bicycles, leather and imitations of leather, goods of leather and imitations of leather, cases, in particular travelling bags, bags, briefcases, pouches, sacks, in particular trunks, sports bags, carrier bags and shoulder bags, travel pouches, carrying bags and packing bags, waist packs, backpacks and packsacks, daypacks, shopping bags, handbags, toilet cases and wash bags and pouches, towel bags and pouches, child carriers, school satchels, school bags, chest pouches, including for passports, document bags, briefcases and belt pouches for documents, purses, pocket wallets, key cases, parasols and umbrellas, walking sticks, mountaineering sticks, trekking poles, saddlery, sleeping bags, mattresses, in particular air mattresses, seat cushions, pillows, containers for transporting and conserving liquids and foodstuffs, drinking bottles and containers, insulated flasks and mugs, crockery of porcelain and earthenware, camping crockery, picnic crockery, ropes, straps of textile, nets, tents, awnings, tarpaulins, sails, bags (envelopes, pouches) of textile, for packaging, sacks and bags, textiles and textile goods, cotton fabrics, woolen fabrics, linings (textile), non-woven fabrics, bath linen, except clothing, towels of textile, blankets namely travelling rugs, woolen blankets, fleece blankets, clothing, footwear, headgear, clothing accessories, braces for clothing (suspenders), belts (clothing), insoles, shoe soles, shoelaces, key straps (lanyards), ornamental novelty badges (buttons), slide fasteners (zippers) and zipper pulls, mats, in particular for gymnastic, sporting, travel, trekking and camping purposes, games and playthings, gymnastic and sporting equipment, gymnastics and sports equipment.

(260) AM 2023 102330 A*

(800) 1457543

(151) 2019 01 08

(891) 2019 01 08

(731) Jack Wolfskin Ausrüstung für Draussen GmbH & Co. KgaA
Jack Wolfskin Kreisel 1, 65510 Idstein/Taunus,
Germany

(540)

Jack Wolfskin

(591) Black, white

(511)

25 – Clothing, footwear, headgear; braces, belts (clothing); soles for footwear, inner soles, sleep masks.

35 – Advertising consultancy and organisational consultancy for companies in relation to managing and monitoring retail outlets; arranging and concluding commercial transactions for others; arranging contracts for the buying and selling of goods and services and the providing of services; business management of retail outlets, for others, in particular retail outlets in the field of clothing, outdoor equipment and sporting articles, and franchising relating thereto, namely negotiation and conclusion of commercial transactions in the field of the aforesaid services and negotiation and conclusion of contracts, in particular licensing contracts; providing of professional business, organisational and marketing consultancy to shop operators; sales promotion and advertising for shop operators; wholesaling and retailing in relation to the following goods, impregnating chemicals, in particular for clothing, footwear, tents, textiles, textile goods, bleaching preparations and other substances for laundry use, laundry preparations for weatherproof clothing, soaps, perfumery, essential oils, toiletry preparations, hair lotions, dentifrices; wholesaling and retailing in relation to the following goods, creams for leather, shoe cream, scientific, nautical, surveying, photographic, cinematographic, optical, weighing, measuring, signalling, checking (supervision), life-saving and teaching apparatus and instruments, protective helmets, mechanical and electronic navigational instruments, directional compasses, altimeters, apparatus and instruments for conducting, switching, transforming, accumulating, regulating or controlling electricity; wholesaling and retailing in relation to the following goods, apparatus for recording, transmission or reproduction of sound or images, magnetic, optical and digital recording media (other than unexposed films), including floppy disks, magnetic tapes, optical discs, CD-ROMs, CD-Is, DVDs, USB flash drives, magnetic data carriers, recording discs, bags adapted for laptops, bags and cases for electric devices, including computers, mobile telephones, CD players, MP3 players, MD players, cameras; wholesaling and retailing in relation to the following goods, sunglasses, spectacle cases, anti-glare glasses and sleep masks, bags for bicycles, leather and imitations of leather, cases, in particular suitcases, bags, briefcases, pouches, sacks, in particular travelling bags, bags for sports, carrying bags and shoulder bags, travel pouches, carrying pouches and packing pouches, belt bags, backpacks and knapsacks, daypacks, shopping bags, handbags; wholesaling and retailing in relation to the following goods, sponge and wash bags and pouches, towel bags and pouches, child carriers, school satchels, school

pouches, neck pouches, including for passports, document bags, folders and belts, purses, pocket wallets, key bags, umbrellas and parasols, walking sticks, alpenstocks, hiking poles, saddlery, sleeping bags, mattresses, in particular air mattresses, seat pads, pillows; wholesaling and retailing in relation to the following goods, containers for transporting and preserving liquids and foodstuffs, drinking bottles and containers, vacuum jugs and mugs, dishes of porcelain and earthenware, camping dishes, picnic crockery, ropes, straps of textile, nets, tents, awnings, sails, bags and envelopes of textile, for packaging; wholesaling and retailing in relation to the following goods, textiles and textile goods, cotton, woollen fabric, linings (textile), non-woven fabrics, bath linen, except clothing, towels of textile, blankets, namely travelling rugs (lap robes), woollen blankets, non-woven blankets, clothing, footwear, headgear, clothing accessories, braces for clothing (suspenders), belts (clothing), inner soles, soles for footwear, shoe laces, lanyards, ornamental novelty badges (buttons), zip fasteners and zipper pulls; wholesaling and retailing in relation to the following goods, mats, in particular for gymnastics, sports, travel, hiking and camping purposes, games and playthings, gymnastic and sporting apparatus.

(260) AM 2023 113471 A*

(800) 681575

(151) 1997 05 13

(891) 2021 05 07

(731) Daimler Truck AG

Fasanenweg 10, 70771 Leinfelden-
Echterdingen, Germany

(540)

SETRA

(591) Black, white

(511)

12 – Buses and Coaches.

(260) AM 2023 114080 A*

(800) 1604196

(151) 2021 02 01

(891) 2021 02 01

(731) Babiyenko Ninel Viktorivna

Rusanivs'ka naberezhna, bud. 4, kv. 77,
m. Kyiv 02154, Ukraine;
Yurov Yurii Hryhorovych
Rusanivs'ka naberezhna, bud. 4, kv. 77,
m. Kyiv 02154, Ukraine

(540)

OPERA WORLD

(591) Black, white

(511)

35 – Wholesale services for alcoholic beverages, beers, alcoholic preparations for making beverages, sugarcane-based alcoholic beverages, alcoholic bevera-

ges containing fruit, anise (liqueur), anisette (liqueur), aperitifs, arrack (arak) / arak (arrack), brandy, wine, whisky, vodka, kirsch, perry, gin, digestifs (liqueurs and spirits), cocktails, curacao, liqueurs, hydromel (mead) / mead (hydromel), peppermint liqueurs; wholesale services for pre-mixed alcoholic beverages, bitters, piquette, rice alcohol, rum, sake, cider, spirits (beverages), distilled beverages, grain-based distilled alcoholic beverages, alcoholic essences, alcoholic extracts, fruit extracts, alcoholic, aerators for wine, coasters and decanters; wholesale services for thermoses, corkscrews, serving utensils, sugar tongs, ice tongs, paper or cardboard bottle packages, paper cone packages, paper or cardboard boxes, printed matter, paper or cardboard labels, books, magazines, brochures, booklets, calendars, clothes, aprons, hats; online retail services for downloadable digital music; online retail services for downloadable ring tones; retail services for alcoholic beverages, beers, alcoholic preparations for making beverages, sugarcane-based alcoholic beverages, alcoholic beverages containing fruit, anise (liqueur), anisette (liqueur), aperitifs, arrack (arak) / arak (arrack), brandy, wine, whisky, vodka, kirsch, perry, gin, digestifs (liqueurs and spirits), cocktails, curacao, liqueurs, hydromel (mead) / mead (hydromel), peppermint liqueurs; retail services for pre-mixed alcoholic beverages, bitters, piquette, rice alcohol, rum, sake, cider, spirits (beverages), distilled beverages, grain-based distilled alcoholic beverages, alcoholic essences, alcoholic extracts, fruit extracts, alcoholic, aerators for wine, coasters and decanters; retail services for thermoses, corkscrews, serving utensils, sugar tongs, ice tongs, paper or cardboard bottle packages, paper cone packages, paper or cardboard boxes, printed matter, paper or cardboard labels, books, magazines, brochures, booklets, calendars, clothes, aprons, hats; placement in one place, for the benefit of others, the range of goods (except for their transportation), which allows customers to conveniently inspect and buy these goods in supermarkets, hypermarkets, department stores, retail stores trade, shopping malls.

(260) AM 2023 114100 A*

(800) 1604733

(151) 2021 05 21

(891) 2021 05 21

(731) Amusnet Interactive Ltd.

Garitage Park, Building No. 4, Floor 2, 2

Donka Ushlinova Str., BG-1766 Sofia, Bulgaria

(540)



(591) Yellow, Gold

(531) 27.05.03; 29.01.12

(511)

9 – Computer software for the administration of on-line games and gaming; computer application software featuring games and gaming; betting software; gaming software that generates or displays wager outcomes of gaming machines.

41 – Providing of casino and gaming facilities; betting services.

(260) AM 2023 114822 A*

(800) 1616337

(151) 2021 07 13

(891) 2021 07 13

(731) NAOS LIGHTHOUSE

355 rue Pierre-Simon Laplace, F-13290

AIX-EN-PROVENCE, France

(540)



(591) Black, white

(531) 05.05.20; 26.01.06

(511)

3 – Soaps; perfumery; essential oils; cosmetics; creams, gels, lotions for cosmetic use; deodorants for personal use; shampoos and hair lotions; wipes impregnated with make-up removing preparations; cosmetic preparations for whitening the skin; cosmetic preparations for cleansing the skin; cosmetic preparations for slimming; cosmetic preparations for tanning and sun protection; depilatory products; bio-ecological cosmetic preparations promoting skin cell development.

(260) AM 2023 114883 A*

(800) 1250117

(151) 2014 12 12

(891) 2021 09 17

(731) Koninklijke Philips N.V.

High Tech Campus 52, NL-5656 AG

Eindhoven, Netherlands

(540)

ZOOM!

(591) Black, white

(511)

3 – Dentifrices; toothpaste, mouth rinses non-medicated, non-medicated mouth and teeth care preparations.

10 – Teething rings; tongue scrapers.

21 – Electric and non-electric toothbrushes, also for prostheses and components therefor, including replaceable brush heads, apparatus for cleaning teeth and gums; dental floss, toothpicks, toothpick holders, not of precious metal, tongue cleaning instruments for personal care.

(260) AM 2023 115034 A*

(800) 1619906

(151) 2021 07 16

(891) 2021 07 16

(731) Amusnet Interactive Ltd.

Garitage Park, Building No. 4, Floor 2,
BG-1766 2 Donka Ushlinova Str., Bulgaria

(540)



(591) Black, yellow

(531) 25.12.03; 27.05.01; 29.01.13

(511)

9 – Betting software; gaming software that generates or displays wager outcomes of gaming machines.

28 – Slot machines [gaming machines]; gaming machines for gambling.

41 – Providing of casino and gaming facilities; betting services.

(260) AM 2023 115077 A*

(800) 1621375

(151) 2021 03 24

(891) 2021 03 24

(731) Reckitt & Colman (Overseas) Health Limited

103-105 Bath Road, Slough, Berkshire
SL1 3UH, United Kingdom

(540)

RECKITT

(591) Black, white

(511)

3 – Non-medicated cosmetics and toiletry preparations; nonmedicated dentifrices; perfumery, essential oils; bleaching preparations and other substances for laundry use and dishwashing; cleaning, polishing, scouring and abrasive preparations; depilatory creams; depilatory lotions; wax strips for removing body hair; soaps for brightening textiles; detergents; soaps; laundry starch; laundry blue; laundry preparations; carpet cleaners; shampoos; fabric softeners, laundry additives; grease removing preparations; cleaning preparations; deodorants for personal use; hair lotions; dentifrices; toothpastes; exfoliants; depilatory preparations; depilatory waxes; hair regrowth inhibitors; polishing preparations for kitchen and glassware; cleaning, polishing, scouring and abrasive preparations; decalcifying and descaling preparations for domestic use; oven cleaning preparations; stove-top cleaning preparations; rinse agents for machine dishwashers; dishwashing preparations; salts for use in machine dishwashers; dishwasher cleaner, freshener and deodoriser; stain removing preparations; glass and metal

cleaning preparations; window cleaning preparations; antistatic preparations; drain and sink cleaning preparations; detergents having disinfectant properties; perfumery, essential oils, cosmetics, non-medicated preparations for the care of the body and skin, ointments, creams, gels, lotions, oils, balsams, powders and sprays for use on the body and skin; mouth washes and preparations for dental hygiene; products to clean dentures; perfuming preparations for the atmosphere; potpourri, essential oils, room perfume sprays; cloths, wipes, tissues and sponges impregnated with cleaning preparations, polishing preparations, detergent or disinfectant for cleaning; preparations for body and beauty care; preparations for the care, cleansing and embellishment of the skin in the form of creams, gels and lotions; emollients; skin moisturisers; anti-aging creams; cosmetic and beauty preparations; moisturising creams, lotions, mousses and gels; skin cleansing preparations; bleaching preparations all for personal use; laundry preparations for dry cleaners; decalcifying and descaling preparations for household purposes; dishwasher additives for softening water, preventing limescale accumulation on the dishwasher and on crockery and glassware and for increasing the power of dishwashing detergent; cleaning preparations for vitroc ceramic and kitchen surfaces; cleaning preparations having disinfectant properties, limescale removers, rust removers, decalcifying and descaling preparations for household use; cleaning preparations which prevent the build-up of stains and limescale; preparations, including creams, gels and mousses, for use before, during and after shaving or hair removal; depilatory wipes; impregnated wipes and pads for skin care; preparations for perfuming or fragranting the air; cloths impregnated with a detergent for cleaning, polishing, scouring or bleaching.

5 – Pharmaceuticals, medical and veterinary preparations; sanitary preparations for medical purposes; dietetic food and substances adapted for medical or veterinary use, food for babies; dietary supplements for human beings and animals; plasters, materials for dressings; material for stopping teeth, dental wax; disinfectants; preparations for destroying vermin; fungicides, herbicides; dietetic substances adapted for medical use; food adapted for medical purposes; medicinal drinks; mineral water for medical purposes; malted milk beverages for medical purposes; albuminous foodstuffs for medical purposes; cereals for medical purposes; medicine tonics; pharmaceutical preparations for treating gastrointestinal disorders; infants' and invalids' foods; infant formula; lactose free infant's formula; milk powder for babies; food and beverages for babies and infants; lacteal flour for babies; paediatric nutritive beverages; dietetic foods and preparations to be administered by tube; vitamins and vitamin preparations; dietary supplements consisting of vitamins; prenatal vitamins; gummy vitamins; health food supplements for persons with special dietary requirements; health food supplements made principally of

vitamins; health food supplements made principally of minerals; dietary and nutritional preparations; dietary and nutritional supplements; dietary food supplements; herbal supplements; mineral nutritional supplements; medicated food supplements; minerals and mineral preparations; nutritional food additives for medical purposes; nutritional supplement energy bars; nutritional supplement meal replacement bars for boosting energy; nutritional drink mix for use as a meal replacement; electrolyte replenishment preparations; pain relief medication; pain relief preparations; acetaminophen [for relief of pain]; antiviral drugs for treating influenza; medicinal healthcare preparations; antibacterial gel; topical first aid gel; lubricant gels for personal use; tissues impregnated with insect repellent; herbs (medicinal); extracts of medicinal herbs; antioxidants; preparations for supplementing the body with essential vitamins and microelements; medicated confectionery; dietetic confectionery adapted for medical purposes; herbal honey throat lozenges; antioxidants obtained from herbal sources; probiotic supplements; probiotic preparations for medical use to help maintain a natural balance of flora in the digestive system; dietary fibre to aid digestion; digestive enzymes; oral analgesics; cedar wood for use as an insect repellent; preparations for medical purposes; liquid bandage preparations; materials for dressings; medicated skin care preparations; medicated preparations for the care of the skin; antiseptic preparations, anti-bacterial preparations, disinfecting preparations, germicides; insecticides and miticides; insect repellents; preparations for destroying and repelling vermin; fungicides; air deodorizing preparations, air purifying preparations; room air fresheners; deodorants and deodorisers (other than for personal use); odour neutralisers; filled first-aid boxes; anti-bacterial preparations; vitamin preparations; mineral preparations for medicinal use; herbal preparations for medicinal use; disinfectants for household use or for hygiene or sanitary purposes; medicated preparations for the care of the body and skin; medicated creams, gels, lotions, oils, balsams, powders, talcum powders and sprays for use on the body and skin; medicated, sanitary or disinfecting preparations for the treatment of the body and skin; wound healing preparations; materials for dressings, plasters, adhesive plasters for medical purposes, bandaging materials, bandages; bandage strips for skin wounds; plasters, bandaging materials; emollient preparations for prevention and treatment of dry skin; antiseptics and medical preparations for use in oral hygiene; preparations for the disinfection of dentures; denture fixatives; denture adhesives; medicated mouth washes; contact lens cleaning preparations; bactericidal skin cleansing preparations; preparations and substances for neutralising, controlling or reducing allergens; medicated toiletries, medicated talcum powder; cloths, wipes, tissues and sponges impregnated with antiseptic, antibacterial or disinfectant preparations for hygiene use; medicated body care prepa-

rations; medicated beverages and preparations for making such beverages; disinfecting agents and preparations having disinfecting properties; preparations or substances having sanitary, disinfecting, air freshening, air purifying or fungicidal properties; medicated pads for the skin; film forming protection sprays; disinfectant preparations, antiseptic products; materials impregnated with, or incorporating, disinfecting substances; pharmaceutical preparations and substances for treatment of acne and pimples; medicated preparations for the treatment and relief of eye ailments; dermatological preparations for the treatment and prevention of skin disorders; pharmaceutical preparations and substances having anti-inflammatory, anti-pyretic and analgesic properties; pads or patches impregnated with or containing substances for the relief of symptoms of colds and influenza; decongestants and preparations for dispersing decongestants; disinfectant solutions for use in wiping surfaces; omega-3 fatty acids, phospholipids and antioxidants for promoting health; radioactive substances for medical purposes; gases for medical purposes; chemical conductors for electrocardiograph electrodes; semen for artificial insemination; disinfectants for hygiene purposes; nutritive substances for microorganisms; dietetic foods adapted for medical purposes; dietetic beverages adapted for medical purposes; antiseptic paper; breast-nursing pads; teeth filling material; processed fruit-based snack foods for use as nutritional supplements.

10 – Surgical, medical, dental and veterinary apparatus and instruments; suture materials; therapeutic and assistive devices adapted for persons with disabilities; apparatus, devices and articles for nursing infants; contraceptive appliances; contraceptives, non-chemical; contrivances of synthetic rubber for contraceptive purposes; contrivances made from natural rubber for contraceptive purposes; medical apparatus for the relief of pain; compression socks for medical or therapeutic use; compression hosiery; graduated compression hosiery; medical support hosiery; orthopaedic and therapeutic hosiery; hosiery for medical, surgical and/or prophylactic purposes; medical and surgical socks; medical ventilators; inserts for breathing masks for surgical use; inserts for breathing masks for medical use; protective nose masks for medical use; protective breathing masks for medical applications; protective breathing masks made of non-woven materials for medical applications; respirators for medical purposes; instruments and apparatus for placing bandages; therapeutic apparatus and appliances for massaging and/or bathing;; contraceptive or prophylactic devices; condoms; stockings for varicose veins; therapeutic nose clips for the prevention of exposure to pollutants and for medical use; electronic devices for monitoring air in the immediate environment for medical use; medical apparatus for the treatment and relief of skin and eye ailments; instruments, equipment and apparatus for hygiene, orthopaedics and for the treatment and care of the feet and skin; medical ima-

ging apparatus; infrared diagnostic apparatus for medical purposes; electromagnetic diagnostic imaging apparatus for medical purposes; diagnostic measuring apparatus for the purpose of temperature monitoring; medical electronic monitoring instruments for vital signs and temperature; respiration monitors; medical devices, namely, breathing sensors; measuring devices and instruments adapted for the purpose of health and temperature monitoring, namely, thermometers and pulse oximeters; heart monitors; thermometers for medical use; fever thermometers; baby monitoring sensors and alarms for medical use; infant respiratory monitors; parts and fittings for all the aforesaid goods; medicated insoles.

35 – Advertising; business management; business administration; office functions; promotional services in the form of sharing of multimedia content via the Internet and other computer and communications networks; online retail store services relating to household cleaning products; electronic e-commerce services, namely, providing information about products via telecommunication networks for advertising and sales purposes; services relating to advertising, marketing and public relations, organization of exhibitions and trade fairs for commercial or advertising purposes; providing an online marketplace for customers and sellers; organisation, operation and supervision of loyalty and incentive schemes; provision of business information; arranging of competitions for advertising purposes; arranging of competitions for business purposes; retail services in connection with the sale of air freshening preparations; marketing services; commercial or industrial management services; rental and leasing of vending machines; the bringing together, for the benefit of others, of a variety of consumer goods, namely non-medicated cosmetics and toiletry preparations, non-medicated dentifrices, perfumery, essential oils, bleaching preparations and other substances for laundry use and dishwashing, cleaning, polishing, scouring and abrasive preparations, domestic bleaching preparations for laundry use, dishwasher preparations, preparations for removing stains, carpet cleaners, soaps, detergents, decalcifying and descaling preparations, limescale removers, rust removers, fabric softeners, laundry additives, water softening preparations, grease removers, drain and sink unblocking preparations, preparations for prevention of limescale, rust or grease, non-medicated toilet preparations, skin care preparations, medicated skin care preparations, preparations for treatment of acne, depilatory preparations, pharmaceuticals, medical and veterinary preparations, sanitary preparations for medical purposes, dietetic food and substances adapted for medical or veterinary use, food for babies, dietary supplements for human beings and animals, plasters, material for dressings, material for stopping teeth, dental wax, disinfectants, preparations for destroying vermin, fungicides, herbicides, pharmaceutical preparations, medicated beverages and confectionery, contraceptive pre-

parations and substances, spermicidal gels, liquids and creams, condoms, antiseptic preparations, anti-bacterial preparations, disinfecting preparations, articles impregnated with a disinfectant or anti-bacterial product, articles impregnated with an antiseptic product, insecticides, insect repellents, pesticides, rodenticides, miticides, preparations for destroying vermin, germicides, deodorants (not for personal use), air freshening preparations, air fresheners, infant formula, hand tools and implements (hand-operated), cutlery, side arms (except firearms), razors, electronic foot files, electric pedicure sets, nail clippers, nail files, nail scissors, computer software, surgical, medical, dental and veterinary apparatus and instruments, artificial limbs, eyes and teeth, orthopaedic articles, suture materials, therapeutic and assistive devices adapted for persons with disabilities, massage apparatus, apparatus, devices and articles for nursing infants, sexual activity apparatus, devices and articles, air freshener dispensing systems, household or kitchen utensils and containers (not of precious metal or coated therewith), cookware and tableware, except forks, knives and spoons, combs and sponges, brushes, except paintbrushes, brush-making materials, articles for cleaning purposes, unworked or semi-worked glass (except building glass), glassware, porcelain and earthenware, clothing, footwear, headgear, insoles for footwear, meat, fish, poultry and game, meat extracts, preserved, frozen, dried and cooked fruits and vegetables, jellies, jams, compotes, eggs, milk, cheese, butter, yogurt and other milk products, dairy products, oils and fats for food, meal-based nutritional products, coffee, tea, cocoa and artificial coffee, rice, pasta and noodles, tapioca and sago, flour and preparations made from cereals, bread, pastries and confectionery, chocolate, ice cream, sorbets and other edible ices, sugar, honey, treacle, yeast, baking-powder, salt, seasonings, spices, preserved herbs, vinegar, sauces and other condiments, ice [frozen water], biscuits, starch for food, raw and unprocessed agricultural, aquacultural, horticultural and forestry products, raw and unprocessed grains and seeds, fresh fruits and vegetables, fresh herbs, natural plants and flowers, bulbs, seedlings and seeds for planting, live animals, foodstuffs and beverages for animals, malt, alcoholic and non-alcoholic beverages, nutritionally fortified beverages and drinks containing dietary fibre and preparations for making up into such drinks; promotional services in the form of online entertainment and education; promotional services in the form of sharing of multimedia content via the Internet and other computer and communications networks.

41 – Education; providing of training; entertainment; sporting and cultural activities; health and wellness training; education, training, advice and instruction services relating to hygiene, health and germ protection; production, publication and distribution of educational, training, advisory and instructional materials relating to hygiene, health and germ protection; pub-

lication of books, articles, journals, magazines, newsletters, teaching, instructional and educational material, also by electronic media, like the Internet or through an online computer network; publication of information relating to hygiene, health and germ protection; arranging and conducting of seminars, conferences, workshops, discussion groups, lectures and other educational meetings; leisure activities and entertainment services; operating of lotteries; on-line electronic publications; the provision of on-line electronic publications; publication of books or of text and publishing services; provision of information and instruction services; electronic games services, including providing on-line computer games; business training services; business training provided via an on-line game; education services for providing electronic media or information over the Internet or other communications network; entertainment services, namely, providing multimedia content or information over the Internet and (or) other communications network; entertainment and educational services featuring electronic media, multimedia content, videos, movies, pictures, images, text, photos, games, user-generated content, audio content, and related information via computer and communications networks; digital video, audio and multimedia entertainment publishing services; online digital publishing services; publication of texts; publication of surveys and reviews; organisation of games, competitions, information campaigns and events to promote and publicise hygiene, health and germ protection; education, advice and training, all in relation to food, home consumer products, and personal care, sexual health and well-being and healthcare consumer products; education, advice and training, all in relation to home care, personal care and healthcare management and welfare.

(260) AM 2023 115448 A
 (800) 1626054
 (151) 2021 06 22
 (891) 2021 06 22
 (731) CONSORZIO PER LA TUTELA DELL'ASTI
 Piazza Roma, 10, I-14100 ASTI, Italy
 (540)



(591) Black, white, red, brown
 (531) 02.01.02; 02.01.20; 02.01.23; 05.07.10;
 24.03.07; 24.03.12; 24.03.13; 24.07.01;
 27.01.12; 29.01.14
 (551) Collective

(511)
 33 – Wine; alcoholic beverages (except beer); alcoholic essences; alcoholic extracts; sparkling grape wines; preparations for making beverages.

(260) AM 2023 116564 A
 (800) 1642846
 (151) 2021 10 15
 (891) 2021 10 15
 (731) United Biscuits (UK) Limited
 Building 3, Chiswick Park, 566 Chiswick
 High Road, Chiswick, London W4 5YA,
 United Kingdom

(540)
McVITIE'S BLISSFULS

(591) Black, white
 (511)
 30 – Bread, biscuits, chocolate covered biscuits, cakes, pastries and shortbread; chocolate, chocolates and confectionery; preparations made from potato/corn flour and from cereals; granola-based snack foods.

(260) AM 2023 116672 A
 (800) 1644422
 (151) 2021 12 10
 (891) 2021 12 10
 (731) GLOVOAPP23, S.L.
 Carrer Pallars, 190, E-08005 Barcelona, Spain
 (540)

**COOK
 ROOM**
 by Glovo

(591) Black, yellow, white
 (531) 27.05.01; 29.01.12
 (511)
 35 – Advertising; commercial business promotion; commercial administration; office functions; company management assistance for industrial or commercial companies.

36 – Financial affairs; rental of offices; apartment and office rental; rental of offices [real estate]; insurance services; monetary affairs.

43 – Preparation of food; food services by contract; take-away food and beverage services; advice on cooking; rental of apparatus for cooking; restaurant services; take-out restaurants; restaurant information services.

(260) AM 2023 116681 A
 (800) 1644468
 (151) 2021 12 10
 (891) 2021 12 10
 (731) GLOVOAPP23, S.L.
 Carrer Pallars, 190, E-08005 Barcelona,
 Spain
 (540)



(591) Black, green, white
 (531) 18.05.06; 27.05.09; 29.01.12
 (511)
 35 – Advertising, marketing and promotional services; retail services in relation to foodstuffs; online retail store services relating to cosmetic and beauty products; retail services connected with stationery; retail services in relation to pet products.

(260) AM 2023 116682 A
 (800) 1644469
 (151) 2021 12 10
 (891) 2021 12 10
 (731) GLOVOAPP23, S.L.
 Carrer Pallars, 190, E-08005 Barcelona, Spain
 (540)



(591) Black, green, white
 (531) 18.05.06; 20.05.25; 24.17.24; 27.05.10;
 29.01.13
 (511)
 35 – Advertising, marketing and promotional services; sales promotion for others; sales promotion; preparation of advertising campaigns.

(260) AM 2023 116689 A
 (800) 1644590
 (151) 2021 12 15
 (891) 2021 12 15
 (731) Chery Automobile Co., Ltd.
 8 Changchun Road, Economy & Technology
 Development Zone, Wuhu City, 241009
 Anhui Province, China
 (540)



(591) Black, white
 (531) 24.11.25; 26.01.02; 26.01.03; 26.01.10
 (511)
 12 – Propulsion mechanisms for land vehicles; electric vehicles; tyres for vehicle wheels; upholstery for vehicles; vehicles for locomotion by land, air, water or rail; motor coaches; lorries; wagons; automobiles; motor homes.

37 – Rebuilding engines that have been worn or partially destroyed; vehicle service stations [refuelling and maintenance]; motor vehicle maintenance and repair; vehicle battery charging; leather care, cleaning and repair; vehicle breakdown repair services; installation, maintenance and repair of computer hardware; vehicle washing; charging of electric vehicles; vehicle greasing.

(260) AM 2023 116698 A
 (800) 1644962
 (151) 2021 08 25
 (891) 2021 08 25
 (731) De Roblin, Inc.
 17011 Green Drive, City of Industry CA 91745,
 USA
 (540)

MIA SECRET

(591) Black, white
 (511)
 3 – Nail care preparations; cosmetic preparations for nails; non-medicated skin care preparations; hair care preparations; cosmetic eye care preparations.

8 – Cuticle removers, namely, cuticle trimmers; nail kits comprised of nail clippers and nail buffers; nail files; cuticle pushers; nail files in the nature of nail sponge files for nails; nail buffers in the nature of sanding blocks for nail care, and ultra-shiners for nails in the nature of fingernail polishers; metal implements for nail care, namely, nail clippers; foot care implements, namely, foot file; eyebrow microblading apparatus.

11 – Manicure lamps; UV lamps not for medical purposes, UV lamps for drying gel nail polishes; sterilizers, LED nail drying devices, electric heating trays, wax heaters for hair removal.

21 – Pads to separate the toes during pedicures; droppers for cosmetic purposes, namely, nail polish droppers to decorate nails; cosmetic brushes for painting art on nails; brush holders specially adapted to hold cosmetics brushes; cosmetic brushes, namely, nail dusting brushes; dappen dishes for nail treatments; loofahs for household purposes, namely, face loofah pads; applicators sold empty for applying wax for cosmetic purposes.

25 – Clothing; T-shirts; aprons; overalls for use in salons and barber shops; vests for use in barber shops and salons.

35 – Online retail store services featuring nail care preparations, cosmetic preparations for nails, non-medicated skin care preparations, hair care preparations, cosmetic eye care preparations, and equipment and accessories thereof; online wholesale store services featuring nail care preparations, cosmetic preparations for nails, non-medicated skin care preparations, hair care preparations, cosmetic eye care preparations, and equipment and accessories thereof; retail store services featuring nail care preparations, cosmetic preparations for nails, non-medicated skin care preparations, hair care preparations, cosmetic eye care preparations, and equipment and accessories thereof; wholesale store services featuring nail care preparations, cosmetic preparations for nails, non-medicated skin care preparations, hair care preparations, cosmetic eye care preparations, and equipment and accessories thereof.

44 – Beauty salon services; skin care salon services; nail care salon services; tanning salon services; beauty spa services, namely, cosmetic body care services; make-up application services; providing on-site beauty services, namely, hair styling and make-up application services; personal hair removal services; cosmetic services, namely, non-permanent hair removal; cosmetic hair removal by means of waxing; body waxing services for hair removal in humans; eyelash extension services; foot massage services; massages; health spa services for health and wellness of the body and spirit, namely, providing massage, facial and body treatment services, cosmetic body care services; manicure services; cosmetic tattooing services; cosmetic body care services in the nature of body wraps; day spa services, namely, nail care, manicures, pedicures and nail enhancements; cosmetician services; facial treatment services, namely, cosmetic peels; sauna services.

(260) AM 2023 116711 A

(800) 1645519

(151) 2021 05 27

(891) 2021 05 27

(731) Algaenergy Biyoteknoloji Sanayi ve Ticaret Limited Şirketi
ESENTEPE MAH. BÜYÜKDERE CAD.,
LEVENT 199 199/11 Şişli, İstanbul, Türkiye

(540)



(591) Black, white, green, orange

(531) 26.13.25; 27.05.01; 27.05.09; 29.01.13

(511)

1 – Soil; unprocessed artificial resins, unprocessed plastics; fire-extinguishing agents; adhesives except for stationery, medical and household use.

(260) AM 2023 116877 A

(800) 1647473

(151) 2021 09 14

(891) 2021 09 14

(731) LEZZET FOOD INDUSTRY LLC

2, N. Tusi str., Nakhchivan city, AZ-7000

Nakhchivan Autonomous Republic, Azerbaijan

(540)



(591) Black, white

(531) 28.05

(511)

39 – Transportation; packing and storage of goods.

(260) AM 2023 116917 A

(800) 1648351

(151) 2021 09 22

(891) 2021 09 22

(731) SHENZHEN TCL NEW TECHNOLOGY CO., LTD.

9/F, Building D4, International E City, 1001

Zhongshan Park Road, Xili Street, Nanshan

District, 518000 Shenzhen, Guangdong, China

(540)

iFFALCON

(591) Black, white

(511)

7 – Food preparation machines, electromechanical; juice extractors, electric; ironing machines; dishwashers; kitchen machines, electric; blenders, electric, for household purposes; coffee grinders, other than hand-operated; dry-cleaning machines; washing machines [laundry]; wringing machines for laundry; electric motors for refrigerators; compressed air machines; compressors for refrigerators; machines and apparatus for cleaning, electric; vacuum cleaners; curtain drawing devices, electrically operated.

9 – Sound recording apparatus; sound reproduction apparatus; camcorders; portable media players; headphones; microphones; virtual reality headsets; sound transmitter; audio interfaces; equalizers [audio apparatus]; digital sound processors; cameras [photography]; video projectors; audiovisual teaching apparatus; surveying apparatus and instruments; inductors [electricity]; dashboard cameras; cable modems; security surveillance robots; wearable video display monitors; audio switching apparatus; audio amplifiers; stereo tuners; thermometers, not for medical purposes; hygrometers; air analysis apparatus; electricity meters; water meters; gas meters; detectors; lasers, not for medical purposes; diagnostic apparatus, not for medi-

cal purposes; optical apparatus and instruments; mirrors [optics]; cables, electric; wires, electric; data synchronization transmission cable; chips [integrated circuits]; light-emitting diodes [led]; switches, electric; electric sockets; electric plugs; electrical contacts; voltage stabilizing power supplies; video screens; amplifiers; remote control apparatus; remote controls for household purposes; electrical adapters; sensors; apparatus and installations for the production of x-rays, not for medical purposes; theft prevention installations, electric; electric door bells; locks, electric; alarms; biometric fingerprint door locks; digital door locks; peepholes [magnifying lenses] for doors; battery chargers; headsets; touch screens; spectacles; batteries, electric; data processing apparatus; computers; computer programs, downloadable; computer peripheral devices; monitors [computer hardware]; tablet computers; computer hardware; smartwatches (data processing apparatus); smartglasses (data processing apparatus); humanoid robots with artificial intelligence; electronic interactive whiteboards; wearable computers; network servers; electronic pens; encoded identification bracelets, magnetic; light emitting diode (led) displays; interactive touch screen terminals; smartphone software applications, downloadable; computer software applications, downloadable; facial recognition device; fingerprint identifiers; body fat scales for household use; bathroom scales; electronic notice boards; digital signs; telephone apparatus; video telephones; mobile telephones; navigational instruments; network communication devices; network routers; intercoms; wearable activity trackers; computer network hubs; television apparatus; loudspeakers; surround speakers; cabinets for loudspeakers; megaphones; audio mixers; audio- and video-receivers; sound transmitting apparatus; horns for loudspeakers.

11 – Cooking utensils, electric; cooking apparatus and installations; roasting apparatus; gas burners; autoclaves, electric, for cooking; coffee machines, electric; kettles, electric; microwave ovens [cooking apparatus]; bread-making machines; coffee percolators, electric; coffee roasters; refrigerators; freezers; wine cellars, electric; air-conditioning installations; air-conditioning apparatus; air purifying apparatus and machines; drying apparatus and installations; extractor hoods for kitchens; dehumidifiers for household purposes; electric fans for personal use; laundry drying machines; fabric steamers; air humidifying apparatus; electric hair dryers; fans [air-conditioning]; humidifiers for household purposes; heating apparatus; heating installations; heaters for baths; hand drying apparatus for washrooms; bathroom heaters; toilets [water-closets]; toilet seats; toilet bowls; steam facial apparatus [saunas]; fumigation apparatus, not for medical purposes; hydromassage bath apparatus; drinking fountains; water purifying apparatus and machines; sterilization cupboards; ultrasonic sterilizers for household

purposes; radiators, electric; soya milk making machines, for household purposes.

(260) AM 2023 116999 A

(800) 1648709

(151) 2021 05 20

(891) 2021 05 20

(731) GLOVOAPP23, S.L.

Carrer Pallars, 190, E-08005 Barcelona, Spain

(540)



(591) Green, yellow

(531) 18.05.05; 18.05.06; 24.17.24; 27.05.01; 29.01.12

(511)

16 – Adhesives for stationery or household purposes; bags and articles for packaging, wrapping and storage of paper, cardboard or plastics; paper decorations, art materials being paints and media being canvas for painting; printed matter, and stationery and educational supplies; paper and cardboard.

18 – Bags; bags for sports clothing; all-purpose carrying bags; textile shopping bags; rucksacks.

25 – Sun visors; sports caps; clothing; shirt-jacks; tee-shirts; tank tops; gym suits; sports jackets; sports jerseys and breeches for sports; athletic tights; tracksuit bottoms; cycling shorts; menswear; rainwear; shorts; crew neck sweaters.

35 – Advertising, marketing and promotional services.

(260) AM 2023 117000 A

(800) 1648721

(151) 2021 12 13

(891) 2021 12 13

(731) LIMITED LIABILITY COMPANY

"KONSTANTA TORG"

Schelkovskoe highway, 100, building 5, 923,

floor 9, RU-105523 Moscow, Russian

Federation

(540)



(591) Red, white, black and blue

(531) 03.01.14; 03.01.24; 03.01.25; 03.01.26;
29.01.14

(554) Three Dimensional

(511)

3 – Abrasive cloth; abrasive paper; abrasives; adhesives for affixing false eyelashes; adhesives for affixing false hair; adhesives for cosmetic purposes; after-shave lotions; air fragrance reed diffusers; air fragrancing preparations; almond milk for cosmetic purposes; almond oil; almond soap; aloe vera preparations for cosmetic purposes; alum stones [astringents]; amber [perfume]; ammonia [volatile alkali] [detergent]; antiperspirant soap; antiperspirants [toiletries]; antistatic dryer sheets; antistatic preparations for household purposes; aromatics [essential oils]; astringents for cosmetic purposes; baby wipes impregnated with cleaning preparations; badian essence; balms, other than for medical purposes; bases for flower perfumes; basma [cosmetic dye]; bath preparations, not for medical purposes; bath salts, not for medical purposes; beard dyes; beauty masks; bergamot oil; bleaching preparations [decolorants] for cosmetic purposes; bleaching preparations [decolorants] for household purposes; bleaching salts; bleaching soda; body glitter; body paint for cosmetic purposes; breath freshening preparations for personal hygiene; breath freshening sprays; breath freshening strips; cake flavorings [essential oils]; cakes of soap; canned pressurized air for cleaning and dusting purposes; carbides of metal [abrasives]; chemical cleaning preparations for household purposes; cleaning chalk; cleaning preparations; cleansers for intimate personal hygiene purposes, non medicated; cleansing milk for toilet purposes; cloths impregnated with a detergent for cleaning; cobblers' wax; collagen preparations for cosmetic purposes; color-brightening chemicals for household purposes [laundry]; color-removing preparations; colorants for toilet purposes; color run prevention laundry sheets; corundum [abrasive]; cosmetic creams; cosmetic dyes; cosmetic kits; cosmetic pencils; cosmetic preparations for baths; cosmetic preparations for eyelashes; cosmetic preparations for skin care; cosmetic preparations for slimming purposes; cosmetics; cosmetics for animals; cosmetics for children; cotton sticks for cosmetic purposes; cotton wool for cosmetic purposes; cotton wool impregnated with make-up removing preparations; creams for leather; decorative transfers for cosmetic purposes; degreasers, other than for use in manufacturing processes; dental bleaching gels; dentifrices; denture polishes; deodorants for human beings or for animals; deodorants for pets; deodorant soap; depilatory preparations; depilatory wax; descaling preparations for household purposes; detergents, other than for use in manufacturing operations and for medical purposes; diamantine [abrasive]; double eyelid tapes; douching preparations for personal sanitary or deodorant purposes [toiletries]; dry-cleaning preparations; drying agents for dishwashing machines; dry

shampoos; eau de cologne; emery; emery cloth; emery paper; essential oils; essential oils of cedarwood; essential oils of citron; essential oils of lemon; ethereal essences; extracts of flowers [perfumes]; eye-washes, not for medical purposes; eyebrow cosmetics; eyebrow pencils; fabric softeners for laundry use; false eyelashes; false nails; flavorings for beverages [essential oils]; floor wax; floor wax removers [scouring preparations]; food flavorings [essential oils]; fumigation preparations [perfumes]; gaultheria oil; gel eye patches for cosmetic purposes; geraniol; glass cloth [abrasive cloth]; greases for cosmetic purposes; grinding preparations; hair conditioners; hair dyes; hair lotions; hair spray; hair straightening preparations; hair waving preparations; heliotropine; henna [cosmetic dye]; herbal extracts for cosmetic purposes; hydrogen peroxide for cosmetic purposes; incense; ionone [perfumery]; jasmine oil; javelle water; joss sticks; lacquer-removing preparations; laundry bleach; laundry blueing; laundry glaze; laundry preparations; laundry soaking preparations; laundry starch; lavender oil; lavender water; leather bleaching preparations; lip glosses; lipstick cases; lipsticks; liquid latex body paint for cosmetic purposes; lotions for cosmetic purposes; make-up; make-up powder; make-up preparations; make-up removing preparations; mascara; massage candles for cosmetic purposes; massage gels, other than for medical purposes; micellar water; mint essence [essential oil]; mint for perfumery; mouthwashes, not for medical purposes; musk [perfumery]; mustache wax; nail art stickers; nail care preparations; nail glitter; nail polish; nail polish removers; neutralizers for permanent waving; non-slipping liquids for floors; non-slipping wax for floors; oil of turpentine for degreasing; oils for cleaning purposes; oils for cosmetic purposes; oils for perfumes and scents; oils for toilet purposes; paint stripping preparations; pastes for razor strops; perfumery; perfumes; petroleum jelly for cosmetic purposes; phytocosmetic preparations; polish for furniture and flooring; polishing creams; polishing paper; polishing preparations; polishing rouge; polishing stones; polishing wax; pomades for cosmetic purposes; potpourris [fragrances]; preparations for cleaning dentures; preparations for unblocking drain pipes; preparations to make the leaves of plants shiny; preservatives for leather [polishes]; pumice stone; quillaia bark for washing; rose oil; rust removing preparations; sachets for perfuming linen; saffrol; sandpaper; scented water; scented wood; scouring solutions; shampoos; shampoos for animals [non-medicated grooming preparations]; shampoos for pets [non-medicated grooming preparations]; shaving preparations; shaving soap; shaving stones [astringents]; shining preparations [polish]; shoe cream; shoemakers' wax; shoe polish; shoe wax; silicon carbide [abrasive]; skin whitening creams; smoothing preparations [starching]; smoothing stones; soap; soap for brightening textile; soap for foot perspiration; soda lye; stain removers; starch glaze for laundry purposes; sun-tan-

ning preparations [cosmetics]; sunscreen preparations; tailors' wax; talcum powder, for toilet use; teeth whitening strips; terpenes [essential oils]; tissues impregnated with cosmetic lotions; tissues impregnated with make-up removing preparations; toiletry preparations; toilet water; toothpaste; tripoli stone for polishing; turpentine for degreasing; vaginal washes for personal sanitary or deodorant purposes; varnish-removing preparations; volcanic ash for cleaning; wallpaper cleaning preparations; washing soda, for cleaning; wax for parquet floors; whitening; windshield cleaning liquids.

4 – Additives, non-chemical, to motor fuel; alcohol [fuel]; anthracite; beeswax; beeswax for use in the manufacture of cosmetics; belting wax; benzene fuel; benzine; biomass fuel; bone oil for industrial purposes; candles; motor fuel; carnauba wax; castor oil for industrial purposes; ceresine; charcoal [fuel]; christmas tree candles; coal; coal briquettes; coal dust [fuel]; coal naphtha; coal tar oil; coke; combustible briquettes; cutting fluids; diesel oil; dust absorbing compositions; dust binding compositions for sweeping; dust laying compositions; dust removing preparations; electrical energy; ethanol [fuel]; firelighters; firewood; fish oil, not edible; fuel; fuel gas; fuel oil; fuel with an alcohol base; gas for lighting; grease for arms [weapons]; grease for belts; grease for footwear; grease for leather; greases for the preservation of leather; hookah charcoal; industrial grease; industrial oil; industrial wax; kerosene; lamp wicks; lanolin; lanolin for use in the manufacture of cosmetics; lighting fuel; lignite; ligroin; lubricants; lubricating graphite; lubricating grease; lubricating oil; mazut; methylated spirit; mineral fuel; moistening oil; motor oil; naphtha; nightlights [candles]; non-slipping preparations for belts; oil-gas; oils for lighting; oils for paints; oils for releasing form work [building]; oils for the preservation of leather; oils for the preservation of masonry; oleine; ozokerite; paper spills for lighting fires; paraffin; peat briquettes [fuel]; peat [fuel]; perfumed candles; petrol; petroleum, raw or refined; petroleum ether; petroleum jelly for industrial purposes; producer gas; rape oil for industrial purposes; solidified gases [fuel]; soya bean oil preparations for non-stick treatment of cooking utensils; stearine; sunflower oil for industrial purposes; tallow; textile oil; tinder; vaporized fuel mixtures; wax for lighting; wax for skis; wax [raw material]; wicks for candles; wood briquettes; wood spills for lighting fires; xylene fuel.

5 – Absorbent cotton; acai powder dietary supplements; acaricides; acetates for pharmaceutical purposes; acids for pharmaceutical purposes; acne treatment preparations; aconitine; adhesive plasters; adhesives for dentures; adhesive tapes for medical purposes; adjuvants for medical purposes; air deodorising preparations; air purifying preparations; albumin dietary supplements; albuminous foodstuffs for medical purposes; albuminous preparations for medical purposes; alcohol for pharmaceutical purposes; aldehydes for

pharmaceutical purposes; algicides; alginate dietary supplements; alginates for pharmaceutical purposes; alkaline iodides for pharmaceutical purposes; alkalooids for medical purposes; alloys of precious metals for dental purposes; almond milk for pharmaceutical purposes; aloe vera preparations for pharmaceutical purposes; aluminium acetate for pharmaceutical purposes; amino acids for medical purposes; amino acids for veterinary purposes; anaesthetics; analgesics; angostura bark for medical purposes; animal washes [insecticides]; anti-uric preparations; antibacterial hand-washes; antibacterial soap; antibiotics; anticryptogamic preparations; antioxidant pills; antiparasitic collars for animals; antiparasitic preparations; antiseptic cotton; antiseptics; appetite suppressant pills; appetite suppressants for medical purposes; aseptic cotton; asthmatic tea; astringents for medical purposes; babies' diaper-pants; babies' diapers; bacterial poisons; bacterial preparations for medical and veterinary use; bacteriological preparations for medical and veterinary use; balms for medical purposes; balsamic preparations for medical purposes; bandages for dressings; barks for pharmaceutical purposes; bath preparations for medical purposes; bath salts for medical purposes; bicarbonate of soda for pharmaceutical purposes; biocides; biological preparations for medical purposes; biological preparations for veterinary purposes; biological tissue cultures for medical purposes; biological tissue cultures for veterinary purposes; bismuth preparations for pharmaceutical purposes; bismuth subnitrate for pharmaceutical purposes; blood for medical purposes; blood plasma; bone cement for surgical and orthopedic purposes; bone void fillers comprised of living tissues; bracelets impregnated with insect repellent; breast-nursing pads; bromine for pharmaceutical purposes; bronchodilating preparations; bunion pads; by-products of the processing of cereals for dietetic or medical purposes; cachets for pharmaceutical purposes; cachou for pharmaceutical purposes; calomel [fungicide]; camphor for medical purposes; camphor oil for medical purposes; cannabis for medical purposes; capsules for medicines; capsules made of dendrimer-based polymers, for pharmaceuticals; carbolineum [parasiticide]; casein dietary supplements; castor oil for medical purposes; cattle washes [insecticides]; caustic pencils; caustics for pharmaceutical purposes; cedar wood for use as an insect repellent; cellulose esters for pharmaceutical purposes; cellulose ethers for pharmaceutical purposes; cement for animal hooves; charcoal for pharmaceutical purposes; chemical conductors for electrocardiograph electrodes; chemical contraceptives; chemical preparations for medical purposes; chemical preparations for pharmaceutical purposes; chemical preparations for the diagnosis of pregnancy; chemical preparations for treating diseases affecting cereal plants; chemical preparations for treating diseases affecting vine plants; chemical preparations for treating mildew; chemical preparations for treating phyloxera; chemical preparations for treating

wheat blight; chemical preparations for veterinary purposes; chemical reagents for medical or veterinary purposes; chemico-pharmaceutical preparations; chewing gum for medical purposes; chilblain preparations; chinoline for medical purposes; chloroform; cocaine; cod liver oil; collagen for medical purposes; collodion for pharmaceutical purposes; collyrium; compresses; condurango bark for medical purposes; contact lens cleaning preparations; contraceptive sponges; cooling sprays for medical purposes; corn remedies; corn rings for the feet; cotton for medical purposes; cotton sticks for medical purposes; cream of tartar for pharmaceutical purposes; creosote for pharmaceutical purposes; croton bark; crystallized rock sugar for medical purposes; cultures of microorganisms for medical or veterinary use; curare; decoctions for pharmaceutical purposes; dental amalgams; dental amalgams of gold; dental cements; dental impression materials; dental lacquer; dental mastics; deodorants, other than for human beings or for animals; deodorants for clothing and textiles; deodorizers for litter trays; depuratives; detergents for medical purposes; diabetic bread adapted for medical use; diagnostic biomarker reagents for medical purposes; diagnostic preparations for medical purposes; diagnostic preparations for veterinary purposes; diaper changing mats, disposable, for babies; diapers for incontinence; diapers for pets; diastase for medical purposes; dietary fiber; dietary supplements for animals; dietary supplements with a cosmetic effect; dietetic beverages adapted for medical purposes; dietetic foods adapted for medical purposes; dietetic substances adapted for medical use; digestives for pharmaceutical purposes; digitalin; dill oil for medical purposes; disinfectants; disinfectants for chemical toilets; disinfectants for hygiene purposes; disinfectant soap; dog washes [insecticides]; douching preparations for medical purposes; dressings, medical; drugs for medical purposes; elixirs [pharmaceutical preparations]; enzyme dietary supplements; enzyme preparations for medical purposes; enzyme preparations for veterinary purposes; enzymes for medical purposes; enzymes for veterinary purposes; ergot for pharmaceutical purposes; esters for pharmaceutical purposes; ethers for pharmaceutical purposes; eucalyptol for pharmaceutical purposes; eucalyptus for pharmaceutical purposes; extracts of hops for pharmaceutical purposes; eyepatches for medical purposes; febrifuges; fennel for medical purposes; ferments for pharmaceutical purposes; first-aid boxes, filled; fish meal for pharmaceutical purposes; flour for pharmaceutical purposes; flowers of sulfur for pharmaceutical purposes; fly catching paper; fly destroying preparations; fly glue; food for babies; formic aldehyde for pharmaceutical purposes; freeze-dried food adapted for medical purposes; freeze-dried meat adapted for medical purposes; frostbite salve for pharmaceutical purposes; fumigating sticks; fumigation preparations for medical purposes; fungicides; gallic acid for pharmaceutical purposes; gamboge for medical purposes; gases

for medical purposes; gauze for dressings; gelatine for medical purposes; gentian for pharmaceutical purposes; germicides; glucose dietary supplements; glucose for medical purposes; glycerine for medical purposes; glycerophosphates; greases for medical purposes; greases for veterinary purposes; guaiacol for pharmaceutical purposes; gum for medical purposes; gurjun balsam for medical purposes; headache relief sticks; hematogen; hemoglobin; hemorrhoid preparations; hemostatic pencils; herbal extracts for medical purposes; herbal teas for medicinal purposes; herbicides; homogenized food adapted for medical purposes; hormones for medical purposes; hydrastine; hydrastinine; hydrated chloral for pharmaceutical purposes; hydrogen peroxide for medical purposes; immunostimulants; infant formula; injectable dermal fillers; insecticidal animal shampoos; insecticidal veterinary washes; insecticides; insect repellent incense; insect repellents; iodides for pharmaceutical purposes; iodine for pharmaceutical purposes; iodoform; irish moss for medical purposes; isotopes for medical purposes; jalap; jujube, medicated; lacteal flour for babies; lactose for pharmaceutical purposes; larvae exterminating preparations; laxatives; lead water; lecithin dietary supplements; lecithin for medical purposes; leeches for medical purposes; lice treatment preparations [pediculicides]; lime-based pharmaceutical preparations; liniments; linseed dietary supplements; linseed for pharmaceutical purposes; linseed meal for pharmaceutical purposes; linseed oil dietary supplements; lint for medical purposes; liquorice for pharmaceutical purposes; lotions for pharmaceutical purposes; lotions for veterinary purposes; lupulin for pharmaceutical purposes; magnesia for pharmaceutical purposes; malted milk beverages for medical purposes; malt for pharmaceutical purposes; mangrove bark for pharmaceutical purposes; massage candles for therapeutic purposes; massage gels for medical purposes; bacteriological culture mediums; medical preparations for slimming purposes; medicated after-shave lotions; medicated animal feed; medicated candies; medicated dentifrices; medicated dry shampoos; medicated eye-washes; medicated hair lotions; medicated shampoos; medicated shampoos for pets; medicated soap; medicated toiletry preparations; medicated toothpaste; medicinal alcohol; medicinal drinks; medicinal hair growth preparations; medicinal herbs; medicinal infusions; medicinal mud; medicinal oils; medicinal roots; medicinal tea; medicine cases, portable, filled; medicines for alleviating constipation; medicines for dental purposes; medicines for human purposes; medicines for veterinary purposes; melissa water for pharmaceutical purposes; menthol; mercurial ointments; milk ferments for pharmaceutical purposes; milking grease; mineral food supplements; mineral water salts; mineral waters for medical purposes; mint for pharmaceutical purposes; molding wax for dentists; moleskin for medical purposes; mothproofing paper; mothproofing preparations; mouthwashes for

medical purposes; mud for baths; mustard for pharmaceutical purposes; mustard oil for medical purposes; mustard plasters; myrobalan bark for pharmaceutical purposes; narcotics; nervines; nicotine gum for use as an aid to stop smoking; nicotine patches for use as aids to stop smoking; nutraceutical preparations for therapeutic or medical purposes; nutritional supplements; nutritive substances for microorganisms; oil of turpentine for pharmaceutical purposes; ointments for pharmaceutical purposes; opiates; opium; opodeldoc; ootherapy preparations; oxygen baths; oxygen cylinders, filled, for medical purposes; oxygen for medical purposes; pants, absorbent, for incontinence; panty liners [sanitary]; paper for mustard plasters; parasiticides; pastilles for pharmaceutical purposes; pearl powder for medical purposes; pectin for pharmaceutical purposes; pediculicidal shampoos; pepsins for pharmaceutical purposes; peptones for pharmaceutical purposes; personal sexual lubricants; pesticides; petroleum jelly for medical purposes; pharmaceutical preparations; pharmaceutical preparations for skin care; pharmaceutical preparations for treating dandruff; pharmaceutical preparations for treating sunburn; pharmaceuticals; phenol for pharmaceutical purposes; phosphates for pharmaceutical purposes; phytotherapy preparations for medical purposes; plant extracts for pharmaceutical purposes; poisons; pollen dietary supplements; pomades for medical purposes; porcelain for dental prostheses; potassium salts for medical purposes; poultices; powdered milk for babies; powder of cantharides; pre-filled syringes for medical purposes; preparations for callouses; preparations for destroying dry rot fungus; preparations for destroying mice; preparations for destroying noxious animals; preparations for reducing sexual activity; preparations for the treatment of burns; preparations of microorganisms for medical or veterinary use; preparations of trace elements for human and animal use; preparations to facilitate teething; propolis dietary supplements; propolis for pharmaceutical purposes; protein dietary supplements; protein supplements for animals; purgatives; pyrethrum powder; quassia for medical purposes; quebracho for medical purposes; quinine for medical purposes; quinquina for medical purposes; radioactive substances for medical purposes; radiological contrast substances for medical purposes; radium for medical purposes; rat poison; reagent paper for medical purposes; reagent paper for veterinary purposes; remedies for foot perspiration; remedies for perspiration; repellents for dogs; rhubarb roots for pharmaceutical purposes; royal jelly dietary supplements; royal jelly for pharmaceutical purposes; rubber for dental purposes; salts for medical purposes; salts for mineral water baths; sanitary pants; sanitary tampons; sanitary pads; sarsaparilla for medical purposes; scapulars for surgical purposes; seawater for medicinal bathing; sedatives; semen for artificial insemination; serotherapeutic medicines; serums; sexual stimulant gels; siccatives [drying agents] for medical purposes;

slimming pills; slug exterminating preparations; smelling salts; smoking herbs for medical purposes; sodium salts for medical purposes; soil-sterilizing preparations; solutions for contact lenses; solvents for removing adhesive plasters; soporifics; starch for dietetic or pharmaceutical purposes; stem cells for medical purposes; stem cells for veterinary purposes; sterilizing preparations; steroids; stick liquorice for pharmaceutical purposes; strychnine; styptic preparations; sugar for medical purposes; sulfonamides [medicines]; sulfur sticks [disinfectants]; sunburn ointments; suppositories; surgical dressings; surgical glues; surgical implants comprised of living tissues; swim diapers, disposable, for babies; swim diapers, reusable, for babies; syrups for pharmaceutical purposes; tanning pills; tartar for pharmaceutical purposes; teeth filling material; therapeutic preparations for the bath; thermal water; thymol for pharmaceutical purposes; tincture of iodine; tinctures for medical purposes; tissues impregnated with pharmaceutical lotions; tobacco-free cigarettes for medical purposes; tobacco extracts [insecticides]; tonics [medicines]; transplants [living tissues]; turpentine for pharmaceutical purposes; vaccines; vaginal washes for medical purposes; vermifuges; vermin destroying preparations; vesicants; veterinary preparations; vitamin preparations; vitamin supplement patches; vulnerary sponges; wadding for medical purposes; wart pencils; wheat germ dietary supplements; yeast dietary supplements; yeast for pharmaceutical purposes.

7 – 3D printers; 3D printing pens; acetylene cleaning apparatus; adhesive bands for pulleys; adhesive tape dispensers [machines]; aerating pumps for aquaria; aerocondensers; aeronautical engines; aeroplane engines; agitators; agricultural elevators; agricultural implements, other than hand-operated; agricultural machines; air brushes for applying colour; air condensers; air cushion devices for moving loads; air pumps [garage installations]; air suction machines; alternators; anti-friction bearings for machines; anti-pollution devices for motors and engines; apparatus for aerating beverages; apparatus for aerating water; apparatus for drawing up beer under pressure; aprons [parts of machines]; automatic grapnels for marine purposes; axles for machines; ball-bearings; ball rings for bearings; basket presses; bearing brackets for machines; bearings for transmission shafts; bearings [parts of machines]; beaters, electric; beating machines; beer pumps; bellows [parts of machines]; belt conveyors; belts for conveyors; belts for machines; belts for motors and engines; bending machines; beverage preparation machines, electromechanical; bicycle assembling machines; bicycle dynamos; binding apparatus for hay; bitumen making machines; blade holders [parts of machines]; blade sharpening [stropping] machines; blades [parts of machines]; blenders, electric, for household purposes; blowing machines; blowing machines for the compression, exhaustion and transport of gases; blowing machines or fans for the com-

pression, sucking and carrying of grain; bobbins for weaving looms; boiler tubes [parts of machines]; bookbinding apparatus and machines for industrial purposes; bottle capping machines; bottle filling machines; bottle sealing machines; bottle stoppering machines; bottle washing machines; boxes for matrices [printing]; braiding machines; brake linings, other than for vehicles; brake pads, other than for vehicles; brake segments, other than for vehicles; brake shoes, other than for vehicles; bread cutting machines; brewing machines; brushes, electrically operated [parts of machines]; brushes for vacuum cleaners; brushes [parts of machines]; bulldozers; butter machines; calenders; camshafts for vehicle engines; can openers, electric; capstans; carbon brushes [electricity]; carburetter feeders; carburetters; card clothing [parts of carding machines]; carding machines; carriages for knitting machines; cartridges for filtering machines; catalytic converters; central vacuum cleaning installations; centrifugal machines; centrifugal mills; centrifugal pumps; chaff cutter blades; chaff cutters; chain saws; cheese slicers, electric; chisels for machines; chucks [parts of machines]; churns; cigarette machines for industrial purposes; cinder sifters [machines]; clack valves [parts of machines]; cleaning appliances utilizing steam; clippers [machines]; clutches, other than for land vehicles; coal-cutting machines; coffee grinders, other than hand-operated; coin-operated washing machines; compressed air engines; compressed air guns for the extrusion of mastics; compressed air machines; compressed air pumps; compressors for refrigerators; compressors [machines]; concrete mixers [machines]; condensing installations; connecting rods for machines, motors and engines; control cables for machines, engines or motors; control mechanisms for machines, engines or motors; converters for steelworks; conveyors [machines]; cord making machines; couplings, other than for land vehicles; cowlings [parts of machines]; cranes [lifting and hoisting apparatus]; crankcases for machines, motors and engines; crank shafts; cranks [parts of machines]; crushers for kitchen use, electric; crushing machines; cultivators [machines]; current generators; curtain drawing devices, electrically operated; cutters [machines]; cutting blow pipes, gas-operated; cutting machines; cylinder heads for engines; cylinders for machines; cylinders for motors and engines; dairy machines; darning machines; de-aerators for feedwater; degreasers [machines]; derricks; die-cutting and tapping machines; die-stamping machines; diggers [machines]; dishwashers; disintegrators; ditchers [ploughs]; dividing machines; door closers, electric; door closers, hydraulic; door closers, pneumatic; door openers, electric; door openers, hydraulic; door openers, pneumatic; drainage machines; drill chucks [parts of machines]; drilling bits [parts of machines]; drilling heads [parts of machines]; drilling machines; drilling rigs, floating or non-floating; driving chains, other than for land vehicles; driving motors, other than for land vehicles;

drums [parts of machines]; dust exhausting installations for cleaning purposes; dust removing installations for cleaning purposes; dyeing machines; dynamo belts; dynamo brushes; dynamos; earth moving machines; ejectors; electrical apparatus for sealing plastics [packaging]; electric arc cutting apparatus; electric arc welding apparatus; electric hammers; electric hand drills; electric welding apparatus; electrodes for welding machines; electromechanical machines for chemical industry; electroplating machines; elevating apparatus; elevator belts; elevator chains [parts of machines]; elevator operating apparatus; elevators [lifts]; embossing machines; emergency power generators; engine mounts, other than for land vehicles; engines for air cushion vehicles; engines for boats; engraving machines; excavators; exhaust manifold for engines; exhausts for motors and engines; expansion tanks [parts of machines]; extractors for mines; fan belts for motors and engines; fans for motors and engines; feeders [parts of machines]; feeding apparatus for engine boilers; filling machines; filtering machines; filter presses; filters being parts of machines or engines; filters for cleaning cooling air, for engines; finishing machines; fittings for engine boilers; fleshing machines; floating production, storage and offloading [FPSO] units; flour mill machines; flues for engine boilers; fodder presses; food preparation machines, electromechanical; food processors, electric; forge blowers; foundry machines; freewheels, other than for land vehicles; friezing machines; fruit presses, electric, for household purposes; fuel conversion apparatus for internal combustion engines; fuel dispensing pumps for service stations; fuel economisers for motors and engines; galvanizing machines; gas-operated blow torches; gear boxes, other than for land vehicles; gears, other than for land vehicles; gears for weaving looms; generators of electricity; glass-working machines; glaziers' diamonds [parts of machines]; glow plugs for diesel engines; glue guns, electric; grain husking machines; grain separators; grating machines for vegetables; grease boxes [parts of machines]; grease rings [parts of machines]; grindstones [parts of machines]; guides for machines; guns [tools using explosives]; hair clipping machines for animals; hammers [parts of machines]; hand-held tools, other than hand-operated; handling apparatus for loading and unloading; handling machines, automatic [manipulators]; hangers [parts of machines]; harrows; harvesting machines; heat exchangers [parts of machines]; hemming machines; high pressure washers; hoists; holding devices for machine tools; hoppers [mechanical discharging]; hosiery looms; housings [parts of machines]; hydraulic controls for machines, motors and engines; hydraulic engines and motors; hydraulic turbines; hydrogen dispensing pumps for service stations; igniting devices for internal combustion engines; igniting magnetos; incubators for eggs; industrial inkjet printing machines; industrial robots; injectors for engines; inking apparatus for printing machines;

ironing machines; jacks [machines]; jet engines, other than for land vehicles; joints [parts of engines]; journal boxes [parts of machines]; journals [parts of machines]; joysticks being parts of machines, other than for game machines; juice extractors, electric; kick starters for motorcycles; kitchen grinders, electric; kitchen machines, electric; kneading machines; knitting machines; knives, electric; knives for mowing machines; knives [parts of machines]; labellers [machines]; lace making machines; lasts for shoes [parts of machines]; lathes [machine tools]; lawnmowers [machines]; leather-working machines; leather paring machines; lifting apparatus; lifts, other than ski-lifts; loading ramps; looms; loom shafts; lubricating pumps; lubricators [parts of machines]; machine flywheels; machines and apparatus for carpet shampooing, electric; machines and apparatus for cleaning, electric; machines and apparatus for polishing [electric]; machines and apparatus for wax-polishing, electric; machines for processing plastics; machines for the mineralisation of drinking water; machines for the production of sugar; machines for the textile industry; machine tools; machine wheels; machine wheelwork; matrices for use in printing; meat choppers [machines]; mechanized livestock feeders; metal drawing machines; metalworking machines; cream/milk separators; milking machines; milling machines; mills for household purposes, other than hand-operated; millstones; mills [machines]; mine borers; mineworking machines; mixers [machines]; mixing machines; mobile cranes; molding machines; molds [parts of machines]; mortising machines; motorized cultivators; motors, electric, other than for land vehicles; motors, other than for land vehicles; motors for boats; moving sidewalks; moving staircases [escalators]; mud catchers and collectors [machines]; mufflers for motors and engines; nail extractors, electric; net hauling machines [fishing]; notchers [machine tools]; oil refining machines; ore treating machines; packaging machines; packing machines; painting machines; paper feeders [printing]; papermaking machines; parquet wax-polishers, electric; pasta making machines, electric; pedal drives for sewing machines; peeling machines; pepper mills, other than hand-operated; pigs for cleaning pipes; piston segments; pistons for cylinders; pistons for engines; pistons [parts of machines or engines]; planing machines; ploughs; ploughshares; pneumatic controls for machines, motors and engines; pneumatic hammers; pneumatic jacks; pneumatic transporters; pneumatic tube conveyors; pneumatic waste oil drainers; potters' wheels; power hammers; presses [machines for industrial purposes]; pressure reducers [parts of machines]; pressure regulators [parts of machines]; pressure valves [parts of machines]; printing cylinders; printing machines; printing machines for use on sheet metal; printing plates; printing presses; printing rollers for machines; propulsion mechanisms, other than for land vehicles; puddling machines; pulleys; pulleys [parts of machines]; pulve-

risers [machines]; pump diaphragms; pumps for counter-current swimming; pumps for heating installations; pumps [machines]; pumps [parts of machines, engines or motors]; punches for punching machines; punching machines; rack and pinion jacks; racket stringing machines; radiators [cooling] for motors and engines; rail-laying machines; railroad constructing machines; railway wagon lifts; rakes for raking machines; raking machines; rammers [machines]; rams [machines]; reapers; reapers and binders; reapers and threshers; reduction gears, other than for land vehicles; reeling apparatus, mechanical; reels, mechanical, for flexible hoses; reels [parts of machines]; regulators [parts of machines]; rinsing machines; riveting machines; road making machines; road sweeping machines, self-propelled; robotic exoskeleton suits, other than for medical purposes; roller bearings; roller bridges; rolling mill cylinders; rolling mills; rotary printing presses; rotary steam presses, portable, for fabrics; rubber tracks being parts of crawlers on agricultural machines; rubber tracks being parts of crawlers on construction machines; rubber tracks being parts of crawlers on loading-unloading machines and apparatus; rubber tracks being parts of crawlers on mining machines; rubber tracks being parts of crawlers on snow ploughs; satinizing machines; sausage making machines; saw benches [parts of machines]; saw blades [parts of machines]; saws [machines]; scale collectors for machine boilers; scissors, electric; screwdrivers, electric; sealing machines for industrial purposes; self-oiling bearings; self-regulating fuel pumps; sewage pulverizers; sewing machines; shaft couplings [machines]; sharpening machines; sheaf-binding machines; shears, electric; shock absorber plungers [parts of machines]; shoe polishers, electric; shovels, mechanical; shredders [machines] for industrial use; shuttles [parts of machines]; sieves [machines or parts of machines]; sifting installations; sifting machines; sizing machines; ski edge sharpening tools, electric; slide rests [parts of machines]; smoothing presses; snow ploughs; soldering apparatus, electric; soldering blow pipes, gas-operated; soldering irons, electric; soldering irons, gas-operated; soldering lamps; sorting machines for industry; sowers [machines]; sparking plugs for internal combustion engines; speed governors for machines, engines and motors; spin driers [not heated]; spinning frames; spinning machines; spinning wheels; spray guns for paint; springs [parts of machines]; stalk separators [machines]; stamping machines; stands for machines; starters for motors and engines; stators [parts of machines]; steam/oil separators; steam condensers [parts of machines]; steam engine boilers; steam engines; steam mops; steamrollers; steam traps; stereotype machines; stuffing machines; stone-working machines; stuffing boxes [parts of machines]; suction cups for milking machines; suction machines for industrial purposes; suction nozzles for vacuum cleaners; superchargers; superheaters; swaging machines; tables for machines;

tambours for embroidery machines; taps [parts of machines, engines or motors]; tarring machines; tedding machines; thermic lances [machines]; threading machines; threshing machines; tilling machines for agricultural purposes; tilt hammers; tobacco processing machines; tools [parts of machines]; torque converters, other than for land vehicles; transmission chains, other than for land vehicles; transmissions, other than for land vehicles; transmissions for machines; transmission shafts, other than for land vehicles; trimming machines; trueing machines; turbines, other than for land vehicles; turbocompressors; turf removing ploughs; tympan [parts of printing presses]; type-setting machines [photocomposition]; type-setting machines [printing]; typecasting machines; typographic machines; typographic presses; universal joints [cardan joints]; vacuum cleaner attachments for disseminating perfumes and disinfectants; vacuum cleaner bags; vacuum cleaner hoses; vacuum cleaners; vacuum pumps [machines]; valves [parts of machines]; vegetable peelers, electric; vegetable spiralizers, electric; vending machines; vibrators [machines] for industrial use; vulcanization apparatus; washing apparatus; washing installations for vehicles; washing machines [laundry]; waste compacting machines; waste disposal units; water heaters being parts of machines; water separators; weeding machines; welding apparatus, gas-operated; welding machines, electric; whisks, electric, for household purposes; whitewashing machines; winches; window closers, electric; window closers, hydraulic; window closers, pneumatic; window openers, electric; window openers, hydraulic; window openers, pneumatic; wind turbines; wine presses; winnowers; wood-working machines; wrapping machines; wringing machines for laundry.

8 – Abrading instruments [hand instruments]; adzes [tools]; agricultural forks [hand tools]; agricultural implements, hand-operated; air pumps, hand-operated; annular screw plates; apparatus for destroying plant parasites, hand-operated; apparatus for tattooing; augers [hand tools]; awls; axes; bayonets; beard clippers; bench vices [hand implements]; bill-hooks; bits [hand tools]; bits [parts of hand tools]; blades for planes; blade sharpening instruments; blades [hand tools]; blades [weapons]; border shears; borers; bow saws; box cutters; braiders [hand tools]; branding irons; breast drills; budding knives; can openers, non-electric; carpenters' augers; carving forks; carving knives; cattle shearers; caulking irons; centre punches [hand tools]; ceramic knives; cheese slicers, non-electric; chisels; choppers [knives]; clamps for carpenters or coopers; cleavers; crimping irons; crow bars; curling tongs; cuticle tweezers; cutlery; cutter bars [hand tools]; cutters; cutting tools [hand tools]; daggers; depilation appliances, electric and non-electric; dies [hand tools]; diggers [hand tools]; ditchers [hand tools]; drawing knives; drill holders [hand tools]; ear-piercing apparatus; earth rammers [hand tools]; edge tools [hand tools]; egg slicers, non-electric; embossers

[hand tools]; emergency hammers; emery boards; emery files; emery grinding wheels; engraving needles; expanders [hand tools]; extension pieces for braces for screw taps; eyelash curlers; farriers' knives; files [tools]; fingernail polishers, electric or non-electric; fire irons; fireplace bellows [hand tools]; fish tapes [hand tools]; flat irons; foundry ladles [hand tools]; frames for handsaws; fruit corers; fruit pickers [hand tools]; fruit segmenters; fullers [hand tools]; fulling tools [hand tools]; garden tools, hand-operated; gimlets [hand tools]; glaziers' diamonds [parts of hand tools]; goffering irons; gouges [hand tools]; grafting tools [hand tools]; graving tools [hand tools]; grindstones [hand tools]; guns, hand-operated, for the extrusion of mastics; guns [hand tools]; hackles [hand tools]; hainault scythes; hair-removing tweezers; hair braiders, electric; hair clippers for animals [hand instruments]; hair clippers for personal use, electric and non-electric; hammers [hand tools]; hand drills, hand-operated; hand implements for hair curling; handles for hand-operated hand tools; hand pumps; hand tools, hand-operated; harpoons; harpoons for fishing; hatchets; hobby knives [scalpels]; hoes [hand tools]; holling axes; hollowing bits [parts of hand tools]; hoop cutters [hand tools]; hunting knives; ice picks; implements for decanting liquids [hand tools]; insecticide sprayers [hand tools]; instruments and tools for skinning animals; instruments for punching tickets; irons [non-electric hand tools]; jig-saws; kitchen mandolines; knife handles; knives; ladles [hand tools]; laser hair removal apparatus, other than for medical purposes; lasts [shoemakers' hand tools]; lawn clippers [hand instruments]; leather strops; levers; lifting jacks, hand-operated; livestock marking tools; machetes; mallets [hand instruments]; manicure sets; manicure sets, electric; marline spikes; masons' hammers; mattocks; meat claws; metal band stretchers [hand tools]; metal wire stretchers [hand tools]; milling cutters [hand tools]; mincing knives [hand tools]; mitre boxes [hand tools]; molding irons; money scoops; mortars for pounding [hand tools]; mortise chisels; nail clippers, electric or non-electric; nail drawers [hand tools]; nail extractors, hand-operated; nail files; nail files, electric; nail nippers; nail punches; needle files; non-electric caulking guns; numbering punches; oyster openers; palette knives; paring irons [hand tools]; paring knives; pedicure sets; penknives; perforating tools [hand tools]; pestles for pounding [hand tools]; pickaxes; pickhammers; picks [hand tools]; pin punches; pizza cutters, non-electric; plane irons; planes; pliers; polishing irons [glazing tools]; priming irons [hand tools]; pruning knives; pruning shears; punches [hand tools]; punch pliers [hand tools]; punch rings [knuckle dusters]; rabbeting planes; rakes [hand tools]; rams [hand tools]; rasps [hand tools]; ratchets [hand tools]; razor blades; razor cases; razors, electric or non-electric; razor strops; reamers; reamer sockets; riveters [hand tools]; riveting hammers [hand tools]; sabres; sand trap rakes; saw blades [parts of hand

tools]; saw holders; saws [hand tools]; scaling knives; scissors; scrapers for skis; scrapers [hand tools]; scraping tools [hand tools]; screwdrivers, non-electric; sculptors' chisels; scythe handles; scythe rings; scythes; scythe stones; secateurs; sharpening instruments; sharpening steels; sharpening stones; shaving cases; shear blades; shearers [hand instruments]; shears; shovels [hand tools]; sickles; side arms, other than fire-arms; silver plate [knives, forks and spoons]; ski edge sharpening tools, hand-operated; sledgehammers; spades [hand tools]; spanners [hand tools]; spatulas for use by artists; spatulas [hand tools]; spoons; squares [hand tools]; stamping-out tools [hand tools]; sterile body piercing instruments; stirring sticks for mixing paint; stone hammers; stropping instruments; swords; sword scabbards; syringes for spraying insecticides; table cutlery [knives, forks and spoons]; table forks; table knives, forks and spoons for babies; table knives, forks and spoons of plastic; taps [hand tools]; tap wrenches; tattoo needles; thistle extractors [hand tools]; tongs; tool belts [holders]; tree pruners; trowels; trowels [gardening]; truncheons; tube cutters [hand tools]; tube cutting instruments; tweezers; vegetable choppers; vegetable knives; vegetable peelers, hand-operated; vegetable slicers, hand-operated; vegetable spiralizers, hand-operated; vices; weeding forks [hand tools]; whetstone holders; wick trimmers [scissors]; wine bottle foil cutters, hand-operated; wire strippers [hand tools].

9 – 3D spectacles; abacuses; accelerometers; accumulators, electric; accumulators, electric, for vehicles; acid hydrometers; acidimeters for batteries; acoustic alarms; acoustic conduits; acoustic couplers; actinometers; adding machines; aerometers; air analysis apparatus; alarm bells, electric; alarms; alcoholmeters; alidades; altimeters; ammeters; amplifiers; amplifying tubes; anemometers; animal signalling rattles for directing livestock; animated cartoons; anode batteries; anodes; answering machines; antennas; anti-glare glasses; anti-interference devices [electricity]; anti-theft warning apparatus; anticathodes; apertometers [optics]; apparatus and installations for the production of X-rays, not for medical purposes; apparatus and instruments for astronomy; apparatus and instruments for physics; apparatus for changing record player needles; apparatus for editing cinematographic film; apparatus for fermentation [laboratory apparatus]; apparatus for measuring the thickness of skins; apparatus to check franking; appliances for measuring the thickness of leather; armatures [electricity]; asbestos clothing for protection against fire; asbestos gloves for protection against accidents; asbestos screens for firemen; audio- and video-receivers; audio interfaces; audio mixers; audiovisual teaching apparatus; automated teller machines [atm]; automatic indicators of low pressure in vehicle tyres; azimuth instruments; baby monitors; baby scales; bags adapted for laptops; balances [steelyards]; balancing apparatus; bar code readers; barometers; bathroom scales; batteries, electric; batteries for

electronic cigarettes; battery boxes; battery chargers; battery jars; beacons, luminous; bells [warning devices]; betatrons; binoculars; biochips; biometric identity cards; biometric passports; black boxes [data recorders]; blueprint apparatus; body harnesses for support when lifting loads; boiler control instruments; branch boxes [electricity]; breathing apparatus, except for artificial respiration; breathing apparatus for underwater swimming; bullet-proof clothing; bulletproof vests; buzzers; cabinets for loudspeakers; cables, electric; calculating machines; calibrating rings; calipers; calorimeters; camcorders; cameras [photography]; capillary tubes; carpenters' rules; carriers for dark plates [photography]; cases especially made for photographic apparatus and instruments; cases for smartphones; cash registers; cassette players; cathodes; cathodic anti-corrosion apparatus; cell phone straps; cell switches [electricity]; cell phones; centering apparatus for photographic transparencies; chargers for electric accumulators; chargers for electronic cigarettes; charging stations for electric vehicles; chemistry apparatus and instruments; chips [integrated circuits]; choking coils [impedance]; chromatography apparatus for laboratory use; chronographs [time recording apparatus]; cinematographic cameras; cinematographic film, exposed; circuit breakers; circuit closers; circular slide rules; cleaning apparatus for sound recording discs; climate control digital thermostats; close-up lenses; clothing especially made for laboratories; clothing for protection against accidents, irradiation and fire; clothing for protection against fire; coaxial cables; coils, electric; coin-operated mechanisms for television sets; coin-operated musical automata [juke boxes]; collectors, electric; commutators; compact disc players; compact discs [audio-video]; compact discs [read-only memory]; comparators; compasses for measuring; computer game software, downloadable; computer game software, recorded; computer hardware; computer keyboards; computer memory devices; computer operating programs, recorded; computer peripheral devices; computer programs, downloadable; computer programs, recorded; computers; computer screen saver software, recorded or downloadable; computer software, recorded; computer software applications, downloadable; computer software platforms, recorded or downloadable; condensers [capacitors]; conductors, electric; connected bracelets [measuring instruments]; connections for electric lines; connectors [electricity]; contact lenses; contacts, electric; containers for contact lenses; containers for microscope slides; control panels [electricity]; converters, electric; copper wire, insulated; cordless telephones; correcting lenses [optics]; cosmographic instruments; counterfeit [false] coin detectors; counters; couplers [data processing equipment]; couplings, electric; covers for electric outlets; covers for personal digital assistants [pdas]; covers for smartphones; covers for tablet computers; crash test dummies; credit card terminals; crucibles [laboratory]; current rectifiers; cyclotrons; darkroom

lamps [photography]; darkrooms [photography]; data gloves; data processing apparatus; decompression chambers; decorative magnets; demagnetizing apparatus for magnetic tapes; densimeters; densitometers; detectors; devices for the projection of virtual keyboards; diagnostic apparatus, not for medical purposes; diaphragms for scientific apparatus; diaphragms [acoustics]; diaphragms [photography]; dictating machines; diffraction apparatus [microscopy]; digital photo frames; digital signs; digital weather stations; directional compasses; discharge tubes, electric, other than for lighting; disk drives for computers; disks, magnetic; distance measuring apparatus; distance recording apparatus; distillation apparatus for scientific purposes; distribution boards [electricity]; distribution boxes [electricity]; distribution consoles [electricity]; divers' masks; diving suits; dna chips; dog whistles; dosage dispensers; downloadable cryptographic keys for receiving and spending cryptocurrency; downloadable e-wallets; downloadable emoticons for mobile phones; downloadable graphics for mobile phones; downloadable image files; downloadable music files; downloadable ring tones for mobile phones; drainers for use in photography; dressmakers' measures; droppers for measuring, other than for medical or household purposes; drying apparatus for photographic prints; drying racks [photography]; ducts [electricity]; dvd players; dynamometers; ear pads for headphones; earpieces for remote communication; ear plugs for divers; egg-candlers; egg timers [sandglasses]; electrical adapters; electric and electronic effects units for musical instruments; electric apparatus for commutation; electric door bells; electric installations for the remote control of industrial operations; electricity conduits; electric loss indicators; electric plugs; electric sockets; electric wire harnesses for automobiles; electrified fences; electrified rails for mounting spot lights; electro-dynamic apparatus for the remote control of railway points; electro-dynamic apparatus for the remote control of signals; electrolyzers; electromagnetic coils; electronic access control systems for interlocking doors; electronic agendas; electronic book readers; electronic collars to train animals; electronic interactive whiteboards; electronic key fobs being remote control apparatus; electronic notice boards; electronic numeric displays; electronic pens [visual display units]; electronic pocket translators; electronic publications, downloadable; electronic sheet music, downloadable; electronic tags for goods; encoded identification bracelets, magnetic; encoded key cards; encoded magnetic cards; enlarging apparatus [photography]; epidiascopes; equalizers [audio apparatus]; ergometers; exposure meters [light meters]; eyeglass cases; eyeglass chains; eyeglass cords; eyeglasses; eyeglass frames; eyeglass lenses; eyepieces; eyewear; facsimile machines; fiber optic cables; film cutting apparatus; films, exposed; filters for respiratory masks; filters for ultraviolet rays, for photography; filters for use in photography; finger sizers; fire alarms; fire beaters; fire

blankets; fire boats; fire engines; fire escapes; fire extinguishers; fire extinguishing apparatus; fire hose; fire hose nozzles; fire pumps; flash-bulbs [photography]; flashing lights [luminous signals]; flashlights [photography]; floppy disks; flowmeters; fluorescent screens; fog signals, non-explosive; food analysis apparatus; frames for photographic transparencies; frequency meters; furnaces for laboratory use; furniture especially made for laboratories; fuses; fuse wire; galena crystals [detectors]; galvanic batteries; galvanic cells; galvanometers; gasoline gauges; gasometers [measuring instruments]; gas testing instruments; gauges; glazing apparatus for photographic prints; global positioning system [gps] apparatus; gloves for divers; gloves for protection against accidents; gloves for protection against X-rays for industrial purposes; goggles for sports; grids for batteries; hairdressing training heads [teaching apparatus]; hand-held electronic dictionaries; hands-free kits for telephones; head cleaning tapes [recording]; headgear being protective helmets; head guards for sports; headphones; heat regulating apparatus; height measuring instruments; heliographic apparatus; hemline markers; high-frequency apparatus; holders for electric coils; holograms; horns for loudspeakers; humanoid robots with artificial intelligence; hydrometers; hygrometers; identification sheaths for electric wires; identification threads for electric wires; identity cards, magnetic; igniting apparatus, electric, for igniting at a distance; ignition batteries; incubators for bacteria culture; inductors [electricity]; infrared detectors; ink cartridges, unfilled, for printers and photocopiers; instruments containing eyepieces; integrated circuit cards [smart cards]; integrated circuits; interactive touch screen terminals; intercommunication apparatus; interfaces for computers; inverters [electricity]; invoicing machines; ionization apparatus not for the treatment of air or water; jigs [measuring instruments]; joysticks for use with computers, other than for video games; juke boxes for computers; junction boxes [electricity]; junction sleeves for electric cables; kilometer recorders for vehicles; knee-pads for workers; laboratory centrifuges; laboratory pipettes; laboratory robots; laboratory trays; lactodensimeters; lactometers; laptop computers; lasers, not for medical purposes; lenses for astrophotography; lens hoods; letter scales; levelling instruments; levelling staffs [surveying instruments]; levels [instruments for determining the horizontal]; life-saving equipment; life-saving capsules for natural disasters; life-saving rafts; life belts; lifeboats; life buoys; life jackets; light-emitting diodes [led]; light-emitting electronic pointers; light dimmers [regulators], electric; lighting ballasts; lightning rods; limiters [electricity]; locks, electric; logs [measuring instruments]; loudspeakers; magic lanterns; magic data media; magnetic encoders; magnetic resonance imaging [mri] apparatus, not for medical purposes; magnetic tapes; magnetic tape units for computers; magnetic wires; magnets; magnifying glasses [optics]; marine compa-

sses; marine depth finders; marking buoys; marking gauges [joinery]; masts for wireless aerials; materials for electricity mains [wires, cables]; material testing instruments and machines; mathematical instruments; measures; measuring apparatus; measuring devices, electric; measuring glassware; measuring instruments; measuring spoons; mechanical signs; mechanisms for coin-operated apparatus; mechanisms for counter-operated apparatus; megaphones; memory cards for video game machines; mercury levels; metal detectors for industrial or military purposes; meteorological balloons; meteorological instruments; metronomes; micrometers; micrometer screws for optical instruments; microphones; microprocessors; microscopes; microtomes; mirrors for inspecting work; mirrors [optics]; modems; money counting and sorting machines; monitoring apparatus, other than for medical purposes; monitors [computer hardware]; monitors [computer programs]; mouse pads; mouse [computer peripheral]; mouth guards for sports; nanoparticle size analysers; nautical apparatus and instruments; naval signalling apparatus; navigational instruments; navigation apparatus for vehicles [on-board computers]; needles for record players; needles for surveying compasses; neon signs; nets for protection against accidents; nose clips for divers and swimmers; notebook computers; objectives [lenses] [optics]; observation instruments; octants; ohmmeters; optical apparatus and instruments; optical character readers; optical condensers; optical data media; optical discs; optical fibers [fibres] [light conducting filaments]; optical glass; optical lamps; optical lenses; organic light-emitting diodes [oled]; oscillographs; oxygen transvasing apparatus; ozonisers [ozonators]; padlocks, electronic; parking meters; parking sensors for vehicles; particle accelerators; pedometers; peepholes [magnifying lenses] for doors; periscopes; personal digital assistants [pdas]; personal stereos; petri dishes; photocopiers [photographic, electrostatic, thermic]; photometers; phototelegraphy apparatus; photovoltaic cells; piezoelectric sensors; pince-nez; pitot tubes; plane tables [surveying instruments]; planimeters; plates for batteries; plotters; plumb bobs; plumb lines; pocket calculators; polarimeters; portable media players; precision balances; precision measuring apparatus; pressure gauges; pressure indicator plugs for valves; pressure indicators; pressure measuring apparatus; printed circuit boards; printed circuits; printers for use with computers; prisms [optics]; probes for scientific purposes; processors [central processing units]; projection apparatus; projection screens; protection devices against X-rays, not for medical purposes; protection devices for personal use against accidents; protective films adapted for computer screens; protective films adapted for smartphones; protective helmets; protective helmets for sports; protective masks; protective suits for aviators; protractors [measuring instruments]; punched card machines for offices; push buttons for bells; pyrometers; quantity indicators; quantum dot light-emitting

diodes [qled]; radar apparatus; radiological apparatus for industrial purposes; radiology screens for industrial purposes; radio pagers; radios; radiotelegraphy sets; radiotelephony sets; railway traffic safety appliances; range finders; readers [data processing equipment]; rearview cameras for vehicles; record players; reflective articles for wear, for the prevention of accidents; reflective safety vests; refractometers; refractors; regulating apparatus, electric; relays, electric; remote control apparatus; rescue flares, non-explosive and non-pyrotechnic; rescue laser signalling flares; resistances, electric; respirators for filtering air; respiratory masks, other than for artificial respiration; resuscitation mannequins [teaching apparatus]; resuscitation training simulators; retorts; retorts' stands; revolution counters; rheostats; riding helmets; ring sizers; road signs, luminous or mechanical; rods for water diviners; rulers [measuring instruments]; rules [measuring instruments]; saccharometers; safety nets; safety restraints, other than for vehicle seats and sports equipment; safety tarpaulins; salinometers; satellite finder meters; satellite navigational apparatus; satellites for scientific purposes; scales; scales with body mass analysers; scanners [data processing equipment]; screens for photoengraving; screens [photography]; screw-tapping gauges; security surveillance robots; security tokens [encryption devices]; selfie lenses; selfie sticks [hand-held monopods]; semi-conductors; sextants; sheaths for electric cables; shoes for protection against accidents, irradiation and fire; shutter releases [photography]; shutters [photography]; sighting telescopes for firearms; signal bells; signal lanterns; signalling buoys; signalling panels, luminous or mechanical; signalling whistles; signals, luminous or mechanical; signs, luminous; simulators for the steering and control of vehicles; sirens; sleeves for laptops; slide-rules; slide calipers; slide projectors; slope indicators; smartglasses; smartphones; smart rings; smartwatches; smoke detectors; snorkels; solar batteries; solar panels for the production of electricity; solderers' helmets; solenoid valves [electromagnetic switches]; sonars; sounding apparatus and machines; sounding leads; sounding lines; sound locating instruments; sound recording apparatus; sound recording carriers; sound recording discs; sound recording strips; sound reproduction apparatus; sound transmitting apparatus; spark-guards; speaking tubes; spectrograph apparatus; spectrosopes; speed checking apparatus for vehicles; speed indicators; speed measuring apparatus [photography]; speed regulators for record players; spherometers; spirit levels; spools [photography]; sports whistles; sprinkler systems for fire protection; square rulers for measuring; squares for measuring; stage lighting regulators; stands adapted for laptops; stands for photographic apparatus; starter cables for motors; steering apparatus, automatic, for vehicles; step-up transformers; stereoscopes; stereoscopic apparatus; stills for laboratory experiments; stroboscopes; subwoofers; sulfimeters; sunglasses;

surveying apparatus and instruments; surveying chains; surveying instruments; surveyors' levels; survival blankets; switchboards; switchboxes [electricity]; switches, electric; t-squares for measuring; tablet computers; tachometers; tape recorders; taximeters; teaching apparatus; teaching robots; teeth protectors; telecommunication apparatus in the form of jewelry; telegraphs [apparatus]; telegraph wires; telephone apparatus; telephone receivers; telephone transmitters; telephone wires; telepresence robots; teleprinters; teleprompters; telerupters; telescopes; telescopic sights for artillery; television apparatus; temperature indicator labels, not for medical purposes; temperature indicators; terminals [electricity]; testing apparatus not for medical purposes; test tubes; theft prevention installations, electric; theodolites; thermal imaging cameras; thermionic tubes; thermo-hygrometers; thermometers, not for medical purposes; thermostats; thermostats for vehicles; thin client computers; thread counters; ticket dispensers; ticket printers; time clocks [time recording devices]; time recording apparatus; time switches, automatic; tone arms for record players; toner cartridges, unfilled, for printers and photocopiers; totalizers; trackballs [computer peripherals]; traffic-light apparatus [signalling devices]; traffic cones; transformers [electricity]; transistors [electronic]; transmitters of electronic signals; transmitters [telecommunication]; transmitting sets [telecommunication]; transparencies [photography]; transponders; triodes; tripods for cameras; urinometers; usb flash drives; vacuum gauges; vacuum tubes [radio]; variometers; vehicle breakdown warning triangles; vehicle radios; verniers; video baby monitors; video cassettes; video game cartridges; video projectors; video recorders; video screens; videotapes; video telephones; viewfinders, photographic; virtual reality headsets; viscosimeters; visors for helmets; voltage regulators for vehicles; voltage surge protectors; voltmeters; voting machines; wafers for integrated circuits; wah-wah pedals; walkie-talkies; washing trays [photography]; water level indicators; wavemeters; wearable activity trackers; wearable computers; wearable video display monitors; weighbridges; weighing apparatus and instruments; weighing machines; weight belts for divers; weights; whistle alarms; wind socks for indicating wind direction; wire connectors [electricity]; wires, electric; workmen's protective face-shields; wrist rests for use with computers; X-ray apparatus not for medical purposes; X-ray films, exposed; X-ray photographs, other than for medical purposes; X-ray tubes not for medical purposes.

10 – Abdominal belts; abdominal corsets; abdominal pads; acupressure bands; acupuncture needles; aerosol dispensers for medical purposes; air beds for medical purposes; air cushions for medical purposes; air mattresses for medical purposes; air pillows for medical purposes; ambulance stretchers; anaesthetic apparatus; anaesthetic masks; analyzers for bacterial identification for medical purposes; anti-nausea wristbands; an-

ti-rheumatism bracelets; anti-rheumatism rings; apparatus and installations for the production of X-rays, for medical purposes; apparatus for acne treatment; apparatus for artificial respiration; apparatus for DNA and RNA testing for medical purposes; apparatus for the regeneration of stem cells for medical purposes; apparatus for the treatment of deafness; appliances for washing body cavities; arch supports for footwear; armchairs for medical or dental purposes; artificial breasts; artificial eyes; artificial jaws; artificial limbs; artificial skin for surgical purposes; artificial teeth; baby feeding pacifiers; balling guns; bandages, elastic; basins for medical purposes; bed pans; beds specially made for medical purposes; bed vibrators; belts, electric, for medical purposes; belts for medical purposes; biodegradable bone fixation implants; biomagnetic rings for therapeutic or medical purposes; blankets, electric, for medical purposes; blood testing apparatus; body composition monitors; body fat monitors; body rehabilitation apparatus for medical purposes; bone void fillers comprised of artificial materials; boots for medical purposes; bracelets for medical purposes; brain pacemakers; breast pumps; brushes for cleaning body cavities; cannulae; cases fitted for medical instruments; castrating pincers; catgut; catheters; chambers for inhalers; childbirth mattresses; cholesterol meters; clips, surgical; clips for dummies; clothing especially for operating rooms; commode chairs; compression garments; compressors [surgical]; condoms; containers especially made for medical waste; contraceptives, non-chemical; cooling pads for first aid purposes; cooling patches for medical purposes; corn knives; corsets for medical purposes; crutches; cupping glasses; curing lamps for medical purposes; cushions for medical purposes; defibrillators; dental apparatus, electric; dental apparatus and instruments; dental burs; dentists' armchairs; dentures; diagnostic apparatus for medical purposes; dialyzers; douche bags; drainage tubes for medical purposes; draw-sheets for sick beds; dropper bottles for medical purposes; droppers for medical purposes; dummies for babies; ear picks; ear plugs [ear protection devices]; ear trumpets; elastic stockings for surgical purposes; electric acupuncture instruments; electrocardiographs; electrodes for medical use; endoscopy cameras for medical purposes; enema apparatus for medical purposes; esthetic massage apparatus; feeding bottles; feeding bottle teats; feeding bottle valves; filters for ultraviolet rays, for medical purposes; finger guards for medical purposes; forceps; fumigation apparatus for medical purposes; furniture especially made for medical purposes; galvanic belts for medical purposes; galvanic therapeutic appliances; gastroscopes; gloves for massage; gloves for medical purposes; glucometers; gum massagers for babies; hair prostheses; hearing aids; hearing protectors; heart pacemakers; heart rate monitoring apparatus; heating pads, electric, for medical purposes; hemocytometers; hot air therapeutic apparatus; hot air vibrators for medical purpo-

ses; hydrogen inhalers; hypodermic syringes; hypogastric belts; ice bags for medical purposes; implantable subcutaneous drug delivery devices; incontinence sheets; incubators for babies; incubators for medical purposes; inhalers; injectors for medical purposes; instrument cases for use by doctors; insufflators; kinesiology tapes; knee bandages, orthopedic; knives for surgical purposes; lamps for medical purposes; lancets; lasers for medical purposes; laser therapy helmets for treating alopecia; led masks for therapeutic purposes; lenses [intraocular prostheses] for surgical implantation; lice combs; love dolls [sex dolls]; magnetic resonance imaging [mri] apparatus for medical purposes; masks for use by medical personnel; massage apparatus; maternity belts; medical apparatus and instruments; medical cooling apparatus for treating heatstroke; medical cooling apparatus for use in therapeutic hypothermia; medical examination tables; medical guidewires; menstrual cups; microdermabrasion apparatus; mirrors for dentists; mirrors for surgeons; nanorobots for medical purposes; nasal aspirators; needles for medical purposes; obstetric apparatus; obstetric apparatus for cattle; operating tables; ophthalmometers; ophthalmoscopes; orthodontic appliances; orthodontic rubber bands; orthopedic articles; orthopedic bandages for joints; orthopedic belts; orthopedic footwear; orthopedic soles; oxygen concentrators for medical purposes; pads for preventing pressure sores on patient bodies; patient examination gowns; patient hoists; pessaries; physical exercise apparatus for medical purposes; physiotherapy apparatus; pill crushers; pill cutters; pins for artificial teeth; plaster bandages for orthopedic purposes; portable hand-held urinals; probes for medical purposes; protection devices against x-rays, for medical purposes; pulse meters; pumps for medical purposes; quad canes for medical purposes; quartz lamps for medical purposes; radiological apparatus for medical purposes; radiology screens for medical purposes; radiotherapy apparatus; radium tubes for medical purposes; receptacles for applying medicines; respirators for artificial respiration; respiratory masks for artificial respiration; resuscitation apparatus; robotic exoskeleton suits for medical purposes; sanitary masks for medical purposes; saws for surgical purposes; scalpels; scissors for surgery; sex toys; slings [supporting bandages]; soporific pillows for insomnia; sphygmomanometers; spirometers [medical apparatus]; spittoons for medical purposes; splints, surgical; spoons for administering medicine; stents; sterile sheets, surgical; stethoscopes; stockings for varices; strait jackets; stretchers, wheeled; support bandages; supports for flat feet; surgical apparatus and instruments; surgical bougies; surgical cutlery; surgical drapes; surgical implants comprised of artificial materials; surgical robots; surgical sponges; suspensory bandages; suture materials; suture needles; syringes for injections; syringes for medical purposes; teething rings; teeth protectors for dental purposes; temperature indicator labels for

medical purposes; testing apparatus for medical purposes; therapeutic facial masks; thermal packs for first aid purposes; thermo-electric compresses [surgery]; thermometers for medical purposes; thread, surgical; tips for crutches; toe separators for orthopaedic purposes; tomographs for medical purposes; tongue depressors for medical purposes; tongue scrapers; traction apparatus for medical purposes; trocars; trusses; ultraviolet ray lamps for medical purposes; umbilical belts; urethral probes; urethral syringes; urinals being vessels; urological apparatus and instruments; uterine syringes; vaginal syringes; vaporizers for medical purposes; veterinary apparatus and instruments; vibromassage apparatus; walking frames for disabled persons; walking sticks for medical purposes; water bags for medical purposes; waterbeds for medical purposes; wheeled walkers to aid mobility; X-ray apparatus for medical purposes; X-ray photographs for medical purposes; X-ray tubes for medical purposes.

11 – Acetylene burners; acetylene flares; acetylene generators; air-conditioning apparatus; air-conditioning installations; air conditioners for vehicles; air cooling apparatus; air deodorising apparatus; air dryers; air filtering installations; air fryers; air purifying apparatus and machines; air reheaters; air sterilizers; air valves for steam heating installations; alcohol burners; anti-glare devices for vehicles [lamp fittings]; anti-splash tap nozzles; apparatus for dehydrating food waste; aquarium filtration apparatus; aquarium heaters; aquarium lights; arc lamps; ash conveyor installations, automatic; bakers' ovens; barbecues; bath fittings; bath installations; bath tubs; bath tubs for sitz baths; bed warmers; beverage cooling apparatus; beverage urns, electric; bicycle lights; bidets; blankets, electric, not for medical purposes; boiler pipes [tubes] for heating installations; boilers, other than parts of machines; book sterilization apparatus; brackets for gas burners; bread-making machines; bread baking machines; bread toasters; burners; burners for lamps; candle lanterns; carbon for arc lamps; ceiling lights; central heating radiators; chandeliers; chimney blowers; chimney flues; chinese lanterns; chocolate fountains, electric; chromatography apparatus for industrial purposes; clean chambers [sanitary installations]; coffee capsules, empty, for electric coffee machines; coffee machines, electric; coffee percolators, electric; coffee roasters; coils [parts of distilling, heating or cooling installations]; cookers; cooking apparatus and installations; cooking rings; cooking utensils, electric; cool boxes, electric; coolers for furnaces; cooling appliances and installations; cooling installations and machines; cooling installations for liquids; cooling installations for tobacco; cooling installations for water; couscous cookers, electric; curing lamps, not for medical purposes; curling lamps; dampers [heating]; deep fryers, electric; defrosters for vehicles; dehumidifiers; dental ovens; deodorising apparatus, not for personal use; desalination plants; desiccating apparatus; directional lights for bicycles; discharge tubes, elec-

tric, for lighting; disinfectant apparatus; disinfectant apparatus for medical purposes; disinfectant dispensers for toilets; distillation apparatus; distillation columns; diving lights; drip irrigation emitters [irrigation fittings]; drying apparatus; drying apparatus and installations; electrically heated carpets; electrically heated clothing; electric appliances for making yogurt; electric cooktops; electric fans for personal use; electric lamps; electric lights for christmas trees; electric torches; evaporators; expansion tanks for central heating installations; extractor hoods for kitchens; fabric steamers; fairy lights for festive decoration; fans [air-conditioning]; fans [parts of air-conditioning installations]; feeding apparatus for heating boilers; filaments for electric lamps; filters for air conditioning; filters for drinking water; fireplaces, domestic; fittings, shaped, for ovens; flaming torches; flare stacks for use in the oil industry; flues for heating boilers; flushing tanks; fog machines; food dehydrators, electric; food steamers, electric; footmuffs, electrically heated; footwarmers, electric or non-electric; for age drying apparatus; forges, portable; fountains; freezers; friction lighters for igniting gas; fruit roasters; fumigation apparatus, not for medical purposes; furnace ash boxes; furnace grates; furnaces, other than for laboratory use; gas boilers; gas burners; gas condensers, other than parts of machines; gas lamps; gas lighters; gas scrubbers [parts of gas installations]; gas scrubbing apparatus; germicidal burners; germicidal lamps for purifying air; glue-heating appliances; grills [cooking appliances]; hair dryers; hand drying apparatus for washrooms; headlights for automobiles; head torches; hearths; heat accumulators; heated display cabinets; heaters, electric, for feeding bottles; heaters for baths; heaters for heating irons; heaters for vehicles; heat exchangers, other than parts of machines; heat guns; heating and cooling apparatus for dispensing hot and cold beverages; heating apparatus; heating apparatus, electric; heating apparatus for defrosting vehicle windows; heating apparatus for solid, liquid or gaseous fuels; heating boilers; heating pads, electric, not for medical purposes; heating elements; heating filaments, electric; heating installations; heating plates; heat pumps; heat regenerators; hot air apparatus; hot air bath fittings; hot air ovens; hot plates; hot water bottles; hot water heating installations; humidifiers; humidifiers for central heating radiators; hydrants; hydromassage bath apparatus; hydroponic growing systems; ice-cream making machines; ice machines and apparatus; immersion heaters; incandescent burners; incinerators; installations for processing nuclear fuel and nuclear moderating material; ionization apparatus for the treatment of air or water; kettles, electric; kiln furniture [supports]; kilns; kitchen ranges [ovens]; laboratory burners; laboratory lamps; lamp chimneys; lamp glasses; lamp globes; lamp mantles; lamp reflectors; lamps; lampshade holders; lampshades; lanterns for lighting; laundry dryers, electric; laundry room boilers; lava rocks for use in bar-

becue grills; level controlling valves in tanks; light-emitting diodes [led] lighting apparatus; light bulbs; light bulbs, electric; light bulbs for directional signals for vehicles; light diffusers; lighters; lighting apparatus and installations; lighting apparatus for vehicles; lighting installations for air vehicles; light projectors; lights for automobiles; lights for vehicles; loading apparatus for furnaces; luminous house numbers; luminous tubes for lighting; magnesium filaments for lighting; malt roasters; microbubble generators for baths; microwave ovens for industrial purposes; microwave ovens [cooking apparatus]; milk cooling installations; miners' lamps; mixer taps for water pipes; motorcycle lights; multicookers; nail lamps; nuclear reactors; oil-scrubbing apparatus; oil burners; oil lamps; ornamental fountains; oven fittings made of fireclay; oxyhydrogen burners; pasteurisers; pipes [parts of sanitary installations]; plate warmers; pocket warmers; polymerisation installations; pounded rice cake making machines, electric, for household purposes; pressure water tanks; purification installations for sewage; radiator caps; radiators, electric; radiators [heating]; refining towers for distillation; refrigerating apparatus and machines; refrigerating appliances and installations; refrigerating cabinets; refrigerating chambers; refrigerating containers; refrigerating display cabinets; refrigerators; refrigerators, cooling apparatus and freezers for medical storage purposes; regulating accessories for water or gas apparatus and pipes; regulating and safety accessories for gas apparatus; regulating and safety accessories for gas pipes; regulating and safety accessories for water apparatus; roasters; roasting jacks; roasting spits; rotisseries; safety accessories for water or gas apparatus and pipes; safety lamps; sanitary apparatus and installations; sauna bath installations; searchlights; shower enclosures; showers; sinks; sockets for electric lights; socks, electrically heated; solar furnaces; solar thermal collectors [heating]; sous-vide cookers, electric; soya milk making machines, electric; spa baths [vessels]; standard lamps; steam accumulators; steam boilers, other than parts of machines; steam facial apparatus [saunas]; steam generating installations; sterilizers; stills; stoves [heating apparatus]; street lamps; structural framework for ovens; swimming pool chlorinating apparatus; tagines, electric; tanning apparatus [sun beds]; taps; taps for pipes and pipelines; thermo-pots, electric; thermostatic valves [parts of heating installations]; tobacco roasters; toilet bowls; toilets, portable; toilet seats; toilets [water-closets]; tortilla presses, electric; turkish bath cabinets, portable; ultraviolet ray lamps, not for medical purposes; underfloor heating apparatus and installations; urinals being sanitary fixtures; usb-powered cup heaters; usb-powered hand warmers; vehicle headlights; vehicle reflectors; ventilation hoods; ventilation hoods for laboratories; ventilation [air-conditioning] installations and apparatus; ventilation [air-conditioning] installations for vehicles; waffle irons, electric; warming pans; wash-hand

basins [parts of sanitary installations]; washers for water taps; water conduits installations; water distribution installations; water filtering apparatus; water flushing installations; water heaters; watering installations, automatic; watering machines for agricultural purposes; water intake apparatus; water purification installations; water purifying apparatus and machines; water softening apparatus and installations; water sterilizers; water supply installations; whirlpool-jet apparatus; wicks adapted for oil stoves; wine cellars, electric.

12 – Adhesive rubber patches for repairing inner tubes; aerial conveyors; aeronautical apparatus, machines and appliances; aeroplanes; air bags [safety devices for automobiles]; aircraft; air cushion vehicles; air pumps [vehicle accessories]; airships; air vehicles; all-terrain vehicles; ambulances; amphibious airplanes; amphibious vehicles; anti-glare devices for vehicles; anti-skid chains; anti-theft alarms for vehicles; anti-theft devices for vehicles; armored vehicles; asht-rays for automobiles; automobile bodies; automobile chains; automobile chassis; automobile hoods; automobile tyres; autonomous underwater vehicles for seabed inspections; axle journals; axles for vehicles; baby carriages; bags adapted for pushchairs; balance weights for vehicle wheels; bands for wheel hubs; barges; baskets adapted for bicycles; bellows for articulated buses; bicycle bells; bicycle brakes; bicycle chains; bicycle cranks; bicycle frames; bicycle handlebars; bicycle kickstands; bicycle motors; bicycle mudguards; bicycle pedals; bicycles; bicycle saddles; bicycle trailers; bicycle tyres; bicycle wheels; boat hooks; boats; bodies for vehicles; bogies for railway cars; brake discs for vehicles; brake linings for vehicles; brake pads for automobiles; brake segments for vehicles; brakes for vehicles; brake shoes for vehicles; buffers for railway rolling stock; bumpers for automobiles; cable transport apparatus and installations; caissons [vehicles]; camera drones; canoes; caps for vehicle fuel tanks; caravans; cars; cars for cable transport installations; carts; casings for pneumatic tyres; casters for trolleys [vehicles]; casting carriages; chairlifts; cigar lighters for automobiles; civilian drones; cleaning trolleys; cleats [nautical]; clips adapted for fastening automobile parts to automobile bodies; clutches for land vehicles; concrete mixing vehicles; connecting rods for land vehicles, other than parts of motors and engines; couplings for land vehicles; covers for vehicle steering wheels; crankcases for land vehicle components, other than for engines; cup holders for vehicles; davits for boats; delivery drones; delivery tricycles; dining cars; disengaging gear for boats; diving bells; doors for vehicles; dredgers [boats]; dress guards for bicycles; driverless cars [autonomous cars]; driving chains for land vehicles; driving motors for land vehicles; ejector seats for aircraft; electric bicycles; electric vehicles; engine mounts for land vehicles; engines for land vehicles; fenders for ships; ferry boats; fishing trolleys; fitted footmuffs for

baby carriages; fitted footmuffs for pushchairs; fitted pushchair mosquito nets; flanges for railway wheel tyres; forklift trucks; freewheels for land vehicles; funiculars; funnels for locomotives; funnels for ships; garbage trucks; gear boxes for land vehicles; gearing for land vehicles; gears for bicycles; golf carts [vehicles]; gyrocopters; handcars; handling carts; headrests for vehicle seats; headlight wipers; helicams; helicopters; hoods for vehicle engines; hoods for vehicles; horns for vehicles; horse-drawn carriages; hose carts; hot air balloons; hub caps; hubs for bicycle wheels; hubs for vehicle wheels; hydraulic circuits for vehicles; hydroplanes; inclined ways for boats; inner tubes for bicycle tires; inner tubes for pneumatic tyres; jet engines for land vehicles; kick sledges; launches; locomotives; luggage carriers for vehicles; luggage nets for vehicles; lug nuts for vehicle wheels; masts for boats; military drones; military vehicles for transport; mine cars; mine cart wheels; mobility scooters; mopeds; motor buses; motor coaches; motorcycle chains; motorcycle engines; motorcycle frames; motorcycle handlebars; motorcycle kickstands; motorcycles; motorcycle saddles; motor homes; motor racing cars; motors, electric, for land vehicles; motor scooters; mudguards; non-skid devices for vehicle tyres; oars; paddles for canoes; panniers adapted for bicycles; panniers adapted for motorcycles; parachutes; pet strollers; pneumatic tyres; pontoons; portholes; propulsion mechanisms for land vehicles; pumps for bicycles, cycles; pushchair hoods; pushchairs; pushchair covers; push scooters [vehicles]; railway carriages; railway couplings; rearview mirrors; reduction gears for land vehicles; refrigerated railway wagons; refrigerated vehicles; remote control vehicles, other than toys; remotely operated vehicles for underwater inspections; repair outfits for inner tubes; rescue sleds; reversing alarms for vehicles; rims for bicycle wheels; rims for vehicle wheels; robotic cars; roll cage trolleys; rolling stock for funicular railways; rolling stock for railways; rowlocks; rudders; saddlebags adapted for bicycles; saddle covers for bicycles; saddle covers for motorcycles; safety belts for vehicle seats; safety seats for children, for vehicles; screw-propellers; screw-propellers for boats; screws [propellers] for ships; sculls; seaplanes; seat covers for vehicles; security harness for vehicle seats; self-balancing boards; self-balancing electric unicycles; self-balancing scooters; ship hulls; ships; shock absorbers for automobiles; shock absorbing springs for vehicles; shopping trolleys; side cars; side view mirrors for vehicles; signal arms for vehicles; ski carriers for cars; ski lifts; sleeping berths for vehicles; sleeping cars; sleighs [vehicles]; snowmobiles; solid tires for vehicle wheels; space vehicles; spare wheel covers; spars for ships; spikes for tyres; spoilers for vehicles; spoke clips for wheels; spokes for bicycle wheels; sports cars; sprinkling trucks; steering gears for ships; steering wheels for vehicles; sun-blinds adapted for automobiles; surf kayaks; suspension shock absorbers

for vehicles; tailboard lifts [parts of land vehicles]; telfer railways [cable cars]; tilting-carts; tilt trucks; timbers [frames] for ships; tipping apparatus [parts of railway wagons]; tipping bodies for lorries; tyres for snow ploughs; tyres for vehicle wheels; torque converters for land vehicles; torsion bars for vehicles; tow trucks; tractors; trailer hitches for vehicles; trailers for transporting bicycles; trailers [vehicles]; tramcars; transmission chains for land vehicles; transmissions for land vehicles; transmission shafts for land vehicles; treads for retreading tyres; treads for vehicles [tractor type]; tricycles; trolleys; trucks; trucks with a crane feature incorporated; tubeless tires for bicycles; turbines for land vehicles; two-wheeled trolleys; tyre mousse inserts; undercarriages for vehicles; upholstery for vehicles; valves for vehicle tyres; vans [vehicles]; vehicle bonnet pins; vehicle bumpers; vehicle chassis; vehicle covers [shaped]; vehicle joysticks; vehicle running boards; vehicle seats; vehicles for locomotion by land, air, water or rail; vehicle suspension springs; vehicle wheels; vehicle wheel spokes; water vehicles; wheelbarrows; wheelchairs; windows for vehicles; windshields; windshield wipers; yachts.

13 – Acetyl-nitrocellulose; air pistols [weapons]; ammonium nitrate explosives; ammunition; ammunition for firearms; apparatus for filling cartridge belts; artillery guns [cannons]; automatic firearm ammunition belts; ballistic weapons; belts adapted for ammunition; bengal lights; breeches of firearms; cannons; cartridge cases; cartridge loading apparatus; cartridge pouches; cartridges; cleaning brushes for firearms; detonating caps, other than toys; detonating fuses for explosives; detonating plugs; detonators; dynamite; explosive cartridges; explosive powders; explosives; firearms; firecrackers; fireworks; firing platforms; flare pistols; fog signals, explosive; fuses for explosives; fuses for explosives, for use in mines; gun barrels; gun carriages [artillery]; gun cases; guncotton; gunpowder; gunstocks; guns [weapons]; hammers for guns and rifles; hand grenades; harpoon guns [weapons]; hunting firearms; lead shot for hunting; machine guns; mines [explosives]; mortars [firearms]; motorized weapons; noise-suppressors for guns; pistols [arms]; powder horns; primings [fuses]; projectiles [weapons]; pyrophoric substances; pyrotechnic products; rescue flares, explosive or pyrotechnic; revolvers; rifles; rocket launchers; rockets [projectiles]; shells [projectiles]; shoulder straps for weapons; side arms [firearms]; sighting mirrors for guns and rifles; sights, other than telescopic sights, for artillery; sights, other than telescopic sights, for firearms; signal rocket flares; sprays for personal defense purposes; tanks [weapons]; tear-gas weapons; torpedoes; trigger guards for guns and rifles; trunnions for heavy weapons.

14 – Agates; alarm clocks; alloys of precious metal; amulets [jewelry]; anchors [clock- and watchmaking]; atomic clocks; badges of precious metal; barrels

[clock- and watchmaking]; beads for making jewelry; boxes of precious metal; bracelets made of embroidered textile [jewelry]; bracelets [jewelry]; brooches [jewelry]; busts of precious metal; cabochons; chains [jewelry]; charms for key rings; chronographs [watches]; chronometers; chronometric instruments; chronoscopes; clasps for jewelry; clock cases; clock hands; clocks; clocks and watches, electric; clockworks; cloisonné jewelry; coins; control clocks [master clocks]; copper tokens; crucifixes as jewelry; crucifixes of precious metal, other than jewelry; cuff links; dials [clock- and watchmaking]; diamonds; earrings; figurines of precious metal; gold, unwrought or beaten; gold thread [jewelry]; hat jewelry; ingots of precious metals; iridium; ivory jewelry; jet, unwrought or semi-wrought; jewelry boxes; jewelry charms; jewelry hatpins; jewelry; jewelry findings; jewelry of yellow amber; jewelry rolls; key chains [split rings with trinket or decorative fob]; lockets [jewelry]; medals; misbaha [prayer beads]; movements for clocks and watches; necklaces [jewelry]; olivine [gems]; ornamental pins; ornaments of jet; osmium; palladium; paste jewelry; pearls made of ambroid [pressed amber]; pearls [jewelry]; pendulums [clock- and watchmaking]; pins [jewelry]; platinum [metal]; precious metals, unwrought or semi-wrought; precious stones; presentation boxes for jewelry; presentation boxes for watches; retractable key chains; rhodium; rings [jewelry]; rosaries; ruthenium; semi-precious stones; shoe jewelry; silver, unwrought or beaten; silver thread [jewelry]; spinel [precious stones]; split rings of precious metal for keys; spun silver [silver wire]; statues of precious metal; stopwatches; sundials; threads of precious metal [jewelry]; tie clips; tie pins; watch bands; watch cases [parts of watches]; watch chains; watches; watch glasses; watch hands; watch springs; works of art of precious metal; wristwatches.

16 – Absorbent sheets of paper or plastic for foodstuff packaging; addressing machines; address plates for addressing machines; address stamps; adhesive bands for stationery or household purposes; adhesives [glues] for stationery or household purposes; adhesive tape dispensers [office requisites]; adhesive tapes for stationery or household purposes; advertisement boards of paper or cardboard; albums; almanacs; animation cels; announcement cards [stationery]; apparatus for mounting photographs; aquarelles; architects' models; arithmetical tables; artists' watercolor saucers; atlases; baggage claim check tags of paper; bags for microwave cooking; bags [envelopes, pouches] of paper or plastics, for packaging; balls for ball-point pens; banknotes; banners of paper; barcode ribbons; bibs, sleeved, of paper; bibs of paper; binding strips [bookbinding]; biological samples for use in microscopy [teaching materials]; blackboards; blotters; blueprints; bookbinding apparatus and machines [office equipment]; bookbinding cloth; bookbinding material; bookends; booklets; bookmarkers; books; bottle envelopes of paper or cardboard; bottle wrappers of paper

or cardboard; boxes of paper or cardboard; bunting of paper; calendars; canvas for painting; carbon paper; cardboard; cardboard tubes; cards; cases for stamps [seals]; catalogues; chalk for lithography; chalk holders; charcoal pencils; chart pointers, non-electronic; chromolithographs [chromos]; cigar bands; clipboards; clips for name badge holders [office requisites]; coasters of paper; coloring books; comic books; compasses for drawing; composing frames [printing]; composing sticks; conical paper bags; copying paper [stationery]; cords for bookbinding; correcting fluids [office requisites]; correcting ink [heliography]; correcting tapes [office requisites]; covers of paper for flower pots; covers [stationery]; cream containers of paper; credit card imprinters, non-electric; dental tray covers of paper; desk mats; desktop cabinets for stationery [office requisites]; diagrams; document files [stationery]; document holders [stationery]; document laminators for office use; drawer liners of paper, perfumed or not; drawing boards; drawing instruments; drawing materials; drawing pads; drawing pens; drawing pins; drawing rulers; drawing sets; duplicators; elastic bands for offices; electrocardiograph paper; electrotypes; embroidery designs [patterns]; engraving plates; engravings; envelope sealing machines for offices; envelopes [stationery]; erasing products; erasing shields; etching needles; etchings; fabrics for bookbinding; face towels of paper; figurines of papier mâché; files [office requisites]; filtering materials of paper; filter paper; fingerstalls for office use; flags of paper; flyers; folders for papers; forms, printed; fountain pens; franking machines for office use; french curves; galley racks [printing]; garbage bags of paper or of plastics; geographical maps; glitter for stationery purposes; glue for stationery or household purposes; gluten [glue] for stationery or household purposes; graining combs; graphic prints; graphic representations; graphic reproductions; greeting cards; gummed cloth for stationery purposes; gummed tape [stationery]; gums [adhesives] for stationery or household purposes; hand-rests for painters; handkerchiefs of paper; hand labelling appliances; handwriting specimens for copying; hat boxes of cardboard; hectographs; histological sections for teaching purposes; holders for cheque books; holders for stamps [seals]; house painters' rollers; humidity control sheets of paper or plastic for foodstuff packaging; index cards [stationery]; indexes; indian inks; ink; inking pads; inking ribbons; inking sheets for document reproducing machines; inking sheets for duplicators; inkstands; ink sticks; ink stones [ink reservoirs]; inkwells; isinglass for stationery or household purposes; labels of paper or cardboard; ledgers [books]; letter trays; lithographic stones; lithographic works of art; lithographs; loose-leaf binders; luminous paper; magazines [periodicals]; manifolds [stationery]; manuals [handbooks]; marking chalk; marking pens [stationery]; mats for beer glasses; mimeograph apparatus and machines; modelling clay; modelling materials; modelling paste; modelling

wax, not for dental purposes; moisteners for gummed surfaces [office requisites]; moisteners [office requisites]; molds for modelling clays [artists' materials]; money clips; musical greeting cards; name badge holders [office requisites]; name badges [office requisites]; newsletters; newspapers; nibs; nibs of gold; note books; numbering apparatus; numbers [type]; obliterating stamps; office perforators; office requisites, except furniture; oleographs; packaging material made of starches; packing [cushioning, stuffing] materials of paper or cardboard; pads [stationery]; page holders; paint boxes for use in schools; paintbrushes; painters' brushes; painters' easels; paintings [pictures], framed or unframed; paint trays; palettes for painters; pamphlets; pantographs [drawing instruments]; paper; paper-clips; paper bags for use in the sterilization of medical instruments; paper bows, other than haberdashery or hair decorations; paper clasps; paper coffee filters; paper creasers [office requisites]; paper cutters [office requisites]; paper for medical examination tables; paper for radiograms; paper for recording machines; paper knives [letter openers]; paper ribbons, other than haberdashery or hair decorations; papers for painting and calligraphy; paper sheets [stationery]; paper shredders for office use; paper tapes and cards for the recordal of computer programmes; paperweights; paper wipes for cleaning; papier mâché; parchment paper; passport holders; pastels [crayons]; pen cases; pencil holders; pencil lead holders; pencil leads; pencils; pencil sharpeners, electric or non-electric; pencil sharpening machines, electric or non-electric; pen clips; penholders; pens [office requisites]; pen wipers; perforated cards for jacquard looms; periodicals; photo-engravings; photograph stands; photographs [printed]; pictures; placards of paper or cardboard; place mats of paper; plastic bags for pet waste disposal; plastic bubble packs for wrapping or packaging; plastic cling film, extensible, for palletization; plastic film for wrapping; plastics for modelling; polymer modelling clay; portraits; postage stamps; postcards; posters; printed coupons; printed matter; printed publications; printed sheet music; printed timetables; printers' blankets, not of textile; printers' galleys; printing blocks; printing sets, portable [office requisites]; printing type; prints [engravings]; prospectuses; protective covers for books; punches [office requisites]; retractable reels for name badge holders [office requisites]; rice paper; rollers for typewriters; rubber erasers; school supplies [stationery]; scrapers [erasers] for offices; sealing compounds for stationery purposes; sealing machines for offices; sealing stamps; sealing wafers; sealing wax; seals [stamps]; self-adhesive tapes for stationery or household purposes; sewing patterns; sheets of reclaimed cellulose for wrapping; shields [paper seals]; signboards of paper or cardboard; silver paper; slate pencils; song books; spools for inking ribbons; spray chalk; square rulers for drawing; squares for drawing; stamp pads; stamp stands; stamps [seals]; stands for pens and pencils; staples for

offices; stapling presses [office requisites]; starch paste [adhesive] for stationery or household purposes; stationery; steatite [tailor's chalk]; steel letters; steel pens; stencil cases; stencil plates; stencils; stencils for decorating food and beverages; stencils [stationery]; stickers [stationery]; stuffing of paper or cardboard; t-squares for drawing; tablecloths of paper; table linen of paper; tablemats of paper; table napkins of paper; table runners of paper; tags for index cards; tailors' chalk; teaching materials [except apparatus]; terrestrial globes; tickets; tissues of paper for removing make-up; toilet paper; towels of paper; tracing cloth; tracing needles for drawing purposes; tracing paper; tracing patterns; trading cards, other than for games; transfers [decalcomanias]; transparencies [stationery]; trays for sorting and counting money; typewriter keys; typewriter ribbons; typewriters, electric or non-electric; type [numerals and letters]; vignetting apparatus; viscose sheets for wrapping; washi; waxed paper; wood pulp board [stationery]; wood pulp paper; wrapping paper; wristbands for the retention of writing instruments; writing board erasers; writing brushes; writing cases [sets]; writing cases [stationery]; writing chalk; writing instruments; writing materials; writing or drawing books; writing paper; writing slates.

18 – Animal skins; attaché cases; backpacks for carrying infants; baggage tags; bags; bags for campers; bags for climbers; bags for sports; bags [envelopes, pouches] of leather, for packaging; beach bags; bits for animals [harness]; blinkers [harness]; boxes of leather or leatherboard; boxes of vulcanized fibre; bridles [harness]; bridoons; briefcases; business card cases; butts [parts of hides]; card cases [notecases]; cases of leather or leatherboard; casings, of leather, for springs; cat o' nine tails; cattle skins; chain mesh purses; chamois leather, other than for cleaning purposes; chin straps, of leather; clothing for pets; collars for animals; compression cubes adapted for luggage; conference folders; covers for animals; covers for horse saddles; credit card cases [wallets]; curried skins; fastenings for saddles; frames for umbrellas or parasols; fur-skins; furniture coverings of leather; game bags [hunting accessories]; garment bags for travel; girths of leather; goldbeaters' skin; grips for holding shopping bags; halters; handbag frames; handbags; harness fittings; harness for animals; harness straps; hat boxes of leather; haversacks; hiking sticks; horse blankets; horse collars; horseshoes; imitation leather; key cases; kid; knee-pads for horses; labels of leather; leather, unworked or semi-worked; leatherboard; leathercloth; leather cord; leather leashes; leather straps; moleskin [imitation of leather]; motorized suitcases; mountaineering sticks; music cases; muzzles; net bags for shopping; nose bags [feed bags]; pads for horse saddles; parasols; parts of rubber for stirrups; pocket wallets; pouch baby carriers; purses; randsels [japanese school satchels]; reins; reins for guiding children; riding saddles; rucksacks; saddlebags; saddlecloths for horses; saddlery; saddle trees; school bags; shopping

bags; shoulder belts [straps] of leather; sling bags for carrying infants; slings for carrying infants; stirrup leathers; stirrups; straps for skates; straps for soldiers' equipment; straps of leather [saddlery]; suitcase handles; suitcases; suitcases with wheels; tefillin [phylacteries]; tool bags, empty; traces [harness]; travelling bags; travelling sets [leatherware]; travelling trunks; trimmings of leather for furniture; trunks [luggage]; umbrella covers; umbrella handles; umbrella or parasol ribs; umbrella rings; umbrellas; umbrella sticks; valises; valves of leather; vanity cases, not fitted; walking stick handles; walking sticks; walking stick seats; wheeled shopping bags; whips.

20 – Air beds, not for medical purposes; air cushions, not for medical purposes; air mattresses, not for medical purposes; air pillows, not for medical purposes; ambroid bars; ambroid plates; animal claws; animal hooves; animal horns; anti-roll cushions for babies; armchairs; baby changing mats; bag hangers, not of metal; bakers' bread baskets; bamboo; bamboo curtains; barrel hoops, not of metal; barrels, not of metal; baskets, not of metal; bathroom vanities [furniture]; bath seats for babies; bathtub grab bars, not of metal; bead curtains for decoration; bed bases; bed casters, not of metal; bedding, except linen; bed fittings, not of metal; beds; beds for household pets; bedsteads of wood; beehives; benches [furniture]; binding screws, not of metal, for cables; birdhouses; bolsters; bolts, not of metal; bookcases; book rests [furniture]; bottle caps, not of metal; bottle casings of wood; bottle closures, not of metal; bottle racks; boxes of wood or plastic; brackets, not of metal, for furniture; brush mountings; bumper guards for cots, other than bed linen; bungs, not of metal; busts of wood, wax, plaster or plastic; cabinet work; camping mattresses; carts for computers [furniture]; casks, not of metal; casks of wood for decanting wine; cask stands, not of metal; chairs [seats]; chaise longues; chests, not of metal; chests for toys; chests of drawers; chopping blocks [tables]; clips, not of metal, for cables and pipes; clips of plastic for sealing bags; closures, not of metal, for containers; clothes hooks, not of metal; coat hangers; coatstands; coffin fittings, not of metal; coffins; collars, not of metal, for fastening pipes; comb foundations for beehives; console tables; containers, not of metal, for liquid fuel; containers, not of metal [storage, transport]; coral; corks; corks for bottles; corrozo; costume stands; cots for babies; counters [tables]; covers for clothing [wardrobe]; cradles; crates; crucifixes of wood, wax, plaster or plastic, other than jewelry; cupboards; curtain holders, not of textile material; curtain hooks; curtain rails; curtain rings; curtain rods; curtain rollers; curtain tie-backs; cushions; deck chairs; decorations of plastic for foodstuffs; desks; dinner wagons [furniture]; dispensers for dog waste bags, fixed, not of metal; display boards; display stands; divans; dog kennels; door bells, not of metal, non-electric; door bolts, not of metal; door closers, not of metal, non-electric; door fasteners, not of

metal; door fittings, not of metal; door handles, not of metal; door knockers, not of metal; door openers, not of metal, non-electric; doors for furniture; door stops, not of metal or rubber; drafting tables; drain traps [valves] of plastic; drawers for furniture; dressing tables; edgings of plastic for furniture; embroidery frames; fans for personal use, non-electric; feet for furniture; filing cabinets; fishing baskets; floating containers, not of metal; flower-pot pedestals; flower-stands [furniture]; fodder racks; footstools; freestanding partitions [furniture]; funerary urns; furniture; furniture casters, not of metal; furniture fittings, not of metal; furniture of metal; furniture partitions of wood; furniture shelves; garment covers [storage]; gun racks; hairdressers' chairs; hampers [baskets] for the transport of items; hand-held flagpoles, not of metal; hand-held mirrors [toilet mirrors]; handling pallets, not of metal; hat stands; head-rests [furniture]; head positioning pillows for babies; head support cushions for babies; high chairs for babies; hinges, not of metal; honeycombs; hooks, not of metal, for clothes rails; horn, unworked or semi-worked; hospital beds; house numbers, not of metal, non-luminous; identification bracelets, not of metal; identity plates, not of metal; imitation tortoiseshell; index cabinets [furniture]; indoor window blinds of paper; indoor window blinds of textile; indoor window blinds of woven wood; indoor window blinds [furniture]; infant walkers; inflatable furniture; inflatable publicity objects; jerrycans, not of metal; jewelry organizer displays; kennels for household pets; keyboards for hanging keys; knobs, not of metal; labels of plastic; ladders of wood or plastics; lap desks; latches, not of metal; lecterns; legs for furniture; letter boxes, not of metal or masonry; library shelves; loading gauge rods, not of metal, for railway wagons; loading pallets, not of metal; lockers; locks, not of metal, for vehicles; locks, other than electric, not of metal; luggage lockers; magazine racks; mannequins; massage tables; mats for infant playpens; mattresses; meat safes; medicine cabinets; meerscham; mirrors [looking glasses]; mirror tiles; mobile boarding stairs, not of metal, for passengers; mobiles [decoration]; moldings for picture frames; mooring buoys, not of metal; moses baskets; mother-of-pearl, unworked or semi-worked; nesting boxes; nesting boxes for household pets; newspaper display stands; nuts, not of metal; office furniture; oil drainage containers, not of metal; oyster shells; packaging containers of plastic; padlocks, other than electronic, not of metal; pegs [pins], not of metal; pet cushions; picture frame brackets; picture frames; pillows; placards of wood or plastics; plaited straw, except matting; plastic key cards, not encoded and not magnetic; plastic keys; plastic ramps for use with vehicles; plate racks; playpens for babies; plugs [dowels], not of metal; poles, not of metal; portable desks; pulleys of plastics for blinds; racks [furniture]; rattan; reeds [plaiting materials]; reels, not of metal, non-mechanical, for flexible hoses; reels of wood for yarn, silk, cord; registration

plates, not of metal; removable mats or covers for sinks; rivets, not of metal; runners, not of metal, for sliding doors; sash fasteners, not of metal, for windows; sash pulleys, not of metal; saw benches [furniture]; saw horses; school furniture; scratching posts for cats; screens for fireplaces [furniture]; screens [furniture]; screws, not of metal; screw tops, not of metal, for bottles; sealing caps, not of metal; seats of metal; sections of wood for beehives; settees; shells; shelves for file cabinets; shelves for storage; shelving units; shoe dowels, not of metal; shoe pegs, not of metal; shoulder poles [yokes]; showcases [furniture]; shower chairs; sideboards; signboards of wood or plastics; silvered glass [mirrors]; slatted indoor blinds; sleeping mats; sofas; split rings, not of metal, for keys; stag antlers; stair rods; stakes, not of metal, for plants or trees; standing desks; stands for calculating machines; statues of wood, wax, plaster or plastic; statuettes of wood, wax, plaster or plastic; staves of wood; step stools, not of metal; steps [ladders], not of metal; stools; stoppers, not of glass, metal or rubber; straw edgings; straw mattresses; straw plaits; stuffed animals; stuffed birds; tables; tables of metal; table tops; tanks, not of metal nor of masonry; taps, not of metal, for casks; tea carts; tent pegs, not of metal; tool boxes, not of metal, empty; tool chests, not of metal, empty; tortoiseshell; towel dispensers, fixed, not of metal; towel stands [furniture]; transport pallets, not of metal; trays, not of metal; trestles [furniture]; trolleys [furniture]; troughs, not of metal, for mixing mortar; typing desks; umbrella stands; valet stands; valves, not of metal, other than parts of machines; vats, not of metal; vice benches [furniture]; wall-mounted baby changing platforms; wardrobes; washstands [furniture]; water-pipe valves of plastic; waterbeds, not for medical purposes; whalebone, unworked or semi-worked; wickerwork; wind chimes [decoration]; winding spools, not of metal, non-mechanical, for flexible hoses; window closers, not of metal, non-electric; window fasteners, not of metal; window fittings, not of metal; window openers, not of metal, non-electric; window stops, not of metal or rubber; wood ribbon; work benches; works of art of wood, wax, plaster or plastic; writing desks; yellow amber.

21 – Abrasive mitts for scrubbing the skin; abrasive pads for kitchen purposes; abrasive sponges for scrubbing the skin; aerosol dispensers, not for medical purposes; animal bristles [brushware]; animal grooming gloves; apparatus for wax-polishing, non-electric; aquarium hoods; aromatic oil diffusers, other than reed diffusers, electric and non-electric; autoclaves, non-electric, for cooking; baby baths, portable; baking mats; basins [receptacles]; baskets for household purposes; basting brushes; basting spoons [cooking utensils]; beaters, non-electric; beer mugs; beverage urns, non-electric; bird baths; birdcages; blenders, non-electric, for household purposes; bobeches; bootjacks; boot trees; bottle openers, electric and non-electric; bottles; bowls [basins]; boxes for dispensing paper to-

wels; boxes of glass; bread baskets for household purposes; bread bins; bread boards; broom handles; brooms; brushes; brushes for cleaning tanks and containers; buckets; buckets made of woven fabrics; bulb basters; busts of porcelain, ceramic, earthenware, terra-cotta or glass; butter-dish covers; butter dishes; buttonhooks; cabarets [trays]; cages for household pets; cake decorating tips and tubes; cake moulds; candelabra [candlesticks]; candle extinguishers; candle jars [holders]; candle warmers, electric and non-electric; candy boxes; carpet beaters [hand instruments]; carpet sweepers; car washing mitts; cauldrons; ceramics for household purposes; chamber pots; chamois leather for cleaning; cheese-dish covers; china ornaments; chopsticks; cinder sifters [household utensils]; cleaning instruments, hand-operated; cleaning tow; closures for pot lids; clothes-pegs; cloth for washing floors; clothing stretchers; cloths for cleaning; coasters, not of paper or textile; cocktail shakers; cocktail stirrers; coffee filters, non-electric; coffee grinders, hand-operated; coffee percolators, non-electric; coffeepots, non-electric; coffee services [tableware]; coin banks; cold packs for chilling food and beverages; comb cases; combs; combs for animals; confectioners' decorating bags [pastry bags]; containers for household or kitchen use; cookery moulds; cookie jars; cookie [biscuit] cutters; cooking mesh bags, other than for microwaves; cooking pots; cooking pot sets; cooking skewers of metal; cooking utensils, non-electric; coolers [ice pails]; corkscrews, electric and non-electric; cosmetic spatulas; cosmetic utensils; cotton waste for cleaning; couscous cooking pots, non-electric; covers, not of paper, for flower pots; cruets; cruet sets for oil and vinegar; crumb trays; crushers for kitchen use, non-electric; crystal [glassware]; cups; cups of paper or plastic; currycombs; cutting boards for the kitchen; decanters; decanter tags; decorative glass spheres; deep fryers, non-electric; demijohns; deodorising apparatus for personal use; diaper disposal pails; dishcloths; dish covers; dishes; dishwashing brushes; disposable aluminium foil containers for household purposes; disposable table plates; drinking bottles for sports; drinking glasses; drinking horns; drinking straws; drinking troughs; drinking vessels; dripping pans; droppers for cosmetic purposes; droppers for household purposes; drying racks for laundry; dustbins; dusting apparatus, non-electric; dusting cloths [rags]; earthenware; earthenware saucepans; egg cups; egg poachers; egg separators, non-electric, for household purposes; egg yolk separators; electric brushes, except parts of machines; electric combs; electric devices for attracting and killing insects; enamelled glass, not for building; epergnes; eyebrow brushes; eyelash brushes; feather-dusters; feeding troughs; fiberglass, other than for insulation or textile use; fiberglass thread, other than for textile use; figurines of porcelain, ceramic, earthenware, terra-cotta or glass; fitted picnic baskets, including dishes; flasks; flat-iron stands; floss for dental purposes; flower pots; fly swa-

tters; fly traps; foam toe separators for use in pedicures; food steamers, non-electric; fruit bowls; fruit presses, non-electric, for household purposes; frying pans; funnels; furniture dusters; fused silica [semi-worked product], other than for building; gardening gloves; garlic presses [kitchen utensils]; glass, unworked or semi-worked, except building glass; glass bulbs [receptacles]; glasses [receptacles]; glass flasks [containers]; glass for vehicle windows [semi-finished product]; glass incorporating fine electrical conductors; glass jars [carboys]; glass stoppers; glass wool, other than for insulation; gloves for household purposes; glove stretchers; glue-pots; graters for kitchen use; grill supports; grills [cooking utensils]; hair for brushes; heads for electric toothbrushes; heat-insulated containers; heat-insulated containers for beverages; heaters for feeding bottles, non-electric; hip flasks; holders for flowers and plants [flower arranging]; horse brushes; horsehair for brush-making; hot pots, not electrically heated; ice cream scoops; ice cube molds; ice tongs; indoor aquaria; indoor terrariums [plant cultivation]; indoor terrariums [vivariums]; inflatable bath tubs for babies; insect traps; insulating flasks; ironing board covers, shaped; ironing boards; isothermic bags; kettles, non-electric; kitchen containers; kitchen grinders, non-electric; kitchen utensils; knife rests for the table; ladles for serving wine; lamp-glass brushes; large-toothed combs for the hair; lazy susans; lint removers, electric or non-electric; liqueur sets; litter boxes for pets; lunch boxes; majolica; make-up brushes; make-up removing appliances; make-up sponges; mangers for animals; material for brush-making; menu card holders; mess-tins; mills for household purposes, hand-operated; mixing spoons [kitchen utensils]; moulds [kitchen utensils]; mops; mop wringer buckets; mop wringers; mortars for kitchen use; mosaics of glass, not for building; mouse traps; mugs; nail brushes; napkin rings; nest eggs, artificial; noodle machines, hand-operated; nozzles for watering cans; nozzles for watering hose; nutcrackers; opal glass; opaline glass; oven mitts; painted glassware; paper plates; pasta makers, hand-operated; pastry cutters; pepper mills, hand-operated; pepper pots; perfume burners; perfume vaporizers; pestles for kitchen use; pet feeding bowls; pet feeding bowls, automatic; pie servers; pig bristles for brush-making; piggy banks; pitchers; place mats, not of paper or textile; plate glass [raw material]; plates for diffusing aromatic oil; plates to prevent milk boiling over; plug-in diffusers for mosquito repellents; plungers for clearing blocked drains; polishing apparatus and machines, for household purposes, non-electric; polishing cloths; polishing gloves; polishing leather; polishing materials for making shiny, except preparations, paper and stone; porcelain ware; portable cool boxes, non-electric; potholders; pot lids; pots; pottery; poultry rings; pouring spouts; powder compacts, empty; powdered glass for decoration; powder puffs; rat traps; refrigerating bottles; reusable ice cubes; reusable sili-

cone food covers; rings for birds; roller tubes for peeling garlic; rolling pins, domestic; rotary washing lines; salad bowls; salad tongs; salt cellars; saucepan scourers of metal; saucers; scoops for household purposes; scouring pads; scrubbing brushes; services [dishes]; serving ladles; shaving brushes; shaving brush stands; shoe brushes; shoe horns; shoe trees; sieves [household utensils]; sifters [household utensils]; signboards of porcelain or glass; siphon bottles for aerated water; ski wax brushes; smoke absorbers for household purposes; soap boxes; soap dispensers; soap holders; soup bowls; spatulas for kitchen use; spice sets; sponge holders; sponges for household purposes; sprinklers; squeegees [cleaning instruments]; stands for portable baby baths; statues of porcelain, ceramic, earthenware, terra-cotta or glass; steel wool for cleaning; stew-pans; strainers for household purposes; sugar bowls; sugar tongs; syringes for watering flowers and plants; tablemats, not of paper or textile; table napkin holders; table plates; tableware, other than knives, forks and spoons; tagines, non-electric; tankards; tar-brushes, long handled; tea bag rests; tea caddies; tea cosies; tea infusers; teapots; tea services [tableware]; tea strainers; thermally insulated containers for food; tie presses; toilet brushes; toilet cases; toilet paper dispensers; toilet paper holders; toilet sponges; toilet utensils; toothbrushes; toothbrushes, electric; toothpaste tube squeezers; toothpick holders; toothpicks; tortilla presses, non-electric [kitchen utensils]; towel rails and rings; trays for household purposes; trays of paper, for household purposes; trivets [table utensils]; trouser presses; utensils for household purposes; vases; vegetable dishes; vessels of metal for making ices and iced drinks; vitreous silica fibres, other than for textile use; waffle irons, non-electric; washing boards; washtubs; waste paper baskets; water apparatus for cleaning teeth and gums; watering cans; watering devices; wax-polishing appliances, non-electric, for shoes; whisks, non-electric, for household purposes; window-boxes; wine-tasting pipettes; wine aerators; wine pourers; wool waste for cleaning; works of art of porcelain, ceramic, earthenware, terra-cotta or glass.

22 – Animal feeding nets; animal hair; awnings of synthetic materials; awnings of textile; bags [envelopes, pouches] of textile, for packaging; bindings, not of metal; binding thread, not of metal, for agricultural purposes; bivouac sacks being shelters; body bags; braces, not of metal, for handling loads; brattice cloth; cables, not of metal; camel hair; canvas for sails; carbon fibres for textile use; carded wool; car towing ropes; cloth bags specially adapted for the storage of diapers; coconut fiber; cocoons; combed wool; cords for hanging pictures; cotton tow; cotton waste [flock] for padding and stuffing; covers for camouflage; down [feathers]; dust sheets; eiderdown; esparto grass; feathers for bedding; feathers for stuffing upholstery; fibrous gaskets for ships; fishing nets; fleece wool; flock [stuffing]; glass fibers for textile use;

grasses for upholstering; hammocks; hemp bands; hemp fibers; horsehair; jute; kapok; ladder tapes for venetian blinds; laundry bags; liber; linters; mail bags; mesh bags for washing laundry; net pens for fish farming; nets; nets for camouflage; network; outdoor blinds of textile; packing rope; packing string; packing [cushioning, stuffing] materials, not of rubber, plastics, paper or cardboard; padding materials, not of rubber, plastics, paper or cardboard; pig bristles; plastic fibers for textile use; purse seines; raffia; ramie fiber; raw cotton; raw fibrous textile; raw linen [flax]; raw or treated wool; raw silk; rope ladders; ropes; ropes, not of metal; sacks for the transport and storage of materials in bulk; sails; sails for ski sailing; sash cords; sawdust; schappe [raw silk waste]; seaweed for stuffing; sheaf-binding yarns; shorn wool; silk flock; sisal; slings, not of metal, for handling loads; snares [nets]; straps, not of metal, for handling loads; straw for stuffing upholstery; straw wrappers for bottles; string; strips for tying-up vines; tarpaulins; tents; textile fibers; thread, not of metal, for wrapping or binding; tow; twine for nets; twine made of paper; upholstery wool [stuffing]; vehicle covers, not fitted; vitreous silica fibres for textile use; wadding for filtering; wadding for padding and stuffing upholstery; wax ends; whipcord; wood shavings; wood wool; wool flock; wrapping or binding bands, not of metal.

23 – Chenille yarn; coir thread and yarn; cotton thread and yarn; darning thread and yarn; elastic thread and yarn for textile use; embroidery thread and yarn; fiberglass thread for textile use; hemp thread and yarn; jute thread and yarn; linen thread and yarn; rayon thread and yarn; rubber thread for textile use; sewing thread and yarn; silk thread and yarn; spun cotton; spun silk; spun thread and yarn; spun wool; thread; thread of metal for embroidery; threads of plastic materials for textile use; woollen thread and yarn.

24 – Adhesive fabric for application by heat; baby buntings; banners of textile or plastic; bath linen, except clothing; bath mitts; bed blankets; bed covers; bed covers of paper; bed linen; bed valances; billiard cloth; bivouac sacks being covers for sleeping bags; blankets for household pets; bolting cloth; brocades; buckram; bunting of textile or plastic; calico; canvas for tapestry or embroidery; cheese cloth; chenille fabric; chevots [cloth]; cloth; cloths for removing make-up; coasters of textile; cotton fabrics; covers for cushions; covers [loose] for furniture; crepe [fabric]; crepon; crib bumpers [bed linen]; curtain holders of textile material; curtains of textile or plastic; damask; diaper changing cloths for babies; diapered linen; door curtains; drugget; eiderdowns [down coverlets]; elastic woven material; esparto fabric; fabric; fabric, impervious to gases, for aeronautical balloons; fabric for footwear; fabric imitating animal skins; fabrics for textile use; face towels of textile; felt; fiberglass fabrics, for textile use; filtering materials of textile; fitted toilet lid covers of fabric; flags of textile or plastic;

flannel [fabric]; frieze [cloth]; furniture coverings of plastic; furniture coverings of textile; fustian; gauze [cloth]; glass cloths [towels]; gummed cloth, other than for stationery purposes; haircloth [sackcloth]; handkerchiefs of textile; hat linings, of textile, in the piece; hemp cloth; hemp fabric; household linen; jersey [fabric]; jute fabric; knitted fabric; labels of textile; linen cloth; lingerie fabric; lining fabric for footwear; linings [textile]; marabouts [cloth]; mattress covers; moleskin [fabric]; mosquito nets; muslin fabric; net curtains; non-woven textile fabrics; oilcloth for use as tablecloths; picnic blankets; pillowcases; pillow shams; place mats of textile; plastic material [substitute for fabrics]; printed calico cloth; printers' blankets of textile; ramie fabric; rayon fabric; sheets [textile]; shower curtains of textile or plastic; shrouds; silk fabrics for printing patterns; silk [cloth]; sleeping bag liners; sleeping bags; sleeping bags for babies; tablecloths, not of paper; table linen, not of paper; tablemats of textile; table napkins of textile; table runners, not of paper; taffeta [cloth]; textile material; ticks [mattress covers]; tick [linen]; towels of textile; traced cloth for embroidery; travelling rugs [lap robes]; trellis [cloth]; tulle; upholstery fabrics; velvet; wall hangings of textile; woollen cloth; zephyr [cloth].

25 – Adhesive bras; albs; ankle boots; aprons [clothing]; ascots; babies' pants [underwear]; bandanas [neckerchiefs]; bathing caps; bathing suits; bathing trunks; bath robes; bath sandals; bath slippers; beach clothes; beach shoes; belts [clothing]; berets; bibs, not of paper; bibs, sleeved, not of paper; boas [necklets]; bodices [lingerie]; boots; boots for sports; boot uppers; boxer shorts; braces for clothing [suspenders]; brassieres; breeches for wear; camisoles; cap peaks; caps being headwear; chasubles; clothing; clothing containing slimming substances; clothing for gymnastics; clothing incorporating leds; clothing of imitations of leather; clothing of leather; coats; collars [clothing]; combinations [clothing]; corselets; corsets [underclothing]; cuffs; cyclists' clothing; detachable collars; dresses; dressing gowns; dress shields; ear muffs [clothing]; embroidered clothing; esparto shoes or sandals; fingerless gloves; fishing vests; fittings of metal for footwear; football shoes; footmuffs, not electrically heated; footwear; footwear uppers; fur stoles; furs [clothing]; gabardines [clothing]; gaiters; gaiter straps; galoshes; garters; girdles; gloves [clothing]; gymnastic shoes; hairdressing capes; half-boots; hat frames [skeletons]; hats; headbands [clothing]; headcarfs; headwear; heelpieces for footwear; heelpieces for stockings; heel protectors for shoes; heels; hoods [clothing]; hosiery; inner soles; jackets [clothing]; jerseys [clothing]; judo uniforms; jumper dresses; karate uniforms; kimonos; knitwear [clothing]; lace boots; latex clothing; layettes [clothing]; leggings [leg warmers]; leggings [trousers]; leotards; liveries; maniples; mantillas; masquerade costumes; miters [hats]; mittens; money belts [clothing]; motorists' clothing; muffs [clothing]; neck gaiters; neckties; non-slipping

devices for footwear; outerclothing; overalls; overcoats; pajamas; panties; paper clothing; paper hats [clothing]; parkas; pelerines; pelisses; petticoats; pockets for clothing; pocket squares; ponchos; rash guards; ready-made clothing; ready-made linings [parts of clothing]; sandals; saris; sarongs; sashes for wear; scarfs; shawls; shirt fronts; shirts; shirt yokes; shoes; short-sleeve shirts; shower caps; ski boots; ski gloves; skirts; skorts; skull caps; sleep masks; slippers; slips [underclothing]; socks; sock suspenders; soles for footwear; spats; sports jerseys; sports shoes; sports singlets; stockings; stocking suspenders; studs for football boots; stuff jackets [clothing]; suits; sweat-absorbent socks; sweat-absorbent stockings; sweat-absorbent underwear; sweaters; teddies [underclothing]; tee-shirts; tights; tips for footwear; togas; top hats; trousers; turbans; underpants; underwear; uniforms; valenki [felted boots]; veils [clothing]; vests; visors being headwear; waterproof clothing; welts for footwear; wet suits for water-skiing; wimples; wooden shoes.

26 – Appliqués [haberdashery]; artificial christmas garlands; artificial christmas garlands incorporating lights; artificial christmas wreaths; artificial christmas wreaths incorporating lights; artificial flowers; artificial fruit; artificial garlands; artificial plants, other than christmas trees; badges for wear, not of precious metal; beads, other than for making jewelry; belt clasps; binding needles; birds' feathers [clothing accessories]; blouse fasteners; bobbins for retaining embroidery floss or wool [not parts of machines]; bodkins; bows for the hair; boxes for needles; braids; brassards; breast lift tapes; brooches [clothing accessories]; buckles [clothing accessories]; buttons; charms, other than for jewelry, key rings or key chains; chenille [passementerie]; collar supports; competitors' numbers; cords for clothing; cords for trimming; crochet hooks; darning lasts; darning needles; decorative articles for the hair; edgings for clothing; elastic ribbons; embroidery; embroidery needles; entomological pins; expanding bands for holding sleeves; eyelets for clothing; false beards; false hair; false hems; false moustaches; fastenings for clothing; fastenings for suspenders; feathers [clothing accessories]; festoons [embroidery]; frills for clothing; frills [lacework]; fringes; gold embroidery; haberdashery bows; haberdashery ribbons; haberdashery [dressmakers' articles], except thread; hair bands; hair barrettes; hair coloring caps; hair curlers, electric and non-electric, other than hand implements; hair curling papers; hair curling pins; hair extensions; hair grips; hair nets; hair pins; hatbands; hat pins, other than jewelry; hat trimmings; heat adhesive patches for decoration of textile articles [haberdashery]; heat adhesive patches for repairing textile articles; hook and pile fastening tapes; hooks for corsets; hooks [haberdashery]; human hair; knitting needles; lace for edgings; lace trimmings; letters for marking linen; lingerie tapes; mica spangles; needle-threaders; needle cases; needle cushions; needles; needles for wool combing machines; numerals for marking

linen; numerals or letters for marking linen; ornamental novelty badges [buttons]; ostrich feathers [clothing accessories]; picot [lace]; pin cushions; pins, other than jewelry; prize ribbons; ribbons and bows, not of paper, for gift wrapping; ribbons for the hair; rosettes [haberdashery]; rug hooks; saddlers' needles; sewing boxes; sewing kits; sewing needles; sewing thimbles; shoe buckles; shoe eyelets; shoe fasteners; shoe hooks; shoe laces; shoemakers' needles; shoe trimmings; shoulder pads for clothing; shuttles for making fishing nets; silver embroidery; skirt flounces; snap fasteners; spangles for clothing; tapes for curtain headings; tassels [haberdashery]; top-knots [pom-poms]; toupees; tresses of hair; trimmings for clothing; trouser clips for cyclists; whalebones for corsets; wigs; woollen laces; wreaths of artificial flowers; zippers; zippers for bags.

27 – Artificial turf; bath mats; carpets; carpets for automobiles; carpet underlay; door mats; floor coverings; floor mats, fire-resistant, for fireplaces and barbecues; gymnasium mats; linoleum; mats; mats of woven rope for ski slopes; non-slip mats; reed mats; tatami mats; textile wallcoverings; textile wallpaper; vinyl floor coverings; wall hangings, not of textile; wallpaper; yoga mats.

28 – Amusement machines, automatic and coin-operated; apparatus for games; appliances for gymnastics; arcade video game machines; archery implements; artificial fishing bait; artificial snow for christmas trees; ascenders [mountaineering equipment]; baby gyms; backgammon games; bags especially designed for skis; bags especially designed for surfboards; ball pitching machines; balls for games; bar-bells; baseball gloves; batting gloves [accessories for games]; bells for christmas trees; billiard balls; billiard cues; billiard cue tips; billiard markers; billiard table cushions; billiard tables; bingo cards; bite indicators [fishing tackle]; bite sensors [fishing tackle]; bladders of balls for games; bob-sleighs; body-building apparatus; bodyboards; boomerangs; bowling apparatus and machinery; bows for archery; boxing gloves; building blocks [toys]; building games; butterfly nets; camouflage screens [sports articles]; candle holders for christmas trees; caps for pistols [toys]; carnival masks; chalk for billiard cues; checkerboards; checkers [games]; chessboards; chess games; chest expanders [exercisers]; chips for gambling; christmas crackers [party novelties]; christmas trees of synthetic material; christmas tree stands; clay pigeons [targets]; clay pigeon traps; climbers' harness; coin-operated billiard tables; confetti; conjuring apparatus; controllers for game consoles; controllers for toys; counters [discs] for games; creels [fishing traps]; cricket bags; cups for dice; darts; decoys for hunting or fishing; dice; discs for sports; divot repair tools [golf accessories]; dolls; dolls' beds; dolls' clothes; dolls' feeding bottles; dolls' houses; dolls' rooms; dominoes; drones [toys]; dumb-bells; edges of skis; elbow guards [sports artic-

les]; electronic targets; fairground ride apparatus; fencing gauntlets; fencing masks; fencing weapons; fidget toys; fish hooks; fishing lines; fishing tackle; flippers for diving; flippers for swimming; floats for fishing; flying discs [toys]; foosball tables; games; gaming machines for gambling; gloves for games; golf bag carts; golf bags, with or without wheels; golf bag tags; golf clubs; golf gloves; gut for fishing; gut for rackets; gyroscopes and flight stabilizers for model aircraft; hand-held consoles for playing video games; hang gliders; harness for sailboards; harpoon guns [sports articles]; hockey sticks; horseshoe games; hunting game calls; ice skates; in-line roller skates; inflatable games for swimming pools; jigsaw puzzles; joysticks for video games; kaleidoscopes; kite reels; kites; knee guards [sports articles]; landing nets for anglers; machines for physical exercises; mah-jong; marbles for games; masks [playthings]; masts for sailboards; matryoshka dolls; men's athletic supporters [sports articles]; needles for pumps for inflating balls for games; nets for sports; novelty toys for parties; novelty toys for playing jokes; ornaments for christmas trees, except lights, candles and confectionery; pachinkos; paddleboards; paintball guns [sports apparatus]; paintballs [ammunition for paintball guns] [sports apparatus]; paper party hats; paragliders; parlor games; party balloons; party poppers [party novelties]; percussion caps [toys]; pinatas; playhouses for children; playing balls; playing cards; play tents; plush toys; plush toys with attached comfort blanket; poles for pole vaulting; portable games and toys incorporating telecommunication functions; portable games with liquid crystal displays; protective cups for sports; protective films adapted for screens for portable games; protective paddings [parts of sports suits]; pumps specially adapted for use with balls for games; punching bags; puppets; quoits; rackets; rattles [playthings]; reels for fishing; remote-controlled toy vehicles; rhythmic gymnastics ribbons; ring games; rocking horses; rods for fishing; rollers for stationary exercise bicycles; roller skates; roller skis; rosin used by athletes; roulette wheels; sailboards; scale model kits [toys]; scale model vehicles; scent lures for hunting or fishing; scooters [toys]; scratch cards for playing lottery games; seal skins [coverings for skis]; shin guards [sports articles]; shuttlecocks; skateboards; skeleton sleds; ski bindings; ski poles; ski poles for roller skis; skis; skittles; skittles [games]; sleds [sports articles]; slides [playthings]; sling shots [sports articles]; slot machines [gaming machines]; snowboards; snow globes; snowshoes; soap bubbles [toys]; sole coverings for skis; spinning tops [toys]; spring boards [sports articles]; starting blocks for sports; stationary exercise bicycles; strings for rackets; stuffed toys; surfboard leashes; surfboards; swimming belts; swimming jackets; swimming kickboards; swimming pool air floats; swimming pools [play articles]; swimming webs; swings; table-top games; tables for table tennis; targets; teddy bears; tennis ball throwing apparatus;

tennis nets; theatrical masks; toy air pistols; toy dough; toy figures; toy imitation cosmetics; toy mobiles; toy models; toy pistols; toy putty; toy robots; toys; toys for pets; toy vehicles; trading cards for games; trampolines; tricycles for infants [toys]; twirling batons; video game consoles; video game machines; waist trimmer exercise belts; waterskis; water wings; weight lifting belts [sports articles]; yoga swings.

29 – Agar-agar for culinary purposes; albumen for culinary purposes; albumin milk; alginates for culinary purposes; almond milk; almond milk-based beverages; almond milk for culinary purposes; almonds, ground; aloe vera prepared for human consumption; anchovy, not live; andouillettes; animal marrow for food; apple purée; arrangements of processed fruit; artichokes, preserved; bacon; beans, preserved; berries, preserved; black pudding; bone oil for food; bouillon; bouillon concentrates; bulgogi; butter; buttercream; cabbage rolls stuffed with meat; candied nuts; cassoulet; caviar; charcuterie; cheese; choucroute garnie; clams, not live; cocoa butter for food; coconut, desiccated; coconut butter; coconut fat; coconut milk; coconut milk-based beverages; coconut milk for culinary purposes; coconut oil for food; colza oil for food; compotes; condensed milk; corn dogs; corn oil for food; cottage cheese; cottage cheese fritters; cranberry compote; crayfish, not live; cream [dairy products]; croquettes; crustaceans, not live; crystallized fruits; crystallized ginger; curd; dates; duck confits; edible ant larvae, prepared; edible birds' nests; edible fats; edible flowers, dried; edible insects, not live; eggplant paste; eggs; extra virgin olive oil for food; falafel; fat-containing mixtures for bread slices; fatty substances for the manufacture of edible fats; fermented baked milk; fish, not live; fish, preserved; fish, canned; fish-based foodstuffs; fish fillets; fish meal for human consumption; fish mousses; fish roe, prepared; flavored nuts; freeze-dried meat; freeze-dried vegetables; frozen fruits; fruit, preserved; fruit, processed; fruit, stewed; fruit-based concentrate for cooking; fruit-based snack food; fruit chips; fruit jellies; fruit peel; fruit preserved in alcohol; fruit pulp; fruits, canned; fruit salads; game, not live; gelatine; gherkins; ginger, preserved; ginger jam; guacamole; ham; hash browns; hazelnuts, prepared; herrings, not live; hot dog sausages; hummus; isinglass for food; jams; jellies for food; kefir; kimchi; klipfish [salted and dried cod]; kumys; lactic acid drinks; lard; laver, preserved; lecithin for culinary purposes; lemon juice for culinary purposes; lentils, preserved; linseed oil for food; liver; liver pastes; lobsters, not live; low-fat potato chips; margarine; meat; meat, preserved; meat, canned; meat extracts; meat jellies; milk; milk beverages, milk predominating; milk ferments for culinary purposes; milk products; milk shakes; milk substitutes; mollusks, not live; mushrooms, preserved; mussels, not live; non-alcoholic eggnog; nut-based spreads; nuts, prepared; oat milk; oils for food; olive oil for food; olives, preserved; omelets; onion rings; oni-

ons, preserved; oysters, not live; palm kernel oil for food; palm oil for food; peanut butter; peanut milk; peanut milk-based beverages; peanut milk for culinary purposes; peanuts, prepared; peas, preserved; pectin for culinary purposes; pickled ginger; pickles; pollen prepared as foodstuff; pork; potato-based dumplings; potato chips; potato flakes; potato fritters; poultry, not live; powdered eggs; powdered milk; prawns, not live; preparations for making bouillon; preparations for making soup; preserved garlic; preserved peppers; pressed fruit paste; quark; raisins; ratatouille; rennet; rice milk; rice milk for culinary purposes; salmon, not live; salted fish; salted meats; sardines, not live; satay; sauerkraut; sausage casings, natural or artificial; sausages; sausages in batter; sea-cucumbers, not live; seaweed extracts for food; seeds, prepared; sesame oil for food; shellfish, not live; shrimps, not live; silkworm chrysalis for human consumption; smetana; snail eggs for consumption; soups; soured milk; soya bean oil for food; soya beans, preserved, for food; soya milk; soya patties; spiny lobsters, not live; suet for food; sunflower oil for food; sunflower seeds, prepared; sweet corn, processed; tagine [prepared meat, fish or vegetable dish]; tahini; tempeh; tofu; tofu patties; tofu skin; tomato juice for cooking; tomato paste; tomato purée; tripe; truffles, preserved; tuna, not live; vegetable-based concentrate for cooking; vegetable-based cream; vegetable-based spreads; vegetable juices for cooking; vegetable marrow paste; vegetable mousses; vegetables, cooked; vegetables, dried; vegetables, preserved; vegetables, processed; vegetables, canned; vegetable salads; vegetable soup preparations; whey; whipped cream; white of eggs; white pudding; yakitori; yogurt; yolk of eggs.

30 – Agave syrup [natural sweetener]; allspice; almond confectionery; almond paste; aniseed; apple sauce [condiment]; aromatic preparations for food; artificial coffee; baking powder; baking soda [bicarbonate of soda for cooking purposes]; baozi; barley meal; batter mixes; bean meal; beer vinegar; bibimbap [rice mixed with vegetables and beef]; binding agents for ice cream; bread; breadcrumbs; bread rolls; buckwheat, processed; buckwheat flour; bulgur; buns; burritos; cake dough; cake frosting [icing]; cake powder; cakes; candies; candy decorations for cakes; capers; caramels [candies]; celery salt; cereal-based snack food; cereal bars; cereal preparations; chamomile-based beverages; cheeseburgers [sandwiches]; chewing gum; chewing gum for breath freshening; chicory [coffee substitute]; chips [cereal products]; chocolate; chocolate-based beverages; chocolate-based spreads; chocolate-coated nuts; chocolate beverages with milk; chocolate decorations for cakes; chocolate mousses; chocolate spreads containing nuts; chocolatines; chow-chow [condiment]; chutneys [condiments]; cinnamon [spice]; cloves [spice]; cocoa; cocoa-based beverages; cocoa beverages with milk; coconut macarons; coffee; coffee-based beverages; coffee beverages with milk; coffee capsules, filled; coffee flavorings;

condiments; confectionery; confectionery for decorating christmas trees; cookies; cooking salt; corn, milled; corn, roasted; corn flakes; corn flour; couscous; crackers; cranberry sauce [condiment]; cream of tartar for culinary purposes; croissants; croutons; crushed barley; crushed oats; crystallized rock sugar; crème brûlée; curry [spice]; custard; dessert mousses [confectionery]; dough; dressings for salad; dulce de leche; edible ices; edible paper; edible paper wafers; edible rice paper; essences for foodstuffs, except etheric essences and essential oils; ferments for pastes; flavorings, other than essential oils, for cakes; flavorings, other than essential oils, for beverages; flour; flour-based dumplings; flowers or leaves for use as tea substitutes; fondants [confectionery]; food flavorings, other than essential oils; freeze-dried dishes with the main ingredient being pasta; freeze-dried dishes with the main ingredient being rice; frozen yogurt [confectionery ices]; fruit confectionery; fruit coulis [sauces]; fruit jellies [confectionery]; garden herbs, preserved [seasonings]; gingerbread; ginger paste [seasoning]; glucose for culinary purposes; gluten-free bread; gluten additives for culinary purposes; gluten prepared as foodstuff; golden syrup; groats for human food; ground ginger; halvah; ham glaze; harissa [condiment]; high-protein cereal bars; hominy; hominy grits; honey; hot dog sandwiches; husked barley; husked oats; ice, natural or artificial; ice cream; ice cubes; iced tea; ice for refreshment; ice pops; infusions, not medicinal; instant rice; jiaozi; kelp tea; ketchup [sauce]; kimchi pancakes; laksa; leaven; linseed for culinary purposes [seasoning]; liquorice [confectionery]; macaroni; macarons; malt biscuits; malt extract for food; malt for human consumption; maltose; marinades; marzipan; mayonnaise; meat gravies; meat pies; meat tenderizers for household purposes; minced garlic [condiment]; mint for confectionery; mints for breath freshening; mirror icing [mirror glaze]; miso; molasses for food; muesli; mustard; mustard meal; natural sweeteners; noodle-based prepared meals; noodles; nougat; nut flours; nutmegs; oat-based food; oat flakes; oatmeal; onigiri; orange blossom water for culinary purposes; palm sugar; pancakes; pasta; pasta sauce; pastilles [confectionery]; pastries; pastry dough; peanut confectionery; pelmeni; pepper; peppermint sweets; peppers [seasonings]; pesto; petit-beurre biscuits; petits fours; piccalilli; pies; pizzas; popcorn; potato-based flatbreads; potato flour; powders for making ice cream; pralines; preparations for stiffening whipped cream; prepared rice rolled in seaweed; processed seeds for use as a seasoning; profiteroles; propolis; puddings; pâtés en croûte; quiches; quinoa, processed; ramen; ravioli; relish [condiment]; rice; rice-based snack food; rice cakes; rice crackers; rice pudding; rice pulp for culinary purposes; royal jelly; rusks; saffron [seasoning]; sago; salt for preserving foodstuffs; sandwiches; sauces [condiments]; sausage binding materials; savory pancake mixes; savory pancakes; seasonings; seawater for cooking; sea-

weed [condiment]; semolina; sesame seeds [seasonings]; shaved ice with sweetened red beans; sherbets [ices]; soba noodles; soya flour; soya sauce; spaghetti; spices; spring rolls; star aniseed; starch for food; stick liquorice [confectionery]; sugar; sushi; tabbouleh; tacos; tamarind [condiment]; tapioca; tapioca flour; tarts; tea; tea-based beverages; tea beverages with milk; thickening agents for cooking foodstuffs; tomato sauce; tortillas; turmeric; udon noodles; unleavened bread; unroasted coffee; vanilla flavorings for culinary purposes; vanillin [vanilla substitute]; vegetal preparations for use as coffee substitutes; vermicelli; vinegar; waffles; wheat flour; wheat germ for human consumption; yeast.

31 – Algae, unprocessed, for human or animal consumption; algarovilla for animal consumption; almonds [fruits]; aloe vera plants; anchovy, live; animal fattening preparations; animal foodstuffs; aromatic sand [litter] for pets; arrangements of fresh fruit; artichokes, fresh; bagasses of cane [raw material]; barley; beans, fresh; beet, fresh; berries, fresh; beverages for pets; bird food; bran; bran mash for animal consumption; bred stock; buckwheat, unprocessed; by-products of the processing of cereals, for animal consumption; cannabis, unprocessed; cannabis plants; cereal seeds, unprocessed; chestnuts, fresh; chicory, fresh; chicory roots; christmas trees; citrus fruit, fresh; cocoa beans, raw; coconuts; coconut shell; copra; crayfish, live; crustaceans, live; cucumbers, fresh; cuttle bone for birds; distillery waste for animal consumption; dog biscuits; draff; edible chews for animals; edible flowers, fresh; edible insects, live; edible linseed, unprocessed; edible sesame, unprocessed; eggs for hatching, fertilized; fish, live; fishing bait, live; fish meal for animal consumption; fish spawn; flax meal [fodder]; flower bulbs; flowers, dried, for decoration; flowers, natural; fodder; freeze-dried fishing bait; fruit, fresh; fruit residue [marc]; garden herbs, fresh; garlic, fresh; ginger, fresh; grains for animal consumption; grains [cereals]; grapes, fresh; groats for poultry; hay; hazelnuts, fresh; herrings, live; hop cones; hops; juniper berries; koi carp, live; kola nuts; leeks, fresh; lemons, fresh; lentils, fresh; lettuce, fresh; lime for animal forage; linseed for animal consumption; linseed meal for animal consumption; litter for animals; litter peat; live animals; lobsters, live; locust beans, raw; maize; maize cake for cattle; malt for brewing and distilling; mash for fattening livestock; meal for animals; menagerie animals; mollusks, live; mushrooms, fresh; mushroom spawn for propagation; mussels, live; nettles; nuts, unprocessed; oats; oil cake; olives, fresh; onions, fresh; oranges, fresh; oysters, live; palms [leaves of the palm tree]; palm trees; peanut cake for animals; peanut meal for animals; peanuts, fresh; peas, fresh; peppers [plants]; pet food; pine cones; plants; plants, dried, for decoration; pollen [raw material]; potatoes, fresh; poultry, live; preparations for egg laying poultry; quinoa, unprocessed; rape cake for cattle; raw barks; residue in a still after distillation;

rhubarb, fresh; rice, unprocessed; rice meal for forage; roots for animal consumption; rose bushes; rough cork; rye; salmon, live; salt for cattle; sanded paper [litter] for pets; sardines, live; sea-cucumbers, live; seed germ for botanical purposes; seedlings; seeds for planting; shellfish, live; shrubs; silkworm eggs; silkworms; soya beans, fresh; spinach, fresh; spiny lobsters, live; squashes, fresh; stall food for animals; straw litter; straw mulch; straw [forage]; strengthening animal forage; sugarcane; trees; truffles, fresh; trunks of trees; tuna, live; turf, natural; undressed timber; unprocessed sweet corn ears [husked or unhusked]; unsawn timber; vegetable marrows, fresh; vegetables, fresh; vine plants; wheat; wheat germ for animal consumption; wood chips for the manufacture of wood pulp; wreaths of natural flowers; yeast for animal consumption.

32 – Aerated water; aloe vera drinks, non-alcoholic; aperitifs, non-alcoholic; barley wine [beer]; beer; beer-based cocktails; beer wort; cider, non-alcoholic; cocktails, non-alcoholic; energy drinks; extracts of hops for making beer; fruit juices; fruit nectars, non-alcoholic; ginger beer; grape must, unfermented; isotonic beverages; kvass; lemonades; lithia water; malt beer; malt wort; mineral water [beverages]; must; non-alcoholic beverages; non-alcoholic beverages flavored with coffee; non-alcoholic beverages flavored with tea; non-alcoholic dried fruit beverages; non-alcoholic essences for making beverages; non-alcoholic fruit extracts; non-alcoholic fruit juice beverages; non-alcoholic honey-based beverages; non-alcoholic preparations for making beverages; orgeat; pastilles for effervescing beverages; powders for effervescing beverages; preparations for making aerated water; protein-enriched sports beverages; rice-based beverages, other than milk substitutes; sarsaparilla [non-alcoholic beverage]; seltzer water; shandy; sherbets [beverages]; smoothies; soda water; soft drinks; soya-based beverages, other than milk substitutes; syrups for beverages; syrups for lemonade; table waters; tomato juice [beverage]; vegetable juices [beverages]; waters [beverages]; whey beverages.

33 – Alcoholic beverages, except beer; alcoholic beverages containing fruit; alcoholic essences; alcoholic extracts; anisette [liqueur]; anise [liqueur]; aperitifs; arrack [arak]; bitters; brandy; cider; cocktails; curacao; digestifs [liqueurs and spirits]; distilled beverages; fruit extracts, alcoholic; gin; grain-based distilled alcoholic beverages; kirsch; liqueurs; mead [hydromel]; peppermint liqueurs; perry; piquette; pre-mixed alcoholic beverages, other than beer-based; rice alcohol; rum; sake; spirits [beverages]; sugarcane-based alcoholic beverages; vodka; whisky; wine.

34 – Absorbent paper for tobacco pipes; ashtrays for smokers; books of cigarette papers; chewing tobacco; cigar cases; cigar cutters; cigarette cases; cigarette filters; cigarette holders; cigarette paper; cigarettes; cigarettes containing tobacco substitutes, not for medi-

cal purposes; cigarette tips; cigar holders; cigarillos; cigars; electronic cigarettes; firestones; flavorings, other than essential oils, for tobacco; flavorings, other than essential oils, for use in electronic cigarettes; gas containers for cigar lighters; herbs for smoking; hookahs; humidors; lighters for smokers; liquid solutions for use in electronic cigarettes; matchboxes; matches; match holders; mouthpieces for cigarette holders; oral vaporizers for smokers; pipe cleaners for tobacco pipes; pipe racks for tobacco pipes; pocket machines for rolling cigarettes; snuff; snuff boxes; spittoons for tobacco users; tips of yellow amber for cigar and cigarette holders; tobacco; tobacco jars; tobacco pipes; tobacco pouches; wicks adapted for cigarette lighters.

35 – Administration of consumer loyalty programs; administration of frequent flyer programs; administrative assistance in responding to calls for tenders; administrative processing of purchase orders; administrative services for medical referrals; administrative services for the relocation of businesses; advertising; advertising agencies; advertising by mail order; advisory services for business management; appointment reminder services [office functions]; appointment scheduling services [office functions]; arranging newspaper subscriptions for others; arranging subscriptions to telecommunication services for others; auctioneering; bill-posting; book-keeping; business appraisals; business auditing; business efficiency expert services; business inquiries; business intermediary services relating to the matching of potential private investors with entrepreneurs needing funding; business investigations; business management and organization consultancy; business management assistance; business management consultancy; business management for freelance service providers; business management of hotels; business management of performing artists; business management of reimbursement programs for others; business management of sports people; business organization consultancy; business project management services for construction projects; business research; commercial administration of the licensing of the goods and services of others; commercial information agency services; commercial intermediation services; commercial lobbying services; commercial or industrial management assistance; competitive intelligence services; compilation of information into computer databases; compilation of statistics; compiling indexes of information for commercial or advertising purposes; computerized file management; consultancy regarding advertising communication strategies; consultancy regarding public relations communication strategies; consumer profiling for commercial or marketing purposes; corporate communications services; cost price analysis; data search in computer files for others; demonstration of goods; development of advertising concepts; direct mail advertising; dissemination of advertising matter; distribution of samples; drawing up of statements of accounts; economic forecasting; employment agency services;

financial auditing; gift registry services; import-export agency services; interim business management; invoicing; layout services for advertising purposes; marketing; marketing in the framework of software publishing; marketing research; market intelligence services; market studies; media relations services; modelling for advertising or sales promotion; negotiation and conclusion of commercial transactions for third parties; negotiation of business contracts for others; news clipping services; office machines and equipment rental; online advertising on a computer network; online retail services for downloadable and pre-recorded music and movies; online retail services for downloadable digital music; online retail services for downloadable ring tones; opinion polling; organization of exhibitions for commercial or advertising purposes; organization of fashion shows for promotional purposes; organization of trade fairs; outdoor advertising; outsourced administrative management for companies; outsourcing services [business assistance]; pay per click advertising; payroll preparation; personnel management consultancy; personnel recruitment; photocopying services; presentation of goods on communication media, for retail purposes; price comparison services; procurement services for others [purchasing goods and services for other businesses]; production of advertising films; production of teleshopping programmes; professional business consultancy; promotion of goods and services through sponsorship of sports events; providing business information; providing business information via a website; providing commercial and business contact information; providing commercial information and advice for consumers in the choice of products and services; providing user rankings for commercial or advertising purposes; providing user reviews for commercial or advertising purposes; provision of an online marketplace for buyers and sellers of goods and services; psychological testing for the selection of personnel; publication of publicity texts; publicity material rental; public relations; radio advertising; registration of written communications and data; rental of advertising space; rental of advertising time on communication media; rental of billboards [advertising boards]; rental of office equipment in co-working facilities; rental of photocopying machines; rental of sales stands; rental of vending machines; retail services for pharmaceutical, veterinary and sanitary preparations and medical supplies; retail services for works of art provided by art galleries; retail services relating to bakery products; sales promotion for others; scriptwriting for advertising purposes; search engine optimization for sales promotion; secretarial services; shop window dressing; shorthand; sponsorship search; systemization of information into computer databases; targeted marketing; tax filing services; tax preparation; telemarketing services; telephone answering for unavailable subscribers; telephone switchboard services; television advertising; transcription of communications [office

functions]; typing; updating and maintenance of data in computer databases; updating and maintenance of information in registries; updating of advertising material; web indexing for commercial or advertising purposes; website traffic optimization; wholesale services for pharmaceutical, veterinary and sanitary preparations and medical supplies; word processing; writing of publicity texts; writing of résumés for others.

40 – Abrasion; air deodorising; air freshening; air purification; applying finishes to textiles; beer brewing for others; blacksmithing; boilermaking; bookbinding; burnishing by abrasion; cadmium plating; chromium plating; cloth cutting; cloth dyeing; cloth edging; cloth fireproofing; clothing alteration; cloth pre-shrinking; colour separation services; consultancy in the field of wine making; crease-resistant treatment for clothing; cryopreservation services; custom 3D printing for others; custom assembling of materials for others; custom fashioning of fur; custom manufacturing of bread; custom tailoring; decontamination of hazardous materials; destruction of waste and trash; dress-making; dyeing services; electroplating; embroidering; engraving; fabric bleaching; fabric waterproofing; flour milling; food and drink preservation; food smoking; framing of works of art; freezing of foods; fruit crushing; fulling of cloth; fur conditioning; fur dyeing; fur glossing; fur mothproofing; fur satining; galvanization; gilding; glass-blowing; gold plating; grinding; incineration of waste and trash; key cutting; knitting machine rental; laminating; laser scribing; leather staining; leather working; lithographic printing; magnetization; metal casting; metal plating; metal tempering; metal treating; millworking; nickel plating; offset printing; optical glass grinding; paper finishing; paper treating; pasteurising of food and beverages; pattern printing; permanent-press treatment of fabrics; photocomposing services; photographic film development; photographic printing; photogravure; planing of materials; pottery firing; printing; processing of cinematographic films; processing of oil; production of energy; providing information relating to material treatment; quilting; recycling of waste and trash; refining services; rental of air-conditioning apparatus; rental of boilers; rental of generators; rental of space heating apparatus; saddlery working; sand-blasting services; sawing of materials; services of a dental technician; shoe staining; silkscreen printing; silver plating; skin dressing; slaughtering of animals; soldering; sorting of waste and recyclable material [transformation]; stripping finishes; tanning; taxidermy; textile dyeing; textile mothproofing; textile treating; timber felling and processing; tin plating; tinting of car windows; upcycling [waste recycling]; vulcanization [material treatment]; warping [looms]; waste treatment [transformation]; water treating; welding services; window tinting treatment being surface coating; wine making for others; woodworking; wool treating.

41 – Academies [education]; aikido instruction; amusement park services; animal training; arranging and conducting of colloquiums; arranging and conducting of concerts; arranging and conducting of conferences; arranging and conducting of congresses; arranging and conducting of in-person educational forums; arranging and conducting of seminars; arranging and conducting of symposiums; arranging and conducting of workshops [training]; arranging of beauty contests; boarding school education; booking of seats for shows; calligraphy services; cinema presentations; club services [entertainment or education]; coaching [training]; conducting fitness classes; conducting guided climbing tours; conducting guided tours; correspondence courses; cultural, educational or entertainment services provided by art galleries; disc jockey services; discotheque services; dubbing; educational examination; educational examination for users to qualify to pilot drones; educational services provided by schools; educational services provided by special needs assistants; electronic desktop publishing; entertainer services; entertainment services; face painting; film directing, other than advertising films; film distribution; film production, other than advertising films; gambling services; games equipment rental; game services provided online from a computer network; gymnastic instruction; health club services [health and fitness training]; holiday camp services [entertainment]; judo instruction; karaoke services; know-how transfer [training]; language interpretation; layout services, other than for advertising purposes; lending library services; lighting technician services for events; microfilming; mobile library services; modelling for artists; movie studio services; music composition services; news reporters services; nightclub services [entertainment]; nursery schools; online publication of electronic books and journals; orchestra services; organization of balls; organization of competitions [education or entertainment]; organization of cosplay entertainment events; organization of exhibitions for cultural or educational purposes; organization of fashion shows for entertainment purposes; organization of lotteries; organization of shows [impresario services]; organization of sports competitions; party planning [entertainment]; personal trainer services [fitness training]; photographic reporting; photography; physical education; physical fitness assessment services for training purposes; practical training [demonstration]; presentation of circus performances; presentation of live performances; presentation of variety shows; production of music; production of radio and television programmes; production of shows; providing amusement arcade services; providing casino facilities [gambling]; providing films, not downloadable, via video-on-demand services; providing golf facilities; providing information in the field of education; providing information in the field of entertainment; providing information relating to recreational activities; providing museum facilities [presentation,

exhibitions]; providing online electronic publications, not downloadable; providing online music, not downloadable; providing online videos, not downloadable; providing recreation facilities; providing sports facilities; providing television programmes, not downloadable, via video-on-demand services; providing user rankings for entertainment or cultural purposes; providing user reviews for entertainment or cultural purposes; publication of books; publication of texts, other than publicity texts; radio entertainment; recording studio services; religious education; rental of artwork; rental of audio equipment; rental of cinematographic apparatus; rental of indoor aquaria; rental of lighting apparatus for theatrical sets or television studios; rental of motion pictures; rental of radio and television sets; rental of show scenery; rental of skin diving equipment; rental of sound recordings; rental of sports equipment, except vehicles; rental of sports grounds; rental of stadium facilities; rental of stage scenery; rental of tennis courts; rental of training simulators; rental of video cameras; rental of video cassette recorders; rental of videotapes; sado instruction [tea ceremony instruction]; screenplay writing; scriptwriting, other than for advertising purposes; sign language interpretation; songwriting; sound engineering services for events; sport camp services; subtitling; teaching; television entertainment; theatre productions; ticket agency services [entertainment]; timing of sports events; toy rental; training services provided via simulators; translation; tutoring; video editing services for events; videotape editing; videotaping; vocational guidance [education or training advice]; vocational retraining; writing of texts; zoological garden services.

43 – Accommodation bureau services [hotels, boarding houses]; bar services; boarding for animals; boarding house bookings; boarding house services; cafeteria services; café services; cake decorating; canteen services; day-nursery [crèche] services; decorating of food; food and drink catering; food sculpting; holiday camp services [lodging]; hookah lounge services; hotel reservations; hotel services; information and advice in relation to the preparation of meals; motel services; personal chef services; providing campground facilities; reception services for temporary accommodation [management of arrivals and departures]; rental of chairs, tables, table linen, glassware; rental of cooking apparatus; rental of drinking water dispensers; rental of lighting apparatus; rental of meeting rooms; rental of temporary accommodation; rental of tents; rental of transportable buildings; restaurant services; retirement home services; self-service restaurant services; snack-bar services; temporary accommodation reservations; tourist home services; udon and soba restaurant services; washoku restaurant services.

(260) AM 2023 117002 A

(800) 1648737

(151) 2021 10 07

(891) 2021 10 07

(731) Euro Games Technology Ltd.

4, "Maritsa" Str., "Vranya-Lozen-Triugulnika",
BG-1151 Sofia, Bulgaria

(540)



(591) Blue, white, grey and black

(531) 26.04.18; 27.05.02; 27.05.03; 29.01.14

(511)

9 – Software; computer gaming software; computer software packages; computer operating system software; computer software, recorded; software drivers; virtual reality software; games software; entertainment software for computer games; computer programs for network management; operating computer software for main frame computers; monitors (computer hardware); computer hardware; apparatus for recording images; monitors (computer programs); computer game programs; computer programs for recorded games; apparatus for recording, transmission or reproduction of sound or images; communications servers [computer hardware]; electronic components for gambling machines; computer application software featuring games and gaming; computer software for the administration of on-line games and gaming; computer hardware for games and gaming; hardware and software for gambling, gambling machines, gambling games on the Internet and via telecommunication network.

28 – Gaming machines for gambling; chips for gambling; mah-jong; arcade games; gambling machines operating with coins, notes and cards; games; electronic games; parlor games; gaming chips; gaming tables; slot machines [gaming machines]; LCD game machines; slot machines and gaming devices; coin-operated amusement machines; roulette chips; poker chips; chips and dice [gaming equipment]; equipment for casinos; roulette tables; gaming roulette wheels; casino games; automats and gambling machines; coin-operated machines and/or electronic coin-operated machines with or without the possibility of gain; boxes for coin-operated machines, slot machines and gaming machines; electronic or electrotechnical gaming devices, automats and machines, coin-operated machines; housings for coin-operated machines, gaming equipment, gaming machines, machines for gambling; electropneumatic and electrical gambling machines (slot machines).

41 – Gambling; services related to gambling; gaming services for entertainment purposes; casino, gaming and gambling services; training in the development of

software systems; provision of gaming equipment for gambling halls; providing casino equipment [gambling]; gaming machine entertainment services; providing casino facilities [gambling]; halls with gaming machines; amusement arcade services; games equipment rental; rental of gaming machines; providing amusement arcade services; rental of gaming machines with images of fruits; editing or recording of sounds and images; sound recording and video entertainment services; hire of sound reproducing apparatus; provision of gaming equipment for casinos; providing of casino facilities; online gambling services; casino management services; operation of gaming establishments, gaming halls, internet casinos, online gambling sites.

(260) AM 2023 117013 A

(800) 1648919

(151) 2021 12 09

(891) 2021 12 09

(731) FERRERO TRADING LUX S.A.

16, route de Trèves, L-2633 Senningerberg,
Luxembourg

(540)



(591) Yellow, white, blue and red

(531) 01.01.04; 01.07.01; 01.11.15; 18.05.10;

27.05.04; 27.05.17; 29.01.14

(511)

28 – Games; toys; video game apparatus; gymnastic and sporting articles; decorations for Christmas trees, except illumination articles and confectionery; scale models [toys]; figurines (toys); poseable toy figures (toys); playing cards; construction games; trading cards for games.

30 – Pastry and confectionery; chocolate and chocolate-based confectionery.

41 – Education; providing of training; entertainment services; sporting and cultural activities; radio, internet and television entertainment; organization and providing of games and competitions via the internet [entertainment, education and sport]; electronic games services provided by means of the internet or other communication networks; providing of educational material; providing of online information relating to entertainment and/or education; entertainment services provided through a global communication network.

(260) AM 2023 117051 A

(800) 1649842

(151) 2022 01 19

(891) 2022 01 19

(731) Kia Corporation

12, Heolleung-ro, Seocho-gu, Seoul 06797,
Republic of Korea

(540)



Movement that inspires

(591) Black, white

(531) 27.05.01; 27.05.19; 27.05.22

(511)

42 – Testing/inspection or research of pharmaceuticals/cosmetics or foodstuffs; marine, aerial and land surveying; product research and development; technological advisory services relating to machine engineering analysis; research relating to mechanical engineering; engineering services relating to robotics; rental of laboratory robots; testing of new products; engineering services of land vehicle industry; motor vehicle design; design of mechanical equipment for car manufacturing; design of products; design of apparatus and machines for filling purposes; design of robots for industrial use; design services for parts of motor vehicles; textile design services for motor vehicle trim; development of data processing programs; programming of multimedia applications; software engineering; software design and development; design and development of application software for metaverse; computer programming services for remote data management of medical diagnostic instruments; computer software planning for vehicle manufacturing; computer programming; computer software design and development; computer hardware development; testing, inspection and research services in the fields of agriculture, livestock breeding and fisheries; development of technologies for the fabrication of circuits for wireless communication, electronic data processing, consumer electronics, automotive electronics; development of vehicles; technology research for automobiles including self-driving cars, electric cars, hybrid cars, hydrogen cars and connected cars.

(260) AM 2023 117053 A

(800) 1649867

(151) 2021 12 15

(891) 2021 12 15

(731) Société des Produits Nestlé S.A.

CH-1800 Vevey, Switzerland

(540)

ГЕРБЕР

(591) Black, white

(531) 28.05

(511)

5 – Dietetic foodstuffs, beverages and substances for medical and clinical use; food and food substances for babies; food preparations for infants; lacteal flour for babies; powdered milk for babies; foodstuffs and food substances for medical use for children and patients; foodstuffs and food substances for medical use for nursing mothers; nutritional supplements for medical use for pregnant women and breastfeeding mothers; nutritional supplements; dietetic supplements for medical use; nutritional and dietetic supplements for medical use; vitamin preparations, mineral-based preparations; dietary fibers; vitamins; vitamin preparations and substances; nutritional and food supplements.

29 – Cooked dishes based on vegetables, potatoes, fruits, meat, poultry, fish and seafood products; preserved, frozen, dried and cooked fruits and vegetables; mashed vegetables; fruit purée; powdered milk; milk-based beverages and preparations; milk substitutes; milk beverages with milk predominating; milk-based beverages containing cereals and/or chocolate; yogurts; soy milk; soups; preparations for making soup; vegetable soup preparations; jellies, jams, compotes; milk and dairy products, excluding cheese and cheese-based products.

30 – Malt biscuits; biscuits and cookies; malt for human consumption; malt extract for food; cocoa and cocoa-based beverages and preparations; chocolate, chocolate products, chocolate-based beverages and preparations; cereal-based beverages and preparations included in this class; processed cereals; breakfast cereals; cereal bars; ready-to-eat cereals; cereal preparations; cereal-based snacks; food products based on rice, flour, oat meal or cereals, also in the form of cooked dishes.

(260) AM 2023 117054 A

(800) 1207028

(151) 2013 10 04

(891) 2022 02 14

(731) MONCLER S.P.A.

Via Stendhal, 47, I-20144 MILANO, Italy

(540)



(591) Black, white
 (531) 03.07.03; 27.05.08; 27.05.21
 (511)

14 – Precious metals; palladium; precious stones; jade; costume jewellery; trinkets [jewellery and imitation jewellery]; charms [jewellery and imitation jewellery]; silver thread [jewellery]; threads of precious metal [jewellery]; threads of precious metal [jewellery and imitation jewellery]; gold thread [jewellery]; bracelets [jewellery and imitation jewellery]; bracelets made of embroidered textile [jewellery]; cloisonné jewellery; pearls [jewellery]; necklaces [jewellery and imitation jewellery]; lockets [jewellery and imitation jewellery]; chains [jewellery and imitation jewellery]; rings [jewellery and imitation jewellery]; brooches [jewellery and imitation jewellery]; earrings; diadems; medallions [jewellery and imitation jewellery]; medals; pins [jewellery and imitation jewellery]; ornamental pins; pendants [jewellery]; lanyards [key-chords]; key chains [key chains with trinket or decorative fob]; key rings [split rings with trinket or decorative fob]; charms for key rings; key fobs of metal; key rings of leather; key rings, not of metal; split rings of precious metal for keys; key fobs of leather; key fobs of imitation leather; charms for key rings; key fobs of common metal; key fobs, not of metal; fancy key holders of precious metal; key holders of precious metal; key holders of metal; key tags of plastic; badges of precious metal; amulets [jewellery and imitation jewellery]; paste jewellery [costume jewellery]; hat jewellery; shoe jewellery; shoe ornaments of precious metal; hat ornaments of precious metal; jewellery cases [caskets], not of precious metal; jewellery cases [caskets]; decorative boxes of precious metal; statues of precious metal; works of art of precious metal; crucifixes as jewellery; crucifixes of precious metal, other than jewellery; jewellery hat pins; retractable key rings; jewellery charms; charms for bracelets; charms for necklaces; wall clocks; alarm clocks; chronographs [watches]; wristwatches; stopwatches; pocket watches; cases for clocks and watches; watch bands; watch chains; watch bracelets; sew-on tags of precious metal for clothing; jewellery; imitation jewellery; gold; precious stones and jewellery made thereof; cufflinks; tie pins; statuettes and figurines of precious metal; clocks, watches and chronometrical instruments; chronometers and their parts; watch straps; trophies made of precious metal; rosaries.

(260) AM 2023 117055 A
 (800) 1485567
 (151) 2019 06 26
 (891) 2022 02 22
 (731) Roche Diagnostics GmbH
 Sandhofer Str. 116, 68305 Mannheim,
 Germany
 (540)

COBAS PULSE

(591) Black, white
 (511)
 9 – Scientific instrument and apparatus; laboratory instruments for use in research and science; laboratory instruments for research and diagnostic purposes; computer hardware and software for medical and diagnostic purposes; computer software for the provision of automated diagnostic laboratory processes; computer software and hardware for use with laboratory instruments, namely, for use in providing remote automated control, connection, data analysis, and data management.

10 – Analyzers for in-vitro diagnostic testing for medical purposes; laboratory apparatus for medical diagnostic purposes.

(260) AM 2023 117056 A
 (800) 1514847
 (151) 2019 12 20
 (891) 2022 02 24
 (731) DISTILLERIE MERLET ET FILS
 Chevessac, F-17610 SAINT-SAUVANT,
 France
 (540)

AMÉRISSE

(591) Black, white
 (511)
 32 – Beers; non-alcoholic aperitifs.

33 – Alcoholic beverages except beers; digesters (liqueurs and spirits); wines; spirits [beverages]; alcoholic extracts or essences.

(260) AM 2023 117057 A
 (800) 1514886
 (151) 2019 11 05
 (891) 2022 01 31
 (731) NOVARTIS AG
 CH-4002 Basel, Switzerland
 (540)



(591) Blue and orange
 (531) 01.01.01; 01.01.02; 01.01.10; 29.01.12
 (511)
 5 – Pharmaceutical preparations.

(260) AM 2023 117058 A
 (800) 1514891
 (151) 2019 11 18
 (891) 2022 01 31
 (731) NOVARTIS AG
 CH-4002 Basel, Switzerland
 (540)



(591) Black, white
 (531) 01.01.10; 01.03.01; 01.03.15; 26.04.02;
 26.04.09; 26.04.24
 (511)
 5 – Pharmaceutical preparations.

(260) AM 2023 117059 A
 (800) 1632261
 (151) 2021 10 18
 (891) 2022 02 24
 (731) Wörwag Pharma GmbH & Co.KG
 Flugfeld-Allee 24, 71034 Böblingen, Germany
 (540)

Trederol

(591) Black, white
 (511)
 5 – Dietetic products for medical purposes; dietetic preparations and food supplements; medicine and natural remedies; pharmaceutical products; veterinary products.

(260) AM 2023 117060 A
 (800) 1641030
 (151) 2021 12 27
 (891) 2022 02 18
 (731) Radisson Hospitality Belgium B.V. / S.R.L.
 Avenue du Bourget 44, B-1130 Brussel,
 Belgium
 (540)

SPORTS APPROVED

(591) Black, white
 (511)
 43 – Hotel, bar and restaurant services; services for the reservation of rooms.

(260) AM 2023 117109 A
 (800) 1649903
 (151) 2021 10 12
 (891) 2021 10 12
 (731) EAGLELINE LIMITED
 The Victoria Centre, Unit 2, Lower Ground
 Floor, Valletta Road, Mosta, Malta
 (540)

Midnight Fruits

(591) Black, white
 (511)
 9 – Games software; software programs for video games; interactive video game programs; cartridges for computer games; cartridges for videogames; educational software; application software; community software; computer telephony software; interactive computer software; communication software; programs for computers; software; electronic components for gambling machines; games cartridges for use with electronic games apparatus; automated teller machines; juke boxes.

28 – Games; sports games; manipulative games; mechanical games; musical games; electronic games; parlor games; board games; quiz games; apparatus for games; arcade games; skill and action games; electronic hand-held game units; handheld computer games; lottery wheels; lottery tickets; slot machines; automatic gaming machines; coin-operated amusement machines; bill-operated gaming equipment; LCD game machines; counters for games; amusement apparatus for use in arcades; arcade game machines.

41 – Gambling; operating lotteries; prize draws; organising and conducting lotteries; games equipment rental; casino services; providing casino facilities; leasing of casino games; providing casino facilities; providing amusement arcade services; video arcade services; casino, gaming and gambling services.

(260) AM 2023 117111 A
 (800) 1649913
 (151) 2021 12 31
 (891) 2021 12 31
 (731) ZHUHAI LEVELSURE TECHNOLOGY CO., LTD.
 Room SL-25, S208, 2/F, Lanhai Financial
 Building, 51 Cuizhu Fourth Street,
 Xiangzhou District, Zhuhai City, China
 (540)



(591) Black, white
 (531) 17.05.02; 27.03.15; 27.05.01; 27.05.11

(511)

9 – Surveying instruments; range finders; slope indicators; surveyors' levels; theodolites; spectacles; batteries, electric; optical apparatus and instruments; chips [integrated circuits]; light-emitting diodes [led]; switches, electric; materials for electricity mains [wires, cables]; semi-conductors; electronic numeric displays; fire extinguishing apparatus; protection devices for personal use against accidents; alarms; remote control apparatus; electric apparatus for commutation; electrolyzers; computer peripheral devices; counters; punched card machines for offices; weighing machines; measures; signal lanterns; radios; sound transmitting apparatus; projection apparatus; tripods for cameras; films, exposed.

(260) AM 2023 117114 A

(800) 1649994

(151) 2022 01 07

(891) 2022 01 07

(731) China Post Communications Equipment Co., Ltd.

6 / F, Block D, No.156, Fuxingmennei Street,
Xicheng District, 100031 Beijing, China

(540)

The logo for Xnova, featuring the word "Xnova" in a bold, black, sans-serif font. The "X" is significantly larger and more prominent than the other letters.

(591) Black, white

(531) 27.05.01

(511)

9 – Smartphones; cases for smartphones; cameras [photography]; chargers for electric batteries; wearable activity trackers; selfie sticks [hand-held monopods]; pedometers.

(260) AM 2023 117115 A

(800) 1650033

(151) 2021 11 08

(891) 2021 11 08

(731) Euro Games Technology Ltd.

4, "Maritsa" Str., "Vranya-Lozen-Triugulnika",
BG-1151 Sofia, Bulgaria

(540)

The logo for Stars Respin, featuring the words "Stars Respin" in a bold, black, sans-serif font. The "S" in "Stars" is significantly larger and more prominent than the other letters.

(591) Black, white

(511)

9 – Software; computer gaming software; computer software packages; computer operating system software; computer software, recorded; software drivers; virtual reality software; games software; entertainment software for computer games; computer programs for network management; operating computer software for main frame computers; monitors (computer hardware); computer hardware; apparatus for recording images; monitors (computer programs); co-

mputer game programs; computer programs for recorded games; apparatus for recording, transmission or reproduction of sound or images; communications servers [computer hardware]; electronic components for gambling machines; computer application software featuring games and gaming; computer software for the administration of on-line games and gaming; computer hardware for games and gaming; hardware and software for gambling, gambling machines, gambling games on the internet and via telecommunication network.

28 – Gaming machines for gambling; chips for gambling; mah-jong; arcade games; gambling machines operating with coins, notes and cards; games; electronic games; parlor games; gaming chips; gaming tables; slot machines [gaming machines]; LCD game machines; slot machines and gaming devices; coin-operated amusement machines; roulette chips; poker chips; chips and dice [gaming equipment]; equipment for casinos; roulette tables; gaming roulette wheels; casino games; automats and gambling machines; coin-operated machines and/or electronic coin-operated machines with or without the possibility of gain; boxes for coin-operated machines, slot machines and gaming machines; electronic or electrotechnical gaming devices, automats and machines, coin-operated machines; housings for coin-operated machines, gaming equipment, gaming machines, machines for gambling; electropneumatic and electrical gambling machines (slot machines).

41 – Gambling; services related to gambling; gaming services for entertainment purposes; casino, gaming and gambling services; training in the development of software systems; provision of gaming equipment for gambling halls; providing casino equipment [gambling]; gaming machine entertainment services; providing casino facilities [gambling]; halls with gaming machines; amusement arcade services; games equipment rental; rental of gaming machines; providing amusement arcade services; rental of gaming machines with images of fruits; editing or recording of sounds and images; sound recording and video entertainment services; hire of sound reproducing apparatus; provision of gaming equipment for casinos; providing of casino facilities; online gambling services; casino management services; operation of gaming establishments, gaming halls, internet casinos, online gambling sites.

(260) AM 2023 117116 A

(800) 1650043

(151) 2021 11 19

(891) 2021 11 19

(731) D.SOLUTIONS Limited Liability Company
vul. Simi Khokhlovykh, bud. 8, litera 20D,
Kyiv 04119, Ukraine

(540)



(591) Yellow and black

(531) 26.04.01; 27.05.01; 29.01.12

(511)

7 – Emergency power generators; alternators; dynamos; current generators; mine borers; generators of electricity; electric arc welding apparatus; electric arc cutting apparatus; electromechanical machines for chemical industry; welding machines, electric; soldering apparatus, gas-operated/welding apparatus, gas-operated; hammers (part of machines); lifting apparatus; hoists; industrial robots; wind turbines.

9 – Accumulators, electric; batteries, electric; batteries, electric, for vehicles; electric installations for the remote control of industrial operations; electronic numeric displays; voltage surge protectors; chargers for electric accumulators; charging stations for electric vehicles; connectors (electricity); connections for electric lines; collectors, electric; computer hardware; computer software, recorded; switches, electric; electric loss indicators; control panels (electricity); distribution boxes (electricity); distribution boards (electricity); solar batteries; solar panels for the production of electricity; transformers (electricity).

35 – Business auditing; outsourced administrative management for companies; negotiation of business contracts for others; market studies; opinion polling; business management assistance; commercial or industrial management assistance; advisory services for business management; business research; providing user reviews for commercial or advertising purposes; providing business information via a website; providing business information; providing commercial information and advice for consumers in the choice of products and services; compilation of information into computer databases; compilation of statistics; business management consultancy; consultancy regarding advertising communication strategies; business organization consultancy; marketing research; business appraisals; business management and organization consultancy; business intermediary services relating to the matching of potential private investors with entrepreneurs needing funding; business efficiency expert services; outsourcing services (business assistance); business project management services for construction projects; commercial intermediation services; systemization of information into computer databases; search engine optimization for sales promotion.

36 – Arranging finance for construction projects; capital investment; real estate management; loans (financing); instalment loans; bail-bonding; financial management; financial consultancy; financial evaluation of development costs relating to the oil, gas and mining industries; financial valuation of intellectual property assets.

37 – Vehicle battery charging; charging of electric vehicles; repair of power lines; factory construction; harbour construction.

39 – Freight (shipping of goods); delivery of goods; storage/warehousing; stevedoring; railway transport; transportation logistics; marine transport; rental of warehouses; transport; air transport; piloting of civilian drones; electricity distribution; freight forwarding; freighting.

40 – Custom 3D printing for others; production of energy.

42 – Analysis for oil-field exploitation; oil-well testing; geological prospecting; oil-field surveys; energy auditing; engineering; consultancy in the field of energy-saving; information technology (IT) consultancy; computer software consultancy; cloud computing.

(260) AM 2023 117128 A

(800) 1650491

(151) 2021 07 13

(891) 2021 07 13

(731) XIAOMI INC.

No.006, Floor 6, Building 6, Yard 33, Middle Xierqi Road, Haidian District, Beijing, China

(540)



(591) Black, white

(531) 26.04.04; 26.04.05; 26.04.18; 26.04.24; 27.05.01; 27.05.24

(511)

2 – Dyes; watercolour paints; food dyes; toner cartridges, filled, for printers and photocopiers; ink for printers and photocopiers; ink cartridges, filled, for printers and photocopiers; coatings [paints]; anti-tarnishing preparations for metals; mastic [natural resin].

3 – Baby wipes impregnated with cleaning preparations; cakes of toilet soap; detergent; shining preparations [polish]; sharpening preparations; essential oils; cosmetics; dentifrices; potpourris [fragrances]; non-medicated mouth washes for pets; air fragrancing preparations.

7 – Agricultural machines; agricultural implements other than hand-operated; aerating pumps for aquaria; mechanized livestock feeders; electronic feeders for animals; milking machines; hair cutting machines for animals; woodworking machines; papermaking machines; diaper producing equipment; printing presses; darning machines; dyeing machines; food preparation machines, electromechanical; beverage preparation

machines, electromechanical; brewing machines; tobacco processing machines; leather-working machines; ironing machines; machines for the bicycle industry; machines for the ceramic industry [including ceramic machines for the construction industry]; engraving machines; industrial inkjet printing machines; machines for battery industry; cord making machines; pen making machines; light bulb making machines; electric vacuum food sealers for household purposes; electric juicers; juice extractors, electric; dishwashers; coffee grinders, other than hand-operated; kitchen machines, electric; blenders, electric, for household purposes; mills for household purposes, other than hand-operated; food processors, electric; electrical coffee grinders; mixing machines; washing machines [laundry]; wringing machines for laundry; disintegrators; embossing machines; glass-working machines; electromechanical machines for chemical industry; rinsing machines; cutters [machines]; drilling rigs, floating or non-floating; mixers [machines]; whitewashing machines; lifting apparatus; handling apparatus for loading and unloading; conveyors [machines]; electric hammers; foundry machines; steam condensers [parts of machines]; carburettors; hydraulic turbines; industrial robots; handling machines, automatic [manipulators]; cowlings [parts of machines]; electric wire and cable manufacturing machines; electromotion screwdriver; electric hand-held drills; hand-held electric drills [excluding electric coal drill]; painting machines; dynamos; filters for cleaning cooling air, for engines; motors, electric, other than for land vehicles; pumps [machines]; pneumatic pumps; valves [parts of machines]; aerocondensers; hydraulic couplers; transmissions for machines; control mechanisms for machines, engines or motors; bearings [parts of machines]; belts for machines; rubber tracks being parts of crawlers on construction machines; welding apparatus, gas-operated; rechargeable sweepers; floor scrubbing machines; machines and apparatus for cleaning, electric; electric cordless sweepers; cordless vacuum cleaners; vacuum cleaners; electric vacuum cleaners; steam mops; brushes for vacuum cleaners; dust filters and bags for vacuum cleaners; sifting installations; curtain drawing devices, electrically operated; drums [parts of machines]; 3D printers; shoe polishers, electric; racket stringing machines; vending machines; labellers [machines]; robotic exoskeleton suits, other than for medical purposes; 3D printing pens; electroplating machines.

8 – Abrading instruments [hand instruments]; agricultural implements, hand-operated; garden tools, hand-operated; instruments and tools for skinning animals; harpoons; razors, electric or non-electric; electric hair crimper; nail clippers; beard clippers; razor blades; electric irons for styling hair; electric hair straighteners; screwdrivers, non-electric; flat irons; tweezers; knives; side arms, other than firearms; table cutlery [knives, forks and spoons]; handles for hand-operated hand tools; hand tools, hand-operated.

9 – Computer software applications, downloadable; computer peripheral devices; notebook computers; mobile phone software applications, downloadable; laser printers; tablet computers; telepresence robots; humanoid robots with artificial intelligence; computers; photo printers; ink-jet document printers; toner cartridges, unfilled, for printers and photocopiers; ink cartridges, unfilled, for printers and photocopiers; liquid crystal displays; LED displays; memory cards; USB flash drives; computer keyboards; mouse [computer peripheral]; mouse pads; smartwatches [data processing]; electronic pocket translators; operating system programs; touch screen pens; electronically encoded identity wristbands; smartglasses; cases adapted for computers; encoded identification bracelets, magnetic; processors [central processing units]; graphics processor units (gpu); computer programs, recorded; monitors [computer hardware]; couplers [data processing equipment]; digital to analogue converters; pedometers; apparatus to check franking; automated teller machines [ATM]; mechanisms for coin-operated apparatus; dictating machines; holograms; hemline markers; voting machines; face recognition apparatus; fingerprint identifier; photocopiers [photographic, electrostatic, thermic]; bathroom scales; body fat scale for household purposes; electronic bathroom scales; scales; measures; digital signs; cell phones; wearable activity trackers; Global Positioning System [GPS] apparatus; network routers; smartphones; navigational instruments; electro-dynamic apparatus for the remote control of signals; sound locating instruments; satellite navigational apparatus; equipment for communication network; navigation apparatus for vehicles [on-board computers]; selfie sticks for mobile phones; smartphones in the shape of a watch; intercoms; transmitters of electronic signals; wireless routers; transponders; communication modems; wireless local area network controllers; cell phone cases; protective films adapted for smartphones; waterproof cases for smartphones; monopods used to take photographs by positioning a smartphone or camera beyond the normal range of the arm; television displays; microphones; audio- and video-receivers; head-mounted video displays; web cameras; audio equipment; electronic audible devices with books; noise cancelling earphones; radio sets; rearview cameras for vehicles; camcorder waterproof cases; security surveillance robots; cabinets for loudspeakers; earphone; camcorders; electronic monitoring apparatus; television apparatus; ear pads for headphones; bluetooth earphones; headphones; electronic book readers; teaching apparatus with artificial intelligence; event data recorders; set-top boxes; wearable video display monitors; virtual reality headsets; multimedia projectors; cameras [photography]; mini beam projectors; selfie sticks [hand-held monopods]; measuring apparatus; air analysis apparatus; hygrometers; telemeters; tire pressure gauges; automatic indicators of low pressure in vehicle tyres; temperature indicators; connected bracelets [measu-

ring instruments]; laboratory robots; teaching robots; audiovisual teaching apparatus; teaching apparatus; measuring devices, electric; inductors [electricity]; simulators for the steering and control of vehicles; stereoscopes; materials for electricity mains [wires, cables]; USB cables; adapter cables for headphones; semi-conductors; electronic chips; integrated circuits; magnetic materials and devices; amplifiers; conductors, electric; electric plugs; sensors; power adapters; switches, electric; alarm sensors; motion recognizing sensors; plugboards; optical sensors; temperature sensors; plugs, sockets and other contacts [electric connections]; power adaptors; electric sockets; touch sensors; touchscreen sensors; adapter plugs; connections for electric lines; electricity switchboard of high or low voltage; plug connectors; video screens; remote control apparatus; remote controls for household purposes; optical fibers [fibres] [light conducting filaments]; electric installations for the remote control of industrial operations; lightning conductors; electrolyzers; fire extinguishing apparatus; radiological apparatus for industrial purposes; protection devices for personal use against accidents; bicycle helmets; goggles; protective helmets; life saving apparatus and equipment; theft prevention installations, electric; biometric fingerprint door locks; electronic locks; electromagnetic locks; alarms; alarms for the detection of inflammable gases; smoke detectors; peepholes [magnifying lenses] for doors; digital door locks; electric door bells; eyeglasses; sunglasses; 3D glasses; cyclists' glasses; USB chargers; battery charge devices; wireless chargers; battery chargers for mobile phones; batteries, electric; chargers for electric batteries; mobile power supply [rechargeable battery]; cell phone battery chargers for use in vehicles; animated cartoons; sports whistles; egg-candlers; dog whistles; decorative magnets; electrified fences; fridge magnets.

10 – Surgical robots; vibromassage apparatus; esthetic massage apparatus; thermometers for medical purposes; massage apparatus; massaging apparatus for personal use; sphygmomanometers; dental apparatus, electric; electric acupuncture instruments; soporific pillows for insomnia; sanitary masks for medical purposes; teething rings; contraceptives, non-chemical; robotic exoskeleton suits for medical purposes; orthopaedic articles; suture materials.

11 – Lamps; lighting apparatus; desk lamps; electric night lights; portable headlamps; ceiling lights; light bulbs; torches for lighting; lights for vehicles; germicidal lamps for purifying air; curling lamps; oil lamps; electric saucepans; pressure cookers [autoclaves], electric; tortilla presses, electric; gas burners; kettles, electric; electric toasters [for household purposes]; electrical rice cookers / electric rice cookers; electric kettles [for household purposes]; electromagnetic induction cookers; electric frying pans; air fryers; electric egg boilers; electric coffee machines / electric coffee brewers; microwave oven (kitchen appliance); soya

milk making machines, electric; baking ovens [for household purposes]; electric cooking stoves [for household purposes]; electrically-heated mugs; lava rocks for use in barbecue grills; refrigerators; air purifiers; humidifiers for household purposes; air sterilisers; garment steamers; dehumidifiers for household purposes; electric fans; humidifiers; air filtering installations; extractor hoods for kitchens; air conditioners; clothes dryers; electric clothes dryers; fans [air-conditioning]; air reheaters; hair driers [dryers]; water heaters; fog generators; automatic faucets; ornamental fountains; hydromassage bath apparatus; heating lamps for bath; hand drying apparatus for washrooms; sanitary apparatus and installations; water dispensers; electric water purifiers for household purposes; water filtering apparatus; apparatus for filtering drinking water; pocket warmers; radiators, electric; lighters; polymerisation installations.

12 – Rolling stock for railways; automobiles; driverless cars [autonomous cars]; push scooters [vehicles]; bicycles; collapsible bicycles; self-balancing scooters; go-karts; electric bicycle; self balancing electric scooters; electrically powered scooters [vehicles]; pumps for bicycle tyres; bicycle pumps; aerial conveyors; pushchairs; fold-up pushchairs; wheelchairs; trolleys; rescue sleds; tyres for vehicle wheels; repair outfits for inner tubes; photography drones; air vehicles; water vehicles; treads for vehicles [roller belts]; roof-mounted luggage racks for vehicles; safety seats for children, for vehicles; electrical anti-theft installations for vehicles; electric vehicles; vehicles for locomotion by land, air, water or rail; remote control vehicles, other than toys.

14 – Precious metals; boxes of precious metal; jewellery boxes; works of art of precious metal; necklaces [jewellery, jewelry (Am.)]; figurines [statuettes] of precious metal; jewellery; wristwatches; watch straps; alarm clocks.

15 – Electronic musical instruments; pianos; guitars; violins; horns [musical instruments]; musical instruments; bags specially adapted for holding musical instruments; musical boxes; music stands.

16 – Paper; black paperboard for photography; laser printing paper; toilet paper; napkin paper; advertisement boards of paper or cardboard; stickers; calendars; writing paper pads; envelopes; figurines made from paper; printed publications; children's books incorporating electronic audible device; newsletters; pictures; bags [envelopes, pouches] of paper or plastics, for packaging; garbage bags of paper or of plastics; stapling presses [office requisites]; office requisites, except furniture; stationery; Indian inks; stamps [seals]; pens; adhesive bands for stationery or household purposes; drawing instruments; drawing materials; inking ribbons; teaching materials [except apparatus]; tailors' chalk; architects' models.

18 – Leather, unworked or semi-worked; bags; travelling trunks; school bags; gym bags; small backpacks; rucksacks; trunks [luggage]; all-purpose sports bags; trimmings of leather for furniture; leather thongs; umbrellas; walking sticks; clothing for pets.

21 – Containers for household or kitchen use; cooking pots; frying pans; deep fryers, non-electric; rice cooking pots [non-electric]; cups; food preserving jars of glass; ceramics for household purposes; works of art made of crystal; thermos cups; coffee filters not of paper being part of non-electric coffee makers; clothes racks, for drying / clothes drying hangers; toilet utensils; trash cans; drying racks for laundry; height adjustable ceiling-mounted drying racks for laundry; toothbrush holders; candle warmers, electric and non-electric; aromatic oil diffusers, other than reed diffusers, electric and non-electric; combs; brushes; material for brush-making; water apparatus for cleaning teeth and gums; toothbrushes, electric; heads for electric toothbrushes; manual toothbrushes; toothbrushes; toothpicks; cosmetic utensils; thermally insulated containers for food; ice cube trays; cloth for washing floors; mops; cleaning instruments, hand-operated; lint removers, electric or non-electric; glass, unworked or semi-worked, except building glass; animal activated livestock waterers; animal-activated pet feeders; animal activated animal feeders; indoor terrariums [vivariums]; plug-in diffusers for mosquito repellents; ultrasonic mosquito repellents; ultrasonic pest repellents.

24 – Fabric; filtering materials of textile; filtering cloth; silk fabrics for printing patterns; felt; face towels of textile; bed linen; quilts; tablemats of textile; curtains of textile; curtains of textile or plastic; fitted toilet lid covers of fabric; marabouts [cloth]; banners of textile or plastic; shrouds; household linen.

25 – Tee-shirts; sports jerseys; sports vests; sports singlets; layettes [clothing]; swimsuits; raincoats; masquerade costumes; shoes; sports shoes; caps being headwear; hosiery; gloves [clothing]; riding gloves; neckties; scarfs; girdles; wimples; sashes for wear; shower caps; sleep masks; hairdressing capes; clothing; sports sweatbands.

28 – Games; apparatus for games; electronic games for the teaching of children; video game interactive control floor pads or mats; slides [playthings]; building blocks, large size; smart electronic toy vehicles; toy robots; toy models; smart toys; drones [toys]; toys; toy vehicles; baby gyms; battery operated toys; play sets for action figures; scooters [toys]; building blocks [toys]; remote-controlled toy vehicles; cube-type puzzles; balls for games; stationary exercise bicycles; exercise steppers; running machines; body-training apparatus; bows for archery; machines for physical exercises; jump ropes; skateboards; hunting game calls; swimming pools [play articles]; protective paddings [parts of sports suits]; gloves for games; inline roller skates; ornaments for Christmas trees, ex-

cept lights, candles and confectionery; rods for fishing; twirling batons; camouflage screens [sports articles]; scratch cards for playing lottery games; grips for rackets; grip tapes for golf clubs.

35 – Advertising; pay per click advertising; online advertising on a computer network; presentation of goods on communication media, for retail purposes; providing business information via a web site; commercial intermediation services; commercial administration of the licensing of the goods and services of others; commercial information and advice for consumers in the choice of products and services; provision of an on-line marketplace for buyers and sellers of goods and services; sales promotion for others; procurement services for others [purchasing goods and services for other businesses]; import-export agency services; recruitment; search engine optimization for sales promotion; conducting data searches in computer files for others; compiling indexes of information for commercial or advertising purposes; sponsorship search; rental of vending machines; rental of sales stands; retail services for pharmaceutical, veterinary and sanitary preparations and medical supplies.

36 – Providing information relating to insurance; financial management; e-wallet payment services; jewellery appraisal; real estate agency services; financial customs brokerage services; surety services; charitable fund raising; fiduciary; lending against security.

37 – Providing construction information; building of fair stalls and shops; quarrying services; upholstery; heating equipment installation and repair; installation, maintenance and repair of computer hardware; interference suppression in electrical apparatus; medical apparatus installation and repair; motor vehicle maintenance and repair; airplane maintenance and repair; shipbuilding; photographic apparatus repair; clock and watch repair; installation, changing, replacement and repair of locks; re-tinning; repair of rubber tires; furniture restoration; cleaning of clothing; sterilization of medical instruments; elevator installation and repair; burglar alarm installation and repair; telephone repair; pump repair and maintenance; parasol repair; artificial snow-making services; restoration of works of art; tuning of musical instruments; rental of drainage pumps; swimming-pool maintenance; repair of power lines; hand tool repair; installation and repair of entertainment and sports equipments; rental of dish washing machines; repair of binoculars; repair of toys or dolls; repair of game machines and apparatus; repair and maintenance of smartphones; telephone installation and repair; cell phone battery charging services; rental of carpet cleaning machines; maintenance and repair of mobile phones; cleaning services for extractor hoods; maintenance and repair of telescopes.

38 – News agency services; wireless broadcasting; message sending; providing telecommunication channels for teleshopping services; computer aided trans-

mission of messages and images; providing internet chatrooms; providing user access to global computer networks; providing online forums; video-on-demand transmission; teleconferencing services; videoconferencing services; communications by computer terminals; transmission of digital files; providing access to databases.

39 – Transportation logistics; freighting; unloading cargo; packaging of goods; piloting; hauling; vehicle breakdown towing services; freight [shipping of goods]; car transport; replenishment of vending machines; air transport; car rental; car sharing services; horse rental; storage; rental of diving suits; distribution of energy; operating canal locks; courier services [messages or merchandise]; parcel delivery; delivery of goods; travel reservation; transport by pipeline; rental of wheelchairs; launching of satellites for others; bottling services; push-chair rental.

41 – Instruction services; correspondence courses; arranging and conducting of seminars; organization of competitions [education or entertainment]; lending library services; providing on-line electronic publications, not downloadable; on-line publication of electronic books and journals; distribution of video tapes; providing online videos, not downloadable; production of radio and television programmes; video production; entertainment services; entertainer services; game services provided on-line from a computer network; health club services [health and fitness training]; toy rental; games equipment rental; conducting guided tours; art exhibitions; animal training; modelling for artists; organization of lotteries; rental of indoor aquaria; operating of lotteries.

42 – Research and development of new products for others; technological research; quality system certification; product quality testing services; surveying; meteorological information; material testing; packaging design; design of telephones; design of interior decor; dress designing; software design and development; research and development of computer software; updating and maintenance of computer software; cloud computing; platform as a service [PaaS]; software as a service [SaaS]; consultancy in the design and development of computer hardware; providing information on computer technology and programming via a web site; electronic data storage; authenticating works of art; graphic arts design; cloud seeding; handwriting analysis [graphology]; cartography services; rental of meters for the recording of energy consumption.

45 – Monitoring of burglar and security alarms; life-guard services; monitoring of security systems; chaperoning; personal wardrobe styling consultancy; funery undertaking; opening of security locks; online social networking services; fire-fighting; organization of religious meetings; adoption agency services; lost property return; rental of safes; genealogical research;

planning and arranging of wedding ceremonies; releasing doves for special occasions; dating services; leasing of internet domain names; intellectual property consultancy.

(260) AM 2023 117129 A

(800) 1650494

(151) 2021 11 10

(891) 2021 11 10

(731) Egis Gyógyszergyár Zrt.

Keresztúri út 30-38., H-1106 Budapest,
Hungary

(540)

ALEZEB

(591) Black, white

(511)

5 – Pharmaceutical preparations for human use; dietic substances adapted for medical use; dietary supplements.

(260) AM 2023 117130 A

(800) 1650495

(151) 2021 11 10

(891) 2021 11 10

(731) Egis Gyógyszergyár Zrt.

Keresztúri út 30-38., H-1106 Budapest,
Hungary

(540)

ZELOB

(591) Black, white

(511)

5 – Pharmaceutical preparations for human use; dietic substances adapted for medical use; dietary supplements.

(260) AM 2023 117131 A

(800) 1650497

(151) 2021 11 10

(891) 2021 11 10

(731) Egis Gyógyszergyár Zrt.

Keresztúri út 30-38, H-1106 Budapest,
Hungary

(540)

SUSPIR

(591) Black, white

(511)

5 – Pharmaceutical preparations for human use; dietic substances adapted for medical use; dietary supplements.

(260) AM 2023 117132 A
 (800) 1650498
 (151) 2021 11 10
 (891) 2021 11 10
 (731) Egis Gyógyszergyár Zrt.
 Keresztúri út 30-38., H-1106 Budapest,
 Hungary
 (540)

NEVEAZUX

(591) Black, white
 (511)
 5 – Pharmaceutical preparations for human use; dietic substances adapted for medical use; dietary supplements.

(260) AM 2023 117133 A
 (800) 1650499
 (151) 2021 11 10
 (891) 2021 11 10
 (731) Egis Gyógyszergyár Zrt.
 Keresztúri út 30-38., H-1106 Budapest,
 Hungary
 (540)

MABOXOR

(591) Black, white
 (511)
 5 – Pharmaceutical preparations for human use; dietic substances adapted for medical use; dietary supplements.

(260) AM 2023 117134 A
 (800) 1650535
 (151) 2022 02 02
 (891) 2022 02 02
 (731) DOLCE & GABBANA TRADEMARKS S.r.l.
 VIA GOLDONI 10, I-20129 MILANO (IT),
 Italy
 (540)

**DOLCE & GABBANA
 DEVOTION**

(591) Black, white
 (511)
 3 – Cosmetics; perfumes; perfumes in solid form; body deodorants; soap; liquid soap; cakes of toilet soap; bath foam; dentifrices; shampoos; essential oils; hair lotions; preparations for the permanent waving and curling of hair; beauty gels; hair tints; face creams for cosmetic purposes; mascara; eyeliner; eyeshadow; make-up pencils; sun bronzers; lipsticks; foundation; body creams; nail varnish; nail hardeners; nail varnish removers; cosmetic oils; suntan creams.

(260) AM 2023 117135 A
 (800) 1650584
 (151) 2021 12 10
 (891) 2021 12 10
 (731) Joint-Stock Company "Fabrika "Russkiy shokolad"
 ul. Vereyskaya, d. 29, str. 143, et. 1, pom. III,
 kom. 1, RU-121357 Moscow, Russian
 Federation
 (540)

КОТИК

(591) Black, white
 (531) 28.05
 (511)
 30 – Confectionery.

(260) AM 2023 117138 A
 (800) 1650686
 (151) 2022 01 28
 (891) 2022 01 28
 (731) Ferrero S.p.A.
 Piazzale Pietro Ferrero, 1, I-12051 Alba
 (Cuneo), Italy
 (540)

nutella
enjoy every bit

(591) Red, black and white
 (531) 27.05.01; 27.05.09; 27.05.10; 29.01.12
 (511)
 30 – Coffee, tea, cocoa and artificial coffee; flour and preparations made from cereals; bread; pastries; confectionery; ice cream; sugar; honey; chocolate; chocolate products; chocolate-based spreads; chocolate spreads containing nuts.

(260) AM 2023 117139 A
 (800) 1650712
 (151) 2021 09 07
 (891) 2021 09 07
 (731) Akhmetova Elena Mikhajlovna
 dom 50, kv. 39, ul. Udal'tsova, RU-119607
 Moskva, Russian Federation
 (540)

ПЕНЕГА

(591) Black, white
 (531) 28.05
 (511)
 33 – Aperitifs; arrack [arak]; eaux-de-vie (brandy); wines; piquette; whisky; vodka; anisette [liqueur]; kirsch; gin; digesters [liqueurs and spirits]; cocktails; curaçao; anise [liqueur]; liqueurs; grain-based distilled alcoholic beverages; alcoholic beverages based

on sugar cane; pre-mixed alcoholic beverages, other than beer-based beverages; alcoholic beverages, excluding beers; alcoholic beverages containing fruit; spirits [beverages]; distilled beverages; mead [hydromel]; peppermint liqueur; bitters; rum; sake; perry; ciders; rice alcohol; alcoholic extracts; alcoholic fruit extracts; alcoholic essences.

(260) AM 2023 117140 A

(800) 1650713

(151) 2021 09 07

(891) 2021 09 07

(731) Akhmetova Elena Mikhajlovna
dom 50, kv. 39, ul. Udal'tsova, RU-119607
Moskva, Russian Federation

(540)

ПРОНСКАЯ

(591) Black, white

(531) 28.05

(511)

33 – Aperitifs; arrack [arak]; baijiu [Chinese distilled alcoholic beverage]; eaux-de-vie (brandy); wines; piquette; whisky; vodka; anisette [liqueur]; kirsch; gin; digesters [liqueurs and spirits]; cocktails; curaçao; anise [liqueur]; liqueurs; pre-mixed alcoholic beverages, other than beer-based beverages; alcoholic beverages, excluding beers; alcoholic beverages containing fruit; spirits [beverages]; distilled beverages; mead [hydromel]; peppermint liqueur; bitters; nira [alcoholic beverage made from sugar cane]; rum; sake; perry; ciders; rice alcohol; alcoholic extracts; alcoholic fruit extracts; alcoholic essences.

(260) AM 2023 117141 A

(800) 1650714

(151) 2021 09 07

(891) 2021 09 07

(731) Obschestvo s ogranichennoj otvetstvennostyu
"Atelie CHastnyh marok"
ul. Udal'tsova, dom 50, kv. 39, RU-119607
Moskva, Russian Federation

(540)

**BEATLY
БИТЛИ**

(591) Black, white

(531) 27.05.01; 28.05

(511)

33 – Aperitifs; arrack [arak]; eaux-de-vie (brandy); wines; piquette; whisky; vodka; anisette [liqueur]; kirsch; gin; digesters [liqueurs and spirits]; cocktails; curaçao; anise [liqueur]; liqueurs; grain-based distilled alcoholic beverages; alcoholic beverages based on sugar cane; pre-mixed alcoholic beverages, other

than beer-based beverages; alcoholic beverages, excluding beers; alcoholic beverages containing fruit; spirits [beverages]; distilled beverages; mead [hydromel]; peppermint liqueur; bitters; rum; sake; perry; ciders; rice alcohol; alcoholic extracts; alcoholic fruit extracts; alcoholic essences.

(260) AM 2023 117142 A

(800) 1650757

(151) 2021 12 06

(891) 2021 12 06

(731) Sichuan Yahua Industrial Group Co., Ltd.
NO. 99, South Yongxing Avenue, Economic
Development Zone, Yaan City, 625000
Sichuan Province, China

(540)

Yahua 雅化

(591) Black, white

(531) 26.03.01; 26.03.24; 27.05.08; 27.05.17; 28.03

(511)

1 – Powdered carbon for use in the manufacture of batteries; filtering materials of mineral substances; lithium; carbonic acid; lithium carbonate; lithium hydroxide; lithia [lithium oxide]; lime carbonate; potassium hydroxide; calcium magnesium carbonate.

(260) AM 2023 117143 A

(800) 1650784

(151) 2022 02 08

(891) 2022 02 08

(731) KINGSPAN HOLDINGS (IRL) LIMITED
Dublin Road, Kingscourt, Ireland

(540)

POWERPANEL

(591) Black, white

(511)

9 – Solar collectors and solar panels for electricity generation; solar collectors; solar panels; solar tubes; solar energy operating apparatus; parts and fittings for the aforementioned goods within the class.

11 – Solar collectors for heating and for cooling; solar energy collectors; solar panels for heating and for cooling; parts and fittings for the aforementioned goods within the class.

(260) AM 2023 117144 A

(800) 1650796

(151) 2022 02 10

(891) 2022 02 10

(731) Co-Diagnostics Inc.
Suite D, 2401 South Foothill Drive,
Salt Lake City UT 84109, USA

(540)

LOGIX SMART

(591) Black, white

(511)

1 – Reagent kits comprising DNA primers, DNA probes, polymerase and buffers for use in biotechnology fields.

(260) AM 2023 117145 A

(800) 1650859

(151) 2021 10 08

(891) 2021 10 08

(731) Medline Industries, LP

Three Lakes Drive, Northfield IL 60093,
USA

(540)

MEDLINE

(591) Black, white

(511)

5 – Medicated, medical, pharmaceutical, dental and sanitary preparations and products, namely, medicated skin care preparations, cleansers for skin and wounds, anti-fungal creams and powders, anti-microbial soap, no-rinse head and body cleanser; wound care products namely, dressings, adhesive bandages, medical and surgical adhesive tape, gauze, topical first aid gel, topical gel for medical and therapeutic treatment of wound care; sanitary belts, sanitary pads, oral wound rinse, pre-moistened medical wipes, disinfectants for hygienic and sanitary purposes, disinfectants for medical instruments, incontinence pads, adult diapers, nutritional and dietary supplements in powder and liquid form, disinfectant wipes made of fabric or paper, skin lotions, skin creams and skin ointments for medical use, cataract eye care kits composed of eye washes; disposable liners for use with disposable incontinent briefs and undergarments; irrigation and urology solutions, namely, saline solutions; diapers.

10 – Surgical, medical and dental apparatus, instruments, appliances, and supplies, namely, needle holders, I.V. needle caps, surgical blade handles, and forceps; electrosurgical products for medical use, namely, electrosurgical pencils, and medical electrodes; surgical shears and spreaders; endoscopic instruments; neurosurgery instruments, namely, retractors, saws, dissectors, and elevators; rectal, lacrimal, and disposable oximeter probes; medical and surgical scissors; medical instrument stringers and holders; surgical instrument identification tape and sheets for medical purposes; speculums; anesthesia masks; oxygen masks, oxygen tubing and bags, oxygen regulators, oxygen conservers and concentrators, and oximeters all for medical applications; respiratory regulators for artificial respiration, nasal aspirators; blood transfer and collection sets comprising blood collection tube holders, needles, and I.V. catheters; injection instru-

ments with needles; bath guards for physical therapy and rehabilitation purposes; glucose monitoring systems comprising meter, case, test strips, control solutions, and lancing devices; ophthalmoscopes; otoscopes; disposable pen lights for medical use; stethoscopes; vital signs monitors; nebulizers; medical patient alarms and monitoring devices for monitoring patient or resident movement; hand protectors to prevent tube removal or tampering; stretchers and belts therefor; intravenous feeding tubes; containers, brackets and cabinets for medical waste; medical bags adapted for and sold with medical and surgical instruments; plastic bags for transmitting medical specimens; medical bags sold empty; containers specifically adapted for the transport of medical waste; guards, trays and covers specifically adapted for medical instruments; sterilization wrap for medical instruments; reusable medical electrodes; medical furniture, namely, overbed tables and footstools; supports for general medical use; canes for medical purposes; crutches; invalid walkers and lifts; patient examination and/or treatment tables; urine collector and specimen containers for medical use; I.V. stands for medical use; protective drapes for operating room and medical treatment and apparel for medical use; catheter trays; irrigation trays for medical use; dressing change trays for medical use; medical kits comprising combinations of medical instruments, namely, forceps, hemostats, curettes, speculae, clamps, scalpels, specimen tubes, and wound dressings; patient prep materials, namely, medical gloves, cotton-tipped applicators for medical use, wash basins for medical use, urinals for medical purposes, bedpans, medicine cups, medical specimen collectors, denture containers; medical hosiery, namely, elastic hose supporters, knee high hose and thigh high hose; elastic bandages and wraps; abdominal pads; padding for orthopedic casts; underpads used for bedding; disposable armboards; hospital and surgical appliances-namely, syringes and needles; surgical scalpels and blades; suction equipment for surgery; rubber bags for use in connection with respiratory equipment; blood pressure measuring equipment; sanitary urinals; stitch pincers; surgical scissors; blood lancets; suture removal kits; specimen containers; splints; intravenous arm boards; blood collectors; oral and rectal thermometers; percussion hammers for medical use; irrigation trays; stopcocks; medicine droppers; observation tube glass; surgical instruments; needles and stylets; drainage bags; crutch tips; porous tapes; absorbent cotton balls and sponges; stomach tubes; catheters and catheter trays; emesis basins and covers; latex bulbs; finger splints; nipple shields for breastfeeding; plastic bandages; pelvic traction belts; clavicle straps and pads; enema kits; respiratory equipment for infants; gauze packing strips; gauze tubing; cloth medical dressing; bed pan covers; face masks for medical purposes; surgical gloves; wrist restraints; surgical gowns and garments; hospital garments for hospital personnel and patients-namely, lab coats; me-

dical clothing, namely, pants, slippers, leggings and scrub shirts.

(260) AM 2023 117146 A

(800) 1650913

(151) 2022 01 06

(891) 2022 01 06

(731) Jiangsu General Science Technology Co., Ltd.
Gangxia, Donggang Town, Xishan District,
Wuxi City, 214199 Jiangsu Province, China

(540)

TBBTIRES

(591) Black, white

(531) 27.05.01; 27.05.17

(511)

12 – Repair outfits for inner tubes; pneumatic tires; inner tubes for pneumatic tires; tires for vehicle wheels; automobile tires; casings for pneumatic tires; vehicle wheels; treads for retreading tires; solid tires for vehicle wheels; adhesive rubber patches for repairing inner tubes.

(260) AM 2023 117147 A

(800) 1650963

(151) 2020 09 29

(891) 2020 09 29

(731) Tempus Közalapítvány

Kéthly Anna tér 1, H-1077 Budapest, Hungary

(540)



**STIPENDIUM
HUNGARICUM**

(591) Red, green and black

(531) 05.03.15; 26.13.25; 27.05.01; 29.01.13

(511)

41 – Education information; education and instruction; accreditation of educational services; film demonstrations for instructional purposes; organisation of congresses and conferences for cultural and educational purposes; organisation and holding of exhibitions for cultural or educational purposes; career information and advisory services (educational and training advice).

(260) AM 2023 117155 A

(800) 988457

(151) 2008 12 04

(891) 2022 01 14

(731) Accumetrics, Inc.

3985 Sorrento Valley Boulevard, San Diego
CA 92121, USA

(540)

VERIFYNOW

(591) Black, white

(511)

5 – Diagnostic preparations and reagents for clinical or medical laboratory use; medical diagnostic reagents; cartridges containing diagnostic preparations and reagents for clinical or medical laboratory use; cartridges containing reagents for calibrating blood analyzers.

10 – Medical devices for diagnostic testing, namely, blood analyzers for clinical and medical laboratory use and component parts and attachments therefor.

(260) AM 2023 117158 A

(800) 1594526

(151) 2021 02 25

(891) 2022 01 21

(731) INOGROW Co., Ltd.

10nd floor 1004ho, 1005ho, 400-12,

Yangcheon-ro, Gangseo-gu, Seoul, Republic of Korea;

CHO, Han Eum

101dong 4704ho, 33, Gangsong-ro, Ilsandong-gu, Gyeonggi-do, Republic of Korea

(540)



ULTRAFIT

(591) Black, white, blue

(531) 26.01.03; 26.01.18; 26.01.24; 26.05.01;

26.05.09; 27.05.09; 27.05.10; 27.05.21;

27.05.24; 29.01.13

(511)

17 – Artificial resins, semi-processed; anti-scratch film for internal and external use of automobiles; plastic film for internal and external protection of the vehicle; decorative film for vehicle; plastic film for vehicle windows; vehicle bulletproof film; tinted films for vehicles; mist preventive film for the vehicle; anti-reflection film for vehicles; safety film for vehicles; thermal cut offs films for vehicles; ultraviolet-proof films for vehicles; paint protection film for vehicles; plastic film [except for packaging].

(260) AM 2023 117159 A

(800) 1618480

(151) 2021 06 03

(891) 2022 02 15

(731) Honor Device Co., Ltd.

Suite 3401, Unit A, Building 6, Shum Yip Sky

Park, No. 8089, Hongli West Road, Xiangmihu
Street, Futian District, Shenzhen, 518040
Guangdong, China

(540)

GO BEYOND

(591) Black, white

(511)

9 – Notebook computers; smartwatches; set-top boxes; routers; rechargeable batteries; connected bracelets [measuring instruments]; webcams; electronic surveillance apparatus; central processing units [processors]; computer operating software; large-screen LCDs; facial recognition apparatus; attendance registering machines comprised of computer terminals for capturing time and attendance and recorded computer software for tracking employee time and attendance; scales; measures; electronic notice boards; cameras [photography]; surveying apparatus and instruments; optical lenses; USB cables; chips [integrated circuits]; sensors; remote control apparatus; digital door locks; 3D spectacles; smartphones; wearable activity trackers; selfie sticks [hand-held monopods]; cabinets for loudspeakers; touch screens; batteries, electric; tablet computers; earphones; television apparatus; camcorders; portable media players; interactive touch screen terminals; air analysis apparatus.

35 – Advertising; online advertising on a computer network; business management planning; marketing; sales promotion for others; personnel placement; systemization of information into computer databases; search engine optimization for sales promotion; drawing up of statements of accounts; sponsorship search; provision of an online marketplace for buyers and sellers of goods and services; providing business information.

(260) AM 2023 117160 A

(800) 1625661

(151) 2021 09 28

(891) 2022 02 24

(731) Travers Therapeutics, Inc.

3611 Valley Centre Drive, Suite 300,

San Diego CA 92130, USA

(540)

IDNEYO

(591) Black, white

(511)

5 – Pharmaceutical preparations for the treatment of kidney disease; pharmaceutical preparations for the treatment of focal segmental glomerulosclerosis (FSGS); pharmaceutical preparations for the treatment of Immunoglobulin A Nephropathy (IgAN); pharmaceutical preparations for the treatment of Alport Syndrome; pharmaceutical preparations for the treatment of glomerulonephropathy; pharmaceutical preparations for the treatment of glomerulonephritis.

(260) AM 2023 117162 A

(800) 1646127

(151) 2021 10 21

(891) 2022 03 01

(731) COFLEC

7 rue du Saule Trapu, Parc d'Activités du

Moulin de massy, F-91300 MASSY, France

(540)

DRACONIS

(591) Black, white

(511)

9 – Scientific (other than medical), nautical, surveying apparatus and instruments; apparatus and instruments for conducting, switching, transforming, accumulating, regulating or controlling electricity; photographic, cinematographic, optical, measuring, signaling, checking (supervision), life-saving and teaching apparatus and instruments; apparatus for recording, transmission, reproduction or processing of sound or images; data processing apparatus, computers; fire extinguishers; personal protection devices against accidents, clothing for protection against accidents, irradiation and fire; asbestos clothing for protection against fire, protective helmets, life belts, nets for protection against accidents, safety restraints (other than for vehicle seats or sports equipment), fire hoses, fire nozzles, fire engines, respiratory masks (other than for artificial respiration); motor fire engines; electric monitoring apparatus, electronic notice boards, control panels, fire detection panels, fire shutdown units (electronic devices), fixed automatic extinguisher devices, heat regulating apparatus, boiler control instruments, electric controlling apparatus, circuit breakers, water level indicators, electric loss indicators, temperature indicators; software for monitoring safety systems; software (recorded programs); computer peripheral devices; electric batteries; electric wires; diagnostic apparatus not for medical use; integrated circuit cards (smart cards); control and signaling equipment for fire monitoring; alarm instruments, anti-theft warning apparatus, fire alarms, electric or acoustic alarms, cabinets for loudspeakers, video cameras, luminous signals, transmitters of electric and electronic signals, sirens, warning apparatus, electric alarm bells, bells, bar code readers, detectors, smoke detectors, luminous or mechanical signaling panels, receivers, emergency devices, electric locks, electric and electronic locksmith's goods.

37 – Construction of permanent buildings; installation, maintenance and repair of anti-theft alarms; installation, maintenance and repair of electric apparatus; installation, maintenance and repair services for fire-detection devices, anti-theft alarm systems; repair information.

42 – Study, expertise, design of scientific (other than for medical use), nautical, surveying apparatus and instruments, of apparatus and instruments for conducting, switching, transforming, accumulating, regula-

ting or controlling electrical current, of photographic, cinematographic, optical, weighing, measuring, signaling, checking (supervision), life-saving and teaching apparatus and instruments, of apparatus for recording, transmitting, reproducing or processing sound or images, of data processing apparatus, of computers, of extinguishers, of personal protection devices against accidents, of clothing for protection against accidents, irradiation and fire, of asbestos clothing for protection against fire, of protective helmets, of lifebelts, of nets for protection against accidents, of safety restraints (other than for vehicle seats or sports equipment), of fire beaters, of fire hose nozzles, of fire engines, of respirators (other than for artificial respiration), of motor fire engines, of electric monitoring apparatus, of electronic notice boards, of electric control panels, of fire detection panels, of fire shutdown units (electronic devices), of fixed automatic extinguisher devices, of heat regulation apparatus, of boiler control instruments, of electric control apparatus, of circuit breakers, of water level indicators, of electric loss indicators, of temperature indicators, of software for supervision of safety systems, of software (recorded programs), of computer peripheral devices, of electric batteries, of electric wires, of diagnostic apparatus not for medical use, of memory cards or chip cards, of control and signaling equipment for fire monitoring, of alarm instruments, of anti-theft warning apparatus, of fire warning apparatus, of electric or acoustic alarms, of loudspeaker housings, of video cameras, of luminous signs, of electric and electronic signal transmitters, of sirens, of alarm apparatus, of electric alarm bells, of bells, of barcodes, of detectors, of smoke detectors, of signaling panels, luminous or mechanical, of electric door openers, of receivers, of life-saving devices, of electric locks and electric and electronic locksmith's goods.

45 – Security services for the protection of property and individuals (excluding the transport thereof); security consultancy; fire-extinguishing services; monitoring of intruder and fire alarms; services relating to fire safety and anti-intrusion security.

(260) AM 2023 117200 A
 (800) 1651185
 (151) 2021 12 09
 (891) 2021 12 09
 (731) Realityo Systems LLC
 1209 Orange Street, Wilmington DE 19801,
 USA
 (540)

REALITYOS

(591) Black, white
 (511)
 42 – Design and development of computer hardware, software, peripherals, and computer and video games; consultancy in the design and development of com-

puter hardware; computer software consultancy; computer programming; design of computer databases; electronic data storage; cloud computing services; providing online non-downloadable software; providing computer hardware or software information online; maintenance, repair and updating of computer hardware, software, peripherals, and applications; technical support services, diagnosing and troubleshooting of computer hardware and software problems, and computer help desk services.

(260) AM 2023 117201 A
 (800) 1651212
 (151) 2021 12 27
 (891) 2021 12 27
 (731) AGRIMATCO LIMITED
 GLADSTONOS 114, OASIS CENTER,
 FLOOR 3, CY-3032 LIMASSOL, Cyprus
 (540)



(591) Green, white
 (531) 03.04.11; 26.04.04; 26.04.05; 26.04.22;
 27.05.01; 29.01.12
 (511)
 5 – Veterinary preparations; protein supplements for animals; medicines for veterinary purposes; enzymes for veterinary purposes; enzyme preparations for veterinary purposes; vaccines; amino acids for veterinary purposes; chemical preparations for veterinary purposes; chemical reagents for medical or veterinary purposes; diagnostic preparations for veterinary purposes; insecticidal veterinary washes; lotions for veterinary purposes; preparations of microorganisms for medical or veterinary use; reagent paper for veterinary purposes.
 10 – Veterinary apparatus and instruments.
 31 – Stall food for animals.
 35 – Retail services for pharmaceutical, veterinary and sanitary preparations and medical supplies; wholesale services for pharmaceutical, veterinary and sanitary preparations and medical supplies.
 44 – Veterinary assistance.

(260) AM 2023 117202 A
 (800) 1651213
 (151) 2021 12 27
 (891) 2021 12 27
 (731) AGRIMATCO LIMITED
 GLADSTONOS 114, OASIS CENTER, F
 LOOR 3, CY-3032 LIMASSOL, Cyprus

(540)



(591) Brown, green, gold, white

(531) 05.01.06; 05.01.12; 05.01.16; 05.07.02;
24.01.10; 28.01; 29.01.14

(511)

1 – Chemicals for use in forestry, except fungicides, herbicides, insecticides and parasiticides; fertilizers; fertilizing preparations.

5 – Pesticides.

7 – Agricultural implements, other than hand-operated; agricultural machines; harvesting machines; mowing and reaping machines.

8 – Agricultural forks [hand tools]; agricultural implements, hand-operated.

11 – Drip irrigation emitters [irrigation fittings].

31 – Seedlings; seeds for planting; plant seeds.

35 – Wholesale services for pharmaceutical, veterinary and sanitary preparations and medical supplies; retail services for pharmaceutical, veterinary and sanitary preparations and medical supplies.

(260) AM 2023 117211 A

(800) 1651518

(151) 2021 12 09

(891) 2021 12 09

(731) Realityo Systems LLC

1209 Orange Street, Wilmington DE 19801,
USA

(540)

REALITYOS

(591) Black, white

(511)

9 – Computers; computer hardware; wearable computer hardware; handheld digital electronic devices capable of providing access to the internet and for the sending, receiving, and storing telephone calls, electronic mail, and other digital data; wearable digital electronic devices capable of providing access to the internet, for sending, receiving and storing of telephone calls, electronic mail, and other digital data; smart watches; computer software; downloadable pre-recorded audio, video and multimedia content; peripheral devices for computers, mobile electronic devices, wearable electronic devices, smart watches, and smart glasses, earphones, headphones, set top boxes, and vi-

deo players and recorders; wearable computer peripherals; wearable peripherals for use with computers, mobile electronic devices, smart watches, smart glasses, televisions, set top boxes, and video players and recorders; monitors, display screens, head mounted displays, and headsets for use with computers, mobile electronic devices, wearable electronic devices, smart watches, smart glasses, televisions, and audio and video players and recorders; 3D spectacles; optical apparatus and instruments; display screens for computers, mobile electronic devices, wearable electronic devices, smart watches, smart glasses, televisions, and audio and video players and recorders; remote controls for controlling computers, mobile electronic devices, wearable electronic devices, smart watches, smart glasses, audio and video players and recorders, televisions, speakers, amplifiers, home theater systems, and entertainment systems; wearable devices for controlling computers, mobile electronic devices, wearable electronic devices, smart watches, smart glasses, audio and video players and recorders, televisions, speakers, amplifiers, home theater systems, and entertainment systems.

(260) AM 2023 117228 A

(800) 1651928

(151) 2021 10 26

(891) 2021 10 26

(731) Aktsionernoe obshchestvo "Moskovsky pivobezalkogolny kombinat "Ochakovo"
ul. Ryabinovaya, d. 44, RU-121471 Moskva,
Russian Federation

(540)



(591) Red, black, white, gray, light gray, blue, gray-blue, yellow, green, light green, yellow-green, dark green and gray-green

(531) 01.15.15; 05.07.12; 05.07.22; 28.05; 29.01.15

(526) Мохитонапиток "Коктейль Мохитоосвежающий" Безалкогольныйсоком

(511)

32 – Non-alcoholicbeverages.

(260) AM 2023 117231 A
 (800) 1651939
 (151) 2021 12 30
 (891) 2021 12 30
 (731) Chery Automobile Co., Ltd.
 8 Changchun Road, Economy & Technology
 Development Zone, Wuhu City, 241009
 Anhui Province, China

(540)

CHERY

(591) Black, white

(531) 27.05.01

(511)

12 – Propulsion mechanisms for land vehicles; electric vehicles; tyres for vehicle wheels; upholstery for vehicles; vehicles for locomotion by land, air, water or rail; motor coaches; lorries; waggons; automobiles; motor homes.

37 – Rebuilding engines that have been worn or partially destroyed; vehicle service stations [refuelling and maintenance]; motor vehicle maintenance and repair; vehicle battery charging; leather care, cleaning and repair; vehicle breakdown repair services; installation, maintenance and repair of computer hardware; vehicle maintenance; heating equipment installation and repair.

(260) AM 2023 117232 A

(800) 1652009

(151) 2022 01 21

(891) 2022 01 21

(731) i-PRO Co., Ltd.

4-1-62 Minoshima, Hakata-ku, Fukuoka-shi,
 Fukuoka 812-8531, Japan

(540)

PRO

(591) Black, white

(531) 26.04.01; 26.04.09; 26.04.24; 27.05.17;
 27.05.23

(511)

9 – Photographic machines and apparatus; cinematographic machines and apparatus; optical machines and apparatus; laboratory apparatus and instruments; measuring or testing machines and instruments; sensors; security systems with sensors and alarms to detect and notify intrusion; surveillance cameras; network cameras; digital video recorders; telecommunication machines and apparatus; personal digital assistants; computer programs; electronic machines, apparatus and their parts.

(260) AM 2023 117233 A

(800) 1652096

(151) 2021 11 24

(891) 2021 11 24

(731) Shenzhen Envicool Technology Co., Ltd.

Floor 1-3, Plant 9, Hongxin Industrial Park,

No. 1303 Guangguang Road, Guanlan Street,

Longhua District, Shenzhen, Guangdong, China

(540)

Envicool

(591) Black, white

(531) 26.04.07; 26.04.09; 26.04.12; 26.04.24;
 26.11.09; 27.05.08; 27.05.17

(511)

11 – Heat pumps; dampers [heating]; cooling installations for water; refrigerating apparatus and machines; refrigerating containers; cooling installations for liquids; cooling installations and machines; air conditioners for vehicles; fans [parts of air-conditioning installations]; radiators [heating]; air conditioners; air humidifying apparatus; dehumidifiers for household purposes; air conditioning installations for cars; air purifying apparatus; air sterilisers; air deodorising apparatus; air conditioning apparatus; ventilation [air-conditioning] installations and apparatus; heating installations; central air-conditioning installations [for industrial purposes].

(260) AM 2023 117234 A

(800) 1652100

(151) 2021 12 23

(891) 2021 12 23

(731) Hainan Dendrobium Health Industry Co., Ltd.

Room C, 19/F, Business Consulate, No. 15

Jinmao West Road, Longhua District, Haikou

City, Hainan Province, China

(540)



(591) Black, white

(531) 05.03.20; 05.05.15; 05.05.21; 24.03.07;
 24.03.14; 24.03.18; 28.03

(511)

35 – Presentation of goods on communication media, for retail purposes; sales promotion for others; marketing; market studies; bill-posting; organization of exhibitions for commercial or advertising purposes;

advertising; commercial administration of the licensing of the goods and services of others.

(260) AM 2023 117245 A

(800) 1652357

(151) 2021 09 07

(891) 2021 09 07

(731) LABORATOIRE D'INNOVATION
COSMETIQUE ET DERMATOLOGIQUE
74 zone artisanale de Montvoisin,
GOMETZ-LA-VILLE, F-91400, France

(540)

NOVEXPERT

(591) Black, white

(511)

5 – Dietetic substances for medical use, nutritional products for medical use, vitamin preparations; food for babies; food supplements; dietary, vitamin, mineral and nutritional supplements; dietetic supplements; vitamins; vitamin drops; vitamins in the form of tablets; liquid vitamin supplements; vitamin supplements; food supplements consisting of vitamins; vitamins in the form of beverages; mixed vitamin preparations; vitamins in the form of effervescent tablets; vitamin products in the form of food supplements; dietetic food supplements based primarily on vitamins; vitamin and mineral products; mineral food supplements; health food supplements made principally of minerals; medicinal herbs; extracts of medicinal herbs; supplements based on medicinal herbs; food supplements consisting of amino acids; amino acid preparations for medical use; amino acid preparations for pharmaceutical use; dietetic foods for medical use; natural medicines; phytotherapy products; dietetic preparations; herbal teas; medicinal infusions; medicinal products for skin care; chemical preparations for medical or pharmaceutical use; dietetic substances and products for medical or pharmaceutical use; dietetic beverages for medical use; slimming tea for medical use; medical preparations for slimming; balms for medical use; biological preparations for medical use; nutritional supplements and products for medical use; food supplements and products for medical use; appetite suppressants for medical use; royal jelly (for medical use); oils for medical use; trace element preparations for human consumption; micronutrients comprising or based on vitamins and/or minerals and/or amino acids and/or essential fatty acids and/or trace elements and/or plant extracts for medical use; medicated food supplements; medicated dentifrices; medicated shampoos; medicated hand-washing products; medicated mouth washes; medicated dental rinses; medicated oral care gels; pharmaceutical and sanitary products and more particularly physiological serum; disinfectants for hygienic use; disinfectant soaps; disinfectant wipes; antiseptics; antibacterial soaps; antibacterial products for washing hands; alcohol-based antibacterial sanitizing gels for the skin; pharmaceu-

tical and sanitary products; plasters, materials for dressings; disinfectants; nasal sprays and nasal cleaning preparations for medical use; dermatological products; pharmaceutical products for skin, face, body and hair hygiene and care; hygienic products for medical use; stimulants for hair growth; medicinal preparations for stimulating hair growth; pharmaceutical hair care products; medicinal preparations for stimulating hair growth; medicinal soaps; disinfectant cleaners other than soaps; lotions for the skin for medical use; pharmaceutical skin lotions; medicinal creams for the skin; soothing elixirs for the skin; preparations for toning the skin for medical use; preparations for cleansing the skin for medical use; pharmaceutical preparations for skin care; medicinal creams for skin protection; medicinal creams for skin care; skin care lotions for medical use; skin care creams for medical use; skin soothing serum [medicated]; skin ointments for medical use; Skin care oils [medicated].

(260) AM 2023 117246 A

(800) 1088255

(151) 2011 07 11

(891) 2021 12 09

(731) MEDACTA INTERNATIONAL S.A.
Strada Regina, CH-6874 Castel San Pietro,
Switzerland

(540)



(591) Black, white

(531) 26.03.04; 26.03.24; 27.01.01

(511)

10 – Implants; surgical, medical, dental and veterinary apparatus and instruments, artificial limbs, eyes and teeth; orthopaedic articles; suture materials.

(260) AM 2023 117247 A

(800) 1119884

(151) 2012 04 27

(891) 2021 10 25

(731) HOCHDORF Swiss Nutrition AG
Siedereistrasse 9, CH-6280 Hochdorf,
Switzerland

(540)

Bimbosan

(591) Black, white

(511)

5 – Dietetic substances and foods for medical use; food for babies; food supplements for human beings; powdered milk for babies.

29 – Milk and milk products; milk powder.

(260) AM 2023 117248 A
 (800) 1202040
 (151) 2014 03 11
 (891) 2022 03 04
 (731) Catellani, Enzo
 Via Papa Giovanni XXIII, 55, I-24020 Villa
 di Serio (BG), Italy
 (540)



Catellani & Smith

(591) Black, white
 (531) 02.01.01; 02.03.01; 26.01.14
 (511)
 11 – Lamps; chandeliers; light bulbs.
 20 – Mirrors and furniture.

(260) AM 2023 117249 A
 (800) 1221652
 (151) 2014 08 05
 (891) 2022 02 11
 (731) CORTINA N.V.
 Meersbloem-Melden 42, B-9700
 OUDENAARDE, Belgium
 (540)

SAFETY JOGGER

(591) Black, white
 (531) 27.05.01
 (511)
 9 – Safety clothing; safety headgear including helmets
 and caps; safety footwear; goggles; safety gloves; all
 the aforesaid goods for protection in case of accidents
 and prevent injuries.

(260) AM 2023 117250 A
 (800) 1396522
 (151) 2017 06 15
 (891) 2021 11 03
 (731) AGF88 HOLDING Srl
 Via del Palù, 7D, I-35018 San Martino di
 Lupari (PD), Italy
 (540)



(591) Black, white
 (531) 26.01.01; 26.01.03; 26.01.18; 26.01.24;
 27.05.01; 27.05.24

(511)
 3 – Hair dyes; cosmetics; soaps; perfumes; essential
 oils; hair lotions; cosmetic dyes; hair colorants; sham-
 poos; hair gels; fixing agents for hair; nail polish and
 fixing agents for nails; hair oils; hair sprays; hair con-
 ditioners; decolourants for the hair; preparations for
 dyeing; decolouring and bleaching preparations for
 hair; no medical anti-dandruff preparations; hair cre-
 ms and powders; preparations to prevent hair loss;
 hair foams; hair mousses; cosmetics and personal hy-
 giene preparations for the care; cleaning and protecti-
 on of the body and face; dentifrices; mascara; eyesha-
 dow; perfumed powder for cosmetic use; foundation;
 lipsticks; lip pencil; pencil for eyes; solvents to remo-
 ve nail polish; skin cleanser; creams for the face and
 for the body; creams and tanning lotions; sun protec-
 tion creams; after-sun lotions.

(260) AM 2023 117251 A
 (800) 1431070
 (151) 2018 06 19
 (891) 2021 12 03
 (731) Tumi, Inc.
 499 Thornall Street, 10th Floor, Edison
 NJ 08837, USA
 (540)

TUMI

(591) Black, white
 (511)
 18 – All-purpose carrying bags; carry-on bags; trave-
 lling bags; luggage; suitcases; backpacks; handbags;
 carrying cases; wallets; toiletry bags sold empty; su-
 itcase handles; straps for luggage; fitted protective co-
 vers for luggage; amenity bags sold empty; luggage
 tags; key cases; luggage inserts, namely, packing cu-
 bes; shoulder straps; umbrellas.

(260) AM 2023 117252 A
 (800) 1483874
 (151) 2018 12 18
 (891) 2022 02 14
 (731) H & M Hennes & Mauritz AB
 SE-106 38 Stockholm, Sweden
 (540)

H&M HOME

(591) Black, white
 (511)
 35 – Advertising; marketing and promotional servi-
 ces; business analysis; business/marketing research
 and information services; commercial trading and
 consumer information services; business manage-
 ment; retail services related to air fragrance reed dif-
 fusers, air fragrancing preparations, scented room
 sprays, potpourris [fragrances], soaps, washing-up de-
 tergent, candles, perfumed candles, spreaders [cutle-
 ry], food processing implements, knives, kitchen kni-

ves, cutlery, table cutlery knives, forks and spoons, scrapers [hand tools], vegetable knives, paper, table cloths of paper, tissues, boxes of paper or cardboard, cards, greeting cards, envelopes [stationery], bookends, bags envelopes, pouches of paper or plastics, face towels of paper, decorative paper centerpieces, table napkins of paper, decoration and art materials and media, pictures, party stationery, figures made of paper, works of art and figurines of paper and cardboard, architectural models, handkerchiefs of paper, paper for wrapping, plastic film for wrapping, pens [office requisites], cabinets for stationery [office requisites], boxes of paper or cardboard, carving boards, printed publications, magazines (periodicals), stationery, furniture, pillows, storage drawers [furniture], storage baskets [furniture], baskets, non-metallic, boxes of wood, boxes made of plastic, magazine racks, frames, coat hangers, corks for bottles, chair pads, shower curtain rings, curtain rings, mattresses, clothes hangers, hampers (baskets), cable and pipe clips of plastics, mirrors (looking glasses), picture frames, plaited straw, except matting, works of art of wood, wax, plaster or plastic, plastic key cards, not encoded and not magnetic, decorations of plastic for food-stuffs, beds for household pets, identification bracelets, not of metal, furniture fittings, clothes hooks, cushions, boxes of wood or plastic, non-metallic containers in the form of bins, storage tins, glasses [receptacles], cups, basins [receptacles], baskets of common metal for household use, laundry baskets, boxes of glass, pots, candelabra [candlesticks], coasters, not of paper or textile (tableware), oven to table racks, vases, decanters, table plates, mugs, glasses [drinking vessels], glass bowls, glass plates, glassware for household purposes, glass storage jars, works of art made of glass, decorative china, toilet cases, meal trays for household purposes, table napkin holders, salt and pepper shakers, bread baskets for household purposes, beverage stirrers, soap holders, soap containers, household or kitchen utensils and containers, glass, unworked or semi-worked, except building glass, cooking utensils, non-electric, food and beverage containers, household porcelain including kitchen plates, bowls, pots, jars, jugs and other dinnerware, household earthenware (including kitchen and dinner ware), egg cups, bottle openers, electric and non-electric, tea services (tableware), flower pots, perfume burners, perfume vaporizers, combs, brushes, toothbrushes, services [dishes], cookie [biscuit] cutters, cold packs for chilling food and beverages, figurines [statuettes] of porcelain, ceramic, earthenware or glass, fly swatters, sheets [textile], bed linen and blankets, textile tablecloths, hand towels, fabric bed valances, tablemats of textile, shower curtains of textile or plastic, textiles and textile goods, textile material, bed clothes, blankets, sheets, pillow cases, duvet covers, bed covers, bed skirts, bed blankets, place mats of textile, oilcloth for use as tablecloths, runners not of paper, table nap-

kins of textile, linens, towels of textile, bath towels, hand towels, tea cloths, curtains for showers, curtains of textile or plastic, coverings of plastic for furniture, furniture coverings of textile, pillow shams, quilts filled with stuffing materials, household textile articles, wall hangings of textile, flags of textile or plastic, clothing, shoes, headgear, lounging robes, pajamas, nighties, sleep masks, aprons [clothing], slippers, dressing gowns, stockings, babies' pants, swimsuits, waterproof clothing, masquerade costumes, gloves (clothing), shawls, belts (clothing), chasubles, sashes for wear, shower caps, hairdressing capes, wedding gowns, mats, bath mats, yoga mats, door mats, non-textile wall hangings, carpets, Christmas stockings, decorations for Christmas trees, festive decorations and artificial Christmas trees, playing cards, toys, candle holders for Christmas trees, flowers, tea, coffee, spices, chocolate; sales promotion for others; personnel management consultancy; relocation services for businesses; computerized file management; accounting; rental of vending machines; sponsorship search; rental of sales stands; retail or wholesale services for pharmaceutical, veterinary and sanitary preparations and medical supplies.

(260) AM 2023 117321 A

(800) 1652455

(151) 2022 02 08

(891) 2022 02 08

(731) Artsana S.p.A.

Via Saldarini Catelli 1, I-22070 Grandate CO,
Italy

(540)

CONTROL

(591) Black, white

(511)

3 – Massage gels other than for medical purposes.

5 – Sexual stimulant gels; sexual lubricants; vaginal lubricants; hygienic lubricants; preparations for use in vaginal lubrication.

10 – Condoms; condoms for prophylactic purposes; condoms having spermicidal properties; vibrators, being adult sexual aids; artificial vaginas, being adult sexual aids; love dolls [sex dolls]; sex toys; Ben Wa balls, being adult sexual aids; artificial penises, being adult sexual aids.

(260) AM 2023 117327 A

(800) 1652661

(151) 2022 02 07

(891) 2022 02 07

(731) ALFA INTES INDUSTRIA TERAPEUTICA
SPLENDORE SRL

Via F.lli Bandiera 26, I-80026 Casoria, NA,
Italy

(540)

IALUVIT

(591) Black, white

(511)

5 – Pharmaceutical preparations for use in ophthalmology; collyrium.

(260) AM 2023 117328 A

(800) 1652702

(151) 2021 12 02

(891) 2021 12 02

(731) Limited Liability Company «ULTRASTAB»
50, Grozilovo village, Teykovo district,
RU-155044 Ivanovo region, Russian Federation

(540)

**U L T R A S T A B**

(591) Black, white

(531) 26.13.25; 27.05.01; 27.05.22

(511)

19 – Linings, not of metal, for building; luminous paving blocks; mooring bollards, not of metal; greenhouse frames, not of metal; horticultural frames, not of metal; flashing, not of metal, for building; laths, not of metal; roofing tiles, not of metal; drain traps [valves], not of metal or plastic; binding material for road repair; insect screens, not of metal; wainscoting, not of metal; reinforcing materials, not of metal, for building; platforms, prefabricated, not of metal; road marking sheets and strips of synthetic material; moldings, not of metal, for cornices; mouldings, not of metal, for cornices; poles, not of metal, for power lines; posts, not of metal, for power lines; paint spraying booths, not of metal; paving blocks, not of metal; signalling panels, non-luminous and non-mechanical, not of metal; rigid pipes, not of metal, for building; drain pipes, not of metal; scaffolding, not of metal; lengthening pieces, not of metal, for chimneys; framework, not of metal; cornices, not of metal; gates, not of metal; chimney shafts, not of metal; swimming pools [structures], not of metal; prefabricated houses [kits], not of metal; ducts, not of metal, for ventilating and air-conditioning installations; door frames, not of metal; door casings, not of metal; window frames, not of metal; palisading, not of metal; palings, not of metal; mortar for building; grout; roof gutters, not of metal; ceilings, not of metal; roof coverings, not of metal; wall linings, not of metal, for building; masts [poles], not of metal; road coating materials; buildings, not of metal; beams, not of metal; girders, not of metal; advertisement columns, not of metal; staircases, not of metal; joists, not of metal; paving slabs, not of metal; windows, not of metal; trellises, not of metal; latticework, not of metal; coatings [building materials]; penstock

pipes, not of metal; silos, not of metal; materials for making and coating roads; duckboards, not of metal; building panels, not of metal; window glass for building; sills, not of metal; caissons for construction work under water; props, not of metal; road signs, non-luminous and non-mechanical, not of metal; outdoor blinds, not of metal and not of textile; felt for building; safety glass; partitions, not of metal; binding agents for making briquettes; binding agents for making stones; alabaster glass; roof flashing, not of metal; moldings, not of metal, for building; porches [structures], not of metal; roofing, not of metal; door panels, not of metal; crash barriers, not of metal, for roads; rocket launching platforms, not of metal; doors, not of metal; wall claddings, not of metal, for building; tile floorings, not of metal; mosaics for building; floating docks, not of metal, for mooring boats; shuttering, not of metal, for concrete; fences, not of metal; railway sleepers, not of metal; railroad ties, not of metal; sheet piles, not of metal; pilings, not of metal; olivine for building; beacons, not of metal, non-luminous; geotextiles; street gutters, not of metal; insulating glass for building; wall tiles, not of metal; shutters, not of metal; gutter pipes, not of metal; stair-treads [steps], not of metal; water-pipes, not of metal; lintels, not of metal; tiles, not of metal, for building; building materials, not of metal; construction materials, not of metal; slabs, not of metal, for building; diving boards, not of metal; angle irons, not of metal; chimneys, not of metal; chimney pots, not of metal; jealousies, not of metal.

35 – Shop window dressing; commercial intermediation services; advertising; publicity; professional business consultancy; updating of advertising material; distribution of samples; negotiation and conclusion of commercial transactions for third parties; promoting the goods of others; advertising agencies; publicity agencies; computerized file management; compilation of information into computer databases; provision of commercial and business contact information; presentation of goods on communication media, for retail purposes; systemization of information into computer databases; marketing research; organization of exhibitions for commercial or advertising purposes; procurement services for others [purchasing goods and services for other businesses]; business appraisals; business management and organization consultancy; auctioneering; commercial or industrial management assistance; web site traffic optimization; business auditing; layout services for advertising purposes; business investigations; rental of advertising time on communication media; business efficiency expert services; compilation of statistics; television advertising; business organization consultancy; business information; economic forecasting; on-line advertising on a computer network; advisory services for business management; administrative processing of purchase orders; business inquiries; business research; import-export agency services; pay per click advertising; co-

mmercial information and advice for consumers [consumer advice shop]; business management consultancy; updating and maintenance of data in computer databases; commercial administration of the licensing of the goods and services of others; dissemination of advertising matter; outsourcing services [business assistance]; outdoor advertising; commercial information agency services; marketing; radio advertising; business management assistance; telemarketing services; market studies; demonstration of goods.

(260) AM 2023 117329 A
 (800) 1652704
 (151) 2021 12 29
 (891) 2021 12 29
 (731) HUGO BOSS Trade Mark Management GmbH & Co. KG
 Dieselstraße 12, 72555 Metzingen, Germany
 (540)

BOSS

(591) Black, white
 (511)
 4 – Aromatherapy fragrance candles; candle wax; candles; candles and wicks for lighting; candles for absorbing smoke; candles for lighting; candles for night lights; candles (perfumed); fragranced candles; tea light candles; wax for lighting; wicks for candles.

(260) AM 2023 117330 A
 (800) 1652797
 (151) 2022 02 24
 (891) 2022 02 24
 (731) Grote Industries, Inc.
 2600 Lanier Drive, P.O. Box 1550, Madison IN 47250, USA
 (540)

4SEE

(591) Black, white
 (511)
 9 – Apparatus for radio transmission and electrical connections from and between a truck cab and a trailer cab for providing vehicle information in the nature of electrical malfunctions, vehicle location, tire status, vehicle blind spot monitoring, vehicle status.

(260) AM 2023 117331 A
 (800) 1652831
 (151) 2021 11 30
 (891) 2021 11 30
 (731) Jiangsu Dartek Technology Co., Ltd
 No. 699 Xiangjiang Road, Haimen Economic and Technological, Development Zone, NantongCity, Jiangsu Province, China

(540)

powart

(591) Black, white
 (531) 27.05.01; 27.05.17; 27.05.19
 (511)
 7 – Agricultural machines; lawnmowers [machines]; spraying machines; weeding machines; agricultural implements, other than hand-operated; tea harvesting machines; electric lawn mower; electric hedge trimmer; aerating pumps for aquaria; disintegrators; sewage pulverizers; milking machines; hair cutting machines for animals; saw benches [parts of machines]; saw blades [parts of machines]; mixing machines; juice extractors, electric; beverage preparation machines, electromechanical; sewing machines; engraving machines; sheaf-binding machines; mills for household purposes, other than hand-operated; kitchen machines, electric; whisks, electric, for household purposes; fruit presses, electric, for household purposes; stitching machines; kitchen grinders, electric; washing machines [laundry]; machines for processing plastics; electromechanical machines for chemical industry; rinsing machines; cutters [machines]; white-washing machines; stone working machines; jacks [machines]; metalworking machines; steam engines; carburetter feeders; igniting devices for internal combustion engines; turbines other than for land vehicles; wind power equipment; threading machines; bending machines; drilling bits [parts of machines]; machines and apparatus for polishing [electric]; industrial robots; chain saws; planing machines; scissors, electric; shears, electric; hand-held tools, other than hand-operated; riveting machines; compressed air guns for the extrusion of mastics; glue guns, electric; guns [tools using explosives]; nail extractors, electric; electric screwdrivers; electric hand drills (not including electric coal drill); hand-held pneumatic tools; angle polishers; painting machines; spray guns for paint; paint spraying machine; carbon brushes [electricity]; dynamos; stators [parts of machines]; piston rings; cylinders for machines; pistons [parts of machines or engines]; motors, other than for land vehicles; pump diaphragms; pumps [machines]; compressed air machines; compressed air pumps; valves [parts of machines]; compressors [machines]; blowing machines; shaft couplings [machines]; shaft couplings [machines]; crank shafts; ball-bearings; bearings [parts of machines]; welding machines, electric; welding apparatus, gas-operated; gas-operated blow torches; snow ploughs; high pressure washers; vacuum cleaners; machines and apparatus for wax-polishing, electric; hand-held vacuum cleaners; curtain drawing devices, electrically operated; shoe polishers, electric.
 8 – Abrading instruments [hand instruments]; hand tools, hand-operated; grindstones [hand tools]; emery grinding wheels; moulding irons; agricultural imple-

ments, hand-operated; garden tools, hand-operated; syringes for spraying insecticides; beard clippers; spanners [hand tools]; hammers [hand tools]; chisels; screwdrivers, non-electric; pliers; files [tools]; vices; lifting jacks, hand-operated; riveters [hand tools]; non-electric caulking guns; air pumps, hand-operated; graving tools [hand tools]; hobby knives [scalpels]; scissors; cutters; side arms, other than firearms; tableware [knives, forks and spoons]; handles for hand-operated hand tools.

9 – Measures; rulers [measuring instruments]; tape measure; signal lanterns; signs, luminous; smartphones; security surveillance robots; selfie sticks [hand-held monopods]; slide calipers; measuring devices, electric; metal detectors for industrial or military purposes; optical apparatus and instruments; telescopes; telescopic sights for artillery; covers for tablet computers; scales; thermal imaging cameras; telemeters; rods [surveying instruments]; surveyors' levels; levels [instruments for determining the horizontal]; levelling instruments; theodolites; thermometers, not for medical purposes; surveying instruments; audiovisual teaching apparatus; detectors; measuring instruments; cables, electric; wires, electric; magnets; control panels [electricity]; fire extinguishers; protective helmets; solderers' helmets; goggles; alarms; lightning arresters; pince-nez; battery chargers; batteries, electric; power bank (rechargeable battery).

(260) AM 2023 117332 A

(800) 1652836

(151) 2021 11 29

(891) 2021 11 29

(731) Euro Games Technology Ltd.

4, "Maritsa" Str., "Vranya-Lozen-Triugulnika",
BG-1151 Sofia, Bulgaria

(540)

DAZZLING

(591) Black, white

(511)

9 – Software; computer gaming software; computer software packages; computer operating system software; computer software, recorded; software drivers; virtual reality software; games software; entertainment software for computer games; computer programs for network management; operating computer software for main frame computers; monitors (computer hardware); computer hardware; apparatus for recording images; monitors (computer programs); computer game programs; computer programs for recorded games; apparatus for recording, transmission or reproduction of sound or images; communications servers [computer hardware]; electronic components for gambling machines; computer application software featuring games and gaming; computer software for the administration of on-line games and gaming; computer hardware for games and gaming; electronic

components and computer software for gambling, gambling machines, gambling games on the internet and via telecommunication network.

28 – Gaming machines for gambling; chips for gambling; mah-jong; arcade games; gambling machines operating with coins, notes and cards; games; electronic games; parlor games; gaming chips; gaming tables; slot machines [gaming machines]; LCD game machines; slot machines and gaming devices; coin-operated amusement machines; roulette chips; poker chips; chips and dice [gaming equipment]; gaming equipment for casinos; roulette tables; gaming roulette wheels; casino games; gambling machines and amusement machines, automatic and coin-operated; coin-operated amusement machines and/or electronic coin-operated amusement machines with or without the possibility of gain; boxes for coin-operated machines, slot machines and gaming machines; electronic or electrotechnical amusement machines and apparatus, gaming machines, coin-operated entertainment machines; housings for coin-operated machines, gaming equipment, gaming machines, machines for gambling; electropneumatic and electrical gambling machines (slot machines).

41 – Gambling; entertainment services related to gambling; gaming services for entertainment purposes; casino, gaming and gambling services; training in the development of software systems; provision of gaming equipment for gambling halls; providing casino equipment [gambling]; gaming machine entertainment services; providing casino facilities [gambling]; halls with gaming machines; amusement arcade services; games equipment rental; rental of gaming machines; providing amusement arcade services; rental of gaming machines with images of fruits; editing or recording of sounds and images; sound recording and video entertainment services; hire of sound reproducing apparatus; provision of gaming equipment for casinos; providing of casino facilities; online gambling services; casino, gaming and gambling services; provision of gaming facilities, gaming hall facilities, internet casinos and online gambling services.

(260) AM 2023 117333 A

(800) 1652842

(151) 2022 02 08

(891) 2022 02 08

(731) KINGSPAN HOLDINGS (IRL) LIMITED

Dublin Road, Kingscourt, Ireland

(540)

ROOFTRICITY

(591) Black, white

(511)

35 – Business management; business project management services for construction projects; business project management; business project management for others; management of business projects for others.

36 – Financial services, funding services, capital services; arranging finance for construction projects; funds management; capital investment fund management; financial management of funds; fund guarantee services; funding of product development; providing funding for commercial entities; providing funding for inventions; providing funding for joint ventures; providing funding for research institutions; providing funding for universities; real estate funds investment services; venture capital funding services for companies; arranging of loans for securing funds for others; financing services for the securing of funds for business; financing services for the securing of funds for ventures; providing funding for business acquisitions and mergers; providing funding for the development of new technology; providing funds for hire-purchase and for leasing; securing of funds for the purchase of property; venture capital funding services for commercial entities; venture capital funding services for non-profit entities; venture capital funding services for research institutions; venture capital funding services for emerging and start-up companies; venture capital funding services for small and medium enterprises; financing; corporate financing; equity financing; loan financing; financing of acquisitions; financing of building projects; financing of development projects; financing of industrial projects; financing of land acquisition; financing of mergers; financing of product development; financing of projects; financing of property development; financing of property loans; lease-purchase financing; management of corporate finances; real estate financing; project finance services; consultancy concerning financing of energy projects; financing of real estate development projects; project financing; providing project grants for environmental projects; financial management of building projects; financial management of building renovation projects; financial management of real estate projects; financial planning services relating to building projects; capital investment; project capital investment services; venture capital financing services; raising of capital for business acquisitions and mergers; financial services relating to the provision and structuring of capital; provision of working capital credits and loans of all kinds.

37 – Building construction; repair services in connection with solar collectors and solar panels for electricity generation, solar collectors, solar panels, solar tubes, solar energy operating apparatus, solar collectors for heating and for cooling, solar energy collectors, solar panels for heating and for cooling; installation services in connection with solar collectors and solar panels for electricity generation, solar collectors, solar panels, solar tubes, solar energy operating apparatus, solar collectors for heating and for cooling, solar energy collectors, solar panels for heating and for cooling; construction consultancy; construction information; construction engineering services [construc-

tion consultancy]; construction project management [construction supervision]; building construction consultancy services; building project management [construction supervision]; construction and maintenance of buildings; construction and renovation of buildings; custom construction and building renovation; residential and commercial building construction; information and advisory services relating thereto.

(260) AM 2023 117334 A

(800) 1652898

(151) 2021 12 21

(891) 2021 12 21

(731) TEST GİYİM SAN.VE TİC.LTD.ŞTİ.
NİŞANCI MAH. EYÜP SULTAN BULVARI
NO:58/1, EYÜPSULTAN, İstanbul, Türkiye

(540)



(591) Black, white

(531) 26.04.05; 26.04.22; 26.04.24; 27.05.24

(511)

25 – Wimples; bandanas [neckerchiefs]; underwear; sweat-absorbent underwear; overalls; stuff jackets [clothing]; boas [necklets]; boots; breeches for wear; trousers; football shoes; brassieres; collars [clothing]; detachable collars; shirt yokes; veils; galoshes; neckties; ascots; chaps; gaiters; boot uppers; waistcoats; sports jerseys; hosiery; heels; long underwear; camisoles; hoods; hat frames [skeletons]; pocket squares; pockets for clothing; scarves; cap peaks; tights; combinations [clothing]; wet suits for water-skiing; waistbands [parts of clothing]; suits; bathing suits; masquerade costumes; beach clothes; jackets; fishing jackets; liveries; tee-shirts; cuffs; short-sleeve shirts; mantillas; coats; furs [clothing]; hand warmers [fingerless gloves]; mitres [hats]; muffs [clothing]; footmuffs, not electrically heated; heelpieces for footwear; bibs, not of paper; fur stoles; ear muffs [clothing]; socks; bathing shoes; beach shoes; sports shoes; footwear; paper clothing; outerclothing; ready-made clothing; motorists' clothing; cyclists' clothing; clothing for gymnastics; gabardines [clothing]; jerseys [clothing]; clothing of imitations of leather; clothing of leather; stockinet clothing; uniforms; clothing; fittings of metal for footwear; maniples; overcoats; parkas; swaddling clothes; pelerines; gloves [clothing]; pyjamas; bathing trunks; dresses; waterproof jackets; headbands [clothing]; garters; sock suspenders; stocking suspenders; ready-made linings [parts of clothing]; dress shields; soles for footwear; braces for clothing [suspenders]; lace boots; belts [clothing]; money belts [clothing]; non-slipping devices for footwear; sweaters; welts for footwear; chasubles; shirts; wooden shoes; sandals;

saris; footwear uppers; inner soles; togas; underpants; gymnastic shoes; slippers; shoes; turbans; headwear; aprons [clothing]; dressing gowns; tips for footwear; shower caps; stockings; sweat-absorbent stockings; shawls; skull caps; bathing caps; studs for football shoes; pants for children; gaiter straps; pelisses; esparto shoes or sandals; skirts; petticoats.

35 – Cost price analysis; rental of advertising space; account auditing; computerized file management; book-keeping; business efficiency expert services; demonstration of goods; opinion polling; market studies; online advertising on a computer network; providing business information; compilation of statistical information; business investigations; personnel recruitment; business management and organization consultancy; personnel management consultancy; professional business consultancy; business management of performing artists; updating of advertising material; word processing; organization of exhibitions for commercial or advertising purposes; organization of trade fairs for commercial or advertising purposes; shop window dressing; business appraisals; payroll preparation; data search in computer files for others; business management assistance; commercial or industrial management assistance; economic forecasting; auctioneering; promoting the goods of others; rental of advertising time on communication media; publicity material rental; publication of publicity texts; radio advertising; distribution of samples; dissemination of advertising matter; distribution of advertising flyers; advertising; advertising by mail order; television advertising; advertising agency services; compilation of information into computer databases; business inquiries; provision of secretarial services; systemization of information into computer databases; procurement services for others [purchasing goods and services for other businesses]; tax preparation; shorthand; psychological testing for the selection of personnel; business management of hotels; public relations; modelling for advertising or sales promotion.

(260) AM 2023 117336 A

(800) 1652954

(151) 2021 11 29

(891) 2021 11 29

(731) eleven teamsports GmbH

Im Winkel 1-3, 74589 Satteldorf,

Germany

(540)

11teamsports

(591) Black, white

(511)

16 – Iron-on transfers; silk screen prints; printed matter; labels of paper or cardboard.

18 – Travelling bags; pouches; bags; rucksacks; garment carriers; bags for sports; hipsacks.

25 – Clothing; footwear; headgear; sportswear; sports jackets; sports pants; sports caps; sports shoes; sports singlets; headbands [clothing]; stockings; sweat-absorbent stockings; sweaters; tee-shirts; gym suits; knitwear [clothing]; sports jerseys.

26 – Heat adhesive patches; heat adhesive patches for decoration of textile articles [haberdashery]; heat adhesive patches for repairing textile articles; patches (textile -) for ironing-on; embroidery.

28 – Games and playthings; gymnastic and sporting articles.

35 – Cost price analysis; business inquiries; business management consultancy; professional business consultancy, in particular for franchise concepts; book-keeping; services rendered by a franchisor, namely, assistance in the running or management of industrial or commercial enterprises; advisory services (business -) relating to the operation of franchises; office functions; computerized file management; advertising agency services; wholesaling and retailing, including via the internet, in relation to the following goods: heat transfers, silk-screen-prints, printed matter, labels, not of textile, travelling bags, bags, bags, rucksacks, bags for clothes, sport bags, bumbags, clothing foot wear, sportswear, sports bibs, sports pants, sports caps, footwear for sports, sports singlets, headbands (clothing), stockings, sweat-absorbent stockings, sweaters, t-shirts, tracksuits, knitwear (clothing), singlets; wholesaling and retailing, including via the internet, in relation to the following goods: iron-on decorative patches, heat adhesive patches for decoration of textile articles, heat adhesive patches for repair and decoration of textile articles, textile iron-on pictures, embroidery; compilation of statistics; preparation of accounts; business expertise services; invoicing; publication of publicity texts; layout services for advertising purposes; marketing; market research; opinion polling; merchandising; public relations services; online retail or mail order catalogue retail services in relation to the following goods: travelling bags, handbags, bags, bags, pouches of leather, rucksacks, bags for clothes, sport bags, clothing foot wear, sportswear, sports bibs, sports pants, sports caps, footwear for sports, sports singlets, headbands (clothing), stockings, sweat-absorbent stockings, sweaters, t-shirts, tracksuits, knitwear (clothing), singlets, games and playthings, gymnastic and sporting articles; business organization consultancy; presentation of goods on communications media, in particular for retail; planning services for advertising; business consultancy and advisory services; business administration; dissemination of advertising matter; writing of publicity texts; sales promotion; arranging of contracts for the buying and selling of goods for others, in particular clothing, footwear, headwear and sporting articles; distribution of advertising material; demonstration of goods; publicity columns preparation; providing an

online marketplace for the sale of sportswear, sporting articles, footwear and bags for sports.

40 – Printing on clothing; textile printing; pattern printing on fabric; dyeing of clothing; transfer of photographic prints; silkscreen printing; flocking for clothing; flocking for headwear; treating of textiles, treatment of fabric and leather working; embroidering; embroidering; laminating; laser scribing services; engraving; providing information relating to embroidery services.

45 – Licensing of industrial property rights, in particular for franchises; industrial property rights management.

(260) AM 2023 117337 A

(800) 1653019

(151) 2021 09 10

(891) 2021 09 10

(731) Medicovert Holding (Cyprus) Limited
Eirinis 119, CY-3041 Limassol, Cyprus

(540)



MEDICOVERT

(591) Blue, white

(531) 04.05.03; 26.11.12; 27.05.01; 29.01.04

(511)

42 – Biochemistry consultancy; analytical laboratory services; design and development of medical technology; research of pharmaceuticals; conducting clinical trials for pharmaceutical products; toxicity testing for research purposes; biological research; research and development services in the field of bacteriology; services for the development of methods of testing; scientific research relating to bacteriology; scientific investigations for medical purposes; provision of information and data relating to medical and veterinary research and development; biomedical research services; design and development of computer software for use with medical technology; research on the subject of pharmaceuticals; provision of scientific information; development of pharmaceutical preparations and medicines; research and development services in the field of immunology; preparation of immunohistological samples for analysis in research laboratories; design and development of medical diagnostic apparatus; biochemical research and development; product research and development; conducting clinical trials; research and development services in the field of cytology; providing scientific information in the field of medical disorders and their treatment; provision of information relating to scientific research; medical research; laboratory research in the field of gene expression; development of new technology for others; laboratory services relating to the production of mo-

noclonal antibodies; preparation of biological samples for analysis in research laboratories; scientific research in the field of social medicine; scientific research services; research and development services in the field of immunohistology; genetic research; cell separation research services; bacteriology consultancy; medical laboratories; consultancy relating to research in the field of pharmacogenetics; providing medical and scientific research information in the field of pharmaceuticals and clinical trials; DNA screening for scientific research purposes; medical research laboratory services; consultancy relating to biotechnology; scientific services; stem cell research; testing of pharmaceuticals; research and development services in the field of antibodies; design services; biological research, clinical research and medical research; analysis of human tissues for medical research; medical and pharmacological research services; computer programming in the medical field; research and development in the field of diagnostic preparations; research relating to medicines; scientific research for medical purposes; research in the field of pharmacogenetics; biochemistry research services; consultancy in the field of scientific research; chemical research and analysis; research relating to pharmaceuticals; information technology engineering services in the field of the pharmaceutical and healthcare industries; providing information relating to scientific research in the fields of biochemistry and biotechnology; research of new products for others; medical laboratory services; advisory services relating to gene therapy research; laboratory analysis in the field of bacteriology; research and development in the pharmaceutical and biotechnology fields; research laboratories; research relating to biotechnology; scientific research in the field of genetics and genetic engineering; research in the field of gene therapy; bacteriological research and testing; consultancy relating to research and development in the field of therapeutics; providing information about the results of clinical trials for pharmaceutical products; scientific research; research relating to molecular sciences; scientific research and development; consultancy relating to pharmaceutical research and development; blood analysis services for scientific research purposes; scientific research for medical purposes in the area of cancerous diseases; scientific consultancy.

44 – RNA or DNA analysis for cancer diagnosis and prognosis; pharmacy advisory services; arranging of medical treatment; weight reduction diet planning and supervision; dentistry; medical services, namely, in vitro fertilization; professional consultancy relating to health care; dental consultations; midwife services; providing medical information in the field of geriatrics; medical nursing; veterinary services; reflexology; providing veterinary information; psychological counselling; providing information relating to dietary and nutritional guidance; medical consultations; providing information relating to dentistry; medical care; testing of sera for medical purposes; cholesterol tes-

ting for medical purposes; consultancy and information services relating to biopharmaceutical products; dental hygienist services; dietetic counselling services [medical]; medical services relating to the removal, treatment and processing of stem cells; dental clinic services; medical analysis services for the diagnosis of cancer; telemedicine services; medical services for the treatment of conditions of the human body; providing medical information in the healthcare sector; private hospital services; medical advisory services; preparation of reports relating to medical matters; consultancy and information services relating to pharmaceutical products; performing diagnosis of diseases; nutritional advice; convalescent homes; in vitro fertilization services; consultancy and information services in the field of pharmaceutical products; medical services; medical laboratory services for the analysis of samples taken from patients; psychiatric services; medical analysis services relating to the treatment of patients; hospital services; providing information relating to nursing care services; optician services; postnatal care services for women; nutrition consultancy services relating to slimming; medical screening; health advice and information services; palliative care; professional consultancy relating to diet; services for the provision of medical facilities; medical analysis services relating to the treatment of persons provided by a medical laboratory; medical consultancy services; advisory services relating to diet; rest home services; dietetic advisory services; ambulant medical care; pharmacy services; genetic testing for medical purposes; consultancy in the field of nutrition; human healthcare services; collection and preservation of human blood; consultancy and information services relating to medical products; providing information to patients in the field of administering medications; providing health information relating to breastfeeding; medical treatment services; health care services offered through a network of health care providers on a contract basis; medical testing for diagnostic or treatment purposes; ultrasound services for medical purposes; emergency assistance services in the medical field; advice relating to dentistry; medical services for the diagnosis of conditions of the human body; cord blood bank services; medical analysis services relating to the treatment of persons; dietary guidance; health centre services; healthcare information services; medical services relating to the removal, treatment and processing of human blood; physician services; medical and health services relating to dna, genetics and genetic testing; nursing, medical; physical rehabilitation; pathology services; opticians' services; provision of pharmaceutical information; blood bank services; medical and healthcare services; medical consultancy for selecting appropriate wheelchairs, commodes, invalid hoists, walking frames and beds; consulting services relating to health care; medical services relating to the removal, treatment and processing of umbilical cord blood; medical

laboratory services for the analysis of blood samples taken from patients; dna screening for medical purposes; medical services relating to the removal, treatment and processing of human cells; psychotherapy services; medical testing services relating to the diagnosis and treatment of disease; testing of blood for medical purposes; medical examination of individuals; diet planning and supervision; medical treatment services provided by clinics and hospitals; providing information relating to dietary and nutritional supplements; medical clinic services; health consultancy; medical analysis services for cancer diagnosis and prognosis; services for the provision of medical care information; nursing care; provision of medical treatment; conducting of medical examinations; information services relating to contact lenses; medical services in the field of in vitro fertilization; medical diagnostic services; analysis of human tissues for medical treatment; medical health assessment services; medical services relating to the removal, treatment and processing of bone marrow; information relating to blood donation; sports medicine services; trans-telephone heart monitoring services; pharmaceutical advice; preparation of medical reports, other than dentistry; provision of information relating to psychology; medical analysis for the diagnosis and treatment of persons; testing of urine for medical purposes; medical information; holistic psychotherapy; nursing homes.

(260) AM 2023 117339 A

(800) 1653035

(151) 2021 10 29

(891) 2021 10 29

(731) Limited liability company "PROMYASO"
Pisareva street, 32, floor 4, room 2,
Novosibirsk, RU-630005 Novosibirsk region,
Russian Federation

(540)

SILA

СИЛА

(591) Black, white

(531) 27.05.01; 28.05

(511)

29 – Peanuts, prepared; ham; game, not live; gelatine; fruit-based snack food; milk substitutes; yogurt; sauerkraut; kephir; milk shakes; meat, tinned; gherkins; sweet corn, processed; koumiss; oils for food; olive oil for food; shellfish, not live; condensed milk; milk beverages, milk predominating; olives, preserved; prostokvasha being soured milk; pollen prepared as foodstuff; apple purée; ryazhenka being fermented baked milk; vegetable salads; fruit salads; cheese spreads; glazed curds; curd cheese bars; cottage cheese;

oysters, not live; potato flakes; aspic; lentils, preserved.

30 – Cereal bars; noodle-based prepared meals; vare-niki [stuffed dumplings]; natural sweeteners; hamburgers [sandwiches]; malt biscuits; cake frosting [icing]; candy decorations for cakes; confectionery for decorating christmas trees; meat pies; macarons; macaroni; marinades; dessert mousses [confectionery]; cocoa-based beverages; chocolate-coated nuts; lozenges [confectionery]; pepper; potpies; fondants [confectionery]; ravioli; rice; confectionery; sandwiches; dough; tortillas; chips [cereal products]; corn flakes; oat flakes; hot dog sandwiches; flowers or leaves for use as tea substitutes; cheeseburgers [sandwiches].

31 – Grapes, fresh; peas, fresh; trees; turf, natural; un-sawn timber; christmas trees; grains [cereals]; fish spawn; unprocessed potatoes; bird food; maize; shrubs; rose bushes; flower bulbs; shellfish, live; mussels, live; vegetables, fresh; lobsters, live; nuts [fruits]; aromatic sand [litter] for pets; litter for animals; animal fattening preparations; fishing bait, live; poultry, live; crustaceans, live; seedlings; plants; herrings, live; seeds for planting; bred stock; sanded paper [litter] for pets; straw litter; tuna, live; fodder; flowers, natural; flowers, dried, for decoration.

32 – Kvass; lemonades; protein-enriched sports beverages; powders for effervescing beverages; vegetable juices [beverages]; non-alcoholic essences for making beverages.

33 – Arrack [arak]; brandy; wine; whisky; vodka; gin; cocktails; liqueurs; spirits [beverages]; bitters; rum; sake.

43 – Services for providing food and drink; accommodation bureau services [hotels, boarding houses]; rental of temporary accommodation; rental of meeting rooms; tourist home services; hotel reservations; hotel services; retirement home services; snack-bar services; café services; patisserie cafes; meat dumplings bars; cafeteria services; motel services; boarding house services; boarding for animals; rental of drinking water dispensers; restaurant services; canteen services; holiday camp services [lodging]; bar services; providing campground facilities; food and drink catering; teahouse services; day-nursery [crèche] services.

(260) AM 2023 117340 A

(800) 1653091

(151) 2021 11 29

(891) 2021 11 29

(731) MEDSOL S.R.L.

Viale Adriano Olivetti, 37 zona ASI,
I-70056 Molfetta (BA), Italy

(540)



(591) Green and yellow

(531) 01.15.15; 26.04.13; 27.05.01; 29.01.13

(511)

29 – Edible fats, edible oils.

(260) AM 2023 117341 A

(800) 1653101

(151) 2022 02 26

(891) 2022 02 26

(731) Arman Goldasht Private joint stock Co

Arman Goldasht Company, West 4th 20 meter,
Shahid Rajae Industrial town, Islamic Republic
of Iran

(540)



(591) White, red and yellow

(531) 25.03.01; 25.03.03; 26.11.02; 26.11.12;

26.13.25; 27.01.12; 27.05.01; 27.05.11; 28.01;

29.01; 29.01.13

(511)

29 – Seafood, canned; canned snap beans; canned chickpeas; pepper oil; verjuice; processed eggplants; edible oil; pickled fruit and vegetables; kefir [milk beverage]; pickled cucumbers; jams; fish, preserved; soups; canned beans; cocoa butter; canned preserved meat; olive oil for culinary purposes; cooking oil; pickled gherkin cucumbers; food pastes made from meat; edible oils; beans, canned; sesame oil; salmon, canned; tinned fruits and vegetables; canned sweet-corn; meat, canned; pickled vegetables; oil-based cooking spray; cooking oils; whey; palm oil for food; lime juice for culinary purposes; canned fruits and vegetables; prepared lentils; pickles; milk; pickled peppers; palm kernel oil for food; soya bean oil for cooking; canned peas; vegetables, canned; tomato paste; fruits, canned; vegetable oils for food; compotes; frozen fruits; tahini [sesame seed paste]; coconut oil for food; animal oils for food; dates, processed; edible oils for foodstuffs; dried fruit; yogurt; meat; drinks made from yoghurt.

(260) AM 2023 117342 A

(800) 1653377

(151) 2021 10 21

(891) 2021 10 21

(731) Xiaomi Inc.

No. 006, Floor 6, Building 6, Yard 33, Middle Xierqi Road, Haidian District, Beijing, China

(540)

MIUI

(591) Black, white

(511)

7 – Incubators for eggs; saws [machines]; printing machines; spinning machines; tea manufacturing machines; mixing machines; mills [machines]; mixers [machines]; bread cutting machines; kneading machines; sausage making machines; food preparation machines, electromechanical; peeling machines; cigarette making machines; leather-working machines; sewing machines; ironing machines; industrial inkjet printing machines; machines for battery industry; packaging machines; dishwashers; blenders, electric, for household purposes; coffee grinders, other than hand-operated; dish washing machines for household purposes; tin openers, electric; kitchen machines, electric; food processors, electric; dry-cleaning machines; disintegrators; rinsing machines; extractors for mines; cutters [machines]; excavators; elevating apparatus; elevators [lifts]; pneumatic jacks; metalworking machines; electric hammers; foundry machines; steam engines; igniting devices for internal combustion engines; sparking plugs for automobile engines; ignition coils for automobile engines; wind turbines; zipper making machines; tools [parts of machines]; screwdrivers, electric; hand-held tools, other than hand-operated; electric hand-held drills; machines for the electronic industry; optical cold working machines; gas separating installations; machines for making oxygen and nitrogen; dynamos; filters for cleaning cooling air, for engines; engines, other than for land vehicles; radiators [cooling] for automobile engines; cooling water tanks for automobile engines; water pipes of cooling radiators for automobile engines; hoods of cooling radiators for automobile engines; cooling fans for automobile engines; cooling fan housings for automobile engines; clutches of cooling fan for automobile engines; exhaust purifier for automobile engines [catalyst reactor]; exhaust recycling systems for automobile engines; mufflers for automobile engines; intake/expel pipes of mufflers for automobile engines; resonators of exhaust systems for automobile engines; pistons for automobile engines; automobile engine cylinders; air filters for automobile engines; automobile engine cylinder blocks; oil pumps for automobiles; water pumps for automobiles; pumps [machines]; aerocondensers; compressed air machines; air suction machines; pneumatic cylinders [parts of machines]; axles for machines; door openers, electric; window closers, electric; bearings [parts of machines]; flywheels for automobile engines; crankshafts for automobile engines;

belts for machines; electric welding apparatus; machines and apparatus for cleaning, electric; steam cleaning machines; electric steam mops; brushes for vacuum cleaners; suction nozzles for vacuum cleaners; washing apparatus; vacuum cleaners; crushing machines; filtering machines; pneumatic pumps; dust exhausting installations for cleaning purposes; steam cleaners for household purposes; cordless vacuum cleaners; dust filters and bags for vacuum cleaners; agricultural machines; aerating pumps for aquaria; mechanized livestock feeders; milking machines; shearing machines for animals; salt scooping machines; woodworking machines; papermaking machines; diaper producing equipment; printing cylinders; darning machines; dyeing machines; brick tea pressing machines; beverage preparation machines, electromechanical; tobacco processing machines; leather paring machines; bicycle assembling machines; potters' wheels; engraving machines; battery cell manufacturing machines; cord making machines; enamel making machinery; light bulb making machines; bottle sealing machines; embossing machines; glass-working machines; fertilizer manufacturing equipment; electromechanical machines for chemical industry; drilling machines; rolling mill cylinders; drilling rigs, floating or non-floating; whitewashing machines; moulding machines; scale collectors for machine boilers; hydraulic turbines; paper clip making machines; zipper machine; industrial robots; electric wire and cable manufacturing machines; scissors, electric; spectacle glasses processing machines; painting machines; bicycle dynamos; fans for motors and engines; pumps for heating installations; compressors for refrigerators; hydraulic couplers; water heaters being parts of machines; anti-friction bearings for machines; adhesive bands for pulleys; welding machines, electric; sifting installations; curtain drawing devices, electrically operated; drums [parts of machines]; 3d printers; racket stringing machines; vending machines; liquid tank [parts of machines]; labellers [machines]; 3d printing pens; electroplating machines; cleaning appliances utilizing steam; taps [parts of machines, engines or motors]; valves [parts of machines]; robotic exoskeleton suits, other than for medical purposes; ice-resurfacing machines; rough rice separating machines; automatic tire removing and installing devices; machines for recovering and changing brake fluid; electric juicers; juice extractors, electric; washing machines [laundry]; centrifugal mills; electric cordless sweepers; shoe polishers, electric; machines for the textile industry; machines for the bicycle industry; brick making machines; pen making machines; candle making machines; honeycomb-shaped briquet making machines; silkworm egg washing machines; straw mat weaving machines; chopstick making machines; machines for processing plastics; rubber washing machines; plastic processing molds; steam condensers [parts of machines]; carburettor feeders; turbines, other than for land vehicles; spray guns for paint; starters for motors

and engines; pumps [parts of machines, engines or motors]; transmission shafts, other than for land vehicles.

9 – Bags adapted for laptops; wearable computers; computer programs, downloadable; tablet computers; calculating machines; computer game software, recorded; encoded identification bracelets, magnetic; telepresence robots; encoded magnetic cards; electronic pens [visual display units]; smartglasses [data processing]; magnetic encoded credit cards; sim cards; mouse [computer peripheral]; photo printers; ink cartridges, unfilled, for printers and photocopiers; pens with conductive point for touch screen devices; ink jet printers; laptop sleeves; led displays; display screens; digital photograph printers; cases adapted for computers; computer programs, recorded; identity cards, magnetic; microprocessors; electronic tags for goods; integrated circuit cards [smart cards]; sleeves for laptops; protective films adapted for computer screens; security tokens [encryption devices]; covers for tablet computers; electronic interactive whiteboards; personal digital assistants [pdas]; computer software platforms, recorded or downloadable; computer game software, downloadable; stands adapted for laptops; downloadable e-wallets; biometric identity cards; smart rings [data processing]; electronic agendas; pedometers; counters; time recording apparatus; counterfeit coin detectors; credit card terminals; fingerprint identifier; facial recognition apparatus; photocopiers [photographic, electrostatic, thermic]; time clocks [time recording devices]; bathroom scales; weighing apparatus and instruments; scales with body mass analysers; body fat scale; body fat scale for household purposes; measures; compasses for measuring; rulers [measuring instruments]; electronic notice boards; signal lanterns; cell phones; stands adapted for mobile phones; protective films adapted for smartphones; smartphones in the shape of a watch; cases for smartphones; mobile telephones; cell phone straps; hands-free kits for telephones; global positioning system [gps] apparatus; intercommunication apparatus; intercoms; wrist-mounted smartphones; transmitters [telecommunication]; network routers; heat sink for cellular phones; selfie sticks for mobile phones; monopods used to take photographs by positioning a smartphone or camera beyond the normal range of the arm; wireless local area network controllers; electronic navigational and positioning apparatus and instruments; cell phone cases; branch boxes [electricity]; radios; protective film for mobile phone screen; automobile navigational apparatus; car antennas; camcorders; security surveillance robots; rearview cameras for vehicles; compact discs [audio-video]; earphone; juke boxes, musical; loudspeakers; cabinets for loudspeakers; microphones; portable media players; sound recording apparatus; sound transmitting apparatus; television apparatus; wearable video display monitors; virtual reality headsets; wireless headsets for smartphones; audio mixers; teaching apparatus with artificial intelli-

gence; downloadable computer programs using artificial intelligence in the field of machine translation; electronic book readers; set-top boxes; television displays; loudspeaker cabinets with touch screen; electronic audio apparatus for TV; head-mounted video displays; cameras; laser projection television; educational software for children; talking pens; downloadable digital media content being visual stories; audiovisual teaching apparatus used with memory cards; bluetooth earphones; waterproof cases adapted for camcorders; high definition televisions; digital sound processors; personal computer cameras; audio equipment; radio sets; web cameras; dmb [digital multimedia broadcasting] televisions; noise cancelling earphones; tape recorders; headphones; digital photo frames; baby monitors; car speakers; car stereos; cases especially made for photographic apparatus and instruments; video projectors; filters [photography]; projection apparatus; stands for photographic apparatus; projectors; laser projectors; projection screens; multimedia projectors; projection screens for movie films; viewfinders, photographic; diaphragms [photography]; filters for ultraviolet rays, for photography; tripods for cameras; flashlights [photography]; selfie lenses; bags adapted for photographic apparatus; surveying apparatus and instruments; range finders; air analysis apparatus; hygrometers; infrared detectors; automatic indicators of low pressure in vehicle tyres; tire-pressure measurers; speed checking apparatus for vehicles; diagnostic apparatus, not for medical purposes; tool measuring instruments; pressure measuring apparatus; temperature indicators; teaching apparatus; teaching robots; laboratory robots; audiovisual teaching apparatus; chemistry apparatus and instruments; measuring devices, electric; probes for scientific purposes; optical apparatus and instruments; microscopes; magnifying glasses [optics]; apparatus and instruments for astronomy; telescopes; usb cables for cellphones; telephone wires; materials for electricity mains [wires, cables]; data cables; usb cables; audio connecting cables; electric adapter cables; electric wire harnesses for automobiles; semi-conductors; chips [integrated circuits]; automobile electronic control units; conductors, electric; commutators; magnetic materials and devices; light-emitting diodes [led]; power adapters; switches, electric; electric plugs; electric sockets; mains adaptors; sensors; motion sensors; temperature sensors; infrared sensors; humidity sensors; door and window sensors; light sensors; waterlogging and leak sensor; high speed charging plug; wireless switches; wall switches; smart switches; plugs, sockets and other contacts [electric connections]; touchscreen sensors; touch sensors; adapter plugs; alarm sensors; sensors for determining temperature; biochip sensors; motion recognizing sensors; coils, electric; junction boxes [electricity]; distribution consoles [electricity]; connections for electric lines; connections, electric; parking sensors for vehicles; video screens; touch screens; remote control apparatus;

optical fibres [light conducting filaments]; heat regulating apparatus; electric apparatus for commutation; lightning arresters; electrolyzers; fire extinguishing apparatus; fire extinguishing apparatus for automobiles; apparatus and installations for the production of x-rays, not for medical purposes; protective helmets; protection devices for personal use against accidents; protective masks; ski goggles; swimming goggles; swimming face masks; helmets for motorcyclists; goggles for scuba diving; ski glasses; snowboard helmets; underwater breathing apparatus; nose clips for swimming; protective clothing for wear by motorcyclists for protection against accident or injury; clothing for protection against accidents, irradiation and fire; anti-glare glasses; visors for helmets; snorkels; goggles; alarms; anti-theft warning apparatus; acoustic alarms; biometric fingerprint door locks; peepholes [magnifying lenses] for doors; electric door bells; fire alarms; smoke detectors; water intrusion alarms; digital door locks; locks, electric; electronic access control systems for interlocking doors; eyeglasses; sunglasses; 3d spectacles; batteries, electric; battery chargers; wireless chargers; usb chargers; mobile power supply [rechargeable battery]; mobile phone battery chargers for use in vehicles; batteries, electric, for vehicles; automobile batteries; accumulators for automobiles; sports whistles; carrying cases for mobile phones; computer network bridges; protective films for mobile phone touch screens; equipment for communication network; wide area network [wan] routers; ethernet switches; electronic devices used to locate lost articles employing the global positioning system or cellular communication networks; telecommunication apparatus in the form of jewellery; radar receivers with amplifiers; connected bracelets [measuring instruments]; electronically encoded identity wristbands; radio-frequency identification (rfid) readers; keyboards for smartphones; smartphone screen magnifiers; transmitting and receiving apparatus for television broadcasting; digital camera; digital cameras; television cameras; blind spot cameras for cars; speed measuring apparatus [photography]; set-top boxes [digital signal receivers]; gas testing instruments; rods for water diviners; installations for measuring the temperature and humidity of gases and solids; distribution boards [electricity]; electronic numeric displays; electronic locks; apparatus to check franking; mechanisms for counter-operated apparatus; dictating machines; holograms; hemline markers; voting machines; animated cartoons; refrigerator magnets; egg-candlers; dog whistles; decorative magnets; electrified fences; electronic collars to train animals; portable remote-controlled car retarders; computer software applications, downloadable; mobile phone software applications, downloadable; processors [central processing units]; operating system programs; computer operating programs; blank integrated circuit cards [blank smart cards]; chip circuit cards; data processing apparatus; humanoid robots with artificial intelligence;

smartwatches [data processing]; apparatus for controlling static electricity.

11 – Automobile lights; lamps for directional signals for automobiles; anti-dazzle devices for automobiles [lamp fittings]; lanterns for lighting; electric torches; light bulbs; ultraviolet ray lamps, not for medical purposes; curing lamps, not for medical purposes; flaming torches; cooking apparatus and installations; kettles, electric; electromagnetic induction cookers; pressure cookers, electric; gas burners; roasting apparatus; electric baking pan; electric egg boilers; food steamers, electric; steam oven; electric toasters [for household purposes]; coffee roasters; cooking utensils, electric; cooking stoves; bread toasters; kitchen ranges [ovens]; heaters, electric, for feeding bottles; deep fryers, electric; bread-making machines; usb-powered cup heaters; soya milk making machines, electric; refrigerating apparatus and machines; ice machines and apparatus; heating and cooling apparatus for dispensing hot and cold beverages; ice-cream making machines; ventilation [air-conditioning] installations and apparatus; laundry dryers, electric; extractor hoods for kitchens; fans [air-conditioning]; air conditioners; humidifiers; fabric steamers; air-conditioning installations; air filtering installations; desiccating apparatus; dehumidifiers; preheaters for automobile engine; air conditioners for automobiles; air purifiers for automobiles; heating apparatus; fog machines; taps; radiators [heating]; toilets [water-closets]; steam facial apparatus [saunas]; hydromassage bath apparatus; heaters for baths; heating lamps for bath; water purifying apparatus and machines; filters for water purifiers; water purifiers; electric sterilizers for feeding bottles; disinfectant apparatus; pocket warmers; coffee machines, electric; electrical coffee pots incorporating percolators; gas scrubbing apparatus; air sterilizers; air cleaning apparatus; induction water heaters; filters for drinking water; heating installations; electric kettles [for household purposes]; filters for air conditioning.

12 – Vehicles for locomotion by land, air, water or rail; rearview mirrors; driverless cars [autonomous cars]; self-driving cars; go-karts; automatic guided vehicles; propulsion mechanisms for land vehicles; automobile hoods; automobile chains; automobile chassis; vehicle running boards; cars; automobile bodies; bumpers for automobiles; shock absorbers for automobiles; signal arms for vehicles; air bags [safety devices for automobiles]; brake pads for automobiles; cigar lighters for automobiles; ashtrays for automobiles; lug nuts for vehicle wheels; clips adapted for fastening automobile parts to automobile bodies; automobile wheel hubs; warning horns for automobiles; air pumps for automobiles; safety seats for use in cars; automobile spare wheel holders; electric motors for motor cars; axles and cardan shaft for motor vehicles; wheel rims [for automobiles]; windscreen wipers [for automobiles]; clutch mechanisms for motor cars; safe-

ty seats for children for motor cars; automobile windscreens [windscreens]; sun visors for automobiles; rear-view mirrors for automobiles; direction signals for automobiles; doors for automobiles; spokes for automobiles; suspension springs for motor cars; petrol tank caps for motor cars; gearboxes for motor cars; mudguards for automobiles; wheel rims for automobiles; motor car seats; safety belts for vehicles; head rests for seats for motor cars; steering wheels for automobiles; anti-theft devices for motor cars; electric cars; torque converters for motor cars; automotive interior trim; motor car windows; automobile roof racks; automobile roof containers; luggage racks for motor cars; automobile dashboards; fuel tanks [parts of land vehicles]; protective rings for automobile wheel hubs; automobile engines; fitted vehicle covers for automobiles; shaped covers for motor cars; steering wheel spinners for automobiles; steering wheel covers for automobiles; sunroofs for automobiles; automobile radiator grills; license plate frames for automobiles; brakes for automobiles; body panels for vehicles; push scooters [vehicles]; self-balancing electric unicycles; electric bicycles; self balancing electric scooters; self-balancing scooters; aerial conveyors; carts; wheelchairs; sleighs [vehicles]; automobile tyres; inner tubes for automobile tires; aeronautical apparatus, machines and appliances; camera drones; delivery drones; air vehicles; boats; diving bells; safety seats for children, for vehicles; seat covers for vehicles; upholstery for vehicles; anti-theft devices for vehicles; side view mirrors for vehicles; anti-dazzle devices for vehicles; anti-glare devices for vehicles; head-rests for vehicle seats; air pumps for motorcycles; electrically powered scooters [vehicles]; pumps for bicycle tyres; funiculars; automobiles; bicycles; shopping carts; windshield wipers; locomotives; horse-drawn carriages; repair outfits for inner tubes; screw propellers for vehicles; remote control vehicles, other than toys; tyres for vehicle wheels; civilian drones; electric vehicles; strollers.

35 – Publicity; publicity material rental; rental of advertising space; rental of advertising time on communication media; advertising agency services; presentation of goods on communication media, for retail purposes; demonstration of goods; promotion of goods and services through sponsorship of sports events; organization of exhibitions for commercial or advertising purposes; providing business information; opinion polling; business research; commercial or industrial management assistance; commercial information and advice for consumers [consumer advice shop]; auctioneering; employment agency services; arranging subscriptions to telecommunication services for others; wholesale services for pharmaceutical, veterinary and sanitary preparations and medical supplies; administration of consumer loyalty programs.

42 – Scientific research; quality testing; exploration services in the field of the oil, gas and mining indus-

tries; chemical research; weather forecasting; design of telephones; mobilephone software design; recovery of smartphone data; server hosting; information technology [IT] consultancy; graphic design of promotional materials; business card design; computer network design for others; research and development of computer software; design and development of multimedia products; design and development of software in the field of mobile applications; biological research; vehicle roadworthiness testing; packaging design; interior design; dress designing; design and development of computer software; developing of driver and operating system software; platform as a service [PaaS]; software as a service [SaaS]; cloud computing; research in the field of artificial intelligence; technology consultation in the field of artificial intelligence; authenticating works of art; graphic art design; set design for theatrical enterprises; graphic arts design; cloud seeding; handwriting analysis [graphology]; cartography services; rental of meters for the recording of energy consumption; weighing of goods for others; art work design.

(260) AM 2023 117343 A

(800) 1653383

(151) 2021 12 23

(891) 2021 12 23

(731) Wrangler Apparel Corp.

3411 Silverside Road, Wilmington DE 19810,
USA

(540)

WRANGLER RIGGS WORKWEAR

(591) Black, white

(526) WORKWEAR

(511)

9 – Eyewear; aprons for protection against accidents or injury; carrying cases specially adapted for electronic equipment, namely, laptop computers; cell phone cases; clothing for protection against accidents, irradiation and fire; clothing for protection against chemicals; embroidered reflective patches to be worn on clothing, for the prevention of accidents; insulated clothing for protection against accident or injury; protective covers and cases for tablet computers; protective face masks for the prevention of accident or injury; footwear for protection against accident or injury; protective helmets; protective industrial footwear; protective industrial visors; protective work gloves; protective eyewear.

25 – Coats; coveralls; footwear; gloves; headwear; jeans; overalls; pants; pullovers; shirts; shorts; skirts; socks; sweatpants; sweatshirts; t-shirts; underwear; uniforms; vests; belts; bottoms as clothing; jackets; tops as clothing.

(260) AM 2023 117344 A
 (800) 1653384
 (151) 2021 12 22
 (891) 2021 12 22
 (731) Wrangler Apparel Corp.
 3411 Silverside Road, Wilmington DE 19810,
 USA
 (540)

RIGGS

(591) Black, white
 (511)
 9 – Eyewear; aprons for protection against accidents or injury; carrying cases specially adapted for electronic equipment, namely, laptop computers; cell phone cases; clothing for protection against accidents, irradiation and fire; clothing for protection against chemicals; embroidered reflective patches to be worn on clothing, for the prevention of accidents; insulated clothing for protection against accident or injury; protective covers and cases for tablet computers; protective face masks for the prevention of accident or injury; footwear for protection against accident or injury; protective helmets; protective industrial footwear; protective industrial visors; protective work gloves; protective eyewear.

25 – Coats; coveralls; footwear; gloves; headwear; jeans; overalls; pants; pullovers; shirts; shorts; skirts; socks; sweatpants; sweatshirts; t-shirts; underwear; uniforms; vests; belts; bottoms as clothing; jackets; tops as clothing.

(260) AM 2023 117346 A
 (800) 1653452
 (151) 2021 12 03
 (891) 2021 12 03
 (731) DNG TEKSTİL SANAYİ TİCARET LİMİTED
 ŞİRKETİ
 MERKEZ MAH. ESENLER CAD. 50,
 BAĞCILAR İSTANBUL, Türkiye
 (540)



DANGER

(591) Black, white
 (531) 02.09.23; 03.07.17; 27.05.01; 27.05.17
 (511)
 25 – Shirt, jacket, skirt, vest, pants, topcoat, T-shirt, shorts, dress, blouse; clothing, including underwear and outerwear, other than special purpose protective clothing; socks, mufflers [clothing], shawls, bandanas, scarves, belts [clothing]; footwear, shoes, slippers, sandals; headgear, hats, caps with visors, berets, caps [headwear], skull caps.

35 – The bringing together, for the benefit of others, of a variety of goods, namely, bags, wallets, keycases, suitcases, clothing, including underwear and outerwear, other than special purpose protective clothing, socks, mufflers (clothing), shawls, bandanas, scarves, belts (clothing), footwear, shoes, slippers, sandals, headgear, hats, caps with visors, berets, caps (headwear), skull caps, enabling customers to conveniently view and purchase those goods, such services may be provided by retail stores, wholesale outlets, by means of electronic media or through mail order catalogues.

(260) AM 2023 117350 A
 (800) 1653551
 (151) 2022 01 10
 (891) 2022 01 10
 (731) JINING SAAO MACHINERY
 MANUFACTURING CO., LTD.
 JINING TIANYI NEW MATERIAL CO.,
 LTD.,
 HOSPITAL WORKSHOP, NORTH OF
 KAIXUAN ROAD, JINING HIGH-TECH
 ZONE, JINING, 272000 SHANDONG, China
 (540)



(591) Black, white
 (531) 27.05.01; 27.05.17; 27.05.19
 (511)
 7 – Mechanized livestock feeders; road sweeping machines, self-propelled; washing apparatus.

(260) AM 2023 117352 A
 (800) 1653578
 (151) 2022 02 14
 (891) 2022 02 14
 (731) ISABEL s.n.c., di Giubbilei & Bertolo
 Via Peschiera, 5, I-21029 VERGIATE (VA),
 Italy
 (540)

BERTOLO

(591) Black, white
 (531) 27.05.01
 (511)
 25 – Men's and women's clothing, shoes, hats.

(260) AM 2023 117353 A
 (800) 1653594
 (151) 2022 01 11
 (891) 2022 01 11
 (731) GUANGZHOU WANG LAO JI GREAT
 HEALTH INDUSTRY CO., LTD.
 Room 106 (Not using as Factory Building),
 No. 3 Shuangshan Road, Nansha District,
 Guangzhou City, Guangdong Province, China

(540)

Ciningji

(591) Black, white

(511)

32 – Non-alcoholic fruit juice beverages; low calorie soft drinks; non-alcoholic energy-enriched beverages; sports energy drinks; non-alcoholic energy drinks; non-alcoholic beverages for supplementing energy; non-alcoholic beverages containing vitamin; energy drinks; non-alcoholic beverages; plant-based beverages; non-alcoholic preparations for making beverages.

(260) AM 2023 117354 A

(800) 1653602

(151) 2022 01 06

(891) 2022 01 06

(731) China Post Communications Equipment Co., Ltd.

6 / F, Block D, No. 156, Fuxingmennei street,
Xicheng District, 100031 Beijing, China

(540)

X nova

(591) Black, white

(531) 27.05.01

(511)

38 – Television broadcasting; cable television broadcasting; message sending; communications by cellular phones; satellite transmission; providing telecommunications connections to a global computer network; providing access to databases; streaming of data; computer aided transmission of messages and images; rental of telecommunication equipment; providing internet chatrooms; videoconferencing services; providing online forums; telephone services; communications by telephone; providing information in the field of telecommunications; providing user access to global computer networks; radio communications.

(260) AM 2023 117355 A

(800) 1653608

(151) 2021 08 18

(891) 2021 08 18

(731) BHT CLINIC SAGLIK ANONIM SIRKETI

Ataturk Mah. Asina sk. 38 2, Kucukcekmece,
Istanbul, Türkiye

(540)



(591) Grey, red and white

(531) 26.04.22; 26.04.24; 27.05.24; 29.01.13

(511)

35 – Advertising, marketing and public relations; organization of exhibitions and trade fairs for commercial or advertising purposes; development of advertising concepts; provision of an online marketplace for buyers and sellers of goods and services; office functions; secretarial services; arranging newspaper subscriptions for others; compilation of statistics; rental of office machines; systemization of information into computer databases; telephone answering for unavailable subscribers; business management, business administration and business consultancy; accounting; commercial consultancy services; personnel recruitment, personnel placement, employment agencies, import-export agencies; temporary personnel placement services; auctioneering; the bringing together, for the benefit of others, of a variety of goods, namely bleaching and cleaning preparations, detergents other than for use in manufacturing operations and for medical purposes, laundry bleach, fabric softeners for laundry use, stain removers, dishwasher detergents, perfume, non-medicated cosmetics, fragrances, deodorants for personal use and animals, soaps, dental care preparations: dentifrices, denture polishes, tooth whitening preparations, mouth washes, not for medical purposes, abrasive preparations, emery cloth, sandpaper, pumice stone, abrasive pastes, polishing preparations for leather, vinyl, metal and wood, polishes and creams for leather, vinyl, metal and wood, wax for polishing, pharmaceutical and veterinary preparations for medical and veterinary purposes, chemical preparations for medical and veterinary purposes, chemical reagents for pharmaceutical and veterinary purposes, medicated cosmetics, dietary supplements for pharmaceutical and veterinary purposes, dietary supplements, nutritional supplements, medical preparations for slimming purposes, food for babies, herbs and herbal beverages adapted for medicinal purposes, dental preparations and articles, teeth filling material, dental impression material, dental adhesives and material for repairing teeth, sanitary preparations for medical use, hygienic pads, hygienic tampons, plasters, materials for dressings, diapers made of paper and textiles for babies, adults and pets, preparations for destroying vermin, herbicides, fungicides, preparations for destroying rodents, disinfectants, antiseptics, detergents for medical purposes, medicated soaps, disinfectant soaps, antibacterial hand lotions, surgical, medical, dental and veterinary apparatus and instruments, furniture especially made for medical purposes, artificial limbs and prostheses, medical orthopaedic articles, corsets for medical purposes, orthopaedic shoes, elastic bandages and supportive bandages, surgical gowns and surgical sterile sheets, adult sexual aids, condoms, babies' bottles, babies' pacifiers, teats, teethers for babies, bracelets and rings for medical purposes, anti-rheumatism bracelets, anti-rheumatism rings, enabling customers to conveniently view and purchase those goods, such

services may be provided by retail stores, wholesale outlets, by means of electronic media or through mail order catalogues.

44 – Medical services; beauty care services; veterinary services, animal husbandry, animal breeding, shoeing horses [farrier services]; agriculture, horticulture and forestry services, landscape design services; medical advisory services in the field of personnel health.

(260) AM 2023 117356 A
 (800) 1653661
 (151) 2022 01 10
 (891) 2022 01 10
 (731) Acino Pharma AG
 Birsweg 2, CH-4253 Liesberg, Switzerland
 (540)

CADIPREV

(591) Black, white
 (511)
 5 – Pharmaceutical products.

(260) AM 2023 117357 A
 (800) 1653702
 (151) 2021 12 23
 (891) 2021 12 23
 (731) Hainan Dendrobium Health Industry Co., Ltd.
 Block EFG, 8th Floor, Business Consulate,
 No. 15 Jinmao West Road, Longhua District,
 Haikou City, Hainan Province, China
 (540)



(591) Black, white
 (531) 26.01.01; 26.01.06; 26.01.18; 28.03
 (526) No claim is made to the exclusive right to use the non-latin character that transliterate to "Hu" apart from the mark as shown.
 (511)
 5 – Pharmaceutical preparations; medicinal oils; medicines for human purposes; medicinal drinks; drugs for medical purposes; dietetic substances adapted for medical use; nutritional supplements; medicated toothpaste; antibiotic tablets; allergy tablets; vitamin tablets; Chinese traditional medicinal herbs.

30 – Coffee; tea; tea-based beverages; candy; honey; pastries; glutinous rice wrapped in bamboo leaves

(zongzi); flowers or leaves for use as tea substitutes; ice cream.

33 – Baijiu [Chinese distilled alcoholic beverage]; spirits [beverages]; alcoholic beverages, except beer; pre-mixed alcoholic beverages, other than beer based; liqueurs; alcoholic beverages containing fruit; sparkling wines; hydromel [mead]; rice alcohol.

(260) AM 2023 117359 A
 (800) 1653714
 (151) 2022 01 04
 (891) 2022 01 04
 (731) LIMITED LIABILITY COMPANY "ASKONA LIFE GROUP"
 BOULEVARD ZVEZDNIY, building 1, room 19, 2 floor, DOBROGRAD, KOVROVSKY district, RU-601967 Vladimir region, Russian Federation

(540)



(591) Red and white
 (531) 26.04.05; 26.04.18; 26.11.09; 27.05.24;
 29.01.12

(511)
 20 – Bumper guards for cots, other than bed linen; sideboards; bolsters; coatstands; divans; kennels for household pets; indoor window blinds; mirrors; mats for infant playpens; cradles; chests of drawers; moses baskets; armchairs; beds; waterbeds, not for medical purposes; bedsteads of wood; air beds, not for medical purposes; cots for babies; edgings of plastic for furniture; playpens for babies; mattresses; air mattresses, not for medical purposes; camping mattresses; sleeping mats; upholstered furniture; furniture of metal; inflatable furniture; office furniture; school furniture; furniture; pillows; cushions; head support cushions for babies; anti-roll cushions for babies; air cushions, not for medical purposes; air pillows, not for medical purposes; head positioning pillows for babies; tables; steps, not of metal; seats; high chairs for babies; furniture fittings, not of metal; infant walkers; chaise lounges; screens; chests for toys; children's furniture; bedroom furniture; modular furniture; garden furniture; outdoor furniture; cupboards being furniture.

24 – Household linen; bed linen; cot bumpers [bed linen]; sleeping bag liners; baby buntings; furniture coverings of textile; sleeping bags; sleeping bags for babies; pillowcases; mattress covers; bed blankets; blankets for household pets; picnic blankets; travelling rugs; bed covers; bed covers of paper; furniture

coverings of plastic; sheets; door curtains; upholstery fabrics; covers for cushions; loose covers for furniture; pillow shams; eiderdowns; drapes; household textiles.

25 – Underwear; sweat-absorbent underwear; hosiery; slips [underclothing]; sleep masks; clothing; pajamas; bath slippers; headwear; tee-shirts; dressing gowns; shower caps; footwear; nightgowns; baby doll pajamas; pajamas for children.

35 – Computerized file management; demonstration of goods; opinion polling; market studies; personnel management consultancy; marketing; providing business information via a website; rental of sales stands; advertising; online advertising on a computer network; administrative processing of purchase orders; procurement services for others [purchasing goods and services for other businesses]; wholesale or retail store services; publicity and sales promotion relating to non-food goods, namely household goods; on-line ordering services.

(260) AM 2023 117360 A

(800) 823996

(151) 2004 04 15

(891) 2022 03 14

(731) Bayer Intellectual Property GmbH

Alfred-Nobel-Straße 10, 40789 Monheim
am Rhein, Germany

(540)

NATIVO

(591) Black, white

(511)

5 – Fungicides.

(260) AM 2023 117361 A

(800) 898579

(151) 2006 08 18

(891) 2022 03 17

(731) Bayer Intellectual Property GmbH

Alfred-Nobel-Straße 50, 40789 Monheim
am Rhein, Germany

(540)

MOVENTO

(591) Black, white

(511)

5 – Insecticides.

(260) AM 2023 117362 A

(800) 1038848

(151) 2010 05 03

(891) 2022 03 08

(731) TWEEZERMEN INTERNATIONAL, LLC.

2 Tri Harbor Court, Port Washington,
NY 11050, USA

(540)

TWEEZERMEN

(591) Black, white

(511)

3 – Body and beauty care cosmetics; cosmetic pencils; cosmetic preparations for eye lashes; cosmetics and make-up, eyebrow color, eyebrow cosmetics, eyebrow pencils.

8 – Eyebrow tweezers; tweezers for removing splinters; manicure implements, namely nail files, cuticle nippers, pedicure nippers and nail clippers; and scissors used for cutting hair on the body.

21 – Cosmetics brushes; eyebrow brushes; hair, nail and tooth brushes; make-up, brushes; shaving brushes.

(260) AM 2023 117364 A

(800) 1180883

(151) 2013 09 05

(891) 2022 03 14

(731) Roche Diagnostics GmbH

Sandhofer Str. 116, 68305 Mannheim, Germany

(540)

COBAS INFINITY

(591) Black, white

(511)

9 – Computer hardware and software for use with laboratory instruments, namely, for use in providing remote automated control, data analysis, and data management.

(260) AM 2023 117368 A

(800) 1653794

(151) 2021 12 23

(891) 2021 12 23

(731) ONTEX TÜKETİM ÜRÜNLERİ SANAYİ VE

TİCARET ANONİM ŞİRKETİ

SELİMPAŞA MAH. 6093. SK., ONTEX

TÜKETİM ÜRÜNLERİ, SANAYİ TIC AŞ 78,

Silivri, İstanbul, Türkiye

(540)



(591) purple

(531) 27.05.01; 27.05.17; 29.01.05

(511)

5 – Sanitary preparations for medical use; hygienic pads; hygienic tampons; plasters; materials for dressings; diapers made of paper and textiles for babies, adults and pets.

(260) AM 2023 117370 A

(800) 1653835

(151) 2022 01 17

(891) 2022 01 17

(731) Public Joint Stock Company "Vimpel-Communications"
8 Marta str., 10, bld. 14, RU-127083 Moscow,
Russian Federation

(540)

билайн

(591) Black, white

(531) 28.05

(511)

9 – 3D glasses; DVD players; ticket dispensers; juke boxes, musical; fire engines; answering machines; electrical adapters; batteries for electronic cigarettes; accumulators, electric; batteries, electric, for vehicles; accelerometers; actinometers; alidades; altimeters; ear pads for earphones; ammeters; nanoparticle size analysers; anemometers; anodes; aerials; anticathodes; apertometers [optics]; high-frequency apparatus; testing apparatus not for medical purposes; remote control apparatus; electro-dynamic apparatus for the remote control of railway points; electro-dynamic apparatus for the remote control of signals; monitoring apparatus, other than for medical purposes; sound recording apparatus; global positioning system [GPS] apparatus; distillation apparatus for scientific purposes; diffraction apparatus [microscopy]; air analysis apparatus; apparatus to check franking; sound transmitting apparatus; apparatus for fermentation [laboratory apparatus]; breathing apparatus for underwater swimming; breathing apparatus, except for artificial respiration; apparatus and installations for the production of x-rays, not for medical purposes; cash registers; electric apparatus for commutation; magnetic resonance imaging [MRI] apparatus, not for medical purposes; intercommunication apparatus; stills for laboratory experiments; projection apparatus; fire extinguishing apparatus; radiological apparatus for industrial purposes; X-ray apparatus not for medical purposes; blueprint apparatus; blinkers [signalling lights]; stereoscopic apparatus; telephone apparatus; facsimile machines; phototelegraphy apparatus; electric apparatus for remote ignition; acid hydrometers; salinometers; acidimeters for batteries; aerometers; beacons, luminous; battery jars; automated teller machines [atm]; barometers; anode batteries; galvanic batteries; solar batteries; solar panels for the production of electricity; batteries, electric; balances [steelyards]; betatrons; binoculars; biochips; electronic tags for goods; lens hoods; magnetic tape units for computers; computer memory devices; fire hose nozzles; encoded identification bracelets, magnetic; connected bracelets [measuring instruments]; safety tarpaulins; electronic key fobs being remote control apparatus; bullet-proof clothing; signalling buoys; life buoys; marking buoys; directional compasses; vacuum gauges; electrolyzers

for laboratory use; variometers; verniers; scales; baby scales; bathroom scales; letter scales; weighbridges; precision balances; scales with body mass analysers; rods [surveying instruments]; camcorders; video baby monitors; video cassettes; video projectors; video telephones; video screens; viewfinders, photographic; electric plugs; micrometer screws for optical instruments; viscosimeters; circuit closers; wavemeters; voltmeters; mechanical signs; signs, luminous; switchboxes [electricity]; current rectifiers; gas testing instruments; gasometers [measuring instruments]; galvanometers; hands free kits for phones; heliographic apparatus; hygrometers; hydrometers; weights; peepholes [magnifying lenses] for doors; hairdressing training heads [teaching apparatus]; holograms; plotters; loudspeakers; sounding leads; plumb bobs; telemeters; parking sensors for vehicles; piezoelectric sensors; densimeters; densitometers; detectors; smoke detectors; infrared detectors; false coin detectors; joysticks for use with computers, other than for video games; slides [photography]; slide projectors; diaphragms [photography]; dictating machines; dynamometers; light-emitting diodes [LED]; quantum dot light-emitting diodes [QLED]; organic light-emitting diodes [OLED]; floppy disks; phonograph records; disks, magnetic; optical discs; disk drives for computers; juke boxes for computers; wearable video display monitors; electronic numeric displays; DNA chips; electronic interactive whiteboards; electronic notice boards; electric wire harnesses for automobiles; bullet-proof waistcoats; life jackets; reflective safety vests; identification threads for electric wires; nose clips for divers and swimmers; padlocks, electronic; locks, electric; bells [warning devices]; alarm bells, electric; electric door bells; signal bells; acoustic conduits; mirrors for inspecting work; road signs, luminous or mechanical; downloadable emoticons for mobile phones; probes for scientific purposes; buzzers; needles for surveying compasses; styli for record players; eyewear; reflective articles for wear, for the prevention of accidents; measures; pressure measuring apparatus; simulators for the steering and control of vehicles; inverters [electricity]; pressure indicators; automatic indicators of low pressure in vehicle tyres; temperature indicators; incubators for bacteria culture; measuring instruments; cosmographic instruments; mathematical instruments; levelling instruments; instruments containing eyepieces; surveying instruments; azimuth instruments; interfaces for computers; audio interfaces; ionization apparatus not for the treatment of air or water; satellite finder meters; spark-guards; coaxial cables; fibre [fiber (am.)] optic cables; cables, electric; calipers; slide calipers; screw-tapping gauges; calorimeters; calculating machines; pocket calculators; decompression chambers; rearview cameras for vehicles; cinematographic cameras; thermal imaging cameras; mouth guards for sports; life-saving capsules for natural disasters; electronic pens [visual display units]; holders for electric coils; biometric identity

cards; identity cards, magnetic; video game cartridges; toner cartridges, unfilled, for printers and photocopiers; ink cartridges, unfilled, for printers and photocopiers; memory cards for video game machines; encoded magnetic cards; riding helmets; protective helmets; carriers for dark plates [photography]; cathodes; spools [photography]; choking coils [impedance]; coils, electric; electromagnetic coils; cinematographic film, exposed; computer keyboards; solenoid valves [electromagnetic switches]; wire connectors [electricity]; thin client computers; downloadable cryptographic keys for receiving and spending cryptocurrency; encoded key cards; electronic book readers; electronic agendas; push buttons for bells; mouse pads; magnetic encoders; visors for helmets; collectors, electric; calibrating rings; smart rings; ring sizers; protective suits for aviators; commutators; compact discs [audio-video]; compact discs [read-only memory]; comparators; marine compasses; computers; laptop computers; tablet computers; notebook computers; wearable computers; capacitors; contacts, electric; wind socks for indicating wind direction; traffic cones; branch boxes [electricity]; distribution boxes [electricity]; junction boxes [electricity]; battery boxes; cabinets for loudspeakers; diving suits; downloadable e-wallets; galena crystals [detectors]; calculating disks; covers for electric outlets; logs [measuring instruments]; lasers, not for medical purposes; lactodensimeters; lactometers; vacuum tubes [radio]; darkroom lamps [photography]; thermionic tubes; amplifying tubes; flashlights [photography]; head cleaning tapes [recording]; magnetic tapes; videotapes; surveying chains; fire escapes; rulers [measuring instruments]; square rulers for measuring; slide-rules; circular slide rules; contact lenses; correcting lenses [optics]; optical lenses; optical condensers; sounding lines; electricity conduits; measuring spoons; magnifying glasses [optics]; waling glasses; magnets; decorative magnets; crash test dummies; resuscitation mannequins [teaching apparatus]; mouse [computer peripheral]; manometers; security tokens [encryption devices]; divers' masks; solderers' helmets; protective masks; respiratory masks, other than for artificial respiration; materials for electricity mains [wires, cables]; voting machines; money counting and sorting machines; material testing instruments and machines; furniture especially made for laboratories; megaphones; portable media players; diaphragms [acoustics]; diaphragms for scientific apparatus; metal detectors for industrial or military purposes; digital weather stations; metronomes; rules [measuring instruments]; carpenters' rules; dressmakers' measures; mechanisms for coin-operated apparatus; mechanisms for counter-operated apparatus; coin-operated mechanisms for television sets; shutter releases [photography]; micrometers; microprocessors; microscopes; microtomes; microphones; audio mixers; modems; lightning arresters; monitors [computer hardware]; monitors [computer programs]; selfie sticks [hand-held monopods];

terminals [electricity]; junction sleeves for electric cables; teeth protectors; temperature indicator labels, not for medical purposes; knee-pads for workers; ear pads for headphones; headphones; earpieces for remote communication; surveyors' levels; sound recording carriers; magnetic data media; optical data media; electronic sheet music, downloadable; computer game software, recorded; computer software, recorded; sheaths for electric cables; identification sheaths for electric wires; weighing machines; computer hardware; punched card machines for offices; life saving equipment; shoes for protection against accidents, irradiation and fire; objectives [lenses] [optics]; lenses for astrophotography; selfie lenses; egg-candlers; fire extinguishers; rescue laser signalling flares; electrified fences; limiters [electricity]; clothing for protection against accidents, irradiation and fire; clothing for protection against fire; asbestos clothing for protection against fire; clothing especially made for laboratories; survival blankets; ozonisers [ozonators]; octants; eyepieces; ohmmeters; wrist rests for use with computers; spectacle frames; oscillographs; plumb lines; mirrors [optics]; spectacles [optics]; sunglasses; goggles for sports; electronic collars to train animals; finger sizers; signalling panels, luminous or mechanical; biometric passports; wah-wah pedals; radio pagers; pince-nez; electronic pocket translators; transmitters [telecommunication]; telephone transmitters; transmitters of electronic signals; switches, electric; periscopes; data gloves; gloves for divers; gloves for protection against accidents; gloves for protection against X-rays for industrial purposes; asbestos gloves for protection against accidents; ovens for laboratory use; droppers for measuring, other than for medical or household purposes; laboratory pipettes; pyrometers; planimeters; plane tables [surveying instruments]; plates for batteries; computer software platforms, recorded or downloadable; wafers for integrated circuits; printed circuit boards; compact disc players; cassette players; protective films adapted for computer screens; protective films adapted for smartphones; sound recording strips; X-ray films, exposed; films, exposed; life-saving rafts; animal signalling rattles for directing livestock; laboratory trays; digital signs; stands adapted for laptops; semi-conductors; polarimeters; personal digital assistants [pdas]; fire pumps; graduated glassware; weight belts for divers; life belts; fuses; circuit breakers; converters, electric; telerupters; food analysis apparatus; diagnostic apparatus, not for medical purposes; distance recording apparatus; distance measuring apparatus; speed measuring apparatus [photography]; appliances for measuring the thickness of leather; apparatus for measuring the thickness of skins; speed checking apparatus for vehicles; teaching apparatus; time recording apparatus; apparatus and instruments for astronomy; surveying apparatus and instruments; weighing apparatus and instruments; nautical apparatus and instruments; navigational instruments; optical apparatus and instruments; apparatus

and instruments for physics; chemistry apparatus and instruments; measuring apparatus; measuring devices, electric; boiler control instruments; meteorological instruments; naval signalling apparatus; observation instruments; navigation apparatus for vehicles [on-board computers]; satellite navigational apparatus; regulating apparatus, electric; telecommunication apparatus in the form of jewellery; precision measuring apparatus; audio- and video-receivers; prisms [optics]; computer software applications, downloadable; ticket printers; printers for use with computers; hemline markers; retorts' stands; apparatus for changing record player needles; photographic racks; cleaning apparatus for phonograph records; fire beaters; sighting telescopes for firearms; telescopic sights for artillery; test tubes; pressure indicator plugs for valves; magnetic wires; telegraph wires; telephone wires; wires, electric; conductors, electric; copper wire, insulated; fuse wire; computer programs, recorded; computer game software, downloadable; computer programs, downloadable; computer operating programs, recorded; computer screen saver software, recorded or downloadable; record players; central processing units [processors]; rods for water diviners; electronic publications, downloadable; distribution consoles [electricity]; control panels [electricity]; radar apparatus; baby monitors; masts for wireless aerials; transmitting sets [telecommunication]; radios; vehicle radios; sprinkler systems for fire protection; frames for photographic transparencies; screens for photoengraving; flowmeters; walkie-talkies; voltage surge protectors; voltage regulators for vehicles; stage lighting regulators; light dimmers [regulators], electric; speed regulators for record players; reducers [electricity]; washing trays [photography]; marking gauges [joinery]; t-squares for measuring; time switches, automatic; relays, electric; safety restraints, other than for vehicle seats and sports equipment; body harnesses for support when lifting loads; x-ray photographs, other than for medical purposes; rheostats; respirators for filtering air; retorts; refractometers; refractors; grids for batteries; security surveillance robots; laboratory robots; teaching robots; telepresence robots; humanoid robots with artificial intelligence for use in scientific research; electric sockets; height measuring instruments; speaking tubes; horns for loudspeakers; subwoofers; saccharometers; light conducting filaments [optical fibers [fibres]]; traffic-light apparatus [signalling devices]; dog whistles; signalling whistles; sports whistles; sextants; inductors [electricity]; life nets; nets for protection against accidents; fire alarms; signals, luminous or mechanical; rescue flares, non-explosive and non-pyrotechnic; sirens; electronic access control systems for interlocking doors; scanners [data processing equipment]; hand-held electronic dictionaries; integrated circuit cards [smart cards]; smartglasses; smartphones; smartwatches; connections for electric lines; couplings, electric; sonars; sound locating instruments; lighting ballasts; resistan-

ces, electric; spectrograph apparatus; spectrosopes; speed indicators; alcoholmeters; satellites for scientific purposes; protection devices for personal use against accidents; audiovisual teaching apparatus; charging stations for electric vehicles; radiotelegraphy sets; radiotelephony sets; spectacle lenses; anti-glare glasses; optical glass; personal stereos; stereoscopes; stands for photographic apparatus; stroboscopes; fire boats; sulphitometers; bags adapted for laptops; drying racks [photography]; spherometers; integrated circuits; printed circuits; meters; parking meters; milage recorders for vehicles; revolution counters; abacuses; hourglasses; taximeters; ear plugs for divers; tachometers; television apparatus; telegraphs [apparatus]; telescopes; teleprompters; teleprinters; mobile telephones; cordless telephones; theodolites; credit card terminals; interactive touch screen terminals; thermohygrometers; thermometers, not for medical purposes; thermostats; thermostats for vehicles; climate control digital thermostats; cupels [laboratory]; tone arms for record players; totalizers; transistors [electronic]; transponders; protractors [measuring instruments]; transformers [electricity]; step-up transformers; trackballs [computer peripherals]; resuscitation training simulators; vehicle breakdown warning triangles; triodes; starter cables for motors; electric discharge tubes, other than for lighting; capillary tubes; neon signs; pitot tubes; x-ray tubes not for medical purposes; telephone receivers; headgear being protective helmets; squares for measuring; gauges; quantity indicators; petrol gauges; water level indicators; electric loss indicators; light-emitting electronic pointers; clinometers; levels [instruments for determining the horizontal]; mercury levels; spirit levels; urinometers; amplifiers; particle accelerators; electric installations for the remote control of industrial operations; steering apparatus, automatic, for vehicles; balancing apparatus; video recorders; sound reproduction apparatus; invoicing machines; tape recorders; protection devices against X-rays, not for medical purposes; railway traffic safety appliances; data processing apparatus; oxygen transvasing apparatus; theft prevention installations, electric; devices for the projection of virtual keyboards; film cutting apparatus; drying apparatus for photographic prints; optical character readers; centering apparatus for photographic transparencies; dosimeters; battery chargers; chargers for electric batteries; chargers for electronic cigarettes; sound alarms; sounding apparatus and machines; apparatus for editing cinematographic film; cathodic anti-corrosion apparatus; couplers [data processing equipment]; wearable activity trackers; anti-theft warning apparatus; computer peripheral devices; anti-interference devices [electricity]; demagnetizing apparatus for magnetic tapes; acoustic couplers; alarms; fog signals, non-explosive; whistle alarms; adding machines; readers [data processing equipment]; heat regulating apparatus; photocopiers [photographic, electrostatic, thermic]; electric and electronic effects units for musical instru-

ments; bar code readers; downloadable ring tones for mobile phones; downloadable image files; downloadable music files; animated cartoons; filters for respiratory masks; filters for ultraviolet rays, for photography; filters for use in photography; USB flash drives; magic lanterns; optical lamps; signal lanterns; cameras [photography]; glazing apparatus for photographic prints; shutters [photography]; darkrooms [photography]; photometers; flash-bulbs [photography]; digital photo frames; enlarging apparatus [photography]; photovoltaic cells; containers for contact lenses; spectacle cases; containers for microscope slides; cases for smartphones; cases especially made for photographic apparatus and instruments; chromatography apparatus for laboratory use; chronographs [time recording apparatus]; laboratory centrifuges; spectacle chains; cyclotrons; compasses for measuring; frequency meters; time clocks [time recording devices]; petri dishes; sleeves for laptops; covers for personal digital assistants [pdas]; covers for tablet computers; covers for smartphones; fire blankets; chips [integrated circuits]; jigs [measuring instruments]; pedometers; meteorological balloons; electrified rails for mounting spot lights; asbestos screens for firemen; fire hose; virtual reality headsets; protective helmets for sports; head guards for sports; lifeboats; snorkels; cell phone straps; spectacle cords; tripods for cameras; switchboards; distribution boards [electricity]; equalizers [audio apparatus]; screens [photography]; workmen's protective face-shields; projection screens; radiology screens for industrial purposes; fluorescent screens; exposure meters [light meters]; ducts [electricity]; galvanic cells; downloadable graphics for mobile phones; epidiascopes; ergometers; armatures [electricity]; black boxes [data recorders].

16 – Fountain pens; watercolors [paintings]; albums; almanacs; document laminators for office use; mimeograph apparatus and machines; atlases; posters; banknotes; banners of paper; paper bows, other than haberdashery or hair decorations; name badges [office requisites]; table linen of paper; tickets; baggage claim check tags of paper; forms, printed; announcement cards [stationery]; glitter for stationery purposes; note books; pads [stationery]; drawing pads; wristbands for the retention of writing instruments; pamphlets; booklets; paper; paper sheets [stationery]; waxed paper; paper for medical examination tables; paper for recording machines; paper for radiograms; papers for painting and calligraphy; electrocardiograph paper; drawer liners of paper, perfumed or not; wood pulp paper; copy paper; copying paper [stationery]; parchment paper; writing paper; rice paper; luminous paper; toilet paper; packing paper; filter paper; japanese paper; blotters; newsletters; rollers for typewriters; house painters' rollers; composing sticks; modelling wax, not for dental purposes; signboards of paper or cardboard; patterns for dressmaking; bunting of paper; newspapers; electrotypes; hectographs; modelling

clay; polymer modelling clay; terrestrial globes; drawing sets; engravings; slate pencils; pencil leads; document holders [stationery]; pencil holders; chalk holders; holders for checkbooks [cheque books]; holders for stamps [seals]; page holders; name badge holders [office requisites]; diagrams; table runners of paper; engraving plates; writing slates; blackboards; galley racks [printing]; drawing boards; advertisement boards of paper or cardboard; duplicators; punches [office requisites]; cream containers of paper; magazines [periodicals]; money clips; clips for name badge holders [office requisites]; tags for index cards; pen clips; bookmarkers; etching needles; tracing needles for drawing purposes; periodicals; printed publications; paper shredders for office use; graphic representations; credit card imprinters, non-electric; paper creasers [office requisites]; graining combs; drawing instruments; calendars; tracing paper; tracing cloth; tracing patterns; gums [adhesives] for stationery or household purposes; lithographic stones; ink stones [ink reservoirs]; pencils; pencil lead holders; charcoal pencils; pictures; decalcomanias; paintings [pictures], framed or unframed; cardboard; wood pulp board [stationery]; hat boxes of cardboard; charts; index cards [stationery]; geographical maps; paper tapes and cards for the recordal of computer programmes; trading cards other than for games; perforated cards for jacquard looms; catalogues; spools for inking ribbons; flower-pot covers of paper; paintbrushes; painters' brushes; writing brushes; typewriter keys; glue for stationery or household purposes; isinglass for stationery or household purposes; gluten [glue] for stationery or household purposes; starch paste [adhesive] for stationery or household purposes; printing blocks; books; colouring books; manifolds [stationery]; comic books; thumbtacks; cigar bands; envelopes [stationery]; boxes of paper or cardboard; cases for stamps [seals]; paint boxes [articles for use in school]; correcting fluids [office requisites]; printed coupons; stencils [stationery]; french curves; paper ribbons, other than haberdashery or hair decorations; gummed tape [stationery]; typewriter ribbons; barcode ribbons; adhesive bands for stationery or household purposes; correcting tapes [office requisites]; inking ribbons; self-adhesive tapes for stationery or household purposes; square rulers for drawing; drawing rulers; flyers; absorbent sheets of paper or plastic for foodstuff packaging; humidity control sheets of paper or plastic for foodstuff packaging; viscose sheets for wrapping; sheets of reclaimed cellulose for wrapping; plastic bubble packs for wrapping or packaging; steel letters; letters [type]; lithographs; letter trays; paint trays; architects' models; postage stamps; plastics for modelling; graphic prints; modelling materials; teaching materials [except apparatus]; sealing compounds for stationery purposes; adhesives [glues] for stationery or household purposes; padding materials of paper or cardboard; bookbinding material; packing [cushioning, stuffing] materials of paper or cardboard; packa-

ging material made of starches; filtering materials [paper]; table place setting mats of paper; addressing machines; pencil sharpening machines, electric or non-electric; bookbinding apparatus and machines [office equipment]; typewriters, electric or non-electric; postage meters for office use; chalk for lithography; writing chalk; tailors' chalk; marking chalk; spray chalk; bags [envelopes, pouches] of paper or plastics, for packaging; garbage bags of paper or of plastics; plastic bags for pet waste disposal; painters' easels; hand-rests for painters; printing sets, portable [office requisites]; bibs of paper; bibs, sleeved, of paper; stickers [stationery]; fingerstalls for office use; writing cases [stationery]; bookbinding cords; paper knives [letter openers]; printed sheet music; numbering apparatus; bottle envelopes of paper or cardboard; sealing wafers; covers [stationery]; passport holders; protective covers for books; plastic cling film, extensible, for palletization; embroidery designs [patterns]; handwriting specimens for copying; oleographs; musical greeting cards; greeting cards; postcards; etchings; conical paper bags; paper bags for use in the sterilization of medical instruments; bags for microwave cooking; palettes for painters; ink sticks; pantographs [drawing instruments]; loose-leaf binders; file folders [office requisites]; document covers [stationery]; papier mâché; pastels [crayons]; modelling paste; pen cases; pen wipers; office perforators; pens [office requisites]; nibs of gold; nibs; steel pens; drawing pens; song books; seals [stamps]; sealing stamps; clipboards; address plates for addressing machines; handkerchiefs of paper; plastic film for wrapping; transparencies [stationery]; desk mats; trays for sorting and counting money; coasters of paper; bookends; stamp stands; mats for beer glasses; stands for pens and pencils; photograph stands; obliterating stamps; inking pads; stamp pads; binding strips [bookbinding]; facial tissues of paper; towels of paper; inking sheets for document reproducing machines; inking sheets for duplicators; bookbinding cloth; gummed cloth for stationery purposes; printers' blankets, not of textile; portraits; paperweights; writing cases [sets]; inkstands; office requisites, except furniture; writing materials; writing instruments; drawing materials; school supplies [stationery]; adhesive tape dispensers [office requisites]; hand labelling appliances; printed matter; lithographic works of art; prospectuses; printed timetables; ledgers [books]; printers' reglets; indexes; paper cutters [office requisites]; rubber erasers; elastic bands for offices; drawing T-squares; graphic reproductions; retractable reels for name badge holders [office requisites]; pen holders; marking pens [stationery]; tissues of paper for removing make-up; paper wipes for cleaning; dental tray covers of paper; place mats of paper; tablemats of paper; tablecloths of paper; paper clasps; document files [stationery]; scrapers [erasers] for offices; paper-clips; clips for offices; erasing products; biological samples for use in microscopy [teaching materials]; histological sections for teaching purposes;

figurines of papier mâché; steatite [tailor's chalk]; writing board erasers; composing frames [printing]; sealing wax; calculating tables; placards of paper or cardboard; writing or drawing books; fabrics for bookbinding; stationery; pencil sharpeners, electric or non-electric; stencil plates; stencils for decorating food and beverages; cardboard tubes; indian inks; moisteners [office requisites]; moisteners for gummed surfaces [office requisites]; drawing squares; chart pointers, non-electronic; bottle wrappers of paper or cardboard; envelope sealing machines, for offices; sealing machines for offices; vignetting apparatus; apparatus for mounting photographs; stapling presses [office requisites]; handbooks [manuals]; papier mâché figurines; paper coffee filters; flags of paper; silver paper; molds for modelling clays [artists' materials]; photoengravings; photographs [printed]; stencil cases; canvas for painting; chromolithographs [chromos]; animation cels; compasses for drawing; numbers [type]; artists' watercolour saucers; ink; correcting ink [heliography]; inkwells; plans; stencils; erasing shields; balls for ball-point pens; desktop cabinets for stationery [office requisites]; printing type; address stamps; stamps [seals]; shields [paper seals]; prints [engravings]; labels of paper or cardboard.

18 – Alpenstocks; slings for carrying infants; luggage tags; pocket wallets; saddlecloths for horses; business card cases; reins; reins for guiding children; sling bags for carrying infants; harness fittings; credit card cases [wallets]; parts of rubber for stirrups; chamois leather, other than for cleaning purposes; umbrellas; parasols; saddlery; frames for umbrellas or parasols; handbag frames; card cases [notecases]; cases, of leather or leatherboard; valves of leather; whips; imitation leather; leather, unworked or semi-worked; leatherboard; casings, of leather, for springs; umbrella rings; hat boxes of leather; boxes of leather or leather board; boxes of vulcanised fibre; purses; chain mesh purses; fastenings for saddles; butts [parts of hides]; saddle trees; pouches, of leather, for packaging; moleskin [imitation of leather]; travelling sets [leatherware]; kneepads for horses; muzzles; halters; vanity cases, not fitted; furniture coverings of leather; clothing for pets; covers for animals; leather trimmings for furniture; collars for animals; hiking sticks; conference folders; music cases; goldbeaters' skin; cat o' nine tails; leather leads; pads for horse saddles; horseshoes; girths of leather; leathercloth; horse blankets; garment bags for travel; bandoliers; briefcases; traces [harness]; fur; randsels [japanese school satchels]; haversacks; leather straps; straps for soldiers' equipment; harness straps; straps for skates; straps of leather [saddlery]; chin straps, of leather; stirrup leathers; umbrella handles; walking cane handles; suitcase handles; grips for holding shopping bags; backpacks; backpacks for carrying infants; travelling bags; riding saddles; net bags for shopping; umbrella or parasol ribs; stirrups; bags; bags for climbers; tool bags, empty; handbags; beach bags; saddlebags; compression cubes adapted for lug-

gage; bags for sports; bags for campers; wheeled shopping bags; school bags; pouch baby carriers; travelling trunks; nose bags [feed bags]; bridoons; canes; umbrella sticks; walking stick seats; tefillin [phylacteries]; bits for animals [harness]; bridles [harness]; harness for animals; key cases; horse collars; suitcases; motorized suitcases; suitcases with wheels; attached cases; covers for horse-saddles; umbrella covers; kid; curried skins; pelts; cattle skins; leather laces; blinders [harness]; labels of leather; game bags [hunting accessories].

25 – Wimples; bandanas [neckerchiefs]; underwear; sweat-absorbent underwear; berets; smocks; boas [necklets]; teddies [undergarments]; pants; ankle boots; ski boots; boots for sports; breeches for wear; trousers; football boots; brassieres; adhesive bras; valenki [felted boots]; mittens; shoulder wraps; detachable collars; shirt yokes; veils [clothing]; gabardines [clothing]; galoshes; neckties; ascots; chaps; spats; gaiters [leg warmers]; boot uppers; corselets; jerseys [clothing]; vests; singlets; hosiery; heels; heelpieces for footwear; hoods [clothing]; hat frames [skeletons]; pockets for clothing; scarves; caps being headwear; kimonos; cap peaks; visors being headwear; tights; slippers [undergarments]; combinations [clothing]; wet suits for water-skiing; bodices [lingerie]; corsets [underclothing]; suits; swimsuits; masquerade costumes; beach clothes; headscarves; leotards; jackets [clothing]; stuff jackets [clothing]; fishing vests; leggings [trousers]; liveries; camisoles; sports singlets; cuffs; short-sleeve shirts; mantillas; coats; sleep masks; furs [clothing]; miters [hats]; muffs [clothing]; footmuffs, not electrically heated; bibs, not of paper; bibs, sleeved, not of paper; fur stoles; hairdressing capes; heel protectors for shoes; ear muffs [clothing]; socks; sweat-absorbent socks; footwear; gymnastic shoes; beach shoes; sports shoes; clothing; paper clothing; outer-clothing; embroidered clothing; ready-made clothing; motorists' clothing; cyclists' clothing; clothing for gymnastics; clothing of imitations of leather; latex clothing; clothing of leather; waterproof clothing; clothing incorporating LEDs; uniforms; clothing containing slimming substances; fittings of metal for footwear; maniples; topcoats; knickers; parkas; pelerines; gloves [clothing]; fingerless gloves; ski gloves; pyjamas; bathing trunks; shirt fronts; scarfs; pocket squares; dresses; headbands [clothing]; garters; sock suspenders; stocking suspenders; ready-made linings [parts of clothing]; dress shields; soles for footwear; suspenders; half-boots; lace boots; ponchos; girdles; belts [clothing]; sashes for wear; money belts [clothing]; layettes [clothing]; non-slipping devices for footwear; sweaters; heelpieces for stockings; welts for footwear; chasubles; shirts; wooden shoes; sandals; bath sandals; boots; jumper dresses; saris; sarongs; footwear uppers; inner soles; albs; bath slippers; togas; knitwear [clothing]; underpants; shoes; slippers; skull caps; turbans; headgear for wear; aprons [clothing]; judo uniforms; karate uniforms; tee-shirts; rash gu-

ards; dressing gowns; bath robes; top hats; tips for footwear; stockings; sweat-absorbent stockings; shawls; paper hats [clothing]; shower caps; bathing caps; neck tube scarves; studs for football boots; hats; babies' pants [underwear]; gaiter straps; pelisses; esparto shoes or sandals; skirts; petticoats; skorts.

35 – Arranging subscriptions to telecommunication services for others; import-export agency services; commercial information agency services; publicity agencies; cost price analysis; rental of office equipment in co-working facilities; rental of advertising space; business auditing; financial auditing; business intermediary services relating to the matching of potential private investors with entrepreneurs needing funding; employment agency services; computerized file management; accounting; invoicing; demonstration of goods; transcription; opinion polling; marketing studies; business investigations; business research; marketing research; personnel recruitment; business management and organization consultancy; business organization consultancy; business management consultancy; personnel management consultancy; professional business consultancy; consultancy regarding advertising communication strategies; consultancy regarding public relations communication strategies; layout services for advertising purposes; marketing; marketing in the framework of software publishing; targeted marketing; business management of performing artists; business management of sports people; writing of curriculum vitae for others; scriptwriting for advertising purposes; news clipping services; updating and maintenance of information in registries; updating and maintenance of data in computer databases; updating of advertising material; word processing; online retail services for downloadable and pre-recorded music and movies; online retail services for downloadable ring tones; online retail services for downloadable digital music; organization of exhibitions for commercial or advertising purposes; arranging newspaper subscriptions for others; organization of fashion shows for promotional purposes; organization of trade fairs; shop window dressing; business appraisals; payroll preparation; data search in computer files for others; sponsorship search; administrative assistance in responding to calls for tenders; business management assistance; commercial or industrial management assistance; commercial intermediation services; providing business information; providing business information via a website; providing commercial and business contact information; providing commercial information and advice for consumers in the choice of products and services; provision of an online marketplace for buyers and sellers of goods and services; providing user reviews for commercial or advertising purposes; web indexing for commercial or advertising purposes; providing user rankings for commercial or advertising purposes; presentation of goods on communication media, for retail purposes; media relations services; economic forecasting; auc-

tioning; wholesale services for pharmaceutical, veterinary and sanitary preparations and medical supplies; retail services for works of art provided by art galleries; retail services for pharmaceutical, veterinary and sanitary preparations and medical supplies; sales promotion for others; promotion of goods and services through sponsorship of sports events; production of teleshopping programmes; production of advertising films; office machines and equipment rental; rental of advertising time on communication media; publicity material rental; rental of billboards [advertising boards]; rental of vending machines; rental of sales stands; rental of photocopying machines; consumer profiling for commercial or marketing purposes; publication of publicity texts; radio advertising; development of advertising concepts; bill-posting; distribution of samples; dissemination of advertising matter; direct mail advertising; registration of written communications and data; writing of publicity texts; publicity; on-line advertising on a computer network; advertising by mail order; television advertising; compilation of statistics; compilation of information into computer databases; business inquiries; systemization of information into computer databases; administrative services for medical referrals; advisory services for business management; corporate communications services; negotiation of business contracts for others; negotiation and conclusion of commercial transactions for third parties; compiling indexes of information for commercial or advertising purposes; tax preparation; drawing up of statements of accounts; telemarketing services; psychological testing for the selection of personnel; interim business management; outsourced administrative management for companies; business management of hotels; business management for freelance service providers; business project management services for construction projects; commercial administration of the licensing of the goods and services of others; business management of reimbursement programmes for others; administration of consumer loyalty programs; administration of frequent flyer programs; administrative processing of purchase orders; pay per click advertising; administrative services for the relocation of businesses; public relations; commercial lobbying services; competitive intelligence services; modelling for advertising or sales promotion; typing; market intelligence services; appointment reminder services [office functions]; website traffic optimization; appointment scheduling services [office functions]; tax filing services; search engine optimization for sales promotion; retail services relating to bakery products; gift registry services; price comparison services; secretarial services; procurement services for others [purchasing goods and services for other businesses]; shorthand; outsourcing services [business assistance]; telephone answering for unavailable subscribers; telephone switchboard services; photocopying services; business efficiency expert services.

36 – Credit bureau services; debt collection agency services; financial analysis; renting of flats; rental of offices for co-working; rental of real estate; rental of offices [real estate]; rental of farms; hire-purchase financing; savings bank services; accommodation bureau services [apartments]; rent collection; issuing of travellers' checks [cheques]; issuance of credit cards; issue of tokens of value; fund investments; financial research; clearing, financial; insurance consultancy; financial consultancy; debt advisory services; stock exchange quotations; crowdfunding; lending against security; business liquidation services, financial; brokerage; financial management; exchanging money; home banking; debit card services; credit card services; financial exchange of virtual currency; real estate affairs; factoring; organization of monetary collections; arranging finance for construction projects; antique appraisal; jewelry appraisal; financial valuation of standing timber; stamp appraisal; real estate appraisal; numismatic appraisal; art appraisal; financial evaluation of development costs relating to the oil, gas and mining industries; financial valuation of intellectual property assets; financial evaluation of wool; financial evaluation [insurance, banking, real estate]; financial appraisals in responding to calls for tenders; repair costs evaluation [financial appraisal]; electronic funds transfer; surety services; securities brokerage; real estate brokerage; brokerage of carbon credits; insurance brokerage; providing insurance information; providing rebates at participating establishments of others through use of a membership card; loans [financing]; pawnbrokerage; providing financial information; providing financial information via a website; check [cheque] verification; investment of funds; charitable fund raising; stocks and bonds brokerage; financial sponsorship; mortgage banking; instalment loans; insurance underwriting; life insurance underwriting; health insurance underwriting; accident insurance underwriting; marine insurance underwriting; fire insurance underwriting; apartment house management; real estate management; financial management of reimbursement payments for others; real estate agency services; actuarial services; banking; stock brokerage services; e-wallet payment services; retirement payment services; bail-bonding; preparation of quotes for cost estimation purposes; electronic transfer of virtual currencies; fiduciary; provident fund services; financial customs brokerage services; mutual funds; financing services; safe deposit services; deposits of valuables; fiscal valuations.

37 – Asphaltting; drilling of deep oil or gas-wells; drilling of wells; rebuilding engines that have been worn or partially destroyed; rebuilding machines that have been worn or partially destroyed; renovation of clothing; retreading of tires; vulcanization of tires [repair]; building sealing; linen ironing; pressing of clothing; disinfecting; mining extraction; vehicle battery charging; charging of electric vehicles; knife sharpening; building insulating; bricklaying; riveting; cons-

truction consultation; varnishing; re-tinning; installation of utilities in construction sites; scaffolding; road paving; window cleaning; vehicle wash; building construction supervision; tuning of musical instruments; upholstery; rustproofing; anti-rust treatment for vehicles; sanding; pumicing; strong-room maintenance and repair; vehicle maintenance; wallpapering; painting or repair of signs; cleaning of buildings [exterior surface]; vehicle polishing; vehicle breakdown repair services; providing information relating to repairs; providing construction information; rental of bulldozers; rental of drainage pumps; rental of dish drying machines; rental of road sweeping machines; rental of cleaning machines; rental of cranes [construction equipment]; rental of dishwashing machines; rental of laundry washing machines; rental of construction equipment; rental of excavators; laying of cable; plumbing; masonry; roofing services; painting, interior and exterior; carpentry services; underwater repair; plastering; quarrying services; repair of security locks; umbrella repair; parasol repair; motor vehicle maintenance and repair; burner maintenance and repair; film projector repair and maintenance; airplane maintenance and repair; safe maintenance and repair; clock and watch repair; repair of power lines; pump repair; upholstery repair; shoe repair; clothing repair; photographic apparatus repair; furniture restoration; restoration of musical instruments; restoration of works of art; vehicle greasing; demolition of buildings; warehouse construction and repair; vehicle service stations [refuelling and maintenance]; sterilization of medical instruments; washing; washing of linen; building construction; pier breakwater building; pipeline construction and maintenance; underwater construction; harbour construction; factory construction; building of fair stalls and shops; shipbuilding; cleaning of buildings [interior]; snow removal; street cleaning; vermin exterminating, other than for agriculture, aquaculture, horticulture and forestry; housekeeping services [cleaning services]; tyre balancing; pest control services, other than for agriculture, aquaculture, horticulture and forestry; hydraulic fracturing services; refilling of toner cartridges; refilling of ink cartridges; cell phone battery charging services; artificial snow-making services; laundering; services of electricians; installation of doors and windows; irrigation devices installation and repair; lift installation and repair; installation and repair of flood protection equipment; heating equipment installation and repair; burglar alarm installation and repair; furnace installation and repair; telephone installation and repair; air conditioning apparatus installation and repair; fire alarm installation and repair; freezing equipment installation and repair; electric appliance installation and repair; kitchen equipment installation; installation, maintenance and repair of computer hardware; machinery installation, maintenance and repair; office machines and equipment installation, maintenance and repair; interference suppression in electrical apparatus; swimming-pool

maintenance; furniture maintenance; chimney sweeping; boiler cleaning and repair; cleaning of clothing; dry cleaning; vehicle cleaning; diaper cleaning; leather care, cleaning and repair; fur care, cleaning and repair.

38 – News agency services; wireless broadcasting; television broadcasting; cable television broadcasting; electronic bulletin board services [telecommunications services]; providing user access to global computer networks; providing access to databases; providing internet chatrooms; providing telecommunications connections to a global computer network; providing telecommunication channels for teleshopping services; video-on-demand transmission; transmission of podcasts; transmission of greeting cards online; message sending; computer aided transmission of messages and images; transmission of telegrams; transmission of digital files; providing information in the field of telecommunications; providing online forums; videoconferencing services; rental of message sending apparatus; rental of access time to global computer networks; rental of modems; rental of telecommunication equipment; rental of smartphones; rental of telephones; rental of facsimile apparatus; radio broadcasting; radio communications; transmission of electronic mail; communications by fiber [fibre] optic networks; cellular telephone communication; communications by computer terminals; satellite transmission; communications by telegrams; communications by telephone; facsimile transmission; paging services [radio, telephone or other means of electronic communication]; teleconferencing services; telex services; voice mail services; telecommunications routing and junction services; streaming of data; telegraph services; telephone services.

41 – Modelling for artists; academies [education]; rental of indoor aquaria; rental of artwork; rental of sports grounds; rental of tennis courts; mobile library services; lending libraries; booking of seats for shows; videotaping; physical education; production of music; discotheque services; animal training; dubbing; publication of books; film distribution; movie studio services; health club services [health and fitness training]; nightclub services [entertainment]; layout services, other than for advertising purposes; microfilming; videotape editing; production of radio and television programmes; screenplay writing; religious education; aikido instruction; gymnastic instruction; judo instruction; correspondence courses; practical training [demonstration]; training services provided via simulators; organization of balls; organization of exhibitions for cultural or educational purposes; providing recreation facilities; arranging and conducting of colloquiums; arranging and conducting of congresses; arranging and conducting of conferences; arranging and conducting of concerts; arranging and conducting of workshops [training]; arranging and conducting of in-person educational forums; arranging and conducting

of seminars; arranging and conducting of symposiums; organization of competitions [education or entertainment]; arranging of beauty contests; organization of cosplay entertainment events; organization of lotteries; organization of fashion shows for entertainment purposes; organization of shows [impresario services]; organization of sports competitions; vocational guidance [education or training advice]; amusement park services; sign language interpretation; language interpretation; know-how transfer [training]; television entertainment; vocational retraining; providing on-line videos, not downloadable; providing information in the field of education; providing information relating to recreational activities; providing information in the field of entertainment; providing online music, not downloadable; providing television programmes, not downloadable, via video-on-demand services; providing films, not downloadable, via video-on-demand services; providing user reviews for entertainment or cultural purposes; providing golf facilities; providing user rankings for entertainment or cultural purposes; providing sports facilities; providing amusement arcade services; cinema presentations; providing online electronic publications, not downloadable; presentation of circus performances; presentation of variety shows; presentation of live performances; theatre productions; conducting guided climbing tours; conducting fitness classes; educational examination; film production, other than advertising films; rental of audio equipment; rental of camcorders; rental of video cassette recorders; rental of videotapes; rental of show scenery; rental of sound recordings; toy rental; rental of cinematographic apparatus; rental of motion pictures; games equipment rental; rental of stadium facilities; rental of lighting apparatus for theatrical sets or television studios; rental of radio and television sets; rental of skin diving equipment; rental of sports equipment, except vehicles; rental of stage scenery; rental of training simulators; electronic desktop publishing; publication of electronic books and journals on-line; publication of texts, other than publicity texts; radio entertainment; entertainment services; writing of texts; sado instruction [tea ceremony instruction]; zoological garden services; news reporters services; film directing, other than advertising films; party planning [entertainment]; music composition services; subtitling; tutoring; entertainment services provided by performing artists; holiday camp services [entertainment]; gambling services; video editing services for events; conducting guided tours; disc jockey services; sound engineering services for events; game services provided online from a computer network; personal trainer services [fitness training]; providing casino facilities [gambling]; calligraphy services; karaoke services; club services [entertainment or education]; songwriting; cultural, educational or entertainment services provided by art galleries; providing museum facilities [presentation, exhibitions]; teaching; educational services provided by special needs assistants; educa-

tional services provided by schools; orchestra services; translation; scriptwriting, other than for advertising purposes; physical fitness assessment services for training purposes; face painting; ticket agency services [entertainment]; educational examination for users to qualify to pilot drones; coaching [training]; lighting technician services for events; sport camp services; recording studio services; nursery schools; photography; photographic reporting; timing of sports events; boarding school education; production of shows.

42 – Water analysis; computer system analysis; handwriting analysis [graphology]; chemical analysis; rental of meters for the recording of energy consumption; energy auditing; recovery of computer data; business card design; graphic design of promotional materials; interior design; industrial design; graphic arts design; computer virus protection services; oil-field surveys; geological surveys; engineering; installation of computer software; weather forecasting; clinical trials; material testing; textile testing; bacteriological research; biological research; geological research; research in the field of environmental protection; cosmetic research; mechanical research; research in the field of welding; research in the field of building construction; research in the field of telecommunications technology; research in the field of physics; chemical research; research and development of new products for others; medical research; scientific and technological research relating to patent mapping; scientific and technological research in the field of natural disasters; scientific research; analysis for oil-field exploitation; underwater exploration; technological research; calibration [measuring]; web site design consultancy; computer security consultancy; information technology [IT] consulting services; computer technology consultancy; consultancy in the design and development of computer hardware; architectural consultation; internet security consultancy; computer software consultancy; data security consultancy; technological consultancy; oil-well testing; quality control; vehicle roadworthiness testing; land surveying; dress designing; updating of computer software; monitoring of computer systems to detect breakdowns; monitoring of computer systems for detecting unauthorized access or data breach; monitoring of computer systems by remote access; electronic monitoring of credit card activity to detect fraud via the internet; electronic monitoring of personally identifying information to detect identity theft via the internet; software as a service [SaaS]; maintenance of computer software; authenticating works of art; design of interior decor; quality evaluation of standing timber; quality evaluation of wool; digitization of documents [scanning]; conversion of data or documents from physical to electronic media; urban planning; providing information relating to computer technology and programming via a website; providing scientific information, advice and consultancy relating to carbon offsetting; providing search engines for the internet; platform as a service

[PaaS]; conversion of computer programs and data, other than physical conversion; conducting technical project studies; computer system design; rental of web servers; computer rental; rental of computer software; unlocking of mobile phones; geological prospecting; oil prospecting; hosting computer sites [web sites]; development of computer platforms; construction drafting; computer software design; software development in the framework of software publishing; cloud seeding; server hosting; consultancy in the field of energy-saving; creating and designing website-based indexes of information for others [information technology services]; creating and maintaining web sites for others; computer programming; technical writing; copying of computer programs; cloud computing; architectural services; information technology services provided on an outsourcing basis; chemistry services; packaging design; off-site data backup; telecommunications technology consultancy; scientific laboratory services; user authentication services using single sign-on technology for online software applications; user authentication services using technology for e-commerce transactions; styling [industrial design]; cartography services; exploration services in the field of the oil, gas and mining industries; data encryption services; electronic data storage; oilfield surveys; surveying.

(260) AM 2023 117371 A

(800) 1653836

(151) 2021 12 03

(891) 2021 12 03

(731) Onya Valery Trofimovich

Svyazistov St., 2, kv. 249, Nemchinovka
Village, Odintsovo District, RU-143025
Moscow Region, Russian Federation

(540)

5 Морей

(591) Black, white

(531) 27.07.01; 27.07.21; 28.05

(511)

29 – Agar-agar for culinary purposes; aloe vera prepared for human consumption; alginates for culinary purposes; andouillettes; anchovy, not live; peanuts, prepared; artichokes, preserved; albumen for culinary purposes; white of eggs; beans, preserved; soya beans, preserved, for food; broth; ginger jam; ham; fatty substances for the manufacture of edible fats; laver, preserved; edible birds' nests; sea-cucumbers, not live; cabbage rolls stuffed with meat; peas, preserved; mushrooms, preserved; guacamole; game, not live; gelatine; meat jellies; jellies for food; fruit jellies; yolk of eggs; coconut fat; bone oil for food; lard; suet for fo-

od; edible fats; fruit-based snack food; milk substitutes; raisins; caviar; aubergine paste; vegetable marrow paste; fish roe, processed; ginger, preserved; crystallized ginger; pickled ginger; yogurt; sauerkraut; cassoulet; quark; kephir; kimchi; isinglass for food; clams, not live; potato-based dumplings; klipfish [salted and dried cod]; milk shakes; black pudding; onion rings; arrangements of processed fruit; compotes; meat, tinned; vegetables, tinned; fish, tinned; fruits, tinned; duck confits; broth concentrates; vegetable-based concentrate for cooking; fruit-based concentrate for cooking; corn dogs; gherkins; tofu patties; soya patties; shrimps, not live; prawns, not live; buttercream; croquettes; silkworm chrysalis for human consumption; sweet corn, processed; koumiss; spiny lobsters, not live; lecithin for culinary purposes; edible ant larvae, prepared; salmon, not live; onions, preserved; margarine; oils for food; peanut butter; cocoa butter for food; coconut oil for food; coconut butter; maize oil for food; sesame oil for food; linseed oil for food; extra virgin olive oil for food; olive oil for food; palm oil for food; palm kernel oil for food; sunflower oil for food; rape oil for food; butter; soya bean oil for food; shellfish, not live; almonds, ground; animal marrow for food; mussels, not live; milk; peanut milk; peanut milk for culinary purposes; coconut milk; coconut milk for culinary purposes; almond milk; almond milk for culinary purposes; oat milk; rice milk; rice milk for culinary purposes; albumin milk; condensed milk; soured milk; soya milk; powdered milk; fermented baked milk; fish meal for human consumption; vegetable mousses; fish mousses; fruit pulp; meat; meat, preserved; freeze-dried meat; lactic acid drinks; milk beverages, milk predominating; peanut milk-based beverages; coconut milk-based beverages; almond milk-based beverages; edible insects, not live; sausage casings, natural or artificial; vegetables, preserved; freeze-dried vegetables; vegetables, processed; vegetables, dried; vegetables, cooked; hash browns; potato fritters; olives, preserved; lobsters, not live; omelettes; flavoured nuts; candied nuts; coconut, desiccated; nuts, prepared; tomato purée; pressed fruit paste; liver pâté; pectin for culinary purposes; preserved peppers; liver; pickles; jams; powdered eggs; milk products; fish-based foodstuffs; poultry, not live; white pudding; bulgogi; pollen prepared as foodstuff; cranberry compote; tomato puree; apple purée; crayfish, not live; crustaceans, not live; ratatouille; fish, preserved; fish, not live; salted fish; vegetable salads; fruit salads; bacon; sardines, not live; satay; pork; herrings, not live; seeds, prepared; sunflower seeds, prepared; cream [dairy products]; whipped cream; vegetable-based cream; fat-containing mixtures for bread slices; smetana; lemon juice for culinary purposes; tomato juice for cooking; vegetable juices for cooking; salted meats; sausages; sausages in batter; hot dog sausages; preparations for making bouillon; preparations for making soup; tofu skin; vegetable-based spreads; nut-based spreads; tripe; soups; vegetable soup preparati-

ons; whey; cottage cheese fritters; cheese; tajine [prepared meat, fish or vegetable dish]; tahini; cottage cheese; tofu; tempeh; truffles, preserved; tuna, not live; oysters, not live; falafel; milk ferments for culinary purposes; rennet; fish fillet; dates; crystallized fruits; frozen fruits; fruit, preserved; fruit, processed; fruit preserved in alcohol; fruit, stewed; hazelnuts, prepared; potato flakes; hummus; edible flowers, dried; fruit peel; preserved garlic; lentils, preserved; potato crisps; low-fat potato crisps; fruit chips; choucroute garnie; non-alcoholic eggnog; seaweed extracts for food; meat extracts; berries, preserved; eggs; snail eggs for consumption; yakitori; citrus jam.

30 – Vanilla flavourings for culinary purposes; flavourings, other than essential oils, for cakes; flavourings, other than essential oils, for beverages; coffee flavourings; food flavourings, other than essential oils; star aniseed; baozi; cereal bars; high-protein cereal bars; pancakes; savoury pancakes; freeze-dried dishes with the main ingredient being pasta; freeze-dried dishes with the main ingredient being rice; noodle-based prepared meals; buns; bulgur; bread rolls; pains au chocolat; edible paper wafers; edible rice paper; edible paper; burritos; vanillin [vanilla substitute]; waffles; vermicelli; natural sweeteners; sausage binding materials; binding agents for ice cream; orange blossom water for culinary purposes; seawater for cooking; seaweed [condiment]; malt biscuits; cloves [spice]; mirror icing [mirror glaze]; cake frosting [icing]; glucose for culinary purposes; mustard; croutons; buckwheat, processed; gluten additives for culinary purposes; yeast; thickening agents for cooking foodstuffs; leaven; rice-based snack food; cereal-based snack food; artificial coffee; vegetal preparations for use as coffee substitutes; dressings for salad; fruit jellies [confectionery]; candy decorations for cakes; confectionery for decorating Christmas trees; cakes; pastries; peanut confectionery; almond confectionery; sugar confectionery; fruit confectionery; pasta; ground ginger; frozen yogurt [confectionery ices]; cocoa; cream of tartar for culinary purposes; capers; coffee capsules, filled; caramels [sweets]; curry [spice]; ketchup [sauce]; quinoa, processed; quiches; gluten prepared as foodstuff; flour-based dumplings; sweets; liquorice [confectionery]; peppermint sweets; mints for breath freshening; dulce de leche; cinnamon [spice]; coffee; unroasted coffee; starch for food; crackers; rice crackers; custard; crème brûlée; croissants; hominy grits; semolina; oatmeal; crushed barley; groats for human food; ice cubes; corn, milled; corn, roasted; meat pies; turmeric; couscous; laksa; noodles; soba noodles; udon noodles; ice for refreshment; ice, natural or artificial; edible ices; ice pops; potato-based flatbreads; rice cakes; mayonnaise; macarons; macaroni; maltose; hominy; piccalilli; marinades; marzipan; honey; miso; royal jelly; ice cream; bean meal; buckwheat flour; tapioca flour; potato flour; corn flour; nut flours; flour; wheat flour; soya flour; barley meal; dessert mousses [confectionery]; chocolate mo-

usses; muesli; mint for confectionery; cocoa beverages with milk; coffee beverages with milk; coffee-based beverages; cocoa-based beverages; chamomile-based beverages; tea-based beverages; tea beverages with milk; chocolate beverages with milk; chocolate-based beverages; infusions, not medicinal; nougat; crushed oats; husked oats; kimchi pancakes; onigiri; nutmegs; chocolate-coated nuts; stick liquorice [confectionery]; ginger paste [seasoning]; lozenges [confectionery]; ginger paste for food; pâtés en croûte; pelmeni; pepper; allspice; peppers [seasonings]; pesto; biscuits; coconut macaroons; petit-beurre biscuits; bibimbap [rice mixed with vegetables and beef]; pies; pizzas; meat gravies; fondants [confectionery]; popcorn; powders for making ice cream; baking powder; mustard meal; pralines; aromatic preparations for food; condiments; meat tenderizers for household purposes; cereal preparations; oat-based food; propolis; profiteroles; gingerbread; spices; petits fours; rice pudding; puddings; cake powder; fruit coulis [sauces]; ravioli; ramen; chewing gum; chewing gum for breath freshening; relish [condiment]; rice; prepared rice rolled in seaweed; instant rice; wheat germ for human consumption; spring rolls; sago; sugar; crystallized rock sugar; palm sugar; sesame seeds [seasonings]; linseed for culinary purposes [seasoning]; processed seeds for use as a seasoning; aniseed; agave syrup [natural sweetener]; golden syrup; savoury pancake mixes; batter mixes; baking soda [bicarbonate of soda for cooking purposes]; malt for human consumption; salt for preserving foodstuffs; cooking salt; celery salt; sorbets [ices]; ham glaze; cranberry sauce [condiment]; soya sauce; tomato sauce; apple sauce [condiment]; sauces [condiments]; pasta sauce; spaghetti; seasonings; chocolate-based spreads; chocolate spreads containing nuts; preparations for stiffening whipped cream; shaved ice with sweetened red beans; rusks; breadcrumbs; sushi; sandwiches; tabbouleh; tacos; tamarind [condiment]; tapioca; tarts; dough; pastry dough; almond paste; rice pulp for culinary purposes; cake batter; tortillas; garden herbs, preserved [seasonings]; chocolate decorations for cakes; vinegar; beer vinegar; ferments for pastes; halvah; harissa [condiment]; bread; gluten-free bread; unleavened bread; chips [cereal products]; corn flakes; oat flakes; hot dog sandwiches; flowers or leaves for use as tea substitutes; jiaozi; chicory [coffee substitute]; tea; kelp tea; iced tea; chutneys [condiments]; minced garlic [condiment]; cheeseburgers [sandwiches]; chowchow [condiment]; saffron [seasoning]; chocolate; malt extract for food; essences for foodstuffs, except etheric essences and essential oils; husked barley.

35 – Arranging subscriptions to telecommunication services for others; import-export agency services; commercial information agency services; advertising agency services; cost price analysis; rental of office equipment in co-working facilities; rental of advertising space; business auditing; financial auditing; business intermediary services relating to the matching of

potential private investors with entrepreneurs needing funding; employment agency services; computerized file management; book-keeping; invoicing; demonstration of goods; transcription of communications [office functions]; opinion polling; market studies; business investigations; business research; marketing research; personnel recruitment; business management and organization consultancy; business organization consultancy; business management consultancy; personnel management consultancy; professional business consultancy; consultancy regarding advertising communication strategies; consultancy regarding public relations communication strategies; layout services for advertising purposes; marketing; marketing in the framework of software publishing; targeted marketing; business management of performing artists; business management of sports people; writing of curriculum vitae for others; scriptwriting for advertising purposes; news clipping services; updating and maintenance of information in registries; updating and maintenance of data in computer databases; updating of advertising material; word processing; online retail services for downloadable and pre-recorded music and movies; online retail services for downloadable ring tones; online retail services for downloadable digital music; organization of exhibitions for commercial or advertising purposes; arranging newspaper subscriptions for others; organization of fashion shows for promotional purposes; organization of trade fairs; shop window dressing; business appraisals; payroll preparation; data search in computer files for others; sponsorship search; administrative assistance in responding to calls for tenders; business management assistance; commercial or industrial management assistance; commercial intermediation services; providing business information; providing business information via a website; providing commercial and business contact information; providing commercial information and advice for consumers in the choice of products and services; provision of an online marketplace for buyers and sellers of goods and services; providing user reviews for commercial or advertising purposes; web indexing for commercial or advertising purposes; providing user rankings for commercial or advertising purposes; presentation of goods on communication media, for retail purposes; media relations services; economic forecasting; auctioneering; wholesale services for pharmaceutical, veterinary and sanitary preparations and medical supplies; retail services for works of art provided by art galleries; retail services for pharmaceutical, veterinary and sanitary preparations and medical supplies; sales promotion for others; promotion of goods and services through sponsorship of sports events; production of teleshopping programmes; production of advertising films; office machines and equipment rental; rental of advertising time on communication media; publicity material rental; rental of billboards [advertising boards]; rental of vending machines; rental of sales stands; rental of

photocopying machines; consumer profiling for commercial or marketing purposes; publication of publicity texts; radio advertising; development of advertising concepts; bill-posting; distribution of samples; dissemination of advertising matter; direct mail advertising; registration of written communications and data; writing of publicity texts; advertising; online advertising on a computer network; advertising by mail order; television advertising; compilation of statistics; compilation of information into computer databases; business inquiries; systemization of information into computer databases; administrative services for medical referrals; advisory services for business management; corporate communications services; negotiation of business contracts for others; negotiation and conclusion of commercial transactions for third parties; compiling indexes of information for commercial or advertising purposes; tax preparation; drawing up of statements of accounts; telemarketing services; psychological testing for the selection of personnel; interim business management; outsourced administrative management for companies; business management of hotels; business management for freelance service providers; business project management services for construction projects; commercial administration of the licensing of the goods and services of others; business management of reimbursement programmes for others; administration of consumer loyalty programs; administration of frequent flyer programs; administrative processing of purchase orders; pay per click advertising; administrative services for the relocation of businesses; public relations; commercial lobbying services; competitive intelligence services; modelling for advertising or sales promotion; typing; market intelligence services; appointment reminder services [office functions]; website traffic optimization; tax filing services; search engine optimization for sales promotion; retail services relating to bakery products; gift registry services; price comparison services; secretarial services; procurement services for others [purchasing goods and services for other businesses]; shorthand; outsourcing services [business assistance]; telephone answering for unavailable subscribers; telephone switchboard services; photocopying services; business efficiency expert services; retail and wholesale services; retail and wholesale store services; online wholesale and retail store services; retail services provided by means of mail order catalogs; retail services provided by television stores or via a Website; vending machine services.

(260) AM 2023 117374 A

(800) 1653868

(151) 2022 01 14

(891) 2022 01 14

(731) Instrumentation Laboratory Company
180 Hartwell Road, Bedford MA 01730,
USA

(540)

GEM

(591) Black, white

(511)

9 – Research laboratory analyzers for measuring, testing and analyzing blood.

(260) AM 2023 117375 A

(800) 1653882

(151) 2021 12 13

(891) 2021 12 13

(731) VIENNA INSURANCE GROUP AG Wiener
Versicherung, Gruppe
Schottenring 30, A-1010 Wien, Austria

(540)

VIENNA INSURANCE GROUP

(591) White, black, red and green

(531) 26.01.03; 26.01.16; 26.13.25; 27.05.10;
27.05.11; 29.01.14

(511)

36 – Insurance; financial affairs; monetary affairs; real estate affairs.

(260) AM 2023 117380 A

(800) 1654088

(151) 2022 01 14

(891) 2022 01 14

(731) BELLES MARKS LTD
Artemidos 3-5, ARTEMIDOS TOWER,
1st floor, Flat/Office 101, CY-6020 Larnaca,
Cyprus

(540)

**CARPATHIAN**
SINGLE MALT
• WHISKY •

(591) Black, white

(531) 27.05.04; 27.05.09; 27.05.22

(526) SINGLE MALT WHISKY

(511)

33 – Whisky; single malt whisky.

(260) AM 2023 117387 A

(800) 1654420

(151) 2022 02 17

(891) 2022 02 17

(731) Alcon Inc.

Rue Louis-d'Affry 6, CH-1701 Fribourg,
Switzerland

(540)

TRUEGLIDE

(591) Black, white

(511)

10 – Intra-ocular lenses.

(260) AM 2023 117388 A

(800) 1654436

(151) 2021 12 28

(891) 2021 12 28

(731) ARMSAN SİLAH SANAYİ VE TİCARET
ANONİM ŞİRKETİ
Dudullu Organize Sanayi Bölgesi, 1. Cadde,
No:32, Ümraniye, İstanbul, Türkiye

(540)



(591) Red and black

(531) 26.02.01; 26.04.03; 26.04.05; 26.04.16;
26.04.24; 26.11.01; 26.11.12; 27.05.01;
29.01.12

(511)

13 – Shotguns and parts thereof; rifles; hunting rifles, sporting rifles; air pistols; spring-activated spearguns as weapons; air rifles as weapons, not toys; breeches of firearms; firearms; sights, other than telescopic sights, for firearms; cleaning brushes for firearms; hunting firearms; side arms being firearms; gunstocks; machine guns; pistols; revolvers; rifle cases; guns being weapons; shoulder straps for weapons; trigger guards for guns and rifles; rifle barrels; hammers for guns and rifles.

(260) AM 2023 117389 A

(800) 1654506

(151) 2021 12 20

(891) 2021 12 20

(731) Vaillant GmbH

Berghauser Str. 40, 42859 Remscheid, Germany

(540)



(591) Green, black and white

(531) 03.05.01; 03.05.20; 03.05.24; 08.07.11;
26.01.15; 27.05.01; 29.01.13

(511)

6 – Pipes, tubes and hoses, and fittings therefor, including valves, of metal; small items of metal hardware; all aforementioned goods, in relation to the following goods, apparatus and installations for heating, refrigerating, ventilating, air conditioning and water supply and sanitary purposes, apparatus and instruments for conducting, switching, transforming, accumulating, regulating or controlling the distribution or use of electricity.

7 – Pumps, compressors and blowers; engines, powertrains, and machine parts, and controls for the operation of machines and engines, in relation to the following goods, cogeneration installations, apparatus and installations for heating, refrigerating, ventilating, air conditioning and water supply and sanitary purposes, apparatus and instruments for conducting, switching, transforming, accumulating, regulating or controlling the distribution or use of electricity.

9 – Databases; application software; software for monitoring, analysing, controlling and running physical world operations; web application and server software; apparatus, instruments and cables for electricity; apparatus and instruments for accumulating and storing electricity; fuel cells; apparatus and instruments for controlling electricity; photovoltaic apparatus for generating electricity; photovoltaic inverters; communications equipment; measuring, detecting, monitoring and controlling devices.

11 – Flues and installations for conveying exhaust gases; sanitary installations, water supply and sanitation equipment; burners, boilers and heaters; fireplaces; personal heating and drying implements; regulating and safety accessories for water and gas installations; heating, ventilating, and air conditioning and purification equipment (ambient); heating apparatus, in relation to the following goods, cogeneration units.

35 – Advertising, marketing and promotional services; provision of business assistance; business assistance, management and administrative services; commercial information and advice for consumers in the choice of products and services; all the aforesaid services, in relation the following goods, apparatus and installations for heating, refrigerating, ventilating, air conditioning and water supply and sanitary purposes, apparatus and instruments for conducting, switching, transforming, accumulating, regulating or controlling the distribution or use of electricity.

37 – Installation, cleaning, repair and maintenance, in relation to the following goods, apparatus and installations for heating, refrigerating, ventilating, air conditioning and water supply and sanitary purposes, apparatus and instruments for conducting, switching, transforming, accumulating, regulating or controlling the distribution or use of electricity.

38 – Providing access to electronic communications networks and electronic databases; automatic transfer of digital data using telecommunications channels; data transmission; electronic transmission of messages and data; digital transmission of data; computer communication and internet access.

39 – Distribution of water, heat or electricity by pipeline and cable; transportation and delivery of goods; packaging and storage of goods.

42 – IT consultancy, advisory and information services; scientific and technological services; testing, authentication and quality control; all the aforesaid services, in relation to the following goods, apparatus and installations for heating, refrigerating, ventilating, air conditioning and water supply and sanitary purposes, apparatus and instruments for conducting, switching, transforming, accumulating, regulating or controlling the distribution or use of electricity.

(260) AM 2023 117390 A

(800) 1654511

(151) 2021 11 11

(891) 2021 11 11

(731) Vingroup Joint Stock Company

No. 7, Bang Lang 1 Street, Vinhomes Riverside
Ecological Urban Area, Viet Hung Ward,
Long Bien District, Hanoi City, Viet Nam

(540)

Boundless Together

(591) Black, white

(531) 27.05.01

(511)

12 – Land vehicles; automobiles; off road light sport utility vehicles; motorcycles; electric motorcycles; motor scooters [vehicles]; three-wheeled motorcycles; three-wheeled motor scooters [vehicles]; mopeds; bicycles; electric bicycles; electrically assisted bicycles, with pedals; all-terrain vehicles (ATV); snowmobiles; golf cars; engines for land vehicles; cars; sports cars; electrically powered motor vehicles; tricycles not being toys; vehicles for locomotion by rail; structural parts and component parts for all the aforesaid goods.

35 – Advertising services for others; publication of publicity texts; search engine optimisation for sales promotion; sales promotion [for others]; organization of consumer loyalty programs for advertising, promotional or commercial purposes; marketing; marketing consultancy; market forecasting; providing marketing information; market studies; targeted marketing; all relating to automobiles and other land vehicles; retail store services or wholesale store services featuring automobiles and their parts, fuels, lubricating oil, lubricating grease.

(260) AM 2023 117391 A
 (800) 1654562
 (151) 2021 12 01
 (891) 2021 12 01
 (731) Euro Games Technology Ltd.
 4, "Maritsa" Str., "Vranya-Lozen-Triugulnika",
 BG-1151 Sofia, Bulgaria

(540)

Irish Chance

(591) Black, white

(511)

9 – Software; computer gaming software; computer software packages; computer operating system software; computer software, recorded; software drivers; virtual reality software; games software; entertainment software for computer games; computer programs for network management; operating computer software for main frame computers; monitors (computer hardware); computer hardware; apparatus for recording images; monitors (computer programs); computer game programs; computer programs for recorded games; apparatus for recording, transmission or reproduction of sound or images; communications servers [computer hardware]; electronic components for gambling machines; computer application software featuring games and gaming; computer software for the administration of on-line games and gaming; computer hardware for games and gaming; electronic components and computer software for gambling, gambling machines, gambling games on the internet and via telecommunication network.

28 – Gaming machines for gambling; chips for gambling; mah-jong; arcade games; gambling machines operating with coins, notes and cards; games; electronic games; parlor games; gaming chips; gaming tables; slot machines [gaming machines]; LCD game machines; slot machines and gaming devices; coin-operated amusement machines; roulette chips; poker chips; chips and dice [gaming equipment]; gaming equipment for casinos; roulette tables; gaming roulette wheels; casino games; gambling machines and amusement machines, automatic and coin-operated; coin-operated amusement machines and/or electronic coin-operated amusement machines with or without the possibility of gain; boxes for coin-operated machines, slot machines and gaming machines; electronic or electrotechnical amusement machines and apparatus, gaming machines, coin-operated entertainment machines; housings for coin-operated machines, gaming equipment, gaming machines, machines for gambling; electropneumatic and electrical gambling machines (slot machines).

41 – Gambling; entertainment services related to gambling; gaming services for entertainment purposes; casino, gaming and gambling services; training in the development of software systems; provision of gaming equipment for gambling halls; providing casino equipment [gambling]; gaming machine entertainment

services; providing casino facilities [gambling]; gaming hall services; amusement arcade services; games equipment rental; rental of gaming machines; providing amusement arcade services; rental of gaming machines with images of fruits; editing or recording of sounds and images; sound recording and video entertainment services; hire of sound reproducing apparatus; provision of gaming equipment for casinos; providing of casino facilities; online gambling services; casino, gaming and gambling services; provision of gaming facilities, gaming hall facilities, internet casinos and online gambling services.

(260) AM 2023 117393 A

(800) 1654685

(151) 2022 02 17

(891) 2022 02 17

(731) Private enterprise "Divotsvit"

Vul. Vyrobynya, 10, smt Slobozhanske,
 Dniprovskiyi r-n, Dnipropetrovska obl., 52005,
 Ukraine

(540)



(591) Black, white

(531) 07.01.08; 07.01.24; 07.03.11; 26.03.23

(511)

1 – Gums [adhesives] for industrial purposes; size for finishing and priming; leather glues; glue for industrial purposes; glutinous tree-grafting preparations; adhesive preparations for surgical bandages; gluten [glue], other than for stationery or household purposes; gluten for industrial purposes; adhesives for billposting; adhesives for wall tiles; adhesives for paperhanging; adhesives for industrial purposes; starch paste [adhesive], other than for stationery or household purposes; gum solvents; separating and unsticking [ungluing] preparations; cement for footwear; cement for mending broken articles.

(260) AM 2023 117394 A

(800) 1654686

(151) 2022 02 01

(891) 2022 02 01

(731) OLIVE LINE INTERNATIONAL, S.L.

C/ Manuel Pombo Angulo, N° 24, Planta 2,
 Oficina 13, E-28050 MADRID, Spain

(540)

IBERICA CHARMING WORLD

(591) Black, white

(511)

29 – Preserved mushrooms; edible dry black mushrooms; dried truffles [dried edible mushrooms]; preserved mushrooms; preserved mushrooms; prepared mushrooms; fish, canned fish, olives, edible oils and fats; pickles, vegetables, vegetable preserves, prepared dishes consisting predominantly of fish and vegetables; preserved, dried and cooked fruits and vegetables; marmalades, crystallized fruits.

30 – Rice, tapioca, flours and preparations made from cereals, bread, pastry and confectionery; mustard and ketchup, vinegar, sauces, spices, salt, pasta, prepared dishes made predominantly from flour and/or rice.

(260) AM 2023 117395 A

(800) 1654703

(151) 2022 02 08

(891) 2022 02 08

(731) Montres Tudor SA

Rue François-Dussaud 3, CH-1211 Genève 26,
Switzerland

(540)

FXD

(591) Black, white

(511)

14 – Timepieces, namely, watches, wrist-watches, component parts for timepieces and accessories for timepieces not included in other classes, clocks and other chronometric instruments, chronometers, chronographs (timepieces), watch bands, dials (timepieces), boxes and cases for timepieces and jewelry, watch movements and their parts; jewelry, jewelry items; precious stones and semi-precious stones; precious metals and alloys thereof; pins (jewelry).

(260) AM 2023 117462 A

(800) 1655296

(151) 2022 03 09

(891) 2022 03 09

(731) Neurocrine Biosciences, Inc.

12780 El Camino Real, San Diego CA 92130,
USA

(540)

CRENESSITY

(591) Black, white

(511)

5 – Pharmaceutical preparations for human use; pharmaceutical preparations for the diagnosis, prevention and treatment of psychiatric, neurological, hormonal, genetic and endocrine disorders and conditions; pharmaceutical preparations for human use for diagnosis, prevention and treatment of diseases and disorders by gene therapy; pharmaceuticals for human use for the treatment of rare and orphan diseases, disorders and conditions; pharmaceutical preparations for the treatment of congenital adrenal hyperplasia.

(260) AM 2023 117464 A

(800) 1655362

(151) 2022 02 11

(891) 2022 02 11

(731) Obschestvo s ogranichennoi otvetstvennostiu
"Chorap"

Leningradskoe highway, possession of 88 km,
building 103, floor / room 4/405, RU-141603
city of Klin, Moscow region, Russian
Federation

(540)

QUTEX

(591) Magenta

(531) 27.05.17; 27.05.19; 29.01.01

(511)

25 – Wimples; bandanas [neckerchiefs]; underwear; sweat-absorbent underwear; berets; overalls; boas [necklets]; teddies [underclothing]; boxer shorts; ankle boots; ski boots; boots for sports; breeches for wear; trousers; football shoes; brassieres; valenki [felted boots]; mittens; collars [clothing]; detachable collars; shirt yokes; veils [clothing]; gabardines [clothing]; galoshes; neckties; ascots; gaiters; spats; leggings [leg warmers]; boot uppers; corselets; jerseys [clothing]; waistcoats; sports jerseys; hosiery; heels; heelpieces for footwear; hoods [clothing]; hat frames [skeletons]; pockets for clothing; scarves; caps being headwear; kimonos; cap peaks; visors being headwear; tights; slippers [underclothing]; combinations [clothing]; wet suits for water-skiing; bodices [lingerie]; corsets [underclothing]; suits; bathing suits; masquerade costumes; beach clothes; headscarves; leotards; jackets [clothing]; stuff jackets [clothing]; fishing vests; leggings [trousers]; liveries; camisoles; sports singlets; cuffs; short-sleeve shirts; mantillas; coats; furs [clothing]; fingerless gloves; mitres [hats]; muffs [clothing]; footmuffs, not electrically heated; bibs, not of paper; bibs, sleeved, not of paper; fur stoles; hairdressing capes; heel protectors for shoes; ear muffs [clothing]; socks; sweat-absorbent socks; footwear; gymnastic shoes; beach shoes; sports shoes; clothing; paper clothing; outerclothing; embroidered clothing; ready-made clothing; motorists' clothing; cyclists' clothing; clothing for gymnastics; clothing of imitations of leather; latex clothing; clothing of leather; waterproof clothing; clothing incorporating LEDs; uniforms; clothing containing slimming substances; fittings of metal for footwear; maniples; overcoats; knickers; parkas; pelerines; gloves [clothing]; ski gloves; pyjamas; bathing trunks; shirt fronts; scarves; pocket squares; dresses; headbands [clothing]; garters; sock suspenders; stocking suspenders; ready-made linings [parts of clothing]; dress shields; soles for footwear; braces [suspenders] for clothing; half-boots; lace bo-

ots; ponchos; girdles; belts [clothing]; money belts [clothing]; sashes for wear; layettes [clothing]; non-slipping devices for footwear; heelpieces for stockings; welts for footwear; chasubles; shirts; wooden shoes; sandals; bath sandals; boots; jumper dresses; saris; sarongs; sweaters; footwear uppers; inner soles; albs; bath slippers; togas; knitwear [clothing]; underpants; shoes; slippers; skull caps; turbans; headwear; aprons [clothing]; judo uniforms; karate uniforms; tee-shirts; rash guards; dressing gowns; bath robes; top hats; tips for footwear; stockings; sweat-absorbent stockings; shawls; paper hats [clothing]; shower caps; bathing caps; scarves; neck tube scarves; studs for football shoes; hats; babies' pants [underwear]; gaiter straps; pelisses; esparto shoes or sandals; skirts; petticoats; skorts; adhesive bras; sleep masks.

(260) AM 2023 117466 A

(800) 1655416

(151) 2022 01 12

(891) 2022 01 12

(731) INDUSTRIA DE DISEÑO TEXTIL, S.A.,

(INDITEX, S.A.)

Avenida de la Diputación "Edificio Inditex",
E-15142 Arteixo (A Coruña), Spain

(540)



(591) Black, white

(531) 26.04.04; 26.04.17; 26.04.24

(511)

9 – Scientific apparatus and instruments; research apparatus and instruments; navigation apparatus and instruments; surveying apparatus and instruments; photographic apparatus and instruments; cinematographic apparatus and instruments; audiovisual apparatus and instruments; optical apparatus and instruments; weighing apparatus and instruments; measuring apparatus and instruments; signaling apparatus and instruments; detecting apparatus and instruments; instruments and machines for testing materials; inspecting apparatus and instruments; life-saving apparatus and instruments; teaching apparatus and instruments; apparatus and instruments for conducting electricity; apparatus and instruments for regulating electricity distribution; apparatus and instruments for transforming electricity distribution; apparatus and instruments for accumulating electricity; apparatus and instruments for regulating or controlling electricity distribution or consumption; sound recording apparatus and instruments; sound transmission apparatus and instruments; apparatus and instruments for sound, image or data repro-

duction or processing; software; coin-operated mechanisms; cash registers; calculators; computers; computer peripherals; diving suits; diving masks; ear plugs for divers; nose clips for divers and swimmers; gloves for divers; breathing apparatus for underwater swimming; fire-extinguishing apparatus; computer peripheral devices; anti-glare glasses; pince-nez; optical lenses; chains for pince-nez; contact lenses; cords for pincenez; spectacles (optics); spectacle lenses; spectacle cases; spectacle frames; sunglasses; eyeglass cases; cases for contact lenses; footwear for protection against accidents, irradiation and fire; bullet-proof vests; life jackets; clothing for protection against accidents, irradiation and fire; gloves for divers; gloves for protection against accidents; encoded magnetic cards; special protective suits for aviators; electronic agendas; telephone apparatus; weighbridges (weighing apparatus); directional compasses; accounting machines; protective helmets; telescopes; chronographs (time recording apparatus); measuring spoons; pedometers; optical compact disks; temperature indicators; computer gaming software for entertainment; cassette players; bar code readers; signal lanterns; magic lanterns; optical lanterns; magnifying glasses (optics); dictating machines; mechanisms for counter-operated apparatus; weights; electric batteries; galvanic batteries; solar batteries; recorded computer programs; thermometers other than for medical use; intercommunication apparatus; animated cartoons; portable radio-telephones (walkietalkies); downloadable electronic publications; egg timers [sandglasses]; acoustic (sound) alarms; anti-theft alarms; fire alarms; mouse pads; loudspeakers; sound amplification apparatus; antennas; anti-glare filters for televisions and computer monitors; headphones; answering machines; counterfeit coin detectors; teeth protectors; money counting and sorting machines; apparatus for measuring the thickness of skins; apparatus for measuring the thickness of leather; electronic tags for goods; spectacles for sports; magnets; lightemitting electronic pointers; mobile telephones; apparatus and instruments for astronomy; coin-operated musical automata [juke boxes]; scales; life-saving rafts; video tapes; magnetic tapes; barometers; ticket dispensers; thermostats; cameras [photography]; cinematographic apparatus; video cameras; revolution counters; transparencies; slide projectors; reflecting disks for wear for the prevention of traffic accidents; hemline markers; dosage dispensers; radiotelephony sets; scanners [data processing equipment]; flash-bulbs (photography); holograms; compact disc players; luminous signs; neon signs (advertising); megaphones; computer memory devices; microphones; objectives (lenses) (optics); projection screens; dog whistles; push buttons for bells; radios; receivers [audio and video]; wrist rests for use with computers; balances (steelyards); television apparatus; record players; word processing equipment; video telephones; carrying cases for portable computers; covers for laptops; covers for mobile te-

lephones; covers for smartphones; protective cases and covers for digital book readers; smartphones; smart watches; personal stereos; mobile applications; downloadable software; wearable activity trackers.

18 – Leather and imitation leather; animal skins; trunks and suitcases; umbrellas; parasols; walking sticks; whips; saddlery; bags for climbers; bags for campers; beach bags; handbag frames; frames for umbrellas or parasols; mountaineering sticks; sports bags; net bags for shopping; travel bags; bags (envelopes, pouches) of leather for packaging; bags (purses); bags; traveling cases [leatherware]; key cases; attaché cases; coin purses, not of precious metal; leather backpacks for carrying infants; wheeled shopping bags; boxes of leather or leather board; boxes of vulcanized fiber; card cases [notecases]; wallets; satchels (handbags); school satchels; vanity cases; collars for animals; dog leashes; leather laces; umbrella covers; covers for horse-saddles; haversacks; backpacks; reins; leather laces; suitcase handles; walking stick handles; umbrella handles; whips; horse blankets; furniture coverings of leather; clothing for animals; umbrella rings; blinders (harness); harnesses for animals; harness for animals; harness fittings; walking stick seats; shoulder belts [straps] of leather; empty tool bags of leather; muzzles; bridles [harness]; halters; leather board; bands of leather; traveling trunks; shopping bags; straps for soldiers' equipment; harness straps; straps of leather (saddlery); straps for skates; trimmings of leather for furniture; leather straps; butts [parts of hides]; curried skins; covers and blankets for animals; stirrups; parts of rubber for stirrups; bits for animals (harness); reins made of rope; attaché cases; moleskin (imitation of leather); chamois leather other than for cleaning purposes; nosebags; casings, of leather, for springs; knee-pads for horses; horse riding saddles; fastenings for saddles; straps (harnesses); valves of leather.

21 – Household or kitchen utensils; containers for household or kitchen use; combs; sponges; brushes; brush-making materials; cleaning material; steel wool for cleaning; unworked glass [except glass used in building]; semi-worked glass (except glass used in building); glassware; porcelain ware; earthenware; bottle openers; cruet sets for oil and vinegar; cocktail stirrers; candle extinguishers; non-electric apparatus for removing make-up; sugar bowls; trays for domestic purposes; portable baths for babies; cloths; tea infusers (balls and clips); candy boxes; bottles; shaving brushes; non-electric coffee makers; candy boxes; bread bins; non-electric heaters for feeding bottles; shoe horns; candlesticks; candelabra [candlesticks]; pipettes [wine-tasters]; table centrepieces; baskets for household use; strainers; clothing stretchers; ice pails; tie presses; comb cases; shaped ironing board covers; gardening gloves; gloves for household use; polishing gloves; shoe trees; piggy banks, not of metal; soap holders [cases]; pitchers; bird cages; toilet cases;

works of art of porcelain, ceramic, earthenware, fired clay or glass; toothpick holders; carpet beaters; bread baskets; cleaning cloths; cleaning cloths; pepper pots; clothes pegs; drying racks for laundry; plates; dusters; shaving brush stands; sponge holders [sponge bags]; toilet paper holders; trouser presses; perfume sprayers and vaporizers; graters; crumb trays; coasters not of paper and other than table linen; table mats (table utensils); boot jacks; salt cellars; clothes drying racks; coffee services; tea services; napkin holders; washing boards; ironing boards; kitchen boards for cutting; cups; teapots; flowerpots [planters]; toilet utensils; thermally insulated containers; toothbrushes; dental floss; non-electric fruit presses for household use; buttonhooks; perfume atomizers; siphon bottles for carbonated water; nozzles for watering cans; garlic presses [kitchen utensils]; sanitary boxes with cat litter; cages for pets; animal bristles [brushware]; mangers for animals; buckets; dish covers; indoor aquariums; lunch boxes; cookware sets; non-electric beaters; drinking bottles for sports; jars (carboys); isothermal bags; bottles; containers of glass; irrigation hose nozzles; powder puffs; busts of china, porcelain, earthenware, fired clay or glass; shoe brushes; stew-pans; pots; closures for pot lids; boxes of glass; hand-operated coffee grinders; metal boxes for dispensing paper towels; cookie jars; tea caddies; cheese-dish covers; candle rings; jugs; lazy Susans [table utensils]; ladles; earthenware saucepans; dishwashing brushes; traps for rodents; ceramic ware for household use; beer mugs; fitted picnic baskets, including dishes; closures for pot lids; non-electric cooking utensils; cookery molds; glue-pots; washtubs; fruit cups; corkscrews; cosmetic utensils; sieves (household utensils); painted glassware; cups of paper or plastic materials; drinkware; trash cans; covers, not of paper, for flower pots; mixing spoons (kitchen utensils); knife rests for the table; basins (bowls); demijohns; dusting apparatus, non-electric; deodorizing apparatus for personal use; soap dispensers; funnels; non-electric polishing machines; salad bowls; brooms; mops; carpet sweepers; bottle-cleaning brushes; basins; enameled glass; spatulas (kitchen utensils); spice racks; statues of porcelain, ceramic, earthenware or glass; scouring pads for cleaning; filters for household use; flower holders [flower arranging]; flasks; non-electric deep fryers; frying pans; dishes (tableware); chamois leather for cleaning; decanters; ice cube molds; apparatus for making ices and sorbets; egg cups, not of precious metal; signboards of porcelain or glass; liquor sets; confectioners' decorating bags (pastry bags); butter dishes; cooking pots; mixers, manual [cocktail shakers]; molds [kitchen utensils]; mosaics of glass, not for building; non-electric portable coolers; non-electric pressure cookers; children's potties; basins; scoops [tableware]; toothpicks; candlesticks; rolling pins; perfume burners; holders for plants [floral arrangements]; saucers; powder compacts; currycombs; watering cans; watering implements; biscuit cutters

[molds]; soup bowls; glass stoppers for bottles; bowls; buckets made of woven fabrics; indoor terrariums [plant cultivation]; towel rails and rings; urns; chopsticks [table utensils]; glass containers for candles [candle holders]; vases.

24 – Fabrics and fabric substitutes; household linen; curtains of textile or plastic materials; bed linen; table linen of textile; bath linen; cloth wipes for removing make-up; labels of cloth; linings [textile]; wall hangings of textile; handkerchiefs of textile; washing mitts; shrouds; household linen; towels of textile; traveling rugs; net curtains; curtain holders of textile; flags (not of paper); pennants (not of paper); duvets; covers [loose] for furniture; cushion covers; mattress covers; pillowcases; mosquito nets; glass cloths [towels]; billiard cloth; tablecloths, not of paper; traced cloths for embroidery; face towels of textile; sheets sewn in the shape of sleeping bags; cotton fabrics; long-pile fabric [sackcloth]; brocades; fabrics for footwear linings; fabric for footwear; bed covers; bed blankets; trellis (hemp cloth); zephyr (cloth); chevots (textiles); tick (mattress cover); shower curtains of textile or plastic; crepe (fabric); crepon; coverlets [bedspreads]; damask; elastic fabrics; oil cloths (tablecloth); gummed cloth, other than for stationery; esparto fabric; chenille fabrics; felt; flannel textiles; toilet covers of textile materials; gauze fabric; jersey (fabric); woolen fabrics; woolen fabrics; lingerie fabric; linen fabrics; place mats, not of paper; non-paper tablecloths; printers' blankets of textile; marabout (cloth); woven fabrics for furniture; fabric of imitation animal skins; knitted fabrics; cheese cloth; ramie fabric; rayon fabrics; silk [cloth]; taffeta (cloth); fiberglass fabrics for textile use; adhesive fabric for application by heat; textiles with designs for use in needlework; velvet; tulle; textile table runners.

25 – Clothing; headwear; footwear; motorists' clothing; clothing for cyclists; bibs not of paper; headbands (clothing); bath robes; bathing suits; caps [headwear]; bath sandals; boas (clothing); scarves; sports footwear; beach shoes; hoods (clothing); shawls; belts (clothing); money belts (clothing); wet suits for water-skiing; neckties; girdles [corsets]; fur stoles; foulards; caps; gloves (clothing); raincoats; girdles (underwear); body linen [garments]; mantillas; stockings; socks; neckerchiefs; furs [clothing]; pajamas; soles (for footwear); heels; veils [clothing]; suspenders; layettes (clothing); capes; sports jerseys; mittens; ear muffs (clothing); inner soles; wristbands (clothing); dress shields; beach wear; dressing gowns; pockets for clothing; sock suspenders; stocking suspenders; petticoats; tights; aprons (clothing); masquerade costumes; uniforms; visors [headgear]; wooden shoes; caps; coats; esparto shoes or sandals; non-slip devices for footwear; bath slippers; academic caps; blouses; bodysuits (clothing); berets; footmuffs, not electrically heated; lace boots; boots; boot uppers; studs for football boots; half-boots; fittings of metal for footwear;

tips for footwear; heelpieces for footwear; shirts; shirt yokes; shirt fronts; T-shirts; short-sleeved tee-shirts; bodices [lingerie]; vests; jackets; fishing vests; stuff jackets; slippers (underwear); ready-made clothing; detachable collars; clothing of leather; clothing of imitation leather; shower caps; slippers; skirts; trousers; ready-made linings (parts of clothing); top coats; trench coats (clothing); gymnastic shoes; jerseys (clothing); pullovers; sweaters; liveries; muffs (clothing); footwear uppers; pocket squares; parkas; pelerines; pelisses; spats; leggings (trousers); knitwear [clothing]; clothing for gymnastics; underwear; sandals; saris; underpants; hats; wimples (clothing); togas; gaiter straps; suits; turbans; dresses; slippers; shoes.

26 – Lace trimmings; embroidery; tapes [haberdashery]; cords; needles; hooks and eyelets; sewing pins; artificial flowers; hair ornaments; hairpieces; trimmings for clothing; boxes for needles; pin cushions [cushions for needles]; shoe ornaments, not of precious metal; hat ornaments, not of precious metal; haberdashery, except threads; hair bands; armbands; brooches [clothing accessories]; sewing boxes; belt clasps; Shoelaces; wreaths of artificial flowers; ornamental badges; thimbles [for sewing]; needle cases; buckles [clothing accessories]; buckles [for footwear]; shoulder pads for clothing; hair pins; badges for wear not of precious metal; spangles for clothing; numerals or letters for marking linen; bodkins; hair slides; lace trimmings; feathers [clothing accessories]; top-knots (pompoms); picot [lace]; zipper fasteners [haberdashery]; competitors' numbers; heat-adhesive patches for decorating textile articles [haberdashery]; rug hooks; snap fasteners; ostrich feathers [clothing accessories]; prize ribbons; rimming cords for clothing; tassels [haberdashery]; expanding bands for holding sleeves; hair nets; shoe eyelets; chenille [passementerie]; frills [lacework]; trouser clips for cyclists; fastenings for clothing; hook and pile fastening tapes; elastic ribbons; tapes for curtain headings; cords for clothing; barrettes; collar supports; false hems; rosettes [passementerie]; festoons [embroidery]; fringes; artificial fruit; braids; hair coloring caps; artificial garlands; darning lasts; tresses of hair; wigs; silver embroidery for clothing; edgings for clothing; rosettes [haberdashery]; fastenings for suspenders; skirt flounces; braids; toupees; shoe hooks.

27 – Carpets; door mats; mats; beach mats; bathroom mats; linoleum for flooring; wall hangings, not of textile; bath mat; wallpapers; wallpapers; coverings for floors and artificial coverings for surfaces; underlay for carpet backings; floor coverings; yoga mats; rugs [carpets].

28 – Games; toys; video game apparatus; gymnastic and sporting articles; decorations for Christmas trees; fishing tackle; rods for fishing; toy masks; theatrical masks; dolls' houses; climbers' harness; party favors; gloves for games; baseball gloves; boxing gloves; fencing gauntlets; golf gloves; puppets; physical training

apparatus; Christmas trees of synthetic materials; bladders of balls for games; elbow guards [sports articles]; knee guards [sports articles]; kites; rattles; kaleidoscopes; rocking horses; building games; amusement machines, automatic and coin-operated; playing card shuffling machines; dolls; dolls' clothes; air pistols [toys]; chess games; flippers for swimming; ring games; Christmas tree stands; archery implements; swimming floats; practical jokes [novelties]; balls for games; dolls' feeding bottles; building blocks [toys]; body boards; skittles [games]; stationary exercise bicycles; golf bags, with or without wheels; dolls' beds; marbles for games; butterfly nets; swings; confetti; dice cups; dice; checkers [games]; checkerboards; darts; discs for sports; flying discs [toys]; dominoes; counters [discs] for games; skis; special covers for skis; special covers for surfboards; horseshoe games; hockey sticks; soap bubbles [toys]; board games; toys for domestic pets; scale model vehicles; skateboards; toy mobiles; paintballs [ammunition for paintball guns] [sports apparatus]; artificial snow for Christmas trees; golf clubs; billiard cues; billiard tables; skates; scooters [toys]; stuffed toys; spinning tops [toys]; piñatas; swimming pools [game or sports articles]; punching bags; jigsaw puzzles; conjuring apparatus; rackets; parlor games; surf boards; sailboards; chessboards; sling shots [sports articles]; slides [game articles]; trampolines [sports articles]; sleighs [sports articles]; toy vehicles; remote-controlled vehicles; drones [toys]; camouflage screens [sports articles]; shuttlecocks; appliances for gymnastics; table football tables.

(260) AM 2023 117467 A
 (800) 1655444
 (151) 2022 03 08
 (891) 2022 03 08
 (731) Sea Shepherd Conservation Society
 209 E. Alameda Ave., #205, Burbank
 CA 91502, USA
 (540)

SEA SHEPHERD

(591) Black, white
 (511)
 16 – Printed materials, namely, newsletters, magazines, and catalogues featuring information on marine life conservation and bumper stickers.
 25 – Clothing, namely, shirts, caps.

(260) AM 2023 117468 A
 (800) 1655450
 (151) 2022 03 11
 (891) 2022 03 11
 (731) Apple Inc.
 One Apple Park Way, Cupertino CA 95014,
 USA

(540)

MAC STUDIO

(591) Black, white
 (511)
 9 – Computers; computer hardware; computer peripherals; recorded computer operating system software; recorded utility software; downloadable electronic publications in the nature of instruction manuals in the field of computers, computer hardware, computer operating system software, computer batteries and other computer accessories and peripherals.

(260) AM 2023 117469 A
 (800) 1655508
 (151) 2022 01 14
 (891) 2022 01 14
 (731) STADA Arzneimittel AG
 Stadastrasse 2-18, 61118 Bad Vilbel, Germany
 (540)

LUNARENA

(591) Black, white
 (511)
 5 – Pharmaceuticals, medical and veterinary preparations; medicine; sanitary preparations for medical purposes; dietetic food and substances adapted for medical or veterinary use, food for babies; dietary supplements for human beings and animals; plasters, materials for dressings; material for stopping teeth, dental wax; disinfectants; preparations for destroying noxious animals; fungicides, herbicides.

(260) AM 2023 117470 A
 (800) 1655514
 (151) 2022 03 03
 (891) 2022 03 03
 (731) HANKOOK & COMPANY CO., LTD.
 286, Pangyo-ro, Bundang-gu, Seongnam-si,
 Gyeonggi-do, Republic of Korea
 (540)

 **Weatherflex**

(591) Black, white
 (531) 03.07.16; 03.07.17; 18.01.21; 26.11.12;
 26.13.25; 27.05.01
 (511)
 12 – Automobile tires; pneumatic tires; tires for vehicle wheels; pumps for inflating vehicle tires; anti-skid studs for vehicle tires; retreaded tires for vehicles; patches for repairing vehicle tires; valves for vehicle tires; spare tire covers; pneumatic tyres and inner tubes for motorcycles; tires for land vehicles; tires for two-wheeled motor vehicles or bicycles; inner tubes [for two-wheeled motor vehicles or bicycles]; tire patches; tire inflators; spikes for tires; tubes for vehicle wheels; repair outfits for inner tubes; tubular tires; parts and fittings for automobiles.

(260) AM 2023 117472 A
 (800) 1655531
 (151) 2022 03 11
 (891) 2022 03 11
 (731) GAS Familia, s.r.o.
 Prešovská 8, SK-064 01 Stará Ľubovňa,
 Slovakia
 (540)

FOREL

(591) Black, white
 (511)
 33 – Wine, alcoholic beverages (except beers), liquors, brandy, alcoholic cocktails, distilled beverages.

(260) AM 2023 117476 A
 (800) 1655615
 (151) 2021 10 12
 (891) 2021 10 12
 (731) EAGLELINE LIMITED
 The Victoria Centre, Unit 2, Lower Ground
 Floor, Valletta Road, IL-MOSTA, Malta
 (540)

GOLDEN TREASURE

(591) Black, white
 (511)
 9 – Games software; software programs for video games; interactive video game programs; games (cartridges for computer -) [software]; games (cartridges for video -) [software]; software; educational software; application software; community software; computer telephony software; interactive computer software; communication software; programs for computers; electronic components for gambling machines; games cartridges for use with electronic games apparatus; coin-operated musical automata [juke boxes]; automated teller machines [ATM].

28 – Games; sports games; manipulative games; mechanical games; musical games; electronic games; parlor games; board games; quiz games; apparatus for games; arcade games; skill and action games; electronic hand-held game units; handheld computer games; lottery wheels; lottery tickets; slot machines [gaming machines]; automatic gaming machines; coin-operated amusement machines; bill-operated gaming equipment; LCD game machines; counters for games; amusement apparatus for use in arcades; arcade game machines.

41 – Gambling; operating lotteries; prize draws [lotteries]; organising and conducting lotteries; games equipment rental; casino services; providing casino facilities; leasing of casino games; providing casino facilities [gambling]; providing of casino and gaming facilities; casino, gaming and gambling services; providing amusement arcade services; video arcade services.

(260) AM 2023 117477 A
 (800) 1655616
 (151) 2021 10 12
 (891) 2021 10 12
 (731) EAGLELINE LIMITED
 The Victoria Centre, Unit 2, Lower Ground
 Floor, Valletta Road, IL-MOSTA, Malta
 (540)

FOUR FRUITS

(591) Black, white
 (511)
 9 – Games software; software programs for video games; interactive video game programs; games (cartridges for computer -) [software]; games (cartridges for video -) [software]; software; educational software; application software; community software; computer telephony software; interactive computer software; communication software; programs for computers; electronic components for gambling machines; games cartridges for use with electronic games apparatus; coin-operated musical automata [juke boxes]; automated teller machines [ATM].

28 – Games; sports games; manipulative games; mechanical games; musical games; electronic games; parlor games; board games; quiz games; apparatus for games; arcade games; skill and action games; electronic hand-held game units; handheld computer games; lottery wheels; lottery tickets; slot machines [gaming machines]; automatic gaming machines; coin-operated amusement machines; bill-operated gaming equipment; LCD game machines; counters for games; amusement apparatus for use in arcades; arcade game machines.

41 – Gambling; operating lotteries; prize draws [lotteries]; organising and conducting lotteries; games equipment rental; casino services; providing casino facilities; leasing of casino games; providing casino facilities [gambling]; providing of casino and gaming facilities; casino, gaming and gambling services; providing amusement arcade services; video arcade services.

(260) AM 2023 117478 A
 (800) 1655646
 (151) 2022 02 02
 (891) 2022 02 02
 (731) Dar Al-Handasah (Cairo) for Design and
 Technical Consultation
 Building no. (3401-B), Smart Village, Kilo 28,
 Cairo Alexandria Desert Road, Giza, Egypt
 (540)

DARGROUP

مجموعة دار

(591) Black and grey

(531) 28.01

(511)

37 – Construction services; construction supervision; building construction; building services; construction project management [construction supervision]; road construction; commercial construction; industrial construction; construction project management services [construction supervision]; building construction services; construction equipment rental; building construction supervision; construction and repair of airports and airport facilities; building construction advisory services; construction of buildings.

42 – Architectural planning; architectural services; architectural project management; architectural design services; consulting services in the field of architectural design; architectural services for the design of industrial buildings; architectural services for the design of commercial buildings; engineering; technical engineering; engineering drawing; engineering consultancy; engineering services; engineering design; engineering research; civil engineering; engineering feasibility studies; engineering drawing services; engineering consultancy services; engineering project management services; architectural and engineering services; engineering product design; design and development of engineering products; research services in the field of engineering; technical consultancy in the field of environmental engineering; technical planning and consulting in the field of light engineering; research in the fields of materials science and electrical engineering; testing and research services in the field of civil engineering; engineering research and design services in the field of drilling technology.

(260) AM 2023 117479 A

(800) 1655647

(151) 2022 02 02

(891) 2022 02 02

(731) Dar Al-Handasah (Cairo) for Design and Technical Consultation
Building no. (3401-B), Smart Village, Kilo 28,
Cairo Alexandria Desert Road, Giza, Egypt

(540)

دار الهندسة للتصميم والاستشارات الفنية
(شاعر ومشاركوه) dar

dar Dar Al-Handasah Consultants
(Shair and Partners)

(591) Light-blue and black

(531) 27.05.01; 27.05.09; 27.05.10; 28.01; 29.01.12

(511)

37 – Construction services; construction supervision; building construction; building services; construction project management [construction supervision]; road construction; commercial construction; industrial con-

struction; construction project management services [construction supervision]; building construction services; construction equipment rental; building construction supervision; construction and repair of airports and airport facilities; building construction advisory services; construction of buildings.

42 – Architectural planning; architectural services; architectural project management; architectural design services; consulting services in the field of architectural design; architectural services for the design of industrial buildings; architectural services for the design of commercial buildings; engineering; technical engineering; engineering drawing; engineering consultancy; engineering services; engineering design; engineering research; civil engineering; engineering feasibility studies; engineering drawing services; engineering consultancy services; engineering project management services; architectural and engineering services; engineering product design; design and development of engineering products; research services in the field of engineering; technical consultancy in the field of environmental engineering; technical planning and consulting in the field of light engineering; research in the fields of materials science and electrical engineering; testing and research services in the field of civil engineering; engineering research and design services in the field of drilling technology.

(260) AM 2023 117480 A

(800) 1655676

(151) 2021 12 30

(891) 2021 12 30

(731) LUBRICO PETROKİMYA ANONİM
ŞİRKETİ
İNÖNÜ MAH GEBZE PLASTİKÇİLER, OSB
MAH.2. CAD. 9 1, Gebze; Kocaeli, Türkiye

(540)



(591) Black, grey, gold

(531) 24.03.07; 24.03.18; 26.01.04; 26.01.20;
27.05.01; 29.01.13

(511)

4 – Industrial oils and greases; cutting fluids; dust absorbing, wetting and binding compositions.

(260) AM 2023 117481 A
 (800) 1655704
 (151) 2022 03 09
 (891) 2022 03 09
 (731) Bahlsen GmbH & Co. KG
 Podbielskistraße 11, 30163 Hannover, Germany
 (540)



(591) Yellow, Brown, Red and White
 (531) 03.01.24; 03.01.26; 03.11.01; 03.11.24;
 08.01.09; 27.05.01; 29.01.13

(511)
 29 – Milk; milk products; yoghurt; meat; poultry, not live; game, not live; fish, not live; meat extracts; jellies for food; jams; compotes; frozen fruits; fruit, preserved; dried fruit; frozen vegetables; vegetables, preserved; vegetables, dried; vegetables, cooked; potato snacks; raisins; dried nuts; roasted nuts; salted nuts; spiced nuts; dried fruit products; cooked fruits; eggs; oils for food; edible fats; fat-containing mixtures for bread slices; dairy products and dairy substitutes.

30 – Cocoa; chocolate; chocolates; aperitif biscuits; pastries; flour confectionery; rolled wafers [biscuits]; cakes; biscuits; chocolate candies; candy bars; bonbons made of sugar; popcorn; candy coated confections; marzipan; chocolate confectionery containing pralines; snack foods consisting principally of confectionery; chocolate for confectionery and bread; non-medicated confectionery in jelly form; prepared desserts [confectionery]; chocolate based products; candy; waffles; confectionery items coated with chocolate; truffles [confectionery]; bread; sugar; honey; golden syrup; sauces [condiments]; mustard; salt; vinegar; spices; extruded food products made of rice; flour; sago; extruded food products made of wheat; extruded food products made of maize; rice; cereal preparations; yeast; baking powder; tapioca; edible ices; ice for refreshment.

41 – Sporting activities; entertainment services; cultural activities.

(260) AM 2023 117482 A
 (800) 1655748
 (151) 2022 01 25
 (891) 2022 01 25
 (731) SHENZHEN AIRSMART TECHNOLOGY
 CO., LTD
 616, Ant's Union Start-Up Accelerator, No. 9
 Keji Road, Science And Technology Park,
 Nanshan District, 518000 Shenzhen City, China

(540)



(591) Black, white
 (531) 03.01.06; 03.01.16; 03.01.24; 24.03.07;
 24.03.13; 26.13.25

(511)
 9 – Computers; smartwatches (data processing apparatus); time recording apparatus; radio apparatus; smartphones in the shape of a watch; cabinets for loudspeakers; portable media players; earphone; radios; cameras [photography].

(260) AM 2023 117483 A
 (800) 1655802
 (151) 2021 10 05
 (891) 2021 10 05
 (731) APAYDIN GRUP METAL PAZARLAMA
 SANAYİ TİCARET ANONİM ŞİRKETİ
 İSTİKLAL MAH. ATATÜRK BULVARI
 NO: 145/2, İÇ KAPI NO: 11, TEKKEKÖY
 SAMSUN, Türkiye

(540)

APAMALL

(591) Black, white

(511)
 35 – Advertising, marketing and public relations, organization of exhibitions and trade fairs for commercial or advertising purposes, development of advertising concepts, provision of an online marketplace for buyers and sellers of goods and services; office functions, secretarial services, arranging newspaper subscriptions for others, compilation of statistics, rental of office machines, systematization of information into computer databases, telephone answering for unavailable subscribers business management, business administration and business consultancy, accounting, commercial consultancy services, personnel recruitment, personnel placement, employment agencies, import-export agencies, temporary personnel placement services; auctioneering the bringing together, for the benefit of others, of a variety of goods, namely, chemicals used in industry, science, photography, agriculture, horticulture and forestry; manures and soils, unprocessed artificial resins and unprocessed plastics fire extinguishing compositions, adhesives not for medical, household and stationery purposes, paints, varnishes, lacquers, preservatives against rust, preservatives against deterioration of wood, thinners and binders for paints, pigments, preservatives for metals,

shoe dyes, printing dyes and ink, toners (including filled toner cartridges), colorants for food, pharmaceuticals and beverages, raw natural resins, metals in foil and powder form for painters, decorators, printers and artists, bleaching and cleaning preparations, detergents other than for use in manufacturing operations and for medical purposes, laundry bleach, fabric softeners for laundry use, stain removers, dishwasher detergents, perfumery, non-medicated cosmetics, fragrances, deodorants for personal use and animals, soaps, dental care preparations, dentifrices, denture polishes, tooth whitening preparations, mouth washes, not for medical purposes abrasive preparations, emery cloth, sandpaper, pumice stone, abrasive pastes, polishing preparations for leather, vinyl, metal and wood, polishes and creams for leather, vinyl, metal and wood, wax for polishing, industrial oils and greases, cutting fluids, dust absorbing, wetting and binding compositions, solid fuels, coal, firewood, liquid and gas fuels, petrol, diesel oil, liquified petroleum gas, natural gas, fuel oil and their non-chemical additives, candles, wicks, semi-finished wax, wax and paraffin for lighting purposes, electrical energy, pharmaceutical and veterinary preparations for medical purposes, chemical preparations for medical and veterinary purposes, chemical reagents for pharmaceutical and veterinary purposes, medicated cosmetics, dietary supplements for pharmaceutical and veterinary purposes, dietary supplements, nutritional supplements, medical preparations for slimming purposes, food for babies, herbs and herbal beverages adapted for medicinal purposes, dental preparations and articles, teeth filling material, dental impression material, dental adhesives and material for repairing teeth, sanitary preparations for medical use, hygienic pads, hygienic tampons, plasters, materials for dressings, diapers made of paper and textiles for babies, adults and pets, preparations for destroying vermin, herbicides, fungicides, preparations for destroying rodents, deodorants, other than for human beings or for animals, air purifying preparations, air deodorising preparations, disinfectants, antiseptics, detergents for medical purposes, medicated soaps, disinfectant soaps, antibacterial hand lotions, ores of non-precious metal, common metals and their alloys and semi-finished products made of these materials, irons for construction, mats and stirrups of common metals for buildings, common metals in the form of plate, billet, stick, profile, sheet and sheeting, goods and materials of common metal used for storage, wrapping, packaging and sheltering purposes, containers of metal (storage, transport), buildings of metal, frames of metal for building, poles of metal for building, metal boxes, packaging containers of metal, aluminium foil, fences made of metal, guard barriers of metal, metal tubes, storage containers of metal, metal containers for the transportation of goods, ladders of metal goods of common metal for filtering and sifting purposes, included in this class, doors, windows, shutters, жалюзи and their cases and fittings of metal,

non-electric cables and wires of metal, ironmongery, small hardware of metal, screws of metal, nails, bolts of metal, nuts of metal, pegs of metal, flakes of metal, pitons of metal, metal chain, furniture casters of metal, fittings of metal for furniture, industrial metal wheels, door handles of metal, window handles of metal, hinges of metal, metal latches, metal lock, metal keys for locks, metal rings, metal pulleys, ventilation ducts, vents, vent covers, pipes, chimney caps, manhole covers, grilles of metal for ventilation, heating, sewage, telephone, underground electricity and air conditioning installations, metal panels or boards (non-luminous and non-mechanical) used for signalling, route showing, publicity purposes, signboards of metal, advertisement columns of metal, signaling panels of metal, non-luminous and non-mechanical traffic signs of metal, pipes of metal for transportation of liquids and gas, drilling pipes of metal and their metal fittings, valves of metal, couplings of metal for pipes, elbows of metal for pipes, clips of metal for pipes, connectors of metal for pipes, safes (strong boxes) of metal metal railway materials, metal rails, metal railway ties, railway switches, bollards of metal, floating docks of metal, mooring buoys of metal, anchors, metal moulds for casting, other than machine parts, works of art made of common metals or their alloys, trophies of common metal, metal closures, bottle caps of metal, metal poles, metal pillars, scaffolding of metal, metal stakes, metal towers, metal pallets and metal ropes for lifting, loading and transportation purposes, metal hangers, ties, straps, tapes and bands used for load-lifting and load-carrying, wheel chocks made primarily of metal, metal profile laths for vehicles for the purposes of decoration machines, machine tools and industrial robots for processing and shaping wood, metals, glass, plastics and minerals, 3D printers, construction machines and robotic mechanisms (machines) for use in construction, bulldozers, diggers (machines), excavators, road construction and road paving machines, drilling machines, rock drilling machines, road sweeping machines; lifting, loading and transmission machines and robotic mechanisms (machines) for lifting, loading and transmission purposes, elevators, escalators and cranes machines and robotic mechanisms (machines) for use in agriculture and animal breeding, machines and robotic mechanisms (machines) for processing cereals, fruits, vegetables and food, machines for preparing and processing beverages, engines and motors, other than for land vehicles, parts and fittings therefor, hydraulic and pneumatic controls for engines and motors, brakes other than for vehicles, brake linings for engines, crankshafts, gearboxes, other than for land vehicles, gearboxes, cylinders for engines, pistons for engines, turbines, not for land vehicles, filters for engines and motors, oil, air and fuel filters for land vehicle engines, exhausts for land vehicle engines, exhaust manifolds for land vehicle engines, engine cylinders for land vehicles, engine cylinder heads for land vehicles,

pistons for land vehicle engines, carburetors for land vehicles, fuel conversion apparatus for land vehicle engines, injectors for land vehicle engines, fuel economisers for land vehicle engines, pumps for land vehicle engines, valves for land vehicle engines, starter motors for land vehicles, dynamos for land vehicle engines, sparking plugs for land vehicle engines, bearings (parts of machines), roller or ball bearings, machines for mounting and detaching tires, alternators, current generators, electric generators, current generators operated with solar energy, painting machines, automatic spray guns for paint, electric, hydraulic and pneumatic punching machines and guns, electric adhesive tape dispensers (machines), electric guns for compressed gas or liquid spraying machines, electric hand drills, electric hand saws, electric jigsaw machines, spiral machines, compressed air machines, compressors (machines), vehicle washing installations, robotic mechanisms (machines) with the above mentioned functions, electric and gas-operated welding apparatus, electric arc welding apparatus, electric soldering apparatus, electric arc cutting apparatus, electrodes for welding machines, industrial robots (machines) with the above mentioned functions, printing machines, packaging machines, filling, plugging and sealing machines, labellers (machines), sorting machines, industrial robots (machines) with the above mentioned functions, electric packing machines for plugging and sealing of plastics, machines for textile processing, sewing machines, industrial robots (machines) with the above mentioned functions, pumps other than parts of machines or engines, fuel dispensing pumps for service stations, self-regulating fuel pumps, electric kitchen machines for chopping, grinding, crushing, mixing and mincing foodstuff, washing machines, laundry washing machines, dishwashers, spin driers (not heated), electric cleaning machines for cleaning floors, carpets or floorings, vacuum cleaners and parts thereof, automatic vending machines, galvanizing and electroplating machines, electric door openers and closers, gaskets for engines and motors, forks, spoons, knives and non-electric cutters, slicers, peelers for kitchen use, including those made of precious metals, side arms and blades (weapons), tools and apparatus included in this class for personal beauty care use, tools and apparatus included in this class for shaving, epilation, manicure and pedicure, electric hand implements for straightening and curling hair, scissors, hand-operated [non-electric] hand tools included in this class for the repair of machines, apparatus and vehicles and for use in construction, agriculture, horticulture and forestry, none of them being power tools, electric or non-electric irons, steam irons handles for hand-operated hand tools, measurement apparatus and equipment including those for scientific, nautical, topographic, meteorologic, industrial and laboratory purposes, thermometers, not for medical purposes, barometers, ammeters, voltmeters, hygrometers, testing apparatus not for medical purposes, te-

lescopes, periscopes, directional compasses, speed indicators, laboratory apparatus, microscopes, magnifying glasses, stills, binoculars, ovens and furnaces for laboratory experiments, apparatus for recording, transmission or reproduction of sound or images, cameras, photographic cameras, television apparatus, video recorders, CD and DVD players and recorders, MP3 players, computers, desktop computers, tablet computers, wearable technological devices (smart watches, wristbands, head-mounted devices) microphones, loudspeakers, earphones, telecommunications apparatus, apparatus for the reproduction of sound or images, computer peripheral devices, cell phones, covers for cell phones, telephone apparatus, computer printers, scanners [data processing equipment], photocopiers, magnetic and optic data carriers and computer software and programmes recorded thereto, downloadable and recordable electronic publications, encoded magnetic and optic cards, movies, TV series and video music clips recorded on magnetic, optical and electronic media, antennas, satellite antennas, amplifiers for antennas, parts of the aforementioned goods, ticket dispensers, automatic teller machines (ATM), electronic components used in the electronic parts of machines and apparatus, semi-conductors, electronic circuits, integrated circuits, chips [integrated circuits], diodes, transistors [electronic], magnetic heads for electronic apparatus, electronic locks, photocells, remote control apparatus for opening and closing doors, optical sensors, counters and quantity indicators for measuring the quantity of consumption, automatic time switches, clothing for protection against accidents, irradiation and fire, safety vests and life-saving apparatus and equipment, eyeglasses, sunglasses, optical lenses and cases, containers, parts and components thereof, apparatus and instruments for conducting, transforming, accumulating or controlling electricity, electric plugs, junction boxes [electricity], electric switches, circuit breakers, fuses, lighting ballasts, battery starter cables, electrical circuit boards, electric resistances, electric sockets, transformers [electricity], electrical adapters, battery chargers, electric door bells, electric and electronic cables, batteries, electric accumulators, solar panels for production of electricity, alarms and anti-theft alarms, other than for vehicles, electric bells, signalling apparatus and instruments, luminous or mechanical signs for traffic use, fire extinguishing apparatus, fire engines, fire hose and fire hose nozzles, radar apparatus, sonars, night vision apparatus and instruments, decorative magnets, metronomes, surgical, medical, dental and veterinary apparatus and instrument, furniture especially made for medical purposes artificial limbs and prostheses, medical orthopaedic articles, corsets for medical purposes, orthopaedic shoes, elastic bandages and supportive bandages, surgical gowns and surgical sterile sheets, adult sexual aids, condoms, babies' bottles, babies' pacifiers, teats, teethers for babies, bracelets and rings for medical purposes, anti-rheumatism bracelets,

anti-rheumatism rings, lighting installations, lights for vehicles and interior-exterior spaces heating installations using solid, liquid or gas fuels or electricity, central heating boilers, boilers for heating installations, radiators [heating], heat exchangers, not parts of machines, stoves, kitchen stoves, solar thermal collectors [heating], steam, gas and fog generators, steam boilers, other than parts of machines, acetylene generators, oxygen generators, nitrogen generators, installations for air-conditioning and ventilating, cooling installations and freezers, electric and gas-powered devices, installations and apparatus for cooking, drying and boiling, cookers, electric cooking pots, electric water heaters, barbecues, electric laundry' driers, hair driers, hand drying apparatus, sanitary installations, taps [faucets], shower installations, toilets [water-closets], shower and bathing cubicles, bath tubs, toilet seats, sinks, wash-hand basins [parts of sanitary installations], washers for water taps, stuffings (tap valves), water softening apparatus, water purification apparatus, water purification installations, waste water purification installations; electric bed warmers and electric blankets, not for medical use, electric pillow warmers, electric or non-electric foot warmers, hot water bottles, electrically heated socks, filters for aquariums and aquarium filtration apparatus, industrial type installations for cooking drying and cooling purposes, pasteurizers and sterilizers, motor land vehicles, motorcycles, mopeds, engines and motors for land vehicles, clutches for land vehicles, transmissions, transmission belts and transmission chains for land vehicles, gearing for land vehicles, brakes, brake discs and brake linings for land vehicles, vehicle chassis, automobile bonnets, vehicle suspension springs, shock absorbers for automobiles, gearboxes for land vehicles, steering for vehicles, rims for vehicle wheels, bicycles and their bodies, handlebars and mudguards for bicycles, vehicle bodies, tipping bodies for trucks, trailers for tractors, frigorific bodies for land vehicles, trailer hitches for vehicles, vehicle seats, head-rests for vehicle seats, safety seats for children, for vehicles, seat covers for vehicles, vehicle covers (shaped), sun-blinds adapted for vehicles, direction signals and arms for direction signals for vehicles, windscreen wipers and wiper arms for vehicles inner and outer tires for vehicle wheels, tubeless tires, tire-fixing sets comprised of tire patches and tire valves for vehicles, windows for vehicles, safety windows for vehicles, rearview mirrors and wing mirrors for vehicles, anti-skid chains for vehicles, luggage carriers for vehicles, bicycle and ski carriers for cars, saddles for bicycles or motorcycles, air pumps for vehicles, for inflating tires, anti-theft alarms for vehicles, horns for vehicles, safety belts for vehicle seats, air bags (safety devices for automobiles), baby carriages, wheelchairs, pushchairs, wheelbarrows, shopping carts, single or multi-wheeled wheelbarrows, shopping trolleys, grocery carts, handling carts, rail vehicles, locomotives, trains, trams, waggons, cable cars,

chairlifts, vehicles for locomotion by water and their parts, other than their motors and engines, vehicles for locomotion by air and their parts, other than their motors and engines, firearms, air pistols (weapons), spring-loaded firearms, adapted cases and shoulder straps therefor, heavy weapons, mortars and rockets, fireworks, sprays for personal defence purposes, jewellery, imitation jewellery, gold, precious stones and jewellery made thereof, cufflinks, tie pins, statuettes and figurines of precious metal, clocks, watches and chronometrical instruments, chronometers and their parts, watch straps, trophies made of precious metal, rosaries, musical instruments and cases for musical instruments, paper and cardboard, paper and cardboard for packaging and wrapping purposes, cardboard boxes, paper towels, toilet paper, paper napkins plastic materials for packaging and wrapping purposes, printing blocks and types, bookbinding material printed publications, printed matter, books, magazines, newspapers, bill books, printed dispatch notes, printed vouchers, calendars, posters, photographs [printed], paintings, stickers [stationery], postage stamps stationery, office stationery, instructional and teaching material [except furniture and apparatus], writing and drawing implements, artists' materials, paper products for stationery purposes, adhesives for stationery purposes, pens, pencils, erasers, adhesive tapes for stationery purposes, cardboard cartons [artists' materials], writing paper, copying paper, paper rolls for registers, drawing materials, chalkboards, painting pencils, watercolors [paintings], office requisites, paint rollers and paintbrushes for painting, rubber, gutta-percha, gum, asbestos, mica and semi-finished synthetic goods made from these materials in the form of powder, bars, panels and foils included in this class, insulation, stopping and sealing materials, insulation paints, insulation fabrics, insulating tape and band, insulation covers for industrial machinery, joint sealant compounds for joints, gaskets, O-rings for sealing purposes (other than gaskets for motors, cylinders and washer for water taps), flexible pipes made from rubber and plastic, hoses made of plastic and rubber, including those used for vehicles, junctions for pipes of plastic and rubber, pipe jackets of plastic and rubber, hoses of textile material, junctions for pipes, not of metal, pipe jackets, not of metal, connecting hose for vehicle radiators, profile laths made of synthetic materials for vehicles for the purposes of decoration, unworked or semi-worked leather and animal skins, imitations of leather, stout leather, leather used for linings, goods made of leather, imitations of leather or other materials, designed for carrying items, included in this class, bags, wallets, boxes and trunks made of leather or stout leather, key-cases, trunks [luggage], suitcases, umbrellas, parasols, sun umbrellas, walking sticks, whips, harness, saddlery, stirrups, straps of leather (saddlery), sand, gravel, crushed stone, asphalt, bitumen, cement, gypsum, plaster, concrete, marble blocks for construction, included in this class, built-

ding materials (as finished products) made of concrete, gypsum, clay, potters' clay, stone, marble, wood, plastics and synthetic materials for building, construction, road construction purposes, included in this class, non-metallic buildings, non-metallic building materials, poles not of metal for power lines, barriers not of metal, natural and synthetic coatings in the form of panels and sheets, being building materials, bitumen cardboard coatings for roofing, bitumen coating for roofing, doors and windows of wood and synthetic materials, traffic signs not of metal, non-luminous and non-mechanical, for roads, monuments and statuettes of stone, concrete and marble, building glass, prefabricated swimming pools not of metal (structures), aquarium sand, furniture, made of any kind of material, mattresses, pillows, air mattresses and cushions, not for medical purposes, water beds, mirrors, beehives, artificial honeycombs and sections of wood for honeycombs, bouncing chairs for babies, playpens for babies, cradles, infant walkers, display boards, frames for pictures and paintings, identification plates, identification tags, nameplates, identification labels made of wood or synthetic materials, packaging containers of wood or plastics, casks for use in transportation or storage, barrels, storage drums, tanks, boxes, storage containers, transportation containers, chests, loading pallets and closures for the aforementioned goods, of wood or plastics, small hardware goods of wood or synthetic materials included in this class, furniture fittings, of wood or synthetic materials, opening and closing mechanisms of wood or synthetic materials ornaments and decorative goods of wood, cork, reed, cane, wicker, horn, bone, ivory, whalebone, shell, amber, mother-of-pearl, meerschaum, beeswax, plastic or plaster namely figurines, holiday ornaments for walls, sculptures, trophies, baskets, fishing baskets, kennels, nesting boxes and beds for household pets, portable ladders and mobile boarding stairs of wood or synthetic materials, bamboo curtains, roller indoor blinds [for interiors], slatted indoor blinds, strip curtains, bead curtains for decoration, curtain hooks, curtain rings, curtain tie-backs, curtain rods, non-metal wheel chocks, hand-operated non-electric cleaning instruments and appliances, brushes, other than paintbrushes, steel chips for cleaning, sponges for cleaning, steel wool for cleaning, cloths of textile for cleaning, gloves for dishwashing, non-electric polishing machines for household purposes, brooms for carpets, mops, toothbrushes, electric toothbrushes, dental floss, shaving brushes, hair brushes, combs, non-electric household or kitchen utensils, included in this class, [other than forks, knives, spoons], services [dishes], pots and pans, bottle openers, flower pots, drinking straws, non-electric cooking utensils, ironing boards and shaped covers therefor, drying racks for washing, clothes drying hangers, cages for household pets, indoor aquariums, vivariums and indoor terrariums for animals and plant cultivation, ornaments and decorative goods of glass,

porcelain, earthenware or clay namely statues, figurines, vases and trophies, mouse traps, insect traps, electric devices for attracting and killing flies and insects, fly catcher fly swatters, perfume burners, perfume sprayers, perfume vaporizers, electric or non-electric make-up removing appliances, powder puffs, toilet cases, nozzles for sprinkler hose, nozzles for watering cans, watering devices, garden watering cans, unworked or semi-worked glass, except building glass, mosaics of glass and powdered glass for decoration, except for building, glass wool other than for insulation or textile use, ropes, strings, rope ladders, hammocks, fishing nets, tents, awnings, tarpaulins, sails, vehicle covers, not fitted, bags of textile, for packaging, padding and stuffing materials, except of rubber and plastics, including those of wool and cotton, textile fibers, raw spun fiber, glass fibers for textile use, yarns and threads for textile use, threads and yarns for sewing, embroidery and knitting, thread, elastic yarns and threads for textile use, woven or non-woven textile fabrics, textile goods for household use, curtains, bed covers, sheets (textile), pillowcases, blankets, quilts, towels, flags, pennants, labels of textile, swaddling blankets, sleeping bags for camping, clothing, including underwear and outer-clothing, other than special purpose protective clothing, socks, mufflers [clothing], shawls, bandanas, scarves, belts [clothing], footwear, shoes, slippers, sandals, headgear, hats, caps with visors, berets, caps [head-wear], skull caps, laces and embroidery, guipures, festoons, ribbons (haberdashery), ribbons and braid, fastening tapes for clothing, cords for clothing, letters and numerals for marking linen, embroidered emblems, badges for wear, not of precious metal, shoulder pads for clothing, buttons for clothing, fasteners for clothing, eyelets for clothing, zippers, buckles for shoes and belts, fasteners, shoe and belt buckles, pins, other than jewellery, adhesive patches for decoration of textile articles, laces, needles, sewing needles, needles for sewing machines, needles for knitting and embroidery, boxes for needles, needle cushions, artificial flowers, artificial fruits, hair pins, hair buckles, hair bands, decorative articles for the hair, not made of precious metal, wigs, hair extensions, electric or non-electric hair curlers, other than hand implements, carpets, rugs, mats prayer rugs, linoleum, artificial turf, linoleum for covering floors, gymnasium mats wall-paper, wall hangings not of textile games and toys, arcade video game machines, game apparatus and machines for use with an external display screen and monitor, including those coin-operated toys for animals toys for outdoor playgrounds, parks and game parks, gymnastic and sporting articles fishing tackle, artificial fishing bait, decoys for hunting and fishing, Christmas trees of artificial material, ornaments for Christmas trees, artificial snow for Christmas trees, rattles (playthings), novelties for parties, dances (party favors), paper party hats, meat, fish, poultry and game, processed meat products, dried pulses, soups, bo-

uillon, processed olives, olive paste, milks of animal origin, milks of herbal origin, milk products, butter, edible oils, dried, preserved, frozen, cooked, smoked or salted fruits and vegetables, tomato paste, prepared nuts and dried fruits as snacks, hazelnut spreads and peanut butter, tahini (sesame seed paste), eggs and powdered eggs, potato chips, coffee, cocoa, coffee or cocoa based beverages, chocolate based beverages, pasta, stuffed dumplings, noodles, pastries and bakery products based on flour, desserts based on flour and chocolate, bread, simit [Turkish ring-shaped bagel covered with sesame seeds], poğaç [Turkish bagel], pita, sandwiches, katmer [Turkish pastry], pies, cakes, baklava [Turkish dessert based on dough coated with syrup], kadayıf [Turkish dessert based on dough], desserts based on dough coated with syrup, puddings, custard, kazandibi [Turkish pudding], rice pudding, keşkül [Turkish pudding], honey, bee glue for human consumption, propolis for food purposes, condiments for foodstuff, vanilla (flavoring), spices, sauces (condiments), tomato sauce, yeast, baking powder, flour, semolina, starch for food, sugar, cube sugar, powdered sugar, tea, ice tea, confectionery, chocolate, biscuits, crackers, wafers, chewing gums, ice-cream, edible ices, salt, cereal-based snack food, popcorn, crushed oats, corn chips, breakfast cereals, processed wheat for human consumption, crushed barley for human consumption, processed rye for human consumption, rice molasses for food agricultural and horticultural products seeds, forestry products live animals, fertilized eggs for hatching, plants, dried plants for decoration, fresh garden herbs, dried garden herbs for decoration, animal foodstuffs, malt not for human consumption, underlays for pets, cat litters, beers, preparations for making beer mineral water, spring water, table water, soda water, fruit and vegetable juices, fruit and vegetable concentrates and extracts for making beverages, non-alcoholic soft drinks, energy drinks, protein-enriched sports beverages alcoholic beverages (except beers), wines, raki [traditional Turkish alcoholic drink], whisky, liqueurs, alcoholic cocktails, tobacco, chewing tobacco, cigarettes, cigars, smokers' articles including those made of precious metals, pipes, mouthpieces for cigars and cigarettes, ashtrays, tobacco boxes, pocket apparatus for rolling cigarettes, cigarette paper, tobacco pipes, fire-stones, lighters for smokers, electronic cigarettes and their cartridges, matches, enabling customers to conveniently view and purchase those goods, such services may be provided by retail stores, wholesale outlets, by means of electronic media or through mail order catalogues.

(260) AM 2023 117484 A

(800) 1655810

(151) 2022 03 01

(891) 2022 03 01

(731) Amusnet Interactive Ltd.

Garitage Park, Building No. 4, Floor 2,

2 Donka Ushlinova Str., BG-1766 Sofia,
Bulgaria

(540)



(591) Blue, golden and yellow

(531) 01.15.09; 27.05.01; 27.05.02; 27.05.03;

27.05.09; 29.01.15

(511)

9 – Computer software for the administration of on-line games and gaming; computer application software featuring games and gaming; betting software; gaming software that generates or displays wager outcomes of gaming machines.

28 – Gaming machines for gambling; slot machines [gaming machines].

41 – Providing of casino and gaming facilities; betting services.

(260) AM 2023 117485 A

(800) 1655811

(151) 2022 03 01

(891) 2022 03 01

(731) Amusnet Interactive Ltd.

Garitage Park, Building No. 4, Floor 2,
Donka Ushlinova Str., BG-1766 Sofia,
Bulgaria

(540)



(591) Yellow, green and golden

(531) 05.03.13; 05.03.15; 25.01.25; 27.05.01;

27.05.03; 27.05.08; 27.05.10

(511)

9 – Computer software for the administration of on-line games and gaming; computer application software featuring games and gaming; betting software; gaming software that generates or displays wager outcomes of gaming machines.

28 – Slot machines [gaming machines]; gaming machines for gambling.

41 – Providing of casino and gaming facilities; betting services.

(260) AM 2023 117486 A

(800) 1655824

(151) 2022 01 20

(891) 2022 01 20

(731) Philip Morris Products S.A.

Quai Jeanrenaud 3, CH-2000 Neuchâtel,
Switzerland

(540)

BONDS

(591) Black, white

(511)

34 – Wired vaporizers for electronic cigarettes and electronic smoking devices; tobacco, raw or manufactured; tobacco products, including cigars, cigarettes, cigarillos, tobacco for roll-your-own cigarettes, pipe tobacco, chewing tobacco, snuff tobacco, kretek; snus; tobacco substitutes (not for medical purposes); smokers' articles, including cigarette paper and tubes, cigarette filters, tobacco tins, cigarette cases and ashtrays, pipes, pocket apparatus for rolling cigarettes, lighters; matches; tobacco sticks, tobacco products for the purpose of being heated, electronic devices and their parts for the purpose of heating cigarettes or tobacco in order to release nicotine-containing aerosols for inhalation; liquid nicotine solutions for use in electronic cigarettes; electronic smoking devices; electronic cigarettes; electronic cigarettes as substitutes for traditional cigarettes; electronic devices for the inhalation of nicotine-containing aerosols; oral vaporizing devices for smokers, tobacco products and tobacco substitutes; smokers' articles for electronic cigarettes; parts and fittings for the aforesaid products included in this class; devices for extinguishing heated cigarettes and cigars as well as heated tobacco sticks; electronic rechargeable cigarette cases.

(260) AM 2023 117487 A

(800) 1655841

(151) 2021 11 30

(891) 2021 11 30

(731) TAIZHOU YINSHAN MANUFACTURING BRUSHES CO., LTD.

Fanrong Village, Yuanqiao Huangyan,
Taizhou, 318020 Zhejiang, China

(540)

THOR

(591) Black, white

(531) 27.05.17

(511)

21 – Broom handles, not of metal; cages for household pets.

(260) AM 2023 117488 A

(800) 1655850

(151) 2022 02 08

(891) 2022 02 08

(731) TASCI S.R.L.

Via Zotti 29, I-38068 Rovereto (TN), Italy

(540)



(591) Black, white, grey

(531) 26.04.06; 26.04.07; 26.04.16; 26.04.18;
26.04.24; 27.05.01; 27.05.19

(511)

18 – Toiletry bags; travelling sets [leatherware]; tie cases for travel; cases of imitation leather; key cases made of leather; luggage; carry-on bags; travel luggage; mountaineering sticks; hiking sticks; walking staffs; folding walking sticks; trunks [luggage]; travelling trunks; bags; roller bags; flight bags; hiking bags; bags for sports; briefcases [leather goods]; all-purpose carrying bags; bags for sports clothing; wash bags for carrying toiletries; small bags for men; key bags; purses; handbags; overnight bags; conference folders; lockable luggage straps; straps for luggage; travel cases; carrying cases for documents; key cases of imitation leather; credit-card holders; labels of leather; sling bags for carrying infants; bumbags; slings for carrying infants; umbrellas; business card cases; pocket wallets; card wallets [leatherware]; haversacks; bags for campers; trolley duffels; travelling bags; bags for climbers; luggage tags; shoulder belts; suitcases with wheels; motorized suitcases; daypacks; rucksacks; hiking rucksacks; sports packs.

25 – Casualwear; knitted underwear; dresses; blue jeans; blazers; bikinis; sweat-absorbent underwear; thermal underwear; underwear; berets; bermuda shorts; bandanas [neckerchiefs]; clothing; bath robes; bomber jackets; braces [suspenders] for clothing; waist cinchers; skull caps; leotards; footwear; leisure shoes; training shoes; stockings; sweat-absorbent stockings; socks; non-slip socks; anti-perspirant socks; breeches for wear; thermal socks; blouses; shirts; tank tops; vest tops; waterproof capes; headgear; hats; tights; money belts [clothing]; waist belts; plastic slippers; stuff jackets [clothing]; cardigans; hoods [clothing]; casual jackets; puttees; bonnets; cravats; bathing suits; masquerade costumes; corselets; knit tops; over-trousers; sundresses; thermal headgear; headscarves; sweat shirts; foulards [clothing articles]; sashes for wear; gaiters; jackets [clothing]; cagoules; down jackets; polar fleece jackets; fur jackets; leather jackets; raincoats; gloves [clothing]; fingerless gloves; overalls; skirts; blousons; shell jackets; wind vests; ski jackets; overcoats; rainproof jackets; weatherproof clothing; flip-flops; denim jeans; leggings [leg warmers]; lingerie; liveries; maillots [hosiery]; sports jerseys; sweaters; trousers; shorts; deck shoes; spats; mantillas; pelerines; snow pants; ski trousers; snowboard trousers; stretch pants; weatherproof pants; warm-up pants; slippers; coverups; ski balaclavas; pelisses; pyjamas; polo shirts; ponchos; shoes; neck tube scarves;

sandals; fleece pullovers; waterproof shoes; infants' boots; mountaineering boots; ski boots; snowboard shoes; military boots; shawls; neck gaiters; sneakers; galoshes; outerclothing; gaiter straps; tops [clothing]; tee-shirts; waterproof boots; boots; lace boots; dust coats; trench coats; snow suits; veils [clothing]; dressing gowns; cap peaks; wooden shoes.

(260) AM 2023 117491 A

(800) 1655929

(151) 2021 02 09

(891) 2021 02 09

(731) Bioturm GmbH

Turmstr. 29, 56242 Marienrachdorf, Germany

(540)

BIOTURM

(591) Black, white

(511)

3 – Cosmetics, in particular care creams, skin ointments, day and night creams, lotions, bath additives, shampoos, washing foam and washing milk, cleansing milk, hair lotions; dentifrices; cosmetic care preparations, namely lipsticks, including with a honey base; soaps; essential oils and perfumery.

5 – Sanitary preparations.

(260) AM 2023 117492 A

(800) 1656021

(151) 2021 11 10

(891) 2021 11 10

(731) HUGO BOSS Trade Mark Management GmbH & Co. KG

Dieselstraße 12, 72555 Metzingen,

Germany

(540)



(591) Red and black

(531) 26.04.05; 26.04.22; 26.04.24; 27.05.01;

27.05.17; 29.01.12

(511)

9 – Spectacles and parts therefor; spectacle cases; cell phone cases; laptop cases; smartwatches and software; mobile apps; wearable activity trackers; electronic pens; ear phones; ear plugs; alarm bells; films, downloadable image files; electronic magazines; downloadable music files; podcasts; USB web keys; communications headsets, microphones for communication devices, mobile data receivers; digital optical transmission apparatus; CD storage wallets; digital notepads; electronic memories; labels with integrated RFID chips; labels carrying magnetically recorded or encoded information; labels with machine-readable codes; cases for music storage devices; memory

sticks; headsets for virtual reality games; electronic book reader covers; smart speakers; MP4 players; headphones; wireless headphones; in-ear headphones; headphones for smart phones; cases for headphones; noise cancelling headphones; wireless headsets for smartphones; telephone headsets; headphone-microphone combinations; loudspeakers; cabinets for loudspeakers; wireless speakers; portable speaker docks.

14 – Precious metals and their alloys and goods of precious metals or coated therewith (included in this class) namely agates, amulets [jewellery], charms for key rings, pins being jewelry, bracelets [jewellery], brooches [jewellery], cabochons, cloisonné jewellery, precious stones, diamonds, ivory jewellery, jewellery findings, ornaments of jet, semi-precious stones, necklaces [jewellery], chains [jewellery], tie clips, tie pins, works of art of precious metal, beads for making jewellery, cuff links, lockets [jewellery], earrings, pearls [jewellery], platinum [metal], rings [jewellery], key rings, split rings of precious metal, decorative pins and pendants, jewellery rolls, jewellery boxes, hat and shoes jewellery, clasps for jewellery; jewels; clocks and watches; jewellery boxes and watch boxes; alarm clocks; cuff links.

16 – Paper, cardboard and goods made from these materials, namely advertisement boards, wrapping paper, bags [envelopes, pouches], packing [cushioning, stuffing] materials, photographs [printed], notebooks, calendars, desktop planners, adhesive pads [stationery], note pads, personal organisers, bookmarkers, paper-clips, desk mats; hangtags; printed matter, book-binding material; photographs [printed]; stationery, ball-point pens, fountain pens and pencils; office requisites, except furniture; pencil sharpeners, electric or non-electric; drawing rulers; punches [office requisites]; rubber erasers; stamp pads; pads [stationery]; bags [envelopes, pouches] of paper or plastics, for packaging; packing [cushioning, stuffing] materials of paper or cardboard; packing paper; containers of paper or cardboard for packaging; money clips; stickers.

18 – Leather and imitations of leather, and goods made of these materials (included in this class), namely travelling bags and casual bags, brief bags, beach bags, wallets, shopping bags, casings, of leather, for springs, covering of skins (furs), fur blankets, purses, holdalls, suitcase handles, handbags, bum bags, card wallets (leather ware), garment bags for travel, vanity cases, not fitted, credit card cases [wallets], toiletry bags, cosmetic bags sold empty, straps (leather-), animal skins, umbrella handles, traveling sets, backpacks, key bags, satchels, gym bags, bags [envelopes, pouches] of leather, for packaging, leather bags or pouches for packaging purposes; trunks and travelling bags; bags; umbrellas and parasols; luggage, bags, wallets and carrying bags.

25 – Clothing for men, women and children; stockings; headgear; underwear; nightwear; swimwear; bathrobes; belts; shawls; accessories, namely head-

scarves, neck scarves, shawls, dress handkerchiefs; ties; gloves; shoes; belts of leather.

35 – Business management; sales consultancy, namely commercial information and advice for consumers in the choice of products and services; wholesale and retail services in relation to clothing, footwear, headgear and clocks and watches, spectacles, fashion accessories, cosmetics and perfumery, goods of leather, bags, bed linen, home textiles, household articles, stationery, luggage, sporting articles and smoking articles; marketing services; market research and market analysis; advertising; sales promotion; rental of advertising space; distribution of goods and advertising material for advertising purposes, including via electronic media and via the Internet; presentation of goods, in particular shop and shop window dressing; organization of exhibitions for commercial or advertising purposes; promotion of business relationships by providing of commercial and business contacts; advice and advisory services for consumers by means of providing information to consumers in relation to goods and services and by recommending goods to consumers for commercial purposes; business consultancy and administration; business organization consulting; professional business consulting; information and advice for consumers on the choice of products to buy in relation to fashion; organization of fashion shows for commercial, industrial and advertising purposes; management of retail stores in relation to clothing, footwear, headgear and clocks and watches, spectacles, fashion accessories, cosmetics and perfumery, goods of leather, bags, bed linen, home textiles, household articles, stationery, luggage, sporting articles and smoking articles; online wholesale and retail services and online ordering services in relation to clothing, footwear, headgear and clocks and watches, spectacles, fashion accessories, cosmetics and perfumery, goods of leather, bags, bed linen, home textiles, household articles, stationery, luggage, sporting articles and smoking articles; mail ordering services and computerized online-ordering services in relation to clothing, footwear, headgear and clocks and watches, spectacles, fashion accessories, cosmetics and perfumery, goods of leather, bags, bed linen, home textiles, household articles, stationery, luggage, sporting articles and smoking articles.

(260) AM 2023 117503 A
 (800) 1656305
 (151) 2022 02 04
 (891) 2022 02 04
 (731) ALIGN TECHNOLOGY, INC.
 2820 ORCHARD PARKWAY, SAN JOSE
 CA 95134, USA
 (540)

ITERO

(591) Black, white

(511)
 9 – Telemedicine systems consisting of computer software, computer hardware, and intra-oral scanning cameras used for medical digital image capture, storage, retrieval and transmission over telecommunications media for use in the field of orthodontics and dentistry; software for computer workstations, namely, computer software for processing and displaying captured medical images.

10 – Orthodontic, dental and oral healthcare devices, namely, scanning cameras for capturing medical images, computer workstations for processing and displaying captured medical images for purposes of design of dental appliances and prosthetics and monitoring patient treatments.

40 – Custom manufacture of dental prosthetics.

42 – Computer-aided modeling in the dental field, namely, providing dentists with three-dimensional computer representations of dental model images for dental impressions and study casts.

(260) AM 2023 117504 A
 (800) 1656311
 (151) 2022 01 18
 (891) 2022 01 18
 (731) Armen Gevorgyan
 Davtashen 2nd district 47, apt. 4, Yerevan,
 Armenia
 (540)



(591) Gold, silver and black
 (531) 05.03.04; 27.05.02; 29.01.13
 (511)
 3 – Soap; shaving soap; lipsticks; hair lotions; cosmetic kits; cosmetics; cosmetic creams; make-up removing preparations; shampoos; cosmetic preparations for skin care; pomades for cosmetic purposes; massage gels, other than for medical purposes, bath preparations, not for medical purposes; phytocosmetic preparations; eyebrow cosmetics; all the above-mentioned goods based on wine and grape.

44 – Spa services; public bath services for hygiene purposes; medical clinic services; chiropractic; health care; massage; physical therapy; sanatorium services; sauna services; alternative medicine services; health counseling; rest home services; dietary and nutritional advice; all the above-mentioned services provided by using wine and grapes.

(260) AM 2023 117505 A
 (800) 1656317
 (151) 2022 02 11
 (891) 2022 02 11
 (731) RBB S.r.l.

Piazza Enriquez 22c, DOGANA, San Marino

(540)

MINTLAYER

(591) Black, white

(511)

9 – Security tokens [encryption devices]; software; safety, security, protection and signalling devices; data management software; financial management software; computer software relating to the handling of financial transactions; downloadable computer software for blockchain technology.

36 – Financial transactions via blockchain; financial, monetary and banking services; financial information, data, advice and consultancy services; financial transaction services; online financial transactions; conducting of financial transactions.

42 – Data storage via blockchain; blockchain as a service [BaaS]; certification of data via blockchain; information technology [IT] consultancy services; software design and development; computer security consultancy; IT security services in the nature of protection and recovery of computer data.

(260) AM 2023 117506 A
 (800) 1656359
 (151) 2022 03 01
 (891) 2022 03 01

(731) Amusnet Interactive Ltd.

Garitage Park, Building No. 4, Floor 2,
 BG-1766 2 Donka Ushlinova Str. Bulgaria

(540)



(591) Yellow, golden, brown and grey

(531) 05.03.13; 05.03.14; 07.15.08; 24.15.01;
 27.05.01; 27.05.03; 27.05.04; 27.05.08;
 27.05.10; 29.01.15

(511)

9 – Computer software for the administration of on-line games and gaming; computer application software featuring games and gaming; betting software; gaming software that generates or displays wager outcomes of gaming machines.

28 – Gaming machines for gambling; slot machines [gaming machines].

41 – Providing of casino and gaming facilities; betting services.

(260) AM 2023 117507 A

(800) 1656360

(151) 2022 03 01

(891) 2022 03 01

(731) Amusnet Interactive Ltd.

Garitage Park, Building No. 4, Floor 2,
 BG-1766 2 Donka Ushlinova Str., Bulgaria

(540)



(591) Blue, yellow, golden, brown, green and pink

(531) 01.15.15; 05.03.13; 05.03.15; 07.15.08;
 11.03.06; 27.05.01; 27.05.03; 27.05.09;
 27.05.10; 29.01.15

(511)

9 – Computer software for the administration of on-line games and gaming; computer application software featuring games and gaming; betting software; gaming software that generates or displays wager outcomes of gaming machines.

28 – Slot machines [gaming machines]; gaming machines for gambling.

41 – Providing of casino and gaming facilities; betting services.

(260) AM 2023 117508 A

(800) 1656411

(151) 2022 01 21

(891) 2022 01 21

(731) GMM S.p.A.

Via Nuova 155/B, I-28883 Gravellona
 Toce (VB), Italy

(540)



(591) Black, white

(531) 27.05.01; 27.05.02; 27.05.03; 27.05.10;
 27.05.11

(511)

7 – Mechanical saws for stone materials and artificially reconstructed plates; machines powered with abrasive tools for stone materials and artificially reconstructed plates; block cutter machines with blades for stone materials and artificially reconstructed plates; block cutter machines with threads for stone materials and artificially reconstructed plates; single-head in-

dustrial cleaning machines [polishers] for stone materials and artificially reconstructed plates; flat polishers for stone materials and artificially reconstructed plates; flat calibrating machines for stone materials and artificially reconstructed plates; vertical and horizontal spine polishers for stone materials and artificially reconstructed plates; straight and inclined chamfering machines for stone materials and artificially reconstructed plates; cutting tables for stone materials and artificially reconstructed plates; lathes [machine tools] for stone materials and artificially reconstructed plates; equipment for moving and handling for stone materials and artificially reconstructed plates; industrial robots for handling workpieces for stone materials and artificially reconstructed plates; materials handling conveyors for stone materials and artificially reconstructed plates; grippers [machines] for stone materials and artificially reconstructed plates; grippers for cranes; collets [parts of machines] and suction cups [parts of machines] for stone materials and artificially reconstructed plates; waterjet cutting machines for stone materials and artificially reconstructed plates; cutting centres [machines] for stone materials and artificially reconstructed plates; cross-cutting stations for stone materials and artificially reconstructed plates; chamfering machines for stone materials and artificially reconstructed plates; calibrating machines for stone materials and artificially reconstructed plates; multi-spindle machines for stone materials and artificially reconstructed plates; contour grinding machines for stone materials and artificially reconstructed plates.

(260) AM 2023 117509 A

(800) 1656412

(151) 2022 01 24

(891) 2022 01 24

(731) TASCI S.R.L.

Via Zotti, 29, I-38068 Rovereto (TN), Italy

(540)



(591) Black, white

(531) 26.04.01; 26.04.06; 27.05.01; 27.05.19;
27.05.25

(511)

18 – Toiletry bags; travelling sets [leatherware]; tie cases for travel; cases of imitation leather; key cases made of leather; luggage; carry-on bags; travel luggage; mountaineering sticks; hiking sticks; walking staffs; folding walking sticks; trunks [luggage]; travelling trunks; bags; roller bags; flight bags; hiking bags; bags for sports; briefcases [leather goods]; all-purpose carrying bags; bags for sports clothing; wash bags for carrying toiletries; small bags for men; key bags; purses; handbags; overnight bags; conference

folders; lockable luggage straps; straps for luggage; travel cases; carrying cases for documents; key cases of imitation leather; credit-card holders; labels of leather; sling bags for carrying infants; bumbags; slings for carrying infants; umbrellas; business card cases; pocket wallets; card wallets [leatherware]; haversacks; bags for campers; trolley duffels; travelling bags; bags for climbers; luggage tags; shoulder belts; suitcases with wheels; motorized suitcases; daypacks; rucksacks; hiking rucksacks; sports packs.

25 – Casualwear; knitted underwear; dresses; blue jeans; blazers; bikinis; sweat-absorbent underwear; thermal underwear; underwear; berets; bermuda shorts; bandanas [neckerchiefs]; clothing; bath robes; bomber jackets; braces [suspenders] for clothing; waist cinchers; skull caps; leotards; footwear; leisure shoes; training shoes; stockings; sweat-absorbent stockings; socks; non-slip socks; anti-perspirant socks; breeches for wear; thermal socks; blouses; shirts; tank tops; vest tops; waterproof capes; headgear; hats; tights; money belts [clothing]; waist belts; plastic slippers; stuff jackets [clothing]; cardigans; hoods [clothing]; casual jackets; puttees; bonnets; cravats; bathing suits; masquerade costumes; corselets; knit tops; over-trousers; sundresses; thermal headgear; headscarves; sweat shirts; foulards [clothing articles]; sashes for wear; gaiters; jackets [clothing]; cagoules; down jackets; polar fleece jackets; fur jackets; leather jackets; raincoats; gloves [clothing]; fingerless gloves; overalls; skirts; blousons; shell jackets; wind vests; ski jackets; overcoats; rainproof jackets; weatherproof clothing; flip-flops; denim jeans; leggings [leg warmers]; lingerie; liveries; maillots [hosiery]; sports jerseys; sweaters; trousers; trousers; shorts; deck shoes; spats; mantillas; pelerines; snow pants; ski trousers; snowboard trousers; stretch pants; weatherproof pants; warm-up pants; slippers; coverups; ski balaclavas; pelisses; pyjamas; polo shirts; ponchos; shoes; neck tube scarves; sandals; fleece pullovers; waterproof shoes; infants' boots; mountaineering boots; ski boots; snowboard shoes; military boots; shawls; neck gaiters; sneakers; galoshes; outerclothing; gaiter straps; tops [clothing]; tee-shirts; waterproof boots; boots; lace boots; dust coats; trench coats; snow suits; veils [clothing]; dressing gowns; cap peaks; wooden shoes.

(260) AM 2023 117510 A

(800) 775028

(151) 2002 01 22

(891) 2022 03 03

(731) FARMEC SA

Str. Henri Barbusse no. 16, Cluj-Napoca,
Romania

(540)

Aslavital

(591) Black, white

(511)

3 – Face cream, hand and nail cream, sunbath cream, hair cream, massage cream not for medical use, face emulsion, hand emulsion, sunbath emulsion, hair emulsion, sunbath oil, eye oil, cleansing milk and lotion, face lotion, hand lotion, sunbath lotion, hair lotion, cosmetics with spray gun, shampoos, cosmetic mask not for medical use.

(260) AM 2023 117512 A

(800) 821615

(151) 2004 02 18

(891) 2022 03 01

(731) Bayer Intellectual Property GmbH

Alfred-Nobel-Straße 10, 40789 Monheim
am Rhein, Germany

(540)

BELT

(591) Black, white

(511)

5 – Preparations for killing weeds and destroying vermin, insecticides, herbicides, fungicides.

(260) AM 2023 117513 A

(800) 877241

(151) 2005 12 27

(891) 2022 02 28

(731) QIRINESS

22 Quai Gallieni, F-92150 SURESNES, France

(540)

QIRINESS

(591) Black, white

(511)

3 – Bleaching preparations and other substances for laundry use; cleaning, polishing, degreasing and abrasive preparations; soaps; perfumery products, essential oils, cosmetics, hair lotions, shampoos; dentifrices; deodorants for personal use, incense.

(260) AM 2023 117514 A

(800) 985193

(151) 2008 09 24

(891) 2022 03 30

(731) Foltene Laboratories S.r.l.

Via Podgora, 13, I-20122 Milano (MI), Italy

(540)

FOLTENE

(591) Black, white

(511)

3 – Soaps; perfumery, perfumes, eau-de toilette, deodorants for personal use; essential oils; non-medicated toilet preparations, face creams, moisturizing creams, creams for preventing skin dehydration in air-conditioned and pressurized rooms; body creams, non-me-

dicated creams for soothing leg-pain and leg tiredness; tanning creams, lotions, oils and gels; after sun creams, lotions, oils and gels, after sun bath foams, shower foams, shampoos and hair conditioners; cosmetics, make-up products, mascara, nail-polishes, products for nail care and nail strengthening; hair care products, hair lotions, cosmetic products for the hair; hair loss prevention products, hair regrowth products, hair strengthening products, restructuring hair masks, shampoos, hair conditioners, lotions for eyelashes and eyebrows, strengthening treatments for eyelashes and eyebrows; dentifrices.

(260) AM 2023 117517 A

(800) 1239700

(151) 2014 09 17

(891) 2022 03 09

(731) Yangquan Zhongjia Abrasives Co., Ltd

Baiquan Economic Zone Miaoling, Yangquan,
Shanxi P.R., China

(540)



(591) Black, white

(531) 15.07.01; 15.07.02; 27.05.01

(511)

7 – Finishing machines; stropping machines; machines and apparatus for polishing [electric]; millstones; grindstones [parts of machines]; screw thread process knife; fretsaw slice; grindstones [part of machines]; sharpening machines.

(260) AM 2023 117520 A

(800) 1498536

(151) 2019 06 04

(891) 2021 10 05

(731) Dirk Rossmann GmbH

Isernhägener Str. 16, 30938 Burgwedel,
Germany

(540)



(591) Black, white

(531) 04.02.01; 26.01.03; 26.01.14; 26.01.15

(511)

3 – Animal grooming preparations; tailors' and cobblers' wax; cleaning and fragrancng preparations; toiletries; essential oils and aromatic extracts; cosmetics;

massage gels, other than for medical purposes; cosmetic kits; balms, other than for medical purposes; aloe vera preparations for cosmetic purposes; oral hygiene preparations; perfumery and fragrances; body cleaning and beauty care preparations; make-up preparations; household fragrances; soaps and gels; laundry preparations; leather and shoe cleaning and polishing preparations; skin, eye and nail care preparations; hair preparations and treatments; vehicle cleaning preparations; hair removal and shaving preparations; deodorants and antiperspirants; bath preparations; make-up removing preparations; breath freshening preparations for personal hygiene; essential oils; eyebrow cosmetics; bath preparations, not for medical purposes; pumice stone; laundry bleach; bleaching preparations [decolorants] for cosmetic purposes; bleaching soda; polish for furniture and flooring; deodorants for human beings or for animals; sachets for perfuming linen; depilatory preparations; colorants for toilet purposes; color-removing preparations; shining preparations [polish]; hair dye; hair lotion; hair spray; conditioning preparations for the hair; adhesives for cosmetic purposes; collagen preparations for cosmetic purposes; cosmetic pencils; skincare cosmetics; skin lotion; false nails; lipstick; lip gloss; lotions for cosmetic purposes; cloths impregnated with a detergent for cleaning; tissues impregnated with cosmetic lotions; unblocking drain pipes (preparations for -); douching preparations for personal sanitary or deodorant purposes [toiletries]; mouthwashes, not for medical purposes; nail varnish removers; nail polish; nail care preparations; oils for toilet purposes; oils for cosmetic purposes; oils for cleaning purposes; perfumery; perfume; polishing preparations; dry-cleaning preparations; refurbishing preparations; shaving preparations; cleansing milk for toilet purposes; refurbishing preparations; make-up preparations; make-up preparations; cosmetic masks; boot cream; shoe polish; soaps; shampoo; sunscreen preparations; cosmetics for animals; toiletries; laundry soaking preparations; laundry preparations; cotton sticks for cosmetic purposes; dentifrices; fabric softeners; smoothing preparations [starching]; starch for laundry purposes; laundry blue; fabric softener for laundry; anti-static dryer sheets; laundry blue; laundry liquids; rinsing agents for laundry; laundry balls containing laundry detergent; soap powder; laundry additives for water softening; air fragrance and diffusers.

5 – Absorbent articles for personal hygiene; pharmaceuticals and natural remedies; nappies for babies and incontinents; baby food; feminine hygiene products; deodorizers; diagnostic preparations and materials; disinfectants and antiseptics; dietary supplements and dietetic preparations; hygienic preparations and articles; medicated and sanitising soaps and detergents; dietary supplements for animals; pest control preparations and articles; medical dressings and medical plasters; dental preparations and articles, and medicated dentifrices; evacuants; lice treatment preparations [pe-

diculicides]; anti-bacterial soap; antiseptics; appetite suppressant pills; medicines for human purposes; medicines for veterinary purposes; asthmatic tea; babies' diaper-pants; infant formula; babies' diapers; bath preparations for medical purposes; fibre (dietary -); balsamic preparations for medical purposes; bandages for dressings; tranquillizers; medicated candy; chemico-pharmaceutical preparations; pregnancy (chemical preparations for the diagnosis of -); chemical preparations for veterinary purposes; chemical preparations for pharmaceutical purposes; sanitary towels; deodorants for clothing and textiles; disinfectants; disinfectants for hygiene purposes; disinfectant soap; diagnostic preparations; dietetic beverages adapted for medical purposes; dietetic substances adapted for medical use; dietetic foods adapted for medical use; albuminous preparations for medical purposes; enzyme preparations for medical purposes; febrifuges; fly destroying preparations; fly catching paper; fungicides; first-aid boxes, filled; adhesive plasters; remedies for foot perspiration; corn remedies; corn rings for the feet; dog washes [insecticides]; insecticides; insect repellents; personal sexual lubricants; camphor for medical purposes; cachets for pharmaceutical purposes; capsules for medicines; chewing gum for medical purposes; adhesive bands for medical purposes; compresses; herbal extracts for medical purposes; herbal teas for medicinal purposes; solutions for contact lenses; lotions for pharmaceutical purposes; magnesia for pharmaceutical purposes; mice (preparations for destroying -); beverages adapted for medicinal purposes; medicinal herbs; medicinal infusions; medicated soap; medicinal tea; medicated toiletry preparations; medicated dentifrices; powdered milk for babies; mineral food supplements; burns (preparations for the treatment of -); acne treatment preparations; callouses (preparations for -); air deodorising preparations; sanitary pants; mud for baths; mothproofing preparations; mouthwashes for medical purposes; nutritional supplements; nervines; nicotine patches for use as aids to stop smoking; medicinal oils; lozenges for pharmaceutical purposes; pharmaceuticals; pharmaceutical preparations; rat poison; fumigating pastilles; contact lens cleaning preparations; medicine cases, portable, filled; ointments for pharmaceutical purposes; soporifics; serums; panty liners; sunburn ointments; breast-nursing pads; tampons; bath (therapeutic preparations for the -); animal washes [insecticides]; herbicides; vermin destroying preparations; vaginal washes for medical purposes; petroleum jelly for medical purposes; dressings, medical; surgical dressings; digestives for pharmaceutical purposes; veterinary preparations; vitamin preparations; wart pencils; diapers for pets; nappies of paper for incontinents; disposable napkins for incontinents; pant liners for incontinents; disposable nappies made of cellulose for incontinents.

35 – Business analysis, research and information services; advertising, marketing and promotional services; business assistance, management and administrative services; advertising, marketing and promotional consultancy, advisory and assistance services; loyalty, incentive and bonus program services; organizing and conducting trade shows and exhibitions for commercial or advertising purposes; conducting of trade shows; public relations services; product demonstrations and product display services; distribution of advertising, marketing and promotional material; provision of advertising space, time and media; marketing studies; collection and systematization of business data; cost price analysis; news clipping services; online advertising; online retail store services relating to cosmetic and beauty products; arranging commercial transactions, for others, via online shops; provision of an on-line marketplace for buyers and sellers of goods and services; procurement of contracts [for others]; procurement of contracts for others relating to the sale of goods; arranging of contracts for others for the buying and selling of goods; arranging of contracts, for others, for the providing of services; retailing and wholesaling in the fields of body care preparations, body cleansing and body care preparations, perfumery and fragrances, oral hygiene preparations, make-up, soaps and gels, bath and shower preparations, deodorants and antiperspirants, skin care preparations, hair preparations and hair treatments, depilatory and shaving preparations, animal care preparations, cleaning and fragrancing preparations, fuels and illuminants, dietetic preparations and nutritional supplements, food for babies; retailing and wholesaling in the fields of sanitary preparations and articles, materials for dressings, medical covering materials and applicators, medicines and natural remedies, pregnancy tests, hygienic and beauty implements for human beings and animals, hair styling apparatus, manicure and pedicure apparatus, hair cutting and hair removal apparatus, shaving apparatus, utensils for preparing foodstuffs, kitchen utensils, kitchen knives and tableware, recorded data; retailing and wholesaling in the fields of software, information technology and audiovisual apparatus, electronic and electric articles, and accessories therefor, eyeglasses, hearing protectors, feeding aids and dummies, sex aids, medical and veterinary apparatus and instruments, contraceptive devices, diagnostic, examination and monitoring apparatus; retailing and wholesaling in the fields of massage apparatus, lighting, jewellery, clocks and watches, jewellery cases and watch cases, works of art and figurines of paper or cardboard, and architectural models, decorative and artistic materials and media, bags, pouches and goods for packaging, packing and storage purposes of paper or cardboard, stationery, and instructional and teaching materials; retailing and wholesaling in the fields of adhesives for stationery or household purposes, printed matter, paper and cardboard, disposable paper articles, bags, pouches and

goods for packaging, packing and storage purposes of paper or cardboard or plastic, furniture and furnishings, beds, bedding, mattresses, cushions and pads, animal houses and beds, decorations, gardening articles; retailing and wholesaling in the fields of brushes, brooms and brush-making materials, dishes, cooking pot sets and containers, glasses, drinking vessels, cutlery, kitchenware and bar accessories, cleaning apparatus and articles for cleaning purposes, cosmetic and toilet utensils, and bathroom articles, animal husbandry articles, household articles for clothing and footwear, textile goods and substitutes for textiles, headgear, footwear, clothing accessories, sewing machines; retailing and wholesaling in the fields of sewing articles, yarns, textiles and decorative textile articles, hair decorations, hair curlers, hair fastening articles and false hair, sporting articles and equipment, games, toys, playthings and novelties, food, foodstuffs, animal foodstuffs and animal requisites, beverages, tobacco products, smokers' articles, insect repellent and articles; retailing and wholesaling in the fields of articles for babies and infants, furniture for babies and infants, parts and fittings for vehicles, in particular child seats, gift sets, sunscreen and care articles, household goods, mobile telephone accessories and pre-paid cards; commercial services and consumer information in the field of cleaning and fragrancing preparations, body care preparations, beauty care preparations, cleaning preparations, sanitary preparations and articles, medicines and natural remedies, food for babies, nappies for babies and incontinence, dietary supplements, household items for the care of clothing and footwear, cosmetic and toilet utensils, and bathroom articles.

(260) AM 2023 117521 A
 (800) 1585090
 (151) 2020 11 06
 (891) 2022 03 31
 (731) Shell Brands International AG
 Baarermatte, CH-6340 Baar, Switzerland
 (540)



(591) Yellow, different shades of green and white
 (531) 05.07.27; 26.01.18; 27.05.10; 29.01.12
 (511)
 3 – Soaps, wipes impregnated with cleaning agent for hand and face.
 8 – Table cutlery, such as knives, forks and spoons.
 16 – Disposable paper napkins.

21 – Cups; cups of paper or plastic; beer mugs; bottles; bottle openers, electric and non-electric; bowls; boxes for dispensing paper towels; cookware and tableware, except forks, knives and spoons; articles for cleaning purposes; unworked or semi-worked glass, except building glass; glassware, porcelain and earthenware; coffee filters, non-electric; coffee grinders, hand-operated; coffee percolators, non-electric; coffee services [tableware]; coffeepots, non-electric; confectioners decorating bags; containers for household or kitchen use; cooking utensils, non electric, corkscrews, electric and non electric; disposable table plates; drinking bottle for sports; drinking glasses; egg cups; kitchen containers; kitchen utensils; lunch boxes; mugs.

29 – Meat, fish, seafood, poultry (meat) and game; preparations mainly made from meat, fish, seafood, poultry (meat) and / or game; meat and vegetable extracts; preserved, dried and cooked fruits and vegetables; gelatin, jellies for food; jams; meat, fish, fruit or vegetable-based canned food; eggs, milk and other milk products; edible oils and fats; fruit and vegetable salads; prepared salads; pickles; soups; fillings for sandwiches; spreads; preparation for sandwiches primarily consisting of vegetables, fillings, spreads; fruit and vegetable snacks; burgers with meat and vegetables; ready meals and snacks consisting primarily of meat, fish, poultry or vegetables; prepared meals consisting primarily of meat, fish, poultry or vegetables; prepared curry dishes (with or without rice); sausages; hot dog sausages; kebabs; potato fries; potato crisps; foods wholly or mainly based on potatoes; desserts, consisting mainly of fruits, dried fruits, frozen and cooked fruits, nuts, gelatin, jellies, jams, eggs or powdered eggs, milk or dairy products, edible oils and fats, dairy products, milk substitutes, yoghurt.

30 – Coffee; coffee beverages with milk; coffee-based beverages; coffee flavorings; tea; tea-based beverages; cocoa; sugar; rice; tapioca; sago; artificial coffee; flour and preparations made from cereals; bread; baguettes; cobs and rolls; sandwiches; hot and cold filled sandwiches; hot and cold filled baguettes; hot and cold filled cobs and rolls; open sandwiches; toasted sandwiches; toasted open sandwiches; hamburger sandwiches; hamburgers in buns or rolls; burgers in buns or rolls; sausage sandwiches; sausages in buns or rolls; pizza; pasta; kebabs in pitta bread; pasta products; pastry and pastry products; fresh pasties; pasties; pies; sausage rolls; pastries; danish pastries; croissants; cakes; buns; biscuits; doughnuts; scones; cookies; muffins; flapjacks; tarts; puddings; confectionery; chocolate; ice cream; ice cream sandwiches; frozen confections and confectionary; frozen ices; honey; treacle; yeast; baking-powder; salt; mustard; vinegar; sauces; spices; ice; salad dressings.

31 – Fresh fruits and vegetables; nuts [fruits]; seeds.

32 – Beer; mineral waters; soda water; aerated water; non-alcoholic beverages; fruit drinks and fruits juices; syrups and other preparations for making beverages.

35 – Retail services provided at vehicle service stations, relating to food and drink; retail services provided at convenience stores, relating to food and drink; sales promotion and publicity services relating to food and drink.

43 – Services for providing food and drink; takeaway services; quick food services; restaurant services; self-service restaurants; cafes; cafeterias; canteens; restaurants; catering services; preparation of food and drink; provision of information relating to food, drink and catering services; catering services provided online from a computer database or from the internet; providing online information relating to food, drink and catering services from a computer database or from the internet.

(260) AM 2023 117522 A

(800) 1633317

(151) 2021 08 18

(891) 2022 01 24

(731) Honor Device Co., Ltd.

Suite 3401, Unit A, Building 6, Shum Yip Sky Park, No. 8089, Hongli West Road, Xiangmihu Street, Futian District, Shenzhen, 518040 Guangdong, China

(540)

HONOR ePartner

(591) Black, white

(531) 27.05.01

(511)

35 – Systemization of information into computer databases; price comparison services; providing consumers with product recommendations for business purposes; sales promotion for others; provision of an online marketplace for buyers and sellers of goods and services; personnel recruitment; administrative processing of purchase orders; organization of exhibitions for commercial or advertising purposes; online advertising on a computer network; display goods and services electronically for TV shopping and home shopping; presentation of goods on communication media, for retail purposes; providing customers with information and advice on choosing to purchase products; marketing the goods and services of others; book-keeping.

(260) AM 2023 117560 A

(800) 1656544

(151) 2022 02 24

(891) 2022 02 24

(731) "Selectel", Co. Ltd.

Tsvetochnaya Street, 21, liter A, RU-196084
Saint Petersburg, Russian Federation

(540)



(591) Green, white, red and black

(531) 04.03.20; 21.01.25; 26.04.09; 26.04.16;
29.01.14

(554) Three Dimensional

(526) slc.tl/trx

(511)

38 – Telecommunications.

42 – Scientific and technological services and research and design relating thereto; industrial analysis and industrial research services; design and development of computer hardware and software.

(260) AM 2023 117561 A

(800) 1656610

(151) 2022 02 07

(891) 2022 02 07

(731) Avon Products, Inc.

1 Avon Place, Suffern NY 10901, USA

(540)

PROTINOL

(591) Black, white

(511)

3 – Non-medicated toilet preparations; toiletries; skin care preparations; skin moisturizers; skin toners; body and beauty care preparations; powders, cleansers, creams and lotions, all for the face, hands and body; exfoliating scrubs for cosmetic purposes; cosmetic sun-tan preparations; sunscreen oils and lotions; soaps; shower and bath preparations; bath gel, bath oils, bath salts, bath beads, and effervescent bath preparations; beauty masks; talcum powder; nail polish; nail polish remover; false nails; adhesives for cosmetic purposes; cosmetics; eye cream; eye gels; eye lotions; eye make-up remover; eye shadow; eye liner; eyebrow cosmetics; mascara; lipstick; lip liner; lip-gloss; lip balm; make-up foundation; facial concealer; blusher; tissues impregnated with cosmetic lotions; powdered cosmetic tissues; cotton sticks for cosmetic purposes; cotton wool for cosmetic purposes; pumice stone; preparations for cleaning, moisturising, colouring and styling the hair; shampoos, conditioners, finishing spray, and gels, all for the hair; preparations for cleaning the teeth; shaving and aftershave preparations; perfumes; fragrances; toilet waters; cologne; room fragrances;

incense sticks; deodorants for human beings; anti-perspirants for personal use (toiletries); essential oils (cosmetic); oils for perfumes and scents; potpourri; cosmetic kits.

(260) AM 2023 117565 A

(800) 1656640

(151) 2022 02 28

(891) 2022 02 28

(731) Amusnet Interactive Ltd.

Garitage Park, Building No. 4, Floor 2,
2 Donka Ushlina Str., BG-1766 Sofia,
Bulgaria

(540)



(591) Silver, white, grey and blue

(531) 25.07.21; 26.11.09; 27.05.02; 29.01.12

(511)

41 – Providing of casino and gaming facilities; betting services.

(260) AM 2023 117583 A

(800) 1657152

(151) 2022 01 19

(891) 2022 01 19

(731) Kia Corporation

12, Heolleung-ro, Seocho-gu, Seoul 06797,
Republic of Korea

(540)



Movement that inspires

(591) Black, white

(531) 27.05.01; 27.05.19; 27.05.22

(511)

39 – Logistics services consisting of the storage, transportation and delivery of goods; transport, delivery, packaging, and storage of goods; packing, crating and warehousing services; leasing of rental cars; emergency automobile towing; transportation information; providing information relating to car transport; car rental; car sharing services; tracking of automobile fleets using electronic navigation and locating devices [transport information]; towing and transportation of cars as part of vehicle breakdown services; providing road and traffic information; depot services for the storage of vehicles; rental of wheelchairs; travel agency services; conducting of sightseeing travel tours by automobiles; physical storage of electronically stored data, documents, digital photographs, music, images, video, and computer games; packing of freight; rental of diving suits; storage, distribution and supply of energy and fuel; storage and distribution of electricity.

(260) AM 2023 117584 A
 (800) 1657207
 (151) 2021 11 11
 (891) 2021 11 11
 (731) Medicover Holding (Cyprus) Limited
 Eirinis, 119, CY-3041 Limassol, Cyprus
 (540)

MEDICOVER

(591) Black, white
 (511)

42 – Consultancy relating to research in the field of pharmacogenetics; providing medical and scientific research information in the field of pharmaceuticals and clinical trials; DNA screening for scientific research purposes; medical research laboratory services; consultancy relating to biotechnology; scientific services; stem cell research; testing of pharmaceuticals; research and development services in the field of antibodies; design services; biological research, clinical research and medical research; analysis of human tissues for medical research; medical and pharmacological research services; computer programming in the medical field; research and development in the field of diagnostic preparations; research relating to medicines; scientific research for medical purposes; research in the field of pharmacogenetics; biochemistry research services; consultancy in the field of scientific research chemical research and analysis; research relating to pharmaceuticals; information technology services for the pharmaceutical and healthcare industries; providing information relating to scientific research in the fields of biochemistry and biotechnology; research services; medical laboratory services; advisory services relating to gene therapy research; laboratory analysis in the field of bacteriology; research and development in the pharmaceutical and biotechnology fields; research laboratories; research relating to biotechnology; scientific research in the field of genetics and genetic engineering; research in the field of gene therapy; bacteriological research and testing; consultancy relating to research and development in the field of therapeutics; providing information about the results of clinical trials for pharmaceutical products; research relating to molecular sciences; consultancy relating to pharmaceutical research and development; blood analysis services for scientific research purposes; scientific consultancy; biochemistry consultancy; analytical laboratory services; design and development of medical technology; research of pharmaceuticals; conducting clinical trials for pharmaceutical products; toxicity testing for research purposes; biological research and development services in the field of bacteriology; services for the development of methods of testing; scientific research relating to bacteriology; scientific investigations for medical purposes; provision of information and data relating to medical and veterinary research and development; biomedical research services; design and development of computer software for use with medical technology;

research on the subject of pharmaceuticals; provision of scientific information; development of pharmaceutical preparations and medicines; research and development services in the field of immunology; preparation of immunohistological samples for analysis in research laboratories; design and development of medical diagnostic apparatus; biochemical research and development; product research and development; conducting clinical trials; research and development services in the field of cytology; providing scientific information in the field of medical disorders and their treatment; provision of information relating to scientific research; scientific research for medical purposes in the area of cancerous diseases; laboratory research in the field of gene expression; development of new technology for others; laboratory services relating to the production of monoclonal antibodies; preparation of biological samples for analysis in research laboratories; scientific research in the field of social medicine; provision of research services; research and development services in the field of immunohistology; genetic research; cell separation research services; bacteriology consultancy; medical laboratories.

44 – RNA or DNA analysis for cancer diagnosis and prognosis; pharmacy advisory services; arranging of medical treatment; weight reduction diet planning and supervision; dentistry; medical services, namely, in vitro fertilization; professional consultancy relating to health care; dental consultations; midwife services; providing medical information in the field of geriatrics; medical nursing; veterinary services; reflexology; providing veterinary information; psychological counselling; providing information relating to dietary and nutritional guidance; medical consultations providing information relating to dentistry; medical care; services for the testing of sera; cholesterol testing; consultancy and information services relating to biopharmaceutical products; dental hygienist services; dietetic counselling services [medical]; medical services relating to the removal, treatment and processing of stem cells; dental clinic services; medical analysis services for the diagnosis of cancer; telemedicine services; medical services for the treatment of conditions of the human body; providing medical information in the healthcare sector; private hospital services; medical advisory services; preparation of reports relating to medical matters; consultancy and information services relating to pharmaceutical products; performing diagnosis of diseases; nutritional advice; convalescent homes; in vitro fertilization services pharmaceutical services; medical services; medical laboratory services for the analysis of samples taken from patients; psychiatric services; medical analysis services relating to the treatment of patients; hospital services; providing information relating to nursing care services; optician services; postnatal care services for women; consultancy services relating to slimming; medical screening; health advice and information services; palliative care; professional consultancy relating to diet;

services for the provision of medical facilities; medical analysis services relating to the treatment of persons provided by a medical laboratory; medical consultancy services; advisory services relating to diet; rest home services; dietetic advisory services; ambulant medical care; pharmacy services genetic testing for medical purposes; consultancy in the field of nutrition; human healthcare services; collection and preservation of human blood; consultancy and information services relating to medical products; providing information to patients in the field of administering medications; providing breastfeeding information; medical treatment services; health care services offered through a network of health care providers on a contract basis; medical testing for diagnostic or treatment purposes; ultrasound services for medical purposes; emergency assistance services in the medical field; advice relating to dentistry; medical services for the diagnosis of conditions of the human body; cord blood bank services; medical analysis services relating to the treatment of persons; dietary guidance; health centre services; healthcare information services; medical services relating to the removal, treatment and processing of human blood; physician services; medical and health services relating to DNA, genetics and genetic testing; nursing, medical; physical rehabilitation; pathology services; opticians' services; provision of pharmaceutical information; blood bank services; medical and healthcare services; medical consultancy for selecting appropriate wheelchairs, commodes invalid hoists, walking frames and beds; consulting services relating to health care; medical services relating to the removal, treatment and processing of umbilical cord blood; medical laboratory services for the analysis of blood samples taken from patients; DNA screening for medical purposes; medical services relating to the removal, treatment and processing of human cells; psychotherapy services; medical testing services relating to the diagnosis and treatment of disease; services for the testing of blood; medical examination of individuals; diet planning and supervision; medical treatment services provided by clinics and hospitals; providing information relating to dietary and nutritional supplements; medical clinic services; health consultancy; medical analysis services for cancer diagnosis and prognosis; services for the provision of medical care information; nursing care; provision of medical treatment; conducting of medical examinations; information services relating to contact lenses; medical services in the field of in vitro fertilization; medical diagnostic services analysis of human tissues for medical treatment; medical health assessment services; medical services relating to the removal, treatment and processing of bone marrow; information relating to blood donation; sports medicine services; trans-telephone heart monitoring services; pharmaceutical advice; providing online medical record services other than dentistry; provision of information relating to psychology; medical analysis for

the diagnosis and treatment of persons; services for the testing of urine; medical information; holistic psychotherapy; nursing homes; vaccination services; provision of information relating to vaccination for overseas travel.

(260) AM 2023 117587 A

(800) 1657331

(151) 2021 08 25

(891) 2021 08 25

(731) NIVONA Apparate GmbH

Südwestpark 49, 90449 Nürnberg, Germany

(540)

NIVONA

(591) Red

(531) 27.05.01; 29.01.01

(511)

3 – Cleaning and washing preparations and other substances for laundry purposes, in particular cleaning and descaling preparations for electric and electrothermal apparatus, devices and machines.

7 – Electric kitchen machines and electric cleaning apparatus for household purposes (included in this class), in particular, vacuum cleaners and vacuum cleaning installations including spare parts and fittings thereof, including dishwashers, laundry washing machines, including coin-operated kitchen machines, electric coffee grinders including spare parts and fittings thereof; electric motor-operated household machines for mixing, blending, stirring, beating, dejuicing, pressing and crushing; electric hand blenders and stick blenders; electric hand mixers and juice extractors for household use; motors, engines and couplings, other than for land vehicles.

9 – Electric and electrothermal sensors; electric weighing apparatus and instruments; software, in particular media server software, downloadable software, software for smartphones and mobile apparatus; downloadable software applications; software and applications for mobile devices; mobile apps.

11 – Electric steam generating and cooking apparatus, in particular water heaters, kettles; electric coffee and espresso machines and automatic machines for making coffee, including spare parts and fittings thereof; ovens, cooking and kitchen ovens; microwave stoves and ovens; refrigerating cabinets; upright and chest freezers.

21 – Household and kitchen utensils and containers, in particular non-electric coffee pots, lids for pots and pads for cleaning, coffee filters (non-electric); glassware.

30 – Coffee and artificial coffee, including coffee-based beverages and unroasted coffee; cocoa and cocoa-based beverages; bread and pastry products.

35 – Wholesaling and/or retailing and/or mail order and/or internet mail order relating to electric and non-electric household and kitchen utensils and machines, in particular water heaters, water boilers, coffee and espresso makers and vending machines including spare parts and fittings, coffee grinders including spare parts and supplements, vacuum cleaners and their parts and accessories and supplements, including dishwashers; wholesaling and/or retailing and/or mail order and/or internet mail order relating to electric and non-electric household and kitchen utensils and machines, in particular washing machines including laundry washing machines, irons and ironing apparatus, ranges, microwave ovens, equipment and cookers, cooling and freezer cabinets and chest freezers; wholesaling and/or retailing and/or mail order and/or internet mail order relating to electric and non-electric household and kitchen utensils and machines, in particular relating to containers for the household and kitchen, in particular pots, including spare pots for coffee and espresso machines, pot lids and covers for cleaning accessories, coffee filters, non-electric, glassware, cleaning, purifying and washing preparations, in particular cleaning and scale-removing preparations for electric and electrothermal apparatus, equipment and machines, coffee and artificial coffee, including coffee-based beverages and unroasted coffee, cocoa and cocoa-based beverages, bakery and patisserie products; the bringing together, for the benefit of others, of a variety of goods, excluding the transport thereof, enabling customers to conveniently view and purchase those goods; consultancy relating to purchasing of goods for other businesses; advertising services; sales promotion for others; organisation of exhibitions in halls, retail outlets and exhibition halls for commercial or advertising purposes; presentation and demonstration of goods for commercial and advertising purposes.

37 – Installation, maintenance, servicing, repair and cleaning of electric and non-electric household or kitchen apparatus and machines, in particular fully automatic coffee machines; repair and maintenance services.

39 – Delivery of goods by mail order, namely delivery of electric and non-electric household and kitchen utensils and machines, in particular of water heaters, kettles, coffee and espresso machines and vending machines, including spare parts and fittings, coffee grinders, including spare parts and accessories, vacuum cleaners including spare parts and accessories, rinsing machines, including dishwashing machines, washing machines, including laundry washing machines; delivery of goods by mail order, namely delivery of electric and non-electric household and kitchen utensils and machines, in particular of irons and ironing apparatus, ovens, microwave ovens, cooking equipment and cookers, cooling and freezer cabinets and chest freezers, and relating to household or kit-

hen containers, in particular pots, including replacement pots for coffee and espresso machines, lids for pots and cleaning accessories, non-electric coffee filters, glassware, cleaning, purifying and washing preparations, in particular cleaning and scale-removing preparations for electric and electrothermal apparatus, equipment and machines, coffee and artificial coffee, including coffee-based beverages and unroasted coffee, cocoa and cocoa-based beverages, pastries and confectionery.

41 – Arranging and conducting of seminars and training courses, in particular training and instructional services for technicians and/or traders in relation to electric and non-electric household or kitchen apparatus and machines.

42 – Technological consultancy in relation to electric and non-electric household or kitchen apparatus and machines, in particular via communications networks.

43 – Rental and leasing of fully automatic coffee machines and electric coffee-making apparatus for household and kitchen use.

(260) AM 2023 117589 A

(800) 1657394

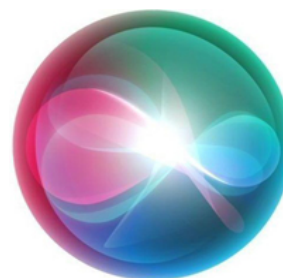
(151) 2021 12 03

(891) 2021 12 03

(731) Apple Inc.

One Apple Park Way, Cupertino CA 95014,
USA

(540)



(591) The color(s) white, purple, pink, blue, and green is/are claimed as a feature of the mark

(531) 26.13.25; 26.15.01; 29.01.15

(511)

9 – Voice recognition software; speech to text conversion software; voice-enabled software applications; mobile telephone software; information retrieval software; recorded computer software used to process voice commands, and create audio responses to voice commands; recorded computer software for dictation; recorded computer software for enabling hands-free use of consumer electronics through voice recognition; personal vehicle integration software; recorded computer software for accessing, browsing and searching online databases; recorded computer software for the redirection of messages, Internet e-mail, and/or other data to one or more electronic handheld devices from a data store on or associated with a personal

computer or a server; recorded computer software for use in recording, organizing, transmitting, manipulating, and reviewing text, data, audio files, video files and electronic games in connection with computers, audio players, video players, media players; recorded computer software for distributing, downloading, transmitting, receiving, playing, editing, displaying, storing and organizing text, data, graphics, images, audio, video, and other multimedia content, electronic publications; recorded computer software for personal information management; recorded computer software for scheduling appointments, reminders, and events on an electronic calendar; recorded computer software for storing, organizing, and accessing phone numbers, addresses, and other personal contact information; handheld digital electronic devices for the sending and receiving of telephone calls, electronic mail, and other digital data, and for use as a handheld computer, personal digital assistant, electronic organizer, electronic notepad; recorded computer software for providing consumer resources for searching, locating, rating, evaluating and providing directions for the purchase, consumption and use of a wide range of consumer products, services and information over a global communications network, namely, computer software for accessing, browsing and searching online databases; recorded computer software for global positioning and for providing travel directions; recorded computer software for making travel arrangements; recorded computer software for making reservations at hotels and restaurants; recorded computer software for travel and tourism, travel planning, navigation, travel route planning, geographic, destination, transportation and traffic information, driving and walking directions, customized mapping of locations, street atlas information, electronic map display, and destination information; recorded computer software used for controlling stand alone devices; home automation and home device integration software; recorded computer software for use in communicating with, monitoring, configuring, adjusting, and controlling residential alarm, security, and surveillance devices and systems, smoke and carbon monoxide detectors and monitors, lighting, electrical and electronic switches and outlets, energy management devices and systems, air conditioning, heating, and ventilation devices and systems, and doors, drapes, curtains, window shades, shutters, blinds, and garage doors; recorded computer software for creating, authoring, distributing, downloading, transmitting, receiving, playing, editing, extracting, encoding, decoding, displaying, storing and organizing text, data, graphics, images, audio, video, and other multimedia content; recorded computer software for use in recording, organizing, transmitting, manipulating, and reviewing text, data, audio files, video files in connection with computers, television set-top boxes, audio players, video players, media players, and handheld digital electronic devices.

(260) AM 2023 117590 A

(800) 1657417

(151) 2021 10 20

(891) 2021 10 20

(731) ÇEKMEKÖY BELEDİYE BAŞKANLIĞI
MERKEZ MAHALLESİ PİRİ REİS,
CADDESİ NO: 5 ÇEKMEKÖY, İSTANBUL,
Türkiye

(540)



(591) Black, white and yellow

(531) 26.02.07; 27.05.01; 27.05.09; 27.05.22;
29.01.13

(511)

35 – Advertising, marketing and public relations; organization of exhibitions and trade fairs for commercial or advertising purposes; development of advertising concepts; provision of an online marketplace for buyers and sellers of goods and services; office functions; secretarial services; arranging newspaper subscriptions for others; compilation of statistics; rental of office machines; systemization of information into computer databases; telephone answering for unavailable subscribers; business management, business administration and business consultancy; accounting; commercial consultancy services; personnel recruitment, personnel placement, employment agencies, import-export agencies; temporary personnel placement services; auctioneering; the bringing together, for the benefit of others, of paper and cardboard, paper and cardboard for packaging and wrapping purposes, cardboard boxes, paper towels, toilet paper, paper napkins, plastic materials for packaging and wrapping purposes, printing blocks and types, bookbinding material, printed publications, printed matter, books, magazines, newspapers, bill books, printed dispatch notes, printed vouchers, calendars, posters, photographs [printed], paintings, stickers [stationery], postage stamps, stationery, office stationery, instructional and teaching material [except furniture and apparatus], writing and drawing implements, artists' materials, paper products for stationery purposes, adhesives for stationery purposes, pens, pencils, erasers, adhesive tapes for stationery purposes, cardboard cartons [artists' materials], writing paper, copying paper, paper rolls for cash registers, drawing materials, chalkboards, painting pencils, watercolors [paintings], office requisites, paint rollers and paintbrushes for painting, enabling customers to conveniently view and purchase those goods, such services may be provided by retail stores, wholesale outlets, by means of electronic media or through mail order catalogues.

41 – Education and training; arranging and conducting of conferences, congresses and seminars; sporting and cultural activities; entertainment; ticket reservation and booking services for entertainment, sporting and cultural events, including ticket reservation and booking services for theatres, cinemas, museums and concerts; publication and editing of printed matter, including magazines, books, newspapers, other than publicity texts; electronic publication services; production of movie films, radio and television programmes; news reporters services; photographic reporting services; photography; translation.

(260) AM 2023 117591 A

(800) 1657437

(151) 2022 01 06

(891) 2022 01 06

(731) EPAM Systems, Inc.

Suite 202, 41 University Drive, Newtown
PA 18940, USA

(540)



(591) Black, white

(531) 24.17.01; 27.05.01

(511)

9 – Downloadable computer software for use in the automation of business processes, application and database integration.

35 – Outsourcing services in the field of computer software development; business development services, namely, providing support for businesses of others.

41 – Educational services, namely, providing online programs and training in the field of computer science, coding, and software development; educational services, namely, conducting seminars, lectures, tele-seminars classes, instruction and workshops in the field of computer science, coding, and software development; providing online, non-downloadable educational videos for providing training in the field of computer science, coding and software development.

42 – Computer software development services for others; design, development and implementation of software; providing temporary use of on-line non-downloadable software applications; providing an internet website portal for accessing computer software for applications and automated business processes; consulting services in the field of information technology relating to the automation of business processes, application and database integration, computer software for application and database integration, and computer software integration; providing online computer software for use in the automation of business processes, applications and databases; platform servi-

ces for automating business processes and application; testing, analysis, and evaluation of the knowledge, skills and abilities of others in the field of computer science, coding, and software development to determine achievement of certification criteria and awards of certificates; testing, analysis and evaluation of the goods and services of others to determine compliance with product quality and performance standards; computer software development and design services for others; consulting services in the fields of information technology and computer software; design and development of digital software platforms for others, namely, design of information architecture, interaction design, user interface design, prototyping, content strategy and management, visual design, and front-end development; engineering services, namely, software engineering services for others; design and development of digital software platforms for others, namely, design of information architecture, interaction design, user interface design, prototyping, content strategy and management, visual design, and front-end development.

(260) AM 2023 117593 A

(800) 1657443

(151) 2021 12 20

(891) 2021 12 20

(731) Harmoknee AB

Walleriusvägen 7, SE-752 36 Uppsala, Sweden

(540)

Harmoknee

(591) Black, white

(511)

9 – Computer application programs; animation software; application software for use with laptop devices; application software (apps).

10 – Rehabilitation devices for the body, for medical purposes; devices for orthopedic purposes.

35 – Retail services relating to teaching materials; sports equipment retailer services; reseller services relating to medical instruments; medical device retailer services; software reseller services; resale of sporting goods; resale regarding downloadable electronic publications; sporting goods resale; resale regarding medical instruments; retailing of recorded content; downloadable retail electronic publications; retail of sporting goods.

42 – Clinical research; research related to medicine; provision of information on clinical trials via an interactive website; scientific research for medical purposes; design and development of software; scientific research.

44 – Medical consultation; medical advice; medical care; medical examination of individuals people; medical consultations; medical advisory services; doc-

tors' services; medical screening; medical care services.

(260) AM 2023 117596 A

(800) 1657562

(151) 2022 03 08

(891) 2022 03 08

(731) Sea Shepherd Conservation Society
209 E. Alameda Ave., #205, Burbank CA
91502, USA

(540)



(591) Black, white

(531) 02.09.23; 03.09.01; 03.09.03; 03.09.04;
24.11.05; 24.11.07; 27.05.24

(511)

16 – Printed materials, namely, newsletters, magazines, and catalogues featuring information on marine life conservation; bumper stickers, stickers, notecards.

25 – Clothing, namely, shirts, ball caps, hats, and sweat shirts.

35 – Promoting the public awareness of the need for environmental preservation, namely, the protection of marine animals, the protection of endangered species of marine life; and promoting the public awareness of the need for marine wildlife conservation.

41 – Educational services, namely, arranging and conducting of educational congresses, seminars, educational performances in the nature of live readings, and educational exhibitions all dealing with the environment and environmental issues; news reporting services, namely, providing current news content through photographic, film and video reports; providing of training, namely, summer courses and programs for college students in the field of environmental awareness and protection and course materials distributed therewith in the nature of books, newspapers, magazines, CD-ROM's, video-films and other publications all dealing with environmental issues.

42 – Scientific research in the field of marine wild life conservation and consultation in the field of scientific research pertaining to marine wild life conservation.

(260) AM 2023 117597 A

(800) 1657606

(151) 2021 11 25

(891) 2021 11 25

(731) ROLEX SA

3-5-7 rue François-Dussaud, CH-1211
Genève 26, Switzerland

(540)

PERPETUAL

(591) Black, white

(511)

16 – Newspapers, printed matter, brochures, prospectuses, magazines, periodicals, journals, books, posters, photographs, publications, cards, illustrations.

35 – Promotion services; creating, producing and disseminating advertising material (prospectuses, printed matter, video demonstrations); publication of advertising texts; presenting timepieces, jewelry products on all communication media, for retail purposes; online advertising; providing information and advice to consumers regarding timepieces, jewelry products and articles to be purchased online; retail sale services featuring jewelry products, timepieces, via global computer networks, by catalog, by mail and by other electronic means; advertising sponsorship in the fields of environmental protection, science, health, music, art, education and exploration.

36 – Financial patronage and sponsorship; managing patronage funds; providing financial assistance to social or charitable organizations; awarding grants to artists, educators, researchers, athletes and explorers; patronage and financial sponsorship in the fields of environmental protection, science, health, music, art, education and exploration.

38 – Services for broadcasting of audio, video and film recordings via the Web or any other communication system.

41 – Organizing and conducting exhibitions, conferences and forums for educational and entertainment purposes with respect to developments and discoveries; organization of competitions relating to education or entertainment; organization and conducting of colloquiums, conferences, congresses and symposiums; organization of exhibitions for cultural and educational purposes; editing of radio and television programs; film production; videotape film production; providing online, non-downloadable video sequences; Publishing and editing of newspapers, periodicals, magazines, books and texts (other than advertising texts); awarding prizes to reward and provide financial assistance to researchers, explorers, artists, educators and athletes.

42 – Technical project study; research and development of new timepieces (for others), technical, scientific and industrial research.

45 – Granting licenses for film, television, video, music and images (legal services); exploiting cinematographic and television rights.

(260) AM 2023 117598 A
 (800) 1657618
 (151) 2022 01 25
 (891) 2022 01 25
 (731) Stiftung Ethereum (Foundation Ethereum)
 Zeughausgasse 7a, CH-6300 Zug, Switzerland
 (540)

YUL

(591) Black, white
 (511)
 9 – Downloadable computer software development tools; downloadable computer programs, namely, compilers, assemblers, visual development software and applications development environments; downloadable computer software development tools intended for use in creating applications and smart contracts, developing graphical user interfaces and providing data exchanges and communications between programs and computers in a distributed or networked environment; downloadable computer programs intended for use in the design, development, writing and commissioning of applications, general programs and smart contracts; downloadable computer software frameworks, namely, reusable software platforms to assist in the development of applications, products and software solutions; downloadable computer software for data and application modeling.

38 – Providing online forums for the transmission of messages and information among users concerning data, information, publications and digital content in the field of computer software development; sending messages via electronic transmission; communication services, namely, electronic transmission of data, information, publications and digital content among users; providing an online forum for accessing, sharing and transmitting messages, text, information, documents, publications and digital content among users; providing access to computer networks, namely, providing multiple-user access to a computer network of applications built on a blockchain software platform; providing access to a discussion website on the Internet concerning technical information with respect to computers and concerning a computer project management method (known as model-based design).

42 – Providing software, namely utility programs, language and interpretation processors, on computer networks (in particular the Internet), telecommunication networks and on mobile data services (provision of hosted applications); technical support services with respect to software; customer support services in relation to computer software; services for maintenance of computer software; computer programming; computer system analysis; software research, design and development services; providing online technical information with respect to computers; providing online information with respect to the design and development of computer hardware and software, including

for a computer project management method (known as model-based design); technical support services with respect to software in the form of online journals or blogs; consultation, advisory and information services relating to the aforesaid services; providing software on computer networks (in particular the Internet), telecommunication networks and on mobile data services (provision of hosted applications) in the field of technical information with respect to computers; temporary provision of non-downloadable software applications accessible via a website; information technology (IT) consultancy; software development services.

(260) AM 2023 117599 A
 (800) 1657619
 (151) 2022 01 25
 (891) 2022 01 25
 (731) Stiftung Ethereum (Foundation Ethereum)
 Zeughausgasse 7a, CH-6300 Zug, Switzerland
 (540)

SOLIDITY

(591) Black, white
 (511)
 9 – Downloadable computer software development tools; downloadable computer programs, namely, compilers, assemblers, visual development software and applications development environments; downloadable computer software development tools intended for use in creating applications and smart contracts, developing graphical user interfaces and providing data exchanges and communications between programs and computers in a distributed or networked environment; downloadable computer programs intended for use in the design, development, writing and commissioning of applications, general programs and smart contracts; downloadable computer software frameworks, namely, reusable software platforms to assist in the development of applications, products and software solutions; downloadable computer software for data and application modeling.

38 – Providing online forums for the transmission of messages and information among users concerning data, information, publications and digital content in the field of computer software development; sending messages via electronic transmission; communication services, namely, electronic transmission of data, information, publications and digital content among users; providing an online forum for accessing, sharing and transmitting messages, text, information, documents, publications and digital content among users; providing access to computer networks, namely, providing multiple-user access to a computer network of applications built on a blockchain software platform; providing access to a discussion website on the Internet concerning technical information with respect to computers and concerning a computer pro-

ject management method (known as model-based design).

42 – Providing software, namely utility programs, language and interpretation processors, on computer networks (in particular the Internet), telecommunication networks and on mobile data services (provision of hosted applications); technical support services with respect to software; customer support services in relation to computer software; services for maintenance of computer software; computer programming; computer system analysis; software research, design and development services; providing online technical information with respect to computers; providing online information with respect to the design and development of computer hardware and software, including for a computer project management method (known as model-based design); technical support services with respect to software in the form of online journals or blogs; consultation, advisory and information services relating to the aforesaid services; providing software on computer networks (in particular the Internet), telecommunication networks and on mobile data services (provision of hosted applications) in the field of technical information with respect to computers; temporary provision of non-downloadable software applications accessible via a website; information technology (IT) consultancy; software development services.

(260) AM 2023 117600 A

(800) 1657621

(151) 2022 01 25

(891) 2022 01 25

(731) Stiftung Ethereum (Foundation Ethereum)

Zeughausgasse 7a, CH-6300 Zug, Switzerland

(540)



(591) Black, white

(531) 26.03.04; 26.13.25

(511)

9 – Downloadable computer software development tools; downloadable computer programs, namely, compilers, assemblers, visual development software and applications development environments; downloadable computer software development tools intended for use in creating applications and smart contracts, developing graphical user interfaces and providing data exchanges and communications between programs and computers in a distributed or networked environ-

ment; downloadable computer programs for use in design, development, writing and implementation of applications, general programs and smart contracts; downloadable computer software frameworks, namely, reusable software platforms to assist in the development of applications, products and software solutions; downloadable computer software for data and application modeling.

38 – Providing online forums for the transmission of messages and information among users concerning data, information, publications and digital content in the field of computer software development; sending messages via electronic transmission; communication services, namely, electronic transmission of data, information, publications and digital content among users; providing an online forum for accessing, sharing and transmitting messages, text, information, documents, publications and digital content among users; providing access to computer networks, namely, providing multiple-user access to a computer network of applications built on a blockchain software platform; providing access to a discussion website on the Internet concerning technical information with respect to computers and concerning a computer project management method (known as model-based design).

42 – Providing software, namely utility programs, language and interpretation processors, on computer networks (in particular the Internet), telecommunication networks and on mobile data services (provision of hosted applications); technical support services with respect to software; customer support services in relation to computer software; computer software maintenance services; computer programming; computer system analysis; software research, design and development services; providing online technical information with respect to computers; providing online information with respect to the design and development of computer hardware and software, including for a computer project management method (known as model-based design); technical support services with respect to software in the form of online journals or blogs; consultation, advisory and information services relating to the aforesaid services; providing software on computer networks (in particular the Internet), telecommunication networks and on mobile data services (provision of hosted applications) in the field of technical information with respect to computers; temporary provision of non-downloadable software applications accessible via a website; information technology (IT) consultancy; software development services.

(260) AM 2023 117601 A

(800) 1657669

(151) 2022 01 18

(891) 2022 01 18

(731) Gorilla Drinks Limited

Amathountos, 50E, PEARL BUILDING,
3rd floor, Flat/Office 1, Agios Tychonas,
CY-4532 Limassol, Cyprus

(540)

NO LIMIT

(591) Black, white

(511)

32 – Beer; non-alcoholic beverages; mineral and aerated waters; fruit beverages and fruit juices; syrups and other non-alcoholic preparations for making beverages; aperitifs, non-alcoholic; barley wine [beer]; carbonated water; lithia water; seltzer water; soda water; waters [beverages]; mineral water [beverages]; table waters; kvass; cocktails, non-alcoholic; beer-based cocktails; lemonades; isotonic beverages; non-alcoholic honey-based beverages; rice-based beverages, other than milk substitutes; soya-based beverages, other than milk substitutes; aloe vera drinks, non-alcoholic; whey beverages; protein-enriched sports beverages; soft drinks; non-alcoholic beverages flavoured with coffee; non-alcoholic beverages flavoured with tea; non-alcoholic fruit juice beverages; energy drinks; fruit nectars, non-alcoholic; orgeat; de-alcoholized beer; ginger beer; malt beer; powders for effervescing beverages; sarsaparilla [non-alcoholic beverage]; syrups for lemonade; syrups for beverages; smoothies; tomato juice [beverage]; cider, non-alcoholic; vegetable juices [beverages]; fruit juices; preparations for making non-alcoholic beverages; preparations for making carbonated water; must; grape must, unfermented; beer wort; malt wort; pastilles for effervescing beverages; sherbets [beverages]; non-alcoholic fruit extracts; extracts of hops for making beer; non-alcoholic essences for making beverages.

(260) AM 2023 117602 A

(800) 1657735

(151) 2022 03 11

(891) 2022 03 11

(731) GUANGDONG MANCANDO

INFORMATION TECHNOLOGY CO., LTD.

Floor 22 (Whole Floor), Vanke Sanyuanli

Center, No. 33, Airport Road, Baiyun District,

Guangzhou City, 510080 Guangdong Province,
China

(540)



(591) Black, white

(531) 26.01.04; 26.01.22; 26.01.24; 27.05.01;
27.05.03; 27.05.10; 27.05.24

(511)

7 – Igniting devices for internal combustion engines;
sparking plugs for internal combustion engines; star-

ters for motors and engines; dynamo belts; filters for cleaning cooling air, for engines; joints [parts of engines]; sealing joints [parts of engines]; pistons [parts of machines or engines]; belts for motors and engines; exhausts for motors and engines; radiators [cooling] for motors and engines; oil filters [parts of engines]; air filters [parts of engines]; diesel oil filters [parts of engines]; fuel filters [parts of engines]; pumps [parts of machines, engines or motors]; lubricating pumps; condensing installations; axles for machines; grease boxes [parts of machines]; springs [parts of machines]; shock absorber plungers; shock absorber pistons [parts of machines]; filters being parts of machines or engines; camshafts for vehicle engines; ball-bearings; bearings [parts of machines]; bearings for transmission shafts; anti-friction bearings for machines; filter presses; filtering machines.

12 – Gearing for land vehicles; motors, electric, for land vehicles; clutches for land vehicles; hub caps; bands for wheel hubs; rearview mirrors; shock absorbers for automobiles; connecting rods for land vehicles, other than parts of motors and engines; brake pads for automobiles; spare wheel covers; cigar lighters for automobiles; engine mounts for land vehicles; inner tubes for pneumatic tyres; adhesive rubber patches for repairing inner tubes; automobile tyres; tyres for vehicle wheels; repair outfits for inner tubes; suspension shock absorbers for vehicles; head-rests for vehicle seats; luggage carriers for vehicles; valves for vehicle tyres; hubs for vehicle wheels; vehicle chassis; hydraulic circuits for vehicles; safety seats for children, for vehicles; windscreen wipers; windshield; brakes for vehicles; windscreens; vehicle wheel spokes; vehicle suspension springs; rims for vehicle wheels; vehicle seats; anti-theft alarms for vehicles; horns for vehicles; brake linings for vehicles; brake shoes for vehicles; steering wheels for vehicles; headlight wipers; windshield wipers; brake discs for vehicles.

35 – Business management consultancy; market studies; commercial administration of the licensing of the goods and services of others; public relations; import-export agency services; provision of an online marketplace for buyers and sellers of goods and services; marketing; sales promotion for others; systemization of information into computer databases; compiling indexes of information for commercial or advertising purposes.

(260) AM 2023 117603 A

(800) 800158

(151) 2002 12 09

(891) 2022 04 06

(731) INDUSTRIAS QUÍMICAS DEL VALLES,
S.A.

Avenida Rafael Casanova, 81, E-08100

MOLLET DEL VALLES (Barcelona), Spain

(540)

ARMETIL

(591) Black, white

(511)

5 – Fungicides for phytosanitary purposes.

(260) AM 2023 117604 A

(800) 880575

(151) 2005 11 18

(891) 2022 04 06

(731) Hechenbichler GmbH

Cusanusweg 7, A-6020 Innsbruck, Austria

(540)



(591) Black, white

(531) 01.15.15; 05.01.16; 27.05.01

(511)

1 – Chemicals used in agriculture, horticulture and forestry, especially for liquid manure treatment and composting.

(260) AM 2023 117605 A

(800) 1260595

(151) 2015 05 15

(891) 2022 01 26

(731) SANDRILIONA S.R.L., societate comerciala

Str. Alexandru cel Bun nr. 5, bloc 5,

MD-6801 Ialoveni, Republic of Moldova

(540)



(591) Red, gold, white

(531) 26.01.19; 27.05.02; 29.01.13

(511)

30 – Coffee, tea, cocoa, sugar, rice, tapioca, sago, artificial coffee; flour and preparations made from cereals, bread, pastry and confectionery, ices, chocolate ices with pistachio flavor, with chocolate topping, chocolate glaze, pistachios, nuts; honey, treacle, yeast, baking-powder; salt, mustard, vinegar, sauces (condiments); spices; ice.

(260) AM 2023 117606 A

(800) 1350404

(151) 2017 03 20

(891) 2021 12 16

(731) MAISON MICHEL

120 rue Henri Barbusse, F-93300 Aubervilliers,

France

(540)

MAISON MICHEL

(591) Black, white

(531) 27.05.01

(511)

25 – Clothing, footwear, headgear.

26 – Lace and embroidery, ribbons and braids (haberdashery), buttons, hooks (haberdashery) and eyelets (haberdashery), pins and needles; artificial flowers; haberdashery; hair ornaments, hair bands, hat ornaments not of precious metals; hair nets, hair bows, feathers (clothing accessories).

35 – Retail sale and wholesale services, online or in stores, for fashion products, clothing, headgear and accessories for the hair, namely, clothing, footwear, headgear; lace and embroidery, ribbons and braids (haberdashery), buttons, hooks (haberdashery) and eyelets (haberdashery), pins and needles; artificial flowers; haberdashery; hair ornaments, hair bands, hat ornaments not of precious metals; hair nets, hair bows, feathers (clothing accessories); advertising, marketing and promotion services for these products by any means of communication; presentation and demonstration of fashion products, clothing, headgear and accessories for the hair, by any means of communication; distribution of advertising, commercial and promotional material; public relations services; organization of events, in particular exhibitions, trade fairs and competitions, for commercial or advertising purposes; sales promotion services; commercial negotiation and customer information services.

(260) AM 2023 117607 A

(800) 1352330

(151) 2017 03 20

(891) 2021 12 16

(731) MAISON MICHEL

120 rue Henri Barbusse, F-93300 Aubervilliers,

France

(540)



(591) Black, white

(531) 26.01.01; 26.01.03; 26.01.18; 27.05.22

(511)

25 – Clothing, footwear, headgear; shirts; clothing of leather or imitation of leather; belts (clothing); furs (clothing); gloves (clothing); scarves; neckties; collars, detachable collars, neck scarves [mufflers], ban-

danas; boas (necklets), headbands (clothing); hosiery, berets, caps (bonnets), skull caps, hoods (clothing), hat frames, caps, shawls, paper hats (clothing), headwear, headgear for wear, ear muffs (clothing), top hats, ascots, turbans, visors (headwear), veils (clothing), half veils.

26 – Lace and embroidery, ribbons and braid; buttons, hooks and eyes, pins and needles; artificial flowers; haberdashery (except thread and yarn); lace trimmings; wigs; fastenings or clasps for clothing; hair ornaments, hair bands, ornamental novelty badges (buttons), barrettes (hair grips), hair curlers, hair pins, hat ornaments (not of precious metals); hair, false hair, false mustaches; hair nets, tresses of hair, fringes; artificial garlands, badges for wear not of precious metal; frills; bows for the hair, feathers (clothing accessories); top-knots (pompoms); beads other than for making jewelry; edgings for clothing; hair nets.

35 – Services provided in the context of retailing of fashion goods, clothing, headgear and accessories for the hair.

(260) AM 2023 117608 A

(800) 1469703

(151) 2018 07 23

(891) 2022 02 18

(731) Panasonic Holdings Corporation
1006, Oaza Kadoma, Kadoma-shi,
Osaka 571-8501, Japan

(540)

Panasonic

(591) Black, white

(531) 27.05.17

(511)

7 – Machine tools; motors and engines [except for land vehicles]; machine coupling and transmission components [except for land vehicles]; agricultural implements other than hand-operated; incubators for eggs; automatic vending machines; welding machines; industrial robots; soldering apparatus, gas-operated; soldering apparatus, electric; chip mounting machines; semiconductor manufacturing apparatus and machines; electric arc welding machines and apparatus; cutting machines; metal cutting machines and apparatus; electronic component placement machines and apparatus; electronic component insertion machines and apparatus; feeders for machines; electronic component feeding machines and apparatus; bonding machines; assembly machines; laser processing machines and apparatus; engraving machines; condensing installations; electric power tools; chucks for power drills; grinding machines; saws [machines]; blades for electric power tools; heat exchangers [parts of machines]; extracting machines; dispensing machines; printing machines; 3D printers; electric motors [other than for land vehicles]; driving motors other than for land ve-

hicles; electricity generators; wind-powered electricity generators; AC generators [alternators]; solar power generating apparatus; centrifugal blowers; axial flow blowers; reduction gears [other than for land vehicles]; lifting machines; elevators [lifts]; electric door openers; automatic door closers, electric; curtain drawing devices, electrically operated; electric washing machines; washing machines [laundry]; dish washing machines; drums [parts of machines]; compressors [machines]; pumps for machines; electric pumps; mixing machines; chopping machines; food mixing machines; food cutting machines; food chopping machines; apparatus for use in processing food; electric hand mixers for household purposes; electric food processors for household use; electric coffee mills; electric blenders for household purposes; electric juicers for household purposes; electric meat grinders for household purposes; rice polishing machines; electric ice crushers; garbage disposals; machines and apparatus for cleaning, electric; electric vacuum cleaners; electric floor polishers; blowing machines; air suction machines; dust filters and bags for vacuum cleaners; electric dust collecting machines; apparatus for aerating water; packaging machines; filters for motors and engines; gas filters for engines; vending machines; temperature-controlled beverage dispensers (vending machines); agricultural machines; plant growth chambers (machines) and incubators for agricultural purposes; composting machines; chemical supplying pumps (machines) for use in production lines; exhaust gas treatment apparatus; urethane foaming machines; painting and coating machines; machines for disposal and recovery of waste products and scraps; parts and fittings for all the aforesaid goods; fermenting machines for food products.

9 – Scientific, nautical, surveying, weighing, measuring, signalling, checking [supervision], life-saving and teaching apparatus and instruments; apparatus and instruments for conducting, switching, transforming, accumulating, regulating or controlling electricity; apparatus for recording, transmission or reproduction of sound or images; magnetic data carriers, recording discs; compact discs, DVDs and other digital recording media; mechanisms for coin-operated apparatus; cash registers, calculating machines, data processing equipment, computers; computer software; fire-extinguishing apparatus; cameras; camera cases; digital still cameras; digital photo frames; batteries; dry cells; rechargeable batteries; electric accumulators; electric batteries for vehicles; electric batteries for electric vehicles; batteries for mobile phones; battery chargers; nickel cadmium batteries; nickel-metal hydride batteries; lithium batteries; lithium ion batteries; fuel cells; solar batteries; electric converters; solar panels for electricity generation; battery chargers for electric vehicles; electric wiring devices and instruments; sensor switches; electrical connectors; electric switches; electric sockets; dimmer switches; time switches; mag-

netic switches; light dimmers; switchboards; electric switch boxes; electric cables; electricity conduits; electricity ducts; electric cable racks; lighting ballasts; circuit breakers; electro-magnetic switches; electric circuit protectors; thermal surge protectors; power distributing boxes; electrical outlets; power strips; current converters; electrical outlet covers; electrical outlet plates; antennas; aerials; distribution boards [electricity]; electric power monitoring units; control panels [electricity]; indicator panels; terminals [electricity]; indicator lights; signalling lamps; modular jacks for telephones; electrical adaptors; power adapters; earth terminals; electrical power extension cords; modular jacks for networks; electric wiring ducts; warning apparatus and instruments; video intercoms; intercoms; gas leak alarms; anti-theft warning apparatus; glass break detectors; passive infrared detectors; infrared detectors; electric door chimes; radio receivers and transmitters; buzzers; fire alarms; fire detectors; emergency alarms; electric warning lights; emergency signalling lights; emergency warning lights; electric locks; video surveillance systems; biometric access control systems and electronic readers and controllers for use in access control systems; face recognition equipment for access controls; iris recognition access control systems; cameras for iris recognition security; surveillance cameras; illuminated exit signs; apparatus and instruments for remote monitoring; apparatus and instruments for remote communication; apparatus and instruments for remote controlling; radios; audio tape recorders and players; digital audio players and recorders; digital video players and recorders; portable media players; MP3 players; cases for portable media players; audio speakers; stereo tuners; amplifiers; power amplifiers; microphones; record players; record player turntables; digital voice recorders; digital sound processors; headphones; earphones; stereos; stereo components; audio mixers; audio head cleaning apparatus; optical fiber cables; audio and video cables; wireless microphone systems comprising microphones, transmitters and receivers, speakers, amplifiers and tuners; audio equalizers; electronic audio signal processors; car audio apparatus; rearview cameras for vehicles; rearview monitors for vehicles; woofers; subwoofers; automatic disc changers; video apparatus; television sets; plasma televisions; plasma display panels; stands for televisions; mounting brackets adapted for televisions; liquid crystal display (LCD) televisions; liquid crystal displays; liquid crystal display panels; wireless liquid crystal display (LCD) monitors; organic light emitting diodes (OLED) displays; organic light emitting diodes (OLED) televisions; organic light emitting diodes (OLED); 3d televisions; audio and video player-combined televisions; video tuners; projectors; liquid crystal display (LCD) projectors; lenses for projectors; video tape recorders; video tape players; camcorders; tripods for cameras; DVD recorders; DVD players; cable television receivers; set top boxes; computer hardware

and software for displaying educational materials; electronic display boards; video cameras for broadcasting; computer hardware and software for use in DVD authoring; light emitting diode displays; in-vehicle cameras; network monitoring cameras; video surveillance cameras; live image switchers; downloadable electronic publications; video monitors; video switchers; video mixers; home theater systems, comprising digital video players, audio amplifiers and audio speakers; video signal splitters; image recognition apparatus; three-dimensional eyeglasses; satellite receivers; optical disc drives; optical disc recorders; optical disc players; communication apparatus; facsimile machines; telephones; mobile phones; smartphones; smart watches; accessories for mobile phones, namely, battery packs, cases, lanyards, chargers, holders, power supply adapters, headsets, earphones and microphones; hands-free kits for mobile phones; cordless telephones; telephone answering machines; private branch exchanges; global positioning system [GPS] apparatus; transceivers; encoding and decoding apparatus; navigation apparatus for vehicles [on-board computers]; car navigation systems; digital signage; remote controllers; transmitters and receivers for remote controls; apparatus for distributing or controlling electricity; electric power controllers; programmable logic controllers; computers; computer peripheral devices; tablet computers; mobile computers; wearable computers; hard disc drives; usb cables; image scanners; printers for computers; empty toner cartridges for computer printers; toner cartridges sold empty; photo printers; video printers; digital color copiers; multi-function copiers; multi-function printers; electronic blackboards; electronic whiteboards; PC cards; computer keyboards; floppy disk drives; electronic card readers; electronic card readers and writers; bar code readers; bar code scanners; electronic mobile data terminals; electronic cash registers; electronic calculators; routers; monitors [computer hardware]; ethernet adapters; computer port replicators; downloadable electronic maps; downloadable image and video files; downloadable electronic data files for computer programs; pre-recorded dvds; downloadable computer programs; computer software for processing images and graphics; scientific research and laboratory apparatus; computer hardware and software for image recognition for security and surveillance; computer hardware and software for video surveillance of factory production lines; radio-frequency modulators; computer networks; computer servers; data storage media; blank video tapes; head cleaning tapes for audio and video tape recorders and players; blank audio tapes; blank floppy discs; blank optical discs; memory cards; ic memory cards; dosimeters; counters; ammeters; thermometer, not for medical purposes; voltmeters; weighing machines; pedometers; calorie consumption monitors for use during sporting activities; exercise intensity and pitch monitors for use during sporting activities; electricity meters; gas meters; water meters;

wattmeters; distance measuring apparatus; sensors; light-emitting diodes; microcomputers; semi-conductors; semiconductor memory devices; integrated circuits; oxygen regulators; signal tuners; radio frequency modulators; coin validators; coin sorters; banknote validators; banknote sorters; electric power supply modules; dc/dc converters; inductors [electricity]; capacitors; power capacitors; diodes; transistors; electric signal filters; electromagnetic noise reduction filters; optical modulators; optical transmitters; optical sensors; optical connectors; optical lenses; electric circuits; transformers; thermistors; varistors; oscillators; acousto-optic devices; electric resistors; potentiometers; thermal cutoffs; encoders; magneto-resistive devices; electric chip coils; electric choke coils; current sensors; touch panels; remote controls; duplexers; surface acoustic wave devices; surface acoustic wave filters; baluns; electric power distributors; wireless communication devices; radio frequency amplifiers; frequency synthesizers; laser diodes; magnetic cores; fuses; electric relays; solenoids; electric power supplies; electric inverters; electric timers; electric circuit boards; printed circuit boards; circuit overload protector devices; ionization apparatus for scientific or laboratory use; ionization apparatus, not for the treatment of air or water; magnetron oscillators; internal cooling fans for computers; internal cooling fans for communication devices; lasers, not for medical purposes; marking gauges for joinery purposes; luminous or mechanical road signs; uninterruptible electrical power supplies; time clocks [time recording devices]; power line communication adapters; temperature indicators; moisture meters; microscopes; protective helmets; riding helmets; protective helmets for sports; humanoid robots with artificial intelligence; personal robots, namely, interactive social and emotive robots for personal use that provide information, entertainment, education, and communication capabilities; robots for laboratory use; temperature controllers; electric terminal blocks; image processors; semiconductor inspection apparatus; incubators for bacteria culture; incubators for laboratory use; plant growth chambers for laboratory use; clean benches for laboratory use; biological safety cabinets for laboratory use; computer hardware and software for VLC (visible light communications) for the transmission of electronic data, namely video, music, image, text and sound; computer hardware and software for internet of things (IoT); computer hardware and software for machine-to-machine (M2M) communication; computer hardware and software for text-to-speech converting; computer hardware and software for management of customer information; computer hardware and software for point-of-sales [POS] systems; computer database servers; computer groupware; downloadable cloud computing software; electronic control units for vehicles; electronic control units for vehicle batteries; head-up displays for vehicles; sonars; digital panel meters; electronic data archiving apparatus; electronic data storing appa-

ratus; clothing for protection against accidents, irradiation and fire; gloves for protection against accidents, irradiation and fire; parts and fittings for all the aforesaid goods; electronic writing boards.

11 – Apparatus for lighting, heating, steam generating, cooking, refrigerating, drying, ventilating, water supply and sanitary purposes; lighting apparatus and installations; electric light bulbs; incandescent lamps; miniature light bulbs; flashlights [torches]; electric lanterns; motion sensitive security lights; discharge lamps; stage lighting apparatus; wall lights; ceiling lights; germicidal lamps; chandeliers; downlights; desk lights; sockets for electric lights; lanterns; spotlights; safety lamps; light diffusers; searchlights; cycle lights; electric fans; portable searchlights; pen lights; installations for cooking; electric cooking utensils; microwave ovens; bread baking machines; electric kettles; electric cooking pots; electric pressure cookers; electric rice cookers; electric rice warmers; electric food warmers; electric roasters; cooking ovens; toasters; electric sandwich toasters; electric coffee makers; electric ice cream makers; electric cooking stoves; gas cookers; induction cookers; electric cookers; electric cooling pans; sinks; faucets; electric frying pans; refrigerators; gas refrigerators; freezers; water dispensers; water coolers; ice makers; cool boxes, electric; refrigerating display cabinets; refrigerating showcases; freezer display cases; heat exchanger-typed air cooling units; ventilating apparatus and instruments; ventilating fans for household use; dehumidifiers; humidifiers; air curtains; ceiling fans; ventilating fans; electrostatic precipitators for cleaning air; electric air blowers for air conditioning or ventilating; air purifying apparatus and machines; filters for air purifiers; range hoods; air filtering installations; installations for air heating; air conditioners; air conditioners for vehicles; air filters for air conditioners; heat exchangers; electrically heated carpets; electric space heaters; electric blankets, not for medical purposes; electric radiant heaters; hot-water space heating apparatus; electric heating apparatus; electric foot warmers; floor heating apparatus; heaters for vehicles; electric water heaters; gas fired heaters; water heaters; gas water heaters; heat pumps; solar water heaters; waste water treatment apparatus; water supply installations; watering installations, automatic; sanitary installations and apparatus; toilet stool units with a washing water squirter; saunas; showers; shower apparatus; shower heads; water boilers; bathtubs; bathroom installations; bathtub jets; whirlpool baths; toilets; toilet bowls; water ionizers; bidets; portable toilets; portable bidets; wash-hand basins [parts of sanitary installations]; sterilizers; water softening apparatus; water purifying apparatus; drying apparatus; clothes drying machines; electric clothes drying machines; electric hand dryers; electric hair dryers; electric dish dryers; dish dryers; electric hair steamers; steam facial apparatus [saunas]; electric autoclaves; facial saunas; fabric steamers; watering machines for agricultural

purposes; fog generators for air conditioning, purifying and sterilising purposes; ventilation hoods; air deodorizing apparatus; apparatus for generating ultra-pure water; cooling water circulation apparatus; hazardous liquid treatment apparatus; air nozzles for air conditioning; thermal incineration installations; solvent recovery and recycling (purification) installations; wash-hand bowls [parts of sanitary installations]; automatic temperature regulators for central heating radiators; fan coil units for air conditioning; ionisation apparatus for the treatment of air or water; ozone water generators being water purification apparatus; refrigerating containers; refrigerating containers; coffee roasters; temperature-controlled beverage dispensers excluding vending machines; sterilisers for dental instruments; parts and fittings for all the aforesaid goods.

(260) AM 2023 117609 A

(800) 1479033

(151) 2019 05 17

(891) 2022 04 01

(731) Closed Joint Stock Company "Qulix Systems"
Melnikayte st., 4-2, office 607A,
220004 Minsk, Belarus

(540)



The logo for Qulix SYSTEMS features the word "Qulix" in a large, bold, blue sans-serif font. Below it, the word "SYSTEMS" is written in a smaller, blue, all-caps sans-serif font. The letters are spaced out, and the overall design is clean and modern.

(591) Black and blue

(531) 27.05.10; 29.01.12

(511)

42 – Computer software design; computer system analysis; consultancy in the design and development of computer hardware; computer software consultancy; quality control; updating of computer software; maintenance of computer software; conversion of computer programs and data, other than physical conversion; computer system design; creating and maintaining web sites for others; computer programming.

(260) AM 2023 117610 A

(800) 1509846

(151) 2019 10 31

(891) 2022 03 29

(731) VIVOZON PHARMACEUTICAL CO., LTD.
34-40, Jeyakongdan 2-gil, Hyangnam-eup,
Hwaseong-si, Gyeonggi-do, Republic of Korea

(540)

J-CAIN

(591) Black, white

(511)

5 – Drugs for medical purposes; medicines for human purposes; analgesics; febrifuges; pharmaceutical ag-

ents affecting sensory organs; pharmaceutical cold preparations; pharmaceutical preparations for health care; anti-cough drops; vitamin and mineral supplements; non-prescription medicines; vitamin drops; pharmaceutical preparations for wounds; crude medicines; anti-inflammatory and antipyretic preparations; pharmaceutical agents affecting digestive organs; pharmaceutical preparations for the treatment of digestive diseases; allergy medications; anaesthetic preparations.

(260) AM 2023 117626 A

(800) 1657829

(151) 2021 12 06

(891) 2021 12 06

(731) Kolesnyk Andrii Mykolaiovych
prosp. 40-richchia Zhovtnia, 88, kv. 58,
m. Kyiv 03040, Ukraine

(540)

МАХАЧ

(591) Black, white

(531) 28.05

(511)

35 – Advertising; administration of consumer loyalty programs; administration of frequent flyer programs; administrative assistance in responding to calls for tenders; administrative processing of purchase orders; administrative services for medical referrals; administrative services for the relocation of businesses; advertising; advertising agency services; advertising by mail order; production of advertising films; rental of advertising space; rental of advertising time on communication media; appointment reminder services [office functions]; appointment scheduling services [office functions]; auctioneering; bill-posting; rental of billboards [advertising boards]; book-keeping; advisory services for business management; business appraisals; business auditing; business efficiency expert services; business inquiries; business intermediary services relating to the matching of potential private investors with entrepreneurs needing funding; business investigations; business management and organization consultancy; business management assistance; business management consultancy; business management for freelance service providers; business management of hotels; business management of performing artists; business management of reimbursement programmes for others; business management of sports people; business organization consultancy; business project management services for construction projects; business research; professional business consultancy; providing business information; providing business information via a website; commercial administration of the licensing of the goods and services of others; commercial information agency services; commercial intermediation services; commercial lobbying services; commercial or industrial management assistance; providing commercial and business contact information; provi-

ding commercial information and advice for consumers in the choice of products and services; competitive intelligence services; compilation of information into computer databases; compilation of statistics; compiling indexes of information for commercial or advertising purposes; computerized file management; consultancy regarding advertising communication strategies; consultancy regarding public relations communication strategies; consumer profiling for commercial or marketing purposes; corporate communications services; cost price analysis; data search in computer files for others; demonstration of goods; development of advertising concepts; direct mail advertising; dissemination of advertising matter; distribution of samples; drawing up of statements of accounts; economic forecasting; employment agency services; organization of exhibitions for commercial or advertising purposes; organization of fashion shows for promotional purposes; financial auditing; gift registry services; import-export agency services; interim business management; invoicing; layout services for advertising purposes; market intelligence services; market studies; marketing; marketing in the framework of software publishing; marketing research; media relations services; modelling for advertising or sales promotion; negotiation and conclusion of commercial transactions for third parties; negotiation of business contracts for others; news clipping services; arranging newspaper subscriptions for others; office machines and equipment rental; rental of office equipment in co-working facilities; online advertising on a computer network; online retail services for downloadable and pre-recorded music and movies; online retail services for downloadable digital music; online retail services for downloadable ring tones; provision of an online marketplace for buyers and sellers of goods and services; opinion polling; outdoor advertising; outsourced administrative management for companies; outsourcing services [business assistance]; pay per click advertising; payroll preparation; personnel management consultancy; personnel recruitment; photocopying services; rental of photocopying machines; presentation of goods on communication media, for retail purposes; price comparison services; procurement services for others [purchasing goods and services for other businesses]; promotion of goods and services through sponsorship of sports events; psychological testing for the selection of personnel; public relations; publication of publicity texts; publicity material rental; radio advertising; registration of written communications and data; retail services for pharmaceutical, veterinary and sanitary preparations and medical supplies; retail services for works of art provided by art galleries; retail services relating to bakery products; rental of sales stands; sales promotion for others; scriptwriting for advertising purposes; search engine optimization for sales promotion.

41 – Education; providing of training; entertainment; academies [education]; aikido instruction; amusement

park services; providing amusement arcade services; animal training; rental of artwork; rental of audio equipment; organization of balls; arranging of beauty contests; boarding school education; booking of seats for shows; calligraphy services; providing casino facilities [gambling]; cinema presentations; rental of cinematographic apparatus; club services [entertainment or education]; coaching [training]; arranging and conducting of colloquiums; organization of competitions [education or entertainment]; arranging and conducting of concerts; arranging and conducting of conferences; arranging and conducting of congresses; correspondence courses; organization of cosplay entertainment events; cultural, educational or entertainment services provided by art galleries; disc jockey services; discotheque services; dubbing; educational examination; educational examination for users to qualify to pilot drones; educational services provided by schools; educational services provided by special needs assistants; electronic desktop publishing; entertainer services; entertainment services; organization of exhibitions for cultural or educational purposes; face painting; organization of fashion shows for entertainment purposes; film directing, other than advertising films; film distribution; film production, other than advertising films; providing films, not downloadable, via video-on-demand services; conducting fitness classes; gambling services; game services provided online from a computer network; games equipment rental; providing golf facilities; conducting guided climbing tours; conducting guided tours; gymnastic instruction; health club services [health and fitness training]; holiday camp services [entertainment]; arranging and conducting of in-person educational forums; rental of indoor aquaria; providing information in the field of education; providing information in the field of entertainment; providing information relating to recreational activities; judo instruction; karaoke services; know-how transfer [training]; language interpretation; layout services, other than for advertising purposes; lending library services; lighting technician services for events; rental of lighting apparatus for theatrical sets or television studios; organization of lotteries; microfilming; mobile library services; modelling for artists; rental of motion pictures; movie studio services; providing museum facilities [presentation, exhibitions]; music composition services; production of music; news reporters services; nightclub services [entertainment]; nursery schools; online publication of electronic books and journals; providing online electronic publications, not downloadable; providing online music, not downloadable; providing online videos, not downloadable; orchestra services; party planning [entertainment]; personal trainer services [fitness training]; photographic reporting; photography; physical education; physical fitness assessment services for training purposes; practical training [demonstration]; presentation of circus performances; presentation of live performances; presentation of va-

riety shows; publication of books; publication of texts, other than publicity texts; production of radio and television programmes; radio entertainment; rental of radio and television sets; recording studio services; providing recreation facilities; religious education; sado instruction [tea ceremony instruction]; screenplay writing; scriptwriting, other than for advertising purposes; arranging and conducting of seminars; rental of show scenery; organization of shows [impresario services]; production of shows; sign language interpretation; rental of skin diving equipment; song-writing; rental of sound recordings; sound engineering services for events; sport camp services; organization of sports competitions; providing sports facilities; rental of sports equipment, except vehicles; rental of sports grounds; rental of stadium facilities; rental of stage scenery; subtitling; arranging and conducting of symposiums; teaching/educational services; providing television programmes, not downloadable, via video-on-demand services; television entertainment; rental of tennis courts; theatre productions; ticket agency services [entertainment]; timing of sports events; toy rental; rental of training simulators; training services provided via simulators; translation; tutoring; providing user rankings for entertainment or cultural purposes; providing user reviews for entertainment or cultural purposes; rental of video cameras; rental of video cassette recorders; video editing services for events; videotape editing; rental of videotapes; videotaping; vocational guidance [education or training advice]; vocational retraining; arranging and conducting of workshops [training]; writing of texts; zoological garden services.

(260) AM 2023 117627 A

(800) 1657835

(151) 2022 02 17

(891) 2022 02 17

(731) QUANZHOU LIZAO TRADING CO. LTD
Room 306, 3rd Floor, Zixin Building, No.216
Jinqi Road, Donghai Street, Fengze District,
Quanzhou City, 362000 Fujian Province,
China

(540)

UMYOGO

(591) Black, white

(531) 27.05.01

(511)

25 – Clothing; ready-made clothing; layettes [clothing]; bathing suits; raincoats; shoes; caps being headwear; hosiery; scarves; leather belts [clothing].

(260) AM 2023 117674 A

(800) 1659011

(151) 2021 10 01

(891) 2021 10 01

(731) TEQBALL HOLDING S.A.R.L.

44, avenue John F. Kennedy, L-1855

Luxembourg, Luxembourg

(540)



(591) Black, white

(531) 26.01.03; 26.11.09

(511)

25 – Ankle pants; ankle socks; arm warmers [clothing]; articles of clothing for human beings; athletic footwear for runners; athletic footwear for soccer; athletic pants; athletic shirts; athletic shoes; athletic shorts; athletic skirts; athletic tights; athletic tops and bottoms for runners; athletic tops and bottoms for yoga; athletic uniforms; bags specially adapted for football shoes; baseball caps; beach hats; beanies; belts for clothing; belts made from imitation leather; belts made of cloth; belts made of cloth [clothing]; belts made of fabric; belts made of leather; belts made of textile; bomber jackets; boots for gymnastics; camp shirts; canvas shoes; caps being headwear; clothing, footwear and headwear for human beings; clothing, footwear, headgear; clothing for children; clothing for boys; clothing for girls; clothing for gymnastics; clothing for men; clothing for men, women and children; clothing for sports; clothing for women; clothing of imitations of leather; clothing of leather or imitations of leather; coats for men; coats for women; coats made of cotton; collared shirts; crop leggings; crop tops; dresses; dresses for children; dresses for girls; dresses for women; dress pants; dress shoes; dress shirts; flat shoes; footwear for adults; footwear for children; footwear for men; footwear for men and women; footwear for women; hooded sweatshirts; hooded pullovers; hooded tops; hoods [clothing]; leather belts [clothing]; leisure footwear; leisure shoes; leisure wear; linen clothing; men's socks; pocket squares; printed T-shirts; raincoats; rain ponchos; replica soccer shorts; replica soccer socks; replica soccer shirts, shorts and socks; replica soccer shirts; running shoes; running suits; shell jackets; shirts for women; shirts for wear with suits; shirts for men; shirts for children; shirts for adults; shirts [business wear]; shirts; shoes; shoes for men; shoes for children; shoes for women; shoes for adults; shorts; shorts for men; shorts for children; shorts for adults; short sets [clothing]; shorts for women; skull caps; soccer shirts; soccer shoe bags; soccer shorts; soccer socks; socks; sport coats; sports bras; sports caps; sport shirts; sports jackets; sports jerseys; sports shirts; sports shoes; sports socks; sports vests; strapless bras; stretch pants; sweaters; sweaters for adults; sweaters for children; sweaters for men; sweaters for women; sweatpants; sweatpants for

adults; sweatpants for children; sweatpants for men; sweatpants for women; sweatshirts; sweat shorts; sweatsocks; tennis clothing; tennis dresses; tennis shirts; tennis shoes; tennis shorts; tennis skirts; tennis socks; tennis suits; tennis sweatbands; tennis sweaters; tennis tops; textile belts [clothing]; thermal clothing; tops [clothing]; tops for adults; tops for children; tops for men; tops for women; toques; track jackets; track shoes; tracksuits; tracksuit tops; training shoes; T-shirts with designer logos; T-shirts with logos; underpants; underwear; volleyball jerseys; volleyball shoes; warm-up jackets; warm-up pants; warm-up tops; waterproof clothing; waterproof jackets; waterproof pants [trousers]; weatherproof jackets; weatherproof clothing; windproof clothing; wind-resistant jackets; women's underwear; women's socks.

28 – Amusement and game apparatus adapted for use with an external display screen or monitor; amusement apparatus adapted for use with an external display screen or monitor; amusement apparatus for use in arcades; amusement apparatus for use with a television screen; amusement game machines; amusement machines, automatic and coin-operated; apparatus for consumer games adapted for use with an external display screen or monitor; apparatus for electronic games adapted for use with an external display screen or monitor; apparatus for electronic games other than those adapted for use with an external display screen or monitor; apparatus for games; apparatus for games other than those adapted for use with an external display screen or monitor; arcade game machines; arcade video game machines; bags adapted for use with sporting equipment; bags specially adapted for sports equipment; balls for games; balls for playing paddleball; balls for playing platform tennis; balls for racket sports; balls for sports; computerized video game tables for gaming purposes; computerized video table games for gaming purposes; controllers for game consoles; dreidels; educational toys; electronic and electromechanical gaming tables with video output; electronic educational game machines for children; electronic games apparatus; electronic games consoles adapted for use with an external display screen or monitor; electronic hand-held game units; electronic targets; electronic targets for games and sports; electronic toys; equipment for playing outdoor games; exercise equipment; exercise equipment, other than for medical rehabilitative purposes; exercise equipment, other than for physical therapy purposes; foosball tables; game apparatus adapted for use with an external display screen or monitor; game consoles; game machines and apparatus; games; games and playthings; games apparatus adapted for use with television receivers; games, toys and playthings; hand-held apparatus for electronic games; hand-held electronic games; hand-held electronic games adapted for use with television receivers only; hand-held electronic game units adapted for use with an external display screen or monitor; hand-held electronic video games; hand-held

game consoles; hand-held games with liquid crystal displays; hand-held joystick units for playing video games; hand-held units for playing electronic games; hand-held units for playing electronic games for use with an external display screen or monitor; hand-held units for playing electronic games, other than those adapted for use with an external display screen or monitor; hand-held units for playing video games; hand-held units for playing video games, other than those adapted for use with an external display screen or monitor; hand-held video game apparatus; hand-held video game consoles; interactive remote control units for video games; machines and apparatus for physical exercise; machines for physical exercises; motion controllers for computer and video games; nets for soccer goals; outdoor play equipment; outdoor toys; paddles for playing paddleball; paddles for playing platform tennis; physical exercise apparatus, other than for medical purposes; platform tennis nets; pocket-sized apparatus for playing video games; portable games and toys incorporating telecommunication functions; portable games incorporating telecommunication functions; portable games with liquid crystal displays; portable toys incorporating telecommunication functions; soccer balls; soccer goals; sporting articles; sports equipment; stand-alone video game machines; tables for table football; table football tables; table tennis rackets; table tennis nets; table tennis balls; tables for table tennis; target games; toys incorporating telecommunication functions; video game apparatus; video game consoles; video game consoles for use with an external display screen or monitor; video game machines; video game machines for use with an external display screen or monitor; video game machines for use with televisions; video games apparatus adapted for use with an external display screen or monitor; video output game machines for use with an external display screen or monitor; video output game machines for use with televisions; volleyballs; gaming headsets specially adapted for use in playing video games.

41 – Adult education; adult training; advanced training; advisory services relating to training; amusement arcade services; amusement center services; animation production services; arranging and conducting of athletic competitions; arranging and conducting of business conferences; arranging and conducting of classes; arranging and conducting of competitions [education or entertainment]; arranging and conducting of conferences; arranging and conducting of colloquiums, conferences, congresses, seminars, symposiums and training workshops; arranging and conducting of colloquiums, conferences and congresses; arranging and conducting of colloquiums; arranging and conducting of conferences and congresses; arranging and conducting of conferences and exhibitions for cultural or educational purposes; arranging and conducting of conferences and seminars; arranging and conducting of conferences, congresses and symposi-

ums; arranging and conducting of conferences, congresses, concerts, symposiums, seminars, training courses, classes and lectures; arranging and conducting of conferences, congresses, seminars and training workshops; arranging and conducting of conferences, congresses, seminars, symposiums, training courses, classes and lectures; arranging and conducting of conferences, congresses, symposiums and seminars; arranging and conducting of conferences, conventions and exhibitions for cultural or educational purposes; arranging and conducting of conferences, conventions, educational exhibitions, classes, lectures, seminars and training workshops; arranging and conducting of conferences, seminars and symposiums; arranging and conducting of congresses; arranging and conducting of conventions; arranging and conducting of cultural activities; arranging and conducting of cultural events; arranging and conducting of educational conferences; arranging and conducting of educational courses; arranging and conducting of educational events; arranging and conducting of educational seminars; arranging and conducting of entertainment activities; arranging and conducting of entertainment events; arranging and conducting of entertainment, sporting and cultural activities; arranging and conducting of exhibitions for entertainment purposes; arranging and conducting of fitness classes; arranging and conducting of games; arranging and conducting of in-person educational forums; arranging and conducting of lectures; arranging and conducting of live entertainment events; arranging and conducting of meetings in the field of education; arranging and conducting of meetings in the field of entertainment; arranging and conducting of seminars; arranging and conducting of seminars and training workshops; arranging and conducting of seminars, conferences and exhibitions for cultural or educational purposes; arranging and conducting of seminars, conferences, training courses and further training; arranging and conducting of seminars, congresses, conferences and symposiums; arranging and conducting of seminars, workshops [education], congresses, colloquia, distance learning courses and exhibitions for cultural purposes; arranging and conducting of soccer training programs; arranging and conducting of sporting and cultural events; arranging and conducting of sporting events; arranging and conducting of sports competitions; arranging and conducting of sports events; arranging and conducting of symposiums; arranging and conducting of training courses; arranging and conducting of training seminars; arranging and conducting of tutorials; arranging and conducting of workshops and seminars; arranging and conducting of workshops [training]; arranging and conducting of workshops, tutorials, seminars and conferences; arranging and conducting of youth soccer training programs; arranging and conducting online workshops in the field of health; arranging and conducting online workshops in the field of wellness; arranging and conducting workshops in weight cont-

rol; arranging award ceremonies and gala evenings for entertainment purposes; arranging award ceremonies for entertainment purposes; arranging award ceremonies for major corporations and individuals who have made significant charitable contributions; arranging, conducting and organization of colloquiums; arranging, conducting and organization of conferences; arranging, conducting and organization of conferences, congresses, colloquiums, workshops [training], seminars and symposiums; arranging, conducting and organization of congresses; arranging, conducting and organization of seminars; arranging, conducting and organization of symposiums; arranging, conducting and organization of training workshops; arranging gala evenings for entertainment purposes; arranging of classes; arranging of colloquiums; arranging of competitions for education or entertainment; arranging of competitions via the Internet; arranging of conferences; arranging of congresses; arranging of contests; arranging of conventions; arranging of cultural and sporting events; arranging of cultural events; arranging of educational conferences; arranging of educational courses; arranging of educational events; arranging of educational seminars; arranging of entertainment events; arranging of entertainment shows; arranging of exhibitions, congresses, seminars and conferences for cultural and entertainment purposes; arranging of exhibitions for cultural or educational purposes; arranging of exhibitions for training purposes; arranging of exhibitions, seminars and conferences; arranging of film events, live musical events, and cultural and sporting events; arranging of film events, musical events, cultural and sporting events and live entertainment events; arranging of games and competitions via the Internet; arranging of in-person educational forums; arranging of live entertainment events; arranging of seminars; arranging of seminars and conferences; arranging of soccer games; arranging of sports competitions; arranging of sports competitions to needy children for charitable purposes; arranging of sports competitions to underprivileged persons for charitable purposes; arranging of sports training to needy children for charitable purposes; arranging of sports training to underprivileged persons for charitable purposes; arranging of symposiums; arranging of symposiums and training workshops; arranging of training courses; arranging of training courses in teaching institutes; arranging of training seminars; arranging of workshops and seminars; arranging professional workshop and training courses; audio and video editing services; audio and video recording services; audio entertainment services; audio, film, video and television recording services; betting services; body awareness instruction; business education; business training; business training consultancy; club services [entertainment or education]; club services in the nature of entertainment; coaching [education and training]; coaching in the field of sports; coaching [training]; computer-based training; computer-based train-

ning courses; computer education training services; conducting entertainment events, cultural events, live sports events, educational events, and entertainment and cultural activities; conducting exercise classes; conducting fitness classes; conducting of business conferences; conducting of classes; conducting of colloquiums; conducting of competitions on the Internet; conducting of conferences; conducting of congresses; conducting of conventions; conducting of cultural activities; conducting of cultural events; conducting of distance learning courses; conducting of educational conferences; conducting of educational courses; conducting of educational events; conducting of educational seminars; conducting of entertainment activities; conducting of entertainment events; conducting of exhibitions in the field of entertainment; conducting of instructional, educational and training courses for young people and adults; conducting of live entertainment events; conducting of seminars; conducting of soccer games; conducting of sports competitions; conducting of sports events; conducting of symposiums; conducting of training courses; conducting of training courses in the field of technology and innovation; conducting of training seminars; conducting of training workshops; conducting of workshops and seminars; conducting physical fitness conditioning classes; consultancy and information services relating to arranging, conducting and organization of colloquiums; consultancy and information services relating to arranging, conducting and organization of conferences; consultancy and information services relating to arranging, conducting and organization of congresses; consultancy and information services relating to arranging, conducting and organization of seminars; consultancy and information services relating to arranging, conducting and organization of symposiums; consultancy and information services relating to arranging, conducting and organization of training workshops; consultancy relating to arranging and conducting of colloquiums; consultancy relating to arranging and conducting of conferences; consultancy relating to arranging and conducting of congresses; consultancy relating to arranging and conducting of seminars; consultancy relating to arranging and conducting of symposiums; consultancy relating to arranging and conducting of training workshops; consultancy relating to education and training; consultancy relating to physical fitness training; consultancy relating to training and further training; consultancy relating to training, further training and education; consultancy services in the field of entertainment; consultancy services in the field of entertainment provided via the Internet; consultancy services relating to training; continuous training services; cultural activities; digital imaging services [editing of images]; digital imaging services [photography]; digital photography; digital video, audio and multimedia entertainment publishing services; distance learning services provided on-line; editing of photographs; editing of printed matter and

texts; editing of video recordings; editing of texts; educational and entertainment services provided by an association to its members; educational and instruction services; educational and instruction services relating to arts, crafts, sports or general knowledge; educational and instruction services relating to sport; educational and teaching services; educational and training services relating to games; educational and training services relating to sport; educational consultancy; educational examination; educational services in the nature of coaching; education and entertainment services; education and training in the field of business management; education and training in the field of electronic data processing; education and training services; education information; education in the field of business management; education, teaching and training; education, training and entertainment services; education, training and instructional services in relation to manufacturing and production; electronic games services provided by means of a global communication network; electronic games services provided by means of the Internet; electronic games services provided by means of the Internet or other communication network; entertainer services; entertainment and sporting activities; entertainment by Internet protocol television; entertainment by means of wireless television broadcasts; entertainment information; entertainment in the nature of animated and live action television series; entertainment in the nature of fantasy soccer leagues; entertainment in the nature of fantasy sports leagues; entertainment in the nature of live performances; entertainment in the nature of ongoing television programs; entertainment in the nature of soccer games; entertainment in the nature of sports competitions; entertainment in the nature of sports games; entertainment in the nature of sports tournaments; entertainment in the nature of tennis tournaments; entertainment services; entertainment services in the nature of an ongoing reality-based television programs; entertainment services in the nature of ongoing television programs in the field of sport; entertainment services in the nature of television news shows; entertainment services provided via a global communication network; exercise club services; fan club services in the nature of entertainment; film production services; film editing; fitness and exercise club services; fitness club services; game services provided by means of communications by computer terminals or cellular phone; game services provided online from a computer network; game services provided on-line from a computer network for entertainment and further education purposes; game services provided on-line from a computer network or mobile phone network; game services provided via communication networks; game services provided via computer networks and global communication networks; gaming; handicapping for sports events; health and fitness club services; health and fitness training; health and recreational club services; health club servi-

ces [health and fitness training]; health clubs for physical exercise; health education; information relating to computer gaming entertainment provided on-line from a computer database or a global communication network; information relating to education and entertainment; information relating to education and entertainment provided on-line from a computer database or the Internet; information relating to education or entertainment, provided on-line from a computer database or the Internet or by means of television or radio programs; information relating to education or entertainment provided on-line or via television, broadband and wireless communications; instruction and training services; interactive entertainment services; leisure and recreation services; live entertainment services; officiating at sports contests; on-line entertainment services; on-line game services; organisation of conferences, exhibitions and competitions; organising events being the provision of entertainment, sporting and cultural activities for charitable purposes; organization and arranging of seminars, conferences, training courses and further training; organization and conducting of colloquiums, conferences or congresses; organization and conducting of cultural and recreational activities; organization and presentation of live performances; organization and presentation of shows; organization and presentation of shows, competitions, games, concerts and entertainment events; organization and provision of games and competitions via the Internet; organization of community sports and cultural events; organization of competitions [education or entertainment]; organization of competitions for education or entertainment; organization of competitions or other sporting and cultural events for charitable purposes; organization of congresses and conferences for cultural and educational purposes; organization of educational and entertainment events for professionals and executives; organization of educational, entertainment, cultural and sporting competitions; organization of educational, entertainment, sporting and cultural events; organization of educational events; organization of educational shows; organization of electronic game competitions; organization of entertainment events; organization of entertainment shows; organization of exhibitions, conventions and conferences for cultural or educational purposes; organization of exhibitions for cultural or educational purposes; organization of exhibitions for educational purposes; organization of games; organization of games and competitions; organization of live shows; organization of seminars; organization of shows; organization of soccer competitions; organization of soccer games; organization of sporting and cultural activities; organization of sporting and cultural events; organization of sporting events; organization of sporting events for charitable purposes; organization of sports activities for summer camps; organization of sports competitions; organization of sports events and

competitions; organization of sports events in the field of soccer; organization of sports tournaments; organization of tennis tournaments; organization of training; organization of training courses; organization of youth training schemes; organization, production and presentation of events for educational, cultural or entertainment purposes; organization, presentation and production of shows and live performances; organizing and arranging exhibitions for entertainment purposes; organizing and conducting athletic competitions and games; organizing and conducting athletic competitions and games in the field of soccer; organizing and conducting athletic events; organizing and conducting college athletic events; organizing and conducting college sport competitions; organizing and conducting of sporting and cultural events; organizing and conducting sports competitions; organizing of sports tournaments to needy children for charitable purposes; organizing of sports tournaments to underprivileged persons for charitable purposes; party planning [entertainment]; party planning [entertainment] for celebration events; party planning [entertainment] for corporate events; party planning [entertainment] for promotion events in relation to charity fundraisings; party planning [entertainment] for promotion events in relation to non-profit organizations; party planning [entertainment] for promotion events in relation to product launches; party planning [entertainment] for social events; personal coaching [training]; personal fitness training; personal trainer services [fitness training]; photographic reporting; physical education; physical fitness instruction; physical fitness training; physical health education; planning and conducting of parties [entertainment]; post-production editing services in the field of videos and films; practical training [demonstration]; presentation of live entertainment events; presentation of live entertainment performances; presentation of live performances; presentation of live show performances; production and distribution of television programs; production and rental of educational and instructional materials; production of audio and video recordings; production of educational and instructional materials; production of educational materials; production of instructional materials; production of live entertainment; production of live entertainment events; production of radio and television programs for the Internet and other media; production of radio and television programmes; production of shows; production of sound and video recordings; production of sound, music and video recordings; production of television, mobile phone television and radio programs; production of television, mobile television and radio programs; production of television programs; production of television programs for broadcast on cellular phones; production of television programs for broadcast on mobile devices; production of video podcasts; production of video recordings; providing athletic camp services [entertainment or education] to underprivileged per-

sons for charitable purposes; providing athletics camp services [entertainment or education] to needy children for charitable purposes; providing courses of instruction; providing cultural activities to needy children for charitable purposes; providing cultural activities to underprivileged persons for charitable purposes; providing educational courses; providing educational courses, lectures, seminars and youth training schemes; providing educational demonstrations; providing educational entertainment services for children in after-school centers; providing educational information; providing educational materials to needy children for charitable purposes; providing educational materials to underprivileged persons for charitable purposes; providing education in the field of computers rendered through video conferencing; providing entertainment; providing football camp services [entertainment or education] to needy children for charitable purposes; providing football camp services [entertainment or education] to underprivileged persons for charitable purposes; providing holiday camp services [entertainment or education] to needy children for charitable purposes; providing holiday camp services [entertainment or education] to underprivileged persons for charitable purposes; providing information about sporting activities; providing information about exercise and fitness from a web site; providing information about education, training, entertainment, sporting and cultural activities; providing information about sporting and cultural activities; providing information in the field of education; providing information in the field of entertainment; providing information in the field of recreational activities; providing information on-line relating to computer games and computer enhancements for games; providing information relating to physical education via an on-line web site; providing information relating to physical exercises via an on-line web site; providing information relating to physical training via an on-line web site; providing information relating to sporting events; providing information relating to sports; providing information relating to sports and sporting events; providing information relating to training; providing instruction in the field of physical exercise; providing educational manuals and teaching materials in the field of wellness; providing of continuous training courses; providing of entertainment activities to needy children for charitable purposes; providing of entertainment activities to underprivileged persons for charitable purposes; providing of entertainment events to needy children for charitable purposes; providing of entertainment events to underprivileged persons for charitable purposes; providing of training; providing of training and education; providing of training and further training; providing of training via a global computer network; providing on-line computer games; providing on-line courses of instruction; providing online educational classes via a live video chat; providing on-line entertainment in the nature of fantasy sports leagues;

providing on-line entertainment in the nature of game tournaments; providing on-line entertainment in the nature of game tournaments, fantasy sports leagues and game shows; providing on-line information about education, training, entertainment, sporting and cultural activities; providing on-line information in the field of computer games entertainment; providing on-line information in the field of education; providing on-line information in the field of training; providing on-line information in the field of entertainment; providing on-line information relating to entertainment or education; providing on-line instructional videos, not downloadable; providing on-line training; providing on-line training seminars; providing on-line tutorials; providing online video games [entertainment services]; providing online videos, not downloadable; providing recreational camp services [entertainment or education] to needy children for charitable purposes; providing recreational camp services [entertainment or education] to underprivileged persons for charitable purposes; providing recreation facilities; providing recreation facilities and services; providing soccer camp services [entertainment or education] to needy children for charitable purposes; providing soccer camp services [entertainment or education] to underprivileged persons for charitable purposes; providing sporting activities to needy children for charitable purposes; providing sporting activities to underprivileged persons for charitable purposes; providing sports camp services [entertainment or education] to needy children for charitable purposes; providing sports camp services [entertainment or education] to underprivileged persons for charitable purposes; providing sports facilities; providing sports facilities to needy children for charitable purposes; providing sports facilities to underprivileged persons for charitable purposes; providing sports goods to underprivileged children in the nature of sports activities [charitable services]; providing sports goods to underprivileged children in the nature of sports activities, for charitable purposes; providing sports information from a web site; providing sports training facilities; providing tennis camp services [entertainment or education] to needy children for charitable purposes; providing tennis camp services [entertainment or education] to underprivileged persons for charitable purposes; providing tennis court facilities; providing tennis facilities; providing toys to underprivileged children in the nature of educational events, for charitable purposes; providing toys to underprivileged children in the nature of educational events [charitable services]; providing volleyball camp services [entertainment or education] to needy children for charitable purposes; providing volleyball camp services [entertainment or education] to underprivileged persons for charitable purposes; providing workshops in weight control; provision of non-downloadable games on the Internet; provision of training courses; provision of training programs; publication of educational and

training guides; publication of educational materials; publication of manuals; publication of multimedia material on-line; publication of technical regulations; publication of training manuals; recreational services; recreation information; rental of sports equipment, except vehicles; rental of sports facilities; rental of sports grounds; rental of tennis equipment; rental of video games; soccer camp services; soccer instruction; sport camp services; sporting activities; sporting and cultural activities; sports club services; sports coaching; sports instruction; sports officiating; sports refereeing; sports refereeing and officiating; sports training; teacher training services; teaching; teaching and training services in the fields of business, industry and information technology; training and further training for personnel, team and organizational development; training services in the nature of coaching; video editing services; video editing services for events; videography services; video mastering services; video recording services; virtual reality game services provided on-line from a computer network.

(260) AM 2023 117675 A
(800) 1659024
(151) 2021 11 15
(891) 2021 11 15
(731) Apple Inc.

One Apple Park Way, Cupertino CA 95014,
USA

(540)

ICLOUD+

(591) Black, white
(511)

9 – Computer software for information management, for word processing, for electronic mail, for calendar and meeting scheduling, for online document collaboration, storage for viewing and organizing audio-visual content such as music, video and photos, for online sharing of any digital content, and for working as an operating system for integrating and aggregating online software applications and data to run in a single user interface on one computer.

(260) AM 2023 117684 A
(800) 1659242
(151) 2022 02 10
(891) 2022 02 10

(731) Sesami Cash Management Technologies
Corporation
1250 Rene-Levesque Blvd West, 20th Floor,
Montreal, QUEBEC H3B 4W8, Canada

(540)

SESAMI

(591) Black, white

(511)

36 – Cash management solutions, cash logistic services and cash processing services.

42 – Financial technology services; financial software solutions; banking software solutions; cash management software solutions.

(260) AM 2023 117685 A

(800) 1659294

(151) 2022 02 22

(891) 2022 02 22

(731) RAEYCO bvba

Eikenstraat 206, B-2840 Rumst, Belgium

(540)

IRRIX

(591) Black, white

(511)

1 – Fertilizers; fertilizers, lawn fertilizers, grass fertilizers; inorganic fertilizers; chemical fertilizers; hydroponic fertilizers; multi-nutrient fertilizers; chlorine-free fertilizers; fertilizers for agricultural use; chelated substances for use as fertilizers for plant foliage; nutritional substances [fertilizers] in liquid form for use in agriculture.

(260) AM 2023 117692 A

(800) 1659505

(151) 2021 12 16

(891) 2021 12 16

(731) Euro Games Technology Ltd.

4, "Maritsa" Str., "Vranya-Lozen-Triugulnika",
BG-1151 Sofia, Bulgaria

(540)



(591) Red, orange, yellow, cyan, blue, green, brown and black

(531) 03.07.17; 07.05.01; 27.05.01; 27.05.03;
27.05.04; 27.05.08; 27.05.09; 27.05.10;
29.01.14

(511)

9 – Software; computer gaming software; computer software packages; computer operating system software; computer software, recorded; software drivers; virtual reality software; games software; entertainment software for computer games; computer programs for network management; operating computer software for main frame computers; monitors (computer hardware); computer hardware; apparatus for recording images; monitors (computer programs); computer game programs; computer programs for recorded games; apparatus for recording, transmission or reproduction of sound or images; communications servers [computer hardware]; electronic components for gambling machines; computer application software

re featuring games and gaming; computer software for the administration of on-line games and gaming; computer hardware for games and gaming; hardware and software for gambling, gambling machines, gambling games on the Internet and via telecommunication network.

28 – Gaming machines for gambling; chips for gambling; mah-jong; arcade games; gambling machines operating with coins, notes and cards; games; electronic games; parlor games; gaming chips; gaming tables; slot machines [gaming machines]; LCD game machines; slot machines and gaming devices; coin-operated amusement machines; roulette chips; poker chips; chips and dice [gaming equipment]; gaming equipment for casinos; roulette tables; gaming roulette wheels; casino games; gambling machines and amusement machines, automatic and coin-operated; coin-operated amusement machines and/or electronic coin-operated amusement machines with or without the possibility of gain; boxes for coin-operated machines, slot machines and gaming machines; electronic or electrotechnical amusement machines and apparatus, gaming machines, coin-operated entertainment machines; housings for coin-operated machines, gaming equipment, gaming machines, machines for gambling; electropneumatic and electrical gambling machines (slot machines).

41 – Gambling; entertainment services related to gambling; gaming services for entertainment purposes; casino, gaming and gambling services; training in the development of software systems; provision of gaming equipment for gambling halls; providing casino equipment [gambling]; gaming machine entertainment services; providing casino facilities [gambling]; gaming hall services; amusement arcade services; games equipment rental; rental of gaming machines; providing amusement arcade services; rental of gaming machines with images of fruits; editing or recording of sounds and images; sound recording and video entertainment services; hire of sound reproducing apparatus; provision of gaming equipment for casinos; providing of casino facilities; online gambling services; casino, gaming and gambling services; provision of gaming facilities, gaming hall facilities, Internet casinos and online gambling services.

(260) AM 2023 117693 A

(800) 1659515

(151) 2021 12 15

(891) 2021 12 15

(731) Euro Games Technology Ltd.

4, "Maritsa" Str., "Vranya-Lozen-Triugulnika",
BG-1151 Sofia, Bulgaria

(540)



(591) Red, green, yellow, black, brown, orange and pink

(531) 27.05.01; 27.05.03; 27.05.09; 27.05.10;
27.05.11; 27.07.01; 27.07.03; 29.01.15

(511)

9 – Software; computer gaming software; computer software packages; computer operating system software; computer software, recorded; software drivers; virtual reality software; games software; entertainment software for computer games; computer programs for network management; operating computer software for main frame computers; monitors (computer hardware); computer hardware; apparatus for recording images; monitors (computer programs); computer game programs; computer programs for recorded games; apparatus for recording, transmission or reproduction of sound or images; communications servers [computer hardware]; electronic components for gambling machines; computer application software featuring games and gaming; computer software for the administration of on-line games and gaming; computer hardware for games and gaming; hardware and software for gambling, gambling machines, gambling games on the internet and via telecommunication network.

28 – Gaming machines for gambling; chips for gambling; mah-jong; arcade games; gambling machines operating with coins, notes and cards; games; electronic games; parlor games; gaming chips; gaming tables; slot machines [gaming machines]; LCD game machines; slot machines and gaming devices; coin-operated amusement machines; roulette chips; poker chips; chips and dice [gaming equipment]; gaming equipment for casinos; roulette tables; gaming roulette wheels; casino games; gambling machines and amusement machines, automatic and coin-operated; coin-operated amusement machines and/or electronic coin-operated amusement machines with or without the possibility of gain; boxes for coin-operated machines, slot machines and gaming machines; electronic or electrotechnical amusement machines and apparatus, gaming machines, coin-operated entertainment machines; housings for coin-operated machines, gaming equipment, gaming machines, machines for gambling; electropneumatic and electrical gambling machines (slot machines).

41 – Gambling; entertainment services related to gambling; gaming services for entertainment purposes; casino, gaming and gambling services; training in the development of software systems; provision of gaming equipment for gambling halls; providing casino equipment [gambling]; gaming machine entertainment services; providing casino facilities [gambling]; gaming hall services; amusement arcade services; games equipment rental; rental of gaming machines; providing amusement arcade services; rental of gaming machines with images of fruits; editing or recording of sounds and images; sound recording and video en-

ertainment services; hire of sound reproducing apparatus; provision of gaming equipment for casinos; providing of casino facilities; online gambling services; casino, gaming and gambling services; provision of gaming facilities, gaming hall facilities, Internet casinos and online gambling services.

(260) AM 2023 117694 A

(800) 1659541

(151) 2022 03 17

(891) 2022 03 17

(731) Apple Inc.

One Apple Park Way, Cupertino CA 95014,
USA

(540)

STUDIO DISPLAY

(591) Black, white

(526) DISPLAY

(511)

9 – Computer monitors.

(260) AM 2023 117695 A

(800) 1659629

(151) 2021 12 15

(891) 2021 12 15

(731) Euro Games Technology Ltd.

4, "Maritsa" Str., "Vranya-Lozen-Triugulnika",
BG-1151 Sofia, Bulgaria

(540)

Dazzle Cash

(591) Black, white

(511)

9 – Software; computer gaming software; computer software packages; computer operating system software; computer software, recorded; software drivers; virtual reality software; games software; entertainment software for computer games; computer programs for network management; operating computer software for main frame computers; monitors (computer hardware); computer hardware; apparatus for recording images; monitors (computer programs); computer game programs; computer programs for recorded games; apparatus for recording, transmission or reproduction of sound or images; communications servers [computer hardware]; electronic components for gambling machines; computer application software featuring games and gaming; computer software for the administration of on-line games and gaming; computer hardware for games and gaming; hardware and software for gambling, gambling machines, gambling games on the internet and via telecommunication network.

28 – Gaming machines for gambling; chips for gambling; mah-jong; arcade games; gambling machines operating with coins, notes and cards; games; electro-

nic games; parlor games; gaming chips; gaming tables; slot machines [gaming machines]; LCD game machines; slot machines and gaming devices; coin-operated amusement machines; roulette chips; poker chips; chips and dice [gaming equipment]; gaming equipment for casinos; roulette tables; gaming roulette wheels; casino games; gambling machines and amusement machines, automatic and coin-operated; coin-operated amusement machines and/or electronic coin-operated amusement machines with or without the possibility of gain; boxes for coin-operated machines, slot machines and gaming machines; electronic or electrotechnical amusement machines and apparatus, gaming machines, coin-operated entertainment machines; housings for coin-operated machines, gaming equipment, gaming machines, machines for gambling; electropneumatic and electrical gambling machines (slot machines).

41 – Gambling; entertainment services related to gambling; gaming services for entertainment purposes; casino, gaming and gambling services; training in the development of software systems; provision of gaming equipment for gambling halls; providing casino equipment [gambling]; gaming machine entertainment services; providing casino facilities [gambling]; gaming hall services; amusement arcade services; games equipment rental; rental of gaming machines; providing amusement arcade services; rental of gaming machines with images of fruits; editing or recording of sounds and images; sound recording and video entertainment services; hire of sound reproducing apparatus; provision of gaming equipment for casinos; providing of casino facilities; online gambling services; casino, gaming and gambling services; provision of gaming facilities, gaming hall facilities, Internet casinos and online gambling services.

(260) AM 2023 117696 A

(800) 1659630

(151) 2021 12 16

(891) 2021 12 16

(731) Euro Games Technology Ltd.

4, "Maritsa" Str., "Vranya-Lozen-Triugulnika",
BG-1151 Sofia, Bulgaria

(540)



(591) Red, blue, purple, white and black

(531) 27.05.01; 27.05.03; 27.05.09; 27.05.10;
27.07.01; 27.07.03; 27.07.21; 29.01.14

(511)

9 – Software; computer gaming software; computer software packages; computer operating system software; computer software, recorded; software drivers; virtual reality software; games software; entertainment software for computer games; computer pro-

grams for network management; operating computer software for main frame computers; monitors (computer hardware); computer hardware; apparatus for recording images; monitors (computer programs); computer game programs; computer programs for recorded games; apparatus for recording, transmission or reproduction of sound or images; communications servers [computer hardware]; electronic components for gambling machines; computer application software featuring games and gaming; computer software for the administration of on-line games and gaming; computer hardware for games and gaming; hardware and software for gambling, gambling machines, gambling games on the Internet and via telecommunication network.

28 – Gaming machines for gambling; chips for gambling; mah-jong; arcade games; gambling machines operating with coins, notes and cards; games; electronic games; parlor games; gaming chips; gaming tables; slot machines [gaming machines]; LCD game machines; slot machines and gaming devices; coin-operated amusement machines; roulette chips; poker chips; chips and dice [gaming equipment]; gaming equipment for casinos; roulette tables; gaming roulette wheels; casino games; gambling machines and amusement machines, automatic and coin-operated; coin-operated amusement machines and/or electronic coin-operated amusement machines with or without the possibility of gain; boxes for coin-operated machines, slot machines and gaming machines; electronic or electrotechnical amusement machines and apparatus, gaming machines, coin-operated entertainment machines; housings for coin-operated machines, gaming equipment, gaming machines, machines for gambling; electropneumatic and electrical gambling machines (slot machines).

41 – Gambling; entertainment services related to gambling; gaming services for entertainment purposes; casino, gaming and gambling services; training in the development of software systems; provision of gaming equipment for gambling halls; providing casino equipment [gambling]; gaming machine entertainment services; providing casino facilities [gambling]; gaming hall services; amusement arcade services; games equipment rental; rental of gaming machines; providing amusement arcade services; rental of gaming machines with images of fruits; editing or recording of sounds and images; sound recording and video entertainment services; hire of sound reproducing apparatus; provision of gaming equipment for casinos; providing of casino facilities; online gambling services; casino, gaming and gambling services; provision of gaming facilities, gaming hall facilities, Internet casinos and online gambling services.

(260) AM 2023 117762 A

(800) 1660311

(151) 2022 03 09

(891) 2022 03 09

(731) Bahlsen GmbH & Co. KG

Podbielskistraße 11, 30163 Hannover, Germany

(540)



(591) Yellow and Brown

(531) 08.01.11; 08.01.19; 25.07.01; 26.04.16;

26.04.18; 27.05.01; 29.01.12

(511)

29 – Milk; milk products; yoghurt; meat; poultry, not live; game, not live; fish, not live; meat extracts; jellies for food; jams; compotes; frozen fruits; fruit, preserved; dried fruit; frozen vegetables; vegetables, preserved; vegetables, dried; vegetables, cooked; potato snacks; raisins; dried nuts; roasted nuts; salted nuts; spiced nuts; dried fruit products; cooked fruits; eggs; oils for food; edible fats; fat-containing mixtures for bread slices; dairy products and dairy substitutes.

30 – Coffee; tea; cocoa; chocolate; chocolates; coffee substitutes; aperitif biscuits; pastries; flour confectionery; rolled wafers [biscuits]; cakes; biscuits; chocolate candies; candy bars; bonbons made of sugar; popcorn; candy coated confections; marzipan; chocolate confectionery containing pralines; snack foods consisting principally of confectionery; chocolate for confectionery and bread; non-medicated confectionery in jelly form; prepared desserts [confectionery]; chocolate based products; candy; waffles; confectionery items coated with chocolate; truffles [confectionery]; bread; sugar; honey; golden syrup; sauces [condiments]; mustard; salt; vinegar; spices; extruded food products made of rice; flour; sago; extruded food products made of wheat; extruded food products made of maize; rice; cereal preparations; yeast; baking powder; tapioca; edible ices; ice for refreshment.

41 – Sporting activities; entertainment services; cultural activities.

(260) AM 2023 117763 A

(800) 1660312

(151) 2022 03 09

(891) 2022 03 09

(731) Bahlsen GmbH & Co. KG

Podbielskistraße 11, 30163 Hannover, Germany

(540)



(591) Yellow and Brown

(531) 08.01.11; 08.01.19; 26.04.16; 26.04.18;
27.05.01; 29.01.12

(511)

29 – Milk; milk products; yoghurt; meat; poultry, not live; game, not live; fish, not live; meat extracts; jellies for food; jams; compotes; frozen fruits; fruit, preserved; dried fruit; frozen vegetables; vegetables, preserved; vegetables, dried; vegetables, cooked; potato snacks; raisins; dried nuts; roasted nuts; salted nuts; spiced nuts; dried fruit products; cooked fruits; eggs; oils for food; edible fats; fat-containing mixtures for bread slices; dairy products and dairy substitutes.

30 – Coffee; tea; cocoa; chocolate; chocolates; coffee substitutes; aperitif biscuits; pastries; flour confectionery; rolled wafers [biscuits]; cakes; biscuits; chocolate candies; candy bars; bonbons made of sugar; popcorn; candy coated confections; marzipan; chocolate confectionery containing pralines; snack foods consisting principally of confectionery; chocolate for confectionery and bread; non-medicated confectionery in jelly form; prepared desserts [confectionery]; chocolate based products; candy; waffles; confectionery items coated with chocolate; truffles [confectionery]; bread; sugar; honey; golden syrup; sauces [condiments]; mustard; salt; vinegar; spices; extruded food products made of rice; flour; sago; extruded food products made of wheat; extruded food products made of maize; rice; cereal preparations; yeast; baking powder; tapioca; edible ices; ice for refreshment.

41 – Sporting activities; entertainment services; cultural activities.

(260) AM 2023 117764 A

(800) 1660478

(151) 2021 09 21

(891) 2021 09 21

(731) ROLTEK Limited Liability Company
Inzhenernaya Street, 19, Romanovka,
Vsevolozhsky district, RU-188670
Leningradskaya region, Russian Federation

(540)

(591) Grey and white

(531) 28.05

(511)

6 – Fittings of metal for building; beams of metal; garage gates of metal; fences of metal, namely prefabri-

cated, galvanized; fences of metal, namely temporary, for building; palings of metal, namely transportable, fixed; fittings of metal for rolling, hanging and swing gates; crash barriers of metal for roads, namely transportable, fixed; fittings of metal for conveyors, namely trolleys, corbels, guideways, connectors, bangers, switches, bends, hooks, rolls (term considered linguistically incorrect by the International Bureau – Rule 13 (2) (b) of the Regulations), restraints; fittings of metal for cranes, namely trolleys, profiles, hangers, thrust blocks, lids, metal corbels for cable placement [current leads]; tree protectors of metal, namely transportable, fixed; latticework of metal, namely transportable, fixed; gates of metal, namely rolling, hanging, movable, lifting, swing, folding, hinged.

7 – Conveyors [machines]; belt conveyors; taps [parts of machines, engines or motors]; cranes [lifting and hoisting apparatus]; roller bridges; elevating apparatus.

(260) AM 2023 117765 A

(800) 1660481

(151) 2021 12 21

(891) 2021 12 21

(731) Eagleline Limited

The Victoria Centre, Unit 2, Lower Ground
Floor, Valletta Road, MST 9012 MOSTA,
Malta

(540)

MAD MECHANIC

(591) Black, white

(511)

9 – Games software; computer gaming software; software programs for video games; interactive video game programs; computer game cartridges; software; educational software; application software; community software; computer telephony software; interactive computer software; communication software; programs for computers; electronic components for gambling machines; games cartridges for use with electronic games apparatus; juke boxes, musical; computer game software for use with on-line interactive games; computer application software featuring games and gaming; interactive multimedia software for playing games.

28 – Electronic games; quiz games; apparatus for games; arcade games; lottery wheels; lottery tickets; slot machines [gaming machines]; coin-operated amusement machines; bill-operated gaming equipment; LCD game machines; counters [discs] for games; board games; amusement apparatus for use in arcades.

41 – Gambling services; organization of lotteries; games equipment rental; casino services; providing casino facilities; leasing of casino games; providing casino facilities [gambling]; providing of casino and gaming facilities; casino, gaming and gambling services;

providing amusement arcade services; video arcade services.

(260) AM 2023 117788 A

(800) 1158604

(151) 2013 02 22

(891) 2022 03 18

(731) Sovmestnoe predpriyatie obshchestvo s ogranichennoy otvetstvennostyu "Rising" kom. 34, d. 16A, ul. Akademicheskaya, 220072 Minsk, Belarus

(540)



(591) Black and green

(531) 03.07.17; 27.05.08; 29.01.12

(526) Group

(511)

39 – Transport services; information services relating to the movement of cargo; information services relating to methods of transport; transportation information; advisory services relating to the delivery of goods; advisory services relating to the tracking of goods in transit [transport information]; consultancy services relating to transportation; transportation logistics; local and long distance commercial road transport; national and international transport; hauling.

(260) AM 2023 117789 A

(800) 1308505

(151) 2016 07 08

(891) 2022 04 12

(731) Aerie Pharmaceuticals, Inc.
550 Hills Drive, 3rd Floor, Bedminster
NJ 07921, USA

(540)

ROCKLATAN

(591) Black, white

(511)

5 – Pharmaceutical preparations for the treatment of glaucoma and ocular hypertension.

(260) AM 2023 117792 A

(800) 1406542

(151) 2018 05 22

(891) 2022 03 25

(731) GERÇEK KOZMETİK TURİZM SANAYİ VE TİCARET LİMİTED ŞİRKETİ
Eski Üsküdar Cad. Ural Sok. Gerçek İş Mrk.
No:11 Kat:5, Zümrütevler Maltepe,
İSTANBUL, Türkiye

(540)



(591) Blue, red

(531) 02.09.01; 27.05.01; 29.01.12

(511)

10 – Surgical, medical, dental and veterinary apparatus and instruments; furniture especially made for medical purposes; artificial limbs and prostheses; medical orthopaedic articles: corsets for medical purposes, orthopaedic shoes, elastic bandages and supportive bandages; surgical gowns and surgical sterile sheets; adult sexual aids; condoms; babies' bottles; babies' pacifiers; teats; teethers for babies.

(260) AM 2023 117794 A

(800) 1514844

(151) 2019 12 20

(891) 2022 02 25

(731) DISTILLERIE MERLET ET FILS
Chevessac, F-17610 SAINT-SAUVANT, France

(540)

COPERIES

(591) Black, white

(511)

32 – Beers; non-alcoholic aperitifs.

33 – Alcoholic beverages except beers; digesters (liqueurs and spirits); wines; spirits [beverages]; alcoholic extracts or essences.

(260) AM 2023 117795 A

(800) 1522825

(151) 2020 02 05

(891) 2022 04 07

(731) CHUGAI SEIYAKU KABUSHIKI KAISHA
(Chugai Pharmaceutical Co., Ltd.)
5-1, Ukima 5-Chome, Kita-Ku, Tokyo
115-8543, Japan

(540)

CIVUPLIM

(591) Black, white

(511)

5 – Pharmaceutical preparations.

(260) AM 2023 117877 A

(800) 1662305

(151) 2022 01 19

(891) 2022 01 19

(731) Vingroup Joint Stock Company
No. 7, Bang Lang 1 Street, Vinhomes Riverside
Ecological Urban Area, Viet Hung Ward,
Long Bien District, Hanoi City, Viet Nam

(540)

VinES

(591) Black, white

(531) 27.05.01

(511)

1 – Industrial chemicals; acidulated water for recharging batteries; anti-frothing solutions for batteries; salts for galvanic batteries; liquids for removing sulfates from batteries.

9 – Batteries; battery boxes; battery chargers; rechargeable batteries; lithium-ion batteries; electric batteries for vehicles; software for controlling battery systems; battery charging station for vehicles.

35 – Retail or wholesale services, advertising, demonstration, presentation of the following products: industrial chemicals, acidulated water for recharging batteries, anti-frothing solutions for batteries, salts for galvanic batteries, liquids for removing sulfates from batteries, batteries, battery boxes, battery chargers, rechargeable batteries, lithium-ion batteries, electric batteries for vehicles, software for controlling battery systems, battery charging station for vehicles, land vehicles, electric vehicles, automobiles, electric cars, off road light sports utility vehicles, motorcycles, engines for land vehicles, structural parts and component parts for land vehicles.

37 – Installation, dismantling, repair and maintenance of batteries and battery systems; repair and maintenance of vehicles.

40 – Rental of batteries, battery systems (rental of power sources).

(260) AM 2023 117894 A

(800) 1640534

(151) 2021 12 09

(891) 2022 04 28

(731) WeGrow Germany GmbH

Kehn 20, 47918 Tönisvorst, Germany

(540)

**KIRI
TEC®**

(591) Black, white

(531) 27.05.17

(511)

19 – Building components of wood; manufactured timber; wood; planks.

(260) AM 2023 117895 A

(800) 1640983

(151) 2021 11 10

(891) 2022 04 29

(731) FibroGen, Inc.

409 Illinois Street, San Francisco CA 94158,
USA

(540)

PAMFYBRO

(591) Black, white

(511)

5 – Pharmaceutical preparations for the treatment of chronic fibrotic and proliferative disorders; pharmaceutical preparations for the treatment of cancer, muscular dystrophy and idiopathic pulmonary fibrosis.

(260) AM 2023 117896 A

(800) 1644337

(151) 2021 09 22

(891) 2022 05 03

(731) Brunchco 21 S.A.

Rue de la Victoire 1, B-1060 Saint-Gilles,
Belgium

(540)



(591) Black and yellow

(531) 08.01.06; 10.03.10; 10.03.11; 26.01.02;

26.01.03; 27.05.11; 29.01.13

(511)

29 – Jams; preserves in the form of fruit-based spreads; olive oil; olive paste; packaged olives; processed olives; vegetable-based spreads; packaged sun-dried tomatoes; processed artichokes; marmalade; salads consisting primarily of vegetables, fruit, meat, fish, and/or seafood; soups; meat, fish, poultry and game; meat extracts; preserved, dried and cooked fruits and vegetables; salads; fruit salads; potato chips; chips (french fries); edible nuts; food products made from nuts; nut-based snack bars; fruit-based snack foods; cheese; chilli beans; preserved beans; bean curd; eggs; preparations made wholly or principally of eggs; omelettes; prepared meals made from meat (meat predominating); prepared meals, predominantly of meat or vegetables; prepared meals consisting principally of mushrooms; prepared meals made principally of cheese; prepared foods consisting principally of fish; prepared meals consisting principally of poultry; prepared snacks made from vegetables, meat, fruit or nuts; burgers, meat-based, nut-based or dairy-based snack foods; edible oils and fats; jellies, yoghurt; yoghurt

for drinking; yoghurt preparations; dairy desserts (except ice cream or frozen yoghurt); soya desserts; fruit desserts; compotes; yoghurt desserts (except frozen yoghurt); desserts in the form of puddings with a milk base; milk-based beverages; pickles.

30 – Bread, pasty and confectionery; flour and preparations made from cereals; yeast and baking-powder; packaged herbs [seasonings]; bread; sandwiches; croissants; baguettes; brioche; muffins; pastries; tarts; cakes; biscuits; brownies; cookies; nougat; waffles; scones; pancakes; toast; muesli; quiche; coffee; coffee-based beverages; tea; sugar; honey; chocolate; chocolate spread; packaged seasonings primarily consisting of herbs; capers; salt; table salt; pepper; cereals mainly consisting of processed grains, nuts and dried fruits; salads consisting primarily of pasta; food products consisting primarily of cereals; cereal breakfast foods; muesli consisting predominantly of cereals; cereal products in bar form; cereal based snack food; snack bars consisting of chocolate; chips (cereal products); quiches; porridge oats; meals made predominantly from rice, pasta or noodles; prepared rice rolled in seaweed; prepared meals in the form of pizzas; noodle-based prepared meals; meat pies; pasties; pasta salads; rice salads; salad dressings; condiments; seasonings, spices, preserved herbs; mustard; relishes; puddings; prepared desserts (chocolate based); prepared desserts (confectionery); prepared desserts (pastries); frozen yoghurt; frozen desserts; ice cream desserts; sorbets and other edible ices; confectionery; confectionery bars; beverages consisting principally of chocolate.

35 – Retail services connected with the sale of specialty food and drink products and ingredients; retail bakery store services; business management services; business management assistance, business management consultancy, in particular for bakers and pastry-cooks; business and commercial advice in the running of establishments as franchises; assistance in business management and product and service commercialisation, within the framework of franchise contracts; sales promotion, including retail store promotion services featuring specialty food and drink products and ingredients; franchise services, namely, offering business management assistance in the establishment and operation of restaurants combined with retail bakery shops and retail stores featuring food and drink products; promotion services for the sale of products in the framework of setting up and operating restaurants; providing an online business directory, namely, a restaurant, bakery, and retail store locator; online retail services with a range of specialty food and drink products and ingredients; order procurement services for restaurants and take away restaurants; ordering of takeaway restaurant and restaurant meals, arranged via a website; sales and product promotion services relating to the establishment and/or operation of restaurants, bakery shops and retail stores featuring food

and drink products; sales promotions by means of cookery displays and demonstrations (for others); organisation and management of customer loyalty programmes; advertising and promotional services; business management assistance, business management consultancy.

39 – Food delivery services; delivery of food by restaurants and bakeries.

40 – Providing information about recycling, treatment of waste materials in the field of environmental pollution control and improving the environment through recycling.

43 – Services for providing food and drink; restaurant services; coffee-house services; catering; carry-out restaurant services; providing food and drinks on communal seating in restaurants to foster interaction among other people who might not know each other to eat, drink, and meet; restaurant services featuring communal seating options in restaurants to foster interaction among others by providing extra-large tables for people who might not know each other to eat, drink, and meet; restaurants services, namely preparation of food and drinks intended to be delivered to homes and businesses; takeaway food and drink services; snack-bars; salad bar restaurant services; services for the provision of meals; bakery services; cooking services; reservation of meals; restaurant reservation services; cooking services for restaurants and takeaway restaurants; advice concerning the preparation of food and drink and concerning cooking recipes; providing information, including online, about services for providing food and drink; provision of information relating to the preparation of food and drink; providing information relating to restaurant services.

(260) AM 2023 117897 A

(800) 1647454

(151) 2021 11 26

(891) 2022 04 28

(731) MERIDIAM

4 place de l'Opéra, F-75002 PARIS, France

(540)



(591) Black, white

(531) 26.11.13; 27.05.21

(511)

36 – Fund investment; fund investment services; portfolio management and investment services; raising or investing capital; management of capital investment funds; arranging of financial investments; asset mana-

gement; financing of infrastructure and energy projects.

42 – Management, planning and supervision of infrastructure and energy projects; design and development of infrastructure and energy projects; project scheduling; provision of information regarding studies, technical projects and research on the use of natural energy; consulting and information services with respect to infrastructure; assistance in the area of infrastructure; planning, development and management of resources for the optimal use of energy; technical advice and expertise in the field of energies.

(260) AM 2023 117898 A

(800) 1650318

(151) 2021 09 23

(891) 2022 04 29

(731) Sympower B.V.

Prins Hendrikkade 183, NL-1011 TD
Amsterdam, Netherlands

(540)

SYMPOWER

(591) Black, white

(511)

9 – Wireless controllers and regulators to remotely monitor and control the function and status of other electrical, electronic, and mechanical devices or systems; measuring, detecting and monitoring instruments, indicators and controllers; energy measuring devices; software for controlling, regulating and monitoring energy and electricity systems, thermometers; remotely controlled systems for measuring the energy use and consumption.

42 – Software as a service [SaaS]; platform as a service [PaaS]; providing temporary use of non-downloadable online software for controlling, regulating and monitoring energy and electricity systems; providing temporary use of non-downloadable online software for analyzing and mapping energy demand, use and consumption; design and development of software for controlling, regulating and monitoring of energy and electricity systems; development of energy management systems; analysis of technical data; automation consultancy; preparation of technical reports; providing online non-downloadable software for use in predictive analytics and data science, data mining, data collection, data analysis, data visualization, computer modelling, predictive modelling, and machine learning; providing temporary use of non-downloadable online artificial intelligence software; technical research in the field of renewable energy supply and electricity supply; advice and consultation on efficient use of energy and renewable electricity supply; information and consultancy relating to the aforesaid services; all aforesaid services also provided via electronic channels, such as the internet.

(260) AM 2023 117957 A

(800) 1663204

(151) 2022 02 23

(891) 2022 02 23

(731) Stiftung Ethereum (Foundation Ethereum)

Zeughausgasse 7a, CH-6300 Zug, Switzerland

(540)



(591) Black, white

(531) 04.05.03; 16.01.14

(511)

9 – Downloadable computer software development tools; downloadable computer programs, namely, compilers, assemblers, visual development software and applications development environments; downloadable computer software development tools intended for use in creating applications and smart contracts, developing graphical user interfaces and providing data exchanges and communications between programs and computers in a distributed or networked environment; downloadable computer programs for use in the design, development, writing and implementation of applications, general programs and smart contracts; downloadable computer software frameworks, namely, reusable software platforms to assist in the development of applications, products and software solutions; downloadable computer software for data and application modeling.

38 – Providing online forums for the transmission of messages and information among users concerning data, information, publications and digital content in the field of computer software development; sending messages via electronic transmission; communication services, namely, electronic transmission of data, information, publications and digital content among users; providing an online forum for accessing, sharing and transmitting messages, text, information, documents, publications and digital content among users; providing access to computer networks, namely, providing multiple-user access to a computer network of applications built on a blockchain software platform; providing access to a discussion website on the Internet concerning technical information with respect to computers and concerning a computer project management method (known as model-based design).

42 – Providing software, namely utility programs, language and interpretation processors, on computer networks (in particular the Internet), telecommunication networks and on mobile data services (provision of hosted applications); technical support services with

respect to software; customer support services in relation to computer software; computer software maintenance services; computer programming; computer system analysis; software research, design and development services; providing online technical information with respect to computers; providing online information with respect to the design and development of computer hardware and software, including for a computer project management method (known as model-based design); technical support services with respect to software in the form of online journals or blogs; consultation, advisory and information services relating to the aforesaid services; providing software on computer networks (in particular the Internet), telecommunication networks and on mobile data services (provision of hosted applications) in the field of technical information with respect to computers; temporary provision of non-downloadable software applications accessible via a website; information technology (IT) consultancy; software development services.

(260) AM 2023 117958 A
(800) 1663210
(151) 2021 10 14
(891) 2021 10 14
(731) CARINE Europe GmbH
Ammannstraße 12, 86167 Augsburg, Germany
(540)



(591) Blue, white
(531) 24.13.01; 26.13.25; 27.05.01; 27.05.17;
27.05.25; 29.01.12
(511)
3 – Non-medicated cosmetics and toiletry preparations; non-medicated dentifrices; perfumery, essential oils; bleaching preparations and other substances for laundry use; cleaning, polishing, scouring and abrasive preparations.

(260) AM 2023 117959 A
(800) 1663232
(151) 2022 03 17
(891) 2022 03 17
(731) Tianjin Fohoway Technology Development Co., Ltd.
No.16 Hongsheng Avenue, Huaming Subdistrict Dongli District, 301800 Tianjin, China
(540)



(591) Black, white
(531) 26.01.03; 26.01.24; 26.13.25; 26.15.01
(511)
10 – Medical apparatus and instruments; physiotherapy apparatus; orthopedic articles; dental apparatus and instruments; cushions for medical purposes; feeding bottles; suture materials; massage apparatus; contraceptives, non-chemical; surgical implants comprised of artificial materials; sanitary masks for medical purpose; face masks being sanitary masks for protection against viral infection.

(260) AM 2023 117960 A
(800) 1663340
(151) 2022 03 18
(891) 2022 03 18
(731) Joint Stock Company "Cherkizovsky meat processing plant"
Permskaya street, 5, RU-107143 Moscow, Russian Federation
(540)

МЯСНАЯ ГУБЕРНИЯ

(591) Black, white
(531) 28.05
(511)
29 – Meat stock; fatty substances for the manufacture of edible fats; edible birds' nests; game, not live; meat jellies; bone oil for food; lard; suet for food; edible fats; charcuterie, including sausages, hot dog sausages, sausages in batter, black pudding; meat, tinned; meat broth concentrates; croquettes; animal marrow for food; meat, including semi-prepared meat foods, meat-based food prepared chilled, frozen, processed, cooked, cooked smoked, uncooked smoked, dried, preserved meat, packaged meats, cured meat, luncheon meats, processed meat, dried meats, ground meat; liver pastes, including pastes made from tripe products; liver, including chicken liver; ham; poultry, not live, including turkey, not live, chicken, not live, ground poultry meat, poultry meat products; bacon; pork; fat-containing mixtures for bread slices; salted meats; preparations for making meat bouillons; preparations for making meat soup; tripe, including meat tripe; meat soups; meat extracts.

(260) AM 2023 117966 A
(800) 1026726
(151) 2009 11 04
(891) 2021 11 17
(731) Excellent Brands JMI Limited
Oberneuhofstraße 3, CH-6340 Baar, Switzerland
(540)



(591) Red, white
(531) 02.01.01; 02.03.01; 09.07.01; 29.01.01
(511)

29 – Preserved, dried and cooked fruits and vegetables, preserved nuts, jellies, jams, marmalades, compotes, milk and milk products, milk beverages (milk predominating), edible oils and fats, apple puree, stewed fruits, crystallized fruits, preserved fruits, frozen fruits, fruits preserved in alcohol, fruit peels, fruit chips, fruit jellies, fruit pulp, fruit salads, ginger jam, cocoa butter, frozen fruits, tinned fruits, (canned), cranberry sauce (compote).

30 – Coffee, tea, cocoa, sugar, artificial coffee, flour and preparations made from cereals, bread, pastry and confectionery (including frozen), ices, honey, treacle, yeast, baking-powder, spices, long-life pastries, blanc-mange and blancmange powders, dessert creams, fruit sauces, flavorings, other than essential oils, for beverages, iced tea, fruit jellies (confectionery), royal jelly for human consumption, not for medical purposes, tea-based beverages, coffee-based beverages, cocoa-based beverages, chocolate-based beverages, ginger (spice), unroasted coffee, coffee flavorings (flavourings), artificial coffee, vegetal preparations for use as coffee substitutes, cocoa products, cocoa-based beverages, infusions (not medicinal), coffee beverages with milk, cocoa beverages with milk, chocolate beverages with milk, chocolate.

(260) AM 2023 117967 A
(800) 1116585
(151) 2012 04 12
(891) 2022 04 13
(731) SOCIETE D'ETUDES DE RECHERCHES ET DE FABRICATION (SERF)
85, avenue des Bruyères, F-69150 DECINES,
France
(540)

SERF

(591) Black, white
(511)
10 – Surgical, medical and dental apparatus and instruments, dental apparatus and instruments, artificial limbs and eyes, artificial teeth, artificial teeth which have been surface-treated, surface-roughened and/or disinfected, dental posts and posts for implants, prostheses, prosthetic limbs, artificial limbs, hip prostheses, knee prostheses, orthopedic implants, surgical implants, dental prostheses and implants, orthopedic items, suture materials, surgical instruments particularly instruments for setting dental implants, drills for setting dental and orthopedic implants, tools for setting dental implants and orthopedic items, prosthetic devices, dental implants, dental implants particularly implanted mechanical devices for periosteal and bone traction, acetabuli, artificial acetabuli, hip implant heads, ceramic inserts, screws, orthodontic anchoring

devices, implantable bone screws for hooking orthodontic aids.

42 – Scientific and technological research services in relation to dental and orthopedic implants as well as on modes for setting the above.

44 – Dental services, services for setting dental implants, services for setting orthopedic implants.

(260) AM 2023 117968 A
(800) 1251996
(151) 2014 11 07
(891) 2022 04 01
(731) UAB "VIČIŪNŲ GRUPĖ"
Karaliaus Mindaugo pr. 38, LT-44307 Kaunas,
Lithuania
(540)

VICIUNAI GROUP

(591) Black, white
(511)
35 – Business management; business administration; sales promotion for others; demonstration of goods; the bringing together, for the benefit of others, of a variety of goods (excluding the transport thereof), namely meat, fish, poultry and game, meat extracts, preserved and frozen fruits and vegetables, dried and cooked fruits and vegetables, jellies, jams, compotes, eggs, milk and milk products, edible oils and fats, enabling customers to conveniently view and purchase those goods.

(260) AM 2023 118130 A
(800) 1548187
(151) 2020 05 29
(891) 2022 04 28
(731) DELI GROUP CO., LTD.
Deli Industrial Park, Ninghai County,
Ningbo, Zhejiang, China
(540)



(591) Black, white
(531) 27.05.01; 27.05.17
(511)
2 – Pigments; toner cartridges, filled, for printers and photocopiers; toner for printers and photocopiers; paints; fixatives for watercolours; food dyes; anti-corrosive preparations; colophony; dyes.

(260) AM 2023 118131 A
(800) 1554086
(151) 2020 07 01
(891) 2022 04 22
(731) Obschestvo s ogranichennoy otvetstvennostyu
"AytiReks Grupp Bel"

ul. Fabritsiusa 8B, izolirovannoe pom. No. 5,
korp. 1, kab. 40, 220007 g. Minsk, Belarus

(450)



(591) Black, white

(531) 26.04.01; 26.04.09; 26.07.15; 26.07.25;
27.05.21

(511)

9 – Scientific, nautical, surveying, photographic, cinematographic, optical, weighing, measuring, signaling, checking [supervision], life-saving and teaching apparatus and instruments; apparatus and instruments for conducting, switching, transforming, accumulating, regulating or controlling electricity; apparatus for recording, transmission, reproduction of sound or images; magnetic data media; sound recording discs; DVDs and other digital recording media; mechanisms for coin-operated apparatus; cash registers; calculating machines, data processing equipment, computers; computer software, recorded; computer programs, recorded; 3D spectacles; DVD players; ticket dispensers; coin-operated musical automata [juke boxes]; batteries for electronic cigarettes; high-frequency apparatus; remote control apparatus; electro-dynamic apparatus for the remote control of signals; monitoring apparatus, other than for medical purposes; sound recording apparatus; Global Positioning System [GPS] apparatus; distillation apparatus for scientific purposes; diffraction apparatus [microscopy]; air analysis apparatus; apparatus to check franking; electric apparatus for commutation; magnetic resonance imaging [MRI] apparatus, not for medical purposes; intercommunication apparatus; telephone apparatus; facsimile machines; magnetic tape units for computers; computer memory devices; encoded identification bracelets, magnetic; connected bracelets [measuring instruments]; camcorders; baby monitors; video cassettes; video telephones; video screens; viewfinders, photographic; electric plugs; electric sockets; plug connectors; hands-free kits for telephones; joysticks for use with computers, other than for video games; disks, magnetic; optical discs; circular slide rules; disk drives for computers; juke boxes for computers; wearable video display monitors; electronic numeric displays; DNA chips; electronic interactive whiteboards; electronic notice boards; identification threads for electric wires; audio interfaces; interfaces for computers; cinematographic cameras; identity cards, magnetic; video game cartridges; toner cartridges, unfilled, for printers and photocopiers; memory cards for video game machines; encoded magnetic cards; computer keyboards; encoded key cards; electronic book readers; electronic agendas; commutators; compact discs [audio-video]; compact discs [read-only memory]; wearable computers; laptop computers; tablet computers;

notebook computers; magnetic tapes; modems; monitors [computer hardware]; monitors [computer programs]; sound recording carriers; optical data media; electronic sheet music, downloadable; computer hardware; selfie lenses; objectives [lenses] [optics]; computer software platforms, recorded or downloadable; compact disc players; protective films adapted for computer screens; distance recording apparatus; navigational apparatus and instruments; apparatus and instruments for physics; chemistry apparatus and instruments; observation instruments; navigation apparatus for vehicles [on-board computers]; satellite navigational apparatus; computer software applications, downloadable; printers for use with computers; computer screen saver software, recorded or downloadable; computer game software; computer software, downloadable; computer operating programs, recorded; processors [central processing units]; electronic publications, downloadable; electronic access control systems for interlocking doors; scanners [data processing equipment]; hand-held electronic dictionaries; smart cards [integrated circuit cards]; smartglasses; smartphones; smartwatches; connections for electric lines; couplings, electric; sonars; television apparatus; cordless telephones; interactive touch screen terminals; electric installations for the remote control of industrial operations; baby monitors; steering apparatus, automatic, for vehicles; balancing apparatus; video recorders; sound reproduction apparatus; invoicing machines; magnetic tape recorders; data processing apparatus; couplers [data processing equipment]; readers [data processing equipment]; bar code readers; photocopiers [photographic, electrostatic, thermic]; downloadable ring tones for mobile phones; downloadable image files; downloadable music files; animated cartoons; USB flash drives; chips [integrated circuits]; downloadable graphics for mobile phones.

42 – Scientific and technological services and research and design relating thereto; industrial analysis and industrial research services; design and development of computer hardware and software; duplication of computer programs; computer system analysis; recovery of computer data; industrial design; graphic arts design; computer virus protection services; engineering; installation of computer software; interior design; material testing; research and development of new products for others; scientific research; mechanical research; calibration [measuring]; web site design consultancy; computer security consultancy; information technology consultancy; consultancy in the design and development of computer hardware; architectural consultancy; Internet security consultancy; computer software consultancy; data security consultancy; technological consultancy; quality control; vehicle roadworthiness testing; updating of computer software; monitoring of computer systems to detect breakdowns; monitoring of computer systems for detecting unauthorized access or data breach; monitoring of computer systems by remote access; software

as a service [SaaS]; maintenance of computer software; design of interior decor; digitization of documents [scanning]; conversion of data or documents from physical to electronic media; platform as a service [PaaS]; providing information relating to computer technology and programming via a web site; providing scientific information, advice and consultancy relating to carbon offsetting; providing search engines for the Internet; conversion of computer programs and data, other than physical conversion; conducting technical project studies; computer system design; computer software design; rental of web servers; computer rental; rental of computer software; unlocking of mobile phones; hosting computer sites [web sites]; server hosting; computer software design; software development in the framework of software publishing; creating and designing website-based indexes of information for others [information technology services]; creating and maintaining web sites for others; computer programming; technical writing; computer software testing; information technology services provided on an outsourcing basis; packaging design services; off-site data backup; computer technology consultancy; telecommunications technology consultancy; scientific laboratory services; cloud computing; styling [industrial design]; cartography services; data encryption services; research in the field of physics; electronic data storage; surveying; electronic monitoring of credit card activity to detect fraud via the Internet; electronic monitoring of personally identifying information to detect identity theft via the Internet.

(260) AM 2023 118132 A

(800) 1615484

(151) 2021 06 10

(891) 2022 04 07

(731) Limited Liability Company "COLIZEUM"
Ryazan avenue, house 86/1, building 3,
technical fl. room 13 office 4B, RU-109542
Moscow, Russian Federation

(540)



(591) Black, white and yellow

(531) 26.02.07; 26.04.16; 26.13.25; 27.03.01;
27.05.01; 29.01.13

(526) "CYBER SPORT ARENA", "PLACE TO
PLAY"

(511)

9 – 3D spectacles; abacuses; accelerometers; accumulators, electric; acid hydrometers; acidimeters for batteries; acoustic alarms; sound alarms; acoustic con-

duits; acoustic couplers; actinometers; electrical adapters; adding machines; aerials; antennas; aerometers; air analysis apparatus; alarm bells, electric; alarms; alcoholmeters; alidades; altimeters; ammeters; amplifiers; amplifying tubes; amplifying valves; anemometers; animated cartoons; anode batteries; high tension batteries; anodes; answering machines; anti-glare glasses; anti-interference devices [electricity]; anti-theft warning apparatus; anticathodes; apertometers [optics]; armatures [electricity]; asbestos clothing for protection against fire; asbestos gloves for protection against accidents; asbestos screens for firemen; apparatus and instruments for astronomy; audio interfaces; audio mixers; audio- and video-receivers; audiovisual teaching apparatus; automated teller machines [ATM]; azimuth instruments; baby monitors; baby scales; bags adapted for laptops; balances [steelyards]; lever scales [steelyards]; steelyards [lever scales]; balancing apparatus; bar code readers; barometers; bathroom scales; batteries for electronic cigarettes; batteries, electric; batteries, electric, for vehicles; accumulators, electric, for vehicles; battery boxes; accumulator boxes; battery chargers; battery jars; accumulator jars; beacons, luminous; bells [warning devices]; betatrons; binoculars; biochips; black boxes [data recorders]; blueprint apparatus; boiler control instruments; branch boxes [electricity]; breathing apparatus for underwater swimming; breathing apparatus, except for artificial respiration; bullet-proof clothing; bullet-proof vests; bullet-proof waistcoats; buzzers; cabinets for loudspeakers; cables, electric; calculating machines; calibrating rings; calipers; calorimeters; camcorders; cameras [photography]; capillary tubes; carpenters' rules; carriers for dark plates [photography]; cases especially made for photographic apparatus and instruments; cases for smartphones; cash registers; cassette players; cathodes; cathodic anti-corrosion apparatus; cell phone straps; cell switches [electricity]; reducers [electricity]; centering apparatus for photographic transparencies; apparatus for changing record player needles; chargers for electric accumulators; chargers for electronic cigarettes; charging stations for electric vehicles; apparatus to check franking; apparatus to check stamping mail; chemistry apparatus and instruments; chips [integrated circuits]; choking coils [impedance]; chromatography apparatus for laboratory use; chronographs [time recording apparatus]; cinematographic cameras; cinematographic film, exposed; circuit breakers; circuit closers; circular slide rules; cleaning apparatus for phonograph records; cleaning apparatus for sound recording discs; close-up lenses; clothing especially made for laboratories; clothing for protection against accidents, irradiation and fire; clothing for protection against fire; garments for protection against fire; coaxial cables; coils, electric; coin-operated mechanisms for television sets; mechanisms for coin-operated apparatus; collectors, electric; electric apparatus for commutation; commutators; compact disc players; compact discs [audio-video]; com-

pact discs [read-only memory]; comparators; compasses for measuring; computer game software, downloadable; computer game software, recorded; computer hardware; computer keyboards; computer memory devices; computer operating programs, recorded; computer peripheral devices; computer programs, downloadable; computer programs, recorded; computer screen saver software, recorded or downloadable; computer software applications, downloadable; computer software platforms, recorded or downloadable; computer software, recorded; computers; condensers [capacitors]; capacitors; conductors, electric; connected bracelets [measuring instruments]; connections for electric lines; connectors [electricity]; contact lenses; contacts, electric; containers for contact lenses; containers for microscope slides; control panels [electricity]; converters, electric; copper wire, insulated; cordless telephones; correcting lenses [optics]; cosmographic instruments; mechanisms for counter-operated apparatus; counterfeit coin detectors; counters; meters; couplers [data processing equipment]; couplings, electric; connections, electric; covers for electric outlets; covers for personal digital assistants [PDAs]; covers for smartphones; covers for tablet computers; crash test dummies; crucibles [laboratory]; cupels [laboratory]; current rectifiers; cyclotrons; darkroom lamps [photography]; darkrooms [photography]; data processing apparatus; decompression chambers; decorative magnets; demagnetizing apparatus for magnetic tapes; densimeters; densitometers; detectors; metal detectors for industrial or military purposes; diagnostic apparatus, not for medical purposes; diaphragms [acoustics]; diaphragms [photography]; diaphragms for scientific apparatus; dictating machines; diffraction apparatus [microscopy]; digital photo frames; digital signs; digital weather stations; personal digital assistants [PDAs]; directional compasses; discharge tubes, electric, other than for lighting; electric discharge tubes, other than for lighting; disk drives for computers; disks, magnetic; distance measuring apparatus; distance recording apparatus; apparatus for recording distance; distillation apparatus for scientific purposes; distribution boards [electricity]; distribution boxes [electricity]; distribution consoles [electricity]; divers' masks; diving suits; DNA chips; dog whistles; electric door bells; dosage dispensers; dosimeters; downloadable graphics for mobile phones; downloadable image files; downloadable music files; downloadable ring tones for mobile phones; drainers for use in photography; photographic racks; dressmakers' measures; droppers for measuring, other than for medical or household purposes; drying apparatus for photographic prints; drying racks [photography]; ducts [electricity]; DVD players; dynamometers; ear plugs for divers; apparatus for editing cinematographic film; egg timers [sandglasses]; hourglasses; egg-candlers; electricity conduits; materials for electricity mains [wires, cables]; electrified fences; electrified rails for mounting spot lights; electro-dynamic apparatus for the re-

mote control of railway points; electro-dynamic apparatus for the remote control of signals; electrolyzers; electromagnetic coils; electric and electronic effects units for musical instruments; electronic access control systems for interlocking doors; electronic agendas; electronic book readers; electronic collars to train animals; electronic interactive whiteboards; electronic key fobs being remote control apparatus; electronic notice boards; electronic numeric displays; electronic pens [visual display units]; electronic pocket translators; electronic publications, downloadable; electronic sheet music, downloadable; electronic tags for goods; encoded identification bracelets, magnetic; encoded key cards; encoded magnetic cards; enlarging apparatus [photography]; epidiascopes; equalizers [audio apparatus]; equalisers [audio apparatus]; ergometers; exposure meters [light meters]; eyepieces; instruments containing eyepieces; eyewear; facsimile machines; apparatus for fermentation [laboratory apparatus]; fibre optic cables; fiber optic cables; film cutting apparatus; films, exposed; filters for respiratory masks; filters for ultraviolet rays, for photography; filters for use in photography; finger sizers; fire alarms; fire beaters; fire blankets; fire boats; fire engines; fire escapes; fire extinguishers; fire extinguishing apparatus; fire hose; fire hose nozzles; fire pumps; flash-bulbs [photography]; flashing lights [luminous signals]; flashlights [photography]; floppy disks; flowmeters; fluorescent screens; fog signals, non-explosive; food analysis apparatus; frames for photographic transparencies; frequency meters; furnaces for laboratory use; ovens for laboratory use; furniture especially made for laboratories; fuse wire; fuses; galena crystals [detectors]; galvanic batteries; galvanic cells; galvanometers; gas testing instruments; gasometers [measuring instruments]; gauges; glazing apparatus for photographic prints; Global Positioning System [GPS] apparatus; gloves for divers; gloves for protection against accidents; gloves for protection against X-rays for industrial purposes; goggles for sports; grids for batteries; hand-held electronic dictionaries; hands-free kits for telephones; head cleaning tapes [recording]; head guards for sports; headphones; heat regulating apparatus; heliographic apparatus; hemline markers; high-frequency apparatus; holders for electric coils; holograms; horns for loudspeakers; humanoid robots with artificial intelligence; hydrometers; hygrometers; identification sheaths for electric wires; identification threads for electric wires; identity cards, magnetic; igniting apparatus, electric, for igniting at a distance; electric apparatus for remote ignition; ignition batteries; incubators for bacteria culture; automatic indicators of low pressure in vehicle tyres; automatic indicators of low pressure in vehicle tires; inductors [electricity]; infrared detectors; ink cartridges, unfilled, for printers and photocopiers; integrated circuit cards [smart cards]; smart cards [integrated circuit cards]; integrated circuits; interactive touch screen terminals; intercommunication apparatus; interfaces for compu-

ters; inverters [electricity]; invoicing machines; ionization apparatus not for the treatment of air or water; jigs [measuring instruments]; joysticks for use with computers, other than for video games; juke boxes for computers; juke boxes, musical; coin-operated musical automata [juke boxes]; junction boxes [electricity]; junction sleeves for electric cables; knee-pads for workers; laboratory centrifuges; laboratory pipettes; laboratory robots; laboratory trays; lactodensimeters; lactometers; laptop computers; lasers, not for medical purposes; lens hoods; lenses for astrophotography; letter scales; levelling instruments; levelling staffs [surveying instruments]; rods [surveying instruments]; levels [instruments for determining the horizontal]; life belts; life buoys; life jackets; life-saving apparatus and equipment; life-saving capsules for natural disasters; life-saving rafts; light dimmers [regulators], electric; light regulators [dimmers], electric; light-emitting diodes [LED]; light-emitting electronic pointers; lighting ballasts; lightning conductors; lightning arresters; lightning rods; limiters [electricity]; locks, electric; logs [measuring instruments]; electric loss indicators; loudspeakers; magic lanterns; magnetic data media; magnetic encoders; magnetic resonance imaging [MRI] apparatus, not for medical purposes; magnetic tape units for computers; magnetic tapes; magnetic wires; magnets; magnifying glasses [optics]; marine compasses; marine depth finders; marking buoys; marking gauges [joinery]; masts for wireless aerials; mathematical instruments; measures; apparatus for measuring the thickness of skins; appliances for measuring the thickness of leather; measuring apparatus; measuring devices, electric; measuring glassware; graduated glassware; measuring instruments; measuring spoons; megaphones; memory cards for video game machines; mercury levels; meteorological balloons; meteorological instruments; metronomes; micrometer screws for optical instruments; micrometers; micrometer gauges; microphones; microprocessors; microscopes; microtomes; mileage recorders for vehicles; kilometer recorders for vehicles; mirrors [optics]; mirrors for inspecting work; mobile telephones; cell phones; cellular phones; modems; money counting and sorting machines; monitoring apparatus, other than for medical purposes; monitors [computer hardware]; monitors [computer programs]; mouse [computer peripheral]; mouse pads; mouth guards for sports; nautical apparatus and instruments; naval signalling apparatus; navigation apparatus for vehicles [on-board computers]; navigational instruments; needles for record players; styli for record players; needles for surveying compasses; neon signs; nets for protection against accidents; nose clips for divers and swimmers; notebook computers; objectives [lenses] [optics]; observation instruments; octants; ohmmeters; optical apparatus and instruments; optical character readers; optical condensers; optical data media; optical discs; optical fibres [light conducting filaments]; optical fibers [light conducting filaments]; optical

glass; optical lanterns; optical lamps; optical lenses; oscillographs; oxygen transvasing apparatus; ozonisers [ozonators]; parking meters; particle accelerators; pedometers; peepholes [magnifying lenses] for doors; periscopes; Petri dishes; petrol gauges; gasoline gauges; phonograph records; sound recording discs; photocopiers [photographic, electrostatic, thermic]; photometers; phototelegraphy apparatus; photovoltaic cells; apparatus and instruments for physics; pince-nez; Pitot tubes; plane tables [surveying instruments]; planimeters; plates for batteries; plotters; electric plugs; plumb bobs; plumb lines; pocket calculators; polarimeters; portable media players; precision balances; precision measuring apparatus; pressure gauges; manometers; pressure indicator plugs for valves; pressure indicators; pressure measuring apparatus; printed circuit boards; printed circuits; printers for use with computers; prisms [optics]; probes for scientific purposes; processors [central processing units]; central processing units [processors]; projection apparatus; projection screens; protection devices against X-rays, not for medical purposes; protection devices for personal use against accidents; protective films adapted for computer screens; protective films adapted for smartphones; protective helmets; protective helmets for sports; protective masks; protective suits for aviators; protractors [measuring instruments]; punched card machines for offices; push buttons for bells; pyrometers; quantity indicators; radar apparatus; radio pagers; radiological apparatus for industrial purposes; radiology screens for industrial purposes; radios; radiotelegraphy sets; radiotelephony sets; railway traffic safety appliances; range finders; telemeters; readers [data processing equipment]; rearview cameras for vehicles; record players; reflective articles for wear, for the prevention of accidents; reflective safety vests; refractometers; refractors; regulating apparatus, electric; relays, electric; electric installations for the remote control of industrial operations; remote control apparatus; rescue laser signalling flares; resistances, electric; respirators for filtering air; respiratory masks, other than for artificial respiration; resuscitation mannequins [teaching apparatus]; resuscitation training simulators; retorts; retorts' stands; revolution counters; rheostats; riding helmets; ring sizers; road signs, luminous or mechanical; rods for water diviners; rulers [measuring instruments]; rules [measuring instruments]; saccharometers; safety nets; life nets; safety restraints, other than for vehicle seats and sports equipment; safety tarpaulins; salinometers; satellite finder meters; satellite navigational apparatus; satellites for scientific purposes; scales; scales with body mass analysers; scales with body mass analyzers; scanners [data processing equipment]; screens [photography]; screens for photoengraving; screw-tapping gauges; security surveillance robots; security tokens [encryption devices]; selfie lenses; selfie sticks [hand-held monopods]; semi-conductors; sextants; sheaths for electric cables; shoes for protection against accidents,

irradiation and fire; shutter releases [photography]; shutters [photography]; sighting telescopes for firearms; telescopic sights for firearms; signal bells; signal lanterns; signalling buoys; signalling panels, luminous or mechanical; signalling whistles; signals, luminous or mechanical; mechanical signs; signs, luminous; simulators for the steering and control of vehicles; sirens; sleeves for laptops; slide calipers; slide projectors; transparency projection apparatus; slide-rules; slope indicators; clinometers; gradient indicators; inclinometers; smart rings; smartglasses; smartphones; smartwatches; smoke detectors; snorkels; electric sockets; solar batteries; solar panels for the production of electricity; solderers' helmets; solenoid valves [electromagnetic switches]; sonars; sound locating instruments; sound recording apparatus; sound recording carriers; sound recording strips; sound reproduction apparatus; sound transmitting apparatus; sounding apparatus and machines; sounding leads; sounding lines; spark-guards; speaking tubes; spectacle cases; eyeglass cases; spectacle chains; eyeglass chains; spectacle cords; eyeglass cords; spectacle frames; eyeglass frames; spectacle lenses; eyeglass lenses; spectacles; eyeglasses; spectrograph apparatus; spectroscopes; speed checking apparatus for vehicles; speed indicators; speed measuring apparatus [photography]; speed regulators for record players; spherometers; spirit levels; spools [photography]; sports whistles; sprinkler systems for fire protection; square rulers for measuring; squares for measuring; stage lighting regulators; stands for photographic apparatus; starter cables for motors; steering apparatus, automatic, for vehicles; step-up transformers; personal stereos; stereoscopes; stereoscopic apparatus; stills for laboratory experiments; stroboscopes; subwoofers; sulfimeters; sunglasses; surveying apparatus and instruments; surveying chains; surveying instruments; surveyors' levels; switchboards; switchboxes [electricity]; switches, electric; T-squares for measuring; tablet computers; tachometers; tape recorders; taximeters; teaching apparatus; teaching robots; teeth protectors; telecommunication apparatus in the form of jewellery; telecommunication apparatus in the form of jewelry; telegraph wires; telegraphs [apparatus]; telephone apparatus; telephone receivers; telephone transmitters; telephone wires; teleprinters; teletypewriters; teleprompters; telerupters; telescopes; telescopic sights for artillery; television apparatus; temperature indicator labels, not for medical purposes; temperature indicators; terminals [electricity]; test tubes; material testing instruments and machines; testing apparatus not for medical purposes; theft prevention installations, electric; theodolites; thermal imaging cameras; thermionic valves; thermionic tubes; thermo-hygrometers; thermometers, not for medical purposes; thermostats; thermostats for vehicles; thin client computers; thread counters; ticket dispensers; time clocks [time recording devices]; time recording apparatus; time switches, automatic; tone arms for record players;

toner cartridges, unfilled, for printers and photocopiers; totalizers; traffic cones; traffic-light apparatus [signalling devices]; transformers [electricity]; transistors [electronic]; transmitters [telecommunication]; transmitters of electronic signals; transmitting sets [telecommunication]; transparencies [photography]; slides [photography]; transponders; triodes; tripods for cameras; urinometers; USB flash drives; vacuum gauges; vacuum tubes [radio]; variometers; vehicle breakdown warning triangles; vehicle radios; verniers; video baby monitors; video cassettes; video game cartridges; video recorders; video screens; video telephones; videotapes; viewfinders, photographic; virtual reality headsets; viscosimeters; visors for helmets; voltage regulators for vehicles; voltage surge protectors; voltmeters; voting machines; wafers for integrated circuits; walkie-talkies; washing trays [photography]; water level indicators; wavemeters; wearable activity trackers; wearable computers; wearable video display monitors; weighbridges; weighing apparatus and instruments; weighing machines; weights; whistle alarms; wind socks for indicating wind direction; electric wire harnesses for automobiles; wire connectors [electricity]; wires, electric; workmen's protective face-shields; wrist rests for use with computers; X-ray apparatus not for medical purposes; X-ray films, exposed; X-ray photographs, other than for medical purposes; X-ray tubes not for medical purposes; apparatus and installations for the production of X-rays, not for medical purposes.

21 – Abrasive pads for kitchen purposes; abrasive sponges for scrubbing the skin; aerosol dispensers, not for medical purposes; animal bristles [brushware]; aquarium hoods; electric devices for attracting and killing insects; autoclaves, non-electric, for cooking; pressure cookers, non-electric; baby baths, portable; baking mats; basins [receptacles]; baskets for household purposes; basting brushes; basting spoons [cooking utensils]; beaters, non-electric; beer mugs; bird baths; birdcages; blenders, non-electric, for household purposes; boot jacks; bottle openers, electric and non-electric; bottles; bowls [basins]; basins [bowls]; boxes for dispensing paper towels; boxes for sweets; candy boxes; boxes of glass; bread baskets for household purposes; bread bins; bread boards; broom handles; brooms; material for brush-making; brushes for cleaning tanks and containers; brushes; electric brushes, except parts of machines; buckets; pails; buckets made of woven fabrics; bulb basters; busts of porcelain, ceramic, earthenware, terra-cotta or glass; butter dishes; butter-dish covers; buttonhooks; cabarets [trays]; cages for household pets; cake decorating tips and tubes; cake moulds; cake molds; candelabra [candlesticks]; candlesticks; candle drip rings; bobèches; candle extinguishers; candle jars [holders]; car washing mitts; carpet beaters [hand instruments]; carpet sweepers; cauldrons; ceramics for household purposes; chamber pots; chamois leather for cleaning; buckskin for cleaning; skins of chamois for cleaning; cheese-

dish covers; china ornaments; chopsticks; cinder sifters [household utensils]; cleaning instruments, hand-operated; cleaning tow; closures for pot lids; cloth for washing floors; clothes-pegs; clothes-pins; clothing stretchers; stretchers for clothing; cloths for cleaning; rags for cleaning; coasters, not of paper or textile; cocktail shakers; cocktail stirrers; coffee filters, non-electric; coffee grinders, hand-operated; coffee percolators, non-electric; coffee services [tableware]; coffepots, non-electric; coin banks; cold packs for chilling food and beverages; comb cases; combs for animals; combs; electric combs; confectioners' decorating bags [pastry bags]; containers for household or kitchen use; cookery moulds; cookery molds; cookie [biscuit] cutters; cookie jars; cooking mesh bags, other than for microwaves; cooking pot sets; cooking pots; cooking skewers of metal; cooking pins of metal; cooking utensils, non-electric; corkscrews, electric and non-electric; cosmetic spatulas; cosmetic utensils; cotton waste for cleaning; cruet sets for oil and vinegar; cruets; crumb trays; crushers for kitchen use, non-electric; crystal [glassware]; cups; cups of paper or plastic; currycombs; cutting boards for the kitchen; decanter tags; decanters; decorative glass spheres; deep fryers, non-electric; demijohns; carboys; deodorizing apparatus for personal use; deodorising apparatus for personal use; diaper disposal pails; nappy disposal bins; dish covers; covers for dishes; dishes; dishwashing brushes; disposable table plates; drinking bottles for sports; drinking glasses; drinking horns; drinking troughs; drinking vessels; dripping pans; drying racks for laundry; dustbins; garbage cans; refuse bins; trash cans; dusting apparatus, non-electric; dusting cloths [rags]; earthenware; crockery; earthenware saucepans; egg cups; egg separators, non-electric, for household purposes; enamelled glass, not for building; epergnes; eyebrow brushes; eyelash brushes; feather-dusters; feeding troughs; fibreglass thread, other than for textile use; fiberglass thread, other than for textile use; fibreglass, other than for insulation or textile use; fiberglass, other than for insulation or textile use; figurines of porcelain, ceramic, earthenware, terra-cotta or glass; statuettes of porcelain, ceramic, earthenware, terra-cotta or glass; flasks; flat-iron stands; floss for dental purposes; flower pots; flower-pot covers, not of paper; covers, not of paper, for flower pots; fly swatters; fly traps; foam toe separators for use in pedicures; food steamers, non-electric; fruit bowls; fruit presses, non-electric, for household purposes; frying pans; funnels; furniture dusters; fused silica [semi-worked product], other than for building; gardening gloves; garlic presses [kitchen utensils]; glass bulbs [receptacles]; glass vials [receptacles]; glass flasks [containers]; glass for vehicle windows [semi-finished product]; glass incorporating fine electrical conductors; glass jars [carboys]; glass stoppers; glass wool, other than for insulation; glass, unworked or semi-worked, except building glass; glasses [receptacles]; glove stretchers; gloves for household purposes; glue-

pots; graters for kitchen use; grill supports; gridiron supports; grills [cooking utensils]; griddles [cooking utensils]; hair for brushes; heads for electric toothbrushes; heat-insulated containers; heat-insulated containers for beverages; heaters for feeding bottles, non-electric; hip flasks; holders for flowers and plants [flower arranging]; horse brushes; horsehair for brush-making; hot pots, not electrically heated; ice buckets; coolers [ice pails]; ice pails; ice cream scoops; ice cube moulds; ice cube molds; ice tongs; indoor aquaria; tanks [indoor aquaria]; indoor terrariums [plant cultivation]; indoor terrariums [vivariums]; inflatable bath tubs for babies; insect traps; insulating flasks; vacuum bottles; ironing board covers, shaped; ironing boards; isothermic bags; jugs; pitchers; kettles, non-electric; kitchen containers; kitchen grinders, non-electric; kitchen utensils; knife rests for the table; ladles for serving wine; lamp-glass brushes; large-toothed combs for the hair; lazy susans; lint removers, electric or non-electric; liqueur sets; litter boxes for pets; litter trays for pets; lunch boxes; majolica; make-up brushes; make-up removing appliances; make-up sponges; mangers for animals; menu card holders; mess-tins; mills for household purposes, hand-operated; mixing spoons [kitchen utensils]; mop wringer buckets; mop wringers; mops; mortars for kitchen use; mosaics of glass, not for building; moulds [kitchen utensils]; molds [kitchen utensils]; mouse traps; mugs; nail brushes; napkin rings; nest eggs, artificial; noodle machines, hand-operated; nozzles for watering cans; roses for watering cans; nozzles for watering hose; nutcrackers; opal glass; opaline glass; oven mitts; barbecue mitts; kitchen mitts; painted glassware; paper plates; pastry cutters; pepper mills, hand-operated; pepper pots; perfume burners; perfume vaporizers; perfume sprayers; pestles for kitchen use; fitted picnic baskets, including dishes; pie servers; tart scoops; pig bristles for brush-making; piggy banks; place mats, not of paper or textile; plate glass [raw material]; plates to prevent milk boiling over; plug-in diffusers for mosquito repellents; plungers for clearing blocked drains; polishing apparatus and machines, for household purposes, non-electric; polishing cloths; polishing gloves; polishing leather; polishing materials for making shiny, except preparations, paper and stone; porcelain ware; portable cool boxes, non-electric; portable coolers, non-electric; pot lids; potholders; pots; pottery; poultry rings; pouring spouts; powder compacts, empty; powder puffs; powdered glass for decoration; rat traps; refrigerating bottles; reusable ice cubes; rings for birds; rolling pins, domestic; rotary washing lines; salad bowls; salad tongs; salt cellars; salt shakers; saucepan scourers of metal; saucers; scoops for household purposes; scouring pads; pads for cleaning; scrubbing brushes; services [dishes]; serving ladles; shaving brush stands; stands for shaving brushes; shaving brushes; shoe brushes; shoe horns; shoe trees; sieves [household utensils]; sifters [household utensils]; signboards of porcelain or glass; siphon bo-

tles for carbonated water; siphon bottles for aerated water; ski wax brushes; smoke absorbers for household purposes; soap boxes; soap dispensers; soap holders; dishes for soap; soup bowls; spatulas for kitchen use; spice sets; sponge holders; sponges for household purposes; sprinklers; squeegees [cleaning instruments]; stands for portable baby baths; statues of porcelain, ceramic, earthenware, terra-cotta or glass; steel wool for cleaning; stew-pans; strainers for household purposes; straws for drinking; drinking straws; sugar bowls; sugar tongs; syringes for watering flowers and plants; sprinklers for watering flowers and plants; table napkin holders; table plates; tablemats, not of paper or textile; tableware, other than knives, forks and spoons; tankards; tar-brushes, long handled; tea bag rests; tea caddies; tea cosies; tea infusers; tea balls; tea services [tableware]; tea strainers; teapots; thermally insulated containers for food; tie presses; toilet brushes; toilet cases; fitted vanity cases; toilet paper dispensers; toilet paper holders; toilet sponges; toilet utensils; toothbrushes; toothbrushes, electric; toothpick holders; toothpicks; tortilla presses, non-electric [kitchen utensils]; towel rails and rings; rails and rings for towels; trays for household purposes; trays of paper, for household purposes; trivets [table utensils]; trouser presses; utensils for household purposes; vases; vegetable dishes; vessels of metal for making ices and iced drinks; vitreous silica fibres, other than for textile use; vitreous silica fibers, other than for textile use; waffle irons, non-electric; washing boards; washtubs; waste paper baskets; water apparatus for cleaning teeth and gums; watering cans; watering devices; sprinkling devices; apparatus for wax-polishing, non-electric; wax-polishing appliances, non-electric, for shoes; whisks, non-electric, for household purposes; window-boxes; wine aerators; wine-tasting pipettes; wine-tasting siphons; wool waste for cleaning; works of art of porcelain, ceramic, earthenware, terra-cotta or glass.

25 – Albs; ankle boots; aprons [clothing]; ascots; babies' pants [underwear]; bandanas [neckerchiefs]; bath robes; bath sandals; bath slippers; bathing caps; bathing suits; swimsuits; bathing trunks; bathing drawers; beach clothes; beach shoes; belts [clothing]; berets; bibs, not of paper; bibs, sleeved, not of paper; boas [necklets]; bodices [lingerie]; boot uppers; boots for sports; boots; boxer shorts; braces for clothing [suspenders]; suspenders; brassieres; breeches for wear; camisoles; cap peaks; chasubles; clothing containing slimming substances; clothing for gymnastics; clothing incorporating LEDs; clothing of imitations of leather; clothing of leather; clothing; coats; collars [clothing]; combinations [clothing]; corselets; corsets [underclothing]; cuffs; wristbands [clothing]; cyclists' clothing; detachable collars; dress shields; dresses; dressing gowns; ear muffs [clothing]; embroidered clothing; esparto shoes or sandals; fingerless gloves; fishing vests; fittings of metal for footwear; football shoes; football boots; footmuffs, not electrically heated; footwear uppers; footwear; fur stoles; furs [cloth-

ing]; gabardines [clothing]; gaiter straps; gaiters; galoshes; garters; girdles; gloves [clothing]; gymnastic shoes; hairdressing capes; half-boots; hat frames [skeletons]; hats; headbands [clothing]; headscarfs; headwear; heelpieces for footwear; heelpieces for stockings; heels; hoods [clothing]; hosiery; jackets [clothing]; jerseys [clothing]; judo uniforms; jumper dresses; pinafore dresses; karate uniforms; kimonos; knickers; panties; knitwear [clothing]; lace boots; latex clothing; layettes [clothing]; leggings [leg warmers]; leg warmers; leggings [trousers]; leotards; liveries; maniples; mantillas; masquerade costumes; mitres [hats]; miters [hats]; money belts [clothing]; motorists' clothing; muffs [clothing]; neck tube scarves; neck gaiters; neckties; non-slipping devices for footwear; outerclothing; overalls; smocks; overcoats; topcoats; paper clothing; paper hats [clothing]; parkas; pelerines; pelisses; petticoats; pocket squares; pockets for clothing; ponchos; pyjamas; pajamas; ready-made clothing; ready-made linings [parts of clothing]; sandals; saris; sarongs; sashes for wear; scarves; scarfs; shawls; shirt fronts; shirt yokes; shirts; shoes; short-sleeve shirts; shower caps; ski boots; ski gloves; skirts; skorts; skull caps; sleep masks; slippers; slips [underclothing]; sock suspenders; socks; inner soles; soles for footwear; sports jerseys; sports shoes; sports singlets; stocking suspenders; stockings; studs for football shoes; studs for football boots; stuff jackets [clothing]; suits; sweat-absorbent socks; sweat-absorbent stockings; sweat-absorbent underwear; sweat-absorbent underclothing; sweaters; jumpers [pullovers]; pullovers; teddies [underclothing]; bodies [underclothing]; tee-shirts; tights; tips for footwear; togas; top hats; trousers; pants (Am.); turbans; underpants; underwear; underclothing; uniforms; valenki [felted boots]; veils [clothing]; visors being headwear; waistcoats; vests; waterproof clothing; welts for footwear; wet suits for water-skiing; wimples; wooden shoes.

28 – Amusement machines, automatic and coin-operated; arcade video game machines; archery implements; artificial fishing bait; artificial snow for Christmas trees; ascenders [mountaineering equipment]; baby gyms; backgammon games; bags especially designed for skis; ball pitching machines; balls for games; bar-bells; baseball gloves; batting gloves [accessories for games]; bells for Christmas trees; billiard balls; billiard cue tips; billiard cues; billiard markers; billiard table cushions; billiard tables; bingo cards; bite indicators [fishing tackle]; bite sensors [fishing tackle]; bladders of balls for games; bob-sleighs; body-building apparatus; body rehabilitation apparatus; body-training apparatus; bodyboards; bowling apparatus and machinery; bows for archery; boxing gloves; building blocks [toys]; building games; butterfly nets; camouflage screens [sports articles]; candle holders for Christmas trees; caps for pistols [toys]; carnival masks; chalk for billiard cues; chess games; chessboards; chest expanders [exercisers]; exercisers [expanders]; chips for gambling; Christmas crackers [party

novelties]; Christmas tree stands; Christmas trees of synthetic material; clay pigeon traps; clay pigeons [targets]; climbers' harness; coin-operated billiard tables; confetti; conjuring apparatus; controllers for game consoles; controllers for toys; counters [discs] for games; creels [fishing traps]; cricket bags; cups for dice; darts; decoys for hunting or fishing; lures for hunting or fishing; dice; discs for sports; divot repair tools [golf accessories]; pitch mark repair tools [golf accessories]; dolls; dolls' beds; dolls' clothes; dolls' feeding bottles; dolls' houses; dolls' rooms; dominoes; draughtboards; checkerboards; draughts [games]; checkers [games]; drones [toys]; dumb-bells; edges of skis; elbow guards [sports articles]; electronic targets; fairground ride apparatus; fencing gauntlets; fencing gloves; fencing masks; fencing weapons; fish hooks; fishing lines; fishing tackle; flippers for swimming; floats for fishing; flying discs [toys]; foosball tables; apparatus for games; games; gaming machines for gambling; gloves for games; golf bag trolleys; golf bag carts; golf bags, with or without wheels; golf clubs; golf gloves; gut for fishing; gut for rackets; appliances for gymnastics; gyroscopes and flight stabilizers for model aircraft; hang gliders; harness for sailboards; harpoon guns [sports articles]; hockey sticks; horseshoe games; hunting game calls; ice skates; in-line roller skates; jigsaw puzzles; joysticks for video games; kaleidoscopes; kite reels; kites; knee guards [sports articles]; landing nets for anglers; mah-jong; marbles for games; masks [playthings]; matryoshka dolls; men's athletic supporters [sports articles]; needles for pumps for inflating balls for games; nets for sports; novelty toys for parties; novelty toys for playing jokes; ornaments for Christmas trees, except lights, candles and confectionery; pachinkos; paddleboards; paintball guns [sports apparatus]; paintballs [ammunition for paintball guns] [sports apparatus]; paper party hats; paragliders; parlour games; parlor games; party balloons; party poppers [party novelties]; percussion caps [toys]; detonating caps [toys]; machines for physical exercises; piñatas; playing balls; playing cards; plush toys; plush toys with attached comfort blanket; poles for pole vaulting; portable games and toys incorporating telecommunication functions; portable games with liquid crystal displays; protective films adapted for screens for portable games; protective paddings [parts of sports suits]; pumps specially adapted for use with balls for games; punching bags; puppets; marionettes; quoits; rackets; bats for games; rattles [playthings]; reels for fishing; remote-controlled toy vehicles; rhythmic gymnastics ribbons; ring games; rocking horses; rods for fishing; roller skates; rollers for stationary exercise bicycles; rosin used by athletes; roulette wheels; sailboards; scale model kits [toys]; scale model vehicles; scent lures for hunting or fishing; scooters [toys]; scratch cards for playing lottery games; seal skins [coverings for skis]; shin guards [sports articles]; shuttlecocks; skateboards; ski bindings; skis; skittles; skittles [ga-

mes]; ninepins; sleds [sports articles]; slides [playthings]; sling shots [sports articles]; slot machines [gaming machines]; snow globes; snowboards; snowshoes; soap bubbles [toys]; sole coverings for skis; spinning tops [toys]; spring boards [sports articles]; starting blocks for sports; stationary exercise bicycles; strings for rackets; stuffed toys; surf skis; surfboard leashes; surfboards; swimming belts; swimming jackets; swimming kickboards; swimming pool air floats; swimming pools [play articles]; swings; table-top games; tables for table tennis; targets; teddy bears; tennis ball throwing apparatus; tennis nets; theatrical masks; toy air pistols; toy dough; toy figures; toy imitation cosmetics; toy mobiles; toy models; toy pistols; toy putty; toy robots; toy vehicles; toys for pets; toys; trampolines; tricycles for infants [toys]; twirling batons; video game machines; water wings; waterskis; weight lifting belts [sports articles].

35 – Administration of consumer loyalty programs; administration of frequent flyer programs; administrative assistance in responding to calls for tenders; administrative assistance in responding to requests for proposals [RFPs]; administrative processing of purchase orders; administrative services for the relocation of businesses; advertising; publicity; advertising agency services; publicity agency services; advertising by mail order; production of advertising films; rental of advertising space; rental of advertising time on communication media; appointment reminder services [office functions]; appointment scheduling services [office functions]; auctioneering; bill-posting; rental of billboards [advertising boards]; book-keeping; accounting; advisory services for business management; business appraisals; business auditing; business efficiency expert services; business inquiries; business intermediary services relating to the matching of potential private investors with entrepreneurs needing funding; business investigations; business management and organization consultancy; business management assistance; business management consultancy; business management for freelance service providers; business management of hotels; business management of performing artists; business management of reimbursement programmes for others; business management of reimbursement programs for others; business management of sports people; business organization consultancy; business project management services for construction projects; business research; professional business consultancy; providing business information; providing business information via a website; commercial administration of the licensing of the goods and services of others; commercial information agency services; commercial intermediation services; commercial or industrial management assistance; providing commercial and business contact information; providing commercial information and advice for consumers in the choice of products and services; competitive intelligence services; compilation of information into computer databases; compilation of statistics;

compiling indexes of information for commercial or advertising purposes; computerized file management; consultancy regarding advertising communication strategies; consultancy regarding public relations communication strategies; cost price analysis; data search in computer files for others; demonstration of goods; direct mail advertising; dissemination of advertising matter; distribution of samples; drawing up of statements of accounts; economic forecasting; employment agency services; organization of exhibitions for commercial or advertising purposes; organization of fashion shows for promotional purposes; financial auditing; gift registry services; import-export agency services; interim business management; invoicing; layout services for advertising purposes; market intelligence services; market studies; marketing; marketing in the framework of software publishing; marketing research; modelling for advertising or sales promotion; negotiation and conclusion of commercial transactions for third parties; negotiation of business contracts for others; news clipping services; arranging newspaper subscriptions for others; office machines and equipment rental; online advertising on a computer network; online retail services for downloadable and pre-recorded music and movies; online retail services for downloadable digital music; online retail services for downloadable ring tones; provision of an online marketplace for buyers and sellers of goods and services; opinion polling; outdoor advertising; outsourced administrative management for companies; outsourcing services [business assistance]; pay per click advertising; payroll preparation; personnel management consultancy; personnel recruitment; photocopying services; rental of photocopying machines; presentation of goods on communication media, for retail purposes; price comparison services; procurement services for others [purchasing goods and services for other businesses]; promotion of goods and services through sponsorship of sports events; psychological testing for the selection of personnel; public relations; publication of publicity texts; publicity material rental; radio advertising; registration of written communications and data; retail services for pharmaceutical, veterinary and sanitary preparations and medical supplies; retail services for works of art provided by art galleries; rental of sales stands; sales promotion for others; scriptwriting for advertising purposes; search engine optimization for sales promotion; search engine optimisation for sales promotion; secretarial services; shop window dressing; shorthand; sponsorship search; arranging subscriptions to telecommunication services for others; systemization of information into computer databases; targeted marketing; tax filing services; tax preparation; telemarketing services; telephone answering for unavailable subscribers; production of teleshopping programmes; production of teleshopping programs; television advertising; organization of trade fairs for commercial or advertising purposes; transcription of communications [office

functions]; typing; updating and maintenance of data in computer databases; updating and maintenance of information in registries; updating of advertising material; rental of vending machines; web indexing for commercial or advertising purposes; website traffic optimization; wholesale services for pharmaceutical, veterinary and sanitary preparations and medical supplies; word processing; writing of curriculum vitae for others; writing of résumés for others; writing of publicity texts.

38 – Providing access to databases; rental of access time to global computer networks; cable television broadcasting; communications by cellular phones; communications by computer terminals; communications by fibre optic networks; communications by fiber optic networks; communications by telegrams; communications by telephone; computer aided transmission of messages and images; electronic bulletin board services [telecommunications services]; facsimile transmission; rental of facsimile apparatus; providing information in the field of telecommunications; providing internet chatrooms; message sending; rental of message sending apparatus; rental of modems; news agency services; providing online forums; paging services [radio, telephone or other means of electronic communication]; radio broadcasting; radio communications; satellite transmission; streaming of data; providing telecommunication channels for teleshopping services; rental of telecommunication equipment; providing telecommunications connections to a global computer network; telecommunications routing and junction services; teleconferencing services; telegraph services; telephone services; rental of telephones; television broadcasting; telex services; transmission of digital files; transmission of electronic mail; transmission of greeting cards online; transmission of telegrams; providing user access to global computer networks; video-on-demand transmission; videoconferencing services; voice mail services; wireless broadcasting.

39 – Air transport; aircraft rental; rental of aircraft engines; ambulance transport; armoured-car transport; armored-car transport; barge transport; boat rental; boat storage; boat transport; booking of seats for travel; bottling services; bus transport; car parking; car rental; car sharing services; car transport; carting; cash replenishment of automated teller machines; chauffeur services; collection of recyclable goods [transport]; courier services [messages or merchantdisse]; arranging of cruises; delivery of goods; delivery of goods by mail order; delivery of newspapers; newspaper delivery; distribution of energy; rental of diving bells; rental of diving suits; providing driving directions for travel purposes; rental of electric wine cellars; electricity distribution; escorting of travelers; ferry-boat transport; flower delivery; franking of mail; rental of freezers; freight [shipping of goods]; freight brokerage [forwarding (Am.)]; freight brokerage; fre-

ight forwarding; freighting; garage rental; gift wrapping; guarded transport of valuables; hauling; horse rental; ice-breaking; launching of satellites for others; lighterage services; marine transport; message delivery; motor coach rental; rental of motor racing cars; rental of navigational systems; operating canal locks; packaging of goods; parcel delivery; parking place rental; passenger transport; physical storage of electronically stored data or documents; piloting; pleasure boat transport; portorage; railway coach rental; railway transport; railway truck rental; refloating of ships; refrigerator rental; frozen-food locker rental; removal services; rescue operations [transport]; river transport; salvage of ships; salvaging; shipbrokerage; stevedoring; rental of storage containers; storage; warehousing; storage of goods; taxi transport; towing; rental of tractors; providing traffic information; tram transport; streetcar transport; transport; transport and storage of waste; transport and storage of trash; transport brokerage; transport by pipeline; transport of travelers; transport reservation; transport services for sightseeing tours; providing transportation information; transportation logistics; transporting furniture; travel reservation; underwater salvage; unloading cargo; rental of vehicle roof racks; vehicle breakdown towing services; vehicle rental; rental of warehouses; water distribution; water supplying; rental of wheelchairs; wrapping of goods.

41 – Academies [education]; aikido instruction; amusement park services; providing amusement arcade services; animal training; rental of artwork; rental of audio equipment; organization of balls; arranging of beauty contests; boarding school education; booking of seats for shows; calligraphy services; providing casino facilities [gambling]; cinema presentations; movie theatre presentations; rental of cinematographic apparatus; club services [entertainment or education]; coaching [training]; arranging and conducting of colloquiums; organization of competitions [education or entertainment]; arranging and conducting of concerts; arranging and conducting of conferences; arranging and conducting of congresses; correspondence courses; organization of cosplay entertainment events; cultural, educational or entertainment services provided by art galleries; disc jockey services; discotheque services; dubbing; educational examination; educational services provided by schools; electronic desktop publishing; entertainer services; entertainment services; organization of exhibitions for cultural or educational purposes; organization of fashion shows for entertainment purposes; film production, other than advertising films; providing films, not downloadable, via video-on-demand services; conducting fitness classes; gambling services; game services provided online from a computer network; games equipment rental; providing golf facilities; conducting guided climbing tours; conducting guided tours; gymnastic instruction; health club services [health and fitness training]; holiday camp services [entertainment]; arranging and conduc-

ting of in-person educational forums; rental of indoor aquaria; providing information in the field of education; providing information in the field of entertainment; providing information relating to recreational activities; karaoke services; language interpretation; layout services, other than for advertising purposes; lending library services; rental of lighting apparatus for theatrical sets or television studios; organization of lotteries; microfilming; mobile library services; bookmobile services; modelling for artists; rental of motion pictures; movie studio services; providing museum facilities [presentation, exhibitions]; music composite-on services; production of music; news reporters services; nightclub services [entertainment]; nursery schools; online publication of electronic books and journals; providing online electronic publications, not downloadable; providing online music, not downloadable; providing online videos, not downloadable; orchestra services; party planning [entertainment]; personal trainer services [fitness training]; photographic reporting; photography; physical education; practical training [demonstration]; presentation of circus performances; presentation of live performances; presentation of variety shows; publication of books; publication of texts, other than publicity texts; production of radio and television programmes; radio entertainment; rental of radio and television sets; recording studio services; providing recreation facilities; religious education; sado instruction [tea ceremony instruction]; screenplay writing; scriptwriting, other than for advertising purposes; arranging and conducting of seminars; rental of show scenery; organization of shows [impresario services]; production of shows; sign language interpretation; rental of skin diving equipment; songwriting; rental of sound recordings; sport camp services; organization of sports competitions; providing sports facilities; rental of sports equipment, except vehicles; rental of sports grounds; rental of stadium facilities; rental of stage scenery; subtitling; arranging and conducting of symposiums; teaching; educational services; instruction services; providing television programmes, not downloadable, via video-on-demand services; providing television programs, not downloadable, via video-on-demand services; television entertainment; rental of tennis courts; theatre productions; ticket agency services [entertainment]; timing of sports events; toy rental; training services provided via simulators; translation; tutoring; rental of video cameras; rental of camcorders; rental of video cassette recorders; videotape editing; rental of videotapes; videotaping; vocational guidance [education or training advice]; vocational retraining; arranging and conducting of workshops [training]; writing of texts; zoological garden services.

42 – Analysis for oil-field exploitation; architectural consultancy; architectural services; authenticating works of art; bacteriological research; biological research; calibration [measuring]; cartography services; chemical analysis; chemical research; chemistry servi-

ces; clinical trials; cloud computing; cloud seeding; computer programming; computer rental; computer security consultancy; computer software consultancy; computer software design; computer system analysis; computer system design; computer technology consultancy; computer virus protection services; rental of computer software; construction drafting; consultancy in the design and development of computer hardware; consultancy in the field of energy-saving; conversion of computer programs and data, other than physical conversion; conversion of data or documents from physical to electronic media; cosmetic research; creating and designing website-based indexes of information for others [information technology services]; creating and maintaining websites for others; data encryption services; data security consultancy; design of interior decor; interior design; digitization of documents [scanning]; dress designing; duplication of computer programs; electronic data storage; electronic monitoring of credit card activity to detect fraud via the internet; electronic monitoring of personally identifying information to detect identity theft via the internet; energy auditing; engineering; geological prospecting; geological research; geological surveys; graphic arts design; handwriting analysis [graphology]; hosting computer sites [web sites]; industrial design; information technology [IT] consultancy; information technology services provided on an outsourcing basis; providing information relating to computer technology and programming via a website; installation of computer software; internet security consultancy; land surveying; maintenance of computer software; mechanical research; meteorological information; monitoring of computer systems by remote access; monitoring of computer systems for detecting unauthorized access or data breach; monitoring of computer systems to detect breakdowns; off-site data backup; oil prospecting; oil-field surveys; oil-well testing; packaging design; platform as a service [PaaS]; quality control; quality evaluation of standing timber; quality evaluation of wool; recovery of computer data; research and development of new products for others; research in the field of environmental protection; research in the field of physics; providing scientific information, advice and consultancy relating to carbon offsetting; scientific laboratory services; scientific research; providing search engines for the internet; server hosting; software as a service [SaaS]; software development in the framework of software publishing; styling [industrial design]; surveying; conducting technical project studies; technical writing; technological consultancy; telecommunications technology consultancy; material testing; textile testing; underwater exploration; unlocking of mobile phones; updating of computer software; urban planning; vehicle roadworthiness testing; water analysis; weather forecasting; rental of web servers; website design consultancy.

43 – Accommodation bureau services [hotels, boarding houses]; bar services; boarding for animals; bo-

arding house bookings; boarding house services; café services; cafeteria services; providing campground facilities; canteen services; rental of chairs, tables, table linen, glassware; rental of cooking apparatus; day-nursery [crèche] services; rental of drinking water dispensers; food and drink catering; food sculpting; holiday camp services [lodging]; hotel reservations; hotel services; rental of lighting apparatus; rental of meeting rooms; motel services; reception services for temporary accommodation [management of arrivals and departures]; restaurant services; retirement home services; self-service restaurant services; snack-bar services; rental of temporary accommodation; temporary accommodation reservations; rental of tents; tourist home services; rental of transportable buildings; udon and soba restaurant services; washoku restaurant services.

(260) AM 2023 118133 A

(800) 1658236

(151) 2021 11 09

(891) 2022 05 24

(731) Onlife Inc.

8 The Green, Suite #11883, Dover DE 19901,
USA

(540)

AGLET

(591) Black, white

(511)

9 – Downloadable computer programs for video and computer games; computer game software downloadable from a global computer network; downloadable augmented reality software for playing computer games; downloadable computer game software via a global computer network and wireless devices; downloadable interactive multimedia computer game programs; downloadable computer game for use on mobile and cellular phones; downloadable interactive game programs; downloadable interactive game software; downloadable interactive multimedia computer game programs; downloadable virtual reality game software; downloadable augmented reality software for use in mobile devices for integrating electronic data with real world environments for the purpose of finding, locating and interacting with users; downloadable augmented reality software for use in mobile devices for integrating electronic data with real world environments for the purpose of posting review and recommendations on products and services of others; downloadable computer application software for mobile phones, namely, software for virtual currency; downloadable augmented reality software for creating, developing, storing, managing, manipulating, processing, transforming, deploying, distributing, displaying, sharing and transmitting augmented reality (AR) content and virtual reality (VR) content.

35 – Promoting the goods and services of others through user reviews and recommendations on the products and services of others, via an interactive website and mobile application; promoting the goods and services of others by coupons, rebates, price-comparison information, product reviews, links to the retail websites of others, and discount information via a website; promoting the sale of goods and services of others by means of contests and incentive award programs; promoting the goods and services of others; data processing services; market research services; analyzing and compiling business data for market research purposes; advertising, marketing and promotion services.

36 – Cryptocurrency services, namely, providing a digital currency or digital token for use by members of an on-line community via a global computer network.

41 – Providing on-line computer games; entertainment services, namely, providing on-line computer games; virtual reality game services provided on-line from a computer network; providing online computer games in the field of finding, locating and interacting with users and places; virtual reality game services provided on-line from a computer network.

42 – Design and development of computer game software; computer software development; computer programming of computer games; providing non-downloadable software for finding, locating and interacting with other users and places via a website; electronic data storage; computer programming services for creating, developing and designing augmented reality (AR) applications and virtual reality (VR) applications; providing temporary use of a non-downloadable web application for creating, developing, storing, managing, manipulating, processing, transforming, deploying, distributing, displaying, sharing and transmitting augmented reality (AR) content and virtual reality (VR) content; providing temporary use of a non-downloadable web application for creating, developing and designing augmented reality (AR) and virtual reality (VR) applications; providing temporary use of on-line non-downloadable software and applications for enabling enable augmented reality (AR) applications and virtual reality (VR) applications to access backend services; digital asset management; providing temporary use of on-line non-downloadable software and applications for finding, locating and interacting with other users and places.

45 – Online social networking services.

(260) AM 2023 118171 A
 (800) 1665869
 (151) 2022 03 21
 (891) 2022 03 21
 (731) Qingdao Yeelink Information Technology Co., Ltd

Room B4, Floor 10, Building B, Qingdao International Innovation Park, No. 1 Keyuanwei One Road, Laoshan District, Qingdao, Shandong, China

(540)



(591) Black, white
 (531) 26.11.06; 26.11.11; 26.13.25
 (511)

11 – Lamps; lighting apparatus for vehicles; light-emitting diodes [LED] lighting apparatus; cooking apparatus and installations; refrigerating apparatus and machines; air-conditioning installations; water supply installations; water intake apparatus; sanitary apparatus and installations; disinfectant apparatus.

(260) AM 2023 118172 A
 (800) 1665953
 (151) 2022 05 06
 (891) 2022 05 06
 (731) SWISS GEMO TECHNOLOGY GmbH
 C/O FDS Consulting GmbH, Reitergasse 6,
 CH-8004 Zurich, Switzerland

(540)



(591) Black, white
 (531) 27.05.01
 (511)

3 – Cosmetics; incense; perfumery; mouthwashes, not for medical purposes; air fragrancing preparations; soap; shampoos; cleaning preparations; shoe polish; toothpaste.

(260) AM 2023 118173 A
 (800) 1665954
 (151) 2022 05 06
 (891) 2022 05 06
 (731) HANGZHOU ULIKE TECHNOLOGY CO., LTD.
 Rm 306, 3/F, Bldg 4, 735 Jianghong Rd,
 Changhe Street, Binjiang District,
 Hangzhou, Zhejiang, China

(540)



(591) Black, white

(531) 27.05.01; 27.05.09

(511)

3 – Cosmetics; toothpaste; facial cleanser; shampoos; beauty masks; perfumes; cosmetics for animals; aloe vera gels for cosmetic purposes; facial toners.

8 – Hair clippers for personal use, electric and non-electric; manicure sets; cuticle tweezers; hair-removing tweezers; fingernail polishers, electric or non-electric; ear-piercing apparatus; apparatus for tattooing; emery boards; laser hair removal apparatus, other than for medical purposes; electric nose hair trimmers; blades for electric razors; electric hair clippers; nail trimmers; electric hair styling irons; electric nail files; electric ear hair trimmers; containers adapted for razor blades; artificial eyelash tweezers; shaving cases; hair braiders, electric; hair clippers for animals [hand instruments]; blades [hand tools]; handles for hand-operated hand tools.

(260) AM 2023 118174 A

(800) 1666003

(151) 2022 02 24

(891) 2022 02 24

(731) KRKA, tovarna zdravil, d.d., Novo mesto
Šmarješka cesta 6, SI-8000 Novo mesto,
Slovenia

(540)

VORDEPSY

(591) Black, white

(511)

5 – Pharmaceutical preparations.

(260) AM 2023 118175 A

(800) 1666011

(151) 2022 04 08

(891) 2022 04 08

(731) Shenzhen Original Technology Co., Ltd.
8/F(B), Building B1, B2, B3, B2, Nanchang
Second Industrial Zone, Xixiang Street, Bao'an
District, Shenzhen City, 518100 Guangdong
Province, China

(540)



(591) Black, red

(531) 26.03.23; 27.05.01; 29.01.12

(511)

34 – Electronic cigarettes; liquid solutions for use in electronic cigarettes.

(260) AM 2023 118177 A

(800) 1666098

(151) 2022 04 26

(891) 2022 04 26

(731) Tovarishchestvo s ogranichennoy
otvetstvennostyu "Asia Su Kompaniyasy"
zдание 54/1. proezd 11, Promyshlennaya
zona Severnaya, Kokshetau, 020006
Akmolinskaya oblast', Kazakhstan

(540)

Xaoma

(591) Black, white

(511)

33 – Aperitifs; arrack [arak]; brandy; wine; piquette; whisky; vodka; anisette [liqueur]; kirsch; gin; digestifs [liqueurs and spirits]; cocktails; curacao; anise [liqueur]; liqueurs; pre-mixed alcoholic beverages, other than beer-based; alcoholic beverages, except beer, alcoholic beverages containing fruit; spirits [beverages]; distilled beverages; hydromel [mead]; peppermint liqueurs; bitters; nira [sugarcane-based alcoholic beverage]; rum; sake; perry; cider, rice alcohol; alcoholic extracts; fruit extracts, alcoholic; alcoholic essences; baijiu [Chinese distilled alcoholic beverage].

(260) AM 2023 118178 A

(800) 1666121

(151) 2022 03 23

(891) 2022 03 23

(731) UAB "VICIŪNŪ GRUPĖ"
Karaliaus Mindaugo pr. 38, LT-44307 Kaunas,
Lithuania

(540)



(591) Black, white, red and blue

(531) 26.03.23; 26.04.05; 26.04.16; 26.04.18;
26.04.24; 27.05.01; 27.05.09; 27.05.10;
27.05.24; 29.01.14

(511)

29 – Surimi-based foodstuffs.

(260) AM 2023 118179 A

(800) 1666231

(151) 2022 05 16

(891) 2022 05 16

(731) HENCO INDUSTRIES, naamloze
Vennootschap
Toekomstlaan 27, B-2200 Herentals, Belgium

(540)

HencoLogic

(591) Black, white

(511)

17 – Non-metallic flexible pipes, both single-walled and multi-walled, with or without insulating properties; non-metallic fittings for pipes.

(260) AM 2023 118180 A

(800) 1666233

(151) 2022 05 16

(891) 2022 05 16

(731) HENCO INDUSTRIES, naamloze

Vennootschap

Toekomstlaan 27, B-2200 Herentals, Belgium

(540)

Henco Pro-Fit

(591) Black, white

(511)

17 – Non-metallic flexible pipes, both single-walled and multi-walled, with or without insulating properties; non-metallic fittings for pipes.

(260) AM 2023 118181 A

(800) 1666271

(151) 2022 01 17

(891) 2022 01 17

(731) Public Joint Stock Company "Vimpel-Communications"

8 Marta, 10, bld. 14, RU-127083 Moscow, Russian Federation

(540)

beeline

(591) Black, white

(511)

9 – 3D glasses; DVD players; ticket dispensers; juke boxes, musical; fire engines; answering machines; electrical adapters; batteries for electronic cigarettes; accumulators, electric; batteries, electric, for vehicles; accelerometers; actinometers; alidades; altimeters; ear pads for earphones; ammeters; nanoparticle size analysers; anemometers; anodes; aerials; anticathodes; apertometers [optics]; high-frequency apparatus; testing apparatus not for medical purposes; remote control apparatus; electro-dynamic apparatus for the remote control of railway points; electro-dynamic apparatus for the remote control of signals; monitoring apparatus, other than for medical purposes; sound recording apparatus; global positioning system [GPS] apparatus; distillation apparatus for scientific purposes; diffraction apparatus [microscopy]; air analysis apparatus; apparatus to check franking; sound transmitting apparatus; apparatus for fermentation [laboratory apparatus]; breathing apparatus for underwater swimming; breathing apparatus, except for artificial respi-

ration; apparatus and installations for the production of x-rays, not for medical purposes; cash registers; electric apparatus for commutation; magnetic resonance imaging [MRI] apparatus, not for medical purposes; intercommunication apparatus; stills for laboratory experiments; projection apparatus; fire extinguishing apparatus; radiological apparatus for industrial purposes; X-ray apparatus not for medical purposes; blueprint apparatus; blinkers [signalling lights]; stereoscopic apparatus; telephone apparatus; facsimile machines; phototelegraphy apparatus; electric apparatus for remote ignition; acid hydrometers; salinometers; acidimeters for batteries; aerometers; beacons, luminous; battery jars; automated teller machines [atm]; barometers; anode batteries; galvanic batteries; solar batteries; solar panels for the production of electricity; batteries, electric; balances [steelyards]; betatrons; binoculars; biochips; electronic tags for goods; lens hoods; magnetic tape units for computers; computer memory devices; fire hose nozzles; encoded identification bracelets, magnetic; connected bracelets [measuring instruments]; safety tarpaulins; electronic key fobs being remote control apparatus; bullet-proof clothing; signalling buoys; life buoys; marking buoys; directional compasses; vacuum gauges; electrolyzers for laboratory use (term considered too vague by the International Bureau – Rule 13 (2) (b) of the Regulations); variometers; verniers; scales; baby scales; bathroom scales; letter scales; weighbridges; precision balances; scales with body mass analysers; rods [surveying instruments]; camcorders; video baby monitors; video cassettes; video projectors; video telephones; video screens; viewfinders, photographic; electric plugs; micrometer screws for optical instruments; viscosimeters; circuit closers; wavemeters; voltmeters; mechanical signs; signs, luminous; switchboxes [electricity]; current rectifiers; gas testing instruments; gasometers [measuring instruments]; galvanometers; hands free kits for phones; heliographic apparatus; hygrometers; hydrometers; weights; peepholes [magnifying lenses] for doors; hairdressing training heads [teaching apparatus]; holograms; plotters; loudspeakers; sounding leads; plumb bobs; telemeters; parking sensors for vehicles; piezoelectric sensors; densimeters; densitometers; detectors; smoke detectors; infrared detectors; false coin detectors; joysticks for use with computers, other than for video games; slides [photography]; slide projectors; diaphragms [photography]; dictating machines; dynamometers; light-emitting diodes [LED]; quantum dot light-emitting diodes [QLED]; organic light-emitting diodes [OLED]; floppy disks; phonograph records; disks, magnetic; optical discs; disk drives for computers; juke boxes for computers; wearable video display monitors; electronic numeric displays; DNA chips; electronic interactive whiteboards; electronic notice boards; electric wire harnesses for automobiles; bullet-proof waistcoats; life jackets; reflective safety vests; identification threads for electric wires; nose clips for divers and swimmers; pad-

locks, electronic; locks, electric; bells [warning devices]; alarm bells, electric; electric door bells; signal bells; acoustic conduits; mirrors for inspecting work; road signs, luminous or mechanical; downloadable emoticons for mobile phones; probes for scientific purposes; buzzers; needles for surveying compasses; styli for record players; eyewear; reflective articles for wear, for the prevention of accidents; measures; pressure measuring apparatus; simulators for the steering and control of vehicles; inverters [electricity]; pressure indicators; automatic indicators of low pressure in vehicle tyres; temperature indicators; incubators for bacteria culture; measuring instruments; cosmographic instruments; mathematical instruments; levelling instruments; instruments containing eyepieces; surveying instruments; azimuth instruments; interfaces for computers; audio interfaces; ionization apparatus not for the treatment of air or water; satellite finder meters; spark-guards; coaxial cables; fibre [fiber (am.)] optic cables; cables, electric; calipers; slide calipers; screw-tapping gauges; calorimeters; calculating machines; pocket calculators; decompression chambers; rearview cameras for vehicles; cinematographic cameras; thermal imaging cameras; mouth guards for sports; life-saving capsules for natural disasters; electronic pens [visual display units]; holders for electric coils; biometric identity cards; identity cards, magnetic; video game cartridges; toner cartridges, unfilled, for printers and photocopiers; ink cartridges, unfilled, for printers and photocopiers; memory cards for video game machines; encoded magnetic cards; riding helmets; protective helmets; carriers for dark plates [photography]; cathodes; spools [photography]; choking coils [impedance]; coils, electric; electromagnetic coils; cinematographic film, exposed; computer keyboards; solenoid valves [electromagnetic switches]; wire connectors [electricity]; thin client computers; downloadable cryptographic keys for receiving and spending cryptocurrency; encoded key cards; electronic book readers; electronic agendas; push buttons for bells; mouse pads; magnetic encoders; visors for helmets; collectors, electric; calibrating rings; smart rings; ring sizers; protective suits for aviators; commutators; compact discs [audio-video]; compact discs [read-only memory]; comparators; marine compasses; computers; laptop computers; tablet computers; notebook computers; wearable computers; capacitors; contacts, electric; wind socks for indicating wind direction; traffic cones; branch boxes [electricity]; distribution boxes [electricity]; junction boxes [electricity]; battery boxes; cabinets for loudspeakers; diving suits; downloadable e-wallets; galena crystals [detectors]; calculating disks; covers for electric outlets; logs [measuring instruments]; lasers, not for medical purposes; lactodensimeters; lactometers; vacuum tubes [radio]; darkroom lamps [photography]; thermionic tubes; amplifying tubes; flashlights [photography]; head cleaning tapes [recording]; magnetic tapes; videotapes; surveying chains; fire escapes; rulers [measuring ins-

truments]; square rulers for measuring; slide-rules; circular slide rules; contact lenses; correcting lenses [optics]; optical lenses; optical condensers; sounding lines; electricity conduits; measuring spoons; magnifying glasses [optics]; waling glasses; magnets; decorative magnets; crash test dummies; resuscitation mannequins [teaching apparatus]; mouse [computer peripheral]; manometers; security tokens [encryption devices]; divers' masks; solderers' helmets; protective masks; respiratory masks, other than for artificial respiration; materials for electricity mains [wires, cables]; voting machines; money counting and sorting machines; material testing instruments and machines; furniture especially made for laboratories; megaphones; portable media players; diaphragms [acoustics]; diaphragms for scientific apparatus; metal detectors for industrial or military purposes; digital weather stations; metronomes; rules [measuring instruments]; carpenters' rules; dressmakers' measures; mechanisms for coin-operated apparatus; mechanisms for counter-operated apparatus; coin-operated mechanisms for television sets; shutter releases [photography]; micrometers; microprocessors; microscopes; microtomes; microphones; audio mixers; modems; lightning arresters; monitors [computer hardware]; monitors [computer programs]; selfie sticks [hand-held monopods]; terminals [electricity]; junction sleeves for electric cables; teeth protectors; temperature indicator labels, not for medical purposes; knee-pads for workers; ear pads for headphones; headphones; earpieces for remote communication; surveyors' levels; sound recording carriers; magnetic data media; optical data media; electronic sheet music, downloadable; computer game software, recorded; computer software, recorded; sheaths for electric cables; identification sheaths for electric wires; weighing machines; computer hardware; punched card machines for offices; life saving equipment; shoes for protection against accidents, irradiation and fire; objectives [lenses] [optics]; lenses for astrophotography; selfie lenses; egg-candlers; fire extinguishers; rescue laser signalling flares; electrified fences; limiters [electricity]; clothing for protection against accidents, irradiation and fire; clothing for protection against fire; asbestos clothing for protection against fire; clothing especially made for laboratories; survival blankets; ozonisers [ozonators]; octants; eyepieces; ohmmeters; wrist rests for use with computers; spectacle frames; oscillographs; plumb lines; mirrors [optics]; spectacles [optics]; sunglasses; goggles for sports; electronic collars to train animals; finger sizers; signalling panels, luminous or mechanical; biometric passports; wah-wah pedals; radio pagers; pince-nez; electronic pocket translators; transmitters [telecommunication]; telephone transmitters; transmitters of electronic signals; switches, electric; periscopes; data gloves; gloves for divers; gloves for protection against accidents; gloves for protection against X-rays for industrial purposes; asbestos gloves for protection against accidents; ovens for laboratory use;

droppers for measuring, other than for medical or household purposes; laboratory pipettes; pyrometers; planimeters; plane tables [surveying instruments]; plates for batteries; computer software platforms, recorded or downloadable; wafers for integrated circuits; printed circuit boards; compact disc players; cassette players; protective films adapted for computer screens; protective films adapted for smartphones; sound recording strips; X-ray films, exposed; films, exposed; life-saving rafts; animal signalling rattles for directing livestock; laboratory trays; digital signs; stands adapted for laptops; semi-conductors; polarimeters; personal digital assistants [pdas]; fire pumps; graduated glassware; weight belts for divers; life belts; fuses; circuit breakers; converters, electric; telerupters; food analysis apparatus; diagnostic apparatus, not for medical purposes; distance recording apparatus; distance measuring apparatus; speed measuring apparatus [photography]; appliances for measuring the thickness of leather; apparatus for measuring the thickness of skins; speed checking apparatus for vehicles; teaching apparatus; time recording apparatus; apparatus and instruments for astronomy; surveying apparatus and instruments; weighing apparatus and instruments; nautical apparatus and instruments; navigational instruments; optical apparatus and instruments; apparatus and instruments for physics; chemistry apparatus and instruments; measuring apparatus; measuring devices, electric; boiler control instruments; meteorological instruments; naval signalling apparatus; observation instruments; navigation apparatus for vehicles [on-board computers]; satellite navigational apparatus; regulating apparatus, electric; telecommunication apparatus in the form of jewellery; precision measuring apparatus; audio- and video-receivers; prisms [optics]; computer software applications, downloadable; ticket printers; printers for use with computers; hemline markers; retorts' stands; apparatus for changing record player needles; photographic racks; cleaning apparatus for phonograph records; fire beaters; sighting telescopes for firearms; telescopic sights for artillery; test tubes; pressure indicator plugs for valves; magnetic wires; telegraph wires; telephone wires; wires, electric; conductors, electric; copper wire, insulated; fuse wire; computer programs, recorded; computer game software, downloadable; computer programs, downloadable; computer operating programs, recorded; computer screen saver software, recorded or downloadable; record players; central processing units [processors]; rods for water diviners; electronic publications, downloadable; distribution consoles [electricity]; control panels [electricity]; radar apparatus; baby monitors; masts for wireless aerials; transmitting sets [telecommunication]; radios; vehicle radios; sprinkler systems for fire protection; frames for photographic transparencies; screens for photoengraving; flowmeters; walkie-talkies; voltage surge protectors; voltage regulators for vehicles; stage lighting regulators; light dimmers [regulators], electric; speed regulators for

record players; reducers [electricity]; washing trays [photography]; marking gauges [joinery]; t-squares for measuring; time switches, automatic; relays, electric; safety restraints, other than for vehicle seats and sports equipment; body harnesses for support when lifting loads; x-ray photographs, other than for medical purposes; rheostats; respirators for filtering air; retorts; refractometers; refractors; grids for batteries; security surveillance robots; laboratory robots; teaching robots; telepresence robots; humanoid robots with artificial intelligence for use in scientific research; electric sockets; height measuring instruments; speaking tubes; horns for loudspeakers; subwoofers; saccharometers; light conducting filaments [optical fibers [fibres]]; traffic-light apparatus [signalling devices]; dog whistles; signalling whistles; sports whistles; sextants; inductors [electricity]; life nets; nets for protection against accidents; fire alarms; signals, luminous or mechanical; rescue flares, non-explosive and non-pyrotechnic; sirens; electronic access control systems for interlocking doors; scanners [data processing equipment]; hand-held electronic dictionaries; integrated circuit cards [smart cards]; smartglasses; smartphones; smartwatches; connections for electric lines; couplings, electric; sonars; sound locating instruments; lighting ballasts; resistances, electric; spectrograph apparatus; spectrometers; speed indicators; alcoholmeters; satellites for scientific purposes; protection devices for personal use against accidents; audiovisual teaching apparatus; charging stations for electric vehicles; radiotelegraphy sets; radiotelephony sets; spectacle lenses; anti-glare glasses; optical glass; personal stereos; stereoscopes; stands for photographic apparatus; stroboscopes; fire boats; sulphitometers; bags adapted for laptops; drying racks [photography]; spherometers; integrated circuits; printed circuits; meters; parking meters; milage recorders for vehicles; revolution counters; abacuses; hourglasses; taximeters; ear plugs for divers; tachometers; television apparatus; telegraphs [apparatus]; telescopes; teleprompters; teleprinters; mobile telephones; cordless telephones; theodolites; credit card terminals; interactive touch screen terminals; thermo-hygrometers; thermometers, not for medical purposes; thermostats; thermostats for vehicles; climate control digital thermostats; cupels [laboratory]; tone arms for record players; totalizers; transistors [electronic]; transponders; protractors [measuring instruments]; transformers [electricity]; step-up transformers; trackballs [computer peripherals]; resuscitation training simulators; vehicle breakdown warning triangles; triodes; starter cables for motors; electric discharge tubes, other than for lighting; capillary tubes; neon signs; pitot tubes; x-ray tubes not for medical purposes; telephone receivers; headgear being protective helmets; squares for measuring; gauges; quantity indicators; petrol gauges; water level indicators; electric loss indicators; light-emitting electronic pointers; clinometers; levels [instruments for determining the horizontal]; mercury levels;

spirit levels; urinometers; amplifiers; particle accelerators; electric installations for the remote control of industrial operations; steering apparatus, automatic, for vehicles; balancing apparatus; video recorders; sound reproduction apparatus; invoicing machines; tape recorders; protection devices against X-rays, not for medical purposes; railway traffic safety appliances; data processing apparatus; oxygen transvasing apparatus; theft prevention installations, electric; devices for the projection of virtual keyboards; film cutting apparatus; drying apparatus for photographic prints; optical character readers; centering apparatus for photographic transparencies; dosimeters; battery chargers; chargers for electric batteries; chargers for electronic cigarettes; sound alarms; sounding apparatus and machines; apparatus for editing cinematographic film; cathodic anti-corrosion apparatus; couplers [data processing equipment]; wearable activity trackers; anti-theft warning apparatus; computer peripheral devices; anti-interference devices [electricity]; demagnetizing apparatus for magnetic tapes; acoustic couplers; alarms; fog signals, non-explosive; whistle alarms; adding machines; readers [data processing equipment]; heat regulating apparatus; photocopiers [photographic, electrostatic, thermic]; electric and electronic effects units for musical instruments; bar code readers; downloadable ring tones for mobile phones; downloadable image files; downloadable music files; animated cartoons; filters for respiratory masks; filters for ultraviolet rays, for photography; filters for use in photography; USB flash drives; magic lanterns; optical lamps; signal lanterns; cameras [photography]; glazing apparatus for photographic prints; shutters [photography]; darkrooms [photography]; photometers; flash-bulbs [photography]; digital photo frames; enlarging apparatus [photography]; photovoltaic cells; containers for contact lenses; spectacle cases; containers for microscope slides; cases for smartphones; cases especially made for photographic apparatus and instruments; chromatography apparatus for laboratory use; chronographs [time recording apparatus]; laboratory centrifuges; spectacle chains; cyclotrons; compasses for measuring; frequency meters; time clocks [time recording devices]; petri dishes; sleeves for laptops; covers for personal digital assistants [pdas]; covers for tablet computers; covers for smartphones; fire blankets; chips [integrated circuits]; jigs [measuring instruments]; pedometers; meteorological balloons; electrified rails for mounting spot lights; asbestos screens for firemen; fire hose; virtual reality headsets; protective helmets for sports; head guards for sports; lifeboats; snorkels; cell phone straps; spectacle cords; tripods for cameras; switchboards; distribution boards [electricity]; equalizers [audio apparatus]; screens [photography]; workmen's protective face-shields; projection screens; radiology screens for industrial purposes; fluorescent screens; exposure meters [light meters]; ducts [electricity]; galvanic cells; downloadable graphics for mobile phones; downloadable

emojis for mobile phones; epidiascopes; ergometers; armatures [electricity]; black boxes [data recorders].

16 – Fountain pens; watercolors [paintings]; albums; almanacs; document laminators for office use; mimeograph apparatus and machines; atlases; posters; banknotes; banners of paper; paper bows, other than haberdashery or hair decorations; name badges [office requisites]; table linen of paper; tickets; baggage claim check tags of paper; forms, printed; announcement cards [stationery]; glitter for stationery purposes; note books; pads [stationery]; drawing pads; wristbands for the retention of writing instruments; pamphlets; booklets; paper; paper sheets [stationery]; waxed paper; paper for medical examination tables; paper for recording machines; paper for radiograms; papers for painting and calligraphy; electrocardiograph paper; drawer liners of paper, perfumed or not; wood pulp paper; copy paper; copying paper [stationery]; parchment paper; writing paper; rice paper; luminous paper; toilet paper; packing paper; filter paper; Japanese paper; blotters; newsletters; rollers for typewriters; house painters' rollers; composing sticks; modelling wax, not for dental purposes; signboards of paper or cardboard; patterns for dressmaking; bunting of paper; newspapers; electrotypes; hectographs; modelling clay; polymer modelling clay; terrestrial globes; drawing sets; engravings; slate pencils; pencil leads; document holders [stationery]; pencil holders; chalk holders; holders for checkbooks [cheque books]; holders for stamps [seals]; page holders; name badge holders [office requisites]; diagrams; table runners of paper; engraving plates; writing slates; blackboards; galley racks [printing]; drawing boards; advertisement boards of paper or cardboard; duplicators; punches [office requisites]; cream containers of paper; magazines [periodicals]; money clips; clips for name badge holders [office requisites]; tags for index cards; pen clips; bookmarkers; etching needles; tracing needles for drawing purposes; periodicals; printed publications; paper shredders for office use; graphic representations; credit card imprinters, non-electric; paper creators [office requisites]; graining combs; drawing instruments; calendars; tracing paper; tracing cloth; tracing patterns; gums [adhesives] for stationery or household purposes; lithographic stones; ink stones [ink reservoirs]; pencils; pencil lead holders; charcoal pencils; pictures; decalcomanias; paintings [pictures], framed or unframed; cardboard; wood pulp board [stationery]; hat boxes of cardboard; charts; index cards [stationery]; geographical maps; paper tapes and cards for the recordal of computer programmes; trading cards other than for games; perforated cards for jacquard looms; catalogues; spools for inking ribbons; flowerpot covers of paper; paintbrushes; painters' brushes; writing brushes; typewriter keys; glue for stationery or household purposes; isinglass for stationery or household purposes; gluten [glue] for stationery or household purposes; starch paste [adhesive] for stationery or household purposes; printing blocks; books; colour-

ring books; manifolds [stationery]; comic books; thumbtacks; cigar bands; envelopes [stationery]; boxes of paper or cardboard; cases for stamps [seals]; paint boxes [articles for use in school]; correcting fluids [office requisites]; printed coupons; stencils [stationery]; french curves; paper ribbons, other than haberdashery or hair decorations; gummed tape [stationery]; typewriter ribbons; barcode ribbons; adhesive bands for stationery or household purposes; correcting tapes [office requisites]; inking ribbons; self-adhesive tapes for stationery or household purposes; square rulers for drawing; drawing rulers; flyers; absorbent sheets of paper or plastic for foodstuff packaging; humidity control sheets of paper or plastic for foodstuff packaging; viscose sheets for wrapping; sheets of reclaimed cellulose for wrapping; plastic bubble packs for wrapping or packaging; steel letters; letters [type]; lithographs; letter trays; paint trays; architects' models; postage stamps; plastics for modelling; graphic prints; modelling materials; teaching materials [except apparatus]; sealing compounds for stationery purposes; adhesives [glues] for stationery or household purposes; padding materials of paper or cardboard; bookbinding material; packing [cushioning, stuffing] materials of paper or cardboard; packaging material made of starches; filtering materials [paper]; table place setting mats of paper; addressing machines; pencil sharpening machines, electric or non-electric; bookbinding apparatus and machines [office equipment]; typewriters, electric or non-electric; postage meters for office use; chalk for lithography; writing chalk; tailors' chalk; marking chalk; spray chalk; bags [envelopes, pouches] of paper or plastics, for packaging; garbage bags of paper or of plastics; plastic bags for pet waste disposal; painters' easels; hand-rests for painters; printing sets, portable [office requisites]; bibs of paper; bibs, sleeved, of paper; stickers [stationery]; fingerstalls for office use; writing cases [stationery]; bookbinding cords; paper knives [letter openers]; printed sheet music; numbering apparatus; bottle envelopes of paper or cardboard; sealing wafers; covers [stationery]; passport holders; protective covers for books; plastic cling film, extensible, for palletization; embroidery designs [patterns]; handwriting specimens for copying; oleographs; musical greeting cards; greeting cards; postcards; etchings; conical paper bags; paper bags for use in the sterilization of medical instruments; bags for microwave cooking; palettes for painters; ink sticks; pantographs [drawing instruments]; loose-leaf binders; file folders [office requisites]; documents covers [stationery]; papier mâché; pastels [crayons]; modelling paste; pen cases; pen wipers; office perforators; pens [office requisites]; nibs of gold; nibs; steel pens; drawing pens; song books; seals [stamps]; sealing stamps; clipboards; address plates for addressing machines; handkerchiefs of paper; plastic film for wrapping; transparencies [stationery]; desk mats; trays for sorting and counting money; coasters of paper; bookends; stamp stands; mats

for beer glasses; stands for pens and pencils; photograph stands; obliterating stamps; inking pads; stamp pads; binding strips [bookbinding]; facial tissues of paper; towels of paper; inking sheets for document reproducing machines; inking sheets for duplicators; bookbinding cloth; gummed cloth for stationery purposes; printers' blankets, not of textile; portraits; paperweights; writing cases [sets]; inkstands; office requisites, except furniture; writing materials; writing instruments; drawing materials; school supplies [stationery]; adhesive tape dispensers [office requisites]; hand labelling appliances; printed matter; lithographic works of art; prospectuses; printed timetables; ledgers [books]; printers' galleys; indexes; paper cutters [office requisites]; rubber erasers; elastic bands for offices; drawing T-squares; graphic reproductions; retractable reels for name badge holders [office requisites]; pen holders; marking pens [stationery]; tissues of paper for removing make-up; paper wipes for cleaning; dental tray covers of paper; place mats of paper; tablemats of paper; tablecloths of paper; paper clasps; document files [stationery]; scrapers [erasers] for offices; paper-clips; clips for offices; erasing products; biological samples for use in microscopy [teaching materials]; histological sections for teaching purposes; figurines of papier mâché; steatite [tailor's chalk]; writing board erasers; composing frames [printing]; sealing wax; calculating tables; placards of paper or cardboard; writing or drawing books; fabrics for bookbinding; stationery; pencil sharpeners, electric or non-electric; stencil plates; stencils for decorating food and beverages; cardboard tubes; indian inks; moisteners [office requisites]; moisteners for gummed surfaces [office requisites]; drawing squares; chart pointers, non-electronic; bottle wrappers of paper or cardboard; envelope sealing machines, for offices; sealing machines for offices; vignetting apparatus; apparatus for mounting photographs; stapling presses [office requisites]; handbooks [manuals]; papier mâché figures; paper coffee filters; flags of paper; silver paper; molds for modelling clays [artists' materials]; photoengravings; photographs [printed]; stencil cases; canvas for painting; chromolithographs [chromos]; animation cels; compasses for drawing; numbers [type]; artists' watercolour saucers; ink; correcting ink [heliography]; inkwells; plans; stencils; erasing shields; balls for ball-point pens; desktop cabinets for stationery [office requisites]; printing type; address stamps; stamps [seals]; shields [paper seals]; prints [engravings]; labels of paper or cardboard.

18 – Alpenstocks; slings for carrying infants; luggage tags; pocket wallets; saddlecloths for horses; business card cases; reins; reins for guiding children; sling bags for carrying infants; harness fittings; credit card cases [wallets]; parts of rubber for stirrups; chamois leather, other than for cleaning purposes; umbrellas; parasols; saddlery; frames for umbrellas or parasols; handbag frames; card cases [notecases]; cases, of leather or leatherboard; valves of leather; whips; imitation leather;

leather, unworked or semi-worked; leatherboard; casings, of leather, for springs; umbrella rings; hat boxes of leather; boxes of leather or leather board; boxes of vulcanised fibre; purses; chain mesh purses; fastenings for saddles; butts [parts of hides]; saddle trees; pouches, of leather, for packaging; moleskin [imitation of leather]; travelling sets [leatherware]; knee-pads for horses; muzzles; halters; vanity cases, not fitted; furniture coverings of leather; clothing for pets; covers for animals; leather trimmings for furniture; collars for animals; hiking sticks; conference folders; music cases; goldbeaters' skin; cat o' nine tails; leather leads; pads for horse saddles; horseshoes; girths of leather; leathercloth; horse blankets; garment bags for travel; bandoliers; briefcases; traces [harness]; fur; randsels [japanese school satchels]; haversacks; leather straps; straps for soldiers' equipment; harness straps; straps for skates; straps of leather [saddlery]; chin straps, of leather; stirrup leathers; umbrella handles; walking cane handles; suitcase handles; grips for holding shopping bags; backpacks; backpacks for carrying infants; travelling bags; riding saddles; net bags for shopping; umbrella or parasol ribs; stirrups; bags; bags for climbers; tool bags, empty; handbags; beach bags; saddlebags; compression cubes adapted for luggage; bags for sports; bags for campers; wheeled shopping bags; school bags; pouch baby carriers; travelling trunks; nose bags [feed bags]; bridoons; canes; umbrella sticks; walking stick seats; tefillin [phylacteries]; bits for animals [harness]; bridles [harness]; harness for animals; key cases; horse collars; suitcases; motorized suitcases; suitcases with wheels; attaché cases; covers for horse-saddles; umbrella covers; kid; curried skins; pelts; cattle skins; leather laces; blinders [harness]; labels of leather; game bags [hunting accessories].

25 – Wimples; bandanas [neckerchiefs]; underwear; sweat-absorbent underwear; berets; smocks; boas [necklets]; teddies [undergarments]; pants; ankle boots; ski boots; boots for sports; breeches for wear; trousers; football boots; brassieres; adhesive bras; valenki [felted boots]; mittens; shoulder wraps; detachable collars; shirt yokes; veils [clothing]; gabardines [clothing]; galoshes; neckties; ascots; chaps; spats; gaiters [leg warmers]; boot uppers; corselets; jerseys [clothing]; vests; singlets; hosiery; heels; heelpieces for footwear; hoods [clothing]; hat frames [skeletons]; pockets for clothing; scarves; caps being headwear; kimonos; cap peaks; visors being headwear; tights; slips [undergarments]; combinations [clothing]; wet suits for water-skiing; bodices [lingerie]; corsets [underclothing]; suits; swimsuits; masquerade costumes; beach clothes; headscarves; leotards; jackets [clothing]; stuff jackets [clothing]; fishing vests; leggings [trousers]; liveries; camisoles; sports singlets; cuffs; short-sleeve shirts; mantillas; coats; sleep masks; furs [clothing]; miters [hats]; muffs [clothing]; footmuffs, not electrically heated; bibs, not of paper; bibs, sleeved, not of paper; fur stoles; hairdressing capes; heel

protectors for shoes; ear muffs [clothing]; socks; sweat-absorbent socks; footwear; gymnastic shoes; beach shoes; sports shoes; clothing; paper clothing; outer-clothing; embroidered clothing; ready-made clothing; motorists' clothing; cyclists' clothing; clothing for gymnastics; clothing of imitations of leather; latex clothing; clothing of leather; waterproof clothing; clothing incorporating LEDs; uniforms; clothing containing slimming substances; fittings of metal for footwear; maniples; topcoats; knickers; parkas; pelerines; gloves [clothing]; fingerless gloves; ski gloves; pyjamas; bathing trunks; shirt fronts; scarfs; pocket squares; dresses; headbands [clothing]; garters; sock suspenders; stocking suspenders; ready-made linings [parts of clothing]; dress shields; soles for footwear; suspenders; half-boots; lace boots; ponchos; girdles; belts [clothing]; sashes for wear; money belts [clothing]; layettes [clothing]; non-slipping devices for footwear; sweaters; heelpieces for stockings; welts for footwear; chasubles; shirts; wooden shoes; sandals; bath sandals; boots; jumper dresses; saris; sarongs; footwear uppers; inner soles; albs; bath slippers; togas; knitwear [clothing]; underpants; shoes; slippers; skull caps; turbans; headgear for wear; aprons [clothing]; judo uniforms; karate uniforms; tee-shirts; rash guards; dressing gowns; bath robes; top hats; tips for footwear; stockings; sweat-absorbent stockings; shawls; paper hats [clothing]; shower caps; bathing caps; neck tube scarves; studs for football boots; hats; babies' pants [underwear]; gaiter straps; pelisses; esparto shoes or sandals; skirts; petticoats; skorts.

35 – Arranging subscriptions to telecommunication services for others; import-export agency services; commercial information agency services; publicity agencies; cost price analysis; rental of office equipment in co-working facilities; rental of advertising space; business auditing; financial auditing; business intermediary services relating to the matching of potential private investors with entrepreneurs needing funding; employment agency services; computerized file management; accounting; invoicing; demonstration of goods; transcription; opinion polling; marketing studies; business investigations; business research; marketing research; personnel recruitment; business management and organization consultancy; business organization consultancy; business management consultancy; personnel management consultancy; professional business consultancy; consultancy regarding advertising communication strategies; consultancy regarding public relations communication strategies; layout services for advertising purposes; marketing; marketing in the framework of software publishing; targeted marketing; business management of performing artists; business management of sports people; writing of curriculum vitae for others; scriptwriting for advertising purposes; news clipping services; updating and maintenance of information in registries; updating and maintenance of data in computer databases; updating of advertising material; word proces-

sing; online retail services for downloadable and pre-recorded music and movies; online retail services for downloadable ring tones; online retail services for downloadable digital music; organization of exhibitions for commercial or advertising purposes; arranging newspaper subscriptions for others; organization of fashion shows for promotional purposes; organization of trade fairs; shop window dressing; business appraisals; payroll preparation; data search in computer files for others; sponsorship search; administrative assistance in responding to calls for tenders; business management assistance; commercial or industrial management assistance; commercial intermediation services; providing business information; providing business information via a website; providing commercial and business contact information; providing commercial information and advice for consumers in the choice of products and services; provision of an online marketplace for buyers and sellers of goods and services; providing user reviews for commercial or advertising purposes; web indexing for commercial or advertising purposes; providing user rankings for commercial or advertising purposes; presentation of goods on communication media, for retail purposes; media relations services; economic forecasting; auctioneering; wholesale services for pharmaceutical, veterinary and sanitary preparations and medical supplies; retail services for works of art provided by art galleries; retail services for pharmaceutical, veterinary and sanitary preparations and medical supplies; sales promotion for others; promotion of goods and services through sponsorship of sports events; production of teleshopping programmes; production of advertising films; office machines and equipment rental; rental of advertising time on communication media; publicity material rental; rental of billboards [advertising boards]; rental of vending machines; rental of sales stands; rental of photocopying machines; consumer profiling for commercial or marketing purposes; publication of publicity texts; radio advertising; development of advertising concepts; bill-posting; distribution of samples; dissemination of advertising matter; direct mail advertising; registration of written communications and data; writing of publicity texts; publicity; on-line advertising on a computer network; advertising by mail order; television advertising; compilation of statistics; compilation of information into computer databases; business inquiries; systemization of information into computer databases; administrative services for medical referrals; advisory services for business management; corporate communications services; negotiation of business contracts for others; negotiation and conclusion of commercial transactions for third parties; compiling indexes of information for commercial or advertising purposes; tax preparation; drawing up of statements of accounts; telemarketing services; psychological testing for the selection of personnel; interim business management; outsourced administrative management for companies; business

management of hotels; business management for freelance service providers; business project management services for construction projects; commercial administration of the licensing of the goods and services of others; business management of reimbursement programmes for others; administration of consumer loyalty programs; administration of frequent flyer programs; administrative processing of purchase orders; pay per click advertising; administrative services for the relocation of businesses; public relations; commercial lobbying services; competitive intelligence services; modelling for advertising or sales promotion; typing; market intelligence services; appointment reminder services [office functions]; website traffic optimization; appointment scheduling services [office functions]; tax filing services; search engine optimization for sales promotion; retail services relating to bakery products; gift registry services; price comparison services; secretarial services; procurement services for others [purchasing goods and services for other businesses]; shorthand; outsourcing services [business assistance]; telephone answering for unavailable subscribers; telephone switchboard services; photocopying services; business efficiency expert services.

36 – Credit bureau services; debt collection agency services; financial analysis; renting of flats; rental of offices for co-working; rental of real estate; rental of offices [real estate]; rental of farms; hire-purchase financing; savings bank services; accommodation bureau services [apartments]; rent collection; issuing of travellers' checks [cheques]; issuance of credit cards; issue of tokens of value; fund investments; financial research; clearing, financial; insurance consultancy; financial consultancy; debt advisory services; stock exchange quotations; crowdfunding; lending against security; business liquidation services, financial; brokerage; financial management; exchanging money; home banking; debit card services; credit card services; financial exchange of virtual currency; real estate affairs; factoring; organization of monetary collections; arranging finance for construction projects; antique appraisal; jewelry appraisal; financial valuation of standing timber; stamp appraisal; real estate appraisal; numismatic appraisal; art appraisal; financial evaluation of development costs relating to the oil, gas and mining industries; financial valuation of intellectual property assets; financial evaluation of wool; financial evaluation [insurance, banking, real estate]; financial appraisals in responding to calls for tenders; repair costs evaluation [financial appraisal]; electronic funds transfer; surety services; securities brokerage; real estate brokerage; brokerage of carbon credits; insurance brokerage; providing insurance information; providing rebates at participating establishments of others through use of a membership card; loans [financing]; pawnbrokerage; providing financial information; providing financial information via a website; check [cheque] verification; investment of

funds; charitable fund raising; stocks and bonds brokerage; financial sponsorship; mortgage banking; installment loans; insurance underwriting; life insurance underwriting; health insurance underwriting; accident insurance underwriting; marine insurance underwriting; fire insurance underwriting; apartment house management; real estate management; financial management of reimbursement payments for others; real estate agency services; actuarial services; banking; stock brokerage services; e-wallet payment services; retirement payment services; bail-bonding; preparation of quotes for cost estimation purposes; electronic transfer of virtual currencies; fiduciary; provident fund services; financial customs brokerage services; mutual funds; financing services; safe deposit services; deposits of valuables; fiscal valuations.

37 – Asphaltting; drilling of deep oil or gas-wells; drilling of wells; rebuilding engines that have been worn or partially destroyed; rebuilding machines that have been worn or partially destroyed; renovation of clothing; retreading of tires; vulcanization of tires [repair]; building sealing; linen ironing; pressing of clothing; disinfecting; mining extraction; vehicle battery charging; charging of electric vehicles; knife sharpening; building insulating; bricklaying; riveting; construction consultation; varnishing; re-tinning; installation of utilities in construction sites; scaffolding; road paving; window cleaning; vehicle wash; building construction supervision; tuning of musical instruments; upholstering; rustproofing; anti-rust treatment for vehicles; sanding; pumicing; strong-room maintenance and repair; vehicle maintenance; wallpapering; painting or repair of signs; cleaning of buildings [exterior surface]; vehicle polishing; vehicle breakdown repair services; providing information relating to repairs; providing construction information; rental of bulldozers; rental of drainage pumps; rental of dish drying machines; rental of road sweeping machines; rental of cleaning machines; rental of cranes [construction equipment]; rental of dishwashing machines; rental of laundry washing machines; rental of construction equipment; rental of excavators; laying of cable; plumbing; masonry; roofing services; painting, interior and exterior; carpentry services; underwater repair; plastering; quarrying services; repair of security locks; umbrella repair; parasol repair; motor vehicle maintenance and repair; burner maintenance and repair; film projector repair and maintenance; airplane maintenance and repair; safe maintenance and repair; clock and watch repair; repair of power lines; pump repair; upholstery repair; shoe repair; clothing repair; photographic apparatus repair; furniture restoration; restoration of musical instruments; restoration of works of art; vehicle greasing; demolition of buildings; warehouse construction and repair; vehicle service stations [refuelling and maintenance]; sterilization of medical instruments; washing; washing of linen; building construction; pier breakwater building; pipeline construction and maintenance; underwater cons-

truction; harbour construction; factory construction; building of fair stalls and shops; shipbuilding; cleaning of buildings [interior]; snow removal; street cleaning; vermin exterminating, other than for agriculture, aquaculture, horticulture and forestry; housekeeping services [cleaning services]; tyre balancing; pest control services, other than for agriculture, aquaculture, horticulture and forestry; hydraulic fracturing services; refilling of toner cartridges; refilling of ink cartridges; cell phone battery charging services; artificial snow-making services; laundering; services of electricians; installation of doors and windows; irrigation devices installation and repair; lift installation and repair; installation and repair of flood protection equipment; heating equipment installation and repair; burglar alarm installation and repair; furnace installation and repair; telephone installation and repair; air conditioning apparatus installation and repair; fire alarm installation and repair; freezing equipment installation and repair; electric appliance installation and repair; kitchen equipment installation; installation, maintenance and repair of computer hardware; machinery installation, maintenance and repair; office machines and equipment installation, maintenance and repair; interference suppression in electrical apparatus; swimming-pool maintenance; furniture maintenance; chimney sweeping; boiler cleaning and repair; cleaning of clothing; dry cleaning; vehicle cleaning; diaper cleaning; leather care, cleaning and repair; fur care, cleaning and repair.

38 – News agency services; wireless broadcasting; television broadcasting; cable television broadcasting; electronic bulletin board services [telecommunications services]; providing user access to global computer networks; providing access to databases; providing internet chatrooms; providing telecommunications connections to a global computer network; providing telecommunication channels for teleshopping services; video-on-demand transmission; transmission of podcasts; transmission of greeting cards online; message sending; computer aided transmission of messages and images; transmission of telegrams; transmission of digital files; providing information in the field of telecommunications; providing online forums; videoconferencing services; rental of message sending apparatus; rental of access time to global computer networks; rental of modems; rental of telecommunication equipment; rental of smartphones; rental of telephones; rental of facsimile apparatus; radio broadcasting; radio communications; transmission of electronic mail; communications by fiber [fibre] optic networks; cellular telephone communication; communications by computer terminals; satellite transmission; communications by telegrams; communications by telephone; facsimile transmission; paging services [radio, telephone or other means of electronic communication]; teleconferencing services; telex services; voice mail services; telecommunications routing and jun-

ction services; streaming of data; telegraph services; telephone services.

41 – Modelling for artists; academies [education]; rental of indoor aquaria; rental of artwork; rental of sports grounds; rental of tennis courts; mobile library services; lending libraries; booking of seats for shows; videotaping; physical education; production of music; discotheque services; animal training; dubbing; publication of books; film distribution; movie studio services; health club services [health and fitness training]; nightclub services [entertainment]; layout services, other than for advertising purposes; microfilming; videotape editing; production of radio and television programmes; screenplay writing; religious education; aikido instruction; gymnastic instruction; judo instruction; correspondence courses; practical training [demonstration]; training services provided via simulators; organization of balls; organization of exhibitions for cultural or educational purposes; providing recreation facilities; arranging and conducting of colloquiums; arranging and conducting of congresses; arranging and conducting of conferences; arranging and conducting of concerts; arranging and conducting of workshops [training]; arranging and conducting of in-person educational forums; arranging and conducting of seminars; arranging and conducting of symposiums; organization of competitions [education or entertainment]; arranging of beauty contests; organization of cosplay entertainment events; organization of lotteries; organization of fashion shows for entertainment purposes; organization of shows [impresario services]; organization of sports competitions; vocational guidance [education or training advice]; amusement park services; sign language interpretation; language interpretation; know-how transfer [training]; television entertainment; vocational retraining; providing online videos, not downloadable; providing information in the field of education; providing information relating to recreational activities; providing information in the field of entertainment; providing online music, not downloadable; providing television programmes, not downloadable, via video-on-demand services; providing films, not downloadable, via video-on-demand services; providing user reviews for entertainment or cultural purposes; providing golf facilities; providing user rankings for entertainment or cultural purposes; providing sports facilities; providing amusement arcade services; cinema presentations; providing online electronic publications, not downloadable; presentation of circus performances; presentation of variety shows; presentation of live performances; theatre productions; conducting guided climbing tours; conducting fitness classes; educational examination; film production, other than advertising films; rental of audio equipment; rental of camcorders; rental of video cassette recorders; rental of videotapes; rental of show scenery; rental of sound recordings; toy rental; rental of cinematographic apparatus; rental of motion pictures; games equipment rental; rental of stadium facili-

ties; rental of lighting apparatus for theatrical sets or television studios; rental of radio and television sets; rental of skin diving equipment; rental of sports equipment, except vehicles; rental of stage scenery; rental of training simulators; electronic desktop publishing; publication of electronic books and journals on-line; publication of texts, other than publicity texts; radio entertainment; entertainment services; writing of texts; sado instruction [tea ceremony instruction]; zoological garden services; news reporters services; film directing, other than advertising films; party planning [entertainment]; music composition services; subtitling; tutoring; entertainment services provided by performing artists; holiday camp services [entertainment]; gambling services; video editing services for events; conducting guided tours; disc jockey services; sound engineering services for events; game services provided online from a computer network; personal trainer services [fitness training]; providing casino facilities [gambling]; calligraphy services; karaoke services; club services [entertainment or education]; songwriting; cultural, educational or entertainment services provided by art galleries; providing museum facilities [presentation, exhibitions]; teaching; educational services provided by special needs assistants; educational services provided by schools; orchestra services; translation; scriptwriting, other than for advertising purposes; physical fitness assessment services for training purposes; face painting; ticket agency services [entertainment]; educational examination for users to qualify to pilot drones; coaching [training]; lighting technician services for events; sport camp services; recording studio services; nursery schools; photography; photographic reporting; timing of sports events; boarding school education; production of shows.

42 – Water analysis; computer system analysis; handwriting analysis [graphology]; chemical analysis; rental of meters for the recording of energy consumption; energy auditing; recovery of computer data; business card design; graphic design of promotional materials; interior design; industrial design; graphic arts design; computer virus protection services; oil-field surveys; geological surveys; engineering; installation of computer software; weather forecasting; clinical trials; material testing; textile testing; bacteriological research; biological research; geological research; research in the field of environmental protection; cosmetic research; mechanical research; research in the field of welding; research in the field of building construction; research in the field of telecommunications technology; research in the field of physics; chemical research; research and development of new products for others; medical research; scientific and technological research relating to patent mapping; scientific and technological research in the field of natural disasters; scientific research; analysis for oil-field exploitation; underwater exploration; technological research; calibration [measuring]; web site design consultancy; com-

puter security consultancy; information technology [IT] consulting services; computer technology consultancy; consultancy in the design and development of computer hardware; architectural consultation; internet security consultancy; computer software consultancy; data security consultancy; technological consultancy; oil-well testing; quality control; vehicle road-worthiness testing; land surveying; dress designing; updating of computer software; monitoring of computer systems to detect breakdowns; monitoring of computer systems for detecting unauthorized access or data breach; monitoring of computer systems by remote access; electronic monitoring of credit card activity to detect fraud via the internet; electronic monitoring of personally identifying information to detect identity theft via the internet; software as a service [SaaS]; maintenance of computer software; authenticating works of art; design of interior decor; quality evaluation of standing timber; quality evaluation of wool; digitization of documents [scanning]; conversion of data or documents from physical to electronic media; urban planning; providing information relating to computer technology and programming via a website; providing scientific information, advice and consultancy relating to carbon offsetting; providing search engines for the internet; platform as a service [PaaS]; conversion of computer programs and data, other than physical conversion; conducting technical project studies; computer system design; rental of web servers; computer rental; rental of computer software; unlocking of mobile phones; geological prospecting; oil prospecting; hosting computer sites [web sites]; development of computer platforms; construction drafting; computer software design; software development in the framework of software publishing; cloud seeding; server hosting; consultancy in the field of energy-saving; creating and designing website-based indexes of information for others [information technology services]; creating and maintaining web sites for others; computer programming; technical writing; copying of computer programs; cloud computing; architectural services; information technology services provided on an outsourcing basis; chemistry services; packaging design; off-site data backup; telecommunications technology consultancy; scientific laboratory services; user authentication services using single sign-on technology for online software applications; user authentication services using technology for e-commerce transactions; styling [industrial design]; cartography services; exploration services in the field of the oil, gas and mining industries; data encryption services; electronic data storage; oilfield surveys; surveying.

(260) AM 2023 118182 A
 (800) 1666274
 (151) 2022 02 07
 (891) 2022 02 07
 (731) Bezer Iurie

Str. Ghidighici nr. 3/14, MD-2069 Chişinău,
 Republic of Moldova

(540)

3D Pharma

(591) Black, white
 (511)

5 – Pharmaceuticals, medical and veterinary preparations; sanitary preparations for medical purposes; dietetic food and substances adapted for medical or veterinary use, food for babies; dietary supplements for human beings and animals; plasters, materials for dressings; material for stopping teeth, dental wax; disinfectants; preparations for destroying vermin; fungicides, herbicides.

(260) AM 2023 118184 A

(800) 1666349

(151) 2022 04 08

(891) 2022 04 08

(731) Ellustria & Brands GmbH

c/o Lenz Staehelin Aktiengesellschaft,
 Brandschenkestrasse 24, CH-8001 Zurich,
 Switzerland

(540)

YACHTSMAN

(591) Black, white
 (511)

25 – Clothing; clothing, footwear, headwear; clothing for sports; casual wear; weatherproof clothing; shirts; polo shirts; camp shirts; t-shirts; printed t-shirts; sweaters; jackets (clothing); wind-resistant jackets; coats; trousers; slacks; shorts; dresses; bathing trunks; bathing suits; bikinis; bath robes; leisure shoes; shoes; deck shoes; boat shoes; baseball caps; belts (clothing); leather belts (clothing); scarves; pocket squares; socks.

32 – Beers; Non-alcoholic beverages.

33 – Alcoholic beverages (with the exception of beers); Vodka; flavored vodka; premixed alcoholic beverages with vodka; alcoholic essences; alcoholic extracts; spirits; distilled beverages; schnapps; liquors; whisky.

34 – Tobacco; Tobacco, raw or manufactured; tobacco products; smokers' articles; cigars; cigarillos; pipes; pipe tobacco; cigar boxes; cigar cases.

(260) AM 2023 118185 A

(800) 1666360

(151) 2022 04 06

(891) 2022 04 06

(731) Denisova Darina Borisovna

1-st Dubrovskaya, 1, build.1, flat 44,
 RU-109044 Moscow, Russian Federation

(540)

OLYMPBET

(591) Black, white

(511)

41 – Gambling; providing amusement arcade services; providing casino facilities [gambling]; bookmaking [gambling] services.

(260) AM 2023 118611 A

(800) 1672749

(151) 2022 03 03

(891) 2022 03 03

(731) Sea Shepherd Conservation Society
209 E. Alameda Ave. #205, Burbank CA
91502, USA

(540)

SEA SHEPHERD

(591) Black, white

(511)

35 – Promoting the public awareness of the need for marine wildlife conservation (term considered too vague by the International Bureau – Rule 13 (2) (b) of the Regulations).

42 – Scientific research and scientific research consultancy services in the field of marine wildlife conservation.

(260) AM 2023 118966 A

(800) 1677168

(151) 2022 03 08

(891) 2022 03 08

(731) Sea Shepherd Conservation Society
209 E. Alameda Ave. #205, Burbank CA
91502, USA

(540)

**SEA SHEPHERD**

(591) Black, white

(531) 03.09.01; 03.09.03; 26.01.03; 26.01.15

(511)

16 – Stickers, printed cook books, printed children's books, printed non-fiction books in the field of marine wildlife conservation; printed materials, namely, newsletters, magazines, and catalogues featuring information on marine life conservation; bumper stickers; printed note cards.

25 – Clothing, namely, shirts, t-shirts, hats, baseball caps, beanies, hooded sweatshirts, sweatshirts, bandanas, polo shirts, long sleeve shirts, tank tops, windbreakers, jackets as clothing, rash guards, one piece outfits for infants and babies, sweatpants, shoes, shorts, sweaters, bathing suits, socks, wetsuits.

35 – Advertising services to promote public awareness in the field of marine wildlife conservation.

41 – Educational services, namely, arranging and conducting of educational congresses, seminars, educational performances in the nature of live readings, and educational exhibitions all dealing with the environment and environmental issues; news reporting services, namely, providing current news content through photographic, film and video reports; providing of training, namely, summer courses and programs for college students in the field of environmental awareness and protection and production of course materials to be distributed therewith in the nature of books, newspapers, magazines, CD-ROM's, flash drives, video-films and other publications all dealing with environmental issues; providing online non-downloadable videos in the field of marine wildlife conservation; production of videos in the field of marine wildlife conservation; providing non-downloadable videos in the field of marine wildlife conservation via a website.

42 – Research and consultation services in the field of marine wildlife conservation; scientific research in the field of marine wild life conservation and consultation in the field of scientific research pertaining to marine wild life conservation; providing scientific information in the field of marine wildlife conservation via a website.

INTERNATIONAL TRADEMARKS PROTECTED IN GEORGIA

(260) AM 2023 115551 A
(800) 1627932
(151) 2021 07 09
(181) 2031 07 09
(891) 2021 07 09
(511) 01, 02

(260) AM 2023 115554 A
(800) 1628094
(151) 2021 07 06
(181) 2031 07 06
(891) 2021 07 06
(511) 28, 41

(260) AM 2023 115620 A
(800) 1629305
(151) 2021 06 21
(181) 2031 06 21
(891) 2021 06 21
(511) 09, 35, 38, 41, 42

(260) AM 2023 115631 A
(800) 1629555
(151) 2021 07 09
(181) 2031 07 09
(891) 2021 07 09
(511) 25

(260) AM 2023 115632 A
(800) 1629575
(151) 2021 09 11
(181) 2031 09 11
(891) 2021 09 11
(511) 03

(260) AM 2023 115633 A
(800) 1629687
(151) 2021 08 26
(181) 2031 08 26
(891) 2021 08 26
(511) 34

(260) AM 2023 115634 A
(800) 1629691
(151) 2021 08 24
(181) 2031 08 24

(891) 2021 08 24
(511) 34

(260) AM 2023 115635 A
(800) 1629757
(151) 2021 05 05
(181) 2031 05 05
(891) 2021 05 05
(511) 21, 29, 30, 31

(260) AM 2023 115636 A
(800) 1629773
(151) 2021 08 19
(181) 2031 08 19
(891) 2021 08 19
(511) 33

(260) AM 2023 115637 A
(800) 1629781
(151) 2021 08 17
(181) 2031 08 17
(891) 2021 08 17
(511) 30, 43

(260) AM 2023 115638 A
(800) 1629821
(151) 2021 08 06
(181) 2031 08 06
(891) 2021 08 06
(511) 03

(260) AM 2023 115639 A
(800) 1629848
(151) 2021 07 28
(181) 2031 07 28
(891) 2021 07 28
(511) 07, 09, 11

(260) AM 2023 115651 A
(800) 1630324
(151) 2021 10 21
(181) 2031 10 21
(891) 2021 10 21
(511) 42

(260) AM 2023 115652 A
(800) 1630335
(151) 2021 08 27
(181) 2031 08 27
(891) 2021 08 27
(511) 01, 19, 42

(260) AM 2023 115659 A
(800) 1335206
(151) 2016 12 12
(181) 2026 12 12
(891) 2021 11 01
(511) 33

(260) AM 2023 115653 A
(800) 1630353
(151) 2021 08 26
(181) 2031 08 26
(891) 2021 08 26
(511) 35

(260) AM 2023 115660 A
(800) 1441917
(151) 2018 10 19
(181) 2028 10 19
(891) 2021 11 11
(511) 09

(260) AM 2023 115654 A
(800) 1630439
(151) 2021 08 03
(181) 2031 08 03
(891) 2021 08 03
(511) 30

(260) AM 2023 115700 A
(800) 1630668
(151) 2021 10 14
(181) 2031 10 14
(891) 2021 10 14
(511) 09

(260) AM 2023 115655 A
(800) 1630488
(151) 2021 11 01
(181) 2031 11 01
(891) 2021 11 01
(511) 18

(260) AM 2023 115701 A
(800) 1630719
(151) 2021 07 26
(181) 2031 07 26
(891) 2021 07 26
(511) 03, 05

(260) AM 2023 115656 A
(800) 1630493
(151) 2021 11 02
(181) 2031 11 02
(891) 2021 11 02
(511) 31

(260) AM 2023 115702 A
(800) 1630720
(151) 2021 07 26
(181) 2031 07 26
(891) 2021 07 26
(511) 03, 05

(260) AM 2023 115657 A
(800) 477455E
(151) 1983 06 27
(181) 2023 06 27
(891) 2021 11 11
(511) 11

(260) AM 2023 115703 A
(800) 1630721
(151) 2021 07 26
(181) 2031 07 26
(891) 2021 07 26
(511) 03, 05

(260) AM 2023 115658 A
(800) 1104783
(151) 2011 08 16
(181) 2031 08 16
(891) 2021 10 14
(511) 35, 39

(260) AM 2023 115704 A
(800) 1630723
(151) 2021 07 26
(181) 2031 07 26
(891) 2021 07 26
(511) 03, 05

(260) AM 2023 115705 A
(800) 1630724
(151) 2021 07 26
(181) 2031 07 26
(891) 2021 07 26
(511) 03, 05

(260) AM 2023 115730 A
(800) 1632057
(151) 2021 09 24
(181) 2031 09 24
(891) 2021 09 24
(511) 03, 05

(260) AM 2023 115706 A
(800) 1630863
(151) 2021 10 06
(181) 2031 10 06
(891) 2021 10 06
(511) 03, 05, 10

(260) AM 2023 115731 A
(800) 1632128
(151) 2021 11 03
(181) 2031 11 03
(891) 2021 11 03
(511) 29

(260) AM 2023 115707 A
(800) 1630884
(151) 2021 09 26
(181) 2031 09 26
(891) 2021 09 26
(511) 09

(260) AM 2023 115732 A
(800) 1632131
(151) 2021 11 02
(181) 2031 11 02
(891) 2021 11 02
(511) 33

(260) AM 2023 115708 A
(800) 1630976
(151) 2021 09 27
(181) 2031 09 27
(891) 2021 09 27
(511) 10

(260) AM 2023 115734 A
(800) 1632240
(151) 2021 08 17
(181) 2031 08 17
(891) 2021 08 17
(511) 35, 41

(260) AM 2023 115713 A
(800) 1631348
(151) 2021 11 03
(181) 2031 11 03
(891) 2021 11 03
(511) 34

(260) AM 2023 115735 A
(800) 1632278
(151) 2021 10 25
(181) 2031 10 25
(891) 2021 10 25
(511) 25, 35

(260) AM 2023 115715 A
(800) 1631466
(151) 2021 11 12
(181) 2031 11 12
(891) 2021 11 12
(511) 33

(260) AM 2023 115736 A
(800) 1632279
(151) 2021 10 25
(181) 2031 10 25
(891) 2021 10 25
(511) 41

(260) AM 2023 115729 A
(800) 1631983
(151) 2021 11 03
(181) 2031 11 03
(891) 2021 11 03
(511) 09, 37, 42

(260) AM 2023 115737 A
(800) 1632288
(151) 2021 10 22
(181) 2031 10 22
(891) 2021 10 22
(511) 09

(260) AM 2023 115738 A
(800) 1632302
(151) 2021 11 01
(181) 2031 11 01
(891) 2021 11 01
(511) 42

(260) AM 2023 115739 A
(800) 1632316
(151) 2021 11 03
(181) 2031 11 03
(891) 2021 11 03
(511) 37, 42

(260) AM 2023 115740 A
(800) 1474841
(151) 2019 05 20
(181) 2029 05 20
(891) 2021 11 22
(511) 39

(260) AM 2023 115741 A
(800) 1593146
(151) 2021 01 12
(181) 2031 01 12
(891) 2021 11 01
(511) 01, 16, 19

(260) AM 2023 115764 A
(800) 1632465
(151) 2021 10 07
(181) 2031 10 07
(891) 2021 10 07
(511) 06

(260) AM 2023 115765 A
(800) 1632479
(151) 2021 07 07
(181) 2031 07 07
(891) 2021 07 07
(511) 09, 42

(260) AM 2023 115766 A
(800) 1632495
(151) 2021 07 01
(181) 2031 07 01
(891) 2021 07 01
(511) 30

(260) AM 2023 115767 A
(800) 1632503
(151) 2021 10 08
(181) 2031 10 08
(891) 2021 10 08
(511) 01, 05

(260) AM 2023 115768 A
(800) 1632518
(151) 2021 11 05
(181) 2031 11 05
(891) 2021 11 05
(511) 05

(260) AM 2023 115769 A
(800) 1632561
(151) 2021 07 01
(181) 2031 07 01
(891) 2021 07 01
(511) 30

(260) AM 2023 115770 A
(800) 1632563
(151) 2021 07 01
(181) 2031 07 01
(891) 2021 07 01
(511) 30

(260) AM 2023 115801 A
(800) 1633500
(151) 2021 11 18
(181) 2031 11 18
(891) 2021 11 18
(511) 01, 17, 19

(260) AM 2023 115802 A
(800) 1633544
(151) 2021 10 21
(181) 2031 10 21
(891) 2021 10 21
(511) 05

(260) AM 2023 115803 A
(800) 1633564
(151) 2021 10 15
(181) 2031 10 15
(891) 2021 10 15
(511) 05

(260) AM 2023 115804 A
(800) 1633598
(151) 2021 10 21
(181) 2031 10 21
(891) 2021 10 21
(511) 03

(260) AM 2023 115835 A
(800) 1556285
(151) 2020 06 09
(181) 2030 06 09
(891) 2021 03 01
(511) 03, 05, 35

(260) AM 2023 115805 A
(800) 1633629
(151) 2021 11 04
(181) 2031 11 04
(891) 2021 11 04
(511) 14

(260) AM 2023 115924 A
(800) 1634578
(151) 2021 11 18
(181) 2031 11 18
(891) 2021 11 18
(511) 05

(260) AM 2023 115806 A
(800) 1633638
(151) 2021 02 08
(181) 2031 02 08
(891) 2021 02 08
(511) 03, 04

(260) AM 2023 115925 A
(800) 1634586
(151) 2021 11 23
(181) 2031 11 23
(891) 2021 11 23
(511) 44

(260) AM 2023 115807 A
(800) 1633700
(151) 2021 07 14
(181) 2031 07 14
(891) 2021 07 14
(511) 06, 07, 17, 19, 20, 35

(260) AM 2023 115926 A
(800) 1634591
(151) 2021 09 21
(181) 2031 09 21
(891) 2021 09 21
(511) 25

(260) AM 2023 115808 A
(800) 1633724
(151) 2021 08 27
(181) 2031 08 27
(891) 2021 08 27
(511) 09

(260) AM 2023 115927 A
(800) 1634620
(151) 2021 07 01
(181) 2031 07 01
(891) 2021 07 01
(511) 30

(260) AM 2023 115809 A
(800) 1633746
(151) 2021 09 14
(181) 2031 09 14
(891) 2021 09 14
(511) 30

(260) AM 2023 115928 A
(800) 1634623
(151) 2021 09 03
(181) 2031 09 03
(891) 2021 09 03
(511) 30

(260) AM 2023 115810 A
(800) 1633787
(151) 2021 10 07
(181) 2031 10 07
(891) 2021 10 07
(511) 09

(260) AM 2023 115930 A
(800) 1634720
(151) 2021 10 15
(181) 2031 10 15
(891) 2021 10 15
(511) 43

(260) AM 2023 115931 A
(800) 1634832
(151) 2021 10 27
(181) 2031 10 27
(891) 2021 10 27
(511) 34

(260) AM 2023 115932 A
(800) 1634833
(151) 2021 10 27
(181) 2031 10 27
(891) 2021 10 27
(511) 34

(260) AM 2023 115933 A
(800) 1634853
(151) 2021 05 17
(181) 2031 05 17
(891) 2021 05 17
(511) 41

(260) AM 2023 115944 A
(800) 1635113
(151) 2021 10 28
(181) 2031 10 28
(891) 2021 10 28
(511) 07

(260) AM 2023 115945 A
(800) 1635115
(151) 2021 10 25
(181) 2031 10 25
(891) 2021 10 25
(511) 03, 05

(260) AM 2023 115946 A
(800) 1635140
(151) 2021 11 17
(181) 2031 11 17
(891) 2021 11 17
(511) 29, 30, 41

(260) AM 2023 115947 A
(800) 1635141
(151) 2021 11 17
(181) 2031 11 17
(891) 2021 11 17
(511) 29, 30, 41

(260) AM 2023 115952 A
(800) 1635190
(151) 2021 09 10
(181) 2031 09 10
(891) 2021 09 10
(511) 28

(260) AM 2023 115953 A
(800) 1635191
(151) 2021 09 10
(181) 2031 09 10
(891) 2021 09 10
(511) 28

(260) AM 2023 116018 A
(800) 1635660
(151) 2021 11 01
(181) 2031 11 01
(891) 2021 11 01
(511) 34

(260) AM 2023 116019 A
(800) 1635702
(151) 2021 09 08
(181) 2031 09 08
(891) 2021 09 08
(511) 12

(260) AM 2023 116020 A
(800) 1635742
(151) 2021 05 26
(181) 2031 05 26
(891) 2021 05 26
(511) 35, 36, 41, 42

(260) AM 2023 116021 A
(800) 1635811
(151) 2021 11 18
(181) 2031 11 18
(891) 2021 11 18
(511) 16, 25, 28, 35, 38, 41

(260) AM 2023 116023 A
(800) 1635892
(151) 2021 10 27
(181) 2031 10 27
(891) 2021 10 27
(511) 03, 21, 44

(260) AM 2023 116024 A
(800) 1635993
(151) 2021 11 16
(181) 2031 11 16
(891) 2021 11 16
(511) 01

(260) AM 2023 116127 A
(800) 1638289
(151) 2021 12 14
(181) 2031 12 14
(891) 2021 12 14
(511) 32

(260) AM 2023 116025 A
(800) 1636056
(151) 2021 10 22
(181) 2031 10 22
(891) 2021 10 22
(511) 12, 28

(260) AM 2023 116128 A
(800) 1638292
(151) 2021 12 10
(181) 2031 12 10
(891) 2021 12 10
(511) 05

(260) AM 2023 116026 A
(800) 1636058
(151) 2021 11 29
(181) 2031 11 29
(891) 2021 11 29
(511) 25

(260) AM 2023 116129 A
(800) 774499
(151) 2001 12 07
(181) 2031 12 07
(891) 2021 12 08
(511) 08, 21

(260) AM 2023 116077 A
(800) 1636882
(151) 2021 10 11
(181) 2031 10 11
(891) 2021 10 11
(511) 09, 41

(260) AM 2023 116130 A
(800) 1325333
(151) 2016 09 16
(181) 2026 09 16
(891) 2021 12 15
(511) 30

(260) AM 2023 116078 A
(800) 1636906
(151) 2021 11 23
(181) 2031 11 23
(891) 2021 11 23
(511) 32, 33

(260) AM 2023 116131 A
(800) 1346436
(151) 2016 11 10
(181) 2026 11 10
(891) 2021 12 15
(511) 01, 05

(260) AM 2023 116079 A
(800) 1636937
(151) 2021 02 07
(181) 2031 02 07
(891) 2021 02 07
(511) 05, 30, 32

(260) AM 2023 116132 A
(800) 1362269
(151) 2017 05 30
(181) 2027 05 30
(891) 2021 12 20
(511) 17, 19

(260) AM 2023 116126 A
(800) 1638288
(151) 2021 12 10
(181) 2031 12 10
(891) 2021 12 10
(511) 05

(260) AM 2023 116133 A
(800) 1388373
(151) 2017 08 25
(181) 2027 08 25
(891) 2021 12 20
(511) 17, 19

(260) AM 2023 116438 A
(800) 1641169
(151) 2021 09 22
(181) 2031 09 22
(891) 2021 09 22
(511) 09, 35, 36, 38, 42

(260) AM 2023 116486 A
(800) 1642145
(151) 2021 12 07
(181) 2031 12 07
(891) 2021 12 07
(511) 05

(260) AM 2023 116439 A
(800) 1641256
(151) 2021 12 14
(181) 2031 12 14
(891) 2021 12 14
(511) 32

(260) AM 2023 116487 A
(800) 1642146
(151) 2021 12 07
(181) 2031 12 07
(891) 2021 12 07
(511) 05

(260) AM 2023 116440 A
(800) 1641285
(151) 2021 11 19
(181) 2031 11 19
(891) 2021 11 19
(511) 14

(260) AM 2023 116488 A
(800) 1642147
(151) 2021 12 07
(181) 2031 12 07
(891) 2021 12 07
(511) 05

(260) AM 2023 116445 A
(800) 1641371
(151) 2021 12 06
(181) 2031 12 06
(891) 2021 12 06
(511) 05

(260) AM 2023 116489 A
(800) 1642150
(151) 2021 12 07
(181) 2031 12 07
(891) 2021 12 07
(511) 05

(260) AM 2023 116446 A
(800) 1641377
(151) 2021 12 07
(181) 2031 12 07
(891) 2021 12 07
(511) 05

(260) AM 2023 116490 A
(800) 1642165
(151) 2021 09 22
(181) 2031 09 22
(891) 2021 09 22
(511) 05

(260) AM 2023 116447 A
(800) 1641378
(151) 2021 12 06
(181) 2031 12 06
(891) 2021 12 06
(511) 05

(260) AM 2023 116492 A
(800) 1642187
(151) 2021 08 12
(181) 2031 08 12
(891) 2021 08 12
(511) 09, 28, 41

(260) AM 2023 116485 A
(800) 1642144
(151) 2021 12 07
(181) 2031 12 07
(891) 2021 12 07
(511) 05

(260) AM 2023 116493 A
(800) 1642241
(151) 2021 12 10
(181) 2031 12 10
(891) 2021 12 10
(511) 32

(260) AM 2023 116494 A
(800) 1642298
(151) 2021 12 08
(181) 2031 12 08
(891) 2021 12 08
(511) 05

(260) AM 2023 116677 A
(800) 1644460
(151) 2021 11 24
(181) 2031 11 24
(891) 2021 11 24
(511) 07, 35, 39, 43

(260) AM 2023 116685 A
(800) 1644557
(151) 2021 12 16
(181) 2031 12 16
(891) 2021 12 16
(511) 43

(260) AM 2023 116769 A
(800) 1645836
(151) 2021 12 23
(181) 2031 12 23
(891) 2021 12 23
(511) 34

(260) AM 2023 116770 A
(800) 1645853
(151) 2021 10 18
(181) 2031 10 18
(891) 2021 10 18
(511) 09, 28, 41

(260) AM 2023 116771 A
(800) 1645944
(151) 2021 10 21
(181) 2031 10 21
(891) 2021 10 21
(511) 35, 36, 39, 43

OFFICIAL NOTIFICATIONS
INVENTIONS
RESTORATION OF PATENT

(21) AP 2014 13602
(11) P 2015 6404 B
(73) Merab Lekveishvili
(54) DRUG FOR TREATMENT OF CONDITIONS RELATED TO OXIDATIVE STRESS
DATE OF PATENT CANCELLATION: 2022 10 20
DATE OF PATENT RESTORATION: 2023 01 10

ABOLITION OF PATENTS WITH THE RIGHT TO RESTORE

(21) AP 2009 11598
(11) P 2013 5841 B
(73) Ioseb Orjonikidze;
Vazha Jamarjashvili;
Alex Mirianashvili
(54) AIR-CONDITIONING SYSTEM WITH DEEP SEA WATER
DATE OF PATENT CANCELLATION: 2022 12 10
LIMITED DATE OF PATENT RESTORATION: 2023 12 10

(21) AP 2013 13322
(11) P 2017 6729 B
(73) Vazha Jamarjashvili;
Merab Lortkipanidze;
Alex Mirianashvili;
Andy Tumanishvili;
Niko Chakhvashvili
(54) HEAT AND COOL SUPPLY ENERGY SAVING SYSTEM BASED ON LOW TEMPERATURE
WATER USAGE
DATE OF PATENT CANCELLATION: 2022 12 12
LIMITED DATE OF PATENT RESTORATION: 2023 12 12

(21) AP 2013 13850
(11) P 2017 6739 B
(73) H. Lundbeck A/S
(54) COMPOSITIONS COMPRISING VORTIOXETINE AND DONEPEZIL
DATE OF PATENT CANCELLATION: 2022 12 12
LIMITED DATE OF PATENT RESTORATION: 2023 12 12

(21) AP 2018 14958
(11) P 2020 7122 B
(73) LTD "Shield"
(54) METHOD FOR AGRICULTURE PROTECTION FROM BROWN MARMORATED STINK BUG
DATE OF PATENT CANCELLATION: 2022 12 11
LIMITED DATE OF PATENT RESTORATION: 2023 12 11

(21) AP 2018 15385
(11) P 2022 7359 B
(73) Lupin Limited
(54) SUBSTITUTED BICYCLIC HETEROCYCLIC COMPOUNDS AS PRMT5 INHIBITORS
DATE OF PATENT CANCELLATION: 2022 12 13
LIMITED DATE OF PATENT RESTORATION: 2023 12 13

DATE OF PATENTS RESTORATION EXPIRATION

(21) AP 2012 13495
(11) P 2017 6735 B
(73) Chiesi Farmaceutici S.P.A.
(54) KINASE INHIBITORS
DATE OF PATENT CANCELLATION: 2021 12 05
DATE OF PATENT RESTORATION EXPIRATION: 2022 12 05

(21) AP 2016 14344
(11) P 2018 6937 B
(73) Elizbar Arsenashvili
(54) SET OF LEARNERS' MANUALS AND LEARNING SYSTEM WITH USAGE THEREOF
DATE OF PATENT CANCELLATION: 2021 12 09
DATE OF PATENT RESTORATION EXPIRATION: 2022 12 09

(21) AP 2016 14809
(11) P 2020 7133 B
(73) New Gluten World S.R.L
(54) METHOD FOR THE DETOXIFICATION OF GLUTEN PROTEINS FROM CEREAL GRAINS AND
USES THEREOF
DATE OF PATENT CANCELLATION: 2021 12 16
DATE OF PATENT RESTORATION EXPIRATION: 2022 12 16

(21) AP 2016 14820
(11) P 2020 7147 B
(73) Pfizer Inc.
(54) SUBSTITUTED 3-AZABICYCLO[3.1.0]HEXANES AS KETOHEXOKINASE INHIBITORS
DATE OF PATENT CANCELLATION: 2021 12 16
DATE OF PATENT RESTORATION EXPIRATION: 2022 12 16

UTILITY MODELS RESTORATION OF PATENT

(21) AU 2019 15217
(11) U 2021 2086 Y
(73) LEPL "Micro and Nanoelectronics Institute"
(54) OPTICAL DEVICE POLYCHROMATOR
DATE OF PATENT CANCELLATION: 2022 11 12
DATE OF PATENT RESTORATION: 2023 01 10

ABOLITION OF PATENTS WITH THE RIGHT TO RESTORE

(21) AU 2016 14346
(11) U 2017 1954 Y
(73) Roza Asoyan
(54) COMPOSITION FOR CIRRHOSIS AND CHRONIC PANCREATITIS TREATMENT
DATE OF PATENT CANCELLATION: 2022 12 12
LIMITED DATE OF PATENT RESTORATION: 2023 12 12

(21) AU 2020 15519
(11) U 2022 2126 Y
(73) Archil Geguchadze;
Anzor Kuparadze;
Nata Sulakvelidze;
LEPL "Shota Rustaveli National Science Foundation"
(54) CONIC WIND WHEEL
DATE OF PATENT CANCELLATION: 2022 12 16
LIMITED DATE OF PATENT RESTORATION: 2023 12 16

DATE OF PATENT RESTORATION EXPIRATION

(21) AU 2014 13657
(11) U 2016 1891 Y
(73) Shalva Giorgadze
(54) HELICOPTER SURVIVING DEVICE
DATE OF PATENT CANCELLATION: 2021 12 08
DATE OF PATENT RESTORATION EXPIRATION: 2022 12 08

DESIGNS

CANCELLATION OF DESIGN REGISTRATION

- (11) D 2012 523 S
 - (73) LTD "Contrast +" (GE)
May 26 Square 1, 0171, Tbilisi, Georgia (GE)
 - (54) COMPUTER FONT (LATIN ALPHABET)
 - (18) 2022 06 01
 - (58) 2022 12 22
-

EXTENSION OF TERMS OF INTERNATIONAL DESIGNS REGISTRATION

- (11) DM/101607
 - (73) KAZAR FOOTWEAR SPÓŁKA Z OGRANICZONĄ ODPOWIEDZIALNOŚCIĄ
Lwowska 154, PL-37-700 Przemyśl (PL)
 - (15) 2018 02 20
 - (24) 2018 02 20
 - (18) 2028 02 20
 - (28) 3
 - (28') 1
 - (54) ORNAMENTATION,SURFACE PATTERN
-

- (11) DM/69799
 - (73) PASCHAL-WERK G. MAIER GMBH
5, Kreuzbühlstrasse, 77790 STEINACH (DE)
 - (15) 2008 02 22
 - (24) 2008 02 22
 - (18) 2028 02 22
 - (28) 1
 - (28') 1
 - (54) BEAM DECKING SYSTEM
-

- (11) DM/69879
 - (73) PASCHAL-WERK G. MAIER GMBH
5, Kreuzbühlstrasse, 77790 STEINACH (DE)
 - (15) 2008 02 22
 - (24) 2008 02 22
 - (18) 2028 02 22
 - (28) 2
 - (28') 2
 - (54) CONNECTING PIECES
-

- (11) DM/79783
- (73) SWATCH AG (SWATCH SA) (SWATCH LTD.)
Jakob-Stämpfli-Strasse 94, CH-2502 Biel/Bienne (CH)
- (15) 2012 12 21
- (24) 2012 12 21
- (18) 2027 12 21
- (28) 8

(28') 4
(54) WRISTWATCHES

(11) DM/79806
(73) SWATCH AG (SWATCH SA) (SWATCH LTD.)
Jakob-Stämpfli-Strasse 94, CH-2502 Biel/Bienne (CH)
(15) 2012 12 21
(24) 2012 12 21
(18) 2027 12 21
(28) 1
(28') 1
(54) WRISTWATCH

(11) DM/79878
(73) ALFRED KÄRCHER GMBH & CO. KG
Alfred-Kärcher-Straße 28-40, 71364 Winnenden (DE)
(15) 2013 01 11
(24) 2013 01 11
(18) 2028 01 11
(28) 2
(28') 2
(54) WASHING NOZZLES

(11) DM/98816
(73) TISSOT SA (TISSOT AG) (TISSOT LTD)
Chemin des Tourelles 17, CH-2400 Le Locle (CH)
(15) 2017 12 08
(24) 2017 12 08
(18) 2027 12 08
(28) 1
(28') 1
(54) WATCH CASE

(11) DM/99091
(73) BLANCPAIN SA
Le Rocher 12, CH-1348 LE BRASSUS (CH)
(15) 2017 12 20
(24) 2017 12 20
(18) 2027 12 20
(28) 1
(28') 1
(54) DIAL

(11) DM/99109
(73) Montres Breguet SA (Montres Breguet AG) (Montres Breguet Ltd)
Place de la Tour 23 1344 L'Abbaye (CH)
(15) 2017 12 21
(24) 2017 12 21
(18) 2027 12 21
(28) 7
(28') 7
(54) WATCHES

(11) DM/99118
(73) MONTRES BREGUET S.A.
Place de la Tour 23, CH-1344 L'ABBAYE (CH)
(15) 2017 12 21
(24) 2017 12 21
(18) 2027 12 21
(28) 2
(28') 2
(54) WATCH BRACELETS

CANCELLATION OF INTERNATIONAL DESIGNS REGISTRATION

(11) DM/68553
(73) KOMMANDITGESELLSCHAFT AUF AKTIEN
Henkelstrasse 67, 40589 Düsseldorf (DE)
DATE OF REGISTRATION CANCELLATION:2022 02 07
(58) 2022 12 23

(11) DM/68563
(73) THE SWATCH GROUP MANAGEMENT SERVICES AG (THE SWATCH GROUP MANAGEMENT SERVICES SA) (THE SWATCH GROUP MANAGEMENT SERVICES LTD)
Seevorstadt 6, CH-2502 Biel/Bienne (CH)
DATE OF REGISTRATION CANCELLATION:2022 02 08
(58) 2022 12 23

(11) DM/68697
(73) RADO UHREN AG (RADO WATCH CO. LTD.) (MONTRES RADO S.A.)
45, Bielstrasse, CH-2543 Lengnau (CH)
DATE OF REGISTRATION CANCELLATION:2022 03 26
(58) 2022 12 23

(11) DM/68709
(73) SWATCH AG (SWATCH SA) (SWATCH LTD.)
94, Rue Jakob Stämpfli, CH-2502 BIENNE (CH)
DATE OF REGISTRATION CANCELLATION:2022 03 26
(58) 2022 12 23

(11) DM/68793
(73) AKTIONERNO DROUJESTVO "BULGARTABAC-HOLDING"
"Graf Ignatiev" Str. 62, BG-1000 SOFIA (BG)
DATE OF REGISTRATION CANCELLATION:2022 03 26
(58) 2022 12 23

(11) DM/68844
(73) SWATCH AG (SWATCH SA) (SWATCH LTD.)
94, Rue Jakob Stämpfli, CH-2502 BIENNE (CH)
DATE OF REGISTRATION CANCELLATION:2022 03 28
(58) 2022 12 23

(11) DM/68848
(73) SCHREDER, SOCIÉTÉ ANONYME
Rue de Lusambo 67, B-1190 Bruxelles (BE)
DATE OF REGISTRATION CANCELLATION:2022 03 02
(58) 2022 12 23

(11) DM/69065
(73) MILONAS GEORGIOS 1
Plateia Demokratias, GR-54629 Thessaloniki (GR)
DATE OF REGISTRATION CANCELLATION:2022 03 05
(58) 2022 12 23

(11) DM/69298
(73) SMART GMBH
Leibnizstrasse 2, 71032 Boeblingen (DE)
DATE OF REGISTRATION CANCELLATION:2017 02 09
(58) 2022 12 23

(11) DM/77345
(73) BLANCPAIN SA
Le Rocher 12, CH-1348 LE BRASSUS (CH)
DATE OF REGISTRATION CANCELLATION:2021 12 16
(58) 2022 12 27

(11) DM/77394
(73) ELECTROLUX HOME PRODUCTS CORPORATION N.V.
B-1130 Raketstraat 40, 1130 Brussel (BE)
DATE OF REGISTRATION CANCELLATION:2021 12 22
(58) 2022 12 27

(11) DM/77420
(73) ETA SA MANUFACTURE HORLOGÈRE SUISSE
CH-2540 Grenchen (CH)
DATE OF REGISTRATION CANCELLATION:2021 12 30
(58) 2022 12 27

(11) DM/77651
(73) CERTINA AG (CERTINA SA) (CERTINA LTD.)
17, chemin des Tourelles, CH-2400 LE LOCLE (CH)
DATE OF REGISTRATION CANCELLATION:2022 02 07
(58) 2022 12 27

(11) DM/77678
(73) RADO UHREN AG (RADO WATCH CO. LTD.)(MONTRES RADO SA)
Bielstrasse 45, CH-2543 Lengnau (CH)
DATE OF REGISTRATION CANCELLATION:2022 02 10
(58) 2022 12 27

(11) DM/77731
(73) Montres Breguet SA (Montres Breguet AG) (Montres Breguet Ltd)
Place de La Tour 23 1344 L'Abbay (CH)
DATE OF REGISTRATION CANCELLATION:2022 02 17
(58) 2022 12 27

(11) DM/77795
(73) SWATCH AG (SWATCH SA) (SWATCH LTD.)
Jakob-Stämpfli-Strasse 94, CH-2502 Biel/Bienne (CH)
DATE OF REGISTRATION CANCELLATION:2022 02 27
(58) 2022 12 27

(11) DM/77876
(73) MICROSOFT MOBILE OY
Keilalahdentie 2-4, FI-02150 Espoo (FI)
DATE OF REGISTRATION CANCELLATION:2022 01 25
(58) 2022 12 27

(11) DM/77948
(73) ETA SA MANUFACTURE HORLOGÈRE SUISSE
CH-2540 Grenchen (CH)
DATE OF REGISTRATION CANCELLATION:2022 03 09
(58) 2022 12 27

(11) DM/78111
(73) HOJA D.D.
Žagarska ulica 5, SI-1291 Škofjica (SI)
DATE OF REGISTRATION CANCELLATION:2022 04 06
(58) 2022 12 27

(11) DM/78125
(73) SWATCH AG (SWATCH SA) (SWATCH LTD.)
Jakob-Stämpfli-Strasse 94, CH-2502 BIEL/BIENNE (CH)
DATE OF REGISTRATION CANCELLATION:2022 04 11
(58) 2022 12 27

(11) DM/78216
(73) ALFRED KÄRCHER GMBH & CO. KG
Alfred-Kärcher-Straße 28-40, 71364 Winnenden (DE)
DATE OF REGISTRATION CANCELLATION:2022 04 23
(58) 2022 12 27

(11) DM/78238
(73) ALFRED KÄRCHER GMBH & CO. KG
Alfred-Kärcher-Straße 28-40, 71364 Winnenden (DE)
DATE OF REGISTRATION CANCELLATION:2022 04 25
(58) 2022 12 23

(11) DM/78239
(73) ALFRED KÄRCHER GMBH & CO. KG
Alfred-Kärcher-Straße 28-40, 71364 Winnenden (DE)
DATE OF REGISTRATION CANCELLATION:2022 04 25
(58) 2022 12 23

(11) DM/78264
(73) ALFRED KÄRCHER GMBH & CO. KG
Alfred-Kärcher-Straße 28-40, 71364 Winnenden (DE)
DATE OF REGISTRATION CANCELLATION:2022 05 04
(58) 2022 12 23

(11) DM/78266
(73) ALFRED KÄRCHER GMBH & CO. KG
Alfred-Kärcher-Straße 28-40, 71364 Winnenden (DE)
DATE OF REGISTRATION CANCELLATION:2022 05 04
(58) 2022 12 23

(11) DM/93845
(73) MONTRES JAQUET DROZ SA (MONTRES JAQUET DROZ AG) (MONTRES JAQUET DROZ LTD
Allée du Tourbillon 2, CH-2300 La Chaux-de-Fonds (CH)
DATE OF REGISTRATION CANCELLATION:2021 12 09
(58) 2022 12 22

(11) DM/93848
(73) CERTINA AG (CERTINA SA) (CERTINA LTD.)
17, chemin des Tourelles, CH-2400 LE LOCLE (CH)
DATE OF REGISTRATION CANCELLATION:2021 12 12
(58) 2022 12 22

(11) DM/94087
(73) HAMILTON INTERNATIONAL AG (HAMILTON INTERNATIONAL SA)
(HAMILTON INTERNATIONAL LTD)
Mattenstrasse 149, CH-2503 Biel/Bienne (CH)
DATE OF REGISTRATION CANCELLATION:2021 12 27
(58) 2022 12 22

(11) DM/94236
(73) TADIM GIDA MADDELERI SANAYI VE TICARET ANONIM SIRKETI
Gebze Organize Sanayi Bolgesi, 1100. Sok. No:1105, TR-41420 CAYIROVA/KOCAELI (TR)
DATE OF REGISTRATION CANCELLATION:2021 12 29
(58) 2022 12 22

(11) DM/94385
(73) PISKAR D.O.O.
Sneberska cesta 138B, SI-1260 Ljubljana - Polje (SI)
DATE OF REGISTRATION CANCELLATION:2021 12 06
(58) 2022 12 22

(11) DM/94462
(73) RADO UHREN AG (RADO WATCH CO. LTD.) (MONTRES RADO SA)
Bielstrasse 45, CH-2543 Lengnau (CH)
DATE OF REGISTRATION CANCELLATION:2022 01 11
(58) 2022 12 23

(11) DM/94782
(73) COMPAGNIE DES MONTRES LONGINES, FRANCILLON S.A. (LONGINES WATCH CO.,
FRANCILLON LTD.)
CH-2610 SAINT-IMIER (CH)
DATE OF REGISTRATION CANCELLATION:2022 02 15
(58) 2022 12 22

(11) DM/94816
(73) TITANIA FABRIK GMBH
Fortunastrasse 10-14, 42489 Wülfrath (DE)
DATE OF REGISTRATION CANCELLATION:2022 01 12
(58) 2022 12 22

(11) DM/94889
(73) COMPAGNIE DES MONTRES LONGINES, FRANCILLON S.A. (LONGINES WATCH CO.,
FRANCILLON LTD.)
CH-2610 SAINT-IMIER (CH)
DATE OF REGISTRATION CANCELLATION:2022 02 16
(58) 2022 12 22

(11) DM/95213
(73) RADO UHREN AG (RADO WATCH CO. LTD) (MONTRES RADO SA)
45, Bielstrasse, CH-2543 Lengnau (CH)
DATE OF REGISTRATION CANCELLATION:2022 02 28
(58) 2022 12 22

(11) DM/95469
(73) ANDRII MAGDYCH, Apt. 21, Botkina str., 4, KYIV 03055 (UA);
IEVGEN NESTERENKO, Apt. 84, Turgenevska str, 29, KYIV 01054 (UA)
DATE OF REGISTRATION CANCELLATION:2021 12 27
(58) 2022 12 22

(11) DM/96398
(73) KATMERCILER ARAC USTU EKIPMAN SANAYI VE TICARET ANONIM SIRKETI
10032 Sok. No:10 Atatürk Organize Sanayi Bölgesi, ÇİĞLİ, İZMİR (TR)
DATE OF REGISTRATION CANCELLATION:2021 12 13
(58) 2022 12 22

(11) DM/96565
(73) THEODORA TRAPALI
51 Kallipoleos, GR-162 32 ATHENS (GR)
DATE OF REGISTRATION CANCELLATION:2021 12 29
(58) 2022 12 22

(11) DM/96766
(73) PEUGEOT CITROËN AUTOMOBILES SA
Route de Gisy, F-78140 VELIZY-VILLACOUBLAY (FR)
DATE OF REGISTRATION CANCELLATION:2022 02 01
(58) 2022 12 23

(11) DM/99540
(73) DOCK TECHNOLOGIES INC.
30 W. Mifflin St. 6th Floor, Madison WI 53703 (US)
DATE OF REGISTRATION CANCELLATION:2021 07 06
(58) 2022 12 23

TRADEMARKS

EXTENSION OF TERMS OF TRADEMARKS REGISTRATION

(111) M 2002 14603 R2
 (151) 2002 09 13
 (186) 2032 09 13
 (732) LTD "Aspharma" – Georgian Pharmaceutical Company
 Mtskheta Str. 8, 0179, Tbilisi, Georgia

(111) M 2012 23031 R1
 (151) 2012 11 02
 (186) 2032 11 02
 (732) JSC "Lisi Lake Development"
 Adjacent Lisi Lake (plot 1/5), 0177, Vake District, Tbilisi, Georgia

(111) M 2002 14604 R2
 (151) 2002 09 13
 (186) 2032 09 13
 (732) LTD "Aspharma" – Georgian Pharmaceutical Company
 Mtskheta Str. 8, 0179, Tbilisi, Georgia

(111) M 2012 23032 R1
 (151) 2012 11 02
 (186) 2032 11 02
 (732) JSC "Lisi Lake Development"
 Adjacent Lisi Lake (plot 1/5), 0177, Vake District, Tbilisi, Georgia

(111) M 2002 14606 R2
 (151) 2002 09 13
 (186) 2032 09 13
 (732) LTD "Aspharma" – Georgian Pharmaceutical Company
 Mtskheta Str. 8, 0179, Tbilisi, Georgia

(111) M 2012 22998 R1
 (151) 2012 10 09
 (186) 2032 10 09
 (732) LTD "Aspharma" – Georgian Pharmaceutical Company
 Mtskheta Str. 8, 0179, Tbilisi, Georgia

(111) M 2012 22814 R1
 (151) 2012 07 30
 (186) 2032 07 30
 (732) LTD "Aversi-Pharma"
 David Aghmashenebeli Ave. 148/2, 0112, Tbilisi, Georgia

(111) M 2012 23158 R1
 (151) 2012 12 10
 (186) 2032 12 10
 (732) Fil Limited
 Pembroke Hall, 42 Crow Lane, Pembroke HM 9, P.O. Box HM 670, Hamilton HMCX, Bermuda

(111) M 2012 22764 R1
 (151) 2012 07 13
 (186) 2032 07 13
 (732) LTD "Aversi-Pharma"
 David Aghmashenebeli Ave. 148/2, 0112, Tbilisi, Georgia

(111) M 2012 23159 R1
 (151) 2012 12 10
 (186) 2032 12 10
 (732) Fil Limited
 Pembroke Hall, 42 Crow Lane, Pembroke HM 9, P.O. Box HM 670, Hamilton HMCX, Bermuda

(111) M 2012 23029 R1
 (151) 2012 11 02
 (186) 2032 11 02
 (732) JSC "Lisi Lake Development"
 Adjacent Lisi Lake (plot 1/5), 0177, Vake District, Tbilisi, Georgia

(111) M 2012 23011 R1
 (151) 2012 10 09
 (186) 2032 10 09
 (732) JSC "Lisi Lake Development"
 Adjacent Lisi Lake (plot 1/5), 0177, Vake District, Tbilisi, Georgia

(111) M 2012 23030 R1
 (151) 2012 11 02
 (186) 2032 11 02
 (732) JSC "Lisi Lake Development"
 Adjacent Lisi Lake (plot 1/5), 0177, Vake District, Tbilisi, Georgia

(111) M 2012 22742 R1
 (151) 2012 07 02
 (186) 2032 07 02
 (732) LTD "Aversi-Pharma"

David Aghmashenebeli Ave. 148/2, 0112,
Tbilisi, Georgia

(111) M 2012 22743 R1
(151) 2012 07 02
(186) 2032 07 02
(732) LTD "Aversi-Pharma"
David Aghmashenebeli Ave. 148/2, 0112,
Tbilisi, Georgia

(111) M 2013 23335 R1
(151) 2013 02 12
(186) 2033 02 12
(732) New Yorker Fashion Corporation
1209 Orange St., Wilmington 19801,
New Castle, Delaware, USA

(111) M 2013 24021 R1
(151) 2013 09 17
(186) 2033 09 17
(732) LLC "Lisi Fo"
Adjacent Lisi Lake (plot 1/5), 0102, Vake
District, Tbilisi, Georgia

(111) M 2013 23895 R1
(151) 2013 08 14
(186) 2033 08 14
(732) Glaxo Group Limited
980 Great West Road, Brentford, Middlesex
TW8 9GS, United Kingdom

(111) M 2012 22683 R1
(151) 2012 06 28
(186) 2032 06 28
(732) JSC "Insurance Company Imedi L"
Anna Politkovskaya str. 9, Tbilisi, Georgia

(111) M 2013 23988 R1
(151) 2013 09 02
(186) 2033 09 02
(732) N(N)LE "Tbilisi State Medical University"
Asatiani str. 7, 0177, Tbilisi, Georgia

COMPLETE TRANSFER OF RIGHTS

(111) M 2019 31768 R
(732) Pfizer Pfe Us Holdings 4 LLC
235 Ist 42-e Striti, Niu-iorki, N.Y. 10017,
USA
(770) Pharmacia & Upjohn Company LLC
7000 Portej Roud, Kalamazoo, MI 49001,
USA
(580) 2022 11 10

(111) M 2019 31879 R
(732) Pfizer Pfe Us Holdings 4 LLC
235 East 42nd Street, New York, N.Y. 10017,
USA
(770) Pharmacia & Upjohn Company LLC
7000 Portage Road, Kalamazoo, MI 49001,
USA
(580) 2022 11 10

(111) M 2020 32228 R
(732) Pfizer Pfe Us Holdings 4 LLC
235 East 42nd Street, New York, N.Y. 10017,
USA
(770) Pharmacia & Upjohn Company LLC
7000 Portage Road, Kalamazoo, Michigan
49001, USA
(580) 2022 11 10

(111) M 2020 32622 R
(732) LTD "FoodMart"
Tengiz Chantladze Str. 40, Didi Lilo,
Settlement Tetri Khevi, 0109, Samgori
District, Tbilisi, Georgia
(770) Archil Gegenava
Tskneti, Kaklebi Str., I Lane 12, Tbilisi,
Georgia
(580) 2022 11 08

(111) M 2012 22683 R
(732) JSC "Insurance Company Imedi L"
Anna Politkovskaya str. 9, Tbilisi, Georgia
(770) Davit Beridze
Griboedov Str. 30, 0105, Tbilisi, Georgia
(580) 2022 11 18

(111) M 2013 23831 R
(732) Kakhaber Mekvevrishvili
Caucasus Str. 41, ap. 17, 2200, Telavi, Georgia
(770) LTD "Aisi"
Caucasus Str. 41, ap. 17, 2200, Telavi, Georgia
(580) 2022 12 02

CHANGES OF NAMES AND/OR ADDRESSES OF TRADEMARKS

(111) M 2021 34224 R
(732) LTD "A-B-F"
Village Martkopi, Vaziani Settlement, 1320,
Gardabani, Georgia
(770) LTD "Drinking Factory"
Village Martkopi, Vaziani Settlement, 1320,
Gardabani, Georgia
(580) 2022 11 30

(111) M 2022 35466 R
(732) Ngk Spark Plug Co., Ltd.
1-1-1, Higashisakura, Higashi-ku, Nagoya-shi,
Japan
(770) Ngk Spark Plug Co., Ltd.
14-18 Takatsuji-cho, Mizuho-ku, Nagoya City,
467-8525, Japan
(580) 2022 11 30

(111) M 2022 35467 R
(732) Ngk Spark Plug Co., Ltd.
1-1-1, Higashisakura, Higashi-ku, Nagoya-shi,
Japan
(770) Ngk Spark Plug Co., Ltd.
14-18 Takatsuji-cho, Mizuho-ku, Nagoya City,
467-8525, Japan
(580) 2022 11 30

(111) M 2012 23113 R
(732) Asphalt Research Technology, Inc.
13611 S. Dixie Hwy, Suite 430, Miami,
FL 33176, USA
(770) Asphalt Research Technology, Inc.
1786 NW 82nd Avenue, Miami, Florida
33126, USA
(580) 2022 11 21

(111) M 2013 23771 R
(732) Carrefour
93 Avenue de Paris, F-91300 Massy,
France
(770) Carrefour
33avenue Emile Zola, 92100 Boulogne
Billancourt, France
(580) 2022 12 01

(111) M 2013 23772 R
(732) Carrefour
93 Avenue de Paris, F-91300 Massy,
France
(770) Carrefour
33avenue Emile Zola, 92100 Boulogne
Billancourt, France
(580) 2022 12 01

REGISTRATION OF LICENSE AGREEMENT

(111) M 2011 21114 R
(732) Coors Brewing Company
939 W. Highland Boulevard, Milwaukee,
Wisconsin 53208, USA
(791) Molsan Coords Brewing Company
Limited (UK)
137 Hai Street, Burton Apon Trent,
Staffordshire DE14 1JZ, United Kingdom
(793) №1717
From 01 07 2022-For a period of validity of the
mark
Non-Exclusive
Class: 32

CLASSIFICATION INDEXES

INVENTIONS

CONCORDANCE TABLE OF INTERNATIONAL CLASSIFICATION INDEX AND PUBLICATION NUMBERS

INTERNATIONAL CLASSIFICATION INDEXES (51)	NUMBER OF PUBLISHED APPLICATION (10)
F 01 K 3/00; F 01 K 3/18; F 01 K 25/10; F 01 K 3/02; F 01 K 9/00; F 01 K 7/34; F 03 D 9/17; F 03 D 9/18	AP 2023 15735 A
F 03 B 13/12	AP 2023 15858 A
F 24 J 2/42	AP 2023 15829 A

CONCORDANCE TABLE OF PUBLICATION NUMBERS AND INTERNATIONAL CLASSIFICATION INDEX

NUMBER OF PUBLISHED APPLICATION (10)	INTERNATIONAL CLASSIFICATION INDEXES (51)
AP 2023 15735 A	F 01 K 3/00; F 01 K 3/18; F 01 K 25/10; F 01 K 3/02; F 01 K 9/00; F 01 K 7/34; F 03 D 9/17; F 03 D 9/18
AP 2023 15829 A	F 24 J 2/42
AP 2023 15858 A	F 03 B 13/12

CONCORDANCE TABLE OF INTERNATIONAL CLASSIFICATION INDEX, PATENT NUMBERS AND PUBLICATION NUMBERS

INTERNATIONAL CLASSIFICATION INDEX (51)	NUMBER OF PATENT (11)	NUMBER OF PUBLISHED APPLICATION (10)
A 61 K 31/165; A 61 P 1/00; A 61 P 11/00; C 07 C 231/02; C 07 C 237/22	P 2023 7454 B	AP 2022 15511 A
A 61 K 31/496; A 61 P 3/10; C 07 D 413/14; C 07 D 405/12; C 07 D 405/14	P 2023 7453 B	AP 2022 15517 A
A 61 K 31/496; A 61 K 31/407; A 61 P 35/00; A 61 P 35/02	P 2023 7458 B	AP 2022 15447 A
B 01 J 23/30; B 01 J 23/652; B 01 J 27/188; B 01 J 35/10; B 01 J 37/00; B 01 J 37/02; C 07 C 29/60; C 07 C 31/10	P 2023 7456 B	AP 2022 15457 A
C 07 F 9/6558; C 07 F 9/6521	P 2023 7457 B	AP 2022 15124 A
G 06 N 20/00	P 2023 7455 B	AP 2022 15603 A

**CONCORDANCE TABLE OF PATENT NUMBERS,
PUBLICATION NUMBERS AND INTERNATIONAL CLASSIFICATION INDEX**

NUMBER OF PATENT (11)	NUMBER OF PUBLISHED APPLICATION (10)	INTERNATIONAL CLASSIFICATION INDEX (51)
P 2023 7453 B	AP 2022 15517 A	A 61 K 31/496; A 61 P 3/10; C 07 D 413/14; C 07 D 405/12; C 07 D 405/14
P 2023 7454 B	AP 2022 15511 A	A 61 K 31/165; A 61 P 1/00; A 61 P 11/00; C 07 C 231/02; C 07 C 237/22
P 2023 7455 B	AP 2022 15603 A	G 06 N 20/00
P 2023 7456 B	AP 2022 15457 A	B 01 J 23/30; B 01 J 23/652; B 01 J 27/188; B 01 J 35/10; B 01 J 37/00; B 01 J 37/02; C 07 C 29/60; C 07 C 31/10
P 2023 7457 B	AP 2022 15124 A	C 07 F 9/6558; C 07 F 9/6521
P 2023 7458 B	AP 2022 15447 A	A 61 K 31/496; A 61 K 31/407; A 61 P 35/00; A 61 P 35/02

**CONCORDANCE TABLE OF APPLICATION NUMBERS,
PUBLICATION NUMBERS AND PATENTS**

NUMBER OF APPLICATION (21)	NUMBER OF PUBLISHED APPLICATION (10)	NUMBER OF PATENT (11)
AP 2018 15124	AP 2022 15124 A	P 2023 7457 B
AP 2019 15447	AP 2022 15447 A	P 2023 7458 B
AP 2019 15457	AP 2022 15457 A	P 2023 7456 B
AP 2019 15511	AP 2022 15511 A	P 2023 7454 B
AP 2019 15517	AP 2022 15517 A	P 2023 7453 B
AP 2019 15603	AP 2022 15603 A	P 2023 7455 B

DESIGNS**DESIGNS REGISTERED ACCORDING TO THE ACCELERATED
PROCEDURE****CONCORDANCE TABLE OF INTERNATIONAL CLASSIFICATION INDEX
AND PUBLICATION NUMBERS**

INTERNATIONAL CLASSIFICATION INDEXES (51)	NUMBER OF REGISTRATION (11)
09-03	D 2023 954 S

**CONCORDANCE TABLE OF PUBLICATION NUMBERS
AND INTERNATIONAL CLASSIFICATION INDEX**

NUMBER OF REGISTRATION (11)	INTERNATIONAL CLASSIFICATION INDEXES (51)
D 2023 954 S	09-03

**CONCORDANCE TABLE OF APPLICATION NUMBERS,
PUBLICATION NUMBERS AND PATENTS**

NUMBER OF APPLICATION (21)	NUMBER OF REGISTRATION (11)
AD 2022 1283	D 2023 954 S

TRADEMARKS

CONCORDANCE TABLE OF REGISTRATION NUMBERS, APPLICATION NUMBERS, PUBLICATION NUMBERS AND BULLETIN NUMBERS

NUMBER OF REGISTRATION (111)	NUMBER OF APPLICATIONS (210)	NUMBER OF PUBLISHED APPLICATIONS (260)	NUMBER OF BULLETIN
1	2	3	4
M 2023 36235 R	AM 115212	AM 2022 115212 A	10(589)2022
M 2023 36236 R	AM 114978	AM 2022 114978 A	10(589)2022
M 2023 36237 R	AM 115977	AM 2022 115977 A	14(593)2022
M 2023 36238 R	AM 115978	AM 2022 115978 A	14(593)2022
M 2023 36239 R	AM 116240	AM 2022 116240 A	15(594)2022
M 2023 36240 R	AM 116303	AM 2022 116303 A	15(594)2022
M 2023 36241 R	AM 115744	AM 2022 115744 A	12(591)2022
M 2023 36242 R	AM 116237	AM 2022 116237 A	15(594)2022
M 2023 36243 R	AM 115992	AM 2022 115992 A	14(593)2022
M 2023 36244 R	AM 115974	AM 2022 115974 A	14(593)2022
M 2023 36246 R	AM 116245	AM 2022 116245 A	15(594)2022
M 2023 36247 R	AM 115983	AM 2022 115983 A	14(593)2022
M 2023 36248 R	AM 115685	AM 2022 115685 A	13(592)2022
M 2023 36249 R	AM 115763	AM 2022 115763 A	13(592)2022
M 2023 36250 R	AM 115841	AM 2022 115841 A	13(592)2022
M 2023 36251 R	AM 115971	AM 2022 115971 A	13(592)2022
M 2023 36252 R	AM 115691	AM 2022 115691 A	12(591)2022
M 2023 36253 R	AM 115692	AM 2022 115692 A	12(591)2022
M 2023 36269 R	AM 120633	–	1(604)2023
M 2023 36270 R	AM 120723	–	1(604)2023
M 2023 36271 R	AM 120447	–	1(604)2023
M 2023 36272 R	AM 120709	–	1(604)2023
M 2023 36273 R	AM 120623	–	1(604)2023
M 2023 36274 R	AM 120718	–	1(604)2023
M 2023 36275 R	AM 120632	–	1(604)2023
M 2023 36276 R	AM 117318	AM 2022 117318 A	16(595)2022
M 2023 36277 R	AM 116171	AM 2022 116171 A	16(595)2022
M 2023 36278 R	AM 116159	AM 2022 116159 A	15(594)2022
M 2023 36279 R	AM 116319	AM 2022 116319 A	16(595)2022
M 2023 36280 R	AM 116320	AM 2022 116320 A	16(595)2022
M 2023 36281 R	AM 114908	AM 2022 114908 A	10(589)2022
M 2023 36282 R	AM 114909	AM 2022 114909 A	10(589)2022
M 2023 36283 R	AM 115986	AM 2022 115986 A	13(592)2022
M 2023 36284 R	AM 115985	AM 2022 115985 A	13(592)2022
M 2023 36285 R	AM 114910	AM 2022 114910 A	10(589)2022
M 2023 36286 R	AM 114911	AM 2022 114911 A	10(589)2022
M 2023 36287 R	AM 115984	AM 2022 115984 A	14(593)2022
M 2023 36288 R	AM 116148	AM 2022 116148 A	16(595)2022
M 2023 36289 R	AM 116215	AM 2022 116215 A	16(595)2022
M 2023 36290 R	AM 116217	AM 2022 116217 A	16(595)2022
M 2023 36291 R	AM 116219	AM 2022 116219 A	16(595)2022
M 2023 36292 R	AM 116429	AM 2022 116429 A	15(594)2022
M 2023 36293 R	AM 115676	AM 2022 115676 A	12(591)2022
M 2023 36294 R	AM 116216	AM 2022 116216 A	16(595)2022
M 2023 36295 R	AM 116218	AM 2022 116218 A	16(595)2022
M 2023 36296 R	AM 112702	AM 2022 112702 A	12(591)2022

CONCORDANCE TABLE OF PUBLICATION NUMBERS
AND APPLICATION NUMBERS

NUMBER OF PUBLISHED APPLICATION (260)	NUMBER OF APPLICATION (210)
AM 2023 109440 A	AM 109440
AM 2023 116854 A	AM 116854
AM 2023 117654 A	AM 117654
AM 2023 117666 A	AM 117666
AM 2023 117723 A	AM 117723
AM 2023 117924 A	AM 117924
AM 2023 118001 A	AM 118001
AM 2023 118010 A	AM 118010
AM 2023 118065 A	AM 118065
AM 2023 118066 A	AM 118066
AM 2023 118072 A	AM 118072
AM 2023 118073 A	AM 118073
AM 2023 118080 A	AM 118080
AM 2023 118136 A	AM 118136
AM 2023 118138 A	AM 118138
AM 2023 118146 A	AM 118146
AM 2023 118149 A	AM 118149
AM 2023 118151 A	AM 118151
AM 2023 118153 A	AM 118153
AM 2023 118154 A	AM 118154
AM 2023 118159 A	AM 118159
AM 2023 118163 A	AM 118163
AM 2023 118164 A	AM 118164
AM 2023 118169 A	AM 118169
AM 2023 118170 A	AM 118170
AM 2023 118218 A	AM 118218
AM 2023 118220 A	AM 118220
AM 2023 118223 A	AM 118223
AM 2023 118233 A	AM 118233
AM 2023 118234 A	AM 118234
AM 2023 118236 A	AM 118236
AM 2023 118246 A	AM 118246

CONCORDANCE TABLE OF INDEX OF GOODS AND/OR SERVICES
AND APPLICATION NUMBERS

INDEX OF GOODS AND/OR SERVICES (511)	NUMBER OF PUBLISHED APPLICATIONS (260)	1	2
1	2		
1	AM 2023 118138 A	33	AM 2023 118138 A
3	AM 2023 116854 A	33	AM 2023 118153 A
3	AM 2023 118154 A	33	AM 2023 118154 A
3	AM 2023 118233 A	33	AM 2023 118164 A
3	AM 2023 118234 A	33	AM 2023 118220 A
4	AM 2023 117666 A	33	AM 2023 118236 A
5	AM 2023 118146 A	33	AM 2023 118246 A
5	AM 2023 118163 A	34	AM 2023 118154 A
5	AM 2023 118170 A	34	AM 2023 118169 A
6	AM 2023 118138 A	34	AM 2023 118218 A
7	AM 2023 118149 A	35	AM 2023 117654 A
9	AM 2023 118073 A	35	AM 2023 117666 A
9	AM 2023 118149 A	35	AM 2023 118136 A
11	AM 2023 118138 A	35	AM 2023 118154 A
11	AM 2023 118159 A	35	AM 2023 118159 A
12	AM 2023 118149 A	35	AM 2023 118236 A
20	AM 2023 118138 A	36	AM 2023 109440 A
21	AM 2023 118138 A	36	AM 2023 117666 A
25	AM 2023 118151 A	37	AM 2023 109440 A
27	AM 2023 118138 A	37	AM 2023 117666 A
28	AM 2023 118151 A	37	AM 2023 118072 A
29	AM 2023 118138 A	37	AM 2023 118080 A
29	AM 2023 118154 A	37	AM 2023 118149 A
30	AM 2023 118138 A	37	AM 2023 118223 A
30	AM 2023 118154 A	38	AM 2023 117654 A
31	AM 2023 118138 A	39	AM 2023 117666 A
31	AM 2023 118154 A	40	AM 2023 117666 A
32	AM 2023 118001 A	41	AM 2023 118138 A
32	AM 2023 118010 A	42	AM 2023 117666 A
32	AM 2023 118138 A	42	AM 2023 118073 A
32	AM 2023 118154 A	43	AM 2023 109440 A
32	AM 2023 118220 A	43	AM 2023 117666 A
33	AM 2023 117723 A	43	AM 2023 118065 A
		43	AM 2023 118066 A
		43	AM 2023 118138 A
		44	AM 2023 117924 A
		44	AM 2023 118164 A

CONCORDANCE TABLE OF INDEX OF GOODS AND/OR SERVICES
AND NUMBERS OF TRADEMARKS REGISTERED ACCORDING
TO THE ACCELERATED PROCEDURE

INDEX OF GOODS AND/OR SERVICES (511)	NUMBERS OF REGISTERED ACCORDING TO THE ACCELERATED PROCEDURE (111)
9	M 2023 36273 R
30	M 2023 36269 R
33	M 2023 36271 R
33	M 2023 36274 R
35	M 2023 36270 R
35	M 2023 36272 R
38	M 2023 36273 R
41	M 2023 36273 R
43	M 2023 36270 R
43	M 2023 36274 R
45	M 2023 36275 R

OFFICIAL BULLETIN OF THE INDUSTRIAL PROPERTY

INVENTIONS
DESIGNS
TRADEMARKS

1(604)

EDITOR-IN-CHIEF: N. Bebrishvili

EDITOR-TRANSLATOR: E. Gabunia

PROOFREADER: A. Shixashvili

COMPUTER LAYOUT: M. Ordenidze
K. Svanidze

ISSN 2720-8486

info@sakpatenti.gov.ge
www.sakpatenti.gov.ge