

Official Bulletin of the Industrial Property

Inventions

Utility Models

Designs

Trademarks



საქართველოს ინტელექტუალური
საკუთრების ეროვნული ცენტრი

საქპატენტი

SAKPATENTI

NATIONAL INTELLECTUAL PROPERTY
CENTER OF GEORGIA

www.sakpatenti.gov.ge

Date of Publication – 2023 07 10

13(616)

INID CODES FOR IDENTIFICATION OF BIBLIOGRAPHIC DATA

INVENTIONS, UTILITY MODELS

- (10) Number of publication of examined application/
Application publication number***
- (11) Patent number/ Patent number***
Registered utility model number***
- (21) Application number
- (22) Date of filing of the application
- (23) Date of exhibition priority
- (24) Date from which patent may have effect
- (31) Number of priority application
- (32) Date of filing of priority application
- (33) Code of the country or regional organization allotting application number
- (43) Date of publication of application, number of bulletin***
- (44) Date of publication of examined application, on which no grant has taken place and number of bulletin
- (45) Date of publication of patent/ Date of publication of patent***
Date of publication of registered utility model***
- (51) International Patent Classification Index
- (54) Title of the invention/title of the utility model
- (57) Abstract
- (60) Number of examined patent document granted by foreign patent office, date from which patent has effect and country code
- (62) Number and filing date of the earlier application in case of a divisional application
- (71) Name and address of applicant (country code)
- (72) Name of inventor (country code)
- (73) Name and address of patent owner/patent owner***/ registered utility model owner*** (country code)
- (74) Name of representative or patent attorney
- (85) Date of commencement of the national phase of international application (PCT)
- (86) Number and date of filing of international application (PCT)
- (87) Number and date of publication of international application (PCT)
- (94) Calculated date of expiry of the SPC or the duration of the SPC

DESIGNS

- (10) Number of publication for application
- (11) Number of patent and kind of document or number of registration
- (15) Date of registration/Date of patent renewal
- (18) Expected expiration date of patent or registration
- (21) Serial number of application
- (22) Date of filing of the application
- (23) Date of exhibition or the date of the earlier filing and the number of application, if any
- (24) Date from which patent may have effect
- (28) Number of designs included in the application
- (30) Data relating to priority (number of application, date of filing of application, two-letter code identifying the authority with whom the priority application was made)
- (31) Number of priority application
- (32) Date of filing of priority application
- (33) Code of the country or regional organization allotting priority application number
- (34) Two-letter code according to WIPO St.3 identifying the authority with which the priority application was made
- (44) Date of publication of design and number of bulletin (the first publication)
- (45) Date of publication of design registered by WIPO and number of bulletin
- (51) International Classification for designs (class and subclass of the Locarno Classification)
- (54) Title of the invention
- (55) Reproduction of the design
- (57) Description of characteristic features of the design including indication of colors
- (58) Date of recording of any kind of amendment in the Register
- (62) Number of the earlier application, registration and document number and if available the date of filing an application in case of divided application
- (71) Name, surname and address of applicant (country code)
- (72) Name, surname of creator (country code)
- (73) Name, surname and address of patent owner (country code)
- (74) Name, surname of representative or patent attorney
- (81) Contracting states concerned
II designated contracting states according to the 1960 Act
III designated contracting states according to the 1999 Act
- (85) Owner's permanent address
- (86) Owner's nationality
- (87) Owner's residence
- (88) State in which the owner has a real and effective industrial or commercial establishment

TRADEMARKS

- (111) – Number of registration
- (151) – Date of registration
- (156) – Date of the renewal
- (181) – Expected expiration date of registration
- (186) – Renewal expiration date of registration
- (141) – Date of cancel of duration of the mark
- (210) – Serial number of application
- (220) – Date of filing of the application
- (230) – Data concerning exhibition
- (260) – Number of application, for which favorable decision of examination about registration has been taken (publication number)
- (310) – Number of the first application
- (320) – Date of filing of the first application
- (330) – Code, identifying national or regional Office where the first application was made
- (511) – International Classification of Goods and Services for the purposes of registration of trade marks and/or list of goods and/or services classified according thereto
- (526) – Disclaimer
- (531) – Description of figurative elements of Trade Marks according to the International Classification of the Figurative Elements of Marks
- (540) – Reproduction of Trade Mark
- (550) – Nature and kind of Trade Mark
- (551) – Indication to the effect that the mark is a collective mark, a certification mark or a guarantee mark
- (554) – Three-dimensional mark
- (580) – Date of recording of any kind changes in respect of applications or registrations
- (591) – Information concerning colors claimed
- (731) – Name and address of the applicant
- (732) – Name and address of the holder of the registration
- (740) – Name and address of the representative
- (750) – Addreses for correspondence
- (770) – Name and address of the previous applicant or holder in case of change in ownership
- (771) – Previous name and address of the applicant or holder in case of change in ownership
- (791) – Name and address of the licensee
- (793) – Indication of conditions and/or restrictions under the license (Type of license, number of license agreement, data of license, data of validity of license)
- (800) – Certain data relating to the international registration of Trade Marks under the Protocol Relating to Madrid Agreement (International registration number
- (852) – Partial cancellation of the list of goods and services
- (891) – Date of subsequent designation

CODES FOR PUBLICATION IN BULLETIN

- (21) AP 0000 000000 – number of application for invention
- (10) AP 0000 0000 A – number of publication of application for invention
- (11) P 0000 0000 B – number of patent for invention/ patent number***
- (21) API 0000 000000 – number of application for imported patent
- (11) PI 0000 0000 A – number of imported patent
- (21) AU 0000 000000 – number of application for utility model
- (10) AU 0000 000 U – number of publication of application for utility model
- (11) U 0000 000 Y – number of patent for utility model/ registered utility model number***
- (21) AD 0000 000000 – serial number of application for design
- (10) AD 0000 000 S – number of published application for design (first publication)
- (11) D 0000 000 S – registered design

INTERNATIONAL PATENT CLASSIFICATION FOR INVENTIONS AND UTILITY MODELS

- SECTION A – HUMAN NECESSITIES
- SECTION B – PERFORMING OPERATIONS; TRANSPORTING
- SECTION C – CHEMISTRY; METALLURGY
- SECTION D – TEXTILES; PAPER
- SECTION E – FIXED CONSTRUCTIONS
- SECTION F – MECHANICAL ENGINEERING; LIGHTING; HEATING; WEAPONS; BLASTING
- SECTION G – PHYSICS
- SECTION H – ELECTRICITY

* Number of application published after the decision of Appellation Chamber of SAKPATENTI

** Number of application published after Court decision

*** Materials published according to the amendments of May 16, 2023 (No. 2883-XI0b-X03) to the Patent Law of Georgia

- M – Trade Mark
- (210) AM 0000 000000 – Serial number of application;
- (260) AAM 0000 00000 A – Publication number of application;
- (111) M 0000 00000 R – Number of registration;
- (111) MMM0000 00000 Rn – Number of renewals, in which n=1,2,3;
- (111) M 0000 00000 R(P) – Number of registration under partial assignment of rights

Official Bulletin of the Industrial Property

Inventions

Utility Models

Designs

Trademarks

CONTENT

| | |
|---|----|
| PUBLISHED TITLES OF PROTECTION | 3 |
| INVENTIONS | |
| ▪ APPLICATIONS APPROVED FOR GRANTING PATENT | 4 |
| ▪ PATENTED INVENTIONS | 8 |
| ▪ APPLICATION | 9 |
| UTILITY MODELS | |
| ▪ APPLICATIONS APPROVED FOR GRANTING PATENT | 10 |
| ▪ PATENTED UTILITY MODEL | 11 |
| DESIGNS | |
| DESIGNS, WICH HAVE BEEN REGISTERED WITH THE INTERNATIONAL BUREAU CLAIMING PRIORITY ON THE TERRITORY OF GEORGIA | 12 |
| TRADEMARKS | |
| ▪ APPLICATIONS FILED UNDER THE NATIONAL PROCEDURE APPROVED FOR REGISTRATION | 21 |
| ▪ REGISTERED TRADEMARKS..... | 27 |
| ▪ TRADEMARKS REGISTERED ACCORDING TO THE ACCELERATED PROCEDURE | 31 |
| ▪ INTERNATIONAL TRADEMARKS PROTECTED IN GEORGIA | 36 |
| OFFICIAL NOTIFICATION | |
| INVENTION | |
| ▪ RESTORATION OF PATENT | 41 |
| ▪ LAPSE OF PATENT WITH THE RIGHT TO RESTORE | 41 |
| ▪ EXPIRATION OF PATENT RESTORATION TERM | 43 |
| ▪ CHANGE OF NAME AND/OR ADDRESS OF PATENT OWNER | 44 |
| UTILITY MODEL | |
| ▪ RESTORATION OF PATENT | 45 |
| ▪ LAPSE OF PATENT WITH THE RIGHT TO RESTORE | 45 |
| ▪ EXPIRATION OF PATENT RESTORATION TERM | 46 |
| DESIGN | |
| ▪ EXTENSION OF TERM OF DESIGN REGISTRATION | 46 |
| ▪ CANCELLATION OF DESIGN REGISTRATION | 46 |
| ▪ EXTENSION OF TERM OF INTERNATIONAL DESIGNS REGISTRATION | 47 |
| TRADEMARKS | |
| ▪ EXTENSION OF TERM OF TRADEMARKS REGISTRATION | 50 |
| ▪ COMPLETE TRANSFER OF RIGHTS | 55 |
| ▪ CHANGES OF NAME AND/OR ADDRESS OF TRADEMARKS OWNERS | 57 |
| ▪ CANCELLATION OF TRADEMARKS REGISTRATION | 60 |
| ▪ REGISTRATION OF LICENSE AGREEMENT | 62 |
| CLASSIFICATION INDEXES | |
| INVENTIONS | 63 |
| UTILITY MODELS | 65 |
| TRADEMARKS | 66 |

PUBLISHED TITLES OF PROTECTION

INVENTIONS

- **APPLICATIONS APPROVED FOR GRANTING PATENT:**
15876; 15746; 15959; 15338; 15860; 15018; 16061; 15516; 15895, 15896
- **PATENTED INVENTIONS:**
7518, 7519
- **APPLICATION^{***} :**
16266

UTILITY MODELS

- **APPLICATIONS APPROVED FOR GRANTING PATENT:**
15890; 16020
- **PATENTED UTILITY MODEL:**
2152

DESIGNS

DESIGNS, WHICH HAVE BEEN REGISTERED WITH THE INTERNATIONAL BUREAU CLAIMING PRIORITY ON THE TERRITORY OF GEORGIA:

228121; 228236; 228299; 224517; 224701

TRADEMARKS

- **APPLICATIONS FILED UNDER THE NATIONAL PROCEDURE APPROVED FOR REGISTRATION:**
120615-120617; 120619; 120621; 120626, 120627; 120700; 120702; 120706; 120724, 120730-120734; 120736, 120737; 120814; 120820; 120823; 120825; 120835, 120836; 120842; 120858; 120861; 120935; 120942
- **REGISTERED TRADEMARKS:**
36992-37030
- **TRADEMARKS REGISTERED ACCORDING TO THE ACCELERATED PROCEDURE:**
36967-36991; 37031
- **INTERNATIONAL TRADEMARKS PROTECTED IN GEORGIA:**
117001; 117798; 118037; 118040; 118060; 118190; 118248; 118250-118253; 118255, 118256; 118258-118267; 118271; 118273, 118274; 118283; 118318; 118323; 118360; 118363-118365; 118568, 118569; 118574; 118584; 118588-18590; 118592; 118595-118597; 118599-118601; 118674; 118709; 118713; 118715; 118718; 118874-118880

INVENTIONS

APPLICATIONS APPROVED FOR GRANTING PATENT

The decision can be appealed at the Chamber of Appeal of Sakpatenti within 3 months from the publication or at the Mtskheta District Court Administrative Cases Board (Address: №17, Samkhedro St., Mtskheta), within 1 month following the publication.

PART A

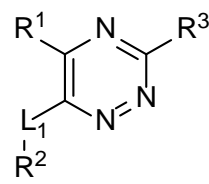
A 61

- (10) AP 2023 15876 A (51) Int. Cl. (2006)
A 61 H 33/06
A 61 K 8/67
A 61 K 8/97
A 61 Q 19/00
- (21) AP 2022 15876 (22) 2022 02 04
(31) AM20210023
(32) 2021 03 19
(33) AM
- (71) Armen Gevorgyan (AM)
Davtashen 2nd District, 47, ap. 4, 0054, Yerevan,
Armenia (AM)
- (72) Armen Gevorgyan (AM)
- (74) Vakhtang Torotadze
- (54) METHOD OF DEEP CLEANSING OF SKIN
- (57) A method provides preliminary cleansing of skin, hot steaming, and then – peeling, executed in two stages. On first stage the chemical peeling is executed at the temperature of 50-85°C, during 30-45 minutes, by steaming the patient's body in steam cabin, with a mixture of steam consisting of wine steam containing active substances obtained as a result of contact therewith medicinal herbs. In second stage, mechanical peeling is executed with puree containing hot non-alcoholic wine, crushed grape seeds, raw crushed grapes, grape seed oil and hot water.
Claims: 1 independent

- (10) AP 2023 15746 A (51) Int. Cl. (2006)
A 61 K 31/53
A 61 P 35/00
C 07 D 451/04
C 07 D 471/10
C 07 D 491/107
C 07 D 519/00
C 07 D 401/14
C 07 D 513/10
C 07 D 403/04
- (21) AP 2020 15746 (22) 2020 03 30
(31) 62/828,356; 62/992,558
(32) 2019 04 02; 2020 03 20
(33) US; US
- (71) Array Biopharma Inc. (US)
3200 Walnut Street, Boulder, CO 80301,
USA (US)

- (72) BLAKE, James F. (US);
COOK, Adam W. (US);
CHICARELLI, Mark Joseph (US);
ELSAYED, Mohamed S. A. (US);
FELL, Jay Bradford (US);
FISCHER, John P. (US);
HINKLIN, Ronald Jay (US);
MCNULTY, Oren T. (US);
MEJIA, Macedonio J. (US);
JIANG, Yutong (US);
WONG, Christina E. (US);
RODRIGUEZ, Martha E (US);
BOYS, Mark Laurence (US)
- (74) Tamar Kotchlamazashvili
- (85) 2021 10 01
- (86) PCT/IB2020/053019, 2020 03 30
- (54) PROTEIN TYROSINE PHOSPHATASE
INHIBITORS

(57) Present invention relates to 1,2,4-triazin-3-yl compounds of formula I



or stereoisomers, tautomers or pharmaceutically acceptable salts thereof. Pharmaceutical compositions and their usage for the treatment and prophylactic of hyperproliferative diseases, as well.

Claims: 12 independents
19 dependents

- (10) AP 2023 15959 A (51) Int. Cl. (2006)
A 61 K 38/20
A 61 K 31/473
A 61 P 35/00
C 07 D 219/06
- (21) AP 2020 15959 (22) 2020 10 22
(31) 2019134800
(32) 2019 10 29
(33) RU
- (71) Scientific Technological Pharmaceutical Firm
"Polysan" (OOO NTFP "Polysan") (RU)
Salova Street 72, Bldg. 2, Liter A, Saint-
Petersburg RU-192102, Russian Federation (RU)
- (72) KOVALENKO, Alexey Leonidovich (RU);
PETROV, Andrey Yurievich (RU)
- (74) Tamar Kotchlamazashvili
- (85) 2022 05 27
(86) PCT/RU2020/050289, 2020 10 22

(54) NOVEL CHEMICAL COMPOUND L-LYSINE
9-OXOACRIDINYL-10-ACETATE

(57) New chemical compound L-lysine 9-oxoacridinyl-10-acetate stimulating production of interleukin-24 (IL-24) and tumor necrosis factor beta (TNF- β), and is used as an adjuvant in the complex treatment of oncological diseases.

Claims: 2 independents
1 dependent

(10) AP 2023 15338 A (51) Int. Cl. (2006)
A 61 K 39/12
C 07 K 14/18
C 12 N 7/00

(21) AP 2018 15338 (22) 2018 10 10

(31) 201721036696

(32) 2017 10 16

(33) IN

(71) Serum Institute Of India Private Limited (IN)
212/2, Off Soli Poonawalla Road, Hadapsar,
Pune, Maharashtra, 411028, India (IN)

(72) MEHLA, Rajeev (IN);
SONAR, Rohit Bapurav (IN);
BARASKAR, Sandeep Dinkar (IN);
GHODEKAR, Shashikant Janardan (IN);
KUMAR, Vinit (IN);
YEOLEKAR, Leena Ravindra (IN);
DHERE, Rajeev Mhalasakant (IN)

(74) Giorgi Ghvinjilia

(85) 2020 05 15

(86) PCT/IN2018/050645, 2018 10 10

(54) STABLE VACCINE COMPOSITIONS
COMPRISING INTER ALIA LIVE
ATTENUATED RECOMBINANT
FLAVIVIRUS AND PROCESS FOR
PREPARATION THEREOF

(57) Immunogenic compositions comprising inter alia live attenuated recombinant dengue (DEN) virus, sucrose and glycine are disclosed, wherein DEN virus is selected from the group comprising DEN-1, DEN-2, DEN-3 and DEN-4; at that, compositions are lyophilized, and maintain virus viability, immunogenicity and stability after reconstitution.

Claims: 3 independents
23 dependents

Fig.: 24

(10) AP 2023 15860 A (51) Int. Cl. (2006)
A 61 L 27/26
A 61 L 27/36
A 61 L 27/38
A 61 L 27/54
B 33 Y 70/00
B 33 Y 80/00

(21) AP 2020 15860 (22) 2020 07 21

(31) 19461559.7; 19218191.5

(32) 2019 07 22; 2019 12 19

(33) EP; EP

(71) Polbionica LTD (PL)
ul. Rydygiera 8, Warszawa, 01-793, Poland (PL)

(72) Grzegorz Tymicki (PL);
Magdalena Gomolka (PL);
Patrycja Kowalska (PL);
Piotr Cywoniuk (PL);
Tomasz Bryniarski (PL);
Tomasz Dobrzanski (PL);
Pawel Turowski (PL);
Igor Zamora (PL);
Marta Klak (PL);
Andrzej Berman (PL);
Ewa Olender (PL);
Radoslaw Olkowski (PL);
Artur Kaminski (PL);
Katarzyna Kosowska (PL);
Michal Wszola (PL)

(74) Irakli Gvilia

(85) 2022 01 24

(86) PCT/IB2020/056856, 2020 07 21

(54) DETERGENT-FREE DECELLULARIZED
EXTRACELLULAR MATRIX PREPARA-
TION METHOD AND BIOINKS FOR 3D
PRINTING

(57) The invention concerns a detergent-free decellularized dECM preparation method, a detergent-free decellularized dECM in a powder form and in a liquid form, a method of preparation of a primary bioink, the primary bioink, a method of preparation of a vascular bioink, the vascular bioink, a three dimensional structure comprising the primary bioink and/or the vascular bioink and a method of preparation of the three-dimensional structure.

Claims: 8 independents
5 dependents

Fig.: 15

PART B

B 01

(10) AP 2023 15018 A (51) Int. Cl. (2006)
B 01 D 47/00
B 01 D 53/14
B 01 D 53/92
B 03 C 5/00

(21) AP 2016 15018 (22) 2016 08 31

(31) 62/376,619

(32) 2016 08 18

(33) US

(71) Pacific Green Technologies Inc. (US)
5205 Prospect Rd. Suite 135-226, San Jose,
CA 95129, USA (US)

(72) McCLELLAND, Kenneth James (CA)

(74) Aleksandre Gegetchkori

(85) 2019 03 01

(86) PCT/CA2016/000223, 2016 08 31

(54) INTEGRATED WET SCRUBBING SYSTEM

(57) Present invention relates to advanced system for the removal of air pollutants from combustion and non-combustion processes that generate air pollutants that are regulated by environmental agencies. The pollutants include, but are not limited to, particulate matter; acid gases including sulphur dioxide, hydrogen chloride and hydrogen fluoride; metals such as mercury, dioxins, VOCs and reagents such as ammonia. The system collects and processes polluted gas stream through two forms of wet method scrubbing technology. The gas is first passed through a wet scrubbing reactor capable of complete interaction between the gas and selected liquid scrubbing reagent at one or more interfaces. Scrubbing medium is selected for its reactivity with pollutants targeted in the process, its cost and impact on the environment. From the exit of scrubbing reactor the gas is directed through wet electrostatic precipitator to remove remaining targeted pollutants to very high removal efficiency.

Claims: 2 independents

13 dependents

Fig.: 5

(10) AP 2023 16061 A (51) Int. Cl. (2006)
B 01 J 19/00

(21) AP 2022 16061 (22) 2022 10 20

(71) Daviti Gelenidze (GE)

Rustavi Highway 28, ap. 57, 0165, Tbilisi,
Georgia (GE);

Gela Gelashvili (GE)

Paliashvili St. 78, ap. 138, 0162, Tbilisi,
Georgia (GE);LEPL "Shota Rustaveli National Science
Foundation of Georgia" (GE)

Aleksidze II Lane 2, Tbilisi, Georgia (GE);

LEPL "Ivane Javakhishvili Tbilisi State
University" (GE)Ilia Chavchavadze Av. 1, TSU 1st bld., 0179,
Tbilisi, Georgia (GE)

(72) Daviti Gelenidze (GE);

Gela Gelashvili (GE)

**(54) METHOD FOR EVAPORATION OF
CONDUCTIVE MATERIALS TO
OBTAIN NANOSCALE PARTICLES**

(57) A method for evaporation of conductive materials to obtain nanoscale particles is disclosed. The method provides execution of elongated shape stable plasma environment, containing one discharger and two electrodes, in cylindrical reactor, and impact of said environment directly on conductive material supplied from discharger tubular electrode, and melting and partially evaporation of this material. Melted portion of conductive material is collected in the collector located in the middle of reactor, and

impact therewith plasma environment is continued. Evaporated conductive material is passed through plasma environment, and conductive material nanoparticles, obtained as a result of conduction, are taken out from the reactor by means of graphite tube placed in upper part of cylindrical reactor.

Claims: 1 independent

Fig.: 2

PART C**C 21**

(10) AP 2023 15516 A (51) Int. Cl. (2006)

C 21 C 1/10

C 21 C 7/06

C 22 C 28/00

C 22 C 33/00

C 22 C 35/00

(21) AP 2019 15516 (22) 2019 06 07

(31) 20180804

(32) 2018 06 11

(33) NO

(71) Elkem ASA (NO)

Drammensveien 169, 0277 Oslo, Norway (NO)

(72) DIEUDONNE, Amélie (FR);

KLEVAN, Ole Svein (NO)

(74) Tamaz Shilakadze

(85) 2020 12 11

(86) PCT/NO2019/050116, 2019 06 07

**(54) SILICON BASED ALLOY, METHOD FOR
THE PRODUCTION THEREOF AND USE
OF SUCH ALLOY**

(57) Present invention relates to silicon based alloy comprising in mass%:

Si – 45-95;

C – max – 0,05;

Cr – 0,4-30;

Al – 0,01-10;

Ca – 0,01-0,3;

Ti – max – 0,10;

Mn – up to – 25;

P – 0,005-0,07;

S – 0,001-0,02%

The rest is Fe, and incidental impurities in the ordinary amount, a method for the production of said alloy and the use thereof.

Claims: 4 independents

10 dependents

Table: 5

C 22

(10) AP 2023 15895 A (51) Int. Cl. (2006)
C 22 B 15/00
C 22 B 3/00
C 22 B 47/00

(21) AP 2020 15895 (22) 2020 07 27

(31) 19190915.9

(32) 2019 08 09

(33) EP

(71) Umicore (BE)

Rue du Marais 31, B-1000 Brussels,
Belgium (BE)

(72) DANIELS, Michel (BE);

SCOYER, Jean (BE);

BALTES, Michael (BE);

NEVEN, Margot (BE);

LEYSEN, Jan (BE)

(74) Tamaz Shilakadze

(85) 2022 03 07

(86) PCT/EP2020/071079, 2020 07 27

(54) PROCESS FOR THE RECOVERY OF
METALS FROM OXIDIC ORES

(57) A process is disclosed for the recovery of valuable metals from oxidic ores, in particular from polymetallic nodules. The process is suitable for the recovery of Cu, Co, Ni, Fe, and Mn, which are the main metals of interest in such polymetallic nodules. Present process is, among others, characterized by the handling of Fe, which is dissolved and kept in solution until the step of crystallization rather than removed at an earlier stage. Mixed Mn-Fe residue is obtained, which, after thermal treatment, provides Mn-Fe oxide that is suitable for the steel or for manganese industry. Excellent Cu, Co and Ni yields are obtained, while Fe is leached and valorized together with Mn.

Claims: 1 independent

5 dependents

Fig.: 1

Table: 6

PART H**H 04**

(10) AP 2023 15896 A (51) Int. Cl. (2006)
H 04 R 9/06

(21) AP 2022 15896 (22) 2022 03 08

(71) Vasil Petriashvili (GE)

Nutsubidze Slope, III m/r, III qu., bld. 8, ap. 1,
Tbilisi, 0183, Georgia (GE);

Vazha Ezugbaia (GE)

Gldani V m/r, bld. 18, ap. 87, 0107, Tbilisi,
Georgia (GE);

Irakli Petriashvili (GE)

Nutsubidze Slope, III m/r, III qu., bld. 8, ap. 1,
Tbilisi, 0183, Georgia (GE)

(72) Vasil Petriashvili (GE);

Vazha Ezugbaia (GE);

Irakli Petriashvili (GE)

(74) Nikoloz Gogilidze

(54) ACOUSTO-ELECTRIC LOUDSPEAKER

(57) Present invention provides including a component emitting sound waves the acousto-electric loudspeaker executed as one or more plates curved as 3D-spiral, and an actuator providing plate oscillating motion.

Claims: 1 independent

1 dependent

Fig.: 6

PATENTED INVENTIONS**PART A****A 61**

- (11) P 2023 7518 B (51) Int. Cl. (2006)
A 61 K 31/52
A 61 K 39/12
- (10) AP 2023 15308 A (44) 5(608)/2023
(21) AP 2018 15308
(22) 2018 09 07
(24) 2018 09 07
(31) 17189890.1; 17196684.9
(32) 2017 09 07; 2017 10 16
(33) EP; EP
(86) PCT/EP2018/074202, 2018 09 07
(73) AiCuris GMBH & CO. KG (DE)
Friedrich-Ebert-Straße 475 42117 Wuppertal,
Germany (DE)
- (72) PAULSEN, Daniela (DE);
URBAN, Andreas (DE);
ADDY, Ibrionke (DE);
PFAFF, Tamara (DE);
MENNE, Stephan (DE);
SLOOT, Willem (DE)
- (74) Tamaz Shilakadze
- (54) COMBINATION THERAPIES OF HEPATITIS B VIRUS (HBV)-INFECTED INDIVIDUALS USING PARAPOXVIRUS OVIS (PPVO) AND AT LEAST ONE FURTHER ANTIVIRAL DRUG
-

- (11) P 2023 7519 B (51) Int. Cl. (2006)
A 61 K 31/5025
A 61 P 35/00
C 07 D 487/04
C 07 D 471/20
C 07 D 471/04
- (10) AP 2023 15703 A (44) 4(607)/2023
(21) AP 2019 15703
(22) 2019 12 27
(24) 2019 12 27
(31) 62/785,519
(32) 2018 12 27
(33) US
(86) PCT/US2019/068652, 2019 12 27
(73) Les Laboratoires Servier (FR)
50 rue Carnot, 92284 Suresnes Cedex,
France (FR)
- (72) KONTEATIS, Zenon, D. (US);
LI, Mingzong (US);
REZNIK, Samuel, K. (US);
SUI, Zhihua (US)
-

- (74) Shalva Gvaramadze
(54) AZA-HETEROBICYCLIC INHIBITORS
OF MAT2A AND METHODS OF USE
FOR TREATING CANCER
-

APPLICATION*****PART A****A 01**

(10) AP 2021 16266 A (51) A 01 G 17/16

(43) 2023 07 10 №13

(21) AP 2021 16266 (22) 2021 11 16

(31) 2011704; 2011705

(32) 2020 11 16; 2020 11 16

(33) FR; FR

(71) MANDRAFINA, Georges (PT)

Rua Vale Vinte Mouros Quinta Do Feto,
2490-625 OUREM, Portugal (PT)

(72) MANDRAFINA, Georges (PT)

(74) Shalva Gvaramadze

(85) 2023 06 11

(86) PCT/EP2021/081778, 2021 11 16

(54) COUPLED MULTI-PURPOSE DEVICE,
FOR THE RUNNING INSTALLATION
OF VINEYARD ACCESSORIES, IN
PARTICULAR STAKES

(57) A multi-purpose device for the running installation of vineyard accessories, in particular stakes/markers, comprising a frame (10) mounted on wheels (10-2G, 10-2D) and intended to be coupled to traction means, following a direction of travel F, characterized in that it comprises driving-in means (12) with a twin hammer (24), one for the stakes and one for the markers.

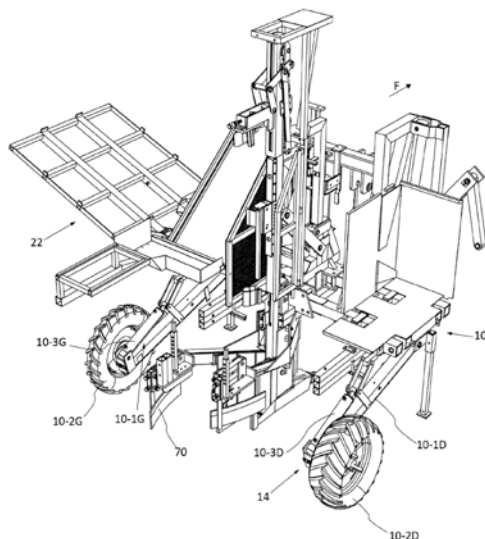


Fig. 1

UTILITY MODELS

APPLICATIONS APPROVED FOR GRANTING PATENT

The decision can be appealed at the Chamber of Appeal of Sakpatenti within 3 months from the publication or at the Mtskheta District Court Administrative Cases Board (Address: №17, Samkhedro St., Mtskheta), within 1 month following the publication.

PART A

A 23

- (10) AU 2023 15890 U (51) Int. Cl. (2006)
A 23 K 1/16
- (21) AU 2022 15890 (22) 2022 03 02
- (71) Iamze Beshkenadze (GE)
Varketili, IV m/r, 2nd row, next to bld. 14, 0163,
Tbilisi, Georgia (GE)
- (72) Iamze Beshkenadze (GE);
Nazibrola Klarjeishvili (GE);
Maia Gogaladze (GE);
Giorgi Chagelishvili (GE);
Eteri Salukvadze (GE);
Leila Japaridze (GE)
- (54) SUPPLEMENTS OF CHELATED
MICROELEMENTS IN POULTRY
FEEDING
- (57) The supplements of chelated microelements in
poultry feeding contains methion chelates of Zn, Mn,
Fe, Co, Cu, Cr and I₂ g/100 kg on combined feeding
with the following ratio of componentry:
- Mn(Mt)₂·4H₂O – 37.52- 51.23;
Zn(Mt)₂·2H₂O – 23.68-32.78;
Fe(Mt)₂ – 17.72-24.53;
Co(Mt)₂·2H₂O – 0.187-0.259;
Cu(Mt)₂ – 3.196-4.420;
Cr(Mt)₃·2H₂O – 0.374-0.518;
I(Mt)·4H₂O – 1.664-3.200.
- Claims: 1 independent
Table: 1
-

PART C

C 04

- (10) AU 2023 16020 U (51) Int. Cl. (2006)
C 04 B 35/45
H 01 L 39/00
- (21) AU 2022 16020 (22) 2022 08 06
- (71) Nikoloz Margiani (GE)
Vazha-Pshavela Ave., IV qu., bld. 4, ap. 27,
0186, Tbilisi, Georgia (GE);
Iamze Kvartskhava (GE)
Demetre Tavdadebuli St. 7, ap. 27, 4400, Poti,
Georgia (GE);
Giorgi Mumladze (GE)
Politkovskaya 47, ap. 91, 0186, Tbilisi,
Georgia (GE);
Vakhtang Zhghamadze (GE)
Varketili, 3, I m/r, bld. 3, ap. 108, 0163, Tbilisi,
Georgia (GE);
Revaz Kokhreidze (GE)
Vazha-Pshavela Ave., III qu., bld. 7, ap. 4,
0186, Tbilisi, Georgia (GE);
Natia Margiani (GE)
Vazha-Pshavela Ave., IV qu., bld. 4, ap. 27,
0186, Tbilisi, Georgia (GE)
- (72) Nikoloz Margiani (GE);
Iamze Kvartskhava (GE);
Giorgi Mumladze (GE);
Vakhtang Zhghamadze (GE);
Revaz Kokhreidze (GE);
Natia Margiani (GE)
- (54) THERMOELECTRIC CERAMICS WITH
ENHANCED POWER FACTOR
- (57) Thermoelectric ceramics includes additionally
sodium borate (borax) – Na₂B₄O₇ together with
oxides: Bi₂O₃, SrO, Co₃O₄, with the following ratio
of componentry (mass%):
- Bi₂O₃ – 55,9 ÷ 56,0
SrO – 23,6 ÷ 24,2
Co₃O₄ – 19,2 ÷ 19,3
Na₂B₄O₇ – 0,6 ÷ 1,2
- Claims: 1 independent
-

DESIGNS

DESIGNS, WHICH HAVE BEEN REGISTERED WITH THE INTERNATIONAL BUREAU CLAIMING PRIORITY ON THE TERRITORY OF GEORGIA

The decision can be appealed at the Chamber of Appeal of Sakpatenti within 3 months from the publication or at the Mtskheta District Court Administrative Cases Board (Address: №17, Samkhedro St., Mtskheta), within 1 month following the publication.

- (11) DM/228 121 (51) 10-07
(15) 2023 04 06 (44) 16/2023 (2023 04 21)
(22) 2023 04 06
(28) 1
(73) Rolex SA
rue François-Dussaud 3-5-7, 1211 Genève 26 (CH)
(85) CH
(86) CH
(87) CH
(88) CH
(89) CH
(81) III. WS, KG, LI, CA, GE, OM, MK, BA, RS, NO, EG, JM, RU, RW, EM, IS, AM, BW, TJ, MD, BY, VN, TN, GB, KH, TR, SR, MN, GH, ST, IL, KP, JP, KR, MX, AL, BN, UA, OA, NA, SG, MA, MC, BZ, ME, AZ, TM, SM
(72) Davide AIROLDI
16 rue du Grand-Bureau, 1227, Genève (CH)
(74) Bugnion S.A.
10, Route de Florissant, Case postale 375, 1211 Genève 12 (CH)
(46) 2023 04 21
(54) 1. WATCH CASE
(55)



1.7



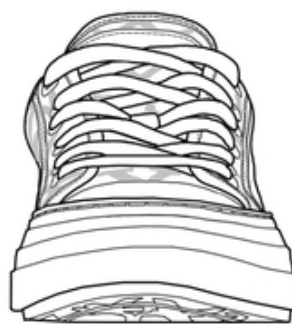
1.8



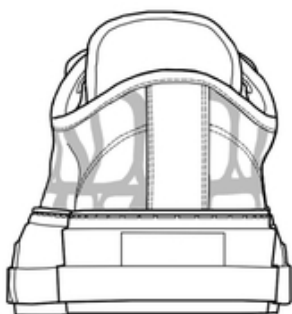
- (11) DM/228 236 (51) 02-04
(15) 2023 04 07 (44) 17/2023 (2023 04 28)
(22) 2023 04 07
(28) 2
(73) Valentino S.p.A.
Via Turati 16/18, I-20121 Milano (EM)
(85) –
(86) EM, IT
(87) EM, IT
(88) EM, IT
(89) EM
(81) III. KG, UA, GE, TR, RU, JP, TJ, KR, EM, AZ, GB
(72) Pierpaolo PICCIOLI
C/o Valentino S.p.A., Via Turati, 16/18, I-20121, Milano (IT)
(74) Jacobacci & Partners S.p.A. / Matteo Mozzi
Via Senato, 8, I-20121 Milano (IT)
(46) 2023 04 28
(54) 1. SHOE, 2. SHOE
(55)



1.1



1.2



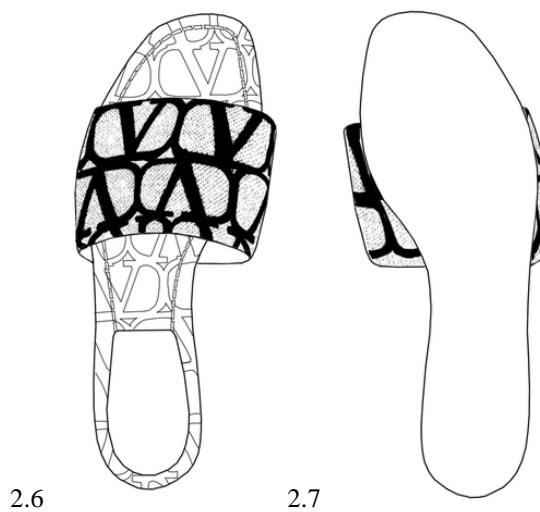
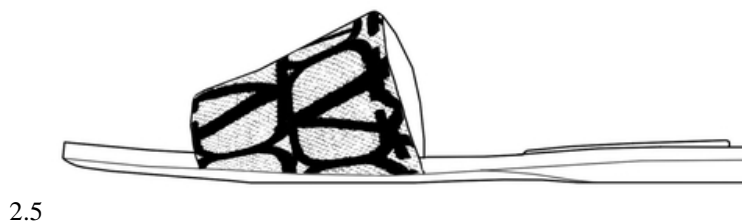
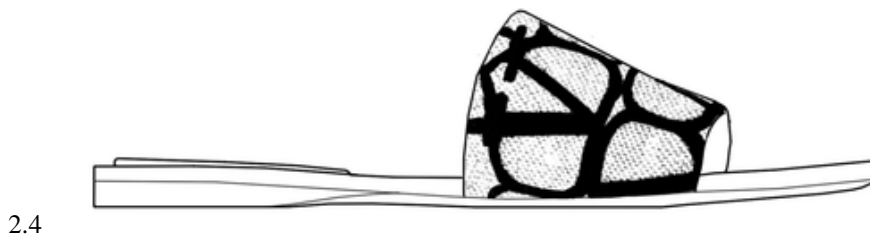
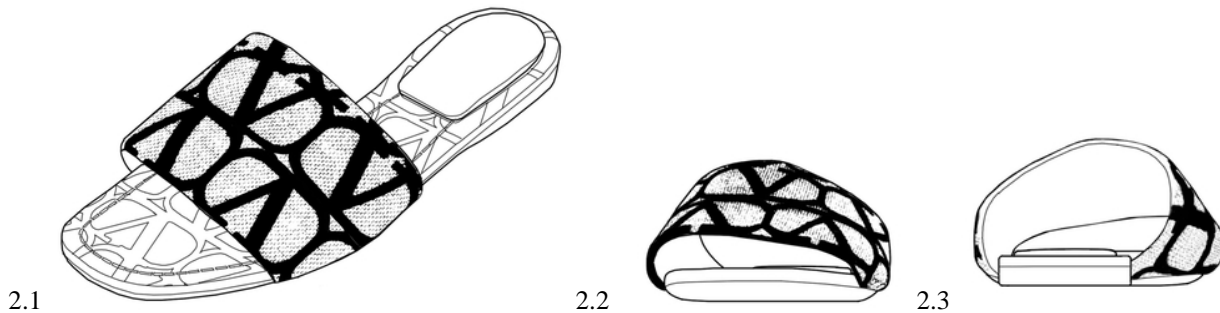
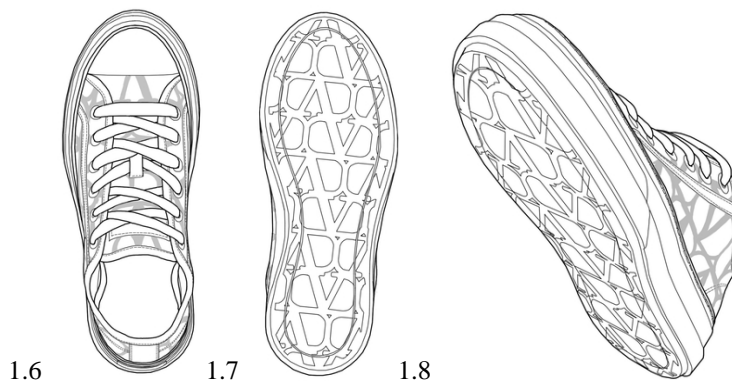
1.3



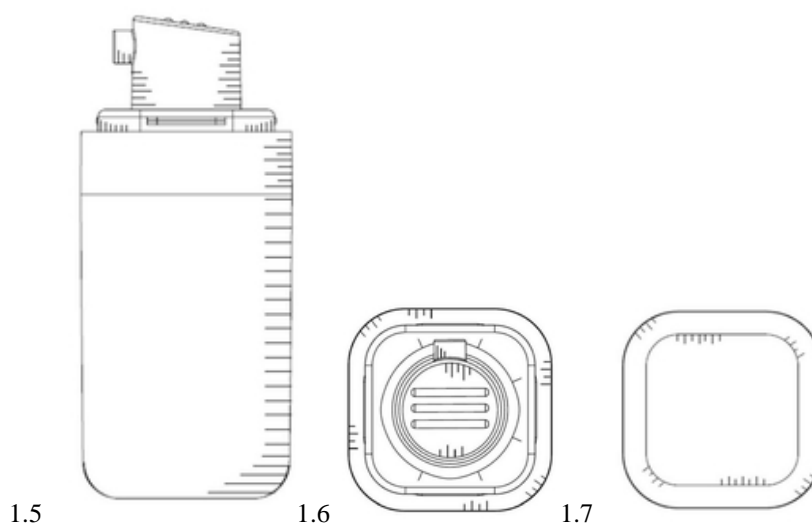
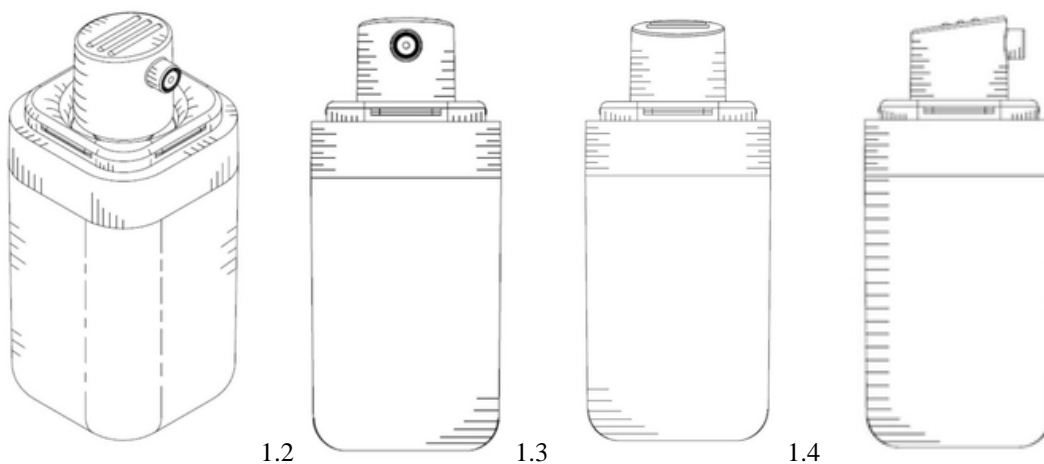
1.4

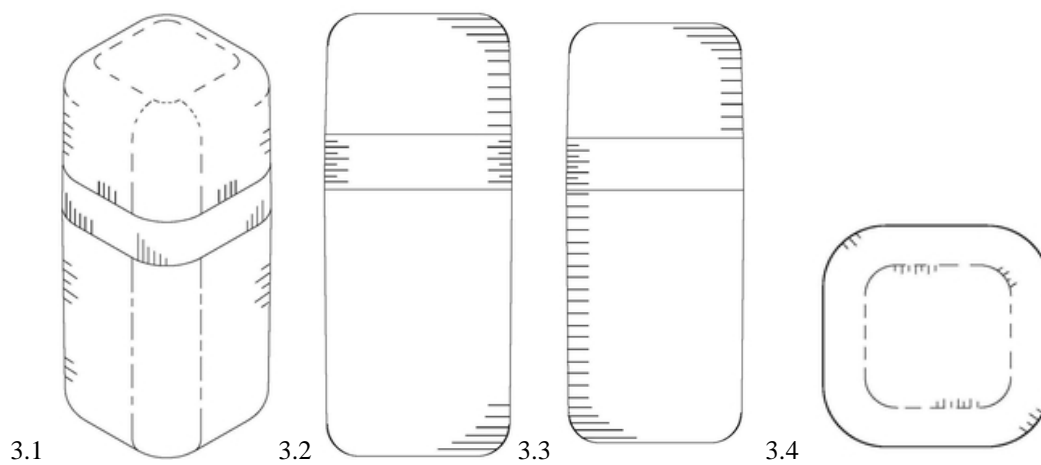
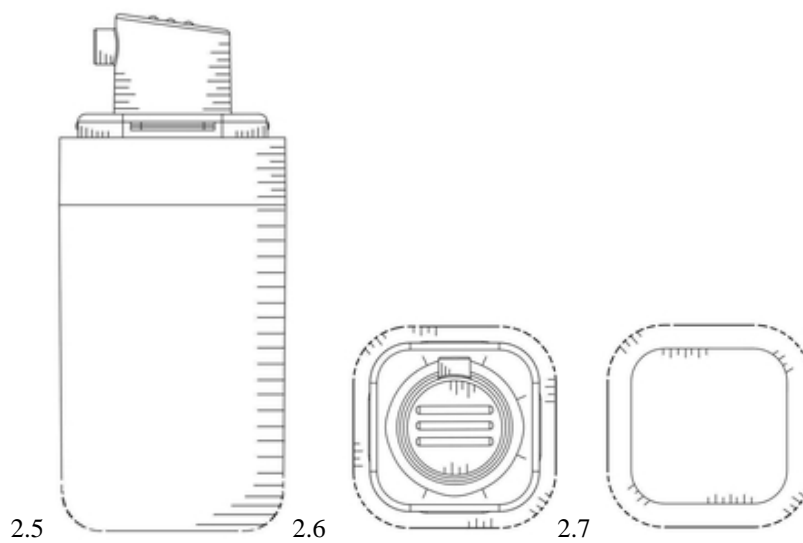
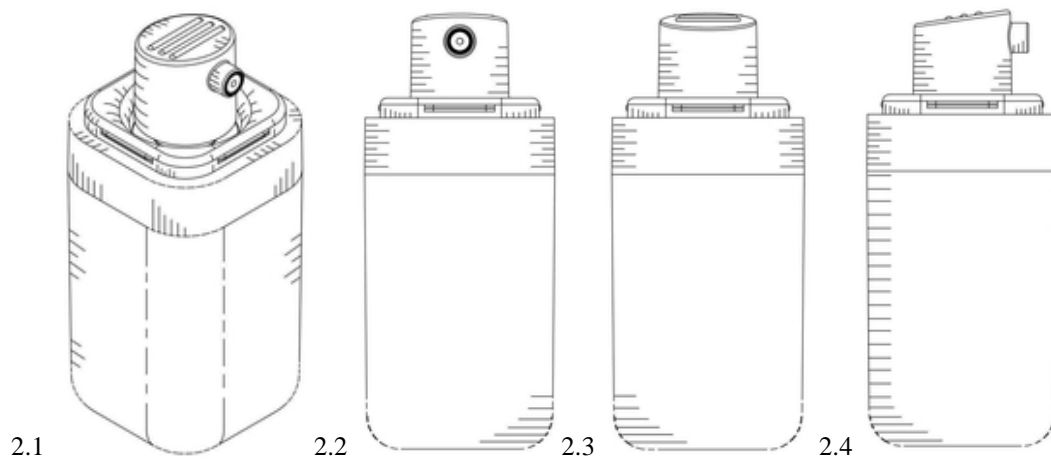


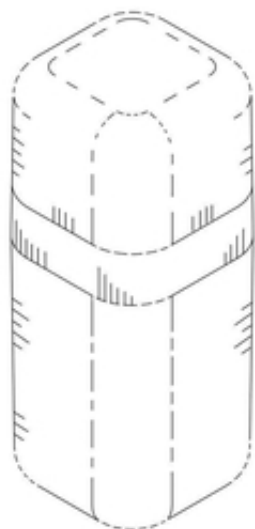
1.5



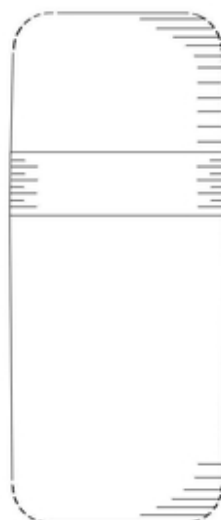
- (11) DM/228 299 (51) 09-01
 (15) 2023 09 22 (44) 17/2023 (2023 04 28)
 (22) 2023 09 22
 (28) 4
 (30) No1: 31.03.2022; 211539; CA; No2: 31.03.2022; 211539; CA; No3: 31.03.2022; 211539; CA;
 No4: 31.03.2022; 211539; CA
 (73) Feather Company LTD.
 1040 Lorne Street, Unit 7, P3C 4R9 Sudbury, Ontario (CA)
 (85) CA
 (86) CA
 (87) CA
 (88) CA
 (89) CA
 (81) III. WS, LI, GE, US, NO, RU, EM, IS, AM, MD, VN, GB, ST, IL, CH, JP, KR, MX, UA, OA, SG, MC, BZ,
 AZ, SM
 (72) Patrick LEHOUX
 284 David Street, P3E 1T8, Sudbury, Ontario (CA);
 Mitch THOMPSON
 496 Telstar Avenue, P3E 5K8, Sudbury, Ontario (CA)
 (74) MBM Intellectual Property Law LLP
 275 Slater Street, 14th Floor, K1P 5H9 Ottawa, Ontario (CA)
 (46) 2023 04 28
 (54) 1.-2. AEROSOL DISPENSER, 3.-4. AEROSOL DISPENSER WITH LID
 (55)







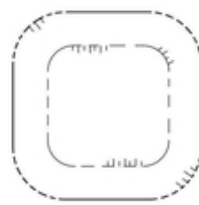
4.1



4.2

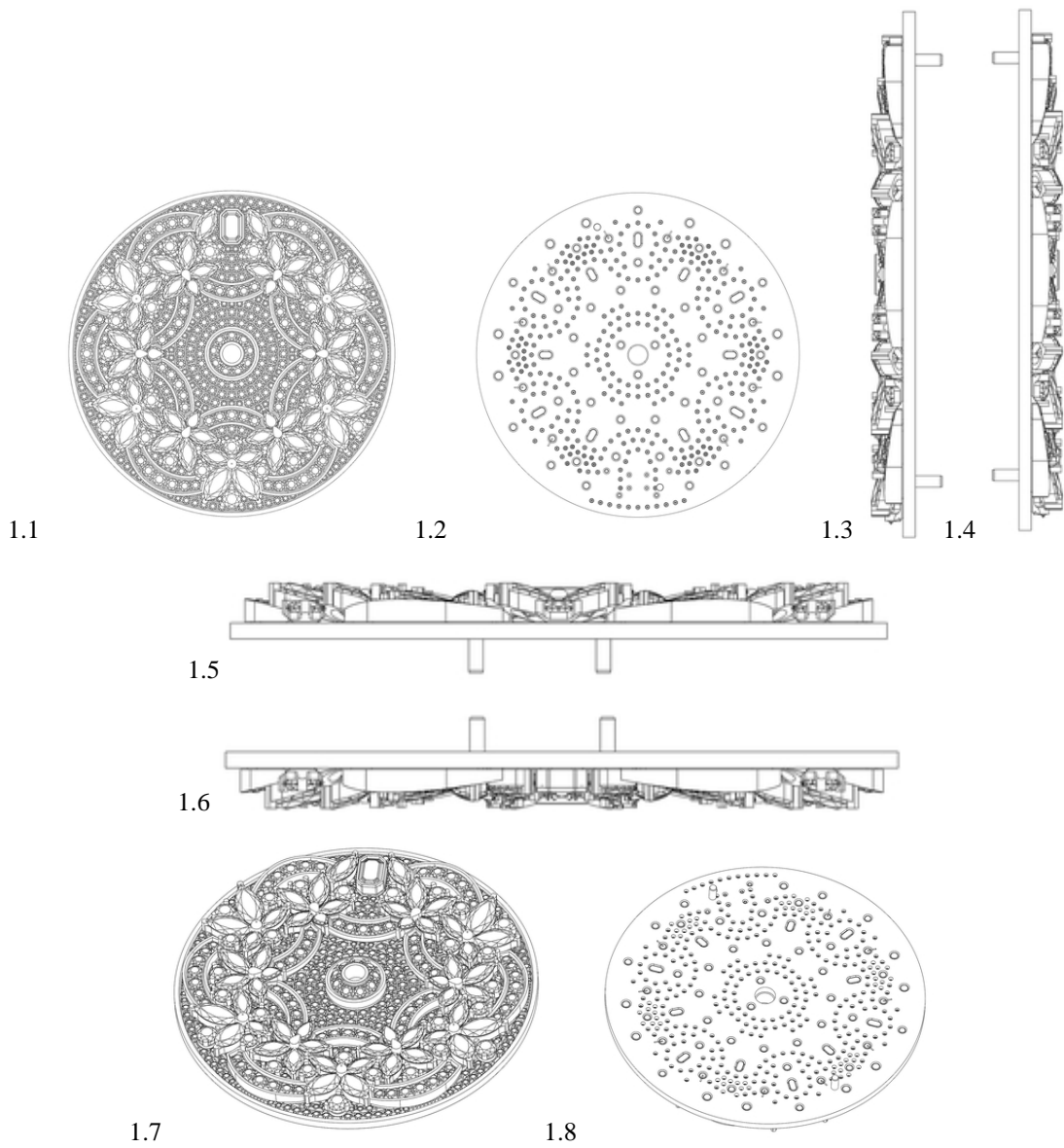


4.3



4.4

- (11) DM/224 517 (51) 10-07
- (15) 2022 10 26 (44) 17/2023 (2023 04 28)
- (22) 2022 10 26
- (28) 1
- (73) Harry Winston SA
 Chemin du Tourbillon 8, 1228 Plan-les-Ouates (CH)
- (85) CH
- (86) CH
- (87) CH
- (88) CH
- (89) CH
- (81) III. KG, LI, OM, MK, GE, CA, BA, NO, RU, EM, AM, MD, TN, GB, TR, MN, CH, AL, UA, SG, MA, MC,
 BZ, ME, AZ
- (72) Sandra GARSAUD
 c/o Harry Winston SA, Chemin du Tourbillon 8, 1228, Plan-les-Ouates (CH)
- (74) The Swatch Group AG (The Swatch Group SA) (The Swatch Group Ltd.)
 Faubourg du Lac 6, 2501 Biel/Bienne (CH)
- (46) 2023 04 28
- (54) 1. WATCH DIAL
- (55)



- (11) DM/224 701 (51) 11-01
(15) 2022 10 31 (44) 18/2023 (2023 05 05)
(22) 2022 10 31
(28) 1
(73) Harry Winston SA
Chemin Du Tourbillon 8, 1228 Plan-les-Ouates (CH)
(85) CH
(86) CH
(87) CH
(88) CH
(89) CH
(81) III. KG, LI, CA, OM, GE, MK, BA, NO, RU, EM, AM, MD, TN, GB, TR, MN, CH, AL, UA, MA, SG, MC,
BZ, ME, AZ
(72) Rie Yatsugi-Kang
C/o Harry Winston Inc. 718 Fifth Avenue, 10019, New York (US)
(74) The Swatch Group AG (The Swatch Group SA) (The Swatch Group Ltd.)
Faubourg Du Lac 6, 2501 Biel/Bienne (CH)
(46) 2023 05 05
(54) 1. NECKLACE
(55)



1.1



1.2



1.3



1.4



1.5



1.6



1.7



1.8



1.9

TRADEMARKS

APPLICATIONS FILED UNDER THE NATIONAL PROCEDURE APPROVED FOR REGISTRATION

The decision can be appealed at the Chamber of Appeal of Sakpatenti within 3 months from the publication or at the Mtskheta District Court Administrative Cases Board (Address: №17, Samkhedro St., Mtskheta), within 1 month following the publication.

(260) AM 2023 120615 A
(210) AM 120615
(220) 2022 12 05
(731) Hill's Pet Nutrition Inc.
a Delaware corporation
400 SW Eighth Avenue, Topeka, Kansas
66603, USA
(740) Tamaz Shilakadze
(540)



(591) Black, white, red, blue, light grey, dark grey
(531) 25.03.13; 26.04.09; 26.11.02; 26.11.05;
26.11.12; 27.05.01; 27.05.09; 27.05.10;
27.05.21; 27.05.24; 29.01.15
(511) 31

(260) AM 2023 120616 A
(210) AM 120616
(220) 2022 12 05
(731) Hill's Pet Nutrition Inc.
a Delaware corporation
400 SW Eighth Avenue, Topeka, Kansas
66603, USA
(740) Tamaz Shilakadze
(540)



(591) Black, white, red, blue, light grey, dark grey
(531) 25.03.13; 26.04.09; 27.05.01; 27.05.09;
27.05.10; 27.05.21; 27.05.24; 29.01.15
(511) 31

(260) AM 2023 120617 A
(210) AM 120617
(220) 2022 12 05
(731) LTD "Wewin"
Ilia Chavchavadze Av. 51, bld. 2, ap. 62, 0165,
Tbilisi, Georgia
(540)



(591) Black-white
(531) 01.15.03; 27.05.04; 28.19
(511) 35, 38, 41

(260) AM 2023 120619 A
(210) AM 120619
(220) 2022 12 06
(731) LLC "FoodMart"
Tengiz Chantladze St. 40, Didi Lilo, Tetri
Khevi Settlement, 0109, Tbilisi, Georgia
(540)



(591) 161515 black, FFFCFC white, EF420E
red, FFF60A yellow
(531) 10.03.10; 10.03.11; 19.01.12; 26.04.01;
26.04.04; 26.04.07; 26.04.16; 26.04.22; 28.19;
29.01.14
(511) 16, 29, 30, 31, 32

(260) AM 2023 120621 A
 (210) AM 120621
 (220) 2022 12 07
 (731) LTD "Podsi"
 Givi Kartozia St. 2, ap. 61, 0177, Saburtalo
 District, Tbilisi, Georgia
 (540)



(591) Black-white
 (531) 26.04.02; 26.04.05; 26.04.22; 26.04.24;
 27.05.04; 27.05.24
 (511) 32, 33, 34, 35

(260) AM 2023 120626 A
 (210) AM 120626
 (220) 2022 12 08
 (731) LTD "Jos! Wines"
 Liziko Kavtaradze St. 1, Tbilisi, Georgia
 (540)



(591) Black, orange
 (531) 26.04.02; 26.04.05; 26.04.22; 27.05.09;
 27.05.10; 29.01.12
 (511) 35

(260) AM 2023 120627 A
 (210) AM 120627
 (220) 2022 12 08
 (731) Alkaloid AD Skopje
 Blvd. Aleksandar Makedonski 12, 1000 Skopje,
 The Republic of North Macedonia
 (740) Shalva Gvaramadze
 (540)

TOLZANO

(591) Black-white
 (511) 5

(260) AM 2023 120700 A
 (210) AM 120700
 (220) 2022 12 09
 (731) LTD "G T C Group"
 Ekvtime Kheladze St. 33, 0131, Tbilisi,
 Georgia
 (740) Vakhtang Torotadze
 (540)



(591) 402300 brown, D11F22 red,
 FFEE07 yellow, black
 (531) 26.04.03; 26.04.05; 26.04.09; 27.05.17;
 27.05.23; 29.01.14
 (511) 35

(260) AM 2023 120702 A
 (210) AM 120702
 (220) 2022 12 10
 (731) LTD Arkoz Qazax Sement Factory
 Vill. Das Salahli, Gazahi Region, Azerbaijan
 (740) Giorgi Meipariani
 (540)



(591) Black-white
 (531) 02.09.14; 02.09.18; 26.05.01; 26.05.12;
 26.13.25; 27.05.01
 (511) 19, 35, 39

(260) AM 2023 120706 A
 (210) AM 120706
 (220) 2022 12 12
 (731) LLC "A-B-F"
 Vaziani Settlement 1320, Vill. Martkopi,
 Gardabani, Georgia
 (540)

**ღვინო, რომელიც
 ბედნიერებას იმახსოვრებს**

(591) Black-white
 (531) 28.19
 (511) 32, 33

(260) AM 2023 120724 A
 (210) AM 120724
 (220) 2022 12 13
 (731) Cegos SA
 19 rue René Jacques, ISSY-LES-Moulineaux,
 92130, France
 (740) Giorgi Kartvelishvili
 (540)

cegos

(591) Black-white
 (531) 27.05.01
 (511) 41

(260) AM 2023 120730 A
 (210) AM 120730
 (220) 2022 12 15
 (731) LTD "Biotex"
 Iumashev St. 8, Tbilisi, Georgia
 (540)

Bioteksi

(591) Green, white
 (531) 05.03.14; 27.05.07; 29.01.03
 (511) 5, 35

(260) AM 2023 120731 A
 (210) AM 120731
 (220) 2022 12 15
 (731) Alkaloid AD Skopje
 Blvd. Aleksandar Makedonski 12, 1000 Skopje,
 The Republic of North Macedonia
 (740) Shalva Gvaramadze
 (540)

MOPIVOX

(591) Black-white
 (511) 5

(260) AM 2023 120732 A
 (210) AM 120732
 (220) 2022 12 15
 (731) Alkaloid AD Skopje
 Blvd. Aleksandar Makedonski 12, 1000 Skopje,
 The Republic of North Macedonia
 (740) Shalva Gvaramadze
 (540)

LOXELLO

(591) Black-white
 (511) 5

(260) AM 2023 120733 A
 (210) AM 120733
 (220) 2022 12 15
 (731) Alkaloid AD Skopje
 Blvd. Aleksandar Makedonski 12, 1000 Skopje,
 The Republic of North Macedonia
 (740) Shalva Gvaramadze
 (540)

LAPPOXO

(591) Black-white
 (511) 5

(260) AM 2023 120734 A
 (210) AM 120734
 (220) 2022 12 15
 (731) Alkaloid AD Skopje
 Blvd. Aleksandar Makedonski 12, 1000 Skopje,
 The Republic of North Macedonia
 (740) Shalva Gvaramadze
 (540)

LESORO

(591) Black-white
 (511) 5

(260) AM 2023 120736 A
 (210) AM 120736
 (220) 2022 12 15
 (731) Getz Pharma International FZ LLC
 Office No: 1307, 13th floor, Al-Thuraya
 Tower 1, Dubai Media city, United Arab
 Emirates
 (740) Nino Bakhtadze
 (540)

Norplat

(591) Black-white
 (511) 5

(260) AM 2023 120737 A
 (210) AM 120737
 (220) 2022 12 15
 (731) Zurab Topuridze
 Nutsubidze Slope, III m/r, II qu. bld. 3, ap. 1,
 Tbilisi, Georgia
 (740) Khatuna Imnadze
 (540)

**სეზიოს
 Cecilia**

(591) Black-white
 (511) 33

(260) AM 2023 120814 A
 (210) AM 120814
 (220) 2022 12 16
 (731) LTD Spraibi
 Tartu Road 83-701, 10115, Kesklinas District,
 Tallinn, Estonia
 (740) Mariam Ghubianuri;
 Nikoloz Chomakhdze
 (540)



(591) F40C0C Red, white
 (531) 18.05.01; 18.05.03; 29.01.01
 (511) 9, 41, 42

(260) AM 2023 120820 A
 (210) AM 120820
 (220) 2022 12 19
 (731) LLC "Vista Group"
 Liziko Kavtaradze St. 1, ap. 10, Tbilisi,
 Georgia
 (740) Nino Bakhtadze
 (540)



VISTA GROUP
ვიზა გრუპი

(591) Green, black, white
 (531) 26.11.03; 26.11.05; 26.11.11; 27.01.25;
 27.05.01; 29.01.12
 (511) 36, 37

(260) AM 2023 120823 A
 (210) AM 120823
 (220) 2022 12 19
 (731) LTD "Fierna"
 M. Toidze St. 13, Tbilisi, Georgia
 (740) Giorgi Taktakishvili

(540)



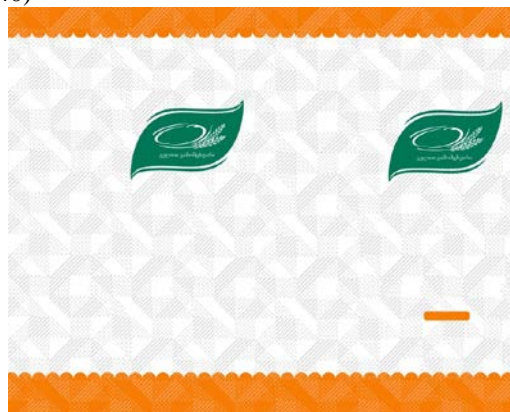
(591) Light sky-blue, dark sky-blue, white
 (531) 01.15.05; 01.15.15; 05.03.13; 05.03.15;
 26.01.13; 26.01.15; 26.01.16; 26.01.21;
 26.04.10; 29.01.12
 (511) 1

(260) AM 2023 120825 A
 (210) AM 120825
 (220) 2022 12 19
 (731) LLC "Meotkhe Sartuli"
 Krtsanisi St., Salami St. 6, Floor 3, bld. 1,
 Tbilisi, Georgia
 (740) Zurab Bezhashvili;
 Ioane Iarajuli;
 Lia Shikhiashvili
 (540)



(591) Blue, white
 (531) 24.17.09; 26.11.08; 27.05.11; 29.01.04
 (511) 43

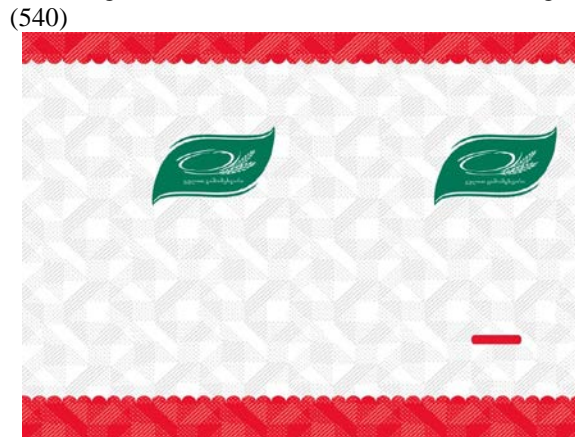
(260) AM 2023 120835 A
 (210) AM 120835
 (220) 2022 12 20
 (731) LTD "Ipkli"
 Evgeni Kharadze St. 2a, 0153, Tbilisi, Georgia
 (540)



(554) Three Dimensional

(591) Light orange, orange, grey, light green,
dark green, white
(531) 05.03.13; 05.07.02; 19.03.24; 25.07.08;
29.01.13
(511) 30

(260) AM 2023 120836 A
(210) AM 120836
(220) 2022 12 20
(731) LTD "Ipkli"
Evgeni Kharadze St. 2a, 0153, Tbilisi, Georgia



(554) Three Dimensional
(591) Light red, dark red, light green, dark green,
grey, white
(531) 05.03.13; 05.07.02; 19.03.24; 25.07.08;
29.01.13
(511) 30

(260) AM 2023 120842 A
(210) AM 120842
(220) 2022 12 21
(731) Vakhtang Kandelaki
Abashidze St. 14, ap. 20, Tbilisi, Georgia
(540)

canapé
კანაპე
КАНАПЕ

(591) Black-white
(511) 35

(260) AM 2023 120858 A
(210) AM 120858
(220) 2022 12 22
(731) HBC Products Industries Limited
182 Santhonburi Road, Bang-waha, Pasicharoen,
Bangkok, 10160, Thailand
(740) Liliana Darakhvelidze

(540)



(591) Black-white
(531) 01.15.19; 26.11.12; 27.05.01
(511) 3

(260) AM 2023 120861 A
(210) AM 120861
(220) 2022 12 22
(731) PepsiCo Inc.
700 Anderson Hill Road, Purchase, New York,
10577, USA
(740) Tamar Kotchlamazashvili
(540)

აირჩიე უფრო მეტი

(591) Black-white
(511) 32

(260) AM 2023 120935 A
(210) AM 120935
(220) 2022 12 23
(310) 306002261
(320) 2022 07 05
(330) HK
(731) Imiracle (HK) Limited
19H Maxgrand Plaza No.3 Tai Yau St San Po
Kong Kln, Hong Kong
(740) Giorgi Taktakishvili
(540)



ELFBAR

(591) Black-white
(531) 05.03.13; 05.03.15; 26.01.06; 27.05.01
(511) 34

(260) AM 2023 120942 A

(210) AM 120942

(220) 2022 12 26

(731) Obshchestvo s Ogranichennoy Otvetstven-
nostyu "UTA"

ul. Kostina 13, pom. 28, komnata 20,

RU-603000 Nizhniy Novgorod, Russian

Federation

(740) Liliana Darakhvelidze

(540)

Дедушка Гиви

(591) Black-white

(511) 33

REGISTERED TRADEMARKS

(111) M 2023 36992 R
 (151) 2023 07 03
 (181) 2033 07 03
 (260) AM 2022 118474 A
 (220) 2022 07 08

(732) LTD "Rich Group"
 Vill. Mughanlo, Marneuli Municipality,
 Georgia

(111) M 2023 36993 R
 (151) 2023 07 03
 (181) 2033 07 03
 (260) AM 2022 118475 A
 (220) 2022 07 08

(732) LTD "Rich Group"
 Vill. Mughanlo, Marneuli Municipality,
 Georgia

(111) M 2023 36994 R
 (151) 2023 07 03
 (181) 2033 07 03
 (260) AM 2022 119000 A
 (220) 2022 08 15

(732) LTD "Georgian Wine House"
 Vill. Zegaani, 1500, Gurjaani, Georgia

(111) M 2023 36995 R
 (151) 2023 07 03
 (181) 2033 07 03
 (260) AM 2022 118639 A
 (220) 2022 07 18

(732) Nicoventures Holdings Limited
 Globe House, 1 Water Street, London,
 WC2R 3LA, United Kingdom

(111) M 2023 36996 R
 (151) 2023 07 03
 (181) 2033 07 03
 (260) AM 2022 118473 A
 (220) 2022 07 08

(732) LTD "Rich Group"
 Vill. Mughanlo, Marneuli Municipality,
 Georgia

(111) M 2023 36997 R
 (151) 2023 07 03
 (181) 2033 07 03
 (260) AM 2022 118218 A
 (220) 2022 06 17

(732) Bkairat General Trading (L.L.C)
 Office 2802, Westbury Officestower - Marasi
 Drive-Business Bay, Dubai, United Arab
 Emirates

(111) M 2023 36998 R
 (151) 2023 07 03
 (181) 2033 07 03
 (260) AM 2022 118566 A
 (220) 2022 07 14

(732) Worldwide Franchise Systems Inc.
 One StarPoint, Stamford, Connecticut 06902,
 USA

(111) M 2023 36999 R
 (151) 2023 07 03
 (181) 2033 07 03
 (260) AM 2022 118229 A
 (220) 2022 06 21

(732) FMC Corporation
 2929 Walnut Street Philadelphia,
 Pennsylvania, 19104, USA;
 FMC Agro Singapore Pte Ltd.
 10 Marina Boulevard, N40 – 01, Marina Bay
 Financial Centre, Singapore, 018983,
 Singapore

(111) M 2023 37000 R
 (151) 2023 07 03
 (181) 2033 07 03
 (260) AM 2022 118730 A
 (220) 2022 07 25

(732) LTD "S P Bar East"
 Demetre Tavdadebuli St. 50, ap. 91, 6000,
 Batumi, Georgia

(111) M 2023 37001 R
 (151) 2023 07 03
 (181) 2033 07 03
 (260) AM 2022 118658 A
 (220) 2022 07 21

(732) Allergan Holdings France SAS
 Tour CBX, 1 Passerelle des Reflets, 92400
 Courbevoie, France

(111) M 2023 37002 R
 (151) 2023 07 04
 (181) 2033 07 04
 (260) AM 2022 118916 A
 (220) 2022 08 05

(732) LLC "Auto-Bani 2000"
Peikrebi St. 14, Tbilisi, Georgia

(111) M 2023 37003 R
(151) 2023 07 04
(181) 2033 07 04
(260) AM 2022 118918 A
(220) 2022 08 05

(732) LLC "Auto-Bani 2000"
Peikrebi St. 14, Tbilisi, Georgia

(111) M 2023 37004 R
(151) 2023 07 04
(181) 2033 07 04
(260) AM 2022 118729 A
(220) 2022 07 25
(732) LTD "S P Bar East"
Demetre Tavdadebuli St. 50, ap. 91, 6000,
Batumi, Georgia

(111) M 2023 37005 R
(151) 2023 07 04
(181) 2033 07 04
(260) AM 2022 119116 A
(220) 2022 08 25
(732) LTD "Chirina"
Lado Gudiashvili St. 9, 0105, Tbilisi, Georgia

(111) M 2023 37006 R
(151) 2023 07 04
(181) 2033 07 04
(260) AM 2022 117727 A
(220) 2022 05 10
(732) LTD "Agronom"
B. Kvernadze St. 35, II Lane, fl. 3, 0171,
Tbilisi, Georgia

(111) M 2023 37007 R
(151) 2023 07 04
(181) 2033 07 04
(260) AM 2022 118852 A
(220) 2022 08 04
(732) LTD "K. Kakheti"
Sairme St. 55, ap. 85, 0194, Tbilisi, Georgia

(111) M 2023 37008 R
(151) 2023 07 04
(181) 2033 07 04
(260) AM 2022 118657 A
(220) 2022 07 21
(732) Allergan Holdings France SAS
Tour CBX, 1 Passerelle des Reflets, 92400
Courbevoie, France

(111) M 2023 37009 R
(151) 2023 07 04
(181) 2033 07 04
(260) AM 2022 118721 A
(220) 2022 07 22
(732) LTD "Villa Godoli"
Al. Kazbegi Av. 11a, ap. 42, 0160, Tbilisi,
Georgia

(111) M 2023 37010 R
(151) 2023 07 04
(181) 2033 07 04
(260) AM 2022 118660 A
(220) 2022 07 21
(732) OAT Agurio Kabushiki Kaisha d/b/a
OAT Agrio Co., Ltd.
1-3-1, Kanda Ogawa-machi, Chiyoda-ku,
Tokyo, Japan

(111) M 2023 37011 R
(151) 2023 07 04
(181) 2033 07 04
(260) AM 2022 118312 A
(220) 2022 06 30
(732) The Procter & Gamble Company
One Procter & Gamble Plaza, Cincinnati,
Ohio 45202, USA

(111) M 2023 37012 R
(151) 2023 07 04
(181) 2033 07 04
(260) AM 2022 118917 A
(220) 2022 08 05
(732) LLC "Auto-Bani 2000"
Peikrebi St. 14, Tbilisi, Georgia

(111) M 2023 37013 R
(151) 2023 07 04
(181) 2033 07 04
(260) AM 2022 118246 A
(220) 2022 06 23
(732) LTD "Tsinandali+"
Chirnakhuli St. 5-7, Samgori District, Tbilisi,
Georgia

(111) M 2023 37014 R
(151) 2023 07 04
(181) 2033 07 04
(260) AM 2022 118751 A
(220) 2022 07 27
(732) Sunkist Growers Inc.
27770 N. Entertainment Drive, Valencia,
California, 91355, USA

(111) M 2023 37015 R
(151) 2023 07 04
(181) 2033 07 04
(260) AM 2022 118752 A
(220) 2022 07 27
(732) Sunkist Growers Inc.
27770 N. Entertainment Drive, Valencia,
California, 91355, USA

(111) M 2023 37021 R
(151) 2023 07 04
(181) 2033 07 04
(260) AM 2019 100058 A
(220) 2019 04 03
(732) GSH Trademarks Limited
Afroditis, 25, 2nd Floor, Flet/Office 204,
Nicosia, Cyprus

(111) M 2023 37016 R
(151) 2023 07 04
(181) 2033 07 04
(260) AM 2022 118302 A
(220) 2022 06 28
(732) LTD "Agronomi"
B. Kvernadze St. 35, II Entrance, fl. 3, 0171,
Tbilisi, Georgia

(111) M 2023 37022 R
(151) 2023 07 04
(181) 2033 07 04
(260) AM 2022 118154 A
(220) 2022 06 15
(732) LTD "Ori Nabiji"
Navtlughi St. 39-41, 0113, Isani District,
Tbilisi, Georgia

(111) M 2023 37017 R
(151) 2023 07 04
(181) 2033 07 04
(260) AM 2022 118233 A
(220) 2022 06 21
(732) Artessence FZC
Elob Office No. E2-127G-14, Hamriyah Free
Zone, Sharjahri Zon, Sharja, United Arab
Emirates

(111) M 2023 37023 R
(151) 2023 07 04
(181) 2033 07 04
(260) AM 2022 118415 A
(220) 2022 07 08
(732) LLC "Premiera.TM"
Trikotazhi St. 3/ V. Ninua St. 3/ Trikotazhi
St. 3, Gldani-Nadzaladevi District, Tbilisi,
Georgia

(111) M 2023 37018 R
(151) 2023 07 04
(181) 2033 07 04
(260) AM 2022 118168 A
(220) 2022 06 16
(732) LTD "Georgian Wine House"
Vill. Zegaani, 1500, Gurjaani, Georgia

(111) M 2023 37024 R
(151) 2023 07 04
(181) 2033 07 04
(260) AM 2022 118846 A
(220) 2022 08 03
(732) LTD "SP Bar East"
Demetre Tavdadebuli St. 50, ap. 91,
6000, Batumi, Georgia

(111) M 2023 37019 R
(151) 2023 07 04
(181) 2033 07 04
(260) AM 2022 118643 A
(220) 2022 07 19
(732) LLC Tbilisi Free University
Davit Aghmashenebeli alley 240, Tbilisi,
Georgia

(111) M 2023 37025 R
(151) 2023 07 04
(181) 2033 07 04
(260) AM 2022 118759 A
(220) 2022 07 28
(732) LTD "Buffalos"
Mikheil Tamarashvili St. 130, 163b, Tbilisi,
Georgia

(111) M 2023 37020 R
(151) 2023 07 04
(181) 2033 07 04
(260) AM 2022 118648 A
(220) 2022 07 19
(732) Kerten Unlimited Company
13-18 City Quay, Dublin 2, Ireland

(111) M 2023 37026 R
(151) 2023 07 04
(181) 2033 07 04
(260) AM 2022 118755 A
(220) 2022 07 28
(732) LTD "Batono"
Levan Gotua St. 8, Tbilisi, Georgia

(111) M 2023 37027 R
(151) 2023 07 04
(181) 2033 07 04
(260) AM 2022 117733 A
(220) 2022 05 10
(732) LTD "Agronom"
B. Kvernadze St. 35, II Lane, fl. 3, 0171,
Tbilisi, Georgia

(111) M 2023 37028 R
(151) 2023 07 04
(181) 2033 07 04
(260) AM 2022 117623 A
(220) 2022 04 28
(732) JSC "FoodMart"
Tengiz Chantladze St. 40, Didi Lilo, Tetri
Khevi Settlement, 0109, Samgori
District, Tbilisi, Georgia

(111) M 2023 37029 R
(151) 2023 07 04
(181) 2033 07 04
(260) AM 2022 117902 A
(220) 2022 05 20
(732) JSC "FoodMart"
Tengiz Chantladze St. 40, 0109, Tbilisi, Georgia

(111) M 2023 37030 R
(151) 2023 07 04
(181) 2033 07 04
(260) AM 2022 117903 A
(220) 2022 05 20
(732) JSC "FoodMart"
Tengiz Chantladze St. 40, 0109, Tbilisi, Georgia

TRADEMARKS REGISTERED ACCORDING TO THE ACCELERATED PROCEDURE

The decision can be appealed at the Chamber of Appeal of Sakpatenti within 3 months from the publication.

(111) M 2023 36967 R

(151) 2023 06 23

(181) 2033 06 23

(210) AM 123214

(220) 2023 06 07

(732) LTD "Biotex"

Iumashev St. 8, Tbilisi, Georgia

(540)

მანგუსტი
Mangust

(591) Black-white

(511) 5

(111) M 2023 36968 R

(151) 2023 06 23

(181) 2033 06 23

(210) AM 123223

(220) 2023 06 08

(732) ACCOR

82 rue Henri Farman, 92130 Issy-les-
Moulineaux, France

(740) Tamaz Shilakadze

(540)

MERCURE

(591) Black-white

(511) 36

(111) M 2023 36969 R

(151) 2023 06 23

(181) 2033 06 23

(210) AM 123228

(220) 2023 06 08

(732) LTD "Smart Group"

Khvantchkara St. 12, 0178, Tbilisi, Georgia

(540)

 Smart academy სმარტ აკადემია

(591) 000000 Black-white

(531) 26.04.01; 26.04.07; 26.04.09; 27.05.01;
27.05.10; 28.19

(511) 41

(111) M 2023 36970 R

(151) 2023 06 23

(181) 2033 06 23

(210) AM 123346

(220) 2023 06 13

(732) LLC "Alesoft"

Nutsubidze Slope, II m/r, IV qu., bld. 2,
Residential Area 76, 0162, Vake District,
Tbilisi, Georgia

(540)



(591) Black-white

(531) 27.05.01; 27.05.12; 27.05.17; 27.07.11;
27.07.17; 27.07.21

(511) 42

(111) M 2023 36971 R

(151) 2023 06 23

(181) 2033 06 23

(210) AM 123213

(220) 2023 06 06

(732) LTD "New Pharma"

Tsabadze St., bld. 5, ap. 32, Gori, Georgia

(540)

მიოზალი
Miozal
Миозал

(591) Black-white

(511) 5

(111) M 2023 36972 R

(151) 2023 06 23

(181) 2033 06 23

(210) AM 123082

(220) 2023 05 30

(732) Konstantine Matchavariani

Vill. Igoreti, Kharagauli, Georgia;

Aleksandre Meskhi

Beri Gabriel Salosi St. 136, ap. 27, Tbilisi,
Georgia;

Murmani Meskhi

Beri Gabriel Salosi St., 7 Lane, bld. 1, ap. 98,
Tbilisi, Georgia

(740) Shalva Gvaramadze

(540)



(591) Black-white
 (531) 26.01.02; 26.01.20; 26.01.21; 26.01.22; 28.19
 (511) 43

(111) M 2023 36973 R
 (151) 2023 06 23
 (181) 2033 06 23
 (210) AM 119488
 (220) 2022 09 19
 (732) LTD "Genuin Breving Company"
 Vill. Tsilkani, 3319, Mtskheta, Georgia
 (540)



(591) 5B545 grey, FFFFFFF white, 000000 black
 (531) 03.01.01; 03.01.02; 03.01.16; 26.04.02;
 26.04.22; 26.04.24; 26.11.08; 27.05.01;
 27.05.09; 27.05.10; 27.05.11; 27.05.24
 (511) 32

(111) M 2023 36974 R
 (151) 2023 06 23
 (181) 2033 06 23
 (210) AM 123328
 (220) 2023 06 12
 (732) JSC "TBC Bank"
 Marjanishvili St. 7, 0102, Tbilisi, Georgia
 (740) Mariami Usenashvili
 (540)



(591) FFFFFFF white, 3CF0AA green, 00ADEE
 azure/sky-blue

(531) 26.03.03; 26.03.04; 26.03.24; 27.05.01;
 29.01.13
 (511) 36, 42

(111) M 2023 36975 R
 (151) 2023 06 23
 (181) 2033 06 23
 (210) AM 123329
 (220) 2023 06 12
 (732) JSC "TBC Bank"
 Marjanishvili St. 7, 0102, Tbilisi, Georgia
 (740) Mariami Usenashvili
 (540)



(591) 3CF0AA green, FFFFFFF white, 00ADEE
 azure/sky-blue
 (531) 26.03.03; 26.03.04; 26.03.24; 27.05.01;
 29.01.13
 (511) 36, 42

(111) M 2023 36976 R
 (151) 2023 07 03
 (181) 2033 07 03
 (210) AM 119899
 (220) 2022 10 20
 (732) Publicis Groupe SA
 133, avenue des Champs-Elysees, F-75008
 Paris, France
 (740) Giorgi Taktakishvili
 (540)

SAATCHI & SAATCHI

(591) Black-white
 (511) 35

(111) M 2023 36977 R
 (151) 2023 07 03
 (181) 2033 07 03
 (210) AM 123425
 (220) 2023 06 21
 (732) JSC "City Travel"
 Lech and Maria Kazcynski St. 1a, 6000,
 Batumi, Georgia
 (540)



(591) White, black, golden
 (531) 03.07.17; 04.05.02; 04.05.03; 04.05.04;
 27.05.01; 29.01.13
 (511) 36, 39, 41, 43

(111) M 2023 36978 R
 (151) 2023 07 03
 (181) 2033 07 03
 (210) AM 122978
 (220) 2023 05 25
 (732) Obshchestvo s Ogranichennoy Otvetstven-
 nostiu "Pervaya Ekspeditsionnaya Kompaniya"
 I Vyazovskiy Pereulok 4, Stroenie 19, 109428,
 Moskow, Russian Federation
 (740) Giorgi Taktakishvili
 (540)



(591) Blue, red, white
 (531) 24.17.01; 24.17.02; 26.04.09; 27.05.17;
 27.05.23; 29.01.12
 (511) 39

(111) M 2023 36979 R
 (151) 2023 07 03
 (181) 2033 07 03
 (210) AM 123365
 (220) 2023 06 16
 (732) LTD "MTeam"
 Vazisubani Settlement, III m/r, II qu., bld. 15,
 ap. 236, Isani District, Tbilisi, Georgia
 (540)



(591) E9E3EA white, D98BEF lilac
 (531) 24.15.03; 24.15.11; 24.15.15; 26.04.02;
 26.04.05; 26.04.16; 26.04.22; 26.04.24;
 27.05.01; 29.01.12
 (511) 36

(111) M 2023 36980 R
 (151) 2023 07 03
 (181) 2033 07 03
 (210) AM 123335
 (220) 2023 06 12
 (732) LTD "New Pharma"
 Tsabadze St., bld. 5, ap. 32, Gori, Georgia

(540)

ჰემოქსანო
Нemoxan
Гемоксан

(591) Black-white
 (511) 5

(111) M 2023 36981 R
 (151) 2023 07 03
 (181) 2033 07 03
 (210) AM 123406
 (220) 2023 06 16
 (732) LTD "ELT Building"
 Rejeb Nizharadze St. 18, Commercial Space 1,
 60000, Batumi, Georgia

(540)

WYN RESIDENCE
 BY ELTBUILDING

(591) Sky-blue, white
 (531) 27.05.01; 27.05.10; 29.01.12
 (511) 36, 43

(111) M 2023 36982 R
 (151) 2023 07 03
 (181) 2033 07 03
 (210) AM 123211
 (220) 2023 06 06
 (732) LLC "Paragraph Tbilisi City"
 Ilia Chavchavadze Av. 37m, Tbilisi, Georgia
 (540)



(591) Green, golden
 (531) 26.04.07; 26.04.22; 26.04.24; 27.05.15;
 27.05.24; 29.01.12
 (511) 43

(111) M 2023 36983 R
 (151) 2023 07 03
 (181) 2033 07 03
 (210) AM 123210
 (220) 2023 06 06
 (540)



(591) Green, golden
 (531) 26.04.02; 26.04.07; 26.04.22; 26.04.24;
 29.01.12
 (511) 43

(111) M 2023 36984 R
 (151) 2023 07 03
 (181) 2033 07 03
 (210) AM 123209
 (220) 2023 06 06
 (732) LLC "Paragraph Tbilisi City"
 Ilia Chavchavadze Av. 37m, Tbilisi, Georgia
 (540)



(591) Black-white
 (531) 27.05.11
 (511) 43

(111) M 2023 36985 R
 (151) 2023 07 03
 (181) 2033 07 03
 (210) AM 123208
 (220) 2023 06 06
 (732) LLC "Paragraph Tbilisi City"
 Ilia Chavchavadze Av. 37m, Tbilisi, Georgia
 (540)



(591) Black-white

(531) 28.19
 (511) 43

(111) M 2023 36986 R
 (151) 2023 07 03
 (181) 2033 07 03
 (210) AM 123207
 (220) 2023 06 06
 (732) LLC "Paragraph Tbilisi City"
 Ilia Chavchavadze Av. 37m, Tbilisi, Georgia
 (540)



(591) Black-white
 (531) 27.05.11
 (511) 43

(111) M 2023 36987 R
 (151) 2023 07 03
 (181) 2033 07 03
 (210) AM 123206
 (220) 2023 06 06
 (732) LLC "Paragraph Tbilisi City"
 Ilia Chavchavadze Av. 37m, Tbilisi, Georgia
 (540)



(591) Black-white
 (531) 28.19
 (511) 43

(111) M 2023 36988 R
 (151) 2023 07 03
 (181) 2033 07 03
 (210) AM 123205
 (220) 2023 06 06
 (732) LLC "Paragraph Tbilisi City"
 Ilia Chavchavadze Av. 37m, Tbilisi, Georgia
 (540)



(591) Black-white
 (531) 05.03.20; 27.05.08
 (511) 43

(111) M 2023 36989 R
 (151) 2023 07 03
 (181) 2033 07 03
 (210) AM 123204
 (220) 2023 06 06
 (732) LLC "Paragraph Tbilisi City"
 Iliia Chavchavadze Av. 37m, Tbilisi, Georgia
 (540)

(591) Black-white
 (531) 05.03.20; 27.05.08; 28.19
 (511) 43

(540)

(111) M 2023 36990 R
 (151) 2023 07 03
 (181) 2033 07 03
 (210) AM 123203
 (220) 2023 06 06
 (732) LLC "Paragraph Tbilisi City"
 Iliia Chavchavadze Av. 37m, Tbilisi, Georgia
 (540)

(591) Black-white
 (531) 27.05.15
 (511) 43

(591) Black-white
 (531) 27.05.15; 28.19
 (511) 43

(111) M 2023 37031 R
 (151) 2023 07 05
 (181) 2033 07 05
 (210) AM 123501
 (220) 2023 06 27
 (732) LTD "Birzha"
 Titsian Tabidze St. 114, Tbilisi, Georgia
 (540)

(591) Black-white
 (531) 26.04.02; 26.04.05; 26.04.22; 26.04.24;
 27.05.01; 27.05.24
 (511) 41, 43

(111) M 2023 36991 R
 (151) 2023 07 03
 (181) 2033 07 03
 (210) AM 123202
 (220) 2023 06 06
 (732) LLC "Paragraph Tbilisi City"
 Iliia Chavchavadze Av. 37m, Tbilisi, Georgia

INTERNATIONAL TRADEMARKS PROTECTED IN GEORGIA

(260) AM 2023 117001 A
(800) 1648736
(151) 2021 10 07
(181) 2031 10 07
(891) 2021 10 07
(511) 09, 28, 41

(260) AM 2023 117798 A
(800) 1635903
(151) 2021 07 12
(181) 2031 07 12
(891) 2022 01 13
(511) 36, 41, 43, 44

(260) AM 2023 118037 A
(800) 1664089
(151) 2021 11 04
(181) 2031 11 04
(891) 2021 11 04
(511) 04, 35, 35

(260) AM 2023 118040 A
(800) 1664246
(151) 2021 12 15
(181) 2031 12 15
(891) 2021 12 15
(511) 43

(260) AM 2023 118060 A
(800) 1505765
(151) 2019 06 19
(181) 2029 06 19
(891) 2022 05 16
(511) 37, 42

(260) AM 2023 118190 A
(800) 1666668
(151) 2022 04 11
(181) 2032 04 11
(891) 2022 04 11
(511) 09

(260) AM 2023 118248 A
(800) 1667456
(151) 2021 11 30
(181) 2031 11 30
(891) 2021 11 30
(511) 05, 30, 32, 35, 41, 43

(260) AM 2023 118250 A
(800) 1667534
(151) 2022 02 08
(181) 2032 02 08
(891) 2022 02 08
(511) 30

(260) AM 2023 118251 A
(800) 1667567
(151) 2022 04 27
(181) 2032 04 27
(891) 2022 04 27
(511) 06

(260) AM 2023 118252 A
(800) 1667616
(151) 2022 01 19
(181) 2032 01 19
(891) 2022 01 19
(511) 09, 16

(260) AM 2023 118253 A
(800) 1667635
(151) 2021 11 09
(181) 2031 11 09
(891) 2021 11 09
(511) 03, 07, 08, 09, 10, 11, 21, 25

(260) AM 2023 118255 A
(800) 1667737
(151) 2022 05 04
(181) 2032 05 04
(891) 2022 05 04
(511) 03

(260) AM 2023 118256 A
(800) 1667748
(151) 2022 04 26
(181) 2032 04 26
(891) 2022 04 26
(511) 29

(260) AM 2023 118258 A
(800) 1667961
(151) 2022 01 26
(181) 2032 01 26
(891) 2022 01 26
(511) 09, 16, 28, 38, 41, 42

(260) AM 2023 118259 A
(800) 1668056
(151) 2021 10 08
(181) 2031 10 08
(891) 2021 10 08
(511) 01, 02, 03, 04, 05, 06, 07, 08, 09, 10, 11, 12, 16,
17, 19, 20, 21, 22, 25, 27, 35, 36, 37, 39, 40, 41,
42

(260) AM 2023 118260 A
(800) 1668106
(151) 2022 04 04
(181) 2032 04 04
(891) 2022 04 04
(511) 03, 05

(260) AM 2023 118261 A
(800) 1668150
(151) 2022 04 08
(181) 2032 04 08
(891) 2022 04 08
(511) 03, 05, 08, 11

(260) AM 2023 118262 A
(800) 1668192
(151) 2022 04 24
(181) 2032 04 24
(891) 2022 04 24
(511) 18

(260) AM 2023 118263 A
(800) 1668197
(151) 2022 05 04
(181) 2032 05 04
(891) 2022 05 04
(511) 05

(260) AM 2023 118264 A
(800) 1668231
(151) 2022 04 01
(181) 2032 04 01
(891) 2022 04 01
(511) 01, 16

(260) AM 2023 118265 A
(800) 1668232
(151) 2022 05 19
(181) 2032 05 19
(891) 2022 05 19
(511) 05

(260) AM 2023 118266 A
(800) 1668235
(151) 2022 04 01
(181) 2032 04 01
(891) 2022 04 01
(511) 01, 16

(260) AM 2023 118267 A
(800) 1668236
(151) 2022 04 01
(181) 2032 04 01
(891) 2022 04 01
(511) 01, 16

(260) AM 2023 118271 A
(800) 1668325
(151) 2022 04 29
(181) 2032 04 29
(891) 2022 04 29
(511) 05

(260) AM 2023 118273 A
(800) 1668363
(151) 2022 05 06
(181) 2032 05 06
(891) 2022 05 06
(511) 09

(260) AM 2023 118274 A
(800) 1668387
(151) 2022 01 07
(181) 2032 01 07
(891) 2022 01 07
(511) 41

(260) AM 2023 118283 A
(800) 1540159
(151) 2020 04 30
(181) 2030 04 30
(891) 2022 06 08
(511) 07, 29, 30, 32, 43

(260) AM 2023 118318 A
(800) 1668796
(151) 2022 03 21
(181) 2032 03 21
(891) 2022 03 21
(511) 14

(260) AM 2023 118323 A
(800) 1668991
(151) 2022 01 13
(181) 2032 01 13
(891) 2022 01 13
(511) 33, 35

(260) AM 2023 118574 A
(800) 1671481
(151) 2022 06 09
(181) 2032 06 09
(891) 2022 06 09
(511) 33

(260) AM 2023 118360 A
(800) 1499205
(151) 2019 03 27
(181) 2029 03 27
(891) 2022 06 10
(511) 11, 17, 37

(260) AM 2023 118584 A
(800) 1671902
(151) 2022 01 19
(181) 2032 01 19
(891) 2022 01 19
(511) 12

(260) AM 2023 118363 A
(800) 1648038
(151) 2021 12 14
(181) 2031 12 14
(891) 2022 05 27
(511) 03, 05, 10

(260) AM 2023 118588 A
(800) 1672105
(151) 2022 01 19
(181) 2032 01 19
(891) 2022 01 19
(511) 12

(260) AM 2023 118364 A
(800) 1652166
(151) 2021 08 17
(181) 2031 08 17
(891) 2022 06 03
(511) 03, 35

(260) AM 2023 118589 A
(800) 1672108
(151) 2022 01 19
(181) 2032 01 19
(891) 2022 01 19
(511) 12

(260) AM 2023 118365 A
(800) 1652810
(151) 2022 01 13
(181) 2032 01 13
(891) 2022 06 14
(511) 05, 44

(260) AM 2023 118590 A
(800) 1672109
(151) 2022 01 19
(181) 2032 01 19
(891) 2022 01 19
(511) 12

(260) AM 2023 118568 A
(800) 1671285
(151) 2022 05 05
(181) 2032 05 05
(891) 2022 05 05
(511) 33

(260) AM 2023 118592 A
(800) 1672175
(151) 2022 05 18
(181) 2032 05 18
(891) 2022 05 18
(511) 06, 35, 40, 42

(260) AM 2023 118569 A
(800) 1671301
(151) 2022 05 31
(181) 2032 05 31
(891) 2022 05 31
(511) 29, 30

(260) AM 2023 118595 A
(800) 1672291
(151) 2022 04 22
(181) 2032 04 22
(891) 2022 04 22
(511) 09

(260) AM 2023 118596 A
(800) 1672370
(151) 2022 06 14
(181) 2032 06 14
(891) 2022 06 14
(511) 09

(260) AM 2023 118713 A
(800) 1350712
(151) 2016 09 20
(181) 2026 09 20
(891) 2022 07 01
(511) 36

(260) AM 2023 118597 A
(800) 1672404
(151) 2022 01 13
(181) 2032 01 13
(891) 2022 01 13
(511) 09, 28, 38, 41, 42

(260) AM 2023 118715 A
(800) 1487296
(151) 2019 07 15
(181) 2029 07 15
(891) 2022 06 07
(511) 10

(260) AM 2023 118599 A
(800) 1672468
(151) 2022 06 17
(181) 2032 06 17
(891) 2022 06 17
(511) 09

(260) AM 2023 118718 A
(800) 1611194
(151) 2021 04 20
(181) 2031 04 20
(891) 2022 05 26
(511) 05

(260) AM 2023 118600 A
(800) 1672496
(151) 2022 01 24
(181) 2032 01 24
(891) 2022 01 24
(511) 09, 37, 42

(260) AM 2023 118874 A
(800) 1675731
(151) 2022 01 30
(181) 2032 01 30
(891) 2022 01 30
(511) 11

(260) AM 2023 118601 A
(800) 1672497
(151) 2022 01 16
(181) 2032 01 16
(891) 2022 01 16
(511) 09

(260) AM 2023 118875 A
(800) 1675733
(151) 2022 04 28
(181) 2032 04 28
(891) 2022 04 28
(511) 30

(260) AM 2023 118674 A
(800) 1673071
(151) 2022 06 29
(181) 2032 06 29
(891) 2022 06 29
(511) 33

(260) AM 2023 118876 A
(800) 1675751
(151) 2022 06 21
(181) 2032 06 21
(891) 2022 06 21
(511) 03, 05

(260) AM 2023 118709 A
(800) 1674106
(151) 2022 05 18
(181) 2032 05 18
(891) 2022 05 18
(511) 03, 05, 10, 16

(260) AM 2023 118877 A
(800) 1675783
(151) 2022 02 04
(181) 2032 02 04
(891) 2022 02 04
(511) 29, 30, 31

(260) AM 2023 118878 A
(800) 1675812
(151) 2022 04 27
(181) 2032 04 27
(891) 2022 04 27
(511) 09, 36, 42

(260) AM 2023 118879 A
(800) 1675813
(151) 2022 04 27
(181) 2032 04 27
(891) 2022 04 27
(511) 09, 36, 42

(260) AM 2023 118880 A
(800) 1675907
(151) 2022 03 01
(181) 2032 03 01
(891) 2022 03 01
(511) 09, 16, 18, 25, 35, 38, 41, 42, 45

**OFFICIAL NOTIFICATION
INVENTION
RESTORATION OF PATENT**

(21) AP 2021 15650
(11) P 2022 7444 B
(73) Simon Bitsadze;
Rusudan Bitsadze
(54) MAGNETIC HYDRAULIC PUSHER
DATE OF PATENT LAPSE: 2023 06 04
DATE OF PATENT RESTORATION: 2023 07 10

LAPSE OF PATENT WITH THE RIGHT TO RESTORE

(21) AP 2006 11053
(11) P 2012 5481 B
(73) Geox S.P.A.
(54) VAPOR-PERMEABLE ELEMENT TO BE USED IN COMPOSING SOLES FOR SHOES, SOLE PROVIDED WITH SUCH VAPOR-PERMEABLE ELEMENT, AND SHOE PROVIDED WITH SUCH SOLE
DATE OF PATENT LAPSE: 2023 06 20
PATENT RESTORATION TERM: 2024 06 20

(21) AP 2010 13376
(11) P 2022 7397 B
(73) Vertex Pharmaceuticals Incorporated (US)
(54) INHIBITORS OF INFLUENZA VIRUSES REPLICATION
DATE OF PATENT LAPSE: 2023 06 17
PATENT RESTORATION TERM: 2024 06 17

(21) AP 2014 13503
(11) P 2016 6467 B
(73) Ilia Edisherashvili;
Giorgi Sologhashvili
(54) WINDMILL
DATE OF PATENT LAPSE: 2023 06 19
PATENT RESTORATION TERM: 2024 06 19

(21) AP 2015 14392
(11) P 2019 7034 B
(73) Macrogenics Inc.
(54) COVALENTLY BONDED DIABODIES HAVING IMMUNOREACTIVITY WITH PD-1 AND LAG-3, AND METHODS OF USE THEREOF
DATE OF PATENT LAPSE: 2023 06 19
PATENT RESTORATION TERM: 2024 06 19

(21) AP 2020 15364
(11) P 2022 7347 B
(73) Archil Prangishvili;
Levan Imnaishvili;
Maguli Bedineishvili;
Ketevan Tsomaya
(54) BIOMETRIC VOTING SYSTEM
DATE OF PATENT LAPSE: 2023 06 11
PATENT RESTORATION TERM: 2024 06 11

(21) AP 2020 15368
(11) P 2022 7390 B
(73) Viktor Zviadauri;
Tengiz Nadiradze;
Giorgi Tumanishvili;
Tamaz Natriashvili;
Davit Sakhvadze;
LEPL "Rapiel Dval Institute of Machine Mechanics";
Shota Rustaveli National Science Foundation of Georgia
(54) DEVICE FOR POWDERED BINDING MATERIAL DOSAGE SUPPLEMENT FROM HOPPER,
TRANSPORTATION AND SCREENING THEREOF
DATE OF PATENT LAPSE: 2023 06 16
PATENT RESTORATION TERM: 2024 06 16

(21) AP 2020 15372
(11) P 2021 7302 B
(73) Sopia Burjanadze;
Jano Burjanadze;
Giorgi Burjanadze;
Giorgi Tsivtsivadze
(54) OZONE GENERATING SYSTEM
DATE OF PATENT LAPSE: 2023 06 17
PATENT RESTORATION TERM: 2024 06 17

(21) AP 2019 15536
(11) P 2022 7441 B
(73) TDW Delaware Inc.
(54) ISOLATION PLUG WITH ENERGIZED SEAL
DATE OF PATENT LAPSE: 2023 06 21
PATENT RESTORATION TERM: 2024 06 21

(21) AP 2019 15556
(11) P 2023 7500 B
(73) Sia Emteko Holding
(54) LIQUID DOSAGE FORM OF EDARAVONE OR PHARMACEUTICALLY ACCEPTABLE
SALTS THEREOF WHICH IS STABLE IN STORAGE, TRANSPORTATION AND USE
DATE OF PATENT LAPSE: 2023 06 19
PATENT RESTORATION TERM: 2024 06 19

EXPIRATION OF PATENT RESTORATION TERM

(21) AP 2006 10476
(11) P 2012 5397 B
(73) Endorecherche Inc.
(54) HELIX 12 DIRECTED NON-STEROIDAL ANTIANDROGENS
DATE OF PATENT LAPSE: 2022 06 16
DATE OF EXPIRATION OF PATENT RESTORATION TERM: 2023 06 16

(21) AP 2011 12259
(11) P 2014 6132 B
(73) Les Laboratoires Servier
(54) SINUS NODE IF CURRENT INHIBITOR ASSOCIATION AND ANGIOTENSIN CONVERTING
ENZYME INHIBITOR USAGE AT HEART FAILURE TREATMENT
DATE OF PATENT LAPSE: 2022 06 10
DATE OF EXPIRATION OF PATENT RESTORATION TERM: 2023 06 10

(21) AP 2010 12538
(11) P 2015 6325 B
(73) Vertex Pharmaceuticals Incorporated (US)
(54) INHIBITORS OF INFLUENZA VIRUSES REPLICATION
DATE OF PATENT LAPSE: 2022 06 17
DATE OF EXPIRATION OF PATENT RESTORATION TERM: 2023 06 17

(21) AP 2010 13375
(11) P 2020 7129 B
(73) Vertex Pharmaceuticals Incorporated (US)
(54) INHIBITORS OF INFLUENZA VIRUSES REPLICATION
DATE OF PATENT LAPSE: 2022 06 17
DATE OF EXPIRATION OF PATENT RESTORATION TERM: 2023 06 17

(21) AP 2016 14669
(11) P 2021 7271 B
(73) Macrogenics Inc.
(54) COMBINATION THERAPY FOR THE TREATMENT OF CANCER
DATE OF PATENT LAPSE: 2022 06 09
DATE OF EXPIRATION OF PATENT RESTORATION TERM: 2023 06 09

(21) AP 2017 14978
(11) P 2020 7160 B
(73) Vernalis (R&D) LTD;
Les Laboratoires Servier
(54) NEW PIPERIDINYL DERIVATIVES, A PROCESS FOR THEIR PREPARATION AND
PHARMACEUTICAL COMPOSITIONS CONTAINING THEM
DATE OF PATENT LAPSE: 2022 06 09
DATE OF EXPIRATION OF PATENT RESTORATION TERM: 2023 06 09

(21) AP 2017 14982
(11) P 2020 7161 B
(73) Les Laboratoires Servier;
Vernalis (R&D) LTD
(54) NEW (HETERO)ARYL-SUBSTITUTED-PIPERIDINYL DERIVATIVES, A PROCESS FOR THEIR
PREPARATION AND PHARMACEUTICAL COMPOSITIONS CONTAINING THEM

DATE OF PATENT LAPSE: 2022 06 09
DATE OF EXPIRATION OF PATENT RESTORATION TERM: 2023 06 09

CHANGE OF NAME AND/OR ADDRESS OF PATENT OWNER

(21) AP 2011 12462

(11) P 2014 6086 B

(54) AUDIO DECODER AND DECODING METHOD USING EFFICIENT DOWNMIXING

NAME AND ADDRESS OF NEW PATENT OWNER: Dolby Laboratories Licensing Corporation (US)
100 Potrero Avenue San Francisco, CA 94103- 4813 ,
USA (US);

Dolby International AB (IE)

77 Sir John Rogerson's Quay, Block "C", Grand Canal
Docklands, Dublin, D02 VK60, Republic of Ireland (IE)

NAME AND ADDRESS OF FORMER PATENT OWNER: Dolby International AB (IE)

Apollo Building, 3E Herikerbergweg 1-35 NL- 1101
CN Amsterdam Zuid-Oost, Netherlands (NL);

Dolby Laboratories Licensing Corporation (US)

100 Potrero Avenue San Francisco, CA 94103- 4813,
USA (US)

DATE OF REGISTRATION: 2023 06 19

(21) AP 2011 13095

(11) P 2017 6694 B

(54) REGENERATIVE RECOVERY OF SULFUR DIOXIDE FROM EFFLUENT GASES

NAME AND ADDRESS OF NEW PATENT OWNER: Mecs Inc. (US)

575 Meryville Center Drive, Suite 400, St. Louis,
Missouri (US)

NAME AND ADDRESS OF FORMER PATENT OWNER: Mecs Inc. (US)

14522 South Outer Forty Road, Chesterfield 7,
Missouri, 63017, USA (US)

DATE OF REGISTRATION: 2023 09 16

(21) AP 2015 14481

(11) P 2019 6960 B

(54) PARAMETRIC MIXING OF AUDIO SIGNALS

NAME AND ADDRESS OF NEW PATENT OWNER: Dolby International AB (IE)

77 Sir John Rogerson's Quay, Block "C", Grand Canal
Docklands, Dublin, D02 VK60, Republic of Ireland (IE)

NAME AND ADDRESS OF FORMER PATENT OWNER: Dolby International AB (IE)

Apollo Building, 3E Herikerbergweg 1-35 NL- 1101
CN Amsterdam Zuid-Oost, Netherlands (NL)

DATE OF REGISTRATION: 2023 06 19

(21) AP 2018 15136

(11) P 2021 7226 B

(54) BACKWARD-COMPATIBLE INTEGRATION OF HARMONIC TRANSPOSER FOR HIGH
FREQUENCY RECONSTRUCTION OF AUDIO SIGNALS

NAME AND ADDRESS OF NEW PATENT OWNER: Dolby International AB (IE)

77 Sir John Rogerson's Quay, Block "C", Grand Canal
Docklands, Dublin, D02 VK60, Republic of Ireland (IE)

NAME AND ADDRESS OF FORMER PATENT OWNER: Dolby International AB (IE)
Apollo Building, 3E Herikerbergweg 1-35 NL- 1101
CN Amsterdam Zuid-Oost, Netherlands (NL)

DATE OF REGISTRATION: 2023 06 19

UTILITY MODEL RESTORATION OF PATENT

(21) AU 2017 14511
(11) U 2018 1988 Y
(73) Zaur Katcharava
(54) SUPPORTING DEVICE FOR AGRICULTURAL PLANTS DISPOSED ON TRELLIS WIRES
DATE OF PATENT LAPSE: 2023 06 08
DATE OF PATENT RESTORATION: 2023 07 10

LAPSE OF PATENT WITH THE RIGHT TO RESTORE

(21) AU 2019 15116
(11) U 2021 2070 Y
(73) Elena Shapakidze;
Marine Nadirashvili;
Vera Maisuradze;
Ioseb Gejadze;
Marine Avaliani;
Tamar Petriashvili;
Ivane Javakhishvili Tbilisi State University;
Shota Rustaveli National Science Foundation
(54) GEOPOLYMERIC TIGHT MATERIAL CONTENT
DATE OF PATENT LAPSE: 2023 06 18
PATENT RESTORATION TERM: 2024 06 18

(21) AU 2021 15658
(11) U 2022 2127 Y
(73) Ramaz Gakhokidze;
Sopia Burjanadze;
Giorgi Burjanadze;
Jano Burjanadze;
Nikoloz Mekvabishvili
(54) DEVICE FOR DISINFECTION AGAINST THE VIRUS COVID 19
DATE OF PATENT LAPSE: 2023 06 10
PATENT RESTORATION TERM: 2024 06 10

EXPIRATION OF PATENT RESTORATION TERM

(21) AU 2018 14810
(11) U 2021 2072 Y
(73) Volodymyr Zhulinskyi
(54) HEAVY SUSPENSION FOR SOLID ORE AND UNGRATEFUL MINERALS, TECHNOLOGICAL AND SECONDARY ORE SEPARATING AND ENRICHING
DATE OF PATENT LAPSE: 2022 06 13
DATE OF EXPIRATION OF PATENT RESTORATION TERM: 2023 06 13

DESIGN

EXTENSION OF TERM OF DESIGN REGISTRATION

(11) D 2018 788 S
(73) LTD "Cherry" (GE)
Didi Lilo, plot 726, 0198, Tbilisi, Georgia (GE)
(54) 1.-4. ALUMINUM CAPSULES FOR COFFEE, WITH ALUMINUM FOIL CAP
(24) 2018 09 21
(18) 2028 09 21
(58) 2023 06 28

CANCELLATION OF DESIGN REGISTRATION

(11) D 2018 772 S
(73) Teimuraz Kokashvili (GE)
Imereti st. 69, 0180, Tbilisi, Georgia (GE)
(54) KHINKALI-SHAPED VESSEL
(18) 2022 11 27
(58) 2023 06 26

(11) D 2018 743 S
(73) LTD "Vaziani Company" (GE)
Peace Str. 42, 2200, Telavi, Georgia (GE)
(54) 1.-3. LABEL
(18) 2022 12 07
(58) 2023 06 26

(11) D 2018 742 S
(73) Rusudan Shetsiruli (GE)
S. Tsintsadze Str. 56, ap. 41, 0160, Tbilisi, Georgia (GE)
(54) HANDMADE WOMEN BAG
(18) 2022 12 13
(58) 2023 06 29

EXTENSION OF TERM OF INTERNATIONAL DESIGN REGISTRATION

(11) DM/101385
(73) May-Agro Tohumculuk Sanayi Ve Ticaret Anonim Şirketi
Samanlı Mahallesi, Yiğitler Caddesi, No: 28, YILDIRIM-BURSA (TR)
(15) 2018 05 15
(24) 2018 05 15
(18) 2028 05 15
(28) 1
(28') 1
(54) LOGO

(11) DM/101720
(73) Steven Daniels
32 Toucan Street, Trowbridge BA14 7FY (EM)
(15) 2018 05 15
(24) 2018 05 15
(18) 2028 05 15
(28) 1
(28') 1
(54) SET OF GAME PIECES

(11) DM/101 738
(73) Harry Winston SA
Chemin Du Tourbillon 8, CH-1228, Plan-les-Ouates (CH)
(15) 2018 06 13
(24) 2018 06 13
(18) 2028 06 13
(28) 3
(28') 3
(54) 1. FINGER RING, 2. PENDANT, 3. FINGER RING

(11) DM/101 744
(73) Belenos Clean Power Holding Ag (Belenos Clean Power Holding SA) (Belenos Clean Power Holding LTD)
C/O EM Microelectronic-Marin, Rue Des Sors 3, 2074, CH-Marin (CH)
(15) 2018 06 15
(24) 2018 06 15
(18) 2028 06 15
(28) 1
(28') 1
(54) 1. COMPRESSOR

(11) DM/64607
(73) Cottier-Angeli David
5C Route Des Jeunes 1227 Geneva (CH)
(15) 2003 10 27
(24) 2003 10 27
(18) 2028 10 27
(28) 1
(28') 1
(54) SNAIL SHELL PENIS COVER

(11) DM/80951
(73) Soremartec S.A.
Findel Business Center, Complexe B, Rue De Trèves, L-2632 Findel (LU)
(15) 2013 05 15
(24) 2013 05 15
(18) 2028 05 15
(28) 8
(28') 3
(54) 1.-4. BOXES (PACKAGING), 5. SHAPED WRAPPING (PACKAGING), 6. JAR (PACKAGING),
7.-8. SHAPED WRAPPINGS (PACKAGING)

(11) DM/81087
(73) Omega SA (Omega AG) (Omega LTD.)
Jakob-Stämpfli-Strasse 96, CH-2502 Biel/Bienne (CH)
(15) 2013 06 17
(24) 2013 06 17
(18) 2028 06 17
(28) 2
(28') 2
(54) DIAL, WATCH

(11) DM/81178
(73) Omega SA (Omega AG) (Omega LTD.)
Jakob-Stämpfli-Strasse 96, CH-2502 Biel/Bienne (CH)
(15) 2013 06 21
(24) 2013 06 21
(18) 2028 06 21
(28) 3
(28') 3
(54) 1. WATCH; 2. DIAL; 3. BRACELET CLASP

(11) DM/81619
(73) Procredit Holding AG & CO. KGAA
Rohmerplatz 33-37, 60486 Frankfurt am Main (DE)
(15) 2013 08 26
(24) 2013 08 26
(18) 2028 08 26
(28) 1
(28') 1
(54) LOGO

(11) DM/81812
(73) Piaggio & C. S.P.A.
Viale Rinaldo Piaggio, 25, I-56025 Pontedera (Pisa) (IT)
(15) 2013 08 06
(24) 2013 08 06
(18) 2028 08 06
(28) 3
(28') 3
(54) MOTOR SCOOTERS

- (11) DM/82795
 - (73) Swatch Ag (Swatch SA) (Swatch LTD.)
Jakob-Stämpfli-Strasse 94, CH-2502 Biel/Bienne (CH)
 - (15) 2013 06 18
 - (24) 2013 06 18
 - (18) 2028 06 18
 - (28) 4
 - (28') 4
 - (54) WRISTWATCHES
-

TRADEMARKS**EXTENSION OF TERM OF TRADEMARKS REGISTRATION**

(111) M 2003 15061 R2

(151) 2003 03 28

(186) 2033 03 28

(732) Intercontinental Great Brands LLC

100 Deforest Ave, East Hanover, NJ,
07936, USA

231, Yangjae-Dong, Seocho-Gu, Seoul,
137-938, Republic of Korea

(111) M 2003 15213 R2

(151) 2003 07 16

(186) 2033 07 16

(732) Pharma Mar S.A.

a Spanish Corporation
Avda. De los Reyes, Pol. Ind. La Mina,
Colmenar Viejo, 28770 Madrid, Spain

(111) M 2013 23482 R1

(151) 2013 03 27

(186) 2033 03 27

(732) LTD "Unimed Group Corp."

Adam Mitskevich St. 29, ap. 61, 0194,
Georgia

(111) M 2003 15245 R2

(151) 2003 09 29

(186) 2033 09 29

(732) The Coca-Cola Company

a Corporate of the State of Delaware
One Coca-Cola Plaza, Atlanta, Georgia
30313, USA

(111) M 2013 23608 R1

(151) 2013 04 26

(186) 2033 04 26

(732) Basf Agrochemical Products B.V.

Groningsingel 1, EA Arnhem, Netherlands

(111) M 2003 15246 R2

(151) 2003 09 29

(186) 2033 09 29

(732) The Coca-Cola Company

a Corporate of the State of Delaware
One Coca-Cola Plaza, Atlanta, Georgia
30313, USA

(111) M 2013 23425 R1

(151) 2013 03 13

(186) 2033 03 13

(732) LTD "Aversi-Pharma"

David Aghmashenebeli Av. 148/2, 0112,
Tbilisi, Georgia

(111) M 2003 15220 R2

(151) 2003 07 30

(186) 2033 07 30

(732) LTD "GM Pharmaceuticals"

Rustavi Highway 52, 0114, Tbilisi, Georgia

(111) M 2013 23426 R1

(151) 2013 03 13

(186) 2033 03 13

(732) LTD "Aversi-Pharma"

David Aghmashenebeli Av. 148/2, 0112,
Tbilisi, Georgia

(111) M 2003 15221 R2

(151) 2003 07 30

(186) 2033 07 30

(732) LTD "GM Pharmaceuticals"

Rustavi Highway 52, 0114, Tbilisi, Georgia

(111) M 2013 23427 R1

(151) 2013 03 13

(186) 2033 03 13

(732) LTD "Aversi-Pharma"

David Aghmashenebeli Av. 148/2, 0112,
Tbilisi, Georgia

(111) M 2003 15305 R2

(151) 2003 10 29

(186) 2033 10 29

(732) Hyundai Motor Company

(111) M 2013 23428 R1

(151) 2013 03 13

(186) 2033 03 13

(732) LTD "Aversi-Pharma"

David Aghmashenebeli Av. 148/2, 0112,
Tbilisi, Georgia

(111) M 2013 23429 R1
(151) 2013 03 13
(186) 2033 03 13
(732) LTD "Aversi-Pharma"
David Aghmashenebeli Av. 148/2, 0112,
Tbilisi, Georgia

(111) M 2013 23430 R1
(151) 2013 03 13
(186) 2033 03 13
(732) LTD "Aversi-Pharma"
David Aghmashenebeli Av. 148/2, 0112,
Tbilisi, Georgia

(111) M 2013 23431 R1
(151) 2013 03 13
(186) 2033 03 13
(732) LTD "Aversi-Pharma"
David Aghmashenebeli Av. 148/2, 0112,
Tbilisi, Georgia

(111) M 2013 23432 R1
(151) 2013 03 13
(186) 2033 03 13
(732) LTD "Aversi-Pharma"
David Aghmashenebeli Av. 148/2, 0112,
Tbilisi, Georgia

(111) M 2013 23433 R1
(151) 2013 03 13
(186) 2033 03 13
(732) LTD "Aversi-Pharma"
David Aghmashenebeli Av. 148/2, 0112,
Tbilisi, Georgia

(111) M 2013 23434 R1
(151) 2013 03 13
(186) 2033 03 13
(732) LTD "Aversi-Pharma"
David Aghmashenebeli Av. 148/2, 0112,
Tbilisi, Georgia

(111) M 2013 23435 R1
(151) 2013 03 13
(186) 2033 03 13
(732) LTD "Aversi-Pharma"
David Aghmashenebeli Av. 148/2, 0112,
Tbilisi, Georgia

(111) M 2013 23436 R1
(151) 2013 03 13
(186) 2033 03 13
(732) LTD "Aversi-Pharma"
David Aghmashenebeli Av. 148/2, 0112,
Tbilisi, Georgia

(111) M 2013 23437 R1
(151) 2013 03 13
(186) 2033 03 13
(732) LTD "Aversi-Pharma"
David Aghmashenebeli Av. 148/2, 0112,
Tbilisi, Georgia

(111) M 2013 23438 R1
(151) 2013 03 13
(186) 2033 03 13
(732) LTD "Aversi-Pharma"
David Aghmashenebeli Av. 148/2, 0112,
Tbilisi, Georgia

(111) M 2013 23721 R1
(151) 2013 06 07
(186) 2033 06 07
(732) CPS Technology Holdings LLC
250 Vesey Street, 15th Floor, New York,
New York 10281, USA

(111) M 2013 23703 R1
(151) 2013 05 20
(186) 2033 05 20
(732) CPS Technology Holdings LLC
250 Vesey Street, 15th Floor, New York,
New York 10281, USA

(111) M 2013 23704 R1
(151) 2013 05 20
(186) 2033 05 20
(732) CPS Technology Holdings LLC
250 Vesey Street, 15th Floor, New York,
New York 10281, USA

(111) M 2013 23965 R1
(151) 2013 09 02
(186) 2033 09 02
(732) Bacardi Martini Patron International GmbH
Quaistrasse 11, 8200 Schaffhausen,
Switzerland

(111) M 2013 23788 R1
 (151) 2013 06 25
 (186) 2033 06 25
 (732) Paul Anthony Saad
 5 Heath Row, Durban, Kwa Zulu Natal,
 South Africa

(111) M 2013 23590 R1
 (151) 2013 04 12
 (186) 2033 04 12
 (732) LTD "Unimed Group Corp."
 Giorgi Saakadze Downhill 6, floor 3,
 Commercial Space, 11, 0177, Tbilisi, Georgia

(111) M 2013 23751 R1
 (151) 2013 06 07
 (186) 2033 06 07
 (732) Vasconcelos & Gonçalves, S.A.
 Rua da Cintura do Porto, Prédio B, 1º A/B,
 Marvila, 1950-326 Lisboa, Portugal

(111) M 2013 24020 R1
 (151) 2013 09 17
 (186) 2033 09 17
 (732) Akcionerhoe Obchestvo "Nizegorodskiy
 Khimiko-Pharmaceuticheskiy Zavod"
 Salganskaya St. 7, Nizhniy Novgorod,
 RU-603950, Russian Federation

(111) M 2013 23802 R1
 (151) 2013 06 25
 (186) 2033 06 25
 (732) Monster Energy Company
 a Delaware Corporation
 1 Monster Way, Corona, California 92879,
 USA

(111) M 2013 23643 R1
 (151) 2013 04 26
 (186) 2033 04 26
 (732) Jacobs Douwe Egberts FR SAS
 30 bis, Rue de Paradis, 75010 Paris, France

(111) M 2013 24252 R1
 (151) 2013 11 18
 (186) 2033 11 18
 (732) Brother Industries, LTD.
 15-1 Naeshiro-cho, Mizuho-ku, Nagoya-shi,
 467-8561, Japan

(111) M 2013 23762 R1
 (151) 2013 06 07
 (186) 2033 06 07
 (732) Brown-Forman Corporation
 (a Delaware, U.S.A. corporation)
 850 Dixie Highway, 40210 Louisville,
 KY, USA

(111) M 2013 23858 R1
 (151) 2013 07 19
 (186) 2033 07 19
 (732) Egis Gyógyszergyár ZRT (shortly: EGIS ZRT)
 30-38, Keresztúri út., H-1106, Budapest,
 Hungary

(111) M 2013 23821 R1
 (151) 2013 06 25
 (186) 2033 06 25
 (732) Monster Energy Company, a Delaware
 Corporation
 1 Monster Way, Corona, California 92879,
 USA

(111) M 2013 23822 R1
 (151) 2013 06 25
 (186) 2033 06 25
 (732) Monster Energy Company, a Delaware
 Corporation
 1 Monster Way, Corona, California 92879,
 USA

(111) M 2013 23902 R1
 (151) 2013 08 14
 (186) 2033 08 14
 (732) LTD "GM Pharmaceuticals"
 Rustavi Highway 52, 0114, Tbilisi, Georgia

(111) M 2013 23905 R1
 (151) 2013 08 14
 (186) 2033 08 14
 (732) Monster Energy Company
 a Delaware Corporation
 1 Monster Way, Corona, California 92879, USA

(111) M 2012 22681 R1
 (151) 2012 06 15
 (186) 2032 06 15
 (732) LTD "Kuppersberg Georgia"
 Sairme St., bld. 3, ap. 35, Vake-Saburtalo
 District, Tbilisi, Georgia

(111) M 2013 23919 R1
(151) 2013 08 14
(186) 2033 08 14
(732) LTD "Orisi"
Kazbegi Av. 12b., fl.5, 0160, Tbilisi, Georgia

(111) M 2013 23920 R1
(151) 2013 08 14
(186) 2033 08 14
(732) LTD "Orisi"
Kazbegi Av. 12b., fl.5, 0160, Tbilisi, Georgia

(111) M 2013 23924 R1
(151) 2013 08 14
(186) 2033 08 14
(732) Chevron Intellectual Property LLC
6001 Bollinger Canyon Road, San Ramon,
California 94583, USA

(111) M 2013 23980 R1
(151) 2013 09 02
(186) 2033 09 02
(732) LTD "Unimed Grup Korp"
Ad. Mitskevichi St. 29, app. 61, 0194, Georgia

(111) M 2013 24037 R1
(151) 2013 09 17
(186) 2033 09 17
(732) Almirall, S.A.
Ronda General Mitre, 151, 08022 Barcelona,
Spain

(111) M 2013 23932 R1
(151) 2013 08 14
(186) 2033 08 14
(732) Colgate-Palmolive Company,
a Delaware corporation
300 Park Avenue, New York, New York
10022, USA

(111) M 2013 24206 R1
(151) 2013 11 04
(186) 2033 11 04
(732) Chevron Intellectual Property, a company
organized and existing under the laws of the
State of Delaware
6001 Bollinger Canyon Road, San Ramon,
CA 94583, USA

(111) M 2013 24207 R1
(151) 2013 11 04
(186) 2033 11 04
(732) Chevron Intellectual Property, a company
organized and existing under the laws of the
State of Delaware
6001 Bollinger Canyon Road, San Ramon,
CA 94583, USA

(111) M 2013 24208 R1
(151) 2013 11 04
(186) 2033 11 04
(732) Chevron Intellectual Property, a company
organized and existing under the laws of the
State of Delaware
6001 Bollinger Canyon Road, San Ramon,
CA 94583, USA

(111) M 2013 23937 R1
(151) 2013 08 14
(186) 2033 08 14
(732) LTD "GM Pharmaceuticals"
Rustavi Highway 52, 0114, Tbilisi, Georgia

(111) M 2013 23938 R1
(151) 2013 08 14
(186) 2033 08 14
(732) LTD "GM Pharmaceuticals"
Rustavi Highway 52, 0114, Tbilisi, Georgia

(111) M 2013 23939 R1
(151) 2013 08 14
(186) 2033 08 14
(732) LTD "GM Pharmaceuticals"
Rustavi Highway 52, 0114, Tbilisi, Georgia

(111) M 2013 24268 R1
(151) 2013 11 18
(186) 2033 11 18
(732) LTD "Unimed Group Corp"
Adam Mitskevich St. 29, ap. 61, 0194, Georgia

(111) M 2013 24090 R1
(151) 2013 09 30
(186) 2033 09 30
(732) Mewah Brands (S) Pte LTD
N. 5 International Business Park, #05-00
Mewah Building, 609914, Singapore

(111) M 2013 24353 R1

(151) 2013 12 13

(186) 2033 12 13

(732) Accor

82 rue Henri Farman, 92130 Issy-les-
Moulineaux, France

Dighomi., VI qu., bld. 16, ap. 21, 0159, Tbilisi
Georgia

(111) M 2014 24773 R1

(151) 2014 05 07

(186) 2034 05 07

(732) LTD "Avia Service"

Ilia Chavchavadze Av. 39a, 0162, Tbilisi,
Georgia

(111) M 2014 24868 R1

(151) 2014 05 30

(186) 2034 05 30

(732) LLC "Georgian Wine and Spirits Company"
Vill. Achinevili, 2200, Telavi, Georgia

(111) M 2013 23873 R1

(151) 2013 08 02

(186) 2033 08 02

(732) LTD "Cherry" (GE)

Didi Lilo, plot 726, 0198, Tbilisi,
Georgia (GE)

(111) M 2013 23867 R1

(151) 2013 07 29

(186) 2033 07 29

(732) LTD "Cherry" (GE)

Didi Lilo, plot 726, 0198, Tbilisi,
Georgia (GE)

(111) M 2013 23961 R1

(151) 2013 08 21

(186) 2033 08 21

(732) JSC "Aldag Insurance Company"

(S/K 404476189)
Pushkin St. 3, Old Tbilisi District, Tbilisi,
Georgia

(111) M 2013 23871 R1

(151) 2013 08 01

(186) 2033 08 01

(732) LTD "Alfa"

Tevdore Mghvdli St. 53, 0154, Tbilisi, Georgia

(111) M 2013 24062 R1

(151) 2013 09 20

(186) 2033 09 20

(732) LTD "Alfa"

Tevdore Mghvdli St. 53, 0154, Tbilisi, Georgia

(111) M 2014 24487 R1

(151) 2014 02 12

(186) 2034 02 12

(732) I/E Giorgi Shotadze

COMPLETE TRANSFER OF RIGHTS

(111) M 1998 11175 R
 (732) HENKEL AG & Co. KgaA
 Henkelstrasse 67, 40589 Düsseldorf, Germany
 (770) OOO Henkel RUS
 Kolokolnikov Pereulok 11, Moscow 107045,
 Russian Federation
 (580) 2023 06 16

Chinoin Pharmaceutical and Chemical
 Works Private o., LTD.;
 Chinoin avod Pharmaceuticheskki
 khimicheskikh izdelij Zakritoj A/O.,
 Chinoin ZA/O H-1045 Budapest, Tó utca 1-5,
 Hungary
 (580) 2023 06 27

(111) M 1998 11247 R
 (732) Opella Healthcare Hungary KFT
 2112 Veresegyház, lévai Utca 5, Hungary
 (770) Chinoin Gyóyszer-és Vegyészeti Termékek
 Gyára Zártkörűen Működő Rt., (Chinoin Zrt.);
 Chinoin Pharmaceutical and Chemical
 Works Private o., LTD.;
 Chinoin avod Pharmaceuticheskki
 khimicheskikh izdelij Zakritoj A/O.,
 Chinoin ZA/O H-1045 Budapest, Tó utca 1-5,
 Hungary
 (580) 2023 06 26

(111) M 2004 15723 R
 (732) Mondelez Europe GmbH
 Lindbergh-Allee 1, Glattpark 8152,
 Switzerland
 (770) KRAFT Foods Danmark Intellectual Property APS
 Ringager 2 A, 2, DK-2605 Brøndby, Denmark
 (580) 2023 06 02

(111) M 1998 11252 R
 (732) Opella Healthcare Hungary KFT
 2112 Veresegyház, lévai Utca 5, Hungary
 (770) Chinoin Gyóyszer-és Vegyészeti Termékek
 Gyára Zártkörűen Működő Rt., (Chinoin Zrt.);
 Chinoin Pharmaceutical and Chemical
 Works Private o., LTD.;
 Chinoin avod Pharmaceuticheskki
 khimicheskikh izdelij Zakritoj A/O.,
 Chinoin ZA/O H-1045 Budapest, Tó utca 1-5,
 Hungary
 (580) 2023 06 27

(111) M 1996 2082 R
 (732) JNTL Consumer Health I (Switzerland) GmbH
 Gubelstrasse 34, CH-6300 Zug, Switzerland
 (770) Janssen Pharmaceutica N.V.
 Turnhoutseweg 30, B-2340 Beerse, Belgium
 (580) 2023 06 02

(111) M 1999 11558 R
 (732) Opella Healthcare Hungary KFT
 2112 Veresegyház, lévai Utca 5, Hungary
 (770) Chinoin Gyóyszer-és Vegyészeti Termékek
 Gyára Zártkörűen Működő Rt., (Chinoin Zrt.);
 Chinoin Pharmaceutical and Chemical
 Works Private o., LTD.;
 Chinoin avod Pharmaceuticheskki
 khimicheskikh izdelij Zakritoj A/O.,
 Chinoin ZA/O H-1045 Budapest, Tó utca 1-5,
 Hungary
 (580) 2023 06 27

(111) M 1998 11096 R
 (732) JNTL Consumer Health I (Switzerland) GmbH
 Gubelstrasse 34, CH-6300 Zug, Switzerland
 (770) Janssen Pharmaceutica N.V.
 Turnhoutseweg 30, B-2340 Beerse, Belgium
 (580) 2023 06 02

(111) M 1997 5903 R
 (732) JNTL Consumer Health I (Switzerland)
 GmbH
 Gubelstrasse 34, CH-6300 Zug, Switzerland
 (770) Janssen Pharmaceutica N.V.
 Turnhoutseweg 30, B-2340 Beerse, Belgium
 (580) 2023 06 02

(111) M 1999 11562 R
 (732) Opella Healthcare Hungary KFT
 2112 Veresegyház, lévai Utca 5, Hungary
 (770) Chinoin Gyóyszer-és Vegyészeti Termékek
 Gyára Zártkörűen Működő Rt., (Chinoin Zrt.);

(111) M 1997 6389 R
 (732) Opella Healthcare Hungary KFT
 2112 Veresegyház, lévai Utca 5, Hungary
 (770) Chinoin Gyóyszer-és Vegyészeti Termékek
 Gyára Zártkörűen Működő Rt., (Chinoin Zrt.);
 Chinoin Pharmaceutical and Chemical
 Works Private o., LTD.;
 Chinoin avod Pharmaceuticheskki
 khimicheskikh izdelij Zakritoj A/O., Chinoin
 ZA/O H-1045 Budapest, Tó utca 1-5, Hungary
 (580) 2023 06 26

(111) M 2012 22471 R
(732) JNTL Consumer Health I (Switzerland) GmbH
Gubelstrasse 34, CH-6300 Zug, Switzerland
(770) Cilag GmbH International
Landis & Gyr-Strasse 1, CH-6300 Zug,
Switzerland
(580) 2023 06 02

(111) M 2012 22472 R
(732) JNTL Consumer Health I (Switzerland) GmbH
Gubelstrasse 34, CH-6300 Zug, Switzerland
(770) Cilag GmbH International
Landis & Gyr-Strasse 1, CH-6300 Zug,
Switzerland
(580) 2023 06 02

(111) M 2013 24088 R
(732) LG H&H Co., LTD.
58, Saemunan-ro, Jongno-gu, Seoul, Republic
of Korea
(770) Thefaceshop Co., LTD
58 Saemunan-ro, Jongno-gu, Seoul, 110-783,
Republic of Korea
(580) 2023 06 27

(111) M 2016 27881 R
(732) Meta Platforms Inc.
1601 Willow Road, Menlo Park, California
94025, USA
(770) Meta Platforms Technologies LLC
1601 Willow Road, Menlo Park, California
94025, USA
(580) 2023 05 10

(111) M 1997 4825 R
(732) Mondelez Europe GmbH
Lindbergh-Allee 1, Glattpark 8152,
Switzerland
(770) Kraft Foods Danmark Intellectual Property
APS
Ringager 2 A, 2, DK-2605 Brondby, Denmark
(580) 2023 06 02

(111) M 1996 4255 R
(732) Mondelez Europe GmbH
Lindbergh-Allee 1, Glattpark 8152,
Switzerland
(770) Kraft Foods Danmark Intellectual Property APS
Ringager 2 A, 2, DK-2605 Brondby, Denmark
(580) 2023 06 02

(111) M 2018 29969 R
(732) JNTL Consumer Health I (Switzerland) GmbH
Gubelstrasse 34, CH-6300 Zug, Switzerland
(770) Cilag GmbH International
Gubelstrasse 34, CH-6300, Zug, Switzerland
(580) 2023 06 02

(111) M 2018 29970 R
(732) JNTL Consumer Health I (Switzerland) GmbH
Gubelstrasse 34, CH-6300 Zug, Switzerland
(770) Cilag GmbH International
Gubelstrasse 34, CH-6300, Zug, Switzerland
(580) 2023 06 02

CHANGES OF NAME AND/OR ADDRESS OF TRADEMARKS OWNERS

(111) M 1997 4658 R
 (732) Sony Group Corporation
 1-7-1 Konan, Minato-ku, Tokyo, Japan
 (770) Sony Corporation
 1-7-1 Konan, Minato-ku, Tokyo, Japan
 (580) 2023 06 13

(111) M 2022 35602 R
 (732) LTD "MN Distribution"
 Elepter Andronikashvili St. 143, Gldani
 District, Tbilisi, Georgia
 (770) LTD "Best Group"
 Kostava St. 47/57, Saburtalo District, Tbilisi,
 Georgia
 (580) 2023 06 16

(111) M 2023 36423 R
 (732) Avaya LLC
 350 Mt. Kemble Avenue Morristown, Niu-jersi
 07960, USA
 (770) Avaya Inc.
 350 Mt. Kemble Avenue Morristown, Niu-jersi
 07960, USA
 (580) 2023 06 13

(111) M 2023 36424 R
 (732) Avaya LLC
 350 Mt. Kemble Avenue Morristown,
 New Jersey 07960, USA
 (770) Avaya Inc.
 350 Mt. Kemble Avenue Morristown,
 New Jersey 07960, USA
 (580) 2023 06 13

(111) M 2023 36695 R
 (732) Avaya LLC
 350 Mt. Kemble Avenue Morristown,
 New Jersey 07960, USA
 (770) Avaya Inc.
 350 Mt. Kemble Avenue Morristown,
 New Jersey 07960, USA
 (580) 2023 06 13

(111) M 2023 36785 R
 (732) Avaya LLC
 350 Mt. Kemble Avenue Morristown,
 New Jersey 07960, USA
 (770) Avaya Inc.
 350 Mt. Kemble Avenue Morristown,
 New Jersey 07960, USA
 (580) 2023 06 13

(111) M 2001 13991 R
 (732) Avaya LLC
 350 Mt. Kemble Avenue Morristown,
 New Jersey 07960, USA
 (770) Avaya Inc.
 350 Mt. Kemble Avenue Morristown,
 New Jersey 07960, USA
 (580) 2023 06 13

(111) M 2001 13993 R
 (732) Avaya LLC
 350 Mt. Kemble Avenue Morristown,
 New Jersey 07960, USA
 (770) Avaya Inc.
 350 Mt. Kemble Avenue Morristown,
 New Jersey 07960, USA
 (580) 2023 06 13

(111) M 2003 15220 R
 (732) LTD "GM Pharmaceuticals"
 Rustavi Highway 52, 0114, Tbilisi, Georgia
 (770) LTD "G M P"
 Zemo Vedzisi St. 103, 0160, Tbilisi, Georgia
 (580) 2023 06 02

(111) M 2003 15221 R
 (732) LTD "GM Pharmaceuticals"
 Rustavi Highway 52, 0114, Tbilisi, Georgia
 (770) LTD "G M P"
 Zemo Vedzisi St. 103, 0160, Tbilisi, Georgia
 (580) 2023 06 02

(111) M 1994 139 R
 (732) Procter & Gamble Tüketim Mallari Sanayi
 Anonim Sirketi
 Begonya Ataşehir Sitesi C Kapısı Barbaros
 Mahallesi Begonya Sokak No:3E Istanbul,
 Türkiye
 (770) Procter & Gamble Tüketim Mallari Sanayi
 Anonim Sirketi
 İçerenköy Mahallesi Askent Sokak No. 3A,
 Özel İşyeri 14-15-16-17-18-19-20-21,
 Ataşehir, Istanbul, Türkiye
 (580) 2023 05 10

(111) M 1997 7389 R
 (732) Sony Group Corporation
 1-7-1 Konan, Minato-ku, Tokyo, Japan
 (770) Sony Corporation
 1-7-1 Konan, Minato-ku, Tokyo, Japan

(580) 2023 06 13

(111) M 1997 7311 R
 (732) Sony Group Corporation
 1-7-1 Konan, Minato-ku, Tokyo, Japan
 (770) Sony Corporation
 1-7-1 Konan, Minato-ku, Tokyo, Japan
 (580) 2023 06 13

(111) M 1997 7313 R
 (732) Sony Group Corporation
 1-7-1 Konan, Minato-ku, Tokyo, Japan
 (770) Sony Corporation
 1-7-1 Konan, Minato-ku, Tokyo, Japan
 (580) 2023 06 13

(111) M 1997 7395 R
 (732) Sony Group Corporation
 1-7-1 Konan, Minato-ku, Tokyo, Japan
 (770) Sony Corporation
 1-7-1 Konan, Minato-ku, Tokyo, Japan
 (580) 2023 06 13

(111) M 2012 23096 R
 (732) Khc Turkey Gıda Sanayi Anonim Şirketi
 Nispetiye Caddesi, Akmerkez Alışveriş
 Merkezi, B Blok, Kat: 5, Etiler, Beşiktaş-
 İstanbul, Türkiye
 (770) Assan Gıda Sanayi Ve Ticaret Anonim Şirketi
 Nispetiye Caddesi, Akmerkez Alışveriş
 Merkezi, B Blok, Kat: 5, Etiler, Beşiktaş-
 İstanbul, Türkiye
 (580) 2023 05 29

(111) M 2013 23623 R
 (732) DP Beverages Unlimited Company
 Southgate, Dublin Road, Drogheda, County
 Meath, A92 YK7W, Ireland
 (770) DP Beverages Unlimited Company
 PO box 309GT, Uglund House, Souch Church
 Street, George Town, Grand Cayman, Cayman
 Islands
 (580) 2023 05 08

(111) M 2013 24026 R
 (732) Whimsical Holdinfg Limited
 Eirinis 119, 3041 Limassol, Cyprus
 (770) Whimsical Holdinfg Limited
 Arch. Makariou III, 197 Gala Tower,
 Flat/Office 301, 3030 Limassol, Cyprus
 (580) 2023 05 14

(111) M 2013 23902 R
 (732) LTD "GM Pharmaceuticals"
 Rustavi Highway 52, 0114, Tbilisi, Georgia
 (770) LTD "G M P"
 Kvemo Ponitchala Settlement 65, 0165,
 Tbilisi, Georgia
 (580) 2023 06 02

(111) M 2013 23937 R
 (732) LTD "GM Pharmaceuticals"
 Rustavi Highway 52, 0114, Tbilisi, Georgia
 (770) LTD "G M P"
 Kvemo Ponitchala Settlement 65, 0165,
 Tbilisi, Georgia
 (580) 2023 06 02

(111) M 2013 23938 R
 (732) LTD "GM Pharmaceuticals"
 Rustavi Highway 52, 0114, Tbilisi, Georgia
 (770) LTD "G M P"
 Kvemo Ponitchala Settlement 65, 0165,
 Tbilisi, Georgia
 (580) 2023 06 02

(111) M 2013 23939 R
 (732) LTD "GM Pharmaceuticals"
 Rustavi Highway 52, 0114, Tbilisi, Georgia
 (770) LTD "G M P"
 Kvemo Ponitchala Settlement 65, 0165,
 Tbilisi, Georgia
 (580) 2023 06 02

(111) M 2013 23657 R
 (732) Aktsionernoe Obshchestvo "Peteburgskiy
 Melnichniy Kombinat"
 4 Predportoviy Proezd, 5, 196240, Saint
 Petersburg, Russian Federation
 (770) Otkritoe Aktsionernoe Obshchestvo
 "Peteburgskiy Melnichniy Kombinat"
 4 Predportoviy Proezd, 5, 196240, Saint
 Petersburg, Russian Federation
 (580) 2023 05 22

(111) M 1999 12015 R
 (732) Sony Group Corporation
 1-7-1 Konan, Minato-ku, Tokyo, Japan
 (770) Sony Corporation
 1-7-1 Konan, Minato-ku, Tokyo, Japan
 (580) 2023 06 13

(111) M 2015 26058 R
(732) JC New Retail AG
Innere Güterstrasse 2, 6300 Zug, Switzerland
(770) CBM Creative Brands Marken GmbH
Kalandergerasse 4, Zurich, Switzerland
(580) 2023 06 02

(111) M 2016 26705 R
(732) Sony Group Corporation
1-7-1 Konan Minato-ku, Tokyo, Japan
(770) Sony Corporation
1-7-1 Konan Minato-ku, Tokyo, Japan
(580) 2023 06 13

(111) M 2018 30096 R
(732) Avaya LLC
350 Mt. Kemble Avenue Morristown,
New Jersey 07960, USA
(770) Avaya Inc.
350 Mt. Kemble Avenue Morristown,
New Jersey 07960, USA
(580) 2023 06 13

(111) M 2017 28827 R
(732) KHC Turkey Gıda Sanayi Anonim Şirketi
Nispetiye Caddesi, Akmerkez Alışveriş
Merkezi, B Blok, Kat: 5, Etiler, Beşiktaş –
İstanbul, Türkiye
(770) Assan Gıda Sanayi Ve Ticaret Anonim
Şirketi
Nispetiye Caddesi, Akmerkez Alışveriş
Merkezi, B Blok, Kat: 5, Etiler, Beşiktaş –
İstanbul, Türkiye
(580) 2023 06 02

CANCELLATION OF TRADEMARKS REGISTRATION

(111) M 2002 14843 R
(151) 2002 12 12
(732) LLC "Standart Tobacco Incorporated"
Abuseridze Tbeli St. 13, 0120, Tbilisi,
Georgia
(141) 2023 06 26

(111) M 2002 14852 R
(151) 2002 12 12
(732) SI Group Switzerland (CHAA) GmbH
Kasteliweg 7, 4133 Pratteln, Switzerland
(141) 2023 06 26

(111) M 2012 23154 R
(151) 2012 12 10
(732) LLC "Holding. Ge"
Marshal Gelovani Av. 2, 0159, Vake District,
Tbilisi, Georgia
(141) 2023 06 22

(111) M 2012 23155 R
(151) 2012 12 10
(732) LLC "Holding. Ge"
Marshal Gelovani Av. 2, 0159, Vake District,
Tbilisi, Georgia
(141) 2023 06 23

(111) M 2012 23156 R
(151) 2012 12 10
(732) LTD "Agro-West"
Kostava St., I Lane 11, ap. 11, Tbilisi,
Georgia
(141) 2023 06 23

(111) M 2012 23157 R
(151) 2012 12 10
(732) LTD "Agro-West"
Kostava St., I Lane 11, ap. 11, Tbilisi,
Georgia
(141) 2023 06 22

(111) M 2012 23161 R
(151) 2012 12 10
(732) LTD "Siskon"
Pekin St. 41, 0194, Tbilisi, Georgia
(141) 2023 06 26

(111) M 2012 23162 R
(151) 2012 12 10
(732) LTD "Siskon"
Pekin St. 41, 0194, Tbilisi, Georgia
(141) 2023 06 27

(111) M 2012 23165 R
(151) 2012 12 10
(732) Celgene Corporation
86 Morris Avenue, Summit, New Jersey
07901, USA
(141) 2023 06 27

(111) M 2012 23166 R
(151) 2012 12 10
(732) Lired Kozmetik Sanayi Ve Ticaret Limited
Sirketi
Mimar Sinan Mahallesi, Yunus Emre Caddesi
N 38, Dilovari-Gebze-Kocaeli, Türkiye
(141) 2023 06 27

(111) M 2012 23168 R
(151) 2012 12 10
(732) Mars Incorporated
6885 Elm Street, McLean, Virginia
22101-3883, USA
(141) 2023 06 27

(111) M 2012 23171 R
(151) 2012 12 10
(732) Reed Elsevier Properties Inc
1105 North Market Street, Suite 501,
Wilmington, Delaware 19801, USA
(141) 2023 06 27

(111) M 2012 23172 R
(151) 2012 12 10
(732) Reed Elsevier Properties Inc.
1105 North Market Street, Suite 501,
Wilmington, Delaware 19801, USA
(141) 2023 06 27

(111) M 2012 23173 R
(151) 2012 12 10
(732) Reed Elsevier Properties Inc.
1105 North Market Street, Suite 501,
Wilmington, Delaware 19801, USA
(141) 2023 06 27

(111) M 2012 23174 R
(151) 2012 12 10
(732) Reed Elsevier Properties Inc.
1105 North Market Street, Suite 501,
Wilmington, Delaware 19801, USA
(141) 2023 06 27

(111) M 2012 23176 R
(151) 2012 12 10
(732) LTD "Piazza Management"
Iliа Chavchavadze St. 5, 6000, Batumi,
Georgia
(141) 2023 06 22

(111) M 2012 23177 R
(151) 2012 12 10
(732) LTD "Piazza Management"
Iliа Chavchavadze St. 5, 6000, Batumi,
Georgia
(141) 2023 06 22

(111) M 2012 23183 R
(151) 2012 12 10
(732) Best Western Internarional Inc.
6201 North 24-th Parkway, Phoenix, Arizona
85016, USA
(141) 2023 06 27

(111) M 2012 23187 R
(151) 2012 12 10
(732) Federal Express Corporation
a Delaware Corporation
3620 Hacks Cross Road, Building B,
3rd Floor, Memphis, Tennessee 38125, USA
(141) 2023 06 27

(111) M 2012 23188 R
(151) 2012 12 10
(732) Rusinvest OOO
Novomytishchensky Prospekt 41, Korp. 1,
Mytishchiy, Moskovskaya Oblast, 141018,
Russian Federation
(141) 2023 06 27

(111) M 2012 23194 R
(151) 2012 12 10
(732) LTD "Akhali Kselebi"
Ana Politkovskaya St. 16, 0186, Tbilisi,
Georgia
(141) 2023 06 22

(111) M 2012 23195 R
(151) 2012 12 10
(732) Krewel Meuselbach GmbH
Krewelstrasse 2, DE-53783 Eitorf, Germany
(141) 2023 06 27

(111) M 2012 23196 R
(151) 2012 12 10
(732) Krewel Meuselbach GmbH
Krewelstrasse 2, DE-53783 Eitorf, Germany
(141) 2023 06 27

(111) M 2012 23197 R
(151) 2012 12 10
(732) Mohammad Sedigh Mostafa Gholami
P.O. Box: 1752, Dubai, United Arab Emirates
(141) 2023 06 27

(111) M 2012 23199 R
(151) 2012 12 10
(732) LTD "Unimed Group Corp."
Adam Mitskevich St. 29, ap. 61, 0194, Georgia

(111) M 2012 23204 R
(151) 2012 12 10
(732) JSC "Georgian Bank"
Gagarin St. 29a, 0160, Tbilisi, Georgia
(141) 2023 06 22

(111) M 2012 23205 R
(151) 2012 12 10
(732) JSC "Georgian Bank"
Gagarin St. 29a, 0160, Tbilisi, Georgia
(141) 2023 06 22

(111) M 2012 23206 R
(151) 2012 12 12
(732) Kakhaber Sutidze
Tsagareli St. 43, 0194, Tbilisi, Georgia
(141) 2023 06 22

(111) M 2012 23226 R
(151) 2012 12 24
(732) LTD "Mshenebeli 2004"
Mshvidoba St. 1, 3700, Rustavi, Georgia
(141) 2023 07 04

REGISTRATION OF LICENCE AGREEMENT

(111) M 2021 33750 R

(732) Salih Zerey

Yüzyıl Mah. Barbaros, Cad. 7.Sok. No: 14 Bağcılar, Türkiye

(791) Fuad Kasumov

Vill. Mughanlo, 13th St. 6, Gardabani, Georgia

(793) №1815

From 04 03 2023 - for the period of validity of the trademark

Exclusive

Class: 25

CLASSIFICATION INDEXES

INVENTIONS

CONCORDANCE TABLE OF INTERNATIONAL CLASSIFICATION INDEX AND PUBLICATION NUMBERS

| INTERNATIONAL CLASSIFICATION INDEXES (51) | NUMBER OF PUBLISHED APPLICATION (10) |
|--|--|
| A 61 H 33/06; A 61 K 8/67; A 61 K 8/97; A 61 Q 19/00 | AP 2023 15876 A |
| A 61 K 31/53; A 61 P 35/00; C 07 D 451/04; C 07 D 471/10; C 07 D 491/107; C 07 D 519/00; C 07 D 401/14; C 07 D 513/10; C 07 D 403/04 | AP 2023 15746 A |
| A 61 K 38/20; A 61 K 31/473; A 61 P 35/00; C 07 D 219/06 | AP 2023 15959 A |
| A 61 K 39/12; C 07 K 14/18; C 12 N 7/00 | AP 2023 15338 A |
| A 61 L 27/26; A 61 L 27/36; A 61 L 27/38; A 61 L 27/54; B 33 Y 70/00; B 33 Y 80/00 | AP 2023 15860 A |
| B 01 D 47/00; B 01 D 53/14; B 01 D 53/92; B 03 C 5/00 | AP 2023 15018 A |
| B 01 J 19/00 | AP 2023 16061 A |
| C 21 C 1/10; C 21 C 7/06; C 22 C 28/00; C 22 C 33/00; C 22 C 35/00 | AP 2023 15516 A |
| C 22 B 15/00; C 22 B 3/00; C 22 B 47/00 | AP 2023 15895 A |
| H 04 R 9/06 | AP 2023 15896 A |

CONCORDANCE TABLE OF PUBLICATION NUMBERS AND INTERNATIONAL CLASSIFICATION INDEX

| NUMBER OF PUBLISHED APPLICATION (10) | INTERNATIONAL CLASSIFICATION INDEXES (51) |
|--|--|
| AP 2023 15018 A | B 01 D 47/00; B 01 D 53/14; B 01 D 53/92; B 03 C 5/00 |
| AP 2023 15338 A | A 61 K 39/12; C 07 K 14/18; C 12 N 7/00 |
| AP 2023 15516 A | C 21 C 1/10; C 21 C 7/06; C 22 C 28/00; C 22 C 33/00; C 22 C 35/00 |
| AP 2023 15746 A | A 61 K 31/53; A 61 P 35/00; C 07 D 451/04; C 07 D 471/10; C 07 D 491/107; C 07 D 519/00; C 07 D 401/14; C 07 D 513/10; C 07 D 403/04 |
| AP 2023 15860 A | A 61 L 27/26; A 61 L 27/36; A 61 L 27/38; A 61 L 27/54; B 33 Y 70/00; B 33 Y 80/00 |
| AP 2023 15876 A | A 61 H 33/06; A 61 K 8/67; A 61 K 8/97; A 61 Q 19/00 |
| AP 2023 15895 A | C 22 B 15/00; C 22 B 3/00; C 22 B 47/00 |
| AP 2023 15896 A | H 04 R 9/06 |
| AP 2023 15959 A | A 61 K 38/20; A 61 K 31/473; A 61 P 35/00; C 07 D 219/06 |
| AP 2023 16061 A | B 01 J 19/00 |

**CONCORDANCE TABLE OF INTERNATIONAL CLASSIFICATION INDEX,
PATENT NUMBERS AND PUBLICATION NUMBERS**

| INTERNATIONAL CLASSIFICATION INDEX (51) | NUMBER OF PATENT (11) | NUMBER OF PUBLISHED APPLICATION (10) |
|--|-----------------------------|---|
| A 61 K 31/52; A 61 K 39/12 | P 2023 7518 B | AP 2023 15308 A |
| A 61 K 31/5025; A 61 P 35/00; C 07 D 487/04; C 07 D 471/20; C 07 D 471/04 | P 2023 7519 B | AP 2023 15703 A |

**CONCORDANCE TABLE OF PATENT NUMBERS,
PUBLICATION NUMBERS AND INTERNATIONAL CLASSIFICATION INDEX**

| NUMBER OF PATENT (11) | NUMBER OF PUBLISHED APPLICATION (10) | INTERNATIONAL CLASSIFICATION INDEX (51) |
|-----------------------------|---|--|
| P 2023 7518 B | AP 2023 15308 A | A 61 K 31/52; A 61 K 39/12 |
| P 2023 7519 B | AP 2023 15703 A | A 61 K 31/5025; A 61 P 35/00; C 07 D 487/04; C 07 D 471/20; C 07 D 471/04 |

**CONCORDANCE TABLE OF APPLICATION NUMBERS,
PUBLICATION NUMBERS AND PATENTS**

| NUMBER OF APPLICATION (21) | NUMBER OF PUBLISHED APPLICATION (10) | NUMBER OF PATENT (11) |
|----------------------------------|--|--------------------------|
| AP 2018 15308 | AP 2023 15308 A | P 2023 7518 B |
| AP 2019 15703 | AP 2023 15703 A | P 2023 7519 B |

APPLICATION***

**CONCORDANCE TABLE OF INTERNATIONAL CLASSIFICATION INDEX
AND PUBLICATION NUMBERS**

| INTERNATIONAL CLASSIFICATION INDEXES (51) | NUMBER OF PUBLISHED APPLICATION (10) |
|--|--|
| A 01 G 17/16 | AP 2021 16266 A |

**CONCORDANCE TABLE OF PUBLICATION NUMBERS
AND INTERNATIONAL CLASSIFICATION INDEX**

| NUMBER OF PUBLISHED APPLICATION (10) | INTERNATIONAL CLASSIFICATION INDEXES (51) |
|--|--|
| AP 2021 16266 A | A 01 G 17/16 |

UTILITY MODELS

CONCORDANCE TABLE OF INTERNATIONAL CLASSIFICATION INDEX AND PUBLICATION NUMBERS

| INTERNATIONAL CLASSIFICATION INDEXES (51) | NUMBER OF PUBLISHED APPLICATION (10) |
|--|--|
| A 23 K 1/16 | AU 2023 15890 U |
| C 04 B 35/45; H 01 L 39/00 | AU 2023 16020 U |

CONCORDANCE TABLE OF PUBLICATION NUMBERS AND INTERNATIONAL CLASSIFICATION INDEX

| NUMBER OF PUBLISHED APPLICATION (10) | INTERNATIONAL CLASSIFICATION INDEXES (51) |
|--|--|
| AU 2023 15890 U | A 23 K 1/16 |
| AU 2023 16020 U | C 04 B 35/45; H 01 L 39/00 |

CONCORDANCE TABLE OF INTERNATIONAL CLASSIFICATION INDEX, PATENT NUMBERS AND PUBLICATION NUMBERS

| INTERNATIONAL CLASSIFICATION INDEX (51) | NUMBER OF PATENT (11) | NUMBER OF PUBLISHED APPLICATION (10) |
|--|-----------------------------|---|
| A 23 L 1/236 | U 2023 2152 Y | AU 2023 16017 U |

CONCORDANCE TABLE OF PATENT NUMBERS, PUBLICATION NUMBERS AND INTERNATIONAL CLASSIFICATION INDEX

| NUMBER OF PATENT (11) | NUMBER OF PUBLISHED APPLICATION (10) | INTERNATIONAL CLASSIFICATION INDEX (51) |
|-----------------------------|---|--|
| U 2023 2152 Y | AU 2023 16017 U | A 23 L 1/236 |

CONCORDANCE TABLE OF APPLICATION NUMBERS, PUBLICATION NUMBERS AND PATENTS

| NUMBER OF APPLICATION (21) | NUMBER OF PUBLISHED APPLICATION (10) | NUMBER OF PATENT (11) |
|----------------------------------|--|--------------------------|
| AU 2022 16017 | AU 2023 16017 U | U 2023 2152 Y |

TRADEMARKS

CONCORDANCE TABLE OF REGISTRATION NUMBERS, APPLICATION NUMBERS, PUBLICATION NUMBERS AND BULLETIN NUMBERS

| NUMBER OF REGISTRATION (111) | NUMBER OF APPLICATIONS (210) | NUMBER OF PUBLISHED APPLICATIONS (260) | NUMBER OF BULLETIN |
|------------------------------------|------------------------------------|---|-----------------------|
| M 2023 36967 R | AM 123214 | – | 13(616)2023 |
| M 2023 36968 R | AM 123223 | – | 13(616)2023 |
| M 2023 36969 R | AM 123228 | – | 13(616)2023 |
| M 2023 36970 R | AM 123346 | – | 13(616)2023 |
| M 2023 36971 R | AM 123213 | – | 13(616)2023 |
| M 2023 36972 R | AM 123082 | – | 13(616)2023 |
| M 2023 36973 R | AM 119488 | – | 13(616)2023 |
| M 2023 36974 R | AM 123328 | – | 13(616)2023 |
| M 2023 36975 R | AM 123329 | – | 13(616)2023 |
| M 2023 36976 R | AM 119899 | – | 13(616)2023 |
| M 2023 36977 R | AM 123425 | – | 13(616)2023 |
| M 2023 36978 R | AM 122978 | – | 13(616)2023 |
| M 2023 36979 R | AM 123365 | – | 13(616)2023 |
| M 2023 36980 R | AM 123335 | – | 13(616)2023 |
| M 2023 36981 R | AM 123406 | – | 13(616)2023 |
| M 2023 36982 R | AM 123211 | – | 13(616)2023 |
| M 2023 36983 R | AM 123210 | – | 13(616)2023 |
| M 2023 36984 R | AM 123209 | – | 13(616)2023 |
| M 2023 36985 R | AM 123208 | – | 13(616)2023 |
| M 2023 36986 R | AM 123207 | – | 13(616)2023 |
| M 2023 36987 R | AM 123206 | – | 13(616)2023 |
| M 2023 36988 R | AM 123205 | – | 13(616)2023 |
| M 2023 36989 R | AM 123204 | – | 13(616)2023 |
| M 2023 36990 R | AM 123203 | – | 13(616)2023 |
| M 2023 36991 R | AM 123202 | – | 13(616)2023 |
| M 2023 36992 R | AM 118474 | AM 2023 118474 A | 5(608)2023 |
| M 2023 36993 R | AM 118475 | AM 2023 118475 A | 5(608)2023 |
| M 2023 36994 R | AM 119000 | AM 2023 119000 A | 5(608)2023 |
| M 2023 36995 R | AM 18639 | AM 2023 118639 A | 5(608)2023 |
| M 2023 36996 R | AM 118473 | AM 2023 118473 A | 5(608)2023 |
| M 2023 36997 R | AM 118218 | AM 2023 118218 A | 1(604)2023 |
| M 2023 36998 R | AM 118566 | AM 2023 118566 A | 3(606)2023 |
| M 2023 36999 R | AM 118229 | AM 2023 118229 A | 2(605)2023 |
| M 2023 37000 R | AM 118730 | AM 2023 118730 A | 4(607)2023 |
| M 2023 37001 R | AM 118658 | AM 2023 118658 A | 5(608)2023 |
| M 2023 37002 R | AM 118916 | AM 2023 118916 A | 5(608)2023 |
| M 2023 37003 R | AM 118918 | AM 2023 118918 A | 5(608)2023 |
| M 2023 37004 R | AM 118729 | AM 2023 118729 A | 4(607)2023 |
| M 2023 37005 R | AM 119116 | AM 2023 119116 A | 5(608)2023 |
| M 2023 37006 R | AM 117727 | AM 2022 117727 A | 24(603)2022 |
| M 2023 37007 R | AM 118852 | AM 2023 118852 A | 5(608)2023 |
| M 2023 37008 R | AM 118657 | AM 2023 118657 A | 5(608)2023 |

| 1 | 2 | 3 | 4 |
|----------------|-----------|------------------|-------------|
| M 2023 37009 R | AM 118721 | AM 2023 118721 A | 5(608)2023 |
| M 2023 37010 R | AM 118660 | AM 2023 118660 A | 5(608)2023 |
| M 2023 37011 R | AM 118312 | AM 2023 118312 A | 4(607)2023 |
| M 2023 37012 R | AM 118917 | AM 2023 118917 A | 5(608)2023 |
| M 2023 37013 R | AM 118246 | AM 2023 118246 A | 1(604)2023 |
| M 2023 37014 R | AM 118751 | AM 2023 118751 A | 4(607)2023 |
| M 2023 37015 R | AM 118752 | AM 2023 118752 A | 4(607)2023 |
| M 2023 37016 R | AM 118302 | AM 2023 118302 A | 4(607)2023 |
| M 2023 37017 R | AM 118233 | AM 2023 118233 A | 1(604)2023 |
| M 2023 37018 R | AM 118168 | AM 2023 118168 A | 4(607)2023 |
| M 2023 37019 R | AM 118643 | AM 2023 118643 A | 4(607)2023 |
| M 2023 37020 R | AM 118648 | AM 2023 118648 A | 4(607)2023 |
| M 2023 37021 R | AM 100058 | AM 2023 100058 A | 3(606)2023 |
| M 2023 37022 R | AM 118154 | AM 2023 118154 A | 1(604)2023 |
| M 2023 37023 R | AM 118415 | AM 2023 118415 A | 2(605)2023 |
| M 2023 37024 R | AM 118846 | AM 2023 118846 A | 5(608)2023 |
| M 2023 37025 R | AM 118759 | AM 2023 118759 A | 5(608)2023 |
| M 2023 37026 R | AM 118755 | AM 2023 118755 A | 5(608)2023 |
| M 2023 37027 R | AM 117733 | AM 2022 117733 A | 24(603)2022 |
| M 2023 37028 R | AM 117623 | AM 2022 117623 A | 24(603)2022 |
| M 2023 37029 R | AM 117902 | AM 2022 117902 A | 24(603)2022 |
| M 2023 37030 R | AM 117903 | AM 2022 117903 A | 24(603)2022 |
| M 2023 37031 R | AM 123501 | – | 13(616)2023 |

**CONCORDANCE TABLE OF PUBLICATION NUMBERS
AND APPLICATION NUMBERS**

| NUMBER OF PUBLISHED APPLICATION (260) | NUMBER OF APPLICATION (210) | 1 | 2 |
|--|-----------------------------------|------------------|-----------|
| | | 1 | 2 |
| AM 2023 120615 A | AM 120615 | AM 2023 120732 A | AM 120732 |
| AM 2023 120616 A | AM 120616 | AM 2023 120733 A | AM 120733 |
| AM 2023 120617 A | AM 120617 | AM 2023 120734 A | AM 120734 |
| AM 2023 120619 A | AM 120619 | AM 2023 120736 A | AM 120736 |
| AM 2023 120621 A | AM 120621 | AM 2023 120737 A | AM 120737 |
| AM 2023 120626 A | AM 120626 | AM 2023 120814 A | AM 120814 |
| AM 2023 120627 A | AM 120627 | AM 2023 120820 A | AM 120820 |
| AM 2023 120700 A | AM 120700 | AM 2023 120823 A | AM 120823 |
| AM 2023 120702 A | AM 120702 | AM 2023 120825 A | AM 120825 |
| AM 2023 120706 A | AM 120706 | AM 2023 120835 A | AM 120835 |
| AM 2023 120724 A | AM 120724 | AM 2023 120836 A | AM 120836 |
| AM 2023 120730 A | AM 120730 | AM 2023 120842 A | AM 120842 |
| AM 2023 120731 A | AM 120731 | AM 2023 120858 A | AM 120858 |
| | | AM 2023 120861 A | AM 120861 |
| | | AM 2023 120935 A | AM 120935 |
| | | AM 2023 120942 A | AM 120942 |

CONCORDANCE TABLE OF INDEX OF GOODS AND/OR SERVICES
AND APPLICATION NUMBERS

| INDEX OF GOODS AND/OR SERVICES (511) | NUMBER OF PUBLISHED APPLICATIONS (260) | 1 | 2 |
|---|---|----|------------------|
| 1 | 2 | | |
| 1 | AM 2023 120823 A | 32 | AM 2023 120706 A |
| 3 | AM 2023 120858 A | 32 | AM 2023 120861 A |
| 5 | AM 2023 120627 A | 33 | AM 2023 120621 A |
| 5 | AM 2023 120730 A | 33 | AM 2023 120706 A |
| 5 | AM 2023 120731 A | 33 | AM 2023 120737 A |
| 5 | AM 2023 120732 A | 33 | AM 2023 120942 A |
| 5 | AM 2023 120733 A | 34 | AM 2023 120621 A |
| 5 | AM 2023 120734 A | 34 | AM 2023 120935 A |
| 5 | AM 2023 120736 A | 35 | AM 2023 120617 A |
| 9 | AM 2023 120814 A | 35 | AM 2023 120621 A |
| 16 | AM 2023 120619 A | 35 | AM 2023 120626 A |
| 19 | AM 2023 120702 A | 35 | AM 2023 120700 A |
| 29 | AM 2023 120619 A | 35 | AM 2023 120702 A |
| 30 | AM 2023 120619 A | 35 | AM 2023 120730 A |
| 30 | AM 2023 120835 A | 35 | AM 2023 120842 A |
| 30 | AM 2023 120836 A | 36 | AM 2023 120820 A |
| 31 | AM 2023 120615 A | 37 | AM 2023 120820 A |
| 31 | AM 2023 120616 A | 38 | AM 2023 120617 A |
| 31 | AM 2023 120619 A | 39 | AM 2023 120702 A |
| 31 | AM 2023 120619 A | 41 | AM 2023 120617 A |
| 32 | AM 2023 120619 A | 41 | AM 2023 120724 A |
| 32 | AM 2023 120621 A | 41 | AM 2023 120814 A |
| | | 42 | AM 2023 120814 A |
| | | 43 | AM 2023 120825 A |

CONCORDANCE TABLE OF INDEX OF GOODS AND/OR SERVICES
AND NUMBERS OF TRADEMARKS REGISTERED ACCORDING
TO THE ACCELERATED PROCEDURE

| INDEX OF GOODS AND/OR SERVICES (511) | NUMBERS OF REGISTERED ACCORDING TO THE ACCELERATED PROCEDURE (111) |
|---|--|
| 5 | M 2023 36967 R |
| 5 | M 2023 36971 R |
| 5 | M 2023 36980 R |
| 32 | M 2023 36973 R |
| 35 | M 2023 36976 R |
| 36 | M 2023 36968 R |
| 36 | M 2023 36974 R |
| 36 | M 2023 36975 R |
| 36 | M 2023 36977 R |
| 36 | M 2023 36979 R |
| 36 | M 2023 36981 R |
| 39 | M 2023 36977 R |
| 39 | M 2023 36978 R |
| 41 | M 2023 36969 R |
| 41 | M 2023 36977 R |
| 41 | M 2023 37031 R |
| 42 | M 2023 36970 R |
| 42 | M 2023 36974 R |
| 42 | M 2023 36975 R |
| 43 | M 2023 36972 R |
| 43 | M 2023 36977 R |
| 43 | M 2023 36981 R |
| 43 | M 2023 36982 R |
| 43 | M 2023 36983 R |
| 43 | M 2023 36984 R |
| 43 | M 2023 36985 R |
| 43 | M 2023 36986 R |
| 43 | M 2023 36987 R |
| 43 | M 2023 36988 R |
| 43 | M 2023 36989 R |
| 43 | M 2023 36990 R |
| 43 | M 2023 36991 R |
| 43 | M 2023 37031 R |

OFFICIAL BULLETIN OF THE INDUSTRIAL PROPERTY

INVENTIONS
UTILITY MODELS
DESIGNS
TRADEMARKS

13(616)

EDITOR-IN-CHIEF: N. Bebrishvili

EDITOR-TRANSLATOR: E. Gabunia

PROOFREADER: A. Shixashvili

COMPUTER LAYOUT: M. Ordenidze
K. Svanidze

ISSN 2720-8486

info@sakpatenti.gov.ge
www.sakpatenti.gov.ge