



საქართველოს ინტელექტუალური საკუთრების ეროვნული ცენტრი  
NATIONAL INTELLECTUAL PROPERTY CENTER OF GEORGIA

საქპატენტი  
SAKPATENTI

**OFFICIAL BULLETIN  
OF THE INDUSTRIAL PROPERTY**

**15(523)**

2019  
TBILISI

# INID CODES FOR IDENTIFICATION OF BIBLIOGRAPHIC DATA

## INVENTIONS, UTILITY MODELS

- (10) Number of publication for application, which has been examined
- (11) Number of patent and kind of document
- (21) Serial number of application
- (22) Date of filing of the application
- (23) Date of exhibition or the date of the earlier filing and the number of application, if any
- (24) Date from which patent may have effect
- (31) Number of priority application
- (32) Date of filing of priority application
- (33) Code of the country or regional organization allotting priority application number
- (44) Date of publication of application not granted, but examined and number of bulletin
- (45) Date of publication of registered document
- (51) International Patent Classification Index
- (54) Title of the invention
- (57) Abstract
- (60) Number of examined patent document granted by foreign patent office, date from which patent has effect and country code
- (62) Number of the earlier application and in case of divided application, date of filing an application
- (71) Name, surname and address of applicant (country code)
- (72) Name, surname of inventor (country code)
- (73) Name, surname and address of patent owner (country code)
- (74) Name, surname of representative or patent attorney
- (85) Date of commencement of the national phase of International Application
- (86) Number and date of filing of international application
- (87) Number and date of publication of international application

## DESIGNS

- (10) Number of publication for application
- (11) Number of patent and kind of document or number of registration
- (15) Date of registration/Date of patent renewal
- (18) Expected expiration date of patent or registration
- (21) Serial number of application
- (22) Date of filing of the application
- (23) Date of exhibition or the date of the earlier filing and the number of application, if any
- (24) Date from which patent may have effect
- (28) Number of designs included in the application
- (30) Data relating to priority (number of application, date of filing of application, two-letter code identifying the authority with whom the priority application was made)
- (31) Number of priority application
- (32) Date of filing of priority application
- (33) Code of the country or regional organization allotting priority application number
- (34) Two-letter code according to WIPO St.3 identifying the authority with which the priority application was made
- (44) Date of publication of design and number of bulletin (the first publication)
- (45) Date of publication of design registered by WIPO and number of bulletin
- (51) International Classification for designs (class and subclass of the Locarno Classification)
- (54) Title of the invention
- (55) Reproduction of the design
- (57) Description of characteristic features of the design including indication of colors
- (58) Date of recording of any kind of amendment in the Register
- (62) Number of the earlier application, registration and document number and if available the date of filing an application in case of divided application
- (71) Name, surname and address of applicant (country code)
- (72) Name, surname of creator (country code)
- (73) Name, surname and address of patent owner (country code)
- (74) Name, surname of representative or patent attorney
- (81) Contracting states concerned
  - II designated contracting states according to the 1960 Act
  - III designated contracting states according to the 1999 Act
- (85) Owner's permanent address
- (86) Owner's nationality
- (87) Owner's residence
- (88) State in which the owner has a real and effective industrial or commercial establishment

## TRADEMARKS

- (111) – Number of registration
- (151) – Date of registration
- (156) – Date of the renewal
- (181) – Expected expiration date of registration
- (186) – Renewal expiration date of registration
- (141) – Date of cancel of duration of the mark
- (210) – Serial number of application
- (220) – Date of filing of the application
- (230) – Date concerning exhibition
- (260) – Number of application, for which favorable decision of examination about registration has been taken (publication number)
- (310) – Number of the first application
- (320) – Date of filing of the first application
- (330) – Code, identifying national or regional Office where the first application was made
- (511) – International Classification of Goods and Services for the purposes of registration of trade marks and/or list of goods and/or services classified according thereto
- (531) – Description of figurative elements of Trade Marks according to the International Classification of the Figurative Elements of Marks
- (540) – Reproduction of Trade Mark
- (550) – Nature and kind of Trade Mark
- (580) – Date of recording of any kind changes in respect of applications or registrations
- (591) – Information concerning colors claimed
- (731) – Name and address of the applicant
- (732) – Name and address of the holder of the registration
- (740) – Name and address of the representative
- (750) – Address for correspondence
- (770) – Name and address of the previous applicant or holder in case of change in ownership
- (771) – Previous name and address of the applicant or holder in case of change in ownership
- (791) – Name and address of the licensee
- (793) – Indication of conditions and/or restrictions under the license (Type of license, number of license agreement, data of license, data of validity of license)
- (800) – Certain data relating to the international registration of Trade Marks under the Protocol Relating to Madrid Agreement (International registration number)

## CODES FOR PUBLICATION IN BULLETIN

- (21) AP 0000 000000 – serial number of application for invention
- (10) AP 0000 0000 A – number of published application for invention (first publication)
- (11) P 0000 0000 B – number of patent for invention (second publication)
- (21) API 0000 000000 – number of application for imported patent
- (11) PI 0000 0000 A – number of imported patent (first publication)
- (21) AU 0000 000000 – serial number of application for utility model
- (10) AU 0000 000 U – number of published application for utility model (first publication)
- (11) U 0000 000 Y – number of patent for utility model (second publication)
- (21) AD 0000 000000 – serial number of application for design
- (10) AD 0000 000 S – number of published application for design (first publication)
- (11) D 0000 000 S – number of patent for design (second publication)

## INTERNATIONAL PATENT CLASSIFICATION FOR INVENTIONS AND UTILITY MODELS

- SECTION A – HUMAN NECESSITIES
- SECTION B – PERFORMING OPERATIONS; TRANSPORTING
- SECTION C – CHEMISTRY; METALLURGY
- SECTION D – TEXTILES; PAPER
- SECTION E – FIXED CONSTRUCTIONS
- SECTION F – MECHANICAL ENGINEERING; LIGHTING; HEATING; WEAPONS; BLASTING
- SECTION G – PHYSICS
- SECTION H – ELECTRICITY

- 
- M – Trade Mark
  - (210) AM 0000 000000 – Serial number of application;
  - (260) AAM 0000 00000 A – Publication number of application;
  - (111) M 0000 00000 R – Number of registration;
  - (111) MMM0000 00000 Rn – Number of renewals, in which n=1,2,3;
  - (111) M 0000 00000 R(P) – Number of registration under partial assignment of rights
-



# **OFFICIAL BULLETIN OF THE INDUSTRIAL PROPERTY**

**15(523)**

**INVENTIONS  
UTILITY MODELS  
DESIGNS  
TRADEMARKS  
GEOGRAPHICAL INDICATION**

**DATE OF PUBLICATION: 2019 08 12**

# CONTENTS

<b>PUBLISHED TITLES OF PROTECTION</b> .....	3
<b>INVENTIONS</b>	
▪ APPLICATIONS APPROVED FOR GRANTING PATENTS .....	4
▪ PATENTED INVENTIONS .....	7
<b>UTILITY MODELS</b>	
▪ APPLICATION APPROVED FOR GRANTING PATENT .....	9
▪ PATENTED UTILITY MODEL .....	10
<b>DESIGNS</b>	
▪ APPLICATIONS APPROVED FOR REGISTRATION .....	11
▪ REGISTERED DESIGNS .....	17
▪ DESIGNS, WICH HAVE BEEN REGISTERED WITH THE INTERNATIONAL BUREAU CLAIMING PRIORITY ON THE TERRITORY OF GEORGIA .....	18
<b>TRADEMARKS</b>	
▪ APPLICATIONS FILED UNDER THE NATIONAL PROCEDURE APPROVED FOR REGISTRATION .....	34
▪ REGISTERED TRADEMARKS .....	43
▪ TRADEMARKS REGISTERED ACCORDING TO THE ACCELERATED PROCEDURE .....	47
▪ INTERNATIONAL TRADEMARKS FOR WHICH A DECISION ON GANTING PROTECTION IS TAKEN .....	51
▪ INTERNATIONAL TRADEMARKS PROTECTED IN GEORGIA .....	116
<b>GEOGRAPHICAL INDICATION</b>	
▪ PROTECTED GEOGRAPHICAL INDICATION .....	127
<b>OFFICIAL NOTIFICATIONS</b>	
<b>DESIGNS</b>	
▪ RENEWAL OF REGISTRATIONS .....	140
<b>TRADEMARKS</b>	
▪ RENEWAL OF REGISTRATIONS .....	141
▪ COMPLET TRANSFER OF RIGHTS .....	147
▪ CHANGES OF NAMES AND/OR ADDRESSES OF OWNERS .....	149
▪ TERMINATION OF TRADEMARKS REGISTRATION .....	151
▪ LICENSE AGREEMENTS .....	153
<b>CLASSIFICATION INDEXES</b>	
INVENTIONS .....	155
UTILITY MODELS .....	156
DESIGNS .....	157
TRADEMARKS .....	159

## **PUBLISHED TITLES OF PROTECTION**

### **INVENTIONS**

- **APPLICATION APPROVED FOR GRANTING PATENT:**  
14605; 14692; 14610; 14545; 14656
- **PATENTED INVENTIONS:**  
7009-7012

### **UTILITY MODELS**

- **APPLICATION APPROVED FOR GRANTING PATENT:**  
14921
- **PATENTED UTILITY MODEL:**  
2016

### **DESIGNS**

- **APPLICATIONS APPROVED FOR REGISTRATIONS:**  
1083; 1079; 1085
- **REGISTERED DESIGNS:**  
814-816
- **DESIGNS WHICH HAVE BEEN REGISTERED WITH THE INTERNATIONAL BUREAU CLAIMING PRIORITY ON THE TERRITORY OF GEORGIA:**  
200768; 200372; 200697; 201155; 201047

### **TRADEMARKS**

- **APPLICATIONS FILED UNDER THE NATIONAL PROCEDURE APPROVED FOR REGISTRATION:**  
97814\*; 98412\*; 98448; 98764; 99157; 99197; 99484-99486; 99947; 99950; 100393; 100421, 100422; 100688, 100689; 100707; 100760; 100776; 100778; 100785-100787; 100791; 100794-100796; 100799; 100805; 100819; 100858; 100866; 100881; 100893; 100909; 100920; 100928; 100931; 100933; 101224; 101241; 101251, 101252; 101254; 101290, 101291; 101417, 101418; 101506; 101676
- **REGISTERED TRADEMARKS:**  
31494-31534
- **TRADEMARKS REGISTERED ACCORDING TO THE ACCELERATED PROCEDURE:**  
31488-31493; 31535-31547
- **INTERNATIONAL TRADEMARKS FOR WHICH A DECISION ON GRANTING PROTECTIONS IS TAKEN:**  
97055; 97630\*; 98087; 99208; 99728; 99742; 99809-99811; 99814; 99816-99819; 99825; 99833, 99834; 99840, 99841; 100104-100106; 100108, 100109; 100111; 100130; 100135-100137; 100139, 100140; 100142; 100144, 100145; 100147-100151; 100175-100177; 100182; 100184-100186; 100189, 100190; 100192-100201; 100218-100220; 100223, 100224; 100227, 100228; 100231; 100254-100256; 100273-100276; 100278-100280; 100332, 100333; 100335-100337; 100339, 100340; 100346; 100469; 100478, 100479; 100494-100503; 100555-100559; 100565-100568; 100619, 100620; 100626-100630; 100749; 100857; 100940-100944; 100952-100955; 101030; 101032, 101033; 101044; 101047; 101051; 101054-101057; 101059; 101061-101063
- **INTERNATIONAL TRADEMARKS PROTECTED IN GEORGIA:**  
94816; 95397; 97654; 97659; 97856; 97862; 98051; 98070; 98091; 98099; 98102; 98104, 98105; 98107, 98108; 98261, 98262; 98264-98270; 98274; 98321; 98324; 98328-98330; 98362; 98364; 98457-98459; 98468-98471; 98480, 98481; 98486; 98489; 98494; 98499, 98500; 98512, 98513; 98524; 98591; 98594; 98597, 98598; 98603; 98614-98621; 98635-98637; 98644; 98646; 98652; 98654, 98655; 98657; 98699; 98709, 98710; 98712-98714; 98737; 98739; 98745-98749; 98751; 98806-98808; 98813; 98815; 98817; 98819; 98821, 98822; 98824, 98825; 98827-98833; 98847-98850; 98852; 98887; 98915; 98917-98919; 99042-99044; 99046, 99047; 99049; 99086, 99087; 99099-99101; 99103, 99104; 99106; 99119-99121; 99126, 99127; 99216; 99218; 99220; 99236-99239; 99255; 99258, 99259; 99425; 99535; 99537-99542; 99568, 99569; 99593

### **GEOGRAPHICAL INDICATIONS**

- **PROTECTED GEOGRAPHICAL INDICATION:**  
SULGUNI, TUSHURI GUDA

# INVENTIONS

## APPLICATIONS APPROVED FOR GRANTING PATENTS

The decision can be appealed at the Chamber of Appeal of Sakpatenti within 3 months from the publication or at the Mtskheta District Court Administrative Cases Board (Address: №17, Samkhedro str., Mtskheta), within 1 month following the publication.

### PART A

#### A 47

(10) AP 2019 14605 A (51) Int. Cl. (2006)

A 47 K 10/36

(21) AP 2016 14605 (22) 2016 04 13

(31) 10 2015 105 580.5

(32) 2015 04 13

(33) DE

(71) ILLE PAPIER-SERVICE GMBH (DE)

Industriestraße 28 63674 Altstadt (DE)

(72) GOTTSCHALK, Eric (DE)

(74) Liliana Darakhvelidze

(85) 2017 10 11

(86) PCT/EP2016/058116, 2016 04 13

(54) **TOILET-PAPER-ROLL HOLDER**

(57) The invention relates to a holder (10) for at least two toilet-paper rolls (12, 14) which are arranged one above the other and consist of a paper web (56) wound up on a sleeve (52, 54) or a shaft, comprising a first and a second wall (28, 30) which are arranged at a distance parallel to each other, wherein each of the walls (28, 30) has a guide (40, 42) for receiving one end each of the shaft or of a shaft journal, which can be received in an opening in the sleeve, wherein the guide (40, 42) has a substantially vertically running supply portion (40b) for supplying a toilet-paper roll (12, 14), said supply portion merging into an unrolling portion (40c) running at an inclination with respect to the vertical in the direction of at least one first tear-off element (60, 62) or a stop (72), wherein the gravitational force of the toilet-paper roll (12, 14) located in the unrolling portion (40c) causes said toilet-paper roll to lie circumferentially against the stop (72), and wherein the paper web (56) can be unrolled from the toilet-paper roll (14) through a removal opening (58) and can be torn off at the at least one tear-off element (60, 62). In order, with a low construction depth, to permit the toilet paper to be unrolled irrespective of the winding direction of the toilet-paper roll, it is provided that the first wall (28) forms a rear wall (18) or is connected to such a rear wall such that an axis of rotation (46) of the toilet-paper roll (12, 14) runs perpendicularly to the rear wall (18), wherein the toilet-paper roll (12, 14) can be received and can be unrolled irrespective of its unrolling direction in the guides (40, 42) of the

first and second wall (28, 30), that the stop (74) has a surface (73) which is convex with respect to a circumferential surface of the toilet-paper roll (12, 14), and therefore the toilet-paper roll (12, 14) can be unrolled in both directions, and that the holder (10) has a second tear-off element (62) which is arranged substantially parallel to the first tear-off element (60) on the opposite side of the removal opening, wherein the first and the second tear-off element (60, 62) form lateral delimitations of the removal opening (58).

Claims: 2 independent

16 dependent

Fig.: 8

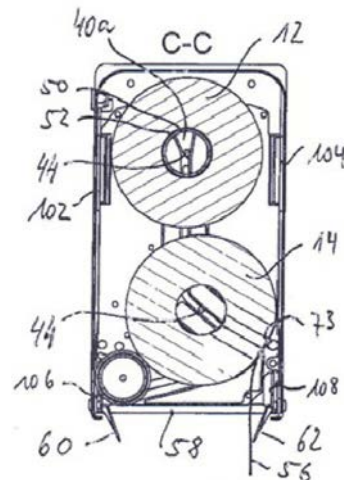


Fig. 5

#### A 61

(10) AP 2019 14692 A (51) Int. Cl. (2006)

A 61 K 31/4439

A 61 P 27/02

A 61 P 9/00

C 07 D 413/14

C 07 D 401/10

C 07 D 401/14

C 07 D 413/10

(21) AP 2016 14692 (22) 2016 07 05

(31) 16157350.6; 15176099.8

(32) 2016 02 25; 2015 07 09

(33) EP; EP

(71) Bayer Pharma Aktiengesellschaft (DE)

Müllerstraße 178 13353 Berlin (DE)

(72) JIMENEZ NUNEZ, Eloisa (DE);  
 ELLERBROCK, Pascal (DE);  
 MEIBOM, Daniel (DE);  
 STAMPFUSS, Jan (DE);  
 ACKERSTAFF, Jens (DE);  
 HILLISCH, Alexander (DE);  
 HEITMEIER, Stefan (DE);  
 RÖHRIG, Susanne (DE);  
 MEIER, Katharina (DE);  
 LANG, Dieter (DE);  
 TERSTEEGEN, Adrian (DE)

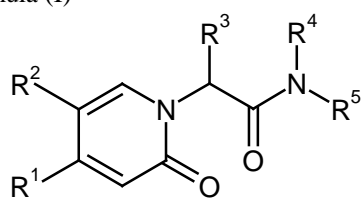
(74) Giorgi Kartvelishvili

(85) 2018 02 06

(86) PCT/EP2016/065787, 2016 07 05

(54) **SUBSTITUTED OXOPYRIDINE  
 DERIVATIVES**

(57) An invention relates to oxopyridine derivatives of formula (I)



and obtaining methods thereof; their usage for prevention and/or treatment of cardiovascular, thrombotic or thromboembolic and ophthalmic disorders, as well.

Claims: 9 independent

2 dependent

## PART B

### B 42

(10) **AP 2019 14610 A** (51) **Int. Cl. (2006)  
 B 42 D 25/41**

(21) AP 2016 14610 (22) 2016 03 22

(31) 2014520

(32) 2015 03 25

(33) NL

(71) MORPHO B.V. (NL)

Oudeweg 32 2031 CC Haarlem (NL)

(72) VAN DEN BERG, Jan (NL)

(74) Tamaz Shilakadze

(85) 2017 10 20

(86) PCT/NL2016/050197, 2016 03 22

(54) **METHOD OF PROVIDING AN  
 IMPRINTED SECURITY FEATURE**

(57) The invention relates to a method of forming a security document (1) comprising the steps of: - providing a base layer (2) having a top side (6), - providing a color image (3) onto an image area (Ai) of the top side (6) by printing colored ink, on the top side (6), - characterized in that, - a lens structure is

applied over the colored ink, the lens structure having a predetermined focal plane (8) situated at a distance from the top side (6), and - laser engraving a black image in through the lens structure and through the colored ink to form blackened image elements substantially at or near the focal plane.

Claims: 3 independent

11 dependent

Fig.: 7

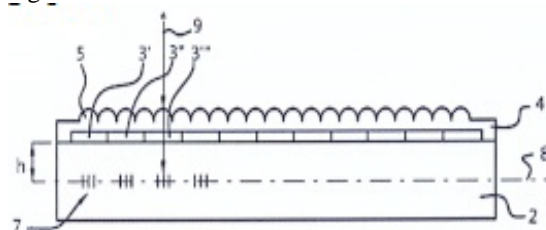


Fig. 1B

## PART C

### C 07

(10) **AP 2019 14545 A** (51) **Int. Cl. (2006)  
 C 07 D 471/04**

(21) AP 2015 14545 (22) 2015 12 17

(31) 62/093,564; 62/115,223; 62/180,222

(32) 2014 12 18; 2015 02 12; 2015 06 16

(33) US; US; US

(71) Takeda Pharmaceutical Company Limited (JP)

1-1, Doshomachi 4-chome Chuo-ku, Osaka-shi  
 Osaka, 541-0045 (JP)

(72) O'BRYAN, Colin (US);

CHEN, Rongliang (US);

MOTOYOSHI, Hajime (JP);

YOSHIKAWA, Naoki (JP);

ICHIBAKASE, Tomonori (JP);

MATTHEWS, Christopher (US);

YAJI, Kentaro (JP);

MA, Chunrong (US)

(74) Shalva Gvaramadze

(85) 2017 07 17

(86) PCT/IB2015/002489, 2015 12 17

(54) **SOLID STATE FORMS OF FUSED  
 HETEROAROMATIC PYRROLIDINONES**

(57) An invention relates to crystalline form of 6-(1R,2S)-2-aminocyclohexylamino)-7-fluoro-4-(1-methyl-1H-pyrazol-4-yl)-1H-pyrrolo[3,4-c]pyridine-3(2H)-one citrate, which is inhibitor of spleen tyrosine kinase (SYK); and usage of this compound for cancer treatment, as well.

Claims: 4 independent

13 dependent

Fig.: 66



**PART E****E 02**

(10) AP 2019 14656 A (51) Int. Cl. (2006)  
E 02 B 3/00

(21) AP 2017 14656 (22) 2017 12 21

(71) Georgian Technical University (GE)  
M. Kostava St. 77, 0171, Tbilisi (GE);  
Givi Gavardashvili (GE)  
Varketili III, II mkr., korp. 29-a, Apt. 17,  
0163, Tbilisi (GE);  
Edward Kukhalashvili (GE)  
Nutsbidze IV mkr., korp. 8, Apt. 6, 0183,  
Tbilisi (GE);  
Shorena Kupreishvili (GE)  
Vazha-Pshavela Ave. 71, korp. C, Apt. 25,  
0186, Tbilisi (GE);  
Natia Gavardashvili (GE)  
Krtsanisi I Passage 0114, Tbilisi (GE)

(72) Givi Gavardashvili (GE);  
Edward Kukhalashvili (GE);  
Shorena Kupreishvili (GE);  
Natia Gavardashvili (GE)

(54) **ELASTIC BARRAGE FOR  
REGULATING A MURDER FLOW**

(57) Elastic barrage 1 regulating mudflow is formed with sections connected to each other, executed in the form of trihedral prisms 2 of equal height. The sections with side faces 3 are closely mounted in the bed. The height of base 4 of prisms rises directly of mudflow and creates a springboard. The construction is directed towards the mudflow with its tip. The faces of prisms located on the top have holes 5 or fasteners binding them with cables 6; and transverse cables 7 are connected to the cables 6 so that they form pockets.

Claims: 1 independent

Fig.: 4

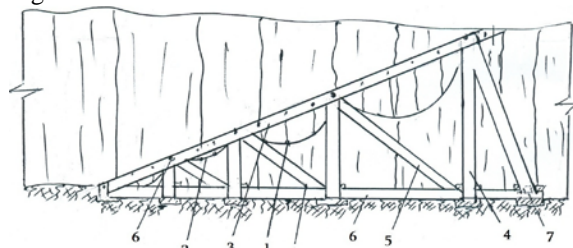


Fig. 3

# PATENTED INVENTIONS

## PART B

### B 61

- (11) P 2019 7012 B** (51) **Int. Cl. (2006)**  
**B 61 L 23/16**  
 (10) AP 2019 14538 A (44) 7(515)/2019  
 (21) AP 2017 14538  
 (22) 2017 06 30  
 (24) 2017 06 30  
 (73) Nino Mukhigulashvili (GE)  
 Tsitsamuris q. 16, 0180, Tbilisi (GE);  
 Giorgi Keshelava (GE)  
 Chubinashvilis q. 75, 0112, Tbilisi (GE);  
 Merab Chaladze (GE)  
 Javakhetis q., II shes., korp. 10, b. 30,  
 0182, Tbilisi (GE);  
 Murtaz Papaskiri (GE)  
 Dimitri Kipianis q. 6, 0108, Tbilisi (GE);  
 Vakhtang Kupradze (GE)  
 Dighmis mas., III kv., korp. 5, b. 83,  
 0159, Tbilisi (GE)  
 (72) Nino Mukhigulashvili (GE);  
 Giorgi Keshelava (GE);  
 Merab Chaladze (GE);  
 Murtaz Papaskiri (GE);  
 Vakhtang Kupradze (GE)  
 (54) **METHOD FOR ISOLATING JOINTS**  
**CORRECTION CONTROL**

### B 62

- (11) P 2019 7010 B** (51) **Int. Cl. (2006)**  
**B 62 D 23/00**  
**B 62 D 27/02**  
**B 62 D 29/00**  
 (10) AP 2019 14362 A (44) 7(515)/2019  
 (21) AP 2015 14362  
 (22) 2015 06 25  
 (24) 2015 06 25  
 (31) 1411454.0  
 (32) 2014 06 27  
 (33) GB  
 (86) PCT/EP2015/064370, 2015 06 25  
 (73) Gordon Murray Design Limited (GB)  
 Wharfside Broadford Park Shalford Surrey  
 GU4 8EP (GB)  
 (72) MURRAY, Ian Gordon (GB);  
 COPPUCK, Frank (GB)  
 (74) Shalva Gvaramadze  
 (54) **VEHICLE CHASSIS STRUCTURES**

## PART C

### C 07

- (11) P 2019 7011 B** (51) **Int. Cl. (2006)**  
**C 07 D 403/14**  
**C 07 D 473/16**  
 (10) AP 2019 14379 A (44) 7(515)/2019  
 (21) AP 2015 14379  
 (22) 2015 05 13  
 (24) 2015 05 13  
 (31) 62/014,500  
 (32) 2014 06 19  
 (33) US  
 (86) PCT/US2015/030576, 2015 05 13  
 (73) ARIAD PHARMACEUTICALS, INC. (US)  
 26 Landsdowne Street Cambridge,  
 MA 02139 (US)  
 (72) HUANG, Wei-Sheng (US);  
 GONG, Yongjin (CN);  
 LI, Feng (CN);  
 BENCIVENGA, Nicholas, E. (US);  
 DALGARNO, David, C. (US);  
 KOHLMANN, Anna (US);  
 SHAKESPEARE, William, C. (US);  
 THOMAS, Ranny, M. (IN);  
 ZHU, Xiaotian (US);  
 WEST, Angela, V. (CA);  
 YOUNGSAYE, Willmen (US);  
 ZHANG, Yun (CN);  
 ZHOU, Tianjun (US)  
 (74) Shalva Gvaramadze  
 (54) **HETEROARYL COMPOUNDS FOR**  
**KINASE INHIBITION**
- (11) P 2019 7009 B** (51) **Int. Cl. (2006)**  
**C 07 D 487/04**  
**C 07 H 19/06**  
**C 07 H 19/14**  
**A 61 K 31/7064**  
**A 61 K 31/7076**  
**A 61 P 1/16**  
 (10) AP 2019 14307 A (44) 7(515)/2019  
 (21) AP 2015 14307  
 (22) 2015 03 26  
 (24) 2015 03 26  
 (31) PCT/CN2014/074294  
 (32) 2014 03 28  
 (33) CN  
 (86) PCT/US2015/022621, 2015 03 26  
 (73) MERCK SHARP & DOHME CORP. (US)  
 126 East Lincoln Avenue Rahway, New Jersey  
 07065-0907 (US)

- (72) GIRIJAVALLABHAN, Vinay, M. (US);  
OLSEN, David, B. (US);  
ZHANG, Zhibo (CN);  
FU, Jianmin (CA);  
TANG, Bing-Yu (CN)
- (74) Shalva Gvaramadze
- (54) **4'-SUBSTITUTED NUCLEOSIDE-  
DERIVATIVES AS HIV REVERSE  
TRANSCRIPTASE INHIBITORS**
-

---

# UTILITY MODELS

## APPLICATION APPROVED FOR GRANTING PATENT

The decision can be appealed at the Chamber of Appeal of Sakpatenti within 3 months from the publication or at the Mtskheta District Court Administrative Cases Board (Address: №17, Samkhedro str., Mtskheta), within 1 month following the publication.

### PART A

#### A 63

(10) AU 2019 14921 U (51) Int. Cl. (2006)  
A 63 G 21/00

(21) AU 2018 14921 (22) 2018 11 09

(71) Anton Frolov (US)  
2 Concho Ln., Bell Canyon, CA 91307 (US)

(72) Anton Frolov (US)

(74) Tamaz Shilakadze

(54) **GROUND ENTERTAINMENT  
ATTRACTION**

(57) Attraction system contains a tunnel, a vehicle for visitors, audio and video systems, lighting system capable to generate various effects, sensors determining location of visitors, control system configured to open and close doors automatically, when visitors approach, and the halls separated with doors from each other and located in one part of tunnel.

Claims: 1 independent

Fig.: 9

---

## PATENTED UTILITY MODEL

### PART E

#### E 04

(11) U 2019 2016 Y (51) Int. Cl. (2006)

E 04 B 5/43

(10) AU 2019 14779 U (44) 7(515)/2019

(21) AU 2018 14779

(22) 2018 05 11

(24) 2018 05 11

(73) Revaz Sikharulidze (GE)

Tkibulis q.16, 0178, Tbilisi (GE)

(72) Revaz Sikharulidze (GE)

(54) **ARMATURE FRAMEWORK FOR  
HEAT-INSULATING CEILING PLATE**

---

---

# DESIGNS

## APPLICATION APPROVED FOR REGISTRATION

The decision can be appealed at the Chamber of Appeal of Sakpatenti within 3 months from the publication or at the Mtskheta District Court Administrative Cases Board (Address: №17, Samkhedro str., Mtskheta), within 1 month following the publication.

(10) AD 2019 1083 S (51) 07-06

(21) AD 2019 1083 (22) 2019 04 08

(28) 4

(71) Maizer Zakarashvili (GE)

K. Kutateladze q. 6, 0179, Tbilisi (GE)

(72) Maizer Zakarashvili (GE)

(54) **2. HALF KHINKALI-SHAPED CERAMIC SALTCELLAR**

**3. HALF KHINKALI-SHAPED CERAMIC PEPPER POT**

**4.-5. CERAMIC SET**

(55)





3.1



3.2



3.3



3.4



3.5



3.6



4.1



4.2



4.3



5.1



5.2



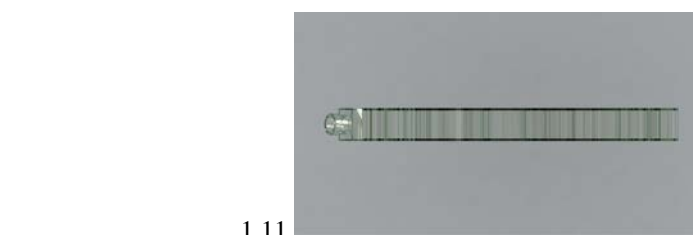
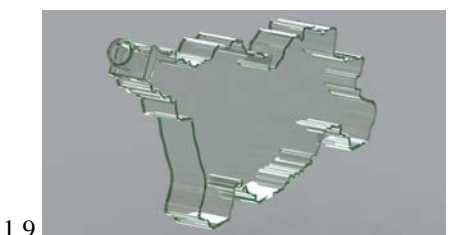
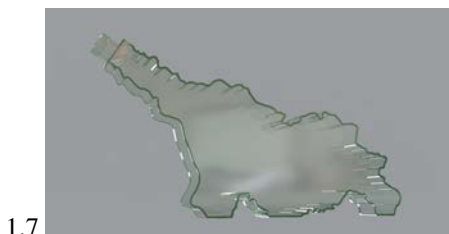
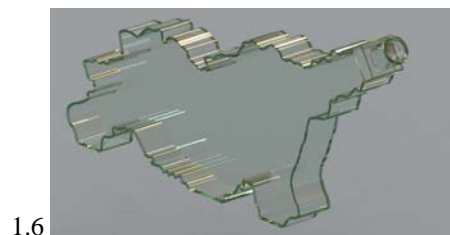
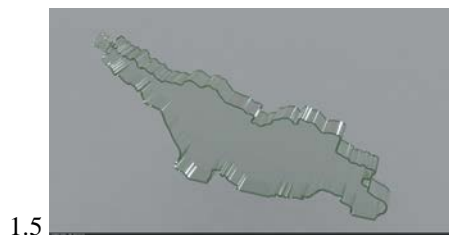
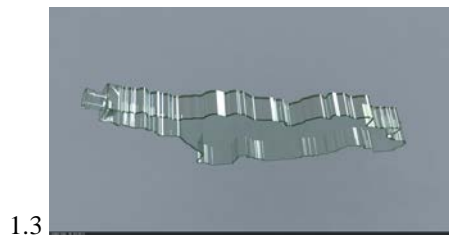
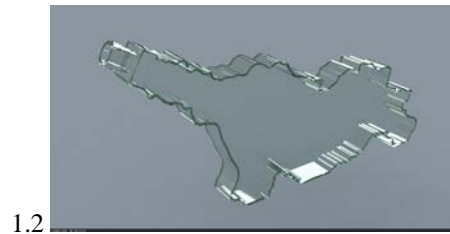
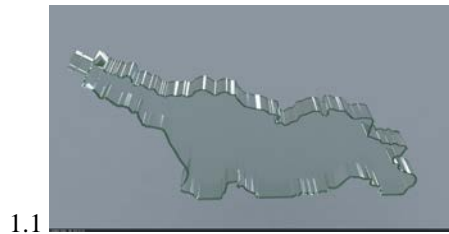
5.3



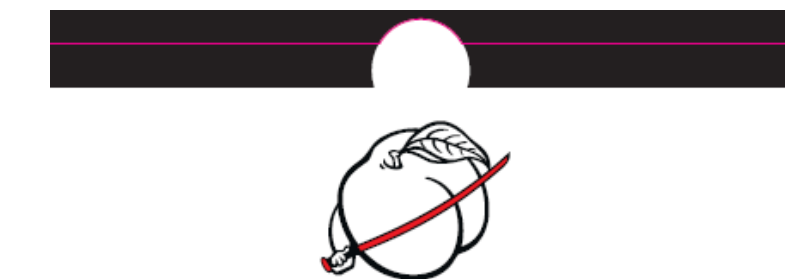
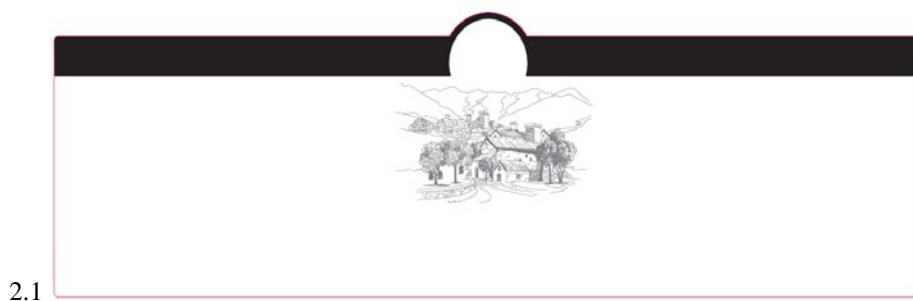
5.4



(10) AD 2019 1079 S      (51) 09-01  
(21) AD 2019 1079      (22) 2019 03 20  
(28) 1  
(71) Tinatin Bregadze (GE)  
      Sop. Rokhi, 1006, Baghdati (GE)  
(72) Tinatin Bregadze (GE)  
(54) **BOTTLE**  
(55)



- (10) AD 2019 1085 S (51) 19-08  
(21) AD 2019 1085 (22) 2019 04 10  
(28) 6  
(71) Eugenia Karacheva (RU)  
Ul. Gorbunova, Dom 19, korp. 1, kvartira 20, Moscow (RU)  
(72) Eugenia Karacheva (RU)  
(74) Mzia Nadaraia (GE)  
(54) 1.-6. LABELS  
(55)





5.1



6.1

---

---

**REGISTERED DESIGNS**

**(11) D 2019 814 S**      **(51) 09-03**  
(10) AD 2019 1059 S      (44) 2019 04 25 №8  
(21) AD 2018 1059  
(22) 2018 10 01  
(24) 2018 10 01  
(28) 3  
(18) 2023 10 01  
(73) LTD "VIM-BIL-DAN GEORGIA" (GE)  
Sop. Ponitchala, 0165, Tbilisi (GE)  
(72) Ana Gugulashvili (GE)  
(54) **1. MILK PACKING BOX,**  
**2. MATSONI (YOGURT) PACKING CAN,**  
**3. SOUR CREAM PACKING CAN**

---

**(11) D 2019 815 S**      **(51) 23-03**  
(10) AD 2019 1065 S      (44) 2019 04 25 №8  
(21) AD 2018 1065  
(22) 2018 11 16  
(24) 2018 11 16  
(28) 1  
(18) 2023 11 16  
(31) 30-2018-0023448  
(32) 2018 05 18  
(33) KR  
(73) KYUNG DONG NAVIEN CO., LTD (KR)  
95, Suwolam-gil, Seotan-myeon, Pyeongtaek-  
si, Gyeonggi-do, 17704 South Korea (KR)  
(72) Gun Sang JUNG (KR)  
(74) Liliana Darakhvelidze (GE)

---

**(11) D 2019 816 S**      **(51) 30-02**  
(10) AD 2019 1067 S      (44) 2019 04 25 №8  
(21) AD 2018 1067  
(22) 2018 12 14  
(24) 2018 12 14  
(28) 1  
(18) 2023 12 14  
(73) Nikoloz Osikmishvili (GE)  
A. Tseretlis q. 9, 3800, Sagarajo (GE)  
(72) Nikoloz Osikmishvili (GE)  
(54) **BEEHIVE**

---

**DESIGNS, WHICH HAVE BEEN REGISTERED WITH THE INTERNATIONAL BUREAU CLAIMING PRIORITY ON THE TERRITORY OF GEORGIA**

The decision can be appealed at the Chamber of Appeal of Sakpatenti within 3 months from the publication or at the Mtskheta District Court Administrative Cases Board (Address: №17, Samkhedro Str., Mtskheta), within 1 month following the publication.

(11) **DM/200 768**

(15) 2018 11 22

(22) 2018 11 22

(28) 1

(73) Valentino S.p.A.

Via Turati, 16/18, I-20121 MILANO (IT)

(85) –

(86) IT, EM

(87) IT, EM

(88) IT, EM

(89) EM

(81) III. US, TR, GE, UA, KG, AZ, EM, KR, JP, TJ, RU

(72) Stefano Sassi

C/o VALENTINO S.p.A. Via Turati, 16/18, I-20121 Milano (IT)

(74) Matteo Mozzi

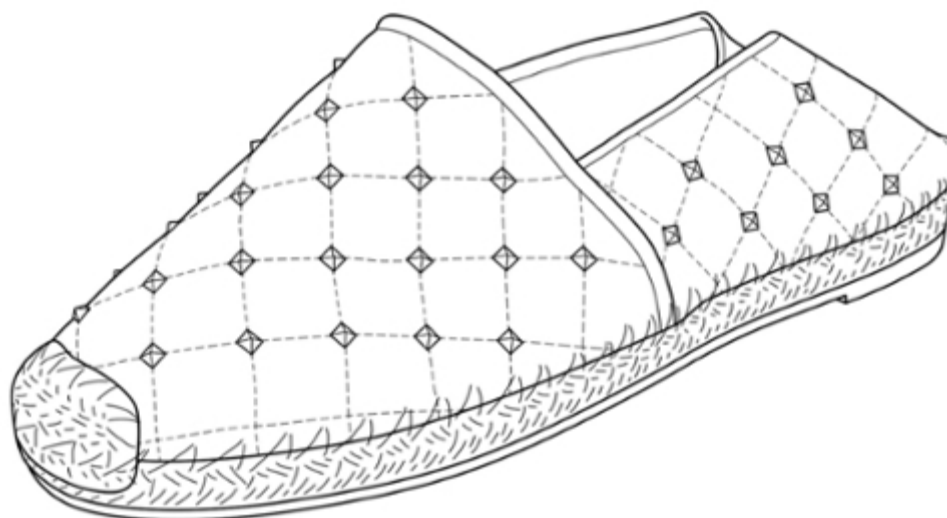
C/o Jacobacci & Partners S.p.A. Via Senato, 8, I-20121 MILANO (IT)

(54) 1. Shoe

(55)

(51) **02-04**

(44) 19/2019 (2019 05 10)



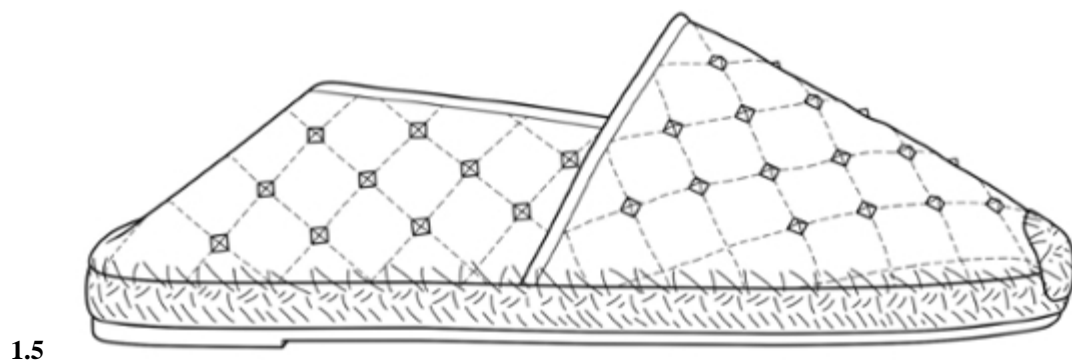
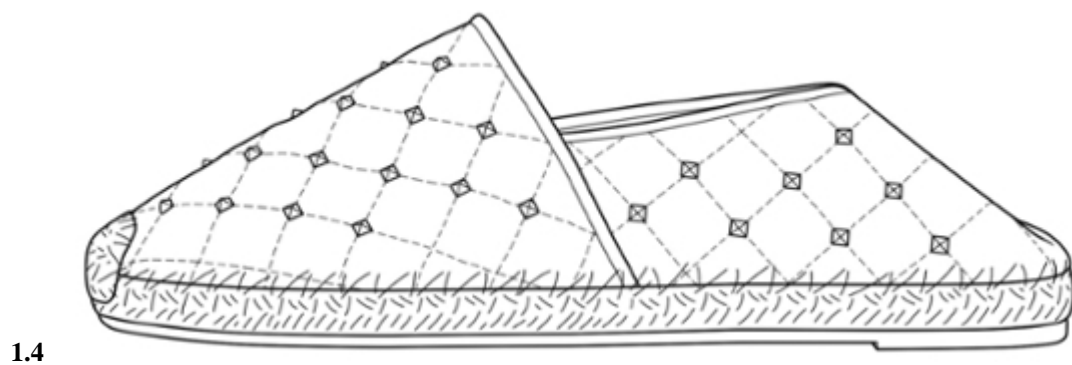
1.1



1.2



1.3



(11) DM/200 372

(15) 2018 11 27

(22) 2018 11 27

(28) 4

(73) MONTRES JAQUET DROZ SA (Montres Jaquet Droz AG) (Montres Jaquet Droz Ltd.)

Allée Du Tourbillon 2, 2300 La Chaux-de-Fonds (CH)

(85) CH

(86) CH

(87) CH

(88) CH

(89) CH

(81) II. BZ, MA III. UA, AM, AL, AZ, ME, MD, MC, SG, MN, NO, BA, MK, OM, TR, GE, LI, KG, GB, TN, EM, CH

(72) Christian Lattmann

Chemin Du Château-Neuf 17, 1125 Monnaz (CH);

Thanh Le Ngoc

1 Rue Du Clos De La Fontaine, 25500 Le Belieu (FR)

(74) The Swatch Group AG (The Swatch Group SA) (The Swatch Group Ltd.)

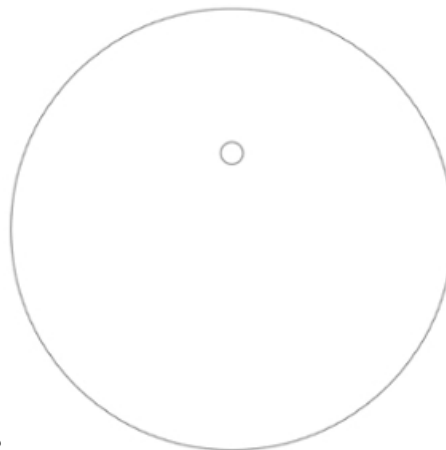
Faubourg Du Lac 6, 2501 BIEL/BIENNE (CH)

(54) 1. Dial, 2. Oscillating weight, 3. Dial, 4. Oscillating weight

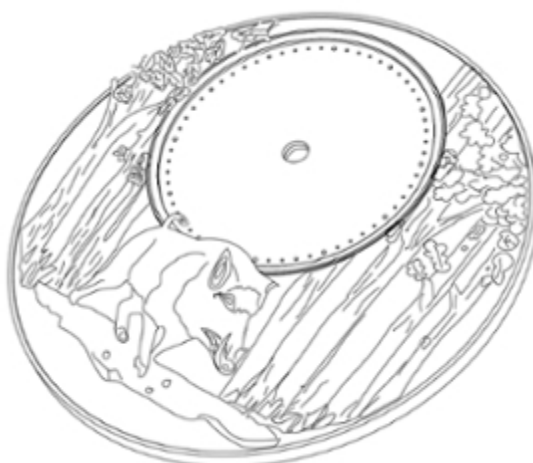
(55)



1.1



1.2



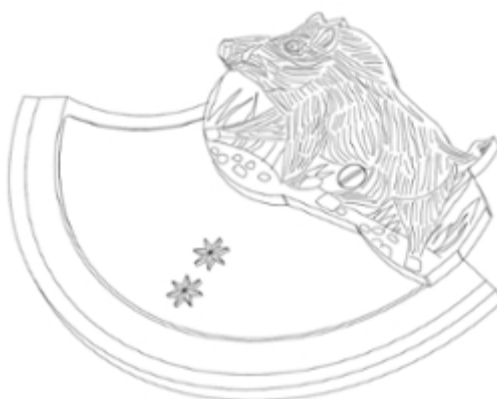
1.3



2.1



2.2



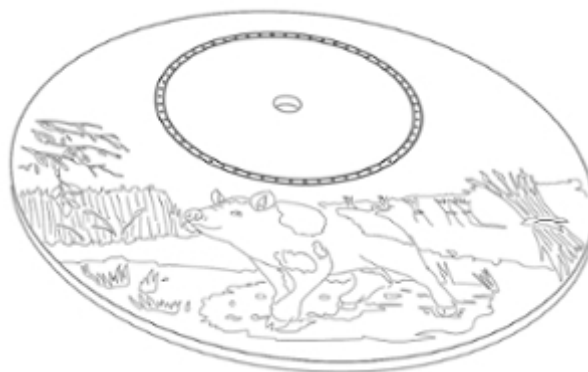
2.3



3.1



3.2

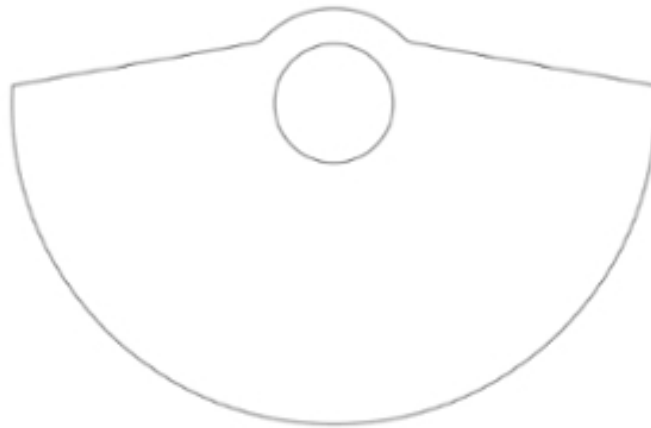


3.3





4.1



4.2



4.3

**(11) DM/200 697**

(15) 2018 11 27

(22) 2018 11 27

(28) 9

(73) The Swatch Group Management Services AG (The Swatch Group Management Services SA)  
 (The Swatch Group Management Services Ltd.)  
 Seevorstadt 6, 2502 Biel/Bienne (CH)

(85) CH

(86) CH

(87) CH

(88) CH

(89) CH

(81) II. BZ, MA III. UA, AM, AL, AZ, ME, MD, MC, SG, MN, NO, BA, MK, OM, TR, GE, LI, KG, GB,  
 TN, EM, CH

(72) 5 Maurus MOSER

Rue De L'Evole 27, 2000 Neuchâtel (CH);

3-4; 6-7; 9 Fernando SOARES

5, Rue Fleury, 2000 Neuchâtel (CH);

1-2; 8 Fabrice DUPORT

4, Avenue De La Gare, 2000 Neuchâtel (CH)

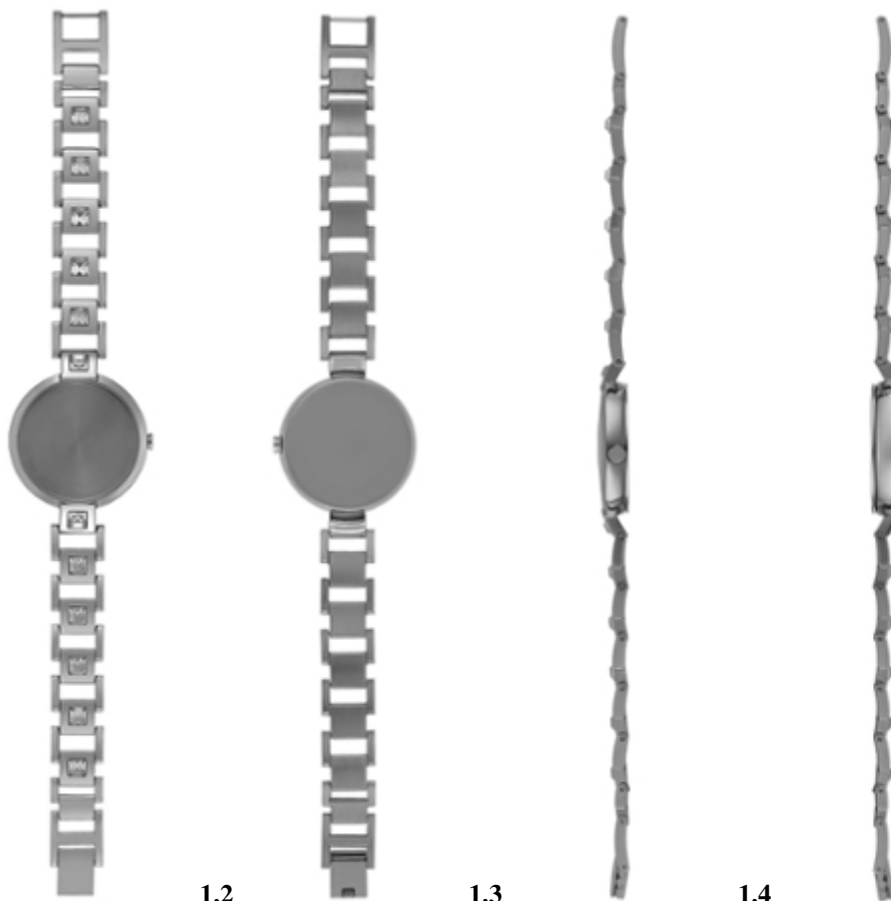
(74) The Swatch Group AG (The Swatch Group SA) (The Swatch Group Ltd)

6, Faubourg Du Lac, 2501 (CH)

(54) 1. Watch case with strap, 2. Watch case with strap, 3. Watch, 4. Watch, 5. Wristwatch,

6. Watch case with strap, 7. Watch case with strap, 8. Watch case with strap, 9. Watch case

(55)



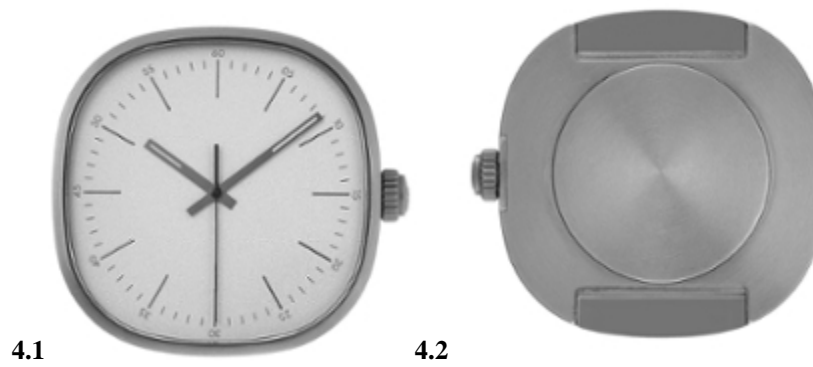
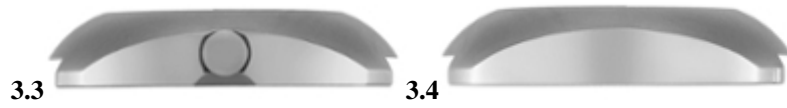
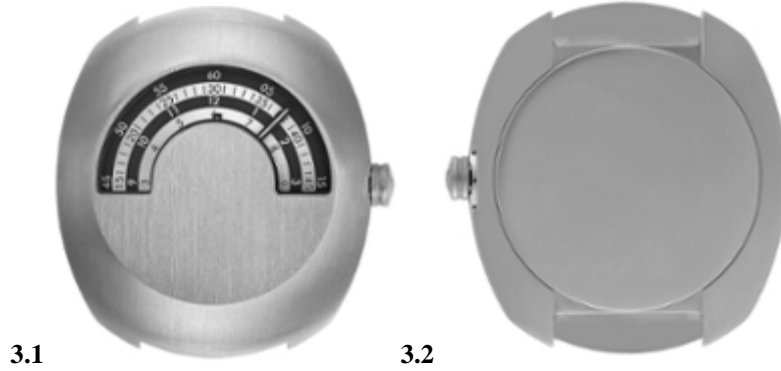
1.1

1.2

1.3

1.4







4.6



5.1



5.2



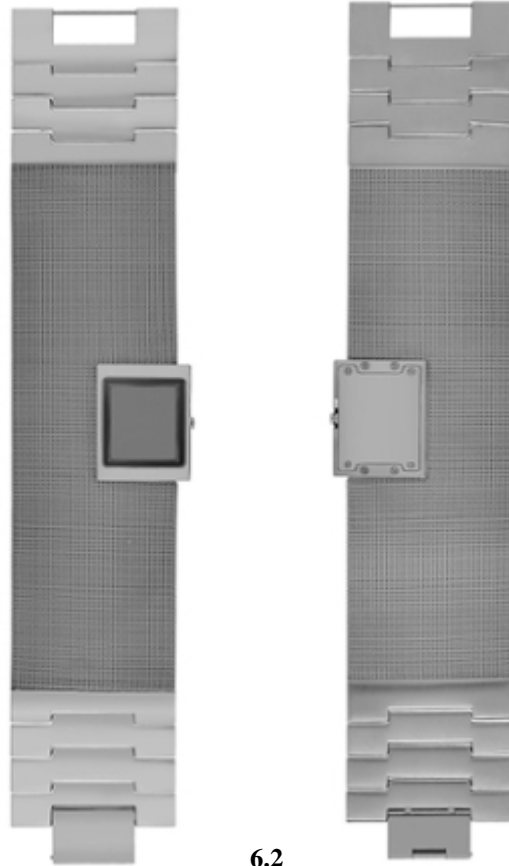
5.3



5.4

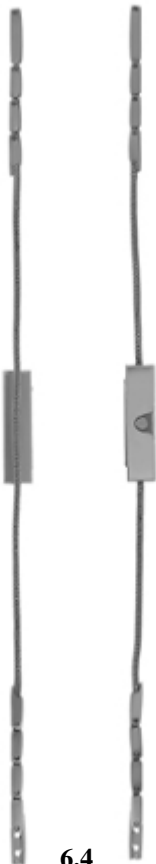


5.5



6.1

6.2



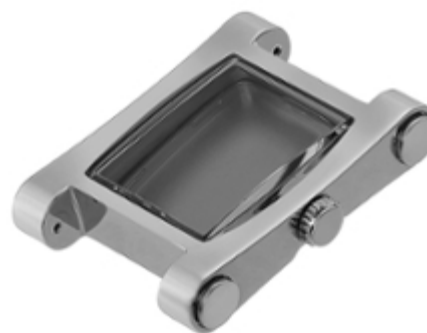
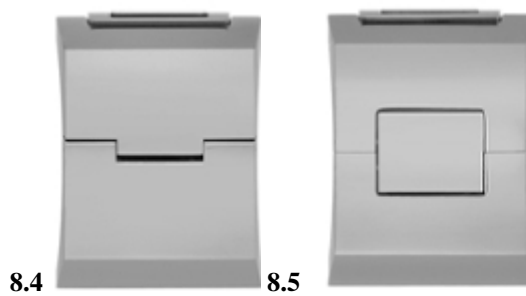
6.3

6.4

6.5









(11) DM/201 155

(51) 11-01

(15) 2019 03 08

(44) 22/2019 (2019 05 31)

(22) 2019 03 08

(28) 1

(30) No1: 10.09.2018; 005635539-0003; EM

(73) Daniel Wellington AB

Vasagatan 12, SE-111 20, Stockholm (SE)

(85) –

(86) EM

(87) SE

(88) –

(89) EM

(81) III. AM, IS, MD, TJ, BW, GH, ST, MN, TR, KH, GB, TN, KR, JP, CH, KP, BN, UA, AL, HR, TM, AZ, BZ, ME, MC, SG, NA, OA, NO, RS, BA, OM, CA, MK, GE, US, LI, KG, SM, SY, RW, RU, EG

(72) Filip Tysander

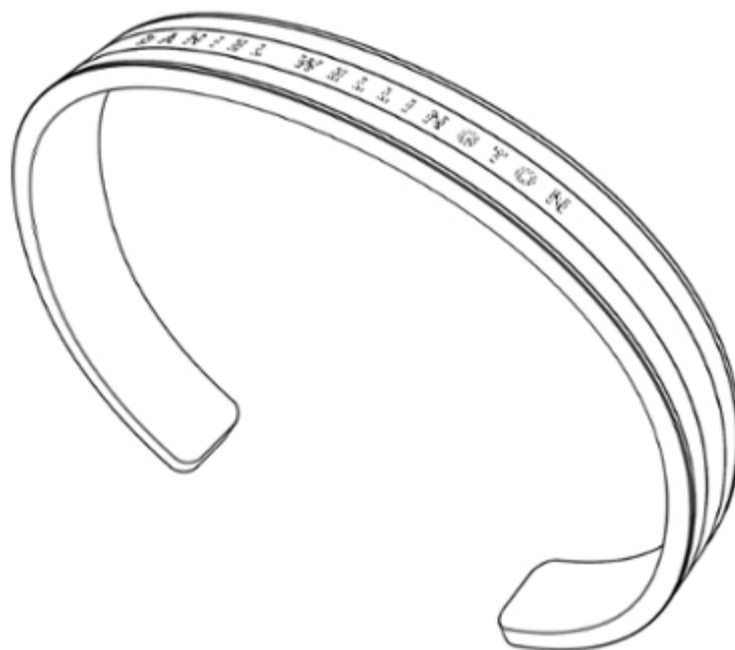
Vasagatan 12, 111 20 STOCKHOLM (SE)

(74) Awa Sweden AB

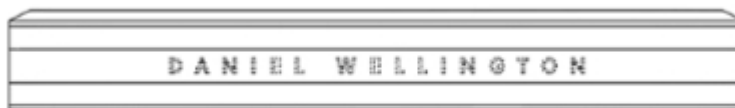
Jakobsbergsgatan 36, 111 44 STOCKHOLM (SE)

(54) 1. Bracelet

(55)



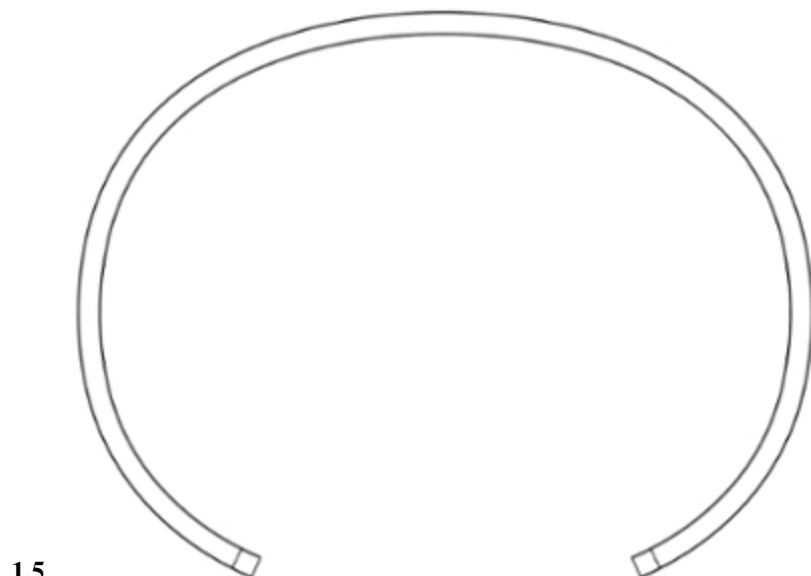
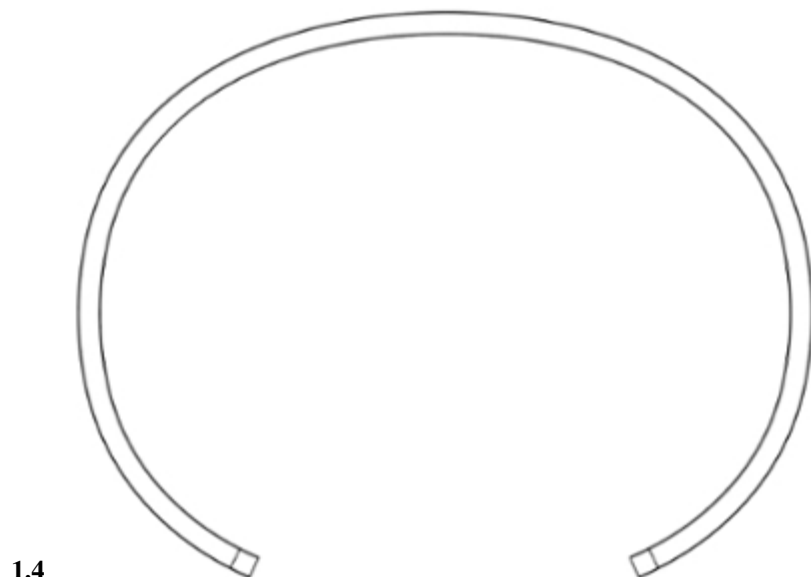
1.1



1.2



1.3



(11) DM/201 047

(51) 13-03

(15) 2018 12 12

(44) 24/2019 (2019 06 14)

(22) 2018 12 12

(28) 1

(30) No1: 12.06.2018; 29/653,142; US

(73) DMF Inc.

1118 East 223rd Street, 90745 Carson (VI)

(85) VI

(86) US

(87) VI

(88) US

(89) US

(81) III. ES, HU, IS, MN, PL, GB, LT, KR, JP, FR, BN, AL, HR, LV, TM, MC, SG, NA, DE, BA, MK, LI, KG, RU, FI, EG, AM, MD, TJ, BW, GH, ST, TR, KH, TN, KP, CH, UA, AZ, ME, SI, OA, RS, NO, EE, CA, GE, OM, RO, EM, DK, SY, BG, RW

(72) Amir Lotfi

1912 Ruhland Avenue, Unit B, 90278 Redondo Beach (US);

Michael D. Danesh

1118 East 223rd Street, 90745 Carson (US);

Ali Nikooyan

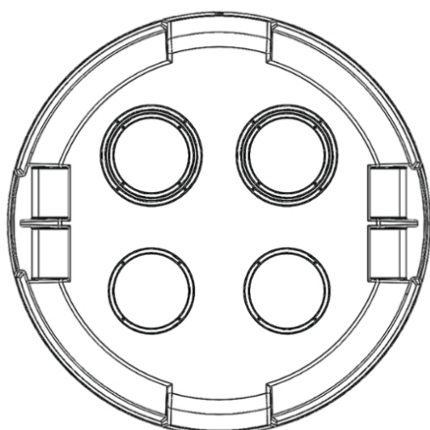
807 W. Stevens Ave., Apt.16, 92707 Santa Ana (VI)

(74) Smith Baluch LLP

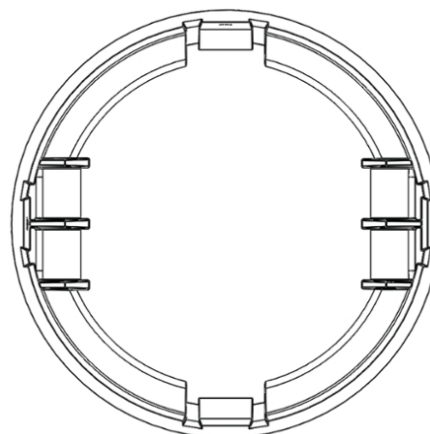
376 Boylston St., Suite 401, 02116 Boston (US)

(54) 1. Electrical junction box

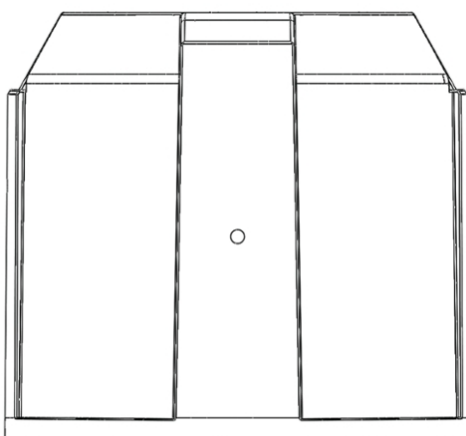
(55)



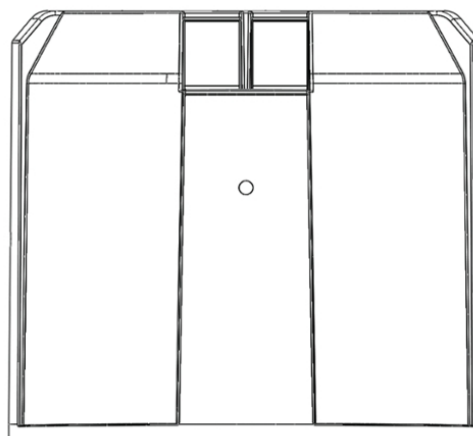
1.1



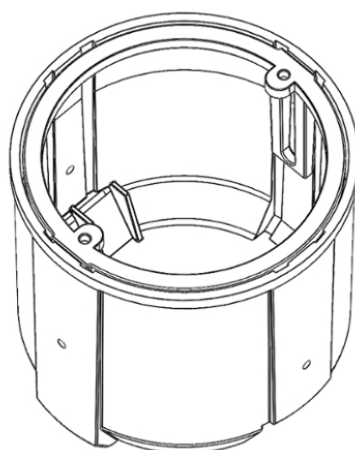
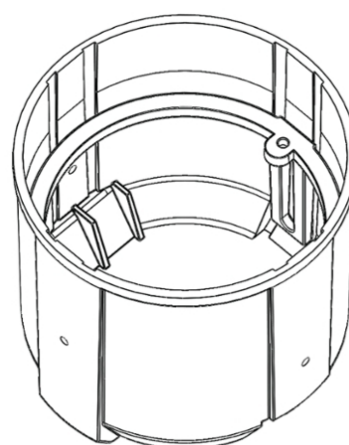
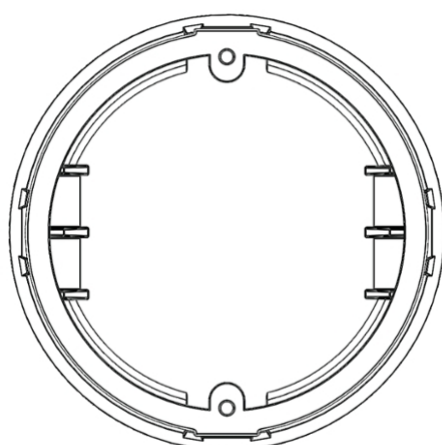
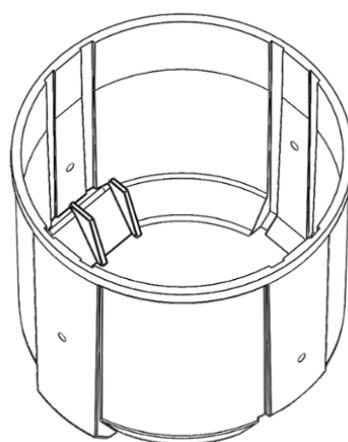
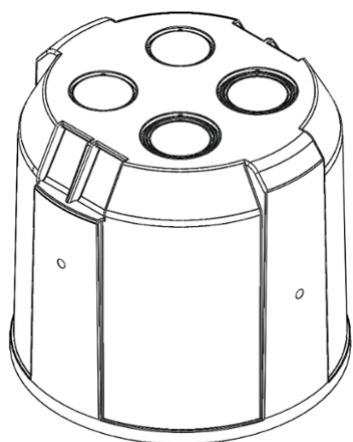
1.2



1.3



1.4



---

# TRADEMARKS

## APPLICATIONS FILED UNDER THE NATIONAL PROCEDURE APPROVED FOR REGISTRATION

The decision can be appealed at the Chamber of Appeal of Sakpatenti within 3 months from the publication or at the Mtskheta District Court Administrative Cases Board (Address: №17, Samkhedro St., Mtskheta), within 1 month following the publication.

(260) AM 2019 97814 A\*  
(210) AM 97814  
(220) 2018 05 24  
(731) LTD "3G–Georgian Global Group"  
Mukhiani I mkr., Bl. 13, ap. 25, Tbilisi,  
Georgia  
(740) Vakhtang Torotadze  
(540)



(591) Brown, dark orange, orange, golden, black  
(531) 26.04.02; 26.04.22; 26.04.24; 27.05.01;  
27.05.03; 27.05.17; 27.05.21; 27.05.24;  
27.07.01; 27.07.03; 27.07.17; 29.01.13  
(526) ENERGY DRINK  
(511) 32

---

(260) AM 2019 98412 A\*  
(210) AM 98412  
(220) 2018 07 10  
(731) VWR International Holdings Inc.  
2751 Senterville Road, Suite 358,  
Wilmington, Delaware 19808, USA  
(740) Giorgi Meipariani  
(540)



(591) Sky-blue, blue, light blue, dazzling green, white  
(531) 26.11.13; 27.05.10; 29.01.14  
(511) 35

---

(260) AM 2019 98448 A  
(210) AM 98448  
(220) 2019 01 14

(731) LTD "South Juice Company"  
Ul. Pobedi 132, Belorechensk, 352630,  
Russian Federation  
(740) Zurab Lomsadze  
(540)

### Дары Кубани

(591) White, black  
(511) 5

---

(260) AM 2019 98764 A  
(210) AM 98764  
(220) 2019 01 16  
(731) George Keburia  
S. Chiaureli St. 16, 0179; Tbilisi Georgia  
(540)

### GEORGE KEBURIA

### ჯორჯ კებურია

(591) Black-white  
(511) 9, 25

---

(260) AM 2019 99157 A  
(210) AM 99157  
(220) 2019 01 16  
(731) LTD "AVAZA"  
Gorgiladze St. 2, ap. 29, 6010, Batumi,  
Georgia  
(540)



(591) Red, white, black, gray, pink  
(531) 02.01.04; 23.01.01; 29.01.15  
(511) 16

---

(260) AM 2019 99197 A  
 (210) AM 99197  
 (220) 2018 09 06  
 (731) LTD "ALPEN MILK"  
 D. Aghmashenebeli St. 28/1,  
 Akhalkalaki, Georgia  
 (740) Shalva Gvaramadze  
 (540)

**ტუზიკო**  
**ТУЗИК**

(511) 30

(260) AM 2019 99484 A  
 (210) AM 99484  
 (220) 2018 09 24  
 (731) LTD Coordination-Distribution Center  
 "Efko-Cascad"  
 Ul. Frunze, Bl. 4, Alekseevka, 309850,  
 Belgorodskaya oblast, Russian Federation  
 (740) Tamaz Shilakadze  
 (540)

**ПЫШКА**

(591) White, black  
 (511) 29, 30, 35

(260) AM 2019 99485 A  
 (210) AM 99485  
 (220) 2018 09 24  
 (731) LTD Coordination-Distribution Center  
 "Efko-Cascad"  
 Ul. Frunze, Bl. 4, Alekseevka, 309850,  
 Belgorodskaya oblast, Russian Federation  
 (740) Tamaz Shilakadze  
 (540)

**Pyshka**

(591) White, black  
 (511) 29, 30, 35

(260) AM 2019 99486 A  
 (210) AM 99486  
 (220) 2018 09 24  
 (731) LTD Coordination-Distribution Center  
 "Efko-Cascad"  
 Ul. Frunze, Bl. 4, Alekseevka, 309850,  
 Belgorodskaya oblast, Russian Federation  
 (740) Tamaz Shilakadze  
 (540)

**პიშკა**

(591) White, black  
 (511) 29, 30, 35

(260) AM 2019 99947 A  
 (210) AM 99947  
 (220) 2018 10 22  
 (731) Emerson Electric Co., Missouri Corporation  
 8000 West Florissant Avenue,  
 St. Louis, Missouri 63136, USA  
 (740) Tamaz Shilakadze  
 (540)

**EMERSON**

(591) Black-white  
 (511) 6, 8, 9 10, 11, 12, 17, 18, 19, 20, 35, 37, 39,  
 40, 41, 42

(260) AM 2019 99950 A  
 (210) AM 99950  
 (220) 2018 10 22  
 (731) Emerson Electric Co., Missouri Corporation  
 8000 West Florissant Avenue,  
 St. Louis, Missouri 63136, USA  
 (740) Tamaz Shilakadze  
 (540)



**EMERSON**

(591) Black-white  
 (531) 26.01.05; 26.11.11; 26.11.13; 27.05.01;  
 27.05.17  
 (511) 6, 8, 9 10, 11, 12, 17, 18, 19, 20, 35, 37, 39,  
 40, 41, 42

(260) AM 2019 100393 A  
 (210) AM 100393  
 (220) 2018 11 13  
 (731) LTD "გლორია LLC GLORIA"  
 Gorgasali St. 3, 0105, Tbilisi, Krtsanisi  
 district, Georgia  
 (540)



(591) Green, white, black  
 (531) 25.01.25; 27.05.01; 29.01.12  
 (526) Tiflis, VERANDA  
 (511) 43

(260) AM 2019 100421 A  
 (210) AM 100421  
 (220) 2018 11 19  
 (731) LTD "MINISO GEORGIA"  
 A. Kalandadze St. 4, Entr. I, Office space 5A,  
 Tbilisi, Georgia  
 (740) Salome Kapanadze  
 (540)

**მინისო**

(591) Black-white  
 (531) 28.19  
 (511) 16

(260) AM 2019 100422 A  
 (210) AM 100422  
 (220) 2018 11 19  
 (731) LTD "MINISO GEORGIA"  
 A. Kalandadze St. 4, Entr. I, Office space 5A,  
 Tbilisi, Georgia  
 (740) Salome Kapanadze  
 (540)



(591) Red, white  
 (531) 10.03.10; 10.03.11; 26.04.02; 26.04.22;  
 26.04.24; 28.19; 29.01.12  
 (511) 16

(260) AM 2019 100688 A  
 (210) AM 100688  
 (220) 2018 12 05  
 (731) Patima Kakhiashvili  
 8 June St. 129, Tskhinvali, Georgia  
 (540)



(591) White, golden  
 (531) 25.01.10; 25.01.25; 26.01.18; 27.05.01;  
 27.05.21; 29.01.12  
 (511) 14, 35

(260) AM 2019 100689 A  
 (210) AM 100689  
 (220) 2018 12 05  
 (731) LTD "პროვაიდერ.ჯი PROVIDER.GE"  
 I. Ninoshvili St. 60, ap. 27, 6000, Batumi,  
 Georgia  
 (540)



(591) Orange, dark blue, white  
 (531) 25.03.01; 25.03.03; 27.05.01; 27.05.10;  
 27.05.24; 29.01.12  
 (511) 3, 16, 35, 39

(260) AM 2019 100707 A  
 (210) AM 100707  
 (220) 2018 12 07  
 (731) DKH Retail Limited  
 Iunit 60, Ze Rannings, Cheltenham,  
 Gloucestershire GL51 9NW, United Kingdom  
 (740) Liliana Darakhvelidze  
 (540)



(591) White, black  
 (531) 28.19  
 (511) 35

(260) AM 2019 100760 A  
 (210) AM 100760  
 (220) 2018 12 07  
 (731) Pierre Balmain S.A.S.  
 44, rue Francois 1er, 75008 Paris, France  
 (740) Shalva Gvaramadze  
 (540)

**BALMAIN**

(591) Black-white  
 (531) 27.05.01  
 (511) 9, 18, 25, 35

(260) AM 2019 100776 A  
 (210) AM 100776  
 (220) 2018 12 12  
 (731) LTD "I GPS Operator"  
 T. Tabidze St. 86, 0179, Tbilisi, Vake district,  
 Georgia

(540)



მართე გონივრულად

(591) Grey, purple, white  
 (531) 26.04.03; 26.11.05; 26.11.11; 26.13.25; 28.19;  
 29.01.12  
 (511) 38

(260) AM 2019 100778 A  
 (210) AM 100778  
 (220) 2018 12 12  
 (731) LTD "G-M-P"  
 Vill. Ponitchala 65, 0165, Tbilisi, Georgia  
 (740) Nugzar Ksovreli  
 (540)

დე 3 სან  
 De 3 San  
 De 3 San

(511) 5

(260) AM 2019 100785 A  
 (210) AM 100785  
 (220) 2018 12 13  
 (731) NUCTECH COMPANY LIMITED  
 2nd Floor, Block A, TongFang Building,  
 Shuangqinglu, Haidian District, Beijing,  
 China  
 (740) Giorgi Kartvelishvili  
 (540)

**NUCTECH**

(591) White, black  
 (511) 9

(260) AM 2019 100786 A  
 (210) AM 100786  
 (220) 2018 12 13  
 (731) NUCTECH COMPANY LIMITED  
 2nd Floor, Block A, TongFang Building,  
 Shuangqinglu, Haidian District, Beijing,  
 China  
 (740) Giorgi Kartvelishvili

(540)



(591) White, black  
 (531) 26.01.05  
 (511) 9

(260) AM 2019 100787 A  
 (210) AM 100787  
 (220) 2018 12 14  
 (731) LTD "SUKHISHVILEBI"  
 D. Aghmashenebeli Av. 123b, 0164, Tbilisi,  
 Georgia  
 (740) Edvard Aghdgomelashvili  
 (540)



(591) Black, red  
 (531) 27.05.01; 27.05.10; 28.19  
 (511) 9, 16, 18, 25, 41

(260) AM 2019 100791 A  
 (210) AM 100791  
 (220) 2018 12 14  
 (731) Wipro Enterprises Cyprus Limited  
 Diomidous 10, Alfamega-Akropolis Building,  
 3rd fl., flet/off. 401, Niozozia 2024, Cyprus  
 (740) Giorgi Taktakishvili  
 (540)

**YARDLEY**

(591) White, black  
 (511) 3

(260) AM 2019 100794 A  
 (210) AM 100794  
 (220) 2018 12 14  
 (731) Rakuten Inc.  
 1-14-1 Tamagawa, Setagaya-ku, Tokyo,  
 158-0094, Japan  
 (740) Merab Kvimsadze  
 (540)

**Rakuten**

(591) Black-white  
 (531) 27.05.01  
 (511) 9, 35, 36, 38, 41, 42, 45



(260) AM 2019 100795 A  
 (210) AM 100795  
 (220) 2018 12 14  
 (731) Rakuten Inc.  
 1-14-1 Tamagawa, Setagaya-ku, Tokyo,  
 158-0094, Japan  
 (740) Merab Kvimsadze  
 (540)

**Rakuten**

(591) Black-white  
 (531) 26.03.01; 26.03.24; 27.05.01; 27.05.11;  
 27.05.17  
 (511) 9, 35, 36, 38, 41, 42, 45

(260) AM 2019 100796 A  
 (210) AM 100796  
 (220) 2018 12 14  
 (731) Rakuten Inc.  
 1-14-1 Tamagawa, Setagaya-ku, Tokyo,  
 158-0094, Japan  
 (740) Merab Kvimsadze  
 (540)

**R**

(591) Black-white  
 (531) 26.03.01; 26.03.24; 27.05.11; 27.05.21  
 (511) 9, 35, 36, 38, 41, 42, 45

(260) AM 2019 100799 A  
 (210) AM 100799  
 (220) 2018 12 17  
 (731) LTD "United Tobacco Agency"  
 Krtsanisi II lane 15, Bl. 2, ap. 25, Tbilisi,  
 Georgia  
 (740) Giorgi Meipariani  
 (540)



(591) Blue, white  
 (531) 03.07.07; 27.05.01; 27.05.19; 29.01.12  
 (511) 34

(260) AM 2019 100805 A  
 (210) AM 100805  
 (220) 2018 12 18  
 (731) Facebook Inc. (Delaware Corporation)

1601 Willow Road, Menlo Park  
 California, 94025, USA  
 (740) Tamar Kochlamazashvili  
 (540)



(591) Black-white  
 (531) 02.09.14  
 (511) 16, 18, 20, 21, 25, 43

(260) AM 2019 100819 A  
 (210) AM 100819  
 (220) 2018 12 20  
 (731) Sheraton International IP LLC  
 One Starpoint, Stamford,  
 Connecticut 06902, USA  
 (740) Tamaz Shilakadze  
 (540)



(591) White, black  
 (531) 25.01.10; 26.01.18; 26.11.09;  
 27.05.05; 27.05.21  
 (511) 35, 36, 41, 43, 44

(260) AM 2019 100858 A  
 (210) AM 100858  
 (220) 2018 12 21  
 (731) JSC "Hotels and Restaurants  
 Management Group-M|Group"  
 T. Chantladze St. 40, 0109, White Grove  
 Settlement, Didi Lilo, Georgia  
 (540)



(591) White, black, green  
 (531) 26.01.01; 26.01.04; 26.01.18  
 (511) 35, 43

(260) AM 2019 100866 A  
 (210) AM 100866  
 (220) 2018 12 22  
 (731) LTD "Autotest Georgia"  
 Tsameti Asureli Mamis St. 128,  
 Vill. Dighomi, 0159, Tbilisi, Georgia  
 (540)



(591) White, black  
 (531) 16.03.17; 24.17.20; 26.13.25  
 (511) 37, 42

(260) AM 2019 100881 A  
 (210) AM 100881  
 (220) 2018 12 26  
 (731) LTD "VCAUCASUS TRAVEL"  
 Metekhi St. 19/Peristsvalebis St. 20, 22,  
 Tbilisi, Georgia  
 (540)



(591) Black-white, red, grey  
 (531) 26.04.02; 26.04.07; 26.04.22; 26.04.24;  
 27.05.09; 27.05.10; 27.05.24; 29.01.13  
 (511) 16, 25, 35, 39, 41, 42, 43

(260) AM 2019 100893 A  
 (210) AM 100893  
 (220) 2018 12 27  
 (731) Mayoral Moda Infantil S.A.  
 La Orotava, 118-Polg. San Luis, Malaga,  
 29006, Spain  
 (740) Tamar Kotchlamazashvili  
 (540)

**NUKUTAVAKE**

(591) Black-white  
 (511) 25

(260) AM 2019 100909 A  
 (210) AM 100909  
 (220) 2018 12 29  
 (731) Shenzhen Liangbiao Technology Limited  
 Company  
 Unit 1808-1809, 18 Floor, Building B,  
 Hui Hai Plaza, Chuangye Road, LongHua  
 New District, Shenzhen, China  
 (740) Giorgi Meipariani

(540)



(591) Black-white  
 (531) 26.03.23; 26.13.25  
 (511) 9

(260) AM 2019 100920 A  
 (210) AM 100920  
 (220) 2019 01 05  
 (731) LTD "KL KOFY COMPANY"  
 Ts. Dadiani St. 65, Bl. 2, ap. 57, Tbilisi,  
 Gldani-Nadzaladevi district, Georgia  
 (540)



(591) Black-white  
 (531) 05.03.13; 05.03.15; 05.07.27; 26.01.15;  
 27.03.01; 27.03.11  
 (511) 30

(260) AM 2019 100928 A  
 (210) AM 100928  
 (220) 2019 01 09  
 (310) 2018/726  
 (320) 17 07 2018  
 (330) MK  
 (731) Philip Morris Brands Sàrl  
 Quai Jeanrenaud 3, 2000 Neuchâtel,  
 Switzerland  
 (740) Shalva Gvaramadze  
 (540)



(591) Different tones green, black, white  
 (531) 01.03.01; 01.03.15; 01.05.01; 01.05.02;  
 01.15.09; 24.01.07; 24.01.13; 25.01.01;  
 26.03.23; 26.11.09; 26.15.01; 27.05.10;  
 27.05.11; 27.05.24; 29.01.13  
 (511) 34

(260) AM 2019 100931 A  
 (210) AM 100931  
 (220) 2019 01 09  
 (310) 2018/730  
 (320) 17 07 2018  
 (330) MK  
 (731) Philip Morris Brands Sàrl  
 Quai Jeanrenaud 3, 2000 Neuchâtel,  
 Switzerland  
 (740) Shalva Gvaramadze  
 (540)



(591) Different tones red, white, grey  
 (531) 01.05.02; 01.05.12; 24.01.05; 24.01.07;  
 25.01.01; 26.03.23; 26.11.09; 27.05.01;  
 27.05.10; 27.05.25; 29.01.13  
 (511) 34

(260) AM 2019 100933 A  
 (210) AM 100933  
 (220) 2019 01 09  
 (310) 2018/728  
 (320) 17 07 2018  
 (330) MK  
 (731) Philip Morris Brands Sàrl  
 Quai Jeanrenaud 3, 2000 Neuchâtel,  
 Switzerland  
 (740) Shalva Gvaramadze  
 (540)



(591) Different tones blue, different tones sky-  
 blue, white, grey, red  
 (531) 01.05.02; 24.01.05; 24.01.07; 24.01.13;  
 26.03.23; 26.11.09; 27.05.10; 27.05.11;  
 27.05.24; 29.01.14  
 (511) 34

(260) AM 2019 101224 A  
 (210) AM 101224  
 (220) 2019 01 11  
 (731) LTD "WINES GROUP"  
 T. Abuladze St. 34, ap. 31, 0162, Tbilisi,  
 Vake district, Georgia  
 (540)



(591) Green, white  
 (531) 26.01.01; 26.01.03; 26.01.18; 27.05.01;  
 27.05.17; 29.01.03  
 (511) 39

(260) AM 2019 101241 A  
 (210) AM 101241  
 (220) 2019 01 17  
 (731) LTD "WINEMAN LTD"  
 Gudishvili St. 11, 0105, Tbilisi, Georgia  
 (740) Shalva Gvaramadze  
 (540)

**Gunashauri**  
**გუნაშაური**

(591) Black-white  
 (511) 33

(260) AM 2019 101251 A  
 (210) AM 101251  
 (220) 2019 01 17  
 (731) Yanis Sarkisyan  
 Navtlughi St. 2, ap. 14, Tbilisi, Georgia  
 (740) Shalva Gvaramadze  
 (540)



(591) Black, white, pink  
 (531) 17.02.01; 17.02.02; 26.04.01; 26.04.22;  
 26.04.24; 27.05.24; 28.19; 29.01.13  
 (511) 25, 35

(260) AM 2019 101252 A  
 (210) AM 101252  
 (220) 2019 01 18  
 (731) LTD "PRINTAREA"  
 Sh. Rustaveli Av. 40/1, 0108, Tbilisi,  
 Old Tbilisi district, Georgia  
 (540)



(591) Yellow, lime, green, sky-blue, blue, purple,  
 red, orange  
 (531) 01.15.21; 25.07.15; 26.01.12; 26.01.13;  
 26.01.16; 26.11.09; 29.01.15  
 (511) 16, 35, 40, 42

(260) AM 2019 101254 A  
 (210) AM 101254  
 (220) 2019 01 18  
 (731) LTD "BARAMBO"  
 Vill. Natakhtari, 3308, Mtskheta, Georgia  
 (540)

**ჩიროკო**  
**chiroko**

(591) Black-white  
 (511) 30

(260) AM 2019 101290 A  
 (210) AM 101290  
 (220) 2019 01 18  
 (731) LTD "ALFA"  
 Tevdore Mghvdeli St. 53, 0154, Tbilisi,  
 Georgia  
 (740) Nugzar Ksovreli  
 (540)

**ვესტინი**  
**Вестин**  
**Westin**

(591) Black-white  
 (511) 30

(260) AM 2019 101291 A  
 (210) AM 101291  
 (220) 2019 01 18  
 (731) LTD "ALFA"  
 Tevdore Mghvdeli St. 53, 0154, Tbilisi,  
 Georgia  
 (740) Nugzar Ksovreli  
 (540)



(591) Red, green, white, dark yellow, yellow  
 (531) 05.07.02; 26.04.15; 26.04.22; 26.11.12;  
 28.05; 29.01.14  
 (511) 30

(260) AM 2019 101417 A  
 (210) AM 101417  
 (220) 2019 01 31  
 (731) LTD "AGRONOM"  
 L. Gotua St. 12a, 0160, Tbilisi, Georgia  
 (540)



(591) White, green, yellow  
 (531) 25.03.03; 26.04.02; 26.04.08; 26.04.24;  
 27.05.24; 29.01.13  
 (511) 5

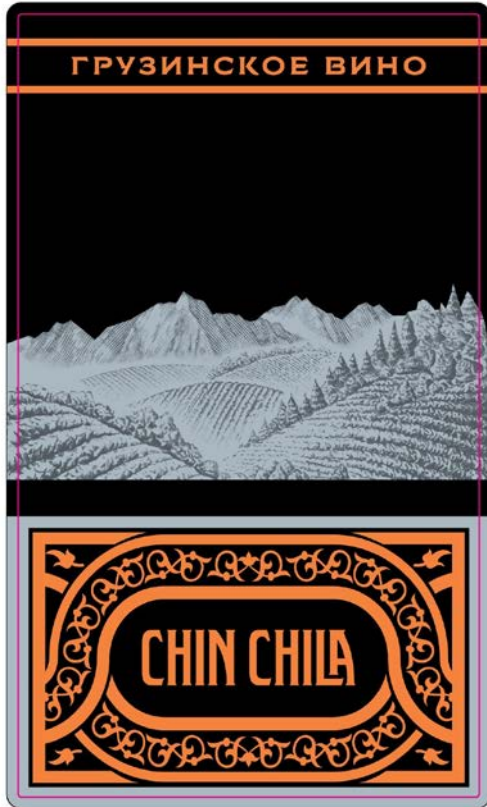
(260) AM 2019 101418 A  
 (210) AM 101418  
 (220) 2019 01 31  
 (731) LTD "AGRONOM"  
 L. Gotua St. 12a, 0160, Tbilisi, Georgia  
 (540)

**POLIMET BORDO**  
**პოლიმეტ ბორდო**  
**ПОЛИМЕТ БОРДО**

(591) Black-white  
 (511) 5

(260) AM 2019 101506 A  
 (210) AM 101506  
 (220) 2019 02 04  
 (731) LTD "MARNISKARI"  
 Apakidze St. 11, ap. 125, 0101, Tbilisi,  
 Georgia  
 (740) Davit Gogidze

(540)



(591) Black, grey, golden

(531) 06.01.01; 06.01.02; 06.19.07; 25.01.10;  
25.01.19; 27.05.01; 28.05; 29.01.13

(511) 33

---

(260) AM 2019 101676 A

(210) AM 101676

(220) 2019 02 19

(731) Kakhaber Tsiskaridze  
V. Gabashvili St. 9, Tbilisi, Georgia

(540)



(591) Black-white

(531) 02.09.04; 02.09.08; 02.09.12; 28.19

(511) 25, 28, 30

---

## REGISTERED TRADEMARKS

<p>(111) M 2019 31494 R (151) 2019 07 26 (181) 2029 07 26 (260) AM 2017 94442 A (220) 2017 10 04 (732) Chongqing Blephone Technology Co., Ltd Plant 1, No.9 Jiangxi Road, Nan'An District, Chongqing, China</p>	<p>Wu Qing Development Zone, Tianjin New Tech Industrial Park, Tianjin, 301700, China</p>
<p>(111) M 2019 31495 R (151) 2019 07 26 (181) 2029 07 26 (260) AM 2017 94562 A (220) 2017 10 11 (732) Kraft Foods Group Brands LLC 200 East Randolph Street, Chicago, Illinois 60601, USA</p>	<p>(111) M 2019 31500 R (151) 2019 07 26 (181) 2029 07 26 (260) AM 2018 97685 A (220) 2018 05 14 (732) TIENS GROUP CO., LTD Wu Qing Development Zone, Tianjin New Tech Industrial Park, Tianjin, 301700, China</p>
<p>(111) M 2019 31496 R (151) 2019 07 26 (181) 2029 07 26 (260) AM 2018 96306 A (220) 2018 02 09 (732) Nino Matcharashvili Z. Paliashvili St. 47a, 0179, Tbilisi, Georgia</p>	<p>(111) M 2019 31501 R (151) 2019 07 26 (181) 2029 07 26 (260) AM 2018 97770 A (220) 2018 05 21 (732) Marina Shengelia Pekini Av. 29, ap. 8, 0160, Tbilisi, Georgia</p>
<p>(111) M 2019 31497 R (151) 2019 07 26 (181) 2029 07 26 (260) AM 2018 96645 A (220) 2018 03 05 (732) Futures Tense 20 Hashacham St, Caesarea, 3711301, Israel</p>	<p>(111) M 2019 31502 R (151) 2019 07 26 (181) 2029 07 26 (260) AM 2018 97804 A (220) 2018 05 23 (732) Pride FC Worldwide Holdings LLC 6650 South Torrey Pines Drive, Las Vegas, Nevada 89118, USA</p>
<p>(111) M 2019 31498 R (151) 2019 07 26 (181) 2029 07 26 (260) AM 2018 97478 A (220) 2018 05 08 (732) LTD "Ji En Li" Nino Ramishvili St. 20, 0179, Tbilisi, Georgia</p>	<p>(111) M 2019 31503 R (151) 2019 07 26 (181) 2029 07 26 (260) AM 2018 97813 A (220) 2018 05 24 (732) LLC "TABLA NOVA" I. Nikoladze St. 2/4, ap. 19, 0179, Tbilisi, Georgia</p>
<p>(111) M 2019 31499 R (151) 2019 07 26 (181) 2029 07 26 (260) AM 2018 97684 A (220) 2018 05 14 (732) TIENS GROUP CO., LTD</p>	<p>(111) M 2019 31504 R (151) 2019 07 26 (181) 2029 07 26 (260) AM 2018 98003 A (220) 2018 06 12 (732) LLC "Radman Group" Khetagurov St. 6, Fl. 5, 0102, Tbilisi, Georgia</p>
<p>(111) M 2019 31505 R (151) 2019 07 26 (181) 2029 07 26</p>	<p>(111) M 2019 31505 R (151) 2019 07 26 (181) 2029 07 26</p>

(260) AM 2018 98177 A  
(220) 2018 06 21  
(732) Hanky Panky Ltd.,  
a New York corporation  
373 Park Aveniu Sout, New York, 10016, USA

---

(111) M 2019 31506 R  
(151) 2019 07 26  
(181) 2029 07 26  
(260) AM 2018 98178 A  
(220) 2018 06 21  
(732) Hanky Panky Ltd.,  
a New York corporation  
373 Park Aveniu Sout, New York, 10016, USA

---

(111) M 2019 31507 R  
(151) 2019 07 26  
(181) 2029 07 26  
(260) AM 2018 98206 A  
(220) 2018 06 25  
(732) Cainiao Smart Logistics Holding Limited  
Fourth Floor, One Capital Place, P.O. Box 847,  
Grand Cayman, KY1-1103, Cayman Islands

---

(111) M 2019 31508 R  
(151) 2019 07 26  
(181) 2029 07 26  
(260) AM 2018 98246 A  
(220) 2018 07 02  
(732) Mylan Pharmaceuticals Private Limited  
Plot No. 1-A/2, MIDC Industrial Estate, Talaja,  
Panvel, District Raigad, Maharashtra – 410 208,  
India

---

(111) M 2019 31509 R  
(151) 2019 07 26  
(181) 2029 07 26  
(260) AM 2018 98405 A  
(220) 2018 07 10  
(732) LLC Milaniya Home  
St. Shkolnaya, Bl. 20, 357748,  
Kislovodsk, Stavropol Region, Russian  
Federation

---

(111) M 2019 31510 R  
(151) 2019 07 26  
(181) 2029 07 26  
(260) AM 2018 98441 A  
(220) 2018 07 16  
(732) Six Continents Limited  
Broudvota Parki, Denemi, Bakingemshiri UB9  
5HR, United Kingdom

---

(111) M 2019 31511 R  
(151) 2019 07 26  
(181) 2029 07 26  
(260) AM 2018 98573 A  
(220) 2018 07 19  
(732) Scottish & Newcastle Limited  
3-4 Broadway Park, South Gyle Broadway,  
Edinburgh, EH12 9JZ, United Kingdom

---

(111) M 2019 31512 R  
(151) 2019 07 26  
(181) 2029 07 26  
(260) AM 2018 98586 A  
(220) 2018 07 20  
(732) LTD "KRIALA"  
Kiziki St. 12, (Plot N2 / 21), 0182, Tbilisi,  
Samgori district, Georgia

---

(111) M 2019 31513 R  
(151) 2019 07 26  
(181) 2029 07 26  
(260) AM 2018 98676 A  
(220) 2018 07 24  
(732) ADAMA MAKHTESHIM LTD  
P.O. Box 60, Beer Sheva 8410001, Israel

---

(111) M 2019 31514 R  
(151) 2019 07 26  
(181) 2029 07 26  
(260) AM 2018 98677 A  
(220) 2018 07 24  
(732) ADAMA MAKHTESHIM LTD  
P.O. Box 60, Beer Sheva 8410001, Israel

---

(111) M 2019 31515 R  
(151) 2019 07 26  
(181) 2029 07 26  
(260) AM 2018 98678 A  
(220) 2018 07 24  
(732) ADAMA MAKHTESHIM LTD  
P.O. Box 60, Beer Sheva 8410001, Israel

---

(111) M 2019 31516 R  
(151) 2019 07 26  
(181) 2029 07 26  
(260) AM 2018 98680 A  
(220) 2018 07 24  
(732) ADAMA MAKHTESHIM LTD  
P.O. Box 60, Beer Sheva 8410001, Israel

---

(111) M 2019 31517 R  
(151) 2019 07 26  
(181) 2029 07 26

(260) AM 2018 98758 A  
(220) 2018 07 30  
(732) Mylan Pharma Group Limited  
Inverin County, Galway, Ireland

---

(111) M 2019 31518 R  
(151) 2019 07 26  
(181) 2029 07 26  
(260) AM 2018 98759 A  
(220) 2018 07 30  
(732) BILLBOARD IP HOLDINGS LLC  
340 Madison Avenue, New York, New York  
10173, USA

---

(111) M 2019 31519 R  
(151) 2019 07 26  
(181) 2029 07 26  
(260) AM 2018 98760 A  
(220) 2018 07 30  
(732) BILLBOARD IP HOLDINGS LLC  
340 Madison Avenue, New York, New York  
10173, USA

---

(111) M 2019 31520 R  
(151) 2019 07 26  
(181) 2029 07 26  
(260) AM 2018 98761 A  
(220) 2018 07 30  
(732) BILLBOARD IP HOLDINGS LLC  
340 Madison Avenue, New York, New York  
10173, USA

---

(111) M 2019 31521 R  
(151) 2019 07 26  
(181) 2029 07 26  
(260) AM 2018 98785 A  
(220) 2018 08 03  
(732) LTD "AVERSI-PHARMA"  
D. Aghmashenebeli Av. 148/2, 0112,  
Tbilisi, Georgia

---

(111) M 2019 31522 R  
(151) 2019 07 26  
(181) 2029 07 26  
(260) AM 2018 98802 A  
(220) 2018 08 03  
(732) JSC "Georgian Beer Company"  
Village Saguramo, 3311, Mtskheta, Georgia

---

(111) M 2019 31523 R  
(151) 2019 07 26  
(181) 2029 07 26  
(260) AM 2018 98803 A

(220) 2018 08 03  
(732) JSC "Georgian Beer Company"  
Village Saguramo, 3311, Mtskheta, Georgia

---

(111) M 2019 31524 R  
(151) 2019 07 26  
(181) 2029 07 26  
(260) AM 2018 98898 A  
(220) 2018 08 07  
(732) LTD "Batono"  
L. Gotua St. 8, 0160, Tbilisi, Georgia

---

(111) M 2019 31525 R  
(151) 2019 07 26  
(181) 2029 07 26  
(260) AM 2018 98973 A  
(220) 2018 08 14  
(732) Qualcomm Incorporated  
5775 Morehous Drive, San Diego,  
CA 92121-1714, USA

---

(111) M 2019 31526 R  
(151) 2019 07 26  
(181) 2029 07 26  
(260) AM 2018 99054 A  
(220) 2018 08 20  
(732) LTD "JEM"  
I. Chavchavadze Av. 56, ap. 22, 0162,  
Vake district, Tbilisi, Georgia

---

(111) M 2019 31527 R  
(151) 2019 07 26  
(181) 2029 07 26  
(260) AM 2018 99065 A  
(220) 2018 08 22  
(732) Ramada International Inc.  
22 Silvan Vei, Parsipani, Niu-jerzi 07054, USA

---

(111) M 2019 31528 R  
(151) 2019 07 26  
(181) 2029 07 26  
(260) AM 2018 99082 A  
(220) 2018 08 23  
(732) Huangshan Lishen Commodity CO., LTD  
Bei'an Economic Development Zone, She Xian,  
Huangshan, Anhui, China

---

(111) M 2019 31529 R  
(151) 2019 07 26  
(181) 2029 07 26  
(260) AM 2018 99188 A  
(220) 2018 09 05  
(732) LTD "KARTVELI"



Kakheti highway 110a, 0151, Tbilisi,  
Isani-Samgori district, Georgia

---

(111) M 2019 31530 R  
(151) 2019 07 26  
(181) 2029 07 26  
(260) AM 2018 99457 A  
(220) 2018 09 20  
(732) Sundaram-Clayton Limited  
'jaialakshmi Estates' No. 29 (old No. 8),  
Hedouz Roudi, Chennai, 600 006, India

---

(111) M 2019 31531 R  
(151) 2019 07 26  
(181) 2029 07 26  
(260) AM 2018 99458 A  
(220) 2018 09 20  
(732) Sundaram-Clayton Limited  
'jaialakshmi Estates' No. 29 (old No. 8),  
Hedouz Roudi, Chennai, 600 006, India

---

(111) M 2019 31532 R  
(151) 2019 07 26  
(181) 2029 07 26  
(260) AM 2018 99479 A  
(220) 2018 09 24  
(732) Kentucky Fried Chicken International  
Holdings LLC  
7100 Corporate Drive, TX, Plano, 75024, USA

---

(111) M 2019 31533 R  
(151) 2019 07 26  
(181) 2029 07 26  
(260) AM 2018 99480 A  
(220) 2018 09 24  
(732) Kentucky Fried Chicken International  
Holdings LLC  
7100 Corporate Drive, TX, Plano, 75024, USA

---

(111) M 2019 31534 R  
(151) 2019 07 26  
(181) 2029 07 26  
(260) AM 2018 99481 A  
(220) 2018 09 24  
(732) Kentucky Fried Chicken International  
Holdings LLC  
7100 Corporate Drive, TX, Plano, 75024, USA

---

## TRADEMARKS REGISTERED ACCORDING TO THE ACCELERATED PROCEDURE

The decision can be appealed at the Chamber of Appeal of Sakpatenti within 3 months from the publication.

(111) M 2019 31488 R  
 (151) 2019 07 19  
 (181) 2029 07 19  
 (210) AM 104083  
 (220) 2019 07 15  
 (330) GE  
 (732) Charity Union "Community"  
 R. Japaridze St. 5/3, 0114, Krtsanisi, Tbilisi,  
 Georgia  
 (740) Nino Gazdeliani  
 (540)



(591) Red, green, yellow, black  
 (531) 26.11.03; 26.11.06; 26.11.07; 26.11.08;  
 29.01.14  
 (511) 33

(111) M 2019 31489 R  
 (151) 2019 07 23  
 (181) 2029 07 23  
 (210) AM 103859  
 (220) 2019 07 02  
 (732) LTD "Aidies Borjomi Beverage Company"  
 Tori St. 39, 1200, Borjomi, Georgia  
 (740) Giorgi Jokharidze  
 (540)



(591) White, dark blue, blue, red, green  
 (in different tones)  
 (531) 06.01.02; 07.01.09; 07.01.17; 25.01.15;  
 25.01.19; 27.05.01; 28.19; 29.01.15  
 (526) ბორჯომი, BORJOMI  
 (511) 5, 32, 35

(111) M 2019 31490 R  
 (151) 2019 07 24  
 (181) 2029 07 24  
 (210) AM 103945  
 (220) 2019 07 08  
 (732) LTD "NN INVEST"  
 Nutsubidze St. 217, ap. 26, Tbilisi, Georgia  
 (540)



(591) White, black, red  
 (531) 26.04.22; 27.05.01; 27.05.09; 27.05.10;  
 27.05.24; 28.19; 29.01.13  
 (511) 43

(111) M 2019 31491 R  
 (151) 2019 07 24  
 (181) 2029 07 24  
 (210) AM 103972  
 (220) 2019 07 10  
 (732) LTD "ZOOMMER GEORGIA"  
 Tsabadze St. 8, 0112, Tbilisi, Georgia  
 (540)



(591) White, orange  
 (531) 25.07.20; 26.01.12; 26.04.10; 26.04.22;  
 26.04.24; 27.05.01; 27.05.24; 28.19;  
 29.01.12  
 (511) 35

(111) M 2019 31492 R  
 (151) 2019 07 24  
 (181) 2029 07 24  
 (210) AM 103966  
 (220) 2019 07 09  
 (732) LTD "FULLPHARM"

Gazapkhuli St. 9, 0177, Tbilisi, Georgia  
 (740) Nugzar Ksovreli  
 (540)

**თეთრი კარბოაქტივი**  
**Белый Карбоактив**  
**Білий Карбоактив**

(591) Black-white  
 (511) 5

(111) M 2019 31493 R

(151) 2019 07 25  
 (181) 2029 07 25  
 (210) AM 103982  
 (220) 2019 07 11  
 (732) JSC "Georgian Beer Company"  
 Vill. Saguramo, 3311, Mtskheta, Georgia  
 (540)

**აბარა**  
**Abara**

(591) Black, white  
 (511) 32, 35, 43

(111) M 2019 31535 R

(151) 2019 07 29  
 (181) 2029 07 29  
 (210) AM 104100  
 (220) 2019 07 17  
 (732) LTD "GPP"  
 M. Kostava St. 47/57, 0179, Tbilisi,  
 Georgia  
 (540)

**კოკო**  
**Koko**

(591) Black-white  
 (511) 29

(111) M 2019 31536 R

(151) 2019 07 29  
 (181) 2029 07 29  
 (210) AM 103882  
 (220) 2019 07 04  
 (732) JSC "GRINDEX"  
 53, Crustfield Street, 1057, Riga, Latvia  
 (740) Khatuna Imnadze  
 (540)

**ვენლაქსორი**

(591) Black-white  
 (511) 5

(111) M 2019 31537 R

(151) 2019 07 29  
 (181) 2029 07 29  
 (210) AM 104175  
 (220) 2019 07 19  
 (732) LLC "BEDE PLUS"  
 Davit Jabidze St. 8, 0167, Tbilisi,  
 Gldani-Nadzaladevi district, Georgia  
 (540)



(591) Blue, white, light green, lilac  
 (531) 25.01.25; 27.05.01; 29.01.13  
 (511) 3

(111) M 2019 31538 R

(151) 2019 07 31  
 (181) 2029 07 31  
 (210) AM 103976  
 (220) 2019 07 11  
 (732) LTD "MUSEUM"  
 Orbeliani St. 8/10, 0105, Tbilisi, Georgia  
 (740) Tea Svanidze  
 (540)



**Café Museum**

(591) Green, white  
 (531) 10.05.17; 25.01.09; 25.01.10; 26.04.02;  
 26.04.05; 26.04.24  
 (511) 43

(111) M 2019 31539 R

(151) 2019 07 31  
 (181) 2029 07 31  
 (210) AM 103977  
 (220) 2019 07 11  
 (220) 2019 07 11  
 (732) LTD "MUSEUM"  
 Orbeliani St. 8/10, 0105, Tbilisi, Georgia  
 (740) Tea Svanidze

(540)



Museum Hotel

(591) White, black  
(531) 26.04.07; 27.05.01  
(511) 43

(111) M 2019 31540 R  
(151) 2019 07 31  
(181) 2029 07 31  
(210) AM 103980  
(220) 2019 07 11  
(220) 2019 07 11  
(732) LTD "MUSEUM"  
Orbeliani St. 8/10, 0105, Tbilisi, Georgia  
(740) Tea Svanidze  
(540)

კაფე მუზეუმი

(591) Black-white  
(511) 43

(111) M 2019 31541 R  
(151) 2019 07 31  
(181) 2029 07 31  
(210) AM 103981  
(220) 2019 07 11  
(220) 2019 07 11  
(732) LTD "MUSEUM"  
Orbeliani St. 8/10, 0105, Tbilisi, Georgia  
(740) Tea Svanidze  
(540)

სასტუმრო მუზეუმი

(591) Black-white  
(511) 43

(111) M 2019 31542 R  
(151) 2019 07 31  
(181) 2029 07 31  
(210) AM 104109  
(220) 2019 07 18  
(732) LTD "JIBE"  
Eristavi St. 5, Tbilisi, Georgia  
(540)



(591) Yellow, blue  
(531) 04.05.03; 09.03.13; 09.03.19; 26.05.01;  
28.19; 29.01.12  
(511) 35, 39

(111) M 2019 31543 R  
(151) 2019 07 31  
(181) 2029 07 31  
(210) AM 104302  
(220) 2019 07 26  
(732) LTD "APO TRADING"  
Kipshidze St. 49a, ap. 22, Tbilisi, Georgia  
(540)



(591) Black, gray, white, green  
(531) 19.03.25; 26.03.23; 26.04.16; 26.04.22;  
26.04.24; 28.19; 29.01.13  
(511) 4

(111) M 2019 31544 R  
(151) 2019 08 01  
(181) 2029 08 01  
(210) AM 103870  
(220) 2019 07 04  
(732) LTD "UDABNO"  
I. Gogebashvili St. 46b, Ent. I, Fl. 3, ap. 7,  
0179, Tbilisi, Georgia  
(740) Giorgi Taktakishvili  
(540)

უდაბნო

(591) Black-white  
(511) 29, 30, 31, 43

(111) M 2019 31545 R  
(151) 2019 08 02  
(181) 2029 08 02  
(210) AM 104108  
(220) 2019 07 18  
(732) BENELLI Q.J. S.R.L.  
Strada Fornace Vecchia, s.n./61122 Pesaro,  
Italy  
(740) Tamaz Shilakadze

(541)

**BENELLI**

(591) Black-white

(511) 12, 35

---

(591) Sky-blue, blue, caroty

(531) 26.04.22; 26.04.24; 27.05.01; 27.05.09;  
27.05.10; 29.01.13

(511) 32

---

(111) M 2019 31546 R

(151) 2019 08 06

(181) 2029 08 06

(210) AM 104308

(220) 2019 07 29

(732) LTD "SAH & Co"

T. Abuladze St. 32, ap. 17, 0162, Tbilisi,  
Georgia

(740) Besarion Urumashvili

(540)



(591) Red, gray, blue, yellow, lilac

(531) 26.04.22; 26.04.24; 27.05.01; 27.05.09;  
27.05.11; 29.01.15

(511) 32

---

(111) M 2019 31547 R

(151) 2019 08 06

(181) 2029 08 06

(210) AM 104309

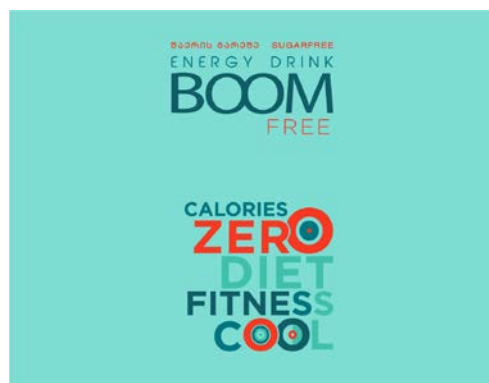
(220) 2019 07 29

(732) LTD "SAH & Co"

T. Abuladze St. 32, ap. 17, 0162, Tbilisi,  
Georgia

(740) Besarion Urumashvili

(540)



## INTERNATIONAL TRADEMARKS FOR WHICH A DECISION ON GRANTING PROTECTIONS IS TAKEN

The decision can be appealed at the Chamber of Appeal of Sakpatenti within 3 months from the publication or at the Mtskheta District Court Administrative Cases Board (Address: №17, Samkhedro str., Mtskheta), within 1 month following the publication.

(260) AM 2019 97055 A

(800) 1394192

(151) 2017 12 14

(891) 2017 12 14

(731) Obshchestvo s organichennoy  
otvetstvennost'yu «Nauchno-vnedrencheskiy  
tsentr Agrovetzashchita»  
Igarskiy proyezd dom 4, stroyeniye 2  
RU-129329 Moskva, Russian Federation

(540)

**ЛУГОВОЙ**

(591) Black, white

(531) 28.05

(511)

3 – Shampoos for animals [non-medicated grooming preparations]; shampoos for pets [non-medicated grooming preparations].

5 – Veterinary preparations; medicines for veterinary purposes; diagnostic preparations for veterinary purposes; biological preparations for veterinary purposes; enzyme preparations for veterinary purposes; chemical preparations for veterinary purposes; enzymes for veterinary purposes; vermin destroying preparations; parasiticides; antiparasitic preparations; vermifuges; medicated shampoos; insecticidal animal shampoo; medicated shampoos for pets.

(260) AM 2019 97630 A\*

(800) 1400422

(151) 2018 02 01

(891) 2018 02 01

(731) Adp Gauselmann GmbH  
Merkur-Allee 1-15, 32339 Espelkamp,  
Germany

(540)

**Black Magic**

(591) Black, white

(511)

9 – Coin-operated mechanisms; computer and video money games software; money games software in particular for use on any computer platform, including electronic entertainment and games consoles; computer money game programs; video money games (software); computer money games provided through a global computer network or supplied by means of multi-media electronic broadcast or

through telecommunications or electronic transmission or via the internet; computer money games, leisure and recreational software and video money games, all being provided in the form of storage media; programs for operating electric and electronic apparatus for money games, amusement and/or entertainment purposes liable to payment; computer software for computer money games on the internet; online money games (software), in particular for online betting games, online prize games, online gambling games, online games of skill and online casino games; calculating apparatus in coin-operated machines and parts for the aforesaid goods; software in particular for casino and/or amusement arcade games, for gaming machines and/or slot machines each one with or without prize payouts; gaming software that generates or displays wager outcomes of gaming machines; operational computer money games software; computer software for managing of money games (game collection); computer programs for video money games.

(260) AM 2019 98087 A

(800) 1406620

(151) 2018 03 19

(891) 2018 03 19

(731) Aukey E-Business Co., Ltd  
Huanan City, Electronic Trading Building,  
P09 Room 102, Longgang District,  
Shenzhen, Guangdong, China

(540)

**AUKEY**

(591) Black, white

(531) 27.05.01; 27.05.17

(511)

9 – Notebook computers; monitors [computer hardware]; chronographs [time recording apparatus]; photocopiers [photographic, electrostatic, thermic]; mobile phones; cabinets for loudspeakers; mileage recorders for vehicles; telescopes; pince-nez; battery chargers.

(260) AM 2019 99208 A

(800) 1420324

(151) 2018 03 30

(891) 2018 03 30

(731) Astellas Pharma Inc.

5-1, Nihonbashi-Honcho 2-chome, Chuo-ku,  
Tokyo 103-8411, Japan

(540)

**ВЕЗОМНИ**

(591) Black, white

(531) 28.05

(511)

5 – Pharmaceutical preparations for the treatment of urinary diseases.

(260) AM 2019 99728 A

(800) 1426513

(151) 2018 06 26

(891) 2018 06 26

(731) Global Functional Drinks AG  
Dammstrasse 19, CH-6301 Zug,  
Switzerland

(540)



(591) Light gray, white, blue, green, orange and yellow

(531) 01.15.15; 01.15.19; 01.15.21; 05.07.12; 05.07.22; 25.01.15; 27.05.03; 27.05.09; 27.05.24; 29.01.15

(511)

32 – Non-alcoholic beverages, non-alcoholic aperitifs, non-alcoholic cocktails, syrups for beverages, vegetable juices (beverages), fruit juices; non-alcoholic fruit beverages, essences for making beverages, energy drinks.

(260) AM 2019 99742 A

(800) 1053550

(151) 2010 02 10

(891) 2018 09 19

(731) Donati S.p.A.  
Via Paderno, 19, I-25050 Rodengo  
Saiano (BS), Italy

(540)

**DONATI**

(591) Black, white

(511)

6 – Supports and regulating mechanisms of metal for office furniture; wheels of furniture of metal.

20 – Office furniture and its parts, office chairs, elbow chairs, armchairs and their parts, arms of chairs, elbow chairs and armchairs, pedestals, uprights and bases for chairs, elbow chairs and armchairs, adapted for wheels, wheels for furniture not of metal.

(260) AM 2019 99809 A

(800) 1427295

(151) 2017 09 05

(891) 2017 09 05

(731) Andreas Stihl AG & Co. KG  
Badstrasse 115, 71336 Waiblingen,  
Germany

(540)

**STIHL**

(591) Black, white

(511)

7 – Chainsaws with parts, spare parts and accessories, in particular saw chains, guide bars, chain sprockets, clutches, carburetors, oil pumps, ignition systems, mufflers, cylinders, air filters, pistons and crankshafts; power-operated pole pruners; power-operated underwood clearing saws; power-operated brushcutters and trimmers; power-operated lawn edgers; power-operated hedge trimmers; power-operated earth augers; power-operated mistblowers for agricultural and forestry purposes; power-operated sprayers for agricultural and forestry purposes; power-operated blowers; vacuum shredders; cultivators; machines and power-operated equipment for use in agriculture and forestry; harvesting machinery, harvesting equipment [machines]; sharpeners for saw chains; filing apparatus for saw chains; mechanical maintenance kits for saw chains and guide bars; cutting-off machines; cart for cutting-off machines; high-pressure cleaners; cleaning devices; sweepers; water pumps; generators; drilling machines; gardening equipment [machines]; machines for cutting concrete and stone [machines]; suction cleaning apparatus with parts, spare parts and accessories; electric and gasoline powered portable agricultural, gardening, forestry and construction machines and apparatus; shredders and chippers; motor hoes; ploughs; lawn mowers; front mowers; ride-on lawn mowers; mulchers; lawn scarifiers; robotic mowers with accessories and spare parts; all of the aforementioned goods with parts, spare parts and accessories; solar power systems [generators].

9 – Hand tools for measuring; measuring apparatus, namely callipers; apparatus, devices and instruments for conducting, distributing, transforming, accumu-

lating, regulating or controlling electricity as well as charging and discharging electrical energy storage devices as well as parts and components of the aforesaid apparatus, devices and instruments; battery testers; solar cells and installations consisting thereof; computer programs and software applications, including software applications for mobile devices such as programmable telephones and tablets in particular for data collection, transfer, storage and processing; computer programs and software applications, including software applications for mobile devices such as programmable telephones and tablets for accessing online login portals for customers; software for accessing, browsing and searching online databases; web application software (web apps); application software (apps) for mobile and stationary terminals; electronic databases; electronically stored data; computers; computer systems; networks consisting of computers, IoT devices (Internet of Things), communication hubs or telecommunication apparatus; software for computer networks; computer hardware; computer peripherals; devices for collecting, transferring, storing and processing data as well as parts of such devices; apparatus for recording, editing, processing, sending, receiving and displaying signals, data, images and sounds; electronic and electromagnetic data carriers; programmed machine-readable data carriers of all kinds; magnetic data media, namely magnetic tapes, magnetic discs, magnetic plates and magnetic cards; video cameras; display screens; loudspeakers; positioning and navigation instruments; communication apparatus, in particular communication hubs; telecommunication apparatus, in particular for connecting to databases and the internet; transmitters and receivers; radio controls; sensors; detectors; repeaters; transformers; computer hardware modules for use with the Internet of Things; computer software for use with the Internet of Things; mini-sensors with microcontrollers; computer games, for use with an external screen or monitor; computer game software; computer game hardware, for use with an external screen or monitor; computer game software downloaded from the Internet or recorded on discs, cassettes, tapes, CD-Roms, DVDs; interactive software; mouse pads; measuring apparatus worn on the body; protective clothing; protective clothing with sensors; protective boots; protective shoes; protective gloves; head protection/hard hats; eye protection/goggles; face protection/face masks/face shields.

10 – Ear defenders.

(260) AM 2019 99810 A  
(800) 1427304  
(151) 2018 04 23  
(891) 2018 04 23

(731) Climate Control Technologies PC  
14-16 Churchill Way, Cardiff CF10 2DX,  
United Kingdom

(540)

**OLMO**

(591) Black, white  
(531) 27.05.01; 27.05.17  
(511)

11 – Air conditioners; heating installations; radiators; water coolers; apparatus for filtering drinking water; water purification units; humidifiers; air cleaning units; air handlers; air purifiers; all aforesaid goods for home and office use.

(260) AM 2019 99811 A  
(800) 1427326  
(151) 2018 07 26  
(891) 2018 07 26  
(731) SOREMARTEC SA  
Findel Business Center, Complexe B,  
Rue de Trèves, FINDEL, L-2632,  
Luxembourg

(540)



(591) Orange-red, beige, brown and white.  
(531) 01.15.15; 01.15.24; 08.01.19;  
08.03.02; 08.07.11; 19.03.01; 19.03.09;  
29.01.14

(511)  
30 – Pastry and confectionery; chocolate and chocolate products; edible ices; filled wafers; cocoa-based spread.

(260) AM 2019 99814 A  
(800) 1427394  
(151) 2018 07 13  
(891) 2018 07 13  
(731) Apple Inc.  
One Apple Park Way, Cupertino  
CA 95014, USA

(540)

**iWork**

(591) Black, white  
(531) 27.05.01  
(511)  
42 – Application service provider (ASP) services featuring computer software to enable uploading, posting, showing, displaying, sharing, editing, or



otherwise providing electronic media, data, or information over the Internet or other communications network; software as a service (SAAS) featuring computer software to enable uploading, posting, showing, displaying, sharing, editing, or otherwise providing electronic media, data, or information over the Internet or other communications network; providing temporary use of on-line non-downloadable software for viewing, annotating, storing, editing, downloading and distributing electronic files, images, audio, video, data, and documents, and for communication and collaboration via computer networks.

(260) AM 2019 99816 A

(800) 1427460

(151) 2018 05 17

(891) 2018 05 17

(731) Kommunalnoe proizvodstvennoe unitarnoe predpriyatie "Konditerskaya fabrika "Vitba"  
ul. Korotkevicha, 3, 210038 Vitebsk, Belarus

(540)



(591) White, blue and red

(531) 26.11.01; 26.11.12; 27.05.07; 29.01.13

(511)

30 – Cereal bars; high-protein cereal bars; muesli bars; flapjacks [oat bars]; chocolate bars; filled chocolate bars; sponge cakes; biscotti; bagels; bread rolls; jam buns; cream buns; waffles; biscuits for cheese; malt biscuits; mirror icing [mirror glaze]; cake frosting [icing]; frosting; toasted corn kernels; processed grains; processed whole grains; cooked whole grains; candy decorations for cakes; cakes; ready-rolled pastry dough; pastries; crackers; rice crackers; crème brûlées; chocolate-coated pretzels; yogurt-coated pretzels [confectionery]; pretzels; croissants; chocolate chips; hominy grits; corn, milled; maize, processed; corn, roasted; muffins; flour and preparations made from cereals; chocolate-based fillings for cakes and pies; oats, processed; chocolate-coated nuts; cream pies; fruit pies; breadsticks; pastilles [confectionery]; cookies; vegan cookies; onion biscuits; almond cookies; fortune cookies; spiced cookies; petit-beurre biscuits; salted biscuits; savory biscuits; chocolate chip cookies; cheese-flavored biscuits; chocolate brownies; pies; pasties; Eccles cakes; custard tarts; popcorn; candy-coated popcorn; glazed popcorn; caramel-coated popcorn; microwave popcorn; chocolate powder; cereal preparations; ready-to-eat cereals; breakfast cereals; oat-based food; chocolate products; gingerbread; petits fours [cakes]; wheat, processed; puffed rice; processed seeds for use as a seasoning;

agave syrup [natural sweetener]; mille-feuilles; cream puffs; snack mixes consisting of crackers, pretzels or popped popcorn; cheesecakes; extruded corn snacks; puffed corn snacks; cheese-flavored puffed corn snacks; muesli snacks; wheat-based snack foods; extruded wheat snacks; rusks; sushi; chocolate decorations for cakes; bread, pastries and confectionery; crispbread; corn flakes; oat flakes; corn chips; corn curls [cheese-flavored puffed corn snacks]; whole wheat tortilla chips; grain-based chips.

(260) AM 2019 99817 A

(800) 1427462

(151) 2018 07 17

(891) 2018 07 17

(731) Joh. Wilh. von Eicken GmbH  
Drechslerstrasse 1-3, 23556 Lübeck, Germany

(540)

**JOHANN WILHELM  
VON EICKEN  
TRADITION**

(591) Black, white

(531) 27.05.09; 27.05.10; 27.05.11; 27.05.17

(511)

34 – Tobacco; tobacco products, especially cigarettes, cigarillos, cigars, smoking tobacco, smoker's articles as far as included in this class.

(260) AM 2019 99818 A

(800) 1427480

(151) 2018 02 01

(891) 2018 02 01

(731) Limited liability company «Etopet»  
Sokolovo-Mescherskaja str., House 31,  
flat 132, RU-125466 Moscow,  
Russian Federation

(540)



(591) Yellow, black, white and brown.

(531) 03.01.06; 03.01.08; 26.05.01; 26.05.15;  
29.01.13

(511)

35 – Advertising services for others; retail or wholesale services for live animals and animal foodstuffs.

(260) AM 2019 99819 A

(800) 1427513

(151) 2018 07 16

(891) 2018 07 16

(731) YAYLA AGRO GIDA SANAYİ VE  
NAKLİYAT ANONİM ŞİRKETİ  
Saray Mah. Fatih Sultan Mehmet Blv.,  
No:327 Saray Kazan, Ankara, Turkey

(540)



(591) Red, white, dark green, yellow

(531) 24.03.07; 24.03.18; 26.01.19;  
26.01.21; 27.01.12; 27.05.02; 27.05.09;  
27.05.24; 29.01.15

(511)

29 – Meat, fish, poultry and game: processed meat products; dried pulses; soups, bouillon; processed olives, olive paste; milks of animal origin; milks of herbal origin; milk products; butter; edible oils; dried, preserved, frozen, cooked, smoked or salted fruits and vegetables; tomato paste; prepared nuts and dried fruits as snacks; hazelnut spreads and peanut butter; tahini (sesame seed paste); eggs and powdered eggs; potato chips.

30 – Coffee, cocoa; coffee or cocoa based beverages, chocolate based beverages; pasta, stuffed dumplings, noodles; pastries and bakery products based on flour; desserts based on flour and chocolate; bread, simit [Turkish ring-shaped bagel covered with sesame seeds], poğaç [Turkish bagel]; pita, sandwiches, katmer [Turkish pastry], pies, cakes, baklava [Turkish dessert based on dough coated with syrup]; kadayif [Turkish dessert based on dough]; desserts based on dough coated with syrup; puddings, custard, kazandibi [Turkish pudding], rice pudding, keşkül [Turkish pudding]; honey, bee glue for human consumption, propolis for food purposes; condiments for foodstuff, vanilla (flavoring), spices, sauces (condiments), tomato sauce; yeast, baking powder; flour, semolina, starch for food; sugar, cube sugar, powdered sugar, tea, ice tea; confectionery, chocolate, biscuits, crackers, wafers, chewing gums; ice-cream, edible ices; salt; cereal-based snack food, popcorn, crushed oats, corn chips, breakfast cereals, processed wheat for human consumption, crushed barley for human consumption, processed oats for human consumption, processed rye for human consumption, rice; molasses for food.

32 – Beers; preparations for making beer; mineral water, spring water, table water, soda water; fruit and vegetable juices, fruit and vegetable concentrates and extracts for making beverages, non-

alcoholic soft drinks; energy drinks; protein-enriched sports beverages.

(260) AM 2019 99825 A

(800) 1427753

(151) 2018 08 27

(891) 2018 08 27

(731) Closed Joint Stock Company

"Sotex "PharmFirm

Sergievo-Posadsky municipal district,  
selskoe poselenie Bereznyakovskoe,  
pos. Belikovo, d. 11, Moscow Region,  
RU-141345, Russian Federation

(540)

## ORNILATEX

(591) Black, white

(511)

5 – Analgesics; anaesthetics; antibiotics; antiseptics; balms for medical purposes; first-aid boxes, filled; hematogen; dietetic foods adapted for medical purposes; dietetic substances adapted for medical use; dietary supplements for animals; nutritional supplements; capsules for medicines; cachets for pharmaceutical purposes; candy, medicated; candy for medical purposes; adhesive plasters; liniments; ointments for pharmaceutical purposes; medicinal oils; drugs for medical purposes; pharmaceutical preparations; chemico-pharmaceutical preparations; mustard plasters; vaccines; vitamin preparations.

(260) AM 2019 99833 A

(800) 1428000

(151) 2018 08 02

(891) 2018 08 02

(731) Apple Inc.

One Apple Park Way, Cupertino  
CA 95014, USA

(540)

## SMART TEMPO

(591) Black, white

(511)

9 – Computer software for creating and recording music; computer software for sound mixing and synthesizing; computer software for digital audio production, processing, and editing; computer software for control, customization, and performance of virtual software instruments and audio effects.

(260) AM 2019 99834 A

(800) 1428005

(151) 2018 05 22

(891) 2018 05 22

(731) GD HAN'S YUEMING LASER  
GROUP CO., LTD

No.28 East Industrial Road, Songshan Lake  
High-Tech, Industrial Development Zone,  
Dongguan, Guangdong, China

(540)

**SONGU**

(591) Black, white

(531) 27.05.01; 27.05.17

(511)

7 – Engraving machines; marking machines for industrial use; embossing machines; metalworking machines; cutting machines; handling machines, automatic [manipulators]; robots [machines]; machines for electronics industry; shaft couplings [machines].

(260) AM 2019 99840 A

(800) 1428159

(151) 2017 12 27

(891) 2017 12 27

(731) Tovarystvo z obmezheniou

vidpovidalnistiu "POLIKOLOR"

Vul. Skhidna, 2 A, m. Dniprodzerzhynsk,

Dnipropetrovska obl. 51909, Ukraine

(540)



(591) White, blue and green.

(531) 18.03.15; 18.03.23; 29.01.13

(511)

2 – Asbestos paints; watercolour paints for use in art; alizarine dyes; aluminium powder for painting; aluminium paints; aniline dyes; annatto [dyestuff]; anti-corrosive preparations; anti-corrosive bands; auramine; bactericidal paints; shoe dyes; ink for skin-dressing; dyewood; dyes; dyewood extracts; bitumen varnish; bronze powder for painting; lime wash; fireproof paints; glazes [paints, lacquers]; primers; gamboge for painting; gum-lac; titanium dioxide [pigment]; printers' pastes [ink]; printing ink; enamels [varnishes]; enamels for painting; silver emulsions [pigments]; colorants for liqueurs; colorants for butter; colorants for beverages; colorants for beer; colorants; thickeners for paints; undercoating for vehicle chassis; protective preparations for metals; binding preparations for paints; indigo [colorant]; edible inks; gum resins; Canada balsam; colophony; caramel [food colorant]; carbonyl [wood preservative]; edible ink cartridges, filled, for printers; ceramic paints; badigeon; wood preservatives; copal; copal varnish; cochineal carmine; creosote for wood preservation; turmeric [colorant]; bronzing lacquers; varnishes; marking ink for

animals; anti-rust oils; mastic [natural resin]; anti-rust greases; metal foil for use in painting, decorating, printing and art; metals in powder form for use in painting, decorating, printing and art; wood stains; anti-fouling paints; cobalt oxide [colorant]; zinc oxide [pigment]; oils for the preservation of wood; oil paints for use in art; paper for dyeing Easter eggs; pigments; coatings [paints]; wood coatings [paints]; coatings for roofing felt [paints]; lacquers; silvering powders; anti-rust preparations; anti-tarnishing preparations for metals; stains for leather; wood mordants; mordants; thinners for lacquers; thinners for paints; whitewash; soot [colorant]; carbon black [pigment]; lamp black [pigment]; sandarac; white lead; orange lead; red lead; siccatives [drying agents] for paints; sienna earth; turpentine [thinner for paints]; natural resins, raw; malt caramel [food colorant]; malt colorants; silver paste; sumac for varnishes; distempers; toners [ink] for photocopiers; toner cartridges, filled, for printers and photocopiers; ink for leather; engraving ink; paints; repositionable paint patches; fixatives [varnishes]; fixatives for watercolors [watercolours]; yellowwood [colorant]; food dyes; saffron [colorant]; black Japan.

(260) AM 2019 99841 A

(800) 1428179

(151) 2018 06 15

(891) 2018 06 15

(731) Charion Co., Ltd

6-31, Kaigan 2-Chome, Minato-Ku, Tokyo

105-0022, Japan

(540)

## WHITENING NET

(591) Black, white

(511)

3 – Dentifrices; tooth polishes; toothpaste; tooth powder; non-medicated dental rinse; dentifrice gels; tooth cleaning preparations; teeth cleaning lotions; tooth whitening preparations; tooth whitening pastes; tooth whitening creams; dental bleaching gels; non-medicated mouthwashes; breath freshening preparations for personal hygiene; breath freshening sprays; breath freshening strips; cosmetics; cosmetic preparations; cosmetic preparations for the care of mouth and teeth; teeth whitening strips impregnated with teeth whitening preparations (cosmetics); cleaning pads impregnated with cosmetics; cotton swabs for cosmetic purposes; cotton wool for cosmetic purposes.

44 – Teeth whitening services; providing advice relating to teeth whitening services; providing information relating to teeth whitening services; pharmaceutical advice, namely, providing advice in the field of dental preparations for teeth whitening; provision of pharmaceutical information in the field

of dental preparations for teeth whitening; consultancy in the field of cosmetics, namely, cosmetic preparations for the care of mouth and teeth; providing advice relating to dentistry services; providing information relating to dentistry services; dental consultations in the field of teeth whitening; providing information relating to dentistry services in the field of teeth whitening; providing advice relating to cosmetic dentistry services in the field of teeth whitening; providing information relating to cosmetic dentistry services in the field of teeth whitening; beauty salon services; beauty care services; beauty consultancy services; providing information relating to beauty salon services and beauty care services; advisory services relating to health; provision of health information; rental of medical machines and apparatus; rental of dental apparatus and instruments; rental of dental apparatus and instruments for teeth whitening; rental of machines and apparatus for use in beauty salons or barbers' shops.

(260) AM 2019 100104 A

(800) 1428535

(151) 2018 08 14

(891) 2018 08 14

(731) Lipsy Limited

Desford Road, Enderby, Leicester LE19

4AT, United Kingdom

(540)

**LIPSY**

(591) Black, white

(511)

25 – Clothing; footwear; headgear; belts for clothing; sleep masks.

35 – Retail and online retail services in connection with the sale of clothing, headwear, footwear, belts for clothing, leather clothing, passport holders, hot water bottles, eye masks, sleep masks; retail and online retail services in connection with the sale of perfume, cosmetics, toiletries, essential oils, hair lotions, soaps, dentifrices, colognes, body sprays, body and beauty care cosmetics, toiletry products, toiletry preparations, toiletries in the form of creams and lotions, cleansing products, preparations for body care, preparations for care of hair, preparations for care of nails, nail varnish, preparations for care of skin, preparations for the eyes, preparations for the face, preparations for the feet, preparations for the hands, preparations for the nails, colouring substances for cosmetic purposes, cosmetic kits, cosmetic masks, deodorants, soaps, sponges impregnated with soaps/toiletries, talc, bath and shower oils, gels, creams, lotions, milks and foams, bath beads, bath crystals, bath salts; retail and online retail services in connection with the sale of eyewear, eyeglasses, spectacles, sunglasses, goggles

and cases, chains and straps for eyeglasses, sunglasses and goggles, spectacle and sunglass frames, contact lenses, pre-recorded CDs, video tapes, laser disks, DVDs and MP3s, CD storage wallets and racks, downloadable publications, apparatus for recording, transmission or reproduction of sound or images, magnetic data carriers, recording discs, recorded media, computer software, software downloadable from the Internet, compact discs, digital music, computer games equipment adapted for use with an external display screen or monitor, mouse mats, mobile telephones, mobile phone accessories, computer accessories, tablet computer accessories, cases for mobile phones, tablets and laptops, safety clothing, footwear and headgear, photographic apparatus and instruments; retail and online retail services in connection with the sale of jewellery and watch straps, watches, jewellery, costume jewellery, clocks, jewellery boxes and watch boxes, jewellery display stands, horological and chronometric instruments, sculptures and ornaments made of precious metals, badges of precious metal, clock cases, cuff links, statues and figurines, made of or coated with precious or semi-precious metals or stones, or imitations thereof, key rings [trinkets or fobs] and key chains, ornamental pins, stopwatches, sundials, tie clips, tie pins, pouches for jewellery, costume jewellery, clocks, parts and fittings for all the aforesaid goods; retail and online retail services in connection with the sale of bags, handbags, purses, vanity cases, luggage, leather and imitations of leather, and goods made of these materials, cases, holdalls, tote bags, rucksacks, backpacks, bags for sport and recreational purposes, shoe and boot bags, wallets, belts and straps, harnesses, key cases, umbrellas, parasols, toiletry bags and cases, toilet bags and cases, cosmetic bags and cases, beauty cases, but not including retail services connected with the sale of lip salves, lip protectors, and/or lip care preparations or any lip related products.

(260) AM 2019 100105 A

(800) 1428548

(151) 2017 11 29

(891) 2017 11 29

(731) BİLCE TEKSTİL SANAYİ VE DİŞ

TİCARET ANONİM ŞİRKETİ

Eski Edirne Asfaltı 34., Sk. No:3

Sultançiftliği, İSTANBUL, Turkey

(540)



(591) Black, white

(531) 26.13.25; 27.05.01

(511)

18 – Unworked or semi-worked leather and animal skins, imitations of leather, stout leather, leather used for linings, goods made of leather, imitations of leather or other materials, designed for carrying items, included in this class; bags, wallets, boxes and trunks made of leather or stout leather; key cases, trunks [luggage], suitcases, umbrellas; parasols; sun umbrellas; walking sticks, whips; harness; saddlery; stirrups; straps of leather (saddlery).

25 – Clothing, including underwear and outerwear, other than special purpose protective clothing, socks, mufflers [clothing], shawls, bandanas, scarves, belts [clothing], footwear, shoes, slippers, sandals, headgear, hats, caps with visors, berets, caps [headwear], skull caps.

35 – Advertising, marketing and public relations; organization of exhibitions and trade fairs for commercial or advertising purposes; design for advertising; provision of an online marketplace for buyers and sellers of goods and services, office functions; secretarial services; arranging newspaper subscriptions for others; compilation of statistics; rental of office machines; systemization of information into computer databases; telephone answering for unavailable subscribers, business management, business administration and business consultancy; accounting; commercial consultancy services; personnel recruitment, personnel placement, employment agencies, import-export agencies; temporary personnel placement services, auctioneering, the bringing together, for the benefit of others, of a variety of goods, namely, unworked or semi-worked leather and animal skins, imitations of leather, stout leather, leather used for linings, goods made of leather, imitations of leather or other materials, designed for carrying items, bags, wallets, boxes and trunks made of leather or stout leather, key cases, trunks, suitcases, umbrellas, parasols, sun umbrellas, walking sticks, whips, harness, saddlery, stirrups, straps of leather, clothing, including underwear and outerwear, other than special purpose protective clothing, socks, mufflers, shawls, bandanas, scarves, belts, footwear, shoes, slippers, sandals, headgear, hats, caps with visors, berets, caps, skull caps, enabling customers to conveniently view and purchase those goods, such services may be provided by retail stores, wholesale outlets, by means of electronic media or through mail order catalogues.

(260) AM 2019 100106 A

(800) 1428553

(151) 2018 02 02

(891) 2018 02 02

(731) PHARMANUTRA S.P.A.

Via delle Lenze, 216/b, I-56122 Pisa (PI),

Italy

(540)

**SiderAL** 

(591) Black, white

(531) 01.13.15; 27.05.01; 27.05.08

(511)

1 – Chemicals used in industry; chemical substances for preserving foodstuffs; raw materials [chemical] for the formulation of pharmaceutical preparations for human purposes and for animal purposes; raw materials [chemical] for the formulation of dietetic foods, dietetic food not for medical purposes, dietetic food for babies, dietetic food preparations adapted for medical purposes, dietetic substances adapted for medical purposes, dietetic substances for babies, food for babies, dietetic food supplements, dietetic food supplements for medical and not for medical purposes, food supplements for medical and not for medical purposes, food supplements for dietetic purposes, dietetic preparations and preparations for use as additives to food for human consumption [medicated]; cultures of microorganisms not for medical purposes; cultures of saprophytic bacteria not for medical purposes; preparations of microorganisms not for medical purposes; preparations of saprophytic bacteria cultures not for medical purposes; bacterial substances for industrial purposes; bacteria for use in food manufacture; probiotic bacteria for the food industry; bacterial preparations for the food industry; bacterial cultures for addition to food products; bacterial preparations and cultures other than for medical purposes; milk ferments and bacteria preparations used in making foodstuffs; antioxidants, fatty acids, proteins, enzymes, liposomes, cultures of microorganisms, lactic acid bacteria and probiotic compositions, all for use in the manufacture of pharmaceuticals, veterinary products, diet compositions for human purposes, foods for newborns, food supplements, nutritional supplements, dietary supplements, food supplements for medical purposes and dietetic foods; probiotic bacteria for the food industry; probiotic bacterial formulations [other than for medical purposes]; extracts, cultures of microorganisms, enzymes and additives for fermentation; fermentation extracts for industrial purposes; cultures of microorganisms used in the fermentation of fodder; fertilizers; bacterial preparations, other than for medical and veterinary use.

5 – Pharmaceutical and parapharmaceutical products and preparations, including gynecological, urological, gastroenterologists, immunologic, cardiovascular, dermatological, oral hygiene and osteo-articular preparations and products; sanitary and

hygienic products and preparations for medical purposes; nutraceuticals, symbiotics, nutritionals, probiotics, prebiotics and homeopathics for use as dietary supplements; veterinary products and preparations; food and dietary supplements; nutritional, mineral, dietetic, nutraceutical, vitamin, antioxidant, saprophytic bacterial flora and homeopathic substances and preparations, all for medical purpose; enzymes and proteins dietary supplements; food and dietary supplements for people with special dietary needs; herbal dietary supplements for persons with special dietary requirements; dietary supplement drinks; nutritional supplements for medical use; dietary foodstuff for human consumption; food and dietary supplement, including food and dietary supplements for babies; dietetic foodstuffs all for medical purposes; cultures of microorganisms for medical use; cultures of saprophytic bacteria for medical use; preparations of micro-organisms for medical purposes; bacteriological cultures (media for-); dietary supplements for animals; protein supplements for animals; mineral supplements for livestock feed; fungicides, herbicides, insecticides; disinfectants; disinfectants for hygiene purposes; napkins soaked in disinfectant lotions; facial wipes soaked in disinfectant lotions; medicated pre-moistened wipes.

35 – Wholesaling and retailing, for others, including by mail order and via communications media, including the internet, in relation to chemicals used in industry, chemical substances for preserving foodstuffs, raw materials [chemical] for the formulation of pharmaceutical preparations for human purposes and for animal purposes, raw materials [chemical] for the formulation of dietetic foods, dietetic food not for medical purposes, dietetic food for babies, dietetic food preparations adapted for medical purposes, dietetic substances adapted for medical purposes, dietetic substances for babies, food for babies, dietetic food supplements, dietetic food supplements for medical and not for medical purposes, food supplements for medical and not for medical purposes, food supplements for dietetic purposes, dietetic preparations and preparations for use as additives to food for human consumption [medicated], cultures of microorganisms not for medical purposes, cultures of saprophytic bacteria not for medical purposes, preparations of microorganisms not for medical purposes, preparations of saprophytic bacteria cultures not for medical purposes, bacterial substances for industrial purposes, bacteria for use in food manufacture, probiotic bacteria for the food industry, bacterial preparations for the food industry, bacterial cultures for addition to food products, bacterial preparations and cultures other than for medical purposes, milk ferments and bacteria preparations used in making foodstuffs, antioxidants, fatty acids, proteins, enzymes, liposomes, cultures of

microorganisms, lactic acid bacteria and probiotic compositions, all for use in the manufacture of pharmaceuticals, veterinary products, diet compositions for human purposes, foods for new-borns, food supplements, nutritional supplements, dietary supplements, food supplements for medical purposes and dietetic foods, probiotic bacteria for the food industry, probiotic bacterial formulations [other than for medical purposes], extracts, cultures of microorganisms, enzymes and additives for fermentation, fermentation extracts for industrial purposes, cultures of micro-organisms used in the fermentation of fodder, probiotic bacterial preparations for medical and animal use, fertilizers, pharmaceutical and parapharmaceutical products and preparations, including gynecological, urological, gastroenterologists, immunologic, cardio-vascular, dermatological, oral hygiene and osteo-articular preparations and products, sanitary and hygienic products and preparations for medical purposes; nutraceuticals, symbiotics, nutritionals, probiotics, prebiotics and homeopathics for use as dietary supplements, veterinary products and preparations, food and dietary supplements, nutritional, mineral, dietetic, nutraceutical, vitamin, antioxidant, saprophytic bacterial flora and homeopathic substances and preparations, all for medical purpose, enzyme and protein dietary supplements, food and dietary supplements for people with special dietary needs, herbal dietary supplements for persons with special dietary requirements, dietary supplement drinks, nutritional supplements for medical use, dietary foodstuff for human consumption, food and dietary supplements including food and dietary supplements for babies, dietetic foodstuffs all for medical purposes, cultures of microorganisms for medical use, cultures of saprophytic bacteria for medical use, preparations of micro-organisms for medical purposes, bacteriological cultures (media for -), dietary supplements for animals, protein supplements for animals, mineral supplements for livestock feed, fungicides, herbicides, insecticides, disinfectants, disinfectants for hygiene purposes, napkins soaked in disinfectant lotions, facial wipes soaked in disinfectant lotions, medicated pre-moistened wipes; business advice relating to franchising.

---

(260) AM 2019 100108 A  
 (800) 1428670  
 (151) 2018 09 14  
 (891) 2018 09 14  
 (731) medac Gesellschaft für klinische  
 Spezialpräparate mbH  
 Theaterstraße 6, 22880 Wedel, Germany  
 (540)

**Trecondi**

(591) Black, white

(511)  
5 – Pharmaceutical preparations.

(260) AM 2019 100109 A  
(800) 1428697

(151) 2018 07 12

(891) 2018 07 12

(731) SHIMGE PUMP INDUSTRY  
GROUP CO., LTD

Dayangcheng Industrial District, Daxi  
Town, Wenling, Zhejiang, China

(540)

**SHIMGE**  
..... **for better life**

(591) Black, white

(531) 26.11.14; 27.05.10

(511)

7 – Aerating pumps for aquaria; mine drainage pump; slurry pump for petroleum; concrete vibrators; driving motors, other than for land vehicles; dynamos; pumps (machines); blowing machines; compressed air machines; bearings [parts of machines].

(260) AM 2019 100111 A

(800) 1428756

(151) 2018 04 12

(891) 2018 04 12

(731) Limited Liability Company

"Association "Soyuzpichsheprom"  
pos. Melkombinat-2, uchastok 1, d. 37,  
RU-454080 Chelyabinsk,  
Russian Federation

(540)



(591) Light green, light brown, brown,  
dark brown and beige.

(531) 05.03.13; 05.03.14; 09.01.07;  
20.05.15; 27.05.07; 29.01.13

(511)

29 – Corn oil for food; kephir [milk beverage], including oat kephir; kissel, including oat kissel; linseed oil for food; oat milk; oils for food; potato chips; powdered milk; rice milk; soya milk; sunflower oil for food; tofu; yogurt, including oat yogurt.

30 – Cereal bars; cereal preparations; cereal-based snack food; chips [cereal products]; corn flakes; crushed barley; crushed oats; dough; flour; groats for human food; high-protein cereal bars; hominy grits;

husked oats; macaroni; muesli; noodles; oat flakes; oat-based food; oatmeal; pasta; pies; pizzas; rice-based snack food; semolina; spaghetti; vermicelli [noodles]; wheat flour.

32 – Non-alcoholic beverages; oat-based beverages, other than milk substitutes; rice-based beverages, other than milk substitutes; soya-based beverages, other than milk substitutes.

(260) AM 2019 100130 A

(800) 1429215

(151) 2016 12 09

(891) 2016 12 09

(731) SCI MARBELOW INTELLECTUAL  
PROPERTIES

c/o MD Management Corporation, 57,  
rue Grimaldi, MC-98000 Monaco, Monaco

(540)

**SPANDAU BALLET**

(591) Black, white

(511)

9 – Media for recording sound and images; audio and/or video signal media; recorded films, musical and phonographic recording media; audio and video cassettes, compact discs, digital optical discs; CD-ROMs; music software, games software; computer games; software for digital music (downloadable) from the Internet, video recording media (downloadable) from the Internet; downloadable electronic publications on all media, downloadable illustrations provided on-line from a database or the Internet; electronic illustrations on all media, screen savers, graphical backdrops for electronic displays; spectacles, opera glasses; magnets; sunglasses, cases for sunglasses; bags and covers for records, compact discs or tapes.

16 – Paper and cardboard, namely mats of paper, paper badges, cardboard; printed matter, stationery, writing instruments, publications, books, magazines; newspapers; song lyrics and music printed in sheet or book form; engravings; show programs; stickers; table linen of paper; place mats of paper; table napkins of paper; posters; photographs; letter-cards; stickers and transfers [decalcomanias]; record vouchers, gift vouchers.

18 – Leather and imitations of leather; animal leathers and skins; trunks and traveling bags; umbrellas, parasols and walking sticks; whips, harnesses and saddlery; travel bags and shopping bags; beach bags; handbags; key cases; purses (coin purses); wallets; backpacks.

21 – Utensils and containers for household or kitchen use (not of precious metal or coated with precious metal); brushes, combs and sponges; glassware and porcelain; earthenware; bottle openers; candle holders (candlesticks); ceramic

goods for household use; ornaments of porcelain; tableware; cups not of precious metal; dishes not of precious metal; glasses; egg cups; cups not of precious metal [mugs]; pottery; trays for domestic use, not of precious metal; vases not of precious metal.

25 – Clothing, footwear, hats; belts.

26 – Ornamental badges; badges (for wear) not of precious metal; embroidered emblems; lace and embroidery, ribbons and braid; buttons, hooks and eyes; pins and needles; artificial flowers.

28 – Toys; games; jigsaw puzzles; playing cards.

41 – Organization of dance, music and/or theater shows; organization of shows and production of radio and television programs; direction and production of films, shows and recordings of sound or images; organization of shows and theater production, production of music shows; publication of books and texts; rental of sound and picture recordings; rental of video games; entertainment club services; presentation of live performances, night club services; show production; recording studio services; information and consultancy in connection with all the aforesaid services.

(260) AM 2019 100135 A

(800) 1429255

(151) 2018 03 23

(891) 2018 03 23

(731) Oz Treyler Ve Damper Insaat

Taahhut Sanayi Ve Ticaret Limited Sirketi

Balcik Koyu Merkez Mah., Organize Cad.

No:62, Gebze, Kocaeli, Turkey

(540)



(591) Black, white, red, gray

(531) 26.03.23; 27.05.10; 29.01.13

(511)

12 – Motor land vehicles, motorcycles, mopeds; engines and motors for land vehicles; clutches for land vehicles; transmissions, transmission belts and transmission chains for land vehicles; gearing for land vehicles; brakes, brake discs and brake linings for land vehicles; vehicle chassis, automobile bonnets, vehicle suspension springs, shock absorbers for automobiles, gearboxes for land vehicles, steering wheels for vehicles, rims for vehicle wheels; bicycles and their bodies; handlebars and mudguards for bicycles; vehicle bodies; tipping bodies for trucks; trailers for tractors; frigorific bodies for land vehicles; trailer hitches for vehicles; vehicle seats; head-rests for vehicle seats; safety seats for children,

for vehicles; seat covers for vehicles; vehicle covers, shaped; sun-blinds adapted for vehicles; direction signals and arms for direction signals for vehicles; windscreen wipers and wiper arms for vehicles; inner and outer tires for vehicle wheels; tubeless tires; tire-fixing sets comprised of tire patches and tire valves for vehicles; windows for vehicles, safety windows for vehicles, rearview mirrors and wing mirrors for vehicles; anti-skid chains for vehicles; luggage carriers for vehicles; bicycle and ski carriers for cars; saddles for bicycles or motorcycles; air pumps for vehicles, for inflating tires; anti-theft alarms for vehicles, horns for vehicles; safety belts for vehicle seats, air bags, safety devices for automobiles; baby carriages, wheelchairs, push-chairs; wheelbarrows; shopping carts; single or multi-wheeled wheelbarrows; shopping trolleys; grocery carts; handling carts; rail vehicles, namely, locomotives; trains; trams; waggons; cable cars; chairlifts; vehicles for locomotion by water and their parts, other than their motors and engines; vehicles for locomotion by air and their parts, other than their motors and engines.

(260) AM 2019 100136 A

(800) 1429307

(151) 2018 07 06

(891) 2018 07 06

(731) Future Enterprises Pte. Ltd

31 Harrison Road, № 08-01, Food Empire

Business Suites, Singapore 369649,

Singapore

(540)



(591) Black, white, light-brown, brown, dark brown, grey, light-grey, red, dark red, maroon and cream-colored.

(531) 01.15.11; 01.15.15; 08.01.19; 11.03.04; 25.01.19; 26.11.08; 29.01.15

(526) All the words and letters, except "MacCoffee".

(511)

30 – Coffee; chocolate; coffee-based beverages; compositions for preparing coffee-based beverages.



(260) AM 2019 100137 A  
 (800) 1429341  
 (151) 2018 04 10  
 (891) 2018 04 10  
 (731) LCS International SAS  
 8 rue Adolphe Seyboth, F-67000  
 STRASBOURG, France  
 (540)



(591) Blue, black, white and red  
 (531) 03.07.03; 03.07.24; 26.02.03; 29.01.14  
 (511)

9 – Spectacles [optics]; sunglasses; spectacle frames; spectacle cases; spectacle cords and cases; protective goggles; cellular telephones; portable telephone accessories included in this class, namely cases for portable telephones, hands-free kits for portable telephones, headphones and headsets for portable telephones, keyboards for portable telephones, straps for portable telephones; protective accessories for portable telephones, namely socks, pouches, screen protectors, cases, shock absorbers, custom kits, neck straps; protective accessories for tablet computers, namely covers, cases, screen protectors, custom kits; protective accessories for digital cameras, namely socks, pouches, cases, neck straps.

18 – Leathers and imitation leathers; umbrellas; beach umbrellas; sports bags (other than those adapted to products which they are designed to contain); garment bags for travel; luggage; backpacks; handbags; school satchels; beach bags; trunks and suitcases; vanity cases; key cases; garment bags; wallets; purses (coin purses); briefcases.

25 – Clothing; footwear articles; headgear; shirts; knitwear; polo shirts; sleeveless blouses; tee-shirts; vests; dresses; skirts; underpants; swimwear (bathing suits); shorts; trousers; pullovers; bonnets; hats; scarves; sashes (clothing); visors; tracksuits; sweatshirts; jackets; blazers; waterproof clothing; coats; uniforms; neckties; gloves (clothing); aprons (clothing); bibs; sports jackets; stadium jackets; pajamas; rompers and play clothes for small children; socks and stockings; stocking suspenders; belt (clothing); suspenders; footwear; footwear for sports; boots; bedroom slippers.

28 – Games, toys; gymnastic and sporting articles; balls for games and for sports; board games; sports equipment, namely balls, gloves and knee, elbow and shoulder pads; football goals; tennis rackets and balls; small electronic games other than those

designed for use only with a television receiver; electronic game machines with liquid crystal displays; game consoles; sports bags adapted to the goods for which they are intended.

35 – Dissemination of advertisements; rental of advertising space; rental of advertising time in film credits; television advertising, radio advertising; promotion agency services; retail sale services and bringing together of various products for the benefit of others (excluding the transport thereof), namely clothing, footwear, headgear, sporting goods, bags, luggage, briefcases, umbrellas, flags and pennants; retail sale services and bringing together of various products for the benefit of others (excluding the transport thereof), namely clothing, footwear, headgear, sporting goods, bags, luggage, briefcases, umbrellas, flags and pennants, for enabling customers to conveniently view and purchase these products via a global computer network (the Internet) or via wireless electronic communication devices; sales promotion, namely creation of preferential programs for customers; electronic commerce services, namely, on-line services for the provision of contracts for the purchase and sale of goods.

(260) AM 2019 100139 A  
 (800) 1429365  
 (151) 2018 05 31  
 (891) 2018 05 31  
 (731) RAYTEC VISION S.p.A.  
 Via Paradigna, 94/A, I-43122 PARMA,  
 Italy  
 (540)



(591) Black, white  
 (531) 26.04.02; 26.04.05; 26.04.12; 26.11.01;  
 26.11.25; 27.05.10; 27.05.15  
 (511)

7 – Batch sorting machines; machines for sorting batch and removing non-conforming materials; potato sorters [machines], machines for sorting potatoes and removing non-conforming materials; sorting machines for industry; sifting machines; gravel and dirt sorting and screening machines; optical sorting machines; waste sorting machines; waste and trash separator machines; machines for sorting goods by colour; rice grain sorting machines; tea leaves sorting machines; sorting machines, other than for money, centrifugal separators; grain separating machines.

(260) AM 2019 100140 A  
 (800) 1429366  
 (151) 2018 07 15  
 (891) 2018 07 15  
 (731) EKU TEKSTİL SANAYİ İÇ VE DIŞ  
 TİCARET LİMİTED SİRKETİ  
 Mimar Kemalettin Mh., Azimkar  
 Sk.No:38/A, Fatih-Istanbul, Turkey

(540)  
**EQ Moda**

(591) Black, white  
 (531) 27.05.01  
 (511)

25 – Clothing, including underwear and outerclothing, other than special purpose protective clothing; socks, mufflers [clothing], shawls, bandanas, scarves, belts [clothing]; footwear, shoes, slippers, sandals; headgear, hats, caps with visors, berets, caps [headwear], skull caps.

35 – The bringing together, for the benefit of others, of a variety of goods, namely clothing, including underwear and outerclothing, other than special purpose protective clothing, socks, mufflers [clothing], shawls, bandanas, scarves, belts [clothing], footwear, shoes, slippers, sandals, headgear, hats, caps with visors, berets, caps [headwear], skull caps, enabling customers to conveniently view and purchase those goods, such services may be provided by retail stores, wholesale outlets, by means of electronic media or through mail order catalogues.

(260) AM 2019 100142 A  
 (800) 1429395  
 (151) 2018 09 24  
 (891) 2018 09 24  
 (731) Gant AB  
 P.O. Box 27021, SE-102 51 Stockholm,  
 Sweden

(540)  
**GANT**

(591) Black, white  
 (511)

14 – Goods in precious metals or coated therewith, not included in other classes; jewelry, precious stones, timepieces and chronometric instruments.

(260) AM 2019 100144 A  
 (800) 1429437  
 (151) 2018 06 15  
 (891) 2018 06 15  
 (731) Apple Inc.  
 One Apple Park Way, Cupertino  
 CA 95014, USA

(540)



(591) Black, white  
 (531) 05.07.13; 05.07.23; 26.04.04; 26.04.15  
 (511)

9 – Computers; computer hardware; handheld computers; tablet computers; telecommunications apparatus and instruments; telephones; mobile telephones; smartphones; network communication apparatus; smartwatches; smartglasses; smart rings; wearable activity trackers; connected bracelets; electronic book readers; computer software; computer software for setting up, configuring, operating and controlling computers, computer peripherals, mobile devices, mobile telephones, smartwatches, smartglasses, wearable devices, earphones, headphones, televisions, set-top boxes, audio and video players and recorders, home theatre systems, and entertainment systems; computer game software; downloadable pre-recorded audio, video and multimedia content; computer peripheral devices; peripheral devices for computers, mobile telephones, mobile electronic devices, wearable electronic devices, smartwatches, smartglasses, earphones, headphones, televisions, set top boxes, and audio and video players and recorders; wearable peripherals for use with computers, mobile telephones, mobile electronic devices, smartwatches, smartglasses, smart rings, earphones, headphones, televisions, set top boxes, and audio and video players and recorders; biometric identification and authentication apparatus; accelerometers; altimeters; distance measuring apparatus; distance recording apparatus; pedometers; pressure measuring apparatus; pressure indicators; monitors, display screens, head mounted displays, and headsets for use with computers, smartphones, mobile electronic devices, wearable electronic devices, smart watches, smartglasses, televisions, set top boxes, and audio and video players and recorders; virtual and augmented reality displays, goggles, controllers, and headsets; 3D spectacles; eyeglasses; sunglasses; spectacle lenses; optical glass; optical goods; optical apparatus and instruments; cameras; keyboards, mice, mouse pads, printers, disk drives, and hard drives; sound recording and reproducing apparatus; digital audio and video players and recorders; audio speakers; audio amplifiers and receivers; voice recording and voice recognition apparatus; earphones; headphones; microphones; televisions; television receivers and monitors; set top boxes; radios; radio transmitters and receivers; global positioning systems (GPS devices); navigational instruments; remote controls for controlling computers, mobile telephones, mobile electronic

devices, wearable electronic devices, smartwatches, smartglasses, earphones, headphones, audio and video players and recorders, televisions, set top boxes, speakers, amplifiers, home theatre systems, and entertainment systems; wearable devices for controlling computers, mobile telephones, mobile electronic devices, smart watches, smartglasses, earphones, headphones, audio and video players and recorders, televisions, set top boxes, speakers, amplifiers, home theatre systems, and entertainment systems; data storage apparatus; electrical and electronic connectors, couplers, wires, cables, chargers, docks, docking stations, and adapters for use with computers, mobile telephones, handheld computers, computer peripherals, mobile telephones, mobile electronic devices, wearable electronic devices, smartwatches, smartglasses, earphones, headphones, audio and video players and recorders, televisions, and set top boxes; interactive touchscreens; interfaces for computers, computer screens, mobile telephones, mobile electronic devices, wearable electronic devices, smartwatches, smartglasses, televisions, set top boxes, and audio and video players and recorders; parts and accessories for computers, computer peripherals, mobile telephones, mobile electronic devices, wearable electronic devices, smartwatches, smartglasses, earphones, headphones, audio and video players and recorders, televisions, and set top boxes.

28 – Toys; games and playthings; electronic handheld game units; musical toys, games and playthings; toy audio apparatus; toy musical instruments; battery operated toys; electronic toys; electric computer games, other than those adapted for use with television receivers; electrical and electronic amusement apparatus (automatic, coin/counter freed); toy handheld electronic devices.

(260) AM 2019 100145 A

(800) 1429496

(151) 2018 06 19

(891) 2018 06 19

(731) DESCENTE LTD

11-3, Dogashiba 1-chome, Tennoji-ku,  
Osaka-shi, Osaka 543-8921, Japan

(540)



(591) Black, white

(531) 24.15.03; 24.15.15

(511)

25 – Clothing; school uniforms; clothing for children; work clothing; jogging pants; sweat pants; suits; skirts; ski jackets; ski pants; trousers; smocks;

formalwear; coats; overcoats; topcoats; raincoats; sweaters; cardigans; shirts; open-necked shirts; cuffs; collars [clothing]; sport shirts; blouses; polo shirts; shirts for suits; overalls; stuff jackets [clothing]; liveries; jackets [clothing]; shirt fronts; jumper dresses; skorts; pants (Am.); fishing vests; dresses; parkas; breeches for wear; pinafore dresses; pullovers; vests; ponchos; leggings [trousers]; nightwear; pajamas; bath robes; undershirts; corsets [underclothing]; combinations [clothing]; chemises; drawers [clothing]; shorts; briefs; brassieres; petticoats; swimwear [bathing suits]; swimming caps [bathing caps]; girdles; sweat-absorbent underclothing; sweat-absorbent underwear; corselets; underclothing; underwear; bathing suits; swimsuits; bathing drawers; bathing caps; bathing trunks; underpants; slips [underclothing]; teddies [underclothing]; dress shields; dressing gowns; babies' pants [underwear]; pyjamas; panties; boxer shorts; bodices [lingerie]; bodies [underclothing]; tee-shirts; beach clothes; knickers; short-sleeve shirts; leotards; socks; gloves [clothing]; neckties; thermal supporters [clothing]; mufflers [neck scarves]; ear muffs [clothing]; scarfs; leg warmers; headgear for wear; caps [headwear]; hats; suspenders; belts [clothing]; footwear; shoes; rain boots; leather shoes; sneakers; boots; women's shoes; winter boots; infants' shoes and boots; heelpieces for boots and shoes; insoles for shoes and boots; tongue or pullstrap for shoes and boots; welts for shoes and boots; footwear uppers; tips for footwear; shoe soles for repair; ankle boots; heels; inner soles; boot uppers; half-boots; heelpieces for footwear; welts for footwear; beach shoes; lace boots; slippers; masquerade costumes; special footwear for sports; golf shoes; soccer shoes; ski boots; snowboarding boots; gymnastic shoes; climbing boots; mountaineering boots; bowling shoes; boxing shoes; field hockey shoes; baseball shoes; rugby shoes; footwear for track and field athletics; football shoes; studs for football boots; windsurfing shoes; clothes for sports; anoraks; sports overuniforms; Kendo outfits; ski suits for competition; headbands [clothing]; wind-jackets; stockings; wristbands [clothing]; karate uniforms; cyclists' clothing; motorists' clothing; judo uniforms; ski gloves; clothes for water sports; wetsuits for surfing; wet suits for water-skiing; knitwear [clothing]; waterproof clothing; sports jerseys; uniforms; tights; hosiery; footmuffs, not electrically heated; sweat-absorbent stockings; spats; esparto shoes or sandals; sandals; soles for footwear; sports shoes; non-slipping devices for footwear; boots for sports.

(260) AM 2019 100147 A

(800) 1429547

(151) 2018 05 31

(891) 2018 05 31  
 (731) DELI GROUP CO., LTD  
 Deli Industrial Park, Ninghai County,  
 Ningbo, Zhejiang, China  
 (540)



(591) Black, white  
 (531) 27.05.21  
 (511)  
 21 – Isothermic bags; cups; jugs; pitchers; bottles;  
 cups of paper or plastic; drinking bottles for sports;  
 insulating flasks; vacuum bottles.

27 – Yoga mats; artificial turf; gymnastic mats; vinyl  
 floor coverings; mats of woven rope for ski slopes;  
 bath mats; wallpaper; non-slip mats; floor mat.

28 – Shoulder guards [sports articles]; basketball;  
 football; leg guards; goalkeeper's gloves; volleyball;  
 ball net; badminton racket; shuttlecocks; pingpong  
 bat; pingpong ball; tennis racket; tennis ball;  
 skipping-rope; in-line roller skates; skateboards,  
 targets; hand grippers for exercise; arm training  
 device; push-up stand; batting gloves [accessories  
 for games]; boxing gloves; nunchakus; hula hoop;  
 yoga ball; chess; go board games; chess or board  
 games; playing cards; magic cube; waist guards;  
 wrist guards; knee guards [sports articles]; elbow  
 guards [sports articles]; ankle guards; machines for  
 physical exercises; swimming kick boards; water  
 wings; swimming belts.

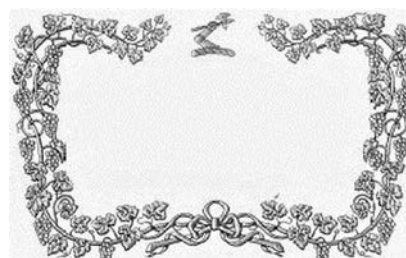
(260) AM 2019 100148 A  
 (800) 1429584  
 (151) 2018 08 02  
 (891) 2018 08 02  
 (731) Merlion Group Limited  
 118 Agias Fylaxeos Street, Christabel  
 House, CY-3087 Limassol, Cyprus  
 (540)

**OKCLICK**

(591) Black, white  
 (511)  
 9 – Measuring, signalling, checking [supervision]  
 and teaching apparatus and instruments; computers;  
 monitors; memory devices for use with data  
 processing apparatus and computer memory devices;  
 computer peripheral devices; couplers [data  
 processing equipment]; computer programs, data-  
 bases; interfaces for computers; modems; scanners  
 [data processing equipment]; coin-operated gaming,  
 commercial and musical apparatus; apparatus for  
 recording, transmission, reproduction of text, sound  
 or images, including peripheral equipment for

computers; magnetic and optical data carriers,  
 including those containing recorded information,  
 video and audio recordings; video cassettes; audio  
 cassettes; floppy disks; compact discs [audio-video];  
 magnetic head cleaning apparatus of recording or  
 reproducing devices; integrated circuits; copying  
 machines and machines (photocopiers, electrostatic  
 and thermocopying).

(260) AM 2019 100149 A  
 (800) 1429586  
 (151) 2018 08 02  
 (891) 2018 08 02  
 (731) Société Jas Hennessy & Co.  
 Rue de la Richonne, Cognac, F-16100,  
 France  
 (540)



(591) Black, white  
 (531) 02.09.14; 05.13.06; 14.07.02;  
 23.01.01; 25.01.09; 25.01.15  
 (511)  
 33 – Alcoholic beverages (except beers); alcoholic  
 extracts; alcoholic essences; alcoholic fruit extracts.

(260) AM 2019 100150 A  
 (800) 1429593  
 (151) 2018 08 24  
 (891) 2018 08 24  
 (731) M. Schilling GmbH  
 Medical Products  
 In den Kappeswiesen 18, 63571  
 Gelnhausen, Germany  
 (540)

**acti-fine**

(591) Black, white  
 (511)  
 10 – Artificial respiration apparatus, respirators for  
 artificial respiration, respiratory masks for artificial  
 respiration, surgical apparatus and instruments,  
 suture needles, drainage tubes for medical use,  
 feeding bottle teats, urine bottles (urinals), urethral  
 probes, injection syringes, injectors for medical  
 purposes, enema apparatus for medical purposes,  
 cannulae, catheters, lancets, masks for use by  
 medical personnel; medical apparatus and  
 instruments, knives for surgical use, needles for  
 medical purposes, pumps for medical purposes,

radiological apparatus for medical purposes, feeding bottle receptacles, scalpels, probes for medical purposes, special containers for medical purposes, medical syringes, hypodermic syringes, trocars, droppers for medical purposes, dropper bottles for medical purposes; urological apparatus and instruments, medical tubing, tubing for use with cannulas, tubing for use with catheters, injection syringes, medical and veterinary apparatus and instruments.

(260) AM 2019 100151 A  
 (800) 1429672  
 (151) 2018 08 19  
 (891) 2018 08 19  
 (731) Apple Inc.  
 One Apple Park Way, Cupertino  
 CA 95014, USA  
 (540)

## APPLE GIVEBACK

(591) Black, white  
 (511)  
 35 – Retail services, namely, providing a trade-in and buy-back program for used computers, computer hardware and peripherals, tablet computers, smartwatches, smartphones, set-top boxes, media players, audio speakers, headphones, earphones, wireless routers, computer monitors, computer keyboards, computer mice, computer cables, computer power adapters, computer printers for printing documents and photos, scanners, and peripherals and accessories for the foregoing; retail services, namely, providing a recycling incentive program whereby participants receive payment, credit or services in exchange for trading in used computers, computer hardware and peripherals, tablet computers, smartwatches, smartphones, set-top boxes, media players, audio speakers, headphones, earphones, wireless routers, computer monitors, computer keyboards, computer mice, computer cables, computer power adapters, computer printers for printing documents and photos, scanners, and peripherals and accessories for the foregoing.

(260) AM 2019 100175 A  
 (800) 1430194  
 (151) 2018 07 26  
 (891) 2018 07 26  
 (731) PANG HONG WEI  
 Room 9022, Tianya Building,  
 2N Yabao Road, Chaoyang District,  
 Beijing, China  
 (540)

## SashaFabiani

(591) Black, white  
 (511)  
 25 – Shoes; clothing; boots; sandals; soccer shoes; gloves [clothing]; waistbands; ties [clothing]; hosiery; headgear.

(260) AM 2019 100176 A  
 (800) 1430232  
 (151) 2018 09 25  
 (891) 2018 09 25  
 (731) Izabella Michalak trading as  
 Rollen Polska – Studio Figura Lusówko  
 ul. Wiązowa 56, PL-62-080 Tarnowo  
 Podgórne, Poland

(540)

## TULIP THERMO CLIMBER

(591) Black, white  
 (511)  
 28 – Machines for physical exercises.

(260) AM 2019 100177 A  
 (800) 1430249  
 (151) 2018 04 16  
 (891) 2018 04 16  
 (731) VICTORY 2000 EOOD G.S.  
 Rakovski Str. 32, BG-5250 SVISHTOV,  
 Bulgaria

(540)



(591) White and blue.  
 (531) 26.03.06; 26.03.07; 26.03.18; 26.03.24;  
 26.04.05; 27.05.01; 27.05.09; 27.05.10;  
 27.05.24; 27.05.25; 29.01.13  
 (511)  
 5 – Air deodorizing preparations; automobile deodorizers; car deodorant; car deodorants.

(260) AM 2019 100182 A  
 (800) 1430410  
 (151) 2018 09 26  
 (891) 2018 09 26  
 (731) DAW SE  
 Roßdörfer Str. 50, 64372 Ober-Ramstadt,  
 Germany

(540)

## Histolith Antik-Lasur

(591) Black, white

(511)

1 – Industrial chemicals; preservative and damp-proofing preparations for masonry, roofing tiles, cement and concrete, except paints and oils; artificial resins; synthetic resins and unprocessed plastics; solvents (chemicals); solvents for varnishes and lacquers; adhesives used in industry; adhesives for wallpaper; adhesives used in building; filler for the treatment of subsurfaces for paints (not included in other classes).

2 – Paints; varnishes; lacquers; glazes; coatings; preservatives against rust; primers; colorants; dyestuffs; dye pastes; mordants; paint thickeners; fixatives; siccatives for paints; raw natural resins; thinning and binding preparations for paints and lacquers; solvents for thinning paints; preparations for preserving wood; wood mordants and wood preserving oils; paints, including structuring paints; bactericidal and/or fungicidal paints; anti-corrosion preparations; protective preparations for metals; metals in foil and powder form for painters, decorators, printers and artists.

19 – Building materials, not of metal or mainly not of metal, in particular profile rails and corner irons, finishing profiles; adjusting and levelling parts, spacers for building, sills, all not of metal or mainly not of metal; natural and artificial stone; mortar (building materials); quartz; plaster [building materials]; coatings; wall and ceiling panels (not of metal or mainly not of metal, for building); fabric embedding compounds for building; fillers (building materials); fabrics for building, not of metal or mainly not of metal, in particular stabilising fabrics.

(260) AM 2019 100184 A

(800) 1430420

(151) 2018 08 15

(891) 2018 08 15

(731) Public Joint Stock Company "GAZ"

prospect Lenina, 88, Nizhny Novgorod,  
RU-603004, Russian Federation

(540)



(591) Black, white

(531) 27.05.01; 27.05.19; 28.05

(511)

16 – Note books; pamphlets; booklets; wrapping paper; printed publications; cardboard; calendars; paper tapes; graphic prints; plastic cling film, extensible, for palletization; greeting cards; conical paper bags; folders for papers; plastic film for wrapping; printed matter; prospectuses; flags of paper; labels, not of textile; boxes of paper or cardboard; stickers [stationery]; covers [stationery]; envelopes [stationery]; blueprints; shields.

28 – Toy vehicles; toys; games; toy models; scale model kits [toys]; scale model vehicles; radio-controlled toy vehicles.

(260) AM 2019 100185 A

(800) 1430468

(151) 2018 04 26

(891) 2018 04 26

(731) HLEBOZAVOD TIMS EOOD

Dunav str. A1, BG-6300 Haskovo, Bulgaria

(540)



(591) White and red.

(531) 26.01.04; 26.01.12; 26.01.24; 27.05.01;

27.05.24; 29.01.12

(511)

30 – Cereal preparations; confectionery; pastries; cakes; pies; tarts; buns; bread rolls; vareniki [stuffed dumplings]; gingerbread; macaroons [pastry]; biscuits; cookies; sweetmeats (candy); waffles; dessert mousses [confectionery]; quiches; pancakes; petits fours [cakes]; cake powder; pastry dough; cake batter; cake frosting [icing]; chocolate decorations for cakes.

(260) AM 2019 100186 A

(800) 1430497

(151) 2018 08 19

(891) 2018 08 19

(731) Apple Inc.

One Apple Park Way, Cupertino  
CA 95014, USA

(540)

## APPLE GIVEBACK

(591) Black, white

(511)

40 – Recycling; recycling of used computers, computer hardware and peripherals, tablet computers, smartwatches, smartphones, set-top boxes, media players, audio speakers, headphones, earphones, wireless routers, computer monitors, computer keyboards, computer mice, computer cables, computer power adapters, computer printers for printing documents and photos, scanners, and peripherals and accessories for the foregoing.

(260) AM 2019 100189 A

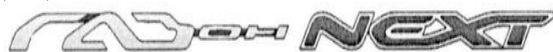
(800) 1430573

(151) 2018 08 15

(891) 2018 08 15

(731) Public Joint Stock Company "GAZ"  
prospekt Lenina, 88, RU-603004 Nizhny  
Novgorod, Russian Federation

(540)



(591) Light-grey and black.

(531) 27.05.02; 27.05.19; 28.05

(511)

12 – Vehicles; motor buses; cars; caravans; shock absorbers for automobiles; luggage carriers for vehicles; bumpers for automobiles; vehicle bumpers; transmission shafts for land vehicles; trucks; brake discs for vehicles; spare parts for vehicles included in class 12; rearview mirrors; vehicle wheels; brake pads for automobiles; hub caps; brake linings for vehicles; gear boxes for land vehicles; bands for wheel hubs; caps for vehicle fuel tanks; automobile bodies; tipping bodies for trucks; bodies for vehicles; upholstery for vehicles; windows for vehicles; head-rests for vehicle seats; anti-glare devices for vehicles; safety belts for vehicle seats; vehicle suspension springs; rudders; luggage nets for vehicles; safety seats for children, for vehicles; windcreens; windshield wipers; direction signals for vehicles; mudguards; motors, electric, for land vehicles.

16 – Note books; pamphlets; booklets; wrapping paper; printed publications; cardboard; calendars; catalogues; envelopes [stationery]; paper tapes; graphic prints; stickers [stationery]; covers [stationery]; plastic cling film, extensible, for palletization; greeting cards; conical paper bags; folders for papers; plastic film for wrapping; prospectuses; flags of paper; blueprints; labels, not of textile; boxes of paper or cardboard.

28 – Toy vehicles; toys; games; toy models; scale model kits [toys]; scale model vehicles; radio-controlled toy vehicles.

37 – Rebuilding machines that have been worn or partially destroyed; retreading of tires; vulcanization of tires [repair]; car washing; vehicle washing; rustproofing; anti-rust treatment for vehicles; vehicle maintenance; vehicle polishing; motor vehicle maintenance and repair; vehicle greasing; vehicle service stations [refuelling and maintenance]; burglar alarm installation and repair; installation and repair of air-conditioning apparatus; installation, maintenance and repair of computer hardware; vehicle cleaning.

(260) AM 2019 100190 A

(800) 1430584

(151) 2018 08 17

(891) 2018 08 17

(731) Talagaeva Elena Vladimirovna

kv. 143, d. 3, Kommunisticheskaya St.,  
Ramenskoye, RU-140002 Moskovskaya  
oblast, Russian Federation

(540)

# Fito Ice

(591) Black, white

(531) 27.05.01

(511)

3 – Lip glosses; petroleum jelly for cosmetic purposes; cotton wool for cosmetic purposes; scented water; lavender water; toilet water; depilatory wax; waxes for leather; creams for leather; massage gels other than for medical purposes; deodorants for human beings or for animals; perfumes; perfumery; eyebrow pencils; cosmetic pencils; cosmetic dyes; cosmetic creams; skin whitening creams; cream for whitening the skin; hair spray; nail polish; hair lotions; after-shave lotions; beauty masks; oils for perfumes and scents; oils for cosmetic purposes; almond milk for cosmetic purposes; cleansing milk for toilet purposes; soap; deodorant soap; shaving soap; cakes of soap; cosmetic kits; false nails; eau de Cologne; dentifrices; lipsticks; pomades for cosmetic purposes; shaving preparations; cosmetic preparations for baths; toiletries; douching preparations for personal sanitary or deodorant purposes [toiletries]; nail care preparations; aloe vera preparations for cosmetic purposes; sunscreen preparations; make-up powder; false eyelashes; bath salts, not for medical purposes; eyebrow cosmetics; hair colorants; cosmetic preparations for skin care; cosmetics; henna [cosmetic dye]; shampoos.

35 – Demonstration of goods; organization of exhibitions for commercial or advertising purposes; presentation of goods on communication media, for retail purposes; Promoting the goods and services of others; advertising; procurement services for others [purchasing goods and services for other businesses].

(260) AM 2019 100192 A

(800) 1430631

(151) 2018 09 13

(891) 2018 09 13

(731) Epic Games Inc.

620 Crossroads Boulevard, Cary  
NC 27518, USA

(540)



(591) Black, white

(531) 26.04.22; 26.04.24; 27.05.24

(511)

9 – Video game software.

41 – Entertainment services, namely, providing on-

line computer games; entertainment services, namely, providing online video games.

(260) AM 2019 100193 A  
(800) 1430635  
(151) 2018 07 10  
(891) 2018 07 10  
(731) Pacific Pharmaceuticals PTE LTD  
101 Cecil Street, N17-07 Tong Eng  
Building, Singapore 069533, Singapore  
(540)

**PACIFIC**   
Group

(591) Black, white  
(531) 24.13.01; 26.01.03; 26.01.12;  
26.13.25; 27.05.04; 27.05.09; 27.05.10

(511)  
3 – Cosmetics; non-medicated preparations for oral hygiene purposes; perfumery; fragrance preparations; cleaning preparations for use on the body; beauty care preparations; make-up; soaps; bath preparations, not medicated; skin care preparations; hair preparations; shaving preparations; essential oils; cleaning preparations; laundry preparations; hair treatment preparations.

4 – Lubricants.

5 – Mineral dietary supplements for humans; pharmaceutical drugs.

12 – Automobiles.

(260) AM 2019 100194 A  
(800) 1430642  
(151) 2018 08 20  
(891) 2018 08 20  
(731) LLC "Automobile plant "GAZ"  
Prospekt Ilycha, 5, RU-603004 Nizhny  
Novgorod, Russian Federation  
(540)

**GAZelle**

(591) Black, white  
(531) 25.03.01; 27.05.10; 27.05.24  
(511)  
12 – Cars.

16 – Forms, printed; printed matter; prospectuses; blueprints.

35 – Advertising.

(260) AM 2019 100195 A  
(800) 1430644  
(151) 2018 08 10

(891) 2018 08 10  
(731) PJSC "Krasnyj Ocyabr"  
ul. Malaya Krasnoselskaya, d. 7, str. 24,  
RU-107140 Moscow, Russian Federation

(540)  
**А НУ-КА, ОТНИМИ!**

(591) Black, white  
(531) 28.05  
(511)  
30 – Flavorings, other than essential oils, for cakes; buns; waffles; cake frosting [icing]; fruit jellies [confectionery]; confectionery for decorating Christmas trees; cakes; peanut confectionery; pastries; almond confectionery; liquorice [confectionery]; dessert mousses [confectionery]; pastilles [confectionery]; stick liquorice [confectionery]; fondants [confectionery]; mint for confectionery; caramels [candy]; peppermint sweets; custard; macaroons [pastry]; marzipan; chocolate mousses; cookies; petit-beurre biscuits; pralines; gingerbread; petits fours [cakes]; cake powder; chewing gum; cake dough; confectionery; chocolate paste; chocolate; halvah; almond paste.

(260) AM 2019 100196 A  
(800) 1430651  
(151) 2018 07 17  
(891) 2018 07 17  
(731) Pryvatne aktsionerne tovarystvo  
"Kharkivska Biskvitna Fabryka"  
vul. Lozivska, 8, Kharkiv 61017, Ukraine  
(540)

**Vanilla dreams**

(591) Black, white  
(511)  
30 – Peanut confectionery; sponge cakes; cereal bars; high-protein cereal bars; pastries; waffles; biscuits; cookies; cake frosting [icing]; chocolate-coated nuts; custard; marshmallow; cocoa [confectionery]; caramels [candy]; lozenges [confectionery]; confectionery; sugar confectionery; confectionery for decorating Christmas trees; liquorice [confectionery]; candy; fruit jellies [confectionery]; marzipan; macaroons [pastry]; almond paste; almond confectionery; dessert mousses [confectionery]; chocolate mousses; mint for confectionery; peppermint sweets; stick liquorice [confectionery]; fondants [confectionery]; pralines; candy decorations for cakes; chocolate decorations for cakes; gingerbread; cake powder; rice cakes; malt biscuits; petit-beurre biscuits; cakes; petits fours [cakes]; cake batter; cake dough; pastry dough; crackers; tarts; fruit jellies [confectionery]; halvah; sweetmeats [candy]; chocolate.



(260) AM 2019 100197 A

(800) 1430659

(151) 2018 03 20

(891) 2018 03 20

(731) LATVIJAS FINIERIS AS

Bauskas Iela 59, LV-1004 Rīga, Latvia

(540)

**LATVIJAS FINIERIS****AKCIJU SABIEDRĪBA**

(591) Orange, black and white.

(531) 07.15.05; 26.15.09; 27.05.01; 27.05.11;

29.01.13

(511)

1 – Adhesives for industrial purposes.

7 – Machines for treatment of materials and for manufacturing; machine tools for treatment of materials and for manufacturing.

19 – Plywood.

31 – Plants.

(260) AM 2019 100198 A

(800) 1430670

(151) 2018 09 13

(891) 2018 09 13

(731) Epic Games, Inc.

620 Crossroads Boulevard, Cary

NC 27518, USA

(540)

**FORTNITE**

(591) Black, white

(511)

14 – Necklaces.

16 – Computer game instruction manuals and hint books; printed material, namely, novels and series of fiction books and short stories featuring scenes and characters based on video games; comic books; calendars and posters.

28 – Toy action figures.

42 – Developing customized web pages featuring user-defined computer game information; providing customized on-line web pages and data feeds, featuring user-defined information, which includes blog posts, new media content, other on-line content, and on-line web links to other websites, and which excludes social networking services.

(260) AM 2019 100199 A

(800) 1430684

(151) 2018 01 30

(891) 2018 01 30

(731) Kalekim Kimyevi Maddeler Sanayi Ve

Ticaret Anonim Şirketi

Firuzköy Mahallesi, Firuzköy Bulvar

No:188/1, Avcılar, TR-34325 İstanbul,

Turkey

(540)

**Kale****Kale**

(591) Black, red, white

(531) 07.01.06; 07.15.01; 29.01.12

(511)

2 – Paints, varnishes, lacquers, rust inhibitors, wood preservatives, binders and thinners for paints, paint pigments, metal preservatives, shoe paints, printing paints and inks, toners.

19 – Mortar for buildings.

35 – The bringing together, for the benefit of others, of a variety of goods, namely, chemicals used in industry, science, photography, agriculture, horticulture and forestry, manures and soils, unprocessed artificial resins and unprocessed plastics, fire extinguishing compositions, adhesives not for medical, household and stationery purposes, paints, varnishes, lacquers, preservatives against rust, preservatives against deterioration of wood, thinners and binders for paints, pigments, preservatives for metals, shoe dyes, printing dyes and ink, toners (including filled toner cartridges), colorants for food, pharmaceuticals and beverages, raw natural resins, metals in foil and powder form for painters, decorators, printers and artists, rubber, gutta-percha, gum, asbestos, mica and semi-finished synthetic goods made from these materials in the form of powder, bars, panels and foils, insulation, stopping and sealing materials, insulation paints, insulation fabrics, insulating tape and band, insulation covers for industrial machinery, joint sealant compounds for joints, gaskets, o-rings for sealing purposes (other than gaskets for motors, cylinders and washer for water taps), flexible pipes made from rubber and plastic, hoses made of plastic and rubber, including those used for vehicles, junctions for pipes of plastic and rubber, pipe jackets of plastic and rubber, hoses of textile material, junctions for pipes, not of metal, pipe jackets, not of metal, connecting hose for vehicle radiators, profile laths made of synthetic materials for vehicles for the purposes of decoration, sand, gravel, crushed stone, asphalt, bitumen, cement, gypsum, plaster, concrete, marble blocks for construction, building materials (as finished products) made of concrete, gypsum, clay, potters' clay, stone, marble, wood, plastics and synthetic materials for building, construction, road construction purposes, non-metallic buildings, non-

metallic building materials, poles not of metal for power lines, natural and synthetic coatings in the form of panels and sheets, being building materials, bitumen cardboard coatings for roofing, bitumen coating for roofing, metal traffic signs not of metal, non-luminous and non-mechanical, for roads, monuments and statuettes of stone, concrete and marble, building glass, prefabricated swimming pools not of metal (structures), aquarium sand, none of the aforementioned goods being related to doors, doors and windows hardware as well as locking, access control and security systems, solutions, device, enabling customers to conveniently view and purchase those goods, such services may be provided by retail stores, wholesale outlets, by means of electronic media or through mail order catalogues.

(260) AM 2019 100200 A

(800) 1430685

(151) 2018 02 02

(891) 2018 02 02

(731) PHARMANUTRA S.P.A.

Via delle Lenze, 216/b, I-56122 Pisa (PI),  
Italy

(540)

## **SIDERAL**

(591) Black, white

(511)

1 – Chemicals used in industry; chemical substances for preserving foodstuffs; raw materials [chemical] for the formulation of pharmaceutical preparations for human purposes and for animal purposes; raw materials [chemical] for the formulation of dietetic foods, dietetic food not for medical purposes, dietetic food for babies, dietetic food preparations adapted for medical purposes, dietetic substances adapted for medical purposes, dietetic substances for babies, food for babies, dietetic food supplements, dietetic food supplements for medical and not for medical purposes, food supplements for medical and not for medical purposes, food supplements for dietetic purposes, dietetic preparations and preparations for use as additives to food for human consumption [medicated]; cultures of microorganisms not for medical purposes; cultures of saprophytic bacteria not for medical purposes; preparations of microorganisms not for medical purposes; preparations of saprophytic bacteria cultures not for medical purposes; bacterial substances for industrial purposes; bacteria for use in food manufacture; probiotic bacteria for the food industry; bacterial preparations for the food industry; bacterial cultures for addition to food products; bacterial preparations and cultures other than for medical purposes; milk ferments and bacteria preparations used in making foodstuffs; antioxidants, fatty acids, proteins, enzymes, liposomes, cultures of

microorganisms, lactic acid bacteria and probiotic compositions, all for use in the manufacture of pharmaceuticals, veterinary products, diet compositions for human purposes, foods for new-borns, food supplements, nutritional supplements, dietary supplements, food supplements for medical purposes and dietetic foods; probiotic bacteria for the food industry; probiotic bacterial formulations [other than for medical purposes]; extracts, cultures of microorganisms, enzymes and additives for fermentation; fermentation extracts for industrial purposes; cultures of micro-organisms used in the fermentation of fodder; fertilizers; bacterial preparations, other than for medical and veterinary use.

5 – Pharmaceutical and parapharmaceutical products and preparations, including gynecological, urological, gastroenterologists, immunologic, cardiovascular, dermatological, oral hygiene and osteo-articular preparations and products; sanitary and hygienic products and preparations for medical purposes; nutraceuticals, symbiotics, nutritionals, probiotics, prebiotics and homeopathics for use as dietary supplements; veterinary products and preparations; food and dietary supplements; nutritional, mineral, dietetic, nutraceutical, vitamin, antioxidant, saprophytic bacterial flora and homeopathic substances and preparations, all for medical purpose; enzyme and protein dietary supplements; food and dietary supplements for people with special dietary needs; herbal dietary supplements for persons with special dietary requirements; dietary supplement drinks; nutritional supplements for medical use; dietary foodstuff for human consumption; food and dietary supplements, including food and dietary supplements for babies; dietetic foodstuffs all for medical purposes; cultures of microorganisms for medical use; cultures of saprophytic bacteria for medical use; preparations of micro-organisms for medical purposes; bacteriological cultures (media for -); dietary supplements for animals; protein supplements for animals; mineral supplements for livestock feed; fungicides, herbicides, insecticides; disinfectants; disinfectants for hygiene purposes; napkins soaked in disinfectant lotions; facial wipes soaked in disinfectant lotions; medicated pre-moistened wipes.

35 – Wholesaling and retailing, for others, including by mail order and via communications media, including the internet, in relation to chemicals used in industry, chemical substances for preserving foodstuffs, raw materials [chemical] for the formulation of pharmaceutical preparations for human purposes and for animal purposes, raw materials [chemical] for the formulation of dietetic foods, dietetic food not for medical purposes, dietetic food for babies, dietetic food preparations adapted for medical purposes, dietetic substances adapted for medical purposes, dietetic substances for

babies, food for babies, dietetic food supplements, dietetic food supplements for medical and not for medical purposes, food supplements for medical and not for medical purposes, food supplements for dietetic purposes, dietetic preparations and preparations for use as additives to food for human consumption [medicated], cultures of microorganisms not for medical purposes, cultures of saprophytic bacteria not for medical purposes, preparations of microorganisms not for medical purposes, preparations of saprophytic bacteria cultures not for medical purposes, bacterial substances for industrial purposes, bacteria for use in food manufacture, probiotic bacteria for the food industry, bacterial preparations for the food industry, bacterial cultures for addition to food products, bacterial preparations and cultures other than for medical purposes, milk ferments and bacteria preparations used in making foodstuffs, antioxidants, fatty acids, proteins, enzymes, liposomes, cultures of microorganisms, lactic acid bacteria and probiotic compositions, all for use in the manufacture of pharmaceuticals, veterinary products, diet compositions for human purposes, foods for new-borns, food supplements, nutritional supplements, dietary supplements, food supplements for medical purposes and dietetic foods, probiotic bacteria for the food industry, probiotic bacterial formulations [other than for medical purposes], extracts, cultures of microorganisms, enzymes and additives for fermentation, fermentation extracts for industrial purposes, cultures of micro-organisms used in the fermentation of fodder, probiotic bacterial preparations for medical and animal use, fertilizers, pharmaceutical and parapharmaceutical products and preparations, including gynecological, urological, gastroenterologists, immunologic, cardio-vascular, dermatological, oral hygiene and osteo-articular preparations and products, sanitary and hygienic products and preparations for medical purposes, nutraceuticals, symbiotics, nutritionals, probiotics, prebiotics and homeopathics for use as dietary supplements, veterinary products and preparations, food and dietary supplements, nutritional, mineral, dietetic, nutraceutical, vitamin, antioxidant, saprophytic bacterial flora and homeopathic substances and preparations, all for medical purpose, enzyme and protein dietary supplements, food and dietary supplements for people with special dietary needs, herbal dietary supplements for persons with special dietary requirements, dietary supplement drinks, nutritional supplements for medical use, dietary foodstuff for human consumption, food and dietary supplements including food and dietary supplements for babies, dietetic foodstuffs all for medical purposes, cultures of microorganisms for medical use, cultures of saprophytic bacteria for medical use, preparations of micro-organisms for medical purposes, bacteriological cultures (media for -),

dietary supplements for animals, protein supplements for animals, mineral supplements for livestock feed, fungicides, herbicides, insecticides, disinfectants, disinfectants for hygiene purposes, napkins soaked in disinfectant lotions, facial wipes soaked in disinfectant lotions, medicated pre-moistened wipes; business advice relating to franchising.

---

(260) AM 2019 100201 A  
(800) 1430717  
(151) 2018 06 12  
(891) 2018 06 12  
(731) Intrum Licensing AG  
Industriestrasse 13c, CH-6300 Zug,  
Switzerland  
(540)

## INTRUM

(591) Black, white  
(511)  
9 – Computer programs and software; computer software for enabling exchange of information; computer software relating to the financial field; software for debt recovery; computer software in the form of apps/applications; application software for cloud computing services; downloadable electronic newsletters and electronic publications.  
35 – Business management; business administration; office functions, business consultancy; financial records management; computerised file management; compilation and systemization of information into computer databases.  
36 – Insurance, financial services; monetary services; real estate affairs; debt collection; debt recovery services; debt counseling services; debt recovery and collection agencies; debt settlement services; computerised debt collection services; financial advice; consultation, advice and information regarding all of the aforesaid services.  
41 – Education; providing of training; entertainment; sporting and cultural activities; organisation of seminars and conferences.  
42 – Hosting services and software as a service and rental of software; IT consultancy, advisory and information services; design, maintenance, development and updating of computer software and database systems.  
45 – Legal services.

---

(260) AM 2019 100218 A  
(800) 1203257  
(151) 2014 02 06  
(891) 2018 08 30  
(731) Kahve Mania İnşaat Taşımacılık

Turizm Gıda Ürünleri Sanayi ve Ticaret  
Limited Şirketi  
Umurbey Mh. 1501 Sk No:2/A Alsancak,  
İzmir, Turkey

(540)



(591) Black, white

(531) 26.01.04; 26.01.21; 27.05.22; 29.01.13

(511)

30 – Coffee, cocoa; coffee or cocoa based beverages, chocolate based beverages; pasta, stuffed dumplings, noodles; pastries and bakery products based on flour, desserts based on flour and chocolate; honey, bee glue for human consumption, propolis for food purposes; spices and condiments for foodstuff; yeast, baking powder; flour, semolina, starch for food; sugar, cube sugar, powdered sugar; tea, iced tea; confectionery, chocolate, biscuits, crackers, wafers; chewing gums; ice-cream, edible ices; salt; cereals and cereal-based foodstuff; molasses for food.

43 – Services for providing food and drink; temporary accommodation; day-nurseries (crèches); boarding for animals.

(260) AM 2019 100219 A

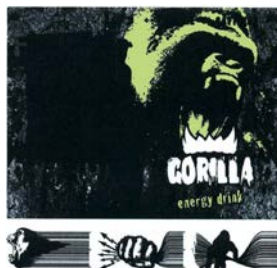
(800) 1224316

(151) 2014 07 28

(891) 2018 06 21

(731) Premier Beverages P.B. Limited  
Amathountos, 50E, PEARL BUILDING,  
3rd floor, Flat/Office 1, Agios Tychonas,  
Limassol, CY-4532, Cyprus

(540)



(591) Green, gray, black, white.

(531) 03.05.19; 03.05.20; 24.15.03; 25.01.15;  
26.11.21; 29.01.13

(511)

32 – Mineral and aerated waters and other non-alcoholic beverages; fruit beverages and fruit juices; syrups and other preparations for making beverages; non-alcoholic isotonic beverages.

(260) AM 2019 100220 A

(800) 1366499

(151) 2016 10 27

(891) 2018 09 28

(731) Winterhalter Gastronom GmbH  
Winterhalterstraße 2-12, 88074  
Meckenbeuren, Germany

(540)

## CONNECTED WASH

(591) Black, white

(511)

3 – Detergents, cleaning, polishing, scouring and abrasive preparations; soaps; bleaching preparations and other substances for laundry use.

7 – Dishwashing machines, including dishwashers and parts and fittings therefor, included in this class, lye cleaners being parts of dishwashing machines.

9 – Dosing units, including dosing units for solid matter, liquids and powders; measuring sensors for capturing temperature, humidity, lime content, content of dirt, content of detergents in the water.

11 – Water conditioning units, namely water softening apparatus and equipment and installations consisting thereof; desalinating apparatus and equipment and installations consisting thereof; reverse osmosis apparatus and equipment and installations consisting thereof; ice machines and apparatus, including ice cube machines (included in this class).

38 – Data transmission; data broadcasting services; transmission of digital data; transmission of information by computer; electronic data interchange services; transfer of data by telecommunications; transmission of data via the Internet; providing access to databases.

(260) AM 2019 100223 A

(800) 1431025

(151) 2018 08 11

(891) 2018 08 11

(731) TIMOCOM GmbH  
Timocom Platz 1, 40699 Erkrath, Germany

(540)



(591) Blue.

(531) 26.01.01; 26.01.24; 26.11.03; 26.11.06;  
26.11.08; 27.05.10; 29.01.04

(511)

35 – Computerized file management; Compilation and systematization of information into computer databases.

38 – Providing access to electronic communications networks and electronic databases; Electronic

exchange of data stored in databases accessible via telecommunication networks.

39 – Transportation logistics.

42 – Development, updating and maintenance of software and database systems.

(260) AM 2019 100224 A

(800) 1431027

(151) 2018 08 24

(891) 2018 08 24

(731) M. Schilling GmbH Medical Products

In den Kappeswiesen 18, 63571

Gelnhausen, Germany

(540)

**acti-fine**

(591) Black, white

(531) 27.05.01

(511)

10 – Artificial respiration apparatus, respirators for artificial respiration, respiratory masks for artificial respiration, surgical apparatus and instruments, suture needles, drainage tubes for medical use, feeding bottle teats, urine bottles (urinals), urethral probes, injection syringes, injectors for medical purposes, enema apparatus for medical purposes, cannulae, catheters, lancets, masks for use by medical personnel; medical apparatus and instruments, knives for surgical use, needles for medical purposes, pumps for medical purposes, radiological apparatus for medical purposes, feeding bottle receptacles, scalpels, probes for medical purposes, special containers for medical purposes, medical syringes, hypodermic syringes, trocars, droppers for medical purposes, dropper bottles for medical purposes; urological apparatus and instruments, medical tubing, tubing for use with cannulas, tubing for use with catheters, injection syringes, medical and veterinary apparatus and instruments.

(260) AM 2019 100227 A

(800) 1431060

(151) 2018 04 26

(891) 2018 04 26

(731) HLEBOZAVOD TIMS EOOD

Dunav str. A1, BG-6300 Haskovo, Bulgaria

(540)



(591) White, red and beige.

(531) 20.05.01; 25.01.05; 25.01.18; 27.05.01;

27.05.02; 27.05.17; 29.01.13

(511)

30 – Pastries; confectionery; bread rolls; biscuits; tarts; pies; cakes; buns; cake batter.

(260) AM 2019 100228 A

(800) 1431064

(151) 2018 08 20

(891) 2018 08 20

(731) Limited liability company

"Automobile plant "GAZ"

Prospekt Ilycha, 5, RU-603004 Nizhny

Novgorod, Russian Federation

(540)



(591) Black, white

(531) 27.05.02; 27.05.10

(511)

12 – Vehicles; motor buses; cars; caravans; shock absorbers for automobiles; luggage carriers for vehicles; bumpers for automobiles; vehicle bumpers; transmission shafts for land vehicles; trucks; brake discs for vehicles; spare parts for vehicles, included in class 12; rearview mirrors; vehicle wheels; brake pads for automobiles; hub caps; brake linings for vehicles; gear boxes for land vehicles; bands for wheel hubs; caps for vehicle fuel tanks; automobile bodies; tipping bodies for trucks; bodies for vehicles; upholstery for vehicles; windows for vehicles; head-rests for vehicle seats; anti-glare devices for vehicles; safety belts for vehicle seats; vehicle suspension springs; rudders; luggage nets for vehicles; safety seats for children, for vehicles; windscreens; windshield wipers; mudguards; motors, electric, for land vehicles; direction signals for vehicles.

16 – Note books; pamphlets; booklets; wrapping paper; printed publications; products of paper or plastics, for packaging; calendars; paper tapes; graphic prints; plastic cling film, extensible, for palletization; greeting cards; paper bags; folders for papers; plastic film for wrapping; prospectuses; flags of paper; flyers; labels with the exception of tissue; cardboard; envelopes [stationery]; boxes of paper or cardboard; stickers [stationery]; covers [stationery]; blueprints; shields [paper seals].

28 – Toy vehicles; toys; games; toy models; scale model kits [toys]; scale model vehicles; radio-controlled toy vehicles.

37 – Retreading of tires; vulcanization of tires [repair]; car washing; vehicle washing; rustproofing; anti-rust treatment for vehicles; vehicle maintenance; vehicle polishing; motor vehicle maintenance and repair; vehicle greasing; vehicle service stations [refuelling and maintenance]; burglar alarm installation and repair; installation and repair of air-conditioning apparatus; installation, maintenance

and repair of computer hardware; vehicle cleaning; rebuilding machines that have been worn or partially destroyed.

(260) AM 2019 100231 A  
(800) 1431122  
(151) 2018 06 12  
(891) 2018 06 12  
(731) Intrum Licensing AG  
Industriestrasse 13c, CH-6300 Zug,  
Switzerland

(540)

**intrum**

(591) Black, white  
(531) 27.05.01; 27.05.17  
(511)

9 – Computer programs and software; computer software for enabling exchange of information; computer software relating to the financial field; software for debt recovery; computer software in the form of apps/applications; application software for cloud computing services; downloadable electronic newsletters and electronic publications.

35 – Business management; business administration; office functions, business consultancy; financial records management; computerised file management; compilation and systemization of information into computer databases.

36 – Insurance, financial services; monetary services; real estate affairs; debt collection; debt recovery services; debt counseling services; debt recovery and collection agencies; debt settlement services; computerised debt collection services; financial advice; consultation, advice and information regarding all of the aforesaid services.

41 – Education; providing of training; entertainment; sporting and cultural activities; organisation of seminars and conferences.

42 – Hosting services and software as a service and rental of software; IT consultancy, advisory and information services; design, maintenance, development and updating of computer software and database systems.

45 – Legal services.

(260) AM 2019 100254 A  
(800) 1431493  
(151) 2018 09 24  
(891) 2018 09 24  
(731) Limited Liability Company «ORIMI»  
1-st Microrayon Street, 15/4 plot, Sverdlov  
factory settlement, Vsevolozhsk district,  
RU-188682 Leningrad oblast, Russian  
Federation

(540)

**ПРИНЦЕССА  
НУРИ**

(591) Black, white  
(531) 28.05  
(511)  
30 – Tea; iced tea; tea-based beverages.

(260) AM 2019 100255 A  
(800) 1431512  
(151) 2018 09 19  
(891) 2018 09 19  
(731) Hyundai Motor Company  
12 Heolleung-ro, Seocho-gu, SEOUL,  
Republic of Korea  
(540)

**LEONIS**

(591) Black, white  
(511)  
12 – Automobiles; sports cars; vans (vehicles); trucks; motor buses; electric vehicles; bicycles; air vehicles; rv automobiles; suv (sport utility vehicles) automobiles.

(260) AM 2019 100256 A  
(800) 1431517  
(151) 2018 09 24  
(891) 2018 09 24  
(731) Limited Liability Company «ORIMI»  
1-st Microrayon Street, 15/4 plot, Sverdlov  
factory settlement, Vsevolozhsk district,  
RU-188682 Leningrad oblast,  
Russian Federation

(540)

**PRINCESS  
KANDY**

(591) Black, white  
(511)  
30 – Tea; iced tea; tea-based beverages.

(260) AM 2019 100273 A  
(800) 1431806  
(151) 2018 07 19  
(891) 2018 07 19  
(731) Little Doctor International (S) Pte. Ltd  
35 Selegie Road, N09-02 Parklane  
Shopping Mall, Singapore 188307,  
Singapore  
(540)



(591) Red.  
(531) 26.01.03; 26.01.18; 26.01.24; 27.05.01;  
29.01.01

(511)  
10 – Electrical oral irrigators for use by dentists; surgical, medical, dental and veterinary apparatus and instruments; irrigators being surgical apparatus; oral irrigators for use in dentistry; irrigators for medical use; periodontal irrigators for use in dental treatment; oral irrigators for use by dentists in washing the gums; apparatus for controlling the flow of water to dental handpieces [dental apparatus]; suction apparatus for dental use; therapeutic and assistive devices adapted for the disabled; massage apparatus; vibromassage apparatus.

11 – Apparatus for supplying water; apparatus for the supply of water for sanitary purposes; spray units being parts of water supply installations; terminal water supply fittings; regulating apparatus for water supply apparatus; automatic watering installations; installations for the distribution of water; installations for water supply.

21 – Devices [oral irrigators] for personal use in washing the gums; electrical oral irrigators for use in the home; electrical toothbrushes incorporating oral irrigators; dental cleaning apparatus for personal use; water apparatus for cleaning teeth and gums; toothbrushes, electric.

(260) AM 2019 100274 A  
(800) 1431807  
(151) 2018 08 09  
(891) 2018 08 09  
(731) Laboratoires De Biologie Vegetale  
Yves Rocher  
La Croix des Archers, F-56200 La Gacilly,  
France

(540)



**FEEL STRONGER**

(591) Black, white  
(531) 26.01.01; 26.01.04; 26.01.18; 26.01.22;  
26.01.24; 27.03.11; 27.05.22  
(511)  
3 – Cosmetic make-up and make-up removing products.

(260) AM 2019 100275 A  
(800) 1431823  
(151) 2018 05 28  
(891) 2018 05 28  
(731) Protherm Production s.r.o.  
Jurkovicova 45, SK-990 10 Skalica,  
Slovakia

(540)



(591) Black, white, red  
(531) 03.01.04; 27.05.01; 29.01.13  
(511)

9 – Electric and electronic apparatus for measuring, controlling and regulating apparatus, in particular for apparatus for heating, refrigerating, drying, ventilating and water supply, water heaters, solar collectors (heating), heat pumps, boilers and burners.

11 – Apparatus for lighting, heating, steam generating, cooking, refrigerating, drying, ventilating and water supply, water heaters, solar thermal collectors (heating), heat pumps, in particular with environmental heat sources, boilers and burners.

42 – Engineering in connection with physical, electric and electronic measuring, control and regulating apparatus, apparatus for lighting, heating, steam generating, cooking, refrigerating, drying, ventilating and water supply, water heaters, thermal solar collectors (heating), boilers, burners, block-type thermal power stations, heat pumps, in particular with ambient heat sources; technical consultancy with regard to heat technology apparatus.

(260) AM 2019 100276 A  
(800) 1431824  
(151) 2018 07 13  
(891) 2018 07 13  
(731) Obshchestvo s ogranichennoy  
otvetstvennostyu "Zveri"  
Perevedenovskiy per., 18, bld. 4, accom. I,  
room 10, RU-105082 Moscow, Russian  
Federation

(540)

**ЗВЕРИ**

(591) Black, white  
(531) 28.05  
(511)  
16 – Paper, cardboard and articles made from them, not included in other classes; printed matter; bookbinding material; photographs [printed]; stationery; adhesives [glues] for stationery or household purposes; artists' materials; painters' brushes; typewriters, electric or non-electric; office requisites, except furniture; instructional and teaching materials, other than apparatus; plastic materials for packaging, not included in other classes; printing type; printing blocks.

25 – Clothing, footwear, headgear.

41 – Performing artists services; rental of audio equipment; organization of balls; rental of video cameras; rental of video cassette recorders; video-

tape film production; rental of videotapes; physical education; party planning [entertainment]; organization of exhibitions for cultural or educational purposes; rental of show scenery; rental of stage scenery; discotheque services; rental of sound-recorded magnetic tapes; gambling services; publication of books; entertainment information; providing casino facilities [gambling]; rental of cinematographic apparatus; movie studio services; providing movie theater facilities; club services [entertainment or education]; arranging and conducting of colloquiums; arranging and conducting of congresses; arranging of beauty contests; organization of competitions [education or entertainment]; master of ceremony services for parties and special events; arranging and conducting of conferences; videotape editing; arranging and conducting of workshops [training]; providing museum facilities [presentation, exhibitions]; presentation of variety shows; orchestra services; rental of lighting apparatus for theatrical sets or television studios; recreation information; entertainment and recreation services; organization of entertainment shows; cinema presentations; movie theater presentations; presentation of circus performances; rental of radio and television sets; publication of texts, other than publicity texts; radio entertainment; production of radio and television programs; television entertainment; entertainment services; arranging and conducting of seminars; arranging and conducting of symposiums; organization of competitions for education or entertainment; booking of seats for theater shows; organization of shows [impresario services]; production of stage shows; recording studio services; scriptwriting and/or script editing; production of films; rental of films.

(260) AM 2019 100278 A  
(800) 1431970  
(151) 2018 07 26  
(891) 2018 07 26  
(731) Beijing Jingdong 360 Du E-Commerce LTD  
Room 222, Floor 2, Building C, No. 18  
Kechuang 11 Street, Beijing Economic and  
Technological, Development Zone, Beijing,  
China

(540)  
**JD Cloud**

(591) Black, white  
(531) 27.05.01  
(511)  
42 – Research and development of new products for others; packaging design; design of interior decor; dress designing; computer software design; electronic data storage; cloud computing; creating and maintaining web sites for others; graphic arts design; weighting freight for others.

(260) AM 2019 100279 A  
(800) 1431974  
(151) 2018 09 10  
(891) 2018 09 10  
(731) INDUSTRY LLC  
ul. Konstantina Saslonova, 187, Belgorod,  
RU-308017 Belgorodskaya Oblast, Russian  
Federation

(540)  
**VERNISSAGE**

(591) Red and black.  
(531) 27.05.09; 27.05.10; 29.01.12  
(526) WALLPAPER  
(511)  
1 – Adhesives for wallpaper; glue for industrial purposes; gums [adhesives] for industrial purposes.  
27 – Wallpaper; textile wallpaper.

(260) AM 2019 100280 A  
(800) 1431982  
(151) 2018 07 03  
(891) 2018 07 03  
(731) BINGGRAE CO., LTD  
45, Dasansunhwan-ro, Namyangju-si,  
Gyeonggi-do, Republic of Korea

(540)  
**B 빙그레**

(591) Black, white  
(531) 27.05.17; 27.05.21; 28.03  
(511)  
29 – Milk; milk beverages, milk predominating; milk beverages containing fruits; milk products; milk substitutes; yogurts; soya milk; cheese; fruit, preserved; fruit-based snack food; vegetables, preserved; fruits, tinned; dried fruits; eggs; kimchi [fermented vegetable dish]; pork cutlets; foods prepared from bean curds (tofu); butter; powdered milk; fish, not live; sausages; soups; oils for food and fats; meat; prepared nuts.

30 – Ice cream; edible ices; frozen yoghurt [confectionery ices]; confectionery; biscuits; bread; ice lollies; iced cakes; powders for making ice cream; cones for ice cream; ice cream mixes; frozen confectionery containing ice cream; gelato; chocolate; cookies; candy; cakes; jelly sweet; fruit jellies [confectionery]; coffee; coffee-based beverages; coffee beverages with milk; cocoa; chocolate-based beverages; chocolate-based beverages with milk; tea; tea-based beverages; rice pudding; noodles; processed cereals; cereal-based snack food; fruit vinegar; seasonings; flavorings, other than essential oils, for beverages; fermented hot pepper



paste (gochujang); rice cakes; sauces; cooked rice; pancakes.

(260) AM 2019 100332 A

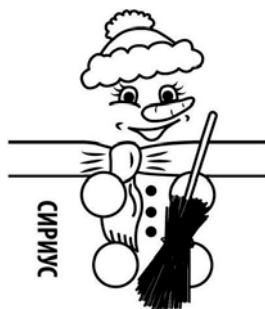
(800) 1432900

(151) 2017 12 11

(891) 2017 12 11

(731) Obshchestvo s ogranichennoy otvetstvennostyu «Sirius» Derevnja Krivcovo, dom 2, Solnechnogorskiy rajon, RU-141554 Moskovskaja oblast', Russian Federation

(540)



(591) Black, white

(531) 04.05.05; 09.03.13; 11.07.07; 25.01.05; 28.05

(511)

30 – High-protein cereal bars; cereal bars; muesli bars; filled chocolate bars; chocolate bars; waffles; malt biscuits; gum dragee; jelly beans; chewing gum; marshmallows; fruit jellies [confectionery]; candy decorations for cakes; confectionery for decorating Christmas trees; cakes; pastries; confectionery mints; peanut confectionery; almond confectionery; confectionery products with strawberries; confectionery products with fruits; toffees; cocoa; caramels [candy]; caramel chewing; hard candy, sugar-coated confectionery; sugar-free candies; gum sweets; jelly sweets; candy made with caramel; liquorice [confectionery]; peppermint sweets; starch-based candies; bonbons made of sugar; candy made with cocoa; chocolate candies; calcium fortified candy [confectionery]; sweetmeats [candy]; dulce de leche; crackers; candy caramel; lollipops; candy; macaroni; marzipan; muffins; acid drops; ice cream; muesli; mint for confectionery; mint candy caramel; chocolate-coated nuts; cream pies; fruit pies; pumpkin pies; stick liquorice [confectionery]; chocolate paste; pastila [confectionery]; pastilles [confectionery]; breath mints for use as a breath freshener; non-medicated lozenges [confectionery]; petit-beurre biscuits; cookies; fondants [confectionery]; candy-coated popcorn; popcorn; pralines; chocolate products; gingerbread; petits fours [cakes]; Turkish delight; bubble gum [confectionery]; sugar-free chewing gum [confectionery]; breath-freshening chewing gum; chewing gum, not for medical purposes; chewing gums for

inflating bubbles; confectionery; sweets; cheese-cakes; extruded corn snacks; puffed corn snacks; cheese-flavored puffed corn snacks; wheat-based snack foods; extruded wheat snacks; muesli snacks; rusks; tarts; chocolate decorations for cakes; halvah; chocolate; éclairs.

(260) AM 2019 100333 A

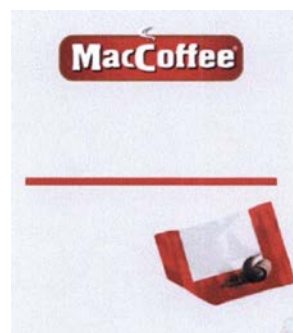
(800) 1432925

(151) 2018 07 06

(891) 2018 07 06

(731) Future Enterprises Pte. Ltd. 31 Harrison Road, N08-01, Food Empire Business Suites, Singapore 369649, Singapore

(540)



(591) White, red, cherry, brown, dark brown, gold, black and light-grey.

(531) 01.15.11; 08.01.19; 25.01.19; 26.04.04; 26.04.22; 26.11.08; 29.01.14

(511)

30 – Coffee; chocolate; coffee-based beverages; compositions for preparing coffee-based beverages.

(260) AM 2019 100335 A

(800) 1432938

(151) 2018 09 26

(891) 2018 09 26

(731) Compagnie des Montres Longines, Francillon SA, (Longines Watch Co., Francillon Ltd) CH-2610 Saint-Imier, Switzerland

(540)

### LONGINES CONQUEST V.H.P.

(591) Black, white

(511)

14 – Precious metals and their alloys and goods made of these materials or coated therewith included in this class, namely figurines, trophies; jewelry, namely rings, earrings, cuff links, bracelets, charms, brooches, chains, necklaces, tie pins, tie clips, jewelry caskets (cases), cases; precious stones, semi-precious stones; timepieces and chronometric instruments, namely chronometers, chronographs, clocks, watches, bracelets, wall clocks, alarm clocks as well as parts and accessories for the aforesaid

goods, namely hands, anchors, pendulums, barrels, watch cases, watch bracelets, watch dials, clock-works, watch chains, movements for timepieces, watch springs, watch glasses, presentation cases for timepieces, cases for timepieces.

(260) AM 2019 100336 A

(800) 1432954

(151) 2018 06 05

(891) 2018 06 05

(731) Charion Co., Ltd.

6-31, Kaigan 2-Chome, Minato-Ku, Tokyo  
105-0022, Japan

(540)



(591) Black, white

(531) 28.03

(511)

3 – Dentifrices; tooth polishes; toothpaste; tooth powder; non-medicated dental rinse; dentifrice gels; tooth cleaning preparations; teeth cleaning lotions; tooth whitening preparations; tooth whitening pastes; tooth whitening creams; dental bleaching gels; non-medicated mouthwashes; breath freshening preparations for personal hygiene; breath freshening sprays; breath freshening strips; cosmetics; cosmetic preparations; cosmetic preparations for the care of mouth and teeth; teeth whitening strips impregnated with teeth whitening preparations (cosmetics); cleaning pads impregnated with cosmetics; cotton swabs for cosmetic purposes; cotton wool for cosmetic purposes.

(260) AM 2019 100337 A

(800) 1432970

(151) 2018 06 07

(891) 2018 06 07

(731) Aktsionernoye obshchestvo "Bayan Sulu"

ul. Borodina, 198, 110006 g. Kostanay,  
Kazakhstan

(540)



(591) Black, white

(531) 25.01.25; 26.01.04; 27.05.02;  
27.05.08; 27.05.22

(511)

29 – Marmalade.

30 – Pastry and confectionery.

35 – Wholesale and retailing services relating to the sale of goods; promoting the goods of others through the intermediaries; import-export agency services; advertising.

(260) AM 2019 100339 A

(800) 1433012

(151) 2018 06 05

(891) 2018 06 05

(731) Charion Co., Ltd.

6-31, Kaigan 2-Chome, Minato-Ku, Tokyo  
105-0022, Japan

(540)



(591) Black, white

(531) 28.03

(511)

3 – Dentifrices; tooth polishes; toothpaste; tooth powder; non-medicated dental rinse; dentifrice gels; tooth cleaning preparations; teeth cleaning lotions; tooth whitening preparations; tooth whitening pastes; tooth whitening creams; dental bleaching gels; non-medicated mouthwashes; breath freshening preparations for personal hygiene; breath freshening sprays; breath freshening strips; cosmetics; cosmetic preparations; cosmetic preparations for the care of mouth and teeth; teeth whitening strips impregnated with teeth whitening preparations (cosmetics); cleaning pads impregnated with cosmetics; cotton swabs for cosmetic purposes; cotton wool for cosmetic purposes.

44 – Teeth whitening services; providing advice relating to teeth whitening services; providing information relating to teeth whitening services; pharmaceutical advice, namely, providing advice in the field of dental preparations for teeth whitening; provision of pharmaceutical information in the field of dental preparations for teeth whitening; consultancy in the field of cosmetics, namely, cosmetic preparations for the care of mouth and teeth; providing advice relating to dentistry services; providing information relating to dentistry services; dental consultations in the field of teeth whitening; providing information relating to dentistry services in the field of teeth whitening; providing advice

relating to cosmetic dentistry services in the field of teeth whitening; providing information relating to cosmetic dentistry services in the field of teeth whitening; beauty salon services; beauty care services; beauty consultancy services; providing information relating to beauty salon services and beauty care services; advisory services relating to health; provision of health information; rental of medical machines and apparatus; rental of dental apparatus and instruments; rental of dental apparatus and instruments for teeth whitening; rental of machines and apparatus for use in beauty salons or barbers' shops.

(260) AM 2019 100340 A

(800) 1433013

(151) 2018 08 07

(891) 2018 08 07

(731) Agrotar Zirai İlaçlar Endüstriyel  
Ürünler Tarım Gıda Veteriner İlaçları  
Ambalaj Sanayi Ve Ticaret Anonim Şirketi  
Kayapa Mahallesi Kayapa, Sanayi Bulvarı  
No:35, Nilüfer, Bursa, Turkey

(540)



(591) Black, white, blue

(531) 01.05.01; 01.05.03; 01.05.06;  
03.07.01; 27.05.24; 29.01.13

(526) ®

(511)

1 – Chemicals used in industry, science, photography, agriculture, horticulture and forestry; manures and soils.

(260) AM 2019 100346 A

(800) 1433278

(151) 2018 08 20

(891) 2018 08 20

(731) Limited liability company  
"Automobile plant "GAZ"  
prospekt Ilycha, 5, RU-603004 Nizhny  
Novgorod, Russian Federation

(540)



(591) Black, white

(531) 27.05.02; 27.05.10; 28.05

(511)

12 – Vehicles; motor buses; cars; caravans; spare parts for vehicles, included in class 12; shock

absorbers for automobiles; luggage carriers for vehicles; vehicle bumpers; transmission shafts for land vehicles; trucks; rearview mirrors; vehicle wheels; brake shoes for vehicles; brake segments for vehicles; hub caps; gear boxes for land vehicles; caps for vehicle fuel tanks; windows for vehicles; head-rests for vehicle seats; anti-glare devices for vehicles; safety belts for vehicle seats; security harness for vehicle seats; vehicle suspension springs; rudders; luggage nets for vehicles; safety seats for children, for vehicles; window lifters; motors, electric, for land vehicles; undercarriages for vehicles; mudguards.

16 – Note books; pamphlets; booklets; wrapping paper; printed publications; calendars; paper tapes; graphic prints; plastic cling film, extensible, for palletization; greeting cards; folders for papers; plastic film for wrapping; prospectuses; flags of paper; labels, not of textile; products of paper or plastics, for packaging; cardboard; envelopes [stationery]; boxes of paper or cardboard; stickers [stationery]; covers [stationery]; paper bags; blueprints.

28 – Toy vehicles; toys; games; reduced vehicle models.

37 – Car washing.

(260) AM 2019 100469 A

(800) 1433726

(151) 2018 07 18

(891) 2018 07 18

(731) Bergerode B.V.

Velperweg 76, NL-6824 BM Arnhem,  
Netherlands

(540)



(591) Black, white

(531) 27.05.04; 27.05.06; 27.05.08;  
27.05.11; 27.05.14; 27.05.17; 27.05.21;  
27.05.25

(511)

1 – Chemicals used in industry, science and photography, as well as in agriculture, horticulture and forestry; unprocessed artificial resins, unprocessed plastics; manures; fire extinguishing compositions; tempering and soldering preparations; chemical substances for preserving foodstuffs; tanning substances; adhesives used in industry; chemical substances used as additives to asphalt and bitumen; chemicals for use in the pharmaceutical industry; chemical substances for water treatment; chemical cleaning agents for use in industrial

processes; surfactants for industrial purposes; salt for industrial purposes; salt (chemical products).

5 – Chemicals for pharmaceutical use; salts for medical purposes; magnesium salts for pharmaceutical use; mineral salts for medical purposes; sodium salts for medical purposes; combinations of calcium salts for pharmaceutical use; disinfectants; preparations for destroying vermin; fungicides, herbicides.

30 – Salt; spices; dried herbs; condiments.

(260) AM 2019 100478 A

(800) 1433867

(151) 2018 09 21

(891) 2018 09 21

(731) Chanel SARL

Quai du Général-Guisan 24, CH-1204  
Genève, Switzerland

(540)

**1957**

(591) Black, white

(511)

3 – Preparations for cosmetic use for skin, scalp, hair or nail care; preparations for cosmetic use for application on the skin, scalp, hair or nails; soaps; perfumery products; perfumes; eau de Cologne; eau de toilette; after-shave lotions; shaving soap; shaving products; essential oils; make-up products; cosmetics; toiletries for non-medical use; talcum powder for toilet use; deodorants and antiperspirants for personal use; artificial nails for cosmetic use; nail art stickers; adhesives for affixing artificial nails; temporary tattoos for cosmetic use; perfumed sprays for indoor use; air fragrances; potpourris [fragrances].

(260) AM 2019 100479 A

(800) 1433896

(151) 2018 05 31

(891) 2018 05 31

(731) Ningbo Degson Electronics CO., LTD

No. 1585 Xiaolin Road, Cixi, Ningbo,  
315321 Zhejiang, China

(540)

**DEGSON**

(591) Black, white

(531) 27.05.17

(511)

9 – Data processing apparatus; disk drives for computers; quantity indicators; electron scorer; apparatus to check franking; money counting and sorting machines; fingerprint scanners; mechanisms for coin-operated apparatus; dictating machines; ernies; plotters; attendance recorders; weighing apparatus and instruments; automatic measuring

instruments; measures; gauges; signaling panels, luminous or mechanical; automatic display apparatus for advertisements; switchboards; network communication device; tape recorders; electronic audible devices with books; speed measuring apparatus [photography]; teaching projection lamp; surveying apparatus and instruments; air analysis apparatus; laser direction instrument; voltage regulators for vehicles; instruments and controls for internal combustion engines; material testing instruments and machines; water meter; audiovisual teaching apparatus; instrument and measuring apparatus for physico-chemical experiment and composition analysis; measuring devices, electric; watt-hour meters; metal detectors for industrial or military purposes; atomic ray instrument; optical apparatus and instruments; cables electric; semi-conductors; electrical resistance material; printed circuits; electronic chips; conductors electric; terminals [electricity]; electric couplings; low voltage power sources; fluorescent screens; remote control apparatus; remote controller for household use; optical fibers [light conducting filaments]; electric installations for the remote control of industrial operations; automatic device for power station; lightning conductors; electrolyzers; electrolytic tank; fire extinguishers; radiological apparatus for industrial purposes; protection devices for personal use against accidents; protective goggles; alarms; fire alarms; correcting lenses [optics]; accumulators, electric; mobile power supply (rechargeable batteries); animated cartoons; egg-candlers; portable remote controlled car arresters.

(260) AM 2019 100494 A

(800) 1434340

(151) 2018 08 09

(891) 2018 08 09

(731) Makarov Alexey Valerievich

str. Molodezhnaya, 8, apt. 168,

Novosibirsk, Koltsovo, RU-630559

Novosibirsk region, Russian Federation

(540)

**Tom Yum Bar**



(591) Black and red.

(531) 05.09.15; 27.05.01; 29.01.12

(526) Bar

(511)

43 – Café services; restaurant services; self-service restaurant services; snack-bar services; bar services.

(260) AM 2019 100495 A

(800) 1434348

(151) 2018 09 26

(891) 2018 09 26

(731) Shandong Hongsheng Rubber  
Technology Co., Ltd  
East Of Shengli Road, West Of Xinggong  
Road, Dawang Town, Guangrao County,  
Dongying City, 257335 Shandong Province,  
China

(540)

## Snowshoes

(591) Black, white

(531) 27.05.01

(511)

12 – Electric vehicles; non-skid devices for vehicle tires; brake discs for vehicles; moped; cars; tires for vehicle wheels; automobile tires; repair outfits for inner tubes; spikes for tires; inner tubes for bicycle tires.

(260) AM 2019 100496 A

(800) 1434425

(151) 2018 03 16

(891) 2018 03 16

(731) Grupo Massimo Dutti, S.A.  
Avenida de la Diputación, Edificio Inditex,  
E-15143 ARTEIXO (A Coruña), Spain

(540)



(591) Black, white

(531) 26.01.03; 26.01.18; 27.05.22

(511)

3 – Bleaching preparations and other substances for laundry use; cleaning, polishing, scouring and abrasive preparations; non-medicated soaps; perfumery; essential oils; non-medicated cosmetics; non-medicated hair lotions; non-medicated dentifrices; shoe polish and creams; cobblers' wax; tailor's wax; shoemaker's wax; waxes for leather; depilatory wax; laundry wax; parquet floor wax; shampoo; cosmetic kits; depilatory preparations; make-up removing preparations; deodorants for human use (perfumery); lipsticks; pencils for cosmetic use; hair spray and nail polish; lacquer remover preparations; tissues impregnated with cosmetic lotions; cloths impregnated with a detergent for cleaning; after-shave lotions; lotions for cosmetic purposes; make-up preparations; pomades for cosmetic purposes; stain removers; sachets for perfuming linen; nail care preparations; bleaching preparations (decolourants) for cosmetic purposes; extracts of flowers (perfumes); incense; scented wood; decorative transfers for cosmetic

purposes; false eyelashes and nails; pumice stone; potpourris [fragrances]; cosmetic preparations for slimming purposes; cosmetic preparations for baths; waving preparations for hair; washing preparations; toiletries; mouth washes not for medical purposes; bath salts, not for medical purposes, oils for toilet purposes; sun-tanning preparations (cosmetics); eau de cologne; deodorant soaps; talcum powder for toilet use; adhesives for cosmetic purposes; greases for cosmetic purposes; abrasives; shaving preparations; colour brightening chemicals for household purposes (laundry); cotton sticks for cosmetic purposes; beauty masks; moustache wax; laundry blueing; hair colorants; cosmetics for eyebrows; cleaning chalk; shampoos for pets; cosmetics for animals; cosmetic creams; cakes of soap; soap for foot perspiration; detergents other than for use in manufacturing operations and for medical purposes; laundry starch; cleansing milk for toilet purposes; Javelle water; dry-cleaning preparations; scented water; perfumes; cosmetic preparations for eyelashes; cosmetic preparations for skin care; make-up powder; adhesives for affixing false hair; fabric softeners for laundry use; cosmetic dyes; colour-removing preparations; toilet waters.

9 – Scientific, nautical, surveying, photographic, cinematographic, optical, weighing, measuring, signaling, checking (supervision), life-saving and teaching apparatus and instruments; apparatus and instruments for conducting, switching, transforming, accumulating, regulating or controlling electricity; apparatus for recording, transmission or reproduction of sound or images; magnetic data carriers, sound recording discs; compact discs, DVDs and other digital recording media; mechanisms for coin-operated apparatus; cash registers, calculating machines, data processing equipment, computers; software; fire-extinguishers; computer peripheral devices; anti-glare glasses; eyeglasses; optical lenses; eyeglass chains; contact lenses; eyeglass cords; dressmakers' measures; spectacles (optics); spectacle glasses; spectacle cases; spectacle and eyeglass frames; sunglasses; cases for eyeglasses and for contact lenses; shoes for protection against accidents, irradiation and fire; bullet-proof waistcoats; life jackets; garments and clothes for protection against fire; gloves for divers; gloves for protection against accidents; diving suits; magnetic encoded cards; clothing for protection against accidents, irradiation and fire; protective suits for aviators; electronic agendas; telephone apparatus; weighbridges; directional compasses; accounting machines; protective helmets; protective helmets for sports; telescopes; chronographs (time recording apparatus); measuring spoons; pedometers; compact discs (audio-video); compact discs (read-only memory); mirrors (optics); binoculars (optics); temperature indicators; chains and cords for eyeglasses; computer game programs; cassette

players; bar code readers; signal, magic and optical lanterns; magnifying glasses (optics); dictating and invoicing machines; mechanisms for counter-operated apparatus; bathroom scales; electric, galvanic and solar batteries; computer programs (recorded); electronic pocket translators; transistors (electronics); thermometers not for medical purposes; intercommunication apparatus; video cassettes; animated cartoons; portable radio-telephones (walkie-talkies); electronic publications (electronically downloadable); egg timers (sandglasses); acoustic (sound) alarms; anti-theft warning apparatus; fire alarms; mouse pads; loudspeakers; amplifiers; aerials; anti-glare visors; music headphones; answering machines; false coin detectors; teeth protectors; money counting and sorting machines; apparatus for measuring the thickness of skins and leather; electronic tags for goods; goggles for sports; magnets; light-emitting electronic pointers; mobile telephones; enlarging apparatus (photography); apparatus and instruments for astronomy; thermionic valves (radio); coin-operated musical automata (juke boxes); scales; life-saving rafts; tape recorders; head cleaning tapes (recording), videotapes; magnetic tapes; demagnetizing apparatus for magnetic tapes; barometers; ticket dispensers; thermostats; cinematographic cameras; camcorders; video game cartridges; magnetic encoders; graduated glassware; revolution counters; slides (photography); slide projectors; dynamometers; reflecting discs for wear, for the prevention of traffic accidents; hemline markers; dosimeters; covers for electric outlets; radiotelephony sets; scanners (data processing equipment); cases for optical articles; flash-bulbs (photography); photocopiers; holograms; compact disc players; luminous signs; neon signs; video recorders; electric measuring devices; speaking tubes; computer memories; microphones; microprocessors; modems; breathing apparatus for underwater swimming; objectives (lenses) (optics); ozonizers; projection screens; electric switches; dog whistles; push buttons for bells; radios; audio-receivers and video-receivers; wrist rests for use with computers; lever scales (steelyards); television apparatus; record players; word processors; video telephones; carrying cases for mobile computers, tablet computers, mobile telephones, smartphones, electronic book readers; smartphones; smart watches; magnetic wires; galvanizing apparatus; electrodes; radiological apparatus for industrial purposes; personal stereos; cameras [photography].

14 – Precious metals and their alloys; jewellery, precious and semi-precious stones; horological and chronometric instruments; ornamental pins; tie pins; works of art of precious metal; key rings (trinkets or fobs); medals; coins; badges of precious metal; shoe and hat ornaments of precious metal; cufflinks; watch chains; clock cases; threads of precious metal

(jewellery); jewellery boxes; ornaments (jewellery); jewellery of yellow amber; pins (jewellery); amulets (jewellery); rings (jewellery); ornaments of jet; bracelets (jewellery); brooches (jewellery); chains (jewellery); boxes of precious metal; necklaces (jewellery); tie clips; watch crystals, watch glasses; chronographs (watches); alarm clocks; diamonds; charms [jewellery]; paste jewellery; cases for watches for personal use; trinkets (jewellery); ivory (jewellery); medallions (jewellery); earrings; pearls (jewellery); straps for wristwatches; clocks and watches; rosaries.

16 – Paper and cardboard; printed matter; bookbinding material; photographs; stationery and office requisites, except furniture; adhesives for stationery or household purposes; artists' and drawing materials; paintbrushes; instructional and teaching materials; plastic sheets, films and bags for wrapping and packaging; printers' type, printing blocks; engravings; boxes made of cardboard or paper; patterns for making clothing and sewing patterns; tissues of paper for removing make-up, stencil cases; labels, not of textile; table linen of paper; napkins of paper; handkerchiefs of paper; pen cases; holders for cheque books; writing cases (sets); inking sheets for document reproducing machines; sachets of paper or plastics for packaging; bags [envelopes, pouches] of paper or plastics for packaging; tailors' chalk; face towels of paper; hat boxes of cardboard; tracing cloth; copying paper; fabrics for bookbinding; canvas for painting; towels of paper; albums; almanacs; hand labelling appliances; loose-leaf binders; writing instruments; transfers (decalcomanias); calendars; posters; folders for papers; catalogues; chromos; drawing sets; newspapers; periodicals; magazines (periodicals); books; lithographs; wrapping paper; toilet paper; paperweights; mats for beer glasses; bookmarkers; bookends; ink; inkwells; bibs of paper; drawing materials; graphic prints; school supplies [stationery]; writing slates; comic books; trays for sorting and counting money; embroidery designs (patterns); garbage bags of paper or of plastics; geographical maps; terrestrial globes; moisteners (office requisites); plastics for modelling; blueprints, plans; stencils (stationery); placards of paper or cardboard; cards, charts; steel letters and steel pens; watercolours (paintings); adhesive tape dispensers (stationery); adhesive tapes for stationery or household purposes; adhesive bands for stationery or household purposes; stickers (stationery); cigar bands; files (office requisites); modelling clay; calculating tables, arithmetical tables; drawer liners of paper (perfumed or not); architects' models; atlases; flags of paper; tickets; pads (stationery); ball-point pens; bags for microwave cooking; writing board erasers; rubber erasers; erasing products; bottle wrappers and envelopes of cardboard or paper; painters' easels; song books;

charcoal pencils; writing paper (finished products); advertisement boards of paper or cardboard; booklets; ink sticks; modelling wax, not for dental purposes; sealing wax; drawing pins, thumbtacks; paper ribbons; paper bows (stationery); inking ribbons for computer printers; typewriter ribbons; clipboards (office requisites); cabinets for stationery (office requisites); compasses for drawing; paper clasps; paper knives (cutters) (office requisites); writing or drawing books; paintings (pictures) framed or unframed; finger-stalls (office requisites); gummed cloth for stationery purposes; inking pads; drafting squares; shields (paper seals); greeting cards; filter paper; covers (stationery); photograph stands; elastic bands for offices; stapling presses (office requisites); paper-clips; paper sheets (stationery); pencil sharpeners, electric or non-electric; pencil holders; luminous paper; palettes for painters; silver paper; waxed paper; modelling paste; office perforators; painters' brushes; house painters' rollers; postcards; printed publications; blotters; envelopes (stationery); stickers (stationery).

18 – Leather and imitations of leather; animal skins and hides; luggage and carrying bags; umbrellas and parasols; walking sticks; whips, harness and saddlery; collars, leashes and clothing for animals; bags for climbers and campers and beach bags; handbag frames; frames for umbrellas or parasols; parasols [sun umbrellas]; mountaineering sticks; bags for sports; net bags for shopping; travelling bags; bags (envelopes, pouches) of leather for packaging; bags; pouches; travelling sets (leatherware); key cases; attache cases; purses, not of precious metal; imitation leather hat boxes; sling bags for carrying infants; wheeled shopping bags; boxes of leather or leatherboard; boxes of vulcanized fiber; card cases (notecases); pocket wallets; school satchels; vanity cases (not fitted); leather laces; umbrella covers; saddle cloths for horses; rucksacks; haversacks; head-stalls; leather thread; suitcase handles; walking stick and umbrella handles; umbrella handles; whips; horse blankets; furniture coverings of leather; umbrella rings; blinkers (harness); harness for animals; harness fittings; walking-stick seats; shoulder belts of leather; empty tool bags of leather; muzzles; bridles (harness); halters; leather board; girths of leather; travelling trunks, bags for shopping; straps for soldiers' equipment; harness straps; straps of leather (saddlery); straps for skates; trimmings of leather for furniture; leather straps; butts (parts of hides); curried skins; cat o' nine tails; coverings of skins (furs); stirrups; parts of rubber for stirrups; bits for animals (harness); reins; suitcases; moleskin (imitation of leather); chamois leather other than for cleaning purposes; nose bags (feed bags); casings, of leather, for springs; knee-pads for horses; riding saddles for horses; fastenings for saddles; traces (harness); valves of leather.

24 – Textiles and substitutes for textiles; household linen; curtains of textile or plastic; bed linen; table linen not of paper; bath linen (except clothing); tissues of textile for removing make-up; labels (cloth); linings (textile); wall hangings of textile; handkerchiefs of textile; bath mitts; shrouds; linens; towels of textile; traveling rugs (lap robes); net curtains; curtain holders of textile material; banners and flags (not of paper); eiderdowns (down coverlets); loose covers for furniture; covers for cushions; mattress covers; pillowcases; mosquito nets; glass cloths; billiard cloth; table cloths (not of paper); traced cloths for embroidery; face towels of textile; sleeping bags (sheeting); cotton fabrics; haircloth (sackcloth); brocades; lining fabric for shoes; fabric for footwear; coverlets (bedspreads); bed blankets; trellis (cloth); zephyr (cloth); cheviots (cloth); ticks (mattress covers); shower curtains of textile or plastic; crepe (fabric); crepon; bedspreads; damask; elastic woven material; oilcloth (for use as table cloths); gummed cloth, other than for stationery; esparto fabric; chenille fabric; felt; flannel (fabric); fitted toilet lid covers (fabric); gauze (cloth); jersey (fabric); woolen cloth, woolen fabric; lingerie fabric; linen cloth; place mats, not of paper; non-paper tablecloths; printers' blankets of textile; marabout (cloth); upholstery fabrics; fabric of imitation animal skins; knitted fabric; cheese cloth; ramie fabric; rayon fabric; silk (cloth); taffeta (cloth); fiberglass fabrics for textile use; adhesive fabric for application by heat; patterned textiles for use in embroidery; velvet; tulle; table runners of textile.

25 – Clothing, footwear, headgear; motorists' and cyclists' clothing; bibs not of paper; headbands (clothing); bath robes; bathing suits (swimsuits); bathing caps and sandals; boas (necklets); collar protectors; boots for sports and beach shoes; hoods (clothing); shawls; belts (clothing); money belts (clothing); wet suits for water-skiing; neckties; corsets (underclothing); fur stoles; scarves; caps (headwear); caps; gloves (clothing); waterproof clothing; girdles (underwear); lingerie; mantillas; stockings; socks; bandanas (neckerchiefs); furs (clothing); pyjamas; soles for footwear; heels; veils (clothing); suspenders; layettes (clothing); capes; sports jerseys; mittens; ear muffs (clothing); inner soles; wristbands (clothing); dress shields; beach clothes; dressing gowns; pockets for clothing; sock suspenders; stocking suspenders; petticoats; tights; leotards; aprons (clothing); masquerade costumes; uniforms; cap peaks; wooden shoes; bonnets; coats; esparto shoes or sandals; non-slipping devices for boots and shoes; bath slippers; skull caps; smocks; teddies (undergarments); berets; footmuffs, not electrically heated; lace boots; boots; boot uppers; studs for football boots; half-boots; fittings of metal for footwear; tips for footwear; heelpieces for footwear; shirts; shirt yokes; shirt fronts; tee-shirts;

short- sleeve shirts; bodices (lingerie); waistcoats; jackets; fishing vests; stuff jackets (clothing); slippers (undergarments); ready-made clothing; detachable collars and collars; clothing of leather; clothing of imitations of leather; shower caps; pumps; skirts; trousers; ready-made linings (parts of clothing); overcoats, top coats; gabardines (clothing); gymnastic shoes; jerseys (clothing); pullovers; sweaters; liveries; muffs (clothing); footwear uppers; pocket squares (clothing); parkas; pelerines; pelisses; gaiters, spats; leggings; knitwear (clothing); clothing for gymnastics; underwear; sandals; saris; underpants; hats; wimples; togas; gaiter straps; suits; turbans; dresses; indoor slippers; slippers; shoes; sports shoes.

35 – Advertising; business management; business administration; office functions; assistance services for business management or commercial functions for an industrial or commercial company; organisation of exhibitions and trade fairs for commercial or advertising purposes; promoting the goods and services of others by means of a loyalty rewards card scheme; modelling services for sales promotions or advertising purposes; editing of advertising texts; shop-window dressing; assistance services for the operating of a commercial company on a franchise basis; product demonstration; sales promotion (for third parties); sales at public auctions; shopping centre promotion and management services; assistance services for the commercial functions of a business consisting in processing orders through global communications networks; import-export agency services; on-line advertising on a computer network; supplying services to third parties (purchasing of products and services for other companies); distribution of advertising [leaflets, brochures, printed matter, samples]; computerized file management; public relations; commercial information agency services; advertising agency services; rental of vending machines; rental of advertising space; dissemination of advertising matter; business management assistance; data search in computer files (for others); compilation of information into computer databases; transcription of communications; direct mail advertising; commercial or industrial management assistance; business management of performing artists; dissemination of advertising (leaflets, brochures, printed matter, samples); updating of advertising material; document reproduction; market studies; bill-posting, outdoor advertising; opinion polling; systemisation of information into computer databases; publication of advertising texts; relocation services for businesses; accounting; wholesale and retail services by any means.

(260) AM 2019 100497 A  
(800) 1434431  
(151) 2018 08 10  
(891) 2018 08 10  
(731) De Rucci Bedding Co., Ltd.  
Shuanggang Shanghuan Industrial Zone,  
Houjie Town, Dongguan City, 523948  
Guangdong Province, China

(540)  
**DeRUCCI**

(591) Black, white  
(531) 27.05.01  
(511)  
43 – Accommodation bureau services [hotels, boarding houses]; food and drink catering; café services; cafeteria services; canteen services; rental of temporary accommodation; hotel services; hotel reservations; bar services; reception services for temporary accommodation [management of arrivals and departures]; teahouse services; rental of transportable buildings; rental of meeting rooms; retirement home services; day-nursery [crèche] services; boarding for animals; rental of chairs, tables, table linen, glassware.

(260) AM 2019 100498 A  
(800) 1434436  
(151) 2018 08 10  
(891) 2018 08 10  
(731) Zhejiang Jinshi Industry &  
Trading Co., Ltd  
(Inside Zhejiang Jianuo Electrical,  
Appliance Co., Ltd.),  
Phase-2 Industrial Area, Jiaodao Town,  
Wuyi County, Jinhua, Zhejiang, China

(540)  
**EURO CUT**

(591) Black, white  
(531) 14.07.06; 26.11.12; 27.03.15; 27.05.11  
(511)  
7 – Finishing machines; grindstones [parts of machines]; sharpening wheels [parts of machines]; chain saws [machines].

(260) AM 2019 100499 A  
(800) 1434446  
(151) 2018 09 20  
(891) 2018 09 20  
(731) Apple Inc.  
One Apple Park Way, Cupertino  
CA 95014, USA



(540)



(591) The color(s) white, orange and beige is/are claimed as a feature of the mark.

(531) 20.01.15; 24.17.20; 26.15.11; 29.01.13

(511)

9 – Computer software used in developing other software applications; application development software.

(260) AM 2019 100500 A

(800) 1434452

(151) 2018 04 03

(891) 2018 04 03

(731) Ulvi Keskin

Eisenbahnstr. 78, 67227 Frankenthal,  
Germany

(540)



(591) Black, white

(531) 26.04.02; 26.04.05; 26.04.22;  
26.04.24; 27.05.09; 27.05.11; 27.05.24

(511)

12 – Automobile tires.

(260) AM 2019 100501 A

(800) 1434520

(151) 2018 08 10

(891) 2018 08 10

(731) BEIJING JINGDONG

360 DU E-COMMERCE LTD  
Room 222, Floor 2, Building C, No. 18  
Kechuang 11 Street, Beijing Economic and  
Technological, Development Zone, Beijing,  
China

(540)



(591) Black, white

(531) 03.01.08; 03.01.24; 27.05.17

(511)

9 – Downloadable application software for cell phones; computer programs [downloadable software]; computer peripheral devices; humanoid robots with artificial intelligence; face recognition device; network communication device; smartpho-

nes; cabinets for loudspeakers; measuring apparatus; animated cartoons.

35 – Advertising; direct mail advertising; advertising by mail order; on-line advertising on a computer network; presentation of goods on communication media, for retail purposes; providing business information via a web site; organizing fashion shows for advertisement and sales; business management and organization consultancy; provision of an on-line marketplace for buyers and sellers of goods and services; sales promotion for others; import-export agency services; auctioneering; procurement services for others [purchasing goods and services for other businesses]; marketing; compilation of information into computer databases; retail or wholesale services for pharmaceutical, veterinary and sanitary preparations and medical supplies.

42 – Research and development of new products for others; industrial design; computer software design; creating and maintaining web sites for others; hosting computer sites [web sites]; rental of web servers; software as a service [SaaS]; cloud computing; electronic data storage; graphic arts design.

(260) AM 2019 100502 A

(800) 1434538

(151) 2018 08 10

(891) 2018 08 10

(731) Ping An Insurance (Group) Company  
of China, Ltd

15-18F, Galaxy Center, Fuhua Road, Futian  
District, Shenzhen, Guangdong, China

(540)

平安普惠

(591) Black, white

(531) 28.03

(511)

9 – Computer software applications, downloadable; downloadable image files; computer programs, recorded; electronic publications, downloadable; computer peripheral devices; magnetic data media; computer software, recorded; electronic notice boards; Global Positioning System [GPS] apparatus; portable media players.

35 – Advertising; business management assistance; marketing; procurement services for others [purchasing goods and services for other businesses]; personnel management consultancy; relocation services for businesses; computerized file management; accounting; sponsorship search; retail or wholesale services for medical supplies.

36 – Insurance underwriting; banking; financial services; art appraisal; real estate agency services;

brokerage; surety services; charitable fund raising; trusteeship; lending against security.

38 – Television broadcasting; message sending; providing internet chatrooms; transmission of digital files; videoconferencing services; electronic mailing services; communications by computer terminals; providing user access to global computer networks; computer aided transmission of messages and images; electronic bulletin board services [telecommunications services].

42 – Research and development of new products for others; meteorological information; information technology [IT] consultancy; providing search engines for the internet; outsource service providers in the field of information technology; computer system design; computer programming; conversion of data or documents from physical to electronic media; providing information on computer technology and programming via a web site; Software as a service [SaaS].

(260) AM 2019 100503 A

(800) 1434567

(151) 2018 03 29

(891) 2018 03 29

(731) PUBLIC JOINT STOCK COMPANY

GAZPROM NEFT

Kab. 2401, Ch.Pom. 1N, Liter A, Dom 3-5,

Pochtamskaya Ulitsa, RU-190000

ST PETERSBURG, Russian Federation

(540)



(591) Orange, black.

(531) 27.05.21; 29.01.12

(511)

1 – Agar-agar; nitrogen; actinium; alkaloids; alginates for the food industry; alginates for industrial purposes; crotonic aldehyde; ammonium aldehyde; aldehydes; americium; amyl acetate; ammonia [volatile alkali] for industrial purposes; anhydrous ammonia; ammonia; acetic anhydride; anhydrides; anti-knock substances for internal combustion engines; disincrustants; antioxidants for use in the manufacture of cosmetics; antioxidants for use in the manufacture of food supplements; antioxidants for use in the manufacture of pharmaceuticals; antioxidants for use in manufacture; antistatic preparations, other than for household purposes; antifreeze; size for use in the textile industry; argon; lead arsenate; astatine; aluminium acetate; lime acetate; lead acetate; acetate

of cellulose, unprocessed; acetates [chemicals]; acetylene; acetone; oenological bactericides [chemical preparations for use in wine making]; balm of gurjun [gurjon, gurjan] for making varnish; barium; barytes; albumin [animal or vegetable, raw material]; animal albumen [raw material]; iodised albumen; malt albumen; benzene; benzol; bentonite; berkelium; bicarbonate of soda for chemical purposes; potassium dioxalate; bichromate of potassium; bichromate of soda; bauxite; bromine for chemical purposes; albumenized paper; baryta paper; diazo paper; blueprint paper; test paper, chemical; self-toning paper [photography]; nitrate paper; sensitized paper; photometric paper; borax; grafting wax for trees; agglutinants for concrete; gas purifying preparations; polish removing substances; preparations for the separation of greases; substances for preventing runs in stockings; water-softening preparations; limestone hardening substances; tanning substances; adhesives for industrial purposes; surface-active chemical agents; foundry binding substances; concrete-aeration chemicals; leather-dressing chemicals; chemicals for the manufacture of paints; chemicals for the manufacture of pigments; starch-liquifying chemicals [ungluing agents]; flower preservatives; seed preserving substances; viscose; bismuth; bismuth subnitrate for chemical purposes; vitamins for the food industry; vitamins for use in the manufacture of cosmetics; vitamins for use in the manufacture of food supplements; vitamins for use in the manufacture of pharmaceuticals; witherite; distilled water; seawater for industrial purposes; acidulated water for recharging accumulators; heavy water; hydrogen; seaweeds [fertilizers]; gadolinium; getters [chemically active substances]; protective gases for welding; solidified gases for industrial purposes; basic gallate of bismuth; gallium; gambier; helium; electrophoresis gels; genes of seeds for agricultural production; hydrazine; aluminium hydrate; hydrates; hyposulfites; ceramic glazings; glycol; expanded clay for hydroponic plant growing [substrate]; kaolin; alumina; glycerides; glycerine for industrial purposes; glucose for the food industry; glucose for industrial purposes; glucosides; gluten for the food industry; gluten for industrial purposes; holmium; hormones for hastening the ripening of fruit; peat pots for horticulture; graphite for industrial purposes; guano; humus; dextrin [size]; detergents for use in manufacturing processes; defoliants; diastase for industrial purposes; kieselgur; manganese dioxide; titanium dioxide for industrial purposes; zirconia; oil dispersants; petroleum dispersants; dispersions of plastics; dysprosium; bichloride of tin; detergent additives to gasoline [petrol]; ceramic compositions for sintering [granules and powders]; additives, chemical, to drilling muds; additives, chemical, to insecticides; chemical additives for oils; additives, chemical, to

motor fuel; additives, chemical, to fungicides; dolomite for industrial purposes; tan-wood; europium; gelatine for photographic purposes; gelatine for industrial purposes; auxiliary fluids for use with abrasives; fluids for hydraulic circuits; liquids for removing sulfates from accumulators; power steering fluid; brake fluid; magnetic fluid for industrial purposes; transmission fluid; tree cavity fillers [forestry]; glaziers' putty; moderating materials for nuclear reactors; diatomaceous earth; fuller's earth for use in the textile industry; lime chloride; isotopes for industrial purposes; iodine for industrial purposes; iodine for chemical purposes; aluminium iodide; alkaline iodides for industrial purposes; ion exchangers [chemicals]; ytterbium; yttrium; casein for the food industry; casein for industrial purposes; kainite; potassium; californium; calomel [mercurous chloride]; gum arabic for industrial purposes; tartar, other than for pharmaceutical purposes; camphor, for industrial purposes; calcium carbide; silicon carbide [raw material]; carbide; lime carbonate; magnesium carbonate; carbonates; cement [metallurgy]; lutetium [cassiopium]; catalysts; biochemical catalysts; catechu; caustics for industrial purposes; alum; ammonia alum; aluminium alum; chrome alum; quebracho for industrial purposes; ketones; cinematographic films, sensitized but not exposed; oxygen; nitric acid; anthranilic acid; benzoic acid; boric acid for industrial purposes; tartaric acid; tungstic acid; gallic acid for the manufacture of ink; gallotannic acid; glutamic acid for industrial purposes; tannic acid; iodic acid; phenol for industrial purposes; citric acid for industrial purposes; lactic acid; formic acid; persulfuric acid; oleic acid; picric acid; pyrogallic acid; salicylic acid; sebacic acid; sulfuric acid; sulfurous acid; spirits of salt; stearic acid; carbonic acid; spirits of vinegar [dilute acetic acid]; phosphoric acid; hydrofluoric acid; cholic acid; chromic acid; oxalic acid; acids; benzene-based acids; fatty acids; mineral acids; arsenious acid; adhesives for billposting; leather glues; adhesives for wall tiles; adhesives for wallpaper; glue for industrial purposes; cement for mending broken articles; gums [adhesives] for industrial purposes; birdlime; isinglass, other than for stationery, household or alimentary purposes; starch paste [adhesive], other than for stationery or household purposes; stem cells, other than for medical or veterinary purposes; collagen for industrial purposes; collodion; compost; beer preserving agents; preservatives for use in the pharmaceutical industry; mangrove bark for industrial purposes; tan; starch for industrial purposes; silicon; creosote for chemical purposes; krypton; xenon; xylene; xylol; biological tissue cultures, other than for medical or veterinary purposes; curium; lactose [raw material]; lactose for the food industry; lactose for industrial purposes;

lanthanum; dry ice [carbon dioxide]; lecithin [raw material]; lecithin for the food industry; lecithin for industrial purposes; lithium; magnesite; manganate; oils for tanning leather; oils for currying leather; oils for preparing leather in the course of manufacture; oils for the preservation of food; transmission oil; carbolineum for the protection of plants; paper pulp; wood pulp; grafting mastic for trees; mastic for leather; cement for pneumatic tires [tyres]; oil cement [putty]; synthetic materials for absorbing oil; brazing preparations; ceramic materials in particulate form, for use as filtering media; filtering materials [unprocessed plastics]; filtering materials [mineral substances]; filtering materials [vegetable substances]; filtering materials [chemical preparations]; blue vitriol; metalloids; alkaline-earth metals; alkaline metals; methane; methyl benzene; methyl benzol; flour for industrial purposes; tapioca flour for industrial purposes; potato flour for industrial purposes; soap [metallic] for industrial purposes; arsenic; emollients for industrial purposes; animal manure; sodium; hypochlorite of soda; naphthalene; sal ammoniac; toxic gas neutralizers; neodymium; neon; neptunium; ammonium nitrate; uranium nitrate; nitrates; combusting preparations [chemical additives to motor fuel]; nitrous oxide; baryta; uranium oxide; oxalates; lithia [lithium oxide]; lead oxide; antimony oxide; chromium oxide; cobalt oxide for industrial purposes; mercuric oxide; olivine [silicate mineral]; gallnuts; purification preparations; wine finings; textile-brightening chemicals; beer-clarifying and preserving agents; must-finishing preparations; reducing agents for use in photography; bases [chemical preparations]; wax-bleaching chemicals; fat-bleaching chemicals; organic digestate [fertilizer]; pectin for the food industry; pectin for industrial purposes; pectin [photography]; perborate of soda; humus top dressing; percarbonates; hydrogen peroxide for industrial purposes; persulfates; perchlorates; foundry sand; plastisols; ferrotype plates [photography]; plasticizers; plastics, unprocessed; X-ray films, sensitized but not exposed; plutonium; chemical coatings for ophthalmic lenses; polonium; potash; potash water; soil for growing; praseodymium; rubber preservatives; masonry preservatives, except paints and oils; brickwork preservatives, except paints and oils; cement preservatives, except paints and oils; preservatives for tiles, except paints and oils; bacteriological preparations for acetification; vulcanising preparations; renovating preparations for phonograph records; currying preparations for leather; currying preparations for skins; galvanizing preparations; metal hardening preparations; fixing baths [photography]; opacifiers for glass; opacifiers for enamel; separating and unsticking [ungluing] preparations; metal annealing preparations; metal tempering preparations; preparations for preventing the tarnishing of lenses; preparations for preventing

the tarnishing of glass; cement-waterproofing chemicals, except paints; plant growth regulating preparations; wallpaper removing preparations; anti-boil preparations for engine coolants; fulling preparations for use in the textile industry; descaling preparations, other than for household purposes; fertilizing preparations; flashlight preparations; finishing preparations for use in the manufacture of steel; sizing preparations; animal carbon preparations; preparations of microorganisms, other than for medical and veterinary use; corrosive preparations; cryogenic preparations; dehydrating preparations for industrial purposes; degreasing preparations for use in manufacturing processes; degumming preparations; oil-bleaching chemicals; bleaching preparations [decolorants] for industrial purposes; meat tenderizers for industrial purposes; preparations for stimulating cooking for industrial purposes; anti-incrustants; preparations of trace elements for plants; moistening [wetting] preparations for use in the textile industry; moistening [wetting] preparations for use in dyeing; moistening [wetting] preparations for use in bleaching; enzyme preparations for the food industry; enzyme preparations for industrial purposes; filtering preparations for the beverages industry; vine disease preventing chemicals; chemical preparations to prevent mildew; chemical preparations for protection against wheat blight [smut]; chemical condensation preparations; chemical preparations for smoking meat; chemical preparations for facilitating the alloying of metals; engine-decarbonising chemicals; fulling preparations; fuel-saving preparations; coal saving preparations; damp-proofing chemicals, except paints, for masonry; anti-sprouting preparations for vegetables; preparations of the distillation of wood alcohol; chemical substances for preserving foodstuffs; benzene derivatives; cellulose derivatives [chemicals]; promethium; protactinium; protein [raw material]; proteins for the food industry; proteins for use in the manufacture of food supplements; proteins for use in manufacture; mordants for metals; radium for scientific purposes; radon; solvents for varnishes; anti-frothing solutions for accumulators; drilling muds; galvanizing baths; solutions for cyanotyping; silver salt solutions for silvering; toning baths [photography]; unprocessed artificial resins, unprocessed plastics; rhenium; mercury; rubidium; carbon black for industrial purposes; soot for industrial or agricultural purposes; lamp black for industrial purposes; samarium; saccharin; selenium; saltpeter; sulfur; carbon disulfide; silicates; aluminium silicate; silicones; scandium; topsoil; foundry molding [moulding] preparations; potting soil; acrylic resins, unprocessed; polymer resins, unprocessed; synthetic resins, unprocessed; epoxy resins, unprocessed; soda ash; calcined soda; caustic soda for industrial purposes; barium compounds; fluorspar compounds; salts [fertilizers]; salts

[chemical preparations]; ammoniacal salts; ammonium salts; salts of precious metals for industrial purposes; salts for galvanic cells; salt for preserving, other than for foodstuffs; salts for coloring [colouring] metal; salts for industrial purposes; iron salts; gold salts; iodised salts; calcium salts; sodium salts [chemical compounds]; salt, raw; salts from rare earth metals; mercury salts; toning salts [photography]; chrome salts; chromic salts; salts of alkaline metals; rock salt; mold-release preparations; fire extinguishing compositions; compositions for the manufacture of phonograph records; compositions for the manufacture of technical ceramics; compositions for repairing inner tubes of tires [tyres]; compositions for repairing tires [tyres]; acid proof chemical compositions; glutinous tree-grafting preparations; adhesive preparations for surgical bandages; fireproofing preparations; compositions for threading; sauce for preparing tobacco; amyl alcohol; vinic alcohol; wood alcohol; sal ammoniac spirits; ethyl alcohol; alcohol; adjuvants, other than for medical or veterinary purposes; cement for footwear; concrete preservatives, except paints and oils; water glass [soluble glass]; strontium; substrates for soil-free growing [agriculture]; barium sulfate; sulfates; antimony sulfide; sulfides; benzoic sulfimide; sulfonic acids; sumac for use in tanning; superphosphates [fertilizers]; antimony; thallium; talc [magnesium silicate]; tannin; cream of tartar for the food industry; cream of tartar for industrial purposes; cream of tartar for chemical purposes; tellurium; terbium; tetrachlorides; carbon tetrachloride; acetylene tetrachloride; technetium; thiocarbanilide; titanite; sensitized cloth for photography; blueprint cloth; toluene; fuel for atomic piles; thorium; peat [fertilizer]; gum tragacanth for industrial purposes; thulium; carbonic hydrates; carbon; activated carbon; carbon for filters; animal charcoal; animal carbon; bone charcoal; blood charcoal; fertilizers; nitrogenous fertilizers; fish meal fertilizers; wood vinegar [pyroligneous acid]; uranium; chemical intensifiers for paper; chemical intensifiers for rubber; vulcanisation accelerators; enzymes for the food industry; enzymes for industrial purposes; ferments for chemical purposes; milk ferments for the food industry; milk ferments for industrial purposes; milk ferments for chemical purposes; fermium; ferrocyanides; fixing solutions [photography]; flavonoids for industrial purposes [phenolic compounds]; flocculants; soldering fluxes; brazing fluxes; formic aldehyde for chemical purposes; phosphatides; phosphates [fertilizers]; phosphorus; photographic paper; photosensitive plates; sensitized photographic plates; sensitized films, unexposed; photographic developers; photographic sensitizers; chemical preparations for use in photography; photographic emulsions; francium; fluorine; chemicals for use in forestry, except

fungicides, herbicides, insecticides and parasiticides; glass-frosting chemicals; leather-renovating chemicals; glass-staining chemicals; enamel-staining chemicals; oil-separating chemicals; water-purifying chemicals; oil-purifying chemicals; welding chemicals; condensation-preventing chemicals; stain-preventing chemicals for use on fabrics; anti-tarnishing chemicals for windows; leather-waterproofing chemicals; textile-waterproofing chemicals; chemicals, except pigments, for the manufacture of enamel; radiator flushing chemicals; leather-impregnating chemicals; textile-impregnating chemicals; horticultural chemicals, except fungicides, herbicides, insecticides and parasiticides; agricultural chemicals, except fungicides, herbicides, insecticides and parasiticides; soil conditioning preparations; chimney cleaners, chemical; industrial chemicals; color- [colour-] brightening chemicals for industrial purposes; refrigerants; coolants for vehicle engines; chlorine; chlorates; hydrochlorates; aluminium chloride; magnesium chloride; chlorides; palladium chloride; chromates; flowers of sulfur for chemical purposes; caesium; cellulose; cerium; cyanides [prussiates]; calcium cyanamide [fertilizer]; cymene; loam; slag [fertilizers]; size for finishing and priming; fillers for automobile bodies; spinel [oxide mineral]; alkalis; caustic alkali; tea extracts for the food industry; tea extracts for use in the manufacture of cosmetics; tea extracts for use in the manufacture of pharmaceuticals; radioactive elements for scientific purposes; rare earths; fissionable chemical elements; emulsifiers; erbium; ethane; methyl ether; sulfuric ether; ethyl ether; glycol ether; ethers; esters; cellulose ethers for industrial purposes; cellulose esters for industrial purposes.

4 – Petroleum; motor spirit; industrial gasoline; montan wax; paraffin wax; coal gas; liquefied petroleum gas; liquefied petroleum gases to be used for domestic and industrial purposes and in motor vehicles; liquefied natural gas; alcohol and mixed alcohol fuel; solid fuels; wood pellets for heating [fuel]; pellets of compressed fiber manufactured from a plant crop to be used as fuel; fuel pellets; methylated spirits for fuel [denaturated fuel alcohols]; cutting oil for industrial metal working; lighter fluid; mazut; automotive engine oils; hardened oils [hydrogenated oils for industrial use]; mold releasing oils; leather-preserving oils and greases; mineral oil for use in the manufacture of paint; mineral oil for use in the manufacture of metal cutting fluids; industrial oil for batteries; all-purpose penetrating oil; lubricating oil for motor vehicle engines; lubricating oils and greases; automotive lubricants; lubricants for aircraft engines; motor vehicle lubricants; lubricants for industrial machinery; graphite lubricants; industrial lubricants; all-purpose lubricants; crude oil; heavy oils; petroleum, raw or refined; dust absorbing, wetting and binding compositions; non-chemical additives

for gasoline; non-chemical additives for oils and fuels; non-chemical additives for fuels; non-chemical additives for fuels, lubricants and greases; propane gas; propane gas sold in cylinders for use in torches; flux oil for use as an ingredient in asphalt; firelighters for grills; automotive greases; drilling lubricants; grease for machines; lubricating grease for vehicles; general purpose greases; petroleum-based dust suppressing compositions; granular absorbent oil-based composition for absorbing spills from floors; dust laying and absorbing compositions for use on unpaved roads; dust binding compositions; dust wetting compositions; petroleum-based dust absorbing compositions; wood chips for smoking and flavoring foods; wood chips for use as fuel; fuels, including motor spirit, and illuminants; gaseous fuels; liquid fuels; aviation fuel; biodiesel fuel; fuel for motor vehicles; chafing dish fuel; lamp fuel; fuel for aircraft; fuel for aircraft and ships; fuel for lighters; fuel for ships; heating oil; fuels derived from crude oil; hydrocarbon fuels; mineral spirits for use as accelerants; electrical energy.

37 – Asphalt; drilling of deep oil or gas wells; drilling of wells; drilling for crude oil; rebuilding engines that have been worn or partially destroyed; rebuilding machines that have been worn or partially destroyed; renovation of clothing; retreading of tires [tyres]; vulcanization of tires [tyres] [repair]; building sealing; linen ironing; pressing of clothing; disinfecting; rat exterminating; pumping crude oil; refilling of toner cartridges; vehicle battery charging; knife sharpening; building insulating; repair information; construction information; bricklaying; riveting; construction consultancy; varnishing; re-tinning; scaffolding; road paving; window cleaning; vehicle washing; building construction supervision; tuning of musical instruments; upholstery; rust-proofing; anti-rust treatment for vehicles; sanding; pumicing; strong-room maintenance and repair; maintenance of vehicles and machines; vehicle maintenance; maintenance, servicing and repair of vehicles; paper hanging; painting or repair of signs; cleaning of buildings [exterior surface]; recharging of batteries and accumulators; oil pumping and extraction; vehicle polishing; automobile polishing; vehicle breakdown repair services; rental of bulldozers; rental of drainage pumps; rental of dish drying machines; rental of road sweeping machines; rental of cleaning machines; rental of cranes [construction equipment]; rental of dish washing machines; rental of laundry washing machines; rental of construction equipment; rental of excavators; laying of cable; masonry; roofing services; painting, interior and exterior; carpentry services; drilling and pumping of oil; underwater repair; plastering; quarrying services; repair of security locks; umbrella repair; parasol repair; motor vehicle maintenance and repair; burner maintenance and repair; film projector repair and maintenance; repair

and maintenance of airplane motors and engines; airplane maintenance and repair; safe maintenance and repair; clock and watch repair; repair of power lines; pump repair; upholstery repair; shoe repair; clothing repair; photographic apparatus repair; furniture restoration; restoration of musical instruments; restoration of works of art; vehicle lubrication [greasing]; demolition of buildings; warehouse construction and repair; vehicle service stations [refuelling and maintenance]; sterilization of medical instruments; washing; washing of linen; pier breakwater building; pipeline construction and maintenance; underwater construction; harbour construction; factory construction; construction of structures for the production of crude oil; construction of structures for the transportation of crude oil; construction of structures for the storage of crude oil; building of fair stalls and shops; construction; shipbuilding; cleaning of automobiles; cleaning of buildings [interior]; street cleaning; vermin exterminating, other than for agriculture, aquaculture, horticulture and forestry; fuel station services; automatic fuel station services; garage services for automobile repair; automobile undercoating services; tire balancing; pest control services, other than for agriculture, aquaculture, horticulture and forestry; hydraulic fracturing services; oil extraction services; computer and telephone battery recharge services; recharging services for electric vehicles; oil pumping services; artificial snow-making services; car cleaning; laundering; installation of doors and windows; irrigation devices installation and repair; elevator installation and repair; heating equipment installation and repair; burglar alarm installation and repair; furnace installation and repair; telephone installation and repair; installation and repair of air-conditioning apparatus; fire alarm installation and repair; freezing equipment installation and repair; electric appliance installation and repair; kitchen equipment installation; installation, construction, maintenance, servicing and repair of energy and power generating apparatus, equipment and installations; installation, maintenance and repair of computer hardware; machinery installation, maintenance and repair; office machines and equipment installation, maintenance and repair; interference suppression in electrical apparatus; swimming-pool maintenance; furniture maintenance; chimney sweeping; automobile cleaning and washing; boiler cleaning and repair; cleaning of clothing; dry cleaning; vehicle cleaning; diaper cleaning; leather care, cleaning and repair; fur care, cleaning and repair.

(260) AM 2019 100555 A  
 (800) 1435642  
 (151) 2018 09 24

(891) 2018 09 24

(731) Obshchestvo s ogranichennoi  
 otvetstvennost'yu "Mezhdunarodnaya  
 kompaniya, "Sibirskoe zdorov'ye"  
 ul. Lenina, 48, etazh 4, pomeshchenie 64,  
 RU-630004 Novosibirsk, Russian  
 Federation

(540)



(591) Black, white

(531) 01.15.17; 24.17.03

(511)

3 – Abrasive paper; abrasives; adhesives for affixing false eyelashes; adhesives for affixing false hair; adhesives for cosmetic purposes; after-shave lotions; air fragrance reed diffusers; air fragrancing preparations; almond milk for cosmetic purposes; aloe vera preparations for cosmetic purposes; amber [perfume]; antiperspirant soap; antiperspirants [toiletries]; antistatic preparations for household purposes; aromatics [essential oils]; astringents for cosmetic purposes; balms, other than for medical purposes; bath salts, not for medical purposes; bath preparations, not for medical purposes; beard dyes; beauty masks; bergamot oil; bleaching preparations [decolorants] for cosmetic purposes; bleaching preparations [decolorants] for household purposes; bleaching salts; breath freshening preparations for personal hygiene; breath freshening sprays; breath freshening strips; cakes of soap; canned pressurized air for cleaning and dusting purposes; chemical cleaning preparations for household purposes; cleaning preparations; cleansers for intimate personal hygiene purposes, non medicated; cleansing milk for toilet purposes; cloths impregnated with a detergent for cleaning; collagen preparations for cosmetic purposes; color-brightening chemicals for household purposes [laundry]; color-removing preparations; cosmetics; cosmetic creams; cosmetic dyes; cosmetics for animals; cosmetics for children; cosmetic kits; cosmetic pencils; cosmetic preparations for baths; cosmetic preparations for eyelashes; cosmetic preparations for skin care; cosmetic preparations for slimming purposes; cotton swabs for cosmetic purposes; cotton wool for cosmetic purposes; decorative transfers for cosmetic purposes; degreasers, other than for use in manufacturing processes; dental bleaching gels; dentifrices; denture polishes; deodorant soap; deodorants for human beings or for animals; depilatories; depilatory wax; descaling preparations for household purposes; detergents, other than for

use in manufacturing operations and for medical purposes; douching preparations for personal sanitary or deodorant purposes [toiletries]; drying agents for dishwashing machines; dry-cleaning preparations; dry shampoos; essential oils; eyebrow cosmetics; eye-washes, not for medical purposes; extracts of flowers [perfumes]; fabric softeners for laundry use; false eyelashes; false nails; floor wax; fumigation preparations [perfumes]; refurbishing preparations; greases for cosmetic purposes; hair colorants; hair conditioners; hair lotions; hair spray; hair straightening preparations; hair waving preparations; heliotropine; herbal extracts for cosmetic purposes; joss sticks; lacquer-removing preparations; laundry glaze; laundry preparations; leather bleaching preparations; leather preservatives [polishes]; laundry soaking preparations; lip glosses; lipsticks; lotions for cosmetic purposes; make-up; make-up preparations; make-up powder; make-up removing preparations; mascara; massage candles for cosmetic purposes; massage gels, other than for medical purposes; mouthwashes, not for medical purposes; nail art stickers; nail care preparations; nail varnish; nail varnish removers; oils for cleaning purposes; oils for cosmetic purposes; oils for perfumes and scents; oils for toilet purposes; oil of turpentine for degreasing; paint stripping preparations; petroleum jelly for cosmetic purposes; perfumery; perfumes; phytocosmetic preparations; polishing creams; polishing paper; polishing preparations; polishing stones; polishing wax; pomades for cosmetic purposes; potpourris [fragrances]; preparations for cleaning dentures; preparations for unblocking drain pipes; preparations to make the leaves of plants shiny; pumice stone; sachets for perfuming linen; safrol; scented water; scented wood; scouring solutions; shampoos; shampoos for pets [non-medicated grooming preparations]; shaving preparations; shaving soap; shining preparations [polish]; shoe wax; shoemakers' wax; smoothing preparations [starching]; soap for brightening textile; stain removers; starch glaze for laundry purposes; sunscreen preparations; sun-tanning preparations [cosmetics]; teeth whitening strips; tissues impregnated with cosmetic lotions; tissues impregnated with make-up removing preparations; toilet water; toiletry preparations; vaginal washes for personal sanitary or deodorant purposes; wallpaper cleaning preparations; waxes for leather.

5 – Absorbent cotton; acai powder dietary supplements; acids for pharmaceutical purposes; acne treatment preparations; adhesive plasters; adhesives for dentures; air deodorising preparations; air purifying preparations; albumin dietary supplements; albuminous foodstuffs for medical purposes; alginate dietary supplements; aloe vera preparations for pharmaceutical purposes; amino acids for medical purposes; antibacterial hand-

washes; antibacterial soap; antioxidant pills; antiseptics; antiseptic cotton; anti-uric preparations; appetite suppressant pills; aseptic cotton; asthmatic tea; babies' diapers; babies' napkin-pants; balms for medical purposes; barks for pharmaceutical purposes; bandages for dressings; bath preparations for medical purposes; bath salts for medical purposes; biocides; biological preparations for medical purposes; breast-nursing pads; bromine for pharmaceutical purposes; cachets for pharmaceutical purposes; candy for medical purposes; candy, medicated; capsules for medicines; casein dietary supplements; caustic pencils; chemico-pharmaceutical preparations; chemical preparations for medical purposes; chemical preparations for pharmaceutical purposes; chewing gum for medical purposes; chilblain preparations; cod liver oil; collagen for medical purposes; collyrium; compresses; contact lens cleaning preparations; cooling sprays for medical purposes; corn remedies; corn rings for the feet; cotton for medical purposes; cotton sticks for medical purposes; decoctions for pharmaceutical purposes; deodorants for clothing and textiles; deodorants, other than for human beings or for animals; depuratives; detergents for medical purposes; diagnostic biomarker reagents for medical purposes; dietary fiber; dietary supplements for animals; dietary supplements with a cosmetic effect; dietetic beverages adapted for medical purposes; dietetic foods adapted for medical purposes; dietetic substances adapted for medical use; digestives for pharmaceutical purposes; disinfectant soap; disinfectants for hygiene purposes; dressings, medical; drugs for medical purposes; enzyme dietary supplements; esters for pharmaceutical purposes; ethers for pharmaceutical purposes; eyepatches for medical purposes; febrifuges; first-aid boxes, filled; flour for pharmaceutical purposes; food for babies; freeze-dried food adapted for medical purposes; freeze-dried meat adapted for medical purposes; frostbite salve for pharmaceutical purposes; fumigation preparations for medical purposes; gauze for dressings; gelatine for medical purposes; glucose dietary supplements; glucose for medical purposes; hematogen; hemostatic pencils; herbal extracts for medical purposes; herbal teas for medicinal purposes; homogenized food adapted for medical purposes; infant formula; immunostimulants; jujube, medicated; lacteal flour for babies; lactose for pharmaceutical purposes; laxatives; lecithin dietary supplements; lecithin for medical purposes; liniments; linseed dietary supplements; linseed for pharmaceutical purposes; linseed oil dietary supplements; lotions for pharmaceutical purposes; lupulin for pharmaceutical purposes; magnesia for pharmaceutical purposes; medicated after-shave lotions; medicated dentifrices; medicated dry shampoos; medicated eye-washes; medicated hair lotions; medicated massage candles; medicated

shampoos; medicated soap; medicated toiletry preparations; medicinal drinks; medicinal hair growth preparations; medicinal herbs; medicinal infusions; medicinal mud; medicinal oils; medicinal roots; medicinal tea; medicine cases, portable, filled; medicines for human purposes; melissa water for pharmaceutical purposes; mineral food supplements; mineral waters for medical purposes; mint for pharmaceutical purposes; mud for baths; mustard plasters; nervines; nicotine gum for use as an aid to stop smoking; nicotine patches for use as aids to stop smoking; nutraceutical preparations for therapeutic or medical purposes; nutritional supplements; ointments for pharmaceutical purposes; ootherapy preparations; oxygen baths; panty liners [sanitary]; paper for mustard plasters; pastilles for pharmaceutical purposes; pearl powder for medical purposes; pediculicidal shampoos; personal sexual lubricants; petroleum jelly for medical purposes; pharmaceuticals; pharmaceutical preparations for treating sunburn; pharmaceutical preparations for treating dandruff; phytotherapy preparations for medical purposes; plant extracts for pharmaceutical purposes; pollen dietary supplements; pomades for medical purposes; poultices; powdered milk for babies; preparations for callouses; preparations for the treatment of burns; preparations of trace elements for animal use; preparations to facilitate teething; propolis dietary supplements; propolis for pharmaceutical purposes; protein dietary supplements; remedies for perspiration; royal jelly for pharmaceutical purposes; royal jelly dietary supplements; salts for mineral water baths; salts for medical purposes; sanitary tampons; sanitary towels; scapulars for surgical purposes; sea water for medicinal bathing; sedatives; slimming pills; sunburn ointments; sulfur sticks [disinfectants]; surgical glues; syrups for pharmaceutical purposes; tanning pills; therapeutic preparations for the bath; thermal water; tinctures for medical purposes; tissues impregnated with pharmaceutical lotions; tonics [medicines]; vaccines; vitamin preparations; vulnerary sponges; wadding for medical purposes; wart pencils; wheat germ dietary supplements; yeast dietary supplements; yeast for pharmaceutical purposes.

9 – 3D spectacles; accumulators, electric; air analysis apparatus; amplifiers; animated cartoons; antennas; anti-glare glasses; apparatus for fermentation [laboratory apparatus]; audio- and video-receivers; audiovisual teaching apparatus; baby monitors; baby scales; bags adapted for laptops; bar code readers; bathroom scales; battery chargers; breathing apparatus for underwater swimming; breathing apparatus, except for artificial respiration; calorimeters; cameras [photography]; cases especially made for photographic apparatus and instruments; cases for smartphones; cell phone straps; cellular phones; clothing especially made for

laboratories; clothing for protection against accidents, irradiation and fire; commutators; compact disc players; compact discs [audio-video]; compact discs [read-only memory]; computer game software; computer hardware; computer keyboards; computer operating programs, recorded; computer peripheral devices; computer programs [downloadable software]; computer programs, recorded; computer screen saver software, recorded or downloadable; computer software applications, downloadable; computer software, recorded; computers; contact lenses; containers for contact lenses; cordless telephones; correcting lenses [optics]; couplers [data processing equipment]; covers for smartphones; covers for tablet computers; data processing apparatus; decompression chambers; decorative magnets; detectors; diagnostic apparatus, not for medical purposes; digital photo frames; divers' masks; DNA chips; dosage dispensers; downloadable graphics for mobile phones; downloadable image files; downloadable music files; downloadable ring tones for mobile phones; DVD players; ear plugs for divers; egg timers [sandglasses]; electric apparatus for commutation; electronic agendas; electronic book readers; electronic key fobs being remote control apparatus; electronic numeric displays; electronic pens [visual display units]; electronic pocket translators; electronic publications, downloadable; encoded identification bracelets, magnetic; encoded key cards; encoded magnetic cards; equalizers [audio apparatus]; eyeglass cases; eyeglass cords; eyeglass frames; eyeglasses; eyewear; fire extinguishers; flashing lights [luminous signals]; food analysis apparatus; frames for photographic transparencies; furnaces for laboratory use; furniture especially made for laboratories; gas testing instruments; gauges; Global Positioning System [GPS] apparatus; goggles for sports; hand-held electronic dictionaries; hands-free kits for telephones; head guards for sports; headphones; high-frequency apparatus; humanoid robots with artificial intelligence; identity cards, magnetic; integrated circuit cards [smart cards]; intercommunication apparatus; interfaces for computers; laptop computers; life saving apparatus and equipment; magnetic data media; magnets; magnifying glasses [optics]; measures; measuring apparatus; measuring devices, electric; measuring glassware; measuring instruments; microphones; microprocessors; microscopes; modems; monitoring apparatus, other than for medical purposes; monitors [computer hardware]; monitors [computer programs]; mouse [computer peripheral]; mouse pads; mouth guards for sports; navigation apparatus for vehicles [on-board computers]; notebook computers; observation instruments; optical condensers; optical data media; optical glass; optical lenses; personal stereos; pipettes; portable media players; precision balances; precision measuring



apparatus; processors [central processing units]; projection apparatus; projection screens; protection devices for personal use against accidents; protective films adapted for computer screens; protective films adapted for smartphones; protective helmets for sports; protective helmets; protective masks; radar apparatus; radios; record players; reflective articles for wear, for the prevention of accidents; regulating apparatus, electric; remote control apparatus; respirators for filtering air; respiratory masks, other than for artificial respiration; resuscitation mannequins [teaching apparatus]; resuscitation training simulators; satellite navigational apparatus; scales; security tokens [encryption devices]; selfie lenses; shoes for protection against accidents, irradiation and fire; sleeves for laptops; smartglasses; smartphones; smartwatches; sound recording apparatus; sound reproduction apparatus; sound transmitting apparatus; spectacle lenses; sports whistles; stills for laboratory experiments; sunglasses; surveyors' levels; tablet computers; teaching apparatus; teaching robots; teeth protectors; telecommunication apparatus in the form of jewellery; telephone apparatus; telephone receivers; telephone transmitters; television apparatus; temperature indicator labels, not for medical purposes; thermometers, not for medical purposes; thermostats; thin client computers; time recording apparatus; transmitters [telecommunication]; transmitters of electronic signals; transmitting sets [telecommunication]; USB flash drives; vehicle breakdown warning triangles; vehicle radios; video baby monitors; video cassettes; video recorders; video screens; video telephones; viewfinders, photographic; virtual reality headsets; wearable activity trackers; wearable computers; wrist rests for use with computers.

11 – Air deodorizing apparatus; air dryers; air filtering installations; air fryers; air purifying apparatus and machines; air reheaters; air-conditioning apparatus; air-conditioning installations; bakers' ovens; barbecues; bath fittings; bath installations; bath tubs for sitz baths; bath tubs; bed warmers; beverage cooling apparatus; blankets, electric, not for medical purposes; bread baking machines; bread toasters; bread-making machines; burners; chandeliers; chocolate fountains, electric; clean chambers [sanitary installations]; coffee machines, electric; coffee percolators, electric; coffee roasters; cookers; cooking apparatus and installations; cooking rings; cooking utensils, electric; cool boxes, electric; coolers for furnaces; cooling appliances and installations; cooling installations and machines; cooling installations for liquids; deep fryers, electric; desiccating apparatus; disinfectant apparatus for medical purposes; disinfectant apparatus; disinfectant dispensers for toilets; distillation apparatus; drying apparatus and installations; drying apparatus; electric appliances for making yogurt; electric

cooktops; electric fans for personal use; electric lamps; electric lights for Christmas trees; electrically heated carpets; electrically heated clothing; evaporators; expansion tanks for central heating installations; extractor hoods for kitchens; fabric steamers; fairy lights for festive decoration; fans [air-conditioning]; filters for air conditioning; filters for drinking water; fireplaces, domestic; footmuffs, electrically heated; footwarmers, electric or non-electric; fountains; freezers; fruit roasters; fumigation apparatus, not for medical purposes; gas boilers; gas lighters; germicidal lamps for purifying air; grills [cooking appliances]; hair dryers; hand drying apparatus for washrooms; hearths; heat accumulators; heated display cabinets; heaters for baths; heaters, electric, for feeding bottles; heating and cooling apparatus for dispensing hot and cold beverages; heating apparatus, electric; heating apparatus; heating cushions, electric, not for medical purposes; heating elements; heating installations; heating plates; hot air apparatus; hot air bath fittings; hot plates; hot water bottles; hydromassage bath apparatus; ice machines and apparatus; ice-cream making machines; ionization apparatus for the treatment of air or water; kettles, electric; kitchen ranges [ovens]; laboratory lamps; lamps; lanterns for lighting; laundry dryers, electric; lighters; lighting apparatus and installations; microbubble generators for baths; microwave ovens [cooking apparatus]; multicookers; nail lamps; pasteurisers; plate warmers; pocket warmers; pounded rice cake making machines, electric, for household purposes; pressure cookers, electric; refrigerating apparatus and machines; refrigerating appliances and installations; refrigerating cabinets; refrigerating chambers; refrigerating containers; refrigerating display cabinets; refrigerators; roasters; roasting jacks; roasting spits; rotisseries; sanitary apparatus and installations; sauna bath installations; shower enclosures; showers; sinks; socks, electrically heated; solar thermal collectors [heating]; spa baths [vessels]; Steam accumulators; steam facial apparatus [saunas]; steam generating installations; sterilizers; stills; stoves [heating apparatus]; tanning apparatus [sun beds]; taps; vegetable steamers, electric; ventilation [air-conditioning] installations and apparatus; waffle irons, electric; water filtering apparatus; water heaters [apparatus]; water heaters; water purification installations; water purifying apparatus and machines; water softening apparatus and installations; watering machines for agricultural purposes.

14 – Amulets [jewelry]; badges of precious metal; boxes of precious metal; bracelets [jewelry]; brooches [jewelry]; chains [jewelry]; chronographs [watches]; chronometers; chronometric instruments; clocks; cuff links; earrings; hat jewelry; jewellery charms; jewelry boxes; jewelry; key rings [split rings with trinket or decorative fob]; lockets

[jewelry]; medals; ornamental pins; paste jewelry [costume jewelry]; pearls [jewelry]; pins [jewelry]; precious stones; rings [jewelry]; rosaries; semi-precious stones; spun silver [silver wire]; threads of precious metal [jewelry]; tie clips; tie pins; watch bands; watch chains; watches; works of art of precious metal.

16 – Adhesive bands for stationery or household purposes; adhesives [glues] for stationery or household purposes; albums; almanacs; bags [envelopes, pouches] of paper or plastics, for packaging; bags for microwave cooking; bibs of paper; bibs, sleeved, of paper; bookends; booklets; bookmarkers; books; bottle wrappers of paper or cardboard; boxes of paper or cardboard; bunting of paper; calendars; cardboard; catalogues; clipboards; comic books; conical paper bags; correcting tapes [office requisites]; covers [stationery]; covers of paper for flower pots; cream containers of paper; desk mats; drawing materials; envelopes [stationery]; erasing products; etchings; face towels of paper; figurines [statuettes] of papier mâché; finger-stalls [office requisites]; flags of paper; flyers; glue for stationery or household purposes; graphic representations; graphic reproductions; greeting cards; handkerchiefs of paper; indexes; labels of paper or cardboard; lithographic works of art; magazines [periodicals]; manuals [handbooks]; money clips; name badge holders [office requisites]; newsletters; newspapers; note books; office requisites, except furniture; pamphlets; paper bags for use in the sterilization of medical instruments; paper coffee filters; paper; passport holders; periodicals; photo-engravings; photograph stands; photographs [printed]; pictures; place mats of paper; plastic film for wrapping; plastics for modelling; portraits; postcards; printed coupons; printed matter; printed publications; prospectuses; school supplies [stationery]; self-adhesive tapes for stationery or household purposes; shields [paper seals]; signboards of paper or cardboard; stands for pens and pencils; stationery; stickers [stationery]; table linen of paper; tablecloths of paper; tablemats of paper; teaching materials [except apparatus]; tissues of paper for removing make-up; towels of paper; tracing paper; transfers [decalcomanias]; writing cases [sets]; writing cases [stationery]; writing instruments; writing materials; writing or drawing books.

20 – Air beds, not for medical purposes; air cushions, not for medical purposes; air mattresses, not for medical purposes; air pillows, not for medical purposes; animal claws; animal hooves; animal horns; anti-roll cushions for babies; armchairs; baby changing mats; bag hangers, not of metal; bamboo curtains; bamboo; barrels, not of metal; baskets, not of metal; bathtub grab bars, not of metal; bed bases; bedding, except linen; beds for

household pets; beds; bedsteads of wood; benches [furniture]; bolsters; bookcases; bottle caps, not of metal; bottle closures, not of metal; bumper guards for cots, other than bed linen; busts of wood, wax, plaster or plastic; cabinet work; camping mattresses; carts for computers [furniture]; casks of wood for decanting wine; chairs [seats]; chaise longues; chests for toys; chests of drawers; chests, not of metal; coatstands; console tables; coral; corozo; cots for babies; counters [tables]; covers for clothing [wardrobe]; cradles; cupboards; curtain holders, not of textile material; curtain hooks; curtain rails; curtain rings; curtain rods; curtain tie-backs; cushions; deck chairs; desks; divans; door bells, not of metal, non-electric; door bolts, not of metal; door fittings, not of metal; door handles, not of metal; door stops, not of metal or rubber; doors for furniture; drafting tables; dressing tables; embroidery frames; fans for personal use, non-electric; figurines [statuettes] of wood, wax, plaster or plastic; filing cabinets; flower-pot pedestals; flower-stands [furniture]; footstools; freestanding partitions [furniture]; furniture fittings, not of metal; furniture of metal; furniture partitions of wood; furniture shelves; garment covers [storage]; hampers [baskets] for the transport of items; hand-held mirrors [toilet mirrors]; hat stands; head positioning pillows for babies; head support cushions for babies; head-rests [furniture]; high chairs for babies; hinges, not of metal; hooks, not of metal, for clothes rails; horn, unworked or semi-worked; hydrostatic beds, not for medical purposes; identification bracelets, not of metal; index cabinets [furniture]; indoor window blinds [shades] [furniture]; infant walkers; inflatable furniture; inflatable publicity objects; interior textile window blinds; ivory, unworked or semi-worked; kennels for household pets; knobs, not of metal; ladders of wood or plastics; latches, not of metal; legs for furniture; library shelves; lockers; locks, other than electric, not of metal; mannequins; massage tables; mats for infant playpens; mattresses; meat safes; medicine cabinets; meerschaum; mirrors [looking glasses]; mobiles [decoration]; Moses baskets; nesting boxes for household pets; office furniture; packaging containers of plastic; paper blinds; picture frame brackets; picture frames; pillows; plaited straw, except matting; plastic key cards, not encoded and not magnetic; plastic keys; plate racks; playpens for babies; pulleys of plastics for blinds; racks [furniture]; rattan; reels of wood for yarn, silk, cord; removable mats or covers for sinks; school furniture; screens [furniture]; screens for fireplaces [furniture]; seats of metal; settees; shells; shelves for file cabinets; shelves for storage; shelving units; shoe dowels, not of metal; showcase [furniture]; shower chairs; sideboards; slatted indoor blinds; sleeping mats; sofas; split rings, not of metal, for keys; stag antlers; stakes, not of metal, for plants or trees; statues of wood, wax, plaster or plastic; step

stools, not of metal; steps [ladders], not of metal; stools; straw mattresses; table tops; tables of metal; tables; tea carts; tool chests, not of metal, empty; tortoiseshell; towel dispensers, fixed, not of metal; trays, not of metal; trestles [furniture]; trolleys [furniture]; umbrella stands; valet stands; wardrobes; washstands [furniture]; whalebone, unworked or semi-worked; wickerwork; wind chimes [decoration]; window fittings, not of metal; window stops, not of metal or rubber; works of art of wood, wax, plaster or plastic; woven timber blinds [furniture]; writing desks.

21 – Abrasive pads for kitchen purposes; abrasive sponges for scrubbing the skin; aerosol dispensers, not for medical purposes; apparatus for wax-polishing, non-electric; baby baths, portable; baking mats; basins [receptacles]; baskets for household purposes; basting spoons [cooking utensils]; beaters, non-electric; beer mugs; blenders, non-electric, for household purposes; bottle openers, electric and non-electric; bottles; bowls [basins]; boxes for dispensing paper towels; boxes of glass; bread bins; broom handles; brooms; brush goods; brushes for cleaning tanks and containers; brushes for footwear; brushes; buckets made of woven fabrics; bulb basters; busts of porcelain, ceramic, earthenware, terra-cotta or glass; butter dishes; cake decorating tips and tubes; cake moulds; candelabra [candlesticks]; candle rings; carpet sweepers; cauldrons; ceramics for household purposes; chamber pots; chamois leather for cleaning; chopsticks; cleaning instruments, hand-operated; cleaning tow; cloth for washing floors; clothes-pegs; clothing stretchers; cloths for cleaning; coasters, not of paper or textile; cocktail shakers; cocktail stirrers; coffee filters, non-electric; coffee grinders, hand-operated; coffee percolators, non-electric; coffeepots, non-electric; coin banks; cold packs for chilling food and beverages; comb cases; combs; confectioners' decorating bags [pastry bags]; cookery moulds; cookie [biscuit] cutters; cookie jars; cooking mesh bags, other than for microwaves; cooking pot sets; cooking pots; cooking skewers of metal; cooking utensils, non-electric; coolers [ice pails]; corkscrews, electric and non-electric; cosmetic utensils; cotton waste for cleaning; covers, not of paper, for flower pots; cruet sets for oil and vinegar; cruets; crumb trays; crushers for kitchen use, non-electric; crystal [glassware]; cups of paper or plastic; cups; currycombs; cutting boards for the kitchen; decanters; deodorizing apparatus for personal use; dish covers; dishes; dishwashing brushes; disposable table plates; drinking bottles for sports; drinking glasses; drinking horns; drinking straws; drinking vessels; dripping pans; drying racks for laundry; dustbins; dusting apparatus, non-electric; dusting cloths [rags]; earthenware saucepans; earthenware; egg cups; egg separators, non-electric, for household purposes; electric

brushes, except parts of machines; electric combs; eyebrow brushes; eyelash brushes; feather-dusters; fitted picnic baskets, including dishes; flasks; flat-iron stands; floss for dental purposes; flower pots; foam toe separators for use in pedicures; food steamers, non-electric; fruit presses, non-electric, for household purposes; frying pans; funnels; gardening gloves; garlic presses [kitchen utensils]; glasses [receptacles]; gloves for household purposes; glue-pots; graters for kitchen use; grill supports; grills [cooking utensils]; heads for electric toothbrushes; heaters for feeding bottles, non-electric; heat-insulated containers; hip flasks; holders for flowers and plants [flower arranging]; ice cream scoops; ice cube molds; ice tongs; indoor aquaria; indoor terrariums [plant cultivation]; indoor terrariums [vivariums]; inflatable bath tubs for babies; insulating flasks; ironing board covers, shaped; ironing boards; isothermic bags; kettles, non-electric; kitchen containers; kitchen grinders, non-electric; kitchen utensils; knife rests for the table; large-toothed combs for the hair; lint removers, electric or non-electric; lunch boxes; make-up brushes; make-up sponges; mess-tins; mills for household purposes, hand-operated; mixing spoons [kitchen utensils]; molds [kitchen utensils]; mop wringer buckets; mops; mortars for kitchen use; mugs; nail brushes; napkin rings; noodle machines, hand-operated; nozzles for watering cans; nutcrackers; oven mitts; pastry cutters; pepper pots; perfume burners; perfume vaporizers; pestles for kitchen use; pie servers; pitchers; place mats, not of paper or textile; plates to prevent milk boiling over; plug-in diffusers for mosquito repellents; polishing apparatus and machines, for household purposes, non-electric; polishing cloths; polishing gloves; polishing leather; polishing materials for making shiny, except preparations, paper and stone; porcelain ware; portable cool boxes, non-electric; pots; pottery; pouring spouts; powder compacts; powder puffs; pressure cookers, non-electric; refrigerating bottles; reusable ice cubes; rolling pins, domestic; salad bowls; salad tongs; salt cellars; saucepan scourers of metal; saucers; scoops for household purposes; scouring pads; scrubbing brushes; services [dishes]; serving ladles; shaving brush stands; shaving brushes; shoe horns; sieves [household utensils]; sifters [household utensils]; siphon bottles for carbonated water; ski wax brushes; smoke absorbers for household purposes; soap boxes; soap dispensers; soap holders; soup bowls; spatulas for kitchen use; spice sets; sponge holders; sponges for household purposes; sprinklers; stands for portable baby baths; steel wool for cleaning; stew-pans; strainers for household purposes; sugar bowls; sugar tongs; table napkin holders; table plates; tablemats, not of paper or textile; tableware, other than knives, forks and spoons; tar-brushes, long handled; tea bag rests; tea

caddies; tea cosies; tea infusers; tea strainers; teapots; tie presses; toilet brushes; toilet cases; toilet paper dispensers; toilet paper holders; toilet sponges; toilet utensils; toothbrushes, electric; toothbrushes; toothpick holders; toothpicks; tortilla presses, non-electric [kitchen utensils]; towel rails and rings; trays for household purposes; trivets [table utensils]; trouser presses; utensils for household purposes; vases; vessels of metal for making ices and iced drinks; waffle irons, non-electric; washing boards; washtubs; water apparatus for cleaning teeth and gums; watering cans; watering devices; wax-polishing appliances, non-electric, for shoes; whisks, non-electric, for household purposes; window-boxes; wool waste for cleaning; works of art of porcelain, ceramic, earthenware, terra-cotta or glass.

24 – Adhesive fabric for application by heat; baby buntings; banners of textile or plastic; bath linen, except clothing; bath mitts; bed blankets; bed covers of paper; bed covers; bed linen; bed valances; bolting cloth; buckram; bunting of textile or plastic; canvas for tapestry or embroidery; cheese cloth; cloth; cloths for removing make-up; coasters of textile; cot bumpers [bed linen]; cotton fabrics; covers [loose] for furniture; covers for cushions; curtain holders of textile material; curtains of textile or plastic; diapered linen; door curtains; eiderdowns [down coverlets]; elastic woven material; fabric for footwear; fabric, impervious to gases, for aeronautical balloons; fabric; fabrics for textile use; face towels of textile; fiberglass fabrics for textile use; filtering materials of textile; fitted toilet lid covers of fabric; flags of textile or plastic; furniture coverings of plastic; furniture coverings of textile; fustian; glass cloths [towels]; handkerchiefs of textile; household linen; jute fabric; knitted fabric; labels of textile; lingerie fabric; lining fabric for footwear; mattress covers; mosquito nets; net curtains; non-woven textile fabrics; oilcloth for use as tablecloths; pillow shams; pillowcases; plastic material [substitute for fabrics]; ramie fabric; sheets [textile]; shower curtains of textile or plastic; sleeping bag liners; sleeping bags for babies; sleeping bags; table linen, not of paper; table napkins of textile; table runners, not of paper; tablecloths, not of paper; tablemats of textile; textile material; towels of textile; traced cloth for embroidery; travelling rugs [lap robes]; tulle; upholstery fabrics; wall hangings of textile; woollen cloth.

28 – Apparatus for games; appliances for gymnastics; archery implements; baby gyms; bags especially designed for skis and surfboards; balls for games; bar-bells; batting gloves [accessories for games]; billiard cue tips; board games; bodyboards; body-building apparatus; bowling apparatus and machinery; bows for archery; building blocks [toys]; building games; camouflage screens [sports articles];

checkerboards; checkers [games]; chess games; chessboards; chest expanders [exercisers]; Christmas trees of synthetic material; climbers' harness; counters [discs] for games; darts; discs for sports; dolls; drones [toys]; dumb-bells; elbow guards [sports articles]; electronic targets; fencing gauntlets; fencing masks; fencing weapons; fishing tackle; flippers for swimming; flying discs [toys]; games; gloves for games; golf bag carts; harness for sailboards; ice skates; jigsaw puzzles; kaleidoscopes; kites; knee guards [sports articles]; machines for physical exercises; mah-jong; marbles for games; masks [playthings]; masts for sailboards; matryoshka dolls; nets for sports; novelty toys for parties; pachinkos; paddleboards; paintball guns [sports apparatus]; paper party hats; paragliders; parlor games; party poppers [party novelties]; play balloons; playing balls; portable games and toys incorporating telecommunication functions; protective paddings [parts of sports suits]; puppets; remote-controlled toy vehicles; rhythmic gymnastics ribbons; roller skates; sailboards; scale model kits [toys]; scooters [toys]; scratch cards for playing lottery games; shin guards [sports articles]; shuttlecocks; skateboards; ski bindings; skis; skittles [games]; sleds [sports articles]; snowboards; soap bubbles [toys]; sole coverings for skis; spinning tops [toys]; spring boards [sports articles]; stationary exercise bicycles; stuffed toys; surf skis; surfboard leashes; surfboards; swimming belts; swimming jackets; swimming kick boards; swimming pool air floats; swimming pools [play articles]; swings; tables for table tennis; targets; toy dough; toy figures; toy models; toy pistols; toy putty; toy robots; toy vehicles; toys for pets; toys; trampolines; tricycles for infants [toys]; water wings; waterskis; weight lifting belts [sports articles].

29 – Ajvar [preserved peppers]; albumen for culinary purposes; alginates for culinary purposes; almond milk; almond milk-based beverages; aloe vera prepared for human consumption; apple purée; arrangements of processed fruit; artichokes, preserved; bacon; beans, preserved; berries, preserved; black pudding; bouillon concentrates; bouillon; butter; buttercream; caviar; charcuterie; cheese; coconut milk; coconut milk-based beverages; compotes; condensed milk; corn dogs; cottage cheese fritters; cranberry compote; crayfish, not live; cream [dairy products]; croquettes; crustaceans, not live; crystallized fruits; dates; edible fats; eggplant paste; eggs; falafel; fat-containing mixtures for bread slices; fatty substances for the manufacture of edible fats; fish fillets; fish meal for human consumption; fish mousses; fish roe, prepared; fish, not live; fish, preserved; fish, tinned; fish-based foodstuffs; freeze-dried meat; freeze-dried vegetables; frozen fruits; fruit chips; fruit jellies; fruit peel; fruit pulp; fruit salads; fruit, preserved; fruit, stewed; fruit-based snack food;

fruits, tinned; game, not live; gelatine; gherkins; ginger jam; ham; hazelnuts, prepared; hummus [chickpea paste]; isinglass for food; jams; jellies for food; kefir [milk beverage]; kimchi [fermented vegetable dish]; kumys [milk beverage]; laver, preserved; lecithin for culinary purposes; liver pâté; liver; margarine; marmalade; meat extracts; meat jellies; meat, preserved; meat, tinned; meat; milk beverages, milk predominating; milk ferments for culinary purposes; milk products; milk shakes; milk substitutes; milk; mushrooms, preserved; mussels, not live; non-alcoholic eggnog; nut-based spreads; nuts, prepared; oat milk; oils for food; olives, preserved; onion rings; peanut milk; peanut milk-based beverages; peanuts, prepared; peas, preserved; pectin for culinary purposes; pickles; pollen prepared as foodstuff; potato chips; potato flakes; potato fritters; potato-based dumplings; poultry, not live; powdered eggs; powdered milk; prawns, not live; preparations for making bouillon; preparations for making soup; pressed fruit paste; prostokvasha [soured milk]; raisins; rennet; rice milk; salted fish; salted meats; sauerkraut; sausages; sea-cucumbers, not live; seaweed extracts for food; seeds, prepared; shrimps, not live; silkworm chrysalis for human consumption; smetana [sour cream]; soups; soya beans, preserved, for food; soya milk; soya patties; suet for food; sweet corn, processed; tahini [sesame seed paste]; tofu patties; tofu; tomato purée; tripe; vegetable juices for cooking; vegetable marrow paste; vegetable mousses; vegetable salads; vegetable-based cream; vegetables, cooked; vegetables, dried; vegetables, preserved; vegetables, tinned; whey; white of eggs; yogurt; yolk of eggs; yuba [tofu skin].

30 – Almond confectionery; aniseed; artificial coffee; baking powder; baking soda [bicarbonate of soda for cooking purposes]; beer vinegar; binding agents for ice cream; bread rolls; bread; breadcrumbs; buckwheat, processed; buns; burritos; cake powder; cakes; candy decorations for cakes; candy; capers; caramels [candy]; celery salt; cereal bars; cereal preparations; cereal-based snack food; chamomile-based beverages; cheeseburgers [sandwiches]; chewing gum for breath freshening; chewing gum; chicory [coffee substitute]; chips [cereal products]; chocolate beverages with milk; chocolate decorations for cakes; chocolate spreads containing nuts; chocolate; chocolate-based beverages; chocolate-based spreads; chocolate-coated nuts; cloves [spice]; cocoa beverages with milk; cocoa; cocoa-based beverages; coffee beverages with milk; coffee; coffee-based beverages; condiments; confectionery; cookies; cooking salt; corn, milled; couscous [semolina]; crackers; cream of tartar for culinary purposes; croûtons; custard; dessert mousses [confectionery]; dough; dressings for salad; edible ices; edible paper; essences for foodstuffs, except etheric essences and essential oils;

ferments for pastes; flour; flour-based dumplings; flowers or leaves for use as tea substitutes; fondants [confectionery]; Food flavorings, other than essential oils; freeze-dried dishes with the main ingredient being pasta; freeze-dried dishes with the main ingredient being rice; frozen yogurt [confectionery ices]; fruit coulis [sauces]; fruit jellies [confectionery]; garden herbs, preserved [seasonings]; ginger [spice]; gingerbread; glucose for culinary purposes; gluten additives for culinary purposes; golden syrup; groats for human food; halvah; high-protein cereal bars; hominy; honey; hot dog sandwiches; husked barley; ice cream; iced tea; infusions, not medicinal; instant rice; ketchup [sauce]; leaven; macaroni; macaroons [pastry]; malt biscuits; malt extract for food; malt for human consumption; maltose; marinades; marzipan; mayonnaise; meat gravies; meat pies; mint for confectionery; mirror icing [mirror glaze]; molasses for food; muesli; mustard meal; mustard; natural sweeteners; noodle-based prepared meals; noodles; nutmegs; oat-based food; palm sugar; pancakes; pasta sauce; pasta; pastila [confectionery]; pastilles [confectionery]; pastries; peanut confectionery; pepper; petits fours [cakes]; pies; pizzas; popcorn; powders for making ice cream; pralines; preparations for stiffening whipped cream; processed seeds for use as a seasoning; propolis; puddings; ramen [Japanese noodle-based dish]; ravioli; rice cakes; rice; rice-based snack food; royal jelly; rusks; sago; salt for preserving foodstuffs; sandwiches; sauces [condiments]; sausage binding materials; sea water for cooking; seasonings; seaweed [condiment]; sherbets [ices]; soya bean paste [condiment]; soya sauce; spaghetti; spices; spring rolls; starch for food; stick liquorice [confectionery]; sugar; sushi; sweetmeats [candy]; tabbouleh; tacos; tapioca; tarts; tea; tea-based beverages; thickening agents for cooking foodstuffs; tomato sauce; tortillas; turmeric; udon noodles; unleavened bread; unroasted coffee; vanillin [vanilla substitute]; vareniki [stuffed dumplings]; vegetal preparations for use as coffee substitutes; vermicelli [noodles]; vinegar; waffles; wheat germ for human consumption; yeast; zephyr [confectionery].

31 – Algae, unprocessed, for human or animal consumption; animal fattening preparations; animal foodstuffs; aromatic sand [litter] for pets; arrangements of fresh fruit; artichokes, fresh; beans, fresh; berries, fresh; beverages for pets; bird food; buckwheat, unprocessed; by-products of the processing of cereals, for animal consumption; cereal seeds, unprocessed; citrus fruit, fresh; crustaceans, live; dog biscuits; edible sesame, unprocessed; fish spawn; fish, live; flower bulbs; flowers, dried, for decoration; flowers, natural; fruit, fresh; garden herbs, fresh; grains [cereals]; grains for animal consumption; grapes, fresh; groats for poultry; maize; meal for animals; mushrooms, fresh; mussels, live; nuts [fruits]; oil cake; onions, fresh;

peanuts, fresh; pet food; plants; poultry, live; preparations for egg laying poultry; quinoa, unprocessed; roots for animal consumption; sanded paper [litter] for pets; seed germ for botanical purposes; seedlings; seeds for planting; spinach, fresh; strengthening animal forage; trees; vegetables, fresh; wreaths of natural flowers; yeast for animal consumption.

32 – Aerated water; aloe vera drinks, non-alcoholic; aperitifs, non-alcoholic; beer-based cocktails; cocktails, non-alcoholic; energy drinks; essences for making beverages; extracts of hops for making beer; fruit juices; fruit nectars, non-alcoholic; isotonic beverages; kvass [non-alcoholic beverage]; lemonades; mineral water [beverages]; non-alcoholic beverages flavored with coffee; non-alcoholic beverages flavored with tea; non-alcoholic beverages; non-alcoholic fruit extracts; non-alcoholic fruit juice beverages; non-alcoholic honey-based beverages; powders for effervescing beverages; preparations for making aerated water; preparations for making beverages; protein-enriched sports beverages; rice-based beverages, other than milk substitutes; sherbets [beverages]; smoothies; soft drinks; soya-based beverages, other than milk substitutes; syrups for beverages; table waters; vegetable juices [beverages]; waters [beverages]; whey beverages.

35 – Administration of consumer loyalty programs; administrative processing of purchase orders; advisory services for business management; business information; business management and organization consultancy; business management assistance; business management consultancy; business management of reimbursement programs for others; business organization consultancy; commercial administration of the licensing of the goods and services of others; commercial information and advice for consumers in the choice of products and services; commercial intermediation services; commercial or industrial management assistance; demonstration of goods; market studies; marketing; negotiation of business contracts for others; on-line advertising on a computer network; organization of exhibitions for commercial or advertising purposes; organization of trade fairs for commercial or advertising purposes; outsourcing services [business assistance]; personnel management consultancy; presentation of goods on communication media, for retail purposes; procurement services for others [purchasing goods and services for other businesses]; professional business consultancy; promotion of goods and services through sponsorship of sports events; retail services for pharmaceutical, veterinary and sanitary preparations and medical supplies; sales promotion for others; wholesale services for pharmaceutical, veterinary and sanitary preparations and medical supplies.

41 – Academies [education]; arranging and conducting of colloquiums; arranging and conducting of concerts; arranging and conducting of conferences; arranging and conducting of congresses; arranging and conducting of in-person educational forums; arranging and conducting of seminars; arranging and conducting of symposiums; arranging and conducting of workshops [training]; club services [entertainment or education]; coaching [training]; conducting fitness classes; conducting guided climbing tours; conducting guided tours; correspondence courses; education information; educational examination; electronic desktop publishing; entertainer services; entertainment information; entertainment services; game services provided on-line from a computer network; games equipment rental; gymnastic instruction; health club services [health and fitness training]; holiday camp services [entertainment]; language interpreter services; layout services, other than for advertising purposes; nightclub services [entertainment]; on-line publication of electronic books and journals; organization of balls; organization of competitions [education or entertainment]; organization of exhibitions for cultural or educational purposes; organization of sports competitions; personal trainer services [fitness training]; physical education; practical training [demonstration]; production of radio and television programmes; production of shows; providing amusement arcade services; providing films, not downloadable, via video-on-demand services; providing on-line electronic publications, not downloadable; providing on-line music, not downloadable; providing on-line videos, not downloadable; providing recreation facilities; providing sports facilities; providing television programs, not downloadable, via video-on-demand services; publication of books; publication of texts, other than publicity texts; radio entertainment; recording studio services; recreation information; rental of skin diving equipment; rental of sports equipment, except vehicles; rental of sports grounds; sport camp services; teaching; ticket agency services [entertainment]; training services provided via simulators; tutoring; vocational guidance [education or training advice]; vocational retraining.

44 – Alternative medicine services; aromatherapy services; beauty salon services; chiropractic; convalescent home services; health center services; health counselling; health spa services; manicuring; massage; medical advice for individuals with disabilities; medical assistance; medical clinic services; medical equipment rental; nursing, medical; opticians' services; pharmacy advice; physical therapy; preparation of prescriptions by pharmacists; rest home services; sauna services; services of a psychologist; solarium services; speech therapy; telemedicine services; therapy services.

45 – Alternative dispute resolution services; arbitration services; babysitting; copyright management; dating services; escorting in society [chaperoning]; inspection of factories for safety purposes; intellectual property consultancy; leasing of internet domain names; legal administration of licences; legal advice in responding to requests for proposals [RFPs]; legal document preparation services; legal research; legal services in relation to the negotiation of contracts for others; legal watching services; licensing [legal services] in the framework of software publishing; licensing of computer software [legal services]; licensing of intellectual property; litigation services; mediation; monitoring intellectual property rights for legal advisory purposes; monitoring of burglar and security alarms; on-line social networking services; personal background investigations; personal body guarding; personal wardrobe styling consultancy; planning and arranging of wedding ceremonies; registration of domain names [legal services]; rental of safes.

(260) AM 2019 100556 A

(800) 1435643

(151) 2018 09 26

(891) 2018 09 26

(731) Limited Liability Company «ORIMI»  
1-st Microrayon Street, 15/4 plot,  
Vsevolozhsk district, Sverdlov factory  
settlement; RU-188682 Leningrad oblast,  
Russian Federation

(540)

**Tess flirt**

(591) Black, white

(531) 27.05.01; 27.05.17

(511)

30 – Tea; iced tea; tea-based beverages.

(260) AM 2019 100557 A

(800) 1435654

(151) 2018 09 24

(891) 2018 09 24

(731) Limited Liability Company "Tosol-Sintez"  
Vatutin Street, 31A, Dzerzhinsk,  
RU-606000 Nizhny Novgorod Region,  
Russian Federation

(540)

**AWM**

(591) Black, white

(511)

1 – Antifreeze; agglutinants for concrete; water-softening preparations; chemicals for the manufacture of paints; chemicals for the manufacture of pigments; distilled water; acidulated

water for recharging accumulators; glycol; glycerides; glycerine for industrial purposes; detergents for use in manufacturing processes; oil dispersants; petroleum dispersants; additives, chemical, to motor fuel; fluids for hydraulic circuits; power steering fluid; brake fluid; transmission fluid; caustics for industrial purposes; nitric acid; benzoic acid; boric acid for industrial purposes; tartaric acid; citric acid for industrial purposes; formic acid; sebacic acid; sulfuric acid; sulfurous acid; spirits of salt; phosphoric acid; oxalic acid; fatty acids; mineral acids; glue for industrial purposes; cement for mending broken articles; gums [adhesives] for industrial purposes; transmission oil; hypochlorite of soda; toxic gas neutralizers; nitrates; combusting preparations [chemical additives to motor fuel]; descaling preparations, other than for household purposes; engine-decarbonising chemicals; solvents for varnishes; silicates; wood alcohol; ethyl alcohol; alcohol; radiator flushing chemicals; leather-impregnating chemicals; refrigerants; coolants for vehicle engines; alkalies; caustic alkali; glycol ether; ethers; esters.

2 – Anti-rust oils; oils for the preservation of wood; mastic [natural resin]; wood coatings [paints]; undercoating for vehicle chassis; anti-corrosive preparations; protective preparations for metals; thinners for paints; thinners for lacquers; whitewash; anti-rust greases; anti-tarnishing preparations for metals; anti-rust preparations.

3 – Aromatics [essential oils]; air fragrancing preparations; non-slipping liquids for floors; wind-shield cleaning liquids; rust removing preparations; ammonia [volatile alkali] [detergent]; shampoos.

4 – Biomass fuel; additives, non-chemical, to motor fuel; cutting fluids; fuel oil; oils for paints; oils for releasing form work [building]; oils for the preservation of masonry; textile oil; lubricating oil; industrial oil; castor oil for industrial purposes; motor oil; lubricants; lubricating grease; grease for belts; dust absorbing compositions; dust laying compositions; alcohol [fuel]; stearine; benzene fuel; diesel oil; lighting fuel; xylene fuel; mineral fuel; carburants; fuel with an alcohol base; ethanol [fuel]; petroleum ether.

7 – Drums [parts of machines]; brake shoes, other than for vehicles; jacks [machines]; rack and pinion jacks; hand-held tools, other than hand-operated; lasts for shoes [parts of machines]; brake pads, other than for vehicles; compressors [machines]; air pumps [garage installations]; brake linings, other than for vehicles; anti-friction bearings for machines; roller bearings; self-oiling bearings; bearings for transmission shafts; ball-bearings; radiators [cooling] for motors and engines; belts for machines; belts for motors and engines; sparking plugs for internal combustion engines; glow plugs for Diesel

engines; brake segments, other than for vehicles; filters [parts of machines or engines]; filters for cleaning cooling air, for engines; brushes [parts of machines].

8 – Lifting jacks, hand-operated; abrading instruments [hand instruments]; blade sharpening instruments; expanders [hand tools]; cutting tools [hand tools]; hand tools, hand-operated; stamping-out tools [hand tools].

9 – Accumulators, electric, for vehicles; anode batteries; galvanic batteries; batteries for lighting; solar batteries; solar panels for the production of electricity; batteries, electric; vehicle breakdown warning triangles; starter cables for motors.

11 – Light bulbs for directional signals for automobiles; light bulbs for directional signals for vehicles; electric lamps; lighting apparatus for vehicles; light-emitting diodes [LED] lighting apparatus.

12 – Brake shoes for vehicles; brake discs for vehicles; brake pads for automobiles; brake linings for vehicles; repair outfits for inner tubes; brake segments for vehicles; hydraulic circuits for vehicles; bicycle brakes; brakes for vehicles.

17 – Insulating oils; insulating oil for transformers; brake lining materials, partly processed; filtering materials [semi-processed foams or films of plastic].

(260) AM 2019 100558 A

(800) 1435685

(151) 2018 07 03

(891) 2018 07 03

(731) Cilesiz Madencilik Danismanlik  
Muhendislik Insaat Pazarlama Sanayi  
Ve Ticaret Limited Sirketi  
Cumhuriyet Mahallesi 26., Sokak No:12/B,  
Atakum, TR-55200 Samsun, Turkey

(540)

**catzone**

(591) Black, white

(531) 03.06.03; 27.05.08

(511)

31 – Animal foodstuffs (cat foods); aromatic sand [litter] for pets; cat litter.

(260) AM 2019 100559 A

(800) 1435686

(151) 2018 09 12

(891) 2018 09 12

(731) SANOFI BIOTECHNOLOGY  
54 rue La Boétie, F-75008 Paris,  
France

(540)

**EMERGE**  
FROM RA

(591) Black, white

(531) 26.11.08; 26.13.01; 27.05.08; 27.05.09;  
27.05.10; 27.05.24; 29.01.14

(511)

44 – Provision of information relating to diagnosis and treatment of rheumatoid arthritis.

(260) AM 2019 100565 A

(800) 1435901

(151) 2018 07 26

(891) 2018 07 26

(731) MEIZU TECHNOLOGY CO., LTD  
Meizu Technology Building, Technology &  
Innovation Coast, Zhuhai, Guangdong,  
China

(540)

**mblue**

(591) Black, white

(531) 27.05.01

(511)

9 – Computer peripheral devices; face recognition device; network communications facility; wearable activity trackers; cameras [photography]; selfie sticks [hand-held monopods]; connected bracelets [measuring instruments]; tablet computers; smartwatches; hands-free kits for telephones; protective films adapted for smartphones; set-top boxes; air analysis apparatus; materials for electricity mains [wires, cables]; power bank (rechargeable battery); humanoid robots with artificial intelligence; smartglasses; photocopiers [photographic, electrostatic, thermic]; scales; car video recorders; electrical adapters; plugs, sockets and other contacts [electric connections]; 3D spectacles; chargers for electric batteries; data processing apparatus; smartphone software applications, downloadable; electronic notice boards; smartphones; global positioning system [GPS] apparatus; covers for smartphones; television apparatus; earphones; camcorders; virtual reality headsets; cabinets for loudspeakers; batteries, electric.

35 – Commercial administration of the licensing of the goods and services of others; systemization of information into computer databases; updating and maintenance of data in computer databases; advertising; presentation of goods on communication media, for retail purposes; providing business information via a web site; sales promotion for others; provision of an on-line marketplace for buyers and sellers of goods and services; orga-



nization of exhibitions for commercial or advertising purposes; import-export agency services.

(260) AM 2019 100566 A

(800) 1435936

(151) 2018 09 21

(891) 2018 09 21

(731) Tyto Athene LLC

510 Spring Street, Suite 200, Herndon

VA 20170, USA

(540)

## ACUITY

(591) Black, white

(511)

9 – Hardware, namely computer hardware and peripherals and computer software for command and control of communications, data analysis and dissemination of information in the fields of mobile data centers and mobile communications centers.

(260) AM 2019 100567 A

(800) 1435961

(151) 2018 05 04

(891) 2018 05 04

(731) Volkswagen Aktiengesellschaft

Berliner Ring 2, 38440 Wolfsburg,

Germany

(540)



(591) Black, white

(531) 26.11.03; 26.11.06; 26.11.09; 26.11.12

(511)

6 – Building and construction materials and elements of metal; unprocessed and semi-processed materials of metal; metal hardware; doors, gates, windows and window coverings of metal; structures and transportable buildings of metal; statues and works of art of common metals; containers and transportation and packaging articles, of metal; common metals and their alloys; railway material of metal; cables and wires of metal, non-electric; ironmongery, small items of metal hardware, badges of metal for vehicles, locks of metal for vehicles, registration plates of metal, signboards of metal, wheel clamps (boots), rings of common metal for keys, empty tool boxes of metal, empty tool chests of metal; tubes of metal; safes (strong boxes); ores; foils of metal for wrapping and packaging; ducts of metal for ventilating and air conditioning installations; building materials of metal; materials of metal for funicular railway permanent ways; steel wire; binding screws of metal for cables; shims; door

closers, non-electric; chests of metal; cattle chains; rods of metal for brazing and welding; anchors; handcuffs; weather or wind vanes of metal; tree protectors of metal; traps for wild animals; bronzes for tombstones; parts and fittings of all the aforesaid goods, included in this class.

7 – Plastics working machines, machines for production, repair and dismantling of land, air and water vehicles, for the chemical industry, for agriculture, for mining, for the textile industry, for the food industry, for the beverage industry, for the construction industry, for the packaging industry; agricultural, earthmoving, construction, oil and gas extraction and mining equipment; machine tools; motors, other than for land vehicles; motors, electric, other than for land vehicles; motor parts for motors of all kind; parts for electric motors of all kind; diesel engine; glow plugs for Diesel engines; gas engines; gasoline engines (not for land vehicles); hydraulic engines and motors; pumps, compressors and fans for motors; servo motors robots; vehicle oil pumps; lubricators [parts of machines]; clutches other than for land vehicles; machine transmissions, except for land vehicles; parts of machine couplings and transmissions, included in class 07; moving and handling equipment; generators of electricity; machines and machine tools for treatment of materials and for manufacturing; engines, powertrains, and generic machine parts; dispensing machines; sweeping, cleaning, washing and laundering machines; agricultural machines; shredders [machines] for industrial use; motorized lawn mowers; agricultural implements, other than hand-operated; wind turbines; automatic distribution machines; woodworking machines; papermaking machines; printing machines for use on sheet metal; friezing machines; sizing machines; mechanical tea processing machines; sausage machines; bottle washing machines; cigarette machines for industrial purposes; leather-working machines; rotary steam presses, portable, for fabrics; bicycle assembling machines; potters' wheels; engraving machines; cord making machines; enamel production machinery; bulb production machinery; adhesive tape dispensing machines; briquette making machine; mixing machines; washing machines; disintegrators; superheaters; glass working machines; electromechanical machines for chemical industry; rinsing machines; puddling machines; oil refining machines; agitators; jacks [machines]; metalworking machines; foundry machines; steam engines; thumbtack machines; electric staplers, other than for office use; electric screw drivers; spectacle lens processing equipment, other than hand-operated; air brushes for applying color; filters for cleaning cooling air, for engines; welding machines, electric; washing installations for vehicles; automobile maintenance equipment, other than hand-operated; parts and fittings of all the aforesaid goods, included in this class.

8 – Hygienic and beauty implements for humans and animals; edged and blunt weapons; hand-operated implements for chopping food, kitchen knives and cutlery; hand-operated tools and implements for treatment of materials and for construction, repair and maintenance; lifting tools; hand tools and hand operated implements for use in agriculture, horticulture and forestry, for the construction of machines, apparatus and vehicles and for the building industry; hand-operated scraping tools; hand-operated spanners; cutlery, table forks, spoons, knives; forks; shears; side arms, other than firearms; swords; razors, razor cases; manicure sets; sharpening stones; insecticide vaporizers [hand tools]; livestock marking tools; harpoons; hand tools, hand-operated; lifting jacks, hand-operated; trowels; tool handles of metal; parts and fittings of all aforesaid goods, included in this class.

9 – Recorded content; information technology and audiovisual equipment; magnets, magnetizers and demagnetizers; apparatus, instruments and cables for electricity; optical devices, enhancers and correctors; safety, security, protection and signaling devices; diving equipment; navigation, guidance, tracking, targeting and map making devices; measuring, detecting and monitoring instruments, indicators and controllers; scientific research and laboratory apparatus, educational apparatus and simulators; scientific, nautical, surveying, photographic, cinematographic, electric weighing, measuring, signaling, checking (supervision), life-saving apparatus and instruments, included in class 09; contact lenses, spectacles, spectacle cases, binoculars, magnifying glasses; sunglasses; vehicle breakdown warning triangles; vehicle breakdown warning lamps other than parts of vehicles; electric batteries and their parts, electric accumulators and their parts, fuel cells and their parts, solar batteries; electric batteries for vehicles; electric accumulators for vehicles; chargers for electric batteries; burglar alarms, fire alarms, smoke alarms, gas alarms; anti-theft warning apparatus; fire extinguishing apparatus; scales; spirit levels; directional compasses; quantity indicators; rulers (measuring instruments), acid hydrometers; electronic control mechanisms and power and voltage supply units for vehicle headlights and their parts, control mechanisms and power and voltage supply units for vehicle lights and their parts, light-emitting diodes [LED], electronic power controllers; electrical and electronic control apparatus and instruments; simulators for the steering and control of vehicles; voltage regulators for vehicles; speed indicators; revolution counters; measuring apparatus and instruments; life saving apparatus and equipment, namely life-saving rafts, fire escapes, safety nets, safety tarpaulins, life belts, life buoys, life jackets; electric fuses, electric relays; lasers not for medical purposes, laser pointers; remote controlling apparatus; aerials; navigation apparatus

for vehicles [on-board computers]; mobile telephones; telephone apparatus; television apparatus; video telephones; radios; compasses, navigation systems, navigational instruments; telematic apparatus; telematic terminal apparatus; apparatus and instruments for conducting, switching, transforming, accumulating, regulating and controlling electricity; apparatus for recording, transmission and/or reproduction of sound and images; magnetic, electronic and optical data carriers, phonograph records, compact discs [audio-video], DVDs and other digital recording apparatus, sound carriers, coin-operated juke-boxes, compact discs (CD-ROMs), downloadable music files, headphones, loudspeakers and cabinets for loudspeakers, illuminated signs, compact disc players, DVD players, phototelegraphy apparatus; projection apparatus, cameras [photography]; exposed films; cinematographic cameras, photocopiers, electronic translation apparatus (computer), pocket translators, electronic; encoded magnetic cards, integrated circuit cards (smart cards), encoded telephone cards; mechanisms for coin operated apparatus; automatic banking machines; cash registers, calculators; data processing apparatus, computers, electronic agendas, facsimile apparatus, monitors (computer hardware and computer programs), computer peripheral devices, recorded and downloadable computer programs, especially collected data recorded on data carriers, computer software, application software; pocket calculators; downloadable electronic publications; downloadable image files; crash test dummies; microscopes; electric cables; sockets, plugs and other contacts [electric connections]; igniting apparatus, electric, for igniting at a distance; radiological apparatus for industrial purposes; protective helmets; electric locks; electronic controls and control systems for machines, motors, internal combustion engines, electric motors; parts and fittings of all aforesaid goods, included in this class.

37 – Building, construction and demolition; rental of power tools, construction machines and equipment for construction and demolition; mining, oil and gas extraction; extermination, disinfection and pest control; reconstruction, repair, servicing and dismantling of vehicles; vehicle repair in the course of vehicle breakdown service; tuning of motors and engines for automobiles, included in this class; varnishing of vehicles; vehicle polishing; anti-rust treatments for vehicles; vehicle maintenance; vehicle cleaning; retreading of tires; boiler and burner maintenance, cleaning and repair; repair information; construction information; installation of doors and windows; quarrying services; machinery installation, maintenance and repair; airplane maintenance and repair; shipbuilding; photographic apparatus repair; clock and watch repair; repair of security locks; rust proofing; furniture maintenance; leather care, cleaning and repair; disinfecting;

burglar alarm installation and repair; advice, consultancy and information for the aforesaid, included in this class.

(260) AM 2019 100568 A

(800) 1435980

(151) 2018 05 20

(891) 2018 05 20

(731) Mr. Moharam Abedini

No:3, Goldis St. Colriz St. Fanavari Av.,  
Parand Ind-city, Saveh Road, Tehran,  
Islamic Republic of Iran

(540)



(591) Black and green.

(531) 27.05.17; 29.01.12

(511)

20 – Packing containers of plastic; step stools, not of metal; baskets, not of metal; clothes hanger; chairs [seats]; stools; deck chairs.

21 – Baskets for household purposes; containers for household or kitchen use; buckets; fitted picnic baskets, including dishes; lunch boxes; portable cool boxes, non-electric; kitchen utensils; thermally insulated containers for food; dishes [for eating fruit]; fruit presses, non-electric, for household purposes; funnels; trash cans; glass bowls, kitchen containers; cutting boards for the kitchen; trash cans; trays for household purposes; vegetable dishes; ice cube moulds; knife rests for the table; sponge holders; salt shakers; boxes for dispensing paper towels; toilet brushes; glass, unworked or semi-worked, except building glass; glass jars [carboys]; glass bowls; crystal [glassware]; baskets for household purposes; trays for household purposes; bowls [basins]; pitchers; dustbins; basins [bowls]; fitted picnic baskets, including dishes; sprinklers; lunch boxes; bread baskets for household purposes; candle jars [holders].

35 – Advertising; export agency services; wholesale services; television advertising of packing containers of plastic, step stools, not of metal, baskets, not of metal, clothes hanger, chairs, stools, deck chairs, baskets for household purposes, containers for household or kitchen use, buckets, fitted picnic baskets, including dishes, lunch boxes, portable cool boxes, non-electric, kitchen utensils, thermally insulated containers for food, dishes [for eating fruit], fruit presses, non-electric, for household purposes, funnels, trash cans, glass bowls, kitchen containers, cutting boards for the kitchen, trash cans, trays for household purposes, vegetable dishes, ice cube moulds, knife rests for the table, sponge holders, salt shakers, boxes for dispensing paper towels, toilet brushes, glass, unworked or semi-worked, except building glass, glass jars [carboys],

glass bowls, crystal [glassware], baskets for household purposes, trays for household purposes, bowls [basins], pitchers, dustbins, basins [bowls], fitted picnic baskets, including dishes, sprinklers, lunch boxes, bread baskets for household purposes, candle jars [holders].

39 – Packaging of goods; storage of goods; transport of packing containers of plastic, step stools, not of metal, baskets, not of metal, clothes hanger, clothes hanger, chairs, stools, deck chairs, baskets for household purposes, containers for household or kitchen use, buckets, fitted picnic baskets, including dishes, lunch boxes, portable cool boxes, non-electric, kitchen utensils, thermally insulated containers for food, dishes [for eating fruit], fruit presses, non-electric, for household purposes, funnels, trash cans, glass bowls, kitchen containers, cutting boards for the kitchen, trash cans, trays for household purposes, vegetable dishes, ice cube moulds, knife rests for the table, sponge holders, salt shakers, boxes for dispensing paper towels, toilet brushes, glass, unworked or semi-worked, except building glass, glass jars [carboys], glass bowls, crystal [glassware], baskets for household purposes, trays for household purposes, bowls [basins], pitchers, dustbins, basins [bowls], fitted picnic baskets, including dishes, sprinklers, lunch boxes, bread baskets for household purposes, candle jars [holders].

(260) AM 2019 100619 A

(800) 1436368

(151) 2018 08 14

(891) 2018 08 14

(731) Nemirotff Intellectual Property

Establishment

Städtle 31, FL-9490 Vaduz, Liechtenstein

(540)



(591) Black, white

(531) 26.11.02; 26.11.09; 27.05.10; 27.05.11

(511)

33 – Vodka.

35 – Advertising; business management; business administration; demonstration of goods; design of advertising materials; dissemination of advertising matter; marketing; marketing research; office functions; on-line advertising on a computer network; organization of exhibitions for commercial or advertising purposes; organization of trade fairs for commercial or advertising purposes; outdoor advertising; production of advertising films;

publicity material rental; promotion of goods and services through sponsorship of sports events; publication of publicity texts; radio advertising; rental of billboards [advertising boards]; rental of advertising space; rental of sales stands; telemarketing services; television advertising.

(260) AM 2019 100620 A  
 (800) 1436559  
 (151) 2018 06 21  
 (891) 2018 06 21  
 (731) Euro Games Technology Ltd  
 "Maritsa" Str. 4, "Vranya-Lozen-  
 Triugulnika", BG-1151 Sofia, Bulgaria

(540)



(591) Blue, red, brown and yellow.  
 (531) 21.01.25; 26.15.01; 27.03.15;  
 27.05.02; 27.05.08; 27.05.17; 27.07.01;  
 29.01.15

(511)  
 9 – Apparatus for recording, transmission or reproduction of sound or image; computer software, recorded; monitors [computer hardware].

28 – Games; gaming machines operating with coins, banknotes and cards; gaming machines for gambling.

(260) AM 2019 100626 A  
 (800) 1436686  
 (151) 2018 11 06  
 (891) 2018 11 06  
 (731) Beiersdorf AG  
 Unnastr. 48, 20253 Hamburg, Germany

(540)

## CRAFT STYLERS

(591) Black, white  
 (511)  
 3 – Non-medicated cosmetics; non-medicated preparations for the cleansing, care and embellishment of the hair.

(260) AM 2019 100627 A  
 (800) 1436716  
 (151) 2018 06 26  
 (891) 2018 06 26  
 (731) Ormco Corporation  
 1717 West Collins Ave., Orange  
 CA 92867, USA

(540)

## SPINTEK

(591) Black, white  
 (511)  
 10 – Orthodontic instruments; orthodontic appliances.

(260) AM 2019 100628 A  
 (800) 1436831  
 (151) 2018 08 10  
 (891) 2018 08 10  
 (731) BAZHOU JINKAI FOOD CO., LTD  
 No. 068, Dongtaishan Industrial Zone,  
 Jianchapu Town, Bazhou City, Hebei  
 Province, China

(540)

海琦王

(591) Black, white  
 (531) 28.03  
 (511)  
 30 – Condiments; ketchup [sauce]; chow-chow [condiment]; seasoning; tomato ketchup; seasoning for salad; meat gravies; seasoning for instant-boiled mutton; bechamel; condiments [spicy].

(260) AM 2019 100629 A  
 (800) 1436989  
 (151) 2018 10 11  
 (891) 2018 10 11  
 (731) Compagnie des Montres Longines,  
 Francillon SA, (Longines Watch Co.,  
 Francillon Ltd)  
 CH-2610 Saint-Imier, Switzerland

(540)

## FLASH SETTING

(591) Black, white  
 (511)  
 14 – Precious metals and their alloys and goods made of these materials or coated therewith included in this class, namely figurines, trophies; jewelry, namely rings, earrings, cuff links, bracelets, charms, brooches, chains, necklaces, tie pins, tie clips, jewelry caskets (cases), cases; precious stones, semi-precious stones; timepieces and chronometric instruments, namely chronometers, chronographs, clocks, watches, bracelets, wall clocks, alarm clocks as well as parts and accessories for the aforesaid goods, namely hands, anchors, pendulums, barrels, watch cases, watch bracelets, watch dials, clock-works, watch chains, movements for timepieces, watch springs, watch glasses, presentation cases for timepieces, cases for timepieces.

(260) AM 2019 100630 A

(800) 1437003

(151) 2018 05 22

(891) 2018 05 22

(731) Guangzhou Nome Brand

Management Co., Ltd.

1/F, Building 1, Building 22, No.1 Xiashizhi

Street, Liwan District, Guangzhou, China

(540)

(591) Black, white

(531) 26.02.01; 27.01.03; 27.05.01; 27.05.07

(511)

3 – Cosmetics; cotton wool for cosmetic purposes; UV protect emulsion for cosmetic purposes; detergent; body lotion; deodorants for human beings or for animals; soap; hair conditioners; beauty masks; nail varnish; toner for cosmetic purposes; facial cleanser; lipsticks; hand lotion; dentifrices; incense; air fragrancing preparations; hair lotions; bath lotion; essential oils; perfumes; eyes hide glue; laundry preparations; cleaning preparations.

9 – Pocket calculators; rulers [measuring instruments]; cell phone straps; computer peripheral devices; mouse [computer peripheral]; mouse pads; rules [measuring instruments]; cases for smartphones; eyeglasses; mobile power (rechargeable battery); cabinets for loudspeakers; chargers for electric batteries; scales; headphones; headset; selfie sticks [hand-held monopods]; spectacle cases; sunglasses.

18 – Travelling trunks; trimmings of leather for furniture; leather laces; umbrellas; walking sticks; leather, unworked or semi-worked; collars for animals; business card cases; pocket wallets; bags.

20 – Split rings, not of metal, for keys; hooks, not of metal, for clothes rails; decorations of plastic for foodstuffs; cushions; furniture; bins, not of metal; mirrors [looking glasses]; picture frames; plaited straw, except matting; palm plaiting articles (including boxes, not including mats, cushions); works of art of bamboo; works of art of wood, wax, plaster or plastic; pillows.

21 – Place mats, not of paper or textile; daily use glassware (including cups, plates, pots, crocks); drinking vessels; soap boxes; toilet paper holders; vases; cosmetic utensils; cleaning instruments, hand-operated; utensils for household purposes; tableware, other than knives, forks and spoons; daily use chinaware (including basins, bowls, plates, pots, tablewares, crocks, jars, cans); boxes for dispensing paper towels; toothbrushes; toothpicks; vacuum

bottles; ice cube molds [moulds]; containers for household or kitchen use; boxes of glass; works of art of porcelain, ceramic, earthenware or glass; sieves [household utensils]; combs; spice sets; pitchers; cups of paper or plastic; lunch boxes; bottle openers, electric and non-electric; candlesticks; waste paper baskets; brushes; eyeglass cleaning cloths.

24 – Felt; washcloth; cord fabric; household linen; loose covers for furniture; tapestry [wall hangings], of textile; bed linen; woollen blanket; curtains of textile or plastic; fabric.

25 – Clothing; children's clothing; hosiery; neckties; scarfs; neckerchiefs; wedding dresses; layettes [clothing]; girdles; vests; pajamas; swimsuits; rain boot; hats; sleep masks; underwear; underpants; raincoat; boots; shoes; gloves [clothing]; shower caps.

29 – Milk products; nuts, prepared; fruits, tinned [canned]; jams; fruit and vegetable-based snacks; fruit jellies; dried meat; fruit, preserved; potato flakes; milk beverages, milk predominating.

30 – Cookies; cereal-based snack food; honey; instant noodles; ice cream; coffee; tea; candy; cereal preparations; coffee-based beverages; cocoa-based beverages; condiments; tea-based beverages; sugar.

32 – Fruit juice; vegetable drink; aerated water; beer; preparations for making beverages; non-alcoholic fruit extracts; non-alcoholic fruit juice beverages; soda water; non-alcoholic beverages; pure water (drink).

35 – Business management assistance; marketing; advertising design; rental of vending machines; shop window dressing; advertising; on-line advertising on a computer network; presentation of goods on communication media, for retail purposes; organization of fashion shows for promotional purposes; accounting.

---

(260) AM 2019 100749 A

(800) 1151776

(151) 2012 11 01

(891) 2018 11 09

(731) Unifi, Inc.

7201 W. Friendly Avenue, Greensboro

NC 27410, USA

(540)

**REPREEVE**

(591) Black, white

(511)

1 – Recycled polymers for use in the manufacture of industrial products, packaging and consumer and household products.

---

(260) AM 2019 100857 A

(800) 1392667

(151) 2017 08 02

(891) 2018 11 19

(731) Toyota Jidosha Kabushiki Kaisha  
(also trading as Toyota Motor  
Corporation)

1, Toyota-cho, Toyota-shi, Aichi-ken  
471-8571, Japan

(540)



(591) Red, black and white.

(531) 25.05.01; 26.04.18; 27.05.24; 29.01.13

(511)

12 – Driving motors for land vehicles; engine mounts for land vehicles; engines for land vehicles; jet engines for land vehicles; motors for land vehicles; propulsion mechanisms for land vehicles; turbines for land vehicles; axle bearings for land vehicles; axles for land vehicles; axle journals; axles for vehicles; cardan shafts for vehicles; universal joints for land vehicles; wheel bearings for land vehicles; automobile chains; connecting rods for land vehicles, other than parts of motors and engines; gear boxes for land vehicles; gearing for land vehicles; hydraulic circuits for vehicles; reduction gears for land vehicles; torque converters for land vehicles; transmission chains for land vehicles; transmission shafts for land vehicles; transmissions for land vehicles; power transmission belts for land vehicles; shock absorbers for automobiles; shock absorbing springs for vehicles; suspension shock absorbers for vehicles; torsion bars for vehicles; vehicle suspension springs; brake discs for vehicles; brake linings for vehicles; brake pads for automobiles; brake segments for vehicles; brake shoes for vehicles; brakes for vehicles; boats and ships, other than air cushion vehicles; structural parts for boats; structural parts for ships other than air cushion vehicles; aircraft; structural parts for aircraft; electrically powered motor vehicles; electric tricycles; buses; trucks; ambulances; racing cars; amphibious vehicles; snowmobiles; armored vehicles; fork lift trucks; camping cars; tractors; trailers; trolley buses; hearses; automobiles and structural parts therefor; structural parts for buses; structural parts for trucks; automobile bodies; automobile bonnets; automobile bumpers; automobile chassis; automobile dashboards; automobile doors; automobile door handles; automobile hoods; automobile horns; automobile seats; automobile seat covers; automobile sunroofs; automobile tires; automobile wheels; spokes for automobile wheels; inner tubes for automobile tires; automobile wheel rims; rearview mirrors for automobiles; automobile

windows; automobile windscreens; automobile windshields; automobile convertible tops; safety belts for automobile seats; safety harnesses for automobile racing; safety harnesses for automobile seats; security harness for automobile seats; steering wheels for automobiles; steering wheel covers for automobiles; air bags for automobiles, buses and trucks; safety belts for automobile seats; seat belt pre-tensioners for automobiles; brake pedals for land vehicles; direction signals for automobiles; leather upholstery for automobile seats; leather upholstery for automobiles; cigar lighters for automobiles; shaped automobile covers; mudguards for automobiles; luggage carriers for automobiles; spare wheel holders for automobiles; automobile roof racks; headlight wipers; windscreen wipers; windscreen wiper blades; motor vehicle brake control systems for applying emergency braking at low vehicle speeds; electronic brake control apparatus for automobiles; two-wheeled motor vehicles; bicycles; structural parts for motorcycles; structural parts for bicycles.

(260) AM 2019 100940 A

(800) 1438526

(151) 2018 08 20

(891) 2018 08 20

(731) adp Gauselmann GmbH

Merkur-Allee 1-15, 32339 Espelkamp,  
Germany

(540)

## Abu Simbel

(591) Black, white

(511)

9 – Computer software; coin-operated mechanisms; computer and video games software; games software in particular for use on any computer platform, including electronic entertainment and games consoles; computer game programs; video games (software); computer games provided through a global computer network or supplied by means of multi-media electronic broadcast or through telecommunications or electronic transmission or via the internet; computer games, leisure and recreational software, video games and computer software, all being provided in the form of storage media; programs for operating electric and electronic apparatus for games, amusement and/or entertainment purposes; computer software for computer games on the internet; online games (software), in particular for online betting games, online prize games, online gambling games, online games of skill and online casino games; computer software in the form of an app for mobile devices and computers; calculating apparatus in coin-operated machines and parts for the aforesaid goods; electric, electronic, optical or automatic apparatus, for identifying data carriers, identity cards and credit

cards, bank notes and coins; software in particular for casino and/or amusement arcade games, for gaming machines and/or slot machines each one with or without prize payouts; gaming software that generates or displays wager outcomes of gaming machines; operational computer games software; computer software for managing of games (game collection); collection of video game programs.

28 – Games; toys; gaming apparatus (including coin-operated apparatus); coin-operated arcade games (machines); games for amusement arcades (included in this class); coin-operated video gaming apparatus; video games apparatus adapted for use with external screens or monitors only; casino fittings, namely roulette tables, roulette wheels; coin-operated automatic gaming machines and gaming machines, in particular for gaming arcades, with or without a prize payout; electronic or electrotechnical gaming apparatus, automatic gaming machines, gaming machines, slot machines operated by coins, tokens, banknotes, tickets or by means of electronic, magnetic or biometric storage media, in particular for commercial use in casinos and amusement arcades, with or without a prize payout; automatic gaming machines and gaming machines, in particular for commercial use in casinos and gaming arcades, with or without a prize payout; coin-operated gaming machines and/or electronic money-based gaming apparatus (machines), with or without prizes; housings adapted for gaming machines, gaming apparatus and automatic gaming machines, operated by means of coins, tokens, tickets or by means of electronic, magnetic or biometric storage media, in particular for commercial use in casinos and gaming arcades, with or without a prize payout; electronic games; electronic game entertainment apparatus and parts thereof; video output game machines; drawing apparatus for prize games and lotteries, draws or raffles; housings of metal, plastic and/or wood for coin-operated automatic machines; apparatus for games (including video games), other than adapted for use with external screens or monitors only; electropneumatic and electric slot machines with pulling handles (gaming machines); gaming tables, in particular for table football, billiards, sliding games; flying discs (toys) and darts; gaming machines, namely electric, electronic or electromechanical apparatus for bingo games, lotteries or video lottery games and for betting offices, connected or unconnected to a computer network; LCD games consoles; automatic gaming machines; all the aforesaid automatic gaming machines operating in networks; apparatus and devices for accepting and storing money, being fittings for the aforesaid automatic machines, included in this class; automatic lottery machines.

(260) AM 2019 100941 A

(800) 1438544

(151) 2018 07 20

(891) 2018 07 20

(731) Public Joint Stock Company "Krasnyj  
Ocyabr"

ul. Malaya Krasnoselskaya, d. 7, str. 24,

RU-107140 Moscow, Russian Federation

(540)



(591) Orange, red, pink, blue, blue, white,  
green and brown.

(531) 02.05.03; 02.05.23; 29.01.15

(511)

30 – Aromatic preparations for food; flavorings, other than essential oils, for cakes; flavorings, other than essential oils, for beverages; coffee flavorings; food flavorings, other than essential oils; star aniseed; high-protein cereal bars; sponge cakes; pancakes; noodle-based prepared meals; buns; bread rolls; vanillin [vanilla substitute]; waffles; vermicelli [noodles]; natural sweeteners; sausage binding materials; binding agents for ice cream; sea water for cooking; seaweed [condiment]; malt biscuits; cloves [spice]; cake frosting [icing]; mustard; gluten additives for culinary purposes; yeast; thickening agents for cooking foodstuffs; rice-based snack food; cereal-based snack food; artificial coffee; vegetal preparations for use as coffee substitutes; dressings for salad; fruit jellies [confectionery]; confectionery for decorating Christmas trees; cakes; pastries; peanut confectionery; almond confectionery; pasta; ginger [spice]; frozen yogurt [confectionery ices]; cocoa; capers; caramels [candy]; curry [spice]; gruel, with a milk base, for food; ketchup [sauce]; quiches; gluten prepared as foodstuff; sweetmeats [candy]; liquorice [confectionery]; peppermint sweets; cinnamon [spice]; coffee; unroasted coffee; starch for food; crackers; custard; groats for human food; hominy grits; semolina; oatmeal; crushed barley; corn, milled; corn, roasted; meat pies; turmeric; couscous [semolina]; noodles; ice for refreshment; ice, natural or artificial; edible ices; rice cakes; mayonnaise; macarons [pastry]; macaroni; maltose; hominy; marinades; marzipan; honey; royal jelly; ice cream; flour; bean meal; tapioca flour; potato flour; corn flour; wheat flour; soya flour; barley meal; dessert mousses [confectionery]; chocolate mousses; muesli; mint for confectionery; cocoa beverages

with milk; coffee beverages with milk; coffee-based beverages; tea-based beverages; chocolate beverages with milk; chocolate-based beverages; cocoa-based beverages; infusions, not medicinal; crushed oats; husked oats; nutmegs; stick liquorice [confectionery]; soya bean paste [condiment]; pastilles [confectionery]; molasses for food; pepper; allspice; peppers [seasonings]; pesto [sauce]; cookies; petit-beurre biscuits; pies; pizzas; meat gravies; fondants [confectionery]; popcorn; powders for making ice cream; baking powder; mustard meal; pralines; condiments; meat tenderizers for household purposes; cereal preparations; oat-based food; propolis; gingerbread; spices; petits fours [cakes]; puddings; cake powder; fruit coulis [sauces]; ravioli; chewing gum; relish [condiment]; rice; wheat germ for human consumption; spring rolls; sago; sugar; aniseed; golden syrup; confectionery; zephyr [confectionery]; nougat; pastila [confectionery]; baking soda [bicarbonate of soda for cooking purposes]; malt for human consumption; salt for preserving foodstuffs; cooking salt; celery salt; sherbets [ices]; ham glaze; soya sauce; tomato sauce; sauces [condiments]; spaghetti; seasonings; preparations for stiffening whipped cream; rusks; breadcrumbs; sushi; sandwiches; tabbouleh; tacos; tapioca; cream of tartar for culinary purposes; tarts; almond paste; tortillas; garden herbs, preserved [seasonings]; beer vinegar; vinegar; ferments for pastes; halvah; bread; unleavened bread; corn flakes; oat flakes; chicory [coffee substitute]; tea; iced tea; chutneys [condiments]; cheeseburgers [sandwiches]; chow-chow [condiment]; saffron [seasoning]; malt extract for food; essences for foodstuffs, except etheric essences and essential oils; husked barley.

(260) AM 2019 100942 A

(800) 1438562

(151) 2018 06 21

(891) 2018 06 21

(731) Euro Games Technology Ltd

"Maritsa" Str. 4, "Vranya-Lozen-Triugulnika", BG-1151 Sofia, Bulgaria

(540)



(591) Red, yellow and black.

(531) 27.05.02; 27.05.03; 27.05.09; 29.01.13

(511)

9 – Apparatus for recording, transmission or reproduction of sound or image; data processing equipment and computers.

28 – Games and toys, that are not included in other classes.

(260) AM 2019 100943 A

(800) 1438564

(151) 2018 08 22

(891) 2018 08 22

(731) adp Gauselmann GmbH

Merkur-Allee 1-15, 32339 Espelkamp, Germany

(540)

## MONKEY 7 WILD

(591) Black, white

(511)

9 – Computer software; coin-operated mechanisms; computer and video games software; games software in particular for use on any computer platform, including electronic entertainment and games consoles; computer game programs; video games (software); computer games provided through a global computer network or supplied by means of multi-media electronic broadcast or through telecommunications or electronic transmission or via the internet; computer games, leisure and recreational software, video games and computer software, all being provided in the form of storage media; programs for operating electric and electronic apparatus for games, amusement and/or entertainment purposes; computer software for computer games on the internet; online games (software), in particular for online betting games, online prize games, online gambling games, online games of skill and online casino games; computer software in the form of an app for mobile devices and computers; calculating apparatus in coin-operated machines and parts for the aforesaid goods; electric, electronic, optical or automatic apparatus, for identifying data carriers, identity cards and credit cards, bank notes and coins; software in particular for casino and/or amusement arcade games, for gaming machines and/or slot machines each one with or without prize payouts; gaming software that generates or displays wager outcomes of gaming machines; operational computer games software; computer software for managing of games (game collection); collections of video game programs.

28 – Games; toys; gaming apparatus (including coin-operated apparatus); coin-operated arcade games (machines); games for amusement arcades (included in this class); coin-operated video gaming apparatus; video games apparatus adapted for use with external screens or monitors only; casino fittings, namely roulette tables, roulette wheels; coin-operated automatic gaming machines and gaming machines, in particular for gaming arcades, with or without a prize payout; electronic or electrotechnical gaming apparatus, automatic gaming machines, gaming machines, slot machines operated by coins, tokens, banknotes, tickets or by means of electronic, magnetic or biometric storage media, in particular for commercial use in casinos and amusement



arcades, with or without a prize payout; automatic gaming machines and gaming machines, in particular for commercial use in casinos and gaming arcades, with or without a prize payout; coin-operated gaming machines and/or electronic money-based gaming apparatus (machines), with or without prizes; housings adapted for gaming machines, gaming apparatus and automatic gaming machines, operated by means of coins, tokens, tickets or by means of electronic, magnetic or biometric storage media, in particular for commercial use in casinos and gaming arcades, with or without a prize payout; electronic games; electronic game entertainment apparatus and parts thereof; video output game machines; drawing apparatus for prize games and lotteries, draws or raffles; housings of metal, plastic and/or wood for coin-operated automatic machines; apparatus for games (including video games), other than adapted for use with external screens or monitors only; electropneumatic and electric slot machines with pulling handles (gaming machines); gaming tables, in particular for table football, billiards, sliding games; flying discs (toys) and darts; gaming machines, namely electric, electronic or electromechanical apparatus for bingo games, lotteries or video lottery games and for betting offices, connected or unconnected to a computer network; LCD games consoles; automatic gaming machines; all the aforesaid automatic gaming machines operating in networks; apparatus and devices for accepting and storing money, being fittings for the aforesaid automatic machines, included in this class; automatic lottery machines.

(260) AM 2019 100944 A

(800) 1438579

(151) 2018 04 23

(891) 2018 04 23

(731) GIORGIO ARMANI S.P.A.

Via Borgonuovo, 11, I-20121 MILANO,  
Italy

(540)



(591) Black, white

(531) 24.17.01; 24.17.25; 27.05.01; 27.05.10

(511)

9 – Spectacles, sunglasses, lenses and frames therefor, contact lenses, cases for glasses and spectacles, chains and cords for glasses and spectacles, parts and fittings for all the aforesaid goods; covers for portable multimedia players; covers for mobile phones; covers for DVDs; covers for CDs; covers for computer cables; covers for audio reproduction devices; covers for palmtops; covers for electronic agendas; covers for

photographic cameras and covers for film cameras; cellular phones; smartphones; wireless communication devices featuring telecommunication functionality to allow the transmission of text, data, audio, image and video files; electronic monitoring devices comprised of microprocessors and accelerometers, for identifying, storing, reporting, monitoring, uploading and downloading data and information for personal physical fitness and training purposes; downloadable applications and software for smart watches and mobile devices, for processing, reviewing and editing data, to enable users to control the presentation and information available from the devices; wearable sensors for personal physical fitness and training purposes to gather biometric data and also including monitors and displays sold as a unit; smartwatches; wearable activity trackers; pedometers; wearable sensors for wellness purposes to gather biometric data and also including monitors and displays sold as a unit.

10 – Wearable sensors for medical purposes to gather biometric data and also including monitors and displays sold as a unit; heart rate monitoring apparatus.

14 – Watches and clocks; chronographs and chronometers; earrings; rings; necklaces; bracelets; ornamental pins made of precious metal; shoe ornaments of precious metal; boxes of precious metal; pins; tie clips; cuff links; watch straps; watch bands; jewelry; timepieces comprised primarily of wristwatches featuring software for sending and receiving data or to be used to monitor personal fitness activity; bracelets, rings or necklaces featuring software for sending and receiving data or to be used to monitor personal fitness activity.

18 – Handbags; traveling bags; briefcases; leather briefcases; leather credit card holders; wallets; leather document briefcases; leather key cases; purses; suit cases; cosmetic bags sold empty; sports bags; evening and shoulder bags for ladies; leather shopping bags; school bags; garment bags for travel; suit carriers for travel; shoe bags for travel; beach bags; diaper bags; backpacks; Boston bags; traveling trunks; duffel bags; overnight bags; carry-on bags; satchels; opera bags; vanity cases (not fitted); hides; cases and boxes made of leather; bags made of leather for packaging; leather straps; umbrellas; leather leashes; saddlery.

25 – Coats; jackets; trousers; skirts; tops; raincoats; overcoats; belts; braces for clothing; suits; stuff jackets; jumpers; jeans; dresses; cloaks; parkas; shirts; T-shirts; sweaters; underwear; baby-dolls being nightwear; bathrobes; bathing costumes; négligée; swim suits; dressing gowns; shawls; neckerchiefs; scarves; ties; neckties; sweat shirts; under shirts; polo shirts; body suits; shorts; combinations [clothing]; wedding dresses; stockings;

socks; shoes; slippers; overshoes; galoshes; wooden clog; soles for footwear; footwear upper; boots; ski boots; snow boots; half boots; esparto shoes or sandals; sandals; bath sandals; gloves; mittens; hats and caps; visors (headwear).

(260) AM 2019 100952 A

(800) 1438669

(151) 2018 09 10

(891) 2018 09 10

(731) Philip Morris Products S.A.

Quai Jeanrenaud 3, CH-2000 Neuchâtel,  
Switzerland

(540)



(591) Black, white

(531) 03.01.02; 24.17.25; 25.01.01; 26.04.05;

26.04.12; 26.04.15; 26.04.18; 26.04.24;

26.11.03; 26.11.12; 26.15.01; 27.05.10;

27.05.24

(511)

34 – Tobacco, raw or manufactured; tobacco products; cigars, cigarettes, cigarillos, tobacco for roll-your-own cigarettes, pipe tobacco, chewing tobacco, snuff tobacco, kretek; snus; tobacco substitutes (not for medical purposes); electronic cigarettes; tobacco products for the purpose of being heated; electronic devices and their parts for the purpose of heating cigarettes or tobacco in order to release nicotine-containing aerosol for inhalation; liquid nicotine solutions for use in electronic cigarettes; smokers' articles, cigarette paper, cigarette tubes, cigarette filters, tobacco tins, cigarette cases, ashtrays, pipes, pocket apparatus for rolling cigarettes, lighters, matches.

(260) AM 2019 100953 A

(800) 1438670

(151) 2018 09 04

(891) 2018 09 04

(731) Chunguang Hardware CO., LTD

Intersection of Fengzhai Village, Wanquan  
Town, Pingyang County, Wenzhou City,  
Zhejiang Province, China;

Jiangxi Chunguang Hardware CO., LTD

Wuhu Economical Development Zone,  
Yujiang County Industrial Park, Jiangxi  
Province, China

(540)



(591) Black, white

(531) 03.07.19; 27.05.01; 27.05.08

(511)

6 – Door handles of metal; locks of metal, other than electric; ironmongery; chains of metal; building materials of metal; fittings of metal for furniture; buckles of common metal [hardware].

(260) AM 2019 100954 A

(800) 1438678

(151) 2018 09 12

(891) 2018 09 12

(731) Philip Morris Products S.A.

Quai Jeanrenaud 3, CH-2000 Neuchâtel,  
Switzerland

(540)



(591) Black, white

(531) 03.01.02; 05.03.13; 05.03.14; 24.17.25;

26.04.05; 26.04.12; 26.04.18; 26.11.03;

26.11.12; 27.05.10

(511)

34 – Tobacco, raw or manufactured; tobacco products; cigars, cigarettes, cigarillos, tobacco for roll-your-own cigarettes, pipe tobacco, chewing tobacco, snuff tobacco, kretek; snus; tobacco substitutes (not for medical purposes); electronic cigarettes; tobacco products for the purpose of being heated; electronic devices and their parts for the purpose of heating cigarettes or tobacco in order to release nicotine-containing aerosol for inhalation; liquid nicotine solutions for use in electronic cigarettes; smokers' articles, cigarette paper, cigarette tubes, cigarette filters, tobacco tins, cigarette cases, ashtrays, pipes, pocket apparatus for rolling cigarettes, lighters, matches.

(260) AM 2019 100955 A

(800) 1438687

(151) 2018 09 21

(891) 2018 09 21

(731) Philip Morris Products S.A.

Quai Jeanrenaud 3, CH-2000 Neuchâtel,  
Switzerland

(540)



(591) Black, white

(531) 27.05.13; 27.05.19

(511)

34 – Tobacco, raw or manufactured; tobacco products; cigars, cigarettes, cigarillos, tobacco for roll-your-own cigarettes, pipe tobacco, chewing tobacco, snuff tobacco, kretek; snus; tobacco substitutes (not for medical purposes); electronic cigarettes; tobacco products for the purpose of being heated; electronic devices and their parts for the purpose of heating cigarettes or tobacco in order to release nicotine-containing aerosol for inhalation; liquid nicotine solutions for use in electronic cigarettes; smokers' articles, cigarette paper, cigarette tubes, cigarette filters, tobacco tins, cigarette cases, ashtrays, pipes, pocket apparatus for rolling cigarettes, lighters, matches.

(260) AM 2019 101030 A

(800) 1441150

(151) 2018 07 30

(891) 2018 07 30

(731) PROMONOVO Spółka z.o.o.  
ul. Żabikowska 7/9, PL-62-052 Komorniki,  
Poland

(540)



(591) White and red.

(531) 27.05.24; 29.01.12

(511)

1 – Materials for constructing and repairing yachts and boats, namely, epoxy glues, polyester glues, and glazier's putties; industrial resin glues for parquet floors; materials for stonework, namely, glues for industrial purposes, glaziers' putty, and epoxy glue for general bonding and repair purposes; acrylic and epoxy fillers for yacht and boat bodies; vehicle body putty.

2 – Undercoating for surfaces to be painted, coatings for metal finishing, that contain thermal polyester resins that can be applied through a knifing application or a spray gun; clear coatings in the nature of paint and color lacquers; paint thinners; varnishes for parquet floors; acrylic clear coating protectant for vehicles; vehicle lacquers and lacquer samples provided in template boxes by color; water-soluble vehicle lacquers.

19 – Synthetic polyurethane, epoxy and acrylic resins for constructing self-leveling floors.

(260) AM 2019 101032 A

(800) 1441200

(151) 2018 08 15

(891) 2018 08 15

(731) HELL ENERGY Magyarország Kft.  
Károly krt. 1. 1. em. 2., H-1075 Budapest,  
Hungary

(540)



(591) Black, white

(531) 04.01.05; 26.01.03; 26.01.15; 26.01.16;  
26.01.24

(511)

32 – Beers; mineral and aerated waters and other non-alcoholic beverages; fruit beverages and fruit juices; syrups and other preparations for making beverages; energy drinks.

(260) AM 2019 101033 A

(800) 1441208

(151) 2018 06 14

(891) 2018 06 14

(731) Oriflame Cosmetics AG  
c/o Oriflame Global Management AG,  
Bleicheplatz 3, CH-8200 Schaffhausen,  
Switzerland

(540)

**ORIFLAME LUMINESCENCE**

(591) Black, white

(511)

3 – Non-medicated conditioning and care preparations for application to the hair, scalp skin and nails; shampoos; hair conditioner; soaps; perfumes; perfumery; eau de cologne; toilet waters; essential and herbal oils; cosmetics; make-up; make-up preparations; lipsticks; nail varnishes; nail varnish removers; eyeliner; mascara; non-medicated toilet preparations; hair lotions; hair sprays and hair gels; preparations for use in the bath or shower; bath and shower oils, gels, creams and foams; face and body masks; face and body scrubs; facial washes; skin cleansers and hydrators; skin toners; skin moisturizers; blemish creams and blemish gels; deodorants; antiperspirants; preparations for use before shaving and after shaving; shaving soaps; shaving creams; shaving gels; after-shave preparations; pre-shave preparations; talcum powders; toiletries; dentifrices; toothpastes; foot care preparations (non-medicated).

(260) AM 2019 101044 A

(800) 1441372

(151) 2018 11 09

(891) 2018 11 09

(731) TSN Brands LTD

35 Barrack Road, Third Floor, Belize City,  
Belize, Belize

(540)

## Energy to GO

(591) Black, white

(511)

32 – Aperitifs, non-alcoholic; lithia water; seltzer water; soda water; waters [beverages]; aerated water; mineral water [beverages]; table waters; kvass [non-alcoholic beverage]; cocktails, non-alcoholic; lemonades; non-alcoholic beverages; isotonic beverages; non-alcoholic honey-based beverages; aloe vera drinks, non-alcoholic; whey beverages; non-alcoholic fruit juice beverages; fruit nectars, non-alcoholic; orgeat; powders for effervescing beverages; smoothies; tomato juice [beverage]; cider, non-alcoholic; vegetable juices [beverages]; fruit juices; preparations for making aerated water; preparations for making liqueurs; preparations for making beverages; pastilles for effervescing beverages; sherbets [beverages]; non-alcoholic fruit extracts; essences for making beverages.

(260) AM 2019 101047 A

(800) 1441422

(151) 2018 06 21

(891) 2018 06 21

(731) Euro Games Technology Ltd

"Maritsa" Str. 4, "Vranya-Lozen-  
Triugulnika", BG-1151 Sofia, Bulgaria

(540)



(591) Black, green yellow and brown.

(531) 03.01.04; 03.01.06; 27.05.03; 27.05.08;  
27.05.17; 29.01.14

(511)

9 – Apparatus for recording, transmission or reproduction of sound or image; computer software.

28 – Games; coin-operated slot machines; gaming machines adapted for use with an external screen or monitor.

(260) AM 2019 101051 A

(800) 1441610

(151) 2018 06 14

(891) 2018 06 14

(731) Oriflame Cosmetics AG

c/o Oriflame Global Management AG,

Bleicheplatz 3, CH-8200 Schaffhausen,

Switzerland

(540)

## ORIFLAME MISS GIORDANI

(591) Black, white

(511)

3 – Non-medicated conditioning and care preparations for application to the hair, scalp skin and nails; shampoos; hair conditioner; soaps; perfumes; perfumery; eau de cologne; toilet waters; essential and herbal oils; cosmetics; make-up; make-up preparations; lipsticks; nail varnishes; nail varnish removers; eyeliner; mascara; non-medicated toilet preparations; hair lotions; hair sprays and hair gels; preparations for use in the bath or shower; bath and shower oils, gels, creams and foams; face and body masks; face and body scrubs; facial washes; skin cleansers and hydrators; skin toners; skin moisturizers; blemish creams and blemish gels; deodorants; antiperspirants; preparations for use before shaving and after shaving; shaving soaps; shaving creams; shaving gels; after-shave preparations; pre-shave preparations; talcum powders; toiletries; dentifrices; toothpastes; foot care preparations (non-medicated).

(260) AM 2019 101054 A

(800) 1441666

(151) 2018 07 30

(891) 2018 07 30

(731) Kabushikikaisha Soft 99 Corporation

(Soft 99 Corporation)

6-5, Tanimachi 2-chome, Chuo-ku, Osaka-shi, Osaka 540-0012, Japan

(540)



(591) Red and black.

(531) 24.07.01; 24.07.23; 26.11.02; 26.11.06;  
27.05.01; 27.05.19; 27.07.01; 29.01.12

(511)

35 – Advertising; advertising and publicity services; providing information concerning commercial sales; presentation of companies and their goods and services on the Internet; presentation of goods on communication media, for retail purposes; import-export agency services; retail or wholesale services for chemical agents for automobiles; retail or wholesale services for coating agents [chemicals] for automobile bodies; retail or wholesale services for coating agents [chemicals] for automobile windshields; retail or wholesale services for paints; retail or wholesale services for polishing preparations; retail or wholesale services for car waxes; retail or wholesale services for soaps; retail

or wholesale services for car shampoos; retail or wholesale services for cleaning preparations for automobile and household purposes; retail or wholesale services for grinding preparations; retail or wholesale services for air fragrancing preparations; retail or wholesale services for air freshening preparations for automobile and household purposes; retail or wholesale services for windshield wipers for automobiles; retail or wholesale services for polishing cloths; retail or wholesale services for cleaning sponges; retail or wholesale services for cleaning cloths.

(260) AM 2019 101055 A  
 (800) 1441677  
 (151) 2018 11 12  
 (891) 2018 11 12  
 (731) Hebei Xingbai Biotechnology, CO., LTD  
 Nanbaishe Town, Zhao County 051530,  
 Hebei Province, 250014, China  
 (540)



(591) Black, white  
 (531) 26.01.03; 26.01.22  
 (511)  
 5 – Fungicides used for agriculture; medicines for human purposes; pesticides; parasiticides; insecticides; acaricides; chemical preparations for veterinary purposes; biological preparations for veterinary purposes; preparations for destroying noxious animals; pharmaceutical preparations.

(260) AM 2019 101056 A  
 (800) 703997  
 (151) 1998 12 02  
 (891) 2018 12 06  
 (731) N.D.R. di Nota MARCO & C. S.N.C.  
 Via Circonvallazione 16/a, BRICHERASIO  
 (TO), Italy  
 (540)



(591) Green and yellow.  
 (531) 26.04.01; 26.04.24; 27.05.01; 27.05.24;  
 29.01.12  
 (511)  
 7 – Filters for motors and engines.

(260) AM 2019 101057 A  
 (800) 824808  
 (151) 2004 05 13  
 (891) 2018 12 06  
 (731) Anheuser-Busch InBev S.A.  
 Grand-Place 1, B-1000 Brussels, Belgium  
 (540)

## TALLER

(591) Black, white  
 (511)  
 32 – Beers.

(260) AM 2019 101059 A  
 (800) 907298A  
 (151) 2006 09 15  
 (891) 2018 10 26  
 (731) ZV Belgium  
 Avenue Louise 92, B-1050 Bruxelles,  
 Belgium  
 (540)

## ZADIG & VOLTAIRE

(591) Black, white  
 (511)  
 18 – Trunks and suitcases; umbrellas, school bags, card cases (wallets), key cases (leatherware), unfitted vanity cases, briefcases, college satchels, suitcases, wallets, purses not of precious metal, rucksacks, handbags, shopping bags, roller bags, beach bags, travelling bags, garment bags (for travel), travelling sets (leatherware), travelling trunks.  
 25 – Clothing, footwear, headgear.

(260) AM 2019 101061 A  
 (800) 1321669  
 (151) 2016 10 27  
 (891) 2018 11 29  
 (731) Heineken Brouwerijen B.V.  
 Tweede Weteringplantsoen 21, NL-1017  
 ZD Amsterdam, Netherlands  
 (540)



(591) Green, red and white.  
 (531) 01.01.02; 01.01.10; 26.04.02; 26.04.18;  
 26.04.24; 27.05.07; 27.05.08; 27.05.24;  
 27.07.11; 29.01.13  
 (511)  
 32 – Beers.

(260) AM 2019 101062 A  
 (800) 1345570  
 (151) 2016 10 11  
 (891) 2018 12 10  
 (731) J. van Walraven Holding B.V.  
 Industrieweg 5, NL-3641 RK MIJDRECHT,  
 Netherlands

(540)



(591) Green and yellow.  
 (531) 26.04.22; 26.04.24; 27.05.01; 27.05.24;  
 29.01.12

(511)  
 6 – Metal building materials; transportable buildings of metal; shaped metal sections; materials of metal for railway tracks; non-electric cables and wires of common metal; ironmongery, small items of metal hardware; pipes and tubes of metal; fixing brackets of metal and metal in combination with plastic; metal threaded fasteners with or without plastic, pipe connectors of metal with or without plastic; pipe brackets of metal with or without plastic; marking plates and signs of metal, whether or not coated with plastic; fire retardant metal sleeves for sealing pipes and conduits; parts of metal for fitting sanitary objects and installations of metal or metal alloy, namely pipe fittings [junctions] of metal, for fittings of sanitary installations; rails, sets of rails and connecting pieces for rails of metal; parts and fittings for all the aforesaid goods; pipe connectors of metal with or without plastic; pipe brackets of metal with or without plastic.

19 – Building materials (non-metallic); non-metallic rigid pipes for building; non-metallic transportable building; rails, compositions of rails and connectors for rails not of metal, all aforesaid goods not included in other classes.

20 – Fixing brackets of plastic and plastic in combination with metal; non-metal threaded and non threaded fasteners with or without metal; marking plates and signs of plastic, whether or not coated with metal; parts and fittings for all the aforesaid goods; rails, sets of rails and connecting pieces for rails not of metal, all aforesaid goods not included in other classes; parts, not of metal, for fitting sanitary objects and installations of metal or metal alloy, namely bathroom fittings in the nature of furniture.

(260) AM 2019 101063 A  
 (800) 1423081  
 (151) 2018 07 11  
 (891) 2018 11 13  
 (731) Noksibcho Cosmetic Co., Ltd  
 302, Namdong-daero, Namdong-gu,  
 Incheon, Republic of Korea

(540)

# COXIR

(591) Black, white  
 (531) 27.05.01  
 (511)  
 3 – Dentifrices; cosmetics.

**INTERNATIONAL TRADEMARKS PROTECTED IN GEORGIA**

(260) AM 2019 94816 A  
(800) 1370463  
(151) 2017 06 28  
(181) 2027 06 28  
(891) 2017 06 28  
(511) 09, 38

---

(260) AM 2019 98070 A  
(800) 1183097  
(151) 2013 10 30  
(181) 2023 10 30  
(891) 2018 05 23  
(511) 05, 29, 30, 32

---

(260) AM 2019 95397 A  
(800) 1246702  
(151) 2014 12 10  
(181) 2024 12 10  
(891) 2017 10 24  
(511) 42

---

(260) AM 2019 98091 A  
(800) 1406688  
(151) 2018 02 21  
(181) 2028 02 21  
(891) 2018 02 21  
(511) 16, 28, 32

---

(260) AM 2019 97654 A  
(800) 1401201  
(151) 2018 01 12  
(181) 2028 01 12  
(891) 2018 01 12  
(511) 05, 10

---

(260) AM 2019 98099 A  
(800) 1406802  
(151) 2018 02 12  
(181) 2028 02 12  
(891) 2018 02 12  
(511) 29, 30

---

(260) AM 2019 97659 A  
(800) 1401309  
(151) 2017 11 03  
(181) 2027 11 03  
(891) 2017 11 03  
(511) 06, 07, 40, 42

---

(260) AM 2019 98102 A  
(800) 1406863  
(151) 2018 03 05  
(181) 2028 03 05  
(891) 2018 03 05  
(511) 32

---

(260) AM 2019 97856 A  
(800) 1403638  
(151) 2018 03 13  
(181) 2028 03 13  
(891) 2018 03 13  
(511) 28, 30

---

(260) AM 2019 98104 A  
(800) 1406887  
(151) 2017 12 05  
(181) 2027 12 05  
(891) 2017 12 05  
(511) 30

---

(260) AM 2019 97862 A  
(800) 1403719  
(151) 2018 04 03  
(181) 2028 04 03  
(891) 2018 04 03  
(511) 02, 16, 42

---

(260) AM 2019 98105 A  
(800) 1406893  
(151) 2017 12 21  
(181) 2027 12 21  
(891) 2017 12 21  
(511) 35, 41

---

(260) AM 2019 98051 A  
(800) 1406011  
(151) 2018 01 15  
(181) 2028 01 15  
(891) 2018 01 15  
(511) 29, 30

---

(260) AM 2019 98107 A  
(800) 1406902  
(151) 2018 01 17  
(181) 2028 01 17  
(891) 2018 01 17  
(511) 34

---

(260) AM 2019 98108 A  
(800) 1406978  
(151) 2017 12 11  
(181) 2027 12 11  
(891) 2017 12 11  
(511) 05, 35

---

(260) AM 2019 98261 A  
(800) 1407918  
(151) 2018 01 24  
(181) 2028 01 24  
(891) 2018 01 24  
(511) 09

---

(260) AM 2019 98262 A  
(800) 1407981  
(151) 2018 02 06  
(181) 2028 02 06  
(891) 2018 02 06  
(511) 36

---

(260) AM 2019 98264 A  
(800) 1407999  
(151) 2018 03 06  
(181) 2028 03 06  
(891) 2018 03 06  
(511) 29, 32

---

(260) AM 2019 98265 A  
(800) 1408031  
(151) 2018 04 10  
(181) 2028 04 10  
(891) 2018 04 10  
(511) 14

---

(260) AM 2019 98266 A  
(800) 1408036  
(151) 2018 04 10  
(181) 2028 04 10  
(891) 2018 04 10  
(511) 14

---

(260) AM 2019 98267 A  
(800) 1408037  
(151) 2018 05 08  
(181) 2028 05 08  
(891) 2018 05 08  
(511) 09, 10

---

(260) AM 2019 98268 A  
(800) 1408044  
(151) 2018 05 08

(181) 2028 05 08  
(891) 2018 05 08  
(511) 09, 10

---

(260) AM 2019 98269 A  
(800) 1408101  
(151) 2018 02 27  
(181) 2028 02 27  
(891) 2018 02 27  
(511) 30, 35, 41, 43

---

(260) AM 2019 98270 A  
(800) 1408108  
(151) 2017 12 13  
(181) 2027 12 13  
(891) 2017 12 13  
(511) 12

---

(260) AM 2019 98274 A  
(800) 1408310  
(151) 2018 04 20  
(181) 2028 04 20  
(891) 2018 04 20  
(511) 29, 30, 31

---

(260) AM 2019 98321 A  
(800) 1409237  
(151) 2018 02 05  
(181) 2028 02 05  
(891) 2018 02 05  
(511) 05

---

(260) AM 2019 98324 A  
(800) 1409433  
(151) 2018 01 04  
(181) 2028 01 04  
(891) 2018 01 04  
(511) 08, 09, 16, 18

---

(260) AM 2019 98328 A  
(800) 1409543  
(151) 2018 06 04  
(181) 2028 06 04  
(891) 2018 06 04  
(511) 29, 31

---

(260) AM 2019 98329 A  
(800) 1409640  
(151) 2018 05 25  
(181) 2028 05 25  
(891) 2018 05 25  
(511) 33

---



(260) AM 2019 98330 A  
(800) 1409665  
(151) 2018 04 18  
(181) 2028 04 18  
(891) 2018 04 18  
(511) 34

---

(260) AM 2019 98362 A  
(800) 1176323  
(151) 2012 10 22  
(181) 2022 10 22  
(891) 2018 06 01  
(511) 06, 07, 08, 12, 35, 37

---

(260) AM 2019 98364 A  
(800) 1204815  
(151) 2014 02 19  
(181) 2024 02 19  
(891) 2018 06 01  
(511) 09, 11, 35, 37, 42

---

(260) AM 2019 98457 A  
(800) 1410237  
(151) 2018 03 30  
(181) 2028 03 30  
(891) 2018 03 30  
(511) 03

---

(260) AM 2019 98458 A  
(800) 1410258  
(151) 2018 04 18  
(181) 2028 04 18  
(891) 2018 04 18  
(511) 05

---

(260) AM 2019 98459 A  
(800) 1410284  
(151) 2018 02 06  
(181) 2028 02 06  
(891) 2018 02 06  
(511) 09, 28

---

(260) AM 2019 98468 A  
(800) 1410616  
(151) 2018 02 06  
(181) 2028 02 06  
(891) 2018 02 06  
(511) 03

---

(260) AM 2019 98469 A  
(800) 1410649  
(151) 2018 04 05  
(181) 2028 04 05

(891) 2018 04 05  
(511) 18, 25

---

(260) AM 2019 98470 A  
(800) 1410664  
(151) 2018 01 26  
(181) 2028 01 26  
(891) 2018 01 26  
(511) 29, 35, 43

---

(260) AM 2019 98471 A  
(800) 1410667  
(151) 2018 03 27  
(181) 2028 03 27  
(891) 2018 03 27  
(511) 13

---

(260) AM 2019 98480 A  
(800) 1410932  
(151) 2018 04 24  
(181) 2028 04 24  
(891) 2018 04 24  
(511) 33

---

(260) AM 2019 98481 A  
(800) 1410985  
(151) 2017 11 30  
(181) 2027 11 30  
(891) 2017 11 30  
(511) 29, 30, 32

---

(260) AM 2019 98486 A  
(800) 1411110  
(151) 2018 05 07  
(181) 2028 05 07  
(891) 2018 05 07  
(511) 30

---

(260) AM 2019 98489 A  
(800) 1411291  
(151) 2018 01 20  
(181) 2028 01 20  
(891) 2018 01 20  
(511) 30

---

(260) AM 2019 98494 A  
(800) 904160  
(151) 2006 02 15  
(181) 2026 02 15  
(891) 2018 06 14  
(511) 09, 35, 42

---

(260) AM 2019 98499 A  
(800) 1411455  
(151) 2018 03 23  
(181) 2028 03 23  
(891) 2018 03 23  
(511) 05, 35

---

(260) AM 2019 98500 A  
(800) 1411459  
(151) 2018 02 06  
(181) 2028 02 06  
(891) 2018 02 06  
(511) 09, 28

---

(260) AM 2019 98512 A  
(800) 1411792  
(151) 2018 03 15  
(181) 2028 03 15  
(891) 2018 03 15  
(511) 29

---

(260) AM 2019 98513 A  
(800) 1411795  
(151) 2018 03 31  
(181) 2028 03 31  
(891) 2018 03 31  
(511) 09

---

(260) AM 2019 98524 A  
(800) 1412368  
(151) 2018 02 22  
(181) 2028 02 22  
(891) 2018 02 22  
(511) 01, 03, 04

---

(260) AM 2019 98591 A  
(800) 1412843  
(151) 2018 06 19  
(181) 2028 06 19  
(891) 2018 06 19  
(511) 30

---

(260) AM 2019 98594 A  
(800) 1412877  
(151) 2016 08 01  
(181) 2026 08 01  
(891) 2016 08 01  
(511) 07, 09, 10, 11, 12, 20, 28, 37, 42, 45

---

(260) AM 2019 98597 A  
(800) 1412953  
(151) 2018 03 23  
(181) 2028 03 23

(891) 2018 03 23  
(511) 03, 04, 09

---

(260) AM 2019 98598 A  
(800) 1412965  
(151) 2017 12 11  
(181) 2027 12 11  
(891) 2017 12 11  
(511) 11

---

(260) AM 2019 98603 A  
(800) 1413052  
(151) 2018 04 11  
(181) 2028 04 11  
(891) 2018 04 11  
(511) 03, 05

---

(260) AM 2019 98614 A  
(800) 1413284  
(151) 2018 04 30  
(181) 2028 04 30  
(891) 2018 04 30  
(511) 21

---

(260) AM 2019 98615 A  
(800) 1413321  
(151) 2017 11 30  
(181) 2027 11 30  
(891) 2017 11 30  
(511) 07

---

(260) AM 2019 98616 A  
(800) 1413341  
(151) 2017 12 28  
(181) 2027 12 28  
(891) 2017 12 28  
(511) 16, 41, 42

---

(260) AM 2019 98617 A  
(800) 1413349  
(151) 2017 12 11  
(181) 2027 12 11  
(891) 2017 12 11  
(511) 11

---

(260) AM 2019 98618 A  
(800) 1413403  
(151) 2017 12 12  
(181) 2027 12 12  
(891) 2017 12 12  
(511) 09, 16, 24, 25, 35, 38, 41, 45

---

(260) AM 2019 98619 A  
(800) 1413413  
(151) 2018 03 19  
(181) 2028 03 19  
(891) 2018 03 19  
(511) 01, 08, 17, 19, 37, 41, 42

---

(260) AM 2019 98620 A  
(800) 1413416  
(151) 2018 03 07  
(181) 2028 03 07  
(891) 2018 03 07  
(511) 09, 11, 35, 41

---

(260) AM 2019 98621 A  
(800) 1413421  
(151) 2018 02 13  
(181) 2028 02 13  
(891) 2018 02 13  
(511) 29, 30, 32

---

(260) AM 2019 98635 A  
(800) 1413798  
(151) 2018 03 02  
(181) 2028 03 02  
(891) 2018 03 02  
(511) 33

---

(260) AM 2019 98636 A  
(800) 1413799  
(151) 2017 08 02  
(181) 2027 08 02  
(891) 2017 08 02  
(511) 09, 16, 35, 36, 38, 40, 42, 45

---

(260) AM 2019 98637 A  
(800) 1413802  
(151) 2018 05 15  
(181) 2028 05 15  
(891) 2018 05 15  
(511) 09

---

(260) AM 2019 98644 A  
(800) 1414039  
(151) 2017 10 26  
(181) 2027 10 26  
(891) 2017 10 26  
(511) 04

---

(260) AM 2019 98646 A  
(800) 1414115  
(151) 2017 12 19

(181) 2027 12 19  
(891) 2017 12 19  
(511) 09

---

(260) AM 2019 98652 A  
(800) 1333401  
(151) 2016 10 21  
(181) 2026 10 21  
(891) 2018 07 02  
(511) 03, 21

---

(260) AM 2019 98654 A  
(800) 1391791  
(151) 2017 11 23  
(181) 2027 11 23  
(891) 2018 07 02  
(511) 11, 21

---

(260) AM 2019 98655 A  
(800) 1395744  
(151) 2017 07 19  
(181) 2027 07 19  
(891) 2018 07 03  
(511) 35, 39

---

(260) AM 2019 98657 A  
(800) 1401313  
(151) 2017 10 16  
(181) 2027 10 16  
(891) 2018 07 02  
(511) 06, 07, 08, 09, 11, 21

---

(260) AM 2019 98699 A  
(800) 1414197  
(151) 2018 03 13  
(181) 2028 03 13  
(891) 2018 03 13  
(511) 19

---

(260) AM 2019 98709 A  
(800) 1414448  
(151) 2018 04 06  
(181) 2028 04 06  
(891) 2018 04 06  
(511) 36

---

(260) AM 2019 98710 A  
(800) 1414471  
(151) 2018 04 13  
(181) 2028 04 13  
(891) 2018 04 13  
(511) 18, 25, 28

---

(260) AM 2019 98712 A  
(800) 1414525  
(151) 2018 04 10  
(181) 2028 04 10  
(891) 2018 04 10  
(511) 34

---

(260) AM 2019 98713 A  
(800) 1414528  
(151) 2018 04 25  
(181) 2028 04 25  
(891) 2018 04 25  
(511) 16

---

(260) AM 2019 98714 A  
(800) 1414545  
(151) 2018 06 06  
(181) 2028 06 06  
(891) 2018 06 06  
(511) 01, 17, 19

---

(260) AM 2019 98737 A  
(800) 1415056  
(151) 2018 06 19  
(181) 2028 06 19  
(891) 2018 06 19  
(511) 05

---

(260) AM 2019 98739 A  
(800) 1415142  
(151) 2018 03 16  
(181) 2028 03 16  
(891) 2018 03 16  
(511) 06, 19, 37, 42

---

(260) AM 2019 98745 A  
(800) 1415196  
(151) 2018 01 29  
(181) 2028 01 29  
(891) 2018 01 29  
(511) 01, 05, 44

---

(260) AM 2019 98746 A  
(800) 1415217  
(151) 2018 01 29  
(181) 2028 01 29  
(891) 2018 01 29  
(511) 01, 05, 44

---

(260) AM 2019 98747 A  
(800) 1415232  
(151) 2017 12 12

(181) 2027 12 12  
(891) 2017 12 12  
(511) 01, 02, 17, 19

---

(260) AM 2019 98748 A  
(800) 1298694  
(151) 2016 02 25  
(181) 2026 02 25  
(891) 2018 07 05  
(511) 03, 09, 14, 18, 25

---

(260) AM 2019 98749 A  
(800) 1329835  
(151) 2016 03 23  
(181) 2026 03 23  
(891) 2018 03 28  
(511) 30

---

(260) AM 2019 98751 A  
(800) 1338734  
(151) 2016 08 29  
(181) 2026 08 29  
(891) 2018 07 04  
(511) 05

---

(260) AM 2019 98806 A  
(800) 1415355  
(151) 2018 04 02  
(181) 2028 04 02  
(891) 2018 04 02  
(511) 30, 35, 43

---

(260) AM 2019 98807 A  
(800) 1415359  
(151) 2018 04 28  
(181) 2028 04 28  
(891) 2018 04 28  
(511) 33

---

(260) AM 2019 98808 A  
(800) 1415367  
(151) 2017 12 28  
(181) 2027 12 28  
(891) 2017 12 28  
(511) 05, 10, 35, 42, 44

---

(260) AM 2019 98813 A  
(800) 1415441  
(151) 2017 12 05  
(181) 2027 12 05  
(891) 2017 12 05  
(511) 35, 41

---

(260) AM 2019 98815 A  
(800) 1415446  
(151) 2018 06 07  
(181) 2028 06 07  
(891) 2018 06 07  
(511) 06

---

(260) AM 2019 98817 A  
(800) 1415473  
(151) 2018 05 25  
(181) 2028 05 25  
(891) 2018 05 25  
(511) 05

---

(260) AM 2019 98819 A  
(800) 1415506  
(151) 2017 12 22  
(181) 2027 12 22  
(891) 2017 12 22  
(511) 01

---

(260) AM 2019 98821 A  
(800) 1415561  
(151) 2018 05 21  
(181) 2028 05 21  
(891) 2018 05 21  
(511) 43

---

(260) AM 2019 98822 A  
(800) 1415602  
(151) 2018 04 25  
(181) 2028 04 25  
(891) 2018 04 25  
(511) 05

---

(260) AM 2019 98824 A  
(800) 1415627  
(151) 2017 12 12  
(181) 2027 12 12  
(891) 2017 12 12  
(511) 30

---

(260) AM 2019 98825 A  
(800) 1415664  
(151) 2018 04 20  
(181) 2028 04 20  
(891) 2018 04 20  
(511) 09, 35, 38, 41, 45

---

(260) AM 2019 98827 A  
(800) 1415675  
(151) 2018 03 30  
(181) 2028 03 30

(891) 2018 03 30  
(511) 05

---

(260) AM 2019 98828 A  
(800) 1415681  
(151) 2018 05 08  
(181) 2028 05 08  
(891) 2018 05 08  
(511) 16, 40

---

(260) AM 2019 98829 A  
(800) 1415691  
(151) 2018 05 08  
(181) 2028 05 08  
(891) 2018 05 08  
(511) 09

---

(260) AM 2019 98830 A  
(800) 1415707  
(151) 2018 07 03  
(181) 2028 07 03  
(891) 2018 07 03  
(511) 33

---

(260) AM 2019 98831 A  
(800) 1415727  
(151) 2018 03 21  
(181) 2028 03 21  
(891) 2018 03 21  
(511) 11

---

(260) AM 2019 98832 A  
(800) 1415801  
(151) 2018 06 22  
(181) 2028 06 22  
(891) 2018 06 22  
(511) 03

---

(260) AM 2019 98833 A  
(800) 1415825  
(151) 2018 02 27  
(181) 2028 02 27  
(891) 2018 02 27  
(511) 29, 30

---

(260) AM 2019 98847 A  
(800) 1416024  
(151) 2018 05 15  
(181) 2028 05 15  
(891) 2018 05 15  
(511) 30

---

(260) AM 2019 98848 A  
(800) 1416029  
(151) 2018 03 09  
(181) 2028 03 09  
(891) 2018 03 09  
(511) 05

---

(260) AM 2019 98849 A  
(800) 1416030  
(151) 2018 04 26  
(181) 2028 04 26  
(891) 2018 04 26  
(511) 03

---

(260) AM 2019 98850 A  
(800) 1416062  
(151) 2018 05 07  
(181) 2028 05 07  
(891) 2018 05 07  
(511) 32

---

(260) AM 2019 98852 A  
(800) 1416073  
(151) 2018 05 07  
(181) 2028 05 07  
(891) 2018 05 07  
(511) 32

---

(260) AM 2019 98887 A  
(800) 1410498  
(151) 2018 03 29  
(181) 2028 03 29  
(891) 2018 06 26  
(511) 09

---

(260) AM 2019 98915 A  
(800) 1416461  
(151) 2018 05 11  
(181) 2028 05 11  
(891) 2018 05 11  
(511) 32

---

(260) AM 2019 98917 A  
(800) 1416513  
(151) 2018 04 26  
(181) 2028 04 26  
(891) 2018 04 26  
(511) 30

---

(260) AM 2019 98918 A  
(800) 1416535  
(151) 2018 05 07

(181) 2028 05 07  
(891) 2018 05 07  
(511) 32

---

(260) AM 2019 98919 A  
(800) 1416555  
(151) 2018 06 18  
(181) 2028 06 18  
(891) 2018 06 18  
(511) 30

---

(260) AM 2019 99042 A  
(800) 1155492  
(151) 2013 03 20  
(181) 2023 03 20  
(891) 2018 06 22  
(511) 25

---

(260) AM 2019 99043 A  
(800) 1261047  
(151) 2015 03 19  
(181) 2025 03 19  
(891) 2018 03 21  
(511) 05

---

(260) AM 2019 99044 A  
(800) 1318187  
(151) 2016 02 18  
(181) 2026 02 18  
(891) 2018 07 03  
(511) 25, 35

---

(260) AM 2019 99046 A  
(800) 1360006  
(151) 2017 02 17  
(181) 2027 02 17  
(891) 2018 07 31  
(511) 04, 09, 12, 14, 16, 18, 25, 28, 32, 33, 35, 36,  
38, 39, 41

---

(260) AM 2019 99047 A  
(800) 1360007  
(151) 2017 02 17  
(181) 2027 02 17  
(891) 2018 07 31  
(511) 04, 09, 12, 14, 16, 18, 25, 28, 32, 33, 35, 36,  
38, 39, 41

---

(260) AM 2019 99049 A  
(800) 1393023  
(151) 2018 01 23  
(181) 2028 01 23

(891) 2018 08 01  
(511) 29, 31

---

(260) AM 2019 99086 A  
(800) 1418580  
(151) 2018 06 05  
(181) 2028 06 05  
(891) 2018 06 05  
(511) 16, 28, 35, 37, 39, 41, 42

---

(260) AM 2019 99087 A  
(800) 1418593  
(151) 2018 06 07  
(181) 2028 06 07  
(891) 2018 06 07  
(511) 02

---

(260) AM 2019 99099 A  
(800) 1419028  
(151) 2018 01 26  
(181) 2028 01 26  
(891) 2018 01 26  
(511) 29, 30

---

(260) AM 2019 99100 A  
(800) 1419046  
(151) 2017 12 07  
(181) 2027 12 07  
(891) 2017 12 07  
(511) 09

---

(260) AM 2019 99101 A  
(800) 1419109  
(151) 2018 01 31  
(181) 2028 01 31  
(891) 2018 01 31  
(511) 30, 35, 43

---

(260) AM 2019 99103 A  
(800) 1419176  
(151) 2018 05 28  
(181) 2028 05 28  
(891) 2018 05 28  
(511) 01, 07, 12, 17, 19, 27

---

(260) AM 2019 99104 A  
(800) 1419180  
(151) 2018 06 07  
(181) 2028 06 07  
(891) 2018 06 07  
(511) 05

---

(260) AM 2019 99106 A  
(800) 1419244  
(151) 2018 07 12  
(181) 2028 07 12  
(891) 2018 07 12  
(511) 09

---

(260) AM 2019 99119 A  
(800) 1419656  
(151) 2018 06 29  
(181) 2028 06 29  
(891) 2018 06 29  
(511) 03, 08, 44

---

(260) AM 2019 99120 A  
(800) 1419692  
(151) 2018 01 25  
(181) 2028 01 25  
(891) 2018 01 25  
(511) 09, 28

---

(260) AM 2019 99121 A  
(800) 1419693  
(151) 2018 01 25  
(181) 2028 01 25  
(891) 2018 01 25  
(511) 09, 28

---

(260) AM 2019 99126 A  
(800) 1419892  
(151) 2018 07 13  
(181) 2028 07 13  
(891) 2018 07 13  
(511) 05

---

(260) AM 2019 99127 A  
(800) 1419947  
(151) 2018 05 05  
(181) 2028 05 05  
(891) 2018 05 05  
(511) 30

---

(260) AM 2019 99216 A  
(800) 1420435  
(151) 2018 07 18  
(181) 2028 07 18  
(891) 2018 07 18  
(511) 42

---

(260) AM 2019 99218 A  
(800) 1420453  
(151) 2018 06 26

(181) 2028 06 26  
(891) 2018 06 26  
(511) 41

---

(260) AM 2019 99220 A  
(800) 1420503  
(151) 2018 07 18  
(181) 2028 07 18  
(891) 2018 07 18  
(511) 05

---

(260) AM 2019 99236 A  
(800) 1420756  
(151) 2018 07 24  
(181) 2028 07 24  
(891) 2018 07 24  
(511) 09

---

(260) AM 2019 99237 A  
(800) 1420831  
(151) 2018 01 22  
(181) 2028 01 22  
(891) 2018 01 22  
(511) 07, 11, 17, 19

---

(260) AM 2019 99238 A  
(800) 1420847  
(151) 2018 04 25  
(181) 2028 04 25  
(891) 2018 04 25  
(511) 01, 02, 04

---

(260) AM 2019 99239 A  
(800) 1420876  
(151) 2018 03 07  
(181) 2028 03 07  
(891) 2018 03 07  
(511) 03

---

(260) AM 2019 99255 A  
(800) 1421242  
(151) 2018 05 24  
(181) 2028 05 24  
(891) 2018 05 24  
(511) 09

---

(260) AM 2019 99258 A  
(800) 1421322  
(151) 2018 07 12  
(181) 2028 07 12  
(891) 2018 07 12  
(511) 36

---

(260) AM 2019 99259 A  
(800) 1421331  
(151) 2018 03 07  
(181) 2028 03 07  
(891) 2018 03 07  
(511) 03

---

(260) AM 2019 99425 A  
(800) 1406981  
(151) 2018 03 22  
(181) 2028 03 22  
(891) 2018 08 28  
(511) 36

---

(260) AM 2019 99535 A  
(800) 1423441  
(151) 2018 04 17  
(181) 2028 04 17  
(891) 2018 04 17  
(511) 07

---

(260) AM 2019 99537 A  
(800) 1423466  
(151) 2018 07 20  
(181) 2028 07 20  
(891) 2018 07 20  
(511) 05

---

(260) AM 2019 99538 A  
(800) 1423538  
(151) 2018 08 07  
(181) 2028 08 07  
(891) 2018 08 07  
(511) 12

---

(260) AM 2019 99539 A  
(800) 1423543  
(151) 2018 07 31  
(181) 2028 07 31  
(891) 2018 07 31  
(511) 03

---

(260) AM 2019 99540 A  
(800) 1423553  
(151) 2018 08 07  
(181) 2028 08 07  
(891) 2018 08 07  
(511) 12

---

(260) AM 2019 99541 A  
(800) 1423568  
(151) 2018 07 31



(181) 2028 07 31  
(891) 2018 07 31  
(511) 03

---

(260) AM 2019 99542 A  
(800) 1423648  
(151) 2018 05 15  
(181) 2028 05 15  
(891) 2018 05 15  
(511) 03, 05, 29, 32

---

(260) AM 2019 99568 A  
(800) 1158197  
(151) 2012 11 27  
(181) 2022 11 27  
(891) 2018 07 10  
(511) 29, 30

---

(260) AM 2019 99569 A  
(800) 1230099  
(151) 2014 11 05  
(181) 2024 11 05  
(891) 2018 07 18  
(511) 05

---

(260) AM 2019 99593 A  
(800) 1424847  
(151) 2018 05 11  
(181) 2028 05 11  
(891) 2018 05 11  
(511) 09, 11, 34

---

---

# GEOGRAPHICAL INDICATION

## **On making amendments to the specifications for production of Georgian PGI cheeses – "SULGUNI" (Reg. №10, 24 01 2012) and "TUSHURI GUDA" (Reg. №14, 24 01 2012).**

In accordance with Orders №№53746/07 and 53747/07 of 07/08/19 of the Head of Department of Trademarks, Geographical Indications and Designs of the LEPL National Intellectual Property Center of Georgia – Sakpatenti, amendments were made to specifications for production of PGI cheeses – SULGUNI and TUSHURI GUDA, registered at the National Intellectual Property Center of Georgia – Sakpatenti.

In accordance with the Law of Georgia "On Appellations of Origin and Geographical Indications", the above-mentioned information shall be published in the Official IP Bulletin of the LEPL National Intellectual Property Center of Georgia – Sakpatenti, in one central and one local magazine.

Notes and additional information, submitted with Sakpatenti within 3 months after publication of the materials, shall be sent for study to the Ministry of Environmental Protection and Agriculture of Georgia. If no information is received by Sakpatenti within 3 months the published material about PGI cheeses – "SULGUNI" and "TUSHURI GUDA" shall be reflected in the State Register of Appellations of Origin and Geographical Indications.

## **SPECIFICATION OF THE PROTECTED GEOGRAPHICAL INDICATION**

### **SULGUNI**

#### **I. THE NAME OF THE GEOGRAPHICAL INDICATION:**

Georgian Translation – სულგუნი  
English Translation – **Sulguni** or **SULGUNI**  
Cyrilic – Сулгуни или СУЛГУНИ

#### **II. Description of the product**

Sulguni cheese is produced from cow, buffalo or goat milk or a mix of thereof; Sulguni is stretched-curd cheese (better known under "pasta filata" type), that is produced from cow, buffalo or goat milk or a mix of thereof. It can be fresh, dried, aged, smoked. Sulguni can be mixed with other ingredients (e.g. mint, tarragon, savoury and other herbs or spices, also, Adjika, honey, wine and chacha, hazelnut, walnut, almond).

#### **SPECIFIC ORGANOLEPTIC CHARACTERISTICS**

##### **SHAPE**

Usually, Sulguni presented to consumers has the form of a low cylinder, without crust, with a mass of 0.25-2.2 kg, a diameter of 7-30 cm and a height of 2-7 cm.

Sulguni may also be presented to consumers sliced or into various forms, among them:

- Spherical shape with a knot on the top
- Braids
- Strings,
- Sticks,
- Plates,
- Any other shape (animal, bird, etc.).

### **COLOUR:**

Inside and outside colour of Sulguni made from cow milk has a uniform colour from ivory to light yellow.

Inside and outside colour of Sulguni made from buffalo milk is white to ivory colour.

Outside colour of smoked Sulguni is golden-brown, while the inside has a yellowish colour.

If ingredients such as herbs, wine are used during making and/or aging of Sulguni, it may take the colour characteristic to these ingredients

### **TEXTURE:**

Sulguni has dense and elastic mass and is layered. Sulguni has the layers that are easily detachable. The surface of Sulguni is smooth, it should not be granular. Sulguni should not provide in mouth an unctuous feeling. Sulguni is free of holes, but interstices between layers are admitted.

Fresh Sulguni must be juicy and layers easily detachable. Liquid between layers should be dripping when the cheese is cut in half.

### **SMELL:**

Sulguni has an appetizing smell of fresh milk and creamy aromas.

The smell of smoked Sulguni is characterised by the smell of smoke, without fully covering the aromas encountered in the non-smoked Sulguni.

In case of adding ingredients, Sulguni takes the smell of the ingredient.

### **TASTE:**

The taste of Sulguni is pure, milky/creamy, typical for the cultured milk product. It should be moderately salty. It shall not have the taste of rennet or other uncharacteristic taste.

Smoked Sulguni is moderately but slightly saltier than the non-smoked Sulguni, with aroma of the smoked product. In case of adding ingredients, Sulguni also takes the taste of the ingredient.

### **PHYSICOCHEMICAL PROPERTIES**

The **fat content** in the dry matter for the different types of Sulguni:

- not less 30% for Sulguni made from cow milk
- not less 45% for Sulguni made from buffalo milk
- not less 40% for Sulguni made from mix (buffalo and cow) milk
- not less 40% for Sulguni made from mix (cow and goat) milk
- not less 45% for smoked Sulguni

### **III. Description of the method of obtaining the product**

#### **Milk characteristics**

Sulguni is made from raw or pasteurized, whole or normalized milk. The use of milk powder is not permitted.

Sulguni Classic is produced using morning and/or evening fresh raw whole milk.

Sulguni Classic can be made manually.

#### **CURDING**

The curding is obtained by introduction of animal or microbial rennet in the milk heated at a temperature of 32°- 39°C. To obtain this temperature, the milk can be heated. When the curd is firm, it is ready for discurding.

The use of lacto-bacterial starter is not allowed for Sulguni Classic.

**DISCURDING**

The curd is cut with a cheese harp or with hands until granules reach the size between a hazelnut and a walnut, then left between 5 to 20 minutes, before to extract the whey.

**WHEY-OFF AND MATURATION OF THE CURD**

The curd is then poured in a tank or in vessels that allow the draining of the whey. After draining the whey, the curd is left in a vessel or reservoir for fermentation between 2 to 24 hours. Duration of fermentation depends on the temperature and the eventual use of lacto-bacterial starter.

In case of Sulguni Classic, a minimum of 5 hours is required.

The curd is ready for the next steps when the curd starts having small openings equally distributed on the entire curd section, but before that these opening increase in size and that the mass becomes too acid.

**KNEADING AND MOULDING THE SULGUNİ CHEESE**

The curd is then cut into thin layers, and placed in a very hot but not boiling water. It is stirred in water until it becomes uniformly stretching paste mass. The use of wooden spoon is permitted.

Then, the formation of the cheese must be done by kneading the mass, and folding it several times (not less four times), before forming a spherical or other desirable shape that is cooled down with cold water – salted or not – or with the remaining whey.

In case of Sulguni Classic, the kneading must be manual.

The cheese is then ready for salting process.

**SALTING**

The salting can be done either by direct application of dry salt on the surface of the cheese or by soaking the cheese in brine:

- Direct salting: after direct application of dry salt on the surface, the cheese is stored between 24 and 72 hours before being ready for consumption.
- Salt is applied on the upper side of the cheese in case of Sulguni Classic.
- Brine: The cheese is put to soak in brine with a concentration of 14-22% salt for 6 to 24 hours.

The sale of Sulguni is permitted after 24 hours from the start of salting process.

The producer is responsible for defining the shelf-life of the product.

**DRYING**

After salting, Sulguni can be stored in a dry and ventilated place to be dried for several days or weeks. Use of wooden shelves is permitted. After drying, Sulguni should be delivered to the final consumer under the name: "Dried Sulguni", "Dried Sulguni Classic".

**SMOKING**

After salting, fresh or dried Sulguni can be smoked in a smoking chamber by burning non-coniferous – e.g., pear, apple, alder, beech or quince wood or sawdust.

Cold and hot smoking methods are allowed:

- When applying hot smoking method, the process lasts between 1 to 12 hours.
- When applying cold smoking method, the process lasts between 72 hours and one week.

After smoking, Sulguni can be delivered to the final consumer under the name – "smoked Sulguni".

**ADDITION OF INGREDIENTS**

Different ingredients can be added during the kneading of the Sulguni or after the completion of the cheese making. All ingredients must be of Georgian origin.

The ingredients allowed are:

- Mint, tarragon, savoury and other herbs or spices
- Adjika

- Honey
- Wine and chacha
- Hazelnut, walnut, almond.

#### **IV. THE DEFINITION OF THE GEOGRAPHICAL AREA**

The area of production of Sulguni PGI is the whole territory of Georgia. The milk used for the production of Sulguni PGI should originate from Georgia.

#### **V. EVIDENCE THAT THE PRODUCT ORIGINATES IN THE DEFINED GEOGRAPHICAL AREA (TRACEABILITY SYSTEM)**

##### **a. Registration of the operators**

Each business-operator involved in one or more steps of the manufacturing process of Sulguni may log in to PGI Sulguni producer's organization. PGI Sulguni producers' organization possesses a list of registered persons with the right to use the protected geographical indication – Sulguni, defined by the legislation of Georgia. The requisites of business operators - title, address, identification code, contact information should be registered in the list. The list is subject to regular updates.

##### **b. Traceability criteria**

All stages of milking, cheese-making, ripening, cutting and packaging are performed inside, in the designated area, controlled and monitored conditions to ensure consistency in the quality and peculiarity of the product.

Traceability of the product must be ensured at the stages of milking, cheese-making, ripening, cutting, packaging and distribution of cheese.

To ensure traceability, every business operator connected to any stage of Sulguni PGI production process (milk producer, cheese producer, cheese cutter, packager) must keep relevant information related to the stages of production, processing and distribution of the product, any ingredient used in it, including packaging material, and maintain relevant documents and records, which enable the assessment of compliance with the requirements of milk and cheese origin, specifications and conditions of production and which will be submitted to the state control body upon request.

The traceability system is coordinated by Sulguni PGI organization, which defines the label to be accompanied to the product.

#### **VI. THE LINK BETWEEN A GIVEN QUALITY, THE REPUTATION OR OTHER CHARACTERISTIC OF THE PRODUCT AND THE GEOGRAPHICAL ORIGIN**

##### **REPUTATION**

The Protection of Sulguni as a PGI is mainly based on its reputation of the product of Georgian origin. The earliest written prove that cheese named Suluguni or Suldguni was produced in Georgia – namely Samegrelo and Svaneti, is in an Explanatory Dictionary of the Georgian Language from XVII century by Sul Khan-Saba Orbeliani, and next in another Explanatory Dictionary of the Georgian Language by David Chubinishvili (XIX century). It is described as a stretch-curd kneaded flat cheese.

In the scientific study by Roland Topchishvili "From the history of Georgians' eating culture – Suluguni" [Topchishvili, 2014], we can find the documental evidences of origin of this product. Here are some important data:

"In 1890s, due to high nutritional quality, Suluguni was imported overseas from the Poti Sea Port [Gugushvili, 1950; 94]. According to ethnographic data, it was made in historical-ethnic parts of the West of Georgia – Samegrelo, Svaneti, Imereti, Lechkhumi and Racha. In Samegrelo Sulguni was called "Selegini", "Seleguni", "Siogini" and in Zemo (Upper) Imereti, Racha and Lechkhumi it was called "Gvajilla" or "Gvajilli [Topuria 1964; 46, 51; Ghlonti, 1974; 52]. In Guria region Sulguni was called "double-kneaded" ("Gadazelili")."

It should be cooked even twice: "the experience shows that cooking twice is critical. If it is not cooked twice, then melted butter will cover Suluguni and prevent absorption of salt. After cheese is taken out it is shaped by hand on the tray called "churukhi"; with both hands sour cream is separated from cheese" [Topuria, 1964: 49-50]. "In order to store Suluguni for long, it was holed on one side and several such cheeses were banded in a way that they did not touch each other. Then banded rolls were hanged on the ceiling near fireplace or in the sun. Smoked and dried Suluguni could be stored for long" [Topuria, 1964:50]...

According to an article from the Ivane Javakhishvili Institute of History and Ethnography Sulguni is represented in various rituals known in Svaneti and Samegrelo that proves that this type of cheese was traditional to this area, because usually in rituals only traditional elements are present.

In the Soviet period, during 80-ies of XX century, an industrial production of Sulguni took place in almost all regions of Georgia and Sulguni and its reputation as a Georgian product was known through Soviet Bloc.

## **HUMAN FACTORS**

The culture of Sulguni production comes from west Georgia – Samegrelo and Svaneti, Traditional know-how has been transmitted from generation to generation and has spread to other regions in Georgia.

"... Due to high humidity in Colchis lowlands storage of animal products was problematic. Because of limited number of cattle and lactation decrease from late autumn till early spring, people were short of milk and dairy products. To overcome this deficit people were seeking new techniques of producing dairy products, specifically cheese; Sulguni is an achievement made by Georgian farmers after extensive observation and creative thinking process..."

As an ethnographer from Tbilisi - A. Kalantari notes, Sulguni seems to be introduced in Guria, Abkhazia, Imereti, Kobuleti and other places by Megrelian herders & cattle breeders.

## **VII. PACKAGING AND LABELLING RULES**

### **PACKAGING**

Sulguni placed on the market can be delivered to the final consumer whole or sliced, non-packed or packed. Packaging should not damage cheese texture.

### **LABELLING**

The information about the marketed whole Sulguni or piece of cheese with the registered PGI, must be delivered to the consumer in accordance with the requirements of "Delivery of Information to consumer about food products" established by the legislation of Georgia. In addition:

- the name "Sulguni" or "Sulguni Classic" on the whole or sliced cheese must be followed by the mention "Protected Geographical Indication" and state quality mark for PGI, use of which is regulated by Georgian legislation.
- the additional mentions "Fresh", "Dried", "Aged" or "Smoked" must precede or follow immediately the name "Sulguni" or "Sulguni Classic";
- logos for "Sulguni" and "Sulguni Classic" defined by the PGI Association, application of which is voluntary, as shown below

**PGI logos defined by the Sulguni PGI Association:****VIII. CONTROL BODIES**

The control over the compliance of PGI Sulguni with the specification and its production characteristics is carried out in accordance with the Georgian legislation through:

- Self-control by the producers of PGI Sulguni;
- Internal control exercised by PGI Sulguni organization, which is entitled to assess the compliance of production process with the requirements of PGI Sulguni specifications at the place of production, to assess the compliance of organoleptic characteristics of the product with requirements of PGI Sulguni specifications, as well as control of traceability records, documents and other relevant information and to assist business operator in implementation of the State control.
- State control or external control carried out by the competent body – National Food Agency, Marshal Gelovani str. 6, 0159, Tbilisi, Georgia, or controlling body – a legal entity that has been delegated by the competent authority to perform a specific task related to state control and is accredited by the relevant body of Georgia or the Member States of the European Union and the Organization for Economic Co-operation and Development (OECD).

# SPECIFICATION OF THE PROTECTED GEOGRAPHICAL INDICATION TUSHETIAN GUDA

The status of the Geographical Indication Tushetian Guda is going to be changed from Geographical Indication to Appellation of Origin.

## I. THE NAME OF THE GEOGRAPHICAL INDICATION:

Georgian Translation – თუშეთური გუდა  
English Translation – **Tushetian Guda** or **TUSHETIAN GUDA**  
Cyrilic – Тушური Гуда или ТУШУРИ ГУДА

## II. DESCRIPTION OF THE PRODUCT

**Tushetian Guda** is a cheese produced from sheep, cow or cow and sheep mixed (50-50%,  $\pm 5\%$ ) whole raw milk, which ripens in the "Guda" (bag made from skin of sheep, goat or calf, trimmed from inside).

Milk from goat can be added, up to 10% maximum of the milked cows and/or sheep.

### ORGANOLEPTIC CHARACTERISTICS

#### FORM

The shape can vary and depends on the location of the cheese in the Guda during the ripening process. The cheeses at the ends of the Guda are hemispheric (see picture 1). The cheeses in the middle of Guda have the cylindrical shape (see picture 2). A slight deformation of the cylindrical shape is also permitted (see picture 3). The surface is not smooth and the visual presence of "Guda trace" is a must. Cracks up to 2 cm are permitted. Has no crust. The mass is 5-10 kg.



#### COLOUR

Sheep Tushetian Guda's outside colour is white to greyish/greenish. Inside colour is intense yellow in the centre. When cutting the cheese in half, a whitish ring up to 2 cm wide can be observed at the edge of the cheese.

Cow Tushetian Guda's outside colour is creamy. Inside colour is very light yellow.

Sheep and cow mixed milk Tushetian Guda's outside colours are similar to the sheep Tushetian Guda's, but less intense. Inside is slightly darker in yellow.

#### TEXTURE

The cheese consistency is uniform, dense and slightly elastic. Cheese must not be crumbly or soft. Holes of various shapes and sizes are present inside in sliced cheese. The size of holes should not exceed 10mm. Yellowish drops of fat can exudate from the holes when the cheese is cut to length.



## **SMELL**

Sheep Tushetian Guda cheese has sheep milk aroma, appetizing piquant smell.

Cow Tushetian Guda has cow milk aroma, appetizing piquant smell.

Sheep and cow mixed Tushetian Guda has mixed aroma of sheep and cow milk, appetizing piquant smell.

Tushetian Guda Cheese should not have strange, uncharacteristic or unpleasant smell.

## **TASTE**

Salty, piquant and umami. Should not have bitter, rusty taste.

## **CHEMICAL PROPERTIES**

The fat content in the dry matter should not less 45%

Salt content should not exceed 8%.

For a transitional period of three years from the registration date of this specification, cheeses with higher salt content are allowed.

## **III. DESCRIPTION OF THE METHOD OF OBTAINING THE PRODUCT AND, WHERE APPROPRIATE, THE AUTHENTIC AND UNVARYING LOCAL METHODS**

### **MILK PRODUCTION**

#### **TRANSHUMANCE AND SUMMER PASTURING**

The milk used for the Tushetian Guda is produced by animals pasturing on the milking area of the Tushetian Guda at the end of springtime and during the summer months. As soon as weather permits, but not later than June, shepherds send their flocks and herds to feed in the lush upland pastures of Tusheti, bringing them back to lowlands in September or October, before the colder weather, a practice known as transhumance.

#### **FEEDING**

During the grazing season in the milking area, animals are fed exclusively with pasture grass. Periodically, salt can be given.

During the transhumance period, in case of harsh winters, distribution of hay and mix of coarse barley and maize is allowed.

### **MILK CHARACTERISTICS**

Sheep milk used for Tushetian Guda making comes only from Tushetian sheep breed. Sheep Tushetian Guda is made out of fresh raw whole milk.

Cow milk used for Tushetian Guda making comes from Georgian mountain cattle breed. Cow Tushetian Guda is made out of mix from fresh morning and last evening raw whole milk.

The mix of fresh sheep and cow milk is used for making of mixed Tushetian Guda. Mixing of last evening cow milk is also allowed.

When added, goat milk used for Tushetian Guda making comes exclusively from local goat breed and has to be a fresh raw whole milk.

### **PREPARATION OF THE GUDA (SKIN BAG)**

Guda is a skin bag from sheep, goat or calf. Skin sourced in Georgia is obtained by skinning the animal from the back to head without cutting it longitudinally.

Skin is then dried by introducing a stick and hang in the shadow for a period going from 2 to 4 weeks. The skin is put to soak in water or whey for two days, before the hair is trimmed one to two centimetres long.

The skin is then rinsed twice to three times, and returned in order to place the hair inside the skin, before placing the cheeses in it.

## **CHEESE PRODUCTION**

### **FILTERING**

The whole raw milk is filtered in a few layers (not less than five) laid out with cheesecloth and a combination of the following herbs: nettles (*Urtica*) and/or dead-nettles (*Lamium*), feathergrass (*Stipa*) and other hairy herbs of Tusheti flora.

### **CURDING**

After filtration, the milk is poured into a wooden (oak, aspen) or stainless steel vessel. The milk is mixed with the preliminarily prepared rennet from calf or lamb stomach, stirred it with a handmade tool in wood: a branch made from birch or aspen, with the end of different shape. The milk is then left for fermentation at a temperature between 35-37°C. To obtain the required temperature, it is allowed to add boiled warm but not hot water to the milk. For cow cheese, pouring milk that has been heated is allowed.

### **DIS-CURDING**

When the curd is firm, it is ready for draining and cutting. Granules are formed by stirring manually with the wooden tool as described above for curding. Draining stops when the granules reach a size between a pea and hazelnut. Then they are left between 5 to 10 minutes, before extracting the whey.

### **WHEY-OFF AND MOULDING THE CHEESE**

The mass is cut with wooden knife. The mass is then put and moulded in the cheesecloth manually that once folded and tied over the cheese to form a bag. During this stage, the mass can be mixed / kneaded by hand in order to spread evenly the granules. The bag is then put on the wooden table for being pressed by hand with rotational motion of the bag and for draining the whey.

For Tushetian Guda made from cow milk, after the draining and before moving it to the "Guda", the cheese is placed for a maximum of 24 hours in a wooden vessel (*Dergi*) for formation. For mix Tushetian Guda, the use of the wooden vessel (*Dergi*) is allowed if the texture of the cheese requires it.

### **SALTING**

Before placing the cheese in Guda, a thin layer of dry salt is poured on the bottom of Guda, then – to the top of each cheese put in the Guda. No other ingredient than salt is allowed.

### **RESTING PHASE**

The guda is then placed in a warm atmosphere for 1 to 3 days. To maintain a warm atmosphere, guda can be covered from outside. During this resting phase, gudas are rotated regularly.

### **RIPENING**

The Tushetian Guda is ripened in the Guda during a period of minimum 60 days in dry and cool place. The temperature must in no cases exceed 22°C. During the period of 24 months after the registration of this specification, the temperature may exceed the permitted level. During the ripening phase, gudas are rotated by 90° regularly according to the age of cheeses.

### **TRANSPORTATION**

For the transportation of the product to the lowland, it is allowed to extract the brine from the Guda. Before storing the cheese in the Guda in the lowland, a new brine is inserted in the Guda to complete the ripening. To prepare this new brine, an egg or a potato are placed in the water and salt is added until the egg or the potato start to float.

## **IV. THE DEFINITION OF THE GEOGRAPHICAL AREA**

### **DELIMITATION OF THE AREA OF PRODUCTION**

MAP OF THE AREA OF MILKING AND CHEESE PRODUCTION



**a. REGISTRATION OF A BUSINESS-OPERATOR**

Each business-operator effectively involved in one or more steps of the manufacturing process of Tushetian Guda may log in to the PAO Tushetian Guda Producers' Organization (association, consortium, group, producers' union, etc.). The PAO Tushetian Guda Producers' Organization possesses a list of registered persons with the right to use the appellation of origin – Tushetian Guda, defined by the legislation of Georgia; the requisites of business operators – title, address, identification code, contact information should be registered in the list. The list is subject to regular updates.

**b. TRACEABILITY CRITERIAS**

All processes of milking, cheese-making, ripening, cutting and packaging are performed inside, in the designated area, controlled and monitored conditions to ensure product uniqueness/specificity.

Traceability of the product must be ensured at the stages of milking, cheese-making, ripening, cutting, packaging and distribution of cheese.

To ensure traceability, every business operator connected to any stage of Tushetian Guda production (milk producer, cheese producer, cheese cutter, packager) must keep relevant information related to the stages of production, processing and distribution of the product, any ingredient used in it, including packaging material, and maintain relevant documents and records, which enable the assessment of compliance with the requirements of milk and cheese origin, specifications and conditions of production and which will be submitted to the state control body upon request. These records must contain at least the following data:

- The number of milking sheep, milking goats and milking cows, at the beginning of the milking period and any change (increase or decrease) in the course of the season.
- The approximate quantity of milk used, daily,
- The number of cheeses made, daily,
- The number of full gudas, daily,
- The number of transported gudas, for each transportation,
- The number of cheeses put on the market

Tushetian Guda is controlled in accordance with the plan of control defined and supervised by external control body and ultimately by Public Authorities, and main steps are summarized here:

The traceability system is coordinated by the PAO Tushetian Guda producers' organization, which defines the marking to be present with the product (the marking accompanying the product).

**VI. THE LINK BETWEEN THE QUALITY OR CHARACTERISTICS OF THE PRODUCT AND THE GEOGRAPHICAL ENVIRONMENT****NATURAL ENVIRONMENT**

Climate is characterized by continental climate with snow cover for 5-6 months and by mild to fresh summers.

1. Humid climate with cold winters and short summers (1,600 m. above sea level);
2. Transitional mountain climate with cold winter and short summer (2,000 – 2,400 m. above sea level);
3. Moderately humid climate of highlands without real summer (2,400-3,400 m. above sea level);
4. Humid climate of highlands with constant snow and glaciers, where the average temperature for all months of the year is below zero (3,400 m. above sea level).

Tushetian Guda cheese is produced from May to August on sub-alpine (*Festuca ovina*, *Poa alpina*, *Zerna variegata*, *Dactylis glomerata*, *Lotus*) and alpine (*Festuca ovina*, *Poa alpina*, *Carex tristis* and *Campanula tridentata*) pastures. Traditionally the land at the altitudes of 1,600-1,900 m. was used for agriculture and cattle breeding, while the sheep was kept in pastures at the altitudes of 2,000-3,400 m. above sea level.

## HUMAN ENVIRONMENT AND FACTORS

In order to secure food for the long winter period Tushetian farmers have developed traditional ways of preserving cheese in Guda. Over the past centuries shepherds have fine-tuned the process and transmitted the knowhow from generation to generation.

The ripening method using Guda and the rennet cause the transformation of the cheese involving among others lipolysis of fats conferring to cheese its specific taste and aromas.

This knowledge has also been influencing the characteristics of the sheep breed, adapted to the Tushetian mountain conditions and the need for milk.

## SHEEP BREED

### THE SHEEP BREED USED IN TUSHETI:

Common name - **Sheep**

Latin name - **Ovis Aries**

Breed - **Tushetian sheep**

Tushetian sheep has been bred over centuries. The modern appearance of Tushetian (Tushetian) sheep was developed in XIII-XIV centuries. It is a meat, wool and milk productive animal. The breed is distributed in East Georgia and is characterized by the sturdy constitution and easy endurance of extreme migratory conditions on long distances (up to 500 km).

Tushetian sheep milk is distinguished with high fat content reflected in cheese fattiness.

## NATURAL FACTORS

The floristic cover of the pastures influences the flavour of the milk used eventually for the production of Tushetian Guda.

Relativity cool summers allow ripening of the cheese in optimal conditions.

## REPUTATION

Tushetian Guda cheese produced in Tusheti has been consumed in Georgia and abroad for several centuries. Nowadays, Tushetian Guda, is commercialised and well recognised by consumers in the whole Georgia and several former Soviet countries. The fabrication process is well known as it has been described in several publications, and documented and make reference in different movies:

- 1922-1923: "The Messenger of the Tbilisi University" – Petre Melikishvili. p. 135 chapter – Georgian type cheese, describes the process of the Tushetian Guda cheese making.
- Publication "Tusheti", 1993. Publication is based on the researches of the Georgian chronicler Giorgi Bochoridze (1884-1939). Besides the description of Tushetian Guda cheese making process includes drawings of Tushetian household type and equipment (drawings belong to Giorgi Bochoridze).
- The film "Tushetian shepherd" by Soso Chkhaidze produced in 1976 describes in details the transhumance process and lives of Tushetian Shepherds;
- Documentary film by Levan Tutberidze "Tushetian cheese" produced in 1980

## VII. PACKAGING AND LABELLING RULES

Tushetian Guda can be delivered to the consumer whole or cut in wedges or sliced, non-packed or packed.

Information on each whole or piece of cheese placed on the market with the name of appellation of origin Tushetian Guda shall be provided to the customers in accordance with the requirements of the "Consumer information on food" defined by the legislation of Georgia. In addition,

- The name "Tushetian Guda" on of each whole or piece of cheese, in the same visual field, must be followed by the mention "Protected Appellation of Origin" and the state quality mark for PAO, use of which is regulated by Georgian legislation;

- The Tushetian Guda PAO logos for the different types of Tushetian Guda PAO made from sheep milk, cow milk and mix-milks defined by the PAO Tushetian Guda producers' organization (Picture 1).



**Picture 1**

Logos for the different types of Tushetian Guda PAO made from sheep milk, cow milk and mix-milks defined by the PAO Tushetian Guda producers' organization

### VIII. CONTROL BODIES

The control of the compliance with the specifications and production characteristics of the PAO "Tushetian Guda" is carried out in accordance with national Georgian legislation through:

- Self-control by the producers of PAO Tushetian Guda;
- Internal control exercised by PAO Tushetian Guda producers' organization, which is entitled to assess the compliance of production process with the requirements of PAO Tushetian Guda specifications at the place of production, to assess the compliance of organoleptic characteristics of the product with requirements of PAO Tushetian Guda specifications, to perform the cheese cutting and packing control, as well as control of traceability records, documents and other relevant information and to assist business operator in implementation of the State control;
- External control or State control carried out by the competent body – National Food Agency, Marshal Gelovani str. 6, 0159, Tbilisi, Georgia, or controlling body – a legal entity that has been delegated by the competent authority to perform a specific task related to state control and is accredited by the relevant body of Georgia or the Member States of the European Union and the Organization for Economic Co-operation and Development (OECD).

---

# OFFICIAL NOTIFICATIONS

## DESIGNS

### RENEWAL OF REGISTRATIONS

**(11) D 2015 619 S**

(73) Morozov Viktor Aleksandrovich (RU)

Prospekt Kosmonavtov 5, Korpus "G", kvartira 40 , 344092, Rostov on Don, Russian Federation (RU)

(54) **LABEL**

(28) 6

(24) 2014 07 28

(18) 2024 07 28

(58) 2019 07 30

---

**(11) D 2015 624 S**

(73) Irakli Khundadze (GE)

Temka III mkr., quarter I, korp. 69, ap. 21, 0197, Tbilisi, Georgia (GE)

(54) **CAR**

(28) 1

(24) 2014 09 01

(18) 2024 09 01

(58) 2019 08 02

---

---

# TRADEMARKS

## RENEWAL OF REGISTRATIONS

(111) M 1999 12401 R2

(156) 1999 07 02

(186) 2029 07 02

(732) FIL LIMITED

Pembroke Hall, 42 Crow Lane, Pembroke  
HM 19, P.O. Box HM 670, Hamilton HMCX,  
Bermuda

---

(111) M 1999 12402 R2

(156) 1999 07 02

(186) 2029 07 02

(732) FIL LIMITED

Pembroke Hall, 42 Crow Lane, Pembroke  
HM 19, P.O. Box HM 670, Hamilton HMCX,  
Bermuda

---

(111) M 1999 12403 R2

(156) 1999 07 02

(186) 2029 07 02

(732) FIL LIMITED

Pembroke Hall, 42 Crow Lane, Pembroke  
HM 19, P.O. Box HM 670, Hamilton HMCX,  
Bermuda

---

(111) M 1999 12404 R2

(156) 1999 07 02

(186) 2029 07 02

(732) FIL LIMITED

Pembroke Hall, 42 Crow Lane, Pembroke  
HM 19, P.O. Box HM 670, Hamilton HMCX,  
Bermuda

---

(111) M 1999 12376 R2

(156) 1999 06 15

(186) 2029 06 15

(732) Van Nelle Tabak Nederland B.V.

Slachtedyk 28 A, 8501 ZA Joure,  
Netherlands

---

(111) M 1999 12266 R2

(156) 1999 05 14

(186) 2029 05 14

(732) Kraft Foods Schweiz Holding GmbH

Chollerstrasse 4, 6301 Zug, Switzerland

---

(111) M 1999 12590 R2

(156) 1999 08 23

(186) 2029 08 23

(732) Aramex International LLC

Business Central Towers, A2302, Dubai  
Media City (TECOM), Sheikh Zayed Road,  
P.O. Box 95946, Dubai, United Arab Emirates

---

(111) M 1999 12593 R2

(156) 1999 08 23

(186) 2029 08 23

(732) Kent Gida Maddeleri Sanayii Ve

Ticaret Anonim Sirketi  
Cumhuriyet Mahallesi, 2253 Sokak, No:11  
Gebze, Kocaeli 41400, Turkey

---

(111) M 1999 12598 R2

(156) 1999 08 23

(186) 2029 08 23

(732) Correvio International Sarl

Place des Alpes 4, 1201 Geneve, Switzerland

---

(111) M 1999 12475 R2

(156) 1999 07 09

(186) 2029 07 09

(732) United Technologies Corporation

Ten Farm Springs Road, Farmington,  
CT 06032, USA

---

(111) M 1999 12477 R2

(156) 1999 07 09

(186) 2029 07 09

(732) United Technologies Corporation

Ten Farm Springs Road, Farmington,  
CT 06032, USA

---

(111) M 1999 12333 R2

(156) 1999 06 15

(186) 2029 06 15

(732) Johnson & Johnson

One Johnson & Johnson Plaza, New  
Brunswick, New Jersey 08933, USA

---

(111) M 1999 12485 R2

(156) 1999 07 12

(186) 2029 07 12

(732) McCAIN FOODS LIMITED

8800 Main Street, Florenceville-Bristol,  
New Brunswick, E7L 1B2, Canada

---



<p>(111) M 1999 12486 R2                  (156) 1999 07 12                  (186) 2029 07 12                  (732) McCAIN FOODS LIMITED                  8800 Main Street, Florenceville-Bristol,                  New Brunswick, E7L 1B2, Canada</p> <hr/>	<p>Aeulestrasse 5, 9490 Vaduz, Liechtenstein,                  Liechtenstein</p> <hr/>
<p>(111) M 1999 12467 R2                  (156) 1999 07 09                  (186) 2029 07 09                  (732) FLEISHMAN-HILLARD INC.                  200 North Broadway, St. Louis, Missouri                  (MO) 63102, USA</p> <hr/>	<p>(111) M 1999 12832 R2                  (156) 1999 09 27                  (186) 2029 09 27                  (732) Pfizer Inc.                  235 East 42nd Street, New York 10017-5755,                  USA</p> <hr/>
<p>(111) M 1999 12489 R2                  (156) 1999 07 12                  (186) 2029 07 12                  (732) KIMBERLY-CLARK WORLDWIDE INC.                  NEENAH, WI 54956, USA</p> <hr/>	<p>(111) M 1999 12675 R2                  (156) 1999 08 24                  (186) 2029 08 24                  (732) GENERAL MOTORS LLC                  300 Renaissance Center, City of Detroit, State                  of Michigan 48265-3000, USA</p> <hr/>
<p>(111) M 1999 12495 R2                  (156) 1999 07 12                  (186) 2029 07 12                  (732) UNILEVER N.V.                  Weena 455, NL-3013 AL Rotterdam,                  Netherlands</p> <hr/>	<p>(111) M 1999 12678 R2                  (156) 1999 08 24                  (186) 2029 08 24                  (732) FORD MOTOR COMPANY                  One American Road, Dearborn, Michigan                  48126, USA</p> <hr/>
<p>(111) M 1999 12499 R2                  (156) 1999 07 12                  (186) 2029 07 12                  (732) UNILEVER N.V.                  Weena 455, NL-3013 AL Rotterdam,                  Netherlands</p> <hr/>	<p>(111) M 1999 12786 R2                  (156) 1999 09 23                  (186) 2029 09 23                  (732) United Parcel Service Of America Inc.                  55 Glenlake Parkway, NE Atlanta, Georgia,                  USA</p> <hr/>
<p>(111) M 1999 12571 R2                  (156) 1999 07 13                  (186) 2029 07 13                  (732) UNILEVER N.V.                  Weena 455, NL-3013 AL Rotterdam,                  Netherlands</p> <hr/>	<p>(111) M 1999 12787 R2                  (156) 1999 09 23                  (186) 2029 09 23                  (732) United Parcel Service Of America Inc.                  55 Glenlake Parkway, NE Atlanta, Georgia,                  USA</p> <hr/>
<p>(111) M 1999 12500 R2                  (156) 1999 07 12                  (186) 2029 07 12                  (732) Procter &amp; Gamble                  International Operations S.A                  route de Saint-Georges, CH-1213 Petit-Lancy,                  Switzerland</p> <hr/>	<p>(111) M 1999 12578 R2                  (156) 1999 08 23                  (186) 2029 08 23                  (732) The Coca-Cola Company                  One Coca-Cola Plaza, Atlanta, Georgia                  30313, USA</p> <hr/>
<p>(111) M 1999 12798 R2                  (156) 1999 09 27                  (186) 2029 09 27                  (732) BACARDI &amp; COMPANY LIMITED</p>	<p>(111) M 1999 12733 R2                  (156) 1999 09 23                  (186) 2029 09 23                  (732) UNILEVER N.V.                  Weena 455, NL-3013 AL Rotterdam,                  Netherlands</p> <hr/>

(111) M 1999 12734 R2  
(156) 1999 09 23  
(186) 2029 09 23  
(732) UNILEVER N.V.  
Weena 455, NL-3013 AL Rotterdam,  
Netherlands

---

(111) M 1999 12707 R2  
(156) 1999 08 24  
(186) 2029 08 24  
(732) LAUREL BANK MACHINES CO., LTD  
N1-2, Toranomom 1-Chome Minato-Ku,  
Tokyo, Japan

---

(111) M 1999 12629 R2  
(156) 1999 08 24  
(186) 2029 08 24  
(732) Janssen Biotech Inc.  
800 Ridgeriew Drive, Horsham, Pennsylvania  
19044, USA

---

(111) M 1999 12752 R2  
(156) 1999 09 23  
(186) 2029 09 23  
(732) UNITED PARCEL SERVICE OF  
AMERICA INC.  
55 Glenlake Parkway, NE Atlanta, Georgia,  
USA

---

(111) M 1999 12931 R2  
(156) 1999 11 04  
(186) 2029 11 04  
(732) CATERPILLAR INC.  
100 N.E. Adams Street, Peoria, IL 61629-  
6490, USA

---

(111) M 1999 12932 R2  
(156) 1999 11 04  
(186) 2029 11 04  
(732) CATERPILLAR INC.  
100 N.E. Adams Street, Peoria, IL 61629-  
6490, USA

---

(111) M 1999 12971 R2  
(156) 1999 11 09  
(186) 2029 11 09  
(732) KANGOL LIMITED  
Unit A, Brook Park East, Shirebrook, UK,  
NG20 8 RY, United Kingdom

---

(111) M 2009 19039 R1  
(156) 2009 01 16  
(186) 2029 01 16  
(732) DIVAN TURIZM İŞLETMELERİ  
ANONİM ŞİRKETİ  
Ünalın Mahallesi Ayazma Gaddesi No:131/6  
Camlica Is Merkezi A Blok Üskudar Istanbul,  
Turkey

---

(111) M 2009 19444 R1  
(156) 2009 06 29  
(186) 2029 06 29  
(732) Jonson Controls Technology GmbH  
Victor von Bruns-Strasse 21, 8212 Neuhausen  
am Rheinfall, Switzerland

---

(111) M 2008 19013 R1  
(156) 2008 12 15  
(186) 2028 12 15  
(732) LTD "IVERIAPHARMA"  
D. Aghmashenebeli Alley, 10th km., 0159,  
Tbilisi, Georgia

---

(111) M 2008 19014 R1  
(156) 2008 12 15  
(186) 2028 12 15  
(732) LTD "IVERIAPHARMA"  
D. Aghmashenebeli Alley, 10th km., 0159,  
Tbilisi, Georgia

---

(111) M 2009 19396 R1  
(156) 2009 06 16  
(186) 2029 06 16  
(732) LONGVIE S.A.  
Cerrito 520, Floor 9 "A", 1010 Buenos-Aires,  
Argentina

---

(111) M 2009 19448 R1  
(156) 2009 06 29  
(186) 2029 06 29  
(732) Trommsdorff GmbH und Co. KG  
Trommsdorffstrasse 2-6, 52477 Alsdorf ,  
Germany

---

(111) M 1999 12342 R2  
(156) 1999 06 15  
(186) 2029 06 15  
(732) JANSSEN PHARMACEUTICA N.V.  
30 Turnhoutseweg B-2340 Beerse, Belgium

---

(111) M 2009 19405 R1  
 (156) 2009 06 16  
 (186) 2029 06 16  
 (732) Jonson Controls Technology GmbH  
 Victor von Bruns-Strasse 21, 8212 Neuhausen  
 am Rheinfall, Switzerland

---

(111) M 2009 19414 R1  
 (156) 2009 06 16  
 (186) 2029 06 16  
 (732) Raffles International Limited  
 1 Uolich Striti №17-01, Guoko Taueri,  
 078881, Singapore

---

(111) M 2009 19381 R1  
 (156) 2009 05 27  
 (186) 2029 05 27  
 (732) UNILEVER N.V.  
 Weena 455, 3013 AL Rotterdam, Netherlands

---

(111) M 2009 19468 R1  
 (156) 2009 06 29  
 (186) 2029 06 29  
 (732) Raffles International limited  
 1 Uolich Striti №17-01, Guoko Taueri,  
 078881, Singapore

---

(111) M 2009 19570 R1  
 (156) 2009 07 24  
 (186) 2029 07 24  
 (732) The Procter & Gamble Company  
 One Procter & Gamble Plaza, Cincinnati,  
 Ohio, USA

---

(111) M 2009 19573 R1  
 (156) 2009 07 24  
 (186) 2029 07 24  
 (732) The Procter & Gamble Company  
 One Procter & Gamble Plaza, Cincinnati,  
 Ohio, USA

---

(111) M 2009 19743 R1  
 (156) 2009 09 11  
 (186) 2029 09 11  
 (732) Ascensia Diabetes Care Holdings AG  
 Peter Merian-Strasse 90, 4052 Basel,  
 Switzerland

---

(111) M 2009 19433 R1  
 (156) 2009 06 16  
 (186) 2029 06 16

(732) OJSC "Nizhniy Novgorod Chemical &  
 Pharmaceutical Plant"  
 Salganskaya St. 7, 603950, GSP-459,  
 Nizhniy-Novgorod, Russian Federation

---

(111) M 2009 19434 R1  
 (156) 2009 06 16  
 (186) 2029 06 16  
 (732) OJSC "Nizhniy Novgorod Chemical &  
 Pharmaceutical Plant"  
 Salganskaya St. 7, 603950, GSP-459,  
 Nizhniy-Novgorod, Russian Federation

---

(111) M 2009 19486 R1  
 (156) 2009 06 29  
 (186) 2029 06 29  
 (732) OJSC "Nizhniy Novgorod Chemical &  
 Pharmaceutical Plant"  
 Salganskaya St. 7, 603950, GSP-459,  
 Nizhniy-Novgorod, Russian Federation

---

(111) M 2009 19755 R1  
 (156) 2009 09 11  
 (186) 2029 09 11  
 (732) CHANEL SARL  
 Burgstrasse 26, CH-8750 GLARIS,  
 Switzerland

---

(111) M 2009 19824 R1  
 (156) 2009 09 30  
 (186) 2029 09 30  
 (732) PPG INDUSTRIES OHIO INC.  
 3800 West 143rd St., Cleveland, Ohio 44111,  
 USA

---

(111) M 2009 19552 R1  
 (156) 2009 07 13  
 (186) 2029 07 13  
 (732) LTD "AVERSI PHARMA"  
 D. Aghmashenebeli Av. 148/2,  
 0112, Tbilisi, Georgia

---

(111) M 2009 19553 R1  
 (156) 2009 07 13  
 (186) 2029 07 13  
 (732) LTD "AVERSI PHARMA"  
 D. Aghmashenebeli Av. 148/2,  
 0112, Tbilisi, Georgia

---

(111) M 2009 19597 R1  
 (156) 2009 07 24  
 (186) 2029 07 24

---

(732) LTD "AVERSI PHARMA" D. Aghmashenebeli Av. 148/2, 0112, Tbilisi, Georgia	(111) M 2009 20098 R1 (156) 2009 12 15 (186) 2029 12 15 (732) TOYOTA JIDOSHA KABUSHIKI KAISHA (also trading as TOYOTA MOTOR CORPORATION) 1, Toyota-Cho, Toyota-Shi, Aichi-Ken, Japan
(111) M 2009 19598 R1 (156) 2009 07 24 (186) 2029 07 24 (732) LTD "AVERSI PHARMA" D. Aghmashenebeli Av. 148/2, 0112, Tbilisi, Georgia	(111) M 2010 20446 R1 (156) 2010 05 13 (186) 2030 05 13 (732) La Mer Technology, Inc. (a Delaware corporation) 767 Fifth Avenue, New York 10153, USA
(111) M 2009 19599 R1 (156) 2009 07 24 (186) 2029 07 24 (732) LTD "AVERSI PHARMA" D. Aghmashenebeli Av. 148/2, 0112, Tbilisi, Georgia	(111) M 2010 20447 R1 (156) 2010 05 13 (186) 2030 05 13 (732) La Mer Technology, Inc. (a Delaware corporation) 767 Fifth Avenue, New York 10153, USA
(111) M 2009 19600 R1 (156) 2009 07 24 (186) 2029 07 24 (732) LTD "AVERSI PHARMA" D. Aghmashenebeli Av. 148/2, 0112, Tbilisi, Georgia	(111) M 1999 12534 R2 (156) 1999 07 12 (186) 2029 07 12 (732) UNILEVER N.V. Weena 455, NL-3013 AL Rotterdam, Netherlands
(111) M 2009 19601 R1 (156) 2009 07 24 (186) 2029 07 24 (732) LTD "AVERSI PHARMA" D. Aghmashenebeli Av. 148/2, 0112, Tbilisi, Georgia	(111) M 1999 12099 R2 (156) 1999 05 10 (186) 2029 05 10 (732) Cilag GmbH International Landis+Gyr-Strasse 1, CH-6300 Zug, Switzerland
(111) M 2009 19841 R1 (156) 2009 09 30 (186) 2029 09 30 (732) CHINA RAILWAY EXPRESS CO., LTD No7, ZHONGHE ROAD, SCIENCE CITY, FENGTAI DISTRICT, BEIJING, China	(111) M 1999 11966 R2 (156) 1999 05 10 (186) 2029 05 10 (732) Posco International Corporation 10, Tongil-ro, Jung-gu, Seoul, Korea
(111) M 2009 19842 R1 (156) 2009 09 30 (186) 2029 09 30 (732) CHINA RAILWAY EXPRESS CO., LTD No7, ZHONGHE ROAD, SCIENCE CITY, FENGTAI DISTRICT, BEIJING, China	(111) M 1999 11967 R2 (156) 1999 05 10 (186) 2029 05 10 (732) Posco International Corporation 10, Tongil-ro, Jung-gu, Seoul, Korea
(111) M 2009 19799 R1 (156) 2009 09 11 (186) 2029 09 11 (732) ORION CORPORATION Orionintie 1, 02200 Espoo, Finland	(111) M 1999 12544 R2 (156) 1999 07 12 (186) 2029 07 12 (732) LABORATOIRES NOREVA LED

---

66 avenue des Champs Elysées, F-75008  
PARIS, France

---

(111) M 1999 12555 R2  
(156) 1999 07 12  
(186) 2029 07 12  
(732) Rheinmetall Automotive AG  
Karl-Schmidt-Strasse 2-8, 74172 Neckarsulm,  
Germany

---

(111) M 1999 12149 R2  
(156) 1999 05 12  
(186) 2029 05 12  
(732) LAVAZZA PROFESSIONAL UK LIMITED  
3D Dundee Road, Slough, Berkshire SL1  
4LG, United Kingdom

---

(111) M 1999 12189 R2  
(156) 1999 05 13  
(186) 2029 05 13  
(732) Intercontinental Great Brands LLC  
100 Deforest Ave, East Hanover, NJ, 07936,  
USA

---

(111) M 1999 12119 R2  
(156) 1999 05 10  
(186) 2029 05 10  
(732) BAULI S.P.A.  
31, Via G. Verdi, 37060 Castel D'Azzano  
(Verona), Italy

---

(111) M 1999 12560 R2  
(156) 1999 07 12  
(186) 2029 07 12  
(732) Compagnie Champenoise Ph-Ch. Piper-  
Heidsieck-Ancienne Maison Heidsieck  
Fondée EN 1785  
12 Allée du Vignoble, 51100 Reims, France

---

(111) M 1999 12904 R2  
(156) 1999 11 03  
(186) 2029 11 03  
(732) L' OREAL  
14, Rue Royale, 75008 Paris, France

---

(111) M 1999 12562 R2  
(156) 1999 07 12  
(186) 2029 07 12  
(732) UNILEVER N.V.  
Weena 455, NL-3013 AL Rotterdam,  
Netherlands

---

(111) M 1999 12967 R2  
(156) 1999 11 09  
(186) 2029 11 09  
(732) EASTMAN KODAK COMPANY  
343, State Street, Rochester, New York  
14650, USA

---

## COMPLETE TRANSFER OF RIGHTS

(111) M 1999 12598 R  
 (732) Cardiome International AG  
 Chamerstrasse 176, CH-6300, Zug,  
 Switzerland  
 (770) Correvio LLC  
 1350 Edmont Avenu, Suiti 2300, Chesteri,  
 PA 19013, USA  
 (580) 10 07 2019

---

(111) M 1999 12598 R  
 (732) Correvio International Sarl  
 Place des Alpes 4, 1201 Geneve, Switzerland  
 (770) Cardiome International SA  
 Rue des Alpes 21, 1201 Geneve, Switzerland  
 (580) 10 07 2019

---

(111) M 2003 15303 R  
 (732) Correvio International Sarl  
 Place des Alpes 4, 1201 Geneve, Switzerland  
 (770) Cardiome International SA  
 Rue des Alpes 21, 1201 Geneve, Switzerland  
 (580) 10 07 2019

---

(111) M 2007 17229 R  
 (732) Teleflex Life Sciences Unlimited Company  
 Floor Par La Ville Place, 14 Par La Ville  
 Road, Hamilton HM08, Bermuda  
 (770) The Laryngeal Mask Company Limited  
 P.O. Box 221, Le Rocher, Victoria, Mahe,  
 Seychelles  
 (580) 11 06 2019

---

(111) M 2008 18908 R  
 (732) La Senza International Canada LLC  
 Wilshire Boulevard, 6th Floor, Beverliy Hills,  
 California 90212, USA  
 (770) La Senza Corporation  
 1608 St. Regis, Dorval, H9P 1H6, Quebec,  
 Canada  
 (580) 27 06 2019

---

(111) M 1996 2570 R  
 (732) L'OREAL  
 14, rue Royale, 75008 Paris, France  
 (770) Elena Rubinstein S.a.  
 Paris, France  
 (580) 10 07 2019

---

(111) M 1995 773 R  
 (732) L'OREAL  
 14, rue Royale, 75008 Paris, France  
 (770) Elena Rubinstein S.a.  
 Paris, France  
 (580) 10 07 2019

---

(111) M 1995 772 R  
 (732) L'OREAL  
 14, rue Royale, 75008 Paris, France  
 (770) Elena Rubinstein S.a.  
 Paris, France  
 (580) 10 07 2019

---

(111) M 1999 12544 R  
 (732) LABORATOIRES NOREVA LED  
 66 Avenue des Champs Elysées, F-75008  
 PARIS, France  
 (770) Laboratoires Omega Pharma France  
 20 Rue Andre Gide 9230 Chatillon, France  
 (580) 11 07 2019

---

(111) M 2015 25858 R  
 (732) La Senza International Canada LLC  
 ელეზი  
 9720 Wilshire Boulevard, 6th Floor, Beverliy  
 Hills, California 90212, USA  
 90212, აშშ  
 (770) La Senza Corporation  
 900-1959 Upper Water Street, Halifax,  
 Nova Scotia B3J 3 N2, Canada  
 (580) 27 06 2019

---

(111) M 2018 29570 R  
 (732) Ana Gremelashvili  
 I. Uchaneishvili St. 67, Tbilisi, Georgia  
 (770) Beka Gremelashvili  
 G. Shavgulidze St. 7A, Ap. 30, 0183, Tbilisi,  
 Georgia  
 (580) 12 07 2019

---

(111) M 1997 6184 R  
 (732) Sqsvel Avstralia Pti. Ltd  
 Level 3, 678 Victoria Street, Richmond  
 Victoria, 3121, Australia  
 (770) Ansell Limited  
 Level 3, 678 Victoria Street, Richmond  
 Victoria 3121, Australia  
 (580) 18 07 2019

---

(111) M 1997 6184 R  
(732) LifeStyles Healthcare Pte Ltd  
30, Cecil Street, N19-08 Prudential Tower,  
Singapore 049712, Australia  
(770) Sqsvel Avstralia Pti. Ltd  
Level 3, 678 Victoria Street, Richmond  
Victoria, 3121, Australia  
(580) 18 07 2019

---

(111) M 1997 6184 R  
(732) Ansell Limited  
Level 3, 678 Victoria Street, Richmond  
Victoria 3121, Australia  
(770) ANSELL GMBH  
Stahlgruberring 3, 81829 Munchen, Germany  
(580) 18 07 2019

---

(111) M 1997 6185 R  
(732) LifeStyles Healthcare Pte Ltd  
30, Cecil Street, N19-08 Prudential Tower,  
Singapore 049712, Singapore  
(770) SxWell Australia Pty. Ltd  
Level 3, 678 Victoria Street, Richmond  
Victoria, 3121, Australia  
(580) 17 07 2019

---

(111) M 1997 6185 R  
(732) Ansell Limited  
Level 3, 678 Victoria Street, Richmond  
Victoria 3121, Australia  
(770) ANSELL GMBH  
Stahlgruberring 3, 81829 Munchen,  
Germany  
(580) 17 07 2019

---

(111) M 1997 6185 R  
(732) SxWell Australia Pty. Ltd  
Level 3, 678 Victoria Street, Richmond Victoria,  
3121, Australia  
(770) Ansell Limited  
Level 3, 678 Victoria Street, Richmond  
Victoria 3121, Australia  
(580) 17 07 2019

---

## CHANGES OF NAMES AND/OR ADDRESS OF OWNERS

(111) M 1999 12598 R  
 (732) Cardiome International SA  
 Rue des Alpes 21, 1201 Geneve, Switzerland  
 (770) Cardiome International AG  
 Chamerstrasse 176, CH-6300, Zug,  
 Switzerland  
 (580) 10 07 2019

(111) M 1999 12485 R  
 (732) McCAIN FOODS LIMITED  
 8800 Main Street, Florenceville-Bristol,  
 New Brunswick, E7L 1B2, Canada  
 (770) McCAIN FOODS LIMITED  
 107 Main Street, Florenceville,  
 New Brunswick, E7L 1B2, Canada  
 (580) 25 07 2019

(111) M 1999 12486 R  
 (732) McCAIN FOODS LIMITED  
 8800 Main Street, Florenceville-Bristol,  
 New Brunswick, E7L 1B2, Canada  
 (770) McCAIN FOODS LIMITED  
 107 Main Street, Florenceville,  
 New Brunswick, E7L 1B2, Canada  
 (580) 25 07 2019

(111) M 1999 12678 R  
 (732) FORD MOTOR COMPANY  
 One American Road, Dearborn, Michigan  
 48126, USA  
 (770) FORD MOTOR COMPANY  
 The American Road, Dearborn, Michigan  
 48121, USA  
 (580) 15 07 2019

(111) M 1999 12971 R  
 (732) KANGOL LIMITED  
 Unit A, Brook Park East, Shirebrook,  
 UK, NG20 8 RY, United Kingdom  
 (770) KANGOL LIMITED  
 Grenvilel Court, Britwell Road, Burnham,  
 Buckinghamshire SL1 8DF, United Kingdom  
 (580) 15 07 2019

(111) M 2003 15303 R  
 (732) Cardiome International SA  
 Rue des Alpes 21, 1201 Geneve, Switzerland  
 (770) Cardiome International AG  
 Chamerstrasse 176, CH-6300, Zug, Switzerland  
 (580) 10 07 2019

(111) M 2004 15485 R  
 (732) WYBOROWA S.A.  
 Ul. Janikowska 23, 61-070 Poznań, Poland  
 (770) WYBOROWA S.A.  
 ul. Komandoria 5, 61-023 Poznań, Poland  
 (580) 16 07 2019

(111) M 2009 19039 R  
 (732) Divan Turizm İşletmeleri Anonim Şirketi  
 Ünalın Mahallesi Ayazma Gaddesi No:131/6  
 Camlica Is Merkezi A Blok Üskudar Istanbul,  
 Turkey  
 (770) Divan Turizm İşletmeleri Anonim Şirketi  
 Saray Mahallesi., Ahmet Tevfik İleri Gad.,  
 No:15 Ümraniye Istanbul, Turkey  
 (580) 01 07 2019

(111) M 2009 19414 R  
 (732) Raffles International Limited  
 1 Uolich Striti №17-01, Guoko Taueri,  
 078881, Singapore  
 (770) Raffles International Limited  
 250 North Bridge Road, N10-00 Raffles City  
 Tower, Singapiore 179101, Singapore  
 (580) 19 07 2019

(111) M 2009 19468 R  
 (732) Raffles International Limited  
 1 Uolich Striti №17-01, Guoko Taueri,  
 078881, Singapore  
 (770) Raffles International Limited  
 250 North Bridge Road, N10-00 Raffles City  
 Tower, Singapiore 179101, Singapore  
 (580) 19 07 2019

(111) M 1999 11966 R  
 (732) Posco International Corporation  
 10, Tongil-ro, Jung-gu, Seoul, Republic of  
 Korea  
 (770) POSCO DAEWOO CORPORATION  
 84-11, Namdaemunno 5-Ga, Chung-gu, Seoul,  
 Republic of Korea  
 (580) 15 07 2019

(111) M 1999 11967 R  
 (732) Posco International Corporation  
 10, Tongil-ro, Jung-gu, Seoul, Republic of  
 Korea  
 (770) POSCO DAEWOO CORPORATION  
 84-11, Namdaemunno 5-Ga, Chung-gu, Seoul,  
 Republic of Korea



(580) 15 07 2019

---

- (111) M 1999 11967 R  
(732) POSCO DAEWOO CORPORATION  
84-11, Namdaemunno 5-Ga, Chung-gu, Seoul,  
Republic of Korea  
(770) Daewoo International Corporation  
541, Namdaemunno 5-Ga, Chung-gu, Seoul,  
Republic of Korea  
(580) 15 07 2019
- 

- (111) M 1999 12555 R  
(732) Rheinmetall Automotive AG  
Karl-Schmidt-Strasse 2-8, 74172 Neckarsulm,  
Germany  
(770) KSPG AG  
Karl-Schmidt-Strasse 2-8, 74172 Neckarsulm,  
Germany  
(580) 27 06 2019
- 

- (111) M 1999 12149 R  
(732) LAVAZZA PROFESSIONAL UK LIMITED  
Dundee Road, Slough, Berkshire SL1 4LG,  
United Kingdom  
(770) MARS DRINKS UK LIMITED  
3D Dundee Road, Slough, Berkshire SL1  
4LG, United Kingdom  
(580) 01 07 2019
- 

- (111) M 1999 12560 R  
(732) COMPAGNIE CHAMPENOISE PH-CH.  
PIPER-HEIDSIECK-ANCIENNE MAISON  
HEIDSIECK FONDEE EN 1785  
12 Allée du Vignoble, 51100 Reims, France  
(770) PIPER-HEIDSIECK, Ancienne Maison  
HEIDSIECK  
fondée en 1785, Compagnie Champenoise  
(Société par Actions Simplifiée)  
12 Allée du Vignoble, 51100 Reims, France  
(580) 24 06 2019
- 

- (111) M 2017 28122 R  
(732) British American Tobacco (Brands) Inc.  
(a Delaware corporation)  
2711 Centerville Road, Suite 300,  
Wilmington, Delaware 19808, USA  
(770) British American Tobacco (Brands) Inc.  
(a Delaware corporation)  
2711 Centerville Road, Suite 300,  
Wilmington, Delaware 19808, USA  
(580) 18 01 2019
-

## TERMINATION OF TRADEMARKS REGISTRATION

(111) M 2019 31157 R  
 (151) 2019 05 03  
 (732) LTD "GEO-COOP"  
 A. Tvalchrelidze St. 2, 0182, Tbilisi,  
 Isani-Samgori district, Georgia  
 (141) 2019 08 02

(111) M 1999 11360 R  
 (151) 1999 01 11  
 (732) ALCATEL LUCENT FRANCE  
 12 rue de la Baume, 75008 Paris, France

(111) M 2009 19033 R  
 (151) 2009 01 16  
 (732) LTD "GORELLI"  
 Shindisi Highway II km, 1400, Gori, Georgia

(111) M 2009 19034 R  
 (151) 2009 01 16  
 (732) Revaz Mdinaradze  
 Laghidze St. 2, Tbilisi, Georgia

(111) M 2009 19035 R  
 (151) 2009 01 16  
 (732) LTD "GORELLI"  
 Shindisi Highway II km, 1400, Gori, Georgia

(111) M 2009 19036 R  
 (151) 2009 01 16  
 (732) LTD "GORELLI"  
 Shindisi Highway II km, 1400, Gori, Georgia

(111) M 2009 19037 R  
 (151) 2009 01 16  
 (732) LTD "GORELLI"  
 Shindisi Highway II km, 1400, Gori, Georgia

(111) M 2009 19038 R  
 (151) 2009 01 16  
 (732) Palmira Turizm Ticaret A.Ş.  
 İnkilap Mah. Dr. Fazıl Küçük Cad. No: 15,  
 34768 Umraniye-Istanbul, Turkey

(111) M 2009 19040 R  
 (151) 2009 01 16  
 (732) LTD "GEOMIL"  
 Tchirnakhuli St. 4, 0151, Tbilisi, Georgia

(111) M 2009 19041 R  
 (151) 2009 01 16  
 (732) BRISTOL-MYERS SQUIBB COMPANY  
 345 Park Avenue, New York, New York  
 10154, USA

(111) M 2009 19042 R  
 (151) 2009 01 16  
 (732) Ezili Investissements Inc.  
 Edificio El Dorado Calle 52 Y  
 Elvira Mendez, Republic of Panama

(111) M 2009 19043 R  
 (151) 2009 01 16  
 (732) Ezili Investissements Inc.  
 Edificio El Dorado Calle 52 Y  
 Elvira Mendez, Republic of Panama

(111) M 2009 19044 R  
 (151) 2009 01 16  
 (732) LTD "Zorzholiani Trading"  
 Zh. Shartava St. 43, 0160, Tbilisi,  
 Georgia

(111) M 2009 19051 R  
 (151) 2009 01 16  
 (732) Dekor Rulo Firça Sanayi ve  
 Ticaret Limited Şirketi  
 E-5 Yanyol Cad, No:42 Kaynarca Pendik  
 ISTANBUL, Turkey

(111) M 2009 19048 R  
 (151) 2009 01 16  
 (732) Dekor Rulo Firça Sanayi ve  
 Ticaret Limited Şirketi  
 E-5 Yanyol Cad, No:42 Kaynarca Pendik  
 ISTANBUL, Turkey

(111) M 2009 19049 R  
 (151) 2009 01 16  
 (732) High Tech Computer Corporation  
 N23, Xinghua Road, Taoyuan City, Taoyuan  
 County 330, Taiwan, R.O.C., Taiwan,  
 Province of China

(111) M 2009 19050 R  
 (151) 2009 01 16  
 (732) ROSSIA Marketing

und Distributionsgesellschaft mbH  
Trebener Strasse 27, 14193, Berlin,  
Germany

---

(111) M 2012 22637 R

(151) 2012 05 16

(732) Telefónica S.A.

GRAN VIA, 28, 28013 MADRID , Spain

---

## LICENSE AGREEMENTS

(800) 820785

(732) YANDEX LLC

Leo Tolstoy Str. 16, RU-119021 Moscow,  
Russian Federation

(791) YANDEX MADIASERVICES LLC

ul. Sadovnicheskaya, d. 82, ctr. 2,  
pom. 10A05, 115035 Moscow, Russian  
Federation

(793) 1584

(793) SIMPLE

(793) 06 07 2018 – Validity of Trademark

(793)

9 – Scientific, nautical, surveying, electric, photographic, cinematographic, optical, weighing, measuring, signalling, checking (supervision), life-saving and teaching apparatus and instruments; apparatus for recording, transmission or reproduction of sound or images; magnetic data carriers, recording discs; automatic vending machines and mechanisms for coin-operated apparatus; cash registers, calculating machines, data processing equipment and computers; fire-extinguishing apparatus.

16 – Paper, cardboard and goods made from these materials, not included in other classes; printed matter; bookbinding material; photographs; stationery; adhesives for stationery or household purposes; artists' materials; paint brushes; typewriters and office requisites (except furniture); instructional and teaching material (except apparatus); plastic materials for packaging (not included in other classes); printers' type; printing blocks.

35 – Advertising; business management; business administration; office functions.

36 – Insurance; financial affairs; monetary affairs; real estate affairs.

38 – Telecommunications including providing user access to a global computer network (service providers).

39 – Transport; packaging and storage of goods; travel arrangement.

41 – Education; providing of training; entertainment; sporting and cultural activities.

42 – Scientific and technological services and research; legal services; design and development of computer hardware and software; recovery of computer data; consultancy in the field of computer hardware; computer rental.

(800) 1334648

(732) YANDEX LLC

Leo Tolstoy Str. 16, RU-119021 Moscow,  
Russian Federation

(791) YANDEX MADIASERVICES LLC

ul. Sadovnicheskaya, d. 82, ctr. 2,  
pom. 10A05, 115035 Moscow, Russian  
Federation

(793) 1585

(793) SIMPLE

(793) 06 07 2018 – Validity of Trademark

(793)

9 – Interfaces for computers; computers; computer programs; computer software for personal computers, mobile devices and portable computers; readers [data processing equipment]; navigation apparatus.

16 – Geographical maps; books.

35 – Advertising agencies; computerized file management; invoicing; marketing studies; commercial information and advice for consumer; marketing research; business management consultancy; layout services for advertising purposes; marketing; updating of advertising material; word processing; payroll preparation; data search in computer files for others; business management assistance; sales promotion for others; publicity material rental; publication of publicity texts; dissemination of advertising matter; advertising; on-line advertising on a computer network; compilation of statistics; compilation of statistics about web-sites usage, Internet service usage, forecasting extend of their usage; compilation of information into computer databases; systemization of information into computer databases; administrative processing of purchase orders on goods and services; price comparison services; services on wholesale and retail sale of goods via Internet; distribution of computer software for commercial and advertising purposes.

38 – Wireless broadcasting; television broadcasting; providing user access to global computer networks; providing access to databases; news agencies; providing internet chatrooms; providing telecommunications connections to a global computer network; computer aided transmission of messages and images; transmission of digital files; electronic mail; radio broadcasting; communications by fiber optic networks; communications by computer terminals; communications by telephone; teleconferencing services; telecommunications routing and junction services; providing access to stored data via Internet.

39 – Transport reservation; traffic information; providing information on traffic congestion; transportation information; transportation logistics; travel arrangement; removal services; transport of travelers; bus transport; car transport; passenger transport; transport brokerage; mediation on provision of taxi services; car rental; vehicle rental; escorting of travelers; chauffeur services; taxi transport; taxi reservation; freight forwarding.

41 – Booking of seats for shows; videotaping; dubbing; gambling; publication of books; education information; recreation information; entertainment information; movie studios; videotape editing; game services provided on-line from a computer network; providing on-line electronic publications, not downloadable; correspondence courses; providing recreation facilities; arranging and conducting of conferences; arranging and conducting of concerts; arranging and conducting of workshops [training]; arranging and conducting of seminars; organization of competitions [education or entertainment]; operating lotteries; videotape film production; publication of electronic books and journals online; publication of texts, other than publicity texts; news reporters services; educational services; translation; ticket agency services [entertainment].

42 – Computer system analysis; computer virus protection services; technical project studies; oil-field surveys; meteorological information; technical research; updating of computer software; monitoring of computer systems by remote access; providing search engines for the internet; electronic data storage; providing temporary use of non-downloadable computer software for data storage and access to stored data via internet; website hosting; data conversion of computer programs and data [not physical conversion]; geological prospecting; rental of web servers; rental of computer software; computer software design; providing temporary use of non-downloadable computer software for statistical investigations and server hosting; providing temporary use of non-downloadable computer software for collection of statistic data on website traffic; physics [research].

---

---

# CLASSIFICATION INDEXES

## INVENTIONS

### CONCORDANCE TABLE OF INTERNATIONAL CLASSIFICATION INDEX AND PUBLICATION NUMBERS

INTERNATIONAL CLASSIFICATION INDEXES (51)	NUMBER OF PUBLISHED APPLICATION (10)
A 47 K 10/36	AP 2019 14605 A
A 61 K 31/4439; A 61 P 27/02; A 61 P 9/00; C 07 D 413/14; C 07 D 401/10; C 07 D 401/14; C 07 D 413/10	AP 2019 14692 A
B 42 D 25/41	AP 2019 14610 A
C 07 D 471/04	AP 2019 14545 A
E 02 B 3/00	AP 2019 14656 A

### CONCORDANCE TABLE OF PUBLICATION NUMBERS AND INTERNATIONAL CLASSIFICATION INDEX

NUMBER OF PUBLISHED APPLICATION (10)	INTERNATIONAL CLASSIFICATION INDEXES (51)
AP 2019 14545 A	C 07 D 471/04
AP 2019 14605 A	A 47 K 10/36
AP 2019 14610 A	B 42 D 25/41
AP 2019 14656 A	E 02 B 3/00
AP 2019 14692 A	A 61 K 31/4439; A 61 P 27/02; A 61 P 9/00; C 07 D 413/14; C 07 D 401/10; C 07 D 401/14; C 07 D 413/10

### CONCORDANCE TABLE OF INTERNATIONAL CLASSIFICATION INDEX, PATENT NUMBERS AND PUBLICATION NUMBERS

INTERNATIONAL CLASSIFICATION INDEX (51)	NUMBER OF PATENT (11)	NUMBER OF PUBLISHED APPLICATION (10)
B 61 L 23/16	P 2019 7012 B	AP 2019 14538 A
B 62 D 23/00; B 62 D 27/02; B 62 D 29/00	P 2019 7010 B	AP 2019 14362 A
C 07 D 403/14; C 07 D 473/16	P 2019 7011 B	AP 2019 14379 A
C 07 D 487/04; C 07 H 19/06; C 07 H 19/14; A 61 K 31/7064; A 61 K 31/7076; A 61 P 1/16	P 2019 7009 B	AP 2019 14307 A

**CONCORDANCE TABLE OF PATENT NUMBERS,  
PUBLICATION NUMBERS AND INTERNATIONAL CLASSIFICATION INDEX**

NUMBER OF PATENT (11)	NUMBER OF PUBLISHED APPLICATION (10)	INTERNATIONAL CLASSIFICATION INDEX (51)
P 2019 7009 B	AP 2019 14307 A	C 07 D 487/04; C 07 H 19/06; C 07 H 19/14; A 61 K 31/7064; A 61 K 31/7076; A 61 P 1/16
P 2019 7010 B	AP 2019 14362 A	B 62 D 23/00; B 62 D 27/02; B 62 D 29/00
P 2019 7011 B	AP 2019 14379 A	C 07 D 403/14; C 07 D 473/16
P 2019 7012 B	AP 2019 14538 A	B 61 L 23/16

**CONCORDANCE TABLE OF APPLICATION NUMBERS, PUBLICATION NUMBERS AND PATENTS**

NUMBER OF APPLICATION (21)	NUMBER OF PUBLISHED APPLICATION (10)	NUMBER OF PATENT (11)
AP 2015 14307	AP 2019 14307 A	P 2019 7009 B
AP 2015 14362	AP 2019 14362 A	P 2019 7010 B
AP 2015 14379	AP 2019 14379 A	P 2019 7011 B
AP 2017 14538	AP 2019 14538 A	P 2019 7012 B

## UTILITY MODELS

**CONCORDANCE TABLE OF INTERNATIONAL CLASSIFICATION INDEX AND PUBLICATION NUMBERS**

INTERNATIONAL CLASSIFICATION INDEXES (51)	NUMBER OF PUBLISHED APPLICATION (10)
A 63 G 21/00	AU 2019 14921 Y

**CONCORDANCE TABLE OF PUBLICATION NUMBERS AND INTERNATIONAL CLASSIFICATION INDEX**

NUMBER OF PUBLISHED APPLICATION (10)	INTERNATIONAL CLASSIFICATION INDEXES (51)
AU 2019 14921 Y	A 63 G 21/00

**CONCORDANCE TABLE OF INTERNATIONAL CLASSIFICATION INDEX, PATENT NUMBERS AND PUBLICATION NUMBERS**

INTERNATIONAL CLASSIFICATION INDEX (51)	NUMBER OF PATENT (11)	NUMBER OF PUBLISHED APPLICATION (10)
E 04 B 5/43	U 2019 2016 Y	AU 2019 14779 U

**CONCORDANCE TABLE OF PATENT NUMBERS,  
PUBLICATION NUMBERS AND INTERNATIONAL CLASSIFICATION INDEX**

NUMBER OF PATENT (11)	NUMBER OF PUBLISHED APPLICATION (10)	INTERNATIONAL CLASSIFICATION INDEX (51)
U 2019 2016 Y	AU 2019 14779 U	E 04 B 5/43

**CONCORDANCE TABLE OF APPLICATION NUMBERS, PUBLICATION NUMBERS  
AND PATENTS**

NUMBER OF APPLICATION (21)	NUMBER OF PUBLISHED APPLICATION (10)	NUMBER OF PATENT (11)
AU 2018 14779	AU 2019 14779 U	U 2019 2016 Y

## DESIGNS

**CONCORDANCE TABLE OF INTERNATIONAL CLASSIFICATION INDEX  
AND PUBLICATION NUMBERS**

INTERNATIONAL CLASSIFICATION INDEXES (51)	NUMBER OF PUBLISHED APPLICATION (10)
07-06	AD 2019 1083 S
09-01	AD 2019 1079 S
19-08	AD 2019 1085 S

**CONCORDANCE TABLE OF PUBLICATION NUMBERS  
AND INTERNATIONAL CLASSIFICATION INDEX**

NUMBER OF PUBLISHED APPLICATION (10)	INTERNATIONAL CLASSIFICATION INDEXES (51)
AD 2019 1079 S	09-01
AD 2019 1083 S	07-06
AD 2019 1085 S	19-08

**CONCORDANCE TABLE OF INTERNATIONAL CLASSIFICATION INDEX,  
PATENT NUMBERS AND PUBLICATION NUMBERS**

INTERNATIONAL CLASSIFICATION INDEX (51)	NUMBER OF PATENT (11)	NUMBER OF PUBLISHED APPLICATION (10)
09-03	D 2019 814 S	AD 2019 1059 S
23-03	D 2019 815 S	AD 2019 1065 S
30-02	D 2019 816 S	AD 2019 1067 S



CONCORDANCE TABLE OF PATENT NUMBERS,  
PUBLICATION NUMBERS AND INTERNATIONAL CLASSIFICATION INDEX

NUMBER OF PATENT (11)	NUMBER OF PUBLISHED APPLICATION (10)	INTERNATIONAL CLASSIFICATION INDEX (51)
D 2019 814 S	AD 2019 1059 S	09-03
D 2019 815 S	AD 2019 1065 S	23-03
D 2019 816 S	AD 2019 1067 S	30-02

CONCORDANCE TABLE OF APPLICATION NUMBERS, PUBLICATION NUMBERS  
AND PATENTS

NUMBER OF APPLICATION (21)	NUMBER OF PUBLISHED APPLICATION (10)	NUMBER OF PATENT (11)
AD 2018 1059	AD 2019 1059 S	D 2019 814 S
AD 2018 1065	AD 2019 1065 S	D 2019 815 S
AD 2018 1067	AD 2019 1067 S	D 2019 816 S

## TRADEMARKS

### CONCORDANCE TABLE OF REGISTRATION NUMBERS, APPLICATION NUMBERS, PUBLICATION NUMBERS AND BULLETIN NUMBERS

NUMBER OF REGISTRATION (111)	NUMBER OF APPLICATIONS (210)	NUMBER OF PUBLISHED APPLICATIONS (260)	NUMBER OF BULLETIN
M 2019 31488 R	AM 104083	–	15(523)/2019
M 2019 31489 R	AM 103859	–	15(523)/2019
M 2019 31490 R	AM 103945	–	15(523)/2019
M 2019 31491 R	AM 103972	–	15(523) 2019
M 2019 31492 R	AM 103966	–	15(523)/2019
M 2019 31493 R	AM 103982	–	15(523)/2019
M 2019 31494 R	AM 94442	AM 2019 94442 A	1(509)/2019
M 2019 31495 R	AM 94562	AM 2019 94562 A	7(515)/2019
M 2019 31496 R	AM 96306	AM 2018 96306 A	18(502)/2018
M 2019 31497 R	AM 96645	AM 2019 96645 A	6(514)/2019
M 2019 31498 R	AM 97478	AM 2019 97478 A	1(509)/2019
M 2019 31499 R	AM 97684	AM 2019 97684 A	1(509)/2019
M 2019 31500 R	AM 97685	AM 2019 97685 A	1(509)/2019
M 2019 31501 R	AM 97770	AM 2018 97770 A	24(508)/2018
M 2019 31502 R	AM 97804	AM 2019 97804 A	1(509)/2019
M 2019 31503 R	AM 97813	AM 2019 97813 A	1(509)/2019
M 2019 31504 R	AM 98003	AM 2019 98003 A	2(510)/2019
M 2019 31505 R	AM 98177	AM 2019 98177 A	3(511)/2019
M 2019 31506 R	AM 98178	AM 2019 98178 A	3(511)/2019
M 2019 31507 R	AM 98206	AM 2019 98206 A	7(515)/2019
M 2019 31508 R	AM 98246	AM 2019 98246 A	4(512)/2019
M 2019 31509 R	AM 98405	AM 2019 98405 A	4(512)/2019
M 2019 31510 R	AM 98441	AM 2019 98441 A	5(513)/2019
M 2019 31511 R	AM 98573	AM 2019 98573 A	7(515)/2019
M 2019 31512 R	AM 98586	AM 2019 98586 A	7(515)/2019
M 2019 31513 R	AM 98676	AM 2019 98676 A	5(513)/2019
M 2019 31514 R	AM 98677	AM 2019 98677 A	5(513)/2019
M 2019 31515 R	AM 98678	AM 2019 98678 A	5(513)/2019
M 2019 31516 R	AM 98680	AM 2019 98680 A	5(513)/2019
M 2019 31517 R	AM 98758	AM 2019 98758 A	7(515)/2019
M 2019 31518 R	AM 98759	AM 2019 98759 A	5(513)/2019
M 2019 31519 R	AM 98760	AM 2019 98760 A	5(513)/2019
M 2019 31520 R	AM 98761	AM 2019 98761 A	5(513)/2019
M 2019 31521 R	AM 98785	AM 2019 98785 A	7(515)/2019
M 2019 31522 R	AM 98802	AM 2019 98802 A	7(515)/2019
M 2019 31523 R	AM 98803	AM 2019 98803 A	7(515)/2019
M 2019 31524 R	AM 98898	AM 2019 98898 A	7(515)/2019
M 2019 31525 R	AM 98973	AM 2019 98973 A	7(515)/2019
M 2019 31526 R	AM 99054	AM 2019 99054 A	7(515)/2019
M 2019 31527 R	AM 99065	AM 2019 99065 A	7(515)/2019
M 2019 31528 R	AM 99082	AM 2019 99082 A	6(514)/2019
M 2019 31529 R	AM 99188	AM 2019 99188 A	7(515)/2019
M 2019 31530 R	AM 99457	AM 2019 99457 A	7(515)/2019
M 2019 31531 R	AM 99458	AM 2019 99458 A	7(515)/2019
M 2019 31532 R	AM 99479	AM 2019 99479 A	7(515)/2019
M 2019 31533 R	AM 99480	AM 2019 99480 A	7(515)/2019
M 2019 31534 R	AM 99481	AM 2019 99481 A	7(515)/2019

1	2	3	4
M 2019 31535 R	AM 104100	–	15(523)/2019
M 2019 31536 R	AM 103882	–	15(523)/2019
M 2019 31537 R	AM 104175	–	15(523)/2019
M 2019 31538 R	AM 103976	–	15(523)/2019
M 2019 31539 R	AM 103977	–	15(523)/2019
M 2019 31540 R	AM 103980	–	15(523)/2019
M 2019 31541 R	AM 103981	–	15(523)/2019
M 2019 31542 R	AM 104109	–	15(523)/2019
M 2019 31543 R	AM 104302	–	15(523)/2019
M 2019 31544 R	AM 103870	–	15(523)/2019
M 2019 31545 R	AM 104108	–	15(523)/2019
M 2019 31546 R	AM 104308	–	15(523)/2019
M 2019 31547 R	AM 104309	–	15(523)/2019

CONCORDANCE TABLE OF PUBLICATION NUMBERS  
AND APPLICATION NUMBERS

NUMBER OF PUBLISHED APPLICATION (260)	NUMBER OF APPLICATION (210)	1	2
		1	2
AM 2019 97814 A*	AM 97814	AM 2019 100791 A	AM 100791
AM 2019 98412 A*	AM 98412	AM 2019 100794 A	AM 100794
AM 2019 98448 A	AM 98448	AM 2019 100795 A	AM 100795
AM 2019 98764 A	AM 98764	AM 2019 100796 A	AM 100796
AM 2019 99157 A	AM 99157	AM 2019 100799 A	AM 100799
AM 2019 99197 A	AM 99197	AM 2019 100805 A	AM 100805
AM 2019 99484 A	AM 99484	AM 2019 100819 A	AM 100819
AM 2019 99485 A	AM 99485	AM 2019 100858 A	AM 100858
AM 2019 99486 A	AM 99486	AM 2019 100866 A	AM 100866
AM 2019 99947 A	AM 99947	AM 2019 100881 A	AM 100881
AM 2019 99950 A	AM 99950	AM 2019 100893 A	AM 100893
AM 2019 100393 A	AM 100393	AM 2019 100909 A	AM 100909
AM 2019 100421 A	AM 100421	AM 2019 100920 A	AM 100920
AM 2019 100422 A	AM 100422	AM 2019 100928 A	AM 100928
AM 2019 100688 A	AM 100688	AM 2019 100931 A	AM 100931
AM 2019 100689 A	AM 100689	AM 2019 100933 A	AM 100933
AM 2019 100707 A	AM 100707	AM 2019 101224 A	AM 101224
AM 2019 100760 A	AM 100760	AM 2019 101241 A	AM 101241
AM 2019 100776 A	AM 100776	AM 2019 101251 A	AM 101251
AM 2019 100778 A	AM 100778	AM 2019 101252 A	AM 101252
AM 2019 100785 A	AM 100785	AM 2019 101254 A	AM 101254
AM 2019 100786 A	AM 100786	AM 2019 101290 A	AM 101290
AM 2019 100787 A	AM 100787	AM 2019 101291 A	AM 101291
		AM 2019 101417 A	AM 101417
		AM 2019 101418 A	AM 101418
		AM 2019 101506 A	AM 101506
		AM 2019 101676 A	AM 101676

CONCORDANCE TABLE OF INDEX OF GOODS AND/OR SERVICES  
AND APPLICATION NUMBERS

INDEX OF GOODS AND/OR SERVICES (511)	NUMBER OF PUBLISHED APPLICATIONS (26)	1	2
1	2	20	AM 2019 99950 A
3	AM 2019 100689 A	21	AM 2019 100805 A
3	AM 2019 100791 A	25	AM 2019 100760 A
5	AM 2019 100778 A	25	AM 2019 100787 A
5	AM 2019 101417 A	25	AM 2019 100805 A
5	AM 2019 101418 A	25	AM 2019 100881 A
5	AM 2019 98448 A	25	AM 2019 100893 A
6	AM 2019 99947 A	25	AM 2019 101251 A
6	AM 2019 99950 A	25	AM 2019 101676 A
8	AM 2019 99947 A	25	AM 2019 98764 A
8	AM 2019 99950 A	28	AM 2019 101676 A
9	AM 2019 100760 A	29	AM 2019 99484 A
9	AM 2019 100785 A	29	AM 2019 99485 A
9	AM 2019 100786 A	29	AM 2019 99486 A
9	AM 2019 100787 A	30	AM 2019 100920 A
9	AM 2019 100794 A	30	AM 2019 101254 A
9	AM 2019 100795 A	30	AM 2019 101290 A
9	AM 2019 100796 A	30	AM 2019 101291 A
9	AM 2019 100909 A	30	AM 2019 101676 A
9	AM 2019 98764 A	30	AM 2019 99197 A
9	AM 2019 99947 A	30	AM 2019 99484 A
9	AM 2019 99950 A	30	AM 2019 99485 A
10	AM 2019 99947 A	30	AM 2019 99486 A
10	AM 2019 99950 A	32	AM 2019 97814 A*
11	AM 2019 99947 A	33	AM 2019 101241 A
11	AM 2019 99950 A	33	AM 2019 101506 A
12	AM 2019 99947 A	34	AM 2019 100799 A
12	AM 2019 99950 A	34	AM 2019 100928 A
14	AM 2019 100688 A	34	AM 2019 100931 A
16	AM 2019 100421 A	34	AM 2019 100933 A
16	AM 2019 100422 A	35	AM 2019 98412 A*
16	AM 2019 100689 A	35	AM 2019 100688 A
16	AM 2019 100787 A	35	AM 2019 100689 A
16	AM 2019 100805 A	35	AM 2019 100707 A
16	AM 2019 100881 A	35	AM 2019 100760 A
16	AM 2019 101252 A	35	AM 2019 100794 A
16	AM 2019 99157 A	35	AM 2019 100795 A
17	AM 2019 99947 A	35	AM 2019 100796 A
17	AM 2019 99950 A	35	AM 2019 100819 A
18	AM 2019 100760 A	35	AM 2019 100858 A
18	AM 2019 100787 A	35	AM 2019 100881 A
18	AM 2019 100805 A	35	AM 2019 101251 A
18	AM 2019 99947 A	35	AM 2019 101252 A
18	AM 2019 99950 A	35	AM 2019 99484 A
19	AM 2019 99947 A	35	AM 2019 99485 A
19	AM 2019 99950 A	35	AM 2019 99486 A
20	AM 2019 100805 A	35	AM 2019 99947 A
20	AM 2019 99947 A	35	AM 2019 99950 A
		36	AM 2019 100794 A
		36	AM 2019 100795 A
		36	AM 2019 100796 A
		36	AM 2019 100819 A

1	2
37	AM 2019 100866 A
37	AM 2019 99947 A
37	AM 2019 99950 A
38	AM 2019 100776 A
38	AM 2019 100794 A
38	AM 2019 100795 A
38	AM 2019 100796 A
39	AM 2019 100689 A
39	AM 2019 100881 A
39	AM 2019 101224 A
39	AM 2019 99947 A
39	AM 2019 99950 A
40	AM 2019 101252 A
40	AM 2019 99947 A
40	AM 2019 99950 A
41	AM 2019 100787 A
41	AM 2019 100794 A
41	AM 2019 100795 A
41	AM 2019 100796 A
41	AM 2019 100819 A

1	2
41	AM 2019 100881 A
41	AM 2019 99947 A
41	AM 2019 99950 A
42	AM 2019 100794 A
42	AM 2019 100795 A
42	AM 2019 100796 A
42	AM 2019 100866 A
42	AM 2019 100881 A
42	AM 2019 101252 A
42	AM 2019 99947 A
42	AM 2019 99950 A
43	AM 2019 100393 A
43	AM 2019 100805 A
43	AM 2019 100819 A
43	AM 2019 100858 A
43	AM 2019 100881 A
44	AM 2019 100819 A
45	AM 2019 100794 A
45	AM 2019 100795 A
45	AM 2019 100796 A

CONCORDANCE TABLE OF INDEX OF GOODS AND/OR SERVICES  
AND NUMBERS OF TRADEMARKS REGISTERED ACCORDING  
TO THE ACCELERATED PROCEDURE

INDEX OF GOODS AND/OR SERVICES (511)	NUMBERS OF REGISTERED ACCORDING TO THE ACCELERATED PROCEDURE (111)
3	M 2019 31537 R
4	M 2019 31543 R
5	M 2019 31489 R
5	M 2019 31492 R
5	M 2019 31536 R
12	M 2019 31545 R
29	M 2019 31535 R
29	M 2019 31544 R
30	M 2019 31544 R
31	M 2019 31544 R
32	M 2019 31489 R
32	M 2019 31493 R
32	M 2019 31546 R
32	M 2019 31547 R
33	M 2019 31488 R
35	M 2019 31489 R
35	M 2019 31491 R
35	M 2019 31493 R
35	M 2019 31542 R
35	M 2019 31545 R
39	M 2019 31542 R
43	M 2019 31490 R
43	M 2019 31493 R
43	M 2019 31538 R
43	M 2019 31539 R
43	M 2019 31540 R
43	M 2019 31541 R
43	M 2019 31544 R

# OFFICIAL BULLETIN OF THE INDUSTRIAL PROPERTY

INVENTIONS  
UTILITY MODELS  
DESIGNS  
TRADEMARKS  
GEOGRAPHICAL INDICATION

## 15(523)

EDITOR-IN-CHIEF: N. Bebrishvili

EDITOR-TRANSLATOR: E. Gabunia

PROOFREADER: A. Shikhashvili

COMPUTER LAYOUT: M. Ordenidze

[www.sakpatenti.gov.ge](http://www.sakpatenti.gov.ge)  
E-mail: [info@sakpatenti.org.ge](mailto:info@sakpatenti.org.ge)