

Official Bulletin of the Industrial Property

Inventions

Utility Models

Designs

Trademarks

Appellations of Origin of Goods



საქართველოს ინტელექტუალური
საკუთრების ეროვნული ცენტრი

საქპატენტი

SAKPATENTI

NATIONAL INTELLECTUAL PROPERTY
CENTER OF GEORGIA

www.sakpatenti.gov.ge

Date of Publication – 2022 08 10

15(594)

INID CODES FOR IDENTIFICATION OF BIBLIOGRAPHIC DATA

INVENTIONS, UTILITY MODELS

- (10) Number of publication for application, which has been examined
- (11) Number of patent and kind of document
- (21) Serial number of application
- (22) Date of filing of the application
- (23) Date of exhibition or the date of the earlier filing and the number of application, if any
- (24) Date from which patent may have effect
- (31) Number of priority application
- (32) Date of filing of priority application
- (33) Code of the country or regional organization allotting priority application number
- (44) Date of publication of application not granted, but examined and number of bulletin
- (45) Date of publication of registered document
- (51) International Patent Classification Index

- (54) Title of the invention
- (57) Abstract
- (60) Number of examined patent document granted by foreign patent office, date from which patent has effect and country code
- (62) Number of the earlier application and in case of divided application, date of filing an application
- (71) Name, surname and address of applicant (country code)
- (72) Name, surname of inventor (country code)
- (73) Name, surname and address of patent owner (country code)
- (74) Name, surname of representative or patent attorney
- (85) Date of commencement of the national phase of International Application
- (86) Number and date of filing of international application
- (87) Number and date of publication of international application
- (94) Calculated date of expiry of the SPC or the duration of the SPC

DESIGNS

- (10) Number of publication for application
- (11) Number of patent and kind of document or number of registration
- (15) Date of registration/Date of patent renewal
- (18) Expected expiration date of patent or registration
- (21) Serial number of application
- (22) Date of filing of the application
- (23) Date of exhibition or the date of the earlier filing and the number of application, if any
- (24) Date from which patent may have effect
- (28) Number of designs included in the application
- (30) Data relating to priority (number of application, date of filing of application, two-letter code identifying the authority with whom the priority application was made)
- (31) Number of priority application
- (32) Date of filing of priority application
- (33) Code of the country or regional organization allotting priority application number
- (34) Two-letter code according to WIPO St.3 identifying the authority with which the priority application was made
- (44) Date of publication of design and number of bulletin (the first publication)
- (45) Date of publication of design registered by WIPO and number of bulletin

- (51) International Classification for designs (class and subclass of the Locarno Classification)
- (54) Title of the invention
- (55) Reproduction of the design
- (57) Description of characteristic features of the design including indication of colors
- (58) Date of recording of any kind of amendment in the Register
- (62) Number of the earlier application, registration and document number and if available the date of filing an application in case of divided application
- (71) Name, surname and address of applicant (country code)
- (72) Name, surname of creator (country code)
- (73) Name, surname and address of patent owner (country code)
- (74) Name, surname of representative or patent attorney
- (81) Contracting states concerned
 - II designated contracting states according to the 1960 Act
 - III designated contracting states according to the 1999 Act
- (85) Owner's permanent address
- (86) Owner's nationality
- (87) Owner's residence
- (88) State in which the owner has a real and effective industrial or commercial establishment

TRADEMARKS

- (111) - Number of registration
- (151) - Date of registration
- (156) - Date of the renewal
- (181) - Expected expiration date of registration
- (186) - Renewal expiration date of registration
- (141) - Date of cancel of duration of the mark
- (210) - Serial number of application
- (220) - Date of filing of the application
- (230) - Data concerning exhibition
- (260) - Number of application, for which favorable decision of examination about registration has been taken (publication number)
- (310) - Number of the first application
- (320) - Date of filing of the first application
- (330) - Code, identifying national or regional Office where the first application was made
- (511) - International Classification of Goods and Services for the purposes of registration of trade marks and/or list of goods and/or services classified according thereto
- (526) - Disclaimer
- (531) - Description of figurative elements of Trade Marks according to the International Classification of the Figurative Elements of Marks

- (540) - Reproduction of Trade Mark
- (550) - Nature and kind of Trade Mark
- (551) - Indication to the effect that the mark is a collective mark, a certification mark or a guarantee mark
- (554) - Three-dimensional mark
- (580) - Date of recording of any kind changes in respect of applications or registrations
- (591) - Information concerning colors claimed
- (731) - Name and address of the applicant
- (732) - Name and address of the holder of the registration
- (740) - Name and address of the representative
- (750) - Addreses for correspondence
- (770) - Name and address of the previous applicant or holder in case of change in ownership
- (771) - Previous name and address of the applicant or holder in case of change in ownership
- (791) - Name and address of the licensee
- (793) - Indication of conditions and/or restrictions under the license (Type of license, number of license agreement, data of license, data of validity of license)
- (800) - Certain data relating to the international registration of Trade Marks under the Protocol Relating to Madrid Agreement (International registration number
- (852) - Partial cancellation of the list of goods and services
- (891) - Date of subsequent designation

CODES FOR PUBLICATION IN BULLETIN

- (21) AP 0000 000000 - serial number of application for invention
- (10) AP 0000 0000 A - number of published application for invention (first publication)
- (11) P 0000 0000 B - number of patent for invention (second publication)
- (21) API 0000 000000 - number of application for imported patent
- (11) PI 0000 0000 A - number of imported patent (first publication)
- (21) AU 0000 000000 - serial number of application for utility model
- (10) AU 0000 000 U - number of published application for utility model (first publication)
- (11) U 0000 000 Y - number of patent for utility model (second publication)
- (21) AD 0000 000000 - serial number of application for design
- (10) AD 0000 000 S - number of published application for design (first publication)
- (11) D 0000 000 S - registered design

INTERNATIONAL PATENT CLASSIFICATION FOR INVENTIONS AND UTILITY MODELS

- SECTION A - HUMAN NECESSITIES
- SECTION B - PERFORMING OPERATIONS; TRANSPORTING
- SECTION C - CHEMISTRY; METALLURGY
- SECTION D - TEXTILES; PAPER
- SECTION E - FIXED CONSTRUCTIONS
- SECTION F - MECHANICAL ENGINEERING; LIGHTING; HEATING; WEAPONS; BLASTING
- SECTION G - PHYSICS
- SECTION H - ELECTRICITY

-
- M - Trade Mark
 - (210) AM 0000 000000 - Serial number of application;
 - (260) AAM 0000 00000 A - Publication number of application;
 - (111) M 0000 00000 R - Number of registration;
 - (111) MMM0000 00000 Rn - Number of renewals, in which n=1,2,3;
 - (111) M 0000 00000 R(P) - Number of registration under partial assignment of rights
-

Official Bulletin of the Industrial Property

Inventions

Utility Models

Designs

Trademarks

Appellations of Origin of Goods

CONTENT

PUBLISHED TITLES OF PROTECTION	3
INVENTIONS	
▪ APPLICATIONS APPROVED FOR GRANTING PATENT	4
▪ PATENTED INVENTIONS	6
UTILITY MODELS	
▪ APPLICATIONS APPROVED FOR GRANTING PATENT	8
▪ PATENTED UTILITY MODELS	10
DESIGNS	
▪ REGISTERED DESIGN	11
▪ DESIGNS, WHICH HAVE BEEN REGISTERED WITH THE INTERNATIONAL BUREAU CLAIMING PRIORITY ON THE TERRITORY OF GEORGIA	12
TRADEMARKS	
▪ APPLICATIONS FILED UNDER THE NATIONAL PROCEDURE APPROVED FOR REGISTRATION	25
▪ TRADEMARKS REGISTERED ACCORDING TO THE ACCELERATED PROCEDURE	33
▪ INTERNATIONAL TRADEMARKS FOR WHICH A DECISION ON GRANTING PROTECTION IS TAKEN	33
▪ INTERNATIONAL TRADEMARKS PROTECTED IN GEORGIA	82
APPELLATIONS OF ORIGIN OF GOODS	
WINE SPECIFICATION	
▪ ASURETULI SHALA	91
▪ OKAMI	96
OFFICIAL NOTIFICATIONS	
INVENTIONS	
▪ ABOLITION OF PATENTS WITH THE RIGHT TO RESTORE	101
▪ EXPIRATION OF TERMS OF PATENTS RESTORATION	102
▪ EXPIRATION OF TERMS OF PATENT	103
▪ CORRECTION OF PUBLISHED INFORMATION	103
UTILITY MODELS	
▪ ABOLITION OF PATENTS WITH THE RIGHT TO RESTORE	104
▪ EXPIRATION OF TERMS OF PATENTS RESTORATION	104
▪ TRANSFER OF RIGHTS	105
DESIGNS	
▪ EXTENSION OF TERMS OF INTERNATIONAL DESIGNS REGISTRATION	105
▪ CANCELLATION OF INTERNATIONAL DESIGNS REGISTRATION	108
TRADEMARKS	
▪ EXTENSION OF TERMS OF TRADEMARKS REGISTRATION	109
▪ COMPLETE TRANSFER OF RIGHTS	110
▪ CHANGES OF NAMES AND/OR ADDRESSES OF TRADEMARKS OWNERS	111
▪ CANCELLATION OF TRADEMARKS REGISTRATION	112
▪ INTERNATIONAL LICENSE AGREEMENT	113
CLASSIFICATION INDEXES	
INVENTIONS	114
UTILITY MODELS	115
DESIGNS	116
TRADEMARKS	118

PUBLISHED TITLES OF PROTECTION

INVENTIONS

- **APPLICATIONS APPROVED FOR GRANTING PATENT:**
15670; 15599; 15265
- **PATENTED INVENTIONS:**
7401-7405

UTILITY MODELS

- **APPLICATIONS APPROVED FOR GRANTING PATENT:**
15768; 25677; 15789
- **PATENTED UTILITY MODELS:**
2124-2126

DESIGNS

- **REGISTERED DESIGN:**
941
- **DESIGNS, WHICH HAVE BEEN REGISTERED WITH THE INTERNATIONAL BUREAU CLAIMING PRIORITY ON THE TERRITORY OF GEORGIA:**
218026; 218086; 218003; 218005; 218528; 221343; 221699

TRADEMARKS

- **APPLICATIONS FILED UNDER THE NATIONAL PROCEDURE APPROVED FOR REGISTRATION:**
115883; 115976; 116069; 116152; 116155; 116159; 116226-116228; 116231-116233; 116236-116238; 116240; 116242; 116245; 116249; 116303; 116316-116318; 116325; 116327; 116391; 116397-116399; 116419, 116420; 116429
- **TRADEMARKS REGISTERED ACCORDING TO THE ACCELERATED PROCEDURE:**
35733-35745
- **INTERNATIONAL TRADEMARKS FOR WHICH A DECISION ON GRANTING PROTECTIONS IS TAKEN:**
114939; 115051; 115075; 115087, 115088; 115143, 115144; 115166; 115180, 115181; 115200, 115201; 115243-115248; 115259-115261; 115263-115267; 115294; 115376-115385; 115397; 115493; 115540; 115543; 115566-115574; 115622; 115630; 115773; 115799; 115939-115941
- **INTERNATIONAL TRADEMARKS PROTECTED IN GEORGIA:**
109396; 112013; 112228; 113557; 113562; 113576; 113578; 113625; 113627; 113633; 113639; 113652; 113664; 113681; 113720; 113722, 113723; 113726; 113745-113747; 113749-113754; 113795; 113804-113813; 113817; 113819-113823; 113829; 113830-113832; 113834-113839; 113896; 113898; 113914-113918; 113924-113929; 113931-113934; 113957; 113959-113961; 113965; 114006-114008; 114010, 114011; 114014, 114015; 114026; 114065; 114088; 114093; 114095, 114096; 114117; 114164-114166; 114184-114188; 114210-114213; 114267-114270; 114296-114299; 114356; 114358; 114360; 114386-114390; 114437, 114438; 114440
- **APPELLATIONS OF ORIGIN OF GOODS:**
3514, 3515

INVENTIONS

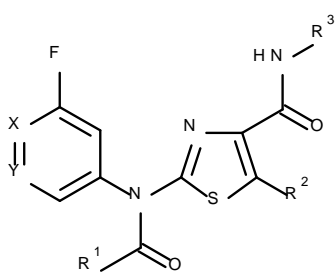
APPLICATIONS APPROVED FOR GRANTING PATENT

The decision can be appealed at the Chamber of Appeal of Sakpatenti within 3 months from the publication or at the Mtskheta District Court Administrative Cases Board (Address: №17, Samkhedro St., Mtskheta), within 1 month following the publication.

PART A

A 01

- (10) AP 2022 15670 A (51) Int. Cl. (2006)
A 01 N 43/78
C 07 D 277/56
- (21) AP 2019 15670 (22) 2019 11 28
(31) 18209586.9
(32) 2018 11 30
(33) EP
- (71) SYNGENTA CROP PROTECTION AG (CH)
Rosentalstrasse 67, Basel 4058, Switzerland
(CH)
- (72) BURNS, David (GB);
MONACO, Mattia, Riccardo (CH);
RENDINE, Stefano (CH);
LAMBERTH, Clemens (CH);
BLUM, Mathias (CH)
- (74) Tamar Kochlamazashvili
(85) 2021 06 25
(86) PCT/EP2019/082978, 2019 11 28
- (54) MICROBIOCIDAL 2-ACYLAMINO-
THIAZOLE-4-CARBOXAMIDE
DERIVATIVES
- (57) An invention relates to thiasol compounds of formula (I),



(I)

pharmaceutical compositions, and usage therein agriculture and gardening as fungicides.

Claims: 4 independents
9 dependents

A 61

- (10) AP 2022 15599 A (51) Int. Cl. (2006)
A 61 K 31/69
A 61 P 29/00
C 07 F 5/02
- (21) AP 2019 15599 (22) 2019 10 01
(31) 62/741,868; 62/889,599
(32) 2018 10 05; 2019 08 21
(33) US; US
- (71) PFIZER INC. (US)
235 East 42nd Street, New York, NY 10017,
USA (US)
- (72) LIMBURG, David Christopher (US);
STROHBACH, Joseph Walter (US);
JACOBS, Robert Toms (US);
PERRY, Matthew Alexander (US);
PLATTNER, Jacob John (US);
ZHOU, Yasheen (US);
BLAKEMORE, David Clive (US);
ODERINDE, Martins Sunday (US);
TORELLA, Rubben Federico (US);
JONES, Peter (US);
YEOH, Thean Yeow (US);
AKAMA, Tsutomu (JP)
- (74) Tamar Kochlamazashvili
(85) 2021 04 04
(86) PCT/IB2019/058355, 2019 10 01
- (54) BORON CONTAINING PDE4 INHIBITORS
- (57) Present invention relates to pharmaceutically active 1,2-oxaborolan containing compounds that inhibit phosphodiesterase 4 (PDE4), pharmaceutical compositions containing these compounds, and usage therefor treating of various dermatitis, allergies, and chronic inflammatory diseases.
- Claims: 14 independents
10 dependents
- Fig.: 12
-

PART B**B 03**

(10) AP 2022 15265 A (51) Int. Cl. (2006)

B 03 B 9/06

C 04 B 18/16

C 04 B 28/14

E 04 C 2/02

(21) AP 2017 15265 (22) 2017 06 29

(71) KNAUF GIPS KG (DE)

Am Bahnhof 7, Iphofen 97346, Germany (DE)

(72) HALBACH, Martin (DE);

LIU, Tong (CN)

(74) Tamar Kochlamazashvili

(85) 2020 01 28

(86) PCT/EP2017/000772, 2017 06 29

(54) METHOD OF PRODUCING GYPSUM

SLURRY FOR FORMING GYPSUM

PRODUCTS AND METHOD OF

MANUFACTURING GYPSUM PRODUCT

(57) A method of producing gypsum slurry for forming gypsum products, in particular gypsum boards, preferably gypsum paper boards, comprising the steps of: a) providing gypsum paper product comprising a gypsum and a paper component, in particular a gypsum paper board (10), and/or broken parts thereof; b) wet grinding the gypsum paper product and/or the broken parts thereof containing at least parts of the paper component to form wet ground gypsum paper component, c) mixing of wet-ground gypsum paper component with baked gypsum to obtain gypsum paper solution, wherein it contains 2-50 wt% solid substances.

Claims: 6 independents

8 dependents

Fig.: 1

PATENTED IVENTIONS

PART A

A 61

- (11) P 2022 7401 B (51) Int. Cl. (2006)
A 61 F 13/00
A 61 F 13/49
- (10) AP 2022 15228 A (44) 4(583)/2022
(21) AP 2017 15228
(22) 2017 12 26
(24) 2017 12 26
(31) 2017/01975
(32) 2017 09 02
(33) TR
(86) PCT/TR2017/050698, 2017 12 26
(73) Evyap Sabun Yag Gliserin Sanayi Ve
Ticaret Anonim SirketI (TR)
Istanbul Deri Organize Sanayi Bolgesi Guder
Caddesi No: X-1 Ozel Parsel Tuzla, Istanbul,
Turkey (TR)
- (72) ERTAN, Asli (TR);
BEKTAS, Cagla (TR)
- (74) Tamaz Shilakadze
- (54) ACQUISITION AND DISTRIBUTION
LAYER FOR DIAPERS

- (11) P 2022 7403 B (51) Int. Cl. (2006)
A 61 K 31/423
A 61 P 35/00
C 07 D 261/20
C 07 D 417/12
C 07 D 413/12
C 07 D 413/04

- (10) AP 2022 15535 A (44) 7(586)/2022
(21) AP 2019 15535
(22) 2019 06 20
(24) 2019 06 20
(31) 1810092.5
(32) 2018 06 20
(33) GB
(86) PCT/EP2019/066337, 2019 06 20
(73) STXT PTY LTD (AU)
305 Grattan Street Parkville Melbourne,
Victoria 300, Australia (AU)
- (72) STUPPLE, Paul Anthony (AU);
LAGIAKOS, Helen Rachel (AU);
MORROW, Benjamin Joseph (AU);
FOITZIK, Richard Charles (AU);
HEMLEY, Katrin Fae (AU);
CAMERINO, Michael Ang (AU);
BERGMAN BOZIKIS, Ylva Elisabet (AU);
WALKER, Scott Raymond (AU)

- (74) Shalva Gvaramadze
(54) COMPOUNDS

- (11) P 2022 7402 B (51) Int. Cl. (2006)
A 61 K 31/454
A 61 P 29/00
A 61 P 19/02
A 61 P 17/06
A 61 P 11/00
- (10) AP 2022 15309 A (44) 7(586)/2022
(21) AP 2018 15309
(22) 2018 03 06
(24) 2018 03 06
(31) 2017131435
(32) 2017 09 07
(33) RU
(86) PCT/RU2018/000135, 2018 03 06
(73) LLC "Valenta-Intellect" (RU)
Ryabinov St. 26, bld. 10, Office 6-26, 121471,
Moscow, Russian Federation (RU);
NEBOLSIN, Vladimir Evgenievich (RU)
Golitsyn St., bld. 457, Vill. Borzye, Istrinsky
District, 143581, Moscow Region, Russian
Federation (RU)
- (72) NEBOLSIN, Vladimir Evgenievich (RU);
RYDLOVSKAYA, Anastasia Vladimirovna (RU)
- (74) Shalva Gvaramadze
- (54) USE OF GLUTARIMIDE DERIVATIVE
TO TREAT DISEASES RELATED TO
ABERRANT ACTIVITY OF CYTOKINES

PART B

B 01

- (11) P 2022 7404 B (51) Int. Cl. (2006)
B 01 D 3/30
- (10) AP 2022 15662 A (44) 8(587)/2022
(21) AP 2021 15662
(22) 2021 06 16
(24) 2021 06 16
(73) Daviti Khomasuridze (GE)
Vakhtang Gorgasali St. 103, bld. 3, app. 7a,
0114, Tbilisi, Georgia (GE)
- (72) Daviti Khomasuridze (GE)
- (54) TORNADO PLATE – DAVIT KHOMASURIDZE

UTILITY MODELS

APPLICATIONS APPROVED FOR GRANTING PATENT

The decision can be appealed at the Chamber of Appeal of Sakpatenti within 3 months from the publication or at the Mtskheta District Court Administrative Cases Board (Address: №17, Samkhedro St., Mtskheta), within 1 month following the publication.

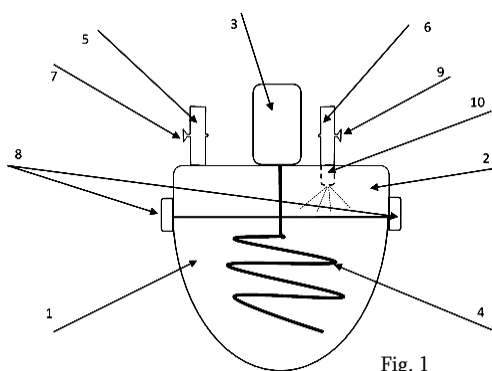
PART A

A 21

- (10) AU 2022 15768 U (51) Int. Cl. (2006)
A 21 C 1/00
A 21 D 10/04
- (21) AU 2021 15768 (22) 2021 10 23
- (71) Ramini Ghvaladze (GE)
Varketili 3, IV m/r, bld. 414, app. 165, Tbilisi,
Georgia (GE)
- (72) Ramini Ghvaladze (GE)
- (54) DEVICE FOR KNEADING DOUGH
WITHOUT YEAST
- (57) A device includes kneading dough pot 1 equip-
ped with hermetically closed lid 2, whereon a drive 3
is fixed with kneading dough lever 4 fastened the-
reto; at that, the lid is equipped with separate inlets:
gas pressure boiler with the pressure of 5-10 bar to
ensure the release of carbon dioxide 5, and water 6 or
with the means 6 for inlet of carbon dioxide/water
solution under the pressure of 5-10 bar, and the
means 5 for carbon dioxide gas addition. At that,
each of said means is equipped with valves 7 and 9.

Claims: 1 independent
3 dependents

Fig.: 1



PART E

E 02

- (10) AU 2022 15677 U (51) Int. Cl. (2006)
E 02 D 5/56
- (21) AU 2020 15677 (22) 2020 05 22
- (31) 2019115744
- (32) 22 05 2019
- (33) RU
- (71) ZHELTIKOV, Valeriy Vladimirovich (RU)
Zmeinogorskiy Trakt, 102/60, 656045, Barnaul,
Russian Federation (RU)
- (72) ZHELTIKOV, Valeriy Vladimirovich (RU)
- (74) Irakli Gvilia
- (85) 29 06 2021
- (86) PCT/RU2020/050106, 2020 05 22
- (54) SCREW PILE
- (57) Screw pile is made of welded steel tube by hot
rotary forging, and consists of cylindrical part,
having gradually decreasing diameter the tapering
part, and the nozzle formed at the end, wherein at
least one blade with the width of 150-800 mm is
placed.

Claims: 1 independent
8 dependents

Fig.: 3

PART F**F 24**

(10) AU 2022 15789 U (51) Int. Cl. (2006)
F 24 H 9/00

(21) AU 2021 15789 (22) 2021 11 07

(71) Iuri Kajaia (GE)

Nutsubidze Plateau, IV m/r, Tvalchrelidze St.

16, d. 3, 0186, Tbilisi, Georgia (GE)

(72) Iuri Kajaia (GE)

(74) Khatuna Imnadze

(54) HEATING BOILER THERMAL INSULATION
CAN

(57) A can contains upper wall, bottom wall, and a plurality of side walls. Each wall is made as thermal insulation panel formed with two metallic sheets and a layer of heat-insulating material placed between them. Furthermore, at least one can side wall is equipped with the sticks fixed along peripheral parts of panel from can inner side, and thermal relay with heating component connected thereto is placed in the can.

Claims: 1 independent

2 dependents

Fig.: 5

PATENTED UTILITY MODELS

PART C

C 08

- (11) U 2022 2125 Y (51) Int. Cl. (2006)
C 08 L 101/00
(10) AU 2022 15684 U (44) 8(587)/2022
(21) AU 2021 15684
(22) 2021 07 06
(24) 2021 07 06
(73) Iakob Maghalashvili (GE)
Rustaveli St. 63, Gori, Georgia (GE)
(72) Iakob Maghalashvili (GE)
(54) METHOD FOR MAKING ASPHALT
CONCRETE MIXTURE
-

F 21

- (11) U 2022 2124 Y (51) Int. Cl. (2006)
F 21 S 8/00
(10) AU 2022 15807 U (44) 4(583)/2022
(21) AU 2021 15807
(22) 2021 11 26
(24) 2021 11 26
(73) Zurab Asashvili (GE)
Davit Aghmashenebeli St. 33, Vill.
Dighomi, Tbilisi, Georgia (GE)
(72) Zurab Asashvili (GE)
(54) DECORATIVE LAMP
-

PART F

F 03

- (11) U 2022 2126 Y (51) Int. Cl. (2006)
F 03 D 5/00
(10) AU 2022 15519 U (44) 5(584)/2022
(21) AU 2020 15519
(22) 2020 12 16
(24) 2020 12 16
(73) Archil Geguchadze (GE)
A. Chekhov St. 25, 4600, Kutaisi,
Georgia (GE);
Anzori Kuparadze (GE)
Arzakan Emkhvari St., I Lane. bld. 1, app. 7,
0159, Tbilisi, Georgia (GE);
Nata Sulakvelidze (GE)
Arzakan Emkhvari St., I Lane. bld. 1, app. 7,
0159, Tbilisi, Georgia (GE);
LEPL "Shota Rustaveli National Scientific
Foundation of Georgia" (GE)
Merab Aleksidze St., II Lane 2, 0193, Tbilisi,
Georgia (GE)
(72) Archil Geguchadze (GE);
Anzori Kuparadze (GE);
Nata Sulakvelidze (GE)
(54) CONIC WIND WHEEL
-

DESIGNS

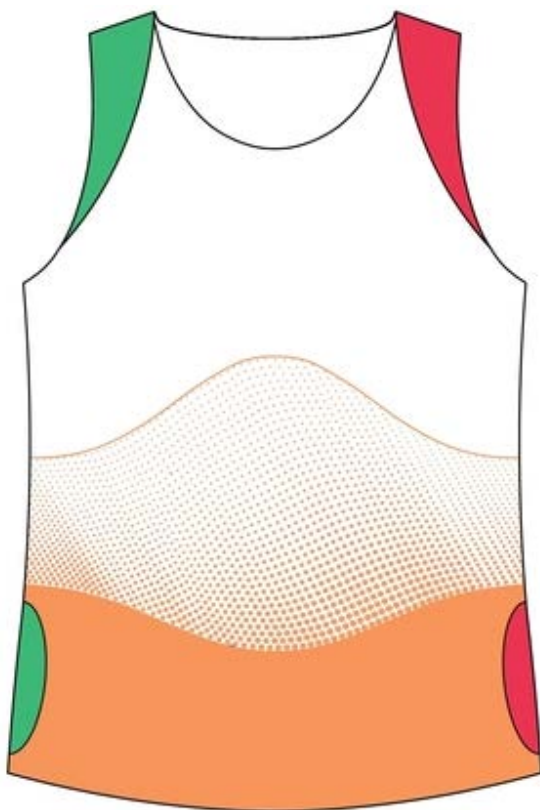
REGISTERED DESIGN

- (11) D 2022 941 S (51) 09-01
(10) AD 2022 1255 S (44) 2022 04 25 №8
(21) AD 2021 1255
(22) 2021 12 23
(24) 2021 12 23
(28) 1
(18) 2026 12 23
(31) 2021503453/49
(32) 2021 07 08
(33) RU
(73) Limited Liability Society "Gruzvinprom" (RU)
 Ul. Krasnaya Presnia, Dom 24, Etazh 7,
 Pomeshchenie 35, 123376, Moscow, Internal
 Territory of the Presnenskiy Municipal District,
 Russian Federation (RU)
(72) SERGIENKO, Igor Nikolaevich (RU)
(74) Davit Damukashvili (GE)
(54) BOTTLE
-

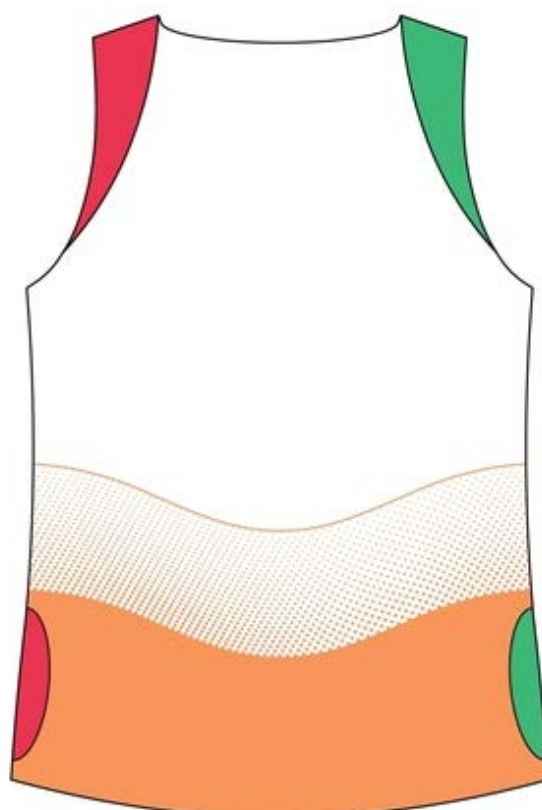
DESIGNS, WHICH HAVE BEEN REGISTERED WITH THE INTERNATIONAL BUREAU CLAIMING PRIORITY ON THE TERRITORY OF GEORGIA

The decision can be appealed at the Chamber of Appeal of Sakpatenti within 3 months from the publication or at the Mtskheta District Court Administrative Cases Board (Address: №17, Samkhedro St., Mtskheta), within 1 month following the publication.

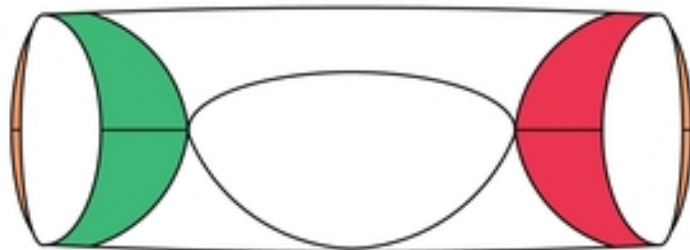
- (11) DM/218 026 (51) 02-02
(15) 2021 12 17 (44) 24/2022 (2022 06 17)
(22) 2021 12 17
(28) 1
(73) GMF ASSURANCES
148 Rue Anatole France, 92300 Levallois-Perret (FR)
(85) –
(86) FR
(87) –
(88) FR
(89) FR
(81) II. MA, SN III. CA, GB, GE, JP, NA, RU, TN, US, WS
(72) LAMBERT ET FÉLIX ASSOCIÉS
18 Avenue De L'Opéra, 75001 Paris (FR)
(74) FEDERATION FRANÇAISE DE RUGBY
3/5 Rue Jean De Montaigu, 91463 Marcoussis Cedex (FR)
(54) 1. SPORTS SINGLET
(55)



1.1



1.2



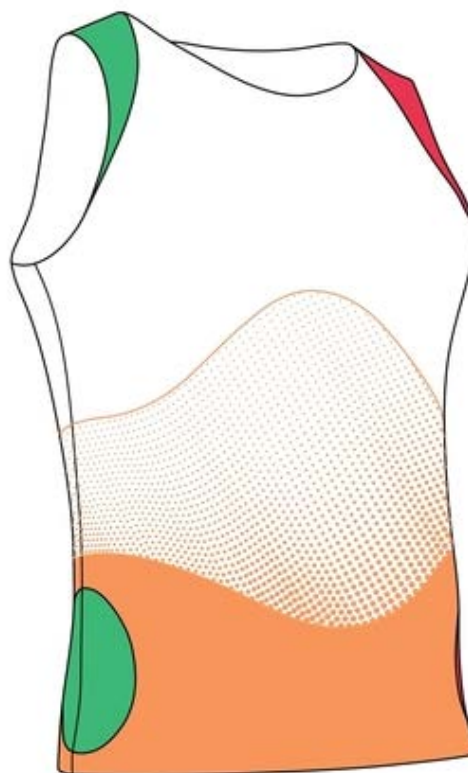
1.3



1.4



1.5

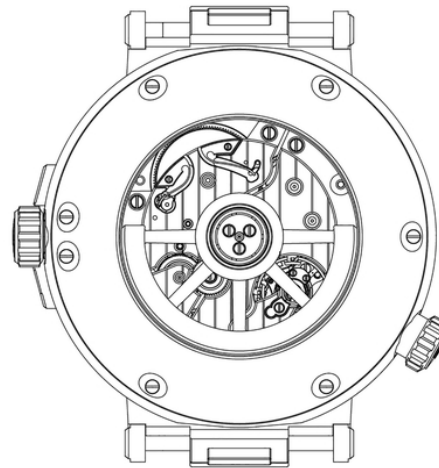


1.6

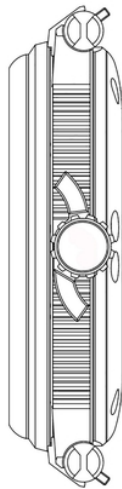
- (11) DM/218 086
- (15) 2021 12 15
- (22) 2021 12 15
- (28) 1
- (73) Montres Breguet SA (Montres Breguet AG) (Montres Breguet Ltd)
Place De La Tour 23, 1344 L'Abbaye (CH)
- (85) CH
- (86) CH
- (87) CH
- (88) CH
- (89) CH
- (81) II. MA III. AL, AM, AZ, BA, BZ, CH, EM, GB, GE, KG, LI, MC, MD, ME, MK, MN, NO, OM, RU, SG,
TN, TR, UA
- (72) Vincenzo Laucella
C/o Montres Breguet SA (Montres Breguet AG) (Montres Breguet Ltd), Place De La Tour 23, 1344,
L'Abbaye (CH)
- (74) The Swatch Group SA (The Swatch Group AG) (The Swatch Group Ltd.)
Faubourg Du Lac 6, 2501 Biel / Bienne (CH)
- (54) 1. WATCH
- (55)



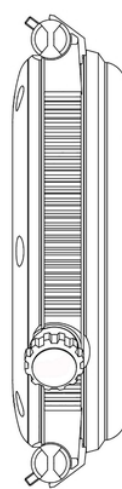
1.1



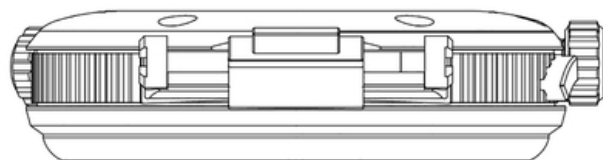
1.2



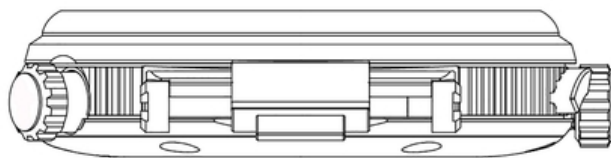
1.3



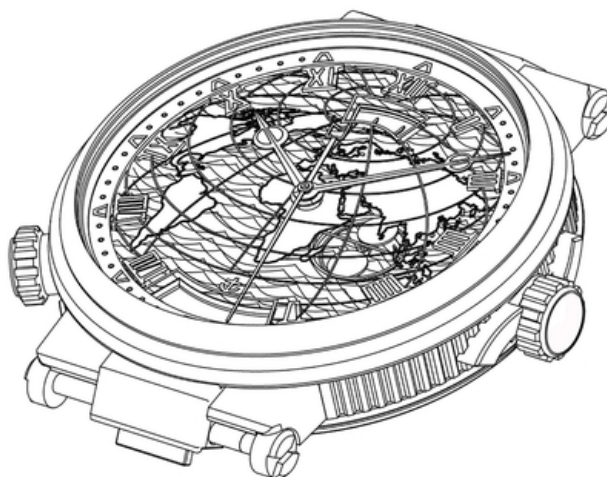
1.4



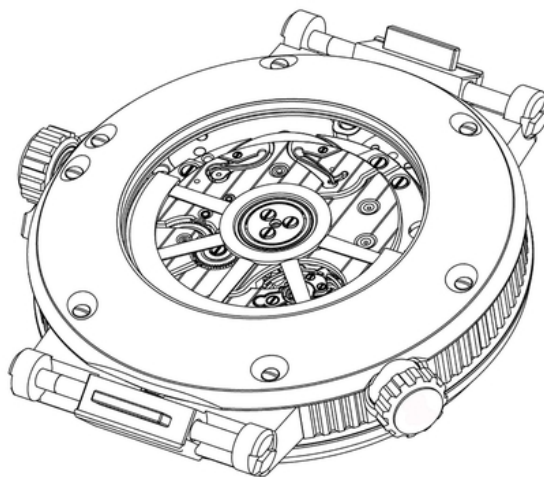
1.5



1.6



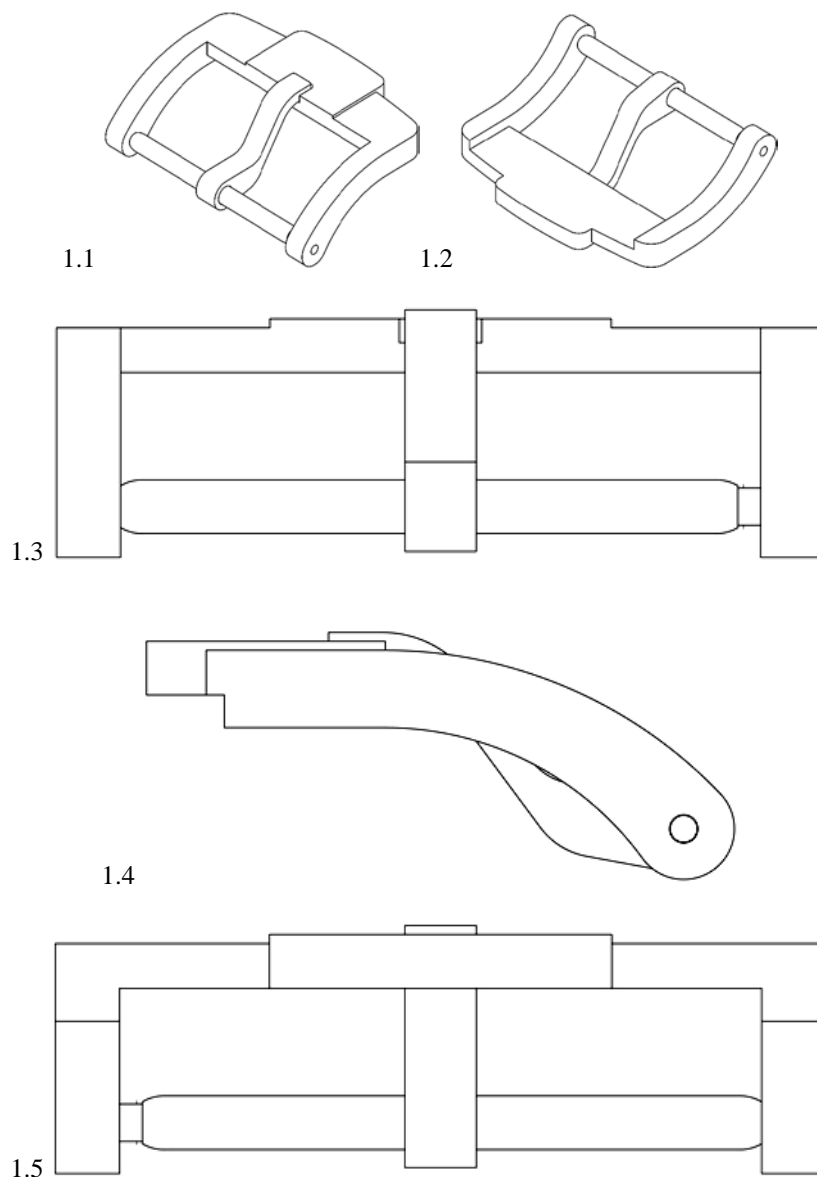
1.7

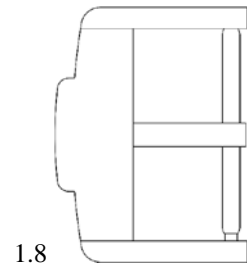
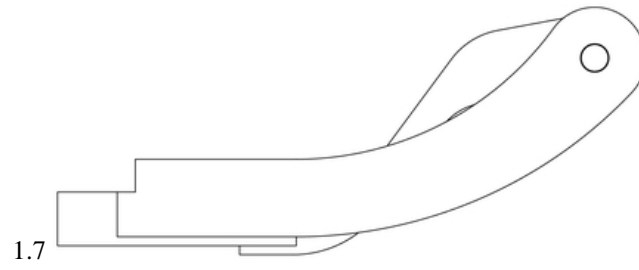
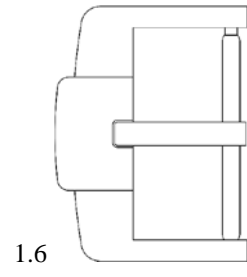


1.8

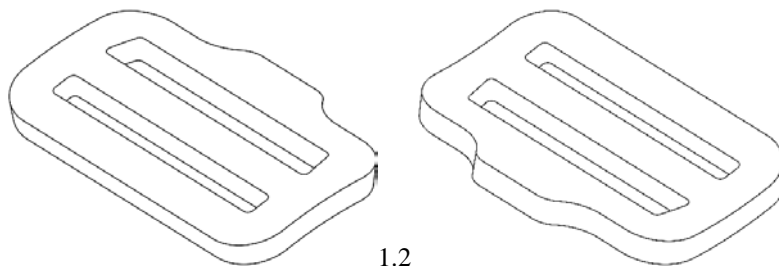
(11) DM/218 003 (51) 10-07
 (15) 2021 12 15 (44) 24/2022 (2022 06 17)
 (22) 2021 12 15
 (28) 1
 (30) No1: 20.07.2021; 146220; CH
 (73) Montres Tudor SA
 Rue François-Dussaud, 1211 Genève 26 (CH)

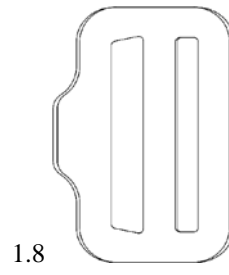
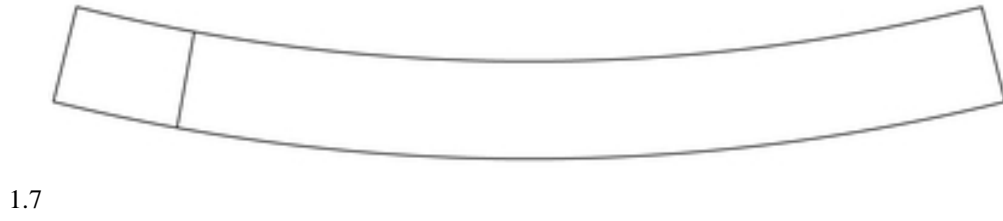
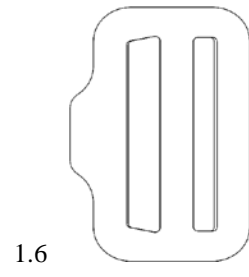
(85) CH
 (86) CH
 (87) CH
 (88) CH
 (89) CH
 (81) II. MA III. AL, AM, AZ, BA, BN, BW, BY, BZ, CA, EG, EM, GB, GE, GH, IL, IS, JP, KG, KH, KP, KR, LI, MC, MD, ME, MK, MN, MX, NA, NO, OA, OM, RS, RU, RW, SG, SM, SR, ST, SY, TJ, TM, TN, TR, UA, VN, WS
 (72) Ander Ugarte
 Rue Des Gares 25, 1201, Genève (CH)
 (74) BUGNION S.A.
 10, Route De Florissant, 1211 Genève 12 (CH)
 (54) 1. WATCH BRACELET CLASP
 (55)





- (11) DM/218 005 (51) 10-07
(15) 2021 12 15 (44) 24/2022 (2022 06 17)
(22) 2021 12 15
(28) 1
(30) No1: 20.07.2021; 146218; CH
(73) Montres Tudor SA
3, rue François-Dussaud, 1211 Genève 26 (CH)
(85) CH
(86) CH
(87) CH
(88) CH
(89) CH
(81) II. MA III. AL, AM, AZ, BA, BN, BW, BY, BZ, CA, EG, EM, GB, GE, GH, IL, IS, JP, KG, KH, KP,
KR, LI, MC, MD, ME, MK, MN, MX, NA, NO, OA, OM, RS, RU, RW, SG, SM, SR, ST, SY, TJ, TM, TN,
TR, UA, VN, WS
(72) Ander Ugarte
Rue des Gares 25, 1201, Genève (CH)
(74) BUGNION S.A.
10, route de Florissant, 1211 Genève 12 (CH)
(54) 1. WATCH BRACELET CLASP
(55)





- (11) DM/218 528 (51) 11-01
 (15) 2021 12 23 (44) 25/2022 (2022 06 24)
 (22) 2021 12 23
 (28) 2
 (73) HARRY WINSTON SA
 Chemin Du Tourbillon 8, 1228 Plan-les-Ouates (CH)
 (85) CH
 (86) CH
 (87) CH
 (88) CH
 (89) CH
 (81) II. MA III. AL, AM, AZ, BA, BZ, CA, CH, EM, GB, GE, KG, LI, MC, MD, ME, MK, MN, NO, OM, SG,
 TN, TR, UA
 (72) 1 Christina YANG
 C/o Harry Winston Inc. 718 Fifth Avenue, 10019, New York, NY (US);
 2 Rie YATSUGI-KANG
 C/o Harry Winston Inc. 718 Fifth Avenue, 10019, New York, NY (US)
 (74) The Swatch Group AG (The Swatch Group SA) (The Swatch Group Ltd.)
 Faubourg Du Lac 6 2501 Biel/Bienne (CH)
 (46) 2022-06-24
 (54) 1. FINGER RING, 2. PAIR OF EARRINGS
 (55)



1.1



1.2



1.3



1.4



1.5



1.6



1.7



1.8



2.1



2.2





2.3



2.4



2.5



2.6



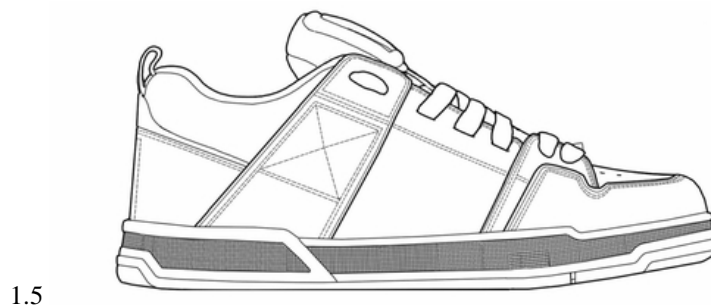
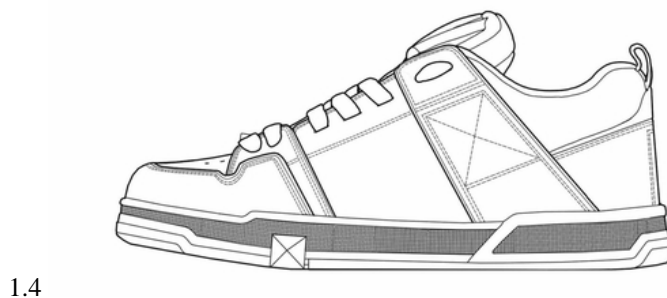
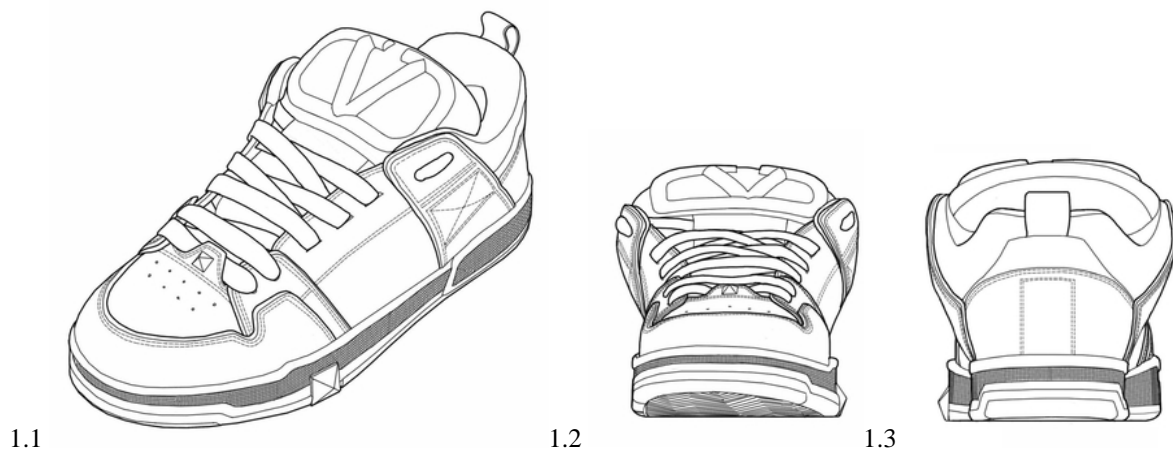
2.7



2.8

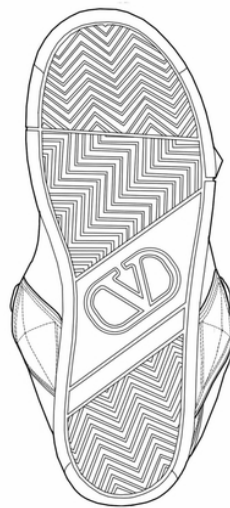


(11) DM/221 343 (51) 02-04
(15) 2022 06 10 (44) 26/2022 (2022 07 01)
(22) 2022 06 10
(28) 1
(73) Valentino S.p.A.
Via Turati 16/18, I-20121 Milano (IT) (86) EM (EM)
(85) –
(86) –
(87) EM, IT
(88) EM, IT
(89) EM
(81) III. AZ, EM, GB, GE, JP, KG, KR, RU, TJ, TR, UA, US
(72) Pierpaolo PICCIOLI
C/o VALENTINO S.p.A., Via Turati, 16/18, I-20121, Milano (IT)
(74) Salvatore Giovanni Pennacchio
C/o Jacobacci & Partners, Via Senato, 8, I-20121 Milano (IT)
(46) 2022 07 01
(54) 1. SHOE
(55)





1.6

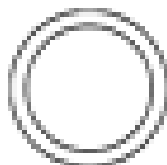
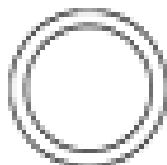
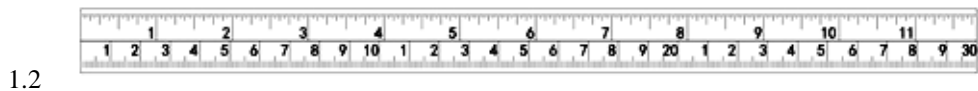


1.7



1.8

- (11) DM/221 699
- (15) 2022 05 31
- (22) 2022 05 31
- (28) 1
- (73) Mibiao Technology Co., Ltd.
No. 10, Xingye Road, Longyao Economic Development Zone (North District), 054000 Xingtai, Hebei (CN)
- (85) -
- (86) CN
- (87) -
- (88) -
- (89) CN
- (81) III. AM, AZ, CA, CH, EG, GE, GH, KG, KH, KP, KR, RU, RW, SG, TJ, TR, VN
- (72) Haojie Zuo
No. 10, Xingye Rd., Longyao Economic Development Zone (North District), 054000, Xingtai, Hebei (CN)
- (74) BeijingTop Win Patent Agency Co.,Ltd.
Room B421, Honglian Building B, No.28 Honglian South Road, Xicheng District, 100055 Beijing (CN)
- (46) 2022 07 08
- (54) 1. RIGID PIPING
- (55)



TRADEMARKS

APPLICATIONS FILED UNDER THE NATIONAL PROCEDURE APPROVED FOR REGISTRATION

The decision can be appealed at the Chamber of Appeal of Sakpatenti within 3 months from the publication or at the Mtskheta District Court Administrative Cases Board (Address: №17, Samkhedro St., Mtskheta), within 1 month following the publication.

(260) AM 2022 115883 A
(210) AM 115883
(220) 2021 12 22
(731) LLC "Sp Bar West"
Demetre Tavdadebuli St. 50, app. 91, Batumi
Georgia
(540)



(591) Black-white
(531) 26.03.23; 26.11.03; 26.11.05; 26.11.09;
27.05.10
(511) 41

(260) AM 2022 115976 A
(210) AM 115976
(220) 2021 12 27
(731) Illia Mishchenko
Davit Aghmashenebeli St. 1, Bolnisi,
Georgia
(540)



(591) Green, white
(531) 05.03.14; 05.07.13; 29.01.03
(511) 43

(260) AM 2022 116069 A
(210) AM 116069
(220) 2022 01 04
(310) 83739
(320) 2021 07 08
(330) JM
(731) Meta Platforms Inc.
1601 Willow Road, Menlo Park, California,
94025, USA
(740) Tamar Kochlamazashvili

(540)

META

(591) Black-white
(511) 28, 38, 45

(260) AM 2022 116152 A
(210) AM 116152
(220) 2022 01 11
(731) Philip Morris Products S.A.
Quai Jeanrenaud 3, 2000 Neuchâtel,
Switzerland
(740) Pavle Meipariani
(540)

FIRST CUT

(591) Black-white
(511) 34

(260) AM 2022 116155 A
(210) AM 116155
(220) 2022 01 11
(731) Meta Platforms Inc.
1601 Willow Road, Menlo Park, California,
94025, USA
(740) Pavle Meipariani
(540)



(591) Black-white
(531) 05.03.01; 05.03.15; 26.13.25
(511) 34

(260) AM 2022 116159 A
(210) AM 116159
(220) 2022 01 12
(731) LTD "Santrade"
Varketili 3, IIIa m/r, bld. 340, app. 8
0163, Tbilisi, Georgia

(540)

Chärlī
DOG FOOD

(591) FFFFFF white, 000000 black
 (531) 03.06.03; 27.05.01; 27.05.08; 27.05.10;
 27.05.11
 (511) 31

(260) AM 2022 116226 A
 (210) AM 116226
 (220) 2022 01 17
 (310) UK 00003699854
 (320) 2021 09 23
 (330) UK
 (731) British American Tobacco (Brands) Inc.
 (a Delaware corporation)
 251 Little Falls Drive, Suite 100, Wilmington,
 Delaware, 19808-1674, USA
 (740) Tamar Kotchlamazashvili
 (540)

**CREATED
 DIFFERENTLY**

(591) Black-white
 (531) 27.05.01
 (511) 34

(260) AM 2022 116227 A
 (210) AM 116227
 (220) 2022 01 17
 (310) 2021751354
 (320) 2021 08 13
 (330) RU
 (731) British American Tobacco (Brands) Inc.
 (a Delaware corporation)
 251 Little Falls Drive, Suite 100, Wilmington,
 Delaware, 19808-1674, USA
 (740) Tamar Kotchlamazashvili
 (540)



(591) Black-white
 (531) 17.02.01; 17.02.02; 17.02.04; 26.05.01;
 26.05.10; 26.05.19; 26.05.24; 27.05.24

(511) 34

(260) AM 2022 116228 A
 (210) AM 116228
 (220) 2022 01 17
 (731) LLC "Modi"
 12th St. 1, Village Sharabidzebi, Khelvachauri
 Region, Georgia
 (740) Giorgi Taktakishvili
 (540)

MODY

(591) Lilac
 (531) 27.05.01; 27.05.17; 27.05.22; 29.01.05
 (511) 39

(260) AM 2022 116231 A
 (210) AM 116231
 (220) 2022 01 17
 (731) Philip Morris Brands Sàrl
 Quai Jeanrenaud 3, Neuchâtel, 2000,
 Switzerland
 (740) Pavle Meipariani
 (540)

**PHILIP MORRIS VIOLET
 MIST**

(591) Black-white
 (511) 34

(260) AM 2022 116232 A
 (210) AM 116232
 (220) 2022 01 18
 (731) Philip Morris Brands Sàrl
 Quai Jeanrenaud 3, Neuchâtel, 2000,
 Switzerland
 (740) Pavle Meipariani
 (540)

VELVET MIST

(591) Black-white
 (511) 34

(260) AM 2022 116233 A
 (210) AM 116233
 (220) 2022 01 18
 (731) Philip Morris Brands Sàrl
 Quai Jeanrenaud 3, Neuchâtel, 2000,
 Switzerland
 (740) Pavle Meipariani

(540)

TANGY MIST

(591) Black-white

(511) 34

(260) AM 2022 116236 A

(210) AM 116236

(220) 2022 01 18

(731) Duck Global Licensing AG (Duck Global Licensing SA) (Duck Global Licensing Ltd) c/o Fischer & Partner, Sonnenbergstrasse 9, 6052 Hergiswil, Switzerland

(740) Giorgi Taktakishvili

(540)

FIRST DATE FLOWERS

(591) Black-white

(511) 3

(260) AM 2022 116237 A

(210) AM 116237

(220) 2022 01 18

(731) Toyota Jidosha Kabushiki Kaisha (also trading as Toyota Motor Corporation) 1, Toyota-cho, Toyota-shi, Aichi-ken, Japan

(740) Tamar Kotchlamazashvili

(540)

ES300h

(591) Black-white

(531) 27.07.01; 27.07.11

(511) 12

(260) AM 2022 116238 A

(210) AM 116238

(220) 2022 01 18

(731) Duck Global Licensing AG (Duck Global Licensing SA) (Duck Global Licensing Ltd) c/o Fischer & Partner, Sonnenbergstrasse 9, 6052 Hergiswil, Switzerland

(740) Giorgi Taktakishvili

(540)

**SUNNY VACATION
VIBES**

(591) Black-white

(511) 3

(260) AM 2022 116240 A

(210) AM 116240

(220) 2022 01 18

(731) Nissan Jidosha Kabushiki Kaisha (also trading as Nissan Motor Co., Ltd.)

No.2, Takara-cho, Kanagawa-ku, Yokohama-shi, Kanagawa-ken, Japan

(740) Shalva Gvaramadze

(540)

NISSAN

(591) Black-white

(531) 27.05.01; 27.05.17

(511) 36

(260) AM 2022 116242 A

(210) AM 116242

(220) 2022 01 19

(731) Aleksi Morchiladze Tchkondideli St. 22, 0180, Tbilisi, Georgia

(540)

Benjy's

(591) Black-white

(511) 29, 30, 31, 32, 43

(260) AM 2022 116245 A

(210) AM 116245

(220) 2022 01 19

(731) Shenzhen YouMe Information Technology Co., Ltd 201, Building B, Dianlian technology building, Nanhuan Avenue, Mashantou Community, Matian street, Guangming District, Shenzhen, 518000, People Republic of China

(740) Irakli Gvilia

(540)

VAPSI

(591) Black-white

(531) 27.05.01; 27.05.17

(511) 34

(260) AM 2022 116249 A

(210) AM 116249

(220) 2022 01 20

(731) LLC "Master Ok" A. Beliashvili St. 117, Didube District, Tbilisi, Georgia

(540)

**რეპუბლიკა
Republika**

(591) Black-white

(511) 35, 41

(260) AM 2022 116303 A
 (210) AM 116303
 (220) 2022 01 21
 (731) Kimberly-Clark Worldwide Inc.
 Neenah, WI 54956, USA
 (740) Shalva Gvaramadze



(591) Black-white
 (531) 27.05.01; 27.05.09; 27.05.10; 27.05.17
 (511) 5

(260) AM 2022 116316 A
 (210) AM 116316
 (220) 2022 01 25
 (731) LTD "AT"
 Zakaria Paliashvili St. 47a, app. 1, 0179,
 Tbilisi, Georgia
 (540)



(591) 050000 black, white, golden
 (531) 26.01.01; 26.01.06; 26.01.24; 26.04.07;
 26.04.19; 26.04.22; 26.04.24; 26.15.01;
 27.05.01; 27.05.24; 29.01.13
 (511) 29

(260) AM 2022 116317 A
 (210) AM 116317
 (220) 2022 01 25
 (731) LLC "Nova Productions"
 Zakaria Paliashvili St. 64, 0179, Tbilisi,
 Georgia
 (540)



(591) Red, white, black, blue
 (531) 26.04.02; 26.04.07; 26.04.18; 26.04.22;
 26.04.24; 27.05.23; 27.05.24; 28.19; 29.01.14

(511) 41

(260) AM 2022 116318 A
 (210) AM 116318
 (220) 2022 01 25
 (731) LLC "Autorider"
 Moscow Av., bld. 36e, app. 39, Tbilisi, Georgia
 (540)



(591) white, red
 (531) 26.04.07; 26.04.22; 26.04.24; 26.11.12;
 27.05.01; 27.05.24; 29.01.12
 (511) 35

(260) AM 2022 116325 A
 (210) AM 116325
 (220) 2022 01 26
 (731) Obshestvo s Ogranichennoy Otvestven-
 nostiu "Tviordiy Znak"
 Ul. Professor Kachalova, dom 3, Litera O,
 Etazh 4, 192019, Sankt-Peterburg, Russian
 Federation
 (540)



(591) Blue
 (531) 27.05.17; 28.05; 29.01.04
 (511) 11

(260) AM 2022 116327 A
 (210) AM 116327
 (220) 2022 01 26
 (731) S. C. Johnson & Son Inc.
 1525 Howe Street, Racine, WI 53403-2236,
 USA
 (740) Giorgi Taktakishvili
 (540)

RAID ЗАЩИТА ДЛЯ ВСЕХ

(591) Black-white
 (511) 5, 11, 21

(260) AM 2022 116391 A
 (210) AM 116391
 (220) 2022 01 28
 (731) Lesaffre Et Compagnie
 41, rue Etienne Marcel, 75001 Paris, France
 (740) Shalva Gvaramadze
 (540)

SMARTFOIL

(591) Black-white
 (511) 5

(260) AM 2022 116397 A
 (210) AM 116397
 (220) 2022 01 31
 (731) LTD "Rich Group"
 Vill. Mughanlo, Marneuli Region, Georgia
 (540)

PURI-NASIN

პური-ნასინი

(591) Black-white
 (511) 5

(260) AM 2022 116398 A
 (210) AM 116398
 (220) 2022 01 31
 (731) LTD "Rich Group"
 Vill. Mughanlo, Marneuli Region, Georgia
 (540)

Aromactiv

არომაქტივი

(591) Black-white
 (511) 5

(260) AM 2022 116399 A
 (210) AM 116399
 (220) 2022 01 31
 (731) LTD "Rich Group"
 Vill. Mughanlo, Marneuli Region, Georgia
 (540)

Valerin max

ვალერინ მაქსი

(591) Black-white
 (511) 5

(260) AM 2022 116419 A
 (210) AM 116419
 (220) 2022 02 02
 (731) LTD "Dariani"
 Village Tchrebalo, 0418, Ambrolauri Region,
 Ratcha, Georgia

(540)



(591) White, black, yellow, sky-blue, lilac, turquoise,
 green, pink
 (531) 02.09.04; 05.05.20; 15.01.13; 26.01.01;
 26.01.05; 26.01.06; 26.01.16; 27.05.01;
 29.01.15
 (511) 25

(260) AM 2022 116420 A
 (210) AM 116420
 (220) 2022 02 02
 (731) Colgate-Palmolive Company
 Delaware Corporation
 300 Park Avenue, New York, NY 10022, USA
 (740) Tamaz Shilakadze
 (540)

COLGATE SENSIFOAM

(591) Black-white
 (511) 3

(260) AM 2022 116429 A
 (210) AM 116429
 (220) 2022 02 03
 (731) LTD "Zodiako"
 E. Bezhanishvili St., bld. A, app. 69, Tbilisi,
 Georgia
 (740) Giorgi Taktakishvili
 (540)

ზოდიაქო

(591) Black-white
 (511) 30, 43

TRADEMARKS REGISTERED ACCORDING TO THE ACCELERATED PROCEDURE

The decision can be appealed at the Chamber of Appeal of Sakpatenti within 3 months from the publication.

(111) M 2022 35733 R
(151) 2022 07 25
(181) 2032 07 25
(210) AM 118653
(220) 2022 07 20
(732) LLC "Electronika 2014"
Javakhishvili St. 1, 0108, Didube-Chughureti
District, Tbilisi, Georgia
(740) Ioname Iarajuli
(540)



(591) Orange, blue, white
(531) 01.15.05; 27.05.01; 29.01.12
(511) 11, 35, 37

(111) M 2022 35734 R
(151) 2022 07 25
(181) 2032 07 25
(210) AM 118642
(220) 2022 07 19
(732) Miranda Kiria
Tskhemi St. 16, 0108, Tbilisi, Georgia
(540)

**TOSKIN
ТУСКИН**

(591) Black-white
(531) 27.05.01; 28.05
(511) 25, 35

(111) M 2022 35735 R
(151) 2022 07 25
(181) 2032 07 25
(210) AM 118553
(220) 2022 07 13
(732) LLC "Borjomi Products"
Nearby Gamarjveba St, 1200, Borjomi, Georgia
(540)



(591) Red, black, azure, grey, white, green
(531) 05.01.03; 05.01.07; 05.01.10; 07.01.19;
07.01.24; 27.05.01; 28.19; 29.01.15
(526) აბასთუმანი ABASTUMANI
(511) 32

(111) M 2022 35736 R
(151) 2022 07 26
(181) 2032 07 26
(210) AM 118483
(220) 2022 07 10
(732) LLC "Georgian Organization of Cancer
Research"
Lubliana Str. 36, Tbilisi, Georgia
(540)



(591) Orange, sky-blue, grey, blue, whiye
(531) 01.13.15; 02.01.23; 02.03.23; 04.05.03;
24.17.05; 26.11.06; 26.11.09; 26.11.12;
26.11.13
(526) საქართველოს
(511) 44

(111) M 2022 35737 R
(151) 2022 07 26
(181) 2032 07 26
(210) AM 118725
(220) 2022 07 22
(732) Nikoloz Paiashvili
Varketili 3, IIIa m/r, bld. 338, app. 173, 0163,
Tbilisi, Georgia
(740) Nikoloz Paiashvili
(540)



(591) Yellow, black, white
(531) 05.03.14; 18.01.19; 26.04.07; 26.04.15;
26.04.22; 26.04.24; 27.05.09; 27.05.10;
27.05.24; 29.01.12

(511) 35

(111) M 2022 35738 R
 (151) 2022 07 28
 (181) 2032 07 28
 (210) AM 118389
 (220) 2022 07 05
 (732) LTD "Sulakauri Publishing"
 David Aghmashenebeli Av. 150, Fl. 1
 Lit. "E", 0112, Didube District, Tbilisi Georgia
 (540)



(591) Grey, carnelian, orange
 (531) 26.03.04; 26.03.06; 26.04.05; 26.04.06;
 26.07.15; 28.19; 29.01.13
 (511) 16, 35

(111) M 2022 35739 R
 (151) 2022 07 28
 (181) 2032 07 28
 (210) AM 118726
 (220) 2022 07 22
 (732) N(N)LE Sando Zhurnalistika
 Gogla Leonidze St. 8, Fl. 3, Space 21,
 Mezzanine, 0105, Mtatsminda District,
 Tbilisi Georgia
 (540)



(591) Lilac, white, black
 (531) 26.05.01; 27.01.01; 27.01.04; 29.01.12
 (511) 38

(111) M 2022 35740 R
 (151) 2022 07 29
 (181) 2032 07 29
 (210) AM 115531
 (220) 2021 11 25
 (732) JSC "Telavi Wine Cellar"
 Village Kurdghelauri, 2200, Telavi, Georgia
 (740) Giorgi Taktakishvili
 (540)

KONDOLI VINEYARDS

(591) Black-white
 (526) KONDOLI

(511) 33

(111) M 2022 35741 R
 (151) 2022 08 01
 (181) 2032 08 01
 (210) AM 118732
 (220) 2022 07 25
 (732) Gela Gventsadze
 Sh. Ghambashidze St. 3, Tbilisi, Georgia
 (540)



(591) Black-white
 (531) 05.07.10; 27.05.01; 28.19
 (511) 43

(111) M 2022 35742 R
 (151) 2022 08 03
 (181) 2032 08 03
 (210) AM 118758
 (220) 2022 07 28
 (732) N(N)LE Sando Zhurnalistika
 (Reliable Journalism)
 Gogla Leonidze St. 8, Fl. 3, Space 21,
 Mezzanine, 0105, Mtatsminda District,
 Tbilisi Georgia
 (540)



(591) Lilac, white, black
 (531) 26.04.05; 26.04.10; 26.04.22; 26.04.24;
 26.05.01; 27.05.01; 27.05.24; 29.01.13
 (511) 38

(111) M 2022 35743 R
 (151) 2022 08 03
 (181) 2032 08 03
 (210) AM 118765
 (220) 2022 07 28
 (732) LLC "Borjomi Products"
 Nearby Gamarjveba St., 1200, Borjomi,
 Georgia

(540)



(591) White, various tones of grey
(531) 25.07.08; 26.04.02; 26.04.11; 26.04.22;
26.04.24; 27.05.24
(511) 35, 39

(591) Black-white
(531) 19.03.01; 27.05.23; 27.05.24
(554) Three Dimensional
(511) 32

(111) M 2022 35744 R
(151) 2022 08 05
(181) 2032 08 05
(210) AM 118640
(220) 2022 07 18
(732) CJSC "TABATERRA"
Sumgait Chemical Industrial Park LLC
Ul. Kimyachilar 1, Sumgait AZ5002, AZ
(740) Tamaz Shilakadze
(540)

Kingston

(591) Black-white
(511) 35, 39

(111) M 2022 35745 R
(151) 2022 08 05
(181) 2032 08 05
(210) AM 118641
(220) 2022 07 18
(732) CJSC "TABATERRA"
Sumgait Chemical Industrial Park LLC
Ul. Kimyachilar 1, Sumgait AZ5002, AZ
(740) Tamaz Shilakadze
(540)



INTERNATIONAL TRADEMARKS FOR WHICH A DECISION ON GRANTING PROTECTIONS IS TAKEN

The decision can be appealed at the Chamber of Appeal of Sakpatenti within 3 months from the publication or at the Mtskheta District Court Administrative Cases Board (Address: №17, Samkhedro St., Mtskheta), within 1 month following the publication.

(260) AM 2022 114939 A

(800) 1618649

(151) 2021 05 18

(891) 2021 05 18

(731) Marc O'Polo License AG

Hofgartenstraße 1, 83071 Stephanskirchen,
Germany

(540)



(591) Black, white

(531) 26.04.01; 26.04.05; 26.04.18; 27.05.15

(511)

9 – Spectacles, frames, spectacle frames, spectacle temples, spectacle glasses, optical glasses, sunglasses, goggles for sports, goggles, accessories for spectacles, spectacle cases, custom made cases; binoculars.

(260) AM 2022 115051 A

(800) 1620438

(151) 2021 09 08

(891) 2021 09 08

(731) Philip Morris Products S.A.

Quai Jeanrenaud 3, CH-2000 Neuchâtel,
Switzerland

(540)



(591) Black, white

(531) 17.05.21; 27.05.01

(511)

35 – Recruitment service for evaluation and selection of college students and graduates for internships in companies.

(260) AM 2022 115075 A

(800) 1621266

(151) 2021 08 27

(891) 2021 08 27

(731) PJSC "GAZPROM"

Nametkina str., 16, RU-117997 Moscow,
Russian Federation

(540)



(591) White and green

(531) 02.09.14; 21.03.01; 27.01.06; 29.01.12

(511)

9 – Coils, electric; particle accelerators; reflective articles for wear, for the prevention of accidents; protection devices for personal use against accidents; clothing for protection against accidents, irradiation and fire; accumulators, electric, for vehicles; batteries, electric, for vehicles; battery jars; accumulator jars; battery boxes; accumulator boxes; acidimeters for batteries; hydrometers; plates for batteries; whistle alarms; acoustic alarms; sound alarms; acoustic conduits; sound recording discs; phonograph records; speaking tubes; actinometers; adding machines; aerometers; enlarging apparatus [photography]; electrodynamic apparatus for the remote control of railway points; magnets; electromagnetic coils; air analysis apparatus; alarms; alcoholmeters; alidades; food analysis apparatus; igniting apparatus, electric, for igniting at a distance; electric apparatus for remote ignition; ignition batteries; altimeters; asbestos gloves for protection against accidents; asbestos clothing for protection against fire; ammeters; amplifiers; amplifying tubes; amplifying valves; anemometers; calibrating rings; fire extinguishers; anodes; anode batteries; high tension batteries; antennas; aerials; anti-glare glasses; visors for helmets; anti-interference devices [electricity]; transformers [electricity]; apertometers [optics]; money counting and sorting machines; distribution boxes [electricity]; surveying instruments; surveying chains; lenses for astrophotography; thermionic tubes;

thermionic valves; audiovisual teaching apparatus; coin-operated musical automata [juke boxes]; juke boxes, musical; mechanisms for coin-operated apparatus; mechanisms for counter-operated apparatus; calipers; comparators; fire alarms; automatic indicators of low pressure in vehicle tires; automatic indicators of low pressure in vehicle tyres; protective suits for aviators; alarm bells, electric; rods for water diviners; life-saving rafts; scales; meteorological balloons; demagnetizing apparatus for magnetic tapes; tape recorders; magnetic tapes; barometers; weighing machines; weighbridges; fire beaters; chargers for electric accumulators; betatrons; ticket dispensers; cabinets for loudspeakers; close-up lenses; terminals [electricity]; pressure indicator plugs for valves; galvanometers; push buttons for bells; branch boxes [electricity]; tone arms for record players; spirit levels; punched card machines for offices; sheaths for electric cables; frames for photographic transparencies; circular slide rules; slide-rules; calculating machines; slide calipers; jigs [measuring instruments]; blueprint apparatus; cinematographic cameras; capillary tubes; sound recording carriers; protective helmets; respiratory masks, other than for artificial respiration; solderers' helmets; eyeglass chains; spectacle chains; heat regulating apparatus; darkrooms [photography]; boiler control instruments; drying racks [photography]; apparatus for editing cinematographic film; printed circuits; flashing lights [luminous signals]; signal bells; containers for microscope slides; collectors, electric; electric installations for the remote control of industrial operations; switchboxes [electricity]; commutators; marine compasses; eyepieces; thread counters; pedometers; counters; meters; metronomes; condensers [capacitors]; capacitors; conductors, electric; electricity conduits; circuit closers; connectors [electricity]; junction boxes [electricity]; switchboards; contacts, electric; apparatus to check franking; apparatus to check stamping mail; regulating apparatus, electric; monitoring apparatus, other than for medical purposes; speed checking apparatus for vehicles; converters, electric; photocopiers [photographic, electrostatic, thermic]; eyeglass cords; spectacle cords; retorts; retorts' stands; correcting lenses [optics]; objectives [lenses] [optics]; cosmographic instruments; diving suits; electric apparatus for commutation; switches, electric; limiters [electricity]; electric plugs; current rectifiers; cell switches [electricity]; reducers [electricity]; dressmakers' measures; crucibles [laboratory]; cupels [laboratory]; appliances for measuring the thickness of leather; cyclotrons; counterfeit [false] coin detectors; shutter releases [photography]; densimeters; animated cartoons; laboratory trays; metal detectors for industrial or military purposes; sonars; detectors; shutters [photography]; diaphragms [acoustics]; centering apparatus for photographic transparencies; cameras [photography]; transparencies [photography]; slides [photography]; slide projectors; transparency projection apparatus; distance measuring apparatus; dictating

machines; diffraction apparatus [microscopy]; loudspeakers; circuit breakers; record players; microscopes; distance recording apparatus; apparatus for recording distance; range finders; telemeters; distribution boards [electricity]; distribution consoles [electricity]; compasses for measuring; measures; measuring apparatus; dynamometers; water level indicators; fire escapes; flash-bulbs [photography]; telephone receivers; fluorescent screens; projection screens; workmen's protective face-shields; screens [photography]; drainers for use in photography; photographic racks; electric loss indicators; measuring devices, electric; cables, electric; ducts [electricity]; control panels [electricity]; galvanic cells; connections for electric lines; couplings, electric; connections, electric; relays, electric; electrolyzers; transmitters of electronic signals; transmitting sets [telecommunication]; cleaning apparatus for sound recording discs; cleaning apparatus for phonograph records; sound recording strips; kilometer recorders for vehicles; mileage recorders for vehicles; spools [photography]; mechanical signs; epidiascopes; test tubes; balancing apparatus; thermostats; ergometers; material testing instruments and machines; egg-candlers; gauges; gasoline gauges; petrol gauges; spark-guards; cases especially made for photographic apparatus and instruments; testing apparatus not for medical purposes; refractometers; exposure meters [light meters]; invoicing machines; apparatus for fermentation [laboratory apparatus]; railway traffic safety appliances; wires, electric; magnetic wires; plumb bobs; plumb lines; nets for protection against accidents; safety nets; life nets; safety tarpaulins; film cutting apparatus; filters for respiratory masks; filters for use in photography; battery chargers; high-frequency apparatus; frequency meters; fuses; radios; galena crystals [detectors]; galvanic batteries; gloves for protection against accidents; gloves for divers; gloves for protection against X-rays for industrial purposes; gas testing instruments; gasometers [measuring instruments]; surveying apparatus and instruments; levelling staffs [surveying instruments]; rods [surveying instruments]; drying apparatus for photographic prints; glazing apparatus for photographic prints; rulers [measuring instruments]; measuring glassware; graduated glassware; screens for photoengraving; grids for batteries; clothing for protection against fire; garments for protection against fire; audio- and video-receivers; heliographic apparatus; holograms; hygrometers; identification threads for electric wires; identification sheaths for electric wires; life-saving apparatus and equipment; fire hose nozzles; fire engines; fire pumps; slope indicators; clinometers; gradient indicators; inclinometers; taximeters; quantity indicators; vacuum gauges; speed indicators; inductors [electricity]; armatures [electricity]; data processing apparatus; mirrors for inspecting work; intercommunication apparatus; carriers for dark plates [photography]; inverters [electricity]; ionization apparatus not for the treatment of air or water; peepholes [mag-

nifying lenses] for doors; hemline markers; furniture especially made for laboratories; lactodensimeters; lactometers; darkroom lamps [photography]; optical lamps; optical lanterns; magic lanterns; signal lanterns; lasers, not for medical purposes; optical lenses; letter scales; logs [measuring instruments]; sounding lines; magnifying glasses [optics]; signs, luminous; neon signs; eyeglasses; spectacles; instruments containing eyepieces; surveyors' levels; spectacle lenses; eyeglass lenses; eyewear; pressure gauges; manometers; periscopes; protective masks; mathematical instruments; coin-operated mechanisms for television sets; megaphones; computer memory devices; carpenters' rules; mercury levels; speed measuring apparatus [photography]; precision measuring apparatus; measuring instruments; meteorological instruments; rules [measuring instruments]; micrometer screws for optical instruments; microphones; microtomes; time switches, automatic; mirrors [optics]; breathing apparatus for underwater swimming; nautical apparatus and instruments; naval signalling apparatus; navigational instruments; eyeglass frames; spectacle frames; batteries, electric; accumulators, electric; levels [instruments for determining the horizontal]; levelling instruments; prisms [optics]; observation instruments; octants; ohmmeters; wavemeters; optical apparatus and instruments; optical glass; computers; computer programs, recorded; oscillographs; oxygen transvasing apparatus; ozonisers [ozonators]; micrometers; micrometer gauges; signalling panels, luminous or mechanical; lightning rods; lightning arresters; lightning conductors; parking meters; apparatus and instruments for astronomy; apparatus for measuring the thickness of skins; acid hydrometers; weighing apparatus and instruments; salinometers; washing trays [photography]; stands for photographic apparatus; viewfinders, photographic; photometers; phototelegraphy apparatus; apparatus and instruments for physics; steering apparatus, automatic, for vehicles; pince-nez; laboratory pipettes; plane tables [surveying instruments]; planimeters; ear plugs for divers; bells [warning devices]; weights; polarimeters; radiotelephony sets; radiotelegraphy sets; pressure measuring apparatus; pressure indicators; projection apparatus; cathodic anti-corrosion apparatus; teeth protectors; pyrometers; radar apparatus; vehicle radios; radiological apparatus for industrial purposes; protractors [measuring instruments]; apparatus and installations for the production of X-rays, not for medical purposes; X-ray tubes not for medical purposes; protection devices against X-rays, not for medical purposes; telephone apparatus; refractors; X-ray apparatus not for medical purposes; spectroscopes; resistances, electric; thermometers, not for medical purposes; respirators for filtering air; breathing apparatus, except for artificial respiration; rheostats; balances [steelyards]; lever scales [steelyards]; steelyards [lever scales]; signals, luminous or mechanical; saccharometers; probes for scientific purposes; satellites for scientific

purposes; diaphragms for scientific apparatus; teaching apparatus; choking coils [impedance]; wire connectors [electricity]; locks, electric; sextants; signalling whistles; vehicle breakdown warning triangles; electro-dynamic apparatus for the remote control of signals; simulators for the steering and control of vehicles; sirens; sound transmitting apparatus; sound recording apparatus; sound reproduction apparatus; sounding apparatus and machines; sounding leads; sound locating instruments; spectrograph apparatus; spherometers; stereoscopes; stereoscopic apparatus; needles for record players; styli for record players; sulfimeters; teleprinters; teletypewriters; tachometers; screw-tapping gauges; telegraphs [apparatus]; television apparatus; telegraph wires; remote control apparatus; masts for wireless aerials; teleprompters; telephone transmitters; telerupters; binoculars; telescopes; temperature indicators; time recording apparatus; theodolites; thermostats for vehicles; totalizers; revolution counters; speed regulators for record players; transmitters [telecommunication]; precision balances; marking gauges [joinery]; vacuum tubes [radio]; urinometers; variometers; verniers; videotapes; viscosimeters; theft prevention installations, electric; voltage regulators for vehicles; voting machines; voltmeters; apparatus for changing record player needles; stills for laboratory experiments; fuse wire; anticathodes; dog whistles; sighting telescopes for firearms; telescopic sights for firearms; anti-theft warning apparatus; azimuth instruments; beacons, luminous; holders for electric coils; films, exposed; road signs, luminous or mechanical; life buoys; signalling buoys; buzzers; directional compasses; fog signals, non-explosive; cash registers; radiology screens for industrial purposes; identity cards, magnetic; photovoltaic cells; densitometers; disks, magnetic; floppy disks; head cleaning tapes [recording]; video recorders; computer keyboards; integrated circuits; semi-conductors; chips [integrated circuits]; cathodes; life jackets; life belts; chemistry apparatus and instruments; cinematographic film, exposed; materials for electricity mains [wires, cables]; contact lenses; containers for contact lenses; incubators for bacteria culture; solar batteries; copper wire, insulated; discharge tubes, electric, other than for lighting; electric discharge tubes, other than for lighting; diaphragms [photography]; distillation apparatus for scientific purposes; dosage dispensers; dosimeters; electric door bells; eyeglass cases; spectacle cases; furnaces for laboratory use; ovens for laboratory use; optical fibers [fibres] [light conducting filaments]; optical fibers [light conducting filaments]; telephone wires; X-ray films, exposed; filters for ultraviolet rays, for photography; horns for loudspeakers; tripods for cameras; bar code readers; bullet-proof waistcoats; bullet-proof vests; fibre optic cables; fiber optic cables; marking buoys; wafers for integrated circuits; chromatography apparatus for laboratory use; chronographs [time recording apparatus]; compact discs [audio-video]; compact discs [read-only

memory]; computer operating programs, recorded; computer peripheral devices; computer software, recorded; optical condensers; acoustic couplers; couplers [data processing equipment]; decompression chambers; plotters; divers' masks; electronic pens [visual display units]; encoded magnetic cards; facsimile machines; fire boats; interfaces for computers; juke boxes for computers; knee-pads for workers; light dimmers [regulators], electric; light regulators [dimmers], electric; magnetic data media; magnetic encoders; magnetic tape units for computers; micro-processors; modems; monitors [computer hardware]; monitors [computer programs]; mouse [computer peripheral]; optical character readers; optical data media; optical discs; printers for use with computers; processors [central processing units]; central processing units [processors]; readers [data processing equipment]; safety restraints, other than for vehicle seats and sports equipment; scanners [data processing equipment]; smoke detectors; transistors [electronic]; X-ray photographs, other than for medical purposes; junction sleeves for electric cables; abacuses; electronic agendas; answering machines; camcorders; cassette players; compact disc players; diagnostic apparatus, not for medical purposes; disk drives for computers; electrified rails for mounting spot lights; electronic pocket translators; electronic tags for goods; fire blankets; flashlights [photography]; integrated circuit cards [smart cards]; smart cards [integrated circuit cards]; measuring spoons; notebook computers; electronic notice boards; pocket calculators; shoes for protection against accidents, irradiation and fire; sprinkler systems for fire protection; starter cables for motors; sunglasses; time clocks [time recording devices]; video cassettes; video game cartridges; video screens; video telephones; goggles for sports; nose clips for divers and swimmers; protective helmets for sports; electronic publications, downloadable; computer programs, downloadable; navigation apparatus for vehicles [on-board computers]; decorative magnets; cordless telephones; mouse pads; personal stereos; wrist rests for use with computers; coaxial cables; covers for electric outlets; marine depth finders; electrified fences; computer game software, recorded; headphones; lighting ballasts; radio pagers; satellite navigational apparatus; solenoid valves [electromagnetic switches]; voltage surge protectors; walkie-talkies; wind socks for indicating wind direction; light-emitting electronic pointers; resuscitation mannequins [teaching apparatus]; stage lighting regulators; egg timers [sandglasses]; hourglasses; DNA chips; DVD players; automated teller machines [ATM]; traffic-light apparatus [signalling devices]; hands-free kits for telephones; asbestos screens for firemen; riding helmets; clothing especially made for laboratories; encoded identification bracelets, magnetic; transponders; downloadable ring tones for mobile phones; downloadable music files; downloadable image files; crash test dummies; laboratory centrifuges; printed

circuit boards; USB flash drives; Global Positioning System [GPS] apparatus; portable media players; cell phone straps; light-emitting diodes [LED]; triodes; step-up transformers; laptop computers; fire hose; bags adapted for laptops; sleeves for laptops; digital photo frames; Petri dishes; Pitot tubes; stroboscopes; traffic cones; temperature indicator labels, not for medical purposes; computer software applications, downloadable; electronic book readers; smartphones; toner cartridges, unfilled, for printers and photocopiers; baby monitors; video baby monitors; lens hoods; tablet computers; encoded key cards; 3D spectacles; memory cards for video game machines; bullet-proof clothing; accelerometers; electrical adapters; life-saving capsules for natural disasters; computer hardware; solar panels for the production of electricity; cellular phones; mobile telephones; cell phones; telescopic sights for artillery; digital signs; wearable activity trackers; chargers for electronic cigarettes; connected bracelets [measuring instruments]; covers for smartphones; cases for smartphones; selfie sticks [hand-held monopods]; calorimeters; flowmeters; reflective safety vests; electronic collars to train animals; joysticks for use with computers, other than for video games; smartglasses; smartwatches; fire extinguishing apparatus; protective films adapted for computer screens; mouth guards for sports; head guards for sports; needles for surveying compasses; security tokens [encryption devices]; infrared detectors; covers for personal digital assistants [PDAs]; baby scales; electronic access control systems for interlocking doors; thermal imaging cameras; scales with body mass analysers; scales with body mass analyzers; covers for tablet computers; black boxes [data recorders]; digital weather stations; charging stations for electric vehicles; interactive touch screen terminals; smart rings; electric and electronic effects units for musical instruments; audio interfaces; equalizers [audio apparatus]; equalisers [audio apparatus]; subwoofers; bathroom scales; thermo-hygrometers; biochips; protective films adapted for smartphones; virtual reality headsets; electronic interactive whiteboards; humanoid robots with artificial intelligence; audio mixers; batteries for electronic cigarettes; electronic key fobs being remote control apparatus; electronic sheet music, downloadable; T-squares for measuring; squares for measuring; square rulers for measuring; electronic numeric displays; laboratory robots; teaching robots; security surveillance robots; personal digital assistants [PDAs]; computer software platforms, recorded or downloadable; satellite finder meters; ring sizers; finger sizers; thin client computers; rearview cameras for vehicles; hand-held electronic dictionaries; resuscitation training simulators; electric wire harnesses for automobiles; snorkels; sports whistles; computer screen saver software, recorded or downloadable; selfie lenses; downloadable graphics for mobile phones; telecommunication apparatus in the form of jewellery; telecommunication apparatus in the form

of jewelry; wearable computers; wearable video display monitors; magnetic resonance imaging [MRI] apparatus, not for medical purposes; rescue laser signalling flares; ink cartridges, unfilled, for printers and photocopiers; wah-wah pedals; height measuring instruments; hairdressing training heads [teaching apparatus]; devices for the projection of virtual keyboards; survival blankets; lifeboats; nanoparticle size analyzers; nanoparticle size analyzers; ear pads for headphones; data gloves; trackballs [computer peripherals]; downloadable emoticons for mobile phones; telepresence robots; climate control digital thermostats; piezoelectric sensors; organic light-emitting diodes [OLED]; quantum dot light-emitting diodes [QLED]; droppers for measuring, other than for medical or household purposes; electric sockets; computer game software, downloadable; rescue flares, non-explosive and non-pyrotechnic; stands adapted for laptops; headgear being protective helmets; padlocks, electronic; weight belts for divers; earpieces for remote communication; parking sensors for vehicles; ticket printers; body harnesses for support when lifting loads; animal signalling rattles for directing livestock; video projectors; downloadable cryptographic keys for receiving and spending cryptocurrency; downloadable e-wallets; credit card terminals; biometric passports; e-passports; biometric identity cards.

12 – Forklift trucks; railway couplings; couplings for land vehicles; aerial conveyors; air vehicles; hot air balloons; inner tubes for pneumatic tyres; inner tubes for pneumatic tyres; repair outfits for inner tubes; air pumps [vehicle accessories]; suspension shock absorbers for vehicles; shock absorbing springs for vehicles; amphibious airplanes; non-skid devices for vehicle tires; non-skid devices for vehicle tyres; anti-skid chains; head-rests for vehicle seats; sprinkling trucks; trailer hitches for vehicles; motor buses; motor coaches; boats; trucks; lorries; automobile hoods; automobile chains; automobile chassis; reversing alarms for vehicles; aeroplanes; ferry boats; luggage carriers for vehicles; airships; dirigible balloons; tires for vehicle wheels; tyres for vehicle wheels; valves for vehicle tyres; valves for vehicle tires; flanges for railway wheel tyres; flanges for railway wheel tires; torsion bars for vehicles; ship hulls; boat hooks; steering gears for ships; disengaging gear for boats; inclined ways for boats; screw-propellers for boats; oars; tipping bodies for lorries; tipping bodies for trucks; mine cart wheels; bicycles; bicycle kickstands; bogies for railway cars; davits for boats; mudguards; two-wheeled trolleys; luggage trucks; sack-barrow; cars for cable transport installations; caissons [vehicles]; vehicle wheels; hoods for vehicle engines; hoods for vehicles; caravans; trailers [vehicles]; crankcases for land vehicle components, other than for engines; safety belts for vehicle seats; hubs for vehicle wheels; vehicle wheel hubs; bicycle chains; wheelchairs; barges; launches; handling carts; hose carts; casting carriages; casting cars; ladle carriages; ladle cars; golf carts [ve-

hicles]; golf cars [vehicles]; vehicle chassis; rudders; rolling stock for funicular railways; rolling stock for railways; funnels for ships; treads for vehicles [tractor type]; treads for vehicles [roller belts]; tractors; mine cars; vehicle bumpers; buffers for railway rolling stock; hydraulic circuits for vehicles; bicycle handlebars; sleeping berths for vehicles; timbers [frames] for ships; bicycle tyres; bicycle tires; gears for bicycles; bicycle brakes; bicycle mudguards; rims for bicycle wheels; bicycle wheel rims; bicycle cranks; bicycle motors; hubs for bicycle wheels; bicycle wheel hubs; bicycle pedals; pumps for bicycles, cycles; bicycle pumps; spokes for bicycle wheels; bicycle wheel spokes; bicycle wheels; bicycle saddles; motorcycle kickstands; gearing for land vehicles; dredgers [boats]; handcars; motors, electric, for land vehicles; electric vehicles; clutches for land vehicles; safety seats for children, for vehicles; parachutes; casings for pneumatic tires; casings for pneumatic tyres; balance weights for vehicle wheels; space vehicles; spars for ships; axles for vehicles; axle journals; windshield wipers; windscreen wipers; dress guards for bicycles; luggage nets for vehicles; hub caps; vans [vehicles]; brakes for vehicles; bands for wheel hubs; refrigerated vehicles; refrigerated railway wagons; engines for land vehicles; motors for land vehicles; sculls; stern oars; seat covers for vehicles; portholes; seaplanes; hydroplanes; sleeping cars; locomotives; driving motors for land vehicles; railway carriages; vehicle running boards; transmissions for land vehicles; propulsion mechanisms for land vehicles; military vehicles for transport; jet engines for land vehicles; motorcycles; freewheels for land vehicles; water vehicles; ships; screws [propellers] for ships; paddles for canoes; windscreens; windshields; spikes for tires [tyres]; studs for tires [tyres]; treads for retreading tyres; treads for retreading tires; pneumatic tires [tyres]; pneumatic tyres; pontoons; doors for vehicles; ski carriers for cars; delivery tricycles; carrier tricycles; pushchairs; strollers; stroller covers; pushchair covers; pushchair hoods; stroller hoods; screw-propellers; vehicle wheel spokes; spoke clips for wheels; ski lifts; vehicle suspension springs; dining cars; dining carriages; rearview mirrors; rims for vehicle wheels; vehicle wheel rims; motorcycle saddles; side cars; vehicle seats; sports cars; cleats [nautical]; chairlifts; rowlocks; oarlocks; tilting-carts; aircraft; undercarriages for vehicles; sleighs [vehicles]; tramcars; cable transport apparatus and installations; funiculars; telfer railways [cable cars]; cable cars; tricycles; turbines for land vehicles; vehicles for locomotion by land, air, water or rail; adhesive rubber patches for repairing inner tubes; upholstery for vehicles; mopeds; windows for vehicles; cars; automobiles; motor cars; anti-theft devices for vehicles; tipping apparatus [parts of railway wagons]; yachts; aeronautical apparatus, machines and appliances; anti-glare devices for vehicles; anti-dazzle devices for vehicles; automobile tyres; automobile tires; automobile bodies; bumpers for auto-

mobiles; shock absorbers for automobiles; anti-theft alarms for vehicles; horns for vehicles; concrete mixing vehicles; inner tubes for bicycle tires; inner tubes for bicycle tyres; brake linings for vehicles; brake shoes for vehicles; gear boxes for land vehicles; wheelbarrows; carts; bicycle frames; bodies for vehicles; ejector seats for aircraft; vehicle covers [shaped]; driving chains for land vehicles; transmission chains for land vehicles; torque converters for land vehicles; signal arms for vehicles; funnels for locomotives; steering wheels for vehicles; saddle covers for bicycles; ambulances; tubeless tires for bicycles; tubeless tyres for bicycles; reduction gears for land vehicles; brake segments for vehicles; air cushion vehicles; caps for vehicle fuel tanks; connecting rods for land vehicles, other than parts of motors and engines; tailboard lifts [parts of land vehicles]; elevating tailgates [parts of land vehicles]; power tailgates [parts of land vehicles]; security harness for vehicle seats; sun-blinds adapted for automobiles; transmission shafts for land vehicles; air bags [safety devices for automobiles]; baskets adapted for bicycles; motor homes; camping cars; casters for trolleys [vehicles]; casters for carts [vehicles]; cleaning trolleys; fenders for ships; kick sledges; panniers adapted for bicycles; shopping trolleys; shopping carts; snowmobiles; remote control vehicles, other than toys; push scooters [vehicles]; masts for boats; covers for vehicle steering wheels; spoilers for vehicles; headlight wipers; brake pads for automobiles; spare wheel covers; spare tire covers; spare tyre covers; tilt trucks; cigar lighters for automobiles; brake discs for vehicles; saddlebags adapted for bicycles; bicycle bells; armored vehicles; armoured vehicles; engine mounts for land vehicles; military drones; canoes; civilian drones; side view mirrors for vehicles; fitted pushchair mosquito nets; fitted stroller mosquito nets; vehicle joysticks; driverless cars [autonomous cars]; self-driving cars; motor scooters; mobility scooters; ashtrays for automobiles; motorcycle chains; motorcycle frames; motorcycle handlebars; motorcycle engines; panniers adapted for motorcycles; solid tires for vehicle wheels; solid tyres for vehicle wheels; baby carriages; prams; fitted footmuffs for prams; fitted footmuffs for baby carriages; fitted footmuffs for pushchairs; fitted footmuffs for strollers; tyre mousse inserts; tire mousse inserts; bags adapted for pushchairs; bags adapted for strollers; remotely operated vehicles for underwater inspections; autonomous underwater vehicles for seabed inspections; bellows for articulated buses; electric bicycles; saddle covers for motorcycles; motor racing cars; robotic cars; camera drones; photography drones; fishing trolleys; roll cage trolleys; lug nuts for vehicle wheels; clips adapted for fastening automobile parts to automobile bodies; rescue sleds; tow trucks; wreckers for transport; garbage trucks; rubbish trucks; trailers for transporting bicycles; bicycle trailers; pet strollers; trucks with a crane feature incorporated; delivery drones; helicams; gyrocopters; helicopters; self-

balancing scooters; self-balancing boards; self-balancing electric unicycles; vehicle bonnet pins; vehicle hood pins; tires for snow ploughs; tyres for snow ploughs; diving bells; cup holders for vehicles; trolleys; horse-drawn carriages; amphibious vehicles; all-terrain vehicles.

14 – Agates; clock hands; ingots of precious metals; jewelry of yellow amber; jewellery of yellow amber; pearls made of ambroid [pressed amber]; amulets [jewellery]; amulets [jewelry]; spun silver [silver wire]; silver thread [jewellery]; silver thread [jewelry]; clocks; pendulums [clock- and watchmaking]; barrels [clock- and watchmaking]; bracelets [jewellery]; bracelets [jewelry]; wristwatches; watch bands; watch straps; straps for wristwatches; jewellery charms; jewelry charms; charms for jewellery; charms for jewelry; brooches [jewellery]; brooches [jewelry]; dials [clock- and watchmaking]; sundials; clockworks; chains [jewellery]; chains [jewelry]; watch chains; chronographs [watches]; chronometers; chronoscopes; chronometric instruments; necklaces [jewellery]; necklaces [jewelry]; clocks and watches, electric; tie clips; coins; diamonds; threads of precious metal [jewellery]; wire of precious metal [jewellery]; threads of precious metal [jewelry]; wire of precious metal [jewelry]; atomic clocks; control clocks [master clocks]; master clocks; clock cases; iridium; ivory jewelry; ivory jewellery; ornaments of jet; jet, unwrought or semi-wrought; copper tokens; jewelry; jewellery; lockets [jewellery]; lockets [jewelry]; medals; precious metals, unwrought or semi-wrought; watches; watch springs; watch glasses; watch crystals; movements for clocks and watches; olivine [gems]; peridot; gold, unwrought or beaten; gold thread [jewellery]; gold thread [jewelry]; osmium; palladium; ornamental pins; pearls [jewellery]; pearls [jewelry]; semi-precious stones; precious stones; platinum [metal]; alarm clocks; rhodium; ruthenium; spinel [precious stones]; statues of precious metal; paste jewellery; alloys of precious metal; anchors [clock- and watchmaking]; rings [jewellery]; rings [jewelry]; works of art of precious metal; boxes of precious metal; hat jewellery; hat jewelry; earrings; shoe jewellery; shoe jewelry; cuff links; busts of precious metal; watch cases [parts of watches]; presentation boxes for watches; figurines of precious metal; statuettes of precious metal; pins [jewellery]; pins [jewelry]; tie pins; badges of precious metal; key chains [split rings with trinket or decorative fob]; key rings [split rings with trinket or decorative fob]; silver, unwrought or beaten; stopwatches; cloisonné jewellery; cloisonné jewelry; jewellery boxes; jewelry boxes; beads for making jewelry; beads for making jewellery; clasps for jewelry; clasps for jewellery; jewelry findings; jewellery findings; jewelry rolls; jewellery rolls; cabochons; split rings of precious metal for keys; presentation boxes for jewellery; presentation boxes for jewelry; watch hands; misbaha [prayer beads]; bracelets made of embroidered textile [jewelry]; bracelets made of embroidered

textile [jewellery]; charms for key rings; charms for key chains; rosaries; chaplets; crucifixes of precious metal, other than jewellery; crucifixes of precious metal, other than jewelry; crucifixes as jewellery; crucifixes as jewelry; retractable key chains; retractable key rings; jewellery hat pins; jewelry hatpins.

15 – Accordions; tuning hammers; reeds; bows for musical instruments; bow nuts for musical instruments; sticks for bows for musical instruments; horsehair for bows for musical instruments; pianos; conductors' batons; drumsticks; bandonions; barrel organs; basses [musical instruments]; harmonicas; catgut for musical instruments; buccins [trumpets]; carillons [musical instruments]; castanets; hats with bells [musical instruments]; kettledrum frames; pegs for musical instruments; zithers; clarionets; keyboards for musical instruments; musical instruments; concertinas; double basses; strings for musical instruments; stringed musical instruments; horns [musical instruments]; cornets [musical instruments]; cymbals; tuning forks; mouthpieces for musical instruments; cases for musical instruments; flutes; gongs; Jews' harps [musical instruments]; guitars; harmoniums; harps; harp strings; oboes; electronic musical instruments; intensity regulators for mechanical pianos; lyres; plectrums; picks for stringed instruments; mandolins; chin rests for violins; bagpipes; musical boxes; turning apparatus for sheet music; bridges for musical instruments; triangles [musical instruments]; ocarinas; organs; wind pipes for organs; drumheads; skins for drums; pedals for musical instruments; piano keyboards; piano strings; piano keys; bellows for musical instruments; mutes for musical instruments; dampers for musical instruments; drums [musical instruments]; tambourines; tom-toms; kettledrums; trombones; clarions; trumpets; valves for musical instruments; violas; violins; xylophones; keys for musical instruments; music rolls [piano]; perforated music rolls; music stands; huqin [Chinese violins]; bamboo flutes; pipa [Chinese guitars]; sheng [Chinese musical wind instruments]; suona [Chinese trumpets]; handbells [musical instruments]; music synthesizers; stands for musical instruments; saxophones; balalaikas [stringed musical instruments]; banjos; melodicas; colophony for stringed musical instruments; rosin for stringed musical instruments; robotic drums; mallets for musical instruments; straps for musical instruments.

16 – Steel letters; steel pens; adhesive tape dispensers [office requisites]; address stamps; addressing machines; paper; posters; advertisement boards of paper or cardboard; franking machines for office use; postage meters for office use; staples for offices; clips for offices; pen clips; stapling presses [office requisites]; albums; scrapbooks; pictures; prints [engravings]; cigar bands; pencil sharpening machines, electric or non-electric; bookends; hand-rests for painters; aquarelles; watercolors [paintings]; watercolours [paintings]; architects' models; document files [stationery]; writing

slates; slate pencils; silver paper; modelling clay; arithmetical tables; calculating tables; engravings; lithographic works of art; paintings [pictures], framed or unframed; pencils; newspapers; periodicals; atlases; loose-leaf binders; ring binders; gummed tape [stationery]; mats for beer glasses; tickets; biological samples for use in microscopy [teaching materials]; printing blocks; drawing pads; pads [stationery]; spools for inking ribbons; wristbands for the retention of writing instruments; pamphlets; embroidery designs [patterns]; drawing pins; thumbtacks; moisteners [office requisites]; painters' brushes; blotters; stamps [seals]; sealing stamps; inking pads; sealing wax; sealing machines for offices; sealing compounds for stationery purposes; writing or drawing books; trays for sorting and counting money; tracing patterns; tracing paper; tracing cloth; fingerstalls for office use; printing type; carbon paper; paper for recording machines; note books; square rulers for drawing; cards; charts; teaching materials [except apparatus]; index cards [stationery]; paper sheets [stationery]; cardboard; hat boxes of cardboard; perforated cards for Jacquard looms; cardboard tubes; catalogues; tags for index cards; song books; composing frames [printing]; folders for papers; jackets for papers; painters' easels; numbers [type]; Indian inks; chromolithographs [chromos]; chromos; modelling wax, not for dental purposes; files [office requisites]; office perforators; toilet paper; hygienic paper; books; compasses for drawing; type [numerals and letters]; letters [type]; composing sticks; letter trays; conical paper bags; correcting fluids [office requisites]; correcting ink [heliography]; pencil leads; histological sections for teaching purposes; French curves; covers [stationery]; wrappers [stationery]; writing chalk; chalk for lithography; tailors' chalk; chalk holders; pencil holders; pencil lead holders; cream containers of paper; paper clasps; rollers for typewriters; transfers [decalcomanias]; decalcomanias; graphic prints; graining combs; drawing boards; drawing materials; drawing instruments; diagrams; envelopes [stationery]; duplicators; etchings; wrapping paper; packing paper; nibs; typewriters, electric or non-electric; pen cases; boxes for pens; nibs of gold; erasing products; writing materials; shields [paper seals]; erasing shields; rubber erasers; electrocardiograph paper; punches [office requisites]; ink; inking ribbons; inkwells; envelope sealing machines for offices; photographs [printed]; pen wipers; seals [stamps]; fabrics for bookbinding; drawing sets; ledgers [books]; indexes; figurines of papier mâché; statuettes of papier mâché; filter paper; filtering materials of paper; forms, printed; office requisites, except furniture; charcoal pencils; stencils [stationery]; galley racks [printing]; electrotypes; geographical maps; terrestrial globes; artists' watercolor saucers; artists' watercolour saucers; graphic reproductions; graphic representations; scrapers [erasers] for offices; engraving plates; hectographs; printed timetables; moisteners for gummed surfaces [office requisites]; post-

cards; printed matter; hand labelling appliances; printers' blankets, not of textile; printing sets, portable [office requisites]; printed publications; manuals [handbooks]; handbooks [manuals]; writing paper; paperweights; tracing needles for drawing purposes; drawing pens; table linen of paper; lithographs; lithographic stones; booklets; luminous paper; papier mâché; manifolds [stationery]; marking chalk; plastics for modelling; modelling materials; modelling paste; handkerchiefs of paper; inking sheets for duplicators; tablecloths of paper; blackboards; paper-clips; numbering apparatus; oleographs; binding strips [bookbinding]; sealing wafers; palettes for painters; pantographs [drawing instruments]; stationery; parchment paper; pastels [crayons]; sewing patterns; stencil cases; house painters' rollers; canvas for painting; paint boxes for use in schools; plastic film for wrapping; apparatus for mounting photographs; photograph stands; photo-engravings; blueprints; plans; paper creasers [office requisites]; fountain pens; stencil plates; stencils; portraits; covers of paper for flower pots; flower-pot covers of paper; mimeograph apparatus and machines; paper tapes and cards for the recordal of computer programmes; prospectuses; paper for radiograms; drawing rulers; printers' galleys; bookbinding material; bookbinding cloth; cloth for bookbinding; cords for bookbinding; bookbinding cords; inking sheets for document reproducing machines; pens [office requisites]; magazines [periodicals]; paper ribbons, other than haberdashery or hair decorations; typewriter ribbons; bags [envelopes, pouches] of paper or plastics, for packaging; stamp pads; school supplies [stationery]; bookmarks; bookmarks; greeting cards; steatite [tailor's chalk]; balls for ball-point pens; tablemats of paper; desk mats; typewriter keys; holders for stamps [seals]; cases for stamps [seals]; postage stamps; stamp stands; transparencies [stationery]; vignetting apparatus; gluten [glue] for stationery or household purposes; adhesives [glues] for stationery or household purposes; adhesive tapes for stationery or household purposes; adhesive bands for stationery or household purposes; address plates for addressing machines; almanacs; calendars; starch paste [adhesive] for stationery or household purposes; paintbrushes; self-adhesive tapes for stationery or household purposes; elastic bands for offices; bibs of paper; wood pulp board [stationery]; wood pulp paper; boxes of paper or cardboard; stands for pens and pencils; bottle envelopes of paper or cardboard; coasters of paper; announcement cards [stationery]; plastic bubble packs for wrapping or packaging; flags of paper; paper shredders for office use; sheets of reclaimed cellulose for wrapping; desktop cabinets for stationery [office requisites]; glue for stationery or household purposes; pastes for stationery or household purposes; paper knives [letter openers]; garbage bags of paper or of plastics; pencil sharpeners, electric or non-electric; tissues of paper for removing make-up; table napkins of paper; place mats of paper; squares for drawing;

T-squares for drawing; penholders; writing cases [stationery]; inkstands; writing cases [sets]; handwriting specimens for copying; bottle wrappers of paper or cardboard; placards of paper or cardboard; towels of paper; face towels of paper; labels of paper or cardboard; etching needles; viscose sheets for wrapping; gums [adhesives] for stationery or household purposes; gummed cloth for stationery purposes; isinglass for stationery or household purposes; bags for microwave cooking; paper coffee filters; plastic cling film, extensible, for palletization; signboards of paper or cardboard; stickers [stationery]; bookbinding apparatus and machines [office equipment]; comic books; copying paper [stationery]; holders for cheque books; holders for checkbooks; ink sticks; ink stones [ink reservoirs]; musical greeting cards; newsletters; packaging material made of starches; waxed paper; passport holders; writing brushes; writing instruments; drawer liners of paper, perfumed or not; credit card imprinters, non-electric; document laminators for office use; papers for painting and calligraphy; writing board erasers; clipboards; chart pointers, non-electronic; paper bows, other than haberdashery or hair decorations; molds for modelling clays [artists' materials]; moulds for modelling clays [artists' materials]; money clips; trading cards, other than for games; absorbent sheets of paper or plastic for foodstuff packaging; humidity control sheets of paper or plastic for foodstuff packaging; correcting tapes [office requisites]; paint trays; marking pens [stationery]; flyers; document holders [stationery]; page holders; polymer modelling clay; obliterating stamps; packing [cushioning, stuffing] materials of paper or cardboard; stuffing of paper or cardboard; padding materials of paper or cardboard; banknotes; spray chalk; printed coupons; rice paper; plastic bags for pet waste disposal; wash; table runners of paper; printed sheet music; banners of paper; bunting of paper; animation cels; paper bags for use in the sterilization of medical instruments; paper bags for use in the sterilisation of medical instruments; name badge holders [office requisites]; retractable reels for name badge holders [office requisites]; clips for name badge holders [office requisites]; paper for medical examination tables; dental tray covers of paper; bibs, sleeved, of paper; paper cutters [office requisites]; stencils for decorating food and beverages; name badges [office requisites]; barcode ribbons; glitter for stationery purposes; baggage claim check tags of paper; paper wipes for cleaning; protective covers for books; colouring books; coloring books.

18 – Mountaineering sticks; alpenstocks; animal skins; pelts; umbrella rings; saddle trees; leather leashes; leather leads; fastenings for saddles; umbrella or parasol ribs; goldbeaters' skin; purses; bridoons; straps for soldiers' equipment; music cases; umbrella sticks; walking sticks; canes; walking stick seats; bits for animals [harness]; frames for umbrellas or parasols; game bags [hunting accessories]; school bags;

school satchels; card cases [notecases]; leatherboard; hat boxes of leather; horse collars; horse blankets; kid; muzzles; travelling trunks; collars for animals; leather cord; curried skins; harness straps; harness traces; straps of leather [saddlery]; straps for skates; leather straps; leather thongs; butts [parts of hides]; leather, unworked or semi-worked; trimmings of leather for furniture; leather trimmings for furniture; imitation leather; umbrellas; sling bags for carrying infants; parts of rubber for stirrups; stirrup leathers; tool bags, empty; whips; nose bags [feed bags]; umbrella covers; casings, of leather, for springs; casings, of leather, for plate springs; knee-pads for horses; covers for animals; harness for animals; blinkers [harness]; blinders [harness]; traces [harness]; rucksacks; backpacks; halters; head-stalls; walking stick handles; walking cane handles; cat o' nine tails; chin straps, of leather; moleskin [imitation of leather]; handbag frames; parasols; fur; fur-skins; umbrella handles; pocket wallets; wheeled shopping bags; shopping bags; reins; attaché cases; bags for climbers; bags for campers; beach bags; handbags; travelling bags; bags [envelopes, pouches] of leather, for packaging; girths of leather; riding saddles; saddlery; briefcases; travelling sets [leatherware]; suitcases; suitcase handles; valves of leather; cattle skins; boxes of leather or leatherboard; chain mesh purses; cases of leather or leatherboard; trunks [luggage]; vanity cases, not fitted; chamois leather, other than for cleaning purposes; skins of chamois, other than for cleaning purposes; shoulder belts [straps] of leather; leather shoulder belts; leather shoulder straps; covers for horse saddles; boxes of vulcanized fibre; boxes of vulcanized fiber; haversacks; garment bags for travel; bridles [harness]; key cases; net bags for shopping; valises; furniture coverings of leather; pads for horse saddles; bags for sports; stirrups; harness fittings; horseshoes; slings for carrying infants; pouch baby carriers; bags; credit card cases [wallets]; business card cases; randsels [Japanese school satchels]; baggage tags; luggage tags; saddlecloths for horses; labels of leather; grips for holding shopping bags; tefillin [phylacteries]; suitcases with wheels; saddlebags; clothing for pets; reins for guiding children; motorized suitcases; compression cubes adapted for luggage; conference folders; conference portfolios; hiking sticks; trekking sticks; leathercloth; backpacks for carrying infants.

20 – Beehives; display boards; decorations of plastic for foodstuffs; yellow amber; stuffed animals; beds for household pets; nesting boxes for household pets; kennels for household pets; animal claws; curtain rings; silvered glass [mirrors]; cupboards; medicine cabinets; clips, not of metal, for cables and pipes; casks of wood for decanting wine; whalebone, unworked or semi-worked; bamboo; benches [furniture]; fishing baskets; playpens for babies; cradles; bassinets; library shelves; reels of wood for yarn, silk, cord; bedsteads of wood; wood ribbon; corks for bottles; corks; bottle racks; embroidery frames; brush moun-

tings; sideboards; animal horns; desks; office furniture; costume stands; comb foundations for beehives; sections of wood for beehives; furniture; taps, not of metal, for casks; faucets, not of metal, for casks; index cabinets [furniture]; filing cabinets; imitation tortoiseshell; screens for fireplaces [furniture]; coffins; coffin fittings, not of metal; stag antlers; chairs [seats]; seats; chaise longues; chaise lounges; head-rests [furniture]; hat stands; loading pallets, not of metal; loading gauge rods, not of metal, for railway wagons; hinges, not of metal; display stands; dog kennels; coat hangers; clothes hangers; shelves for file cabinets; armchairs; mannequins; tailors' dummies; dressmakers' dummies; containers, not of metal, for liquid fuel; chests of drawers; counters [tables]; containers, not of metal [storage, transport]; floating containers, not of metal; tables; coral; trays, not of metal; horn, unworked or semi-worked; corozo; bedding, except linen; cushions; mattresses; hooks, not of metal, for clothes rails; coathooks, not of metal; vats, not of metal; tea carts; tea trolleys; drafting tables; towel dispensers, fixed, not of metal; towel dispensers, not of metal, fixed; divans; staves of wood; cabinet work; tortoiseshell; oyster shells; stakes, not of metal, for plants or trees; ladders of wood or plastics; mobile boarding stairs, not of metal, for passengers; school furniture; typing desks; shelves for typewriters; placards of wood or plastics; nuts, not of metal; meerschau; removable mats or covers for sinks; mats, removable, for sinks; packaging containers of plastic; curtain holders, not of textile material; beds; reels, not of metal, non-mechanical, for flexible hoses; winding spools, not of metal, non-mechanical, for flexible hoses; stair rods; work benches; racks [furniture]; nesting boxes; fans for personal use, non-electric; closures, not of metal, for containers; furniture fittings, not of metal; flower-stands [furniture]; flower-pot pedestals; fodder racks; gun racks; casks, not of metal; cask stands, not of metal; curtain rollers; meat safes; window fittings, not of metal; bed fittings, not of metal; door fittings, not of metal; chopping blocks [tables]; crates; covers for clothing [wardrobe]; registration plates, not of metal; numberplates, not of metal; furniture of metal; rattan; newspaper display stands; magazine racks; slatted indoor blinds; washstands [furniture]; hospital beds; bed casters, not of metal; latches, not of metal; lecterns; hampers [baskets] for the transport of items; coatstands; transport pallets, not of metal; handling pallets, not of metal; steps [ladders], not of metal; furniture partitions of wood; partitions of wood for furniture; furniture casters, not of metal; honeycombs; mobiles [decoration]; standing desks; mother-of-pearl, unworked or semi-worked; identity plates, not of metal; nameplates, not of metal; house numbers, not of metal, non-luminous; stuffed birds; pillows; air pillows, not for medical purposes; straw mattresses; straw mattress; plaited straw, except matting; straw plaits; straw edgings; bakers' bread baskets; umbrella stands; screens [furniture]; clothes

hooks, not of metal; bead curtains for decoration; tent pegs, not of metal; table tops; doors for furniture; curtain rails; furniture shelves; edgings of plastic for furniture; tanks, not of metal nor of masonry; reservoirs, not of metal nor of masonry; curtain rods; curtain hooks; curtain tie-backs; reeds [plaiting materials]; animal hooves; writing desks; locks, not of metal, for vehicles; seats of metal; sofas; settees; bed bases; valves, not of metal, other than parts of machines; statues of wood, wax, plaster or plastic; tables of metal; dressing tables; moldings for picture frames; moldings for picture frames; shelves for storage; lockers; mirrors [looking glasses]; deck chairs; bolsters; trestles [furniture]; keyboards for hanging keys; plate racks; wickerwork; showcases [furniture]; air cushions, not for medical purposes; air mattresses, not for medical purposes; ambroid bars; ambroid plates; works of art of wood, wax, plaster or plastic; troughs, not of metal, for mixing mortar; chests, not of metal; bins, not of metal; vice benches [furniture]; barrels, not of metal; barrel hoops, not of metal; cask hoops, not of metal; stands for calculating machines; bungs, not of metal; plugs, not of metal; sealing caps, not of metal; screws, not of metal; rivets, not of metal; pegs [pins], not of metal; dowels, not of metal; pins [pegs], not of metal; bolts, not of metal; bottle caps, not of metal; bottle closures, not of metal; bottle fasteners, not of metal; identification bracelets, not of metal; dinner wagons [furniture]; busts of wood, wax, plaster or plastic; binding screws, not of metal, for cables; picture frames; picture frame brackets; picture rods [frames]; massage tables; waterbeds, not for medical purposes; drain traps [valves] of plastic; plugs [dowels], not of metal; wall plugs, not of metal; shells; stools; water-pipe valves of plastic; bottle casings of wood; statuettes of wood, wax, plaster or plastic; figurines of wood, wax, plaster or plastic; locks, other than electric, not of metal; hairdressers' chairs; poles, not of metal; baskets, not of metal; letter boxes, not of metal or masonry; mooring buoys, not of metal; garment covers [storage]; signboards of wood or plastics; trolleys [furniture]; bamboo curtains; chests for toys; high chairs for babies; infant walkers; inflatable publicity objects; plastic key cards, not encoded and not magnetic; mirror tiles; pulleys of plastics for blinds; saw horses; scratching posts for cats; shoulder poles [yokes]; carts for computers [furniture]; trolleys for computers [furniture]; funerary urns; wind chimes [decoration]; indoor window blinds of woven wood; indoor window shades of woven wood; book rests [furniture]; pet cushions; indoor window blinds [furniture]; indoor window shades [furniture]; door handles, not of metal; hand-held mirrors [toilet mirrors]; mats for infant playpens; towel stands [furniture]; knobs, not of metal; wall-mounted baby changing platforms; baby changing mats; door bolts, not of metal; indoor window blinds of paper; indoor window shades of paper; indoor window blinds of textile; indoor window shades of textile; door bells, not of metal, non-electric;

freestanding partitions [furniture]; screw tops, not of metal, for bottles; door knockers, not of metal; saw benches [furniture]; inflatable furniture; step stools, not of metal; bathtub grab bars, not of metal; collars, not of metal, for fastening pipes; jewelry organizer displays; jewellery organizer displays; sleeping mats; sleeping pads; split rings, not of metal, for keys; dispensers for dog waste bags, fixed, not of metal; door stops, not of metal or rubber; window stops, not of metal or rubber; sash fasteners, not of metal, for windows; window fasteners, not of metal; door fasteners, not of metal; tool boxes, not of metal, empty; tool chests, not of metal, empty; shelving units; bag hangers, not of metal; plastic keys; brackets, not of metal, for furniture; labels of plastic; console tables; bookcases; valet stands; jerrycans, not of metal; birdhouses; clips of plastic for sealing bags; bumper guards for cots, other than bed linen; bumper guards for cribs, other than bed linen; boxes of wood or plastic; cots for babies; cribs for babies; moses baskets; legs for furniture; feet for furniture; wardrobes; footstools; shoe pegs, not of metal; shoe dowels, not of metal; crucifixes of wood, wax, plaster or plastic, other than jewellery; crucifixes of wood, wax, plaster or plastic, other than jewelry; oil drainage containers, not of metal; air beds, not for medical purposes; camping mattresses; plastic ramps for use with vehicles; shower chairs; head support cushions for babies; anti-roll cushions for babies; head positioning pillows for babies; hand-held flagpoles, not of metal; stoppers, not of glass, metal or rubber; door closers, not of metal, non-electric; door springs, not of metal, non-electric; runners, not of metal, for sliding doors; bath seats for babies; lap desks; portable desks; door openers, not of metal, non-electric; window openers, not of metal, non-electric; window closers, not of metal, non-electric; sash pulleys, not of metal; window pulleys, not of metal; padlocks, other than electronic, not of metal; bathroom vanities [furniture]; drawers for furniture; luggage lockers.

21 – Drinking troughs; feeding troughs; steel wool for cleaning; washing boards; thermally insulated containers for food; carpet beaters [hand instruments]; glass bulbs [receptacles]; glass vials [receptacles]; animal bristles [brushware]; poultry rings; nozzles for watering hose; watering devices; sprinkling devices; brushes; sprinklers; watering cans; bread baskets for household purposes; rings for birds; bird baths; brooms; carpet sweepers; glass flasks [containers]; buckets; pails; basins [receptacles]; cooking pot sets; pouring spouts; currycombs; butter dishes; butter-dish covers; beer mugs; glass jars [carboys]; drinking vessels; heat-insulated containers for beverages; boxes for dispensing paper towels; soap boxes; tea caddies; bowls [basins]; basins [bowls]; demijohns; carboys; bootjacks; glass stoppers; corkscrews, electric and non-electric; decorative glass spheres; bottles; insulating flasks; vacuum bottles; refrigerating bottles; bottle openers, electric and non-electric; cooking ske-

wers of metal; cooking pins of metal; nail brushes; toilet brushes; lamp-glass brushes; material for brush-making; hair for brushes; perfume burners; cruets; cabarets [trays]; birdcages; sifters [household utensils]; heat-insulated containers; decanters; menu card holders; stew-pans; saucepan scourers of metal; cinder sifters [household utensils]; ceramics for household purposes; fly swatters; cauldrons; shoe brushes; horse brushes; mangers for animals; combs for animals; combs; cloths for cleaning; rags for cleaning; china ornaments; molds [kitchen utensils]; moulds [kitchen utensils]; apparatus for wax-polishing, non-electric; cocktail shakers; glue-pots; glasses [receptacles]; drinking horns; cosmetic utensils; strainers for household purposes; fruit bowls; knife rests for the table; closures for pot lids; pot lids; ironing board covers, shaped; tie presses; blenders, non-electric, for household purposes; sieves [household utensils]; crystal [glassware]; ice cube molds; ice cube moulds; polishing leather; cooking pots; scoops for household purposes; cookery moulds; cookery molds; cleaning instruments, hand-operated; toothpicks; washtubs; plates to prevent milk boiling over; cutting boards for the kitchen; large-toothed combs for the hair; dusting apparatus, non-electric; flat-iron stands; powdered glass for decoration; toilet cases; fitted vanity cases; toilet paper dispensers; soap dispensers; siphon bottles for aerated water; siphon bottles for carbonated water; enamelled glass, not for building; shoe trees; funnels; spice sets; toilet sponges; sponge holders; furniture dusters; drying racks for laundry; buckets made of woven fabrics; comb cases; earthenware; crockery; holders for flowers and plants [flower arranging]; flower pots; whisks, non-electric, for household purposes; mops; frying pans; scrubbing brushes; fruit presses, non-electric, for household purposes; smoke absorbers for household purposes; mess-tins; glove stretchers; cake moulds; cake molds; plate glass [raw material]; drinking bottles for sports; grills [cooking utensils]; griddles [cooking utensils]; grill supports; gridiron supports; tar-brushes, long handled; powder puffs; glass, unworked or semi-worked, except building glass; insect traps; glass wool, other than for insulation; pots; vegetable dishes; liqueur sets; basting spoons [cooking utensils]; majolica; kitchen grinders, non-electric; utensils for household purposes; crumb trays; mosaics of glass, not for building; mills for household purposes, hand-operated; wool waste for cleaning; nest eggs, artificial; egg cups; opal glass; opaline glass; scouring pads; pads for cleaning; bread boards; fitted picnic baskets, including dishes; trouser presses; paper plates; rolling pins, domestic; electric combs; pie servers; tart scoops; wine-tasting pipettes; wine-tasting siphons; ironing boards; trays of paper, for household purposes; earthenware saucepans; nozzles for watering cans; roses for watering cans; pepper mills, hand-operated; pepper pots; polishing apparatus and machines, for household purposes, non-electric; polishing materials for making shiny, except prepara-

tions, paper and stone; porcelain ware; vases; soap holders; dishes for soap; chamber pots; pottery; dustbins; garbage cans; refuse bins; trash cans; powder compacts, empty; coolers [ice pails]; ice buckets; ice pails; graters for kitchen use; rat traps; containers for household or kitchen use; napkin rings; salad bowls; salt cellars; salt shakers; syringes for watering flowers and plants; sprinklers for watering flowers and plants; services [dishes]; dishes; tea services [tableware]; table napkin holders; vessels of metal for making ices and iced drinks; saucers; shoe horns; soup bowls; eyebrow brushes; mouse traps; statues of porcelain, ceramic, earthenware, terra-cotta or glass; sugar bowls; epergnes; cups; clothing stretchers; stretchers for clothing; teapots; buttonhooks; piggy banks; toilet utensils; beverage urns, non-electric; tableware, other than knives, forks and spoons; perfume vaporizers; perfume sprayers; glass incorporating fine electrical conductors; painted glassware; glass for vehicle windows [semi-finished product]; mugs; aerosol dispensers, not for medical purposes; works of art of porcelain, ceramic, earthenware, terra-cotta or glass; table plates; autoclaves, non-electric, for cooking; pressure cookers, non-electric; beaters, non-electric; heaters for feeding bottles, non-electric; shaving brushes; shaving brush stands; stands for shaving brushes; bobèches; candle drip rings; boxes of glass; candy boxes; boxes for sweets; candelabra [candlesticks]; candlesticks; kettles, non-electric; tea infusers; tea balls; toothbrushes; electric brushes, except parts of machines; busts of porcelain, ceramic, earthenware, terra-cotta or glass; covers, not of paper, for flower pots; flower-pot covers, not of paper; coffee grinders, hand-operated; coffee services [tableware]; coffee filters, non-electric; coffee percolators, non-electric; coasters, not of paper or textile; abrasive pads for kitchen purposes; deep fryers, non-electric; portable cool boxes, non-electric; portable coolers, non-electric; water apparatus for cleaning teeth and gums; chamois leather for cleaning; buckskin for cleaning; skins of chamois for cleaning; wax-polishing appliances, non-electric, for shoes; cheese-dish covers; baskets for household purposes; trays for household purposes; cotton waste for cleaning; dish covers; covers for dishes; trivets [table utensils]; pitchers; jugs; kitchen containers; kitchen utensils; cooking utensils, non-electric; toothpick holders; toothbrushes, electric; deodorising apparatus for personal use; deodorizing apparatus for personal use; brushes for cleaning tanks and containers; signboards of porcelain or glass; sponges for household purposes; feather-dusters; dusting cloths [rags]; vitreous silica fibres, other than for textile use; vitreous silica fibers, other than for textile use; fiberglass, other than for insulation or textile use; fibreglass, other than for insulation or textile use; figurines of porcelain, ceramic, earthenware, terra-cotta or glass; statuettes of porcelain, ceramic, earthenware, terra-cotta or glass; fiberglass thread, other than for textile use; fibreglass thread, other than for textile use; coffeepots, non-electric;

tea strainers; flasks; gloves for household purposes; tankards; cruet sets for oil and vinegar; polishing gloves; candle extinguishers; baby baths, portable; cages for household pets; cloth for washing floors; dishwashing brushes; indoor terrariums [plant cultivation]; litter boxes for pets; litter trays for pets; fused silica [semi-worked product], other than for building; waffle irons, non-electric; bread bins; chopsticks; cleaning tow; clothes-pegs; clothes-pins; cocktail stirrers; confectioners' decorating bags [pastry bags]; cookie [biscuit] cutters; cookie jars; cups of paper or plastic; drinking glasses; floss for dental purposes; gardening gloves; hot pots, not electrically heated; isothermic bags; lazy susans; lunch boxes; mixing spoons [kitchen utensils]; noodle machines, hand-operated; pastry cutters; plungers for clearing blocked drains; spatulas for kitchen use; abrasive sponges for scrubbing the skin; garlic presses [kitchen utensils]; disposable table plates; towel rails and rings; rails and rings for towels; toilet paper holders; indoor aquaria; tanks [indoor aquaria]; aquarium hoods; indoor terrariums [vivariums]; mop wringers; waste paper baskets; window-boxes; drinking straws; straws for drinking; tea cosies; make-up removing appliances; electric devices for attracting and killing insects; baking mats; boot trees; hip flasks; cosmetic spatulas; dripping pans; fly traps; candle jars [holders]; food steamers, non-electric; make-up sponges; crushers for kitchen use, non-electric; potholders; oven mitts; kitchen mitts; barbecue mitts; basting brushes; bulb basters; car washing mitts; make-up brushes; mop wringer buckets; tortilla presses, non-electric [kitchen utensils]; ski wax brushes; eyelash brushes; egg separators, non-electric, for household purposes; foam toe separators for use in pedicures; plug-in diffusers for mosquito repellents; cold packs for chilling food and beverages; reusable ice cubes; tablemats, not of paper or textile; place mats, not of paper or textile; decanter tags; wine aerators; heads for electric toothbrushes; coin banks; lint removers, electric or non-electric; polishing cloths; pig bristles for brush-making; horsehair for brush-making; ice tongs; salad tongs; serving ladles; pestles for kitchen use; mortars for kitchen use; ice cream scoops; nutcrackers; sugar tongs; broom handles; ladles for serving wine; inflatable bath tubs for babies; stands for portable baby baths; tea bag rests; cake decorating tips and tubes; rotary washing lines; cooking mesh bags, other than for microwaves; droppers for cosmetic purposes; droppers for household purposes; couscous cooking pots, non-electric; tagines, non-electric; tajines, non-electric; egg yolk separators; reusable silicone food covers; animal grooming gloves; squeegees [cleaning instruments]; egg poachers; aromatic oil diffusers, other than reed diffusers, electric and non-electric; plates for diffusing aromatic oil; pasta makers, hand-operated; diaper disposal pails; nappy disposal bins; disposable aluminium foil containers for household purposes; disposable aluminum foil containers for household purposes; roller tubes for

peeling garlic; toothpaste tube squeezers; wine pourers; pet feeding bowls; pet feeding bowls, automatic; candle warmers, electric and non-electric; dishcloths; abrasive mitts for scrubbing the skin.

22 – Brattice cloth; tarpaulins; strips for tying-up vines; wood shavings; wood wool; sawdust; flock [stuffing]; raw silk; nets for camouflage; raw fibrous textile; fishing nets; camel hair; hemp fibres; hemp fibers; tow; hemp bands; schappe [raw silk waste]; silk waste; coconut fiber; coconut fibre; cocoons; ropes, not of metal; ropes; whipcord; rope ladders; raw cotton; cotton tow; horsehair; down [feathers]; eiderdown; padding materials, not of rubber, plastics, paper or cardboard; stuffing, not of rubber, plastics, paper or cardboard; packing [cushioning, stuffing] materials, not of rubber, plastics, paper or cardboard; packing string; upholstery wool [stuffing]; string; fibrous gaskets for ships; vitreous silica fibres for textile use; vitreous silica fibers for textile use; twine made of paper; twine for nets; silk flock; wool flock; sheaf-binding yarns; hammocks; grasses for upholstering; ladder tapes for Venetian blinds; ladder tapes or webbing for Venetian blinds; jute; kapok; snares [nets]; network; raw or treated wool; carded wool; combed wool; liber; wax ends; raw linen [flax]; feathers for bedding; awnings of textile; sails; wadding for filtering; wadding for padding and stuffing upholstery; straw for stuffing upholstery; feathers for stuffing upholstery; animal hair; ramie fibre; ramie fiber; raffia; sacks for the transport and storage of materials in bulk; bags [envelopes, pouches] of textile, for packaging; esparto grass; tents; fleece wool; shorn wool; seaweed for stuffing; vehicle covers, not fitted; textile fibers; textile fibres; sisal; wrapping or binding bands, not of metal; thread, not of metal, for wrapping or binding; straw wrappers for bottles; bottle envelopes of straw; packing, of straw, for bottles; braces, not of metal, for handling loads; harness, not of metal, for handling loads; straps, not of metal, for handling loads; belts, not of metal, for handling loads; slings, not of metal, for handling loads; cables, not of metal; covers for camouflage; binding thread, not of metal, for agricultural purposes; carbon fibres for textile use; carbon fibers for textile use; sash cords; cords for hanging pictures; cotton waste [flock] for padding and stuffing; packing rope; plastic fibres for textile use; plastic fibers for textile use; glass fibres for textile use; glass fibers for textile use; nets; linters; awnings of synthetic materials; car towing ropes; mail bags; sails for ski sailing; mesh bags for washing laundry; body bags; purse seines; net pens for fish farming; canvas for sails; outdoor blinds of textile; bindings, not of metal; animal feeding nets; pig bristles; dust sheets; drop cloths; cloth bags specially adapted for the storage of diapers; bivouac sacks being shelters; laundry bags.

23 – Thread; yarn; cotton thread and yarn; embroidery thread and yarn; woollen thread and yarn; hemp thre-

ad and yarn; coir thread and yarn; silk thread and yarn; spun cotton; sewing thread and yarn; spun thread and yarn; jute thread and yarn; spun wool; worsted; linen thread and yarn; rayon thread and yarn; darning thread and yarn; spun silk; fiberglass thread for textile use; fiberglass thread for textile use; rubber thread for textile use; elastic thread and yarn for textile use; threads of plastic materials for textile use; chenille yarn; thread of metal for embroidery.

24 – Adhesive fabric for application by heat; fabric, impervious to gases, for aeronautical balloons; fabric imitating animal skins; upholstery fabrics; bath linen, except clothing; banners of textile or plastic; billiard cloth; fabric; bolting cloth; buckram; brocades; textile material; cloth; canvas for tapestry or embroidery; trellis [cloth]; hemp fabric; hemp cloth; hat linings, of textile, in the piece; lining fabric for footwear; fabric for footwear; table runners, not of paper; cheviots [cloth]; oilcloth for use as tablecloths; velvet; felt; cotton fabrics; bed covers; bedspreads; coverlets [bedspreads]; quilts; mattress covers; tick [linen]; bed covers of paper; tablecloths, not of paper; travelling rugs [lap robes]; crepe [fabric]; crepon; damask; lingerie fabric; linings [textile]; sheets [textile]; shrouds; flags of textile or plastic; bunting of textile or plastic; drugget; eiderdowns [down coverlets]; elastic woven material; curtain holders of textile material; glass cloths [towels]; traced cloth for embroidery; traced cloths for embroidery; flannel [fabric]; frieze [cloth]; cheese cloth; fustian; dimity; bath mitts; gauze [cloth]; gummed cloth, other than for stationery purposes; haircloth [sackcloth]; covers [loose] for furniture; loose covers for furniture; silk fabrics for printing patterns; printed calico cloth; jersey [fabric]; jute fabric; woollen cloth; woollen fabric; linen cloth; bed linen; diapered linen; table linen, not of paper; household linen; towels of textile; marabouts [cloth]; ticks [mattress covers]; furniture coverings of plastic; coverings of plastic for furniture; table napkins of textile; serviettes of textile; moleskin [fabric]; handkerchiefs of textile; mosquito nets; pillowcases; plastic material [substitute for fabrics]; door curtains; ramie fabric; rayon fabric; curtains of textile or plastic; face towels of textile; silk [cloth]; tulle; esparto fabric; taffeta [cloth]; knitted fabric; net curtains; zephyr [cloth]; calico; coasters of textile; tablemats of textile; non-woven textile fabrics; sleeping bag liners; cloths for removing make-up; labels of textile; wall hangings of textile; tapestry [wall hangings], of textile; fiberglass fabrics, for textile use; fiberglass fabrics for textile use; filtering materials of textile; printers' blankets of textile; chenille fabric; pillow shams; place mats of textile; bed blankets; covers for cushions; fabrics for textile use; furniture coverings of textile; fitted toilet lid covers of fabric; shower curtains of textile or plastic; diaper changing cloths for babies; blankets for household pets; sleeping bags for babies; baby buntings; sleeping bags; bed valances; crib bumpers [bed linen]; cot bumpers [bed linen]; muslin fabric; bivo-

uac sacks being covers for sleeping bags; picnic blankets.

25 – Non-slipping devices for footwear; motorists' clothing; footwear; bath sandals; bath slippers; stockings; sweat-absorbent stockings; heelpieces for stockings; berets; overalls; smocks; boas [necklets]; caps being headwear; hosiery; boots; half-boots; tips for footwear; dress shields; braces for clothing [suspenders]; suspenders; lace boots; collars [clothing]; neck gaiters; neck tube scarves; camisoles; boxer shorts; skull caps; bodices [lingerie]; underwear; underclothing; hoods [clothing]; hat frames [skeletons]; cap peaks; belts [clothing]; shawls; dressing gowns; sweaters; pullovers; jumpers [pullovers]; chasubles; socks; sock suspenders; garters; stocking suspenders; boot uppers; inner soles; shirts; shirt fronts; short-sleeve shirts; clothing; hats; fittings of metal for footwear; furs [clothing]; detachable collars; tights; wet suits for water-skiing; combinations [clothing]; sweat-absorbent underwear; sweat-absorbent underclothing; corselets; suits; ready-made clothing; babies' pants [underwear]; ear muffs [clothing]; neckties; footwear uppers; gaiters; breeches for wear; trousers; pants (Am.); cyclists' clothing; outerclothing; gloves [clothing]; ready-made linings [parts of clothing]; scarfs; scarves; sashes for wear; knitwear [clothing]; shirt yokes; esparto shoes or sandals; fur stoles; football shoes; football boots; top hats; gabardines [clothing]; corsets [underclothing]; girdles; galoshes; goloshes; vests; waistcoats; gaiter straps; wimples; gymnastic shoes; coats; waterproof clothing; leggings [leg warmers]; leg warmers; jerseys [clothing]; skirts; layettes [clothing]; liveries; sports jerseys; cuffs; wristbands [clothing]; aprons [clothing]; muffs [clothing]; maniples; fingerless gloves; miters [hats]; mitres [hats]; slippers; pelerines; pelisses; beach clothes; beach shoes; pockets for clothing; pajamas; pyjamas; dresses; woden shoes; sandals; underpants; brassieres; overcoats; topcoats; heelpieces for footwear; togas; welts for footwear; uniforms; stuff jackets [clothing]; jackets [clothing]; paper clothing; veils [clothing]; bathing caps; bathing trunks; bathing drawers; bathing suits; swimsuits; bath robes; bibs, not of paper; soles for footwear; shoes; heels; sports shoes; footmuffs, not electrically heated; studs for football boots; studs for football shoes; boots for sports; headbands [clothing]; parkas; petticoats; ski boots; slippers [underclothing]; teddies [underclothing]; bodies [underclothing]; bandanas [neckerchiefs]; clothing for gymnastics; clothing of imitations of leather; clothing of leather; mantillas; masquerade costumes; saris; tee-shirts; turbans; ascots; shower caps; fishing vests; money belts [clothing]; pocket squares; paper hats [clothing]; sleep masks; skorts; ponchos; sarongs; ski gloves; leggings [trousers]; jumper dresses; pinafore dresses; visors being headwear; panties; knickers; sports singlets; valenki [felted boots]; albs; ankle boots; sweat-absorbent socks; hairdressing capes; karate uniforms; judo uniforms; leotards; kimonos; bibs, sleeved, not of pa-

per; clothing containing slimming substances; embroidered clothing; heel protectors for shoes; headwear; mittens; latex clothing; rash guards; clothing incorporating LEDs; headscarfs; headscarves; adhesive bras; adhesive brassieres; spats.

26 – Shoe fasteners; needles; shoemakers' needles; sewing needles; needles for wool combing machines; binding needles; darning needles; saddlers' needles; knitting needles; fastenings for clothing; ostrich feathers [clothing accessories]; whalebones for corsets; corset busks; hair bands; false beards; hair grips; bobby pins; hat trimmings; edgings for clothing; lace for edgings; darning lasts; buttons; snap fasteners; expanding bands for holding sleeves; brassards; arm bands [clothing accessories]; fastenings for suspenders; fastenings for braces; brooches [clothing accessories]; embroidery; fancy goods [embroidery]; belt clasps; numerals or letters for marking linen; monogram tabs for marking linen; shoe hooks; shoe laces; shoe trimmings; shoe eyelets; chenille [passementerie]; decorative articles for the hair; hair curling pins; hair barrettes; hair slides; hair pins; hair nets; false hair; tresses of hair; plaited hair; numerals for marking linen; collar supports; cords for clothing; blouse fasteners; dress body fasteners; sewing boxes; sewing thimbles; crochet hooks; crochet needles; hooks [haberdashery]; zippers; zip fasteners; slide fasteners [zippers]; pin cushions; false hems; festoons [embroidery]; shuttles for making fishing nets; artificial flowers; fringes; artificial fruit; braids; tassels [haberdashery]; trimmings for clothing; artificial garlands; frills [lacework]; woollen laces; lace trimmings; passementerie; letters for marking linen; haberdashery [dressmakers' articles], except thread; mica spangles; false moustaches; eyelets for clothing; birds' feathers [clothing accessories]; haberdashery ribbons; spangles for clothing; needle cushions; wigs; picot [lace]; heat adhesive patches for repairing textile articles; feathers [clothing accessories]; top-knots [pompoms]; skirt flounces; rosettes [haberdashery]; frills for clothing; zippers for bags; zip fasteners for bags; shoe buckles; toupees; bodkins; needle cases; boxes for needles; silver embroidery; gold embroidery; elastic ribbons; cords for trimming; buckles [clothing accessories]; hooks for corsets; wreaths of artificial flowers; pins, other than jewellery; pins, other than jewelry; badges for wear, not of precious metal; heat adhesive patches for decoration of textile articles [haberdashery]; competitors' numbers; ornamental novelty badges [buttons]; bows for the hair; hair coloring caps; hair coloring caps; hook and pile fastening tapes; prize ribbons; shoulder pads for clothing; trouser clips for cyclists; tapes for curtain headings; hair curling papers; rug hooks; beads, other than for making jewelry; beads, other than for making jewellery; bobbins for retaining embroidery floss or wool [not parts of machines]; hair extensions; human hair; hair curlers, electric and non-electric, other than hand implements; appliqués [haberdashery]; artificial plants, other than

Christmas trees; sewing kits; entomological pins; embroidery needles; charms, other than for jewellery, key rings or key chains; charms, other than for jewelry, key rings or key chains; needle-threaders; artificial Christmas garlands; artificial Christmas garlands incorporating lights; artificial Christmas wreaths; artificial Christmas wreaths incorporating lights; hatbands; hat bands; ribbons for the hair; ribbons and bows, not of paper, for gift wrapping; haberdashery bows; hat pins, other than jewellery; hatpins, other than jewelry; breast lift tapes; lingerie tapes.

28 – Bladders of balls for games; artificial fishing bait; caps for pistols [toys]; toys for pets; ring games; Christmas trees of synthetic material; bows for archery; archery implements; edges of skis; swings; balls for games; party balloons; billiard table cushions; rocking horses; batting gloves [accessories for games]; dolls' feeding bottles; stationary exercise bicycles; billiard balls; chalk for billiard cues; billiard markers; skittles; marbles for games; toys; building blocks [toys]; bob-sleighs; Christmas crackers [party novelties]; candle holders for Christmas trees; playing balls; bowling apparatus and machinery; boxing gloves; gut for rackets; golf clubs; rods for fishing; kites; kite reels; targets; bells for Christmas trees; counters [discs] for games; building games; strings for rackets; machines for physical exercises; body-building apparatus; body-training apparatus; body rehabilitation apparatus; novelty toys for parties; shin guards [sports articles]; cricket bags; hockey sticks; checkers [games]; draughts [games]; dice; chest expanders [exercisers]; exercisers [expanders]; discuses for sports; dominoes; chess games; chessboards; checkerboards; draughtboards; toy pistols; rollers for stationary exercise bicycles; landing nets for anglers; golf bags, with or without wheels; novelty toys for playing jokes; nets for sports; tennis nets; ski bindings; darts; floats for fishing; foosball tables; harpoon guns [sports articles]; gloves for games; cups for dice; barbells; fish hooks; rattles [playthings]; parlor games; parlour games; games; clay pigeon traps; rackets; bats for games; decoys for hunting or fishing; lures for hunting or fishing; fishing tackle; fishing lines; dolls' beds; dolls' houses; puppets; marionettes; dolls; theatrical masks; carnival masks; scale model vehicles; reels for fishing; flippers for swimming; creels [fishing traps]; swimming pools [play articles]; artificial snow for Christmas trees; quoits; roller skates; ice skates; seal skins [coverings for skis]; clay pigeons [targets]; surfboards; dolls' clothes; dolls' rooms; conjuring apparatus; skittles [games]; ninepins; gut for fishing; sole coverings for skis; skis; tables for table tennis; spinning tops [toys]; sleds [sports articles]; backgammon games; scooters [toys]; shuttlecocks; toy air pistols; percussion caps [toys]; detonating caps [toys]; ornaments for Christmas trees, except lights, candles and confectionery; Christmas tree stands; billiard cues; billiard cue tips; billiard tables; coin-operated billiard tables; surf skis; sailboards; hang gli-

ders; apparatus for games; appliances for gymnastics; fencing weapons; fencing masks; fencing gauntlets; fencing gloves; baseball gloves; climbers' harness; elbow guards [sports articles]; knee guards [sports articles]; toy mobiles; paragliders; protective paddings [parts of sports suits]; skateboards; slides [playthings]; spring boards [sports articles]; teddy bears; waterskis; golf gloves; bite indicators [fishing tackle]; bite sensors [fishing tackle]; table-top games; fairground ride apparatus; flying discs [toys]; horseshoe games; mah-jong; plush toys; soap bubbles [toys]; toy vehicles; twirling batons; butterfly nets; bags especially designed for skis; harness for sailboards; jigsaw puzzles; masts for sailboards; paintball guns [sports apparatus]; paintballs [ammunition for paintball guns] [sports apparatus]; surfboard leashes; tennis ball throwing apparatus; starting blocks for sports; snow globes; weight lifting belts [sports articles]; bodyboards; bingo cards; divot repair tools [golf accessories]; pitch mark repair tools [golf accessories]; hunting game calls; roulette wheels; in-line roller skates; pinatas; punching bags; remote-controlled toy vehicles; rosin used by athletes; snowshoes; sling shots [sports articles]; amusement machines, automatic and coin-operated; kaleidoscopes; playing cards; confetti; electronic targets; scent lures for hunting or fishing; camouflage screens [sports articles]; men's athletic supporters [sports articles]; snowboards; scale model kits [toys]; pachinkos; ascenders [mountaineering equipment]; gaming machines for gambling; slot machines [gaming machines]; paper party hats; swimming kickboards; chips for gambling; scratch cards for playing lottery games; stuffed toys; trampolines; poles for pole vaulting; water wings; swimming belts; swimming jackets; video game machines; portable games with liquid crystal displays; arcade video game machines; controllers for game consoles; toy models; toy figures; ball pitching machines; dumb-bells; masks [playthings]; matryoshka dolls; controllers for toys; golf bag carts; golf bag trolleys; paddleboards; gyroscopes and flight stabilizers for model aircraft; joysticks for video games; protective films adapted for screens for portable games; drones [toys]; toy robots; needles for pumps for inflating balls for games; pumps specially adapted for use with balls for games; baby gyms; plush toys with attached comfort blanket; tricycles for infants [toys]; toy imitation cosmetics; swimming pool air floats; rhythmic gymnastics ribbons; party poppers [party novelties]; toy putty; toy dough; portable games and toys incorporating telecommunication functions; boomerangs; trading cards for games; waist trimmer exercise belts; flippers for diving; swimming webs; webbed gloves for swimming; inflatable games for swimming pools; roller skis; ski poles; ski sticks; ski poles for roller skis; ski sticks for roller skis; yoga swings; play tents; video game consoles; hand-held consoles for playing video games; playhouses for children; protective cups for sports; golf bag tags; skeleton sleds; bags especially designed for

surfboards; fidget toys.

29 – Albumen for culinary purposes; seaweed extracts for food; gelatine; edible fats; anchovy, not live; peanut butter; butter; cocoa butter for food; coconut butter; buttercream; white of eggs; black pudding; blood sausage; bouillon; broth; preparations for making bouillon; caviar; fruit, preserved; charcuterie; potato chips; potato crisps; sauerkraut; coconut, desiccated; colza oil for food; rape oil for food; bouillon concentrates; broth concentrates; jams; frozen fruits; soups; raisins; gherkins; vegetables, preserved; vegetables, cooked; vegetables, dried; oils for food; cream [dairy products]; cheese; crystallized fruits; frosted fruits; croquettes; crustaceans, not live; dates; milk; crayfish, not live; fish fillets; rennet; fruit, stewed; fruit jellies; fruit pulp; meat; fish, not live; jellies for food; meat jellies; game, not live; ginger jam; soya beans, preserved, for food; fatty substances for the manufacture of edible fats; fat-containing mixtures for bread slices; herrings, not live; lobsters, not live; corn oil for food; maize oil for food; palm kernel oil for food; sesame oil for food; oysters, not live; isinglass for food; ham; yolk of eggs; yogurt; yoghurt; vegetable soup preparations; vegetable juices for cooking; meat extracts; kephir; kefir; kumys; milk beverages, milk predominating; whey; milk products; spiny lobsters, not live; bacon; lentils, preserved; margarine; animal marrow for food; shellfish, not live; mussels, not live; palm oil for food; nuts, prepared; eggs; powdered eggs; liver pâté; liver pastes; onions, preserved; olives, preserved; olive oil for food; bone oil for food; pectin for culinary purposes; pickles; peas, preserved; sausages; salted meats; preparations for making soup; tomato purée; vegetable salads; lard; fruit salads; sardines, not live; salmon, not live; suet for food; tuna, not live; tomato juice for cooking; sunflower oil for food; tripe; truffles, preserved; poultry, not live; fruit peel; alginates for culinary purposes; almonds, ground; peanuts, prepared; mushrooms, preserved; coconut fat; coconut oil for food; beans, preserved; liver; fish-based foodstuffs; fruit chips; clams, not live; fruit preserved in alcohol; pollen prepared as foodstuff; prawns, not live; fish, preserved; meat, preserved; shrimps, not live; snail eggs for consumption; tofu; whipped cream; pork; edible birds' nests; fish, tinned; fish, canned; fish meal for human consumption; fruits, tinned; fruits, canned; meat, tinned; meat, canned; potato fritters; salted fish; sea-cucumbers, not live; silkworm chrysalis for human consumption; vegetables, tinned; vegetables, canned; sausages in batter; potato flakes; apple purée; cranberry compote; tahini; hummus; laver, preserved; fruit-based snack food; curd; kimchi; soya milk; milk shakes; preserved peppers; sunflower seeds, prepared; fish mousses; non-alcoholic eggnog; vegetable mousses; fish roe, prepared; seeds, prepared; aloe vera prepared for human consumption; preserved garlic; albumin milk; protein milk; linseed oil for food; flaxseed oil for food; low-fat potato chips; low-fat potato crisps; lecithin for culinary purposes;

milk ferments for culinary purposes; compotes; condensed milk; smetana; fermented baked milk; soured milk; tomato paste; vegetable marrow paste; eggplant paste; aubergine paste; peanut milk for culinary purposes; almond milk for culinary purposes; rice milk; artichokes, preserved; arrangements of processed fruit; powdered milk; yakitori; bulgogi; candied nuts; flavoured nuts; flavored nuts; hazelnuts, prepared; berries, preserved; guacamole; onion rings; falafel; lemon juice for culinary purposes; freeze-dried meat; lyophilized meat; lyophilised meat; oat milk; vegetable-based cream; freeze-dried vegetables; lyophilized vegetables; lyophilised vegetables; extra virgin olive oil for food; edible ant larvae, prepared; edible insects, not live; sweet corn, processed; nut-based spreads; potato-based dumplings; hot dog sausages; corn dogs; soya bean oil for food; milk substitutes; almond milk; peanut milk; coconut milk; coconut milk for culinary purposes; coconut milk-based beverages; rice milk for culinary purposes; almond milk-based beverages; peanut milk-based beverages; sausage casings, natural or artificial; klipfish [salted and dried cod]; cottage cheese fritters; pressed fruit paste; tofu skin; soya patties; tofu patties; tagine [prepared meat, fish or vegetable dish]; tajine [prepared meat, fish or vegetable dish]; tempeh; satay; vegetables, processed; fruit, processed; ratatouille; duck confits; andouillettes; white pudding; cassoulet; choucroute garnie; hash browns; omelets; omelettes; cabbage rolls stuffed with meat; vegetable-based concentrate for cooking; fruit-based concentrate for cooking; vegetable-based spreads; agar-agar for culinary purposes; molluscs, not live; mollusks, not live; quark; cottage cheese; lactic acid drinks; edible flowers, dried; crystallized ginger; ginger, preserved; pickled ginger.

30 – Seaweed [condiment]; pasta; almond paste; aniseed; star aniseed; confectionery for decorating Christmas trees; infusions, not medicinal; coffee flavourings; coffee flavorings; aromatic preparations for food; seasonings; unleavened bread; salt for preserving foodstuffs; rusks; cookies; biscuits; malt biscuits; peppermint sweets; candies; sweets; waffles; buns; cocoa; coffee; unroasted coffee; vegetal preparations for use as coffee substitutes; cakes; cinnamon [spice]; capers; caramels [candies]; caramels [sweets]; curry [spice]; cereal preparations; chewing gum; chicory [coffee substitute]; tea; chocolate; marzipan; cloves [spice]; condiments; confectionery; sugar confectionery; corn flakes; maize flakes; popcorn; preparations for stiffening whipped cream; ice cream; pancakes; essences for foodstuffs, except etheric essences and essential oils; cooking salt; thickening agents for cooking foodstuffs; turmeric; natural sweeteners; spices; gingerbread; allspice; flour; meal; bean meal; corn flour; corn meal; maize flour; maize meal; mustard meal; barley meal; soya flour; wheat flour; starch for food; ferments for pastes; fondants [confectionery]; petits fours; sugar; flavorings [flavourings], other than essential oils, for cakes; flavorings, other than essential

oils, for cakes; flavourings, other than essential oils, for cakes; cake powder; cake dough; cake batter; ground ginger; binding agents for ice cream; ice, natural or artificial; ice for refreshment; glucose for culinary purposes; gluten prepared as foodstuff; groats for human food; vinegar; ketchup [sauce]; cocoa beverages with milk; coffee beverages with milk; chocolate beverages with milk; leaven; yeast; sausage binding materials; macarons; macaroni; corn, milled; maize, milled; corn, roasted; maize, roasted; bread; maltose; molasses for food; golden syrup; mint for confectionery; honey; husked barley; mustard; nutmegs; noodles; pies; crushed barley; sandwiches; pastilles [confectionery]; lozenges [confectionery]; pastries; petit-beurre biscuits; bread rolls; peppers [seasonings]; pizzas; pepper; potato flour; puddings; pralines; ravioli; liquorice [confectionery]; rice; saffron [seasoning]; sago; sauces [condiments]; celery salt; semolina; sherbets [ices]; sorbets [ices]; spaghetti; tapioca; tapioca flour; tarts; vanilla flavourings for culinary purposes; vanilla flavorings for culinary purposes; vanillin [vanilla substitute]; vermicelli; meat pies; pâtés en croûte; meat tenderizers for household purposes; edible ices; powders for making ice cream; almond confectionery; peanut confectionery; food flavorings, other than essential oils; food flavourings, other than essential oils; flavourings, other than essential oils, for beverages; flavorings, other than essential oils, for beverages; crushed oats; husked oats; oat-based food; oat flakes; oatmeal; stick liquorice [confectionery]; beer vinegar; coffee-based beverages; cocoa-based beverages; chocolate-based beverages; artificial coffee; crystallized rock sugar; chips [cereal products]; chowchow [condiment]; couscous; malt extract for food; malt for human consumption; propolis; bee glue; relish [condiment]; royal jelly; seawater for cooking; sushi; tomato sauce; mayonnaise; crackers; custard; fruit jellies [confectionery]; muesli; rice cakes; soya sauce; frozen yogurt [confectionery ices]; frozen yoghurt [confectionery ices]; chutneys [condiments]; spring rolls; tacos; tortillas; iced tea; tea-based beverages; dressings for salad; breadcrumbs; tabbouleh; halvah; quiches; meat gravies; miso; cereal-based snack food; rice-based snack food; hominy; hominy grits; baking powder; baking soda [bicarbonate of soda for cooking purposes]; bicarbonate of soda for cooking purposes [baking soda]; garden herbs, preserved [seasonings]; noodle-based prepared meals; cake frosting [icing]; chocolate mousses; dessert mousses [confectionery]; fruit coulis [sauces]; marinades; cheeseburgers [sandwiches]; pesto; ham glaze; linseed for culinary purposes [seasoning]; flaxseed for culinary purposes [seasoning]; wheat germ for human consumption; high-protein cereal bars; cream of tartar for culinary purposes; gluten additives for culinary purposes; pasta sauce; cereal bars; palm sugar; dough; flowers or leaves for use as tea substitutes; pastry dough; pelmeni; chocolate decorations for cakes; candy decorations for cakes; chocolate-coated nuts; rice pudding;

nut flours; minced garlic [condiment]; baozi; rice pulp for culinary purposes; jiaozi; ramen; savory pancakes; savoury pancakes; savory pancake mixes; savoury pancake mixes; burritos; prepared rice rolled in seaweed; edible paper; edible rice paper; chocolate-based spreads; chocolate spreads containing nuts; flour-based dumplings; agave syrup [natural sweetener]; mirror icing [mirror glaze]; freeze-dried dishes with the main ingredient being rice; lyophilized dishes with the main ingredient being rice; freeze-dried dishes with the main ingredient being pasta; lyophilized dishes with the main ingredient being pasta; chamomile-based beverages; dulce de leche; bibimbap [rice mixed with vegetables and beef]; onigiri; instant rice; hot dog sandwiches; ice cubes; processed seeds for use as a seasoning; sesame seeds [seasonings]; piccaililli; quinoa, processed; bulgur; buckwheat, processed; buckwheat flour; cranberry sauce [condiment]; apple sauce [condiment]; croûtons; croutons; potato-based flatbreads; fruit confectionery; rice crackers; kimchi pancakes; shaved ice with sweetened red beans; mints for breath freshening; chewing gum for breath freshening; udon noodles; soba noodles; gluten-free bread; tamarind [condiment]; laksa; profiteroles; croissants; chocolatines; pains au chocolat; kelp tea; crème brûlée; batter mixes; edible paper wafers; coconut macarons; coffee capsules, filled; orange blossom water for culinary purposes; ice pops; nougat; harissa [condiment]; ginger paste [seasoning]; tea beverages with milk.

31 – Citrus fruit, fresh; algae, unprocessed, for human or animal consumption; seaweed, unprocessed, for human or animal consumption; nuts, unprocessed; menagerie animals; live animals; animal foodstuffs; trees; Christmas trees; trunks of trees; shrubs; bushes; oats; berries, fresh; salt for cattle; beet, fresh; bran; unsawn timber; wood chips for the manufacture of wood pulp; undressed timber; cocoa beans, raw; sugarcane; locust beans, raw; cereal seeds, unprocessed; mushrooms, fresh; mushroom spawn for propagation; oil cake; cattle cake; chestnuts, fresh; lime for animal forage; chicory roots; chicory, fresh; dog biscuits; lemons, fresh; coconut shell; coconuts; bird food; rape cake for cattle; cucumbers, fresh; hop cones; bran mash for animal consumption; copra; shellfish, live; vegetables, fresh; squashes, fresh; wreaths of natural flowers; eggs for hatching, fertilised; eggs for hatching, fertilized; straw mulch; distillery waste for animal consumption; draff; bred stock; animal fattening preparations; livestock fattening preparations; rice meal for forage; beans, fresh; flowers, natural; flowers, dried, for decoration; pollen [raw material]; hay; strengthening animal forage; fodder; cattle food; forage; wheat; fruit, fresh; turf, natural; sod; juniper berries; seed germ for botanical purposes; grains [cereals]; grains for animal consumption; seeds for planting; plant seeds; groats for poultry; garden herbs,

fresh; plants; seedlings; hops; kola nuts; cola nuts; lettuce, fresh; lentils, fresh; yeast for animal consumption; rough cork; flax meal [fodder]; litter for animals; litter peat; maize; maize cake for cattle; malt for brewing and distilling; fruit residue [marc]; marc; hazelnuts, fresh; meal for animals; fish spawn; silkworm eggs; flower bulbs; bulbs; onions, fresh; olives, fresh; oranges, fresh; barley; nettles; cuttle bone for birds; straw litter; straw [forage]; palms [leaves of the palm tree]; palm trees; mash for fattening livestock; fish, live; vine plants; pine cones; peppers [plants]; plants, dried, for decoration; leeks, fresh; peas, fresh; potatoes, fresh; preparations for egg laying poultry; stall food for animals; roots for animal consumption; grapes, fresh; rhubarb, fresh; rose bushes; rye; silkworms; edible sesame, unprocessed; truffles, fresh; residue in a still after distillation; poultry, live; algarovilla for animal consumption; almonds [fruits]; peanuts, fresh; peanut meal for animals; peanut cake for animals; by-products of the processing of cereals, for animal consumption; residual products of cereals for animal consumption; bagasses of cane [raw material]; fishing bait, live; crayfish, live; crustaceans, live; lobsters, live; mussels, live; oysters, live; pet food; raw barks; spiny lobsters, live; edible chews for animals; beverages for pets; fish meal for animal consumption; rice, unprocessed; sea-cucumbers, live; sanded paper [litter] for pets; aromatic sand [litter] for pets; aloe vera plants; spinach, fresh; linseed for animal consumption; flaxseed for animal consumption; linseed meal for animal consumption; flaxseed meal for animal consumption; wheat germ for animal consumption; artichokes, fresh; herrings, live; salmon, live; sardines, live; tuna, live; garlic, fresh; vegetable marrows, fresh; edible linseed, unprocessed; edible flaxseed, unprocessed; arrangements of fresh fruit; anchovy, live; edible insects, live; unprocessed sweet corn ears [husked or unhusked]; quinoa, unprocessed; buckwheat, unprocessed; koi carp, live; molluscs, live; mollusks, live; freeze-dried fishing bait; edible flowers, fresh; ginger, fresh; soya beans, fresh; cannabis plants; cannabis, unprocessed.

32 – Non-alcoholic fruit extracts; beer; ginger beer; ginger ale; malt beer; beer wort; non-alcoholic fruit juice beverages; whey beverages; non-alcoholic preparations for making beverages; non-alcoholic essences for making beverages; fruit juices; fruit juice; syrups for beverages; waters [beverages]; preparations for making aerated water; preparations for making carbonated water; lithia water; mineral water [beverages]; seltzer water; table waters; must; lemonades; extracts of hops for making beer; vegetable juices [beverages]; syrups for lemonade; malt wort; grape must, unfermented; orgeat; soda water; sherbets [beverages]; sorbets [beverages]; tomato juice [beverage]; non-alcoholic beverages; pastilles for effervescing beverages; powders for effervescing beverages; aerated water; carbonated water; sarsaparilla [non-alcoholic beverage]; aperitifs, non-alcoholic; cocktails, non-

alcoholic; fruit nectars, non-alcoholic; isotonic beverages; cider, non-alcoholic; kvass; non-alcoholic honey-based beverages; smoothies; aloe vera drinks, non-alcoholic; beer-based cocktails; soya-based beverages, other than milk substitutes; protein-enriched sports beverages; rice-based beverages, other than milk substitutes; non-alcoholic beverages flavoured with coffee; non-alcoholic beverages flavored with tea; non-alcoholic beverages flavored with tea; soft drinks; barley wine [beer]; energy drinks; non-alcoholic dried fruit beverages; shandy.

35 – Business management assistance; business inquiries; bill-posting; import-export agency services; commercial information agency services; cost price analysis; dissemination of advertising matter; photocopying services; employment agency services; office machines and equipment rental; book-keeping; accounting; drawing up of statements of accounts; business auditing; business management and organization consultancy; personnel management consultancy; business management consultancy; typing; demonstration of goods; direct mail advertising; commercial or industrial management assistance; updating of advertising material; distribution of samples; business efficiency expert services; auctioneering; market studies; business appraisals; business investigations; publicity material rental; business organization consultancy; publication of publicity texts; advertising; publicity; radio advertising; business research; public relations; shorthand; television advertising; transcription of communications [office functions]; shop window dressing; advertising agency services; publicity agencies; advisory services for business management; modelling for advertising or sales promotion; marketing research; computerized file management; professional business consultancy; economic forecasting; organization of exhibitions for commercial or advertising purposes; providing business information; opinion polling; payroll preparation; personnel recruitment; administrative services for the relocation of businesses; rental of advertising space; sales promotion for others; secretarial services; tax preparation; telephone answering for unavailable subscribers; word processing; arranging newspaper subscriptions for others; advertising by mail order; business management of hotels; business management of performing artists; compilation of information into computer databases; systemization of information into computer databases; organization of trade fairs; rental of photocopying machines; online advertising on a computer network; procurement services for others [purchasing goods and services for other businesses]; data search in computer files for others; rental of advertising time on communication media; news clipping services; rental of vending machines; psychological testing for the selection of personnel; price comparison services; presentation of goods on communication media, for retail purposes; providing commercial information and advice for

consumers in the choice of products and services; arranging subscriptions to telecommunication services for others; administrative processing of purchase orders; commercial administration of the licensing of the goods and services of others; outsourcing services [business assistance]; invoicing; writing of publicity texts; compilation of statistics; layout services for advertising purposes; sponsorship search; organization of fashion shows for promotional purposes; production of advertising films; business management of sports people; marketing; telemarketing services; retail services for pharmaceutical, veterinary and sanitary preparations and medical supplies; rental of sales stands; providing commercial and business contact information; search engine optimization for sales promotion; search engine optimisation for sales promotion; website traffic optimization; website traffic optimisation; pay per click advertising; commercial intermediation services; business management for freelance service providers; negotiation and conclusion of commercial transactions for third parties; updating and maintenance of data in computer databases; business project management services for construction projects; providing business information via a website; provision of an online marketplace for buyers and sellers of goods and services; development of advertising concepts; outsourced administrative management for companies; tax filing services; business management of reimbursement programs for others; business management of reimbursement programmes for others; rental of billboards [advertising boards]; writing of résumés for others; writing of curriculum vitae for others; web indexing for commercial or advertising purposes; administration of frequent flyer programs; appointment scheduling services [office functions]; appointment reminder services [office functions]; administration of consumer loyalty programs; scriptwriting for advertising purposes; registration of written communications and data; updating and maintenance of information in registries; compiling indexes of information for commercial or advertising purposes; business intermediary services relating to the matching of potential private investors with entrepreneurs needing funding; production of teleshopping programmes; production of teleshopping programs; consultancy regarding public relations communication strategies; consultancy regarding advertising communication strategies; negotiation of business contracts for others; promotion of goods and services through sponsorship of sports events; competitive intelligence services; market intelligence services; financial auditing; online retail services for downloadable digital music; online retail services for downloadable ring tones; online retail services for downloadable and pre-recorded music and movies; wholesale services for pharmaceutical, veterinary and sanitary preparations and medical supplies; gift registry services; targeted marketing; interim business management; outdoor advertising; retail services for works of art provided by

art galleries; administrative assistance in responding to calls for tenders; administrative assistance in responding to requests for proposals [RFPs]; marketing in the framework of software publishing; media relations services; corporate communications services; rental of office equipment in co-working facilities; commercial lobbying services; providing user reviews for commercial or advertising purposes; providing user rankings for commercial or advertising purposes; providing user ratings for commercial or advertising purposes; telephone switchboard services; retail services relating to bakery products; consumer profiling for commercial or marketing purposes; administrative services for medical referrals.

39 – Escorting of travellers; water supplying; air transport; ambulance transport; vehicle breakdown towing services; car rental; car transport; bus transport; pleasure boat transport; boat rental; ice-breaking; hauling; salvage of ships; lighterage services; carting; railway transport; horse rental; parcel delivery; portage; packaging of goods; shipbrokerage; arranging of cruises; transport services for sightseeing tours; unloading cargo; delivery of goods; storage of goods; water distribution; electricity distribution; operating canal locks; car parking; storage; warehousing; rental of warehouses; ferry-boat transport; river transport; freight [shipping of goods]; freighting; garage rental; transport by pipeline; parking place rental; refrigerator rental; frozen-food locker rental; vehicle rental; railway coach rental; railway truck rental; transporting furniture; transport; boat transport; arranging of transportation for travel tours; passenger transport; piloting; towing; refloating of ships; booking of seats for travel; salvaging; taxi transport; streetcar transport; tram transport; freight forwarding; marine transport; armored-car transport; armoured-car transport; transport of travellers; transport and storage of trash; transport and storage of waste; removal services; boat storage; freight brokerage [forwarding (Am.)]; freight brokerage; transport brokerage; chauffeur services; courier services [messages or merchandise]; providing information relating to storage services; providing transportation information; rental of diving bells; rental of diving suits; rental of storage containers; rental of vehicle roof racks; rescue operations [transport]; transport reservation; travel reservation; underwater salvage; wrapping of goods; message delivery; delivery of newspapers; newspaper delivery; delivery of goods by mail order; distribution of energy; rental of motor racing cars; rental of wheelchairs; stevedoring; physical storage of electronically stored data or documents; launching of satellites for others; flower delivery; franking of mail; providing traffic information; rental of freezers; bottling services; transportation logistics; aircraft rental; barge transport; motor coach rental; rental of aircraft engines; guarded transport of valuables; rental of navigational systems; providing driving directions for travel purposes; gift wrapping; rental of tractors; collection of recyclable goods

[transport]; rental of electric wine cellars; cash replenishment of automated teller machines; car sharing services; replenishment of vending machines; luggage storage; arranging of passenger transportation services for others via an online application; piloting of civilian drones; arranging for travel visas and travel documents for persons travelling abroad; carpooling services.

41 – Academies [education]; amusement park services; entertainment services; animal training; rental of cinematographic apparatus; entertainer services; movie studio services; presentation of circus performances; organization of competitions [education or entertainment]; correspondence courses; physical education; rental of show scenery; providing recreation facilities; radio entertainment; publication of texts, other than publicity texts; teaching; educational services; instruction services; rental of sound recordings; rental of motion pictures; film production, other than advertising films; gymnastic instruction; lending library services; publication of books; rental of radio and television sets; production of radio and television programmes; presentation of variety shows; orchestra services; theatre productions; production of shows; television entertainment; rental of stage scenery; zoological garden services; providing sports facilities; modelling for artists; mobile library services; book-mobile services; providing casino facilities [gambling]; club services [entertainment or education]; arranging and conducting of colloquiums; arranging and conducting of conferences; arranging and conducting of congresses; discotheque services; providing information in the field of education; educational examination; providing information in the field of entertainment; organization of exhibitions for cultural or educational purposes; gambling services; providing golf facilities; health club services [health and fitness training]; holiday camp services [entertainment]; presentation of live performances; cinema presentations; movie theatre presentations; nursery schools; organization of sports competitions; party planning [entertainment]; practical training [demonstration]; providing museum facilities [presentation, exhibitions]; recording studio services; providing information relating to recreational activities; rental of skin diving equipment; rental of sports equipment, except vehicles; rental of stadium facilities; rental of video cassette recorders; rental of videotapes; arranging and conducting of seminars; sport camp services; arranging and conducting of symposiums; timing of sports events; boarding school education; arranging and conducting of workshops [training]; arranging of beauty contests; booking of seats for shows; dubbing; religious education; organization of lotteries; organization of balls; organization of shows [impresario services]; providing amusement arcade services; rental of audio equipment; rental of lighting apparatus for theatrical sets or television studios; rental of tennis courts; rental of video cameras; rental of camcorders; scriptwriting,

other than for advertising purposes; videotape editing; online publication of electronic books and journals; electronic desktop publishing; subtitling; game services provided online from a computer network; karaoke services; music composition services; nightclub services [entertainment]; providing online electronic publications, not downloadable; photographic reporting; photography; vocational guidance [education or training advice]; news reporters services; translation; sign language interpretation; videotaping; microfilming; ticket agency services [entertainment]; writing of texts; arranging and conducting of concerts; calligraphy services; layout services, other than for advertising purposes; organization of fashion shows for entertainment purposes; coaching [training]; rental of sports grounds; disc jockey services; language interpretation; personal trainer services [fitness training]; conducting fitness classes; vocational retraining; production of music; toy rental; games equipment rental; educational services provided by schools; providing online music, not downloadable; providing online videos, not downloadable; tutoring; arranging and conducting of in-person educational forums; songwriting; screenplay writing; conducting guided tours; training services provided via simulators; providing films, not downloadable, via video-on-demand services; providing television programmes, not downloadable, via video-on-demand services; providing television programs, not downloadable, via video-on-demand services; sado instruction [tea ceremony instruction]; aikido instruction; rental of artwork; rental of indoor aquaria; conducting guided climbing tours; organization of cosplay entertainment events; cultural, educational or entertainment services provided by art galleries; film distribution; know-how transfer [training]; educational services provided by special needs assistants; judo instruction; educational examination for users to qualify to pilot drones; sound engineering services for events; video editing services for events; lighting technician services for events; film directing, other than advertising films; providing user reviews for entertainment or cultural purposes; providing user rankings for entertainment or cultural purposes; providing user ratings for entertainment or cultural purposes; rental of training simulators; physical fitness assessment services for training purposes; face painting.

43 – Accommodation bureau services [hotels, boarding houses]; food and drink catering; retirement home services; café services; cafeteria services; providing campground facilities; canteen services; rental of temporary accommodation; boarding house services; tourist home services; hotel services; day-nursery [crèche] services; restaurant services; boarding house bookings; hotel reservations; self-service restaurant services; snack-bar services; boarding for animals; bar services; holiday camp services [lodging]; rental of transportable buildings; temporary accommodation reservations; motel services; rental of chairs, tables, table linen, glassware; rental of meeting rooms; rental

of tents; rental of cooking apparatus; rental of drinking water dispensers; rental of lighting apparatus; food sculpting; reception services for temporary accommodation [management of arrivals and departures]; washoku restaurant services; udon and soba restaurant services; decorating of food; cake decorating; information and advice in relation to the preparation of meals; personal chef services; hookah lounge services.

44 – Animal breeding; landscape gardening; public bath services for hygiene purposes; Turkish bath services; beauty salon services; medical clinic services; chiropractic; hairdressing; wreath making; convalescent home services; hospital services; health care; horticulture; gardening; farming equipment rental; massage; medical assistance; opticians' services; plant nursery services; physical therapy; physiotherapy; sanatorium services; veterinary assistance; dentistry services; nursing home services; aerial and surface spreading of fertilizers and other agricultural chemicals; aerial and surface spreading of fertilisers and other agricultural chemicals; animal grooming; blood bank services; flower arranging; hospice services; lawn care; manicuring; midwife services; nursing, medical; pharmacy advice; plastic surgery; tree surgery; vermin exterminating for agriculture, aquaculture, horticulture and forestry; weed killing; pet grooming; hair implantation; services of a psychologist; rental of sanitary installations; aromatherapy services; artificial insemination services; rehabilitation for substance abuse patients; in vitro fertilization services; in vitro fertilisation services; tattooing; telemedicine services; landscape design; sauna services; solarium services; health spa services; visagists' services; preparation of prescriptions by pharmacists; therapy services; tree planting for carbon offsetting purposes; aquaculture services; medical equipment rental; health center services; health centres; alternative medicine services; speech therapy; health counselling; health counseling; depilatory waxing; orthodontic services; medical advice for individuals with disabilities; body piercing; reforestation services; palliative care; rest home services; pest control services for agriculture, aquaculture, horticulture and forestry; human tissue bank services; rental of animals for gardening purposes; rental of beehives; animal-assisted therapy; medical analysis services for diagnostic and treatment purposes provided by medical laboratories; medical screening; viticulture services; consultancy in the field of viticulture; home-visit nursing care; rental of hair styling apparatus; cultivation of plants; dietary and nutritional advice; rental of surgical robots.

45 – Personal bodyguarding; escorting in society [chaperoning]; chaperoning; detective agency services; dating services; night guard services; opening of security locks; evening dress rental; crematorium services; missing person investigations; burial services; funerary undertaking; clothing rental; guard services;

marriage agency services; physical security consultancy; horoscope casting; fire-fighting; organization of religious meetings; adoption agency services; monitoring of burglar and security alarms; babysitting; security screening of baggage; house sitting; pet sitting; personal background investigations; lost property return; mediation; inspection of factories for safety purposes; rental of fire alarms; rental of fire extinguishers; arbitration services; intellectual property consultancy; copyright management; licensing of intellectual property; monitoring intellectual property rights for legal advisory purposes; legal research; litigation services; licensing of computer software [legal services]; registration of domain names [legal services]; alternative dispute resolution services; rental of safes; genealogical research; planning and arranging of wedding ceremonies; online social networking services; releasing doves for special occasions; embalming services; legal document preparation services; tracking of stolen property; legal administration of licences; astrology consultancy; spiritual consultancy; cartomancy services; personal wardrobe styling consultancy; personal letter writing; conducting funeral ceremonies; legal services in relation to the negotiation of contracts for others; conducting religious ceremonies; dog walking services; leasing of internet domain names; kimono dressing assistance; legal advice in responding to calls for tenders; legal advice in responding to requests for proposals [RFPs]; licensing [legal services] in the framework of software publishing; legal watching services; organization of political meetings; legal consultancy relating to patent mapping; legal advocacy services; concierge services; bereavement counseling; bereavement counselling; lifeguard services; legal services in the field of immigration; tarot card reading services for others; regulatory compliance auditing; legal compliance auditing.

(260) AM 2022 115087 A

(800) 1010631

(151) 2009 07 07

(891) 2021 08 25

(731) MURATBEY GIDA SANAYİ VE TİCARET ANONİM ŞİRKETİ
Kocatepe Mah. Gumruk Iskele Cad., M. Center A Blok No. 89/1242-1250 Bayrampasa, Istanbul, Turkey

(540)



(591) Black, white

(531) 25.01.15; 27.05.01; 29.01.13

(511)

29 – Meat, fish, poultry and game; meat extracts; preserved, frozen, dried and cooked fruits and vegetables; milk and milk products; edible oils and fats.

(260) AM 2022 115088 A

(800) 1075954

(151) 2011 03 01

(891) 2021 09 14

(731) Limited Liability Company "Snehjk"
Krepostnoj pereulok, 133, RU-344010
g. Rostov-na-Donu, Russian Federation

(540)

ХЛЕБЦЫ-МОЛОДЦЫ

(591) Black, white

(531) 28.05

(511)

30 – Whole grain crispbreads.

(260) AM 2022 115143 A

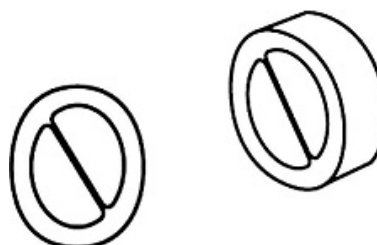
(800) 1622199

(151) 2021 07 13

(891) 2021 07 13

(731) SUBSIDIARY COMPANY
"CONFECTIONERY CORPORATION
"ROSHEN"
prospect Nauky, bud. 1, korpus 1, m. Kyiv
03039, Ukraine

(540)



(591) Black, white

(531) 05.07.01; 05.07.27; 08.01.22; 19.13.21;

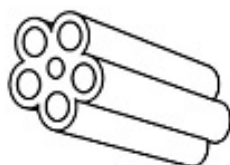
25.05.01; 26.01.04; 26.15.25

(511)

30 – Confectionery; confectionery for decorating Christmas trees; liquorice [confectionery]; almond confectionery; ice cream; peppermint sweets; lozenges [confectionery]; pralines; candy decorations for cakes; chocolate decorations for cakes, sweets; fruit jellies [confectionery]; fruit confectionery; crystallized rock sugar; sugar; chocolate.

(260) AM 2022 115144 A
 (800) 1622201
 (151) 2021 07 13
 (891) 2021 07 13
 (731) SUBSIDIARY COMPANY
 "CONFECTIONERY CORPORATION
 "ROSHEN"
 prospect Nauky, bud. 1, korpus 1, m. Kyiv
 03039, Ukraine

(540)



(591) Black, white
 (531) 05.05.21; 08.01.19; 08.07.03; 14.01.02;
 14.01.05; 26.13.25

(511)
 30 – Confectionery; confectionery for decorating Christmas trees; liquorice [confectionery]; almond confectionery; ice cream; peppermint sweets; lozenges [confectionery]; pralines; candy decorations for cakes; chocolate decorations for cakes, sweets; fruit jellies [confectionery]; fruit confectionery; crystallized rock sugar; sugar; chocolate.

(260) AM 2022 115166 A
 (800) 1622676
 (151) 2021 08 19
 (891) 2021 08 19
 (731) Joint Stock Company
 "OBNINSKORGSIINTEZ"
 Kiev highway, 57, Obninsk, RU-249030
 Kaluga region, Russian Federation

(540)

Lamm

(591) Black, white
 (511)
 3 – Windshield cleaning liquids; soap; deodorant soap; shaving soap; cakes of toilet soap; antiperspirant soap; soap for foot perspiration; almond soap; mint for perfumery; preparations for soaking laundry; laundry bleaching preparations; dry-cleaning preparations; rust removing preparations; cleaning preparations; wallpaper cleaning preparations; preparations for unblocking drain pipes; chemical cleaning preparations for household purposes; scouring solutions; baby wipes impregnated with cleaning preparations; detergents, other than for use in manufacturing operations and for medical purposes; cleansers for intimate personal hygiene purposes, non medicated; douching preparations for personal sanitary or deodorant purposes;

toiletary preparations; cloths impregnated with a detergent for cleaning; shampoos; dry shampoos.

5 – Antiseptics; antiseptic cotton; disinfectants; antibacterial soap; disinfectant soap; medicated soap; soil-sterilizing preparations; tissues impregnated with pharmaceutical lotions; antibacterial handwashes; disinfectants for hygiene purposes; disinfectants for chemical toilets; detergents for medical purposes; medicated shampoos; medicated dry shampoos.

(260) AM 2022 115180 A
 (800) 1623066
 (151) 2021 07 15
 (891) 2021 07 15
 (731) Fuli Technology (Shanghai) Co., Ltd.
 Room 403, No. 356 Xinzha Road, Huangpu
 District, 200001 Shanghai City, China

(540)



(591) Black, white
 (531) 02.01.08; 02.01.23
 (511)

5 – Adhesive patches for medical purposes; medicinal herbs; medicines for human purposes; pharmaceutical preparations for ophthalmological use; ointments for pharmaceutical purposes; organotherapy preparations; pharmaceutical preparations for skin care; dietetic substances adapted for medical use; biocides; surgical dressings; vitamin preparations; dietary fiber; cod liver oil; herbal medicines; powdered milk for babies; food for babies; dietary supplements for infants; nutritional supplements; protein dietary supplements; babies' diaper-pants; sanitary pads; disinfectant wipes; babies' diapers.

9 – Computer programs, downloadable; Internet servers; facial recognition software; intercommunication apparatus; monitoring apparatus, other than for medical purposes; audiovisual teaching apparatus; chips [integrated circuits]; video screens; remote control apparatus; protection devices for personal use against accidents.

10 – Medical apparatus and instruments; dental apparatus and instruments; galvanic therapeutic appliances; hearing aids; oxygen bags; babies' bottles; contraceptives, non-chemical; artificial limbs; abdominal belts; thread, surgical; incubators for babies; nasal aspirators; thermometers for medical purposes; massage apparatus; sphygmomanometers; blood glucose meters; medical masks; gum massagers for babies; baby feeding pacifiers; orthopedic appliances.

25 – Ready-made clothing; waterproof clothing; bathing suits; clothing; footwear; hats; hosiery; gloves [clothing]; scarfs; chasubles; clothing for children; aprons [clothing]; underwear; clothing for babies; bibs, not of paper; baby shoes; layettes [clothing]; body-suits for babies; bathing caps; wedding dresses.

29 – Meat; seaweed extracts for food; fish-based foodstuffs; frosted fruits; betel nuts, processed; vegetables, preserved; oils for food; nuts, prepared; dried edible mushrooms; tofu; edible birds' nests; isinglass for food; fruits, canned; eggs; cheese; milk products; powdered milk; milk; fruit jellies; vegetable-based snack foods.

35 – Advertising; providing business information via global computer networks; marketing; provision of an online marketplace for buyers and sellers of goods and services; personnel management consultancy; systemization of information into computer databases; business auditing; rental of vending machines; sponsorship search; retail services for pharmaceutical, veterinary and sanitary preparations and medical supplies.

38 – Television broadcasting; broadcasting of programs via the internet; message sending; communications by computer terminals; providing telecommunications connections to a global computer network; providing internet chatrooms; providing access to databases; providing online forums; radio communications; providing information in the field of telecommunications.

42 – Technological research; quality control; design and development of multimedia products; chemical analysis; industrial design; toy design; packaging design; computer programming; computer software design; authenticating works of art.

(260) AM 2022 115181 A

(800) 1623176

(151) 2021 09 14

(891) 2021 09 14

(731) H & M Hennes & Mauritz AB

Mäster Samuelsgatan 46A, SE-106 38

Stockholm, Sweden

(540)

MOVE EVERY BODY

(591) Black, white

(511)

9 – Pedometers; sunglasses; mobile telephone cases; glasses for sports; swim goggles.

10 – Graduated compression hosiery; compression panty hose; foam massage rollers; trigger balls; massage balls; pressure relief pads and cushions; face masks for medical use.

18 – Leather and imitations of leather; animal skins and hides; luggage; bags; sport bags; umbrellas; trave-

ling bags; wallets; handbags; evening handbags; work bags; shoulder bags; canvas bags; shopping bags; rucksacks; athletics bags; purses; trunks (luggage); key cases; toiletry bags.

25 – Clothing; footwear; headgear; sport suits; bathing drawers; swimsuits; bath robes; bikinis; pantsuits; sports pants; neckerchiefs; gloves; sports jackets; shell jackets; fleece jackets; padded jackets; sports shorts; skirts; sports underwear; short-sleeve shirts; sports jumpers; overalls; pocket squares; rainwear; scarves; sports shirts; beachwear; sports tank tops; sports bras; athletic tights; sports stockings; sweaters; sports t-shirts; waistcoats; mittens; outer clothing; coats; jackets; children's clothing; T-shirts; shorts; tights; tank tops; pants; jumpers; underwear; stockings; hats; caps; beanies; visors; headbands; running shoes; training shoes; hiking shoes; face masks [fashion wear]; wetsuits; neck tubes, sweatbands.

28 – Games; playthings; gymnastic and sporting articles; rubber bands for exercise; dumbbells; exercise weights; yoga blocks; gym balls for yoga; yoga straps; kettle bells; rings for sports; manually operated rings for lower and upper body resistance exercise; pilates toning balls; skipping ropes.

35 – Advertising and marketing services; on-line consumer information; retail services regarding sunglasses, glasses for sports, swim goggles, pedometers, compression socks, foam massage rollers, trigger balls, massage balls, pressure relief pads and cushions, pillows, face masks, glass bottles, plastic bottles, clothing, footwear, headgear, yoga mats, games and playthings, gymnastic and sporting articles, sport accessories, mobile cases, key holders, card holders.

41 – Gym activity classes; yoga instruction; pilates instruction; sports and fitness services; rental services relating to equipment and facilities for sports.

(260) AM 2022 115200 A

(800) 1601835

(151) 2020 12 21

(891) 2021 09 27

(731) Bora Creations S.L.

c/ Velázquez, 11 (Pto. de Andratx), Andratx,

E-07157 Illes Balears, Spain

(540)



(591) Black, white

(531) 26.01.18; 27.05.01

(511)

5 – Hand-sanitizing preparations; food supplements without a medical purpose; dietary supplements with cosmetic effect; beverages as dietary supplements; vitamin preparations; drinkable vitamins; meal replace-

ment bars as nutritional supplement for boosting energy; dietetic preparations.

9 – Protective respiratory masks; filters for respiratory masks [non-medical]; software for health and beauty care; software and hardware for health monitoring.

10 – Oral and nasal masks.

28 – Sports equipment; tapes for yoga; yoga blocks; yoga swings; yoga wheels; gymnastic balls for yoga.

29 – Milk, dairy products and yogurt products; dairy products and alternative vegetable-based yogurt products, also in vegan form and as vegan products.

30 – Confectionery products; coffee; tea; cocoa; coffee substitutes; cereal-based preparations; energy bars; cereal bars; candy made of sugar; sweetmeats [candy]; chocolate; honey.

32 – Non-alcoholic beverages; waters; fruit-juice beverages; fruit juices.

35 – Retail services for cosmetic products, food supplements, software and software applications, as well as wearable devices and hardware; all of the above services also provided online; online retail services for cosmetic products, food supplements, software and software applications, as well as wearable devices and hardware.

41 – Organization and conducting of seminars and online seminars relating to health and beauty care; yoga classes; training services.

(260) AM 2022 115201 A

(800) 1604108

(151) 2021 05 26

(891) 2021 09 20

(731) Incyte Holdings Corporation
1801 Augustine Cut-Off, Wilmington
DE 19803, USA

(540)

OPZELURA

(591) Black, white

(511)

5 – Pharmaceutical preparations for the treatment of dermatological disorders.

16 – Brochures, newsletters, and pamphlets relating to medical issues, procedures, disease symptoms, patient support and community building.

44 – Providing medical information to healthcare providers and patients relating to dermatological disorders.

(260) AM 2022 115243 A

(800) 1623459

(151) 2021 09 06

(891) 2021 09 06

(731) Obshchestvo s ogranichennoj otvetstvennostyu
"Atelie CHastnyh marok"
ul. Udal'tsova, dom 50, kv. 39, RU-119607
Moskva, Russian Federation

(540)

Longbank

(591) Black, white

(511)

33 – Aperitifs; arrack [arak]; baijiu [Chinese distilled alcoholic beverage]; eaux-de-vie; wines; piquette; whisky; vodka; anisette [liqueur]; kirsch; gin; digesters [liqueurs and spirits]; cocktails; curaçao; anise [liqueur]; liqueurs; pre-mixed alcoholic beverages, other than beer-based beverages; alcoholic beverages, excluding beers; alcoholic beverages containing fruit; spirits [beverages]; distilled beverages; mead [hydromel]; peppermint liqueur; bitters; nira [alcoholic beverage made from sugar cane]; rum; sake; perry; ciders; rice alcohol; alcoholic extracts; alcoholic fruit extracts; alcoholic essences.

(260) AM 2022 115244 A

(800) 1623485

(151) 2021 02 12

(891) 2021 02 12

(731) PİA AKRİLİK SANAYİ VE TİCARET
ANONİM ŞİRKETİ
TAHTAKALE, UZUN ÇARŞI CADDESİ
MİLAS HAN KAT : 03 NO: 217 EMİNÖNÜ-
FATİH/İSTANBUL, Turkey

(540)



(591) Red and white

(531) 26.04.09; 27.05.01; 29.01.01

(511)

6 – Ores of non-precious metal; common metals and their alloys and semi-finished products made of these materials; goods and materials of common metal used for storage, wrapping, packaging and sheltering purposes, containers of metal; doors, windows, shutters, jalousies and their cases and fittings of metal; non-electric cables and wires of metal; ironmongery, small hardware of metal; ventilation ducts, vents, vent covers, pipes, chimney caps, manhole covers, grilles of metal for ventilation, heating, sewage, telephone, underground electricity and air conditioning installations; metal panels or boards, non-luminous and non-

mechanical, used for signalling, route showing, publicity purposes, signboards of metal, advertisement columns of metal, signaling panels of metal, non-luminous and non-mechanical traffic signs of metal; metal railway materials, metal rails, metal railway ties, railway switches, bollards of metal, floating docks of metal, mooring buoys of metal, anchors; metal moulds for casting, other than machine parts; works of art made of common metals or their alloys, trophies of common metal; metal closures, bottle caps of metal; metal poles; metal pillars; scaffolding of metal; metal stakes, metal towers (term considered too vague by the International Bureau – Rule 13 (2) (b) of the Regulations); metal pallets and metal ropes for lifting, loading and transportation purposes; metal hangers, ties, straps, tapes and bands used for load-lifting and load-carrying.

17 – Rubber, gutta-percha, gum, asbestos, mica and semi finished synthetic goods made from these materials in the form of powder, bars, panels and foils included in this class; insulation, stopping and sealing materials, other than gaskets for motors, cylinders and washer for water taps; flexible pipes made from rubber and plastic, hoses made of plastic and rubber, including those used for vehicles; junctions for pipes of plastic and rubber, pipe jackets of plastic and rubber, hoses of textile material, junctions for pipes, not of metal, pipe jackets, not of metal, connecting hose for vehicle radiators.

19 – Sand, gravel, crushed stone, asphalt, bitumen, cement, gypsum, plaster, concrete, marble blocks for construction, included in this class; building materials, as finished product, made of concrete, gypsum, clay, potters' clay, stone, marble, wood, plastics and synthetic materials for building, construction, road construction purposes, included in this class, non-metallic buildings, non-metallic building materials, poles not of metal for power lines, barriers not of metal, natural and synthetic coatings in the form of panels and sheets, being building materials, bitumen cardboard coatings for roofing, bitumen coating for roofing, doors and windows of wood and synthetic materials; traffic signs not of metal, non-luminous and non-mechanical, for roads; monuments and statuettes of stone, concrete and marble; monuments and statuettes of stone, concrete and marble; aquarium sand.

(260) AM 2022 115245 A

(800) 1623517

(151) 2021 08 02

(891) 2021 08 02

(731) Beijing Dajia Internet Information Technology Co., Ltd.

Room 101D1-7, 1st Floor, Building 1, No. 6, Shangdi West Road, Haidian District, Beijing, China

(540)



(591) Black, white

(531) 16.03.01; 26.01.06; 26.07.15

(511)

9 – Computer peripheral devices; electronic publications, downloadable; computer programs, downloadable; downloadable application software for cell phones; computer game software, downloadable; computer game program, recorded; network communication device; sound transmitting apparatus; spectacles; batteries, electric.

35 – Presentation of goods on communication media, for retail purposes; providing business information via a website; provision of an online marketplace for buyers and sellers of goods and services; marketing; sales promotion for others; business management of performing artists; website traffic optimization; systemization of information into computer databases; accounting; sponsorship search.

36 – Insurance information and consultation; e-wallet payment services; financial information; art appraisal; real estate management; financial customs brokerage services; surety services; charitable fund raising; trusteeship; lending against security.

38 – News agency services; transmission of podcasts; message sending; computer aided transmission of messages and images; providing internet chatrooms; providing access to databases; video-on-demand transmission; transmission of digital files; videoconferencing services; providing online forums.

41 – Teaching; organization of shows [impresario services]; mobile library services; online publication of electronic books and journals; publication of texts, other than publicity texts; layout services, other than for advertising purposes; providing television programs, not downloadable, via video-on-demand transmission services; providing online videos, not downloadable; providing online music, not downloadable; production of shows; disc jockey services; presentation of live performances; video production services; subtitling; writing of texts; ticket agency services [entertainment]; dubbing; photography; game services provided online from a computer network; entertainment services.

42 – Technological research; industrial design; interior design; computer software design; conversion of data or documents from physical to electronic media; creating and designing website-based indexes of in-

formation for others [information technology services]; software development in the framework of software publishing; platform as a service [PaaS]; providing search engines for the internet; graphic arts design.

45 – Personal background investigations; chaperoning; clothing rental; marriage agency services; dating services; online social networking services; copyright management; licensing of intellectual property; licensing of computer software [legal services]; registration of domain names [legal services].

(260) AM 2022 115246 A
 (800) 1623595
 (151) 2021 09 27
 (891) 2021 09 27
 (731) Incyte Holdings Corporation
 1801 Augustine Cut-Off, Wilmington
 DE 19803, USA
 (540)

ZYNYZ

(591) Black, white
 (511)
 16 – Brochures, newsletters, and pamphlets relating to medical issues, procedures, disease symptoms, patient support and community building.

(260) AM 2022 115247 A
 (800) 1623601
 (151) 2021 09 22
 (891) 2021 09 22
 (731) Incyte Holdings Corporation
 1801 Augustine Cut-Off, Wilmington
 DE 19803, USA
 (540)

WYLUMRI

(591) Black, white
 (511)
 5 – Pharmaceutical preparations for the treatment of oncological, hematological, inflammatory, dermatological and autoimmune disorders.
 16 – Brochures, newsletters, and pamphlets relating to medical issues, procedures, disease symptoms, patient support and community building.
 44 – Providing medical information to healthcare providers and patients relating to viral, hematological, auto-immune, inflammatory, metabolic and dermatological disorders.

(260) AM 2022 115248 A
 (800) 1623624
 (151) 2021 08 23
 (891) 2021 08 23
 (731) Joint Stock Company
 "OBNINSKORGSINTEZ"
 Kievskoye Shosse, 57, Obninsk, RU-249030
 Kaluga region, Russian Federation
 (540)

Hauserz

(591) Black, white
 (511)
 3 – Balms, other than for medical purposes; petroleum jelly for cosmetic purposes; waxes for leather; massage gels, other than for medical purposes; deodorants for human beings or for animals; greases for cosmetic purposes; perfumery; eyebrow pencils; cosmetic pencils; hair conditioners; beard dyes; colorants for toilet purposes; cosmetic dyes; cosmetic creams; skin whitening creams; hair spray; nail polish; hair lotions; lotions for cosmetic purposes; after-shave lotions; beauty masks; oils for cleaning purposes; oils for perfumes and scents; oils for cosmetic purposes; oils for toilet purposes; essential oils; essential oils of cedarwood; essential oils of lemon; essential oils of citron; bergamot oil; gaultheria oil; jasmine oil; lavender oil; almond oil; rose oil; oil of turpentine for degreasing; almond milk for cosmetic purposes; cleansing milk for toilet purposes; musk; soap; deodorant soap; shaving soap; soap for brightening textile; cakes of toilet soap; antiperspirant soap; soap for foot perspiration; almond soap; mint for perfumery; cosmetic kits; breath freshening preparations for personal hygiene; shaving preparations; bath preparations, not for medical purposes; cosmetic preparations for baths; cleaning preparations; preparations for unblocking drain pipes; chemical cleaning preparations for household purposes; collagen preparations for cosmetic purposes; aloe vera preparations for cosmetic purposes; sunscreen preparations; scouring solutions; tissues impregnated with cosmetic lotions; tissues impregnated with make-up removing preparations; baby wipes impregnated with cleaning preparations; potpourris; eyebrow cosmetics; make-up preparations; sun-tanning preparations; cosmetic preparations for skin care; cosmetics; cosmetics for children; cosmetics for animals; mascara; detergents, other than for use in manufacturing operations and for medical purposes; cleansers for intimate personal hygiene purposes, non medicated; douching preparations for personal sanitary or deodorant purposes; degreasers, other than for use in manufacturing processes; toiletry preparations; antiperspirants; phytocosmetic preparations; talcum powder, for toilet use; cotton sticks for cosmetic purposes; terpenes; cloths impregnated with a detergent for cleaning; shampoos; shampoos for animals; shampoos for pets; dry shampoos; herbal extracts for cosmetic purposes; extracts of flowers; ethereal essences; badian essence; mint essence.

16 – Towels of paper; tissues of paper for removing make-up; face towels of paper; paper wipes for cleaning; place mats of paper; table napkins of paper; tablecloths of paper.

21 – Sponges for household purposes; toilet sponges; cloth for washing floors; polishing cloths; cloths for cleaning; microfiber cloths for cleaning; dusting cloths; furniture dusters.

(260) AM 2022 115259 A
 (800) 1623896
 (151) 2021 07 09
 (891) 2021 07 09
 (731) LABORATORIOS NORMON, S.A.
 Ronda de Valdecarrizo, 6, E-28760
 Tres Cantos (Madrid), Spain
 (540)

NORMODENT

(591) Black, white
 (511)

3 – Bleaching preparations and other substances for laundry use; cleaning, polishing, degreasing and abrasive preparations; soaps; perfumery products, essential oils, cosmetics, hair lotions; dentifrices.

5 – Pharmaceutical and veterinary products; hygienic products for medicine; dietetic substances for medical use, food for babies; plasters, material for dressings; material for dental fillings and dental impressions; disinfectants; products for destroying vermin; fungicides, herbicides.

(260) AM 2022 115260 A
 (800) 1623922
 (151) 2021 08 13
 (891) 2021 08 13
 (731) WENZHOU KAIWEN STATIONERY &
 SPORTS, MANUFACTURING CO., LTD
 135 Simingshan Road.; Wenzhou Economy &
 Development Zone; Zhejiang Province, China
 (540)



(591) Gray, white
 (531) 04.03.19; 26.01.04; 26.01.16; 26.01.18;
 27.01.12; 27.05.01; 27.05.02; 27.05.09;
 27.05.10; 27.05.24; 28.03

(511)
 16 – Drawing pens; pencils; balls for ball-point pens; stationery; whiteboard marker pens; crayons; writing instruments; marking pens [stationery]; oil painting stick; drawing instruments.

(260) AM 2022 115261 A
 (800) 1623939
 (151) 2021 07 22
 (891) 2021 07 22
 (731) Vivo Holdings Limited
 #255, BBK Road, Wusha, Chang' An,
 DongGuan City, Guangdong, China
 (540)



(591) Black, white
 (531) 27.05.01; 27.05.17; 27.05.23; 27.05.25
 (511)

9 – Computers; electronic pocket translators; notebook computers; pocket calculators; computer program (downloadable software); computer game software; USB flash drives; computer software applications, downloadable; tablet computers; joysticks for use with computers, other than for video games; smart glasses (data processing devices); smart watch (data processing devices); pedometers; apparatus to check franking; automatic teller machine (ATM); ticket dispensers; hemline markers; voting machines; holograms; facsimile machines; weighing apparatus and instruments; electronic notice boards; measures; navigational instruments; telephone apparatus; video telephones; cordless telephones; Global Positioning System [GPS] apparatus; GPS navigation equipment; smartphones; mobile telephones; wearable activity trackers; tape recorders; cabinets for loudspeakers; microphones; video recorders; cassette players; compact disc players; headphones; earphone; wireless headphones for smart phone; DVD players; portable media players; learning machine; electric teaching apparatus for education; cameras [photography]; selfie sticks [hand-held monopods]; selfie sticks for mobile phone; self portrait monopod for smartphone or camera; headphones for mobile phone; in-ear headphones; headphones for virtual reality games; surveying apparatus and instruments; air analysis apparatus; speed checking apparatus for vehicles; diagnostic apparatus, not for medical purposes; audiovisual teaching apparatus; high-frequency apparatus; simulators for the steering and control of vehicles; connected bracelets [measuring instruments]; optical apparatus and instruments; materials for electricity mains [wires, cables]; semi-conductors; integrated circuits; conductors, electric; cell switches [electricity]; video screens; touch screen; fluorescent screens; remote control apparatus; optical fibers [light conducting filaments]; connections for electric lines; power plug converter; electrical adapters; camcorders; electric installations for the remote control of industrial operations; lightning conductors; electrolyzers; fire extinguishing apparatus; X-ray apparatus not for medical purposes; protection devices for personal use against

accidents; theft prevention installations, electric; spectacles; 3D spectacles; batteries, electric; battery chargers; wireless charger; charger for electric accumulators; rechargeable battery as mobile power supply; animated cartoons; decorative magnets; egg-candlers; dog whistles; sports whistles; electrified fences; electronic collars to train animals; dictating machines; large-screen LCD; smart ring (data processing devices); downloadable mobile phone applications; wearable computers; interactive touch screen terminals; humanoid robots with artificial intelligence; gesture recognition software; computer software platforms, recorded or downloadable; downloadable graphics for mobile phones; fingerprint scanner; mobile phone application for taxi booking; computer screen saver software, recorded or downloadable; chat robot software for simulating conversation; personal digital assistants [PDAs]; counters; electronic scorer; counterfeit coin detectors; hand print scanner; biometric face scanners; biometric iris scanner; biometric retinal scanner; phototelegraphy apparatus; light box; cases for smartphones; covers for smartphones; protective film for mobile phone screen; communication devices in the form of jewelry; smart phones in the form of watch; wrist wearing smart phones; vehicle on-board mobile phone bracket; keyboard for smart phone; hands free devices for mobile phones; mobile phone bracket; waterproof protective cover for smart phone; electronic equipment for locating lost items using Global Positioning System and cellular communication networks; dust plug for mobile phone jack; virtual reality headsets; wearable video display monitors; automobile data recorder; Set Top Box; USB line; electronic chip; heat regulating apparatus; radiological apparatus for industrial purposes; video game cartridges; cash registers; electronic sound generator with books; downloadable e-wallets; wireless telephone equipment; surveying apparatus and instruments; protective film for electronic pocket translator screens; video projectors.

(260) AM 2022 115263 A
 (800) 1623985
 (151) 2021 09 23
 (891) 2021 09 23
 (731) Incyte Holdings Corporation
 1801 Augustine Cut-Off, Wilmington
 DE 19803, USA
 (540)



(591) Black, white
 (531) 27.05.01; 27.05.17; 27.05.21; 27.07.01
 (511)
 16 – Brochures, newsletters, and pamphlets relating to medical issues, procedures, disease symptoms, patient support and community building.

(260) AM 2022 115264 A
 (800) 1623988
 (151) 2021 09 28
 (891) 2021 09 28
 (731) HANGZHOU TECHDERM BIOLOGICAL PRODUCTS CO., LTD.
 Floor 2nd, East Building 6, No. 88 Jiangling Road, Binjiang District, Hangzhou City, Zhejiang Province, China

(540)

SOFIDERM SUB-SKIN

(591) Black, white
 (531) 27.05.01
 (511)
 3 – Soap; detergents other than for use in manufacturing operations and for medical purpose; polishing preparations; grinding preparations; perfumery; cosmetics; dentifrices; incense; cosmetics for animals; air fragrancing preparations.
 5 – Pesticides; babies' diapers; medical dressings; adhesive bands for medical purposes; surgical dressings; scapulars for surgical purposes; wadding for medical purposes; teeth filling material; diapers for pets.
 10 – Stents; ophthalmological instruments; sterilised medical instruments; surgical apparatus and instruments; cushions for medical purposes; feeding bottles; condoms; orthopedic articles.

(260) AM 2022 115265 A
 (800) 1623989
 (151) 2021 09 28
 (891) 2021 09 28
 (731) HANGZHOU TECHDERM BIOLOGICAL PRODUCTS CO., LTD.
 Floor 2nd, East Building 6, No. 88 Jiangling Road, Binjiang District, Hangzhou City, Zhejiang Province, China

(540)

SOFIDERM DERM

(591) Black, white
 (531) 27.05.01
 (511)
 3 – Soap; detergents other than for use in manufacturing operations and for medical purpose; polishing preparations; grinding preparations; perfumery; cosmetics; dentifrices; incense; cosmetics for animals; air fragrancing preparations.

5 – Pesticides; babies' diapers; medical dressings; adhesive bands for medical purposes; surgical dressings; scapulars for surgical purposes; wadding for medical purposes; teeth filling material; diapers for pets.

10 – Stents; ophthalmological instruments; sterilised medical instruments; surgical apparatus and instruments; cushions for medical purposes; feeding bottles; condoms; orthopedic articles.

(260) AM 2022 115266 A

(800) 1623990

(151) 2021 09 28

(891) 2021 09 28

(731) HANGZHOU TECHDERM BIOLOGICAL PRODUCTS CO., LTD.

Floor 2nd, East Building 6, No. 88 Jiangling Road, Binjiang District, Hangzhou City, Zhejiang Province, China

(540)

SOFIDERM PLUS

(591) Black, white

(531) 27.05.01

(511)

3 – Soap; detergents other than for use in manufacturing operations and for medical purpose; polishing preparations; grinding preparations; perfumery; cosmetics; dentifrices; incense; cosmetics for animals; air fragrancing preparations.

5 – Pesticides; babies' diapers; medical dressings; adhesive bands for medical purposes; surgical dressings; scapulars for surgical purposes; wadding for medical purposes; teeth filling material; diapers for pets.

10 – Stents; ophthalmological instruments; sterilised medical instruments; surgical apparatus and instruments; cushions for medical purposes; feeding bottles; condoms; orthopedic articles.

(260) AM 2022 115267 A

(800) 1624016

(151) 2020 12 18

(891) 2020 12 18

(731) TRATON SE

Dachauer Str. 641, 80995 München, Germany

(540)



(591) Black, white

(531) 26.07.18; 26.13.25

(511)

1 – Chemical products for commercial and scientific purposes; chemicals for cleaning exhaust gases; chemicals as additives to liquid fuels; chemicals for internal combustion engines; chemicals for decarbonizing automobile engines and chemical preparations for decarbonizing automobile engines; additives for exhaust gas after-treatment of internal combustion engines; oils for brakes; chemical substances for stabilising oils; oils for hydraulic suspensions, circuits and cushions; chemical additives for oils; additives (chemical -) for industrial oils; chemicals in the form of water soluble oils; chemical catalysts for use in synthesis gas and olefin purification; antifreeze goods and compounds (also for glass), preparations for preventing the tarnishing of glass; adhesive substances for industrial use; chemicals for use in cylinder liners.

4 – Industrial oils and greases; lubricants and non-chemical additives for lubricants; engine oils, liquid fuels and gaseous fuels (including petrol and motor spirits), additives (nonchemical -) for fuels; automotive greases.

7 – Motors and engines (except for land vehicles) and parts, components and spare parts therefor; internal combustion and electrical engines (other than for land vehicles), machine coupling and transmission components (except for land vehicles), and parts and spare parts therefor; parts of electric and combustion engines and motors; aircraft motors and engines, industrial motors and engines, hydraulic motors and engines, gas turbine engines, gas turbo engines, ship motors and engines, motors and engines for water-vehicles, internal combustion motors and engines, electrical motors and engines, piston motors and engines; mechanical engine parts for land vehicles; compressors; exhaust systems for vehicles; clutches for machines and parts therefor; transmissions and their parts for machines, air and water vehicles; pumps, compressors and blowers; discs made of abrasive materials [parts of machines]; springs [parts of machines]; sieves [machines or parts of machines]; hoods [machine parts]; hydraulic and pneumatic controls for machines, motors and engines; electric generators, gas generators; turbo-compressor superchargers for exhaust gases (other than for land vehicles), alternators; frames and parts of internal combustion and electrical engine mounts; injection nozzles, injection combination pumps and nozzles, injection regulators, all being parts of internal combustion engines; ignition distributors; fuel filters and pumps for engines, liquid tanks [parts of machines]; exhaust gas treatment systems for engines; decontamination installation for internal combustion engines; mobile combustion engines, not for land vehicles; brake installations for internal combustion and electrical engines; mechanical and hydrodynamic brakes; grease rings; valves; hand tools (other than hand-operated) for the maintenance of motors and engines; land-based and floating power plants

with diesel and diesel-gas engines; parts of electric and combustion engines and motors for land vehicles; starters for engines; pumps, compressors and blowers; supercharger compressor as a motor element; exhaust gases turbo-compressors (for land vehicles); holders for mobile combustion and electrical engines and machines; mobile combustion engines for machines; brake installation for internal combustion and electrical engines; cardan shaft and cardan shafts bearings; mechanical control mechanisms for vehicle windows; mechanical control mechanisms for vehicle doors; drive units for transportable concrete mixers; discs for starters of engines and motors; handling apparatus for loading and unloading, namely, side loaders and devices for filling and emptying vehicles with tanks, silos, and containers.

9 – Navigation, surveying, photographic, audiovisual, optical, measuring, signalling, detecting, testing, inspecting apparatus and instruments; apparatus and instruments for conducting, switching, transforming, accumulating, regulating or controlling the distribution or use of electricity; apparatus and instruments for recording, transmitting, reproducing or processing sound, images or data; recorded and downloadable media, computer software, blank digital or analogue recording and storage media; calculating devices; computers and computer peripheral devices; vehicle simulation software; image processing software for in-vehicle cameras; artificial intelligence software for vehicles; computer programs for providing an all-around view for a vehicle; vehicle control software; computer software to operate vehicles; computer applications for vehicle navigation apparatus; recorded computer software for safe vehicle driving; computer applications and programs for automatic vehicle driving and parking control; on-board electronic systems in land vehicles for providing driving assistance; onboard computers; computer software for mobile applications that enable interaction and interface between vehicles and mobile devices; software for GPS navigation; global positioning systems (GPS); GPS receivers; amplifiers for vehicles; multimedia connectors for vehicles; communications apparatus for vehicles; mobile phone connectors for vehicles; telecommunications equipment, telephones, mobile telephones, telephone headphones; computerized vehicle engine analyzers; on board computers for vehicles; computers for autonomous-driving vehicles; audio devices and receivers for vehicles; displays for vehicles; electronic driver displays systems for vehicles; cameras for vehicles; antennas; modems; printers; electronic publications, downloadable; charging stations for electric vehicles; vehicles batteries; accumulators, electric, for vehicles; battery charging devices for motor vehicles; cell phone battery charges for use in vehicles; voltage regulators for vehicles; vehicle fuses; climate control digital thermostats; integrated electronic safety systems for land vehicles; integrated electronic

driver assistance systems for land vehicles; fuel cells; fuel cell electrodes; fire fighting vehicles; driver assistance systems for motor vehicles; remote controls for operating vehicle alarms; electric locks for vehicles; electronic keys for vehicles; remote control apparatus for opening and closing vehicles doors; warning triangles; warning lamps for vehicles; vehicle tracking apparatus and systems; vehicle automatic driving control devices; multimedia navigation systems for vehicles; vehicle speed control systems and apparatus; autonomous driving control systems for vehicles; vehicle wheel alignment machines; water, oil and fuel level indicators for vehicles; tire balancing units for motor vehicles; cruise controls for vehicles; mileage and kilometer recorders for vehicles; parking sensors for vehicles; radar apparatus for vehicles; automatic indicators of low pressure in vehicle tires; vehicle drive training simulators; remote controls for motors; electronic control sensors for motors; electronic motor checking apparatus; detection and ranging [LIDAR] apparatus; engine analyzers, engine control sensors, internal combustion and electrical engine testing apparatus, temperature regulators for vehicles engines, starter cables for motors; electric control devices, information technology apparatus and instruments and software for road safety, platooning and autonomous driving; electric control devices, information technology apparatus and instruments and software for managing electric propulsion systems and energy management systems; software applications for use in transportation or commercial vehicle industry; electric control devices, information technology apparatus and instruments, software and electronic manuals and guides for diagnostics, maintenance, service, repair of vehicles, engines and motors; electronic controls for machines, motors and engines; automatic window controls; automatic controls for vehicle doors.

11 – Apparatus and installations for lighting, heating, cooling, steam generating, drying and ventilating; vehicle lighting and lighting reflectors; vehicle HVAC systems (heating, ventilation and air conditioning); air purifiers for automobiles; oil burners; gas burners; diesel burners; gas burners; ventilators for vehicles; defrosting apparatus for vehicles; aeration apparatus; valves for air conditioners; gas scrubbing and purification apparatus.

12 – Vehicles; parts and fittings for vehicles; land vehicles; commercial vehicles; buses; trucks; lorries, pickup trucks; cargo trailers; coaches; concrete mixing vehicles; construction vehicles for transportation purposes; driverless [autonomous] motor vehicles; dump trucks; electric land vehicles; electric lift trucks; electric reach trucks; electric buses; electric trucks [vehicles]; engines and motors for land vehicles; gas, diesel, combustion and electrical engines and motors for land vehicles; transmissions for land vehicles; reduction and reversing gears for land vehicles; steering wheels, steering wheel covers; shock absorbers; oil,

fuel and gas tanks for land vehicles; mechanical and hydrodynamic brakes; mechanical, automatic, hydrodynamic and hydrostatic transmissions for land vehicles; vehicle bodies; body panels for vehicles; frames for motor vehicles; suspension struts; frame and body brackets adapted for vehicle chassis; floor panels being structural parts of vehicles; metal floor panels being structural parts of vehicles; vehicle roofs, vehicle bodies, vehicle hoods and floor panels being structural parts of vehicles; support plating and plates for vehicles; cabins (trucks) with or without beds specially adapted for vehicles; chassis for vehicles; gear lever knobs and steering wheel knobs for vehicles; gear, brake, transmission and shift levers for land vehicles; cam controllers being stability control systems for vehicles; accelerator pedals for land vehicles; brake and clutch pedals; vehicle suspensions; torsion bars; anti-freeze devices for land vehicles; vehicle bumpers; axles and their parts for vehicles; housings adapted for vehicle axles; vehicle wheels; wheel rims, caps for wheel rims; brakes and brake parts for vehicles; auxiliary brake pumps for land vehicles; anti-theft locks for use on automobile steering wheels; steering gears for vehicles; steering gear casings and covers; steering units for land vehicles, namely steering worms, steering columns, steering arms, steering pins, steering rods, steering couplings; radiator grills for vehicles and parts thereof; vehicle seats; seat post racks and holders for land vehicles; seat cushions for vehicles; back rests, arm rests, head rests and foot rests for vehicles; safety belts; vehicle windows and screens; vehicle windows and windshields having heat regulating functions; window control levers and cranks for vehicles; doors for vehicles; dashboards for vehicles; security and safety alarms for vehicles; horns for vehicles; glove boxes for vehicles; hoods for vehicle engines; trunk tailgates and covers; mudguards; fitted protective covers for vehicles; bug shields as parts of vehicles; headlights protectors for vehicles; mirrors for vehicles; direction signals for automobiles and number plates holders; ashtrays; sun visors for automobiles; luggage nets, carriers, carts and racks for vehicles; ski racks for vehicles; snow chains for land vehicles; windscreen wipers for automobiles; mechanical and electric sunroofs for land vehicles; tires for land vehicles; towing devices and their parts for vehicles; lifting and support devices for vehicles; friction clutches for land vehicles; covers for vehicles seats; fuel cell electric land vehicles; clutches for land vehicles; couplings for use with clutches for land vehicles; reservoirs being parts of land vehicle clutches; steering wheels; covers for steering wheels.

(260) AM 2022 115294 A
 (800) 1366935
 (151) 2017 07 27
 (891) 2021 10 18
 (731) The Dublin Liberties Whiskey Company Limited
 Tullyroe, Mountrath Road, Abbeyleix Laois, Ireland

(540)

THE DUBLINER

(591) Black, white
 (511)
 33 – Liqueurs; spirits; wines; cream liqueurs.

(260) AM 2022 115376 A
 (800) 1625025
 (151) 2021 09 09
 (891) 2021 09 09
 (731) GARANT-TIERNÄHRUNG
 GESELLSCHAFT M.B.H.
 Raiffeisenstrasse 3, A-3380 PÖCHLARN,
 Austria

(540)



(591) Black, beige and brown.
 (531) 27.05.10; 28.07; 29.01.12
 (511)
 31 – Extruded linseed for consumption by animals.

(260) AM 2022 115377 A
 (800) 1625094
 (151) 2021 10 01
 (891) 2021 10 01
 (731) EFKO Cosmetics, LLC
 st. Dorozhnaya, 2B, settlement Khokholsky,
 RU-396840 Voronezh region, Russian
 Federation

(540)

РУСЬ - Чистая забота!

(591) Black, white
 (531) 28.05
 (511)
 3 – Soap, including cosmetic soap.

35 – Advertising of goods, namely advertising of soap and cosmetic soap; wholesale and retail sale of soap, including cosmetic soap.

(260) AM 2022 115378 A

(800) 1625109

(151) 2021 10 07

(891) 2021 10 07

(731) BAID

Chemin de Malaric, Pont des Charrettes,
F-30700 UZÈS, France

(540)



(591) Red

(531) 27.01.01; 27.05.01; 27.05.19; 29.01.01

(511)

3 – Preparations for cleaning and restoring buildings.

19 – Non-metallic construction materials; non-metallic rigid pipes for building; asphalt, pitch and bitumen; transportable buildings not of metal; monuments not of metal; buildings, not of metal; scaffolding, not of metal; building glass; insulating glass (building); concrete; cement; works of art made of stone, concrete or marble; statues or figurines (statuettes) of stone, concrete or marble; stained-glass windows; building lumber; manufactured timber; tombs (monuments), not of metal.

37 – Construction of permanent buildings, roads and bridges; information with respect to construction; building construction supervision; masonry; plastering or plumbing; roofing services; sealing services (building); demolition of buildings; rental of construction equipment; cleaning of building interiors, building exteriors or windows; cleaning or servicing of vehicles; vehicle breakdown assistance (repair); disinfection; rat exterminating; retreading or vulcanization (repair) of tires; installation, maintenance and repair of office apparatus; machinery installation, maintenance and repair; installation, maintenance and repair of computers; maintenance and repair of timepieces; repair of locks; furniture restoration; shipbuilding.

(260) AM 2022 115379 A

(800) 1625240

(151) 2021 07 07

(891) 2021 07 07

(731) TALAGAEVA ELENA VLADIMIROVNA

kv.143, d. 3, Kommunisticheskaya St,
Ramenskoye, RU-140002 Moskovskaya oblast,
Russian Federation

(540)



(591) White, red, grey

(531) 26.04.05; 26.04.16; 26.04.18; 26.04.24;

26.11.02; 26.11.08; 26.11.14; 27.05.01;

27.05.17; 27.05.24; 29.01.13

(511)

3 – Abrasives; amber [perfume]; scale removing preparations for household purposes; antistatic preparations for household purposes; aromatics [essential oils]; air fragrancing preparations; cake flavorings [essential oils]; flavorings for beverages [essential oils]; breath freshening sprays; canned pressurized air for cleaning and dusting purposes; balms other than for medical purposes; lip glosses; polishing stones; abrasive paper; emery paper; polishing paper; petroleum jelly for cosmetic purposes; shoe wax; cobblers' wax; cotton wool for cosmetic purposes; sachets for perfuming linen; drying agents for dishwashing machines; adhesives for cosmetic purposes; scented water; Javelle water; lavender water; toilet water; parquet floor wax; non-slipping wax for floors; depilatory wax; mustache wax; tailors' wax; polish for furniture and flooring; shoemakers' wax; polishing wax; massage gels other than for medical purposes; heliotropine; dental bleaching gels; geraniol; make-up; deodorants for pets; scented wood; perfumes; non-slipping liquids for floors; windshield cleaning liquids; greases for cosmetic purposes; volcanic ash for cleaning; perfumery; decorative transfers for cosmetic purposes; ionone [perfumery]; shaving stones [astringents]; smoothing stones; eyebrow pencils; cosmetic pencils; silicon carbide (abrasive); carbides of metal [abrasives]; alum stones [astringents]; tripoli stone for polishing; adhesives for affixing false eyelashes; adhesives for affixing false hair; quillaia bark for washing; corundum [abrasive]; beard dyes; colorants for toilet purposes; cosmetic dyes; laundry starch; laundry glaze; creams for leather; waxes for leather; polishing creams; shoe polish; cosmetic creams; skin whitening creams; polishing rouge; hair spray; nail polish; hair lotions; lotions for cosmetic purposes; after-shave lotions; beauty masks; oils for perfumes and scents; oils for cosmetic purposes; oils for toilet purposes; essential oils; essential oils of cedarwood; essential oils of citron; essential oils of lemon; oils for cleaning purposes; bergamot oil; gaultheria oil; jasmine oil; lavender oil; almond oil; rose oil; oil of turpentine for degreasing; whitening; cleaning chalk; almond milk for cosmetic purposes; cleansing milk for toilet purposes; musk [perfumery]; soap; deodorant soap; shaving soap; soap for brightening textile; cakes of toilet soap; antiperspirant soap; soap for foot perspiration; almond soap; mint for perfumery; cosmetic kits; emery; nail art stickers; false nails; eau de Cologne; bases for flower perfumes; cotton sticks for cosmetic purposes; joss sticks; pastes for razor strops; dentifrices; pumice stone; hydrogen peroxide for cosmetic purposes; breath freshening strips; abrasive cloth; glass cloth; lipsticks; pomades for cosmetic purposes; shaving preparations; cosmetic preparations for baths; toilet-

ries; hair waving preparations; laundry soaking preparations; grinding preparations; douching preparations for personal sanitary or deodorant purposes [toilettries]; smoothing preparations [starching]; color-removing preparations; leather bleaching preparations; polishing preparations; denture polishes; mouthwashes, not for medical purposes; cosmetic preparations for slimming purposes; starch glaze for laundry purposes; fabric softeners for laundry use; laundry bleach; dry-cleaning preparations; paint stripping preparations; lacquer-removing preparations; make-up removing preparations; floor wax removers [scouring preparations]; varnish-removing preparations; nail care preparations; cleaning preparations; preparations for cleaning dentures; wallpaper cleaning preparations; preparations for unblocking drain pipes; laundry preparations; aloe vera preparations for cosmetic purposes; sunscreen preparations; color- [colour-] brightening chemicals for household purposes [laundry]; shining preparations (polish); make-up powder; diamantine [abrasive]; stain removers; scouring solutions; false eyelashes; tissues impregnated with cosmetic lotions; saftrol; laundry blueing; turpentine, for degreasing; potpourris [fragrances]; bleaching soda; washing soda, for cleaning; bath salts, not for medical purposes; bleaching salts; fumigation preparations [perfumes]; preservatives for leather [polishes]; ammonia [volatile alkali] [detergent]; astringents for cosmetic purposes; eyebrow cosmetics; make-up preparations; sun-tanning preparations [cosmetics]; hair dyes; neutralizers for permanent waving; preparations to make the leaves of plants shiny; cosmetic preparations for eyelashes; depilatory preparations; cosmetic preparations for skin care; shoe cream; cosmetics; cosmetics for animals; mascara; detergents other than for use in manufacturing operations and for medical purposes; degreasers other than for use in manufacturing processes; bleaching preparations [decolorants] for cosmetic purposes; antiperspirants [toilettries]; talcum powder, for toilet use; terpenes (essential oils); emery cloth; cloths impregnated with a detergent for cleaning; henna [cosmetic dye]; shampoos; shampoos for pets; dry shampoos; sandpaper; soda lye; extracts of flowers [perfumes]; ethereal essences; badian essence; mint essence [essential oil].

(260) AM 2022 115380 A
 (800) 1625276
 (151) 2021 08 06
 (891) 2021 08 06
 (731) Pastificio Riscossa F.lli, Mastromauro S.p.A.
 Strada Provinciale 231 Km. 48,360, I-70033
 Corato BA, Italy

(540)



(591) Gold, red, yellow, light blue, white, pink, brown, green and black
 (531) 01.03.01; 02.03.04; 02.03.12; 02.03.17; 02.03.23; 05.07.02; 05.07.05; 06.19.09; 25.01.06; 25.01.15; 29.01.15
 (511)
 30 – Pasta; flour; rice; pasta sauce; biscuits; vinegar.

(260) AM 2022 115381 A
 (800) 1625287
 (151) 2021 08 10
 (891) 2021 08 10
 (731) Limited liability company "AlfaHimGroup"
 Northern Industrial Zone, Armavir, RU-352900
 Krasnodar Territory, Russian Federation
 (540)



(591) Black, orange and white
 (531) 27.05.17; 27.05.19; 29.01.12
 (511)
 1 – Chemicals for use in industry, science and photography, as well as in agriculture, horticulture and forestry; unprocessed artificial resins, unprocessed plastics; fertilizers; fire extinguishing and fire prevention compositions; tempering and soldering preparations; food preservatives; tanning substances; adhesives for industrial purposes; agar-agar for industrial purposes; nitrogen; actinium; alkaloids; alginates for the food industry; alginates for industrial purposes; crotonic aldehyde; ammonium aldehyde; aldehydes; americium; amyl acetate; ammonia [volatile alkali] for industrial purposes; anhydrous ammonia; ammonia; acetic anhydride; anhydrides; anti-knock substances for internal combustion engines; disincrustants; antioxidants for use in the manufacture of cosmetics; antioxidants for use in the manufacture of food supplements; antioxidants for use in the manufacture of pharmaceuticals; antioxidants for use in manufacture; antistatic preparations, other than for household purposes; antifreeze; size for use in the textile industry; argon; lead arsenate; astatine; aluminum acetate; lime acetate; lead acetate; unprocessed cellulose acetate; acetates [chemicals]; acetylene; acetone; oenological bactericides [chemical preparations for use in wine

making]; gurjun balsam for use in the manufacture of varnish; barium; barytes; albumin [animal or vegetable, raw material]; animal albumen [raw material]; iodised albumen; malt albumen; bentonite; berkelium; bicarbonate of soda for chemical purposes; potassium dioxalate; bichromate of potassium; sodium dichromate; bauxite; bromine for chemical purposes; albumenized paper; baryta paper; diazo paper; blueprint paper; test paper, chemical; litmus paper; reagent paper, other than for medical or veterinary purposes; self-toning paper [photography]; nitrate paper; sensitized paper; photometric paper; borax; grafting wax for trees; agglutinants for concrete; gas purifying preparations; polish removing substances; preparations for the separation of greases; substances for preventing runs in stockings; water-softening preparations; limestone hardening substances; tensio-active agents; artificial sweeteners [chemical preparations]; fissionable material for nuclear energy; foundry binding substances; concrete-aeration chemicals; leather-dressing chemicals; chemicals for the manufacture of paints; chemicals for the manufacture of pigments; starch-liquifying chemicals [ungluing agents]; flower preservatives; seed preserving substances; viscose; bismuth; bismuth subnitrate for chemical purposes; vitamins for the food industry; vitamins for use in the manufacture of cosmetics; vitamins for use in the manufacture of food supplements; vitamins for use in the manufacture of pharmaceuticals; witherite; distilled water; seawater for industrial purposes; acidulated water for recharging batteries; heavy water; hydrogen; seaweeds [fertilizers]; gadolinium; getters [chemically active substances]; protective gases for welding; solidified gases for industrial purposes; propellant gases for aerosols; basic gallate of bismuth; gallium; gambier; helium; electrophoresis gels, other than for medical or veterinary purposes; genes of seeds for agricultural production; hydrazine; aluminum hydrate; hydrates; hyposulphites; ceramic glazings; glycol; expanded clay for hydroponic plant growing [substrate]; kaolin; alumina; glycerides; glycerin for industrial purposes; glucose for the food industry; glucose for industrial purposes; glucosides; gluten for the food industry; gluten for industrial purposes; holmium; hormones for hastening the ripening of fruit; peat pots for horticulture; graphite for industrial purposes; guano; humus; dextrin [size]; detergents used in manufacturing processes; defoliant; diastase for industrial purposes; diatomite; diatomaceous earth; manganese dioxide; titanium dioxide for industrial purposes; zirconia; oil dispersants; petroleum dispersants; dispersions of plastics; dysprosium; tin dichloride; detergent additives to petrol; ceramic compositions for sintering [granules and powders]; chemical additives for drilling fluids; chemical additives for insecticides; chemical additives for oils; chemical additives for motor fuel; chemical additives for fungicides; dolomite for industrial purposes; tan-wood; europium; gelatine for photographic purposes; gelatine for industrial purposes;

auxiliary fluids for use with abrasives; hydraulic fluids; liquids for removing sulfates from batteries; power steering fluid; brake fluids; magnetic fluid for industrial purposes; transmission fluid; tree cavity fillers [forestry]; glaziers' putty; moderating materials for nuclear reactors; fuller's earth for use in the textile industry; lime chloride; isotopes for industrial purposes; iodine for industrial purposes; iodine for chemical purposes; aluminum iodide; alkaline iodides for industrial purposes; ion exchangers [chemicals]; ytterbium; yttrium; casein for the food industry; casein for industrial purposes; kainite; potassium; sorrel salt; californium; gum arabic for industrial purposes; tartar, other than for pharmaceutical purposes; camphor, for industrial purposes; calcium carbide; silicon carbide [raw material]; carbides; calcium carbonate; magnesium carbonate; carbonates; cement [metallurgy]; cesium; lutetium; catalysts; biochemical catalysts; catechu; caustics for industrial purposes; alum; ammonia alum; aluminum alum; chrome alum; quebracho for industrial purposes; ketones; cinematographic film, sensitized but not exposed; oxygen; nitric acid; anthranilic acid; benzoic acid; boric acid for industrial purposes; tartaric acid; tungstic acid; gallic acid for the manufacture of ink; gallotannic acid; tannin; glutamic acid for industrial purposes; tannic acid; iodic acid; phenol for industrial purposes; citric acid for industrial purposes; lactic acid; formic acid; persulfuric acid; oleic acid; picric acid; pyrogallic acid; salicylic acid; sebamic acid; sulfuric acid; sulphurous acid; hydrochloric acid; stearic acid; carbonic acid; acetic acid; phosphoric acid; hydrofluoric acid; cholic acid; chromic acid; oxalic acid; acids; benzene-based acids; fatty acids; mineral acids; arsenious acid; adhesives for billposting; leather glues; adhesives for wall tiles; wallpaper adhesives; industrial adhesives; cement for mending broken articles; gums [adhesives] for industrial purposes; birdlime; isinglass, other than for stationery, household or alimentary purposes; gluten [glue], other than for stationery or household purposes; starch paste [adhesive], other than for stationery or household purposes; stem cells, other than for medical or veterinary purposes; collagen for industrial purposes; collodion; compost; beer preserving agents; preservatives for use in the pharmaceutical industry; mangrove bark for industrial purposes; tan; starch for industrial purposes; silicon; creosote for chemical purposes; krypton; xenon; biological tissue cultures, other than for medical or veterinary purposes; cultures of microorganisms, other than for medical and veterinary use; curium; lactose [raw material]; lactose for the food industry; lactose for industrial purposes; lanthanum; dry ice [carbon dioxide]; lecithin [raw material]; lecithin for the food industry; lecithin for industrial purposes; lithium; magnesite; manganate; oils for tanning leather; oils for currying leather; oils for preparing leather in the course of manufacture; oils for the preservation of food; carbolineum for the protection of plants; paper pulp; wood pulp; grafting mastic

for trees; mastic for leather; mastic for tyres; oil cement [putty]; synthetic materials for absorbing oil; brazing preparations; ceramic materials in particulate form, for use as filtering media; filtering materials of unprocessed plastics; filtering materials of mineral substances; filtering materials of vegetable substances; filtering materials of chemical substances; blue vitriol; metalloids; alkaline-earth metals; alkali metals; methane; methylbenzene; flour for industrial purposes; tapioca flour for industrial purposes; potato flour for industrial purposes; soap [metallic] for industrial purposes; arsenic; bate for dressing skins; emollients for industrial purposes; sodium; sodium hypochlorite; naphthalene; toxic gas neutralizers; neodymium; neon; neptunium; ammonium nitrate; uranium nitrate; nitrates; combusting preparations [chemical additives to motor fuel]; nitric oxide; baryta; uranium oxide; oxalates; lithium oxide; lead oxide; antimony oxide; chromium oxide; cobalt oxides for industrial purposes; mercury oxides; olivine [silicate mineral]; gallnuts; clarification preparations; wine finings; textile-brightening chemicals; beer-clarifying and preserving agents; must-finishing preparations; reducing agents for use in photography; bases [chemical preparations]; wax-bleaching chemicals; fat-bleaching chemicals; organic digestate [fertilizer]; pectin for the food industry; pectin for industrial purposes; pectin [photography]; sodium perborate; humus top dressing; percarbonates; hydrogen peroxide for industrial purposes; persulfates; perchlorates; foundry sand; plastisols; sensitized plates for offset printing; ferrotype plates [photography]; plasticizers; unprocessed plastics; x-ray films, sensitized but not exposed; plutonium; polonium; potash; potash water; soil for growing; praseodymium; rubber preservatives; masonry preservatives, except paints and oils; cement preservatives, except paints and oils; preservatives for tiles, except paints and oils; bacterial preparations, other than for medical and veterinary use; bacteriological preparations for acetification; bacteriological preparations, other than for medical and veterinary use; biological preparations, other than for medical or veterinary purposes; vulcanizing preparations; diagnostic preparations, other than for medical or veterinary purposes; renovating preparations for phonograph records; currying preparations for leather; currying preparations for skins; fixing baths [photography]; opacifiers for glass; opacifiers for enamel; separating and unsticking [ungluing] preparations; metal annealing preparations; metal tempering preparations; preparations for preventing the tarnishing of lenses; preparations for preventing the tarnishing of glass; cement-waterproofing chemicals, except paints; preparations for regulating plant growth; wallpaper removing preparations; anti-boil preparations for engine coolants; fulling preparations for use in the textile industry; descaling preparations, other than for household purposes; flashlight preparations; galvanizing preparations; finishing preparations for use in the manufacture of steel; sizing

preparations; animal carbon preparations; preparations of microorganisms, other than for medical and veterinary use; corrosive preparations; cryogenic preparations; dehydrating preparations for industrial purposes; degreasing preparations used in manufacturing processes; gum solvents; oil-bleaching chemicals; decolorants for industrial purposes; meat tenderizers for industrial purposes; preparations for stimulating cooking for industrial purposes; anti-incrustants; preparations of trace elements for plants; moistening [wetting] preparations for use in the textile industry; moistening [wetting] preparations for use in dyeing; moistening [wetting] preparations for use in bleaching; enzyme preparations for the food industry; enzyme preparations for industrial purposes; filtering preparations for the beverages industry; chemical preparations to prevent diseases affecting vine plants; chemical preparations to prevent mildew; chemical preparations to prevent wheat blight; chemical condensation preparations; chemical preparations for smoking meat; chemical substances for analyses in laboratories, other than for medical or veterinary purposes; chemical preparations for scientific purposes, other than for medical or veterinary use; chemical preparations for facilitating the alloying of metals; engine-decarbonising chemicals; fulling preparations; fuel-saving preparations; coal saving preparations; damp-proofing chemicals, except paints, for masonry; anti-sprouting preparations for vegetables; preparations of the distillation of wood alcohol; by-products of the processing of cereals for industrial purposes; chemical substances for preserving foodstuffs; benzene derivatives; cellulose derivatives [chemicals]; promethium; protactinium; protein [raw material]; proteins for the food industry; proteins for use in the manufacture of food supplements; proteins for use in manufacture; mordants for metals; radium for scientific purposes; radon; solvents for varnishes; anti-frothing solutions for batteries; drilling muds; solutions for cyanotyping; galvanizing baths; silver salt solutions for silvering; toning baths [photography]; chemical reagents, other than for medical or veterinary purposes; rhenium; mercury; rubidium; carbon black for industrial purposes; soot for industrial or agricultural purposes; lamp black for industrial purposes; samarium; saccharin; selenium; saltpeter; sulfur; silver nitrate; carbon disulfide; silicates; aluminium silicate; silicones; scandium; foundry moulding preparations; potting soil; acrylic resins, unprocessed; epoxy resins, unprocessed; soda ash; caustic soda for industrial purposes; barium compounds; fluorspar compounds; salts [fertilizers]; salts [chemical preparations]; ammonium salts; salts of precious metals for industrial purposes; salts for galvanic cells; salt for preserving, other than for foodstuffs; salts for colouring metal; industrial salts; iron salts; gold salts; iodised salts; calcium salts; sodium salts [chemical compounds]; salt, raw; salts from rare earth metals; mercury salts; toning salts [photography]; chrome salts; salts of alkaline metals; rock salt;

mould-release preparations; fire extinguishing compositions; compositions for the manufacture of phonograph records; compositions for the manufacture of technical ceramics; compositions for repairing inner tubes of tyres; compositions for repairing tyres; acid proof chemical compositions; glutinous tree-grafting preparations; adhesive preparations for surgical bandages; fireproofing preparations; compositions for threading; sauce for preparing tobacco; amyl alcohol; vinic alcohol; wood alcohol; ethanol; alcohol; adjuvants, other than for medical or veterinary purposes; cement for footwear; concrete preservatives, except paints and oils; water glass [soluble glass]; strontium; substrates for soil-free growing [agriculture]; barium sulfate; sulfates; antimony sulfide; sulfides; benzoic sulfimide; sulfonic acids; sumac for use in tanning; superphosphates [fertilizers]; antimony; thallium; talc [magnesium silicate]; cream of tartar for the food industry; cream of tartar for industrial purposes; tellurium; terbium; tetrachlorides; carbon tetrachloride; tetrachloroethane; technetium; titanite; sensitized cloth for photography; blueprint cloth; toluene; fuel for nuclear reactors; thorium; peat [fertilizer]; gum tragacanth for industrial purposes; thulium; carbonic hydrates; carbon; activated carbon; carbon for filters; animal charcoal; animal carbon; blood charcoal; nitrogenous fertilizers; fish meal fertilizers; wood vinegar [pyroligneous acid]; uranium; chemical intensifiers for paper; chemical intensifiers for rubber; vulcanization accelerators; enzymes for the food industry; ferments for chemical purposes; milk ferments for the food industry; milk ferments for industrial purposes; milk ferments for chemical purposes; fermium; ferrocyanides; fixing solutions [photography]; flocculants; soldering fluxes; formic aldehyde for chemical purposes; phosphatides; phosphates [fertilizers]; phosphorus; photographic paper; photosensitive plates; sensitized photographic plates; sensitized films, unexposed; photographic developers; photographic sensitizers; chemical preparations for use in photography; photographic emulsions; francium; fluorine; chemicals for use in forestry, except fungicides, herbicides, insecticides and parasiticides; glass-frosting chemicals; leather-renovating chemicals; glass-staining chemicals; enamel-staining chemicals; oil-separating chemicals; water treatment chemicals; oil-purifying chemicals; soldering chemicals; chemicals for welding; condensation-preventing chemicals; stain-preventing chemicals for use on fabrics; anti-tarnishing chemicals for windows; leather-waterproofing chemicals; textile-waterproofing chemicals; chemicals, except pigments, for the manufacture of enamel; radiator flushing chemicals; leather-impregnating chemicals; chemicals for impregnating textiles; horticultural chemicals, except fungicides, herbicides, insecticides and parasiticides; agricultural chemicals, except fungicides, herbicides, insecticides and parasiticides; soil conditioning preparations; chimney cleaners, chemical; industrial chemicals; colour-brightening chemi-

cals for industrial purposes; refrigerants; coolants for vehicle engines; chlorine; chlorates; hydrochlorates; aluminum chloride; magnesium chloride; chlorides; palladium chloride; chromates; flowers of sulfur for chemical purposes; cesium; cellulose; cerium; cyanides [prussiates]; calcium cyanamide [fertilizer]; cymentene; loam; slag [fertilizers]; size for finishing and priming; paste fillers for automobile body repair; spinel [oxide mineral]; alkalis; caustic alkali; tea extracts for the food industry; tea extracts for use in the manufacture of cosmetics; tea extracts for use in the manufacture of pharmaceuticals; radioactive elements for scientific purposes; rare earths; fissionable chemical elements; emulsifiers; erbium; ethane; methyl ether; sulfuric ether; ethyl ether; glycol ethers; ethers; esters; cellulose ethers for industrial purposes.

2 – Paints, varnishes, lacquers; preservatives against rust and against deterioration of wood; dyes; natural resins, raw; metals in foil and powder form for use in painting, decorating, printing and art; annatto [dye]; auramine; canada balsam; white lead; paper for dyeing easter eggs; binding preparations for paints; glazes [paints, lacquers]; orange lead; primers; gamboge for painting; gum-lac; shellac; titanium dioxide [pigment]; repositionable paint patches; indigo [colorant]; gum resins; colophony; caramel [food colorant]; carbonyl [wood preservative]; cochineal carmine; toner cartridges, filled, for printers and photocopiers; edible ink cartridges, filled, for printers; copal; alizarin dyes; aniline dyes; ink for leather; colorants for liqueurs; colorants for beverages; shoe dyes; colorants for beer; colorants for butter; dyewood; malt colorants; food dyes; toner for printers and photocopiers; watercolour paints for use in art; aluminum paints; asbestos paints; bactericidal paints; wood stains; ceramic paints; marking ink for animals; distempers; oil paints for use in art; fireproof paints; printing ink; engraving ink; enamel paints; paints; creosote for wood preservation; turmeric [colorant]; black japan; bitumen varnish; bronzing lacquers; copal varnish; varnishes; anti-corrosive bands; anticorrosion oils; oils for the preservation of wood; mastic [natural resin]; lime wash; cobalt oxide [colorant]; zinc oxide [pigment]; silver paste; printers' pastes [ink]; pigments; coatings [paints]; coatings for roofing felt [paints]; wood coatings [paints]; undercoating for vehicle chassis; anti-fouling paints; aluminium powder for painting; bronze powder for painting; silvering powders; metals in powder form for use in painting, decorating, printing and art; anti-corrosive preparations; protective preparations for metals; mordants for leather; mordants; thinners for paints; thinners for varnishes; whitewash; soot [colorant]; carbon black [pigment]; lamp black [pigment]; sandarac; thickeners for paints; sienna earth; siccatives [drying agents] for paints; anticorrosive greases; malt caramel [food colorant]; badigeon; anti-tarnishing preparations for metals; anti-rust preparations; wood preservatives; sumac for varnishes; red lead; turpentine [thinner for paints]; fixatives [varnishes];

fixatives for watercolours; metal foil for use in painting, decorating, printing and art; yellowwood [colorant]; edible inks; saffron [colorant]; dyewood extracts; enamels [varnishes]; silver emulsions [pigments].

(260) AM 2022 115382 A

(800) 1625351

(151) 2021 09 23

(891) 2021 09 23

(731) Foundation Medicine, Inc.

150 Second Street, 2nd Floor, Cambridge
MA 02141, USA

(540)

FOUNDATIONONE

(591) Black, white

(511)

10 – Diagnostic kits comprising of test tubes, collection containers and tools, and storage for collecting and shipping bodily fluids and tissue samples for use in disease testing.

42 – Providing an online internet website portal featuring links to scientific research data and information in the field of disease treatment and diagnosis and clinical trials; providing collected and analyzed medical and scientific research information in the field of genomics and medical treatment.

44 – Providing an internet website portal featuring information on patient medical test results from medical testing for diagnosis or treatment purposes; providing an internet website portal featuring links to medical information; genomic and genetic and molecular medical testing for cancer diagnostic or treatment purposes; providing collected and analyzed medical information on cancer genomics and treatment; providing collected and analyzed medical information on cancer genomics and treatment, for diagnostic and treatment purposes; medical testing for cancer diagnostic or treatment purposes; providing medical information and data to healthcare professionals on cancer genomics and treatment and clinical trials; providing medical information featuring the collection and analysis of cancer-associated genetics and treatments; providing medical data to healthcare professionals on cancer genomics and treatments and clinical trials.

(260) AM 2022 115383 A

(800) 1625406

(151) 2021 09 29

(891) 2021 09 29

(731) CPS TECHNOLOGY HOLDINGS LLC

250 VESEY STREET, 15TH FLOOR,
NEW YORK NY 10281, USA

(540)



(591) The color(s) red, black, white is/are claimed as a feature of the mark

(531) 26.04.09; 26.04.18; 27.05.01; 29.01.13

(511)

9 – Batteries and battery chargers.

(260) AM 2022 115384 A

(800) 1625476

(151) 2021 10 13

(891) 2021 10 13

(731) Incyte Holdings Corporation

1801 Augustine Cut-Off, Wilmington
DE 19803, USA

(540)



(591) Black, white

(531) 27.05.09

(511)

5 – Pharmaceutical preparations for the treatment of oncological disorders; pharmaceutical preparations for the treatment of auto-immune disorders; pharmaceutical preparations for the treatment of hematological disorders; pharmaceutical preparations for the treatment of graft versus host disorders; pharmaceutical preparations for the treatment of dermatological disorders.

16 – Brochures, newsletters, and pamphlets relating to medical issues, procedures, disease symptoms, patient support and community building.

44 – Providing health information to physicians, patients and caregivers relating to diagnosis and treatment of medical disorders.

(260) AM 2022 115385 A

(800) 1625574

(151) 2021 07 27

(891) 2021 07 27

(731) Henkel AG & Co. KgaA

Henkelstrasse 67, 40589 Düsseldorf, Germany

(540)

FLEXPRESS PROTECT

(591) Black, white

(511)

1 – Chemicals used in industry, and construction industry; unprocessed artificial resins, unprocessed plastics; adhesives used in industry.

2 – Paints, varnishes, lacquers; preservatives against rust and against deterioration of wood; colorants; mordants; raw natural resins; metals in foil and powder form for painters, decorators, printers and artists.

17 – Rubber, gutta-percha, gum, asbestos, mica; plastics in extruded form for use in manufacture; packing, stopping and insulating materials; flexible pipes, not of metal; isolating plaster.

19 – Non-metallic building material; asphalt, pitch and bitumen; non-metallic transportable buildings, plaster, cement plaster (fire proof).

(260) AM 2022 115397 A

(800) 1479571

(151) 2019 04 29

(891) 2021 10 07

(731) GOLDEN GOOSE S.P.A.

Via Privata Ercole Marelli 10, I-20139

MILANO, Italy

(540)

GOLDEN GOOSE

(591) Black, white

(511)

18 – Leather and imitation leather animal skins, hides luggage and carrying bags umbrellas and parasols walking sticks whips, harness and saddlery collars, leads and clothing for animals attaché cases sport bags bags for climbers bags for campers bags beach bags boston bags clutch bags (hand bags) gym bags briefcases [leather goods] cross-body bags bags for carrying pets bags for jewellery of textile materials (empty) pouch baby carriers travelling bags saddlebags shopping bags chain mesh purses handbag frames tool bags, empty bags [envelopes, pouches] of leather, for packaging satchels bags (game -) [hunting accessories] garment bags for travel wallets net bags for shopping suitcases briefbags card cases [notecases] credit card cases [wallets] handbags hat boxes of leather haversacks key cases music cases vanity cases, not fitted purses backpacks suitcase handles traveling trunks travelling sets [leatherware] boxes of leather or leatherboard cases of leather or leatherboard chin straps, of leather fur straps (leather -) imitation leather laces (leather -) leather cord leatherboard leather straps collars for animals.

25 – Clothing, footwear, headgear, clothing of imitations of leather leather clothing clothing for gymnastics gowns bathrobes bandanas [neckerchiefs] bibs, not of paper berets boas [necklets] suspenders corsets stockings socks shirts bodices [lingerie] hats coats hoods [clothing] belts [clothing] belts (money -) [clothing] tights collars (clothing) detachable collars headgear layettes [clothing] swimming costumes masquerade costumes beachwear neckties ascots headbands [clothing] pocket squares jackets [clothing] garters skirts suits pinafore dresses girdles gloves [clothing] ski

gloves rainproof clothing knitwear [clothing] jumpers leg warmers leggings [trousers] liveries hosiery sweaters muffs [clothing] skorts boxer shorts waistcoats trousers parkas furs [clothing] fur stoles pyjamas cuffs ponchos stocking suspenders sock suspenders brassieres sandals bath sandals shoes bath slippers gymnastic shoes beach shoes training shoes footwear soles shawls sashes for wear briefs topcoats outerclothing petticoats half-boots boots combinations [clothing] visors [headwear] wooden shoes sweat-absorbent underwear earbands chemises short sleeved t-shirts t-shirts (long sleeved).

35 – Advertising business management business administration office functions business management relating to franchising business advisory services relating to the establishment and operation of franchising business management consultancy in relation to franchising presentation of goods on communication media, for retail purposes retailing or wholesaling, including online services of cosmetics, perfumes, make-up preparations, deodorants and antiperspirants for personal use, essential oils for personal use, soaps, bath oils, bubble bath, cream bath, shower foams, shaving creams, beauty creams, day creams, skin lotions, suntan lotion for the body, after-shave lotions, hair lotions, body milk, suntan oils, sun milk, wipes impregnated with cosmetic lotions, of eyebrow pencils, eyeliner, mascara, make-up powder, lipsticks, cleansing milk, haircare preparations, shampoos, henna, creams for the hair, hair styling spray, nail glitter, cosmetic kit (by the cosmetics), incenses, incense sticks, spectacles, sunglasses, frames for glasses, lenses for glasses, contact lenses, fitted cases for glasses, chains and cords for spectacles, parts and fittings for all the aforesaid goods of covers for multimedia players, covers for mobile telephones, covers for DVDs, jackets for CDs, sheaths for computer cables, covers for apparatus for the reproduction of sound, covers for handheld devices, covers for electronic agendas, covers for video cameras and covers for photographic cameras, mobile phones, smart phone apparatus, wireless communications devices having telecommunications functions enabling the transmission of texts, data, images, audio files and video files, electronic checking (supervision) devices incorporating microprocessors and accelerometers, for identification, archiving services, communications, monitoring services, uploading and downloading data and information in relation to fitness and physical exercise, downloadable applications and software for smartwatches and mobile devices for managing, checking (supervision) and modification of data, enabling users to check the presentation and the information contained in the aforesaid devices, wearable sensors for checking (supervision) of fitness and physical exercise enabling biometric data to be collected, incorporating monitors and displays, sold as a single unit, smartwatches, wearable physical activity trackers, pedometers, clocks, clock cases, chronographs and stopwatches, earrings, rings, necklaces, bra-

celets, decorative pins of precious metal, shoe ornaments of precious metal, boxes of precious metal, jewellery boxes, tie-clips, pins being jewelry, cuff-links, straps for wrist watches, straps for wristwatches, buckles for watch straps, jewelry, plastic jewellery, jewellery plated with precious metals, shoe jewellery / shoe jewelry, hat jewelry, namely jewellery caskets, not of precious metal, jewellery clasps, charms of common metal for key rings, charms for jewellery, key rings (trinkets), crucifixes (jewellery), tie clips, figurines (statuettes) of precious metal, jewelry findings, medallions (jewellery), pendants (jewellery), pearls (jewellery), key rings with charms of metal, key holders of leather, key rings, not of metal, jewellery cases (caskets) of metal, chaplets, presentation boxes for watches, watch glasses, horological articles consisting predominantly of wristwatches incorporating software for sending and receiving data or for monitoring personal physical activity, bracelets, rings or necklaces incorporating software for sending and receiving data or for monitoring personal physical activity, paper and cardboard, printed matter, bookbinding material, photographs, stationery items, office requisites (except furniture), adhesive sheets (stationery), artists' and drawing materials, paint brushes, instructional and teaching material, foils, films and envelopes of plastic for packaging and wrapping, printers type, printing blocks, towels of paper, drawing sets, stencil cases, writing cases (stationery), table linnens made of paper, tickets, drawing pads, calendars, hat boxes, desk mats, folders for papers, posters, catalogue services, pen clips, cabinets for stationery (office requisites), labels (not of textile), paper handkerchiefs, paper-weights, figurines (statuettes) of papier mache, plastic bubble packs for wrapping or packaging, viscose sheets for wrapping, comic strips, newspapers, gums (adhesives) for stationery or household purposes, libretti, books, newsletters, magazines, pamphlets, and brochures, greeting cards, manuals, packing (cushioning, stuffing) materials of paper or cardboard, felt-tip pens, adhesive tape for stationary or household purposes, pamphlets, pastels (crayons), foils of plastic for packaging, nibs, periodical publications, holders for checkbooks [cheque books], document holders [stationery], pencil cases, passport holder, pen cases, prospectuses, printed publications, writing books, files, magazines (periodicals), bags (envelopes, pouches) of paper or plastics, for packaging, face cloths of paper, boxes made of cardboard or paper, book marks, writing cases (sets), place mats of paper, seals, beer mats, coasters of paper, fabrics for bookbinding, photograph stands, note books, paper tablecloths, paper napkins, napkins of paper for removing make-up, flyers, leather, imitations of leather, animal skins and hides, luggage and carrying bags, umbrellas, parasols, walking sticks, whips, harness and saddlery, neck gaiter, leashes and clothing for animals, attaché cases, bags for sports, bags for climbers, bags for campers, bags, be-

ach bags, boston bags, clutches (purses), gym bags, bags of leather, shoulder bags, transport boxes for animals, bags of textile for jewellery (empty), slings for carrying infants, holdalls, satchels, totes, knitted bags, handbag frames, empty tool bags, bags [envelopes, pouches] of leather, for packaging, school bags, game bags, garment bags for travel, pocket wallets, net bags for shopping, travelling bags, briefcases, bags (leatherware), card cases (notecases), credit card cases (wallets), handbags, hatboxes of leather, knapsacks, key cases [leatherware], music cases, vanity cases, not fitted, purses, back packs, suitcase handles, travelling trunks, travelling sets (leatherware), boxes of leather or leather board, cases of leather or leatherboard, chin straps of leather, hides, girths of leather, leather (imitation), leather laces, leather thread, leatherboard, leather straps, collars for animals, clothing, namely coats, shirts, jackets, skirts, pullovers, trousers, shoes, headgear for wear, articles of clothing made of leather or of imitation of leather, gymnastic clothing, namely gymnastic blouses, gymnastic shirts, gymnastic trousers, gymnastic skirts, bath robes/gowns, bandanas (neckerchiefs), non-paper bibs, berets, boas (necklets), braces, corsets (underclothing), stockings, socks, bodices (lingerie), hats, coats, hoods, belts, moneybelts, tights, collars, detachable collars, layettes, bathing wraps, masquerade costumes, beach clothes, neckties, cravats, headbands, pocket squares, garters, suits, pinafore dresses, girdles, gloves [clothing], ski gloves, waterproof clothing, knitwear, namely knitted dresses, knitted blouses, knitted shirts, knitted headwear, knitted skirts, knitted jackets, knitted trousers, jerseys, leggings, leggings (trousers), liveries, hosiery, muffs, skorts, pants, vests, parkas, furs, in the nature of fur coats, fur stoles, pyjamas, wristbands [clothing], ponchos, suspender belts, sock suspenders, bras, sandals, flip flops, shoes, shoes for swimming, gymnastic shoes, beach footwear, sports footwear, shoe soles, shawls, scarves, underpants, topcoats, outerclothing, petticoats, ankle boots, boots, combinations, visors, being headwear, wooden shoes, anti-sweat underwear, earbands, being clothing, underwear, short sleeved t-shirts, long sleeve t-shirt, buckles (clothing accessories), shoe fasteners, blouse fasteners, shoe buckles, appliqués (haberdashery), edgings for clothing, buttons, bracelets, expanding bands for holding sleeves, bows for the hair, zippers, zip fasteners for bags, fastenings for clothing, trinkets, pendants, other than for jewellery, key rings or key chains, hat decorations, badges for wear (not of precious metals), ornamental novelty badges (buttons), hair bands, belt clasps, fastenings for suspender, hair clips, glove clips, belt buckles, not of precious metal, fringes, hooks [haberdashery], shoe hooks, clothes hooks, shoe trimmings, hat trimmings, hair grips, ribbons [haberdashery], ribbons for the hair, shoe eyelets, eyelets for clothing, lace trimmings, beads, other than for making jewelry, heat adhesive patches for decoration or repair of textile articles (haberdashery), sewing

boxes, shoulder pads for clothing, brooches [clothing accessories], pins, other than jewellery, shoe laces, embroidered coat of arms, laces, laces.

(260) AM 2022 115493 A

(800) 912829

(151) 2006 04 14

(891) 2021 10 22

(731) TOPCON CORPORATION

75-1, Hasunuma-cho, Itabashi-ku,
Tokyo 174-8580, Japan

(540)



(591) Black, white

(531) 26.01.06; 26.13.25; 27.05.01

(511)

7 – Lens edging system consisting of a frame measuring machine, a lens edging machine, electronic display and control machines for the aforesaid system, and parts and fittings therefor, all sold as a unit; lens edgers, all the aforesaid goods are namely glassware manufacturing machines and apparatus and plastic processing machines and apparatus.

9 – Cameras, lenses, optical instruments and other measuring and scientific appliances; electronic apparatus and instruments, namely electron microscopes; surveying apparatus and instruments and accessories thereof, namely, electronic digital theodolites, laser theodolites, optical theodolites and accessories thereof, namely, control switches, compasses, compass mounts, eyepieces, accessories for measuring apparatus and instruments, namely illuminators for measuring apparatus and instruments, battery systems; electronic distance meters and accessories thereof, namely clip-on battery packs, external battery packs, battery chargers, batteries, battery holders; data recording and calculating machines and software thereof; prisms, prism holders, target used for surveying apparatus and instruments, tribrachs used for surveying apparatus and instruments, prism cases, right angle prisms; rotating laser levels, auto levels; tilting levels and hand levels and accessories thereof, namely, centering platforms; optical micrometers; tripods, stereoscopes and accessories thereof, namely, mirror stereoscopes and pocket stereoscopes; range finders; vertical sighting apparatus; measuring apparatus and instruments and accessories thereof, namely, measuring microscopes, tool scopes, and accessories thereof; auto-collimator; metering systems for three-dimensional metering and accessories thereof; measuring profile projectors and accessories thereof; data processors and software to be used for connection to measuring apparatus and instruments; illuminance meters; luminance meters; colorimeters; radio meters; positioning and surveying instruments, namely global positioning systems con-

sisting of receivers, transceivers, antennas, casings, rechargeable batteries, and platforms; computer software for computing an x, y, and z coordinate on the earth and assigning an attribute or description to that coordinate for mapping purposes and for computing a users current location and navigation to a desired or previously fixed location, in the fields of surveying, construction, commercial mapping, civil engineering, precision agriculture, photogrammetry mapping and hydrography; photographic apparatus and instruments; physical and chemical analysis apparatus and instruments; optical apparatus and instruments; measuring apparatus and instruments; electronic machines and instruments and parts thereof, namely electronic filing system which files an electronic data of patient information, such as examination data recorded by a doctor, i.e. an image of patient's eye grounds, measuring results of eye pressure and testing results of patient's eyesight, and treatment policy in the field of ophthalmology; refractometer, lensometers, specular microscope; laser photocoagulator, operation microscope and accessories therefor; electric cables; magnetic encoded cards; compact discs (audio-video); compact discs (read-only-memory); computer keyboards; computer memories; recorded computer operating programs; computer peripheral devices; recorded computer programmes (programs); computer software (recorded); computers; magnetic data media; optical data media; floppy disks; interfaces (for computers); modems; electric monitoring apparatus; monitors (computer hardware); mouse (data processing equipment); optical data media; optical discs; laser tracking apparatus, remote control units for laser tracking devices, planimeters, optical roof plummets, solar filters used for surveying apparatus and instruments, IR filters used for surveying apparatus and instruments, solar reticles used for surveying apparatus and instruments, trough compasses used for surveying apparatus and instruments, liquid leveling systems, laser receivers, slope lasers used for surveying apparatus and instruments, LCD units, plumb finding apparatus used for surveying apparatus and instruments, pipe lasers used for surveying apparatus and instruments, machine control apparatus, optical units for digital plain paper photocopying machines, metal aspherical mirrors (optics), metal plane mirrors (optics), aspherical glass mould lens, lens units for mobile phone cameras, optical parts for DVD and CD players, encoder discs used for surveying apparatus and instruments, accessories for spectacles, namely, covering for ophthalmic lenses used for reflection of ultraviolet ray and infrared ray, auto-refractors; image analysis systems, namely computers, computer software for ophthalmic photographic applications.

10 – Medical apparatus and instruments and accessories thereof, namely computerized tonometers; computer controlled vision testing machines and accessories thereof; ophthalmic unit and accessories thereof; point setters; screenoscopes; digital pupil diameter

meters; ophthalmometers; slit lamps; retinal cameras; argonlaser photocoagulators for medical use; binocular indirect ophthalmoscopes; multi-coated aspherical lenses for medical use; adjustable instrument tables; operation microscopes; auto-keratometers; keratometers, refkeratometers, optometrical apparatus, observation device for corneal endothelium, measuring device for shape of the cornea, laser therapeutic apparatus for ophthalmic use; apparatus for eyesight test; auto chart projectors and accessories thereof used for optometry apparatus and instruments, trial lens sets and frames used for optometry apparatus and instruments.

(260) AM 2022 115540 A

(800) 1627630

(151) 2021 04 21

(891) 2021 04 21

(731) EBRAHIM NAJAFIFAR

BÜYÜKDERE CAD. NO:185/6, KANYON
OFİS BİNASI ŞİŞLİ, İSTANBUL, Turkey

(540)

HAFMAN

(591) Black, white

(531) 27.05.01

(511)

1 – Chemicals used in industry, science, photography, agriculture, horticulture and forestry; manures and fertilizers for soils; unprocessed artificial resins and unprocessed plastics; fire extinguishing compositions; adhesives not for medical, household and stationery purposes.

2 – Paints; varnishes; lacquers; preservatives against rust; preservatives against deterioration of wood; thinners and binders for paints; pigments; preservatives for metals; shoe dyes; printing dyes and ink; toners (including filled toner cartridges); colorants for food, pharmaceuticals and beverages; raw natural resins; metals in foil and powder form for painters, decorators, printers and artists.

(260) AM 2022 115543 A

(800) 1627653

(151) 2021 08 12

(891) 2021 08 12

(731) WORLD MEDICINE İLAÇ SAN.VE TİC.A.Ş.

15 Temnuz Mah. Cami Yolu Cad. No:50,
Bağcılar İstanbul, Turkey

(540)

GARAGARA - ΓΑΡΑΓΑΡΑ

(591) Black, white

(531) 24.17.01; 27.05.01; 28.05

(511)

5 – Pharmaceutical and veterinary preparations for medical purposes; chemical preparations for medical

and veterinary purposes; chemical reagents for pharmaceutical and veterinary purposes; medicated cosmetics, dietary supplements for pharmaceutical and veterinary purposes; dietary supplements; nutritional supplements; medical preparations for slimming purposes; food for babies; herbs and herbal beverages adapted for medicinal purposes; dental preparations and articles: teeth filling material, dental impression material, dental adhesives and material for repairing teeth; sanitary preparations for medical use; hygienic pads; hygienic tampons; plasters; materials for dressings; diapers made of paper and textiles for babies, adults and pets; preparations for destroying vermin; herbicides, fungicides, preparations for destroying rodents; deodorants, other than for human beings or for animals; air purifying preparations; air deodorising preparations, disinfectants; antiseptics; detergents for medical purposes; medicated soaps; disinfectant soaps; antibacterial hand lotions.

(260) AM 2022 115566 A

(800) 1628546

(151) 2021 09 17

(891) 2021 09 17

(731) R&S consumer goods GmbH

Wasserburger Landstr. 264, 81827 München,
Germany

(540)

MY.SIZE PRO

(591) Black, white

(511)

3 – Ethereal oils; cosmetics; massage fluids; massage oils, not medicated; massage candles; scented oils.

4 – Candles; perfumed candles.

5 – Sanitary preparations for medical purposes; lubricants for medical purposes, namely vaginal lubricants, medicated gels for medical sonography and ultrasound applications; massage fluids for medical purposes, namely medicated massage oils, creams and lotions; medicated massage candles.

10 – Condoms; erotic articles for immediate application to the body; vibrators and massage devices; vibromassage apparatus; aids for sexual stimulation; love bullets and vaginal balls; penis rings.

(260) AM 2022 115567 A

(800) 1628550

(151) 2021 09 02

(891) 2021 09 02

(731) SHANDONG PHARMACEUTICAL GLASS
CO., LTD.

Yiyuan County, Zibo City, Shandong Province,
China

(540)



(591) Black, white

(531) 27.05.01; 27.05.23

(511)

6 – Sealing caps of metal; screw tops of metal for bottles; closures of metal for containers; plugs of metal; bottle caps of metal; bottle closures of metal.

10 – Syringes for medical purposes; syringes for injections; babies' bottles; droppers for medical purposes; dropper bottles for medical purposes; medical apparatus and instruments.

17 – Pipe muffs, not of metal; gaskets; sealant compounds for joints; rubber seals for jars; rubber stoppers.

20 – Closures, not of metal, for containers; corks for bottles; corks; stoppers, not of glass, metal or rubber; sealing caps, not of metal; bottle closures, not of metal; bungs, not of metal; bottle caps, not of metal; bottle fasteners, not of metal; screw tops, not of metal, for bottles.

21 – Glass vials [receptacles]; glass flasks [containers]; glass jars [carboys]; glass stoppers; glasses [receptacles]; droppers for cosmetic purposes; glass, unworked or semi-worked, except building glass; bottles; glass bulbs [receptacles].

(260) AM 2022 115568 A

(800) 1628564

(151) 2021 10 19

(891) 2021 10 19

(731) Foundation Medicine, Inc.

150 Second Street, 2nd Floor, Cambridge
MA 02141, USA

(540)



(591) Black, white

(531) 26.05.01

(511)

10 – Diagnostic kits comprising of test tubes, collection containers and tools, and storage for collecting

and shipping bodily fluids and tissue samples for use in disease testing.

42 – Providing an online internet website portal featuring links to scientific research data and information in the field of disease treatment and diagnosis and clinical trials; providing collected and analyzed medical and scientific research information in the field of genomics and medical treatment.

44 – Providing an internet website portal featuring information on patient medical test results from medical testing for diagnosis or treatment purposes; providing an internet website portal featuring links to medical information; genomic and genetic and molecular medical testing for cancer diagnostic or treatment purposes; providing collected and analyzed medical information on cancer genomics and treatment; providing collected and analyzed medical information on cancer genomics and treatment, for diagnostic and treatment purposes; medical testing for cancer diagnostic or treatment purposes; providing medical information and data to healthcare professionals on cancer genomics and treatment and clinical trials; providing medical information featuring the collection and analysis of cancer-associated genetics and treatments; providing medical data to healthcare professionals on cancer genomics and treatments and clinical trials.

(260) AM 2022 115569 A

(800) 1628602

(151) 2021 10 01

(891) 2021 10 01

(731) Limited Liability Company "Consortium-PIQ"

Oruzheyniy pereulok, d. 25, str. 1, pomesch.
I/etazh 1/komnata 21, RU-125047 Moscow,
Russian Federation

(540)

ПНЕВМОЦЕПТ

(591) Black, white

(531) 28.05

(511)

5 – Pharmaceuticals and veterinary preparations; sanitary preparations for medical purposes; dietetic food and substances adapted for medical or veterinary use, food for babies; dietary supplements for human beings and animals; plasters, materials for dressings; material for stopping teeth, dental wax; disinfectants; preparations for destroying vermin; fungicides, herbicides.

(260) AM 2022 115570 A

(800) 1628731

(151) 2021 07 05

(891) 2021 07 05

(731) TotalEnergies SE

2 Place Jean Millier, La Défense 6,
F-92400 COURBEVOIE, France

(540)



(591) Blue, red, yellow, white

(531) 27.05.01; 27.05.17; 27.05.22; 29.01.15

(511)

1 – Chemical products used in industry, agriculture, horticulture, forestry and aquaculture; manures and fertilizers; unprocessed plastics in all forms; adhesives for use in industry; petrochemicals and their derivatives; polymers and chemical additives to polymers; unprocessed artificial and synthetic resins; drilling muds and chemical additives for drilling muds; solvents of chemical origin; lithium; sodium; hydrocarbons; hydrogen; hydrocarbon and natural gas derivatives; methane; detergents for industrial use; degreasing products for use in manufacturing processes; chemical condensation products; dispersants of petroleum products; chemical products for the absorption or the removal of all petroleum products; release agents and fluids; chemical products used for petroleum refining; chemical products for the treatment, purification and decontamination of gases; urea, products derived from urea and ammonia [chemical products]; products for water treatment; chemical additives for use in industry; chemical additives for carburants, lubricants, fuels, bitumen and other petroleum products; chemical additives for insecticides, herbicides and fungicides; antifreeze and de-frosting products; coolants; hydraulic fluids and transmission fluids; brake liquids.

2 – Mastic (natural resin); anti-rust products; anti-corrosion products, paint for motor vehicles.

3 – Cleaning, polishing, scouring, stripping and abrasive preparations; products for washing and maintenance of vehicles; products for washing and maintenance of machines and buildings; stain removers; windscreen cleaning liquid.

4 – Petroleum (crude or refined); electrical energy in all forms; fuels; biofuels; carburants and biocarburants; fuel oils; natural gas and petroleum gases in all forms; lubricants, industrial oils and greases; base oils; petroleum additives used in industry; non-chemical additives for carburants, lubricants, fuels, bitumen and other petroleum products; non-chemical additives for insecticides, herbicides and fungicides; solvents of petroleum origin.

5 – Products for destroying noxious animals; insecticides, herbicides, fungicides, pesticides; phytosanitary products; disinfectants; air fresheners.

6 – Containers and metal containers for storage or transport; metal plugs; metal cylinders, tanks and vats

for gas and petroleum products; pipelines, hoses and metal pipes for the transport of gas and petroleum products.

7 – Apparatus and installations for energy production; electricity and gas generators; wind turbines and parts thereof; motor parts; motor filters; oil refining machines; power generators for vehicles; fuel dispensers for service stations; industrial robots.

9 – Scientific, surveying, photographic, optical, weighing, measuring, signalling, checking (supervision) and teaching apparatus and instruments; apparatus and instruments for conducting, distributing, transforming, accumulating, adjusting, controlling and commanding electricity; electricity conduits and equipment for conducting electricity (wires, cables); electrical collectors; electricity measuring instruments; gasometers (measuring instruments); apparatus and instruments for monitoring and measuring energy; control apparatus and control instruments for energy management; energy regulators; electric cells and batteries, fuel cells and batteries; chargers for batteries and cells; solar apparatus and installations for the production of electricity; photovoltaic cells and modules; solar panels; accumulators for photovoltaic power; safety and automation apparatus for buildings and private houses; home automation systems; servers for home automation; frequency changers, voltage converters; electric accumulators and apparatus for recharging electric accumulators; protective and safety equipment and clothing; warning triangles for breakdown vehicles; spectacles and spectacle cases; loudspeakers; data processing equipment; software and mobile applications; diagnostic apparatus, not for medical use; apparatus and software for testing and analysing petroleum and chemical products; electronic and magnetic cards; transmitters, cards and badges allowing access to road or motorway networks; radios for vehicles; batteries for vehicles; terminals and stations for recharging and supplying power to batteries and vehicles.

11 – Installations and apparatus for lighting, heating, cooking, steam generating, drying, refrigerating and ventilating; installations and apparatus for destruction or disposal of waste; installations and apparatus for purification, decontamination, depollution of air, water and soil; solar energy sensors and collectors for heating; installations and apparatus for the treatment, distribution and supply of gas; installations and apparatus for the distribution and treatment of water; regulating and safety accessories for water and gas installations; boilers; lamps for lighting.

12 – Vehicles; parts and fittings for vehicles; tires for the wheels of vehicles, sun visors for automobiles, seat covers for vehicles, tire chains [land vehicle parts], safety belts; drones.

14 – Watches, horological articles and chronometric instruments.

16 – Printed matter; stationery and office requisites (except furniture); brochures, magazines, newspapers, prospectuses, catalogues, guides, books; packaging bags made of paper or cardboard; boxes of cardboard or paper; packaging made of plastic materials, namely bags, small bags, films and sheets; adhesives for stationery or household purposes; paper advertising and promotional materials and support; adhesive labels.

17 – Semi-finished artificial and synthetic resins; elastomer polymers; polymer films (other than for packaging or wrapping); synthetic rubber; unprocessed and semi-finished gums; semi-finished plastic materials; rubber stoppers; insulating products and materials; insulating oils and greases; seals and sealants.

18 – Luggage, bags; umbrellas; parasols.

19 – Non-metallic building materials; asphalts, bitumen, tars and derivatives thereof; bituminous coatings and binders for use in construction; non-metallic transportable structures.

20 – Containers and non-metallic containers for storage or transport; packaging containers of plastic; non-metallic plugs.

21 – Brushes, combs and sponges; cleaning articles.

25 – Clothing; footwear; headwear.

28 – Games; toys; gymnastic and sporting articles.

35 – Advertising and sales promotion services; organization and management of commercial operations for customer loyalty schemes; loyalty card services; organization of exhibitions or events for commercial or advertising purposes; advertising and commercial sponsorship and patronage; subscription and subscription management services (for third parties) for publications; administration, billing and accounting services on behalf of third parties; business management relating to the purchase, sale and supply of energies and petroleum, gas and chemical products; concluding contracts on behalf for purchase and sale in the field of energies; utility meter reading for billing purposes; promotion of goods on behalf of third parties powered by all kinds of energies; business advisory services and collection of business information relating to energy consumption (improvement and control of energy consumption); vehicle fleet management services; automatic toll collection subscription services; file, database and hosting platform management services; administrative management of the purchase of products and / or services; wholesale or retail services for petroleum, gas and chemical products; retail services for the following products: automotive products (petroleum and maintenance), vehicle accessories, food products and beverages, newspaper and stationary articles, books and various publications, drug-store products, hygiene and perfumery products, household cleaning products, audio and video products, toys, flowers, clothing and footwear, mobile

telephones and accessories thereof, lottery games.

36 – Financial affairs and information; banking services; finance and credit services; insurance services; providing prepayment and payment cards services and other cards for financial purposes and financial services relating thereto; electronic funds transfer; financial advice and information in the field of energy; tax recovery services on behalf of third parties; brokerage of carbon credits; financial sponsorship and patronage; fund investment services; acquisition of holdings in all financial, commercial, industrial, investment or real estate companies or firms; venture capital, private equity and development capital activities in the field of energy; consultancy in respect of energy project financing; financial transactions on wholesale markets for energy, gas, electricity and petroleum and chemical products; brokerage in the energy field; brokerage of raw materials; fiscal (non-accounting) advice on energy savings.

37 – Natural resource extraction services; refuelling and fuelling services; vehicle service stations; maintenance, washing and repair of vehicles and vehicle parts; vehicle oil change services; assistance in case of vehicle breakdown (repair); greasing, lubrication and engine tuning; inflation, repair and fitting of tyres; road construction, maintenance and upkeep services; commissioning, maintenance, troubleshooting and repair of apparatus and installations for production, distribution and storage of energies; construction, maintenance and upkeep of refineries and structures for the production, distribution and storage of petroleum, gas and chemical products; rental of rigs and drilling equipment; drilling of wells; construction, installation and maintenance of pipelines, oil and gas pipelines; recharging of batteries; recharging of electric vehicles; installation, repair and maintenance of installations for supplying power to and recharging batteries and vehicles; installation of telephone equipment; installation and maintenance of home automation systems in the field of energy.

38 – Telecommunication services; telephone and mobile telephone services; connection and provision of internet access and access to other global computer network services; broadcasting, transmission and exchange of information and data, by Internet and by any tele informatic means; electronic messaging services; providing access to platforms, blogs and Internet chat rooms; providing access to databases; information and data teletransmission for the maintenance of storage or distribution facilities for gas and electricity.

39 – Transport, packaging, distribution (delivery), storage, supply of goods, including petroleum, gas and chemical products as well as all products marketed in service stations; transport, delivery, storage and supply [distribution] of energy, gas, electricity; information and advice related to the aforesaid services; to-

wing, rental and temporary provisioning of vehicles; traffic and transport information; navigation and geo-location services for vehicles.

40 – Production of all forms of energies; transformation and treatment of all materials for energy production; processing services for natural elements (sun, water, wind) into energy; treatment, recycling and disposal of waste and organic matter; refining; purification, decontamination and depollution services for air, water and soil; decontamination, depollution and sanitation services for industrial installations and sites, equipment and apparatus in the field of energy production; technical information and advice to others relating to energy production; rental of apparatus and installations for generating energy in all forms and providing of information relating thereto; rental of chemical treatment apparatus and installations and provision of information relating thereto; mixing lubricants for third parties.

41 – Education; training; entertainment services; sporting and cultural activities; publishing of publications (other than advertising) in any form; organization and conducting of competitions, lotteries and sporting competitions; organization and conducting of colloquiums, forums and seminars, conferences, congresses; show and film production; organization of exhibitions for cultural and educational purposes.

42 – Industrial analysis and research services; engineering services; research, prospection and exploration services for the oil, gas and mining industries; oil-well testing; commissioning, studies and appraisals of oil, gas and mining deposits; scientific, technological and technical assistance (engineering) in the field of energies; design and development of energy distribution networks; architectural services and drawing up plans for the construction of installations in energy field and refining; technical consultancy and technical project studies relating to the production and distribution of energies; study, research and development in the field of energy and petroleum, gas and chemical products; studies and research in the field of environmental protection, waste treatment and sustainable development; analysis, diagnostic and testing services in the field of energies; laboratory, analytical, diagnostic and testing services for petroleum, gas and chemical products; audit and expertise services relating to energy and energy consumption; control and audits of safety and quality; technical assistance services with certification and approval; technical inspection and appraisals (engineering services) of installations operating with the aid of energy of all kinds; technical inspection of vehicles; technical services for remote energy meter reading; design and analysis of computer systems; Application Service Provider [ASP] services; software programming for home automation systems in the energy field.

43 – Restaurant services; restaurants; cafeterias; hotel services, temporary accommodation and booking ser-

vice relating thereto.

45 – Security control services for production, storage, transformation and distribution facilities of energy, water and petroleum, gas or chemical products, and consultations relating thereto; licensing and particularly licensing of intellectual property rights, technologies, and franchise concepts to third parties; security consulting services in the field of energy; legal advice on energy savings; online social networking services.

(260) AM 2022 115571 A

(800) 1628735

(151) 2021 10 06

(891) 2021 10 06

(731) ANNICK GOUTAL

14 rue de Castiglione, F-75001 PARIS, France

(540)

FOLIE D'UN SOIR

(591) Black, white

(511)

3 – Soaps; perfumery; essential oils; aromatic extracts for cosmetic use; cosmetics; hair lotions; toiletry products; perfuming and cleaning preparations.

(260) AM 2022 115572 A

(800) 1628738

(151) 2021 10 06

(891) 2021 10 06

(731) ROLEX SA

Rue François-Dussaud 3-5-7, CH-1211

Genève 26, Switzerland

(540)

MASTER DATEJUST

(591) Black, white

(511)

14 – Timepieces, namely, watches, wrist-watches, component parts for timepieces and accessories for timepieces not included in other classes, clocks and other chronometric instruments, chronometers, chronographs (timepieces), watch bands, dials (timepieces), boxes and cases for timepieces and jewelry, watch movements and their parts; jewelry, jewelry items; precious stones and semi-precious stones; precious metals and alloys thereof; pins (jewelry).

(260) AM 2022 115573 A

(800) 1628807

(151) 2021 06 25

(891) 2021 06 25

(731) Interfocus EU Limited

One Spencer Dock, North Wall Quay, Dublin 1, Ireland

(540)



(591) Black, white

(531) 26.01.03; 26.13.25; 27.05.01; 27.05.17

(511)

9 – Computer software applications, downloadable; downloadable software applications for mobile phones; baby scales; baby monitors; thermometers, not for medical purposes; eyeglasses; sunglasses; clothing for protection against accidents, irradiation and fire; life buoys.

(260) AM 2022 115574 A

(800) 1628809

(151) 2021 06 10

(891) 2021 06 10

(731) Limited Liability Company "Scientific and production, enterprise Rogneda"
Dorozhnaya str., 4B, Staraya Kupavna, the city of Noginsk, RU-142450 Moscow region, Russian Federation

(540)

PIREX
ПИРЕКС

(591) Black, white

(531) 28.05

(511)

1 – Chemicals for use in industry, science and photography, as well as in agriculture, horticulture and forestry; unprocessed synthetic resins; plastics, unprocessed; fertilizers; fire extinguishing and fire prevention compositions; tempering and soldering preparations; chemical compositions for preserving foodstuffs; tanning substances; adhesives for industrial purposes; casein for industrial purposes; limestone hardening substances; gum solvents; adhesives for paperhanging; cement for footwear; rubber cement for repairing pneumatic tires; adhesives for billposting; cement for mending broken articles; leather glues; gums [adhesives] for industrial purposes; gums [adhesives], other than for stationery or household purposes; glue for industrial purposes; rubber adhesives, other than for household or stationery use; isinglass, other than for stationery, household or alimentary purposes; glutinous tree-grafting preparations; adhesive preparations for surgical bandages; gluten [glue], other than for stationery or household purposes; concrete-aeration chemicals; chemical compositions for waterproofing masonry; damp-proofing chemicals, except paints, for masonry; grafting wax for trees; getters [chemically active substances]; tree cavity fillers [forestry]; addi-

ves, chemical, to fungicides; caustics for industrial purposes; chemicals for the manufacture of paints; colour-brightening chemicals for industrial purposes; sulfates; fireproofing preparations; fire extinguishing compositions; soldering chemicals; synthetic materials for absorbing oil; resins solvents; preparations for preventing the tarnishing of glass; glass-frosting chemicals; glass-staining chemicals; enamel and glass-staining chemicals; mordants for metals; moistening [wetting] preparations for use in dyeing; ferments for chemical purposes; glaziers' putty; wallpaper removing preparations; oil mastics [putties]; putties.

(260) AM 2022 115622 A

(800) 1629320

(151) 2021 07 12

(891) 2021 07 12

(731) Chanel SARL

Quai du Général-Guisan 24, CH-1204 Genève, Switzerland

(540)

LOOKSCANNER

(591) Black, white

(511)

9 – Software [recorded programs]; software applications for PCs, laptops, mobile telephones, smartphones and tablet computers; downloadable podcasts and webcasts; electronic mail and messaging software; software for accessing, browsing and searching online databases; optical apparatus and instruments; eyewear; spectacles (optics); eyeglasses; sunglasses; sports goggles; 3D spectacles; smart glasses; virtual reality goggles; make-up glasses; cases, cords and chains, frames and lenses for the aforesaid goods; earphones; cases for headphones; anti-glare visors and glasses; casings, cases, covers and bags for transporting mobile telephones, smartphones and for telecommunication devices and instruments; hard cases, cases, covers and bags for transport for tablet computers and for computer apparatus and instruments; hard cases, cases, covers and bags for transport for electronic apparatus; electronic publications; encoded loyalty cards; encoded magnetic cards; encoded key cards; mouse pads; CDs, CD-ROMs and DVDs; USB flash drives; headphones; loudspeakers; decorative magnets; downloadable graphic elements; downloadable ringtones; accessories for mobile telephones, smartphones, tablet computers and laptops; selfie sticks; software and software applications for portable mobile devices and electronic apparatus, particularly personal computers, laptops, mobile telephones, smartphones and electronic tablets; simulation software and apparatus for assessing skin condition, face-mapping, skin-mapping, developing make-up application simulations or make-up simulations, analyzing and recording skin condition; downloadable software for providing advice and assistance on make-up, skin care and beauty care and for developing simulation images; computer software

for use with mirrors; mirrors with video cameras and touchscreens containing software for assessing skin condition, face-mapping, skin-mapping, developing make-up application simulations or make-up simulations, analyzing and recording skin condition; computer software for providing advice and assistance on make-up, skin condition and beauty care and for developing simulation images; computer software for assessing and visualizing information relating to personalized skin care recommendations; software for accessing information on a global computer network; software downloadable from the Internet; downloadable software in the form of a mobile application; cell and battery chargers; chargers for mobile telephones, for smartphones, for telecommunication devices and instruments, for computer devices and instruments and for electronic devices; apparatus and instruments for education and teaching; e-learning software for education and training; recording media recorded with computer programs for teaching materials; smart watches, wearable activity tracker; smartphones; sound and image transmission apparatus; virtual reality headsets.

(260) AM 2022 115630 A

(800) 1629506

(151) 2021 06 04

(891) 2021 06 04

(731) TEMPO ELEKTRONİK PROMOSYON,
SAAT VE İNŞAAT, SANAYİ TİCARET
LİMİTED ŞİRKETİ

Ziya Gökalp Mahallesi, İkitelli Caddesi,
Saraçlar Kooperatifi 2.Blok No:83,
Küçükçekmece, İstanbul, Turkey

(540)

MILANO X CHANGE

(591) Grey and black

(531) 26.11.01; 26.11.05; 26.11.09; 27.05.01;
27.05.09; 27.05.10

(511)

9 – Measurement apparatus and equipment including those for scientific, nautical, topographic, meteorologic, industrial and laboratory purposes, thermometers, not for medical purposes, barometers, ammeters, voltmeters, hygrometers, testing apparatus not for medical purposes, telescopes, periscopes, directional compasses, speed indicators, laboratory apparatus, microscopes, magnifying glasses, binoculars, stills, ovens and furnaces for laboratory experiments; apparatus for recording, transmission or reproduction of sound or images, cameras, photographic cameras, television apparatus, video recorders, CD and DVD players and recorders, MP3 players, computers, desktop computers, tablet computers, wearable activity trackers, microphones, loudspeakers, earphones, telecommunications apparatus, apparatus for the reproduction of sound

or images, computer peripheral devices, cell phones, covers for cell phones, telephone apparatus, computer printers, scanners [data processing equipment], photocopiers; magnetic and optical data carriers and computer software and programmes recorded thereto, downloadable and recordable electronic publications, encoded magnetic and optic cards; prerecorded motion picture films; prerecorded music videos; antennas, satellite antennas, amplifiers for antennas, parts of the aforementioned goods; ticket dispensers, automatic teller machines (ATM); electronic components used in the electronic parts of machines and apparatus, semi-conductors, electronic circuits, integrated circuits, chips [integrated circuits], diodes, transistors [electronic], magnetic heads for electronic apparatus, electronic locks, photocells, remote control apparatus for opening and closing doors, optical sensors; counters and quantity indicators for measuring the quantity of consumption, automatic time switches; clothing for protection against accidents, irradiation and fire, safety vests and life-saving apparatus and equipment; eyeglasses, sunglasses, optical lenses and cases, containers, parts and components thereof; apparatus and instruments for conducting, transforming, accumulating or controlling electricity, electric plugs, junction boxes [electricity], electric switches, circuit breakers, fuses, lighting ballasts, battery starter cables, electrical circuit boards, electric resistances, electric sockets, transformers [electricity], electrical adapters, battery chargers, electric door bells, electric and electronic cables, batteries, electric accumulators; solar panels for production of electricity; alarms and anti-theft alarms, other than for vehicles, electric bells; signalling apparatus and instruments, luminous or mechanical signs for traffic use; fire extinguishing apparatus, fire engines, fire hose and fire hose nozzles; radar apparatus, sonars, night vision apparatus and instruments; decorative magnets; metronomes.

14 – Jewellery; imitation jewellery; gold; precious stones and jewellery made thereof; cufflinks; tie pins; statuettes and figurines of precious metal; clocks, watches and chronometrical instruments; chronometers and their parts; watch straps; commemorative statuary cups made of precious metal; chaplets (rosaries).

35 – Advertising, marketing and public relations; organization of exhibitions and trade fairs for commercial or advertising purposes; development of advertising concepts; provision of an online marketplace for buyers and sellers of goods and services; office functions; secretarial services; arranging newspaper subscriptions for others; compilation of statistics; rental of office machines; systemization of information into computer databases; telephone answering for unavailable subscribers; business management, business administration and business consultancy; accounting; commercial consultancy services; personnel recruitment, personnel placement, employment agencies, import-export agencies; temporary personnel placement

services; auctioneering; the bringing together, for the benefit of others, of a variety of goods, namely, measurement apparatus and equipment including those for scientific, nautical, topographic, meteorologic, industrial and laboratory purposes, thermometers, not for medical purposes, barometers, ammeters, voltmeters, hygrometers, testing apparatus not for medical purposes, telescopes, periscopes, directional compasses, speed indicators, laboratory apparatus, microscopes, magnifying glasses, binoculars, stills, ovens and furnaces for laboratory experiments, apparatus for recording, transmission or reproduction of sound or images, cameras, photographic cameras, television apparatus, video recorders, CD and DVD players and recorders, MP3 players, computers, desktop computers, tablet computers, wearable activity trackers, microphones, loudspeakers, earphones, telecommunications apparatus, apparatus for the reproduction of sound or images, computer peripheral devices, cell phones, covers for cell phones, telephone apparatus, computer printers, scanners [data processing equipment], photocopiers, magnetic and optical data carriers and computer software and programmes recorded thereto, downloadable and recordable electronic publications, encoded magnetic and optic cards, prerecorded motion picture films, prerecorded music videos, antennas, satellite antennas, amplifiers for antennas, parts of the aforementioned goods, ticket dispensers, automatic teller machines (ATM), electronic components used in the electronic parts of machines and apparatus, semi-conductors, electronic circuits, integrated circuits, chips [integrated circuits], diodes, transistors [electronic], magnetic heads for electronic apparatus, electronic locks, photocells, remote control apparatus for opening and closing doors, optical sensors, counters and quantity indicators for measuring the quantity of consumption, automatic time switches, clothing for protection against accidents, irradiation and fire, safety vests and life-saving apparatus and equipment, eyeglasses, sunglasses, optical lenses and cases, containers, parts and components thereof, apparatus and instruments for conducting, transforming, accumulating or controlling electricity, electric plugs, junction boxes [electricity], electric switches, circuit breakers, fuses, lighting ballasts, battery starter cables, electrical circuit boards, electric resistances, electric sockets, transformers [electricity], electrical adapters, battery chargers, electric door bells, electric and electronic cables, batteries, electric accumulators, solar panels for production of electricity, alarms and anti-theft alarms, other than for vehicles, electric bells, signalling apparatus and instruments, luminous or mechanical signs for traffic use, fire extinguishing apparatus, fire engines, fire hose and fire hose nozzles, radar apparatus, sonars, night vision apparatus and instruments, decorative magnets, metronomes, jewellery, imitation jewellery, gold, precious stones and jewellery made thereof, cufflinks, tie pins, statuettes and figurines of precious metal, clocks, watches and chronometrical

instruments, chronometers and their parts, watch straps, commemorative statuary cups made of precious metal, chaplets (rosaries), enabling customers to conveniently view and purchase those goods, such services may be provided by retail stores, wholesale outlets, by means of electronic media or through mail order catalogues.

(260) AM 2022 115773 A
 (800) 1632769
 (151) 2021 06 23
 (891) 2021 06 23
 (731) Nemiroff Intellectual Property Establishment
 Städtle 31, FL-9490 Vaduz, Liechtenstein
 (540)



(591) Black, white
 (531) 19.07.02; 19.07.10; 19.07.22; 19.07.23
 (554) Three Dimensional
 (511)
 21 – Glassware, namely bottles.

33 – Alcoholic beverages (except beers); alcoholic beverages containing fruit; bitters; cocktails; digesters [liqueurs and spirits]; distilled beverages; liqueurs; spirits [beverages]; vodka.

(260) AM 2022 115799 A
 (800) 1633464
 (151) 2021 11 03
 (891) 2021 11 03
 (731) PCS Software, Inc.
 2103 CityWest Blvd., Bldg 4, Suite 700,
 Houston TX 77042, USA
 (540)



(591) Black, white
 (531) 01.15.15; 01.15.21; 24.17.24; 27.05.01
 (511)

9 – Downloadable computer software for transportation, freight and fleet management, namely, trucking and intermodal freight services, including booking, brokering, dispatching, freight quotes, route scheduling, mileage calculation, fuel costs, expenses, fees, commissions and payroll.

(260) AM 2022 115939 A
 (800) 1635013
 (151) 2021 10 25
 (891) 2021 10 25
 (731) NOVOL Spółka z o. o.
 ul. Żabikowska 7/9, PL-62-052 Komomiki,
 Poland

(540)



(591) Black and red.

(531) 27.05.17; 27.05.19; 29.01.12

(511)

1 – Putties for car bodies; hardeners for epoxy and acrylic resins.

2 – Acrylic primers; epoxy primers, acrylic lacquers; adhesion enhancers; car body preservatives and protectants; thinners and thickeners for paints and lacquers.

(260) AM 2022 115940 A
 (800) 1635031
 (151) 2021 11 04
 (891) 2021 11 04
 (731) PIRELLI TYRE SPA
 Viale Piero e Alberto Pirelli 25, I-20126
 Milano, MI, Italy

(540)



(591) Black, white

(531) 18.01.21; 26.11.12

(511)

9 – Downloadable applications for use with mobile devices; software and applications for mobile devices, including software and applications; downloadable computer software for remote monitoring and analysis; applications for smartphones for measuring data of vehicle running motion; sensors, tyre monitoring apparatus; tire pressure sensors; tyre-pressure measurers.

12 – Treads for vehicles; pneumatic tyres; pneumatic, semipneumatic and/or solid tyres; vehicle wheels; wheel trims; inner tubes and mousse for vehicle tyres.

(260) AM 2022 115941 A
 (800) 1635034
 (151) 2021 11 04
 (891) 2021 11 04
 (731) PIRELLI TYRE SPA
 Viale Piero e Alberto Pirelli 25, I-20126
 Milano, MI, Italy

(540)



(591) Black, white

(531) 18.01.21; 27.03.15; 27.05.09

(511)

9 – Downloadable applications for use with mobile devices; software and applications for mobile devices, including software and applications; downloadable computer software for remote monitoring and analysis; applications for smartphones for measuring data of vehicle running motion; sensors, tyre monitoring apparatus; tire pressure sensors; tyre-pressure measurers.

12 – Treads for vehicles; pneumatic tyres; pneumatic, semipneumatic and/or solid tyres; vehicle wheels; wheel trims; inner tubes and mousse for vehicle tyres.

INTERNATIONAL TRADEMARKS PROTECTED IN GEORGIA

(260) AM 2022 109396 A
(800) 1545048
(151) 2020 04 07
(181) 2030 04 07
(891) 2020 04 07
(511) 03

(260) AM 2022 113625 A
(800) 1597538
(151) 2021 03 23
(181) 2031 03 23
(891) 2021 03 23
(511) 31

(260) AM 2022 112013 A
(800) 1578893
(151) 2020 12 03
(181) 2030 12 03
(891) 2020 12 03
(511) 03

(260) AM 2022 113627 A
(800) 1597586
(151) 2021 04 20
(181) 2031 04 20
(891) 2021 04 20
(511) 05

(260) AM 2022 112228 A
(800) 1581651
(151) 2020 12 12
(181) 2030 12 12
(891) 2020 12 12
(511) 03

(260) AM 2022 113633 A
(800) 1597859
(151) 2021 05 25
(181) 2031 05 25
(891) 2021 05 25
(511) 34

(260) AM 2022 113557 A
(800) 1597163
(151) 2021 04 07
(181) 2031 04 07
(891) 2021 04 07
(511) 09, 11, 12, 42

(260) AM 2022 113639 A
(800) 1598145
(151) 2021 04 21
(181) 2031 04 21
(891) 2021 04 21
(511) 01

(260) AM 2022 113562 A
(800) 1597338
(151) 2021 02 17
(181) 2031 02 17
(891) 2021 02 17
(511) 36, 38, 41, 42, 43

(260) AM 2022 113652 A
(800) 1598407
(151) 2021 03 31
(181) 2031 03 31
(891) 2021 03 31
(511) 29

(260) AM 2022 113576 A
(800) 1549986
(151) 2020 07 24
(181) 2030 07 24
(891) 2021 04 09
(511) 32

(260) AM 2022 113664 A
(800) 1598724
(151) 2021 04 23
(181) 2031 04 23
(891) 2021 04 23
(511) 09, 41

(260) AM 2022 113578 A
(800) 1574969
(151) 2020 10 29
(181) 2030 10 29
(891) 2021 06 02
(511) 07

(260) AM 2022 113681 A
(800) 1554438
(151) 2020 08 11
(181) 2030 08 11
(891) 2021 04 26
(511) 09

(260) AM 2022 113720 A
(800) 1599328
(151) 2021 05 17
(181) 2031 05 17
(891) 2021 05 17
(511) 07, 08, 09

(260) AM 2022 113749 A
(800) 1600368
(151) 2020 12 17
(181) 2030 12 17
(891) 2020 12 17
(511) 37, 42

(260) AM 2022 113722 A
(800) 1599359
(151) 2021 03 11
(181) 2031 03 11
(891) 2021 03 11
(511) 07, 11

(260) AM 2022 113750 A
(800) 1600371
(151) 2021 06 07
(181) 2031 06 07
(891) 2021 06 07
(511) 29, 30, 32

(260) AM 2022 113723 A
(800) 1599361
(151) 2021 04 30
(181) 2031 04 30
(891) 2021 04 30
(511) 09

(260) AM 2022 113751 A
(800) 896258
(151) 2005 11 18
(181) 2025 11 18
(891) 2021 05 18
(511) 09, 16, 17, 38, 41

(260) AM 2022 113726 A
(800) 1599484
(151) 2021 03 26
(181) 2031 03 26
(891) 2021 03 26
(511) 09, 16, 41

(260) AM 2022 113752 A
(800) 937047
(151) 2007 05 14
(181) 2027 05 14
(891) 2021 06 04
(511) 35

(260) AM 2022 113745 A
(800) 1600238
(151) 2021 04 28
(181) 2031 04 28
(891) 2021 04 28
(511) 29

(260) AM 2022 113753 A
(800) 970092
(151) 2007 12 17
(181) 2027 12 17
(891) 2021 04 16
(511) 01, 02

(260) AM 2022 113746 A
(800) 1600252
(151) 2021 04 26
(181) 2031 04 26
(891) 2021 04 26
(511) 05

(260) AM 2022 113754 A
(800) 1062068
(151) 2010 07 15
(181) 2030 07 15
(891) 2021 04 08
(511) 29, 30

(260) AM 2022 113747 A
(800) 1600305
(151) 2021 04 23
(181) 2031 04 23
(891) 2021 04 23
(511) 01, 42, 44

(260) AM 2022 113795 A
(800) 1600404
(151) 2021 05 03
(181) 2031 05 03
(891) 2021 05 03
(511) 09

(260) AM 2022 113804 A
(800) 1600637
(151) 2021 04 26
(181) 2031 04 26
(891) 2021 04 26
(511) 12

(260) AM 2022 113805 A
(800) 1600638
(151) 2021 04 20
(181) 2031 04 20
(891) 2021 04 20
(511) 32

(260) AM 2022 113806 A
(800) 1600699
(151) 2021 04 26
(181) 2031 04 26
(891) 2021 04 26
(511) 10

(260) AM 2022 113807 A
(800) 1600791
(151) 2021 04 23
(181) 2031 04 23
(891) 2021 04 23
(511) 01, 42, 44

(260) AM 2022 113808 A
(800) 1600807
(151) 2021 04 14
(181) 2031 04 14
(891) 2021 04 14
(511) 30

(260) AM 2022 113809 A
(800) 1600820
(151) 2021 02 23
(181) 2031 02 23
(891) 2021 02 23
(511) 07, 12, 37, 40

(260) AM 2022 113810 A
(800) 1600840
(151) 2020 12 03
(181) 2030 12 03
(891) 2020 12 03
(511) 09

(260) AM 2022 113811 A
(800) 1600876
(151) 2021 05 07
(181) 2031 05 07
(891) 2021 05 07
(511) 07

(260) AM 2022 113812 A
(800) 1600901
(151) 2021 04 14
(181) 2031 04 14
(891) 2021 04 14
(511) 30

(260) AM 2022 113813 A
(800) 1600923
(151) 2021 06 10
(181) 2031 06 10
(891) 2021 06 10
(511) 20

(260) AM 2022 113817 A
(800) 1601061
(151) 2021 02 25
(181) 2031 02 25
(891) 2021 02 25
(511) 07

(260) AM 2022 113819 A
(800) 1601092
(151) 2021 05 18
(181) 2031 05 18
(891) 2021 05 18
(511) 01, 02, 03, 04, 05, 06, 07, 09, 11, 12, 14, 16, 17,
18, 19, 20, 21, 25, 28, 35, 36, 37, 38, 39, 40, 41,
42, 43, 45

(260) AM 2022 113820 A
(800) 1601096
(151) 2020 12 16
(181) 2030 12 16
(891) 2020 12 16
(511) 07, 09, 37, 42

(260) AM 2022 113821 A
(800) 1601110
(151) 2021 02 09
(181) 2031 02 09
(891) 2021 02 09
(511) 01, 04, 07, 09, 37, 39, 40

(260) AM 2022 113822 A
(800) 1601241
(151) 2021 03 25
(181) 2031 03 25
(891) 2021 03 25
(511) 01, 17, 19

(260) AM 2022 113835 A
(800) 998943
(151) 2009 02 13
(181) 2029 02 13
(891) 2021 05 26
(511) 25

(260) AM 2022 113823 A
(800) 1601274
(151) 2021 05 11
(181) 2031 05 11
(891) 2021 05 11
(511) 29

(260) AM 2022 113836 A
(800) 1238585
(151) 2014 12 19
(181) 2024 12 19
(891) 2021 05 31
(511) 33

(260) AM 2022 113829 A
(800) 1601358
(151) 2021 04 02
(181) 2031 04 02
(891) 2021 04 02
(511) 30

(260) AM 2022 113837 A
(800) 1461767
(151) 2019 02 19
(181) 2029 02 19
(891) 2021 06 01
(511) 35, 37, 41, 42, 45

(260) AM 2022 113830 A
(800) 1601382
(151) 2021 06 16
(181) 2031 06 16
(891) 2021 06 16
(511) 20

(260) AM 2022 113838 A
(800) 1479834
(151) 2019 03 26
(181) 2029 03 26
(891) 2021 06 17
(511) 02

(260) AM 2022 113831 A
(800) 1601422
(151) 2021 03 29
(181) 2031 03 29
(891) 2021 03 29
(511) 29, 30, 35, 41, 43

(260) AM 2022 113839 A
(800) 1486362
(151) 2019 04 26
(181) 2029 04 26
(891) 2021 05 27
(511) 01, 05, 29, 30, 32

(260) AM 2022 113832 A
(800) 1601426
(151) 2020 12 17
(181) 2030 12 17
(891) 2020 12 17
(511) 35, 42

(260) AM 2022 113896 A
(800) 1601763
(151) 2021 05 06
(181) 2031 05 06
(891) 2021 05 06
(511) 09, 10, 16, 35, 42

(260) AM 2022 113834 A
(800) 723692
(151) 1999 07 14
(181) 2029 07 14
(891) 2021 06 11
(511) 09, 13

(260) AM 2022 113898 A
(800) 1601894
(151) 2021 05 07
(181) 2031 05 07
(891) 2021 05 07
(511) 08

(260) AM 2022 113914 A
(800) 1602216
(151) 2021 06 14
(181) 2031 06 14
(891) 2021 06 14
(511) 12

(260) AM 2022 113926 A
(800) 1602362
(151) 2021 06 15
(181) 2031 06 15
(891) 2021 06 15
(511) 05

(260) AM 2022 113915 A
(800) 1602218
(151) 2021 06 14
(181) 2031 06 14
(891) 2021 06 14
(511) 12

(260) AM 2022 113927 A
(800) 1602391
(151) 2021 05 12
(181) 2031 05 12
(891) 2021 05 12
(511) 09

(260) AM 2022 113916 A
(800) 1602233
(151) 2021 05 25
(181) 2031 05 25
(891) 2021 05 25
(511) 18, 25

(260) AM 2022 113928 A
(800) 1602394
(151) 2021 05 12
(181) 2031 05 12
(891) 2021 05 12
(511) 09

(260) AM 2022 113917 A
(800) 1602234
(151) 2021 06 14
(181) 2031 06 14
(891) 2021 06 14
(511) 12

(260) AM 2022 113929 A
(800) 1602410
(151) 2021 05 11
(181) 2031 05 11
(891) 2021 05 11
(511) 05, 10

(260) AM 2022 113918 A
(800) 1602247
(151) 2021 06 14
(181) 2031 06 14
(891) 2021 06 14
(511) 12

(260) AM 2022 113931 A
(800) 1602430
(151) 2021 06 14
(181) 2031 06 14
(891) 2021 06 14
(511) 12

(260) AM 2022 113924 A
(800) 1602351
(151) 2021 03 11
(181) 2031 03 11
(891) 2021 03 11
(511) 09

(260) AM 2022 113932 A
(800) 1602449
(151) 2021 04 29
(181) 2031 04 29
(891) 2021 04 29
(511) 14

(260) AM 2022 113925 A
(800) 1602361
(151) 2021 06 15
(181) 2031 06 15
(891) 2021 06 15
(511) 05

(260) AM 2022 113933 A
(800) 1602516
(151) 2021 04 23
(181) 2031 04 23
(891) 2021 04 23
(511) 09, 35, 42

(260) AM 2022 113934 A
(800) 1602528
(151) 2021 05 03
(181) 2031 05 03
(891) 2021 05 03
(511) 32

(260) AM 2022 114007 A
(800) 1603148
(151) 2021 05 20
(181) 2031 05 20
(891) 2021 05 20
(511) 16, 17, 19, 20, 35, 37, 40

(260) AM 2022 113957 A
(800) 833696
(151) 2004 04 28
(181) 2024 04 28
(891) 2021 06 02
(511) 09

(260) AM 2022 114008 A
(800) 1603208
(151) 2021 05 20
(181) 2031 05 20
(891) 2021 05 20
(511) 30

(260) AM 2022 113959 A
(800) 887389
(151) 2006 03 03
(181) 2026 03 03
(891) 2021 06 24
(511) 03, 05

(260) AM 2022 114010 A
(800) 1603291
(151) 2021 05 14
(181) 2031 05 14
(891) 2021 05 14
(511) 35

(260) AM 2022 113960 A
(800) 1038695
(151) 2010 03 22
(181) 2030 03 22
(891) 2021 06 15
(511) 03

(260) AM 2022 114011 A
(800) 1603301
(151) 2021 06 16
(181) 2031 06 16
(891) 2021 06 16
(511) 03

(260) AM 2022 113961 A
(800) 1217081
(151) 2014 03 20
(181) 2024 03 20
(891) 2021 06 28
(511) 03, 05, 16, 21

(260) AM 2022 114014 A
(800) 1603330
(151) 2021 06 16
(181) 2031 06 16
(891) 2021 06 16
(511) 34

(260) AM 2022 113965 A
(800) 1270842
(151) 2015 10 02
(181) 2025 10 02
(891) 2021 06 24
(511) 03

(260) AM 2022 114015 A
(800) 1603377
(151) 2021 02 19
(181) 2031 02 19
(891) 2021 02 19
(511) 03, 35

(260) AM 2022 114006 A
(800) 1603067
(151) 2021 05 18
(181) 2031 05 18
(891) 2021 05 18
(511) 10

(260) AM 2022 114026 A
(800) 1587156
(151) 2021 02 04
(181) 2031 02 04
(891) 2021 06 21
(511) 09, 16, 18, 25, 35, 38, 41, 43, 44

(260) AM 2022 114065 A
(800) 1603833
(151) 2021 06 14
(181) 2031 06 14
(891) 2021 06 14
(511) 12

(260) AM 2022 114088 A
(800) 1604447
(151) 2021 04 28
(181) 2031 04 28
(891) 2021 04 28
(511) 28

(260) AM 2022 114093 A
(800) 1604503
(151) 2021 03 26
(181) 2031 03 26
(891) 2021 03 26
(511) 01, 02, 06, 17, 19, 20, 22, 24, 35, 37, 40, 41

(260) AM 2022 114095 A
(800) 1604553
(151) 2021 06 30
(181) 2031 06 30
(891) 2021 06 30
(511) 33

(260) AM 2022 114096 A
(800) 1604573
(151) 2021 06 30
(181) 2031 06 30
(891) 2021 06 30
(511) 33

(260) AM 2022 114117 A
(800) 1332289
(151) 2016 12 05
(181) 2026 12 05
(891) 2021 07 15
(511) 05

(260) AM 2022 114164 A
(800) 1605311
(151) 2020 12 10
(181) 2030 12 10
(891) 2020 12 10
(511) 11, 17, 19

(260) AM 2022 114165 A
(800) 1605335
(151) 2021 04 12
(181) 2031 04 12
(891) 2021 04 12
(511) 30

(260) AM 2022 114166 A
(800) 1605340
(151) 2021 03 23
(181) 2031 03 23
(891) 2021 03 23
(511) 03, 05

(260) AM 2022 114184 A
(800) 1605896
(151) 2021 03 26
(181) 2031 03 26
(891) 2021 03 26
(511) 19, 35

(260) AM 2022 114185 A
(800) 1605952
(151) 2021 07 05
(181) 2031 07 05
(891) 2021 07 05
(511) 34

(260) AM 2022 114186 A
(800) 1605970
(151) 2021 01 20
(181) 2031 01 20
(891) 2021 01 20
(511) 25

(260) AM 2022 114187 A
(800) 1605973
(151) 2021 05 21
(181) 2031 05 21
(891) 2021 05 21
(511) 37, 39

(260) AM 2022 114188 A
(800) 1605979
(151) 2021 05 21
(181) 2031 05 21
(891) 2021 05 21
(511) 05

(260) AM 2022 114210 A
(800) 1039445
(151) 2010 04 14
(181) 2030 04 14
(891) 2021 07 22
(511) 35, 36, 37, 40, 42

(260) AM 2022 114270 A
(800) 1606971
(151) 2021 05 14
(181) 2031 05 14
(891) 2021 05 14
(511) 01, 02, 03, 35, 37, 40

(260) AM 2022 114211 A
(800) 1122567
(151) 2012 05 16
(181) 2022 05 16
(891) 2021 07 16
(511) 30

(260) AM 2022 114296 A
(800) 1607736
(151) 2021 04 07
(181) 2031 04 07
(891) 2021 04 07
(511) 29

(260) AM 2022 114212 A
(800) 1348656
(151) 2016 03 29
(181) 2026 03 29
(891) 2021 07 16
(511) 11, 19, 20, 21, 35, 37

(260) AM 2022 114297 A
(800) 1607747
(151) 2021 06 30
(181) 2031 06 30
(891) 2021 06 30
(511) 36

(260) AM 2022 114213 A
(800) 1463518A
(151) 2019 03 14
(181) 2029 03 14
(891) 2021 07 21
(511) 05, 42

(260) AM 2022 114298 A
(800) 1607794
(151) 2021 06 15
(181) 2031 06 15
(891) 2021 06 15
(511) 25

(260) AM 2022 114267 A
(800) 1606871
(151) 2021 06 08
(181) 2031 06 08
(891) 2021 06 08
(511) 33

(260) AM 2022 114299 A
(800) 826899
(151) 2003 12 31
(181) 2023 12 31
(891) 2021 05 10
(511) 12

(260) AM 2022 114268 A
(800) 1606959
(151) 2021 03 10
(181) 2031 03 10
(891) 2021 03 10
(511) 09

(260) AM 2022 114356 A
(800) 1608088
(151) 2021 05 12
(181) 2031 05 12
(891) 2021 05 12
(511) 20

(260) AM 2022 114269 A
(800) 1606964
(151) 2021 05 25
(181) 2031 05 25
(891) 2021 05 25
(511) 01, 05

(260) AM 2022 114358 A
(800) 1608124
(151) 2021 05 25
(181) 2031 05 25
(891) 2021 05 25
(511) 33

(260) AM 2022 114360 A
(800) 1608153
(151) 2021 05 12
(181) 2031 05 12
(891) 2021 05 12
(511) 20

(260) AM 2022 114438 A
(800) 1609544
(151) 2021 06 29
(181) 2031 06 29
(891) 2021 06 29
(511) 31, 32, 33, 42

(260) AM 2022 114386 A
(800) 748772
(151) 2000 11 22
(181) 2030 11 22
(891) 2021 07 30
(511) 31

(260) AM 2022 114440 A
(800) 1609663
(151) 2021 03 26
(181) 2031 03 26
(891) 2021 03 26
(511) 01, 19

(260) AM 2022 114387 A
(800) 833796
(151) 2004 08 27
(181) 2024 08 27
(891) 2021 07 30
(511) 05, 31

(260) AM 2022 114388 A
(800) 857488
(151) 2005 04 29
(181) 2025 04 29
(891) 2021 05 25
(511) 09

(260) AM 2022 114389 A
(800) 1248546
(151) 2015 04 01
(181) 2025 04 01
(891) 2021 07 30
(511) 31

(260) AM 2022 114390 A
(800) 1358566
(151) 2017 05 22
(181) 2027 05 22
(891) 2021 07 30
(511) 05

(260) AM 2022 114437 A
(800) 1609513
(151) 2021 06 02
(181) 2031 06 02
(891) 2021 06 02
(511) 33

APPELLATIONS OF ORIGIN OF GOODS

In accordance with the Article 8.4 of the Law on Appellations of Origin and Geographical Indications, the LEPL National Intellectual Property Centre of Georgia – "Sakpatenti" publishes the materials represented by the N(N)LE Ethno Okami and N(N)LE Asureti.

If no additional information will be arrived to Sakpatenti within 3 months after publication, the information shall be submitted into the State Register of Appellations of Origin and Geographical Indications, and published in the Official Bulletin of Industrial Property of Georgia.

If, within 3 months after the publication of application materials, additional information regarding these materials is submitted to Sakpatenti, it shall be sent to the Ministry of Environmental Protection and Agriculture of Georgia for the review.

THE NAME OF THE ORIGIN OF THE WINE "ASURETULI SHALA" WINE SPECIFICATION

APPLICATION № 3514/6

DATE OF APPLICATION: 04 04 2022

APPELLATION OF ORIGIN: ASURETULI SHALA

NAME OF PRODUCT FOR WHICH THE REGISTRATION IS REQUIRED – Wine

NAME AND ADDRESS OF APPLICANT: N(N)LE Regional Development Center of Asureti;
Tetrtskaro Municipality, Vill. Asureti, Shvabebi St. 28, Georgia

1. NAME: Asuretuli Shala

2. ADDITIONAL SIGNS: Asuretuli

3. TYPE, COLOR, AND BASIC REQUIREMENTS

"Asuretuli Shala" is red dry wine, and it shall satisfy the following requirements:

- Color – from light ruby to dark ruby;
- Aroma and taste – extracted, refined. Has pleasant cheerful acidity, blackberry and blackcurrant tones. Sharply defined bouquet with tones of spices (pepper, cloves) and dry fruits (black plums) is developed with aging;
- Volumetric spirit content – no less than 11 %;
- Concentration of finished extract mass – no less than 24 g/l;
- Sugar content – no more than 4 g/l;
- Titrated acidity – no less than 4 g/l;
- Volatile acidity – no more than 1.2 g/l;
- Total mass concentration of sulfur dioxide – no more than 150 mg/l.

4. SPECIFIC ZONE AVAILABLE AREAS

The micro-zone Asuretuli Shala is situated in the Village Asureti of Tetrtskaro Municipality, on left bank line of the River Algeti, and includes landholds of the Village Asureti.

5. GRAPE VARIETIES

Wine "Asuretuli Shala" shall be produced only with grapes of vine Asuretuli Shavi cultivated in the micro-zone Asuretuli Shala. Usage of Takveri and Shavkapito in 15% together with Asuretuli Shavi is permitted, as well.

6. VINEYARD CULTIVATION, SHAPE OF PRUNING, AND CARE

Micro-zone Asuretuli Shala vineyards intended for wine "Asuretuli Shala" are situated on 400-750 m above sea level;

- Density between the rows in the vineyards – 1-2,5 m;
- Density between the vines in the row – 0,8-2 m;
- Height of Stem – 50-80 cm;
- Shape of Pruning – one-sided or Georgian two-sided or free.
- Vine cultivation, pruning, pests and diseases control, and soil cultivation, fertilization and other operations, as well, are executed in accordance with agrotechnical measures selected by grape producer.

7. GRAPE RIPENESS, VINTAGE, TRANSPORTATION

- Wine "Asuretuli Shala" is produced with only ripe grapes. Sugar content shall be no less than 19%, at the vintage;
- Grapes transportation is permitted only with wooden or plastic boxes with bodyworks made of stainless steel or painted with special color;
- Usage of polyethylene packages and/or begs is not allowed;
- The grapes shall be protected from dirtying at the transportation.

8. VINTAGE AND WINE HARVEST

Vintage on 1 ha vineyard shall be no more than 10 tons.

Wine harvest shall be no more than 650 l from 1 ton grapes and 6500 l – from 1 ha vineyard.

9. GRAPE PROCESSING, WINEMAKING AND BOTTLING

Grapes for producing the wine "Asuretuli Shala" shall be only from the vineyards cultivated in the micro-zone Asuretuli Shala.

Processing of grapes and winemaking is permitted only within the micro-zone Asuretuli Shala, and bottling – outside, but only on the territory of Georgia.

The wine "Asuretuli Shala" is made by complete alcoholic fermentation of must.

Only operations, materials and substances provided by the "Technical Regulations on the Definition of General Rules of Wine Production, Permitted Processes, Materials and List of Substances" of the Georgian Legislation №524 of 06 11 2018 is permissible to be applied at the production of the wine "Asuretuli Shala".

10. LINK BETWEEN EXCLUSIVE QUALITY, REPUTATION AND GEOGRAPHICAL AREA

Climate - the climate in the micro-zone Asuretuli Shala is characterized with moderately cold winter and long warm summer. Average annual temperature is 15°C, the average temperature of the warmest month (August) varies between 20-24°C, and of the coldest (January) – 0,7 – -3°C. Air daily average

temperature stagnant gradation up to 10°C takes place in first decade of April (5-10 April), and falling down – in first decade of November (5-10 November). The sum of active temperatures is 3069°C.

Average annual amount of precipitations varies between 450-500 mm. Maximal amount of precipitations take place in May, and minimal – in December.

Soil – brown, a little humus soils, and with mechanical content – loamy, having moderate thickness.

In accordance to mechanical content the soils category and have average thickness. Upper humus horizontal structure is lumpy-granular. Relatively loose, less structured layer exists on surface.

CaCO₃ is not observed in the upper 70-80 cm layer of the profile. Its content in the 80-130 cm layer is within 29-33%.

The rate of humus in the arable layer is within 3,09-3,17%.

The total content of nitrogen (N) is 0,150-0,175%, and phosphorus (P₂O₅) is 0,08%.

The reaction of the soil solution is 7,25-7,75 in the upper layer, and 8,13-8,45 – in the lower layer.

Thus, the soils of the viticulture expansion zone are characterized with medium supply of nitrogen, phosphorus and potassium, and are also quite saturated with absorbed bases.

Human Factor – From the 20s of the 19th century, Russian Empire encourage migration of German colonists (Swabians) to Georgia, large part wherefrom settled in the outskirts of Tbilisi. German settlement "Elizabetal" (present-day Asureti)¹ was created such a way in 1818.

By the end of the 19th century, "Elizabetal" was well-developed and model village from the point of view of agriculture. Germans followed viticulture, cattle breeding, agriculture and crafts.

German colonists created important social and cultural institutions in Asureti playing major role in the socio-economic and cultural life of population. Unique material monuments of their existence have survived to this day: unique wine cellar, sulfur bath, Lutheran church built in Gothic style, and residential houses built in the old German architectural style.

It should be noted that on the settlement of old Asureti the old endemic grape variety Asuruli Shavi was found in the forest by German Otto Schall, who cultivated it. The Germans made wine from it, and later it was called "Shala" in honor of Otto Schall. Special shops were opened in Tbilisi, Baku and Yerevan for the sale of wine produced in Asureti. Vineyards were planted in seven kilometers from the village, on the banks of the River Algeti, which led to a high-quality vintage.² Germans built unique three-story wine cellar, where about 5.000 tons of wine were stored. It should be noted that in 2017 the unique wine cellar located in Asureti was granted the status of cultural heritage monument.

Thus, the vineyards in the micro-zone Shala of Asureti are mainly cultivated on loamy soils characterized with lumpy-granular structure, and together with the mesoclimate are very favorable for viticulture, and give the wine rich taste and complexity, full-body, a balance of sweetness and acidity, well-balanced structure of roundness and tannins. All this determines the special organoleptic characteristics of wine "Asuretuli Shala".

¹ <https://tetrtskaro.gov.ge/ghirssheshanishnaobebi/423-sofeli-asureti.html>

² <https://tetrtskaro.gov.ge/ghirssheshanishnaobebi/423-sofeli-asureti.html>

11. ESPECIAL LABELING RULES

The name shall appear on the label, packaging, wine accompanying documents and advertising materials as follows:

With Georgian Characters: **ასურეთული შალა** დაცული ადგილწარმოშობის დასახელების ღვინო

With Lathin Characters: **ASURETULI SHALA** Protected Designation of Origin and/or PDO PDO

With Cyrillic Characters: **АСУРЕТУЛИ ШАЛА** Защищённое наименование места происхождения

12. ACCOUNTING AND NOTIFICATION

Accounting and notification of production and storage technological processes of wine "Asuretuli Shala" is carried out, in accordance with the Rule on "Registration and Reporting of Technological Processes in Viticulture and Winemaking Practice" established with the Order №2-78 of 24 01 2019 made by the Ministry of Agriculture of Georgia.

13. MAIN CONTROLLABLE POINTS

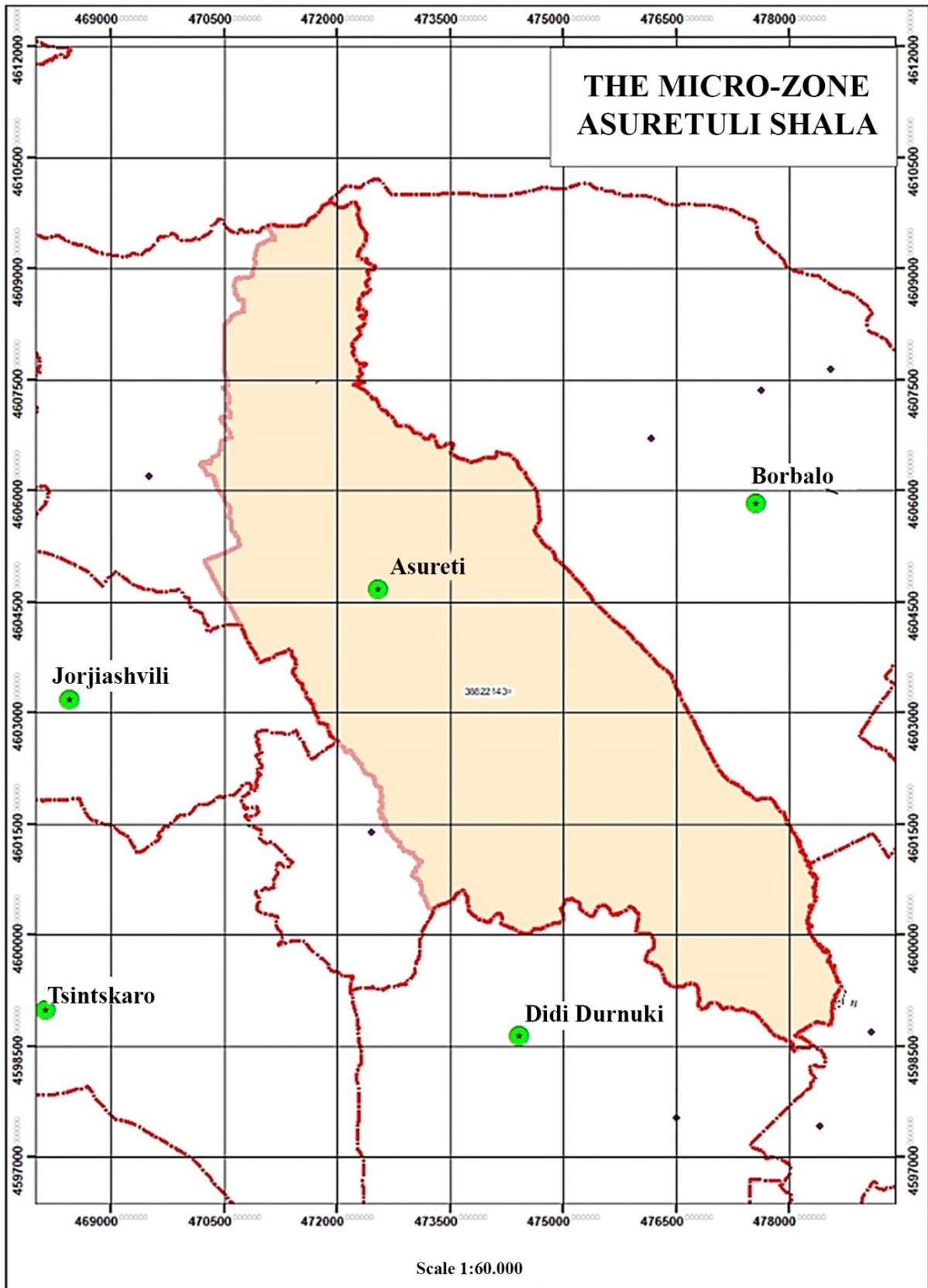
During the control of production process of PDO Wine "Assyretuli Shala", the producer shall confirm the compliance of the following parameters to the National Wine Agency:

Main Controllable Points	Evaluation Methods
Vineyard location	Cadaster map, control on the place
Area	Vineyard accounting magazine, cadaster
Vine variety	Vineyard accounting journal, control on the place
Cultivation methods	Journal of registration of Agrotechnical Measures, treating journal, control on the place
Vintage and transportation	Vintage journal
Grape harvest per ha	Vintage journal
Grape harvest in total	Vintage journal
Grape processing and winemaking	Grape receiving journal, grape processing journal, product turnover calculation journal, laboratory analysis journals, notifications, control on the place
Wine bottling, packaging and storage place and conditions	Bottling journal, journal for motion of ready product in the storehouse, laboratory analysis journals
Physico-chemical characteristics of the wine at winemaking, before and after bottling	Laboratory analysis journals
Organoleptic characteristics of the wine	Tasting commission protocols
Traceability	Technological and laboratory Records

14. CONTROL BODY OF PRODUCTION

State control for observance of production specification and lawful usage of the appellation of origin PDO shall be carried out by LEPL – National Wine Agency, according to the rules established by the legislation of Georgia.

15. MAP OF MICRO-ZONE



THE NAME OF THE ORIGIN OF THE WINE "OKAMI"

WINE SPECIFICATION

APPLICATION № 3515/6

DATE OF APPLICATION: 13 04 2022

APPELLATION OF ORIGIN: OKAMI

NAME OF PRODUCT FOR WHICH THE REGISTRATION IS REQUIRED – Wine

NAME AND ADDRESS OF APPLICANT: N(N)LE Ethno Okami; Kandelaki St. 18b, app. 39, Tbilisi, Georgia

1. NAME: Okami

2. TYPE, COLOR, AND BASIC REQUIREMENTS:

"Okami" is dry wine, and it might be white or red.

"Okami White" shall satisfy the following requirements:

- Color – from light flaxen to flaxen;
- Aroma and taste – harmonious, pleasant and cheerful, with moderate acidity, having refined and balanced taste, light citrus and yellow fruit aroma, tones of meadow flowers typical of young wine, and intensive bouquet with tones of sweet spices and ripe fruits is developed with aging;
- Volumetric spirit content – no less than 11 %;
- Concentration of finished extract mass – no less than 16 g/l;
- Sugar content – no more than 4 g/l;
- Titrated acidity – no less than 5 g/l;
- Volatile acidity – no more than 1 g/l;
- Total mass concentration of sulfur dioxide – no more than 200 mg/l.

"Okami" red shall satisfy the following requirements:

- Color – ruby;
- Aroma and taste – full, pleasant and cheerful, with moderate acidity, extracted, having delicate aroma of red berries, and the aroma of spices is developed with aging;
- Volumetric spirit content – no less than 12 %;
- Concentration of finished extract mass – no less than 24 g/l;
- Sugar content – no more than 4 g/l;
- Titrated acidity – no less than 5 g/l;
- Volatile acidity – no more than 1,2 g/l;
- Total mass concentration of sulfur dioxide – no more than 150 mg/l.

3. SPECIFIC ZONE AVAILABLE AREAS

The micro-zone Okami is situated in central part of Shida Kartli viticulture zone, on right and left banks of the River Mtkvari (Kura), and includes the area having favorable soil-climatic conditions for viticulture of Kaspi municipality.

The micro-zone Okami includes the following villages: Kodis Tskaro, Kvemo Tchala, Lamiskana, Samtavisi, Okami, Aghaiani, Akhalkalaki, Teliani, Kvemo Gomi, Metekhi, Khovle, Zemo Khandaki, Akhaltsikhe, Doesi, Kaspi, Tsinarekhi and Kavtiskhevi.

4. GRAPE VARIETIES

Wine "Okami" white shall be produced only with the grapes of vine Chinuri and/or Goruli Mtsvane cultivated in the micro-zone Okami, usage of other varieties is prohibited.

Wine "Okami" red shall be produced only with the grapes of vine Shavkapito cultivated in the micro-zone Okami, usage of other varieties is prohibited.

5. VINEYARD CULTIVATION, SHAPE OF PRUNING AND CARE

- Micro-zone Okami vineyards intended for wine "Okami" are situated on 500-800 m above sea level;
- Density between the rows in the vineyards – 1-2,5 m;
- Density between the vines in the row – 0,8-1,5 m;
- Height of Stem – 60-90 cm;
- Shape of Pruning – one-sided or Georgian two-sided or free;
- Vine cultivation, pruning, pests and diseases control, and soil cultivation, fertilization and other operations, as well, are executed in accordance with agrotechnical measures selected by grape producer.

6. GRAPE RIPENESS, VINTAGE, TRANSPORTATION

- Sugar content intended for wine "Okami" white production shall be no less than 19%, at the vintage;
- Sugar content intended for wine "Okami" red production shall be no less than 20%, at the vintage;
- Grapes transportation is permitted only with wooden or plastic boxes or tarpums having capacity of no more than 80 kg;
- Usage of polyethylene packages and/or begs is not allowed;
- The grapes shall be protected from dirtying at the transportation.

7. VINTAGE AND WINE HARVEST

Vintage on 1 ha vineyard shall be no more than 8 tons;

Wine harvest shall be no more than:

- 650 l – from 1 ton grapes;
- 5200 l – from 1 ha vineyard.

8. GRAPE PROCESSING, WINEMAKING AND BOTTLING

Grapes for producing the wine "Okami" shall be only from the micro-zone Okami vineyards.

Processing of grapes and winemaking is permitted only within Shida Kartli sub-zone, and bottling – outside, but only on the territory of Georgia.

Wine "Okami" white is made with full alcoholic fermentation of self-discharged grape juice under gravity.

Wine "Okami" red is made with full alcoholic fermentation of grape must.

Wine "Okami" shall be represented on consumer market only packed in the consumer vessels.

9. LINK BETWEEN EXCLUSIVE QUALITY, REPUTATION AND GEOGRAPHICAL AREA

Climate – the climate in the micro-zone Okami is dry with moderately cold winter and dry, hot summer. Annual duration of sunlight is 2250-2400 hours, and in vegetative period it exceeds 1600-1800 hours. Average annual temperature is 11.4°C, in January – 0.5°C, and in August – 23°C. The Eastern and Western winds are prevailing in municipality territory. The sum of active temperatures is 3450-3600°C.

Average annual amount of precipitations is 500 mm. Quite big amount of precipitations take place in spring and early summer, i.e. during plant growth and flowering, and in small amount – at the end of summer and beginning of autumn, i.e. during grapes ripening, creating very favorable conditions for fruit formation in normal and perfect form, in the microzone.

Furthermore, fairly high index of sum of active temperatures in the micro-zone (3450-4700°C), warm days and cool nights during grapes ripening period ensures significant increase of sugar concentration in the fruit.

Soil – meadow brown, carbonate and alluvial soils are mostly represented in the micro-zone Okami. Most of soils have a nutty-granular structure, mechanical composition thereof is mostly heavy and averagely loamy and light clay, and physical clay content varies between 45-85%. It mostly contains small amount of carbonates ranging within 2,8-6,6%, in the profile. Soils are mostly of alkaline reaction – pH is 8,2-8,7. Soil profile thickness is between 0.8-1.3 meters, and active humus layer is within 50-60 cm.

The content of organic substances is medium and low and ranges between 2,42-5,85%.

The soil contains medium and small amounts of soluble (absorbable) phosphorus of 1,83-16,40 mg in 1 kg of soil, and in some cases it is represented only as traces. It contains quite big amount of exchangeable potassium of 480-650 mg in 1 kg of soil in planting layer.

The sum of absorbed bases (Ca+Mg) is characterized with high index, and ranges within 41,33-43,84 mg equivalent in 100 g of soil. A much higher percentage therefrom comes on absorbed calcium, and magnesium is much less.

Together with mentioned favorable climatic conditions the nutty-granular structure of best soils for micro-zone viticulture leads the vintage with balanced acidity/sugariness, ultimately, ensuring the wine smoothness, moderate acidity and light citrus aroma in the case of white wine, and the delicate aroma of red berries – in the case of red wine.

Human Factor – As in other viticulture zones of Georgia, viticulture and winemaking exist since time immemorial in the micro-zone Okami, and was famous with wines throughout its history. Local winemakers are pressing grapes in a press, and boiling the resulting sweet syrup in pitchers from time immemorial. They refined and improved local winemaking methods over the centuries. Ivane Mukhranbatoni (second half of 19th century) and Tengiz Kekelidze, who founded Okami winery in 1965, and was its first director made a special contribution to the development of viticulture and winemaking in this area. Should be noted that the factory bears a name of Tengiz Kekelidze, and his bust was stood up in 1994 (B. Kalandadze "Samtresti and Samtrestelebi", pp. 26, 108. Tbilisi, 2014.

<https://www.entrepreneur.com/article/325601>, <http://www.nplg.gov.ge/winemakers/en/00000017/>).

The transformation of Okami winery into a training base of the Caucasus International University create technology and quality improvement new perspectives for "Okami" winemaking further development.

Thus, the geographical location of the micro-zone Okami, its characteristic climate, soils, specific properties of vine varieties: Shavcapito, Chinuri and Goruli Mtsvane, and the local, centuries-old tradition of viticulture and winemaking determine the unique organoleptic features of wine "Okami".

10. ESPECIAL LABELING RULES

The name shall appear on the label, packaging, wine accompanying documents and advertising materials as follows:

With Georgian Characters: ოკამი დაცული ადგილწარმოშობის დასახელების ღვინო

With Lathin Characters: OKAMI Protected Designation of Origin and/or PDO PDO

With Cyrillic Characters: ОКАМИ Защищённое наименование места происхождения

11. ACCOUNTING AND NOTIFICATION

Accounting and notification of production and storage technological processes of wine "Okami" is carried out in accordance with the Rule on "Registration and Reporting of Technological Processes in Viticulture and Winemaking Practice" established with the Order №2-78 of 24 01 2019 made by the Ministry of Agriculture of Georgia.

12. MAIN CONTROLLABLE POINTS

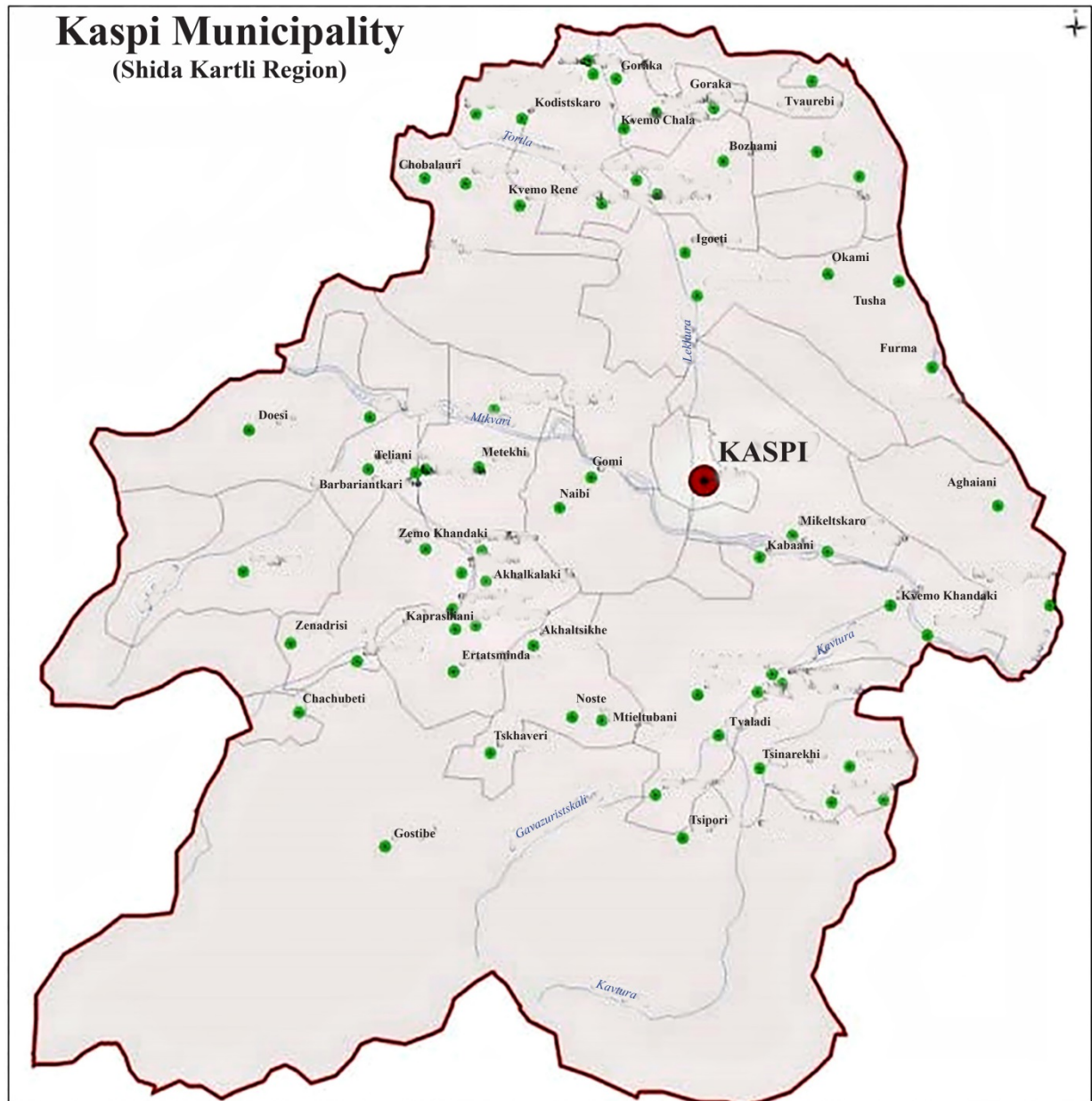
During the control of production process of PDO Wine "Okami" the producer shall confirm the compliance of the following parameters to the National Wine Agency:

Main Controllable Points	Evaluation Methods
Vineyard location	Cadaster map, control on the place
Area	Vineyard accounting magazine, cadaster
Vine variety	Vineyard accounting journal, control on the place
Cultivation methods	Journal of registration of Agrotechnical Measures, treating journal, control on the place
Vintage and transportation	Vintage journal
Grape harvest per ha	Vintage journal
Grape harvest in total	Vintage journal
Grape processing and winemaking	Grape receiving journal, grape processing journal, product turnover calculation journal, laboratory analysis journals, notifications, control on the place
Wine bottling, packaging and storage place and conditions	Bottling journal, journal for motion of ready product in the storehouse, laboratory analysis journals
Physico-chemical characteristics of the wine at winemaking, before and after bottling	Laboratory analysis journals
Organoleptic characteristics of the wine	Tasting commission protocols
Traceability	Technological and laboratory Records

13. CONTROL BODY OF PRODUCTION

State control for observance of production specification and lawful usage of the appellation of origin PDO shall be carried out by LEPL – National Wine Agency, according to the rules established by the legislation of Georgia.

14. MAP OF MICRO-ZONE



**OFFICIAL NOTIFICATIONS
INVENTIONS
ABOLITION OF PATENTS WITH THE RIGHT TO RESTORE**

(21) AP 2011 12288
(11) P 2012 5654 B
(73) Anzor Chachua
(54) AIRLINE SERVICE COMPLEX
DATE OF PATENT CANCELLATION: 2022 07 08
LIMITED DATE OF PATENT RESTORATION: 2023 07 08

(21) AP 2013 13165
(11) P 2017 6634 B
(73) Giorgi Tumanishvili;
Tengiz Nadiradze;
Giorgi Tumanishvili
(54) CARRIAGE WHEELPAIR
DATE OF PATENT CANCELLATION: 2022 07 18
LIMITED DATE OF PATENT RESTORATION: 2023 07 18

(21) AP 2012 13384
(11) P 2017 6668 B
(73) Takeda Vaccines Inc.
(54) PARENTERAL NOROVIRUS VACCINE FORMULATIONS
DATE OF PATENT CANCELLATION: 2022 07 11
LIMITED DATE OF PATENT RESTORATION: 2023 07 11

(21) AP 2015 14426
(11) P 2019 6987 B
(73) Alliance Magnésium
(54) HYDROMETALLURGICAL PROCESS TO PRODUCE PURE MAGNESIUM METAL AND VARIOUS
BY-PRODUCTS
DATE OF PATENT CANCELLATION: 2022 07 17
LIMITED DATE OF PATENT RESTORATION: 2023 07 17

(21) AP 2004 9208
(11) P 2007 4277 B
(73) JOINT STOCK COMPANY "Grindeks"
(54) MELDONIUM SALTS, METHOD OF THEIR PREPARATION AND PHARMACEUTICAL
COMPOSITION ON THEIR BASIS
DATE OF PATENT CANCELLATION: 2022 07 15
LIMITED DATE OF PATENT RESTORATION: 2023 07 15

EXPIRATION OF TERMS OF PATENTS RESTORATION

(21) AP 2011 12315
(11) P 2014 6032 B
(73) Irakli Gobejishvili
(54) APPROXIMATELY TENSE ASEISMIC STABILE HANGING BUILDING
DATE OF PATENT CANCELLATION: 2021 07 22
DATE OF PATENT RESTORATION VALIDITY HAS EXPIRED: 2022 07 22

(21) AP 2012 13225
(11) P 2017 6766 B
(73) Los Angeles Biomedical Research Center;
Novamedica LTD Liability Company
(54) METHODS AND COMPOSITIONS FOR VACCINATING AGAINST STAPHYLOCOCCUS AUREUS
DATE OF PATENT CANCELLATION: 2021 07 20
DATE OF PATENT RESTORATION VALIDITY HAS EXPIRED: 2022 07 20

(21) AP 2014 13528
(11) P 2017 6704 B
(73) Les Laboratoires Servier;
Vernalis (R & D) LTD.
(54) NEW PHOSPHATE COMPOUNDS, PROCESS FOR THEIR PREPARATION AND PHARMACEUTICAL
COMPOSITIONS CONTAINING THEM
DATE OF PATENT CANCELLATION: 2021 07 21
DATE OF PATENT RESTORATION VALIDITY HAS EXPIRED: 2022 07 21

(21) AP 2014 14062
(11) P 2018 6804 B
(73) Les Laboratoires Servier;
Vernalis (R & D) LTD.
(54) NOVEL INDOLIZINE DERIVATIVES, METHOD FOR THE PRODUCTION THEREOF AND
PHARMACEUTICAL COMPOSITIONS CONTAINING SAME
DATE OF PATENT CANCELLATION: 2021 07 22
DATE OF PATENT RESTORATION VALIDITY HAS EXPIRED: 2022 07 22

(21) AP 2016 14688
(11) P 2020 7105 B
(73) Pfizer Inc.
(54) 1,1,1-TRIFLUORO-3-HYDROXYPROPAN-2-YL CARBAMATE DERIVATIVES AND 1,1,1-
TRIFLUORO-4-HYDROXYBUTAN-2-YL CARBAMATE DERIVATIVES AS MAGL INHIBITORS
DATE OF PATENT CANCELLATION: 2021 07 18
DATE OF PATENT RESTORATION VALIDITY HAS EXPIRED: 2022 07 18

(21) AP 2017 15105
(11) P 2020 7168 B
(73) Limited Liability Company "GSGRUPP"
(54) PLASTIC BOTTLE
DATE OF PATENT CANCELLATION: 2021 07 12
DATE OF PATENT RESTORATION VALIDITY HAS EXPIRED: 2022 07 12

(21) AP 2019 15152
 (11) P 2020 7181 B
 (73) Davit Purtskhvanidze
 (54) EQUIPMENT FOR PROTON-LITHIUM SYNTHESIS
 DATE OF PATENT CANCELLATION: 2021 07 24
 DATE OF PATENT RESTORATION VALIDITY HAS EXPIRED: 2022 07 24

EXPIRATION OF TERMS OF PATENT

(21) AP 2002 8025
 (11) P 2006 3721 B
 (73) Sanofi-Synthelabo OTC S.P.A. (IT)
 (54) SOLID COMPOSITION CONTAINING BACILLUS-TYPE NON-PATHOGENIC BACTERIAL SPORES
 EXPIRATION DATE OF PATENT: 2022 07 26

CORRECTION OF PUBLISHED INFORMATION

Bulletin №8(587) 2022 04 26

APPLICATION № (10)	Pg.	COL.	WAS PUBLISHED	FULL DATA
AP 2022 15662 A	4	II	(54) STORMLATE – DAVIT KHO- MASURIDZE (57) Stormlate includes flat round body 1, and disposed in the center the vertical inlet pipe 2 having located in its end the hydraulic locker 3; at that, the perforations whereon the nozzles 4 are mounted are executed circle-wisely on flat body. The nozzles 4 are capable to direct running vertically upwards at certain pressure the vertically ascending stream, horizontally, and parallel relative to plate top surface.	(54) TORNADO PLATE – DAVIT KHOMASURIDZE (57) Tornado plate includes flat round body 1, and disposed in the center the vertical inlet pipe 2 having located in its end the hydraulic locker 3; at that, the perforations whereon the nozzles 4 are mounted are executed circle- wisely on flat body. The nozzles 4 are capable to direct running vertically upwards at certain pressure the vertically ascending stream, horizontally, and parallel relative to plate top surface.

UTILITY MODELS

ABOLITION OF PATENTS WITH THE RIGHT TO RESTORE

(21) AU 2015 13890
(11) U 2016 1912 Y
(73) Konstantine Maghradze;
Nugzar Joglidze
(54) COMPOSITION FOR BAKERY FOR PANCREATIC DIABETIC DIETARY MEAL
DATE OF PATENT CANCELLATION: 2022 07 17
LIMITED DATE OF PATENT RESTORATION: 2023 07 17

(21) AU 2018 15238
(11) U 2020 2056 Y
(73) Obshestvo s Orahichennoy Otvetstvennostiu "DzhetLab"
(54) PACKAGE FOR THE TRANSPORTATION OF BOTTLE
DATE OF PATENT CANCELLATION: 2022 07 24
LIMITED DATE OF PATENT RESTORATION: 2023 07 24

(21) AU 2020 15386
(11) U 2021 2082 Y
(73) Salome Vadatchkoria;
Nino Vadatchkoria
(54) POLYLACTIC ACID – POLYLACTIDE (PLA) AND USAGE OF POLYMERS THEREWITH
NOVEL DESTINATION
DATE OF PATENT CANCELLATION: 2022 07 10
LIMITED DATE OF PATENT RESTORATION: 2023 07 10

EXPIRATION OF TERMS OF PATENTS RESTORATION

(21) AU 2013 13155
(11) U 2014 1819 Y
(73) Giorgi Bikovi
(54) POKER TYPE CARD GAME SYSTEM
DATE OF PATENT CANCELLATION: 2021 07 08
DATE OF PATENT RESTORATION VALIDITY HAS EXPIRED: 2022 07 08

(21) AU 2018 14834
(11) U 2020 2050 Y
(73) Avtandil Bitsadze;
Simon Baramidze
(54) DEVICE FOR OBTAINING AIR AND/OR WATER FOR NATURAL OR ARTIFICIAL RESERVOIR
DATE OF PATENT CANCELLATION: 2021 07 17
DATE OF PATENT RESTORATION VALIDITY HAS EXPIRED: 2022 07 17

(21) AU 2019 15142
(11) U 2020 2049 Y
(73) Tsisana Gagnidze;
Zhiuli Keadze;

Rusudan Chagelishvili;
Vazha Chagelishvili
(54) ELECTROCHEMICAL REACTOR FOR PIT-RUN AND INDUSTRIAL WASTE WATERS TREATMENT
DATE OF PATENT CANCELLATION: 2021 07 19
DATE OF PATENT RESTORATION VALIDITY HAS EXPIRED: 2022 07 19

TRANSFER OF RIGHTS

(21) AU 2014 13486
(11) U 2015 1876 Y
(54) PRODUCT OF CLINICAL NUTRITION
NEW NAME AND ADDRESS OF PATENT OWNER: Konstantine Maghradze (GE)
Kipshidze St. 12, app. 10, 0162, Tbilisi, Georgia (GE);
Manana Japaridze (GE)
Miminoshvili St. 6, 0103, Tbilisi, Georgia (GE)
FORMER NAME AND ADDRESS OF PATENT OWNER: Konstantine Maghradze (GE)
Kipshidze St. 12, app. 10, 0162, Tbilisi, Georgia (GE);
Nugzar Joglidze (GE)
Miminoshvili St. 6, 0103, Tbilisi, Georgia (GE)
DATE OF REGISTRATION: 2022 07 25

(21) AU 2019 15243
(11) U 2021 2069 Y
(54) E-WALLET SERVICE COLLECTIVE USAGE SYSTEM
NEW NAME AND ADDRESS OF PATENT OWNER: LTD "Community Soft Solutions" (GE)
Otar Lortkipanidze St. 6, app. 10 (Mansard), 0114, Tbilisi,
Georgia (GE)
FORMER NAME AND ADDRESS OF PATENT OWNER: David Pirvelashvili (GE)
Medea Chakhava St. 4, app. 11, Tbilisi, Georgia (GE);
Levan Sharangia (GE)
Otar Lortkipanidze St. 6, app. 10, Tbilisi,
Georgia (GE)
DATE OF REGISTRATION: 2022 07 22

DESIGNS

EXTENSION OF TERMS OF INTERNATIONAL DESIGNS REGISTRATION

(11) DM/69100
(73) OMEGA SA (OMEGA AG) (OMEGA LTD.)
Jakob-Stämpfli-Strasse 96, CH-2502 Biel/Bienne (CH)
(15) 2007 07 18
(24) 2007 07 18
(18) 2027 07 18
(28) 1
(28') 1
(54) WATCH DIAL

(11) DM/69206
(73) ELECTROLUX HOME PRODUCTS CORPORATION N.V.
Belgicastraat 17, B-1930 Zaventem (BX)
(15) 2007 07 09
(24) 2007 07 09
(18) 2027 07 09
(28) 2
(28') 2
(54) SURFACE GRILL

(11) DM/69340
(73) INTRALOT S.A. - INTEGRATED LOTTERY SYSTEMS AND SERVICES
64 Kifissias Ave and 3 Premetis Str., MAROYSI, GR-151 25 ATHENS (GR)
(15) 2007 07 26
(24) 2007 07 26
(18) 2027 07 26
(28) 3
(28') 3
(54) LOTTERY TERMINALS

(11) DM/78555
(73) PEDROLLO S.P.A.
Via E. Fermi, 7, I-37047 San Bonifacio (VR) (IT)
(15) 2012 06 18
(24) 2012 06 18
(18) 2027 06 18
(28) 1
(28') 1
(54) ELECTROPUMP

(11) DM/78766
(73) MONTRES BREGUET S.A.
CH-1344 L'ABBAYE (CH)
(15) 2012 07 23
(24) 2012 07 23
(18) 2027 07 23
(28) 1
(28') 1
(54) WRISTWATCH

(11) DM/96607
(73) DERNEK GRUP ELEKTRIK ELEKTRONIK DIS TICARET VE SANAYI LIMITED SIRKETI
Istanbul Trakya Serbest Bolgesi Ferhatpasa Sb Mahallesi, Sumbul Sokak No:5/41, Catalca, Istanbul (TR)
(15) 2017 06 08
(24) 2017 06 08
(18) 2027 06 08
(28) 2
(28') 2
(54) ELECTRICAL SOCKET, ELECTRICAL SWITCH

(11) DM/96989
(73) GLASHÜTTER UHRENBETRIEB GMBH
Altenberger Straße 1, 01768 Glashütte (DE)
(15) 2017 07 24

(24) 2017 07 24
(18) 2027 07 24
(28) 1
(28') 1
(54) WATCH DIAL

(11) DM/97109
(73) VALENTINO S.P.A.
Via Turati, 16/18, I-20121 MILANO (EM)
(15) 2017 07 18
(24) 2017 07 18
(18) 2027 07 18
(28) 1
(28') 1
(54) SHOE

(11) DM/97212
(73) MONTRES JAQUET DROZ SA (MONTRES JAQUET DROZ AG) (MONTRES JAQUET DROZ LTD.)
Allée du Tourbillon 2, CH-2300 La Chaux-de-Fonds (CH)
(15) 2017 07 31
(24) 2017 07 31
(18) 2027 07 31
(28) 1
(28') 1
(54) SIGNING MACHINE

(11) DM/97501
(73) ROLEX SA
3-5-7 rue François-Dussaud, CH-1211 Genève 26 (CH)
(15) 2017 07 28
(24) 2017 07 28
(18) 2027 07 28
(28) 5
(28') 5
(54) 1. WATCH BEZEL, 2.-3. WATCHES, 4.-5. PARTS OF WATCH DIAL

(11) DM/98250
(73) MICHAEL J. HAKAKAL
3378 Pacific Drive, Naples FL 34119 (US)
(15) 2017 06 09
(24) 2017 06 09
(18) 2027 06 09
(28) 1
(28') 1
(54) SPOOL FOR DISPENSING WASTE DISPOSAL BAGS

CANCELLATION OF INTERNATIONAL DESIGNS REGISTRATION

(11) DM/91455
(73) ETA SA MANUFACTURE HORLOGÈRE SUISSE
Schild-Rust-Strasse 17, CH-2540 Grenchen (CH)
DATE OF REGISTRATION CANCELLATION : 2021 07 04
(58) 2022 07 19

(11) DM/91878
(73) AYAYDIN TEKSTİL İNŞAAT TURİZM TİCARET SANAYİ LİMİTED SİRKETİ
Yenibosna Merk. Mah. Cemal Ulusoy Cad. No:13, BAĞCELİEVLER İSTANBUL (TR)
DATE OF REGISTRATION CANCELLATION: 2021 03 21
(58) 2022 07 19

(11) DM/91895
(73) CUTTING EDGE PRODUCTS LLC
120 Newport Center Drive, Newport Beach CA 92660 (US)
DATE OF REGISTRATION CANCELLATION : 2021 06 07
(58) 2022 07 19

(11) DM/92419
(73) JAMES RICKMAN
249 Cardinal Lane, Paducah, KY 42001 (US)
DATE OF REGISTRATION CANCELLATION : 2020 11 19
(58) 2022 07 19

(11) DM/92538
(73) ABRAM CORPORATION
Miyakawa Bldg. 2-8-10, Hirakawacho, Chiyoda-ku, TOKYO 102-0093 (JP)
DATE OF REGISTRATION CANCELLATION : 2021 02 10
(58) 2022 07 19

(11) DM/92606
(73) ABRAM CORPORATION
Miyakawa Bldg. 2-8-10, Hirakawacho, Chiyoda-ku, TOKYO 102-0093 (JP)
DATE OF REGISTRATION CANCELLATION : 2021 02 06
(58) 2022 07 19

(11) DM/92693
(73) NAF LOGISTICS COMMAND
Vienibas alley 56, LV-1004 Riga (LV)
DATE OF REGISTRATION CANCELLATION : 2021 07 14
(58) 2022 07 19

(11) DM/93116
(73) YILDIZ HOLDİNG ANONİM ŞİRKETİ
Kısıklı Mahallesi Çeşme Çıkmaı Sokak No:6/1, Üsküdar İstanbul (TR)
DATE OF REGISTRATION CANCELLATION : 2021 03 16
(58) 2022 07 19

TRADEMARKS

EXTENSION OF TERMS OF TRADEMARKS REGISTRATION

(111) M 2002 14641 R2
(156) 2002 09 13
(186) 2032 09 13
(732) Upjohn us 1 Llc
235 East 42nd Street, New York, N.Y. 10017,
USA

(111) M 2012 22863 R1
(156) 2012 08 30
(186) 2032 08 30
(732) Taro Pharmaceuticals U.S.A., Inc.
3 Skyline Drive, Hawthorne New York 10532,
USA

(111) M 2012 22768 R1
(156) 2012 07 13
(186) 2032 07 13
(732) Cilag GmbH International
Landis+Gyr-Strasse 1, CH-6300 Zug,
Switzerland

(111) M 2012 22723 R1
(156) 2012 07 02
(186) 2032 07 02
(732) Erkan Emen.
Mesihpaşa Mahallesi Malkoç Pasajı No. 41/1
Laleli Eminönü İstanbul, Turkey

(111) M 2012 22727 R1
(156) 2012 07 02
(186) 2032 07 02
(732) The Procter & Gamble Company
One Procter & Gamble Plaza, Cincinnati, Ohio
45202, USA

COMPLETE TRANSFER OF RIGHTS

(111) M 2021 34835 R
(732) JSC "Sarajishvili"
Sarajishvili Av. 4, 0153, Tbilisi, Georgia
(770) Elguja Bubuteishvili
Paliashvili St. 62, 0179, Tbilisi, Georgia
(580) 2022 07 15

(111) M 2012 22863 R
(732) Taro Pharmaceuticals U.S.A. Inc.
3 Skyline Drive, Hawthorne New York 10532,
USA
(770) The Proactiv Company Sarl
Avenue Gratta-Paille 2, 1018 Lausanne,
Switzerland
(580) 2022 06 20

(111) M 2012 22694 R
(732) JSC "Sarajishvili"
Sarajishvili Av. 4, 0153, Tbilisi, Georgia
(770) Elguja Bubuteishvili
Paliashvili St. 62, 0179, Tbilisi, Georgia
(580) 2022 07 21

(111) M 2014 24750 R
(732) JSC "Sarajishvili"
Sarajishvili Av. 4, 0153, Tbilisi, Georgia
(770) Elguja Bubuteishvili
Paliashvili St. 62, 0179, Tbilisi, Georgia
(580) 2022 07 21

(111) M 2000 13253 R
(732) Fortune Media IP Limited
812 Silvercord, Tower 1, 30 Canton Road,
Tsim Sha Tsui, Kowloon, Hong Kong
(770) TI Gotham Inc.
1716 Locust Street, Des Moines, IA 50309,
USA
(580) 2022 07 13

CHANGES OF NAMES AND/OR ADDRESSES OF TRADEMARKS OWNERS

(111) M 1998 10383 R
(732) Valeo
100 rue de Courcelles, 75017, Paris, France
(770) Valeo
43 Rue Bayen, 75017 Paris, France
(580) 2022 07 15

(111) M 2000 13253 R
(732) TI Gotham Inc.
1716 Locust Street, Des Moines, IA 50309,
USA
(770) Time Inc.
225 Liberty Street 5th Floor New York,
NY 10281, USA
(580) 2022 07 13

(111) M 2017 28480 R
(732) Tp-Link Corporation Limited
Room 901, 9/F, New East Ocean Center,
9 Science Museum Road, Tsim Sha Tsui,
Kowloon, Hong Kong
(770) Tp-Link International Limited
Room 901, 9/F, New East Ocean Center,
9 Science Museum Road, Tsim Sha Tsui,
Kowloon, Hong Kong
(580) 2022 06 06

(111) M 2017 28481 R
(732) Tp-Link Corporation Limited
Room 901, 9/F, New East Ocean Center,
9 Science Museum Road, Tsim Sha Tsui,
Kowloon, Hong Kong
(770) Tp-Link International Limited
Room 901, 9/F, New East Ocean Center,
9 Science Museum Road, Tsim Sha Tsui,
Kowloon, Hong Kong
(580) 2022 06 06

CANCELLATION OF TRADEMARKS REGISTRATION

(111) M 2020 32807 R
(151) 2020 07 01
(732) Khayrat Al-manafa For General Trade and
Public Transport Limited Liability company
27, Saborni Str., Varna, Bulgaria
(141) 2022 07 20 – Registration is void
Grounds: The Article 2(a) of the "Law on Enforcement
Proceedings of Georgia"; The Article 28(I)
(a)(3) of the "Law on Trademarks of
Georgia".
(511) Canceled List of Goods and/or Services:
Class: 34

(111) M 2020 32810 R
(151) 2020 07 01
(732) Khayrat Al-manafa For General Trade and
Public Transport Limited Liability company
27, Saborni Str., Varna, Bulgaria
(141) 2022 07 20 – Registration is void
Grounds: The Article 2(a) of the "Law on Enforcement
Proceedings of Georgia"; The Article 28(I)
(a)(3) of the "Law on Trademarks of
Georgia".
(511) Canceled List of Goods and/or Services:
Class: 34

(111) M 2012 22779 R
(151) 2012 07 13
(732) Creative Nail Design Inc.
1125 Joshua Way, Vista, California 92083,
USA
(141) 2022 08 04 – Owner's request

(111) M 2012 22780 R
(151) 2012 07 13
(732) Creative Nail Design Inc.
1125 Joshua Way, Vista, California 92083,
USA
(141) 2022 08 04 – Owner's request

(111) M 2012 22191 R
(151) 2012 01 11
(732) Harrington Development Inc.
Elivira Mendez Street, Valerino Bldg,
3rd Floor, Panama, Republic of Panama
(141) 2022 07 20

(111) M 2012 22190 R
(151) 2012 01 11
(732) LTD "Golden Lion XXI"
Village Angisa, 6000, Khelvachauri Region,
Georgia
(141) 2022 07 20

INTERNATIONAL LICENSE AGREEMENT

(800) 928957

(732) Tristate Trinovation IP SA

c/o Talenture S.A.

Riva Albertolli 1 Ch-6900 Lugano,

Switzerland

(791) Tristate Trinovation SA JSC

Riva Albertol 1, 6900 Lugano, Switzerland

(793) №1708

Special

From 09 08 2021 – To 31 12 2023

Class: 3, 9, 14, 18, 25

CLASSIFICATION INDEXES

INVENTIONS

CONCORDANCE TABLE OF INTERNATIONAL CLASSIFICATION INDEX AND PUBLICATION NUMBERS

INTERNATIONAL CLASSIFICATION INDEXES (51)	NUMBER OF PUBLISHED APPLICATION (10)
A 01 N 43/78; C 07 D 277/56	AP 2022 15670 A
A 61 K 31/69; A 61 P 29/00; C 07 F 5/02	AP 2022 15599 A
B 03 B 9/06; C 04 B 18/16; C 04 B 28/14; E 04 C 2/02	AP 2022 15265 A

CONCORDANCE TABLE OF PUBLICATION NUMBERS AND INTERNATIONAL CLASSIFICATION INDEX

NUMBER OF PUBLISHED APPLICATION (10)	INTERNATIONAL CLASSIFICATION INDEXES (51)
AP 2022 15265 A	B 03 B 9/06; C 04 B 18/16; C 04 B 28/14; E 04 C 2/02
AP 2022 15599 A	A 61 K 31/69; A 61 P 29/00; C 07 F 5/02
AP 2022 15670 A	A 01 N 43/78; C 07 D 277/56

CONCORDANCE TABLE OF INTERNATIONAL CLASSIFICATION INDEX, PATENT NUMBERS AND PUBLICATION NUMBERS

INTERNATIONAL CLASSIFICATION INDEX (51)	NUMBER OF PATENT (11)	NUMBER OF PUBLISHED APPLICATION (10)
A 61 F 13/00; A 61 F 13/49	P 2022 7401 B	AP 2022 15228 A
A 61 K 31/423; A 61 P 35/00; C 07 D 261/20; C 07 D 417/12; C 07 D 413/12; C 07 D 413/04	P 2022 7403 B	AP 2022 15535 A
A 61 K 31/454; A 61 P 29/00; A 61 P 19/02; A 61 P 17/06; A 61 P 11/00	P 2022 7402 B	AP 2022 15309 A
B 01 D 3/30	P 2022 7404 B	AP 2022 15662 A
F 03 D 5/02; F 03 D 7/00	P 2022 7405 B	AP 2022 15675 A

**CONCORDANCE TABLE OF PATENT NUMBERS,
PUBLICATION NUMBERS AND INTERNATIONAL CLASSIFICATION INDEX**

NUMBER OF PATENT (11)	NUMBER OF PUBLISHED APPLICATION (10)	INTERNATIONAL CLASSIFICATION INDEX (51)
P 2022 7401 B	AP 2022 15228 A	A 61 F 13/00; A 61 F 13/49
P 2022 7402 B	AP 2022 15309 A	A 61 K 31/454; A 61 P 29/00; A 61 P 19/02; A 61 P 17/06; A 61 P 11/00
P 2022 7403 B	AP 2022 15535 A	A 61 K 31/423; A 61 P 35/00; C 07 D 261/20; C 07 D 417/12; C 07 D 413/12; C 07 D 413/04
P 2022 7404 B	AP 2022 15662 A	B 01 D 3/30
P 2022 7405 B	AP 2022 15675 A	F 03 D 5/02; F 03 D 7/00

**CONCORDANCE TABLE OF APPLICATION NUMBERS,
PUBLICATION NUMBERS AND PATENTS**

NUMBER OF APPLICATION (21)	NUMBER OF PUBLISHED APPLICATION (10)	NUMBER OF PATENT (11)
AP 2017 15228	AP 2022 15228 A	P 2022 7401 B
AP 2018 15309	AP 2022 15309 A	P 2022 7402 B
AP 2019 15535	AP 2022 15535 A	P 2022 7403 B
AP 2021 15662	AP 2022 15662 A	P 2022 7404 B
AP 2021 15675	AP 2022 15675 A	P 2022 7405 B

UTILITY MODELS

**CONCORDANCE TABLE OF INTERNATIONAL CLASSIFICATION INDEX
AND PUBLICATION NUMBERS**

INTERNATIONAL CLASSIFICATION INDEXES (51)	NUMBER OF PUBLISHED APPLICATION (10)
A 21 C 1/00; A 21 D 10/04	AU 2022 15768 U
E 02 D 5/56	AU 2022 15677 U
F 24 H 9/00	AU 2022 15789 U

**CONCORDANCE TABLE OF PUBLICATION NUMBERS
AND INTERNATIONAL CLASSIFICATION INDEX**

NUMBER OF PUBLISHED APPLICATION (10)	INTERNATIONAL CLASSIFICATION INDEXES (51)
AU 2022 15768 U	A 21 C 1/00; A 21 D 10/04
AU 2022 15677 U	E 02 D 5/56
AU 2022 15789 U	F 24 H 9/00

**CONCORDANCE TABLE OF INTERNATIONAL CLASSIFICATION INDEX,
PATENT NUMBERS AND PUBLICATION NUMBERS**

INTERNATIONAL CLASSIFICATION INDEX (51)	NUMBER OF PATENT (11)	NUMBER OF PUBLISHED APPLICATION (10)
C 08 L 101/00	U 2022 2125 Y	AU 2022 15684 U
F 03 D 5/00	U 2022 2126 Y	AU 2022 15519 U
F 21 S 8/00	U 2022 2124 Y	AU 2022 15807 U

**CONCORDANCE TABLE OF PATENT NUMBERS,
PUBLICATION NUMBERS AND INTERNATIONAL CLASSIFICATION INDEX**

NUMBER OF PATENT (11)	NUMBER OF PUBLISHED APPLICATION (10)	INTERNATIONAL CLASSIFICATION INDEX (51)
U 2022 2124 Y	AU 2022 15807 U	F 21 S 8/00
U 2022 2125 Y	AU 2022 15684 U	C 08 L 101/00
U 2022 2126 Y	AU 2022 15519 U	F 03 D 5/00

**CONCORDANCE TABLE OF APPLICATION NUMBERS,
PUBLICATION NUMBERS AND PATENTS**

NUMBER OF APPLICATION (21)	NUMBER OF PUBLISHED APPLICATION (10)	NUMBER OF PATENT (11)
AU 2020 15519	AU 2022 15519 U	U 2022 2126 Y
AU 2021 15684	AU 2022 15684 U	U 2022 2125 Y
AU 2021 15807	AU 2022 15807 U	U 2022 2124 Y

DESIGNS

**CONCORDANCE TABLE OF INTERNATIONAL CLASSIFICATION INDEX,
NUMBERS OF REGISTRATION AND PUBLICATION NUMBERS**

INTERNATIONAL CLASSIFICATION INDEX (51)	NUMBER OF REGISTRATION (11)	NUMBER OF PUBLISHED APPLICATION (10)
09-01	D 2022 941 S	AD 2022 1255 S

CONCORDANCE TABLE OF NUMBERS OF REGISTRATION,
PUBLICATION NUMBERS AND INTERNATIONAL CLASSIFICATION INDEX

NUMBER OF REGISTRATION (11)	NUMBER OF PUBLISHED APPLICATION (10)	INTERNATIONAL CLASSIFICATION INDEX (51)
D 2022 941 S	AD 2022 1255 S	09-01

CONCORDANCE TABLE OF APPLICATION NUMBERS,
PUBLICATION NUMBERS AND NUMBERS OF REGISTRATION

NUMBER OF APPLICATION (21)	NUMBER OF PUBLISHED APPLICATION (10)	NUMBER OF REGISTRATION (11)
AD 2021 1255	AD 2022 1255 S	D 2022 941 S

TRADEMARKS

CONCORDANCE TABLE OF REGISTRATION NUMBERS, APPLICATION NUMBERS, PUBLICATION NUMBERS AND BULLETIN NUMBERS

NUMBER OF REGISTRATION (111)	NUMBER OF APPLICATIONS (210)	NUMBER OF PUBLISHED APPLICATIONS (260)	NUMBER OF BULLETIN
1	2	3	4
M 2022 35733 R	AM 118653	–	15(594)2022
M 2022 35734 R	AM 118642	–	15(594)2022
M 2022 35735 R	AM 118553	–	15(594)2022
M 2022 35736 R	AM 118483	–	15(594)2022
M 2022 35737 R	AM 118725	–	15(594)2022
M 2022 35738 R	AM 118389	–	15(594)2022
M 2022 35739 R	AM 118726	–	15(594)2022
M 2022 35740 R	AM 115531	–	15(594)2022
M 2022 35741 R	AM 118732	–	15(594)2022
M 2022 35742 R	AM 118758	–	15(594)2022
M 2022 35743 R	AM 118765	–	15(594)2022
M 2022 35744 R	AM 118640	–	15(594)2022
M 2022 35745 R	AM 118641	–	15(594)2022

CONCORDANCE TABLE OF PUBLICATION NUMBERS AND APPLICATION NUMBERS

NUMBER OF PUBLISHED APPLICATION (260)	NUMBER OF APPLICATION (210)
1	2
AM 2022 115883 A	AM 115883
AM 2022 115976 A	AM 115976
AM 2022 116069 A	AM 116069
AM 2022 116152 A	AM 116152
AM 2022 116155 A	AM 116155
AM 2022 116159 A	AM 116159
AM 2022 116226 A	AM 116226
AM 2022 116227 A	AM 116227
AM 2022 116228 A	AM 116228
AM 2022 116231 A	AM 116231
AM 2022 116232 A	AM 116232
AM 2022 116233 A	AM 116233
AM 2022 116236 A	AM 116236
AM 2022 116237 A	AM 116237

1	2
AM 2022 116238 A	AM 116238
AM 2022 116240 A	AM 116240
AM 2022 116242 A	AM 116242
AM 2022 116245 A	AM 116245
AM 2022 116249 A	AM 116249
AM 2022 116303 A	AM 116303
AM 2022 116316 A	AM 116316
AM 2022 116317 A	AM 116317
AM 2022 116318 A	AM 116318
AM 2022 116325 A	AM 116325
AM 2022 116327 A	AM 116327
AM 2022 116391 A	AM 116391
AM 2022 116397 A	AM 116397
AM 2022 116398 A	AM 116398
AM 2022 116399 A	AM 116399
AM 2022 116419 A	AM 116419
AM 2022 116420 A	AM 116420
AM 2022 116429 A	AM 116429

**CONCORDANCE TABLE OF INDEX OF GOODS AND/OR SERVICES
AND APPLICATION NUMBERS**

INDEX OF GOODS AND/OR SERVICES (511)	NUMBER OF PUBLISHED APPLICATIONS (260)	1	2
1	2	31	AM 116159
3	AM 116236	31	AM 116242
3	AM 116238	32	AM 116242
3	AM 116420	34	AM 116152
5	AM 116303	34	AM 116155
5	AM 116327	34	AM 116226
5	AM 116391	34	AM 116227
5	AM 116397	34	AM 116231
5	AM 116398	34	AM 116232
5	AM 116399	34	AM 116233
11	AM 116325	34	AM 116245
11	AM 116327	35	AM 116249
12	AM 116237	35	AM 116318
21	AM 116327	36	AM 116240
25	AM 116419	38	AM 116069
28	AM 116069	39	AM 116228
29	AM 116242	41	AM 115883
29	AM 116316	41	AM 116249
30	AM 116242	41	AM 116317
30	AM 116429	43	AM 115976
		43	AM 116242
		43	AM 116429

**CONCORDANCE TABLE OF INDEX OF GOODS AND/OR SERVICES
AND NUMBERS OF TRADEMARKS REGISTERED ACCORDING
TO THE ACCELERATED PROCEDURE**

INDEX OF GOODS AND/OR SERVICES (511)	NUMBERS OF REGISTERED ACCORDING TO THE ACCELERATED PROCEDURE (111)
11	M 2022 35733 R
16	M 2022 35738 R
25	M 2022 35734 R
32	M 2022 35735 R
32	M 2022 35743 R
33	M 2022 35740 R
35	M 2022 35733 R
35	M 2022 35734 R
35	M 2022 35737 R
35	M 2022 35738 R
35	M 2022 35744 R
35	M 2022 35745 R
37	M 2022 35733 R
38	M 2022 35739 R
38	M 2022 35742 R
39	M 2022 35744 R
39	M 2022 35745 R
43	M 2022 35741 R
44	M 2022 35736 R

OFFICIAL BULLETIN OF THE INDUSTRIAL PROPERTY

**INVENTIONS
UTILITY MODELS
DESIGNS
TRADEMARKS
APPELLATIONS OF ORIGIN OF GOODS**

15(594)

EDITOR-IN-CHIEF: N. Bebrishvili

EDITOR-TRANSLATOR: E. Gabunia

PROOFREADER: G. Nadareishvili

COMPUTER LAYOUT: M. Ordenidze
K. Svanidze

info@sakpatenti.gov.ge
www.sakpatenti.gov.ge