

Official Bulletin of the Industrial Property

Inventions

Utility Models

Designs

Trademarks

Appellations of Origin of Goods



საქართველოს ინტელექტუალური
საკუთრების ეროვნული ცენტრი

საქპატენტი

SAKPATENTI

NATIONAL INTELLECTUAL PROPERTY
CENTER OF GEORGIA

www.sakpatenti.gov.ge

Date of Publication – 2022 09 26

18(597)

INID CODES FOR IDENTIFICATION OF BIBLIOGRAPHIC DATA

INVENTIONS, UTILITY MODELS

- (10) Number of publication for application, which has been examined
- (11) Number of patent and kind of document
- (21) Serial number of application
- (22) Date of filing of the application
- (23) Date of exhibition or the date of the earlier filing and the number of application, if any
- (24) Date from which patent may have effect
- (31) Number of priority application
- (32) Date of filing of priority application
- (33) Code of the country or regional organization allotting priority application number
- (44) Date of publication of application not granted, but examined and number of bulletin
- (45) Date of publication of registered document
- (51) International Patent Classification Index

- (54) Title of the invention
- (57) Abstract
- (60) Number of examined patent document granted by foreign patent office, date from which patent has effect and country code
- (62) Number of the earlier application and in case of divided application, date of filing an application
- (71) Name, surname and address of applicant (country code)
- (72) Name, surname of inventor (country code)
- (73) Name, surname and address of patent owner (country code)
- (74) Name, surname of representative or patent attorney
- (85) Date of commencement of the national phase of International Application
- (86) Number and date of filing of international application
- (87) Number and date of publication of international application
- (94) Calculated date of expiry of the SPC or the duration of the SPC

DESIGNS

- (10) Number of publication for application
- (11) Number of patent and kind of document or number of registration
- (15) Date of registration/Date of patent renewal
- (18) Expected expiration date of patent or registration
- (21) Serial number of application
- (22) Date of filing of the application
- (23) Date of exhibition or the date of the earlier filing and the number of application, if any
- (24) Date from which patent may have effect
- (28) Number of designs included in the application
- (30) Data relating to priority (number of application, date of filing of application, two-letter code identifying the authority with whom the priority application was made)
- (31) Number of priority application
- (32) Date of filing of priority application
- (33) Code of the country or regional organization allotting priority application number
- (34) Two-letter code according to WIPO St.3 identifying the authority with which the priority application was made
- (44) Date of publication of design and number of bulletin (the first publication)
- (45) Date of publication of design registered by WIPO and number of bulletin

- (51) International Classification for designs (class and subclass of the Locarno Classification)
- (54) Title of the invention
- (55) Reproduction of the design
- (57) Description of characteristic features of the design including indication of colors
- (58) Date of recording of any kind of amendment in the Register
- (62) Number of the earlier application, registration and document number and if available the date of filing an application in case of divided application
- (71) Name, surname and address of applicant (country code)
- (72) Name, surname of creator (country code)
- (73) Name, surname and address of patent owner (country code)
- (74) Name, surname of representative or patent attorney
- (81) Contracting states concerned
 - II designated contracting states according to the 1960 Act
 - III designated contracting states according to the 1999 Act
- (85) Owner's permanent address
- (86) Owner's nationality
- (87) Owner's residence
- (88) State in which the owner has a real and effective industrial or commercial establishment

TRADEMARKS

- (111) - Number of registration
- (151) - Date of registration
- (156) - Date of the renewal
- (181) - Expected expiration date of registration
- (186) - Renewal expiration date of registration
- (141) - Date of cancel of duration of the mark
- (210) - Serial number of application
- (220) - Date of filing of the application
- (230) - Data concerning exhibition
- (260) - Number of application, for which favorable decision of examination about registration has been taken (publication number)
- (310) - Number of the first application
- (320) - Date of filing of the first application
- (330) - Code, identifying national or regional Office where the first application was made
- (511) - International Classification of Goods and Services for the purposes of registration of trade marks and/or list of goods and/or services classified according thereto
- (526) - Disclaimer
- (531) - Description of figurative elements of Trade Marks according to the International Classification of the Figurative Elements of Marks

- (540) - Reproduction of Trade Mark
- (550) - Nature and kind of Trade Mark
- (551) - Indication to the effect that the mark is a collective mark, a certification mark or a guarantee mark
- (554) - Three-dimensional mark
- (580) - Date of recording of any kind changes in respect of applications or registrations
- (591) - Information concerning colors claimed
- (731) - Name and address of the applicant
- (732) - Name and address of the holder of the registration
- (740) - Name and address of the representative
- (750) - Addreses for correspondence
- (770) - Name and address of the previous applicant or holder in case of change in ownership
- (771) - Previous name and address of the applicant or holder in case of change in ownership
- (791) - Name and address of the licensee
- (793) - Indication of conditions and/or restrictions under the license (Type of license, number of license agreement, data of license, data of validity of license)
- (800) - Certain data relating to the international registration of Trade Marks under the Protocol Relating to Madrid Agreement (International registration number)
- (852) - Partial cancellation of the list of goods and services
- (891) - Date of subsequent designation

CODES FOR PUBLICATION IN BULLETIN

- (21) AP 0000 000000 - serial number of application for invention
- (10) AP 0000 0000 A - number of published application for invention (first publication)
- (11) P 0000 0000 B - number of patent for invention (second publication)
- (21) API 0000 000000 - number of application for imported patent
- (11) PI 0000 0000 A - number of imported patent (first publication)
- (21) AU 0000 000000 - serial number of application for utility model
- (10) AU 0000 000 U - number of published application for utility model (first publication)
- (11) U 0000 000 Y - number of patent for utility model (second publication)
- (21) AD 0000 000000 - serial number of application for design
- (10) AD 0000 000 S - number of published application for design (first publication)
- (11) D 0000 000 S - registered design

INTERNATIONAL PATENT CLASSIFICATION FOR INVENTIONS AND UTILITY MODELS

- SECTION A - HUMAN NECESSITIES
- SECTION B - PERFORMING OPERATIONS; TRANSPORTING
- SECTION C - CHEMISTRY; METALLURGY
- SECTION D - TEXTILES; PAPER
- SECTION E - FIXED CONSTRUCTIONS
- SECTION F - MECHANICAL ENGINEERING; LIGHTING; HEATING; WEAPONS; BLASTING
- SECTION G - PHYSICS
- SECTION H - ELECTRICITY

-
- M - Trade Mark
 - (210) AM 0000 000000 - Serial number of application;
 - (260) AAM 0000 00000 A - Publication number of application;
 - (111) M 0000 00000 R - Number of registration;
 - (111) MMM0000 00000 Rn - Number of renewals, in which n=1,2,3;
 - (111) M 0000 00000 R(P) - Number of registration under partial assignment of rights
-

Official Bulletin of the Industrial Property

Inventions

Utility Models

Designs

Trademarks

Appellations of Origin of Goods

CONTENT

PUBLISHED TITLES OF PROTECTION	3
INVENTIONS	
▪ APPLICATIONS APPROVED FOR GRANTING PATENT	4
▪ PATENTED INVENTIONS	6
UTILITY MODELS	
PATENTED UTILITY MODEL	7
DESIGNS	
▪ REGISTERED DESIGN ACCORDING TO THE ACCELERATED PROCEDURE	8
▪ DESIGNS, WHICH HAVE BEEN REGISTERED WITH THE INTERNATIONAL BUREAU CLAIMING PRIORITY ON THE TERRITORY OF GEORGIA	10
TRADEMARKS	
▪ APPLICATIONS FILED UNDER THE NATIONAL PROCEDURE APPROVED FOR REGISTRATION	23
▪ REGISTERED TRADEMARKS	30
▪ TRADEMARKS REGISTERED ACCORDING TO THE ACCELERATED PROCEDURE	36
▪ INTERNATIONAL TRADEMARKS FOR WHICH A DECISION ON GRANTING PROTECTION IS TAKEN	38
▪ INTERNATIONAL TRADEMARKS PROTECTED IN GEORGIA	92
APPELLATIONS OF ORIGIN OF GOODS:	
APPELLATION OF ORIGIN OF GOODS FILED IN GEORGIA FOR EXAMINATION UNDER LISBON AGREEMENT, ON THE BASIS OF THE INTERNATIONAL REGISTRATION	101
OFFICIAL NOTIFICATIONS	
DESIGNS	
▪ CANCELLATION OF DESIGNS REGISTRATION	102
▪ CANCELLATION OF INTERNATIONAL DESIGNS REGISTRATION	103
TRADEMARKS	
▪ EXTENSION OF TERMS OF TRADEMARKS REGISTRATION	107
▪ COMPLETE TRANSFER OF RIGHTS	109
▪ CHANGES OF NAMES AND/OR ADDRESSES OF TRADEMARKS OWNERS	113
▪ CANCELLATION OF TRADEMARKS REGISTRATION	114
▪ CHANGE OF LIST OF GOODS AND/OR SERVICE OF TRADEMARK	115
▪ INTERNATIONAL LICENSE AGREEMENTS	115
CLASSIFICATION INDEXES	
INVENTIONS	117
UTILITY MODEL	118
DESIGN	119
TRADEMARKS	120

PUBLISHED TITLES OF PROTECTION

INVENTIONS

- **APPLICATIONS APPROVED FOR GRANTING PATENT:**
15922; 15714; 14913
- **PATENTED INVENTIONS:**
7416-7418

UTILITY MODELS

- **PATENTED UTILITY MODEL:**
2132

DESIGNS

- **DESIGN REGISTERED ACCORDING TO THE ACCELERATED PROCEDURE:**
944
- **DESIGNS, WHICH HAVE BEEN REGISTERED WITH THE INTERNATIONAL BUREAU CLAIMING PRIORITY ON THE TERRITORY OF GEORGIA:**
219032; 222419; 222393; 218861; 219017; 219041

TRADEMARKS

- **APPLICATIONS FILED UNDER THE NATIONAL PROCEDURE APPROVED FOR REGISTRATION:**
113991*; 116416; 116423; 116525; 116527; 116531; 116535; 116537, 116538; 116619; 116621; 116629; 116640; 116651; 116728; 116731, 116732; 116737, 116738; 116747, 116748; 116755; 116764, 116765; 116827; 116830-116835; 116837-116840; 116842; 116848; 116867; 116987; 116990; 116996; 117062
- **REGISTERED TRADEMARKS:**
35889-35953
- **TRADEMARKS REGISTERED ACCORDING TO THE ACCELERATED PROCEDURE:**
35954-35962
- **INTERNATIONAL TRADEMARKS FOR WHICH A DECISION ON GRANTING PROTECTIONS IS TAKEN:**
115548; 115551; 115554; 115616; 115619, 115620; 115631-115639; 115651-115660; 115700-115708; 115713; 115715; 115729-115741; 115764-115770; 115801-115810; 115820; 115835; 115924-115933; 115944-115947; 115952, 115953; 116018-116026; 116077-116079; 116097; 116126-116133; 116258; 116438-116440; 116445-116447; 116485-116490; 116492-116494; 116677; 116685, 116686; 116769-116771
- **INTERNATIONAL TRADEMARKS PROTECTED IN GEORGIA:**
113948; 114301-114305; 114366-114370; 114376-114381; 114391, 114392; 114432; 114434-114436; 114446-114451; 114458-114461; 114477; 114483-114487; 114493; 114495, 114496; 114499-114502; 114550; 114552, 114553; 114555-114559; 114570-114572; 114645; 114668, 114669; 114701; 114707; 114717; 114789-114793; 114819-114821; 114835; 114837, 114838; 114881; 114894-114899; 114928; 114940-114948; 114959-114963; 114965-114968; 115076; 115078; 115081; 115083; 115132-115136; 115138; 115140; 115151-115154; 115189, 115190; 115277; 115293

APPELLATIONS OF ORIGIN OF GOODS

- **APPELLATION OF ORIGIN OF GOODS FILED IN GEORGIA FOR EXAMINATION UNDER LISBON AGREEMENT, ON THE BASIS OF THE INTERNATIONAL REGISTRATION:**
1141

INVENTIONS

APPLICATIONS APPROVED FOR GRANTING PATENT

The decision can be appealed at the Chamber of Appeal of Sakpatenti within 3 months from the publication or at the Mtskheta District Court Administrative Cases Board (Address: №17, Samkhedro St., Mtskheta), within 1 month following the publication.

PART A

A 01

- (10) AP 2022 15922 A (51) Int. Cl. (2006)
A 01 G 9/12
(21) AP 2022 15922 (22) 2022 04 04
(71) Tornike Mzhavanadze (GE)
Iliko Kurkhuli St. 4, Tbilisi, Georgia (GE)
(72) Tornike Mzhavanadze (GE)
(74) Tornike Mzhavanadze
(54) TRANSFORMABLE GREENHOUSE SYSTEM
(57) A system includes devices 2 for cultivation of plants arranged in rows, wherein said device contains vertical supports 3, whereto the horizontal poles 5 are connected hingedly, and whereon the plant vegetation grooves 10 are hung. Horizontal poles are rotatable and movable in the vertical plane by means of actuator 13-16; at that, said poles are fixable in vertical plane to dispose plant vegetation grooves onto various height. Furthermore, plant vegetation grooves are located capable to vary the distance between them on horizontal poles.

Claims: 1 independent
3 dependents

Fig.: 6

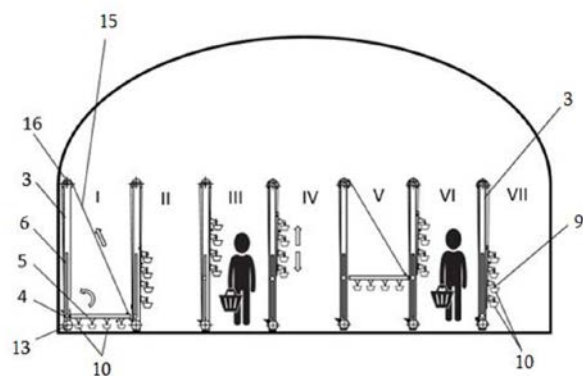


Fig. 5

A 23

- (10) AP 2022 15714 A (51) Int. Cl. (2006)
A 23 K 10/18
(21) AP 2021 15714 (22) 2021 08 06
(71) Vladimer Elisashvili (GE)
Didi Dighomi, III m/r, bld. 29, ap. 34a, Tbilisi, Georgia (GE);
Tamar Khardziani (GE)
Dighomi Array, I qu., bld. 6, ap. 58, Tbilisi, Georgia (GE);
Amrosi Chkuaseli (GE)
Ketevan Tsamebuli Ave. 76b, ap. 8, Tbilisi, Georgia (GE)
(72) Vladimer Elisashvili (GE);
Tamar Khardziani (GE);
Amrosi Chkuaseli (GE)
(54) METHOD FOR SPORE-FORMING PROBIOTICS PRODUCTION AND THEIR USAGE IN POULTRY FARMING
(57) A method for probiotic additive production provides spore-forming bacterial strains – Bacillus amyloliquefaciens and Bacillus subtilis cultivation on industrial waste under appropriate conditions, and drying thereof. Obtained product is mixed with combined feed and used in poultry farming.
Claims: 3 independents
1 dependent

A 61

- (10) AP 2022 14913 A (51) Int. Cl. (2006)
A 61 K 39/395
A 61 P 7/00
A 61 P 27/02
C 07 K 16/40
(21) AP 2017 14913 (22) 2017 03 31
(31) 62/315,857
(32) 2016 03 31
(33) US
(71) Univercity Of Leicester (GB)
Univercity Rd., Leicester, Lestershere LE1 7RF, UK (GB);
Omeros Corporation (US)
201 Elliott Ave W, Seattle, WA 98119, USA (US)
(72) TJOELKER, Larry (US);
SCHWABLE, Hans-Wilhelm (GB);

DADLER, Thomas (US);

DEMOPOLUS, Gregory A. (US)

(74) Tamar Kochlamazashvili

(85) 2018 10 31

(86) PCT/US2017/025411, 2017 03 31

(54) METHODS OF INHIBITING ANGIOGENESIS IN PATIENT

(57) Present invention relates to usage of composition comprising MASP-2 inhibiting monocle antibody or antigen thereof binding fragment for the treatment of depended on angiogenesis the cancer or benign tumor in mammalian.

Claims: 1 independent

6 dependents

Fig.: 20

PATENTED INVENTIONS

PART A

A 01

- (11) P 2022 7416 B (51) Int. Cl. (2006)
A 01 G 13/02
- (10) AP 2022 15687 A (44) 10(589)/2022
- (21) AP 2021 15687
- (22) 2021 07 07
- (24) 2021 07 07
- (62) 15155/1 2021 07 07
- (73) Vladimer Miruashvili (GE)
Dolidze St. 132, 0171, Tbilisi, Georgia (GE);
Aleksandre Kharibegashvili (GE)
Komunaluri St. 2, 2200, Telavi, Georgia (GE);
Malkhaz Miruashvili (GE)
Dolidze St. 132, 0171, Tbilisi, Georgia (GE);
Mindia Miruashvili (GE)
Dolidze St. 132, 0171, Tbilisi, Georgia (GE);
Svimon Okhanashvili (GE)
Vill. Gulgula, 2200, Telavi, Georgia (GE);
Manana Kevlishvili (GE)
Pirosmani St. 9, Telavi, Georgia (GE);
Levan Shavadze (GE)
9th St. 37, 2200, Vill. Shalauri, Telavi,
Georgia (GE);
Mzia Ghagholishvili (GE)
N. Dumbadze St. 20, 2200, Telavi,
Georgia (GE);
Telavi State University (GE)
Georgian University St. 1, 2200, Telavi,
Georgia (GE)
- (72) Vladimer Miruashvili (GE);
Aleksandre Kharibegashvili (GE);
Malkhaz Miruashvili (GE);
Mindia Miruashvili (GE);
Svimon Okhanashvili (GE);
Manana Kevlishvili (GE);
Levan Shavadze (GE);
Mzia Ghagholishvili (GE)
- (54) ANTI-HAIL DEVICE FOR PLANTS

A 61

- (11) P 2022 7418 B (51) Int. Cl. (2006)
A 61 K 9/00
A 61 K 47/02
A 61 K 47/10
A 61 K 31/167
A 61 K 31/40
A 61 K 31/573
A 61 P 11/00
- (10) AP 2022 15023 A (44) 7(586)/2022

- (21) AP 2017 15023
- (22) 2017 08 17
- (24) 2017 08 17
- (31) 16184608.4
- (32) 2016 08 17
- (33) EP
- (86) PCT/EP2017/070850, 2017 08 17
- (73) Chiesi Farmaceutici SpA (IT)
Via Palermo 26/A, 43122, Parma, Italy (IT)
- (72) Scuri, Mario (IT);
Coli, Pierfrancesco (IT);
Delmonte, Giuseppe (IT)
- (74) Tamaz Shilakadze
- (54) COMBINATION THERAPY FOR COPD

PART B

B 01

- (11) P 2022 7417 B (51) Int. Cl. (2006)
B 01 J 19/00
C 07 D 471/04
- (10) AP 2022 15429 A (44) 9(588)/2022
- (21) AP 2019 15429
- (22) 2019 02 05
- (24) 2019 02 05
- (31) 18155470.0
- (32) 2018 02 07
- (33) EP
- (86) PCT/EP2019/052690, 2019 02 05
- (73) Aziende Chimiche Riunite Angelini
Francesco A.C.R.A.F. S.P.A. (IT)
Viale Amelia 70, I-00181 Roma, Italy (IT)
- (72) Iacoangeli, Tommaso (IT);
Moro, Leonardo Mario (IT);
Caracciolo Torchiarolo, Giuliano (IT);
Cavarischia, Claudia (IT);
Furlotti, Guido (IT)
- (74) Liliana Darakhvelidze
- (85) 2020 09 02
- (86) PCT/EP2019/052690, 2019 02 05
- (54) CONTINUOUS PROCESS FOR
TRAZODONE PREPARATION

UTILITY MODELS

PATENTED UTILITY MODEL

PART A

A 47

- (11) U 2022 2132 Y (51) Int. Cl. (2006)
A 47 G 21/00
- (10) AU 2022 15629 U (44) 7(586)/2022
- (21) AU 2021 15629
- (22) 2021 05 13
- (24) 2021 05 13
- (73) Nikoloz Kozanashvili (GE)
Kalistrate Kutrateladze St. 17, app. 41, 0179,
Tbilisi, Georgia (GE)
- (72) Nikoloz Kozanashvili (GE)
- (74) Khatuna Imnadze
- (54) FOOD FIXTURE
-

DESIGN REGISTERED ACCORDING TO THE ACCELERATED PROCEDURE

The decision can be appealed at the Chamber of Appeal of Sakpatenti within 3 months from the publication.

(11) D 2022 944 S (51) 09-01
(21) AD 2022 1272 (22) 2022 08 19
(24) 2022 08 19
(28) 1
(18) 2027 08 19
(73) JSC "Argo" (GE)
 Lilo, Lochini Gorge (Plot 05/001), 0151, Tbilisi, Georgia (GE)
(72) Giorgi Nemsadze (GE)
(54) DESIGN OF BOTTLE
(55)



1.1



1.2



1.3



1.4

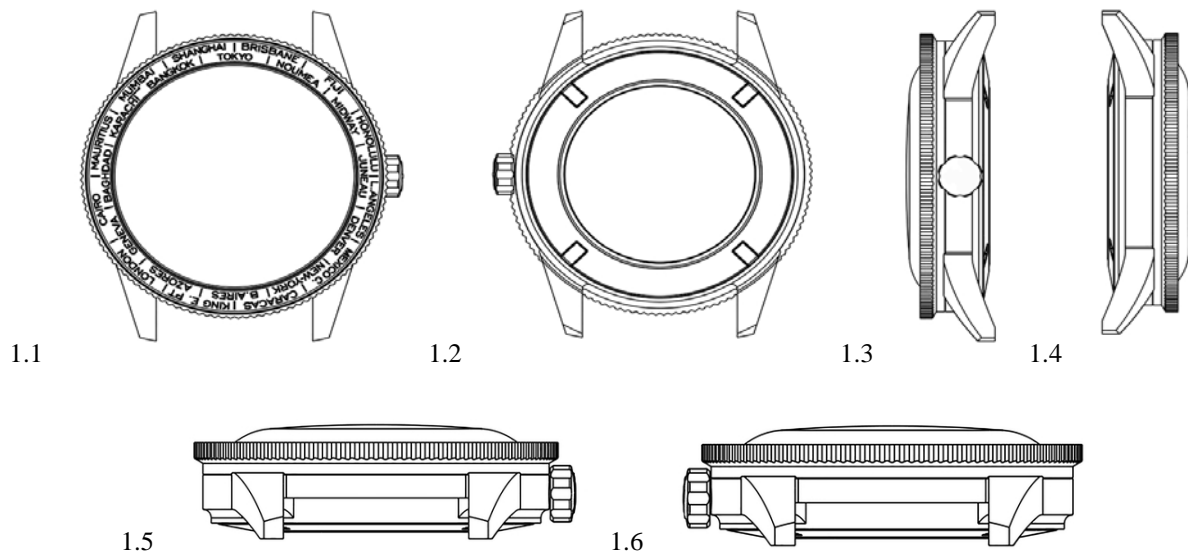


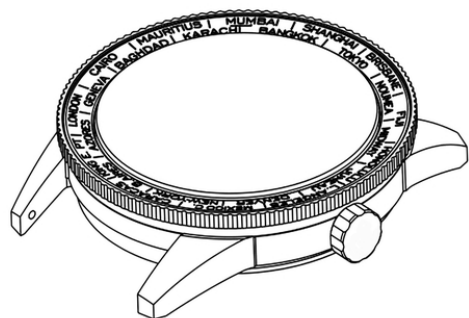
1.5

DESIGNS, WHICH HAVE BEEN REGISTERED WITH THE INTERNATIONAL BUREAU CLAIMING PRIORITY ON THE TERRITORY OF GEORGIA

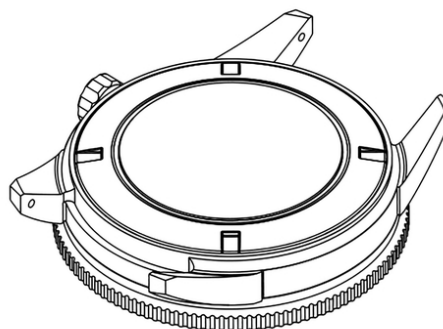
The decision can be appealed at the Chamber of Appeal of Sakpatenti within 3 months from the publication or at the Mtskheta District Court Administrative Cases Board (Address: №17, Samkhedro St., Mtskheta), within 1 month following the publication.

- (11) DM/219 032 (51) 10-07
 (15) 2022 01 21 (44) 29/2022 (2022 07 22)
 (22) 2022 01 21
 (28) 6
 (73) RADO UHREN AG (RADO WATCH CO. LTD.) (MONTRES RADO SA)
 Bielstrasse 45, 2543 Lengnau (CH)
 (85) –
 (86) CH
 (87) CH
 (88) –
 (89) CH
 (81) II. MA III. BA, CH, EM, GB, GE, NO, OM, SG, TN, TR, UA, VN
 (72) 1-5: Mélanie Armenti
 c/o Rado Uhren AG (Rado Watch Co. Ltd.) (Montres Rado SA), Bielstrasse 45, 2543, Lengnau (CH);
 1-5: Yannick Hunziker
 c/o Rado Uhren AG (Rado Watch Co. Ltd.) (Montres Rado SA), Bielstrasse 45, 2543, Lengnau (CH);
 1-5: Sovyra Srou
 c/o Rado Uhren AG (Rado Watch Co. Ltd.) (Montres Rado SA), Bielstrasse 45, 2543, Lengnau (CH);
 2-6: Vincent Brunner
 c/o Rado Uhren AG (Rado Watch Co. Ltd.) (Montres Rado SA), Bielstrasse 45, 2543, Lengnau (CH);
 6: Fernando Soares
 Les Pacots 12, 2074, Wavres (CH)
 (74) The Swatch Group AG
 Faubourg du Lac 6, 2501 Biel (CH)
 (46) 2022 07 22
 (54) 1.-6. WATCH CASE
 (55)

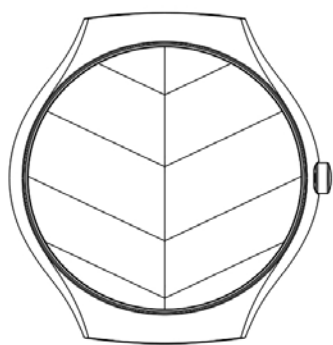




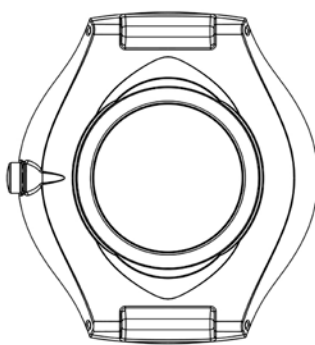
1.7



1.8



2.1



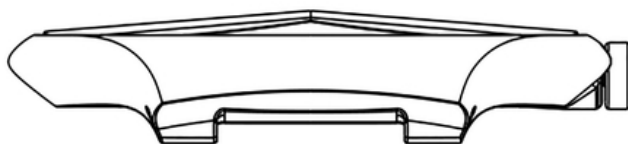
2.2



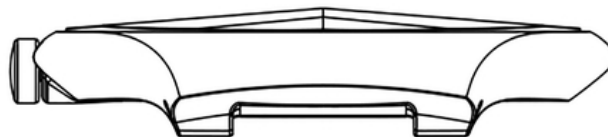
2.3



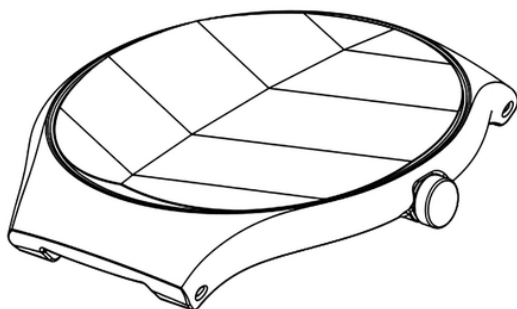
2.4



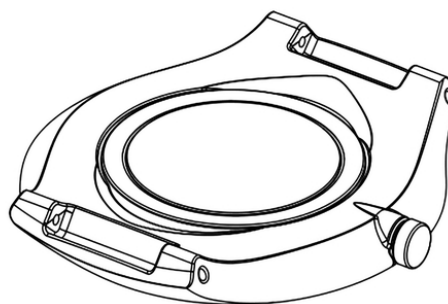
2.5



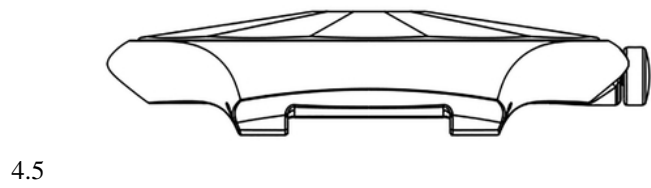
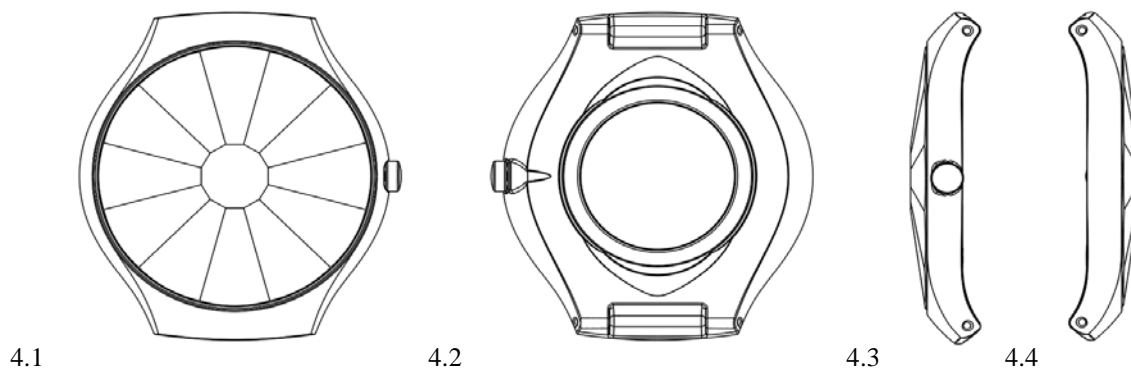
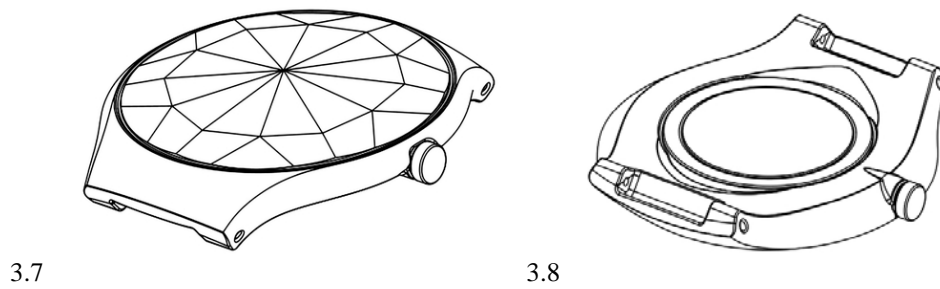
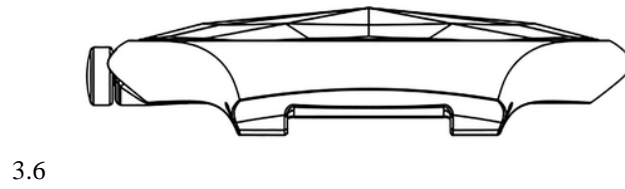
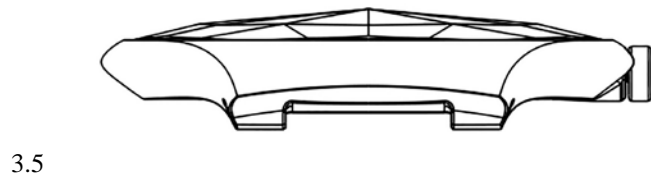
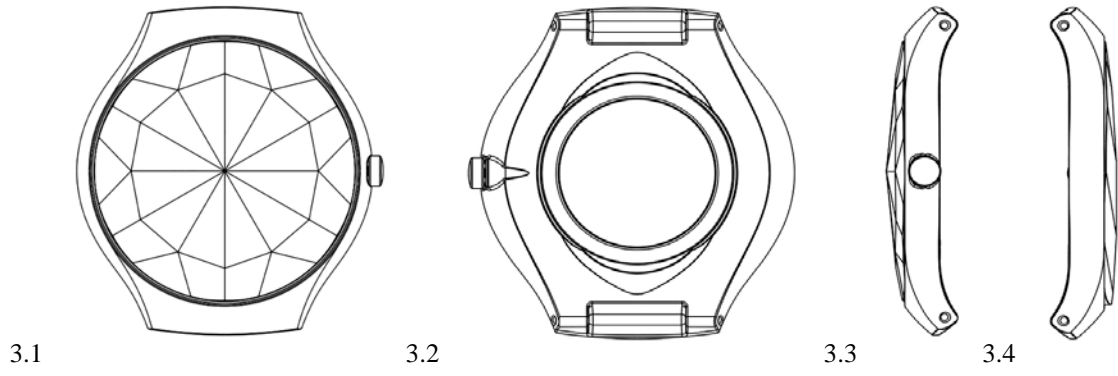
2.6

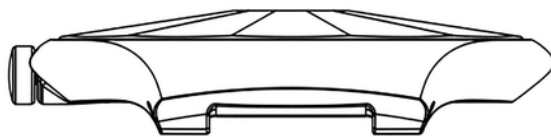


2.7

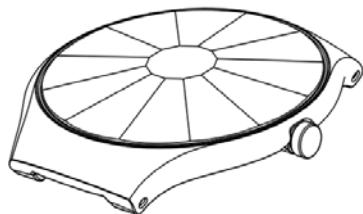


2.8

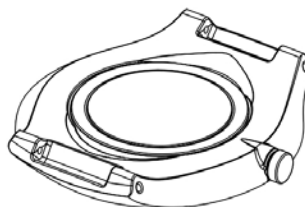




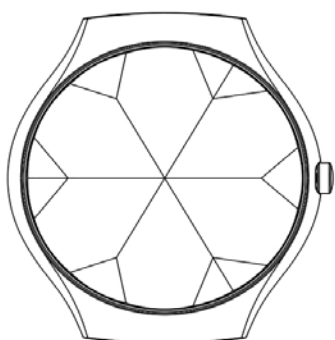
4.6



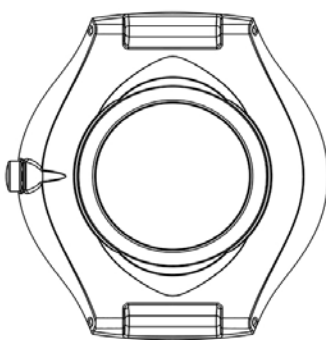
4.7



4.8



5.1



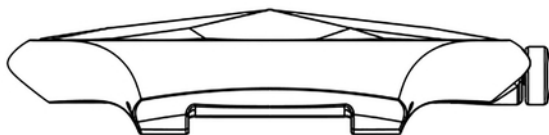
5.2



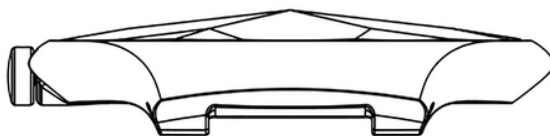
5.3



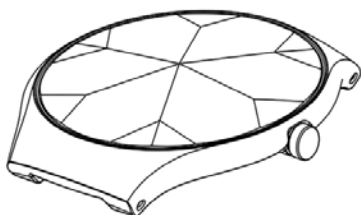
5.4



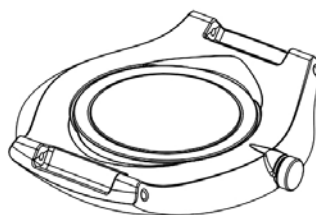
5.5



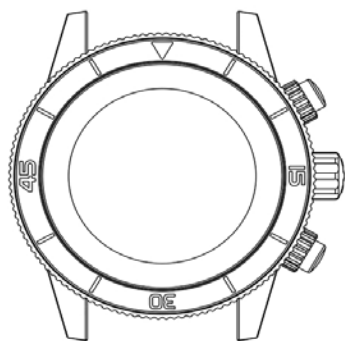
5.6



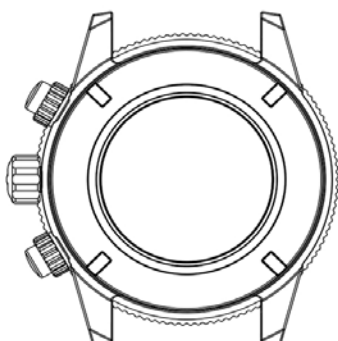
5.7



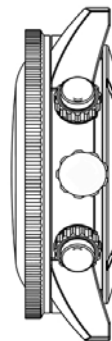
5.8



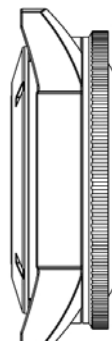
6.1



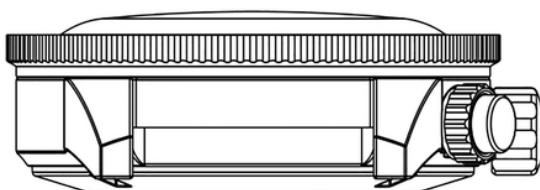
6.2



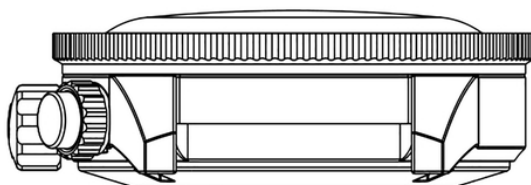
6.3



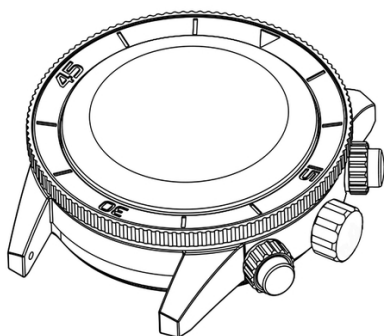
6.4



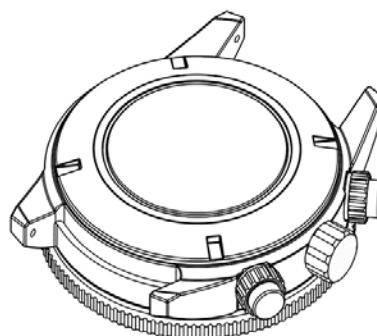
6.5



6.6

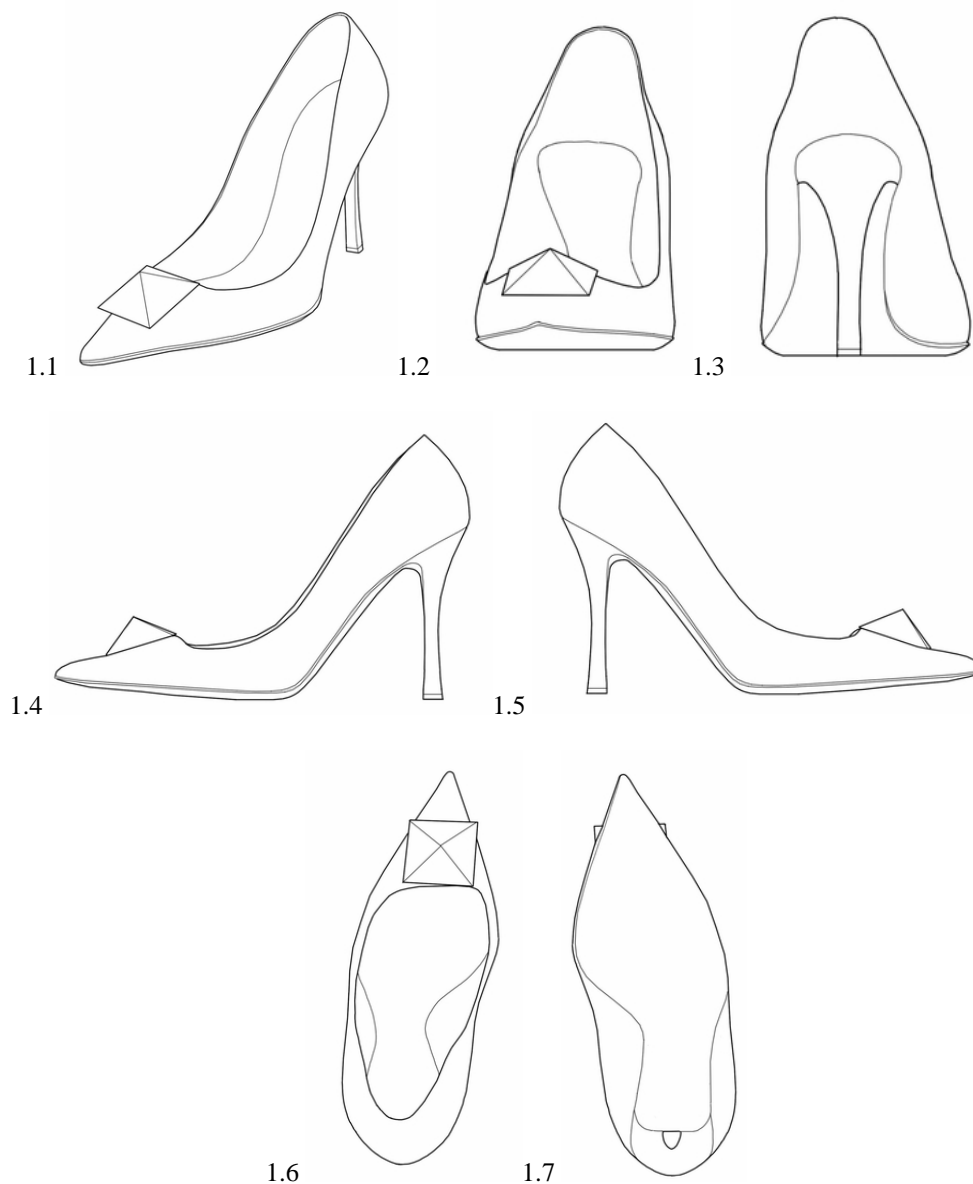


6.7

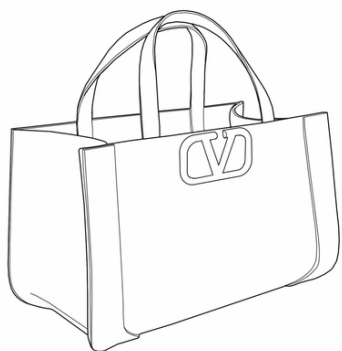


6.8

- (11) DM/222 419 (51) 02-04
(15) 2022 07 18 (44) 31/2022 (2022 08 05)
(22) 2022 07 18
(28) 1
(73) Valentino S.p.A.
Via Turati 16/18, I-20121 Milano (EM)
(85) –
(86) EM, IT
(87) EM, IT
(88) EM, IT
(89) EM
(81) III. AZ, EM, GB, GE, JP, KG, KR, RU, TJ, TR, UA, US
(72) Pierpaolo PICCIOLI
C/o VALENTINO S.p.A., Via Turati, 16/18, I-20121, Milano (IT)
(74) Jacobacci & Partners / Matteo Mozzi
Via Senato, 8, I-20121 Milano (IT)
(46) 2022 08 05
(54) 1. SHOE
(55)



- (11) DM/222 393
- (15) 2022 07 18
- (22) 2022 07 18
- (28) 1
- (73) Valentino S.p.A.
Via Turati 16/18, I-20121 Milano (EM)
- (85) –
- (86) EM, IT
- (87) IT, EM
- (88) EM, IT
- (89) EM
- (81) III. AZ, EM, GB, GE, JP, KG, KR, RU, TJ, TR, UA, US
- (72) Pierpaolo PICCIOLI
C/o VALENTINO S.p.A., Via Turati, 16/18, I-20121, Milano (IT)
- (74) Jacobacci & Partners / Matteo Mozzi
Via Senato, 8, I-20121 Milano (IT)
- (46) 2022 08 05
- (54) 1. BAG
- (55)



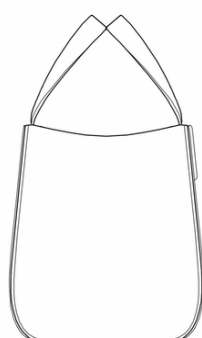
1.1



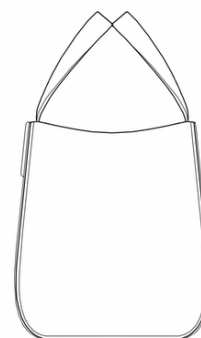
1.2



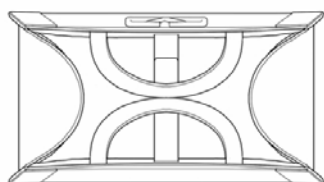
1.3



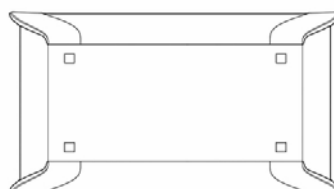
1.4



1.5

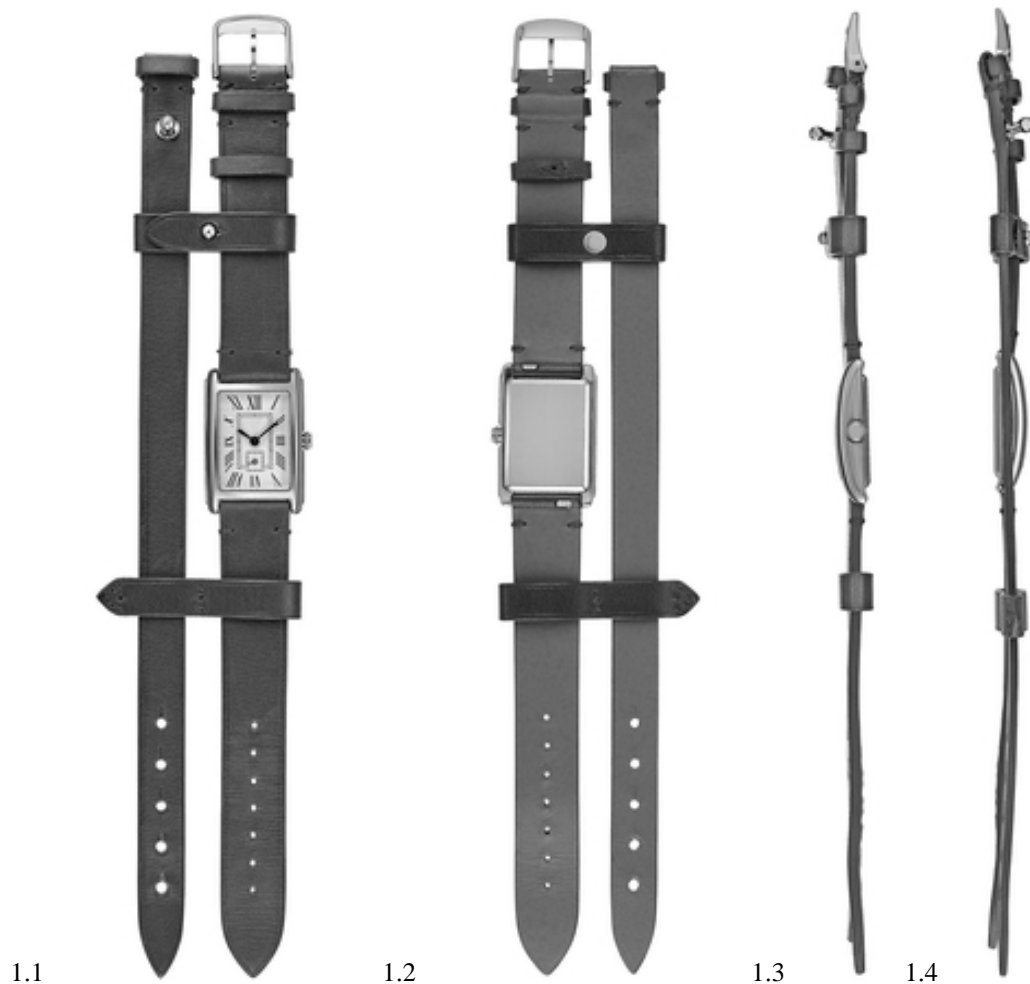


1.6



1.7

- (11) DM/218 861 (51) 10-02
(15) 2022 02 01 (44) 31/2022 (2022 08 05)
(22) 2022 02 01
(28) 1
(73) Compagnie des Montres Longines, Francillon S.A. (Longines Watch Co. Francillon Ltd.)
Rue des Noyettes 8, 2610 St-Imier (CH)
(85) CH
(86) CH
(87) CH
(88) CH
(89) CH
(81) II. MA III. AL, AM, AZ, BA, BZ, CA, CH, EM, GB, GE, KG, KR, LI, MC, MD, ME, MK, MN, NO, OM,
RU, SG, TN, TR, UA
(72) Yvonne REICHMUTH
Quellenstrasse 27, 8005, Zürich (CH)
(74) The Swatch Group AG (The Swatch Group SA) (The Swatch Group Ltd.)
Faubourg du Lac 6, 2501 Biel/Bienne (CH)
(46) 2022 08 05
(54) 1. WRISTWATCH
(55)





1.5

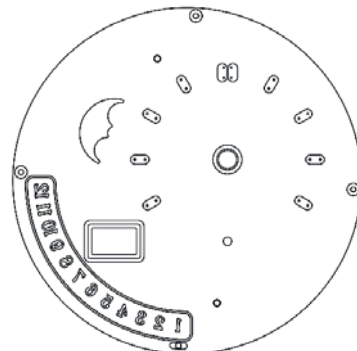


1.6

- (11) DM/219 017 (51) 10-02; 10-07
 (15) 2022 02 09 (44) 32/2022 (2022 08 12)
 (22) 2022 02 09
 (28) 2
 (73) Glashütter Uhrenbetrieb GmbH
 Altenberger Strasse 1, 01768 Glashütte (DE)
 (85) DE, EM
 (86) DE, EM
 (87) DE, EM
 (88) DE, EM
 (89) DE
 (81) II. MA III. AL, AM, AZ, BA, BZ, CH, EM, GB, GE, KG, LI, MC, MD, ME, MK, MN, NO, OM, SG, TN,
 TR, UA
 (72) Katharina Stegmann
 c/o Glashütter Uhrenbetrieb GmbH, Altenberger Strasse 1, 01768, Glashütte (DE);
 Julia Schröder
 c/o Glashütter Uhrenbetrieb GmbH, Altenberger Strasse 1, 01768, Glashütte (DE)
 (74) The Swatch Group AG (The Swatch Group SA) (The Swatch Group Ltd.)
 6, Faubourg du Lac, 2501 Biel/Bienne (DE)
 (46) 2022 08 12
 (54) 1. WATCH DIAL, 2. WATCH
 (55)



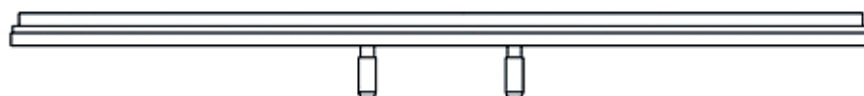
1.1



1.2



1.3



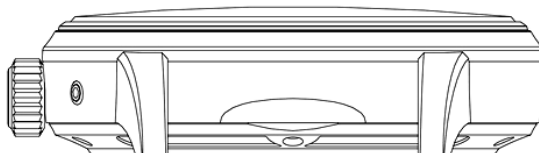
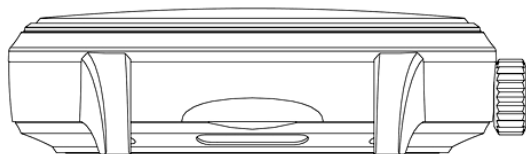
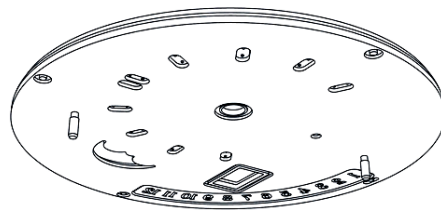
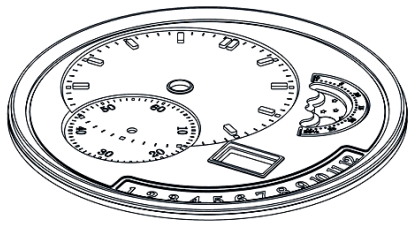
1.4



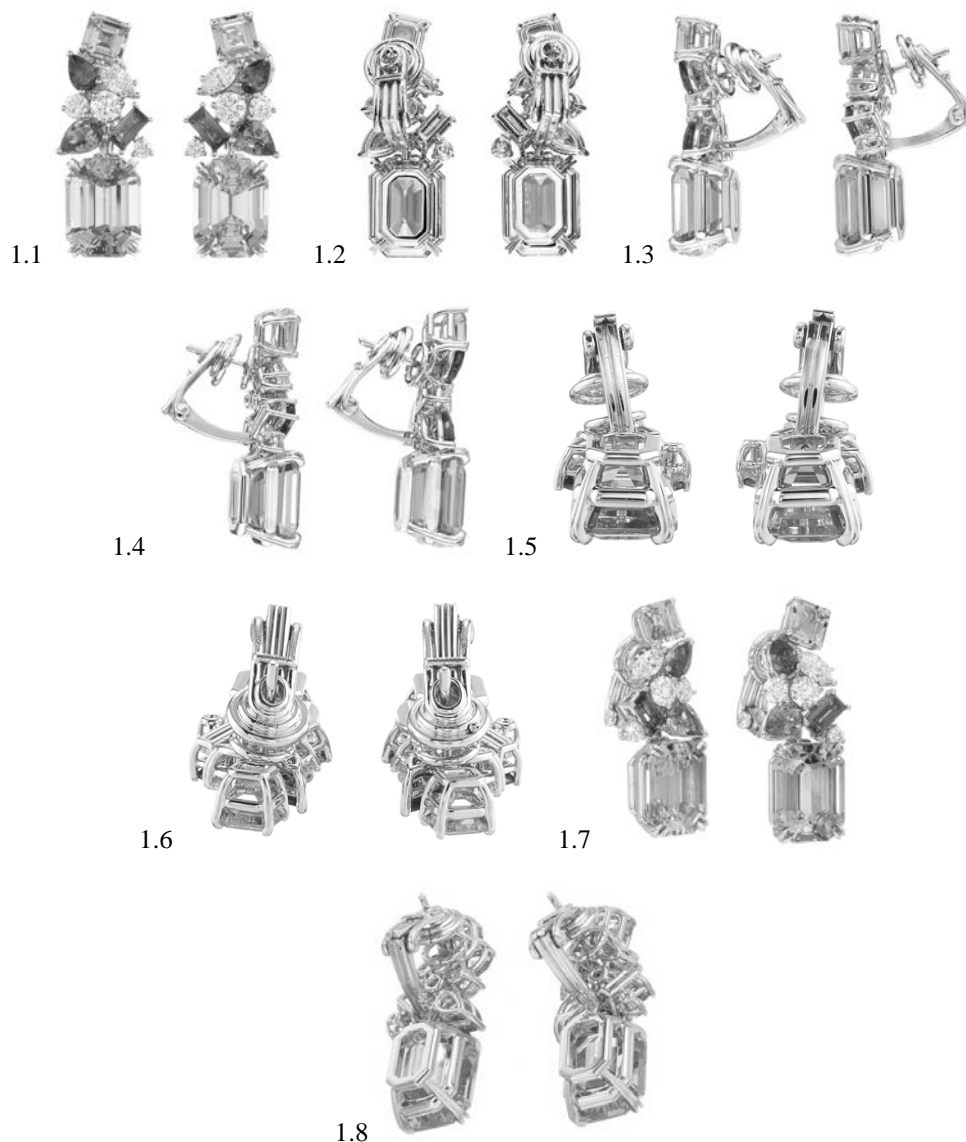
1.5



1.6



- (11) DM/219 041 (51) 11-01
 (15) 2022 02 11 (44) 32/2022 (2022 08 12)
 (22) 2022 02 11
 (28) 2
 (73) HARRY WINSTON SA
 Chemin Du Tourbillon 8, 1228 Plan-les-Ouates (CH)
 (85) CH
 (86) CH
 (87) CH
 (88) CH
 (89) CH
 (81) II. MA III. AL, AM, AZ, BA, BZ, CA, CH, EM, GB, GE, KG, LI, MC, MD, ME, MK, MN, NO, OM, SG,
 TN, TR, UA
 (72) 1 Delphine ABDOURAHIM
 C/o Harry Winston Inc. 718 Fifth Avenue, 10019, New York (US);
 Rie YATSUGI-KANG
 C/o Harry Winston Inc. 718 Fifth Avenue, 10019, New York (US)
 (74) The Swatch Group AG (The Swatch Group SA) (The Swatch Group Ltd.)
 Faubourg Du Lac 6, 2501 Biel/Bienne (CH)
 (46) 2022 08 12
 (54) 1. PAIR OF EARRINGS, 2. NECKLACE
 (55)





TRADEMARKS

APPLICATIONS FILED UNDER THE NATIONAL PROCEDURE APPROVED FOR REGISTRATION

The decision can be appealed at the Chamber of Appeal of Sakpatenti within 3 months from the publication or at the Mtskheta District Court Administrative Cases Board (Address: №17, Samkhedro St., Mtskheta), within 1 month following the publication.

(260) AM 2022 113991 A*
(210) AM 113991
(220) 2021 07 20
(310) 01392/2021
(320) 2021 01 28
(330) CH
(731) Philip Morris Global Brands Inc.
120 Park Avenue, New York, New York 10017,
USA
(740) Pavle Meipariani
(540)

MARLBORO CLASSICS

(591) Black-white
(531) 26.04.02; 26.04.05; 26.04.22; 26.04.24;
27.05.01; 27.05.17; 27.05.24
(511) 18, 25

(260) AM 2022 116416 A
(210) AM 116416
(220) 2022 02 02
(310) 97002860
(320) 2021 08 30
(330) US
(731) General Motors LLC
300 Renaissance Center, City of Detroit, State
of Michigan 48265-3000, USA
(740) Giorgi Taktakishvili
(540)

BE ICONIC

(591) Black-white
(511) 12, 35

(260) AM 2022 116423 A
(210) AM 116423
(220) 2022 02 02
(731) LLC "A-B-F"
Vill. Martkopi, Vaziani Settlement, 1320,
Gardabani, Georgia
(540)

**შალახო
Шалахо
Shalakh**

(591) Black-white
(511) 33

(260) AM 2022 116525 A
(210) AM 116525
(220) 2022 02 08
(731) Mikheil Mchedlishvili
V. Dolidze St. 2/1, 0171, Tbilisi, Georgia
(540)

აქსპონატი

(591) Black-white
(531) 05.05.20; 24.13.09; 24.13.17; 24.13.24;
26.03.06; 26.03.16; 28.19
(511) 33, 43

(260) AM 2022 116527 A
(210) AM 116527
(220) 2022 02 08
(731) LTD "Nikora"
A. Mrevlishvili St. 2, 0180, Tbilisi, Georgia
(740) Melano Gogisvanidze
(540)

**ბერნერი
Berner**

(591) Black-white
(511) 43

(260) AM 2022 116531 A
(210) AM 116531
(220) 2022 02 08
(731) Alma Lasers LTD
18 Haharash St., Caesarea Business & Industrla
Park PO BOX 3021, Israel
(740) Nina Inasaridze
(540)

ალმა

(591) Black-white
(511) 10, 44

(260) AM 2022 116535 A
 (210) AM 116535
 (220) 2022 02 08
 (731) LLC "Wine Company Shumi"
 Lionidze St. 33, Telavi, Georgia
 (740) Shalva Gvaramadze
 (540)

ჰეკატი
Hecate
Геката

(591) Black-white
 (511) 33

(260) AM 2022 116537 A
 (210) AM 116537
 (220) 2022 02 08
 (731) Alma Lasers LTD
 18 Haharash St., Caesarea Business & Industrla
 Park PO BOX 3021, Israel
 (740) Nina Inasaridze
 (540)

სოპრანო

(591) Black-white
 (511) 10, 44

(260) AM 2022 116538 A
 (210) AM 116538
 (220) 2022 02 09
 (731) GF Group
 Samtredia St. 1, ap. 31, 0119, Tbilisi, Georgia
 (540)



(591) Green, yellow, white, red
 (531) 05.05.20; 26.04.07; 26.04.15; 26.04.24;
 27.05.01; 27.05.24; 29.01.15
 (511) 29

(260) AM 2022 116619 A
 (210) AM 116619
 (220) 2022 02 11
 (731) SOS-Kinderdorf
 Stafflerstraße 10a, 6020 Innsbruck, Austria

(740) Tamaz Shilakadze
 (540)

SOS ბავშვთა სოფელი

(591) Black-white
 (511) 36, 41, 44

(260) AM 2022 116621 A
 (210) AM 116621
 (220) 2022 02 11
 (731) Nicoventures Holdings Limited
 Globe House 1 Water Street, London, WC2R
 3LA, United Kingdom
 (740) Tamar Kochlamazashvili
 (540)

EPOD

(591) Black-white
 (511) 34

(260) AM 2022 116629 A
 (210) AM 116629
 (220) 2022 02 14
 (731) LLC "IDS Borjomi Beverages Co.N.V."
 Pareraweg N45, Curaçao
 (740) Giorgi Jokhadze
 (540)

**ბაკურიანი – როცა
 გიყვარს და ზრუნავ**

(591) Black-white
 (526) ბაკურიანი
 (511) 32, 35

(260) AM 2022 116640 A
 (210) AM 116640
 (220) 2022 02 14
 (731) PPG Industries Ohio Inc.
 3800 West 143rd Street, Cleveland, State of
 Ohio 44111, USA
 (740) Giorgi Taktakishvili
 (540)



(591) Sky-blue, white
 (531) 01.15.09; 25.07.02; 29.01.12
 (511) 2

(260) AM 2022 116651 A
 (210) AM 116651
 (220) 2022 02 16
 (731) LTD "Mzetavi"
 Davit Javidze St. 31, Block B, ap. 81, 0167,
 Gldani District, Tbilisi, Georgia
 (540)



(591) Golden, white
 (531) 05.07.10; 24.09.07; 26.02.07; 26.02.16;
 27.05.01; 27.05.10; 29.01.02
 (511) 33, 35

(260) AM 2022 116728 A
 (210) AM 116728
 (220) 2022 02 18
 (731) LLC "Georgian Lemonade"
 M. Aleksidze St, I qu., bld. 4, ap. 25, 0133,
 Tbilisi, Georgia
 (540)

Turbo

(591) Black-white
 (511) 32

(260) AM 2022 116731 A
 (210) AM 116731
 (220) 2022 02 18
 (731) Bayer Aktiengesellschaft
 Kaiser-Wilhelm-Allee, 51373 Leverkusen,
 Germany
 (740) Shalva Gvaramadze
 (540)

CERONE

(591) Black-white
 (511) 1

(260) AM 2022 116732 A
 (210) AM 116732
 (220) 2022 02 18
 (731) LTD "Tfilisis Marani" (Tbilisi Cellar)
 Z. Paliashvili St. 33, ap. 6, 0179, Tbilisi,
 Georgia

(540)

თავაზიანი
Тавaziани
Tavaziani

(591) Black-white
 (511) 33

(260) AM 2022 116737 A
 (210) AM 116737
 (220) 2022 02 21
 (731) Mikheil Tsirdava
 Vill. Mukhuri, Chkhorotsku, Georgia
 (540)



(591) 211F1F black, F4EDED pink, E02323
 carnelian
 (531) 05.01.19; 05.07.10; 08.07.11; 26.01.01;
 26.01.03; 26.01.15; 29.01.14
 (511) 33

(260) AM 2022 116738 A
 (210) AM 116738
 (220) 2022 02 21
 (731) LLC "Wine Company Shumi"
 Lionidze St. 33, Telavi, Georgia
 (740) Shalva Gvaramadze

(540)

ჯირკე
Circe
Кирка

(591) Black-white
 (511) 43

(260) AM 2022 116747 A
 (210) AM 116747
 (220) 2022 02 21
 (731) LTD "Rich Group"
 Vill. Mughanlo, Marneuli Municipality,
 Georgia
 (540)

Olajon
ოლაჯონი

(591) Black-white
 (511) 5

(260) AM 2022 116748 A
 (210) AM 116748
 (220) 2022 02 21
 (731) LTD "Rich Group"
 Vill. Mughanlo, Marneuli Municipality,
 Georgia
 (540)

Ketajon
კეტაჯონი

(591) Black-white
 (511) 5

(260) AM 2022 116755 A
 (210) AM 116755
 (220) 2022 02 22
 (731) LTD "BG Era Games"
 Al. Kazbegi Av. 10, ap. 17, 0160, Saburtalo
 District, Tbilisi, Georgia
 (540)



(591) 492F2F brown, BC8484 light pink,
 756464 dark grey, F0D7B8 orange,
 8C2D1B red, 220A0A black, 5B5636
 yellow, BCCC9D silver, A6AD77 grey,

FDE078 light yellow, CEAE7B swampy,
 D8E3DB white 291204 dark lilac
 (531) 02.01.04; 02.01.17; 07.01.18; 11.03.02;
 14.09.07; 27.05.01; 28.19; 29.01.15
 (511) 28, 35

(260) AM 2022 116764 A
 (210) AM 116764
 (220) 2022 02 24
 (731) Enriko Beridze
 G. Tsitsishvili St. 18, Tbilisi, Georgia
 (740) Salome Jeladze
 (540)

ERNATIN
ერნატინი

(591) Black-white
 (511) 5

(260) AM 2022 116765 A
 (210) AM 116765
 (220) 2022 02 25
 (731) Hangzhou Shishi Technology Co., Ltd.
 Room 403, 4th Floor, Building 4, No. 735
 Jianghong Road, Changhe Street, Binjiang
 District, Hangzhou City, Zhejiang Province,
 People Republic of China
 (740) Giorgi Kartvelishvili
 (540)

Jmoon

(591) Black-white
 (531) 27.05.01
 (511) 3, 9

(260) AM 2022 116827 A
 (210) AM 116827
 (220) 2022 02 25
 (731) LLC "Healpro"
 Vill. Mughanlo, Marneuli Region, Georgia
 (540)

VUNDERKID
ვუნდერკიდი

(591) Black-white
 (511) 5

(260) AM 2022 116830 A
 (210) AM 116830
 (220) 2022 02 25
 (731) LTD "Rich Group"
 Vill. Mughanlo, Marneuli Municipality,
 Georgia

(540)

Axelovert
აქსელოვერტი

(591) Black-white
 (511) 5

(260) AM 2022 116831 A

(210) AM 116831

(220) 2022 02 25

(731) LTD "Rich Group"

Vill. Mughanlo, Marneuli Municipality,
 Georgia

(540)

Chlorhexil

ქლორჰექსილი

(591) Black-white
 (511) 5

(260) AM 2022 116832 A

(210) AM 116832

(220) 2022 02 25

(731) LTD "Rich Group"

Vill. Mughanlo, Marneuli Municipality,
 Georgia

(540)

Unident

უნიდენტო

(591) Black-white
 (511) 5

(260) AM 2022 116833 A

(210) AM 116833

(220) 2022 02 25

(731) LTD "Rich Group"

Vill. Mughanlo, Marneuli Municipality,
 Georgia

(540)

Tornaza

ტორნაზა

(591) Black-white
 (511) 5

(260) AM 2022 116834 A

(210) AM 116834

(220) 2022 02 25

(731) LTD "Rich Group"

Vill. Mughanlo, Marneuli Municipality,
 Georgia

(540)

Elipa
ელიპა

(591) Black-white
 (511) 5

(260) AM 2022 116835 A

(210) AM 116835

(220) 2022 02 25

(731) LTD "Rich Group"

Vill. Mughanlo, Marneuli Municipality,
 Georgia

(540)

Oftaial

ოფტაიალი

(591) Black-white
 (511) 5

(260) AM 2022 116837 A

(210) AM 116837

(220) 2022 02 25

(731) LTD "Rich Group"

Vill. Mughanlo, Marneuli Municipality,
 Georgia

(540)

Toberich

ტობერიჩი

(591) Black-white
 (511) 5

(260) AM 2022 116838 A

(210) AM 116838

(220) 2022 02 25

(731) LTD "Rich Group"

Vill. Mughanlo, Marneuli Municipality,
 Georgia

(540)

Siccasan

სიკასანი

(591) Black-white
 (511) 5

(260) AM 2022 116839 A

(210) AM 116839

(220) 2022 02 25

(731) LTD "Rich Group"

Vill. Mughanlo, Marneuli Municipality,
 Georgia

(540)

Posod
პოსოდი

(591) Black-white
(511) 5

(260) AM 2022 116840 A

(210) AM 116840

(220) 2022 02 25

(731) LTD "Rich Group"

Vill. Mughanlo, Marneuli Municipality,
Georgia

(540)

Ioldex
იოლდექსი

(591) Black-white
(511) 5

(260) AM 2022 116842 A

(210) AM 116842

(220) 2022 02 25

(731) LTD "Rich Group"

Vill. Mughanlo, Marneuli Municipality,
Georgia

(540)

Enicil
ენიცილი

(591) Black-white
(511) 5

(260) AM 2022 116848 A

(210) AM 116848

(220) 2022 03 01

(731) LTD "Ashtel"

Frij Murari, Sadazgevo Korporacia Alain
Ahlia, Luqsi 103, Dubai, 89599, United Arab
Emirates

(740) Nino Gazdeliani

(540)

DE'N.

Digital Smartness!

(591) Black-white

(531) 24.17.01; 27.05.01; 27.05.10; 27.05.17

(511) 9

(260) AM 2022 116867 A

(210) AM 116867

(220) 2022 03 03

(310) 36441

(320) 2021 10 01

(330) AD

(731) Philip Morris Brands Sàrl

Quai Jeanrenaud 3, Neuchâtel, 2000,
Switzerland

(740) Pavle Meipariani

(540)

PHILIP MORRIS PMX

(591) Black-white

(511) 34

(260) AM 2022 116987 A

(210) AM 116987

(220) 2022 03 10

(731) Zhejiang Rifeshow Cosmetics Co., Ltd.

No.67 Dashi Road, Fotang Town, Yiwu City,
Zhejiang, People Republic of China

(740) Shalva Gvaramadze

(540)

AIRBODY

(591) Black-white

(531) 26.11.12; 27.05.01

(511) 3

(260) AM 2022 116990 A

(210) AM 116990

(220) 2022 03 10

(731) Avaya Inc.

2605 Meridian Parkway, Suite 200, Durham,
North Carolina, 27713, USA

(740) Shalva Gvaramadze

(540)

AVAYA ONECLOUD

(591) Black-white

(511) 42

(260) AM 2022 116996 A

(210) AM 116996

(220) 2022 03 11

(731) LTD "Zearis"

Richard Holbrooke St. 13, Tbilisi, Georgia

(540)

ქართული საიდუმლო

Georgian Secret

Грузинский Секрет

(591) Black-white
(511) 32

(260) AM 2022 117062 A
(210) AM 117062
(220) 2022 03 11
(731) LTD "Rich Group"
Vill. Mughanlo, Marneuli Municipality,
Georgia
(540)

Diohespan Max
დიოჰესპან მაქსო

(591) Black-white
(511) 5

REGISTERED TRADEMARKS

(111) M 2022 35889 R (151) 2022 09 07 (181) 2032 09 07 (260) AM 2021 111757 A (220) 2021 09 14 (732) LTD "Gurmania" Vazha-Pshavela Av., V qu., bld. 4, app. 150, Tbilisi, Georgia	Gazapkhuli St. 61, 0186, Vake-Saburtalo District, Tbilisi, Georgia
(111) M 2022 35890 R (151) 2022 09 07 (181) 2032 09 07 (260) AM 2021 112599 A (220) 2021 04 14 (732) LTD "Papashvili Distiller" Galaktion Tabidze St. 7, Tabakhmela, Mtatsminda District, Tbilisi, Georgia	(111) M 2022 35895 R (151) 2022 09 07 (181) 2032 09 07 (260) AM 2021 114037 A (220) 2021 07 26 (732) LLC "JS Group" A. Odzelashvili St. 20, Batumi, Georgia
(111) M 2022 35891 R (151) 2022 09 07 (181) 2032 09 07 (260) AM 2021 113139 A (220) 2021 05 27 (732) JSC "Tbilvino" Sarajishvili Av. 2, 0153, Tbilisi, Georgia	(111) M 2022 35896 R (151) 2022 09 07 (181) 2032 09 07 (260) AM 2021 114051 A (220) 2021 07 28 (732) LEGO Juris A/S DK-7190 Billund, Denmark
(111) M 2022 35892 R (151) 2022 09 07 (181) 2032 09 07 (260) AM 2021 113854 A (220) 2021 07 12 (732) Limited Liability Company "Supermash" 30 A Verhniy Val St., Kyiv, 04071, Ukraine	(111) M 2022 35897 R (151) 2022 09 07 (181) 2032 09 07 (260) AM 2021 114052 A (220) 2021 07 28 (732) Lego Juris A/S DK-7190 Billund, Denmark
(111) M 2022 35893 R (151) 2022 09 07 (181) 2032 09 07 (260) AM 2021 113866 A (220) 2021 07 14 (732) Eldar Iukuridze Zhukovski St. 19, app. 9, Odessa, Ukraine	(111) M 2022 35898 R (151) 2022 09 07 (181) 2032 09 07 (260) AM 2021 114053 A (220) 2021 07 28 (732) LEGO Juris A/S DK-7190 Billund, Denmark
(111) M 2022 35894 R (151) 2022 09 07 (181) 2032 09 07 (260) AM 2021 113984 A (220) 2021 07 19 (732) Biological Farming Association "Elkana"	(111) M 2022 35899 R (151) 2022 09 07 (181) 2032 09 07 (260) AM 2021 114054 A (220) 2021 07 28 (732) LEGO Juris A/S DK-7190 Billund, Denmark
(111) M 2022 35900 R (151) 2022 09 07 (181) 2032 09 07 (260) AM 2021 114133 A (220) 2021 08 02 (732) Tingyi (Cayman Islands) Holding Corp.	

P.O. Box 309 Ugland House, Grand Cayman
KY1-1104, Cayman Islands

(111) M 2022 35901 R
(151) 2022 09 07
(181) 2032 09 07
(260) AM 2021 114144 A
(220) 2021 08 03
(732) LLC "Agropharm"
Davit Jokhadze St. 27, 1983, Vill. Tsavkisi,
Mtatsminda District, Tbilisi, Georgia

(111) M 2022 35902 R
(151) 2022 09 07
(181) 2032 09 07
(260) AM 2021 114216 A
(220) 2021 08 06
(732) Cerba Healthcare
11-13 rue René Jacques, Issy Les Moulineaux,
92130, France

(111) M 2022 35903 R
(151) 2022 09 07
(181) 2032 09 07
(260) AM 2021 114218 A
(220) 2021 08 06
(732) Cerba
Zone industrielle des Bethunes, Rue de
l'Equerre, Saint Ouen L'aumône, 95310,
France

(111) M 2022 35904 R
(151) 2022 09 07
(181) 2032 09 07
(260) AM 2021 114226 A
(220) 2021 08 10
(732) IDS Borjomi Beverages Co.N.V.
Pareraweg 45, Curaçao

(111) M 2022 35905 R
(151) 2022 09 07
(181) 2032 09 07
(260) AM 2021 114394 A
(220) 2021 08 20
(732) IDS Borjomi Beverages Co.N.V.
Pareraweg 45, Curaçao

(111) M 2022 35906 R
(151) 2022 09 07
(181) 2032 09 07
(260) AM 2021 114537 A
(220) 2021 09 07

(732) Hoco Technology Development (Shenzhen)
Co. LTD
Rm 408, 4th Floor, Block A, Weidonglong
Business Building, No.2125, Meilong Road,
Tsinghua Community, Longhua Street,
Longhua District, Shenzhen, P.R. China,
Chinetai, 518000, China

(111) M 2022 35907 R
(151) 2022 09 07
(181) 2032 09 07
(260) AM 2021 114538 A
(220) 2021 09 07
(732) Hoco Technology Development (Shenzhen)
Co. LTD
Shenzhen, Longhua District, Longhua Street,
Tsinghua Community, Meilong Road,
No.22125, Business Building Weidonglong,
Block A, 4th Floor, Rm 408, 518000, China,
People's Republic of China

(111) M 2022 35908 R
(151) 2022 09 07
(181) 2032 09 07
(260) AM 2021 114679 A
(220) 2021 09 20
(732) IDS Borjomi Beverages Co.N.V.
Pareraweg 45, Curaçao

(111) M 2022 35909 R
(151) 2022 09 07
(181) 2032 09 07
(260) AM 2021 114685 A
(220) 2021 09 21
(732) "Aisi" LLC
Varketili 3, I mcr., bld. 28, app. 26, 0163,
Isani-Samgori District, Tbilisi, Georgia

(111) M 2022 35910 R
(151) 2022 09 07
(181) 2032 09 07
(260) AM 2021 114689 A
(220) 2021 09 21
(732) Obshchestvo s Ogranichennoy
Otvetsvennostiu "Parapharm"
Ul. Sverdlova, Dom 4, 440026, Penza,
Russian Federation

(111) M 2022 35911 R
(151) 2022 09 07
(181) 2032 09 07
(260) AM 2021 114690 A
(220) 2021 09 21
(732) Obshchestvo s Ogranichennoy Otvetsvennostiu
"Parapharm"

Ul. Sverdlova, Dom 4, 440026, Penza, Russian Federation	Nino Zhvania St. 63, app. 5, Tbilisi, Georgia
(111) M 2022 35912 R (151) 2022 09 07 (181) 2032 09 07 (260) AM 2021 114691 A (220) 2021 09 21 (732) Obshhestvo s Ogranichennoy Otvetstven- nostyu "Parapharm" Ul. Sverdlova, dom 4, 440026, Penza, Russian Federation	(111) M 2022 35918 R (151) 2022 09 07 (181) 2032 09 07 (260) AM 2021 114744 A (220) 2021 09 28 (732) Enriko Beridze G. Tsitsishvili St. 18, Tbilisi, Georgia
(111) M 2022 35913 R (151) 2022 09 07 (181) 2032 09 07 (260) AM 2021 114692 A (220) 2021 09 22 (732) STADA Arzneimittel AG Stadastraße 2 - 18, 61118 Bad Vilbel, Germany	(111) M 2022 35919 R (151) 2022 09 07 (181) 2032 09 07 (260) AM 2021 114745 A (220) 2021 09 28 (732) Enriko Beridze G. Tsitsishvili St. 18, Tbilisi, Georgia
(111) M 2022 35914 R (151) 2022 09 07 (181) 2032 09 07 (260) AM 2021 114693 A (220) 2021 09 22 (732) LTD "Askaneli Dzmebi" Kakheti Highway 110a, 0198, Isani-Samgori District, Tbilisi, Georgia	(111) M 2022 35920 R (151) 2022 09 07 (181) 2032 09 07 (260) AM 2021 114747 A (220) 2021 09 28 (732) Enriko Beridze G. Tsitsishvili St. 18, Tbilisi, Georgia
(111) M 2022 35915 R (151) 2022 09 07 (181) 2032 09 07 (260) AM 2021 114696 A (220) 2021 09 23 (732) Nani Kamashidze Melikishvili St. 129, 6010, Batumi, Georgia	(111) M 2022 35921 R (151) 2022 09 07 (181) 2032 09 07 (260) AM 2021 114738 A (220) 2021 09 24 (732) LLC "Company Orbita" Akaki Tsereteli Av. 126, 0119, Tbilisi, Georgia
(111) M 2022 35916 R (151) 2022 09 07 (181) 2032 09 07 (260) AM 2021 114737 A (220) 2021 09 24 (732) Aleksandre Tavkheldidze Pekin Av. 2, app. 59, Tbilisi, Georgia	(111) M 2022 35922 R (151) 2022 09 07 (181) 2032 09 07 (260) AM 2021 114752 A (220) 2021 09 29 (732) LLC "Sonniva Georgia" Mekanizatsia St. 1, 0192, Gldani-Nadzaladevi District, Tbilisi, Georgia
(111) M 2022 35917 R (151) 2022 09 07 (181) 2032 09 07 (260) AM 2021 114741 A (220) 2021 09 27 (732) Davit Katamadze	(111) M 2022 35923 R (151) 2022 09 07 (181) 2032 09 07 (260) AM 2021 114761 A (220) 2021 09 30 (732) Nobel Food Industry LLC Nizami District, Haydar Aliyev avenue, House 92a, Block 2023, Baku, AZ1029, Azerbaijan

(111) M 2022 35924 R
(151) 2022 09 07
(181) 2032 09 07
(260) AM 2021 114808 A
(220) 2021 10 05
(732) Leonardo Beraia
Gumisti Massive, Sokhumi, Georgia

(111) M 2022 35925 R
(151) 2022 09 07
(181) 2032 09 07
(260) AM 2021 114812 A
(220) 2021 10 06
(732) LTD "Laghi"
Vill. Natakhtari, Mtskheta, Georgia

(111) M 2022 35926 R
(151) 2022 09 07
(181) 2032 09 07
(260) AM 2021 114905 A
(220) 2021 10 08
(732) Bombita Global LLC
30N Gould St Ste R Sheridan, WY 82801,
Wyoming, USA

(111) M 2022 35927 R
(151) 2022 09 07
(181) 2032 09 07
(260) AM 2021 114919 A
(220) 2021 10 13
(732) LTD "Tu Le Ju"
Davit Aghmashenebeli Av. 24, 4600,
Kutaisi, Georgia

(111) M 2022 35928 R
(151) 2022 09 07
(181) 2032 09 07
(260) AM 2021 114923 A
(220) 2021 10 13
(732) LTD "IMD"
Mikheil Asatiani St. 10, fl. 5, app. 25, Tbilisi,
Georgia

(111) M 2022 35929 R
(151) 2022 09 07
(181) 2032 09 07
(260) AM 2021 114924 A
(220) 2021 10 13
(732) LTD "IMD"
Mikheil Asatiani St. 10, fl. 5, app. 25, Tbilisi,
Georgia

(111) M 2022 35930 R
(151) 2022 09 07
(181) 2032 09 07
(260) AM 2021 114925 A
(220) 2021 10 13
(732) LTD "IMD"
Mikheil Asatiani St. 10, fl. 5, app. 25, Tbilisi,
Georgia

(111) M 2022 35931 R
(151) 2022 09 07
(181) 2032 09 07
(260) AM 2021 114927 A
(220) 2021 10 14
(732) LLC "Molecule"
Ul. Zorge, Dom 5, St. 3, Moscow, 123308,
Russian Federation

(111) M 2022 35932 R
(151) 2022 09 07
(181) 2032 09 07
(260) AM 2021 114979 A
(220) 2021 10 15
(732) British American Tobacco (Brands) Inc.
(a Delaware corporation) 251 Little Falls Drive,
Suite 100, Wilmington, Delaware, 19808-1674,
USA

(111) M 2022 35933 R
(151) 2022 09 07
(181) 2032 09 07
(260) AM 2021 114986 A
(220) 2021 10 18
(732) LTD "Global Orthopedic"
26 May St. 80, fl. 4, Marneuli, Georgia

(111) M 2022 35934 R
(151) 2022 09 07
(181) 2032 09 07
(260) AM 2021 114988 A
(220) 2021 10 18
(732) LTD "Global Orthopedic"
26 May St. 80, fl. 4, Marneuli, Georgia

(111) M 2022 35935 R
(151) 2022 09 07
(181) 2032 09 07
(260) AM 2021 115019 A
(220) 2021 10 21
(732) Tetiana Shor
Niko Pirosmiani St. 18d, app. 214, 6010,
Batumi, Georgia

(111) M 2022 35936 R
(151) 2022 09 07
(181) 2032 09 07
(260) AM 2021 115024 A
(220) 2021 10 21
(732) Ashley Furniture Industries LLC
One Ashley Way, Arcadia, WI 54612, USA

(111) M 2022 35937 R
(151) 2022 09 07
(181) 2032 09 07
(260) AM 2021 115025 A
(220) 2021 10 21
(732) Ashley Furniture Industries LLC
One Ashley Way, Arcadia, WI 54612, USA

(111) M 2022 35938 R
(151) 2022 09 07
(181) 2032 09 07
(260) AM 2021 115026 A
(220) 2021 10 21
(732) Ashley Furniture Industries LLC
One Ashley Way, Arcadia, WI 54612, USA

(111) M 2022 35939 R
(151) 2022 09 07
(181) 2032 09 07
(260) AM 2021 115027 A
(220) 2021 10 21
(732) Ashley Furniture Industries LLC
One Ashley Way, Arcadia, WI 54612, USA

(111) M 2022 35940 R
(151) 2022 09 07
(181) 2032 09 07
(260) AM 2021 115028 A
(220) 2021 10 21
(732) Ashley Furniture Industries LLC
One Ashley Way, Arcadia, WI 54612, USA

(111) M 2022 35941 R
(151) 2022 09 07
(181) 2032 09 07
(260) AM 2021 115101 A
(220) 2021 10 22
(732) JSC "Gepha"
Akaki Beliashvili St. 142, 0159, Tbilisi, Georgia

(111) M 2022 35942 R
(151) 2022 09 07
(181) 2032 09 07
(260) AM 2021 115106 A
(220) 2021 10 26

(732) LTD "Lithuanian Bakery+"
T. Eristavi St. 1, 0192, Tbilisi, Georgia

(111) M 2022 35943 R
(151) 2022 09 07
(181) 2032 09 07
(260) AM 2021 115107 A
(220) 2021 10 26
(732) LTD "Lithuanian Bakery+"
T. Eristavi St. 1, 0192, Tbilisi, Georgia

(111) M 2022 35944 R
(151) 2022 09 07
(181) 2032 09 07
(260) AM 2021 115111 A
(220) 2021 10 26
(732) Eti Gida Sanayi Ve Ticaret Anonim Sirketi
Organize Sanayi Bolgesi 11 Cadde,
Eskisehir, Turkey

(111) M 2022 35945 R
(151) 2022 09 07
(181) 2032 09 07
(260) AM 2021 115121 A
(220) 2021 10 27
(732) LTD "Wine Academy"
Kartozia St. 8, app. 21, Tbilisi, Georgia

(111) M 2022 35946 R
(151) 2022 09 07
(181) 2032 09 07
(260) AM 2021 115129 A
(220) 2021 10 28
(732) LTD "Energy Service"
Anna Kalandadze St. 4, Entr. 1, fl. 6, app. 29,
Tbilisi, Georgia

(111) M 2022 35947 R
(151) 2022 09 07
(181) 2032 09 07
(260) AM 2021 115131 A
(220) 2021 10 28
(732) LTD "Alfa"
Tevdore Mghvdeli St. 53, 0154, Tbilisi, Georgia

(111) M 2022 35948 R
(151) 2022 09 07
(181) 2032 09 07
(260) AM 2021 115204 A
(220) 2021 10 29
(732) LLC "Monograph"
Pushkin St. 5-7, bld. 2, 0105, Tbilisi, Georgia

(111) M 2022 35949 R
(151) 2022 09 07
(181) 2032 09 07
(260) AM 2021 115209 A
(220) 2021 11 01
(732) British American Tobacco (Brands) Inc.
(a Delaware corporation) 251 Little Falls Drive,
Suite 100, Wilmington, Delaware, 19808-1674,
USA

(111) M 2022 35950 R
(151) 2022 09 07
(181) 2032 09 07
(260) AM 2021 115329 A
(220) 2021 11 08
(732) Ketevan Kukhalashvili
Kvaratskhelia St. 10, app. 39, Sokhumi, Georgia

(111) M 2022 35951 R
(151) 2022 09 07
(181) 2032 09 07
(260) AM 2018 98567 A
(220) 2018 07 19
(732) LTD "Zhorzholiani Trading"
Nutsubidze Plateau, II mcr., I quarter, bld. 6,
app. 6, 0183, Tbilisi, Georgia

(111) M 2022 35952 R
(151) 2022 09 07
(181) 2032 09 07
(260) AM 2021 114748 A
(220) 2021 09 28
(732) Enriko Beridze
G. Tsitsishvili St. 18, Tbilisi, Georgia

(111) M 2022 35953 R
(151) 2022 09 07
(181) 2032 09 07
(260) AM 2021 115222 A
(220) 2021 11 02
(732) LTD "Imperspharm"
Giorgi Saakadze II Exit 17, 0160, Tbilisi, Georgia

**TRADEMARKS REGISTERED ACCORDING TO THE
ACCELERATED PROCEDURE**

The decision can be appealed at the Chamber of Appeal of Sakpatenti within 3 months from the publication.

(111) M 2022 35954 R
(151) 2022 09 13
(181) 2032 09 13
(210) AM 119290
(220) 2022 09 07
(732) JSC "OPPA"
Kazbegi Av. 15, 0160, Tbilisi, Georgia
(740) Giorgi Taktakishvili
(540)



(591) Red, yellow, purple, turquoise, green, orange, sky-blue
(531) 26.04.01; 26.04.07; 26.04.10; 29.01.01; 29.01.03; 29.01.04; 29.01.15
(511) 9, 36

(111) M 2022 35955 R
(151) 2022 09 13
(181) 2032 09 13
(210) AM 119181
(220) 2022 08 26
(732) LLC "Paydustry CIS"
Akaki Tsereteli Av. 72, bld. 2, Didube District, Tbilisi, Georgia
(540)



(591) 76226D lilac, E87405 orange, FDE8D5 beige, FFFFFFFF white
(531) 24.13.01; 24.13.09; 24.13.13; 27.05.01; 27.05.10; 29.01.13
(511) 42

(111) M 2022 35956 R
(151) 2022 09 14
(181) 2032 09 14
(210) AM 119294

(220) 2022 09 08
(732) Jumberi Izoria
Merab Kostava St. 5, Chkhorotsku, Georgia
(540)

**კოჩანა ირო კოჩანა თეს
ვაკო გურთი გოჩამა**

(591) Black-white
(511) 43

(111) M 2022 35957 R
(151) 2022 09 15
(181) 2032 09 15
(210) AM 119201
(220) 2022 09 01
(732) Rosssmax International LTD.
12F, No. 189, Kang Chien Road, Taipei 114, Taiwan, Province of China, People Republic of China
(740) Giorgi Taktakishvili
(540)

accumed

(591) Black-white
(511) 10

(111) M 2022 35958 R
(151) 2022 09 16
(181) 2032 09 16
(210) AM 119285
(220) 2022 09 07
(732) LLC "Viani"
Akaki Beliashvili St. 142, 0159, Tbilisi, Georgia
(540)

ვინი

(591) Black-white
(511) 44

(111) M 2022 35959 R
(151) 2022 09 16
(181) 2032 09 16
(210) AM 119286
(220) 2022 09 07
(732) LLC "Viani"

Akaki Beliashvili St. 142, 0159, Tbilisi,
Georgia
(540)

ვოან

(591) Black-white
(511) 44

(591) Yellow, blue, white
(531) 24.17.01; 26.11.01; 26.11.08; 27.05.17;
29.01.12
(511) 41

(111) M 2022 35960 R
(151) 2022 09 16
(181) 2032 09 16
(210) AM 119356
(220) 2022 09 12
(732) Besik Chankseliani
31st Street 10, Vill. Sakulia, Tskaltubo,
Georgia
(541)

PROSPERO
პროსპერო
უპროსპერო

(591) Black-white
(511) 35, 36, 37, 43

(111) M 2022 35961 R
(151) 2022 09 19
(181) 2032 09 19
(210) AM 119275
(220) 2022 09 05
(732) LTD Zhipitauri
Zakaria Paliashvili St. 36, Telavi, Georgia
(540)

აილამა
Ailama
I-lama

(591) Black-white
(511) 33

(111) M 2022 35962 R
(151) 2022 09 19
(181) 2032 09 19
(210) AM 119277
(220) 2022 09 05
(732) LTD "Skill Will"
Akhmeta St. 1, 0103, Isani District,
Tbilisi, Georgia
(540)

skillwill

INTERNATIONAL TRADEMARKS FOR WHICH A DECISION ON GRANTING PROTECTIONS IS TAKEN

The decision can be appealed at the Chamber of Appeal of Sakpatenti within 3 months from the publication or at the Mtskheta District Court Administrative Cases Board (Address: №17, Samkhedro St., Mtskheta), within 1 month following the publication.

(260) AM 2022 115548 A
 (800) 1627834
 (151) 2021 05 26
 (891) 2021 05 26
 (731) HUGO BOSS Trade Mark Management GmbH
 & Co. KG
 Dieselstraße 12, 72555 Metzingen, Germany
 (540)

BOSS

(591) Black and white
 (531) 27.05.17
 (511)

18 – Leather and imitations of leather, and goods made of these materials, namely travelling bags and casual bags, brief bags, beach bags, wallets, shopping bags, casings, of leather, for springs, covering of skins (furs), fur blankets, purses, holdalls, suitcase handles, handbags, bum bags, card wallets [leatherware], garment bags for travel, vanity cases, not fitted, credit card cases [wallets], toiletry bags, cosmetic bags sold empty, straps (leather-), animal skins, umbrella handles, traveling sets, backpacks, key bags, satchels, gym bags, bags [envelopes, pouches] of leather, for packaging, leather bags or pouches for packaging purposes; trunks and travelling bags; bags; umbrellas and parasols; luggage, bags, wallets and carrying bags.

21 – Household or kitchen utensils and containers; cocktail shakers; brushes; glassware; porcelain; reusable bottles, insulated bottles; hair brushes; boot brushes; shaving brushes; washing brushes; bottle brushes; golf brushes; toothbrush cases; holders for brushes; combs; cases for combs.

25 – Clothing for men, women and children; stockings; headgear; underwear; nightwear; swimwear; bathrobes; belts; shawls; accessories, namely headscarves, neck scarves, shawls, dress handkerchiefs; ties; gloves; shoes; belts of leather.

35 – Business management, sales consultancy; wholesale and retail services in relation to clothing, footwear, headgear and clocks and watches, spectacles, fashion accessories, cosmetics and perfumery, goods of leather, bags, bed linen, home textiles, household articles, stationery, luggage, sporting articles and smoking articles; marketing services; market research and market analysis; advertising; sales promotion; rental of advertising space; distribution of goods and advertising material for advertising purposes, including via

electronic media and via the internet; presentation of goods, in articular shop and shop window dressing; organization of exhibitions for commercial or advertising purposes; promotion of business relationships by providing of commercial and business contacts; commercial information and advice for consumers [consumer advice shop]; business consultancy and administration; business organization consulting; professional business consulting; information and advice for consumers on the choice of products to buy in relation to fashion; organization of fashion shows for commercial, industrial and advertising purposes; business management of retail stores in relation to clothing, footwear, headgear and clocks and watches, spectacles, fashion accessories, cosmetics and perfumery, goods of leather, bags, bed linen, home textiles, household articles, stationery, luggage, sporting articles and smoking articles; online wholesale and retail services and online ordering services in relation to clothing, footwear, headgear and clocks and watches, spectacles, fashion accessories, cosmetics and perfumery, goods of leather, bags, bed linen, home textiles, household articles, stationery, luggage, sporting articles and smoking articles; mail ordering services and computerized online-ordering services in relation to clothing, footwear, headgear and clocks and watches, spectacles, fashion accessories, cosmetics and perfumery, goods of leather, bags, bed linen, home textiles, household articles, stationery, luggage, sporting articles and smoking articles.

(260) AM 2022 115551 A
 (800) 1627932
 (151) 2021 07 09
 (891) 2021 07 09
 (731) Limited Liability Company "FIRMA
 "POLYPROFIL"
 Elektrodnaya str., 10 bldg, floor 1, pod. I,
 55, 60, RU-111524 Moscow, Russian
 Federation

(540)

БИОСЕПТ

BIOSEPT

(591) Black, white
 (531) 28.05

(511)

1 – Chemicals for use in industry, science and photography, as well as in agriculture, horticulture and forestry; unprocessed artificial resins, unprocessed plastics; fertilizers; fire extinguishing and fire prevention compositions; tempering and soldering preparations; chemical substances for preserving foodstuffs; tanning substances; adhesives for industrial purposes; antistatic preparations, other than for household purposes; tensio-active agents; chemicals for the manufacture of paints; graphite for industrial purposes; detergents for use in manufacturing processes; oil dispersants; additives, chemical, to insecticides; additives, chemical, to fungicides; auxiliary fluids for use with abrasives; lime chloride; casein for industrial purposes; gum arabic for industrial purposes; calcium carbide; carbide; caustics for industrial purposes; alum; tannic acid; adhesives for billposting; leather glues; adhesives for wall tiles; adhesives for paperhanging; cement for mending broken articles; gums [adhesives] for industrial purposes; emollients for industrial purposes; clarification preparations; bases [chemical preparations]; rubber preservatives; brickwork preservatives, except paints and oils; masonry preservatives, except paints and oils; cement preservatives, except paints and oils; preservatives for tiles, except paints and oils; bacterial preparations for the food industry; vulcanizing preparations; waterproofing chemical compositions, except paints; corrosive preparations; dehydrating preparations for industrial purposes; degreasing preparations for use in manufacturing processes; moistening [wetting] preparations for use in dyeing; mordants for metals; solvents for varnishes; acrylic resins, unprocessed; synthetic resins, unprocessed; epoxy resins, unprocessed; mold-release compounds; fire extinguishing compositions; glutinous tree-grafting preparations; fireproofing preparations; wood alcohol; concrete preservatives, except paints and oils; water glass [soluble glass]; chemical intensifiers for rubber; glass-frosting chemicals; glass-staining chemicals; enamel and glass-staining chemicals; enamel-staining chemicals; oil-separating chemicals; oil-purifying chemicals; chemicals, except pigments, for the manufacture of enamel; colour-brightening chemicals for industrial purposes; alkalies; glaziers' putty; wallpaper removing preparations.

2 – Paints, varnishes, lacquers; preservatives against rust and against deterioration of wood; colorants, dyes; mordants; metals in foil and powder form for use in painting, decorating, printing and art; annatto [dyestuff]; auramine; Canada balsam; whites; white lead; paper for dyeing Easter eggs; glazes [paints, lacquers]; orange lead; primers; gamboge for painting; titanium dioxide [pigment]; indigo [colorant]; gum resins; natural resins, raw; colophony; caramel [food colorant]; carbonyl [wood preservative]; cochineal carmine; copal; alizarine dyes; aniline dyes; toner cartridges, filled, for printers and photocopiers; ink for leather; colorants for liqueurs; colorants for bevera-

ges; shoe dyes; colorants for beer; colorants for butter; dyes for skins; dyewood; malt colorants; cobalt oxide [colorant]; food dyes; colorants; aluminium paints; asbestos paints; bactericidal paints; wood stains; ceramic paints; marking ink for animals; distempers; fireproof paints; anti-pollution paints; ultramarine blue pigments; printing ink; engraving ink; enamels for painting; paints; creosote for wood preservation; turmeric [colorant]; black japan; bitumen varnish; bronzing lacquers; copal varnish; lacquers; anti-corrosive bands; gold luster for ceramic products; platinum luster for ceramic products; silver luster for ceramic products; anti-rust oils; oils for the preservation of wood; mastic [natural resin]; mastic; lime wash; thickeners for paints; zinc oxide [pigment]; silver paste; printers' pastes [ink]; pigments; gilding preparations; coatings [paints]; wood coatings [paints]; undercoating for vehicle chassis; varnishes; aluminium powder for painting; bronze powder for painting; silvering powders; metals in powder form for use in painting, decorating, printing and art; agglutinants for paints; anti-corrosive preparations; protective preparations for metals; wood mordants; stains for leather; thinners for paints; thinners for lacquers; whitewash; soot [colorant]; carbon black [pigment]; lamp black [pigment]; sandarac; sienna earth; siccatives [drying agents] for paints; anti-rust greases; malt caramel [food colorant]; badigeon; anti-tarnishing preparations for metals; anti-rust preparations; wood preservatives; sumac for varnishes; red lead; turpentine [thinner for paints]; fixatives; fixatives for watercolours; metal foil for use in painting, decorating, printing and art; silver foil; yellowwood [colorant]; blacks [colorants or paints]; saffron [colorant]; gum-lac; dyewood extracts; enamels [varnishes]; silver emulsions [pigments].

(260) AM 2022 115554 A

(800) 1628094

(151) 2021 07 06

(891) 2021 07 06

(731) RD Media Group, LLC

3363 NE 163 Street, Suite 708, North Miami
Beach FL 33160, USA

(540)



(591) Black, white

(531) 05.05.20; 05.05.21; 27.05.07; 27.05.10

(511)

28 – Infant figure toys; electric action toys; plush toys; talking toys; construction toys; mechanical toys; sandbox toys; bath toys; articles of clothing for toys; toys, namely, puppets and accessories therefor; chil-

dren's multiple activity toys; toys, namely, children's dress-up accessories, namely, costume masks; board games; tabletop games; building games; arcade games; card games; puzzle games; electronic interactive board games for use with external monitor; toy strollers; toy scooters; children's toy bicycles other than for transport.

41 – Entertainment information; providing entertainment information via a website; entertainment media production services for the internet; entertainment services in the nature of ongoing television programs in the field of children's entertainment; providing information, news and commentary in the field of entertainment; entertainment services, namely, multimedia production services; entertainment services in the nature of development, creation, production and post-production services of multimedia entertainment content; providing information in the fields of education and entertainment for children via a website.

(260) AM 2022 115616 A

(800) 1629149

(151) 2021 04 13

(891) 2021 04 13

(731) PEPCO Poland Sp. z o.o.

Strzeszyńska 73A, PL-60-479 Poznań, Poland

(540)

pepco^o

(591) Black, white

(531) 24.17.25; 26.01.03; 27.05.01

(511)

1 – Nutrients for plants; soil for growing; potting soil; nutrients for flowers; fertiliser for soil and potting soil; fertilizers for household plants; organic potting soil.

2 – Watercolor paints.

3 – Cosmetics; non-medicated cosmetics; cosmetic kits; make-up; cosmetic preparations for skin care; cosmetics for personal use; antiperspirants [toiletries]; perfumes; non-medicated antiperspirants; perfumed tissues; toilet water; soap; non-medicated bath oils; cosmetic preparations for baths; cosmetic products for the shower; oils for cosmetic purposes; body oils [for cosmetic use]; body lotions; lotions for cosmetic purposes; skin care lotions [cosmetic]; non-medicated creams; body emulsions; tissues impregnated with cosmetics; cleansing milk for toilet purposes; depilatory lotions; after-shave preparations; sun-tanning oils; non-medicated toothpaste; tooth cleaning preparations; breath fresheners; cotton swabs for cosmetic purposes; nail varnish removers; cotton balls for cosmetic purposes; nail varnish; glitter for cosmetic purposes; make-up for the face; make-up removing preparations; lip glosses; eyebrow cosmetics; mascara;

lipsticks; cosmetic face powders; eyelid shadow; cosmetic eye pencils; cosmetics for children; baby shampoo; talcum powder (non-medicated -) for babies; baby wipes; cosmetics for animals; cosmetic hair dressing preparations; hair dyes; cleaning fluids; washing liquids; windscreen cleaning preparations; detergents for automobiles; windscreen cleaning liquids; automobile cleaners; detergents for household use; detergents; washing-up detergent; liquid soap for laundry; laundry preparations; carpet cleaning preparations; polish for furniture and flooring; cleaning agents for household purposes; shoe cream; shoe sprays; incense.

4 – Wood briquettes; coal briquettes; barbecue briquettes; household fuel briquettes; methylated spirit; firewood; propane gas sold in cylinders for use in torches; lamp wicks; wicks; wicks for candles; lighting fuel; Christmas tree decorations for illumination [candles]; firelighters; firelighters; charcoal lighter fluid; candles; special occasion candles; perfumed candles; table candles; perfumed candles; candle assemblies; grave candles, non-electric.

5 – Sanitary preparations and articles; antiseptics; antibacterial gels; antibacterial wipes; pharmaceuticals; analgesics; antimigraine drugs; tonics [medicines]; food supplements; multi-vitamin preparations; first-aid boxes, filled; bandages for dressings; adhesive plasters; adhesive plasters; panty liners [sanitary]; sanitary towels; babies' diapers; disposable diapers; babies' diapers; beverages for infants; infant formula; dietary supplements for animals; vitamin and mineral supplements for pets.

7 – Kitchen machines (electric -) for food preparation [other than cooking]; blenders, electric, for household purposes; meat choppers [machines]; meat mincing machines [electric machines] for household use; electric pepper mills; food processors, electric; hand-held tools, other than hand-operated; knives, electric; vacuum cleaners; tin openers, electric; fruit presses, electric, for household purposes; aerating pumps for aquaria; washing apparatus; food processors, electric; waste crushing machines; vegetable cutting machines; whisks, electric, for household purposes; dishwashers; bread cutting machines; shears, electric; tin openers, electric; food preparation machines, electromechanical; vacuum cleaning machines for use in households.

8 – Garden tools, hand-operated; garden forks; trowels [gardening]; lawn clippers [hand instruments]; rakes; shovels [hand tools]; hoes; hand-operated implements; blades for hand saws; miter cutters being hand tools; dies [hand tools]; drills; tube cutting instruments; lifting jacks, hand-operated; tap wrenches; hammers [hand tools]; chisels; penknives; pincers; table cutlery [knives, forks and spoons]; kitchen knives; cheese slicers, non-electric; whetstones [sharpening stones]; tin openers, non-electric; egg slicers, non-electric; shaving cases; non-electric razors; elec-

tric shavers; hair styling appliances; depilation appliances, electric and non-electric; hair clippers for personal use, electric and non-electric; electric hair curling irons; razor blades; tweezers; nail clippers; manicure sets; manicure sets, electric; electric eyelash curlers; eyelash curlers.

9 – Batteries; rechargeable batteries; battery adapters; computer card adapter; electrical adapters; mounting fittings for radios; active infra-red sensors; rechargeable cells; batteries for vehicles; batteries, electric, for vehicles; security alarm systems [other than for vehicles]; burglar alarms; baby alarms; fire alarms; aerials; cameras [photography]; card reading equipment; video reproducing apparatus; digital recording media; tyre-pressure measurers; card reading equipment; printers for use with computers; compact discs [read-only memory]; data storage discs; optical disc recordings; education software; children's educational software; integrated circuit memory cards; touch sensitive electronic screens; electronic touch sensitive switches; navigating apparatus (electronic -); socket outlets (electric -); interface cables [electric]; electronic door locks; luminous electric signs; spectacle cases; cases for sunglasses; electronic tags for goods; cinematographic films; optical filters; camera flashes; bags adapted for laptops; cases for electronic diaries; fire extinguishing apparatus; cables, electric; electronic cables; jump leads; battery booster cables; encoded cards for use in relation to the electronic transfer of financial transactions; encoded cards; encoded magnetic cards; microprocessor cards; flash memory cards; memory cards; telephone credit cards; helmets for bicycles; protective helmets for sports; keyboards; encoded telephone cards; mobile radio transmitting apparatus; loudspeaker units; speakers for computers; audio speakers for automobiles; socket outlets (electric -); goggles; cases adapted for photographic equipment; cases adapted for mobile phones; downloadable computer games; video games on disc [computer software]; video games [computer games] in the form of computer programs recorded on data carriers; identity cards, magnetic; interfaces for computers; computer cabling; talking books; chargers for electric batteries; battery chargers; counters; swim masks; protective masks; tire tread depth gauges; microphones; micro-computer apparatus; personal computers; microscopes; computer modems; monitors; computer screens; musical sound recordings; computer mouses; software; films, exposed; pre-recorded compact discs; audio visual recordings; headwear for sporting activities for protection against injury; prescription eyeglasses; goggles; sound reproduction apparatus; stereophonic apparatus; video players; electrical remote control apparatus; record players; compact discs [audio-video]; mouse pads; wrist rests for use with computers; training guides in electronic format; stands for televisions; boxes adapted for storing computer software disks; storage containers adapted for compact discs; laptop covers; electrical power extension cords; por-

table telecommunications apparatus; temperature indicators; distance measuring apparatus; car audio apparatus; headsets; smartphones; audio apparatus; racks for loudspeakers; stands for computer equipment; mobile telephones; wall mountings adapted for television monitors; holders adapted for mobile phones; in-car telephone handset cradles; baby monitors; recording apparatus; film recording apparatus; apparatus for recording images; teaching apparatus; optical apparatus and instruments; photographic apparatus and instruments; kitchen weighing scales; bathroom scales; cable detectors; telerrupters; amplifiers; telephone headsets.

11 – Saunas; heaters, electric, for feeding bottles; touchless hand drying apparatus; barbecues; lighting apparatus for vehicles; pressure cooking saucepans, electric; refrigerators; waffle irons; refrigerating cabinets; electric lamps; fans [air-conditioning]; electric coffee filters; searchlights; freezers; shower cubicles; range hoods; electric hand dryers; electric coffee brewers; lamps for directional signals of automobiles; lights for automobiles; chandeliers; bread-making machines; heating plates; air-conditioning installations; cast metal fireplaces; domestic gas fires; disinfectant dispensers for toilets; cooking apparatus and installations; waffle irons, electric; domestic coffee percolators [electric]; washers for water taps; warm air hand dryers; domestic radiators; simulated coal fires [domestic]; ovens; air-conditioning apparatus; kettles, electric; fluorescent electric light bulbs; filters for drinking water; electric clothes dryers [heat drying]; sinks; beverage cooling apparatus; lamp shades; hand driers; cooking stoves; gas lighters; luminous house numbers; deep fryers, electric; hair dryers; bicycle lights; lights, electric, for Christmas trees; bathroom sinks; aquarium lights; vehicle reflectors; lamp globes; pressure cooking saucepans, electric; electric grills; incandescent light bulbs; proofing cabinets for dough; aquarium filtration apparatus; electric heaters; footwarmers, electric or non-electric; heat pads for warming; microwave ovens [cooking apparatus]; ceiling lights; cooking utensils, electric; bread toasters; patio torches.

14 – Bracelets [jewellery]; paste jewellery; key rings [split rings with trinket or decorative fob]; tie clips; fancy keyrings of precious metals; amulets [jewellery]; alarm clocks; hat jewellery; necklaces [jewellery]; chains [jewellery]; jewellery boxes; jewelry for the head; beads for making jewellery; figurines of precious metal; cuff links; decorative brooches [jewellery]; ornamental figurines made of precious metal; brooches [jewellery]; shoe jewellery; watch bands; pierced earrings; watches; jewellery; rings [jewellery]; works of art of precious metal.

15 – Musical instruments; electric and electronic musical instruments; string instruments; musical instruments for children; accordions; flutes; drums [musical instruments]; dulcimers; handbells [musical instru-

ments]; triangles [musical instruments]; cases for musical instruments; guitars; electric guitars; mandolins; drum kits; pianos; musical boxes; saxophones; violins; bows for musical instruments; stands for musical instruments; tambourines; trumpets.

16 – Toilet paper; writing tablets; newspapers; household paper; pencils; sticky tape; calendars; jotters; tablecloths of paper; table linen of paper; photographic albums; covers [stationery]; paper washcloths; document holders [stationery]; school writing books; books for children; paper creasers [office requisites]; pocket notebooks; gummed tape [stationery]; crossword puzzles; daily newspaper; office paper stationery; handkerchiefs of paper; cookery books; embroidery designs [patterns]; adhesives for do-it-yourself purposes; office hole punchers; house painters' rollers; drawing instruments; tissues of paper for removing make-up; clips for offices; envelopes [stationery]; adhesives for household purposes; paper envelopes for packaging; pens; color pencils; pouches for writing instruments; writing tablets; adhesive tape dispensers [office requisites]; towels of paper; rubber erasers; paint boxes for use in schools; document laminators for office use; picture postcards; books; school supplies [stationery]; absorbent sheets of paper or plastic for foodstuff packaging; travel magazines; trading cards, other than for games; food-wrapping paper; television listing magazines; photograph stands; table napkins of paper; paper shredders for office use; writing stationery; pastels [crayons]; posters; glues for office use; toilet paper; holiday cards; bags and articles for packaging, wrapping and storage of paper, cardboard or plastics; note books; crayons; wrapping paper; toilet paper; office requisites, except furniture.

18 – Imitation leather; hiking sticks; travelling sets [leatherware]; cosmetic cases sold empty; trunks [luggage]; slings for carrying infants; umbrellas and parasols; hiking rucksacks; shoulder straps; saddlebags; shoulder belts [straps] of leather; travelling bags; garment carriers; roller bags; tool bags of leather, empty; suitcases; clothing for pets; raincoats for pet dogs; collars for animals; electronic pet collars; rawhide chews for dogs; covers and wraps for animals; dog leashes; dog parkas; animal carriers [bags]; leads for animals; dog shoes; dog bellybands; collars for cats; pet hair bows; collars for pets bearing medical information.

20 – Screens [furniture]; dog kennels; indoor window blinds of textile; bedding, except linen; office furniture; doors for furniture; school furniture; cupboards; baskets, non-metallic; bamboo; picture and photograph frames; infant walkers; plant racks; furniture shelves; stakes, not of metal, for plants or trees; sofas; deck chairs; tables; seat cushions; kennels for household pets; blinds (slatted indoor -) for protection against light; babies' bouncing chairs; curtain rings; footstools; seats; coat hangers; showcases [furniture]; mouldings for picture frames; mattresses; curtain

rods; flower-stands [furniture]; footrests; playpens for babies; mirrors [furniture]; pet cushions; decorative mirrors; armchairs; cushions; boxes of wood or plastic; wall-mounted baby changing platforms; bamboo curtains; mobiles [decoration]; bassinets; wall mirrors; flower-stands [furniture]; covers for clothing [wardrobe]; magazine racks; chests of drawers; chests for toys; furniture; household furniture; beds; sofas; cots for babies; high chairs for babies; racks [furniture]; sideboards; bead curtains for decoration; beds for household pets; dressing tables; book rests [furniture].

21 – Nutcrackers; flower pots; basins [receptacles]; pedal bins; planters of glass; glass bowls; drinking glasses; ironing boards; coin banks; watering cans; pottery; butter-dish covers; dishes; kitchen containers; tea infusers not of precious metal; bowls [basins]; baking dishes; flasks; lazy susans; trivets [table utensils]; window-boxes; ice cube moulds; baskets for household purposes; kettles, non-electric; insulating flasks; clothes-pegs; eyebrow brushes; toothbrushes; cups; plastic egg holders for domestic use; nest eggs, artificial; plant baskets; corkscrews, electric and non-electric; brushes for cleaning; teapots; isothermic bags; pots; fitted picnic baskets, including dishes; flower pots; loafahs; bowls for plants; jars for household use; porcelain flower pots; tea caddies; stemware; kitchen grinders, non-electric; tankards; gardening gloves; vases; frying pans; boot trees; jugs; bottles; basting spoons [cooking utensils]; moulds [kitchen utensils]; garlic presses [kitchen utensils]; toilet utensils; thermally insulated containers for food; boxes for dispensing paper towels; cloths for cleaning; strainers; brushes for pets; ironing board covers, shaped; shaving brushes; demijohns; bakeware; litter boxes for pets; mugs; ice buckets; brooms; fireproof dishes; cages for household pets; drying racks for laundry; trays for household purposes; coffee percolators, non-electric; plastic lids for plant pots; cutting boards for the kitchen; soup bowls; make-up removing appliances; toilet paper holders; saucers for flower pots; cooking pot sets; colanders for household use; pot lids; bread boards; bins for household refuse; ornamental sculptures made of porcelain; soap dispensers; soap racks; toilet sponges; dusting brushes; heaters for feeding bottles, non-electric; utensils for household purposes; disposable lids for household containers; aquariums; glass pans; combs; planters of clay; porcelain; hip flasks; glasses [receptacles]; flower pots; household plastic gloves; baby baths, portable; pie servers; containers for cosmetics; coffee grinders, hand-operated; shoe horns; tea strainers; Japanese cast iron kettles, non-electric (tetsubin); litter boxes for pets; graters for kitchen use; dusters; toilet brushes; glass decanters; dishwashing brushes; brushes for cleaning tanks and containers; straws for drinking; bread baskets for household purposes; works of art of porcelain, ceramic, earthenware, terra-cotta or glass; egg cups; brushes for cleaning footwear; dish covers; cookie [biscuit] cutters; wood planters.

24 – Household linen, including face towels; linens; curtains; duvet covers; covers for cushions; bath linen, except clothing; bed clothes and blankets; duvets; table linen, not of paper; table runners of textile; handkerchiefs of textile; covers for toilet lids of fabric; labels of textile; lace curtains; bed blankets; door curtains; composite textile materials; protective loose covers for mattresses and furniture; coverings for furniture; mosquito nets; bed throws; bed covers; disposable tablecloths of textile; lap rugs; covers for cushions; mattress covers; bed linen; flat bed sheets; woven fabrics; towels [textile] for the beach; towels [textile] for kitchen use; towelling [textile]; bath gloves; table napkins of textile; table napkins of textile; shower curtains of textile or plastic.

26 – Artificial flowers; bouquets of artificial flowers; artificial blossoms for attachment to clothing.

27 – Non-slip mats for baths; non-slip mats for showers; handcrafted non-textile wall hangings; mural hangings [non-textile]; vehicle mats and carpets; fur rugs; bath mats; rugs (floor -); carpets; gymnastic mats; anti-slip floor coverings for use under rugs; mats for vehicles [not shaped]; bath mats; floor coverings; straw mats; wall hangings, not of textile; artificial turf; wallpaper; wooden door mats; door mats of textile; door mats of india rubber; moquettes [carpets].

28 – Building blocks [toys]; paper party hats; bells for christmas trees; balls for games; kites; toys adapted for educational purposes; fishing tackle; discs for sports; in-line roller skates; table-top games; body-building apparatus; skeleton sleds; dolls' clothes; dolls' beds; toy model kits; toys; arm floats for swimming; body-building apparatus; swimming pools [play articles]; rackets; protective paddings [parts of sports suits]; christmas stockings; balloons; portable games with liquid crystal displays; plush toys; swings; scale model vehicles; toy model kit cars; scale model kits [toys]; decorations for christmas trees; remote control toys; christmas tree stand covers; masks [playthings]; spinning tops [toys]; christmas trees of synthetic material; paintballs [ammunition for paintball guns] [sports apparatus]; toys for sandpits; skating boots with skates attached; rattles [playthings]; electronic toys; theatrical masks; dice; hand-held consoles for playing video games; arcade games; exercise weights; flying discs [toys]; skittles; dolls' feeding bottles; toys for animals; baseball gloves; fairground ride apparatus; electronic targets for games and sports; toys for pets; puzzles; wind-up toys; dolls' rooms; controllers for game consoles; dolls; ice skates; gut for fishing; christmas tree stands; counters [discs] for games; scooters [toys]; teddy bears.

31 – Grass seeds; vegetable seeds; potted plants; climbing plants; living fruit plants; cat litter and litter for small animals; seeds for planting; flowers; garden herbs, fresh; seeds for planting; wreaths of natural flowers; seeds for flowers; seeds for horticultural

purposes; cuttings (plant -); pet food; cut flowers; bulbs for horticultural purposes; edible chews for animals; flower bulbs; bulbs (plant -); strengthening animal forage; plants; bird food; unprocessed herbs; natural edible plants [unprocessed].

35 – Retail services and wholesaling in relation to the following products: chemical fertilisers and chemicals used in horticulture, toiletries, perfumery and fragrances, cosmetics, animal grooming preparations, detergent soap, vehicle cleaning preparations, detergent, candles, briquettes, and illuminants, carbon, supplements for food, sanitary preparations and articles, medical and veterinary preparations and articles; retail services and wholesaling in relation to the following products: electric kitchen machines for food preparation (other than cooking), washing and laundering machines, equipment for processing and preparing food; retail services and wholesaling in relation to the following products: garden tools, hand-operated, hand implements (hand-operated), table cutlery [knives, forks and spoons], kitchen knives, hand-operated hygienic implements; retail services and wholesaling in relation to the following products: audio/visual and photographic devices, data storage devices and media, spectacles, batteries, communications equipment, equipment for audio apparatus and radios; retail services and wholesaling in relation to the following products: sanitary installations and devices, burnishers, stoves, cookery equipment, heating equipment, cooling apparatus, filters for household use, lighters, lighting, heating and drying instruments for personal use; retail services and wholesaling in relation to the following products: jewelry, accessories for jewellery, namely jewellery caskets, time instruments, fobs, musical instruments; retail services and wholesaling in relation to the following products: stationery and educational supplies, paper and cardboard, disposable paper products, artists' materials and media, decoration materials, articles for packaging, wrapping and storage of paper, cardboard or plastics, adhesives; retail services and wholesaling in relation to the following products: umbrellas and umbrellas, tracking poles, suitcases, clothing for pets; retail services and wholesaling in relation to the following products: figurines, ornaments and ornaments made of plastics, clothing storage stands, furniture and furniture accessories for home furnishing, animal housing, beds and bedding for animals, containers, not of metal, beds, mirrors (looking glasses), indoor curtains (Venetian blinds), pillows; retail services and wholesaling in relation to the following products: statuettes made of glass and figurines made of glass, garden article, bowels, brushes, food preparation implements, tableware, cosmetic and toilet utensils, animal requisites, articles for treating items of clothing and footwear; retail services and wholesaling in relation to the following products: curtains for windows, fabrics, household linen, loose covers for furniture, blankets; retail services and wholesaling in relation to the following products: false

flowers, carpets rugs and mats, wall decorations, wall-paper; retail services and wholesaling in relation to the following products: novelty toys for playing jokes for parties and festive decorations, toys, games, playthings and novelties, playground activity apparatus, sporting articles and equipment; retail services and wholesaling in relation to the following products: pot plants, flower seeds, bulbs (plant -), pet care food-stuff.

36 – Charitable fund raising; organization of monetary collections; automated teller machine services; payment processing; hire-purchase financing; instalment loans; financial sponsorship; processing electronic payments made through prepaid cards; automated teller machine services; banking; credit card and payment card services; card operated financial services; electronic banking services; phone banking; finance services; automated banking services relating to charge card transactions; issuing of tokens of value in relation to customer loyalty schemes.

(260) AM 2022 115619 A

(800) 1629276

(151) 2021 06 28

(891) 2021 06 28

(731) Rugby Europe

45 rue de Liège, F-75008 Paris, France

(540)



(591) Metallic gold and black

(531) 01.01.09; 11.03.01; 26.11.12; 27.03.01;
27.03.15; 29.01.13

(511)

16 – Printing products (printed matter); coloring and drawing books; activity books; magazines; newspapers; books and magazines, including those in connection with sportsmen an sportswomen or sporting events; score sheets; printed teaching material; event programs; bookbinding material; photographs; stickers; photographs of players for collectors; posters; stationery; adhesives for stationery or household purposes; artists' materials; instructional or teaching material (except apparatus); score sheets; event programs; printing type; printing blocks; paper; cardboard; boxes of cardboard or paper; posters; albums; autograph books; cards; postcards; invitation cards; greeting cards; prospectuses; pamphlets; calendars; personal organizers of paper; diaries (planners); writing instruments; engravings or lithographic works of

art; lithographs; paintings (pictures), framed or unframed; aquarelles; patterns for dressmaking; drawings; drawing instruments; handkerchiefs of paper; face towels of paper; table linen of paper; toilet paper; bags and small bags (envelopes, pouches) of paper or plastic for packaging; coasters and place mats of paper; garbage bags of paper or plastic materials; tablecloths of paper; towels of paper; small bags of paper; labels (not of textile); hand towels of paper; handkerchief boxes of paper and cardboard; cases for notebooks; office requisites [except furniture]; file racks for office requisites; bookends; envelopes; bookmarks; gift wrapping paper; desk mats; folders for papers; exercise books; flags of paper; paper banners; pennants (flags) of paper; badges or insignia of paper; pens, felt-tip pens, markers; stamps (seals); postage stamps; tickets, entrance tickets; advertising signs and banners of paper or cardboard; transfers (decalcomanias); self-adhesive labels; cards for travel and for shows, check guarantee cards and debit cards, non-magnetic and of paper or cardboard; money clips (of metal); check-book cases; baggage tags of paper; passport holders and pouches; travelers' checks; labels of paper or cardboard for suitcases; identity badges of paper.

18 – Leather and imitations of leather; leather straps and belts; umbrellas; parasols; sports bags (other than those designed for the goods that they contain); leisure bags; traveling bags; backpacks; satchels; school bags; belt bags; handbags; leather bags; beach bags; garment bags for travel; suitcases [carrying cases]; suitcases; document cases; luggage tags; belts for suitcases; briefcases (leather goods); unfitted vanity cases, toiletry bags; key cases (leather goods); wallets; purses; whips; collars for animals; cases for identity cards; business card cases; harnesses.

24 – Bed linen; sheets; eiderdowns [quilts]; bed covers; pillow shams; pillowcases; sleeping bags (padded); curtains, shower curtains; curtain fabrics; linen; hand towels, bath linen, kitchen towels; blankets; handkerchiefs of textile; flags; flags; banners; cloth banners; pennants; tablecloths and napkins, not of paper; table linen not of paper; labels of textile materials.

25 – Clothing, footwear, headwear; shirts; clothing of leather or imitation of leather; knitted fabrics (clothing); pullovers; sleeveless pullovers; t-shirts; vests; jerseys; sleeveless jerseys; dresses; skirts; underwear; swimsuits; bathrobes; shorts; trousers; sweaters; tracksuits for sports; sweatshirts; jackets, sports jackets, stadium jackets (jumpers); blazers; raincoats; coats; uniforms; belts (clothing); gloves; aprons; bibs, not of paper; pajamas; scarves; long scarves; shawls; neckties; bandanas; wrist bands (clothing); headbands; hosiery; caps; peaked caps; socks; suspenders; beach, ski or sports footwear.

28 – Games, toys; sports balls; play balls and balloons; play balls; board games; dolls and stuffed toys;

toy vehicles; dolls and plush toys; puzzle; balloons; in-line roller skates; playing cards; scratch cards for playing lottery games; confetti; party hats (toys); hands made of rubber or foam (toys); kites; roller skates; scooters; skateboards; small electronic games for use with a television set; video game apparatus; play blocks; manually or voice-activated game mats, steering wheels for video games and dance mats for video games; electronic game machines with liquid crystal displays; electronic games other than those for use only with television sets; game consoles; prepaid video games for game centers (arcade games); entertainment robots; gymnastics and sporting articles; appliances for gymnastics; rugby equipment, namely, rugby balls, gloves, knee pads, elbow pads and shoulder pads, shin guards, rugby posts; sports bags and containers for carrying sports articles (designed to fit the objects in question); lottery tickets; scratch cards for playing the lottery.

35 – Employment agencies; personnel recruitment; personnel search and selection services; advertising services; rental of billboards; advertising agency services; rental of advertising spaces; services provided by an agency publishing advertising texts; dissemination of advertisements; rental of advertising space; rental of advertising time in film credits; television advertising, radio advertising; promotional agency services for sports and public relations; marketing research; opinion poll services; provision of website space, for advertising goods and services; database compilation services; data bank management services; retail sale services relating to a variety of goods, namely, clothing, footwear, headgear, sports articles, stationery, apparatus for recording, transmitting and reproducing sound and images, books, video games, toys, dolls, newspapers, magazines, publications, pins, insignias, key rings, tickets, fine jewelry, watches, bags, briefcases, flags, non-alcoholic and alcoholic beverages, smokers' articles, confectionery; business information services provided online from a computer database or over the Internet; compilation of advertising messages used as Web pages on the Internet; compilation of indexes intended to be published on the Internet or other wireless electronic communication networks; provision of space on websites on the Internet for advertising goods and services; auction services on the Internet; business administration services for the processing of sales made over the Internet; providing bonus programs for clients and issue of loyalty cards for fans with the personal data of the holder for controlling access to sports stadiums; data collection, creation and management, namely collection of domain names in a register; sales promotion, namely creation of preferential programs for customers; e-commerce services, namely, product information service via telecommunication networks for advertising and sales purposes; promoting rugby events and rugby competitions; promoting events in the field of rugby; market study services; market research ser-

vices; organization of exhibitions for commercial or advertising purposes; organization of advertising for trade fairs; establishing statistics; advertising for sports events in the field of rugby; compilation and recording of data and information on sporting performances; e-commerce services, namely online services for providing contracts for the purchase and sale of goods on behalf of others; retail sale services for interactive educational and entertainment products, namely, interactive compact disks, CD-ROMs, and computer games; provision of personnel, particularly for selling beverages and foods; hospitality services, namely, retail sale of food and beverages at sports or entertainment events; services for purchasing goods and services for other businesses for sports or entertainment events.

38 – Telecommunication services; communication by telephones and mobile telephones; communications by facsimile; communication via electronic computer terminals linked to telecommunication networks, data banks and the Internet or via wireless electronic communication devices; paging services; telephone or video conferencing services; television program broadcasting; broadcasting of cable television programs; radio program broadcasting; transmission (or broadcasting) of radio and television programs relating to sports and sports events; news and press agency services; other message transmission services; rental of telephones, facsimile machines and other telecommunication apparatus; transmission of commercial Internet pages online or via wireless electronic communication devices; services for transmitting and broadcasting television and radio programs provided via the Internet or via any wireless electronic communication network; electronic transmission of messages; provision of access to telematic servers and real-time chat forums; computer-aided transmission of messages and images; telecommunication via fiber-optic networks; providing a global computer network or interactive communication technologies for access to private and commercial purchasing and ordering services; telecommunication of computer information (including websites) and other data; transmission of information (including sites by telematic means) via telecommunication, computer programs and other data; electronic mail services; providing access via the Internet or on any wireless electronic communication network (telecommunication services); providing connections for telecommunications with a global computer network (the Internet) or data banks; provision of access to websites offering digital music on the Internet by means of a global computer network or via wireless electronic communication devices; rental of access time to a database server center (telecommunication services); rental of access time to a computer database (telecommunication services); on-line transmission of electronic publications; simulcast broadcasting and/or networking of film recordings and of sound and video recordings; simultaneous broadcasting and/or netcas-

ting of interactive educational and entertainment products, interactive compact disks, CD-ROMs, computer programs and computer games (telecommunications); providing access to blackboards (notice and advertisement boards) and chat rooms in real time via a global computer network; rental and provision of access time to blackboards (boards for displaying information and advertisements) and to chat rooms in real time by means of a global computer network (communication services); telecommunication services dedicated to retail sale by means of interactive communications with customers; videotext and teletext transmission services; information transmission via communication satellite, microwave or by electronic, digital or analog means; transmission of digital information by cable, wire or fiber; transmitting information by mobile telephones, telephones and facsimile machine; telecommunication services for receiving and exchanging information, messages, images and data; providing discussion groups on the Internet or on any wireless electronic communication network (telecommunications), namely, providing discussion forums on the Internet or on any wireless electronic communication network (telecommunications); providing access to search engines; television and radio broadcasting of sports events.

41 – Education; training; entertainment; sporting and cultural activities; information relating to entertainment or education; trainings; organizing competitions, prize draws and lotteries; reception and hospitality services (sport, entertainment); reception and hospitality services, namely, customer reception services (entertainment services), including providing tickets to sports or recreational events; entertainment services in connection with sports events; organization of sporting and cultural events and activities; organization of competitions (education or entertainment); organization of sports competitions; organizing and promoting events in the field of rugby; organization and conducting of colloquiums, conferences or congresses; providing sports facilities; organization of exhibitions for cultural or educational purposes; timing services relating to sports events; time-keeping during sporting events; ticket reservation services for sports or entertainment events; information services for sports events or entertainment; information relating to entertainment, to sports and cultural activities; vocational retraining; provision of recreational facilities; booking of seats for shows; publication of books; publication of books and electronic journals on-line; book lending; editing of books; production and rental of motion pictures; rental of sound recordings; production, presentation, distribution and/or rental of film recordings and audio and video recordings; audio and video recording services; rental of television sets; rental of video and audiovisual systems; rental of show scenery; videotape editing; production services for radio and television programs and video tapes; photography services; game services provided online from a computer net-

work; online betting and gaming services on the Internet or any wireless electronic communications network; interactive entertainment; electronic publication of books and journals online; electronic desktop publishing; entertainment services relating to sporting events; provision of entertainment infrastructure; translation services.

(260) AM 2022 115620 A

(800) 1629305

(151) 2021 06 21

(891) 2021 06 21

(731) MAJYL

83 rue de Reuilly, F-75012 PARIS, France

(540)

FAVEOD

(591) Black, white

(511)

9 – Computer software; computer meta-programs; software developed using software; electronic equipment for data processing; electronic equipment intended for processing and securing computer and digital data; downloadable computer applications (software); computer databases and software which can be consulted via an access code enabling the storage, transmission, dissemination and exchange of information; computer software and databases for carrying out information transactions; computer databases and software accessible via an access code enabling the instant generation of computer software; maintenance software; software, application programming interfaces; computer programs; electronic circuits containing programmed data; software packages; magnetic or optical data media; portable electronic devices for wireless reception, storage and/or transmission of data and messages; computer platforms in the form of recorded or downloadable software; computer platforms in the nature of software for use in SaaS mode; electronic publications downloadable from databases or the Internet; computer programs and applications for data analysis.

35 – Business management assistance; business management and organization consultancy; consulting services relating to personnel management; advisory services regarding marketing strategy; advisory services regarding business strategy; advisory services regarding communication (advertising); advisory services regarding communication (public relations); advisory services regarding accounting; advisory services for companies relating to financing of growth; corporate advisory services with respect to corporate responsibility; commercial business analysis; organization of events for commercial and advertising purposes; organization of trade shows for commercial or advertising purposes; systemization of data into a central file, computerized file management services; compilation of information into computer databases; updating and

maintenance of data in computer databases; updating and maintenance of data in registers; data search in computer files for others; providing software concerning business organization and management; creating economic forecasts; market studies; establishing statistics; document reproduction; computer file management; arranging subscriptions to telecommunication services for others; advisory services concerning data management and processing.

38 – Communications via computer terminals; transmission of information by telematic means, transmission of information accessible by access code, via computer data processing servers, via computer or telematic networks including the Internet and the World Wide Web; provision of access to computer databases or to telecommunication, computer or telematic networks; provision of access to databases; transmission of texts, electronic documents, databases, computer databases and audiovisual information; providing access to data in computer files for others.

41 – Training services; training relating to computer programming; training in connection with data processing; training related to computer architecture; training related to data security, software and software packages; training related to internet security; training related to the design, development and deployment of computer software; training related to information technology; training related to software engineering; training related to supporting change with respect to technology and digitalization of data; training related to technical and technological innovation as well as digitalization of data; training related to corporate responsibility with respect to business management; editing material or immaterial media for informational purposes; editing material or immaterial media for training purposes.

42 – Development (design), development, programming, installation, maintenance, updating or rental of software; temporary provision of non-downloadable software online; programming for computers; computer system analysis; computer system design; web site design; conversion of data or documents from physical to electronic media; conducting of technical project studies; consultant services with respect to computer hardware design and development; consultancy with respect to the design, development and deployment of computer software; consultant services relating to Internet security; consultancy with respect to security for software and software packages; consultant services with respect to data security; information technology (IT) consultancy; information technology consultancy services; consultancy relating to computer architecture; consultancy relating to software engineering; telecommunication technology consultancy services; monitoring of computer systems for the detection of unauthorized access or data protection breaches; remote monitoring of computer systems; developing computer software applications, electronic data

storage services; computer support services (programming and installation of software); technical auditing; rental and provision of computer equipment and software; rental and provision of data processing equipment.

(260) AM 2022 115631 A

(800) 1629555

(151) 2021 07 09

(891) 2021 07 09

(731) OZKA TEKSTİL DIŞ TİCARET VE SANAYİ LİMİTED ŞİRKETİ
MERKEZ MAH. GÜNGÖREN CAD., NO: 63
İÇ KAPI NO: 11 BAĞCILAR, İSTANBUL,
Türkiye

(540)

TSSHOP DENIM COLLECTION

(591) Black, white

(531) 27.05.01

(511)

25 – Clothing, including underwear and outer clothing, other than special purpose protective clothing; socks, mufflers [clothing], shawls, bandanas, scarves, belts [clothing], footwear, shoes, slippers, sandals, headgear, hats, caps with visors, berets, caps [headwear], skull caps.

(260) AM 2022 115632 A

(800) 1629575

(151) 2021 09 11

(891) 2021 09 11

(731) Dr. Harold Katz, LLC

5802 Willoughby Ave., Los Angeles CA 90038,
USA

(540)



The logo for 'The Breath Co' features the brand name in a bold, green, sans-serif font. The text is set against a dark green horizontal bar that spans the width of the logo. The 'Co' is slightly smaller and positioned to the right of 'The Breath'.

(591) The color(s) green, light green is/are claimed as a feature of the mark

(531) 27.05.01; 27.05.09; 27.05.11; 29.01.11

(511)

3 – Toothpaste; breath freshening preparations for personal hygiene; breath freshening sprays; mouthwashes, not for medical purposes; nasal cleaning preparations for personal sanitary purposes; non-medicated mouthwashes; teeth whitening preparations; tooth whitening creams; tooth whitening gels; tooth whitening pastes.

(260) AM 2022 115633 A

(800) 1629687

(151) 2021 08 26

(891) 2021 08 26

(731) Philip Morris Products S.A.

Quai Jeanrenaud 3, CH-2000 Neuchâtel,
Switzerland

(540)



(591) Black, white

(531) 26.04.05; 26.04.16; 26.04.18; 26.11.03;

26.11.13; 26.13.25; 27.05.01; 27.05.09;

27.05.10

(511)

34 – Wired vaporizers for electronic cigarettes and electronic smoking devices; tobacco, raw or manufactured; tobacco products, including cigars, cigarettes, cigarillos, tobacco for roll-your-own cigarettes, pipe tobacco, chewing tobacco, snuff tobacco, kretek; snus; tobacco substitutes (not for medical purposes); smokers' articles, including cigarette paper and tubes, cigarette filters, tobacco tins, cigarette cases and ashtrays, pipes, pocket apparatus for rolling cigarettes, lighters; matches; tobacco sticks, tobacco products for the purpose of being heated, electronic devices and their parts for the purpose of heating cigarettes or tobacco in order to release nicotine-containing aerosol for inhalation; liquid nicotine solutions for use in electronic cigarettes; electronic smoking devices; electronic cigarettes; electronic cigarettes as substitutes for traditional cigarettes; electronic devices for the inhalation of nicotine-containing aerosol; oral vaporizing devices for smokers, tobacco products and tobacco substitutes; smokers' articles for electronic cigarettes; parts and fittings for the aforesaid products included in this class; devices for extinguishing heated cigarettes and cigars as well as heated tobacco sticks; electronic rechargeable cigarette cases.

(260) AM 2022 115634 A

(800) 1629691

(151) 2021 08 24

(891) 2021 08 24

(731) Philip Morris Products S.A.

Quai Jeanrenaud 3, CH-2000 Neuchâtel,
Switzerland

(540)



(591) Black, white

(531) 25.07.08; 25.07.21; 26.04.05; 26.04.16;

26.04.18; 26.04.24; 26.13.25; 27.05.01;

27.05.08; 27.05.09; 27.05.10

(511)

34 – Wired vaporizers for electronic cigarettes and electronic smoking devices; tobacco, raw or manufactured; tobacco products, including cigars, cigarettes, cigarillos, tobacco for roll-your-own cigarettes, pipe tobacco, chewing tobacco, snuff tobacco, kretek; snus; tobacco substitutes (not for medical purposes); smokers' articles, including cigarette paper and tubes, cigarette filters, tobacco tins, cigarette cases and ashtrays, pipes, pocket apparatus for rolling cigarettes, lighters; matches; tobacco sticks, tobacco products for the purpose of being heated, electronic devices and their parts for the purpose of heating cigarettes or tobacco in order to release nicotine-containing aerosol for inhalation; liquid nicotine solutions for use in electronic cigarettes; electronic smoking devices; electronic cigarettes; electronic cigarettes as substitutes for traditional cigarettes; electronic devices for the inhalation of nicotine-containing aerosol; oral vaporizing devices for smokers, tobacco products and tobacco substitutes; smokers' articles for electronic cigarettes; parts and fittings for the aforesaid products included in this class; devices for extinguishing heated cigarettes and cigars as well as heated tobacco sticks; electronic rechargeable cigarette cases.

(260) AM 2022 115635 A

(800) 1629757

(151) 2021 05 05

(891) 2021 05 05

(731) Tovarystvo z obmezhenoiu vidpovidalnistiu

"Torhova kompaniia Ekona"

vul. Bilostotskoho, 126, m. Dnipropetrovsk
49034, Ukraine

(540)



(591) Red and white

(531) 05.01.05; 05.01.16; 26.04.24; 29.01.12

(511)

21 – Chopsticks.

29 – Bouillon concentrates; coconut butter; coconut oil for food; edible birds' nests; fish, not live; fish-based foodstuffs; fish fillets; fish meal for human consumption; fish roe, prepared; ginger, preserved; kimchi; molluscs, not live; mussels, not live; pickled ginger; prawns, not live; preparations for making boui-

llon; preparations for making soup; salmon, not live; salted fish; seaweed extracts for food; sesame oil for food; soups; shrimps, not live; soya milk; tofu; tuna, not live.

30 – Breadcrumbs; condiments; curry [spice]; ground ginger; ketchup [sauce]; macaroni; marinades; noodles; pasta; rice; rice-based snack food; sauces [condiments]; seaweed [condiment]; soya sauce; spices; sushi; vermicelli; vinegar.

31 – Edible sesame, unprocessed; fish spawn; ginger, fresh; rice, unprocessed; rice meal for forage; seaweed, unprocessed, for human or animal consumption.

(260) AM 2022 115636 A

(800) 1629773

(151) 2021 08 19

(891) 2021 08 19

(731) Markushevskiy Igor Isaakovych

vul. Bolharska, 82, kv. 8, m. Odesa 65005, Ukraine;

Maslenkov Volodymyr Mykolaiovych

vul. Marshala Hovorova, 1-2, kv. 101,

m. Odesa 65058, Ukraine;

Shmulevych Vitalii Naumovych

vul. Levanevskoho, 7, kv. 63, m. Odesa 65062, Ukraine

(540)

BLACK BAY

(591) Black, white

(531) 27.05.01; 27.05.17

(511)

33 – Alcoholic beverages, except beer; aperitif wines; wine; digesters [liqueurs and spirits]; brandy; whisky; gin; anisette [liqueur]; anise [liqueur]; mead [hydromel]; vodka; kirsch; perry; cocktails; liqueurs; peppermint liqueurs; distilled beverages; pre-mixed alcoholic beverages, other than beer-based; alcoholic beverages containing fruit; bitters; piquette; rum; cider; spirits [beverages]; alcoholic extracts; alcoholic essences; fruit extracts, alcoholic.

(260) AM 2022 115637 A

(800) 1629781

(151) 2021 08 17

(891) 2021 08 17

(731) BÜLENT BÖREKÇİLİK İMALAT

PAZARLAMA SANAYİ VE DIŞ TİCARET

ANONİM ŞİRKETİ

Mahmutbey Mah. 2661.Sok., No:11/1/Z1

Bağcılar, İstanbul, Türkiye

(540)



(591) Black, orange and white

(531) 09.07.19; 24.17.02; 26.01.03; 26.01.16;

26.01.24; 26.04.05; 26.04.18; 26.04.24;

26.11.02; 26.11.08; 27.05.01; 27.05.04;

27.05.09; 27.05.10; 27.05.11; 27.05.14;

27.05.22; 29.01.13

(511)

30 – Coffee, cocoa; coffee or cocoa based beverages, chocolate based beverages, pasta, stuffed dumplings, noodles, pastries and bakery products based on flour; desserts based on flour and chocolate; bread, simit [Turkish ring-shaped bagel covered with sesame seeds], poğaçı [Turkish bagel], pita, sandwiches, katmer [Turkish pastry], pies, cakes, baklava [Turkish dessert based on dough coated with syrup], kadayıf [Turkish dessert based on dough]; desserts based on dough coated with syrup; puddings, custard, kazandibi [Turkish pudding], rice pudding, keşkül [Turkish pudding], honey, bee glue for human consumption, propolis for food purposes, condiments for foodstuff, vanilla (flavoring), spices, sauces (condiments), tomato sauce, yeast, baking powder, flour, semolina, starch for food, sugar, cube sugar, powdered sugar, tea, ice tea, confectionery, chocolate, biscuits, crackers, wafers, chewing gums, ice-cream, edible ices, salt, cereal-based snack food, popcorn, crushed oats, corn chips, breakfast cereals, processed wheat for human consumption, crushed barley for human consumption, processed oats for human consumption, processed rye for human consumption, rice, molasses for food.

43 – Temporary accommodation; reservation of temporary accommodation; rental of rooms for wedding ceremonies; providing rooms for conferences and various meetings.

(260) AM 2022 115638 A

(800) 1629821

(151) 2021 08 06

(891) 2021 08 06

(731) Iberfrasa, S.L.

C/del Poeta Joan Maragall, 49, 1e, 1a Oficina, E-28020 Madrid, Spain

(540)

BETRÈS

(591) Black, white

(531) 26.11.08; 27.05.17

(511)

3 – Non-medicinal toiletry preparations and cosmetic products; non-medicinal dentifrices; perfumery products, essential oils; bleaching preparations and other substances for laundry use; cleaning, polishing, degreasing and abrasive preparations.

(260) AM 2022 115639 A
 (800) 1629848
 (151) 2021 07 28
 (891) 2021 07 28
 (731) Wolfgang Kohnle Wärmebehandlungsanlagen GmbH
 Industriestr. 27-29, 75217 Birkenfeld, Germany

(540)

Kohnle

(591) Black, white
 (531) 27.05.01; 27.05.02; 27.05.17; 27.05.25
 (511)

7 – Protective gas generators and reactive gas generators; quenching devices for heat treated workpieces; feeding devices and discharge devices for heat treating plants; gas circulating devices for heat treating plants; conveyors, material bunkers and distribution devices for workpieces; conveyor belts for heat treating plants; components of the aforesaid goods as well as replacement parts and accessories for the aforesaid goods included in this class.

9 – Temperature measuring and temperature control apparatus for heat treating plants; protective gas measuring and controlling apparatus as well as reaction gas measuring and controlling apparatus for heat treating plants, weighing scales; components of the aforesaid goods as well as accessories for the aforesaid goods included in this class.

11 – Installations for hardening, carburizing, carbonitriding, washing, tempering, soldering, brazing, reducing, oxidizing and sintering of workpieces; chamber furnaces and conveyor furnaces for the heat treating of workpieces, including heat treating under protective gas and other reactive gas too; strip annealing installations and wire annealing installations; cooling devices and drying devices as components of heat treatment installations; centrifugal dryers; components of the aforesaid goods as well as replacement parts and accessories for the aforesaid goods included in this class.

(260) AM 2022 115651 A
 (800) 1630324
 (151) 2021 10 21
 (891) 2021 10 21
 (731) PANDADOC, INC.
 3739 BALBOA ST. #1083, SAN FRANCISCO
 CA 94121, USA

(540)

PANDADOC

(591) Black, white
 (511)
 42 – Providing temporary use of non-downloadable computer software for the collection, editing, organi-

zing, modifying, book marking, transmission, storage and sharing of data and information; none of the foregoing services being computer security services.

(260) AM 2022 115652 A
 (800) 1630335
 (151) 2021 08 27
 (891) 2021 08 27
 (731) HeidelbergCement AG
 Berliner Straße 6, 69120 Heidelberg, Germany
 (540)


MATERIAL
 TO BUILD OUR FUTURE

(591) Green, grey and white
 (531) 26.04.09; 26.04.24; 27.05.10; 29.01.13
 (511)

1 – Chemical products and chemical preparations for use in construction; chemical admixtures; chemical products being additives for cement, concrete and other cementitious building materials.

19 – Building and construction materials and elements, not of metal; concrete; cement; aggregate materials for use in concrete; aggregate; asphalt.

42 – Services of a chemical laboratory; technological consultancy relating to building materials, construction materials and construction services; services of a chemist; services of an engineer.

(260) AM 2022 115653 A
 (800) 1630353
 (151) 2021 08 26
 (891) 2021 08 26
 (731) Bordiiian Oleh Vasylovych
 vul. Heroiv Dnipra, bud. 49, kv. 80,
 m. Cherkasy 18021, Ukraine;
 Kulieshov Ihor Yuriiovych
 vul. Sribnokilska, 20, kv. 69, m. Kyiv 03049,
 Ukraine;
 Makovenko Viktor Yevhenovych
 prosp. Holosiivskyi, bud. 21, kv. 139,
 m. Kyiv 03039, Ukraine

(540)



(591) Blue
 (531) 27.05.01; 27.05.07; 29.01.04

(511)

35 – Advertising; administrative processing of purchase orders; administration of consumer loyalty programs; cost price analysis; auctioneering; web indexing for commercial or advertising purposes; demonstration of goods; providing commercial information and advice for consumers in the choice of products and services; marketing; marketing research; provision of an online marketplace for buyers and sellers of goods and services; writing of publicity texts; script-writing for advertising purposes; updating of advertising material; updating and maintenance of data in computer databases; website traffic optimization; organization of exhibitions for commercial or advertising purposes; organization of trade fairs; rental of advertising space; shop window dressing; commercial intermediation services; layout services for advertising purposes; price comparison services; procurement services for others [purchasing goods and services for other businesses]; import-export agency services; advertising agency services; sponsorship search; search engine optimization for sales promotion; presentation of goods on communication media, for retail purposes; rental of billboards [advertising boards]; publicity material rental; rental of advertising time on communication media; rental of vending machines; rental of sales stands; direct mail advertising; publication of publicity texts; radio advertising; pay per click advertising; outdoor advertising; bill-posting; advertising by mail order; online advertising on a computer network; distribution of samples; dissemination of advertising matter; development of advertising concepts; sales promotion for others; production of advertising films; television advertising; telemarketing services.

(260) AM 2022 115654 A

(800) 1630439

(151) 2021 08 03

(891) 2021 08 03

(731) A. LOACKER – S.P.A.

Via Gastars 3, I-39054 Auna di Sotto,
Renon (BZ), Italy

(540)



(591) Red, green, blue, white and yellow

(531) 06.01.02; 06.01.04; 24.01.05; 24.01.11;
25.01.09; 29.01.15

(511)

30 – Pastry and confectionery goods, in particular wafers and biscuits; chocolate and chocolate goods, especially chocolate candies; cereal preparations, in particular cereal snacks; coffee, tea and cocoa.

(260) AM 2022 115655 A

(800) 1630488

(151) 2021 11 01

(891) 2021 11 01

(731) Apple Inc.

One Apple Park Way, Cupertino CA 95014,
USA

(540)



(591) Black, white

(531) 05.07.13; 05.07.23; 27.05.01

(511)

18 – Leather carrying cases, leather straps, leather key cases, luggage tags.

(260) AM 2022 115656 A

(800) 1630493

(151) 2021 11 02

(891) 2021 11 02

(731) AGRICULTURAL RESEARCH AND
DEVELOPMENT LIMITED LIABILITY
COMPANY

11220 EDISON HIGHWAY, BAKERSFIELD
CA 93307, USA

(540)



(591) Black, white

(531) 05.07.10; 27.05.01; 27.05.04; 27.05.14

(511)

31 – Fresh table grapes.

(260) AM 2022 115657 A

(800) 477455E

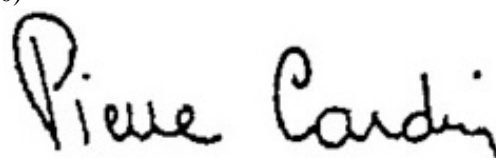
(151) 1983 06 27

(891) 2021 11 11

(731) P&C TECHNOLOGIE ZRT

Bajcsy-Zsilinszky út 48.2.EM, BUDAPEST,
Hungary

(540)



(591) Black, white

(531) 27.05.01

(511)

11 – Hair dryers, coffee machines, heating apparatus, toasters.

(260) AM 2022 115658 A
 (800) 1104783
 (151) 2011 08 16
 (891) 2021 10 14
 (731) IAG Loyalty Limited
 Waterside, P.O. Box 365, Harmondsworth
 UB7 0GB, United Kingdom

(540)

AVIOS

(591) Black, white
 (511)
 35 – Advertising, marketing and promotional services for airlines; advertising, organisation, promotion, operation, supervision and management of loyalty schemes, incentive schemes and frequent flier programs; information, advice and assistance, all relating to the aforesaid services.

39 – Airline services; travel services; air transport services; travel booking services provided by travel agencies; travel booking, reservation and information services relating to travel; aircraft chartering services; package holiday services for arranging travel; booking and reservation services for tours; information services relating to all the aforementioned services.

(260) AM 2022 115659 A
 (800) 1335206
 (151) 2016 12 12
 (891) 2021 11 01
 (731) EURO-ALCO S.R.L.
 str. Bucuriei nr. 20, MD-2004 Chişinău,
 Republic of Moldova

(540)



(591) Black, white
 (531) 19.07.02; 19.07.17
 (554) Three Dimensional
 (511)
 33 – Alcoholic beverages (except beers).

(260) AM 2022 115660 A
 (800) 1441917
 (151) 2018 10 19
 (891) 2021 11 11
 (731) ETNIA EYEWEAR CULTURE, S.L.
 Enric Morera 42-44, E-08950 ESPLUGUES
 DE LLOBREGAT, Spain

(540)



(591) Black, white
 (531) 27.05.01
 (511)
 9 – Spectacles; polarizing spectacles; spectacle lenses; frames for spectacles; chains for spectacles; spectacle cases; eyeglass cords; frames for disassembled glasses; special snow goggles.

(260) AM 2022 115700 A
 (800) 1630668
 (151) 2021 10 14
 (891) 2021 10 14
 (731) Individual entrepreneur Adushkin Roman
 Evgenievich
 Verhnie polya, house 10, apt. 49, RU-109341
 Moscow, Russian Federation

(540)



(591) Black, white
 (531) 15.09.02; 26.13.25; 27.05.01; 27.05.02;
 27.05.17
 (511)
 9 – Accumulators, electric; batteries, electric, for vehicles; acidimeters for batteries; battery jars; anode batteries; galvanic batteries; ignition batteries; solar batteries; solar panels for the production of electricity; batteries, electric; wire connectors [electricity]; contacts, electric; battery boxes; plates for batteries; grids for batteries; battery chargers; chargers for electric accumulators.

(260) AM 2022 115701 A
 (800) 1630719
 (151) 2021 07 26
 (891) 2021 07 26
 (731) Egis Gyógyszergyár Zrt.
 Keresztúri út 30-38, H-1106 Budapest, Hungary

(540)

РИВЕАЛЮТ

(591) Black, white
 (531) 28.05
 (511)
 3 – Cosmetics and cosmetic preparations.
 5 – Human pharmaceutical preparations; dietetic substances adapted for medical use; dietary supplements;

medicinal ointments; medicated skin creams; plasters, materials for dressings.

(260) AM 2022 115702 A
(800) 1630720
(151) 2021 07 26
(891) 2021 07 26
(731) Egis Gyógyszergyár Zrt.
Keresztúri út 30-38, H-1106 Budapest, Hungary
(540)

ИНФИЛИМА

(591) Black, white
(531) 28.05
(511)
3 – Cosmetics and cosmetic preparations.

5 – Human pharmaceutical preparations; dietetic substances adapted for medical use; dietary supplements; medicinal ointments; medicated skin creams; plasters, materials for dressings.

(260) AM 2022 115703 A
(800) 1630721
(151) 2021 07 26
(891) 2021 07 26
(731) Egis Gyógyszergyár Zrt.
Keresztúri út 30-38, H-1106 Budapest, Hungary
(540)

ОРИКЛОБ

(591) Black, white
(531) 28.05
(511)
3 – Cosmetics and cosmetic preparations.

5 – Human pharmaceutical preparations; dietetic substances adapted for medical use; dietary supplements; medicinal ointments; medicated skin creams; plasters, materials for dressings.

(260) AM 2022 115704 A
(800) 1630723
(151) 2021 07 26
(891) 2021 07 26
(731) Egis Gyógyszergyár Zrt.
Kereszturi út 30-38, H-1106 Budapest, Hungary
(540)

КЛОСОЛЮТ

(591) Black, white
(531) 28.05
(511)
3 – Cosmetics and cosmetic preparations.

5 – Human pharmaceutical preparations; dietetic substances adapted for medical use; dietary supplements;

medicinal ointments; medicated skin creams; plasters, materials for dressings.

(260) AM 2022 115705 A
(800) 1630724
(151) 2021 07 26
(891) 2021 07 26
(731) Egis Gyógyszergyár Zrt.
Keresztúri út 30-38, H-1106 Budapest, Hungary
(540)

ИНФИЛИА

(591) Black, white
(531) 28.05
(511)
3 – Cosmetics and cosmetic preparations.

5 – Human pharmaceutical preparations; dietetic substances adapted for medical use; dietary supplements; medicinal ointments; medicated skin creams; plasters, materials for dressings.

(260) AM 2022 115706 A
(800) 1630863
(151) 2021 10 06
(891) 2021 10 06
(731) Datum Dental Ltd.
1 Bat Sheva St., 7120101 Lod, Israel
(540)

GLYMATRIX

(591) Black, white
(511)
3 – Cosmetic preparations for reconstructing tissues and organs.

5 – Pharmaceutical preparations for reconstructing tissues and organs.

10 – Surgical and medical apparatus for reconstructing tissues and organs; protein-based implants.

(260) AM 2022 115707 A
(800) 1630884
(151) 2021 09 26
(891) 2021 09 26
(731) Yangtze Memory Technologies Co., Ltd.
No.88 Weilai 3rd Road, East Lake
High-tech Development Zone, Wuhan,
Hubei, China
(540)

ZhiTai

(591) Black, white
(531) 27.05.01
(511)
9 – Computer memory devices; integrated circuit cards; semi-conductors; microchip cards; memory

cards; electronic memories; semi-conductor memory units; microprocessors; smart cards [integrated circuit cards]; usb flash drives; electronic semi-conductors; wafers for integrated circuits; solid state drives.

(260) AM 2022 115708 A

(800) 1630976

(151) 2021 09 27

(891) 2021 09 27

(731) IREST HEALTH SCIENCE AND TECHNOLOGY CO., LTD

No. 468 Shibali East Road, Daqiao Town, Nanhu District, Jiaxing, Zhejiang Province, China

(540)



(591) Black, white

(531) 02.01.23; 26.05.01; 26.05.08; 26.05.12; 26.05.24; 26.07.04

(511)

10 – Massage apparatus; vibromassage apparatus; esthetic massage apparatus; medical apparatus and instruments; physical exercise apparatus for medical purposes; heating pads, electric, for medical purposes; electric acupuncture instruments; surgical sponges; soporific pillows for insomnia; bed vibrators.

(260) AM 2022 115713 A

(800) 1631348

(151) 2021 11 03

(891) 2021 11 03

(731) KT & G CORPORATION

71, Beotkot-gil, Daedeok-gu, Daejeon, Republic of Korea

(540)

STYLER DECO

(591) Black, white

(511)

34 – Cigarettes; tobacco; tobacco substitutes; cigars; electronic cigarettes; liquid nicotine solutions for use in electronic cigarettes; liquid solutions for use in electronic cigarettes; flavorings, other than essential oils, for use in electronic cigarettes; humidors; cigar cutters; ashtrays for smokers; electronic cigarette cartridges; neck chains for electronic cigarettes; atomizers for electronic cigarettes; smokers' articles (including lighters for smokers); sticks for cleaning and

disinfecting electronic cigarettes; cleaning brushes for electronic cigarettes; pads for cleaning electronic cigarettes; cleaners for electronic cigarettes; cleaning implements for electronic cigarettes; cleaning apparatus for electronic cigarettes; electric cleaners for electronic cigarettes; cases for electronic cigarettes; smokeless tobacco; smokeless cigarette vaporizer pipes; holders for electronic devices for the purpose of heating cigarettes or tobacco, tobacco products and tobacco substitutes; tobacco sticks for electronic cigarettes; replaceable covers for electronic cigarettes [accessories for electronic cigarettes].

(260) AM 2022 115715 A

(800) 1631466

(151) 2021 11 12

(891) 2021 11 12

(731) UAB NORDIC SPIRITS GROUP

Kalvariju g. 125, LT-08221 Vilnius, Lithuania

(540)

FOX GANG GIN

(591) Black, white

(511)

33 – Gin.

(260) AM 2022 115729 A

(800) 1631983

(151) 2021 11 03

(891) 2021 11 03

(731) Gilbarco Inc.

7300 West Friendly Avenue, Greensboro NC 27410, USA

(540)



(591) Black, white

(531) 24.17.08; 27.05.10

(511)

9 – Downloadable software in the nature of a mobile application for finding electric vehicle charging stations, checking real-time availability of electric vehicle charging stations, getting navigational directions to charging stations, paying for and starting a charging session, reviewing an electric vehicle charging session in real-time, contacting customer service, and for registering, reviewing information and data from, and managing an electric vehicle charging account for electric vehicle chargers.

37 – Installation, maintenance, and repair services for electric vehicle charging apparatuses and charging infrastructure; call center support services in the nature of technical advice concerning the maintenance and

repair of electric vehicle charging apparatuses and charging infrastructure; call center support services in the nature of providing information and technical advice concerning the charging of electric vehicles.

42 – Software as a service (SAAS) services featuring software for management of electric vehicle charging apparatuses and charging infrastructure; software as a service (SAAS) services featuring software for use with electric vehicle charging apparatuses and charging infrastructure, namely, for remote diagnostics, energy management, equipment scheduling, processing payments for vehicle charging sessions, and for collecting and reporting usage and utilization data; remote monitoring of the functioning and use of electric vehicle charging apparatuses and charging infrastructure; call center support services in the nature of technical support, namely, diagnosing problems with electric vehicle charging apparatuses and charging infrastructure; call center support services in the nature of troubleshooting of computer software problems pertaining to software relating to electric vehicle charging.

(260) AM 2022 115730 A

(800) 1632057

(151) 2021 09 24

(891) 2021 09 24

(731) Fedo GmbH

Alte Ziegelei 15, 42653 Solingen, Germany

(540)

FOREA

(591) Black, white

(531) 27.05.01

(511)

3 – Non-medicated dandruff shampoos; shampoos for human hair; shampoos for personal use; dandruff shampoo; cosmetics and cosmetic preparations; shampoos; 3-in-1 hair shampoos; shampoos for babies; baby shampoos; solid shampoo bars; shampoos for the hair; hair and body shampoos; hair care preparations, not for medical purposes; hair shampoos; body shampoos; non-medicated shampoos; make-up removing preparations; body deodorants; deodorants for personal use [perfumery]; foot deodorant sprays; deodorants for body care; roll-on deodorants [toiletries]; deodorants for the feet; deodorants for personal use; feminine deodorant sprays; personal deodorants; deodorants for human beings; deodorants and antiperspirants; depilatory preparations; hair dyes; hair spray; hair conditioners; hair oil; shaving creams; nail cosmetics; moisturizing body lotions [cosmetic]; non-medicated cosmetics and toiletry preparations; bath and shower foam; mousses [cosmetics]; non-medicated cosmetics; cosmetics; eyeliners; body creams [cosmetics]; eyeshadows; lip cosmetics; facial washes [cosmetic]; tanning oils [cosmetics]; moisturizers; cosme-

tic preparations for eyelashes; cosmetic preparations for skin tanning; after-sun cream for cosmetic purposes; functional cosmetics; concealers [cosmetics]; cosmetic preparations for body care; after-sun creams for cosmetic use; eyebrow cosmetics; decorative cosmetics; hair tonic for cosmetic use; hair cosmetics; cosmetics for children; natural cosmetics; sun block [cosmetics]; skin masks [cosmetics]; cosmetic creams for the skin; facial creams; skin creams [for cosmetic use]; non-medicated skin cream; face creams; skin care creams other than for medical use; cosmetic creams; skin care preparations; skin care products [cosmetic]; skin care preparations, non-medicated; cosmetic preparations for skin care; anti-aging skin care preparations; lip glosses; lipsticks; hand lotions; cosmetic skin lotions; cosmetic creams and lotions; lotions for cosmetic purposes; cosmetic hair lotions; moisturizing lotions; body lotions; cosmetic facial lotions; scented body lotions; hair care lotions for cosmetic purposes; aftershave lotions; cosmetic skin care lotions; moisturizing creams, lotions and gels; tissues impregnated with cosmetic lotions; baby lotions; bath lotions; moisturizing skin lotions [cosmetic]; beauty lotions; air fragrancing preparations; make-up for the skin; facial make-up; cosmetic powders; eye creams; face powders; make-up and cosmetics; baby wipes impregnated with cleaning preparations; micellar water; mouthwashes, not for medical purposes; non-medicated mouthwashes; nail varnish; nail varnish removers; natural perfumery; perfumery; shaving preparations; make-up; decorative cosmetics [make-up]; make-up primers; make-up for the face and body; eyeshadow; hand soap; cream soap; perfumed soap; liquid soap; scented soaps; soap; waterproof sunscreen; cosmetic sun-protecting preparations; sunscreen preparations; dentifrices and mouthwashes; dentifrices in the form of chewing gum; dentifrices; non-medicated dentifrices; liquid dentifrice; cleaning preparations; antistatic dryer sheets; cosmetics in the form of lotions; antiperspirants [toiletries]; antiperspirants for personal use; antiperspirants; breath freshening preparations for personal hygiene; breath freshening strips; eyebrow pencils; cosmetic products for bath and shower; bath preparations, not for medical purposes; bath foams; foams for the bath; skin whitening creams; skin lightening creams; deodorant soap; douching preparations for personal sanitary or deodorant purposes [toiletries]; scented wood; hair straightening preparations; henna [cosmetic dye]; henna for cosmetic purposes; adhesives for affixing false hair; cosmetic pencils; cosmetic creams for skin care; cosmetic skin care products; cosmetic skin care preparations; herbal extracts for cosmetic purposes; nail polish removers; nail polish and nail polish remover; lacquer-removing preparations; food flavourings [essential oils]; massage oil; massage gels, other than for medical purposes; massage oil, non-medicated; facial oils; massage oils and lotions; cloths impregnated with a detergent for cleaning; cloths impregnated with clea-

ning preparations; cleansers for intimate personal hygiene purposes, non-medicated; shaving soap; cleansing milk for toilet purposes; cleansing milk for skin care; facial cleansing milk; make-up preparations for the face and body; cotton pads for removing make-up; make-up preparations; eye make-up; eye make-up remover; eye-shadows; tissues impregnated with make-up removing preparations; cotton wool impregnated with make-up removing preparations; make-up powder; beauty masks; toiletry preparations; skin masks for cosmetic purposes; facial beauty masks; dry shampoos; cotton swabs for cosmetic purposes; non-medicated toothpastes; toothpaste; toothpaste in soft cake form; non-medicated toothpaste; non-medicated dental rinses; furniture polishes; pads impregnated with make-up removing preparations; shower gel; styling gels; hair masks.

5 – Deodorants for textiles; toilet deodorants; bathroom deodorants; room deodorants; disposable diapers of paper for babies; babies' diapers of paper and cellulose, disposable; disposable diapers of paper or cellulose, for babies; babies' nappy-pants [diaper-pants] of paper and cellulose, disposable; infants' disposable diapers of cellulose; babies' diapers; babies' diapers of paper; babies' diaper-pants; antibacterial soap; antibacterial substances for medical purposes; antibacterial hand lotions; antibacterial handwashes; pediculicidal shampoos; powdered milk for babies and infants; food for babies; balsamic preparations for medical purposes; sedatives; deodorants for clothing; deodorants for clothing and textiles; car deodorants; hand-sanitizing preparations; disinfectant wipes; disinfectants; disinfectant soap; adhesive plasters; adhesive plasters for medical purposes; milking grease; powdered milk for infants; powdered milk for babies; malted milk being food supplements for infants; air deodorizing preparations; nutritional supplements; food supplements; infant formula; baby food; pants, absorbent, for incontinence; panty liners; diapers for incontinents; panty liners [sanitary]; breast-nursing pads; tampons; menstruation tampons; tampons for medical purposes; sanitary tampons; dietary supplements consisting of vitamins; vitamin preparations; vitamin tablets; deodorizers for automobiles; fabric deodorizers; air deodorizing sprays; air deodoriser gels; room deodorants; air fresheners [air deodorizing preparations]; deodorizing room sprays; shoe deodorizers; air deodorising preparations; air freshening preparations [air deodorisers]; medicinal herbal extracts; medicated toothpaste; medicated dry shampoos; medicated sweets; disinfectants for hygiene purposes; swim diapers, disposable, for babies; disposable swim diapers for children and infants; medicated dentifrices; medicated dental rinses; medicated shampoos; medicated soap; lacteal flour for babies; glucose dietary supplements.

(260) AM 2022 115731 A

(800) 1632128

(151) 2021 11 03

(891) 2021 11 03

(731) Ehrmann SE

A.-Ehrmann-Straße 2, 87770 Oberschöneck,
Germany

(540)

Ehrmann Нежный

(591) Black, white

(531) 28.05

(511)

29 – Milk and milk products.

(260) AM 2022 115732 A

(800) 1632131

(151) 2021 11 02

(891) 2021 11 02

(731) EUROSTANDART LTD

13 Shdrot Hamiktsoot, Ishpro, 71700 Modiin,
Israel

(540)

עֶרֶק יוּדָה
ARAK YUDA

(591) Black, white

(531) 27.05.01; 28.09

(511)

33 – Alcoholic beverages (except beers).

(260) AM 2022 115733 A

(800) 1632238

(151) 2021 09 14

(891) 2021 09 14

(731) SAIC MOTOR CORPORATION LIMITED

ROOM 509, BUILDING 1, 563 SONGTAO
ROAD, (SHANGHAI) PILOT FREE TRADE
ZONE, China

(540)



(591) Black, white

(531) 26.11.02; 26.11.12; 27.05.01; 27.05.11

(511)

9 – Computer programs, recorded; computer software, recorded; navigation apparatus for vehicles [on-board

computers]; rearview cameras for vehicles; surveying apparatus and instruments; electronic control unit for automobiles; remote control apparatus; theft prevention installations, electric; eyeglasses; batteries, electric, for vehicles.

35 – Advertising; business management assistance; commercial administration of the licensing of the goods and services of others; import-export agency services; auctioneering; procurement services for others [purchasing goods and services for other businesses]; sales promotion for others; systemization of information into computer databases; accounting; provision of an online marketplace for buyers and sellers of goods and services.

37 – Providing information relating to repairs; construction; machinery installation, maintenance and repair; vehicle service stations [refuelling and maintenance]; motor vehicle maintenance and repair; vehicle breakdown rescue and repair services; vehicle battery charging; rustproofing; retreading of tires; leather care, cleaning and repair.

(260) AM 2022 115734 A

(800) 1632240

(151) 2021 08 17

(891) 2021 08 17

(731) Rillius Holding Limited

28 Oktovriou, 365 Vashiotis Seafront Building,
6th floor, Flat/Office 602 Neapoli, CY-3107
Limassol, Cyprus

(540)

PM

(591) Black, white

(511)

35 – Compilation of information into computer databases regarding sporting events; compilation of statistics regarding sporting events; business management of sports people; computerized file management regarding sporting events; sport marketing; marketing research in sports; updating and maintenance of data regarding sporting events in computer databases; updating and maintenance of information regarding sporting events in registries; systemization of information into computer databases regarding sporting events.

41 – Academies [education]; arranging and conducting of conferences; arranging and conducting of in-person educational forums; arranging and conducting of seminars; electronic desktop publishing; providing information in the field of education; providing information in the field of entertainment; providing information relating to recreational activities; providing online videos, not downloadable; providing online electronic publications, not downloadable; providing television programmes, not downloadable, via video-on-demand services; providing films, not downloa-

dable, via video-on-demand services; providing sports facilities; providing casino facilities [gambling]; booking of seats for shows; game services provided online from a computer network; organization of shows [impresario services]; organization of exhibitions for cultural or educational purposes; organization of lotteries; organization of sports competitions; providing amusement arcade services; club services [entertainment or education]; health club services [health and fitness training]; nightclub services [entertainment]; amusement park services; sport camp services; gambling services; conducting fitness classes; online publication of electronic books and journals; publication of books; publication of texts, other than publicity texts; entertainment services; production of shows; physical education.

(260) AM 2022 115735 A

(800) 1632278

(151) 2021 10 25

(891) 2021 10 25

(731) Wrangler Apparel Corp.

3411 Silverside Road, Wilmington DE 19810,
USA

(540)



(591) Black, white

(531) 02.09.01; 27.03.01; 27.05.08

(511)

25 – Clothing, namely, tops, jackets, shirts, t-shirts, vests, bottoms, shorts, pants, jeans, belts, socks, skirts, sweatshirts, and underwear; footwear; boots; shoes; slippers; headwear; hats; caps.

35 – Promoting public interest and awareness in humanitarian, community, health, and environmental sustainability issues; providing information in the field of business as related to sustainability in the apparel industry.

(260) AM 2022 115736 A

(800) 1632279

(151) 2021 10 25

(891) 2021 10 25

(731) Snap Fitness, Inc.

2411 Galpin Court, Suite 110, Chanhassen
MN 55317, USA

(540)



(591) Black, white

(531) 26.11.09; 27.05.01

(511)
41 – Providing fitness and exercise facilities and equipment; consulting services in the field of fitness and exercise; personal and group fitness training and instruction services; organizing, arranging and conducting athletic and sports competitions and events; providing information relating to fitness and exercise provided via an online website; providing information relating to fitness and exercise.

(260) AM 2022 115737 A
(800) 1632288
(151) 2021 10 22
(891) 2021 10 22
(731) Apple Inc.
One Apple Park Way, Cupertino CA 95014,
USA
(540)



(591) Orange, yellow and black
(531) 01.15.09; 02.01.09; 20.01.15; 22.01.15;
29.01.13

(526) ALL ACCESS
(511)
9 – Software for control, customization, and performance of virtual software instruments and audio effects; software for operation of MIDI and USB controllers; software for customization and control of guitar sounds, software for amplifier simulation, audio effects, and tone shaping; software for controlling and mixing audio signals; software for monitoring MIDI inputs, processor usage, and memory allocation; software for instrument tuning; software for editing, enhancing, mastering, manipulating, storing, organizing, mixing, producing, and broadcasting audio recordings; software for playing and recording audio.

(260) AM 2022 115738 A
(800) 1632302
(151) 2021 11 01
(891) 2021 11 01
(731) Landos Biopharma, Inc.
Suite 216, 1800 Kraft Drive, Blacksburg
VA 24060, USA

(540)
LANCE ADVANCED A.I.

(591) Black, white

(511)
42 – Biopharmaceutical services, namely, research, identification, development and testing of therapeutics for patients with diseases, namely, restoring the immune tolerance for patients with autoimmune disease.

(260) AM 2022 115739 A
(800) 1632316
(151) 2021 11 03
(891) 2021 11 03
(731) Gilbarco Inc.
7300 West Friendly Avenue, Greensboro
NC 27410, USA
(540)

EVERSE

(591) Black, white
(511)
37 – Installation, maintenance, and repair services for electric vehicle charging apparatuses and charging infrastructure; call center support services in the nature of technical advice concerning the maintenance and repair of electric vehicle charging apparatuses and charging infrastructure; call center support services in the nature of providing information and technical advice concerning the charging of electric vehicles.

42 – Software as a service (SaaS) services featuring software for management of electric vehicle charging apparatuses and charging infrastructure; software as a service (SaaS) services featuring software for use with electric vehicle charging apparatuses and charging infrastructure, namely, for remote diagnostics, energy management, equipment scheduling, processing payments for vehicle charging sessions, and for collecting and reporting usage and utilization data; remote monitoring of the functioning and use of electric vehicle charging apparatuses and charging infrastructure; call center support services in the nature of technical support, namely, diagnosing problems with electric vehicle charging apparatuses and charging infrastructure; call center support services in the nature of troubleshooting of computer software problems pertaining to software relating to electric vehicle charging.

(260) AM 2022 115740 A
(800) 1474841
(151) 2019 05 20
(891) 2021 11 22
(731) MSC MEDITERRANEAN SHIPPING
COMPANY HOLDING SA
Chemin Rieu 12-14, CH-1208 Genève,
Switzerland
(540)

**MSC. MOVING THE
WORLD, TOGETHER**

(591) Black, white

(511)

39 – Transport; marine transport; shipbrokerage; transportation of goods by river, railway, ferry-boat, car, truck and ship; freight (shipping of goods); freight forwarding; international ocean freight shipping services; freight forwarding agency services; freight brokerage; transport brokerage; transportation of freight by ship, airplane, rail, motor vehicle and truck; transportation of passengers by river, railway, ferry-boat, car and ship; transportation of freight containers by ship; transportation of freight containers by rail; transportation of freight containers by truck; packaging and storage of goods and packages; packaging of goods in transit; storage of goods in transit; advisory services relating to the tracking of goods in transit (transport information); warehouse storage; storage of goods in warehouses; pick-up, delivery and storage of personal property; providing information relating to the rental of warehouse space; cargo handling; freight handling services; loading of freight containers onto ships; loading of freight containers onto trucks; loading of freight containers onto rail vehicles; loading, packing, storage, transport and unloading of freight; loading, packing, storage, transportation and unloading of cargo; ship unloading; harbor crane unloading; boat rental; rental of cargo containers; rental of transport and storage containers; rental of containers for the shipping industry; leasing of fixed and movable storage containers to commercial and residential users; rental of warehouses; providing information relating to the transportation and storage of goods; providing on-line information in the field of transport, packaging and storage of goods; pleasure boat cruises; providing cruise ships for travel; arranging of travel, excursions and cruises; travel reservation; advisory services relating to transportation; advisory services relating to the storage and transportation of goods, freight or cargo; tracking and tracing of shipments (transport information); computerized tracking and tracing of packages in transit (transport information); tracking of freight vehicles by computer or via global positioning systems (transport information); transportation logistics; logistics services consisting of the transportation, packaging, and storage of goods; supply chain logistics and reverse logistics services consisting of the storage, transportation and delivery of goods for others by air, rail, ship or truck; transportation and storage services relating to storage logistics, distribution logistics and returns logistics.

(260) AM 2022 115741 A

(800) 1593146

(151) 2021 01 12

(891) 2021 11 01

(731) Baufan Bauchemie Leipzig GmbH

Ludwig-Hupfeld Straße 19, 04178 Leipzig,
Germany

(540)

EUROTRENDS

(591) Black, white

(511)

1 – Adhesives for floor coverings, wall coverings and ceiling coverings; do-it-yourself adhesives for building and renovating purposes; wallpaper adhesives; putties for preparing surfaces for the application of paints and lacquers; fillers for preparing surfaces for the application of paints and lacquers; putties for building and renovating purposes; gypsum putties for building and renovating purposes; cement putties for building and renovating purposes; putties for renovating floors, walls and ceilings of buildings; dispersion putties for building and renovating purposes; artificial resin putties for building and renovating purposes.

16 – Adhesives for household purposes; adhesives for office use; adhesives for do-it-yourself purposes; adhesives for paper products; adhesives for stationery.

19 – Fillers for building and renovating purposes; gypsum fillers for building and renovating purposes; cement fillers for building and renovating purposes; fillers for renovating floors, walls and ceilings of buildings; dispersion fillers for building and renovating purposes; artificial resin fillers for building and renovating purposes.

(260) AM 2022 115764 A

(800) 1632465

(151) 2021 10 07

(891) 2021 10 07

(731) AMBROVIT S.P.A.

VIA VINCENZO MONTI, 4, I-20123
MILANO (MI), Italy

(540)

AMBFASST EUROPE

(591) Black, white

(511)

6 – Common metals and their alloys; nails, screws, dowels, hooks, bolts of metal; metallic building and construction materials; materials of metal for railway tracks; ironmongery, small items of metal hardware.

(260) AM 2022 115765 A

(800) 1632479

(151) 2021 07 07

(891) 2021 07 07

(731) Apple Inc.

One Apple Park Way, Cupertino CA 95014,
USA

(540)



(591) Red and white

(531) 24.17.10; 26.04.04; 29.01.01

(511)

9 – Computer software application for access to audio, video, and multimedia content; computer software application for access to music programming and playlist service; computer software application for use in generating customized recommendations of audio, video, data, text and other multimedia content, including music, concerts, videos, radio, television, cultural events and entertainment-related programs determined from an analysis of user preferences; computer software application for creating and sharing playlists of audio and multimedia files; computer software application for use in connection with an online music subscription service; database synchronization computer software; database management computer software; computer software for use in playing, organizing, downloading, transmitting, manipulating, and reviewing audio files, and media files; computer software for use in the delivery, distribution and transmission of digital music and entertainment-related audio, video, text and multimedia content; computer software for creating searchable databases of information and data for peer-to-peer social networking databases; computer software to enable users to program and distribute audio, video, data, text and other multimedia content, including music, concerts, videos, radio, television, cultural events, and entertainment-related and educational programs via communication networks; computer software for accessing, browsing and searching online databases; computer software for setting up, configuring, operating and controlling mobile devices, wearable devices, mobile phones, computers, and computer peripherals, and audio and video players; downloadable audio and video recordings featuring music, music performances, and music videos; computer software application for use in reviewing, storing, organizing, and playing live and pre-recorded audio, video, and multimedia content; magnetically encoded gift cards.

42 – Providing online non-downloadable computer software for use in generating customized recommendations of audio, video, data, text and other multimedia content; providing online non-downloadable computer software for use in creating and sharing playlists of audio and multimedia files; providing online non-downloadable computer software for use in connection with an online music subscription service; provi-

ding online non-downloadable computer software for use in playing, organizing, downloading, transmitting, manipulating, and reviewing audio files and media files; providing online non-downloadable computer software for use in the delivery, distribution and transmission of digital music and entertainment-related audio, video, text and multimedia content; providing search engines for obtaining data via the internet and other electronic communications networks; computer services, namely, design and development of customized web pages and other data feed formats featuring a user-customized feed of information in the fields of news, commentary, and other information, content from websites, and other text, audio, video, and multimedia content; creating indexes of online information, sites and other resources available on global computer networks for others; information relating to computer hardware or software development provided on-line from a global computer network or the Internet; electronic data storage services.

(260) AM 2022 115766 A

(800) 1632495

(151) 2021 07 01

(891) 2021 07 01

(731) FUTURE ENTERPRISES PTE. LTD.

31 Harrison Road, #08-01, Food Empire Building, Singapore 369649, Singapore

(540)

MacCoffee PURE

(591) Black, white

(531) 27.05.01

(511)

30 – Coffee; artificial coffee; unroasted coffee; vegetal preparations for use as coffee substitutes; chicory [coffee substitute]; coffee-based beverages; coffee beverages with milk.

(260) AM 2022 115767 A

(800) 1632503

(151) 2021 10 08

(891) 2021 10 08

(731) GNOSIS S.p.A.

Piazza Filippo Meda 3, I-20121 Milano, Italy

(540)

vitaMK7

(591) Black, white

(511)

1 – Vitamins used as active ingredients in the manufacture of pharmaceutical preparations, food preparations, food supplements.

5 – Vitamins; vitamin supplements; dietetic substances composed of dietetic vitamins for medical and pharmaceutical use; food supplements; nutritional and dietetic supplements; bacteria and bacterial preparati-

ons for pharmaceutical or medical use; preparations of probiotics or other nutrients for human consumption; probiotic composition for human food; culture of micro-organisms with a probiotic effect on the human organism, for medical use.

(260) AM 2022 115768 A
 (800) 1632518
 (151) 2021 11 05
 (891) 2021 11 05
 (731) Zanon USA, Inc.
 14141 Covello Street, #4C, Van Nuys
 CA 91405, USA
 (540)

GUMMI KING

(591) Black, white
 (511)
 5 – Vitamins and nutritional supplements.

(260) AM 2022 115769 A
 (800) 1632561
 (151) 2021 07 01
 (891) 2021 07 01
 (731) FUTURE ENTERPRISES PTE. LTD.
 31 Harrison Road, #08-01, Food Empire
 Business Suites, Singapore 369649,
 Singapore
 (540)



(591) Red, white, black, brown, beige, light brown and dark green
 (531) 01.15.11; 05.07.27; 11.03.04; 11.03.14;
 25.05.02; 27.05.01; 29.01.15
 (511)
 30 – Coffee; artificial coffee; unroasted coffee; vegetal preparations for use as coffee substitutes; chicory [coffee substitute]; coffee-based beverages; tea-based beverages; chocolate-based beverages; cocoa beverages with milk; coffee beverages with milk; cocoa-based drinks; chocolate beverages with milk; flavourings, other than essential oils, for beverages; cocoa.

(260) AM 2022 115770 A
 (800) 1632563
 (151) 2021 07 01
 (891) 2021 07 01
 (731) FUTURE ENTERPRISES PTE. LTD.
 31 Harrison Road, #08-01, Food Empire
 Business Suites, Singapore 369649, Singapore
 (540)



(591) Gold, yellow, beige, brown, light brown, dark brown, brownish red, white, red and black.
 (531) 01.15.11; 05.07.27; 17.02.02; 26.03.04;
 26.04.18; 27.05.10; 29.01.15
 (511)
 30 – Coffee; artificial coffee; unroasted coffee; vegetal preparations for use as coffee substitutes; chicory [coffee substitute]; coffee-based beverages; coffee beverages with milk; flavourings, other than essential oils, for beverages.

(260) AM 2022 115801 A
 (800) 1633500
 (151) 2021 11 18
 (891) 2021 11 18
 (731) Armacell Enterprise GmbH & Co. KG
 Zeppelinstraße 1, 12529 Schönefeld OT
 Waltersdorf, Germany
 (540)

Armaprotect

(591) Black, white
 (511)
 1 – Chemicals used in industry, science and photography, as well as in agriculture, horticulture and forestry; unprocessed artificial resins, unprocessed plastics; manures; fire extinguishing compositions; tempering and soldering preparations; chemical substances for preserving foodstuffs; tanning substances; adhesives used in industry.
 17 – Rubber, gutta-percha, gum, asbestos, mica and goods made from these materials and not included in other classes; plastics in extruded form for use in manufacture; packing, stopping and insulating materials; flexible pipes not of metal; flexible and non-flexible fire retardant sealing and insulation.
 19 – Building materials (non-metallic); non-metallic rigid pipes for building; asphalt, pitch and bitumen;

non-metallic transportable buildings; monuments, not of metal.

(260) AM 2022 115802 A

(800) 1633544

(151) 2021 10 21

(891) 2021 10 21

(731) Merck Sharp & Dohme B.V.

Waarderweg 39, NL-2031 BN HAARLEM,
Netherlands

(540)



(591) Orange and white

(531) 19.03.01; 19.13.21; 25.01.25; 26.01.06;
26.02.07; 26.13.25; 27.07.24; 29.01.12

(511)

5 – Pharmaceutical preparations; pharmaceutical preparations for the treatment of infectious diseases; anti-infectives; antivirals.

(260) AM 2022 115803 A

(800) 1633564

(151) 2021 10 15

(891) 2021 10 15

(731) LTD "VALENTA-INTELLEKT"

ul. Ryabinovaya, d.26, str.10, k.6-26,
RU-121471 Moscow, Russian Federation

(540)

ДЕСПИРЕКС

(591) Black, white

(531) 26.04.05; 26.04.18; 28.05

(511)

5 – Dietetic substances adapted for medical use; vitamin preparations; dietary and nutritional supplements; pharmaceutical preparations; pharmaceuticals.

(260) AM 2022 115804 A

(800) 1633598

(151) 2021 10 21

(891) 2021 10 21

(731) AGF88 HOLDING Srl

Via del Palù 7D, I-35018 SAN MARTINO
DI LUPARI (PD), Italy

(540)

INEBRYA

(591) Black, white

(511)

3 – Hair care lotions; shampoos; hair balsam; tints for the hair; hair care masks; hair dyes; hair spray; ethereal oils; soap; face cream; body lotion; body lotions; anti-wrinkle cream; cosmetics; beauty masks; soaps in gel form; hand gels; cleansing gels; hand washes; sanitary preparations being toiletries; hand creams; dentifrices; perfumes; deodorants for personal use; nail varnish; cosmetics for nails; bath foam; foams for use in the shower.

(260) AM 2022 115805 A

(800) 1633629

(151) 2021 11 04

(891) 2021 11 04

(731) Montres Tudor SA

Rue François-Dussaud 3, CH-1211 Genève 26,
Switzerland

(540)

TUDOR T-FIT

(591) Black, white

(511)

14 – Timepieces, namely, watches, wrist-watches, component parts for timepieces and accessories for timepieces not included in other classes, clocks and other chronometric instruments, chronometers, chronographs (timepieces), watch bands, dials (timepieces), boxes and cases for timepieces and jewelry, watch movements and their parts; jewelry, jewelry items; precious stones and semi-precious stones; precious metals and alloys thereof; pins (jewelry).

(260) AM 2022 115806 A

(800) 1633638

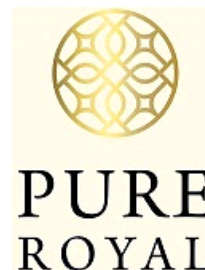
(151) 2021 02 08

(891) 2021 02 08

(731) FM World Sp. z o.o.

ul. Żmigrodzka 247, PL-51-129 Wrocław,
Poland

(540)



(591) Golden, black, light yellow and light beige

(531) 17.02.25; 25.12.25; 26.01.03; 27.05.10;
29.01.12

(511)

3 – Non-medicated antiperspirants; anti-perspirants in the form of sprays; antiperspirants [toiletries]; deodorants and antiperspirants; antiperspirants for personal use; aromatics; aromatic oils; potpourris [fragrances];

aromatics; aromatics for perfumes; aromatic oils for the bath; aromatics for fragrances; essential oils and aromatic extracts; scented oils used to produce aromas when heated; balms, other than for medical purposes; cleansing balm; after-sun lotions; sun tan lotion; hair balm; self tanning lotions [cosmetic]; baby lotions; lotions for beards; body lotions; lip balms [non-medicated]; shaving balm; lotions for cellulite reduction; lotions for cosmetic purposes; perfumed lotions [toilet preparations]; foot balms (non-medicated -); skin balms (non-medicated -); suncare lotions; moisturising skin lotions [cosmetic]; moisturising body lotion [cosmetic]; hand lotion (non-medicated -); cosmetic creams and lotions; perfumed body lotions [toilet preparations]; sun-tanning creams and lotions; flower perfumes (bases for -); lip gloss; amber [perfume]; perfumed tissues; pre-moistened cosmetic wipes; baby wipes; pre-moistened cosmetic wipes; tissues impregnated with cosmetics; tissues impregnated with cosmetic lotions; moist wipes for sanitary and cosmetic purposes; feminine hygiene cleansing towelettes; tissues impregnated with essential oils, for cosmetic use; disposable wipes impregnated with cleansing compounds for use on the face; tissues impregnated with make-up removing preparations; wipes impregnated with a skin cleanser; pre-moistened towelettes impregnated with a detergent for cleaning; essential oils; terpenes [essential oils]; emulsified essential oils; blended essential oils; essential oils of citron; essential oils of citron; natural essential oils; essential vegetable oils; aromatic essential oils; essential oils of lemon; essential oils of lemon; helichrysum [essential oils] (terms too vague in the opinion of the International Bureau – Rule 13 (2) (b) of the Regulations); essential oils of lemon; ethereal essences and oils; essential oils for personal use; essential oils for the care of the skin; cedarwood (essential oils of -); essential oils for soothing the nerves; oils for cosmetic purposes; essential oils for use in the manufacture of scented products; antiperspirants [toilettries]; anti-perspirant deodorants; deodorants for pets; deodorants for the feet; deodorants for human beings; deodorants for body care; deodorants for the feet; feminine deodorant sprays; deodorants for human beings or for animals; body deodorants [perfumery]; deodorants for personal use [perfumery]; air fragrance reed diffusers; extracts of flowers [perfumes]; mint essence [essential oil]; herbal extracts for cosmetic purposes; joss sticks; incense; cosmetics; liners [cosmetics] for the eyes; tonics [cosmetic]; make-up preparations; natural cosmetics; organic cosmetics; self-tanning preparations [cosmetics]; sun bronzers; moisturising concentrates [cosmetic]; eyebrow cosmetics; mineral oils [cosmetic]; cosmetic moisturisers; moisturising gels [cosmetic]; self tanning creams [cosmetic]; cosmetics for the use on the hair; cosmetics in the form of oils; sun-tanning gels; cosmetics for use in the treatment of wrinkled skin; cosmetics in the form of gels; cosmetic facial lotions; skin masks [cosmetics]; facial toners [cosme-

tic]; suntan lotion [cosmetics]; cosmetics for personal use; lip coatings [cosmetic]; body oils [for cosmetic use]; powder compacts [cosmetics]; cosmetics and cosmetic preparations; tanning milks [cosmetics]; beauty care cosmetics; face creams for cosmetic use; sun protecting creams [cosmetics]; cosmetics for use on the skin; sun blocking lipsticks [cosmetics]; cosmetics in the form of powders; facial washes [cosmetic]; sun protectors for lips; make-up for compacts; pores tightening mask packs used as cosmetics; body and facial creams [cosmetics]; body and facial gels [cosmetics]; solid powder for compacts [cosmetics]; cosmetics in the form of eye shadow; cosmetics for children; colour cosmetics for children; cosmetic creams; hydrating creams for cosmetic use; face creams for cosmetic use; cosmetic creams for firming skin around eyes; fair complexion creams; cosmetic creams for dry skin; recovery creams for cosmetic use; cosmetic nourishing creams; cosmetic hand creams; after sun creams; cold creams for cosmetic use; cosmetics for eyelashes; hair spray; nail polish; mint for perfumery; potpourris [fragrances]; beauty milk; bath milk; make-up removing milks; aftershave milk; almond milk for cosmetic purposes; cleansing milk for toilet purposes; facial cleansing milk; hand milks; after sun creams; soaps; antiperspirant soap; toilet soap; perfumed soaps; cosmetic soaps; granulated soaps; soaps in liquid form; soaps and gels; cream soaps; soap products; oils for toilet purposes; scented oils; cleansing oil; sun-tanning oils; massage oils; body oils [for cosmetic use]; shaving oils; perfumery, essential oils; body massage oils; facial massage oils; oils for cosmetic purposes; cosmetic oils for the epidermis; skin care oils [non-medicated]; natural oils for cleaning purposes; sun blocking oils [cosmetics]; perfumed oils for skin care; essential oils of sandalwood; citronella oil for cosmetic use; rosemary oil for cosmetic use; eucalyptus oil for cosmetic use; body and facial oils; skin care oils [cosmetic]; oils for perfumes and scents; cosmetic pencils; air fragrance reed diffusers; musk [perfumery]; after-shave preparations; lipstick; pomades for cosmetic purposes; depilatory preparations; after-shave preparations; douching preparations for personal sanitary or deodorant purposes [toilettries]; bath preparations; baths (cosmetic preparations for -); bubble bath; bath preparations for animals; cosmetic preparations for bath and shower; bath and shower preparations; perfume; liquid perfumes; fumigation preparations [perfumes]; cedarwood perfumery; collagen preparations for cosmetic application; collagen preparations for cosmetic purposes; astringents for cosmetic purposes; toilettries; non-medicated cosmetics and toilettry preparations; perfumery; sachets for perfuming linen; fragrance sachets for eye pillows; bath salts, not for medical purposes; massage candles for cosmetic purposes; mascara; long lash mascaras; toilet water; cologne impregnated disposable wipes (terms linguistically incorrect in the opinion of the International Bureau – Rule 13 (2) (b) of the Regulations); lavender

water; perfume water (terms too vague in the opinion of the International Bureau – Rule 13 (2) (b) of the Regulations); cosmetic kits; massage gels, other than for medical purposes; cosmetic paste for application to the face to counteract glare.

4 – Tapers; perfumed candles; perfumed candles; aromatherapy fragrance candles; musk scented candles.

(260) AM 2022 115807 A

(800) 1633700

(151) 2021 07 14

(891) 2021 07 14

(731) KURTOĞLU BAKIR KURSUN SANAYİ ANONİM ŞİRKETİ

Hacı Seremet Mevkii Tem Otoyol, Çikisi,
Velimese, TR-59851 CORLU, Tekirdağ,
Türkiye

(540)



(591) Light blue, black, gray and white

(531) 26.01.18; 26.11.01; 26.11.12; 27.05.01;
29.01.13

(511)

6 – Metals and their alloys; metal building materials; construction of metal for use in building; shaped metal sections for use in doors and windows, including aluminum profiles for doors and windows; grab rails of metal; strap-hinges of metal; latches of metal; metal door frames, namely, from aluminum; metal window frames, namely, from aluminum; door frames and windows of metal; building transportable, of metal; metal greenhouses; runners of metal, for sliding doors; building panels of metal; aluminum panels; aluminum composite panels; facade panels for buildings, of metal; aluminum profiles for building and for transport, interior decoration, advertising and visual communication; cap closures of metal; metal railings; ladders of metal; connection pieces for doors and windows of metal; laminated metal sheets; composite sheets containing metallic and non-metallic materials; sandwich-shaped building panels consisting of outer sheets of metal and non-metal materials in the middle; common metals and their alloys; fittings of metal for doors, windows, furniture.

7 – Machine tools, electric motors and internal combustion engines (excluding those for land vehicles); couplings and transmission gears (excluding those for land vehicles); agricultural tools, except hand-operated; egg incubators; vending machines; galvanizing machines; hot stamping machines; cleaning machines for metal or plastic profiles or parts; surface smoothing machines; metal drawing machines; plastic de-

formation processing machines; metal bending machines profiles; spraying machines; metalworking machines; packaging machines; mixing machines.

17 – Plastics in extruded form for use manufacture; plastics in extruded form for use in manufacture; semi-finished plastics; semi-finished plastic products in the form of profiles; plastic in extruded form for introduction into production; semi-finished profile products made of plastic for manufacture of windows and doors; clogging materials, sealing and insulation, non-metallic pipes; insulating paints; waterproof seals; soundproofing materials; plastic sealing pads.

19 – Building materials, not of metal; rigid pipes, not of metal, for building; transportable buildings, not of metal; windows, not of metal; profiles for doors, windows, partitions, stained glass/stained glass windows/, not of metal; exterior cladding, not of metal, for building purposes; revolving doors /barriers/, not of metal; building elements, poles; barriers (of wood or plastic); building and construction materials for doors and windows, not of metal; door frames, not of metal; sheds, not of metal, for building purposes; advertising columns, not of metal; folding doors/type accordion/not of metal; platforms, prefabricated and not of metal; roof structures, not of metal; partitions, not of metal; prefabricated houses /sets/, not of metal; signaling boards and panels, non-luminescent; corner profiles, not of metal; window fittings not of metal; window constructions, not of metal.

20 – Furniture, mirrors, picture frames; plastic or aluminum mirror frames; furniture and parts thereof, at least partially containing aluminum or aluminum alloys; door fittings, not of metal; doors for furniture of wood, plastic or aluminum; door handles, not of metal; indoor window blinds, not of metal (furniture); edging of plastic for furniture; non-metal hinges; nameplates, not of metal; wall screening (furniture); bed fittings, not of metal; tables of metal; placards of plastic; seats of metal; ladders made of plastics; nameplates, not of metal; display boards; deck chairs, not of metal; showcases, not of metal /furniture/; plastic elements for use in furniture.

35 – Management of commercial transactions; advertising; advertising agencies services; commercial administration; office functions; marketing research; business management assistance; import and export agencies; updating and maintenance of data in computer databases; administrative processing of purchase orders; cost price analysis; development of advertising concepts; market research; dissemination of advertising matter and distribution of samples; organization of exhibitions; arranging and conducting of trade fairs for advertising and commercial purposes; sales promotion for others; online advertising on a computer network; demonstration of goods; commercial information; advisory services for business management; provision of business information and consultancy for

consumers; presentation of goods for retail purposes by means of communication; negotiation and conclusion of commercial transactions for third parties.

(260) AM 2022 115808 A

(800) 1633724

(151) 2021 08 27

(891) 2021 08 27

(731) UNI-TREND TECHNOLOGY (CHINA) CO., LTD.

No. 6, Gong Ye Bei 1st Road, Songshan Lake National High-tech, Industrial Development Zone, Dongguan City, Guangdong Province, China

(540)

UNI-T

(591) Black, white

(531) 24.17.01; 27.05.01; 27.05.17

(511)

9 – Lightning conductors; gasometers; air analysis apparatus; altimeters; fire extinguishers; X-ray tubes not for medical purposes; eyeglasses; level indicator; slides [photography]; height measuring instruments; acid hydrometers; revolution counters; audiovisual teaching apparatus; electric loss indicators; optical apparatus and instruments; calorimeters; antenna parameter measuring apparatus; coordinate measuring instruments; carbon dioxide detectors; passive infrared detectors; radar detectors; electromagnetic measuring detectors; logs [measuring instruments]; optical lenses; insulation resistance meters; resistance measuring instruments; dial gauges; micrometers; slide calipers; thermal imaging cameras; infrared camera; steering apparatus, automatic, for vehicles; azimuth instruments; accelerometers; teaching apparatus; spirit levels; temperature indicator labels, not for medical purposes; surveying instruments; sounding apparatus and machines; apparatus for analysing gases; actinometers; stroboscopes; barometers; anemometers; meteorological balloons; marine compasses; distance recording apparatus; surveyors' levels; water level indicators; plumb lines; levelling staffs [surveying instruments]; range finders; levels [instruments for determining the horizontal]; infrared detectors; salinometers; flowmeters; theodolites; measuring devices, electric; soil sampling equipment, namely, tubular liners or tubular sleeves; rods [surveying instruments]; exhaust gas temperature gauges; clinometers; gradient indicators; mercury levels; meteorological instruments; distance measuring apparatus; levelling instruments; observation instruments; hygrometers; wavemeters; ergometers; material testing instruments and machines; measuring instruments; testing apparatus not for medical purposes; pyrometers; thermometers, not for medical purposes; saccharometers; sulphitometers; speed indicators; temperature indicators; tachometers; viscosimeters; densitometers; dosage dispensers; dosi-

meters; decompression chambers; diagnostic apparatus, not for medical purposes; measuring spoons; wind pressure gauges; high-frequency apparatus; frequency meters; inductors [electricity]; ohmmeters; oscillographs; voltmeters; electricity meter; electrical test apparatus; voltage stabilizers; acidimeters for batteries; hydrometers; alidades; food analysis apparatus; telescopes; speed checking apparatus for vehicles; endoscopy cameras for industrial purposes; laser level measuring apparatus; motion detectors; spectrometers; interfaces for detectors; echo sounding devices; electrotechnical vibration meters; screw-thread measuring machines and instruments; test adapters for testing printed circuit boards; test pins for testing printed circuit boards; testing apparatus for testing printed circuit boards; infrared thermometers, not for medical purposes; infrared detection apparatus; remote control telemetering machines and instruments; digital torque gauges; hand-held security wands; photometers; semiconductors; optical fibres [light conducting filaments]; alcoholmeters; pressure indicator plugs for valves; boiler control instruments; metronomes; densimeters; detectors; measuring apparatus; balancing apparatus; rods for water diviners; gas testing instruments; surveying apparatus and instruments; speedometer tester; manometers; pressure measuring apparatus; pressure indicators; petrol gauges; gas meters; ammeters; automatic indicators of low pressure in vehicle tires; slope indicators; galvanometers; meters; dynamometers; water meters; lasers for measuring; cameras [photography]; semiconductor testing apparatus; circuit testers; voltage testers; dust measuring apparatus; battery testers; gas flow monitors; electronic equipment for mine detection; directional compasses; electrodes.

(260) AM 2022 115809 A

(800) 1633746

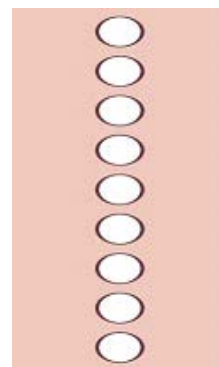
(151) 2021 09 14

(891) 2021 09 14

(731) Limited Liability Company "SLADKIJ ORESHEK"

d. Melechkino, stroenie 123, Solnechnogorsky rayon, RU-141554 Moskovskaya oblast, Russian Federation

(540)



(591) Pink, white and dark purple

(531) 25.07.01; 26.01.01; 29.01.13

(511)

30 – Aromatic preparations included in this class; vanilla flavourings for culinary purposes; flavourings, other than essential oils, for cakes; flavourings, other than essential oils, for beverages; coffee flavourings; food flavourings, other than essential oils; star aniseed; baozi; cereal bars; high-protein cereal bars; pancakes; savoury pancakes; freeze-dried dishes with the main ingredient being pasta; freeze-dried dishes with the main ingredient being rice; noodle-based prepared meals; buns; bulgur; bread rolls; pains au chocolat; edible paper wafers; edible rice paper; edible paper; burritos; vanillin [vanilla substitute]; waffles; vermicelli; natural sweeteners; sausage binding materials; binding agents for ice cream; orange blossom water for culinary purposes; seawater for cooking; seaweed [condiment]; malt biscuits; cloves [spice]; mirror icing [mirror glaze]; cake frosting [icing]; glucose for culinary purposes; mustard; croûtons; buckwheat, processed; gluten additives for culinary purposes; yeast; thickening agents for cooking foodstuffs; leaven; rice-based snack food; cereal-based snack food; artificial coffee; vegetal preparations for use as coffee substitutes; dressings for salad; fruit jellies [confectionery]; candy decorations for cakes; confectionery for decorating Christmas trees; cakes; pastries; peanut confectionery; almond confectionery; fruit confectionery; pasta; ground ginger; frozen yogurt [confectionery ices]; cocoa; cream of tartar for culinary purposes; capers; coffee capsules, filled; caramels [sweets]; curry [spice]; ketchup [sauce]; quinoa, processed; quiches; gluten prepared as foodstuff; flour-based dumplings; sweets; liquorice [confectionery]; peppermint sweets; mints for breath freshening; dulce de leche; cinnamon [spice]; coffee; unroasted coffee; starch for food; crackers; rice crackers; crème brûlée; custard; croissants; hominy grits; semolina; oatmeal; crushed barley; groats for human food; ice cubes; corn, milled; corn, roasted; meat pies; turmeric; couscous; laksa; noodles; soba noodles; udon noodles; ice for refreshment; ice, natural or artificial; edible ices; ice pops; potato-based flatbreads; rice cakes; mayonnaise; macarons; macaroni; maltose; hominy; piccalilli; marinades; marzipan; honey; miso; royal jelly; ice cream; bean meal; buckwheat flour; tapioca flour; potato flour; corn flour; nut flours; flour; wheat flour; soya flour; barley meal; dessert mousses [confectionery]; chocolate mousses; muesli; mint for confectionery; cocoa beverages with milk; coffee beverages with milk; coffee-based beverages; cocoa-based beverages; chamomile-based beverages; tea-based beverages; chocolate beverages with milk; chocolate-based beverages; infusions, not medicinal; nougat; crushed oats; husked oats; kimchi pancakes; onigiri; chocolate-coated nuts; nutmegs; stick liquorice [confectionery]; ginger paste [seasoning]; lozenges [confectionery]; molasses for food; pâtés en croûte; pelmeni; pepper; allspice; peppers [seasonings]; pesto; biscuits; coconut macarons;

petit-beurre biscuits; bibimbap [rice mixed with vegetables and beef]; pies; pizzas; meat gravies; fondants [confectionery]; popcorn; powders for making ice cream; baking powder; mustard meal; pralines; condiments; meat tenderizers for household purposes; cereal preparations; oat-based food; propolis; profiteroles; gingerbread; spices; petits fours; puddings; rice pudding; cake powder; fruit coulis [sauces]; ravioli; ramen; chewing gum; chewing gum for breath freshening; relish [condiment]; rice; prepared rice rolled in seaweed; instant rice; wheat germ for human consumption; spring rolls; sago; sugar; crystallized rock sugar; palm sugar; sesame seeds [seasonings]; linseed for culinary purposes [seasoning]; processed seeds for use as a seasoning; aniseed; agave syrup [natural sweetener]; golden syrup; confectionery; savoury pancake mixes; batter mixes; baking soda [bicarbonate of soda for cooking purposes]; malt for human consumption; salt for preserving foodstuffs; cooking salt; celery salt; sorbets [ices]; ham glaze; cranberry sauce [condiment]; soya sauce; tomato sauce; pasta sauce; sauces [condiments]; apple sauce [condiment]; spaghetti; seasonings; chocolate-based spreads; chocolate spreads containing nuts; preparations for stiffening whipped cream; shaved ice with sweetened red beans; rusks; breadcrumbs; sushi; sandwiches; tabbouleh; tacos; tamarind [condiment]; tapioca; tarts; dough; pastry dough; almond paste; rice pulp for culinary purposes; cake batter; tortillas; garden herbs, preserved [seasonings]; chocolate decorations for cakes; vinegar; beer vinegar; ferments for pastes; halvah; harissa [condiment]; bread; gluten-free bread; unleavened bread; corn flakes; oat flakes; chips [cereal products]; hot dog sandwiches; flowers or leaves for use as tea substitutes; jiaozi; chicory [coffee substitute]; tea; kelp tea; iced tea; chutneys [condiments]; minced garlic [condiment]; cheeseburgers [sandwiches]; chowchow [condiment]; saffron [seasoning]; chocolate; malt extract for food; essences for foodstuffs, except etheric essences and essential oils; husked barley.

(260) AM 2022 115810 A

(800) 1633787

(151) 2021 10 07

(891) 2021 10 07

(731) Apple Inc.

One Apple Park Way, Cupertino CA 95014, USA

(540)

SHAREPLAY

(591) Black, white

(511)

9 – Computer software; downloadable computer software for use in transmitting, receiving, browsing, searching, selecting, playing, streaming, and viewing television, movies, music, electronic publications, software applications, and other audio, video, and multimedia content; downloadable computer software allowing multiple users to simultaneously view, inter-

act with, and comment on television, movies, music, electronic publications, software applications, and other audio, video, and multimedia content; downloadable computer software for controlling the operation of media players, digital audio and video players, streaming devices, set top boxes, and computers; downloadable computer software for electronic data transmission, video conferencing, real-time video and audio communication, and sending and receiving electronic messages, images, audio, video, and multimedia content; downloadable pre-recorded audio, video, and multimedia files featuring television, movies, music, electronic publications and other audio, video, and multimedia content; downloadable computer software for use in developing other software applications; application development software; downloadable pre-recorded audio, video and multimedia content; media players, digital audio and video players, and set top boxes.

(260) AM 2022 115820 A

(800) 1179730

(151) 2013 06 03

(891) 2021 11 11

(731) OBSHESTVO S OGRANICHENNOY OTVETSTVENNOSTYU "BALTIYSKAYA ZVEZDA"

Dokuka ul., d.7, kv.16, g.Kaliningrad,
RU-236019 Kaliningrad region, Russian
Federation

(540)



(591) Red, white and black

(531) 24.15.01; 26.01.04; 29.01.13

(511)

12 – Space vehicles; aircraft; aeronautical apparatus, machines and appliances; air cushion vehicles; air balloons; barges; buffers for railway rolling stock; dining cars [carriages]; waggons; tilt trucks; carriages [railways]; refrigerated wagons [railroad vehicles]; oars; stern oars; paddles for canoes; screws [propellers] for ships; hydroplanes; seaplanes; flanges for railway wheel tires [tyres]; lorries; screw-propellers; screw-propellers for boats; airships; cable cars; dredgers [boats]; hand cars; portholes; boats; mine cart wheels; ships; fenders for ships; ejector seats for aircraft; wheelchairs; boat hooks; masts for boats; parachutes; ferry boats; carts; ski lifts; chairlifts; pontoons; spars for ships; aeroplanes; amphibious airplanes; kick sledges; snowmobiles; rolling stock for railways; rolling stock for funicular air vehicles; vehicles for locomotion air, water or rail; inclined ways for boats; railway couplings; wheelbarrows; handling carts; luggage trucks; golf carts; shopping trolleys; hose carts; bogies for railway cars; casting carriages; tilting-carts; cleaning trolleys; tramcars; aerial conveyors; funnels for

ships; funnels for locomotives; cleats [nautical]; rowlocks; disengaging gear for boats; steering gears for ships; cable transport apparatus and installations; spoke clips for wheels; funiculars; davits for boats; launchers; timbers [frames] for ships; yachts.

35 – Shop window dressing; presentation of goods on communication media, for retail purposes.

(260) AM 2022 115835 A

(800) 1556285

(151) 2020 06 09

(891) 2021 03 01

(731) Dirk Rossmann GmbH
Isernhägener Straße 16, 30938 Burgwedel,
Germany

(540)

ISANA

(591) Black, white

(511)

3 – Laundry preparations; bleaching preparations; cleaning preparations; buffing compounds; grease-removing preparations; abrasives; soap; perfumery; perfumes; essential oils and aromatic extracts; antiperspirants [toilettries]; deodorants and antiperspirants; cosmetics; hair removal and shaving preparations; bath preparations; shaving foam; shaving preparations; shaving soap; hair preparations and treatments; dry shampoos; hair lotions; dentifrices; hair masks; oils for hair conditioning; skin care preparations; make-up preparations; toilettries; body cleaning and beauty care preparations; perfumery and fragrances; oral hygiene preparations; household fragrances; cleaning and fragrancing preparations; soaps and gels; toners for cosmetic use; exfoliants; beauty masks; non-medicated lip care preparations; cotton wool for cosmetic purposes; cotton swabs for cosmetic purposes; nail varnish removers; shampoos; hair spray; hair mousse; styling gels; shampoo-conditioners; colour-removing preparations; nail varnish; nail gel; nail cream; nail strengtheners; hair dyes; nail repair preparations; hair glaze; shower gels; shower soap; shower creams; shower and bath gel; skin cream; cosmetic creams; face creams for cosmetic use; anti-wrinkle cream; hand creams; soaps in liquid form; hand soaps; hand lotions; cloths impregnated with a detergent for cleaning; milky lotions for skin care; body lotions; night cream; perfumed lotions [toilet preparations]; moisturising creams, lotions and gels; lipsticks; anti-perspirants in the form of sprays; roll-on deodorants [toilettries]; bath salts; cosmetics for children; shower and bath foam; bubble bath; foaming bath liquids; cosmetic dyes; cosmetics for the use on the hair; wipes impregnated with a skin cleanser; tissues impregnated with cosmetic lotions; hair grooming preparations; eye gels; eye cream; lotions for beards; shaving gel; shaving balm; deodorants for personal use [perfumery]; deodorants for personal use; deodorants, for personal use

in the form of sticks; antiperspirants for personal use; anti-aging creams; moisturising creams; after-shave preparations; moisturizers; pomades for cosmetic purposes; exfoliant creams; exfoliants for the care of the skin; exfoliants for the cleansing of the skin; cosmetics in the form of gels; hair gel; eye lotions; make-up removing creams; make-up removing gels; facial concealer; cosmetic facial lotions; talcum powder, for toilet use; concealers for spots and blemishes; hair wax; hair creams; hair fixers; hair balm; hair straightening preparations; detanglers; hair protection gels; hair protection lotions; hair styling waxes; hair moisturisers; colouring lotions for the hair; aloe vera preparations for cosmetic purposes; ethereal oils; balms, other than for medical purposes; greases for cosmetic purposes; cosmetic kits; oils for toilet purposes; cosmetics for personal use; cuticle conditioners; sanitary preparations being toiletries; non-medicated toiletry preparations; non-medicated toiletries; skin, eye and nail care preparations; tissues impregnated with make-up removing preparations; skin cleansing foams; cosmetic creams and lotions; cosmetics for use on the skin; beauty care cosmetics; bath and shower preparations; foot scrubs; make-up removing preparations; decorative cosmetics; cosmetic pencils; make-up for the face; make-up foundation; make-up for the face and body; cosmetic preparations for eyelashes; cream soaps; facial soaps; body cream soap; exfoliating scrubs for the feet; exfoliating scrubs for the hands; bath milk; anti-aging skincare preparations; anti-aging moisturizers; skin whitening preparations; sun-tanning creams and lotions; skin moisturizer masks; skin fresheners; facial masks; face packs; skin care lotions [cosmetic]; skin cleansers; facial care preparations; oils for cosmetic purposes; lotions for cosmetic purposes; nail care preparations; shaving lotion; cleansing creams; cleansing milk for toilet purposes; day creams; non-medicated skin creams; cosmetic preparations for skin care; eyebrow cosmetics; eye-washes, not for medical purposes; body oils [for cosmetic use]; body gels; body powder; body cream; body sprays; body washes; body scrub; body massage oils; body splash; scented body creams; scented body spray; scented body lotions; cosmetic body scrubs; body oil spray; body and facial oils; face oils; facial massage oils; facial washes [cosmetic]; facial cleansing grains; hair powder; hair serums; hair liquids; hair mascara; hair frosts; hair rinses [shampoo-conditioners]; depilatory creams; preparations for setting hair; hair colour removers; hair piece bonding glue; hair waving preparations; preparations for protecting the hair from the sun; hair care preparations, not for medical purposes; hair conditioner bars; adhesives for false eyelashes, hair and nails; hair fixing oil; hair emollients; hair conditioners; hair care masks; tints for the hair; hair-styling masks; hair pomades; preparations for the permanent waving of hair; mousses [toiletries] for use in styling the hair; conditioners in the form of sprays for

the scalp; cosmetic preparations for the hair and scalp; scalp treatments (non-medicated -); non-medicated scalp treatment cream; gel eye patches for cosmetic purposes; eye make-up; eyebrow pencils; fragrance sachets for eye pillows; self-adhesive false eyebrows; eye pencils; gel eye masks; eyebrow mascara; eyelid shadow; eyebrow colors; eyebrow powder; eye make-up remover; eye concealers; cleansing products for the eyes; anti-wrinkle eye lotions; eye care products, non-medicated; creams (non-medicated -) for the eyes; nasal cleaning preparations for personal sanitary purposes; sets of cosmetic oral care products; lip glosses; lipstick cases; lip rouge; lip balms [non-medicated]; lip cream; lip cosmetics; lip neutralizers; non-medicated lip protectors; lip conditioners; lip liners; skin lotion; creams for tanning the skin; skin cleansing lotion; skin moisturisers; cosmetic oils for the epidermis; sun blocking preparations [cosmetics]; skin care mousse; skin cleansing cream; clay skin masks; skin masks [cosmetics]; moisturising skin creams [cosmetic]; skin cleansers [cosmetic]; skin make-up; cosmetic preparations for firming the skin; perfumed oils for skin care; essential oils for the care of the skin; age spot reducing creams; sun-tanning oils; skin cleaning and freshening sprays; compounds for skin care after exposure to the sun's rays; cakes of soap for body washing; exfoliating scrubs for the body; deodorants for body care; scented body lotions and creams; face and body glitter; facial toners [cosmetic]; cosmetics in the form of lotions; body butter; body masks; body art stickers; body cleansing foams; body paint for cosmetic purposes; body and facial butters; hand and body butter; soap free washing emulsions for the body; body souffle; nail varnish remover [cosmetics]; rose oil for cosmetic purposes; facial wipes impregnated with cosmetics; cosmetic breast firming preparations; cleaning agents for the hands; cosmetic hand creams; hand masks for skin care; refill packs for hand soap dispensers; toning lotion, for the face, body and hands; fingernail tips; false nails; adhesives for affixing artificial fingernails; glue for strengthening nails; lotions for strengthening the nails; fingernail overlay material; non-medicated douches; cleansers for intimate personal hygiene purposes, non-medicated; douching preparations for personal sanitary or deodorant purposes [toiletries]; soap for foot perspiration; deodorants for the feet; non-medicated foot soaks; liquid soap used in foot bath; foot masks for skin care; foot smoothing stones; foot powder [non-medicated]; loose face powder; face glitter; pressed face powder; exfoliating scrubs for the face; facial cleansing milk; facial moisturisers [cosmetic]; make-up preparations for the face and body; liquid soaps for hands and face; disposable wipes impregnated with cleansing compounds for use on the face; wrinkle-minimizing cosmetic preparations for topical facial use; face gels; face powder; facial butters; cleaning masks for the face; facial scrubs [cosmetic]; face-powder on paper; non-medicated face care preparations; face paint; cosmetic

face powders; beauty tonics for application to the face; make-up removing lotions; make-up removing milks; base cream; suntan creams; scented oils; jasmine oil; lavender oil; almond oil; oils for perfumes and scents; toilet water; eau de parfum.

5 – Sanitary preparations for medical purposes; pharmaceuticals, in particular cosmetics with medical ingredients; bath preparations for medical purposes; bath salts for medical purposes; plasters, materials for dressings; dressings, medical; disinfectants; corn pads; absorbent articles for personal hygiene; feminine hygiene products; air deodorizers and air purifying preparations; disinfectants and antiseptics; sanitary preparations and articles; wadding for medical purposes; cotton swabs for medical purposes; medicated lip care preparations; antiseptics; salts for mineral water baths; antibacterial soap; medicated and sanitising soaps and detergents; medicated skin creams; medicated skin lotions; medicated skin care lotions; medicated preparations for skin treatment; pharmaceutical preparations, in particular cosmetics with medical ingredients for skin care; preparations for cleansing the skin for medical use; pharmaceuticals, in particular cosmetics with medical ingredients and natural remedies; mud for baths; therapeutic preparations for the bath; nappies for babies and incontinence; diapers for incontinence; incontinence pads; incontinence garments; sanitary towels; menstruation bandages; pantyliners; sanitary panties; sanitary tampons; dietary supplements and dietetic preparations; cachets for pharmaceutical purposes, in particular cosmetics with medical ingredients; medicinal drinks; mineral food supplements; nutritional supplements; dietary fibre; vitamin preparations; antioxidants.

35 – Advertising, marketing and promotional services; provision of advertising space, time and media; distribution of advertising, marketing and promotional material; rental of advertising space, time and advertising materials; product demonstrations and product display services; arranging and conducting of trade shows and commercial exhibitions; loyalty, incentive and bonus program services; advertising, marketing and promotional consultancy, advisory and assistance services; provision of an online marketplace for buyers and sellers of goods and services; commercial information and advice for consumers in the choice of products and services; telemarketing services; negotiation and conclusion of commercial transactions for third parties; administrative order processing; wholesale and retail services in relation to toiletries, body cleaning and beauty care preparations, cosmetics and cosmetic preparations, essential oils and aromatic extracts, dietary supplements and dietetic preparations, sanitary preparations and articles, medical and veterinary preparations and articles, hand-operated hygienic and beauty implements for humans and animals, household utensils for cleaning, brushes and brush-

making materials, cosmetic and toilet utensils, clothing, headgear, footwear, toys and playthings.

(260) AM 2022 115924 A

(800) 1634578

(151) 2021 11 18

(891) 2021 11 18

(731) CELLTRION, INC.

23, Academy-ro, Yeonsu-gu, Incheon 22014,
Republic of Korea

(540)

EYDENZELT

(591) Black, white

(511)

5 – Ophthalmic preparations; pharmaceutical preparations for the treatment of angiogenesis.

(260) AM 2022 115925 A

(800) 1634586

(151) 2021 11 23

(891) 2021 11 23

(731) LG Corp.

128, Yeoui-daero, Yeongdeungpo-gu, Seoul,
Republic of Korea

(540)

LG aesthetics

(591) Black, white

(511)

44 – Information services relating to medical products; medical information; medical information services provided via the Internet; advisory services relating to medical apparatus and instruments; providing information in the field of medicine; providing medical information in the field of dermatology; providing information about beauty; beauty consultancy; advisory services relating to beauty treatment; consultation services relating to skin care; consultancy in the field of cosmetics.

(260) AM 2022 115926 A

(800) 1634591

(151) 2021 09 21

(891) 2021 09 21

(731) Slow Love S.L.

Avda del Llano Castellano, 51, E-28034
Madrid, Spain

(540)

SLOWLOVE

(591) Black, white

(531) 27.05.01

(511)

25 – Clothing; footwear (except orthopedic footwear); headwear.

(260) AM 2022 115927 A
 (800) 1634620
 (151) 2021 07 01
 (891) 2021 07 01
 (731) FUTURE ENTERPRISES PTE. LTD.
 31 Harrison Road, #08-01, Food Empire
 Business Suites, Singapore 369649, Singapore
 (540)



(591) Red, white, black, brown and beige
 (531) 01.15.11; 05.07.01; 05.07.27; 11.03.04;
 11.03.14; 25.05.03; 27.05.01; 29.01.15
 (511)
 30 – Coffee; artificial coffee; unroasted coffee; vegetal preparations for use as coffee substitutes; chicory [coffee substitute]; coffee-based beverages; tea-based beverages; chocolate-based beverages; cocoa beverages with milk; coffee beverages with milk; cocoa-based drinks; chocolate beverages with milk; flavourings, other than essential oils, for beverages; cocoa.

(260) AM 2022 115928 A
 (800) 1634623
 (151) 2021 09 03
 (891) 2021 09 03
 (731) Public Joint Stock Company "Krasnyj Ocyabr"
 ul. Malaya Krasnoselskaya, d. 7, str. 24,
 RU-107140 Moscow, Russian Federation
 (540)

МАРШМЕЛЛАШКИ

(591) Black, white
 (531) 28.05
 (511)
 30 – Confectionery for decorating Christmas trees; coffee flavorings; seasonings; cookies; candies; waffles; cocoa; coffee; cakes; capers; caramels [candies]; cereal preparations; chocolate; marzipan; condiments; confectionery; corn flakes; popcorn; ice cream; pancakes; fondants [confectionery]; cake dough; cocoa beverages with milk; coffee beverages with milk; molasses for food; honey; pies; pastries; petit-beurre biscuits; puddings; pralines; liquorice [confectionery]; sago; sherbets [ices]; tarts; edible ices; almond confectionery; peanut confectionery; oat flakes; chocolate mousses; dessert mousses [confectionery]; pesto; cereal bars.

(260) AM 2022 115929 A
 (800) 1634638
 (151) 2021 09 03
 (891) 2021 09 03
 (731) ÖMER SEKMAN
 Güvercintepe Mah.Kadife Sk., Kayacı
 Residence Sitesi A1 Blok No:7-9A, İç Kapı
 No: 42 BAŞAKŞEHİR, İSTANBUL, Türkiye
 (540)



(591) Black, white
 (531) 26.03.23; 27.05.24
 (511)
 25 – Clothing, including underwear and outer clothing, other than special purpose protective clothing; socks; scarves, shawls, bandanas, scarves, belts.

(260) AM 2022 115930 A
 (800) 1634720
 (151) 2021 10 15
 (891) 2021 10 15
 (731) Radisson Hospitality Belgium B.V. / S.R.L.
 Avenue du Bourget 44, B-1130 Brussel,
 Belgium
 (540)

**RADISSON
 COLLECTION**

(591) Black, white
 (511)
 43 – Hotel, bar and restaurant services; services for the reservation of rooms.

(260) AM 2022 115931 A
 (800) 1634832
 (151) 2021 10 27
 (891) 2021 10 27
 (731) Philip Morris Products S.A.
 Quai Jeanrenaud 3, CH-2000 Neuchâtel,
 Switzerland
 (540)

SUN PEARL

(591) Black, white
 (511)
 34 – Wired vaporizers for electronic cigarettes and electronic smoking devices; tobacco, raw or manufactured; tobacco products, including cigars, cigarettes, cigarillos, tobacco for roll-your-own cigarettes, pipe

tobacco, chewing tobacco, snuff tobacco, kretek; snus; tobacco substitutes (not for medical purposes); smokers' articles, including cigarette paper and tubes, cigarette filters, tobacco tins, cigarette cases and ashtrays, pipes, pocket apparatus for rolling cigarettes, lighters; matches; tobacco sticks, tobacco products for the purpose of being heated, electronic devices and their parts for the purpose of heating cigarettes or tobacco in order to release nicotine-containing aerosols for inhalation; liquid nicotine solutions for use in electronic cigarettes; electronic smoking devices; electronic cigarettes; electronic cigarettes as substitutes for traditional cigarettes; electronic devices for the inhalation of nicotine-containing aerosol; oral vaporizing devices for smokers, tobacco products and tobacco substitutes; smokers' articles for electronic cigarettes; parts and fittings for the aforesaid products included in this class; devices for extinguishing heated cigarettes and cigars as well as heated tobacco sticks; electronic rechargeable cigarette cases.

(260) AM 2022 115932 A
(800) 1634833
(151) 2021 10 27
(891) 2021 10 27
(731) Philip Morris Products S.A.
Quai Jeanrenaud 3, CH-2000 Neuchâtel,
Switzerland
(540)

TIDAL PEARL

(591) Black, white
(511)
34 – Wired vaporizers for electronic cigarettes and electronic smoking devices; tobacco, raw or manufactured; tobacco products, including cigars, cigarettes, cigarillos, tobacco for roll-your-own cigarettes, pipe tobacco, chewing tobacco, snuff tobacco, kretek; snus; tobacco substitutes (not for medical purposes); smokers' articles, including cigarette paper and tubes, cigarette filters, tobacco tins, cigarette cases and ashtrays, pipes, pocket apparatus for rolling cigarettes, lighters; matches; tobacco sticks, tobacco products for the purpose of being heated, electronic devices and their parts for the purpose of heating cigarettes or tobacco in order to release nicotine-containing aerosols for inhalation; liquid nicotine solutions for use in electronic cigarettes; electronic smoking devices; electronic cigarettes; electronic cigarettes as substitutes for traditional cigarettes; electronic devices for the inhalation of nicotine-containing aerosol; oral vaporizing devices for smokers, tobacco products and tobacco substitutes; smokers' articles for electronic cigarettes; parts and fittings for the aforesaid products included in this class; devices for extinguishing heated cigarettes and cigars as well as heated tobacco sticks; electronic rechargeable cigarette cases.

(260) AM 2022 115933 A
(800) 1634853
(151) 2021 05 17
(891) 2021 05 17
(731) Limited Liability Company "SportRadar"
ulitsa Azovskaya, dom 6, korpus 3,
etazh/pomeshch 2/204, RU-117149 Moscow,
Russian Federation
(540)

астрабет

(591) Black, white
(531) 28.05
(511)
41 – Gambling services.

(260) AM 2022 115944 A
(800) 1635113
(151) 2021 10 28
(891) 2021 10 28
(731) SHANGHAI NEWTOP MACHINERY
COMPANY LIMITED
Room 316, Building 1, No.955, Shixin Road,
Zhuqiao Town, Pudong New District, 200000
Shanghai, China
(540)

NEWTOP

(591) Black, white
(531) 27.05.01; 27.05.17
(511)
7 – Lawnmowers [machines]; woodworking machines; engraving machines; dimension stone cutting machines; hand-held pneumatic tools; electric grinders; crank shafts; saw blades [parts of machines]; bearings [parts of machines]; electric hand tools.

(260) AM 2022 115945 A
(800) 1635115
(151) 2021 10 25
(891) 2021 10 25
(731) Obshchestvo s ogranichennoy otvetstvennostyu
"Tetralab"
ul. 1-ya Stekolnaya, d. 7, Str. 2, RU-115404
Moscow, Russian Federation
(540)

TETRALAB

ТЕТРАЛАБ

(591) Black, white
(531) 28.05
(511)
3 – Perfumery; hair lotions; beard dyes; cosmetic dyes; cosmetic kits; make-up preparations; hair dyes.

5 – Nutritional supplements for medical purposes; tinctures for medical purposes; decoctions for pharmaceutical purposes; albuminous preparations for medical purposes; pharmaceutical preparations; adjuvants for medical purposes; appetite suppressants for medical purposes; medical preparations for slimming purposes; medicinal herbs; slimming tea for medical purposes.

(260) AM 2022 115946 A
 (800) 1635140
 (151) 2021 11 17
 (891) 2021 11 17
 (731) Bahlsen GmbH & Co. KG
 Podbielskistraße 11, 30163 Hannover,
 Germany
 (540)



(591) Yellow and red
 (531) 26.04.05; 26.04.18; 27.05.01; 27.05.17;
 29.01.12
 (511)
 29 – Milk; milk products; yoghurt; meat; poultry, not live; game, not live; fish, not live; meat extracts; fruit, stewed; jellies for food; jams; compotes; frozen fruits; fruit, preserved; dried fruit; frozen vegetables; vegetables, preserved; vegetables, dried; vegetables, cooked; potato snacks; raisins; dried nuts; roasted nuts; salted nuts; spiced nuts; dried fruit products; eggs; oils for food; edible fats; fat-containing mixtures for bread slices; dairy products and dairy substitutes.

30 – Coffee; tea; cocoa; artificial coffee; chocolate; chocolates; aperitif biscuits; pastries; flour confectionery; rolled wafers [biscuits]; cakes; biscuits; chocolate candies; candy bars; bonbons made of sugar; popcorn; candy coated confections; marzipan; chocolate confectionery containing pralines; snack foods consisting principally of confectionery; chocolate for confectionery and bread; non-medicated confectionery in jelly form; prepared desserts [confectionery]; chocolate based products; candy; waffles; confectionery items coated with chocolate; truffles [confectionery]; bread; sugar; honey; golden syrup; sauces [condiments]; mustard; salt; vinegar; spices; extruded food products made of rice; flour; sago; extruded food products made of wheat; extruded food products made of maize; rice; cereal preparations; yeast; baking powder; tapioca; edible ices; ice for refreshment.

41 – Sporting activities; cultural activities; entertainment services.

(260) AM 2022 115947 A
 (800) 1635141
 (151) 2021 11 17
 (891) 2021 11 17
 (731) Bahlsen GmbH & Co. KG
 Podbielskistraße 11, 30163 Hannover, Germany
 (540)



591) Yellow and red
 (531) 26.04.05; 26.04.18; 27.05.01; 29.01.12
 (511)
 29 – Milk; milk products; yoghurt; meat; poultry, not live; game, not live; fish, not live; meat extracts; fruit, stewed; jellies for food; jams; compotes; frozen fruits; fruit, preserved; dried fruit; frozen vegetables; vegetables, preserved; vegetables, dried; vegetables, cooked; potato snacks; raisins; dried nuts; roasted nuts; salted nuts; spiced nuts; dried fruit products; eggs; oils for food; edible fats; fat-containing mixtures for bread slices; dairy products and dairy substitutes.

30 – Coffee; tea; cocoa; artificial coffee; chocolate; chocolates; aperitif biscuits; pastries; flour confectionery; rolled wafers [biscuits]; cakes; biscuits; chocolate candies; candy bars; bonbons made of sugar; popcorn; candy coated confections; marzipan; chocolate confectionery containing pralines; snack foods consisting principally of confectionery; chocolate for confectionery and bread; non-medicated confectionery in jelly form; prepared desserts [confectionery]; chocolate based products; candy; waffles; confectionery items coated with chocolate; truffles [confectionery]; bread; sugar; honey; golden syrup; sauces [condiments]; mustard; salt; vinegar; spices; extruded food products made of rice; flour; sago; extruded food products made of wheat; extruded food products made of maize; rice; cereal preparations; yeast; baking powder; tapioca; edible ices; ice for refreshment.

41 – Sporting activities; cultural activities; entertainment services.

(260) AM 2022 115952 A
 (800) 1635190
 (151) 2021 09 10
 (891) 2021 09 10
 (731) PEPCO Poland Sp. z o.o.
 Strzeszyńska 73A, PL-60-479 Poznań, Poland
 (540)



(591) Black, white

(531) 27.01.12; 27.05.01; 27.05.10; 27.05.25

(511)

28 – Toys, games, and playthings; toy sets; toy dough; toy figures; toy figure playsets; toy human characters; toy hand tools; toy furniture; play shops.

(260) AM 2022 115953 A

(800) 1635191

(151) 2021 09 10

(891) 2021 09 10

(731) PEPCO Poland Sp. z o.o.

Strzeszyńska 73A, PL-60-479 Poznań, Poland

(540)

**WOODEN
BLOCKS**

(591) Black, white

(531) 27.05.17; 27.05.25

(511)

28 – Toys, games, and playthings; toy sets; wooden toys; building blocks [toys]; wooden toy building blocks; toy vehicles; jigsaw puzzles.

(260) AM 2022 116018 A

(800) 1635660

(151) 2021 11 01

(891) 2021 11 01

(731) Philip Morris Products S.A.

Quai Jeanrenaud 3, CH-2000 Neuchâtel,
Switzerland

(540)

LILAC FUSE

(591) Black, white

(511)

34 – Wired vaporizers for electronic cigarettes and electronic smoking devices; tobacco, raw or manufactured; tobacco products, including cigars, cigarettes, cigarillos, tobacco for roll-your-own cigarettes, pipe tobacco, chewing tobacco, snuff tobacco, kretek; snus; tobacco substitutes (not for medical purposes); smokers' articles, including cigarette paper and tubes, cigarette filters, tobacco tins, cigarette cases and ashtrays, pipes, pocket apparatus for rolling cigarettes, lighters; matches; tobacco sticks, tobacco products for the purpose of being heated, electronic devices and their parts for the purpose of heating cigarettes or tobacco in order to release nicotine-containing aerosols for inhalation; liquid nicotine solutions for use in electronic cigarettes; electronic smoking devices; electronic cigarettes; electronic cigarettes as substitutes

for traditional cigarettes; electronic devices for the inhalation of nicotine-containing aerosol; oral vaporizing devices for smokers, tobacco products and tobacco substitutes; smokers' articles for electronic cigarettes; parts and fittings for the aforesaid products included in this class; devices for extinguishing heated cigarettes and cigars as well as heated tobacco sticks; electronic rechargeable cigarette cases.

(260) AM 2022 116019 A

(800) 1635702

(151) 2021 09 08

(891) 2021 09 08

(731) SERİN OTOMOTİV SANAYİ TİCARET

ANONİM ŞİRKETİ

Büyükkayacık Mahallesi, Evrenköy

Caddesi, KOS Müdürlüğü 12, Selçuklu, Konya,

Türkiye

(540)

REİSTREYLER

(591) Dark blue, red and white

(531) 26.03.23; 26.11.01; 26.11.09; 27.05.01;
27.05.09; 29.01.12

(511)

12 – Motor land vehicles, motorcycles, mopeds; engines and motors for land vehicles; clutches for land vehicles; transmissions, transmission belts and transmission chains for land vehicles; gearing for land vehicles; brakes, brake discs and brake linings for land vehicles; vehicle chassis, automobile bonnets, vehicle suspension springs, shock absorbers for automobiles, gearboxes for land vehicles, steering wheels for vehicles, rims for vehicle wheels; bicycles and their bodies; handlebars and mudguards for bicycles; vehicle bodies; tipping bodies for trucks; trailers for tractors; frigorific bodies for land vehicles; trailer hitches for vehicles; vehicle seats; head-rests for vehicle seats; safety seats for children, for vehicles; seat covers for vehicles; vehicle covers (shaped); sun-blinds adapted for vehicles; direction signals and arms for direction signals for vehicles; windscreen wipers and wiper arms for vehicles; inner and outer tires for vehicle wheels; tubeless tires; tire-fixing sets comprised of tire patches and tire valves for vehicles; windows for vehicles, safety windows for vehicles, rearview mirrors and wing mirrors for vehicles; anti-skid chains for vehicles; luggage carriers for vehicles; bicycle and ski carriers for cars; saddles for bicycles or motorcycles; air pumps for vehicles, for inflating tires; anti-theft alarms for vehicles, horns for vehicles; safety belts for vehicle seats, air bags (safety devices for automobiles); baby carriages, wheelchairs, pushchairs; wheelbarrows; shopping carts; single or multi-wheeled wheelbarrows; shopping trolleys; grocery carts; handling carts; rail vehicles, namely, locomotives, trains, trams, wagons, cable cars, chairlifts; vehicles for loco-

motion by water and their parts, other than their motors and engines; vehicles for locomotion by air and their parts, other than their motors and engines.

(260) AM 2022 116020 A

(800) 1635742

(151) 2021 05 26

(891) 2021 05 26

(731) Kapital Investment Group B.V.

Claude Debussylaan 46, NL-1082 MD

Amsterdam, Netherlands

(540)

GKTrade

(591) Black, white

(511)

35 – Business assistance, management and administrative services; administrative support and data processing services; business consultancy and advisory services; human resources management and recruitment services; administration of foreign business affairs; arranging of business introductions; business management of insurance agencies and brokers on an outsourcing basis; business management organisation; business organisation; business process management and consulting; business project management; office functions services; preparation of economic reports; drawing up statistics; advisory services relating to commercial transactions; arranging of commercial and business contacts; arranging of trading transactions and commercial contracts; bidding quotation; business intermediary services relating to the matching of potential private investors with entrepreneurs needing funding; foreign trade information and consultation; negotiation and conclusion of commercial transactions for third parties; negotiation and conclusion of commercial transactions for third parties via telecommunication systems; price analysis services; provision of information concerning commercial sales; providing information relating to tax preparation and tax filing services; business administration; office functions; business investigations; economic forecasting and analysis for business and financial purposes; market analysis; market research and market studies for business and financial purposes; arranging commercial studies and compiling commercial reports; information and data compiling and analysing relating to business management; compilation, systematization and processing of business and financial information and data into computer databases, including for compiling and drawing up statistics and indices; book-keeping services.

36 – Financial services; monetary affairs; brokerage services, including investment brokerage; pawn brokerage; exchange brokerage; money brokerage; insurance brokerage; commodities brokerage; credit brokerage; mortgage brokerage; stock brokerage; bonds brokerage; securities brokerage; traded options bro-

kerage; brokerage of currency; brokerage of futures; capital investment brokerage; brokerage of bonds; insurance; insurance of credit risks (factoring); banking services, including mortgage banking; services of securities houses, money transfer; capital and fund investment; services in the field of finance, loans, credit and mortgage payments; automated banking services; payment services, namely, providing electronic processing of electronic funds transfer, ach, credit card, debit card, electronic check and electronic payments; private banking services; telebanking; internet banking; banking via mobile telephones or by other electronic communication means, including the internet; financial information; savings services; trading of securities; clearing and execution of financial securities transactions; securities exchange services; trading of securities options; trading of overseas market securities futures; mediation with regard to the purchase and sale of and investment of bonds, shares, stocks and other such securities; property management; underwriting securities; securities trade execution services; handling subscriptions and offerings of securities; brokerage of securities index futures; private equity financial investments, private equity investment funds, private equity financing; trading of equities, equity derivatives, futures, stocks, shares, swaps and options; lease-purchase financing, insurance and financial mediation with regard to insurance and insurance underwriting; providing of guarantees; investment of funds; equity investment in international companies; financial transactions; financial consultancy and information; internal financial crossing exchanges and networks; assistance, advice and consultancy in the field of financial planning, analysis, management and organisation; financial research, evaluations; financial surveys, information and research; conducting financial feasibility studies and preparation of financial reports; fiscal assessments, valuations and consultancy relating thereto; negotiation in the purchase and sale of real estate, real estate management and appraisal; services in the field of mortgages and mortgaging of movable property and real estate; services relating to automated methods for crossing and other payment orders; providing stock market information; payment and credit services; hire-purchase financing; financial services for the management and issuing of credit cards, debit cards, payment cards, chip cards and bank cards; cash management; safety deposit services; bankers' clearing services; processing of debit and credit transactions; cheque encashment services; insurance services; financing of loans; loans (financial) against security; financial investment; investment management; capital investment services; trustee services; financial management services; brokers and agents (for bonds and other securities); investment advice; research into and evaluation of credit worthiness; financial guarantees (surety services); financial analysis and preparation of financial reports; financial research services; financing services (securing funds for ot-

hers); administration of financial affairs; computerised financial services; acceptance of deposits; securities lending, acquisition and transfer of monetary claims; money exchange and foreign exchange transactions, currency exchange services; financial management of a financing company; financial participation in partnerships, enterprises, institutions and organisations; financial affairs on behalf of subsidiary companies and holdings; provision of information, advisory and consultancy services relating to all of the aforesaid services; the aforesaid services whether or not via electronic channels, including the internet; providing purchase protection services for goods and services purchased by others via a global computer network and wireless networks, namely, providing fraud reimbursement services in the field of credit card purchases and electronic payment purchases, and providing secure commercial transactions for credit card purchases and electronic payment purchases; credit card transaction processing services; bill payments services; providing electronic mobile payment services for others in the nature of providing secure commercial transactions and payment options using a mobile device at a point of sale; credit card transaction processing services and payment processing services in the field of credit card payments and electronic payments; financial risk management services, namely, analysing transactions for payment fraud or illegality, compliance in the nature of analysing transactions for compliance with payment transaction regulations, and antifraud and money laundering controls in the nature of analysing transactions for fraud and illegal monetary transactions; stored value card and debit card services in the nature of electronic debit card transaction processing and processing electronic payments made through prepaid cards.

41 – Providing electronic and on-line publications; publication of educational and training guides and teaching materials; education services in the field of banking, finance, brokerage, trading and auditing; arrangement of conferences, seminars, courses, lectures, presentations, workshops, tutorials and training in the field of banking, finance, brokerage, trading and auditing for educational purposes.

42 – Electronic data storage; providing temporary use of on-line non-downloadable software for processing electronic payments; providing temporary use of online non-downloadable authentication software for controlling access to and communications with computers and computer networks; providing temporary use of online non-downloadable software for processing electronic payments; providing temporary use of online non-downloadable software for creating, preparing, managing, sending, processing, tracking, and reconciling invoices; providing temporary use of online non-downloadable software for issuing receipts regarding mobile payment transactions; providing temporary use of online non-downloadable computer software

for tracking and analysing payment activity; providing temporary use of online non-downloadable software to prevent fraud, facilitate integration with loyalty and reward platforms to allow tracking of purchases and accrual of rewards, and enable merchants to embed checkouts in third party sites and applications to sell and take payments on third party platforms; providing temporary use of online non-downloadable software to evaluate and detect fraud and illegality in payment transactions, manage compliance validation; electronic monitoring of financial transactions for fraud, money laundering, and illegality in the field of electronic funds transfer and electronic payment processing services; providing temporary use of online non-downloadable software for customizing application programming interfaces (api's), integrating pay in methods to digital wallets, sharing payment data between users and generating reports, managing disputed charges, and automating chargebacks; application service provider (asp) featuring application programming interface (api) software for payment collection, payment transactions, forwarding data and information processing; electronic data storage.

(260) AM 2022 116021 A

(800) 1635811

(151) 2021 11 18

(891) 2021 11 18

(731) Aktsionernoe obshchestvo "Futbol'nyy Klub "Dinamo-Moskva"

pr-kt Leningradskiy, d. 36, etazh 3, pomeshch. 198, vn.ter.g., munitsipal'nyy okrug Aeroport, RU-124167 Moscow, Russian Federation

(540)



(591) White, blue, gold

(531) 01.01.03; 01.01.10; 26.04.05; 26.04.18; 29.01.13

(511)

16 – Posters; banners of paper; name badges [office requisites]; tickets; forms, printed; note books; pads [stationery]; pamphlets; booklets; bunting of paper; newspapers; magazines [periodicals]; periodicals; printed publications; calendars; pencils; pictures; cards; envelopes [stationery]; boxes of paper or cardboard; printed coupons; flyers; postage stamps; covers [stationery]; passport holders; protective covers for books; greeting cards; postcards; conical paper bags; pen cases; printed matter; prospectuses; marking pens [stationery]; flags of paper; shields [paper seals]; labels of paper or cardboard.

25 – Bandanas [neckerchiefs]; underwear; berets; overalls; boxer shorts; boots for sports; breeches for wear;

trousers; football shoes; mittens; waistcoats; sports jerseys; hosiery; suits; headscarves; jackets [clothing]; sports singlets; ear muffs [clothing]; socks; footwear; beach shoes; sports shoes; clothing; clothing of leather; waterproof clothing; uniforms; overcoats; parkas; gloves [clothing]; pyjamas; bathing trunks; dresses; headbands [clothing]; braces for clothing [suspenders]; half-boots; lace boots; ponchos; money belts [clothing]; shirts; sandals; bath sandals; boots; jumper dresses; sweaters; bath slippers; knitwear [clothing]; underpants; shoes; slippers; headwear; aprons [clothing]; tee-shirts; rash guards; dressing gowns; bath robes; bathing caps; neck tube scarves; studs for football shoes; hats; skorts; skirts.

28 – Toy vehicles; novelty toys for parties; scratch cards for playing lottery games; starting blocks for sports; dumb-bells; discuses for sports; darts; toys; fidget toys; games; playing cards; golf clubs; hockey sticks; ice skates; roller skates; in-line roller skates; dice; balls for games; gloves for games; four-wheeled toy vehicles; machines for physical exercises; toy figures; counters [discs] for games; chips for gambling; foosball tables.

35 – Business auditing; financial auditing; demonstration of goods; opinion polling; market studies; business investigations; business research; marketing research; business management and organization consultancy; business organization consultancy; business management consultancy; professional business consultancy; marketing; targeted marketing; organization of trade fairs; business management assistance; commercial or industrial management assistance; commercial intermediation services; providing business information via a website; presentation of goods on communication media, for retail purposes; media relations services; sales promotion for others; promotion of goods and services through sponsorship of sports events; rental of billboards [advertising boards]; rental of vending machines; rental of sales stands; publication of publicity texts; radio advertising; advertising; online advertising on a computer network; advertising by mail order; advisory services for business management; corporate communications services; negotiation of business contracts for others; negotiation and conclusion of commercial transactions for third parties; telemarketing services; market intelligence services; outsourcing services [business assistance]; business efficiency expert services.

38 – Wireless broadcasting; television broadcasting; cable television broadcasting; transmission of podcasts.

41 – Academies [education]; rental of sports grounds; rental of tennis courts; booking of seats for shows; physical education; health club services [health and fitness training]; correspondence courses; practical training [demonstration]; training services provided via simulators; providing recreation facilities; arran-

ging and conducting of conferences; arranging and conducting of workshops [training]; arranging and conducting of in-person educational forums; arranging and conducting of seminars; organization of competitions [education or entertainment]; organization of lotteries; organization of sports competitions; vocational guidance [education or training advice]; television entertainment; vocational retraining; providing information in the field of education; providing sports facilities; conducting fitness classes; film production, other than advertising films; rental of stadium facilities; rental of sports equipment, except vehicles; rental of training simulators; club services [entertainment or education]; teaching; educational services provided by special needs assistants; physical fitness assessment services for training purposes; ticket agency services [entertainment]; coaching [training]; sport camp services; timing of sports events; boarding school education.

(260) AM 2022 116022 A
 (800) 1635881
 (151) 2021 09 16
 (891) 2021 09 16
 (731) ACINO PHARMA AG
 Birsweg 2, CH-4253 Liesberg, Switzerland
 (540)

ARIPRAZOL

(591) Black, white
 (511)
 5 – Pharmaceutical preparations; antipsychotic preparations.

(260) AM 2022 116023 A
 (800) 1635892
 (151) 2021 10 27
 (891) 2021 10 27
 (731) Laboratoires La Prairie SA
 Industriestrasse 8, CH-8604 Volketswil,
 Switzerland
 (540)



(591) Black, white
 (531) 07.01.24; 26.01.03; 26.01.16; 26.01.18;
 27.05.01; 27.05.10
 (511)
 3 – Non-medicated toiletry preparation and cosmetic products; perfumery products, essential oils; make-up

products; non-medicated soaps; non-medicated hair treatments and preparations; deodorants and antiperspirants for personal use; sun protection preparations; all the aforesaid goods of Swiss origin.

21 – Cosmetic utensils; toilet utensils; toilet cases; combs and sponges; brushes, except paintbrushes; make-up brushes; spoons for cosmetic use; spatulas for cosmetic use; perfume vaporizers; all the aforesaid goods of Swiss origin.

44 – Aesthetic beauty treatment services; beauty salon services; facial treatment services; advisory services with respect to skin care and beauty care services; beauty and hygiene care services; manicure services; providing information via the Internet regarding the selection and application of cosmetic preparations and beauty products.

(260) AM 2022 116024 A
(800) 1635993
(151) 2021 11 16
(891) 2021 11 16
(731) RAEYCO bvba
Eikenstraat 206, B-2840 Rumst, Belgium
(540)



(591) Orange, white and green
(531) 24.17.02; 26.01.05; 26.01.18; 26.01.24;
27.05.01; 27.05.17; 27.05.24; 29.01.13

(511)
1 – Fertilizers; lawn fertilizers, grass fertilizers; inorganic fertilizers; chemical fertilizers; hydroponic fertilizers; multi-nutrient fertilizers; chlorine-free fertilizers; fertilizers for agricultural use; chelated substances for use as fertilizers for plant foliage; nutritional substances [fertilizers] in liquid form for use in agriculture.

(260) AM 2022 116025 A
(800) 1636056
(151) 2021 10 22
(891) 2021 10 22
(731) Hubei Yangtian PlasticProducts LIMITED
Economic And, Technological Development
Zone, Hanchuan City, Hubei, China

(540)

belecoo

(591) Black, white
(531) 27.05.01
(511)

12 – Baby carriage; prams; dollies [hand trucks]; pushchair hoods; tyres for vehicle wheels; safety seats for children, for vehicles; handcars; bicycles; remote control vehicles, other than toys; upholstery for vehicles.

28 – Toy; toy vehicles; controllers for toys; games; go board games; table-top games; dolls; machines for physical exercises; balls for games; body-building apparatus.

(260) AM 2022 116026 A
(800) 1636058
(151) 2021 11 29
(891) 2021 11 29
(731) Ferdinand Richter GmbH & Co KG
Schärdinger Strasse 1, A-4061 Pasching,
Austria
(540)

ROLL-OFF

(591) Black, white
(511)
25 – Clothing, footwear, headgear, in particular for children and young people.

(260) AM 2022 116077 A
(800) 1636882
(151) 2021 10 11
(891) 2021 10 11
(731) Top Learning (Beijing) Education Technology
Co., Ltd.
Rm.136, 1/F, Bldg. No.23, East Zone, Yard
No.10, Xibeiwang Rd. East, Dist., 100193
Beijing, China
(540)



Top Learning
—— 托普朗宁 ——

(591) Black, white
(531) 03.07.21; 03.07.25; 16.01.14; 16.01.25;
26.11.02; 26.11.08; 27.05.01; 27.05.08; 28.03

(511)

9 – Animated cartoons; computer software platforms, recorded or downloadable; smartphone software applications, downloadable; computer software, recorded; tablet computers; chronographs [time recording apparatus]; dictating machines; audiovisual teaching apparatus with artificial intelligence; cameras [photography]; audiovisual teaching apparatus; measuring devices, electric; lasers, not for medical purposes; optical lenses; video screens; 3D spectacles; batteries, electric.

41 – Educational services; organization of competitions [education or entertainment]; rental of books; online publication of electronic books and journals; publication of video tapes; providing films, not downloadable, via video-on-demand services; electronic games services provided by means of the internet; sport camp services; toy rental; games equipment rental; conducting guided tours; animal training; modelling for artists; rental of indoor aquaria; organization of lotteries.

(260) AM 2022 116078 A

(800) 1636906

(151) 2021 11 23

(891) 2021 11 23

(731) Obshchestvo s ogranichennoi otvetstvennostyu "VSK"

ul. 50 let Oktyabrya, 113, g. Dimitrovgrad,
RU-433502 Ulyanovskaya oblast, Russian
Federation

(540)



(591) Vinous, yellow and white

(531) 05.07.02; 05.07.23; 24.17.02; 26.11.03;
26.11.05; 26.11.06; 26.11.08; 28.05; 29.01.13

(511)

32 – Barley wine [beer]; kvass; beer-based cocktails; non-alcoholic honey-based beverages; beer; ginger beer; malt beer; must; grape must, unfermented; beer wort; malt wort; extracts of hops for making beer.

33 – Aperitifs; wine; piquette; cocktails; pre-mixed alcoholic beverages, other than beer-based; alcoholic beverages, except beer; spirits [beverages]; hydromel [mead]; cider; alcoholic extracts.

(260) AM 2022 116079 A

(800) 1636937

(151) 2021 02 07

(891) 2021 02 07

(731) FM World Sp. z o.o.

ul. Zmigrodzka 247, PL-51-129 Wrocław,
Poland

(540)

NUTRICOIDE

(591) Black, white

(531) 01.13.15; 02.09.25; 27.03.02; 27.05.09;
27.05.17

(511)

5 – Dietetic food and substances adapted for medical use; probiotic supplements; food supplements; albumin dietary supplements; mineral nutritional supplements; dietary and nutritional supplements; liquid herbal supplements; dietary supplements for humans; mineral food supplements; nutritional supplements for medical use; dietary supplements and dietetic preparations; health food supplements made principally of vitamins; health food supplements made principally of minerals; nutraceuticals for use as a dietary supplement; food supplements consisting of trace elements; health food supplements for persons with special dietary requirements; dietary supplements for humans not for medical purposes; nutritional supplement meal replacement bars for boosting energy; powdered nutritional supplement drink mix; vitamin drinks; medicated isotonic drinks; tisanes [medicated beverages]; dietary supplemental drinks; herbal beverages for medicinal use; electrolyte drinks for medical purposes; dietetic beverages adapted for medical purposes; thermal water; spring waters for medical purposes; mineral waters for medical purposes; medicinal tea; slimming tea for medical purposes; herbal teas for medicinal purposes; diet capsules; slimming pills.

30 – Coffee, tea, cocoa and artificial coffee; rice; tapioca and sago; flour and preparations made from cereals; bread, pastry and confectionery; carbohydrate-based nutritional drink mix for use as a meal replacement; muesli; cereal bars and energy bars; cereal-based snack food; carbohydrate preparations for food; prepared meals containing pasta, rice and farinaceous products; chocolate-based beverages; coffee beverages; drinks containing chocolate; coffee-based beverages; cocoa-based beverages; tea-based beverages with fruit flavoring; mate [tea]; tea pods; barley-leaf tea; ginseng tea; fruit teas; tea extracts; herbal infusions; flavourings of tea; tea extracts (non-medicated -); fruit flavoured tea [other than medicinal]; fruit flavorings, other than essential oils.

32 – Mineral and aerated waters and other non-alcoholic beverages; fruit beverages and fruit juices; syrups and other preparations for making beverages; protein-enriched sports beverages; whey beverages; syrups for making whey-based beverages; isotonic

drinks; beverages containing vitamins; energy drinks; sports drinks; low-calorie soft drinks; fruit-based beverages; sports drinks containing electrolytes; vitamin enriched sparkling water [beverages]; isotonic beverages [not for medical purposes]; energy drinks [not for medical purposes]; smoothies containing grains and oats; soya-based beverages, other than milk substitutes; rice-based beverages, other than milk substitutes; non-alcoholic malt free beverages [other than for medical use]; fruit-based soft drinks flavored with tea.

(260) AM 2022 116097 A

(800) 1637246

(151) 2021 07 07

(891) 2021 07 07

(731) Marks and Spencer (Jaeger) Limited
Waterside House, 35 North Wharf Road,
London W2 1NW, United Kingdom

(540)

JAEGER

(591) Black, white

(511)

9 – Mobile apps not in relation to typefaces or fonts or typeface programs or font programs or for creating, uploading, downloading, syncing, using, or displaying typographical characters, alphabets and symbols; mobile application software not in relation to typefaces or fonts or typeface programs or font programs or for creating, uploading, downloading, syncing, using, or displaying typographical characters, alphabets and symbols; laptop cases; mobile telephone cases; optical apparatus and instruments; glasses; reading glasses; spectacles; glasses cases; sunglasses; cases for sunglasses; chains for glasses; contact lenses; contact lens cases; helmets; sports goggles; frames for spectacles, eyeglasses and sunglasses; sunglasses cases; wearable activity trackers; parts, fittings and accessories in relation to the aforesaid.

14 – Precious metals and their alloys; jewellery, precious and semi-precious stones; jewellery; jewellery brooches; jewellery boxes and cases; jewellery rolls; ring holders of precious metal; cufflinks; boxes for cufflinks; key rings and key chains, and charms therefor; key rings [trinkets or fobs]; ornaments, statues and figurines made of, or coated with, precious or semi-precious metals or stones, or imitations thereof; ankle bracelets; badges of precious metal; bangles; bead bracelets; beads for making jewellery; bracelets of precious metal; cases adapted to contain items of jewellery; charms for bracelets; clasps for jewellery; closures for necklaces; decorative boxes of precious metal; decorative brooches [jewellery]; decorative objects [ornaments] made of precious metal; decorative pins [jewellery]; drop earrings; ear clips; fancy key rings of precious metal; hat ornaments of precious metal; jewel cases; parts, fittings and accessories in relation to the aforesaid.

18 – Leather and imitations of leather; animal skins and hides; luggage and carrying bags; umbrellas and parasols; walking sticks; collars, leashes and clothing for animals; faux fur; trunks and travelling bags; umbrellas; parasols; walking sticks; suitcases; luggage straps; luggage tags; luggage labels; boxes of leather; cases of leather; leather laces; beach umbrellas; business cases; flight bags; garment bags for travel made of leather; handles for canes; hiking bags; hiking rucksacks; hiking sticks; holdalls; key cases; wash bags for carrying toiletries; parts, fittings and accessories in relation to the aforesaid.

(260) AM 2022 116126 A

(800) 1638288

(151) 2021 12 10

(891) 2021 12 10

(731) Merck Sharp & Dohme B.V.
Waarderweg 39, NL-2031 BN HAARLEM,
Netherlands

(540)



(591) Orange and white

(531) 19.03.01; 19.13.21; 25.01.25; 26.01.06;
26.02.07; 29.01.12

(554) Three Dimensional

(511)

5 – Pharmaceutical preparations; pharmaceutical preparations for the treatment of infectious diseases; anti-infectives; antivirals.

(260) AM 2022 116127 A

(800) 1638289

(151) 2021 12 14

(891) 2021 12 14

(731) Heineken Brouwerijen B.V.
Tweede Weteringplantsoen 21, NL-1017 ZD
Amsterdam, Netherlands

(540)



(591) Dark green, Light green, Red, Blue, White, Silver

(531) 01.01.03; 01.01.10; 01.15.21; 19.07.09; 26.13.01; 27.05.01; 27.05.08; 27.05.09; 27.05.10; 27.05.24; 29.01.15

(511)

32 – Beers; non-alcoholic beers.

(260) AM 2022 116128 A

(800) 1638292

(151) 2021 12 10

(891) 2021 12 10

(731) Merck Sharp & Dohme B.V.

Waarderweg 39, NL-2031 BN HAARLEM, Netherlands

(540)



(591) Orange and white

(531) 19.03.01; 19.13.21; 25.01.25; 26.01.06; 26.02.07; 26.13.25; 27.07.24; 29.01.12

(554) Three Dimensional

(511)

5 – Pharmaceutical preparations; pharmaceutical preparations for the treatment of infectious diseases; anti-infectives; antivirals.

(260) AM 2022 116129 A

(800) 774499

(151) 2001 12 07

(891) 2021 12 08

(731) ZWILLING J.A. Henckels AG

Grünewalder Straße 14-22, 42657 Solingen, Germany

(540)

ZWILLING

(591) Black, white

(511)

8 – Leather strops; sharpening steels; instruments for body care and cosmetics (included in this class); oyster openers; beard clippers; pocket shears; tree pruners; side arms; wick trimmers; non-electric can openers; wire cutters; depilation appliances, electric and non electric; table cutlery; razor cases; penknives; files; scaling knives; mincing knives; hair curling implements; forks; pruning knives; pruning scissors; garden tools (hand operated); poultry shears (hand-operated); vegetable slicers; hair clippers for personal use (electric and non-electric); chopping knives; needle work scissors; hand operated tools; household shears; border shears; side arms, other than firearms; ikebana shears; hunting knives; razor blades; manually operated implements for agriculture; spoons; manicure sets;

knives (hand tools); knives (weapons); cases for knives; knife sharpeners (hand operated); cutlery; knife bags; sewing scissors; nail files (electric and non-electric); cuticle nippers; fingernail polishers (electric and non-electric); nail scissors (electric and non-electric); nail nippers; nail extractors; manicure sets; pedicure sets; shaving sets; nut crackers (not of precious metal); pruning knives; paper shears; instruments for pedicure; tweezers; plantation knives; polishing tools; razors (electric and non-electric); razor knives; hoop cutters; tube cutters; sabres; sword scabbards; shear blades; shearers (hand instruments); abrading instruments (hand instruments); blade sharpening instruments (hand operated); sharpening stones; cutting knives; cutting tools; tailor's shears; paring knives; swords; scythes; scythe stones; sickles; asparagus tongs; embroidery scissors; multi-purpose shears; sharpening rods; choppers; sugar tongs.

21 – Goblets (not of precious metal); heat insulated containers; brushes for beauty and body; materials for brush-making; egg cups (not of precious metal); ice buckets; insulated flasks; bottle openers; fruit presses (non electric) for household use; household and kitchen utensils and containers (not of precious metal or coated therewith); tableware (not of precious metal); kitchen and cookware; glassware; coffee machines (non electric); coffee pots (not of precious metal); combs; candle extinguishers (not of precious metal); candle holders (not of precious metal); cooking utensils (non electric); baskets for household purposes (not of precious metal); corkscrews; cosmetic utensils; pots and pans; works of art, made of porcelain, terracotta or glass; scoops; knife rests; knife blocks; hand-operated mills for domestic purposes; toilet cases; cruet stands for oil and vinegar (not of precious metal); porcelain ware and terra-cotta (included in this class); utensils for cleaning; shaving brushes; shaving brush stands; graters for household purposes; salt cellars (not of precious metal); scrapers for household purposes; scoops (table ware); whisks for household purposes (non electric); cutting boards; ladles; sponges; sieves (for household purposes); champagne bottle closer; services (table-) (not of precious metal); napkin rings (not of precious metal); cocktail shakers; strainers (not of precious metal); asparagus servers; steel wool for cleaning; trays (not of precious metal) for household purposes; epergnes (not of precious metal); tableware (not of precious metal); tea infusers (not of precious metal); pastry cutters; rolling pins; pots; pie servers; funnels; mixing machines (non electric) for household purposes.

(260) AM 2022 116130 A

(800) 1325333

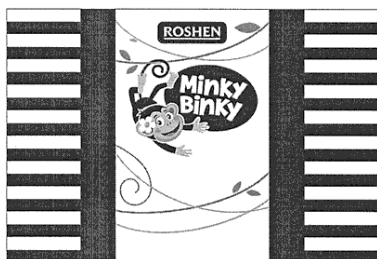
(151) 2016 09 16

(891) 2021 12 15

(731) Dochirnie pidpriemstvo "Kondyterska korporatsiia "Roshen"

prospect Nauky, bud. 1, korpus 1, m. Kyiv
03039, Ukraine

(540)



(591) Black, white

(531) 03.05.19; 03.05.24; 05.03.16; 26.11.08

(511)

30 – Confectionery; caramels [candy]; sweetmeats [candy].

(260) AM 2022 116131 A

(800) 1346436

(151) 2016 11 10

(891) 2021 12 15

(731) SYMBORG, S.L.

Avda. Campus de Espinardo, 7 CEEIM,
E-30100 MURCIA, Spain

(540)



Symborg

NATURAL
GROWTH

(591) Brown

(531) 19.11.04; 26.03.23; 26.13.25; 29.01.07

(526) NATURAL GROWTH

(511)

1 – Chemical products for use in industry, science and photography, as well as in agriculture, horticulture and forestry; soil fertilizers; agricultural chemicals, except fungicides, herbicides, insecticides and parasiticides; seaweeds [fertilizers]; anti-sprouting products for vegetables; expanded clay for hydroponic plant cultivation [substrate]; bacterial preparations other than for medical or veterinary purposes; bactericides for use in wine making [chemicals used in wine making]; bacteriological preparations other than for medical or veterinary use; biological preparations other than for medical or veterinary use; grafting wax for trees; compost; cultures of microorganisms other than for medical or veterinary use; plasters for use in forestry; slag [fertilizer]; fertilizers; fertilizers made of fish flour; fertilizing products; phosphates [fertilizers]; chemical additives for fungicides; genes of seeds for agricultural production; guano; hormones for

hastening the ripening of fruit; chemical products for use in horticulture, except fungicides, herbicides, insecticides and parasiticides; humus; chemical additives for insecticides; peat pots for horticulture; grafting mastic for trees; fillers for tree cavities [forestry]; chemicals for protection against mildew; mineral acids; nitrogenous fertilizers; nitrogen; chemical preparations for scientific use other than for medical or veterinary use; salts [fertilizers]; seed preserving products; chemical products for use in forestry, except fungicides, herbicides, insecticides and parasiticides; superphosphates [fertilizers]; substrates for soil-free growing [agriculture]; soil for growing; diatomaceous earth; topsoil; peat [fertilizer]; chemical products to prevent diseases affecting vine plants.

5 – Pest control products; herbicides; fungicides; acaricides; algicides; anti-fungal preparations; antiparasitic products; mothproofing products; slug exterminating preparations; bacterial poisons; biocides; germicides; insecticides; nutritive substances for microorganisms; chemical treatment against mildew; parasiticides; vermin destroying preparations; pesticides; insect repellents; tobacco extracts [insecticides].

(260) AM 2022 116132 A

(800) 1362269

(151) 2017 05 30

(891) 2021 12 20

(731) URSA Salgótarján Glass Wool Close Co., Ltd.
Szépvölgyi út 41, 2/2, H-1037 Budapest,
Hungary

(540)

URSA GLASSWOOL

(591) Black, white

(511)

17 – Insulating, soundproofing and stopping materials; fabrics, felts, webs, plates, panels and sheets for use as insulation material; rubber or plastics for padding and stuffing; mineral wool, glass wool, stone wool, rock wool, slag wool and fiber glass for thermal or acoustic insulation; glass fibers for insulation; slag wool, glass wool blankets and panels for insulation; wood fiber, plastic insulation materials, especially foamed plastic materials; insulation boards, made from polystyrene, especially made from extruded polystyrene; XPS (extruded polystyrene) material for packing and stuffing; XPS (extruded polystyrene) panels for insulation; plastic film, other than for packaging purposes; substances for insulating buildings against moisture; sealant compounds for joints; insulating paper, insulating tape and band, rubber, gutta-percha, gum, asbestos, mica; plastics in extruded form for use in manufacture; packing materials, joint packaging for flexible pipes; membranes and other materials for air tightness and vapor barriers (membrane for moisture protection); vapor barriers; insulating adhesives for sealing and/or attaching or linking mem-

branes of air tightness and/or vapor barriers (for moisture protection) to anything that has to pass through like carpentry, timber studs, tubes, chimney, parts used for ventilation, ducts; insulating adhesives, especially in the form of tapes to be used in combination with insulating material, like mineral wool and XPS (extruded polystyrene); adhesive tapes for industrial purposes; insulating material for buildings and/or to glass; mineral wool for insulation purposes together with respective fixing for fastening the insulation material and/or mineral wool to the construction of a building, namely warm frame construction, cold frame construction, wall/floor junction timber floor, cavity batts made of mineral fibers, pitched roof insulation, roof junctions for separating wall/attic space, roof junctions for separating wall/room in the roof.

19 – Building materials (non-metallic), including panels and sheets of mineral fibers (especially fiber glass) for buildings; ducts for air conditioning, self-bearing duct designs made from mineral wool especially glass fiber panels used for HVAC (heating, ventilation and air conditioning); mineral wool panels with woven or non-woven facings or coverings; non-metallic rigid pipes for building; asphalt, pitch and bitumen; non-metallic transportable buildings; monuments, not of metal, waterproofing claddings.

(260) AM 2022 116133 A

(800) 1388373

(151) 2017 08 25

(891) 2021 12 20

(731) URSA Salgótarján Glass Wool Close Co., Ltd.
Szépvölgyi út 41, 2/2, H-1037 Budapest,
Hungary

(540)

URSA AIR

(591) Black, white

(511)

17 – Insulating, soundproofing and stopping materials; fabrics, felts, screens, plates, panels and sheets for use as insulating material; padding materials made of rubber or plastic; mineral wool, glass wool, stone wool, rock wool, slag wool and glass fiber for thermal or acoustic insulation; glass fibers for insulation; slag wool, glass wool blankets and panels for insulation; wood fiber, insulating materials made of plastic, especially foam plastic materials; insulating boards made from polystyrene, especially from extruded polystyrene; XPS (extruded polystyrene) material for padding and filling; XPS (extruded polystyrene) insulation panels; plastic film other than for packaging purposes; compounds for insulating buildings against moisture; sealant compounds for joints; insulating paper, insulating tapes, rubber, gutta-percha, gum, asbestos, mica; plastics in extruded form for use in manufacture; packaging materials, shared packaging for flexible hoses;

membranes and other materials for air seals and laminated films with vapor barriers (membranes for protection against humidity); laminated films with vapor barriers; insulating adhesives for sealing and/or attaching or connecting airtight membranes or laminated films with vapor barriers (for protection against humidity) to any material such as carpentry items, wooden posts, tubes, chimneys, parts used for ventilation, ducts; insulating adhesives, especially in the form of tapes, to be used in combination with insulating materials such as mineral wool and XPS (extruded polystyrene); adhesive tapes for industrial purposes; insulating materials for buildings or glass; mineral wool for insulation with the corresponding fastening materials for securing the insulating material or mineral wool to the structure of a building, in particular the construction of hot frames, construction of cold frames, wooden flooring for wall/floor joins, fulling mill for hollow mineral fibers, insulation for gabled roofs, roof connectors for separating wall/attic spaces, roof seals for separating walls/rooms under the roof.

19 – Building materials (non-metallic), including panels and sheets of mineral fibers (glass fiber) for buildings; air conditioning ducts, designs for autonomous pipes made of mineral wool, especially glass fiber panels for HVAC (heating, ventilation and air conditioning); mineral wool panels with front or top covers, woven or non-woven; rigid pipes, not of metal, for building; asphalt, pitch and bitumen; transportable buildings, not of metal; monuments not made of metal, waterproofing claddings.

(260) AM 2022 116258 A

(800) 1639439

(151) 2021 10 12

(891) 2021 10 12

(731) Individual entrepreneur Miticheva Olga
Valentinovna
Dubnenskaya naberezhnaya, d. 35,
RU-141980 Dubna, Moskovskaya oblast,
Russian Federation

(540)



NOGTIKA

(591) Black, white

(531) 26.04.18; 27.05.19; 27.05.22

(511)

3 – Abrasives; amber [perfume]; descaling preparations for household purposes; antistatic preparations for household purposes; aromatics [essential oils]; air fragrancing preparations; cake flavourings [essential oils]; flavourings for beverages [essential oils]; food flavourings [essential oils]; breath freshening sprays;

canned pressurized air for cleaning and dusting purposes; balms, other than for medical purposes; basma [cosmetic dye]; lip glosses; nail glitter; body glitter; polishing stones; abrasive paper; emery paper; polishing paper; petroleum jelly for cosmetic purposes; shoe polish; cobblers' wax; cotton wool for cosmetic purposes; cotton wool impregnated with make-up removing preparations; sachets for perfuming linen; drying agents for dishwashing machines; adhesives for cosmetic purposes; scented water; Javelle water; lavender water; micellar water; toilet water; wax for parquet floors; floor wax; non-slipping wax for floors; depilatory wax; moustache wax; tailors' wax; creams for leather; polish for furniture and flooring; shoemakers' wax; polishing wax; massage gels, other than for medical purposes; heliotropine; dental bleaching gels; geraniol; make-up; deodorants for pets; deodorants for human beings or for animals; depilatory preparations; air fragrance reed diffusers; scented wood; perfumes; non-slipping liquids for floors; windscreen cleaning liquids; greases for cosmetic purposes; volcanic ash for cleaning; perfumery; decorative transfers for cosmetic purposes; ionone [perfumery]; shaving stones [astringents]; smoothing stones; eyebrow pencils; cosmetic pencils; silicon carbide [abrasive]; carbides of metal [abrasives]; alum stones [astringents]; tripoli stone for polishing; adhesives for affixing false eyelashes; adhesives for affixing false hair; hair conditioners; quillaia bark for washing; corundum [abrasive]; beard dyes; colorants for toilet purposes; cosmetic dyes; body paint for cosmetic purposes; starch for laundry purposes; laundry glaze; shoe cream; polishing creams; cosmetic creams; skin whitening creams; polishing rouge; incense; hair spray; nail varnish; liquid latex body paint for cosmetic purposes; hair lotions; lotions for cosmetic purposes; after-shave lotions; beauty masks; oils for perfumes and scents; oils for cosmetic purposes; oils for toilet purposes; essential oils; essential oils of cedarwood; essential oils of lemon; essential oils of citron; oils for cleaning purposes; bergamot oil; gaultheria oil; jasmine oil; lavender oil; almond oil; rose oil; oil of turpentine for degreasing; whitening; cleaning chalk; almond milk for cosmetic purposes; cleansing milk for toilet purposes; musk [perfumery]; soap; deodorant soap; shaving soap; soap for brightening textile; cakes of toilet soap; antiperspirant soap; soap for foot perspiration; almond soap; mint for perfumery; cosmetic kits; emery; gel eye patches for cosmetic purposes; nail art stickers; double eyelid tapes; false nails; eau de Cologne; bases for flower perfumes; joss sticks; pastes for razor stops; toothpaste; pumice stone; lipstick cases; hydrogen peroxide for cosmetic purposes; breath freshening strips; teeth whitening strips; sandcloth; glass cloth [abrasive cloth]; lipsticks; pomades for cosmetic purposes; shaving preparations; cosmetic preparations for baths; bath preparations, not for medical purposes; hair straightening preparations; hair waving preparations; laundry soaking preparations; grinding prepara-

tions; smoothing preparations [starching]; colour-removing preparations; leather bleaching preparations; polishing preparations; denture polishes; mouthwashes, not for medical purposes; cosmetic preparations for slimming purposes; starch glaze for laundry purposes; preparations to make the leaves of plants shiny; eye-washes, not for medical purposes; fabric softeners for laundry use; laundry bleach; dry-cleaning preparations; paint stripping preparations; lacquer-removing preparations; make-up removing preparations; floor wax removers [scouring preparations]; varnish-removing preparations; rust removing preparations; nail care preparations; cleaning preparations; preparations for cleaning dentures; wallpaper cleaning preparations; preparations for unblocking drain pipes; chemical cleaning preparations for household purposes; collagen preparations for cosmetic purposes; bleaching preparations [decolorants] for household purposes; laundry preparations; aloe vera preparations for cosmetic purposes; sunscreen preparations; colour-brightening chemicals for household purposes [laundry]; breath freshening preparations for personal hygiene; shining preparations [polish]; make-up powder; diamantine [abrasive]; stain removers; nail varnish removers; vaginal washes for personal sanitary or deodorant purposes; scouring solutions; false eyelashes; antistatic dryer sheets; baby wipes impregnated with cleaning preparations; colour run prevention laundry sheets; tissues impregnated with cosmetic lotions; tissues impregnated with make-up removing preparations; safrol; massage candles for cosmetic purposes; laundry blueing; turpentine for degreasing; potpourris [fragrances]; bleaching soda; washing soda, for cleaning; bath salts, not for medical purposes; bleaching salts; fumigation preparations [perfumes]; leather preservatives [polishes]; ammonia [volatile alkali] [detergent]; astringents for cosmetic purposes; eyebrow cosmetics; make-up preparations; sun-tanning preparations [cosmetics]; hair dyes; neutralizers for permanent waving; cosmetic preparations for eyelashes; cosmetic preparations for skin care; dentifrices; cosmetics; cosmetics for children; cosmetics for animals; mascara; cleansers for intimate personal hygiene purposes, non medicated; douching preparations for personal sanitary or deodorant purposes [toiletries]; detergents, other than for use in manufacturing operations and for medical purposes; degreasers, other than for use in manufacturing processes; bleaching preparations [decolorants] for cosmetic purposes; toiletry preparations; antiperspirants [toiletries]; phytocosmetic preparations; talcum powder, for toilet use; cotton swabs for cosmetic purposes; terpenes [essential oils]; emery cloth; cloths impregnated with a detergent for cleaning; henna [cosmetic dye]; shampoos; shampoos for animals [non-medicated grooming preparations]; shampoos for pets [non-medicated grooming preparations]; dry shampoos; sandpaper; soda lye; herbal extracts for cosmetic purposes; extracts of flowers [per-

fumes]; ethereal essences; badian essence; mint essence [essential oil].

8 – Glaziers' diamonds [parts of hand tools]; apparatus for tattooing; laser hair removal apparatus, other than for medical purposes; razors, electric or non-electric; sharpening steels; scythe stones; gimlets [hand tools]; borers; augers [hand tools]; carpenters' augers; pickhammers; carving forks; table forks; weeding forks [hand tools]; agricultural forks [hand tools]; lawn clippers [hand instruments]; harpoons; harpoons for fishing; nail extractors, hand-operated; rakes [hand tools]; sand trap rakes; cutter bars [hand tools]; whetstone holders; priming irons [hand tools]; sculptors' chisels; lifting jacks, hand-operated; hand drills, hand-operated; truncheons; clamps for carpenters or coopers; spades [hand tools]; rabbeting planes; chisels; engraving needles; tattoo needles; cutlery; edge tools [hand tools]; garden tools, hand-operated; abrading instruments [hand instruments]; numbering punches; goffering irons; implements for decanting liquids [hand tools]; depilation appliances, electric and non-electric; sharpening instruments; blade sharpening instruments; livestock marking tools; nail clippers, electric or non-electric; oyster openers; polishing irons [glazing tools]; ear-piercing apparatus; tube cutting instruments; wire strippers [hand tools]; riveters [hand tools]; expanders [hand tools]; cutters; cutting tools [hand tools]; ski edge sharpening tools, hand-operated; hand tools, hand-operated; sterile body piercing instruments; stamping-out tools [hand tools]; picks [hand tools]; sharpening stones; punch rings [knuckle dusters]; trowels; centre punches [hand tools]; daggers; pickaxes; mallets [hand instruments]; pliers; punch pliers [hand tools]; blades [weapons]; annular screw plates; spanners [hand tools]; tap wrenches; ladles [hand tools]; foundry ladles [hand tools]; meat claws; breast drills; lasts [shoemakers' hand tools]; scythe rings; instruments for punching tickets; diggers [hand tools]; rams [hand tools]; scythes; hainault scythes; fire irons; emery grinding wheels; grindstones [hand tools]; sledgehammers; thistle extractors [hand tools]; nail nippers; tree pruners; nail drawers [hand tools]; ice picks; blades [hand tools]; razor blades; blades for planes; plane irons; jig-saws; spoons; table knives, forks and spoons for babies; table knives, forks and spoons of plastic; crow bars; trowels [gardening]; shovels [hand tools]; palette knives; machetes; beard clippers; hair clippers for personal use, electric and non-electric; hair clippers for animals [hand instruments]; taps [hand tools]; fireplace bellows [hand tools]; swords; hammers [hand tools]; emergency hammers; fullers [hand tools]; stone hammers; masons' hammers; riveting hammers [hand tools]; mattocks; ditchers [hand tools]; mincing knives [hand tools]; manicure sets; manicure sets, electric; pedicure sets; needle files; bits [hand tools]; files [tools]; emery files; air pumps, hand-operated; hand pumps; shaving cases; knives; cheese slicers, non-electric; fruit segmenters; egg slicers, non-electric; ve-

getable knives; pizza cutters, non-electric; scaling knives; hobby knives [scalpels]; fruit corers; moulding irons; ceramic knives; tin openers, non-electric; farriers' knives; budding knives; hunting knives; penknives; grafting tools [hand tools]; carving knives; braiders [hand tools]; box cutters; bill-hooks; paring knives; cleavers; scissors; wick trimmers [scissors]; shears; cattle shearers; border shears; pruning shears; shearers [hand instruments]; sword scabbards; kitchen mandolines; vegetable slicers, hand-operated; vegetable spiralizers, hand-operated; vegetable peelers, hand-operated; agricultural implements, hand-operated; side arms, other than firearms; stopping instruments; screwdrivers, non-electric; sabres; stirring sticks for mixing paint; reamer sockets; drill holders [hand tools]; perforating tools [hand tools]; rammers [hand tools]; emery boards; nail files; nail files, electric; saws [hand tools]; bow saws; tweezers; hair-removing tweezers; guns [hand tools]; non-electric caulking guns; guns, hand-operated, for the extrusion of mastics; dies [hand tools]; fruit pickers [hand tools]; saw blades [parts of hand tools]; shear blades; tool belts [holders]; hair braiders, electric; table cutlery [knives, forks and spoons]; crimping irons; hand implements for hair curling; vegetable choppers; money scoops; instruments and tools for skinning animals; fingernail polishers, electric or non-electric; hackles [hand tools]; pin punches; nail punches; fish tapes [hand tools]; punches [hand tools]; insecticide vaporizers [hand tools]; syringes for spraying insecticides; reamers; frames for handsaws; saw holders; rasps [hand tools]; paring irons [hand tools]; graving tools [hand tools]; milling cutters [hand tools]; razor strops; leather strops; planes; scythe handles; knife handles; handles for hand-operated hand tools; levers; marline spikes; bits [parts of hand tools]; hollowing bits [parts of hand tools]; pruning scissors; silver plate [knives, forks and spoons]; pruning knives; sickles; drawing knives; scrapers [hand tools]; scrapers for skis; mortise chisels; caulking irons; gouges [hand tools]; mortars for pounding [hand tools]; mitre boxes [hand tools]; branding irons; hatchets; adzes [tools]; vices; bench vices [hand implements]; hoop cutters [hand tools]; axes; holing axes; fulling tools [hand tools]; earth rammers [hand tools]; tube cutters [hand tools]; hoes [hand tools]; squares [hand tools]; extension pieces for braces for screw taps; embossers [hand tools]; apparatus for destroying plant parasites, hand-operated; metal wire stretchers [hand tools]; metal band stretchers [hand tools]; flat irons; irons [non-electric hand tools]; razor cases; ratchets [hand tools]; scraping tools [hand tools]; awls; choppers [knives]; spatulas [hand tools]; spatulas for use by artists; wine bottle foil cutters, hand-operated; bayonets; curling tongs; cuticle tweezers; eyelash curlers.

16 – Fountain pens; albums; almanacs; document laminators for office use; mimeograph apparatus and machines; atlases; posters; banknotes; banners of paper; paper bows, other than haberdashery or hair de-

corations; name badges [office requisites]; table linen of paper; tickets; baggage claim check tags of paper; forms, printed; announcement cards [stationery]; glitter for stationery purposes; note books; pads [stationery]; drawing pads; wristbands for the retention of writing instruments; pamphlets; booklets; paper; paper sheets [stationery]; waxed paper; paper for medical examination tables; paper for recording machines; paper for radiograms; papers for painting and calligraphy; electrocardiograph paper; drawer liners of paper, perfumed or not; wood pulp paper; duplicating paper; copying paper [stationery]; parchment paper; writing paper; rice paper; luminous paper; toilet paper; wrapping paper; filter paper; Japanese paper; blotters; newsletters; rollers for typewriters; house painters' rollers; composing sticks; modelling wax, not for dental purposes; signboards of paper or cardboard; sewing patterns; bunting of paper; newspapers; electrotypes; hectographs; modelling clay; polymer modelling clay; terrestrial globes; drawing sets; engravings; slate pencils; pencil leads; document holders [stationery]; pencil holders; chalk holders; holders for cheque books; holders for stamps [seals]; page holders; name badge holders [office requisites]; diagrams; table runners of paper; engraving plates; writing slates; blackboards; galley racks [printing]; drawing boards; advertisement boards of paper or cardboard; duplicators; punches [office requisites]; cream containers of paper; magazines [periodicals]; money clips; clips for name badge holders [office requisites]; tags for index cards; pen clips; bookmarks; etching needles; tracing needles for drawing purposes; periodicals; printed publications; paper shredders for office use; graphic representations; credit card imprinters, non-electric; graining combs; drawing instruments; calendars; tracing paper; tracing cloth; tracing patterns; gums [adhesives] for stationery or household purposes; lithographic stones; ink stones [ink reservoirs]; pencils; pencil lead holders; charcoal pencils; pictures; transfers [decalcomanias]; paintings [pictures], framed or unframed; cardboard; wood pulp board [stationery]; hat boxes of cardboard; cards; index cards [stationery]; geographical maps; paper tapes and cards for the recordal of computer programmes; trading cards, other than for games; perforated cards for Jacquard looms; catalogues; spools for inking ribbons; flower-pot covers of paper; paintbrushes; painters' brushes; writing brushes; typewriter keys; glue for stationery or household purposes; isinglass for stationery or household purposes; gluten [glue] for stationery or household purposes; starch paste [adhesive] for stationery or household purposes; printing blocks; books; colouring books; manifolds [stationery]; comic books; drawing pins; cigar bands; envelopes [stationery]; boxes of paper or cardboard; cases for stamps [seals]; paint boxes for use in schools; correcting fluids [office requisites]; printed coupons; stencils [stationery]; French curves; paper ribbons, other than haberdashery or hair decorations; gummed tape [stationery]; typewriter rib-

bons; barcode ribbons; adhesive bands for stationery or household purposes; correcting tapes [office requisites]; inking ribbons; self-adhesive tapes for stationery or household purposes; square rulers for drawing; drawing rulers; flyers; absorbent sheets of paper or plastic for foodstuff packaging; humidity control sheets of paper or plastic for foodstuff packaging; viscose sheets for wrapping; sheets of reclaimed cellulose for wrapping; plastic bubble packs for wrapping or packaging; steel letters; type [numerals and letters]; lithographs; letter trays; paint trays; architects' models; postage stamps; plastics for modelling; graphic prints; modelling materials; teaching materials [except apparatus]; sealing compounds for stationery purposes; adhesives [glues] for stationery or household purposes; padding materials of paper or cardboard; bookbinding material; packing [cushioning, stuffing] materials of paper or cardboard; starch-based packaging material; filtering materials of paper; table place setting mats of paper; addressing machines; pencil sharpening machines, electric or non-electric; bookbinding apparatus and machines [office equipment]; typewriters, electric or non-electric; franking machines for office use; chalk for lithography; writing chalk; tailors' chalk; marking chalk; spray chalk; bags [envelopes, pouches] of paper or plastics, for packaging; garbage bags of paper or of plastics; plastic bags for pet waste disposal; painters' easels; hand-rests for painters; printing sets, portable [office requisites]; bibs of paper; bibs, sleeved, of paper; stickers [stationery]; fingerstalls for office use; writing cases [stationery]; cords for bookbinding; paper knives [letter openers]; printed sheet music; numbering apparatus; bottle envelopes of paper or cardboard; sealing wafers; covers [stationery]; passport holders; protective covers for books; plastic cling film, extensible, for palletization; embroidery designs [patterns]; handwriting specimens for copying; oleographs; musical greeting cards; greeting cards; postcards; etchings; conical paper bags; paper bags for use in the sterilization of medical instruments; bags for microwave cooking; palettes for painters; ink sticks; pantographs [drawing instruments]; loose-leaf binders; files [office requisites]; folders for papers; papier mâché; pastels [crayons]; modelling paste; pen cases; pen wipers; office perforators; pens [office requisites]; nibs of gold; nibs; steel pens; drawing pens; song books; seals [stamps]; sealing stamps; clipboards; address plates for addressing machines; handkerchiefs of paper; plastic film for wrapping; desk mats; trays for sorting and counting money; coasters of paper; bookends; stamp stands; mats for beer glasses; stands for pens and pencils; photograph stands; obliterating stamps; inking pads; stamp pads; binding strips [bookbinding]; facial tissues of paper; towels of paper; inking sheets for document reproducing machines; inking sheets for duplicators; cloth for bookbinding; gummed cloth for stationery purposes; printers' blankets, not of textile; portraits; paperweights; writing cases [sets]; inkstands; office

requisites, except furniture; writing materials; writing instruments; drawing materials; school supplies [stationery]; adhesive tape dispensers [office requisites]; hand labelling appliances; printed matter; lithographic works of art; prospectuses; printed timetables; ledgers [books]; printers' reglets; indexes; paper cutters [office requisites]; rubber erasers; elastic bands for offices; T-squares for drawing; graphic reproductions; retractable reels for name badge holders [office requisites]; marking pens [stationery]; tissues of paper for removing make-up; paper wipes for cleaning; dental tray covers of paper; place mats of paper; tablemats of paper; tablecloths of paper; paper clasps; document files [stationery]; scrapers [erasers] for offices; paper-clips; clips for offices; erasing products; biological samples for use in microscopy [teaching materials]; histological sections for teaching purposes; figurines of papier mâché; steatite [tailor's chalk]; writing board erasers; composing frames [printing]; sealing wax; arithmetical tables; placards of paper or cardboard; writing or drawing books; fabrics for bookbinding; stationery; pencil sharpeners, electric or non-electric; stencil plates; stencils for decorating food and beverages; cardboard tubes; Indian inks; moisteners [office requisites]; moisteners for gummed surfaces [office requisites]; squares for drawing; chart pointers, non-electronic; bottle wrappers of paper or cardboard; envelope sealing machines for offices; sealing machines for offices; vignetting apparatus; apparatus for mounting photographs; stapling presses [office requisites]; manuals [handbooks]; paper coffee filters; flags of paper; silver paper; moulds for modelling clays [artists' materials]; photo-engravings; photographs [printed]; stencil cases; canvas for painting; chromolithographs [chromos]; animation cels; compasses for drawing; numbers [type]; artists' watercolour saucers; ink; correcting ink [heliography]; inkwells; blueprints; stencils; erasing shields; balls for ball-point pens; desktop cabinets for stationery [office requisites]; printing type; address stamps; stamps [seals]; shields [paper seals]; prints [engravings]; labels of paper or cardboard.

(260) AM 2022 116438 A

(800) 1641169

(151) 2021 09 22

(891) 2021 09 22

(731) SWIAT GmbH

c/o DekaBank Deutsche Girozentrale, Mainzer
Landstr. 16, 60325 Frankfurt am Main,
Germany

(540)

SWIAT

(591) Black, white

(511)

9 – Computer software relating to the trade in and transactions of financial products and to financial services, in particular securities; platform [software] for

the settlement of financial products and services, in particular securities [software].

35 – Updating and maintenance of data in computer databases in the financial field, in particular relating to securities.

36 – Financial services; financial services for banks; financial services via a worldwide computer network or the internet; financial affairs, monetary affairs, banking services; financial services relating to securities; handling and settlement services relating to financial products, in particular securities; computerized financial services; financial transactions via a blockchain; banking services based on blockchain technology; financial services based on blockchain technology relating to securities; brokerage of financial products and financial services; securities deposit services; provision of financial information; provision of information relating to trading in financial products, in particular securities.

38 – Telecommunication services in the financial field; provision of access to internet platforms in the financial field, in particular for the settlement and transfer of securities; computer communication and internet access services in the financial field, in particular in connection with the settlement and transfer of securities; provision of access to content, websites and internet portals in the financial field; transmission of information in the financial field by means of computers; communication services in the financial field via computer networks; data-based transmission of information with regard to the trading and settlement of currency, interest, securities, investment and other monetary affairs; provision of access to an internet platform in the financial field; telecommunication services in the financial field; provision of access to internet platforms in the financial field, in particular for the settlement and transfer of securities; computer communication and internet access services in the financial field, in particular in connection with the settlement and transfer of securities; provision of access to content, websites and internet portals in the financial field; transmission of information in the financial field by means of computers; communication services in the financial field via computer networks; data-based transmission of information with regard to the trading and settlement of currency, interest, securities, investment and other monetary affairs; provision of access to an internet platform in the financial field.

42 – Providing temporary use of non-downloadable software applications in the financial field, accessible via a website; data storage via a blockchain; data certification via a blockchain; blockchain as a service [BaaS]; application service provider [ASP] services in the financial field; development, programming and implementation of software in the financial field; design and development of computer hardware and software in the financial field; hosting of software in the

financial field; hosting of internet platforms in the financial field; platform as a service [PaaS]; programming of internet platforms in the financial field.

(260) AM 2022 116439 A
 (800) 1641256
 (151) 2021 12 14
 (891) 2021 12 14
 (731) Heineken Brouwerijen B.V.
 Tweede Weteringplantsoen 21, NL-1017 ZD
 Amsterdam, Netherlands
 (540)



(591) Red, green and silver
 (531) 01.01.02; 01.15.15; 01.15.17; 01.15.19;
 01.15.25; 19.03.01; 26.11.01; 26.11.06;
 26.11.12; 27.05.04; 27.05.07; 27.05.08;
 27.05.11; 29.01.13
 (511)
 32 – Beers; non-alcoholic beers.

(260) AM 2022 116440 A
 (800) 1641285
 (151) 2021 11 19
 (891) 2021 11 19
 (731) Zou Yuqiang
 No. 6-1, Xuzhongxing Alley, Xia Village, Xixi
 Countryside, Yongjia County, 358000 Zhejiang
 Province, China
 (540)

Curren

(591) Black, white
 (531) 27.05.01
 (511)
 14 – Clocks; wristwatches; ingots of precious metals;
 precious metals, unwrought or semi-wrought; jewelle-
 ry boxes; chains [jewellery]; movements for clocks
 and watches; watch chains.

(260) AM 2022 116445 A
 (800) 1641371
 (151) 2021 12 06
 (891) 2021 12 06
 (731) Richter Gedeon Nyrt.
 Gyömrői út 19-21, H-1103 Budapest, Hungary
 (540)

DISIRVIS

(591) Black, white
 (511)
 5 – Pharmaceutical preparations.

(260) AM 2022 116446 A
 (800) 1641377
 (151) 2021 12 07
 (891) 2021 12 07
 (731) Richter Gedeon Nyrt.
 Gyömrői út 19-21, H-1103 Budapest, Hungary
 (540)

ТИКСЕНОС

(591) Black, white
 (531) 28.05
 (511)
 5 – Pharmaceutical preparations.

(260) AM 2022 116447 A
 (800) 1641378
 (151) 2021 12 06
 (891) 2021 12 06
 (731) Richter Gedeon Nyrt.
 Gyömrői út 19-21, H-1103 Budapest, Hungary
 (540)

BLANORIN

(591) Black, white
 (511)
 5 – Pharmaceutical preparations.

(260) AM 2022 116485 A
 (800) 1642144
 (151) 2021 12 07
 (891) 2021 12 07
 (731) Richter Gedeon Nyrt.
 Gyömrői út 19-21, H-1103 Budapest, Hungary
 (540)

РОРОФИ

(591) Black, white
 (531) 28.05
 (511)
 5 – Pharmaceutical preparations.

(260) AM 2022 116486 A
 (800) 1642145
 (151) 2021 12 07
 (891) 2021 12 07
 (731) Richter Gedeon Nyrt.
 Gyömrői út 19-21, H-1103 Budapest, Hungary
 (540)

СОРООН

(591) Black, white
 (531) 28.05
 (511)
 5 – Pharmaceutical preparations.

(260) AM 2022 116487 A
 (800) 1642146
 (151) 2021 12 07
 (891) 2021 12 07
 (731) Richter Gedeon Nyrt.
 Gyömrői út 19-21, H-1103 Budapest, Hungary
 (540)

МИСОРЕКВИЛ

(591) Black, white
 (531) 28.05
 (511)
 5 – Pharmaceutical preparations.

(260) AM 2022 116488 A
 (800) 1642147
 (151) 2021 12 07
 (891) 2021 12 07
 (731) Richter Gedeon Nyrt.
 Gyömrői út 19-21, H-1103 Budapest, Hungary
 (540)

ЛЕУТИС

(591) Black, white
 (531) 28.05
 (511)
 5 – Pharmaceutical preparations.

(260) AM 2022 116489 A
 (800) 1642150
 (151) 2021 12 07
 (891) 2021 12 07
 (731) Richter Gedeon Nyrt.
 Gyömrői út 19-21, H-1103 Budapest, Hungary
 (540)

ЮЛЛЕ

(591) Black, white
 (531) 28.05
 (511)
 5 – Pharmaceutical preparations.

(260) AM 2022 116490 A
 (800) 1642165
 (151) 2021 09 22
 (891) 2021 09 22
 (731) LYKOS Pharma Ltd
 No:1, Floor 1 Suite 24, Gwardamangia Hill,
 Pieta PTA1319, Malta
 (540)

LITURA

(591) Black, white
 (511)
 5 – Pharmaceuticals, medicinal, medical and veterina-
 ry preparations; sanitary preparations for medical pur-
 poses; food supplements, biological media for medi-
 cal or veterinary purposes, dietetic food and substan-
 ces adapted for medical or veterinary use, food for ba-
 bies; dietary supplements for humans and animals;
 plasters, materials for dressings; material for stopping
 teeth, dental wax; disinfectants; preparations for des-
 troying vermin; fungicides, herbicides.

(260) AM 2022 116492 A
 (800) 1642187
 (151) 2021 08 12
 (891) 2021 08 12
 (731) Euro Games Technology Ltd.
 4, "Maritsa" Str., "Vranya-Lozen-Triugulnika",
 BG-1151 Sofia, Bulgaria
 (540)

MYSTIC DESERT

(591) Dark blue, light blue and yellow
 (531) 27.05.01; 27.05.02; 27.05.03; 27.05.25;
 29.01.14

(511)
 9 – Software; computer gaming software; computer
 software packages; computer operating system soft-
 ware; computer software, recorded; software drivers;
 virtual reality software; games software; entertain-
 ment software for computer games; computer pro-
 grams for network management; operating computer
 software for main frame computers; monitors (compu-
 ter hardware); computer hardware; apparatus for re-
 cording images; monitors (computer programs); com-
 puter game programs; computer programs for recor-
 ded games; apparatus for recording, transmission or
 reproduction of sound or images; communications
 servers [computer hardware]; electronic components
 for gambling machines; computer application soft-
 ware featuring games and gaming; computer software
 for the administration of on-line games and gaming;
 computer hardware for games and gaming; electronic
 components and computer software for gambling,
 gambling machines, gambling games on the Internet
 and via telecommunication network.

28 – Gaming machines for gambling; chips for gamb-
 ling; mah-jong; arcade games; gambling machines

operating with coins, notes and cards; games; electronic games; parlor games; gaming chips; gaming tables; slot machines [gaming machines]; LCD game machines; slot machines and gaming devices; coin-operated amusement machines; roulette chips; poker chips; chips and dice [gaming equipment]; gaming equipment for casinos; roulette tables; gaming roulette wheels; casino games; gambling machines and amusement machines, automatic and coin-operated; coin-operated amusement machines and/or electronic coin-operated amusement machines with or without the possibility of gain; boxes for coin-operated machines, slot machines, and gaming machines; electronic or electrotechnical amusement machines and apparatus, gaming machines, coin-operated entertainment machines; housings for coin-operated machines, gaming equipment, gaming machines, machines for gambling; electropneumatic and electrical gambling machines (slot machines).

41 – Gambling; entertainment services related to gambling; gaming services for entertainment purposes; casino, gaming and gambling services; training in the development of software systems; provision of gaming equipment for gambling halls; providing casino equipment [gambling]; gaming machine entertainment services; providing casino facilities [gambling]; gaming hall services; amusement arcade services; games equipment rental; rental of gaming machines; providing amusement arcade services; rental of gaming machines with images of fruits; editing or recording of sounds and images; sound recording and video entertainment services; hire of sound reproducing apparatus; provision of gaming equipment for casinos; providing of casino facilities; online gambling services; casino, gaming and gambling services; provision of gaming facilities, gaming hall facilities, Internet casinos and online gambling services.

(260) AM 2022 116493 A

(800) 1642241

(151) 2021 12 10

(891) 2021 12 10

(731) Otkrytoe aktsionernoe obshchestvo "Sady Pridonya"
poselok Sady Pridonya, Gorodishchensky rayon, RU-403027 Volgogradskaya oblast, Russian Federation

(540)



(591) White and pink

(531) 05.03.13; 05.03.14; 27.03.11; 27.05.01;
27.05.24; 29.01.12

(511)

32 – Non-alcoholic beverages; smoothies; smoothies, namely smoothies containing cereals.

(260) AM 2022 116494 A

(800) 1642298

(151) 2021 12 08

(891) 2021 12 08

(731) Merck Sharp & Dohme B.V.

Waarderweg 39, NL-2031 BN Haarlem,
Netherlands

(540)



(591) Yellow, black and grey

(531) 26.04.04; 26.04.09; 26.13.25; 26.15.25;
29.01.02; 29.01.06

(511)

5 – Pharmaceutical preparations; pharmaceutical preparations for the treatment of infectious diseases; anti-infectives; antivirals.

(260) AM 2022 116677 A

(800) 1644460

(151) 2021 11 24

(891) 2021 11 24

(731) MULTINODE NETWORK S.R.L.

Oras Voluntari, str. Emil Racovita, numar 20,
etaj 3, judet Ilfov, Ilfov, Romania

(540)

BOBNET

(591) Black, white

(511)

7 – Dispensing machines; refrigerated vending machines.

35 – Advertising, marketing and promotional services; business assistance, management and administrative services; procuring of contracts for the purchase and sale of goods; business administration services for processing sales made on the internet; online ordering services; computerized on-line ordering services; clerical services for the taking of sales orders; administrative processing of purchase orders; administrative processing of purchase orders placed by telephone or computer; administrative processing of computerized purchase orders; electronic order processing; advertising of the services of other vendors, enabling cus-

tomers to conveniently view and compare the services of those vendors; rental of vending machines; rental of electronic point of sale (epos) equipment; rental of card-operated vending machines.

39 – Packaging and storage of goods; rental services related to transportation and storage; transport.

43 – Preparation of meals; preparation and provision of food and drink for immediate consumption; food preparation for others on an outsourcing basis; take-away food services; food preparation services; take-away restaurant services; services for providing food; services for providing drink; services for the preparation of food and drink.

(260) AM 2022 116685 A
 (800) 1644557
 (151) 2021 12 16
 (891) 2021 12 16
 (731) HI Limited Partnership
 1815 The Exchange, Atlanta, GA 30339, USA
 (540)

HOOTSCOOP

(591) Black, white
 (511)
 43 – Providing restaurant services featuring a customer rewards program.

(260) AM 2022 116686 A
 (800) 1644560
 (151) 2021 12 01
 (891) 2021 12 01
 (731) SELO MEDICAL GMBH
 MOOSHAM 29, A-5585 UNTERBERG,
 Austria
 (540)

SELOVIR

(591) Black, white
 (511)
 3 – Perfumeries, cosmetics.

(260) AM 2022 116769 A
 (800) 1645836
 (151) 2021 12 23
 (891) 2021 12 23
 (731) Philip Morris Products S.A.
 Quai Jeanrenaud 3, CH-2000 Neuchâtel,
 Switzerland
 (540)



(591) Black, white
 (531) 26.01.05; 26.01.24; 26.13.25
 (511)
 34 – Wired vaporizers for electronic cigarettes and electronic smoking devices; tobacco, raw or manufactured; tobacco products, including cigars, cigarettes, cigarillos, tobacco for roll-your-own cigarettes, pipe tobacco, chewing tobacco, snuff tobacco, kretek; snus; tobacco substitutes (not for medical purposes); smokers' articles, including cigarette paper and tubes, cigarette filters, tobacco tins, cigarette cases and ashtrays, pipes, pocket apparatus for rolling cigarettes, lighters; matches; tobacco sticks, tobacco products for the purpose of being heated, electronic devices and their parts for the purpose of heating cigarettes or tobacco in order to release nicotine-containing aerosols for inhalation; liquid nicotine solutions for use in electronic cigarettes; electronic smoking devices; electronic cigarettes; electronic cigarettes as substitutes for traditional cigarettes; electronic devices for the inhalation of nicotine-containing aerosol; oral vaporizing devices for smokers, tobacco products and tobacco substitutes; smokers' articles for electronic cigarettes; parts and fittings for the aforesaid products included in this class; devices for extinguishing heated cigarettes and cigars as well as heated tobacco sticks; electronic rechargeable cigarette cases.

(260) AM 2022 116770 A
 (800) 1645853
 (151) 2021 10 18
 (891) 2021 10 18
 (731) Euro Games Technology Ltd.
 4, "Maritsa" Str., "Vranya-Lozen-Triugulnika",
 BG-1151 Sofia, Bulgaria
 (540)

Book of Rome

(591) Black, white
 (511)
 9 – Software; computer gaming software; computer software packages; computer operating system software; computer software, recorded; software drivers; virtual reality software; games software; entertainment software for computer games; computer programs for network management; operating computer software for main frame computers; monitors (computer hardware); computer hardware; apparatus for recording images; monitors (computer programs); computer game programs; computer programs for recorded games; apparatus for recording, transmission or reproduction of sound or images; communications servers [computer hardware]; electronic components for gambling machines; computer application software featuring games and gaming; computer software for the administration of on-line games and gaming; computer hardware for games and gaming; hardware and software for gambling, gambling machines, gambling

games on the Internet and via telecommunication network.

28 – Gaming machines for gambling; chips for gambling; mah-jong; arcade games; gambling machines operating with coins, notes and cards; games; electronic games; parlor games; gaming chips; gaming tables; slot machines [gaming machines]; LCD game machines; slot machines and gaming devices; coin-operated amusement machines; roulette chips; poker chips; chips and dice [gaming equipment]; equipment for casinos; roulette tables; gaming roulette wheels; casino games; automats and gambling machines; coin-operated machines and/or electronic coin-operated machines with or without the possibility of gain; boxes for coin-operated machines, slot machines and gaming machines; electronic or electrotechnical gaming devices, automats and machines, coin-operated machines; housings for coin-operated machines, gaming equipment, gaming machines, machines for gambling; electropneumatic and electrical gambling machines (slot machines).

41 – Gambling; services related to gambling; gaming services for entertainment purposes; casino, gaming and gambling services; training in the development of software systems; provision of gaming equipment for gambling halls; providing casino equipment [gambling]; gaming machine entertainment services; providing casino facilities [gambling]; halls with gaming machines; amusement arcade services; games equipment rental; rental of gaming machines; providing amusement arcade services; rental of gaming machines with images of fruits; editing or recording of sounds and images; sound recording and video entertainment services; hire of sound reproducing apparatus; provision of gaming equipment for casinos; providing of casino facilities; online gambling services; casino management services; operation of gaming establishments, gaming halls, internet casinos, online gambling sites.

(260) AM 2022 116771 A

(800) 1645944

(151) 2021 10 21

(891) 2021 10 21

(731) Thyssenkrupp AG

ThyssenKrupp Allee 1, 45143 Essen, Germany

(540)

ready2co

(591) Black, white

(511)

35 – Rental of office equipment in shared working facilities; business management of logistics for others; administrative order processing; inventory management; business data analysis; business process auditing; business risk analysis.

36 – Rental of office space; rental of offices for shared working; provision of temporary office.

39 – Rental of warehouse space; hiring of storage sites; rental of storage units; transport; transportation of goods; warehousing; packaging of goods; analysis of loading and packing processes; inspection of goods for transportation.

43 – Providing conference rooms; provision of conference, exhibition and meeting facilities; provision of event facilities and meeting facilities.

INTERNATIONAL TRADEMARKS PROTECTED IN GEORGIA

(260) AM 2022 113948 A
(800) 1602920
(151) 2021 04 01
(181) 2031 04 01
(891) 2021 04 01
(511) 35

(260) AM 2022 114367 A
(800) 1608402
(151) 2021 06 16
(181) 2031 06 16
(891) 2021 06 16
(511) 29, 30

(260) AM 2022 114301 A
(800) 936432
(151) 2007 04 20
(181) 2027 04 20
(891) 2021 02 10
(511) 10

(260) AM 2022 114368 A
(800) 1608439
(151) 2021 06 02
(181) 2031 06 02
(891) 2021 06 02
(511) 29

(260) AM 2022 114302 A
(800) 1045766
(151) 2010 02 11
(181) 2030 02 11
(891) 2021 07 06
(511) 30, 35

(260) AM 2022 114369 A
(800) 1608477
(151) 2021 07 13
(181) 2031 07 13
(891) 2021 07 13
(511) 35

(260) AM 2022 114303 A
(800) 1321404
(151) 2016 10 26
(181) 2026 10 26
(891) 2021 07 27
(511) 05

(260) AM 2022 114370 A
(800) 1608480
(151) 2021 04 30
(181) 2031 04 30
(891) 2021 04 30
(511) 14, 18, 25

(260) AM 2022 114304 A
(800) 1384452
(151) 2017 09 18
(181) 2027 09 18
(891) 2021 05 10
(511) 12

(260) AM 2022 114376 A
(800) 1608801
(151) 2021 05 11
(181) 2031 05 11
(891) 2021 05 11
(511) 12

(260) AM 2022 114305 A
(800) 1431459
(151) 2018 09 17
(181) 2028 09 17
(891) 2021 06 24
(511) 09, 38

(260) AM 2022 114377 A
(800) 1608810
(151) 2021 05 11
(181) 2031 05 11
(891) 2021 05 11
(511) 12

(260) AM 2022 114366 A
(800) 1608342
(151) 2021 04 05
(181) 2031 04 05
(891) 2021 04 05
(511) 05

(260) AM 2022 114378 A
(800) 1608863
(151) 2021 04 30
(181) 2031 04 30
(891) 2021 04 30
(511) 14, 18, 25

(260) AM 2022 114379 A
(800) 1608870
(151) 2021 03 02
(181) 2031 03 02
(891) 2021 03 02
(511) 19, 35

(260) AM 2022 114380 A
(800) 1608889
(151) 2021 05 11
(181) 2031 05 11
(891) 2021 05 11
(511) 12

(260) AM 2022 114381 A
(800) 1608897
(151) 2021 03 23
(181) 2031 03 23
(891) 2021 03 23
(511) 09, 35, 36

(260) AM 2022 114391 A
(800) 1395098
(151) 2018 01 31
(181) 2028 01 31
(891) 2021 07 13
(511) 05

(260) AM 2022 114392 A
(800) 1577096
(151) 2020 12 04
(181) 2030 12 04
(891) 2021 07 29
(511) 25

(260) AM 2022 114432 A
(800) 1609279
(151) 2021 06 08
(181) 2031 06 08
(891) 2021 06 08
(511) 07

(260) AM 2022 114434 A
(800) 1609340
(151) 2021 04 08
(181) 2031 04 08
(891) 2021 04 08
(511) 03, 05

(260) AM 2022 114435 A
(800) 1609346
(151) 2021 04 08
(181) 2031 04 08
(891) 2021 04 08
(511) 03, 05

(260) AM 2022 114436 A
(800) 1609417
(151) 2021 06 03
(181) 2031 06 03
(891) 2021 06 03
(511) 01

(260) AM 2022 114446 A
(800) 1609830
(151) 2021 05 25
(181) 2031 05 25
(891) 2021 05 25
(511) 09

(260) AM 2022 114447 A
(800) 1609873
(151) 2021 05 12
(181) 2031 05 12
(891) 2021 05 12
(511) 11, 20

(260) AM 2022 114448 A
(800) 1609882
(151) 2021 05 05
(181) 2031 05 05
(891) 2021 05 05
(511) 03, 04, 18, 24, 25

(260) AM 2022 114449 A
(800) 1609884
(151) 2021 06 03
(181) 2031 06 03
(891) 2021 06 03
(511) 03

(260) AM 2022 114450 A
(800) 1609941
(151) 2021 06 03
(181) 2031 06 03
(891) 2021 06 03
(511) 03

(260) AM 2022 114451 A
(800) 1609964
(151) 2021 04 27
(181) 2031 04 27
(891) 2021 04 27
(511) 29

(260) AM 2022 114484 A
(800) 1610449
(151) 2021 06 22
(181) 2031 06 22
(891) 2021 06 22
(511) 09

(260) AM 2022 114458 A
(800) 1545894
(151) 2020 07 14
(181) 2030 07 14
(891) 2021 07 09
(511) 05

(260) AM 2022 114485 A
(800) 1610525
(151) 2021 05 04
(181) 2031 05 04
(891) 2021 05 04
(511) 06

(260) AM 2022 114459 A
(800) 1575724
(151) 2020 07 14
(181) 2030 07 14
(891) 2021 07 09
(511) 05

(260) AM 2022 114486 A
(800) 1610529
(151) 2021 07 21
(181) 2031 07 21
(891) 2021 07 21
(511) 41, 42

(260) AM 2022 114460 A
(800) 1588116
(151) 2021 03 15
(181) 2031 03 15
(891) 2021 07 08
(511) 09, 41, 42

(260) AM 2022 114487 A
(800) 1610584
(151) 2021 03 02
(181) 2031 03 02
(891) 2021 03 02
(511) 03, 04, 05, 35

(260) AM 2022 114461 A
(800) 1590509
(151) 2021 02 25
(181) 2031 02 25
(891) 2021 07 28
(511) 08

(260) AM 2022 114493 A
(800) 1610733
(151) 2021 04 29
(181) 2031 04 29
(891) 2021 04 29
(511) 09

(260) AM 2022 114477 A
(800) 1610107
(151) 2021 03 22
(181) 2031 03 22
(891) 2021 03 22
(511) 16, 25, 41

(260) AM 2022 114495 A
(800) 1610842
(151) 2021 04 22
(181) 2031 04 22
(891) 2021 04 22
(511) 05

(260) AM 2022 114483 A
(800) 1610332
(151) 2021 06 23
(181) 2031 06 23
(891) 2021 06 23
(511) 03

(260) AM 2022 114496 A
(800) 1610844
(151) 2021 05 07
(181) 2031 05 07
(891) 2021 05 07
(511) 05

(260) AM 2022 114499 A
(800) 1610891
(151) 2021 03 25
(181) 2031 03 25
(891) 2021 03 25
(511) 05, 09, 10

(260) AM 2022 114555 A
(800) 1611688
(151) 2021 04 12
(181) 2031 04 12
(891) 2021 04 12
(511) 04, 11, 20, 21, 24, 27, 35

(260) AM 2022 114500 A
(800) 1611012
(151) 2021 06 02
(181) 2031 06 02
(891) 2021 06 02
(511) 29

(260) AM 2022 114556 A
(800) 1611697
(151) 2021 06 23
(181) 2031 06 23
(891) 2021 06 23
(511) 12

(260) AM 2022 114501 A
(800) 1611055
(151) 2021 04 01
(181) 2031 04 01
(891) 2021 04 01
(511) 05

(260) AM 2022 114557 A
(800) 1611785
(151) 2021 07 01
(181) 2031 07 01
(891) 2021 07 01
(511) 09

(260) AM 2022 114502 A
(800) 1611063
(151) 2021 07 05
(181) 2031 07 05
(891) 2021 07 05
(511) 09

(260) AM 2022 114558 A
(800) 1611790
(151) 2021 07 01
(181) 2031 07 01
(891) 2021 07 01
(511) 09

(260) AM 2022 114550 A
(800) 1611603
(151) 2021 06 04
(181) 2031 06 04
(891) 2021 06 04
(511) 03

(260) AM 2022 114559 A
(800) 1611802
(151) 2021 05 07
(181) 2031 05 07
(891) 2021 05 07
(511) 18, 25

(260) AM 2022 114552 A
(800) 1611622
(151) 2021 07 02
(181) 2031 07 02
(891) 2021 07 02
(511) 09

(260) AM 2022 114570 A
(800) 1612075
(151) 2021 06 18
(181) 2031 06 18
(891) 2021 06 18
(511) 07

(260) AM 2022 114553 A
(800) 1611633
(151) 2021 06 04
(181) 2031 06 04
(891) 2021 06 04
(511) 06, 21, 42

(260) AM 2022 114571 A
(800) 1612115
(151) 2021 06 28
(181) 2031 06 28
(891) 2021 06 28
(511) 05

(260) AM 2022 114572 A
(800) 1612123
(151) 2021 06 28
(181) 2031 06 28
(891) 2021 06 28
(511) 07

(260) AM 2022 114789 A
(800) 1517462
(151) 2019 10 07
(181) 2029 10 07
(891) 2021 09 10
(511) 39

(260) AM 2022 114645 A
(800) 1613698
(151) 2021 06 02
(181) 2031 06 02
(891) 2021 06 02
(511) 06, 08, 14

(260) AM 2022 114790 A
(800) 1541824
(151) 2020 06 03
(181) 2030 06 03
(891) 2021 09 09
(511) 05

(260) AM 2022 114668 A
(800) 1608043
(151) 2021 05 27
(181) 2031 05 27
(891) 2021 08 10
(511) 05

(260) AM 2022 114791 A
(800) 1543715
(151) 2020 02 18
(181) 2030 02 18
(891) 2021 06 28
(511) 25, 35

(260) AM 2022 114669 A
(800) 1608226
(151) 2021 05 27
(181) 2031 05 27
(891) 2021 08 10
(511) 05

(260) AM 2022 114792 A
(800) 1583854
(151) 2020 10 28
(181) 2030 10 28
(891) 2021 03 31
(511) 24, 25, 26, 35, 40, 41, 42

(260) AM 2022 114701 A
(800) 1614225
(151) 2021 04 06
(181) 2031 04 06
(891) 2021 04 06
(511) 07, 09, 11

(260) AM 2022 114793 A
(800) 1592442
(151) 2021 03 29
(181) 2031 03 29
(891) 2021 09 09
(511) 34

(260) AM 2022 114707 A
(800) 1614489
(151) 2021 06 04
(181) 2031 06 04
(891) 2021 06 04
(511) 06, 21, 42

(260) AM 2022 114819 A
(800) 1616279
(151) 2021 04 21
(181) 2031 04 21
(891) 2021 04 21
(511) 29, 30, 35, 42, 43

(260) AM 2022 114717 A
(800) 1615009
(151) 2021 05 20
(181) 2031 05 20
(891) 2021 05 20
(511) 03, 05, 07, 09, 10, 11, 38, 41, 42

(260) AM 2022 114820 A
(800) 1616303
(151) 2021 07 27
(181) 2031 07 27
(891) 2021 07 27
(511) 34

(260) AM 2022 114821 A
(800) 1616305
(151) 2021 07 27
(181) 2031 07 27
(891) 2021 07 27
(511) 34

(260) AM 2022 114896 A
(800) 1557963
(151) 2020 07 27
(181) 2030 07 27
(891) 2021 08 19
(511) 05

(260) AM 2022 114835 A
(800) 1616816
(151) 2021 05 17
(181) 2031 05 17
(891) 2021 05 17
(511) 03, 05

(260) AM 2022 114897 A
(800) 1563893
(151) 2020 10 06
(181) 2030 10 06
(891) 2021 08 24
(511) 03, 05

(260) AM 2022 114837 A
(800) 1616848
(151) 2021 07 06
(181) 2031 07 06
(891) 2021 07 06
(511) 09

(260) AM 2022 114898 A
(800) 1579828
(151) 2020 11 02
(181) 2030 11 02
(891) 2021 09 17
(511) 09

(260) AM 2022 114838 A
(800) 1616853
(151) 2021 06 17
(181) 2031 06 17
(891) 2021 06 17
(511) 01, 02

(260) AM 2022 114899 A
(800) 1613629
(151) 2021 07 28
(181) 2031 07 28
(891) 2021 09 14
(511) 25, 35

(260) AM 2022 114881 A
(800) 1114705
(151) 2012 03 28
(181) 2022 03 28
(891) 2021 08 26
(511) 01

(260) AM 2022 114928 A
(800) 1618202
(151) 2021 03 02
(181) 2031 03 02
(891) 2021 03 02
(511) 03, 04

(260) AM 2022 114894 A
(800) 1526407
(151) 2020 02 26
(181) 2030 02 26
(891) 2021 08 23
(511) 10

(260) AM 2022 114940 A
(800) 1618700
(151) 2021 05 20
(181) 2031 05 20
(891) 2021 05 20
(511) 08, 10, 11, 20, 21

(260) AM 2022 114895 A
(800) 1537794
(151) 2020 05 20
(181) 2030 05 20
(891) 2021 09 10
(511) 05

(260) AM 2022 114941 A
(800) 1618739
(151) 2021 07 22
(181) 2031 07 22
(891) 2021 07 22
(511) 35, 36, 37, 40, 42

(260) AM 2022 114942 A
 (800) 1618741
 (151) 2021 07 22
 (181) 2031 07 22
 (891) 2021 07 22
 (511) 35, 36, 37, 40, 42

(260) AM 2022 114959 A
 (800) 1619513
 (151) 2021 05 24
 (181) 2031 05 24
 (891) 2021 05 24
 (511) 07, 08

(260) AM 2022 114943 A
 (800) 1618743
 (151) 2021 07 06
 (181) 2031 07 06
 (891) 2021 07 06
 (511) 12

(260) AM 2022 114960 A
 (800) 1619567
 (151) 2021 06 04
 (181) 2031 06 04
 (891) 2021 06 04
 (511) 12

(260) AM 2022 114944 A
 (800) 1618744
 (151) 2021 07 16
 (181) 2031 07 16
 (891) 2021 07 16
 (511) 06, 11, 20, 21

(260) AM 2022 114961 A
 (800) 1619616A
 (151) 2021 07 27
 (181) 2031 07 27
 (891) 2021 07 27
 (511) 35

(260) AM 2022 114945 A
 (800) 1618819
 (151) 2021 06 29
 (181) 2031 06 29
 (891) 2021 06 29
 (511) 31

(260) AM 2022 114962 A
 (800) 1619623
 (151) 2021 08 03
 (181) 2031 08 03
 (891) 2021 08 03
 (511) 38

(260) AM 2022 114946 A
 (800) 1619013
 (151) 2021 08 18
 (181) 2031 08 18
 (891) 2021 08 18
 (511) 14, 35, 42

(260) AM 2022 114963 A
 (800) 1619645
 (151) 2021 08 11
 (181) 2031 08 11
 (891) 2021 08 11
 (511) 28, 30

(260) AM 2022 114947 A
 (800) 1619064
 (151) 2021 05 20
 (181) 2031 05 20
 (891) 2021 05 20
 (511) 35, 41, 43

(260) AM 2022 114965 A
 (800) 1619728
 (151) 2021 08 31
 (181) 2031 08 31
 (891) 2021 08 31
 (511) 28

(260) AM 2022 114948 A
 (800) 1619097
 (151) 2021 08 06
 (181) 2031 08 06
 (891) 2021 08 06
 (511) 36

(260) AM 2022 114966 A
 (800) 1619818
 (151) 2021 07 08
 (181) 2031 07 08
 (891) 2021 07 08
 (511) 29

(260) AM 2022 114967 A
(800) 1619820
(151) 2021 07 08
(181) 2031 07 08
(891) 2021 07 08
(511) 29

(260) AM 2022 115133 A
(800) 1621884
(151) 2021 08 12
(181) 2031 08 12
(891) 2021 08 12
(511) 03

(260) AM 2022 114968 A
(800) 1619853
(151) 2021 09 02
(181) 2031 09 02
(891) 2021 09 02
(511) 05

(260) AM 2022 115134 A
(800) 1621905
(151) 2021 08 24
(181) 2031 08 24
(891) 2021 08 24
(511) 11

(260) AM 2022 115076 A
(800) 1621365
(151) 2021 02 02
(181) 2031 02 02
(891) 2021 02 02
(511) 03, 05

(260) AM 2022 115135 A
(800) 1621953
(151) 2021 05 17
(181) 2031 05 17
(891) 2021 05 17
(511) 29

(260) AM 2022 115078 A
(800) 1621383
(151) 2021 02 20
(181) 2031 02 20
(891) 2021 02 20
(511) 08, 12, 18, 22, 25

(260) AM 2022 115136 A
(800) 1621955
(151) 2021 05 20
(181) 2031 05 20
(891) 2021 05 20
(511) 07, 21

(260) AM 2022 115081 A
(800) 1621706
(151) 2021 09 08
(181) 2031 09 08
(891) 2021 09 08
(511) 20, 21, 28, 31

(260) AM 2022 115138 A
(800) 1621973
(151) 2021 07 08
(181) 2031 07 08
(891) 2021 07 08
(511) 03

(260) AM 2022 115083 A
(800) 1621794
(151) 2021 06 11
(181) 2031 06 11
(891) 2021 06 11
(511) 05, 44

(260) AM 2022 115140 A
(800) 1622021
(151) 2021 08 11
(181) 2031 08 11
(891) 2021 08 11
(511) 30

(260) AM 2022 115132 A
(800) 1621866
(151) 2021 07 23
(181) 2031 07 23
(891) 2021 07 23
(511) 32

(260) AM 2022 115151 A
(800) 1622345
(151) 2021 08 11
(181) 2031 08 11
(891) 2021 08 11
(511) 30

(260) AM 2022 115152 A
(800) 1622346
(151) 2021 08 11
(181) 2031 08 11
(891) 2021 08 11
(511) 30

(260) AM 2022 115153 A
(800) 1622356
(151) 2021 07 16
(181) 2031 07 16
(891) 2021 07 16
(511) 34

(260) AM 2022 115154 A
(800) 1622384
(151) 2021 06 25
(181) 2031 06 25
(891) 2021 06 25
(511) 05, 31, 35

(260) AM 2022 115189 A
(800) 1336243
(151) 2016 11 04
(181) 2026 11 04
(891) 2021 09 30
(511) 16, 35, 38, 39

(260) AM 2022 115190 A
(800) 1337723
(151) 2016 11 04
(181) 2026 11 04
(891) 2021 09 30
(511) 16, 35, 38, 39

(260) AM 2022 115277 A
(800) 1624288
(151) 2021 10 05
(181) 2031 10 05
(891) 2021 10 05
(511) 05, 29

(260) AM 2022 115293 A
(800) 1339334
(151) 2017 01 10
(181) 2027 01 10
(891) 2021 10 20
(511) 30

APPELLATIONS OF ORIGIN OF GOODS

APPELLATION OF ORIGIN OF GOODS FILED IN GEORGIA FOR EXAMINATION UNDER LISBON AGREEMENT, ON THE BASIS OF THE INTERNATIONAL REGISTRATION

The decision can be appealed at the Chamber of Appeal of Sakpatenti within 3 months from the publication or at the Mtskheta District Court Administrative Cases Board (Address: №17, Samkhedro St., Mtskheta), within 1 month after the publication.

(800) 1141

(151) 2021 12 09

(210) 3516

(540) Farsh e Dastbaft e Kelardasht

ک لارد شت د س ت بافت فرش

(731) Chalus County Handwoven Carpet Union

Kelardasht, Iran;

Babolsar Handwoven Carpet Weavers Union

Kelardasht, Iran;

Noshahr Handwoven Carpet Union

Kelardasht, Iran;

Noor Handwoven Carpet Union

Kelardasht, Iran;

Noshahr Rural Handwoven Carpet Cooperative Company

Kelardasht, Iran;

Abbas Abad Handwoven Carpet Union

Kelardasht, Iran;

Kelardasht County Guildhall

Kelardasht, Iran;

Mazandaran Province Rural Handwoven Carpet Cooperative Companies Union

Kelardasht, Iran;

West of Mazandaran Handwoven Carpet Cooperative Company, Kelardasht, Iran.

(511)

27 – Handmade Carpet.

OFFICIAL NOTIFICATIONS DESIGNS

CANCELLATION OF DESIGNS REGISTRATION

(11) D 2012 514 S
(73) Erich Krauze Finland Oy (FI)
Henri Fordin katu 5 N, 00150 Helsinki, Finland (FI)
(54) WRITING ACCESSORY
(18) 2022 02 23
(58) 2022 09 05

(11) D 2012 524 S
(73) Closed Joint-Stock Company "Experimental Confectionery Association Vologda" (Ru)
Promishlennaya St. 12, 160012, Vologda, Vologdskaja Oblast (RU)
(54) CONFECTIONERY PACKAGE
(18) 2022 02 27
(58) 2022 09 14

(11) D 2012 491 S
(73) Joint Stock Company " Lomisi" (GE)
Vill. Natakhtari, 3308, Mtskheta, Georgia (GE)
(54) BOTTLE
(18) 2022 02 28
(58) 2022 09 08

(11) D 2017 731 S
(73) Tamar Chekurishvili (GE)
ZvareTi St. 32, 0180, Tbilisi, Georgia (GE)
(54) ZODIAC DECORS
(18) 2022 02 15
(58) 2022 09 05

(11) D 2017 703 S
(73) Marho Khundzakishvili
Nutsubidze Plateau, III mcr., I qu., bld. 5, app. 5, 0183, Tbilisi, Georgia (GE)
(54) ORNAMENTAL ARTICLES
(18) 2022 03 02
(58) 2022 09 14

CANCELLATION OF INTERNATIONAL DESIGNS REGISTRATION

(11) DM/77139
(73) FORTUNATO JOSE MOREIRA DA COSTA
Av. 25 Abril, 22, 2D, P-2795-196 Linda-a-Velha (EM)
DATE OF REGISTRATION CANCELLATION: 2021 11 08
(58) 2022 09 07

(11) DM/77176
(73) ETA SA MANUFACTURE HORLOGÈRE SUISSE
CH-2540 Grenchen (CH)
DATE OF REGISTRATION CANCELLATION: 2021 11 21
(58) 2022 09 07

(11) DM/77194
(73) PATRICK JOSEPH LASSIGNE
Sur les Roches 17, CH-1568 Portalban (CH)
DATE OF REGISTRATION CANCELLATION: 2021 11 23
(58) 2022 09 07

(11) DM/77201
(73) SOCIÉTÉ DES PRODUITS NESTLÉ S.A.
CH-1800 Vevey (CH)
DATE OF REGISTRATION CANCELLATION: 2021 11 01
(58) 2022 09 07

(11) DM/77204
(73) SOCIÉTÉ DES PRODUITS NESTLÉ S.A.
CH-1800 Vevey (CH)
DATE OF REGISTRATION CANCELLATION: 2021 11 01
(58) 2022 09 15

(11) DM/77205
(73) SOCIÉTÉ DES PRODUITS NESTLÉ S.A.
CH-1800 Vevey (CH)
DATE OF REGISTRATION CANCELLATION: 2021 11 01
(58) 2022 09 15

(11) DM/88916
(73) CERTINA AG (CERTINA SA) (CERTINA LTD.)
17, chemin des Tourelles, CH-2400 LE LOCLE (CH)
DATE OF REGISTRATION CANCELLATION: 2021 01 11
(58) 2022 09 06

(11) DM/88961
(73) THE SWATCH GROUP MANAGEMENT SERVICES AG (THE SWATCH GROUP MANAGEMENT SERVICES SA) (THE SWATCH GROUP MANAGEMENT SERVICES LTD.)
Seevorstadt 6, CH-2502 BIEL/BIENNE (CH)

DATE OF REGISTRATION CANCELLATION: 2021 01 14
(58) 2022 09 06

(11) DM/88991
(73) 3D ROBOTICS

1608 4th Street, Suite 410, Berkeley, CA 94710 (US)

DATE OF REGISTRATION CANCELLATION: 2020 08 05
(58) 2022 09 06

(11) DM/88993

(73) HİSAR ÇATAL KAŞIK VE PASLANMAZ MADENİ EŞYA SANAYİ VE TİCARET ANONİM
ŞİRKETİ

Örnek Mah. Dogan Arasli Bulvari No:209 Esenyurt, ISTANBUL (TR)

DATE OF REGISTRATION CANCELLATION: 2020 10 06
(58) 2022 09 07

(11) DM/88998

(73) 3D ROBOTICS INC.

1608 4th Street, Suite 410, Berkeley, CA 94710 (US)

DATE OF REGISTRATION CANCELLATION: 2020 08 05
(58) 2022 09 07

(11) DM/89216

(73) TADIM GIDA MADDELERI SANAYI VE TICARET ANONIM SIRKETI

Gebze Organize Sanayi Bolgesi, 1100. Sok. No:1105, TR-41420 CAYIROVA/KOCAELI (TR)

DATE OF REGISTRATION CANCELLATION: 2021 01 27
(58) 2022 09 07

(11) DM/89346

(73) YORULMAZER, RAFET EREN

Askerocagi Caddesi No:15 Suzer Plaza Kat:30/31, Sisli Istanbul (TR)

DATE OF REGISTRATION CANCELLATION: 2020 09 04
(58) 2022 09 07

(11) DM/89347

(73) EPICARE LTD.

255 West 36th St., Suite 504, New York NY 10018 (US)

DATE OF REGISTRATION CANCELLATION: 2020 07 13
(58) 2022 09 07

(11) DM/93290

(73) ETA SA MANUFACTURE HORLOGÈRE SUISSE

Schild-Rust-Strasse 17, CH-2540 Grenchen (CH)

DATE OF REGISTRATION CANCELLATION: 2021 10 31
(58) 2022 09 07

(11) DM/93392
(73) DUEMMEI S.R.L.
Corso Venezia, 5, I-20121, MILANO (IT)
DATE OF REGISTRATION CANCELLATION: 2021 09 15
(58) 2022 09 07

(11) DM/93577
(73) MONTRES JAQUET DROZ SA (MONTRES JAQUET DROZ AG) (MONTRES JAQUET DROZ LTD.)
Allée du Tourbillon 2, CH-2300 La Chaux-de-Fonds (CH)
DATE OF REGISTRATION CANCELLATION: 2021 11 21
(58) 2022 09 07

(11) DM/93674
(73) PATROIS GUILLAUME
55 avenue Marceau, F-75016 Paris (FR)
DATE OF REGISTRATION CANCELLATION: 2021 04 24
(58) 2022 09 07

(11) DM/93725
(73) VALENTINO S.P.A.
Via Turati, 16/18, I-20121 MILANO (EM)
DATE OF REGISTRATION CANCELLATION: 2021 07 19
(58) 2022 09 07

(11) DM/93786
(73) WOODSKINE SWITZERLAND SNC
Place Charles-David 2, CH-1290 Versoix (CH)
DATE OF REGISTRATION CANCELLATION: 2021 10 13
(58) 2022 09 07

(11) DM/94066
(73) VALENTINO S.p.A.
Via Turati, 16/18, I-20121 Milano (EM)
DATE OF REGISTRATION CANCELLATION: 2021 09 07
(58) 2022 09 15

(11) DM/94097
(73) VALENTINO S.P.A.
Via Turati, 16/18, I-20121 MILANO (EM)
DATE OF REGISTRATION CANCELLATION: 2021 11 21
(58) 2022 09 15

(11) DM/94162
(73) JAPAN TOBACCO INC.
2-2-1 Toranomon, Minato-ku, Tokyo (JP)
DATE OF REGISTRATION CANCELLATION: 2021 10 06
(58) 2022 09 15

(11) DM/94249
(73) KAMIMURA YUKI
Amflat yaesu 502, 12-11, Shinkawa 2 chou-me, Chuou-ku, Tokyo 104-0033 (JP)
DATE OF REGISTRATION CANCELLATION: 2021 04 26
(58) 2022 09 15

(11) DM/94250
(73) KAMIMURA YUKI
Amflat yaesu 502, 12-11, Shinkawa 2 chou-me, Chuou-ku, Tokyo 104-0033 (JP)
DATE OF REGISTRATION CANCELLATION: 2021 09 05
(58) 2022 09 15

(11) DM/94609
(73) YILDIZ HOLDİNG ANONİM ŞİRKETİ
Kısıklı Mahallesi Çeşme Çıkmazı Sokak No:6/1, Üsküdar (TR)
DATE OF REGISTRATION CANCELLATION: 2021 03 16
(58) 2022 09 15

(11) DM/94610
(73) YILDIZ HOLDİNG ANONİM ŞİRKETİ
Kısıklı Mahallesi Çeşme Çıkmazı Sokak No:6/1, Üsküdar (TR)
DATE OF REGISTRATION CANCELLATION: 2021 03 16
(58) 2022 09 15

(11) DM/94689
(73) ABRAM CORPORATION
Miyakawa Bldg. 2-8-10, Hirakawacho, Chiyoda-ku, TOKYO 102-0093 (JP)
DATE OF REGISTRATION CANCELLATION: 2021 09 21
(58) 2022 09 15

(11) DM/94823
(73) PATROIS GUILLAUME
55 avenue Marceau, F-75016 Paris (FR)
DATE OF REGISTRATION CANCELLATION: 2021 04 01
(58) 2022 09 15

(11) DM/94959
(73) FRESENIUS MEDICAL CARE HOLDINGS INC.
920 Winter Street, Waltham, MA 02451-1457 (US)
DATE OF REGISTRATION CANCELLATION: 2021 03 23
(58) 2022 09 15

TRADEMARKS

EXTENSION OF TERMS OF TRADEMARKS REGISTRATION

(111) M 2002 14283 R2
 (156) 2002 02 08
 (186) 2032 02 08
 (732) JSC "Tbilisi Tobacco"
 G. Nadareishvili St. 5a, 0137, Tbilisi, Georgia

(111) M 2002 14284 R2
 (156) 2002 02 08
 (186) 2032 02 08
 (732) JSC "Tbilisi Tobacco"
 G. Nadareishvili St. 5a, 0137, Tbilisi, Georgia

(111) M 2002 14293 R2
 (156) 2002 02 18
 (186) 2032 02 18
 (732) Merck Sharp & Dohme B.V.
 Waarderweg 39 Haarlem 2031 BN,
 Netherlands

(111) M 2002 14298 R2
 (156) 2002 02 18
 (186) 2032 02 18
 (732) Merck Sharp & Dohme B.V.
 Waarderweg 39 Haarlem 2031 BN,
 Netherlands

(111) M 2002 14768 R2
 (156) 2002 10 15
 (186) 2032 10 15
 (732) OSI Pharmaceuticals LLC
 1 Astellas Way, Northbrook, Illinois, 60062,
 USA

(111) M 2003 14908 R2
 (156) 2003 01 14
 (186) 2033 01 14
 (732) LTD "Danelia and Company"
 Tsereteli Av. 77 b, ap. 1, 0103, Tbilisi,
 Georgia

(111) M 2011 21965 R1
 (156) 2011 11 16
 (186) 2031 11 16
 (732) LTD "Aspharma" – Georgian Pharmaceutical
 Company
 Mtskheta St. 8, 0179, Tbilisi, Georgia

(111) M 2012 23152 R1
 (156) 2012 12 10
 (186) 2032 12 10
 (732) Giga-Byte Technology Co., LTD
 No.6, Bau Chiang Road, Hsin-Tien District,
 New Taipei City 231, Taiwan, China

(111) M 2012 22261 R1
 (156) 2012 02 03
 (186) 2032 02 03
 (732) LTD "Aspharma" – Georgian Pharmaceutical
 Company
 Mtskheta St. 8, 0179, Tbilisi, Georgia

(111) M 2012 22263 R1
 (156) 2012 02 03
 (186) 2032 02 03
 (732) LTD "Aspharma" – Georgian Pharmaceutical
 Company
 Mtskheta St. 8, 0179, Tbilisi, Georgia

(111) M 2012 22264 R1
 (156) 2012 02 03
 (186) 2032 02 03
 (732) LTD "Aspharma" – Georgian Pharmaceutical
 Company
 Mtskheta St. 8, 0179, Tbilisi, Georgia

(111) M 2012 22266 R1
 (156) 2012 02 03
 (186) 2032 02 03
 (732) LTD "Aspharma" – Georgian Pharmaceutical
 Company
 Mtskheta St. 8, 0179, Tbilisi, Georgia

(111) M 2012 22267 R1
 (156) 2012 02 03
 (186) 2032 02 03
 (732) LTD "Aspharma" – Georgian Pharmaceutical
 Company
 Mtskheta St. 8, 0179, Tbilisi, Georgia

(111) M 2012 22269 R1
 (156) 2012 02 03
 (186) 2032 02 03
 (732) Johnny Rockets Licensing LLC
 9720 Wilshire Blvd., Suite 500, Beverly Hills
 CA 90212, USA

(111) M 2012 22270 R1
 (156) 2012 02 03
 (186) 2032 02 03
 (732) Johnny Rockets Licensing LLC
 9720 Wilshire Blvd., Suite 500, Beverly Hills
 CA 90212, USA

(111) M 2012 22594 R1
 (156) 2012 05 16
 (186) 2032 05 16
 (732) LTD "Aspharma" – Georgian Pharmaceutical
 Company
 Mtskheta St. 8, 0179, Tbilisi, Georgia

(111) M 2012 22457 R1
 (156) 2012 04 05
 (186) 2032 04 05
 (732) Temur Kiladze
 Lomtadidze St. 24, 3500, Ozurgeti, Georgia

(111) M 2012 22866 R1
 (156) 2012 08 30
 (186) 2032 08 30
 (732) LTD "AAF-Management"
 Vazha-Pshavela Av. 41, Fl. 14, 0177,
 Tbilisi, Georgia

(111) M 2012 22477 R1
 (156) 2012 04 05
 (186) 2032 04 05
 (732) LTD "Aspharma" – Georgian Pharmaceutical
 Company
 Mtskheta St. 8, 0179, Tbilisi, Georgia

(111) M 2012 22950 R1
 (156) 2012 09 24
 (186) 2032 09 24
 (732) The Gillette Company LLC
 One Gillette Park, Boston, Massachusetts
 02127, USA

(111) M 2012 22952 R1
 (156) 2012 09 24
 (186) 2032 09 24
 (732) General Motors LLC
 300 Renaissance Center, City of Detroit,
 State of Michigan 48265-3000, USA

(111) M 2012 22954 R1
 (156) 2012 09 24
 (186) 2032 09 24
 (732) Johnson & Johnson (a corporation the

state of New Jersey)
 One Johnson & Johnson Plaza,
 New Brunswick, New Jersey, USA

(111) M 2012 22955 R1
 (156) 2012 09 24
 (186) 2032 09 24
 (732) IDS Borjomi Beverages Co. N.V.
 45, Pareraweg, Curacao, Netherlands Antilles

(111) M 2012 22887 R1
 (156) 2012 08 30
 (186) 2032 08 30
 (732) LTD "Sante G M T Products"
 Kakheti Highway 10 km, 0182, Tbilisi,
 Georgia

(111) M 2012 23107 R1
 (156) 2012 11 29
 (186) 2032 11 29
 (732) IDS Borjomi Beverages Co. N.V.
 45, Pareraweg, Curacao, Netherlands Antilles

(111) M 2013 23489 R1
 (156) 2013 03 27
 (186) 2033 03 27
 (732) Hiwin Technologies Corp.
 N7, Jingke Road, Nantun District, Taichung
 City 40852, Taiwan, Province of China

(111) M 2013 23308 R1
 (156) 2013 02 12
 (186) 2033 02 12
 (732) Toyota Jidosha Kabushiki Kaisha
 (also trading as Toyota Motor
 Corporation)
 1, Toyota-Cho, Toyota-Shi, Aichi-Ken,
 Japan

(111) M 2013 23626 R1
 (156) 2013 04 26
 (186) 2033 04 26
 (732) LTD "Danelia and Company"
 Agladze St. 38, ap. 91, Tbilisi, Georgia

(111) M 2013 23903 R1
 (156) 2013 08 14
 (186) 2033 08 14
 (732) Mamuka Kikalishvili
 Uznadze St. 91a, 0102, Tbilisi, Georgia

COMPLETE TRANSFER OF RIGHTS

(111) M 2020 33221 R (732) LTD "Euroline" Stanislavskiy St. 5, 0119, Tbilisi, Georgia; JSC "Gepha" Akaki Beliashvili St. 142, 0159, Tbilisi, Georgia (770) Enriko Beridze G. Tsitsishvili St.18, Tbilisi, Georgia (580) 2022 09 02	Průmyslová 610/2A, Doudlevice, 301 00 Plzeň, Czech Republic (580) 2022 08 15
(111) M 1998 8968 R (732) Škoda Auto A.S. tř. Václava Klementa 869, 293 01 Mladá Boleslav, Mladá Boleslav II, Czech Republic (770) Škoda Investment a.s. Emila Škody 2922/1, Jižní Předměstí, 301 00 Plzeň, Czech Republic (580) 2022 08 15	(111) M 1998 8970P4 R (732) Škoda auto A.S. tř. Václava Klementa 869, 293 01 Mladá Boleslav, Mladá Boleslav II, Czech Republic (770) Škoda electric a.s. Průmyslová 610/2A, Doudlevice, 301 00 Plzeň, Czech Republic (580) 2022 08 15
(111) M 1998 8969 R (732) Škoda Auto A.S. tř. Václava Klementa 869, 293 01 Mladá Boleslav, Mladá Boleslav II, Czech Republic (770) Škoda Investment a.s. Emila Škody 2922/1, Jižní Předměstí, 301 00 Plzeň, Czech Republic (580) 2022 08 15	(111) M 1998 8969P1 R (732) Škoda Auto A.S. tř. Václava Klementa 869, 293 01 Mladá Boleslav, Mladá Boleslav II, Czech Republic (770) Škoda Electric a.s. Průmyslová 610/2A, Doudlevice, 301 00 Plzeň, Czech Republic (580) 2022 08 15
(111) M 1998 8970 R (732) Škoda Auto A.S. tř. Václava Klementa 869, 293 01 Mladá Boleslav, Mladá Boleslav II, Czech Republic (770) Škoda Investment a.s. Emila Škody 2922/1, Jižní Předměstí, 301 00 Plzeň, Czech Republic (580) 2022 08 15	(111) M 2022 35068 R (732) LTD "Euroline" Stanislavskiy St. 5, 0119, Tbilisi, Georgia; JSC "Gepha" Akaki Beliashvili St. 142, 0159, Tbilisi, Georgia (770) Enriko Beridze G. Tsitsishvili St. 18, Tbilisi, Georgia (580) 2022 09 02
(111) M 2020 33498 R (732) Corteva Agriscience LLC 9330 Zionsville Road, Indianapolis, Indiana 46268, USA (770) E.I. du Pont de Nemours and Company Chestnut Run Plaza, 974 Centre Road, Wilmington, Delaware 19805, USA (580) 2022 08 31	(111) M 2022 35117 R (732) LTD "Euroline" Stanislavskiy St. 5, 0119, Tbilisi, Georgia; JSC "Gepha" Akaki Beliashvili St. 142, 0159, Tbilisi, Georgia (770) Enriko Beridze G. Tsitsishvili St. 18, Tbilisi, Georgia (580) 2022 09 02
(111) M 1998 8968P6 R (732) Škoda Auto A.S. tř. Václava Klementa 869, 293 01 Mladá Boleslav, Mladá Boleslav II, Czech Republic (770) Škoda Electric a.s.	(111) M 2002 14293 R (732) Merck Sharp & Dohme B.V. Waarderweg 39 Haarlem 2031 BN, Netherlands (770) MSD International Holdings 2 GmbH Tribshenstrasse 60, 6005 Luzern, Lucerne, Switzerland; MSD International Holdings GmbH

Veystrasse 20, CH-6000, Lucerne 6,
Switzerland
(580) 2022 08 11

(111) M 2002 14293 R
(732) MSD International Holdings 2 GmbH
Veystrasse 20, CH-6000, Lucerne 6,
Switzerland
(770) MSD International Holdings GmbH
Veystrasse 20, CH-6000, Lucerne 6,
Switzerland
(580) 2022 08 11

(111) M 2002 14298 R
(732) Merck Sharp & Dohme B.V.
Waarderweg 39 Haarlem 2031 BN,
Netherlands
(770) MSD International Holdings 2 GmbH
Tribtschenstrasse 60, 6005 Luzern, Lucerne,
Switzerland;
MSD International Holdings GmbH
Veystrasse 20, CH-6000, Lucerne 6,
Switzerland
(580) 2022 08 11

(111) M 2002 14298 R
(732) MSD International Holdings 2 GmbH
Veystrasse 20, CH-6000, Lucerne 6,
Switzerland
(770) MSD International Holdings GmbH
Veystrasse 20, CH-6000, Lucerne 6,
Switzerland
(580) 2022 08 11

(111) M 1998 8970P2 R
(732) Škoda Auto A.S.
tř. Václava Klementa 869, 293 01 Mladá
Boleslav, Mladá Boleslav II, Czech Republic
(770) Škoda Transportation a.s.
Emila Škody 2922/1, Jižní Předměstí,
301 00 Plzeň, Czech Republic
(580) 2022 08 15

(111) M 1998 8968P3 R
(732) Škoda Auto A.S.
tř. Václava Klementa 869, 293 01 Mladá
Boleslav, Mladá Boleslav II, Czech Republic
(770) Škoda Transportation a.s.
Emila Škody 2922/1, Jižní Předměstí,
301 00 Plzeň, Czech Republic
(580) 2022 08 15

(111) M 2005 15975 R
(732) Corteva Agriscience LLC
9330 Zionsville Road, Indianapolis,
Indiana 46268, USA
(770) E.I. Du Pont De de Nemours and Company
1007 Market Street, Wilmington,
Delaware 19898, USA
(580) 2022 08 31

(111) M 2005 16098 R
(732) Corteva Agriscience LLC
9330 Zionsville Road, Indianapolis,
Indiana 46268, USA
(770) E.I. Du Pont de Nemours and Company
1007 Market Street, Wilmington,
Delaware 19898, USA
(580) 2022 08 31

(111) M 2006 16454 R
(732) Corteva Agriscience LLC
9330 Zionsville Road, Indianapolis,
Indiana 46268, USA
(770) E.I. Du Pont de Nemours and Company
1007 Market Street, Wilmington,
Delaware 19898, USA
(580) 2022 08 31

(111) M 2006 16457 R
(732) Corteva Agriscience LLC
9330 Zionsville Road, Indianapolis,
Indiana 46268, USA
(770) E.I. Du Pont de Nemours and Company
1007 Market Street, Wilmington,
Delaware 19898, USA
(580) 2022 08 31

(111) M 2006 16432 R
(732) Corteva Agriscience LLC
9330 Zionsville Road, Indianapolis,
Indiana 46268, USA
(770) E.I. Du Pont de Nemours and Company
1007 Market Street, Wilmington,
Delaware 19898, USA
(580) 2022 08 31

(111) M 2006 16433 R
(732) Corteva Agriscience LLC
9330 Zionsville Road, Indianapolis,
Indiana 46268, USA
(770) E.I. Du Pont de Nemours and Company
1007 Market Street, Wilmington,
Delaware 19898, USA
(580) 2022 08 31

(111) M 2006 16470 R
(732) Corteva Agriscience LLC
9330 Zionsville Road, Indianapolis,
Indiana 46268, USA
(770) E.I. Du Pont de Nemours and Company
1007 Market Street, Wilmington,
Delaware 19898, USA
(580) 2022 08 31

(111) M 2006 16615 R
(732) Corteva Agriscience LLC
9330 Zionsville Road, Indianapolis,
Indiana 46268, USA
(770) E.I. Du Pont de Nemours and Company
1007 Market Street, Wilmington,
Delaware 19898, USA
(580) 2022 08 31

(111) M 1998 8968P1 R
(732) Škoda Auto A.S.
tř. Václava Klementa 869, 293 01 Mladá
Boleslav, Mladá Boleslav II, Czech Republic
(770) Škoda Investment a.s.
Emila Škody 2922/1, Jižní Předměstí,
301 00 Plzeň, Czech Republic
(580) 2022 08 15

(111) M 2012 22609 R
(732) Corteva Agriscience LLC
9330 Zionsville Road, Indianapolis,
Indiana 46268, USA
(770) E.I. Du Pont de Nemours and Company
Chestnut Run Plaza, 974 Centre Road,
Wilmington, Delaware 19805, USA
(580) 2022 08 31

(111) M 2013 24258 R
(732) Corteva Agriscience LLC
9330 Zionsville Road, Indianapolis,
Indiana 46268, USA
(770) E.I. du Pont de Nemours and Company
1007 Market Street, Wilmington,
DE 19898, USA
(580) 2022 08 31

(111) M 2013 24079 R
(732) Corteva Agriscience LLC
9330 Zionsville Road, Indianapolis,
Indiana 46268, USA
(770) E.I. du Pont de Nemours and Company
1007 Market Street, Wilmington,
DE 19898, USA
(580) 2022 08 31

(111) M 2013 24205 R
(732) Corteva Agriscience LLC
9330 Zionsville Road, Indianapolis,
Indiana 46268, USA
(770) E.I. du Pont de Nemours and Company
1007 Market Street, Wilmington,
DE 19898, USA
(580) 2022 08 31

(111) M 2013 24289 R
(732) Corteva Agriscience LLC
9330 Zionsville Road, Indianapolis,
Indiana 46268, USA
(770) E.I. du Pont de Nemours and Company
1007 Market Street, Wilmington,
DE 19898, USA
(580) 2022 08 31

(111) M 2019 31047 R
(732) Corteva Agriscience LLC
9330 Zionsville Road, Indianapolis,
Indiana 46268, USA
(770) E. I. du Pont de Nemours and Company
Chestnut Run Plaza, 974 Centre Road,
Wilmington, DE 19805, USA
(580) 2022 08 31

(111) M 2019 31048 R
(732) Corteva Agriscience LLC
9330 Zionsville Road, Indianapolis,
Indiana 46268, USA
(770) E. I. du Pont de Nemours and Company
Chestnut Run Plaza, 974 Centre Road,
Wilmington, DE 19805, USA
(580) 2022 08 31

(111) M 2018 30069 R
(732) LTD "Sinar"
First Alley St. 7, Krtsanisi District, Tbilisi,
Georgia
(770) LTD "Infiniti"
Besiki St. 4, 0108, Old Tbilisi District, Tbilisi,
Georgia
(580) 2022 09 02

(111) M 2018 30579 R
(732) LTD "Sinar"
First Alley St. 7, Krtsanisi District, Tbilisi,
Georgia
(770) LTD "Infiniti"
Besiki St. 4, 0108, Old Tbilisi District, Tbilisi,
Georgia
(580) 2022 08 02

(111) M 2018 30520 R
(732) LTD "Sinar"
First Alley St. 7, Krtsanisi District, Tbilisi,
Georgia
(770) LTD "Infiniti"
Besiki St. 4, 0108, Old Tbilisi District, Tbilisi,
Georgia
(580) 2022 08 02

(111) M 2018 30543 R
(732) Corteva Agriscience LLC
9330 Zionsville Road, Indianapolis,
Indiana 46268, USA
(770) E. I. du Pont de Nemours and Company
Chestnut Run Plaza, 974 Centre Road,
Wilmington, DE 19805, USA
(580) 2022 08 31

(111) M 2018 30544 R
(732) Corteva Agriscience LLC
9330 Zionsville Road, Indianapolis,
Indiana 46268, USA
(770) E. I. du Pont de Nemours and Company
Chestnut Run Plaza, 974 Centre Road,
Wilmington, DE 19805, USA
(580) 2022 08 31

(111) M 2019 30758 R
(732) Corteva Agriscience LLC
9330 Zionsville Road, Indianapolis,
Indiana 46268, USA
(770) E. I. du Pont de Nemours and Company
Chestnut Run Plaza, 974 Centre Road,
Wilmington, DE 19805, USA
(580) 2022 08 31

(111) M 2019 30759 R
(732) Corteva Agriscience LLC
9330 Zionsville Road, Indianapolis,
Indiana 46268, USA
(770) E. I. du Pont de Nemours and Company
Chestnut Run Plaza, 974 Centre Road,
Wilmington, DE 19805, USA
(580) 2022 08 31

(111) M 2019 30764 R
(732) Corteva Agriscience LLC
9330 Zionsville Road, Indianapolis,
Indiana 46268, USA
(770) E. I. du Pont de Nemours and Company
Chestnut Run Plaza, 974 Centre Road,
Wilmington, DE 19805, USA
(580) 2022 08 31

CHANGES OF NAMES AND/OR ADDRESSES OF TRADEMARKS OWNERS

(111) M 2002 14293 R
(732) MSD International Holdings 2 GmbH
Tribtschenstrasse 60, 6005 Luzern, Lucerne,
Switzerland
(770) MSD International Holdings 2 GmbH
Veysstrasse 20, CH-6000, Lucerne 6,
Switzerland
(580) 2022 08 11

(111) M 2002 14298 R
(732) MSD International Holdings 2 GmbH
Tribtschenstrasse 60, 6005 Luzern, Lucerne,
Switzerland
(770) MSD International Holdings 2 GmbH
Veysstrasse 20, CH-6000, Lucerne 6,
Switzerland
(580) 2022 08 11

(111) M 2012 23152 R
(732) Giga-Byte Technology Co., LTD
No.6, Bau Chiang Road, Hsin-Tien District,
New Taipei City 231, Taiwan, China
(770) Giga-Byte Technology Co., LTD
No. 6, Bau Chiang Road, Hsin-Tien,
Taipei 231, Taiwan, China
(580) 2022 08 17

(111) M 2012 22269 R
(732) Johnny Rockets Licensing, LLC
9720 Wilshire Blvd, Suite 500,
Beverly Hills CA 90212, USA
(770) Johnny Rockets Licensing
Corporation (a California corporation)
25550 Commercentre Drive, Suite 200,
Lake Forest, California 92630, USA
(580) 2022 07 14

(111) M 2012 22270 R
(732) Johnny Rockets Licensing, LLC
9720 Wilshire Blvd, Suite 500,
Beverly Hills CA 90212, USA
(770) Johnny Rockets Licensing
Corporation (a California corporation)
25550 Commercentre Drive, Suite 200,
Lake Forest, California 92630, USA
(580) 2022 07 14

(111) M 2014 25054 R
(732) Mey Alkollü İçkiler Sanayii ve
Ticaret Anonim Şirketi
Büyükdere Cad. Bahar Sok. No:13 River
Plaza Kat:25 34394 Şişli/İstanbul, Türkiye

(770) Mey Alkollü İçkiler Sanayii ve
Ticaret Anonim Şirketi
Abide-i Hurriyet Cad. N211, Bolkan Center,
B Blok, Sisli, 34381, Istanbul, Türkiye
(580) 2022 08 09

(111) M 2015 25915 R
(732) LTD "Zhipitauri"
Z. Paliashvili St. 36, 2200, Telavi, Georgia
(770) LTD "Wine and Alcohol Drink
Company "Shakriani"
E. Akhvlediani St. 66, 2200, Telavi, Georgia
(580) 2022 09 05

(111) M 2015 26483 R
(732) Mey Alkollü İçkiler Sanayii ve
Ticaret Anonim Şirketi
Büyükdere Cad. Bahar Sok. No:13 River
Plaza Kat:25 34394 Şişli/İstanbul,
Türkiye
(770) Mey Alkollü İçkiler Sanayii ve
Ticaret Anonim Şirketi
Abide-i Hurriyet Cad. N: 211, Bolkan
Center, B Blok, Sisli, Istanbul 34381,
Türkiye
(580) 2022 08 09

(111) M 2018 29286 R
(732) LTD "Zhipitauri"
Z. Paliashvili St. 36, 2200, Telavi, Georgia
(770) LTD "Wine and Alcohol Drink
Company "Shakriani"
Tbilisi Highway 1, 2200, Telavi, Georgia
(580) 2022 09 05

CANCELLATION OF TRADEMARKS REGISTRATION

(111) M 2012 22386 R
(151) 2012 03 06
(732) Japan Tobacco Inc.
2-2-1, Toranomon, Minato-ku, Tokyo, Japan
(141) 2022 09 19

(111) M 2012 22384 R
(151) 2012 03 01
(732) JSC "Bank of Georgia"
Gagarin St. 29a, 0160, Tbilisi, Georgia
(141) 2022 09 09

(111) M 2012 22387 R
(151) 2012 03 06
(732) Gallaher Limited
Members Hill, Brooklands Road, Weybridge,
Surrey, KT13 0QU, United Kingdom
(141) 2022 09 19

(111) M 2012 22385 R
(151) 2012 03 01
(732) JSC "Lomisi"
Vill. Natakhtari, 3308, Mtskheta, Georgia
(141) 2022 09 09

(111) M 2012 22389 R
(151) 2012 03 09
(732) Japan Tobacco Inc.
1-1, Toranomon 4-chome, Minato-ku,
Tokyo, Japan
(141) 2022 09 19

(111) M 2012 22379 R
(151) 2012 03 01
(732) JSC "Bank of Georgia"
Gagarin St. 29a, 0160, Tbilisi, Georgia
(141) 2022 09 09

(111) M 2012 22380 R
(151) 2012 03 01
(732) JSC "Bank of Georgia"
Gagarin St. 29a, 0160, Tbilisi, Georgia
(141) 2022 09 09

(111) M 2012 22381 R
(151) 2012 03 01
(732) JSC "Bank of Georgia"
Gagarin St. 29a, 0160, Tbilisi, Georgia
(141) 2022 09 09

(111) M 2012 22382 R
(151) 2012 03 01
(732) JSC "Bank of Georgia"
Gagarin St. 29a, 0160, Tbilisi, Georgia
(141) 2022 09 09

(111) M 2012 22383 R
(151) 2012 03 01
(732) JSC "Bank of Georgia"
Gagarin St. 29a, 0160, Tbilisi, Georgia
(141) 2022 09 09

CHANGE OF LIST GOODS AND/OR SERVICE OF TRADEMARK

(111) M 2018 29417 R
 (732) LTD "Auto-Ban 2000"
 Anagi St. 4, app. 75, Vake-Saburtalo District,
 Tbilisi, Georgia
 (511) 35, 37
 (580) 2022 08 18

INTERNATIONAL LICENSE AGREEMENTS

(800) 1449197
 (732) Likino Bus Plant – LTD
 Kalinina St. 1, Likino-Dulevo, Orekhovo-
 Zuevo District, RU-142671 Moscow Region,
 Russian Federation
 (791) JSC "GK" "Modern Transport Technologies"
 (AO "GK "STT")
 Lenin Av., House 107, Cabinet 219,
 Nizhniy Novgorod, Nizhniy-Novgorod
 Region, 603004, Russian Federation
 (793) №1712
 Not exclusive
 09 09 2022 – For a period of validity of trade-
 mark

Class:12

(800) 1450014
 (732) Likino Bus Plant – LTD
 Kalinina St. 1, Likino-Dulevo, Orekhovo-
 Zuevo District, RU-142671 Moscow Region,
 Russian Federation
 (791) JSC "GK" "Modern Transport Technologies"
 (AO "GK "STT")
 Lenin Av., House 107, Cabinet 219, Nizhniy
 Novgorod, Nizhniy-Novgorod Region,
 603004, Russian Federation
 (793) №1711
 Not exclusive
 09 09 2022 – For a period of validity of trade-
 mark

Class: 12

(800) 1477228
 (732) Likino Bus Plant – LTD
 Kalinina St. 1, Likino-Dulevo, Orekhovo-
 Zuevo District, RU-142671 Moscow Region,
 Russian Federation
 (791) JSC "GK" "Modern Transport Technologies"
 (AO "GK "STT")
 Lenin Av., House 107, Cabinet 219, Nizhniy
 Novgorod, Nizhniy-Novgorod Region,
 603004, Russian Federation
 (793) №1710
 Not exclusive
 09 09 2022 – For a period of validity of trade-
 mark

Class: 12

(800) 1390823
 (732) Pavlovo Bus Plant Limited
 Suvorova St., 1 Pavlovo RU-606108 Nizhniy
 Novgorod Region, Russian Federation
 (791) JSC "GK" "Modern Transport Technologies"
 (AO "GK "STT")
 Lenin Av., House 107, Cabinet 219, Nizhniy
 Novgorod, Nizhniy-Novgorod Region,
 603004, Russian Federation
 (793) №1716
 Not exclusive
 09 09 2022 – For a period of validity of trade-
 mark

Class: 12

(800) 1395423

(732) Pavlovo Bus Plant Limited
Suvorova St. 1, Pavlovo, RU-606108 Nizhniy
Novgorod Region, Russian Federation

(791) JSC "GK" "Modern Transport Technologies"
(AO "GK "STT")
Lenin Av., House 107, Cabinet 219, Nizhniy
Novgorod, Nizhniy-Novgorod Region,
603004, Russian Federation

(793) №1715
Not exclusive
09 09 2022 – For a period of validity of trade-
mark

Class: 12

(800) 1404443

(732) Limited Liability Company "KAVZ"
Avtozavodskaya St. 5, Kurgan, RU-640008
Kurgan Region, Russian Federation

(791) JSC "GK" "Modern Transport Technologies"
(AO "GK "STT")
Lenin Av., House 107, Cabinet 219, Nizhniy
Novgorod, Nizhniy-Novgorod Region,
603004, Russian Federation

(793) №1713
Not exclusive
09 09 2022 – For a period of validity of trade-
mark

Class: 12

(800) 1404444

(732) Limited Liability Company "KAVZ"
Avtozavodskaya St. 5, Kurgan, RU-640008
Kurgan Region, Russian Federation

(791) JSC "GK" "Modern Transport Technologies"
(AO "GK "STT")
Lenin Av., House 107, Cabinet 219, Nizhniy
Novgorod, Nizhniy-Novgorod Region,
603004, Russian Federation

(793) №1714
Not exclusive
09 09 2022 – For a period of validity of trade-
mark

Class: 12

CLASSIFICATION INDEXES

INVENTIONS

CONCORDANCE TABLE OF INTERNATIONAL CLASSIFICATION INDEX AND PUBLICATION NUMBERS

INTERNATIONAL CLASSIFICATION INDEXES (51)	NUMBER OF PUBLISHED APPLICATION (10)
A 01 G 9/12	AP 2022 15922 A
A 23 K 10/18	AP 2022 15714 A
A 61 K 39/395; A 61 P 7/00; A 61 P 27/02; C 07 K 16/40	AP 2022 14913 A

CONCORDANCE TABLE OF PUBLICATION NUMBERS AND INTERNATIONAL CLASSIFICATION INDEX

NUMBER OF PUBLISHED APPLICATION (10)	INTERNATIONAL CLASSIFICATION INDEXES (51)
AP 2022 14913 A	A 61 K 39/395; A 61 P 7/00; A 61 P 27/02; C 07 K 16/40
AP 2022 15714 A	A 23 K 10/18
AP 2022 15922 A	A 01 G 9/12

CONCORDANCE TABLE OF INTERNATIONAL CLASSIFICATION INDEX, PATENT NUMBERS AND PUBLICATION NUMBERS

INTERNATIONAL CLASSIFICATION INDEX (51)	NUMBER OF PATENT (11)	NUMBER OF PUBLISHED APPLICATION (10)
A 01 G 13/02	P 2022 7416 B	AP 2022 15687 A
A 61 K 9/00; A 61 K 47/02; A 61 K 47/10; A 61 K 31/167; A 61 K 31/40; A 61 K 31/573; A 61 P 11/00	P 2022 7418 B	AP 2022 15023 A
B 01 J 19/00; C 07 D 471/04	P 2022 7417 B	AP 2022 15429 A

CONCORDANCE TABLE OF PATENT NUMBERS, PUBLICATION NUMBERS AND INTERNATIONAL CLASSIFICATION INDEX

NUMBER OF PATENT (11)	NUMBER OF PUBLISHED APPLICATION (10)	INTERNATIONAL CLASSIFICATION INDEX (51)
P 2022 7416 B	AP 2022 15687 A	A 01 G 13/02
P 2022 7417 B	AP 2022 15429 A	B 01 J 19/00; C 07 D 471/04
P 2022 7418 B	AP 2022 15023 A	A 61 K 9/00; A 61 K 47/02; A 61 K 47/10; A 61 K 31/167; A 61 K 31/40; A 61 K 31/573; A 61 P 11/00

**CONCORDANCE TABLE OF APPLICATION NUMBERS,
PUBLICATION NUMBERS AND PATENTS**

NUMBER OF APPLICATION (21)	NUMBER OF PUBLISHED APPLICATION (10)	NUMBER OF PATENT (11)
AP 2017 15023	AP 2022 15023 A	P 2022 7418 B
AP 2019 15429	AP 2022 15429 A	P 2022 7417 B
AP 2021 15687	AP 2022 15687 A	P 2022 7416 B

UTILITY MODELS

**CONCORDANCE TABLE OF INTERNATIONAL CLASSIFICATION INDEX,
PATENT NUMBERS AND PUBLICATION NUMBERS**

INTERNATIONAL CLASSIFICATION INDEX (51)	NUMBER OF PATENT (11)	NUMBER OF PUBLISHED APPLICATION (10)
A 47 G 21/00	U 2022 2132 Y	AU 2022 15629 U

**CONCORDANCE TABLE OF PATENT NUMBERS,
PUBLICATION NUMBERS AND INTERNATIONAL CLASSIFICATION INDEX**

NUMBER OF PATENT (11)	NUMBER OF PUBLISHED APPLICATION (10)	INTERNATIONAL CLASSIFICATION INDEX (51)
U 2022 2132 Y	AU 2022 15629 U	A 47 G 21/00

**CONCORDANCE TABLE OF APPLICATION NUMBERS,
PUBLICATION NUMBERS AND PATENTS**

NUMBER OF APPLICATION (21)	NUMBER OF PUBLISHED APPLICATION (10)	NUMBER OF PATENT (11)
AU 2021 15629	AU 2022 15629 U	U 2022 2132 Y

DESIGNS**DESIGN REGISTERED ACCORDING TO THE ACCELERATED
PROCEDURE****CONCORDANCE TABLE OF INTERNATIONAL CLASSIFICATION INDEX
AND PUBLICATION NUMBERS**

INTERNATIONAL CLASSIFICATION INDEXES (51)	NUMBER OF REGISTRATION (11)
09-01	D 2022 944 S

**CONCORDANCE TABLE OF PUBLICATION NUMBERS
AND INTERNATIONAL CLASSIFICATION INDEX**

NUMBER OF REGISTRATION (11)	INTERNATIONAL CLASSIFICATION INDEXES (51)
D 2022 944 S	09-01

**CONCORDANCE TABLE OF APPLICATION NUMBERS,
PUBLICATION NUMBERS AND PATENTS**

NUMBER OF APPLICATION (21)	NUMBER OF REGISTRATION (11)
AD 2022 1272	D 2022 944 S

TRADEMARKS

CONCORDANCE TABLE OF REGISTRATION NUMBERS, APPLICATION NUMBERS, PUBLICATION NUMBERS AND BULLETIN NUMBERS

NUMBER OF REGISTRATION (111)	NUMBER OF APPLICATIONS (210)	NUMBER OF PUBLISHED APPLICATIONS (260)	NUMBER OF BULLETIN
M 2022 35889 R	AM 111757	AM 2022 111757 A	7(586)2022
M 2022 35890 R	AM 112599	AM 2022 112599 A	3(582)2022
M 2022 35891 R	AM 113139	AM 2022 113139 A	4(583)2022
M 2022 35892 R	AM 113854	AM 2022 113854 A	4(583)2022
M 2022 35893 R	AM 113866	AM 2022 113866 A	4(583)2022
M 2022 35894 R	AM 113984	AM 2022 113984 A	5(584)2022
M 2022 35895 R	AM 114037	AM 2022 114037 A	4(583)2022
M 2022 35896 R	AM 114051	AM 2022 114051 A	5(584)2022
M 2022 35897 R	AM 114052	AM 2022 114052 A	4(583)2022
M 2022 35898 R	AM 114053	AM 2022 114053 A	5(584)2022
M 2022 35899 R	AM 114054	AM 2022 114054 A	5(584)2022
M 2022 35900 R	AM 114133	AM 2022 114133 A	6(585)2022
M 2022 35901 R	AM 114144	AM 2022 114144 A	6(585)2022
M 2022 35902 R	AM 114216	AM 2022 114216 A	6(585)2022
M 2022 35903 R	AM 114218	AM 2022 114218 A	6(585)2022
M 2022 35904 R	AM 114226	AM 2022 114226 A	7(586)2022
M 2022 35905 R	AM 114394	AM 2022 114394 A	7(586)2022
M 2022 35906 R	AM 114537	AM 2022 114537 A	7(586)2022
M 2022 35907 R	AM 114538	AM 2022 114538 A	7(586)2022
M 2022 35908 R	AM 114679	AM 2022 114679 A	8(587)2022
M 2022 35909 R	AM 114685	AM 2022 114685 A	10(589)2022
M 2022 35910 R	AM 114689	AM 2022 114689 A	8(587)2022
M 2022 35911 R	AM 114690	AM 2022 114690 A	8(587)2022
M 2022 35912 R	AM 114691	AM 2022 114691 A	9(588)2022
M 2022 35913 R	AM 114692	AM 2022 114692 A	8(587)2022
M 2022 35914 R	AM 114693	AM 2022 114693 A	9(588)2022
M 2022 35915 R	AM 114696	AM 2022 114696 A	9(588)2022
M 2022 35916 R	AM 114737	AM 2022 114737 A	9(588)2022
M 2022 35917 R	AM 114741	AM 2022 114741 A	9(588)2022
M 2022 35918 R	AM 114744	AM 2022 114744 A	10(589)2022
M 2022 35919 R	AM 114745	AM 2022 114745 A	10(589)2022
M 2022 35920 R	AM 114747	AM 2022 114747 A	10(589)2022
M 2022 35921 R	AM 114738	AM 2022 114738 A	10(589)2022
M 2022 35922 R	AM 114752	AM 2022 114752 A	10(589)2022
M 2022 35923 R	AM 114761	AM 2022 114761 A	9(588)2022
M 2022 35924 R	AM 114808	AM 2022 114808 A	8(587)2022
M 2022 35925 R	AM 114812	AM 2022 114812 A	9(588)2022
M 2022 35926 R	AM 114905	AM 2022 114905 A	10(589)2022
M 2022 35927 R	AM 114919	AM 2022 114919 A	9(588)2022
M 2022 35928 R	AM 114923	AM 2022 114923 A	10(589)2022
M 2022 35929 R	AM 114924	AM 2022 114924 A	10(589)2022
M 2022 35930 R	AM 114925	AM 2022 114925 A	10(589)2022
M 2022 35931 R	AM 114927	AM 2022 114927 A	9(588)2022
M 2022 35932 R	AM 114979	AM 2022 114979 A	10(589)2022
M 2022 35933 R	AM 114986	AM 2022 114986 A	9(588)2022
M 2022 35934 R	AM 114988	AM 2022 114988 A	9(588)2022

1	2	3	4
M 2022 35935 R	AM 115019	AM 2022 115019 A	9(588)2022
M 2022 35936 R	AM 115024	AM 2022 115024 A	9(588)2022
M 2022 35937 R	AM 115025	AM 2022 115025 A	9(588)2022
M 2022 35938 R	AM 115026	AM 2021 115026 A	9(588)2022
M 2022 35939 R	AM 115027	AM 2022 115027 A	9(588)2022
M 2022 35940 R	AM 115028	AM 2022 115028 A	9(588)2022
M 2022 35941 R	AM 115101	AM 2022 115101 A	10(589)2022
M 2022 35942 R	AM 115106	AM 2022 115106 A	10(589)2022
M 2022 35943 R	AM 115107	AM 2022 115107 A	10(589)2022
M 2022 35944 R	AM 115111	AM 2022 115111 A	9(588)2022
M 2022 35945 R	AM 115121	AM 2022 115121 A	10(589)2022
M 2022 35946 R	AM 115129	AM 2022 115129 A	10(589)2022
M 2022 35947 R	AM 115131	AM 2022 115131 A	9(588)2022
M 2022 35948 R	AM 115204	AM 2022 115204 A	10(589)2022
M 2022 35949 R	AM 115209	AM 2022 115209 A	10(589)2022
M 2022 35950 R	AM 115329	AM 2022 115329 A	10(589)2022
M 2022 35951 R	AM 98567	AM 2022 98567 A	3(582)2022
M 2022 35952 R	AM 114748	AM 2022 114748 A	10(589)2022
M 2022 35953 R	AM 115222	AM 2022 115222 A	10(589)2022
M 2022 35954 R	AM 119290	–	18(597)2022
M 2022 35955 R	AM 119181	–	18(597)2022
M 2022 35956 R	AM 119294	–	18(597)2022
M 2022 35957 R	AM 119201	–	18(597)2022
M 2022 35958 R	AM 119285	–	18(597)2022
M 2022 35959 R	AM 119286	–	18(597)2022
M 2022 35960 R	AM 119356	–	18(597)2022
M 2022 35961 R	AM 119275	–	18(597)2022
M 2022 35962 R	AM 119277	–	18(597)2022

CONCORDANCE TABLE OF PUBLICATION NUMBERS
AND APPLICATION NUMBERS

NUMBER OF PUBLISHED APPLICATION (260)	NUMBER OF APPLICATION (210)	1	2
1	2		
AM 2022 113991 A*	AM 113991	AM 2022 116747 A	AM 116747
AM 2022 116416 A	AM 116416	AM 2022 116748 A	AM 116748
AM 2022 116423 A	AM 116423	AM 2022 116755 A	AM 116755
AM 2022 116525 A	AM 116525	AM 2022 116764 A	AM 116764
AM 2022 116527 A	AM 116527	AM 2022 116765 A	AM 116765
AM 2022 116531 A	AM 116531	AM 2022 116827 A	AM 116827
AM 2022 116535 A	AM 116535	AM 2022 116830 A	AM 116830
AM 2022 116537 A	AM 116537	AM 2022 116831 A	AM 116831
AM 2022 116538 A	AM 116538	AM 2022 116832 A	AM 116832
AM 2022 116619 A	AM 116619	AM 2022 116833 A	AM 116833
AM 2022 116621 A	AM 116621	AM 2022 116834 A	AM 116834
AM 2022 116629 A	AM 116629	AM 2022 116835 A	AM 116835
AM 2022 116640 A	AM 116640	AM 2022 116837 A	AM 116837
AM 2022 116651 A	AM 116651	AM 2022 116838 A	AM 116838
AM 2022 116728 A	AM 116728	AM 2022 116839 A	AM 116839
AM 2022 116731 A	AM 116731	AM 2022 116840 A	AM 116840
AM 2022 116732 A	AM 116732	AM 2022 116842 A	AM 116842
AM 2022 116737 A	AM 116737	AM 2022 116848 A	AM 116848
AM 2022 116738 A	AM 116738	AM 2022 116867 A	AM 116867
		AM 2022 116987 A	AM 116987
		AM 2022 116990 A	AM 116990
		AM 2022 116996 A	AM 116996
		AM 2022 117062 A	AM 117062

CONCORDANCE TABLE OF INDEX OF GOODS AND/OR SERVICES
AND APPLICATION NUMBERS

INDEX OF GOODS AND/OR SERVICES (511)	NUMBER OF PUBLISHED APPLICATIONS (260)	1	2
1	2		
1	AM 2022 116731 A	18	AM 2022 113991 A*
2	AM 2022 116640 A	25	AM 2022 113991 A*
3	AM 2022 116765 A	28	AM 2022 116755 A
3	AM 2022 116987 A	29	AM 2022 116538 A
5	AM 2022 116747 A	32	AM 2022 116629 A
5	AM 2022 116748 A	32	AM 2022 116728 A
5	AM 2022 116764 A	32	AM 2022 116996 A
5	AM 2022 116827 A	33	AM 2022 116423 A
5	AM 2022 116830 A	33	AM 2022 116525 A
5	AM 2022 116831 A	33	AM 2022 116535 A
5	AM 2022 116832 A	33	AM 2022 116651 A
5	AM 2022 116833 A	33	AM 2022 116732 A
5	AM 2022 116834 A	33	AM 2022 116737 A
5	AM 2022 116835 A	34	AM 2022 116621 A
5	AM 2022 116837 A	34	AM 2022 116867 A
5	AM 2022 116838 A	35	AM 2022 116416 A
5	AM 2022 116839 A	35	AM 2022 116629 A
5	AM 2022 116840 A	35	AM 2022 116651 A
5	AM 2022 116842 A	35	AM 2022 116755 A
5	AM 2022 117062 A	36	AM 2022 116619 A
9	AM 2022 116765 A	41	AM 2022 116619 A
9	AM 2022 116848 A	42	AM 2022 116990 A
10	AM 2022 116531 A	43	AM 2022 116525 A
10	AM 2022 116537 A	43	AM 2022 116527 A
12	AM 2022 116416 A	43	AM 2022 116738 A
		44	AM 2022 116531 A
		44	AM 2022 116537 A
		44	AM 2022 116619 A

CONCORDANCE TABLE OF INDEX OF GOODS AND/OR SERVICES
AND NUMBERS OF TRADEMARKS REGISTERED ACCORDING
TO THE ACCELERATED PROCEDURE

INDEX OF GOODS AND/OR SERVICES (511)	NUMBERS OF REGISTERED ACCORDING TO THE ACCELERATED PROCEDURE (111)
9	M 2022 35954 R
10	M 2022 35957 R
33	M 2022 35961 R
35	M 2022 35960 R
36	M 2022 35954 R
36	M 2022 35960 R
37	M 2022 35960 R
41	M 2022 35962 R
42	M 2022 35955 R
43	M 2022 35956 R
43	M 2022 35960 R
44	M 2022 35958 R
44	M 2022 35959 R

OFFICIAL BULLETIN OF THE INDUSTRIAL PROPERTY

INVENTIONS

UTILITY MODELS

DESIGNS

TRADEMARKS

**APPELLATIONS OF ORIGIN
AND GEOGRAPHICAL INDICATIONS OF GOODS**

18(597)

EDITOR-IN-CHIEF: N. Bebrishvili

EDITOR-TRANSLATOR: E. Gabunia

PROOFREADER: A. Shixashvili

COMPUTER LAYOUT: M. Ordenidze

ISSN 2720-8486

info@sakpatenti.gov.ge
www.sakpatenti.gov.ge