

Official Bulletin of the Industrial Property

Inventions

Utility Models

Designs

Trademarks



საქართველოს ინტელექტუალური
საკუთრების ეროვნული ცენტრი

საქპატენტი

SAKPATENTI

NATIONAL INTELLECTUAL PROPERTY
CENTER OF GEORGIA

www.sakpatenti.gov.ge

Date of Publication – 2023 09 25

18(621)

INID CODES FOR IDENTIFICATION OF BIBLIOGRAPHIC DATA

INVENTIONS, UTILITY MODELS

- (10) Number of publication of examined application/
Application publication number***
- (11) Patent number/ Patent number***
Registered utility model number***
- (21) Application number
- (22) Date of filing of the application
- (23) Date of exhibition priority
- (24) Date from which patent may have effect
- (31) Number of priority application
- (32) Date of filing of priority application
- (33) Code of the country or regional organization allotting application number
- (43) Date of publication of application, number of bulletin***
- (44) Date of publication of examined application, on which no grant has taken place and number of bulletin
- (45) Date of publication of patent/ Date of publication of patent***
Date of publication of registered utility model***
- (51) International Patent Classification Index
- (54) Title of the invention/title of the utility model
- (57) Abstract
- (60) Number of examined patent document granted by foreign patent office, date from which patent has effect and country code
- (62) Number and filing date of the earlier application in case of a divisional application
- (71) Name and address of applicant (country code)
- (72) Name of inventor (country code)
- (73) Name and address of patent owner/patent owner***/ registered utility model owner*** (country code)
- (74) Name of representative or patent attorney
- (85) Date of commencement of the national phase of international application (PCT)
- (86) Number and date of filing of international application (PCT)
- (87) Number and date of publication of international application (PCT)
- (94) Calculated date of expiry of the SPC or the duration of the SPC

DESIGNS

- (10) Number of publication for application
- (11) Number of patent and kind of document or number of registration
- (15) Date of registration/Date of patent renewal
- (18) Expected expiration date of patent or registration
- (21) Serial number of application
- (22) Date of filing of the application
- (23) Date of exhibition or the date of the earlier filing and the number of application, if any
- (24) Date from which patent may have effect
- (28) Number of designs included in the application
- (30) Data relating to priority (number of application, date of filing of application, two-letter code identifying the authority with whom the priority application was made)
- (31) Number of priority application
- (32) Date of filing of priority application
- (33) Code of the country or regional organization allotting priority application number
- (34) Two-letter code according to WIPO St.3 identifying the authority with which the priority application was made
- (44) Date of publication of design and number of bulletin (the first publication)
- (45) Date of publication of design registered by WIPO and number of bulletin
- (51) International Classification for designs (class and subclass of the Locarno Classification)
- (54) Title of the invention
- (55) Reproduction of the design
- (57) Description of characteristic features of the design including indication of colors
- (58) Date of recording of any kind of amendment in the Register
- (62) Number of the earlier application, registration and document number and if available the date of filing an application in case of divided application
- (71) Name, surname and address of applicant (country code)
- (72) Name, surname of creator (country code)
- (73) Name, surname and address of patent owner (country code)
- (74) Name, surname of representative or patent attorney
- (81) Contracting states concerned
II designated contracting states according to the 1960 Act
III designated contracting states according to the 1999 Act
- (85) Owner's permanent address
- (86) Owner's nationality
- (87) Owner's residence
- (88) State in which the owner has a real and effective industrial or commercial establishment

TRADEMARKS

- (111) – Number of registration
- (151) – Date of registration
- (156) – Date of the renewal
- (181) – Expected expiration date of registration
- (186) – Renewal expiration date of registration
- (141) – Date of cancel of duration of the mark
- (210) – Serial number of application
- (220) – Date of filing of the application
- (230) – Data concerning exhibition
- (260) – Number of application, for which favorable decision of examination about registration has been taken (publication number)
- (310) – Number of the first application
- (320) – Date of filing of the first application
- (330) – Code, identifying national or regional Office where the first application was made
- (511) – International Classification of Goods and Services for the purposes of registration of trade marks and/or list of goods and/or services classified according thereto
- (526) – Disclaimer
- (531) – Description of figurative elements of Trade Marks according to the International Classification of the Figurative Elements of Marks
- (540) – Reproduction of Trade Mark
- (550) – Nature and kind of Trade Mark
- (551) – Indication to the effect that the mark is a collective mark, a certification mark or a guarantee mark
- (554) – Three-dimensional mark
- (580) – Date of recording of any kind changes in respect of applications or registrations
- (591) – Information concerning colors claimed
- (731) – Name and address of the applicant
- (732) – Name and address of the holder of the registration
- (740) – Name and address of the representative
- (750) – Addreses for correspondence
- (770) – Name and address of the previous applicant or holder in case of change in ownership
- (771) – Previous name and address of the applicant or holder in case of change in ownership
- (791) – Name and address of the licensee
- (793) – Indication of conditions and/or restrictions under the license (Type of license, number of license agreement, data of license, data of validity of license)
- (800) – Certain data relating to the international registration of Trade Marks under the Protocol Relating to Madrid Agreement (International registration number
- (852) – Partial cancellation of the list of goods and services
- (891) – Date of subsequent designation

CODES FOR PUBLICATION IN BULLETIN

- (21) AP 0000 000000 – number of application for invention
- (10) AP 0000 0000 A – number of publication of application for invention
- (11) P 0000 0000 B – number of patent for invention/ patent number***
- (21) API 0000 000000 – number of application for imported patent
- (11) PI 0000 0000 A – number of imported patent
- (21) AU 0000 000000 – number of application for utility model
- (10) AU 0000 000 U – number of publication of application for utility model
- (11) U 0000 000 Y – number of patent for utility model/ registered utility model number***
- (21) AD 0000 000000 – serial number of application for design
- (10) AD 0000 000 S – number of published application for design (first publication)
- (11) D 0000 000 S – registered design

INTERNATIONAL PATENT CLASSIFICATION FOR INVENTIONS AND UTILITY MODELS

- SECTION A – HUMAN NECESSITIES
- SECTION B – PERFORMING OPERATIONS; TRANSPORTING
- SECTION C – CHEMISTRY; METALLURGY
- SECTION D – TEXTILES; PAPER
- SECTION E – FIXED CONSTRUCTIONS
- SECTION F – MECHANICAL ENGINEERING; LIGHTING; HEATING; WEAPONS; BLASTING
- SECTION G – PHYSICS
- SECTION H – ELECTRICITY

* Number of application published after the decision of Appellation Chamber of SAKPATENTI

** Number of application published after Court decision

*** Materials published according to the amendments of May 16, 2023 (No. 2883-XI0b-X03) to the Patent Law of Georgia

- M – Trade Mark
- (210) AM 0000 000000 – Serial number of application;
- (260) AAM 0000 00000 A – Publication number of application;
- (111) M 0000 00000 R – Number of registration;
- (111) MMM0000 00000 Rn – Number of renewals, in which n=1,2,3;
- (111) M 0000 00000 R(P) – Number of registration under partial assignment of rights

Official Bulletin of the Industrial Property

Inventions

Utility Models

Designs

Trademarks

CONTENT

PUBLISHED TITLES OF PROTECTION	3
INVENTIONS	
▪ APPLICATIONS APPROVED FOR GRANTING PATENT	4
▪ PATENTED INVENTIONS	7
▪ APPLICATIONS***	9
UTILITY MODELS	
▪ APPLICATION APPROVED FOR GRANTING PATENT	11
▪ PATENTED UTILITY MODELS	12
DESIGNS	
▪ APPLICATION APPROVED FOR REGISTRATION	13
▪ REGISTERED DESIGN	16
▪ DESIGNS, WHICH HAVE BEEN REGISTERED WITH THE INTERNATIONAL BUREAU CLAIMING PRIORITY ON THE TERRITORY OF GEORGIA	17
TRADEMARKS	
▪ APPLICATIONS FILED UNDER THE NATIONAL PROCEDURE APPROVED FOR REGISTRATION	27
▪ REGISTERED TRADEMARKS	34
▪ TRADEMARKS REGISTERED ACCORDING TO THE ACCELERATED PROCEDURE	40
▪ INTERNATIONAL TRADEMARKS FOR WHICH A DECISION ON GRANTING PROTECTION IS TAKEN	43
▪ INTERNATIONAL TRADEMARKS PROTECTED IN GEORGIA	131
OFFICIAL NOTIFICATION	
INVENTIONS	
▪ LAPSE OF PATENTS WITH THE RIGHT TO RESTORE	144
▪ EXPIRATION OF PATENTS RESTORATION TERM	144
▪ EXPIRATION OF PATENTS TERM	145
▪ CHANGE OF NAME AND/OR ADDRESS OF PATENT OWNER	146
UTILITY MODELS	
▪ LAPSE OF PATENT WITH THE RIGHT TO RESTORE	146
▪ EXPIRATION OF PATENTS RESTORATION TERM	146
DESIGNS	
▪ EXTENSION OF TERM OF DESIGN REGISTRATION	147
▪ CANCELLATION OF DESIGNS REGISTRATION	147
TRADEMARKS	
▪ EXTENSION OF TERM OF TRADEMARKS REGISTRATION	148
▪ COMPLETE TRANSFER OF RIGHTS	149
▪ CHANGES OF NAME AND/OR ADDRESS OF TRADEMARKS OWNERS	156
▪ CANCELLATION OF TRADEMARKS REGISTRATION	158
▪ REGISTRATION OF LICENSE AGREEMENT	162
▪ INTERNATIONAL LICENSE AGREEMENTS	163
CLASSIFICATION INDEXES	
INVENTIONS	165
UTILITY MODELS	167
DESIGNS	168
TRADEMARKS	169

PUBLISHED TITLES OF PROTECTION

INVENTIONS

- **APPLICATIONS APPROVED FOR GRANTING PATENT:**
15702; 15672; 15816; 15567; 15674; 15683; 15931; 15987
- **PATENTED INVENTIONS:**
7541-7544
- **APPLICATIONS:** ***
16303; 16278; 16297; 16305; 16288

UTILITY MODELS

- **APPLICATION APPROVED FOR GRANTING PATENT:**
16174
- **PATENTED UTILITY MODEL:**
2155

DESIGNS

- **APPLICATION APPROVED FOR REGISTRATION:**
1310
- **REGISTERED DESIGN:**
979
- **DESIGNS, WHICH HAVE BEEN REGISTERED WITH THE INTERNATIONAL BUREAU CLAIMING PRIORITY ON THE TERRITORY OF GEORGIA:**
229988; 229934, 229935; 230095; 230206; 226428

TRADEMARKS

- **APPLICATIONS FILED UNDER THE NATIONAL PROCEDURE APPROVED FOR REGISTRATION:**
120133*; 120516; 120947; 121214, 121215; 121220; 121417; 121427; 121437-121439; 121499, 121500; 121505; 121520; 121522; 121525, 121526; 121633, 121634; 121642, 121643; 121645; 121657; 121734; 121763; 121770; 121774, 121775; 121855, 121856; 121861; 121863, 121864; 121866; 121899; 121924; 121930; 122005; 122027; 122044
- **REGISTERED TRADEMARKS:**
37245-27287; 37303-37322
- **TRADEMARKS REGISTERED ACCORDING TO THE ACCELERATED PROCEDURE:**
37288-37302
- **INTERNATIONAL TRADEMARKS FOR WHICH A DECISION ON GRANTING PROTECTIONS IS TAKEN:**
119416; 119475; 120407; 120541; 120560; 120574-120576; 120665-120670; 120675; 120743; 120746-120754; 120761-120766; 120801; 120803-120808; 120872; 120899-120904; 120909-120912; 120919; 120931; 120979-120982; 121006, 121007; 121011-121013; 121015-121023; 121026; 121028-121032; 121080-121083; 121085; 121088; 121092-121097; 121101, 121102; 121106, 121107; 121112-121114; 121159; 121179, 121180; 121185; 121187-121189; 121194; 121206-121208; 121356-121358; 121363; 121440-121442; 121449, 121450; 121452-121455; 121553; 121610, 121611; 121694; 121696, 121697; 121802, 121803; 121805
- **INTERNATIONAL TRADEMARKS PROTECTED IN GEORGIA:**
115838; 116289; 116553; 117032; 117490; 117941; 118781; 118954; 119045; 119164; 119243; 119296-119298; 119300, 119301; 119303; 119305; 119316; 119320-119325; 119341, 119342; 119377, 119378; 119380-119392; 119394-119409; 119420-119430; 119432, 119433; 119440; 119443; 119446; 119449-119461; 119466-119474; 119476; 119511-119513; 119525-119527; 119529-119531; 119533, 119534; 119536-119542; 119553; 119556; 119573-119576; 119620-119622; 119625; 119636-119656; 119660; 119666; 119670; 119672, 119673; 119749-119753; 119762; 119834-119838; 119927-119931; 119973-119975; 120086; 120089-120091; 120104-120106; 120188; 120268; 120304

INVENTIONS

APPLICATIONS APPROVED FOR GRANTING PATENT

The decision can be appealed at the Chamber of Appeal of Sakpatenti within 3 months from the publication or at the Mtskheta District Court Administrative Cases Board (Address: №17, Samkhedro St., Mtskheta), within 1 month following the publication.

PART A

A 01

- (10) AP 2023 15702 A (51) Int. Cl. (2006)
A 01 G 9/029
A 01 G 31/06
- (21) AP 2020 15702 (22) 2020 01 06
(31) 19152899.1
(32) 2019 01 21
(33) EP
(71) Wegrow Germany GMBH (DE)
Kehn 20, 47918 Tönisvorst, Germany (DE)
(72) DIESENBACHER, Peter (DE)
(74) Shalva Gvaramadze
(85) 2021 07 21
(86) PCT/EP2020/050137, 2020 01 06
(54) PLANT PALLET
(57) Plant pallet (1) has a plurality of wells (2) each having a bottom (3) with at least one drainage opening (4), and side walls (5). Plant pallet has top side (6) being formed by side walls of adjacent wells (7) merging into one another, and at a distance from each other, preferably, in pallet corners, there are tensioning componentry (8), on one end whereof the fastening componentry (9) are disposed, and released upwards from the tensioning, and having matching shape of the fastening componentry the fastening recesses (10) on the other ends and/or the fastening recesses (10) are executed on pallet surface passing from pallet upper surface to the lower side and intended to connect the tensioning to the fastening componentry by geometric connector.

Claims: 2 independents
7 dependents

Fig.: 8

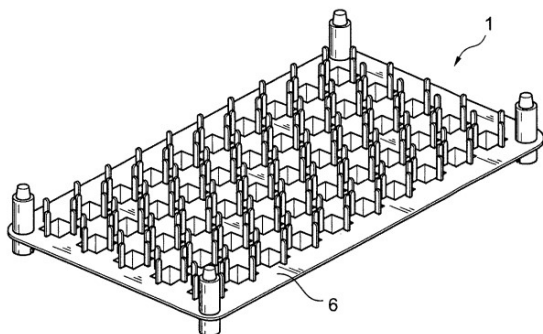


Fig. 1

A 61

- (10) AP 2023 15672 A (51) Int. Cl. (2006)
A 61 K 9/14
A 61 K 9/00
A 61 K 39/00
C 07 K 16/24
- (21) AP 2019 15672 (22) 2019 12 06
(31) PCT/EP/2018/084057
(32) 2018 12 07
(33) EP
(71) Tillotts Pharma AG (CH)
Baslerstrasse 15, Rheinfelden, 4310,
Switzerland (CH)
(72) FURRER, Esther Maria (CH);
SPLEISS, Johannes (CH);
GERSTNER, Ortrud (CH);
VARUM, Felipe (CH);
BRAVO, Roberto (CH);
BRUNO, Cristina (CH);
NEDELJKOVIC, Marijana (CH)
(74) Tamar Kotchlamazashvili
(85) 2021 06 25
(86) PCT/EP2019/083992, 2019 12 06
(54) TOPICAL TREATMENT OF IMMUNE
CHECKPOINT INHIBITOR INDUCED
DIARRHOEA, COLITIS OR ENTERO-
COLITIS USING ANTIBODIES
AND FRAGMENTS THEREOF
(57) Present invention relates to the therapeutic
topical use of compositions containing antibody mole-
cules or functional fragments or derivatives specific to
tumor necrosis factor alpha (TNF α), for treating or
preventing immune checkpoint (ICP) inhibitor-indu-
ced adverse events.
Claims: 1 independent
13 dependents
Fig.: 8

- (10) AP 2023 15816 A (51) Int. Cl. (2006)
A 61 K 9/24
A 61 K 31/00
- (21) AP 2019 15816 (22) 2019 11 06
(31) 19382340.8
(32) 2019 05 06
(33) EP
(71) Ferrer Internacional, S.A. (ES)
Gran via Carles III, 94 E-08028, Barcelona,
Spain (ES)

(72) FERNÁNDEZ MOLLAR, Berta (ES);
MARTÍN SÁIZ, Pablo (ES)

(74) Tamaz Shilakadze

(85) 2021 12 01

(86) PCT/EP2019/080413, 2019 11 06

(54) MULTILAYER PHARMACEUTICAL OR
NUTRACEUTICAL SOLID DOSAGE
FORMS COMPRISING PYRIMIDINE
AND/OR PURINE DERIVATIVES
AND B VITAMINS, PREPARATION
AND USES THEREOF

(57) Dosage form comprises two layers. First layer comprises pyrimidine derivative, and another-B-group vitamin. At that, pyrimidine derivative is selected from the following group: Uridine, uridine phosphate, cytidine, cytidine phosphate, thymidine, thymidine phosphate.

Claims: 4 independents

7 dependents

(10) AP 2023 15567 A (51) Int. Cl. (2006)
A 61 K 31/235
A 61 K 31/137
A 61 P 25/08

(21) AP 2019 15567 (22) 2019 07 26

(31) 62/711,051

(32) 2018 07 27

(33) US

(71) Xenon Pharmaceuticals INC. (CA)
200-3650 Gilmore Way, Burnaby, British
Columbia, V5G4W8, Canada (CA)

(72) SHERRINGTON, Robin Paul (CA);
CADIEUX, Jean-Jacques Alexandre (CA);
BECHARD, Jeffrey Paul (CA);
TARI, Parisa Karimi (CA)

(74) Tamar Kotchlamazashvili

(85) 2021 02 22

(86) PCT/US2019/043765, 2019 07 26

(54) METHOD FOR TREATING EPILEPSY

(57) Compound, (R) norfenfluramine is used to treat epilepsy or epileptic seizures. At that, compound has enantiomeric excess – more than 80%.

Claims: 2 independents

13 dependents

Fig.: 2

(10) AP 2023 15674 A (51) Int. Cl. (2006)
A 61 K 31/496
A 61 K 47/10
A 61 K 9/00
A 61 K 9/08

(21) AP 2019 15674 (22) 2019 11 20

(31) 18208601.7

(32) 2018 11 27

(33) EP

(71) Bayer Aktiengesellschaft (DE)
Kaiser-Wilhelm-Allee 1, Leverkusen, 51373,
Germany (DE);

Bayer Pharma Aktiengesellschaft (DE)
Müllerstraße 178, Berlin, 13353, Germany (DE)

(72) NICOLAI, Janine (DE);

STEIN, Michelle (DE);

BECK-BROICHSITTER, Moritz (DE);

ARNTZ, Andrea (DE)

(74) Giorgi Kartvelishvili

(85) 2021 06 26

(86) PCT/EP2019/081950, 2019 11 20

(54) PROCESS FOR PRODUCING PHARMACEU-
TICAL DOSAGE FORMS CONTAINING
TASK-1 AND TASK-3 CHANNEL INHIBI-
TORS, AND THE USE OF SAME IN
BREATHING DISORDER THERAPY

(57) Pharmaceutical composition comprises (3-chloro-6-methoxypyridin-2-yl)(3-{{2-(4-isopropylp-henyl)imidazo[1,2-a]pyrimidin-3-yl)methyl}-3,8-diazabicyclo[3.2.1]oct-8-yl)methanone, polyoxyethylene sorbitan fatty acid ester, antioxidant, buffer solution, and glycerin or PEG 400.

Claims: 7 independents

8 dependents

(10) AP 2023 15683 A (51) Int. Cl. (2006)
A 61 K 31/606
A 61 K 9/48
A 61 K 9/20
A 61 K 9/28

(21) AP 2019 15683 (22) 2019 12 05

(31) 18211152.6

(32) 2018 12 07

(33) EP

(71) Tillotts Pharma AG (CH)
Baslerstrasse 15, Rheinfelden, 4310,
Switzerland (CH)

(72) VARUM, Felipe (CH);

VON ROCHOW, Laetitia (CH);

FÜLLER, Carsten Markus (CH);

BRAVO GONZALEZ, Roberto Carlos (CH)

(74) Shalva Gvaramadze

(85) 2021 07 05

(86) PCT/EP2019/083910, 2019 12 05

(54) DELAYED RELEASE DRUG FORMULATION
COMPRISING AN OUTERLAYER WITH AN
ENZYMATICYALLY DEGRADABLE
POLYMER, ITS COMPOSITION AND
ITS METHOD OF MANUFACTURING

(57) A formulation comprises coated core comprising a drug, and outer layer – mixture of enzymatically degradable polysaccharide that can be broken down by bacterial enzymes of large intestine, an APS-forming enterosoluble polymer and organic anti-adhesion agent. At that, outer layer comprises no more than 5000 ppm of residual free organic solvent.

Claims: 2 independents

14 dependents

Fig.: 5

PART C

C 03

- (10) AP 2023 15931 A (51) Int. Cl. (2006)
C 03 B 37/00
- (21) AP 2022 15931 (22) 2022 04 15
- (71) Paata Gogoladze (GE)
Iliia Chavchavadze St., bld. 6, ap. 43-44, 3700,
Rustavi, Georgia (GE)
- (72) Paata Gogoladze (GE);
Vazha Chagelishvili (GE)
- (74) Davit Dzamukashvili
- (54) METHOD FOR RECEIVING TEXTILE FIBER
FROM BASALT STONE
- (57) A method for receiving textile fiber from basalt stone provides melting of raw materials in the combustion environment of mixture of natural gas and an air, electrolysis of molten metal with graphite electrodes, homogenization, accumulation and further mass supply to fiber formation nodes; at that, the homogenization of electrolyzed mass and the maintenance of desired temperature to obtain the textile fiber is executed by passing of alternating current between two parallel rows of graphite electrodes, in the melt; at that, the ratio between these electrodes and forming nodes is $n_2 = 4n_1 + 4$; wherein: n_1 is the number of fiber forming nodes, and n_2 is the number of graphite electrodes. At that, alternating current having a frequency of 50 Hz, the power whereof is regulated within 8 ± 0.5 kW/h, supplement to the graphite electrodes is executed, the nodes of fiber formation are symmetrically located between the graphite electrodes, and the limit of homogenization of melt is no less than 0.25 m from the electrode.

Claims: 1 independent
3 dependents

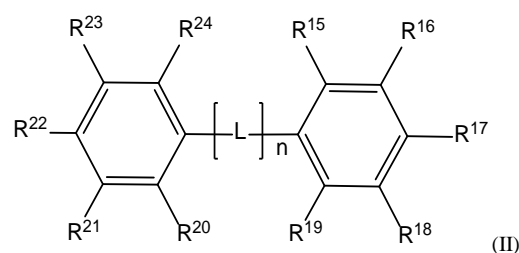
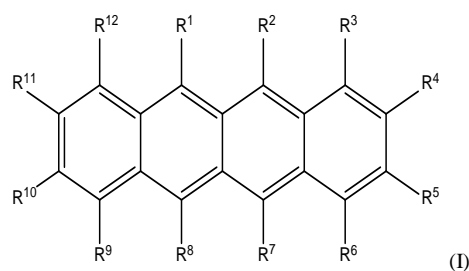
Fig.: 4

C 10

- (10) AP 2023 15987 A (51) Int. Cl. (2006)
C 10 B 45/00
C 10 B 57/06
C 10 L 5/34
C 10 L 1/00
C 10 M 171/00
- (21) AP 2020 15987 (22) 2020 11 26
(31) 19213124.1
(32) 2019 12 03
(33) EP
- (71) Sicpa Holding SA (CH)
Avenue de Florissant 41, 1008 Prilly,
Switzerland (CH)
- (72) ZÜHLKE, Martin (DE);
RIEBE, Daniel (DE);
BEITZ, Toralf (DE);

TILLER, Thomas (CH);
LOPEZ GEJO, Juan (CH);
LASKAY, Ünige (CH)

- (74) Liliana Darakhvelidze
(85) 2022 06 24
(86) PCT/EP2020/083470, 2020 11 26
(54) METHOD FOR DETERMINING AUTHEN-
TICITY AND ADULTERATION OF
MARKED PETROLEUM HYDRO-
CARBONS
- (57) A method for determining the authenticity of a petroleum hydrocarbon allegedly comprising at least one specific chemical marker, selected from the following: compounds of formula (I) and (II)



wherein values of $R^1, R^{12}, -L-, R^{13}-R^{24}$ substitutes and n variable is provided in the claims or aromatic compounds substituted with one or more N,N -disubstituted amino groups or aromatic compounds substituted with one group selected from C1-C4-alkyl, includes taking a sample of petroleum hydrocarbons, vaporizing of said sample by obtaining gaseous sample, illumination therewith pulsed laser beam having predetermined wavelength in the range of 300-370 nm, taking analyses of resulting gaseous ions, and determining of chemical marker presence or absence in petroleum hydrocarbons by means of ion mobility or mass spectrometry.

Claims: 2 independents
13 dependents

Fig.: 56

PATENTED INVENTIONS

PART A

A 01

- (11) P 2023 7544 B (51) Int. Cl. (2006)
A 01 N 43/16
A 01 N 25/08
- (10) AP 2023 13955 A (44) 9(612)/2023
(21) AP 2014 13955
(22) 2014 03 17
(24) 2014 03 17
(31) 13/815,839
(32) 2013 03 15
(33) US
(86) PCT/US2014/030657, 2014 03 17
(73) Jeneil Biosurfactant Company LLC (US)
400 North Dekora Woods Blvd., Saukville,
WI 53080, USA (US)
- (72) GANDHI, Niranjan, Ramanlal (US);
PALMER SKEBBA, Victoria (US);
STROBEL, Gary, A. (US)
- (74) Shalva Gvaramadze
- (54) ANTIMICROBIAL COMPOSITIONS AND
RELATED METHODS OF USE

A 61

- (11) P 2023 7543 B (51) Int. Cl. (2006)
A 61 K 31/201
A 61 K 9/08
A 61 K 9/00
A 61 K 31/202
A 61 P 29/00
A 61 P 37/02
- (10) AP 2023 15725 A (44) 11(614)/2023
(21) AP 2020 15725
(22) 2020 01 30
(24) 2020 01 30
(31) 10-2019-0013115
(32) 2019 01 31
(33) KR
(86) PCT/KR2020/001419, 2020 01 30
(73) HK Inno.N Corporation (KR)
6F, 7F, 8F, 100, Eulji-ro, 04551 Jung-Gu Seoul,
Republic of Korea (KR)
- (72) CHO, Tae Keun (KR);
KIM, Dongkyu (KR);
HWANG, Do Seok (KR)
- (74) Shalva Gvaramadze

- (54) PHARMACEUTICAL COMPOSITION COM-
PRISING OMEGA FATTY ACIDS, AND
INFUSION PREPARATION COMPRISING
THE SAME

- (11) P 2023 7541 B (51) Int. Cl. (2006)
A 61 K 38/00
A 61 K 39/395
A 61 K 38/48
C 07 K 16/40
C 12 N 9/50
- (10) AP 2023 15297 A (44) 9(612)/2023
(21) AP 2018 15297
(22) 2018 08 14
(24) 2018 08 14
(31) 62/545,864; 62/574,690; 62/630,756;
62/637,281
(32) 2017 08 15; 2017 10 19; 2018 02 14; 2018 03 01
(33) US; US; US; US
(86) PCT/US2018/046690, 2018 08 14
(73) University Of Leicester (GB)
University Rd., Leicester, LE1 7RH, UK (GB);
Omeros Corporation (US)
201 Elliott Avenue West, Seattle, WA 98119,
USA (US)
- (72) SCHWAEBLE, Hans-Wilhelm (GB);
DUDLER, Thomas (US);
DEMOPULOS, Gregory A. (US)
- (74) Tamar Kochlamazashvili
- (54) METHODS FOR TREATING AND/OR
PREVENTING GRAFT-VERSUS-HOST
DISEASE AND/OR DIFFUSE ALVEOLAR
HEMORRHAGE AND/OR VENO-OCCLU-
SIVE DISEASE ASSOCIATED WITH HEMA-
TOPOIETIC STEM CELL TRANSPLANT

APPLICATIONS***

PART A

A 61

- (10) AP 2023 16303 A (51) A 61 J 3/00
A 61 J 1/20
A 61 M 39/22
A 61 M 39/10
A 61 M 5/19
- (43) 2023 09 25 №18
(21) AP 2021 16303 (22) 2021 12 22
(31) 63/130,144
(32) 2020 12 23
(33) US
(71) Tolmar International Limited (IE)
10 Earlsoft Terrace Dublin 2, DO2 T380,
Ireland (IE)
(72) SHERMAN, James (US);
DEAN, Casey (US);
ABOUDAGHER, Hossam (US);
HART, Carl (US);
BINGHAM, John (US)
(74) Liliana Darakhvelidze
(85) 2023 07 20
(86) PCT/IB2021/062218, 2021 12 22
(54) SYSTEMS AND METHODS FOR MIXING
SYRINGE VALVE ASSEMBLIES
(57) A syringe mixing system is provided for housing
and mixing contents between at least two syringes. In
some embodiments, a syringe coupler is provided that
receives first and second syringes and includes a valve
member that is convertible between a closed position
and an open position. Retention systems for preventing
or inhibiting removal of at least one syringe after use
are also provided.

PART C

C 02

- (10) AP 2023 16278 A (51) C 02 F 1/32
C 02 F 1/52
C 02 F 1/54
- (43) 2023 09 25 №18
(21) AP 2020 16278 (22) 2020 05 28
(62) AP 2020 15851 2022 01 12
(31) 16/456,762
(32) 2019 06 28
(33) US
(71) Crystal Lagoons Technologies Inc. (US)
2 Alhambra Plaza, Penthouse 1B, 33134
Coral Gables, FL, USA (US)

- (72) FISCHMANN, Fernando Benjamin (US)
(74) Shalva Gvaramadze
(85) 2023 06 29
(86) PCT/US2020/034909, 2020 05 28
(54) LOW COST AND SANITARY EFFICIENT
SYSTEM AND METHOD THAT CREATES
TWO DIFFERENT TREATMENT ZONES
IN LARGE WATER BODIES TO FACILI-
TATE DIRECT CONTACT RECREATIONAL
ACTIVITIES
(57) Present invention discloses designating two
different treatment zones in a large body of water. The
first zone is a sedimentation zone. This zone is used
mainly to provide treatment and settling of microorga-
nisms and/or contaminants to inactivate and/or remove
them from the water body. In this zone a disinfection
method based on a CT index and applying an efficient
amount of a flocculant composition may be used. The
second zone is a dissipation zone. This zone is where
main direct contact recreational water activities are
intended to occur. In the dissipation zone a water flow
is established that, along with the natural currents
produced by winds and/or water temperature differ-
ences, generate a water dissipation pattern of the volu-
me of water within the dissipation zone into the
sedimentation zone. In addition, continuous disinfe-
ction of the water volume in the dissipation zone is
preferably provided by maintaining a permanent chlo-
rine residual.

- (10) AP 2023 16297 A (51) C 02 F 1/02
C 09 K 5/10
E 02 B 15/04
F 24 S 10/10
F 28 D 20/02
F 28 D 1/02

- (43) 2023 09 25 №18
(21) AP 2021 16297 (22) 2021 12 23
(31) 63/132,644
(32) 2020 12 31
(33) US
(71) Crystal Lagoons Technologies, INC. (US)
1395 Brickell Avenue Suite 800, Miami,
FL, 33131, USA (US)
(72) FISCHMANN, Fernando, Benjamin (US);
AMIGO ALVAREZ, Jose (CL)
(74) Shalva Gvaramadze
(85) 2023 07 14
(86) PCT/US2021/065093, 2021 12 23
(54) LOCALIZED HEATING SYSTEM FOR LARGE
WATER BODIES WITH A PARTIAL
CONFINEMENT SYSTEM
(57) Present invention comprises a system for the
localized heating of a portion of water within larger
water bodies through a partial confinement of said

portion of water without completely interrupting the water flow and where the concept of being in the same water body is maintained, in order to facilitate the practice of recreational activities in a heated environment. The present invention provides a solution to achieve a comfortable temperature of the water for direct contact recreational purposes in a cost-efficient manner, with a partial confinement system that allows creating a heat plug and provides for a serpentine-type flow between both sides of the partial confinement system.

C 08

- (10) AP 2023 16305 A (51) C 08 F 210/14
F 15 D 1/00
F 17 D 1/16
- (43) 2023 09 25 №18
(21) AP 2021 16305 (22) 2021 12 17
(31) 63/129,803
(32) 2020 12 23
(33) US
- (71) Liquidpower Specialty Products INC. (US)
City West Place 2103 City West Blvd. Suite 1400,
Houston, TX, 77042, USA (US)
- (72) JOHNSTON, Ray L. (US);
CAREL, Mark (US);
MALLAVAJULA, Rajesh K. (US);
OLECHNOWICZ, Michael L. (US)
- (74) Tamar Kotchlamazashvili
(85) 2023 07 21
(86) PCT/US2021/072981, 2021 12 17
- (54) RAPID DISSOLUTION OF DRAG-REDUCING AGENTS AT LOW TEMPERATURES
- (57) Drag-reducing polymers and methods of manufacturing drag-reducing polymers are provided. In one aspect, an ultra-high molecular weight terpolymer useful as a drag reducer for hydrocarbons having a molecular weight greater than 1 million is provided. The terpolymer includes (a) a first monomer including a first alpha-olefin monomer having a carbon chain length of between 4 and 9 carbon atoms. The terpolymer further includes (b) a second monomer including a second alpha-olefin monomer having a carbon chain length of between 12 and 15 carbon atoms. The terpolymer further includes (c) a third monomer including a third alpha-olefin monomer having a carbon chain length of between 10 and 11 carbon atoms, wherein the second monomer is present at greater than or at 25% (molar content).

PART F

F 23

- (10) AP 2023 16288 A (51) F 23 D 14/70
F 23 D 14/02
F 23 D 14/62
- (43) 2023 09 25 №18
(21) AP 2021 16288 (22) 2021 12 09
(31) 3102511
(32) 2020 12 11
(33) CA
- (71) De. Mission Inc (CA)
125-8838 Blackfoot Trail SE, Calgary, Alberta
T2J 3J1, Canada (CA)
- (72) GAROSSINO, Richard B. (CA);
LAWTON, Kenneth A. (CA)
- (74) Larisa Amirkhanyan
(85) 2023 07 10
(86) PCT/CA2021/051771, 2021 12 09
- (54) COMBUSTION BURNER WITH FIXED VANES
- (57) A combustion burner includes a burner body with a central bore. A swirl generator insert is provided having vanes which impart a swirl pattern, with minimal pressure loss, to an axial flow of forced air passing from an air inlet end through the swirl generator. An annular fuel gas manifold has a plurality of gas jets positioned adjacent to the sidewall at spaced intervals 360 degrees around the gas manifold. A mixing chamber is positioned downstream of the gas manifold to mix fuel gas from the gas jets with the air exiting the swirl generator insert to create a fuel/air mixture. A combustion chamber is positioned downstream of the mixing chamber. An igniter passage extends through the burner body to position an igniter downstream of the mixing chamber to ignite the fuel/air mixture entering the combustion chamber.

UTILITY MODELS

APPLICATION APPROVED FOR GRANTING PATENT

The decision can be appealed at the Chamber of Appeal of Sakpatenti within 3 months from the publication or at the Mtskheta District Court Administrative Cases Board (Address: №17, Samkhedro St., Mtskheta), within 1 month following the publication.

PART E

E 02

- (10) AU 2023 16174 U (51) Int. Cl. (2006)
E 02 B 3/04
- (21) AU 2023 16174 (22) 2023 02 22
- (71) Archil Prangishvili (GE)
Pasteur St. 1a, ap. 2, 0102, Tbilisi,
Georgia (GE);
Zaur Tsikhelashvili (GE)
Dighomi Array, V qu., bld. 20, ap. 42, 0159,
Tbilisi, Georgia (GE);
Anzor Kupatadze (GE)
Dolidze St. 61, Tbilisi, Georgia (GE);
Beka Tchadashvili (GE)
Dolidze St. 61, Tbilisi, Georgia (GE);
Teona Chanadiri (GE)
Dolidze St. 61, Tbilisi, Georgia (GE);
Giorgi Berdzenashvili (GE)
Mezghvauri St. 57, Batumi, Georgia (GE);
Giorgi Jerenashvili (GE)
Gldani, IVm/r, bld. 110, ap. 94, Tbilisi,
Georgia (GE);
Ioseb Tsikhelashvili (GE)
Dighomi Array, V qu., bld. 20, ap. 42, 0159,
Tbilisi, Georgia (GE);
Shota Tsikhelashvili (GE)
Dighomi Array, V qu., bld. 20, ap. 42, 0159,
Tbilisi, Georgia (GE);
Zurab Gasitashvili (GE)
Didi Dighomi, Demetre Tavaddebuli St. 14, ap.
7, Tbilisi, Georgia (GE)
- (72) Archil Prangishvili (GE);
Zaur Tsikhelashvili (GE);
Anzor Kupatadze (GE);
Beka Tchadashvili (GE);
Teona Chanadiri (GE);
Giorgi Berdzenashvili (GE);
Giorgi Jerenashvili (GE);
Ioseb Tsikhelashvili (GE);
Shota Tsikhelashvili (GE);
Zurab Gasitashvili (GE)
- (54) BEACH PROTECTION ENGINEERING-
HYDROTECHNICAL CONSTRUCTION

(57) A construction contains cylindrical shape basic and additional componentry. Main cylindrical component is arranged on the coastline, parallel to the shore, and additional cylindrical componentry are arranged parallel thereto, creating an angle relative to main cylindrical component so, that be capable to enclose protected beach partially. A number of longitudinal holes are made in each cylindrical shape component, the number of holes are also made on entire perimeter of outer surface of cylindrical shape component, and said componentry are wrapped in geotextile material fabric.

Claims: 1 independent
2 dependents

Fig.: 2

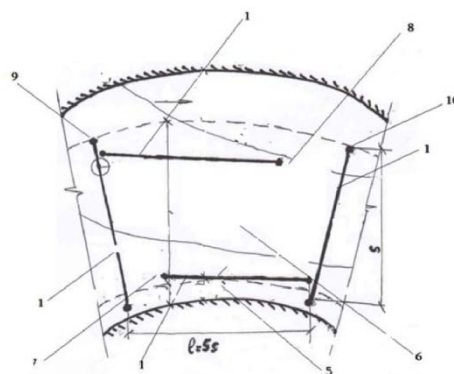


Fig. 2

DESIGNS

APPLICATION APPROVED FOR REGISTRATION

The decision can be appealed at the Chamber of Appeal of Sakpatenti within 3 months from the publication or at the Mtskheta District Court Administrative Cases Board (Address: №17, Samkhedro str., Mtskheta), within 1 month following the publication.

(10) AD 2023 1310 S (51) 11-01

(21) AD 2023 1310

(22) 2023 05 23

(28) 2

(71) Donara Berdzenishvili (GE)

Vill. Kvemo Erketi, 4900, Chokhatauri, Georgia (GE)

(72) Donara Berdzenishvili (GE)

(54) SET OF EARRINGS AND PENDANT

(55)



1.1



1.2



1.3



1.4



1.5



1.6



2.1



2.2



2.3



2.4



2.5



2.6

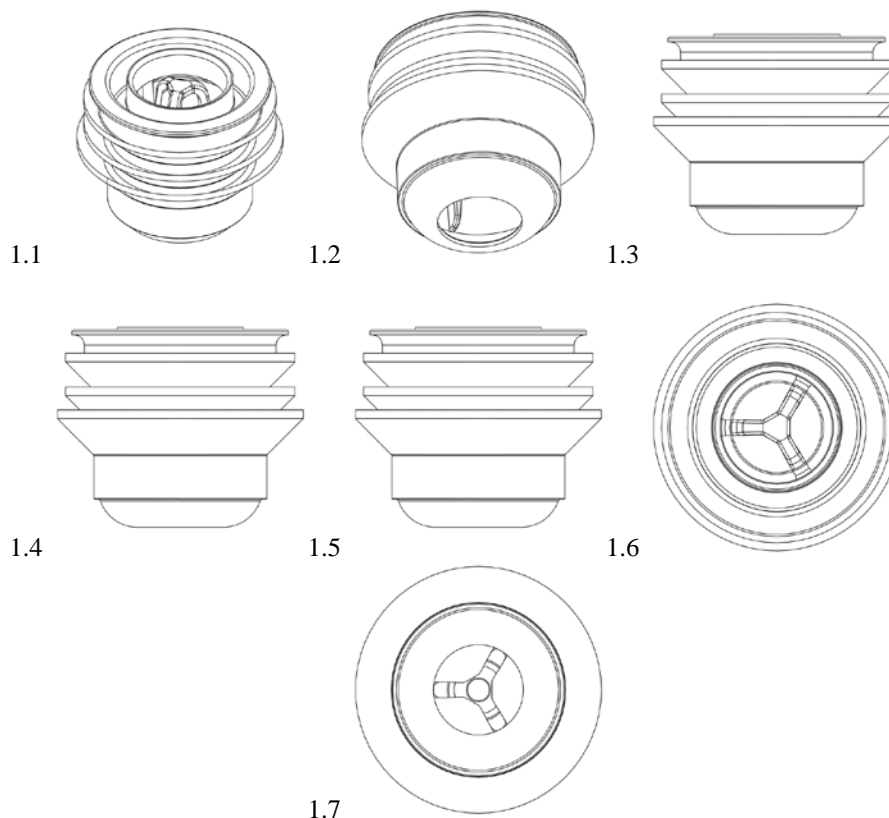
REGISTERED DESIGN

(11) D 2023 979 S (51) 09-01
(10) AD 2023 1290 S (44) 2023 06 12 №11
(21) AD 2023 1290
(22) 2023 01 24
(24) 2023 01 24
(28) 1
(18) 2028 01 24
(73) LLC "Winpak Professional" (GE)
University St. 24, entrance 4, fl. 7, 0186, Tbilisi,
Georgia (GE)
(72) Erdinç Kola (GE)
(54) PLASTIC BOTTLE

**DESIGNS, WHICH HAVE BEEN REGISTERED WITH THE INTERNATIONAL
BUREAU CLAIMING PRIORITY ON THE TERRITORY OF GEORGIA**

The decision can be appealed at the Chamber of Appeal of Sakpatenti within 3 months from the publication or at the Mtskheta District Court Administrative Cases Board (Address: №17, Samkhedro St., Mtskheta), within 1 month following the publication.

- (11) DM/229 988 (51) 09-07
 (15) 2023 06 19 (44) 27/2023 (2023 07 07)
 (22) 2023 06 19
 (28) 1
 (73) Torrent Innova S.L.
 Lugar el Martillo, s/n, 11500 El Puerto de Santa María, Cádiz (ES)
 (85) –
 (86) ES
 (87) –
 (88) –
 (89) EM
 (81) III. WS, LI, MK, OM, GE, BA, RS, NO, EG, RU, JM, RW, EM, IS, AM, BW, TJ, BY, VN, TN, GB, KH, TR, SR, MN, GH, ST, IL, CH, KP, JP, KR, MX, AL, UA, BN, OA, NA, SG, MA, MC, BZ, ME, AZ, SM
 (72) Carlos YARUSSI
 Lugar el Martillo, s/n, 11500, El Puerto de Santa María, Cádiz (ES);
 Jorge Antonio GUERRERO GAMAZA
 Lugar el Martillo, s/n, 11500, El Puerto de Santa María, Cádiz (ES)
 (74) ABG Intellectual Property Law S.L.
 Avda. de Burgos 16D Edificio EUROMOR, 28036 Madrid, Madrid (ES)
 (46) 2023 07 07
 (54) 1. VALVE BODY FOR BOTTLES
 (55)



(11) DM/229 934 (51) 10-07
(15) 2023 06 21 (44) 27/2023 (2023 07 07)

(22) 2023 06 21

(28) 1

(30) No1: 10.03.2023; 2023-00130; CH

(73) Rolex SA
rue François-Dussaud 3-5-7, 1211 Genève 26 (CH)

(85) CH

(86) CH

(87) CH

(88) CH

(89) CH

(81) III. CA, GE, OM, NO, RS, RW, MU, EM, AM, BW, TJ, MD, VN, TN, SR, MN, JP, KR, UA, OA, MA, ME, AZ, SM, WS, KG, LI, MK, BA, EG, RU, JM, IS, BY, GB, KH, TR, ST, GH, IL, KP, MX, AL, BN, NA, SG, MC, BZ, TM

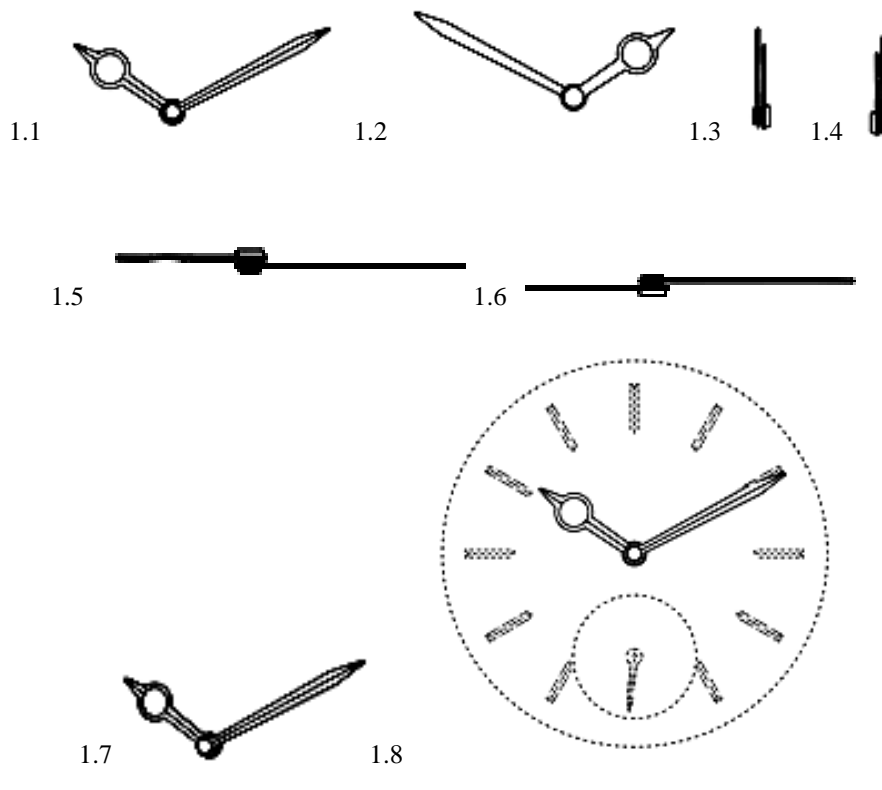
(72) Davide AIROLDI
16 rue du Grand-Bureau, 1227, Genève (CH)

(74) Bugnion S.A.
10, route de Florissant, Case postale 375, 1211 Genève 12 (CH)

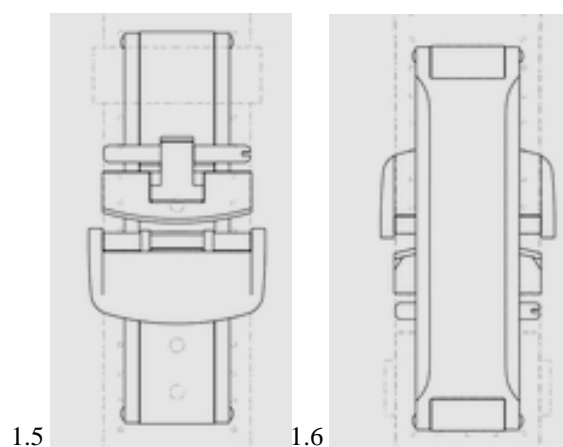
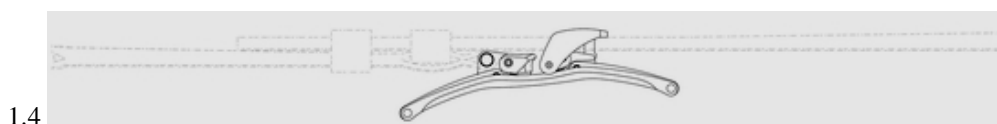
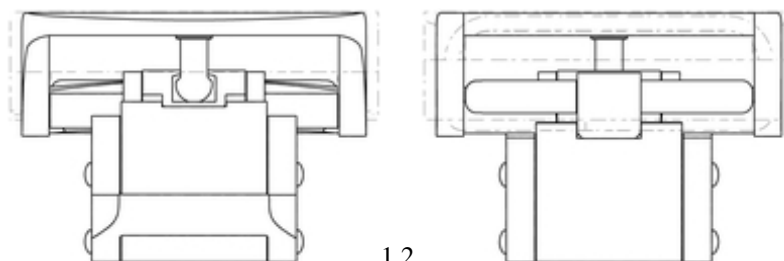
(46) 2023 07 07

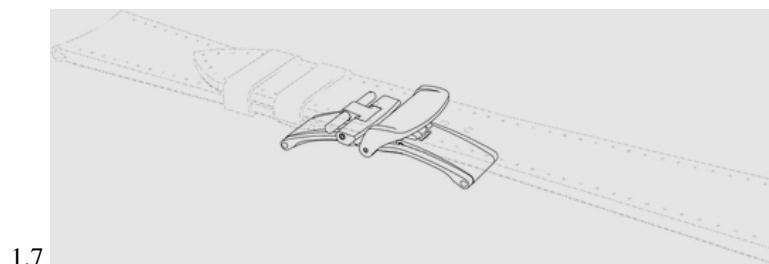
(54) I. WATCH HANDS

(55)

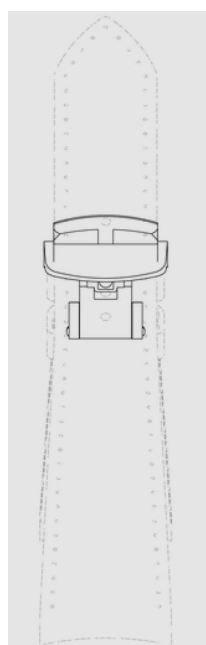


- (11) DM/229 935 (51) 10-07
 (15) 2023 06 21 (44) 27/2023 (2023 07 07)
 (22) 2023 06 21
 (28) 2
 (30) No1: 10.03.2023; 2023-00129; CH; No2: 10.03.2023; 2023-00129; CH
 (73) Rolex SA
 rue François-Dussaud 3-5-7, 1211 Genève 26 (CH)
 (85) CH
 (86) CH
 (87) CH
 (88) CH
 (89) CH
 (81) III. CA, GE, OM, RS, NO, RW, MU, EM, AM, BW, TJ, MD, VN, TN, SR, MN, JP, KR, UA, OA, MA, ME, AZ, SM, KG, WS, LI, MK, BA, EG, JM, RU, IS, BY, GB, KH, TR, GH, ST, IL, KP, MX, AL, BN, NA, SG, MC, BZ, TM
 (72) Davide AIROLDI
 16 rue du Grand-Bureau, 1227, Genève (CH)
 (74) Bugnion S.A
 10, route de Florissant, Case postale 375, 1211 Genève 12 (CH)
 (46) 2023 07 07
 (54) 1.-2. WATCH BRACELET CLASP
 (55)

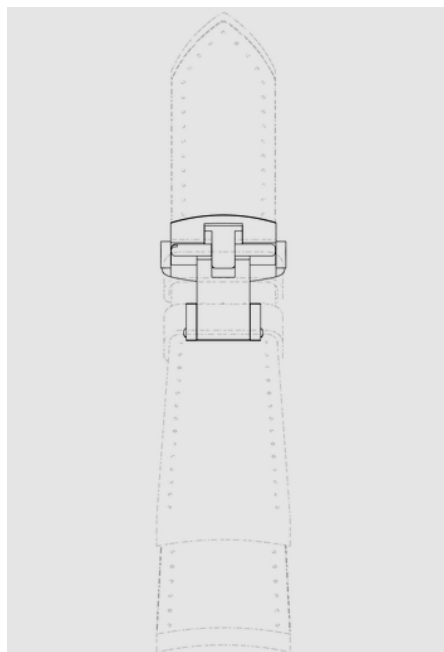




1.7



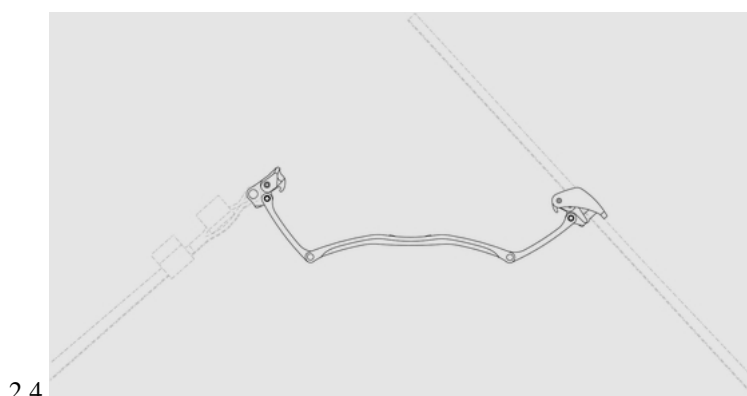
2.1



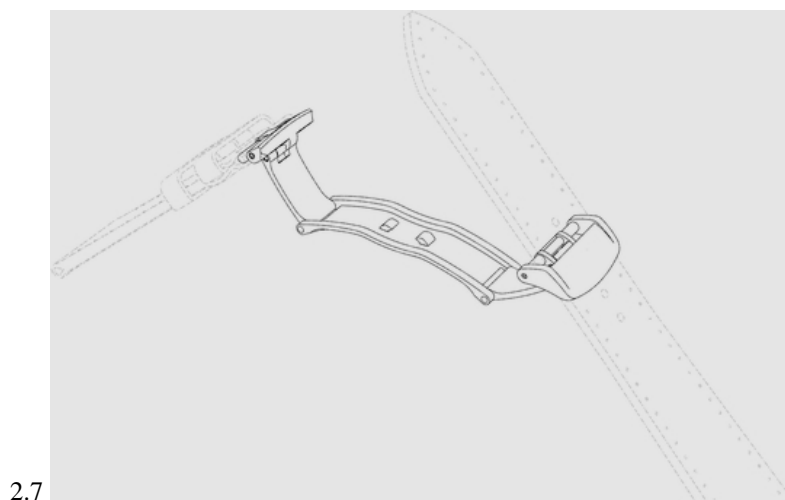
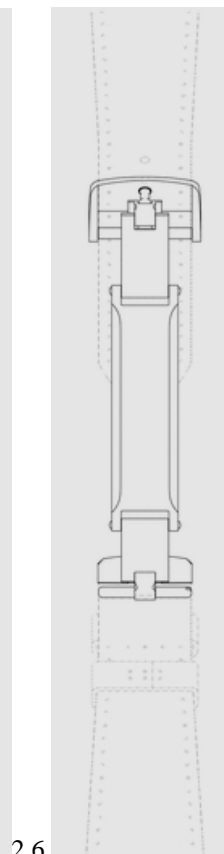
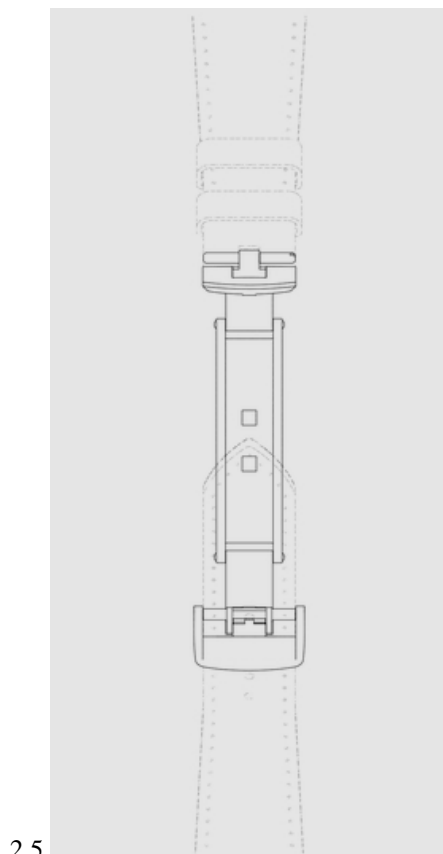
2.2



2.3

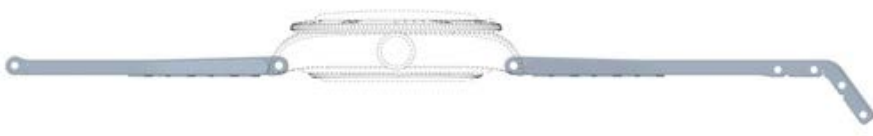
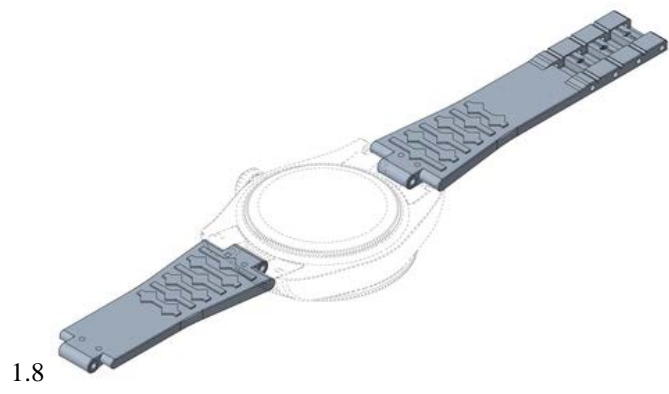


2.4



- (11) DM/230 095 (51) 10-07
 (15) 2023 06 21 (44) 28/2023 (2023 07 14)
 (22) 2023 06 21
 (28) 1
 (30) No1: 23.03.2023; 2023-00187; CH
 (73) Montres Tudor SA
 3, Rue François-Dussaud, 1211 Genève 26 (CH)
 (85) CH
 (86) CH
 (87) CH
 (88) CH
 (89) CH
 (81) III. OM, CA, GE, RS, NO, RW, MU, EM, AM, BW, TJ, MD, VN, TN, SR, MN, JP, KR, UA, OA, MA, ME, AZ, SM, KG, WS, LI, MK, BA, EG, RU, JM, IS, BY, GB, KH, TR, ST, GH, IL, KP, MX, AL, BN, NA, SG, MC, BZ, TM
 (72) Ander UGARTE
 Rue Des Gares 25, 1201, Genève (CH)
 (74) Bugnion S.A.
 10, Route De Florissant Case Postale 375, 1211 Genève 12 (CH)
 (46) 2023 07 14
 (54) 1. WATCH BRACELET
 (55)

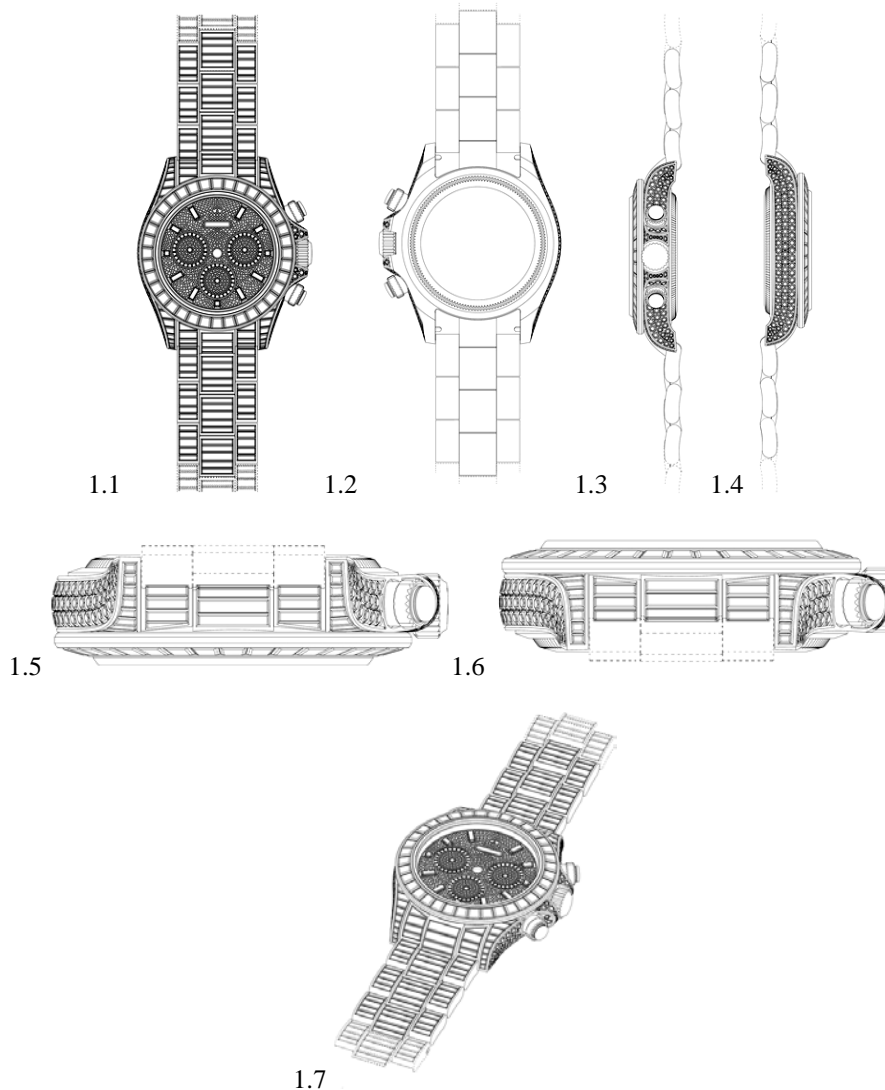




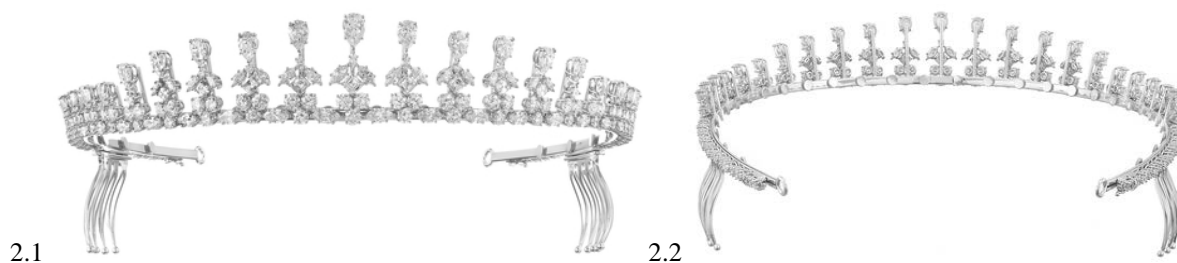
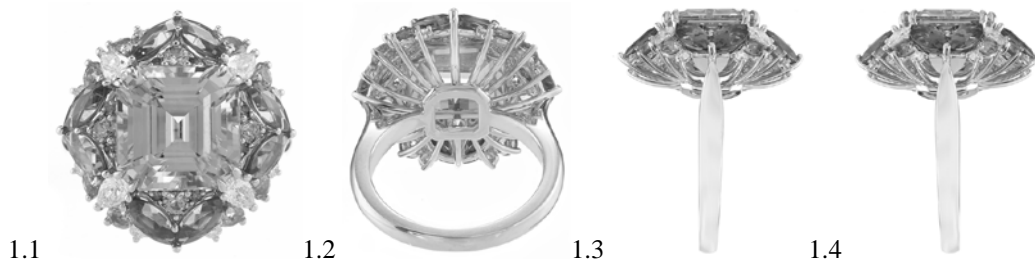
1.9

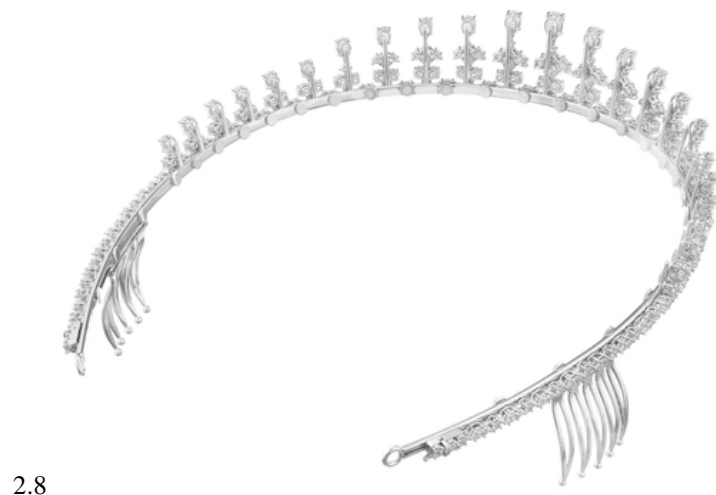


- (11) DM/230 206
- (15) 2023 07 03
- (22) 2023 07 03
- (28) 1
- (30) No1: 20.03.2023; 2023-00170; CH
- (73) Rolex SA
Rue François-Dussaud 3-5-7, 1211 Genève 26 (CH)
- (85) CH
- (86) CH
- (87) CH
- (88) CH
- (89) CH
- (81) III. GE, OM, CA, NO, RS, RW, EM, MU, AM, BW, TJ, MD, VN, TN, SR, MN, JP, KR, UA, OA, MA, ME, AZ, SM, WS, KG, LI, MK, BA, EG, JM, RU, IS, BY, GB, KH, TR, ST, GH, IL, KP, AL, MX, BN, NA, SG, MC, BZ, TM
- (72) Giovanni SICILIANO
9, Chemin Docteur-Adolphe-Pasteur, 1209, Genève (CH)
- (74) Bugnion SA
10, Route De Florissant, Case Postale 375, 1211 Genève 12 (CH)
- (46) 2023 07 21
- (54) 1. WATCH
- (55)



- (11) DM/226 428 (51) 11-01
 (15) 2023 01 20 (44) 29/2023 (2023 07 21)
 (22) 2023 01 20
 (28) 2
 (73) Harry Winston SA
 Chemin du Tourbillon 8, 1228 Plan-les-Ouates (CH)
 (85) CH
 (86) CH
 (87) CH
 (88) CH
 (89) CH
 (81) III. KG, LI, CA, MK, GE, TR, OM, BA, MN, NO, CH, EM, AL, AM, UA, MA, SG, MC, MD, ME, BZ, AZ, TN, GB
 (72) 1: Tobias WUEST
 c/o Harry Winston Inc. 718 Fifth Avenue, 10019, New York (US);
 2: Rie YATSUGI-KANG
 c/o Harry Winston Inc. 718 Fifth Avenue, 10019, New York (US)
 (74) The Swatch Group AG (The Swatch Group SA) (The Swatch Group Ltd.)
 Faubourg du Lac 6, 2501 Biel/Bienne (CH)
 (46) 2023 07 21
 (54) 1. FINGER RING, 2. TIARA
 (55)





TRADEMARKS

APPLICATIONS FILED UNDER THE NATIONAL PROCEDURE APPROVED FOR REGISTRATION

The decision can be appealed at the Chamber of Appeal of Sakpatenti within 3 months from the publication or at the Mtskheta District Court Administrative Cases Board (Address: №17, Samkhedro St., Mtskheta), within 1 month following the publication.

(260) AM 2023 120133 A*
(210) AM 120133
(220) 2022 10 31
(731) XL Energy Marketing Sp. Z O.O.
ul. Zlota 59, 00-120 Warszawa, Poland
(740) Giorgi Taktakishvili
(540)



(591) Red, yellow, blue, green, grey, lilac, white, black
(531) 25.07.25; 27.05.01; 27.05.17; 27.05.24; 29.01.15
(511) 32

(260) AM 2023 120516 A
(210) AM 120516
(220) 2022 11 29
(731) Vyeronika Gamiyeva
Ulica Metrologichna N113, Bina N42, Kievi, Ukraine
(740) Ivane Goglidze
(540)

WORLD PROFICARE

(591) Black-white
(511) 11, 43, 44

(260) AM 2023 120947 A
(210) AM 120947
(220) 2022 12 27
(731) LLC "Alta"
Akaki Beliashvili St. 104, 0159, Tbilisi, Georgia

(540)



(591) 6D6E71 grey, EF3D5B red
(531) 27.05.01; 27.05.22; 29.01.12
(511) 7, 35

(260) AM 2023 121214 A
(210) AM 121214
(220) 2023 01 13
(731) Mamuka Todua
Irakli Abashidze St. 26a, ap. 23, 0179, Tbilisi, Georgia
(540)



(591) Red, black, white
(511) 43

(260) AM 2023 121215 A
(210) AM 121215
(220) 2023 01 13
(731) Mamuka Todua
Irakli Abashidze St. 26a, ap. 23, 0179, Tbilisi, Georgia
(540)



(591) Red, black, white
(511) 43

(260) AM 2023 121220 A
(210) AM 121220
(220) 2023 01 16
(731) LTD "Pilgrim"
Freedom Square 4, 0105, Tbilisi, Georgia
(740) Vakhtang Torotadze

(540)



(591) 000000 black, 3282F6 sky-blue, 017BAA blue, 031F4E dark blue
 (531) 26.07.15; 27.05.02; 28.19; 29.01.12
 (511) 39, 43

(260) AM 2023 121417 A
 (210) AM 121417
 (220) 2023 01 30
 (731) LTD "Greenville"
 Grigol Lortkipanidze St. 13g, Samgori District, Tbilisi, Georgia

(540)



(591) 0952B1 blue, F6D001 yellow
 (531) 26.01.02; 26.01.03; 26.01.20; 26.01.22; 26.01.24; 27.05.01; 27.05.09; 27.05.10; 29.01.12
 (511) 29

(260) AM 2023 121427 A
 (210) AM 121427
 (220) 2023 02 01
 (731) LTD "Khaninvest"
 Demetre Tavdadebuli St. 50, Ent. 2, fl. 11, ap. 91, Batumi, Georgia

(540)

მაქსიმუს
MAXIMUS
МАКСИМУС

(591) Black-white
 (511) 41, 43

(260) AM 2023 121437 A
 (210) AM 121437
 (220) 2023 02 02
 (731) Ana Gorgadze
 Giorgi Brtskinvale St. 177, Batumi, Georgia

(540)

ვასკა
vaska

(591) Black-white
 (511) 35

(260) AM 2023 121438 A
 (210) AM 121438
 (220) 2023 02 02
 (731) LTD "Impexpharm"
 Giorgi Saakadze II Exit 17, 0160, Tbilisi, Georgia
 (740) Nugzar Ksovreli
 (540)

Urotam

(591) Black-white
 (511) 5

(260) AM 2023 121439 A
 (210) AM 121439
 (220) 2023 02 03
 (310) 1444005247; 1444005249; 1444005250
 (320) 2022 09 02; 2022 09 02; 2022 09 02
 (330) SA; SA; SA
 (731) Aviation Services Company Single Person Closed Joint Stock Company
 Building №3026, Al Sahafah District, P.O. Box 6133, Riyadh 13315, Kingdom of Saudi Arabia, Saudi Arabia
 (740) Tamaz Shilakadze
 (540)

RIYADH AIR

(591) Black-white
 (511) 35, 39, 43

(260) AM 2023 121499 A
 (210) AM 121499
 (220) 2023 02 03
 (310) 1444005251; 1444005252; 1444005253
 (320) 2022 09 02; 2022 09 02; 2022 09 02
 (330) SA; SA; SA
 (731) Aviation Services Company Single Person Closed Joint Stock Company
 Building №3026, Al Sahafah District, P.O. Box 6133, Riyadh 13315, Kingdom of Saudi Arabia, Saudi Arabia
 (740) Tamaz Shilakadze
 (540)

RIYADH AIRWAYS

(591) Black-white
 (511) 35, 39, 43

(260) AM 2023 121500 A
 (210) AM 121500
 (220) 2023 02 03
 (731) LTD "Palavani"
 Shindisi Hughway 19, Gori, Georgia
 (740) Giorgi Taktakishvili

(540)



(591) Golden, white
 (531) 02.01.13; 02.01.23; 05.01.19; 05.03.19;
 05.07.10; 11.03.01; 29.01.02
 (511) 33

(260) AM 2023 121505 A
 (210) AM 121505
 (220) 2023 02 04
 (731) BeiGene LTD
 94 Solaris Ave., 1) c/o Mourant Ozannes
 Corporate Services, 2) c/o Mourant
 Governance Services (Cayman) Limited,
 PO Box 1348, Cayman Islands
 (740) Vakhtang Torotadze
 (540)

BeiGene

(591) Black-white
 (511) 5

(260) AM 2023 121520 A
 (210) AM 121520
 (220) 2023 02 07
 (731) LLC "Trade Link"
 Doesis St. 15, 0144, Tbilisi, Georgia
 (540)

UZADÜ

(591) Black-white
 (531) 24.17.02; 27.05.01
 (511) 8, 18, 21

(260) AM 2023 121522 A
 (210) AM 121522
 (220) 2023 02 07
 (731) Pfizer Inc.
 235 East 42nd Street, New York, New York
 State, 0017, New York, USA
 (740) Natela Otaridze
 (540)

ABRYSVO

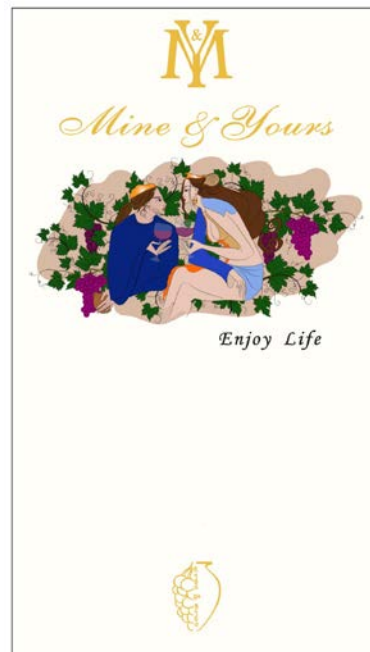
(591) Black-white
 (511) 5

(260) AM 2023 121525 A
 (210) AM 121525
 (220) 2023 02 07
 (731) LTD "Iour Kofe"
 Mukhiani Settlement, II m/r, bld. 37, ap. 13,
 Tbilisi, Georgia
 (540)

იორ კოფე
iour kofe

(591) Black-white
 (511) 30

(260) AM 2023 121526 A
 (210) AM 121526
 (220) 2023 02 08
 (731) Giorgi Pilia
 Gogebashvili St. 37/16, Tbilisi, Georgia
 (540)



(591) Golden, white, blue, sky-blue, green, brown,
 yellowish orange, lilac, black, straw colored
 (531) 02.07.02; 02.07.04; 05.03.04; 05.03.19;
 05.07.10; 19.09.02; 27.05.01; 27.05.22;
 29.01.15
 (511) 33

(260) AM 2023 121633 A
 (210) AM 121633
 (220) 2023 02 13
 (731) Qsiniang Longbo Industrial Co., Ltd.
 Room 602, 6th Floor, No. 531, Weixing Road,
 Urumqi Economic and Technical Develop-
 ment Zone, Xinjiang, People's Republic
 of China

(540)

P.I.T.

(591) Red

(531) 24.17.02; 27.05.23; 29.01.01

(511) 6, 7, 8, 9, 35

(260) AM 2023 121634 A

(210) AM 121634

(220) 2023 02 13

(731) Pfizer Inc.

235 East 42nd Street, New York, New York
State, 0017, New York, USA

(740) Natela Otariidze

(540)



(591) Black-white

(531) 01.15.23; 26.11.12

(511) 5

(260) AM 2023 121642 A

(210) AM 121642

(220) 2023 02 13

(731) Fine Agrochemicals Limited

Hill End House, Whittington, Worcester,
Worcestershire, WR5 2RQ, United Kingdom

(740) Giorgi Taktakishvili

(540)

კუდოსი

(591) Black-white

(511) 1, 5

(260) AM 2023 121643 A

(210) AM 121643

(220) 2023 02 13

(731) Fine Agrochemicals Limited

Hill End House, Whittington, Worcester,
Worcestershire, WR5 2RQ, United Kingdom

(740) Giorgi Taktakishvili

(540)

ნოვაგობი

(591) Black-white

(511) 1, 5

(260) AM 2023 121645 A

(210) AM 121645

(220) 2023 02 13

(731) Fine Agrochemicals Limited

Hill End House, Whittington, Worcester,
Worcestershire, WR5 2RQ, United Kingdom

(740) Giorgi Taktakishvili

(540)

ფალგრო

(591) Black-white

(511) 1, 5

(260) AM 2023 121657 A

(210) AM 121657

(220) 2023 02 15

(731) Yibin Kaiyi Automobile Co., Ltd.

No 7, Section 4, West Section of North
Yangtze Road, Lingang Economic and
Technological Development Zone, Yibin City,
Sichuan Province, People's Republic of China

(740) Giorgi Kartvelishvili

(540)

KAIYI

(591) Black-white

(531) 27.05.04

(511) 12

(260) AM 2023 121734 A

(210) AM 121734

(220) 2023 02 20

(310) № m 2022 09857

(320) 2022 08 22

(330) UK

(731) Kseniia Olehivna Lozova

Prosp. Yuvileiny, 75, kv. 82, Kharkiv, 61111,
Ukraine

(540)

HIMARS

(591) Black-white

(531) 27.05.01

(511) 34

(260) AM 2023 121763 A

(210) AM 121763

(220) 2023 02 22

(731) Mariam Giorgobiani

Tskneti St. 14, 0162, Tbilisi, Georgia

(540)

**GEORGIAN
FASHION
WEEK**

(591) 000000 black, white

(531) 27.05.01; 27.05.15

(511) 35, 41

(260) AM 2023 121770 A
 (210) AM 121770
 (220) 2023 02 23
 (731) Enriko Beridze
 G. Tsitsishvili St. 18, Tbilisi, Georgia
 (740) Salome Jeladze
 (540)

ბერძეთა მარანი
Beridzeta marani

(591) Black-white
 (511) 33, 35

(260) AM 2023 121774 A
 (210) AM 121774
 (220) 2023 02 23
 (731) Sterling Perfumes Industries (L.L.C.)
 P.O. Box: 40769, Dubai, United Arab Emirates
 (740) Giorgi Kartvelishvili
 (540)



(591) Black-white
 (531) 25.01.09; 25.01.10; 26.01.01; 26.01.20
 (511) 3

(260) AM 2023 121775 A
 (210) AM 121775
 (220) 2023 02 23
 (731) Giorgi Kikabidze
 Iliia Chavchavade Av. 54a, 0179, Tbilisi,
 Georgia
 (740) Giorgi Taktakishvili
 (540)



(591) Black-white
 (531) 07.01.03; 25.01.09; 25.01.10; 27.05.01
 (511) 32

(260) AM 2023 121855 A
 (210) AM 121855
 (220) 2023 02 28
 (731) Ibn Albahr Restaurant-fzko
 PJ-CVM-05, CLUB VISTA MARE, P.O. Box
 7350, Dubai, United Arab Emirates
 (540)



(591) Black-white
 (531) 27.05.02; 27.05.03; 28.01
 (511) 43

(260) AM 2023 121856 A
 (210) AM 121856
 (220) 2023 02 28
 (731) Enriko Beridze
 G. Tsitsishvili St. 18, Tbilisi, Georgia
 (740) Salome Jeladze
 (540)



(591) Golden, dark grey
 (531) 27.01.01; 27.01.06; 28.19; 29.01.12
 (511) 35

(260) AM 2023 121861 A
 (210) AM 121861
 (220) 2023 03 01
 (731) Monster Energy Company
 a Delaware Corporation
 1 Monster Way, Corona, California 92879,
 USA
 (740) Tamaz Shilakadze
 (540)

REHAB MONSTER

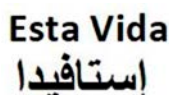
(591) Black-white
 (511) 30, 32

(260) AM 2023 121863 A
 (210) AM 121863
 (220) 2023 03 02
 (731) Liana Saneblidze
 Sukhumi, Georgia;
 Jano Markhulia
 Tchuburkhinji, Gali Region, Georgia;
 LEPL "Shota Rustaveli National Science
 Foundation of Georgia"
 M. Aleksidze St. 1, 0183, Tbilisi, Georgia;
 Shalva Kekutia
 Shartava St. 45a, b. 16, 0160, Tbilisi, Georgia;
 Vladimer Mikelashvili
 Rustaveli St. 4, Surami, Khashuri, Georgia
 (540)



(591) Black-white
 (531) 26.01.12; 26.11.03; 26.11.05; 26.11.12;
 26.11.13; 26.11.25; 26.13.25; 27.05.10;
 27.05.11
 (511) 1

(260) AM 2023 121864 A
 (210) AM 121864
 (220) 2023 03 02
 (731) Retaj Hotels & Hospitality
 Dafna, Diplomatic District, P.O. Box: 25556,
 Doha, Qatar
 (540)



(591) Black-white
 (531) 27.05.01; 28.01
 (511) 43

(260) AM 2023 121866 A
 (210) AM 121866
 (220) 2023 03 02
 (731) LTD "Purple Sauce"
 Pekini Av. 14b, fl. 8, ap. 41, 0171, Saburtalo
 District, Tbilisi, Georgia
 (540)



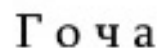
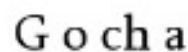
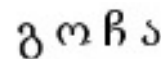
(591) Blsck, pink
 (531) 11.03.02; 27.05.01; 29.01.12
 (511) 32, 33, 43

(260) AM 2023 121899 A
 (210) AM 121899
 (220) 2023 03 06
 (731) Intercontinental Great Brands LLC
 100 Deforest Avenue, East Hanover,
 New Jersey 07936, USA
 (740) Giorgi Taktakishvili
 (540)



(591) Yellow, brown, green, beige
 (531) 01.03.01; 01.03.13; 26.01.01; 26.01.05;
 26.01.19; 27.05.01; 27.05.08; 29.01.13
 (511) 30

(260) AM 2023 121924 A
 (210) AM 121924
 (220) 2023 03 06
 (731) LTD "Askaneli Winery & Distillery"
 Kakheti Highway N110a, Samgori
 District, 0198, Tbilisi, Georgia
 (740) Davit Dzamukashvili
 (540)



(591) Black-white
 (511) 33

(260) AM 2023 121930 A
 (210) AM 121930
 (220) 2023 03 07
 (731) Irakli Goginashvili
 Digmis Tskali St. 25, Tbilisi, Georgia
 (540)



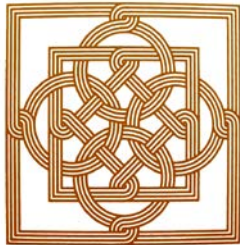
(591) Black-white
 (511) 30

(260) AM 2023 122005 A
(210) AM 122005
(220) 2023 03 10
(731) LLC "Lithuanian Bakery+"
T. Eristavi St. 1, 0192, Tbilisi, Georgia
(540)



(591) Dark brown, beige, yellow, white, carnelian
(531) 02.01.02; 02.01.11; 02.01.20; 25.01.05;
25.01.25; 29.01.15
(511) 30, 35

(260) AM 2023 122027 A
(210) AM 122027
(220) 2023 03 15
(731) Giorgi Ezugbaya
Oniashvili St. 61, ap. 4, Tbilisi, Georgia
(540)



BWINERY
BEDIANI

(591) Grey, golden, white
(531) 25.01.25; 27.05.01; 27.05.12; 29.01.13
(526) BEDIANI
(511) 33, 35

(260) AM 2023 122044 A
(210) AM 122044
(220) 2023 03 16
(731) Monster Energy Company
a Delaware corporation
1 Monster Way, Corona, California 92879,
USA
(740) Tamaz Shilakadze
(540)

JAVA MONSTER

(591) Black-white
(511) 30, 32

REGISTERED TRADEMARKS

(111) M 2023 37245 R
(151) 2023 09 05
(181) 2033 09 05
(260) AM 2022 119597 A
(220) 2022 09 27

(732) Tamar Abuladze
M. Shavishvili St. 1a, ap. 79g, 0186, Tbilisi,
Georgia

(111) M 2023 37251 R
(151) 2023 09 05
(181) 2033 09 05
(260) AM 2022 119694 A
(220) 2022 10 04

(732) LTD "Georgian Education Group"
Petre Melikishvili Av. 8a / Erekle Tatishvili
St. 1, 0179, Mtatsminda District, Tbilisi, Georgia

(111) M 2023 37246 R
(151) 2023 09 05
(181) 2033 09 05
(260) AM 2022 119808 A
(220) 2022 10 13

(732) LLC "Aversi-Pharma"
Davit Aghmashenebeli Ave. 148, 0112,
Tbilisi Georgia

(111) M 2023 37252 R
(151) 2023 09 05
(181) 2033 09 05
(260) AM 2022 119693 A
(220) 2022 10 04

(732) LTD "Georgian Education Group"
Petre Melikishvili Av. 8a / Erekle Tatishvili
St. 1, 0179, Mtatsminda District, Tbilisi, Georgia

(111) M 2023 37247 R
(151) 2023 09 05
(181) 2033 09 05
(260) AM 2022 119494 A
(220) 2022 09 20

(732) AMB Sarl
1 Rue Jean Jaurès, Annecy, 74000, France

(111) M 2023 37253 R
(151) 2023 09 05
(181) 2033 09 05
(260) AM 2022 119200 A
(220) 2022 08 31

(732) Intersun Holding FZCO
Jebal Ali Free Zone, Dubai, 61051, United
Arab Emirates

(111) M 2023 37248 R
(151) 2023 09 05
(181) 2033 09 05
(260) AM 2022 118295 A
(220) 2022 06 24

(732) LLC "Amaline Group"
Dighomi, IV qu., bld. 25, ap. 48, 0159, Didube
District, Tbilisi, Georgia

(111) M 2023 37254 R
(151) 2023 09 05
(181) 2033 09 05
(260) AM 2022 119360 A
(220) 2022 09 13

(732) TOV "Ukrpharmexport"
Serga Leparia St. 19, bld. 3, 02225, Kyiv,
Ukraine

(111) M 2023 37249 R
(151) 2023 09 05
(181) 2033 09 05
(260) AM 2022 118757 A
(220) 2022 07 28

(732) Enriko Beridze
G. Tsitsishvili Str. 18, Tbilisi, Georgia

(111) M 2023 37255 R
(151) 2023 09 05
(181) 2033 09 05
(260) AM 2022 119132 A
(220) 2022 08 25

(732) Mikael Vardanyan
Bayron Str. 3, ap. 38, Yerevan, Armenia

(111) M 2023 37250 R
(151) 2023 09 05
(181) 2033 09 05
(260) AM 2022 119692 A
(220) 2022 10 04

(732) LTD "Georgian Education Group"
Petre Melikishvili Av. 8a / Erekle Tatishvili
St. 1, 0179, Mtatsminda District, Tbilisi, Georgia

(111) M 2023 37256 R
(151) 2023 09 05
(181) 2033 09 05
(260) AM 2022 118549 A
(220) 2022 07 13

(732) Tamaz Bitchiashvili
Vill. Mukhrani, 15 Lane 8, Mtskheta, Georgia

(111) M 2023 37257 R
(151) 2023 09 05
(181) 2033 09 05
(260) AM 2022 119187 A
(220) 2022 08 26
(732) JSC "Nizhegorodskiy Khimiko-Pharmaceuti-
cheskiy Zavod"
Salganskaya Str. 7, Nizhny Novgorod, 603600,
Russian Federation

(111) M 2023 37258 R
(151) 2023 09 05
(181) 2033 09 05
(260) AM 2022 120132 A
(220) 2022 10 28
(732) The Procter & Gamble Company
One Procter & Gamble Plaza, Cincinnati, Ohio
45202, USA

(111) M 2023 37259 R
(151) 2023 09 05
(181) 2033 09 05
(260) AM 2022 119770 A
(220) 2022 10 07
(732) LTD "Udabno"
Merab Kostava St. 14, Tbilisi, Georgia

(111) M 2023 37260 R
(151) 2023 09 05
(181) 2033 09 05
(260) AM 2022 120170 A
(220) 2022 11 03
(732) INPHA LLP Representative office in Georgia
Nearby Besiki St. 4, Plot 46/10, 0108, Tbilisi,
Georgia

(111) M 2023 37261 R
(151) 2023 09 05
(181) 2033 09 05
(260) AM 2022 119133 A
(220) 2022 08 25
(732) Mikael Vardanyan
Bayron Str. 3, ap. 38, Yerevan, Armenia

(111) M 2023 37262 R
(151) 2023 09 05
(181) 2033 09 05
(260) AM 2022 119131 A
(220) 2022 08 25
(732) Mikael Vardanyan
Bayron Str. 3, ap. 38, Yerevan, Armenia

(111) M 2023 37263 R
(151) 2023 09 05
(181) 2033 09 05
(260) AM 2022 119130 A
(220) 2022 08 25
(732) Mikael Vardanyan
Bayron Str. 3, ap. 38, Yerevan, Armenia

(111) M 2023 37264 R
(151) 2023 09 05
(181) 2033 09 05
(260) AM 2022 119121 A
(220) 2022 08 25
(732) Mikael Vardanyan
Bayron Str. 3, ap. 38, Yerevan, Armenia

(111) M 2023 37265 R
(151) 2023 09 05
(181) 2033 09 05
(260) AM 2022 119125 A
(220) 2022 08 25
(732) LLC "Grand Tobacco"
22 Hrant Vardanyan Str., 0061, Yerevan,
Armenia

(111) M 2023 37266 R
(151) 2023 09 05
(181) 2033 09 05
(260) AM 2022 119122 A
(220) 2022 08 25
(732) LLC "Grand Tobacco"
22 Hrant Vardanyan Str., 0061, Yerevan,
Armenia

(111) M 2023 37267 R
(151) 2023 09 05
(181) 2033 09 05
(260) AM 2022 119117 A
(220) 2022 08 25
(732) LLC "International Masis Tabak"
10 Hrant Vardanyan Str., 0802 Masis, Ararat
Region, Armenia

(111) M 2023 37268 R
(151) 2023 09 05
(181) 2033 09 05
(260) AM 2022 118736 A
(220) 2022 07 26
(732) Limited Liability Company "Vintorg"
Kotelnichesky proezd, office No. 1, 3rd floor,
house 27A, Lyubertsy, Moscow region, 140000,
Russian Federation

(111) M 2023 37269 R
(151) 2023 09 05
(181) 2033 09 05
(260) AM 2022 117908 A
(220) 2022 05 21
(732) Vyeronika Gamiyeva
Metrologichna Str. 113, ap. 42, Kyiv, Ukraine

(111) M 2023 37270 R
(151) 2023 09 05
(181) 2033 09 05
(260) AM 2022 119350 A
(220) 2022 09 12
(732) LTD "Sante GMT Production"
Kakheti Highway 10 km., 0182, Tbilisi, Georgia

(111) M 2023 37271 R
(151) 2023 09 05
(181) 2033 09 05
(260) AM 2022 119007 A
(220) 2022 08 16
(732) Kakha Tchanturia
Dighomi Array, II qu., bld. 12, ap. 27, 0159,
Tbilisi, Georgia

(111) M 2023 37272 R
(151) 2023 09 05
(181) 2033 09 05
(260) AM 2022 119772 A
(220) 2022 10 07
(732) LLC "Symetria"
Vazha-Pshavela Ave. 45, 0177, Tbilisi, Georgia

(111) M 2023 37273 R
(151) 2023 09 05
(181) 2033 09 05
(260) AM 2022 118304 A
(220) 2022 06 29
(732) Off-White LLC
360 Hamilton Ave., N100 White Plains,
New York, 10601, USA

(111) M 2023 37274 R
(151) 2023 09 05
(181) 2033 09 05
(260) AM 2022 119767 A
(220) 2022 10 07
(732) JSC "Argo"
Lilo, Lochini Ravine (plot N05/001), 0151,
Tbilisi, Georgia

(111) M 2023 37275 R
(151) 2023 09 05
(181) 2033 09 05
(260) AM 2022 119577 A
(220) 2022 09 23
(732) LTD "Lambada Games"
Sh. Nutsbidze St. 221, bld. 1a, ap. 26, 0186,
Vake District, Tbilisi, Georgia

(111) M 2023 37276 R
(151) 2023 09 05
(181) 2033 09 05
(260) AM 2022 120049 A
(220) 2022 10 27
(732) RK "Alazani Valley"
Piruz Makhatelashvili St. 15, 2200, Telavi,
Georgia

(111) M 2023 37277 R
(151) 2023 09 05
(181) 2033 09 05
(260) AM 2022 119495 A
(220) 2022 09 20
(732) AMB Sarl
1 Rue Jean Jaurès, Annecy, 74000, France

(111) M 2023 37278 R
(151) 2023 09 05
(181) 2033 09 05
(260) AM 2022 119019 A
(220) 2022 08 18
(732) Augmented Reality Concepts Inc.
344 S Warren St., Suite 200, Syracuse,
New York 13202, USA

(111) M 2023 37279 R
(151) 2023 09 05
(181) 2033 09 05
(260) AM 2022 118928 A
(220) 2022 08 10
(732) Obshchestvo s Ogranichennoy Otvetstven-
nostyu "Merkuriy"
ul. Komsomolskaya, 109, Mtsensk,
Orlovskaya obl., 303030, Russian Federation

(111) M 2023 37280 R
(151) 2023 09 05
(181) 2033 09 05
(260) AM 2022 119118 A
(220) 2022 08 25
(732) LLC "International Masis Tabak"
10 Hrant Vardanyan Str., 0802 Masis, Ararat
Region, Armenia

(111) M 2023 37281 R
(151) 2023 09 05
(181) 2033 09 05
(260) AM 2022 119119 A
(220) 2022 08 25
(732) LLC "International Masis Tabak"
10 Hrant Vardanyan Str., 0802, Masis, Ararat
region, Armenia

(111) M 2023 37282 R
(151) 2023 09 05
(181) 2033 09 05
(260) AM 2022 119123 A
(220) 2022 08 25
(732) LLC "International Masis Tabak"
10 Hrant Vardanyan Str., 0802, Masis, Ararat
region, Armenia

(111) M 2023 37283 R
(151) 2023 09 05
(181) 2033 09 05
(260) AM 2022 119120 A
(220) 2022 08 25
(732) LLC "International Masis Tabak"
10 Hrant Vardanyan Str., 0802, Masis, Ararat
region, Armenia

(111) M 2023 37284 R
(151) 2023 09 05
(181) 2033 09 05
(260) AM 2022 119127 A
(220) 2022 08 25
(732) LLC "International Masis Tabak"
10 Hrant Vardanyan Str., 0802, Masis, Ararat
region, Armenia

(111) M 2023 37285 R
(151) 2023 09 05
(181) 2033 09 05
(260) AM 2022 119124 A
(220) 2022 08 25
(732) LLC "International Masis Tabak"
10 Hrant Vardanyan Str., 0802, Masis, Ararat
region, Armenia

(111) M 2023 37286 R
(151) 2023 09 05
(181) 2033 09 05
(260) AM 2022 119128 A
(220) 2022 08 25
(732) LLC "International Masis Tabak"
10 Hrant Vardanyan Str., 0802, Masis, Ararat
region, Armenia

(111) M 2023 37287 R
(151) 2023 09 05
(181) 2033 09 05
(260) AM 2022 119129 A
(220) 2022 08 25
(732) LLC "International Masis Tabak"
10 Hrant Vardanyan Str., 0802, Masis, Ararat
region, Armenia

(111) M 2023 37303 R
(151) 2023 09 19
(181) 2033 09 19
(260) AM 2023 123343 A
(220) 2023 06 13
(732) Deep Dive LLC
Corporation Trust Center, 1209 Orange Street
Wilmington DE 19801, USA

(111) M 2023 37304 R
(151) 2023 09 19
(181) 2033 09 19
(260) AM 2022 118930 A
(220) 2022 08 10
(732) LTD "SafeWay"
Village Mashavera, Dmanisi, Georgia

(111) M 2023 37305 R
(151) 2023 09 19
(181) 2033 09 19
(260) AM 2022 120149 A
(220) 2022 11 01
(732) TCT Mobile Europe SAS
Immeuble Le Capitole, Parc des Fontaines 55,
Avenue Des Champs Pierreux, 92000 Nanterre,
France

(111) M 2023 37306 R
(151) 2023 09 19
(181) 2033 09 19
(260) AM 2022 117819 A
(220) 2022 05 16
(732) Meta Platforms Inc.
1601 Willow Road, Menlo Park, CA
94025, USA

(111) M 2023 37307 R
(151) 2023 09 19
(181) 2033 09 19
(260) AM 2022 119502 A
(220) 2022 09 22
(732) Davit Katamadze
Shalva Gogidze St. 6, Didube District, Tbilisi,
Georgia

(111) M 2023 37308 R
(151) 2023 09 19
(181) 2033 09 19
(260) AM 2022 119906 A
(220) 2022 10 20
(732) LTD "Rich Group"
Vill. Mughanlo, Marneuli Region, Georgia

(111) M 2023 37309 R
(151) 2023 09 19
(181) 2033 09 19
(260) AM 2022 116836 A
(220) 2022 02 25
(732) LTD "Rich Group"
Vill. Mughanlo, Marneuli Region, Georgia

(111) M 2023 37310 R
(151) 2023 09 19
(181) 2033 09 19
(260) AM 2022 119679 A
(220) 2022 09 30
(732) LTD "Black Sea Law Group"
Epadze St. bld. 85, ap. 75, Tbilisi, Georgia

(111) M 2023 37311 R
(151) 2023 09 19
(181) 2033 09 19
(260) AM 2022 118720 A
(220) 2022 07 22
(732) LTD "Eastern Corporation"
Daniel Tchonkadze Str. 10a, ap. 36, Tbilisi,
Georgia

(111) M 2023 37312 R
(151) 2023 09 19
(181) 2033 09 19
(260) AM 2022 120150 A
(220) 2022 11 01
(732) Natalia Berejnikh
Krasnodar, Kanevskaya Region, Kanevskaya
Stanica, Sportivnaya Street, Apt. N15, 350030,
Russian Federation

(111) M 2023 37313 R
(151) 2023 09 19
(181) 2033 09 19
(260) AM 2022 119273 A
(220) 2022 09 04
(732) LTD "Lerto"
Aleksandre Kazbegi Ave. 11a, ap. 21, 0160,
Tbilisi, Georgia

(111) M 2023 37314 R
(151) 2023 09 19
(181) 2033 09 19
(260) AM 2022 119766 A
(220) 2022 10 07
(732) Toyota Jidosha Kabushiki Kaisha
(Also Trading as Toyota Motor Corporation)
1, Toyota-cho, Toyota-shi, Aichi-ken, Japan

(111) M 2023 37315 R
(151) 2023 09 19
(181) 2033 09 19
(260) AM 2022 119013 A
(220) 2022 08 17
(732) LTD "3G – Georgian Global Group"
Mukhiani, I mcr., bld. 13, ap. 25, Tbilisi,
Georgia

(111) M 2023 37316 R
(151) 2023 09 19
(181) 2033 09 19
(260) AM 2022 120238 A
(220) 2022 11 07
(732) The Procter & Gamble Company
One Procter & Gamble Plaza, Cincinnati, Ohio
45202, USA

(111) M 2023 37317 R
(151) 2023 09 19
(181) 2033 09 19
(260) AM 2022 119818 A
(220) 2022 10 13
(732) The Procter & Gamble Company
One Procter & Gamble Plaza, Cincinnati, Ohio
45202, USA

(111) M 2023 37318 R
(151) 2023 09 19
(181) 2033 09 19
(260) AM 2022 120363 A
(220) 2022 11 16
(732) LTD "Inter Pharma"
Guramishvili Av. 64, 0141, Tbilisi, Georgia

(111) M 2023 37319 R
(151) 2023 09 19
(181) 2033 09 19
(260) AM 2022 118849 A
(220) 2022 08 03
(732) Ana Dzneladze
Iosebidge Str. 65, 0160, Tbilisi, Georgia

(111) M 2023 37320 R
(151) 2023 09 19
(181) 2033 09 19
(260) AM 2022 118864 A
(220) 2022 08 04
(732) Ana Dzneladze
Iosebidge Str. 65, 0160, Tbilisi, Georgia

(111) M 2023 37321 R
(151) 2023 09 19
(181) 2033 09 19
(260) AM 2022 119606 A
(220) 2022 09 27
(732) Meta Platforms Inc.
1601 Willow Road, Menlo Park, CA
94025, USA

(111) M 2023 37322 R
(151) 2023 09 19
(181) 2033 09 19
(260) AM 2022 120364 A
(220) 2022 11 16
(732) LTD "Inter Pharma"
Guramishvili Av. 64, 0141, Tbilisi, Georgia

TRADEMARKS REGISTERED ACCORDING TO THE ACCELERATED PROCEDURE

The decision can be appealed at the Chamber of Appeal of Sakpatenti within 3 months from the publication.

(111) M 2023 37288 R

(151) 2023 09 07

(181) 2033 09 07

(210) AM 124243

(220) 2023 08 09

(732) Sparklo Global Holdings LTD

Office 2473ResCo-Work05, 24th Floor, Al Sila Tower, Abu Dhabi Global Market Square, Al Maryah Island, Abu Dhabi, United Arab Emirates

(740) Giorgi Taktakishvili

(540)



(591) White, purple, black

(531) 02.09.04; 04.05.02; 04.05.04; 04.05.05; 04.05.21; 24.17.03; 27.05.01; 27.05.17; 29.01.13

(511) 6,7, 9, 35, 36, 37, 38, 39, 41, 42

(111) M 2023 37289 R

(151) 2023 09 08

(181) 2033 09 08

(210) AM 124503

(220) 2023 08 25

(732) LTD "Alcodelux"

Tskneti Highway 65, fl. 8, ap. 36, Vake District, Tbilisi, Georgia

(540)

Moorgate

(591) Black-white

(511) 33

(111) M 2023 37290 R

(151) 2023 09 08

(181) 2033 09 08

(210) AM 124308

(220) 2023 08 14

(732) LTD "Bolero & Company"

Kuchishvili St. 12-14-16, 0179, Tbilisi, Georgia

(540)



(591) White, black, green

(531) 07.03.02; 27.05.01; 27.05.10; 28.19; 29.01.13

(511) 35

(111) M 2023 37291 R

(151) 2023 09 08

(181) 2033 09 08

(210) AM 124507

(220) 2023 08 29

(732) LTD "Petmoli"

Sherip Khimshashvili St. 9, ap. 27, 6000, Batumi, Georgia

(540)



(591) Black, შავი, bordeaux, white

(531) 03.01.08; 03.01.16; 27.05.01; 27.05.15; 28.19; 29.01.07; 29.01.13

(511) 35

(111) M 2023 37292 R

(151) 2023 09 08

(181) 2033 09 08

(210) AM 124353

(220) 2023 08 17

(732) LTD "Maknatuna"

Gugunava St. 13 (Plot 4-3/2), 4600, Kutaisi, Georgia

(540)



(591) Red, white, black, grey

(531) 02.09.14; 02.09.15; 09.01.18; 09.01.22; 16.01.06; 16.01.08; 16.01.11; 16.03.13; 28.19; 29.01.15

(511) 3

(111) M 2023 37293 R
 (151) 2023 09 12
 (181) 2033 09 12
 (210) AM 124315
 (220) 2023 08 14
 (732) Ilia Kirvalidze
 Varketili, IV m/r, row 2, bld. 4, ap. 1, Tbilisi,
 Georgia

(540)

PHARSMAN

(591) Black-white
 (531) 24.09.10; 27.05.07
 (511) 33

(111) M 2023 37294 R
 (151) 2023 09 12
 (181) 2033 09 12
 (210) AM 124522
 (220) 2023 08 31
 (732) JSC "Teliani Valley"
 Tbilisi Highway 3, 2201, Telavi, Kakheti,
 Georgia

(540)



(591) 8118CC lilac, FFFFFFFF white,
 020202 black
 (531) 19.07.01; 29.01.13
 (526) Teliani
 (511) 33

(111) M 2023 37295 R
 (151) 2023 09 12
 (181) 2033 09 12
 (210) AM 124595
 (220) 2023 09 04
 (732) Laboratoires Onagrine
 66 avenue des Champs Elysées, Paris, 75008,
 France
 (740) Tamar Kotchlamazashvili

(540)

ONAGRINE

(591) Black-white
 (511) 3

(111) M 2023 37296 R
 (151) 2023 09 12
 (181) 2033 09 12
 (210) AM 124420
 (220) 2023 08 21
 (732) LLC "UG Lubricants"
 Avtomshenebeli St. 88 (Free Industrial
 Zone), Kutaisi, Georgia

(540)



(591) White, red, lilac
 (531) 24.01.03; 24.07.01; 24.07.23; 27.05.01;
 27.05.10; 27.07.01; 29.01.13
 (511) 1, 2

(111) M 2023 37297 R
 (151) 2023 09 14
 (181) 2033 09 14
 (210) AM 124350
 (220) 2023 08 17
 (732) Varvara Avdushko
 Archiepiskopou Leontiou A 250B, St. 3021,
 Cyprus
 (740) Tamar Malishava
 (540)

•CULT OF INNOCENCE•
RE-BORN



(591) Black-white
 (531) 01.03.07; 01.03.20; 26.01.01; 26.01.10;
 26.01.13; 26.01.14; 27.05.11
 (511) 25

(111) M 2023 37298 R
 (151) 2023 09 14
 (181) 2033 09 14
 (210) AM 124596
 (220) 2023 09 05
 (732) LTD "Alcodelux"
 Tskneti Highway 65, fl. 8, ap. 36, Vake
 District, Tbilisi, Georgia
 (540)

Molartes

(591) Black-white
 (511) 33

(111) M 2023 37299 R
 (151) 2023 09 14
 (181) 2033 09 14
 (210) AM 124584
 (220) 2023 09 01
 (732) LTD "Bidi Invest"
 Mukhran Matchavariani St. 27a, fl. 5, ap. 33,
 Batumi, Georgia
 (540)



(591) Black-white
 (531) 27.05.01; 27.05.22
 (511) 35

(111) M 2023 37300 R
 (151) 2023 09 14
 (181) 2033 09 14
 (210) AM 124513
 (220) 2023 08 14
 (732) LTD "Bolero & Company"
 Kuchishvili St. 12-14-16, 0179, Tbilisi,
 Georgia
 (540)



(591) Green, black, white
 (531) 07.03.02; 27.05.01; 27.05.10; 29.01.13
 (511) 35

(111) M 2023 37301 R
 (151) 2023 09 14
 (181) 2033 09 14
 (210) AM 124605
 (220) 2023 09 06
 (732) Agricultural Cooperative "Utskeri"
 Vill. Utskheri, 5100, Tsageri, Georgia
 (540)



(591) Green, white
 (531) 03.13.04; 03.13.24; 05.05.20; 26.05.02;
 26.05.24; 28.19; 29.01.12
 (511) 30

(111) M 2023 37302 R
 (151) 2023 09 19
 (181) 2033 09 19
 (210) AM 124417
 (220) 2023 08 21
 (732) LTD "Media Group Insider-Georgia"
 Emmanuel Apkhaidze St. 6, Vake District,
 Tbilisi, Georgia
 (540)

BUSINESS INSIDER GEORGIA
ბიზნეს ინსაიდერი საქართველო

(591) Black-white
 (526) GEORGIA, საქართველო
 (511) 35

INTERNATIONAL TRADEMARKS FOR WHICH A DECISION ON GRANTING PROTECTIONS IS TAKEN

The decision can be appealed at the Chamber of Appeal of Sakpatenti within 3 months from the publication or at the Mtskheta District Court Administrative Cases Board (Address: №17, Samkhedro St., Mtskheta), within 1 month following the publication.

(260) AM 2023 119416 A

(800) 1683379

(151) 2021 11 15

(891) 2021 11 15

(731) İHLAS HOLDİNG ANONİM ŞİRKETİ
Merkez Mahallesi, 29 Ekim Caddesi, İhlas
Plaza No:11 B/21, Yenibosna, Bahçelievler –
İstanbul, Türkiye

(540)



(591) Red, grey and white

(531) 26.01.04; 26.11.14; 27.05.01; 27.05.09;
27.05.10; 27.05.17; 29.01.12

(526) Haber Ajansı

(511)

38 – Radio and television broadcasting services; telecommunication services; providing access to the Internet; news agencies.

41 – Education and training; arranging and conducting of conferences, congresses and seminars; sporting and cultural activities; entertainment, ticket reservation and booking services for entertainment, sporting and cultural events, including ticket reservation and booking services for theatres, cinemas, museums and concerts; publication and editing of printed matter, including magazines, books, newspapers, other than publicity texts; electronic publication services; production of movie films, radio and television programmes; news reporters services, photographic reporting services; photography, translation.

(260) AM 2023 119475 A

(800) 1663292

(151) 2021 08 28

(891) 2022 07 14

(731) Blockchain Game Partners, Inc.
680 S Cache Street, Suite 100, Jackson
WY 83001, USA

(540)

GALA

(591) Black, white

(511)

9 – Downloadable game software; downloadable computer game software; downloadable computer

programs and computer software for electronic transfer of digital tokens; downloadable virtual goods, namely, computer software programs featuring in-game resources, tokens and virtual currency for use in video games and online virtual worlds; downloadable software featuring virtual currency, namely, computer programs featuring in-game tokens and currency for use in online web and mobile video games; downloadable computer software for use as a digital token wallet; downloadable software for enabling users to electronically create, store, send, receive, accept, and transmit digital tokens based on the blockchain technology; downloadable software for creating digital tokens using blockchain technology to facilitate the transfer between users, to allow users to post digital content, and to allow users to search and view digital content; downloadable computer software using blockchain and distributed ledger technology for authenticating and processing digital tokens, non-fungible tokens used with blockchain technology, non-fungible tokens used with blockchain technology to represent a collectible item; non-fungible tokens used with blockchain technology for data storage and content access limitation.

35 – Online retail store services featuring clothing, headwear, bags, cases, packs, key chains, charms, books, games, gaming accessories, toys, collectibles, gift cards; online retail store services for virtual goods, digital content, non-fungible tokens used with blockchain technology to represent a collectible item; provision of an online marketplace for buyers and sellers of goods and services; administration of a loyalty program.

36 – Issuance of tokens of value; cryptocurrency trading and exchange services, namely, providing a digital currency or digital token for use by members of an on-line community via a global computer network; blockchain services, namely, providing a digital currency or digital token for use by members of an online community via a global computer network; issuance of digital tokens; digital token exchange services; online real-time digital token trading; issuance of non-fungible tokens used with blockchain technology; issuance of non-fungible tokens used with blockchain technology to represent a collectible item; issuance of non-fungible tokens used with blockchain technology for data storage and content access limitation.

41 – Production of video recordings; multimedia publishing of games; entertainment services, namely, pro-

viding online computer and electronic games; entertainment services, namely, providing temporary use of non-downloadable computer games; entertainment services, namely, providing temporary use of non-downloadable computer games on mobile devices; entertainment services provided from an online environment in which users can play online computer games and electronic games and share game enhancements and game strategies; publication of statistics regarding games and game users via a website; providing temporary use of non-downloadable game software through which people locate information about tournaments, events, and competitions in the computer game field.

42 – Computer services, namely, hosting an on-line multimedia virtual environment in which users can interact for entertainment purposes; providing on-line non-downloadable computer programs and computer software for electronic transfer of digital tokens; providing on-line non-downloadable computer software for use as a digital token wallet; providing on-line non-downloadable computer software for enabling users to electronically create, exchange, store, send, receive, accept, and transmit digital tokens based on the blockchain technology; providing on-line non-downloadable computer software for enabling users to exchange digital tokens for data; providing online non-downloadable computer software for creating digital tokens using blockchain technology to facilitate the transfer of data between users, to allow users to post digital content, and to allow users to view digital content; platform as a service (paas) featuring computer software platforms using blockchain and distributed ledger technology for authenticating and processing digital tokens, non-fungible tokens used with blockchain technology, non-fungible tokens used with blockchain technology to represent a collectible item; provision of online, non-downloadable web and mobile video-game computer program featuring in-game virtual currency, tokens and currency; production of computer software, namely, developing and publishing computer software.

(260) AM 2023 120407 A

(800) 1696310

(151) 2022 02 16

(891) 2022 02 16

(731) ORHAN ATASAY

ÜNİVERSİTE MAHALLESİ CİVAN SOKAK,
ALLURE TOWER NO 1/117 Avcılar, İstanbul,
Türkiye

(540)

ILIA STEEL

(591) Blue

(531) 27.05.01; 27.05.19; 29.01.04

(511)

7 – Construction equipment: bulldozers, buckets for earth moving machines, excavators, road construction and paving machines, drilling machines, rock drilling machines, sweeping machines and robotic mechanisms with the same function; machinery and robotic mechanisms used in agriculture, animal husbandry, agriculture and grain/fruit/vegetable/food processing, beverage making and processing machinery; bearings, ball or roller bearings; alternators, generators, electric generators, solar powered generators; electric and gas welding machines, electric arc welding devices, electric soldering devices, electric arc cutting devices, electric welding machine electrodes and robots with the same function; packaging machines, fill-plug and seal machines, labeling machines, sorters, and robots and robotic mechanisms (including electrical plastic closing/sealing devices [packing]); pumps without machinery or engine parts (including fuel filling and distribution pumps and their guns); automatic vending machines; electric opening and closing mechanisms for vehicle windows; machines, machine tools and industrial robots for the processing and shaping of wood, metal, glass and plastic materials, extractors for mines; three-dimensional printers; lifting, transporting and conveying machinery: elevators, escalators, cranes, robotic mechanisms with the same function; engines, electric motors, their parts and assemblies, except for land vehicles: hydraulic and pneumatic controls, brakes, brake linings, other than for vehicles, cranks-hafts, gears, cylinders, pistons, turbines, filters being parts of machines or engines; parts used in land vehicles and included in this class: oil, fuel and air filters for vehicles, exhausts, exhaust manifolds, cylinders for engines, cylinder heads, pistons, carburetors, fuel conversion devices, fuel injectors, fuel saving devices, pumps, valves, starters, dynamos, spark plugs bearings and ball or roller bearings for engines and motors; tire removal and mounting machines; paint machines, automatic paint spray guns, electric, hydraulic and pneumatic punching machines and guns, electric glue guns, compressed air or spray guns for machines, power drills, chainsaws, jigsaws, spiral machines, compressed air generators, compressors, car wash machines and robots that have the same function as the machines and tools listed above; printing machines; textile machines, sewing machines and industrial robots with the same function; kitchen power tools for chopping, grinding, mashing, whisking and crumbling; washing machines, namely, washing and dishwashing machines, spin dryers [not heated]; electric machines, vacuum cleaners and parts thereof for cleaning floors, carpets or upholstery; galvanizing machines and electrolysis apparatus for electroplating; mechanical cylinder seals for machinery and engines.

9 – Devices for recording, transferring or reproducing sound and image: cameras, cinematographic cameras, televisions, videos, cd-dvd recording and player devices, mp3 players, computers, desktop tablet compu-

ters, wearable technological devices, namely, smart-watches, smart wristbands and head-mounted cameras, microphones, speakers, headphones; communication and duplication devices and computer peripheral equipment: mobile phones and their cases, fixed telephones, telephone exchanges, computer printers, scanners, copiers; antennas, satellite dishes, amplifiers and parts thereof; elements used in the electronics of machines and devices: semiconductors, electronic circuits, integrated chips (chips), diodes, transistors, magnetic heads; electronic locks, photocells, remote control apparatus for opening and closing doors, sensors; protective clothing, protection and life-saving equipment; electrical energy transmission, conversion, storage and control devices and tools: plugs, junction boxes, switches, breakers, fuses, ballasts, battery jump starters, electrical panels, resistors, electric sockets, transformers, adapters, chargers, cables used in electricity, electronics, batteries, accumulators, solar panels for electricity generation; signal bells, luminous or mechanical traffic signs and traffic-light apparatus [signalling devices]; radars, submarine radars (sonars), night vision apparatus and instruments; metronomes; measuring instruments, instruments, including those for science, nautical, topography, meteorology, industrial and laboratory use: non-medical thermometers, barometers, ammeters, voltmeters, humidity meters, test equipment, telescopes, periscopes, compasses; vehicle indicators; materials used in laboratories: microscopes, magnifying glasses, binoculars, experimental materials and devices; magnetic and optical record carriers and computer programs and software recorded on them; electronic publications that can be downloaded via computer networks and recorded on magnetic and optical media; cards with magnetic/optical reader, motion pictures, serials and video music clips recorded on magnetic, optical and electronic media; ticket dispensers, cash machines; counters and timers that measure the amount of consumption per unit time; eyeglasses, sunglasses, lenses and their cases, cases, parts and accessories for eyeglasses; devices which main function is warning and alarm (except vehicle alarms), namely, warning signs [luminous], security warning apparatus, anti-theft warning apparatus and alarms, electric bells; fire-fighting appliances and devices, namely, fire engines, fire hose and fire pumps; decorative magnets.

11 – Solid, liquid or gaseous fuel and electrical heating devices: combi boilers, boilers, electric heaters, heat exchangers, stoves, cookers; solar thermal collectors [heating]; air conditioning and ventilation devices; electric and gas powered appliances, machines and appliances for cooking, drying and boiling: ovens, electric pots, electric kettles, barbecues, barbecues, electric clothes dryers, hair dryers and hand dryers; water softening equipment, water treatment equipment, water treatment plant, waste treatment plant; filters for aquariums; pasteurizing and sterilizing machines; lighting devices (vehicles, indoor and outdoor

lighting fixtures); steam, gas and fog (smoke) generators: steam generators (boilers), acetylene generators, oxygen generators, nitrogen generators; electric coolers and freezers; non-medical electric heating cushions, blankets and heating pads, electric or non-electric foot warmers, hot water bags (thermophores), electrically heated socks; industrial type cooking, drying and cooling installation.

35 – Advertising, marketing and public relations services, organization of exhibitions and fairs for commercial and advertising purposes, development of advertising concepts; provision of an online marketplace for buyers and sellers of goods and services; office functions; secretarial services, arranging newspaper subscriptions for others, compilation of statistics, rental of office machines, systematization of information in computer databases, telephone answering services; business management, administration and consultancy in the field of accounting, personnel job placement, recruitment, personnel selection, personnel supply services, import-export agency services, temporary personnel assignment; invoicing services for others; organization and execution of auctions; the bringing together, for the benefit of others, of a variety of goods, namely, parts of motors and engines of all kinds, namely, starters, mufflers and cylinders for motors and engines of any type, electric cleaning and polishing apparatus, namely, electric shoe polishers, electric machines and apparatus for carpet shampooing and vacuum cleaners, 3d printers, industrial robots, certain special vehicles not for transportation purposes, namely, road sweeping machines, road making machines, bulldozers, snow ploughs, as well as rubber tracks as parts of those vehicles' crawlers, apparatus and instruments for scientific research in laboratories, training apparatus and simulators, namely, resuscitation mannequins, simulators for the steering and control of vehicles, apparatus and instruments for controlling and monitoring aircraft, watercraft and unmanned vehicles, namely, navigational instruments, transmitters, compasses for measuring, gps apparatus, automatic steering apparatus for vehicles, safety and security apparatus and instruments, namely, safety nets, signalling lights, traffic-light apparatus, fire engines, sound alarms, security tokens being encryption devices, clothing that protects against serious or life-threatening injuries, namely, clothing for protection against accidents, irradiation and fire, bullet-proof clothing, protective helmets, head guards for sports, mouth guards for sports, protective suits for aviators, knee-pads for workers, optical apparatus and instruments, namely, eyeglasses, contact lenses, magnifying glasses, mirrors for inspecting work, peepholes, magnets, smart-watches, wearable activity trackers, joysticks for use with computers, other than for video games, virtual reality headsets, smartglasses, eyeglass cases, cases for smartphones, cases especially made for photographic apparatus and instruments, automated teller machines, invoicing machines, material testing instru-

ments and machines, batteries and chargers for electronic cigarettes, electric and electronic effects units for musical instruments, laboratory robots, teaching robots, security surveillance robots, humanoid robots with artificial intelligence for use in scientific research, air-conditioning apparatus and installations, ovens, other than for laboratory use, namely, dental ovens, microwave ovens, bakers' ovens, stoves being heating apparatus, solar thermal collectors, chimney flues, chimney blowers, hearths, domestic fireplaces, sterilizers, incinerators, lighting apparatus and installations, namely, luminous tubes for lighting, searchlights, luminous house numbers, vehicle reflectors, lights for vehicles, lamps, namely, electric lamps, gas lamps, laboratory lamps, oil lamps, street lamps, safety lamps, tanning beds, bath installations, bath fittings, bath plumbing fixtures, toilets, urinals, fountains, chocolate fountains, electrically heated pads, cushions and blankets, not for medical purposes, hot water bottles, electrically heated clothing, electric appliances for making yogurt, bread-making machines, coffee machines, ice-cream making machines, ice machines and apparatus enabling customers to conveniently view and purchase those goods, such services may be provided by retail stores, wholesale outlets, by means of electronic media or through mail order catalogues.

(260) AM 2023 120541 A

(800) 1698090

(151) 2022 09 29

(891) 2022 09 29

(731) FERTIBERIA, S.A.

Calle Agustín de Foxá, 27, Plantas 8-11,
E-28036 Madrid, Spain

(540)

IMPACTO

Fertiberia

(591) Black, green

(531) 26.11.01; 26.11.09; 27.05.05; 27.05.10;
29.01.12

(511)

1 – Chemicals for use in industry, science and photography, as well as in agriculture, horticulture and forestry; unprocessed artificial resins, unprocessed plastics; fire extinguishing and fire prevention compositions; tempering and soldering preparations; substances for tanning animal skins and hides; adhesives for use in industry; putties and other paste fillers; compost, manures, fertilizers; biological preparations for use in industry and science.

5 – Pharmaceuticals, medical and veterinary preparations; sanitary preparations for medical purposes; dietetic food and substances adapted for medical or veterinary use, food for babies; dietary supplements for

human beings and animals; plasters, materials for dressings; material for stopping teeth, dental wax; disinfectants; preparations for destroying vermin; fungicides, herbicides.

(260) AM 2023 120560 A

(800) 1698772

(151) 2022 10 31

(891) 2022 10 31

(731) USHAŞ ULUSLARARASI SAĞLIK
HİZMETLERİ ANONİM ŞİRKETİ
ÜNİVERSİTELER MAH. 6001 CAD.,
SAĞLIK KAMPÜSÜ 3, Çankaya, Ankara,
Türkiye

(540)



(591) Black, red, white

(531) 01.01.01; 01.01.10; 02.09.01; 27.05.01;
27.05.09; 29.01.13

(511)

35 – Advertising, marketing and public relations; organization of exhibitions and trade fairs for commercial or advertising purposes; development of advertising concepts; provision of an online marketplace for buyers and sellers of goods and services; office functions; secretarial services; arranging newspaper subscriptions for others; compilation of statistics; rental of office machines; systemization of information into computer databases; telephone answering for unavailable subscribers; business management, business administration and business consultancy; accounting; commercial consultancy services; personnel recruitment, personnel placement, employment agencies, import-export agencies; temporary personnel placement services; auctioneering; the bringing together, for the benefit of others, of a variety of goods, namely, bleaching and cleaning preparations, detergents other than for use in manufacturing operations and for medical purposes, laundry bleach, fabric softeners for laundry use, stain removers, dishwasher detergents, perfumery, non-medicated cosmetics, fragrances, deodorants for personal use and animals, soaps, dental care preparations, dentifrices, denture polishes, tooth whitening preparations, mouth washes, not for medical purposes, abrasive preparations, emery cloth, sandpaper, pumice stone, abrasive pastes, polishing preparations for leather, vinyl, metal and wood, polishes and creams for leather, vinyl, metal and wood, wax for polishing, pharmaceutical and veterinary preparations for medical purposes, chemical preparations for medical and veterinary purposes, chemical reagents for pharmaceutical and veterinary purposes, medicated cos-

metics, dietary supplements for pharmaceutical and veterinary purposes, dietary supplements, nutritional supplements, medical preparations for slimming purposes, food for babies, herbs and herbal beverages adapted for medicinal purposes, dental preparations and articles, teeth filling material, dental impression material, dental adhesives and material for repairing teeth, sanitary preparations for medical use: hygienic pads, hygienic tampons, plasters, materials for dressings, diapers made of paper and textiles for babies, adults and pets, preparations for destroying vermin, herbicides, fungicides, preparations for destroying rodents, deodorants, other than for human beings or for animals, air purifying preparations, air deodorising preparations, disinfectants, antiseptic, detergents for medical purposes, medicated soaps, disinfectant soaps, antibacterial hand lotions, surgical, medical, dental and veterinary apparatus and instruments, furniture especially made for medical purposes, artificial limbs and prostheses, medical orthopaedic articles: corsets for medical purposes, orthopaedic shoes, elastic bandages and supportive bandages, surgical gowns and surgical sterile sheets, adult sexual aids, condoms, babies' bottles, babies' pacifiers, teats, gum massagers for babies, bracelets and rings for medical purposes, anti-rheumatism bracelets, anti-rheumatism rings, enabling customers to conveniently view and purchase those goods, such services may be provided by retail stores, wholesale outlets, by means of electronic media or through mail order catalogues.

38 – Radio and television broadcasting services; telecommunication services; providing access to the internet; news agency services.

39 – Land, water and air transport services; rental of land, water, or air vehicles; arranging of tours; travel reservation; issuing of tickets for travel; courier services (messages or merchandise); car parking; garage rental; boat storage; transport by pipeline; electricity distribution services; water supply services; rescue services for vehicles and goods; storage, wrapping and packaging of goods; transport and storage of trash; transport and storage of waste.

41 – Education and training services; arranging and conducting of conferences, congresses and seminars; sporting and cultural activities; entertainment; ticket reservation and booking services for entertainment, sporting and cultural events, including ticket reservation and booking services for theatres, cinemas, museums and concerts; publication and editing of printed matter, including magazines, books, newspapers, other than publicity texts; electronic publication services; production of movie films, radio and television programmes; news reporters services, photographic reporting services; photography; translation.

43 – Services for providing food and drink; temporary accommodation services; temporary accommodation reservation services; rental of rooms for wedding ce-

remonies; providing rooms for conferences and various meetings; day nursery services; boarding for animals.

44 – Medical services; beauty care services; veterinary services; animal husbandry; animal breeding; shoeing horses [farrier services]; agriculture, horticulture and forestry services; landscape design services; medical advisory services in the field of personnel health.

(260) AM 2023 120574 A

(800) 165004

(151) 1952 11 04

(891) 2022 11 05

(731) BAUSTAHLGEWEBE GESELLSCHAFT
M.B.H.

Friedrichstrasse 16, 69412 Eberbach, Germany

(540)

Baustahlgewebe

(591) Black, white

(511)

6 – Welded metal gauze and welded latticework made of metal wire for buildings.

(260) AM 2023 120575 A

(800) 388404

(151) 1972 05 02

(891) 2022 11 14

(731) Evonik Operations GmbH

Rellinghauser Str. 1 – 11, 45128 Essen,
Germany

(540)

ULTRASIL

(591) Black, white

(531) 27.05.01; 27.05.17

(511)

1 – Fillers for natural and synthetic rubber, as well as for synthetic materials.

(260) AM 2023 120576 A

(800) 431226

(151) 1977 06 18

(891) 2022 11 15

(731) Evonik Operations GmbH

Rellinghauser Str. 1 – 11, 45128 Essen,
Germany

(540)

SIPERNAT

(591) Black, white

(531) 27.05.01; 27.05.17

(511)

1 – Synthetic silicas as additives for improving the free flow of powdery substances and as anti-caking

agents for powdery substances and as anti-caking agents for powdery substances, as carriers for liquids and pasty substances, as fillers for plastic materials and as component products for anti-foam agents (all the above-mentioned goods included in class 1).

(260) AM 2023 120665 A
 (800) 1700208
 (151) 2022 11 09
 (891) 2022 11 09
 (731) JOINT STOCK COMPANY "FATS AND OIL INTEGRATED WORKS"
 UL. TITOVA 27, EKATERINBURG,
 RU-620085 SVERDLOVSKAYA OBLAST,
 Russian Federation

(540)



(591) White, light blue and blue
 (531) 26.04.05; 26.04.16; 26.04.24; 28.05; 29.01.12
 (511)
 30 – Mayonnaise; mayonnaise sauce.

(260) AM 2023 120666 A
 (800) 1700227
 (151) 2022 09 19
 (891) 2022 09 19
 (731) FORANS International AG
 Haldenstrasse 5, CH-6340 Baar, Switzerland

(540)

Swiss'Ovit

(591) Black, white
 (511)
 5 – Vitamins; vitamin drops; dietetic substances consisting of vitamins, minerals and trace elements, either individually or in combination; vitamin compositions; vitamin preparations and substances; vitamin and mineral preparations; vitamin preparations and minerals for medical use; multivitamin preparations; food supplements consisting of vitamins; vitamin supplements in the form of water-soluble tablets used for making effervescent beverages; vitamin supplement patches; vitamins in the form of tablets; vitamin preparations; balms for medical use; nutritional supplements; nutritional supplement mixtures for beverages in the form of powders; nutritional mineral supplements; dietetic and nutritional supplements; lotions for pharmaceutical use; sunburn ointments; ointments

for pharmaceutical use; pharmaceutical preparations for treating dandruff; medicinal creams for skin care; medicated preparations for skin care; pharmaceutical preparations for skin care.

(260) AM 2023 120667 A
 (800) 1700231
 (151) 2022 10 31
 (891) 2022 10 31
 (731) DESSANGE INTERNATIONAL
 39 avenue Franklin D. Roosevelt, F-75008
 Paris, France

(540)

ILLUMIDESS

(591) Black, white
 (511)
 3 – Cosmetic products for hair and scalp care and beautification; hair lotions; shampoos and conditioners; hair coloring and bleaching products; dyes for hair; colorants for toilet purposes; colorants for toilet purposes; toiletry oils and oils for hair and scalp care; beauty masks for hair and scalp care.

(260) AM 2023 120668 A
 (800) 1700232
 (151) 2022 10 31
 (891) 2022 10 31
 (731) DESSANGE INTERNATIONAL
 39 avenue Franklin D. Roosevelt, F-75008
 Paris, France

(540)

CHROMADESS

(591) Black, white
 (511)
 3 – Cosmetic products for hair and scalp care and beautification; hair lotions; shampoos and conditioners; hair coloring and bleaching products; dyes for hair; colorants for toilet purposes; colorants for toilet purposes; toiletry oils and oils for hair and scalp care; beauty masks for hair and scalp care.

(260) AM 2023 120669 A
 (800) 1700326
 (151) 2022 05 23
 (891) 2022 05 23
 (731) SEĞMEN KARDEŞLER GIDA ÜRETİM VE
 AMBALAJ SANAYİ ANONİM ŞİRKETİ
 AHİ EVRAN OSB MAH. OSMANLI CAD. 3 A,
 Sincan, Ankara, Türkiye

(540)



(591) Light brown, black and white
(531) 26.11.01; 26.11.12; 27.05.01; 27.05.02;
27.05.17; 27.05.24; 29.01.13

(511)
5 – Dietary supplements; nutritional supplements.

29 – Meat, fish, poultry and game; processed meat products; dried pulses; soups, bouillon; processed olives, olive paste; milks of animal origin; milks of herbal origin; milk products; butter; edible oils; dried, preserved, frozen, cooked, smoked or salted fruits and vegetables; jams, tomato paste; prepared nuts and dried fruits as snacks; hazelnut spreads and peanut butter; tahini (sesame seed paste); eggs and powdered eggs; potato chips; non-medical and complementary foodstuffs (including pollen, proteins, carbohydrates).

30 – Coffee, cocoa; coffee or cocoa based beverages, chocolate based beverages; pasta, stuffed dumplings, noodles; pastries and bakery products based on flour; desserts based on flour and chocolate; bread, simit [Turkish ring-shaped bagel covered with sesame seeds], poğaça [Turkish bagel], pita, sandwiches, katmer [Turkish pastry], pies, cakes, baklava [Turkish dessert based on dough coated with syrup], kadayıf [Turkish dessert based on dough]; desserts based on dough coated with syrup; puddings, custard, kazandibi [Turkish pudding], rice pudding, keşkül [Turkish pudding]; honey, bee glue for human consumption, propolis for food purposes; condiments for foodstuff, vanilla (flavoring), spices, sauces (condiments), tomato sauce; yeast, baking powder; flour, semolina, starch for food; sugar, cube sugar, powdered sugar; tea, ice tea; confectionery, chocolate, biscuits, crackers, wafers; chewing gums; ice-cream, edible ices; salt; cereal-based snack food, popcorn, crushed oats, corn chips, breakfast cereals, processed wheat for human consumption, crushed barley for human consumption, processed oats for human consumption, processed rye for human consumption, rice; molasses for food.

32 – Beers; yeast for brewing beer; mineral water, spring water, table water, soda water; fruit and vegetable juices, fruit and vegetable concentrates and extracts for making beverages, non-alcoholic soft drinks; energy drinks; protein-enriched sports beverages.

(260) AM 2023 120670 A
(800) 1700335
(151) 2022 10 11
(891) 2022 10 11
(731) Coordinating Distribution Center "EFKO-Kaskad" Limited Liability Company
ylitsa Frunze 4, Belgorodskaya obl.,
Alekseevskiy raion, RU-309850 g. Alekseevka,
Russian Federation

(540)

SLOBODA

(591) Black, white
(511)
29 – Oils and fats for food; vegetable oils for food; sunflower oil; olive oil; margarine; milk and milk products; yoghurt; butter; plant-based meat substitutes; plant-based milk substitutes; plant-based yoghurt substitutes.

30 – Sauces; mayonnaise; ketchup [sauce].

35 – Advertising for foodstuffs; retail and wholesale services for foodstuffs.

(260) AM 2023 120675 A
(800) 1700504
(151) 2022 10 07
(891) 2022 10 07
(731) KITO (Thailand) Co., Ltd.
197 Bangkhunthien-Chaytalay Road,
Samaedum Sub-district, Bangkhunthien
District, 10150 Bangkok, Thailand

(540)



(591) The colors red and black are claimed as feature of the mark

(531) 26.11.03; 26.11.06; 26.11.09; 27.01.25;
27.05.01; 27.05.17; 29.01.12

(511)

25 – Shoes; sports shoes.

(260) AM 2023 120743 A
(800) 1701165
(151) 2022 09 20
(891) 2022 09 20
(731) Aktsionernoe Obschestvo "Nizhegorodsky
khimiko-farmatsevtichesky zavod"
Salganskaya St., 7, Nizhny Novgorod,
RU-603105 Nizhegorodskaya obl.,
Russian Federation

(540)

БИКСИТОР

(591) Black, white

(531) 28.05

(511)

5 – Dietetic substances adapted for medical use; mineral dietary supplements; dietary supplements; albumin dietary supplements; capsules for medicines; cachets for pharmaceutical purposes; liniments; ointments for pharmaceutical purposes; drugs for medical purposes; medicines for human purposes; albuminous preparations for medical purposes; biological preparations for medical purposes; vitamin preparations; preparations of trace elements for human and animal use; pharmaceutical preparations; chemico-pharmaceutical prepara-

rations; chemical preparations for medical purposes; chemical preparations for pharmaceutical purposes; albuminous foodstuffs for medical purposes; dietetic foods adapted for medical purposes; suppositories.

35 – Demonstration of goods; marketing; dissemination of advertising matter; advertising.

(260) AM 2023 120746 A

(800) 1701172

(151) 2022 07 29

(891) 2022 07 29

(731) Euro Games Technology Ltd.

4, "Maritsa" Str., "Vranya-Lozen-Triugulnika",
BG-1151 Sofia, Bulgaria

(540)

EL PISTOLERO

(591) Black, white

(511)

9 – Operating computer software for main frame computers; monitors (computer hardware); computer hardware; apparatus for recording images; monitors (computer programs); computer game programs; recorded computer game programs; apparatus for recording, transmission or reproduction of sound or images; communications servers (computer hardware); electronic components for gambling machines; computer application software featuring games and gaming; computer software for the administration of on-line games and gaming; computer hardware for games and gaming; computer hardware for games and gambling, on the Internet and via telecommunication network; downloadable computer game software for gambling machines on the Internet and via telecommunication network; computer systems; computer operating system software; computer terminals; interactive terminals; multimedia terminals; electronic terminals for generating lottery tickets; interactive touch screen terminals; computer touchscreens; electronic display panels; liquid crystal display screens; digital signage display panels; multimedia software; multimedia apparatus and instruments; interactive multimedia software for playing games; computer screens; led large-screen displays; liquid crystal displays [leds] for home theatres; media streaming software; computer application software for streaming audio-visual media content via the Internet; software; computer gaming software; computer software packages; computer operating system software; computer software, recorded; software drivers; virtual reality software; games software; entertainment software for computer games; computer programs for network management; electronic lottery tickets; computer software platforms; operating systems; interactive computer systems; operating system programs; computer game software for use with on-line interactive games.

28 – Gaming machines for gambling; chips for gambling; mah-jong; arcade games; gambling machines

operating with coins, notes and cards; games; electronic games; parlor games; gaming chips; gaming tables; slot machines [gaming machines]; LCD game machines; slot machines and gaming devices; coin-operated amusement machines; roulette chips; poker chips; chips and dice [gaming equipment]; gaming equipment for casinos; roulette tables; gaming roulette wheels; casino games; automats and gambling machines; coin-operated amusement machines and/or electronic coin-operated amusement machines with or without the possibility of gain; boxes for coin-operated amusement machines, slot machines and gaming machines; electronic or electrotechnical amusement machines and apparatus, gaming machines, coin-operated entertainment machines; housings for coin-operated amusement machines, gaming equipment, gaming machines, machines for gambling; electropneumatic and electrical gambling machines (slot machines); lottery games; electronic targets for games and sports.

41 – Gambling; entertainment services related to gambling; gaming services for entertainment purposes; casino, gaming and gambling services; training in the development of software systems; provision of gaming equipment for gambling halls; providing casino equipment [gambling]; gaming machine entertainment services; providing casino facilities [gambling]; gaming hall services; games equipment rental; rental of gaming machines; providing amusement arcade services; rental of gaming machines with images of fruits; editing or recording of sounds and images; sound recording and video entertainment services; hire of sound reproducing apparatus; provision of gaming equipment for casinos; providing of casino facilities; online gambling services; casino services; provision of gaming facilities and gaming hall facilities, Internet casinos and online gambling services; lottery services; organization of lotteries; provision of games by means of a computer based system; online interactive entertainment; on-line casino services; online game services through mobile devices; providing online entertainment in the nature of game tournaments; providing on-line information in the field of computer gaming entertainment; sports betting services; online sports betting services; providing online games and games of chance, in particular using non-downloadable gaming software.

(260) AM 2023 120747 A

(800) 1701182

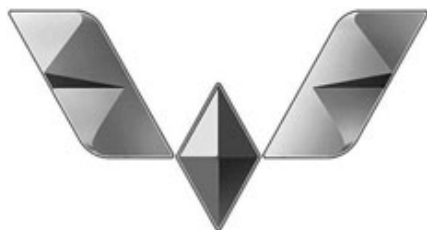
(151) 2022 10 09

(891) 2022 10 09

(731) SAIC-GM-WULING AUTOMOBILE CO.,
LTD.

No. 18, Hexi Road, Liunan District, Liuzhou,
545007 Guangxi, China

(540)



(591) Black, white

(531) 03.07.17; 03.07.24; 26.04.03; 26.04.06;
26.04.09; 26.04.12; 26.15.25

(511)

12 – Locomotives; remote control vehicles, other than toys; electric vehicles; vehicles for locomotion by land, air, water or rail; automobiles; robotic cars; automobile hoods; automobile bodies; shock absorbers for automobiles; sun-blinds adapted for automobiles; engines for land vehicles; rearview mirrors; bumpers for automobiles; brake pads for automobiles; wind-screen wipers; vehicle seats; steering wheels for vehicles; bicycles; push scooters [vehicles]; motorized tricycles; electric tricycles; motorized bicycles; cable cars; trolleys; tyres for vehicle wheels; air vehicles; boats; windshield wipers; driverless cars [autonomous cars]; self-driving cars; air bags [safety devices for automobiles]; safety seats for children, for vehicles.

35 – Advertising; television advertising; advertising planning services; presentation of goods on communication media, for retail purposes; online advertising on a computer network; business inquiries; public relations; organization of trade fairs; providing business information via a website; import-export agency services; marketing; telemarketing services; provision of an online marketplace for buyers and sellers of goods and services; personnel management consultancy; administrative services for the relocation of businesses; photocopying services; business auditing; rental of vending machines; retail or wholesale services for medical supplies; sponsorship search.

37 – Rustproofing; tyre balancing; repair of rubber tyres; leather care, cleaning and repair; disinfecting; elevator installation and repair; providing information relating to repairs; construction; house construction; quarrying services; cleaning of buildings [interior]; cleaning of buildings [exterior surface]; burner maintenance and repair; office machines and equipment installation, maintenance and repair; motor vehicle maintenance and repair; vehicle lubrication; vehicle service stations [refuelling and maintenance]; vehicle cleaning; vehicle breakdown repair services; vehicle battery charging; photographic apparatus repair; strong-room maintenance and repair.

(260) AM 2023 120748 A

(800) 1701216

(151) 2022 07 07

(891) 2022 07 07

(731) Koninklijke Douwe Egberts B.V.

Oosterdoksstraat 80, NL-1011 DK Amsterdam,
Netherlands

(540)

COMMON GROUNDS

(591) Black, white

(511)

35 – Advertising services to promote sustainable coffee and tea farming.

41 – Educational services and publishing of printed matter, except for advertising purposes, in relation to sustainable coffee and tea farming.

44 – Agricultural services relating to sustainable coffee and tea farming; consultancy services relating to sustainable coffee and tea farming.

(260) AM 2023 120749 A

(800) 1701254

(151) 2022 10 11

(891) 2022 10 11

(731) European Academy of Dermatology and
VenereologyVia Serafino Balestra 22B, CH-6900 Lugano,
Switzerland

(540)



EUROPEAN
ACADEMY OF
DERMATOLOGY &
VENEREOLOGY

(591) Black, white

(531) 26.11.08; 27.05.01; 27.05.11

(511)

36 – Financial sponsorship.

41 – Medical training and continuing education, particularly in the fields of dermatology and venereology; organization and holding of symposiums, conferences, meetings, seminars and congresses; publication of texts, except for advertising purposes; publication of electronic books and magazines online; education and teaching at academies; training.

44 – Medical advice in the field of public health, especially relating to dermatology and venereology.

(260) AM 2023 120750 A

(800) 1701262

(151) 2022 07 25

(891) 2022 07 25

(731) Euro Games Technology Ltd.

4, "Maritsa" Str., "Vranya-Lozen-Triugulnika",
BG-1151 Sofia, Bulgaria

(540)

UNITED DREAMS 3
MULTIGAME

(591) Red, white, black and silver

(531) 27.05.02; 27.05.03; 27.07.02; 29.01.13

(511)

9 – Software; computer gaming software; computer software packages; computer operating system software; computer software, recorded; software drivers; virtual reality software; games software; entertainment software for computer games; computer programs for network management; operating computer software for main frame computers; monitors (computer hardware); computer hardware; apparatus for recording images; monitors (computer programs); computer game programs; computer programs for recorded games; apparatus for recording, transmission or reproduction of sound or images; communications servers [computer hardware]; electronic components for gambling machines; computer application software featuring games and gaming; computer software for the administration of on-line games and gaming; computer hardware for games and gaming; hardware and software for gambling, gambling machines, gambling games on the Internet and via telecommunication network.

28 – Gaming machines for gambling; chips for gambling; mah-jong; arcade games; gambling machines operating with coins, notes and cards; games; electronic games; parlor games; gaming chips; gaming tables; slot machines [gaming machines]; LCD game machines; slot machines and gaming devices; coin-operated amusement machines; roulette chips; poker chips; chips and dice [gaming equipment]; gaming equipment for casinos; roulette tables; gaming roulette wheels; casino games; gambling machines and amusement machines, automatic and coin-operated; coin-operated amusement machines and/or electronic coin-operated amusement machines with or without the possibility of gain; boxes for coin-operated machines, slot machines and gaming machines; electronic or electrotechnical amusement machines and apparatus, gaming machines, coin-operated entertainment machines; housings for coin-operated machines, gaming equipment, gaming machines, machines for gambling; electropneumatic and electrical gambling machines (slot machines).

41 – Gambling; entertainment services related to gambling; gaming services for entertainment purposes; casino, gaming and gambling services; training in the

development of software systems; provision of gaming equipment for gambling halls; providing casino equipment [gambling]; gaming machine entertainment services; providing casino facilities [gambling]; gaming hall services; amusement arcade services; games equipment rental; rental of gaming machines; providing amusement arcade services; rental of gaming machines with images of fruits; editing or recording of sounds and images; sound recording and video entertainment services; hire of sound reproducing apparatus; provision of gaming equipment for casinos; providing of casino facilities; online gambling services; casino, gaming and gambling services; provision of gaming facilities, gaming hall facilities, Internet casinos and online gambling services.

(260) AM 2023 120751 A

(800) 1701266

(151) 2022 09 23

(891) 2022 09 23

(731) Euro Games Technology Ltd.

"Maritsa" Str. 4, "Vranya-Lozen-Triugulnika",
BG-1151 Sofia, Bulgaria

(540)

EGYPTIAN TALE

(591) Red, purple, yellow and golden

(531) 03.07.17; 27.05.02; 29.01.14

(511)

9 – Software; computer gaming software; computer software packages; computer operating system software; computer software, recorded; software drivers; virtual reality software; games software; entertainment software for computer games; computer programs for network management; operating computer software for main frame computers; monitors (computer hardware); computer hardware; apparatus for recording images; monitors (computer programs); computer game programs; computer programs for recorded games; apparatus for recording, transmission or reproduction of sound or images; communications servers [computer hardware]; electronic components for gambling machines; computer application software featuring games and gaming; computer software for the administration of on-line games and gaming; computer hardware for games and gaming; computer hardware for games and gambling on the Internet and via telecommunication network; downloadable computer game software for gambling machines on the internet and via telecommunication network.

28 – Gaming machines for gambling; chips for gambling; mah-jong; arcade games; gambling machines operating with coins, notes and cards; games; electronic games; parlor games; gaming chips; gaming tables; slot machines [gaming machines]; LCD game machines; slot machines and gaming devices; coin-operated amusement machines; roulette chips; poker

chips; chips and dice [gaming equipment]; gaming equipment for casinos; roulette tables; gaming roulette wheels; casino games; automats and gambling machines; coin-operated amusement machines and/or electronic coin-operated amusement machines with or without the possibility of gain; boxes for coin-operated machines, slot machines and gaming machines; electronic or electrotechnical amusement machines and apparatus, gaming machines, coin-operated entertainment machines; housings for coin-operated machines, gaming equipment, gaming machines, machines for gambling; electropneumatic and electrical gambling machines (slot machines).

41 – Gambling; entertainment services related to gambling; gaming services for entertainment purposes; casino, gaming and gambling services; training in the development of software systems; provision of gaming equipment for gambling halls; providing casino equipment [gambling]; gaming machine entertainment services; providing casino facilities [gambling]; gaming hall services; amusement arcade services; games equipment rental; rental of gaming machines; providing amusement arcade services; rental of gaming machines with images of fruits; editing or recording of sounds and images; sound recording and video entertainment services; hire of sound reproducing apparatus; provision of gaming equipment for casinos; providing of casino facilities; online gambling services; casino services; provision of gaming facilities and gaming hall facilities, internet casinos and online gambling services.

(260) AM 2023 120752 A

(800) 1701289

(151) 2022 07 25

(891) 2022 07 25

(731) Euro Games Technology Ltd.

4, "Maritsa" Str., "Vranya-Lozen-Triugulnika",
BG-1151 Sofia, Bulgaria

(540)

40 Super Flame

(591) Black, white

(511)

9 – Software; computer gaming software; computer software packages; computer operating system software; computer software, recorded; software drivers; virtual reality software; games software; entertainment software for computer games; computer programs for network management; operating computer software for main frame computers; monitors (computer hardware); computer hardware; apparatus for recording images; monitors (computer programs); computer game programs; computer programs for recorded games; apparatus for recording, transmission or reproduction of sound or images; communications servers [computer hardware]; electronic components for gambling machines; computer application softwa-

re featuring games and gaming; computer software for the administration of on-line games and gaming; computer hardware for games and gaming; hardware and software for gambling, gambling machines, gambling games on the Internet and via telecommunication network.

28 – Gaming machines for gambling; chips for gambling; mah-jong; arcade games; gambling machines operating with coins, notes and cards; games; electronic games; parlor games; gaming chips; gaming tables; slot machines [gaming machines]; LCD game machines; slot machines and gaming devices; coin-operated amusement machines; roulette chips; poker chips; chips and dice [gaming equipment]; gaming equipment for casinos; roulette tables; gaming roulette wheels; casino games; gambling machines and amusement machines, automatic and coin-operated; coin-operated amusement machines and/or electronic coin-operated amusement machines with or without the possibility of gain; boxes for coin-operated machines, slot machines and gaming machines; electronic or electrotechnical amusement machines and apparatus, gaming machines, coin-operated entertainment machines; housings for coin-operated machines, gaming equipment, gaming machines, machines for gambling; electropneumatic and electrical gambling machines (slot machines).

41 – Gambling; entertainment services related to gambling; gaming services for entertainment purposes; casino, gaming and gambling services; training in the development of software systems; provision of gaming equipment for gambling halls; providing casino equipment [gambling]; gaming machine entertainment services; providing casino facilities [gambling]; gaming hall services; amusement arcade services; games equipment rental; rental of gaming machines; providing amusement arcade services; rental of gaming machines with images of fruits; editing or recording of sounds and images; sound recording and video entertainment services; hire of sound reproducing apparatus; provision of gaming equipment for casinos; providing of casino facilities; online gambling services; casino, gaming and gambling services; provision of gaming facilities, gaming hall facilities, Internet casinos and online gambling services; providing online games and games of chance.

(260) AM 2023 120753 A

(800) 1701295

(151) 2022 09 19

(891) 2022 09 19

(731) JOINT STOCK COMPANY "ALIUM"

territory Quarter A, 2, Obolensk settlement,
Serpukhov, RU-142279 Moscow region,
Russian Federation

(540)

Neobutin

(591) Black, white

(511)

5 – Acaricides; aconitine; alkaloids for medical purposes; algicides; aldehydes for pharmaceutical purposes; dental amalgams of gold; dental amalgams; amino acids for veterinary purposes; amino acids for medical purposes; antibiotics; aluminium acetate for pharmaceutical purposes; acetates for pharmaceutical purposes; germicides; balms for medical purposes; bandages for dressings; biocides; bromine for pharmaceutical purposes; paper for mustard plasters; fly catching paper; mothproofing paper; petroleum jelly for medical purposes; vaccines; oxygen baths; aseptic cotton; absorbent cotton; wadding for medical purposes; dietetic substances adapted for medical use; radiological contrast substances for medical purposes; nutritive substances for microorganisms; radioactive substances for medical purposes; bismuth subnitrate for pharmaceutical purposes; melissa water for pharmaceutical purposes; seawater for medicinal bathing; mineral waters for medical purposes; thermal water; dietary fibre; moulding wax for dentists; gases for medical purposes; guaiacol for pharmaceutical purposes; haematogen; haemoglobin; hydrastine; hydrastinine; glycerine for medical purposes; glycerophosphates; glucose for medical purposes; gentian for pharmaceutical purposes; hormones for medical purposes; mustard for pharmaceutical purposes; mustard plasters; mud for baths; medicinal mud; gamboge for medical purposes; gurjun balsam for medical purposes; deodorants, other than for human beings or for animals; deodorants for clothing and textiles; diastase for medical purposes; digitalin; yeast for pharmaceutical purposes; gelatine for medical purposes; cod liver oil; isotopes for medical purposes; insecticides; iodine for pharmaceutical purposes; iodides for pharmaceutical purposes; alkaline iodides for pharmaceutical purposes; iodoform; calomel [fungicide]; cream of tartar for pharmaceutical purposes; tartar for pharmaceutical purposes; camphor for medical purposes; capsules for medicines; cachets for pharmaceutical purposes; haemostatic pencils; wart pencils; caustic pencils; carbolineum [parasiticide]; caustics for pharmaceutical purposes; cachou for pharmaceutical purposes; quassia for medical purposes; quebracho for medical purposes; oxygen for medical purposes; gallic acid for pharmaceutical purposes; acids for pharmaceutical purposes; adhesives for dentures; cocaine for medical purposes; collodion for pharmaceutical purposes; corn rings for the feet; medicated sweets; barks for pharmaceutical purposes; cedar wood for use as an insect repellent; croton bark; mangrove bark for pharmaceutical purposes; myrobalan bark for pharmaceutical purposes; quinquina for medical purposes; medicinal roots; rhubarb roots for pharmaceutical purposes; lint for medical purposes; starch for dietetic or pharmaceutical purposes; creosote for pharmaceutical purposes; blood for medical purposes; cultures of microorganisms for medical or veterinary use; curare; dental lacquer; liquorice for

pharmaceutical purposes; milk sugar for pharmaceutical purposes; adhesive plasters; medicines for alleviating constipation; lecithin for medical purposes; lotions for veterinary purposes; lotions for pharmaceutical purposes; lupulin for pharmaceutical purposes; magnesia for pharmaceutical purposes; liniments; ointments for pharmaceutical purposes; sunburn ointments; mercurial ointments; frostbite salve for pharmaceutical purposes; gauze for dressings; medicinal oils; mustard oil for medical purposes; camphor oil for medical purposes; castor oil for medical purposes; oil of turpentine for pharmaceutical purposes; dill oil for medical purposes; dental mastics; dental abrasives; dental impression materials; teeth filling material; dressings, medical; surgical dressings; drugs for medical purposes; medicines for veterinary purposes; serotherapeutic medicines; medicines for human purposes; medicines for dental purposes; menthol; medicinal drinks; moleskin for medical purposes; almond milk for pharmaceutical purposes; royal jelly for pharmaceutical purposes; milk ferments for pharmaceutical purposes; Irish moss for medical purposes; flour for pharmaceutical purposes; linseed meal for pharmaceutical purposes; fish meal for pharmaceutical purposes; fly glue; mint for pharmaceutical purposes; dietetic beverages adapted for medical purposes; malted milk beverages for medical purposes; narcotics; medicinal infusions; tincture of iodine; eucalyptol for pharmaceutical purposes; tinctures for medical purposes; opium; opodeldoc; decoctions for pharmaceutical purposes; antiparasitic collars for animals; stick liquorice for pharmaceutical purposes; sulfur sticks [disinfectants]; pectin for pharmaceutical purposes; pepsins for pharmaceutical purposes; peptones for pharmaceutical purposes; hydrogen peroxide for medical purposes; leeches for medical purposes; blood plasma; eyepatches for medical purposes; poultices; compresses; scapulars for surgical purposes; bunion pads; breast-nursing pads; pomades for medical purposes; powder of cantharides; pyrethrum powder; anti-uric preparations; bacterial preparations for medical and veterinary use; bacteriological preparations for medical and veterinary use; balsamic preparations for medical purposes; albuminous preparations for medical purposes; biological preparations for veterinary purposes; biological preparations for medical purposes; veterinary preparations; bismuth preparations for pharmaceutical purposes; vitamin preparations; diagnostic preparations for medical purposes; therapeutic preparations for the bath; haemorrhoid preparations; preparations for callouses; preparations to facilitate teething; preparations for the treatment of burns; fumigation preparations for medical purposes; opotherapy preparations; air deodorizing preparations; air purifying preparations; bronchodilating preparations; sterilizing preparations; soil-sterilizing preparations; corn remedies; pharmaceutical preparations for treating dandruff; preparations for destroying noxious animals; herbicides; preparations for destroying dry rot fungus; larvae extermin-

inating preparations; fly destroying preparations; preparations for destroying mice; slug exterminating preparations; parasiticides; pharmaceutical preparations for skin care; contact lens cleaning preparations; lime-based pharmaceutical preparations; opiates; anticryptogamic preparations; preparations of trace elements for human and animal use; sulfonamides [medicines]; pharmaceutical preparations; enzyme preparations for veterinary purposes; enzyme preparations for medical purposes; chemico-pharmaceutical preparations; chemical preparations for veterinary purposes; chemical preparations for the diagnosis of pregnancy; chemical preparations for medical purposes; chemical preparations for treating diseases affecting vine plants; chemical preparations for treating mildew; chemical preparations for treating phyloxera; chemical preparations for pharmaceutical purposes; chilblain preparations; mothproofing preparations; collyrium; lead water; chemical conductors for electrocardiograph electrodes; albuminous foodstuffs for medical purposes; dietetic foods adapted for medical purposes; by-products of the processing of cereals for medical purposes; sanitary towels; panty liners [sanitary]; radium for medical purposes; hydrated chloral for pharmaceutical purposes; solvents for removing adhesive plasters; vaginal washes for medical purposes; solutions for contact lenses; chemical reagents for medical or veterinary purposes; gum for medical purposes; rubber for dental purposes; chewing gum for medical purposes; insect repellent incense; insect repellents; repellents for dogs; tissues impregnated with pharmaceutical lotions; sarsaparilla for medical purposes; sugar for medical purposes; asthmatic tea; fumigating sticks; linseed for pharmaceutical purposes; tobacco-free cigarettes for medical purposes; siccatives [drying agents] for medical purposes; syrups for pharmaceutical purposes; turpentine for pharmaceutical purposes; milking grease; greases for veterinary purposes; greases for medical purposes; soporifics; bicarbonate of soda for pharmaceutical purposes; salts for mineral water baths; bath salts for medical purposes; salts for medical purposes; potassium salts for medical purposes; sodium salts for medical purposes; smelling salts; mineral water salts; malt for pharmaceutical purposes; semen for artificial insemination; medicinal alcohol; alloys of precious metals for dental purposes; ergot for pharmaceutical purposes; adjuvants for medical purposes; astringents for medical purposes; vermifuges; disinfectants for hygiene purposes; disinfectants for chemical toilets; appetite suppressants for medical purposes; mouthwashes for medical purposes; febrifuges; depuratives; animal washes [insecticides]; detergents for medical purposes; cattle washes [insecticides]; dog washes [insecticides]; vesicants; headache relief sticks; remedies for perspiration; remedies for foot perspiration; chemical contraceptives; antiparasitic preparations; laxatives; tonics [medicines]; nervines; digestives for pharmaceutical purposes; bouillons for bacteriological cultures; ste-

roids; strychnine; serums; sanitary tampons; vulnery sponges; thymol for pharmaceutical purposes; smoking herbs for medical purposes; medicinal herbs; tranquillizers; surgical implants comprised of living tissues; sanitary panties; charcoal for pharmaceutical purposes; fennel for medical purposes; porcelain for dental prostheses; phenol for pharmaceutical purposes; enzymes for veterinary purposes; enzymes for medical purposes; ferments for pharmaceutical purposes; formic aldehyde for pharmaceutical purposes; phosphates for pharmaceutical purposes; fungicides; quinine for medical purposes; chinoline for medical purposes; diabetic bread adapted for medical use; chloroform; flowers of sulfur for pharmaceutical purposes; cement for animal hooves; bone cement for surgical and orthopaedic purposes; dental cements; herbal teas for medicinal purposes; eucalyptus for pharmaceutical purposes; tobacco extracts [insecticides]; extracts of hops for pharmaceutical purposes; elixirs [pharmaceutical preparations]; ethers for pharmaceutical purposes; esters for pharmaceutical purposes; cellulose esters for pharmaceutical purposes; rat poison; poisons; bacterial poisons; jalap; hygienic bandages; nutritional supplements; additives to fodder for medical purposes; mineral dietary supplements; pastilles for pharmaceutical purposes; adhesive tapes for medical purposes; angostura bark for medical purposes; condurango bark for medical purposes; dog lotions; anti-horsefly oils; lacteal flour for babies; medicine cases, portable, filled; pants, absorbent, for incontinence; pills for pharmaceutical purposes; plasters for medical purposes; belts for sanitary napkins [towels]; bath preparations for medical purposes; medicinal hair growth preparations; pharmaceutical preparations for treating sunburn; chemical preparations for treating wheat blight; food for babies; sanitary napkins; suppositories; anaesthetics; antiseptics; analgesic preparations; medical preparations for slimming purposes; sal ammoniac lozenges; surgical tissues; cellulose ethers for pharmaceutical purposes; jujube, medicated.

35 – Arranging subscriptions to telecommunication services for others; import-export agency services; commercial information agency services; advertising agency services; cost price analysis; rental of advertising space; financial auditing; business auditing; employment agency services; computerized file management; invoicing; demonstration of goods; transcription of communications [office functions]; opinion polling; market studies; business investigations; marketing research; personnel recruitment; business management and organization consultancy; business organization consultancy; business management consultancy; professional business consultancy; layout services for advertising purposes; business management of performing artists; news clipping services; updating of advertising material; word processing; secretarial services; shorthand; organization of exhibitions for commercial or advertising purposes; arran-

ging newspaper subscriptions for others; organization of trade fairs for commercial or advertising purposes; shop window dressing; business appraisals; payroll preparation; data search in computer files for others; sponsorship search; business management assistance; commercial or industrial management assistance; presentation of goods on communication media, for retail purposes; economic forecasting; auctioneering; office machines and equipment rental; rental of advertising time on communication media; publicity material rental; rental of vending machines; rental of photocopying machines; publication of publicity texts; typing; radio advertising; bill-posting; distribution of samples; dissemination of advertising matter; advertising; online advertising on a computer network; advertising by mail order; television advertising; compilation of statistics; business inquiries; systemization of information into computer databases; tax preparation; drawing up of statements of accounts; psychological testing for the selection of personnel; business management of hotels; commercial administration of the licensing of the goods and services of others; administrative processing of purchase orders; public relations; modelling for advertising or sales promotion; administrative services for the relocation of businesses; price comparison services; procurement services for others [purchasing goods and services for other businesses]; outsourcing services [business assistance]; telephone answering for unavailable subscribers; photocopying services; book-keeping; providing business information; providing commercial information and advice for consumers in the choice of products and services; promoting the goods of others; reproduction of documents; compilation of information into computer databases; business efficiency expert services.

(260) AM 2023 120754 A
 (800) 1701297
 (151) 2022 06 21
 (891) 2022 06 21
 (731) Otkrytoe aktsionernoe obshchestvo "Brestsky myasokombinat"
 ul. Pisatelya Smirnova 4, 224034 Brest, Belarus
 (540)



(591) Red, yellow, white and golden
 (531) 25.07.01; 26.04.03; 28.05; 29.01.14
 (526) Бутербродная
 (511)
 29 – Meat, fish, poultry, game and foods made therefrom; meat, preserved, dried, smoked; cooked meat; meat, tinned [canned (Am.)]; meat products; charcuterie; sausages; small sausages; smoked foods [meat, fish, poultry, game]; ham; bacon; tripe and foods ma-

de therefrom; liver; pork, lard, speck (bacon), ribs and foods made therefrom; meat extracts; meat pastes; liver pastes; pastes made from tripe products; semi-prepared foods made from meat, poultry, game, tripe.

30 – Bakery products, confectionery; precooked foods made from dough with filling; precooked foods made from dough and meat; pelmeni; vareniki [stuffed dumplings]; pies; pasties; meat pies; pancakes; pizzas.

(260) AM 2023 120761 A
 (800) 1701465
 (151) 2022 07 06
 (891) 2022 07 06
 (731) Egis Gyógyszergyár Zrt.
 Keresztúri út 30-38, H-1106 Budapest, Hungary
 (540)

КЬЮРЕСОЛЮТ

(591) Black, white
 (531) 28.05
 (511)
 3 – Cosmetics and cosmetic preparations.

5 – Pharmaceutical preparations for human use; dietetic substances adapted for medical use; dietary supplements; medicinal ointments; medicated skin creams; plasters, materials for dressings.

(260) AM 2023 120762 A
 (800) 1701466
 (151) 2022 07 06
 (891) 2022 07 06
 (731) Egis Gyógyszergyár Zrt.
 Keresztúri út 30-38, H-1106 Budapest, Hungary
 (540)

ПУРАСОЛЮТ

(591) Black, white
 (531) 28.05
 (511)
 3 – Cosmetics and cosmetic preparations.

5 – Pharmaceutical preparations for human use; dietetic substances adapted for medical use; dietary supplements; medicinal ointments; medicated skin creams; plasters, materials for dressings.

(260) AM 2023 120763 A
 (800) 1701467
 (151) 2022 07 06
 (891) 2022 07 06
 (731) Egis Gyógyszergyár Zrt.
 Keresztúri út 30-38, H-1106 Budapest, Hungary
 (540)

ЦЕССОЛЮТ

(591) Black, white

(531) 28.05
(511)
3 – Cosmetics and cosmetic preparations.

5 – Pharmaceutical preparations for human use; dietetic substances adapted for medical use; dietary supplements; medicinal ointments; medicated skin creams; plasters, materials for dressings.

(260) AM 2023 120764 A
(800) 1701468
(151) 2022 07 06
(891) 2022 07 06
(731) Egis Gyógyszergyár Zrt.
Keresztúri út 30-38, H-1106 Budapest, Hungary

(540)
БОНИСОЛЮТ

(591) Black, white
(531) 28.05
(511)
3 – Cosmetics and cosmetic preparations.

5 – Pharmaceutical preparations for human use; dietetic substances adapted for medical use; dietary supplements; medicinal ointments; medicated skin creams; plasters, materials for dressings.

(260) AM 2023 120765 A
(800) 1701489
(151) 2022 10 19
(891) 2022 10 19
(731) Amouage SAOC
P.O. Box 307, 111 Oman, Oman
(540)

AMOUAGE



(591) Black, white
(531) 26.13.25; 27.05.01
(511)
3 – Soap; perfumery; perfumes; essential oils; air fragrance preparations; cosmetics; cleansers for intimate personal hygiene purposes, non medicated; depilatory preparation; make-up removing preparations; nail varnish removers; nail polish; shampoos; hair conditioner; hair dyes; hair spray; hair straightening preparations; hair waving preparations; lotions for cosmetic purposes; balms, other than for medical purposes; bath preparations, not for medical purposes; deodorants for human beings or animal; make-up powder; hair lotions; cosmetic creams.

(260) AM 2023 120766 A
(800) 1701490
(151) 2022 10 19
(891) 2022 10 19
(731) Amouage SAOC
P.O. Box 307, 111 Oman, Oman
(540)

AMOUAGE

(591) Black, white
(531) 27.05.01
(511)
3 – Soap; perfumery; perfumes; essential oils; air fragrance preparations; cosmetics; cleansers for intimate personal hygiene purposes, non medicated; depilatory preparation; make-up removing preparations; nail varnish removers; nail polish; shampoos; hair conditioner; hair dyes; hair spray; hair straightening preparations; hair waving preparations; lotions for cosmetic purposes; balms, other than for medical purposes; bath preparations, not for medical purposes; deodorants for human beings or animal; make-up powder; hair lotions; cosmetic creams.

(260) AM 2023 120801 A
(800) 1702310
(151) 2022 11 10
(891) 2022 11 10
(731) Hermes Arzneimittel GmbH
Georg-Kalb-Straße 5-8, 82049 Pullach i. Isartal, Germany
(540)

Hermes Arzneimittel

(591) Black, white
(511)
5 – Medicine; pharmaceutical and veterinary preparations; pharmaceutical preparations for supplementing food; preparations for health care; dietetic substances adapted for sanitary purposes, in particular with added vitamins; plant-based preparations in the form of herbal teas and preparations made from plant extracts and combinations thereof for medical purposes; food supplements for medical and non-medical purposes, included in class 5, including with a base of vitamins and/or minerals and/or trace elements, and combinations thereof; vitamin, mineral and trace element preparations, and combinations thereof; including all the aforesaid goods, where possible, in the form of effervescent tablets and other preparations for making non-alcoholic medicinal drinks.

(260) AM 2023 120803 A
(800) 1146936
(151) 2012 11 19
(891) 2022 11 19
(731) Alpen Pharma AG
Finkenhübelweg 16, CH-3012 Bern, Switzerland

(540)

ALPEN-DENT

(591) Black, white

(511)

3 – Bleaching preparations and other substances for laundry use; cleaning, polishing, degreasing and abrasive preparations; soaps; perfumery products; essential oils, cosmetics, tonics, for the hair (for cosmetic use); dentifrices.

5 – Pharmaceutical and veterinary products from the Alps; sanitary preparations for medical use, from the Alps; dietetic food and substances for medical or veterinary use, from the Alps; food for babies; nutritional supplements for humans and animals, from the Alps; plasters, materials for dressings; material for dental fillings and dental impressions; disinfectants; pesticides; fungicides, herbicides.

(260) AM 2023 120804 A

(800) 1566456

(151) 2020 11 26

(891) 2022 11 30

(731) Radisson Hospitality Belgium B.V. / S.R.L.

Avenue du Bourget 44, B-1130 Brussel,
Belgium

(540)



(591) Black, white

(531) 26.13.25; 27.05.22

(511)

43 – Hotel, bar and restaurant services; services for the reservation of rooms.

(260) AM 2023 120805 A

(800) 1585659

(151) 2020 11 27

(891) 2022 08 08

(731) JACKERY INC.

48531 WARM SPRINGS BLVD 408,
FREMONT CA 94539-7793, USA

(540)

Jackery

(591) Black, white

(531) 27.05.01

(511)

9 – Computer programs, downloadable; cables, electric; materials for electricity mains [wires, cables]; batteries, electric; battery boxes; accumulators, electric, for vehicles; batteries, electric, for vehicles; solar panels for the production of electricity; solar batteries; battery chargers.

35 – Presentation of goods on communication media, for retail purposes; online advertising on a computer network; layout services for advertising purposes; advertising and publicity services; production of advertising films; providing business information via a website; providing commercial information and advice for consumers in the choice of products and services; provision of an online marketplace for buyers and sellers of goods and services; sales promotion for others; advertising.

(260) AM 2023 120806 A

(800) 1598694

(151) 2021 01 25

(891) 2022 10 19

(731) Individual Entrepreneur Chekhomova Olesya

Vladimirovna

st. Veterans, d. 69, pos. Temernitsk, RU-346715

Aksaysky district, Rostov region, Russian

Federation

(540)



(591) White, orange, blue, green, purple, burgundy and grey

(531) 27.05.02; 27.05.03; 29.01.15

(511)

9 – Mobile applications; downloadable image files; animated cartoons; downloadable graphics for mobile phones; all indicated for use in conjunction with decals for temporary tattoos.

16 – Pictures; transfers [decalcomanias]; paintings [pictures], framed or unframed; comic books; leaflets; flyers; stickers [stationery]; decals for temporary tattoos (terms considered too vague by the International Bureau – Rule 13 (2) (b) of the Regulations); tattoo decorative (terms considered too vague by the International Bureau – Rule 13 (2) (b) of the Regulations); labels of paper or cardboard.

28 – Portable games and toys incorporating telecommunication functions; trading cards for games; game consoles; hand-held consoles for playing video games; apparatus for games; all indicated for use in conjunction with temporary tattoo decals.

(260) AM 2023 120807 A

(800) 1606881

(151) 2021 04 09

(891) 2022 11 10

(731) MYLUNA S.R.L.

VIA A. VOLTA, 2, I-36050 BOLZANO

VICENTINO (VI), Italy

(540)

LADY VENEZIA

(591) Black, white

(511)

3 – Perfumes; fragrances and perfumery; scented water; oils for perfumes and scents; scented sachets; scented linen water; potpourris [fragrances]; sachets for perfuming linen; air fragrancing preparations; deodorants for personal use [perfumery]; scented room sprays; air fragrance reed diffusers; oils for toilet purposes; ethereal oils; oils for cosmetic purposes; toilet water, micellar water; cleansing milk; make-up removing preparations; tissues impregnated with make-up removing preparations; beauty masks; skin exfoliants; vaginal washes for personal sanitary or deodorant purposes; hand cleansers; tissues impregnated with cosmetic lotions; cosmetic pads; gel eye patches for cosmetic purposes; cotton swabs for cosmetic purposes; cosmetics; cosmetic creams; make-up preparations for the face and body; make-up preparations; make-up; make-up powder; make-up foundations; eyelid shadow; rouges; mascara; cosmetic pencils; lipsticks; lip glosses; lipstick cases; adhesives for affixing false eyelashes; false eyelashes; cosmetic preparations for eyelashes; eyebrow cosmetics; eyebrow pencils; nail care preparations; nail varnish; nail art stickers; nail varnish removers; false nails; soaps in liquid form; detergent soap; cakes of toilet soap; hand cleansers; hand cleaning preparations; bath foam; bath salts, not for medical purposes; hair spray; shampoos; hair conditioners; dentifrices; antistatic dryer sheets; cleaning preparations; chemical cleaning preparations for household purposes; laundry detergents; javelle water; floor wax; laundry bleach; cosmetics for animals; deodorants for animals; shampoos for pets [non-medicated grooming preparations].

35 – Wholesale, retail and online sales of cosmetic preparations, products and accessories for personal hygiene, perfumes, make-up, household cleaning preparations, bags, empty make-up cases, haberdashery items; business management advisory services relating to franchising for the sale of cosmetic preparations, products and accessories for personal hygiene, perfumes, make-up, household cleaning preparations, bags, empty make-up cases, haberdashery items; promotional and merchandising activities relating to cosmetic preparations, products and accessories for personal hygiene, perfumes, make-up, household cleaning preparations, bags, empty make-up cases, haberdashery items.

(260) AM 2023 120808 A

(800) 1620799

(151) 2021 07 09

(891) 2022 11 17

(731) VENUS MANAGEMENT PTE. LTD

111 NORTH BRIDGE ROAD, #21-03

PENINSULA PLAZA, SINGAPORE 179098,

Singapore

(540)

(591) Black, white

(531) 26.04.05; 26.04.18; 27.05.01; 27.05.09

(526) B

(511)

34 – Cigarette cases; cigarette filters; cigarette holders; cigarette paper; cigarettes; cigars; lighters for smokers; tobacco.

(260) AM 2023 120872 A

(800) 1702563

(151) 2022 10 31

(891) 2022 10 31

(731) Amusnet Interactive

Garitage Park, Building No. 4, Floor 2, Donka

Ushlinova Str. 2, BG-1766 Sofia, Bulgaria

(540)

(591) Green

(531) 26.07.04; 27.05.10; 29.01.03

(511)

9 – Software; computer software for the administration of on-line games and gaming; computer application software featuring games and gaming; betting software; gaming software that generates or displays wager outcomes of gaming machines; interactive casino games provided through a computer or mobile platform; casino management software.

28 – Slot machines [gaming machines]; gaming machines for gambling; automatic gaming machines.

41 – Betting services; on-line casino services; providing casino facilities [gambling]; providing of casino and gaming facilities; casino, gaming and gambling services.

(260) AM 2023 120899 A

(800) 1703265

(151) 2022 10 10

(891) 2022 10 10

(731) Lashify, Inc.

11437 Chandler Blvd, North Hollywood

CA 91601, USA

(540)

LASHIFY

(591) Black, white

(511)

41 – Educational services in the field of beauty and cosmetics; educational services in lash application and technique; beauty arts instruction; teaching of beauty skills; education services, namely, training for beauty practitioners; providing educational training in the nature of lessons, videos, and quizzes in the field of cosmetics, lash application and technique; providing educational demonstrations; providing educational demonstrations in the field of beauty, cosmetics, lash application and technique; providing in-person and virtual educational sessions on lash application and technique; providing educational information and instruction in the field of beauty, cosmetics, lash application and technique, and fashion via an online blog; entertainment services in the nature of organizing, arranging, and hosting social entertainment events; providing entertainment information via a website; providing entertainment services, namely, live beauty demonstrations.

(260) AM 2023 120900 A

(800) 1703272

(151) 2022 07 06

(891) 2022 07 06

(731) Egis Gyógyszergyár Zrt.

Keresztúri út 30-38, H-1106 Budapest, Hungary

(540)

КЛИНСОЛЮТ

(591) Black, white

(531) 28.05

(511)

3 – Cosmetics and cosmetic preparations.

5 – Pharmaceutical preparations for human purposes; dietetic substances adapted for medical use; dietary supplements; medicinal ointments; medicated skin creams; plasters, materials for dressings.

(260) AM 2023 120901 A

(800) 1703273

(151) 2022 07 06

(891) 2022 07 06

(731) Egis Gyógyszergyár Zrt.

Keresztúri út 30-38, H-1106 Budapest, Hungary

(540)

БАЛМИСОЛЮТ

(591) Black, white

(531) 28.05

(511)

3 – Cosmetics and cosmetic preparations.

5 – Pharmaceutical preparations for human purposes; dietetic substances adapted for medical use; dietary supplements; medicinal ointments; medicated skin creams; plasters, materials for dressings.

(260) AM 2023 120902 A

(800) 1703274

(151) 2022 07 06

(891) 2022 07 06

(731) Egis Gyógyszergyár Zrt.

Keresztúri út 30-38, H-1106 Budapest, Hungary

(540)

ПРОСОЛЮТ

(591) Black, white

(531) 28.05

(511)

3 – Cosmetics and cosmetic preparations.

5 – Pharmaceutical preparations for human purposes; dietetic substances adapted for medical use; dietary supplements; medicinal ointments; medicated skin creams; plasters, materials for dressings.

(260) AM 2023 120903 A

(800) 1703275

(151) 2022 07 06

(891) 2022 07 06

(731) Egis Gyógyszergyár Zrt.

Keresztúri út 30-38, H-1106 Budapest, Hungary

(540)

РОЗЕСОЛЮТ

(591) Black, white

(531) 28.05

(511)

3 – Cosmetics and cosmetic preparations.

5 – Pharmaceutical preparations for human purposes; dietetic substances adapted for medical use; dietary supplements; medicinal ointments; medicated skin creams; plasters, materials for dressings.

(260) AM 2023 120904 A

(800) 1703302

(151) 2022 11 13

(891) 2022 11 13

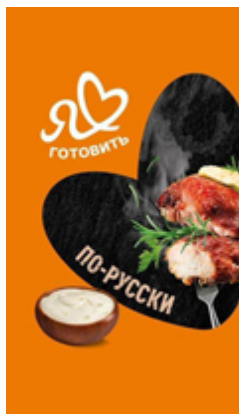
(731) JOINT STOCK COMPANY "FATS AND OIL INTEGRATED WORKS"

UL. TITOVA 27, EKATERINBURG,

RU-620085 SVERDLOVSKAYA OBLAST,

Russian Federation

(540)



(591) Black, white, gray, orange, brown, dark-brown, light-brown, red, light-red, green, light-green, dark-green, beige, light-yellow

(531) 01.15.11; 02.09.01; 08.05.02; 08.05.10; 08.07.17; 08.07.25; 11.03.11; 11.03.20; 28.05; 29.01.15

(511)

30 – Mayonnaise; mayonnaise sauce.

(260) AM 2023 120909 A

(800) 1703354

(151) 2022 09 29

(891) 2022 09 29

(731) Vasiliev Alexander Sergeevich
Michurina str., 3 sq. 56, RU-630099
Novosibirsk, Russian Federation

(540)



(591) Red, black, white

(531) 05.03.16; 25.07.25; 26.04.04; 26.04.05; 26.04.16; 26.04.18; 26.04.24; 27.05.01; 27.05.09; 27.05.10; 27.05.24; 29.01.13

(526) DECOR.

(511)

8 – Hand drills, hand-operated; clamps for carpenters or coopers; edge tools [hand tools]; garden tools, hand-operated; abrading instruments [hand instruments]; sharpening instruments; polishing irons [glazing tools]; wire strippers [hand tools]; riveters [hand tools]; expanders [hand tools]; cutting tools [hand tools]; trowels [gardening]; shovels [hand tools]; hammers [hand tools]; guns [hand tools]; non-electric caulking guns; guns, hand-operated, for the extrusion of mastics; tool belts [holders]; handles for hand-operated hand tools; scrapers [hand tools]; spatulas [hand tools]; spatulas for use by artists.

16 – House painters' rollers; artists' brushes; paint-brushes; writing brushes; glue for stationery or house-

hold purposes; adhesive tapes for stationery or household purposes.

17 – Padding materials of rubber or plastics; packing [cushioning, stuffing] materials of rubber or plastics; stops of rubber; gaskets; draught excluder strips.

19 – Building materials, not of metal; duckboards, not of metal; wall tiles, not of metal; floor tiles, not of metal; tiles, not of metal, for building; mortar for building.

20 – Dowels, not of metal; troughs, not of metal, for mixing mortar; packaging containers of plastic; rivets, not of metal; jerrycans, not of metal; baskets, not of metal; tool boxes, not of metal, empty; door fasteners, not of metal; window fasteners, not of metal; window closers, not of metal, non-electric; door openers, not of metal, non-electric; hand-held flagpoles, not of metal; door fittings, not of metal; furniture fittings, not of metal; window fittings, not of metal; labels of plastic; tool chests, not of metal, empty; boxes of wood or plastic.

21 – Brushes.

(260) AM 2023 120910 A

(800) 1703444

(151) 2022 09 08

(891) 2022 09 08

(731) Baustahlgewebe GmbH
Friedrichstraße 16, 69412 Eberbach, Germany

(540)



(591) Black, white

(531) 14.01.22; 24.13.09

(511)

6 – Semi-wrought common metals; wire products; metal molds for casting, other than machine parts, made by machines or by hand; rolled steel and cast iron for use in building; iron and steel; reinforcement steel meshes for reinforced concrete; reinforced steel for concrete reinforcement in the form of concrete reinforcing steel meshes; reinforcing wires; concrete reinforcing steel in rods and coils; metal lattice girders; metal reinforcing materials for concrete; spacer brackets of metal; steel angles and steel frames for use in building construction; steel strip and steel round bar; building materials of metal; welded wire meshes and wire meshing for building.

19 – Concrete.

35 – Arranging contracts for others concerning the purchase and sale of concrete, steel and other products used in the building industry; arranging contracts, for

others concerning the purchase and sale of wire rods; development and implementation of marketing concepts in the form of the negotiation of contracts for others concerning the sale of third-party products; wholesale and retail services and trade marketing services relating to concrete, steel and building materials of metal and not of metal; advertising and public relations.

(260) AM 2023 120911 A

(800) 1703495

(151) 2022 10 24

(891) 2022 10 24

(731) Ladygin Sergey Alexandrovich

ap. 29, house 11, 9th Severnaia linia, Moscow,
Russian Federation

(540)

CERELYSIN ЦЕРЕЛИЗИН

(591) Black, white

(531) 27.05.01; 28.05

(511)

5 – Pharmaceuticals, medical and veterinary preparations; sanitary preparations for medical purposes; dietetic food and substances adapted for medical or veterinary use, food for babies; dietary supplements for human beings and animals; plasters; materials for dressings; material for stopping teeth, dental wax; disinfectants; preparations for destroying vermin; fungicides, herbicides.

(260) AM 2023 120912 A

(800) 1703545

(151) 2022 11 09

(891) 2022 11 09

(731) HYUNDAI MOTOR COMPANY

12, Heolleung-ro, Seocho-gu, Seoul 06797,
Republic of Korea

(540)



(591) Blue

(531) 24.11.18; 24.11.21; 26.01.02; 26.01.03;

26.01.18; 27.05.01; 27.05.21; 29.01.04

(511)

39 – Emergency automobile towing; leasing of rental car; providing transportation information; providing information relating to car transport; car rental; tracking of automobile fleets using electronic navigation and locating devices [transport information]; towing and transportation of cars as part of vehicle breakdown services; car sharing services; transport; carpooling services; providing information via the internet relating to the leasing of automobiles; rental of GPS equipment for navigation purposes; rental of safety

seats for children, for vehicles; rental of airplanes; renting of vehicles; providing information relating to air transport; providing information relating to vehicle driving services; reservation services for vehicle rental; car rental, garage and parking space rental; providing information relating to vehicle parking services; reservation of parking spaces; transportation of passengers and passengers' luggage; providing information about transport services; logistics services consisting of the storage, transportation and delivery of goods; transport, delivery, packaging, and storage of goods; providing road and traffic information; inspection of vehicles before transport; storage of energy and fuels; depot services for the storage of vehicles; rental of wheelchairs; travel consultancy; travel organization; providing information relating to travel and sightseeing travel tours; booking agency services for travel; travel reservation; travel reservation and travel information services; conducting of sightseeing travel tours by automobiles; physical storage of electronically stored data, documents, digital photographs, music, images, video, and computer games; storage, distribution and supply of energy and fuel; providing information relating to the distribution of electricity; storage and distribution of electricity; GPS navigation services; technical advice relating to transportation logistics; vehicle transport; vehicle leasing services; supply chain logistics and reverse logistics services consisting of the storage, transportation and delivery of goods for others by air, rail, ship or truck.

(260) AM 2023 120919 A

(800) 1703676

(151) 2022 07 20

(891) 2022 07 20

(731) SC IP Limited

Charter Place, 23-27 Seaton Place, St Helier,
JE1 1JY, Jersey

(540)



(591) Black, brown, white

(531) 24.01.03; 24.01.05; 24.01.15; 26.04.03;

26.04.05; 26.04.06; 27.05.24; 29.01.13

(511)

9 – Apparatus for recording, transmission or reproduction of sound or images; magnetic data carriers; recording discs; application software; electronic components for gambling machines being mechanisms for coin-operated apparatus; cash registers, calculating machines, data processing equipment and computers; apparatus and instruments for recording, transmission

or reproduction of sound, data and/or images; application software relating to and for playing computer games, including casino games, gambling and betting; audio and video tapes; electronic components for gambling machines being mechanisms for coin-operated apparatus; betting terminals; calculators; checking (supervision) apparatus and instruments; computer and electronic games software; computer hardware and software for digital lotteries and casinos; computer hardware and software for gaming, gambling and betting; computer interfaces; computer software; computer software applications, downloadable; computer software distributed via the Internet; computer software downloadable from the Internet; computer software and programs for use on computer networks including the Internet; computer software platforms for social networking; computer software to enable uploading, posting, showing, displaying, tagging, blogging, sharing or otherwise providing electronic media or information in the fields of virtual communities, electronic gaming, entertainment, and general interest via the Internet or other communications networks with third parties; computer software platforms for computer software programs running on, or in connection with, mobile devices; computer software for the provision and management of on-line games and competitions; computer software for use on computer networks, including the Internet for gaming, gambling and betting; computer software relating to and for playing casino games, gambling and betting; computer programs and application software for use on telephones and hand-held mobile devices; computer programs relating to and for playing casino games, gambling and betting; data processing equipment and computers; devices for checking tickets, passes and lottery tickets; downloadable electronic publications; downloadable electronic publications featuring gaming, gambling and betting; electric and electronic apparatus for betting offices, namely, computers; electric, electronic or mechanical apparatus for betting, namely, data processing equipment; electronic betting terminals; electronic publications; electronic publications featuring gaming, gambling and betting; entertainment software; games, gaming, and gambling related software; holographic images; information recorded on computer media; interactive computer and mobile device systems; interactive software; interactive games, gaming and gambling software; Internet terminals and terminals for receiving and arranging sports betting; magnetic, optic and data recording- and sound carriers; interactive computer software; software for use with games, entertainment, recreational, amusement, gaming and video game terminals, machines and apparatus; software and computer hardware for automatic gaming machines and gaming machines; software for processing bets including through the Internet; sound and video recordings; totalisators; video screens; virtual reality games software; display screens; competitions recorded on computer media; digital signage display

panels, data and information transmission installations, monitors, control consoles and printers all for bookmaking; parts and fittings for all the aforesaid goods; wagering systems; wagering terminals.

28 – Games, toys, playthings and novelties; apparatus for games; arcade games; lottery tickets; articles and apparatus for use in games, in lottery games and in playing games and lottery games; automatic gaming machines; automatic slot machines; card games; cards (games); casino games, and gaming equipment and accessories therefor; chips and dice [gaming equipment]; chips, counters, discs and tokens for gambling; action skill games; coin fed gaming machines; coin-operated amusement gaming machines; coin-operated gambling and betting machines; coin-operated games; coin-operated gaming equipment; dice games; electronic board games; electronic games other than those adapted for use with television receivers only; free standing gaming and gambling apparatus; game boards; game cards; gaming apparatus; gaming and amusement machines and parts and fittings therefor; gaming chips; gaming equipment; gaming machines; gaming machines, operated by inserting coins, counters; gaming tables; gambling machines; hand held computer games; parlour games, gaming devices, equipment and accessories therefor; pinball games; portable games with liquid crystal displays; puzzle games; puzzles; question sets for games, gaming and gambling; quiz games; roulette sets, chips, wheels, tables, equipment and accessories therefor; slot machines (gaming devices); snooker tables and snooker accessories; sports games; amusement apparatus and accessories for games, adapted for use with televisions; slot machines; electro pneumatic and electric gambling machines for detecting winning symbols or winning numbers; parts and fittings for all the aforesaid goods; games, toys, playthings and novelties; electronic number generators being gaming apparatus.

38 – Providing multiple user access to information and news information over the Internet and other global networks; telecommunications services; providing on-line chat room for transmission of messages among computer users concerning topics of entertainment, sports, gambling, gaming and computer games; providing on-line electronic bulletin boards for transmission of messages among computer users concerning topics of entertainment, sports, gambling, gaming and computer games.

41 – Education (training); entertainment services; sporting and cultural activities; entertainment by or relating to games, competitions, quizzes and audience participation events; gaming and gambling machine rental services; amusement arcades; amusement arcade gaming machine rental services; amusement parks; arranging and conducting of contests and competitions, including offline and online by way of a computer database or the Internet; betting; betting, gaming,

games, gambling, book-making, bingo, poker and casino services; betting and pools services; betting services provided through retail betting shops; casino, gaming and gambling services; conducting lotteries; electronic betting, gambling and gaming services; entertainment; entertainment services in the nature of on-line gaming and gambling; entertainment services provided via virtual environments in which users can interact through social games for recreational, leisure or entertainment purposes; electronic game, quiz and competition services provided by means of the Internet or on-line from a computer network or database; entertainment services provided via an internet platform for downloading software for electronic games, electronic games downloadable from the Internet; entertainment and sporting services provided on-line from a computer database or the Internet; provision of sports betting offices (gambling); gambling, gaming, betting and wagering services; gambling services provided by means of the internet; horses (betting on-); information relating to online computer games; interactive entertainment; lottery, gambling, gaming, betting and pools services; on-line spread betting, gaming, betting, gambling, bookmaking and wagering services; organization, production, presentation and conducting of betting events and forums, competitions, contests, games and quizzes; organization, production and presentation of television and radio programs; organization, production and presentation of shows and live performances; organisation and operation of football pools, lotteries and betting; organisation and holding of contests and competitions, including on-line by way of a computer database or the Internet; organising of lotteries; organisation of television lotteries; organisation of on-line betting; organisation of television games and on-line games in the global computer network; prize draws; providing interactive multi-player computer games via the Internet and electronic communication networks; providing temporary use of non-downloadable interactive, multiplayer and single player games; providing online computer and electronic games by means of a web-based system; providing a computer game that may be accessed network-wide by network users; provision of betting and gaming services by means of a computer based system; provision of non-downloadable internet games; providing online reviews of computer games, and providing of information relating to computer games; provision of information on-line via the Internet or from a computer network or database relating to entertainment, sports, lottery, gaming, betting and gambling services; providing casino facilities (gambling); providing casino and gaming services by means of a website and a global computer network; providing on-line computer games; providing information regarding on-line games; providing of on-line electronic publications, not downloadable; provision of information on-line from a computer database or from the Internet in relation to casinos, gaming, gambling,

general news about the gaming industry, bonus schemes related to betting and gaming, betting services, sporting events, amusement, casino, entertainment and betting consultation services; providing gaming house facilities; receiving and conducting of betting, in particular sports betting; running lotteries, exchange rate betting, pools, jackpot systems, tipping competitions and games, running online games, keeping gambling houses, keeping casinos; provision of gambling services in the field of racing, wagers and betting, games of chance, entertainment, bingo halls, casinos, contests, gaming, gambling, games of chance, electronic games, media games, tournaments for poker and other card games, action skill games and lotteries, including online via a computer database, telecommunications and the Internet; provision of gambling and betting services managed by a sports bookmaker; spread betting, gaming, betting, gambling, bookmaking and wagering services; television betting, gambling and gaming services; telephone betting, gambling and gaming services and offshore betting, gambling and gaming services; provision of the aforesaid services in electronic or computer form, via the television, radio or other means of broadcasting; provision of the aforesaid services on-line via the Internet or from a computer network or database; consultancy, information and advisory services relating to all the aforesaid services.

42 – Design and development of computer hardware and software; application service provider (ASP); computer services, namely, hosting an online platform for an online community of registered users to participate in competitions, showcase their skills, get feedback from their peers, form virtual communities, and engage in social networking; application service provider (ASP) featuring software to enable or facilitate the uploading, downloading, streaming, posting, displaying, blogging, linking, sharing or otherwise providing electronic media or information over communication networks; computer game design; creating, hosting, updating and maintaining Internet sites; design and development of software in the form of services relating to the development and creation of software for use in relation to electronic games downloadable from the Internet, electronic puzzles downloadable from the Internet, electronic board games downloadable from the Internet, electronic games of skill, electronic gambling games and electronic card games downloadable from the Internet, skill games, electronic games and software for fixed odds betting programs, spread betting programs, horse racing betting, instant lotteries, and pools; design and development services in relation to gaming and gambling machines, apparatus and accessories; design and development services in relation to interactive entertainment products; design of scratch cards and electronic scratch cards and scratch card games; design services relating to the production of computer games and interactive entertainment products; design of graphics, visuals,

virtual and interactive images, and of special effects for games, audiovisual, multimedia productions and for Internet gaming and gambling website pages; development of computer software applications solutions; providing temporary use of non-downloadable software for use in connection with interactive, multi-player and single player games, gaming and gambling; hosting a web hosting platform for use of non-downloadable software in connection with interactive, multiplayer and single player games, gaming and gambling for third parties; provision of quality assurance services in relation to equipment for gambling in casinos; consultancy, information and advisory services relating to all the aforesaid services; scientific and technological services and research and design relating thereto.

(260) AM 2023 120931 A

(800) 1602581

(151) 2021 06 07

(891) 2022 09 27

(731) Société Parisienne de Parfums et Cosmétiques
130 Rue de Courcelles, F-75017 Paris, France

(540)

ONCE UPON A FRAGRANCE

(591) Black, white

(511)

3 – Soaps; perfumes; essential oils; cosmetics; make-up removing products; lipstick; beauty masks; shaving products

(260) AM 2023 120979 A

(800) 1704062

(151) 2022 05 31

(891) 2022 05 31

(731) SHOWA DENKO K.K.
13-9, Shiba Daimon 1-chome, Minato-ku,
Tokyo, Japan

(540)



(591) Black, white

(531) 26.15.25; 27.05.01; 27.05.09; 28.07

(511)

9 – Graphite electrodes for steel production (term considered too vague by the International Bureau – Rule 13 (2) (b) of the Regulations).

(260) AM 2023 120980 A

(800) 1704099

(151) 2022 10 31

(891) 2022 10 31

(731) TOYOTA JIDOSHA KABUSHIKI KAISHA
(also trading as TOYOTA MOTOR
CORPORATION)

1, Toyota-cho, Toyota-shi, Aichi-ken 471-8571,
Japan

(540)

Overtrail

(591) Black, white

(511)

12 – Driving motors for land vehicles; engine mounts for land vehicles; engines for land vehicles; jet engines for land vehicles; motors for land vehicles; propulsion mechanisms for land vehicles; turbines for land vehicles; drive chains for land vehicles; connecting rods for land vehicles, other than parts of motors and engines; gear boxes for land vehicles; gearing for land vehicles; hydraulic circuits for automobiles; reduction gears for land vehicles; torque converters for land vehicles; transmission chains for land vehicles; transmission shafts for land vehicles; transmissions for land vehicles; power transmission belts for land vehicles; brake discs for land vehicles; brake linings for land vehicles; brake pads for automobiles; brake segments for land vehicles; brake shoes for land vehicles; brakes for land vehicles; brake systems for land vehicles; AC motors for land vehicles, not including their parts; DC motors for land vehicles not including their parts; motors, electric, for land vehicles; automobiles and structural parts thereof; buses; structural parts for buses; trucks; structural parts for trucks; dune buggies [vehicles]; vans [vehicles]; sports utility vehicles; coaches; electrically powered motor vehicles; electric cars; hybrid cars; electric tricycles; ambulances; racing cars; amphibious vehicles; snowmobiles; armored vehicles; fork lift trucks; camping cars; tractors; trailers; trolley buses; hearses; fuel cell cars; automobile bodies; automobile bonnets; automobile bumpers; automobile chassis; automobile dashboards; automobile doors; automobile door handles; automobile hoods; automobile horns; automobile seats; automobile seat covers; automobile sunroofs; automobile tires; automobile wheels; spokes for automobile wheels; inner tubes for automobile tires; automobile wheel rims; rearview mirrors for automobiles; automobile windows; automobile windscreens; automobile windshields; automobile convertible tops; safety belts for automobile seats; safety harnesses for automobile racing; safety harnesses for automobile seats; security harness for automobile seats; steering wheels for automobiles; steering wheel covers for automobiles; air bags for automobiles, buses and trucks; seat belt pre-tensioners for automobiles; brake pedals for land vehicles; direction signals for automobiles; leather upholstery for automobile seats; leather upholstery for automobiles; cigar lighters for automobiles; shaped automobile covers; mudguards for automobiles; luggage carriers for automobiles; spare wheel holders for automobiles; automobile roof racks; headlight wipers; windscreen wipers; windscreen wiper blades; motor vehicle brake control systems for applying emergency braking at low vehicle speeds; electronic brake control apparatus for automobiles; two-wheeled

motor vehicles; structural parts for two-wheeled motor vehicles; bicycles; structural parts for bicycles; motorcycles; structural parts for motorcycles.

(260) AM 2023 120981 A

(800) 1704127

(151) 2022 11 03

(891) 2022 11 03

(731) Obshchestvo s ogranichennoy otvetstvennostyu "FEMEGYL"

ul. Kulakova, bldg. 20, str. 1G, floor 3, room 21, RU-123592 Moscow, Russian Federation

(540)

FEMEGYL

(591) Black, white

(511)

3 – Non-medicated cosmetics and toiletry preparations; perfumery, essential oils; balms, other than for medical purposes; scented water; micellar water; toilet water; deodorants for human beings or for animals; depilatory preparations; greases for cosmetic purposes; perfumery; hair conditioners; creams for leather; cosmetic creams; skin whitening creams; essential oil-based creams for aromatherapy use; lotions for cosmetic purposes; after-shave lotions; beauty masks; sheet masks for cosmetic purposes; disposable steam-heated masks, not for medical purposes; oils for perfumes and scents; oils for cosmetic purposes; oils for toilet purposes; essential oils for aromatherapy use; cleansing milk for toilet purposes; soap; deodorant soap; cosmetic kits; gel eye patches for cosmetic purposes; lipsticks; leather bleaching preparations; cosmetic preparations for slimming purposes; collagen preparations for cosmetic purposes; sunscreen preparations; vaginal washes for personal sanitary or deodorant purposes; cooling sprays for cosmetic purposes; cosmetic preparations for skin care; dentifrices; cosmetics; cosmetics for children; cosmetics for animals; cleansers for intimate personal hygiene purposes, non medicated; douching preparations for personal sanitary or deodorant purposes [toiletries]; phyto-cosmetic preparations; toners for cosmetic purposes; shampoos.

5 – Pharmaceuticals, medical and veterinary preparations; sanitary preparations for medical purposes; dietary supplements for human beings and animals; personal sexual lubricants; injectable dermal fillers; pharmaceutical preparations for skin care; nutraceutical preparations for therapeutic or medical purposes; pre-filled syringes for medical purposes.

(260) AM 2023 120982 A

(800) 1704161

(151) 2022 11 07

(891) 2022 11 07

(731) Obshchestvo s ogranichennoy otvetstvennostyu "Lazernyi Tsentr"

Piskarevsky pr-kt, 25, pom. 132, RU-195176 St. Petersburg, Russian Federation

(540)



(591) Black, white

(531) 01.15.07; 01.15.09; 26.01.03; 26.01.16;

26.01.24; 27.05.01

(511)

7 – Engraving machines; leather-working machines; glass-working machines; printing machines for use on sheet metal; cutting machines; cutters [machines]; industrial robots.

10 – Dental apparatus and instruments; microdermabrasion apparatus; artificial teeth; surgical implants comprised of artificial materials; lasers for medical purposes.

14 – Agates; diamonds; jewellery charms; brooches [jewellery]; pins [jewellery]; pearls [jewellery]; clasps for jewellery; badges of precious metal; gold, unwrought or beaten; works of art of precious metal; jewellery; ivory jewellery; jewellery of yellow amber; iridium; cabochons; precious stones; semi-precious stones; necklaces [jewellery]; rings [jewellery]; boxes of precious metal; precious metals, unwrought or semi-wrought; gold thread [jewellery]; threads of precious metal [jewellery]; silver thread [jewellery]; osmium; palladium; platinum [metal]; crucifixes as jewellery; rhodium; ruthenium; silver, unwrought or beaten; earrings; ingots of precious metals; alloys of precious metal; statues of precious metal; figurines of precious metal; paste jewellery; chains [jewellery]; spinel [precious stones].

40 – Engraving; metal tempering; providing information relating to material treatment; pattern printing; laser scribing.

42 – Engineering; installation of computer software; research and development of new products for others; scientific research; technological consultancy; quality control; updating of computer software; conducting technical project studies; computer software design; computer programming; technical writing; scientific laboratory services; surveying.

(260) AM 2023 121006 A

(800) 1704990

(151) 2022 08 12

(891) 2022 08 12

(731) YANKOVICH SIARHEI IVANOVICH

ul. Yakubovskogo, d.17, kv.4, 220018 g. Minsk, Belarus

(540)



(591) Black, white

(531) 03.11.10; 03.11.24; 26.04.05; 26.04.15;
26.04.24; 26.11.01; 26.11.08; 27.05.01;
27.05.09; 27.05.10; 27.05.11

(511)

3 – Balms, other than for medical purposes; lip glosses; petroleum jelly for cosmetic purposes; cotton wool impregnated with make-up removing preparations; micellar water; toilet water; massage gels, other than for medical purposes; deodorants for human beings or for animals; perfumes; perfumery; hair conditioners; cosmetic creams; skin whitening creams; lotions for cosmetic purposes; after-shave lotions; beauty masks; oils for cosmetic purposes; deodorant soap; cakes of toilet soap; non-medicated soaps; cosmetic kits; gel eye patches for cosmetic purposes; non-medicated dentifrices; pomades for cosmetic purposes; shaving preparations; cosmetic preparations for slimming purposes; make-up removing preparations; nail care preparations; collagen preparations for cosmetic purposes; sunscreen preparations; make-up powder; serums for cosmetic purposes; tissues impregnated with cosmetic lotions; tissues impregnated with make-up removing preparations; bath salts, not for medical purposes; eyebrow cosmetics; sun-tanning preparations [cosmetics]; hair dyes; cosmetic preparations for eyelashes; cosmetic preparations for skin care; cosmetics; cosmetics for children; mascara; douching preparations for personal sanitary or deodorant purposes [toiletries]; toiletry preparations; cotton swabs for cosmetic purposes; non-medicated shampoos; herbal extracts for cosmetic purpose.

5 – Dietetic substances adapted for medical use; dietary fibre; massage gels for medical purposes; mineral dietary supplements; dietary supplements; albumin dietary supplements; dietary supplements with a cosmetic effect; antibacterial soap; dietetic beverages adapted for medical purposes; vitamin preparations; pharmaceutical preparations for skin care; nutraceutical preparations for therapeutic or medical purposes; serums.

35 – Demonstration of goods; marketing research; marketing; presentation of goods on communication media, for retail purposes; sales promotion for others; advertising; administrative processing of purchase orders; procurement services for others [purchasing goods and services for other businesses]; wholesale and retail services for balms, other than for medical

purposes, namely, lip glosses, petroleum jelly for cosmetic purposes, cotton wool impregnated with make-up removing preparations, micellar water, toilet water, massage gels, other than for medical purposes, deodorants for human beings or for animals, perfumes, perfumery, hair conditioners, cosmetic creams, skin whitening creams, lotions for cosmetic purposes, after-shave lotions, beauty masks, oils for cosmetic purposes, deodorant soap, cakes of toilet soap, non-medicated soaps, cosmetic kits, gel eye patches for cosmetic purposes, non-medicated dentifrices, pomades for cosmetic purposes, shaving preparations, cosmetic preparations for slimming purposes, make-up removing preparations, nail care preparation, collagen preparations for cosmetic purposes, sunscreen preparations, make-up powder, serums for cosmetic purposes, tissues impregnated with cosmetic lotions, tissues impregnated with make-up removing preparations, bath salts, not for medical purposes, eyebrow cosmetics, sun-tanning preparations [cosmetics], hair dyes, cosmetic preparations for eyelashes, cosmetic preparations for skin care, cosmetics, cosmetics for children, mascara, douching preparations for personal sanitary or deodorant purposes [toiletries], toiletry preparations, cotton swabs for cosmetic purposes, non-medicated shampoos, herbal extracts for cosmetic purpose, dietetic substances adapted for medical use, dietary fibre, massage gels for medical purposes, mineral dietary supplements, dietary supplements, albumin dietary supplements, dietary supplements with a cosmetic effect, antibacterial soap, dietetic beverages adapted for medical purposes, vitamin preparations, pharmaceutical preparations for skin care, nutraceutical preparations for therapeutic or medical purposes, serums.

(260) AM 2023 121007 A

(800) 1704995

(151) 2022 11 25

(891) 2022 11 25

(731) Apple Inc.

One Apple Park Way; Cupertino CA 95014,
USA

(540)

FREEFORM

(591) Black, white

(511)

42 – Providing on-line non-downloadable software for facilitating realtime collaboration, for jointly creating, sharing, viewing, displaying, editing, annotating, storing, and distributing photos, images, graphics, documents, presentations, data, videos, and multimedia content, and for communicating via text and video regarding the collaboration process and jointly-created content; providing on-line non-downloadable software for creating, sharing, viewing, displaying, editing, annotating, storing, and distributing photos, images, graphics, documents, presentations, data, videos, and

multimedia content; providing on-line non-downloadable software for word processing; cloud computing featuring software for use facilitating realtime collaboration, for jointly creating, sharing, viewing, displaying, editing, annotating, storing, and distributing photos, images, graphics, documents, presentations, data, videos, and multimedia content, and for communicating via text and video regarding the collaboration process and jointly-created content.

(260) AM 2023 121011 A

(800) 1705096

(151) 2022 11 25

(891) 2022 11 25

(731) Roche Diagnostics GmbH

Sandhofer Strasse 116, 68305 Mannheim,
Germany

(540)

The logo for 'cobas' is displayed in a bold, lowercase, sans-serif font. The letter 'o' is stylized with a white circle inside it, creating a circular effect.

(591) Black, white

(531) 27.05.01; 27.05.17

(511)

1 – Chemical, biological and biochemical preparations for scientific and research purposes; chemical preparations for analysis in laboratories; chemical substances for analyses in laboratories, other than for medical or veterinary purposes; diagnostic reagents and preparations, except for medical or veterinary use; reagents for in-vitro laboratory use [other than for medical or veterinary purposes], diagnostic reagents for in vitro use in biochemistry, clinical chemistry and microbiology; chemical solutions for calibration and monitoring of the accuracy and function of laboratory apparatus and test results.

5 – Chemical, biological and biochemical preparations for medical purposes; in vitro diagnostic reagents for medical use; chemical substances for analyses in laboratories, for medical purposes; reagents for in-vitro laboratory use for medical purposes.

9 – Scientific apparatus and instruments; scientific apparatus, equipment and instruments for performing analyses in laboratories; laboratory instruments for use in research and science; laboratory instruments for research and diagnostic purposes; laboratory equipment, namely automated sample handling equipment; computer software for uses in the field of healthcare; computer software for medical and diagnostic purposes; computer software for the provision of automated diagnostic laboratory processes; computer software for use with laboratory instruments, namely, for use in providing remote automated control, connection, data analysis, and data management; computer systems and software for collecting, storing, analyzing and reporting biological information, and for sample tracking and managing projects, laboratory workflow and

data, for use in the fields of scientific, diagnostic and clinical research and for clinical diagnostic purposes.

10 – Medical apparatus and instruments for medical purposes; diagnostic apparatus for medical purposes; medical apparatus for performing in-vitro diagnostic tests.

41 – Education, instruction, providing of training and further training, for others; education services relating to medicine; training and tuition relating to medical and medical technology instruments; organization of conferences in the field of medical science; arranging, organizing and conducting of conferences, congresses, symposiums, workshops in the field of medical and laboratory apparatus, equipment and instruments and in the field of services for healthcare providers; publishing of medical publications; publication of medical periodicals, books and manuals (handbooks).

42 – Research and development, for others, in the field of information technology, medical technology, chemistry and as well as planning, consultancy, engineering and technical monitoring services in these fields; medical research; writing of computer programs for medical applications; software as a service (SaaS) in relation to medical data and information; design and development of computer software in the medical field; provision of non-downloadable computer software in the medical field; provision of non-downloadable software for use in clinical decision support and operational decision support; provision of non-downloadable software for use in providing health care information; provision of non-downloadable software for use in capture and analysis services to improve patient care; providing temporary use of non-downloadable computer software for use as programming interfaces (API); cloud computing services; design and development of databases in the medical field; medical research services; monitoring of medical devices and equipment as well as clinical facilities with the support of communication technology, in particular Internet technology; technological consultancy for medical facilities and clinics; design planning for medical facilities and clinics; medical laboratory services; clinical laboratory services; laboratory research, analysis and testing services; design of laboratory and medical apparatus and instruments.

(260) AM 2023 121012 A

(800) 1705167

(151) 2022 08 26

(891) 2022 08 26

(731) KONFOR DAYANIKLI TUKETİM

MALLARI MOBİLYA DERİ TEKSTİL

İNSAAT TURİZM SANAYİ VE TİCARET

ANONİM ŞİRKETİ

FATİH MAH. CAMLIK CAD. KONFOR

MOBİLYA 46 GAZİEMİR, İZMİR, Türkiye

(540)



(591) Gold, white

(531) 05.05.20; 27.05.01; 29.01.07

(511)

20 – Furniture, regardless of the materials and materials from which they are made; bed mattresses, pillows, non-medical air mattresses and pillows, water beds (except camper sleeping bags); mirrors [looking glasses]; beehives, artificial honeycombs and sections of wood for honeycombs; baby cradles, playpens with bars (for indoors), bassinets, walkers; display boards, frames for pictures, tables, id cards, tags, nameplates, labels, made of wood or synthetic materials; packaging made of wood or synthetic material, drums for transport and storage, vats, drums, hoppers (storage), boxes, packaging containers of wood, shipping containers of wood, crates, transport pallets, lids used with them; hardware, furniture fittings, opening and closing mechanisms made of wood or synthetic materials; ornamental and decorative articles of this class, made of wood, cork, reed, bamboo, wicker, horn, bone, ivory, whalebone, oyster shell, amber, mother-of-pearl, meerschaum, wax, plastic or plaster namely figurines, holiday ornaments for walls, sculptures, trophies; hand-held supermarket shopping baskets, not of metal, fishing baskets; kennels, nesting boxes and beds for household pets; portable ladders, mobile ladders made of wood or synthetic material; bamboo curtains, roller blinds (indoor), stripe curtains, beaded curtains for decoration; curtain hooks, curtain rings, curtain hooks, curtain rods; non-metal chocks for vehicle wheels.

24 – Woven or non-woven fabrics; home textile products: curtains, bedspreads, duvet covers, sheets, pillowcases, blankets, quilts, towels; flags, pennants, labels from textile; swaddling blankets; sleeping bags for campers.

35 – Advertising, marketing and public relations services, organization of exhibitions and fairs for commercial and advertising purposes, design services for advertising purposes; provision of an online marketplace for buyers and sellers of goods and services; office functions; secretarial services, newspaper subscription editing services, compilation of statistics, rental of office machines, systematization of information in computer databases, telephone answering services; business management, administration and consultancy, accounting services, personnel recruitment, recruitment, personnel selection, personnel supply services, import-export agency services, temporary personnel employment services (business invoicing, tax preparation, preparation of business profitability studies); organization and conducting of auctions; the bringing together, for the benefit of others, of a variety of goods, namely, furniture, regardless of the materials and

materials from which they are made, bed mattresses, pillows, non-medical air mattresses and pillows, water beds (except camper sleeping bags), mirrors [looking glasses], beehives, artificial honeycombs and sections of wood for honeycombs, baby cradles, playpens with bars (for indoors), bassinets, walkers, boards made of wood or synthetic material, frames for pictures, tables, id cards, tags, nameplates, labels, packaging made of wood or synthetic material, drums for transport and storage, vats, drums, hoppers (storage), boxes, packaging containers of wood, shipping containers of wood, crates, transport pallets, lids used with them, hardware, furniture fittings, opening and closing mechanisms made of wood or synthetic materials, ornamental and decorative articles of this class, made of wood, cork, reed, bamboo, wicker, horn, bone, ivory, whalebone, oyster shell, amber, mother-of-pearl, meerschaum, wax, plastic or plaster namely figurines, holiday ornaments for walls, sculptures, trophies, baskets, fishing baskets, kennels, nesting boxes and beds for household pets, portable ladders, mobile ladders made of wood or synthetic material, bamboo curtains, roller blinds (indoor), stripe curtains, beaded curtains for decoration, curtain hooks, curtain rings, curtain hooks, curtain rods, non-metal chocks for vehicle wheels, woven or non-woven fabrics, home textile products, curtains, bedspreads, duvet covers, sheets, pillowcases, blankets, quilts, towels, flags, pennants, labels from textile, swaddling blankets, sleeping bags for campers, enabling customers to conveniently view and purchase those goods, such services may be provided by retail stores, wholesale outlets, by means of electronic media or through mail order catalogues.

(260) AM 2023 121013 A

(800) 1705181

(151) 2022 09 23

(891) 2022 09 23

(731) GIORGIO ARMANI S.P.A.

Via Borgonuovo, 11, I-20121 MILANO
(Milano), Italy

(540)



(591) Black, white

(531) 03.07.01; 03.07.02; 26.11.08; 27.05.01;
27.05.08; 27.05.09; 27.05.10; 27.05.24

(511)

18 – Handbags; traveling bags; briefcases; leather briefcases; leather credit card holders; wallets; leather document briefcases; key-cases of leather and skins; purses; suit cases; cosmetic bags sold empty; gym bags; evening and shoulder bags for ladies; leather shopping bags; school bags; garment bags for travel; suit carriers for travel; shoe bags for travel; beach bags; diaper bags; backpacks; Boston bags; traveling trunks; duffel bags; overnight bags; carry-on bags; satchels; opera bags; vanity cases (not fitted); hides;

cases and boxes made of leather; bags made of leather for packaging; leather straps; umbrellas; leather leashes; saddlery.

25 – Coats; jackets; trousers; skirts; tops; raincoats; overcoats; belts; braces for clothing; suits; stuff jackets; jumpers; jeans; dresses; cloaks; parkas; shirts; T-shirts; sweaters; underwear; baby-dolls being night-wear; bathrobes; bathing costumes; négligée; swim suits; dressing gowns; shawls; neckerchiefs; scarves; ties; neckties; sweat shirts; under shirts; polo shirts; body suits; shorts; combinations [clothing]; wedding dresses; stockings; socks; shoes; slippers; overshoes; galoshes; wooden clog; soles for footwear; footwear upper; boots; ski boots; snow boots; half boots; esparto shoes or sandals; sandals; bath sandals; gloves; mittens; hats and caps; visors (headwear).

(260) AM 2023 121015 A
 (800) 1705233
 (151) 2022 11 04
 (891) 2022 11 04
 (731) Richter Gedeon Nyrt.
 Gyömrői út 19-21., H-1103 Budapest, Hungary
 (540)

DALDINOMIN

(591) Black, white
 (511)
 5 – Pharmaceutical preparations.

(260) AM 2023 121016 A
 (800) 1705234
 (151) 2022 11 04
 (891) 2022 11 04
 (731) Richter Gedeon Nyrt.
 Gyömrői út 19-21., H-1103 Budapest, Hungary
 (540)

PARIBARENZ

(591) Black, white
 (511)
 5 – Pharmaceutical preparations.

(260) AM 2023 121017 A
 (800) 1705235
 (151) 2022 11 04
 (891) 2022 11 04
 (731) Richter Gedeon Nyrt.
 Gyömrői út 19-21., H-1103 Budapest, Hungary
 (540)

DAVOLEN

(591) Black, white
 (511)
 5 – Pharmaceutical preparations.

(260) AM 2023 121018 A
 (800) 1705236
 (151) 2022 11 04
 (891) 2022 11 04
 (731) Richter Gedeon Nyrt.
 Gyömrői út 19-21., H-1103 Budapest, Hungary
 (540)

MIPATEN

(591) Black, white
 (511)
 5 – Pharmaceutical preparations.

(260) AM 2023 121019 A
 (800) 1705237
 (151) 2022 11 04
 (891) 2022 11 04
 (731) Richter Gedeon Nyrt.
 Gyömrői út 19-21., H-1103 Budapest, Hungary
 (540)

RAVEFFIN

(591) Black, white
 (511)
 5 – Pharmaceutical preparations.

(260) AM 2023 121020 A
 (800) 1705238
 (151) 2022 11 04
 (891) 2022 11 04
 (731) Richter Gedeon Nyrt.
 Gyömrői út 19-21., H-1103 Budapest, Hungary
 (540)

ENNEROVAN

(591) Black, white
 (511)
 5 – Pharmaceutical preparations.

(260) AM 2023 121021 A
 (800) 1705239
 (151) 2022 11 04
 (891) 2022 11 04
 (731) Richter Gedeon Nyrt.
 Gyömrői út 19-21., H-1103 Budapest, Hungary
 (540)

SKENTARON

(591) Black, white
 (511)
 5 – Pharmaceutical preparations.

(260) AM 2023 121022 A
 (800) 1705240
 (151) 2022 11 04
 (891) 2022 11 04

(731) Richter Gedeon Nyrt.
Gyömrői út 19-21., H-1103 Budapest, Hungary

(540)

SORPOTIX

(591) Black, white

(511)

5 – Pharmaceutical preparations.

(260) AM 2023 121023 A

(800) 1705337

(151) 2022 02 08

(891) 2022 02 08

(731) Gordienko Ekaterina Denisovna
Leningradskoe shosse, 13, korp. 1, kv. 264,
RU-125171 Moscow, Russian Federation

(540)

CANDYLANE

(591) Black, white

(511)

29 – Condensed milk for confectionery.

30 – Zefir in chocolate glaze; biscuits; waffles; confectionery for decorating Christmas trees; cakes; pastries; peanut confectionery; almond confectionery; caramel; candy; crackers; lollipops; marmalade [confectionery]; sweet milk mass for confectionery; pastilles (confectionery); cookies; fondants [confectionery]; gingerbread; sugar; cake batter; sweets; fruit and berry cakes; halva; chocolate.

(260) AM 2023 121026 A

(800) 1119416

(151) 2011 12 21

(891) 2022 12 05

(731) POLACCO S.N.C. DI ALBERTO, ALDO E
ITALO RINO POLACCO
Via Camporosolo, 198, I-37047 SAN
BONIFACIO (VR), Italy

(540)

pakelo

(591) Black, white

(531) 27.05.02

(511)

4 – Industrial oils and greases, lubricants.

(260) AM 2023 121028 A

(800) 1276007

(151) 2015 07 16

(891) 2022 12 07

(731) Danogips GmbH & Co. KG
Tilsiter Straße 2, 41460 Neuss,
Germany

(540)

Danogips

(591) Black, white

(511)

1 – Adhesives for wall tiles; glue for industrial purposes; adhesives for wallpaper; adhesives used in industry.

2 – Paints, varnishes, lacquers; dyes; primers; fire-proof paints; enamels for painting; aluminium paints; asbestos paints; bactericidal paints; wood coatings [paints]; anti-corrosive bands; mastic [natural resin]; coatings [paints]; badigeon; enamels [varnishes].

6 – Metal building materials; small items of metal hardware; metallic mountings; shaped metal sections; screws of metal; nuts of metal; brackets of metal for building; brackets of metal for building; metal profiles.

8 – Hand tools and implements (hand-operated); palette knives; spatulas [hand tools]; mortise chisels; scrapers [hand tools].

17 – Stopping and insulating materials; insulation sheets; insulation boards; acoustic tiles (insulating materials); insulating paper; lute; insulators; insulating tape; adhesive bands other than stationery and not for medical or household purposes; self-adhesive tapes, other than stationery and not for medical or household purposes; insulating materials; sealant compounds for joints.

19 – Non-metallic building materials; non-metallic boards for building purposes; mouldings, not of metal; building paper; gypsum; plaster; tar; pitch; coatings [building materials], targets; dry mortar; slabs, not of metal, for building; gypsum boards; floors, not of metal; mortar for building; mastics.

37 – Building construction; building maintenance and repair; installation of building insulation.

(260) AM 2023 121029 A

(800) 1276716

(151) 2015 07 16

(891) 2022 12 07

(731) Danogips GmbH & Co. KG
Tilsiter Straße 2, 41460 Neuss, Germany

(540)

Dano

(591) Black, white

(511)

1 – Adhesives for wall tiles; glue for industrial purposes; adhesives for wallpaper; adhesives used in industry.

2 – Paints, varnishes, lacquers; dyes; primers; fireproof paints; enamels for painting; aluminium paints; asbestos paints; bactericidal paints; wood coatings [paints]; anti-corrosive bands; mastic [natural resin]; coatings [paints]; badigeon; enamels [varnishes].

6 – Metal building materials; small items of metal hardware; metallic mountings; shaped metal sections; screws of metal; nuts of metal; brackets of metal for building; brackets of metal for building; metal profiles.

8 – Hand tools and implements (hand-operated); palette knives; spatulas [hand tools]; mortise chisels; scrapers [hand tools].

17 – Stopping and insulating materials; insulation sheets; insulation boards; acoustic tiles (insulating materials); insulating paper; lute; insulators; insulating tape; adhesive bands other than stationery and not for medical or household purposes; self-adhesive tapes, other than stationery and not for medical or household purposes; insulating materials; sealant compounds for joints.

19 – Non-metallic building materials; non-metallic boards for building purposes; mouldings, not of metal; building paper; gypsum; plaster; tar; pitch; coatings [building materials], pargets; dry mortar; slabs, not of metal, for building; gypsum boards; floors, not of metal; mortar for building; mastics.

37 – Building construction; building maintenance and repair; installation of building insulation.

(260) AM 2023 121030 A

(800) 1277759

(151) 2015 07 16

(891) 2022 12 07

(731) Danogips GmbH & Co. KG

Tilsiter Straße 2, 41460 Neuss, Germany

(540)

Даногипс

(591) Black, white

(531) 28.05

(511)

1 – Adhesives for wall tiles; glue for industrial purposes; adhesives for wallpaper; adhesives used in industry.

2 – Paints, varnishes, lacquers; dyes; primers; fireproof paints; enamels for painting; aluminium paints; asbestos paints; bactericidal paints; wood coatings [paints]; anti-corrosive bands; mastic [natural resin]; coatings [paints]; badigeon; enamels [varnishes].

6 – Metal building materials; small items of metal hardware; metallic mountings; shaped metal sections; screws of metal; nuts of metal; brackets of metal for building; brackets of metal for building; metal profiles.

8 – Hand tools and implements (hand-operated); palette knives; spatulas [hand tools]; mortise chisels; scrapers [hand tools].

17 – Stopping and insulating materials; insulation sheets; insulation boards; acoustic tiles (insulating mate-

rials); insulating paper; lute; insulators; insulating tape; adhesive bands other than stationery and not for medical or household purposes; self-adhesive tapes, other than stationery and not for medical or household purposes; insulating materials; sealant compounds for joints.

19 – Non-metallic building materials; non-metallic boards for building purposes; mouldings, not of metal, for building; building paper; gypsum; plaster; tar; pitch; coatings [building materials], pargets; dry mortar; slabs, not of metal, for building; gypsum boards; floors, not of metal; mortar for building; mastics.

37 – Building construction; building maintenance and repair; installation of building insulation.

(260) AM 2023 121031 A

(800) 1294748

(151) 2015 07 16

(891) 2022 12 07

(731) Danogips GmbH & Co. KG

Tilsiter Straße 2, 41460 Neuss, Germany

(540)

Дано

(591) Black, white

(531) 28.05

(511)

1 – Adhesives for wall tiles; glue for industrial purposes; adhesives for wallpaper; adhesives used in industry.

2 – Paints, varnishes, lacquers; dyes; primers; fireproof paints; enamels for painting; aluminium paints; asbestos paints; bactericidal paints; wood coatings [paints]; anti-corrosive bands; mastic [natural resin]; coatings [paints]; badigeon; enamels [varnishes].

6 – Metal building materials; small items of metal hardware; metallic mountings; shaped metal sections; screws of metal; nuts of metal; brackets of metal for building; brackets of metal for building; metal profiles.

8 – Hand tools and implements (hand-operated); palette knives; spatulas [hand tools]; mortise chisels; scrapers [hand tools].

17 – Stopping and insulating materials; insulation sheets; insulation boards; acoustic tiles (insulating materials); insulating paper; lute; insulators; insulating tape; adhesive bands other than stationery and not for medical or household purposes; self-adhesive tapes, other than stationery and not for medical or household purposes; insulating materials; sealant compounds for joints; sealing compounds.

19 – Non-metallic building materials; non-metallic boards for building purposes; mouldings, not of metal; building paper; gypsum; plaster; tar; pitch; coatings [building materials], pargets; dry mortar; slabs,

not of metal, for building; gypsum boards; floors, not of metal; mortar for building.

37 – Building construction; building maintenance and repair; installation of building insulation.

(260) AM 2023 121032 A

(800) 1370849

(151) 2017 08 08

(891) 2022 12 09

(731) Deborah Jane Keil

1964 State Highway 2, RD1, Masterton 5881,
New Zealand

(540)

Mountain Gold Manuka

(591) Black, white

(526) manuka, mountain, gold.

(511)

30 – Non-medicated lozenges [confectionery]; honey; lozenges [confectionery].

(260) AM 2023 121080 A

(800) 1706097

(151) 2022 09 02

(891) 2022 09 02

(731) SINTESI E RICERCA S.P.A. siglabile SER,

S.P.A.

Via IV Novembre, 30, I-12025 Dronero, Cuneo,
Italy

(540)



(591) Grey, Light blue

(531) 01.15.15; 27.03.12; 27.05.01; 29.01.12

(511)

1 – Chemicals used in industry, science and photography, as well as in agriculture, horticulture and forestry; synthetic resins, unprocessed; unprocessed plastics; fertilizers; fire extinguishing compositions; tempering and soldering preparations; chemical substances for preserving foodstuffs; tanning substances; adhesives used in industry; chemicals used in the industry and science, including the following goods: petrochemical products and mining chemicals; chemical products for use in industry and manufacturing processes; unprocessed artificial and synthetic resins; unprocessed plastics, for industrial use; propellant gases for aerosols; protective gases for welding; solidified gases for industrial purposes; ammonia; gum solvents; solvents for varnishes; refrigerants; phenols; sulfur; creosote for industrial purposes; alcohol; acids; olefins; carbon, carbon compounds and carbon-based goods included in this class; hydrocarbons; flotation reagents; manures, fertilizers and the aforesaid goods for agricultural and horticultural purposes included in

this class; polymers for industrial use; chemical additives for fuels and lubricants; chemical material, for use in the following fields: production of industrial waxes; wax-bleaching chemicals.

4 – Lubricants and industrial greases, waxes and fluids; combustible waxes; wax [raw material]; industrial wax; wax for use in manufacture; vegetable wax; oils containing dissolved metal salts for use as additives to bitumen; process oil for use in bitumen extenders; emulsions of bitumen for use as fuel; beeswax; carnauba wax; sumac wax [sumach wax]; belting wax; industrial oil; industrial oils and greases, lubricants; lubricating grease; dust wetting compositions in the nature of oils; candles; industrial paraffins.

(260) AM 2023 121081 A

(800) 1706128

(151) 2022 10 02

(891) 2022 10 02

(731) FASHION NOVA, LLC

2801 E. 46TH STREET, Vernon CA 90058,
USA

(540)

NOVABEAUTY

(591) Black, white

(511)

35 – Online retail store services featuring cosmetics, toilet preparations and perfumery products, namely, lipsticks, lip gloss, lip liners, lip balms, lip color palettes, eye shadows, eye lining pencils, liquid eye liners, eye makeup, mascara, eyebrow pencils, artificial eyelashes, eyeshadow palettes, blushers, multi-use cosmetic sticks, foundation makeup, pressed powder, loose powder, makeup remover, concealers, multi-use colored creams, powders and gels for use on face, cleansers, namely, facial cleansers and skin cleansers, exfoliators, namely, non-medicated skin and facial exfoliators, moisturizers for the face and body, masks for the face and body, toners, eye creams, disposable wipes impregnated with cleansing compounds for use on skin, non-medicated skin care creams, lotions, oils, sprays, and gels for the face and body, non-medicated beauty lotions, serums and sprays for the face and body, anti-cellulite and body firming creams, lotions, serums and sprays for the face and body, nail polish, nail enamel, nail polish remover, suncare lotions, skin bronzers, sun tanning lotions, sunscreens, self-tanning preparations, after-sun skin soothers and rehydrators, namely, sun creams, lotions and gels, fragrances for personal use.

(260) AM 2023 121082 A

(800) 1706132

(151) 2022 10 03

(891) 2022 10 03

(731) Pate Play Tech Ltd

Mladost Area, 159, Tsarigradsko Shose Blvd.,
9 fl., BG-1784 Sofia, Bulgaria

(540)



(591) Black, green, yellow and red

(531) 03.07.06; 03.07.24; 09.07.05; 26.01.03;
26.01.11; 26.01.19; 26.04.09; 27.05.01;
27.05.09; 29.01.15

(511)

9 – Telecommunications apparatus and instruments; multimedia apparatus and instruments; apparatus for the transmission of images; utility software; software in the field of gambling recorded; game software in the field of gambling recorded; computer gaming software; casino management software; computer operating system software; device drivers; electronic device software drivers that allow computer hardware and electronic devices to communicate with each other; computer software packages; computer operating system software; computer software, recorded; computer software (recorded) in the field of gambling; software drivers; virtual reality software; games software; games software; computer game software in the field of gambling; computer programs for network management; operating computer software for main frame computers; monitors [computer hardware]; monitors (computer hardware) in the field of gambling; computer hardware; computer hardware in the field of gambling; apparatus for recording images; monitors [computer programs]; games software; recorded computer game programs; apparatus for recording, transmission or reproduction of sound or images; communications servers [computer hardware]; electronic components for gambling machines; computer application software featuring games and gaming; computer software for the administration of on-line games and gaming; computer software for managing online gambling and gambling; computer hardware for games and gaming; computer hardware for gaming and gambling; hardware and software for games of chance, for slot machines, for games of chance on the Internet and via a telecommunications network; downloadable information relating to games and gaming; blank electronic chip cards; totalizers; gaming software that generates or displays wager outcomes of gaming machines; electronic labels and slips; electronic publications, downloadable; interfaces for computers; electronic betting devices; computer software and computer programs relating to or involving games, casino games, card games, gambling or betting; computer software and computer programs downloadable from the Internet; computer software and computer programs relating to games, card games, games of skill, poker, poker games, casino games, games of chance or be-

ting and poker tournaments, competitions, contests, shows and events; computer software platforms for social networking in relation to games, card games, games of skill, poker, poker games, casino games, gambling and betting and poker tournaments, competitions, contests, shows and events; computer application software relating to games, card games, games of skill, poker, poker games, casino games, gambling and betting and poker tournaments, competitions, contests, games, exhibitions and events; interactive video game programs relating to card games, games of skill, poker, poker games, casino games, gambling and betting and poker tournaments, competitions, contests, games, exhibitions and events; downloadable electronic game programs and social networking computer software platforms available for download from the Internet, e-mail or portable, mobile, desktop or tablet devices, relating to card games, games of skill, poker, poker games, casino games, gambling and betting and poker tournaments, competitions, contests, games, exhibitions and events; pre-recorded compact discs, dvds and discs relating to card games, games of skill, poker, poker games, casino games, gambling and betting and poker tournaments, competitions, contests, games, exhibitions and events; recordable electronic publications relating to card games, games of skill, poker, poker games, casino games, gambling and betting and poker tournaments, competitions, contests, games, exhibitions and events; electronic publications, downloadable, relating to games and gaming; electronic publications recorded on computer media; recorded and downloadable information related to gaming and gambling; computer game software for use with on-line interactive games; coin-operated mechanisms.

28 – Chips for gambling; slot machines [gaming machines]; LCD game machines; gaming machines for gambling; bill-operated gaming equipment; chips and dice [gaming equipment]; board games; playing cards; playing card shuffling device; arcade games (electronic -) [coin or counter operated apparatus]; dice; electronic board games; lottery scratch cards; lottery wheels; lottery tickets; roulette wheels; bingo cards; backgammon games; scratch cards for playing lottery games; printed lottery tickets; bingo game playing equipment; table-top games and gambling devices; roulette tables; roulette chips; poker chips; mah-jong; arcade games; video game apparatus, arcade games, and amusement machines; coin-operated amusement machines; amusement machines, operated by inserting coins, notes and cards; slot machines [gaming machines]; electronic games in the field of gambling; parlour games; playing cards; slot machines [gaming machines]; coin-operated amusement machines; chips and dice [gaming equipment]; gaming equipment for casinos; roulette tables; gaming roulette wheels; casi-

no games; slot machines and gambling machines; slot machines and or entertainment electronic coin machines with or without the possibility of winning; boxes for slot machines, slot machines and slot machines; electronic or electrotechnical amusement machines and apparatus, gaming machines, coin-operated entertainment machines; housings for coin-operated gaming machines, gaming equipment, slot machines, gambling machines; electropneumatic and electric slot machines (gaming machines).

41 – Casino services; gambling services; gambling services; gaming services for entertainment purposes; casino, gaming and gambling services; training in the development of software systems; providing gaming house facilities; providing casino facilities [gambling]; gaming machine entertainment services; providing casino facilities [gambling]; amusement arcade services; games equipment rental; games equipment rental; arcade game services; games equipment rental; leasing of casino games; editing or recording of sounds and images; sound recording and video entertainment services; hire of sound reproducing apparatus; providing gaming facilities for casinos; provision of gambling equipment; providing of casino and gaming facilities; on-line gambling services; casino, gaming and gambling services; provision of gaming facilities, gaming hall facilities, Internet casinos and on-line betting services; organization of lotteries; organization of lotteries; provision of games by means of a computer based system; online interactive entertainment; on-line casino services; online game services through mobile devices; providing online entertainment in the nature of game tournaments; providing on-line information in the field of computer gaming entertainment; sports betting services; online sports betting services; rental of game machines and apparatus.

(260) AM 2023 121083 A

(800) 1706133

(151) 2022 10 05

(891) 2022 10 05

(731) Euro Games Technology Ltd.

4, "Maritsa" Str., "Vranya-Lozen-Triugulnika",
BG-1151 Sofia, Bulgaria

(540)

20 SUPER FLAME

(591) Yellow, orange, red, blue and black

(531) 26.11.13; 27.05.02; 27.07.02; 29.01.13

(511)

9 – Operating computer software for main frame computers; monitors (computer hardware); computer hardware; apparatus for recording images; monitors (computer programs); computer game programs; recorded computer game programs; apparatus for recording, transmission or reproduction of sound or ima-

ges; communications servers (computer hardware); electronic components for gambling machines; computer application software featuring games and gaming; computer software for the administration of on-line games and gaming; computer hardware for games and gaming; hardware and software for gambling, gambling machines, gambling games on the Internet and via telecommunication network; computer systems; computer operating system software; computer terminals; interactive terminals; multimedia terminals; electronic terminals for generating lottery tickets; interactive touch screen terminals; computer touchscreens; electronic display panels; liquid crystal display screens; digital signage display panels; multimedia software; multimedia apparatus and instruments; interactive multimedia software for playing games; computer screens; LCD large-screen displays; liquid crystal displays [LCDs] for home theatres; media streaming software; computer application software for streaming audio-visual media content via the Internet; software; computer gaming software; computer software packages; computer operating system software; computer software, recorded; software drivers; virtual reality software; games software; entertainment software for computer games; computer programs for network management; electronic lottery tickets; computer software platforms; operating systems; interactive computer systems; operating system programs; computer game software for use with on-line interactive games; interactive casino games provided through a computer or mobile platform; software for slot machines, betting software, software for video slot games, for casino games, for gambling and bingo games, provided online or through computer networks and that can be played on any type of computer device, including arcade games, personal computers, portable devices and mobile phones.

28 – Gaming machines for gambling; chips for gambling; mah-jong; arcade games; gambling machines operating with coins, notes and cards; games; electronic games; parlor games; gaming chips; gaming tables; slot machines [gaming machines]; LCD game machines; slot machines and gaming devices; coin-operated amusement machines; roulette chips; poker chips; chips and dice [gaming equipment]; gaming equipment for casinos; roulette tables; gaming roulette wheels; casino games; gambling machines and amusement machines, automatic and coin-operated; coin-operated amusement machines and/or electronic coin-operated amusement machines with or without the possibility of gain; boxes for coin-operated amusement machines, slot machines and gaming machines; electronic or electrotechnical amusement machines and apparatus, gaming machines, coin-operated entertainment machines; housings for coin-operated amusement machines, gaming equipment, gaming machines, machines for gambling; electropneumatic and electrical gambling machines (slot machines); lottery games; electronic targets for games and sports.

41 – Gambling services; gaming services for entertainment purposes; casino, gaming and gambling services; training in the development of software systems; provision of gaming equipment for gambling halls; providing casino equipment [gambling]; gaming machine entertainment services; providing casino facilities [gambling]; gaming hall services; games equipment rental; rental of gaming machines; providing amusement arcade services; rental of gaming machines with images of fruits; editing or recording of sounds and images; sound recording and video entertainment services; hire of sound reproducing apparatus; provision of gaming equipment for casinos; providing of gambling facilities; online gambling services; casino services; provision of gaming facilities and gaming hall facilities, Internet casinos and online gambling services; lottery services; organization of lotteries; provision of games by means of a computer based system; online interactive entertainment; online casino services; online game services through mobile devices; providing online entertainment in the nature of game tournaments; providing on-line information in the field of computer gaming entertainment; sports betting services; online sports betting services; providing online games and games of chance; entertainment services related to gambling.

(260) AM 2023 121085 A

(800) 1706160

(151) 2022 10 25

(891) 2022 10 25

(731) LOUIS DREYFUS TRADEMARKS B.V.
WTC AMSTERDAM, H-25 Zuidplein 208,
NL-1077 XV Amsterdam, Netherlands

(540)

LOUIS DREYFUS

(591) Black, white

(511)

5 – Pharmaceuticals and medical preparations; sanitary preparations for medical purposes; dietetic food and substances adapted for medical use, food for babies; dietary supplements for human beings; disinfectants; herbal supplements, vitamins and dietary supplements for human consumption; soy extracts and isoflavones for use as dietary and nutritional supplements, and as ingredients for dietary and nutritional supplements; dietetic beverages adapted for medical purposes; probiotic supplements; prebiotic supplements; probiotic preparations for medical use to help maintain a natural balance of flora in the digestive system; nutritional supplements; health food supplements for persons with special dietary requirements; powdered nutritional supplement drink mix; nutritional drink mix for use as a meal replacement; nutritional supplement meal replacement bars for boosting energy; nutritional supplement energy bars; preparations for supplementing the body with essential vita-

mins and microelements; infant formula; food and beverages for babies and infants; powdered milk for babies and infants; dietary supplements for infants; medicinal tea; biotechnological preparations for medical, pharmaceutical purposes; whey protein supplements; protein supplements; bacterial preparations for medical use; anti-microbial preparations, probiotic bacterial formulations and supplements (for medical use); naturopathic (medicinal preparations) and homeopathic preparations and substances; dietetic nutrients for medical use and nutriment for babies; coconut oil for medical purposes; glycerine for medical purposes; glycerine for medical use; lecithin dietary supplements; lecithin for medical purposes; antioxidants [dietary supplements] vitamins, minerals and antioxidants being nutritional and dietary supplements; protein supplements for human beings; pesticides; insecticides, fungicides, herbicides, nematocides, rodenticides, insect growth regulators; preparations for activating the biological resistance of plants and seeds against insects, bacteria, fungal diseases, parasites and weeds; preparations and substances for use in improving water quality and preventing the virus and bacteria growth in aquaculture and water systems; antibiotic preparations and products relating to the prevention of the growth of algae; veterinary preparations; biotechnological preparations for veterinary purposes; bacterial preparations for veterinary use; cultures of microorganisms for veterinary use; pharmaceutical preparations for the treatment of worms in farm animals including poultry, anti-insect fly sprays and disinfectant in powder form; dietetic food and substances adapted for veterinary use; dietary supplements for animal beings; animal feed additives for use as nutritional supplements; medicated animal feed; non-medicated animal dietary supplements; protein supplements for animals.

9 – Downloadable mobile apps; computer software for blockchain technology and cryptocurrency; apparatus and instruments for recording, transmitting, reproducing or processing sound, images or data; recorded and downloadable media, computer software, blank digital or analogue recording and storage media; computer software and hardware for use in the field of trading, agricultural, horticultural and forestry companies; computer software and hardware for electronic trading of currency; downloadable mobile applications in the field of trading, agricultural, horticultural and forestry companies; downloadable software in the field of trading agricultural, horticultural and forestry companies; computer software in the field of animal health; downloadable computer software applications in the field of animal health; downloadable applications in the field of animal health; scientific, research, navigation, surveying, photographic, cinematographic, audio-visual, optical, weighing, measuring, signalling, detecting, testing, inspecting, life-saving and teaching apparatus and instruments; apparatus and instruments for conducting, switching, trans-

forming, accumulating, regulating or controlling the distribution or use of electricity; apparatus and instruments for monitoring and measuring energy; control apparatus and control instruments for energy management; energy regulators; photovoltaic apparatus and installations for generating solar electricity; photovoltaic cells and modules; apparatus and software for testing and analysing petroleum and chemical products.

44 – Medical services; hygienic and beauty care for human beings; health care services; health assessment and consultancy services; naturopathy and homeopathy [alternative medicines] services; advice related to animal nutrition; advice relating to the breeding of animals; agriculture, aquaculture, viticulture, arboriculture, horticulture and forestry services; animal husbandry; farming (animals); agricultural consultancy; cultivation advisory services relating to agriculture; providing information and offering consulting and advisory services, all in the fields of agriculture, aquaculture, horticulture, forestry, viticulture, arboriculture, market-gardening, fruit growing, seed planting, growing and protection of seeds; consultancy services relating to farming equipment; agriculture services relating to environmental conservation; services and advice relating to seed planting, the growing of plants and crop protection; consultancy in the field of agricultural food; aerial and surface spreading of fertilizers and other agricultural chemicals; providing information relating to the use of fertilizers; information services relating to the use of chemicals used in agriculture; insecticide spraying for agriculture; advisory and consultancy services relating to the use of non-chemical treatments for sustainable agriculture and horticulture; consultancy relating to tree planting; tree planting; animal feed rationing services; counselling, advice and information related to the formulation of personalized diets for animals.

(260) AM 2023 121088 A

(800) 1706199

(151) 2022 09 29

(891) 2022 09 29

(731) Limited Liability Company "KONSTANTA TORG"

Schelkovskoe highway, 100, building 5, floor 9,
923, Severnoye Izmailovo municipal district,
RU-105523 Moscow, Russian Federation

(540)



(591) Red and white

(531) 18.01.19; 24.17.05; 28.05; 29.01.12

(511)

3 – Abrasive cloth; abrasive paper; abrasives; adhesives for affixing false eyelashes; adhesives for affixing false hair; adhesives for cosmetic purposes; after-shave lotions; air fragrance reed diffusers; air fragrancing preparations; almond milk for cosmetic purposes; almond oil; almond soap; aloe vera preparations for cosmetic purposes; alum stones [astringents]; amber [perfume]; ammonia [volatile alkali] [detergent]; antiperspirant soap; antiperspirants [toiletries]; antistatic preparations for household purposes; aromatics [essential oils]; astringents for cosmetic purposes; badian essence; balms, other than for medical purposes; extracts of flowers [perfumes]; bath preparations, not for medical purposes; bath salts, not for medical purposes; beard dyes; beauty masks; bergamot oil; bleaching preparations [decolorants] for cosmetic purposes; bleaching preparations [decolorants] for household purposes; bleaching salts; bleaching soda; breath freshening preparations for personal hygiene; breath freshening sprays; breath freshening strips; cake flavorings [essential oils]; cakes of soap; canned pressurized air for cleaning and dusting purposes; carbides of metal [abrasives]; chemical cleaning preparations for household purposes; cleaning chalk; cleaning preparations; cleansers for intimate personal hygiene purposes, non medicated; cleansing milk for toilet purposes; cloths impregnated with a detergent for cleaning; cobblers' wax; collagen preparations for cosmetic purposes; color-brightening chemicals for household purposes [laundry]; color-removing preparations; colorants for toilet purposes; corundum [abrasive]; cosmetic creams; cosmetic dyes; cosmetic kits; cosmetic pencils; cosmetic preparations for baths; cosmetic preparations for eyelashes; cosmetic preparations for skin care; cosmetic preparations for slimming purposes; cosmetics; cosmetics for animals; cosmetics for children; cotton sticks for cosmetic purposes; cotton wool for cosmetic purposes; creams for leather; decorative transfers for cosmetic purposes; degreasers, other than for use in manufacturing processes; dental bleaching gels; dentifrices; denture polishes; deodorants for human beings or for animals; deodorants for pets; deodorant soap; depilatory preparations; depilatory wax; descaling preparations for household purposes; detergents, other than for use in manufacturing operations and for medical purposes; diamantine [abrasive]; douching preparations for personal sanitary or deodorant purposes [toiletries]; dry-cleaning preparations; drying agents for dishwashing machines; dry shampoos; eau de cologne; emery; emery cloth; emery paper; essential oils; essential oils of cedarwood; essential oils of citron; essential oils of lemon; ethereal essences; eye-washes, not for medical purposes; eyebrow cosmetics; eyebrow pencils; fabric softeners for laundry use; false eyelashes; false nails; flavorings for beverages [essential oils]; floor wax; floor wax removers [scouring preparations]; food flavorings [essential oils]; fumigation preparations

[perfumes]; gaultheria oil; geraniol; glass cloth [abrasive cloth]; greases for cosmetic purposes; grinding preparations; hair conditioners; hair dyes; hair lotions; hair spray; hair straightening preparations; hair waving preparations; heliotropine; henna [cosmetic dye]; herbal extracts for cosmetic purposes; hydrogen peroxide for cosmetic purposes; incense; ionone [perfumery]; jasmine oil; javelle water; joss sticks; lacquer-removing preparations; laundry bleach; laundry blueing; laundry glaze; laundry preparations; laundry soaking preparations; laundry starch; lavender oil; lavender water; leather bleaching preparations; lip glosses; lipstick cases; lipsticks; lotions for cosmetic purposes; make-up; make-up powder; make-up preparations; make-up removing preparations; mascara; massage candles for cosmetic purposes; massage gels, other than for medical purposes; mint essence [essential oil]; mint for perfumery; mouthwashes, not for medical purposes; musk [perfumery]; mustache wax; nail art stickers; nail care preparations; nail polish; nail polish removers; neutralizers for permanent waving; non-slipping liquids for floors; non-slipping wax for floors; oil of turpentine for degreasing; oils for cleaning purposes; oils for cosmetic purposes; oils for perfumes and scents; oils for toilet purposes; paint stripping preparations; pastes for razor strops; perfumery; perfumes; petroleum jelly for cosmetic purposes; phytocosmetic preparations; polish for furniture and flooring; polishing creams; polishing paper; polishing preparations; polishing rouge; polishing stones; polishing wax; pomades for cosmetic purposes; potpourris [fragrances]; preparations for cleaning dentures; preparations for unblocking drain pipes; preparations to make the leaves of plants shiny; preservatives for leather [polishes]; pumice stone; quillaia bark for washing; rose oil; rust removing preparations; sachets for perfuming linen; safrol; sandpaper; scented water; scented wood; scouring solutions; shampoos; shampoos for animals [non-medicated grooming preparations]; shampoos for pets [non-medicated grooming preparations]; shaving preparations; shaving soap; shaving stones [astringents]; shining preparations [polish]; shoe cream; shoemakers' wax; shoe polish; shoe wax; silicon carbide [abrasive]; skin whitening creams; smoothing preparations [starching]; smoothing stones; soap; soap for brightening textile; soap for foot perspiration; soda lye; stain removers; starch glaze for laundry purposes; sun-tanning preparations [cosmetics]; sunscreen preparations; tailors' wax; talcum powder, for toilet use; teeth whitening strips; terpenes [essential oils]; tissues impregnated with cosmetic lotions; tissues impregnated with make-up removing preparations; toiletry preparations; toilet water; toothpaste; tripoli stone for polishing; turpentine for degreasing; vaginal washes for personal sanitary or deodorant purposes; varnish-removing preparations; volcanic ash for cleaning; wallpaper cleaning preparations; washing soda, for cleaning; wax for parquet floors; whiting; windshield cleaning liquids.

4 – Additives, non-chemical, to motor fuel; alcohol [fuel]; anthracite; beeswax; beeswax for use in the manufacture of cosmetics; belting wax; benzene fuel; benzine; biomass fuel; bone oil for industrial purposes; candles; motor fuel; carnauba wax; castor oil for industrial purposes; ceresine; charcoal [fuel]; christmas tree candles; coal; coal briquettes; coal dust [fuel]; coal naphtha; coal tar oil; coke; combustible briquettes; cutting fluids; diesel oil; dust absorbing compositions; dust binding compositions for sweeping; dust laying compositions; dust removing preparations; electrical energy; ethanol [fuel]; firelighters; firewood; fish oil, not edible; fuel; fuel gas; fuel oil; fuel with an alcohol base; gas for lighting; grease for arms [weapons]; grease for belts; grease for footwear; grease for leather; greases for the preservation of leather; industrial grease; industrial oil; industrial wax; kerosene; lamp wicks; lanolin; lanolin for use in the manufacture of cosmetics; lighting fuel; lignite; ligroin; lubricants; lubricating graphite; lubricating grease; lubricating oil; mazut; methylated spirit; mineral fuel; moistening oil; motor oil; naphtha; nightlights [candles]; non-slipping preparations for belts; oil-gas; oils for lighting; oils for paints; oils for releasing form work [building]; oils for the preservation of leather; oils for the preservation of masonry; oleine; ozokerite; paper spills for lighting fires; paraffin; peat briquettes [fuel]; peat [fuel]; perfumed candles; petrol; petroleum, raw or refined; petroleum ether; petroleum jelly for industrial purposes; producer gas; rape oil for industrial purposes; solidified gases [fuel]; soya bean oil preparations for non-stick treatment of cooking utensils; stearine; sunflower oil for industrial purposes; tallow; textile oil; tinder; vaporized fuel mixtures; wax for lighting; wax for skis; wax [raw material]; wicks for candles; wood briquettes; wood spills for lighting fires; xylene fuel.

5 – Absorbent cotton; acai powder dietary supplements; acaricides; acetates for pharmaceutical purposes; acids for pharmaceutical purposes; acne treatment preparations; aconitine; adhesive plasters; adhesives for dentures; adhesive tapes for medical purposes; adjuvants for medical purposes; air deodorising preparations; air purifying preparations; albumin dietary supplements; albuminous foodstuffs for medical purposes; albuminous preparations for medical purposes; alcohol for pharmaceutical purposes; aldehydes for pharmaceutical purposes; algicides; alginate dietary supplements; alginates for pharmaceutical purposes; alkaline iodides for pharmaceutical purposes; alkaloids for medical purposes; alloys of precious metals for dental purposes; almond milk for pharmaceutical purposes; aloe vera preparations for pharmaceutical purposes; aluminium acetate for pharmaceutical purposes; amino acids for medical purposes; amino acids for veterinary purposes; anaesthetics; analgesics; angostura bark for medical purposes; animal washes [insecticides]; anti-uric preparations; antibacterial hand-washes; antibacterial soap; antibiotics; anticryptoga-

mic preparations; antioxidant pills; antiparasitic collars for animals; antiparasitic preparations; antiseptic cotton; antiseptics; appetite suppressant pills; appetite suppressants for medical purposes; aseptic cotton; asthmatic tea; astringents for medical purposes; babies' diaper-pants; babies' diapers; bacterial poisons; bacterial preparations for medical and veterinary use; bacteriological preparations for medical and veterinary use; balms for medical purposes; balsamic preparations for medical purposes; bandages for dressings; barks for pharmaceutical purposes; bath preparations for medical purposes; bath salts for medical purposes; bicarbonate of soda for pharmaceutical purposes; biocides; biological preparations for medical purposes; biological preparations for veterinary purposes; biological tissue cultures for medical purposes; biological tissue cultures for veterinary purposes; bismuth preparations for pharmaceutical purposes; bismuth subnitrate for pharmaceutical purposes; blood for medical purposes; blood plasma; bone cement for surgical and orthopedic purposes; breast-nursing pads; bromine for pharmaceutical purposes; bronchodilating preparations; bunion pads; by-products of the processing of cereals for dietetic or medical purposes; cachets for pharmaceutical purposes; cachou for pharmaceutical purposes; calomel [fungicide]; camphor for medical purposes; camphor oil for medical purposes; capsules for medicines; carbolineum [parasiticide]; casein dietary supplements; castor oil for medical purposes; cattle washes [insecticides]; caustic pencils; caustics for pharmaceutical purposes; cedar wood for use as an insect repellent; cellulose esters for pharmaceutical purposes; cement for animal hooves; charcoal for pharmaceutical purposes; chemical conductors for electrocardiograph electrodes; chemical contraceptives; chemical preparations for medical purposes; chemical preparations for pharmaceutical purposes; chemical preparations for the diagnosis of pregnancy; chemical preparations for treating diseases affecting vine plants; chemical preparations for treating mildew; chemical preparations for treating phylloxera; chemical preparations for treating wheat blight; chemical preparations for veterinary purposes; chemical reagents for medical or veterinary purposes; chemico-pharmaceutical preparations; chewing gum for medical purposes; chilblain preparations; chinoline for medical purposes; chloroform; cocaine for medical purposes; cod liver oil; collagen for medical purposes; collodion for pharmaceutical purposes; collyrium; compresses; condurango bark for medical purposes; contact lens cleaning preparations; cooling sprays for medical purposes; corn remedies; corn rings for the feet; cotton for medical purposes; cotton sticks for medical purposes; cream of tartar for pharmaceutical purposes; creosote for pharmaceutical purposes; croton bark; cultures of microorganisms for medical or veterinary use; curare; decoctions for pharmaceutical purposes; dental amalgams; dental amalgams of gold;

dental cements; dental impression materials; dental lacquer; dental mastics; deodorants, other than for human beings or for animals; deodorants for clothing and textiles; depuratives; detergents for medical purposes; diabetic bread adapted for medical use; diagnostic biomarker reagents for medical purposes; diagnostic preparations for medical purposes; diagnostic preparations for veterinary purposes; diapers for incontinence; diapers for pets; diastase for medical purposes; dietary fiber; dietary supplements for animals; dietary supplements with a cosmetic effect; dietetic beverages adapted for medical purposes; dietetic foods adapted for medical purposes; dietetic substances adapted for medical use; digestives for pharmaceutical purposes; digitalin; dill oil for medical purposes; disinfectants; disinfectants for chemical toilets; disinfectants for hygiene purposes; disinfectant soap; dog washes [insecticides]; douching preparations for medical purposes; dressings, medical; drugs for medical purposes; elixirs [pharmaceutical preparations]; enzyme dietary supplements; enzyme preparations for medical purposes; enzyme preparations for veterinary purposes; enzymes for medical purposes; enzymes for veterinary purposes; ergot for pharmaceutical purposes; esters for pharmaceutical purposes; ethers for pharmaceutical purposes; eucalyptol for pharmaceutical purposes; eucalyptus for pharmaceutical purposes; extracts of hops for pharmaceutical purposes; eyepatches for medical purposes; febrifuges; fennel for medical purposes; ferments for pharmaceutical purposes; first-aid boxes, filled; fish meal for pharmaceutical purposes; flour for pharmaceutical purposes; flowers of sulfur for pharmaceutical purposes; fly catching paper; fly destroying preparations; fly glue; food for babies; formic aldehyde for pharmaceutical purposes; freeze-dried food adapted for medical purposes; freeze-dried meat adapted for medical purposes; frostbite salve for pharmaceutical purposes; fumigating sticks; fumigation preparations for medical purposes; fungicides; gallic acid for pharmaceutical purposes; gamboge for medical purposes; gases for medical purposes; gauze for dressings; gelatine for medical purposes; gentian for pharmaceutical purposes; germicides; glucose dietary supplements; glucose for medical purposes; glycerine for medical purposes; glycerophosphates; greases for medical purposes; greases for veterinary purposes; guaiacol for pharmaceutical purposes; gum for medical purposes; gurjun balsam for medical purposes; hematogen; hemoglobin; hemorrhoid preparations; hemostatic pencils; herbal extracts for medical purposes; herbal teas for medicinal purposes; herbicides; homogenized food adapted for medical purposes; hormones for medical purposes; hydrastine; hydrastinine; hydrated chloral for pharmaceutical purposes; hydrogen peroxide for medical purposes; immunostimulants; infant formula; insecticidal animal shampoos; insecticidal veterinary washes; insecticides; insect repellent incense; insect repellents; iodides for pharmaceutical purposes; iodine for pharmaceuti-

cal purposes; iodoform; irish moss for medical purposes; isotopes for medical purposes; jalap; jujube, medicated; lacteal flour for babies; lactose for pharmaceutical purposes; larvae exterminating preparations; laxatives; lead water; lecithin dietary supplements; lecithin for medical purposes; leeches for medical purposes; lice treatment preparations [pediculicides]; lime-based pharmaceutical preparations; liniments; linseed dietary supplements; linseed for pharmaceutical purposes; linseed meal for pharmaceutical purposes; linseed oil dietary supplements; lint for medical purposes; liquorice for pharmaceutical purposes; lotions for pharmaceutical purposes; lotions for veterinary purposes; lupulin for pharmaceutical purposes; magnesia for pharmaceutical purposes; malted milk beverages for medical purposes; malt for pharmaceutical purposes; mangrove bark for pharmaceutical purposes; massage candles for therapeutic purposes; bacteriological culture mediums; medical preparations for slimming purposes; medicated after-shave lotions; medicated animal feed; medicated candies; medicated dry shampoos; medicated eye-washes; medicated hair lotions; medicated shampoos; medicated shampoos for pets; medicated soap; medicated toiletry preparations; medicated toothpaste; medicinal alcohol; medicinal drinks; medicinal hair growth preparations; medicinal herbs; medicinal infusions; medicinal mud; medicinal oils; medicinal roots; medicinal tea; medicine cases, portable, filled; medicines for alleviating constipation; medicines for dental purposes; medicines for human purposes; medicines for veterinary purposes; melissa water for pharmaceutical purposes; menthol; mercurial ointments; milk ferments for pharmaceutical purposes; milking grease; mineral food supplements; mineral water salts; mineral waters for medical purposes; mint for pharmaceutical purposes; molding wax for dentists; moleskin for medical purposes; mothproofing paper; mothproofing preparations; mouthwashes for medical purposes; mud for baths; mustard for pharmaceutical purposes; mustard oil for medical purposes; mustard plasters; myrobalan bark for pharmaceutical purposes; narcotics; nervines; nicotine gum for use as an aid to stop smoking; nicotine patches for use as aids to stop smoking; nutraceutical preparations for therapeutic or medical purposes; nutritional supplements; nutritive substances for microorganisms; oil of turpentine for pharmaceutical purposes; ointments for pharmaceutical purposes; opiates; opium; opodeldoc; ophotherapy preparations; oxygen baths; oxygen for medical purposes; pants, absorbent, for incontinence; panty liners [sanitary]; paper for mustard plasters; parasiticides; pastilles for pharmaceutical purposes; pearl powder for medical purposes; pectin for pharmaceutical purposes; pediculicidal shampoos; pepsins for pharmaceutical purposes; peptones for pharmaceutical purposes; personal sexual lubricants; pesticides; petroleum jelly for medical purposes; pharmaceutical preparations; pharmaceutical preparations for skin care; pharmaceutical preparati-

ons for treating dandruff; pharmaceutical preparations for treating sunburn; pharmaceuticals; phenol for pharmaceutical purposes; phosphates for pharmaceutical purposes; phytotherapy preparations for medical purposes; plant extracts for pharmaceutical purposes; poisons; pollen dietary supplements; pomades for medical purposes; porcelain for dental prostheses; potassium salts for medical purposes; poultices; powdered milk for babies; powder of cantharides; pre-filled syringes for medical purposes; preparations for callouses; preparations for destroying dry rot fungus; preparations for destroying mice; preparations for destroying noxious animals; preparations for reducing sexual activity; preparations for the treatment of burns; preparations of microorganisms for medical or veterinary use; preparations of trace elements for human and animal use; preparations to facilitate teething; propolis dietary supplements; propolis for pharmaceutical purposes; protein dietary supplements; protein supplements for animals; purgatives; pyrethrum powder; quassia for medical purposes; quebracho for medical purposes; quinine for medical purposes; quinquina for medical purposes; radioactive substances for medical purposes; radiological contrast substances for medical purposes; radium for medical purposes; rat poison; reagent paper for medical purposes; reagent paper for veterinary purposes; remedies for foot perspiration; remedies for perspiration; repellents for dogs; rhubarb roots for pharmaceutical purposes; royal jelly dietary supplements; royal jelly for pharmaceutical purposes; rubber for dental purposes; salts for medical purposes; salts for mineral water baths; sanitary pants; sanitary tampons; sanitary pads; sarsaparilla for medical purposes; scapulars for surgical purposes; seawater for medicinal bathing; sedatives; semen for artificial insemination; serotherapeutic medicines; serums; sexual stimulant gels; siccatives [drying agents] for medical purposes; slimming pills; slug exterminating preparations; smelling salts; smoking herbs for medical purposes; sodium salts for medical purposes; soil-sterilizing preparations; solutions for contact lenses; solvents for removing adhesive plasters; soporifics; starch for dietetic or pharmaceutical purposes; stem cells for medical purposes; stem cells for veterinary purposes; sterilizing preparations; steroids; stick liquorice for pharmaceutical purposes; strychnine; styptic preparations; sugar for medical purposes; sulfonamides [medicines]; sulfur sticks [disinfectants]; sunburn ointments; suppositories; surgical dressings; surgical glues; surgical implants comprised of living tissues; syrups for pharmaceutical purposes; tanning pills; tartar for pharmaceutical purposes; teeth filling material; therapeutic preparations for the bath; thermal water; thymol for pharmaceutical purposes; tincture of iodine; tinctures for medical purposes; tissues impregnated with pharmaceutical lotions; tobacco-free cigarettes for medical purposes; tobacco extracts [insecticides]; tonics [medicines]; transplants [living tissues]; turpentine for pharmaceu-

tical purposes; vaccines; vaginal washes for medical purposes; vermifuges; vesicants; veterinary preparations; vitamin preparations; vitamin supplement patches; vulnerary sponges; wadding for medical purposes; wart pencils; wheat germ dietary supplements; yeast dietary supplements; yeast for pharmaceutical purposes.

7 – 3D printers; 3D printing pens; acetylene cleaning apparatus; adhesive bands for pulleys; adhesive tape dispensers [machines]; aerating pumps for aquaria; aerocondensers; aeronautical engines; aeroplane engines; agitators; agricultural elevators; agricultural implements, other than hand-operated; agricultural machines; air brushes for applying colour; air condensers; air cushion devices for moving loads; air pumps [garage installations]; air suction machines; alternators; anti-friction bearings for machines; anti-pollution devices for motors and engines; apparatus for aerating beverages; apparatus for aerating water; apparatus for drawing up beer under pressure; aprons [parts of machines]; automatic grapnels for marine purposes; axles for machines; ball-bearings; ball rings for bearings; basket presses; bearing brackets for machines; bearings for transmission shafts; bearings [parts of machines]; beaters, electric; beating machines; beer pumps; bellows [parts of machines]; belt conveyors; belts for conveyors; belts for machines; belts for motors and engines; bending machines; beverage preparation machines, electromechanical; bicycle assembling machines; bicycle dynamos; binding apparatus for hay; bitumen making machines; blade holders [parts of machines]; blade sharpening [stropping] machines; blades [parts of machines]; blenders, electric, for household purposes; blowing machines; blowing machines for the compression, exhaustion and transport of gases; blowing machines or fans for the compression, sucking and carrying of grain; bobbins for weaving looms; boiler tubes [parts of machines]; bookbinding apparatus and machines for industrial purposes; bottle capping machines; bottle filling machines; bottle sealing machines; bottle stoppering machines; bottle washing machines; boxes for matrices [printing]; braiding machines; brake linings, other than for vehicles; brake pads, other than for vehicles; brake segments, other than for vehicles; brake shoes, other than for vehicles; bread cutting machines; brewing machines; brushes, electrically operated [parts of machines]; brushes for vacuum cleaners; brushes [parts of machines]; bulldozers; butter machines; calenders; camshafts for vehicle engines; can openers, electric; capstans; carbon brushes [electricity]; carburettor feeders; carburettors; card clothing [parts of carding machines]; carding machines; carriages for knitting machines; cartridges for filtering machines; catalytic converters; central vacuum cleaning installations; centrifugal machines; centrifugal mills; centrifugal pumps; chaff cutter blades; chaff cutters; chain saws; chisels for machines; chucks [parts of machines]; churns; cigarette machines for industrial purpo-

ses; cinder sifters [machines]; clack valves [parts of machines]; cleaning appliances utilizing steam; clippers [machines]; clutches, other than for land vehicles; coal-cutting machines; coffee grinders, other than hand-operated; coin-operated washing machines; compressed air engines; compressed air guns for the extrusion of mastics; compressed air machines; compressed air pumps; compressors for refrigerators; compressors [machines]; concrete mixers [machines]; condensing installations; control cables for machines, engines or motors; control mechanisms for machines, engines or motors; converters for steelworks; conveyors [machines]; cord making machines; couplings, other than for land vehicles; cowlings [parts of machines]; cranes [lifting and hoisting apparatus]; crankcases for machines, motors and engines; crank shafts; cranks [parts of machines]; crushers for kitchen use, electric; crushing machines; cultivators [machines]; current generators; curtain drawing devices, electrically operated; cutters [machines]; cutting blow pipes, gas-operated; cutting machines; cylinder heads for engines; cylinders for machines; cylinders for motors and engines; dairy machines; darning machines; de-aerators for feedwater; degreasers [machines]; derricks; die-cutting and tapping machines; die-stamping machines; diggers [machines]; dishwashers; disintegrators; ditchers [ploughs]; dividing machines; door closers, electric; door closers, hydraulic; door closers, pneumatic; door openers, electric; door openers, hydraulic; door openers, pneumatic; drainage machines; drill chucks [parts of machines]; drilling bits [parts of machines]; drilling heads [parts of machines]; drilling machines; drilling rigs, floating or non-floating; driving chains, other than for land vehicles; driving motors, other than for land vehicles; drums [parts of machines]; dust exhausting installations for cleaning purposes; dust removing installations for cleaning purposes; dyeing machines; dynamo belts; dynamo brushes; dynamos; earth moving machines; ejectors; electrical apparatus for sealing plastics [packaging]; electric arc cutting apparatus; electric arc welding apparatus; electric hammers; electric hand drills; electric welding apparatus; electrodes for welding machines; electromechanical machines for chemical industry; electroplating machines; elevating apparatus; elevator belts; elevator chains [parts of machines]; elevator operating apparatus; elevators [lifts]; embossing machines; emergency power generators; engine mounts, other than for land vehicles; engines for air cushion vehicles; engines for boats; engraving machines; excavators; exhaust manifold for engines; exhausts for motors and engines; expansion tanks [parts of machines]; extractors for mines; fan belts for motors and engines; fans for motors and engines; feeders [parts of machines]; feeding apparatus for engine boilers; filling machines; filtering machines; filter presses; filters being parts of machines or engines; filters for cleaning cooling air, for engines; finishing machines; fittings for engine boilers; fleshing machines; flour mill machines; flues

for engine boilers; fodder presses; food preparation machines, electromechanical; food processors, electric; forge blowers; foundry machines; freewheels, other than for land vehicles; friezing machines; fruit presses, electric, for household purposes; fuel conversion apparatus for internal combustion engines; fuel dispensing pumps for service stations; fuel economisers for motors and engines; galvanizing machines; gas-operated blow torches; gear boxes, other than for land vehicles; gears, other than for land vehicles; gears for weaving looms; generators of electricity; glass-working machines; glaziers' diamonds [parts of machines]; glow plugs for diesel engines; glue guns, electric; grain husking machines; grain separators; grating machines for vegetables; grease boxes [parts of machines]; grease rings [parts of machines]; grindstones [parts of machines]; guides for machines; guns [tools using explosives]; hair clipping machines for animals; hammers [parts of machines]; hand-held tools, other than hand-operated; handling apparatus for loading and unloading; handling machines, automatic [manipulators]; hangers [parts of machines]; harrows; harvesting machines; heat exchangers [parts of machines]; hemming machines; high pressure washers; hoists; holding devices for machine tools; hoppers [mechanical discharging]; hosiery looms; housings [parts of machines]; hydraulic controls for machines, motors and engines; hydraulic engines and motors; hydraulic turbines; igniting devices for internal combustion engines; igniting magnetos; incubators for eggs; industrial robots; injectors for engines; inking apparatus for printing machines; ironing machines; jacks [machines]; jet engines, other than for land vehicles; joints [parts of engines]; journal boxes [parts of machines]; journals [parts of machines]; joysticks being parts of machines, other than for game machines; juice extractors, electric; kick starters for motorcycles; kitchen grinders, electric; kitchen machines, electric; kneading machines; knitting machines; knives, electric; knives for mowing machines; knives [parts of machines]; labellers [machines]; lace making machines; lasts for shoes [parts of machines]; lathes [machine tools]; lawnmowers [machines]; leather-working machines; leather paring machines; lifting apparatus; lifts, other than ski-lifts; loading ramps; looms; loom shafts; lubricating pumps; lubricators [parts of machines]; machine fly-wheels; machines and apparatus for carpet shampooing, electric; machines and apparatus for cleaning, electric; machines and apparatus for polishing [electric]; machines and apparatus for wax-polishing, electric; machines for processing plastics; machines for the mineralisation of drinking water; machines for the production of sugar; machines for the textile industry; machine tools; machine wheels; machine wheelwork; matrices for use in printing; meat choppers [machines]; mechanized livestock feeders; metal drawing machines; metalworking machines; cream/milk separators; milking machines; milling machines; mills for household purposes, other than hand-

operated; millstones; mills [machines]; mine borers; mineworking machines; mixers [machines]; mixing machines; molding machines; molds [parts of machines]; mortising machines; motorized cultivators; motors, electric, other than for land vehicles; motors, other than for land vehicles; motors for boats; moving sidewalks; moving staircases [escalators]; mud catchers and collectors [machines]; mufflers for motors and engines; nail extractors, electric; net hauling machines [fishing]; notchers [machine tools]; oil refining machines; ore treating machines; packaging machines; packing machines; painting machines; paper feeders [printing]; papermaking machines; parquet wax-polishers, electric; pasta making machines, electric; pedal drives for sewing machines; peeling machines; pepper mills, other than hand-operated; pigs for cleaning pipes; piston segments; pistons for cylinders; pistons for engines; pistons [parts of machines or engines]; planing machines; ploughs; ploughshares; pneumatic controls for machines, motors and engines; pneumatic hammers; pneumatic jacks; pneumatic transporters; pneumatic tube conveyors; pneumatic waste oil drainers; potters' wheels; power hammers; presses [machines for industrial purposes]; pressure reducers [parts of machines]; pressure regulators [parts of machines]; pressure valves [parts of machines]; printing cylinders; printing machines; printing machines for use on sheet metal; printing plates; printing presses; printing rollers for machines; propulsion mechanisms, other than for land vehicles; puddling machines; pulleys; pulleys [parts of machines]; pulverisers [machines]; pump diaphragms; pumps for counter-current swimming; pumps for heating installations; pumps [machines]; pumps [parts of machines, engines or motors]; punches for punching machines; punching machines; rack and pinion jacks; racket stringing machines; radiators [cooling] for motors and engines; rail-laying machines; railroad constructing machines; railway wagon lifts; rakes for raking machines; raking machines; rammers [machines]; rams [machines]; reapers; reapers and binders; reapers and threshers; reduction gears, other than for land vehicles; reeling apparatus, mechanical; reels, mechanical, for flexible hoses; reels [parts of machines]; regulators [parts of machines]; rinsing machines; riveting machines; road making machines; road sweeping machines, self-propelled; roller bearings; roller bridges; rolling mill cylinders; rolling mills; rotary printing presses; rotary steam presses, portable, for fabrics; rubber tracks being parts of crawlers on agricultural machines; rubber tracks being parts of crawlers on construction machines; rubber tracks being parts of crawlers on loading-unloading machines and apparatus; rubber tracks being parts of crawlers on mining machines; rubber tracks being parts of crawlers on snow ploughs; satinizing machines; sausage making machines; saw benches [parts of machines]; saw blades [parts of machines]; saws [machines]; scale collectors for machine boilers; scissors, electric; screwdrivers, electric; sea-

ling machines for industrial purposes; self-oiling bearings; self-regulating fuel pumps; sewage pulverizers; sewing machines; shaft couplings [machines]; sharpening machines; sheaf-binding machines; shears, electric; shock absorber plungers [parts of machines]; shoe polishers, electric; shovels, mechanical; shredders [machines] for industrial use; shuttles [parts of machines]; sieves [machines or parts of machines]; sifting installations; sifting machines; sizing machines; ski edge sharpening tools, electric; slide rests [parts of machines]; smoothing presses; snow ploughs; soldering apparatus, electric; soldering blow pipes, gas-operated; soldering irons, electric; soldering irons, gas-operated; soldering lamps; sorting machines for industry; sowers [machines]; sparking plugs for internal combustion engines; speed governors for machines, engines and motors; spin driers [not heated]; spinning frames; spinning machines; spinning wheels; spray guns for paint; springs [parts of machines]; stalk separators [machines]; stamping machines; stands for machines; starters for motors and engines; stators [parts of machines]; steam/oil separators; steam condensers [parts of machines]; steam engine boilers; steam engines; steamrollers; steam traps; stereotype machines; stitching machines; stone-working machines; stuffing boxes [parts of machines]; suction cups for milking machines; suction machines for industrial purposes; suction nozzles for vacuum cleaners; superchargers; superheaters; swaging machines; tables for machines; tambours for embroidery machines; taps [parts of machines, engines or motors]; tarring machines; tedding machines; thermic lances [machines]; threading machines; threshing machines; tilling machines for agricultural purposes; tilt hammers; tobacco processing machines; torque converters, other than for land vehicles; transmission chains, other than for land vehicles; transmissions, other than for land vehicles; transmissions for machines; transmission shafts, other than for land vehicles; trimming machines; trueing machines; turbines, other than for land vehicles; turbocompressors; turf removing ploughs; tympan [parts of printing presses]; type-setting machines [photocomposition]; type-setting machines [printing]; typesetting machines; typographic machines; typographic presses; universal joints [cardan joints]; vacuum cleaner attachments for disseminating perfumes and disinfectants; vacuum cleaner bags; vacuum cleaner hoses; vacuum cleaners; vacuum pumps [machines]; valves [parts of machines]; vegetable spiralizers, electric; vending machines; vibrators [machines] for industrial use; vulcanization apparatus; washing apparatus; washing installations for vehicles; washing machines [laundry]; waste compacting machines; waste disposal units; water heaters being parts of machines; water separators; weeding machines; welding apparatus, gas-operated; welding machines, electric; whisks, electric, for household purposes; whitewashing machines; winches; window closers, electric; window closers, hydraulic; window closers, pneumatic; win-

dow openers, electric; window openers, hydraulic; window openers, pneumatic; wind turbines; wine presses; winnowers; woodworking machines; wrapping machines; wringing machines for laundry.

8 – Abrading instruments [hand instruments]; adzes [tools]; agricultural forks [hand tools]; agricultural implements, hand-operated; air pumps, hand-operated; annular screw plates; apparatus for destroying plant parasites, hand-operated; apparatus for tattooing; augers [hand tools]; awls; axes; bayonets; beard clippers; bench vices [hand implements]; bill-hooks; bits [hand tools]; bits [parts of hand tools]; blades for planes; blade sharpening instruments; blades [hand tools]; blades [weapons]; border shears; borers; bow saws; box cutters; braiders [hand tools]; branding irons; breast drills; budding knives; can openers, non-electric; carpenters' augers; cattle shearers; caulking irons; centre punches [hand tools]; ceramic knives; cheese slicers, non-electric; chisels; clamps for carpenters or coopers; cleavers; crimping irons; crow bars; curling tongs; cuticle tweezers; cutlery; cutter bars [hand tools]; cutters; cutting tools [hand tools]; daggers; depilation appliances, electric and non-electric; dies [hand tools]; diggers [hand tools]; ditches [hand tools]; drawing knives; drill holders [hand tools]; ear-piercing apparatus; earth rammers [hand tools]; edge tools [hand tools]; egg slicers, non-electric; embossers [hand tools]; emery boards; emery files; emery grinding wheels; engraving needles; expanders [hand tools]; extension pieces for braces for screw taps; eyelash curlers; farriers' knives; files [tools]; fingernail polishers, electric or non-electric; fire irons; fireplace bellows [hand tools]; fish tapes [hand tools]; flat irons; foundry ladles [hand tools]; frames for handsaws; fruit corers; fruit pickers [hand tools]; fruit segmenters; fullers [hand tools]; fulling tools [hand tools]; garden tools, hand-operated; gimlets [hand tools]; glaziers' diamonds [parts of hand tools]; goffering irons; gouges [hand tools]; grafting tools [hand tools]; graving tools [hand tools]; grindstones [hand tools]; guns, hand-operated, for the extrusion of mastics; guns [hand tools]; hackles [hand tools]; hainault scythes; hair-removing tweezers; hair braiders, electric; hair clippers for animals [hand instruments]; hair clippers for personal use, electric and non-electric; hammers [hand tools]; hand drills, hand-operated; hand implements for hair curling; handles for hand-operated hand tools; hand pumps; hand tools, hand-operated; harpoons; harpoons for fishing; hatchets; hobby knives [scalpels]; hoes [hand tools]; holding axes; hollowing bits [parts of hand tools]; hoop cutters [hand tools]; hunting knives; ice picks; implements for decanting liquids [hand tools]; insecticide sprayers [hand tools]; instruments and tools for skinning animals; instruments for punching tickets; irons [non-electric hand tools]; jig-saws; kitchen mandolines; knife handles; knives; ladles [hand tools]; lasts [shoemakers' hand tools]; lawn clippers [hand instruments]; leather strops; levers; lifting jacks, hand-ope-

rated; livestock marking tools; machetes; mallets [hand instruments]; manicure sets; manicure sets, electric; marline spikes; masons' hammers; mattocks; metal band stretchers [hand tools]; metal wire stretchers [hand tools]; milling cutters [hand tools]; mincing knives [hand tools]; mitre boxes [hand tools]; molding irons; money scoops; mortars for pounding [hand tools]; mortise chisels; nail clippers, electric or non-electric; nail drawers [hand tools]; nail extractors, hand-operated; nail files; nail files, electric; nail nippers; nail punches; needle files; non-electric caulking guns; numbering punches; oyster openers; palette knives; paring irons [hand tools]; paring knives; pedicure sets; penknives; perforating tools [hand tools]; pestles for pounding [hand tools]; pickaxes; pickhammers; picks [hand tools]; pin punches; pizza cutters, non-electric; plane irons; planes; pliers; polishing irons [glazing tools]; priming irons [hand tools]; pruning knives; pruning shears; punches [hand tools]; punch pliers [hand tools]; punch rings [knuckle dusters]; rabbeting planes; rakes [hand tools]; rams [hand tools]; rasps [hand tools]; ratchets [hand tools]; razor blades; razor cases; razors, electric or non-electric; razor strops; reamers; reamer sockets; riveters [hand tools]; riveting hammers [hand tools]; sabres; sand trap rakes; saw blades [parts of hand tools]; saw holders; saws [hand tools]; scaling knives; scissors; scrapers for skis; scrapers [hand tools]; scraping tools [hand tools]; screwdrivers, non-electric; sculptors' chisels; scythe handles; scythe rings; scythes; scythe stones; secateurs; sharpening instruments; sharpening steels; sharpening stones; shaving cases; shear blades; shearers [hand instruments]; shears; shovels [hand tools]; sickles; side arms, other than firearms; silver plate [knives, forks and spoons]; ski edge sharpening tools, hand-operated; sledgehammers; spades [hand tools]; spanners [hand tools]; spatulas for use by artists; spatulas [hand tools]; spoons; squares [hand tools]; stamping-out tools [hand tools]; stirring sticks for mixing paint; stone hammers; stropping instruments; swords; sword scabbards; syringes for spraying insecticides; table cutlery [knives, forks and spoons]; table forks; table knives, forks and spoons for babies; table knives, forks and spoons of plastic; taps [hand tools]; tap wrenches; tattoo needles; thistle extractors [hand tools]; tongs; tool belts [holders]; tree pruners; trowels; trowels [gardening]; truncheons; tube cutters [hand tools]; tube cutting instruments; tweezers; vegetable choppers; vegetable peelers, hand-operated; vegetable slicers, hand-operated; vegetable spiralizers, hand-operated; vices; weeding forks [hand tools]; whetstone holders; wick trimmers [scissors]; wine bottle foil cutters, hand-operated; wire strippers [hand tools].

9 – 3D spectacles; abacuses; accelerometers; accumulators, electric; accumulators, electric, for vehicles; acid hydrometers; acidimeters for batteries; acoustic alarms; acoustic conduits; acoustic couplers; actinometers; adding machines; aerometers; air analysis ap-

paratus; alarm bells, electric; alarms; alcoholmeters; alidades; altimeters; ammeters; amplifiers; amplifying tubes; anemometers; animated cartoons; anode batteries; anodes; answering machines; antennas; anti-glare glasses; anti-interference devices [electricity]; anti-theft warning apparatus; anticathodes; apertometers [optics]; apparatus and installations for the production of x-rays, not for medical purposes; apparatus and instruments for astronomy; apparatus and instruments for physics; apparatus for changing record player needles; apparatus for editing cinematographic film; apparatus for fermentation [laboratory apparatus]; apparatus for measuring the thickness of skins; apparatus to check franking; appliances for measuring the thickness of leather; armatures [electricity]; asbestos clothing for protection against fire; asbestos gloves for protection against accidents; asbestos screens for firemen; audio- and video-receivers; audio interfaces; audio mixers; audiovisual teaching apparatus; automated teller machines [atm]; automatic indicators of low pressure in vehicle tyres; azimuth instruments; baby monitors; baby scales; bags adapted for laptops; balances [steelyards]; balancing apparatus; bar code readers; barometers; bathroom scales; batteries, electric; batteries for electronic cigarettes; battery boxes; battery chargers; battery jars; beacons, luminous; bells [warning devices]; betatrons; binoculars; biochips; black boxes [data recorders]; blueprint apparatus; boiler control instruments; branch boxes [electricity]; breathing apparatus, except for artificial respiration; breathing apparatus for underwater swimming; bullet-proof clothing; bullet-proof vests; buzzers; cabinets for loudspeakers; cables, electric; calculating machines; calibrating rings; calipers; calorimeters; camcorders; cameras [photography]; capillary tubes for laboratory use; carpenters' rules; carriers for dark plates [photography]; cases especially made for photographic apparatus and instruments; cases for smartphones; cash registers; cassette players; cathodes; cathodic anti-corrosion apparatus; cell phone straps; cell switches [electricity]; cell phones; centering apparatus for photographic transparencies; chargers for electric accumulators; chargers for electronic cigarettes; charging stations for electric vehicles; chemistry apparatus and instruments; chips [integrated circuits]; choking coils [impedance]; chromatography apparatus for laboratory use; chronographs [time recording apparatus]; cinematographic cameras; cinematographic film, exposed; circuit breakers; circuit closers; circular slide rules; cleaning apparatus for sound recording discs; close-up lenses; clothing especially made for laboratories; clothing for protection against accidents, irradiation and fire; clothing for protection against fire; coaxial cables; coils, electric; coin-operated mechanisms for television sets; coin-operated musical automata [juke boxes]; collectors, electric; commutators; compact disc players; compact discs [audio-video]; compact discs [read-only memory]; comparators; compasses for measuring; computer game software, downloadab-

le; computer game software, recorded; computer hardware; computer keyboards; computer memory devices; computer operating programs, recorded; computer peripheral devices; computer programs, downloadable; computer programs, recorded; computers; computer screen saver software, recorded or downloadable; computer software, recorded; computer software applications, downloadable; computer software platforms, recorded or downloadable; condensers [capacitors]; conductors, electric; connected bracelets [measuring instruments]; connections for electric lines; connectors [electricity]; contact lenses; contacts, electric; containers for contact lenses; containers for microscope slides; control panels [electricity]; converters, electric; copper wire, insulated; cordless telephones; correcting lenses [optics]; cosmographic instruments; counterfeit [false] coin detectors; counters; couplers [data processing equipment]; couplings, electric; covers for electric outlets; covers for personal digital assistants [pdas]; covers for smartphones; covers for tablet computers; crash test dummies; crucibles [laboratory]; current rectifiers; cyclotrons; darkroom lamps [photography]; darkrooms [photography]; data processing apparatus; decompression chambers; decorative magnets; demagnetizing apparatus for magnetic tapes; densimeters; densitometers; detectors; diagnostic apparatus, not for medical purposes; diaphragms for scientific apparatus; diaphragms [acoustics]; diaphragms [photography]; dictating machines; diffraction apparatus [microscopy]; digital photo frames; digital signs; digital weather stations; directional compasses; discharge tubes, electric, other than for lighting; disk drives for computers; disks, magnetic; distance measuring apparatus; distance recording apparatus; distillation apparatus for scientific purposes; distribution boards [electricity]; distribution boxes [electricity]; distribution consoles [electricity]; divers' masks; diving suits; dna chips; dog whistles; dosage dispensers; downloadable graphics for mobile phones; downloadable image files; downloadable music files; downloadable ring tones for mobile phones; drainers for use in photography; dressmakers' measures; droppers for measuring, other than for medical or household purposes; drying apparatus for photographic prints; drying racks [photography]; ducts [electricity]; dvd players; dynamometers; ear plugs for divers; egg-candlers; egg timers [sandglasses]; electrical adapters; electric and electronic effects units for musical instruments; electric apparatus for commutation; electric door bells; electric installations for the remote control of industrial operations; electricity conduits; electric loss indicators; electric plugs; electric sockets; electric wire harnesses for automobiles; electrified fences; electrified rails for mounting spot lights; electro-dynamic apparatus for the remote control of railway points; electro-dynamic apparatus for the remote control of signals; electrolysis apparatus for laboratory use; electromagnetic coils; electronic access control systems for interlocking doors; electronic agendas; elec-

tronic book readers; electronic collars to train animals; electronic interactive whiteboards; electronic key fobs being remote control apparatus; electronic notice boards; electronic numeric displays; electronic pens [visual display units]; electronic pocket translators; electronic publications, downloadable; electronic sheet music, downloadable; electronic tags for goods; encoded identification bracelets, magnetic; encoded key cards; encoded magnetic cards; enlarging apparatus [photography]; epidiascopes; equalizers [audio apparatus]; ergometers; exposure meters [light meters]; eyeglass cases; eyeglass chains; eyeglass cords; eyeglasses; eyeglass frames; eyeglass lenses; eyepieces; eyewear; facsimile machines; fiber optic cables; film cutting apparatus; films, exposed; filters for respiratory masks; filters for ultraviolet rays, for photography; filters for use in photography; finger sizers; fire alarms; fire beaters; fire blankets; fire boats; fire engines; fire escapes; fire extinguishers; fire extinguishing apparatus; fire hose; fire hose nozzles; fire pumps; flash-bulbs [photography]; flashing lights [luminous signals]; flashlights [photography]; floppy disks; flowmeters; fluorescent screens; fog signals, non-explosive; food analysis apparatus; frames for photographic transparencies; frequency meters; furnaces for laboratory use; furniture especially made for laboratories; fuses; fuse wire; galena crystals [detectors]; galvanic batteries; galvanic cells; galvanometers; gasoline gauges; gasometers [measuring instruments]; gas testing instruments; gauges; glazing apparatus for photographic prints; global positioning system [gps] apparatus; gloves for divers; gloves for protection against accidents; gloves for protection against x-rays for industrial purposes; goggles for sports; grids for batteries; hand-held electronic dictionaries; hands-free kits for telephones; head cleaning tapes [recording]; head guards for sports; headphones; heat regulating apparatus; heliographic apparatus; hemline markers; high-frequency apparatus; holders for electric coils; holograms; horns for loudspeakers; humanoid robots with artificial intelligence for use in scientific research; hydrometers; hygrometers; identification sheaths for electric wires; identification threads for electric wires; identity cards, magnetic; igniting apparatus, electric, for igniting at a distance; ignition batteries; incubators for bacteria culture; inductors [electricity]; infrared detectors; instruments containing eyepieces; integrated circuit cards [smart cards]; integrated circuits; interactive touch screen terminals; intercommunication apparatus; interfaces for computers; inverters [electricity]; invoicing machines; ionization apparatus not for the treatment of air or water; jigs [measuring instruments]; joysticks for use with computers, other than for video games; juke boxes for computers; junction boxes [electricity]; junction sleeves for electric cables; kilometer recorders for vehicles; knee-pads for workers; laboratory centrifuges; laboratory pipettes; laboratory robots; laboratory trays; lactodensimeters; lactometers; laptop computers;

lasers, not for medical purposes; lenses for astrophotography; lens hoods; letter scales; levelling instruments; levelling staffs [surveying instruments]; levels [instruments for determining the horizontal]; life-saving equipment; life-saving capsules for natural disasters; life-saving rafts; life belts; life buoys; life jackets; light-emitting diodes [led]; light-emitting electronic pointers; light dimmers [regulators], electric; lighting ballasts; lightning rods; limiters [electricity]; locks, electric; logs [measuring instruments]; loudspeakers; magic lanterns; magnetic data media; magnetic encoders; magnetic resonance imaging [mri] apparatus, not for medical purposes; magnetic tapes; magnetic tape units for computers; magnetic wires; magnets; magnifying glasses [optics]; marine compasses; marine depth finders; marking buoys; marking gauges [joinery]; masts for wireless aerials; materials for electricity mains [wires, cables]; material testing instruments and machines; mathematical instruments; measures; measuring apparatus; measuring devices, electric; measuring glassware; measuring instruments; measuring spoons; mechanical signs; mechanisms for coin-operated apparatus; mechanisms for counter-operated apparatus; megaphones; memory cards for video game machines; mercury levels; metal detectors for industrial or military purposes; meteorological balloons; meteorological instruments; metronomes; micrometers; micrometer screws for optical instruments; microphones; microprocessors; microscopes; microtomes; mirrors for inspecting work; mirrors [optics]; modems; money counting and sorting machines; monitoring apparatus, other than for medical purposes; monitors [computer hardware]; monitors [computer programs]; mouse pads; mouse [computer peripheral]; mouth guards for sports; nautical apparatus and instruments; naval signalling apparatus; navigational instruments; navigation apparatus for vehicles [on-board computers]; needles for record players; needles for surveying compasses; neon signs; nets for protection against accidents; nose clips for divers and swimmers; notebook computers; objectives [lenses] [optics]; observation instruments; octants; ohmmeters; optical apparatus and instruments; optical character readers; optical condensers; optical data media; optical discs; optical fibers [fibres] [light conducting filaments]; optical glass; optical lamps; optical lenses; oscillographs; oxygen transvasing apparatus; ozonisers [ozonators]; parking meters; particle accelerators; pedometers; peepholes [magnifying lenses] for doors; periscopes; personal digital assistants [pdas]; personal stereos; petri dishes; photocopiers [photographic, electrostatic, thermic]; photometers; phototelegraphy apparatus; photovoltaic cells; pince-nez; pitot tubes; plane tables [surveying instruments]; planimeters; plates for batteries; plotters; plumb bobs; plumb lines; pocket calculators; polarimeters; portable media players; precision balances; precision measuring apparatus; pressure gauges; pressure indicator plugs for valves; pressure indicators; pressure measuring apparatus; printed cir-

cuit boards; printed circuits; printers for use with computers; prisms [optics]; probes for scientific purposes; processors [central processing units]; projection apparatus; projection screens; protection devices against x-rays, not for medical purposes; protection devices for personal use against accidents; protective films adapted for computer screens; protective films adapted for smartphones; protective helmets; protective helmets for sports; protective masks; protective suits for aviators; protractors [measuring instruments]; punched card machines for offices; push buttons for bells; pyrometers; quantity indicators; radar apparatus; radiological apparatus for industrial purposes; radiology screens for industrial purposes; radio pagers; radios; radiotelegraphy sets; radiotelephony sets; railway traffic safety appliances; range finders; readers [data processing equipment]; rearview cameras for vehicles; record players; reflective articles for wear, for the prevention of accidents; reflective safety vests; refractometers; refractors; regulating apparatus, electric; relays, electric; remote control apparatus; rescue laser signalling flares; resistances, electric; respirators for filtering air; respiratory masks, other than for artificial respiration; resuscitation mannequins [teaching apparatus]; resuscitation training simulators; retorts; retorts' stands; revolution counters; rheostats; riding helmets; ring sizers; road signs, luminous or mechanical; rods for water diviners; rulers [measuring instruments]; rules [measuring instruments]; saccharometers; safety nets; safety restraints, other than for vehicle seats and sports equipment; safety tarpaulins; salinometers; satellite finder meters; satellite navigational apparatus; satellites for scientific purposes; scales; scales with body mass analysers; scanners [data processing equipment]; screens for photoengraving; screens [photography]; screw-tapping gauges; security surveillance robots; security tokens [encryption devices]; selfie lenses; selfie sticks [hand-held monopods]; semi-conductors; sextants; sheaths for electric cables; shoes for protection against accidents, irradiation and fire; shutter releases [photography]; shutters [photography]; sighting telescopes for firearms; signal bells; signal lanterns; signalling buoys; signalling panels, luminous or mechanical; signalling whistles; signals, luminous or mechanical; signs, luminous; simulators for the steering and control of vehicles; sirens; sleeves for laptops; slide-rules; slide calipers; slide projectors; slope indicators; smartglasses; smartphones; smart rings; smartwatches; smoke detectors; snorkels; solar batteries; solar panels for the production of electricity; solderers' helmets; solenoid valves [electromagnetic switches]; sonars; sounding apparatus and machines; sounding leads; sounding lines; sound locating instruments; sound recording apparatus; sound recording carriers; sound recording discs; sound recording strips; sound reproduction apparatus; sound transmitting apparatus; spark-guards; speaking tubes; spectrograph apparatus; spectroscopes; speed checking apparatus for vehicles;

speed indicators; speed measuring apparatus [photography]; speed regulators for record players; spherometers; spirit levels; spools [photography]; sports whistles; sprinkler systems for fire protection; square rulers for measuring; squares for measuring; stage lighting regulators; stands for photographic apparatus; starter cables for motors; steering apparatus, automatic, for vehicles; step-up transformers; stereoscopes; stereoscopic apparatus; stills for laboratory experiments; stroboscopes; subwoofers; sulfimeters; sunglasses; surveying apparatus and instruments; surveying chains; surveying instruments; surveyors' levels; switchboards; switchboxes [electricity]; switches, electric; t-squares for measuring; tablet computers; tachometers; tape recorders; taximeters; teaching apparatus; teaching robots; teeth protectors; telecommunication apparatus in the form of jewelry; telegraphs [apparatus]; telegraph wires; telephone apparatus; telephone receivers; telephone transmitters; telephone wires; teleprinters; teleprompters; telerupters; telescopes; telescopic sights for artillery; television apparatus; temperature indicator labels, not for medical purposes; temperature indicators; terminals [electricity]; testing apparatus not for medical purposes; test tubes; theft prevention installations, electric; theodolites; thermal imaging cameras; thermionic tubes; thermohygrometers; thermometers, not for medical purposes; thermostats; thermostats for vehicles; thin client computers; thread counters; ticket dispensers; time clocks [time recording devices]; time recording apparatus; time switches, automatic; tone arms for record players; toner cartridges, unfilled, for printers and photocopiers; totalizers; traffic-light apparatus [signalling devices]; traffic cones; transformers [electricity]; transistors [electronic]; transmitters of electronic signals; transmitters [telecommunication]; transmitting sets [telecommunication]; transparencies [photography]; transponders; triodes; tripods for cameras; urinometers; usb flash drives; vacuum gauges; vacuum tubes [radio]; variometers; vehicle breakdown warning triangles; vehicle radios; verniers; video baby monitors; video cassettes; video game cartridges; video recorders; video screens; videotapes; video telephones; viewfinders, photographic; virtual reality headsets; viscosimeters; visors for helmets; voltage regulators for vehicles; voltage surge protectors; voltmeters; voting machines; wafers for integrated circuits; walkietalkies; washing trays [photography]; water level indicators; wavemeters; wearable activity trackers; wearable computers; wearable video display monitors; weighbridges; weighing apparatus and instruments; weighing machines; weights; whistle alarms; wind socks for indicating wind direction; wire connectors [electricity]; wires, electric; workmen's protective face-shields; wrist rests for use with computers; x-ray apparatus not for medical purposes; x-ray films, exposed; x-ray photographs, other than for medical purposes; x-ray tubes not for medical purposes.

10 – Abdominal belts; abdominal corsets; abdominal pads; acupuncture needles; aerosol dispensers for medical purposes; air beds for medical purposes; air cushions for medical purposes; air mattresses for medical purposes; air pillows for medical purposes; ambulance stretchers; anaesthetic apparatus; anaesthetic masks; analyzers for bacterial identification for medical purposes; anti-nausea wristbands; anti-rheumatism bracelets; anti-rheumatism rings; apparatus and installations for the production of x-rays, for medical purposes; apparatus for acne treatment; apparatus for artificial respiration; apparatus for dna and rna testing for medical purposes; apparatus for the regeneration of stem cells for medical purposes; apparatus for the treatment of deafness; appliances for washing body cavities; arch supports for footwear; armchairs for medical or dental purposes; artificial breasts; artificial eyes; artificial jaws; artificial limbs; artificial skin for surgical purposes; artificial teeth; baby feeding pacifiers; balling guns; bandages, elastic; basins for medical purposes; bed pans; beds specially made for medical purposes; bed vibrators; belts, electric, for medical purposes; belts for medical purposes; biodegradable bone fixation implants; blankets, electric, for medical purposes; blood testing apparatus; body composition monitors; body fat monitors; body rehabilitation apparatus for medical purposes; boots for medical purposes; bracelets for medical purposes; brain pacemakers; breast pumps; brushes for cleaning body cavities; canulae; cases fitted for medical instruments; castrating pincers; catgut; catheters; childbirth mattresses; clips, surgical; clips for dummies; clothing especially for operating rooms; commode chairs; compression garments; compressors [surgical]; condoms; containers especially made for medical waste; contraceptives, non-chemical; cooling pads for first aid purposes; cooling patches for medical purposes; corn knives; corsets for medical purposes; crutches; cupping glasses; cushions for medical purposes; defibrillators; dental apparatus, electric; dental apparatus and instruments; dental burs; dentists' armchairs; dentures; diagnostic apparatus for medical purposes; dialyzers; douche bags; drainage tubes for medical purposes; draw-sheets for sick beds; dropper bottles for medical purposes; droppers for medical purposes; dummies for babies; ear picks; ear plugs [hearing protection devices]; ear trumpets; elastic stockings for surgical purposes; electric acupuncture instruments; electrocardiographs; electrodes for medical use; endoscopy cameras for medical purposes; enema apparatus for medical purposes; esthetic massage apparatus; feeding bottles; feeding bottle teats; feeding bottle valves; filters for ultraviolet rays, for medical purposes; finger guards for medical purposes; forceps; fumigation apparatus for medical purposes; furniture especially made for medical purposes; galvanic belts for medical purposes; galvanic therapeutic appliances; gastroscopes; gloves for massage; gloves for medical purposes; gum massagers for babies; hair prostheses; hearing aids;

hearing protectors; heart pacemakers; heating pads, electric, for medical purposes; haemocytometers; hot air therapeutic apparatus; hot air vibrators for medical purposes; hydrogen inhalers; hypodermic syringes; hypogastric belts; ice bags for medical purposes; implantable subcutaneous drug delivery devices; incontinence sheets; incubators for babies; incubators for medical purposes; inhalers; injectors for medical purposes; instrument cases for use by doctors; insufflators; knee bandages, orthopedic; knives for surgical purposes; lamps for medical purposes; lancets; lasers for medical purposes; lenses [intraocular prostheses] for surgical implantation; lice combs; love dolls [sex dolls]; magnetic resonance imaging [mri] apparatus for medical purposes; masks for use by medical personnel; massage apparatus; maternity belts; medical apparatus and instruments; medical guidewires; menstrual cups; microdermabrasion apparatus; mirrors for dentists; mirrors for surgeons; nasal aspirators; needles for medical purposes; obstetric apparatus; obstetric apparatus for cattle; operating tables; ophthalmometers; ophthalmoscopes; orthodontic appliances; orthodontic rubber bands; orthopedic articles; orthopedic bandages for joints; orthopedic belts; orthopedic footwear; orthopedic soles; pads for preventing pressure sores on patient bodies; patient hoists; pessaries; physical exercise apparatus for medical purposes; physiotherapy apparatus; pins for artificial teeth; plaster bandages for orthopedic purposes; portable hand-held urinals; probes for medical purposes; protection devices against x-rays, for medical purposes; pulse meters; pumps for medical purposes; quad canes for medical purposes; quartz lamps for medical purposes; radiological apparatus for medical purposes; radiology screens for medical purposes; radiotherapy apparatus; radium tubes for medical purposes; receptacles for applying medicines; respirators for artificial respiration; respiratory masks for artificial respiration; resuscitation apparatus; saws for surgical purposes; scalpels; scissors for surgery; sex toys; slings [supporting bandages]; soporific pillows for insomnia; sphygmomanometers; spirometers [medical apparatus]; spittoons for medical purposes; splints, surgical; spoons for administering medicine; stents; sterile sheets, surgical; stethoscopes; stockings for varices; strait jackets; stretchers, wheeled; support bandages; supports for flat feet; surgical apparatus and instruments; surgical bougies; surgical cutlery; surgical drapes; surgical implants comprised of artificial materials; surgical robots; surgical sponges; suture materials; suture needles; syringes for injections; syringes for medical purposes; teething rings; teeth protectors for dental purposes; temperature indicator labels for medical purposes; testing apparatus for medical purposes; thermal packs for first aid purposes; thermo-electric compresses [surgery]; thermometers for medical purposes; thread, surgical; tips for crutches; toe separators for orthopaedic purposes; tomographs for medical purposes; tongue depressors for medical purposes; tongue

scrapers; traction apparatus for medical purposes; trocars; trusses; ultraviolet ray lamps for medical purposes; umbilical belts; urethral probes; urethral syringes; urinals being vessels; urological apparatus and instruments; uterine syringes; vaginal syringes; vaporizers for medical purposes; veterinary apparatus and instruments; vibromassage apparatus; walking frames for disabled persons; walking sticks for medical purposes; water bags for medical purposes; waterbeds for medical purposes; wheeled walkers to aid mobility; x-ray apparatus for medical purposes; x-ray photographs for medical purposes; x-ray tubes for medical purposes.

11 – Acetylene burners; acetylene flares; acetylene generators; air-conditioning apparatus; air-conditioning installations; air conditioners for vehicles; air cooling apparatus; air deodorising apparatus; air dryers; air filtering installations; air fryers; air purifying apparatus and machines; air reheaters; air sterilizers; air valves for steam heating installations; alcohol burners; anti-glare devices for vehicles [lamp fittings]; anti-splash tap nozzles; apparatus for dehydrating food waste; aquarium filtration apparatus; aquarium heaters; aquarium lights; arc lamps; ash conveyor installations, automatic; bakers' ovens; barbecues; bath fittings; bath installations; bath tubs; bath tubs for sitz baths; bed warmers; beverage cooling apparatus; bicycle lights; bidets; blankets, electric, not for medical purposes; boiler pipes [tubes] for heating installations; boilers, other than parts of machines; book sterilization apparatus; brackets for gas burners; bread-making machines; bread baking machines; bread toasters; burners; burners for lamps; candle lanterns; carbon for arc lamps; ceiling lights; central heating radiators; chandeliers; chimney blowers; chimney flues; chinese lanterns; chocolate fountains, electric; chromatography apparatus for industrial purposes; clean chambers [sanitary installations]; coffee machines, electric; coffee percolators, electric; coffee roasters; coils [parts of distilling, heating or cooling installations]; cookers; cooking apparatus and installations; cooking rings; cooking utensils, electric; cool boxes, electric; coolers for furnaces; cooling appliances and installations; cooling installations and machines; cooling installations for liquids; cooling installations for tobacco; cooling installations for water; curling lamps; dampers [heating]; deep fryers, electric; defrosters for vehicles; dental ovens; deodorising apparatus, not for personal use; desalination plants; desiccating apparatus; directional lights for bicycles; discharge tubes, electric, for lighting; disinfectant apparatus; disinfectant apparatus for medical purposes; disinfectant apparatus for dispensing solutions into water-pipes for sanitary installations; distillation apparatus; distillation columns; diving lights; drip irrigation emitters [irrigation fittings]; drying apparatus; drying apparatus and installations; electrically heated carpets; electrically heated clothing; electric appliances for making yogurt; electric cooktops; electric fans for personal use; electric lamps; electric lights for christmas trees; elec-

tric torches; evaporators; expansion tanks for central heating installations; extractor hoods for kitchens; fabric steamers; fairy lights for festive decoration; fans [air-conditioning]; fans [parts of air-conditioning installations]; feeding apparatus for heating boilers; filaments for electric lamps; filters for air conditioning; filters for drinking water; fireplaces, domestic; fittings, shaped, for ovens; flaming torches; flare stacks for use in the oil industry; flues for heating boilers; flushing tanks; food steamers, electric; footmuffs, electrically heated; footwarmers, electric or non-electric; forage drying apparatus; forges, portable; fountains; freezers; friction lighters for igniting gas; fruit roasters; fumigation apparatus, not for medical purposes; furnace ash boxes; furnace grates; furnaces, other than for laboratory use; gas boilers; gas burners; gas condensers, other than parts of machines; gas lamps; gas lighters; gas scrubbers [parts of gas installations]; gas scrubbing apparatus; germicidal burners; germicidal lamps for purifying air; glue-heating appliances; grills [cooking appliances]; hair dryers; hand drying apparatus for washrooms; headlights for automobiles; head torches; hearths; heat accumulators; heated display cabinets; heaters, electric, for feeding bottles; heaters for baths; heaters for heating irons; heaters for vehicles; heat exchangers, other than parts of machines; heat guns; heating and cooling apparatus for dispensing hot and cold beverages; heating apparatus; heating apparatus, electric; heating apparatus for defrosting vehicle windows; heating apparatus for solid, liquid or gaseous fuels; heating boilers; heating pads, electric, not for medical purposes; heating elements; heating filaments, electric; heating installations; heating plates; heat pumps; heat regenerators; hot air apparatus; hot air bath fittings; hot air ovens; hot plates; hot water bottles; hot water heating installations; humidifiers for central heating radiators; hydrants; hydromassage bath apparatus; ice-cream making machines; ice machines and apparatus; immersion heaters; incandescent burners; incinerators; installations for processing nuclear fuel and nuclear moderating material; ionization apparatus for the treatment of air or water; kettles, electric; kiln furniture [supports]; kilns; kitchen ranges [ovens]; laboratory burners; laboratory lamps; lamp chimneys; lamp glasses; lamp globes; lamp mantles; lamp reflectors; lamps; lampshade holders; lampshades; lanterns for lighting; laundry dryers, electric; laundry room boilers; lava rocks for use in barbecue grills; level controlling valves in tanks; light-emitting diodes [led] lighting apparatus; light bulbs; light bulbs, electric; light bulbs for directional signals for vehicles; light diffusers; lighting apparatus and installations; lighting apparatus for vehicles; lighting installations for air vehicles; lights for automobiles; lights for vehicles; loading apparatus for furnaces; luminous house numbers; luminous tubes for lighting; magnesium filaments for lighting; malt roasters; microbubble generators for baths; microwave ovens for industrial purposes; microwave ovens [cooking appa-

ratus]; milk cooling installations; miners' lamps; mixer taps for water pipes; motorcycle lights; multicookers; nail lamps; nuclear reactors; oil-scrubbing apparatus; oil burners; oil lamps; ornamental fountains; oven fittings made of fireclay; oxyhydrogen burners; pasteurisers; pipes [parts of sanitary installations]; plate warmers; pocket warmers; polymerisation installations; pounded rice cake making machines, electric, for household purposes; pressure water tanks; purification installations for sewage; radiator caps; radiators, electric; radiators [heating]; refining towers for distillation; refrigerating apparatus and machines; refrigerating appliances and installations; refrigerating cabinets; refrigerating chambers; refrigerating containers; refrigerating display cabinets; refrigerators; regulating accessories for water or gas apparatus and pipes; regulating and safety accessories for gas apparatus; regulating and safety accessories for gas pipes; regulating and safety accessories for water apparatus; roasters; roasting jacks; roasting spits; rotisseries; safety accessories for water or gas apparatus and pipes; safety lamps; sanitary apparatus and installations; sauna bath installations; searchlights; shower enclosures; showers; sinks; sockets for electric lights; socks, electrically heated; solar furnaces; solar thermal collectors [heating]; spa baths [vessels]; standard lamps; steam accumulators; steam boilers, other than parts of machines; steam facial apparatus [saunas]; steam generating installations; sterilizers; stills; stoves [heating apparatus]; structural framework for ovens; swimming pool chlorinating apparatus; tanning apparatus [sun beds]; taps; taps for pipes and pipelines; thermostatic valves [parts of heating installations]; tobacco roasters; toilet bowls; toilets, portable; toilet seats; toilets [water-closets]; tortilla presses, electric; turkish bath cabinets, portable; ultraviolet ray lamps, not for medical purposes; urinals being sanitary fixtures; vehicle headlights; vehicle reflectors; ventilation hoods; ventilation hoods for laboratories; ventilation [air-conditioning] installations and apparatus; ventilation [air-conditioning] installations for vehicles; waffle irons, electric; warming pans; wash-hand basins [parts of sanitary installations]; washers for water taps; water conduits installations; water distribution installations; water filtering apparatus; water flushing installations; water heaters; watering installations, automatic; watering machines for agricultural purposes; water intake apparatus; water purification installations; water purifying apparatus and machines; water softening apparatus and installations; water sterilizers; water supply installations; whirlpool-jet apparatus; wicks adapted for oil stoves; wine cellars, electric.

12 – Adhesive rubber patches for repairing inner tubes; aerial conveyors; aeronautical apparatus, machines and appliances; aeroplanes; air bags [safety devices for automobiles]; aircraft; air pumps [vehicle accessories]; airships; air vehicles; ambulances; amphibious airplanes; anti-glare devices for vehicles; anti-skid chains; anti-theft alarms for vehicles; anti-theft

devices for vehicles; ashtrays for automobiles; automobile bodies; anti-skid chains for automobiles; automobile chassis; automobile hoods; automobile tyres; autonomous underwater vehicles for seabed inspections; axle journals; axles for vehicles; baby carriages; bags adapted for pushchairs; balance weights for vehicle wheels; bands for wheel hubs; barges; baskets adapted for bicycles; bellows for articulated buses; bicycle bells; bicycle brakes; bicycle chains; bicycle cranks; bicycle frames; bicycle handlebars; bicycle kickstands; bicycle motors; bicycle mudguards; bicycle pedals; bicycles; bicycle saddles; bicycle trailers; bicycle tyres; bicycle wheels; boat hooks; boats; bodies for vehicles; bogies for railway cars; brake discs for vehicles; brake linings for vehicles; brake pads for automobiles; brake segments for vehicles; brakes for vehicles; brake shoes for vehicles; buffers for railway rolling stock; bumpers for automobiles; cable transport apparatus and installations; caissons [vehicles]; camera drones; canoes; caps for vehicle fuel tanks; caravans; cars; cars for cable transport installations; carts; casings for pneumatic tyres; casters for trolleys [vehicles]; casting carriages; chairlifts; cigar lighters for automobiles; civilian drones; cleaning trolleys; cleats [nautical]; clips adapted for fastening automobile parts to automobile bodies; clutches for land vehicles; concrete mixing vehicles; connecting rods for land vehicles, other than parts of motors and engines; couplings for land vehicles; covers for vehicle steering wheels; crankcases for land vehicle components, other than for engines; davits for boats; delivery tricycles; dining cars; disengaging gear for boats; doors for vehicles; dredgers [boats]; dress guards for bicycles; driverless cars [autonomous cars]; driving chains for land vehicles; driving motors for land vehicles; ejector seats for aircraft; electric bicycles; electric vehicles; engine mounts for land vehicles; engines for land vehicles; fenders for ships; ferry boats; fishing trolleys; fitted footmuffs for baby carriages; fitted footmuffs for pushchairs; fitted pushchair mosquito nets; flanges for railway wheel tyres; forklift trucks; freewheels for land vehicles; funiculars; funnels for locomotives; funnels for ships; garbage trucks; gear boxes for land vehicles; gearing for land vehicles; gears for bicycles; golf carts [vehicles]; handcars; handling carts; head-rests for vehicle seats; headlight wipers; hoods for vehicle engines; hoods for vehicles; horns for vehicles; hose carts; hot air balloons; hub caps; hubs for bicycle wheels; hubs for vehicle wheels; hydraulic circuits for vehicles; hydroplanes; inclined ways for boats; inner tubes for bicycle tires; inner tubes for pneumatic tyres; jet engines for land vehicles; kick sledges; launches; locomotives; luggage carriers for vehicles; luggage nets for vehicles; lug nuts for vehicle wheels; masts for boats; military drones; military vehicles for transport; mine cars; mine cart wheels; mobility scooters; mopeds; motor buses; motor coaches; motorcycle chains; motorcycle engines; motorcycle frames; motorcycle handlebars; motorcyc-

le kickstands; motorcycles; motorcycle saddles; motor homes; motor racing cars; motors, electric, for land vehicles; motor scooters; mudguards; non-skid devices for vehicle tyres; oars; paddles for canoes; panniers adapted for bicycles; panniers adapted for motorcycles; parachutes; pneumatic tyres; pontoons; portholes; propulsion mechanisms for land vehicles; pumps for bicycle tyres; pushchair hoods; pushchairs; pushchair covers; push scooters [vehicles]; railway carriages; railway couplings; rearview mirrors; reduction gears for land vehicles; refrigerated railway wagons; refrigerated vehicles; remote control vehicles, other than toys; remotely operated vehicles for underwater inspections; repair outfits for inner tubes; rescue sleds; reversing alarms for vehicles; rims for bicycle wheels; rims for vehicle wheels; robotic cars; roll cage trolleys; rolling stock for funicular railways; rolling stock for railways; rowlocks; rudders; saddlebags adapted for bicycles; saddle covers for bicycles; saddle covers for motorcycles; safety belts for vehicle seats; safety seats for children, for vehicles; screw-propellers; screw-propellers for boats; screws [propellers] for ships; sculls; seaplanes; seat covers for vehicles; security harness for vehicle seats; ship hulls; ships; shock absorbers for automobiles; shock absorbing springs for vehicles; shopping trolleys; side cars; side view mirrors for vehicles; signal arms for vehicles; ski carriers for cars; ski lifts; sleeping berths for vehicles; sleeping cars; sleighs [vehicles]; snowmobiles; solid tires for vehicle wheels; space vehicles; spare wheel covers; spars for ships; spikes for tyres; spoilers for vehicles; spoke clips for wheels; spokes for bicycle wheels; sports cars; sprinkling trucks; steering gears for ships; steering wheels for vehicles; sunblinds adapted for automobiles; suspension shock absorbers for vehicles; tailboard lifts [parts of land vehicles]; telpher railways [cable cars]; tilting-carts; tilt trucks; timbers [frames] for ships; tipping apparatus [parts of railway wagons]; tipping bodies for lorries; tyres for vehicle wheels; torque converters for land vehicles; torsion bars for vehicles; tow trucks; tractors; trailer hitches for vehicles; trailers for transporting bicycles; trailers [vehicles]; tramcars; transmission chains for land vehicles; transmissions for land vehicles; transmission shafts for land vehicles; treads for retreading tyres; treads for vehicles [tractor type]; tricycles; trucks; trucks with a crane feature incorporated; tubeless tires for bicycles; turbines for land vehicles; two-wheeled trolleys; tyre mousse inserts; undercarriages for vehicles; upholstery for vehicles; valves for vehicle tyres; vans [vehicles]; vehicle bumpers; vehicle chassis; vehicle covers [shaped]; vehicle joysticks; vehicle running boards; vehicle seats; vehicles for locomotion by land, air, water or rail; vehicle suspension springs; vehicle wheels; vehicle wheel spokes; water vehicles; wheelbarrows; wheelchairs; windows for vehicles; windshields; windshield wipers; yachts.

13 – Acetyl-nitrocellulose; air pistols [weapons]; ammonium nitrate explosives; ammunition; ammunition for firearms; apparatus for filling cartridge belts; artillery guns [cannons]; automatic firearm ammunition belts; ballistic weapons; belts adapted for ammunition; bengal lights; breeches of firearms; cannons; cartridge cases; cartridge loading apparatus; cartridge pouches; cartridges; cleaning brushes for firearms; detonating caps, other than toys; detonating fuses for explosives; detonating plugs; detonators; dynamite; explosive cartridges; explosive powders; explosives; firearms; firecrackers; fireworks; firing platforms; flare pistols; fog signals, explosive; fuses for explosives; fuses for explosives, for use in mines; gun barrels; gun carriages [artillery]; gun cases; guncotton; gunpowder; gunstocks; guns [weapons]; hammers for guns and rifles; hand grenades; harpoon guns [weapons]; hunting firearms; lead shot for hunting; machine guns; mines [explosives]; mortars [firearms]; motorized weapons; noise-suppressors for guns; pistols [arms]; powder horns; primings [fuses]; projectiles [weapons]; pyrophoric substances; pyrotechnic products; rescue flares, explosive or pyrotechnic; revolvers; rifles; rocket launchers; rockets [projectiles]; shells [projectiles]; shoulder straps for weapons; side arms [firearms]; sighting mirrors for guns and rifles; sights, other than telescopic sights, for artillery; sights, other than telescopic sights, for firearms; signal rocket flares; sprays for personal defense purposes; tanks [weapons]; tear-gas weapons; torpedoes; trigger guards for guns and rifles; trunnions for heavy weapons.

14 – Agates; alarm clocks; alloys of precious metal; amulets [jewelry]; anchors [clock- and watchmaking]; atomic clocks; badges of precious metal; barrels [clock- and watchmaking]; beads for making jewelry; boxes of precious metal; bracelets made of embroidered textile [jewelry]; bracelets [jewelry]; brooches [jewelry]; busts of precious metal; cabochons; chains [jewelry]; charms for key rings; chronographs [watches]; chronometers; chronometric instruments; chronoscopes; clasps for jewelry; clock cases; clock hands; clocks; clocks and watches, electric; clockworks; cloisonné jewelry; coins; control clocks [master clocks]; copper tokens; crucifixes as jewelry; crucifixes of precious metal, other than jewelry; cuff links; dials [clock- and watchmaking]; diamonds; earrings; figurines of precious metal; gold, unwrought or beaten; gold thread [jewelry]; hat jewelry; ingots of precious metals; iridium; ivory jewelry; jet, unwrought or semi-wrought; jewelry boxes; jewelry charms; jewelry; jewelry findings; jewelry of yellow amber; jewelry rolls; key chains [split rings with trinket or decorative fob]; lockets [jewelry]; medals; misbaha [prayer beads]; movements for clocks and watches; necklaces [jewelry]; olivine [gems]; ornamental pins; ornaments of jet; osmium; palladium; paste jewelry; pearls made of ambroid [pressed amber]; pearls [jewelry]; pendulums [clock- and watchmaking]; pins

[jewelry]; platinum [metal]; precious metals, unwrought or semi-wrought; precious stones; presentation boxes for jewelry; presentation boxes for watches; rhodium; rings [jewelry]; rosaries; ruthenium; semiprecious stones; shoe jewelry; silver, unwrought or beaten; silver thread [jewelry]; spinel [precious stones]; split rings of precious metal for keys; spun silver [silver wire]; statues of precious metal; stopwatches; sundials; threads of precious metal [jewelry]; tie clips; tie pins; watch bands; watch cases [parts of watches]; watch chains; watches; watch glasses; watch hands; watch springs; works of art of precious metal; wristwatches.

16 – Absorbent sheets of paper or plastic for foodstuff packaging; addressing machines; address plates for addressing machines; address stamps; adhesive bands for stationery or household purposes; adhesives [glues] for stationery or household purposes; adhesive tape dispensers [office requisites]; adhesive tapes for stationery or household purposes; advertisement boards of paper or cardboard; albums; almanacs; animation cels; announcement cards [stationery]; apparatus for mounting photographs; aquarelles; architects' models; arithmetical tables; artists' watercolor saucers; atlases; bags for microwave cooking; bags [envelopes, pouches] of paper or plastics, for packaging; balls for ball-point pens; banknotes; banners of paper; bibs, sleeved, of paper; bibs of paper; binding strips [bookbinding]; biological samples for use in microscopy [teaching materials]; blackboards; blotters; blueprints; bookbinding apparatus and machines [office equipment]; bookbinding cloth; bookbinding material; bookends; booklets; bookmarkers; books; bottle envelopes of paper or cardboard; bottle wrappers of paper or cardboard; boxes of paper or cardboard; bunting of paper; calendars; canvas for painting; carbon paper; cardboard; cardboard tubes; cards; cases for stamps [seals]; catalogues; chalk for lithography; chalk holders; charcoal pencils; chart pointers, non-electronic; chromolithographs [chromos]; cigar bands; clipboards; clips for name badge holders [office requisites]; coasters of paper; comic books; compasses for drawing; composing frames [printing]; composing sticks; conical paper bags; copying paper [stationery]; cords for bookbinding; correcting fluids [office requisites]; correcting ink [heliography]; correcting tapes [office requisites]; covers of paper for flower pots; covers [stationery]; cream containers of paper; credit card imprinters, non-electric; dental tray covers of paper; desk mats; desktop cabinets for stationery [office requisites]; diagrams; document files [stationery]; document holders [stationery]; document laminators for office use; drawer liners of paper, perfumed or not; drawing boards; drawing instruments; drawing materials; drawing pads; drawing pens; drawing pins; drawing rulers; drawing sets; duplicators; elastic bands for offices; electrocardiograph paper; electrotypes; embroidery designs [patterns]; engraving plates; engravings; envelope sealing machines for offices; enve-

lopes [stationery]; erasing products; erasing shields; etching needles; etchings; fabrics for bookbinding; face towels of paper; figurines of papier mâché; files [office requisites]; filtering materials of paper; filter paper; fingerstalls for office use; flags of paper; flyers; folders for papers; forms, printed; fountain pens; franking machines for office use; french curves; galleys racks [printing]; garbage bags of paper or of plastics; geographical maps; glue for stationery or household purposes; gluten [glue] for stationery or household purposes; graining combs; graphic prints; graphic representations; graphic reproductions; greeting cards; gummed cloth for stationery purposes; gummed tape [stationery]; gums [adhesives] for stationery or household purposes; hand-rests for painters; handkerchiefs of paper; hand labelling appliances; handwriting specimens for copying; hat boxes of cardboard; hectographs; histological sections for teaching purposes; holders for cheque books; holders for stamps [seals]; house painters' rollers; humidity control sheets of paper or plastic for foodstuff packaging; index cards [stationery]; indexes; indian inks; ink; inking pads; inking ribbons; inking sheets for document reproducing machines; inking sheets for duplicators; inkstands; ink sticks; ink stones [ink reservoirs]; inkwells; isinglass for stationery or household purposes; labels of paper or cardboard; ledgers [books]; letter trays; lithographic stones; lithographic works of art; lithographs; luminous paper; magazines [periodicals]; manifolds [stationery]; manuals [handbooks]; marking chalk; marking pens [stationery]; mats of paper for beer glasses; mimeograph apparatus and machines; modelling clay; modelling materials; modelling paste; modelling wax, not for dental purposes; moisteners for gummed surfaces [office requisites]; moisteners [office requisites]; molds for modelling clays [artists' materials]; money clips; musical greeting cards; name badge holders [office requisites]; newsletters; newspapers; nibs; nibs of gold; note books; numbering apparatus; numbers [type]; obliterating stamps; office perforators; office requisites, except furniture; oleographs; packaging material made of starches; packing [cushioning, stuffing] materials of paper or cardboard; pads [stationery]; page holders; paint boxes for use in schools; paintbrushes; painters' brushes; painters' easels; paintings [pictures], framed or unframed; paint trays; palettes for painters; pamphlets; pantographs [drawing instruments]; paper; paper-clips; paper bags for use in the sterilization of medical instruments; paper bows, other than haberdashery or hair decorations; paper clasps; paper coffee filters; paper creasers [office requisites]; paper cutters [office requisites]; paper for medical examination tables; paper for radiograms; paper for recording machines; paper knives [letter openers]; paper ribbons, other than haberdashery or hair decorations; papers for painting and calligraphy; paper sheets [stationery]; paper shredders for office use; paper tapes and cards for the recordal of computer programmes; paperweights; papier mâché; parch-

ment paper; passport holders; pastels [crayons]; pen cases; pencil holders; pencil lead holders; pencil leads; pencils; pencil sharpeners, electric or non-electric; pencil sharpening machines, electric or non-electric; pen clips; penholders; pens [office requisites]; pen wipers; perforated cards for jacquard looms; periodicals; photo-engravings; photograph stands; photographs [printed]; pictures; placards of paper or cardboard; place mats of paper; plastic bags for pet waste disposal; plastic bubble packs for wrapping or packaging; plastic cling film, extensible, for palletization; plastic film for wrapping; plastics for modelling; polymer modelling clay; portraits; postage stamps; postcards; posters; printed coupons; printed matter; printed publications; printed sheet music; printed timetables; printers' blankets, not of textile; printers' reglets; printing blocks; printing sets, portable [office requisites]; printing type; prints [engravings]; prospectuses; punches [office requisites]; retractable reels for name badge holders [office requisites]; rice paper; rollers for typewriters; rubber erasers; school supplies [stationery]; scrapers [erasers] for offices; sealing compounds for stationery purposes; sealing machines for offices; sealing stamps; sealing wafers; sealing wax; seals [stamps]; self-adhesive tapes for stationery or household purposes; sewing patterns; sheets of reclaimed cellulose for wrapping; shields [paper seals]; signboards of paper or cardboard; silver paper; slate pencils; song books; spools for inking ribbons; spray chalk; square rulers for drawing; squares for drawing; stamp pads; stamp stands; stamps [seals]; stands for pens and pencils; staples for offices; stapling presses [office requisites]; starch paste [adhesive] for stationery or household purposes; stationery; steatite [tailor's chalk]; steel letters; steel pens; stencil cases; stencil plates; stencils; stencils [stationery]; stickers [stationery]; stuffing of paper or cardboard; t-squares for drawing; tablecloths of paper; table linen of paper; tablemats of paper; table napkins of paper; table runners of paper; tags for index cards; tailors' chalk; teaching materials [except apparatus]; terrestrial globes; tickets; tissues of paper for removing make-up; toilet paper; towels of paper; tracing cloth; tracing needles for drawing purposes; tracing paper; tracing patterns; trading cards, other than for games; transfers [decalcomanias]; transparencies [stationery]; trays for sorting and counting money; typewriter keys; typewriter ribbons; typewriters, electric or non-electric; type [numerals and letters]; vignetting apparatus; viscose sheets for wrapping; washi; waxed paper; wood pulp board [stationery]; wood pulp paper; wrapping paper; wristbands for the retention of writing instruments; writing board erasers; writing brushes; writing cases [sets]; writing cases [stationery]; writing chalk; writing instruments; writing materials; writing or drawing books; writing paper; writing slates.

18 – Animal skins; attaché cases; baggage tags; bags; bags for campers; bags for climbers; bags for sports; bags [envelopes, pouches] of leather, for packaging;

beach bags; bits for animals [harness]; blinkers [harness]; boxes of leather or leatherboard; boxes of vulcanized fibre; bridles [harness]; bridoons; briefcases; business card cases; butts [parts of hides]; card cases [notecases]; cases of leather or leatherboard; casings, of leather, for springs; cat o' nine tails; cattle skins; chain mesh purses; chamois leather, other than for cleaning purposes; chin straps, of leather; clothing for pets; collars for animals; compression cubes adapted for luggage; conference folders; covers for animals; covers for horse saddles; credit card cases [wallets]; curried skins; fastenings for saddles; frames for umbrellas or parasols; fur-skins; furniture coverings of leather; game bags [hunting accessories]; garment bags for travel; girths of leather; goldbeaters' skin; grips for holding shopping bags; handbag frames; handbags; harness fittings; harness for animals; harness straps; hat boxes of leather; haversacks; hiking sticks; horse blankets; horse collars; horseshoes; imitation leather; key cases; kid; knee-pads for horses; labels of leather; leather, unworked or semi-worked; leatherboard; leather cord; leather leashes; leather straps; moleskin [imitation of leather]; motorized suitcases; mountaineering sticks; music cases; muzzles; net bags for shopping; nose bags [feed bags]; pads for horse saddles; parasols; parts of rubber for stirrups; pocket wallets; pouch baby carriers; purses; randsels [japanese school satchels]; reins; reins for guiding children; riding saddles; rucksacks; saddlebags; saddlecloths for horses; saddlery; saddle trees; school bags; reusable shopping bags; shoulder belts [straps] of leather; sling bags for carrying infants; slings for carrying infants; stirrup leathers; stirrups; straps for skates; straps for soldiers' equipment; straps of leather [saddlery]; suitcase handles; suitcases; suitcases with wheels; tefillin [phylacteries]; tool bags, empty; traces [harness]; travelling bags; travelling sets [leatherware]; travelling trunks; trimmings of leather for furniture; trunks [luggage]; umbrella covers; umbrella handles; umbrella or parasol ribs; umbrella rings; umbrellas; umbrella sticks; valises; valves of leather; vanity cases, not fitted; walking stick handles; walking sticks; walking stick seats; wheeled shopping bags; whips.

20 – Air beds, not for medical purposes; air cushions, not for medical purposes; air mattresses, not for medical purposes; air pillows, not for medical purposes; ambroid bars; ambroid plates; animal claws; animal hooves; animal horns; anti-roll cushions for babies; armchairs; reusable baby changing mats; bag hangers, not of metal; bakers' bread baskets; bamboo, unworked or semi-worked; bamboo curtains; barrel hoops, not of metal; barrels, not of metal; baskets, not of metal; bathtub grab bars, not of metal; bead curtains for decoration; bed bases; bed casters, not of metal; bedding, except linen; bed fittings, not of metal; beds; beds for household pets; bedsteads of wood; beehives; benches [furniture]; binding screws, not of metal, for cables; birdhouses; bolsters; bolts, not of metal; book-

cases; book rests [furniture]; bottle caps, not of metal; bottle casings of wood; bottle closures, not of metal; bottle racks; boxes of wood or plastic; brackets, not of metal, for furniture; brush mountings; bumper guards for cots, other than bed linen; bungs, not of metal; busts of wood, wax, plaster or plastic; cabinet work; camping mattresses; carts for computers [furniture]; casks, not of metal; casks of wood for decanting wine; cask stands, not of metal; chairs [seats]; chaise longues; chests, not of metal; chests for toys; chests of drawers; chopping blocks [tables]; clips, not of metal, for cables and pipes; clips of plastic for sealing bags; closures, not of metal, for containers; clothes hooks, not of metal; coat hangers; coatstands; coffin fittings, not of metal; coffins; collars, not of metal, for fastening pipes; comb foundations for beehives; console tables; containers, not of metal, for liquid fuel; containers, not of metal [storage, transport]; coral; corks; corks for bottles; corozo; costume stands; cots for babies; counters [tables]; covers for clothing [wardrobe]; cradles; crates; crucifixes of wood, wax, plaster or plastic, other than jewelry; cupboards; curtain holders, not of textile material; curtain hooks; curtain rails; curtain rings; curtain rods; curtain rollers; curtain tie-backs; cushions; deck chairs; decorations of plastic for foodstuffs; desks; dinner wagons [furniture]; dispensers for dog waste bags, fixed, not of metal; display boards; display stands; divans; dog kennels; door bells, not of metal, non-electric; door bolts, not of metal; door fasteners, not of metal; door fittings, not of metal; door handles, not of metal; door knockers, not of metal; doors for furniture; door stops, not of metal or rubber; drafting tables; drain traps [valves] of plastic; dressing tables; edgings of plastic for furniture; embroidery frames; fans for personal use, non-electric; feet for furniture; filing cabinets; fishing baskets; floating containers, not of metal; flower-pot pedestals; flower-stands [furniture]; fodder racks; footstools; freestanding partitions [furniture]; funerary urns; furniture; furniture casters, not of metal; furniture fittings, not of metal; furniture of metal; furniture partitions of wood; furniture shelves; garment covers [storage]; gun racks; hairdressers' chairs; hampers [baskets] for the transport of items; hand-held flagpoles, not of metal; hand-held mirrors [toilet mirrors]; handling pallets, not of metal; hat stands; head-rests [furniture]; head positioning pillows for babies; head support cushions for babies; high chairs for babies; hinges, not of metal; honeycombs; hooks, not of metal, for clothes rails; horn, unworked or semi-worked; hospital beds; house numbers, not of metal, non-luminous; identification bracelets, not of metal; identity plates, not of metal; imitation tortoiseshell; index cabinets [furniture]; indoor window blinds of paper; indoor window blinds of textile; indoor window blinds of woven wood; indoor window blinds [furniture]; infant walkers; inflatable furniture; inflatable publicity objects; jerrycans, not of metal; jewelry organizer displays; kennels for household pets; keyboards for han-

ging keys; knobs, not of metal; labels of plastic; ladders of wood or plastics; latches, not of metal; lecterns; legs for furniture; letter boxes, not of metal or masonry; library shelves; loading gauge rods, not of metal, for railway wagons; loading pallets, not of metal; lockers; locks, not of metal, for vehicles; locks, other than electric, not of metal; magazine racks; mannequins; massage tables; mats for infant playpens; mattresses; meat safes; medicine cabinets; meerschamum; mirrors [looking glasses]; mirror tiles; mobile boarding stairs, not of metal, for passengers; mobiles [decoration]; moldings for picture frames; mooring buoys, not of metal; moses baskets; mother-of-pearl, unworked or semi-worked; nesting boxes; nesting boxes for household pets; newspaper display stands; nuts, not of metal; office furniture; oil drainage containers, not of metal; oyster shells; packaging containers of plastic; pegs [pins], not of metal; pet cushions; picture frame brackets; picture frames; pillows; placards of wood or plastics; plaited straw, except matting; plastic key cards, not encoded and not magnetic; plastic keys; plastic ramps for use with vehicles; plate racks; playpens for babies; plugs [dowels], not of metal; poles, not of metal; pulleys of plastics for blinds; racks [furniture]; rattan; reeds [plaiting materials]; reels, not of metal, non-mechanical, for flexible hoses; reels of wood for yarn, silk, cord; registration plates, not of metal; removable covers for sinks; rivets, not of metal; sash fasteners, not of metal, for windows; saw benches [furniture]; saw horses; school furniture; scratching posts for cats; screens for fireplaces [furniture]; screens [furniture]; screws, not of metal; screw tops, not of metal, for bottles; sealing caps, not of metal; seats of metal; sections of wood for beehives; settees; shells; shelves for file cabinets; shelves for storage; shelving units; shoe dowels, not of metal; shoe pegs, not of metal; shoulder poles [yokes]; showcases [furniture]; shower chairs; sideboards; signboards of wood or plastics; silvered glass [mirrors]; slatted indoor blinds; sleeping mats; sofas; split rings, not of metal, for keys; stag antlers; stair rods; stakes, not of metal, for plants or trees; standing desks; stands for calculating machines; statues of wood, wax, plaster or plastic; statuettes of wood, wax, plaster or plastic; staves of wood; step stools, not of metal; steps [ladders], not of metal; stools; stoppers, not of glass, metal or rubber; straw edgings; straw mattresses; straw plaits; stuffed animals; stuffed birds; tables; tables of metal; table tops; tanks, not of metal nor of masonry; taps, not of metal, for casks; tea carts; tent pegs, not of metal; tool boxes, not of metal, empty; tool chests, not of metal, empty; tortoiseshell; towel dispensers, fixed, not of metal; towel stands [furniture]; transport pallets, not of metal; trays, not of metal; trestles [furniture]; trolleys [furniture]; troughs, not of metal, for mixing mortar; typing desks; umbrella stands; valet stands; valves, not of metal, other than parts of machines; vats, not of metal; vice benches [furniture]; wall-mounted baby changing platforms; wardrobes; wash-

tands [furniture]; water-pipe valves of plastic; waterbeds, not for medical purposes; whalebone, unworked or semi-worked; wickerwork; wind chimes [decoration]; winding spools, not of metal, non-mechanical, for flexible hoses; window fasteners, not of metal; window fittings, not of metal; window stops, not of metal or rubber; wood ribbon; work benches; works of art of wood, wax, plaster or plastic; writing desks; yellow amber.

21 – Abrasive pads for kitchen purposes; abrasive sponges for scrubbing the skin; atomizers for household purposes; animal bristles [brushware]; apparatus for wax-polishing, non-electric; aquarium hoods; autoclaves, non-electric, for cooking; baby baths, portable; baking mats; basins [receptacles]; baskets for household purposes; basting brushes; basting spoons [cooking utensils]; beaters, non-electric; beer mugs; bird baths; birdcages; blenders, non-electric, for household purposes; bobeches; bootjacks; boot trees; bottle openers, electric and non-electric; bottles; bowls [basins]; boxes for dispensing paper towels; boxes of glass; bread baskets for household purposes; bread bins; bread boards; broom handles; brooms; brushes; brushes for cleaning tanks and containers; buckets; buckets made of woven fabrics; bulb basters; busts of porcelain, ceramic, earthenware, terra-cotta or glass; butter-dish covers; butter dishes; buttonhooks; cabarets [trays]; cages for household pets; cake moulds; candelabra [candlesticks]; candle extinguishers; candle jars [holders]; candy boxes; carpet beaters [hand instruments]; carpet sweepers; car washing mitts; cauldrons; ceramics for household purposes; chamber pots; chamois leather for cleaning; cheese-dish covers; china ornaments; chopsticks; cinder sifters [household utensils]; cleaning instruments, hand-operated; cleaning tow; closures for pot lids; clothes-pegs; cloth for washing floors; clothing stretchers; cloths for cleaning; coasters, not of paper or textile; cocktail shakers; cocktail stirrers; coffee filters, non-electric; coffee grinders, hand-operated; coffee percolators, non-electric; coffeepots, non-electric; coffee services [tableware]; coin banks; cold packs for chilling food and beverages; comb cases; combs; combs for animals; confectioners' decorating bags [pastry bags]; containers for household or kitchen use; cookery moulds; cookie jars; cookie [biscuit] cutters; cooking mesh bags, other than for microwaves; cooking pots; cooking pot sets; cooking skewers of metal; cooking utensils, non-electric; coolers [ice pails]; corkscrews, electric and non-electric; cosmetic spatulas; cosmetic utensils; cotton waste for cleaning; covers, not of paper, for flower pots; cruets; cruet sets for oil and vinegar; crumb trays; crushers for kitchen use, non-electric; crystal [glassware]; cups; cups of paper or plastic; currycombs; cutting boards for the kitchen; decanters; decanter tags; decorative glass spheres; deep fryers, non-electric; demijohns; deodorising apparatus for personal use; dish covers; dishes; dishwashing brushes; disposable table plates; drinking bottles for

sports; drinking glasses; drinking horns; drinking straws; drinking troughs; drinking vessels; dripping pans; drying racks for laundry; dustbins; dusting apparatus, non-electric; dusting cloths [rags]; earthenware; earthenware saucepans; egg cups; egg separators, non-electric, for household purposes; electric brushes, except parts of machines; electric combs; electric devices for attracting and killing insects; enamelled glass, not for building; epergnes; eyebrow brushes; eyelash brushes; feather-dusters; feeding troughs; fiberglass, other than for insulation or textile use; fiberglass thread, other than for textile use; figurines of porcelain, ceramic, earthenware, terra-cotta or glass; fitted picnic baskets, including dishes; flasks; flat-iron stands; floss for dental purposes; flower pots; fly swatters; fly traps; foam toe separators for use in pedicures; food steamers, non-electric; fruit bowls; fruit presses, non-electric, for household purposes; frying pans; funnels; furniture dusters; fused silica [semi-worked product], other than for building; gardening gloves; garlic presses [kitchen utensils]; glass, unworke d or semi-worked, except building glass; glass bulbs [receptacles]; glasses [receptacles]; glass flasks [containers]; glass for vehicle windows [semi-finished product]; glass incorporating fine electrical conductors; glass jars [carboys]; glass stoppers; glass wool, other than for insulation; gloves for household purposes; glove stretchers; glue-pots; graters for kitchen use; grill supports; grills [cooking utensils]; hair for brushes; heads for electric toothbrushes; heat-insulated containers; heat-insulated containers for beverages; heaters for feeding bottles, non-electric; hip flasks; holders for flowers and plants [flower arranging]; horse brushes; horsehair for brush-making; hot pots, not electrically heated; ice cream scoops; ice cube molds; ice tongs; indoor aquaria; indoor terrariums [plant cultivation]; indoor terrariums [vivariums]; inflatable bath tubs for babies; insect traps; insulating flasks; ironing board covers, shaped; ironing boards; isothermic bags; kettles, non-electric; kitchen containers; kitchen grinders, non-electric; kitchen utensils; knife rests for the table; ladles for serving wine; lamp-glass brushes; large-toothed combs for the hair; lazy susans; lint removers, electric or non-electric; liqueur sets; litter boxes for pets; lunch boxes; majolica; make-up brushes; make-up removing appliances; make-up sponges; mangers for animals; material for brush-making; menu card holders; mess-tins; mills for household purposes, hand-operated; mixing spoons [kitchen utensils]; moulds [kitchen utensils]; mops; mop wringer buckets; mop wringers; mortars for kitchen use; mosaics of glass, not for building; mouse traps; mugs; nail brushes; napkin rings; nest eggs, artificial; noodle machines, hand-operated; nozzles for watering cans; nozzles for watering hose; nutcrackers; opal glass; opaline glass; oven mitts; painted glassware; paper plates; pastry cutters; pepper mills, hand-operated; pepper pots; perfume burners; perfume vaporizers; pestles for kitchen use; pie servers; pig bristles

for brush-making; piggy banks; pitchers; place mats, not of paper or textile; plate glass [raw material]; plates to prevent milk boiling over; plug-in diffusers for mosquito repellents; plungers for clearing blocked drains; polishing apparatus and machines, for household purposes, non-electric; polishing cloths; polishing gloves; polishing leather; polishing materials for making shiny, except preparations, paper and stone; porcelain ware; portable cool boxes, non-electric; pot-holders; pot lids; pots; pottery; poultry rings; pouring spouts; powder compacts, empty; powdered glass for decoration; powder puffs; rat traps; refrigerating bottles; reusable ice cubes; rings for birds; rolling pins, domestic; rotary washing lines; salad bowls; salad tongs; salt cellars; saucepan scourers of metal; saucers; scoops for household purposes; scouring pads; scrubbing brushes; services [dishes]; serving ladles; shaving brushes; shaving brush stands; shoe brushes; shoe horns; shoe trees; sieves [household utensils]; sifters [household utensils]; signboards of porcelain or glass; siphon bottles for aerated water; ski wax brushes; smoke absorbers for household purposes; soap boxes; soap dispensers; soap holders; soup bowls; spatulas for kitchen use; spice sets; sponge holders; sponges for household purposes; sprinklers; stands for portable baby baths; statues of porcelain, ceramic, earthenware, terra-cotta or glass; steel wool for cleaning; stew-pans; strainers for household purposes; sugar bowls; sugar tongs; syringes for watering flowers and plants; tablemats, not of paper or textile; table napkin holders; table plates; tableware, other than knives, forks and spoons; tankards; tar-brushes, long handled; tea bag rests; tea caddies; tea cosies; tea infusers; teapots; tea services [tableware]; tea strainers; thermally insulated containers for food; tie presses; toilet brushes; toilet cases; toilet paper dispensers; toilet paper holders; toilet sponges; toilet cleaning utensils; toothbrushes; toothbrushes, electric; toothpick holders; toothpicks; tortilla presses, non-electric [kitchen utensils]; towel rails and rings; trays for household purposes; trays of paper, for household purposes; trivets [table utensils]; trouser presses; utensils for household purposes; vases; vegetable dishes; vitreous silica fibres, other than for textile use; waffle irons, non-electric; washing boards; washtubs; waste paper baskets; water apparatus for cleaning teeth and gums; watering cans; watering devices; wax-polishing appliances, non-electric, for shoes; whisks, non-electric, for household purposes; window-boxes; wine-tasting pipettes; wine aerators; wool waste for cleaning; works of art of porcelain, ceramic, earthenware, terra-cotta or glass.

22 – Animal feeding nets; animal hair; awnings of synthetic materials; awnings of textile; bags [envelopes, pouches] of textile, for packaging; bindings, not of metal; binding thread, not of metal, for agricultural purposes; body bags; braces, not of metal, for handling loads; brattice cloth; cables, not of metal; camel hair; canvas for sails; carbon fibres for textile use;

carded wool; car towing ropes; coconut fiber; cocoons; combed wool; cords for hanging pictures; cotton tow; cotton waste [flock] for padding and stuffing; covers for camouflage; down [feathers]; dust sheets; eiderdown; esparto grass; feathers for bedding; feathers for stuffing upholstery; fibrous gaskets for ships; fishing nets; fleece wool; flock [stuffing]; glass fibers for textile use; grasses for upholstering; hammocks; hemp bands; hemp fibers; horsehair; jute; kapok; ladder tapes for venetian blinds; liber; linters; mail bags; mesh bags for washing laundry; net pens for fish farming; nets; nets for camouflage; network; outdoor blinds of textile; packing rope; packing string; packing [cushioning, stuffing] materials, not of rubber, plastics, paper or cardboard; padding materials, not of rubber, plastics, paper or cardboard; pig bristles; plastic fibers for textile use; purse seines; raffia; ramie fiber; raw cotton; raw fibrous textile; raw linen [flax]; raw or treated wool; raw silk; rope ladders; ropes; ropes, not of metal; sacks for the transport and storage of materials in bulk; sails; sails for ski sailing; sash cords; sawdust; schappe [raw silk waste]; seaweed for stuffing; sheaf-binding yarns; shorn wool; silk flock; sisal; slings, not of metal, for handling loads; snares [nets]; straps, not of metal, for handling loads; straw for stuffing upholstery; straw wrappers for bottles; string; strips for tying-up vines; tarpaulins; tents; textile fibers; thread, not of metal, for wrapping or binding; tow; twine for nets; twine made of paper; upholstery wool [stuffing]; vehicle covers, not fitted; vitreous silica fibres for textile use; wadding for filtering; wadding for padding and stuffing upholstery; wax ends; whipcord; wood shavings; wood wool; wool flock; wrapping or binding bands, not of metal.

23 – Chenille yarn; coir thread and yarn; cotton thread and yarn; darning thread and yarn; elastic thread and yarn for textile use; embroidery thread and yarn; fiberglass thread for textile use; hemp thread and yarn; jute thread and yarn; linen thread and yarn; rayon thread and yarn; rubber thread for textile use; sewing thread and yarn; silk thread and yarn; spun cotton; spun silk; spun thread and yarn; spun wool; thread; thread of metal for embroidery; threads of plastic materials for textile use; woollen thread and yarn.

24 – Adhesive fabric for application by heat; baby buntings; banners of textile or plastic; bath linen, except clothing; bath mitts; bed blankets; bed covers; bed covers of paper; bed linen; bed valances; billiard cloth; blankets for household pets; bolting cloth; brocades; buckram; bunting of textile or plastic; calico; canvas for tapestry or embroidery; cheese cloth; chenille fabric; cheviots [cloth]; cloth; cloths for removing make-up; coasters of textile; cotton fabrics; covers for cushions; covers [loose] for furniture; crepe [fabric]; crepon; crib bumpers [bed linen]; curtain holders of textile material; curtains of textile or plastic; damask; diaper changing cloths for babies; diapered linen; door curtains; drugget; eiderdowns [down co-

verlets]; elastic woven fabrics; esparto fabric; fabric; fabric, impervious to gases, for aeronautical balloons; fabric for footwear; fabric imitating animal skins; fabrics for textile use; face towels of textile; felt; fiberglass fabrics, for textile use; filtering materials of textile; fitted toilet lid covers of fabric; flags of textile or plastic; flannel [fabric]; frieze [cloth]; furniture coverings of plastic; furniture coverings of textile; fustian; gauze [cloth]; glass cloths [towels]; gummed cloth, other than for stationery purposes; haircloth [sackcloth]; handkerchiefs of textile; hat linings, of textile, in the piece; hemp cloth; hemp fabric; household linen; jersey [fabric]; jute fabric; knitted fabric; labels of textile; linen cloth; lingerie fabric; lining fabric for footwear; linings [textile]; marabouts [cloth]; mattress covers; moleskin [fabric]; mosquito nets; muslin fabric; net curtains; non-woven textile fabrics; oilcloth for use as tablecloths; pillowcases; pillow shams; place mats of textile; plastic material [substitute for fabrics]; printed calico cloth; printers' blankets of textile; ramie fabric; rayon fabric; sheets [textile]; shower curtains of textile or plastic; shrouds; silk fabrics for printing patterns; silk [cloth]; sleeping bag liners; sleeping bags; sleeping bags for babies; tablecloths, not of paper; table linen, not of paper; tablemats of textile; table napkins of textile; table runners, not of paper; taffeta [cloth]; textile material; ticks [mattress covers]; tick [linen]; towels of textile; traced cloth for embroidery; travelling rugs [lap robes]; trellis [cloth]; tulle; upholstery fabrics; velvet; wall hangings of textile; woollen cloth; zephyr [cloth].

25 – Albs; ankle boots; aprons [clothing]; ascots; babies' pants [underwear]; bandanas [neckerchiefs]; bathing caps; bathing suits; bathing trunks; bath robes; bath sandals; bath slippers; beach clothes; beach shoes; belts [clothing]; berets; bibs, not of paper; bibs, sleeved, not of paper; boas [necklets]; bodices [lingerie]; boots; boots for sports; boot uppers; boxer shorts; braces for clothing [suspenders]; brassieres; breeches for wear; camisoles; cap peaks; chasubles; clothing; clothing for gymnastics; clothing of imitations of leather; clothing of leather; coats; collars [clothing]; combinations [clothing]; corselets; corsets [underclothing]; cuffs; cyclists' clothing; detachable collars; dresses; dressing gowns; dress shields; ear muffs [clothing]; esparto shoes or sandals; fingerless gloves; fishing vests; fittings of metal for footwear; football shoes; footmuffs, not electrically heated; footwear; footwear uppers; fur stoles; furs [clothing]; gabardines [clothing]; gaiters; gaiter straps; galoshes; garters; girdles; gloves [clothing]; gymnastic shoes; hairdressing capes; half-boots; hat frames [skeletons]; hats; headbands [clothing]; headwear; heelpieces for stockings; heel protectors for shoes; heels; hoods [clothing]; hosiery; inner soles; jackets [clothing]; jerseys [clothing]; judo uniforms; jumper dresses; karate uniforms; kimonos; knitwear [clothing]; lace boots; layettes [clothing]; leggings [leg warmers]; leggings [trousers]; leotards; liveries; maniples; mantillas; masque-

rade costumes; miters [hats]; money belts [clothing]; motorists' clothing; muffs [clothing]; neck gaiters; neckties; non-slipping devices for footwear; outerclothing; overalls; overcoats; pajamas; panties; paper clothing; paper hats [clothing]; parkas; pelerines; pelisses; petticoats; pockets for clothing; pocket squares; ponchos; ready-made clothing; ready-made linings [parts of clothing]; sandals; saris; sarongs; sashes for wear; scarfs; shawls; shirt fronts; shirts; shirt yokes; shoes; short-sleeve shirts; shower caps; ski boots; ski gloves; skirts; skorts; skull caps; sleep masks; slippers; slips [underclothing]; socks; sock suspenders; soles for footwear; spats; sports jerseys; sports shoes; sports singlets; stockings; stocking suspenders; studs for football boots; stuff jackets [clothing]; suits; sweat-absorbent socks; sweat-absorbent stockings; sweat-absorbent underwear; sweaters; teddies [underclothing]; tee-shirts; tights; tips for footwear; togas; top hats; trousers; turbans; underpants; underwear; uniforms; valenki [felted boots]; veils [clothing]; vests; visors being headwear; waterproof clothing; welts for footwear; wet suits for water-skiing; wimples; wooden shoes.

26 – Appliqués [haberdashery]; artificial christmas garlands; artificial christmas garlands incorporating lights; artificial christmas wreaths; artificial christmas wreaths incorporating lights; artificial flowers; artificial fruit; artificial garlands; artificial plants, other than christmas trees; badges for wear, not of precious metal; beads, other than for making jewelry; belt clasps; binding needles; birds' feathers [clothing accessories]; blouse fasteners; bobbins for retaining embroidery floss or wool [not parts of machines]; bodkins; bows for the hair; boxes for needles; braids; brassards; brooches [clothing accessories]; buckles [clothing accessories]; buttons; charms, other than for jewelry, key rings or key chains; chenille [passementerie]; collar supports; competitors' numbers; cords for clothing; cords for trimming; crochet hooks; darning lasts; darning needles; decorative articles for the hair; edgings for clothing; elastic ribbons; embroidery; embroidery needles; entomological pins; expanding bands for holding sleeves; eyelets for clothing; false beards; false hair; false hems; false moustaches; fastenings for clothing; fastenings for suspenders; feathers [clothing accessories]; festoons [embroidery]; frills for clothing; frills [lacework]; fringes; gold embroidery; haberdashery bows; haberdashery ribbons; haberdashery [dressmakers' articles], except thread; hair bands; hair barrettes; hair coloring caps; hair curlers, electric and non-electric, other than hand implements; hair curling papers; hair curling pins; hair extensions; hair grips; hair nets; hair pins; hatbands; hat trimmings; heat adhesive patches for decoration of textile articles [haberdashery]; heat adhesive patches for repairing textile articles; hook and pile fastening tapes; hooks for corsets; hooks [haberdashery]; human hair; knitting needles; lace for edgings; lace trimmings; letters for marking linen; mica spangles; needle-thre-

aders; needle cases; needle cushions; needles; needles for wool combing machines; numerals for marking linen; numerals or letters for marking linen; ornamental novelty badges [buttons]; ostrich feathers [clothing accessories]; picot [lace]; pin cushions; pins, other than jewelry; prize ribbons; ribbons and bows, not of paper, for gift wrapping; ribbons for the hair; rosettes [haberdashery]; rug hooks; saddlers' needles; sewing boxes; sewing kits; sewing needles; sewing thimbles; shoe buckles; shoe eyelets; shoe fasteners; shoe hooks; shoe laces; shoemakers' needles; shoe trimmings; shoulder pads for clothing; shuttles for making fishing nets; silver embroidery; skirt flounces; snap fasteners; spangles for clothing; tapes for curtain headings; tassels [haberdashery]; top-knots [pompoms]; toupees; tresses of hair; trimmings for clothing; trouser clips for cyclists; whalebones for corsets; wigs; woollen laces; wreaths of artificial flowers; zippers; zippers for bags.

27 – Artificial turf; bath mats; carpets; carpets for automobiles; carpet underlay; door mats; floor coverings; floor mats, fire-resistant, for fireplaces and barbecues; gymnasium mats; linoleum; mats; mats of woven rope for ski slopes; non-slip mats; reed mats; textile wallpaper; vinyl floor coverings; wall hangings, not of textile; wallpaper; yoga mats.

28 – Amusement machines, automatic and coin-operated; apparatus for games; appliances for gymnastics; arcade video game machines; archery implements; artificial fishing bait; artificial snow for christmas trees; ascenders [mountaineering equipment]; baby gyms; backgammon games; bags especially designed for skis; bags especially designed for surfboards; ball pitching machines; balls for games; bar-bells; baseball gloves; batting gloves [accessories for games]; bells for christmas trees; billiard balls; billiard cues; billiard cue tips; billiard markers; billiard table cushions; billiard tables; bingo cards; bite indicators [fishing tackle]; bite sensors [fishing tackle]; bladders of balls for games; bob-sleighs; body-building apparatus; bodyboards; bowling apparatus and machinery; bows for archery; boxing gloves; building blocks [toys]; building games; butterfly nets; camouflage screens [sports articles]; candle holders for christmas trees; caps for pistols [toys]; carnival masks; chalk for billiard cues; checkerboards; checkers [games]; chessboards; chess games; chest expanders [exercisers]; chips for gambling; christmas crackers [party novelties]; christmas trees of synthetic material; christmas tree stands; clay pigeons [targets]; clay pigeon traps; climbers' harness; coin-operated billiard tables; confetti; conjuring apparatus; controllers for game consoles; controllers for toys; counters [discs] for games; creels [fishing traps]; cricket bags; cups for dice; darts; decoys for hunting or fishing; dice; discuses for sports; divot repair tools [golf accessories]; dolls; dolls' beds; dolls' clothes; dolls' feeding bottles; dolls' houses; dolls' rooms; dominoes; drones [toys]; dumb-bells; edges of skis; el-

bow guards [sports articles]; electronic targets; fairground ride apparatus; fencing gauntlets; fencing masks; fencing weapons; fish hooks; fishing lines; fishing tackle; flippers for swimming; floats for fishing; flying discs [toys]; foosball tables; games; gaming machines for gambling; gloves for games; golf bag carts; golf bags, with or without wheels; golf clubs; golf gloves; gut for fishing; gut for rackets; gyroscopes and flight stabilizers for model aircraft; hang gliders; harness for sailboards; harpoon guns [sports articles]; hockey sticks; horseshoe games; hunting game calls; ice skates; in-line roller skates; inflatable games for swimming pools; jigsaw puzzles; joysticks for video games; kaleidoscopes; kite reels; kites; knee guards [sports articles]; landing nets for anglers; machines for physical exercises; mah-jong; marbles for games; masks [playthings]; masts for sailboards; matryoshka dolls; men's athletic supporters [sports articles]; needles for pumps for inflating balls for games; nets for sports; novelty toys for parties; novelty toys for playing jokes; ornaments for christmas trees, except lights, candles and confectionery; pachinkos; paddleboards; paintball guns [sports apparatus]; paintballs [ammunition for paintball guns] [sports apparatus]; paper party hats; paragliders; board games; party poppers [party novelties]; percussion caps [toys]; pinatas; playing balls; playing cards; plush toys; plush toys with attached comfort blanket; poles for pole vaulting; portable games and toys incorporating telecommunication functions; portable games with liquid crystal displays; protective films adapted for screens for portable games; protective paddings [parts of sports suits]; pumps specially adapted for use with balls for games; punching bags; puppets; quoits; rackets; rattles [playthings]; reels for fishing; remote-controlled toy vehicles; rhythmic gymnastics ribbons; ring games; rocking horses; rods for fishing; rollers for stationary exercise bicycles; roller skates; rosin used by athletes; roulette wheels; sailboards; scale model kits [toys]; scale model vehicles; scent lures for hunting or fishing; scooters [toys]; scratch cards for playing lottery games; seal skins [coverings for skis]; shin guards [sports articles]; shuttlecocks; skateboards; ski bindings; skis; skittles; skittles [games]; sleds [sports articles]; slides [playthings]; sling shots [sports articles]; slot machines [gaming machines]; snowboards; snow globes; snowshoes; soap bubbles [toys]; sole coverings for skis; spinning tops [toys]; spring boards [sports articles]; starting blocks for sports; stationary exercise bicycles; strings for rackets; stuffed toys; surfboard leashes; surfboards; swimming belts; swimming jackets; swimming kickboards; swimming pool air floats; swimming pools [play articles]; swings; table-top games; tables for table tennis; targets; teddy bears; tennis ball throwing apparatus; tennis nets; theatrical masks; toy air pistols; toy dough; toy figures; toy imitation cosmetics; toy mobiles; toy models; toy pistols; toy putty; toy robots; toys; toy vehicles; trampolines; tricycles for infants [to-

ys]; twirling batons; video game machines; waterskis; water wings; weight lifting belts [sports articles].

29 – Albumen for culinary purposes; albumin milk; alginates for culinary purposes; almond milk; almond milk-based beverages; almond milk for culinary purposes; almonds, ground; aloe vera prepared for human consumption; anchovy, not live; animal marrow for food; apple purée; arrangements of processed fruit; artichokes, preserved; bacon; beans, preserved; berries, preserved; black pudding; bone oil for food; bouillon; bouillon concentrates; bulgogi; butter; buttercream; candied nuts; caviar; charcuterie; cheese; clams, not live; cocoa butter for food; coconut, desiccated; coconut butter; coconut fat; coconut milk; coconut milk-based beverages; coconut milk for culinary purposes; coconut oil for food; colza oil for food; compotes; condensed milk; corn dogs; corn oil for food; cottage cheese fritters; cranberry compote; crayfish, not live; cream [dairy products]; croquettes; crustaceans, not live; crystallized fruits; curd; dates; edible ant larvae, prepared; edible birds' nests; edible fats; edible insects, not live; eggplant paste; eggs; extra virgin olive oil for food; falafel; fat-containing mixtures for bread slices; fatty substances for the manufacture of edible fats; fermented baked milk; fish, not live; fish, preserved; fish, canned; fish-based foodstuffs; fish fillets; fish meal for human consumption; fish mousses; fish roe, prepared; flavored nuts; freeze-dried meat; freeze-dried vegetables; frozen fruits; fruit, preserved; fruit, stewed; fruit-based snack food; fruit chips; fruit jellies; fruit peel; fruit preserved in alcohol; fruit pulp; fruits, canned; fruit salads; game, not live; gelatine; gherkins; ginger jam; guacamole; ham; hazelnuts, prepared; herrings, not live; hot dog sausages; hummus; isinglass for food; jams; jellies for food; kefir; kimchi; klipfish [salted and dried cod]; kumys; lard; laver, preserved; lecithin for culinary purposes; lemon juice for culinary purposes; lentils, preserved; linseed oil for food; liver; liver pastes; lobsters, not live; low-fat potato chips; margarine; meat; meat, preserved; meat, canned; meat extracts; meat jellies; milk; milk beverages, milk predominating; milk ferments for culinary purposes; milk products; milk shakes; milk substitutes; mollusks, not live; mushrooms, preserved; muskels, not live; non-alcoholic eggnog; nut-based spreads; nuts, prepared; oat milk; oils for food; olive oil for food; olives, preserved; onion rings; onions, preserved; oysters, not live; palm kernel oil for food; palm oil for food; peanut butter; peanut milk; peanut milk-based beverages; peanut milk for culinary purposes; peanuts, prepared; peas, preserved; pectin for culinary purposes; pickles; pollen prepared as foodstuff; pork; potato-based dumplings; potato chips; potato flakes; potato fritters; poultry, not live; powdered eggs; powdered milk; prawns, not live; preparations for making bouillon; preparations for making soup; preserved garlic; preserved peppers; pressed fruit paste; raisins; rennet; rice milk; rice milk for culinary purposes; salmon, not live; salted fish; salted meats;

sardines, not live; sauerkraut; sausage casings, natural or artificial; sausages; sausages in batter; sea-cucumbers, not live; seaweed extracts for food; seeds, prepared; sesame oil for food; shrimps, not live; silkworm chrysalis for human consumption; smetana; snail eggs for consumption; soups; soured milk; soya bean oil for food; soya beans, preserved, for food; soya milk; soya patties; spiny lobsters, not live; suet for food; sunflower oil for food; sunflower seeds, prepared; sweet corn, processed; tahini; tofu; tofu patties; tofu skin; tomato juice for cooking; tomato paste; tomato purée; tripe; truffles, preserved; tuna, not live; vegetable-based cream; vegetable juices for cooking; vegetable marrow paste; vegetable mousses; vegetables, cooked; vegetables, dried; vegetables, preserved; vegetables, canned; vegetable salads; vegetable soup preparations; whey; whipped cream; white of eggs; yakitori; yogurt; yolk of eggs.

30 – Agave syrup [natural sweetener]; allspice; almond confectionery; almond paste; aniseed; apple sauce [condiment]; aromatic preparations for food; coffee substitutes; baking powder; baking soda [bicarbonate of soda for cooking purposes]; baozi; barley meal; bean meal; beer vinegar; bibimbap [rice mixed with vegetables and beef]; binding agents for ice cream; bread; breadcrumbs; bread rolls; buckwheat, processed; buckwheat flour; bulgur; buns; burritos; cake dough; cake frosting [icing]; cake powder; cakes; candies; candy decorations for cakes; capers; caramels [candies]; celery salt; cereal-based snack food; cereal bars; cereal preparations; chamomile-based beverages; cheeseburgers [sandwiches]; chewing gum; chewing gum for breath freshening; chicory [coffee substitute]; chips [cereal products]; chocolate; chocolate-based beverages; chocolate-based spreads; chocolate-coated nuts; chocolate beverages with milk; chocolate decorations for cakes; chocolate mousses; chocolate spreads containing nuts; chow-chow [condiment]; chutneys [condiments]; cinnamon [spice]; cloves [spice]; cocoa; cocoa-based beverages; cocoa beverages with milk; coffee; coffee-based beverages; coffee beverages with milk; coffee flavorings; condiments; confectionery; confectionery for decorating christmas trees; cookies; cooking salt; corn, milled; corn, roasted; corn flakes; corn flour; couscous; crackers; cranberry sauce [condiment]; cream of tartar for culinary purposes; croutons; crushed barley; crushed oats; curry [spice]; custard; dessert mousses [confectionery]; dough; dressings for salad; dulce de leche; edible ices; edible paper; edible rice paper; essences for foodstuffs, except etheric essences and essential oils; ferments for pastes; flavorings, other than essential oils, for cakes; flavorings, other than essential oils, for beverages; flour; flour-based dumplings; flowers or leaves for use as tea substitutes; fondants [confectionery]; food flavorings, other than essential oils; freeze-dried dishes with the main ingredient being pasta; freeze-dried dishes with the main ingredient being rice; frozen yogurt [confectionery ices]; fruit confec-

tionery; fruit coulis [sauces]; fruit jellies [confectionery]; garden herbs, preserved [seasonings]; gingerbread; glucose for culinary purposes; gluten additives for culinary purposes; gluten prepared as foodstuff; golden syrup; groats for human food; ground ginger; halvah; ham glaze; high-protein cereal bars; hominy; hominy grits; honey; hot dog sandwiches; husked barley; husked oats; ice, natural or artificial; ice cream; ice cubes; iced tea; ice for refreshment; infusions, not medicinal; instant rice; jiaozi; ketchup [sauce]; leaven; linseed for culinary purposes [seasoning]; liquorice [confectionery]; macaroni; macarons; malt biscuits; malt extract for food; malt for human consumption; maltose; marinades; marzipan; mayonnaise; meat gravies; meat pies; meat tenderizers for household purposes; minced garlic [condiment]; mint for confectionery; mints for breath freshening; mirror icing [mirror glaze]; miso; molasses for food; muesli; mustard; mustard meal; natural sweeteners; noodle-based prepared meals; noodles; nut flours; nutmegs; oat-based food; oat flakes; oatmeal; onigiri; palm sugar; pancakes; pasta; pasta sauce; pastilles [confectionery]; pastries; pastry dough; peanut confectionery; pelmeni; pepper; peppermint sweets; peppers [seasonings]; pesto; petit-beurre biscuits; petits fours; piccagli; pies; pizzas; popcorn; potato-based flatbreads; potato flour; powders for making ice cream; pralines; preparations for stiffening whipped cream; processed seeds for use as a seasoning; propolis; puddings; pâtés en croûte; quiches; quinoa, processed; ramen; ravioli; relish [condiment]; rice; rice-based snack food; rice cakes; rice crackers; rice pudding; rice pulp for culinary purposes; royal jelly; rusks; saffron [seasoning]; sago; salt for preserving foodstuffs; sandwiches; sauces [condiments]; sausage binding materials; savory pancake mixes; savory pancakes; seasonings; seawater for cooking; seaweed [condiment]; semolina; sesame seeds [seasonings]; shaved ice with sweetened red beans; sherbets [ices]; soba noodles; soya flour; soya sauce; spaghetti; spices; spring rolls; star aniseed; starch for food; stick liquorice [confectionery]; sugar; sushi; tabbouleh; tacos; tapioca; tapioca flour; tarts; tea; tea-based beverages; thickening agents for cooking foodstuffs; tomato sauce; tortillas; turmeric; udon noodles; unleavened bread; unroasted coffee; vanilla flavorings for culinary purposes; vanillin [vanilla substitute]; vegetal preparations for use as coffee substitutes; vermicelli; vinegar; waffles; wheat flour; wheat germ for human consumption; yeast.

31 – Algae, unprocessed, for human or animal consumption; algarovilla for animal consumption; almonds [fruits]; aloe vera plants; anchovy, live; animal fattening preparations; animal foodstuffs; aromatic sand [litter] for pets; arrangements of fresh fruit; artichokes, fresh; bagasses of cane [raw material]; barley; beans, fresh; beet, fresh; berries, fresh; beverages for pets; bird food; bran; bran mash for animal consumption; bred stock; buckwheat, unprocessed; by-products of the processing of cereals, for animal

consumption; cereal seeds, unprocessed; chestnuts, fresh; chicory, fresh; chicory roots; christmas trees; citrus fruit, fresh; cocoa beans, raw; coconuts; coconut shell; copra; crayfish, live; crustaceans, live; cucumbers, fresh; cuttle bone for birds; distillery waste for animal consumption; dog biscuits; draff; edible chews for animals; edible insects, live; edible linseed, unprocessed; edible sesame, unprocessed; eggs for hatching, fertilized; fish, live; fishing bait, live; fish meal for animal consumption; fish spawn; flax meal [fodder]; flower bulbs; flowers, dried, for decoration; flowers, natural; fodder; fruit, fresh; fruit residue [marc]; garden herbs, fresh; garlic, fresh; grains for animal consumption; grains [cereals]; grapes, fresh; groats for poultry; hay; hazelnuts, fresh; herrings, live; hop cones; hops; juniper berries; koi carp, live; kola nuts; leeks, fresh; lemons, fresh; lentils, fresh; lettuce, fresh; lime for animal forage; linseed for animal consumption; linseed meal for animal consumption; litter for animals; litter peat; live animals; lobsters, live; locust beans, raw; maize; maize cake for cattle; malt for brewing and distilling; mash for fattening livestock; meal for animals; menagerie animals; mollusks, live; mushrooms, fresh; mushroom spawn for propagation; mussels, live; nettles; nuts, unprocessed; oats; oil cake; olives, fresh; onions, fresh; oranges, fresh; oysters, live; palms [leaves of the palm tree]; palm trees; peanut cake for animals; peanut meal for animals; peanuts, fresh; peas, fresh; peppers [plants]; pet food; pine cones; plants; plants, dried, for decoration; pollen [raw material]; potatoes, fresh; poultry, live; preparations for egg laying poultry; quinoa, unprocessed; rape cake for cattle; raw barks; residue in a still after distillation; rhubarb, fresh; rice, unprocessed; rice meal for forage; roots for animal consumption; rose bushes; rough cork; rye; salmon, live; salt for cattle; sanded paper [litter] for pets; sardines, live; sea-cucumbers, live; seed germ for botanical purposes; seedlings; seeds for planting; shrubs; silkworm eggs; silkworms; spinach, fresh; spiny lobsters, live; squashes, fresh; stall food for animals; straw litter; straw mulch; straw [forage]; strengthening animal forage; sugarcane; trees; truffles, fresh; trunks of trees; tuna, live; turf, natural; undressed timber; unprocessed sweet corn ears [husked or unhusked]; unsawn timber; vegetable marrows, fresh; vegetables, fresh; vine plants; wheat; wheat germ for animal consumption; wood chips for the manufacture of wood pulp; wreaths of natural flowers; yeast for animal consumption.

32 – Aerated water; aloe vera drinks, non-alcoholic; aperitifs, non-alcoholic; barley wine [beer]; beer; beer-based cocktails; beer wort; cider, non-alcoholic; cocktails, non-alcoholic; energy drinks; extracts of hops for making beer; fruit juices; fruit nectars, non-alcoholic; ginger beer; grape must, unfermented; isotonic beverages; kvass; lemonades; lithia water; malt beer; malt wort; mineral water [beverages]; must; non-alcoholic beverages; non-alcoholic beverages flavored with coffee; non-alcoholic beverages flavored

with tea; non-alcoholic essences for making beverages; non-alcoholic fruit extracts; non-alcoholic fruit juice beverages; non-alcoholic honey-based beverages; non-alcoholic preparations for making beverages; orgeat; pastilles for effervescing beverages; powders for effervescing beverages; preparations for making aerated water; protein-enriched sports beverages; rice-based beverages, other than milk substitutes; sarsaparilla [non-alcoholic beverage]; seltzer water; sherbets [beverages]; smoothies; soda water; soft drinks; soya-based beverages, other than milk substitutes; syrups for beverages; syrups for lemonade; table waters; tomato juice [beverage]; vegetable juices [beverages]; waters [beverages]; whey beverages.

33 – Alcoholic beverages, except beer; alcoholic beverages containing fruit; alcoholic essences; alcoholic extracts; anisette [liqueur]; anise [liqueur]; aperitifs; arrack [arak]; bitters; brandy; cider; cocktails; curacao; digestifs [liqueurs and spirits]; distilled beverages; fruit extracts, alcoholic; gin; grain-based distilled alcoholic beverages; kirsch; liqueurs; mead [hydromel]; peppermint liqueurs; perry; piquette; pre-mixed alcoholic beverages, other than beer-based; rice alcohol; rum; sake; spirits [beverages]; sugarcane-based alcoholic beverages; vodka; whisky; wine.

34 – Absorbent paper for tobacco pipes; ashtrays for smokers; books of cigarette papers; chewing tobacco; cigar cases; cigar cutters; cigarette cases; cigarette filters; cigarette holders; cigarette paper; cigarettes; cigarettes containing tobacco substitutes, not for medical purposes; cigarette tips; cigar holders; cigarillos; cigars; electronic cigarettes; firestones; flavorings, other than essential oils, for tobacco; flavorings, other than essential oils, for use in electronic cigarettes; gas containers for cigar lighters; herbs for smoking; humidors; lighters for smokers; liquid solutions for use in electronic cigarettes; matchboxes; matches; match holders; mouthpieces for cigarette holders; oral vaporizers for smokers; pipe cleaners for tobacco pipes; pipe racks for tobacco pipes; pocket machines for rolling cigarettes; snuff; snuff boxes; spittoons for tobacco users; tips of yellow amber for cigar and cigarette holders; tobacco; tobacco jars; tobacco pipes; tobacco pouches.

35 – Administration of consumer loyalty programs; administration of frequent flyer programs; administrative assistance in responding to calls for tenders; administrative processing of purchase orders; administrative services for the relocation of businesses; advertising; advertising agency services; advertising by mail order; advisory services for business management; appointment reminder services [office functions]; appointment scheduling services [office functions]; arranging newspaper subscriptions for others; arranging subscriptions to telecommunication services for others; auctioneering; bill-posting; bookkeeping; business appraisals; business auditing; business efficiency expert services; business inquiries; business

intermediary services relating to the matching of potential private investors with entrepreneurs needing funding; business investigations; business management and organization consultancy; business management assistance; business management consultancy; business management for freelance service providers; business management of hotels; business management of performing artists; business management of reimbursement programs for others; business management of sports people; business organization consultancy; business project management services for construction projects; business research; commercial administration of the licensing of the goods and services of others; commercial information agency services; commercial intermediation services; commercial or industrial management assistance; competitive intelligence services; compilation of information into computer databases; compilation of statistics; compiling indexes of information for commercial or advertising purposes; computerized file management; consultancy regarding advertising communication strategies; consultancy regarding public relations communication strategies; cost price analysis; data search in computer files for others; demonstration of goods; development of advertising concepts; direct mail advertising; dissemination of advertising matter; distribution of samples; drawing up of statements of accounts; economic forecasting; employment agency services; financial auditing; gift registry services; import-export agency services; interim business management; invoicing; layout services for advertising purposes; marketing; marketing in the framework of software publishing; marketing research; market intelligence services; market studies; modelling for advertising or sales promotion; negotiation and conclusion of commercial transactions for third parties; negotiation of business contracts for others; news clipping services; office machines and equipment rental; online advertising on a computer network; online retail services for downloadable and pre-recorded music and movies; online retail services for downloadable digital music; online retail services for downloadable ring tones; opinion polling; organization of exhibitions for commercial or advertising purposes; organization of fashion shows for promotional purposes; organization of trade fairs; outdoor advertising; outsourced administrative management for companies; outsourcing services [business assistance]; pay per click advertising; payroll preparation; personnel management consultancy; personnel recruitment; photocopying services; presentation of goods on communication media, for retail purposes; price comparison services; procurement services for others [purchasing goods and services for other businesses]; production of advertising films; production of teleshopping programmes; professional business consultancy; promotion of goods and services through sponsorship of sports events; providing business information; providing business information via a website; providing commercial and business contact infor-

mation; providing commercial information and advice for consumers in the choice of products and services; provision of an online marketplace for buyers and sellers of goods and services; psychological testing for the selection of personnel; publication of publicity texts; publicity material rental; public relations; radio advertising; registration of written communications and data; rental of advertising space; rental of advertising time on communication media; rental of billboards [advertising boards]; rental of photocopying machines; rental of sales stands; rental of vending machines; retail services for pharmaceutical, veterinary and sanitary preparations and medical supplies; retail services for works of art provided by art galleries; retail services relating to bakery products; sales promotion for others; scriptwriting for advertising purposes; search engine optimization for sales promotion; secretarial services; shop window dressing; shorthand; sponsorship search; systemization of information into computer databases; targeted marketing; tax filing services; tax preparation; telemarketing services; telephone answering for unavailable subscribers; television advertising; transcription of communications [office functions]; typing; updating and maintenance of data in computer databases; updating and maintenance of information in registries; updating of advertising material; web indexing for commercial or advertising purposes; website traffic optimization; wholesale services for pharmaceutical, veterinary and sanitary preparations and medical supplies; word processing; writing of résumés for others.

40 – Abrasion; air deodorising; air freshening; air purification; applying finishes to textiles; blacksmithing; boilermaking; bookbinding; burnishing by abrasion; cadmium plating; chromium plating; cloth cutting; cloth dyeing; cloth edging; cloth fireproofing; clothing alteration; cloth pre-shrinking; colour separation services; crease-resistant treatment for clothing; cryopreservation services; custom assembling of materials for others; custom fashioning of fur; custom tailoring; decontamination of hazardous materials; destruction of waste and trash; dressmaking; dyeing services; electroplating; embroidering; engraving; fabric bleaching; fabric waterproofing; flour milling; food and drink preservation; food smoking; framing of works of art; freezing of foods; fruit crushing; fulling of cloth; fur conditioning; fur dyeing; fur glossing; fur mothproofing; fur satining; galvanization; gilding; glass-blowing; gold plating; grinding; incineration of waste and trash; key cutting; knitting machine rental; laminating; laser scribing; leather staining; leather working; lithographic printing; magnetization; metal casting; metal plating; metal tempering; metal treating; millworking; nickel plating; offset printing; optical glass grinding; paper finishing; paper treating; pattern printing; permanent-press treatment of fabrics; photocomposing services; photographic film development; photographic printing; photogravure; planing of materials; pottery firing; printing; processing of cine-

matographic films; processing of oil; production of energy; providing information relating to material treatment; quilting; recycling of waste and trash; refining services; rental of air-conditioning apparatus; rental of boilers; rental of electricity generators; rental of space heating apparatus; saddlery working; sand-blasting services; sawing of materials; services of a dental technician; shoe staining; silkscreen printing; silver plating; skin dressing; slaughtering of animals; soldering; sorting of waste and recyclable material [transformation]; stripping finishes; tanning; taxidermy; textile dyeing; textile mothproofing; textile treating; timber felling and processing; tin plating; tinting of car windows; upcycling [waste recycling]; vulcanization [material treatment]; warping [looms]; waste treatment [transformation]; water treating; welding services; window tinting treatment being surface coating; woodworking; wool treating.

41 – Academies [education]; aikido instruction; amusement park services; animal training; arranging and conducting of colloquiums; arranging and conducting of concerts; arranging and conducting of conferences; arranging and conducting of congresses; arranging and conducting of in-person educational forums; arranging and conducting of seminars; arranging and conducting of symposiums; arranging and conducting of workshops [training]; arranging of beauty contests; boarding school education; booking of seats for shows; calligraphy services; cinema presentations; club education services; coaching [training]; conducting fitness classes; conducting guided climbing tours; conducting guided tours; correspondence courses; cultural, educational or entertainment services provided by art galleries; disc jockey services; discotheque services; dubbing; educational examination; educational services provided by schools; electronic desktop publishing; entertainment services; film production, other than advertising films; gambling services; games equipment rental; game services provided online from a computer network; gymnastic instruction; health club services [health and fitness training]; holiday camp services [entertainment]; karaoke services; language interpretation; layout services, other than for advertising purposes; lending library services; microfilming; mobile library services; modelling for artists; movie studio services; music composition services; news reporters services; nightclub services [entertainment]; nursery schools; online publication of electronic books and journals; orchestra services; organization of balls; organization of competitions [education or entertainment]; organization of cosplay entertainment events; organization of exhibitions for cultural or educational purposes; organization of fashion shows for entertainment purposes; organization of lotteries; organization of shows [impresario services]; organization of sports competitions; party planning [entertainment]; personal trainer services [fitness training]; photographic reporting; photography; physical education; practical training [demonstration]; presen-

tation of circus performances; presentation of live performances; presentation of variety shows; production of music; production of radio and television programmes; production of shows; providing amusement arcade services; providing casino facilities [gambling]; providing films, not downloadable, via video-on-demand services; providing golf facilities; providing information in the field of education; providing information relating to recreational activities; providing museum facilities; providing online electronic publications, not downloadable; providing online music, not downloadable; providing online videos, not downloadable; providing recreation facilities; providing sports facilities; providing television programmes, not downloadable, via video-on-demand services; publication of books; publication of texts, other than publicity texts; radio entertainment; recording studio services; religious education; rental of artwork; rental of audio equipment; rental of cinematographic apparatus; rental of indoor aquaria; rental of lighting apparatus for theatrical sets or television studios; rental of motion pictures; rental of radio and television sets; rental of show scenery; rental of skin diving equipment; rental of sound recordings; rental of sports equipment, except vehicles; rental of sports grounds; rental of stadium facilities; rental of stage scenery; rental of tennis courts; rental of video cameras; rental of video cassette recorders; rental of videotapes; sado instruction [tea ceremony instruction]; screenplay writing; scriptwriting, other than for advertising purposes; sign language interpretation; songwriting; sport camp services; subtitling; teaching; television entertainment; theatre productions; ticket agency services [entertainment]; timing of sports events; toy rental; training services provided via simulators; translation; tutoring; videotape editing; videotaping; vocational guidance [education or training advice]; vocational retraining; writing of texts; zoological garden services.

43 – Accommodation bureau services [hotels, boarding houses]; bar services; boarding for animals; boarding house bookings; boarding house services; cafeteria services; café services; canteen services; day-nursery [crèche] services; food and drink catering; food sculpting; holiday camp services [lodging]; hotel reservations; hotel accommodation services; motel services; providing campground facilities; reception services for temporary accommodation [management of arrivals and departures]; rental of chairs, tables, table linen, glassware; rental of cooking apparatus; rental of drinking water dispensers; rental of lighting apparatus; rental of meeting rooms; rental of temporary accommodation; rental of tents; rental of transportable buildings; restaurant services; retirement home services; self-service restaurant services; snack-bar services; temporary accommodation reservations; tourist home services; udon and soba restaurant services; washoku restaurant services.

(260) AM 2023 121092 A

(800) 1706270

(151) 2022 11 25

(891) 2022 11 25

(731) "Rafarma" Joint-stock company

Dorozhnaya str., 6A, Terbuny village,
RU-399540 Terbunsky district, Lipetsk region,
Russian Federation

(540)

ОЛИРАМУС

(591) Black, white

(531) 28.05

(511)

5 – Nutritional supplements; chemico-pharmaceutical preparations; medicines for human purposes; pastilles for pharmaceutical purposes; pomades for medical purposes; vitamin preparations; pharmaceutical preparations.

(260) AM 2023 121093 A

(800) 1706284

(151) 2022 07 05

(891) 2022 07 05

(731) Tovarishchestvo s ogranichennoy

otvetstvennostyu "Torgovaya kompaniya
"PLYUS"

ulitsa Kabdolova, 16, korpus 1, ofis 301,
Auezovskiy rayon, 050062 gorod Almaty,
Kazakhstan

(540)



(591) Blue, white and red

(531) 07.01.08; 07.01.24; 27.05.09; 29.01.12

(511)

16 – Paper and cardboard; printed matter; bookbinding material; photographs [printed]; stationery; adhesive bands for stationery or household purposes; artists' materials; paintbrushes; typewriters and office requisites [except furniture]; instructional and teaching material [except apparatus]; plastic materials for packaging; printing type; printing type; fountain pens; posters; banners of paper; forms, printed; announcement cards [stationery]; note books; pads [stationery]; loose-leaf binders; pamphlets; booklets; newsletters; signboards of paper or cardboard; bookmarks; printed publications; calendars; pencils; pictures; cards; index cards [stationery]; catalogues; envelopes [stationery]; boxes of paper or cardboard; printed coupons; flyers; bags [envelopes, pouches] of paper or plastics, for packaging; greeting cards; conical paper bags; folders for papers/jackets for papers; desk mats; writing cases [sets]; office requisites, except furniture; printed ma-

ter; marking pens [stationery]; writing or drawing books; stationery; flags of paper; photographs [printed]; address stamps; stamps [seals]; shields [paper seals]; prints [engravings]; labels of paper or cardboard.

20 – Furniture, mirrors, picture frames; artificial horns, bone, ivory, whalebones or mother-of-pearl, unworked or semi-worked; shells; meerschaum; yellow amber; picture frame brackets; sideboards; bolsters; work benches; vice benches [furniture]; valet stands; coatstands; display stands; showcases [furniture]; signboards of wood or plastics; covers for clothing [wardrobe]; doors for furniture; divans; flowerstands [furniture]; mirrors [looking glasses]; handheld mirrors [toilet mirrors]; bamboo, unworked or semi-worked; rattan; wickerwork; works of art of wood, wax, plaster or plastic; cabinet work; settees; index cabinets [furniture]; bed casters, not of metal; furniture casters, not of metal; bassinets; chests of drawers; console tables; containers, not of metal [storage, transport]; lecterns; armchairs; deck chairs; hospital beds; bedsteads of wood; beds; cots for babies; edgings of plastic for furniture; brackets, not of metal, for furniture; table tops; clothes hooks, not of metal; playpens for babies; mattresses; furniture; furniture of metal; inflatable furniture; office furniture; school furniture; legs for furniture; feet for furniture; bed bases; furniture partitions of wood; freestanding partitions [furniture]; head-rests [furniture]; trestles [furniture]; magazine racks; book rests [furniture]; flower pot supports; reusable baby changing mats; pillows; cushions; air cushions, not for medical purposes; air pillows, not for medical purposes; racks [furniture]; library shelves; shelves for file cabinets; furniture shelves; shelves for storage; wood ribbon; towel stands [furniture]; hat stands; inflatable publicity objects; counters [tables]; bedding, except linen; picture frames; door handles, not of metal; knobs, not of metal; writing desks; benches [furniture]; sofas; statues of wood, wax, plaster or plastic; figurines of wood, wax, plaster or plastic; silvered glass [mirrors]; shelving units; trolleys for computers [furniture]; dressing tables; washstands [furniture]; typing desks; drafting tables; massage tables; tables of metal; wall-mounted baby changing platforms; saw benches [furniture]; desks; tea trolleys; dinner wagons [furniture]; tables; chairs [seats]; high chairs for babies; placards of wood or plastics; stools; footstools; crates; trolleys [furniture]; decorations of plastic for foodstuffs; door fasteners, not of metal; door fittings, not of metal; bed fittings, not of metal; furniture fittings, not of metal; hinges, not of metal; screens [furniture]; filing cabinets; medicine cabinets; plate racks [furniture]; meat safes; bookcases; wardrobes; cupboards; woven timber blinds [furniture]; indoor window blinds [shades] [furniture]/indoor window shades [furniture]; screens for fireplaces [furniture]; labels of plastic; lockers [furniture]; chests for toys; tool chests, not of metal, empty; boxes of wood or plastic; bottle racks; seats of metal.

35 – Advertising; business management services; business administration services; office functions; import-export agency services; commercial information agency services; advertising agency services; cost price analysis; rental of advertising space; business auditing; employment agency services; computerized file management; book-keeping; invoicing; demonstration of goods; transcription of communications [office functions]; opinion polling; market studies; business information; commercial information and advice for consumers [consumer advice shop]; business investigations; business research; marketing research; personnel recruitment; business management and organization consultancy; business organization consultancy; consultancy regarding public relations communications strategy; business management consultancy; personnel management consultancy; professional business consultancy; consultancy regarding advertising communications strategy; layout services for advertising purposes; marketing; scriptwriting for advertising purposes; news clipping services; updating and maintenance of information in registries; updating and maintenance of data in computer databases; updating of advertising material; word processing; organization of exhibitions for commercial or advertising purposes; organization of trade fairs for commercial or advertising purposes; shop window dressing; development of advertising concepts; business appraisals; payroll preparation; sponsorship search; business management assistance; commercial or industrial management assistance; commercial intermediation services; providing business information via a website; providing commercial and business contact information; provision of an online marketplace for buyers and sellers of goods and services; web indexing for commercial or advertising purposes; presentation of goods on communication media, for retail purposes; economic forecasting; sales promotion for others; production of tele-shopping programmes; production of advertising films; rental of advertising time on communication media; publicity material rental; rental of billboards [advertising boards]; rental of sales stands; publication of publicity texts; radio advertising; bill-posting/outdoor advertising; distribution of samples; dissemination of advertising matter; direct mail advertising; registration of written communications and data; editing of publicity texts; online advertising on a computer network; television advertising; document reproduction; compilation of statistics; compilation of information into computer databases; business inquiries; systemization of information into computer databases; advisory services for business management; negotiation of business contracts for others; negotiation and conclusion of commercial transactions for third parties; compiling indexes of information for commercial or advertising purposes; tax preparation; drawing up of statements of accounts; telemarketing services; psychological testing for the selection of personnel; outsourced administrative management for companies;

business management for freelance service providers; business project management services for construction projects; commercial administration of the licensing of the goods and services of others; business management of reimbursement programmes for others; administration of consumer loyalty programs; administrative processing of purchase orders; public relations; appointment reminder services [office functions]; website traffic optimization; administrative services for the relocation of businesses; tax filing services; search engine optimization for sales promotion; appointment scheduling services [office functions]; price comparison services; pay per click advertising; secretarial services; procurement services for others [purchasing goods and services for other businesses]; outsourcing services [business assistance]; business efficiency expert services.

37 – Construction; repair; installation services; repair information; riveting; varnishing; re-tinning; upholstering; rustproofing; sanding; paper hanging; painting or repair of signs; painting services; carpentry services; upholstery repair; furniture restoration; warehouse construction and repair; kitchen equipment installation; office machines and equipment installation, maintenance and repair; furniture maintenance; leather care, cleaning and repair.

39 – Transport; packaging and storage of goods; organization of tours; parking place rental; rental of warehouses; transport reservation; delivery of goods; traffic information; transportation information; storage information; transportation logistics; hauling; transporting furniture; ferry-boat transport; car transport; railway transport; transport brokerage; freight brokerage [forwarding (Am.)]; providing driving directions for travel purposes; stevedoring; unloading cargo; wrapping of goods; chauffeur services; courier services [messages or merchandise]; transport; freight [shipping of goods]; freighting; physical storage of electronically stored data or documents; storage of goods; storage; freight forwarding.

(260) AM 2023 121094 A

(800) 1706285

(151) 2022 07 05

(891) 2022 07 05

(731) Tovarishchestvo s ogranichennoy otvetstvennostyu "Torgovaya kompaniya "PLYUS"
ulitsa Kabdolova, 16, korpus 1, ofis 301,
Auezovskiy rayon, 050062 gorod Almaty,
Kazakhstan

(540)



ЦЕНЫ ДЛЯ ЖИЗНИ

(591) Blue, white, red and black

(531) 07.01.08; 07.01.09; 07.01.24; 28.05; 29.01.12

(526) Euro, Mebel.

(511)

20 – Picture frame brackets; sideboards; bolsters; work benches; vice benches [furniture]; valet stands; coatstands; display stands; showcases [furniture]; signboards of wood or plastics; covers for clothing [wardrobe]; doors for furniture; divans; flower-stands [furniture]; mirrors [looking glasses]; hand-held mirrors [toilet mirrors]; bamboo, unworked or semi-worked; rattan; wickerwork; works of art of wood, wax, plaster or plastic; cabinet work; settees; index cabinets [furniture]; bed casters, not of metal; furniture casters, not of metal; bassinets; chests of drawers; console tables; containers, not of metal [storage, transport]; lecterns; armchairs; deck chairs; hospital beds; bedsteads of wood; beds; cots for babies; edgings of plastic for furniture; brackets, not of metal, for furniture; table tops; clothes hooks, not of metal; playpens for babies; mattresses; furniture; furniture of metal; inflatable furniture; office furniture; school furniture; legs for furniture; feet for furniture; bed bases; furniture partitions of wood; freestanding partitions [furniture]; headrests [furniture]; trestles [furniture]; magazine racks; book rests [furniture]; flower pot supports; reusable baby changing mats; pillows; cushions; air cushions, not for medical purposes; air pillows, not for medical purposes; racks [furniture]; shelves for file cabinets; library shelves; furniture shelves; shelves for storage; wood ribbon; towel stands [furniture]; hat stands; inflatable publicity objects; counters [tables]; bedding, except linen; picture frames; door handles, not of metal; knobs, not of metal; writing desks; benches [furniture]; sofas; statues of wood, wax, plaster or plastic; figurines of wood, wax, plaster or plastic; shelving units; trolleys for computers [furniture]; dressing tables; washstands [furniture]; typing desks; drafting tables; massage tables; tables of metal; saw benches [furniture]; wall-mounted baby changing platforms; tea trolleys; dinner wagons [furniture]; desks; tables; high chairs for babies; chairs [seats]; placards of wood or plastics; stools; footstools; crates; trolleys [furniture]; decorations of plastic for foodstuffs; door fasteners, not of metal; door fittings, not of metal; bed fittings, not of metal; furniture fittings, not of metal; hinges, not of metal; screens [furniture]; filing cabinets; medicine cabinets; plate racks [furniture]; meat safes; bookcases; wardrobes; cupboards; slatted indoor blinds; screens for fireplaces [furniture]; labels of plastic; lockers [furniture]; chests for toys; tool chests, not of metal, empty; boxes of wood or plastic; bottle racks; seats of metal.

35 – Import-export agency services; commercial information agency services; advertising agency services; cost price analysis; rental of advertising space; business auditing; employment agency services; computerized file management; book-keeping; invoicing; demonstration of goods; transcription of communications [office functions]; opinion polling; market studi-

es; business information; commercial information and advice for consumers in the choice of products and services; business investigations; business research; marketing research; personnel recruitment; business management and organization consultancy; business organization consultancy; consultancy regarding public relations communication strategies; consultancy regarding advertising communication strategies; business management consultancy; personnel management consultancy; professional business consultancy; layout services for advertising purposes; marketing; scriptwriting for advertising purposes; news clipping services; updating and maintenance of information in registries; updating and maintenance of data in computer databases; updating of advertising material; word processing; organization of exhibitions for commercial or advertising purposes; organization of trade fairs for commercial or advertising purposes; shop window dressing; development of advertising concepts; business appraisals; payroll preparation; sponsorship search; business management assistance; commercial or industrial management assistance; commercial intermediation services; providing business information via a website; providing commercial and business contact information; provision of an online marketplace for buyers and sellers of goods and services; web indexing for commercial or advertising purposes; presentation of goods on communication media, for retail purposes; economic forecasting; sales promotion for others; production of teleshopping programmes; production of advertising films; rental of advertising time on communication media; publicity material rental; rental of billboards [advertising boards]; rental of sales stands; publication of publicity texts; radio advertising; bill-posting; distribution of samples; dissemination of advertising matter; direct mail advertising; registration of written communications and data; editing of publicity texts; advertising; online advertising on a computer network; television advertising; document reproduction; compilation of statistics; compilation of information into computer databases; business inquiries; systemization of information into computer databases; advisory services for business management; negotiation of business contracts for others; negotiation and conclusion of commercial transactions for third parties; compiling indexes of information for commercial or advertising purposes; tax preparation; drawing up of statements of accounts; telemarketing services; psychological testing for the selection of personnel; outsourced administrative management for companies; business management for freelance service providers; business project management services for construction projects; commercial administration of the licensing of the goods and services of others; business management of reimbursement programmes for others; administration of consumer loyalty programs; administrative processing of purchase orders; public relations; appointment reminder services [office functions]; website traffic

optimization; administrative services for the relocation of businesses; tax filing services; search engine optimization for sales promotion; appointment scheduling services [office functions]; price comparison services; pay per click advertising; secretarial services; procurement services for others [purchasing goods and services for other businesses]; outsourcing services [business assistance]; business efficiency expert services.

37 – Repair information; riveting; varnishing; re-tinting; upholstering; rustproofing; sanding; paper hanging; painting or repair of signs; painting services; carpentry services; upholstery repair; furniture restoration; warehouse construction and repair; kitchen equipment installation; office machines and equipment installation, maintenance and repair; furniture maintenance; leather care, cleaning and repair.

39 – Parking place rental; rental of warehouses; transport reservation; delivery of goods; providing traffic information; providing transportation information; storage information; transportation logistics; hauling; transporting furniture; ferry-boat transport; car transport; railway transport; transport brokerage; freight brokerage [forwarding (Am.)]; providing driving directions for travel purposes; stevedoring; unloading cargo; wrapping of goods; chauffeur services; courier services [messages or merchandise]; transport; freight [shipping of goods]; freighting; physical storage of electronically stored data or documents; storage of goods; storage; freight forwarding.

(260) AM 2023 121095 A

(800) 1706287

(151) 2022 08 09

(891) 2022 08 09

(731) Mahindra and Mahindra Limited

gateway building, apollo bunder, mumbai
400 001, India

(540)

mahindra

(591) Black, white

(531) 27.05.01

(511)

7 – Machines, machine tools, power-operated tools; motors and engines, except for land vehicles; machine coupling and transmission components, except for land vehicles; agricultural implements, other than hand-operated hand tools; incubators for eggs; automatic vending machines; control mechanisms for machines, engines or motors; hand-held tools, other than hand-operated; transmission mechanisms, other than for land vehicles.

9 – Scientific, research, navigation, surveying, photographic, cinematographic, audiovisual, optical, weighing, measuring, signalling, detecting, testing, inspecting, life-saving and teaching apparatus and instru-

ments; apparatus and instruments for conducting, switching, transforming, accumulating, regulating or controlling the distribution or use of electricity; apparatus and instruments for recording, transmitting, reproducing or processing sound, images or data; recorded and downloadable media, computer software, blank digital or analogue recording and storage media; mechanisms for coin-operated apparatus; cash registers, calculating devices; computers and computer peripheral devices; diving suits, divers' masks, ear plugs for divers, nose clips for divers and swimmers, gloves for divers, breathing apparatus for underwater swimming; fire-extinguishing apparatus; computer programs, downloadable; computer programs, recorded; computer software applications, downloadable; computer software platforms, recorded or downloadable.

12 – Vehicles; apparatus for locomotion by land, air or water; trolleys; transmission mechanisms for land vehicles; tyres for vehicle wheels.

21 – Household or kitchen utensils and containers; cookware and tableware, except forks, knives and spoons; combs and sponges; brushes, except paintbrushes; brush-making materials; articles for cleaning purposes; unworked or semi-worked glass, except building glass; glassware, porcelain and earthenware.

35 – Advertising; business management, organization and administration; office functions; updating and maintenance of data in computer databases; advisory services for business management; providing business information; bringing together, for the benefit of others, of a variety of goods, excluding the transport thereof, enabling customers to conveniently view and purchase those goods.

36 – Financial, monetary and banking services; insurance services; real estate affairs; investment of funds; financial and investment consultancy.

37 – Building construction; installation and repair services; mining extraction; maintenance and installation services; charging of electric vehicles; motor vehicle maintenance and repair; warehouse construction and repair.

39 – Transport; packaging and storage of goods; travel arrangement; arranging of transportation for travel tours.

41 – Education; providing of training; entertainment; sporting and cultural activities; organization of competitions; arranging and conducting of conferences; online publication of electronic books and journals.

42 – Scientific and technological services and research and design relating thereto; industrial analysis, industrial research and industrial design services; quality control and authentication services; design and development of computer hardware and software; computer programming; computer software design;

maintenance of computer software; software as a service [saas]; platform as a service [paas].

43 – Services for providing food and drink; temporary accommodation; rental of holiday accommodation / rental of vacation accommodation; restaurant services; temporary accommodation reservations; food and drink catering.

(260) AM 2023 121096 A

(800) 1706337

(151) 2022 12 08

(891) 2022 12 08

(731) Nicoventures Holdings Limited
Globe House, 1 Water Street, London
WC2R 3LA, United Kingdom

(540)

VUSE PRO

(591) Black, white

(511)

34 – Cigarettes; tobacco, raw or manufactured; tobacco products; tobacco substitutes (not for medical purposes); cigars; cigarillos; lighters for smokers; matches; smokers' articles; cigarette paper; cigarette tubes; cigarette filters; pocket apparatus for rolling cigarettes; hand held machines for injecting tobacco into paper tubes; electronic cigarettes; cartridges for electronic cigarettes; liquids for electronic cigarettes; tobacco products for the purpose of being heated; devices and parts for devices for heating tobacco; tobacco substitutes for the purpose of inhalation; cigarettes containing tobacco substitutes; cigarette cases; cigarette boxes; snus with tobacco; snuff with tobacco; snus without tobacco; snuff without tobacco; tobacco free oral nicotine pouches (not for medical use).

(260) AM 2023 121097 A

(800) 1706456

(151) 2022 10 21

(891) 2022 10 21

(731) Käserei Rüegg GmbH
Neueggstrasse 2, CH-8340 Hinwil, Switzerland

(540)

Cheebab

(591) Black, white

(511)

29 – Meat, fish, poultry and game; meat extracts; preserved, frozen, dried and cooked fruits and vegetables; jellies, jams, compotes; eggs; milk and dairy products; oils and fats for food.

(260) AM 2023 121101 A

(800) 1706620

(151) 2022 09 26

(891) 2022 09 26

(731) SUOL INNOVATIONS LTD

Themistokli Dervi 41, HAWAII TOWER,
1st floor, Flat/Office 106, CY-1066 Nicosia,
Cyprus

(540)



(591) Black, green, white

(531) 26.04.04; 26.04.05; 26.04.18; 27.05.01;
27.05.22; 29.01.12

(511)

9 – Computer software applications for computers and mobile phones for coordinating transportation services, namely, computer software applications for automated scheduling and dispatch of motorized vehicles; software programs for automated scheduling and dispatch of motorized vehicles; downloadable computer software programs for passengers to negotiate prices and rides with vehicle drivers.

38 – Electronic bulletin board services [telecommunications services]; providing access to databases; providing internet chatrooms; computer aided transmission of messages and images; providing online forums; videoconferencing services; teleconferencing services.

39 – Traffic information; transportation information; transportation logistics, namely arranging the transportation of passengers; passenger transport; providing driving directions for travel purposes; taxi and ride-for-hire services.

42 – Computer system analysis; recovery of computer data; computer virus protection services; industrial design; graphic arts design; technical project studies; engineering; installation of computer software; information technology [IT] consultancy; computer software consultancy; updating of computer software; monitoring of computer systems by remote access; software as a service [SaaS]; maintenance of computer software; data conversion of computer programs and data [not physical conversion]; computer system design; rental of web servers; duplication of computer programs; computer software design; computer programming; surveying.

(260) AM 2023 121102 A

(800) 1706706

(151) 2022 11 15

(891) 2022 11 15

(731) SOCIEDADE FRANCISCO MANUEL DOS SANTOS, SGPS, S.E.
LARGO MONTERROIO MASCARENHAS,
1, P-1099-081 LISBOA, Portugal

(540)

#SEATHEFUTURE

(591) Black, white

(511)
 35 – Organization of exhibitions for commercial or advertising purposes; promotional and advertising activities in the field of environmental protection and sustainable development; business management support and business organization and management consultancy in the field of environmental protection and sustainable development; merchandising; merchandising services to induce the public to purchase products of third parties; retail services of perfumery, spectacles, sunglasses, sunglasses cases, watches, fancy key rings, costume jewellery, wallets (leather goods), card holders (leather goods), travel bags (leather goods), blankets, clothing, footwear, headgear, sportswear, sports footwear, hats, sports caps, toys, soft toys.

(260) AM 2023 121106 A
 (800) 1706790
 (151) 2022 11 18
 (891) 2022 11 18
 (731) Apple Inc.
 One Apple Park Way, Cupertino CA 95014,
 USA
 (540)



(591) Black, white
 (531) 05.07.13; 05.07.23; 14.05.23; 24.11.18
 (511)
 9 – Computers; computer hardware; wearable computer hardware; handheld computers; tablet computers; smart phones; smart watches; set top boxes; data storage apparatus; electronic tags for goods; personal digital assistants; encoded credit cards and card readers; computer software; application development software; computer software for setting up, configuring, operating or controlling mobile devices, mobile telephones, wearable devices, computers, computer peripherals, set top boxes, televisions, and audio and video players.

42 – Providing online, non-downloadable software; electronic data storage; cloud computing services; consultation services for developing computer systems, databases and applications; computer security and data security consultancy; data encryption services; providing computer hardware or software information online; providing search engines for obtaining data via the Internet and other electronic communications networks; creating indexes of online information, sites and other resources available on the Internet and other electronic communications networks; computer security in the nature of administering digital

certificates; information, advisory and consultancy services relating to all the aforesaid.

(260) AM 2023 121107 A
 (800) 837071
 (151) 2004 06 07
 (891) 2022 11 21
 (731) GEOX S.P.A.
 Via Feltrina Centro, 16, I-31044
 MONTEBELLUNA FRAZIONE BIADENE
 (TREVISO), Italy
 (540)

GEOX

(591) Black, white
 (511)
 35 – Advertising; business management; business administration; office functions (services on behalf of third parties).

(260) AM 2023 121112 A
 (800) 1486706
 (151) 2019 07 16
 (891) 2022 12 05
 (731) PRESTIGE PARIS
 172 rue de Courcelles, F-75017 PARIS, France
 (540)

ANTINOMIE

(591) Black, white
 (531) 27.05.01
 (511)
 3 – Laundry preparations; polishing preparations; degreasing preparations; abrasive preparations; soaps; perfumes; essential oils; cosmetics; hair lotions; dentifrices; depilatories; make-up removing products; lipstick; beauty masks; shaving products; preservatives for leather (polishes); creams for leather.

(260) AM 2023 121113 A
 (800) 1499047
 (151) 2019 09 24
 (891) 2022 11 16
 (731) Limited Liability Company "TRAVELERS
 COFFE INTERNATIONAL"
 ul. Sentyabrskaya, 10, Naro-Fominsky r-n,
 Aprelevka, RU-143360 Moskovskaya obl.,
 Russian Federation
 (540)



(591) Brown, beige, orange, green, yellow
 (531) 01.01.17; 01.05.01; 24.03.01; 24.03.07;
 24.03.18; 24.03.19; 29.01.15

(511)

9 – Covers for mobile phones.

16 – Fountain pens; aquarelles; albums; almanacs; document laminators for office use; mimeograph apparatus and machines; atlases; posters; banknotes; paper bows, other than haberdashery or hair decorations; banners of paper; table linen of paper; tickets; forms, printed; announcement cards [stationery]; note books; pads [stationery]; drawing pads; wristbands for the retention of writing instruments; pamphlets; booklets; paper sheets [stationery]; waxed paper; paper for recording machines; drawer liners of paper, perfumed or not; wood pulp paper; carbon paper; copying paper [stationery]; parchment paper; writing paper; rice paper; luminous paper; toilet paper; wrapping paper; filter paper; paper; blotters; newsletters; signboards of paper or cardboard; sewing patterns; newspapers; electrotypes; hectographs; modelling clay; polymer modelling clay; terrestrial globes; drawing sets; engravings; slate pencils; pencil leads; document holders [stationery]; pencil holders; chalk holders; holders for cheque books; holders for stamps [seals]; page holders; diagrams; engraving plates; writing slates; blackboards; galley racks [printing]; drawing boards; advertisement boards of paper or cardboard; duplicators; punches [office requisites]; cream containers of paper; magazines [periodicals]; money clips; tags for index cards; pen clips; bookmarkers; etching needles; tracing needles for drawing purposes; periodicals; printed publications; paper shredders for office use; graphic representations; credit card imprinters, non-electric; graining combs; drawing instruments; calendars; tracing paper; tracing cloth; tracing patterns; gums [adhesives] for stationery or household purposes; lithographic stones; ink stones [ink reservoirs]; pencils; pencil lead holders; charcoal pencils; pictures; decalcomanias; paintings [pictures], framed or unframed; wood pulp board [stationery]; cardboard; hat boxes of cardboard; cards; index cards [stationery]; geographical maps; paper tapes and cards for the recordal of computer programmes; trading cards, other than for games; catalogues; covers of paper for flower pots; paintbrushes; painters' brushes; writing brushes; glue for stationery or household purposes; gluten [glue] for stationery or household purposes; starch paste [adhesive] for stationery or household purposes; books; manifolds [stationery]; comic books; thumbtacks; cigar bands; envelopes [stationery]; cases for stamps [seals]; boxes of paper or cardboard; paint boxes for use in schools; correcting fluids [office requisites]; printed coupons; stencils [stationery]; French curves; paper ribbons, other than haberdashery or hair decorations; typewriter ribbons; gummed tape [stationery]; adhesive bands for stationery or household purposes; correcting tapes [office requisites]; inking ribbons; adhesive tapes for stationery or household purposes; self-ad-

hesive tapes for stationery or household purposes; drawing rulers; flyers; absorbent sheets of paper or plastic for foodstuff packaging; humidity control sheets of paper or plastic for foodstuff packaging; viscose sheets for wrapping; sheets of reclaimed cellulose for wrapping; plastic bubble packs for wrapping or packaging; steel letters; type [numerals and letters]; lithographs; paint trays; architects' models; postage stamps; plastics for modeling; graphic prints; modelling materials; teaching materials [except apparatus]; sealing compounds for stationery purposes; adhesives [glues] for stationery or household purposes; stuffing of paper or cardboard; bookbinding material; packing [cushioning, stuffing] materials of paper or cardboard; filtering materials of paper; pencil sharpening machines, electric or non-electric; bookbinding apparatus and machines [office equipment]; paper creasers [office requisites]; franking machines for office use; chalk for lithography; writing chalk; tailors' chalk; marking chalk; spray chalk; bags [envelopes, pouches] of paper or plastics, for packaging; garbage bags of paper or of plastics; painters' easels; bibs of paper; stickers [stationery]; finger-stalls [office requisites]; writing cases [stationery]; cords for bookbinding; paper knives [letter openers]; numbering apparatus; bottle envelopes of paper or cardboard; sealing wafers; covers [stationery]; passport holders; musical greeting cards; greeting cards; postcards; etchings; ink sticks; pantographs [drawing instruments]; papier mâché; pastels [crayons]; modelling paste; pen cases; office perforators; pens [office requisites]; nibs of gold; nibs; steel pens; drawing pens; song books; seals [stamps]; clipboards; address plates for addressing machines; handkerchiefs of paper; plastic film for wrapping; desk mats; trays for sorting and counting money; coasters of paper; bookends; stamp stands; mats for beer glasses; stands for pens and pencils; photograph stands; obliterating stamps; inking pads; stamp pads; towels of paper; inking sheets for document reproducing machines; bookbinding cloth; gummed cloth for stationery purposes; printers' blankets, not of textile; portraits; paperweights; writing cases [sets]; inkstands; office requisites, except furniture; writing materials; writing instruments; drawing materials; school supplies [stationery]; adhesive tape dispensers [office requisites]; hand labelling appliances; printed matter; lithographic works of art; prospectuses; printed timetables; ledgers [books]; indexes; rubber erasers; elastic bands for offices; graphic reproductions; marking pens [stationery]; tissues of paper for removing make-up; face towels of paper; place mats of paper; table napkins of paper; tablecloths of paper; paper clasps; document files [stationery]; scrapers [erasers] for offices; paper-clips; staples for offices; placards of paper or cardboard; writing or drawing books; fabrics for bookbinding; stationery; pencil sharpeners, electric or non-electric; transparencies [stationery]; stencil plates; moisteners [office requisites]; moisteners for gummed surfaces [office requisites];

tes]; squares for drawing; chart pointers, non-electronic; bottle wrappers of paper or cardboard; sealing machines for offices; apparatus for mounting photographs; handbooks [manuals]; paper coffee filters; flags of paper; silver paper; photo-engravings; photographs [printed]; stencil cases; canvas for painting; chromolithographs [chromos]; compasses for drawing; numbers [type]; correcting ink [heliography]; ink; inkwells; blueprints; stencils; erasing shields; balls for ball-point pens; cabinets for stationery [office requisites]; address stamps; stamps [seals]; shields [paper seals]; prints [engravings]; labels of paper or cardboard.

18 – Parasols.

21 – Household or kitchen utensils and containers; combs and sponges; brushes, except paintbrushes; articles for cleaning purposes; unworked or semi-worked glass, except building glass; glassware, porcelain and earthenware; autoclaves, non-electric, for cooking; pressure cookers, non-electric; indoor aquaria; buckets; pails; cookie jars; candle jars [holders]; china ornaments; dishes; paper plates; vegetable dishes; saucers; mugs; candy boxes; bottles; demijohns; busts of porcelain, ceramic, earthenware, terra-cotta or glass; vases; epergnes; fruit cups; bird baths; baby baths, portable; waffle irons, non-electric; coolers [ice pails]; mop wringer buckets; buckets made of woven fabrics; whisks, non-electric, for household purposes; cooking skewers of metal; cooking pins of metal; towel rails and rings; clothing stretchers; hair for brushes; birdcages; funnels; carpet beaters [hand instruments]; signboards of porcelain or glass; candle extinguishers; flower pots; cruets; decanters; tea cosies; sponges for household purposes; toilet sponges; sponge holders; toothpick holders; soap holders; holders for flowers and plants [flower arranging]; toilet paper holders; soap dispensers; toilet paper dispensers; ironing boards; cutting boards for the kitchen; crushers for kitchen use, non-electric; strainers for household purposes; smoke absorbers for household purposes; containers for household or kitchen use; heat-insulated containers; glass flasks [containers]; closures for pot lids; chamois leather for cleaning; toothpicks; ceramics for household purposes; majolica; works of art of porcelain, ceramic, earthenware or glass; kitchen grinders, non-electric; cleaning instruments, hand-operated; cabarets [trays]; stew-pans; covers, not of paper, for flower pots; shaving brushes; make-up brushes; basting brushes; baking mats; hot pots, not electrically heated; glass bulbs [receptacles]; napkin rings; coin banks; bread baskets for household purposes; lunch boxes; tea caddies; earthenware saucepans; cauldrons; coffee percolators, non-electric; coffeepots, non-electric; coffee grinders, hand-operated; beer mugs; dish covers; reusable ice cubes; jugs; perfume burners; ice cream scoops; mixing spoons [kitchen utensils]; basting spoons [cooking utensils]; pie servers; spatulas for kitchen use; butter dishes; material for brush-making;

polishing materials for making shiny, except preparations, paper and stone; noodle machines, hand-operated; polishing apparatus and machines, for household purposes, non-electric; mills for household purposes, hand-operated; feather-dusters; brooms; isothermic bags; confectioners' decorating bags [pastry bags]; bowls [basins]; mosaics of glass, not for building; saucepan scourers of metal; soap boxes; cooking pot sets; pouring spouts; fitted picnic baskets, including dishes; floss for dental purposes; cookie [biscuit] cutters; pastry cutters; sprinklers; cotton waste for cleaning; wool waste for cleaning; cold packs for chilling food and beverages; chopsticks; cocktail stirrers; food steamers, non-electric; pepper pots; oven mitts; kitchen mitts; barbecue mitts; gloves for household purposes; pestles for kitchen use; plates to prevent milk boiling over; dripping pans; trays for household purposes; lazy susans; heaters for feeding bottles, non-electric; candelabra [candlesticks]; trivets [table utensils]; coasters, not of paper or textile; grill supports; gridiron supports; menu card holders; knife rests for the table; flat-iron stands; egg cups; abrasive pads for kitchen purposes; pads for cleaning; drinking troughs; serving ladles; pottery; pots; cooking pots; painted glassware; tableware, other than knives, forks and spoons; porcelain ware; earthenware; crystal [glassware]; cosmetic utensils; toilet utensils; trouser presses; tortilla presses, non-electric [kitchen utensils]; deodorising apparatus for personal use; cruet sets for oil and vinegar; spice sets; apparatus for wax-polishing, non-electric; bottle openers, electric and non-electric; crumb trays; potholders; clothes-pegs; glass stoppers; dusting apparatus, non-electric; grills [cooking utensils]; bobèches; salad bowls; place mats, not of paper or textile; sugar bowls; beaters, non-electric; services [dishes]; coffee services [tableware]; liqueur sets; tea strainers; siphon bottles for aerated water; rolling pins, domestic; frying pans; blenders, non-electric, for household purposes; fruit presses, non-electric, for household purposes; drinking straws; straws for drinking; salt cellars; drinking vessels; vessels of metal for making ices and iced drinks; refrigerating bottles; cups of paper or plastic; glasses [receptacles]; drinking glasses; statues of porcelain, ceramic, earthenware or glass; mortars for kitchen use; portable cool boxes, non-electric; soup bowls; table plates; graters for kitchen use; indoor terrariums [vivariums]; cloths for cleaning; urns; aerosol dispensers, not for medical purposes; wax-polishing appliances, non-electric, for shoes; water apparatus for cleaning teeth and gums; utensils for household purposes; cooking utensils, non-electric; coffee filters, non-electric; flasks; hip flasks; molds [kitchen utensils]; deep fryers, non-electric; bread bins; teapots; kettles, non-electric; cups; tea balls; glass bowls; mops; cocktail shakers; corkscrews, electric and non-electric; brushes; ice tongs; nutcrackers; salad tongs; decanter tags; sugar tongs; boxes for dispensing paper towels; dustbins; boxes of glass.

22 – Awnings of synthetic materials; awnings of textile.

25 – Clothing; footwear; headwear; bandanas [neckerchiefs]; berets; overalls; neckties; vests; combinations [clothing]; suits; jackets [clothing]; liveries; uniforms; gloves [clothing]; scarfs; pocket squares; headbands [clothing]; shirts; aprons [clothing]; tee-shirts; dressing gowns.

30 – Coffee; artificial coffee; vegetal preparations for use as coffee substitutes; unroasted coffee; coffee beverages with milk; coffee-based beverages.

32 – Non-alcoholic beverages flavoured with coffee.

35 – Business information; arranging subscriptions to telecommunication services for others; import-export agency services; commercial information agency services; publicity agencies; cost price analysis; rental of advertising space; business auditing; business intermediary services relating to the matching of potential private investors with entrepreneurs needing funding; employment agency services; computerized file management; accounting; invoicing; demonstration of goods; transcription of communications [office functions]; opinion polling; market studies; business investigations; business research; marketing research; personnel recruitment; business management and organization consultancy; personnel management consultancy; professional business consultancy; layout services for advertising purposes; marketing; business management of performing artists; business management of sports people; scriptwriting for advertising purposes; updating and maintenance of information in registries; updating and maintenance of data in computer databases; updating of advertising material; organization of exhibitions for commercial or advertising purposes; organization of fashion shows for promotional purposes; organization of trade fairs for commercial or advertising purposes; shop window dressing; design of advertising materials; data search in computer files for others; business management assistance; provision of an online marketplace for buyers and sellers of goods and services; web indexing for commercial or advertising purposes; presentation of goods on communication media, for retail purposes; auctioneering; sales promotion for others; office machines and equipment rental; publicity material rental; rental of billboards [advertising boards]; rental of vending machines; rental of sales stands; rental of photocopying machines; publication of publicity texts; distribution of samples; dissemination of advertising matter; publicity; online advertising on a computer network; document reproduction; compilation of statistics; business inquiries; systemization of information into computer databases; advisory services for business management; negotiation and conclusion of commercial transactions for third parties; tax preparation; drawing up of statements of accounts; telemarketing services; psychological testing for the selection of personnel; outsourced

administrative management for companies; business management of hotels; commercial administration of the licensing of the goods and services of others; business management of reimbursement programs for others; administration of consumer loyalty programs; administration of frequent flyer programs; administrative processing of purchase orders; public relations; appointment reminder services [office functions]; relocation services for businesses; search engine optimization for sales promotion; appointment scheduling services [office functions]; price comparison services; pay per click advertising; procurement services for others [purchasing goods and services for other businesses]; outsourcing services [business assistance]; business efficiency expert services.

40 – Treatment of materials, including treatment of coffee beans, including roasting and milling of coffee beans.

41 – Academies [education]; booking of seats for shows; videotaping; production of music; discotheque services; gambling services; publication of books; education information; recreation information; entertainment information; health club services [health and fitness training]; nightclub services [entertainment]; correspondence courses; practical training [demonstration]; organization of balls; organization of exhibitions for cultural or educational purposes; providing recreation facilities; arranging and conducting of colloquiums; arranging and conducting of congresses; arranging and conducting of conferences; arranging and conducting of concerts; arranging and conducting of workshops [training]; arranging and conducting of seminars; arranging and conducting of symposiums; organization of competitions [education or entertainment]; arranging of beauty contests; organization of lotteries; organization of fashion shows for entertainment purposes; organization of sports competitions; vocational guidance [education or training advice]; television entertainment; vocational retraining; providing online videos, not downloadable; providing online music, not downloadable; providing amusement arcade services; cinema presentations; presentation of variety shows; presentation of live performances; film production, other than advertising films; rental of audio equipment; rental of video cameras; rental of videotapes; rental of show scenery; rental of sound recordings; rental of motion pictures; games equipment rental; rental of lighting apparatus for theatrical sets or television studios; rental of radio and television sets; electronic desktop publishing; online publication of electronic books and journals; publication of texts, other than publicity texts; radio entertainment; entertainment services; sado instruction [tea ceremony instruction]; party planning [entertainment]; disc jockey services; karaoke services; club services [entertainment or education]; educational services; orchestra services; translation; ticket agency services [entertainment]; coaching [training]; photography; photographic reporting; production of shows.

43 – Rental of temporary accommodation; rental of meeting rooms; tourist home services; hotel reservations; boarding house bookings; temporary accommodation reservations; hotel services; snack-bar services; café services; cafeteria services; motel services; boarding house services; rental of cooking apparatus; rental of chairs, tables, table linen, glassware; rental of lighting apparatus; rental of tents; rental of transportable buildings; rental of drinking water dispensers; restaurant services; self-service restaurant services; reception services for temporary accommodation [management of arrivals and departures]; food sculpting; canteen services; holiday camp services [lodging]; bar services; providing campground facilities; food and drink catering; washoku restaurant services.

(260) AM 2023 121114 A

(800) 1664603

(151) 2022 03 15

(891) 2022 11 23

(731) ACCOR

82 rue Henri Farman, F-92130 ISSY-LES-MOULINEAUX, France

(540)

NOVOTEL

(591) Blue (Pantone 2736C)

(531) 27.05.01; 29.01.04

(511)

43 – Hotels; hotel services; services for providing food and beverages; restaurants; cafeteria, tea room and bar services (with the exception of clubs); temporary accommodation; holiday homes; hotel room reservation services for travelers; booking services for temporary accommodation; reservation of restaurants and meals; hotel reservation services; consulting and advice (non-business related) in the fields of hotels and restaurants; reservation, hiring and rental of rooms, halls and spaces for conferences and meetings; reservation, hiring and rental of rooms, halls and spaces for seminars, banquets, cocktails and receptions; provision of exhibition, conference and meeting facilities; provision of temporary professional offices; rental of chairs, tables, furniture for indoor use, furniture, beverage fountains, lighting apparatus, tableware, furniture for conferences and meetings; providing online information with respect to hotel and restaurant reservations; butler services; stay organization services.

(260) AM 2023 121159 A

(800) 1706833

(151) 2022 11 10

(891) 2022 11 10

(731) Abc Deterjan Sanayi Ve Ticaret Anonim Şirketi
Rüzgarlibahçe Mah., Çam Pinar Sk. Smart
Plaza 4 4, Beyoz, İstanbul, Türkiye

(540)



(591) Red and blue

(531) 26.01.04; 26.01.19; 26.01.24; 27.01.01;
27.05.01; 27.05.02; 27.05.03; 27.05.08;
27.05.17; 29.01.13

(511)

3 – Bleaching and cleaning preparations; detergents other than for use in manufacturing operations and for medical purposes; laundry bleach; fabric softeners for laundry use; stain removers; dishwasher detergents; polishing preparations for leather, vinyl, metal and wood, polishes and creams for leather, vinyl, metal and wood, wax for polishing.

(260) AM 2023 121179 A

(800) 1707209

(151) 2022 11 15

(891) 2022 11 15

(731) Richter Gedeon Nyrt.

Gyömrői út 19-21., H-1103 Budapest, Hungary

(540)

РАВЕФФИН

(591) Black, white

(531) 28.05

(511)

5 – Pharmaceutical preparations.

(260) AM 2023 121180 A

(800) 1707210

(151) 2022 11 15

(891) 2022 11 15

(731) Richter Gedeon Nyrt.

Gyömrői út 19-21., H-1103 Budapest, Hungary

(540)

ПАРИБАРЕНЗ

(591) Black, white

(531) 28.05

(511)

5 – Pharmaceutical preparations.

(260) AM 2023 121185 A

(800) 1707376

(151) 2022 10 22

(891) 2022 10 22

(731) Obschestvo s ogranichennoy otvetstvennostyu
"KDV Nizhny Tagil"

Frunze str., bld. 83, Nizhny Tagil,
RU-622022 Sverdlovskaya oblast,
Russian Federation

(540)



(591) Black, white, purple, red, pink, yellow, dark purple, light yellow, green, light green, brown, dark brown, orange, light orange, dark orange, burgundy and dark red

(531) 05.07.13; 05.07.16; 05.07.22; 08.01.19; 08.01.23; 26.13.01; 27.05.02; 29.01.15

(526) ASSORTED; with juice; fruit chews with tasty fillings

(511)

30 – Fruit jellies [confectionery]; confectionery; fruit confectionery; caramels [sweets]; sweets; chewing candy; liquorice [confectionery]; peppermint sweets; mints for breath freshening; nougat; chocolate-coated nuts; stick liquorice [confectionery]; lozenges [confectionery]; chewing gum; chewing gum for breath freshening.

(260) AM 2023 121187 A

(800) 1707472

(151) 2022 11 30

(891) 2022 11 30

(731) Destiladora del Valle de Tequila SA de CV
Carretera Internacional #102, Colonia Santa Cruz de Los Espinos, 46403 Tequila, Jalisco C.P., Mexico

(540)

CASA
MAESTRI



Reserva
de MFM

(591) Black, white

(531) 03.01.16; 03.03.01; 03.03.24; 27.05.01

(526) RESERVA

(511)

33 – Distilled agave liquor.

(260) AM 2023 121188 A

(800) 1707507

(151) 2022 09 16

(891) 2022 09 16

(731) Kocherev, Oleksii

330 Sunny Isles Boulevard, Apt. 2101, Sunny

Isles Beach FL 33160, USA;

Kasyanenko, Yevhen

16400 Collins Avenue, Apt. 445, Sunny Isles Beach FL 33160, USA

(540)



(591) Black, white

(531) 02.09.08; 26.04.18; 27.05.01

(511)

42 – Computer software design for others; computer services, namely, designing and implementing web sites for others; developing computer software; computer programming and software design; design, development and implementation of software; design and development of software in the field of mobile applications; website design and development for others; outsource service providers in the field of information technology.

(260) AM 2023 121189 A

(800) 1707517

(151) 2022 10 06

(891) 2022 10 06

(731) Euro Games Technology Ltd.

4, "Maritsa" Str., "Vranya-Lozen-Triugulnika", BG-1151 Sofia, Bulgaria

(540)

Prosperity Legend

(591) Black, white

(511)

9 – Operating computer software for main frame computers; monitors (computer hardware); computer hardware; apparatus for recording images; monitors (computer programs); computer game programs; recorded computer game programs; apparatus for recording, transmission or reproduction of sound or images; communications servers (computer hardware); electronic components for gambling machines; computer application software featuring games and gaming; computer software for the administration of on-line games and gaming; computer hardware for games and gaming; hardware and software for gambling, gambling machines, gambling games on the Internet and via telecommunication network; computer systems; computer operating system software; computer terminals; interactive terminals; multimedia terminals; electronic terminals for generating lottery tickets; interactive touch screen terminals; computer touchscreens; electronic display panels; liquid crystal display screens; digital signage display panels; multimedia software; multimedia apparatus and instruments; interactive multimedia software for playing games; computer screens; LCD large-screen displays; liquid crystal displays [LCDs] for home theatres; media stre-

aming software; computer application software for streaming audio-visual media content via the Internet; software; computer gaming software; computer software packages; computer operating system software; computer software, recorded; software drivers; virtual reality software; games software; entertainment software for computer games; computer programs for network management; electronic lottery tickets; computer software platforms; operating systems; interactive computer systems; operating system programs; computer game software for use with on-line interactive games; games software for use with video game consoles.

28 – Gaming machines for gambling; chips for gambling; mah-jong; arcade games; gambling machines operating with coins, notes and cards; games; electronic games; parlor games; gaming chips; gaming tables; slot machines [gaming machines]; LCD game machines; slot machines and gaming devices; coin-operated amusement machines; roulette chips; poker chips; chips and dice [gaming equipment]; gaming equipment for casinos; roulette tables; gaming roulette wheels; casino games; gambling machines and amusement machines, automatic and coin-operated; coin-operated amusement machines and/or electronic coin-operated amusement machines with or without the possibility of gain; boxes for coin-operated amusement machines, slot machines and gaming machines; electronic or electrotechnical amusement machines and apparatus, gaming machines, coin-operated entertainment machines; housings for coin-operated amusement machines, gaming equipment, gaming machines, machines for gambling; electropneumatic and electrical gambling machines (slot machines); lottery games; electronic targets for games and sports; video game consoles.

41 – Gambling services; entertainment services related to gambling; gaming services for entertainment purposes; casino, gaming and gambling services; training in the development of software systems; provision of gaming equipment for gambling halls; providing casino equipment [gambling]; gaming machine entertainment services; providing casino facilities [gambling]; gaming hall services; games equipment rental; rental of gaming machines; providing amusement arcade services; rental of gaming machines with images of fruits; editing or recording of sounds and images; sound recording and video entertainment services; hire of sound reproducing apparatus; provision of gaming equipment for casinos; providing of gambling facilities; online gambling services; casino services; provision of gaming facilities and gaming hall facilities, Internet casinos and online gambling services; lottery services; organization of lotteries; provision of games by means of a computer based system; online interactive entertainment; on-line casino services; online game services through mobile devices; providing online entertainment in the nature of game

tournaments; providing on-line information in the field of computer gaming entertainment; sports betting services; online sports betting services; providing on-line games and games of chance; rental of video game consoles.

(260) AM 2023 121194 A
(800) 1707586
(151) 2022 11 04
(891) 2022 11 04
(731) Shenzhen Eson Technology Co., Ltd.
5002, Building 3, Liangao Creative Park,
Fuyuan 2nd Road, Zhancheng Community,
Fuhai Street, Baoan District, Shenzhen City,
Guangdong Province, China

(540)

N E Λ F S

(591) Black, white
(531) 27.05.01; 27.05.15
(511)
34 – Cigarette filters; lighters for smokers; cigarette cases; cigarettes containing tobacco substitutes, not for medical purposes; cigarette holders; snuff; electronic cigarettes; matchboxes.

(260) AM 2023 121206 A
(800) 1419172
(151) 2018 04 27
(891) 2022 07 18
(731) Haya Labs LLC
1120 20th Street NW, South Tower Suite
S-300, Washington DC 20036, USA
(540)



(591) Blue, rose, white
(531) 02.09.01; 05.01.03; 05.01.05; 05.01.16;
26.04.05; 26.04.18; 26.04.24; 27.01.16;
27.05.10; 27.05.17; 29.01.12

(511)
5 – Absorbent cotton; absorbent wadding; acai powder dietary supplements; acaricides; acetates for pharmaceutical purposes; acids for pharmaceutical purposes; acne treatment preparations; aconitine; adhesive plasters; sticking plasters; adhesive tapes for medical purposes; adhesive bands for medical purposes; adhesives for dentures; adjuvants for medical purposes; air purifying preparations; air deodorizing preparations; albumin dietary supplements; albuminous foodstuffs for medical purposes; albuminous preparations for medical purposes; alcohol for pharmaceutical purposes; aldehydes for pharmaceutical purposes; algicides;

alginate dietary supplements; alginates for pharmaceutical purposes; alkaline iodides for pharmaceutical purposes; alkaloids for medical purposes; alloys of precious metals for dental purposes; almond milk for pharmaceutical purposes; aloe vera preparations for pharmaceutical purposes; aluminium acetate for pharmaceutical purposes; amino acids for medical purposes; amino acids for veterinary purposes; anaesthetics; analgesics; angostura bark for medical purposes; animal washes [insecticides]; anti-uric preparations; antibacterial soap; antibacterial handwashes; antibiotics; anticryptogamic preparations; antioxidant pills; antiparasitic preparations; antiparasitic collars for animals; antiseptic cotton; antiseptics; appetite suppressants for medical purposes; appetite suppressant pills; aseptic cotton; asthmatic tea; astringents for medical purposes; babies' diapers; babies' napkins; babies' diaper-pants; babies' napkin-pants; bacterial poisons; bacterial preparations for medical and veterinary use; bacteriological preparations for medical and veterinary use; balms for medical purposes; balsamic preparations for medical purposes; bandages for dressings; barks for pharmaceutical purposes; bath preparations for medical purposes; bath salts for medical purposes; bicarbonate of soda for pharmaceutical purposes; biocides; biological preparations for medical purposes; biological preparations for veterinary purposes; biological tissue cultures for medical purposes; biological tissue cultures for veterinary purposes; bismuth preparations for pharmaceutical purposes; bismuth subnitrate for pharmaceutical purposes; blood plasma; blood for medical purposes; bone cement for surgical and orthopaedic purposes; bouillons for bacteriological cultures; media for bacteriological cultures; breast-nursing pads; bromine for pharmaceutical purposes; bronchodilating preparations; bunion pads; by-products of the processing of cereals for dietetic or medical purposes; cachets for pharmaceutical purposes; cachou for pharmaceutical purposes; preparations for callouses; calomel [fungicide]; camphor oil for medical purposes; camphor for medical purposes; candy, medicated; candy for medical purposes; capsules for medicines; carbolineum [parasiticide]; casein dietary supplements; castor oil for medical purposes; cattle washes [insecticides]; caustic pencils; caustics for pharmaceutical purposes; cedar wood for use as an insect repellent; cellulose esters for pharmaceutical purposes; cellulose ethers for pharmaceutical purposes; cement for animal hooves; charcoal for pharmaceutical purposes; chemical conductors for electrocardiograph electrodes; chemical contraceptives; chemical preparations for the diagnosis of pregnancy; chemical preparations to treat mildew; chemical preparations to treat wheat blight; chemical preparations to treat wheat smut; chemical preparations for treating phylloxera; chemical preparations for pharmaceutical purposes; chemical preparations for medical purposes; chemical preparations for veterinary purposes; chemical reagents for medical or veterinary purposes; che-

mico-pharmaceutical preparations; chewing gum for medical purposes; chilblain preparations; chinoline for medical purposes; chloroform; cocaine; cod liver oil; collagen for medical purposes; collodion for pharmaceutical purposes; collyrium; compresses; condurango bark for medical purposes; solutions for contact lenses; solutions for use with contact lenses; contact lens cleaning preparations; cooling sprays for medical purposes; corn rings for the feet; corn remedies; cotton for medical purposes; cotton swabs for medical purposes; cotton sticks for medical purposes; cream of tartar for pharmaceutical purposes; creosote for pharmaceutical purposes; croton bark; cultures of microorganisms for medical or veterinary use; curare; decoctions for pharmaceutical purposes; dental abrasives; dental amalgams; dental cements; dental impression materials; dental lacquer; dental mastics; dental amalgams of gold; deodorants, other than for human beings or for animals; deodorants for clothing and textiles; depuratives; preparations for destroying noxious animals; preparations for destroying dry rot fungus; preparations for destroying mice; detergents for medical purposes; diabetic bread adapted for medical use; diagnostic preparations for medical purposes; diagnostic biomarker reagents for medical purposes; diagnostic preparations for veterinary purposes; diapers for pets; diastase for medical purposes; dietary fibre; dietary supplements for animals; dietary supplements with a cosmetic effect; dietetic foods adapted for medical purposes; dietetic beverages adapted for medical use; dietetic substances adapted for medical use; digestives for pharmaceutical purposes; digitalin; dill oil for medical purposes; disinfectant soap; disinfectants for hygiene purposes; disinfectants for chemical toilets; disinfectants; dog washes [insecticides]; douching preparations for medical purposes; dressings, medical; drugs for medical purposes; elixirs [pharmaceutical preparations]; enzyme preparations for medical purposes; enzyme preparations for veterinary purposes; enzyme dietary supplements; enzymes for medical purposes; enzymes for veterinary purposes; ergot for pharmaceutical purposes; esters for pharmaceutical purposes; ethers for pharmaceutical purposes; eucalyptol for pharmaceutical purposes; eucalyptus for pharmaceutical purposes; extracts of hops for pharmaceutical purposes; eyepatches for medical purposes; preparations to facilitate teething; febrifuges; fennel for medical purposes; ferments for pharmaceutical purposes; first-aid boxes, filled; fish meal for pharmaceutical purposes; flour for pharmaceutical purposes; meal for pharmaceutical purposes; flowers of sulfur for pharmaceutical purposes; fly catching paper; fly glue; fly catching adhesives; fly destroying preparations; food for babies; food supplements; formaldehyde for pharmaceutical purposes; freeze-dried food adapted for medical purposes; lyophilized food adapted for medical purposes; freeze-dried meat adapted for medical purposes; lyophilized meat adapted for medical purposes; frostbite salve for pharma-

ceutical purposes; fumigating sticks; fumigating pastilles; fumigation preparations for medical purposes; fungicides; gallic acid for pharmaceutical purposes; gamboge for medical purposes; gases for medical purposes; gauze for dressings; gelatine for medical purposes; gentian for pharmaceutical purposes; germicides; glucose for medical purposes; glucose dietary supplements; glycerine for medical purposes; glycerophosphates; greases for medical purposes; greases for veterinary purposes; guaiacol for pharmaceutical purposes; gum for medical purposes; gurjun balsam for medical purposes; haematogen; haemoglobin; haemorrhoid preparations; haemostatic pencils; herbal teas for medicinal purposes; herbal extracts for medical purposes; herbicides; weedkillers; preparations for destroying noxious plants; homogenized food adapted for medical purposes; hormones for medical purposes; hydrastine; hydrastinine; hydrated chloral for pharmaceutical purposes; hydrogen peroxide for medical purposes; immunostimulants; infant formula; insect repellents; insect repellent incense; insecticidal animal shampoo; insecticidal veterinary washes; insecticides; iodides for pharmaceutical purposes; iodine for pharmaceutical purposes; iodoform; Irish moss for medical purposes; isotopes for medical purposes; jalap; jujube, medicated; lacteal flour for babies; larvae exterminating preparations; laxatives; lead water; goulard water; lecithin for medical purposes; lecithin dietary supplements; leeches for medical purposes; lice treatment preparations [pediculicides]; lime-based pharmaceutical preparations; liniments; linseed for pharmaceutical purposes; flaxseed for pharmaceutical purposes; linseed meal for pharmaceutical purposes; linseed dietary supplements; flaxseed dietary supplements; linseed oil dietary supplements; flaxseed oil dietary supplements; lint for medical purposes; liquorice for pharmaceutical purposes; lotions for pharmaceutical purposes; lotions for veterinary purposes; lupulin for pharmaceutical purposes; magnesia for pharmaceutical purposes; malt for pharmaceutical purposes; malted milk beverages for medical purposes; mangrove bark for pharmaceutical purposes; medical preparations for slimming purposes; medicated eye-washes; medicated animal feed; medicated dentifrices; medicated after-shave lotions; medicated shampoos; medicated toiletry preparations; medicated hair lotions; medicated dry shampoos; medicated shampoos for pets; medicated soap; medicated massage candles; medicinal alcohol; medicinal mud; medicinal sediment [mud]; medicinal infusions; medicinal tea; medicinal oils; medicinal herbs; medicinal roots; medicinal drinks; medicinal hair growth preparations; medicine cases, portable, filled; medicines for alleviating constipation; medicines for dental purposes; medicines for human purposes; medicines for veterinary purposes; melissa water for pharmaceutical purposes; menthol; mercurial ointments; preparations of microorganisms for medical or veterinary use; milk ferments for phar-

maceutical purposes; milk sugar for pharmaceutical purposes; lactose for pharmaceutical purposes; milking grease; mineral waters for medical purposes; mineral water salts; mineral food supplements; mint for pharmaceutical purposes; moleskin for medical purposes; mothproofing preparations; mothproofing paper; moulding wax for dentists; mouthwashes for medical purposes; mud for baths; mustard oil for medical purposes; mustard for pharmaceutical purposes; mustard plasters; mustard poultices; myrobalan bark for pharmaceutical purposes; napkins for incontinents; diapers for incontinents; narcotics; nervines; nicotine gum for use as an aid to stop smoking; nicotine patches for use as aids to stop smoking; nutraceutical preparations for therapeutic or medical purposes; nutritional supplements; nutritive substances for microorganisms; oil of turpentine for pharmaceutical purposes; ointments for pharmaceutical purposes; opiates; opium; opodeldoc; opotherapy preparations; organotherapy preparations; oxygen baths; oxygen for medical purposes; pants, absorbent, for incontinents; panty liners [sanitary]; paper for mustard plasters; paper for mustard poultices; parasiticides; pastilles for pharmaceutical purposes; lozenges for pharmaceutical purposes; pearl powder for medical purposes; pectin for pharmaceutical purposes; pediculicidal shampoos; pepsins for pharmaceutical purposes; peptones for pharmaceutical purposes; pesticides; petroleum jelly for medical purposes; pharmaceutical preparations; pharmaceutical preparations for treating sunburn; pharmaceutical preparations for skin care; pharmaceutical preparations for treating dandruff; pharmaceuticals; phenol for pharmaceutical purposes; phosphates for pharmaceutical purposes; phytotherapy preparations for medical purposes; plant extracts for pharmaceutical purposes; poisons; pollen dietary supplements; pomades for medical purposes; porcelain for dental prostheses; potassium salts for medical purposes; poultices; powder of cantharides; powdered milk for babies; pre-filled syringes for medical purposes; propolis for pharmaceutical purposes; propolis dietary supplements; protein dietary supplements; protein supplements for animals; purgatives; evacuants; pyrethrum powder; quassia for medical purposes; quebracho for medical purposes; quinine for medical purposes; quinquina for medical purposes; cinchona for medical purposes; radioactive substances for medical purposes; radiological contrast substances for medical purposes; radium for medical purposes; rat poison; reagent paper for medical purposes; reagent paper for veterinary purposes; preparations for reducing sexual activity; remedies for foot perspiration; remedies for perspiration; repellents for dogs; rhubarb roots for pharmaceutical purposes; royal jelly for pharmaceutical purposes; royal jelly dietary supplements; rubber for dental purposes; salts for mineral water baths; salts for medical purposes; sanitary panties; menstruation knickers; sanitary knickers; sanitary pants; sanitary tampons; menstruation tampons; sani-

tary towels; sanitary napkins; sanitary pads; sarsaparilla for medical purposes; scapulars for surgical purposes; sea water for medicinal bathing; sedatives; tranquilizers; semen for artificial insemination; serotherapeutic medicines; serums; personal sexual lubricants; sexual stimulant gels; siccatives [drying agents] for medical purposes; slimming pills; slug exterminating preparations; smelling salts; smoking herbs for medical purposes; sodium salts for medical purposes; soil-sterilizing preparations; solvents for removing adhesive plasters; sporifics; starch for dietetic or pharmaceutical purposes; stem cells for medical purposes; stem cells for veterinary purposes; sterilizing preparations; steroids; stick liquorice for pharmaceutical purposes; strychnine; styptic preparations; sugar for medical purposes; sulfonamides [medicines]; sulfur sticks [disinfectants]; sunburn ointments; suppositories; surgical dressings; surgical implants comprised of living tissues; surgical glues; syrups for pharmaceutical purposes; tanning pills; tartar for pharmaceutical purposes; teeth filling material; therapeutic preparations for the bath; thermal water; thymol for pharmaceutical purposes; tincture of iodine; tinctures for medical purposes; tissues impregnated with pharmaceutical lotions; tobacco extracts [insecticides]; tobacco-free cigarettes for medical purposes; tonics [medicines]; preparations of trace elements for human and animal use; transplants [living tissues]; preparations for the treatment of burns; turpentine for pharmaceutical purposes; vaccines; vaginal washes for medical purposes; vermifuges; anthelmintics; vermin destroying preparations; vesicants; veterinary preparations; vine disease treating chemicals; vitamin preparations; vitamin supplement patches; vulnerary sponges; wadding for medical purposes; wart pencils; wheat germ dietary supplements; yeast for pharmaceutical purposes; yeast dietary supplements.

29 – Ajvar [preserved peppers]; albumen for culinary purposes; albumin milk; protein milk; alginates for culinary purposes; almond milk for culinary purposes; almond milk; almond milk-based beverages; almonds, ground; aloe vera prepared for human consumption; anchovy, not live; animal marrow for food; apple purée; arrangements of processed fruit; artichokes, preserved; aubergine paste; eggplant paste; bacon; beans, preserved; berries, preserved; edible birds' nests; black pudding; blood sausage; bone oil for food; preparations for making bouillon; broth; bouillon; broth concentrates; bouillon concentrates; bulgogi [Korean beef dish]; butter; buttercream; candied nuts; caviar; charcuterie; cheese; clams, not live; cocoa butter for food; coconut butter; coconut, desiccated; coconut fat; coconut oil for food; coconut milk; coconut milk for culinary purposes; coconut milk-based beverages; compotes; condensed milk; corn dogs; cottage cheese fritters; cranberry compote; crayfish, not live; cream [dairy products]; croquettes; crustaceans, not live; crystallized fruits; frosted fruits; curd; dates; eggs; escamoles [edible ant larvae, prepared]; extra

virgin olive oil for food; falafel; fat-containing mixtures for bread slices; edible fats; fatty substances for the manufacture of edible fats; fish fillets; fish, not live; fish, preserved; fish, tinned; fish, canned; fish meal for human consumption; fish mousses; fish roe, prepared; fish-based foodstuffs; flavoured nuts; freeze-dried meat; lyophilized meat; freeze-dried vegetables; lyophilized vegetables; fruit, preserved; fruit, steamed; fruit jellies; fruit pulp; fruit salads; fruit peel; fruit chips; fruit preserved in alcohol; fruit-based snack food; frozen fruits; fruits, tinned; fruits, canned; galbi [grilled meat dish]; game, not live; preserved garlic; gelatine; gherkins; ginger jam; guacamole [mashed avocado]; ham; hazelnuts, prepared; herrings, not live; hot dog sausages; hummus [chickpea paste]; edible insects, not live; isinglass for food; jams; jellies for food; kephir [milk beverage]/kefir [milk beverage]; kimchi [fermented vegetable dish]; klipfish [salted and dried cod]; koumiss [milk beverage]; kumys [milk beverage]; lard; laver, preserved; lecithin for culinary purposes; lemon juice for culinary purposes; lentils, preserved; linseed oil for food; flaxseed oil for food; liver pâté; liver pastes; liver; lobsters, not live; low-fat potato crisps; low-fat potato chips; maize oil for food; corn oil for food; margarine; marmalade; meat, meat jellies; meat extracts; meat, preserved; meat, tinned; meat, canned; milk; milk beverages, milk predominating; milk products; milk shakes; milk ferments for culinary purposes; milk substitutes; mushrooms, preserved; mussels, not live; non-alcoholic eggnog; nut-based spreads; nuts, prepared; oat milk; oils for food; olive oil for food; olives, preserved; onion rings; onions, preserved; oysters, not live; palm kernel oil for food; palm oil for food; peanut butter; peanut milk for culinary purposes; peanut milk; peanut milk-based beverages; peanuts, prepared; peas, preserved; pectin for culinary purposes; pickles; pollen prepared as foodstuff; pork; potato crisps; potato chips; potato fritters; potato flakes; potato-based dumplings; poultry, not live; powdered eggs; powdered milk; prawns, not live; pressed fruit paste; prostokvasha [soured milk]; raisins; rape oil for food; colza oil for food; rennet; rice milk; rice milk for culinary purposes; ryazhenka [fermented baked milk]; salmon, not live; salted meats; salted fish; sardines, not live; sauerkraut; sausage casings, natural or artificial; sausages; sausages in batter; sea-cucumbers, not live; seaweed extracts for food; seeds, prepared; sesame oil for food; shellfish, not live; shrimps, not live; silkworm chrysalis for human consumption; smetana [sour cream]; snail eggs for consumption; preparations for making soup; soups; soya beans, preserved, for food; soya milk; soya bean oil for food; soya patties; spiny lobsters, not live; suet for food; sunflower oil for food; sunflower seeds, prepared; sweet corn, processed; tahini [sesame seed paste]; tofu; tofu patties; tomato purée; tomato juice for cooking; tomato paste; tripe; truffles, preserved; tuna, not live; vegetable soup preparations; vegetable juices

for cooking; vegetable salads; vegetable mousses; vegetable marrow paste; vegetable-based cream; vegetables, preserved; vegetables, cooked; vegetables, dried; vegetables, tinned; vegetables, canned; whey; whipped cream; white of eggs; yakitori; yoghurt; yolk of eggs; yuba [tofu skin].

30 – Agave syrup [natural sweetener]; allspice; almond paste; almond confectionery; aniseed; apple sauce [condiment]; aromatic preparations for food; artificial coffee; baking powder; baking soda [bicarbonate of soda for cooking purposes]/bicarbonate of soda for cooking purposes [baking soda]; baozi [stuffed buns]; barley meal; batter mixes for okonomiyaki [Japanese savoury pancakes]; bean meal; beer vinegar; bibimbap [rice mixed with vegetables and beef]; binding agents for ice cream; biscuits; cookies; bread; bread rolls; breadcrumbs; buckwheat, processed; buckwheat flour; bulgur; buns; burritos; cake powder; cake batter; cake dough; cake frosting [icing]; cakes; candy; candy decorations for cakes; capers; caramels [candy]; celery salt; cereal preparations; cereal bars; cereal-based snack food; chamomile-based beverages; cheeseburgers [sandwiches]; chewing gum; chewing gum for breath freshening; chicory [coffee substitute]; chips [cereal products]; chocolate; chocolate beverages with milk; chocolate mousses; chocolate decorations for cakes; chocolate spreads containing nuts; chocolate-based beverages; chocolate-based spreads; chocolate-coated nuts; chow-chow [condiment]; chutneys [condiments]; cinnamon [spice]; cloves [spice]; cocoa; cocoa beverages with milk; cocoa-based beverages; coffee flavourings; coffee; coffee beverages with milk; coffee-based beverages; condiments; confectionery for decorating Christmas trees; confectionery; sugar confectionery; cooking salt; corn flakes; maize flakes; corn flour; corn meal; maize flour; maize meal; corn, milled; maize, milled; corn, roasted; maize, roasted; couscous [semolina]; crackers; cranberry sauce [condiment]; cream of tartar for culinary purposes; croûtons; croûtons; crushed barley; crushed oats; curry [spice]; custard; dessert mousses [confectionery]; dough; dressings for salad; dulce de leche; essences for foodstuffs, except etheric essences and essential oils; ferments for pastes; flavourings, other than essential oils, for cakes; flavourings, other than essential oils, for beverages; flour-based dumplings; flowers or leaves for use as tea substitutes; fondants [confectionery]; food flavourings, other than essential oils; freeze-dried dishes with the main ingredient being rice; lyophilized dishes with the main ingredient being rice; freeze-dried dishes with the main ingredient being pasta; lyophilized dishes with the main ingredient being pasta; fruit jellies [confectionery]; fruit coulis [sauces]; garden herbs, preserved [seasonings]; gimbap [Korean rice dish]; ginger [spice]; gingerbread; glucose for culinary purposes; gluten prepared as foodstuff; gluten additives for culinary purposes; golden syrup; groats for human food; halvah; ham glaze; high-protein cereal bars; hominy; ho-

miny grits; honey; hot dog sandwiches; husked barley; husked oats; ice cream; ice, natural or artificial; ice for refreshment; ice cubes; iced tea; edible ices; infusions, not medicinal; instant rice; jiaozi [stuffed dumplings]; ketchup [sauce]; kimchiyeon [fermented vegetable pancakes]; leaven; linseed for culinary purposes [seasoning]; flaxseed for culinary purposes [seasoning]; liquorice [confectionery]; lomper [potato-based flatbread]; lozenges [confectionery]; pastilles [confectionery]; macaroni; macaroons [pastry]; malt biscuits; malt extract for food; malt for human consumption; maltose; marinades; marzipan; mayonnaise; meal; flour; meat pies; meat tenderizers for household purposes; meat gravies; minced garlic [condiment]; mint for confectionery; mints for breath freshening; mirror icing [mirror glaze]; molasses for food; muesli; mustard meal; mustard; natural sweeteners; noodle-based prepared meals; noodles; ribbon vermicelli; nut flours; nutmegs; oat flakes; oat-based food; oatmeal; okonomiyaki [Japanese savoury pancakes]; onigiri [rice balls]; palm sugar; pancakes; edible paper; pasta; pasta sauce; pastila [confectionery]; pastries; pastry dough; pâtés en croûte; peanut confectionery; pelmeni [dumplings stuffed with meat]; pepper; peppermint sweets; peppers [seasonings]; pesto [sauce]; petit-beurre biscuits; petits fours [cakes]; piccalilli; pies; pizzas; popcorn; potato flour; powders for making ice cream; pralines; propolis; bee glue; puddings; quiches; quinoa, processed; ramen [Japanese noodle-based dish]; ravioli; relish [condiment]; rice; rice cakes; rice pudding; rice pulp for culinary purposes; edible rice paper; rice-based snack food; royal jelly; rusks; saffron [seasoning]; sago; salt for preserving foodstuffs; sandwiches; sauces [condiments]; sausage binding materials; sea water for cooking; seasonings; seaweed [condiment]; processed seeds for use as a seasoning; semolina; senbei [rice crackers]; sesame seeds [seasonings]; shaved ice with sweetened red beans; sherbets [ices]; sorbets [ices]; soba noodles; soya flour; soya sauce; soya bean paste [condiment]; miso [condiment]; spaghetti; spices; spring rolls; star aniseed; starch for food; stick liquorice [confectionery]; preparations for stiffening whipped cream; sugar; sushi; sweetmeats [candy]; tabbouleh; tacos; tapioca; tapioca flour; tarts; tea; tea-based beverages; thickening agents for cooking foodstuffs; tomato sauce; tortillas; turmeric; udon noodles; unleavened bread; unroasted coffee; vanilla flavourings for culinary purposes; vanillin [vanilla substitute]; vareniki [stuffed dumplings]; vegetal preparations for use as coffee substitutes; vermicelli [noodles]; vinegar; waffles; wheat flour; wheat germ for human consumption; yeast; frozen yoghurt [confectionery ices]; zephyr [confectionery].

(260) AM 2023 121207 A

(800) 1636895

(151) 2021 10 22

(891) 2022 12 08

(731) Midea Group Co., Ltd.

B26-28F, Midea Headquarter Building, No. 6

Midea Avenue, Beijiao, Shunde, Foshan,

Guangdong, China

(540)

LINVOL

(591) Black, white

(531) 26.03.23; 27.05.08

(511)

7 – Food preparation machines, electromechanical; beverage preparation machines, electromechanical; kitchen machines, electric; dishwashers; washing machines [laundry]; elevating apparatus; elevators [lifts]; escalators; mechanical parking equipment; elevator operating apparatus; moving sidewalks; industrial robots; handling machines, automatic [manipulators]; motors for elevators; dynamos; driving motors, other than for land vehicles; exhausts for motors and engines; pumps [parts of machines, engines or motors]; valves [parts of machines]; hydraulic controls for machines, motors and engines; compressors [machines]; gear transmission device for elevators; control mechanisms for machines, engines or motors; bearings [parts of machines]; belts for machines; elevator chains [parts of machines]; machines and apparatus for cleaning, electric; disintegrators.

37 – Supervision of building project progress; providing information relating to repairs; building project management [construction supervision]; construction consultancy; construction; rental of construction equipment; building insulating; advisory services relating to the maintenance of buildings; building maintenance and repair; upholstery repair; cleaning of buildings; heating equipment installation and repair; electric appliance installation and repair; interference suppression in electrical apparatus; installation and repair of medical instruments; machinery installation, maintenance and repair; installation of electronic monitoring apparatus; vehicle maintenance; vehicle breakdown repair services; repair and maintenance of photographic machines and apparatus; installation, changing, replacement and repair of locks; rustproofing; furniture restoration; dry cleaning; disinfecting; elevator installation and repair; installation services for elevators and lifts; burglar alarm installation and repair; septic tank cleaning; escalator cleaning services.

(260) AM 2023 121208 A

(800) 1645078

(151) 2021 11 17

(891) 2022 12 08

(731) DELI GROUP CO., LTD.

Deli Industrial Park, Ninghai County, Ningbo,

310000 Zhejiang, China

(540)

finenolo

(591) Black, white

(531) 20.01.05; 27.03.15; 27.05.01; 27.05.09

(511)

2 – Colorants; paper for dyeing easter eggs; pigments; watercolour paints for use in art; food dyes; paints; anti-rust greases; copal; filled ink cartridge for word processor; fixatives for watercolours.

16 – Painters' brushes; palettes for painters; artists' watercolour saucers; pencils; boxes of paper or cardboard; drawing pens; pens [office requisites]; writing chalk; canvas for painting; painters' easels; wrapping paper; papers for painting and calligraphy; drawing boards; paper; pencil leads; terrestrial globes; desk mats; drawing pads; note books; stickers [stationery]; adhesive bands for stationery or household purposes; glue for stationery or household purposes; pencil holders; stationery; writing cases [stationery]; bookends; folders for papers; letter trays; paper-clips; elastic bands for offices; pen cases; boxes for pens; covers [stationery]; rubber erasers; correcting tapes [office requisites]; correcting fluids [office requisites]; drawing rulers; compasses for drawing; pencil sharpening machines, electric or non-electric.

(260) AM 2023 121356 A

(800) 1708628

(151) 2022 11 16

(891) 2022 11 16

(731) HYUNDAI MOTOR COMPANY

12, Heolleung-ro, Seocho-gu, Seoul 06797,

Republic of Korea

(540)

HYUNDAI

(591) Blue, white

(531) 27.05.01; 29.01.04

(511)

12 – Wheelchairs; parachutes; tractors; vehicles for locomotion by land, air, water or rail; civilian drones; air vehicles; pilotless aircraft; land vehicles; mobility scooters; robotic cars; motor trucks; automatic transport vehicles; driverless cars [autonomous cars]; buses; structural parts for buses; sports cars; coach vans; parts and fittings for motorcycles; motorcycles; driverless cars; self-driving cars; automobiles; lane departure warning systems for automobiles; parts and fittings for automobiles; electrically operated scooters; electric cars; hybrid power scooters; camping vehicles; camping trailers; invalids' carriages; bicycles; electric bicycles; automobile tires; suspension shock absorbers for vehicles; brakes for land vehicles; tractors for agricultural purposes; motors and engines for land vehicles; electric drives for land vehicles; rubber

belts for land vehicles transmissions; couplings for land vehicles; electric motors for motor cars.

(260) AM 2023 121357 A

(800) 1708629

(151) 2022 11 16

(891) 2022 11 16

(731) HYUNDAI MOTOR COMPANY

12, Heolleung-ro, Seocho-gu, Seoul 06797,
Republic of Korea

(540)



(591) Blue, white

(531) 26.01.03; 26.01.18; 27.05.01; 27.05.09;
27.05.10; 29.01.04

(511)

42 – Marine, aerial and land surveying; design of industrial robots; design of mechanical equipment for car manufacturing; design services for parts of motor vehicles; motor vehicle design; design of cars; design of products; design of vehicles and vehicle parts and components; design of apparatus and machines for filling purposes; textile design services for motor vehicle trim; programming of multimedia applications; design and development of application software for metaverse environments; design and development of application software for security tokens (encryption devices); development of computer software for 3D content/stereoscopic 3D projectionD animation technology; user authentication services using blockchain technology; software engineering; development of computer software for vehicle manufacturing; development of control software for electrical vehicle equipment; software design and development services; data conversion of electronic information; design and development of virtual reality software; design, maintenance, rental and updating of computer software; design and development of operating software for metaverse environments; design and development of game software for metaverse environments; maintenance of application software for metaverse environments; maintenance of operating software for metaverse environments; maintenance of game software for metaverse environments; avatar-related virtual reality software development services; computer software development; data encryption services; development of image processing software; hosting platforms on the internet for online content; providing paas (platform as a service); product research and development; testing, inspection and research services in the fields of agriculture, livestock breeding and fisheries; research relating to mechanical engineering; rental of laboratory robots; engineering services relating to robotics; engineering services of land vehicle industry; development of technologies for the fabrication of circuits for wireless communication, electronic data processing, consumer electronic, automotive electronics;

inspection of motor vehicles for roadworthiness; vehicle roadworthiness testing; inspection of motor vehicles [for roadworthiness]; development of vehicles; inspection of automobile for the purpose of road reliability and road safety; providing scientific information relating to performance and operation of car; automobile technology research; automotive wheel testing; research and development of power converters/inverter/charger for used in renewable energy systems; monitoring of battery charging status [as parts of quality control services]; maintenance of computer software used for operating filling apparatus and machines; quality control; product testing of original vehicle form; inspection of vehicles for roadworthiness; inspection services for new and used vehicles for persons buying or selling their vehicles; quality assurance services for automobiles; technological research services in the field of automobiles, including autonomous, electric, hybrid, hydrogen and connected vehicles; environmental testing.

(260) AM 2023 121358 A

(800) 1708630

(151) 2022 11 16

(891) 2022 11 16

(731) HYUNDAI MOTOR COMPANY

12, Heolleung-ro, Seocho-gu, Seoul 06797,
Republic of Korea

(540)



(591) Blue, white

(531) 26.01.03; 26.01.18; 27.05.01; 27.05.21;
29.01.04

(511)

12 – Wheelchairs; parachutes; tractors; vehicles for locomotion by land, air, water or rail; civilian drones; air vehicles; pilotless aircraft; land vehicles; mobility scooters; robotic cars; motor trucks; automatic transport vehicles; driverless cars [autonomous cars]; buses; structural parts for buses; sports cars; coach vans; parts and fittings for motorcycles; motorcycles; driverless cars; self-driving cars; automobiles; lane departure warning systems for automobiles; parts and fittings for automobiles; electrically operated scooters; electric cars; hybrid power scooters; camping vehicles; camping trailers; invalids' carriages; bicycles; electric bicycles; automobile tires; suspension shock absorbers for vehicles; brakes for land vehicles; tractors for agricultural purposes; motors and engines for land vehicles; electric drives for land vehicles; rubber belts for land vehicles transmissions; couplings for land vehicles; electric motors for motor cars.

(260) AM 2023 121363 A

(800) 1708748

(151) 2022 11 09

(891) 2022 11 09

(731) BEIJING YING TIAN KE DI

INTELLECTUAL PROPERTY RIGHTS

AGENCY CO., LTD.

Room C502, Tower C, No. 76, East 4th Ring

Middle Road, Chaoyang District, Beijing,

China

(540)

盈科

(591) Black, white

(531) 28.03

(511)

45 – Intellectual property consultancy; copyright management; legal research; legal document preparation services; legal services in relation to the negotiation of contracts for others; legal watching services; legal services relating to licenses; legal conveyancing; mediation; alternative dispute resolution services.

(260) AM 2023 121440 A

(800) 1709744

(151) 2022 08 09

(891) 2022 08 09

(731) Bora Creations S.L.

11, Calle Velázquez (Pto. de Andratx), E-07157

Andratx, Balearen, Spain

(540)

essence

(591) Black, white

(531) 26.01.03; 26.01.18; 26.01.24; 27.05.01

(511)

9 – Downloadable virtual goods, namely, computer programs featuring footwear, clothing, headwear, eyewear, bags, sports bags, backpacks, sports equipment, art, toys for use online and in online virtual worlds; downloadable virtual goods, namely, computer programs featuring cosmetics, perfumery, decorative cosmetics, beauty care cosmetics, self-tanning preparations for the face and body (gels, creams, lotions), hair care, hair coloring, hair tinting, hair-styling preparations, soap, toilet water, eau de parfum, eau de cologne, skin cleansers, make-up removers, make up foundations for use online and in online virtual worlds; downloadable virtual goods, namely, computer programs featuring nail varnish, nail care preparations, nail polish base coat, nail strengtheners, artificial nails for cosmetic purposes, adhesives for affixing artificial fingernails, nail art stickers, cosmetic preparations for nail drying, and creams, temporary tattoos for cosmetic purposes, nail varnish removers, false eyelashes and accessories and collectibles for use online and in online virtual worlds; downloadable virtual goods, namely, computer programs featuring hand-sanitizing

preparations, food supplements without a medical purpose, dietary supplements with cosmetic effect, beverages as dietary supplements, vitamin preparations, drinkable vitamins, meal replacement bars as nutritional supplement for boosting energy, dietetic preparations for use online and in online virtual worlds; downloadable computer software for interactive games for use via a global computer network and through various wireless networks and electronic devices for use online and in online virtual worlds; downloadable software for engaging in social networking and interacting with online communities; downloadable software for accessing and streaming multimedia entertainment content; downloadable software for providing access to an online virtual environment; downloadable computer software for the creation, production and modification of digital animated and non-animated designs and characters, avatars, digital overlays and skins for access and use in online environments, virtual online environments, and extended reality virtual environments.

35 – Online retail store services relating to cosmetic and beauty products; online retail services relating to cosmetics.

41 – Entertainment services, namely, providing on-line, non-downloadable virtual footwear, clothing, headwear, eyewear, bags, sports bags, backpacks, sports equipment, art, toys, cosmetics, perfumery, decorative cosmetics, beauty care cosmetics, self-tanning preparations for the face and body (gels, creams, lotions), hair care, hair coloring, hair tinting, hair-styling preparations, soap, toilet water, eau de parfum, eau de cologne, skin cleansers for use in virtual environments; entertainment services, namely, providing on-line, non-downloadable virtual make-up removers, make up foundations, temporary tattoos for cosmetic purposes, nail varnish, nail care preparations, nail polish base coat, nail strengtheners, artificial nails for cosmetic purposes, adhesives for affixing artificial fingernails, nail art stickers, cosmetic preparations for nail drying, and creams nail varnish removers for use in virtual environments; entertainment services, namely, providing on-line, non-downloadable virtual false eyelashes accessories, digital animated and non-animated designs and characters, avatars, shops, digital overlays, and skins for use in virtual environments; virtual reality and interactive game services provided online from a global computer network and through various wireless networks and electronic devices; entertainment services, namely, providing online non-downloadable game software on the internet and online video games (terms considered too vague in the opinion of the International Bureau – Rule 13 (2) (b) of the Common Regulations); entertainment services, namely, providing virtual environments in which users can interact for recreational, leisure, or entertainment purposes; entertainment services, namely, providing an online environment featuring entertain-

ment content and live entertainment events; entertainment services in the nature of arranging, organizing and conducting virtual performances and social entertainment events.

42 – Providing non-downloadable computer software for the creation, production and modification of digital animated and non-animated designs and characters, avatars, shops, digital overlays and skins for access and use in online environments, virtual online environments, and extended reality virtual environments; providing online non-downloadable computer application software, via an interactive website for virtual services, including game services; hosting computer websites featuring providing online non-downloadable computer application software for virtual reality services; hosting virtual performances and social entertainment events; providing online non-downloadable game software.

(260) AM 2023 121441 A

(800) 1709745

(151) 2022 08 09

(891) 2022 08 09

(731) Bora Creations S.L.

11, Calle Velázquez (Pto. de Andratx), E-07157
Andratx, Balearen, Spain

(540)

ESSENCE

(591) Black, white

(511)

9 – Downloadable virtual goods, namely, computer programs featuring footwear, clothing, headwear, eyewear, bags, sports bags, backpacks, sports equipment, art, toys for use online and in online virtual worlds; downloadable virtual goods, namely, computer programs featuring cosmetics, perfumery, decorative cosmetics, beauty care cosmetics, self-tanning preparations for the face and body (gels, creams, lotions), hair care, hair coloring, hair tinting, hair-styling preparations, soap, toilet water, eau de parfum, eau de cologne, skin cleansers, make-up removers, make up foundations for use online and in online virtual worlds; downloadable virtual goods, namely, computer programs featuring nail varnish, nail care preparations, nail polish base coat, nail strengtheners, artificial nails for cosmetic purposes, adhesives for affixing artificial fingernails, nail art stickers, cosmetic preparations for nail drying, and creams, temporary tattoos for cosmetic purposes, nail varnish removers, false eyelashes and accessories for use online and in online virtual worlds; downloadable virtual goods, namely, computer programs featuring hand-sanitizing preparations, food supplements without a medical purpose, dietary supplements with cosmetic effect, beverages as dietary supplements, vitamin preparations, drinkable vitamins, meal replacement bars as nutritional supplement for boosting energy, dietetic preparations for use on-

line and in online virtual worlds; downloadable computer software for interactive games for use via a global computer network and through various wireless networks and electronic devices for use online and in online virtual worlds; downloadable software for engaging in social networking and interacting with online communities; downloadable software for accessing and streaming multimedia entertainment content; downloadable software for providing access to an online virtual environment; downloadable computer software for the creation, production and modification of digital animated and non-animated designs and characters, avatars, digital overlays and skins for access and use in online environments, virtual online environments, and extended reality virtual environments.

35 – Online retail store services relating to cosmetic and beauty products; online retail services relating to cosmetics.

41 – Entertainment services, namely, providing on-line, non-downloadable virtual footwear, clothing, headwear, eyewear, bags, sports bags, backpacks, sports equipment, art, toys, cosmetics, perfumery, decorative cosmetics, beauty care cosmetics, self-tanning preparations for the face and body (gels, creams, lotions), hair care, hair coloring, hair tinting, hair-styling preparations, soap, toilet water, eau de parfum, eau de cologne, skin cleansers for use in virtual environments; entertainment services, namely, providing on-line, non-downloadable virtual make-up removers, make up foundations, temporary tattoos for cosmetic purposes, nail varnish, nail care preparations, nail polish base coat, nail strengtheners, artificial nails for cosmetic purposes, adhesives for affixing artificial fingernails, nail art stickers, cosmetic preparations for nail drying, and creams nail varnish removers for use in virtual environments; entertainment services, namely, providing on-line, non-downloadable virtual false eyelashes accessories, digital animated and non-animated designs and characters, avatars, shops, digital overlays, and skins for use in virtual environments; virtual reality and interactive game services provided online from a global computer network and through various wireless networks and electronic devices; entertainment services, namely, providing online non-downloadable game software on the internet and online video games (terms considered too vague in the opinion of the International Bureau – Rule 13 (2) (b) of the Common Regulations); entertainment services, namely, providing virtual environments in which users can interact for recreational, leisure, or entertainment purposes; entertainment services, namely, providing an online environment featuring entertainment content and live entertainment events; entertainment services in the nature of arranging, organizing and conducting virtual performances and social entertainment events; providing an interactive website for virtual reality game services.

42 – Provision of non-downloadable computer software for the creation, production and modification of digital animated and non-animated designs and characters, avatars, shops, digital overlays and skins for access and use in online environments, virtual online environments, and extended reality virtual environments; providing computer application software for virtual reality services, including game services (terms considered too vague in the opinion of the International Bureau – Rule 13 (2) (b) of the Common Regulations); hosting virtual performances and social entertainment events (terms considered too vague in the opinion of the International Bureau – Rule 13 (2) (b) of the Common Regulations); providing online non-downloadable game software.

(260) AM 2023 121442 A

(800) 1709766

(151) 2022 09 23

(891) 2022 09 23

(731) ROLAND MOURET (HK) LIMITED

Room 1005, 10/F., New Treasure Centre,
10 Ng Fong Street, San Po Kong, Kowloon,
Hong Kong, China

(540)

ROLAND MOURET

(591) Black, white

(511)

3 – Perfumery; eau-de-cologne; toilet water; non-medicated toilet preparations; cosmetics; make-up powder; talcum powder for toilet use; lipstick; false eyelashes, false nails, and adhesives for fixing the same; eyebrow pencils; nail varnish, nail lacquers; nail polish and nail care preparations; preparations for removing nail lacquers and nail varnishes; nail varnish remover; cosmetic removing preparations; skin cleaning preparations; anti-perspirants [toiletries] and deodorants for personal use; soaps, shampoos and detergents; non-medicated preparations for the care of the skin or hair; hair lotions; scented preparations (not included in other classes); make-up pencils or scented cosmetics; essential oils; toiletry preparations; cosmetic preparations included in this class; preparations for use before, during and after shaving; hair preparations; preparations for cleaning teeth; bath lotions, bath salts; bath oils and foam baths; preparations for removing cosmetic products; cosmetic preparations for slimming purposes; cotton wool, cotton wool pads, cotton buds (not included in other classes); hair removers and hair removing wax; cosmetic colouring agents; mouth-wash preparations (for non-medicated purposes); pomades for cosmetic use; deodorising and scenting substances and preparations for personal use; dentifrices; petroleum jelly for personal use; perfumed sachets for linen and clothing; pot pourri; essential oils, ethereal essences and incense; cosmetic sun tanning preparations; depilatories; pumice stones, smoothing stones and abrasives for personal use; cotton

wool and cotton sticks for cosmetic use; beauty masks; swabs [toiletries] and pre-moistened or impregnated cleaning wipes; bleaching preparations; substances for laundry use; cleaning, polishing, scouring and abrasive preparations; bleaching preparations and other substances for laundry use; adhesives for cosmetic purposes; antiperspirants [toiletries]; bath salts, not for medical purposes; toiletries.

9 – Spectacles, spectacle frames, lenses, spectacle boxes and sunglasses; sunglasses, glasses, frames, cords and cases for sunglasses; weighing instruments and appliances; scientific, nautical, electric regulating, photographic, cinematographic, optical, measuring, signalling, inspecting, life-saving and teaching apparatus and instruments; equipment for recording, transmission or reproduction of sound or images; computers and data processing equipment; computer software downloaded from the Internet; electronic publications (downloadable).

14 – Precious metals and their alloys and goods in precious metals or coated therewith, not included in other classes; precious metals and goods made thereof; precious metals and alloys thereof; precious stones and articles made thereof; jewellery and imitation jewellery; bracelets; cuff links; tie pins, tie clips and tie fasteners; key rings made of precious metal; boxes made of precious metal; jewel cases and ornaments of precious metals; jewel boxes made of precious metals; horological and chronometric instruments; clocks; watches; watch straps; watch bands; watch chains; clock cases; cases for watches [presentation]; watch cases for watches [presentation]; medals.

(260) AM 2023 121449 A

(800) 1710081

(151) 2022 11 16

(891) 2022 11 16

(731) HYUNDAI MOTOR COMPANY

12, Heolleung-ro, Seocho-gu, Seoul 06797,
Republic of Korea

(540)



(591) Blue

(531) 24.11.25; 26.01.02; 27.05.01; 27.05.21;
29.01.04

(511)

42 – Marine, aerial and land surveying; design of industrial robots; design of mechanical equipment for car manufacturing; design services for parts of motor vehicles; motor vehicle design; design of cars; design of products; design of vehicles and vehicle parts and components; design of apparatus and machines for filling purposes; textile design services for motor vehicle trim; programming of multimedia applications; design and development of application software for

metaverse environments; design and development of application software for security tokens (encryption devices); development of computer software for 3D content/stereoscopic 3D projectionD animation technology; user authentication services using blockchain technology; software engineering; development of computer software for vehicle manufacturing; development of control software for electrical vehicle equipment; software design and development services; data conversion of electronic information; design and development of virtual reality software; design, maintenance, rental and updating of computer software; design and development of operating software for metaverse environments; design and development of game software for metaverse environments; maintenance of application software for metaverse environments; maintenance of operating software for metaverse environments; maintenance of game software for metaverse environments; avatar-related virtual reality software development services; computer software development; data encryption services; development of image processing software; hosting platforms on the Internet for online content; providing paas (platform as a service); product research and development; testing, inspection and research services in the fields of agriculture, livestock breeding and fisheries; research relating to mechanical engineering; rental of laboratory robots; engineering services relating to robotics; engineering services of land vehicle industry; development of technologies for the fabrication of circuits for wireless communication, electronic data processing, consumer electronic, automotive electronics; inspection of motor vehicles for roadworthiness; vehicle roadworthiness testing; inspection of motor vehicles [for roadworthiness]; development of vehicles; inspection of automobile for the purpose of road reliability and road safety; providing scientific information relating to performance and operation of car; automobile technology research; automotive wheel testing; research and development of power converters/inverter/charger for used in renewable energy systems; monitoring of battery charging status [as parts of quality control services]; maintenance of computer software used for operating filling apparatus and machines; quality control; product testing of original vehicle form; inspection of vehicles for roadworthiness; inspection services for new and used vehicles for persons buying or selling their vehicles; quality assurance services for automobiles; technological research services in the field of automobiles, including autonomous, electric, hybrid, hydrogen and connected vehicles; environmental testing.

(260) AM 2023 121450 A
 (800) 1710114
 (151) 2022 10 17
 (891) 2022 10 17
 (731) BTL Industries

Tzar Kaloyan str 8, BG-1000 Sofia, Bulgaria

(540)

EMGLOW

(591) Black, white
 (511)

10 – Medical apparatus and instruments; aesthetic apparatus and instruments for aesthetic therapy, namely apparatus and instruments generating electrical, magnetic, electromagnetic, mechanical or thermal therapeutic energy; aesthetic apparatus and instruments for aesthetic therapy, namely apparatus and instruments for body shaping, fat removal, girth reduction, skin tightening, cellulite reduction, skin rejuvenation, wrinkle reduction, scar reduction, stretch mark reduction, increasing muscle mass, increasing amount of muscle fibres, increasing muscle tone; aesthetic massage apparatus, in particular apparatus for lymphatic drainage and increasing the circulation of bodily fluids; physical therapy apparatus, in particular apparatus for treating pain and preventing muscle cramps; gynaecological and urological apparatus and instruments; dental equipment; body rehabilitation apparatus for medical purposes; physical therapy equipment; physiotherapy and rehabilitation equipment; beds specially made for medical purposes; contraceptives, non-chemical; artificial limbs; orthopedic articles; suture materials.

(260) AM 2023 121452 A

(800) 1710116

(151) 2022 10 24

(891) 2022 10 24

(731) YIFAR INDUSTRIAL AND TRADING
 (FUZHOU) CO., LTD

NO. 5002, 5th Building, No. 130 Jinda Road,
 Jianxin Town, Cangshan District, Fuzhou City,
 Fujian Province, China

(540)

aiwibi

(591) Black, white
 (511)

5 – Vitamin preparations; lacteal flour for babies; baby milk powder; food for babies; incontinence diapers; pants, absorbent, for incontinentes; impregnated antiseptic wipes; baby diaper; babies' diaper-pants.

(260) AM 2023 121453 A

(800) 1710123

(151) 2022 12 16

(891) 2022 12 16

(731) Zaretskii Vladimir Evgen'evich

Composer Kasyanov str., 10, app. 97, Nizhniy
 Novgorod, RU-603163 Nizhniy Novgorod
 region, Russian Federation

(540)

The logo for OZONE, featuring a stylized red and white circular emblem to the left of the word "OZONE" in a bold, black, sans-serif font.

(591) Black, white and red
 (531) 24.15.01; 24.15.13; 24.15.13; 26.15.01;
 27.05.01; 29.01.13

(511)

7 – Vacuum cleaner bags; vacuum cleaner attachments for disseminating perfumes and disinfectants; dust filters for vacuum cleaners; vacuum cleaner hoses; filters being parts of machines or engines; brushes for vacuum cleaners.

(260) AM 2023 121454 A

(800) 1710184

(151) 2022 09 22

(891) 2022 09 22

(731) TÜRKİYE TURİZM TANITIM VE
 GELİŞTİRME AJANSI

Esentepe Mahallesi, Büyükdere Caddesi,
 Astoria 127 B 71, Şişli – İstanbul, Türkiye

(540)



(591) Turquoise blue and Gray

(531) 24.03.07; 24.17.02; 24.17.20; 27.05.10;
 29.01.12

(511)

35 – Advertising, marketing and public relations; organization of exhibitions and trade fairs for commercial or advertising purposes; development of advertising concepts; provision of an online marketplace for buyers and sellers of goods and services.

39 – Land, water and air transport services; rental of land, water or air vehicles; arranging of travel tours; travel reservation; issuing of tickets for travel; courier services (messages or merchandise).

41 – Arranging and conducting of conferences, congresses and seminars; sporting and cultural activities; entertainment; ticket reservation and booking services for entertainment, sporting and cultural events, including ticket reservation and booking services for theatres, cinemas, museums and concerts; publication and editing of printed matter, including magazines, books, newspapers, other than publicity texts; electronic publication services.

(260) AM 2023 121455 A

(800) 1710185

(151) 2022 10 05

(891) 2022 10 05

(731) Euro Games Technology Ltd.

4, "Maritsa" Str., "Vranya-Lozen-Triugulnika",
 BG-1151 Sofia, Bulgaria

(540)



(591) Yellow, orange and red

(531) 01.15.03; 01.15.05; 01.15.11; 01.15.25;
 24.15.01; 24.15.08; 24.15.13; 24.17.09;
 27.05.03; 27.05.04; 27.05.08; 27.05.09;
 29.01.14

(511)

9 – Operating computer software for main frame computers; monitors (computer hardware); computer hardware; apparatus for recording images; monitors (computer programs); computer game programs; recorded computer game programs; apparatus for recording, transmission or reproduction of sound or images; communications servers (computer hardware); electronic components for gambling machines; computer application software featuring games and gaming; computer software for the administration of on-line games and gaming; computer hardware for games and gaming; hardware and software for gambling, gambling machines, gambling games on the Internet and via telecommunication network; computer systems; computer operating system software; computer terminals; interactive terminals; multimedia terminals; electronic terminals for generating lottery tickets; interactive touch screen terminals; computer touchscreens; electronic display panels; liquid crystal display screens; digital signage display panels; multimedia software; multimedia apparatus and instruments; interactive multimedia software for playing games; computer screens; LCD large-screen displays; liquid crystal displays [LCDs] for home theatres; media streaming software; computer application software for streaming audio-visual media content via the Internet; software; computer gaming software; computer software packages; computer operating system software; computer software, recorded; software drivers; virtual reality software; games software; entertainment software for computer games; computer programs for network management; electronic lottery tickets; computer software platforms; operating systems; interactive computer systems; operating system programs; computer game software for use with on-line interactive games; interactive casino games provided through a computer or mobile platform; software for slot machines, betting software, software for video slot games, for casino games, for gambling and bingo games, provided online or through computer networks and that can be played on any type of computer device, including arcade games, personal computers, portable devices and mobile phones.

28 – Gaming machines for gambling; chips for gambling; mah-jong; arcade games; gambling machines operating with coins, notes and cards; games; electronic games; parlor games; gaming chips; gaming tables; slot machines [gaming machines]; LCD game machines; slot machines and gaming devices; coin-operated amusement machines; roulette chips; poker chips; chips and dice [gaming equipment]; gaming equipment for casinos; roulette tables; gaming roulette wheels; casino games; gambling machines and amusement machines, automatic and coin-operated; coin-operated amusement machines and/or electronic coin-operated amusement machines with or without the possibility of gain; boxes for coin-operated amusement machines, slot machines and gaming machines; electronic or electrotechnical amusement machines and apparatus, gaming machines, coin-operated entertainment machines; housings for coin-operated amusement machines, gaming equipment, gaming machines, machines for gambling; electropneumatic and electrical gambling machines (slot machines); lottery games; electronic targets for games and sports.

41 – Gambling services; gaming services for entertainment purposes; casino, gaming and gambling services; training in the development of software systems; provision of gaming equipment for gambling halls; providing casino equipment [gambling]; gaming machine entertainment services; providing casino facilities [gambling]; gaming hall services; games equipment rental; rental of gaming machines; providing amusement arcade services; rental of gaming machines with images of fruits; editing or recording of sounds and images; sound recording and video entertainment services; hire of sound reproducing apparatus; provision of gaming equipment for casinos; providing of gambling facilities; online gambling services; casino services; provision of gaming facilities and gaming hall facilities, Internet casinos and online gambling services; lottery services; organization of lotteries; provision of games by means of a computer based system; online interactive entertainment; online casino services; online game services through mobile devices; providing online entertainment in the nature of game tournaments; providing on-line information in the field of computer gaming entertainment; sports betting services; online sports betting services; providing online games and games of chance; entertainment services related to gambling.

(260) AM 2023 121553 A
 (800) 1711652
 (151) 2022 12 20
 (891) 2022 12 20
 (731) bugatti GmbH
 Hansastr. 55, 32049 Herford, Germany

(540)



(591) Black, white
 (531) 26.04.04; 26.04.05; 26.04.24; 27.05.01;
 27.05.09; 27.05.10

(511)

3 – Perfumery; cosmetics; hair lotions; soaps.

18 – Goods made of leather and imitations of leather, included in this class, namely bags, backpacks, suit bags, baggage and other carrying cases, wallets, purses, key cases; trunks and travelling bags; umbrellas and parasols; leather and imitations of leather.

25 – Clothing; footwear; headgear.

(260) AM 2023 121610 A

(800) 905411

(151) 2006 10 25

(891) 2023 01 10

(731) IPack B.V.

Cruquiusweg 98 W, NL-1019 AJ Amsterdam,
 Netherlands

(540)

FRUITESSE

(591) Black, white

(511)

32 – Beers.

(260) AM 2023 121611 A

(800) 1015022

(151) 2009 08 19

(891) 2023 01 06

(731) Emma Hardie Limited

1210 Lincoln Road, Peterborough PE4 6ND,
 United Kingdom

(540)

EMMA HARDIE

(591) Black, white

(511)

3 – Soaps, perfumery; essential oils; skin moisturizers; cleansers; cosmetics; including creams, milks, lotions, oils, serums, gels, sprays, scrubs, lipsticks and powders for the face, body and hands; skincare preparations; hair lotions; shampoos; non-medicated toilet preparations; sun creams; toiletries; antiperspirants and deodorants for personal use; dentifrices; aromatics; beauty masks; eau de Cologne; ethereal essences and oils; flower extracts.

(260) AM 2023 121694 A

(800) 1713794

(151) 2023 01 20

(891) 2023 01 20

(731) LACOSTE OPERATIONS

31-37 boulevard de Montmorency, F-75016

Paris, France

(540)

CHAMPS ELYSEES

(591) Black, white

(511)

18 – Leather and imitation leather, goods made of these materials not included in other classes; animal skins; backpacks; shopping bags; bags for climbers; bags for campers; traveling bags; garment bags for travel; boxes of leather or leatherboard; leather straps; girths of leather; trunks [luggage]; school bags; beach bags; handbags; traveling bags; wheeled shopping bags; briefcases; satchels; suitcases; travel sets [leatherware]; card cases [wallets]; key cases [leather goods]; wallets; coin purses not of precious metal; document cases; umbrellas, parasols and walking sticks.

25 – Clothing; pullovers; shirts; skirts; dresses; trousers; jackets; coats; raincoats; belts; scarves; long scarves; neckties; gloves; socks; stockings; tights; underwear; lingerie; pajamas; dressing gowns (robes); nightgowns; dressing gowns; bathing suits; sportswear; shoes; boots; slippers ("chaussons"); hosiery; headwear; boot uppers; footwear uppers; heelpieces for footwear; insoles; non-slipping devices for footwear; tips for footwear; welts for footwear; shirt fronts; shirt yokes; pockets for clothing.

(260) AM 2023 121696 A

(800) 1713800

(151) 2022 07 26

(891) 2022 07 26

(731) Društvo za trgovija i usluge EVRO GEJMS

TEHNOLODŽI DOOEL Skopje

Ul. Boris Trajkovski br.214 A, 1000 Skopje,

The Republic of North Macedonia

(540)

Flamy Play

(591) Black, white

(511)

9 – Software; games software; computer gaming software; computer software packages; computer operating system software; computer software for the administration of on-line games and gaming; computer software, recorded; software drivers; virtual reality software; entertainment software for computer games; computer programs for network management; hardware and software for gambling, gambling machines, gambling games on the Internet and via telecommunication network; operating computer software for main frame computers; monitors (computer hardware);

computer hardware; apparatus for recording images; monitors (computer programs); computer game programs; computer programs for recorded games; apparatus for recording, transmission or reproduction of sound or images; computer hardware for communications services; electronic components for gambling machines; computer application software featuring games and gaming; computer hardware for games and gaming.

28 – Games; chips for gambling; mah-jong; arcade games; gambling machines operating with coins, notes and cards; electropneumatic and electrical gambling machines (slot machines), electronic games; parlor games; gaming chips; gaming tables; slot machines [gaming machines]; LCD game machines; slot machines and gaming devices; coin-operated amusement machines; roulette chips; poker chips; chips and dice [gaming equipment]; gambling equipment for casinos; roulette tables; gaming roulette wheels; casino games; automats and gambling machines; coin-operated machines and/or electronic coin-operated machines with or without the possibility of gain; boxes for coin-operated machines, slot machines and gaming machines; electronic or electrotechnical gaming devices, automats and machines, coin-operated machines; housings for coin-operated machines, gaming equipment, gaming machines, machines for gambling; gaming machines for gambling.

41 – Casino management services in the nature of organizing gambling activities in casinos; operation of gaming establishments, gaming halls, Internet casinos, online gambling sites; services related to gambling; gaming services for entertainment purposes; casino, gaming and gambling services; gambling; training in the development of software systems; provision of gaming equipment for gambling halls; providing casino equipment [gambling]; gaming machine entertainment services; providing casino facilities [gambling]; providing halls with gaming machines; amusement arcade services; games equipment rental; rental of gaming machines; providing amusement arcade services; rental of gaming machines with images of fruits; editing or recording of sounds and images; sound recording and video entertainment services; hire of sound reproducing apparatus; provision of gaming equipment for casinos; providing of casino facilities; online gambling services.

(260) AM 2023 121697 A

(800) 1713801

(151) 2022 07 26

(891) 2022 07 26

(731) Društvo za trgovija i usluge EVRO GEJMS

TEHNOLODŽI DOOEL Skopje

Ul. Boris Trajkovski br.214 A, 1000 Skopje,

The Republic of North Macedonia

(540)

Flamy Dance

(591) Black, white

(511)

9 – Software; games software; computer gaming software; computer software packages; computer operating system software; computer software for the administration of on-line games and gaming; computer software, recorded; software drivers; virtual reality software; entertainment software for computer games; computer programs for network management; hardware and software for gambling, gambling machines, gambling games on the Internet and via telecommunication network; operating computer software for main frame computers; monitors (computer hardware); computer hardware; apparatus for recording images; monitors (computer programs); computer game programs; computer programs for recorded games; apparatus for recording, transmission or reproduction of sound or images; computer hardware for communications services; electronic components for gambling machines; computer application software featuring games and gaming; computer hardware for games and gaming.

28 – Games; chips for gambling; mah-jong; arcade games; gambling machines operating with coins, notes and cards; electropneumatic and electrical gambling machines (slot machines), electronic games; parlor games; gaming chips; gaming tables; slot machines [gaming machines]; LCD game machines; slot machines and gaming devices; coin-operated amusement machines; roulette chips; poker chips; chips and dice [gaming equipment]; gambling equipment for casinos; roulette tables; gaming roulette wheels; casino games; automats and gambling machines; coin-operated machines and/or electronic coin-operated machines with or without the possibility of gain; boxes for coin-operated machines, slot machines and gaming machines; electronic or electrotechnical gaming devices, automats and machines, coin-operated machines; housings for coin-operated machines, gaming equipment, gaming machines, machines for gambling; gaming machines for gambling.

41 – Casino management services in the nature of organizing gambling activities in casinos; operation of gaming establishments, gaming halls, Internet casinos, online gambling sites; services related to gambling; gaming services for entertainment purposes; casino, gaming and gambling services; gambling; training in the development of software systems; provision of gaming equipment for gambling halls; providing casino equipment [gambling]; gaming machine entertainment services; providing casino facilities [gambling]; providing halls with gaming machines; amusement arcade services; games equipment rental; rental of gaming machines; providing amusement arcade services; rental of gaming machines with images of fruits; editing or recording of sounds and images; sound recording

and video entertainment services; hire of sound reproducing apparatus; provision of gaming equipment for casinos; providing of casino facilities; online gambling services.

(260) AM 2023 121802 A

(800) 1715185

(151) 2022 11 17

(891) 2022 11 17

(731) EAU DE VIE DE VIE

10 rue du Docteur Roux, B1 176, F-75015

Paris, France

(540)

KV-VK NAPOLEON

(591) Black, white

(531) 27.05.01

(511)

33 – Alcoholic beverages (with the exception of beers).

(260) AM 2023 121803 A

(800) 1715202

(151) 2022 07 26

(891) 2022 07 26

(731) Alcadrain s.r.o.

Komunardu 1626/35, CZ-170 00 Praha,

Czech Republic

(540)

alcapipe

(591) Black, white

(531) 27.05.01; 27.05.25

(511)

6 – Structural members made of metal; shaped metal sections; fittings of metal for connecting construction elements; fittings of metal for connecting metal profiles; metal ties, for use in the following fields, assembly of construction elements; metal ties, for use in the following fields, assembly of metal profiles; handrails of metal, for use in the following fields, securing of construction elements and/or metal sections to building elements, walls, ceilings, floors; metal elements, for use in the following fields, securing of construction elements and/or metal sections to building elements, walls, ceilings, floors; anchoring elements of metal, for use in the following fields, securing of construction elements and/or metal sections to building elements, walls, ceilings, floors; support elements of metal; brackets and filling elements for use with construction elements and/or metal profiles; pipes holders of metal, metal pipe brackets, hose holders of metal, metal cable holders; metal mounting frames for sanitary installations; metal mounting frames for sanitary installations fitted with water reservoirs, water flushing installations, pipes, hoses; prefabricated installation walls and parts of walls with metal construction

elements and/or metal profiles; prefabricated installation sets containing metal construction elements and/or metal profiles; prefabricated installation sets containing metal construction elements and/or metal profiles and mounting and/or installation frames and brackets; prefabricated installation sets containing walls, ceilings, floors or their parts with metal construction elements and/or metal profiles; metal installation frames and brackets; eaves of metal; laths of metal; gratings of metal; traps of metal; ironmongery of metal; metal mounts, props of metal; manifolds of metal for pipelines; manifolds of metal with flowmeters for pipelines; manifolds of metal for floor heating or cooling; manifolds of metal for ceiling heating or cooling; quick couplings of metal; transition pieces of metal; junctions of metal for pipes; valves of metal; water-pipe valves of metal.

9 – Electronic systems, for use in the following fields, water flushing; electronic switch boards; power distributing boxes; flowmeters; dew-point sensors; dew point converters; bus bars; thermostats; thermal actuators (thermoregulators); control units, for use in relation to the following goods, heat pumps.

11 – Sanitary apparatus and instruments; installations and apparatus for water supply and drainage; mixer taps for water pipes; filters for drinking water; bidets; sinks; fountains; bath fittings; pipe line cocks [spigots]; bath tubs; bath fittings; bath linings; urinals being sanitary fixtures; water-pipes being parts for sanitary installations, water-pipes for sanitary installations; radiators; radiator caps; regulating and safety accessories for water apparatus; sauna bath installations; sitz baths; toilet seats; water flushing installations and its components; showers; shower cubicles; washers for water taps; toilets [water-closets]; bathroom sinks; disinfectant dispensers for toilets; hand driers; bath fittings; apparatus for making whirlpools in water; water treatment and filtering equipment; toilets, portable; water supply installations; mixing sets for underfloor heating or cooling; taps for pipes and pipelines; taps and fittings; heat pumps; heat pumps; outdoor heat pump units; water tanks for heat pumps; storage water heaters; units for cooling buildings; ventilation [air-conditioning] installations and apparatus; recycling units; ventilation units with heat recovery; dehumidifying units; spigots of metal; plastic taps, faucets of plastic.

17 – Soundproofing pads and liners, not of metal, for building materials; packing, stopping and insulating materials; non-metallic hoses, tubes and pipes; rings of rubber; plastics in extruded form for use in manufacture; plastic seals; flexible plastic pipes for plumbing purposes; flexible plastic pipes for plumbing purposes for walls or ceilings for heating or cooling purposes; flexible plastic pipes for plumbing purposes for hot and cold water manifolds; flexible plastic pipes for plumbing purposes for air distribution; thermal insulators, footstep sound insulation material; non-

metallic pipe joints, couplings and connectors, plastic fittings for connecting pipes; fittings, of the following materials, plastic, joints of plastic, for pipes and tubes, transition sleeves, of the following materials, plastic; couplings with metal thread, of the following materials, plastic.

19 – Plastic load-bearing elements; brackets and filling elements for use with construction elements and/or metal profiles; plastic supports for pipes, tubes, hoses and cables; timber boarding, for use in relation to the following goods, construction elements and metal profiles; gullies, not of metal; grates, of the following materials, plastic; drain traps, not of metal; non-metallic building products, accessories for the aforesaid goods; rigid tubes not of metal, for use in the following fields, pipes for fluids; building materials, not of metal; boards for laying pipes, of the following materials, plastic; boards with admixture of graphite; fire-resistant boards and panels, not of metal, for building; bathroom linings; plastic rails for laying pipes.

20 – Furniture and parts therefor, especially, units for bathroom utensils, sanitary furniture; articles of plastics, not included in other classes, mats or covers for sinks; containers, not of metal; bathroom shelves; cases of plastic; dressing tables; water-pipe valves of plastics; coathooks, not of metal; mirrors (silvered glass); articles of plastics included in this class as plastic fittings; boxes, of the following materials, plastic; packaging containers of plastic; cable handles, of the following materials, plastic; plastics wall plugs; screws, not of metal; sealing caps, not of metal; closures for containers, non-metallic; valves, non-metallic; manifolds for pipe systems, of the following materials, plastic; manifolds with flow meters for pipe systems, of the following materials, plastic; manifolds for underfloor heating or cooling, of the following materials, plastic; manifolds for ceiling cooling or heating, of the following materials, plastic; splice connectors (plastic -) for non-electric cables; drain traps [valves] of plastic; plastic fasteners for connecting construction elements; plastic fasteners for connecting metal profiles; plastic couplers, for use in the following fields, assembly of construction elements; plastic couplers, for use in the following fields, assembly of metal profiles; plastic fixtures for securing construction elements and/or metal profiles to building elements, walls, ceilings, floors; plastic elements for securing construction elements and/or metal profiles to building elements, walls, ceilings, floors; plastic anchoring elements for securing construction elements and/or metal profiles to building elements, walls, ceilings, floors; quick couplers, of the following materials, plastic; biscuit connectors for boards.

(260) AM 2023 121805 A

(800) 1715235

(151) 2022 09 29

(891) 2022 09 29

(731) Shoaib Abedi

Level 17, Dashwood House, 69 Old Broad
Street, London EC2M 1QS, United Kingdom

(540)

ICM.com

(591) Black, white

(531) 27.05.17; 29.01.04

(511)

36 – Financial, monetary and banking services; financial transaction and payment services; financial exchange services; foreign exchange services; financial services relating to foreign exchange market; financial brokerage services; financial investigation services; financial affairs; financial management; financial research; financial analysis; financial advice; tax advice; money lending services; money exchange services; money brokerage; monetary transactions; monetary exchange; monetary affairs; monetary transfer services; capital investment; investment of funds; investment banking; international banking; mortgage banking; financial banking; private banking; electronic banking; online banking services; internet banking services; ATM banking services; financial services relating to cash CFD's [contract for difference]; financial trading services; trading of stocks; trading in currencies; trading in securities; insurance services; insurance brokerage services; real estate affairs; real estate financing; real estate investment; real estate brokerage.

INTERNATIONAL TRADEMARKS PROTECTED IN GEORGIA

(260) AM 2023 115838 A
(800) 1571879
(151) 2020 08 20
(181) 2030 08 20
(891) 2021 10 05
(511) 03, 08, 10, 27, 29, 29, 30, 31, 32, 33, 39, 43

(260) AM 2023 118954 A
(800) 1676842
(151) 2022 06 30
(181) 2032 06 30
(891) 2022 06 30
(511) 01, 03

(260) AM 2023 116289 A
(800) 1639781
(151) 2021 09 27
(181) 2031 09 27
(891) 2021 09 27
(511) 05, 40, 42

(260) AM 2023 119045 A
(800) 1678449
(151) 2022 06 30
(181) 2032 06 30
(891) 2022 06 30
(511) 35

(260) AM 2023 116553 A
(800) 1642748
(151) 2021 09 27
(181) 2031 09 27
(891) 2021 09 27
(511) 05, 40, 42

(260) AM 2023 119164 A
(800) 1050973
(151) 2010 03 18
(181) 2030 03 18
(891) 2022 07 12
(511) 09

(260) AM 2023 117032 A
(800) 1649318
(151) 2022 01 20
(181) 2032 01 20
(891) 2022 01 20
(511) 29, 30

(260) AM 2023 119243 A
(800) 1680770
(151) 2022 06 23
(181) 2032 06 23
(891) 2022 06 23
(511) 07

(260) AM 2023 117490 A
(800) 1655908
(151) 2021 10 13
(181) 2031 10 13
(891) 2021 10 13
(511) 06, 07, 08, 09, 11, 12, 20

(260) AM 2023 119296 A
(800) 1681136
(151) 2022 07 13
(181) 2032 07 13
(891) 2022 07 13
(511) 03, 08, 16, 35

(260) AM 2023 117941 A
(800) 1662847
(151) 2021 09 16
(181) 2031 09 16
(891) 2021 09 16
(511) 01

(260) AM 2023 119297 A
(800) 1681157
(151) 2022 07 04
(181) 2032 07 04
(891) 2022 07 04
(511) 06

(260) AM 2023 118781 A
(800) 1674553
(151) 2022 03 08
(181) 2032 03 08
(891) 2022 03 08
(511) 11

(260) AM 2023 119298 A
(800) 1681197
(151) 2022 07 15
(181) 2032 07 15
(891) 2022 07 15
(511) 07

(260) AM 2023 119300 A
(800) 1681267
(151) 2022 07 05
(181) 2032 07 05
(891) 2022 07 05
(511) 34

(260) AM 2023 119322 A
(800) 1681786
(151) 2022 05 31
(181) 2032 05 31
(891) 2022 05 31
(511) 30

(260) AM 2023 119301 A
(800) 1681290
(151) 2022 05 07
(181) 2032 05 07
(891) 2022 05 07
(511) 09

(260) AM 2023 119323 A
(800) 1681814
(151) 2022 07 22
(181) 2032 07 22
(891) 2022 07 22
(511) 03

(260) AM 2023 119303 A
(800) 1681319
(151) 2022 06 28
(181) 2032 06 28
(891) 2022 06 28
(511) 13

(260) AM 2023 119324 A
(800) 1681822
(151) 2022 08 02
(181) 2032 08 02
(891) 2022 08 02
(511) 32, 33

(260) AM 2023 119305 A
(800) 1681341
(151) 2022 08 03
(181) 2032 08 03
(891) 2022 08 03
(511) 05, 29, 30, 32

(260) AM 2023 119325 A
(800) 1681825
(151) 2022 02 04
(181) 2032 02 04
(891) 2022 02 04
(511) 29, 30, 31, 32

(260) AM 2023 119316 A
(800) 1681719
(151) 2022 07 11
(181) 2032 07 11
(891) 2022 07 11
(511) 34

(260) AM 2023 119341 A
(800) 1620503
(151) 2021 08 09
(181) 2031 08 09
(891) 2022 08 23
(511) 09, 35

(260) AM 2023 119320 A
(800) 1681782
(151) 2022 05 23
(181) 2032 05 23
(891) 2022 05 23
(511) 05

(260) AM 2023 119342 A
(800) 1657597
(151) 2022 03 11
(181) 2032 03 11
(891) 2022 05 31
(511) 03, 04

(260) AM 2023 119321 A
(800) 1681783
(151) 2022 06 29
(181) 2032 06 29
(891) 2022 06 29
(511) 07, 11, 20

(260) AM 2023 119377 A
(800) 1682156
(151) 2022 02 24
(181) 2032 02 24
(891) 2022 02 24
(511) 03

(260) AM 2023 119378 A
(800) 1682231
(151) 2022 06 24
(181) 2032 06 24
(891) 2022 06 24
(511) 05

(260) AM 2023 119386 A
(800) 1682437
(151) 2022 02 18
(181) 2032 02 18
(891) 2022 02 18
(511) 09, 35, 38, 41, 42

(260) AM 2023 119380 A
(800) 1682245
(151) 2022 07 22
(181) 2032 07 22
(891) 2022 07 22
(511) 31

(260) AM 2023 119387 A
(800) 1682479
(151) 2022 04 12
(181) 2032 04 12
(891) 2022 04 12
(511) 09, 14, 16, 21, 25, 41

(260) AM 2023 119381 A
(800) 1682353
(151) 2022 01 18
(181) 2032 01 18
(891) 2022 01 18
(511) 09, 10, 17, 21

(260) AM 2023 119388 A
(800) 1682535
(151) 2022 06 08
(181) 2032 06 08
(891) 2022 06 08
(511) 34

(260) AM 2023 119382 A
(800) 1682356
(151) 2022 02 25
(181) 2032 02 25
(891) 2022 02 25
(511) 01, 02, 03, 04, 09

(260) AM 2023 119389 A
(800) 1682571
(151) 2022 06 21
(181) 2032 06 21
(891) 2022 06 21
(511) 12, 37, 41

(260) AM 2023 119383 A
(800) 1682385
(151) 2022 06 22
(181) 2032 06 22
(891) 2022 06 22
(511) 41, 45

(260) AM 2023 119390 A
(800) 1682614
(151) 2022 06 20
(181) 2032 06 20
(891) 2022 06 20
(511) 34

(260) AM 2023 119384 A
(800) 1682412
(151) 2021 10 19
(181) 2031 10 19
(891) 2021 10 19
(511) 20

(260) AM 2023 119391 A
(800) 1682625
(151) 2022 07 26
(181) 2032 07 26
(891) 2022 07 26
(511) 25, 35

(260) AM 2023 119385 A
(800) 1682429
(151) 2021 12 24
(181) 2031 12 24
(891) 2021 12 24
(511) 25, 35

(260) AM 2023 119392 A
(800) 1682637
(151) 2022 07 28
(181) 2032 07 28
(891) 2022 07 28
(511) 05

(260) AM 2023 119394 A
(800) 1682697
(151) 2022 07 12
(181) 2032 07 12
(891) 2022 07 12
(511) 07, 09, 11, 12, 21

(260) AM 2023 119401 A
(800) 1682847
(151) 2022 02 24
(181) 2032 02 24
(891) 2022 02 24
(511) 03

(260) AM 2023 119395 A
(800) 1682763
(151) 2022 07 08
(181) 2032 07 08
(891) 2022 07 08
(511) 14

(260) AM 2023 119402 A
(800) 1682848
(151) 2022 03 08
(181) 2032 03 08
(891) 2022 03 08
(511) 09

(260) AM 2023 119396 A
(800) 1682768
(151) 2022 01 28
(181) 2032 01 28
(891) 2022 01 28
(511) 34, 35

(260) AM 2023 119403 A
(800) 1682865
(151) 2022 03 11
(181) 2032 03 11
(891) 2022 03 11
(511) 35

(260) AM 2023 119397 A
(800) 1682772
(151) 2022 05 06
(181) 2032 05 06
(891) 2022 05 06
(511) 07, 09, 35

(260) AM 2023 119404 A
(800) 1682868
(151) 2022 03 10
(181) 2032 03 10
(891) 2022 03 10
(511) 22, 23, 25

(260) AM 2023 119398 A
(800) 1682780
(151) 2022 05 13
(181) 2032 05 13
(891) 2022 05 13
(511) 34

(260) AM 2023 119405 A
(800) 1682876
(151) 2022 05 23
(181) 2032 05 23
(891) 2022 05 23
(511) 30

(260) AM 2023 119399 A
(800) 1682816
(151) 2022 04 14
(181) 2032 04 14
(891) 2022 04 14
(511) 09, 28, 41

(260) AM 2023 119406 A
(800) 1682983
(151) 2022 01 06
(181) 2032 01 06
(891) 2022 01 06
(511) 09, 16, 35, 39, 41, 42, 43, 45

(260) AM 2023 119400 A
(800) 1682835
(151) 2022 03 24
(181) 2032 03 24
(891) 2022 03 24
(511) 18, 25

(260) AM 2023 119407 A
(800) 1682985
(151) 2022 05 14
(181) 2032 05 14
(891) 2022 05 14
(511) 07, 09, 11, 21

(260) AM 2023 119408 A
(800) 1682989
(151) 2022 05 25
(181) 2032 05 25
(891) 2022 05 25
(511) 12

(260) AM 2023 119425 A
(800) 1683551
(151) 2022 04 07
(181) 2032 04 07
(891) 2022 04 07
(511) 35

(260) AM 2023 119409 A
(800) 1683019
(151) 2022 08 12
(181) 2032 08 12
(891) 2022 08 12
(511) 05

(260) AM 2023 119426 A
(800) 1683609
(151) 2022 05 31
(181) 2032 05 31
(891) 2022 05 31
(511) 03

(260) AM 2023 119420 A
(800) 1683438
(151) 2022 08 12
(181) 2032 08 12
(891) 2022 08 12
(511) 05

(260) AM 2023 119427 A
(800) 1683615
(151) 2022 06 27
(181) 2032 06 27
(891) 2022 06 27
(511) 03, 05

(260) AM 2023 119421 A
(800) 1683469
(151) 2022 06 20
(181) 2032 06 20
(891) 2022 06 20
(511) 34

(260) AM 2023 119428 A
(800) 1683619
(151) 2022 06 28
(181) 2032 06 28
(891) 2022 06 28
(511) 13

(260) AM 2023 119422 A
(800) 1683490
(151) 2022 04 04
(181) 2032 04 04
(891) 2022 04 04
(511) 05

(260) AM 2023 119429 A
(800) 1683621
(151) 2022 06 29
(181) 2032 06 29
(891) 2022 06 29
(511) 30, 32

(260) AM 2023 119423 A
(800) 1683506
(151) 2022 06 23
(181) 2032 06 23
(891) 2022 06 23
(511) 25, 35

(260) AM 2023 119430 A
(800) 1683626
(151) 2022 07 12
(181) 2032 07 12
(891) 2022 07 12
(511) 30

(260) AM 2023 119424 A
(800) 1683507
(151) 2022 04 17
(181) 2032 04 17
(891) 2022 04 17
(511) 01, 14, 42

(260) AM 2023 119432 A
(800) 1683836
(151) 2022 07 27
(181) 2032 07 27
(891) 2022 07 27
(511) 01

(260) AM 2023 119433 A
(800) 1683852
(151) 2022 02 04
(181) 2032 02 04
(891) 2022 02 04
(511) 03, 05, 29, 30, 31, 32, 33, 35

(260) AM 2023 119452 A
(800) 1684082
(151) 2022 08 10
(181) 2032 08 10
(891) 2022 08 10
(511) 09, 28, 41

(260) AM 2023 119440 A
(800) 1683936
(151) 2022 06 14
(181) 2032 06 14
(891) 2022 06 14
(511) 01, 05, 35

(260) AM 2023 119453 A
(800) 1684083
(151) 2022 08 10
(181) 2032 08 10
(891) 2022 08 10
(511) 09, 28, 41

(260) AM 2023 119443 A
(800) 1684004
(151) 2022 07 27
(181) 2032 07 27
(891) 2022 07 27
(511) 09, 35

(260) AM 2023 119454 A
(800) 1684084
(151) 2022 08 10
(181) 2032 08 10
(891) 2022 08 10
(511) 09, 28, 41

(260) AM 2023 119446 A
(800) 1684032
(151) 2022 08 12
(181) 2032 08 12
(891) 2022 08 12
(511) 05

(260) AM 2023 119455 A
(800) 1684085
(151) 2022 08 10
(181) 2032 08 10
(891) 2022 08 10
(511) 09, 28, 41

(260) AM 2023 119449 A
(800) 1684051
(151) 2022 05 27
(181) 2032 05 27
(891) 2022 05 27
(511) 43

(260) AM 2023 119456 A
(800) 1684086
(151) 2022 08 10
(181) 2032 08 10
(891) 2022 08 10
(511) 09, 28

(260) AM 2023 119450 A
(800) 1684080
(151) 2022 08 10
(181) 2032 08 10
(891) 2022 08 10
(511) 09, 28, 41

(260) AM 2023 119457 A
(800) 1684087
(151) 2022 08 10
(181) 2032 08 10
(891) 2022 08 10
(511) 09, 28, 41

(260) AM 2023 119451 A
(800) 1684081
(151) 2022 08 10
(181) 2032 08 10
(891) 2022 08 10
(511) 09, 28, 41

(260) AM 2023 119458 A
(800) 1684088
(151) 2022 08 10
(181) 2032 08 10
(891) 2022 08 10
(511) 09, 28, 41

(260) AM 2023 119459 A
(800) 1684089
(151) 2022 08 10
(181) 2032 08 10
(891) 2022 08 10
(511) 09, 28, 41

(260) AM 2023 119470 A
(800) 1498911
(151) 2019 08 07
(181) 2029 08 07
(891) 2022 07 01
(511) 30

(260) AM 2023 119460 A
(800) 1684090
(151) 2022 08 10
(181) 2032 08 10
(891) 2022 08 10
(511) 09, 28, 41

(260) AM 2023 119471 A
(800) 1540910
(151) 2020 05 06
(181) 2030 05 06
(891) 2022 08 04
(511) 05, 07, 08, 09, 11, 21, 35, 43

(260) AM 2023 119461 A
(800) 1684102
(151) 2022 06 29
(181) 2032 06 29
(891) 2022 06 29
(511) 07, 11, 20

(260) AM 2023 119472 A
(800) 1591046
(151) 2021 04 13
(181) 2031 04 13
(891) 2022 08 29
(511) 01

(260) AM 2023 119466 A
(800) 1087127
(151) 2011 06 16
(181) 2031 06 16
(891) 2022 08 30
(511) 33

(260) AM 2023 119473 A
(800) 1662106
(151) 2022 03 09
(181) 2032 03 09
(891) 2022 08 29
(511) 41, 44

(260) AM 2023 119467 A
(800) 1137330
(151) 2012 08 23
(181) 2032 08 23
(891) 2022 08 24
(511) 25

(260) AM 2023 119474 A
(800) 1662107
(151) 2022 03 09
(181) 2032 03 09
(891) 2022 08 29
(511) 41, 44

(260) AM 2023 119468 A
(800) 1322763
(151) 2016 01 13
(181) 2026 01 13
(891) 2022 07 20
(511) 16, 28, 41

(260) AM 2023 119476 A
(800) 1679434
(151) 2022 04 08
(181) 2032 04 08
(891) 2022 08 26
(511) 07, 09, 11

(260) AM 2023 119469 A
(800) 1479348
(151) 2019 06 04
(181) 2029 06 04
(891) 2022 08 15
(511) 03, 04

(260) AM 2023 119511 A
(800) 1684182
(151) 2022 07 12
(181) 2032 07 12
(891) 2022 07 12
(511) 30

(260) AM 2023 119512 A
(800) 1684199
(151) 2022 08 09
(181) 2032 08 09
(891) 2022 08 09
(511) 01

(260) AM 2023 119531 A
(800) 1684749
(151) 2022 06 03
(181) 2032 06 03
(891) 2022 06 03
(511) 29, 30, 32, 35

(260) AM 2023 119513 A
(800) 1684204
(151) 2022 05 09
(181) 2032 05 09
(891) 2022 05 09
(511) 09, 28, 41

(260) AM 2023 119533 A
(800) 1684886
(151) 2022 08 09
(181) 2032 08 09
(891) 2022 08 09
(511) 20

(260) AM 2023 119525 A
(800) 1684503
(151) 2022 07 18
(181) 2032 07 18
(891) 2022 07 18
(511) 29

(260) AM 2023 119534 A
(800) 1684890
(151) 2022 07 29
(181) 2032 07 29
(891) 2022 07 29
(511) 12, 37

(260) AM 2023 119526 A
(800) 1684553
(151) 2022 06 02
(181) 2032 06 02
(891) 2022 06 02
(511) 35, 39

(260) AM 2023 119536 A
(800) 1685015
(151) 2022 04 29
(181) 2032 04 29
(891) 2022 04 29
(511) 09, 12, 39, 42

(260) AM 2023 119527 A
(800) 1684568
(151) 2022 07 29
(181) 2032 07 29
(891) 2022 07 29
(511) 03

(260) AM 2023 119537 A
(800) 1685120
(151) 2022 05 06
(181) 2032 05 06
(891) 2022 05 06
(511) 03, 05

(260) AM 2023 119529 A
(800) 1684696
(151) 2022 01 14
(181) 2032 01 14
(891) 2022 01 14
(511) 03

(260) AM 2023 119538 A
(800) 1685130
(151) 2022 07 18
(181) 2032 07 18
(891) 2022 07 18
(511) 29

(260) AM 2023 119530 A
(800) 1684748
(151) 2022 06 03
(181) 2032 06 03
(891) 2022 06 03
(511) 29, 30, 32, 35

(260) AM 2023 119539 A
(800) 1685151
(151) 2022 06 02
(181) 2032 06 02
(891) 2022 06 02
(511) 09, 28, 41

(260) AM 2023 119540 A
(800) 1685153
(151) 2022 06 09
(181) 2032 06 09
(891) 2022 06 09
(511) 30

(260) AM 2023 119575 A
(800) 1674425
(151) 2022 03 24
(181) 2032 03 24
(891) 2022 07 26
(511) 05

(260) AM 2023 119541 A
(800) 1685191
(151) 2022 08 10
(181) 2032 08 10
(891) 2022 08 10
(511) 05

(260) AM 2023 119576 A
(800) 1680884
(151) 2022 04 08
(181) 2032 04 08
(891) 2022 09 02
(511) 07, 09, 11

(260) AM 2023 119542 A
(800) 1685192
(151) 2022 08 10
(181) 2032 08 10
(891) 2022 08 10
(511) 05

(260) AM 2023 119620 A
(800) 1685822
(151) 2022 03 22
(181) 2032 03 22
(891) 2022 03 22
(511) 11, 17

(260) AM 2023 119553 A
(800) 1685418
(151) 2021 11 17
(181) 2031 11 17
(891) 2021 11 17
(511) 06, 07, 09, 11, 12

(260) AM 2023 119621 A
(800) 1685832
(151) 2022 05 24
(181) 2032 05 24
(891) 2022 05 24
(511) 29, 30, 32

(260) AM 2023 119556 A
(800) 1685698
(151) 2022 08 11
(181) 2032 08 11
(891) 2022 08 11
(511) 34

(260) AM 2023 119622 A
(800) 1685872
(151) 2022 05 30
(181) 2032 05 30
(891) 2022 05 30
(511) 09, 28, 41

(260) AM 2023 119573 A
(800) 1662245
(151) 2021 11 30
(181) 2031 11 30
(891) 2022 08 10
(511) 19

(260) AM 2023 119625 A
(800) 1685905
(151) 2022 08 18
(181) 2032 08 18
(891) 2022 08 18
(511) 09, 34

(260) AM 2023 119574 A
(800) 1662248
(151) 2021 11 30
(181) 2031 11 30
(891) 2022 07 27
(511) 19

(260) AM 2023 119636 A
(800) 1686195
(151) 2022 06 24
(181) 2032 06 24
(891) 2022 06 24
(511) 03, 09, 18, 20, 21, 24, 30

(260) AM 2023 119637 A
(800) 1686250
(151) 2022 05 25
(181) 2032 05 25
(891) 2022 05 25
(511) 03, 05

(260) AM 2023 119644 A
(800) 1686427
(151) 2022 06 08
(181) 2032 06 08
(891) 2022 06 08
(511) 09, 28, 41

(260) AM 2023 119638 A
(800) 1686251
(151) 2022 05 25
(181) 2032 05 25
(891) 2022 05 25
(511) 03, 05

(260) AM 2023 119645 A
(800) 1686428
(151) 2022 06 08
(181) 2032 06 08
(891) 2022 06 08
(511) 09, 28, 41

(260) AM 2023 119639 A
(800) 1686282
(151) 2022 06 29
(181) 2032 06 29
(891) 2022 06 29
(511) 24, 25

(260) AM 2023 119646 A
(800) 1686449
(151) 2022 06 29
(181) 2032 06 29
(891) 2022 06 29
(511) 07, 11, 20

(260) AM 2023 119640 A
(800) 1686317
(151) 2022 08 03
(181) 2032 08 03
(891) 2022 08 03
(511) 07, 09, 12, 35

(260) AM 2023 119647 A
(800) 1686544
(151) 2022 05 19
(181) 2032 05 19
(891) 2022 05 19
(511) 09, 28, 41

(260) AM 2023 119641 A
(800) 1686376
(151) 2022 03 18
(181) 2032 03 18
(891) 2022 03 18
(511) 05

(260) AM 2023 119648 A
(800) 1686545
(151) 2022 06 02
(181) 2032 06 02
(891) 2022 06 02
(511) 09, 28, 41

(260) AM 2023 119642 A
(800) 1686424
(151) 2022 06 02
(181) 2032 06 02
(891) 2022 06 02
(511) 09, 28, 41

(260) AM 2023 119649 A
(800) 1686579
(151) 2022 07 14
(181) 2032 07 14
(891) 2022 07 14
(511) 11

(260) AM 2023 119643 A
(800) 1686426
(151) 2022 06 08
(181) 2032 06 08
(891) 2022 06 08
(511) 09, 28, 41

(260) AM 2023 119650 A
(800) 1686594
(151) 2022 07 06
(181) 2032 07 06
(891) 2022 07 06
(511) 03

(260) AM 2023 119651 A
(800) 1686618
(151) 2022 02 20
(181) 2032 02 20
(891) 2022 02 20
(511) 05

(260) AM 2023 119666 A
(800) 624212
(151) 1994 08 19
(181) 2024 08 19
(891) 2022 09 08
(511) 19

(260) AM 2023 119652 A
(800) 1686653
(151) 2022 06 28
(181) 2032 06 28
(891) 2022 06 28
(511) 03

(260) AM 2023 119670 A
(800) 1443643
(151) 2018 10 31
(181) 2028 10 31
(891) 2022 08 26
(511) 29, 30, 35

(260) AM 2023 119653 A
(800) 1686656
(151) 2022 04 06
(181) 2032 04 06
(891) 2022 04 06
(511) 24, 25

(260) AM 2023 119672 A
(800) 1518463
(151) 2019 11 27
(181) 2029 11 27
(891) 2022 09 01
(511) 29, 30

(260) AM 2023 119654 A
(800) 1686748
(151) 2022 08 04
(181) 2032 08 04
(891) 2022 08 04
(511) 03

(260) AM 2023 119673 A
(800) 1531523
(151) 2020 03 31
(181) 2030 03 31
(891) 2022 09 14
(511) 05

(260) AM 2023 119655 A
(800) 1686833
(151) 2022 06 21
(181) 2032 06 21
(891) 2022 06 21
(511) 09, 35

(260) AM 2023 119749 A
(800) 1688345
(151) 2022 08 16
(181) 2032 08 16
(891) 2022 08 16
(511) 28, 37, 38, 41

(260) AM 2023 119656 A
(800) 1686903
(151) 2022 06 22
(181) 2032 06 22
(891) 2022 06 22
(511) 01

(260) AM 2023 119750 A
(800) 1688358
(151) 2022 08 25
(181) 2032 08 25
(891) 2022 08 25
(511) 35

(260) AM 2023 119660 A
(800) 1687065
(151) 2022 06 15
(181) 2032 06 15
(891) 2022 06 15
(511) 09, 42

(260) AM 2023 119751 A
(800) 786357
(151) 2002 07 12
(181) 2032 07 12
(891) 2022 07 13
(511) 18, 25

(260) AM 2023 119752 A
(800) 1222299
(151) 2014 09 25
(181) 2024 09 25
(891) 2022 09 16
(511) 05

(260) AM 2023 119753 A
(800) 1488612
(151) 2019 06 26
(181) 2029 06 26
(891) 2022 09 01
(511) 35, 38, 41, 42

(260) AM 2023 119762 A
(800) 1685117
(151) 2022 06 10
(181) 2032 06 10
(891) 2022 06 10
(511) 07

(260) AM 2023 119834 A
(800) 1688993
(151) 2022 05 02
(181) 2032 05 02
(891) 2022 05 02
(511) 07, 12

(260) AM 2023 119835 A
(800) 1689068
(151) 2021 09 29
(181) 2031 09 29
(891) 2021 09 29
(511) 34, 35

(260) AM 2023 119836 A
(800) 1689087
(151) 2022 03 21
(181) 2032 03 21
(891) 2022 03 21
(511) 20, 24, 35

(260) AM 2023 119837 A
(800) 1689127
(151) 2022 06 17
(181) 2032 06 17
(891) 2022 06 17
(511) 09, 36, 42, 45

(260) AM 2023 119838 A
(800) 1689159
(151) 2022 07 25
(181) 2032 07 25
(891) 2022 07 25
(511) 09, 28, 41

(260) AM 2023 119927 A
(800) 1690308
(151) 2022 09 13
(181) 2032 09 13
(891) 2022 09 13
(511) 39

(260) AM 2023 119928 A
(800) 1690319
(151) 2022 08 31
(181) 2032 08 31
(891) 2022 08 31
(511) 04, 06, 09, 11, 12, 35, 37, 38, 39, 42, 43

(260) AM 2023 119929 A
(800) 1690423
(151) 2022 09 19
(181) 2032 09 19
(891) 2022 09 19
(511) 14

(260) AM 2023 119930 A
(800) 1690450
(151) 2022 09 21
(181) 2032 09 21
(891) 2022 09 21
(511) 32

(260) AM 2023 119931 A
(800) 1690472
(151) 2022 08 08
(181) 2032 08 08
(891) 2022 08 08
(511) 03

(260) AM 2023 119973 A
(800) 895885
(151) 2006 03 31
(181) 2026 03 31
(891) 2022 09 28
(511) 03, 05

(260) AM 2023 119974 A
(800) 1094150
(151) 2011 08 31
(181) 2031 08 31
(891) 2022 10 05
(511) 32

(260) AM 2023 120105 A
(800) 1692574
(151) 2022 09 16
(181) 2032 09 16
(891) 2022 09 16
(511) 29, 30

(260) AM 2023 119975 A
(800) 1119633
(151) 2012 03 27
(181) 2032 03 27
(891) 2022 09 26
(511) 45

(260) AM 2023 120106 A
(800) 1692584
(151) 2022 10 05
(181) 2032 10 05
(891) 2022 10 05
(511) 09, 20

(260) AM 2023 120086 A
(800) 1692244
(151) 2022 09 07
(181) 2032 09 07
(891) 2022 09 07
(511) 25

(260) AM 2023 120188 A
(800) 1693202
(151) 2022 04 14
(181) 2032 04 14
(891) 2022 04 14
(511) 03, 04, 29, 30

(260) AM 2023 120089 A
(800) 1692345
(151) 2022 04 14
(181) 2032 04 14
(891) 2022 04 14
(511) 03, 04, 29, 30

(260) AM 2023 120268 A
(800) 1694151
(151) 2022 07 22
(181) 2032 07 22
(891) 2022 07 22
(511) 05, 29, 30, 32

(260) AM 2023 120090 A
(800) 1692361
(151) 2022 08 16
(181) 2032 08 16
(891) 2022 08 16
(511) 29, 30

(260) AM 2023 120304 A
(800) 1695161
(151) 2022 06 08
(181) 2032 06 08
(891) 2022 06 08
(511) 05, 10, 42

(260) AM 2023 120091 A
(800) 1692369
(151) 2022 08 05
(181) 2032 08 05
(891) 2022 08 05
(511) 05, 10

(260) AM 2023 120104 A
(800) 1692558
(151) 2022 07 06
(181) 2032 07 06
(891) 2022 07 06
(511) 06, 19, 20

OFFICIAL NOTIFICATIONS
INVENTIONS
LAPSE OF PATENTS WITH THE RIGHT TO RESTORE

(21) AP 2010 12612
(11) P 2014 6135 B
(73) Chiesi Farmaceutici S.P.A.
(54) PREGNANE DERIVATIVES CONDENSED IN 16, 17 POSITION WITH N-SUBSTITUTED
ISOXAZOLIDINE RING AS ANTI-INFLAMMATORY AGENTS
DATE OF PATENT LAPSE: 2023 09 01
PATENT RESTORATION TERM: 2024 09 01

(21) AP 2012 12972
(11) P 2017 6612 B
(73) Novamedica LLC
(54) METHODS FOR THE TREATMENT OF BREAST CANCER
DATE OF PATENT LAPSE: 2023 08 31
PATENT RESTORATION TERM: 2024 08 31

(21) AP 2017 15045
(11) P 2021 7332 B
(73) Bayer Pharma Aktiengesellschaft;
Bayer Aktiengesellschaft
(54) 7-SUBSTITUTED 1-ARYL-NAPHTHYRIDINE-3-CARBOXYLIC ACID AMIDES AND USE THEREOF
DATE OF PATENT LAPSE: 2023 09 06
PATENT RESTORATION TERM: 2024 09 06

EXPIRATION OF PATENTS RESTORATION TERM

(21) AP 2008 10888
(11) P 2010 5034 B
(73) Les Laboratoires Servier
(54) 1,2,4,5-TETRAHYDRO-3H-BENZAZEPINE DERIVATIVES, PROCESS FOR THEIR PREPARATION
AND PHARMACEUTICAL COMPOSITIONS CONTAINING THEM
DATE OF PATENT LAPSE: 2022 09 04
DATE OF EXPIRATION OF PATENT RESTORATION TERM: 2023 09 04

(21) AP 2009 11453
(11) P 2012 5580 B
(73) Gugu Kiknavelidze
(54) DOUBLE-ACTING FOUR-CYLINDER STIRLING ENGINE
DATE OF PATENT LAPSE: 2022 09 08
DATE OF EXPIRATION OF PATENT RESTORATION TERM: 2023 09 08

(21) AP 2009 12319
(11) P 2013 5949 B
(73) Vossloh Werke GMBH
(54) ELASTIC TENSIONING CLAMP AND RAIL FIXATION

DATE OF PATENT LAPSE: 2022 09 02
DATE OF EXPIRATION OF PATENT RESTORATION TERM: 2023 09 02

(21) AP 2010 12642
(11) P 2014 6080 B
(73) PIERRE FABRE DERMO-COSMETIQUE
(54) CHROMONE DERIVATIVES, METHOD OF THEIR PREPARATION AND THERAPEUTIC APPLICATIONS

DATE OF PATENT LAPSE: 2022 08 31
DATE OF EXPIRATION OF PATENT RESTORATION TERM: 2023 08 31

(21) AP 2010 12647
(11) P 2015 6224 B
(73) Kyowa Kirin Co., LTD
(54) THERAPEUTIC AGENT FOR MOOD DISORDERS
DATE OF PATENT LAPSE: 2022 09 02
DATE OF EXPIRATION OF PATENT RESTORATION TERM: 2023 09 02

(21) AP 2010 12648
(11) P 2015 6225 B
(73) Kyowa Kirin Co., LTD
(54) THERAPEUTIC AGENT FOR ANXIETY DISORDERS
DATE OF PATENT LAPSE: 2022 09 02
DATE OF EXPIRATION OF PATENT RESTORATION TERM: 2023 09 02

(21) AP 2013 13744
(11) P 2017 6775 B
(73) Biogaia AB
(54) METHOD FOR SELECTION OF AGENTS INFLUENCING INTESTINAL MOTILITY DISORDERS AND PAIN
DATE OF PATENT LAPSE: 2022 09 03
DATE OF EXPIRATION OF PATENT RESTORATION TERM: 2023 09 03

EXPIRATION OF PATENTS TERM

(21) AP 2003 8721
(11) P 2007 4019 B
(73) Bristol-Myers Squibb Company
(54) HETEROCYCLIC AROMATIC COMPOUNDS USEFUL AS GROWTH HORMONE SECRETAGOGUES
DATE OF EXPIRATION OF PATENT: 2023 09 02

(21) AP 2003 9936
(11) P 2010 4932 B
(73) Interdigital Technology Corporation
(54) SYSTEM FOR EFFICIENT RECOVERY OF NODE-B BUFFERED DATA FOLLOWING MAC LAYER RESET
DATE OF EXPIRATION OF PATENT: 2023 09 10

CHANGE OF NAME AND/OR ADDRESS OF PATENTOWNER

(21) AP 2010 12468

(11) P 2014 6087 B

(54) PAEDIATRIC SOLUTION COMPRISING BETA-BLOCKER

NAME AND ADDRESS OF NEW PATENT OWNER: Pierre Fabre Medicament (FR)

Les Cauquillous 81500 Lavaur, France (FR)

NAME AND ADDRESS OF FORMER PATENT OWNER: Pierre Fabre Dermatology

45, Place Abel Gance F-92100 Boulogne Billancourt,
France (FR)

DATE OF REGISTRATION: 2023 09 06

UTILITY MODELS

LAPSE OF PATENT WITH THE RIGHT TO RESTORE

(21) AU 2019 15177

(11) U 2021 2064 Y

(73) LTD "Geo Mulch"

(54) EXCLUSIVE TECHNOLOGY FOR ECOLOGICALLY PURE "BIOORGANIC MULCH" PRODUCTION

DATE OF PATENT LAPSE: 2023 08 26

PATENT RESTORATION TERM: 2024 08 26

EXPIRATION OF PATENTS RESTORATION TERM

(21) AU 2013 13209

(11) U 2015 1856 Y

(73) Giorgi Ugulava

(54) DAM

DATE OF PATENT LAPSE: 2022 08 30

DATE OF EXPIRATION OF PATENT RESTORATION TERM: 2023 08 30

(21) AU 2020 15432

(11) U 2021 2102 Y

(73) Jumber Kutchukhidze

(54) ANTY-INFLAMATORY REMEDY

DATE OF PATENT LAPSE: 2022 09 02

DATE OF EXPIRATION OF PATENT RESTORATION TERM: 2023 09 02

DESIGNS

EXTENSION OF TERM OF DESIGN REGISTRATION

- (11) D 2018 776 S
(73) LYD "SmartSoft" (GE)
Vazisubani IV m/r, I qu., bld. 3, ap. 8, 0152, Tbilisi, Georgia (GE);
Daniel Ratiani (GE)
Davit Aghmashenebeli Av. 88, 4600, Kutaisi, Georgia (GE)
(54) COMPUTER GAME
(28) 1
(24) 2018 08 21
(18) 2028 08 21
(58) 2023 09 07
-

CANCELLATION OF DESIGNS REGISTRATION

- (11) D 2018 751 S
(73) Giorgi Zautashvili (GE)
Demetre Tavdadebuli St. 3, 4800, Kvareli, Georgia (GE)
(54) BOTTLE
(18) 2023 03 03
(58) 2023 09 08
-

- (11) D 2008 370 S
(73) The Coca-Cola Company (US)
1 Coca-Cola Plaza, Atlanta, Georgia, 30313, USA (US)
(54) BOTTLE
(18) 2023 02 25
(58) 2023 09 08
-

TRADEMARKS**EXTENSION OF TERM OF TRADEMARKS REGISTRATION**

(111) M 2003 15231 R2 (151) 2003 08 14 (186) 2033 08 14 (732) LTD "Teleimedi" Lublyana St. 5, 0159, Tbilisi, Georgia	2-9, Kanda Tsukasa-cho, Chiyoda-ku, Tokyo 101-8535, Japan
(111) M 2003 15286 R2 (151) 2003 10 15 (186) 2033 10 15 (732) Merz Pharma Gmbh & Co. KGAA Eckenheimer Landstrasse 100, 60318 Frankfurt am Main, Germany	(111) M 2004 15400 R2 (151) 2004 01 15 (186) 2034 01 15 (732) The Procter & Gamble Company One Procter & Gamble Plaza, CInc.innati, Ohio, USA
(111) M 2003 15289 R2 (151) 2003 10 15 (186) 2033 10 15 (732) Merz Pharma Gmbh & Co. KGAA Eckenheimer Landstrasse 100, 60318 Frankfurt am Main, Germany	(111) M 2004 15399 R2 (151) 2004 01 15 (186) 2034 01 15 (732) The Procter & Gamble Company One Procter & Gamble Plaza, CInc.innati, Ohio, USA
(111) M 2003 15308 R2 (151) 2003 10 29 (186) 2033 10 29 (732) Otsuka Pharmaceutical Co., LTD a Japanese Company 2-9, Kanda Tsukasa-cho, Chiyoda-ku, Tokyo 101-8535, Japan	(111) M 2013 23443 R1 (151) 2013 03 13 (186) 2033 03 13 (732) LLC "Black Sea International University" Davit Agmashenebeli alley, 13th km/2, 0131, Tbilisi, Georgia
(111) M 2003 15263 R2 (151) 2003 09 29 (186) 2033 09 29 (732) Oracle International Corporation 500 Oracle Parkway, Redwood City, CA 94065, USA	(111) M 2013 23888 R1 (151) 2013 08 14 (186) 2033 08 14 (732) Schlumberger Limited 5599 San Felipe, 16th Floor, Houston, Texas 77056, USA
(111) M 2003 15320 R2 (151) 2003 11 14 (186) 2033 11 14 (732) The Coca-Cola Company, a Corporation of the State of Delaware P.o. Box 1734, Atlanta, Georgia 30313, USA	(111) M 2013 24029 R1 (151) 2013 09 17 (186) 2033 09 17 (732) B&B Trends, S.L. Calle Catalunya 24, Poligono Industrial Ca N'oller, 08130 Santa Perpetua de Mogoda, Barselona, Spain
(111) M 2003 15374 R2 (151) 2003 12 29 (186) 2033 12 29 (732) Otsuka Pharmaceutical Co., LTD a Japanese Company	(111) M 2013 24083 R1 (151) 2013 09 30 (186) 2033 09 30 (732) Kalde Klima Orta Basınç Fittings Ve Valf Sanayi Anonim Şirketi Beymersan Mermerciler Sanayi Sitesi, 10. Cadde, No:12, Beylikdüzü-İstanbul, Türkiye

(111) M 2013 23548 R1
 (151) 2013 03 28
 (186) 2033 03 28
 (732) LTD "Pixel Invest Group"
 Bambis Rigi 7, 0105, Tbilisi, Georgia

(111) M 2014 25100 R1
 (151) 2014 08 01
 (186) 2034 08 01
 (732) LTD "Mira Global One"
 N. Kipshidze St. 20, ap. 4, Vake District,
 Tbilisi, Georgia

COMPLETE TRANSFER OF RIGHTS

(111) M 2020 32833 R
 (732) Kenvue Inc..
 199 Grandview Road, Skillman, NJ 08558,
 USA
 (770) Johnson & Johnson
 One Johnson & Johnson Plaza, New
 Brunswick, New Jersey 08933, USA
 (580) 2023 07 27

(111) M 2021 33775 R
 (732) Kenvue Inc..
 199 Grandview Road, Skillman, NJ 08558,
 USA
 (770) Johnson & Johnson
 One Johnson & Johnson Plaza, New
 Brunswick, New Jersey 08933, USA
 (580) 2023 07 27

(111) M 1996 3246 R
 (732) Kenvue Inc..
 199 Grandview Road, Skillman, NJ 08558,
 USA
 (770) Johnson & Johnson
 One Johnson & Johnson Plaza, New
 Brunswick, New Jersey 08933, USA
 (580) 2023 07 27

(111) M 1996 3937 R
 (732) Kenvue Inc..
 199 Grandview Road, Skillman, NJ 08558,
 USA
 (770) Johnson & Johnson
 (a corporation the state of New Jersey)

One Johnson & Johnson Plaza, New
 Brunswick, New Jersey USA
 (580) 2023 07 27

(111) M 1997 4978 R
 (732) Kenvue Inc..
 199 Grandview Road, Skillman, NJ 08558,
 USA
 (770) Johnson & Johnson
 One Johnson & Johnson Plaza, New
 Brunswick, New Jersey 08933, USA
 (580) 2023 07 27

(111) M 1997 5186 R
 (732) Kenvue Inc..
 199 Grandview Road, Skillman, NJ 08558,
 USA
 (770) Johnson & Johnson
 One Johnson & Johnson Plaza, New
 Brunswick, New Jersey 08933, USA
 (580) 2023 07 27

(111) M 2022 35166 R
 (732) Kenvue Inc..
 199 Grandview Road, Skillman, NJ 08558,
 USA
 (770) Johnson & Johnson
 One Johnson & Johnson Plaza, New
 Brunswick, New Jersey 08933, USA
 (580) 2023 07 27

(111) M 2022 35167 R
(732) Kenvue Inc..
199 Grandview Road, Skillman, NJ 08558,
USA

(770) Johnson & Johnson
One Johnson & Johnson Plaza, New
Brunswick, New Jersey 08933, USA
(580) 2023 07 27

(111) M 2022 36296 R
(732) THG Nutrition Limited
5th Floor, Voyager House, Chicago Avenue,
Manchester Airport, Manchester M90 3DQ,
United Kingdom

(770) The Hut.com Limited
5th Floor, Voyager House, Chicago Avenue,
Manchester Airport, Manchester M90 3DQ,
United Kingdom
(580) 2023 08 22

(111) M 1997 6905 R
(732) Kenvue Inc..
199 Grandview Road, Skillman, NJ 08558,
USA

(770) Johnson & Johnson
One Johnson & Johnson Plaza, New
Brunswick, New Jersey 08933-7001,
USA
(580) 2023 07 27

(111) M 1997 6104 R
(732) Kenvue Inc..
199 Grandview Road, Skillman, NJ 08558,
USA

(770) Johnson & Johnson
(a corporation the state of New Jersey)
One Johnson & Johnson Plaza, New
Brunswick, New Jersey, USA
(580) 2023 07 27

(111) M 1998 10447 R
(732) Arçelik Anonim Sirketi
Karaağaç Caddesi 2-6, 34445 Söğütözü,
Beyoğlu, İstanbul 34950, Türkiye
(770) Beko PLC
Beko House 1 Greenhill Crescent, Watford
Hertfordshire WD18 8QU, United Kingdom
(580) 2023 08 21

(111) M 1998 9690 R
(732) Kenvue Inc..
199 Grandview Road, Skillman, NJ 08558,
USA
(770) Johnson & Johnson

One Johnson & Johnson Plaza, New
Brunswick, New Jersey 08933, USA
(580) 2023 07 27

(111) M 1998 11163 R
(732) TSI Inc..
8-5-27 Akasaka, Minato-ku, Tokyo, Japan
(770) Ueno-Shokai Co., LTD
6-10-17 Ueno, Taito-ku, Tokyo, 110-0005,
Japan
(580) 2023 08 10

(111) M 1998 11305 R
(732) The Lycra Company UK Limited
One St Peter's Square, Manchester, M2 3DE,
United Kingdom
(770) Invista Textiles (U.K.) Limited
One St Peter's Square, Manchester, M2 3DE,
United Kingdom
(580) 2023 07 14

(111) M 1998 11305 R
(732) Invista Textiles (U.K.) Limited
One St Peter's Square, Manchester, M2 3DE,
United Kingdom
(770) Invista Technologies S.a.r.l.
19 rue du Puits Romain, L-8070 Bertrange,
Luxembourg
(580) 2023 07 14

(111) M 1998 11268 R
(732) Kenvue Inc..
199 Grandview Road, Skillman, NJ 08558,
USA
(770) Johnson & Johnson
One Johnson & Johnson Plaza, New
Brunswick, New Jersey 08933-7001, USA
(580) 2023 07 27

(111) M 1998 11276 R
(732) Kenvue Inc..
199 Grandview Road, Skillman, NJ 08558,
USA
(770) Johnson & Johnson
One Johnson & Johnson Plaza, New
Brunswick, New Jersey 08933-7001, USA
(580) 2023 07 27

(111) M 1999 11370 R
(732) Kenvue Inc..
199 Grandview Road, Skillman, NJ 08558,
USA
(770) Johnson & Johnson
One Johnson & Johnson Plaza, New
Brunswick, New Jersey 08933, USA

(580) 2023 07 27

(111) M 2002 14809 R
(732) Kenvue Inc..
199 Grandview Road, Skillman, NJ 08558,
USA
(770) Johnson & Johnson
One Johnson & Johnson Plaza, New
Brunswick, New Jersey 08933, USA
(580) 2023 07 27

(111) M 2002 14818 R
(732) Kenvue Inc..
199 Grandview Road, Skillman, NJ 08558,
USA
(770) Johnson & Johnson
One Johnson & Johnson Plaza, New
Brunswick, New Jersey 08933, USA
(580) 2023 07 27

(111) M 2006 16530 R
(732) Kenvue Inc..
199 Grandview Road, Skillman, NJ 08558,
USA
(770) Johnson & Johnson
One Johnson & Johnson Plaza, New
Brunswick, New Jersey 08933-7001, USA
(580) 2023 07 27

(111) M 2006 16531 R
(732) Kenvue Inc..
199 Grandview Road, Skillman, NJ 08558,
USA
(770) Johnson & Johnson
One Johnson & Johnson Plaza, New
Brunswick, New Jersey 08933-7001, USA
(580) 2023 07 27

(111) M 1996 2780 R
(732) Kenvue Inc..
199 Grandview Road, Skillman, NJ 08558,
USA
(770) Johnson & Johnson
One Johnson & Johnson Plaza, New
Brunswick, New Jersey 08933-7001, USA
(580) 2023 07 27

(111) M 1996 2049 R
(732) Kenvue Inc..
199 Grandview Road, Skillman, NJ 08558,
USA
(770) Johnson & Johnson
One Johnson & Johnson Plaza, New
Brunswick, New Jersey 08933-7001, USA

(580) 2023 07 27

(111) M 1996 2032 R
(732) Kenvue Inc..
199 Grandview Road, Skillman, NJ 08558,
USA
(770) Johnson & Johnson
One Johnson & Johnson Plaza, New
Brunswick, New Jersey 08933-7001, USA
(580) 2023 07 27

(111) M 2005 16381 R
(732) Kenvue Inc..
199 Grandview Road, Skillman, NJ 08558,
USA
(770) Johnson & Johnson
One Johnson & Johnson Plaza, New
Brunswick, New Jersey 08933-7001, USA
(580) 2023 07 27

(111) M 2006 16525 R
(732) Kenvue Inc..
199 Grandview Road, Skillman, NJ 08558,
USA
(770) Johnson & Johnson
One Johnson & Johnson Plaza, New
Brunswick, New Jersey 08933, USA
(580) 2023 07 27

(111) M 1997 7065 R
(732) Kenvue Inc..
199 Grandview Road, Skillman, NJ 08558,
USA
(770) Johnson & Johnson
One Johnson & Johnson Plaza, New
Brunswick, New Jersey 08933-7001, USA
(580) 2023 07 27

(111) M 1997 6833 R
(732) Kenvue Inc..
199 Grandview Road, Skillman, NJ 08558,
USA
(770) Johnson & Johnson
One Johnson & Johnson Plaza, New
Brunswick, New Jersey 08933, USA
(580) 2023 07 27

(111) M 1997 6835 R
(732) Kenvue Inc..
199 Grandview Road, Skillman, NJ 08558,
USA
(770) Johnson & Johnson
One Johnson & Johnson Plaza, New
Brunswick, New Jersey 08933, USA

(580) 2023 07 27

(111) M 1997 7966 R
(732) Kenvue Inc..
199 Grandview Road, Skillman, NJ 08558,
USA
(770) Johnson & Johnson
One Johnson & Johnson Plaza, New
Brunswick, New Jersey 08933, USA
(580) 2023 07 27

(111) M 1994 355 R
(732) Kenvue Inc..
199 Grandview Road, Skillman, NJ 08558,
USA
(770) Johnson & Johnson
One Johnson & Johnson Plaza, New
Brunswick, New Jersey 08933, USA
(580) 2023 07 27

(111) M 2009 19378 R
(732) Kenvue Inc..
199 Grandview Road, Skillman, NJ 08558,
USA
(770) Johnson & Johnson, a New Jersey Corporation
One Johnson & Johnson Plaza, New
Brunswick, New Jersey 08933-7001, USA
(580) 2023 07 27

(111) M 2009 19379 R
(732) Kenvue Inc..
199 Grandview Road, Skillman, NJ 08558,
USA
(770) Johnson & Johnson, a New Jersey Corporation
One Johnson & Johnson Plaza, New
Brunswick, New Jersey 08933-7001, USA
(580) 2023 07 27

(111) M 1997 6361 R
(732) Kenvue Inc..
199 Grandview Road, Skillman, NJ 08558,
USA
(770) Johnson & Johnson
One Johnson & Johnson Plaza, New
Brunswick, New Jersey 08933, USA
(580) 2023 07 27

(111) M 2010 20599 R
(732) Kenvue Inc..
199 Grandview Road, Skillman, NJ 08558,
USA
(770) Johnson & Johnson, a New Jersey Corporation
One Johnson & Johnson Plaza, New
Brunswick, New Jersey, USA

(580) 2023 07 27

(111) M 2011 21225 R
(732) Kenvue Inc..
199 Grandview Road, Skillman, NJ 08558,
USA
(770) Johnson & Johnson, a New Jersey Corporation
One Johnson & Johnson Plaza, New
Brunswick, New Jersey 08933-7001, USA
(580) 2023 07 27

(111) M 2010 20948 R
(732) Kenvue Inc..
199 Grandview Road, Skillman, NJ 08558,
USA
(770) Johnson & Johnson, a New Jersey Corporation
One Johnson & Johnson Plaza, New
Brunswick, New Jersey 08933-7001, USA
(580) 2023 07 27

(111) M 2012 22210 R
(732) Kenvue Inc..
199 Grandview Road, Skillman, NJ 08558,
USA
(770) Johnson & Johnson, a New Jersey Corporation
One Johnson & Johnson Plaza, New
Brunswick, New Jersey 08933-7001, USA
(580) 2023 07 27

(111) M 2012 22599 R
(732) Kenvue Inc..
199 Grandview Road, Skillman, NJ 08558,
USA
(770) Johnson & Johnson (corporation organized
and existing under the laws of the State of New
Jersey)
One Johnson & Johnson Plaza, New
Brunswick, New Jersey 08933, USA
(580) 2023 07 27

(111) M 1996 3090 R
(732) Kenvue Inc..
199 Grandview Road, Skillman, NJ 08558,
USA
(770) Johnson & Johnson
One Johnson & Johnson Plaza, New
Brunswick, New Jersey 08933, USA
(580) 2023 07 27

(111) M 1996 3094 R
(732) Kenvue Inc..
199 Grandview Road, Skillman, NJ 08558,
USA
(770) Johnson & Johnson

One Johnson & Johnson Plaza, New
Brunswick, New Jersey 08933-7001, USA
(580) 2023 07 27

(111) M 1996 3095 R
(732) Kenvue Inc..
199 Grandview Road, Skillman, NJ 08558,
USA
(770) Johnson & Johnson
One Johnson & Johnson Plaza, New
Brunswick, New Jersey 08933-7001, USA
(580) 2023 07 27

(111) M 1996 3097 R
(732) Kenvue Inc..
199 Grandview Road, Skillman, NJ 08558,
USA
(770) Johnson & Johnson
One Johnson & Johnson Plaza, New
Brunswick, New Jersey 08933-7001, USA
(580) 2023 07 27

(111) M 2012 22954 R
(732) Kenvue Inc..
199 Grandview Road, Skillman, NJ 08558,
USA
(770) Johnson & Johnson (a corporation the state of
New Jersey)
One Johnson & Johnson Plaza, New
Brunswick, New Jersey, USA
(580) 2023 07 27

(111) M 2013 23781 R
(732) Davit Ananiashvili
I. Abashidze St. 37, ap. 11, Tbilisi, Georgia
(770) LTD "Suliko"
JInc.haradze St. 14, ap. 2, 6000, Batumi,
Georgia
(580) 2023 08 31

(111) M 1998 10277 R
(732) Kenvue Inc..
199 Grandview Road, Skillman, NJ 08558,
USA
(770) Johnson & Johnson
One Johnson & Johnson Plaza, New
Brunswick, New Jersey 08933, USA
(580) 2023 07 27

(111) M 2013 24221 R
(732) LTD "Wine Thieves"
E. Bezhanishvili St. 25, ap. 10, Nadzaladevi
District, Tbilisi, Georgia

(770) Tshotne Khanishvili
Mirian Mepe St. 13, ap. 12, 0131, Didi
Dighomi, Tbilisi, Georgia
(580) 2023 08 23

(111) M 1998 11123 R
(732) Kenvue Inc..
199 Grandview Road, Skillman, NJ 08558,
USA
(770) Johnson & Johnson
One Johnson & Johnson Plaza, New
Brunswick, New Jersey 08933, USA
(580) 2023 07 27

(111) M 1996 2341 R
(732) Kenvue Inc..
199 Grandview Road, Skillman, NJ 08558,
USA
(770) Johnson & Johnson
One Johnson & Johnson Plaza, New
Brunswick, New Jersey 08933, USA
(580) 2023 07 27

(111) M 1998 8740 R
(732) Kenvue Inc..
199 Grandview Road, Skillman, NJ 08558,
USA
(770) Johnson & Johnson
One Johnson & Johnson Plaza, New
Brunswick, New Jersey 08933, USA
(580) 2023 07 27

(111) M 2014 24481 R
(732) Carlsberg Azerbaijan LLC
1, Shamakhi road, Khirdalan, Absheron
distr., AZ 0100, Azerbaijan
(770) OOO Pivovarennaya kompaniya "Baltika"
194292 Sankt-Peterburg, 6-Verkhniy per. 3,
Russian Federation
(580) 2023 08 08

(111) M 1997 7875 R
(732) VGP Ipco LLC
100 Valvoline Way, Suite 200, Lexington,
Kentucky 40509, USA
(770) Valvoline Licensing And Intellectual Property
LLC
100 Valvolain Vei, Leqsington KY 40509,
USA
(580) 2023 08 22

(111) M 1999 12121 R
 (732) VGP IPCO LLC
 100 Valvoline Way, Suite 200, Lexington,
 Kentucky 40509, USA
 (770) Valvoline Licensing And Intellectual Property
 LLC
 100 Valvolain Vei, Leqsington KY 40509,
 USA
 (580) 2023 08 22

(111) M 2015 26520 R
 (732) Kenvue Inc.
 199 Grandview Road, Skillman, NJ 08558,
 USA
 (770) Johnson & Johnson
 One Johnson & Johnson Plaza, New
 Brunswick, New Jersey 08933, USA
 (580) 2023 07 27

(111) M 2015 26315 R
 (732) Kenvue Inc.
 199 Grandview Road, Skillman, NJ 08558,
 USA
 (770) Johnson & Johnson, a New Jersey Corporation
 One Johnson & Johnson Plaza, New
 Brunswick, New Jersey, 08933-7001, USA
 (580) 2023 07 27

(111) M 2016 27292 R
 (732) Kenvue Inc.
 199 Grandview Road, Skillman, NJ 08558,
 USA
 (770) Johnson & Johnson, a New Jersey Corporation
 One Johnson & Johnson Plaza, New
 Brunswick, New Jersey, 08933-7001, USA
 (580) 2023 07 27

(111) M 2016 27292 R
 (732) Kenvue Inc.
 199 Grandview Road, Skillman, NJ 08558,
 USA
 (770) Johnson & Johnson
 One Johnson & Johnson Plaza, New
 Brunswick, New Jersey, 08933-7001, USA
 (580) 2023 07 27

(111) M 1997 7711 R
 (732) Kenvue Inc..
 199 Grandview Road, Skillman, NJ 08558,
 USA
 (770) Johnson & Johnson (a corporation the state of
 New Jersey)

One Johnson & Johnson Plaza, New
 Brunswick, New Jersey, USA
 (580) 2023 07 27

(111) M 1997 7675 R
 (732) Kenvue Inc..
 199 Grandview Road, Skillman, NJ 08558,
 USA
 (770) Johnson & Johnson (a corporation the state of
 New Jersey)
 One Johnson & Johnson Plaza, New
 Brunswick, New Jersey, USA
 (580) 2023 07 27

(111) M 2019 31033 R
 (732) Spin Master Toys UK Limited
 Winter Hill House Marlow Reaach, Station
 Approach, Marlow, London, SL7 1NT, United
 Kingdom
 (770) Rubik's Brand Limited
 The Scalpel, 18th Floor, 52 Lime Street,
 London, EC3M 7AF, United Kingdom
 (580) 2023 07 27

(111) M 2019 31020 R
 (732) Biocon Biologics Limited
 Biocon House, Ground Floor, Tower - 3,
 Semicon Park, Electronic City, Phase - II,
 Hosur Road, Bengaluru, karnataka 560100,
 India
 (770) Biocon Limited
 20 K.M., Hosur Road, Elektronik City
 P.o., Bangalore - 560100, India
 (580) 2023 08 29

(111) M 2019 31293 R
 (732) Kenvue Inc..
 199 Grandview Road, Skillman, NJ 08558,
 USA
 (770) Johnson & Johnson
 One Johnson & Johnson Plaza, New
 Brunswick, New Jersey 08933, USA
 (580) 2023 07 27

(111) M 2019 31294 R
 (732) Kenvue Inc.
 199 Grandview Road, Skillman, NJ 08558,
 USA
 (770) Johnson & Johnson
 One Johnson & Johnson Plaza, New
 Brunswick, New Jersey 08933, USA
 (580) 2023 07 27

(111) M 2019 31560 R
(732) Biocon Biologics Limited
Biocon House, Ground Floor, Tower - 3,
Semicon park, electronic city, phase - II,
Hosur Road, Bengaluru, Karnataka 560100,
India
(770) Biocon Limited
20th K.M., Hosur Road, Electronic City
P.o., Bangalore - 560100, India
(580) 2023 08 29

(111) M 2019 31561 R
(732) Biocon Biologics Limited
Biocon House, Ground Floor, Tower - 3,
Semicon park, electronic city, phase - II,
Hosur Road, Bengaluru, Karnataka 560100,
India
(770) Biocon Limited
20th K.M., Hosur Road, Electronic City
P.o., Bangalore - 560100, India
(580) 2023 08 29

(111) M 2019 31562 R
(732) Biocon Biologics Limited
Biocon House, Ground Floor, Tower - 3,
Semicon park, electronic city, phase - II,
Hosur Road, Bengaluru, Karnataka 560100,
India
(770) Biocon Limited
20th K.M., Hosur Road, Electronic City
P.o., Bangalore - 560100, India
(580) 2023 08 29

(111) M 1997 6958 R
(732) Kenvue Inc..
199 Grandview Road, Skillman, NJ 08558,
USA
(770) Johnson & Johnson
One Johnson & Johnson Plaza, New
Brunswick, New Jersey 08933-7001, USA
(580) 2023 07 27

CHANGES OF NAME AND/OR ADDRESS OF TRADEMARKS OWNERS

(111) M 2021 34470 R
(732) Pfizer Inc..
66 Hudson Boulevard East, New York,
N.Y. 10001-2192, USA
(770) Pfizer Inc..
235 East 42nd Street, New York, New York
10017, USA
(580) 2023 09 13

(111) M 2021 34564 R
(732) Pfizer Inc..
66 Hudson Boulevard East, New York,
N.Y. 10001-2192, USA
(770) Pfizer Inc..
235 East 42nd Street, New York, New York
10017, USA
(580) 2023 09 13

(111) M 2022 36006 R
(732) Pfizer Inc..
66 Hudson Boulevard East, New York,
N.Y. 10001-2192, USA
(770) Pfizer Inc..
235 East 42nd Street, New York, New York
10017, USA
(580) 2023 09 13

(111) M 1998 10360 R
(732) Pfizer Inc..
66 Hudson Boulevard East, New York, N.Y.
10001-2192, USA
(770) Pfizer Inc..
235, East 42nd Street, New York 10017, USA,
(580) 2023 09 13

(111) M 2001 13866 R
(732) Gowan Crop Protection Limited
Rothamsted Research, West Common,
Harpenden, Hertfordshire, England
AL5 2JQ, United Kingdom
(770) Gowan Crop Protection Limited
Highlands House Basingstoke Road
Spencers Wood Reading, Berkshire,
England RG7 1NT, United Kingdom
(580) 2023 08 08

(111) M 2001 13854 R
(732) Gowan Crop Protection Limited
Rothamsted Research, West Common,
Harpenden, Hertfordshire, England
AL5 2JQ, United Kingdom

(770) Gowan Crop Protection Limited
Highlands House Basingstoke Road
Spencers Wood Reading, Berkshire,
England RG7 1NT, United Kingdom
(580) 2023 08 08

(111) M 2003 15052 R
(732) Pfizer Inc.. a Delaware corporation
66 Hudson Boulevard East, New York,
N.Y. 10001-2192, USA
(770) Pfizer Inc.. a Delaware corporation
235 East 42nd Street, New York ,
NY 10017, USA
(580) 2023 09 13

(111) M 2003 15357 R
(732) Bearingpoint IP Holding B.v.
De entree 89, 1101 BH Amsterdam,
Netherlands
(770) Bearingpoint IP Holding B.v.
Strawinskylaan 3105, 1077 ZX Amsterdam,
Netherlands
(580) 2023 08 18

(111) M 2005 15980 R
(732) Pfizer Inc.. a Delaware corporation
66 Hudson Boulevard East, New York,
N.Y. 10001-2192, USA
(770) Pfizer Inc.. a Delaware corporation
235 East 42nd Street, New York ,
NY 10017 , USA
(580) 2023 09 13

(111) M 2009 19228 R
(732) Sunoco Overseas, Inc.,
a Delaware corporation
8111 Westchester Drive, Ste 600, Dallas,
Texas 75225, USA
(770) Sunoco Overseas, Inc.,
a Delaware corporation
3801 West Chester Pike, NW-131, Newtown
Square, Pennsylvania 19073, USA
(580) 2023 08 11

(111) M 1994 416 R
(732) Gowan Crop Protection Limited
Rothamsted Research, West Common,
Harpenden, Hertfordshire, England
AL5 2JQ, United Kingdom
(770) Gowan Crop Protection Limited
Highlands House Basingstoke Road

Spencers Wood Reading, Berkshire,
England RG7 1NT, United Kingdom
(580) 2023 08 08

(111) M 1997 5369 R
(732) LEGO Juris A/S
Koldingvej 2, DK-7190 Billund, Denmark
(770) LEGO Juris A/S
DK-7190 Billund, Denmark
(580) 2023 09 04

(111) M 2013 23963 R
(732) Bionime Corporation
No. 100, Sec. 2, Daqing St., South Dist.,
Taichung City 40242, Taiwan, ProvInc.e of
China
(770) Bionime Corporation
694 Renhua road, Dali Dist., Taichung
City 412, Taiwan, ProvInc.e of China
(580) 2023 08 29

(111) M 2017 28601 R
(732) LTD "A-B-F"
Vill. Martkopi, Gardabani Region, Vaziani
Settlement, 1320, Georgia
(770) LLC "Alcoholic Beverage Factory"
Vill. Martkopi, Gardabani Region, Vaziani
Settlement, 1320, Georgia
(580) 2023 08 25

(111) M 2019 31062 R
(732) Amazon Europe Core S.à r.l.
38 avenue John F. Kennedy, L-1855
Luxembourg,
Luxembourg
(770) Amazon Europe Core S.à r.l.
5, Rue Plaetis, L-2338 Luxembourg,
Luxembourg
(580) 2023 08 31

(111) M 2019 31033 R
(732) Rubik's Brand Limited
The Scalpel, 18th Floor, 52 Lime Street,
London, EC3M 7AF, United Kingdom
(770) Rubik's Brand Limited
5 Fleet Place, London EC4M 7RD,
England, United Kingdom
(580) 2023 07 27

CANCELLATION OF TRADEMARKS REGISTRATION

(111) M 2003 15004 R
(151) 2003 03 04
(732) Tamaz Shilakadze
Bakhtrioni St. 6, ap. 24, 0160, Tbilisi, Georgia
(141) 2023 09 14

(111) M 2003 15003 R
(151) 2003 03 04
(732) Tamaz Shilakadze
Bakhtrioni St. 6, ap. 24, 0160, Tbilisi, Georgia
(141) 2023 09 14

(111) M 2003 14914 R
(151) 2003 01 30
(732) LTD "Nina Ananiashvili & Wine Art"
Vill. Tsinandali, 2217, Telavi, Georgia
(141) 2023 09 14

(111) M 2003 14915 R
(151) 2003 01 30
(732) LTD "Nina Ananiashvili & Wine Art"
Vill. Tsinandali, 2217, Telavi, Georgia
(141) 2023 09 14

(111) M 2003 14917 R
(151) 2003 01 30
(732) LTD "Nina Ananiashvili & Wine Art"
Vill. Tsinandali, 2217, Telavi, Georgia
(141) 2023 09 14

(111) M 2003 14911 R
(151) 2003 01 30
(732) LTD "Nina Ananiashvili & Wine Art"
Vill. Tsinandali, 2217, Telavi, Georgia
(141) 2023 09 14

(111) M 2003 15022 R
(151) 2003 03 12
(732) Bristol-Myers Squibb Sarl
3, rue Joseph Monier, 92500 Rueil
Melmaison, France
(141) 2023 09 18

(111) M 2003 15023 R
(151) 2003 03 12
(732) Bristol-Myers Squibb Sarl
3, rue Joseph Monier, 92500 Rueil Melmaison,
France

(141) 2023 09 18

(111) M 2003 15011 R
(151) 2003 03 04
(732) Nissan Jidosha Kabushiki Kaisha
(also trading as Nissan Motor Co., LTD.)
No.2 Takaracho, Kanagawa-ku, Yokohama-
shi, Kanagawa-ken, Japan
(141) 2023 09 14

(111) M 2013 23362 R
(151) 2013 02 27
(732) LTD "Geoplanti"
Vill. Rukhi, 2100, Zugdidi Region, Georgia
(141) 2023 09 08

(111) M 2013 23363 R
(151) 2013 02 27
(732) LTD "A-B-C Pharmacy"
Sanapiro St. 10a, 0108, Tbilisi, Georgia
(141) 2023 09 08

(111) M 2013 23310 R
(151) 2013 02 12
(732) Maria Barnovi
Zemovake St., I Lane 9, 0179, Tbilisi, Georgia
(141) 2023 09 15

(111) M 2013 23364 R
(151) 2013 02 27
(732) Dianatus Management Limited
Arch. Makariou III, 69, Tlais Tower,
3rd floor, Flat/Office 301, 1070, Nicosia,
Cyprus
(141) 2023 09 08

(111) M 2013 23366 R
(151) 2013 02 27
(732) Unilin BVBA
Ooigemstraat 3, 8710 wielsbeke, Belgium
(141) 2023 09 08

(111) M 2013 23324 R
(151) 2013 02 12
(732) LTD "Geoplanti"
Vill. Rukhi, 2100, Zugdidi Region, Georgia
(141) 2023 09 08

(111) M 2013 23422 R
(151) 2013 03 13
(732) LTD "Minimali"
Vakhtang Chikovani St. 4, 0177, Tbilisi,
Georgia
(141) 2023 09 18

(111) M 2013 23423 R
(151) 2013 03 13
(732) Societe Nationale d'Exploitation
Industrielle des Tabacs et Allumettes, Sasu
143 boulevard Romain Rolland, Paris 75014 ,
France
(141) 2023 09 18

(111) M 2013 23369 R
(151) 2013 02 27
(732) Lasha Nadareishvili
Ikalto St.. 8, ap. 54, 0171, Tbilisi, Georgia
(141) 2023 09 08

(111) M 2013 23370 R
(151) 2013 02 27
(732) LTD "Geoplanti"
Vill. Rukhi, 2100, Zugdidi Region, Georgia
(141) 2023 09 07

(111) M 2013 23371 R
(151) 2013 02 27
(732) LTD "Geoplanti"
Vill. Rukhi, 2100, Zugdidi Region, Georgia
(141) 2023 09 08

(111) M 2013 23375 R
(151) 2013 02 27
(732) Hershey CHocolate & Confectionary Llc,
a Delaware corporation ("HCC")
1209 Orange Street, Wilmington 198,
Delaware;
19 East Chocolate Avenue, Hershey,
PA 17033, USA
(141) 2023 09 08

(111) M 2013 23424 R
(151) 2013 03 13
(732) Arian Chimia Tech.
68, Saech Street, Tehran, Islamic Republic
of Iran
(141) 2023 09 18

(111) M 2013 23377 R
(151) 2013 02 27
(732) Nanyang Brothers Tobacco Company Limited
9 Tsing Yeung Circuit, Tuen Mun, New
Tetritories, Hong Kong, China
(141) 2023 09 08

(111) M 2013 23334 R
(151) 2013 02 12
(732) Shota Gvenetadze
Saburtalo St. 37/4, ap. 20, 0160, Tbilisi,
Georgia
(141) 2023 09 15

(111) M 2013 23378 R
(151) 2013 02 27
(732) Integrated Systems Events LLC
11242 Waples Mill Rd., Suit 200, Fairfax,
Virginia US 22030, USA
(141) 2023 09 08

(111) M 2013 23385 R
(151) 2013 02 27
(732) OAO "Farmstandart-Leksredstva"
1a/18, 2nd Agregatnaya Str., Kursk, 305022,
Russian Federation
(141) 2023 09 08

(111) M 2013 23386 R
(151) 2013 02 27
(732) OAO "Otisfarm"
Ul. Testovskaya d.10, 123317 Moskva,
Russian Federation
(141) 2023 09 08

(111) M 2013 23339 R
(151) 2013 02 12
(732) LTD "IP Trading"
Tsinamdzhvrishvili St. 186, 0112, Tbilisi,
Georgia
(141) 2023 09 15

(111) M 2013 23341 R
(151) 2013 02 12
(732) LTD "Agora Group"
Almasiani St. 19/21, ap. 64, 0108, Tbilisi,
Georgia
(141) 2023 09 15

(111) M 2013 23388 R
(151) 2013 02 27
(732) Nine West Development LLC

1411 Broadway, New York, NY 10018,
USA
(141) 2023 09 08

(111) M 2013 23389 R
(151) 2013 02 27
(732) Merck Sharp & Dohme Corp.
One Merck Drive, Whitehouse Station,
New Jersey 08889, USA
(141) 2023 09 08

(111) M 2013 23444 R
(151) 2013 03 13
(732) Merck Sharp & Dohme Corp.
One Merck Drive, Whitehouse Station,
New Jersey 08889, USA
(141) 2023 09 18

(111) M 2013 23390 R
(151) 2013 02 27
(732) LTD "Iverta"
Sanapiro St. 10a, 0108, Tbilisi, Georgia
(141) 2023 09 08

(111) M 2013 23391 R
(151) 2013 02 27
(732) LTD "Iverta"
Sanapiro St. 10a, 0108, Tbilisi, Georgia
(141) 2023 09 08

(111) M 2013 23392 R
(151) 2013 02 27
(732) LTD "Iverta"
Sanapiro St. 10a, 0108, Tbilisi, Georgia
(141) 2023 09 08

(111) M 2013 23393 R
(151) 2013 02 27
(732) LTD "Nutriland"
Tchkondideli St. 87, 0180, Tbilisi, Georgia
(141) 2023 09 15

(111) M 2013 23449 R
(151) 2013 03 13
(732) Givi Baliani
Nakerala St. 11, 0103, Tbilisi, Georgia
(141) 2023 09 18

(111) M 2013 23458 R
(151) 2013 03 13
(732) Astellas Pharma Europe B.V.

Sylviusweg 62, 2333 Be Leiden, Netherlands
(141) 2023 09 18

(111) M 2013 23459 R
(151) 2013 03 13
(732) Astellas Pharma Europe B.V.
Sylviusweg 62, 2333 Be Leiden, Netherlands
(141) 2023 09 18

(111) M 2013 23460 R
(151) 2013 03 13
(732) Astellas Pharma Europe B.V.
Sylviusweg 62, 2333 Be Leiden, Netherlands
(141) 2023 09 18

(111) M 2013 23462 R
(151) 2013 03 13
(732) Nelfrance Export SA.
Ave. Francisco de Orellana, N234, Blue
Towers Building 1, Floor 15, Office 1501,
Guayaquil, Ecuador
(141) 2023 09 18

(111) M 2013 23405 R
(151) 2013 02 27
(732) LTD "Sanni"
Vill. Dighomi, Plot 038/536, 0159, Tbilisi,
Georgia
(141) 2023 09 08

(111) M 2013 23406 R
(151) 2013 02 27
(732) LTD "Sanni"
Vill. Dighomi, Plot 038/536, 0159, Tbilisi,
Georgia
(141) 2023 09 08

(111) M 2013 23464 R
(151) 2013 03 13
(732) Unilever IP Holdings B.V.
Weena 455, 3013 AL Rotterdam, Netherlands
(141) 2023 09 18

(111) M 2013 23465 R
(151) 2013 03 13
(732) Unilever IP Holdings B.V.
Weena 455, 3013 AL Rotterdam, Netherlands
(141) 2023 09 18

(111) M 2013 23261 R
(151) 2013 01 21
(732) LTD "Georgian Dream"

Ilia Cnavchavadze Av. 9s, 0162, Tbilisi,
Georgia
(141) 2023 09 14

(111) M 2013 23254 R
(151) 2013 01 15
(732) JSC "Imedi L Insurance Company"
Kazbegi St. 3-5, 0179, Old Tbilisi District,
Tbilisi, Georgia
(141) 2023 09 08

(111) M 2013 23255 R
(151) 2013 01 15
(732) JSC "Imedi L Insurance Company"
Kazbegi St. 3-5, 0179, Old Tbilisi District,
Tbilisi, Georgia
(141) 2023 09 08

(111) M 2013 23354 R
(151) 2013 02 12
(732) LTD "Femash"
26 May St. Va, 3000, Marneuli, Georgia
(141) 2023 09 08

(111) M 2013 23355 R
(151) 2013 02 13
(732) LTD "Sun Group"
Adam Mitskevich St. 4, ap. 1, 0194, Tbilisi,
Georgia
(141) 2023 09 14

(111) M 2013 23356 R
(151) 2013 02 13
(732) LTD "Sun Group"
Adam Mitskevich St. 4, ap. 1, 0194, Tbilisi,
Georgia
(141) 2023 09 14

(111) M 2013 23357 R
(151) 2013 02 13
(732) LTD "Sun Group"
Adam Mitskevich St. 4, ap. 1, 0194, Tbilisi,
Georgia
(141) 2023 09 14

(111) M 2013 23410 R
(151) 2013 03 04
(732) LTD "Europharma Georgia ევროფარმა
ჯორჯია"
Machabeli St. 5, 0105, Tbilisi, Georgia
(141) 2023 09 11

(111) M 2013 23411 R
(151) 2013 03 04
(732) LTD "Europharma Georgia ევროფარმა
ჯორჯია"
Machabeli St. 5, 0105, Tbilisi, Georgia
(141) 2023 09 11

(111) M 2013 23412 R
(151) 2013 03 04
(732) LTD "Europharma Georgia ევროფარმა
ჯორჯია"
Machabeli St. 5, 0105, Tbilisi, Georgia
(141) 2023 09 11

(111) M 2013 23408 R
(151) 2013 03 01
(732) Vladimir Gordilov
Ketevan Tsamebuli St. 25/3, ap. 19, 0103,
Tbilisi, Georgia
(141) 2023 09 14

(111) M 2013 23359 R
(151) 2013 02 20
(732) JSC "Georgian Beer Company"
Vill. Saguramo, 3311, Mtskheta, Georgia
(141) 2023 09 06

(111) M 2013 23360 R
(151) 2013 02 20
(732) JSC "Georgian Beer Company"
Vill. Saguramo, 3311, Mtskheta, Georgia
(141) 2023 09 06

(111) M 2013 23414 R
(151) 2013 03 11
(732) Dotchirne pidpriemstvo "Konditerska
korporatzia "Roshen"
Vul. Elektrikiv, 26/9, m. Kyiv, 04176, Ukraine
(141) 2023 09 15

(111) M 2013 23415 R
(151) 2013 03 11
(732) Dotchirne pidpriemstvo "Konditerska
korporatzia "Roshen"
Vul. Elektrikiv, 26/9, m. Kyiv, 04176, Ukraine
(141) 2023 09 15

(111) M 2013 23416 R
(151) 2013 03 11
(732) Dotchirne pidpriemstvo "Konditerska
korporatzia "Roshen"
Vul. Elektrikiv, 26/9, m. Kyiv, 04176, Ukraine

(141) 2023 09 15

(111) M 2013 23417 R

(151) 2013 03 11

(732) Dotchirne pidpriemstvo "Konditerska korporatzia "Roshen"

Vul. Elektrikiv, 26/9, m. Kyiv, 04176, Ukraine

(141) 2023 09 15

(111) M 2013 23409 R

(151) 2013 03 01

(732) LTD "Inc.eption Point Co"

Merab Kostava St. 27, 0179, Tbilisi, Georgia

(141) 2023 09 14

(111) M 2016 26814 R

(151) 2016 02 29

(732) LTD "Aksa Medical"

Davit Aghmashenebeli Av. 50, 0112, Tbilisi, Georgia

(141) 2023 09 14 – Canceled List of Goods and/or Services:

(511)

Class: 5, 35

Grounds: Article 27(2, 4, 5) of the Law of Georgia "On Trademarks".

(111) M 2016 27189 R

(151) 2016 06 10

(732) LTD "Torigeorgia"

Gldani, Patara Vake, Tbilisi, Georgia

(141) 2023 09 15

REGISTRATION OF LICENSE AGREEMENT

(111) M 2015 25948 R

(732) Armenuh Saakyan

Tengiz Abuladze St. 32, ap. 17, 0162, Vake District, Tbilisi, Georgia

(791) LTD "SAH & Co"

Tengiz Abuladze St. 32, ap. 17, 0162, Vake District, Tbilisi, Georgia

(793) №1820

Simple

From 01 07 2023-For a period of validity of the mark

Class: 32

INTERNATIONAL LICENSE AGREEMENTS

(800) 1334648

(732) Yandex LLC

Leo Tolstoy Str. 16, RU-119021 Moscow,
Russian Federation

(791) Yandex Deliveri Holding LLC

1 st Krasnogvardeisky passage, 22, building 1,
room 12-40, floor 12, 123112 Moscow,
Russian Federation

(793) №1818

Simple

From 01 06 2022- For a Period of Validity of the
Mark

9 – Interfaces for computers; computers; computer programs; computer software for personal computers, mobile devices and portable computers; readers [data processing equipment]; navigation apparatus.

16 – Geographical maps; books.

35 – Advertising agencies; computerized file management; invoicing; marketing studies; commercial information and advice for consumer; marketing research; business management consultancy; layout services for advertising purposes; marketing; updating of advertising material; word processing; payroll preparation; data search in computer files for others; business management assistance; sales promotion for others; publicity material rental; publication of publicity texts; dissemination of advertising matter; advertising; on-line advertising on a computer network; compilation of statistics; compilation of statistics about web-sites usage, Internet service usage, forecasting extend of their usage; compilation of information into computer databases; systemization of information into computer databases; administrative processing of purchase orders on goods and services; price comparison services; services on wholesale and retail sale of goods via Internet; distribution of computer software for commercial and advertising purposes.

38 – Wireless broadcasting; television broadcasting; providing user access to global computer networks; providing access to databases; news agencies; providing internet chatrooms; providing telecommunications connections to a global computer network; computer aided transmission of messages and images; transmission of digital files; electronic mail; radio broadcasting; communications by fiber optic networks; communications by computer terminals; communications by telephone; teleconferencing services; telecommunications routing and junction services; providing access to stored data via Internet.

39 – Transport reservation; traffic information; providing information on traffic congestion; transportation information; transportation logistics; travel arrangement; removal services; transport of travelers; bus transport; car transport; passenger transport; transport brokerage; mediation on provision of taxi services; car rental; vehicle rental; escorting of travelers; chauffeur services; taxi transport; taxi reservation; freight forwarding.

41 – Booking of seats for shows; videotaping; dubbing; gambling; publication of books; education information; recreation information; entertainment information; movie studios; videotape editing; game services provided on-line from a computer network; providing on-line electronic publications, not downloadable; correspondence courses; providing recreation facilities; arranging and conducting of conferences; arranging and conducting of concerts; arranging and conducting of workshops [training]; arranging and conducting of seminars; organization of competitions [education or entertainment]; operating lotteries; videotape film production; publication of electronic books and journals online; publication of texts, other than publicity texts; news reporters services; educational services; translation; ticket agency services [entertainment].

42 – Computer system analysis; computer virus protection services; technical project studies; oil-field surveys; meteorological information; technical research; updating of computer software; monitoring of computer systems by remote access; providing search engines for the internet; electronic data storage; providing temporary use of non-downloadable computer software for data storage and access to stored data via internet; website hosting; data conversion of computer programs and data [not physical conversion]; geological prospecting; rental of web servers; rental of computer software; computer software design; providing temporary use of non-downloadable computer software for statistical investigations and server hosting; providing temporary use of non-downloadable computer software for collection of statistic data on website traffic; physics [research].

(800) 820785

(732) Yandex LLC

Leo Tolstoy Str. 16, RU-119021 Moscow,
Russian Federation

(791) Yandex Deliveri Holding LLC

1 st Krasnogvardeisky passage, 22, building 1,
room 12-40, floor 12, 123112 Moscow,
Russian Federation

(793) №1819

Simple

From 01 06 2022- For a Period of Validity of the Mark

9 – Scientific, nautical, surveying, electric, photographic, cinematographic, optical, weighing, measuring, signalling, checking (supervision), life-saving and teaching apparatus and instruments; apparatus for recording, transmission or reproduction of sound or images; magnetic data carriers, recording discs; automatic vending machines and mechanisms for coin-operated apparatus; cash registers, calculating machines, data processing equipment and computers; fire-extinguishing apparatus.

16 – Paper, cardboard and goods made from these materials, not included in other classes; printed matter; bookbinding material; photographs; stationery; adhesives for stationery or household purposes; artists' materials; paint brushes; typewriters and office requisites (except furniture); instructional and teaching material (except apparatus); plastic materials for packaging (not included in other classes); printers' type; printing blocks.

18 – Leather and imitations of leather, and goods made of these materials and not included in other classes; animal skins, hides; trunks and travelling bags; umbrellas, parasols and walking sticks; whips, harness and saddlery.

35 – Advertising; business management; business administration; office functions.

36 – Insurance; financial affairs; monetary affairs; real estate affairs.

38 – Telecommunications including providing user access to a global computer network (service providers).

39 – Transport; packaging and storage of goods; travel arrangement.

41 – Education; providing of training; entertainment; sporting and cultural activities.

42 – Scientific and technological services and research; legal services; design and development of computer hardware and software; recovery of computer data; consultancy in the field of computer hardware; computer rental.

CLASSIFICATION INDEXES

INVENTIONS

CONCORDANCE TABLE OF INTERNATIONAL CLASSIFICATION INDEX AND PUBLICATION NUMBERS

INTERNATIONAL CLASSIFICATION INDEXES (51)	NUMBER OF PUBLISHED APPLICATION (10)
A 01 G 9/029; A 01 G 31/06	AP 2023 15702 A
A 61 K 9/14; A 61 K 9/00; A 61 K 39/00; C 07 K 16/24	AP 2023 15672 A
A 61 K 9/24; A 61 K 31/00	AP 2023 15816 A
A 61 K 31/235; A 61 K 31/137; A 61 P 25/08	AP 2023 15567 A
A 61 K 31/496; A 61 K 47/10; A 61 K 9/00; A 61 K 9/08	AP 2023 15674 A
A 61 K 31/606; A 61 K 9/48; A 61 K 9/20; A 61 K 9/28	AP 2023 15683 A
C 03 B 37/00	AP 2023 15931 A
C 10 B 45/00; C 10 B 57/06; C 10 L 5/34; C 10 L 1/00; C 10 M 171/00	AP 2023 15987 A

CONCORDANCE TABLE OF PUBLICATION NUMBERS AND INTERNATIONAL CLASSIFICATION INDEX

NUMBER OF PUBLISHED APPLICATION (10)	INTERNATIONAL CLASSIFICATION INDEXES (51)
AP 2023 15567 A	A 61 K 31/235; A 61 K 31/137; A 61 P 25/08
AP 2023 15672 A	A 61 K 9/14; A 61 K 9/00; A 61 K 39/00; C 07 K 16/24
AP 2023 15674 A	A 61 K 31/496; A 61 K 47/10; A 61 K 9/00; A 61 K 9/08
AP 2023 15683 A	A 61 K 31/606; A 61 K 9/48; A 61 K 9/20; A 61 K 9/28
AP 2023 15702 A	A 01 G 9/029; A 01 G 31/06
AP 2023 15816 A	A 61 K 9/24; A 61 K 31/00
AP 2023 15931 A	C 03 B 37/00
AP 2023 15987 A	C 10 B 45/00; C 10 B 57/06; C 10 L 5/34; C 10 L 1/00; C 10 M 171/00

CONCORDANCE TABLE OF INTERNATIONAL CLASSIFICATION INDEX, PATENT NUMBERS AND PUBLICATION NUMBERS

INTERNATIONAL CLASSIFICATION INDEX (51)	NUMBER OF PATENT (11)	NUMBER OF PUBLISHED APPLICATION (10)
A 01 N 43/16; A 01 N 25/08	P 2023 7544 B	AP 2023 13955 A
A 61 K 31/201; A 61 K 9/08; A 61 K 9/00; A 61 K 31/202; A 61 P 29/00; A 61 P 37/02	P 2023 7543 B	AP 2023 15725 A
A 61 K 38/00; A 61 K 39/395; A 61 K 38/48; C 07 K 16/40; C 12 N 9/50	P 2023 7541 B	AP 2023 15297 A
E 02 B 9/08; F 03 B 3/00; F 03 B 13/26; F 03 B 17/06; F 03 B 13/00	P 2023 7542 B	AP 2023 15430 A

**CONCORDANCE TABLE OF PATENT NUMBERS,
PUBLICATION NUMBERS AND INTERNATIONAL CLASSIFICATION INDEX**

NUMBER OF PATENT (11)	NUMBER OF PUBLISHED APPLICATION (10)	INTERNATIONAL CLASSIFICATION INDEX (51)
P 2023 7541 B	AP 2023 15297 A	A 61 K 38/00; A 61 K 39/395; A 61 K 38/48; C 07 K 16/40; C 12 N 9/50
P 2023 7542 B	AP 2023 15430 A	E 02 B 9/08; F 03 B 3/00; F 03 B 13/26; F 03 B 17/06; F 03 B 13/00
P 2023 7543 B	AP 2023 15725 A	A 61 K 31/201; A 61 K 9/08; A 61 K 9/00; A 61 K 31/202; A 61 P 29/00; A 61 P 37/02
P 2023 7544 B	AP 2023 13955 A	A 01 N 43/16; A 01 N 25/08

**CONCORDANCE TABLE OF APPLICATION NUMBERS,
PUBLICATION NUMBERS AND PATENTS**

NUMBER OF APPLICATION (21)	NUMBER OF PUBLISHED APPLICATION (10)	NUMBER OF PATENT (11)
AP 2014 13955	AP 2023 13955 A	P 2023 7544 B
AP 2018 15297	AP 2023 15297 A	P 2023 7541 B
AP 2019 15430	AP 2023 15430 A	P 2023 7542 B
AP 2020 15725	AP 2023 15725 A	P 2023 7543 B

APPLICATION***

**CONCORDANCE TABLE OF INTERNATIONAL CLASSIFICATION INDEX
AND PUBLICATION NUMBERS**

INTERNATIONAL CLASSIFICATION INDEXES (51)	NUMBER OF PUBLISHED APPLICATION (10)
A 61 J 3/00; A 61 J 1/20; A 61 M 39/22; A 61 M 39/10; A 61 M 5/19	AP 2023 16303 A
C 02 F 1/004	AP 2023 16278 A
C 02 F 1/02; C 09 K 5/10; E 02 B 15/04; F 24 S 10/10; F 28 D 20/02; F 28 D 1/02	AP 2023 16297 A
C 08 F 210/14; F 15 D 1/00; F 17 D 1/16	AP 2023 16305 A
F 23 D 14/70; F 23 D 14/02; F 23 D 14/62	AP 2023 16288 A

**CONCORDANCE TABLE OF PUBLICATION NUMBERS
AND INTERNATIONAL CLASSIFICATION INDEX**

NUMBER OF PUBLISHED APPLICATION (10)	INTERNATIONAL CLASSIFICATION INDEXES (51)
AP 2023 16278 A	C 02 F 1/004
AP 2023 16288 A	F 23 D 14/70; F 23 D 14/02; F 23 D 14/62
AP 2023 16297 A	C 02 F 1/02; C 09 K 5/10; E 02 B 15/04; F 24 S 10/10; F 28 D 20/02; F 28 D 1/02
AP 2023 16303 A	A 61 J 3/00; A 61 J 1/20; A 61 M 39/22; A 61 M 39/10; A 61 M 5/19
AP 2023 16305 A	C 08 F 210/14; F 15 D 1/00; F 17 D 1/16

UTILITY MODELS

**CONCORDANCE TABLE OF INTERNATIONAL CLASSIFICATION INDEX
AND PUBLICATION NUMBERS**

INTERNATIONAL CLASSIFICATION INDEXES (51)	NUMBER OF PUBLISHED APPLICATION (10)
E 02 B 3/04	AU 2023 16174 U

**CONCORDANCE TABLE OF PUBLICATION NUMBERS
AND INTERNATIONAL CLASSIFICATION INDEX**

NUMBER OF PUBLISHED APPLICATION (10)	INTERNATIONAL CLASSIFICATION INDEXES (51)
AU 2023 16174 U	E 02 B 3/04

**CONCORDANCE TABLE OF INTERNATIONAL CLASSIFICATION INDEX,
PATENT NUMBERS AND PUBLICATION NUMBERS**

INTERNATIONAL CLASSIFICATION INDEX (51)	NUMBER OF PATENT (11)	NUMBER OF PUBLISHED APPLICATION (10)
F 41 F 3/00; F 41 F 7/00	U 2023 2155 Y	AU 2023 16007 U

**CONCORDANCE TABLE OF PATENT NUMBERS,
PUBLICATION NUMBERS AND INTERNATIONAL CLASSIFICATION INDEX**

NUMBER OF PATENT (11)	NUMBER OF PUBLISHED APPLICATION (10)	INTERNATIONAL CLASSIFICATION INDEX (51)
U 2023 2155 Y	AU 2023 16007 U	F 41 F 3/00; F 41 F 7/00

**CONCORDANCE TABLE OF APPLICATION NUMBERS,
PUBLICATION NUMBERS AND PATENTS**

NUMBER OF APPLICATION (21)	NUMBER OF PUBLISHED APPLICATION (10)	NUMBER OF PATENT (11)
AU 2021 16007	AU 2023 16007 U	U 2023 2155 Y

DESIGNS

**CONCORDANCE TABLE OF INTERNATIONAL CLASSIFICATION INDEX
AND PUBLICATION NUMBERS**

INTERNATIONAL CLASSIFICATION INDEXES (51)	NUMBER OF PUBLISHED APPLICATION (10)
11-01	AD 2023 1310 S

**CONCORDANCE TABLE OF PUBLICATION NUMBERS
AND INTERNATIONAL CLASSIFICATION INDEX**

NUMBER OF PUBLISHED APPLICATION (10)	INTERNATIONAL CLASSIFICATION INDEXES (51)
AD 2023 1310 S	11-01

**CONCORDANCE TABLE OF INTERNATIONAL CLASSIFICATION INDEX,
NUMBERS OF REGISTRATION AND PUBLICATION NUMBERS**

INTERNATIONAL CLASSIFICATION INDEX (51)	NUMBER OF REGISTRATION (11)	NUMBER OF PUBLISHED APPLICATION (10)
09-01	D 2023 979 S	AD 2023 1290 S

**CONCORDANCE TABLE OF NUMBERS OF REGISTRATION,
PUBLICATION NUMBERS AND INTERNATIONAL CLASSIFICATION INDEX**

NUMBER OF REGISTRATION (11)	NUMBER OF PUBLISHED APPLICATION (10)	INTERNATIONAL CLASSIFICATION INDEX (51)
D 2023 979 S	AD 2023 1290 S	09-01

**CONCORDANCE TABLE OF APPLICATION NUMBERS,
PUBLICATION NUMBERS AND NUMBERS OF REGISTRATION**

NUMBER OF APPLICATION (21)	NUMBER OF PUBLISHED APPLICATION (10)	NUMBER OF REGISTRATION (11)
AD 2023 1290	AD 2023 1290 S	D 2023 979 S

TRADEMARKS

CONCORDANCE TABLE OF REGISTRATION NUMBERS, APPLICATION NUMBERS, PUBLICATION NUMBERS AND BULLETIN NUMBERS

NUMBER OF REGISTRATION (111)	NUMBER OF APPLICATIONS (210)	NUMBER OF PUBLISHED APPLICATIONS (260)	NUMBER OF BULLETIN
1	2	3	4
M 2023 37245 R	AM 119597	AM 2023 119597 A	9(612)2023
M 2023 37246 R	AM 119808	AM 2023 119808 A	8(611)2023
M 2023 37247 R	AM 119494	AM 2023 119494 A	9(612)2023
M 2023 37248 R	AM 118295	AM 2023 118295 A	2(605)2023
M 2023 37249 R	AM 118757	AM 2023 118757 A	4(607)2023
M 2023 37250 R	AM 119692	AM 2023 119692 A	9(612)2023
M 2023 37251 R	AM 119694	AM 2023 119694 A	9(612)2023
M 2023 37252 R	AM 119693	AM 2023 119693 A	9(612)2023
M 2023 37253 R	AM 119200	AM 2023 119200 A	6(609)2023
M 2023 37254 R	AM 119360	AM 2023 119360 A	10(613)2023
M 2023 37255 R	AM 119132	AM 2023 119132 A	5(608)2023
M 2023 37256 R	AM 118549	AM 2023 118549 A	4(607)2023
M 2023 37257 R	AM 119187	AM 2023 119187 A	7(610)2023
M 2023 37258 R	AM 120132	AM 2023 120132 A	9(612)2023
M 2023 37259 R	AM 119770	AM 2023 119770 A	9(612)2023
M 2023 37260 R	AM 120170	AM 2023 120170 A	10(613)2023
M 2023 37261 R	AM 119133	AM 2023 119133 A	5(608)2023
M 2023 37262 R	AM 119131	AM 2023 119131 A	5(608)2023
M 2023 37263 R	AM 119130	AM 2023 119130 A	5(608)2023
M 2023 37264 R	AM 119121	AM 2023 119121 A	5(608)2023
M 2023 37265 R	AM 119125	AM 2023 119125 A	6(609)2023
M 2023 37266 R	AM 119122	AM 2023 119122 A	6(609)2023
M 2023 37267 R	AM 119117	AM 2023 119117 A	5(608)2023
M 2023 37268 R	AM 118736	AM 2023 118736 A	4(607)2023
M 2023 37269 R	AM 117908	AM 2023 117908 A	4(607)2023
M 2023 37270 R	AM 119350	AM 2023 119350 A	9(612)2023
M 2023 37271 R	AM 119007	AM 2023 119007 A	5(608)2023
M 2023 37272 R	AM 119772	AM 2023 119772 A	8(611)2023
M 2023 37273 R	AM 118304	AM 2023 118304 A	4(607)2023
M 2023 37274 R	AM 119767	AM 2023 119767 A	9(612)2023
M 2023 37275 R	AM 119577	AM 2023 119577 A	9(612)2023
M 2023 37276 R	AM 120049	AM 2023 120049 A	9(612)2023
M 2023 37277 R	AM 119495	AM 2023 119495 A	9(612)2023
M 2023 37278 R	AM 119019	AM 2023 119019 A	5(608)2023
M 2023 37279 R	AM 118928	AM 2023 118928 A	6(609)2023
M 2023 37280 R	AM 119118	AM 2023 119118 A	5(608)2023
M 2023 37281 R	AM 119119	AM 2023 119119 A	6(609)2023
M 2023 37282 R	AM 119123	AM 2023 119123 A	5(608)2023
M 2023 37283 R	AM 119120	AM 2023 119120 A	5(608)2023
M 2023 37284 R	AM 119127	AM 2023 119127 A	6(609)2023
M 2023 37285 R	AM 119124	AM 2023 119124 A	5(608)2023
M 2023 37286 R	AM 119128	AM 2023 119128 A	9(612)2023
M 2023 37287 R	AM 119129	AM 2023 119129 A	5(608)2023
M 2023 37288 R	AM 124243	-	18(621)2023
M 2023 37289 R	AM 124503	-	18(621)2023
M 2023 37290 R	AM 124308	-	18(621)2023

1	2	3	4
M 2023 37291 R	AM 124507	–	18(621)2023
M 2023 37292 R	AM 124353	–	18(621)2023
M 2023 37293 R	AM 124315	–	18(621)2023
M 2023 37294 R	AM 124522	–	18(621)2023
M 2023 37295 R	AM 124595	–	18(621)2023
M 2023 37296 R	AM 124420	–	18(621)2023
M 2023 37297 R	AM 124350	–	18(621)2023
M 2023 37298 R	AM 124596	–	18(621)2023
M 2023 37299 R	AM 124584	–	18(621)2023
M 2023 37300 R	AM 124513	–	18(621)2023
M 2023 37301 R	AM 124605	–	18(621)2023
M 2023 37302 R	AM 124417	–	18(621)2023
M 2023 37303 R	AM 123343	–	18(621)2023
M 2023 37304 R	AM 118930	AM 2023 118930 A	5(608)2023
M 2023 37305 R	AM 120149	AM 2023 120149 A	10(613)2023
M 2023 37306 R	AM 117819	AM 2023 117819 A	9(612)2023
M 2023 37307 R	AM 119502	AM 2023 119502 A	9(612)2023
M 2023 37308 R	AM 119906	AM 2023 119906 A	10(613)2023
M 2023 37309 R	AM 116836	AM 2023 116836 A	9(612)2023
M 2023 37310 R	AM 119679	AM 2023 119679 A	9(612)2023
M 2023 37311 R	AM 118720	AM 2023 118720 A	5(608)2023
M 2023 37312 R	AM 120150	AM 2023 120150 A	10(613)2023
M 2023 37313 R	AM 119273	AM 2023 119273 A	7(610)2023
M 2023 37314 R	AM 119766	AM 2023 119766 A	10(613)2023
M 2023 37315 R	AM 119013	AM 2023 119013 A	5(608)2023
M 2023 37316 R	AM 120238	AM 2023 120238 A	10(613)2023
M 2023 37317 R	AM 119818	AM 2023 119818 A	10(613)2023
M 2023 37318 R	AM 120363	AM 2023 120363 A	11(614)2023
M 2023 37319 R	AM 118849	AM 2023 118849 A	5(608)2023
M 2023 37320 R	AM 118864	AM 2023 118864 A	5(608)2023
M 2023 37321 R	AM 119606	AM 2023 119606 A	9(612)2023
M 2023 37322 R	AM 120364	AM 2023 120364 A	11(614)2023

CONCORDANCE TABLE OF PUBLICATION NUMBERS
AND APPLICATION NUMBERS

NUMBER OF PUBLISHED APPLICATION (260)	NUMBER OF APPLICATION (210)	1	2
1	2	AM 2023 121634 A	AM 121634
AM 2023 120133 A*	AM 120133	AM 2023 121642 A	AM 121642
AM 2023 120516 A	AM 120516	AM 2023 121643 A	AM 121643
AM 2023 120947 A	AM 120947	AM 2023 121645 A	AM 121645
AM 2023 121214 A	AM 121214	AM 2023 121657 A	AM 121657
AM 2023 121215 A	AM 121215	AM 2023 121734 A	AM 121734
AM 2023 121220 A	AM 121220	AM 2023 121763 A	AM 121763
AM 2023 121417 A	AM 121417	AM 2023 121770 A	AM 121770
AM 2023 121427 A	AM 121427	AM 2023 121774 A	AM 121774
AM 2023 121437 A	AM 121437	AM 2023 121775 A	AM 121775
AM 2023 121438 A	AM 121438	AM 2023 121855 A	AM 121855
AM 2023 121439 A	AM 121439	AM 2023 121856 A	AM 121856
AM 2023 121499 A	AM 121499	AM 2023 121861 A	AM 121861
AM 2023 121500 A	AM 121500	AM 2023 121863 A	AM 121863
AM 2023 121505 A	AM 121505	AM 2023 121864 A	AM 121864
AM 2023 121520 A	AM 121520	AM 2023 121866 A	AM 121866
AM 2023 121522 A	AM 121522	AM 2023 121899 A	AM 121899
AM 2023 121525 A	AM 121525	AM 2023 121924 A	AM 121924
AM 2023 121526 A	AM 121526	AM 2023 121930 A	AM 121930
AM 2023 121633 A	AM 121633	AM 2023 122005 A	AM 122005
		AM 2023 122027 A	AM 122027
		AM 2023 122044 A	AM 122044

CONCORDANCE TABLE OF INDEX OF GOODS AND/OR SERVICES
AND APPLICATION NUMBERS

INDEX OF GOODS AND/OR SERVICES (511)	NUMBER OF PUBLISHED APPLICATIONS (260)	1	2
1	2		
1	AM 2023 121642 A	32	AM 2023 121866 A
1	AM 2023 121643 A	32	AM 2023 122044 A
1	AM 2023 121645 A	33	AM 2023 121500 A
1	AM 2023 121863 A	33	AM 2023 121526 A
3	AM 2023 121774 A	33	AM 2023 121770 A
5	AM 2023 121438 A	33	AM 2023 121866 A
5	AM 2023 121505 A	33	AM 2023 121924 A
5	AM 2023 121522 A	33	AM 2023 122027 A
5	AM 2023 121634 A	34	AM 2023 121734 A
5	AM 2023 121642 A	35	AM 2023 120947 A
5	AM 2023 121643 A	35	AM 2023 121437 A
5	AM 2023 121645 A	35	AM 2023 121439 A
6	AM 2023 121633 A	35	AM 2023 121499 A
7	AM 2023 120947 A	35	AM 2023 121633 A
7	AM 2023 121633 A	35	AM 2023 121763 A
8	AM 2023 121520 A	35	AM 2023 121770 A
8	AM 2023 121633 A	35	AM 2023 121856 A
9	AM 2023 121633 A	35	AM 2023 122005 A
11	AM 2023 120516 A	35	AM 2023 122027 A
12	AM 2023 121657 A	39	AM 2023 121220 A
18	AM 2023 121520 A	39	AM 2023 121439 A
21	AM 2023 121520 A	39	AM 2023 121499 A
29	AM 2023 121417 A	41	AM 2023 121427 A
30	AM 2023 121525 A	41	AM 2023 121763 A
30	AM 2023 121861 A	43	AM 2023 120516 A
30	AM 2023 121899 A	43	AM 2023 121214 A
30	AM 2023 121930 A	43	AM 2023 121215 A
30	AM 2023 122005 A	43	AM 2023 121220 A
30	AM 2023 122044 A	43	AM 2023 121427 A
32	AM 2023 120133 A*	43	AM 2023 121439 A
32	AM 2023 121775 A	43	AM 2023 121499 A
32	AM 2023 121861 A	43	AM 2023 121855 A
		43	AM 2023 121864 A
		43	AM 2023 121866 A
		44	AM 2023 120516 A

CONCORDANCE TABLE OF INDEX OF GOODS AND/OR SERVICES
AND NUMBERS OF TRADEMARKS REGISTERED ACCORDING
TO THE ACCELERATED PROCEDURE

INDEX OF GOODS AND/OR SERVICES (511)	NUMBERS OF REGISTERED ACCORDING TO THE ACCELERATED PROCEDURE (111)
1	M 2023 37296 R
2	M 2023 37296 R
3	M 2023 37292 R
3	M 2023 37295 R
6	M 2023 37288 R
7	M 2023 37288 R
9	M 2023 37288 R
20	M 2023 37288 R
25	M 2023 37297 R
30	M 2023 37301 R
33	M 2023 37289 R
33	M 2023 37293 R
33	M 2023 37294 R
33	M 2023 37298 R
35	M 2023 37288 R
35	M 2023 37290 R
35	M 2023 37291 R
35	M 2023 37299 R
35	M 2023 37300 R
35	M 2023 37302 R
36	M 2023 37288 R
37	M 2023 37288 R
38	M 2023 37288 R
39	M 2023 37288 R
41	M 2023 37288 R
42	M 2023 37288 R

OFFICIAL BULLETIN OF THE INDUSTRIAL PROPERTY

INVENTIONS
UTILITY MODELS
DESIGNS
TRADEMARKS

18(621)

EDITOR-IN-CHIEF: N. Bebrishvili

EDITOR-TRANSLATOR: E. Gabunia

PROOFREADER: A. Shikhashvili

COMPUTER LAYOUT: M. Ordenidze
K. Svanidze

ISSN 2720-8486

info@sakpatenti.gov.ge
www.sakpatenti.gov.ge