



საქართველოს ინტელექტუალური საკუთრების ეროვნული ცენტრი
NATIONAL INTELLECTUAL PROPERTY CENTER OF GEORGIA

საქპატენტი
SAKPATENTI

**OFFICIAL BULLETIN
OF THE INDUSTRIAL PROPERTY**

19(527)

2019
TBILISI

INID CODES FOR IDENTIFICATION OF BIBLIOGRAPHIC DATA

INVENTIONS, UTILITY MODELS

- (10) Number of publication for application, which has been examined
- (11) Number of patent and kind of document
- (21) Serial number of application
- (22) Date of filing of the application
- (23) Date of exhibition or the date of the earlier filing and the number of application, if any
- (24) Date from which patent may have effect
- (31) Number of priority application
- (32) Date of filing of priority application
- (33) Code of the country or regional organization allotting priority application number
- (44) Date of publication of application not granted, but examined and number of bulletin
- (45) Date of publication of registered document
- (51) International Patent Classification Index

- (54) Title of the invention
- (57) Abstract
- (60) Number of examined patent document granted by foreign patent office, date from which patent has effect and country code
- (62) Number of the earlier application and in case of divided application, date of filing an application
- (71) Name, surname and address of applicant (country code)
- (72) Name, surname of inventor (country code)
- (73) Name, surname and address of patent owner (country code)
- (74) Name, surname of representative or patent attorney
- (85) Date of commencement of the national phase of International Application
- (86) Number and date of filing of international application
- (87) Number and date of publication of international application
- (94) Calculated date of expiry of the SPC or the duration of the SPC

DESIGNS

- (10) Number of publication for application
- (11) Number of patent and kind of document or number of registration
- (15) Date of registration/Date of patent renewal
- (18) Expected expiration date of patent or registration
- (21) Serial number of application
- (22) Date of filing of the application
- (23) Date of exhibition or the date of the earlier filing and the number of application, if any
- (24) Date from which patent may have effect
- (28) Number of designs included in the application
- (30) Data relating to priority (number of application, date of filing of application, two-letter code identifying the authority with whom the priority application was made)
- (31) Number of priority application
- (32) Date of filing of priority application
- (33) Code of the country or regional organization allotting priority application number
- (34) Two-letter code according to WIPO St.3 identifying the authority with which the priority application was made
- (44) Date of publication of design and number of bulletin (the first publication)
- (45) Date of publication of design registered by WIPO and number of bulletin

- (51) International Classification for designs (class and subclass of the Locarno Classification)
- (54) Title of the invention
- (55) Reproduction of the design
- (57) Description of characteristic features of the design including indication of colors
- (58) Date of recording of any kind of amendment in the Register
- (62) Number of the earlier application, registration and document number and if available the date of filing an application in case of divided application
- (71) Name, surname and address of applicant (country code)
- (72) Name, surname of creator (country code)
- (73) Name, surname and address of patent owner (country code)
- (74) Name, surname of representative or patent attorney
- (81) Contracting states concerned
 - II designated contracting states according to the 1960 Act
 - III designated contracting states according to the 1999 Act
- (85) Owner's permanent address
- (86) Owner's nationality
- (87) Owner's residence
- (88) State in which the owner has a real and effective industrial or commercial establishment

TRADEMARKS

- (111) - Number of registration
- (151) - Date of registration
- (156) - Date of the renewal
- (181) - Expected expiration date of registration
- (186) - Renewal expiration date of registration
- (141) - Date of cancel of duration of the mark
- (210) - Serial number of application
- (220) - Date of filing of the application
- (230) - Data concerning exhibition
- (260) - Number of application, for which favorable decision of examination about registration has been taken (publication number)
- (310) - Number of the first application
- (320) - Date of filing of the first application
- (330) - Code, identifying national or regional Office where the first application was made
- (511) - International Classification of Goods and Services for the purposes of registration of trade marks and/or list of goods and/or services classified according thereto
- (526) - Disclaimer
- (531) - Description of figurative elements of Trade Marks according to the International Classification of the Figurative Elements of Marks

- (540) - Reproduction of Trade Mark
- (550) - Nature and kind of Trade Mark
- (551) - Indication to the effect that the mark is a collective mark, a certification mark or a guarantee mark
- (554) - Three-dimensional mark
- (580) - Date of recording of any kind changes in respect of applications or registrations
- (591) - Information concerning colors claimed
- (731) - Name and address of the applicant
- (732) - Name and address of the holder of the registration
- (740) - Name and address of the representative
- (750) - Addreses for correspondence
- (770) - Name and address of the previous applicant or holder in case of change in ownership
- (771) - Previous name and address of the applicant or holder in case of change in ownership
- (791) - Name and address of the licensee
- (793) - Indication of conditions and/or restrictions under the license (Type of license, number of license agreement, data of license, data of validity of license)
- (800) - Certain data relating to the international registration of Trade Marks under the Protocol Relating to Madrid Agreement (International registration number
- (852) - Partial cancellation of the list of goods and services
- (891) - Date of subsequent designation

CODES FOR PUBLICATION IN BULLETIN

- (21) AP 0000 000000 - serial number of application for invention
- (10) AP 0000 0000 A - number of published application for invention (first publication)
- (11) P 0000 0000 B - number of patent for invention (second publication)
- (21) API 0000 000000 - number of application for imported patent
- (11) PI 0000 0000 A - number of imported patent (first publication)
- (21) AU 0000 000000 - serial number of application for utility model
- (10) AU 0000 000 U - number of published application for utility model (first publication)
- (11) U 0000 000 Y - number of patent for utility model (second publication)
- (21) AD 0000 000000 - serial number of application for design
- (10) AD 0000 000 S - number of published application for design (first publication)
- (11) D 0000 000 S - registered design

INTERNATIONAL PATENT CLASSIFICATION FOR INVENTIONS AND UTILITY MODELS

- SECTION A - HUMAN NECESSITIES
- SECTION B - PERFORMING OPERATIONS; TRANSPORTING
- SECTION C - CHEMISTRY; METALLURGY
- SECTION D - TEXTILES; PAPER
- SECTION E - FIXED CONSTRUCTIONS
- SECTION F - MECHANICAL ENGINEERING; LIGHTING; HEATING; WEAPONS; BLASTING
- SECTION G - PHYSICS
- SECTION H - ELECTRICITY

-
- M - Trade Mark
 - (210) AM 0000 000000 - Serial number of application;
 - (260) AAM 0000 00000 A - Publication number of application;
 - (111) M 0000 00000 R - Number of registration;
 - (111) MMM0000 00000 Rn - Number of renewals, in which n=1,2,3;
 - (111) M 0000 00000 R(P) - Number of registration under partial assignment of rights
-

**LIST OF CODES, IN ALPHABETIC SEQUENCE, AND THE CORRESPONDING (SHORT) NAMES OF STATES, OTHER ENTITIES AND INTERGOVERNMENTAL ORGANIZATIONS
(WIPO STANDARD ST.3)**

AD	Andorra				
AE	United Arab Emirates	GD	Grenada	NE	Niger
AF	Afghanistan	GG	Guernsey	NG	Nigeria
AG	Antigua and Barbuda	GH	Ghana	NI	Nicaragua
AI	Anguilla	GI	Gibraltar	NL	Netherlands
AL	Albania	GT	Guatemala	NO	Norway
AM	Armenia	GW	Guinea- Bissau	NP	Nepal
AN	Netherlands Antilles	GY	Guyana	NR	Nauru
AO	Angola	HK	The Hong Kong Special Administrative Region of the People's Republic of China	NZ	New Zealand
AP	African Regional Intellectual Property Organization (ARIPO)	HN	Honduras	OA	African Intellectual Property Organization (OAPI)
AR	Argentina	HR	Croatia	OM	Oman
AT	Austria	HT	Haiti	PA	Panama
AU	Australia	HU	Hungary	PE	Peru
AW	Aruba	IB	International Bureau of the World Intellectual Property Organization (WIPO)	PG	Papua New Guinea
AZ	Azerbaijan	ID	Indonesia	PH	Philippines
BA	Bosnia and Herzegovina	IE	Ireland	PK	Pakistan
BB	Barbados	IL	Israel	PL	Poland
BD	Bangladesh	IM	Isle of Man	PT	Portugal
BE	Belgium	IN	India	PW	Palau
BF	Burkina Faso	IQ	Iraq	PY	Paraguay
BG	Bulgaria	ID	Indonesia	QA	Qatar
BH	Bahrain	IE	Ireland	QZ	Community Plant Variety Office (European Community) (CPVO)
BI	Burundi	IL	Israel	RO	Romania
BJ	Benin	IM	Isle of Man	RS	Serbia
BM	Bermuda	IN	India	RU	Russian Federation
BN	Brunei Darussalam	IQ	Iraq	RW	Rwanda
BO	Bolivia	IR	Iran (Islamic Republic of)	SA	Saudi Arabia
BR	Brazil	IS	Iceland	SB	Solomon Islands
BS	Bahamas	IT	Italy	SC	Seychelles
BT	Bhutan	JE	Jersey	SD	Sudan
BV	Bouvet Island	JM	Jamaica	SG	Singapore
BW	Botswana	JO	Jordan	SH	Saint Helena
BX	Benelux Office for Intellectual Property (BOIP)	JP	Japan	SI	Slovenia
BY	Belarus	KE	Kenya	SK	Slovakia
BZ	Belize	KG	Kyrgyzstan	SL	Sierra Leone
CA	Canada	KH	Cambodia	SM	San Marino
CD	Democratic Republic of the Congo	KI	Kiribati	SN	Senegal
CF	Central African Republic	KM	Saint Kitts and Nevis	SO	Somalia
CG	Congo	KP	Democratic People's Republic of Korea	SR	Suriname
CH	Switzerland	KR	Republic of Korea	ST	Sao Tome and Principe
CI	Cote d'Ivoire	KW	Kuwait	SV	El Salvador
CK	Cook Islands	KY	Cayman Islands	SY	Syrian Arab Republic
CL	Chile	KZ	Kazakhstan	SZ	Swaziland
CM	Cameroon	LA	Lao People's Democratic Republic	TC	Turks and Caicos Islands
CN	China	LB	Lebanon	TD	Chad
CO	Colombia	LC	Saint Lucia	TG	Togo
CR	Costa Rica	LI	Liechtenstein	TH	Thailand
CU	Cuba	LK	Sri Lanka	TJ	Tajikistan
CV	Cape Verde	LR	Liberia	TL	Timor-Leste
CY	Cyprus	LS	Lesotho	TM	Turkmenistan
CZ	Czech Republic	LT	Lithuania	TN	Tunisia
DE	Germany	LU	Luxembourg	TO	Tonga
DJ	Djibouti	LV	Latvia	TR	Turkey
DM	Dominica	LY	Libyan Arab Jamahiriya	SE	Sweden
DO	Dominican Republic	MA	Morocco	TT	Trinidad and Tobago
DZ	Algeria	MC	Monaco	TV	Tuvalu
EA	Eurasian Patent Organization (EAPO)	MD	Republic of Moldova	TW	Taiwan, Province of China
EC	Ecuador	ME	Montenegro	TZ	United Republic of Tanzania
EE	Estonia	MG	Madagascar	UA	Ukraine
EG	Egypt	MK	The former Yugoslav Republic of Macedonia	UG	Uganda
EH	Western Sahara	ML	Mali	US	United States of America
EM	Office for Harmonization in the Internal Market (Trademarks and Designs)(OHIM)	MM	Myanmar	UY	Uruguay
EP	European Patent Office (EPO)	MN	Mongolia	UZ	Uzbekistan
ER	Eritrea	MO	Macao	VA	Holy See
ES	Spain	MP	Northern Mariana Islands	VC	Saint Vincent and the Grenadines
ET	Ethiopia	MR	Mauritania	VE	Venezuela
FI	Finland	MS	Montserrat	VG	Virgin Islands (British)
FJ	Fiji	MT	Malta	VN	Viet Nam
FK	Falkland Islands (Malvinas)	MU	Mauritius	VU	Vanuatu
FO	Faroe Islands	MV	Maldives	WO	World Intellectual Property Organization (WIPO)
FR	France	MW	Malawi	WS	Samoa
GA	Gabon	MX	Mexico	XN	Nordic Patent Institute (NPI)
GB	United Kingdom	MY	Malaysia	YE	Yemen
GC	Patent Office of the Cooperation Council for the Arab States of the Gulf (GCC)	MZ	Mozambique	ZA	South Africa
		NA	Namibia	ZM	Zambia
				ZW	Zimbabwe

**OFFICIAL BULLETIN
OF THE INDUSTRIAL PROPERTY**

19(527)

**INVENTIONS
UTILITY MODELS
DESIGNS
TRADEMARKS**

DATE OF PUBLICATION
2019 10 10

CONTENTS

PUBLISHED TITLES OF PROTECTION	3
INVENTIONS	
▪ APPLICATIONS APPROVED FOR GRANTING PATENTS	4
▪ PATENTED INVENTIONS	6
UTILITY MODELS	
▪ APPLICATIONS APPROVED FOR GRANTING PATENT	7
▪ PATENTED UTILITY MODEL	9
DESIGNS	
▪ APPLICATION APPROVED FOR REGISTRATION	10
▪ REGISTERED DESIGNS	12
▪ DESIGN REGISTERED ACCORDING TO THE ACCELERATED PROCEDURE	13
▪ DESIGNS, WHICH HAVE BEEN REGISTERED WITH THE INTERNATIONAL BUREAU CLAIMING PRIORITY ON THE TERRITORY OF GEORGIA	14
TRADEMARKS	
▪ APPLICATIONS FILED UNDER THE NATIONAL PROCEDURE APPROVED FOR REGISTRATION	50
▪ REGISTERED TRADEMARKS	56
▪ TRADEMARKS REGISTERED ACCORDING TO THE ACCELERATED PROCEDURE	61
▪ INTERNATIONAL TRADEMARKS FOR WHICH A DECISION ON GRANTING PROTECTION IS TAKEN	64
▪ INTERNATIONAL TRADEMARKS PROTECTED IN GEORGIA	161
OFFICIAL NOTIFICATIONS	
INVENTIONS	
▪ EXPIRATION OF PATENTS RESTORATION	168
▪ ABOLITION OF PATENTS WITH THE RIGHT TO RESTORE	168
▪ EXPIRATION OF TERM OF RESTORATION OF PATENTS	170
▪ CHANGES OF NAMES AND/OR ADDRESSES OF OWNER	170
UTILITY MODELS	
▪ ABOLITION OF PATENTS WITH THE RIGHT TO RESTORE	171
DESIGNS	
▪ CANCELLATION OF DESIGN REGISTRATION	171
▪ EXTENSION OF DESIGN REGISTRATION VALIDITY	171
TRADEMARKS	
▪ RENEWAL OF REGISTRATIONS	172
▪ COMPLETE TRANSFER OF RIGHTS	175
▪ CHANGES OF NAMES AND/OR ADDRESSES OF OWNERS	176
▪ TERMINATION OF TRADEMARKS REGISTRATION	177
CLASSIFICATION INDEXES	
INVENTIONS	181
UTILITY MODELS	182
DESIGNS	183
TRADEMARKS	185

PUBLISHED TITLES OF PROTECTION

INVENTIONS

- **APPLICATIONS APPROVED FOR GRANTING PATENT:**
14899; 14608; 14730; 14624; 14758
- **PATENTED INVENTIONS:**
7024-7026

UTILITY MODELS

- **APPLICATIONS APPROVED FOR GRANTING PATENT:**
15015; 14986; 14787
- **PATENTED UTILITY MODEL:**
2018

DESIGNS

- **APPLICATION APPROVED FOR REGISTRATION:**
1087
- **REGISTERED DESIGNS:**
818-820
- **DESIGN REGISTERED ACCORDING TO THE ACCELERATED PROCEDURE:**
821
- **DESIGNS, WHICH HAVE BEEN REGISTERED WITH THE INTERNATIONAL BUREAU CLAIMING PRIORITY ON THE TERRITORY OF GEORGIA:**
201879; 200451; 200969; 201023; 200971; 201804; 201898; 200356; 200706; 200707; 200699; 201922; 201659; 202018

TRADEMARKS

- **APPLICATIONS FILED UNDER THE NATIONAL PROCEDURE APPROVED FOR REGISTRATION:**
99514; 99893*; 101210; 101250; 101656; 101683; 101690, 101691; 101695; 101909; 101913; 101919; 101933; 102053; 102055, 102056; 102068; 102173; 102229, 102230; 102241; 102246; 102366, 102367; 102389; 102391-102393; 102396, 102397; 102406
- **REGISTERED TRADEMARKS:**
31754-31806
- **TRADEMARKS REGISTERED ACCORDING TO THE ACCELERATED PROCEDURE:**
31743-31753
- **INTERNATIONAL TRADEMARKS FOR WHICH A DECISION ON GRANTING PROTECTIONS IS TAKEN:**
94389*; 94394*; 96959*; 97488*; 97519*; 98129; 98336*; 98456*; 99534*; 100468; 100757; 100844, 100845; 100852, 100853; 100856; 100945; 100985; 100998; 101000-101006; 101008-101011; 101013-101016; 101039; 101041; 101064; 101078; 101086-101089; 101104; 101108; 101122; 101128-101131; 101190; 101192-101194; 101323; 101325-101328; 101351; 101358; 101435; 101460, 101461; 101483; 101485-101491; 101533; 101537, 101538; 101580; 101593-101595; 101597, 101598; 101746-101748; 101757, 101758; 101774-101776; 101778-101788; 101791; 101793, 101794; 101804-101811; 101833-101835; 101884-101889; 101891; 101893, 101894; 101898; 101934; 101936; 101946; 101948; 101950; 101994, 101995; 102007-102013
- **INTERNATIONAL TRADEMARKS PROTECTED IN GEORGIA:**
94379, 94380; 94403; 95087; 95263; 96797; 96880; 97574; 98132; 98360; 98476; 98648; 98812; 98823; 98826; 98843; 98876; 98945; 98948, 98949; 98957, 98958; 99013; 99015; 99023; 99025; 99032; 99088; 99095; 99097; 99113; 99115; 99129-99131; 99134-99136; 99201; 99214; 99223, 99224; 99241, 99242; 99246; 99262; 99265, 99268, 99269; 99273; 99275-99278; 99282; 99284; 99372; 99380, 99381; 99384; 99391; 99393; 99398; 99411, 99412; 99415; 99417; 99419, 99420; 99543; 99545; 99575; 99612; 99629; 99632; 99681-99683, 99743; 99844; 99848, 99849; 99851-99853; 99855; 99857; 99859, 99860; 100203; 100205, 100206; 100211

INVENTIONS

APPLICATIONS APPROVED FOR GRANTING PATENTS

The decision can be appealed at the Chamber of Appeal of Sakpatenti within 3 months from the publication or at the Mtskheta District Court Administrative Cases Board (Address: №17, Samkhedro str., Mtskheta), within 1 month following the publication.

PART A

A 61

(10) AP 2019 14899 A (51) Int. Cl. (2006)

A 61 K 31/00

A 61 K 9/08

A 61 K 31/19

A 61 K 33/14

(21) AP 2018 14899 (22) 2018 10 09

(31) 2017135900

(32) 2017 10 09

(33) RU

(71) OOO "NTFF "POLISAN" (RU)

Ul. Salatova 72, korp. 2, lit. A,
192102, Sankt-Peterburg (RU)

(72) PETROV, Andrey Urievich (RU);

KOVALENKO, Aleksey Leonidovich (RU)

(74) Tamat Kochlamazashvili

(54) POLYONIC INFUSION SOLUTION

(57) A solution contains sodium, potassium and magnesium chlorides, meglumine sodium succinate, stabilizing agent and water.

Claims: 1 independent

6 dependent

(10) AP 2019 14608 A (51) Int. Cl. (2006)

A 61 K 31/437

A 61 K 13/12

A 61 P 9/10

A 61 K 31/519

C 07 D 471/04

C 07 D 487/04

(21) AP 2016 14608 (22) 2016 03 17

(31) 1504565.1

(32) 2015 03 18

(33) GB

(71) TAKEDA PHARMACEUTICAL
COMPANY LIMITED (JP)

1-1, Doshomachi 4-chome Chuo-ku,
Osaka-shi, Osaka 5410045 (JP)

(72) DAVENPORT, Richard (GB);

BARKER, Gregory (GB);

AHMED, Saleh (GB);

LIVERMORE, David (GB);

JENKINS, Kerry (GB);

HARRISON, David (GB);

CANNING, Hannah (GB);

WRIGHT, Susanne (GB);

KINSELLA, Natasha (GB)

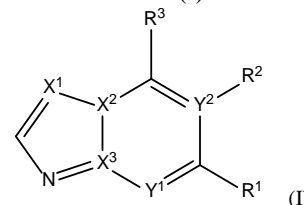
(74) Aleksandre Gegechkori

(85) 2017 10 16

(86) PCT/JP2016/059782, 2016 03 17

(54) FUSED BICYCLIC HETEROARYL
DERIVATIVES HAVING ACTIVITY AS
PHD INHIBITORS

(57) Compound of formula (I)



wherein X¹ is N; X² is N; X³ is C; Y¹ is CH, and values of R¹, R², R³, Y² substitutes are provided in claims, and pharmaceutically acceptable salt thereof, pharmaceutical composition on the basis thereof and their usage at acute kidney injury (AKI), chronic kidney disease (CKD), acute decompensated heart failure (ADHF), heart failure after stroke or peripheral artery diseases treatment.

Claims: 6 independent

9 dependent

Table: 10

(10) AP 2019 14730 A (51) Int. Cl. (2006)

A 61 K 33/00

A 61 K 9/12

A 61 P 17/18

(21) AP 2016 14730 (22) 2016 08 08

(31) 2015135414

(32) 2015 08 20

(33) RU

(71) FILIPOV, Sergey Dmitrievich (RU)

Ul. Molodiozhnaya 22-6, Dolgoprund,
141702, Moscow District (RU)

(72) FILIPOV, Sergey Dmitrievich (RU)

(74) Aleksandre Gegechkori

(85) 2018 03 16

(86) PCT/RU2016/000519, 2016 08 08

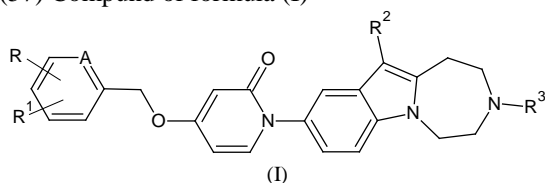
(54) HYDROGEN-ENRICHED WATER
WITH INCREASED ANTIOXIDANT
ACTIVITY AND PREPARATION
METHODS THEREOF

(57) Composition with antioxidant activity comprises antioxidant and water wherein molecular hydrogen is soluted.
Claims: 2 independent

(10) AP 2019 14624 A **(51) Int. Cl. (2006)**
A 61 P 3/00
A 61 P 25/00
A 61 K 31/551
C 07 D 487/04

(21) AP 2016 14624 (22) 2016 04 14
(31) P1500169
(32) 2014 04 15
(33) HU
(71) RICHTER GEDEON NYRT. (HU)
Gyömrői út 19-21. H-1103 Budapest (HU)
(72) BEKE, Gyula (HU);
ÉLES, János (HU);
BOROS, András (HU);
FARKAS, Sándor (HU);
KESERÚ, György Miklós (HU)

(74) Liliana Darakhvelidze
(85) 2017 11 15
(86) PCT/IB2016/052110, 2016 04 14
(54) **INDOLE DERIVATIVES**
(57) Compound of formula (I)



which R, R¹, R², R³, A substitutes values are provided in the claims, and/or salts thereof, and/or geometrical isomers, and/or stereoisomers, and/or diastereomers, and/or hydrates, and/or solvates, and/or polymorphic modifications, pharmaceutical compositions on the basis thereof and their usage at obesity, diabetes, and metabolic disorders treatment.

Claims: 6 independent
15 dependent

Table: 1

A 63

(10) AP 2019 14758 A **(51) Int. Cl. (2006)**
A 63 F 13/00

(21) AP 2018 14758 (22) 2018 04 13
(71) Giorgi Topuria (GE)
M. & A. Balanchivadze St. 40, ap. 30, 0171,
Tbilisi (GE)
(72) Giorgi Topuria (GE)
(74) Vakhtang Torotadze
(54) **ONLINE BACKGAMMON VIDEO**
WITH ROLLING DICES FOR PAIR OF
GAMERS PARTICIPATION;

VIDEO WITH METHOD FOR **DOMINOES KNUCKLES AND PLAYING** **CARDS CHANGING AND BRIBING IN** **ONLINE DOMINOES AND CARD** **GAMES**

(57) Online backgammon video with rolling dices and pair of gamers participation, and method for dominoes knuckles and playing cards changing and bribing in online dominoes and card games video provides visualization of tablo-menu for one gamer implicitly with opponent's rolling, changing or bribing variations, and visible first gamer's cursor motion, click and choice as open gallery for opponent gamer. The method additionally provides possibility to make choice for both gamers to roll, change and bribe, themselves.

Claims: 4 independent
6 dependent

Fig.: 4

PATENTED INVENTIONS**PART A****A 61**

- (11) P 2019 7025 B (51) Int. Cl. (2006)
A 61 B 18/02
A 61 B 18/00
A 61 B 18/14
- (10) AP 2019 14560 A (44) 11(519)/2019
(21) AP 2015 14560
(22) 2015 03 18
(24) 2015 03 18
(31) MI20014A000467
(32) 2014 03 20
(33) IT
(86) PCT/IB2015/051998, 2015 03 18
(73) ATRICATH S.P.A. (IT)
Viale Bianca Maria, 41 I-20122 Milano,
Italy (IT)
(72) PERFLER, Enrico (IT)
(74) Tamaz Shilakadze
(54) **ABLATION CATHETER AND
ABLATION APPARATUS**
-

PART C**C 23**

- (11) P 2019 7026 B (51) Int. Cl. (2006)
C 23 C 14/35
- (10) AP 2019 14793 A (44) 10(518)/2019
(21) AP 2018 14793
(22) 2018 05 22
(24) 2018 05 22
(73) Zaur Berishvili (GE)
Dighmis mas., III kv., 36, b. 87, 0159,
Tbilisi (GE)
(72) Zaur Berishvili (GE)
(54) **METHOD FOR NANOMATERIAL
PRODUCTION IN VACUUM AND
MAGNETRON SPRAY DEVICE FOR
EXECUTION THEREOF**
-

PART B**B 42**

- (11) P 2019 7024 B (51) Int. Cl. (2006)
B 42 D 25/00
- (10) AP 2019 14628 A (44) 11(519)/2019
(21) AP 2016 14628
(22) 2016 04 20
(24) 2016 04 20
(31) 2014690
(32) 2015 04 22
(33) NL
(86) PCT/NL2016/050277, 2016 04 20
(73) MORPHO B.V. (NL)
Oudeweg 32 2031 CC Haarlem (NL)
(72) WESSELINK, Wilhelmus Johannes (NL);
VAN DEN BERG, Jan (NL)
(74) Tamaz Shilakadze
(54) **SECURITY DOCUMENT AND
METHOD OF MANUFACTURING**
-

UTILITY MODELS

APPLICATION APPROVED FOR GRANTING PATENT

The decision can be appealed at the Chamber of Appeal of Sakpatenti within 3 months from the publication or at the Mtskheta District Court Administrative Cases Board (Address: №17, Samkhedro str., Mtskheta), within 1 month following the publication.

PART A

A 61

(10) AU 2019 15015 U (51) Int. Cl. (2006)
A 61 K 31/732
A 61 K 31/195
A 61 K 31/375
A 61 K 31/6615
A 61 P 39/00

(21) AU 2019 15015 (22) 2019 02 26

(71) Giorgi Pataraiia (GE)

Al. Chavchavadze St. 9, 0108, Tbilisi (GE)

(72) Giorgi Pataraiia (GE)

(54) **PREVENTIVE COMPOSITION FOR REMOVING LEAD FROM THE BODY AND ITS EXPOSURE**

(57) Composition contains pectin, fitine, ascorbic acid and N-acetylcysteine.

Claims: 1 independent

1 dependent

PART B

B 41

(10) AU 2019 14986 U (51) Int. Cl. (2006)
B 41 F 13/12

(21) AU 2019 14986

(22) 2019 01 16

(71) Nia Natbiladze (GE)

Al. kazbegi Ave. 1, 5th floor, ap. 12, 0160, Tbilisi (GE);

Zaal Uplisashvili (GE)

Didgori St. 210, 0113, Tbilisi (GE);

Aleksandre Ioramashvili (GE)

Paliashvili St. 10, 4th floor, ap. 11, 0179, Tbilisi (GE)

(72) Aleksandre Ioramashvili (GE);

Zaal Uplisashvili (GE);

Nia Natbiladze (GE)

(54) **ROTARY PRINTING MACHINE**

(57) Rotary printing machine includes forming, offset and printing cylinders, accordingly 1, 2 and 3, connected together frictionally and forced onto according shafts, an electromotor 4, paint apparatus, wating system, and propeller including two coupled curved arm con-rod mechanisms, wherein one con-rod 5 is hingedly connected to a support with one end and to curved arm 6 – with another, to provide printing cylinder rotation; another con-rod 7 is connected to the support with one end, and to according curved arm 8 – with another, to provide forming cylinder rotation. Said con-rods are telescopic and connected in one point hingedly. The machine is equipped with additional curved arm 9 connected to the motor with one end, and to the con-rods – with another in their connection point M, hingedly.

Claims: 1 independent

2 dependent

Fig.: 1

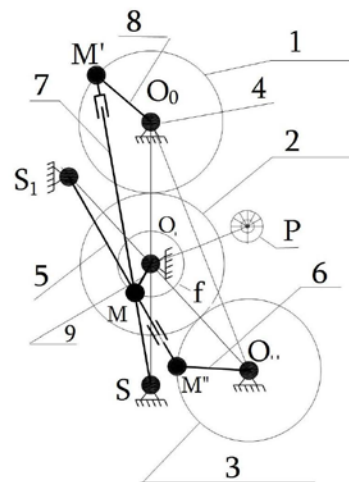


Fig. 1

PART E

E 04

(10) AU 2019 14787 U (51) Int. Cl. (2006)
E 04 H 6/12

(21) AU 2018 14787

(22) 2018 05 17

(71) Sergo Jorbenadze (GE)
R.Tabukashvili St. 46, ap. 8, 0108,
Tbilisi (GE)

(72) Sergo Jorbenadze (GE)

(54) **AUTO SUBSTANTIAL FIXER**

(57) Auto substantial fixer includes loading platform 1 with rolls placed in lifting mechanism equipped with removable substation 10 lifting-fixing means executed as excentric cam 3 having hook-catchers, wherein the cam is capable to lift removable substation bottom with engaging and moving 2 it, and the hook-catchers are capable to pass through the perforations existed in substation bottom to fix it.

Claims: 1 independent

Fig.: 7

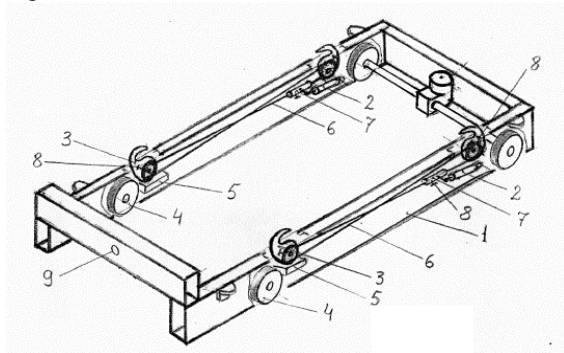


Fig. 3

PATENTED UTILITY MODEL**PART B****B 60**

- (11) U 2019 2018 Y (51) Int. Cl. (2006)
B 60 T 17/22
B 60 T 17/08
G 01 L 5/28
- (10) AU 2019 14799 U (44) 11(519)/2019
(21) AU 2018 14799
(22) 2018 05 29
(24) 2018 05 29
(31) 2017119422
(32) 2017 06 02
(33) RU
(73) Konstantin Yurievich Dyomin (RU)
P. Andropova, kv. 151, ap. 30,
115487, Moscow (RU);
Aleksey Alekseevich Popkov (RU)
P. Nastavnikikova, kv. 504,
korp. 1, ap. 41, Sankt-Peterburg 195030 (RU);
Vyacheslav Nikolaevich Bochkaryov (RU)
Ul. Varatinskaya, kv. 17, ap. 5, 125466,
Moscow (RU);
Pavel Nikolaevich Bochkaryov (RU)
Bulvar Khadinskogo, kv. 21, ap. 13,
Moscow (RU)
(72) Konstantin Yurievich Dyomin (RU);
Aleksey Alekseevich Popkov (RU);
Vyacheslav Nikolaevich Bochkaryov (RU);
Pavel Nikolaevich Bochkaryov (RU)
(74) Aleksandr Gegechkori
(54) **DEVICE FOR PRESSURE CONTROL
IN BRAKE CYLINDER**
-

DESIGNS

APPLICATION APPROVED FOR REGISTRATION

The decision can be appealed at the Chamber of Appeal of Sakpatenti within 3 months from the publication or at the Mtskheta District Court Administrative Cases Board (Address: №17, Samkhedro str., Mtskheta), within 1 month following the publication.

- (10) AD 2019 1087 S (51) 02-04
(21) AD 2019 1087 (22) 2019 04 30
(28) 2
(71) Dato Beridze (GE)
D. Aghmashenebeli St. 20, ap. 31, 6000, Batumi (GE)
(72) Dato Beridze (GE)
(74) Shalva Gvaramadze (GE)
(54) **1. RUBBER BOOTS, 2. RUBBER SHOES**
(55)





REGISTERED DESIGNS

- (11) D 2019 820 S** **(51) 07-02**
(10) AD 2019 1076 S (44) 2019 06 25 №12
(21) AD 2019 1076
(22) 2019 02 11
(24) 2019 02 11
(28) 3
(18) 2024 02 11
(73) Arçelik anonim sirketi (TR)
E5 Ankara Asfalti Üzeri, Tuzla, 34950,
Istanbul (TR)
(72) VANCI, Can Onur (TR);
ÇINAR, Ece (TR);
CAN SAĞIROSMANOĞLU, Doğaç (TR);
DURAN, Nihat (TR);
YÜKSEK, Tamer (TR);
KÖK GÜLTEKİN, Özlem (TR);
DURAKOĞLU EMRE, Gizem (TR);
ÖKMEN, Asli (TR)
(74) Aleksandre Gegechkori (GE)
(54) **1. TEA PREPARATION APPARATUS;**
2. TEAPOT FOR PUTTING TEA;
3. TEAPOT
-

- (11) D 2019 818 S** **(51) 09-01**
(10) AD 2019 1072 S (44) 2019 06 25 №12
(21) AD 2019 1072
(22) 2019 01 05
(24) 2019 01 05
(28) 19
(18) 2024 01 05
(73) Giorgi Zautashvili (GE)
D. Tavdadebulis q. 3, 4800, Kvareli (GE)
(72) Giorgi Zautashvili (GE)
(74) Giorgi Kartvelishvili (GE)
(54) **1.-19. BOTTLES**
-

- (11) D 2019 819 S** **(51) 09-05**
(10) AD 2019 1074 S (44) 2019 06 25 №12
(21) AD 2019 1074
(22) 2019 02 08
(24) 2019 02 08
(28) 24
(18) 2024 02 08
(73) LTD "G&A GROUP" (GE)
D. Tavdadebulis q. 29, 0131, Tbilisi (GE)
(72) Tamar Birkadze (GE)
(74) Gvantsa Jachvadze (GE)
(54) **1.-24. FOOD PACK**
-

DESIGN REGISTERED ACCORDING TO THE ACCELERATED PROCEDURE

The decision can be appealed at the Chamber of Appeal of Sakpatenti within 3 months from the publication.

- (11) **D 2019 821 S** (51) **09-01**
(21) AD 2019 1100 (22) 2019 08 05
(24) 2019 08 05
(28) 1
(18) 2024 08 05
(73) Gocha Pipia (GE)
Budapeshti St. 11, ap. 55, 0160, Tbilisi (GE)
(72) Gocha Pipia (GE)
(74) Ramaz Krichinashvili (GE)
(54) **WINE BOTTLE**
(55)



DESIGNS, WHICH HAVE BEEN REGISTERED WITH THE INTERNATIONAL BUREAU CLAIMING PRIORITY ON THE TERRITORY OF GEORGIA

The decision can be appealed at the Chamber of Appeal of Sakpatenti within 3 months from the publication or at the Mtskheta District Court Administrative Cases Board (Address: №17, Samkhedro Str., Mtskheta), within 1 month following the publication.

(11) DM/201 879

(15) 2019 05 24

(22) 2019 05 24

(28) 6

(73) Elten GmbH

Ostwall 7-13, 47589 Uedem (DE)

(85) DE

(86) DE

(87) DE

(88) DE

(89) DE

(81) III. RS, NO, MK, GE, TR, LI, IS, EM, CH

(72) Heiner Van Elten

Ostwall 7-13, 47589 Uedem (DE)

(74) Rösler Rasch Van Der Heide & Partner Patent- Und Rechtsanwälte Partnerschaftsgesellschaft MbB

Bodenseestr. 18, 81241 Munich (DE)

(54) **1.-6. SOLE FOR FOOTWEAR**

(55)

(51) 02-04

(44) 28/2019 (2019 07 12)



1



2



(11) **DM/200 451**

(51) **10-02**

(15) 2019 01 08

(44) 28/2019 (2019 07 12)

(22) 2019 01 08

(28) 4

(73) RADO UHREN AG (RADO WATCH CO. LTD.) (MONTRES RADO SA)

Bielstrasse 45, 2543 Lengnau (CH)

(85) CH

(86) CH

(87) CH

(88) CH

(89) CH

(81) II. BZ, MA III. AM, UA, AL, AZ, ME, MD, MC, SG, MN, NO, BA, MK, TR, GE, OM, LI, KG, GB, TN, EM, CH

(72) 1: Evgenia Miroshnichenko

101 rue du Genie, 94400 Vitry-sur-Seine (FR);

2: Inmaculada Bermúdez Cózar

URB. CAÑADA FRIA Buzón 80, 46380 Cheste (ES);

3: Flora Miranda

Frankrijklei 73, 2000 Antwerp (BE);

4: Fabrice Duport

Rue de l'Hôpital 4, CH-2000 Neuchâtel (CH)

(74) The Swatch Group AG (The Swatch Group SA) (The Swatch Group Ltd.)

Faubourg du Lac 6, 2501 BIEL/BIENNE (CH)

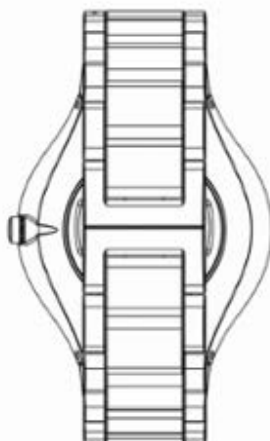
(54) **1.-4. WATCH**

(55)

1.1



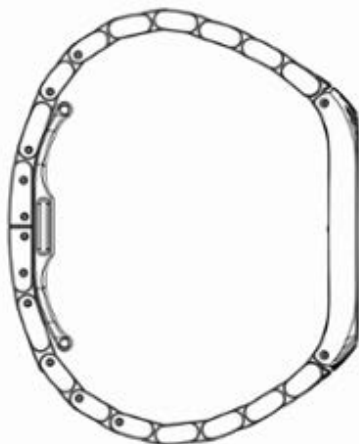
1.2



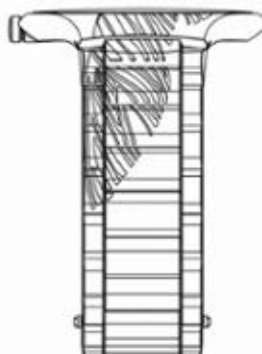
1.3



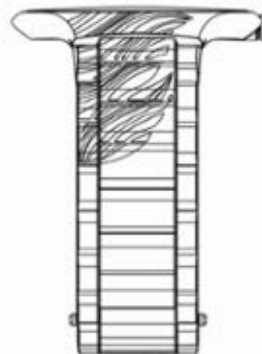
1.4



1.5



1.6



1.7



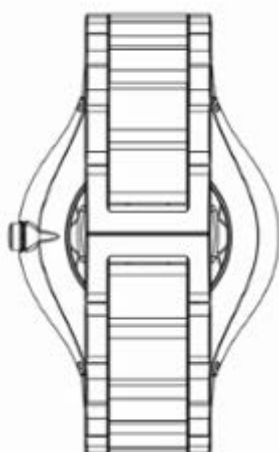
1.8



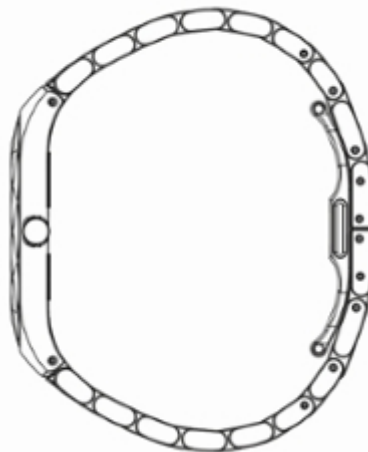
2.1



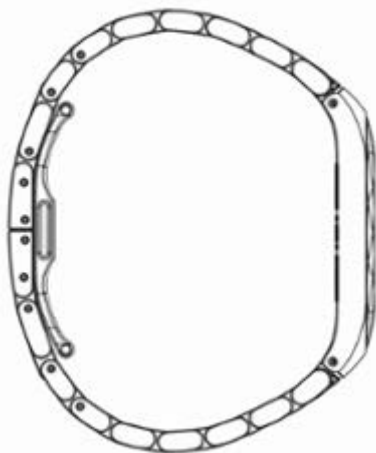
2.2



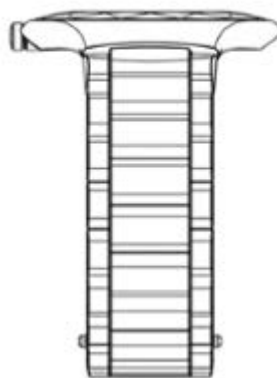
2.3



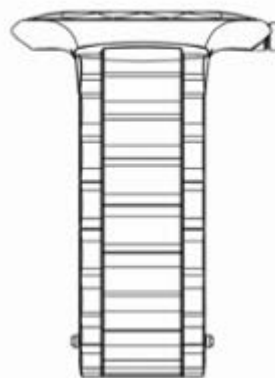
2.4



2.5



2.6



2.7



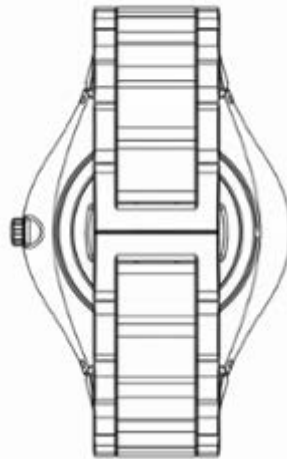
2.8



3.1



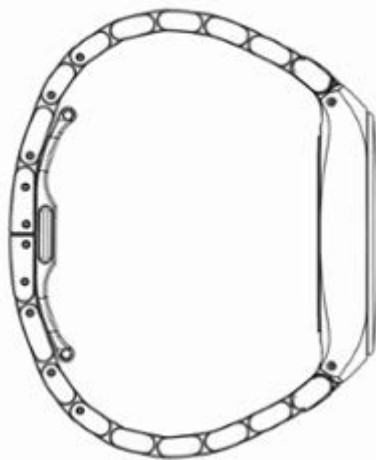
3.2



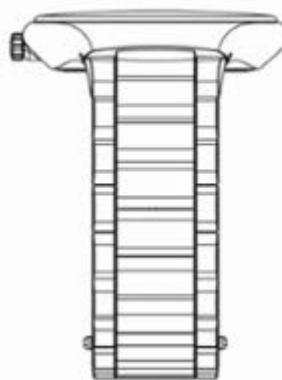
3.3



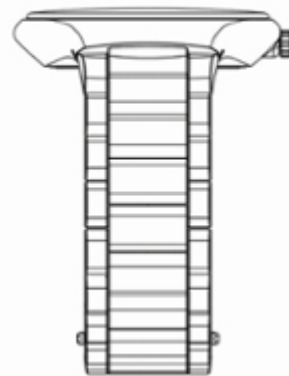
3.4



3.5



3.6



3.7



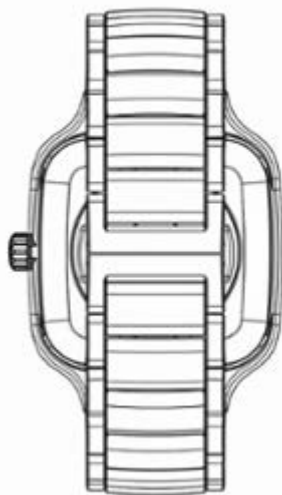
3.8



4.1



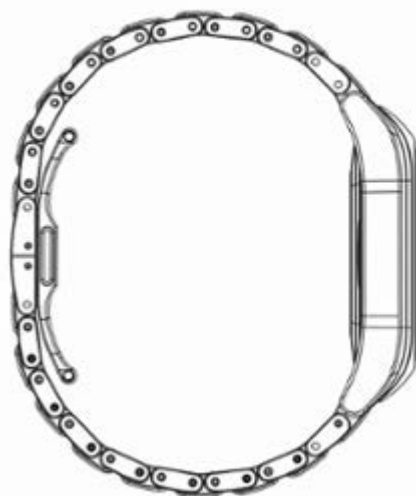
4.2



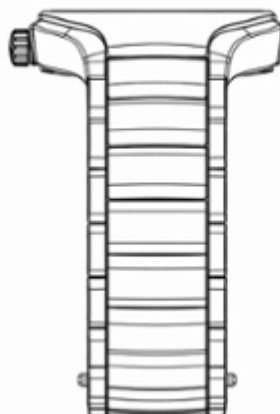
4.3



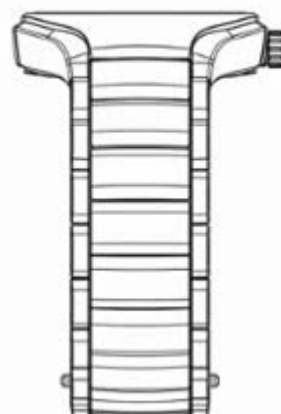
4.4



4.5



4.6



4.7



4.8



(11) DM/200 969

(15) 2019 01 08

(22) 2019 01 08

(28) 1

(73) RADO UHREN AG (RADO WATCH CO. LTD.) (MONTRES RADO SA)
Bielstrasse 45, 2543 Lengnau (CH)

(85) CH

(86) CH

(87) CH

(88) CH

(89) CH

(81) II. BZ, MA III. AM, UA, AL, AZ, ME, MD, MC, SG, MN, NO, BA, MK, OM, GE, TR, LI, KG, GB,
TN, EM, CH

(72) Xavier Perrenoud
Rue du nord 114, CH-2300 La Chaux-de-Fonds (CH)

(74) The Swatch Group AG (The Swatch Group SA) (The Swatch Group Ltd.)
Faubourg du Lac 6, 2501 BIEL/BIENNE (CH)

(54) 1. WATCH

(55)

(51) 10-02

(44) 28/2019 (2019 07 12)

1.1



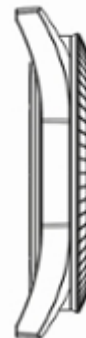
1.2

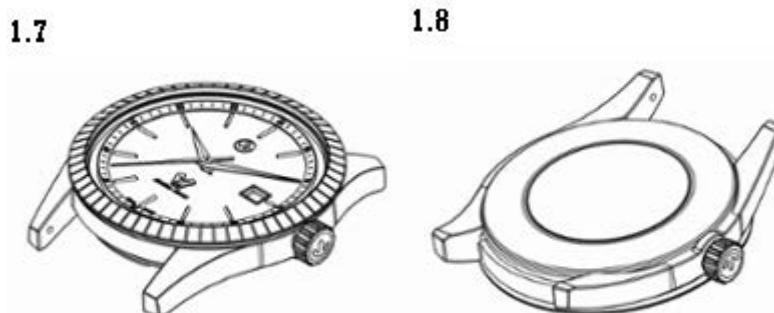
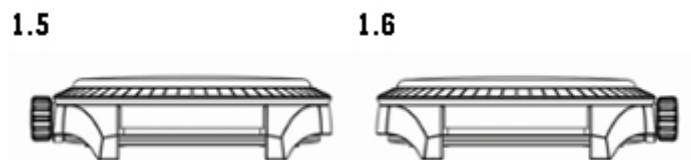


1.3



1.4





(11) DM/201 023

(51) 10-02

(15) 2019 01 08

(44) 28/2019 (2019 07 12)

(22) 2019 01 08

(28) 2

(73) RADO UHREN AG (RADO WATCH CO. LTD.) (MONTRES RADO SA)
Bielstrasse 45, 2543 Lengnau (CH)

(85) CH

(86) CH

(87) CH

(88) CH

(89) CH

(81) IL, BZ, MA III, UA, AM, AL, AZ, ME, MD, MC, SG, MN, NO, BA, TR, MK, OM, GE, LI, KG, GB,
TN, EM, CH

(72) 1: Kwankao Svetavimala

c/o Khongpang Co., Ltd., 113 Ladprao Road, Wangthonglang, 10310 Bangkok (TH)

2: Mélanie Armenti

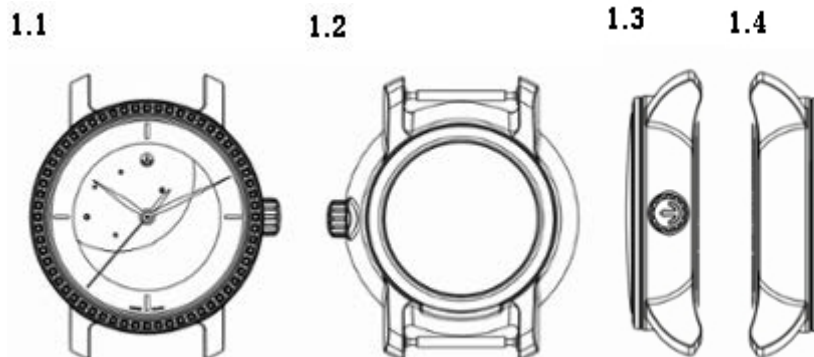
Mittelstrasse 29, 2560 Nidau (CH)

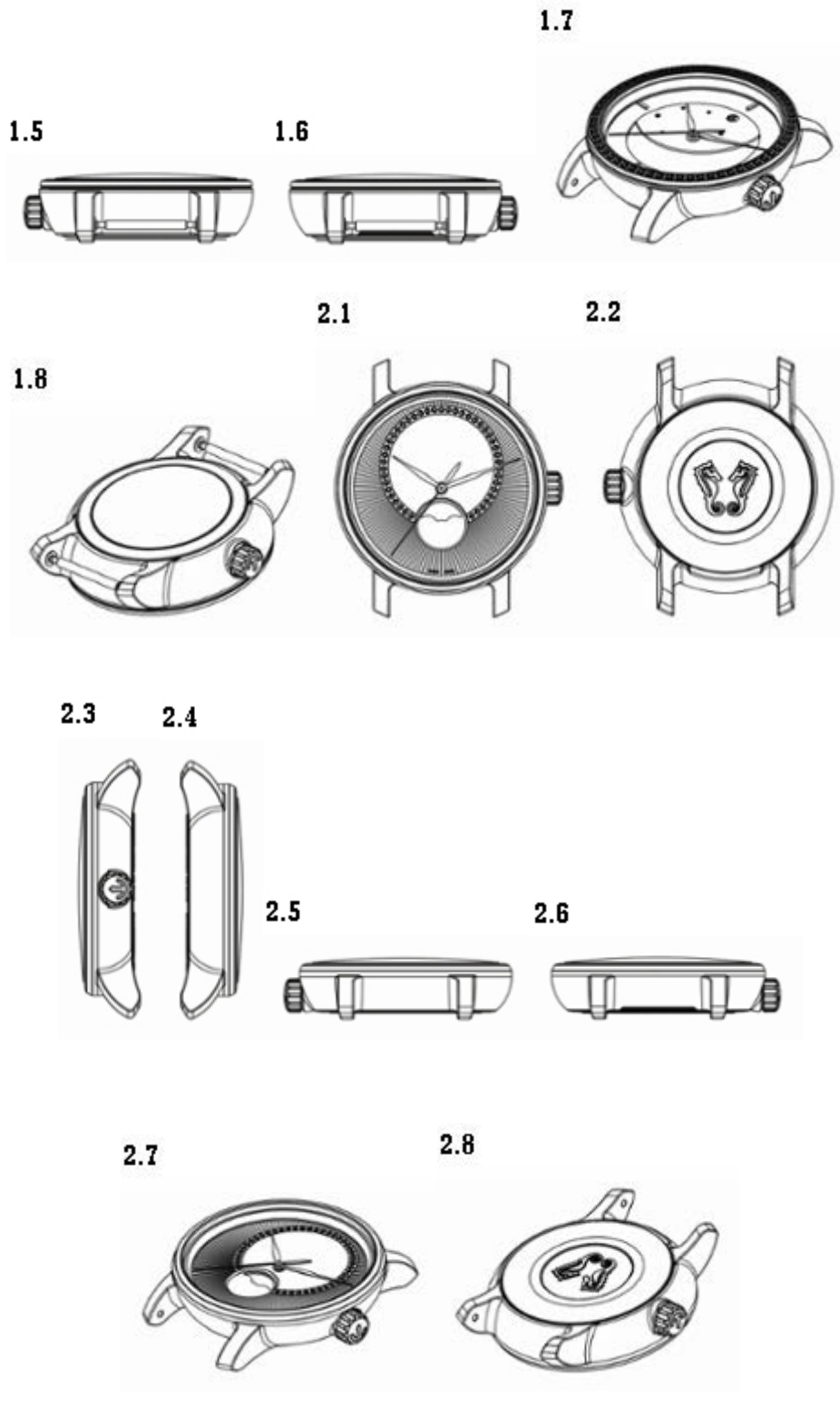
(74) The Swatch Group AG (The Swatch Group SA) (The Swatch Group Ltd.)

Faubourg Du Lac 6, 2501 BIEL/BIENNE (CH)

(54) 1.-2. WATCH

(55)





(11) DM/200 971

(15) 2019 01 08

(22) 2019 01 08

(28) 1

(73) RADO UHREN AG (RADO WATCH CO. LTD.) (MONTRES RADO SA)

Bielstrasse 45, 2543 Lengnau (CH)

(85) CH

(86) CH

(87) CH

(88) CH

(89) CH

(81) II. BZ, MA III. UA, AM, AL, AZ, ME, MD, MC, SG, MN, NO, BA, GE, MK, OM, TR, LI, KG, GB, TN, EM, KR, CH

(72) Mélanie Armenti

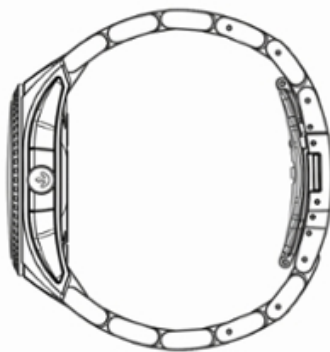
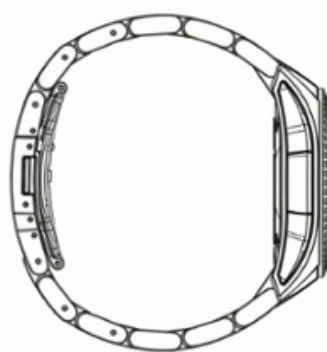
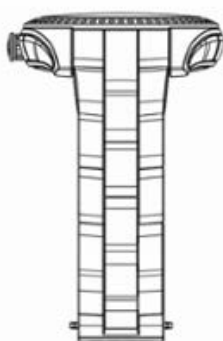
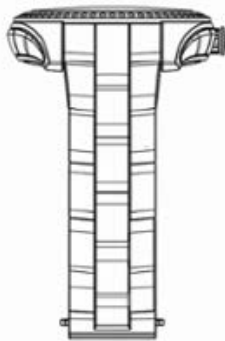
Mittelstrasse 29, 2560 Nidau (CH)

(74) The Swatch Group AG (The Swatch Group SA) (The Swatch Group Ltd.)

Faubourg du Lac 6, 2501 BIEL/BIENNE (CH)

(54) **1. WATCH**

(55)

1.1**1.2****1.3****1.4****1.5****1.6****1.7**

(11) **DM/201 804**

(15) 2019 01 04

(22) 2019 01 04

(28) 1

(73) ADVENTIA PHARMA, S.L.

San Bernardo, 22, 1ª Planta, 35002 Las Palmas de Gran Canarias (ES)

(85) ES

(86) ES

(87) ES

(88) ES

(89) EM

(81) III. AM, IS, MD, TJ, BW, ST, MN, GH, TR, KH, TN, KR, JP, CH, KP, BN, UA, AL, TM, AZ, ME, MC, SG, NA, OA, NO, RS, BA, GE, OM, CA, US, MK, LI, KG, EM, SY, RW, RU, EG

(72) Andrés CABELLO REY

Calle Doctor Manuel Lezcano, 8, 35017 Las Palmas de Gran Canaria (ES)

(74) ABG Intellectual Property Law, S.L.

Avenida de Burgos, 16 D. Edificio Euromor, 28036 Madrid (ES)

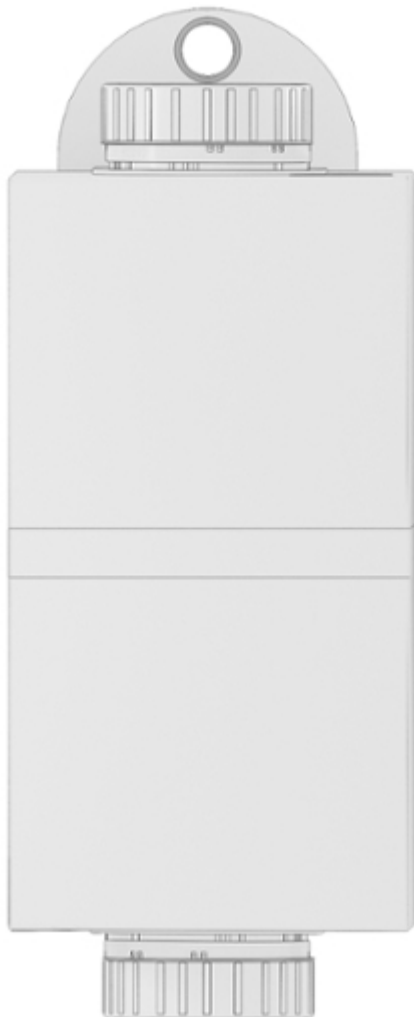
(54) **1. INFUSION BAG**

(55)

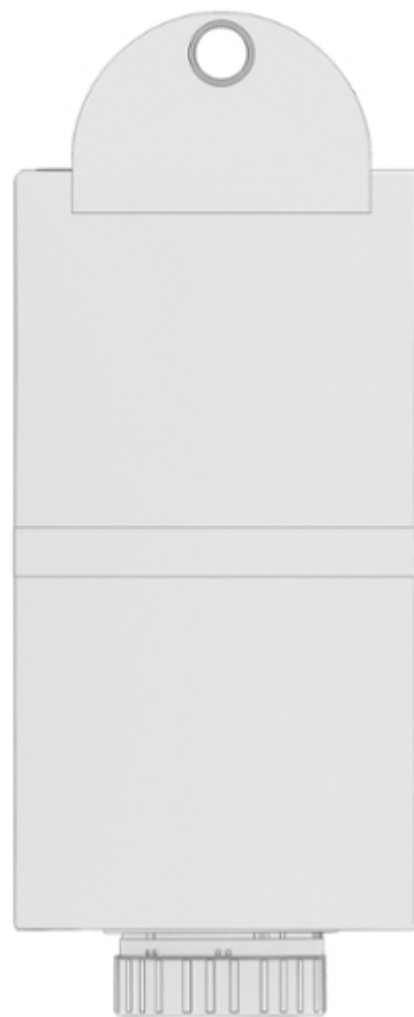
(51) **24-04**

(44) 28/2019 (2019 07 12)

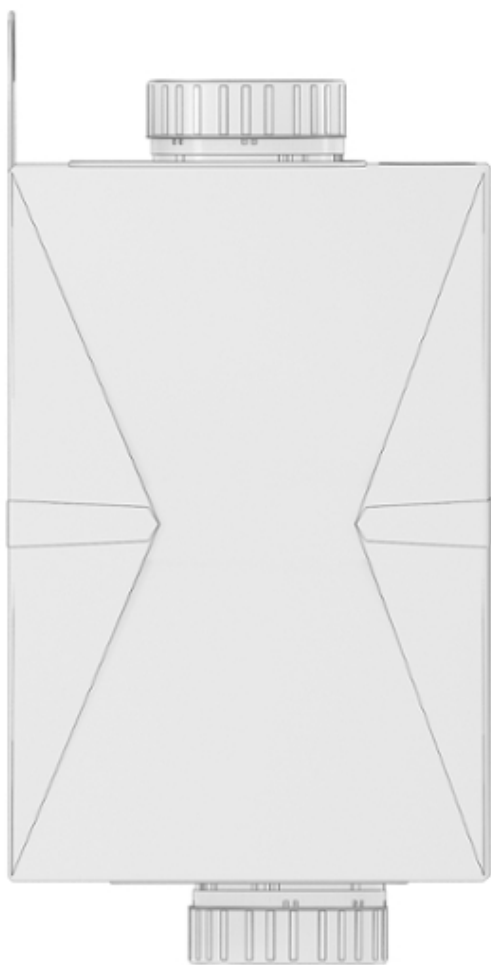
1.1



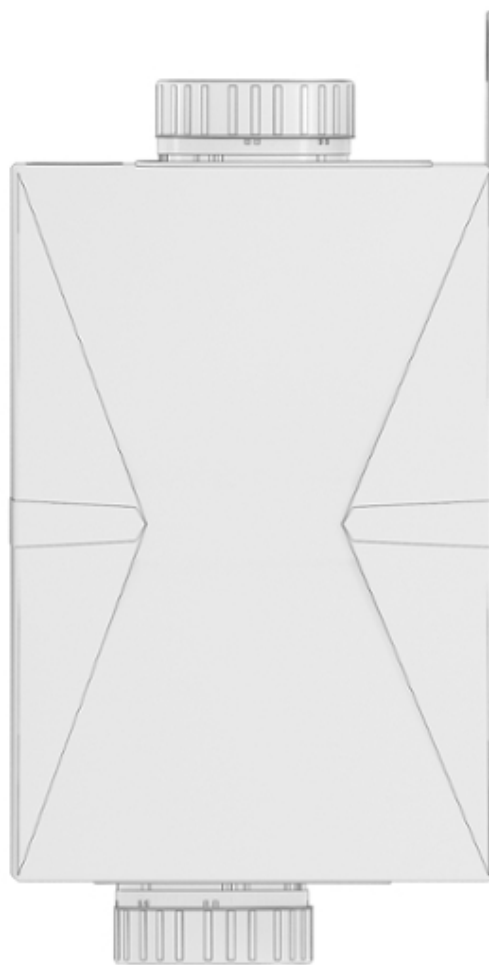
1.2



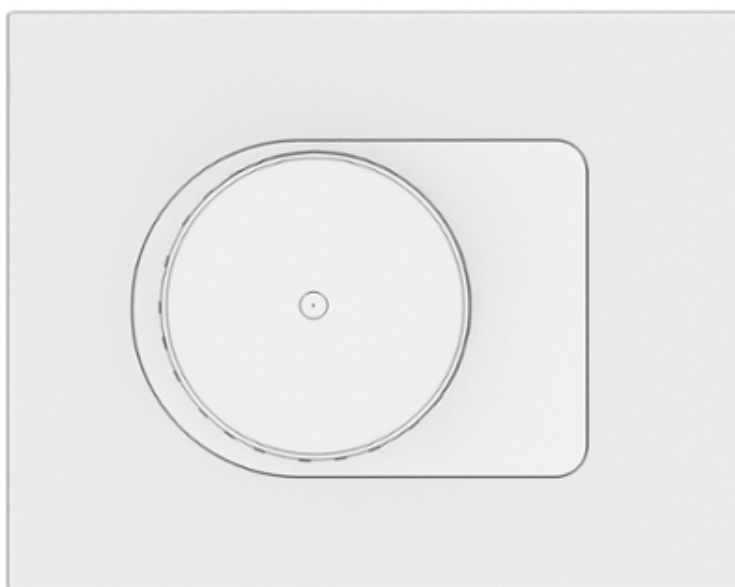
1.3



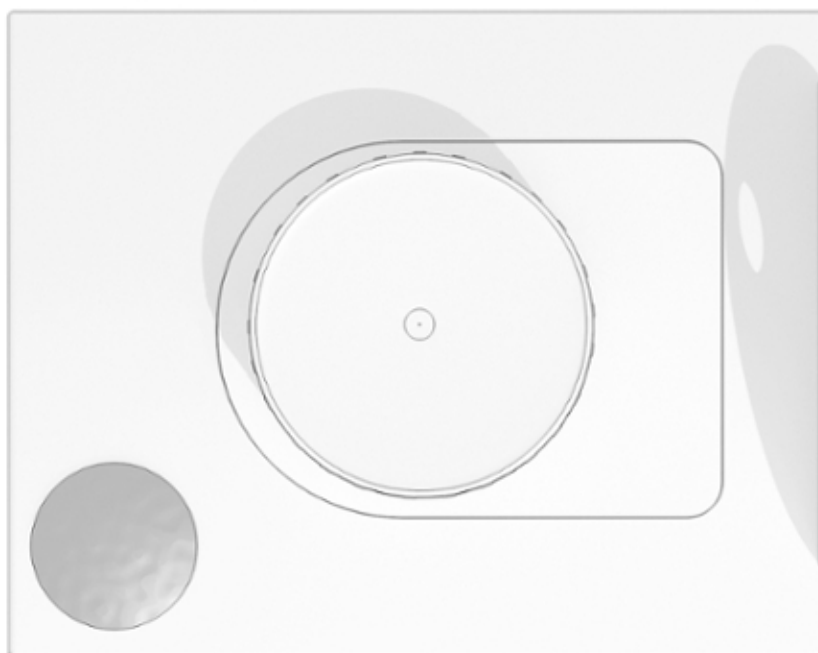
1.4



1.5



1.6



1.7



1.8



- (11) **DM/201 898** (51) **09-02**
(15) 2019 03 05 (44) 29/2019 (2019 07 19)
(22) 2019 03 05
(28) 1
(30) No1: 01.10.2018; 005679511-0001; EM
(73) Wolf Plastics Verpackungen GmbH
Mühlgraben 8, 8773 Kammern Im Liesingtal (AT)
(85) –
(86) –
(87) AT
(88) EM
(89) EM
(81) III. AM, UA, AZ, TM, ME, MD, TJ, RS, BA, MK, TR, GE, KG, RU
(72) Georg Hirsch
Mühlgraben 8, 8773 Kammern I.L. (AT)
(74) Schwarz & Partner Patentanwälte OG
Wipplingerstraße 30, 1010 Wien (AT)
(54) **1. CONTAINER FOR PAINT**
(55)

1.1

1.2



1.3



1.4



1.5



1.6



1.7



(11) DM/200 356

(15) 2019 01 17

(22) 2019 01 17

(28) 5

(73) HARRY WINSTON SA

Chemin Du Tourbillon 8, 1228 Plan-Les-Ouates (CH)

(85) CH

(86) CH

(87) CH

(88) CH

(89) CH

(81) IL, BZ, MA III, UA, AM, AL, AZ, ME, MD, MC, SG, NO, MN, BA, MK, TR, GE, OM, LI, KG, GB, TN, EM, CH

(72) 1-3 Sophie VALZAN

C/o Harry Winston SA, Chemin Du Tourbillon 8, 1228 Plan-les-Ouates (CH);

4-5 Emmanuelle DOMINGUEZ

C/o Harry Winston SA, Chemin Du Tourbillon 8, 1228 Plan-les-Ouates (CH)

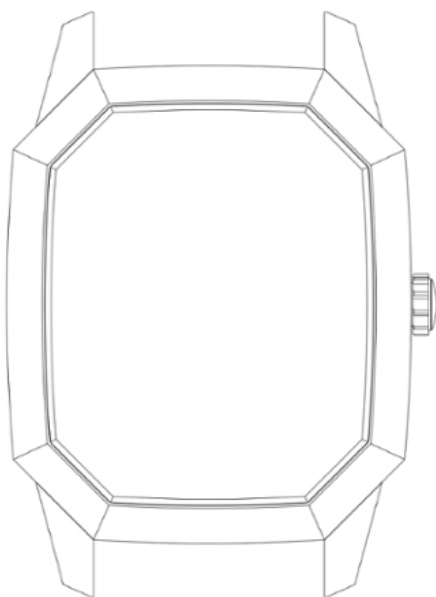
(74) The Swatch Group AG (The Swatch Group SA) (The Swatch Group Ltd.)

Faubourg Du Lac 6, 2501 BIEL/BIENNE (CH)

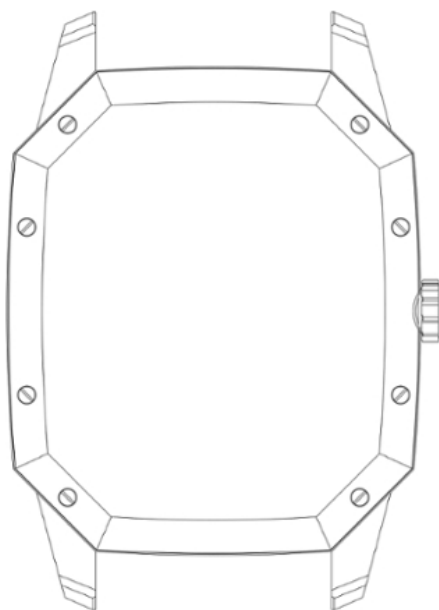
(54) 1. WATCH CASE, 2. DIAL, 3. WATCH CASE, 4. WATCH CASE, 5. WATCH CASE

(55)

1.1



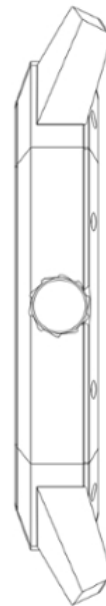
1.2



1.3



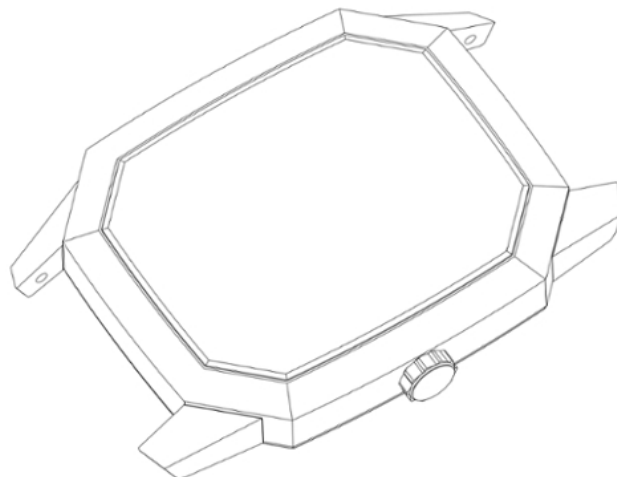
1.5



1.4



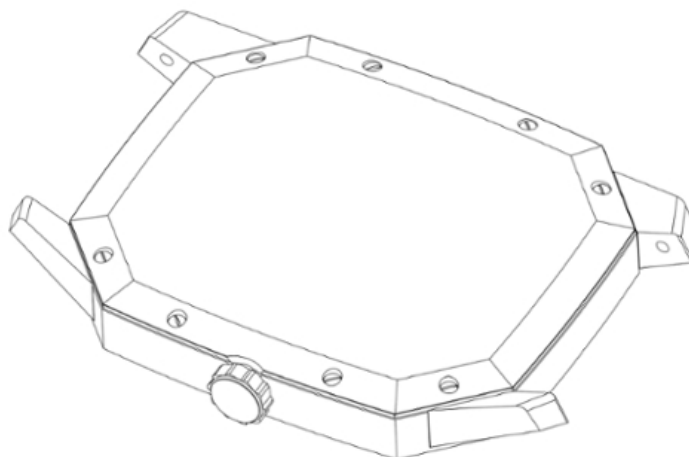
1.7



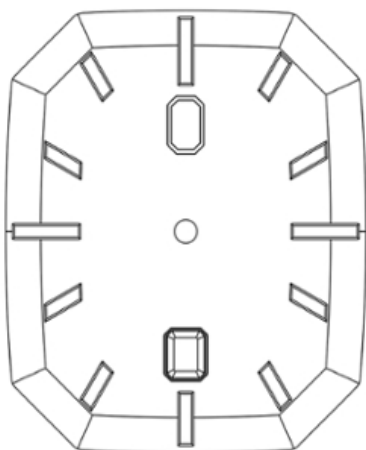
1.6



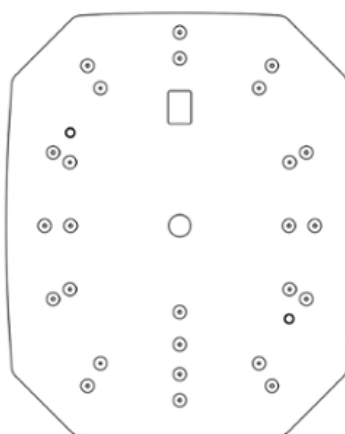
1.8



2.1



2.2



2.3



2.5



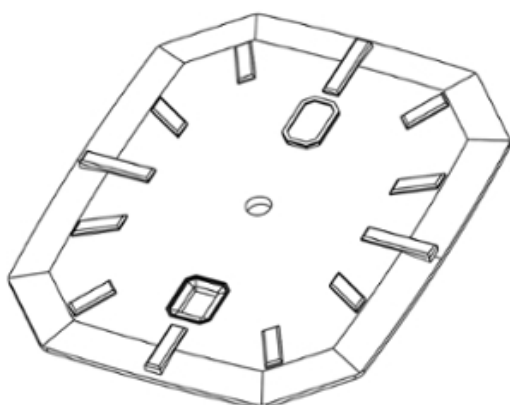
2.4



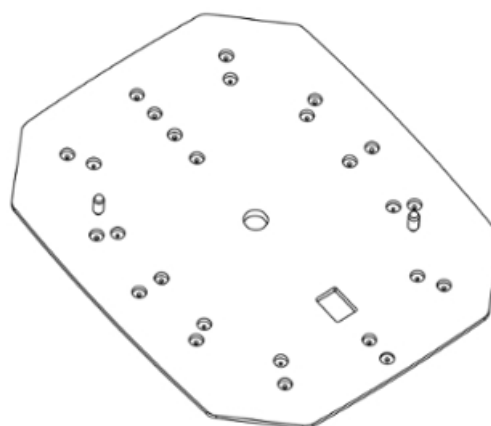
2.6



2.7



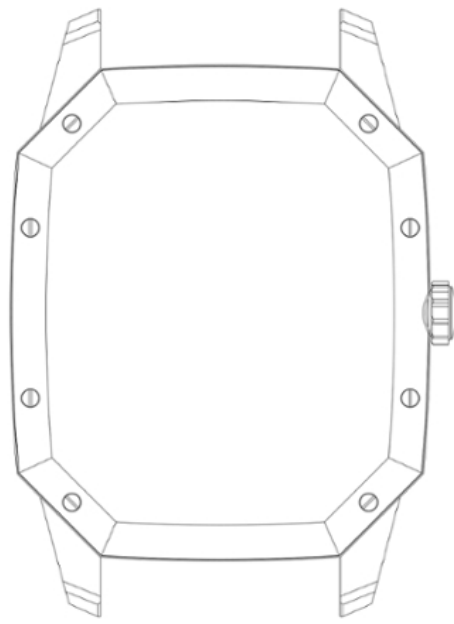
2.8



3.1



3.2

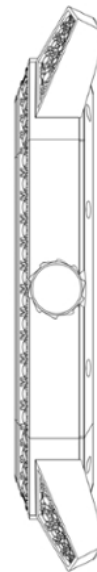


3.3

3.5



3.4

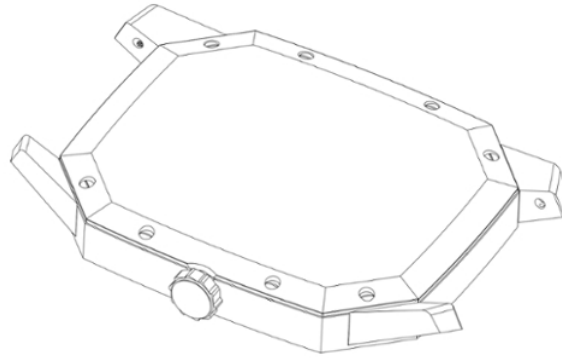


3.7

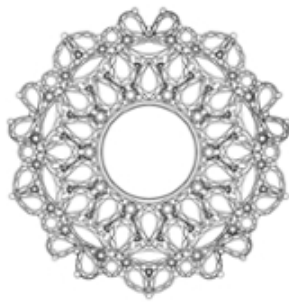
3.6



3.8



4.1



4.2



4.3



4.5



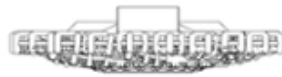
4.7



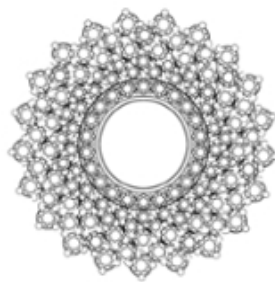
4.4



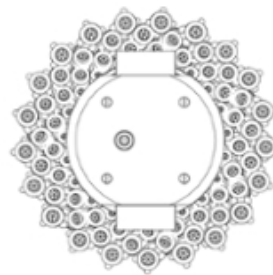
5.6



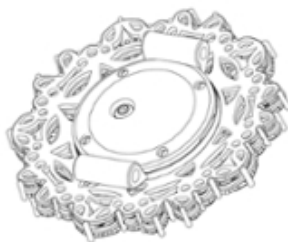
5.1



5.2



4.8



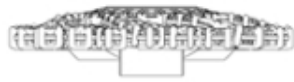
5.3



5.5



5.4



5.6



5.7



5.8



(11) DM/200 706

(15) 2019 01 15

(22) 2019 01 15

(28) 1

(73) SWATCH AG (SWATCH SA) (SWATCH LTD.)

Jakob-Stämpfli-Strasse 94, 2502 BIEL/BIENNE (CH)

(85) CH

(86) CH

(87) CH

(88) CH

(89) CH

(81) II. BZ, MA III. AM, UA, AL, AZ, ME, MD, MC, SG, NO, MN, BA, TR, OM, MK, GE, LI, KG, GB, TN, EM, CH

(72) Augustin Scott De Martinville

Pré-du-Marché 23, 1004 Lausanne (CH);

Elric Petit

Chemin De Longeraie 9, 1005 Lausanne (CH);

Grégoire Jeanmonod

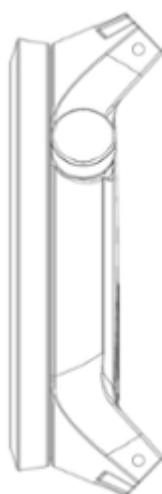
Av. Du Grey 39, 1004 Lausanne (CH)

(74) The Swatch Group AG (The Swatch Group SA) (The Swatch Group Ltd)

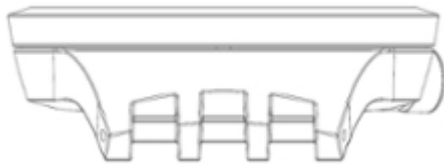
Faubourg Du Lac 6, 2501 BIEL/BIENNE (CH)

(54) **1. WATCH CASE**

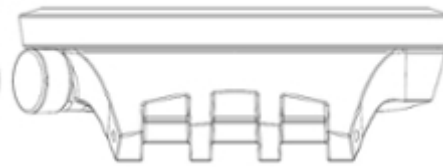
(55)

1.1**1.2****1.3****1.4**

1.5



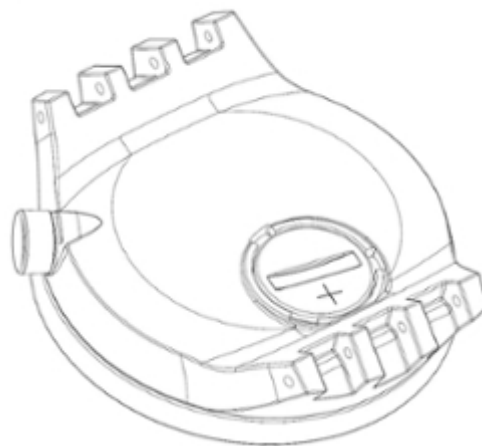
1.6



1.7



1.8



(11) DM/200 707

(15) 2019 01 15

(22) 2019 01 15

(28) 1

(73) SWATCH AG (SWATCH SA) (SWATCH LTD.)

Jakob-Stämpfli-Strasse 94, 2502 BIEL/BIENNE (CH)

(85) CH

(86) CH

(87) CH

(88) CH

(89) CH

(81) IL, BZ, MA III, UA, AM, AL, AZ, ME, MD, MC, SG, NO, MN, BA, MK, GE, OM, TR, LI, KG, GB, TN, EM, CH

(72) Didier Fink

7a Rue Steinacker, 68510 Rantzwiller (FR)

(74) The Swatch Group AG (The Swatch Group SA) (The Swatch Group Ltd.)

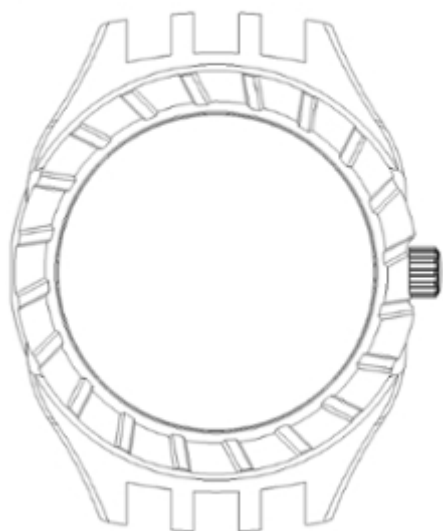
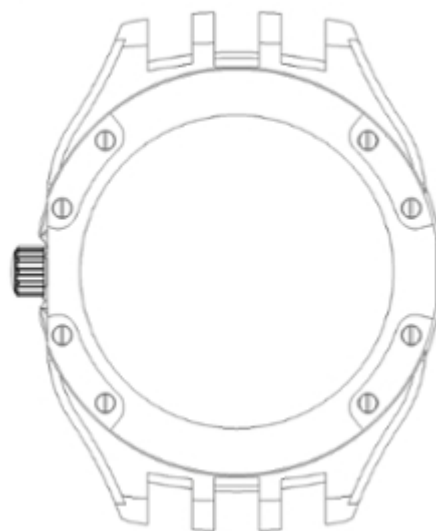
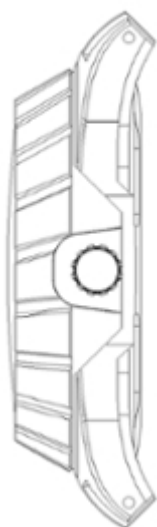
Faubourg Du Lac 6, 2501 BIEL/BIENNE (CH)

(54) 1. WATCH CASE

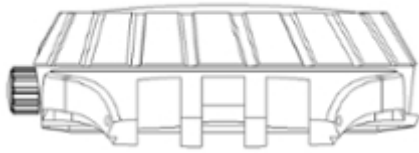
(55)

(51) 10-07

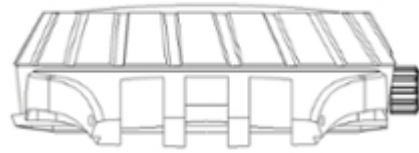
(44) 29/2019 (2019 07 19)

1.1**1.2****1.3****1.4**

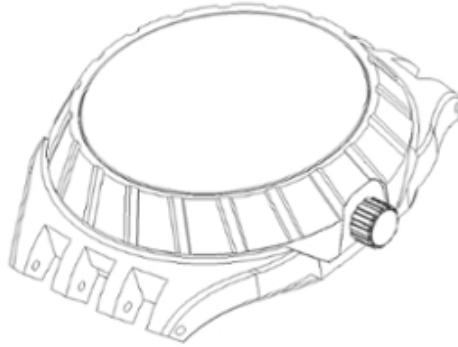
1.5



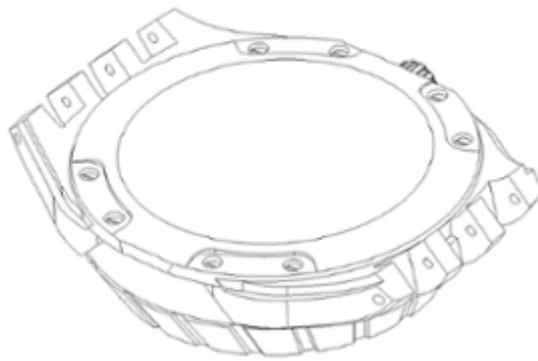
1.6



1.7



1.8



(11) DM/200 699

(15) 2019 01 14

(22) 2019 01 14

(28) 1

(73) HARRY WINSTON SA

Chemin Du Tourbillon 8, 1228 Plan-Les-Ouates (CH)

(85) CH

(86) CH

(87) CH

(88) CH

(89) CH

(81) II. BZ, MA III. UA, AM, AL, AZ, ME, MD, MC, SG, NO, MN, BA, OM, TR, MK, GE, LI, KG, GB, TN, EM, CH

(72) Rie YATSUGI-KANG

C/o Harry Winston Inc. 718 Fifth Avenue, 10019 New York (US)

(74) The Swatch Group AG (The Swatch Group SA) (The Swatch Group Ltd.)

Faubourg Du Lac 6, 2501 BIEL/BIENNE (CH)

(54) 1. EARRINGS

(55)

1.1**1.2****1.3****1.4**

1.5



1.6



1.7



1.8



(11) DM/201 922

(15) 2019 04 26

(22) 2019 04 26

(28) 19

(30) No1: 03.04.2019; 2019/02268; TR; No2: 03.04.2019; 2019/02268; TR; No3: 03.04.2019; 2019/02268; TR; No4: 03.04.2019; 2019/02268; TR; No5: 03.04.2019; 2019/02268; TR; No6: 03.04.2019; 2019/02268; TR; No7: 03.04.2019; 2019/02268; TR; No8: 03.04.2019; 2019/02268; TR; No9: 03.04.2019; 2019/02268; TR; No10: 03.04.2019; 2019/02268; TR; No11: 03.04.2019; 2019/02268; TR; No12: 03.04.2019; 2019/02268; TR; No13: 03.04.2019; 2019/02268; TR; No14: 03.04.2019; 2019/02268; TR; No15: 03.04.2019; 2019/02268; TR; No16: 03.04.2019; 2019/02268; TR; No17: 03.04.2019; 2019/02268; TR; No18: 03.04.2019; 2019/02268; TR; No19: 03.04.2019; 2019/02268; TR

(73) ASAŞ ALÜMİNYUM SANAYİ VE TİCARET ANONİM ŞİRKETİ

Rüzgarlı Bahçe Mahallesi Kumlu Sokak No:2 ASAŞ İş Merkezi Kavacık, Beykoz, 34810 ISTANBUL (TR)

(85) TR

(86) TR

(87) TR

(88) TR

(89) TR

(81) III. AM, UA, AL, TM, AZ, ME, MD, MC, SG, OA, RS, MN, NO, BA, OM, MK, GE, LI, TN, EM, CH, EG

(72) Gökhan Yavuz

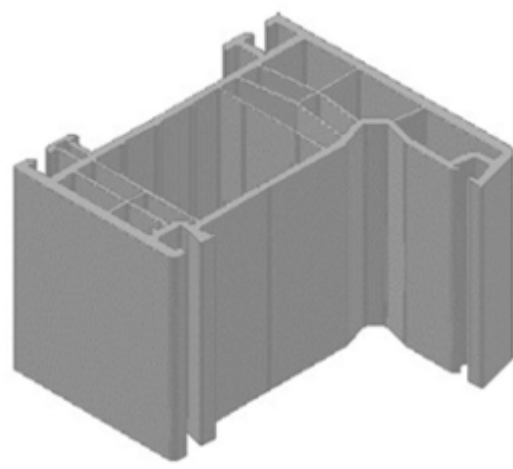
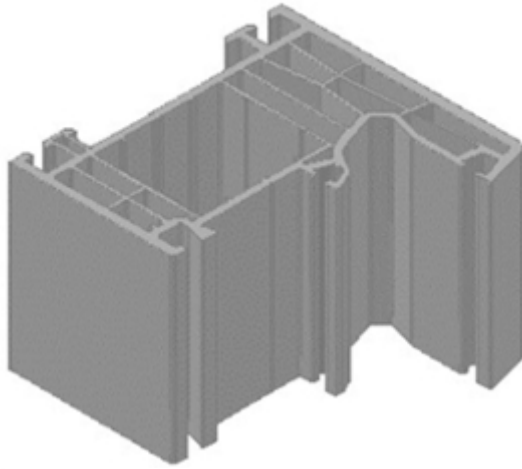
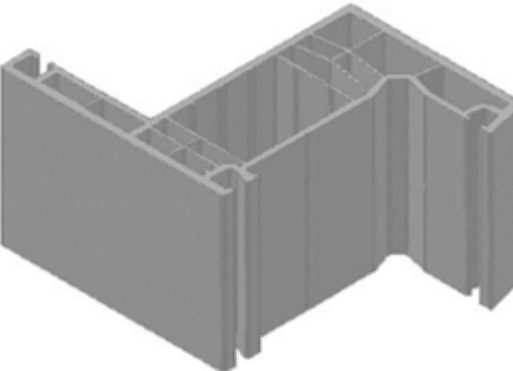
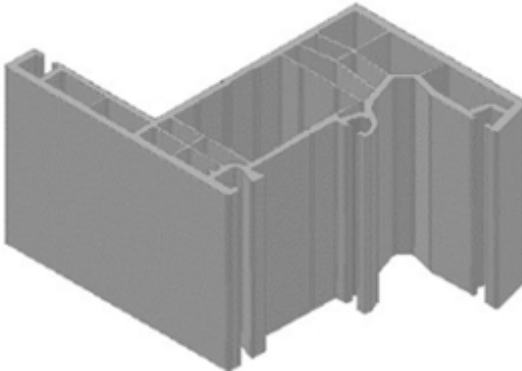
Rüzgarlı Bahçe Mahallesi Kumlu Sokak No:2 ASAŞ İş Merkezi Kavacık, Beykoz, 34810 Istanbul (TR)

(74) ANADOLU PATENT AS

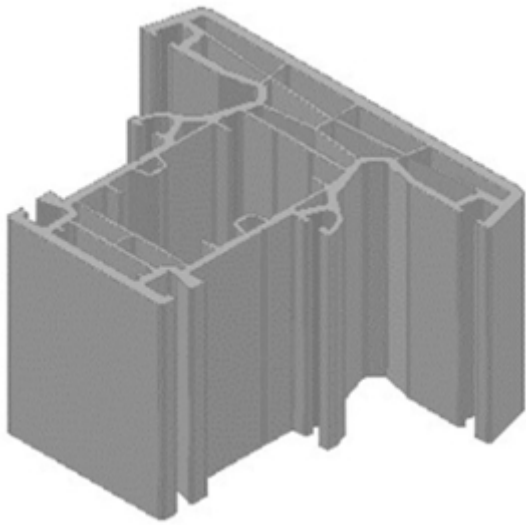
Anıt Caddesi 8/13 Tandogan, Cankaya, 06570 ANKARA (TR)

(54) **1.-19. PROFILE**

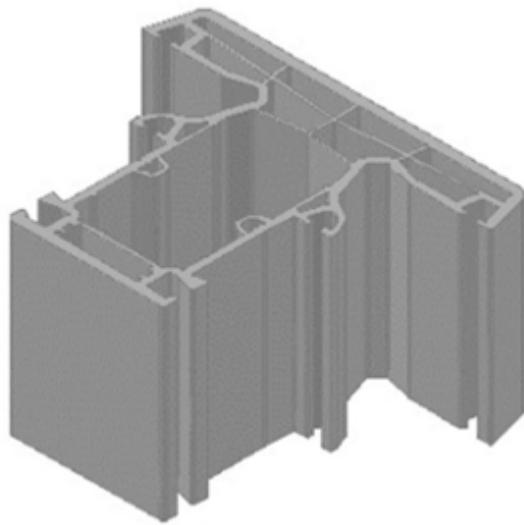
(55)

1**2****3****4**

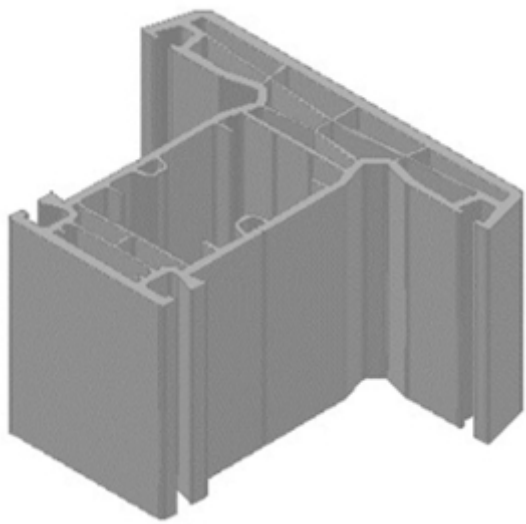
5



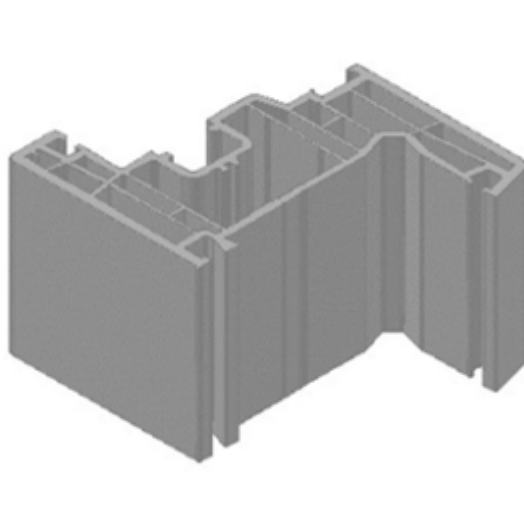
6



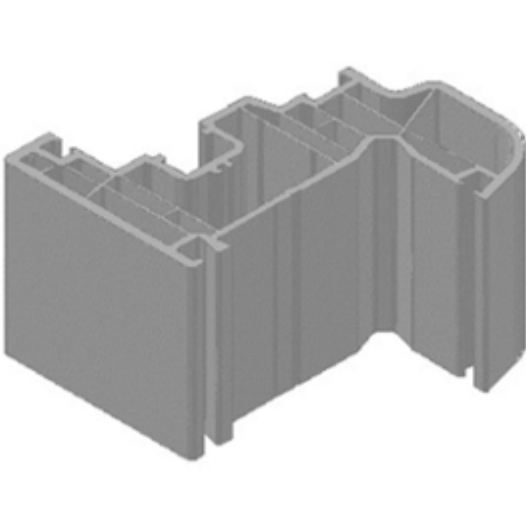
7



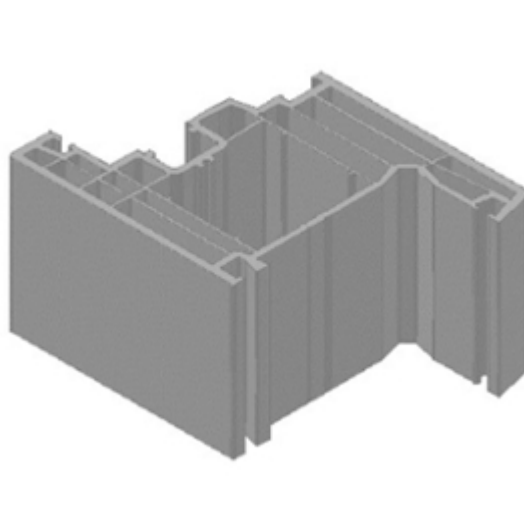
8



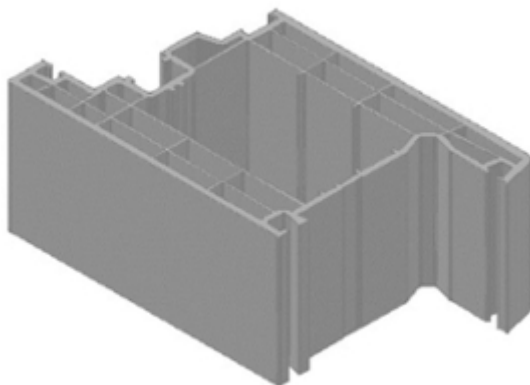
9



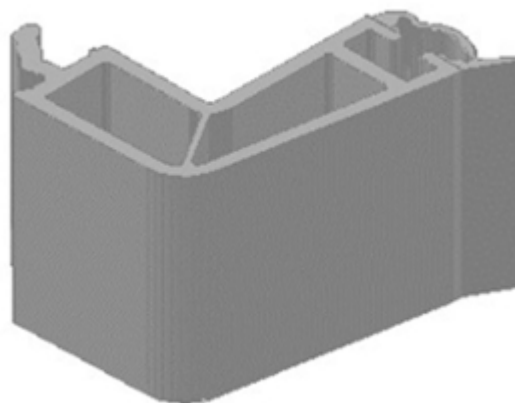
10



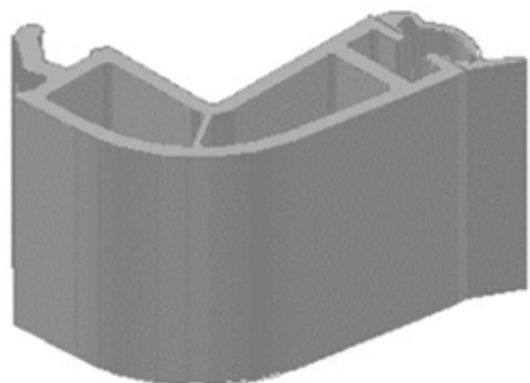
11



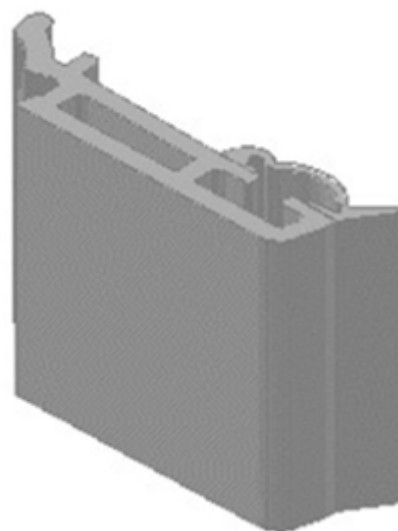
12



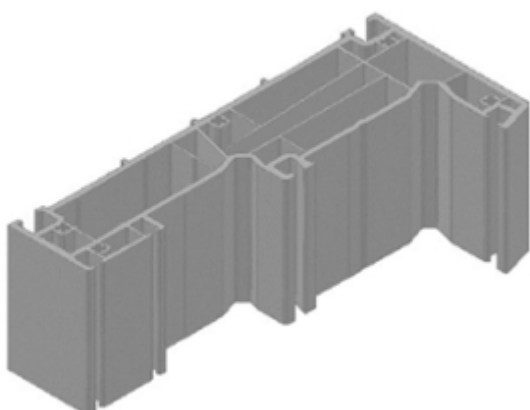
13



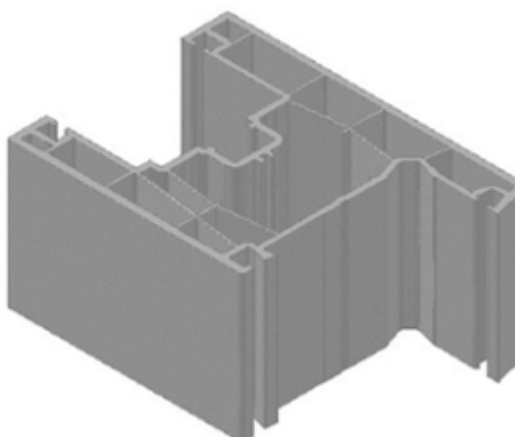
14



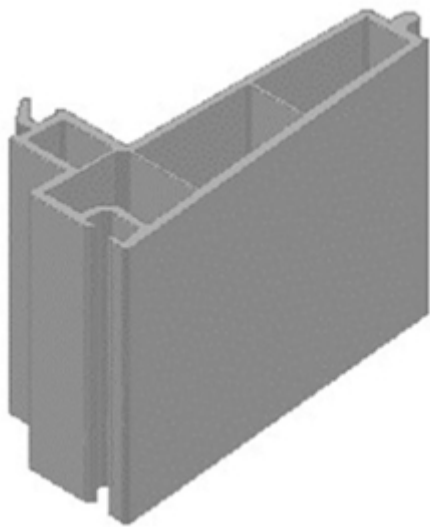
15



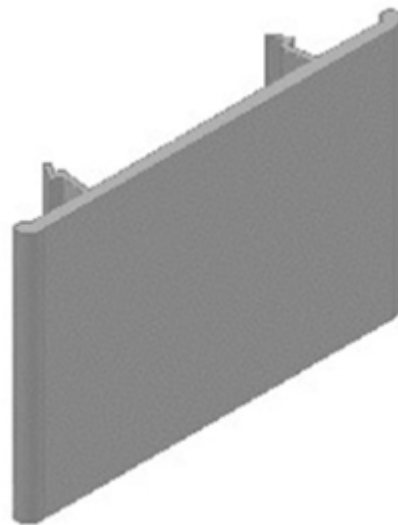
16



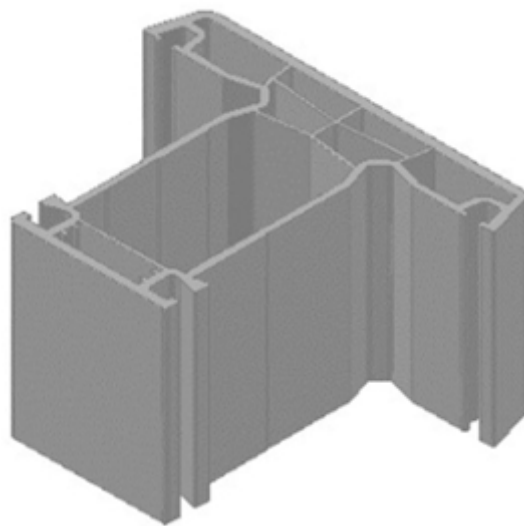
17



18



19



(11) DM/201 659

(15) 2019 01 15

(22) 2019 01 15

(28) 3

(30) No1: 19.07.2018; 001467542-0001; EM; No2: 19.07.2018; 001467542-0002; EM; No3: 19.07.2018; 001467542-0003; EM

(73) SEPTONA SA

INOFITA VIOTIA P.O. BOX 95, 32011 INOFITA (GR) (EM)

(85) EM

(86) GR

(87) EM

(88) EM

(89) EM

(81) II. SN, MA III. AM, UA, AL, MN, RS, TR, MK, OM, GE, TN, CH, EG

(72) IOANNIS POLITIS

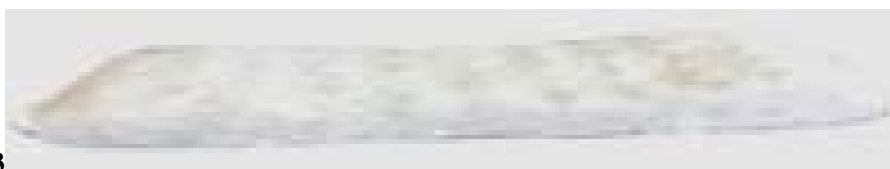
INOFITA VIOTIA P.O. BOX 95, 32011 INOFITA (GR)

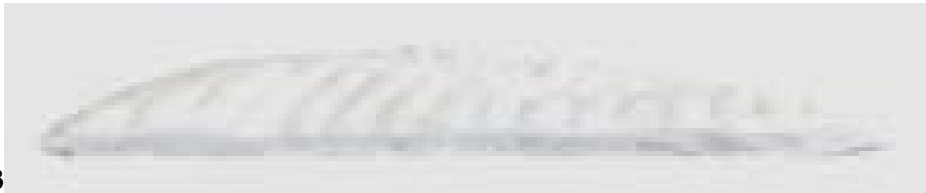
(74) CHARALAMBAKIS AND ASSOCIATES LAW FIRM

DIMOKRITOU STR. 1, 10671 ATHENS (GR)

(54) 1. COTTON PAD,2. COTTON PAD,3. COTTON PAD

(55)

**1.1****1.2****1.3****2.1****2.2**



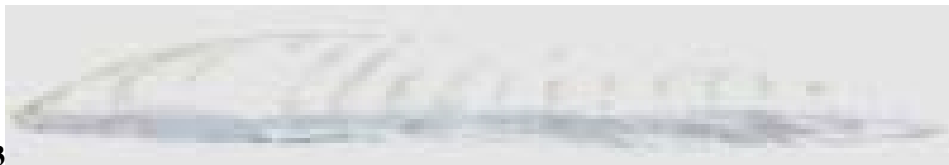
2.3



3.1



3.2



3.3

(11) DM/202 018

(15) 2019 05 22

(22) 2019 05 22

(28) 1

(73) Taras Moroz

Kursova Str.35/118 Bila Tserkva (AU);

Ernest Seytkhalilov

Knyazhiy Zaton Str, 16a/52 Kiev (AU)

(85) UA; AU

(86) –; –

(87) AU; AU

(88) UA; UA

(89) UA; UA

(81) III. AM, UA, AL, AZ, ME, MD, NO, RS, BA, GE, MK, TR, EM, CH, RU

(72) Ernest Seytkhalilov

Knyazhiy Zaton Str, 16a/52 Kiev (AU);

Taras Moroz

Kursova Str.35/118 Bila Tserkva (AU)

(74) Denys Borukha

Gerzena Str. 17-25, Of. 1, 04050 Kyiv (UA)

(54) 1. REFRIGERATOR TROLLEY

(55)

(51) 15-07

(44) 30/2019 (2019 07 26)

**1.1****1.2**

TRADEMARKS

APPLICATIONS FILED UNDER THE NATIONAL PROCEDURE APPROVED FOR REGISTRATION

The decision can be appealed at the Chamber of Appeal of Sakpatenti within 3 months from the publication or at the Mtskheta District Court Administrative Cases Board (Address: №17, Samkhedro St., Mtskheta), within 1 month following the publication.

(260) AM 2019 99514 A

(210) AM 99514

(220) 2019 03 20

(731) LLC "MEAMA"

G. Amilakhvari St. 2, Samgori district,
Tbilisi, Georgia

(540)



(591) Black, white

(531) 26.13.25; 27.05.01; 27.05.14; 27.05.21

(511) 7, 11, 21, 30, 32, 33, 35, 43, 44

(260) AM 2019 99893 A*

(210) AM 99893

(220) 2018 10 18

(731) ARQI PROMOTION

Kipshidze St., Lane 15, 0162, Tbilisi,
Georgia

(540)



(591) Grey, light blue

(531) 26.11.09; 26.11.12; 28.19; 29.01.12

(511) 36, 37

(260) AM 2019 101210 A

(210) AM 101210

(220) 2019 03 20

(731) JSC "GREENWAY Georgia"

University St. 6, 0177, Tbilisi, Georgia

(540)



(591) White, light green, green

(531) 24.17.20; 27.05.21; 29.01.12

(511) 9, 37, 42

(260) AM 2019 101250 A

(210) AM 101250

(220) 2019 01 17

(731) KIA MOTORS CORPORATION

12, Heolleung-ro, Seocho-gu, Seoul,
Republic of Korea

(740) Shalva Gvaramadze

(540)

cee'd

(591) Black, white

(511) 12

(260) AM 2019 101656 A

(210) AM 101656

(220) 2019 02 15

(731) LLC "Romeo 2009"

University St. 6, Vake-Saburtalo district,
Tbilisi, Georgia

(540)



სამსახურე

სამსახურე

(591) Golden, black
 (531) 25.01.09; 25.01.10; 26.01.01; 26.01.03;
 26.01.18; 26.01.24; 27.05.01; 27.05.11; 28.19;
 29.01.12
 (511) 43

(260) AM 2019 101683 A
 (210) AM 101683
 (220) 2019 02 20
 (310) 88/100,628
 (320) 31 08 2018
 (330) US
 (731) BIOVERATIV THERAPEUTICS
 INC.
 225 SECOND Av., 02451 UOLTEM,
 Massachusetts State, USA
 (740) Shalva Gvaramadze
 (540)

CIBEMTOR

(591) Black, white
 (511) 5

(260) AM 2019 101690 A
 (210) AM 101690
 (220) 2019 02 20
 (731) Jadran-Galenski Laboratorij D.D.
 Svilno 20, 51000 Rijeka, Croatia
 (740) Pavle Meipariani;
 Giorgi Meipariani
 (540)

RINOMARIS

(591) Black, white
 (511) 5

(260) AM 2019 101691 A
 (210) AM 101691
 (220) 2019 02 20
 (731) Jadran-Galenski Laboratorij D.D.
 Svilno 20, 51000 Rijeka, Croatia
 (740) Giorgi Meipariani;
 Pavle Meipariani
 (540)

РИНОМАРИС

(591) Black, white
 (511) 5

(260) AM 2019 101695 A
 (210) AM 101695
 (220) 2019 02 21
 (731) LLC "GITSA+"

Vazha-Pshavela Av., V kvart., korp. 4,
 ap. 71, 0186, Tbilisi, Georgia

(540)



(591) Grey, green
 (531) 03.11.11; 26.04.04; 26.04.09; 27.05.01; 28.19;
 29.01.12
 (511) 21, 28, 35

(260) AM 2019 101909 A
 (210) AM 101909
 (220) 2019 02 25
 (731) LLC "AIGHVINISSAKHLI"
 Elene Akhvlediani Ascent, 4, 0103, Tbilisi,
 Georgia
 (540)

VINOTELLS ღვინო ამბობს Вино молвит

(591) Black, white
 (511) 33, 43

(260) AM 2019 101913 A
 (210) AM 101913
 (220) 2019 02 26
 (731) LLC "Marine Biological Resources and
 Technologies"
 Vill. Katchreti, Gurjaani, Georgia
 (540)

Устричная столица Oyster Capital

(591) Black, white
 (511) 31

(260) AM 2019 101919 A
 (210) AM 101919
 (220) 2019 02 27
 (731) LLC "MARNISKARI"
 Apakidze St. 11, 0101, Tbilisi, Georgia

(540)



(591) Golden, brown, white, sky-blue
 (531) 03.13.04; 25.01.13; 25.01.19; 25.01.25;
 26.05.15; 27.05.01; 27.05.24; 28.19; 29.01.13
 (511) 33

(260) AM 2019 101933 A
 (210) AM 101933
 (220) 2019 03 01
 (731) THE COCA-COLA COMPANY
 One Coca-Cola Plaza, Atlanta, Georgia
 30313, USA
 (740) Giorgi Taktakishvili
 (540)

Coca-Cola ლაიბი

(591) Black, white
 (531) 27.05.01
 (511) 32

(260) AM 2019 102053 A
 (210) AM 102053
 (220) 2019 03 05
 (731) JSC "LOMIST"
 Vill. Natakhtari, Mtskheta district,
 Georgia
 (740) Elguja Amozashvili
 (540)

100-ე გააგრძელები

ასე გააგრძელები

(591) Black, white
 (511) 32

(260) AM 2019 102055 A
 (210) AM 102055
 (220) 2019 03 05
 (731) Intelligent Systems Middle East FZE
 PO Box 8080, Sharjah, 0000, United Arab
 Emirates
 (740) Khatuna Imnadze
 (540)



(591) Black, white, red, blue
 (531) 26.11.12; 27.05.01; 27.05.08; 27.05.17;
 27.05.21; 29.01.14
 (511) 9, 11

(260) AM 2019 102056 A
 (210) AM 102056
 (220) 2019 03 05
 (310) 4480404
 (320) 05 09 2018
 (330) FR
 (731) Philip Morris Products S.A.
 Quai Jeanrenaud 3, 2000 Neuchâtel,
 Switzerland
 (740) Shalva Gvaramadze
 (540)

UNSMOKE YOUR WORLD

(591) Black, white
 (511) 35, 38, 41, 44

(260) AM 2019 102068 A
 (210) AM 102068
 (220) 2019 03 07
 (731) N(N)LE "PROPAGANDA"
 Pekini Av. 39, ap. 67, Tbilisi, Georgia
 (540)



(591) Red, white
 (531) 26.13.25; 27.05.24; 29.01.12
 (511) 41, 42

(260) AM 2019 102173 A
 (210) AM 102173
 (220) 2019 03 14

(731) JSC "Georgian Beer Company"
Vill. Saguramo, 3311, Mtskheta, Georgia
(540)

ილეჯე მზვიდად

(591) Black, white
(511) 32

(260) AM 2019 102229 A
(210) AM 102229
(220) 2019 03 15
(731) NOVARTIS AG
4002 Basel, Switzerland
(740) Shalva Gvaramadze
(540)

ТАФИНЛАР

(591) Black, white
(531) 28.05
(511) 5

(260) AM 2019 102230 A
(210) AM 102230
(220) 2019 03 15
(731) LLC "Tiflisski Vinni Pogreb"
Yumashev St. 27, 0198, Tbilisi,
Georgia
(740) Shalva Gvaramadze
(540)

**KURAPALAT RELAX &
PLEASURE
КУРАПАЛАТ РЕЛАКС &
ПЛЭЖЕ**

(591) Black, white
(511) 33

(260) AM 2019 102241 A
(210) AM 102241
(220) 2019 03 18
(731) Giorgi Poladashvili
Gomareti St. 4, Nadzaladevi district,
Tbilisi, Georgia
(540)



(591) White, golden
(531) 03.01.01; 03.01.02; 03.01.21; 24.09.02;
24.09.12; 27.05.01; 29.01.02
(511) 25

(260) AM 2019 102246 A
(210) AM 102246
(220) 2019 03 18
(310) 88/202,672
(320) 21 11 2018
(330) US
(731) ADP LLC
One ADP Boulevard, Roseland, New Jersey
07068, USA
(740) Shalva Gvaramadze
(540)



**Always Designing
for People**

(591) Red, dark blue, white
(531) 27.05.01; 27.05.02; 27.05.03; 27.05.19;
27.05.22; 29.01.13
(511) 9, 35, 36, 41, 42

(260) AM 2019 102366 A
(210) AM 102366
(220) 2019 03 25
(731) Kentucky Fried Chicken International
Holdings LLC
7100 Corporate Drive, TX, Plano, 75024,
USA
(740) Tamar Kochlamazashvili
(540)



(591) Red, white
(531) 27.05.03; 27.05.23; 29.01.12
(511) 16, 29, 30, 43

(260) AM 2019 102367 A
(210) AM 102367
(220) 2019 03 25
(731) Kentucky Fried Chicken International
Holdings LLC
7100 Corporate Drive, TX, Plano,
75024, USA
(740) Tamar Kochlamazashvili

(540)



(591) Red, white, black
 (531) 02.01.01; 25.01.10; 27.05.23; 29.01.13
 (511) 16, 29, 30, 43

(260) AM 2019 102389 A
 (210) AM 102389
 (220) 2019 03 27
 (731) LLC "Aspharma Georgia
 Pharmaceutical Company"
 Mtskheta St. 8, Tbilisi, Georgia
 (740) Maia Samadashvili
 (540)



(591) Green, yellow, black, white
 (531) 05.09.06; 05.09.08; 05.09.21; 05.09.22;
 05.09.23; 29.01.14
 (511) 5

(260) AM 2019 102391 A
 (210) AM 102391
 (220) 2019 03 27
 (731) LLC "Aspharma Georgia
 Pharmaceutical Company"
 Mtskheta St. 8, Tbilisi, Georgia
 (740) Maia Samadashvili
 (540)

ასგლუკან პლუსი
Asglucan plus
Асглюкан плюс

(591) Black, white
 (511) 5

(260) AM 2019 102392 A

(210) AM 102392
 (220) 2019 03 27
 (731) LLC "Aspharma Georgia
 Pharmaceutical Company"
 Mtskheta St. 8, Tbilisi, Georgia
 (740) Maia Samadashvili
 (540)

კადმაზინი
Cadmazin
Кадмазин

(591) Black, white
 (511) 5

(260) AM 2019 102393 A
 (210) AM 102393
 (220) 2019 03 27
 (731) LLC "Aspharma Georgia
 Pharmaceutical Company"
 Mtskheta St. 8, Tbilisi, Georgia
 (740) Maia Samadashvili
 (540)

პრევილაკი
Prebilac
пребилак

(591) Black, white
 (511) 5

(260) AM 2019 102396 A
 (210) AM 102396
 (220) 2019 03 27
 (731) LLC "LERMONT"
 Lermontov St. 10, 0105, Tbilisi, Georgia
 (540)

იოტა ჰოტელ

(591) Black, white
 (511) 43

(260) AM 2019 102397 A
 (210) AM 102397
 (220) 2019 03 27
 (731) LLC "LERMONT"
 Lermontov St. 10, 0105, Tbilisi, Georgia
 (540)

იოტა

(591) Black, white
 (511) 43

(260) AM 2019 102406 A

(210) AM 102406

(220) 2019 03 28

(731) PHARMALEX GMBH

Banshtrase 42-46, Friedrichsdorf, 61381,
Germany

(740) Irakli Gvilia

(540)

Pharmalex

(591) Black, white

(531) 27.05.01

(511) 40, 42, 45

REGISTERED TRADEMARKS

(111) M 2019 31754 R

(151) 2019 10 02

(181) 2029 10 02

(260) AM 2018 100000 A

(220) 2018 10 23

(732) LTD "AVERSI-PHARMA"

D. Aghmashenebeli Av. 148/2, 0112,
Tbilisi, Georgia

(111) M 2019 31755 R

(151) 2019 10 02

(181) 2029 10 02

(260) AM 2018 100002 A

(220) 2018 10 23

(732) LTD "AVERSI-PHARMA"

D. Aghmashenebeli Av. 148/2, 0112,
Tbilisi, Georgia

(111) M 2019 31756 R

(151) 2019 10 02

(181) 2029 10 02

(260) AM 2018 100003 A

(220) 2018 10 23

(732) LTD "AVERSI-PHARMA"

D. Aghmashenebeli Av. 148/2, 0112,
Tbilisi, Georgia

(111) M 2019 31757 R

(151) 2019 10 02

(181) 2029 10 02

(260) AM 2018 100004 A

(220) 2018 10 23

(732) LTD "AVERSI-PHARMA"

D. Aghmashenebeli Av. 148/2, 0112,
Tbilisi, Georgia

(111) M 2019 31758 R

(151) 2019 10 02

(181) 2029 10 02

(260) AM 2018 100006 A

(220) 2018 10 23

(732) LTD "AVERSI-PHARMA"

D. Aghmashenebeli Av. 148/2, 0112,
Tbilisi, Georgia

(111) M 2019 31759 R

(151) 2019 10 02

(181) 2029 10 02

(260) AM 2018 100008 A

(220) 2018 10 23

(732) LTD "AVERSI-PHARMA"

D. Aghmashenebeli Av. 148/2, 0112,
Tbilisi, Georgia

(111) M 2019 31760 R

(151) 2019 10 02

(181) 2029 10 02

(260) AM 2018 100019 A

(220) 2018 10 23

(732) LTD "AVERSI-PHARMA"

D. Aghmashenebeli Av. 148/2, 0112,
Tbilisi, Georgia

(111) M 2019 31761 R

(151) 2019 10 02

(181) 2029 10 02

(260) AM 2018 100020 A

(220) 2018 10 23

(732) LTD "AVERSI-PHARMA"

D. Aghmashenebeli Av. 148/2, 0112,
Tbilisi, Georgia

(111) M 2019 31762 R

(151) 2019 10 02

(181) 2029 10 02

(260) AM 2018 100032 A

(220) 2018 10 24

(732) Ekaterine Mgaloblishvili

Tamar Mepe St. 50, 4600, Kutaisi, Georgia

(111) M 2019 31763 R

(151) 2019 10 02

(181) 2029 10 02

(260) AM 2018 100042 A

(220) 2018 10 25

(732) LTD "GMP"

Village Ponitchala 65, 0165, Tbilisi, Georgia

(111) M 2019 31764 R

(151) 2019 10 02

(181) 2029 10 02

(260) AM 2018 100052 A

(220) 2018 10 30

(732) LTD "NANOWORLD"

V. Gorgasali St. 103, III Bl. 7a, 0114, Tbilisi,
Georgia

(111) M 2019 31765 R (151) 2019 10 02 (181) 2029 10 02 (260) AM 2018 100068 A (220) 2018 11 01 (732) Alibaba Group Holding Limited Fourth Floor, One Capital Place, P. O. Box 847, George Town, Grand Cayman, Cayman Islands	(111) M 2019 31771 R (151) 2019 10 02 (181) 2029 10 02 (260) AM 2018 100379 A (220) 2018 11 12 (732) A&E Television Networks LLC 235 East 45th Street, New York, New York 10017, USA
(111) M 2019 31766 R (151) 2019 10 02 (181) 2029 10 02 (260) AM 2018 100069 A (220) 2018 11 01 (220) 2018 11 01 (732) Alibaba Group Holding Limited Fourth Floor, One Capital Place, P. O. Box 847, George Town, Grand Cayman, Cayman Islands	(111) M 2019 31772 R (151) 2019 10 02 (181) 2029 10 02 (260) AM 2018 100391 A (220) 2018 11 13 (732) Vakhtang Pkhakadze Il. Chavchavadze Av. 78, Bl. 1, ap.4, 0162, Tbilisi, Georgia
(111) M 2019 31767 R (151) 2019 10 02 (181) 2029 10 02 (260) AM 2018 100075 A (220) 2018 11 03 (732) LTD "AISI" Varketili 3, I mkr., Bl. 28, ap. 26, 0163, Tbilisi, Georgia	(111) M 2019 31773 R (151) 2019 10 02 (181) 2029 10 02 (260) AM 2018 100392 A (220) 2018 11 13 (732) Vakhtang Pkhakadze Il. Chavchavadze Av. 78, Bl. 1, ap.4, 0162, Tbilisi, Georgia
(111) M 2019 31768 R (151) 2019 10 02 (181) 2029 10 02 (260) AM 2018 100080 A (220) 2018 11 06 (732) Pharmacia & Upjohn Company LLC 7000 Portej Roud, Kalamazoo, MI 49001, USA	(111) M 2019 31774 R (151) 2019 10 02 (181) 2029 10 02 (260) AM 2018 100396 A (220) 2018 11 14 (732) Giorgi Kikabidze Il. Chavchavadze Av. 54a, 0179, Tbilisi, Georgia
(111) M 2019 31769 R (151) 2019 10 02 (181) 2029 10 02 (260) AM 2018 100081 A (220) 2018 11 06 (732) Pharmacia & Upjohn Company LLC 7000 Portej Roud, Kalamazoo, MI 49001, USA	(111) M 2019 31775 R (151) 2019 10 02 (181) 2029 10 02 (260) AM 2018 100431 A (220) 2018 11 20 (732) Chongqing Hwasdan Machinery Manufacturing Co., Ltd Xipeng Industrial Zone, Jiulongpo District, Chongqing City, China
(111) M 2019 31770 R (151) 2019 10 02 (181) 2029 10 02 (260) AM 2018 100098 A (220) 2018 11 08 (732) JSC "GEFA" A. Beliashvili St. 142, 0159, Tbilisi, Georgia	(111) M 2019 31776 R (151) 2019 10 02 (181) 2029 10 02 (260) AM 2018 100460 A (220) 2018 11 22 (732) NIPPON PISTON RING CO., LTD 5-12-10, Honmachi-Higashi, Chuo-ku, Saitama City, Saitama, Japan

(111) M 2019 31777 R
(151) 2019 10 02
(181) 2029 10 02
(260) AM 2018 100592 A
(220) 2018 11 26
(732) LTD "DAVUDI"
Sh. Rustaveli St. 8, Lane I, Marneuli,
Georgia

(111) M 2019 31778 R
(151) 2019 10 02
(181) 2029 10 02
(260) AM 2018 100599 A
(220) 2018 11 27
(732) Nino Bakhtadze
Zh. Shartava St. 18, Ap. 15, 0160, Tbilisi,
Georgia

(111) M 2019 31779 R
(151) 2019 10 02
(181) 2029 10 02
(260) AM 2016 89342 A
(220) 2016 11 08
(732) Aleksandre Kozmanashvili
Pasteri St. 1a, b. 4, 0102, Tbilisi,
Georgia

(111) M 2019 31780 R
(151) 2019 10 02
(181) 2029 10 02
(260) AM 2018 97444 A
(220) 2018 05 03
(732) LTD "TXC 2000"
Samgori Settlement 30, b. 84, 0190, Tbilisi,
Georgia

(111) M 2019 31781 R
(151) 2019 10 02
(181) 2029 10 02
(260) AM 2018 98438 A
(220) 2018 07 16
(732) LTD "ALTA"
Ak. Beliashvili St. 104, 0159, Tbilisi,
Georgia

(111) M 2019 31782 R
(151) 2019 10 02
(181) 2029 10 02
(260) AM 2018 98978 A
(220) 2018 08 15
(732) LTD "EUROPARK"
S. Dodashvili Square 3, 0113, Tbilisi,
Georgia

(111) M 2019 31783 R
(151) 2019 10 02
(181) 2029 10 02
(260) AM 2018 99304 A
(220) 2018 09 07
(732) LTD "PUBLISHING HOUSE PALITRA L"
Iosebidge St. 49, 0160, Tbilisi, Georgia

(111) M 2019 31784 R
(151) 2019 10 02
(181) 2029 10 02
(260) AM 2018 99316 A
(220) 2018 09 11
(732) LTD "PUBLISHING HOUSE PALITRA L"
Iosebidge St. 49, 0160, Tbilisi, Georgia

(111) M 2019 31785 R
(151) 2019 10 02
(181) 2029 10 02
(260) AM 2018 99430 A
(220) 2018 09 17
(732) JSC "KOTEKHI"
"Gurjaani Wine Factory"
K. Koroghlishvili St. 38, 1500, Gurjaani,
Georgia

(111) M 2019 31786 R
(151) 2019 10 02
(181) 2029 10 02
(260) AM 2018 99451 A
(220) 2018 09 20
(732) LTD "ALTA"
Ak. Beliashvili St. 104, 0159, Tbilisi, Georgia

(111) M 2019 31787 R
(151) 2019 10 02
(181) 2029 10 02
(260) AM 2018 99512 A
(220) 2018 09 25
(732) LTD "დოგა Dega"
Vill. Tibaani, 4209, Signaghi district, Georgia

(111) M 2019 31788 R
(151) 2019 10 02
(181) 2029 10 02
(260) AM 2018 99656 A
(220) 2018 10 02
(732) LTD "Global Tobacco Partner"
Seasubani settlement III Third, I Quarter,
bl. 70, Ap. 17, Nadzaladevi district,
0191, Tbilisi, Georgia

(111) M 2019 31789 R
 (151) 2019 10 02
 (181) 2029 10 02
 (260) AM 2018 99680 A
 (220) 2018 10 05
 (732) PT. KAPAL API
 Jl. Kenjeran №559, Surabaya, Indonesia

(111) M 2019 31790 R
 (151) 2019 10 02
 (181) 2029 10 02
 (260) AM 2018 99757 A
 (220) 2018 10 08
 (732) Ltd "G-M-P"
 Village Ponitchala 65, 0165, Tbilisi, Georgia

(111) M 2019 31791 R
 (151) 2019 10 02
 (181) 2029 10 02
 (260) AM 2018 99766 A
 (220) 2018 10 09
 (732) Ltd "Divine Cosmetics"
 Abashvili St. 3, Bl. 8, ap. 203, 0182, Tbilisi, Georgia

(111) M 2019 31792 R
 (151) 2019 10 02
 (181) 2029 10 02
 (260) AM 2018 99862 A
 (220) 2018 10 12
 (732) LTD "ALTA"
 Akaki Beliashvili St. 104, 0159, Tbilisi, Georgia

(111) M 2019 31793 R
 (151) 2019 10 02
 (181) 2029 10 02
 (260) AM 2018 99872 A
 (220) 2018 10 16
 (732) LTD "G-M-P"
 Village Ponitchala 65, 0165, Tbilisi, Georgia

(111) M 2019 31794 R
 (151) 2019 10 02
 (181) 2029 10 02
 (260) AM 2018 99890 A
 (220) 2018 10 17
 (732) LTD "G-M-P"
 Village Ponitchala 65, 0165, Tbilisi, Georgia

(111) M 2019 31795 R
 (151) 2019 10 02
 (181) 2029 10 02

(260) AM 2018 99891 A
 (220) 2018 10 17
 (732) LTD "G-M-P"
 Village Ponitchala 65, 0165, Tbilisi, Georgia

(111) M 2019 31796 R
 (151) 2019 10 02
 (181) 2029 10 02
 (260) AM 2018 99894 A
 (220) 2018 10 18
 (732) PROTEOS BIOTECH S.L.
 Calle Almansa 14, Albacete, 02006, Spain

(111) M 2019 31797 R
 (151) 2019 10 02
 (181) 2029 10 02
 (260) AM 2018 99912 A
 (220) 2018 10 19
 (732) PFIZER INC.
 235 East 42nd Street, New York, New York 10017, USA

(111) M 2019 31798 R
 (151) 2019 10 02
 (181) 2029 10 02
 (260) AM 2018 99914 A
 (220) 2018 10 19
 (732) LLC "EUROCHEKHOL"
 1 Magistralny tupik, 5a, Pom. 6, Moscow, 123290, Russian Federation

(111) M 2019 31799 R
 (151) 2019 10 02
 (181) 2029 10 02
 (260) AM 2018 99939 A
 (220) 2018 10 19
 (732) Jinhua Kufiqstuls Ai&i Ko., Ltd
 4/F, Building 1, No.98, Tangshan Road, Economic Development Area, Yongkang City, Zhejiang Province, China

(111) M 2019 31800 R
 (151) 2019 10 02
 (181) 2029 10 02
 (260) AM 2018 99960 A
 (220) 2018 10 22
 (732) CORPORACION HABANOS, S.A.
 Carretera Vieja de Guanabacoa y Linea del Ferrocarril Final, Guanabacoa, La Habana, Cuba

(111) M 2019 31801 R
 (151) 2019 10 02
 (181) 2029 10 02

(260) AM 2018 99977 A
(220) 2018 10 23
(732) LTD "AVERSI-PHARMA"
D. Aghmashenebeli Av. 148/2, 0112,
Tbilisi, Georgia

(111) M 2019 31802 R
(151) 2019 10 02
(181) 2029 10 02
(260) AM 2018 99978 A
(220) 2018 10 23
(732) LTD "AVERSI-PHARMA"
D. Aghmashenebeli Av. 148/2, 0112,
Tbilisi, Georgia

(111) M 2019 31803 R
(151) 2019 10 02
(181) 2029 10 02
(260) AM 2018 99985 A
(220) 2018 10 23
(732) LTD "AVERSI-PHARMA"
D. Aghmashenebeli Av. 148/2, 0112,
Tbilisi, Georgia

(111) M 2019 31804 R
(151) 2019 10 02
(181) 2029 10 02
(260) AM 2018 99986 A
(220) 2018 10 23
(732) LTD "AVERSI-PHARMA"
D. Aghmashenebeli Av. 148/2, 0112,
Tbilisi, Georgia

(111) M 2019 31805 R
(151) 2019 10 02
(181) 2029 10 02
(260) AM 2018 99988 A
(220) 2018 10 23
(732) LTD "AVERSI-PHARMA"
D. Aghmashenebeli Av. 148/2, 0112,
Tbilisi, Georgia

(111) M 2019 31806 R
(151) 2019 10 02
(181) 2029 10 02
(260) AM 2018 99989 A
(220) 2018 10 23
(732) LTD "AVERSI-PHARMA"
D. Aghmashenebeli Av. 148/2, 0112,
Tbilisi, Georgia

TRADEMARKS REGISTERED ACCORDING TO THE ACCELERATED PROCEDURE

The decision can be appealed at the Chamber of Appeal of Sakpatenti within 3 months from the publication.

(111) M 2019 31743 R
(151) 2019 09 24
(181) 2029 09 24
(210) AM 104814
(220) 2019 09 10
(732) JSC "Digital Area"
Davit Aghmashenebeli Av. 79, 0102,
Tbilisi, Georgia
(740) Giorgi Taktakishvili
(540)

OPTIMO

(591) Black, white
(511) 9, 36, 39

(111) M 2019 31744 R
(151) 2019 09 25
(181) 2029 09 25
(210) AM 104823
(220) 2019 09 11
(732) LLC "M.B.G."
Pekini Av. 24a, ap. 24, 0194, Tbilisi,
Georgia
(540)



(591) Red, black, silver, white
(531) 07.01.08; 07.01.12; 27.05.01; 27.05.10;
27.05.23; 27.05.24; 28.19; 29.01.13
(511) 6, 36, 37

(111) M 2019 31745 R
(151) 2019 09 25
(181) 2029 09 25
(210) AM 104819
(220) 2019 09 10

(732) JSC "m2 Real Estate"
I. Chavchavadze Ave. 29, Fl. 3, Tbilisi,
Georgia
(740) Nikoloz Jalaghania
(540)

ვერის ბაზარი

(591) Black, white
(511) 33, 36, 37, 39, 43

(111) M 2019 31746 R
(151) 2019 09 25
(181) 2029 09 25
(210) AM 104820
(220) 2019 09 10
(732) JSC "m2 Real Estate"
I. Chavchavadze Ave. 29, Fl. 3, Tbilisi,
Georgia
(740) Nikoloz Jalaghania
(540)

აბრეშუმის ბაზარი

(591) Black, white
(511) 33, 36, 37, 39, 43

(111) M 2019 31747 R
(151) 2019 09 26
(181) 2029 09 26
(210) AM 104829
(220) 2019 09 12
(732) LLC "MEDVISIT GLOBAL"
Didi-Dighomi, G. Brtskinvale St. 28,
ap. 1, Tbilisi, Georgia
(540)



(591) Green white
(531) 05.05.20; 27.05.15; 29.01.03
(511) 39, 44

(111) M 2019 31748 R
 (151) 2019 09 26
 (181) 2029 09 26
 (210) AM 104895
 (220) 2019 09 13
 (732) Gulnara Seturidze
 I. Sukhishvili St. 11, Tskneti, Georgia
 (540)



(591) Black, white
 (531) 03.04.07; 03.04.11; 26.01.01; 26.01.15;
 27.05.01; 27.05.24
 (511) 25

(111) M 2019 31749 R
 (151) 2019 09 27
 (181) 2029 09 27
 (210) AM 104890
 (220) 2019 09 13
 (732) Shovgi Aivazov
 Vill. Kirach-Mughanlo, Marneuli
 Georgia

(540)



(591) White, green, orange, sky-blue
 (531) 01.15.15; 27.05.01; 27.05.02; 27.05.24;
 29.01.14
 (511) 5

(111) M 2019 31750 R
 (151) 2019 09 27
 (181) 2029 09 27
 (210) AM 104911
 (220) 2019 09 17
 (732) LTD "Baklachoff"
 Kentron, Vardanancis St. Korp. 8, Teritoria
 1/4, Yerevan, Armenia

(740) Sopio Khuchua
 (540)



(591) Red, yellow, green, blue
 (531) 01.03.02; 01.03.12; 01.03.16; 08.01.15;
 27.05.01; 27.05.10; 28.05; 28.19; 29.01.15
 (511) 43

(111) M 2019 31751 R
 (151) 2019 09 27
 (181) 2029 09 27
 (210) AM 104765
 (220) 2019 09 05
 (732) JSC "m2 Real Estate"
 I. Chavchavadze Ave. 29, Fl. 3, Tbilisi,
 Georgia
 (740) Nikoloz Jalaghania
 (540)

Gudauri Lodge

(591) Black, white
 (526) Gudauri
 (511) 33, 35, 36, 37, 39, 43

(111) M 2019 31752 R
 (151) 2019 09 27
 (181) 2029 09 27
 (210) AM 104766
 (220) 2019 09 05
 (732) JSC "m2 Real Estate"
 I. Chavchavadze Ave. 29, Fl. 3, Tbilisi,
 Georgia
 (740) Nikoloz Jalaghania
 (540)

გუდაური ლოჯი

(591) Black, white
 (526) გუდაური
 (511) 33, 35, 36, 37, 39, 43

(111) M 2019 31753 R
 (151) 2019 10 01
 (181) 2029 10 01
 (210) AM 104824
 (220) 2019 09 11

(732) LLC Warwickshire Estates Representative
in Georgia
Sh. Rustaveli Av. 42, 0108, Tbilisi, Georgia

(540)



(591) Black, white

(531) 26.13.25; 27.05.01; 28.19

(511) 35

INTERNATIONAL TRADEMARKS FOR WHICH A DECISION ON GRANTING PROTECTIONS IS TAKEN

The decision can be appealed at the Chamber of Appeal of Sakpatenti within 3 months from the publication or at the Mtskheta District Court Administrative Cases Board (Address: №17, Samkhedro str., Mtskheta), within 1 month following the publication.

(260) AM 2019 94389 A*

(800) 1366276

(151) 2017 04 28

(891) 2017 04 28

(731) XIAOMI SINGAPORE PTE. LTD.

12 Marina View #23-01 Asia Square Tower

2 Singapore 018961, Singapore

(540)

MIIIA

(591) Black and white

(531) 27.05.01; 27.05.17

(511)

16 – Paper; paper cards (blank) for recording computer programmes; drawing sets; drawing paper; tissue paper; toilet paper; business cards; advertising materials of cardboard; advertising materials of paper; signs (stationery); paper stationery; notebook paper; notebook covers; drawing pads; booklets; calendars; posters of plastic film; printed matter; prints; books; cards; envelopes (stationery); notebooks; name cards; printed publications; booklets for instruction; computer instruction manual; music instruction manuals; comic books; journals; pictures; posters; bags (envelopes, pouches) of paper or plastics, for packaging; cardboard boxes; cartons of card for packaging; paper shredders for office use; office apparatus; pencil sharpeners; office staplers; staplers (office machines); folders (stationery); office articles (other than furniture); office stationery; India ink pens; India paper; Indian inks; writing articles; pens; pencils; painting pencils; writing brushes; adhesive tape for stationery purposes; plastic tape for stationery use; polyester tape for stationery use; sealing tape for stationery use; adhesive tape for household purposes; drawing instruments; drawing rulers; drawing boards; teaching materials (except apparatus); wall charts; printing sets, portable [office requisites].

25 – Clothing; suits; trousers; jackets (clothing); coats; sweaters; T-shirts; underwear; swimming suits; waterproof clothing; cyclists' clothing; masquerade costumes; shoes; sports shoes; hats; cap (head wear); headbands; socks; leg warmers; gloves as clothing; scarves; neckties; belts (clothing); trouser straps; gaiter straps; chasubles; shower caps; sleep masks.

35 – Advertising; advertising agency services; online advertising on a computer network; presentation of goods on communication media, for retail purposes; placing of advertisements; preparation of advertise-

ments; cost analysis; business information agency services; business management and organization consultancy; market analysis; business evaluation services; business research; provision of business information; arranging exhibitions for commercial purposes; arranging exhibitions for advertising purposes; commercial information and advice for consumers (consumer advice shop); provision of assistance (business) in the establishment of franchises; administration of the business affairs of franchises; import and export agencies; on-line trading services in which seller posts products to be auctioned and bidding is done via the internet marketing; arranging and concluding commercial transactions for others; computer file management; data processing; compilation of information into computer databases; database management; data retrieval; accounting; account auditing; sponsorship search.

(260) AM 2019 94394 A*

(800) 1366356

(151) 2017 06 20

(891) 2017 06 20

(731) KARDEŞLER UÇAN YAĞLAR SANAYİ ANONİM ŞİRKETİ

Geposb İçi Atatürk Bulvarı 4. Cadde, 42.

Sokak no:1 İnönü Mah. Gebze TR-41400

Kocaeli, Turkey

(540)

Fresh'n Soft[®]

(591) Blue and green

(531) 05.03.14; 27.05.01; 27.05.05; 27.05.08; 27.05.17; 29.01.13

(511)

3 – Bleaching and cleaning preparations, detergents other than for use in manufacturing operations and for medical purposes, laundry bleach, fabric softeners for laundry use; stain removers, dishwasher detergents; perfumery; cosmetics; fragrances; deodorants for personal use and animals; soaps; dental care preparations: dentifrices, denture polishes, tooth whitening preparations, mouth washes, not for medical purposes.

35 – The bringing together, for the benefit of others, of a variety of goods, namely, bleaching and clea-

ning preparations, detergents other than for use in manufacturing operations and for medical purposes, laundry bleach, fabric softeners for laundry use, stain removers, dishwasher detergents, perfumery, cosmetics, fragrances, deodorants for personal use and animals, soaps, dental care preparations, dentifrices, denture polishes, tooth whitening preparations, mouth washes, not for medical purposes.

(260) AM 2019 96959 A*
 (800) 1393495
 (151) 2017 12 14
 (891) 2017 12 14
 (731) HORWATH INTERNATIONAL
 REGISTRATION LTD.
 488 MADISON AVENUE, SUITE 1200
 NEW YORK NY 10022, USA
 (540)

CROWE

(591) Black and white
 (511)
 35 – Accounting services; providing business advisory services in the fields of business management, e-business development and implementation; human resources services and business process consulting; business auditing; business risk management services; tax consulting and compliance services; tax preparation services.

(260) AM 2019 97488 A*
 (800) 1397636
 (151) 2017 10 05
 (891) 2017 10 05
 (731) KLAUS FABER AG
 Lebacher Straße 152-156, 66113 Saarbrücken,
 Germany
 (540)

FABER KABEL

(591) Black, white
 (511)
 16 – Printed matter; paper and cardboard; bags and articles for packaging, wrapping and storage of paper, cardboard or plastics; packing cardboard; packaging materials; paper padding; plastic bubble packs for wrapping or packaging; printed packaging materials of paper; advertising pamphlets; promotional publications; printed promotional material; signboards of paper or cardboard; all above-mentioned goods not related to stationery; all aforementioned goods are not related to materials for writing, drawing or painting, to instruments for writing, drawing or painting and to supply for writing, drawing and painting.

(260) AM 2019 97519 A*
 (800) 1398222
 (151) 2017 10 05
 (891) 2017 10 05
 (731) KLAUS FABER AG
 Lebacher Straße 152-156, 66113 Saarbrücken,
 Germany
 (540)

FABER

(591) Black, white
 (511)
 16 – Printed matter; paper and cardboard; bags and articles for packaging, wrapping and storage of paper, cardboard or plastics; packing cardboard; packaging materials; paper padding; plastic bubble packs for wrapping or packaging; printed packaging materials of paper; advertising pamphlets; promotional publications; printed promotional material; signboards of paper or cardboard; all above-mentioned goods not related to stationery; all aforementioned goods are not related to materials for writing, drawing or painting, to instruments for writing, drawing or painting and to supply for writing, drawing or painting.

35 – advertising, marketing and sales promotion; business management; market research and market analyses; online advertising; online ordering services; compilation of online business directories; all aforementioned services only in connection with cables, wires and other electrical articles.

(260) AM 2019 98129 A
 (800) 1407465
 (151) 2017 12 26
 (891) 2017 12 26
 (731) REZVAN CHOCOLATE CO.
 13th Ave, Rezvanie, Kamalshahr, 3199955145
 Karaj, Islamic Republic of Iran
 (540)



(591) Black, white
 (531) 05.05.20; 27.05.11; 28.01
 (511)
 39 – Delivery of goods, packing and storage of goods including frozen, preserved, dried and cooked fruits and vegetables, jellies, jams, compotes, eggs, milk and milk products, edible oils and fats, coffee, tea, cocoa and artificial coffee, rice, tapioca and sago, flour and preparations made from cereals,

bread, pastries and confectionery, edible ices, sugar, honey, treacle, yeast, baking-powder, salt, mustard, spices, vinegar, sauces [condiments], ice, ice cream, non-alcoholic beer, mineral and aerated waters and other non-alcoholic beverages, fruit beverages and fruit juices, syrups and other preparations for making beverages, arranging of travel tours.

(260) AM 2019 98336 A*

(800) 1409730

(151) 2017 10 05

(891) 2017 10 05

(731) KLAUS FABER AG

Lebacher Straße 152 – 156B 66113

Saarbrücken, Germany

(540)



(591) Black, white

(531) 26.01.01; 26.01.03; 26.04.02; 26.04.09;
26.04.24; 26.11.03; 26.11.07; 26.11.09;
26.13.25; 27.05.01

(511)

16 – Printed matter; paper and cardboard; bags and articles for packaging, wrapping and storage of paper, cardboard or plastics; packing cardboard; packing materials; paper padding; plastic bubble packs for wrapping or packaging; printed packaging materials of paper; advertising pamphlets; promotional publications; printed promotional material; signboards of paper or cardboard; all above-mentioned goods not related to stationery; all aforementioned goods are not related to materials for writing, drawing or painting, to instruments for writing, drawing or painting and to supply for writing, drawing or painting.

35 – Advertising, marketing and sales promotion; business management; market research and market analyses; online advertising; online ordering services; compilation of online business directories; all aforementioned services only in connection with cables, wires and other electrical articles.

(260) AM 2019 98456 A*

(800) 1410209

(151) 2018 01 31

(891) 2018 01 31

(731) Evgeniy Vladimirovich Kordenkov

Mikrorayon 2, d. 249, kv. 75, Novosibirskiy

rayon, r.p. Krasnoobsk, RU-630501

Novosibirskaya oblast, Russian Federation

(540)



(591) Red and gray

(531) 05.05.20; 05.05.21; 27.05.08; 27.05.10;
27.05.11; 29.01.12

(511)

10 – cupping glasses; babies' bottles; lice combs; menstrual cups; feeding bottle valves; love dolls [sex dolls]; breast pumps; gloves for massage; condoms; sex toys; babies' pacifiers [teats]; feeding bottle teats; contraceptives, non-chemical

(260) AM 2019 99534 A*

(800) 1423387

(151) 2018 07 10

(891) 2018 07 10

(731) BAYER AKTIENGESELLSCHAFT

Kaiser-Wilhelm-Allee, 51373 Leverkusen,

Germany

(540)

НУБЕКА

(591) Black, white

(531) 28.05

(511)

5 – Pharmaceutical preparations.

(260) AM 2019 100468 A

(800) 1433706

(151) 2018 09 24

(891) 2018 09 24

(731) Obshchestvo s ogranichennoi

otvetstvennost'yu "Mezhdunarodnaya

kompaniya, "SIBIRSKOE ZDOROV'YE"

ul. Lenina, 48, etazh 4, pomeschenie 64,

RU-630004 Novosibirsk, Russian Federation

(540)

SIBERIAN WELLNESS

(591) Black, white

(511)

3 – Abrasive paper; abrasives; adhesives for affixing false eyelashes; adhesives for affixing false hair; adhesives for cosmetic purposes; after-shave lotions; air fragrance reed diffusers; air fragrancing preparations; almond milk for cosmetic purposes; aloe vera preparations for cosmetic purposes; amber [perfume]; antiperspirant soap; antiperspirants [toiletries]; antistatic preparations for household purposes; aromatics [essential oils]; astringents for cosmetic purposes; balms, other than for medical purposes; bath salts, not for medical purposes; bath preparations, not for medical purposes; beard dyes; beauty masks;

bergamot oil; bleaching preparations [decolorants] for cosmetic purposes; bleaching preparations [decolorants] for household purposes; bleaching salts; breath freshening preparations for personal hygiene; breath freshening sprays; breath freshening strips; cakes of soap; canned pressurized air for cleaning and dusting purposes; chemical cleaning preparations for household purposes; cleaning preparations; cleansers for intimate personal hygiene purposes, non medicated; cleansing milk for toilet purposes; cloths impregnated with a detergent for cleaning; collagen preparations for cosmetic purposes; colorbrightening chemicals for household purposes [laundry]; color-removing preparations; cosmetics; cosmetic creams; cosmetic dyes; cosmetics for animals; cosmetics for children; cosmetic kits; cosmetic pencils; cosmetic preparations for baths; cosmetic preparations for eyelashes; cosmetic preparations for skin care; cosmetic preparations for slimming purposes; cotton swabs for cosmetic purposes; cotton wool for cosmetic purposes; decorative transfers for cosmetic purposes; degreasers, other than for use in manufacturing processes; dental bleaching gels; dentifrices*; denture polishes; deodorant soap; deodorants for human beings or for animals; depilatories; depilatory wax; descaling preparations for household purposes; detergents, other than for use in manufacturing operations and for medical purposes; douching preparations for personal sanitary or deodorant purposes [toiletries]; drying agents for dishwashing machines; dry-cleaning preparations; dry shampoos*; essential oils; eyebrow cosmetics; eye-washes, not for medical purposes; extracts of flowers [perfumes]; fabric softeners for laundry use; false eyelashes; false nails; floor wax; fumigation preparations [perfumes]; refurbishing preparations; greases for cosmetic purposes; hair colorants; hair conditioners; hair lotions*; hair spray; hair straightening preparations; hair waving preparations; heliotropine; herbal extracts for cosmetic purposes; joss sticks; lacquer-removing preparations; laundry glaze; laundry preparations; leather bleaching preparations; leather preservatives [polishes]; laundry soaking preparations; lip glosses; lipsticks; lotions for cosmetic purposes; make-up; make-up preparations; make-up powder; make-up removing preparations; mascara; massage candles for cosmetic purposes; massage gels, other than for medical purposes; mouthwashes, not for medical purposes; nail art stickers; nail care preparations; nail varnish; nail varnish removers; oils for cleaning purposes; oils for cosmetic purposes; oils for perfumes and scents; oils for toilet purposes; oil of turpentine for degreasing; paint stripping preparations; petroleum jelly for cosmetic purposes; perfumery; perfumes; phytocosmetic preparations; polishing creams; polishing paper; polishing preparations; polishing stones; polishing wax; pomades for cosmetic purposes; potpourris [fragrances]; preparations for cleaning dentures; preparations for

unblocking drain pipes; preparations to make the leaves of plants shiny; pumice stone; sachets for perfuming linen; safrol; scented water; scented wood; scouring solutions; shampoos*; shampoos for pets [non-medicated grooming preparations]; shaving preparations; shaving soap; shining preparations [polish]; shoe wax; shoemakers' wax; smoothing preparations [starching]; soap for brightening textile; stain removers; starch glaze for laundry purposes; sunscreen preparations; suntanning preparations [cosmetics]; teeth whitening strips; tissues impregnated with cosmetic lotions; tissues impregnated with make-up removing preparations; toilet water; toiletry preparations*; vaginal washes for personal sanitary or deodorant purposes; wallpaper cleaning preparations; waxes for leather.

5 – Absorbent cotton; acai powder dietary supplements; acids for pharmaceutical purposes; acne treatment preparations; adhesive plasters; adhesives for dentures; air deodorising preparations; air purifying preparations; albumin dietary supplements; albuminous foodstuffs for medical purposes; alginate dietary supplements; aloe vera preparations for pharmaceutical purposes; amino acids for medical purposes; antibacterial handwashes; antibacterial soap; antioxidant pills; antiseptics; antiseptic cotton; anti-uric preparations; appetite suppressant pills; aseptic cotton; asthmatic tea; babies' diapers; babies' napkin-pants; balms for medical purposes; barks for pharmaceutical purposes; bandages for dressings; bath preparations for medical purposes; bath salts for medical purposes; biocides; biological preparations for medical purposes; breast-nursing pads; bromine for pharmaceutical purposes; cachets for pharmaceutical purposes; candy for medical purposes; candy, medicated; capsules for medicines; casein dietary supplements; caustic pencils; chemico-pharmaceutical preparations; chemical preparations for medical purposes; chemical preparations for pharmaceutical purposes; chewing gum for medical purposes; chilblain preparations; cod liver oil; collagen for medical purposes; collyrium; compresses; contact lens cleaning preparations; cooling sprays for medical purposes; corn remedies; corn rings for the feet; cotton for medical purposes; cotton sticks for medical purposes; decoctions for pharmaceutical purposes; deodorants for clothing and textiles; deodorants, other than for human beings or for animals; depuratives; detergents for medical purposes; diagnostic biomarker reagents for medical purposes; dietary fiber; dietary supplements for animals; dietary supplements with a cosmetic effect; dietetic beverages adapted for medical purposes; dietetic foods adapted for medical purposes; dietetic substances adapted for medical use; digestives for pharmaceutical purposes; disinfectant soap; disinfectants for hygiene purposes; dressings, medical; drugs for medical purposes; enzyme dietary supplements; esters for pharmaceutical purposes; ethers for phar-

maceutical purposes; eyepatches for medical purposes; febrifuges; first-aid boxes, filled; flour for pharmaceutical purposes; food for babies; freeze-dried food adapted for medical purposes; freeze-dried meat adapted for medical purposes; frostbite salve for pharmaceutical purposes; fumigation preparations for medical purposes; gauze for dressings; gelatine for medical purposes; glucose dietary supplements; glucose for medical purposes; hematogen; hemostatic pencils; herbal extracts for medical purposes; herbal teas for medicinal purposes; homogenized food adapted for medical purposes; infant formula; immunostimulants; jujube, medicated; lacteal flour for babies; lactose for pharmaceutical purposes; laxatives; lecithin dietary supplements; lecithin for medical purposes; liniments; linseed dietary supplements; linseed for pharmaceutical purposes; linseed oil dietary supplements; lotions for pharmaceutical purposes; lupulin for pharmaceutical purposes; magnesia for pharmaceutical purposes; medicated aftershave lotions; medicated dentifrices; medicated dry shampoos; medicated eye-washes; medicated hair lotions; medicated massage candles; medicated shampoos; medicated soap; medicated toiletry preparations; medicinal drinks; medicinal hair growth preparations; medicinal herbs; medicinal infusions; medicinal mud; medicinal oils; medicinal roots; medicinal tea; medicine cases, portable, filled; medicines for human purposes; melissa water for pharmaceutical purposes; mineral food supplements; mineral waters for medical purposes; mint for pharmaceutical purposes; mud for baths; mustard plasters; nervines; nicotine gum for use as an aid to stop smoking; nicotine patches for use as aids to stop smoking; nutraceutical preparations for therapeutic or medical purposes; nutritional supplements; ointments for pharmaceutical purposes; ophotherapy preparations; oxygen baths; panty liners [sanitary]; paper for mustard plasters; pastilles for pharmaceutical purposes; pearl powder for medical purposes; pediculicidal shampoos; personal sexual lubricants; petroleum jelly for medical purposes; pharmaceuticals; pharmaceutical preparations for treating sunburn; pharmaceutical preparations for treating dandruff; phytotherapy preparations for medical purposes; plant extracts for pharmaceutical purposes; pollen dietary supplements; pomades for medical purposes; poultices; powdered milk for babies; preparations for callouses; preparations for the treatment of burns; preparations of trace elements for animal use; preparations to facilitate teething; propolis dietary supplements; propolis for pharmaceutical purposes; protein dietary supplements; remedies for perspiration; royal jelly for pharmaceutical purposes; royal jelly dietary supplements; salts for mineral water baths; salts for medical purposes; sanitary tampons; sanitary towels; scapulars for surgical purposes; sea water for medicinal bathing; sedatives; slimming pills; sunburn ointments; sulfur sticks [disinfectants]; sur-

gical glues; syrups for pharmaceutical purposes; tanning pills; therapeutic preparations for the bath; thermal water; tinctures for medical purposes; tissues impregnated with pharmaceutical lotions; tonics [medicines]; vaccines; vitamin preparations; vulnery sponges; wadding for medical purposes; wart pencils; wheat germ dietary supplements; yeast dietary supplements; yeast for pharmaceutical purposes.

9 – 3D spectacles; accumulators, electric; air analysis apparatus; amplifiers; animated cartoons; antennas; anti-glare glasses; apparatus for fermentation [laboratory apparatus]; audio- and video-receivers; audiovisual teaching apparatus; baby monitors; baby scales; bags adapted for laptops; bar code readers; bathroom scales; battery chargers; breathing apparatus for underwater swimming; breathing apparatus, except for artificial respiration; calorimeters; cameras [photography]; cases especially made for photographic apparatus and instruments; cases for smartphones; cell phone straps; cellular phones; clothing especially made for laboratories; clothing for protection against accidents, irradiation and fire; commutators; compact disc players; compact discs [audio-video]; compact discs [read-only memory]; computer game software; computer hardware; computer keyboards; computer operating programs, recorded; computer peripheral devices; computer programs [downloadable software]; computer programs, recorded; computer screen saver software, recorded or downloadable; computer software applications, downloadable; computer software, recorded; computers; contact lenses; containers for contact lenses; cordless telephones; correcting lenses [optics]; couplers [data processing equipment]; covers for smartphones; covers for tablet computers; data processing apparatus; decompression chambers; decorative magnets; detectors; diagnostic apparatus, not for medical purposes; digital photo frames; divers' masks; DNA chips; dosage dispensers; downloadable graphics for mobile phones; downloadable image files; downloadable music files; downloadable ring tones for mobile phones; DVD players; ear plugs for divers; egg timers [sandglasses]; electric apparatus for commutation; electronic agendas; electronic book readers; electronic key fobs being remote control apparatus; electronic numeric displays; electronic pens [visual display units]; electronic pocket translators; electronic publications, downloadable; encoded identification bracelets, magnetic; encoded key cards; encoded magnetic cards; equalizers [audio apparatus]; eyeglass cases; eyeglass cords; eyeglass frames; eyeglasses; eyewear; fire extinguishers; flashing lights [luminous signals]; food analysis apparatus; frames for photographic transparencies; furnaces for laboratory use; furniture especially made for laboratories; gas testing instruments; gauges; Global Positioning System [GPS] apparatus; goggles for sports; handheld electronic dictionaries; hands-free kits for telephones; head guards for sports; headphones; high-

frequency apparatus; humanoid robots with artificial intelligence; identity cards, magnetic; integrated circuit cards [smart cards]; intercommunication apparatus; interfaces for computers; laptop computers; life saving apparatus and equipment; magnetic data media; magnets; magnifying glasses [optics]; measures; measuring apparatus; measuring devices, electric; measuring glassware; measuring instruments; microphones; microprocessors; microscopes; modems; monitoring apparatus, other than for medical purposes; monitors [computer hardware]; monitors [computer programs]; mouse [computer peripheral]; mouse pads; mouth guards for sports; navigation apparatus for vehicles [on-board computers]; notebook computers; observation instruments; optical condensers; optical data media; optical glass; optical lenses; personal stereos; pipettes; portable media players; precision balances; precision measuring apparatus; processors [central processing units]; projection apparatus; projection screens; protection devices for personal use against accidents; protective films adapted for computer screens; protective films adapted for smartphones; protective helmets for sports; protective helmets; protective masks; radar apparatus; radios; record players; reflective articles for wear, for the prevention of accidents; regulating apparatus, electric; remote control apparatus; respirators for filtering air; respiratory masks, other than for artificial respiration; resuscitation mannequins [teaching apparatus]; resuscitation training simulators; satellite navigational apparatus; scales; security tokens [encryption devices]; selfie lenses; shoes for protection against accidents, irradiation and fire; sleeves for laptops; smartglasses; smartphones; smartwatches; sound recording apparatus; sound reproduction apparatus; sound transmitting apparatus; spectacle lenses; sports whistles; stills for laboratory experiments; sunglasses; surveyors' levels; tablet computers; teaching apparatus; teaching robots; teeth protectors; telecommunication apparatus in the form of jewellery; telephone apparatus; telephone receivers; telephone transmitters; television apparatus; temperature indicator labels, not for medical purposes; thermometers, not for medical purposes; thermostats; thin client computers; time recording apparatus; transmitters [telecommunication]; transmitters of electronic signals; transmitting sets [telecommunication]; USB flash drives; vehicle breakdown warning triangles; vehicle radios; video baby monitors; video cassettes; video recorders; video screens; video telephones; viewfinders, photographic; virtual reality headsets; wearable activity trackers; wearable computers; wrist rests for use with computers.

11 – Air deodorizing apparatus; air dryers; air filtering installations; air fryers; air purifying apparatus and machines; air reheaters; air-conditioning apparatus; air-conditioning installations; bakers' ovens; barbecues; bath fittings; bath installations; bath tubs for sitz baths; bath tubs; bed warmers; beverage

cooling apparatus; blankets, electric, not for medical purposes; bread baking machines; bread toasters; bread-making machines; burners; chandeliers; chocolate fountains, electric; clean chambers [sanitary installations]; coffee machines, electric; coffee percolators, electric; coffee roasters; cookers; cooking apparatus and installations; cooking rings; cooking utensils, electric; cool boxes, electric; coolers for furnaces; cooling appliances and installations; cooling installations and machines; cooling installations for liquids; deep fryers, electric; desiccating apparatus; disinfectant apparatus for medical purposes; disinfectant apparatus; disinfectant dispensers for toilets; distillation apparatus; drying apparatus and installations; drying apparatus; electric appliances for making yogurt; electric cooktops; electric fans for personal use; electric lamps; electric lights for Christmas trees; electrically heated carpets; electrically heated clothing; evaporators; expansion tanks for central heating installations; extractor hoods for kitchens; fabric steamers; fairy lights for festive decoration; fans [air-conditioning]; filters for air conditioning; filters for drinking water; fireplaces, domestic; footmuffs, electrically heated; footwarmers, electric or non-electric; fountains; freezers; fruit roasters; fumigation apparatus, not for medical purposes; gas boilers; gas lighters; germicidal lamps for purifying air; grills [cooking appliances]; hair dryers; hand drying apparatus for washrooms; hearths; heat accumulators; heated display cabinets; heaters for baths; heaters, electric, for feeding bottles; heating and cooling apparatus for dispensing hot and cold beverages; heating apparatus, electric; heating apparatus; heating cushions, electric, not for medical purposes; heating elements; heating installations; heating plates; hot air apparatus; hot air bath fittings; hot plates; hot water bottles; hydromassage bath apparatus; ice machines and apparatus; ice-cream making machines; ionization apparatus for the treatment of air or water; kettles, electric; kitchen ranges [ovens]; laboratory lamps; lamps; lanterns for lighting; laundry dryers, electric; lighters; lighting apparatus and installations; microbubble generators for baths; microwave ovens [cooking apparatus]; multicookers; nail lamps; pasteurisers; plate warmers; pocket warmers; pounded rice cake making machines, electric, for household purposes; pressure cookers, electric; refrigerating apparatus and machines; refrigerating appliances and installations; refrigerating cabinets; refrigerating chambers; refrigerating containers; refrigerating display cabinets; refrigerators; roasters; roasting jacks; roasting spits; rotisseries; sanitary apparatus and installations; sauna bath installations; shower enclosures; showers; sinks; socks, electrically heated; solar thermal collectors [heating]; spa baths [vessels]; Steam accumulators; steam facial apparatus [saunas]; steam generating installations; sterilizers; stills; stoves [heating apparatus]; tanning apparatus [sun beds]; taps; vegetable

steamers, electric; ventilation [air-conditioning] installations and apparatus; waffle irons, electric; water filtering apparatus; water heaters [apparatus]; water heaters; water purification installations; water purifying apparatus and machines; water softening apparatus and installations; watering machines for agricultural purposes.

14 – Amulets [jewelry]; badges of precious metal; boxes of precious metal; bracelets [jewelry]; brooches [jewelry]; chains [jewelry]; chronographs [watches]; chronometers; chronometric instruments; clocks; cuff links; earrings; hat jewelry; jewellery charms; jewelry boxes; jewelry; key rings [split rings with trinket or decorative fob]; lockets [jewelry]; medals; ornamental pins; paste jewelry [costume jewelry]; pearls [jewelry]; pins [jewelry]; precious stones; rings [jewelry]; rosaries; semi-precious stones; spun silver [silver wire]; threads of precious metal [jewelry]; tie clips; tie pins; watch bands; watch chains; watches; works of art of precious metal.

16 – Adhesive bands for stationery or household purposes; adhesives [glues] for stationery or household purposes; albums; almanacs; bags [envelopes, pouches] of paper or plastics, for packaging; bags for microwave cooking; bibs of paper; bibs, sleeved, of paper; bookends; booklets; bookmarkers; books; bottle wrappers of paper or cardboard; boxes of paper or cardboard; bunting of paper; calendars; cardboard; catalogues; clipboards; comic books; conical paper bags; correcting tapes [office requisites]; covers [stationery]; covers of paper for flower pots; cream containers of paper; desk mats; drawing materials; envelopes [stationery]; erasing products; etchings; face towels of paper; figurines [statuettes] of papier mâché; finger-stalls [office requisites]; flags of paper; flyers; glue for stationery or household purposes; graphic representations; graphic reproductions; greeting cards; handkerchiefs of paper; indexes; labels of paper or cardboard; lithographic works of art; magazines [periodicals]; manuals [handbooks]; money clips; name badge holders [office requisites]; newsletters; newspapers; note books; office requisites, except furniture; pamphlets; paper bags for use in the sterilization of medical instruments; paper coffee filters; paper; passport holders; periodicals; photo-engravings; photograph stands; photographs [printed]; pictures; place mats of paper; plastic film for wrapping; plastics for modelling; portraits; postcards; printed coupons; printed matter; printed publications; prospectuses; school supplies [stationery]; self-adhesive tapes for stationery or household purposes; shields [paper seals]; signboards of paper or cardboard; stands for pens and pencils; stationery; stickers [stationery]; table linen of paper; tablecloths of paper; tablemats of paper; teaching materials [except apparatus]; tissues of paper for removing make-up; towels of paper; tracing paper;

transfers [decalcomanias]; writing cases [sets]; writing cases [stationery]; writing instruments; writing materials; writing or drawing books.

20 – Air beds, not for medical purposes; air cushions, not for medical purposes; air mattresses, not for medical purposes; air pillows, not for medical purposes; animal claws; animal hooves; animal horns; anti-roll cushions for babies; armchairs; baby changing mats; bag hangers, not of metal; bamboo curtains; bamboo; barrels, not of metal; baskets, not of metal; bathtub grab bars, not of metal; bed bases; bedding, except linen; beds for household pets; beds; bedsteads of wood; benches [furniture]; bolsters; bookcases; bottle caps, not of metal; bottle closures, not of metal; bumper guards for cots, other than bed linen; busts of wood, wax, plaster or plastic; cabinet work; camping mattresses; carts for computers [furniture]; casks of wood for decanting wine; chairs [seats]; chaise longues; chests for toys; chests of drawers; chests, not of metal; coatstands; console tables; coral; corozo; cots for babies; counters [tables]; covers for clothing [wardrobe]; cradles; cupboards; curtain holders, not of textile material; curtain hooks; curtain rails; curtain rings; curtain rods; curtain tie-backs; cushions; deck chairs; desks; divans; door bells, not of metal, non-electric; door bolts, not of metal; door fittings, not of metal; door handles, not of metal; door stops, not of metal or rubber; doors for furniture; drafting tables; dressing tables; embroidery frames; fans for personal use, non-electric; figurines [statuettes] of wood, wax, plaster or plastic; filing cabinets; flower-pot pedestals; flowerstands [furniture]; footstools; freestanding partitions [furniture]; furniture fittings, not of metal; furniture of metal; furniture partitions of wood; furniture shelves; garment covers [storage]; hampers [baskets] for the transport of items; hand-held mirrors [toilet mirrors]; hat stands; head positioning pillows for babies; head support cushions for babies; head-rests [furniture]; high chairs for babies; hinges, not of metal; hooks, not of metal, for clothes rails; horn, unworked or semi-worked; hydrostatic beds, not for medical purposes; identification bracelets, not of metal; index cabinets [furniture]; indoor window blinds [shades] [furniture]; infant walkers; inflatable furniture; inflatable publicity objects; interior textile window blinds; ivory, unworked or semi-worked; kennels for household pets; knobs, not of metal; ladders of wood or plastics; latches, not of metal; legs for furniture; library shelves; lockers; locks, other than electric, not of metal; mannequins; massage tables; mats for infant playpens; mattresses; meat safes; medicine cabinets; meerschaum; mirrors [looking glasses]; mobiles [decoration]; moses baskets; nesting boxes for household pets; office furniture; packaging containers of plastic; paper blinds; picture frame brackets; picture frames; pillows; plaited straw, except matting; plastic key cards, not encoded and not magnetic; plastic keys; plate racks; playpens for ba-

bies; pulleys of plastics for blinds; racks [furniture]; rattan; reels of wood for yarn, silk, cord; removable mats or covers for sinks; school furniture; screens [furniture]; screens for fireplaces [furniture]; seats of metal; settees; shells; shelves for file cabinets; shelves for storage; shelving units; shoe dowels, not of metal; showcases [furniture]; shower chairs; sideboards; slatted indoor blinds; sleeping mats; sofas; split rings, not of metal, for keys; stag antlers; stakes, not of metal, for plants or trees; statues of wood, wax, plaster or plastic; step stools, not of metal; steps [ladders], not of metal; stools; straw mattresses; table tops; tables of metal; tables; tea carts; tool chests, not of metal, empty; tortoiseshell; towel dispensers, fixed, not of metal; trays, not of metal; trestles [furniture]; trolleys [furniture]; umbrella stands; valet stands; wardrobes; washstands [furniture]; whalebone, unworked or semi-worked; wickerwork; wind chimes [decoration]; window fittings, not of metal; window stops, not of metal or rubber; works of art of wood, wax, plaster or plastic; woven timber blinds [furniture]; writing desks.

21 – Abrasive pads for kitchen purposes; abrasive sponges for scrubbing the skin; aerosol dispensers, not for medical purposes; apparatus for wax-polishing, non-electric; baby baths, portable; baking mats; basins [receptacles]; baskets for household purposes; basting spoons [cooking utensils]; beaters, non-electric; beer mugs; blenders, non-electric, for household purposes; bottle openers, electric and non-electric; bottles; bowls [basins]; boxes for dispensing paper towels; boxes of glass; bread bins; broom handles; brooms; brush goods; brushes for cleaning tanks and containers; brushes for footwear; brushes; buckets made of woven fabrics; bulb basters; busts of porcelain, ceramic, earthenware, terracotta or glass; butter dishes; cake decorating tips and tubes; cake moulds; candelabra [candlesticks]; candle rings; carpet sweepers; cauldrons; ceramics for household purposes; chamber pots; chamois leather for cleaning; chopsticks; cleaning instruments, hand-operated; cleaning tow; cloth for washing floors; clothes-pegs; clothing stretchers; cloths for cleaning; coasters, not of paper or textile; cocktail shakers; cocktail stirrers; coffee filters, non-electric; coffee grinders, hand-operated; coffee percolators, non-electric; coffeepots, non-electric; coin banks; cold packs for chilling food and beverages; comb cases; combs; confectioners' decorating bags [pastry bags]; cookery moulds; cookie [biscuit] cutters; cookie jars; cooking mesh bags, other than for microwaves; cooking pot sets; cooking pots; cooking skewers of metal; cooking utensils, non-electric; coolers [ice pails]; corkscrews, electric and non-electric; cosmetic utensils; cotton waste for cleaning; covers, not of paper, for flower pots; cruet sets for oil and vinegar; cruet; crumb trays; crushers for kitchen use, non-electric; crystal [glassware]; cups of paper or plastic; cups; currycombs; cutting boards for the kitchen;

decanter; deodorizing apparatus for personal use; dish covers; dishes; dishwashing brushes; disposable table plates; drinking bottles for sports; drinking glasses; drinking horns; drinking straws; drinking vessels; dripping pans; drying racks for laundry; dustbins; dusting apparatus, non-electric; dusting cloths [rags]; earthenware saucepans; earthenware; egg cups; egg separators, non-electric, for household purposes; electric brushes, except parts of machines; electric combs; eyebrow brushes; eyelash brushes; feather-dusters; fitted picnic baskets, including dishes; flasks; flat-iron stands; floss for dental purposes; flower pots; foam toe separators for use in pedicures; food steamers, non-electric; fruit presses, non-electric, for household purposes; frying pans; funnels; gardening gloves; garlic presses [kitchen utensils]; glasses [receptacles]; gloves for household purposes; glue-pots; graters for kitchen use; grill supports; grills [cooking utensils]; heads for electric toothbrushes; heaters for feeding bottles, non-electric; heat-insulated containers; hip flasks; holders for flowers and plants [flower arranging]; ice cream scoops; ice cube molds; ice tongs; indoor aquaria; indoor terrariums [plant cultivation]; indoor terrariums [vivariums]; inflatable bath tubs for babies; insulating flasks; ironing board covers, shaped; ironing boards; isothermic bags; kettles, non-electric; kitchen containers; kitchen grinders, non-electric; kitchen utensils; knife rests for the table; large-toothed combs for the hair; lint removers, electric or non-electric; lunch boxes; make-up brushes; make-up sponges; mess-tins; mills for household purposes, hand-operated; mixing spoons [kitchen utensils]; molds [kitchen utensils]; mop wringer buckets; mops; mortars for kitchen use; mugs; nail brushes; napkin rings; noodle machines, hand-operated; nozzles for watering cans; nutcrackers; oven mitts; pastry cutters; pepper pots; perfume burners; perfume vaporizers; pestles for kitchen use; pie servers; pitchers; place mats, not of paper or textile; plates to prevent milk boiling over; plug-in diffusers for mosquito repellents; polishing apparatus and machines, for household purposes, non-electric; polishing cloths; polishing gloves; polishing leather; polishing materials for making shiny, except preparations, paper and stone; porcelain ware; portable cool boxes, non-electric; pots; pottery; pouring spouts; powder compacts; powder puffs; pressure cookers, non-electric; refrigerating bottles; reusable ice cubes; rolling pins, domestic; salad bowls; salad tongs; salt cellars; saucepan scourers of metal; saucers; scoops for household purposes; scouring pads; scrubbing brushes; services [dishes]; serving ladles; shaving brush stands; shaving brushes; shoe horns; sieves [household utensils]; sifters [household utensils]; siphon bottles for carbonated water; ski wax brushes; smoke absorbers for household purposes; soap boxes; soap dispensers; soap holders; soup bowls; spatulas for kitchen use; spice sets; sponge holders;

sponges for household purposes; sprinklers; stands for portable baby baths; steel wool for cleaning; stew-pans; strainers for household purposes; sugar bowls; sugar tongs; table napkin holders; table plates; tablemats, not of paper or textile; tableware, other than knives, forks and spoons; tar-brushes, long handled; tea bag rests; tea caddies; tea cosies; tea infusers; tea strainers; teapots; tie presses; toilet brushes; toilet cases; toilet paper dispensers; toilet paper holders; toilet sponges; toilet utensils; toothbrushes, electric; toothbrushes; toothpick holders; toothpicks; tortilla presses, non-electric [kitchen utensils]; towel rails and rings; trays for household purposes; trivets [table utensils]; trouser presses; utensils for household purposes; vases; vessels of metal for making ices and iced drinks; waffle irons, non-electric; washing boards; washtubs; water apparatus for cleaning teeth and gums; watering cans; watering devices; wax-polishing appliances, non-electric, for shoes; whisks, non-electric, for household purposes; window-boxes; wool waste for cleaning; works of art of porcelain, ceramic, earthenware, terra-cotta or glass.

24 – Adhesive fabric for application by heat; baby buntings; banners of textile or plastic; bath linen, except clothing; bath mitts; bed blankets; bed covers of paper; bed covers; bed linen; bed valances; bolting cloth; buckram; bunting of textile or plastic; canvas for tapestry or embroidery; cheese cloth; cloth; cloths for removing make-up; coasters of textile; cot bumpers [bed linen]; cotton fabrics; covers [loose] for furniture; covers for cushions; curtain holders of textile material; curtains of textile or plastic; diapered linen; door curtains; eiderdowns [down coverlets]; elastic woven material; fabric for footwear; fabric, impervious to gases, for aeronautical balloons; fabric; fabrics for textile use; face towels of textile; fiberglass fabrics for textile use; filtering materials of textile; fitted toilet lid covers of fabric; flags of textile or plastic; furniture coverings of plastic; furniture coverings of textile; fustian; glass cloths [towels]; handkerchiefs of textile; household linen; jute fabric; knitted fabric; labels of textile; lingerie fabric; lining fabric for footwear; mattress covers; mosquito nets; net curtains; non-woven textile fabrics; oilcloth for use as tablecloths; pillow shams; pillowcases; plastic material [substitute for fabrics]; ramie fabric; sheets [textile]; shower curtains of textile or plastic; sleeping bag liners; sleeping bags for babies; sleeping bags; table linen, not of paper; table napkins of textile; table runners, not of paper; tablecloths, not of paper; tablemats of textile; textile material; towels of textile; traced cloth for embroidery; travelling rugs [lap robes]; tulle; upholstery fabrics; wall hangings of textile; woollen cloth.

28 – Apparatus for games; appliances for gymnastics; archery implements; baby gyms; bags especia-

lly designed for skis and surfboards; balls for games; bar-bells; batting gloves [accessories for games]; billiard cue tips; board games; bodyboards; bodybuilding apparatus; bowling apparatus and machinery; bows for archery; building blocks [toys]; building games; camouflage screens [sports articles]; checkerboards; checkers [games]; chess games; chessboards; chest expanders [exercisers]; Christmas trees of synthetic material; climbers' harness; counters [discs] for games; darts; discuses for sports; dolls; drones [toys]; dumb-bells; elbow guards [sports articles]; electronic targets; fencing gauntlets; fencing masks; fencing weapons; fishing tackle; flippers for swimming; flying discs [toys]; games; gloves for games; golf bag carts; harness for sailboards; ice skates; jigsaw puzzles; kaleidoscopes; kites; knee guards [sports articles]; machines for physical exercises; mah-jong; marbles for games; masks [playthings]; masts for sailboards; matryoshka dolls; nets for sports; novelty toys for parties; pachinkos; paddleboards; paintball guns [sports apparatus]; paper party hats; paragliders; parlor games; party poppers [party novelties]; play balloons; playing balls; portable games and toys incorporating telecommunication functions; protective paddings [parts of sports suits]; puppets; remote-controlled toy vehicles; rhythmic gymnastics ribbons; roller skates; sailboards; scale model kits [toys]; scooters [toys]; scratch cards for playing lottery games; shin guards [sports articles]; shuttlecocks; skateboards; ski bindings; skis; skittles [games]; sleds [sports articles]; snowboards; soap bubbles [toys]; sole coverings for skis; spinning tops [toys]; spring boards [sports articles]; stationary exercise bicycles; stuffed toys; surf skis; surfboard leashes; surfboards; swimming belts; swimming jackets; swimming kick boards; swimming pool air floats; swimming pools [play articles]; swings; tables for table tennis; targets; toy dough; toy figures; toy models; toy pistols; toy putty; toy robots; toy vehicles; toys for pets; toys; trampolines; tricycles for infants [toys]; water wings; waterskis; weight lifting belts [sports articles].

29 – Ajvar [preserved peppers]; albumen for culinary purposes; alginates for culinary purposes; almond milk; almond milk-based beverages; aloe vera prepared for human consumption; apple purée; arrangements of processed fruit; artichokes, preserved; bacon; beans, preserved; berries, preserved; black pudding; bouillon concentrates; bouillon; butter; buttercream; caviar; charcuterie; cheese; coconut milk; coconut milk-based beverages; compotes; condensed milk; corn dogs; cottage cheese fritters; cranberry compote; crayfish, not live; cream [dairy products]; croquettes; crustaceans, not live; crystallized fruits; dates; edible fats; eggplant paste; eggs; falafel; fat-containing mixtures for bread slices; fatty substances for the manufacture of edible fats; fish fillets; fish meal for human consumption; fish mousses; fish roe, prepared; fish, not live; fish, preserved; fish, tinned;

fish-based foodstuffs; freeze-dried meat; freeze-dried vegetables; frozen fruits; fruit chips; fruit jellies; fruit peel; fruit pulp; fruit salads; fruit, preserved; fruit, stewed; fruit-based snack food; fruits, tinned; game, not live; gelatine; gherkins; ginger jam; ham; hazelnuts, prepared; hummus [chickpea paste]; isinglass for food; jams; jellies for food; kephir [milk beverage]; kimchi [fermented vegetable dish]; kumys [milk beverage]; laver, preserved; lecithin for culinary purposes; liver pâté; liver; margarine; marmalade; meat extracts; meat jellies; meat, preserved; meat, tinned; meat; milk beverages, milk predominating; milk ferments for culinary purposes; milk products; milk shakes; milk substitutes; milk; mushrooms, preserved; mussels, not live; non-alcoholic eggnog; nut-based spreads; nuts, prepared; oat milk; oils for food; olives, preserved; onion rings; peanut milk; peanut milk-based beverages; peanuts, prepared; peas, preserved; pectin for culinary purposes; pickles; pollen prepared as foodstuff; potato chips; potato flakes; potato fritters; potato-based dumplings; poultry, not live; powdered eggs; powdered milk; prawns, not live; preparations for making bouillon; preparations for making soup; pressed fruit paste; prostokvasha [soured milk]; raisins; rennet; rice milk; salted fish; salted meats; sauerkraut; sausages; sea-cucumbers, not live; seaweed extracts for food; seeds, prepared; shrimps, not live; silkworm chrysalis for human consumption; smetana [sour cream]; soups; soya beans, preserved, for food; soya milk; soya patties; suet for food; sweet corn, processed; tahini [sesame seed paste]; tofu patties; tofu; tomato purée; tripe; vegetable juices for cooking; vegetable marrow paste; vegetable mousses; vegetable salads; vegetable-based cream; vegetables, cooked; vegetables, dried; vegetables, preserved; vegetables, tinned; whey; white of eggs; yogurt; yolk of eggs; yuba [tofu skin].

30 – Almond confectionery; aniseed; artificial coffee; baking powder; baking soda [bicarbonate of soda for cooking purposes]; beer vinegar; binding agents for ice cream; bread rolls; bread; breadcrumb; buckwheat, processed; buns; burritos; cake powder; cakes; candy decorations for cakes; candy; capers; caramels [candy]; celery salt; cereal bars; cereal preparations; cereal-based snack food; chamomile-based beverages; cheeseburgers [sandwiches]; chewing gum for breath freshening; chewing gum; chicory [coffee substitute]; chips [cereal products]; chocolate beverages with milk; chocolate decorations for cakes; chocolate spreads containing nuts; chocolate; chocolate-based beverages; chocolate-based spreads; chocolate-coated nuts; cloves [spice]; cocoa beverages with milk; cocoa; cocoa-based beverages; coffee beverages with milk; coffee; coffee-based beverages; condiments; confectionery; cookies; cooking salt; corn, milled; couscous [semolina]; crackers; cream of tartar for culinary purposes; croûtons; custard; dessert mousses [confectionery];

dough; dressings for salad; edible ices; edible paper; essences for foodstuffs, except etheric essences and essential oils; ferments for pastes; flour; flour-based dumplings; flowers or leaves for use as tea substitutes; fondants [confectionery]; Food flavorings, other than essential oils; freeze-dried dishes with the main ingredient being pasta; freeze-dried dishes with the main ingredient being rice; frozen yogurt [confectionery ices]; fruit coulis [sauces]; fruit jellies [confectionery]; garden herbs, preserved [seasonings]; ginger [spice]; gingerbread; glucose for culinary purposes; gluten additives for culinary purposes; golden syrup; groats for human food; halvah; high-protein cereal bars; hominy; honey; hot dog sandwiches; husked barley; ice cream; iced tea; infusions, not medicinal; instant rice; ketchup [sauce]; leaven; macaroni; macaroons [pastry]; malt biscuits; malt extract for food; malt for human consumption; maltose; marinades; marzipan; mayonnaise; meat gravies; meat pies; mint for confectionery; mirror icing [mirror glaze]; molasses for food; muesli; mustard meal; mustard; natural sweeteners; noodle-based prepared meals; noodles; nutmegs; oat-based food; palm sugar; pancakes; pasta sauce; pasta; pastila [confectionery]; pastilles [confectionery]; pastries; peanut confectionery; pepper; petits fours [cakes]; pies; pizzas; popcorn; powders for making ice cream; pralines; preparations for stiffening whipped cream; processed seeds for use as a seasoning; propolis; puddings; ramen [Japanese noodle-based dish]; ravioli; rice cakes; rice; rice-based snack food; royal jelly; rusks; sago; salt for preserving foodstuffs; sandwiches; sauces [condiments]; sausage binding materials; sea water for cooking; seasonings; seaweed [condiment]; sherbets [ices]; soya bean paste [condiment]; soya sauce; spaghetti; spices; spring rolls; starch for food; stick liquorice [confectionery]; sugar; sushi; sweetmeats [candy]; tabbouleh; tacos; tapioca; tarts; tea; tea-based beverages; thickening agents for cooking foodstuffs; tomato sauce; tortillas; turmeric; udon noodles; unleavened bread; unroasted coffee; vanillin [vanilla substitute]; vareniki [stuffed dumplings]; vegetal preparations for use as coffee substitutes; vermicelli [noodles]; vinegar; waffles; wheat germ for human consumption; yeast; zephyr [confectionery].

31 – Algae, unprocessed, for human or animal consumption; animal fattening preparations; animal foodstuffs; aromatic sand [litter] for pets; arrangements of fresh fruit; artichokes, fresh; beans, fresh; berries, fresh; beverages for pets; bird food; buckwheat, unprocessed; by-products of the processing of cereals, for animal consumption; cereal seeds, unprocessed; citrus fruit, fresh; crustaceans, live; dog biscuits; edible sesame, unprocessed; fish spawn; fish, live; flower bulbs; flowers, dried, for decoration; flowers, natural; fruit, fresh; garden herbs, fresh; grains [cereals]; grains for animal consumption; grapes, fresh; groats for poultry; maize;

meal for animals; mushrooms, fresh; mussels, live; nuts [fruits]; oil cake; onions, fresh; peanuts, fresh; pet food; plants; poultry, live; preparations for egg laying poultry; quinoa, unprocessed; roots for animal consumption; sanded paper [litter] for pets; seed germ for botanical purposes; seedlings; seeds for planting; spinach, fresh; strengthening animal forage; trees; vegetables, fresh; wreaths of natural flowers; yeast for animal consumption.

32 – Aerated water; aloe vera drinks, non-alcoholic; aperitifs, non-alcoholic; beer-based cocktails; cocktails, non-alcoholic; energy drinks; essences for making beverages; extracts of hops for making beer; fruit juices; fruit nectars, non-alcoholic; isotonic beverages; kvass [non-alcoholic beverage]; lemonades; mineral water [beverages]; non-alcoholic beverages flavored with coffee; non-alcoholic beverages flavored with tea; non-alcoholic beverages; non-alcoholic fruit extracts; non-alcoholic fruit juice beverages; non-alcoholic honey-based beverages; powders for effervescing beverages; preparations for making aerated water; preparations for making beverages; protein-enriched sports beverages; rice-based beverages, other than milk substitutes; sherbets [beverages]; smoothies; soft drinks; soya-based beverages, other than milk substitutes; syrups for beverages; table waters; vegetable juices [beverages]; waters [beverages]; whey beverages.

35 – Administration of consumer loyalty programs; administrative processing of purchase orders; advisory services for business management; business information; business management and organization consultancy; business management assistance; business management consultancy; business management of reimbursement programs for others; business organization consultancy; commercial administration of the licensing of the goods and services of others; commercial information and advice for consumers in the choice of products and services; commercial intermediation services; commercial or industrial management assistance; demonstration of goods; market studies; marketing; negotiation of business contracts for others; on-line advertising on a computer network; organization of exhibitions for commercial or advertising purposes; organization of trade fairs for commercial or advertising purposes; outsourcing services [business assistance]; personnel management consultancy; presentation of goods on communication media, for retail purposes; procurement services for others [purchasing goods and services for other businesses]; professional business consultancy; promotion of goods and services through sponsorship of sports events; retail services for pharmaceutical, veterinary and sanitary preparations and medical supplies; sales promotion for others; wholesale services for pharmaceutical, veterinary and sanitary preparations and medical supplies.

41 – Academies [education]; arranging and conducting of colloquiums; arranging and conducting of concerts; arranging and conducting of conferences; arranging and conducting of congresses; arranging and conducting of in-person educational forums; arranging and conducting of seminars; arranging and conducting of symposiums; arranging and conducting of workshops [training]; club services [entertainment or education]; coaching [training]; conducting fitness classes; conducting guided climbing tours; conducting guided tours; correspondence courses; education information; educational examination; electronic desktop publishing; entertainer services; entertainment information; entertainment services; game services provided on-line from a computer network; games equipment rental; gymnastic instruction; health club services [health and fitness training]; holiday camp services [entertainment]; language interpreter services; layout services, other than for advertising purposes; nightclub services [entertainment]; on-line publication of electronic books and journals; organization of balls; organization of competitions [education or entertainment]; organization of exhibitions for cultural or educational purposes; organization of sports competitions; personal trainer services [fitness training]; physical education; practical training [demonstration]; production of radio and television programmes; production of shows; providing amusement arcade services; providing films, not downloadable, via video-on-demand services; providing on-line electronic publications, not downloadable; providing on-line music, not downloadable; providing on-line videos, not downloadable; providing recreation facilities; providing sports facilities; providing television programs, not downloadable, via video-on-demand services; publication of books; publication of texts, other than publicity texts; radio entertainment; recording studio services; recreation information; rental of skin diving equipment; rental of sports equipment, except vehicles; rental of sports grounds; sport camp services; teaching; ticket agency services [entertainment]; training services provided via simulators; tutoring; vocational guidance [education or training advice]; vocational retraining.

44 – Alternative medicine services; aromatherapy services; beauty salon services; chiropractic; convalescent home services; health center services; health counselling; health spa services; manicuring; massage; medical advice for individuals with disabilities; medical assistance; medical clinic services; medical equipment rental; nursing, medical; opticians' services; pharmacy advice; physical therapy; preparation of prescriptions by pharmacists; rest home services; sauna services; services of a psychologist; solarium services; speech therapy; telemedicine services; therapy services.

45 – Alternative dispute resolution services; arbitration services; babysitting; copyright management; dating services; escorting in society [chaperoning]; inspection of factories for safety purposes; intellectual property consultancy; leasing of internet domain names; legal administration of licences; legal advice in responding to requests for proposals [RFPs]; legal document preparation services; legal research; legal services in relation to the negotiation of contracts for others; legal watching services; licensing [legal services] in the framework of software publishing; licensing of computer software [legal services]; licensing of intellectual property; litigation services; mediation; monitoring intellectual property rights for legal advisory purposes; monitoring of burglar and security alarms; on-line social networking services; personal background investigations; personal body guarding; personal wardrobe styling consultancy; planning and arranging of wedding ceremonies; registration of domain names [legal services]; rental of safes.

(260) AM 2019 100757 A

(800) 1394672

(151) 2017 10 05

(891) 2018 11 14

(731) Probiotal S.p.A.

Via Mattei, 3, I-28100 Novara (NO), Italy

(540)



(591) Black, white

(531) 01.15.09; 21.03.21; 26.15.01; 27.01.12

(511)

1 – Chemicals used in industry; chemicals used in industry for the preparation of pharmaceutical preparations, sanitary preparations; chemicals used in industry for preparing dietetic food and substances, food for babies, dietetic supplements, meal replacement preparations, dietetic food and beverages and dietary supplements; chemicals used in industry for preparing vitamin supplements, functional foodstuffs and nutritional pharmaceuticals, dietetic food and preparations, homeopathic preparations and herbal preparations; chemicals used in industry, including microorganisms, enzymes, yeasts, cells, cellular extracts, lactic acid bacteria, bifidobacteria and strains of probiotic bacteria for preparing pharmaceutical,

sanitary, homeopathic and herbal preparations and products; chemicals used in industry for preparing vitamin supplements, functional foodstuffs and nutritional pharmaceuticals, dietetic food and preparations; raw materials, semi-finished goods and active principles for the preparation of pharmaceutical preparations, sanitary preparations; raw materials, semi-finished products and active ingredients for preparing dietetic food and substances, food for babies, dietetic supplements, meal replacement preparations, dietetic food and beverages and dietary supplements; raw materials, semi-finished products and active ingredients for preparing vitamin supplements, functional foodstuffs and nutritional pharmaceuticals, dietetic food and preparations, homeopathic preparations and herbal preparations; raw materials, semi-finished goods and active principles, in particular micro-organisms, enzymes, yeasts, cells, cell extracts, lactic acid bacteria, bifidobacteria and probiotic bacteria strains for the preparation of pharmaceutical preparations, sanitary preparations; raw materials, semi-finished goods and active principles used in industry for the preparation of pharmaceutical preparations, sanitary preparations; raw materials, semi-finished products and active ingredients used in industry for preparing dietetic food and substances, food for babies, dietetic supplements, meal replacement preparations, dietetic food and beverages and dietary supplements; raw materials, semi-finished products and active ingredients used in industry for preparing vitamin supplements, functional foodstuffs and nutritional pharmaceuticals, dietetic food and preparations, homeopathic preparations and herbal preparations; all of the aforesaid goods containing one and/or more of the following compounds selected from trace elements, minerals, metal oxides, metal hydroxides, vitamins, proteins, amino acids, peptides, phosphopeptides, lipids, milk protein, organic acids, inorganic acids, saturated or unsaturated fatty acids, fats and lipids of plant or animal origin; all of the aforesaid goods containing one and/or more of the following compounds selected from glucose, starch, rice starch, lecithin, omega-3, omega-6, DHA, liposomes, microorganisms, enzymes, yeasts, cells, cellular extracts, lactic acid bacteria, bifidobacteria and strains of probiotic bacteria, carbohydrates, polysaccharides, fibre, plant extracts, herbal extracts and prebiotic fibres.

5 – Pharmaceutical and parapharmaceutical products and preparations containing microorganisms, enzymes, yeasts, cells, cellular extracts, lactic acid bacteria, bifidobacteria and strains of probiotic bacteria; sanitary and hygienic products and preparations for medical, nutraceutical, symbiotic, nutritional, probiotic, prebiotic and homeopathic purposes; veterinary products and preparations; dietetic foodstuffs and substances adapted for medical use; infant formula; dietary supplements for humans; dietary supplements for humans, intended to supplement a nor-

mal diet or to have health benefits; meal replacement preparations, dietetic food and beverages adapted for medical use; food supplements; functional foods adapted for medical use; dietetic food and substances and dietary supplements for humans containing microorganisms, enzymes, yeasts, cells, cellular extracts, lactic acid bacteria, bifidobacteria and strains of probiotic bacteria and/or prebiotic substances; all of the aforesaid goods for oral, topical, intravenous or vaginal administration, including in physical form, in the form of solutions, suspensions, syrups, in solid, dried, dehydrated or freeze-dried form, in the form of capsules, pills, suppositories, tablets, granules, granulates, or in the form of creams, gels, ointments or oils; all of the aforesaid goods for maintaining health and/or for preventing diseases; dietetic food and substances; dietary and nutritional supplements; vitamin and mineral supplements; supplements for cosmetic use, non-medicated food supplements; all of the aforesaid goods containing one and/or more of the following compounds selected from trace elements, minerals, metal oxides, metal hydroxides, vitamins, proteins, amino acids, peptides, phosphopeptides, lipids, milk protein, organic acids, inorganic acids, saturated or unsaturated fatty acids, fats and lipids of plant and/or animal origin; all of the aforesaid goods containing one and/or more of the following compounds selected from glucose, starches, rice starch, lecithin, omega-3, omega-6, DHA, liposomes, microorganisms, enzymes, yeasts, cells, cellular extracts, lactic acid bacteria, bifidobacteria and strains of probiotic bacteria, carbohydrates, polysaccharides, fibre, plant extracts, herbal extracts and prebiotic fibres; dietetic food and substances for veterinary use; dietary supplements for humans not for medical purposes; dietary supplements for humans, designed to supplement a normal diet and/or for health benefits, none being for medical use; meal replacement products; dietetic food and beverages for veterinary purposes; food supplements, not for medical use; functional foods and nutraceuticals for use as dietary supplements; dietetic food and substance and dietary supplements for humans containing microorganisms, enzymes, yeasts, cells, cellular extracts, lactic acid bacteria, bifidobacteria and strains of probiotic bacteria and/or prebiotic substances; dietetic food and substances and dietary supplements for humans; nutritional supplement; dietary and nutritional supplements; vitamin and mineral supplements; supplements for cosmetic use; non-medicated food supplements.

35 – Wholesaling and retailing, for others, including by mail order and via communications media, including the internet, in relation to chemicals used in industry, chemicals used in industry for preparing pharmaceuticals and sanitary preparations; wholesaling and retailing, for others, including by mail order and via communications media, including the internet, in relation to chemicals used in industry for pre-

paring dietetic food and substances, food for babies, dietetic supplements, meal replacement preparations, dietetic food and beverages and dietary supplements; wholesaling and retailing, for others, including by mail order and via communications media, including the internet, in relation to chemicals used in industry for preparing vitamin supplements, functional foodstuffs and nutritional pharmaceuticals, dietetic food and preparations, homeopathic preparations and herbal preparations; wholesaling and retailing, for others, including by mail order and via communications media, including the internet, in relation to chemicals used in industry, in particular microorganisms, enzymes, yeasts, cells, cellular extracts, lactic acid bacteria, bifidobacteria and strains of probiotic bacteria for preparing pharmaceutical, sanitary, homeopathic and herbal preparations and products; wholesaling and retailing, for others, including by mail order and via communications media, including the internet, in relation to chemicals used in industry for preparing vitamin supplements, functional foodstuffs, nutritional pharmaceuticals, dietetic food and preparation, raw materials, semi-finished products and active ingredients for preparing pharmaceuticals and sanitary preparations and products; wholesaling and retailing, for others, including by mail order and via communications media, including the internet, in relation to raw materials, semi-finished products and active ingredients for preparing dietetic food and substances, food for babies, dietetic supplements, meal replacement preparations, dietetic food and beverages and dietary supplements; wholesaling and retailing, for others, including by mail order and via communications media, including the internet, in relation to raw materials, semi-finished products and active ingredients for preparing vitamin supplements, functional foodstuffs and nutritional pharmaceuticals, dietetic food and preparations, homeopathic preparations and herbal preparations; wholesaling and retailing, for others, including by mail order and via communications media, including the internet, in relation to raw materials, semifinished products and active ingredients used in industry for preparing pharmaceuticals and sanitary preparations and products; wholesaling and retailing, for others, including by mail order and via communications media, including the internet, in relation to raw materials, semi-finished products and active ingredients used in industry for preparing dietetic food and substances, food for babies, dietetic supplements, meal replacement preparations, dietetic food and beverages and dietary supplements; wholesaling and retailing, for others, including by mail order and via communications media, including the internet, in relation to raw materials, semi-finished products and active ingredients used in industry for preparing vitamin supplements, functional foodstuffs and nutritional pharmaceuticals, dietetic food and preparations, homeopathic preparations and herbal prepara-

tions; wholesaling and retailing, for others, including by mail order and via communications media, including the internet, in relation to perfumery, essential oils, cosmetics, hair lotions containing saturated or unsaturated fatty acids, fats and lipids of plant or animal origin, glucose, starch, rice starch, lecithin, omega-3, omega-6, DHA, liposomes; wholesaling and retailing, for others, including by mail order and via communications media, including the internet, in relation to perfumery, essential oils, cosmetics, hair lotions containing microorganisms, enzymes, yeasts, cells, cellular extracts, lactic acid bacteria, bifidobacteria and strains of probiotic bacteria, carbohydrates, polysaccharides, fibre, plant extracts, herbal extracts and prebiotic fibres; wholesaling and retailing, for others, including by mail order and via communications media, including the internet, in relation to perfumery, essential oils, cosmetics, hair lotions containing one and/or more of the following compounds selected from trace elements, minerals; wholesaling and retailing, for others, including by mail order and via communications media, including the internet, in relation to perfumery, essential oils, cosmetics, hair lotions containing one and/or more of the following compounds selected from metal oxides, metal hydroxides, vitamins and proteins; wholesaling and retailing, for others, including by mail order and via communications media, including the internet, in relation to perfumery, essential oils, cosmetics, hair lotions containing one and/or more of the following compounds selected from amino acids, peptides, phosphopeptides, lipids, milk protein, organic acids, inorganic acids; wholesaling and retailing, for others, including by mail order and via communications media, including the internet, in relation to bleaching preparations and other substances for laundry use, cleaning, polishing, scouring and abrasive preparations; wholesaling and retailing, for others, including by mail order and via communications media, including the internet, in relation to soaps; wholesaling and retailing, for others, including by mail order and via communications media, including the internet, in relation to soaps containing one or more of the following compounds selected from trace elements, minerals, metal oxides, metal hydroxides, vitamins, proteins, amino acids, peptides, phosphopeptides, lipids, milk protein, organic acids, inorganic acids; wholesaling and retailing, for others, including by mail order and via communications media, including the internet, in relation to soaps containing saturated or unsaturated fatty acids, fats and lipids of plant or animal origin, glucose, starch, rice starch, lecithin, omega-3, omega-6, DHA, liposomes; wholesaling and retailing, for others, including by mail order and via communications media, including the internet, in relation to soaps containing microorganisms, enzymes, yeasts, cells, cellular extracts, lactic acid bacteria, bifidobacteria and strains of probiotic bacteria, carbohy-

drates, polysaccharides, fibre, plant extracts, herbal extracts and prebiotic fibres; wholesaling and retailing, for others, including by mail order and via communications media, including the internet, in relation to dentifrices containing one or more of the following compounds selected from trace elements, minerals, metal oxides, metal hydroxides, vitamins, proteins, amino acids, peptides, phosphopeptides, lipids, milk protein, organic acids, inorganic acids; wholesaling and retailing, for others, including by mail order and via communications media, including the internet, in relation to dentifrices containing saturated or unsaturated fatty acids, fats and lipids of plant or animal origin, glucose, starch, rice starch, lecithin, omega-3, omega-6, DHA, liposomes; wholesaling and retailing, for others, including by mail order and via communications media, including the internet, in relation to dentifrices containing microorganisms, enzymes, yeasts, cells, cellular extracts, lactic acid bacteria, bifidobacteria and strains of probiotic bacteria, carbohydrates, polysaccharides, fibre, plant extracts, herbal extracts and prebiotic fibres; wholesaling and retailing, for others, including by mail order and via communications media, including the internet, in relation to pharmaceutical and parapharmaceutical products and preparations containing in particular microorganisms, enzymes, yeasts, cells, cellular extracts, lactic acid bacteria, bifidobacteria and strains of probiotic bacteria; wholesaling and retailing, for others, including by mail order and via communications media, including the internet, in relation to sanitary, medical hygienic, nutraceutical, symbiotic, nutritional, probiotic, prebiotic and homeopathic products and preparations; wholesaling and retailing, for others, including by mail order and via communications media, including the internet, in relation to veterinary products and preparations, dietetic food and products for medical purposes, food for babies, dietary supplements for human beings, dietary supplements for humans, designed to supplement a normal diet or for health benefits; wholesaling and retailing, for others, including by mail order and via communications media, including the internet, in relation to meal replacements, dietetic food and beverages for medical purposes, dietetic supplements; wholesaling and retailing, for others, including by mail order and via communications media, including the internet, in relation to functional foodstuffs, dietetic food and substances and dietetic supplements for humans containing microorganisms, enzymes, yeasts, cells, cellular extracts, lactic acid bacteria, bifidobacteria and strains of probiotic bacteria and/or prebiotic substances; wholesaling and retailing, for others, including by mail order and via communications media, including the internet, in relation to dietetic food and substances, dietary supplements for human beings, food for babies, dietetic supplements, dietetic dietary supplements, vitamin and mineral supplements; whole-

saling and retailing, for others, including by mail order and via communications media, including the internet, in relation to supplements for cosmetic purposes, dietary supplements, not for medical purposes; wholesaling and retailing, for others, including by mail order and via communications media, including the internet, in relation to dietetic food and substances, not for medical purposes; dietary supplements for humans, not medical, dietary supplements for humans, designed to supplement a normal diet and/or for health benefits, not medical, meal replacement products; wholesaling and retailing, for others, including by mail order and via communications media, including the internet, in relation to dietetic food and beverages, not for medical purposes, supplements, not for medical purposes; wholesaling and retailing, for others, including by mail order and via communications media, including the internet, in relation to functional foodstuffs and nutritional pharmaceuticals, not for medical purposes, dietetic food and substances and dietary supplements for humans containing microorganisms, enzymes, yeasts, cells, cellular extracts, lactic acid bacteria, bifidobacteria and strains of probiotic bacteria and/or prebiotic substances; wholesaling and retailing, for others, including by mail order and via communications media, including the internet, in relation to dietetic food and substances and dietary supplements for humans, food for babies, dietary supplements, dietetic and nutritional supplements, mineral and vitamin supplements, supplements for cosmetic purposes, dietary supplements, not for medical purposes; business advice relating to the operation of franchises.

(260) AM 2019 100844 A

(800) 1440116

(151) 2018 05 25

(891) 2018 05 25

(731) PRÉNATAL RETAIL GROUP S.P.A.

Via Vincenzo Gioberti, 1, I-20123 Milano MI, Italy

(540)



(591) Black, white

(531) 27.05.01; 27.05.19

(511)

9 – Weighing, measuring, signaling, checking (supervision), life-saving and teaching apparatus and instruments; apparatus for recording, transmission or reproduction of sound or images; magnetic data carriers, recording discs; compact discs, DVDs and other digital recording media; data processing equipment, computers; computer software; weighing apparatus and instruments; regulating apparatus, elec-

tric; monitoring apparatus, electric; amplifiers; audiovisual teaching apparatus; apparatus for recording sound; apparatus for the reproduction of sound; apparatus for the transmission of sound; security surveillance apparatus; radios; automatic security barriers; balancing apparatus; magnets (decorative -); smart cards [integrated circuit cards]; video game cartridges; safety restraints, other than for vehicle seats and sports equipment; discs (compact -) [audio-video]; portable computers; measuring spoons; plug socket covers; floppy disks; recording discs; music CDs; animated cartoons; anti-interference devices [electricity]; ignition (electric apparatus for remote -); safety locking devices (electric); dosimeters; downloadable image files; downloadable music files; record players; temperature indicating apparatus; compact disc players; disk drives for computers; DVD players; readers [data processing equipment]; portable media players; cassette players; cameras; rules [measuring instruments]; monitors; intercommunication apparatus; lactometers; games software; audiovisual receivers; telephone receivers; life jackets; computer programmes [programs], recorded; measuring instruments; sound recording carriers; magnetic data carriers; optical data carriers; thermometers, not for medical purposes; thermometers for testing water temperature; bath thermometers; encoded magnetic cards; tablet computers.

11 – Apparatus for lighting, heating, steam generating, cooking, refrigerating, drying, ventilating; lighting apparatus and installations; kilns; steaming apparatus (electric -) for cooking; fumigation apparatus, not for medical purposes; light diffusers; lamps; heaters, electric, for feeding bottles; baby bottle warmers; food warmers; toilet seats; sterilisers; sterilisers for babies' feeding bottles; air humidifiers; humidifiers; room humidifiers; air humidifiers, other than for medical purposes; cooking utensils, electric; bath installations; electric yoghurt makers.

12 – Vehicles; apparatus for locomotion by land; car sun blinds; baby carriages; security harness for vehicle seats; vehicle safety harness for carry cots; vehicle safety harnesses for pram bodies; bicycles; wheeled transporters for babies; buggies; harnesses for prams; covers for baby carriages; rearview mirrors; wheels for bicycles, cycles; safety seats for children [for vehicles]; vehicle seats; security harness systems for vehicle seats; stroller covers; harnesses for use with pushchairs; covers for prams; pushchair covers and hoods; tricycles; sun blinds adapted for automobiles; baskets for strollers and prams; strollers covers; vehicle seat covers (fitted); parasols, umbrellas, sun shades for strollers; bottle holders (parts of strollers); frames for strollers; mosquito nets for strollers.

20 – Furniture, mirrors, picture frames; bed fittings, not of metal; furniture fittings (not of metal); door fittings, not of metal; cupboards; security cabinets;

coatstands; benches [furniture]; chests, not of metal; babies' playpens; expandable safety gates for stairs; infant walkers; chests for toys; chests of drawers; trays (not of metal); safety locks [non-metallic, non-electric]; child resistant security closures (non-metallic-) for containers; containers, not of metal [storage, transport]; bed frames, cot frames, cradle frames; cots for use by children; safety cots; cushions; support pillows for use in car safety seats for babies and children; pregnancy cushions; air cushions, not for medical purposes; divans; display stands; corner cap components, not of metal; baby changing platforms; statuettes of wood, wax, plaster or plastic; hooks, not of metal, for clothes rails; clothes hooks, not of metal; safety hooks, not of metal; infant walkers; clothes hangers and clothes hooks; pillows; air pillows, not for medical purposes; beds; camp beds; mattresses; changing mats; furniture; furniture for children's bedrooms; chimes (wind -) [decoration]; mattress (straw -); screens [furniture]; settees; armchairs for small children; book rests [furniture]; playpens; bed bases; furniture shelves; racks; shelves for storage; index cabinets; boxes of wood or plastic; babies' bouncing chairs; desks; sun loungers; chairs; babies' chairs; loungers; high chairs for babies; stools; kick steps; mirrors (silvered glass); mirrors (hand-held -) [toilet mirrors]; mats for infant playpens; drafting tables; wooden beds; interior textile window blinds; non-metallic barrels; portable baby bath seats for use in bath tubs; armchairs; children bed's guards; wooden dressers; cots; child seats; stove guards, not of metal; cabinet locks, wardrobe latch, not of metal or rubber; drawer latch, not of metal or rubber; door stops, not of metal or rubber; crib bumpers; anti mites sets for mattresses and pillows; mattresses and pillows adapted for strollers and prams.

21 – Household or kitchen utensils and containers; combs and sponges; brushes (except paintbrushes); articles for cleaning purposes; deodorising apparatus for personal use; aerosol dispensers, not for medical purposes; beverage glassware; insulating flasks; refrigerating bottles; vacuum flasks for holding drinks; baskets for domestic use; heat-insulated containers; thermal containers for babies' bottles (non-electric); portable coolers; comb cases; electric devices for attracting and dispersing insects; soap dispensers; milk powder dispensers; electric apparatus for killing insects; blenders, non-electric, for household purposes; flasks; whisks, non-electric, for household purposes; portable cold boxes [non-electric]; toilet cases; picnic baskets (fitted -), including dishes; cleaning cloth; dustbins; combs; electric combs; table plates; soap boxes; sponge holders; napkin holders; drinking vessels; lunch boxes; containers for household or kitchen use; kitchen containers; thermally insulated containers for food; heaters for feeding bottles, non-electric; baby bottle drying racks; brushes; hair for brushes; nail brushes; brushes for cleaning tanks

and containers; brushes for cleaning feeding equipment; feeding bottle brushes; toilet brushes; toothbrushes; toothbrushes, electric; toilet sponges; sponges for household purposes; cups; household utensils; toilet utensils; perfume vaporizers; baby baths, portable; baby bath tubs; pots; vases; chamber pots; potties; diaper pails; food storage containers.

24 – Bed covers; mattress covers; face towels [made of textile materials]; towels; bath linen, except clothing; linens; bed linen; bed blankets; bed covers of paper; travelling rugs (lap robes); labels; handkerchiefs of textile; pillowcases [pillow slips]; cushion covering materials; washing mitts; bed sheets; drugget; sleeping bag liners; moleskin [fabric]; ticks [mattress covers]; oilcloth for use as tablecloths; gummed cloth, other than for stationery; shower curtains of textile or plastic; non-woven textile fabrics; place mats, not of paper; textile napkins; quilts; mosquito nets; cot covers; cot sheets; cot blankets; children blankets; linings (textile); linings (textile) for high chairs for babies.

28 – Games and playthings; swings; games (apparatus for -); video game apparatus; kites; pools (swimming -) [play articles]; dolls; toy bicycles; marbles for playing games; ninepins; blocks (building -) [toys]; playing balls; soap bubbles [toys]; cups for dice; kaleidoscopes; doll rooms; dolls' houses; rocking horses; toy construction kits; dice; swimming floats for recreational use; playthings of polyethylene, metal and wood; ride-on toys; rattles; radio-controlled playthings; squeeze toys; stuffed toys; fabric toys; board games; ring games; building games; draughts; dominoes; chess games; parlour games; portable games with liquid crystal displays; electronic games; musical games; talking toys; dolls' beds; toy cameras; arcade video game machines; marionettes; mobiles [toys]; scale model vehicles; scooters [toys]; teddy bears; balls for games; knee guards [sports articles]; plushes [toys]; toy weapons; toy vehicle tracks; dolls' feeding bottles; toy projectors; jigsaw puzzles; bats for games; chessboards; skateboards; rattles (playthings); football tables; tables for table tennis; play mats containing infant toys; play mats incorporating infants toys [playthings]; checkerboards; trampolines; tops (spinning -) [toys]; tricycles [playthings]; toy cars; small play cars for children; radio-controlled toy vehicles; dolls' clothes; ride-on toy vehicles (motorised -); electronically operated toy motor vehicles.

(260) AM 2019 100845 A

(800) 1440117

(151) 2018 06 21

(891) 2018 06 21

(731) EURO GAMES TECHNOLOGY LTD.

"Maritsa" Str. 4, "Vranya-Lozen-Triugulnika",
BG-1151 Sofia, Bulgaria

(540)



(591) Red, yellow, light blue, green and brown

(531) 09.07.17; 09.07.25; 23.01.01; 27.05.02;

27.05.03; 27.05.09; 27.05.12; 29.01.15

(511)

9 – Apparatus for recording, transmission or reproduction of sound or image; computer software/recorded; monitors/computer hardware/; computer games.

28 – Games, that are not included in other classes; gaming machines operating with coins, banknotes and cards; gaming machines /for gambling/, adapted for use with an external screen or monitor; slot machines/gaming machines/.

(260) AM 2019 100852 A

(800) 1298127

(151) 2015 12 09

(891) 2018 12 04

(731) QUIMI ROMAR, S.L.

Carretera de Moncada a Náquera CV-315 km

11.2. E-46119 NAQUERA, Spain

(540)

MAYORDOMO

(591) Black, white

(511)

3 – Abrasives; polishing agents; oil for cosmetic use; aromatic oils; sun-tanning oils; aromatherapy oils for cosmetic use; oils for cleaning purposes; oils for perfumes and scents; essential oils for use in air fresheners; essential oils and aromatic extracts; hair lightening products; skin lighteners; hair conditioners; skin conditioners; slimming (cosmetic preparations for-); laundry additives; perfumed sprays and deodorizers for fabrics; shaving (lotions for after-); stain-repellent agents for cleaning purposes; cleaning agents for household use; eau de Cologne; hydrogen peroxide for use on the hair; scented water; waters for perfuming linen; cotton wool for cosmetic use; starch for cleaning; aloe vera (preparations for-) for cosmetic use; air-fragrancing products; ammonia for cleaning; animals (cosmetics for-); aromatics; toiletries; laundry sizing preparation; bluing for laundry; balms (non-medicated); cosmetic preparations for baths; cotton sticks for cosmetic use; beauty (masks for-); shoe wax; sun tanning agents; oral (products for hygiene-) not for medical use; hair (sprays for-); decorative transfers for cosmetic use; wax for floors; shampoos; eau de cologne; rouge; colors (chemicals for household use for brightening-) (laundry); cleaning compositions for stain removing; preservatives for leather; facial corrector; cosmetics; cosmetic creams and lotions; dentifrices; depilatories; disinfectants (soaps-); make-up remover; deodorants and antiperspirants; detergents; cleansing foam; cosmetic

foams; exfoliants; fragrances for the home; bath gel; bath and shower gel; cleansing gels; cosmetic moisturizers; shaving soap; soaps and gels; cleansing milk for cosmetic use; Javelle water; window cleaners; furniture cleaner; dry cleaning products; cleaners for household use; liquids for washing; body lotions; scented wood; perfumery and fragrances; perfuming linen (products for-); bath preparations; preparations for skin care; vehicle cleaning preparations; preparations for cleaning and care of the body; laundry preparations; preparations for dishwashers; preparations for cleaning and polishing leather and footwear; cleansing and aromatic preparations; hair preparations and treatments; make-up products; products for hair removal and shaving; fabric softeners for laundry use; cosmetic dyes; hair dyes.

(260) AM 2019 100853 A

(800) 1306982

(151) 2016 01 06

(891) 2018 09 10

(731) KAAAN RESTORAN KAFETERYA TURİZM
GIDA TİCARET ANONİM ŞİRKETİ
Şerifali Mahallesi Barbaros, Caddesi Şehit
Sokak No:27, Ümraniye, İstanbul, Turkey

(540)



(591) Orange

(531) 24.01.03; 24.01.05; 24.01.17; 25.01.05;
25.01.06; 29.01.13

(526) Since 1999.

(511)

43 – Services for providing food and drink; temporary accommodation; day-nurseries (crèches); boarding for animals.

(260) AM 2019 100856 A

(800) 1365896

(151) 2017 06 13

(891) 2018 07 12

(731) BOREAS KLİMA SANAYİ VE TİCARET
ANONİM ŞİRKETİ
Bağlar Mahallesi, Yalçın Koreş Caddesi,
No:16 A Blok, Bağcılar, İstanbul, Turkey

(540)

BOREAS

Advanced Air Handling Unit Technologies

(591) Grey

(531) 27.05.10

(526) ADVANCED AIR HANDLING UNIT TECHNOLOGIES.

(511)

11 – Air-conditioning installations and apparatus; fans (air-conditioning); ventilators; air-conditioning apparatus including for vehicles; air sterilizers and purifying devices, installations and their parts and accessories for residences.

(260) AM 2019 100945 A

(800) 1438584

(151) 2018 05 23

(891) 2018 05 23

(731) INTERPROFESIONAL DEL CONSEJO REGULADOR DE LA DENOMINACIÓN DE ORIGEN "LA MANCHA" ICRDOLM Avda. Criptana, 73, E-13600 ALCAZAR DE SAN JUAN (CIUDAD REAL), Spain

(540)



(591) Black and red

(531) 02.01.02; 02.01.20; 23.01.01; 24.09.05; 24.09.09; 27.05.11; 29.01.12

(511)

33 – Wines in accordance with the specifications of the Appellation of Origin La Mancha.

(260) AM 2019 100985 A

(800) 1440314

(151) 2018 10 02

(891) 2018 10 02

(731) BIODOM 27 d.o.o., proizvodnja, trgovina in Storitve OIC – HRPELJE 14A, SI-6240 KOZINA, Slovenia

(540)



(591) Black and white

(531) 25.03.03; 27.05.10

(511)

11 – Flues and installations for conveying exhaust gases; burners, boilers and heaters; fireplaces; central heating apparatus; space heating apparatus; automatic temperature regulators for central heating radiators; installations for central heating; installations

for controlling the flow of gases; heating apparatus and installations; burner control apparatus; loading apparatus for furnaces; heat generating apparatus; heating apparatus for solid, liquid or gaseous fuels; heating apparatus for furnaces; central heating boilers; control units [thermostatic valves] for heating installations; boilers; boilers for central heating installations; boilers for hot water supply installations; furnace boilers; boilers for use in heating systems; valves (temperature sensitive controls for automatically operating -) [parts of heating installations]; feeding apparatus for heating boilers; heating apparatus for use in the home; pavement heating apparatus; fittings, shaped, for ovens; stoves.

(260) AM 2019 100998 A

(800) 1440607

(151) 2018 07 17

(891) 2018 07 17

(731) JAPAN TOBACCO INC.

2-2-1, Toranomom, Minato-ku, Tokyo, Japan

(540)



(591) Black, white

(531) 03.07.01; 03.07.16; 03.07.24; 10.01.05; 25.01.01; 26.11.07

(511)

34 – Tobacco, whether manufactured or unmanufactured; smoking tobacco, pipe tobacco, hand rolling tobacco, chewing tobacco, snus tobacco; cigarettes, cigars, cigarillos; tobacco sold in pods; substances for smoking sold separately or blended with tobacco, none being for medicinal or curative purposes; snuff; smokers' articles included in this class; cigarette papers, cigarette tubes and matches; electronic cigarettes; electronic cigarette liquids; electronic smoking apparatus; cases for electronic cigarettes.

(260) AM 2019 101000 A

(800) 1440641

(151) 2018 10 03

(891) 2018 10 03

(731) BEIJING HUANGJIHUANG RESTAURANT MANAGEMENT CO., LTD

The 24th Lin He Street, Room 109, 8 Ren He Town, Shun Yi District, Beijing, China

(540)

(591) Black, white

(531) 28.03

(511)

43 – Accommodation bureau [hotels, boarding houses]; café services; canteen services; self-service restaurant services; hotel services; bar services; day-nursery [crèche] services.

(260) AM 2019 101001 A

(800) 1440643

(151) 2018 10 26

(891) 2018 10 26

(731) Open-Type Joint Stock Company "ROT FRONT"

2-oy Novokuznetskiy pereulok, d. 13/15,

RU-113184 Moscow, Russian Federation

(540)

(591) Black, white

(531) 28.05

(511)

30 – Aromatic preparations for food; flavorings, other than essential oils, for cakes; flavorings, other than essential oils, for beverages; coffee flavorings; food flavorings, other than essential oils; star aniseed; high-protein cereal bars; pancakes; noodle-based prepared meals; buns; bread rolls; vanillin [vanilla substitute]; waffles; vermicelli [noodles]; natural sweeteners; sausage binding materials; binding agents for ice cream; sea water for cooking; seaweed [condiment]; malt biscuits; cloves [spice]; cake frosting [icing]; mustard; gluten additives for culinary purposes; yeast; thickening agents for cooking foodstuffs; rice-based snack food; cereal-based snack food; artificial coffee; vegetal preparations for use as coffee substitutes; dressings for salad; fruit jellies [confectionery]; confectionery for decorating Christmas trees; cakes; pastries; peanut confectionery; almond confectionery; pasta; ginger [spice]; frozen yogurt [confectionery ices]; cocoa; capers; caramels [candy]; curry [spice]; ketchup [sauce]; quiches; gluten prepared as foodstuff; sweetmeats [candy]; liquorice [confectionery]; peppermint sweets; cinnamon [spice]; coffee; unroasted coffee; starch for food; crackers; custard; groats for human food; hominy grits; semolina; oatmeal; crushed barley; corn, milled; corn, roasted; meat pies; turmeric; couscous [semolina]; noodles; ice for refreshment; ice, natural or artificial; edible ices; rice cakes; mayonnaise; macarons [pastry]; macaroni; maltose; hominy; marinades; marzipan; honey; royal jelly; ice cream;

flour; bean meal; tapioca flour; potato flour; corn flour; wheat flour; soya flour; barley meal; dessert mousses [confectionery]; chocolate mousses; muesli; mint for confectionery; cocoa beverages with milk; coffee beverages with milk; coffee-based beverages; tea-based beverages; chocolate beverages with milk; chocolate-based beverages; cocoa-based beverages; infusions, not medicinal; crushed oats; husked oats; nutmegs; stick liquorice [confectionery]; soya bean paste [condiment]; pastilles [confectionery]; molasses for food; pepper; allspice; peppers [seasonings]; pesto [sauce]; cookies; petit-beurre biscuits; pies; pizzas; meat gravies; fondants [confectionery]; popcorn; powders for making ice cream; baking powder; mustard meal; pralines; condiments; meat tenderizers for household purposes; cereal preparations; oat-based food; propolis; gingerbread; spices; petits fours [cakes]; puddings; cake powder; fruit coulis [sauces]; ravioli; chewing gum; relish [condiment]; rice; wheat germ for human consumption; spring rolls; sago; sugar; aniseed; golden syrup; confectionery; baking soda [bicarbonate of soda for cooking purposes]; malt for human consumption; salt for preserving foodstuffs; cooking salt; celery salt; sherbets [ices]; ham glaze; soya sauce; tomato sauce; sauces [condiments]; spaghetti; seasonings; preparations for stiffening whipped cream; rusks; breadcrumbs; sushi; sandwiches; tabbouleh; tacos; tapioca; cream of tartar for culinary purposes; tarts; almond paste; tortillas; garden herbs, preserved [seasonings]; beer vinegar; vinegar; ferments for pastes; halvah; bread; unleavened bread; corn flakes; oat flakes; chicory [coffee substitute]; tea; iced tea; chutneys [condiments]; cheeseburgers [sandwiches]; chow-chow [condiment]; saffron [seasoning]; malt extract for food; essences for foodstuffs, except etheric essences and essential oils; husked barley.

(260) AM 2019 101002 A

(800) 1440655

(151) 2018 09 24

(891) 2018 09 24

(731) Closed Joint Stock Company "APREL"

Neverova street, 33, RU-443036 Samara,

Russian Federation

(540)



(591) White, turquoise

(531) 02.09.01; 03.06.01; 03.06.25; 09.03.13; 28.05; 29.01.12

(511)

3 – Perfumery; cosmetics; non-medicated toiletries; soap; cakes of toilet soap; cosmetic creams; tissues impregnated with cosmetic lotions; shower gel; cleansing milk for toilet purposes; lotions for cosmetic purposes; toilet water; shampoos; dentifrices; anti-cavity mouth rinses, not for medical purposes; detergents, other than for use in manufacturing operations and for medical purposes; sachets for perfuming linen; scouring preparations; laundry bleach; laundry preparations; degreasers, other than for use in manufacturing processes; cleaning, polishing, scouring and abrasive preparations; scouring solutions; windshield cleaning liquids; polishing paste; creams for leather; shoe cream.

(260) AM 2019 101003 A

(800) 1440664

(151) 2018 10 26

(891) 2018 10 26

(731) Open-Type Joint Stock Company "ROT FRONT"

2-oy Novokuznetskiy pereulok, d. 13/15,
RU-115184 Moscow, Russian Federation

(540)

BOCC KOKOC

(591) Black, white

(531) 28.05

(511)

30 – Aromatic preparations for food; flavorings, other than essential oils, for cakes; flavorings, other than essential oils, for beverages; coffee flavorings; food flavorings, other than essential oils; star aniseed; high-protein cereal bars; sponge cakes; pancakes; noodle-based prepared meals; buns; bread rolls; vanillin [vanilla substitute]; waffles; vermicelli [noodles]; natural sweeteners; sausage binding materials; binding agents for ice cream; sea water for cooking; seaweed [condiment]; malt biscuits; cloves [spice]; cake frosting [icing]; mustard; gluten additives for culinary purposes; yeast; thickening agents for cooking foodstuffs; rice-based snack food; cereal-based snack food; artificial coffee; vegetal preparations for use as coffee substitutes; dressings for salad; fruit jellies [confectionery]; confectionery for decorating Christmas trees; cakes; pastries; peanut confectionery; almond confectionery; pasta; ginger [spice]; frozen yogurt [confectionery ices]; cocoa; capers; caramels [candy]; curry [spice]; gruel, with a milk base, for food; ketchup [sauce]; quiches; gluten prepared as foodstuff; sweetmeats [candy]; liquorice [confectionery]; peppermint sweets; cinnamon [spice]; coffee; unroasted coffee; starch for food; crackers; custard; groats for human food; hominy grits; semolina; oatmeal; crushed barley; corn, milled; corn, roasted; meat pies; turmeric; couscous [semolina]; noodles; ice for refreshment; ice, natural or artificial; edible ices; rice cakes; mayonnaise; maca-

rooms [pastry]; macaroni; maltose; hominy; marinades; marzipan; honey; royal jelly; ice cream; flour; bean meal; tapioca flour; potato flour; corn flour; wheat flour; soya flour; barley meal; dessert mousses [confectionery]; chocolate mousses; muesli; mint for confectionery; cocoa beverages with milk; coffee beverages with milk; coffee-based beverages; tea-based beverages; chocolate beverages with milk; chocolate-based beverages; cocoa-based beverages; infusions, not medicinal; crushed oats; husked oats; nutmegs; stick liquorice [confectionery]; soya bean paste [condiment]; pastilles [confectionery]; molasses for food; pepper; allspice; peppers [seasonings]; pesto [sauce]; cookies; petit-beurre biscuits; pies; pizzas; meat gravies; fondants [confectionery]; popcorn; powders for making ice cream; baking powder; mustard meal; pralines; condiments; meat tenderizers for household purposes; cereal preparations; oat-based food; propolis; gingerbread; spices; petits fours [cakes]; puddings; cake powder; fruit coulis [sauces]; ravioli; chewing gum; relish [condiment]; rice; wheat germ for human consumption; spring rolls; sago; sugar; aniseed; golden syrup; confectionery; zephyr [confectionery]; nougat; pastila [confectionery]; baking soda [bicarbonate of soda for cooking purposes]; malt for human consumption; salt for preserving foodstuffs; cooking salt; celery salt; sherbets [ices]; ham glaze; soya sauce; tomato sauce; sauces [condiments]; spaghetti; seasonings; preparations for stiffening whipped cream; rusks; breadcrumbs; sushi; sandwiches; tabbouleh; tacos; tapioca; cream of tartar for culinary purposes; tarts; almond paste; tortillas; garden herbs, preserved [seasonings]; beer vinegar; vinegar; ferments for pastes; halvah; bread; unleavened bread; corn flakes; oat flakes; chicory [coffee substitute]; tea; iced tea; chutneys [condiments]; cheeseburgers [sandwiches]; chow-chow [condiment]; saffron [seasoning]; malt extract for food; essences for foodstuffs, except etheric essences and essential oils; husked barley.

(260) AM 2019 101004 A

(800) 1440668

(151) 2018 11 09

(891) 2018 11 09

(731) TSN Brands LTD

35 Barrack Road, Third Floor, Belize City,
Belize, Belize

(540)

BRAUS

(591) Black, white

(511)

32 – Aperitifs, non-alcoholic; barley wine [beer]; lithia water; seltzer water; soda water; aerated water; mineral water [beverages]; waters [beverages]; table waters; kvass [non-alcoholic beverage]; cocktails, non-alcoholic; beer-based cocktails; lemonades; non-alcoholic beverages; isotonic beverages; non-al-

coholic honey-based beverages; rice-based beverages, other than milk substitutes; soya-based beverages, other than milk substitutes; aloe vera drinks, non-alcoholic; whey beverages; protein-enriched sports beverages; non-alcoholic beverages flavored with coffee; non-alcoholic fruit juice beverages; energy drinks; fruit nectars, non-alcoholic; orgeat; ginger beer; malt beer; powders for effervescing beverages; sarsaparilla [non-alcoholic beverage]; syrups for lemonade; syrups for beverages; smoothies; vegetable juices [beverages]; fruit juices; tomato juice [beverage]; cider, non-alcoholic; preparations for making aerated water; preparations for making liqueurs; preparations for making beverages; must; grape must, unfermented; beer wort; malt wort; pastilles for effervescing beverages; sherbets [beverages]; non-alcoholic fruit extracts; extracts of hops for making beer; essences for making beverages.

33 – Aperitifs; arrack [arak]; baijiu [Chinese distilled alcoholic beverage]; brandy; wine; piquette; whisky; vodka; anisette [liqueur]; kirsch; gin; digesters [liqueurs and spirits]; cocktails; curacao; anise [liqueur]; liqueurs; alcoholic beverages, except beer; pre-mixed alcoholic beverages, other than beer-based; alcoholic beverages containing fruit; distilled beverages; spirits [beverages]; mead [hydromel]; peppermint liqueurs; bitters; nira [sugarcane-based alcoholic beverage]; rum; sake; perry; cider; rice alcohol; alcoholic extracts; fruit extracts, alcoholic; alcoholic essences.

(260) AM 2019 101005 A

(800) 1440687

(151) 2018 06 20

(891) 2018 06 20

(731) FEDERALNOE GOSUDARSTVENNOE UNITARNOE PREDPRIYATIE "GOSUDARSTVENNY NAUCHNO-ISSLEDOVATELSKIY INSTITUT OSOBO CHISTYKH BIOPREPARATOV" FEDERALNOGO MEDIKO-BIOLOGICHESKOGO ul. Pudozhskaya, d. 7, RU-197110 Sankt-Peterburg, Russian Federation

(540)

EPOCRIN

(591) Black, white

(531) 27.05.17

(511)

1 – Enzymes for industrial purposes; chemical preparations for scientific purposes, other than for medical or veterinary use.

5 – Biological preparations for medical purposes; biological preparations for veterinary purposes; pharmaceutical preparations; enzymes for veterinary purposes; enzymes for medical purposes; chemical preparations for medical purposes.

(260) AM 2019 101006 A

(800) 1440704

(151) 2018 09 24

(891) 2018 09 24

(731) Closed Joint Stock Company "APREL" Neverova street, 33, RU-443036 Samara, Russian Federation

(540)



(591) White, green

(531) 03.07.10; 03.07.16; 28.05; 29.01.12

(526) ®

(511)

3 – Perfumery; cosmetics; non-medicated toiletries; soap; cakes of toilet soap; cosmetic creams; tissues impregnated with cosmetic lotions; shower gel; cleansing milk for toilet purposes; lotions for cosmetic purposes; toilet water; shampoos; dentifrices; anti-cavity mouth rinses, not for medical purposes; detergents, other than for use in manufacturing operations and for medical purposes; sachets for perfuming linen; scouring preparations; laundry bleach; laundry preparations; degreasers, other than for use in manufacturing processes; cleaning, polishing, scouring and abrasive preparations; scouring solutions; wind-shield cleaning liquids; polishing paste; creams for leather; shoe cream.

(260) AM 2019 101008 A

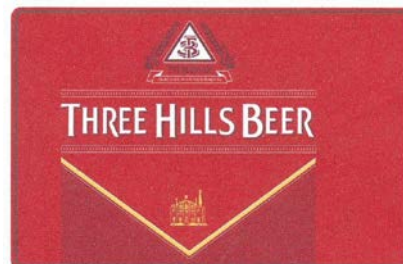
(800) 1440716

(151) 2018 09 17

(891) 2018 09 17

(731) Zakrytoe aktsionernoe obchtchestvo, "MOSKOVSKAYA PIVOARENNAAYA KOMPANIYA" 2, Vokzalnaya pl., RU-141009 Mytichtchi, Moskovskaya oblast, Russian Federation

(540)



(591) Green, red, white, black, gray, yellow

(531) 07.01.01; 25.01.06; 25.01.15; 27.05.03; 28.05; 29.01.13

(526) beer", "pivovarennaya manoufaktura
(511)
32 – Beers; beer-based cocktails; low-alcohol beers.

(260) AM 2019 101009 A
(800) 1440729
(151) 2018 08 13
(891) 2018 08 13
(731) Wenzhou Dengke Electronics CO., LTD.
No.2 Baocheng Road, Xianyan Industrial
District, Ouhai, Wenzhou, Zhejiang, China
(540)

D&K DENGKE

(591) Black, white
(531) 24.17.25; 26.04.07; 26.04.22; 26.04.24
(511)
34 – Snuff boxes; ashtrays for smokers; lighters for smokers; cigarette filters; cigarette paper; cigarette cases; electronic cigarettes; cigar cutters; cigar cases; pipe cleaners for tobacco pipes; pocket machines for rolling cigarettes, tobacco pipes.

(260) AM 2019 101010 A
(800) 1440734
(151) 2018 10 25
(891) 2018 10 25
(731) Obshchestvo s ogranichennoi otvetstvennostyu
"SONET"
Serdobolskaya ulitsa, 68, RU-197342 Saint-
Petersburg, Russian Federation
(540)

SONNET

(591) Black, white
(511)
2 – Annatto [dyestuff]; auramine; white lead; paper for dyeing Easter eggs; dyes; binding preparations for paints; glazes [paints, lacquers]; litharge; primers; gamboge for painting; gum-lac; repositionable paint patches; indigo [colorant]; gum resins; colophony; colorants; alizarine dyes; aniline dyes; colorants for the restoration of furniture in the form of markers; ink for leather; ink for skin-dressing; dye-wood; food dyes; paints; watercolor paints for use in art; aluminium paints; asbestos paints; bactericidal paints; wood stains; ceramic paints; distempers; oil paints for use in art; fireproof paints; printing ink; engraving ink; enamels for painting; black japan; lacquers; bitumen varnish; bronzing lacquers; copal varnish; anti-corrosive bands; mastic [natural resin]; cobalt oxide [colorant]; zinc oxide [pigment]; silver paste; printers' pastes [ink]; pigments; coatings [paints]; coatings for roofing felt [paints]; wood coatings [paints]; varnishes; aluminium powder for painting; bronze powder for painting; silvering powders; metals in powder form for use in painting, de-

corating, printing and art; protective preparations for metals; mordants; thinners for paints; thinners for lacquers; whitewash; carbon black [pigment]; soot [colorant]; lamp black [pigment]; sandarac; thickeners for paints; sienna earth; siccatives [drying agents] for paints; natural resins, raw; badigeon; anti-tarnishing preparations for metals; wood preservatives; sumac for varnishes; minium; turpentine [thinner for paints]; fixatives [varnishes]; fixatives for watercolors; metal foil for use in painting, decorating, printing and art; yellowwood [colorant]; edible inks; enamels [varnishes]; silver emulsions [pigments].

16 – Fountain pens; aquarelles; albums; paper bows, other than haberdashery or hair decorations; note books; pads [stationery]; drawing pads; loose-leaf binders; wristbands for the retention of writing instruments; pamphlets; booklets; paper; paper sheets [stationery]; waxed paper; papers for painting and calligraphy; wood pulp paper; carbon paper; copying paper [stationery]; parchment paper; luminous paper; wrapping paper; house painters' rollers; composing sticks; modelling wax, not for dental purposes; sewing patterns; bunting of paper; modelling clay; polymer modelling clay; drawing sets; engravings; slate pencils; pencil leads; document holders [stationery]; pencil holders; chalk holders; holders for stamps [seals]; page holders; table runners of paper; engraving plates; writing slates; galley racks [printing]; drawing boards; punches [office requisites]; magazines [periodicals]; bookmarkers; etching needles; tracing needles for drawing purposes; periodicals; printed publications; graphic representations; graining combs; drawing instruments; calendars; tracing paper; tracing cloth; tracing patterns; gums [adhesives] for stationery or household purposes; lithographic stones; ink stones [ink reservoirs]; pencils; pencil lead holders; charcoal pencils; pictures; transfers [decalcomanias]; paintings [pictures], framed or unframed; cardboard; wood pulp board [stationery]; catalogues; spools for inking ribbons; covers of paper for flower pots; paintbrushes; painters' brushes; writing brushes; glue for stationery or household purposes; gluten [glue] for stationery or household purposes; isinglass for stationery or household purposes; starch paste [adhesive] for stationery or household purposes; printing blocks; books; comic books; drawing pins; envelopes [stationery]; boxes of paper or cardboard; cases for stamps [seals]; paint boxes [articles for use in school]; correcting fluids [office requisites]; stencils [stationery]; French curves; paper ribbons, other than haberdashery or hair decorations; gummed tape [stationery]; adhesive bands for stationery or household purposes; correcting tapes [office requisites]; inking ribbons; adhesive tapes for stationery or household purposes; self-adhesive tapes for stationery or household purposes; viscose sheets for wrapping; sheets of reclaimed cellulose for wrapping; steel letters; type [nu-

merals and letters]; lithographs; paint trays; architects' models; plastics for modelling; modelling materials; teaching materials [except apparatus]; sealing compounds for stationery purposes; adhesives [glues] for stationery or household purposes; stuffing of paper or cardboard; bookbinding material; packaging material made of starches; packing [cushioning, stuffing] materials of paper or cardboard; tablemats of paper; pencil sharpening machines, electric or non-electric; bookbinding apparatus and machines [office equipment]; chalk for lithography; writing chalk; tailors' chalk; marking chalk; spray chalk; bags [envelopes, pouches] of paper or plastics, for packaging; painters' easels; hand-rests for painters; printing sets, portable [office requisites]; bibs, sleeved, of paper; stickers [stationery]; writing cases [stationery]; cords for bookbinding; paper knives [letter openers]; sealing wafers; covers [stationery]; embroidery designs [patterns]; musical greeting cards; greeting cards; postcards; conical paper bags; palettes for painters; ink sticks; pantographs [drawing instruments]; files [office requisites]; folders for papers; papier mâché; pastels [crayons]; modelling paste; pen cases; pen wipers; office perforators; pens [office requisites]; nibs of gold; nibs; steel pens; drawing pens; sealing stamps; seals [stamps]; clipboards; desk mats; letter trays; stamp stands; stands for pens and pencils; photograph stands; obliterating stamps; inking pads; stamp pads; binding strips [bookbinding]; bookbinding cloth; gummed cloth for stationery purposes; printers' blankets, not of textile; portraits; paperweights; writing cases [sets]; inkstands; office requisites, except furniture; writing materials; writing instruments; drawing materials; school supplies [stationery]; adhesive tape dispensers [office requisites]; hand labelling appliances; printed matter; lithographic works of art; prospectuses; ledgers [books]; printers' galleys; indexes; paper cutters [office requisites]; rubber erasers; elastic bands for offices; graphic reproductions; retractable reels for name badge holders [office requisites]; marking pens [stationery]; penholders; paper clasps; document files [stationery]; scrapers [erasers] for offices; paper-clips; staples for offices; erasing products; writing board erasers; sealing wax; writing or drawing books; fabrics for bookbinding; stationery; pencil sharpeners, electric or non-electric; transparencies [stationery]; stencil plates; cardboard tubes; Indian inks; sealing machines for offices; vignetting apparatus; apparatus for mounting photographs; stapling presses [office requisites]; manuals [handbooks]; figurines [statuettes] of papier mâché; flags of paper; silver paper; molds for modelling clays [artists' materials]; photo-engravings; photographs [printed]; stencil cases; canvas for painting; chromolithographs [chromos]; animation cels; artists' watercolor saucers; ink; correcting ink [heliography]; inkwells; blueprints; stencils; erasing shields; balls for ball-point pens; cabinets for stationery

[office requisites]; stamps [seals]; shields [paper seals]; prints [engravings].

(260) AM 2019 101011 A

(800) 1440782

(151) 2018 08 10

(891) 2018 08 10

(731) Ping An Insurance (Group) Company of China, Ltd.

15-18F, Galaxy Center, Fuhua Road, Futian District, Shenzhen, Guangdong, China

(540)



(591) Black, white

(531) 28.03

(511)

9 – Milage recorders for vehicles; navigation apparatus for vehicles [on-board computers]; magnetic identification cards; computer programs [downloadable software]; computer software [recorded]; cipher magnetic cards; computer operating programs, recorded; smart cards [integrated circuit cards].

35 – Advertising; accounting; economic forecasting; personnel management consultancy; relocation of commercial establishments; business management assistance; business management and organization consultancy; business appraisals; commercial information agency services; business auditing; marketing research; procurement services for others [purchasing goods and services for other businesses]; commercial information and advice for consumers [consumer advice shop]; sponsorship search.

36 – Insurance services; insurance brokerage; insurance consultancy; rental of real estate; real estate management; surety services; lending against security; instalment loans; public funds management services; marine insurance services; fire insurance services; investment of funds; health insurance services; loans [financing]; financial services; financial management; financial evaluation [insurance, banking, real estate]; brokerage; charitable fund raising; brokerage of futures; life insurance services; sales of commercial houses; accident insurance underwriting; trusteeship; issuance of credit cards; art appraisal; banking; issuance of securities; debt collection agency services; securities and bond brokers; capital investments; organization of collections; intangible assets valuation.

38 – Television broadcasting; electronic bulletin board services [telecommunications services]; electronic mailing services; computer aided transmission of messages and images; message sending; rental of

message sending apparatus; computer-aided telecommunications consultation; teleconferencing services.

41 – Education information; vocational guidance [education or training advice]; practical training [demonstration]; publication of books.

42 – Quality system certification; geological surveys; chemical research; biological research; meteorological information; vehicle roadworthiness testing; dress designing; authenticating works of art; cloud seeding; weighing goods for others; graphic arts designing.

44 – Animal breeding; beauty salon services; sauna services; rental of sanitation facilities; opticians' services.

45 – Escorting in society [chaperoning]; clothing rental; on-line social networking services; dating services; legal research; alternative dispute resolution services; intellectual property consultancy; litigation services.

(260) AM 2019 101013 A

(800) 1440798

(151) 2018 09 12

(891) 2018 09 12

(731) YARA INTERNATIONAL ASA

P.O. Box 343 Skøyen, N-0213 Oslo, Norway

(540)

YaraBasa

(591) Black, white

(511)

1 – Chemicals for use in agriculture, industry, horticulture and forestry, aquaculture and animal husbandry; fertilizers and manures; compost; plant growth regulators; chemicals for coating of fertilizers and seeds and seed grain; granulated limestone for agricultural purposes; chemical additives; nitrates.

(260) AM 2019 101014 A

(800) 1440828

(151) 2018 05 07

(891) 2018 05 07

(731) BA&SH

67 avenue Raymond Poincaré, F-75116

PARIS, France

(540)

ba&sh

(591) Black, white

(531) 24.17.09

(511)

3 – Cosmetics; perfumery products; perfumes; eaux de toilette; eau de cologne; essential oils; potpourris

[fragrances]; scented linen water; air fragrances; incense; sticks, incense sticks; cosmetic products for skin care; nail care products; cosmetic preparations for slimming; lotions for cosmetic use; skin lotions (cosmetics); skin creams (cosmetics); fluid creams (cosmetics); make-up removing creams; cosmetic creams; night cream; day cream; facial creams; tissues impregnated with cosmetic lotions; hand lotions; beauty masks; hand creams (cosmetics); lip care products (cosmetics); hair care creams (cosmetics); hair conditioning products; hair lotions; depilatories; depilatory wax; shaving products; shaving soap; shaving foam; after-shave products; sun care lotions and creams (cosmetics); self-tanning cosmetic preparations; toiletries; dentifrices; cosmetic soaps; soaps for toilet purposes; shampoos; shower gels not for medical use; bath gels not for medical use; bath beads, bath oils not for medical use; bath salts not for medical use; foaming bath products; bath beads; talcum powder for toilet use; cleansing milk for toilet purposes; baby oils not for medical use; make-up products; make-up foundations; make-up removing products; lipstick; lip balm; mascaras for eyelashes; hair mascaras; nail polish; blushers; make-up powders; eye shadows; eye pencils; lip pencils; eyebrow pencils; blusher pencils; hair styling creams or gels; hair sprays; brilliantine; false nails; false eyelashes; adhesives and decorative transfers for cosmetic use; temporary tattoos for cosmetic use.

9 – Optical goods; spectacles (optics); sunglasses; sports spectacles and spectacle cases; spectacle frames; chains for spectacles; mouse pads; holders for mobile telephones; bags, covers, cases and protective covers for mobile phones, smartphones; bags, covers, carrying cases for laptops and tablets; USB flash drive; earphones.

14 – Jewelry; jewelry; precious stones; precious metals and their alloys; goods made of precious metals or coated therewith, namely, finger rings (jewelry), bracelets (jewelry), chains (jewelry), necklaces (jewelry), earrings, brooches (jewelry), pendants (jewelry), rings (jewelry), cuff links, tie pins, tie clips, ornaments (jewelry); timepieces and chronometric instruments; works of art of precious metal; jewelry cases [caskets]; boxes of precious metal; watch cases; watch bands; watch chains; watch glasses; key rings [trinkets or fobs]; fashion jewelry; statues or figurines (statuettes) of precious metals; medals; watches; wristwatches; clocks; clocks (timepieces); chronometers; chronographs (watches); alarm clocks; cases or presentation cases for timepieces; charms; sundials.

18 – Leather and imitation leather; handbags; traveling bags; beggar's bags; backpacks; sports bags; beach bags; baby-changing bags; briefcases of leather; briefcases (leather goods); wallets; card holders; banknote holders; coin purses not of precious metal;

traveling sets (leatherware); satchels; trunks [luggage]; suitcases [carrying cases]; suitcases; luggage; luggage tags [leather goods]; key cases (leather goods); cases of leather for driving licenses; business card cases; cases of leather for checkbooks; covers of leather; tie cases; toiletry bags; make-up bags; vanity cases (empty); garment bags for travel for clothing and shoes; leather or imitation leather hat boxes; umbrellas; beach umbrellas; walking sticks; collars or clothing for animals; bags for carrying animals; bags or net bags for shopping; bags or small bags (envelopes, pouches) of leather for packaging; whips, harness and saddlery; leashes; purses; bum-bags.

21 – Cosmetic and toiletry utensils; applicators for cosmetics; combs and sponges; brushes (except paintbrushes); hair brushes; eyelash brushes; brush-making materials; apparatus for perfuming the air; applicators for cosmetics; shaving brushes; tooth-brushes; nail brushes; eyebrow brushes; brushes for cosmetic use; bath brushes; toilet brushes; mascara brushes; brushes for cleaning the skin; bath sponges; body sponges; perfume bottles; empty spray bottles; back scratchers; hair combs; lip brushes; make-up brushes; toilet brush holders; powder compacts; containers for cosmetics; containers for toothbrushes; toiletry bags sold filled; perfume burners; cotton for cleaning; blusher brushes.

25 – Clothing; underwear; socks; stockings; tights; leggings [leg warmers]; bathing suits; bathing shorts; pareu; dressing gowns; pajamas; housecoats (dressing gowns); nightgowns; ties, bow ties; scarves; sashes for wear; stoles; shawls; headbands (clothing); belts (clothing); suspenders; gloves (clothing); mittens; headgear; visors (headwear); ear muffs; footwear (except orthopedic footwear); bedroom slippers; soles for footwear; heelpieces for footwear; furs (clothing); hosiery.

35 – Advertising, especially advertising mail, dissemination of advertising material (leaflets, prospectuses, printed matter, samples); sales promotion (for others); publication of advertising texts; online advertising on a computer network; organization of exhibitions for commercial or advertising purposes; presentation of goods on all communication media, for retail sale; shop window dressing; demonstration of goods; commercial information and advice for consumers (consumer advice shop); retail and Internet sale services for cosmetics, perfumery products, perfumes, toilet water, eau de Cologne, essential oils, potpourris [fragrances], scented linen water, air fragrances, incense, rods, incense sticks, cosmetic products for skin care, nail care products, cosmetic preparations for slimming, lotions for cosmetic use, skin lotions [cosmetics], skin creams [cosmetics], fluid creams [cosmetics], make-up removing creams, cosmetic creams, night cream, day cream, facial creams, tissues impregnated with cosmetic lotions, hand

lotions, beauty masks, hand creams [cosmetics], lip care products [cosmetics], hair care creams [cosmetics], hair conditioning products, hair lotions, depilatories, depilatory wax, shaving products, shaving soap, shaving foam, after-shave products, sun care lotions and creams [cosmetics], self-tanning cosmetic preparations, toiletries, dentifrices, cosmetic soaps, soaps for toilet purposes, shampoos, shower gels not for medical use, bath gels not for medical use, bath beads, bath oils not for medical use, bath salts not for medical use, bubble bath products, bath beads, talcum powder for toilet use, cleansing milk for toilet purposes, baby oils not for medical use, make-up products, make-up foundation, make-up removing products, lipsticks, lip balm, mascaras for eyelashes, hair mascaras, nail polish, blushers, make-up powders, eye shadows, eye pencils, lip pencils, eyebrow pencils, blusher pencils, hair styling creams or gels, hair sprays, brilliantine, false nails, false eyelashes, adhesives [glues] and decorative transfers for cosmetic use, temporary tattoos for cosmetic use, make-up brushes, optical goods, spectacles [optics], sunglasses, sports spectacles and spectacle cases, spectacle frames, chains for spectacles, mouse pads, holders for mobile phones, bags, covers, cases and protective covers for mobile phones, smart phones, bags, covers, cases, carrying cases for laptops and tablets, USB flash drive, headphones, jewelry, precious stones, precious metals and their alloys, goods of precious metals or coated therewith, namely, finger rings [jewelry], bracelets [jewelry], chains [jewelry], necklaces [jewelry], earrings, brooches [jewelry], rings [jewelry], pendants [jewelry], cuff links, tie pins, tie clips, ornaments [jewelry], timepieces and chronometric instruments, works of art of precious metals, jewelry caskets, boxes of precious metals, watch cases, watch bands, watch chains, watch glasses, novelty key rings, fashion jewelry, statues or figurines [statuettes] of precious metals, medals, watches, wristwatches, clocks, wall clocks [timepieces], chronometers, chronographs [watches], alarm clocks, cases or presentation cases for timepieces, trinkets, sundials, leather and imitation of leather, handbags, traveling bags, beggar's bags, backpacks, sports bags, beach bags, baby-changing bags, briefcases of leather, briefcases [leather goods], wallets, card holders, bank-note holders, coin purses not of precious metals, traveling sets [leather goods], satchels, trunks, carrying cases, suitcases, luggage, luggage tags [leather goods], key cases [leather goods], cases of leather for driving licenses, business card cases, cases of leather for checkbooks, leather covers, tie cases, toiletry bags, make-up bags, vanity cases [empty], garment bags for travel for clothing and shoes, leather or imitation leather hat boxes, umbrellas, parasols, walking sticks, collars and clothing for animals, bags for carrying animals, bags or net bags for shopping, bags or sachets [envelopes, pouches] of leather for

packaging, whips and saddlery, leashes, purses, bum-bags, cosmetic and toiletry utensils, applicators for cosmetics, combs and sponges, brushes [except paint brushes], hair brushes, eyelash brushes, brush-making materials, apparatus for perfuming the air, applicators for cosmetics, shaving brushes, tooth-brushes, nail brushes, eyebrow brushes, brushes for cosmetic use, bath brushes, toilet brushes, mascara brushes, brushes for cleaning the skin, bath sponges, body sponges, perfume bottles, empty spray bottles, back scratchers, hair combs, lip brushes, make-up brushes, toilet brush holders, powder compacts, containers for cosmetics, containers for toothbrushes, toiletry bags sold filled, perfume burners, cotton for cleaning, clothing, underwear, socks, stockings, tights, leggings [leg warmers], bathing suits, bathing shorts, pareo, dressing gowns, pajamas, dressing gowns, nightgowns, ties, bow ties, scarves, sashes for wear, stoles, shawls, headbands [clothing], belts [clothing], suspenders, gloves [clothing], mittens, headgear, visors [headgear], ear muffs, footwear [except orthopedic footwear], bedroom slippers, soles for footwear, heel-pieces for shoes, furs [clothing], hosiery.

(260) AM 2019 101015 A
(800) 1440868
(151) 2018 08 06
(891) 2018 08 06
(731) HIDULIAN ANDRII VOLODYMYROVYCH
vul. Avtozavodska, 61, kv. 31, Kyiv 04114,
Ukraine

(540)



(591) Green, yellow, orange, red, violet, blue and dark-blue
(531) 01.15.23; 26.01.03; 26.05.18; 26.07.07;
27.05.09; 27.05.10; 29.01.15
(511)
35 – Market studies; business research; providing business information via a web site; compilation of information into computer databases; compilation of statistics; business management consultancy; marketing research; provision of commercial and business contact information; organization of exhibitions for commercial or advertising purposes; organization of trade fairs for commercial or advertising purposes; business intermediary services relating to the matching of potential private investors with entrepreneurs needing funding.
41 – Arranging and conducting of congresses; arranging and conducting of colloquiums; arranging and conducting of conferences; arranging and conducting of in-person educational forums; arranging and

conducting of workshops (training); arranging and conducting of seminars; arranging and conducting of symposiums; educational examination; correspondence courses; organization of competitions (education or entertainment); translation; on-line publication of electronic books and journals; publication of books; publication of texts, other than publicity texts.

(260) AM 2019 101016 A
(800) 1440920
(151) 2018 10 08
(891) 2018 10 08
(731) "ARTGRAND" Limited Liability Company
9ZH Zhurnalistov str., Dnepr city 49051,
Ukraine
(540)



(591) Red and black
(531) 24.17.20; 26.03.23; 27.01.25; 27.05.01;
29.01.12
(511)
27 – Decorative wall hangings, not of textile; wallpaper; textile wallpaper.

(260) AM 2019 101039 A
(800) 1441306
(151) 2018 10 22
(891) 2018 10 22
(731) ROHTO PHARMACEUTICAL CO., LTD.
8-1, Tatsuminishi 1-chome, Ikuno-ku,
Osaka-shi, Osaka 544-8666, Japan
(540)

ROHTO

(591) Black, white
(511)
3 – After-shave lotions; air fragrancing preparations; aloe vera preparations for cosmetic purposes; balms, other than for medical purposes; beauty masks; cosmetic dyes; cosmetic preparations for eyelashes; cosmetic preparations for skin care; cosmetics; dentifrices; essential oils; false eyelashes; hair lotions; lip glosses; lipsticks; make-up preparations; make-up removing preparations; cosmetic preparations for the care of mouth and teeth; nail care preparations; perfumes; shampoos; shaving preparations; skin whitening creams; soap; sunscreen preparations; tissues impregnated with cosmetic lotions; cosmetic kits; antiperspirant soap; stain removers.

(260) AM 2019 101041 A
 (800) 1441337
 (151) 2018 10 03
 (891) 2018 10 03
 (731) HUAWEI TECHNOLOGIES CO., LTD.
 Administration Building, Huawei
 Technologies Co., Ltd. Bantian, Longgang
 District, Shenzhen, China

(540)


(591) Black, white
 (531) 27.05.01
 (511)
 9 – Smartphones; notebook computers; tablet computers; wearable activity trackers; virtual reality headsets; headphones; cameras; USB cables; battery chargers for mobile phones; electric batteries; cases for smartphones; protective films adapted for smartphones.

(260) AM 2019 101064 A
 (800) 1441686
 (151) 2018 10 05
 (891) 2018 10 05
 (731) XI'AN CHUNHEFANG IMPORT &
 EXPORT CO., LTD.
 Room 40702, Unit 4, Building 2, No.31,
 Zhangba 2nd Road, Hi-tech Industries
 Development Zone, Xi'an City, Shaanxi
 Province, China

(540)


(591) Black, white
 (531) 28.03
 (511)
 29 – Vegetables, preserved; nuts, prepared; fruit-based snack food; eggs; tahini [sesame seed paste]; dried meat; meat; jams; edible fats; dried edible mushrooms.
 30 – Dried noodles; cereal-based snack food; sauces [condiments]; tea; hot sauce; honey; bread; cereal bars; instant noodles; seasonings.

(260) AM 2019 101078 A
 (800) 1442172
 (151) 2018 11 29
 (891) 2018 11 29
 (731) KIA MOTORS CORPORATION
 12, Heolleung-ro, Seocho-gu, Seoul,
 Republic of Korea

(540)


(591) Black, white
 (511)
 12 – Automobiles; sports cars; vans [vehicles]; motor trucks; buses; electric vehicles; bicycles.

(260) AM 2019 101086 A
 (800) 1442428
 (151) 2018 11 07
 (891) 2018 11 07
 (731) Joint Stock Company "TAKF"
 ul. Oktyabrskaya, d. 22, RU-392000 Tambov,
 Russian Federation

(540)


(591) Black, white
 (531) 28.05
 (511)
 30 – Confectionery; caramels [candy]; sweetmeats [candy]; chocolate.

(260) AM 2019 101087 A
 (800) 1442446
 (151) 2018 11 23
 (891) 2018 11 23
 (731) SK BIOPHARMACEUTICALS CO., LTD.
 221, Pangyoyeok-ro, Bundang-gu, Seongnam-
 si, Gyeonggi-do, Republic of Korea

(540)


(591) Black, white
 (511)
 5 – Medicines for human purposes and veterinary preparations; dietetic foods adapted for medical purposes; dietetic food adapted for veterinary use; dietetic substances adapted for medical use; dietetic substances adapted for veterinary use; sanitary preparations for medical purposes; biological preparations for medical purposes; biochemical preparations for medical purposes; chemicals for pharmaceutical use; preparations of trace elements for human and animal use; ferments for pharmaceutical purposes; biotechnological preparations for medical purposes; blood solvent; chemical preparations for medicinal purposes; chemical preparations for medical or veterinary purposes; chemical preparations for sanitary use; immunomodulators; vitamin preparations; vaccines; dietary supplements; therapeutic drugs and agents; chemico-pharmaceutical preparations; bacteriological preparations for medical and veterinary use.

(260) AM 2019 101088 A
 (800) 1442453
 (151) 2018 10 25
 (891) 2018 10 25

(731) Limited Liability Company "ROMATI"
Kutuzovskiy prospekt, d. 36., str. 7, of. 101,
RU-121170 Moscow, Russian Federation

(540)

Remez

(591) Yellow

(531) 27.05.01; 29.01.02

(511)

11 – Lamp shades; lampshade holders; light bulbs; light bulbs, electric; lamp globes; lights, electric, for Christmas trees; acetylene flares; safety lamps; gas lamps; germicidal lamps for purifying air; ultraviolet ray lamps, not for medical purposes; electric lamps; chandeliers; lamp mantles; sockets for electric lights; lighting apparatus and installations; light-emitting diodes [LED] lighting apparatus; light diffusers; lamps; street lamps; ceiling lights; discharge tubes, electric, for lighting; lamp chimneys; luminous tubes for lighting; electric flashlights; lanterns for lighting; Chinese lanterns.

(260) AM 2019 101089 A

(800) 1442461

(151) 2018 05 16

(891) 2018 05 16

(731) TECHNICKÝ SKÚŠOBNÝ ÚSTAV
PIEŠŤANY, š. p.
Krajinská cesta 2929/9, SK-921 01 Piešťany,
Slovakia

(540)

 **TSU**

(591) Blue and yellow

(531) 26.04.05; 26.04.18; 27.01.01; 27.05.09;
29.01.12

(511)

41 – Training.

42 – Technical tests; control, certification and coding of packaging for dangerous substances and objects used in transport; certification of gaming machines; certification and testing of means of transport intended for road transport of perishable foodstuffs; control activity; testing services for quality certification of standardization verification; calibration of measuring apparatus; technical research projects and studies.

(260) AM 2019 101104 A

(800) 1442763

(151) 2018 11 05

(891) 2018 11 05

(731) SOCIETE EUROPEENNE DE
CARDIOLOGIE
2035 route des Colles, F-06903 SOPHIA
ANTIPOLIS, France

(540)

 **EAPC**
European Association
of Preventive Cardiology

(591) Black, white, green, red, orange

(531) 01.03.01; 01.03.02; 01.03.07; 02.09.01;
27.05.10; 27.05.15; 29.01.13

(511)

35 – Rental of advertising time on communication media; design of advertising materials; rental of advertising material; presentation of goods on all communication media, for retail sale; dissemination of samples; public relations; document reproduction; compilation of information into computer databases; advertising; rental of advertising space; organization of exhibitions for commercial or advertising purposes; publication of advertising texts; arranging newspaper subscriptions for others; dissemination of advertisements; arranging subscriptions to telecommunication services for others; rental of advertising panels; online advertising on a computer network.

38 – Videoconferencing services; communications by fiber-optic networks; information on telecommunications; cellular telephone communication services; communications by computer terminals; provision of user access to global computer networks; telephone communications; provision of access to databases; news or information agencies; connection by telecommunications to a global computer network; electronic messaging services; rental of telecommunication apparatus; television broadcasting; radio broadcasting; provision of on-line forums; rental of access time to global computer networks; electronic bulletin board services (telecommunication services); telecommunications; radio communications; teleconferencing services.

41 – Publication of books; organization of exhibitions for cultural or educational purposes; rental of videotapes; organization and conducting of seminars; organization and conducting of symposiums; videotape editing; rental of video cassette recorders; education; publication of texts other than advertising texts; organization and conducting of colloquiums, conferences or congresses; online publication of specialized electronic books and journals; training; rental of radio and television sets; videotape film production; electronic desktop publishing; rental of motion pictures; book lending; organization and conducting of non-virtual educational forums; organization and conducting of training workshops; sporting and cultural activities; organization of competitions (education or entertainment); vocational retraining; game services provided on-line from a computer network; information relating to education; rental of sound recordings; entertainment; electronic publication of books and journals online; publishing; publication of printed matter concerning education; editing of

medical publications; editing of electronic publications; online publication services; provision of non-downloadable electronic publications; publication services for periodical and non-periodical publications, other than advertising texts; services regarding publications which can be consulted via a global computer network or the Internet.

42 – Technical project studies; software development; software as a service (SaaS); rental of computer software; information technology (IT) consultancy; electronic data storage; digitization of documents; computer system design; scientific research; research and development of new products for others; maintenance of computer software; services provided by engineers and scientists conducting assessments, estimates, research and reports in the field of science and technology; scientific research services for medical purposes; programming for computers.

(260) AM 2019 101108 A

(800) 1442783

(151) 2018 11 05

(891) 2018 11 05

(731) SOCIETE EUROPEENNE DE

CARDIOLOGIE

2035 route des Colles, F-06903 SOPHIA

ANTIPOLIS, France

(540)



HFA
Heart Failure
Association

(591) Black, white, yellow, brown

(531) 02.09.01; 27.05.10; 27.05.15; 29.01.13

(511)

35 – Rental of advertising time on communication media; design of advertising materials; rental of advertising material; presentation of goods on all communication media, for retail sale; dissemination of samples; public relations; document reproduction; compilation of information into computer databases; advertising; rental of advertising space; organization of exhibitions for commercial or advertising purposes; publication of advertising texts; arranging newspaper subscriptions for others; dissemination of advertisements; arranging subscriptions to telecommunication services for others; rental of advertising panels; online advertising on a computer network.

38 – Videoconferencing services; communications by fiber-optic networks; information on telecommunications; cellular telephone communication services; communications by computer terminals; provision of user access to global computer networks; telephone communications; provision of access to databases; news or information agencies; connection

by telecommunications to a global computer network; electronic messaging services; rental of telecommunication apparatus; television broadcasting; radio broadcasting; provision of on-line forums; rental of access time to global computer networks; electronic bulletin board services (telecommunication services); telecommunications; radio communications; teleconferencing services.

41 – Publication of books; organization of exhibitions for cultural or educational purposes; rental of videotapes; organization and conducting of seminars; organization and conducting of symposiums; videotape editing; rental of video cassette recorders; education; publication of texts other than advertising texts; organization and conducting of colloquiums, conferences or congresses; online publication of specialized electronic books and journals; training; rental of radio and television sets; videotape film production; electronic desktop publishing; rental of motion pictures; book lending; organization and conducting of non-virtual educational forums; organization and conducting of training workshops; sporting and cultural activities; organization of competitions (education or entertainment); vocational retraining; game services provided on-line from a computer network; information relating to education; rental of sound recordings; entertainment; electronic publication of books and journals online; publishing; publication of printed matter concerning education; editing of medical publications; editing of electronic publications; online publication services; provision of non-downloadable electronic publications; publication services for periodical and non-periodical publications, other than advertising texts; services regarding publications which can be consulted via a global computer network or the Internet.

42 – Technical project studies; software development; software as a service (SaaS); rental of computer software; information technology (IT) consultancy; electronic data storage; digitization of documents; computer system design; scientific research; research and development of new products for others; maintenance of computer software; services provided by engineers and scientists conducting assessments, estimates, research and reports in the field of science and technology; Scientific research services for medical purposes; programming for computers.

(260) AM 2019 101122 A

(800) 1443197

(151) 2018 05 28

(891) 2018 05 28

(731) SANOFI

54 rue La Boétie, F-75008 Paris, France

(540)

SANOFI GENZYME

(591) Black, white

(511)

3 – Non-medicinal preparations for hygiene, skin care and care; personal hygiene products; cosmetic preparations; soaps; dentifrices.

9 – Contact lenses; spectacles and optical glasses; software relating to health; video cassettes and audio cassettes; CD-ROMs relating to health; medical imaging software.

10 – Medical, surgical, dental and veterinary apparatus and instruments; artificial limbs; artificial eyes and teeth; orthopedic articles; suture material; apparatus for imaging and X-Ray apparatus for medical use.

16 – Printed matter on all media; bulletins; newspapers; magazines; periodicals; books; journals (magazines); newspapers; posters distributed relating to the field of health.

35 – Advice in business, namely, business management advice; advice services, namely, provision of commercial information to the consumer regarding the products; advertising and marketing services; distribution services, namely, distribution of products and information on pharmaceutical products for advertising purposes; administration and management of business affairs in the field of health; distribution of promotional printed material relating to health.

38 – Telecommunication services and in particular transmission of information by radio, telephone, television, and by computer terminals via Internet sites regarding the health; transmission of information for others relating to health, communication of information for patients or health professionals via computers, via the Internet, television and radio; provision of online chat rooms and online forums for transmission of messages among Internet users concerning health care, medicines and pharmaceutical and medical developments.

39 – Storage and delivery of products relating to health.

40 – Custom manufacture of products relating to health.

41 – Education and training relating to health; organization of seminars, conferences and congresses in the aforementioned field; publication of magazines, books and guides; training relating to health using electronic and digital tools.

44 – Medical services; veterinary services; beauty and hygiene care services; consultancy in the pharmaceutical and healthcare field; provision of medical information and information relating to health via awareness campaigns.

(260) AM 2019 101128 A

(800) 1293894

(151) 2015 11 24

(891) 2018 10 23

(731) AGF88 HOLDING Srl

Via del Palù, 7D, I-35018 San Martino di Lupari (PD), Italy

(540)


 The logo for BYOTEA features the brand name in a bold, serif font. The letter 'O' is replaced by a stylized leaf icon. A horizontal line is positioned below the text.

(591) Black, white

(531) 05.03.14; 27.05.11

(511)

3 – Cosmetics for beautifying the body; creams and oils for cleansing and beautifying the body; depilatory creams; hair care lotions; perfume; masks for cleansing the face; soaps; creams for cleansing the face; cosmetic preparations for cleansing the body; cleansing milks; revitalising serum; cosmetics for treating blemishes on the face and body; natural cosmetic preparations.

(260) AM 2019 101129 A

(800) 1333584

(151) 2016 05 20

(891) 2018 12 07

(731) SYBO ApS

Jorcks Passage 1 A, 4, DK-1162 Copenhagen DK-1162, Denmark

(540)

SUBWAY SURFERS

(591) Black, white

(511)

9 – Photographic, cinematographic, optical, and teaching apparatus and instruments; apparatus and instruments for conducting, switching, transforming, accumulating, regulating or controlling electricity; apparatus for recording, transmission or reproduction of sound or images; magnetic data carriers, recording discs; compact discs, DVDs and other digital recording media; mechanisms for coin-operated apparatus; calculating machines, data processing equipment, computers; computer software; games software; software programs for games, including computer games, video games and electronic games for use on mobile phones, tablet computers; wireless communication devices and handheld electronic devices; computer game software, including recorded and interactive computer game programs and computer game programs downloaded via the internet [software]; application software (downloadable) with games for computers, tablet computers, mobile phones, wireless devices and handheld electronic devices; USB flash drives [not pre-recorded]; USB chargers; power units and packs [batteries]; selfie sticks used as smartphone accessories; films, expo-

sed, including motion pictures, TV films and animated cartoons; downloadable films, including motion pictures, TV films and animated cartoons; tablet covers; covers for mobile phones; bags adapted for laptops; mouse pads; computer mouses, including wireless computer mouses; 3D glasses; smart glasses; cameras (photography); webcams; stereophonic apparatus; loudspeakers; digital video recorders; joysticks; spectacles [optics]; sunglasses; cases for spectacles and sunglasses.

16 – Paper and cardboard; printed matter; bookbinding material; photographs; stationery; adhesives for stationery or household purposes; artists' materials; paintbrushes; typewriters and office requisites [except furniture]; instructional and teaching material [except apparatus]; plastic materials for packaging; printers' type; printing blocks; books; computer game hint books; comics; drawings; posters; calendars; notebooks; diaries, including pocket diaries; photo albums and collectors' albums; colouring books; pen and pencil cases; pencils; ball pens; india ink pens; pencil sharpeners; rubber erasers; rulers; pads [stationery]; bookbindings; gift wrap paper; instruction sheets; manuals for instructional purposes; stickers [stationery]; decalomania; notepaper; cards and envelopes [stationery].

25 – Clothing, footwear, headgear; sportswear; sports shoes; bathwraps (clothing); costumes for use in children's dress up play.

28 – Games and playthings; gymnastic and sporting articles; video game apparatus; handheld computer games; arcade video game machines; electronic games; amusement game machines; slot machines [gaming machines]; battery-powered computer games with LCD screen; controllers for game consoles; video game joysticks; hand-held units for playing electronic games and video games; games relating to fictional characters; toy action figurines; playsets for action figures; action toys; toy figures; clothing for toy figures; miniatures for use in games; remote control toys; electronic toys; skateboards, roller skates and in-line roller skates; bags specially adapted for sports equipment; bags for skateboards; costume masks being children's playthings; protective pads and guards for skateboarding.

41 – Education; providing of training; entertainment; sporting and cultural activities; provision of on-line computer games; providing of on-line computer games; arranging of games; game services provided on-line from a computer network; electronic games services, including provision of computer games on-line or by means of a global computer network; providing interactive multi-player computer games via the internet and electronic communication networks; provision of instruction relating to computer programming; training services concerned with the use of computer software; providing on-line information in the field of computer gaming entertainment; provi-

ding information on-line relating to computer games and computer enhancements for games; providing information to game players about the ranking of their scores of games through the web sites; rental of electronic game equipment; entertainment by film; services for the production, presentation or rental of films, including motion pictures, TV films and animated cartoons; organisation of games and competitions, including via the internet; fan club services (entertainment).

42 – Design and development of computer hardware and software; computer programming of computer games; design, development, testing, implementation, maintenance, adaption, up-dating and repair of computer game software; hosting services and software as a service and rental of software, including software for computer games; computer games software consultancy; providing temporary use of web-based software; providing temporary use of web-based applications; providing temporary use of non-downloadable software applications accessible via a website; rental of computer game programs.

(260) AM 2019 101130 A

(800) 1358675

(151) 2017 02 27

(891) 2018 12 18

(731) MAYORAL MODA INFANTIL, S.A.

La Orotava, 118, Polígono San Luis,
E-29006 MÁLAGA, Spain

(540)



(591) Blue and white

(531) 01.15.11; 27.01.06; 27.03.12; 29.01.12

(511)

18 – Bags, handbags, purses and wallets; school bags, backpacks, wallets for cards, briefcases, toilet bags (empty), key rings of leather and skin, card cases; leather and imitation leather; animal skins; trunks and suitcases; umbrellas, parasols and walking sticks; whips, harness and saddlery.

25 – Bathrobes; clothing for external and internal use, footwear (except orthopedic footwear), headgear, layettes, school uniforms, bibs of fabric and bibs of plastic for babies.

35 – Sales promotion services for third parties; advertising; commercial business management; commercial administration; office functions; assistance in the management of the commercial business or commercial functions of an industrial or commercial company; import-export agencies and commercial business representation services; market study and analysis services, conducting of studies on organization, planning, monitoring, management and expert

assessment of companies and data processing auditing; business accounting management; wholesale and retail sale in stores, sales services via global computer networks for bags, handbags, purses and wallets, school bags, backpacks, wallets for cards, briefcases, toilet bags (empty), key rings of leather and skin, card cases, other holders for objects, bathrobes, household linen, bed linen, clothing for external and internal use, footwear, headgear, layettes, school uniforms, bibs of fabric and bibs of plastic for babies; commercial advisory services relating to the establishment and operation of franchises.

(260) AM 2019 101131 A

(800) 1373752

(151) 2017 07 14

(891) 2018 12 05

(731) ENKA İNŞAAT VE SANAYİ, ANONİM ŞİRKETİ

Balmumcu Mahallesi, Zincirlikuyu Yolu,
No:10; TR-34349 Beşiktaş İstanbul, Turkey

(540)

ENKA

(591) Blue, white

(531) 27.05.17; 27.05.19; 29.01.04

(511)

37 – Construction services, services relating to the construction of buildings, bridge, factory, well drilling services, building renovation services, building demolition services, painting of interior and exterior walls, underwater repairing services, road paving services, construction of trade fair and exhibition stands services, construction control services, construction information services, rental of construction machines and equipment, rental of concrete mixers, concrete pumps and cranes, excavator, bulldozer, earth moving equipment, refueling of marine vehicles, installation, maintenance and repair of heating, cooling and sanitary installations, wall paper covering services, mining services and mining extraction, sanding services.

(260) AM 2019 101190 A

(800) 1444332

(151) 2018 10 22

(891) 2018 10 22

(731) Limited Liability Company "BITRIX"

st. Gostinaya, h. 3, fl. 6, room 3, Kaliningrad,
RU-236022 Kaliningrad Region, Russian
Federation

(540)

Битрикс

(591) Black, white

(531) 28.05

(511)

9 – Answering machines; antennas; high-frequency apparatus; remote control apparatus; electro-dynamic apparatus for the remote control of signals; sound recording apparatus; sound transmitting apparatus; electric apparatus for commutation; intercommunication apparatus; telephone apparatus; facsimile machines; phototelegraphy apparatus; igniting apparatus, electric, for igniting at a distance; camcorders; video telephones; holograms; detectors; dictating machines; bells [warning devices]; signal bells; alarm bells, electric; acoustic conduits; buzzers; temperature indicators; coaxial cables; fiber optic cables; cables, electric; calculating machines; pocket calculators; electronic pens [visual display units]; identity cards, magnetic; video game cartridges; electronic agendas; magnetic encoders; commutators; compact discs [audio-video]; notebook computers; microprocessors; microphones; modems; monitors [computer hardware]; sound recording carriers; magnetic data media; optical data media; electronic pocket translators; transmitters [telecommunication]; transmitters of electronic signals; distance measuring apparatus; time recording apparatus; navigational instruments; measuring apparatus; satellite navigational apparatus; telegraph wires; telephone wires; computer programs, recorded; processors [central processing units]; masts for wireless aerials; radios; vehicle radios; walkie-talkies; voltage regulators for vehicles; relays, electric; signals, luminous or mechanical; scanners [data processing equipment]; connections for electric lines; couplings, electric; sonars; radiotelegraphy sets; radiotelephony sets; cordless telephones; telephone receivers; amplifiers; video recorders; sound reproduction apparatus; acoustic alarms; couplers [data processing equipment]; acoustic couplers; alarms; switchboards; monitoring apparatus, other than for medical purposes; viewfinders, photographic; electrical apparatus for line telephony transmission; eyewear; telegraphs [apparatus]; electric loss indicators; CD-ROMs; computer programs recorded on media; computer programs, downloadable; acoustic membranes; circuit breakers; remote recording devices; computer game programs; computer programs [downloadable software], including recorded computer programs [downloadable software]; electronic publications, downloadable; distribution consoles [electricity]; control panels [electricity]; transmitting sets [telecommunication]; voltage surge protectors; time switches, automatic; optical fibers [light conducting filaments]; integrated circuit cards [smart cards]; anti-theft warning apparatus.

16 – Fountain pens; albums; almanacs; atlases; posters; tickets; forms, printed; note books; pamphlets; booklets; paper; blotters; newsletters; signboards of paper or cardboard; newspapers; engravings; slate pencils; diagrams; galley racks [printing]; printed publications; graphic representations; calendars; tra-

cing patterns; pencils; pictures; cardboard; catalogues; paintbrushes; books; graphic prints; teaching materials [except apparatus]; greeting cards; post-cards; folders for papers; mats for beer glasses; stands for pens and pencils; photograph stands; stamp pads; towels of paper; gummed cloth for stationery purposes; printers' blankets, not of textile; portraits; paperweights; writing materials; hand labelling appliances; printed matter; prospectuses; printed timetables; graphic reproductions; stationery; textbooks; ink; printing type; products of paper or plastics, for packaging; cardboard products; card files; files [office requisites]; desktop revolving rotary card files; envelopes [stationery]; gummed tape [stationery]; typewriters, electric or non-electric; garbage bags of paper or of plastics; writing sets; stickers [stationery]; covers [stationery]; paper bags; bags [envelopes, pouches] of paper or plastics, for packaging; periodicals; stamps [seals]; accessories for drawing and drawing works; office requisites, except furniture; school supplies; photographs [printed]; labels of paper or cardboard.

35 – Computerized file management; demonstration of goods; opinion polling; market studies; business information; business investigations; business organization consultancy; professional business consultancy; business management of performing artists; news clipping services; updating of advertising material; word processing; office machines and equipment rental; publication of publicity texts; distribution of samples; dissemination of advertising matter; document reproduction; business inquiries; systemization of information into computer databases; business efficiency expert services; data search in computer files for others; compilation of information into computer databases; telephone answering for unavailable subscribers; transcription of communications; provision of statistical information; marketing research; sales promotion for others; procurement of contracts for others relating to the sale of goods; advertising; on-line advertising on a computer network, including in the form of a domain name.

38 – News agency services; television broadcasting; cable television broadcasting; electronic bulletin board services [telecommunications services]; information about telecommunication; providing telecommunications connections to a global computer network; message sending; computer aided transmission of messages and images; transmission of telegrams; rental of message sending apparatus; rental of modems; rental of telecommunication equipment; rental of telephones; rental of facsimile apparatus; radio broadcasting; communications by fiber optic networks; communications by cellular phones; communications by computer terminals; satellite transmission; communications by telegrams; communications by telephone; facsimile transmission; telex services; telegraph services; telephone services; teleco-

munications routing and junction services; paging services [radio, telephone or other means of electronic communication]; teleconferencing services [Internet]; sending urgent announcements; communication of data by electronic mail.

42 – Computer system analysis; technical research; quality control; copying of computer software; conversion of data or documents from physical to electronic media; computer system design; duplication of computer programs; creating and maintaining web sites for others; computer programming; surveying; recovery of computer data; installation of computer software; physics [research]; research and development of new products for others; consultancy in the design and development of computer hardware; updating of computer software; maintenance of computer software; conversion of computer programs and data, other than physical conversion; rental of computer software; hosting computer sites [web sites]; computer software design; software as a service [SaaS]; design of computer systems; technical project studies; consulting in the field of computer technology; programming; rental of software tools.

(260) AM 2019 101192 A

(800) 1444349

(151) 2018 07 02

(891) 2018 07 02

(731) SHANTUI CONSTRUCTION

MACHINERY, CO., LTD.

No.58, G327 Highway, High-Tech District,
Jining City, Shandong Province, China

(540)

SHANTUI

(591) Orange and black

(531) 27.05.01; 27.05.17; 29.01.12

(511)

7 – Bulldozers; earth moving machines, namely scrapers; road rollers; loaders; trimming dozers; pipelayers; graders; excavators; torque converters not for land vehicles; conveyors [machines].

(260) AM 2019 101193 A

(800) 1444357

(151) 2018 05 30

(891) 2018 05 30

(731) FOURNARAKIS VIOMICHANIKI ERGALEIA

ANONYMI TECHNIKI ETAIREIA

9.5 Chlm. Sto Paradromo Tis Attikis Odou,

Dimos Aspropyrgou Attikis, GR-193 00

Aspropyrgos, Greece

(540)

BENMAN[®]

(591) Red and white

(531) 26.04.04; 26.04.05; 26.04.18; 26.04.24;
27.05.24; 29.01.12

(511)

1 – Salts for industrial purposes; unprocessed plastics; unprocessed artificial and synthetic resins; detergents for use in manufacture and industry; putties, and fillers and pastes for use in industry; growing media, fertilizers and chemicals for use in agriculture, horticulture and forestry; starches for use in manufacturing and industry; filtering media of chemical and non-chemical substances included in the class; chemical preparations and materials for film, photography and printing; chemical and organic compositions for use in the manufacture of food and beverages; adhesives for industrial purposes, adhesives for applying wall coverings, adhesives for ceiling tiles, adhesives for ceramic tiles, adhesives for floor, ceiling and wall tiles, adhesives for floor tiles, agglutinants for putty, silicon carbide for industrial purposes; unprocessed and synthetic resins; fertilisers, and chemicals for use in agriculture, horticulture and forestry.

6 – Statues and works of art of common metals; structures and transportable buildings of metal; unprocessed and semi-processed materials of metal; containers of metal for the storage, transportation and packaging of goods; metal hardware; building and construction materials and elements of metal; doors, gates, windows and window coverings of metal.

7 – Pumps, compressors and fans; current generators; agricultural, earthmoving, construction, oil and gas extraction and mining equipment; moving and handling equipment; sweeping, cleaning, washing and laundering machines; dispensing machines; machines and machine tools for treatment of materials and for manufacturing; roller bearings; tables for machines; rocker arms [parts of machines]; work clamps for machine tools; collets for power tools; suspension ball joints [parts of machines]; ball valves being parts of machines; ball screws being parts of machines; core chucks [parts of machines]; chasers [machines or parts for machines]; machine couplings [other than pipe]; free wheel couplings [other than for land vehicles]; joints for tubes (metal -) [parts of machines]; safety couplings [other than for land vehicles]; linking devices [parts of machines]; pneumatic actuating apparatus; wire brushes for use in machines; wire brushes [parts of machines]; condensers [ignition parts for internal combustion engines]; unidirectional clutches for machines; starting couplings for machines; couplings for machines; couplings for agricultural implements; couplings for pneumatic apparatus; pump-motor assemblies; cranks [parts of machines]; turbines for power generation; suction turbines [other than for land vehicles]; pump impellers; crankcases for machines; tur-

bocompressors; tool bits for machines; cylinder head gaskets; stators [parts of machines]; spark plugs for vehicle engines; sparking plugs; taps being parts of machines; multiple shell grippers [machines]; wood grippers [parts of machines]; servo-mechanisms; servomotors incorporating encoders; moving coil servomotors; alternating current servo motors; servo motors for sewing machines; servomotors; servomotors [other than for land vehicles]; servo-control valves; servo-valves; regulators for machines; speed governors for machines; ball bearings for engines; spray prevention flaps for machines; head attachments for power tools; spool adaptors [parts for industrial machine]; adapters for machine tools; venturi scrubbers; wheel hubs being parts of machines; sole plates for supporting shaft bearings; bearing brackets for roller bearings; bearing brackets for ball bearings; pressure regulators [parts of machines]; rotary tables for machine tools; rotary tool bits [parts of machines]; rotary brushes for machines; rotary shoes [parts of machines]; cowlings [parts of machines]; engine cases [vehicle parts]; engine housings; crankcases for machines, motors and engines; housings for ball bushings; compressed air pilot valves; pressure valves [parts of machines]; gaskets for internal combustion engines; sealing joints [parts of machines]; sprockets for water vehicle gearing; starter pinions; sprung guide rails [parts of machines]; belt drives; indexing drives; drives for converting rotary motion to linear motion [other than for land vehicles]; drives for ventilation flaps; drives for conveyors; saw benches [parts of machines]; saw benches being parts of machines; tips for tool bits [parts of machines]; permanent chucks [parts of machines]; reels [parts of machines]; cylinder blocks [parts of machines]; bushings for the keying of rolling bearings; overdrive units, other than for land vehicles; drive mechanisms for machine tools; valve closure mechanisms; drive mechanisms; electric propulsion mechanisms for machines; linking mechanisms [parts of machines]; transmission control mechanisms; differential gear mechanisms for machines; mechanical seals [machine parts]; clamping machines; indexing drive machines; driving motors, other than for land vehicles; steam engines; non-return valves of plastic [parts of machines]; non-return flaps of metal [parts of machines]; torque converters for machines; catalytic converters; torque converters, other than for land vehicles; spools of metal [parts of machines]; transmissions for machines; knives [parts of machines]; reducing gears [parts of machines]; magnetic clamps [parts of machines]; magnetic holders for machine tools; disposable blades for use with machines; handles being parts of mechanically operated tools; handles being parts of machine tools; gear change knobs, other than for land vehicles; mud catchers and collectors [machines]; cylinders being parts of machines; clutch cylinders, other than for land vehicles; cylinders for vehicles other than land

vehicles; cylinders for machines; rolling bearing cages; workpiece slide tables [machines]; workpiece slide tables [parts of machines]; roller bearings [machine parts]; cam rollers [parts of machines]; cable cylinders [parts of machines]; pressure release screws being parts of machines; engines for the generation of electricity; gear motors other than for land vehicles; steam pressure variation engines; multiple nut runner motors; spring motors; planetary gear motors; vibration motors; engines for compressors; pistons for engines; winch motors; gear boxes being parts of machines; tensioning heads being parts of machines; facing heads being parts of machines; ceramic masses being parts of motors; carburettors; spark plug ignition wires; control cables for machines, engines or motors; cylinder covers [parts of machines]; cam covers [vehicle parts]; belt tensioners; belts for machines; electronic ignitions for vehicles; electronic starters for engines; motors, electric, other than for land vehicles; geared electric motors for aircraft; geared electric motors, other than for land vehicles; electric alternating current motor drives; power-operated grinding wheels; electric motors for use with doors; electric driving motors for machines; electrically operated brushes, being parts of machines; power operated valves; balances for power operated tools; machine couplings and transmissions, except for land vehicles; toolholders for metalworking machines (machine parts); clamping tools for holding piece parts during machining; planing tools [parts of machines]; cemented carbide tools [machine]; ball-bearings; ball bearings for roller skates; ball rings for machines; ball bearings for in-line skates; ball rings for machine tools; starter alternators; piston segments; pistons for machines; oil tanks [vehicle engine parts]; gears for machines; ball rings for bearings; linear motors; break rings for horizontal casters; sleeve type linear ball bearings for use in linear movement; electric generators; brushes being parts of motors, generators and dynamos; carbon brushes [electricity]; brushes [parts of machines]; stands for hydraulic jacks; machine tool holders; steam traps; grabs [parts of machines]; joints [parts of engines]; angle joints [parts of machines]; axles for machines; chucks [parts of machines]; shafts for ball bushings; crank shafts; transmission shafts, other than for land vehicles; transmission shafts for machines; shaft couplings [machines]; oil pumps for use in motors and engines; pumps [parts of machines, engines or motors]; cam chains; power transmission chains.

8 – Lifting tools; food preparation implements, namely kitchen knives and cutting implements; cutlery, namely, forks, spoons and knives; edged and blunt weapons; hand-operated tools and implements for treatment of materials, and for construction, repair and maintenance; hygienic and beauty implements for humans and animals; food preparation imple-

ments for chopping, dicing, mincing, and slicing food, kitchen knives and cutting implements.

9 – Measuring, detecting and monitoring instruments, indicators and controllers; diving equipment; scientific and laboratory devices for treatment using electricity; recorded content; magnets, magnetizers and demagnetizers; optical devices, enhancers and correctors; safety, security, protection and signalling devices; scientific research and laboratory apparatus, educational apparatus and simulators; navigation, guidance, tracking, targeting and map making devices; information technology and audio-visual, multimedia and photographic devices; apparatus, instruments and cables for electricity; information technology and audiovisual equipment; electronic servo motor controllers; electronic controls for motors.

21 – Statues, figurines, plaques and works of art, made of materials such as porcelain, terra-cotta or glass, included in the class; unworked and semi-worked glass; brushes and other articles for cleaning, brush-making materials; cleaning articles; tableware, cookware and containers; cosmetic and toilet utensils and bathroom articles; brushes and brush-making articles; gardening gloves; lawn brushes; sprinklers; nozzles for hosepipes; nozzles for watering cans; syringes for watering flowers and plants; pot plant support sticks; sprayer wands for garden hoses; flower syringes; plant syringes; garden syringes; sprayer wands for garden hoses; spray nozzles for garden hoses; lawn sprinklers; sprayers attached to garden hoses.

(260) AM 2019 101194 A

(800) 1444358

(151) 2018 06 26

(891) 2018 06 26

(731) Obshchestvo s ogranichennoy otvetstvennostyu "INGRAT"
4-aya Magistral'naya str., 11, bldg. 2,
RU-123007 MOSCOW, Russian Federation

(540)



(591) Light beige, beige, dark beige, light brown, brown, dark brown

(531) 26.13.25; 27.01.01; 27.05.01; 29.01.12

(511)

21 – Household or kitchen utensils and containers; unworked or semi-worked glass, except building

glass; glassware, porcelain and earthenware; cookie jars; candle jars [holders]; china ornaments; dishes; paper plates; saucers; mugs; candy boxes; bottles; demijohns; carboys; busts of porcelain, ceramic, earthenware, terra-cotta or glass; vases; epergnes; fruit cups; buckets; pails; coolers [ice pails]; ice buckets; buckets made of woven fabrics; signboards of porcelain or glass; candle extinguishers; cruets; decanters; cutting boards for the kitchen; bread boards; strainers for household purposes; containers for household or kitchen use; kitchen containers; glass jars [carboys]; heat-insulated containers; heat-insulated containers for beverages; thermally insulated containers for food; glass flasks [containers]; ceramics for household purposes; majolica; works of art of porcelain, ceramic, earthenware, terra-cotta or glass; cabarets [trays]; flower-pot covers, not of paper; glass bulbs and vials [receptacles]; napkin rings; coin banks; bread baskets for household purposes; baskets for household purposes; waste paper baskets; tea caddies; earthenware saucepans; coffee percolators, non-electric; coffeepots, non-electric; coffee grinders, hand-operated; beer mugs; tankards; butter-dish covers; dish covers; cheese-dish covers; pitchers; perfume burners; non-electric portable cold-boxes; watering cans; mixing spoons [kitchen utensils]; basting spoons [cooking utensils]; scoops [tableware]; pie servers; spatulas [kitchen utensils]; butter dishes; pepper mills, hand-operated; mills for household purposes, hand-operated; bowls [basins]; mosaics of glass, not for building; cooking pot sets; pouring spouts; fitted picnic baskets, including dishes; cookie [biscuit] cutters; pastry cutters; choppers; cocktail stirrers; pepper pots; trays for household purposes; trays of paper, for household purposes; lazy susans; candelabra [candlesticks]; trivets [table utensils]; coasters, not of paper or textile; grill supports; menu card holders; knife rests for the table; powdered glass for decoration; pottery; painted glassware; tableware, other than knives, forks and spoons; porcelain ware; earthenware; crystal [glassware]; cruet sets for oil and vinegar; spice sets; bottle openers, electric and non-electric; glass stoppers; grills [cooking utensils]; sifters [household utensils]; drinking horns; candle rings; salad bowls; sugar bowls; services [dishes]; coffee services [tableware]; liqueur sets; tea services [tableware]; tea strainers; pipettes [wine-tasters]; siphon bottles for carbonated water; blenders, non-electric, for household purposes; fruit presses, non-electric, for household purposes; drinking straws; salt cellars; drinking vessels; vessels of metal for making ices and iced drinks; refrigerating bottles; cups of paper or plastic; drinking glasses; glasses [receptacles]; statues of porcelain, ceramic, earthenware, terra-cotta or glass; figurines of porcelain, ceramic, earthenware, terra-cotta or glass; soup bowls; table plates; disposable table plates; insulating flasks; urns; utensils for household purposes; kitchen utensils; coffee filters, non-electric;

flasks; hip flasks; drinking bottles for sports; ice cube molds; bread bins; teapots; kettles, non-electric; cups; tea infusers; glass bowls; cocktail shakers; corkscrews, electric and non-electric; boxes for dispensing paper towels; boxes of glass.

32 – Mineral and aerated waters and other non-alcoholic beverages; fruit beverages and fruit juices; syrups and other preparations for making beverages; aperitifs, non-alcoholic; lithia water; seltzer water; soda water; waters [beverages]; table waters; kvass [non-alcoholic beverage]; cocktails, non-alcoholic; beer-based cocktails; lemonades; isotonic beverages; non-alcoholic honey-based beverages; soya-based beverages, other than milk substitutes; aloe vera drinks, non-alcoholic; whey beverages; de-alcoholized beverages; non-alcoholic fruit juice beverages; fruit nectars, non-alcoholic; orgeat; beers; malt beer; ginger beer; flavored beers; de-alcoholized beer; wheat beer; shandy; coffee-flavored beer; pale ale; low-alcohol beer; black beers [roasted malt beers]; barley wine [beer]; powders for effervescing beverages; sarsaparilla [non-alcoholic beverage]; syrups for lemonade; syrups for beverages; smoothies; tomato juice [beverage]; cider, non-alcoholic; vegetable juices [beverages]; preparations for making aerated water; preparations for making liqueurs; preparations for making mineral water (terms considered too vague by the International Bureau – rule 13 (2) (b) of the Common Regulations); must; grape must, unfermented; beer wort; malt wort; pastilles for effervescing beverages; sherbets [beverages]; non-alcoholic fruit extracts; extracts of hops for making beer; essences for making beverages.

33 – Alcoholic beverages [except beers]; aperitifs; arak [arrack]; baijiu [Chinese distilled alcoholic beverage]; brandy; wine; sparkling wines; still wines; piquette; whisky; vodka; anisette [liqueur]; kirsch; gin; digesters [liqueurs and spirits]; cocktails; curacao; anise [liqueur]; liqueurs; pre-mixed alcoholic beverages, other than beer-based; alcoholic beverages containing fruit; spirits [beverages]; distilled beverages; hydromel [mead]; peppermint liqueurs; bitters; nira [sugarcane-based alcoholic beverage]; rum; sake; perry; cider; rice alcohol; alcoholic extracts; fruit extracts, alcoholic; alcoholic essences.

34 – Flavourings, other than essential oils, for tobacco; flavourings, other than essential oils, for use in electronic cigarettes; gas containers for cigar lighters; absorbent paper for tobacco pipes; cigarette paper; liquid nicotine solutions for use in electronic cigarettes; lighters for smokers; tobacco pouches; books of cigarette papers; humidors; matchboxes; firestones; smokers' articles; cigar cutters; cigar holders; cigarette holders; mouthpieces for cigarette holders; tips of yellow amber for cigar and cigarette holders; ashtrays for smokers; spittoons for tobacco users; pipe racks for tobacco pipes; pipe cleaners for tobacco pipes; electronic cigarettes; cigarettes; ciga-

rettes containing tobacco substitutes, not for medical purposes; cigarillos; cigars; tobacco jars; match holders; matches; oral vaporizers for smokers; tobacco; chewing tobacco; snuff; snuff boxes; herbs for smoking; tobacco pipes; pocket machines for rolling cigarettes; cigarette filters; cigarette tips; cigar cases; cigarette cases.

(260) AM 2019 101323 A

(800) 1445426

(151) 2018 07 30

(891) 2018 07 30

(731) ADP GAUSELMANN GMBH

Merkur-Allee 1-15, 32339 Espelkamp,

Germany

(540)

Shining Wolf

(591) Black, white

(511)

9 – Computer software; coin-operated mechanisms; computer and video games software; games software in particular for use on any computer platform, including electronic entertainment and games consoles; computer game programs; video games (software); computer games provided through a global computer network or supplied by means of multi-media electronic broadcast or through telecommunications or electronic transmission or via the internet; computer games, leisure and recreational software, video games and computer software, all being provided in the form of storage media; programs for operating electric and electronic apparatus for games, amusement and/or entertainment purposes; computer software for computer games on the internet; online games (software), in particular for online betting games, online prize games, online gambling games, online games of skill and online casino games; computer software in the form of an app for mobile devices and computers; calculating apparatus in coin-operated machines and parts for the aforesaid goods; electric, electronic, optical or automatic apparatus, for identifying data carriers, identity cards and credit cards, bank notes and coins; software in particular for casino and/or amusement arcade games, for gaming machines and/or slot machines each one with or without prize payouts; gaming software that generates or displays wager outcomes of gaming machines; operational computer games software; computer software for managing of games (game collection); collection of video games (terms considered too vague by the International Bureau – rule 13.2.b) of the Common Regulations).

28 – Games; toys; gaming apparatus (including coin-operated apparatus); coin-operated arcade games (machines); games for amusement arcades (included in this class); coin-operated video gaming apparatus; video games adapted for use with external screens or

monitors only (terms considered too vague by the International Bureau – rule 13.2.b) of the Common Regulations); casino fittings, namely roulette tables, roulette wheels; coin-operated automatic gaming machines and gaming machines, in particular for gaming arcades, with or without a prize payout; electronic or electrotechnical gaming apparatus, automatic gaming machines, gaming machines, slot machines operated by coins, tokens, banknotes, tickets or by means of electronic, magnetic or biometric storage media, in particular for commercial use in casinos and amusement arcades, with or without a prize payout; automatic gaming machines and gaming machines, in particular for commercial use in casinos and gaming arcades, with or without a prize payout; coin-operated gaming machines and/or electronic money-based gaming apparatus (machines), with or without prizes; housings adapted for gaming machines, gaming apparatus and automatic gaming machines, operated by means of coins, tokens, tickets or by means of electronic, magnetic or biometric storage media, in particular for commercial use in casinos and gaming arcades, with or without a prize payout; electronic games; electronic game entertainment apparatus and accessories (terms considered too vague by the International Bureau – rule 13.2.b) of the Common Regulations); video output game machines; drawing apparatus for prize games and lotteries, draws or raffles; housings of metal, plastic and/or wood for coin-operated automatic machines; apparatus for games (including video games), other than adapted for use with external screens or monitors only; electropneumatic and electric pulling machines (gaming machines) (terms considered too vague by the International Bureau – rule 13.2.b) of the Common Regulations); gaming tables, in particular for table football, billiards, sliding games; flying discs (toys) and darts; electric, electronic or electromechanical apparatus for bingo games, lotteries or video lottery games and for betting offices, networked or unnetworked (terms considered too vague by the International Bureau – rule 13.2.b) of the Common Regulations); LCD games consoles; automatic gaming machines; including all the aforesaid automatic machines, machines and apparatus operating in networks (terms considered too vague by the International Bureau – rule 13.2.b) of the Common Regulations); apparatus and devices for accepting and storing money, being fittings for the aforesaid automatic machines, included in this class; automatic lottery machines.

(260) AM 2019 101325 A

(800) 1445442

(151) 2017 08 30

(891) 2017 08 30

(731) WENKO-WENSELAAR GMBH CO. KG

Im Hülsfeld 10, 40721 Hilden, Germany

(540)



(591) Blue and white

(531) 26.04.22; 26.04.24; 26.11.08; 27.05.24;
29.01.12

(511)

3 – Bleaching preparations and other substances for laundry use; cleaning, polishing, scouring and abrasive preparations; soaps; perfumery, essential oils, cosmetics, hair lotions; dentifrices; scouring solutions; preparations for unblocking drain pipes; make-up removing preparations; astringents for cosmetic purposes; alum stones [astringents]; aloe vera preparations for cosmetic purposes; amber [perfume]; paint stripping preparations; antistatic preparations for household purposes; antiperspirants [toiletries]; aromatics [essential oils]; flavorings [flavourings] for beverages [essential oils]; flavourings for cakes [essential oils]; breath freshening strips; breath freshening sprays; ethereal essences; ethereal oils; eyebrow cosmetics; eyebrow pencils; soap for brightening textile; flavourings for cakes [essential oils]; bath salts, not for medical purposes; cosmetic preparations for baths; balms other than for medical purposes; beard dyes; moustache wax; bergamot oil; preparations for unblocking drain pipes; pumice stone; preparations to make shiny the leaves of plants; blueing for laundry; skin whitening creams; bleaching preparations [decolorants] for cosmetic purposes; leather bleaching preparations; laundry bleach; bleaching salts; bleaching soda; extracts of flowers [perfumes]; bases for flower perfumes; polish for furniture and flooring; parquet floor wax; cosmetic creams; neutralizers for permanent waving; deodorants for pets; deodorants for human beings or for animals; deodorant soap; detergents other than for use in manufacturing operations and for medical purposes; diamantine [abrasive]; canned pressurized air for cleaning and dusting purposes; scented wood; sachets for perfuming linen; scented water; javelle water; laundry soaking preparations; paint stripping preparations; depilatory preparations; depilatory wax; scale removing preparations for household purposes; ethereal essences; color- [colour-] brightening chemicals for household purposes [laundry]; laundry blueing; colorants for toilet purposes; hair dyes; paint stripping preparations; colour-removing preparations; cosmetic dyes; greases for cosmetic purposes; degreasers other than for use in manufacturing processes; varnish-removing preparations; varnish-removing preparations; stain removers; non-slipping liquids for floors; non-slipping liquids for floors; non-slipping wax for floors; floor wax removers [scouring preparations]; gaultheria oil; dental bleac-

hing gels; geraniol; flavorings [flavourings] for beverages [essential oils]; shining preparations [polish]; laundry glaze; starch glaze for laundry purposes; glass cloth; glass cloth; smoothing preparations [starching]; smoothing stones; bases for flower perfumes; hair waving preparations; hair dyes; hair spray; shampoos; hair lotions; cosmetic creams; cosmetic preparations for skin care; sun-tanning preparations [cosmetics]; heliotropine; ionone [perfumery]; jasmine oil; javelle water; adhesives for affixing false hair; adhesives for cosmetic purposes; adhesives for affixing false eyelashes; eau de Cologne; leather preservatives [polishes]; cosmetics; corundum [abrasive]; cosmetics; cosmetics for animals; cosmetic kits; cosmetic pencils; decorative transfers for cosmetic purposes; cleaning chalk; false nails; false eyelashes; nail varnish; lacquer-removing preparations; lavender oil; lavender water; leather bleaching preparations; creams for leather; leather preservatives [polishes]; lip glosses; lipsticks; floor wax removers [scouring preparations]; lotions for cosmetic purposes; canned pressurized air for cleaning and dusting purposes; air fragrancing preparations; make-up; almond milk for cosmetic purposes; almond oil; almond soap; beauty masks; massage gels other than for medical purposes; carbides of metal [abrasives]; douching preparations for personal sanitary or deodorant purposes [toiletries]; musk [perfumery]; mouth washes, not for medical purposes; false nails; nail art stickers; nail varnish; nail care preparations; washing soda for cleaning; soda lye; cosmetic kits; neutralizers for permanent waving; ethereal oils; oils for toilet purposes; oils for cosmetic purposes; oils for cleaning purposes; oils for perfumes and scents; hair waving preparations; polishing paper; abrasive paper; emery paper; oils for perfumes and scents; perfumery; perfumes; bases for flower perfumes; pastes for razor strops; cobblers' wax; mint for perfumery; mint essence [essential oil]; preparations to make shiny the leaves of plants; flavorings [flavourings] for beverages [essential oils]; polishing creams; polishing preparations; denture polishes; polishing paper; polishing rouge; polishing stones; polishing wax; pomades for cosmetic purposes; potpourris [fragrances]; dry-cleaning preparations; make-up powder; refurbishing preparations; cloths impregnated with a detergent for cleaning; quillaia bark for washing; shaving preparations; shaving soap; shaving stones [astringents]; after-shave lotions; fumigation preparations [perfumes]; joss sticks; wind-screen cleaning liquids; cleansing milk for toilet purposes; cleaning preparations; preparations for cleaning dentures; cloths impregnated with a detergent for cleaning; oils for cleaning purposes; rose oil; rust removing preparations; non-slipping liquids for floors; non-slipping wax for floors; safrol; ammonia [volatile alkali] [detergent]; flavorings [flavourings] for beverages [essential oils]; bleaching salts; sandpaper; whitening; cosmetic preparations for slimming

purposes; abrasives; grinding preparations; abrasive paper; make-up; make-up preparations; make-up powder; emery; emery cloth; emery paper; sandcloth; tailors' wax; cosmetics; beauty masks; boot cream; shoe wax; cobblers' wax; shoemakers' wax; deodorant soap; soap; soap for brightening textile; soap for foot perspiration; antiperspirant soap; shampoos; shampoos for pets; silicon carbide [abrasive]; bleaching soda; sunscreen preparations; sun-tanning preparations [cosmetics]; breath freshening sprays; starch for laundry purposes; starch glaze for laundry purposes; polishing stones; smoothing stones; shaving stones [astringents]; badian essence; cosmetic pencils; breath freshening strips; talcum powder, for toilet use; wallpaper cleaning preparations; terpenes [essential oils]; turpentine, for degreasing; oil of turpentine for degreasing; cosmetics for animals; shampoos for pets; toiletries; cakes of toilet soap; toilet water; Tripoli stone for polishing; dry-cleaning preparations; dry shampoos; drying agents for dishwashing machines; tissues impregnated with cosmetic lotions; glass cloth; petroleum jelly for cosmetic purposes; volcanic ash for cleaning; parquet floor wax; depilatory wax; non-slipping wax for floors; laundry wax; polishing wax; tailors' wax; blueing for laundry; sachets for perfuming linen; laundry blueing; laundry soaking preparations; laundry preparations; hydrogen peroxide for cosmetic purposes; cotton wool for cosmetic purposes; swabs [toiletries]; fabric softeners for laundry use; incense; shoe wax; adhesives for affixing false eyelashes; false eyelashes; cosmetic preparations for eyelashes; mascara; windscreen cleaning liquids; dental bleaching gels; denture polishes; preparations for cleaning dentures; dentifrices; essential oils of cedarwood; decorative transfers for cosmetic purposes; essential oils of lemon.

5 – Pharmaceutical and veterinary preparations; sanitary preparations for medical purposes; dietetic food and substances adapted for medical or veterinary use, food for babies; dietary supplements for humans and animals; plasters, materials for dressings; material for stopping teeth, dental wax; disinfectants; preparations for destroying vermin; fungicides, herbicides; dental impression materials; purgatives; medical preparations for slimming purposes; slimming pills; adjuvants for medical purposes; acaricides; aconitine; aldehydes for pharmaceutical purposes; algicides; alginates for pharmaceutical purposes; alkaline iodides for pharmaceutical purposes; alkaloids for medical purposes; medicinal alcohol; medicinal alcohol; aloe vera preparations for pharmaceutical purposes; dental amalgams; dental amalgams of gold; amino acids for medical purposes; amino acids for veterinary purposes; analgesics; anaesthetics; angostura bark for medical purposes; antibiotics; anti-cryptogamic preparations; antiparasitic preparations; antiseptics; antiseptic cotton; medicine cases, portable, filled; appetite suppressants for medical purposes;

appetite suppressant pills; medicines for human purposes; medicines for veterinary purposes; medicines for dental purposes; aseptic cotton; asthmatic tea; ethers for pharmaceutical purposes; caustics for pharmaceutical purposes; caustic pencils; eye-washes; eyepatches for medical purposes; collyrium; acetates for pharmaceutical purposes; babies' napkin-pants [diaper-pants]; food for babies; diapers [babies' napkins]; mud for baths; oxygen baths; bath salts for medical purposes; bath preparations, medicated; therapeutic preparations for the bath; bacterial poisons; bouillons for bacteriological cultures; bacterial preparations for medical and veterinary use; bacteriological preparations for medical and veterinary use; dietary fibre; balms for medical purposes; balsamic preparations for medical purposes; hygienic bandages; bandages for dressings; adhesive tapes for medical purposes; barks for pharmaceutical purposes; antiseptic cotton; aseptic cotton; cotton for medical purposes; deodorants for clothing and textiles; sedatives; semen for artificial insemination; sanitary towels; biological tissue cultures for medical purposes; biological tissue cultures for veterinary purposes; biological preparations for medical purposes; biological preparations for veterinary purposes; biocides; lead water; blood for medical purposes; haematogen; leeches for medical purposes; blood plasma; depuratives; haemostatic pencils; soil-sterilising preparations; confectionery, medicated; chemical preparations to treat wheat blight [smut]; tanning pills; bromine for pharmaceutical purposes; bronchodilating preparations; diabetic bread adapted for medical use; powder of cantharides; chemical preparations for medical purposes; chemical preparations for pharmaceutical purposes; chemical preparations for veterinary purposes; chemico-pharmaceutical preparations; quinquina for medical purposes; quinine for medical purposes; chinoline for medical purposes; surgical cloth [tissues]; surgical implants [living tissues]; hydrated chloral for pharmaceutical purposes; chloroform; condurango bark for medical purposes; medicines for alleviating constipation; curare; sanitary towels; decoctions for pharmaceutical purposes; dental cements; deodorants, other than for human beings or for animals; deodorants for clothing and textiles; disinfectants for chemical toilets; disinfectants for hygiene purposes; detergents for medical purposes; diabetic bread adapted for medical use; diagnostic preparations for medical purposes; diastase for medical purposes; dietetic beverages adapted for medical purposes; dietetic substances adapted for medical use; dietetic foods adapted for medical purposes; digitalin; dill oil for medical purposes; drugs for medical purposes; alloys of precious metals for dental purposes; albuminous foodstuffs for medical purposes; albuminous preparations for medical purposes; chemical conductors for electrocardiograph electrodes; elixirs [pharmaceutical preparations]; gentian for pharmaceutical purposes; en-

zymes for medical purposes; enzymes for veterinary purposes; enzyme preparations for medical purposes; enzyme preparations for veterinary purposes; aluminium acetate for pharmaceutical purposes; esters for pharmaceutical purposes; eucalyptol for pharmaceutical purposes; eucalyptus for pharmaceutical purposes; extracts of hops for pharmaceutical purposes; fennel for medical purposes; ferments for pharmaceutical purposes; greases for medical purposes; greases for veterinary purposes; febrifuges; fish meal for pharmaceutical purposes; fly catching paper; fly glue; fly destroying preparations; formic aldehyde for pharmaceutical purposes; chilblain preparations; frostbite salve for pharmaceutical purposes; fungicides; bunion pads; Gallic acid for pharmaceutical purposes; gases for medical purposes; gauze for dressings; gelatine for medical purposes; royal jelly for pharmaceutical purposes; dietetic beverages adapted for medical purposes; medicinal drinks; by-products of the processing of cereals for dietetic or medical purposes; surgical cloth [tissues]; poisons; bacterial poisons; glucose for medical purposes; glycerine for medical purposes; glycerophosphates; dental amalgams of gold; guaiacol for pharmaceutical purposes; gum for medical purposes; gamboge for medical purposes; gurjun [gurjon, gurjan] balsam for medical purposes; belts for sanitary napkins [towels]; medicinal hair growth preparations; haemostatic pencils; adhesives for dentures; antiparasitic collars for animals; haemoglobin; haemorrhoid preparations; anti-uric preparations; preparations for destroying dry rot fungus; pharmaceutical preparations for skin care; yeast for pharmaceutical purposes; adhesive plaster; solvents for removing adhesive plasters; remedies for foot perspiration; remedies for perspiration; herbicides; charcoal for pharmaceutical purposes; extracts of hops for pharmaceutical purposes; hormones for medical purposes; preparations for callouses; sanitary panties; babies' napkin-pants [diaper-pants]; pants, absorbent, for incontinents; cement for animal hooves; corn remedies; corn rings for the feet; repellents for dogs; dog lotions; dog washes; hydrastine; hydrastinine; vaccines; surgical implants [living tissues]; napkins for incontinents; pants, absorbent, for incontinents; insect repellent incense; insecticides; insect repellents; insecticides; personal sexual lubricants; Irish moss for medical purposes; isotopes for medical purposes; jalap; iodine for pharmaceutical purposes; iodides for pharmaceutical purposes; iodoform; tincture of iodine; jujube, medicated; potassium salts for medical purposes; preparations of lime for pharmaceutical purposes; calomel; cooling sprays for medical purposes; camphor for medical purposes; camphor oil for medical purposes; candy for medical purposes; capsules for medicines; cachets for pharmaceutical purposes; carbolineum [parasiticide]; poultices; cachou for pharmaceutical purposes; chewing gum for medical purposes; rubber for dental purposes; germicides;

dental mastics; cement for animal hooves; adhesive tapes for medical purposes; adhesive tapes for medical purposes; bone cement for surgical and orthopaedic purposes; charcoal for pharmaceutical purposes; cocaine; collodion for pharmaceutical purposes; collyrium; compresses; solutions for contact lenses; contact lens cleaning preparations; radiological contrast substances for medical purposes; chemical contraceptives; headache pencils; pharmaceutical preparations for treating dandruff; medicinal herbs; smoking herbs for medical purposes; herbal teas for medicinal purposes; medicinal infusions; creosote for pharmaceutical purposes; croton bark; cultures of microorganisms for medical and veterinary use; liquorice for pharmaceutical purposes; stick liquorice for pharmaceutical purposes; milk sugar for pharmaceutical purposes; larvae exterminating preparations; laxatives; cod liver oil; linseed for pharmaceutical purposes; linseed meal for pharmaceutical purposes; chemical conductors for electrocardiograph electrodes; lecithin for medical purposes; liniments; solutions for contact lenses; solvents for removing adhesive plasters; lotions for pharmaceutical purposes; lotions for veterinary purposes; air purifying preparations; lupulin for pharmaceutical purposes; magnesia for pharmaceutical purposes; malt for pharmaceutical purposes; malted milk beverages for medical purposes; milk of almonds for pharmaceutical purposes; mangrove bark for pharmaceutical purposes; preparations for destroying mice; medicinal drinks; medicinal hair growth preparations; medicinal tea; sea water for medicinal bathing; flour for pharmaceutical purposes; chemical preparations to treat mildew; melissa water for pharmaceutical purposes; milking grease; sanitary panties; sanitary tampons; menthol; articles for headache; cultures of microorganisms for medical and veterinary use; nutritive substances for microorganisms; milk ferments for pharmaceutical purposes; malted milk beverages for medical purposes; milk sugar for pharmaceutical purposes; mineral food supplements; mineral waters for medical purposes; salts for mineral water baths; mineral water salts; air deodorising preparations; douching preparations for medical purposes; moulding wax for dentists; moleskin for medical purposes; menstruation bandages; sanitary panties; mud for baths; medicinal mud; mothproofing preparations; mothproofing paper; mouthwashes for medical purposes; ergot for pharmaceutical purposes; myrobalan bark for pharmaceutical purposes; bouillons for bacteriological cultures; lacteal flour for babies; albuminous foodstuffs for medical purposes; nutritive substances for microorganisms; nutritional supplements; albumin dietary supplements; alginate dietary supplements; enzyme dietary supplements; royal jelly dietary supplements; glucose dietary supplements; yeast dietary supplements; casein dietary supplements; linseed dietary supplements; linseed oil dietary supplements; lecithin dietary supple-

ments; pollen dietary supplements; propolis dietary supplements; protein dietary supplements; wheat germ dietary supplements; dietary supplements for animals; dietetic foods adapted for medical purposes; narcotics; bicarbonate of soda for pharmaceutical purposes; sodium salts for medical purposes; by-products of the processing of cereals for dietetic or medical purposes; nervines; cachets for pharmaceutical purposes; medicinal oils; opiates; opium; opodeldoc; ophotherapy preparations; antioxidant pills; paper for mustard plasters; mothproofing paper; antiparasitic collars for animals; antiparasitic preparations; parasiticides; pastilles for pharmaceutical purposes; pectin for pharmaceutical purposes; pepsins for pharmaceutical purposes; peptones for pharmaceutical purposes; pearl powder for medical purposes; pesticides; mint for pharmaceutical purposes; bunion pads; plasters for medical purposes; pharmaceutical preparations; pharmaceutical preparations for treating dandruff; phenol for pharmaceutical purposes; phosphates for pharmaceutical purposes; anticryptogamic preparations; pomades for medical purposes; porcelain for dental prostheses; bronchodilating preparations; propolis for pharmaceutical purposes; protein supplements for animals; pyrethrum powder; quassia for medical purposes; quebracho for medical purposes; mercurial ointments; radioactive substances for medical purposes; radium for medical purposes; rat poison; smoking herbs for medical purposes; fumigating sticks; fumigation preparations for medical purposes; chemical reagents for medical or veterinary purposes; chemical preparations for treating phylloxera; preparations for reducing sexual activity; contact lens cleaning preparations; air purifying preparations; medicine cases, portable, filled; rhubarb roots for pharmaceutical purposes; smelling salts; barks for pharmaceutical purposes; castor oil for medical purposes; radiological contrast substances for medical purposes; ointments for pharmaceutical purposes; mercurial ointments; bath salts for medical purposes; salts for medical purposes; salts for mineral water baths; sarsaparilla for medical purposes; oxygen for medical purposes; oxygen baths; acids for pharmaceutical purposes; pesticides; lint for medical purposes; soporifics; dental abrasives; slug exterminating preparations; vulnerary sponges; chemical preparations for the diagnosis of pregnancy; flowers of sulphur for pharmaceutical purposes; sulphur sticks [disinfectants]; mustard for pharmaceutical purposes; mustard oil for medical purposes; mustard plasters; paper for mustard plasters; serums; serotherapeutic medicines; siccatives [drying agents] for medical purposes; syrups for pharmaceutical purposes; scapulars for surgical purposes; panty liners [sanitary]; sunburn ointments; sunburn preparations for pharmaceutical purposes; semen for artificial insemination; preparations of trace elements for human and animal use; stem cells for medical purposes; stem

cells for veterinary purposes; starch for dietetic or pharmaceutical purposes; sterilising preparations; steroids; haemostatic pencils; wart pencils; breast-nursing pads; adhesive tapes for medical purposes; strychnine; styptic preparations; sulphonamides [medicines]; suppositories; tobacco extracts [insecticides]; tobacco-free cigarettes for medical purposes; sanitary tampons; sanitary tampons; herbal teas for medicinal purposes; medicinal tea; turpentine for pharmaceutical purposes; oil of turpentine for pharmaceutical purposes; deodorants for clothing and textiles; thermal water; thymol for pharmaceutical purposes; animal washes; tinctures for medical purposes; tonics [medicines]; glucose for medical purposes; tissues impregnated with pharmaceutical lotions; vermin destroying preparations; herbicides; vaginal washes; petroleum jelly for medical purposes; gauze for dressings; first-aid boxes, filled; dressings, medical; surgical dressings; absorbent cotton; preparations for the treatment of burns; digestives for pharmaceutical purposes; vesicants; veterinary preparations; cattle washes; vitamin preparations; moulding wax for dentists; animal washes; cattle washes; sea water for medicinal bathing; hydrogen peroxide for medical purposes; wadding for medical purposes; absorbent cotton; insect repellent incense; vine disease treating chemicals; tartar for pharmaceutical purposes; cream of tartar for pharmaceutical purposes; napkins for incontinents; bismuth preparations for pharmaceutical purposes; bismuth subnitrate for pharmaceutical purposes; vulnerary sponges; vermifuges; medicinal roots; preparations to facilitate teething; teeth filling material; dental mastics; dental lacquer; adhesives for dentures; porcelain for dental prostheses; cedar wood for use as an insect repellent; cellulose ethers for pharmaceutical purposes; cellulose esters for pharmaceutical purposes; dental cements; tobacco-free cigarettes for medical purposes; sugar for medical purposes; candy for medical purposes; disinfectant soap; medicated soap.

6 – Common metals and their alloys; metal building materials; transportable buildings of metal; materials of metal for railway tracks; non-electric cables and wires of common metal; ironmongery, small items of metal hardware; pipes and tubes of metal; safes; goods of common metal not included in other classes; ores; gutter pipes of metal; rocket launching platforms of metal; bicycle parking installations of metal; branching pipes of metal; aluminium; aluminium wire; aluminium foil; anvils; anchors; mooring buoys of metal; anchor plates; mooring bollards of metal; jets of metal; anti-friction metal; identification bracelets of metal, for hospitals; fittings of metal for compressed air ducts; reinforcing materials of metal for machine belts; reinforcing materials of metal for building; reinforcing materials of metal for pipes; outdoor blinds of metal; tubing of metal; cabanas of metal; beacons of metal, non-luminous; girders of metal; joists of metal; iron strip; bindings

of metal; bands of metal for tying-up purposes; steel strip; ingots of common metal; building or furniture fittings of nickel-silver; fittings of metal for building; railway material of metal; building materials of metal; tree protectors of metal; building boards of metal; buildings of metal; buildings, transportable, of metal; swimming pools [metal structures]; clips of metal for cables and pipes; signs, non-luminous and non-mechanical, of metal, for roads; containers of metal for compressed gas or liquid air; containers of metal for storing acids; tanks of metal; packaging containers of metal; closures of metal for containers; roof coverings of metal; beryllium [glucinium]; fittings of metal for building; building or furniture fittings of nickel-silver; fittings of metal for furniture; reinforcing materials, of metal, for concrete; shuttering of metal for concrete; fittings of metal for beds; bed casters of metal; binding thread of metal for agricultural purposes; thread of metal for tying-up purposes; binding thread of metal for agricultural purposes; sheets and plates of metal; steel sheets; lead, unwrought or semi-wrought; lead seals; mooring buoys of metal; bolts of metal; door bolts of metal; vats of metal; iron slabs; containers of metal for liquid fuel; letter boxes of metal; bronze; bronzes for tombstones; bronzes [works of art]; letters and numerals of common metal, except type; busts of common metal; cermets; chromium; chrome ores; containers of metal [storage, transport]; floating containers of metal; roof coverings of metal; roofing of metal; roof flashing of metal; tiles of metal; gutters of metal; mooring bollards of metal; manhole covers of metal; monuments of metal; floating docks of metal for mooring boats; boxes of common metal; preserving boxes of metal; box fasteners of metal; wire of common metal; soldering wire of metal; wire of common metal alloys, except fuse wire; wire stretchers [tension links]; wire cloth; materials of metal for funicular railway permanent ways; wire rope; telpher cables; cables of metal, non-electric; ropes of metal; drain pipes of metal; turnstiles; turntables [railways]; window fasteners of metal; containers of metal for compressed gas or liquid air; fittings of metal for compressed air ducts; penstock pipes of metal; pegs of metal; wall plugs of metal; nozzles of metal; brackets of metal for building; skating rinks [structures of metal]; iron, unwrought or semi-wrought; ironmongery; loading gauge rods, of metal, for railway wagons; railway sleepers of metal; railway points; stretchers for iron bands [tension links]; iron wire; iron ores; ice moulds of metal; iron ores; bicycle parking installations of metal; registration plates of metal; badges of metal for vehicles; locks of metal for vehicles; traps for wild animals; paint spraying booths of metal; casks of metal; barrels of metal; taps for casks, of metal; barrel hoops of metal; springs [metal hardware]; filings of metal; windows of metal; ironwork for windows; fittings of metal for windows; window stops of me-

tal; shutters of metal; window frames of metal; window casement bolts; window pulleys; chrome iron; silicon iron; titanium iron; tungsten iron; firedogs [andirons]; refractory construction materials of metal; furnace fireguards; figurines [statuettes] of common metal; flanges of metal [collars]; bottles [metal containers] for compressed gas or liquid air; bottle caps of metal; bottle closures of metal; insect screens of metal; tile floorings of metal; aluminium foil; foils of metal for wrapping and packaging; handling pallets of metal; foundry molds [moulds] of metal; hoppers of metal, non-mechanical; door scrapers; floors of metal; galena [ore]; boarding stairs of metal, mobile, for passengers; sheaf binders of metal; hooks of metal for clothes rails; memorial plates of metal; cashboxes of metal; safes [strong boxes]; germanium; framework of metal for building; scaffolding of metal; cornices of metal; mouldings of metal for cornices; cask stands of metal; greenhouses of metal, transportable; greenhouse frames of metal; wire cloth; foundry molds [moulds] of metal; latticework of metal; insect screens of metal; gratings of metal; bars for metal railings; bells; gold solder; monuments of metal for tombs; enclosures of metal for tombs; tombs of metal; vaults of metal [burial]; gravestone slabs of metal; tombstone stelae of metal; tombstone plaques of metal; knobs of metal; door handles of metal; ferrules of metal for handles; straps of metal for handling loads; braces of metal for handling loads; cast iron, unwrought or semi-wrought; celtium [hafnium]; taps for casks, of metal; hooks of metal for clothes rails; clothes hooks of metal; hooks [metal hardware]; hooks for slate [metal hardware]; anvils [portable]; handcuffs; towel dispensers, fixed, of metal; brazing alloys; reels of metal, non-mechanical, for flexible hoses; winding spools of metal, non-mechanical, for flexible hoses; house numbers of metal, non-luminous; slings of metal for handling loads; beak-irons [bick-irons]; horseshoe nails; chicken-houses of metal; identity plates of metal; indium; jalousies of metal; cables of metal, non-electric; binding screws of metal for cables; cable joints of metal, non-electric; cabanas of metal; paint spraying booths of metal; telephone booths of metal; tiles of metal for building; cadmium; metal cages for wild animals; platforms, prefabricated, of metal; chimney pots of metal; chimney cowls of metal; bottle caps of metal; sealing caps of metal; cashboxes of metal; safety cashboxes; boxes of common metal; chests of metal; tool boxes of metal, empty; rope thimbles of metal; flashing of metal, for building; angle irons; roof flashing of metal; chains of metal; couplings of metal for chains; chests of metal; cramps of metal [crampons]; drain traps [valves] of metal; water-pipe valves of metal; clothes hooks of metal; vice claws of metal; binding screws of metal for cables; pitons of metal [mountaineering equipment]; ducts of metal for ventilating and air conditioning installations; bells; knobs of

metal; cobalt, raw; tool chests of metal, empty; chill-moulds [foundry]; preserving boxes of metal; baskets of metal; cramps of metal [crampons]; balls of steel; skating rinks [structures of metal]; works of art of common metal; copper, unwrought or semi-wrought; copper wire, not insulated; copper rings; loading pallets of metal; loading gauge rods, of metal, for railway wagons; cask stands of metal; anti-friction metal; straps of metal for handling loads; laths of metal; arbours [structures of metal]; duckboards of metal; alloys of common metal; ladders of metal; steps [ladders] of metal; crash barriers of metal for roads; guard rails of metal; ducts of metal for ventilating and air conditioning installations; pipework of metal; water-pipes of metal; reinforcing materials of metal for pipes; posts of metal for electric lines; limonite; gold solder; silver solder; soldering wire of metal; rods of metal for brazing; rods of metal for welding; ducts of metal for ventilating and air conditioning installations; blooms [metallurgy]; magnesium; manganese; porches of metal [building]; masts of metal; steel masts; posts of metal for electric lines; telegraph posts of metal; wall claddings of metal [building]; brass, unwrought or semi-wrought; reinforcing materials of metal, for concrete; common metals, unwrought or semi-wrought; ores of metal; bottles [metal containers] for compressed gas or liquid air; chains of metal; metals in powder form; frames of metal for building; rings of metal; rods of metal for brazing and welding; fittings of metal for furniture; furniture casters of metal; molybdenum; molybdenum iron; troughs of metal for mixing mortar; sleeves [metal hardware]; pipe muffs of metal; nuts of metal; nails; identification bracelets of metal, for hospitals; identity plates of metal; wire cloth; German silver; nickel; nickel-silver; rivets of metal; niobium; house numbers of metal, non-luminous; registration plates, of metal; case-ment windows of metal; lintels of metal; furnace fire screens; handling pallets of metal; loading pallets, of metal; transport pallets of metal; armour plate; armour plating; boarding stairs of metal, mobile, for passengers; posts of metal; palings of metal; paving blocks of metal; posts of metal; advertisement columns of metal; badges of metal for vehicles; floor tiles, of metal; tile floorings of metal; lead seals; stops of metal; metals in powder form; pyrophoric metals; wheel clamps [boots]; window frames of metal; greenhouse frames of metal; frames of metal for building; rocket launching platforms of metal; mouldings of metal for cornices; barrel hoops of metal; bolts, flat; lock bolts; rings of metal; gutters of metal; angle irons; cobalt, raw; tubes of metal; drain pipes of metal; chimney shafts of metal; steel tubes; ducts of metal, for central heating installations; steel tubes; elbows of metal for pipes; pipework of metal; penstock pipes of metal; manifolds of metal for pipelines; pipe muffs of metal; collars of metal for fastening pipes; junctions of metal for pi-

pes; furniture casters of metal; runners of metal for sliding doors; roller blinds of steel; outdoor blinds of metal; duckboards of metal; locks of metal for bags; fittings of metal for coffins; pillars of metal for buildings; containers of metal for storing acids; tubing of metal; manhole covers of metal; strap-hinges of metal; hinges of metal; washers of metal; valves of metal, other than parts of machines; hooks for slate [metal hardware]; rails of metal; guard rails of metal; railway material of metal; fish plates [rails]; signboards of metal; reels of metal, non-mechanical, for flexible hoses; winding spools of metal, non-mechanical, for flexible hoses; slings of metal for handling loads; locks of metal, other than electric; locks of metal for vehicles; padlocks; keys; rings of common metal for keys; grease nipples; buckles of common metal [hardware]; spring locks; chimney cowls of metal; chimneys of metal; chimney pots of metal; chimney shafts of metal; screws of metal; nuts of metal; braces of metal for handling loads; soldering wire of metal; rods of metal for brazing and welding; sills of metal; railway sleepers of metal; eye bolts; swimming pools [metal structures]; floating containers of metal; figurines [statuettes] of common metal; steps [ladders] of metal; crampons [climbing irons]; pins [hardware]; tacks [nails]; ferrules of metal for walking sticks; horseshoe nails; signs, non-luminous and non-mechanical, of metal, for roads; crash barriers of metal for roads; posts of metal for electric lines; stair treads [steps] of metal; lintels of metal; props of metal; signalling panels, non-luminous and non-mechanical, of metal; wainscoting of metal; tanks of metal; containers of metal for liquid fuel; tantalum [metal]; ropes of metal; telephone booths of metal; telegraph posts of metal; metal cages for wild animals; titanium; titanium iron; tom-bac; barrels of metal; barrel hoops of metal; gates of metal; girders of metal; framework of metal for building; transport pallets of metal; reinforcing materials of metal for machine belts; machine belt fasteners of metal; belt stretchers of metal; partitions of metal; staircases of metal; stair treads [steps] of metal; stringers [parts of staircases] of metal; hoppers of metal, non-mechanical; troughs of metal for mixing mortar; ironwork for doors; door fittings, of metal; door bolts of metal; doors of metal; door stops of metal; door panels of metal; door handles of metal; door bells, non-electric; latch bars of metal; door knockers; door openers, non-electric; door frames of metal; latches of metal; runners of metal for sliding doors; door closers, non-electric; alloys of common metal; common metals, unwrought or semi-wrought; shims; shims; vanadium; drain traps [valves] of metal; water-pipe valves of metal; valves of metal, other than parts of machines; couplings of metal for chains; junctions of metal for pipes; linings of metal [building]; tinplate packings; packaging containers of metal; foils of metal for wrapping and packaging; shuttering of metal for concrete; casings

of metal for oilwells; closures of metal for containers; locks of metal for bags; sealing caps of metal; manifolds of metal for pipelines; bells for animals; cattle chains; wind-driven bird-repelling devices made of metal; bird baths [structures of metal]; aviaries of metal [structures]; aviaries of metal [structures]; padlocks; wall linings of metal [building]; water-pipes of metal; railway points; tinsplate; tinsplate packings; white metal; tool boxes of metal, empty; tool chests of metal, empty; weather or wind vanes of metal; wind-driven bird-repelling devices made of metal; brackets of metal for building; tungsten; tungsten iron; letters and numerals of common metal, except type; pot hooks of metal; fences of metal; tent pegs of metal; ducts of metal, for central heating installations; ceilings of metal; zinc; tin; silver plated tin alloy; zirconium; tacks [nails]; ferrules of metal; ferrules of metal for walking sticks.

8 – Hand tools and implements [hand-operated]; cutlery; side arms; razors; instruments and tools for skinning animals; implements for decanting liquids [hand tools]; wire strippers [hand tools]; priming irons [hand tools]; leather strops; sharpening steels; awls; oyster openers; axes; hatchets; picks [hand tools]; bayonets; fireplace bellows [hand tools]; beard clippers; tree pruners; pruning shears; axes; table cutlery [knives, forks and spoons]; cattle stunning appliances; fireplace bellows [hand tools]; bow saws; bits [parts of hand tools]; borers; gimlets [hand tools]; drill holders [hand tools]; ratchets [hand tools]; extension pieces for braces for screwtaps; bits [hand tools]; cutter bars; breast drills; branding irons; crow bars; adzes [tools]; branding irons; flat irons; glaziers' diamonds [parts of hand tools]; caulking irons; daggers; can openers, non-electric; drills; pin punches; egg slicers, non-electric; irons [non-electric hand tools]; ice picks; apparatus and instruments for skinning butcher's animals; depilation appliances, electric and non-electric; table cutlery [knives, forks and spoons]; table forks; razor cases; palette knives; masons' hammers; penknives; tweezers; files [tools]; fingernail polishers, electric or non-electric; scaling knives; mincing knives [hand tools]; milling cutters [hand tools]; hand implements for hair curling; table forks; forks; pruning knives; pruning scissors; garden tools, hand-operated; goffering irons; mitre [miter (am.)] boxes [hand tools]; nail drawers [hand tools]; vegetable slicers; frames for handsaws; extension pieces for braces for screwtaps; taps [hand tools]; dies [hand tools]; foundry ladles [hand tools]; glaziers' diamonds [parts of hand tools]; polishing irons [glazing tools]; sand trap rakes; engraving needles; tool belts [holders]; curling tongs; depilation appliances, electric and non-electric; hair clippers for personal use, electric and non-electric; ditchers [hand tools]; cleavers; hammers [hand tools]; hand drills [hand tools]; hand pumps; rams [hand tools]; frames for handsaws; hand tools, hand-operated; rakes [hand tools]; harpoons; harpo-

ons for fishing; levers; lifting jacks, hand-operated; hackles [hand tools]; border shears; side arms, other than firearms; bill-hooks; planes; plane irons; hollowing bits [parts of hand tools]; gouges [hand tools]; sledgehammers; farriers' knives; insecticide vaporizers [hand tools]; syringes for spraying insecticides; hunting knives; hoes [hand tools]; fish tapes [hand tools]; instruments for punching tickets; cheese slicers, non-electric; moulding irons; ladles [hand tools]; razor blades; truncheons; scraping tools [hand tools]; mortise chisels; pickhammers; mitre [miter (am.)] boxes [hand tools]; agricultural implements, hand-operated; jig-saws; wick trimmers [scissors]; perforating tools [hand tools]; instruments for punching tickets; punch pliers [hand tools]; spoons; machetes; manicure sets, electric; manicure sets; livestock marking tools; trowels; graving tools [hand tools]; chisels; knives; blades for planes; blades [hand tools]; blades [weapons]; scaling knives; cutlery; Hainault scythes; mortars for pounding; reamer sockets; money scoops; needle files; nail files; nail files, electric; cuticle tweezers; fingernail polishers, electric or non-electric; nail clippers, electric or non-electric; nail nippers; nail extractors; manicure sets; pedicure sets; shaving cases; nail punches; riveting hammers [hand tools]; riveters [hand tools]; numbering punches; fruit pickers [hand tools]; ear-piercing apparatus; budding knives; plant parasite killing apparatus; pedicure sets; trowels [gardening]; plant parasite killing apparatus; earth rammers [hand tools]; grafting tools [hand tools]; pickaxes; pincers; hair-removing tweezers; guns [hand tools]; guns, hand-operated, for the extrusion of mastics; pizza cutters, non-electric; hand pumps; punches [hand tools]; wick trimmers [scissors]; rams [hand tools]; braiders [hand tools]; lawn clippers [hand instruments]; razors, electric or non-electric; razor cases; razor blades; razors, electric or non-electric; razor strops; shaving cases; pruning knives; sand trap rakes; rakes [hand tools]; reamers; reamer sockets; rasps [hand tools]; hoop cutters [hand tools]; annular screw plates; diggers [hand tools]; tube cutters [hand tools]; tube cutting instruments; sabres; sword scabbards; saw blades [parts of hand tools]; saws [hand tools]; saw holders; scrapers [hand tools]; sharpening instruments; shovels [hand tools]; grindstones [hand tools]; scissors; shears; shear blades; shearers [hand instruments]; cattle shearers; apparatus and instruments for slaughtering butchers' animals; mallets [hand instruments]; punch rings [knuckle dusters]; truncheons; masons' hammers; blade sharpening instruments; abrading instruments [hand instruments]; grindstones [hand tools]; emery grinding wheels; sharpening stones; spanners [hand tools]; emery files; emery grinding wheels; beard clippers; cutters; egg slicers, non-electric; cheese slicers, non-electric; pizza cutters, non-electric; cutting tools [hand tools]; edge tools [hand tools]; metal-cutting bars; screwdrivers; vices; clamps for carpenters or

coopers; lasts [shoemakers' hand tools]; fire irons; paring knives; swords; scythes; scythe rings; scythe stones; fullers [hand tools]; sickles; rabbeting planes; blades for planes; spatulas [hand tools]; guns, hand-operated, for the extrusion of mastics; expanders [hand tools]; stretchers for wire and metal bands [hand tools]; palette knives; spades [hand tools]; picks [hand tools]; mattocks; centre punches [hand tools]; marline spikes; syringes for spraying insecticides; insecticide vaporizers [hand tools]; sharpening steels; earth rammers [hand tools]; rammers [hand tools]; hand-operated cutting tools; augers [hand tools]; stamping-out tools [hand tools]; embossers [hand tools]; stone hammers; chisels; stamping-out tools [hand tools]; fire irons; holing axes; paring irons [hand tools]; rammers [hand tools]; leather strops; silver plate [knives, forks and spoons]; apparatus for tattooing; hair clippers for animals [hand instruments]; weeding forks [hand tools]; thistle extirpators [hand tools]; cattle stunning appliances; livestock marking tools; cattle shearers; side arms, other than firearms; lifting jacks, hand-operated; crimping irons; fulling tools [hand tools]; hand tools, hand-operated; tool belts [holders]; sharpening steels; whetstone holders; stropping instruments; choppers [knives]; vegetable choppers; eyelash curlers; wrenches [hand tools]; lifting jacks, hand-operated; squares [hand tools]; pliers; eyelash curlers; insecticide vaporizers [hand tools]; drawing knives; carpenters' augers; clamps for carpenters or coopers; knife handles of metal; tool handles of metal; knife handles of metal; scythe handles of metal; tool handles of metal; knife handles, not of metal; tool handles, not of metal; scythe handles, not of metal.

11 – Apparatus for lighting, heating, steam generating, cooking, refrigerating, drying, ventilating, water supply and sanitary purposes; flare stacks for use in the oil industry; air valves for steam heating installations; sinks; purification installations for sewage; extractor hoods for kitchens; brackets for gas burners; friction lighters for igniting gas; gas lighters; lighters; furnace ash boxes; ash conveyor installations, automatic; expansion tanks for central heating installations; acetylene burners; acetylene generators; acetylene flares; heaters, electric, for feeding bottles; bakers' ovens; bath fittings; heaters for baths; Turkish bath cabinets, portable; bath tubs; bath linings; bath installations; lava rocks for use in barbecue grills; barbecues; wash-hand basins [parts of sanitary installations]; aquarium lights; lighting installations for air vehicles; lighting apparatus and installations; lighting apparatus for vehicles; light-emitting diodes [LED] lighting apparatus; lamps; ventilation hoods; ventilation hoods for laboratories; structural plates for ovens; bedwarmers; warming pans; watering machines for agricultural purposes; bidets; anti-glare devices for vehicles [lamp fittings]; anti-dazzle devices for automobiles [lamp fittings]; torches for lighting; arc lamps; carbon for arc lamps;

tanning apparatus [sun beds]; burners; germicidal burners; furnaces, other than for laboratory use; fuel burners; bread-making machines; bread baking machines; bread toasters; fountains; ornamental fountains; swimming pool chlorinating apparatus; lights, electric, for Christmas trees; chromatography apparatus for industrial purposes; autoclaves [electric pressure cookers]; drying apparatus for fodder and forage; steam generating installations; steam boilers, other than parts of machines; fabric steamers; air valves for steam heating installations; steam accumulators; blankets, electric, not for medical purposes; ceiling lights; dental ovens; disinfectant apparatus; disinfectant dispensers for toilets; air deodorising apparatus; deodorising apparatus, not for personal use; refining towers for distillation; distillation columns; distillation apparatus; stills; fruit roasters; roasting jacks; pressure water tanks; showers; shower cubicles [enclosures (am.)]; bath linings; heaters for heating irons; ice machines and apparatus; ice boxes; electrically heated carpets; defrosters for vehicles; discharge tubes, electric, for lighting; desalination plants; air reheaters; flares; torches for lighting; bicycle lights; light bulbs for directional signals for vehicles; lamps for directional signals of automobiles; lighting apparatus for vehicles; defrosters for vehicles; heaters for vehicles; air conditioners for vehicles; lights for vehicles; heating apparatus for defrosting windows of vehicles; vehicle reflectors; vehicle headlights; sockets for electric lights; forges, portable; flues for heating boilers; filters for air conditioning; filters [parts of household or industrial installations]; air filtering installations; aquarium filtration apparatus; water filtering apparatus; heaters, electric, for feeding bottles; curling lamps; deep fryers, electric; kiln furniture [supports]; loading apparatus for furnaces; footmuffs, electrically heated; footwarmers, electric or non-electric; drying apparatus for fodder and forage; friction lighters for igniting gas; gas lighters; gas burners; brackets for gas burners; gas boilers; gas condensers, other than parts of machines; gas lamps; gas scrubbing apparatus; gas scrubbers [parts of gas installations]; freezers; steam boilers, other than parts of machines; steam facial apparatus [saunas]; beverage cooling apparatus; lamp glasses; light bulbs, electric; light bulbs; incandescent burners; filaments for electric lamps; lamp mantles; roasting apparatus; rotisseries; roasting spits; miners' lamps; hair driers [dryers]; taps [faucets]; taps [cocks, spigots] [faucets (am.)] for pipes; hand drying apparatus for washrooms; extractor hoods for kitchens; ventilation hoods; luminous house numbers; hot air apparatus; hot air bath fittings; water heaters; blankets, electric, not for medical purposes; heating filaments, electric; heating apparatus, electric; aquarium heaters; heating apparatus for solid, liquid or gaseous fuels; heating boilers; boilers, other than parts of machines; feeding apparatus for heating boilers; heating cushions

[pads], electric, not for medical purposes; heating elements; radiator caps; hot air ovens; heating plates; radiators [heating]; heating apparatus; heating installations; heaters for vehicles; heating installations [water]; flues for heating boilers; boiler pipes [tubes] for heating installations; hearths; microwave ovens for industrial purposes; hydrants; hydromassage bath apparatus; ionization apparatus for the treatment of air or water; electric appliances for making yogurt; electric appliances for making yogurt; shower cubicles [enclosures (am.)]; Turkish bath cabinets, portable; coffee filters, electric; coffee machines, electric; coffee percolators, electric; coffee roasters; coffee roasters; fireplaces, domestic; furnace ash boxes; processing installations for fuel and nuclear moderating material; processing installations for fuel and nuclear moderating material; nuclear reactors; gas boilers; heating boilers; laundry room boilers; purification installations for sewage; air conditioning installations; air conditioners for vehicles; air conditioning apparatus; oxyhydrogen burners; cooking apparatus and installations; kilns; cooking utensils, electric; kitchen ranges [ovens]; cooking rings; carbon for arc lamps; gas condensers, other than parts of machines; anti-dazzle devices for automobiles [lamp fittings]; lights for automobiles; headlights for automobiles; chandeliers; cookers; lamp globes; cooling installations for liquids; cooling installations for tobacco; milk cooling installations; cooling installations and machines; cooling installations for water; refrigerators; cooling appliances and installations; refrigerating apparatus and machines; refrigerating containers; coolers for furnaces; air cooling apparatus; refrigerating chambers; refrigerating cabinets; refrigerating display cabinets [display cases]; laboratory burners; laboratory lamps; lamps; arc lamps; electric lamps; sockets for electric lights; curling lamps; light bulbs for directional signals for vehicles; lamps for directional signals of automobiles; filaments for electric lamps; germicidal lamps for purifying air; oil lamps; projector lamps; safety lamps; diving lights; ultraviolet ray lamps, not for medical purposes; burners for lamps; lamp glasses; lamp mantles; lamp globes; lamp chimneys; lamp shades; lampshade holders; Chinese lanterns; lanterns for lighting; lava rocks for use in barbecue grills; glue-heating appliances; pipes [parts of sanitary installations]; water conduits installations; bicycle lights; lights for vehicles; lights for automobiles; cycle lights; luminous tubes for lighting; discharge tubes, electric, for lighting; light diffusers; humidifiers for central heating radiators; air deodorising apparatus; electric fans for personal use; air reheaters; lighting installations for air vehicles; filters for air conditioning; air filtering installations; air cooling apparatus; air purifying apparatus and machines; germicidal lamps for purifying air; spa baths [vessels]; air sterilizers; air driers [dryers]; ventilation [air-conditioning] installations for vehicles;

ventilation [air-conditioning] installations and apparatus; magnesium filaments for lighting; malt roasters; desalination plants; microwave ovens [cooking apparatus]; microwave ovens for industrial purposes; milk cooling installations; mixer taps for water pipes; anti-splash tap nozzles; level controlling valves in tanks; luminous house numbers; fruit roasters; stoves [heating apparatus]; furnaces, other than for laboratory use; heaters for baths; furniture [supports]; loading apparatus for furnaces; coolers for furnaces; incinerators; fittings, shaped, for furnaces; structural plates for ovens; fittings, shaped, for furnaces; oven fittings made of fireclay; furnace grates; oil burners; oil lamps; oil-scrubbing apparatus; pasteurisers; petrol burners; heating plates; hot plates; polymerisation installations; projector lamps; heat pumps; radiators, electric; refining towers for distillation; fumigation apparatus, not for medical purposes; dampers [heating]; chimney flues; clean chambers [sanitary installations]; stoves; lamp reflectors; regulating and safety accessories for gas apparatus; regulating and safety accessories for gas pipes; regulating and safety accessories for water apparatus; regulating accessories for water or gas apparatus and pipes; water purification installations; gas scrubbing apparatus; water purifying apparatus and machines; clean chambers [sanitary installations]; flare stacks for use in the oil industry; boiler pipes [tubes] for heating installations; lamp chimneys; taps [cocks, spigots] [faucets (am.)] for pipes; coils [parts of distilling, heating or cooling installations]; furnace grates; roasters; coffee roasters; vehicle reflectors; sanitary apparatus and installations; sauna bath installations; heating apparatus for defrosting windows of vehicles; acetylene flares; vehicle headlights; headlights for automobiles; chimney blowers; lamp shades; coils [parts of distilling, heating or cooling installations]; forges, portable; pressure cooking saucepans, electric; chimney blowers; ice boxes; refrigerating cabinets; safety lamps; safety accessories for water or gas apparatus and pipes; bath tubs for sitz baths; solar furnaces; steam accumulators; pressure water tanks; heat accumulators; feeding apparatus for heating boilers; disinfectant dispensers for toilets; alcohol burners; fountains; sinks; street lamps; sterilizers; water sterilizers; sterilizers for household use; stoves; street lamps; tobacco roasters; pocket torches, electric; pocket warmers; diving lights; immersion heaters; plate warmers; electrically heated carpets; solar thermal collectors [heating]; thermostatic valves [parts of heating installations]; refrigerating appliances and installations; bread toasters; toilets, portable; toilets [water-closets]; toilet bowls; toilet seats; water flushing installations; flushing tanks; watering installations, automatic; ash conveyor installations, automatic; filters for drinking water; desiccating apparatus; drying apparatus and installations; drying apparatus; hair driers [dryers]; air driers [dryers]; drip irrigation emitters [irrigation

fittings]; ultraviolet ray lamps, not for medical purposes; washers for water taps; urinals [sanitary fixtures]; fans [air-conditioning]; fans [parts of air-conditioning installations]; level controlling valves in tanks; thermostatic valves [parts of heating installations]; incinerators; evaporators; radiator caps; refrigerating display cabinets [display cases]; waffle irons, electric; heat pumps; heat regenerators; heat accumulators; heat exchangers, not parts of machines; hot water bottles; hot plates; water heaters [apparatus]; water heaters; heating installations [water]; wash-hand basins [parts of sanitary installations]; gas scrubbers [parts of gas installations]; laundry room boilers; laundry dryers, electric; water softening apparatus and installations; filters for drinking water; water filtering apparatus; anti-splash tap nozzles; washers for water taps; flushing tanks; kettles, electric; cooling installations for water; mixer taps for water pipes; water conduits installations; water purification installations; water purifying apparatus and machines; water sterilizers; water supply installations; water distribution installations; water intake apparatus; sterilizers for household use; whirlpool-jet apparatus; central heating radiators; humidifiers for central heating radiators; ornamental fountains; fireplaces, domestic; dampers [heating]; gas lighters; lighters; cycle lights; lamp chimneys.

16 – Paper, cardboard and goods made from these materials, not included in other classes; printed matter; bookbinding material; photographs; stationery; adhesives for stationery or household purposes; artists' materials; paint brushes; typewriters and office requisites [except furniture]; instructional and teaching material [except apparatus]; plastic materials for packaging [not included in other classes]; printers' type; printing blocks; credit card imprinters, non-electric; garbage bags of paper or of plastics; napkins of paper for removing make-up; transfers [decalcomanias]; address plates for addressing machines; address stamps; addressing machines; address plates for addressing machines; folders for papers; document files [stationery]; albums; almanacs; moisteners [office requisites]; announcement cards [stationery]; aquarelles; architects' models; arithmetical tables; wristbands for the retention of writing instruments; atlases; stickers [stationery]; elastic bands for offices; gummed tape [stationery]; adhesive tapes for stationery or household purposes; paper ribbons; money clips; moisteners for gummed surfaces [office requisites]; cabinets for stationery [office requisites]; paperweights; bags for microwave cooking; bags [envelopes, pouches] of paper or plastics, for packaging; mats for beer glasses; pictures; transfers [decalcomanias]; paintings [pictures], framed or unframed; biological samples for use in microscopy [teaching materials]; paper sheets [stationery]; blueprints; pencils; pencil holders; pencil leads; pencil sharpeners, electric or non-electric; pencil sharpening machines, electric or non-electric; pads [stationery];

flower-pot covers of paper; flower-pot covers of paper; booklets; paperweights; letter trays; postage stamps; writing paper; pamphlets; bookbinding material; cords for bookbinding; bookbinding apparatus and machines [office equipment]; cloth for bookbinding; fabrics for bookbinding; bookbindings; books; bookends; office requisites, except furniture; clips for offices; painters' brushes; chromolithographs [chromos]; pen clips; comic books; paper tapes and cards for the recording of computer programmes; graphic representations; diagrams; document laminators for office use; document holders [stationery]; printed matter; printing sets, portable [office requisites]; printers' galleys; electrotypes; printing blocks; inking sheets for document reproducing machines; inking sheets for duplicators; printers' blankets, not of textile; printing type; type [numerals and letters]; covers [stationery]; tickets; electrocardiograph paper; labels, not of textile; hand labelling appliances; stencil cases; drawing sets; flags of paper; tickets; folders [stationery]; binding strips [bookbinding]; inking ribbons; inking ribbons for computer printers; typewriter ribbons; spools for inking ribbons; chromolithographs [chromos]; artists' watercolor [watercolour] saucers; paint boxes [articles for use in school]; paint trays; penholders; pen clips; pen cases; pens [office requisites]; nibs; nibs of gold; steel pens; pen wipers; humidity control sheets of paper or plastic for foodstuff packaging; figurines [statuettes] of papier mâché; paper coffee filters; filtering materials [paper]; filter paper; finger-stalls [office requisites]; isinglass for stationery or household purposes; bottle envelopes of cardboard or paper; bottle wrappers of cardboard or paper; flyers; plastic film for wrapping; sheets of reclaimed cellulose for wrapping; plastic bubble packs for wrapping or packaging; plastic cling film, extensible, for palletization; viscose sheets for wrapping; moulds for modelling clays [artists' materials]; forms, printed; photographs [printed]; apparatus for mounting photographs; photograph stands; photo-engravings; franking machines for office use; fountain pens; cords for bookbinding; trays for sorting and counting money; paintings [pictures], framed or unframed; song books; face towels of paper; terrestrial globes; greeting cards; gluten [glue] for stationery or household purposes; graphic representations; graphic reproductions; etching needles; engraving plates; engravings; photo-engravings; slate pencils; gums [adhesives] for stationery or household purposes; elastic bands for offices; gummed cloth for stationery purposes; stands for pens and pencils; chalk holders; manuals [handbooks]; hand labelling appliances; hand-rests for painters; towels of paper; writing or drawing books; stapling presses [office requisites]; drawing pins; hectographs; histological sections for teaching purposes; wood pulp paper; wood pulp board [stationery]; folders for papers; envelopes [stationery]; passport holders; hat boxes

of cardboard; perforated cards for Jacquard looms; paper coffee filters; calendars; graining combs; coasters of paper; index cards [stationery]; cards; announcement cards [stationery]; geographical maps; greeting cards; paper tapes and cards for the recordal of computer programmes; tags for index cards; cardboard; cardboard articles; cardboard tubes; cabinets for stationery [office requisites]; cases for stamps [seals]; catalogues; inking pads; money clips; adhesive tapes for stationery or household purposes; apparatus for mounting photographs; gluten [glue] for stationery or household purposes; adhesives [glues] for stationery or household purposes; adhesive bands for stationery or household purposes; adhesive tape dispensers [office requisites]; starch paste [adhesive] for stationery or household purposes; paper-clips; clipboards; printing blocks; bags for microwave cooking; charcoal pencils; carbon paper; copying paper [stationery]; letter trays; correcting tapes [office requisites]; correcting fluids [office requisites]; correcting ink [heliography]; credit card imprinters, non-electric; chalk for lithography; tailors' chalk; writing chalk; chalk holders; balls for ball-point pens; lithographic works of art; plastic film for wrapping; French curves; sealing wax; document laminators for office use; geographical maps; bibs of paper; teaching materials [except apparatus]; glue for stationery or household purposes; cloth for bookbinding; canvas for painting; tracing cloth; bookmarkers; steel letters; luminous paper; drawing rulers; chalk for lithography; lithographs; office perforators; perforated cards for Jacquard looms; punches [office requisites]; blotters; loose-leaf binders; plastic bubble packs for wrapping or packaging; magazines [periodicals]; painters' brushes; canvas for painting; palettes for painters; house painters' rollers; stencil plates; paint boxes [articles for use in school]; painters' easels; flower-pot covers of paper; writing cases [stationery]; marking chalk; marking pens [stationery]; graining combs; stencils; paper knives [cutters] [office requisites]; scrapers [erasers] for offices; pencil leads; pencil lead holders; modelling paste; architects' models; modelling materials; plastics for modeling; modelling clay; moulds for modelling clays [artists' materials]; modelling wax, not for dental purposes; musical greeting cards; artists' watercolor [watercolour] saucers; note books; paper-clips; numbering apparatus; sealing wafers; oleographs; files [office requisites]; wrapping paper; numbering apparatus; palettes for painters; pantographs [drawing instruments]; paper; writing paper; filter paper; electrocardiograph paper; paper for recording machines; waxed paper; luminous paper; blotters; parchment paper; paper for radiograms; silver paper; toilet paper; stationery; wrapping paper; paper tapes and cards for the recordal of computer programmes; paper ribbons; paper sheets [stationery]; filtering materials [paper]; face towels of paper; towels of paper; papier mâché; flower-pot covers of paper; paper

knives [cutters] [office requisites]; paper bows; table napkins of paper; table napkins of paper; handkerchiefs of paper; conical paper bags; paper shredders for office use; cardboard; wood pulp board [stationery]; pastels [crayons]; tracing patterns; tracing cloth; tracing paper; parchment paper; seals [stamps]; paintbrushes; posters; placards of paper or cardboard; advertisement boards of paper or cardboard; blueprints; printed timetables; plastic cling film, extensible, for palletization; engraving plates; place mats of paper; portraits; postcards; prospectuses; erasing products; rubber erasers; scrapers [erasers] for offices; erasing shields; etchings; paper for radiograms; composing frames [printing]; arithmetical tables; indexes, ledgers [books]; printers' galleys; drawing boards; passport holders; drawing pens; tracing needles for drawing purposes; drawing pins; drawing T-squares; graphic reproductions; cardboard tubes; newsletters; indexes; garbage bags of paper or of plastics; cream containers of paper; trading cards other than for games; absorbent sheets of paper or plastic for foodstuff packaging; stencil cases; stencils [stationery]; erasing shields; boxes of cardboard or paper; holders for checkbooks [cheque books]; holders for checkbooks [cheque books]; slate pencils; writing slates; signboards of paper or cardboard; shields [paper seals]; paper bows; envelope sealing machines, for offices; tailors' chalk; manifolds [stationery]; patterns for dressmaking; patterns for making clothes; drawer liners of paper, perfumed or not; stationery; pen cases; nibs; nibs of gold; inkstands; writing instruments; wristbands for the retention of writing instruments; pencil lead holders; writing or drawing books; writing chalk; writing cases [stationery]; typewriters, electric or non-electric; typewriter ribbons; typewriter keys; rollers for typewriters; writing materials; writing cases [sets]; writing brushes; writing board erasers; writing pads; printed publications; stencil plates; handwriting specimens for copying; school supplies [stationery]; self-adhesive tapes for stationery or household purposes; table napkins of paper; place mats of paper; composing frames [printing]; galley racks [printing]; seals [stamps]; sealing wax; sealing machines for offices; sealing compounds for stationery purposes; sealing wafers; stamps [seals]; silver paper; trays for sorting and counting money; adhesive tape dispensers [office requisites]; pencil sharpeners, electric or non-electric; pencil sharpening machines, electric or non-electric; spools for inking ribbons; chart pointers, non-electronic; painters' easels; steel pens; photograph stands; packaging material made of starches; starch paste [adhesive] for stationery or household purposes; figurines [statuettes] of papier mâché; steatite [tailor's chalk]; lithographic stones; sealing stamps; holders for stamps [seals]; cases for stamps [seals]; inking pads; stamp pads; stamp stands; prints [engravings]; stickers [stationery]; embroidery designs [patterns]; pastels [crayons]; fabrics for book-

binding; binding strips [bookbinding]; adhesive bands for stationery or household purposes; writing slates; handkerchiefs of paper; typewriter keys; tickets; ink; correcting ink [heliography]; inkwells; ink stones [ink reservoirs]; ink sticks; tablecloths of paper; tablecloths of paper; table linen of paper; toilet paper; modelling clay; transparencies [stationery]; napkins of paper for removing make-up; inking sheets for duplicators; printers' blankets, not of textile; gummed cloth for stationery purposes; Indian inks; conical paper bags; printing type; envelope sealing machines, for offices; teaching materials [except apparatus]; tablemats of paper; coasters of paper; printed publications; bottle wrappers of cardboard or paper; bags [envelopes, pouches] of paper or plastics, for packaging; plastic film for wrapping; sheets of reclaimed cellulose for wrapping; cardboard articles; packaging material made of starches; wrapping paper; duplicators; inking sheets for duplicators; mimeograph apparatus and machines; square rulers; vignetting apparatus; viscose sheets for wrapping; handwriting specimens for copying; modelling wax, not for dental purposes; waxed paper; rollers for typewriters; blackboards; table linen of paper; flags of paper; drawing squares; obliterating stamps; writing board erasers; xuan paper for Chinese painting and calligraphy; drawing materials; drawing pads; drawing boards; drawing sets; drawing instruments; charcoal pencils; drawing rulers; drawing squares; compasses for drawing; graphic prints; tracing patterns; chart pointers, non-electronic; printed timetables; periodicals; magazines [periodicals]; newspapers; sheets of reclaimed cellulose for wrapping; paper shredders for office use; paper clasps; numbers [type]; cigar bands; compasses for drawing.

20 – Furniture, mirrors, picture frames; goods [not included in other classes] of wood, cork, reed, cane, wicker, horn, bone, ivory, whalebone, shell, amber, mother-of-pearl, meerschaum and substitutes for all these materials, or of plastics; shelves for storage; shelves for filing-cabinets [furniture]; filing cabinets; ambroid plates; ambroid bars; mooring buoys, not of metal; tea trolleys; display boards; medicine cabinets; identification bracelets, not of metal, for hospitals; medicine cabinets; trestles [furniture]; stuffed animals; oyster shells; mats for infant playpens; bamboo; bamboo curtains; benches [furniture]; cable or pipe clips of plastics; reservoirs, not of metal nor of masonry; packaging containers of plastic; closures, not of metal, for containers; yellow amber; furniture fittings, not of metal; funerary urns; bed fittings, not of metal; beds for household pets; hospital beds; beds; hydrostatic [water] beds, not for medical purposes; bedsteads of wood; bed casters, not of metal; bedding, except linen; beehives; beehives; comb foundations for beehives; sections of wood for beehives; foundations for beehives; picture frames; flower-stands [furniture]; flower-stands [fur-

niture]; flower-pot pedestals; trestles [furniture]; chopping blocks [tables]; mooring buoys, not of metal; bolts, not of metal; book rests [furniture]; straw edgings; vats, not of metal; containers, not of metal, for liquid fuel; keyboards for hanging keys; letter boxes, not of metal or masonry; book rests [furniture]; library shelves; sideboards; dinner wagons [furniture]; office furniture; brush mountings; busts of wood, wax, plaster or plastic; containers, not of metal [storage, transport]; floating containers, not of metal; staves of wood; decorations of plastic for foodstuffs; divans; cases of wood or plastic; dowels, not of metal; plugs [dowels], not of metal; loading gauge rods, not of metal, for railway wagons [wagons]; ivory, unworked or semi-worked; furniture shelves; furniture partitions of wood; fans for personal use, non-electric; flagpoles, not of metal; numberplates, not of metal; locks, not of metal, for vehicles; staves of wood; barrels, not of metal; casks, not of metal; taps for casks, not of metal; cask hoops, not of metal; brush mountings; window fittings, not of metal; figurines [statuettes] of wood, wax, plaster or plastic; wax figures; whalebone, unworked or semi-worked; fishing baskets; bottle caps, not of metal; bottle racks; corks for bottles; corks for bottles; bottle casings of wood; bottle closures, not of metal; chopping blocks [tables]; mirror tiles; handling pallets, not of metal; hairdressers' chairs; fodder racks; boarding stairs, not of metal, mobile, for passengers; coathooks, not of metal; coatstands; curtain tie-backs; curtain hooks; curtain holders, not of textile material; curtain rings; curtain rollers; curtain rods; plaited straw, except matting; straw plaits; woven timber blinds [furniture]; plate racks; bedsteads of wood; cask stands, not of metal; stands for calculating machines; display stands; gun racks; stag antlers; silvered glass [mirrors]; door handles, not of metal; chopping blocks [tables]; taps for casks, not of metal; coathooks, not of metal; curtain hooks; clothes hooks, not of metal; curtain holders, not of textile material; hand-held mirrors [toilet mirrors]; towel closets [furniture]; towel dispensers, fixed, not of metal; crates; reels, not of metal, non-mechanical, for flexible hoses; winding spools, not of metal, non-mechanical, for flexible hoses; house numbers, not of metal, non-luminous; beds for household pets; kennels for household pets; pet cushions; nesting boxes for household pets; stag antlers; work benches; footstools; wood ribbon; reels of wood for yarn, silk, cord; honeycombs; horn, unworked or semi-worked; garment covers [storage]; dog kennels; hat stands; kennels for household pets; nameplates, not of metal; interior textile window blinds; indoor window blinds [shades] [furniture]; slatted indoor blinds; indoor window blinds [shades] [furniture]; slatted indoor blinds; cable clips, not of metal; fireguards; settees; edgings of plastic for furniture; bottle caps, not of metal; stoppers, not of metal; trolleys for computers [furniture]; index cabinets

[furniture]; plastic key cards, not encoded; bins, not of metal; cases of wood or plastic; bolsters; numberplates, not of metal; high chairs for babies; infant walkers; cushions; pet cushions; air cushions, not for medical purposes; bins, not of metal; cases of wood or plastic; drain traps [valves] of plastic; water-pipe valves of plastic; casks of wood for decanting wine; coat hangers; clothes hooks, not of metal; tailors' dummies; coatstands; cable clips, not of metal; knobs, not of metal; chests of drawers; pillows; air pillows, not for medical purposes; bolsters; head-rests [furniture]; coral; trays, not of metal; hampers [baskets]; baskets, not of metal; wickerwork; corks; cork bands; hospital beds; scratching posts for cats; works of art, of wood, wax, plaster or plastic; cabinet work; counters [tables]; loading pallets, not of metal; loading gauge rods, not of metal, for railway waggons [wagons]; cask stands, not of metal; slatted indoor blinds; cable or pipe clips of plastics; mats for infant playpens; infant walkers; playpens for babies; moldings [mouldings] for picture frames; picture frame brackets; ladders of wood or plastics; steps [ladders], not of metal; lecterns; beds for household pets; easy chairs; air cushions, not for medical purposes; air mattresses, not for medical purposes; massage tables; mattresses; air mattresses, not for medical purposes; spring mattresses; straw mattresses; mats for infant playpens; mats, removable, for sinks; meerschäum; furniture; furniture of metal; edgings of plastic for furniture; furniture fittings, not of metal; furniture partitions of wood; furniture casters, not of metal; doors for furniture; mobiles [decoration]; troughs, not of metal, for mixing mortar; shells; nuts, not of metal; decorations of plastic for foodstuffs; identification bracelets, not of metal, for hospitals; nameplates, not of metal; nesting boxes for household pets; rivets, not of metal; nesting boxes; house numbers, not of metal, non-luminous; numberplates, not of metal; fireguards; handling pallets, not of metal; loading pallets, not of metal; transport pallets, not of metal; paper blinds; screens [furniture]; boarding stairs, not of metal, mobile, for passengers; bead curtains for decoration; mother-of-pearl, unworked or semi-worked; placards of wood or plastics; shelves for storage; table tops; armchairs; moldings [mouldings] for picture frames; tailors' dummies; curtain tie-backs; picture frames; sections of wood for beehives; moldings [mouldings] for picture frames; embroidery frames; picture frame brackets; rattan; stands for calculating machines; racks [furniture]; shelves for filing-cabinets [furniture]; cask hoops, not of metal; door bolts not of metal; curtain rings; curtain rollers; furniture casters, not of metal; saw horses; coffin fittings, not of metal; coffins; oyster shells; shells; hinges, not of metal; display stands; footstools; valves, not of metal, other than parts of machines; curtain rails; deck chairs; signboards of wood or plastics; tortoiseshell; tortoiseshell imitation; reeds [plaiting materials]; fireguards;

umbrella stands; reels, not of metal, non-mechanical, for flexible hoses; winding spools, not of metal, non-mechanical, for flexible hoses; locks, other than electric, not of metal; locks, not of metal, for vehicles; keyboards for hanging keys; plastic key cards, not encoded; costume stands; cork bands; cupboards; filing cabinets; medicine cabinets; plate racks; towel closets [furniture]; index cabinets [furniture]; screws, not of metal; nuts, not of metal; vice benches, not of metal; typing desks; writing desks; desks; lockers; school furniture; covers for clothing [wardrobe]; floating containers, not of metal; trolleys [furniture]; armchairs; seats of metal; sofas; divans; stakes for plants or trees; meat chests, not of metal; towel dispensers, fixed, not of metal; mirrors [looking glasses]; hand-held mirrors [toilet mirrors]; mirror tiles; wind chimes [decoration]; chests for toys; ladders of wood or plastics; spring mattresses; reels of wood for yarn, silk, cord; mats, removable, for sinks; plugs, not of metal; flower-stands [furniture]; flower-pot pedestals; gun racks; hat stands; coatstands; umbrella stands; newspaper display stands; curtain rods; poles, not of metal; stair rods; statues of wood, wax, plaster or plastic; figurines [statuettes] of wood, wax, plaster or plastic; steps [ladders], not of metal; standing desks; corozo; embroidery frames; plaited straw, except matting; straw edgings; straw plaits; straw mattresses; seats; easy chairs; display boards; containers, not of metal, for liquid fuel; reservoirs, not of metal nor of masonry; bakers' bread baskets; stair rods; stuffed animals; animal horns; animal hooves; animal claws; tables; tables of metal; flower-stands [furniture]; massage tables; desks; dressing tables; cabinet work; table tops; dressing tables; casks, not of metal; cask hoops, not of metal; shoulder poles [yokes]; transport pallets, not of metal; troughs, not of metal, for mixing mortar; door fittings, not of metal; doors for furniture; door handles, not of metal; latches, not of metal; funerary urns; drain traps [valves] of plastic; water-pipe valves of plastic; valves, not of metal, other than parts of machines; bottle casings of wood; packaging containers of plastic; closures, not of metal, for containers; stoppers, not of metal; showcases [furniture]; stuffed birds; bamboo curtains; bead curtains for decoration; curtain rings; pulleys of plastics for blinds; curtain rails; curtain rods; honeycombs; foundations for beehives; comb foundations for beehives; wax figures; dinner wagons [furniture]; trolleys for computers [furniture]; wall-mounted diaper [napkin] changing platforms; washstands [furniture]; hydrostatic [water] beds, not for medical purposes; casks of wood for decanting wine; inflatable publicity objects; work benches; baby changing mats; cots; wind chimes [decoration]; draughtsman's tables; magazine racks; newspaper display stands; tent pegs, not of metal; vice benches of metal.

21 – Household or kitchen utensils and containers; combs and sponges; brushes (except paint brushes);

brush-making materials; articles for cleaning purposes; steelwool; unworked or semi-worked glass [except glass used in building]; glassware, porcelain and earthenware not included in other classes; aquarium hoods; dustbins; make-up removing appliances; dusting apparatus, non-electric; dishwashing brushes; aerosol dispensers, not for medical purposes; glass bulbs [receptacles]; indoor aquaria; cinder sifters [household utensils]; eyebrow brushes; baby baths, portable; heaters for feeding bottles, non-electric; baby baths, portable; glass flasks [containers]; cotton waste for cleaning; goblets; basins [receptacles]; containers for household or kitchen use; heat-insulated containers; watering devices; brooms; nozzles for sprinkler hose; syringes for watering flowers and plants; beer mugs; holders for flowers and plants [flower arranging]; syringes for watering flowers and plants; window-boxes; flower pots; flower-pot covers, not of paper; cloth for washing floors; scrubbing brushes; apparatus for wax-polishing, non-electric; candy boxes; hair for brushes; animal bristles [brushware]; frying pans; cooking skewers, of metal; nozzles for watering cans; bread boards; cutting boards for the kitchen; bread boards; bread bins; bread baskets, domestic; ironing boards; ironing board covers, shaped; flat-iron stands; brushes; electric brushes, except parts of machines; lamp-glass brushes; toothbrushes; toothbrushes, electric; toilet brushes; material for brush-making; brush goods; busts of china, terra-cotta or glass; butter dishes; butter-dish covers; chamois leather for cleaning; china ornaments; cocktail stirrers; hot pots, not electrically heated; dish covers; pot lids; closures for pot lids; deodorising apparatus for personal use; butter dishes; powder compacts; soap boxes; tea caddies; sugar bowls; water apparatus for cleaning teeth and gums; nest eggs, artificial; egg cups; buckets; glass jars [carboys]; disposable table plates; vessels of metal for making ices and iced drinks; ice buckets; ice cube molds [moulds]; electric combs; cruets; oil cruets; chopsticks; comb cases; fibreglass thread, not for textile use; mouse traps; insect traps; rat traps; fibreglass other than for insulation or textile use; vitreous silica fibers [fibres], not for textile use; drinking flasks for travelers; chamois leather for cleaning; figurines [statuettes] of porcelain, ceramic, earthenware or glass; strainers for household purposes; flasks; bottles; insulating flasks; bottle openers; heaters for feeding bottles, non-electric; fly swatters; ice cube molds [moulds]; moulds [kitchen utensils]; deep fryers, non-electric; fruit presses, non-electric, for household purposes; poultry rings; mangers for animals; gardening gloves; containers for household or kitchen use; heat-insulated containers; heat insulated containers for beverages; thermally insulated containers for food; kitchen containers; poultry rings; vegetable dishes; cooking pot sets; tableware, other than knives, forks and spoons; services [dishes]; spice sets; watering cans; spouts; enamelled

glass; glass for vehicle windows [semi-finished product]; glass incorporating fine electrical conductors; glass, unworked or semi-worked, except building glass; plate glass [raw material]; glass bulbs [receptacles]; glass flasks [containers]; boxes of glass; glass [receptacles]; fibreglass thread, not for textile use; fibreglass other than for insulation or textile use; glass bowls; mosaics of glass, not for building; powdered glass for decoration; glass stoppers; painted glassware; crystal [glassware]; glass wool other than for insulation; grills [cooking utensils]; grill supports; plungers for clearing blocked drains; straws for drinking; menu card holders; toilet paper holders; gardening gloves; gloves for household purposes; polishing gloves; glove stretchers; towel rails and rings; napkin holders; boxes of metal, for dispensing paper towels; towel rails and rings; utensils for household purposes; gloves for household purposes; abrasive sponges for scrubbing the skin; trouser presses; electric devices for attracting and killing insects; insect traps; heat-insulated containers; insulating flasks; heat insulated containers for beverages; thermally insulated containers for food; cabarets [trays]; coffee filters, non-electric; coffeepots, non-electric; coffee grinders, hand-operated; coffee percolators, non-electric; coffee services [tableware]; tankards; tar-brushes, long handled; combs; electric combs; large-toothed combs for the hair; comb cases; teapots; jugs; decanters; coasters, not of paper and other than table linen; cheese-dish covers; stew-pans; cookie jars; ceramics for household purposes; candle extinguishers; candelabra [candlesticks]; candle rings; cauldrons; kettles, non-electric; clothing stretchers; carpet beaters [hand instruments]; garlic presses [kitchen utensils]; buttonhooks; cookery molds [moulds]; cooking pot sets; mess-tins; cauldrons; cooking pots; cooking utensils, non-electric; fitted picnic baskets, including dishes; baskets for domestic use; demijohns; corkscrews; cosmetic utensils; glass for vehicle windows [semi-finished product]; tie presses; crystal [glassware]; cake molds [moulds]; kitchen containers; kitchen utensils; cooking pot sets; glass bowls; food cooling devices, containing heat exchange fluids, for household purposes; refrigerating bottles; isothermic bags; non-electric portable coldboxes; works of art, of porcelain, terra-cotta or glass; lamp-glass brushes; chamois leather for cleaning; polishing leather; glue-pots; candelabra [candlesticks]; liqueur sets; basting spoons, for kitchen use; majolica; candle rings; flower-pot covers, not of paper; mouse traps; knife rests for the table; mixers, manual [cocktail shakers]; blenders, non-electric, for household purposes; furniture dusters; mops; mosaics of glass, not for building; mills for domestic purposes, hand-operated; water apparatus for cleaning teeth and gums; chamber pots; nail brushes; toilet cases; nest eggs, artificial; noodle machines, hand-operated; fruit cups; oil cruets; opal glass; opaline glass; cups of paper or

plastic; boxes of metal, for dispensing paper towels; waste paper baskets; paper plates; perfume vaporizers; apparatus for wax-polishing, non-electric; abrasive sponges for scrubbing the skin; pepper mills, hand-operated; pepper pots; horse brushes; holders for flowers and plants [flower arranging]; syringes for watering flowers and plants; fitted picnic baskets, including dishes; tar-brushes, long handled; shaving brushes; dishes; plates to prevent milk boiling over; cookie [biscuit] cutters; polishing apparatus and machines, for household purposes, non-electric; polishing gloves; polishing leather; polishing materials for making shiny, except preparations, paper and stone; porcelain ware; china ornaments; fruit presses, non-electric, for household purposes; trouser presses; garlic presses [kitchen utensils]; lunch boxes; powder compacts; powder puffs; powdered glass for decoration; cleaning instruments, hand-operated; scouring pads; rags [cloth] for cleaning; cleaning tow; vitreous silica fibers [fibres], not for textile use; fused silica [semi-worked product], other than for building; powder puffs; sprinklers; shaving brushes; shaving brush stands; rat traps; perfume burners; smoke absorbers for household purposes; graters [household utensils]; cleaning instruments, hand-operated; rags [cloth] for cleaning; towel rails and rings; nozzles for sprinkler hose; grills [cooking utensils]; beaters, non-electric; mixing spoons [kitchen utensils]; salad bowls; salt cellars; spatulas [kitchen utensils]; brushes for cleaning tanks and containers; bowls [basins]; scoops [tableware]; saucapan scourers of metal; abrasive pads for kitchen purposes; signboards of porcelain or glass; whisks, non-electric, for household purposes; cutting boards for the kitchen; autoclaves [pressure cookers], non-electric; basting spoons, for kitchen use; shoe horns; brushes for footwear; wax-polishing appliances, non-electric, for shoes; shoe trees [stretchers]; dish covers; dishes; trivets [table utensils]; sponges for household purposes; toilet sponges; sponge holders; pig bristles; earthenware saucepans; soap boxes; soap holders; soap dispensers; sieves [household utensils]; liqueur sets; lazy susans; napkin rings; mixers, manual [cocktail shakers]; strainers; sifters [household utensils]; siphons for carbonated water; clothing stretchers; shoe trees [stretchers]; piggy banks; vessels of metal for making ices and iced drinks; menu card holders; boxes of metal, for dispensing paper towels; soap dispensers; plate glass [raw material]; sprinklers; confectioners' decorating bags [pastry bags]; syringes for watering flowers and plants; nozzles for sprinkler hose; dishwashing brushes; steel wool for cleaning; grill supports; towel rails and rings; statues of porcelain, earthenware, ceramic or glass; figurines [statuettes] of porcelain, ceramic, earthenware or glass; dusting cloths [rags]; feather-dusters; earthenware; boot jacks; buckets made of woven fabrics; glass stoppers; litter boxes [trays] for pets; currycombs; soup bowls; trays

for domestic purposes, of paper; trays for domestic purposes; epergnes; tableware, other than knives, forks and spoons; services [dishes]; non-electric portable coldboxes; cups; tea caddies; tea infusers; teapots; tea cosies; tea services [tableware]; tea strainers; pastry cutters; rolling pins, domestic; table plates; disposable table plates; carpet sweepers; carpet beaters [hand instruments]; indoor terrariums [plant cultivation]; indoor terrariums [vivariums]; animal bristles [brushware]; combs for animals; crumb trays; toilet utensils; toilet cases; toilet paper holders; toilet paper dispensers; toilet sponges; pot lids; pots; pottery; pie servers; drinking troughs; cages for household pets; funnels; drinking vessels; drinking glasses; straws for drinking; drinking horns; clothes racks, for drying; feeding troughs; furniture dusters; rags [cloth] for cleaning; dusting cloths [rags]; spouts; flower-pot covers, not of paper; ironing board covers, shaped; flat-iron stands; coasters, not of paper and other than table linen; trivets [table utensils]; saucers; urns; closures for pot lids; bird baths; birdcages; rings for birds; waffle irons, non-electric; washtubs; washing boards; clothes-pegs; drying racks for washing; clothes racks, for drying; washtubs; kettles, non-electric; disposable table plates; pipettes [wine-tasters]; mop wringers; furniture dusters; wool waste for cleaning; glass wool other than for insulation; cleaning tow; steel wool for cleaning; toothbrushes; toothbrushes, electric; floss for dental purposes; toothpicks; toothpick holders; mixing machines, non-electric, for household purposes; aerosol dispensers, not for medical purposes; perfume vaporizers; indoor aquaria; indoor terrariums [plant cultivation]; indoor terrariums [vivariums]; sugar bowls; broom handles of metal; broom handles of metal; nutcrackers; ladles for wine; sugar tongs; broom handles, not of metal.

24 – Textiles and textile goods, not included in other classes; bed covers; table covers; tissues of textile for removing make-up; bath linen, except clothing; fabric, impervious to gases, for aeronautical balloons; banners; fustian; cotton fabrics; bed blankets; bed covers of paper; bed linen; bed clothes; covers for cushions; pillow shams; furniture coverings of plastic; billiard cloth; brocades; chenille fabric; chevots [cloth]; cotton fabrics; crepon; damask; bed blankets; tick [linen]; trellis [cloth]; drugget; silk fabrics for printing patterns; printers' blankets of textile; shower curtains of textile or plastic; bunting; bolting cloth; labels of cloth; flags, not of paper; eiderdowns [down coverlets]; filtering materials of textile; felt; linen cloth; flannel [fabric]; sanitary flannel; frieze [cloth]; linings [textile]; lining fabric for shoes; curtains of textile or plastic; net curtains; curtain holders of textile material; gauze [cloth]; face towels of textile; sanitary flannel; fabrics for textile use; fibreglass fabrics for textile use; glass cloths [towels]; haircloth [sackcloth]; gummed cloth, other than for stationery; towels of textile; hemp

cloth; hemp fabric; household linen; hat linings, of textile, in the piece; fabric of imitation animal skins; printed calico cloth; ticks [mattress covers]; jersey [fabric]; jute fabric; canvas for tapestry or embroidery; coasters [table linen]; cheese cloth; calico; covers for cushions; pillow shams; pillowcases; crepe [fabric]; rayon fabric; plastic material [substitute for fabrics]; fabric of imitation animal skins; shrouds; buckram; hemp cloth; marabouts [cloth]; ticks [mattress covers]; mattress covers; covers [loose] for furniture; furniture coverings of plastic; upholstery fabrics; furniture coverings of textile; moleskin [fabric]; mosquito nets; mosquito nets; place mats, not of paper; door curtains; ramie fabric; glass cloths [towels]; travelling rugs [lap robes]; velvet; net curtains; sleeping bags [sheeting]; lining fabric for shoes; fabric for footwear; covers [loose] for furniture; silk [cloth]; silk fabrics for printing patterns; table napkins of textile; table napkins of textile; place mats, not of paper; esparto fabric; banners; buckram; bed covers; traced cloths for embroidery; textile material; fibreglass fabrics for textile use; labels of cloth; knitted fabric; taffeta [cloth]; bed covers; handkerchiefs of textile; plastic material [substitute for fabrics]; face towels of textile; towels of textile; fabric for footwear; table napkins of textile; fabric; tablecloths, not of paper; tablemats, not of paper; table runners; tablecloths, not of paper; table linen, not of paper; fitted toilet lid covers of fabric; cloth; oilcloth for use as tablecloths; tissues of textile for removing make-up; printers' blankets of textile; gummed cloth, other than for stationery; sheets [textile]; tulle; fitted toilet lid covers of fabric; mattress covers; furniture coverings of textile; coasters [table linen]; non-woven textile fabrics; curtains of textile or plastic; oilcloth for use as tablecloths; wall hangings of textile; wall hangings of textile; bath linen, except clothing; bed linen; household linen; table linen, not of paper; lingerie fabric; diapered linen; washing mitts; elastic woven material; adhesive fabric for application by heat; traced cloths for embroidery; flags, not of paper; woollen cloth; zephyr [cloth]; sleeping bags for camping.

27 – Carpets, rugs, mats and matting, linoleum and other materials for covering existing floors; wall hangings [non-textile]; carpets for automobiles; bath mats; floor coverings; vinyl floor coverings; floor coverings; floor coverings; door mats; non-slip mats; gymnastic mats; artificial turf; linoleum; mats; mats of woven rope for ski slopes; wallpaper; artificial turf; reed mats; mats of woven rope for ski slopes; tapestry [wall hangings], not of textile; wallpaper; non-slip mats; carpets; carpet underlay; textile wallpaper; gymnastic mats; carpets; linoleum; tapestry [wall hangings], not of textile.

35 – Advertising; business management; business administration; office functions; payroll preparation; updating of advertising material; cost price analysis;

personnel recruitment; dissemination of advertising matter; auctioneering; commercial information agencies; business inquiries; organization of exhibitions for commercial or advertising purposes; rental of vending machines; administrative processing of purchase orders; business management and organization consultancy; professional business consultancy; commercial information and advice for consumers [consumer advice shop]; business management consultancy; personnel management consultancy; business organization consultancy; advisory services for business management; procurement services for others [purchasing goods and services for other businesses]; administrative processing of purchase orders; professional business consultancy; book-keeping; tax auditing; account auditing; office machines and equipment rental; computerized file management; systemization of information into computer databases; compilation of information into computer databases; shop window dressing; document reproduction; psychological testing for the selection of personnel; presentation of goods on communication media, for retail purposes; business investigations; compilation of statistics; commercial information and advice for consumers [consumer advice shop]; invoicing; television advertising; marketing studies; photocopying services; business inquiries; business investigations; business information; business research; business organization consultancy; business appraisals; business management consultancy; business management of performing artists; business management of sports people; business management assistance; business management of hotels; efficiency experts; efficiency experts; commercial information agencies; publication of publicity texts; commercial or industrial management assistance; business management of hotels; import-export agencies; commercial administration of the licensing of the goods and services of others; presentation of goods on communication media, for retail purposes; cost price analysis; business management of performing artists; layout services for advertising purposes; commercial administration of the licensing of the goods and services of others; payroll preparation; modelling for advertising or sales promotion; marketing; marketing research; marketing studies; opinion polling; organization of exhibitions for commercial or advertising purposes; organization of trade fairs for commercial or advertising purposes; organization of fashion shows for promotional purposes; data search in computer files for others; business research; public relations; on-line advertising on a computer network; business management and organization consultancy; organization of exhibitions for commercial or advertising purposes; business organization consultancy.

(260) AM 2019 101326 A
 (800) 1445443
 (151) 2018 04 30
 (891) 2018 04 30
 (731) NINGBO DEGSON ELECTRONICS CO.,
 LTD.
 No.1585 Xiaolin Road, Cixi, Ningbo, 315321
 Zhejiang, China

(540)



(591) Black, white
 (531) 26.03.04; 26.05.10
 (511)

9 – Data processing apparatus; disk drives for computers; quantity indicators; electron scorer; apparatus to check franking; money counting and sorting machines; fingerprint scanners; mechanisms for coin-operated apparatus; dictating machines; Electronic Random Number Indicator Equipment [ERNIE]; plotters; attendance recorders; weighing apparatus and instruments; automatic measuring instruments; measures; gauges; signaling panels, luminous or mechanical; fluorescent lamp ballast for electric lights; switchboards; network communication device; tape recorders; electronic audible devices with books; speed measuring apparatus [photography]; teaching projection lamp; surveying apparatus and instruments; air analysis apparatus; laser direction instrument; voltage regulators for vehicles; instruments and controls for internal combustion engines; material testing instruments and machines; water meter; audiovisual teaching apparatus; instrument and measuring apparatus for physico-chemical experiment and composition analysis; measuring devices, electric; watt-hour meters; metal detectors for industrial or military purposes; atomic ray instrument; optical apparatus and instruments; cables electric; semi-conductors; electrical resistance material; printed circuits; electronic chips; conductors electric; magnetic materials and appliances included in this class; terminals [electricity]; electric couplings; low voltage power sources; fluorescent screens; remote control apparatus; remote controller for household use; optical fibers [light conducting filaments]; electric installations for the remote control of industrial operations; automatic device for power station; lightning conductors; electrolyzers; electrolytic tank; fire extinguishers; radiological apparatus for industrial purposes; protection devices for personal use against accidents; protective goggles; alarms; fire alarms; correcting lenses [optics]; accumulators, electric;

mobile power supply (rechargeable batteries); animated cartoons; egg-candlers; portable remote control car arrester.

(260) AM 2019 101327 A
 (800) 1445540
 (151) 2018 10 09
 (891) 2018 10 09
 (731) SHANGHAI TOBACCO GROUP CO., LTD.
 717 CHANG YANG ROAD, YANGPU
 DISTRICT, 200030 SHANGHAI, China

(540)



(591) Black, white
 (531) 28.03
 (511)
 34 – Tobacco; cigarettes; cigars; hand-rolling tobacco.

(260) AM 2019 101328 A
 (800) 1445542
 (151) 2018 09 14
 (891) 2018 09 14
 (731) BASKIN YAUHENI RAFAILOVICH
 d. 2, ul. Klaypedskaya, 212010 Mogilev,
 Belarus

(540)



(591) Red and white
 (531) 25.03.01; 25.03.03; 29.01.12
 (511)
 29 – Meat, fish, poultry, game and foods made therefrom; meat extracts; preserved, frozen, dried and cooked fruits and vegetables; jellies, jams, compotes; eggs; milk and milk products; oils and fats for food; poultry, pickled, preserved, dried, smoked, chilled, frozen; cooked poultry; poultry, tinned; poultry charcuterie; poultry sausages; poultry small sausages; poultry ham; rolls made exclusively from poultry; smoked foods, made from poultry; tripe and foods made therefrom; liver; poultry pastes; liver pastes; pastes made from tripe; semi-prepared foods made from poultry, tripe; minces; preparations for making bouillon; preparations for making soup; che-

ese; strained soft white cheeses; cheese-based products; strained cheese; curd products; milk beverages, milk predominating.

35 – Advertising; Internet advertising services; wholesale and retail trade services for goods: meat, fish, poultry, game and foods made therefrom, meat extracts, preserved, frozen, dried and cooked fruits and vegetables, jellies, jams, compotes, eggs, milk and milk products, oils and fats for food, pickled, preserved, dried, smoked, chilled, frozen poultry, cooked poultry, tinned poultry, poultry charcuterie, poultry sausages, poultry small sausages, poultry ham, rolls made exclusively from poultry, smoked foods, made from poultry, tripe and foods made therefrom, liver, poultry pastes, liver pastes, pastes made from tripe, semi-prepared foods made from poultry or tripe, minces, preparations for making bouillon, preparations for making soup, cheese, strained soft white cheeses, cheese-based products, strained cheese, curd products, milk beverages (milk predominating); wholesale and retail trade services for foodstuffs; promoting the goods and services of others; promoting the goods and services of others including via the Internet; sales promotion for others; procurement services for others [purchasing goods and services for other businesses]; demonstration of goods; distribution of samples; organization of contests, festivals, shows, exhibitions, trade fairs and other events for commercial or advertising purposes; shop window dressing; presentation of goods on communication media, for retail purposes; business management; business administration; business management and organization consultancy; business investigations; business information; office functions.

(260) AM 2019 101351 A

(800) 1445959

(151) 2018 11 23

(891) 2018 11 23

(731) YEARCON CO., LTD.

No.239, Wenzhong East Road, Wenxi Town,
Qingtian County, 323903 Zhejiang Province,
China

(540)



(591) Black, white

(531) 27.05.09; 27.05.21; 28.03

(511)

18 – Fur-skins; handbags; bags; leather laces; umbrellas; walking sticks; covers for animals; pocket wallets; animal skins.

25 – Clothing; knitwear [clothing]; shoes; hats; hosiery; gloves [clothing]; scarfs; girdles; sleep masks; shower caps; ready-made clothing; sashes for wear.

(260) AM 2019 101358 A

(800) 1446176

(151) 2018 11 12

(891) 2018 11 12

(731) Obshchestvo s ogranichennoy

otvetstvennostyu

"UPRAVLYAYUSHCHAYA KOMPANIA
MIKSIT"

22-y km Kievskogo sh., domovl. 4, str. 5,

office 713-E, p. Moskovskiy RU-125362

Moscow, Russian Federation

(540)



(591) Black, red, yellow, lilac and blue

(531) 25.05.25; 27.05.01; 29.01.15

(511)

3 – Adhesives for affixing false hair; smoothing stones; shaving stones [astringents]; almond oil; almond soap; amber [perfume]; starch glaze for laundry purposes; soap; badian essence; cosmetic preparations for baths; shaving soap; lipsticks; beauty masks; bergamot oil; skin whitening creams; leather bleaching preparations; scented wood; mouthwashes, not for medical purposes; nail polish; make-up preparations; hair lotions; essential oils of cedarwood; hair dyes; hair waving preparations; false eyelashes; cosmetic preparations for eyelashes; polishing preparations; shining preparations [polish]; mustache wax; polishing wax; essential oils of lemon; eau de Cologne; colorants for toilet purposes; preservatives for leather [polishes]; cosmetic kits; cosmetics; cotton wool for cosmetic purposes; cosmetic pencils; polishing creams; cosmetic creams; waxes for leather; detergents, other than for use in manufacturing operations and for medical purposes; scouring solutions; degreasers, other than for use in manufacturing processes; make-up removing preparations; dentifrices; emery paper; lacquer-removing preparations; emery cloth; color-removing preparations; Javelle water; lavender water; scented water; toilet water; emery; incense; depilatory preparations; depilatory wax; ethereal essences; essential oils; extracts of flowers [perfumes]; make-up; bases for flower perfumes; fumigation preparations [perfumes]; cake flavorings [essential oils]; gaultheria oil; petroleum jelly for cosmetic purposes; geraniol; greases for cosmetic purposes; hydrogen peroxide for cosmetic purposes; heliotropine; oils for cosmetic purposes; jasmine oil; lavender oil; oils for cleaning purposes; oils for perfumes and scents; rose oil; oils for toilet purposes; ionone [perfumery]; lotions for cosmetic purposes; cleansing milk for toilet purposes; mint essence [essential oil]; mint for perfumery; eyebrow cosmetics; musk [perfumery]; neutralizers for permanent waving; shampoos; perfumes; false nails; nail care preparations; polishing paper; perfumery; cosmetic preparations for skin care; soap for foot perspiration; pumice stone; pomades for cosmetic

purposes; make-up powder; shaving preparations; deodorant soap; cakes of toilet soap; eyebrow pencils; talcum powder, for toilet use; cosmetic dyes; terpenes [essential oils]; abrasive cloth; glass cloth [abrasive cloth]; antiperspirants [toiletries]; antiperspirant soap; abrasives; abrasive paper; alum stones [astringents]; almond milk for cosmetic purposes; sun-tanning preparations [cosmetics]; aromatics [essential oils]; flavorings for beverages [essential oils]; bath salts, not for medical purposes; beard dyes; cosmetic preparations for slimming purposes; adhesives for affixing false eyelashes; paint stripping preparations; deodorants for human beings; decorative transfers for cosmetic purposes; astringents for cosmetic purposes; bleaching preparations [decolorants] for cosmetic purposes; preparations for cleaning dentures; tissues impregnated with cosmetic lotions; denture polishes; adhesives for cosmetic purposes; after-shave lotions; hair spray; mascara; potpourris [fragrances]; breath freshening sprays; dental bleaching gels; joss sticks; air fragrancing preparations; breath freshening strips; aloe vera preparations for cosmetic purposes; massage gels, other than for medical purposes; lip glosses; balms, other than for medical purposes; dry shampoos; nail art stickers; sunscreen preparations; essential oils of citron; henna [cosmetic dye]; lipstick cases; bath preparations, not for medical purposes; hair conditioners; hair straightening preparations.

35 – Demonstration of goods; opinion polling; market studies; marketing; organization of exhibitions for commercial or advertising purposes; shop window dressing; presentation of goods on communication media, for retail purposes; dissemination of advertising matter; direct mail advertising; advertising; on-line advertising on a computer network.

(260) AM 2019 101435 A

(800) 1446669

(151) 2018 11 16

(891) 2018 11 16

(731) SAVE THE DUCK S.R.L.

Via Arcivescovo Calabiana 6, I-20139 Milano (MI), Italy

(540)



(591) Black, white

(531) 01.15.15; 03.07.06; 03.07.24; 24.17.12

(511)

18 – Umbrellas; umbrellas for children; luggage, bags, wallets and other carriers; toiletry bags; cases of imitation leather; key cases made of leather; cosmetic cases sold empty; key cases; luggage; travel luggage; vanity cases, not fitted; trunks and travelling bags; casual bags; shoulder bags; cross-body bags; wheeled bags; travel baggage; travelling handbags; small bags for men; purses; handbags; duffel bags; holdalls for sports clothing; pouches for holding make-up, keys and other personal items; bum-bags; credit card cases [wallets]; briefcases and attache cases; wallets; leather coin purses; haversacks; travelling bags; travelling sets; suitcases; wheeled suitcases; daypacks; backpacks.

25 – Clothing; casualwear; thermally insulated clothing; weather resistant outer clothing; girls' clothing; menswear; children's outer clothing; outer clothing for boys; ladies' clothing; boys' clothing; windproof clothing; sweat shirts; rainproof jackets; long jackets; reversible jackets; jackets being sports clothing; sleeveless jackets; warm-up jackets; quilted jackets [clothing]; heavy jackets; blousons; sweaters; polo sweaters; polo shirts; tee-shirts; short-sleeved t-shirts; long-sleeved shirts; underwear; waist belts; neckties; gloves [clothing]; footwear; headgear.

(260) AM 2019 101460 A

(800) 1447248

(151) 2018 07 17

(891) 2018 07 17

(731) EURO GAMES TECHNOLOGY LTD.

4, "Maritsa" Str., „Vranya-Lozen-Triugulnika", BG-1151 Sofia, Bulgaria

(540)



(591) Red, brown, yellow, orange, black, green and blue

(531) 26.13.25; 27.05.03; 27.05.09; 27.05.17; 27.05.25; 29.01.15

(511)

9 – Software; computer gaming software; computer software packages; computer operating system software; computer software, recorded; software drivers; virtual reality software; games software; entertainment software for computer games; computer programs for network management; operating computer software for main frame computers; monitors (computer hardware); computer hardware; apparatus for recording images; monitors (computer programs); computer game programs; computer programs for recorded games; apparatus for recording, transmission or reproduction of sound or images; communi-

cations servers [computer hardware]; electronic components for gambling machines; computer application software featuring games and gaming; computer software for the administration of on-line games and gaming; computer hardware for games and gaming; electronic components and software for gambling, gambling machines, gambling games on the Internet and via telecommunication network.

28 – Gaming machines for gambling; chips for gambling; mah-jong; arcade games; gambling machines operating with coins, notes and cards; games; electronic games; parlor games; gaming chips; gaming tables; slot machines [gaming machines]; LCD game machines; slot machines and gaming devices; coin-operated amusement machines; roulette chips; poker chips; chips and dice [gaming equipment]; equipment for casinos; roulette tables; gaming roulette wheels; casino games; automats (gaming machines) and gambling machines; coin-operated amusement machines and/or electronic coin-operated machines with or without the possibility of gain; boxes for coin-operated amusement machines, slot machines and gaming machines; electronic or electrotechnical gaming devices, automats (gaming machines) and gambling machines, coin-operated gaming machines; housings for coin-operated gaming machines, gaming equipment, gaming machines, machines for gambling; electropneumatic and electrical gambling machines (slot machines).

41 – Gambling; entertainment services related to gambling; gaming services for entertainment purposes; casino, gaming and gambling services; training in the development of software systems; provision of equipment for gambling halls; providing casino equipment [gambling]; gaming machine entertainment services; providing casino facilities [gambling]; providing halls with gaming machines; amusement arcade services; games equipment rental; rental of gaming machines; providing amusement arcade services; rental of gaming machines with images of fruits; editing or recording of sounds and images; sound recording and video entertainment services; hire of sound reproducing apparatus; provision of gaming equipment for casinos; providing of casino facilities; online gambling services; casino management services; operation of gaming establishments, gaming halls, Internet casinos, online gambling sites.

(260) AM 2019 101461 A
(800) 1447326
(151) 2018 10 31
(891) 2018 10 31
(731) XI'AN MUYI HOUSEHOLD PRODUCTS CO., LTD.
Room B1702-B1706, No. 9 Harbour Road,
Xi'an International Port Area, Xi'an,
Shaanxi Province, China

(540)

佳帮手

(591) Black, white

(531) 28.03

(511)

35 – Personnel management consultancy; relocation services for businesses; business management consultancy; sponsorship search; marketing research; advertising; publicity; sales promotion for others; drawing up of statements of accounts; systemization of information into computer databases.

(260) AM 2019 101483 A

(800) 1048098

(151) 2010 08 03

(891) 2018 12 17

(731) PIERREL SPA

Strada Statale Appia, 7/bis 46/48, I-81043
CAPUA (CE), Italy

(540)

ORABLOC

(591) Black, white

(511)

5 – Local anesthetics; topical anesthetics.

(260) AM 2019 101485 A

(800) 1168933

(151) 2013 06 04

(891) 2018 12 18

(731) TRIUMPH INTERTRADE AG

Triumphweg 6, CH-5330 Bad Zurzach,
Switzerland

(540)

Triumph

(591) Black, white

(531) 24.09.05; 24.09.07; 27.05.01; 27.05.19

(511)

25 – Clothing, footwear, headgear.

(260) AM 2019 101486 A

(800) 1189522

(151) 2013 10 17

(891) 2019 01 14

(731) Kermi GmbH

Pankofen-Bahnhof 1, 94447 Plattling,
Germany

(540)

X2 INSIDE

(591) Black, white

(511)

11 – Bath tubs and shower trays; shower cubicles, screens for showers and bath tubs of light metal and/or plastic and/or glass; heating apparatus, electric heating apparatus, radiators, heating installations, in particular floor heating apparatus; ventilation and air-conditioning installations, parts for ventilation and air-conditioning installations, namely ventilation apparatus and fans, air-cooling apparatus, air-filtering installations, filters for air conditioning; sanitary apparatus and installations, toilets, bidets, urinals, seats for toilets, toilet cisterns, wash-hand basins (parts of sanitary installations), taps, water conduit installations, mixer taps for water pipes, water supply installations, water distribution installations, installations for water purification, water intake apparatus, cooling installations for water; flushing tanks; whirlpool tubs and basins, whirlpool equipment; valves being parts of heating and sanitary installations; control and safety accessories for water and gas apparatus and pipes.

(260) AM 2019 101487 A

(800) 1239754

(151) 2014 08 11

(891) 2019 01 09

(731) PHARMALUCE S.r.l.

Strada delle Seriole, 45, 47894 Chiesanuova,
San Marino

(540)



(591) Black, white

(531) 05.05.20; 26.04.03; 26.04.15

(511)

10 – Medical and dental apparatus and instrument.

(260) AM 2019 101488 A

(800) 1358995

(151) 2017 03 21

(891) 2019 01 09

(731) ERBOZETA S.P.A.

Strada delle Seriole, 41/43, 47894
Chiesanuova, San Marino

(540)



erbozeta
ENERGIA VERDE

(591) Black, white

(531) 26.04.03; 26.04.18; 27.05.10

(511)

3 – Perfumery; cosmetics; deodorants and antiperspirants for personal use; essential oils for personal use; bath oil; bath foam; bath creams; bath salts for cosmetic purposes; body shampoos; beauty creams; day creams; skin care lotions [cosmetic]; hand creams; cosmetic preparations for slimming purposes; sun milks; sunscreen lotions; talcum powder; lipstick; cleansing milks; cleansing lotions; hair preparations and treatments; shampoo; oils for hair conditioning; hair lotions; hair creams; hair spray; dentifrices; body soaps; detergent soap.

5 – Pharmaceutical products; sanitary preparations for medical purposes; nutritional supplements; dietary and nutritional supplements; dietetic foods adapted for medical purposes; dermatological preparations; creams for dermatological use; dietary supplements; dietetic substances adapted for medical use; disinfectants; adhesive plasters; anti-inflammatory analgesic plasters; vitamin preparations.

10 – Surgical, medical and dental apparatus and instruments; pessaries; cannulae; droppers for medical purposes; inhalers; urological apparatus and instruments; vaginal syringes; douche bags; tongue depressors for medical purposes; nasal aspirators.

(260) AM 2019 101489 A

(800) 1359703

(151) 2017 03 23

(891) 2019 01 14

(731) Società Italo Britannica L. Manetti – H.

Roberts & C. p.A.

Via Pellicceria, 8, I-50123 Firenze (FI), Italy

(540)

Rogé
Cavallès



(591) Yellow and brown

(531) 25.03.01; 26.04.06; 26.11.01; 26.11.08;

29.01.12

(511)

3 – Essential oils for personal use; toiletry preparations; beauty masks; beauty lotions; non-medicated scrubs for the face and body; cosmetic preparations for slimming purposes; cosmetic and beauty preparations; cosmetic lotions; cosmetic creams; moisturizing preparations; deodorants for personal use; antiperspirants for personal use; skin cleansers; cosmetic soaps; non-medicated toilet preparations; cleansers for intimate personal hygiene purposes, non medicated; bath soaps; non-medicated bath preparations; bath and shower foam; cosmetic bath salts; bath and

shower gels; body oils; non-medicated cosmetics; eye make-up; lip gloss; lipsticks; face powders; eye pencils; rouge; mascara; foundation make-up; lip pencils; eyeliner; nail polish; nail polish remover; make-up remover; tissues impregnated with cosmetic lotions; talcum powder; non-medicated dentifrices; cosmetic preparations for the care of mouth and teeth; scented room sprays; aromatic potpourris; room fragrancing preparations; incense; sachets for perfuming linen; perfumery; perfumes; eau de parfum; eau de cologne; toilet water; shaving preparations; after-shave preparations; non-medicated hair lotions; non-medicated hair care preparations; non-medicated shampoos; hair conditioners; hair sprays; hair gels.

5 – Pharmaceutical preparations; sanitary preparations for medical purposes; medicated lotions and creams for the body, skin, face, and hands; pharmaceutical preparations for skin care; gels, creams and solutions for dermatological use; medical preparations for slimming purposes; disinfectants; disinfecting handwash; cleansing solutions for medical purposes; ointments for pharmaceutical purposes; antibacterial soap; medicated soap; medicated toiletry preparations; medicated lotions; bath salts and bath preparations for medical purposes; pre-moistened medicated tissues; tissues and wipes impregnated with pharmaceutical lotions and creams; talcum powder for medical purposes; medicated dentifrices; medicated preparations for the care of mouth and teeth; room deodorants; medicated shaving preparations; medicated after-shave lotions; medicated hair lotions; medicated shampoos; medicated hair care preparations.

(260) AM 2019 101490 A
(800) 1421603
(151) 2018 05 10
(891) 2018 12 28
(731) DEHA MAGAZACILIK EV TEKSTILI
URUNLERI SANAYI VE TICARET
ANONIM SIRKETI
Gulbahar Mah. Avni Dilligil sok., Celik is
Merkezi B/Blok No:9 G.Kat, Mecidiyekoy
Sisli, İstanbul, Turkey

(540)

MADAME COCO

(591) Black, white
(531) 27.05.01
(511)

20 – Furniture, made of any kind of material; mattresses; pillows; air mattresses and cushions, not for medical purposes, water beds; mirrors; beehives, artificial honeycombs and sections of wood for honeycombs; bouncing chairs for babies, playpens for babies, cradles, infant walkers; display boards, frames for pictures and paintings, identification plates, identification tags, nameplates, identification labels

made of wood or synthetic materials; packaging containers of wood or plastics, casks for use in transportation or storage, barrels, storage drums, tanks, boxes, storage containers, transportation containers, chests, loading pallets and closures for the aforementioned goods, of wood or plastics; small hardware goods of wood or synthetic materials included in this class, furniture fittings, of wood or synthetic materials, non-metal handles for furniture, doors and windows; ornaments and decorative goods of wood, cork, reed, cane, wicker, horn, bone, ivory, whalebone, shell, amber, mother-of-pearl, meerschaum, beeswax, plastic or plaster namely figurines, holiday ornaments for walls, sculptures; baskets, not of metal, fishing baskets; kennels, nesting boxes and beds for household pets; portable ladders and mobile boarding stairs of wood or synthetic materials, bamboo curtains, roller indoor blinds [for interiors], slatted indoor blinds, venetian blinds, bead curtains for decoration, curtain hooks, curtain rings, curtain tie-backs, curtain rods; non-metal wheel chocks.

(260) AM 2019 101491 A
(800) 1430864
(151) 2018 08 15
(891) 2018 12 06
(731) "WINE INTERNATIONAL PROJECT" O.O.O.
M. Eminescu street, 5, MD-2012 Kishinev,
Republic of Moldova

(540)

FIRE & ICE

(591) Black, white
(511)
32 – Mineral and aerated waters and other non-alcoholic beverages, including energy drinks; non-alcoholic fruit juice beverages; fruit juices; syrups for beverages and other preparations for making beverages.

(260) AM 2019 101533 A
(800) 1447768
(151) 2018 10 29
(891) 2018 10 29
(731) CAVANNA S.P.A.
Via Matteotti, 104, I-28077 PRATO SESIA
(NO), Italy

(540)

Каванна

(591) Black, white
(531) 28.05
(511)
7 – Packaging machines.

(260) AM 2019 101537 A
(800) 1447845
(151) 2018 12 13

(891) 2018 12 13
 (731) LALLEMAND PHARMA AG
 Via Selva 2, CH-6900 Massagno, Switzerland
 (540)

HEALSEA

(591) Black, white
 (511)
 5 – Medicinal preparations; medicinal sprays; decongestant nasal sprays.

(260) AM 2019 101538 A
 (800) 1447917
 (151) 2018 12 13
 (891) 2018 12 13
 (731) LALLEMAND PHARMA AG
 Via Selva 2, CH-6900 Massagno, Switzerland
 (540)

SYMBIOFILM

(591) Black, white
 (511)
 5 – Medicinal preparations; medicinal sprays; decongestant nasal sprays.

(260) AM 2019 101580 A
 (800) 1448905
 (151) 2018 12 12
 (891) 2018 12 12
 (731) Limited Liability Company "HENDEL"
 Khlebozavodskiy proezd, h. 7, bld. 9, office X,
 room 25G, RU-115230 Moscow, Russian
 Federation
 (540)

Flekosteel

(591) Black, white
 (511)
 3 – Beauty gels; cosmetics for personal use; body and beauty care cosmetics; cosmetic body creams; sanitary preparations being toiletries; preparations for body and beauty care; cosmetic preparations for the body; cosmetic preparations for skin care; non-medicated foot care preparations; non-medicated body care preparations; non-medicated foot creams; beauty balm creams; balms, other than for medical purposes; non-medicated muscle balms; non-medicated body balms, creams, lotions, gels with herbal extracts and oils; non-medicated body balms; non-medicated warming body balms; herbal extracts for cosmetic purposes.

5 – Multi-purpose medicated analgesic balms; analgesic balms; balms for medical purposes; anti-inflammatory salves; anti-inflammatory gels; medicinal creams; medicinal creams for skin care; medicated skin creams; medicated muscle soaks.

(260) AM 2019 101593 A
 (800) 1050149
 (151) 2010 07 28
 (891) 2018 12 03
 (731) Bionorica SE
 Kerschensteinerstrasse 11-15, 92318
 Neumarkt, Germany
 (540)

Kanefron

(591) Black, white
 (511)
 5 – Pharmaceutical and veterinary preparations; dietetic substances adapted for medical use; plant extracts, tinctures and aromatic substances in liquid, solid or gaseous form for pharmaceutical preparations and for dietetic substances for medical use; food supplements for medical purposes; dietetic supplements included in this class; dietetic food supplements included in this class; mineral food supplements; food supplements based on amino acids, minerals and trace elements.

(260) AM 2019 101594 A
 (800) 1360860
 (151) 2017 05 29
 (891) 2018 12 03
 (731) Bionorica SE
 Kerschensteinerstraße 11-18, 92318
 Neumarkt, Germany
 (540)

Mastodinon

(591) Black, white
 (511)
 3 – Essential oils and aromatic extracts.
 5 – Pharmaceutical products; medicines; medicinal preparations; nutritional supplements.

(260) AM 2019 101595 A
 (800) 1414961
 (151) 2018 04 17
 (891) 2019 01 08
 (731) TEMMER MERMER MADENCILIK INSAAT
 SANAYI VE TICARET ANONIM SIRKETI
 Afyon Organize Sanayi Bolgesi, 2.C. 9.S. N:2,
 TR-03030 Afyonkarahisar, Turkey
 (540)



TEMMER
 MARBLE

(591) Black, white
 (531) 07.05.08; 26.01.03; 26.01.16; 26.01.24;
 27.05.01; 27.05.10

(526) MARBLE

(511)

19 – Sand, gravel, crushed stone, asphalt, bitumen, cement, gypsum, lime, plaster, concrete, marble blocks for construction, included in this class; building materials [as finished products] made of concrete, gypsum, clay, potters' clay, stone, marble, wood, plastics and synthetic materials for building, construction, road construction purposes, included in this class, namely, non-metallic buildings, non-metallic building materials, poles not of metal for power lines, barriers not of metal, natural and synthetic coatings in the form of panels and sheets [being building materials], bitumen cardboard coatings for roofing, bitumen coating for roofing, doors and windows of wood and synthetic materials; traffic signs not of metal, non-luminous and non-mechanical for roads; monuments and statuettes of stone, concrete and marble; building glass; prefabricated swimming pools not of metal [structures]; aquarium sand.

35 – Advertising, marketing and public relations; organization of exhibitions and trade fairs for commercial or advertising purposes; office functions; secretarial services; arranging newspaper subscriptions for others; compilation of statistics; rental of office machines; systemization of information into computer databases; telephone answering for unavailable subscribers; business management, business administration and business consultancy, accounting, commercial consultancy services, personnel recruitment, personnel placement, employment agencies, import-export agencies; temporary personnel placement services; auctioneering; the bringing together, for the benefit of others, of a variety of goods, namely, construction machines and robotic mechanisms [machines] for use in construction, namely, bulldozers, diggers [machines], excavators, road construction and road paving machines, drilling machines, rock drilling machines, road sweeping machines, electric kitchen machines for chopping, grinding, crushing, mixing and mincing foodstuff, washing machines, laundry washing machines, dishwashers, spin driers [not heated], electric cleaning machines for cleaning floors, carpets or floorings, vacuum cleaners and parts thereof, bath tubs, toilet seats, sinks, wash-hand basins [parts of sanitary installations], sand, gravel, crushed stone, asphalt, bitumen, cement, gypsum, lime, plaster, concrete, marble blocks for construction, building materials [as finished products] made of concrete, gypsum, clay, potters' clay, stone, marble, wood, plastics and synthetic materials for building, construction, road construction purposes, namely, non-metallic buildings, non-metallic building materials, poles not of metal for power lines, barriers not of metal, natural and synthetic coatings in the form of panels and sheets [being building materials], bitumen cardboard coatings for roofing, bitumen coating for roofing, doors

and windows of wood and synthetic materials, monuments and statuettes of stone, concrete and marble, enabling customers to conveniently view and purchase those goods, such services may be provided by retail stores, wholesale outlets, by means of electronic media or through mail order catalogues.

(260) AM 2019 101597 A

(800) 1433560

(151) 2018 08 30

(891) 2019 01 23

(731) Obshchestvo s ogranichennoy
otvetstvennostyu "MAY"
Ozernaya, dom 1 a, Fryazino, RU-141191
Moskovskoy obl., Russian Federation

(540)



(591) Red, dark red, white, light yellow, magenta, purple, brown, green, light green, lime green, pink, blue, dark blue and light beige

(531) 05.05.23; 24.01.15; 24.01.18; 24.01.25;
24.09.01; 24.09.05; 25.01.15; 28.05; 29.01.15

(526) CHAI meaning tea; KLASSICHESKIY meaning classical

(511)

30 – Tea-based beverages; infusions, not medicinal; flowers or leaves for use as tea substitutes.

(260) AM 2019 101598 A

(800) 1435204

(151) 2018 09 04

(891) 2019 01 22

(731) BAVARIA N.V.
De Stater 1, NL-5737 RV Lieshout,
Netherlands

(540)

B52

(591) Black, white

(511)

32 – Energy drinks.

(260) AM 2019 101746 A

(800) 1449814

(151) 2018 09 21

(891) 2018 09 21

(731) MANN & SCHRÖDER GMBH

Bahnhofstrasse 14, 74936 Siegelbach,
Germany

(540)

VANDINI

(591) Black, white

(531) 27.05.01

(511)

3 – Perfumery goods; essential oils, hair lotions; soaps; cosmetics, in particular care baths, body exfoliators, shower oils, shower baths, shower gels, shower exfoliators, hand and nail balms, body oils, body balms, body milks, body lotions, care washing foam, bath oils, bath foam, bath gel, bath products, hand creams, moisturising gel, face masks, décolleté masks, lip gels, lip balms, nail creams, hand masks, foot baths, foot exfoliators, foot balm, shampoos and body washes, shampoo, sauna infusion concentrates, massage oils, massage salts, cotton wool for cosmetic purposes, cotton swabs for cosmetic purposes, facial cleansing pads for cosmetic purposes, facial cleansing tuff for cosmetic purposes; household fragrances.

21 – Sponges impregnated with body care preparations for cosmetic purposes, bath sponges impregnated with soaps for cosmetic purposes; sponges impregnated with a cleaning agent for body and beauty care for cosmetic purposes.

(260) AM 2019 101747 A

(800) 1449820

(151) 2018 04 19

(891) 2018 04 19

(731) DIEBOLD NIXDORF INC.

5995 Mayfair Road, North Canton,
Ohio 44720, USA

(540)

DN Vynamic

(591) Black, white

(511)

9 – Software for: self service terminals, automated teller machines (ATMs), automatic cash dispensers, automated cash deposit machines, electrically operated machines for the dispensing of coupons, tickets, vouchers, coins, postage stamps, credit and debit card terminals, automatic price scanning systems, biometric devices for identification, verification and detection, image processing equipment, encryption; software for on-line financial transactions and online commercial payment transactions, forecasting cash replenishment requirements of automated teller machines, branch banks and other cash dispensing equipment, mobile devices for performing financial transactions and obtaining commercial information; software for electronic cash registers, automatic sca-

anner cash registers and cash registers, terminals for banking and automated payment services; software for computers, handheld computers, tablet computers, namely for banking and payment transactions; software that enables financial institutions and commercial companies to integrate the delivery of services to customers by mobile devices, branch financial institutions, worldwide web portals, call centers, tellers, kiosks, automated teller machines cash register systems and self-service point of sale systems; software for monitoring cash transactions and non-cash transactions; software for monitoring transactions against fraud for banks and commercial companies; software to enable secure payment processing; computer software platforms (recorded or downloadable) for banking and payment transactions; authentication software for self-service terminals, self-service point of sale systems, cash register systems and automated teller machines (ATMs); interactive computer programs relating to financial matters and banking and payment transactions; software for facilitating secure credit card transactions; computer software for analysing market information; cloud network monitoring software; cloud computing software; software for diagnostics and troubleshooting; software for the analysis of business data; software for the processing of business transactions; recorded or downloadable computer software platforms, namely for banking and payment transactions; computer software to automate data warehousing; computer e-commerce software; software development kit [SDK] for software for banking and payment transactions; software for network and device security.

42 – Development, installation, maintenance, repair and rental of software for banking and commercial financial transactions; development, installation, maintenance, repair and rental of software for platforms for electronic commerce, internet platforms, commercial analysis, commercial reporting, secure network operations, and financial transactions; Software as a service (SaaS); hosting software for use by others for electronic commerce, internet platforms, commercial analysis, commercial reporting, secure network operations; hosting computer sites [web sites]; electronic monitoring services for security purposes of transmitted data via telecommunication; custom design of software packages for banks and commercial companies; programming, development, installation, maintenance, repair and rental of software for accessing and using a cloud computing network; computer software technical support services; software customisation services.

(260) AM 2019 101748 A

(800) 1449844

(151) 2018 11 21

(891) 2018 11 21

(731) HUAWEI TECHNOLOGIES CO., LTD.
Administration Building, Huawei Technolo-
gies Co., Ltd., Bantian, Longgang District,
Shenzhen, China

(540)

HWA
HI-RES
WIRELESS
AUDIO

(591) Black, white

(531) 27.05.10; 27.05.15; 27.05.22

(511)

9 – Software for processing images, graphics and texts; software for controlling and improving sound quality of stereo apparatus; computer software for processing digital images; computer software for creating and editing music and sounds; set-top boxes; learning machines; audio loudspeakers for vehicles; digital sound processors; portable sound reproduction apparatus; MP4 players; audio transmitters; notebook computers; tablet computers; laptop computers; computer programs (downloadable software); downloadable computer software applications; smartphones; cameras; wearable activity trackers; smartwatches; television apparatus; virtual reality headsets; earphones; electronic book readers; audio and video receivers; sound reproduction apparatus; sound transmitting apparatus; headphones; portable media players; wireless loudspeakers; stereo apparatus for vehicles; cabinets for loudspeakers; computer programs for editing images, sounds and videos; computer programs for video and computer games; encoding and decoding apparatus; computer software for controlling the operation of audio and video devices; central processing units for processing information, data, sounds or images; computer software for organizing and viewing digital images and photographs.

(260) AM 2019 101757 A

(800) 1450075

(151) 2018 12 18

(891) 2018 12 18

(731) SHANDONG YONGSHENG RUBBER
GROUP CO., LTD.
ECONOMIC DEVELOPMENT ZONE,
GUANGRAO COUNTY DONGYING CITY,
100053 SHANDONG PROVINCE, China

(540)

YONSHINE

(591) Black, white

(531) 27.05.01

(511)

12 – Repair outfits for inner tubes; tires for vehicle wheels; inner tubes for pneumatic tires; bicycle tyres; casings for pneumatic tires [tyres]; pneumatic tires; solid tires for vehicle wheels; automobile tires; inner tubes for bicycle tires.

(260) AM 2019 101758 A

(800) 1450087

(151) 2018 11 23

(891) 2018 11 23

(731) ANHUI SHANGGE LIGHTING
APPLIANCE CO., LTD.

Zhenning Road, Heli Park, Ningguo Economic
Technological, Development Zone,
Xuancheng, Anhui, China

(540)

SGS

(591) Black, white

(531) 26.11.07; 26.11.08; 27.05.11; 27.05.17

(511)

11 – Electric lamps; lamps; lighting apparatus and installations; lights for vehicles; lights for automobiles; gas lamp; radiators, electric; lighters; ornamental fountains; hair driers [dryers].

(260) AM 2019 101774 A

(800) 1450278

(151) 2018 07 24

(891) 2018 07 24

(731) PromoTron Solutions a.s.
Čirůková 127/10, CZ-104 00 Praha 10,
Pitkovice, Czech Republic

(540)

PromoTron

(591) Black, white

(511)

35 – Targeted marketing, web indexing for commercial or advertising purposes, layout services for advertising purposes, marketing, digital marketing, internet marketing, direct marketing, promotional marketing, marketing assistance, referral marketing, marketing in the framework of software publishing, online advertising on a computer network, sales promotion for others, sales promotion for others, pay per click advertising, advertising, banner advertising, advertising and marketing, business management for freelance service providers, compilation of information into computer databases, compiling indexes of information for commercial or advertising purposes, negotiation and settlement of commercial transacti-

ons for third parties, negotiation and conclusion of commercial transactions for third parties via telecommunication systems, business efficiency expert services, management of customer loyalty, incentive or promotional schemes, price comparison services, price comparison services, dissemination of advertising material, dissemination of advertising matter online, computerized file management, data search in computer files for others, registration of written communications and data, word processing, commercial information agencies.

42 – Updating and upgrading of computer software, developing and updating computer software, updating of computer software for others, computer system analysis, cloud computing, conversion of computer programs and data, other than physical conversion, consultancy services relating to information technology, computer software consultancy, computer technology consultancy, services for the leasing of computer software, software as a service [SaaS], consulting services in the field of software as a service [SaaS], writing of computer software, electronic data storage, creating and designing website-based indexes of information for others [information technology services], creating and designing website-based indexes of information for others [information technology services].

(260) AM 2019 101775 A

(800) 1450340

(151) 2018 09 10

(891) 2018 09 10

(731) Limited Liability Company "MARKA"

Pushkin street, 6, ap. 199, Naberezhnye
Chelny, RU-423800 Republic of Tatarstan,
Russian Federation

(540)

Akulchev

(591) Black, white

(531) 27.05.01

(511)

30 – Coffee; tea; cocoa; sugar; rice; tapioca; sago; artificial coffee; flour and preparations made from cereals; bread; pastry; confectionery; ice cream; honey; treacle; yeast; baking powder; salt; mustard; vinegar; condiments; spices; edible ices.

43 – Services for providing food and drink; providing temporary housing accommodation.

(260) AM 2019 101776 A

(800) 706417

(151) 1998 09 19

(891) 2018 11 14

(731) ALSTOM

48 rue Albert Dhalenne, F-93400 Saint –
Ouen, France

(540)



(591) Black, white

(531) 01.15.23; 26.01.05; 29.01.03

(511)

9 – Scientific (other than for medical use), electro-technical, nautical, surveying, acoustic, photographic, cinematographic, optical, weighing, measuring, signalling, regulating, controlling, protection, surveillance, cutting, monitoring (inspection), rescue (lifeguarding), meteorological, oceanological apparatus and instruments; products for controlling electric, electronic and computer equipment and motors; apparatus and instruments for conveying, distributing, transforming, storing, regulating or controlling electric current; instructional apparatus and instruments; apparatus for sound or image capture, recording, transmission or reproduction; magnetic recording media, phonograph records; automatic vending machines and mechanisms for coin-operated apparatus; cash registers; calculators; data processing apparatus; fire extinguishers; electric batteries and accumulators; fuel cells; cryostats; charging devices; coils; electronic components; semiconductors; printed circuits; electron tubes; electric conductors; communication and power wires and cables; sheaths and junction sleeves for electric cables, identity threads and identification sheaths for electric wires; welding equipment; cathodic protection equipment; electrical conduits; substations, panels, control panels, decentralised power production stations; high-voltage equipment, namely circuit breakers, separating switches, lightning conductors, all types of voltage dividers (including optoelectronic) for inside and outside boxes or boxes within metallic cases (metal-clad boxes); medium and high-voltage equipment, namely panels and transformer stations, switches, separating switches, contactors, lightning conductors, circuit breakers, fuses, power reclosers and related apparatus; transformers, power outlets; commutators; terminal boxes; voltage dividers; circuit breakers; line insulators; transforming stations; apparatus and installations for data capture, storage, calculation, conversion and transmission; computers and peripheral equipment; equipment and installations for communication and telecommunication via wire, cable and radio; radio and television apparatus; tape recorders; record players; compact disk players; telephones; optical and electro-optical equipment; lasers; masers; bolometers; pyrometers; calorimeters; thermocouples, counters, pedometers, taximeters; variable speed and voltage drives for vehicles and light; speed checking apparatus for vehicles; alarm devices,

command transmitters, warning systems; mechanical or luminous signs; acoustic or optical signs, sirens, telecommunication and communication equipment; modulators, transmitters, receivers, antennae, waveguides, television and broadcasting equipment for the general public and professionals; telephone exchanges; printed circuits; intercommunication apparatus; all apparatus and instruments concerning infrasound measurement and analysis; rectifiers; amplifiers; radioguidance apparatus; loudspeakers; voltage intensity, power, control and frequency regulators; town, road and rail signs; lighted bollards; static and rotary convertors; energy converters; resistors; rheostats; condensers, magnets; prefabricated piping; electric conductors made of all types of metal; electric household appliances; scales; thermostats; membranes; relays, namely remote control relays, electric relays, protection relays and auxiliary relays, indicators and transducers and surveillance, analysis, communication and control systems for electric networks and energy production stations and for electrical equipment; metal-clad or conventional electrical signal boxes; metal-clad substations for power transmission and distribution networks; control systems for electricity power supply networks; substations; compensators, particularly reactive energy compensators, electrical control panels; electric test equipment and stations; programmable automations; equipment and apparatus for surveillance, operation and supervision of automated procedures for industry, power production, transmission and distribution; equipment and apparatus for surveillance, operation and supervision of access to industrial sites, buildings and infrastructures; equipment and apparatus for industrial communication; programmable controllers and peripheral equipment thereof; automation calculators; equipment and apparatus for electricity conversion; telecommunication equipment and apparatus on power transmission lines; electronic printed circuit cards; electronic microcircuits; execution and operation software for microcircuits or electronic cards; supervision and control software for automated processes; programming, execution and operation software for all of the above equipment, apparatus and software; lighting regulators; apparatus for airport runway lighting.

12 – Vehicles; apparatus for locomotion by land, air, water or rail; ships; electric vehicles; engines and parts thereof, spare parts for land vehicles; pneumatic shock absorbers; drive belts and related gearings; air pumps (vehicle accessories); transmission shafts for land vehicles; screws for ships; screw propellers; submarines; propulsion mechanisms for land vehicles; military vehicles, road tankers; oil tankers; tanker aeroplanes; tank cars.

37 – Construction; servicing, repair; installation, operation and maintenance services for all apparatus, equipment and machines pertaining to the fields of

electrical engineering, electronics, mechanical engineering, electrical power transmission, the nuclear industry, transportation, particularly railway, electrochemistry, civil engineering, the building industry, drilling, land and sea bed prospecting; decontamination; turnkey plant construction; private and public construction works; engineering works; construction project inspection; public works; agricultural engineering; drilling of wells; rental of construction tools and equipment, bulldozers, tree extractors; upkeep and cleaning of buildings, premises, (floors, facade cleaning and restoration, disinfecting, rat exterminating); upkeep or cleaning of various objects (laundering); repair and modification of clothing; retreading or vulcanization of tyres; shoe repair; building, road, bridge, dam or power line construction; painting, plumbing, heating or roofing installation services; shipbuilding; rental of construction tools and equipment; execution of power transmission and distribution infrastructural projects; painting services; operation and management of all apparatus, equipment, machines pertaining to the fields of electrical engineering, electronics, mechanical engineering, electrical power transmission, the nuclear industry, transportation, electrochemistry, civil engineering, the building industry, drilling, land and sea bed prospecting; bodywork painting.

42 – Providing of food and drink in restaurants; temporary accommodation; medical, sanitary and beauty care; veterinary and agricultural services; legal services; scientific and industrial research; computer programming, software design; hiring, technical project studies relating to all apparatus, equipment, machines pertaining to the fields of electrical engineering, electronics, mechanical engineering, electrical power transmission, the nuclear industry, transportation, electrochemistry, civil engineering, the building industry, drilling, land and sea bed prospecting; hydrodynamic studies and trials; expertise activities, professional consulting and plan drafting (unrelated to business dealings), testing of materials and products; laboratory work; engineering works (not for building purposes); turnkey plant consultancy projects; prospecting; farming equipment, clothing, bedding, vending machine rental; printing; rental of access time to a database; news reporters services; videotape filming; exhibition site management; expert valuations, appraisals, research and reports; power transmission and distribution infrastructural project design, consultancy and follow-up; oil-well testing; quality control; security consultancy; rental of all electrotechnical, electronic and electrochemical apparatus, equipment and machines.

(260) AM 2019 101778 A
(800) 862471
(151) 2005 06 17
(891) 2019 01 29

(731) SIFI SPA
Via Ercole Patti, 36, Frazione Lavinaio,
I-95025 ACI SANT'ANTONIO (CT), Italy

(540)

VITREOCLAR

(591) Black, white

(511)

5 – Pharmaceutical preparations.

(260) AM 2019 101779 A

(800) 988477

(151) 2008 11 11

(891) 2019 01 11

(731) MINELAB ELECTRONICS PTY LIMITED
118 Hayward Avenue, TORRENSVILLE SA
5031, Australia

(540)



(591) Black, red

(531) 27.05.01; 29.01.12

(511)

9 – Detectors for electrically conducting materials including metal detectors.

16 – Instructional and teaching materials; printed matter.

37 – Installation, maintenance and repair services relating to electrical apparatus and instruments.

(260) AM 2019 101780 A

(800) 1098350

(151) 2011 05 12

(891) 2019 01 10

(731) KERMI GMBH
Pankofen-Bahnhof 1, 94447 Plattling,
Germany

(540)

KERMI

(591) Black, white

(511)

11 – Apparatus for lighting, heating, steam generating, cooking, refrigerating, drying, ventilating, water supply and sanitary purposes; shower fittings; mixer taps, shower heads; artificial plate glass for shower cubicles and shower cubicle partitions; water drainage systems for showers, in particular outlet channels, shower floor systems with integrated water outlets; air-conditioning installations, devices and apparatus; fans (parts of air conditioning installations); heating installations, heating furnaces for central heating, radiators, heating elements, in parti-

cular bathroom heating elements; fittings for heating elements; radiation screens for radiators; coverings and cladding for radiators; valves being parts of heating and sanitary installations; pipes (parts of sanitary installations); heat pumps; heat accumulators; heat exchangers; solar water heaters; solar collectors (heating and water heating); solar furnaces; regulating accessories for water or gas apparatus and pipes; apparatus for filtering drinking water; apparatus for heating drinking water; safety accessories for water or gas apparatus and pipes; safety fittings for apparatus for lighting, heating, steam generating, cooking, refrigerating, drying, ventilating, water supply and sanitary purposes; boiler pipes [tubes] for heating installations; shower enclosures; shower trays and basins; screens for shower and bath tubs; prefabricated shower cubicles and shower units, sanitary fittings; pipes and ducts for apparatus and installations for heating, steam generating, refrigerating, drying, ventilating and water supply; pipes and air ducts of metal for heat pumps; cubicles; shower trays and basins; partitions for shower and bath tubs; prefabricated shower cubicles and shower units; sanitary fixtures.

(260) AM 2019 101781 A

(800) 1148486

(151) 2012 11 22

(891) 2018 12 11

(731) Carolina Herrera Ltd
501 Seventh Avenue, 17Th Floor, New York,
New York 10018, USA

(540)

CAROLINA HERRERA

(591) Black, white

(511)

9 – Spectacle frames, spectacles and parts thereof, contact lenses, cases for spectacles and contact lenses.

18 – Bags, satchels, purses, wallets, suitcases, umbrellas, parasols and walking sticks, backpacks, leather folders, goods made of leather and imitation leather not included in other classes.

(260) AM 2019 101782 A

(800) 1192396

(151) 2013 09 19

(891) 2019 01 24

(731) ALVOTECH HF
Smaratorgi 3, IS-201 Kopavogur, Iceland

(540)

ALVOTECH

(591) Black, white

(511)

5 – Pharmaceutical preparations.

42 – Scientific and technological services and research and design relating thereto; industrial analysis and research services.

(260) AM 2019 101783 A
 (800) 1206474
 (151) 2014 03 25
 (891) 2019 01 30
 (731) HORUS PHARMA
 148 Avenue George Guynemer, Cap Var,
 F-06700 SAINT LAURENT DU VAR, France
 (540)

ODM 5

(591) Black, white
 (511)
 5 – Ophthalmological products; eye drops for the treatment of corneal edema.

(260) AM 2019 101784 A
 (800) 1218341
 (151) 2014 07 18
 (891) 2018 12 19
 (731) THE NIKKA WHISKY DISTILLING CO., LTD.
 4-31, Minami-Aoyama, 5 chome, Minato-ku,
 Tokyo 107-8616, Japan
 (540)

NIKKA

(591) Black, white
 (531) 27.05.17
 (511)
 33 – Whisky; hard cider; alcoholic beverages, except beer.

(260) AM 2019 101785 A
 (800) 1248218
 (151) 2015 03 24
 (891) 2019 01 11
 (731) Sanosil AG
 Eichtalstrasse 49, CH-8634 Hombrechtikon,
 Switzerland
 (540)

SANOSIL

(591) Black, white
 (511)
 5 – Disinfectants, particularly disinfectants for hygiene, disinfectants for sanitary use, disinfectants for household use and disinfectants for swimming pools; all purpose disinfecting preparations; disinfectants for surfaces; disinfectants for the treatment of water and other liquid materials; disinfectant for the treatment of air and other gaseous materials; all the aforesaid goods for exclusive use in connection with inanimate matter.

(260) AM 2019 101786 A
 (800) 1283353
 (151) 2014 10 13
 (891) 2019 01 17
 (731) Jack Wolfskin Ausrüstung für Draussen
 GmbH & Co. KgaA
 Jack Wolfskin-Kreisel 1, 65510 Idstein,
 Germany

(540)



(591) Black, white
 (531) 03.06.03
 (511)
 18 – Leather and imitations of leather; goods made from leather and imitations of leather (included in this class); cases, in particular suitcases; bags, included in this class, briefcases, holdalls, sports bags, carrier bags and shoulder bags; travel pouches, carrier bags and packing bags; pouches of leather for packaging (included in this class); waist pouches; rucksacks and backpacks (for travel), daypacks (small rucksacks for day trips); shopping bags; handbags; toiletry bags, pouch baby carriers; school bags; school satchels; neck pouches, including for passports; document cases; purses, pocket wallets, key wallets; parasols and umbrellas; walking sticks, alpenstocks, trekking poles; saddlery; belt pouches for documents.

20 – Sleeping bags for trekking and camping; mattresses, in particular air mattresses (not for medical purposes).

22 – Ropes, straps for packaging of textile material (included in this class), nets, tents, awnings, tarpaulins, sails, bags (envelopes, pouches) for packaging of textile material, sacks (included in this class).

24 – Textiles and textile goods (included in this class); cotton fabrics, woollen fabrics, linings, non-woven fabrics; bath linen (except clothing); towels of textile; blankets, namely travel blankets, woollen blankets, fleece blankets.

27 – Mats, in particular for gymnastics, sports, travelling, trekking and camping purposes.

(260) AM 2019 101787 A
 (800) 1294067
 (151) 2016 02 23
 (891) 2019 01 29
 (731) Merck KgaA
 Frankfurter Strasse 250, 64293 Darmstadt,
 Germany

(540)

KIZZU

(591) Black, white

(511)

10 – Medical apparatus and instruments.

(260) AM 2019 101788 A

(800) 1294336

(151) 2015 12 09

(891) 2019 01 10

(731) MAZZA GRAZIANO

Lungomare Gramsci, 19, I-63822 PORTO
SAN GIORGIO (FM), Italy

(540)

PREMIATA

(591) Black, white

(531) 27.05.01

(511)

18 – Animal skins; leather, unworked or semi-worked; imitation leather; curried skins; valises; rucksacks; vanity cases, not fitted; bags; handbags; travelling sets [leatherware]; garment bags for travel made of leather; bags for sports; beach bags; chain mesh purses; suitcases; attaché cases; garment bags for travel; briefcases; card cases [notecases]; key cases; pocket wallets; purses.

25 – Clothing; clothing for men, women and children; clothing of leather; clothing of imitations of leather; clothing for sports; sweaters; dresses; coats; combinations [clothing]; skirts; sashes for wear; neckerchiefs; pocket squares; kerchiefs [clothing]; waistbands [parts of clothing]; money belts [clothing]; neckties; gloves [clothing]; ski gloves; stockings; socks; hats; headgear for wear; visor caps; shoes; shoes for men, women and children; bath slippers; beach shoes; esparto shoes or sandals; gymnastic shoes; footwear; footwear for men, women and children; boots for sports; slippers; sandals; wooden shoes; boots; boot uppers; half-boots; lace boots; ski boots; fittings of metal for footwear; football boots; heelpieces for footwear; galoshes; non-slipping devices for footwear; tips for footwear; welts for footwear; heels; soles for footwear; inner soles; footwear uppers.

35 – Business consultancy, management, planning and supervision; advertising; advertising and marketing services; advertising services provided via the Internet; organization and conducting of product presentations; administration of business affairs; marketing; on-line advertising and marketing services; telemarketing services; retailing and wholesaling, including via the Internet of animal skins, leather, unworked or semi-worked, imitation leather, curried skins, valises, rucksacks, vanity cases, not fitted, bags, handbags, travelling sets [leatherware], garment bags for travel made of leather, bags for sports,

beach bags, chain mesh purses, suitcases, attaché cases, garment bags for travel, briefcases, card cases [notecases], key cases, pocket wallets, purses; retailing and wholesaling, including via the Internet of clothing, clothing for men, women and children, clothing of leather, clothing of imitations of leather, clothing for sports, sweaters, dresses, coats, combinations [clothing], skirts, sashes for wear, neckerchiefs, pocket squares, kerchiefs [clothing], waistbands [parts of clothing], money belts [clothing], neckties, gloves [clothing], ski gloves, stockings, socks, hats, headgear for wear, visor caps, shoes, shoes for men, women and children, bath slippers, beach shoes, esparto shoes or sandals, gymnastic shoes, footwear, footwear for men, women and children, boots for sports, slippers, sandals, wooden shoes, boots, boot uppers, half-boots, lace boots, ski boots, fittings of metal for footwear, football boots, heelpieces for footwear, galoshes, non-slipping devices for footwear, tips for footwear, welts for footwear, heels, soles for footwear, inner soles, footwear uppers; electronic commerce services, namely providing information about products via telecommunication networks for advertising and sales purposes; on-line auctioneering; business advice relating to franchising; business management advisory services relating to franchising; business advisory services relating to the establishment and operation of franchises; merchandising services; office functions.

(260) AM 2019 101791 A

(800) 1332999

(151) 2016 11 25

(891) 2019 01 29

(731) SIFI SPA

Via Ercole Patti, 36, Frazione Lavinaio,
I-95025 ACI SANT'ANTONIO (CT), Italy

(540)

ETA CORTILEN

(591) Black, white

(511)

5 – Pharmaceuticals.

(260) AM 2019 101793 A

(800) 1360862

(151) 2017 05 29

(891) 2018 12 03

(731) BIONORICA SE

Kerschensteinerstraße 11-18, 92318
Neumarkt, Germany

(540)

Klimadinon

(591) Black, white

(511)

3 – Essential oils and aromatic extracts.

5 – Pharmaceutical products; medicines; medicinal preparations; nutritional supplements.

(260) AM 2019 101794 A

(800) 1379504

(151) 2017 10 18

(891) 2018 12 20

(731) Mjólkursamsalan ehf.

Bitruhálsi 1, IS-110 Reykjavik, Iceland

(540)

ISEY

(591) Black, white

(511)

43 – Services for providing foods and drink.

(260) AM 2019 101804 A

(800) 1450682

(151) 2018 12 21

(891) 2018 12 21

(731) Joint-stock company "AKKOND"

Skladskoy proezd, d. 16, RU-428022

Cheboksary, Russian Federation

(540)

АККОНД/AKKOND

(591) Black, white

(531) 28.05

(511)

30 – Confectionery, namely fruit jellies confectionery; confectionery for decorating Christmas trees; pastries, including, cakes, bread rolls, waffles; caramels [candy]; candy; pralines; pastilles [confectionery]; crackers; cookies; biscuits; petit-beurre biscuits; gingerbread; rusks; breadcrumbs; bread; unleavened bread.

35 – Sales promotion for others; advertising services; demonstration of goods.

(260) AM 2019 101805 A

(800) 1450704

(151) 2018 10 05

(891) 2018 10 05

(731) HUAWEI TECHNOLOGIES CO., LTD.

Administration Building, Huawei Technologies Co., Ltd., Bantian, Longgang District,

Shenzhen, China

(540)

HONOR

(591) Black, white

(511)

9 – Mouse (computer peripheral); smart computers wearable on the fingers; mouse pads; data processing apparatus in the form of buttons with the functions of remote controlling of mobile phones; plugs,

sockets and other contacts (electric connections); smart computers wearable on the wrists; protective cases for tablet computers; protective covers for tablet computers; adapters for headphones; secure digital memory cards; electronic chips; keyboards with short range radio technology; Global Positioning System [GPS] navigation apparatus; holders for mobile phones for vehicles; telephone sets with screens and keyboards; transmitters (telecommunication); electronic locating apparatus and instruments; electronic navigational instruments; cases for mobile phones; covers for mobile phones; automatic switching apparatus for telecommunication; switches for telecommunication; single channel radio communication apparatus for fixed broadcasting stations; Wide Area Network (WAN) routers; navigation radios; aviation radio communication apparatus and devices; radios for air traffic control; routers; smartphones in the form of watches; transmitting apparatus for communication; external modems; network routers; radio transmitting apparatus; transmitters and receivers for radios; wireless telephones; transmitting and receiving apparatus for radio broadcast; aerials for radios; repeaters for radios and televisions; transceivers for radios; radio beaconing apparatus and devices; radio signal tuners; wireless transmitters and receivers; wireless routers; transmitting and receiving apparatus for remote transmission; portable multi-media players; Ultra High-Definition (UHD) televisions; plasma televisions; digital video recorders; camcorders; vehicle audio devices; receivers of video signals; digital audio processors; set-top boxes; image intensifiers; web camcorders; headphones for use with computers; rearview cameras for vehicles; receivers for cable televisions; simulators for the steering and control of vehicles; computerized engine analyzers for vehicles; automatic indicators of low pressure in tires (tyres); electric battery detectors; air and oxygen monitors; gas analysis apparatus; flue gas analysis apparatus; remote control apparatus and remote measuring apparatus; semi-conductor wafers; circuit boards; power connectors; power adapters; electronic circuit boards; chips with multi-processors; microchips; mobile sockets; Liquid Crystal Display (LCD) panels; eyeglasses for sports; spectacles used in theatres; Universal Serial Bus (USB) chargers; electric battery charging devices; charging devices for vehicles; charging devices for rechargeable apparatus; wireless chargers; electric battery chargers for mobile phones; rechargeable batteries; covers for telephones; computer network hubs; computer network switches; computer network bridges; demodulators; internal modems; short range radios; Voice Over Internet Protocol (VOIP) phones; cassette players for vehicles; television apparatus for vehicles; video recorders for vehicles; electronic book readers; television receivers (televisions); earphones for mobile phones; wireless earphones for smartphones;

microphones for communication apparatus; video monitors; headsets; earphones; headphones; hands-free devices for mobile phones; flight simulators; plug connectors; touch screens; electronic integrated circuits; integrated circuit modules; computer chips; electronic chips for integrated circuits; change-over plugs; plug adaptors; electric batteries for mobile phones; electronic identification apparatus for fingerprints; human face recognition devices; scales with body mass analyzers; baby scales; bathroom scales; subwoofers; audio mixers; needles for surveying compasses; pressure indicators; thermo-hygrometers; safety restraints, other than for vehicle seats and sports equipment; respiratory masks, other than for artificial respiration; electronic access control systems for interlocking doors; smartphones wearable on the fingers; scales; noxious gas testing instruments; smartphones wearable on the wrists; temperature indicators; testing apparatus not for medical purposes; protective cases for mobile phones; protective covers for mobile phones; headphones with short range radio technology; chargers for mobile phones; chargers for tablet computers; sound alarms; speakers with short range radio technology; holders for mobile phones; external antenna; aerials; electric batteries; air analysis apparatus; electrical adapters; solar panels for the production of electricity; mobile power source (rechargeable batteries); cellular phones; mobile phones; electronic tags for goods; joysticks for use with computers, other than for video games; smartglasses; smartwatches; protective films adapted for computer screens; holograms; wearable activity trackers; covers for smartphones; cases for smartphones; protective films adapted for smartphones; selfie sticks (hand-held monopods).

35 – Provision of an on-line marketplace for buyers and sellers of goods and services; outsourced administrative management for companies.

38 – Providing online forums; streaming of data; transmission of digital files; transmission of greeting cards online; voice mail services; rental of access time to global computer networks; news agency services; newswire services; teleconferencing services; electronic mail; communications by cellular phones; rental of telephones; computer aided transmission of messages and images.

(260) AM 2019 101806 A

(800) 1450707

(151) 2018 11 23

(891) 2018 11 23

(731) GUANGZHOU FUHUANG IMP&EXP
TRADE CO., LTD.

A tu cen, Xinha Village, Xintang Town,
Zengcheng, Guangzhou City, Guangdong,
China

(540)



(591) Black, white

(531) 02.01.15; 19.01.01; 19.01.05; 26.11.08

(511)

33 – Wine; cocktails; alcoholic fruit extracts; cider; vodka; spirits [beverages].

(260) AM 2019 101807 A

(800) 1450712

(151) 2018 07 20

(891) 2018 07 20

(731) APPLE INC.

One Apple Park Way, Cupertino CA 95014,
USA

(540)



(591) Purple and white

(531) 02.01.23; 04.05.05; 26.01.05; 26.04.04;
29.01.12

(511)

38 – Streaming of podcasts and other video, audio, and multimedia content via telecommunications networks.

41 – Entertainment and educational services, namely, providing ongoing podcast programs in the fields of entertainment, music, news, current events, public affairs, politics, government, sports, fitness, recreation, health, medicine, business, finance, history, arts, culture, society, education, science, technology, children, families, religion, spirituality, games, hobbies, fiction, and topics of general interest.

42 – Hosting a website for the storing, sharing, and posting of podcasts and multimedia content.

(260) AM 2019 101808 A

(800) 1450763

(151) 2017 10 18

(891) 2017 10 18

(731) MONCLER S.P.A.

Via Stendhal, 47, I-20144 MILANO, Italy

(540)

MONCLER GENIUS

(591) Black, white

(511)

3 – Perfumes; toilet water; deodorants for personal use [perfumery]; incense; joss sticks; air fragrancing preparations; sachets for perfuming linen; essential oils for personal use; henna [cosmetic dye]; eye shadow; cosmetic pencils; foundation; make-up powder; face powder [for cosmetic use]; talcum powder [for cosmetic use]; blusher; lipsticks; lipstick cases; lip glosses; mascara; sunscreen preparations; sun-tanning preparations [cosmetics]; nail polish; beauty masks; facial scrubs [cosmetic]; face creams for cosmetic purposes; cosmetic body creams; cosmetic creams; cosmetic preparations for slimming purposes; creams for cellulite reduction for cosmetic use; hair spray; cosmetic hair lotions; hair bleaching preparations; hair dyes; hair coloring preparations; hair rinses [shampoo-conditioners]; hair lighteners; hair conditioners; hair moisturizers; preparations for the permanent waving of hair; gels, sprays, mousses and balms for hair styling and hair care; depilatory preparations; hair straightening preparations; tissues impregnated with make-up removing preparations; phytocosmetic preparations; hand soap; cosmetic soap; facial soaps; skin cleansing creams; skin cleansing lotions; shower gel; bubble bath preparations [for cosmetic use]; non-medicated bath oils; non-medicated bath pearls; non-medicated bath salts; cosmetic creams and lotions for face and body care; shaving balms; shaving creams; shaving soap; after-shave lotions; hair shampoos; bath preparations, not for medical purposes; mouthwashes, not for medical purposes; non-medicated dentifrices; cosmetic preparations for the care of mouth and teeth; laundry starch; laundry soap; stain removers; cleaning preparations; rust removing preparations; carpet shampoos; cloths impregnated with a detergent for cleaning; emery; pumice stone; polishing powder; shoe polish; shoe wax; shoe cream; creams for leather; leather bleaching preparations; baby lotions [toilettries]; baby oils [toilettries], baby powder [toilettries]; shampoos for babies; hair conditioners for babies; children's play cosmetics; cosmetics for animals; preparations for cleaning, protecting and preserving vehicle surfaces; bleaching preparations and other substances for laundry use; cleaning, polishing, scouring and abrasive preparations; non-medicated soaps; perfumery, essential oils, non-medicated cosmetics, non-medicated hair lotions; non-medicated dentifrices.

9 – Eyeglasses; sunglasses; anti-glare glasses; goggles for sports; swimming goggles; eyeglass and sunglass cases; eyeglass and sunglass lenses; eyeglass and sunglass frames; eyeglass and sunglass chains; eyeglass and sunglass cords; pince-nez; pince-nez cases; pince-nez chains; pince-nez cords; pince-nez

mountings; correcting lenses [optics]; contact lenses; containers for contact lenses; ski goggles; spectacle cases; optical lenses; binoculars; binocular cases; monocles; opera glasses; telescopes; optical discs; prisms [optics]; magnifying glasses; magnifying glass cases; objectives [lenses] [optics]; smartglasses; 3D spectacles; electronic game software for cellular phones; electronic game software for handheld electronic devices; computer game software; computer game programs; computer software, recorded; downloadable computer programs; floppy disks; personal computers; cases adapted for personal computers; notebook computers; hand-held computers; cases adapted for hand-held computers; carrying cases adapted for computers; tablet computers; protective cases for tablet computers; covers for tablet computers; laptop computers; cases for laptops; bags adapted for laptops; sleeves for laptops; docking stations for laptops; wrist rests for use with computers; computer mice; mouse pads; computer keyboards; printers for use with computers; computer peripheral devices; monitors [computer hardware]; carrying cases for radio pagers; radio cases; radios, mobile phones; lanyards [straps] for cellular phones; covers adapted for cellular phones; cases adapted for cellular phones; antennas for cellular phones; cellular phones; smartphones; protective covers for smartphones; protective cases for smartphones; electronic pagers; electronic book readers; protective cases for electronic book readers; cordless telephones; cordless telephone holders; telephone receivers; telephone apparatus; video telephones; cell phone straps; batteries for cellular phones; microphones for cellular phones; loudspeakers for cellular phones; earphones for cellular phones; battery chargers for cellular phones; battery charger cases for cellular phones; in-ear headphones; headphones; headphone cases; hands free kits for telephones; hands free kits for cellular phones; smartwatches; protective films adapted for smartphones; selfie sticks [hand-held monopods]; selfie sticks for use with smartphones; virtual reality headsets; multi-purpose cameras; disposable cameras; cases adapted for cameras; cameras [photography]; digital cameras; television cameras; camcorders; cases especially made for photographic apparatus and instruments; lanyards [straps] for cameras; digital photo frames; exposed slide film cases; slides [photography]; video screens; home theater projectors; protective helmets for sports; clothing and footwear for protection against accidents, irradiation and fire; compact discs [audio-video]; DVDs; holders and cases for compact discs and DVDs; protective carrying cases for portable music players; music and video player cases; digital audio players; loudspeakers; compact disc players; cases adapted for CD players; DVD recorders; DVD players; cases adapted for DVD players; portable MP3 players; cases for portable MP3 players; covers for portable MP3 players; portable com-

compact disc music players; prerecorded magnetic tapes, cartridges and disks; walkie-talkies; antennas; audio-visual teaching apparatus; films, exposed; transmitters of electronic signals; television apparatus; electronic publications, downloadable; magnetic data carriers; sound recording discs; prerecorded audio discs; prerecorded DVDs; audio and video tapes; sound recording carriers; video recorders; video cassettes; USB flash drives; electronic key fobs being remote control apparatus; time clocks [time recording devices]; counters; rulers [measuring instruments]; teaching apparatus; measuring devices, electric; barometers; thermometers, not for medical purposes; calculating machines; pocket calculators; chronographs [time recording apparatus]; scales; pedometers; navigation apparatus for vehicles [on-board computers]; credit card cases [fitted holders]; magnetically encoded key cards; electronic agendas; cases for electronic agenda; covers for electronic agendas; coin-operated musical automata [juke boxes]; magic lanterns; holograms; electronic interactive whiteboards; interactive touch screen terminals; decorative magnets; electronic pens [visual display units]; lanyards [straps] especially adapted for holding cellular phones, MP3 players, cameras, video cameras, eyeglasses, sunglasses, magnetic encoded cards; nose clips for divers and swimmers; baby monitors; audio baby monitors; video baby monitors; baby scales; protective helmets for children; educational software for children; scientific, nautical, surveying, photographic, cinematographic, optical, weighing, measuring, signalling, checking [supervision], life-saving and teaching apparatus and instruments; apparatus and instruments for conducting, switching, transforming, accumulating, regulating or controlling electricity; apparatus for recording, transmission or reproduction of sound or images; magnetic data carriers, recording discs; compact discs, DVDs and other digital recording media; mechanisms for coin-operated apparatus; cash registers, calculating machines, data processing equipment, computers; computer software; fire-extinguishing apparatus.

14 – Precious metals; gold; palladium; precious stones; jade; imitation jewellery; costume jewellery; trinkets [jewellery and imitation jewellery]; charms [jewellery and imitation jewellery]; silver thread [jewellery]; threads of precious metal [jewellery]; threads of precious metal [jewellery and imitation jewellery]; gold thread [jewellery]; bracelets [jewellery and imitation jewellery]; bracelets made of embroidered textile [jewellery]; cloisonné jewellery; pearls [jewellery]; necklaces [jewellery and imitation jewellery]; lockets [jewellery and imitation jewellery]; chains [jewellery and imitation jewellery]; rings [jewellery and imitation jewellery]; brooches [jewellery and imitation jewellery]; earrings; diadems; medallions [jewellery and imitation jewellery]; medals; pins [jewellery and imitation jewellery];

ornamental pins; tie pins; pendants [jewellery]; cuff links; lanyards [keycords]; key chains [key chains with trinket or decorative fob]; key rings [split rings with trinket or decorative fob]; charms for key rings; key fobs of metal; key rings of leather; key rings, not of metal; split rings of precious metal for keys; key fobs of leather; key fobs of imitation leather; charms for key rings; key fobs of common metal; key fobs, not of metal; fancy key holders of precious metal; key holders of precious metal; key holders of metal; key tags of plastic; badges of precious metal; amulets [jewellery and imitation jewellery]; rosaries; paste jewellery [costume jewellery]; hat jewellery; shoe jewellery; shoe ornaments of precious metal; hat ornaments of precious metal; jewellery cases [caskets], not of precious metal; jewellery cases [caskets]; decorative boxes of precious metal; trophies of precious metal; statues of precious metal; figurines [statuettes] of precious metal; statuettes of precious metal; works of art of precious metal; clocks; wall clocks; watches; alarm clocks; chronometers; chronographs [watches]; wristwatches; stopwatches; pocket watches; cases for clocks and watches; watch bands; watch straps; watch chains; watch bracelets; precious metals and their alloys; jewellery, precious and semi-precious stones; horological and chronometric instruments.

16 – Magazines [periodicals]; magazines featuring stories, games and learning activities; newspapers; newspaper comic strips [printed matter]; pamphlets; pamphlets featuring stories, game and learning activities; booklets; periodicals; newsletters; printed publications; posters; handbooks [manuals]; calendars; catalogues; brochures; flyers; books; books featuring stories, games and learning activities; children's books; children's activity books; children's books incorporating audio contents; coloring books; school writing books; yearbooks; manuals [handbooks]; wrapping paper; gift wrapping paper; banners of paper; bunting of paper; writing paper; handkerchiefs of paper; bibs of paper; towels of paper; face towels of paper; table linen of paper; place mats of paper; table runners of paper; table napkins of paper; boxes of paper or cardboard; hat boxes of cardboard; containers made of cardboard; patterns for making clothes; sewing patterns; embroidery designs [patterns]; printed patterns; knitting patterns; decorative stickers for helmets; bumper stickers; transfers [decalcomanias]; event albums; sketch books; scratch pads; sketches; architects' models; blueprints; prospectuses; photographs [printed]; graphic reproductions; graphic art reproductions; printed art reproductions; works of art of paper; figurines [statuettes] of papier mâché; engravings; lithographs; lithographic works of art; oleographs; occasion cards; cards bearing universal greetings; gift tags of paper; announcement cards [stationery]; invitation cards; postcards, cards; albums; photograph stands; photographs [printed]; photograph

albums; stickers [stationery]; sticker albums; photo holders made of paper; bookmarkers; pens [office requisites]; fountain pens; ball-point pens; roller-tip pens; writing pens; felt-tip markers; pencils; pastels; crayons; chalks; painting sets for children; drawing brushes; stationery cases; cases of leather for agendas and weekly planners; drawing sets; pen boxes; pencil boxes; pen toppers; pencil toppers; pen cases; pencil cases; penholders; pencil holders; stands for pens and pencils; modelling clay for children; modelling materials and compounds for use by children; covers [stationery]; document files [stationery]; document holders [stationery]; desk mats; desk top organizers; personal organizers; exercise books [blank]; note books; cube-shaped notebooks; scratch pads; notepads; diaries; agendas; weekly planners [stationery]; agenda covers; weekly planner covers; address booklet covers; album covers; book covers; folders [stationery]; labels of paper or cardboard; labels, not of textile; adhesive labels, not of textile; paperweights; page holders; pencil sharpeners, electric or non-electric; drawing pads; adhesive bands for stationery or household purposes; adhesive tape dispensers [office requisites]; adhesive tapes for stationery or household purposes; paper knives [cutters] [office requisites]; rubber erasers; erasers; erasing products; correspondence holders; passport holders; stationery-type portfolios; illustration boards; paper ribbons; stationery; inkstands; clipboards; presentation folders; document portfolios [stationery]; trading cards, other than for games; paper bags; shopping bags of plastic; shopping bags of paper; bags [envelopes, pouches] of paper or plastics for packaging; placards of paper or cardboard; printed advertising boards of paper or cardboard; money clips; typewriters, electric or non-electric; paper and cardboard; printed matter; bookbinding material; photographs; stationery and office requisites, except furniture; adhesives for stationery or household purposes; artists' and drawing materials; paintbrushes; instructional and teaching materials; plastic sheets, films and bags for wrapping and packaging; printers' type, printing blocks.

18 – Boxes of leather or leatherboard; cases of leather or leatherboard; leather straps; card cases [note-cases]; credit card cases [wallets]; calling card cases; furniture coverings of leather; business card cases; document cases; bags [envelopes, pouches] of leather, for packaging; labels of leather; clothing for pets; collars for pets; bags for carrying animals; nose bags [feed bags]; bridles [harness]; leather, unworked or semi-worked; moleskin [imitation of leather]; fur; raw skins; bags; handbags; evening purses [handbags]; shopping bags; leather shopping bags; wheeled shopping bags; duffle bags; waist bags; Boston bags; shoulder bags; travelling trunks; beach bags; clutch bags; attache cases, school bags; school satchels; schoolchildren's backpacks; randsels [Japanese school satchels]; bags for sports; garment bags

for travel; purses; wallets; pocket wallets; carrying cases for documents; key cases; key bags; key wallets; briefcases; pouches, of leather, for packaging; luggage; pouches for holding make-up, keys and other personal items; shoe bags for travel; all-purpose sports bags; saddle bags; knapsacks; backpacks; rucksacks; haversacks; overnight suitcases; trunks [luggage]; vanity cases, not fitted; hat boxes for travel; hat boxes of leather; handbag frames; key cases of leather; shoulder belts [straps] of leather; leather straps; pouches of leather; suitcases; suitcases with wheels; travelling sets [leatherware]; travelling bags of leather; bags for campers; bags for climbers; sling bags for carrying infants; slings for carrying infants; pouch baby carriers; backpacks for carrying babies; infant carriers worn on the body; umbrellas for children; reins for guiding children; umbrellas; parasols; walking sticks; mountaineering sticks; harness fittings; golf umbrellas; umbrella covers; leather and imitations of leather; animal skins and hides; luggage and carrying bags; umbrellas and parasols; walking sticks; whips, harness and saddlery; collars, leashes and clothing for animals.

25 – Jackets [clothing]; sleeved or sleeveless jackets; heavy jackets; lightweight jackets [clothing]; bomber jackets; reversible jackets; rain jackets; leather jackets; padded jackets; wind-resistant jackets; waterproof jackets; stuff jackets [clothing]; down jackets; sleeveless down jackets; sports jackets; ski jackets; snowboard jackets; long jackets; windcheaters; ski windcheaters; snowboard windcheaters; anoraks [parkas]; down anoraks; parkas; down parkas; fur jackets; waistcoats; waistcoats with removable lining; overcoats; coats; fur coats; raincoats; cardigans; pullovers; shirts; T-shirts; polo shirts; sport shirts; undershirts; shirts for wear with suits; chemises; camisoles; blouses; blousons; sweatshirts; sweaters; jumpers [pullovers]; jerseys [clothing]; sports jerseys; trousers; ski pants; snowboard pants; ski trousers; shorts; Bermuda shorts; jeans; skirts; skorts; work overalls; clothing for gymnastics; jogging suits; jogging suit trousers; training suits; track suits; ski suits; snowboard suits; suits; dresses for women; evening dresses; gowns; blazers; formal wear; petticoats; corselets; wristbands [clothing]; headbands [clothing]; twin sets; leggings [trousers]; leggings [leg warmers]; leg warmers; dungarees; ponchos; veils [clothing]; wedding dresses; ready-made clothing; outer clothing; masquerade costumes; tops [clothing]; tank-tops; knitwear [clothing]; hosiery; clothing of leather or imitations of leather; furs [clothing]; waterproof clothing; pants; sweat pants; pelerines; pinafore dresses; tuxedos; romper suits; leotards; gabardines [clothing]; slacks; tunics; school uniforms; athletic uniforms; breeches for wear; golf clothing, other than gloves; cuffs; dance clothing; aprons [clothing]; smocks; ski masks [clothing]; kimonos; judo uniforms; karate uniforms; bathing suits; bathing caps; swimming caps; shower caps;

beach cover-ups; beach clothes; swimming costumes; swimsuits; bathing drawers; bathing trunks; bikinis; bath robes; pareus; clothing for children; footwear for children; headgear for children; articles of clothing, footwear and headgear for babies and toddlers; babies' pants [clothing]; bibs, not of paper; layettes [clothing]; babies' sleepwear; costumes for use in the children's dress up play; socks; stockings; tights; sports socks; panty hose; unitards; garters; sock suspenders; stocking suspenders; shoes; leather shoes; sports shoes; gymnastic shoes; beach shoes; mountaineering shoes; running shoes; ski footwear; after ski footwear; footwear for snowboarding; rain footwear; sneakers; slippers; bath slippers; sandals; bath sandals; flip-flops [footwear]; heels; heelpieces for boots and shoes; inner soles; tips for footwear; soles for footwear; footwear uppers; boots; half-boots; lace boots; rain boots; ski boots; after ski boots; snowboard boots; boots for sports; horse-riding boots; clogs; overshoes; galoshes; gaiters; valenki [felted boots]; scarves; cloaks; shawls; stoles; fur stoles; bandanas [neckerchiefs]; foulards [clothing articles]; neckties; bow-ties; ascots; neckerchiefs; pocket squares; neck warmers; gloves [clothing]; muffs [clothing]; mittens; ski gloves; snowboard gloves; belts [clothing]; braces for clothing [suspenders]; suspenders; waistbands [parts of clothing]; money belts [clothing]; sashes for wear; boas [necklets]; collars [clothing]; mufflers [neck scarves]; underwear; singlets; sport singlets; slips [undergarments]; panties; underpants; drawers [clothing]; briefs; boxer briefs; pyjamas; dressing gowns; nightgowns; vests; brassieres; corsets [underclothing]; bodices [lingerie]; girdles; teddies [underclothing]; sleep masks; caps [headwear]; hats; cap peaks; caps with visors; berets; hoods [clothing]; ear muffs [clothing]; visors [headwear]; clothing, footwear, headgear.

28 – Apparatus for games other than those adapted for use with an external display screen or monitor; video game machines; apparatus for games; pocket-sized apparatus for playing video games; pocket-sized video game machines; pocket-sized electronic game machines; hand-held games with liquid crystal displays; portable games with liquid crystal displays; stand-alone video game machines; arcade video game machines; controllers for game consoles; balls for games; counters [discs] for games; bladders of balls for games; ring games; conjuring apparatus; roulette wheels; skittles [games]; shuttlecocks; marionettes; kites; kite reels; quoits; toy vehicles; radio-controlled toy vehicles; remote-controlled toy vehicles; toy cars; kaleidoscopes; masks [playthings]; theatrical masks; play balloons; toy pistols; dolls; dolls' beds; dolls' feeding bottles; dolls' clothes; dolls' houses; dolls' rooms; teddy bears; spinning tops [toys]; puzzles; jigsaw puzzles; parlor games; mobiles [toys]; building blocks [toys]; flying discs [toys]; scooters [toys]; rocking horses; dominoes; building

games; toy construction kits; soap bubbles [toys]; slides [playthings]; practical jokes [novelties]; butterfly nets; scale model vehicles; playing cards; cases for playing cards; dice; draughts [games]; draughtboards; backgammon games; checkers [games]; board games; chess games; chess sets; chess pieces; checkerboards; chessboards; mah-jong; bingo cards; rackets; playing balls; nets for sports; race tracks [toys]; darts; swimming pools [play articles]; novelties for parties, dances [party favors, favours]; cases for play accessories; Christmas trees of synthetic material; bells for Christmas trees; snow globes; paper party hats; scratch cards for playing lottery games; toys for pets; plush characters and animals; rubber character toys; animated and non-animated toy figures; stuffed toys and unstuffed toys in the form of plastic character toys; puppets; stuffed puppets; plush toys; stuffed toys; rattles [playthings]; rattles for babies; baby rattles incorporating teething rings; cot musical toys for babies; baby gyms; plush toys with attached comfort blanket; tricycles for infants [toys]; tables for indoor football; tables for table tennis; golf bags, with or without wheels; golf gloves; golf clubs; divot repair tools [golf accessories]; billiard cues; pool cue tips; billiard markers; billiard tables; billiard balls; tennis nets; tennis ball throwing apparatus; tennis rackets; rackets; battledores; table tennis rackets; strings for rackets; bowling apparatus and machinery; cricket bags; hockey sticks; coin-operated billiard tables; grip tapes for rackets; skis; snow skis; edges of skis; ski brakes; ski poles; ski sticks; ski bindings; shaped covers for ski bindings; shaped covers for skis; bags adapted for skis; sole coverings for skis; seal skins [coverings for skis]; bindings for alpine skis; surf skis; bob-sleighs; discuses for sports; surfboards; sleds [sports articles]; snow sleds for recreational use; sailboards; snowboards; stationary exercise bicycles; machines for physical exercises; foils for fencing; harpoon guns [sports articles]; bar-bells; appliances for gymnastics; fencing weapons; climbers' harness; mountaineering equipment, namely, ascenders, binding straps, hooks, hook and ring combinations; paragliders; hang gliders; skateboards; spring boards [sports articles]; twirling batons; bags especially designed for surfboards; harness for sailboards; masts for sailboards; paintball guns [sports apparatus]; surfboard leashes; starting blocks for sports; sling shots [sports articles]; horizontal bars for gymnastics; weight lifting belts [sports articles]; parallel bars for gymnastics; exercise platforms; poles for pole vaulting; skipping ropes; batting gloves [accessories for games]; fencing gauntlets; exercise pulleys; exercise benches; jumping ropes; body-building apparatus; body-training apparatus; archery implements; punching bags; roller skates; in-line roller skates; ice skates; skating boots with skates attached; boxing gloves; baseball gloves; gloves for games; snowshoes; swimming belts; swimming life rings;

swimming kick boards; flippers for swimming; water wings; arm floats for swimming; swimming jackets; hunting game calls; fishing tackle; rods for fishing; fishing lines; bows for archery; camouflage screens [sports articles]; hunting and fishing equipment; floats for swimming; swimming gloves; inflatable armbands for swimming; swimming floats for recreational use; party poppers; streamers [party novelties]; balloons [party novelties]; decorations for artificial Christmas trees; games, toys and playthings; video game apparatus; gymnastic and sporting articles; decorations for Christmas trees.

35 – Retail and wholesale services on behalf of third parties, also on-line, of bleaching preparations and other substances for laundry use, detergents, cleaning, polishing, scouring and abrasive preparations, non-medicated soaps, perfumery, essential oils, non-medicated cosmetics, non-medicated hair lotions, non-medicated dentifrices; retail and wholesale services on behalf of third parties, also on-line, of candles, eyeglasses, sunglasses, anti-glare glasses, ski goggles, goggles for use in sport, swimming goggles, eyeglass and sunglass cases, eyeglass and sunglass lenses, eyeglass and sunglass frames; retail and wholesale services on behalf of third parties, also on-line, of eyeglass and sunglass chains, eyeglass and sunglass cords, pince-nez, pince-nez cases, pince-nez chains, pince-nez cords, pince-nez mountings, correcting lenses [optics]; retail and wholesale services on behalf of third parties, also on-line, of holders, cases, covers, electronic apparatus holders, electronic apparatus cases, electronic apparatus covers; retail and wholesale services on behalf of third parties, also on-line, of scientific, nautical, surveying, photographic, cinematographic, optical, weighing, measuring, signalling, checking [supervision], life-saving and teaching apparatus and instruments, apparatus and instruments for conducting, switching, transforming, accumulating, regulating or controlling electricity; retail and wholesale services on behalf of third parties, also on-line, of apparatus for recording, transmission or reproduction of sound or images, magnetic data carriers, recording discs, compact discs, DVDs and other digital recording media, mechanisms for coin-operated apparatus, cash registers, calculating machines, data processing equipment, computers, computer software, fire-extinguishing apparatus; retail and wholesale services on behalf of third parties, also on-line, of apparatus for lighting, lamps, precious metals and their alloys, jewellery, precious and semi-precious stones, horological and chronometric instruments, key rings, key fobs, key cases, key holders, key bags; retail and wholesale services on behalf of third parties, also on-line, of paper and cardboard, printed matter, bookbinding material, photographs, stationery and office requisites, adhesives for stationery or household purposes, artists' and drawing materials, paintbrushes, instructional and teaching materials, plastic

sheets, films and bags for wrapping and packaging, printers' type, printing blocks; retail and wholesale services on behalf of third parties, also on-line, of bags, cases and holders [leatherware], leatherware, leather and imitations of leather, animal skins, hides, trunks, travelling bags, umbrellas and parasols, walking sticks, whips, harness, saddlery, collars, leashes and clothing for animals; retail and wholesale services on behalf of third parties, also on-line, of furniture, mirrors, picture frames, ropes and string, nets, tents and tarpaulins, awnings of textile or synthetic materials, sails, sacks for the transport and storage of materials in bulk, padding, cushioning and stuffing materials, raw fibrous textile materials and substitutes therefor; retail and wholesale services on behalf of third parties, also on-line, of textiles and substitutes for textiles, household linen, curtains of textile or plastic, bed covers, table covers, clothing, footwear, headgear; retail and wholesale services on behalf of third parties, also on-line, of lace and embroidery, ribbons and braid, buttons, hooks and eyes, pins and needles, artificial flowers, hair decorations, false hair, carpets, rugs, mats and matting; retail and wholesale services on behalf of third parties, also on-line, of games, toys and playthings, video game apparatus, gymnastic and sporting articles, decorations for Christmas trees, smokers' articles; presentation of goods on communication media, for retail purposes; commercial information and advice for consumers [consumer advice shop]; sales promotion for others; outsourcing services [business assistance]; procurement services for others [purchasing goods and services for other businesses]; demonstration of goods; shop window dressing; sponsorship search; business inquiries; business information; administrative processing of purchase orders; organization and management of customer loyalty programs; administration of consumer loyalty programs; auctioneering; auctioneering services provided on the Internet; commercial administration of the licensing of the goods and services of others; organization of fashion shows for promotional purposes; organization of events, exhibitions, trade fairs and fashion shows for commercial, promotional and advertising purposes; organization of trade fairs for commercial or advertising purposes; organization of advertising events; arranging and conducting of promotional and marketing events; event marketing; news clipping services; public relations; on-line advertising on a computer network; advertising of goods and services on the Internet and by means of mobile telephony services and by electronic mail; bill-posting; rental of advertising space; publicity material rental; dissemination of advertising matter; advertising agency services; modelling for advertising or sales promotion; writing of publicity texts; publication of publicity texts; promoting the sale of fashion goods through promotional articles in magazines; distribution of samples; distribution and

dissemination of advertising materials [leaflets, prospectuses, printed material, samples]; advertising planning services; promotional services; merchandising services; search engine optimization for sales promotion; web site traffic optimization; consultancy regarding advertising communications strategy; consultancy regarding public relations communications strategy; social media strategy and marketing consultancy; business management and organization consultancy; consultancy and advisory services in the field of business strategy; business management consultancy relating to strategy, marketing, production, personnel and retail sale matters; business research; business management assistance; marketing strategy planning; advice in the field of business management and marketing; business information and accounting advisory services; import-export agency services; economic forecasting; marketing research; market studies; business investigations; opinion polling; franchising, namely services rendered by a franchisor, that is transfer of business and organisational know-how; assistance in the development and management of a commercial enterprise; providing an on-line commercial information directory on the Internet; compiling indexes of information for commercial or advertising purposes; compilation of information into computer databases; relocation services for businesses; business auditing; book-keeping; accounting; personnel placement and recruitment; personnel management consultancy; secretarial services; rental of vending machines; business management of hotels; photocopying services; business management of performing artists; computerized business record keeping services; advertising; business management; business administration; office functions.

41 – Conducting entertainment events, cultural events, live sports events, educational events, and entertainment and cultural activities; entertainment services; organization, production, presentation and conducting of music concerts, festivals, tours and other musical and cultural performances, events and activities; arranging of film events, musical events, cultural and sporting events and live entertainment events; organization of fashion shows for entertainment purposes; entertainment in the nature of fashion shows; arranging award ceremonies and gala evenings for entertainment purposes; party planning [entertainment]; organization and presentation of shows, competitions, games, concerts and entertainment events; organization of balls; organization of exhibitions for cultural purposes; organization of exhibitions for cultural or educational purposes; providing recreation facilities; providing recreation facilities and services; providing information about education, training, entertainment, sporting and cultural activities; providing information about entertainment and entertainment events via on-line networks and the Internet; production and presentation of audio

and video recordings, and still and moving images; electronic publishing services; on-line digital publishing services; on-line publication of electronic books and journals; digital video, audio and multimedia entertainment publishing services; publication of fashion magazines for entertainment purposes; news reporting services in the field of fashion; publication of multimedia material on-line; electronic desktop publishing; publication of yearbooks; publication of calendars; publication of brochures; publication of newsletters; publication of catalogs; publication of books, magazines and other texts, other than publicity texts; publication of printed matter, also in electronic form, other than for advertising purposes; publication of texts, other than publicity texts; electronic publication of information on a wide range of topics on-line; publishing services; providing on-line electronic publications, not downloadable; writing of texts; layout services, other than for advertising purposes; arranging of symposiums and training workshops; arranging and conducting of conferences, conventions, educational exhibitions, classes, lectures, seminars and training workshops; provision of training courses; providing of training via a global computer network; conducting of instructional, educational and training courses for young people and adults; conducting of training workshops; conducting of educational courses; training in the field of design; training to recognize fake products for the prevention of counterfeiting; conducting of training courses in the field of technology and innovation; education and training in the field of electronic data processing; education and training relating to nature conservation and the environment; business training; vocational skills training; vocational guidance [education or training advice]; higher education, academic, linguistic and vocational education and training services; photography; photographic reporting; health club services [health and fitness training]; club services [entertainment or education]; club services in the nature of entertainment; organization of sports events and competitions; providing golf facilities; providing physical education, games and sporting facilities; rental of sports equipment, except vehicles; rental of sports grounds; providing facilities for winter sports; providing sports facilities; games equipment rental; arranging of games and competitions via the Internet; organization of games and competitions; organization of educational, entertainment, cultural and sporting competitions; arranging of beauty contests; organization of lotteries; providing on-line entertainment in the nature of game shows; electronic games services provided by means of the Internet or other communication network; game services provided on-line from a computer network; providing recreational areas in the nature of play areas for children; providing educational entertainment services for children in after-school centers; franchising, namely services rendered by a franchisor, that is basic

training of personnel; modelling for artists; museum services; providing museum facilities [presentation, exhibitions]; rental of artwork; interpretation and translation services; amusement park services; holiday camp services (entertainment); discotheque services; ticket reservation and booking services for entertainment, sporting and cultural events; ticket agency services [entertainment]; providing non-downloadable digital music from the Internet; providing on-line videos, not downloadable; education; providing of training; entertainment; sporting and cultural activities.

42 – Dress designing; design of fashion accessories; fashion design; footwear design; clothing design; design of headgear; jewellery and imitation jewellery design; providing information about fashion design services; styling [industrial design]; industrial and graphic art design; illustrators' services; architectural consultancy; interior decoration consultancy; interior design; design of interior decor; commercial art design; packaging design; development, design and updating of homepages; providing temporary use of non-downloadable software to enable sharing of multimedia content and comments among users; creation, design, development, and maintenance of web sites; electronic site authoring; creating and maintaining web pages; administration of user rights in computer networks; creating and designing website-based indexes of information for others [information technology services]; providing search engines for obtaining data via communications networks; providing Internet search engines with specific search options; providing temporary use of on-line applications and software tools; providing temporary use of non-downloadable software applications accessible via a web site; providing temporary use of non-downloadable business software; providing temporary use of on-line non-downloadable software for importing and managing data; hosting multimedia and interactive applications; hosting computerized data, files, applications and information; web site design consultancy; consultancy relating to the creation of homepages and Internet pages; consultancy in the field of computer system integration; computer system design; design and development of electronic databases; design and development of systems for data input, output, processing, display and storage; data encryption and decoding services; design, maintenance, rental and updating of computer software; design, updating and rental of computer software; configuration, installation, fault diagnosis, repair, upgrading and maintenance of computer software; design and development of computer software for reading, transmitting and organizing data; design, development, maintenance and updating of computer software for word processing, data processing and process control; rental of computer software; data security consultancy; internet security consultancy; consultancy in the design and development of com-

puter hardware; outsource service providers in the field of information technology; quality control; quality control of goods and services; quality control of partly manufactured goods; quality control testing; inspection of goods for quality control; conducting of quality control tests; quality testing; testing, analysis and evaluation of the goods and services of others for the purpose of certification; quality control services for certification purposes; testing services for the certification of quality or standards; technical testing and quality control services; quality control testing and consultancy relating thereto; quality assurance consultancy; process monitoring for quality assurance; consumer product safety testing; testing of raw materials; textile testing; testing, authentication and quality control; technical research projects and studies; development of measuring and testing methods; surveying; analytical laboratory services; laboratory research and analysis; providing technical advice in the field of scientific and industrial research; analysis and evaluation of product development; research services for the development of new products; development of new technology for others; franchising, namely services rendered by a franchisor, that is transfer of technical know-how; consultancy relating to the planning and layout design of shops, the interior decor of shops and related signs; scientific and technological services and research and design relating thereto; industrial analysis and research services; design and development of computer hardware and software.

(260) AM 2019 101809 A

(800) 1450770

(151) 2018 05 01

(891) 2018 05 01

(731) NIPPON STEEL CORPORATION

6-1, Marunouchi 2-chome, Chiyoda-ku
Tokyo 100-8071, Japan

(540)

NIPPON STEEL

(591) Black, white

(531) 27.05.11

(511)

6 – Alloys of common metal; aluminium; aluminium foil; aluminium wire; balls of steel; boxes of common metal; brackets of metal for building; brass, unwrought or semi-wrought; brazing alloys; rods of metal for brazing; building boards of metal; buildings of metal; cast iron, unwrought or semi-wrought; cast steel; common metals, unwrought or semi-wrought; containers of metal for storage; copper, unwrought or semi-wrought; crash barriers of metal for roads; fittings of metal for building; flanges of metal (collars); foundry moulds of metal; framework of metal for building; gold solder; indium; ingots of common metal; iron ores; iron, unwrought or semi-

wrought; iron wire; joists of metal; lead, unwrought or semi-wrought; linings of metal (building); man-hole covers of metal; manifolds of metal for pipelines; materials of metal for funicular railway permanent ways; metals in powder form; nickel; niobium; pillars of metal for buildings; pipe muffs of metal; poles of metal; posts of metal; props of metal; railroad ties of metal; rails of metal; railway material of metal; railway sleepers of metal; reinforcing materials of metal for building; sheet piles of metal; sheets and plates of metal; silver plated tin alloy; silver solder; sleeves (metal hardware); soldering wire of metal; steel alloys; steel pipes; steel sheets; steel strip; steel, unwrought or semi-wrought; steel wire; strap-hinges of metal; tantalum (metal); tin; tinfoil; tinplate; tinplate packings; titanium; titanium, iron; tombac; trellis of metal; tubes of metal; tungsten; vanadium; rods of metal for welding; wire of common metal; wire of common metal alloys, except fuse wire; wire rope; zirconium; steel bars; cask stands of steel; steel cables; steel forgings; wire of metal for welding; heavy steel plates; hot-rolled steel sheets and coils; cold-rolled steel sheets and coils; tin free steel sheets and coils; electrical steel sheets; galvanized steel sheets and coils; bars and plates of copper; bars and plates of zinc; copper sheets; steel bands; advertisement columns of metal; alloy rolls; alloy steel for construction and steel brackets; metal alloys for battery electrodes; alloys of nonferrous metals; alloys, heat-resistant, acid-resistant and corrosion-resistant; aluminium pipes; aluminium and its alloys; anchor plates; angle irons; angle valves (of metal, not machine elements); anti-friction metal; anti-friction metal for iron alloys; armour plate; artificial fish reefs of metal; automatic control valves (of metal, not machine elements); ball valves (of metal, not machine elements); bands of metal for tying-up purposes; metal bars; bars for metal railings; billets; bindings of metal; bins of metal; blooms (metallurgy); bolts of metal; bottles (metal containers) for compressed gas or liquid air; branching pipes of metal; brass and its alloys; brass sheets, strips, bars; bronzes (works of art); building materials of metal; building materials, pipes and tubes of metal (none being boiler tubes or parts or machines), all included in this class; building panels of metal; buildings, transportable, of metal; butterfly valves (of metal, not machine elements); cable joints of metal, non-electric; cables and wires (non-electric); cans of metal; casings of metal for oil wells; cast iron vessels (not included in other classes); casters of metal; castings; castings, foils, powder, and rolled, drawn or extruded semi-finished articles of titanium or its alloys; ceilings of metal; chains of metal (except driving chains for vehicles); chimneys of metal; chromium; clad, steel plates and sheets; cladding of metal for construction and building; clips of metal for cables and pipes; closures of metal for containers; collars of metal for fastening pipes; collecting

pipes of metal; columns of metal; common metal works of art; common metals and their alloys; common metals, unwrought or semi-wrought, not included in other classes; packing containers of metal; containers of metal for compressed gas or liquid air; containers of metal for liquid fuel; containers of metal for storing acids; containers of metal for transport; copper and its alloys; cooper sheet, strip, bar; couplings of metal; drain pipes of metal; duckboards of metal; ductile cast iron rolls; ducts and pipes of metal for central heating installations; elbows of metal for pipes; extruded steels; fishplates (rails); fittings of metal for furniture; fittings of metal for windows; fittings of metal for pipe work; flanges of metal; flashing of metal, for building; floor tiles of metal; foundry molds made of steel; frame work of metal for prefabrication; frames of metal for building; free cutting steel plates and sheets; full metallic buildings; cylinders of metal for compressed gas; girders of metal; gratings of metal; grilles of metal; guard rails of metal for city streets; guard rails of metal; gutter pipes of metal; gutters of metal; handcuffs; hardware of metal, small; hardware of metal; hollow steel bars; hoop iron; hoop steel; industrial packaging containers of metal; ingots of metals, not of precious metals; iron; iron sheets; iron slabs; iron strip; iron and steel; junctions of metal for pipes; keys; locks; locks of metal, other than electric-locks of metal; lubricating nipples; machine belt fasteners of metal; magnesium; materials of metal for railway tracks; metal cylinders for compressed gas, semi-wrought; metal flanges; metal foundation plates for buildings; metal joinery fittings; metal junctions for pipes; metal latches of gates; metal lids and caps (for industrial packaging containers); metal materials for building construction or for structure; metal materials for skeletons or frames for building or construction; metal moulds for forming cement products not being parts of machines; metal pipes and tubes; semi-finished steel pipes and tubes for use with boilers; metal pulleys; metal pulleys, springs and valves (not including machine elements); metal sheets for building use; metal stoppers (for industrial packaging containers); metal wires; metal wires rods, non-electric; metallic alloy pipes; metallic barrels; metallic bins; metallic caps for containers; metallic capsules for compressed gas; metallic non-luminous nor mechanical road signals; metallic pipes; swimming pools (metal structures); metallic winding keys; metals and their alloys; ores of metal; miscellaneous hardware of metal; miscellaneous pilings of metal; miscellaneous steel pipes; molybdenum; nails and screws of metal; non-electric cables and wires of common metal; nonferrous metals and their alloys; nozzles of metal; nuts (of metal); nuts and screws made of metal; metal pipes for oils; ores; ores of common metal; ores of metal, except sodium, potassium and calcium, not included in fuel; packaging containers of metal; partitions of metal for office

use; partitions of metals; pegs of metal; penstock pipes of metal; petroleum and casing pipes of metal; pilings of metal; pipe fittings of metal; pipe joints of metal; pipelines of metal; pipes of metal (not being parts of machines and/or of boilers); pipes and tubes of metal; pipes and tubes of metal and their alloys, not being parts of machines or parts of cooling, warming and distilling installations; pipes of metal; pipes of metal, for central heating installations; pipe work of metal; pipe work of metal, not included in metal materials for building or construction; plugs of metal; posts of metal for electric lines; prebuilt metallic houses and other buildings; prebuilt metallic sections and panels therefor; props of metal for bridges; rails and other metallic materials for railway tracks; rare-earth alloys for magnets; refractory construction materials of metal; reinforcing materials of metal for machine belts; reinforcing materials of metal for pipes; reinforcing materials, of metal, for concrete; reservoirs of metal; road signs of metal (not luminous nor mechanical); rolled and cast building materials; rolled steels; roof coverings of metal; roof flashing of metal; roofing of metal; ropes of metal; safety boxes; safety cashboxes; screws of metal; sealing caps of metal; semi-finished steel; semi-wrought steel; shaped objects made of steel (not included in other classes); sheet bars of metal; sheet irons; shuttering of metal for concrete; signboards of metal; metal slabs; springs (metal hardware); springs and valves of metal (not being parts of machines); springs for furniture (metal hardware); stainless steel coils; steel; steel (rolled) for rolling- operations; steel angles; steel balls, not included in other classes; steel blooms; steel buildings; steel framework for pre-fabrication; steel joists for use in building; steel material; steel or metallic water and gas pipes; loading and unloading steel pallets; steel panels for flooring; steel tubes; steel plates; steel poles; steel rails; steel tapered poles; steel for use in manufacturing tires; steel tubes for boilers, semi-wrought; steels for automobiles; steels for bearings; steels for boilers; steels for machine structural use; steels for pressure vessels; steels for ship structural use; steels, heat-resistant, acid-resistant and corrosion-resistant; stopper-shaped or lid-shaped metallic shield for protecting screw parts of pipes; strips of metal; tanks of metal; thread of metal for tying-up purposes; metal foil for cooking; titanium alloys; titanium bars; transportable buildings of metal; tree protectors of metal; tubes and pipes of steel; unwrought and partially wrought common metals and alloys; valves of metal, other than parts of machines; wall cladding of metal for building; wall linings of metal for building; wall plugs of metal; water-pipes of metal; sculptures of metal; wrapping or binding bands of metal; zinc and its alloys; zinc-coated steel sheets; brass sheets; containers of metal for compressed gas; cocks (of metal, not machine elements); beacons of metal, non-luminous.

7 – Air suction machines; bending machines; compressed air machines; compressed air pumps; compressors (machines); condensing installations for chemical processing; control mechanisms for metalworking machines, construction machines and loading-unloading machines; converters for steel works; crushing machines for metalworking, construction loading-unloading and chemical processing; cutting machines for metalworking and construction; drainage machines for construction; apparatus for dressing for metalworking; finishing machines for metalworking; gasifiers; AC generators of electricity; DC generators of electricity; grinding machines; guides for metalworking machines; hand-held tools, other than hand-operated; heat exchangers for chemical processing machines; hemming machines; holding devices for metalworking machine tools; apparatus for metalworking machining; metal drawing machines; metalworking machines; moulding machines for metalworking; moulds (parts of machines); paring machines for metalworking; pneumatic transporters; electric machines and apparatus for polishing metal surface; presses for metalworking; presses (machines for chemical processing purposes); rams (machines); rolling mill cylinders; rolling mills; sewage pulverizers; slide rests (parts of machines); trimming machines for metalworking; vibrators (machines) for industrial use; industrial waste disposers (machines); welding apparatus, gas-operated; welding machines, electric-robots for metal working; continuous casting machines; apparatus for the treatment of metal giving a pickling effect on the surface; apparatus for tin-plating on the surface of metal; annealing machines for metalworking; piston rings; AC generators (alternators); AC motors and DC motors (not including those for land vehicles but including parts for any AC motors and DC motors); actuators for air vehicles; aeronautical engines; aeronautical motors; anti-pollution devices for motors and engines; asphalt finishers; automobile crank shafts and camshafts; axles for machines; back-hoe dragline and hydro excavators; bearings (machine elements not for land vehicles); bearings for transmission shafts; speed reducers or variators; belts for conveyors; belts for machines; belts for motors and engines; blow moulding machines; boiler tubes (parts of machines); brakes (machine elements not for land vehicles); bucket wheel reclaimers; butane carburettors; carburettor feeders; carburettors; casting machines, for non-ferrous metals; centrifuges (machines); centrifuges being centrifugal separators; chain feeders for ball mills; chemical processing machines and apparatus; classifier for classifying solids suspended in liquids, being machines; coal and ore dressing machines; cold strip mills for non-ferrous metals; construction machines and apparatus; mechanical control apparatus for machines, engines and motors; conveyors and auxiliary machines for them; couplings other than for land vehicles; cranes and

their parts and accessories; crank shafts; cranks (parts of machines); crawler-shovel-cranes; crushers for metalworking and plastic processing; crushers for mines; crushing rolls and roll housings; gears, other than, for land vehicles; dc generators; die-cutting and tapping machines; diggers (machines); dragline excavators; drilling rigs, floating or non-floating; drilling towers; electric circuit board processing machines; electrical wire and cable manufacturing machines; electronic motors; excavating machines and parts thereof; exhaust manifold for engines; exhausts for motors and engines; extruders; machines for fanning and blowing; feeding apparatus for engine boilers; plastic film laminators; filters for chemical, processing machines or non-electric prime movers; flotation machines; industrial machine presses and shearing machines for metal fabrication; forging presses; machine parts being gear and pinion couplers and draft gear and spare parts not included in other classes; gear boxes; heat exchangers for plants (parts of machines); high pressure washers; hydraulic, controllers for machines, motors and engines; hydraulic door openers and closers (parts of machines); hydraulic presses for metal working or chemical processing machines; hydraulic pumps; hydraulic pumps for industrial machines; hydraulic valves; impeller shafts for compressors; variable gears and other parts and accessories for power engines included in this class; blow molding machines; injection blow moulding machines; bucket-ladder excavators; levellers (earth moving machines); link-belt truck cranes; liquid crystal panel etching equipment; LNG carburetors; loading-unloading machines and apparatus; LFG carburetors; machine coupling and transmission components (except for land vehicles); machine couplings and belting (except for vehicles); machine elements (not for land vehicles); mechanical presses; metalworking machine tools; milling machines; plant mineral dressing machines; mixers in the field of construction and chemical processing; motor-driven machines for the chemical industry; motors and engines (except, for land vehicles); motors, electric, other than for land vehicles; mufflers for motors and engines; nautical engines; non-electric prime movers, not for land vehicles (other than water mills and wind mills); nozzles and blades of turbines; oil coolers for aeronautical engines; oil refining machines; other metal-processing machines; parts for non-electric prime movers for land vehicles; parts for power engine and related equipment; pipe mills; pump diaphragms; pumps (parts of machines, engines or motors); radiators (cooling) for motors and engines; reduction gears other than for land vehicles; roll and roll housing (parts of machines); roll and roll-housings; rolling mills and their parts and fittings; rolls for rolling mills; semiconductor manufacturing machines and systems; separating machines for chemical processing; shaft couplings or connectors (machine ele-

ments not for land vehicles); shaft units; shafts, axles or spindles (not for land vehicles); power shears; ships' gears and pinions; shock absorbers (machine elements not for land vehicles); shovel parts for machines; silencers for motors and engines; sintering machines for chemical processing; springs (parts of machines); stackers; stacker-reclaimers; starters for aeronautical engines; starters for motors and engines; steam engine boilers; steel making converters; steel mill cranes; steel sheet processing lines; body straighteners (for metalworking machines); superchargers; threading machines; machine tools for metal fabrication and parts thereof; transmission gears for machines; transmission shafts, other than for land vehicles; transmissions for machines; transmissions, other than for land vehicles; unloaders, loaders, and their related equipment; valves (machine elements not for land vehicles); waste compacting machines and apparatus for industrial purposes; waste crushing machines for industrial purposes; wheeled cranes; wire rod mills; automobile engine crankshafts; non-electric prime movers for land vehicles (not including "their parts"); electric arc welding apparatus; galvanizing apparatus; metal surface galvanizing apparatus; electrodes for welding; lifting magnets; fuel economizers.

12 – Aerial conveyors; aeronautical apparatus; aeroplanes; air bags (safety devices for automobiles); aircraft and their parts and fittings; air-cushion vehicles; railway rolling stocks; aircrafts, automobiles, bicycles, motorcycles, rolling stocks for railways and ships and their parts; automobiles and their parts and fittings; axle boxes for locomotives; axle journals; axles; axles (railway rolling stock parts and accessories); axles for land vehicle wheels; axles for vehicles; bicycles and their parts and fittings; bodies (of railway cars); bogie trucks (railway rolling stock parts and accessories); bogies; bogies for railway cars; brake linings for vehicles; brake segments for vehicles; brake shoes for vehicles; brakes (for land vehicles); brakes for vehicles; buffers for railway rolling stock; cable cars; car truck couplers; car trucks; railway carriages and parts and accessories thereof; chassis (of railway cars); command gear units (railway rolling stock parts and accessories); connecting rods for land vehicles, other than parts of motors and engines; coupler and draft gears for use as parts of vessels, aircrafts, railway rolling stocks, automobiles and two-wheeled motor vehicles; coupler for automobiles; coupling chains for railway rolling stock; couplings for land vehicles; draft gears all included in this class being parts and fittings of railway rolling stock; driveshafts for use as parts of vessels, aircrafts, railway rolling stocks, automobiles, two-wheeled motor vehicles and bicycles; driving gear units for land vehicles; driving gears for land vehicles; engagement apparatus (railway rolling stock parts and accessories); flanges for railway wheel tires (tyres); fork lift trucks; gear and pinion coupler

and draft gear for use as parts of vessels, aircrafts, railway rolling stocks, automobiles, two-wheeled motor vehicles and bicycles; gear boxes for land vehicles; gear units for use as parts of vessels, aircrafts, railway rolling stocks, automobiles, two-wheeled motor vehicles and bicycles; gearing for land vehicles; gears and pinions for land vehicles; hand cars; hand straps (of railway cars); hydraulic circuits for vehicles; inner tubes for tires; leaf-springs for use as parts of vessels, aircrafts, railway rolling stocks, automobiles, two-wheeled motor vehicles and bicycles; transmission components for land vehicles; metal, wheels for railway rolling stock and steel tyres for use therewith; motor coaches; motorcycles; parts and accessories for railway freight and passenger cars namely, railway trucks, wheels, axles, and wheel-axle units; parts and fittings for automobiles; pedicabs; propeller shafts for use as parts of vessels, aircrafts, railway rolling stocks, automobiles and two-wheeled motor vehicles; puller cars for mining; pusher cars for mining; railway couplings; railway freight cars; railway rolling stock and their parts and fittings; reduction gears for land vehicles; road vehicles and parts thereof; railway rolling stock and parts and fittings therefor; rolling stock for railways; ropeways for cargo or freight handling; rotative power transmission belts connecting engines and radiator cooling fans (for land vehicles); rotor discs for vehicle braking systems; seat covers for vehicles; shafts, axles or spindles, bearings, shaft couplings or connectors, power transmissions and gearings (for land vehicles); ships; ships' steering gears; ships' hulls and parts thereof included in this class; shock absorbers and shock absorbing springs (for land vehicles); shock absorbers for railway cars and motorcars; shock absorbing springs for vehicles; solid roiled wheels (railway rolling stock parts and accessories); spindle assemblies with rotors for land vehicles; suspension springs for automobiles; springs for railway rolling stocks; springs for vehicles; stabilizer bars for land vehicles; steel rims for railway rolling stock wheels; steel tires (railway rolling stock parts and accessories); suspension shock absorbers for vehicles; suspension springs; suspension systems and accessories therefor; tires of automobiles; traction engines; traction or hitching apparatus (railway rolling stock parts and accessories); tractors; trains and parts and fittings therefor; transmission shafts for land vehicles; trucks; two-wheeled motor vehicles and their parts and fittings; undercarriages for railway cars; undercarriages for vehicles; unloading tippers (for tilting railway freight cars); valve stems for vehicle tires; couplers for use as parts of vessels, aircrafts, railway rolling stocks, automobiles and two-wheeled motor vehicles; vehicle suspension springs; vehicle wheels; vehicles, namely, vessels, aircraft, railway cars, automobiles, two-wheeled motor vehicles and bicycles, ships and parts thereof; vehicles, namely, vessels, aircraft, railway cars, au-

tomobiles, two-wheeled motor vehicles and bicycles, structural and component parts thereof; vessels and their parts and fittings; water bikes (personal, watercrafts); wheels; wheel centers (railway rolling stock parts and accessories); wheel rims; wheel-axle units; wheels for railway cars; non-electric prime movers for land vehicles, not including their parts; AC motors or DC motors for land vehicles, not including their parts.

(260) AM 2019 101810 A

(800) 1450779

(151) 2018 10 12

(891) 2018 10 12

(731) SAP SE

Dietmar-Hopp-Allee 16, 69190 Walldorf,
Germany

(540)

SAP C/4HANA

(591) Black, white

(511)

9 – Computer programs and computer software; computer programs and computer software that connects data and processes across marketing, sales, service, commerce and customer data to deliver a connected customer experience; computer programs and computer software for the on-premise and/or remote processing and analysis of marketing, sales, service, commerce and customer data for the purpose of real-time, ad-hoc and strategic business decision making; customer relationship management software; all of the above also for operation by way of a cloud computing model.

35 – Systematic ordering of data and information in computer databases for the internet and for business on-premise use relating to the development, creating, programming, implementing, performance, production, distribution, sale, application, use, function, handling, modification, maintenance, rental, updating, design and outsourcing of computer programs and computer software; systemisation of data and information in computer databases for the internet; systemisation of data and information in computer databases for business on-premise use in relation to the creation, development and design of computer programs and computer software in the nature of software for the on-premise and/or remote processing of business transactions; systemisation of data and information in computer databases for the analysis of business data, for the purpose of real-time, ad-hoc and strategic business decision making, for support, sales, service, marketing, commerce, and customer data, and for analysis and direct data processing applications; all of the above also for operation by way of a cloud computing model.

41 – Training in the use of data processing programs.

42 – Creating, development and design of computer programs and computer software, in particular for commercial functions, including for the on-premise and/or remote processing of business transactions, for the analysis of business data, for the purpose of real-time, ad-hoc and strategic business decision making, for support, sales, service, marketing commerce and customer data, and for customer relationship management; all of the above also for operation by way of a cloud computing model; providing computer software as a service and/or by way of cloud computing, including software for the on-premise and/or remote processing of business transactions, for the analysis of business data, for the purpose of real-time, ad-hoc and strategic business decision making, for support, sales, service, marketing commerce and customer data, and for customer relationship management; implementation, maintenance, rental of computer programs and software; maintenance of computer programs and software; updating and maintenance of computer programs and computer software, in particular programs relating to the development, creation, programming, execution, function, production, disseminating, distribution, application, use, operating, handling, modifying, sale, maintenance, rental, updating, design and outsourcing; technical consultancy with regard to the creating, development, use and application of computer programs and software; research in the field of computer programs and software; hosting services; outsource service providers in the field of developing and providing computer programs and software.

(260) AM 2019 101811 A
(800) 1450800
(151) 2018 11 19
(891) 2018 11 19
(731) RICHTER GEDEON NYRT.
Gyömrői út 19-21, H-1103 Budapest, Hungary
(540)

MILLENTA

(591) Black, white
(511)
5 – Pharmaceutical preparations.

(260) AM 2019 101833 A
(800) 1451075
(151) 2018 12 03
(891) 2018 12 03
(731) RICHTER GEDEON NYRT.
Gyömrői út 19-21, H-1103 Budapest, Hungary
(540)

Эрантум

(591) Black, white
(531) 28.05

(511)
5 – Pharmaceutical preparations.

(260) AM 2019 101834 A
(800) 1451080
(151) 2018 12 03
(891) 2018 12 03
(731) RICHTER GEDEON NYRT.
Gyömrői út 19-21, H-1103 Budapest, Hungary
(540)

Пидиола

(591) Black, white
(531) 28.05
(511)
5 – Pharmaceutical preparations.

(260) AM 2019 101835 A
(800) 1451081
(151) 2018 12 03
(891) 2018 12 03
(731) RICHTER GEDEON NYRT.
Gyömrői út 19-21, H-1103 Budapest, Hungary
(540)

Колинда

(591) Black, white
(531) 28.05
(511)
5 – Pharmaceutical preparations.

(260) AM 2019 101884 A
(800) 1452007
(151) 2018 12 18
(891) 2018 12 18
(731) DEERE & COMPANY
One John Deere Place, Moline IL 61265-8098,
USA
(540)

Plus-50

(591) Black, white
(511)
4 – Industrial oils and greases, lubricants.

(260) AM 2019 101885 A
(800) 1452014
(151) 2018 12 21
(891) 2018 12 21
(731) LPG SYSTEMS
30 rue du Docteur Abel, F-26000 VALENCE,
France
(540)

LPG

(591) Black, white
(511)
3 – Soaps, perfumery, essential oils, cosmetics, hair lotions and creams, beauty masks, face and/or body creams, lotions and milks, shampoos.

10 – Medical apparatus and instruments, rehabilitation apparatus; body reconditioning apparatus; electric medical apparatus for functional rehabilitation; electric medical apparatus for the development of muscle mass, reconditioning of posture and physical mobilization; massage apparatus, electric apparatus for beauty and medical care; medical and esthetic massage apparatus.

25 – Clothing; footwear; headgear; hosiery; socks; bedroom slippers; underwear; suits, suits for massage; dressing gowns.

44 – Massage services; beauty parlors and salons; beauty care services; medical care services.

(260) AM 2019 101886 A
(800) 1452019
(151) 2018 12 27
(891) 2018 12 27
(731) HYUNDAI MOTOR COMPANY
12, Heolleung-ro, Seocho-gu, Seoul, Republic of Korea
(540)

VENUE

(591) Black, white
(511)
12 – Automobiles; sports cars; coach vans; trucks; motor buses; electric cars; SUV [sport utility vehicles] automobiles; sports utility vehicles; parts and accessories for automobiles.

(260) AM 2019 101887 A
(800) 229061
(151) 1960 02 27
(891) 2019 01 18
(731) Henkell & Co. Sektkellerei KG
Biebricher Allee 142, 65187 Wiesbaden, Germany
(540)



(591) Black, white
(531) 19.08.01; 27.05.01
(511)
32 – Non-alcoholic beverages.
33 – Wines, dessert wines, sparkling wines, vermouth wines, vermouth wines as aperitifs, wine-based aperitifs, spirit-based aperitifs, spirits.

(260) AM 2019 101888 A
(800) 690807
(151) 1998 02 20
(891) 2019 01 31
(731) NOVARTIS AG
CH-4002 Basel, Switzerland
(540)

MONARCH

(591) Black, white
(511)
10 – Medical instruments for inserting intraocular lenses during ophthalmological operations.

(260) AM 2019 101889 A
(800) 706292
(151) 1998 08 28
(891) 2018 11 14
(731) ALSTOM
48 rue Albert Dhalenne, F-93400
Saint – Ouen, France
(540)

ALSTOM

(591) Black, white
(531) 27.05.01; 27.05.17
(511)
6 – Foil made of tin, lead, aluminium and alloys thereof; welding products; base metals and alloys thereof; laminated, shaped, wrought and semi-wrought products made from tin, lead, aluminium and alloys thereof; boilermaking and boiler room products; all semi-wrought materials made out of copper, aluminium and alloys thereof; spun and laminated products; german silver and nickel alloys; bronzes; metallic construction materials; transportable metallic constructions; metallic rails and other metallic materials for railway tracks; metal chains; non-electrical metallic cables and wires; non-electrical locksmithing articles; small items of metal hardware; metal tubes; safes; nails and screws; ores; metallic storage tanks, metallic containers; metal valves; town, road and rail signs; prefabricated piping; sockets; metal wire for stationery purposes; metal gauze for stationery purposes; fittings of metal; metallic girders; sintered materials; metal molds; rising mains; profiled and laminated pipes for buildings; posts of metal; alloy and aluminium products for the building Indus-

try; booths for spray painting; fire doors, non-electric door closers.

7 – Static and rotating electric machines; pneumatic, hydraulic, thermal and nuclear machines; digitally operated machines; handling machines, particularly for airport luggage, nuclear fuels and radioactive materials; machines for processing plastics; machines for the paper industry; machines and apparatus for civil engineering, building, boring, land and sea bed prospecting, including concrete mixing machines, asphalt machines, grinding machines, whizzers, compressors, crushers, hoppers; drainage machines, roller shredders, extracting machines, machines for filtering, drilling, tarring, mixing; sieves (machines or machine parts); machine tools; machines for soldering, heating, brazing, sawing, flattening, shearing, spinning, laminating, cabling, forming, assembling; spare parts for the above machines; lathes; lifting and handling equipment; dynamos, alternators, generators, hoists; roller bridges; winches; cranes; jacks particularly pneumatic and hydraulic jacks; pneumatic shock absorbers; lubricators; air pressure reducing valves; pistons; generators, transmission belts and related gearings; pumps (machines); pumps (machine or engine parts); vacuum machines and apparatus; agricultural instruments other than manually-operated; engines and parts thereof, spare parts excluding those for land vehicles; couplings (non-electric) and transmission elements (except for land vehicles); egg incubators; electrical household appliances; washing apparatus and cleaning machines; kitchen apparatus and machines (not hand-operated or electric) for chopping, milling, pressing and cutting; presses (machines for industrial use); steam generating appliances (machine parts); metallic seals; boiler headers; taps and valves; regulators (machine parts); speed regulators for machines and engines; feedwater regulators; pressure regulators; electrochemical generators, magnetogasdynamic generators; air filters; water filters; pumping equipment; filters (machine or engine parts), filter presses; non-return valves; clock machines and tools; looms for stationery purposes; rolls for stationery purposes; water-marking equipment; sealing joints made of all types of plastics; fittings for engine boilers; electricity generators; pump diaphragms; moulds (parts of machines); electric tin-openers, electric whisks for household purposes; propulsion mechanisms other than for land vehicles (particularly naval applications); spray guns for paint; lifts; elevators; electronic speed regulators for electric motors; electric motors, their combinations of variable speed drives; electrochemical generators; magnetohydrodynamic generators; speed regulators; electricity generators; painting machines.

9 – Scientific (other than for medical use), electro-technical, nautical, surveying, acoustic, photographic, cinematographic, optical, weighing, measuring, signalling, regulating, controlling, protection, survey-

llance, cutting, monitoring (inspection), rescue (life-saving), meteorological, oceanological apparatus and instruments; products for controlling electric, electronic and computer equipment and motors; apparatus and instruments for conveying, distributing, transforming, storing, regulating or controlling electric current; instructional apparatus and instruments; apparatus for sound or image capture, recording, transmission or reproduction; magnetic recording media, phonograph records; automatic vending machines and mechanisms for coin-operated apparatus; cash registers; calculators; data processing equipment; fire-extinguishers; electric batteries and accumulators; fuel cells; cryostats; charging devices; coils; electronic components; semiconductors; printed circuits; electron tubes; electric conductors; communication and power wires and cables; sheaths and junction sleeves for electric cables, identity threads and identification sheaths for electric wires; welding equipment; cathodic protection equipment; electrical conduits; substations, panels, control panels, decentralised power production stations; high-voltage equipment, namely, circuit breakers, isolating switches, lightning conductors, all types of voltage dividers (including optoelectronic) for inside and outside boxes or boxes within metallic cases (metal-clad boxes); medium and high-voltage equipment, namely, panels and transformer stations, switches, isolating switches, contactors, lightning conductors, circuit-breakers, fuses, power reclosers and related apparatus; transformers, power outlets; commutators; junction boxes; voltage dividers; circuit-breakers; line insulators; transforming stations; apparatus and installations for data capture, storage, calculation, conversion and transmission; computers and peripheral equipment; equipment and installations for communication and telecommunication via wire, cable and radio; radio and television apparatus; tape recorders; record players; compact disk players; telephones; optical and electro-optical equipment; lasers; masers; bolometers; pyrometers; calorimeters; thermocouples, counters, pedometers, taximeters; variable speed and voltage drives for vehicles and for light; speed checking apparatus for vehicles; alarm devices, command transmitters, warning systems; luminous or mechanical signals; acoustic or optical signs, sirens, telecommunication and communication equipment; modulators, transmitters, receivers, antennae, waveguides, television and broadcasting equipment, for the general public and professionals; telephone exchanges; printed circuits; intercommunication apparatus; all apparatus and instruments concerning infrasound measuring and analysis; rectifiers; amplifiers; radioguidance apparatus; loudspeakers; voltage intensity, power, control and frequency regulators; town, road and rail signs; lighted bollards; static and rotary convertors; energy converters; resistors; rheostats; condensers, magnets; prefabricated piping; electric conductors made of all

types of metal; electric household appliances; scales; thermostats; membranes; relays, namely remote control relays, electric relays, protection relays and auxiliary relays, indicators and transducers and surveillance, analysis, communication and control systems, for electricity networks and power production stations and for electrical equipment; metal-clad or conventional electrical signal boxes; metal-clad substations for power transmission and distribution networks; control systems for electricity power supply networks; substations; compensators, particularly reactive energy compensators, electrical control panels; electric test equipment and stations; programmable automatons; equipment and apparatus for surveillance, control and supervision of automated processes for industry and for power production, transmission and distribution; equipment and apparatus for surveillance, control and supervision of access to industrial sites, buildings and infrastructures; equipment and apparatus for industrial communication; programmable controllers and peripheral equipment thereof; automation calculators; equipment and apparatus for electricity conversion; telecommunication equipment and apparatus on power transmission lines; electronic printed circuit cards; electronic microcircuits; execution and operation software for microcircuits or electronic cards; supervision and control software for automated processes; programming, execution and operation software for all of the above equipment, apparatus and software; lighting regulators; airport runway lighting apparatus.

11 – Apparatus for lighting, heating, steam generating, cooking, refrigerating, drying, ventilating, water supply and sanitary purposes; dampers (heating); sanitary installations and in particular air filters, water filters; electric household appliances; cookers, refrigerators; nuclear reactors; generators; processing installations for fuel and nuclear moderating material; heating machines; boiler headers; taps; electrical tubing; sockets; industrial boilers; burners; shaped fittings for ovens and furnaces; sterilizers, pasteurisers; cocks; airport runway lighting apparatus; filters (parts of domestic or industrial installations); air dryers; jacks; air purifying apparatus and machines, water purifying apparatus and machines.

12 – Vehicles; apparatus for locomotion by land, air, water or rail; ships; electric vehicles; engines and parts thereof, spare parts for land vehicles; pneumatic shock absorbers; transmission belts and related gearings; air pumps (vehicle accessories); transmission shafts for land vehicles; screws for ships; screw propellers; submarines; propulsion mechanisms for land vehicles; military vehicles, road tanker; oil tankers; tanker aeroplanes; tank cars.

19 – Nonmetallic construction materials; nonmetallic sealing liners, prefabricated elements, products for road building; nonmetallic rigid pipes for construction purposes; asphalt, pitch and bitumen; non-

metallic transportable constructions; nonmetallic monuments; storage tanks; nonmetallic signs, neither luminous nor mechanical; town, road and rail signs; prefabricated piping; refractory materials for protecting furnaces; bituminous materials; prefabricated construction materials; refractory materials for protecting furnaces; bituminous materials; construction materials; natural and artificial stones, cement, lime, mortar, plaster and gravel; rising mains; profiled and laminated pipes for buildings; concrete posts; fire bricks; refractory materials for protecting furnaces; concrete posts; fire bricks; nonmetallic signs, neither luminous nor mechanical.

37 – Construction; servicing, repair; installation, operation and maintenance services for all apparatus, equipment, machines pertaining to the fields of electrical engineering, electronics, mechanical engineering, electrical power transmission, nuclear engineering, transportation, particularly rail, electrochemistry, civil engineering, the building industry, drilling, land and sea bed prospecting; rental of all apparatus, equipment, machines pertaining to the fields of mechanical engineering, electrical power transmission, the nuclear industry, civil engineering, the building industry, drilling, land and sea bed prospecting; decontamination; turnkey plant construction; private and public construction works; engineering works; construction project inspection; public works; agricultural engineering; drilling of wells; rental of construction tools and equipment, bulldozers, shaft pullers; upkeep and cleaning of buildings, premises, floors (facade cleaning and restoration, disinfection, rat exterminating); upkeep or cleaning of various objects (laundry); repair, modification of clothing; retreading or vulcanization of tyres; shoe repair; edifice, road, bridge, dam or power line construction; painting, plumbing, heating or roofing installation services; shipbuilding; rental of construction tools and equipment; execution of power transmission and distribution infrastructural projects; painting services; operation and management of all apparatus, equipment, machines pertaining to the fields of electrical engineering, electronics, mechanical engineering, electrical power transmission, the nuclear industry, transportation, electrochemistry, civil engineering, the building industry, drilling, land and sea bed prospecting; bodywork painting.

39 – Transport; packaging, handling, warehousing and delivery of goods; power transmission and distribution; travel organisation; newspaper distribution; water and electricity transmission and distribution; ferryboat operating; loading and unloading of luggage and goods; marine towing, refloating of ships; garage rental; travel reservation; transport vehicle rental; rescue of vessels in distress and cargo thereof; travel or goods transport information; vehicle or goods inspection prior to shipping; rescue operations; operation and management of road, rail,

port and air networks; rental services for all apparatus, equipment, transportation machines, particularly railway.

40 – Treatment of materials; galvanization; cathodic protection; sintering of materials; processing of plastics; electric soldering; transformation of agricultural products for others (wine making, distilling, threshing, fruit pressing, flour milling); sawing, thickening, cutting, shaping, polishing and metal lining services; cloth or clothes dyeing; fabric waterproofing; document binding; tin-plating; air purification and regeneration; vulcanization (treatment of materials); photographic printing.

42 – Providing of food and drink in restaurants; temporary accommodation; medical, sanitary and beauty care; veterinary and agricultural services; legal services; scientific and industrial research; computer programming, software design; hiring, technical project studies relating to all apparatus, equipment, machines pertaining to the fields of electrical engineering, electronics, mechanical engineering, electrical power transmission, the nuclear industry, transportation, electrochemistry, civil engineering, building industry, drilling, land and sea bed prospecting; hydrodynamic studies and trials; expertise activities, professional consulting and plan drafting (unrelated to business dealings), testing of materials and products; laboratory work; engineering works (not for building purposes); turnkey plant consultancy projects; prospecting; farming equipment, clothing, bedding, vending machine rental; printing; rental of access time to a database; news reporting services; videotape filming; exhibition site management; expert valuations, appraisals, research and reports; power transmission and distribution infrastructural project design, consultancy and follow-up; oil-well testing; quality control; security consultancy, rental of all electrotechnical, electronic and electrochemical apparatus, equipment and machines.

(260) AM 2019 101891 A
(800) 977849
(151) 2008 07 15
(891) 2019 02 04
(731) MAXAM HOLDINGS S.a.r.l.
41, boulevard Royal, L-2449 Luxembourg,
Luxembourg
(540)



(591) Black, white
(531) 02.01.23; 04.05.03; 27.03.02; 27.05.01
(511)

12 – Vehicle tires; treads for vehicles of rubber; vehicle wheels; premoulded tyre treads of rubber; tyres for vehicle wheels.

(260) AM 2019 101893 A
(800) 1175570
(151) 2013 07 02
(891) 2019 02 05
(731) ROWE MINERALÖLWERK GMBH
Langgewann 101, 67547 Worms, Germany
(540)

ROWE

(591) Black, white
(511)
2 – Products of mineral oil, namely anticorrosive oils.

3 – Products of mineral oil, namely industrial cleanser (as far as contained in this class).

4 – Products of mineral oil, namely motor oils, automotive gear oils, motor oil additives (non-chemical), greases, industrial gear oils, multipurpose lubricants, compressor oil, non polluting lubricants, slide-way lubricants, coolants, spark erosion oils, white oils for technical purposes, quenching oils.

(260) AM 2019 101894 A
(800) 1190643
(151) 2013 12 19
(891) 2018 12 14
(731) IPSEN BIOPHARM LIMITED
Ash Road, Wrexham Industrial Estate,
Wrexham LL13 9UF, United Kingdom
(540)

ONIVYDE

(591) Black, white
(511)
5 – Pharmaceuticals preparations for the diagnosis and treatment of cancer for human use.

(260) AM 2019 101898 A
(800) 1402808
(151) 2018 01 25
(891) 2019 02 06
(731) TAKEDA PHARMACEUTICAL COMPANY
LIMITED
1-1, Doshomachi 4-chome, Chuo-ku,
540-8645 Osaka, Japan
(540)



(591) Blue and red
(531) 27.05.01; 27.05.07; 27.05.08; 29.01.12
(511)
5 – Pharmaceutical preparations.

(260) AM 2019 101934 A
(800) 1414455
(151) 2018 04 04

(891) 2018 04 04

(731) MAMAEV ARTEM PETROVICH
ul. 1-aya Frunzenskaya, dom 6, kv. 108B,
RU-119146 Moskva, Russian Federation

(540)



(591) Black, white

(531) 07.05.02; 28.05

(511)

29 – Peanuts, prepared; ginger jam; jellies for food; fruit jellies; coconut fat; raisins; buttercream; fruit pulp; coconut, desiccated; jams; cranberry compote; apple purée; crystallized fruits; frozen fruits; fruit, preserved; fruit preserved in alcohol; fruit peel; fruit chips; marmalade; fruit-based snack food; nuts, prepared; fruit, stewed; fruits, cooked, including dried fruits, dried fruits glazed; nuts processed, including glazed.

30 – Buns; bread rolls; waffles; natural sweeteners; thickening agents for cooking foodstuffs; confectionery for decorating Christmas trees; peanut confectionery; almond confectionery; ice cream; cookies; fondants [confectionery]; confectionery; almond paste; ferments for pastes; halvah; chocolate; coffee flavorings; rice-based snack food; cereal-based snack food; pastries; fruit jellies [confectionery]; cakes; caramels [candy]; petits fours [cakes]; cake frosting [icing]; custard; marzipan; candy, including sweets filled with fruits in the form of dried fruits glazed; fruit ice cream.

(260) AM 2019 101936 A

(800) 1452054

(151) 2018 08 08

(891) 2018 08 08

(731) ELEMENTOS TRADE LIMITED

Avlonos, 1, Maria House, CY-1075 Nicosia,
Cyprus

(540)



(591) Black, white

(531) 26.01.20; 26.11.13; 27.05.01

(511)

29 – Ajvar [preserved peppers]; aloe vera prepared for human consumption; protein milk; alginates for culinary purposes; anchovy, not live; peanuts, prepared; peanut seeds, prepared with different flavourings including crabs, bacon, sour cream, sour cream with greens, cheese, chicken, boiled crayfish, seafood, paprika, jelly with a horse-radish, ham with mustard, salmons, red caviar, shish kebab, sturgeon caviar, banana, wild berries, fruit, currant, baked milk; peanut butter; bacon; albumen for culinary purposes; white of eggs; beans, preserved; bouillon; bouillon concentrates; cream [dairy products]; toasted laver; sea-cucumbers, not live; flavored nuts; nuts, prepared; peas, preserved; mushrooms, preserved; guacamole [mashed avocado]; potato fritters; jams; game, not live; non-alcoholic eggnog; seaweed extracts for food; gelatine; meat jellies; jellies for food; bone oil, edible; lard; suet for food; fatty substances for the manufacture of edible fats; yolk of eggs; cranberry sauce [compote]; fruit-based snack food; frozen fruits; salted fish; candied nuts; whipped cream; condensed milk; eggplant paste; vegetable marrow paste; fish roe, prepared; ginger jam; yogurt; sauerkraut; potato flakes; potato chips; potato chips with different flavourings including crabs, bacon, sour cream, sour cream with greens, cheese, chicken, boiled crayfish, seafood, paprika, jelly with a horse-radish, ham with mustard, salmons, red caviar, shish kebab, sturgeon caviar, banana, wild berries, fruit, currant, baked milk; pumpkin seeds, prepared with different flavourings including crabs, bacon, sour cream, sour cream with greens, cheese, chicken, boiled crayfish, seafood, paprika, jelly with a horse-radish, ham with mustard, salmons, red caviar, shish kebab, sturgeon caviar, banana, wild berries, fruit, currant, baked milk; kephir [milk beverage]; curd; onion rings; kimchi [fermented vegetable dish]; clams, not live; charcuterie; coconut oil for food; coconut butter; coconut fat; coconut, desiccated; milk shakes; compotes; gherkins; shrimps, not live; prawns, not live; black pudding [blood sausage]; croquettes; corn oil for food; kumys [kumyss] [milk beverage]; sesame oil for food; spiny lobsters, not live; lecithin for culinary purposes; silkworm chrysalis for human consumption; margarine; butter; cocoa butter for food; buttercream; almonds, ground; mussels, not live; milk; milk beverages, milk predominating; milk products; vegetable mousses; fish mousses; meat extracts; meat, tinned [canned (Am.)]; meat; meat, preserved; seeds, prepared; sunflower seeds, prepared; sunflower seeds, prepared with different flavourings including crabs, bacon, sour cream, sour cream with greens, cheese, chicken, boiled crayfish, seafood, paprika, jelly with a horse-radish, ham with mustard, salmons, red caviar, shish kebab, sturgeon caviar, banana, wild berries, fruit, currant, baked milk; vegetables, tinned [canned (Am.)]; vegetable salads; vegetable juices for cooking; vegetables, preserved;

vegetables, cooked; vegetables, dried; olives, preserved; olive oil for food; extra virgin olive oil; flaxseed oil for culinary purposes; lobsters, not live; herrings, not live; palm oil for food; palm kernel oil for food; liver pastes; pectin for culinary purposes; liver, pollen prepared as foodstuff; marmalade; vegetable soup preparations; prostokvasha [soured milk]; poultry, not live; crayfish, not live; crustaceans, not live; fish, preserved; fish, not live; salmon, not live; fish meal for human consumption; fish fillets; fish, tinned [canned (Am.)]; isinglass for food; rape oil for food; raisins; ryazhenka [fermented baked milk]; sardines, not live; pork; cheese; whey; rennet; preparations for making bouillon; smetana [sour cream]; soya bean oil for food; soya milk; soya beans, preserved, for food; pickles; salted meats; sunflower oil for food; sausages; hot dog sausages; sausages in batter; lentils, preserved; freeze-dried meat; freeze-dried vegetables; preparations for making soup; fat-containing mixtures for bread slices; soups; tahini [sesame seed paste]; animal marrow for food; tripe; tomato paste; tomato puree; tomato juice for cooking; tofu; truffles, preserved; tuna, not live; oysters, not live; milk ferments for culinary purposes; dates; fruit, preserved; crystallized fruits; fruit preserved in alcohol; fruit peel; fruit pulp; fruit jellies; fruits, tinned [canned (Am.)]; fruit salads; fruit chips; hazelnuts, prepared; edible fats; oils for food; fish-based foodstuffs; edible birds' nests; hummus [chickpea paste]; onions, preserved; preserved garlic; shellfish, not live; low-fat potato chips; caviar; ham; apple puree; powdered eggs; snail eggs for consumption; eggs.

30 – Peanut confectionery; flavourings, other than essential oils, for beverages; flavourings, other than essential oils, for cakes; food flavourings, other than essential oils; aromatic preparations for food; baozi [stuffed buns]; cereal bars; high-protein cereal bars; royal jelly; bean meal; nut flours; tapioca flour; meal; pastries; bread rolls; buns; vanillin [vanilla substitute]; vanilla flavorings for culinary purposes; waffles; vermicelli [noodles]; flour-based dumplings; oatmeal; oat flakes; sausage binding materials; binding agents for ice cream; biscuits; mustard; mustard meal; cake frosting [icing]; glucose for culinary purposes; chocolate-coated nuts; garden herbs, preserved [seasonings]; gluten additives for culinary purposes; yeast; dulce de leche; essences for foodstuffs, except etheric essences and essential oils; chewing gum; custard; thickening agents for cooking foodstuffs; leaven; ferments for pastes; cereal-based snack food; rice-based snack food; artificial coffee; frozen yogurt [confectionery ices]; dressings for salad; wheat germ for human consumption; cereal preparations; ginger [spice]; coffee; unroasted coffee; coffee flavorings; coffee beverages with milk; cocoa; cocoa beverages with milk; capers; caramels [candy]; curry [spice]; potato flour; flowers or leaves for use as tea substitutes; ketchup [sauce]; quiches;

gluten prepared as foodstuff; confectionery; confectionery for decorating Christmas trees; cinnamon [spice]; crackers; cream of tartar for culinary purposes; starch for food; hominy grits; groats for human food; ice cubes; corn, milled; corn, roasted; corn flour; corn flakes; turmeric; couscous [semolina]; cooking salt; ice for refreshment; ice, natural or artificial; liquorice [confectionery]; ribbon vermicelli; mayonnaise; macaroni; pasta; macaroons [pastry]; maltose; hominy; semolina; marinades; marzipan; honey; molasses for food; almond paste; almond confectionery; soya bean paste [condiment]; pancakes; ice cream; sea water for cooking; seaweed [condiment]; dessert mousses [confectionery]; chocolate mousses; nutmegs; muesli; meat gravies; mint for confectionery; peppermint sweets; coffee-based beverages; cocoa-based beverages; tea-based beverages; chocolate-based beverages; aniseed; star aniseed; sesame seeds [seasonings]; flaxseed for culinary purposes [seasoning]; infusions, not medicinal; processed seeds for use as a seasoning; crushed oats; okonomiyaki [Japanese savory pancakes]; onigiri [rice balls]; vinegar; husked oats; husked barley; stick liquorice [confectionery]; palm sugar; pastilles [confectionery]; baking powder; pelmeni [dumplings stuffed with meat]; pepper; allspice; peppers [seasonings]; pesto [sauce]; petits fours [cakes]; beer vinegar; pies; meat pies; pizzas; chips [cereal products]; piccalilli; fondants [confectionery]; popcorn; powders for making ice cream; pralines; candy decorations for cakes; chocolate decorations for cakes; condiments; natural sweeteners; seasonings; unleavened bread; oat-based food; propolis; gingerbread; spices; puddings; cake powder; wheat flour; ravioli; relish [condiment]; preparations for stiffening whipped cream; rice; instant rice; rice pulp for culinary purposes; rice pudding; rice cakes; vegetal preparations for use as coffee substitutes; sago; sandwiches; hot dog sandwiches; celery salt; agave syrup [natural sweetener]; golden syrup; salt for preserving foodstuffs; soya flour; soya sauce; malt for human consumption; malt biscuits; malt extract for food; sweetmeats [candy]; sorbets [ices]; sauces [condiments]; pasta sauce; spaghetti; spring rolls; noodle-based prepared meals; ham glaze; rusks; wheat and rye rusks with different flavourings including crabs, bacon, sour cream with greens, cheese, chicken, boiled crayfish, seafood, paprika, jelly with a horse-radish, ham with mustard, salmon, red caviar, shish kebab, sturgeon caviar; breadcrumbs; petit-beurre biscuits; sushi; tabbouleh; tacos; tapioca; tarts; toast; wheat and rye toasts with different flavourings including crabs, bacon, sour cream with greens, cheese, chicken, boiled crayfish, seafood, paprika, jelly with a horse-radish, ham with mustard, salmon, red caviar, shish kebab, sturgeon caviar; cakes; dough; cake batter; pastry dough; tomato sauce; tortillas; pâtés en croûte; fruit jellies [confectionery]; fruit coulis [sauces]; halvah; baking soda [bicarbonate of soda for

cooking purposes]; edible ices; bread; chicory [coffee substitute]; candy; sugar; iced tea; tea; minced garlic [condiment]; chutneys [condiments]; cheeseburgers [sandwiches]; chow-chow [condiment]; saffron [seasoning]; chocolate; chocolate beverages with milk; barley meal; crushed barley.

(260) AM 2019 101946 A
(800) 1452258
(151) 2018 12 12
(891) 2018 12 12
(731) JAPAN TOBACCO INC.
2-2-1 Toranomom, Minato-ku, Tokyo, Japan
(540)



(591) White and red
(531) 03.07.01; 03.07.16; 25.07.01; 25.07.07;
29.01.12
(511)
34 – Tobacco, raw or manufactured; smoking tobacco, pipe tobacco, rolling tobacco, chewing tobacco, snus; cigarettes, electronic cigarettes, cigars, cigarettos; snuff; smokers' articles included in this class; cigarette paper, cigarette tubes and matches.

(260) AM 2019 101948 A
(800) 1452307
(151) 2018 12 03
(891) 2018 12 03
(731) RICHTER GEDEON NYRT.
Gyömrői út 19-21, H-1103 Budapest, Hungary
(540)

Лонеликс

(591) Black, white
(531) 28.05
(511)
5 – Pharmaceutical preparations.

(260) AM 2019 101950 A
(800) 1452313
(151) 2018 12 03
(891) 2018 12 03
(731) RICHTER GEDEON NYRT.
Gyömrői út 19-21, H-1103 Budapest, Hungary
(540)

Новолекс

(591) Black, white
(531) 28.05

(511)
5 – Gynecological pharmaceutical preparations.

(260) AM 2019 101994 A
(800) 1453264
(151) 2019 01 11
(891) 2019 01 11
(731) REUZEL, INC.
1120 Lincoln Street, Suite 125, DENVER
CO 80203, USA
(540)

REUZEL

(591) Black, white
(511)
3 – Hair lotions; non-medicated preparations for the care of hair and scalp; depilatory products, namely, creams, waxes, preparations and lotions; shampoos; hair conditioners; heat protection sprays, lotions, gels and creams for the hair; hair styling gels, creams, mousses and lotions; hair spray; hair care preparations, namely, finishing polish for hair; oil for hair; hair pomades; skin care products, namely, moisturizers, toners, cleansing preparations, lotions, oils and creams; bar soap; facial cleansers; and shaving soaps, creams, and lotions.

(260) AM 2019 101995 A
(800) 1453278
(151) 2018 10 26
(891) 2018 10 26
(731) TOBB UND LOJİSTİK YATIRIM ANONİM
ŞİRKETİ
Eskişehir Yol.Kat-Dumlupınar Blv., No.252
Tobb İkiz Kuleler C Kule K.27, Çankaya
Ankara, Turkey
(540)

NCTS

(591) Black, white
(511)
35 – Collecting, compiling and management services of information in computerized database which are consisting transit notifications and reports; document verification / validation services related to customs legislation, administration and management services of customer information and / or business information related to customs legislation with the aid of computer data.
42 – Software services for analysis and verification of the appropriateness of custom transit declarations according to the national/international/supranational regulations of customs procedures for goods and services; software services for customer and business information system services related to customs transit declarations.

(260) AM 2019 102007 A

(800) 1453467

(151) 2018 05 01

(891) 2018 05 01

(731) NIPPON STEEL CORPORATION

6-1, Marunouchi 2-chome, Chiyoda-ku,
Tokyo 100-8071, Japan

(540)

NIPPON STEEL CORPORATION

(591) Black, white

(511)

6 – Alloys of common metal; aluminium; aluminium foil; aluminium wire; balls of steel; boxes of common metal; brackets of metal for building; brass, unwrought or semi-wrought; brazing alloys; rods of metal for brazing; building boards of metal; buildings of metal; cast iron, unwrought or semi-wrought; cast steel; common metals, unwrought or semi-wrought; containers of metal for storage; copper, unwrought or semi-wrought; crash barriers of metal for roads; fittings of metal for building; flanges of metal (collars); foundry moulds of metal; framework of metal for building; gold solder; indium; ingots of common metal; iron ores; iron, unwrought or semi-wrought; iron wire; joists of metal; lead, unwrought or semi-wrought; linings of metal (building); man-hole covers of metal; manifolds of metal for pipelines; materials of metal for funicular railway permanent ways; metals in powder form; nickel; niobium; pillars of metal for buildings; pipe mufflers of metal; poles of metal; posts of metal; props of metal; railroad ties of metal; rails of metal; railway material of metal; railway sleepers of metal; reinforcing materials of metal for building; sheet piles of metal; sheets and plates of metal; silver plated tin alloy; silver solder; sleeves (metal hardware); holding wire of metal; steel alloys; steel pipes; steel sheets; steel strip; steel, unwrought or semi-wrought; steel wire; strap-hinges of metal; tantalum (metal); tin; tinplate; tinplate packings; titanium; titanium iron; tombac; trellis of metal; tubes of metal; tungsten; vanadium; rods of metal for welding; wire of common metal; wire of common metal alloys, except fuse wire; wire rope; zirconium; steel bars; cask, stands of steel; steel cables; steel forgings; wire of metal for welding; heavy steel plates; hot-rolled steel sheets and coils; cold-rolled steel sheets and coils; tin free steel sheets and coils; electrical steel sheets; galvanized steel sheets and coils; bars and plates of copper; bars and plates of zinc; copper sheets; steel bands; advertisement columns of metal; alloy rolls; alloy steel for construction and steel brackets; metal alloys for battery electrodes; alloys of nonferrous metals; alloys, heat-resistant, acid-resistant and corrosion-resistant; aluminium pipes; aluminum and its alloys; anchor plates; angle irons; angle valves (of metal, not machine elements); antifriction metal;

anti-friction metal for iron alloys; armour plate; artificial fish reefs of metal; automatic control valves (of metal, not machine elements); ball valves (of metal, not machine elements); bands of metal for tying-up purposes; metal bars; bars for metal railings; billets; bindings of metal; bins of metal; blooms (metallurgy); bolts of metal; bottles (metal containers) for compressed gas or liquid air; branching pipes of metal; brass and its alloys; brass sheets, strips, bars; bronzes (works of art); building materials of metal; building materials, pipes and tubes of metal (none being boiler tubes or parts or machines), all included in this class; building panels of metal; buildings, transportable, of metal; butterfly valves (of metal, not machine elements); cable joints of metal, non-electric; cables and wires (non-electric); cans of metal; casings of metal for oil wells; cast iron vessels (not included in other classes); casters of metal; castings; castings, foils, powder, and rolled, drawn or extruded semi-finished articles of titanium or its alloys; ceilings of metal; chains of metal (except driving chains for vehicles); chimneys of metal; chromium; clad steel plates and sheets; cladding of metal for construction and building; clips of metal for cables and pipes; closures of metal for containers; collars of metal for fastening pipes; collecting pipes of metal; columns of metal; common metal works of art; common metals and their alloys; common metals, unwrought or semi-wrought, not included in other classes; packing containers of metal; containers of metal for compressed gas or liquid air; containers of metal for liquid fuel; containers of metal for storing acids; containers of metal for transport; copper and its alloys; copper sheet, strip, bar; couplings of metal; drain pipes of metal; duckboards of metal; ductile cast iron rolls; ducts and pipes of metal for central heating installations; elbows of metal for pipes; extruded steels; fishplates (rails); fittings of metal for furniture; fittings of metal for windows; fittings of metal for pipe work; flanges of metal; flashing of metal, for building; floor tiles of metal; foundry molds made of steel; frame work of metal for prefabrication; frames of metal for building; free cutting steel plates and sheets; full metallic buildings; cylinders of metal for compressed gas; girders of metal; gratings of metal; grilles of metal; guard rails of metal for city streets; guard rails of metal; gutter pipes of metal; gutters of metal; handcuffs; hardware of metal, small; hardware of metal; hollow steel bars; hoop iron; hoop steel; industrial packaging containers of metal; ingots of metals, not of precious metals; iron; iron sheets; iron slabs; iron strip; iron and steel; junctions of metal for pipes; keys; locks; locks of metal, other than electric; locks of metal; lubricating nipples; machine belt fasteners of metal; magnesium; materials of metal for railway tracks; metal cylinders for compressed gas, semi-wrought; metal flanges; metal foundation plates for buildings; metal joinery fittings; metal junctions for

pipes; metal latches of gates; metal lids and caps (for industrial packaging containers); metal materials for building construction or for structure; metal materials for skeletons or frames for building or construction; metal moulds for forming cement products not being parts of machines; metal pipes and tubes; semi-finished steel pipes and tubes for use with boilers; metal pulleys; metal pulleys, springs and valves (not-including machine elements); metal sheets for building use; metal stoppers (for industrial packaging containers); metal wires; metal wires rods, non-electric; metallic alloy pipes; metallic barrels; metallic bins; metallic caps for containers; metallic capsules for compressed gas; metallic non-luminous nor mechanical road signals; metallic pipes; swimming pools {metal structures}; metallic winding keys; metals and their alloys; ores of metal; miscellaneous hardware of metal; miscellaneous pilings of metal; miscellaneous steel pipes; molybdenum; nails and screws of metal; non-electric cables and wires of common metal; nonferrous metals and their alloys; nozzles of metal; nuts (of metal); nuts and screws made of metal; metal pipes for oils; ores; ores of common metal; ores of metal, except sodium, potassium and calcium, not included in fuel; packaging containers of metal; partitions of metal for office use; partitions of metals; pegs of metal; penstock pipes of metal; petroleum and casing pipes of metal; pilings of metal; pipe fittings of metal; pipe joints of metal; pipelines of metal; pipes of metal (not being parts of machines and/or of boilers); pipes and tubes of metal; pipes and tubes of metal and their alloys, not being parts of machines or parts of cooling, warming and distilling installations; pipes of metal; pipes of metal, for central heating installations; pipe work of metal; pipe work of metal, not included in metal materials for building or construction; plugs of metal; posts of metal for electric lines; prebuilt metallic houses and other buildings; prebuilt metallic sections and panels therefor; props of metal for bridges; rails and other metallic materials for railway tracks; rare-earth alloys for magnets; refractory construction materials of metal; reinforcing materials of metal for machine belts; reinforcing materials of metal for pipes; reinforcing materials, of metal, for concrete; reservoirs of metal; road signs of metal (not luminous nor mechanical); rolled and cast building materials; rolled steels; roof coverings of metal; roof flashing of metal; roofing of metal; ropes of metal; safety boxes; safety cashboxes; screws of metal; sealing caps of metal; semifinished steel; semi-wrought steel; shaped objects made of steel (not included in other classes); sheet, bars of metal; sheet irons; shuttering of metal for concrete; signboards of metal; metal slabs; springs (metal hardware); springs and valves of metal (not being parts of machines); springs for furniture (metal hardware); stainless steel coils; steel; steel (rolled) for rolling operations; steel angles; steel balls, not included in other classes; steel

blooms; steel buildings; steel framework for pre-fabrication; steel joists for use in building; steel material; steel or metallic water and gas pipes; loading and unloading steel pallets; steel panels for flooring; steel tubes; steel plates; steel poles; steel rails; steel tapered poles; steel for use in manufacturing tires; steel tubes for boilers, semi-wrought; steels for automobiles; steels for bearings; steels for boilers; steels for machine structural use; steels for pressure vessels; steels for ship structural use; steels, heat-resistant, acid-resistant and corrosion-resistant; stopper-shaped or lid-shaped metallic shield for protecting screw parts of pipes; strips of metal; tanks of metal; thread of metal for tying-up purposes; metal foil for cooking; titanium alloys; titanium bars; transportable buildings of metal; tree protectors of metal; tubes and pipes of steel; unwrought and partially wrought common metals and alloys; valves of metal, other than parts of machines; wall cladding of metal for building; wall linings of metal for building; wall plugs of metal; water-pipes of metal; sculptures of metal; wrapping or binding; bands of metal; zinc and its alloys; zinc-coated steel sheets; brass sheets; containers of metal for compressed gas; cocks (of metal, not machine elements); beacons of metal, non-luminous.

7 – Air suction machines; bending machines; compressed air machines; compressed air pumps; compressors (machines); condensing installations for chemical processing; control mechanisms for metalworking machines, construction machines and loading-unloading machines; converters for steel works; crushing machines for metalworking, construction loading-unloading and chemical processing; cutting machines for metalworking and construction; drainage machines for construction; apparatus for dressing for metalworking; finishing machines for metalworking; gasifiers; AC generators of electricity; DC generators of electricity; grinding machines; guides for metalworking machines; hand-held tools, other than hand-operated; heat exchangers for chemical processing machines; hemming machines; holding devices for metalworking machine tools; apparatus for metalworking machining; metal drawing machines; metalworking machines; moulding machines for metalworking; moulds (parts of machines); paring machines for metalworking; pneumatic transporters; electric machines and apparatus for polishing metal surface; presses for metalworking; presses (machines for chemical processing purposes); rams (machines); rolling mill cylinders; rolling mills; sewage pulverizers; slide rests (parts of machines); trimming machines for metalworking; vibrators (machines) for industrial use; industrial waste disposers (machines); welding apparatus, gas-operated; welding machines, electric; robots for metal working; continuous casting machines; apparatus for the treatment of metal giving a pickling effect on the surface; apparatus for tin-plating on the surface of

metal; annealing machines for metalworking; piston rings; AC generators (alternators); AC motors and DC motors (not including those for land vehicles but including parts for any AC motors and DC motors); actuators for air vehicles; aeronautical engines; aeronautical motors; anti-pollution devices for motors and engines; asphalt finishers; automobile crank shafts and camshafts; axles for machines; back-hoe dragline and hydro excavators; bearings (machine elements not for land vehicles); bearings for transmission shafts; speed reducers or variators; belts for conveyors; belts for machines; belts for motors and engines; blow moulding machines; boiler tubes (parts of machines); brakes (machine elements not for land vehicles); bucket wheel reclaimers; butane carburettors; carburettor feeders; carburettors; casting machines, for nonferrous metals; centrifuges (machines); centrifuges being centrifugal separators; chain feeders for ball mills; chemical processing machines and apparatus; classifier for classifying solids suspended in liquids, being machines; coal and ore dressing machines; cold strip mills for non-ferrous metals; construction machines and apparatus; mechanical control apparatus for machines, engines and motors; conveyors and auxiliary machines for them; couplings other than for land vehicles; cranes and their parts and accessories; crank shafts; cranks (parts of machines); crawler-shovel-cranes; crushers for metalworking and plastic processing; crushers for mines; crushing rolls and roll housings; gears, other than for land vehicles; dc generators; die-cutting and tapping machines; diggers (machines); dragline excavators; drilling rigs, floating or non-floating; drilling towers; electric circuit board processing machines; electrical wire and cable manufacturing machines; electronic motors; excavating machines and parts thereof; exhaust manifold for engines; exhausts for motors and engines; extruders; machines for fanning and blowing; feeding apparatus for engine boilers; plastic film laminators; filters for chemical processing machines or non-electric prime movers; flotation machines; industrial machine presses and shearing machines for metal fabrication; forging presses; machine parts being gear and pinion couplers and draft gear and spare parts not included in other classes; gear boxes; heat exchangers for plants (parts of machines); high pressure washers; hydraulic controllers for machines, motors and engines; hydraulic door openers and closers (parts of machines); hydraulic presses for metal working or chemical processing machines; hydraulic pumps; hydraulic pumps for industrial machines; hydraulic valves; impeller shafts for compressors; variable gears and other parts and accessories for power engines included in this class; blow molding machines; injection blow-moulding machines; bucket-ladder excavators; levellers (earth moving machines); link-belt truck cranes; liquid crystal panel etching equipment; LNG carburettors; loading-unloading machines and apparatus;

LPG carburettors; machine coupling and transmission components (except for land vehicles); machine couplings and belting (except for vehicles); machine elements (not for land vehicles); mechanical presses; metalworking machine tools; milling machines; plant mineral dressing machines; mixers in the field of construction and chemical processing; motor-driven machines for the chemical industry; motors and engines (except for land vehicles); motors, electric, other than for land vehicles; mufflers for motors and engines; nautical engines; non-electric prime movers, not for land vehicles (other than water mills and wind mills); nozzles and blades of turbines; oil coolers for aeronautical engines; oil refining machines; other metal-processing machines; parts for non-electric prime movers for land vehicles; parts for power engine and related equipment; pipe mills; pump diaphragms; pumps (parts of machines, engines or motors); radiators (cooling) for motors and engines; reduction gears other than for land vehicles; roll and roll housing (parts of machines); roll and roll-housings; rolling mills and their parts and fittings; rolls for rolling mills; semiconductor manufacturing machines and systems; separating machines for chemical processing; shaft couplings or connectors (machine elements not for land vehicles); shaft units; shafts, axles or spindles (not for land vehicles); power shears; ships' gears and pinions; shock absorbers (machine elements not for land vehicles); shovel parts for machines; silencers for motors and engines; sintering machines for chemical processing; springs (parts of machines); stackers; stacker-reclaimers; starters for aeronautical engines; starters for motors and engines; steam engine boilers; steel making converters; steel mill cranes; steel sheet processing lines; body-straighteners (for metalworking machines); superchargers; threading machines; machine tools for metal fabrication and parts thereof; transmission gears for machines; transmission shafts, other than for land vehicles; transmissions for machines; transmissions, other than for land vehicles; unloaders, loaders, and their related equipment; valves (machine elements not for land vehicles); waste compacting machines and apparatus for industrial purposes; waste crushing machines for industrial purposes; wheeled cranes; wire rod mills; automobile engine crankshafts; non-electric prime movers for land vehicles (not including "their parts"); electric arc welding apparatus; galvanizing apparatus; metal surface galvanizing apparatus; electrodes for welding; lifting magnets; fuel economizers.

12 – Aerial conveyors; aeronautical apparatus; aeroplanes; air bags (safety devices for automobiles); aircraft and their parts and fittings; air-cushion vehicles; railway rolling stocks; aircrafts, automobiles, bicycles, motorcycles, rolling stocks for railways and ships and their parts; automobiles and their parts and fittings; axle boxes for locomotives; axle journals; axles; axles (railway rolling stock parts and ac-

cessories); axles for land vehicle wheels; axles for vehicles; bicycles and their parts and fittings; bodies (of railway cars); bogie trucks (railway rolling stock parts and accessories); bogies; bogies for railway cars; brake linings for vehicles; brake segments for vehicles; brake shoes for vehicles; brakes (for land vehicles); brakes for vehicles; buffers for railway rolling stock; cable cars; car truck couplers; car trucks; railway carriages and parts and accessories thereof; chassis (of railway cars); command gear units (railway rolling stock parts and accessories); connecting rods for land, vehicles, other than parts of motors and engines; coupler and draft gears for use as parts of vessels, aircrafts, railway rolling stocks, automobiles and two-wheeled motor vehicles; coupler for automobiles; coupling chains for railway rolling stock; couplings for land, vehicles; draft gears all included in this class being parts and fittings of railway rolling stock; driveshafts for use as parts of vessels, aircrafts, railway rolling stocks, automobiles, two-wheeled motor vehicles and bicycles; driving gear units for land vehicles; driving gears for land vehicles; engagement apparatus (railway rolling stock parts and accessories); flanges for railway wheel tires (tyres); fork lift trucks; gear and pinion, coupler and draft gear for use as parts of vessels, aircrafts, railway rolling stocks, automobiles, two-wheeled motor vehicles and bicycles; gear boxes for land vehicles; gear units for use as parts of vessels, aircrafts, railway rolling stocks, automobiles, two-wheeled motor vehicles and bicycles; gearing for land vehicles; gears and pinions for land vehicles; hand cars; hand straps (of railway cars); hydraulic circuits for vehicles; inner tubes for tires; leaf-springs for use as parts of vessels, aircrafts, railway rolling stocks, automobiles, two-wheeled motor vehicles and bicycles; transmission components for land vehicles; metal wheels for railway rolling stock and steel tyres for use therewith; motor coaches; motorcycles; parts and accessories for railway freight and passenger cars namely, railway trucks, wheels, axles, and wheel-axle units; parts and fittings for automobiles; pedicabs; propeller shafts for use as parts of vessels, aircrafts, railway rolling stocks, automobiles and two-wheeled motor vehicles; puller cars for mining; pusher cars for mining; railway couplings; railway freight cars; railway rolling stock and their parts and fittings; reduction gears for land vehicles; road vehicles and parts thereof; railway rolling stock and parts and fittings thereof; rolling stock for railways; ropeways for cargo or freight handling; rotative power transmission belts connecting engines and radiator cooling fans (for land vehicles); rotor discs for vehicle braking systems; seat covers for vehicles; shafts, axles or spindles, bearings, shaft, couplings or connectors, power transmissions and gearings (for land vehicles); ships; ships' steering gears; ships' hulls and parts thereof included in this class; shock absorbers and shock

absorbing springs (for land vehicles); shock absorbers for railway cars and motorcars; shock absorbing springs for vehicles; solid rolled wheels (railway rolling stock parts and accessories); spindle assemblies with rotors for land vehicles; suspension springs for automobiles; springs for railway rolling stocks; springs for vehicles; stabilizer bars for land vehicles; steel rims for railway rolling stock wheels; steel tires (railway rolling stock parts and accessories); suspension shock absorbers for vehicles; suspension springs; suspension systems and accessories therefor; tires of automobiles; traction engines; traction or hitching apparatus (railway rolling stock parts and accessories); tractors; trains and parts and fittings therefor; transmission shafts for land vehicles; trucks; two-wheeled motor vehicles and their parts and fittings; undercarriages for railway cars; undercarriages for vehicles; unloading tippers (for tilting railway freight cars); valve stems for vehicle tires; couplers for use as parts of vessels, aircrafts, railway rolling stocks, automobiles and two-wheeled motor vehicles; vehicle suspension springs; vehicle wheels; vehicles, namely, vessels, aircraft, railway cars, automobiles, two-wheeled motor vehicles and bicycles, ships and parts thereof; vehicles, namely, vessels, aircraft, railway cars, automobiles, two-wheeled motor vehicles and bicycles, structural and component parts thereof; vessels and their parts and fittings; water bikes (personal watercrafts); wheels; wheel centers (railway rolling stock parts and accessories); wheel rims; wheel-axle units; wheels for railway cars; non-electric prime movers for land vehicles, not including their parts; AC motors or DC motors for land vehicles, not including their parts.

(260) AM 2019 102008 A

(800) 1453469

(151) 2018 12 14

(891) 2018 12 14

(731) FREEDOM INTERNATIONAL GROUP LIMITED

1101-04, 38, Gloucester Road, Hong Kong, China

(540)

COFFEECELL

(591) Black, dark-green, crimson, yellow, light-blue and green

(531) 27.05.01; 29.01.15

(511)

5 – Nutritional supplements; mineral food supplements; albumin dietary supplements; cod liver oil; candy, medicated; candy for medical purposes; liniments; food for babies; vitamin preparations; infant formula; medicinal herbs; medicinal tea.

30 – Flavorings for confectionery purposes; flavorings for beverages; coffee flavorings; food flavo-

rings; cereal bars; buns; bread rolls; vanillin; waffles; artificial coffee; vegetal preparations for use as coffee substitutes; cocoa; caramels [candy]; sweetmeats [candy]; peppermint sweets; coffee; unroasted coffee; candy; ice cream; chocolate mousses; cocoa beverages with milk; coffee beverages with milk; coffee-based beverages; cocoa-based beverages; tea-based beverages; chocolate beverages with milk; chocolate-based beverages; infusions, not medicinal; cookies; aromatic preparations for food; sugar; confectionery; bread; flowers or leaves for use as tea substitutes; chicory; tea; iced tea; chocolate.

(260) AM 2019 102009 A

(800) 1453477

(151) 2018 10 18

(891) 2018 10 18

(731) VALEO SERVICE

70 rue Pleyel, F-93200 Saint-Denis, France

(540)

RESCUER

(591) Black, white

(511)

9 – Scientific, photographic, cinematographic, optical, weighing, measuring, signaling, checking (supervision), emergency (life-saving) apparatus and instruments; apparatus and instruments for conducting, switching, transforming, accumulating, regulating or controlling electricity; apparatus for recording, transmission or reproduction of sound or images; magnetic recording media; calculating machines, data processing equipment, computers; software; electric and electromechanical actuators for land vehicle driving and navigation assistance; optical signal transmitting electronic apparatus for land vehicles (alarms); alarms; alarms, especially with ultrasound sensors; nautical, optical, position indication, detection, safety apparatus and instruments; apparatus for locating, identification, monitoring, remote control of vehicles; measuring, signaling, position indication, detection, checking (inspection), life-saving, security apparatus and instruments; satellite navigation apparatus; navigation apparatus for vehicles (on-board computers); electronic apparatus intended for vehicle driving assistance; apparatus and instruments for electrical and electronic communication and telecommunication; fire extinguishers, protection devices for personal use against accidents; distance measuring apparatus; diagnostic apparatus not for medical use; time recording apparatus; apparatus for checking the efficiency of vehicle braking devices; electronic actuators for assisting in the driving, navigation of land vehicles; diagnostic apparatus comprising sensors for testing and reporting the operating condition of the vehicle, accidents and incidents and for diagnosing the electrical, electronic and mechanical problems of the vehicle; measuring sensors; liquid level sensors; oil

level sensors; position, angle, torque and rotary speed sensors; digital sensors; pressure sensors; temperature sensors; endometric sensor; multidirectional rotary sensor; sensory sensor; sensors for the assisted driving and navigation of land vehicles; detectors; motion and motion analysis detectors; presence detectors; apparatus and software for vehicle diagnostic apparatus; automatic indicators of low pressure in vehicle tires; fire alarms; pressure indicator plugs for valves; on-board and ground diagnostic calculators; electric controls for the assistance, operation and navigation of land vehicles; speed checking apparatus for vehicles, speed governors; speedometers; speed indicators; cameras; lidars (laser detectors of obstacles); radars; sonars; decelerometers; transmitting sets (telecommunication); transmitters of electronic signals; kilometer recorders for vehicles; electric, electronic or optical equipment, on board vehicles, including land vehicles, for steering, signaling, controlling, for information, safety as well as processing of information and signals (sounds, images, data) related thereto; electronic equipment and software for vehicle location services; electric loss indicators; temperature indicators; software for communication between a motor vehicle and a fixed station; software for communication between a motor vehicle and a mobile telephone; software for connecting the driver and passengers of vehicles to a global computer network; software for detecting and warning of continuous or discontinuous line crossing for vehicles; software used for obstacle detection; software used for navigation for vehicles; software for image analysis; obstacle detection software for autonomous vehicles; software for autonomous driving vehicles; pattern recognition software; embedded electronic module software for the broadcasting, transmission, reception, processing, diagnosis, analysis, correction of vehicle operating status information; on-board electronic modules for broadcasting, transmitting, receiving, processing, diagnosing, analyzing, correcting vehicle operating status information; electric, electronic or optical material and equipment for driving assistance, navigation, dynamic security for land vehicles, namely motion detection apparatus and cameras for land vehicle drivers; electric, electronic or optical material and equipment for driving assistance, navigation, dynamic security for land vehicles, namely dashboard cameras, dashboard navigation device holders, dashboard touchscreens for vehicles, dashboard digital screens for vehicles, touch screens placed on steering wheels for land vehicles; electrical, electronic or optical equipment and material for assisting in the driving, navigation, active safety of land vehicles, namely, on-board electronic equipment for reporting an accident or incident on board a vehicle, on-board electronic devices for automatic geolocated call dispatch in the event of a serious accident, on-board electronic devices triggered manually by the driver in the event of

an incident; electronic equipment and material used for assistance in driving, navigation, active safety, evasive maneuvers, emergency braking of land vehicles, namely, laser scanner for detecting static and/or moving obstacles; computer hardware for data processing; modems; gasoline gages; on-board computers for vehicles; computer peripheral devices; GPS receivers, telephones; on-board communication networks for vehicles, microphones; on-board communication networks for vehicles, in particular multiplexed and in particular apparatus and instruments for mobile telephones known as hands-free kits with a microphone, headphones whether wired or wireless; communication system between a motor vehicle and a mobile telephone; systems for communication between a motor vehicle and a fixed station; systems for communication between vehicles and road infrastructure; systems for the wireless connection of electronic devices; wireless monitoring, regulation, control and connection systems between electronic apparatus and a land vehicle; lane-departure warning system; 3D mapping system; GPS system; on-board electronic systems in land vehicles for autonomous driving and parking; integrated electronic hazard and collision avoidance systems for automobiles; telephones; warning triangles for vehicles.

37 – Information and advice with respect to automotive spare part replacement; advice for the repair and maintenance of vehicles; information service relating to vehicle repair; information service concerning vehicle maintenance.

38 – Telecommunications; providing Internet access for vehicles; communications by computer terminals or by fiber-optic networks; communications by radio or telephone; provision of user access to global computer networks; provision of on-line forums; provision of access to databases; electronic bulletin board services (telecommunication services); connection by telecommunications to a global computer network; electronic messaging services; transmission of information via the internet, electronic mail services; transmission of information by teletypewriter, transmission of messages, telegrams, all these services being intended for drivers of motor vehicles; telecommunication and communication services for vehicle driving, detection and warning of accidents, crossing of continuous or discontinuous lines for vehicles by means of a handset or other apparatus such as telephone, mobile phone, handheld computer, electronic organizer, recovery of certain data for vehicles on devices such as telephones, mobile phones, handheld computers, electronic organizers; telecommunication and communication services for the navigation of vehicles, the communication between vehicles and road infrastructure by means of a handset or other apparatus such as telephone, mobile phone, pocket computer, electronic organizer, recovery of certain data vehicles on devices such as telepho-

nes, mobile phones, handheld computers, electronic organizers; telecommunication and communication services for the detection of obstacles by means of a handset or other apparatus such as telephone, mobile phone, pocket computer, electronic organizer, recovery of certain data for vehicles on devices such as telephones, mobile phones, handheld computers, electronic organizers; telecommunication services, namely, SMS, alert messages for drivers.

39 – Vehicle location assistance services.

42 – Technical audit of motor vehicles; vehicle roadworthiness testing; advice related to energy saving; computer data recovery; monitoring of computer systems to detect breakdowns; electronic product monitoring for fault detection; electric product monitoring for fault detection; computer system monitoring for the replacement of auto spare parts; monitoring of electronic products for the replacement of auto spare parts; electric product monitoring for the replacement of auto spare parts.

(260) AM 2019 102010 A

(800) 1453496

(151) 2018 09 07

(891) 2018 09 07

(731) APPLE INC.

One Apple Park Way, Cupertino CA 95014,
USA

(540)



(591) Medium blue and light blue

(531) 02.01.01; 02.01.23; 02.01.24; 29.01.04

(511)

35 – Retail store services featuring computer, electronic, and entertainment products, telecommunication devices, handheld and wearable digital electronic devices, audio products, home automation products, computer software, souvenir merchandise, and accessories, peripherals, carrying cases, and parts for such products; product demonstrations provided in-store; arranging and conducting of commercial trade, and business shows, and exhibitions.

36 – Electronic funds transfer and payment transaction processing; processing, verifying, and authenticating mobile payments, and contactless credit and debit card transactions, loyalty reward card transactions, and bill payment transactions with retailers, merchants, and vendors; providing credit and debit card information by electronic means (terms considered too vague by the International Bureau – Rule 13 (2) (b) of the Common Regulations); ensuring the

security of contactless transactions with retailers, merchants and vendors, mobile payments, and of credit and debit card information.

41 – Arranging and conducting of business conferences.

(260) AM 2019 102011 A
 (800) 1453503
 (151) 2018 11 23
 (891) 2018 11 23
 (731) Shijiazhuang ChangAn YuCai Building
 Materials Co., Ltd.
 No.11 Fucheng Road, (Luancheng),
 Equipment Manufacturing Base, Shijiazhuang,
 Hebei, China
 (540)



(591) Black, white
 (531) 26.04.03; 26.04.07; 26.04.18; 27.05.17;
 27.05.23
 (511)
 1 – Concrete preservatives, except lacquer and oils; concrete preservatives, except paints and oils; cement protective material, except paints and oils; cement-waterproofing chemicals, except paints; cement-waterproofing preparations, except paints; condensation-preventing chemical preparations; concrete-aeration chemicals; agglutinants for concrete; concrete agglutinants.

(260) AM 2019 102012 A
 (800) 1453510
 (151) 2019 01 03
 (891) 2019 01 03
 (731) APPLE INC.
 One Apple Park Way, Cupertino CA 95014,
 USA
 (540)

HEALTHKIT

(591) Black, white
 (511)
 42 – Providing to healthcare providers and providers of healthcare, wellness, mental health, dentistry and health-related services on-line non-downloadable software as a service for managing patients and healthcare practices.
 44 – Providing healthcare information to third parties via the internet; providing to healthcare providers

and providers of healthcare, wellness, mental health, dentistry and health-related services healthcare information to their patients or potential patients via the internet, namely, providing patients or potential patients online medical health consultations, access to their medical records, health care information, health status tracking services, appointment scheduling, billing, records, a practitioner directory and healthcare providers and providers of healthcare, wellness, mental health, dentistry and health-related services online patient health status tracking services, namely, maintaining patient medical records and files as an online service.

(260) AM 2019 102013 A
 (800) 1453527
 (151) 2018 07 12
 (891) 2018 07 12
 (731) EGS GLOBAL CO LIMITED
 Aigialosis 74 ang Nicou Pattichi 37, 2-nd
 floor, office No.203, Limassol, CY-3071,
 Cyprus
 (540)



Ikouka

(591) Black, white
 (531) 26.01.03; 26.01.12; 26.01.16; 28.05
 (511)
 2 – Dyes for footwear.
 3 – Bleaching preparations and other substances for laundry use; cleaning, polishing, scouring and abrasive preparations; soaps; perfumery products; essential oils; cosmetics; hair lotions; dentifrices; perfumes; eaux de toilette; eau de Cologne; deodorants [perfumery]; toilet preparations; pads impregnated with cosmetics; sprays, creams, wax for footwear; cleaning pads, impregnated with wax and creams for footwear; shoe polish.
 5 – Deodorizers for footwear.
 9 – Magnetic and optical data media including those containing audio and video recordings; sound recording disks; audio disks; videodisks; downloadable electronic publications; texts, images, digital books downloadable on the Internet; spectacles; binoculars; spectacle frames; fine chains for spectacles; spectacle cases; special protective cases and covers for computers; DVD cases; Cases for telephones; CD racks; covers for portable telephones; special cases for photographic apparatus and instruments and video equipment; mobile telephones; leather cases for mobile telephones and tablet computers; cases for mobile telephones and tablet computers; mobile telep-

hone accessories, included in this class; decorative magnets.

10 – Orthopedic footwear; orthopedic soles for footwear; foot arch supports for shoes; boots for medical use.

14 – Jewelry; timepieces and chronometric instruments; medals; boxes for time-recording apparatus; watch chains; watch bands; watch bands of leather; jewelry charms; amulets [jewelry].

16 – Paper, cardboard and goods made from these materials, not included in other classes; printing products (printed matter); bookbinding material; photographs; stationery; plastic materials for packaging (not included in other classes); printing type; printing blocks; plastic bags for packaging; baggage tags of paper; paper towels, particularly table napkins of paper, face towels of paper; school supplies; pen cases; pencil cases; bags, boxes of cardboard or paper; gift bags, gift boxes of paper; collapsible cardboard boxes; gift bags, gift boxes of cardboard.

18 – Leather and imitation leather, goods made of these materials not included in other classes; animal skins; trunks [luggage]; suitcases; umbrellas; parasols; walking sticks; whips, harness and saddlery; collars for animals; clothing for animals; Business card cases; wallets; bags; traveling bags; haversacks; backpacks; purses; vanity cases, not fitted; hat boxes of leather; boxes of leather or leatherboard; cases of leather or leatherboard; travel sets [leatherware]; sling bags for carrying infants; garment bags for travel; Beach bags; multi-purpose sports bags; bags for campers; key cases; umbrella covers.

21 – Utensils and containers for household or kitchen use (neither of precious metal nor coated therewith); combs and sponges; brushes (except paintbrushes); shoe horns; shoe stretchers of wood; button hooks; shoe shine gloves; shoe shine cloths; wax-polishing appliances, non-electric, for shoes; brushes for polishing footwear; make-up sponges; scouring sponges; toilet sponges; abrasive sponges for scrubbing the skin; household sponges; spectacle wiping cloths; cloths for polishing.

25 – Clothing, footwear, headgear; underwear; headbands [clothing]; headgear, including hats of fur; belts [clothing]; sashes for wear; money belts [clothing]; Shawls; ponchos; heelpieces for footwear; sports shoes; toe boxes; toe caps [parts of footwear]; rubbers [footwear]; footwear made of wood; stockings; socks; stocking suspenders; tights; gussets for footlets [parts of clothing]; knee-high stockings; gaiters; leggings [leg warmers]; gloves [clothing]; suspenders; shower caps; bathing caps; dressing gowns; ear muffs [clothing]; muffs [clothing]; fittings of metal for footwear; shoe soles for repair; non-slip-ping devices for footwear; tips for footwear; spikes for sports footwear.

26 – Buttons; snap fasteners; hooks and eyes; artificial flowers; badges (for wear) not of precious metal; competitors' numbers; decorative articles for the hair; hair ornaments; hair grips; hair pins; heat adhesive patches for decoration of textile articles [haberdashery]; trimmings for footwear; trimmings for clothing; trimmings for headgear; shoe fasteners; slide locks for bags; edgings for clothing; sewing boxes; lace and embroidery, ribbons and braid; pins and needles; hair scrunchies; Hair bands; bows for the hair; hair barrettes; shoe hooks; shoe laces; ribbons [haberdashery] including those made of textile; numerals or letters for marking linen.

28 – Games, toys; gymnastic and sporting articles, not included in other classes; cricket bags; golf bags, with or without wheels; Golf bag carts; bags especially designed for skis and surfboards; bags, cases, boxes, specially adapted for sports equipment, not included in other classes.

35 – Advertising; online advertising on a computer network; radio advertising; television advertising; commercial business management; commercial administration; sales promotion for others; sales promotion services at point of purchase or sale, for others; retail store services; promoting the goods and services of others over the Internet; online retail store services for cosmetic and beauty products; online retail store services for clothing, footwear, bags, headgear; online retail store services for jewelry articles; on-line retail store services; organization of exhibitions, trade fairs for commercial or advertising purposes; publication of advertising texts; demonstration of goods; presentation of goods on all communication media, for retail purposes; administrative processing of purchase orders; procurement services for others [purchasing goods and services for other businesses]; outsourcing services [business assistance]; compilation and systematization of information into computer databases.

INTERNATIONAL TRADEMARKS PROTECTED IN GEORGIA

(260) AM 2019 94379 A
 (800) 1366037
 (151) 2017 04 26
 (181) 2027 04 26
 (891) 2017 04 26
 (511) 05, 06, 07, 10, 11, 12, 13, 15, 17, 22, 23, 27,
 31, 33, 35, 36, 37, 39, 40, 44

(260) AM 2019 94380 A
 (800) 1366039
 (151) 2017 04 26
 (181) 2027 04 26
 (891) 2017 04 26
 (511) 05

(260) AM 2019 94403 A
 (800) 1366421
 (151) 2017 04 26
 (181) 2027 04 26
 (891) 2017 04 26
 (511) 05

(260) AM 2019 95087 A
 (800) 1373767
 (151) 2017 04 26
 (181) 2027 04 26
 (891) 2017 04 26
 (511) 05

(260) AM 2019 95263 A
 (800) 1375808
 (151) 2017 04 26
 (181) 2027 04 26
 (891) 2017 04 26
 (511) 05

(260) AM 2019 96797 A
 (800) 1360051
 (151) 2017 03 30
 (181) 2027 03 30
 (891) 2018 01 30
 (511) 10

(260) AM 2019 96880 A
 (800) 1392620
 (151) 2017 10 05
 (181) 2027 10 05

(891) 2017 10 05
 (511) 05

(260) AM 2019 97574 A
 (800) 1358925
 (151) 2016 02 26
 (181) 2026 02 26
 (891) 2018 04 09
 (511) 19, 39

(260) AM 2019 98132 A
 (800) 1407560
 (151) 2018 03 08
 (181) 2028 03 08
 (891) 2018 03 08
 (511) 09

(260) AM 2019 98360 A
 (800) 1129503
 (151) 2012 05 29
 (181) 2022 05 29
 (891) 2018 06 01
 (511) 10, 12, 20, 24, 28

(260) AM 2019 98476 A
 (800) 1410823
 (151) 2018 04 11
 (181) 2028 04 11
 (891) 2018 04 11
 (511) 06, 07, 09, 20

(260) AM 2019 98648 A
 (800) 1039497
 (151) 2010 01 05
 (181) 2020 01 05
 (891) 2018 05 09
 (511) 06, 19

(260) AM 2019 98812 A
 (800) 1415438
 (151) 2018 01 29
 (181) 2028 01 29
 (891) 2018 01 29
 (511) 36

(260) AM 2019 98823 A
(800) 1415616
(151) 2018 04 03
(181) 2028 04 03
(891) 2018 04 03
(511) 06, 07, 14, 36, 37, 40

(260) AM 2019 98826 A
(800) 1415665
(151) 2018 03 30
(181) 2028 03 30
(891) 2018 03 30
(511) 05

(260) AM 2019 98843 A
(800) 1415991
(151) 2018 05 21
(181) 2028 05 21
(891) 2018 05 21
(511) 29

(260) AM 2019 98876 A
(800) 1065074
(151) 2010 11 16
(181) 2020 11 16
(891) 2018 06 26
(511) 03, 04, 08, 14, 16, 21, 25, 26, 35

(260) AM 2019 98945 A
(800) 1417277
(151) 2018 03 19
(181) 2028 03 19
(891) 2018 03 19
(511) 19, 20

(260) AM 2019 98948 A
(800) 1417319
(151) 2018 04 13
(181) 2028 04 13
(891) 2018 04 13
(511) 32

(260) AM 2019 98949 A
(800) 1417341
(151) 2018 04 03
(181) 2028 04 03
(891) 2018 04 03
(511) 09, 41, 42

(260) AM 2019 98957 A
(800) 1289401
(151) 2015 12 04
(181) 2025 12 04

(891) 2018 06 28
(511) 05

(260) AM 2019 98958 A
(800) 1296502
(151) 2016 01 29
(181) 2026 01 29
(891) 2018 06 22
(511) 10

(260) AM 2019 99013 A
(800) 1417844
(151) 2018 06 12
(181) 2028 06 12
(891) 2018 06 12
(511) 36

(260) AM 2019 99015 A
(800) 1417955
(151) 2018 06 12
(181) 2028 06 12
(891) 2018 06 12
(511) 36

(260) AM 2019 99023 A
(800) 1418164
(151) 2018 05 24
(181) 2028 05 24
(891) 2018 05 24
(511) 35

(260) AM 2019 99025 A
(800) 1418179
(151) 2018 01 15
(181) 2028 01 15
(891) 2018 01 15
(511) 29, 30

(260) AM 2019 99032 A
(800) 1418241
(151) 2018 06 19
(181) 2028 06 19
(891) 2018 06 19
(511) 30

(260) AM 2019 99088 A
(800) 1418619
(151) 2018 04 13
(181) 2028 04 13
(891) 2018 04 13
(511) 10, 11, 25

(260) AM 2019 99095 A
(800) 1419000
(151) 2017 04 03
(181) 2027 04 03
(891) 2017 04 03
(511) 41

(260) AM 2019 99097 A
(800) 1419012
(151) 2018 03 21
(181) 2028 03 21
(891) 2018 03 21
(511) 09, 35, 38, 42

(260) AM 2019 99113 A
(800) 1419426
(151) 2018 05 16
(181) 2028 05 16
(891) 2018 05 16
(511) 09, 36

(260) AM 2019 99115 A
(800) 1419536
(151) 2017 12 21
(181) 2027 12 21
(891) 2017 12 21
(511) 01, 03, 05, 09, 10, 31, 35, 41, 42, 44

(260) AM 2019 99129 A
(800) 1419963
(151) 2018 01 18
(181) 2028 01 18
(891) 2018 01 18
(511) 09, 35, 38, 41, 42

(260) AM 2019 99130 A
(800) 1419969
(151) 2018 06 07
(181) 2028 06 07
(891) 2018 06 07
(511) 09

(260) AM 2019 99131 A
(800) 1419982
(151) 2018 01 18
(181) 2028 01 18
(891) 2018 01 18
(511) 09, 35, 38, 41, 42

(260) AM 2019 99134 A
(800) 1420009
(151) 2018 04 24
(181) 2028 04 24

(891) 2018 04 24
(511) 30

(260) AM 2019 99135 A
(800) 1420012
(151) 2018 01 18
(181) 2028 01 18
(891) 2018 01 18
(511) 09, 35, 38, 41, 42

(260) AM 2019 99136 A
(800) 1420042
(151) 2018 01 23
(181) 2028 01 23
(891) 2018 01 23
(511) 09, 28

(260) AM 2019 99201 A
(800) 1420121
(151) 2018 01 23
(181) 2028 01 23
(891) 2018 01 23
(511) 09, 28

(260) AM 2019 99214 A
(800) 1420373
(151) 2018 03 19
(181) 2028 03 19
(891) 2018 03 19
(511) 04, 07, 12, 37

(260) AM 2019 99223 A
(800) 1420588
(151) 2018 05 16
(181) 2028 05 16
(891) 2018 05 16
(511) 25

(260) AM 2019 99224 A
(800) 1420605
(151) 2018 07 30
(181) 2028 07 30
(891) 2018 07 30
(511) 30

(260) AM 2019 99241 A
(800) 1420923
(151) 2018 06 25
(181) 2028 06 25
(891) 2018 06 25
(511) 42, 44

(260) AM 2019 99242 A
(800) 1420935
(151) 2018 06 18
(181) 2028 06 18
(891) 2018 06 18
(511) 05

(260) AM 2019 99246 A
(800) 1421038
(151) 2018 04 24
(181) 2028 04 24
(891) 2018 04 24
(511) 30

(260) AM 2019 99262 A
(800) 1421420
(151) 2018 08 08
(181) 2028 08 08
(891) 2018 08 08
(511) 05

(260) AM 2019 99265 A
(800) 1421533
(151) 2018 05 03
(181) 2028 05 03
(891) 2018 05 03
(511) 20, 35

(260) AM 2019 99268 A
(800) 1421560
(151) 2018 04 30
(181) 2028 04 30
(891) 2018 04 30
(511) 12

(260) AM 2019 99269 A
(800) 1421565
(151) 2018 06 06
(181) 2028 06 06
(891) 2018 06 06
(511) 09

(260) AM 2019 99273 A
(800) 1421632
(151) 2018 02 26
(181) 2028 02 26
(891) 2018 02 26
(511) 35, 41

(260) AM 2019 99275 A
(800) 1421716
(151) 2018 05 16
(181) 2028 05 16

(891) 2018 05 16
(511) 07, 09, 11

(260) AM 2019 99276 A
(800) 1421734
(151) 2018 03 06
(181) 2028 03 06
(891) 2018 03 06
(511) 05, 29, 31

(260) AM 2019 99277 A
(800) 1421797
(151) 2018 05 24
(181) 2028 05 24
(891) 2018 05 24
(511) 29

(260) AM 2019 99278 A
(800) 1421805
(151) 2018 06 12
(181) 2028 06 12
(891) 2018 06 12
(511) 05

(260) AM 2019 99282 A
(800) 1421861
(151) 2018 05 17
(181) 2028 05 17
(891) 2018 05 17
(511) 05, 29, 32

(260) AM 2019 99284 A
(800) 1421881
(151) 2018 01 23
(181) 2028 01 23
(891) 2018 01 23
(511) 09, 28

(260) AM 2019 99372 A
(800) 1422160
(151) 2018 02 27
(181) 2028 02 27
(891) 2018 02 27
(511) 41, 44

(260) AM 2019 99380 A
(800) 1422307
(151) 2018 05 29
(181) 2028 05 29
(891) 2018 05 29
(511) 07, 12

(260) AM 2019 99381 A
(800) 1422321
(151) 2018 07 12
(181) 2028 07 12
(891) 2018 07 12
(511) 09

(260) AM 2019 99384 A
(800) 1422405
(151) 2018 05 23
(181) 2028 05 23
(891) 2018 05 23
(511) 30

(260) AM 2019 99391 A
(800) 1422674
(151) 2018 04 09
(181) 2028 04 09
(891) 2018 04 09
(511) 25

(260) AM 2019 99393 A
(800) 1422754
(151) 2018 08 17
(181) 2028 08 17
(891) 2018 08 17
(511) 05

(260) AM 2019 99398 A
(800) 1422963
(151) 2018 04 16
(181) 2028 04 16
(891) 2018 04 16
(511) 25

(260) AM 2019 99411 A
(800) 1423228
(151) 2018 04 09
(181) 2028 04 09
(891) 2018 04 09
(511) 34

(260) AM 2019 99412 A
(800) 1423266
(151) 2018 01 25
(181) 2028 01 25
(891) 2018 01 25
(511) 09, 28

(260) AM 2019 99415 A
(800) 1423337
(151) 2017 11 14
(181) 2027 11 14

(891) 2017 11 14
(511) 20, 35

(260) AM 2019 99417 A
(800) 1423372
(151) 2018 04 25
(181) 2028 04 25
(891) 2018 04 25
(511) 09

(260) AM 2019 99419 A
(800) 988602
(151) 2008 12 02
(181) 2018 12 02
(891) 2018 12 03
(511) 25, 45

(260) AM 2019 99420 A
(800) 1064336
(151) 2010 10 28
(181) 2020 10 28
(891) 2018 07 31
(511) 09

(260) AM 2019 99543 A
(800) 1423682
(151) 2018 07 17
(181) 2028 07 17
(891) 2018 07 17
(511) 25

(260) AM 2019 99545 A
(800) 1423702
(151) 2017 12 14
(181) 2027 12 14
(891) 2017 12 14
(511) 05

(260) AM 2019 99575 A
(800) 1424279
(151) 2018 05 03
(181) 2028 05 03
(891) 2018 05 03
(511) 42, 45

(260) AM 2019 99612 A
(800) 1425377
(151) 2018 05 24
(181) 2028 05 24
(891) 2018 05 24
(511) 29, 30, 31

(260) AM 2019 99629 A
(800) 1248378
(151) 2014 10 09
(181) 2024 10 09
(891) 2018 09 11
(511) 03, 05

(260) AM 2019 99632 A
(800) 1367221
(151) 2017 07 05
(181) 2027 07 05
(891) 2018 08 16
(511) 43

(260) AM 2019 99681 A
(800) 1425572
(151) 2018 02 12
(181) 2028 02 12
(891) 2018 02 12
(511) 03, 05, 30, 32, 35

(260) AM 2019 99682 A
(800) 1425600
(151) 2018 07 03
(181) 2028 07 03
(891) 2018 07 03
(511) 09, 42

(260) AM 2019 99683 A
(800) 1425661
(151) 2018 04 10
(181) 2028 04 10
(891) 2018 04 10
(511) 35

(260) AM 2019 99743 A
(800) 1189859
(151) 2013 11 01
(181) 2023 11 01
(891) 2018 08 21
(511) 05, 31, 35

(260) AM 2019 99844 A
(800) 1428244
(151) 2018 08 27
(181) 2028 08 27
(891) 2018 08 27
(511) 05

(260) AM 2019 99848 A
(800) 1428335
(151) 2018 07 10
(181) 2028 07 10

(891) 2018 07 10
(511) 29

(260) AM 2019 99849 A
(800) 1428339
(151) 2018 08 14
(181) 2028 08 14
(891) 2018 08 14
(511) 03

(260) AM 2019 99851 A
(800) 952634
(151) 2008 01 22
(181) 2028 01 22
(891) 2018 09 24
(511) 25

(260) AM 2019 99852 A
(800) 1277018
(151) 2014 08 20
(181) 2024 08 20
(891) 2018 05 25
(511) 03, 09, 14, 18, 25, 35

(260) AM 2019 99853 A
(800) 1315086
(151) 2016 05 16
(181) 2026 05 16
(891) 2018 08 31
(511) 26

(260) AM 2019 99855 A
(800) 1375724
(151) 2017 09 18
(181) 2027 09 18
(891) 2018 06 21
(511) 07

(260) AM 2019 99857 A
(800) 1394654
(151) 2017 12 14
(181) 2027 12 14
(891) 2018 05 18
(511) 29, 31, 35

(260) AM 2019 99859 A
(800) 1407663
(151) 2018 02 20
(181) 2028 02 20
(891) 2018 07 24
(511) 34

(260) AM 2019 99860 A
(800) 1425948
(151) 2018 06 05
(181) 2028 06 05
(891) 2018 09 24
(511) 05

(260) AM 2019 100203 A
(800) 1430767
(151) 2018 09 13
(181) 2028 09 13
(891) 2018 09 13
(511) 29, 42, 44

(260) AM 2019 100205 A
(800) 1430791
(151) 2018 09 17
(181) 2028 09 17
(891) 2018 09 17
(511) 05

(260) AM 2019 100206 A
(800) 1430820
(151) 2018 05 28
(181) 2028 05 28
(891) 2018 05 28
(511) 11

(260) AM 2019 100211 A
(800) 1430925
(151) 2018 09 10
(181) 2028 09 10
(891) 2018 09 10
(511) 01

OFFICIAL NOTIFICATION

INVENTIONS

EXPIRATION OF PATENTS RESTORATION

(21) AP 2014 13545

(11) P 2016 6497 B

(73) Andy Tumanishvili;
Vazha Jamarjashvili

(54) **HYDROPOWER UNIT WITH VARIABLE SCORE**

DATE OF CANCELLATION OF PATENT: 2019 08 06

DATE OF RESTORATION OF PATENT: 2019 10 10

(21) AP 2016 14240

(11) P 2019 6955 B

(73) Zurab Aslamazashvili;
Giorgi Oniashvili;
Garegin Zakharov;
Giorgi Tavadze

(54) **METHOD FOR PREPARATION OF COMPOSITE MATERIAL STABLE AT DYNAMIC LOAD OF HIGH INTENSIVITY**

DATE OF CANCELLATION OF PATENT: 2019 08 10

DATE OF RESTORATION OF PATENT: 2019 10 10

ABOLITION OF PATENTS WITH THE RIGHT TO RESTORE

(21) AP 2009 12263

(11) P 2015 6374 B

(73) PIERRE FABRE DERMO-COSMETIQUE

(54) **EXTRACT OF AERIAL PARTS OF OATS HARVESTED BEFORE EAR EMERGENCE**

DATE OF CANCELLATION OF PATENT: 2019 09 15

DATE OF RESTORATION OF PATENT: 2020 09 15

(21) AP 2010 12667

(11) P 2014 6019 B

(73) LES LABORATOIRES SERVIER

(54) **NOVEL METHOD OF SYNTHESIZING IVABRADINE AND PHARMACEUTICALLY ACCEPTABLE ACID-ADDITIVE SALTS THEREOF**

DATE OF CANCELLATION OF PATENT: 2019 09 17

DATE OF RESTORATION OF PATENT: 2020 09 17

(21) AP 2011 13063

(11) P 2015 6313 B

(73) ALIOS BIOPHARMA INC.

(54) **SUBSTITUTED NUCLEOTIDE ANALOGS**

DATE OF CANCELLATION OF PATENT: 2019 09 19

DATE OF RESTORATION OF PATENT: 2020 09 19

(21) AP 2012 13442

(11) P 2017 6771 B

(73) Igor Roninson

(54) **TREATMENT OF DISEASE OR DISORDERS CAUSED BY INDUCED NFκB
TRANSCRIPTIONAL ACTIVITY**

DATE OF CANCELLATION OF PATENT: 2019 09 13

DATE OF RESTORATION OF PATENT: 2020 09 13

(21) AP 2013 13800

(11) P 2017 6636 B

(73) VALERIA RESEARCH S.R.L.

(54) **GALACTAGOGUE COMPOSITIONS BASED ON PHOSPHATIDYLSERINE**

DATE OF CANCELLATION OF PATENT: 2019 09 19

DATE OF RESTORATION OF PATENT: 2020 09 19

(21) AP 2015 13943

(11) P 2017 6625 B

(73) LEPL Agricultural Research Center

(54) **AGGREGATE FOR JUICE EVAPORATION**

DATE OF CANCELLATION OF PATENT: 2019 09 24

DATE OF RESTORATION OF PATENT: 2020 09 24

(21) AP 2016 14267

(11) P 2018 6931 B

(73) Tea Kenkadze

(54) **HAND DEVICE FOR SOWING**

DATE OF CANCELLATION OF PATENT: 2019 09 14

DATE OF RESTORATION OF PATENT: 2020 09 14

(21) AP 2005 8972

(11) P 2009 4663 B

(73) Giorgi Ioramashvili;

Marine Beroshvili

(54) **METHOD FOR SEPARATION OF FLUID INTRUSION**

DATE OF CANCELLATION OF PATENT: 2019 09 12

DATE OF RESTORATION OF PATENT: 2020 09 12

(21) AP 2005 9991

(11) P 2009 4831 B

(73) DURECT CORPORATION

(54) **CONTROL RELEASE SYSTEM**

DATE OF CANCELLATION OF PATENT: 2019 09 15

DATE OF RESTORATION OF PATENT: 2020 09 15

EXPIRATION OF TERM OF RESTORATION OF PATENT

(21) AP 2003 8742

(11) P 2007 4232 B

(73) Interdigital Technology Corporation

**(54) METHOD AND SYSTEM FOR EFFICIENT RECOVERY OF NODE-B BUFFERED DATA
FOLLOWING MAC LAYER RESET**

DATE OF CANCELLATION OF PATENT: 2018 09 10

THE TERM OF RESTORATION OF PATENT VALIDITY HAS EXPIRED: 2019 09 10

CHANGES OF NAMES AND/OR ADDRESSES OF OWNER

(21) AP 2011 12849

(11) P 2014 6177 B

(54) PYRAZOLE COMPOUNDS AS CRTH2 ANTAGONISTS

NEW NAME AND ADDRESSES: Actimis pharmaceutical inc. (US)
P/Box Sanderling Venchers, 400 S. El Camino Real, Suite 1200,
San-Mateo, CA 94402 (US)

LAST NAME AND ADDRESSES: BOEHRINGER INGELHEIM INTERNATIONAL GMBH
Binger Straße 173, 55216 Ingelheim am Rhein, Germany

DATE OF REGISTRY: 25 09 2019

(21) AP 2011 12849

(11) P 2014 6177 B

(54) PYRAZOLE COMPOUNDS AS CRTH2 ANTAGONISTS

NEW NAME AND ADDRESSES: GB007 Inc. (US)
3013 Saynes Park Road, Suite 200, San Diego, CA 92121 (US)

LAST NAME AND ADDRESSES: Actimis pharmaceutical inc. (US)
P/Box Sanderling Venchers, 400 S. El Camino Real, Suite 1200,
San-Mateo, CA 94402 (US)

DATE OF REGISTRY: 25 09 2019

(21) AP 2012 13204

(11) P 2015 6332 B

(54) PYRAZOLES AS CRTH2 ANTAGONISTS

NEW NAME AND ADDRESSES: Actimis pharmaceutical inc. (US)
P/Box Sanderling Venchers, 400 S. El Camino Real, Suite 1200,
San-Mateo, CA 94402 (US)

LAST NAME AND ADDRESSES: BOEHRINGER INGELHEIM INTERNATIONAL GMBH
Binger Straße 173, 55216 Ingelheim am Rhein, Germany

DATE OF REGISTRY: 25 09 2019

(21) AP 2012 13204

(11) P 2015 6332 B

(54) PYRAZOLES AS CRTH2 ANTAGONISTS

NEW NAME AND ADDRESSES: GB007 Inc. (US)
3013 Saynes Park Road, Suite 200, San Diego, CA 92121 (US)

LAST NAME AND ADDRESSES: Actimis pharmaceutical inc. (US)
P/Box Sanderling Venchers, 400 S. El Camino Real, Suite 1200,
San-Mateo, CA 94402 (US)

DATE OF REGISTRY: 25 09 2019

UTILITY MODELS

ABOLITION OF PATENTS WITH THE RIGHT TO RESTORE

(21) AU 2013 13240

(11) U 2014 1820 Y

(73) Aleksandre Manukyan

(54) **ORTHOPEDIC FOOTWEAR FOR SICKS WITH PANCREATIC DIABETES**

DATE OF CANCELLATION OF PATENT: 2019 09 24

MODEL RESTORATION IS AVAILABLE: 2020 09 24

(21) AU 2014 13574

(11) U 2015 1877 Y

(73) Davit Chichinadze

(54) **DEMOUNTABLE-PREFABRICATED BEEHIVE**

DATE OF CANCELLATION OF PATENT: 2019 09 15

MODEL RESTORATION IS AVAILABLE: 2020 09 15

DESIGNS

EXTENSION OF DESIGN REGISTRATION VALIDITY

(11) D 2005 245 S

(73) Sony Computer Entertainment Inc.

2-6-21, Minami-Aoyama, Minato-ku, Tokyo 107-0062, Japan (JP)

(54) **JACK FOR DISC CARTRIDGE**

(28) 2

(24) 2004 09 24

(18) 2024 09 24

(58) 2019 09 26

CANCELLATION OF DESIGN REGISTRATION

(11) D 2014 569 S

(73) Grigol Khutsishvili (GE)

V. Dolidze St., korp. 25, ap. 50, 0171, Tbilisi, Georgia (GE)

(54) **PENDENT**

(18) 2019 01 30

(58) 2019 10 02

TRADEMARKS**RENEWAL OF REGISTRATIONS**

(111) M 1999 13001 R2

(156) 1999 12 10

(186) 2029 12 10

(732) INTEL CORPORATION

2200 Mission College Boulevard, Santa Clara, California 95052-8119, USA

(111) M 1999 12770 R2

(156) 1999 09 23

(186) 2029 09 23

(732) F.I.R.M.A. Fabbrica Italiana Ritrovati medicinali ed Affini S.p.A.

37 via di Scandicci, 50143 Firenze, Italy

(111) M 1999 12618 R2

(156) 1999 08 24

(186) 2029 08 24

(732) Imerys Filtration Minerals, Inc.

100 Mansell Court East, Suite 300, Roswell, Georgia 30076, USA

(111) M 1999 13016 R2

(156) 1999 12 10

(186) 2029 12 10

(732) Marsa Yag Sanayi ve Ticaret Anonim Şirketi, Organize Sanayi Bolgesi Ramazanoğlu Mah. Mahmut Bayram Gad.No:9 Şeyhli Pendik/İSTANBUL, Turkey

(111) M 1999 12891 R2

(156) 1999 11 03

(186) 2029 11 03

(732) Marsa Yag Sanayi ve Ticaret Anonim Şirketi, Organize Sanayi Bolgesi Ramazanoğlu Mah. Mahmut Bayram Gad.No:9 Şeyhli Pendik/İSTANBUL, Turkey

(111) M 1999 12892 R2

(156) 1999 11 03

(186) 2029 11 03

(732) Marsa Yag Sanayi ve Ticaret Anonim Şirketi, Organize Sanayi Bolgesi Ramazanoğlu Mah. Mahmut Bayram Gad.No:9 Şeyhli Pendik/İSTANBUL, Turkey

(111) M 1999 13065 R2

(156) 1999 12 15

(186) 2029 12 15

(732) Marsa Yag Sanayi ve Ticaret Anonim Şirketi,

Organize Sanayi Bolgesi

Ramazanoğlu Mah. Mahmut Bayram

Gad.No:9 Şeyhli Pendik/İSTANBUL, Turkey

(111) M 2009 19133 R1

(156) 2009 03 16

(186) 2029 03 16

(732) GM KOREA COMPANY

Cheongcheon-Dong, 233 Bupyeongdaero, Bupyeong-Gu, Incheon, 403-714, Republic of Korea

(111) M 2009 19140 R1

(156) 2009 03 16

(186) 2029 03 16

(732) LTD "Bi-El-Si"

Ingorokvas q. 8, 0108, Tbilisi, Georgia

(111) M 2009 19668 R1

(156) 2009 09 08

(186) 2029 09 08

(732) Swiss Pharma International AG

Waldmannstrasse 8, 8001 Zurich, Switzerland

(111) M 2009 19669 R1

(156) 2009 09 08

(186) 2029 09 08

(732) Swiss Pharma International AG

Waldmannstrasse 8, 8001 Zurich, Switzerland

(111) M 2009 19670 R1

(156) 2009 09 08

(186) 2029 09 08

(732) Swiss Pharma International AG

Waldmannstrasse 8, 8001 Zurich, Switzerland

(111) M 2009 19671 R1

(156) 2009 09 08

(186) 2029 09 08

(732) Swiss Pharma International AG

Waldmannstrasse 8, 8001 Zurich, Switzerland

(111) M 2009 19672 R1

(156) 2009 09 08

(186) 2029 09 08

(732) Swiss Pharma International AG
Waldmannstrasse 8, 8001 Zurich, Switzerland

(111) M 2009 19673 R1
(156) 2009 09 08
(186) 2029 09 08
(732) LG CORP.

128, Yeoui-doero, Yeongdeungpo-gu, Seoul,
Republic of Korea

(111) M 2009 19674 R1
(156) 2009 09 08
(186) 2029 09 08
(732) LG CORP.

128, Yeoui-doero, Yeongdeungpo-gu, Seoul,
Republic of Korea

(111) M 2009 19687 R1
(156) 2009 09 08
(186) 2029 09 08

(732) ENERGYBEVERAGES LLC
a Delaware Limited Liability company
2390 Anselmo Drive, Corona, California
92879, USA

(111) M 2009 19688 R1
(156) 2009 09 08
(186) 2029 09 08

(732) ENERGYBEVERAGES LLC
a Delaware Limited Liability company
2390 Anselmo Drive, Corona, California
92879, USA

(111) M 2009 19747 R1
(156) 2009 09 11
(186) 2029 09 11

(732) GIORGI MIRIANASHVILI
Vaja-fshavelas Gamz. 62, Bina 18, 0186,
Tbilisi, Georgia

(111) M 2009 19628 R1
(156) 2009 07 31
(186) 2029 07 31

(732) FRANCK PROVOST COIFFURE
133 rue du Faubourg Saint Honoré,
75008 Paris, France

(111) M 2009 19822 R1
(156) 2009 09 30
(186) 2029 09 30

(732) JSC "GEFA"
Akaki Belashvilis q. 142, 0159, Tbilisi,
Georgia

(111) M 2009 19919 R1
(156) 2009 11 02
(186) 2029 11 02

(732) Crown Investment Group Co., Ltd.
No.636 Jiufeng Street, Jinhua Industrial
Zone, Zhejiang 321000, China

(111) M 2009 19953 R1
(156) 2009 11 18
(186) 2029 11 18

(732) ENERGYBEVERAGES LLC
a Delaware Limited Liability company
2390 Anselmo Drive, Corona, California
92879, USA

(111) M 2009 19794 R1
(156) 2009 09 11
(186) 2029 09 11

(732) LTD "Aversi-Farma"
Davit Agmasheneblis Gamz., 148/2, 0112,
Tbilisi, Georgia

(111) M 2009 20115 R1
(156) 2009 12 28
(186) 2029 12 28

(732) Abdi Ibrahim İlaç Sanayi ve Ticaret Anonim
Şirketi
Reşitpaşa Mahallesi Eski Büyükdere Caddesi
No:4 34467 Maslak Sariyer İstanbul, Turkey

(111) M 2009 20116 R1
(156) 2009 12 28
(186) 2029 12 28

(732) Abdi Ibrahim İlaç Sanayi ve Ticaret Anonim
Şirketi
Reşitpaşa Mahallesi Eski Büyükdere Caddesi
No:4 34467 Maslak Sariyer İstanbul, Turkey

(111) M 2009 19898 R1
(156) 2009 10 16
(186) 2029 10 16

(732) WYETH LLC
235 East 42 nd Street, New York, NY 10017,
USA

(111) M 2009 20055 R1
(156) 2009 11 27
(186) 2029 11 27

(732) SANOFI
54, rue La Boétie, 75008 Paris, France

(111) M 1999 12045 R2
(156) 1999 05 10
(186) 2029 05 10
(732) BEROL CORPORATION
6655 Peachtree Dunwoody Road, Atlanta,
GA 30328, USA

(111) M 1999 11649 R2
(156) 1999 02 18
(186) 2029 02 18
(732) BOSE PRODUCTS B.V.
Gorslaan 60, 1441 RG Purmerend,
Netherlands

(111) M 1999 11650 R2
(156) 1999 02 18
(186) 2029 02 18
(732) BOSE PRODUCTS B.V.
Gorslaan 60, 1441 RG Purmerend,
Netherlands

(111) M 1999 11651 R2
(156) 1999 02 18
(186) 2029 02 18
(732) BOSE PRODUCTS B.V.
Gorslaan 60,1441 RG Purmerend, Netherlands

(111) M 1999 12909 R2
(156) 1999 11 03
(186) 2029 11 03
(732) MASTERCARD INTERNATIONAL
INCORPORATED
2000 Purchase Street, Purchase, New York
10577, USA

COMPLETE TRANSFER OF RIGHTS

(111) M 1998 8219 R
(732) WOORIWA PET FOOD COMPANY
507E. Hospital St., Suite 109, Nakcogdoches,
TX 75961, USA
(770) ANF Pet, Inc.
1500 Whitehall Lane, St. Helena, California
94574, USA
(580) 30 08 2019

(111) M 2009 19806 R
(732) JSC "Georgian Beer Company"
Vill. Saguramo, Mtskheta, 3311, Georgia
(770) LTD "AIA"
Nikea St. 8, 4600, Kutaisi, Georgia
(580) 25 09 2019

(111) M 1998 8220 R
(732) WOORIWA PET FOOD COMPANY
507E. Hospital St., Suite 109, Nakcogdoches,
TX 75961, USA
(770) ANF Pet, Inc.
1500 Whitehall Lane, St. Helena, California
94574, USA
(580) 30 08 2019

(111) M 1999 12618 R
(732) IMERYS FILTRATION MINERALS, INC.
100 Mansell Court East, Suite 300,
Roswell, Georgia 30076, USA
(770) IMERYS MINERALS CALIFORNIA, INC.
1732 North First Street, Suite 450,
San Jose, California 95112, USA
(580) 14 08 2019

(111) M 1999 12838 R
(732) WOORIWA PET FOOD COMPANY
507E. Hospital St., Suite 109, Nakcogdoches,
TX 75961, USA
(770) ANF Pet, Inc.
1500 Whitehall Lane, St. Helena, California
94574, USA
(580) 03 09 2019

(111) M 2008 18779 R
(732) SPICY LIQUID, INC.
989 Sixth Avenue, City of New York,
State of New York 10018, USA
(770) SALSAS DE JALISCO CACU, S.A. DE C.V.
Calie Guillermo Gonzalez Camarena
No.800-Piso 4, Colonia Santa Fe, Delegacion
Alvaro Obregon, Ciudad de Mexico, C.P.
01210, Mexico
(580) 12 09 2019

CHANGES OF NAMES AND/OR ADDRESS OF OWNERS

(111) M 1998 8968 R
(732) ŠKODA INVESTMENT a.s.
Emila Škodi 2922/1, Jižni Předměstí, 301 00
Plzeň, Czech Republic
(770) ŠKODA INVESTMENT a.s.
Evropska 2690/17, Dejvice, 160 00 Praha 6,
Czech Republic
(580) 19 08 2019

(111) M 1998 8969 R
(732) ŠKODA INVESTMENT a.s.
Emila Škodi 2922/1, Jižni Předměstí, 301 00
Plzeň, Czech Republic
(770) ŠKODA INVESTMENT a.s.
Evropska 2690/17, Dejvice, 160 00 Praha 6,
Czech Republic
(580) 19 08 2019

(111) M 1998 8970 R
(732) ŠKODA INVESTMENT a.s.
Emila Škodi 2922/1, Jižni Předměstí, 301 00
Plzeň, Czech Republic
(770) ŠKODA INVESTMENT a.s.
Evropska 2690/17, Dejvice, 160 00 Praha 6,
Czech Republic
(580) 19 08 2019

(111) M 1998 8968P1 R
(732) ŠKODA INVESTMENT a.s.
Emila Škodi 2922/1, Jižni Předměstí, 301 00
Plzeň, Czech Republic
(770) ŠKODA INVESTMENT a.s.
Evropska 2690/17, Dejvice, 160 00 Praha 6,
Czech Republic
(580) 19 08 2019

(111) M 2009 19133 R
(732) GM KOREA COMPANY
Cheongcheon-Dong, 233 Bupyeongdaero,
Bupyeong-Gu, Incheon, 403-714, Republic of
Korea
(770) GM KOREA COMPANY
199-1, Cheongcheon-2 Dong, Bupyeong-Gu,
Incheon, Republic of Korea
(580) 12 09 2019

(111) M 2009 19822 R
(732) JSC "GEFA"
Akaki Beliashvili St. 142, Tbilisi, 0159,
Georgia
(770) JSC "JI PI SI"
Marjanishvili St. 26, 0102, Tbilisi, Georgia
(580) 27 09 2019

(111) M 2009 19898 R
(732) WYETH LLC
235 East 42 nd Street, New York, NY 10017,
USA
(770) WYETH LLC
Five Giralda Farms, Madison, New Jersey,
07940, USA
(580) 25 09 2019

TERMINATION OF TRADEMARKS REGISTRATIONS

(111) M 1999 11690 R (151) 1999 03 15 (141) 2019 09 26 (732) SOCIETA ITALIANA CALZATURE S.P.A. Via Gaetano Donizetti 20, Milan, Italy	Globe House, 4 Temple Place, London, WC2R 2PG, United Kingdom
(111) M 1999 11666 R (151) 1999 02 26 (141) 2019 09 27 (732) AWD.PHARMA GMBH & CO.KG Leipziger Strasse 7-13, 01097 Dresden, Germany	(111) M 1999 11701 R (151) 1999 03 16 (141) 2019 09 26 (732) FIAT GROUP MARKETING & CORPORATE COMMUNICATION S.P.A. Via Nizza 250, 10126 Torino, Italy
(111) M 1999 11668 R (151) 1999 02 26 (141) 2019 09 26 (732) BAYER INTELLECTUAL PROPERTY GMBH Alfred-Nobel-Strasse 10, 40789 Monheim am Rhein, Germany	(111) M 2009 19095 R (151) 2009 03 02 (141) 2019 09 26 (732) WYETH LLC Five Giralda Farms, Madison, New Jersey, 07940, USA
(111) M 1999 11669 R (151) 1999 02 26 (141) 2019 09 26 (732) BAYER INTELLECTUAL PROPERTY GMBH Alfred-Nobel-Strasse 10, 40789 Monheim am Rhein, Germany	(111) M 2009 19096 R (151) 2009 03 02 (141) 2019 09 27 (732) RAMAZ FOLADISHVILI Mirzaani St. 24, 0104, Tbilisi, Georgia
(111) M 1999 11676 R (151) 1999 03 15 (141) 2019 09 26 (732) RICHEMONT INTERNATIONAL SA Route des Biches 10, Villars-sur-Glane, Switzerland	(111) M 2009 19110 R (151) 2009 03 16 (141) 2019 09 27 (732) GTX, INC. 3 North Dunlap, 3rd Floor, Van Vleet Building, Memphis, Tennessee 38163, USA
(111) M 1999 11677 R (151) 1999 03 15 (141) 2019 09 26 (732) ABBOTT HEALTHCARE PRODUCTS B.V. C.J. van Houtenlaan 36, 1381 CP Weesp, Netherlands	(111) M 2009 19079 R (151) 2009 02 13 (141) 2019 09 26 (732) MAMUKA AKHVLEDIANI Nucubidzis ferdobi, me-5 m/raioni, korp. 2, b. 2, 0183, Tbilisi, Georgia
(111) M 1999 11680 R (151) 1999 03 15 (141) 2019 09 26 (732) BRITISH AMERICAN TOBACCO (BRANDS) LIMITED	(111) M 2009 19080 R (151) 2009 02 13 (141) 2019 09 26 (732) MAMUKA AKHVLEDIANI Nucubidzis ferdobi, me-5 m/raioni, korp. 2, b. 2, 0183, Tbilisi, Georgia
	(111) M 1999 11702 R (151) 1999 03 16 (141) 2019 09 27

(732) ESSILOR INTERNATIONAL
147, rue de Paris, 94220 Charenton le Pont,
France

(732) CJSC "TECHONIKOL"
Krimskiy Val 8, Moskow, 119049,
Russian Federation

(111) M 2009 19097 R
(151) 2009 03 02
(141) 2019 09 26
(732) VIACOM INTERNATIONAL INC.
1515 Broadway, New York, New York 10036,
USA

(111) M 2009 19114 R
(151) 2009 03 16
(141) 2019 09 26
(732) COLBAR LIFESCIENCE LTD
9 Hamenofilm St., Tower A., P.O.B. 12206,
Herzliya 46733, Israel

(111) M 2009 19111 R
(151) 2009 03 16
(141) 2019 09 26
(732) JSC Italian-Georgian Industrial Group
(IGI – Group)
Chargali St. 79, 0141, Tbilisi, Georgia

(111) M 2009 19115 R
(151) 2009 03 16
(141) 2019 09 26
(732) COLBAR LIFESCIENCE LTD
9 Hamenofilm St., Tower A., P.O.B. 12206,
Herzliya 46733 Israel

(111) M 2009 19112 R
(151) 2009 03 16
(141) 2019 09 26
(732) JSC Italian-Georgian Industrial Group
(IGI – Group)
Chargali St. 79, 0141, Tbilisi, Georgia

(111) M 2009 19103 R
(151) 2009 03 02
(141) 2019 09 26
(732) SANOFI-AVENTIS
174, Avenue de France, 75013 Paris, France

(111) M 2009 19113 R
(151) 2009 03 16
(141) 2019 09 26
(732) JSC "AVIASERVICE"
Rustavelis gamz. 36, 0108, Tbilisi, Georgia

(111) M 2009 19084 R
(151) 2009 02 13
(141) 2019 09 26
(732) JSC "GOMI SPIRIT COMPANY"
Vill. Gomi, 5702, Khashuri, Georgia

(111) M 2009 19098 R
(151) 2009 03 02
(141) 2019 09 27
(732) EXXON MOBIL CORPORATION
a New Jersey corporation
5959 Las Colinas Boulevard, Irving, Texas,
USA

(111) M 2009 19119 R
(151) 2009 03 16
(141) 2019 09 26
(732) KOPAŞ KOZMETİK PAZARLAMA VE
SANAYİ ANONİM ŞİRKETİ
Ayazağa Koyu Yolu, G-42 Sokak, No:6
Maslak Sisli, İstanbul, Turkey

(111) M 2009 19101 R
(151) 2009 03 02
(141) 2019 09 27
(732) CJSC "TECHONIKOL"
Krimskiy Val 8, Moskow, 119049,
Russian Federation

(111) M 2009 19121 R
(151) 2009 03 16
(141) 2019 09 26
(732) ZOTYE HOLDING GROUP
Economic Developing Zone, Yongkang City,
Zhejiang Province, China

(111) M 2009 19102 R
(151) 2009 03 02
(141) 2019 09 27

(111) M 2009 19122 R
(151) 2009 03 16
(141) 2019 09 26
(732) ROTAPHARM LIMITED
48 Queen Anne Street, London W1G9JJ,
United Kingdom

(111) M 2009 19123 R
(151) 2009 03 16
(141) 2019 09 26
(732) ROTAPHARM LIMITED
48 Queen Anne Street, London W1G9JJ,
United Kingdom

(111) M 2009 19124 R
(151) 2009 03 16
(141) 2019 09 26
(732) LTD "GLOBALFARMI"
Queen Tamar Av. 7/13, 0112, Tbilisi,
Georgia

(111) M 2009 19125 R
(151) 2009 03 16
(141) 2019 09 26
(732) J.&P. COATS, LIMITED
1 George Square, Glasgow G2 1AL, Scotland,
United Kingdom

(111) M 2009 19127 R
(151) 2009 03 16
(141) 2019 09 26
(732) LTD "GEOEXPORT GEORGIA"
Agmasheneblis St. 78, 0102, Tbilisi, Georgia

(111) M 2009 19128 R
(151) 2009 03 16
(141) 2019 09 27
(732) GENERAL MOTORS LLC
300 Renaissance Center, City of Detroit, State
of Michigan 48265-3000, USA

(111) M 2009 19130 R
(151) 2009 03 16
(141) 2019 09 26
(732) ORAPHARMA, INC.
732 Louis Drive, Warminster PA 18974, USA

(111) M 2009 19135 R
(151) 2009 03 16
(141) 2019 09 26
(732) LTD "PUBLIC DRAG"
D. Baqradze St. 6, 0119, Tbilisi, Georgia

(111) M 2009 19136 R
(151) 2009 03 16
(141) 2019 09 26
(732) LTD "PUBLIC DRAG"
D. Baqradze St. 6, 0119, Tbilisi, Georgia

(111) M 2009 19137 R
(151) 2009 03 16
(141) 2019 09 26
(732) EUROPEAN REFRESHMENTS
Southgate, Dublin Road, Drogheda, County
Meath, Ireland

(111) M 2009 19109 R
(151) 2009 03 02
(141) 2019 09 26
(732) BEZHAN TUGUSHI
Kipshidze St., nakveti 3/69, blok "a", ap. 4,
Tbilisi, Georgia

(111) M 2009 19145 R
(151) 2009 03 16
(141) 2019 09 26
(732) JSC Company "MEDINSERVI"
Dgebuadze St. 1, 0102, Tbilisi, Georgia

(111) M 2009 19146 R
(151) 2009 03 16
(141) 2019 09 26
(732) JSC Company "MEDINSERVI"
Dgebuadze St. 1, 0102, Tbilisi, Georgia

(111) M 2009 19147 R
(151) 2009 03 16
(141) 2019 09 26
(732) JSC Company "MEDINSERVI"
Dgebuadze St. 1, 0102, Tbilisi, Georgia

(111) M 2009 19148 R
(151) 2009 03 16
(141) 2019 09 26
(732) JSC Company "MEDINSERVI"
Dgebuadze St. 1, 0102, Tbilisi, Georgia

(111) M 2009 19149 R
(151) 2009 03 16
(141) 2019 09 26
(732) JSC Company "MEDINSERVI"
Dgebuadze St. 1, 0102, Tbilisi, Georgia

(111) M 2009 19150 R
(151) 2009 03 16
(141) 2019 09 26
(732) JSC Company "MEDINSERVI"
Dgebuadze St. 1, 0102, Tbilisi, Georgia

(111) M 2009 19151 R
(151) 2009 03 16
(141) 2019 09 26
(732) JSC Company "MEDINSERVI"
Dgebuadze St. 1, 0102, Tbilisi, Georgia

(111) M 1999 11708 R
(151) 1999 03 16
(141) 2019 09 26
(732) SOREMARTEC S.A.
Findel Business Center, Complexe B,
Rue de Treves, L-2632 Findel, Luxembourg

(111) M 1999 11738 R
(151) 1999 03 17
(141) 2019 09 27
(732) PERFETTI VAN MELLE S.P.A.
7, Via XXV Aprile, 20020 Lainate (Milano),
Italy

(111) M 1999 11739 R
(151) 1999 03 17
(141) 2019 09 27
(732) PERFETTI VAN MELLE S.P.A.
7, Via XXV Aprile, 20020 Lainate (Milano),
Italy

(111) M 1999 11742 R
(151) 1999 03 17
(141) 2019 09 26
(732) NORDISCHER MASCHINENBAU RUD.
BAADER GMBH+CO KG
249, Geniner Strasse, D-23560 Lubeck,
Germany

(111) M 2017 28968 R
(151) 2017 10 17
(141) 2019 09 30
(732) LTD "GEO-COOP"
Tvaltchrelidze St. 2, 0182, Tbilisi, Georgia

CLASSIFICATION INDEXES

INVENTIONS

CONCORDANCE TABLE OF INTERNATIONAL CLASSIFICATION INDEX AND PUBLICATION NUMBERS

INTERNATIONAL CLASSIFICATION INDEXES (51)	NUMBER OF PUBLISHED APPLICATION (10)
A 61 K 31/00; A 61 K 9/08; A 61 K 31/19; A 61 K 33/14	AP 2019 14899 A
A 61 K 31/437; A 61 K 13/12; A 61 P 9/10; A 61 K 31/519; C 07 D 471/04; C 07 D 487/04	AP 2019 14608 A
A 61 K 33/00; A 61 K 9/12; A 61 P 17/18	AP 2019 14730 A
A 61 P 3/00; A 61 P 25/00; A 61 K 31/551; C 07 D 487/04	AP 2019 14624 A
A 63 F 13/00	AP 2019 14758 A

CONCORDANCE TABLE OF PUBLICATION NUMBERS AND INTERNATIONAL CLASSIFICATION INDEX

NUMBER OF PUBLISHED APPLICATION (10)	INTERNATIONAL CLASSIFICATION INDEXES (51)
AP 2019 14608 A	A 61 K 31/437; A 61 K 13/12; A 61 P 9/10; A 61 K 31/519; C 07 D 471/04; C 07 D 487/04
AP 2019 14624 A	A 61 P 3/00; A 61 P 25/00; A 61 K 31/551; C 07 D 487/04
AP 2019 14730 A	A 61 K 33/00; A 61 K 9/12; A 61 P 17/18
AP 2019 14758 A	A 63 F 13/00
AP 2019 14899 A	A 61 K 31/00; A 61 K 9/08; A 61 K 31/19; A 61 K 33/14

CONCORDANCE TABLE OF INTERNATIONAL CLASSIFICATION INDEX, PATENT NUMBERS AND PUBLICATION NUMBERS

INTERNATIONAL CLASSIFICATION INDEX (51)	NUMBER OF PATENT (11)	NUMBER OF PUBLISHED APPLICATION (10)
A 61 B 18/02; A 61 B 18/00; A 61 B 18/14	P 2019 7025 B	AP 2019 14560 A
B 42 D 25/00	P 2019 7024 B	AP 2019 14628 A
C 23 C 14/35	P 2019 7026 B	AP 2019 14793 A

CONCORDANCE TABLE OF PATENT NUMBERS, PUBLICATION NUMBERS AND INTERNATIONAL CLASSIFICATION INDEX

NUMBER OF PATENT (11)	NUMBER OF PUBLISHED APPLICATION (10)	INTERNATIONAL CLASSIFICATION INDEX (51)
P 2019 7024 B	AP 2019 14628 A	B 42 D 25/00
P 2019 7025 B	AP 2019 14560 A	A 61 B 18/02; A 61 B 18/00; A 61 B 18/14
P 2019 7026 B	AP 2019 14793 A	C 23 C 14/35

CONCORDANCE TABLE OF APPLICATION NUMBERS, PUBLICATION NUMBERS

AND PATENTS

NUMBER OF APPLICATION (21)	NUMBER OF PUBLISHED APPLICATION (10)	NUMBER OF PATENT (11)
AP 2015 14560	AP 2019 14560 A	P 2019 7025 B
AP 2016 14628	AP 2019 14628 A	P 2019 7024 B
AP 2018 14793	AP 2019 14793 A	P 2019 7026 B

UTILITY MODELS

CONCORDANCE TABLE OF INTERNATIONAL CLASSIFICATION INDEX
AND PUBLICATION NUMBERS

INTERNATIONAL CLASSIFICATION INDEXES (51)	NUMBER OF PUBLISHED APPLICATION (10)
A 61 K 31/732; A 61 K 31/195; A 61 K 31/375; A 61 K 31/6615; A 61 P 39/00	AU 2019 15015 U
B 41 F 13/12	AU 2019 14986 U
E 04 H 6/12	AU 2019 14787 U

CONCORDANCE TABLE OF PUBLICATION NUMBERS
AND INTERNATIONAL CLASSIFICATION INDEX

NUMBER OF PUBLISHED APPLICATION (10)	INTERNATIONAL CLASSIFICATION INDEXES (51)
AU 2019 14787 U	E 04 H 6/12
AU 2019 14986 U	B 41 F 13/12
AU 2019 15015 U	A 61 K 31/732; A 61 K 31/195; A 61 K 31/375; A 61 K 31/6615; A 61 P 39/00

CONCORDANCE TABLE OF INTERNATIONAL CLASSIFICATION INDEX,
PATENT NUMBERS AND PUBLICATION NUMBERS

INTERNATIONAL CLASSIFICATION INDEX (51)	NUMBER OF PATENT (11)	NUMBER OF PUBLISHED APPLICATION (10)
B 60 T 17/22; B 60 T 17/08; G 01 L 5/28	U 2019 2018 Y	AU 2019 14799 U

CONCORDANCE TABLE OF PATENT NUMBERS,
PUBLICATION NUMBERS AND INTERNATIONAL CLASSIFICATION INDEX

NUMBER OF PATENT (11)	NUMBER OF PUBLISHED APPLICATION (10)	INTERNATIONAL CLASSIFICATION INDEX (51)
U 2019 2018 Y	AU 2019 14799 U	B 60 T 17/22; B 60 T 17/08; G 01 L 5/28

**CONCORDANCE TABLE OF APPLICATION NUMBERS, PUBLICATION NUMBERS
AND PATENTS**

NUMBER OF APPLICATION (21)	NUMBER OF PUBLISHED APPLICATION (10)	NUMBER OF PATENT (11)
AU 2018 14799	AU 2019 14799 U	U 2019 2018 Y

DESIGNS

**CONCORDANCE TABLE OF INTERNATIONAL CLASSIFICATION INDEX
AND PUBLICATION NUMBERS**

INTERNATIONAL CLASSIFICATION INDEXES (51)	NUMBER OF PUBLISHED APPLICATION (10)
02-04	AD 2019 1087 S

**CONCORDANCE TABLE OF PUBLICATION NUMBERS
AND INTERNATIONAL CLASSIFICATION INDEX**

NUMBER OF PUBLISHED APPLICATION (10)	INTERNATIONAL CLASSIFICATION INDEXES (51)
AD 2019 1087 S	02-04

**CONCORDANCE TABLE OF INTERNATIONAL CLASSIFICATION INDEX,
PATENT NUMBERS AND PUBLICATION NUMBERS**

INTERNATIONAL CLASSIFICATION INDEX (51)	NUMBER OF PATENT (11)	NUMBER OF PUBLISHED APPLICATION (10)
07-02	D 2019 820 S	AD 2019 1076 S
09-01	D 2019 818 S	AD 2019 1072 S
09-05	D 2019 819 S	AD 2019 1074 S

**CONCORDANCE TABLE OF PATENT NUMBERS,
PUBLICATION NUMBERS AND INTERNATIONAL CLASSIFICATION INDEX**

NUMBER OF PATENT (11)	NUMBER OF PUBLISHED APPLICATION (10)	INTERNATIONAL CLASSIFICATION INDEX (51)
D 2019 818 S	AD 2019 1072 S	09-01
D 2019 819 S	AD 2019 1074 S	09-05
D 2019 820 S	AD 2019 1076 S	07-02

**CONCORDANCE TABLE OF APPLICATION NUMBERS, PUBLICATION NUMBERS
AND PATENTS**

NUMBER OF APPLICATION (21)	NUMBER OF PUBLISHED APPLICATION (10)	NUMBER OF PATENT (11)
AD 2019 1076	AD 2019 1076 S	D 2019 820 S
AD 2019 1072	AD 2019 1072 S	D 2019 818 S
AD 2019 1074	AD 2019 1074 S	D 2019 819 S

**DESIGN REGISTERED ACCORDING TO THE ACCELERATED
PROCEDURE**

**CONCORDANCE TABLE OF INTERNATIONAL CLASSIFICATION INDEX
AND PUBLICATION NUMBERS**

INTERNATIONAL CLASSIFICATION INDEXES (51)	NUMBER OF PUBLISHED APPLICATION (11)
09-01	D 2019 821 S

**CONCORDANCE TABLE OF PUBLICATION NUMBERS
AND INTERNATIONAL CLASSIFICATION INDEX**

NUMBER OF PUBLISHED APPLICATION (11)	INTERNATIONAL CLASSIFICATION INDEXES (51)
D 2019 821 S	09-01

**CONCORDANCE TABLE OF APPLICATION NUMBERS,
PUBLICATION NUMBERS AND PATENTS**

NUMBER OF APPLICATION (21)	NUMBER OF PATENT (11)
AD 2019 1100	D 2019 821 S

TRADEMARKS

CONCORDANCE TABLE OF REGISTRATION NUMBERS, APPLICATION NUMBERS, PUBLICATION NUMBERS AND BULLETIN NUMBERS

NUMBER OF REGISTRATION (111)	NUMBER OF APPLICATIONS (210)	NUMBER OF PUBLISHED APPLICATIONS (260)	NUMBER OF BULLETIN
M 2019 31743 R	AM 104814	–	19(527)2019
M 2019 31744 R	AM 104823	–	19(527)2019
M 2019 31745 R	AM 104819	–	19(527)2019
M 2019 31746 R	AM 104820	–	19(527)2019
M 2019 31747 R	AM 104829	–	19(527)2019
M 2019 31748 R	AM 104895	–	19(527)2019
M 2019 31749 R	AM 104890	–	19(527)2019
M 2019 31750 R	AM 104911	–	19(527)2019
M 2019 31751 R	AM 104765	–	19(527)2019
M 2019 31752 R	AM 104766	–	19(527)2019
M 2019 31753 R	AM 104824	–	19(527)2019
M 2019 31754 R	AM 100000	AM 2019 100000 A	11(519)2019
M 2019 31755 R	AM 100002	AM 2019 100002 A	11(519)2019
M 2019 31756 R	AM 100003	AM 2019 100003 A	11(519)2019
M 2019 31757 R	AM 100004	AM 2019 100004 A	11(519)2019
M 2019 31758 R	AM 100006	AM 2019 100006 A	11(519)2019
M 2019 31759 R	AM 100008	AM 2019 100008 A	11(519)2019
M 2019 31760 R	AM 100019	AM 2019 100019 A	11(519)2019
M 2019 31761 R	AM 100020	AM 2019 100020 A	11(519)2019
M 2019 31762 R	AM 100032	AM 2019 100032 A	10(518)2019
M 2019 31763 R	AM 100042	AM 2019 100042 A	11(519)2019
M 2019 31764 R	AM 100052	AM 2019 100052 A	12(520)2019
M 2019 31765 R	AM 100068	AM 2019 100068 A	10(518)2019
M 2019 31766 R	AM 100069	AM 2019 100069 A	10(518)2019
M 2019 31767 R	AM 100075	AM 2019 100075 A	11(519)2019
M 2019 31768 R	AM 100080	AM 2019 100080 A	11(519)2019
M 2019 31769 R	AM 100081	AM 2019 100081 A	11(519)2019
M 2019 31770 R	AM 100098	AM 2019 100098 A	10(518)2019
M 2019 31771 R	AM 100379	AM 2019 100379 A	11(519)2019
M 2019 31772 R	AM 100391	AM 2019 100391 A	11(519)2019
M 2019 31773 R	AM 100392	AM 2019 100392 A	11(519)2019
M 2019 31774 R	AM 100396	AM 2019 100396 A	11(519)2019
M 2019 31775 R	AM 100431	AM 2019 100431 A	11(519)2019
M 2019 31776 R	AM 100460	AM 2019 100460 A	11(519)2019
M 2019 31777 R	AM 100592	AM 2019 100592 A	12(520)2019
M 2019 31778 R	AM 100599	AM 2019 100599 A	12(520)2019
M 2019 31779 R	AM 89342	AM 2016 89342 A	14(474)2017
M 2019 31780 R	AM 97444	AM 2019 97444 A	1(509)2019
M 2019 31781 R	AM 98438	AM 2019 98438 A	6(514)2019
M 2019 31782 R	AM 98978	AM 2019 98978 A	6(514)2019
M 2019 31783 R	AM 99304	AM 2019 99304 A	7(515)2019
M 2019 31784 R	AM 99316	AM 2019 99316 A	8(516)2019
M 2019 31785 R	AM 99430	AM 2019 99430 A	9(517)2019
M 2019 31786 R	AM 99451	AM 2019 99451 A	8(516)2019
M 2019 31787 R	AM 99512	AM 2019 99512 A	8(516)2019
M 2019 31788 R	AM 99656	AM 2019 99656 A	12(520)2019
M 2019 31789 R	AM 99680	AM 2019 99680 A	11(519)2019

1	2	3	4
M 2019 31790 R	AM 99757	AM 2019 99757 A	10(518)2019
M 2019 31791 R	AM 99766	AM 2019 99766 A	10(518)2019
M 2019 31792 R	AM 99862	AM 2019 99862 A	11(519)2019
M 2019 31793 R	AM 99872	AM 2019 99872 A	10(518)2019
M 2019 31794 R	AM 99890	AM 2019 99890 A	11(519)2019
M 2019 31795 R	AM 99891	AM 2019 99891 A	11(519)2019
M 2019 31796 R	AM 99894	AM 2019 99894 A	11(519)2019
M 2019 31797 R	AM 99912	AM 2019 99912 A	11(519)2019
M 2019 31798 R	AM 99914	AM 2019 99914 A	11(519)2019
M 2019 31799 R	AM 99939	AM 2019 99939 A	11(519)2019
M 2019 31800 R	AM 99960	AM 2019 99960 A	10(518)2019
M 2019 31801 R	AM 99977	AM 2019 99977 A	11(519)2019
M 2019 31802 R	AM 99978	AM 2019 99978 A	11(519)2019
M 2019 31803 R	AM 99985	AM 2019 99985 A	11(519)2019
M 2019 31804 R	AM 99986	AM 2019 99986 A	11(519)2019
M 2019 31805 R	AM 99988	AM 2019 99988 A	11(519)2019
M 2019 31806 R	AM 99989	AM 2019 99989 A	11(519)2019

**CONCORDANCE TABLE OF PUBLICATION NUMBERS
AND APPLICATION NUMBERS**

NUMBER OF PUBLISHED APPLICATION (260)	NUMBER OF APPLICATION (210)	1	2
		1	2
AM 2019 99514 A	AM 99514	AM 2019 102053 A	AM 102053
AM 2019 99893 A*	AM 99893	AM 2019 102055 A	AM 102055
AM 2019 101210 A	AM 101210	AM 2019 102056 A	AM 102056
AM 2019 101250 A	AM 101250	AM 2019 102068 A	AM 102068
AM 2019 101656 A	AM 101656	AM 2019 102173 A	AM 102173
AM 2019 101683 A	AM 101683	AM 2019 102229 A	AM 102229
AM 2019 101690 A	AM 101690	AM 2019 102230 A	AM 102230
AM 2019 101691 A	AM 101691	AM 2019 102241 A	AM 102241
AM 2019 101695 A	AM 101695	AM 2019 102246 A	AM 102246
AM 2019 101909 A	AM 101909	AM 2019 102366 A	AM 102366
AM 2019 101913 A	AM 101913	AM 2019 102367 A	AM 102367
AM 2019 101919 A	AM 101919	AM 2019 102389 A	AM 102389
AM 2019 101933 A	AM 101933	AM 2019 102391 A	AM 102391
		AM 2019 102392 A	AM 102392
		AM 2019 102393 A	AM 102393
		AM 2019 102396 A	AM 102396
		AM 2019 102397 A	AM 102397
		AM 2019 102406 A	AM 102406

CONCORDANCE TABLE OF INDEX OF GOODS AND/OR SERVICES
AND APPLICATION NUMBERS

INDEX OF GOODS AND/OR SERVICES (511)	NUMBER OF PUBLISHED APPLICATIONS (26)	1	2
1	2	32	AM 2019 102173 A
5	AM 2019 101683 A	32	AM 2019 99514 A
5	AM 2019 101690 A	33	AM 2019 101909 A
5	AM 2019 101691 A	33	AM 2019 101919 A
5	AM 2019 102229 A	33	AM 2019 102230 A
5	AM 2019 102389 A	33	AM 2019 99514 A
5	AM 2019 102391 A	35	AM 2019 101695 A
5	AM 2019 102392 A	35	AM 2019 102056 A
5	AM 2019 102393 A	35	AM 2019 102246 A
7	AM 2019 99514 A	35	AM 2019 99514 A
9	AM 2019 101210 A	36	AM 2019 99893 A*
9	AM 2019 102055 A	36	AM 2019 102246 A
9	AM 2019 102246 A	37	AM 2019 99893 A*
11	AM 2019 102055 A	37	AM 2019 101210 A
11	AM 2019 99514 A	38	AM 2019 102056 A
12	AM 2019 101250 A	40	AM 2019 102406 A
16	AM 2019 102366 A	41	AM 2019 102056 A
16	AM 2019 102367 A	41	AM 2019 102068 A
21	AM 2019 101695 A	41	AM 2019 102246 A
21	AM 2019 99514 A	42	AM 2019 101210 A
25	AM 2019 102241 A	42	AM 2019 102068 A
28	AM 2019 101695 A	42	AM 2019 102246 A
29	AM 2019 102366 A	42	AM 2019 102406 A
29	AM 2019 102367 A	43	AM 2019 101656 A
29	AM 2019 102367 A	43	AM 2019 101909 A
30	AM 2019 102366 A	43	AM 2019 102366 A
30	AM 2019 102367 A	43	AM 2019 102367 A
30	AM 2019 99514 A	43	AM 2019 102396 A
31	AM 2019 101913 A	43	AM 2019 102397 A
32	AM 2019 101933 A	43	AM 2019 99514 A
32	AM 2019 102053 A	44	AM 2019 102056 A
		44	AM 2019 99514 A
		45	AM 2019 102406 A

CONCORDANCE TABLE OF INDEX OF GOODS AND/OR SERVICES
AND NUMBERS OF TRADEMARKS REGISTERED ACCORDING
TO THE ACCELERATED PROCEDURE

INDEX OF GOODS AND/OR SERVICES (511)	NUMBERS OF REGISTERED ACCORDING TO THE ACCELERATED PROCEDURE (111)
5	M 2019 31749 R
6	M 2019 31744 R
9	M 2019 31743 R
25	M 2019 31748 R
33	M 2019 31745 R
33	M 2019 31746 R
33	M 2019 31751 R
33	M 2019 31752 R
35	M 2019 31751 R
35	M 2019 31752 R
35	M 2019 31753 R
36	M 2019 31743 R
36	M 2019 31744 R
36	M 2019 31745 R
36	M 2019 31746 R
36	M 2019 31751 R
36	M 2019 31752 R
37	M 2019 31744 R
37	M 2019 31745 R
37	M 2019 31746 R
37	M 2019 31751 R
37	M 2019 31752 R
39	M 2019 31743 R
39	M 2019 31745 R
39	M 2019 31746 R
39	M 2019 31747 R
39	M 2019 31751 R
39	M 2019 31752 R
43	M 2019 31745 R
43	M 2019 31746 R
43	M 2019 31750 R
43	M 2019 31751 R
43	M 2019 31752 R
44	M 2019 31747 R

OFFICIAL BULLETIN OF THE INDUSTRIAL PROPERTY

INVENTIONS
UTILITY MODELS
DESIGNS
TRADEMARKS

19(527)

EDITOR-IN-CHIEF: N. Bebrishvili

EDITOR-TRANSLATOR: E. Gabunia

PROOFREADER: A. Shikhashvili

COMPUTER LAYOUT: M. Ordenidze
K. Svanidze

www.sakpatenti.gov.ge

E-mail: info@sakpatenti.org.ge