

Official Bulletin of the Industrial Property

Inventions

Utility Models

Designs

Trademarks

Geographical Indications



საქართველოს ინტელექტუალური
საკუთრების ეროვნული ცენტრი

საქპატენტი

SAKPATENTI

NATIONAL INTELLECTUAL PROPERTY
CENTER OF GEORGIA

www.sakpatenti.gov.ge

Date of Publication – 2022 10 10

19(598)

INID CODES FOR IDENTIFICATION OF BIBLIOGRAPHIC DATA

INVENTIONS, UTILITY MODELS

- (10) Number of publication for application, which has been examined
- (11) Number of patent and kind of document
- (21) Serial number of application
- (22) Date of filing of the application
- (23) Date of exhibition or the date of the earlier filing and the number of application, if any
- (24) Date from which patent may have effect
- (31) Number of priority application
- (32) Date of filing of priority application
- (33) Code of the country or regional organization allotting priority application number
- (44) Date of publication of application not granted, but examined and number of bulletin
- (45) Date of publication of registered document
- (51) International Patent Classification Index

- (54) Title of the invention
- (57) Abstract
- (60) Number of examined patent document granted by foreign patent office, date from which patent has effect and country code
- (62) Number of the earlier application and in case of divided application, date of filing an application
- (71) Name, surname and address of applicant (country code)
- (72) Name, surname of inventor (country code)
- (73) Name, surname and address of patent owner (country code)
- (74) Name, surname of representative or patent attorney
- (85) Date of commencement of the national phase of International Application
- (86) Number and date of filing of international application
- (87) Number and date of publication of international application
- (94) Calculated date of expiry of the SPC or the duration of the SPC

DESIGNS

- (10) Number of publication for application
- (11) Number of patent and kind of document or number of registration
- (15) Date of registration/Date of patent renewal
- (18) Expected expiration date of patent or registration
- (21) Serial number of application
- (22) Date of filing of the application
- (23) Date of exhibition or the date of the earlier filing and the number of application, if any
- (24) Date from which patent may have effect
- (28) Number of designs included in the application
- (30) Data relating to priority (number of application, date of filing of application, two-letter code identifying the authority with whom the priority application was made)
- (31) Number of priority application
- (32) Date of filing of priority application
- (33) Code of the country or regional organization allotting priority application number
- (34) Two-letter code according to WIPO St.3 identifying the authority with which the priority application was made
- (44) Date of publication of design and number of bulletin (the first publication)
- (45) Date of publication of design registered by WIPO and number of bulletin

- (51) International Classification for designs (class and subclass of the Locarno Classification)
- (54) Title of the invention
- (55) Reproduction of the design
- (57) Description of characteristic features of the design including indication of colors
- (58) Date of recording of any kind of amendment in the Register
- (62) Number of the earlier application, registration and document number and if available the date of filing an application in case of divided application
- (71) Name, surname and address of applicant (country code)
- (72) Name, surname of creator (country code)
- (73) Name, surname and address of patent owner (country code)
- (74) Name, surname of representative or patent attorney
- (81) Contracting states concerned
 - II designated contracting states according to the 1960 Act
 - III designated contracting states according to the 1999 Act
- (85) Owner's permanent address
- (86) Owner's nationality
- (87) Owner's residence
- (88) State in which the owner has a real and effective industrial or commercial establishment

TRADEMARKS

- (111) - Number of registration
- (151) - Date of registration
- (156) - Date of the renewal
- (181) - Expected expiration date of registration
- (186) - Renewal expiration date of registration
- (141) - Date of cancel of duration of the mark
- (210) - Serial number of application
- (220) - Date of filing of the application
- (230) - Data concerning exhibition
- (260) - Number of application, for which favorable decision of examination about registration has been taken (publication number)
- (310) - Number of the first application
- (320) - Date of filing of the first application
- (330) - Code, identifying national or regional Office where the first application was made
- (511) - International Classification of Goods and Services for the purposes of registration of trade marks and/or list of goods and/or services classified according thereto
- (526) - Disclaimer
- (531) - Description of figurative elements of Trade Marks according to the International Classification of the Figurative Elements of Marks

- (540) - Reproduction of Trade Mark
- (550) - Nature and kind of Trade Mark
- (551) - Indication to the effect that the mark is a collective mark, a certification mark or a guarantee mark
- (554) - Three-dimensional mark
- (580) - Date of recording of any kind changes in respect of applications or registrations
- (591) - Information concerning colors claimed
- (731) - Name and address of the applicant
- (732) - Name and address of the holder of the registration
- (740) - Name and address of the representative
- (750) - Addreses for correspondence
- (770) - Name and address of the previous applicant or holder in case of change in ownership
- (771) - Previous name and address of the applicant or holder in case of change in ownership
- (791) - Name and address of the licensee
- (793) - Indication of conditions and/or restrictions under the license (Type of license, number of license agreement, data of license, data of validity of license)
- (800) - Certain data relating to the international registration of Trade Marks under the Protocol Relating to Madrid Agreement (International registration number
- (852) - Partial cancellation of the list of goods and services
- (891) - Date of subsequent designation

CODES FOR PUBLICATION IN BULLETIN

- (21) AP 0000 000000 - serial number of application for invention
- (10) AP 0000 0000 A - number of published application for invention (first publication)
- (11) P 0000 0000 B - number of patent for invention (second publication)
- (21) API 0000 000000 - number of application for imported patent
- (11) PI 0000 0000 A - number of imported patent (first publication)
- (21) AU 0000 000000 - serial number of application for utility model
- (10) AU 0000 000 U - number of published application for utility model (first publication)
- (11) U 0000 000 Y - number of patent for utility model (second publication)
- (21) AD 0000 000000 - serial number of application for design
- (10) AD 0000 000 S - number of published application for design (first publication)
- (11) D 0000 000 S - registered design

INTERNATIONAL PATENT CLASSIFICATION FOR INVENTIONS AND UTILITY MODELS

- SECTION A - HUMAN NECESSITIES
- SECTION B - PERFORMING OPERATIONS; TRANSPORTING
- SECTION C - CHEMISTRY; METALLURGY
- SECTION D - TEXTILES; PAPER
- SECTION E - FIXED CONSTRUCTIONS
- SECTION F - MECHANICAL ENGINEERING; LIGHTING; HEATING; WEAPONS; BLASTING
- SECTION G - PHYSICS
- SECTION H - ELECTRICITY

-
- M - Trade Mark
 - (210) AM 0000 000000 - Serial number of application;
 - (260) AAM 0000 00000 A - Publication number of application;
 - (111) M 0000 00000 R - Number of registration;
 - (111) MMM0000 00000 Rn - Number of renewals, in which n=1,2,3;
 - (111) M 0000 00000 R(P) - Number of registration under partial assignment of rights
-

Official Bulletin of the Industrial Property

Inventions

Utility Models

Designs

Trademarks

Geographical Indications

CONTENT

PUBLISHED TITLES OF PROTECTION	3
INVENTIONS	
▪ APPLICATIONS APPROVED FOR GRANTING PATENT	4
▪ PATENTED INVENTIONS	6
UTILITY MODELS	
▪ APPLICATION APPROVED FOR GRANTING PATENT	8
▪ PATENTED UTILITY MODEL	9
DESIGNS	
▪ APPLICATION APPROVED FOR REGISTRATION	10
▪ REGISTERED DESIGNS	15
▪ DESIGNS, WHICH HAVE BEEN REGISTERED WITH THE INTERNATIONAL BUREAU CLAIMING PRIORITY ON THE TERRITORY OF GEORGIA	16
TRADEMARKS	
▪ APPLICATIONS FILED UNDER THE NATIONAL PROCEDURE APPROVED FOR REGISTRATION	25
▪ REGISTERED TRADEMARKS	35
▪ TRADEMARKS REGISTERED ACCORDING TO THE ACCELERATED PROCEDURE	40
▪ INTERNATIONAL TRADEMARKS FOR WHICH A DECISION ON GRANTING PROTECTION IS TAKEN	42
▪ INTERNATIONAL TRADEMARKS PROTECTED IN GEORGIA	108
GEOGRAPHICAL INDICATIONS	
REGISTERED GEOGRAPHICAL INDICATIONS	123
OFFICIAL NOTIFICATIONS	
INVENTIONS	
▪ RESTORATION OF PATENTS	124
▪ ABOLITION OF PATENTS WITH THE RIGHT TO RESTORE	124
▪ EXPIRATION OF TERMS OF PATENTS RESTORATION	127
▪ EXPIRATION OF TERMS OF PATENTS	128
▪ TRANSFER OF RIGHTS	128
UTILITY MODELS	
▪ RESTORATION OF PATENTS	133
▪ ABOLITION OF PATENTS WITH THE RIGHT TO RESTORE	133
DESIGNS	
▪ EXTENSION OF TERMS OF DESIGNS REGISTRATION	134
▪ CANCELLATION OF DESIGNS REGISTRATION	135
▪ EXTENSION OF TERMS OF INTERNATIONAL DESIGNS REGISTRATION	135
▪ CANCELLATION OF INTERNATIONAL DESIGNS REGISTRATION	137
TRADEMARKS	
▪ EXTENSION OF TERMS OF TRADEMARKS REGISTRATION	138
▪ COMPLETE TRANSFER OF RIGHTS	140
▪ CHANGES OF NAMES AND/OR ADDRESSES OF TRADEMARKS OWNERS	141
▪ CANCELLATION OF TRADEMARKS REGISTRATION	143
▪ CHANGES IN LIST OF GOODS AND/OR SERVICE OF TRADEMARK	145
CLASSIFICATION INDEXES	
INVENTIONS	146
UTILITY MODELS	147
DESIGNS	148
TRADEMARKS	150

PUBLISHED TITLES OF PROTECTION

INVENTIONS

- **APPLICATIONS APPROVED FOR GRANTING PATENT:**
15958; 15327; 15712; 15412
- **PATENTED INVENTIONS:**
7419-7425

UTILITY MODELS

- **APPLICATION APPROVED FOR GRANTING PATENT:**
15537
- **PATENTED UTILITY MODEL:**
2133

DESIGNS

- **APPLICATION APPROVED FOR REGISTRATION:**
1268
- **REGISTERED DESIGNS:**
945, 946
- **DESIGNS, WHICH HAVE BEEN REGISTERED WITH THE INTERNATIONAL BUREAU CLAIMING PRIORITY ON THE TERRITORY OF GEORGIA:**
222585; 222514; 222512; 219294; 219384

TRADEMARKS

- **APPLICATIONS FILED UNDER THE NATIONAL PROCEDURE APPROVED FOR REGISTRATION:**
114754;114804*; 114977*; 115119, 115120; 116627, 116628; 116630; 116647; 116750-116752; 116762; 116766, 116767; 116828; 116841; 116957, 116958; 116967; 116972, 116973; 116975-116980; 116982; 116991, 116992; 117064; 117068;117075, 117076; 117078; 117081, 117082; 117090-117093; 117096-117100; 117173; 117176; 117179; 117186, 117187; 117191, 117192; 117194; 117258; 117278; 117286; 117293
- **REGISTERED TRADEMARKS:**
35963; 35969-36016
- **TRADEMARKS REGISTERED ACCORDING TO THE ACCELERATED PROCEDURE:**
35964-36968; 36017-36020
- **INTERNATIONAL TRADEMARKS FOR WHICH A DECISION ON GRANTING PROTECTIONS IS TAKEN:**
115552; 115781-115790; 115821-115823; 115826-115830; 115834; 115838; 115904-115909; 115911-115923; 115948; 115950, 115951; 115954, 115955; 115957-115968; 116002-116012; 116014-116017; 116027; 116029; 116031-116035; 116047- 116051; 116053; 116055, 116056; 116065; 116080-116086; 116112; 116491; 116678
- **INTERNATIONAL TRADEMARKS PROTECTED IN GEORGIA:**
108937; 112651; 112977; 114374; 114424; 114426; 114433; 114452-114456; 114488-114492; 114494; 114497; 114504-114506; 114508, 114509; 114511, 114512; 114518-114522; 114560-114569; 114574-114577; 114579; 114585-114587; 114622, 114623; 114630; 114638; 114650-114654; 114665-114667; 114702; 114706; 114708, 114709; 114715, 114716; 114718; 114720-114728; 114730-114734; 114763-114768; 114770-114772; 114783; 114840-114842; 114845-114854; 114863-114867; 114871; 114873-114876; 114969-114971; 115029-115033; 115036; 115038, 115039; 115079; 115082; 115084, 115085; 115139; 115156; 115162-115165; 115168-115171; 115174; 115179; 115191; 115249, 115250; 115252; 115254-115258; 115269; 115271-115276; 115278; 115289, 115290; 115292; 115297, 115298; 115300; 115302; 115361; 115449-115456; 115469-115472; 115476; 115479, 115480; 115482, 115483; 115499-115502; 115541, 115542; 115544, 115545; 115641-115649; 115661-115669

GEOGRAPHICAL INDICATIONS

REGISTERED GEOGRAPHICAL INDICATIONS:

26, 27

INVENTIONS

APPLICATIONS APPROVED FOR GRANTING PATENT

The decision can be appealed at the Chamber of Appeal of Sakpatenti within 3 months from the publication or at the Mtskheta District Court Administrative Cases Board (Address: №17, Samkhedro St., Mtskheta), within 1 month following the publication.

PART A

A 01

- (10) AP 2022 15958 A (51) Int. Cl. (2006)
A 01 G 9/12
(21) AP 2022 15958 (22) 2022 05 25
(71) Tornike Mzhavanadze (GE)
Iliko Kurkhuli St. 4, 0301, Tbilisi, Georgia (GE)
(72) Tornike Mzhavanadze (GE)
(54) ROTOR-PLANETARY DEVICE INTENDED
FOR PLANT CULTIVATION

(57) A device includes vertical supports 1 having central axis 2 passing throughout them, and plant vegetation grooves 4 located on horizontal posts 3; at that, said posts are placed on central axis and they are capable to rotate around it. The device is equipped with circular guides 5 attached to horizontal poles in the places wherein the vegetation grooves are placed, and plants vegetation grooves based on the rollers 6 are capable to maintain horizontal position relative to horizontal poles rotation around central axis.

Claims: 1 independent
2 dependents

Fig.: 5

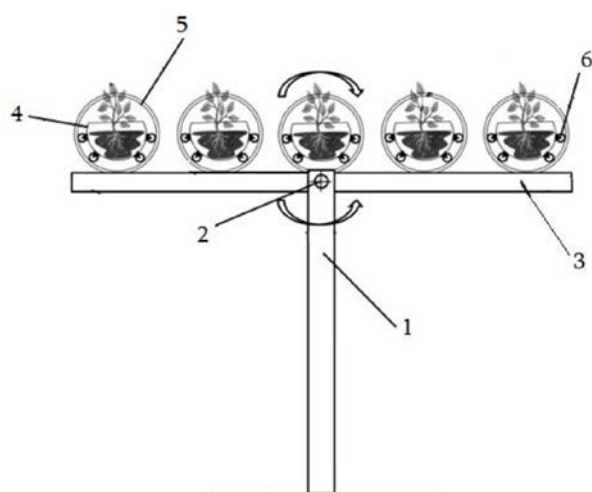
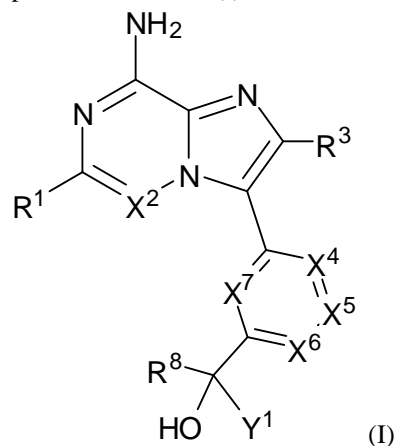


Fig. 1

A 61

- (10) AP 2022 15327 A (51) Int. Cl. (2006)
A 61 K 31/4985
A 61 K 31/495
A 61 P 25/28
A 61 P 35/00
C 07 D 487/04
(21) AP 2018 15327 (22) 2018 10 17
(31) 62/574,057; 62/608,897; 62/727,316
(32) 2017 10 18; 2017 12 21; 2018 09 05
(33) US; US; US
(71) Incyte Corporation (US)
1801 Augustine Cut-Off Wilmington, DE 19803,
USA (US)
(72) DOUTY, Brent (US);
BUESKING, Andrew W. (US);
BURNS, David M. (US);
COMBS, Andrew P. (US);
FALAHATPISHEH, Nikoo (US);
JALLURI, Ravi Kumar (US);
LEVY, Daniel (US);
POLAM, Padmaja (US);
SHAO, Lixin (US);
SHEPARD, Stacey (US);
SHVARTSBART, Artem (US);
SPARKS, Richard B. (US);
YUE, Eddy W. (US)
(74) Tamaz Shilakadze
(85) 2020 05 05
(86) PCT/US2018/056311, 2018 10 17
(54) CONDENSED IMIDAZOLE DERIVATIVES
SUBSTITUTED BY TERTIARY HYDROXY
GROUPS AS PI3K-GAMMA INHIBITORS
(57) Compounds of formula (I),



pharmaceutical compositions on a basis thereof, and usage thereof for the treatment of diseases caused by PI3K- γ kinase activity, such as autoimmune, cardiovascular and neurodegenerative diseases and cancer.

Claims: 4 independents
74 dependents

Fig.: 16

(10) AP 2022 15712 A (51) Int. Cl. (2006)
A 61 K 31/573
A 61 K 31/56
A 61 K 31/454
A 61 P 37/08
A 61 P 43/00
A 61 P 37/00
A 61 P 11/06

(21) AP 2019 15712 (22) 2019 11 22

(62) AP 2019 15619 2019 11 22

(31) 2018141291

(32) 2018 11 23

(33) RU

(71) Obchestvo s Ogranichennoy Otvetstvennoctiu
"Pharmenterprises" (RU)
Skolkovo Innovation Centre, Bolshoj Blvd. 42,
bld. 1, 2nd fl., Offices 771, 772, Moscow 12105,
Russian Federation (RU)

(72) NEBOLSIN, Vladimir Evgenievich (RU)

(74) Shalva Gvaramadze

(85) 2021 08 02

(86) PCT/RU2019/050225, 2019 11 22

(54) GLUTARIMIDE DERIVATIVE FOR OVERCOMING RESISTANCE TO STEROIDS AND TREATMENT OF DISEASES ASSOCIATED WITH ABERRANT SIGNALING OF INTERFERON PI3K-GAMMA

(57) Compound – 1-(2-(1H-imidazol-4-yl)ethyl)piperidine-2,6-dione is used for asthma treatment by reducing or preventing resistance to steroids.

Claims: 8 independents
4 dependents

Fig.: 5

PART B

B 28

(10) AP 2022 15412 A (51) Int. Cl. (2006)
B 28 B 1/00
C 04 B 7/02

(21) AP 2020 15412 (22) 2020 08 20

(71) Aleksey Nefedov (GE)
Avshani St. 20, 0178, Tbilisi, Georgia (GE)

(72) Aleksey Nefedov (GE);

(74) Tamaz Shilakadze

(54) METHOD OF NANO CEMENT PRODUCTION

(57) A method of nano cement production provides co-crushing in ball mill of Portland cement clinker or Portland cement, gypsum stone, mineral additive, polymer modifier containing no less than 60% mass of sodium naphthalene sulfate on Portland cement grains for the purpose to make whole nano-gauge capsules; at that, volcanic acid rocks are selected as mineral additive in the form of tuff, ash or slag with the following ratio of initial components, in mass%:

Portland cement clinker or Portland cement	19.4-85.0
Gypsum stone	0.2-4.2
Specified modifier	0.4-2.2
Tuff, ash or slag	8.6-80.0

Claims: 1 independent

Table: 3

PATENTED IVENTIONS

PART A

A 61

(11) P 2022 7421 B (51) Int. Cl. (2006)
 A 61 P 3/06
 A 61 P 25/28
 A 61 P 1/16
 A 61 P 9/10
 A 61 K 31/44

(10) AP 2022 15262 A (44) 8(587)/2022
 (21) AP 2018 15262
 (22) 2018 11 14
 (24) 2018 11 14
 (31) 2017143801; 2018137717
 (32) 2017 12 14; 2018 10 25
 (33) RU; RU
 (86) PCT/SK2018/050013, 2018 11 14
 (73) LTD "Valenta-Intellect" (RU)
 General Dorokhov St. 18/2, Moscow,
 119530, Russian Federation (RU)

(72) SKACHILOVA, Sofiya Yakovlevna (RU);
 MYASNIKOV, Dmitrij Georgievich (RU);
 IVANOV, Andrej Nikolaevich (RU)

(74) Aleksandre Gegechkori

(54) L-ENANTIOMER 2-ETHYL-6-METHYL-
 -3-HYDROXYPYRIDINIUM L-HYDRO-
 XYBUTANDIOATE WITH CEREBRO-
 PROTECTIVE, HEPATOPROTECTIVE,
 LIPID-REGULATING, ANTI-ISCHEMIC
 AND NEUROTROPIC ACTIVITIES

(11) P 2022 7424 B (51) Int. Cl. (2006)
 A 61 K 8/37
 A 61 K 8/73
 A 61 K 8/27
 A 61 K 8/34
 A 61 K 8/92
 A 61 K 8/67
 A 61 K 8/19
 A 61 K 8/891
 A 61 Q 15/00

(10) AP 2022 15769 A (44) 12(591)/2022
 (21) AP 2020 15769
 (22) 2020 05 04
 (24) 2020 05 04
 (31) 102019000006907
 (32) 2019 05 16
 (33) IT
 (86) PCT/EP2020/062259, 2020 05 04
 (73) HULKA S.R.L. (IT)
 Viale della Scienza 26, Rovigo, 45100,
 Italy (IT)

(72) PANIN, Giorgio (IT)
 (74) Nugzar Ksovreli
 (54) DEODORANT COMPOSITION

(11) P 2022 7420 B (51) Int. Cl. (2006)
 A 61 K 39/09
 A 61 K 39/385
 A 61 K 39/00
 A 61 P 31/04

(10) AP 2022 15382 A (44) 11(590)/2022
 (21) AP 2018 15382
 (22) 2018 12 04
 (24) 2018 12 04
 (31) 62/595,388
 (32) 2017 12 06
 (33) US
 (86) PCT/US2018/063709, 2018 12 04
 (73) Merck Sharp & Dohme Corp. (US)
 126 East Lincoln Ave., Rahway, NJ 07065-
 0907, USA (US)

(72) SMITH, William, J. (US);
 MCHUGH, Patrick (US);
 WINTERS, Michael Albert (US);
 SKINNER, Julie, M. (US);
 HE, Jian (US);
 MUSEY, Luwy (US);
 ABEYGUNAWARDANA, Chitrananda (US);
 CUI, Yadong Adam (US);
 KOSINSKI, Michael, J. (US)

(74) Shalva Gvaramadze

(54) COMPOSITIONS COMPRISING STREPTO-
 COCCUS PNEUMONIAE POLYSACCHA-
 RIDE-PROTEIN CONJUGATES AND
 METHODS OF USE THEREOF

(11) P 2022 7419 B (51) Int. Cl. (2006)
 A 61 K 39/395
 A 61 K 39/00
 C 07 K 16/00

(10) AP 2022 15554 A (44) 11(590)/2022
 (21) AP 2016 15554
 (22) 2016 07 28
 (24) 2016 07 28
 (62) AP 2016 14712 2016 07 28
 (31) 62/198,867; 62/239,559; 62/255,140;
 62/322,974
 (32) 2015 07 30; 2015 10 09; 2015 11 13;
 2016 04 15
 (33) US; US; US; US
 (86) PCT/US2016/044430, 2016 07 28
 (73) Macrogenics Inc. (US)
 9704 Medical Center Drive, Rockville,
 MD 20850, USA (US)

- (72) SHAH, Kalpana (US);
SMITH, Douglas, H. (US);
LA MOTTE-MOHS, Ross (US);
JOHNSON, Leslie, S. (US);
MOORE, Paul, A. (US);
BONVINI, Ezio (US);
KOENIG, Scott (US)
- (74) Shalva Gvaramadze
- (54) PD-1-BINDING MOLECULES AND
METHODS OF USE THEREOF
-

PART B

B 01

- (11) P 2022 7422 B (51) Int. Cl. (2006)
B 01 D 1/28
B 01 D 1/30
B 01 D 5/00
B 01 D 1/00
C 02 F 1/04
C 02 F 1/14
- (10) AP 2022 15584 A (44) 7(586)/2022
(21) AP 2019 15584
(22) 2019 08 14
(24) 2019 08 14
(31) A60125/2018
(32) 2018 08 17
(33) AT
(86) PCT/AT2019/060258, 2019 08 14
(73) Watertransformer GMBH (AT)
Schrutkagasse 48/10, Vienna, 1130,
Austria (AT)
- (72) BUDIL, Matthias (AT)
- (74) Tamar Kochlamazashvili
- (54) SOLAR-POWERED CONTINUOUS
DISTILLATION ASSEMBLY HAVING
EFFICIENT HEAT RECOVERY
-

PART C

C 22

- (11) P 2022 7425 B (51) Int. Cl. (2006)
C 22 C 33/04
- (10) AP 2022 15513 A (44) 12(591)/2022
(21) AP 2020 15513
(22) 2020 12 09
(24) 2020 12 09
- (73) Nugzar Tsereteli (GE)
Varketili Array, Upper Plateau, II mcr.,
bld. 21, app. 62, Tbilisi, Georgia (GE);
Ketevan Tsereteli (GE)
Varketili Array, Upper Plateau, II mcr.,
bld. 21, app. 62, Tbilisi, Georgia (GE)
- (72) Nugzar Tsereteli (GE);
Ketevan Tsereteli (GE)
- (54) METHOD FOR OBTAINING SILICOMAN-
GANESE
-

PART F

F 28

- (11) P 2022 7423 B (51) Int. Cl. (2006)
F 28 D 1/053
F 28 D 1/03
F 28 F 1/16
F 28 F 3/04
- (10) AP 2022 15510 A (44) 7(586)/2022
(21) AP 2019 15510
(22) 2019 05 17
(24) 2019 05 17
(31) 102018000005477
(32) 2018 05 17
(33) IT
(86) PCT/IB2019/054103, 2019 05 17
(73) Fondital S.p.A. Socio Unico (IT)
Via Cerreto, 40, Vobarno, BS 25079,
Italy (IT)
- (72) NIBOLI, Orlando (IT)
- (74) Tamar Kochlamazashvili
- (54) HEATING RADIATOR ELEMENT
-

UTILITY MODELS

APPLICATION APPROVED FOR GRANTING PATENT

The decision can be appealed at the Chamber of Appeal of Sakpatenti within 3 months from the publication or at the Mtskheta District Court Administrative Cases Board (Address: №17, Samkhedro St., Mtskheta), within 1 month following the publication.

PART A

A 61

- (10) AU 2022 15537 U (51) Int. Cl. (2006)
A 61 P 43/00
- (21) AU 2021 15537 (22) 2021 01 17
- (71) Guram Kupatadze (GE)
Varketili III Array, VIII qu., bld. 4, ap. 36,
Tbilisi, Georgia (GE);
Shakro Kvirivia (GE)
Nino Zhvania St. 10, ap. 12, Tbilisi,
Georgia (GE);
Anzor Japaridze (GE)
Zhiuli Shartava St. 44a, Tbilisi, Georgia (GE)
- (72) Guram Kupatadze (GE);
Shakro Kvirivia (GE);
Anzor Japaridze (GE)
- (74) Shalva Gvaramadze
- (54) BIOLOGICALLY ACTIVE FOOD ADDITIVE
- (57) Biologically active food additive contains vine
(vitis vinifera) grape-stones, tendrils and branches
powders and the fillers.
Claims: 1 independent
-

DESIGNS

APPLICATION APPROVED FOR REGISTRATION

The decision can be appealed at the Chamber of Appeal of Sakpatenti within 3 months from the publication or at the Mtskheta District Court Administrative Cases Board (Address: №17, Samkhedro str., Mtskheta), within 1 month following the publication.

(10) AD 2022 1268 S (51) 06-01; 06-03

(21) AD 2022 1268 (22) 2022 05 25

(28) 7

(71) Davit Donadze (GE)

Nutsubidze Plateau, III mcr., II qu., bld. 6, Floor 4, app. 19, 0183, Tbilisi, Georgia (GE)

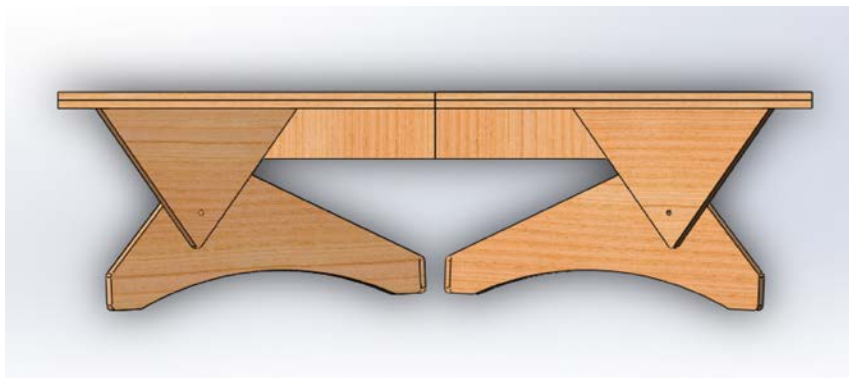
(72) Davit Donadze (GE)

(54) 1.-7. TRANSFORMABLE FURNITURE

(55)



1.1



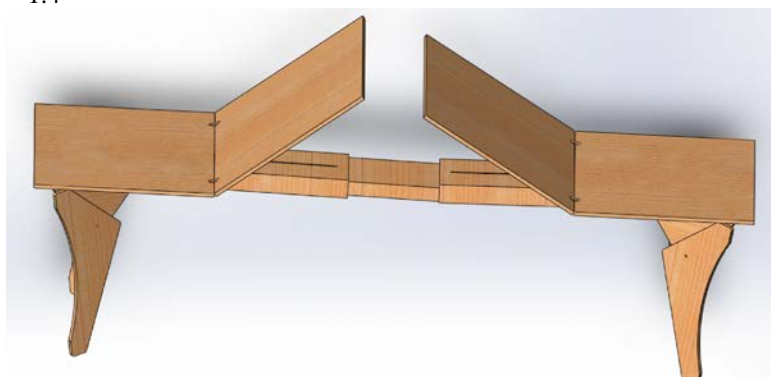
1.2



1.3



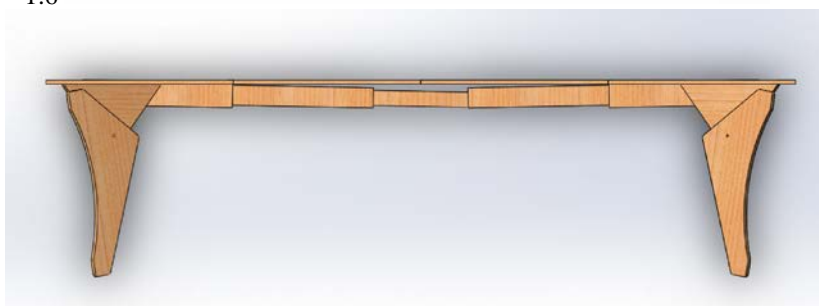
1.4



1.5



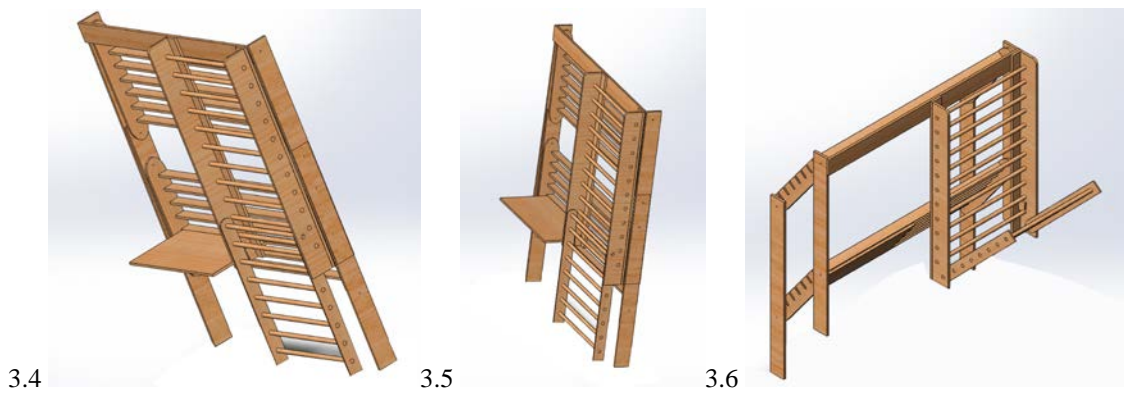
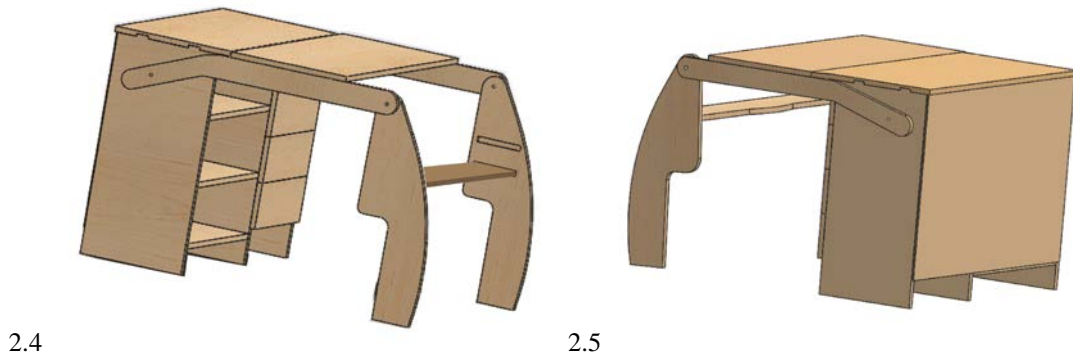
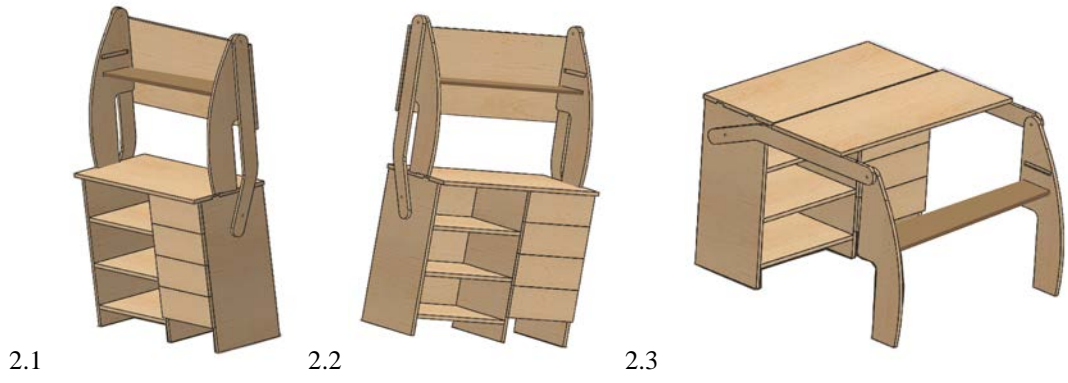
1.6

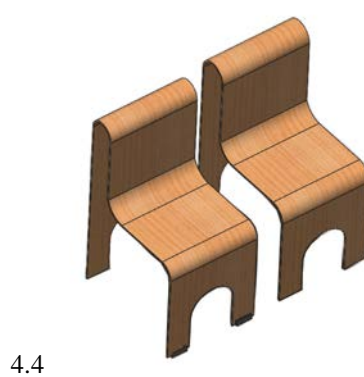
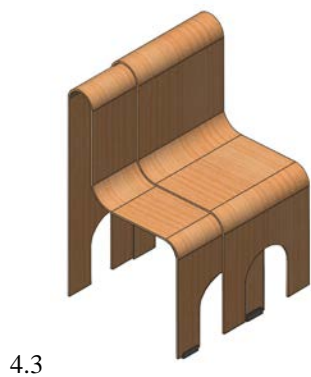
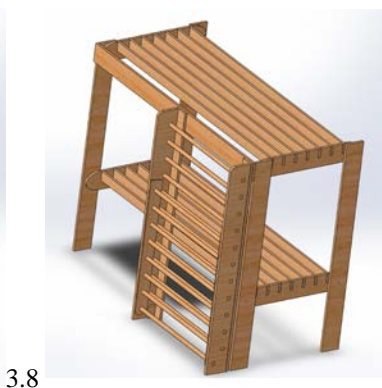


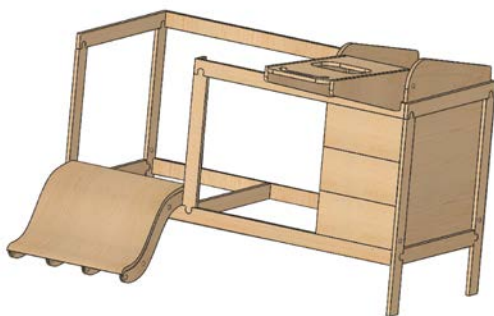
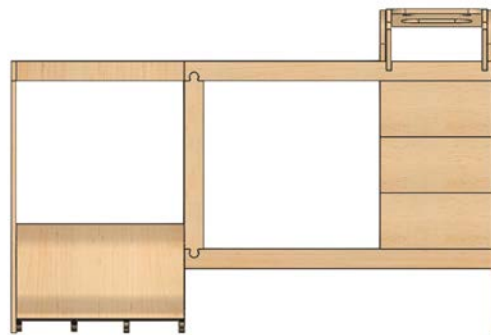
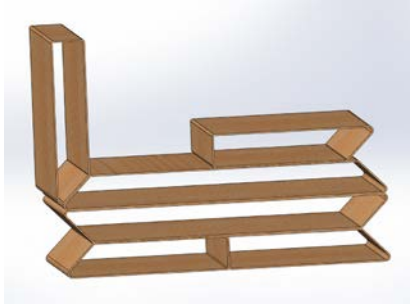
1.7



1.8







REGISTERED DESIGNS

(11) D 2022 946 S (51) 11-01
(10) AD 2022 1258 S (44) 2022 06 27 №12
(21) AD 2022 1258
(22) 2022 01 25
(24) 2022 01 25
(28) 1
(18) 2027 01 25
(73) LTD "Zarapkhana" (GE)
 Lublina St. 15, 0159, Tbilisi, Georgia (GE)
(72) Tea Tetradsze (GE)
(54) KNIFE

(11) D 2022 945 S (51) 19-08
(10) AD 2022 1263 S (44) 2022 06 27 №12
(21) AD 2022 1263
(22) 2022 03 29
(24) 2022 03 29
(28) 10
(18) 2027 03 29
(73) LLC "Kvareli Cellar" (GE)
 Vill. Chikaani, 4814, Kvareli, Georgia (GE)
(72) Meri Tsitsishvili (GE)
(74) Khatuna Imnadze (GE)
(54) 1.-10 LABEL

DESIGNS, WHICH HAVE BEEN REGISTERED WITH THE INTERNATIONAL BUREAU CLAIMING PRIORITY ON THE TERRITORY OF GEORGIA

The decision can be appealed at the Chamber of Appeal of Sakpatenti within 3 months from the publication or at the Mtskheta District Court Administrative Cases Board (Address: №17, Samkhedro St., Mtskheta), within 1 month following the publication.

- (11) DM/222 585 (51) 09-01
(15) 2022 02 17 (44) 32/2022 (2022 08 12)
(22) 2022 02 17
(28) 1
(73) Voir Haircare Inc.
4789 Yonge Street, Suite 1219, M2N 0G3 Toronto (CA)
(85) CA
(86) CA
(87) –
(88) CA
(89) CA
(81) III. AL, AM, AZ, BA, BG, BN, BW, BX, BY, BZ, CA, CH, DE, DK, EE, EG, EM, ES, FI, FR, GB, GE, GH, HR, HU, IL, IS, JM, JP, KG, KH, KP, KR, LI, LT, LV, MC, MD, ME, MK, MN, MX, NA, NO, OA, OM, PL, RO, RS, RU, RW, SG, SI, SM, SR, ST, SY, TJ, TM, TN, TR, UA, US, VN, WS
(72) HYE SUN LEE
4789 Yonge Street, Suite 1219, M2N0G3, Toronto (CA)
(46) 2022 08 12
(54) 1. BOTTLE
(55)



1.1

(11) DM/222 514

(51) 11-01

(15) 2022 07 29

(44) 32/2022 (2022 08 12)

(22) 2022 07 29

(28) 1

(73) Chanel SARL

Quai Du Général-Guisan 24, 1204 Genève (CH)

(85) CH

(86) CH

(87) CH

(88) CH

(89) CH

(81) II. GR III. AZ, BG, DK, EG, FI, GE, JP, KG, LT, LV, MA, MD, MX, NO, OM, PL, RU, TJ, TM, TN, UA

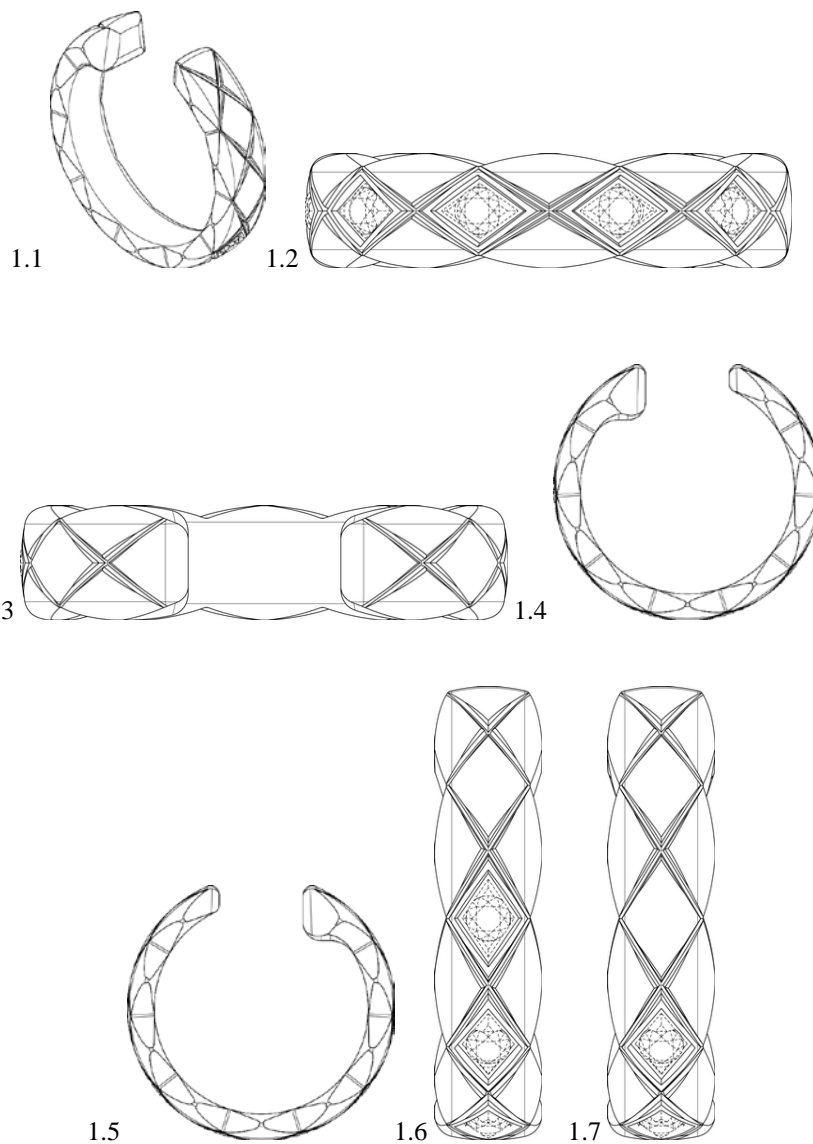
(72) Marianna Nitsch

135 Avenue Charles De Gaulle, 92521, Neuilly Sur Seine (FR)

(46) 2022 08 12

(54) 1. EARRING

(55)



- (11) DM/222 512 (51) 12-07
 (15) 2021 12 24 (44) 32/2022 (2022 08 12)
 (22) 2021 12 24
 (28) 1
 (30) No1: 16.07.2021; RU2021503618; RU
 (73) Joint Stock Company "National Helicopter Center Mil&Kamov"
 Garshina Str., 26/1, Tomilino, 140070 Lyubertsy, Moscow Region (RU)
 (85) –
 (86) –
 (87) –
 (88) RU
 (89) RU
 (81) III. AM, AZ, BY, CA, EG, EM, GB, GE, KG, KR, MD, MX, NO, SG, TJ, TM, TR, UA, US, VN
 (72) Alexander Sergeevich Danilov
 Karl Liebknecht Str., 11, Flat 72, 142600, Orekhovo-Zuyevo (RU);
 Evgeniy Borisovich Kostin
 Sevastopolskiy Prospekt, 45/2, Flat 130, 117186, Moscow (RU);
 Pavel Igorevich Yelizarov
 Mendeleev Str., 8, Flat 6, 140200, Voskresensk, Moscow Region (RU);
 Alexander Vladimirovich Petrukhin
 Aminyevskoe Shosse, 24, Flat 45, 121357, Moscow (RU);
 Konstantin Evgenyevich Molin
 Kholmogorskaya Str., 6/1, Flat 159, 129347, Moscow (RU);
 Maxim Alekseevich Vlasov
 Byalyatsky Proezd, 3, Flat 9, 142613, Orekhovo-Zuyevo, Moscow Region (RU);
 Alexander Ivanovich Nesterov
 Federativnyi Prospekt, 15/1, Flat 6, 111399, Moscow (RU);
 Vladimir Viktorovich Tremaskin
 Berezhkovskaya Naberezhnaya Str., 10, Flat 48, 121059, Moscow (RU);
 Alexey Alexandrovich Rybnikov
 10, Flat 1, Churilkovo Village, 142034, Domodedovo Urban District, Moscow Region (RU);
 Magomed Gadzhimuratovich Abdullaev
 Oktyabrya Str., 28, Flat 137, 143962, Reutov, Moscow Region (RU);
 Dmitry Mikhailovich Kiselev
 Vertoletnaya Str., 14/1, Flat 40, Lyubertsy, 140010, Lyubertsy District, Moscow Region (RU);
 Denis Vladimirovich Khromenko
 Lavrinenko Str., 3A, Flat 184, 111674, Moscow (RU);
 Mikhail Zakharovich Korotkevich
 Tretya Grazhdanskaya Str., 6, Flat 167, , 107564, Moscow (RU);
 Denis Vladimirovich Kalinin
 Polyany Str., 5, Flat 1462, 117624, Moscow (RU);
 Fyodor Igorevich Ivanov
 Zeleny Prospekt, 4/1, Flat 93, 111141, Moscow (RU)
 Sergey Vladislavovich Kayumov
 Cheryomukhina Str., 8/2, Flat 88, 140013, Lyubertsy District, Moscow Region (RU)
 (74) JSC "NHC Mil&Kamov"/ Pavel Andreyevich Bolonin
 Garshina Str., 26/1, Tomilino, 140070 Lyubertsy, Moscow Region (RU)
 (46) 2022 08 12
 (54) 1. HELICOPTER
 (55)



1.1

1.2



1.3



1.4



1.5



1.6



1.7



- (11) DM/219 294 (51) 11-01
 (15) 2022 02 25 (44) 34/2022 (2022 08 26)
 (22) 2022 02 25
 (28) 3
 (73) HARRY WINSTON SA
 Chemin du Tourbillon 8, 1228 Plan-les-Ouates (CH)
 (85) CH
 (86) CH
 (87) CH
 (88) CH
 (89) CH
 (81) II. MA III. AL, AM, AZ, BA, BZ, CA, CH, EM, GB, GE, KG, LI, MC, MD, ME, MK, MN, NO, OM, SG,
 TN, TR, UA
 (72) 1-2: Rie YATSUGI-KANG
 c/o Harry Winston Inc. 718 Fifth Avenue, 10019, New York (US);
 3: Tobias WUEST
 c/o Harry Winston Inc. 718 Fifth Avenue, 10019, New York (US)
 (74) The Swatch Group AG (The Swatch Group SA) (The Swatch Group Ltd.)
 Faubourg Du Lac 6, 2501 Biel/Bienne (CH)
 (46) 2022 08 26
 (54) 1. BROOCH, 2. NECKLACE, 3. FINGER RING
 (55)



1.1



1.2



1.3



1.4



1.5



1.6



1.7



1.8



2.1



2.2



2.3



2.4



2.5

2.6



2.7



2.8



3.1



3.2



3.3



3.4



3.5



3.6



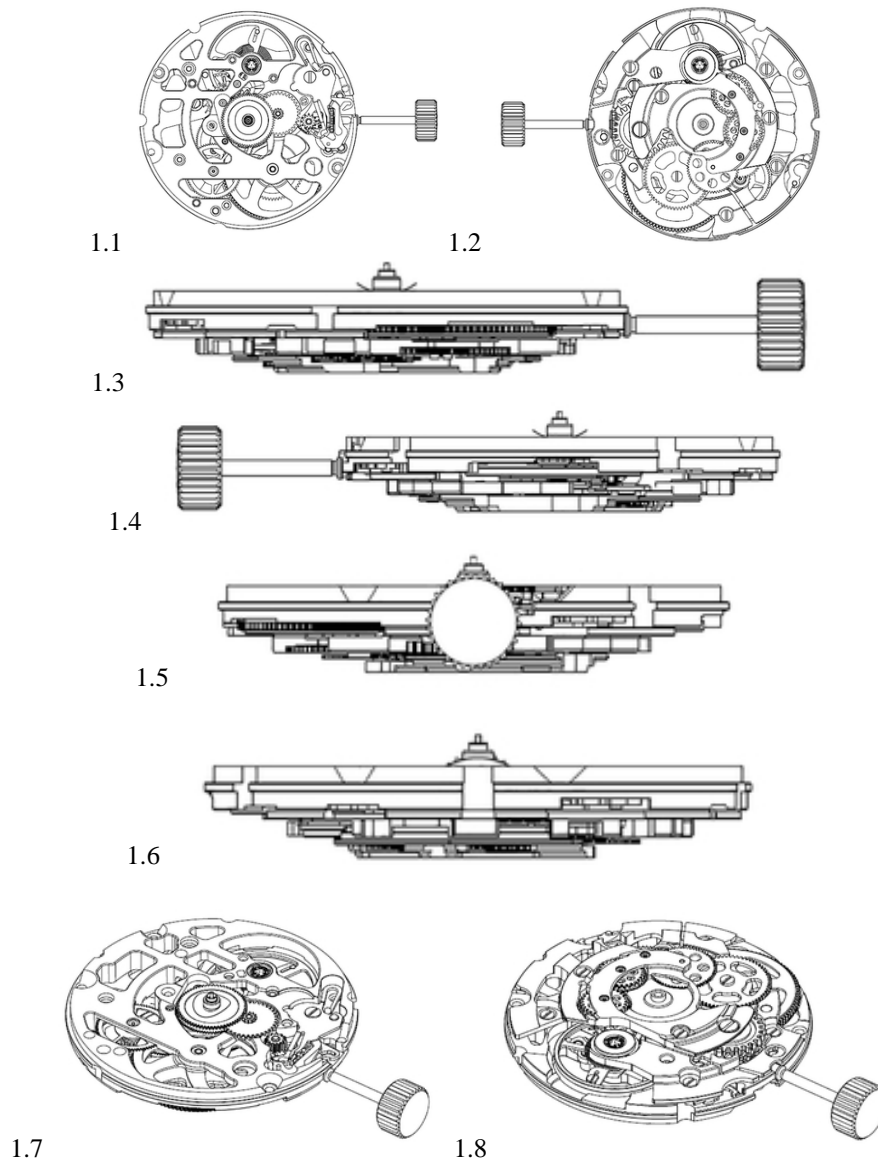
3.7



3.8



- (11) DM/219 384 (51) 10-07
 (15) 2022 03 01 (44) 35/2022 (2022 09 02)
 (22) 2022 03 01
 (28) 1
 (73) ETA SA Manufacture Horlogère Suisse
 Schild-Rust-Strasse 17, 2540 Grenchen (CH)
 (85) CH
 (86) CH
 (87) CH
 (88) CH
 (89) CH
 (81) II. MA III. AL, AM, AZ, BA, CH, EM, GB, GE, LI, MD, ME, MK, MN, NO, OM, RU, SG, TN, TR, UA
 (72) Paulo Manuel Bravo
 C/o The Swatch Group Recherche Et Développement SA Rue Des Sors 3, 2074, Marin-Epagnier (CH)
 (74) The Swatch Group AG (The Swatch Group SA) (The Swatch Group Ltd)
 6, Faubourg Du Lac, 2501 Biel/Bienne (CH)
 (46) 2022 09 02
 (54) 1. WATCH MOVEMENT
 (55)



TRADEMARKS

APPLICATIONS FILED UNDER THE NATIONAL PROCEDURE APPROVED FOR REGISTRATION

The decision can be appealed at the Chamber of Appeal of Sakpatenti within 3 months from the publication or at the Mtskheta District Court Administrative Cases Board (Address: №17, Samkhedro St., Mtskheta), within 1 month following the publication.

(260) AM 2022 114754 A
(210) AM 114754
(220) 2021 09 29
(731) LTD "Praktali"
Isakadze St. 12, ap. 22, 0170, Tbilisi,
Georgia
(540)



(591) Black-white
(531) 02.01.01; 26.01.21
(526) ჭაჭა, CHACHA
(511) 33

(260) AM 2022 114804 A*
(210) AM 114804
(220) 2021 10 05
(731) British American Tobacco (Brands) Limited
Globe House, 4 Temple Place, London,
WC2R 2PG, United Kingdom
(740) Tamar Kochlamazashvili
(540)

DEMI BLUE

(591) Black-white
(511) 34

(260) AM 2022 114977 A*
(210) AM 114977
(220) 2021 10 15
(731) British American Tobacco (Brands) Inc.
(a Delaware Corporation)
251 Little Falls Drive, Suite 100, Wilmington,
Delaware, 19808-1674, USA
(740) Tamar Kochlamazashvili
(540)

PALL MALL DEMI BLUE

(591) Black-white
(511) 34

(260) AM 2022 115119 A
(210) AM 115119
(220) 2021 10 27
(731) LTD "Tsiskvili Bazari"
Ilia Chavchavadze Ave. 57, Tbilisi, Georgia
(540)



(591) Green, white
(531) 26.01.01; 26.01.20; 26.01.21; 26.01.24;
27.05.01; 27.05.24; 28.19; 29.01.12
(511) 29, 30, 31, 35

(260) AM 2022 115120 A
(210) AM 115120
(220) 2021 10 27
(731) LTD "Tsiskvili Bazari"
Ilia Chavchavadze Ave. 57, Tbilisi, Georgia
(540)

სისქვილის ბაზარი

(591) Green, white
(511) 29, 30, 31, 35

(260) AM 2022 116627 A
(210) AM 116627
(220) 2022 02 14
(731) LTD "IDS Borjomi Beverages Co.N.V."
Pareraweg 45, Curaçao
(740) Giorgi Jokharidze

(540)

**ბაკურიანი – დალიე და
ითამაშე!**

(591) Black-white
(526) ბაკურიანი
(511) 32, 35

(260) AM 2022 116628 A
(210) AM 116628
(220) 2022 02 14

(731) LTD "IDS Borjomi Beverages Co.N.V."
Pareraweg 45, Curaçao
(740) Giorgi Jokharidze
(540)

**ბორჯომი – შეიგრძენი
ბუნება ყოველ წვეთში**

(591) Black-white
(526) ბორჯომი
(511) 32, 35

(260) AM 2022 116630 A
(210) AM 116630
(220) 2022 02 14

(731) LTD "IDS Borjomi Beverages Co.N.V."
Pareraweg 45, Curaçao
(740) Giorgi Jokharidze
(540)

**ბაკურიანი ზრუნავს
გარემოზე**

(591) Black-white
(526) ბაკურიანი
(511) 32, 35

(260) AM 2022 116647 A
(210) AM 116647
(220) 2022 02 15

(731) LLC "Barambo"
Vill. Natakhtari, Mtskheta, Georgia
(540)

**ქრაშბარი
Crushbar**

(591) Black-white
(511) 30

(260) AM 2022 116750 A
(210) AM 116750
(220) 2022 02 22

(731) LTD "GM Pharmaceuticals"
Rustavi Highway 52, 0114, Tbilisi,
Georgia

(740) Nugzar Ksovreli
(540)

**პოლიტორვა
ПОЛИТОРВА
POLYTORVA**

(591) Black-white
(511) 5

(260) AM 2022 116751 A
(210) AM 116751
(220) 2022 02 22

(731) LTD "GM Pharmaceuticals"
Rustavi Highway 52, 0114, Tbilisi,
Georgia

(740) Nugzar Ksovreli
(540)

**პოლიტენზა
ПОЛИТЕНЗА
POLYTENZA**

(591) Black-white
(511) 5

(260) AM 2022 116752 A
(210) AM 116752
(220) 2022 02 22

(731) LTD "GM Pharmaceuticals"
Rustavi Highway 52, 0114, Tbilisi,
Georgia

(740) Nugzar Ksovreli
(540)

**პოლიტენზიო
ПОЛИТЕНЗИО
POLYTENZIO**

(591) Black-white
(511) 5

(260) AM 2022 116762 A
(210) AM 116762
(220) 2022 02 24

(731) LTD "Chateau Ojio"
Borough Sioni, Tianeti, Georgia

(540)



(591) Golden, black
 (531) 05.03.04; 05.07.10; 26.04.02; 26.04.15;
 26.04.24; 29.01.12
 (526) OZHIO
 (511) 43

(260) AM 2022 116766 A
 (210) AM 116766
 (220) 2022 02 25
 (731) Hangzhou Ulike Technology Co., LTD.
 RM 306, 3/F, BLDG 4, 735 Jianghong
 Rd Changhe Street, Binjiang District,
 Hangzhou, Zhejiang, People's Republic
 of China
 (740) Giorgi Kartvelishvili
 (540)

Ulike

(591) Black-white
 (531) 27.05.01; 27.05.17
 (511) 9, 10

(260) AM 2022 116767 A
 (210) AM 116767
 (220) 2022 02 25
 (731) Hangzhou Ulike Technology Co., LTD.
 RM 306, 3/F, BLDG 4, 735 Jianghong
 Rd Changhe Street, Binjiang District,
 Hangzhou, Zhejiang, People Republic of
 China
 (740) Giorgi Kartvelishvili
 (540)

Ulikebeauty

(591) Black-white
 (511) 5, 10

(260) AM 2022 116828 A
 (210) AM 116828
 (220) 2022 02 25
 (731) Nobel Oil Service (UK) Limited

10-18 Union Street, London, SE1 1SZ, United
 Kingdom
 (740) Giorgi Batlidze



(591) Black, white, dark red, lilac, sky-blue,
 dark blue, light green, green
 (531) 26.02.03; 26.02.12; 26.02.24; 26.04.01;
 26.04.09; 27.05.01; 29.01.15
 (511) 7, 9, 37, 39, 40

(260) AM 2022 116841 A
 (210) AM 116841
 (220) 2022 02 25
 (731) LLC "Que Chido"
 Bakhtrioni St. 22, ap. 90, Saburtalo District,
 Tbilisi, Georgia

(540)



(591) Brown, white, black
 (531) 05.11.19; 24.17.04; 27.05.01; 28.19; 29.01.12
 (511) 35, 43

(260) AM 2022 116957 A
 (210) AM 116957
 (220) 2022 03 04
 (731) LLC "Arson Technology"
 Giorgi Tsabadze St. 8b, bld. 2, market 3,
 0180, Tbilisi, Georgia
 (540)

sibraton

(591) Yellow, withe
 (531) 26.11.02; 26.11.12
 (511) 35

(260) AM 2022 116958 A
 (210) AM 116958
 (220) 2022 03 04
 (731) Yuga Labs Inc.
 1430 S. Dixie Hwy, Ste. 105 1075 Coral
 Gables, FL, 33146-3108, USA
 (740) Tamar Kochlamazashvili

(540)



(591) Black-white
 (531) 02.09.23
 (511) 9, 14, 16, 18, 24, 25, 27, 28, 32, 33, 35, 36, 38, 41, 42, 43, 45

(260) AM 2022 116967 A
 (210) AM 116967
 (220) 2022 03 07
 (731) LTD "Outflat"
 Petre Kavtaradze St. 74, app. 10, 0186,
 Tbilisi, Georgia

(540)



(591) Black-white, turquoise
 (531) 25.07.01; 25.07.08; 26.04.02; 26.04.18;
 26.04.24; 27.05.19; 27.05.22; 27.05.24;
 29.01.01; 29.01.13
 (511) 36

(260) AM 2022 116972 A
 (210) AM 116972
 (220) 2022 03 09
 (731) JSC "Corporation Kindzmarauli"
 Ilia Chavchavadze St. 55, 4800, Kvareli,
 Georgia

(540)



(591) Black-white
 (531) 03.04.05; 03.04.13; 25.01.25
 (511) 33

(260) AM 2022 116973 A
 (210) AM 116973
 (220) 2022 03 09
 (731) Zurab Krizhanovskiy
 Gogi Tsabadze St. 4, ap. 33, Tbilisi, Georgia
 (540)

ზახარ ზახარიჩი
zakhar zakharich

(591) Black-white
 (511) 30, 32, 33, 43

(260) AM 2022 116975 A
 (210) AM 116975
 (220) 2022 03 09
 (731) LLC "Odrex Software"
 Tashkent St., Lane 4, ap. 16, 0160, Tbilisi,
 Georgia
 (740) Giorgi Taktakishvili
 (540)

betlive.com

(591) Red, white
 (531) 27.05.01; 27.05.17; 29.01.01
 (511) 9, 28, 35, 41

(260) AM 2022 116976 A
 (210) AM 116976
 (220) 2022 03 09
 (731) LLC "Odrex Software"
 Tashkent St., Lane 4, ap. 16, 0160, Tbilisi,
 Georgia
 (740) Giorgi Taktakishvili
 (540)



(591) Red, black
 (531) 26.04.02; 26.04.22; 26.04.24; 27.05.01;
 27.05.24; 29.01.12
 (511) 9, 28, 35, 41

(260) AM 2022 116977 A
 (210) AM 116977
 (220) 2022 03 09
 (731) LLC "Odrex Software"
 Tashkent St., Lane 4, ap. 16, 0160, Tbilisi,
 Georgia
 (740) Giorgi Taktakishvili

(540)



(591) Black, red

(531) 26.04.02; 26.04.22; 29.01.12

(511) 9, 28, 35, 41

(260) AM 2022 116978 A

(210) AM 116978

(220) 2022 03 09

(731) LLC "Odrex Software"

Tashkent St., Lane 4, ap. 16, 0160, Tbilisi,
Georgia

(740) Giorgi Taktakishvili

(540)



(591) White, red

(531) 26.04.02; 26.04.22; 26.04.24; 27.05.01;
27.05.24; 29.01.12

(511) 9, 28, 35, 41

(260) AM 2022 116979 A

(210) AM 116979

(220) 2022 03 09

(731) LLC "Odrex Software"

Tashkent St., Lane 4, ap. 16, 0160, Tbilisi,
Georgia

(740) Giorgi Taktakishvili

(540)



(591) Black-white

(531) 27.05.01

(511) 9, 28, 35, 41

(260) AM 2022 116980 A

(210) AM 116980

(220) 2022 03 09

(731) LLC "Odrex Software"

Tashkent St., Lane 4, ap. 16, 0160, Tbilisi,
Georgia

(740) Giorgi Taktakishvili

(540)



(591) Black-white

(531) 26.04.02; 26.04.22; 26.04.24; 27.05.01;
27.05.24

(511) 9, 28, 35, 41

(260) AM 2022 116982 A

(210) AM 116982

(220) 2022 03 09

(731) Riot Games Inc.

12333 W. Olympic Blvd., Los Angeles,
California 90064, USA

(740) Tamaz Shilakadze

(540)

RIOT GAMES

(591) Black-white

(511) 9, 16, 18, 25, 28, 41

(260) AM 2022 116991 A

(210) AM 116991

(220) 2022 03 10

(731) Avaya Inc.

2605 Meridian Parkway, Suite 200, Durham,
North Carolina, 27713, USA

(740) Shalva Gvaramadze

(540)

AVAYA SPACES

(591) Black-white

(511) 42

(260) AM 2022 116992 A

(210) AM 116992

(220) 2022 03 10

(731) Alena Sturua

V. Petriashvili St. 19, ap. 4, Tbilisi, Georgia

(540)



(591) Black-white

(531) 27.05.01

(511) 25, 26

(260) AM 2022 117064 A

(210) AM 117064

(220) 2022 03 11

(731) Instituto Latinoamericano De Comercio
Electrónico Econfianza Asociación Civil
Paraná 123, 6th floor, Suite 134, City of
Buenos Aires, Buenos Aires, Argentina

(740) Giorgi Taktakishvili

(540)



(591) Green, blue, grey, white
 (531) 01.05.01; 27.05.01; 27.05.09; 27.05.10;
 29.01.15
 (511) 35

(260) AM 2022 117068 A
 (210) AM 117068
 (220) 2022 03 14
 (731) GSH Trademarks Limited
 Afroditis, 25, 2nd floor, Office 204,
 Nicosia, Cyprus
 (740) Giorgi Taktakishvili
 (540)

KHOR

(591) Black-white
 (511) 33

(260) AM 2022 117075 A
 (210) AM 117075
 (220) 2022 03 15
 (731) LTD "I. Bokeria Neurodevelopment Centre"
 Lubliana St. 13/Mikheil Chiaureli St. 6,
 Tbilisi, Georgia
 (540)



(591) Black, green, red
 (531) 01.03.02; 21.01.14; 21.01.15; 26.04.09;
 26.15.01; 29.01.13
 (511) 44

(260) AM 2022 117076 A
 (210) AM 117076
 (220) 2022 03 15
 (731) LTD "Anapea"
 Nikoloz Baratashvili St. 6-8-10, fl. 3, 0105,
 Tbilisi, Georgia
 (540)



(591) BE1E2D wine-red

(531) 25.01.25; 26.11.12; 27.01.12; 27.05.01;
 29.01.01
 (511) 33, 43

(260) AM 2022 117078 A
 (210) AM 117078
 (220) 2022 03 15
 (731) Groupe Adeo
 135 rue Sadi Carnot CS 00001, 59790
 Ronchin, France
 (740) Tamaz Shilakadze
 (540)

ნატერიალი

(591) Black-white
 (511) 35

(260) AM 2022 117081 A
 (210) AM 117081
 (220) 2022 03 15
 (731) Alena Sturua
 V. Petriashvili St. 19, ap. 4, Tbilisi, Georgia
 (540)

CLÓ

(591) Black-white
 (531) 27.05.23
 (511) 25

(260) AM 2022 117082 A
 (210) AM 117082
 (220) 2022 03 16
 (731) Tingyi (Cayman Islands) Holding Corp.
 P.O. Box 309 Uglund House, Grand Cayman
 KY1-1104, Cayman Islands
 (740) Giorgi Taktakishvili
 (540)

MASTER KONG

(591) Black-white
 (531) 27.05.01; 27.05.17
 (511) 29, 30, 32

(260) AM 2022 117090 A
 (210) AM 117090
 (220) 2022 03 16
 (731) LLC "Kani"
 Giorgi Saakadze's Descent 11, Tbilisi,
 Georgia
 (740) Giorgi Taktakishvili

(540)



(591) White, black, red
 (531) 26.02.07; 26.11.12; 28.19; 29.01.12
 (511) 16, 36, 42, 44

(260) AM 2022 117091 A

(210) AM 117091

(220) 2022 03 16

(731) LLC "Kani"

Giorgi Saakadze's Descent 11, Tbilisi,
 Georgia

(740) Giorgi Taktakishvili

(540)



(591) White, black, red
 (531) 26.02.07; 26.02.09; 26.11.12; 27.05.17;
 29.01.12
 (511) 16, 36, 42, 44

(260) AM 2022 117092 A

(210) AM 117092

(220) 2022 03 16

(731) LLC "Kani"

Giorgi Saakadze's Descent 11, Tbilisi,
 Georgia

(740) Giorgi Taktakishvili

(540)



(591) White, black, red
 (531) 26.02.07; 26.02.09; 26.11.12; 28.19; 29.01.12
 (511) 16, 36, 42, 44

(260) AM 2022 117093 A

(210) AM 117093

(220) 2022 03 16

(731) LLC "Kani"

Giorgi Saakadze's Descent 11, Tbilisi,
 Georgia

(740) Giorgi Taktakishvili

(540)



(591) White, black, red
 (531) 26.02.07; 26.02.09; 26.11.12; 27.05.01;
 27.05.10; 27.05.17; 29.01.12
 (511) 16, 36, 42, 44

(260) AM 2022 117096 A

(210) AM 117096

(220) 2022 03 16

(731) LLC "Park Hotel"

Ilia Chavchavadze Av. 9, 0131, Tbilisi,
 Georgia

(540)



AUTHORS GROUP

(591) FFFFFF white, 020202 black
 (531) 26.04.01; 26.04.02; 26.04.18; 26.04.22;
 26.04.24; 27.05.01; 27.05.21; 27.05.24; 28.11
 (511) 43

(260) AM 2022 117097 A

(210) AM 117097

(220) 2022 03 16

(731) Mysten Labs Inc.

(a Delaware Corporation)
 Suite 200 379 University Avenue Palo Alto,
 California, 94301, USA

(740) Tamar Kochlamazashvili

(540)

SUI

(591) Black-white
 (511) 9, 28, 35, 36, 41, 42

(260) AM 2022 117098 A

(210) AM 117098

(220) 2022 03 16

(731) Mysten Labs Inc.

(a Delaware Corporation)
 Suite 200 379 University Avenue Palo Alto,
 California, 94301, USA

(740) Tamar Kochlamazashvili

(540)

MYSTEN

(591) Black-white
(511) 9, 28, 35, 36, 41, 42

(260) AM 2022 117099 A
(210) AM 117099
(220) 2022 03 16
(731) LLC "Elisbar 1918"
Vill. Kisiskhevi, 17th St. 19, 0222, Telavi,
Georgia
(740) John Iarajuli;
Zurab Bezhashvili;
Lia Shikhiashvili

(540)



(591) White, beige
(531) 26.01.01; 26.01.03; 26.01.22; 26.01.24;
27.05.01; 27.05.24; 29.01.12
(511) 33, 43

(260) AM 2022 117100 A
(210) AM 117100
(220) 2022 03 17
(731) Nino Oniani
Nutsubidze St. 44, bld. 2, entrance 2, ap. 8,
0177, Tbilisi, Georgia

(540)



(591) Black-white, F2E95C light yellow
(531) 05.03.20; 26.01.15; 26.01.19; 26.01.22;
26.04.02; 26.04.05; 26.04.10; 26.04.22;
26.04.24; 27.05.01; 27.05.24; 29.01.13
(511) 29, 30, 43

(260) AM 2022 117173 A
(210) AM 117173
(220) 2022 03 18
(731) A & H L.L.C
Al Araimi Blvrd. – Khoud P.O. Box 676
Muscat, Oman

(540)



(591) Green, black, white
(531) 24.17.09; 26.13.25; 27.05.23
(511) 20, 21, 25, 27

(260) AM 2022 117176 A
(210) AM 117176
(220) 2022 03 21
(731) LLC "Mig Group"
Sopiko Chiaureli St. 16, app. 7, Tbilisi,
Georgia

(540)



ISE MARANI
WINERY & VINEYARDS

(591) Black-white
(531) 07.01.01; 07.01.24; 27.05.01; 27.05.10
(511) 33

(260) AM 2022 117179 A
(210) AM 117179
(220) 2022 03 21
(731) LTD "Rich Group"
Vill. Mughanlo, Marneuli Municipality,
Georgia

(540)

Myopin
მიოპინი

(591) Black-white
(511) 5

(260) AM 2022 117186 A
(210) AM 117186
(220) 2022 03 22
(731) British American Tobacco (Brands) Inc.
(a Delaware Corporation)
251 Little Falls Drive, Suite 100, Wilmington,
Delaware, 19808-1674, USA
(740) Tamar Kochlamazashvili

(540)



(591) White, grey, black, turquoise, sky-blue

(531) 25.07.22; 25.07.23; 26.11.12; 27.05.01;
29.01.14

(511) 34

(260) AM 2022 117187 A

(210) AM 117187

(220) 2022 03 22

(731) LTD "Hungry"

Dighomi, IV qu., bld. 18, ap. 52, 0159,
Didube District, Tbilisi, Georgia

(540)

(591) Ivory, ED2024 red, FFFFFFF white,
000000 black(531) 02.01.01; 02.01.23; 09.03.13; 26.01.03;
26.01.14; 26.07.05; 27.05.24; 29.01.15

(511) 29, 41

(260) AM 2022 117191 A

(210) AM 117191

(220) 2022 03 23

(731) LTD Medical Center "Cito"

Zakaria Paliashvili St. 40, 0179, Tbilisi,
Georgia

(540)



(591) Blue, red

(531) 27.05.04; 27.05.10; 27.05.25; 29.01.12

(511) 44

(260) AM 2022 117192 A

(210) AM 117192

(220) 2022 03 23

(731) JSC "Corporation Kindzmarauli"

Ilia Chavchavadze St. 55, 4800, Kvareli,
Georgia

(540)

1000 ქართული ღვინო 1000 Грузинских вин 1000 Georgian Wine

(591) Black-white

(511) 33, 43

(260) AM 2022 117194 A

(210) AM 117194

(220) 2022 03 23

(731) Fatih Kurt

Mahmudiye Mahallesi Tandoğan Caddesi 24.
Sokak No:24/A İnegöl, Bursa, Türkiye

(740) Nino Bakhtadze

(540)



(591) White, green

(531) 05.05.20; 05.11.14; 25.03.01; 25.03.05;
26.04.04; 29.01.12

(511) 20, 21, 24, 35

(260) AM 2022 117258 A

(210) AM 117258

(220) 2022 03 27

(731) LTD "Ins Group"

Vakhtang Gorgasali St. 159, 6000, Batumi,
Georgia

(740) Dato Jaiani

(540)



(591) White, golden

(531) 24.09.07; 24.09.24; 24.09.25; 27.05.01;
27.05.10; 29.01.02

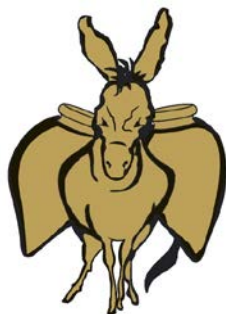
(511) 35, 39, 43

(260) AM 2022 117278 A
(210) AM 117278
(220) 2022 03 29
(731) LTD "Popper"
Zakaria Paliashvili St. 63, Tbilisi, Georgia
(540)

პოპერო
Popper
Поппер

(591) Black-white
(511) 30

(260) AM 2022 117286 A
(210) AM 117286
(220) 2022 03 30
(731) JSC "Corporation Kindzmarauli"
Iia Chavchavadze St. 55, 4800, Kvareli,
Georgia
(540)



(591) 968454 dark straw colored, black
(531) 03.03.02; 19.09.02; 29.01.12
(511) 33

(260) AM 2022 117293 A
(210) AM 117293
(220) 2022 03 30
(731) SBM International
78/74, Palla Road, Bakoli, Delhi, 110036,
India
(740) Pavle Meipariani
(540)



(591) White, black, grey
(531) 01.01.02; 01.01.10; 25.01.09; 25.01.10;
25.01.25; 27.05.04; 27.05.07; 27.05.24
(511) 30

REGISTERED TRADEMARKS

(111) M 2022 35963 R
(151) 2022 09 21
(181) 2032 09 21
(260) AM 2016 85823 A
(220) 2016 01 22
(732) LTD "Zhorzholiani Trading"
A. Beliashvili St. 8, 0159, Tbilisi, Georgia

(111) M 2022 35974 R
(151) 2022 09 28
(181) 2032 09 28
(260) AM 2021 113219 A
(220) 2021 05 31
(732) LTD "Mig Group"
Chiaureli St. 16, 0179, Tbilisi, Georgia

(111) M 2022 35969 R
(151) 2022 09 28
(181) 2032 09 28
(260) AM 2020 110126 A
(220) 2020 10 13
(732) Shalva Khetsuriani
Tamar Mepe Av. 17, 0112, Tbilisi, Georgia

(111) M 2022 35975 R
(151) 2022 09 28
(181) 2032 09 28
(260) AM 2021 114220 A
(220) 2021 08 09
(732) Irine Kublashvili
Varketili, III array, VII quarter, bld. 13, app. 19,
Tbilisi, Georgia

(111) M 2022 35970 R
(151) 2022 09 28
(181) 2032 09 28
(260) AM 2020 110765 A
(220) 2020 12 07
(732) Greenme SA
Route de Champ-Colin 12, 1260 Nyon,
Switzerland

(111) M 2022 35976 R
(151) 2022 09 28
(181) 2032 09 28
(260) AM 2021 114230 A
(220) 2021 08 11
(732) Shalva Khetsuriani
Tamar Mepe Av. 17, Tbilisi, Georgia

(111) M 2022 35971 R
(151) 2022 09 28
(181) 2032 09 28
(260) AM 2020 110767 A
(220) 2020 12 07
(732) Greenme SA
Route de Champ-Colin 12, 1260 Nyon,
Switzerland

(111) M 2022 35977 R
(151) 2022 09 28
(181) 2032 09 28
(260) AM 2021 114319 A
(220) 2021 08 16
(732) JSC "Savane-Wine №1 Factory"
Petriashvili St. 1, 0179, Tbilisi, Old Tbilisi
District, Georgia

(111) M 2022 35972 R
(151) 2022 09 28
(181) 2032 09 28
(260) AM 2020 110768 A
(220) 2020 12 08
(732) Greenme SA
Route de Champ-Colin 12, 1260 Nyon,
Switzerland

(111) M 2022 35978 R
(151) 2022 09 28
(181) 2032 09 28
(260) AM 2021 114322 A
(220) 2021 08 16
(732) JSC "Savane-Wine №1 Factory"
Petriashvili St. 1, 0179, Old Tbilisi, Tbilisi,
Georgia

(111) M 2022 35973 R
(151) 2022 09 28
(181) 2032 09 28
(260) AM 2021 112471 A
(220) 2021 09 03
(732) LTD "Starlet Group"
R. Tabukashvili St. 119, app. 49, Kutaisi,
Georgia

(111) M 2022 35979 R
(151) 2022 09 28
(181) 2032 09 28
(260) AM 2021 114393 A
(220) 2021 08 20
(732) Nikai Gulf FZCO
P.O. Box 9200, Dubai, United Arab
Emirates

(111) M 2022 35980 R
(151) 2022 09 28
(181) 2032 09 28
(260) AM 2021 114463 A
(220) 2021 08 27
(732) LTD "UAS Pharmaceuticals PTY"
15 Cansdale Place, Castle Hill NSW, 2154,
Australia

(111) M 2022 35986 R
(151) 2022 09 28
(181) 2032 09 28
(260) AM 2021 114926 A
(220) 2021 10 13
(732) LTD "Agronom"
B. Kvernadze St. 35, Entrance 2, floor 3,
0171, Tbilisi, Georgia

(111) M 2022 35981 R
(151) 2022 09 28
(181) 2032 09 28
(260) AM 2021 114464 A
(220) 2021 08 27
(732) LTD "UAS Pharmaceuticals PTY"
15 Cansdale Place, Castle Hill NSW, 2154,
Australia

(111) M 2022 35987 R
(151) 2022 09 28
(181) 2032 09 28
(260) AM 2021 114974 A
(220) 2021 10 15
(732) Toyota Jidosha Kabushiki Kaisha
(also trading as Toyota Motor Corporation)
1, Toyota-cho, Toyota-shi, Aichi-ken, Japan

(111) M 2022 35982 R
(151) 2022 09 28
(181) 2032 09 28
(260) AM 2021 114465 A
(220) 2021 08 27
(732) LTD "UAS Pharmaceuticals PTY"
15 Cansdale Place, Castle Hill NSW, 2154,
Australia

(111) M 2022 35988 R
(151) 2022 09 28
(181) 2032 09 28
(260) AM 2021 114975 A
(220) 2021 10 15
(732) Toyota Jidosha Kabushiki Kaisha
(also trading as Toyota Motor Corporation)
1, Toyota-cho, Toyota-shi, Aichi-ken, Japan

(111) M 2022 35983 R
(151) 2022 09 28
(181) 2032 09 28
(260) AM 2021 114472 A
(220) 2021 09 01
(732) LTD "Sommelier Selection"
Kuchishvili St. 20, app. 22, 0179, Mtatsminda
District, Tbilisi, Georgia

(111) M 2022 35989 R
(151) 2022 09 28
(181) 2032 09 28
(260) AM 2021 114976 A
(220) 2021 10 15
(732) Toyota Jidosha Kabushiki Kaisha
(also trading as Toyota Motor Corporation)
1, Toyota-cho, Toyota-shi, Aichi-ken, Japan

(111) M 2022 35984 R
(151) 2022 09 28
(181) 2032 09 28
(260) AM 2021 114921 A
(220) 2021 10 13
(732) LTD "Agronom"
B. Kvernadze St. 35, Entrance 2, floor 3,
0171, Tbilisi, Georgia

(111) M 2022 35990 R
(151) 2022 09 28
(181) 2032 09 28
(260) AM 2021 115011 A
(220) 2021 10 19
(732) LTD "Aragvi Valley"
Rustaveli St. 6, 1813, Borough Zhinvali,
Dusheti, Georgia

(111) M 2022 35985 R
(151) 2022 09 28
(181) 2032 09 28
(260) AM 2021 114922 A
(220) 2021 10 13
(732) LTD "Agronom"
B. Kvernadze St. 35, Entrance 2, floor 3,
0171, Tbilisi, Georgia

(111) M 2022 35991 R
(151) 2022 09 28
(181) 2032 09 28
(260) AM 2021 115130 A
(220) 2021 10 28
(732) LTD "Merkado"
Gldani, VI mcr., bld. 28, app. 53, Tbilisi,
Georgia

(111) M 2022 35992 R
(151) 2022 09 28
(181) 2032 09 28
(260) AM 2021 115202 A
(220) 2021 10 29
(732) Guangdong Oppo Mobile Telecommunications Corp., LTD
No.18 Haibin Road, Wusha, Chang'an,
Dongguan, Guangdong, China

(111) M 2022 35993 R
(151) 2022 09 28
(181) 2032 09 28
(260) AM 2021 115208 A
(220) 2021 10 30
(732) "Torgovo-Proizvodstvennoe Predpriyatie Sistema" LLC
Kazachya str., 12, 356230, Village Tatarka,
Shpakovsky District, Stavropol, Russian Federation

(111) M 2022 35994 R
(151) 2022 09 28
(181) 2032 09 28
(260) AM 2021 115210 A
(220) 2021 11 01
(732) British American Tobacco (Brands) Inc.
(a Delaware corporation)
251 Little Falls Drive, Suite 100,
Wilmington, Delaware, 19808-1674, USA

(111) M 2022 35995 R
(151) 2022 09 28
(181) 2032 09 28
(260) AM 2021 115221 A
(220) 2021 11 02
(732) LG Electronics Inc.
128, Yeoui-daero, Yeongdeungpo-gu, Seoul,
07336, Republic of Korea

(111) M 2022 35996 R
(151) 2022 09 28
(181) 2032 09 28
(260) AM 2021 115326 A
(220) 2021 11 08
(732) LLC "Royal Home Luxury"
Rustavi Highway 19, bld 3, Storeroom,
floor 1, Krtsanisi District, Tbilisi, Georgia

(111) M 2022 35997 R
(151) 2022 09 28
(181) 2032 09 28
(260) AM 2021 115330 A
(220) 2021 11 08

(732) Brands for Less (BFL) FZCO
P.O. Box 80794, Jebel Ali, Dubai, United Arab Emirates

(111) M 2022 35998 R
(151) 2022 09 28
(181) 2032 09 28
(260) AM 2021 115333 A
(220) 2021 11 09
(732) Ekaterine Nebulishvili
Shatberashvili St. 31, Tbilisi, Georgia

(111) M 2022 35999 R
(151) 2022 09 28
(181) 2032 09 28
(260) AM 2021 115337 A
(220) 2021 11 10
(732) Mastercard International Incorporated
2000 Purchase Street, Purchase, New York,
10577, USA

(111) M 2022 36000 R
(151) 2022 09 28
(181) 2032 09 28
(260) AM 2021 115339 A
(220) 2021 11 10
(732) Novartis AG
4002 Basel, Switzerland

(111) M 2022 36001 R
(151) 2022 09 28
(181) 2032 09 28
(260) AM 2021 115341 A
(220) 2021 11 11
(732) Maysa Gida Sanayi Ve Ticaret Anonim Şirketi
İstanbul Tuzla Kimya Sanayicileri Organize
Sanayi Bölgesi Melek Aras Bulvarı No: 54
Tuzla, İstanbul, Turkey

(111) M 2022 36002 R
(151) 2022 09 28
(181) 2032 09 28
(260) AM 2021 115342 A
(220) 2021 11 11
(732) Maysa Gida Sanayi Ve Ticaret Anonim Şirketi
İstanbul Tuzla Kimya Sanayicileri Organize
Sanayi Bölgesi Melek Aras Bulvarı No: 54
Tuzla, İstanbul, Turkey

(111) M 2022 36003 R
(151) 2022 09 28
(181) 2032 09 28
(260) AM 2021 115343 A

(220) 2021 11 11
(732) "Shanghai Spacecom Satellite
Technology" LTD
Room 502-2, Block 6, No. 1158 Jiuting
Zhongxin Road, Jiuting Town, Songjiang
District, Shanghai, 201612, People's Republic
of China

(111) M 2022 36004 R
(151) 2022 09 28
(181) 2032 09 28
(260) AM 2021 115344 A
(220) 2021 11 11
(732) "Shanghai Spacecom Satellite
Technology" LTD
Room 502-2, Block 6, No. 1158 Jiuting
Zhongxin Road, Jiuting Town, Songjiang
District, Shanghai, 201612, People's Republic
of China

(111) M 2022 36005 R
(151) 2022 09 28
(181) 2032 09 28
(260) AM 2021 115345 A
(220) 2021 11 11
(732) Novartis AG
4002 Basel, Switzerland

(111) M 2022 36006 R
(151) 2022 09 28
(181) 2032 09 28
(260) AM 2021 115347 A
(220) 2021 11 11
(732) Pfizer Inc.
235 East 42nd Street, New York, NY
10017, USA

(111) M 2022 36007 R
(151) 2022 09 28
(181) 2032 09 28
(260) AM 2021 115399 A
(220) 2021 11 12
(732) Six Continents Limited
Broadwater Park, Denham, Buckinghamshire,
UB9 5HR, United Kingdom

(111) M 2022 36008 R
(151) 2022 09 28
(181) 2032 09 28
(260) AM 2021 115402 A
(220) 2021 11 12
(732) LTD "Tbilisi Transport Company"
Vagzlis Moedani 2, 0112, Tbilisi, Georgia

(111) M 2022 36009 R
(151) 2022 09 28
(181) 2032 09 28
(260) AM 2021 115404 A
(220) 2021 11 15
(732) LTD "Barnabeli"
Geguti St. 2, 0101, Tbilisi, Georgia

(111) M 2022 36010 R
(151) 2022 09 28
(181) 2032 09 28
(260) AM 2021 115417 A
(220) 2021 11 15
(732) Toyota Jidosha Kabushiki Kaisha
(also trading as Toyota Motor Corporation)
1, Toyota-cho, Toyota-shi, Aichi-ken, Japan

(111) M 2022 36011 R
(151) 2022 09 28
(181) 2032 09 28
(260) AM 2021 115431 A
(220) 2021 11 17
(732) JSC "Corporation Kindzmarauli"
Ilia Chavchavadze St. 55, 4800, Kvareli, Georgia

(111) M 2022 36012 R
(151) 2022 09 28
(181) 2032 09 28
(260) AM 2021 115522 A
(220) 2021 11 24
(732) Mastercard International Incorporated
2000 Purchase Street, Purchase, New York,
10577, USA

(111) M 2022 36013 R
(151) 2022 09 28
(181) 2032 09 28
(260) AM 2021 115528 A
(220) 2021 11 24
(732) Luka Alliance Limited
Akara Bild. 24 De Kastro Striti, Uikhems Kei 1,
Roud-tauni, Tortola, Virgin Islands (British)

(111) M 2022 36014 R
(151) 2022 09 28
(181) 2032 09 28
(260) AM 2021 115532 A
(220) 2021 11 25
(732) British American Tobacco (Brands) Limited
Globe House, 4 Temple Place, London,
WC2R 2PG, United Kingdom

(111) M 2022 36015 R
(151) 2022 09 28
(181) 2032 09 28
(260) AM 2021 115537 A
(220) 2021 11 25
(732) Janssen Pharmaceutica NV
Turnhoutseweg 30, Beerse B-2340, Belgium

(111) M 2022 36016 R
(151) 2022 09 28
(181) 2032 09 28
(260) AM 2021 115597 A
(220) 2021 11 30
(732) LLC "Jolio"
D. Gulia St. 4, 0114, Tbilisi, Georgia

TRADEMARKS REGISTERED ACCORDING TO THE ACCELERATED PROCEDURE

The decision can be appealed at the Chamber of Appeal of Sakpatenti within 3 months from the publication.

(111) M 2022 35964 R

(151) 2022 09 21

(181) 2032 09 21

(210) AM 119346

(220) 2022 09 09

(732) LTD "Agronom"

Bidzina Kvernadze St. 35, II Lane, Floor. 3,
0171, Tbilisi, Georgia

(740) Giorgi Taktakishvili

(540)

Vista
Виста
ვისტა

(591) Black-white

(511) 5

(111) M 2022 35965 R

(151) 2022 09 23

(181) 2032 09 23

(210) AM 119293

(220) 2022 09 08

(732) LLC "True Hospitality"

Kote Abkhazi St., I Dead End 5, Mtatsminda
District, Tbilisi, Georgia

(541)

ეპიზოდი
EPISODE

(591) Black-white

(511) 43

(111) M 2022 35966 R

(151) 2022 09 27

(181) 2032 09 27

(210) AM 119375

(220) 2022 09 15

(732) LTD "KDV Yashkino"

Molodezhnaya St. Ia, 652010, pgt. Yashkino,
Kemerovskaya Oblast, Russian Federation

(740) Giorgi Taktakishvili

(540)



(591) Red, yellow, brown

(531) 25.05.03; 26.04.02; 26.04.16; 26.13.25;

29.01.13

(511) 30

(111) M 2022 35967 R

(151) 2022 09 27

(181) 2032 09 27

(210) AM 119292

(220) 2022 09 08

(732) LTD "Gurmania Retail"

Mikheil Asatiani St. 10, ap. 138, Tbilisi,
Georgia

(540)



(591) White, inky, turquoise

(531) 05.03.13; 05.03.15; 05.07.11; 05.07.12;

26.01.03; 26.01.10; 26.01.15

(511) 31, 33

(111) M 2022 35968 R

(151) 2022 09 28

(181) 2032 09 28

(210) AM 119585

(220) 2022 09 23

(732) LTD "S Motors"

M. Gakhokidze St. 4, Tbilisi, Georgia

(540)



(591) 1D4B82 blue, FBFCFC white

(531) 26.04.02; 26.04.22; 26.04.24; 27.05.01;

27.05.02; 27.05.12; 27.05.17; 27.05.24;

29.01.12

(511) 12

(111) M 2022 36017 R

(151) 2022 10 03

(181) 2032 10 03

(210) AM 119608

(220) 2022 09 28

(732) LTD "Areal Gaidi"
Shalva Nutsubudze St. 28, ap. 4, Saburtalo
District, Tbilisi, Georgia

(540)

AReal

#GaARealure

(591) Black-white

(531) 26.01.01; 26.01.03; 26.01.24; 26.11.01;
26.11.05; 26.11.08; 27.05.01; 27.05.10;
27.05.11

(511) 42

(111) M 2022 36018 R

(151) 2022 10 03

(181) 2032 10 03

(210) AM 119349

(220) 2022 09 12

(732) Gvantsa Kajaia

Nino Zhvania St. 10, ent. 2, fl. 6, ap. 18a,
Tbilisi, Georgia

(540)



(591) White, yellow, grey, black

(531) 01.03.13; 01.03.17; 10.03.01; 11.07.03;
28.19; 29.01.13

(511) 25, 35

(111) M 2022 36019 R

(151) 2022 10 03

(181) 2032 10 03

(210) AM 119477

(220) 2022 09 16

(732) LLC "Ori Nabiji"

Navtlughi St. 39-41, 0113, Isani District,
Tbilisi, Georgia

(541)

Bono

(591) Black-white

(511) 29

(111) M 2022 36020 R

(151) 2022 10 04

(181) 2032 10 04

(210) AM 119503

(220) 2022 09 22

(732) Lasha Sokhadze

Besiki St. 8, Kutaisi, Georgia

(540)

MENDE



მ მ ე ნ დ ე

(591) Black, brown, white

(531) 05.01.20; 08.01.01; 08.01.02; 08.01.03;
08.01.04; 26.13.25; 26.15.25; 27.05.01;
28.19; 29.01.13

(511) 43

INTERNATIONAL TRADEMARKS FOR WHICH A DECISION ON GRANTING PROTECTIONS IS TAKEN

The decision can be appealed at the Chamber of Appeal of Sakpatenti within 3 months from the publication or at the Mtskheta District Court Administrative Cases Board (Address: №17, Samkhedro St., Mtskheta), within 1 month following the publication.

(260) AM 2022 115552 A

(800) 1627971

(151) 2021 09 10

(891) 2021 09 10

(731) COTTON CLUB INVESTMENT LLC

1'st Lipovy per., vl. 4, d. Soboliha, g. Balashiha,

RU-143985 Moscow obl., Russian Federation

(540)



(591) Blue, light blue and red

(531) 02.09.14; 02.09.15; 27.05.01; 27.05.10;
29.01.12

(511)

3 – grinding preparations; sharpening preparations; shaving stones [astringents]; jewellers' rouge; scented wood; carbides of metal [abrasives]; silicon carbide [abrasive]; volcanic ash for cleaning; shoe cream; polishing preparations; shoe wax; polish for furniture and flooring; shining preparations [polish]; shoemakers' wax; cobblers' wax; mustache wax; moustache wax; wax for parquet floors; polishing wax; tailors' wax; preservatives for leather [polishes]; leather preservatives [polishes]; corundum [abrasive]; pastes for razor strops; creams for leather; waxes for leather; diamantine [abrasive]; antistatic preparations for household purposes; emery paper; lacquer-removing preparations; emery cloth; floor wax removers [scouring preparations]; non-slipping wax for floors; non-slipping liquids for floors; canned pressurized air for cleaning and dusting purposes; preparations to make the leaves of plants shiny; joss sticks; air fragrancing preparations; breath freshening strips; shoe polish; food flavourings [essential oils]; food flavorings [essential oils]; floor wax; air fragrance reed diffusers; massage candles for cosmetic purposes.

5 – Dental abrasives; adhesives for dentures; air purifying preparations; albuminous foodstuffs for medical purposes; albuminous preparations for medical purposes; medicinal alcohol; aldehydes for pharmaceutical purposes; alloys of precious metals for dental purposes; dental amalgams; starch for dietetic or pharmaceutical purposes; anaesthetics; dill oil for medical purposes; adhesive plasters; sticking plasters; angostura bark for medical purposes; asthmatic tea; frostbi-

te salve for pharmaceutical purposes; hemorrhoid preparations; haemorrhoid preparations; antiseptics; antiseptic cotton; anti-uric preparations; wart pencils; aseptic cotton; media for bacteriological cultures; bouillons for bacteriological cultures; bacteriological culture mediums; bacteriological preparations for medical and veterinary use; bacterial preparations for medical and veterinary use; corn rings for the feet; bath preparations for medical purposes; salts for mineral water baths; oxygen baths; seawater for medicinal bathing; therapeutic preparations for the bath; balsamic preparations for medical purposes; bandages for dressings; balms for medical purposes; biocides; bismuth preparations for pharmaceutical purposes; lead water; Goulard water; charcoal for pharmaceutical purposes; medicated candies; medicated sweets; medicinal mud; medicinal sediment [mud]; mud for baths; preparations for the treatment of burns; cachou for pharmaceutical purposes; preparations for callouses; calomel [fungicide]; powder of cantharides; rubber for dental purposes; syrups for pharmaceutical purposes; capsules for medicines; pharmaceutical preparations; poultices; wadding for medical purposes; lint for medical purposes; lime-based pharmaceutical preparations; chemico-pharmaceutical preparations; hydrated chloral for pharmaceutical purposes; chloroform; tobacco-free cigarettes for medical purposes; dental cements; cement for animal hooves; molding wax for dentists; moulding wax for dentists; fumigating sticks; fumigating pastilles; cocaine; collyrium; compresses; vitamin preparations; chemical conductors for electrocardiograph electrodes; condurango bark for medical purposes; medicines for alleviating constipation; solutions for contact lenses; solutions for use with contact lenses; chemical contraceptives; radiological contrast substances for medical purposes; corn remedies; cotton for medical purposes; pharmaceutical preparations for treating sunburn; caustic pencils; chilblain preparations; hemostatic pencils; haemostatic pencils; croton bark; curare; vaccines; detergents for medical purposes; decoctions for pharmaceutical purposes; teeth filling material; dental impression materials; dental lacquer; dental mastics; dressings, medical; porcelain for dental prostheses; preparations to facilitate teething; depuratives; disinfectants for hygiene purposes; deodorants, other than for human beings or for animals; diabetic bread adapted for medical use; digestives for pharmaceutical purposes; digitalin; analgesics; drugs for medical purposes; medicine cases, portable, filled; magnesia for

pharmaceutical purposes; melissa water for pharmaceutical purposes; mineral waters for medical purposes; mineral water salts; thermal water; barks for pharmaceutical purposes; elixirs [pharmaceutical preparations]; solvents for removing adhesive plasters; vulnerary sponges; salts for medical purposes; esters for pharmaceutical purposes; ethers for pharmaceutical purposes; surgical dressings; eucalyptol for pharmaceutical purposes; eucalyptus for pharmaceutical purposes; purgatives; evacuants; flour for pharmaceutical purposes; meal for pharmaceutical purposes; lacteal flour for babies; febrifuges; fennel for medical purposes; medicinal infusions; medicinal tea; cod liver oil; fungicides; nervines; guaiacol for pharmaceutical purposes; gauze for dressings; laxatives; gelatine for medical purposes; gentian for pharmaceutical purposes; germicides; glycerophosphates; gum for medical purposes; linseed for pharmaceutical purposes; flaxseed for pharmaceutical purposes; greases for medical purposes; greases for veterinary purposes; milking grease; chemical preparations for the diagnosis of pregnancy; medicinal oils; hematogen; haematogen; hemoglobin; haemoglobin; medicinal herbs; hormones for medical purposes; mustard oil for medical purposes; hydrastine; hydrastinine; absorbent cotton; absorbent wadding; semen for artificial insemination; tincture of iodine; peptones for pharmaceutical purposes; iodoform; Irish moss for medical purposes; jujube, medicated; liquorice for pharmaceutical purposes; milk ferments for pharmaceutical purposes; malted milk beverages for medical purposes; linseed meal for pharmaceutical purposes; lotions for pharmaceutical purposes; lactose for pharmaceutical purposes; milk sugar for pharmaceutical purposes; yeast for pharmaceutical purposes; liniments; lupulin for pharmaceutical purposes; chewing gum for medical purposes; mangrove bark for pharmaceutical purposes; sanitary panties; menstruation knickers; sanitary knickers; sanitary pants; mint for pharmaceutical purposes; malt for pharmaceutical purposes; sulfur sticks [disinfectants]; pomades for medical purposes; tinctures for medical purposes; serums; menthol; mercurial ointments; nutritive substances for microorganisms; cultures of microorganisms for medical or veterinary use; pastilles for pharmaceutical purposes; lozenges for pharmaceutical purposes; mustard for pharmaceutical purposes; lotions for veterinary purposes; myrobalan bark for pharmaceutical purposes; narcotics; smelling salts; ointments for pharmaceutical purposes; opiates; opium; opodeldoc; opotherapy preparations; organotherapy preparations; dental amalgams of gold; pectin for pharmaceutical purposes; sanitary tampons; menstruation tampons; sanitary towels; sanitary napkins; sanitary pads; phenol for pharmaceutical purposes; paper for mustard plasters; paper for mustard poultices; pharmaceutical preparations for skin care; herbal teas for medicinal purposes; pharmaceutical preparations for treating dandruff; pepsins for pharmaceutical pur-

poses; cachets for pharmaceutical purposes; first-aid boxes, filled; phosphates for pharmaceutical purposes; remedies for foot perspiration; blood plasma; potassium salts for medical purposes; pyrethrum powder; quebracho for medical purposes; quassia for medical purposes; quinquina for medical purposes; cinchona for medical purposes; quinine for medical purposes; chinoline for medical purposes; radioactive substances for medical purposes; radium for medical purposes; medicinal roots; rhubarb roots for pharmaceutical purposes; tonics [medicines]; bismuth subnitrate for pharmaceutical purposes; sarsaparilla for medical purposes; blood for medical purposes; leeches for medical purposes; scapulars for surgical purposes; sedatives; tranquillizers; ergot for pharmaceutical purposes; serotherapeutic medicines; mustard plasters; mustard poultices; soporifics; sodium salts for medical purposes; sterilising preparations; sterilizing preparations; strychnine; styptic preparations; sugar for medical purposes; sulfonamides [medicines]; suppositories; tartar for pharmaceutical purposes; turpentine for pharmaceutical purposes; oil of turpentine for pharmaceutical purposes; thymol for pharmaceutical purposes; remedies for perspiration; veterinary preparations; vesicants; acetates for pharmaceutical purposes; acids for pharmaceutical purposes; adhesive tapes for medical purposes; adhesive bands for medical purposes; dietetic foods adapted for medical purposes; food for babies; aluminium acetate for pharmaceutical purposes; almond milk for pharmaceutical purposes; sunburn ointments; bath salts for medical purposes; stick liquorice for pharmaceutical purposes; bicarbonate of soda for pharmaceutical purposes; biological preparations for medical purposes; bromine for pharmaceutical purposes; dietetic beverages adapted for medical purposes; camphor oil for medical purposes; camphor for medical purposes; crystallized rock sugar for medical purposes; carbolineum [parasiticide]; lecithin for medical purposes; gases for medical purposes; panty liners [sanitary]; royal jelly for pharmaceutical purposes; medical preparations for slimming purposes; cellulose esters for pharmaceutical purposes; caustics for pharmaceutical purposes; cellulose ethers for pharmaceutical purposes; by-products of the processing of cereals for dietetic or medical purposes; chemical preparations for pharmaceutical purposes; collodion for pharmaceutical purposes; cream of tartar for pharmaceutical purposes; creosote for pharmaceutical purposes; medicines for dental purposes; medicines for human purposes; medicines for veterinary purposes; diagnostic preparations for medical purposes; glycerine for medical purposes; medicinal drinks; ferments for pharmaceutical purposes; flowers of sulfur for pharmaceutical purposes; formic aldehyde for pharmaceutical purposes; smoking herbs for medical purposes; fumigation preparations for medical purposes; gallic acid for pharmaceutical purposes; petroleum jelly for medical purposes; glucose for medical purposes; gamboge for medical purposes; gurgun balsam for

medical purposes; extracts of hops for pharmaceutical purposes; castor oil for medical purposes; hydrogen peroxide for medical purposes; iodine for pharmaceutical purposes; iodides for pharmaceutical purposes; alkaline iodides for pharmaceutical purposes; isotopes for medical purposes; dietetic substances adapted for medical use; diapers for incontinence; biological preparations for veterinary purposes; chemical preparations for medical or veterinary purposes; contact lens cleaning preparations; diastase for medical purposes; dietary fiber; dietary fibre; enzymes for medical purposes; enzymes for veterinary purposes; enzyme preparations for medical purposes; enzyme preparations for veterinary purposes; pants, absorbent, for incontinence; siccatives [drying agents] for medical purposes; tissues impregnated with pharmaceutical lotions; preparations of trace elements for human and animal use; amino acids for medical purposes; amino acids for veterinary purposes; breast-nursing pads; disinfectants for chemical toilets; fish meal for pharmaceutical purposes; mineral food supplements; mouthwashes for medical purposes; nutritional supplements; bone cement for surgical and orthopaedic purposes; bone cement for surgical and orthopedic purposes; antibiotics; appetite suppressants for medical purposes; bronchodilating preparations; bunion pads; moleskin for medical purposes; vaginal washes for medical purposes; medicinal hair growth preparations; steroids; adjuvants for medical purposes; surgical implants comprised of living tissues; eyepatches for medical purposes; oxygen for medical purposes; deodorants for clothing and textiles; air deodorising preparations; air deodorizing preparations; douching preparations for medical purposes; stem cells for medical purposes; stem cells for veterinary purposes; biological tissue cultures for medical purposes; biological tissue cultures for veterinary purposes; cooling sprays for medical purposes; personal sexual lubricants; aloe vera preparations for pharmaceutical purposes; pearl powder for medical purposes; preparations for reducing sexual activity; babies' diapers; babies' nappies; babies' diaper-pants; babies' nappy-pants; medicated eye-washes; appetite suppressant pills; slimming pills; tanning pills; antioxidant pills; dietary supplements for animals; albumin dietary supplements; linseed dietary supplements; flaxseed dietary supplements; linseed oil dietary supplements; flaxseed oil dietary supplements; wheat germ dietary supplements; yeast dietary supplements; royal jelly dietary supplements; propolis for pharmaceutical purposes; propolis dietary supplements; pollen dietary supplements; enzyme dietary supplements; glucose dietary supplements; lecithin dietary supplements; alginate dietary supplements; alginates for pharmaceutical purposes; casein dietary supplements; protein dietary supplements; protein supplements for animals; reagent paper for medical purposes; alcohol for pharmaceutical purposes; diapers for pets; disinfectants; surgical glues; diagnostic biomarker reagents for me-

dical purposes; acne treatment preparations; medicated animal feed; diagnostic preparations for veterinary purposes; cotton sticks for medical purposes; cotton swabs for medical purposes; infant formula; powdered milk for babies; transplants [living tissues]; collagen for medical purposes; plant extracts for pharmaceutical purposes; pharmaceuticals; preparations of microorganisms for medical or veterinary use; phytotherapy preparations for medical purposes; herbal extracts for medical purposes; sexual stimulant gels; nutraceutical preparations for therapeutic or medical purposes; freeze-dried food adapted for medical purposes; lyophilized food adapted for medical purposes; lyophilised food adapted for medical purposes; homogenized food adapted for medical purposes; homogenised food adapted for medical purposes; pre-filled syringes for medical purposes; freeze-dried meat adapted for medical purposes; lyophilized meat adapted for medical purposes; lyophilised meat adapted for medical purposes; reagent paper for veterinary purposes; astringents for medical purposes; medicated dentifrices; antibacterial soap; antibacterial handwashes; medicated aftershave lotions; medicated shampoos; medicated toilet-ry preparations; medicated hair lotions; medicated dry shampoos; medicated shampoos for pets; disinfectant soap; medicated soap; massage candles for therapeutic purposes; acai powder dietary supplements; vitamin supplement patches; dietary supplements with a cosmetic effect; nicotine gum for use as an aid to stop smoking; nicotine patches for use as aids to stop smoking; capsules made of dendrimer-based polymers, for pharmaceuticals; injectable dermal fillers; medicated toothpaste; massage gels for medical purposes; headache relief sticks; contraceptive sponges; swim diapers, disposable, for babies; swim nappies, disposable, for babies; swim diapers, reusable, for babies; swim nappies, reusable, for babies; diaper changing mats, disposable, for babies; nappy changing mats, disposable, for babies; bone void fillers comprised of living tissues; oxygen cylinders, filled, for medical purposes; cannabis for medical purposes; marijuana for medical purposes.

10 – Abdominal belts; hypogastric belts; abdominal corsets; childbirth mattresses; hearing aids; ear trumpets; clips, surgical; needles for medical purposes; suture needles; pessaries; hot air therapeutic apparatus; hot air vibrators for medical purposes; draw-sheets for sick beds; incontinence sheets; catheters; radium tubes for medical purposes; teething rings; orthopedic bandages for joints; orthopaedic bandages for joints; splints, surgical; bandages, elastic; galvanic belts for medical purposes; X-ray apparatus for medical purposes; bed pans; basins for medical purposes; obstetric apparatus for cattle; feeding bottles; babies' bottles; knives for surgical purposes; scalpels; boots for medical purposes; surgical bougies; spittoons for medical purposes; catgut; stretchers, wheeled; gurneys, wheeled; ambulance stretchers; orthopedic articles; orthopaedic articles; trusses; hernia bandages; arch sup-

ports for footwear; strait jackets; cannulae; gloves for medical purposes; appliances for washing body cavities; belts for medical purposes; maternity belts; orthopedic belts; orthopaedic belts; dentists' armchairs; castrating pincers; heating cushions, electric, for medical purposes; heating pads, electric, for medical purposes; orthopedic footwear; orthopaedic footwear; artificial teeth; surgical sponges; surgical apparatus and instruments; instrument cases for use by doctors; thread, surgical; anaesthetic apparatus; scissors for surgery; thermo-electric compresses [surgery]; compressors [surgical]; droppers for medical purposes; corn knives; esthetic massage apparatus; cushions for medical purposes; surgical cutlery; incubators for medical purposes; spoons for administering medicine; tongue scrapers; ear picks; dental burs; dental apparatus and instruments; pins for artificial teeth; dentures; sets of artificial teeth; lancets; mirrors for dentists; finger guards for medical purposes; syringes for injections; drainage tubes for medical purposes; water bags for medical purposes; radiology screens for medical purposes; electrocardiographs; probes for medical purposes; pumps for medical purposes; blood testing apparatus; armchairs for medical or dental purposes; drop-per bottles for medical purposes; forceps; galvanic therapeutic appliances; gloves for massage; gastroscopes; ice bags for medical purposes; hemocytometers; haemocytometers; waterbeds for medical purposes; hypodermic syringes; abdominal pads; inhalers; injectors for medical purposes; soporific pillows for insomnia; urological apparatus and instruments; insufflators; enema apparatus for medical purposes; ultraviolet ray lamps for medical purposes; lasers for medical purposes; breast pumps; lamps for medical purposes; vaporizers for medical purposes; urinals being vessels; artificial jaws; anaesthetic masks; massage apparatus; medical apparatus and instruments; receptacles for applying medicines; cases fitted for medical instruments; artificial limbs; mirrors for surgeons; furniture especially made for medical purposes; obstetric apparatus; umbilical belts; ophthalmometers; ophthalmoscopes; hearing protectors; artificial skin for surgical purposes; tips for crutches; balling guns; bolus guns; condoms; sphygmomanometers; sphygmotensometers; arterial blood pressure measuring apparatus; quartz lamps for medical purposes; apparatus and installations for the production of X-rays, for medical purposes; X-ray photographs for medical purposes; radiological apparatus for medical purposes; radiotherapy apparatus; resuscitation apparatus; X-ray tubes for medical purposes; protection devices against X-rays, for medical purposes; respirators for artificial respiration; apparatus for artificial respiration; saws for surgical purposes; artificial breasts; uterine syringes; vaginal syringes; stethoscopes; dummies for babies; pacifiers for babies; supports for flat feet; apparatus for the treatment of deafness; suspensory bandages; suture materials; operating tables; trocars; urethral probes; urethral syringes; cupping glasses; veterinary

apparatus and instruments; bed vibrators; vibromassage apparatus; artificial eyes; aerosol dispensers for medical purposes; air pillows for medical purposes; air cushions for medical purposes; air mattresses for medical purposes; syringes for medical purposes; elastic stockings for surgical purposes; stockings for varices; crutches; feeding bottle valves; feeding bottle teats; orthopedic soles; orthopaedic soles; sterile sheets, surgical; beds specially made for medical purposes; electrodes for medical use; belts, electric, for medical purposes; physical exercise apparatus for medical purposes; incubators for babies; brushes for cleaning body cavities; dental apparatus, electric; testing apparatus for medical purposes; apparatus for use in medical analysis; filters for ultraviolet rays, for medical purposes; fumigation apparatus for medical purposes; corsets for medical purposes; contraceptives, non-chemical; blankets, electric, for medical purposes; hair prostheses; knee bandages, orthopedic; knee bandages, orthopaedic; lenses [intraocular prostheses] for surgical implantation; intraocular prostheses [lenses] for surgical implantation; pads for preventing pressure sores on patient bodies; physiotherapy apparatus; spirometers [medical apparatus]; thermometers for medical purposes; acupuncture needles; clothing especially for operating rooms; diagnostic apparatus for medical purposes; electric acupuncture instruments; heart pacemakers; patient hoists; patient lifting hoists; masks for use by medical personnel; plaster bandages for orthopedic purposes; plaster bandages for orthopaedic purposes; surgical drapes; surgical implants comprised of artificial materials; thermal packs for first aid purposes; commode chairs; defibrillators; dialyzers; medical guidewires; orthodontic appliances; traction apparatus for medical purposes; containers especially made for medical waste; slings [supporting bandages]; douche bags; love dolls [sex dolls]; microdermabrasion apparatus; body rehabilitation apparatus for medical purposes; pulse meters; stents; ear plugs [ear protection devices]; temperature indicator labels for medical purposes; walking frames for disabled persons; tomographs for medical purposes; apparatus for acne treatment; lice combs; quad canes for medical purposes; endoscopy cameras for medical purposes; compression garments; sex toys; brain pacemakers; implantable subcutaneous drug delivery devices; biodegradable bone fixation implants; tongue depressors for medical purposes; nasal aspirators; teeth protectors for dental purposes; menstrual cups; respiratory masks for artificial respiration; orthodontic rubber bands; analyzers for bacterial identification for medical purposes; analyzers for bacterial identification for medical purposes; apparatus for DNA and RNA testing for medical purposes; apparatus for the regeneration of stem cells for medical purposes; body fat monitors; body composition monitors; toe separators for orthopaedic purposes; toe separators for orthopedic purposes; anti-rheumatism bracelets; anti-rheumatism rings; bracelets for medical purposes; surgical robots; baby fee-

ding pacifiers; baby feeding dummies; anti-nausea wristbands; wheeled walkers to aid mobility; hydrogen inhalers; magnetic resonance imaging [MRI] apparatus for medical purposes; air beds for medical purposes; cooling patches for medical purposes; cooling pads for first aid purposes; portable hand-held urinals; walking sticks for medical purposes; canes for medical purposes; robotic exoskeleton suits for medical purposes; acupressure bands; clips for dummies; clips for pacifiers; cholesterol meters; patient examination gowns; biomagnetic rings for therapeutic or medical purposes; therapeutic facial masks; gum massagers for babies; pill crushers; glucometers; glucose meters; curing lamps for medical purposes; bone void fillers comprised of artificial materials; chambers for inhalers; spacers for inhalers; medical examination tables; nanites for medical purposes; nanorobots for medical purposes; kinesiology tapes; medical cooling apparatus for treating heatstroke; medical cooling apparatus for use in therapeutic hypothermia; pill cutters; sanitary masks for medical purposes; LED masks for therapeutic purposes.

(260) AM 2022 115781 A
(800) 1632930
(151) 2021 09 21
(891) 2021 09 21
(731) Egis Gyógyszergyár Zrt.
Keresztúri út 30-38, H-1106 Budapest,
Hungary
(540)

ЭЛИОТЕНДЕР

(591) Black, white
(531) 28.05
(511)
3 – Cosmetics and cosmetic preparations.

5 – Human pharmaceutical preparations; dietetic substances adapted for medical use; dietary supplements; medicinal ointments; medicated skin creams; plasters, materials for dressings.

(260) AM 2022 115782 A
(800) 1632931
(151) 2021 09 21
(891) 2021 09 21
(731) Egis Gyógyszergyár Zrt.
Keresztúri út 30-38, H-1106 Budapest,
Hungary
(540)

ПЛАСОЛЮТ

(591) Black, white
(531) 28.05
(511)
3 – Cosmetics and cosmetic preparations.

5 – Human pharmaceutical preparations; dietetic substances adapted for medical use; dietary supplements; medicinal ointments; medicated skin creams; plasters, materials for dressings.

(260) AM 2022 115783 A
(800) 1632982
(151) 2021 11 11
(891) 2021 11 11
(731) Dimitar Hristov BALEV
Blvd. Vitosha No.137, apt. 17, BG-1408 Sofia,
Bulgaria
(540)

areon VIP

(591) Black, white
(511)
3 – Soap; perfumes; ethereal oils; aromatics [essential oils]; ionone [perfumery]; extracts of flowers [perfumes]; potpourris [fragrances]; air fragrancing preparations; household fragrances; fragrances for automobiles; fragrance refills for non-electric room fragrance dispensers; refills for electric room fragrance dispensers; sachets for perfuming linen; scented wood; scented water; joss sticks; air fragrance reed diffusers; tissues impregnated with cosmetic lotions; perfumed tissues; cloths impregnated with a detergent for cleaning; cloths impregnated with polishing preparations for cleaning; vehicle cleaning preparations; bath salts, not for medical purposes.

(260) AM 2022 115784 A
(800) 1632986
(151) 2021 10 28
(891) 2021 10 28
(731) GUANGDONG SWEETNIGHT HOME CO.,
LTD
F3-F4, Comprehensive Building, No. 2, Zhenye
West 1st Rd., Nanjin Section, Zone A, Shatou
Ind., Jiujiang Town, Nanhai Dist., Foshan City,
528203 Guangdong Province, China
(540)

Novilla

(591) Black, white
(511)
20 – Mattresses; furniture; sofas; work benches; mirrors [looking glasses]; horn, unworked or semi-worked; indoor blinds; furniture fittings, not of metal; pillows; cushions.

(260) AM 2022 115785 A

(800) 1633000

(151) 2021 06 08

(891) 2021 06 08

(731) Adnan Alnen and Partners company – "AL-Durra Food Products"

Abdel mouniam Riad Street, P.O Box 92,
Erbeen, Damascus Countryside, Syrian
Arab Republic

(540)



ALDURRA

(591) Red, green and white

(531) 26.01.03; 26.01.24; 26.03.01; 26.03.05;
27.05.01; 28.01; 29.01.13

(511)

30 – Flour, preparations made from cereals, molasses, bread, cakes, pies, sweets, yeast, baking powder, food powders, food appetizers from cereal, corn, halwa, ice, ice cream, honey, treacle, candy, chewing gum, a sweet made of sugar and starch (raha), lollipops, candied (term considered too vague by the International Bureau – Rule 13 (2) (b) of the Regulations), sugary bites (term considered too vague by the International Bureau – Rule 13 (2) (b) of the Regulations), fondant.

(260) AM 2022 115786 A

(800) 1633009

(151) 2021 06 22

(891) 2021 06 22

(731) Ecolab USA Inc.

1 Ecolab Place, Saint Paul, Minnesota 55102,
USA

(540)

VIROCID

(591) Black, white

(511)

1 – Chemicals used in industry, science and photography, as well as in agriculture, horticulture and forestry; biological preparations for use in industry and science; detergents for industrial use; liquids for use in cleansing during manufacturing processes; detergents for automatic cleaning systems, as part of manufacturing operations; chemical substances for use in the manufacture of scented detergents; absorbents for cleaning solvents; solvents for cleaning purposes during manufacturing operations; chemicals for use in cleaning water; chemical substances for preserving foodstuffs; acids; water softening substances; foaming agents; chemical products for the preparation of odorous products; detergents with deodorizing properties

for use in manufacturing processes; mold inhibitors for preventing growth of mold.

3 – Warewashing detergents; rinses (detergents); rinse additives for dishwashing machines; cleaning, polishing, scouring and abrasive preparations; soaps; all-purpose cleaners; automatic dishwashing detergents; bathroom cleaning preparations; cleaning preparations; crème cleansers, namely, mild abrasive cream cleaning preparations for commercial and institutional use; detergent for pots, pans, and other kitchen utensils; detergents for machine dishwashing; dish detergent; dishwashing detergents; disposable wipes impregnated with cleaning chemicals or compounds for industrial and commercial use; disposable wipes impregnated with cleansing compounds for use on hard surfaces; glass cleaners; hand cleaning preparations; hand soaps; hand scrubs; oven cleaners; pot and pan detergent for industrial and institutional uses; rinse additives for use in dishwashing machines; cleaning preparations for rubber goods; shampoos; scouring liquids and powders; soaps for body care; spot removers; stain removing preparations; stainless steel cleaning preparations; tile cleaners; tile polish; toilet bowl detergents; detergents.

5 – Pharmaceutical preparations for veterinary use; sanitary preparations for medical purposes; antibacterial preparations for veterinary use; disinfectants; products to eliminate parasites; fungicides; herbicides; antiseptic cleansers; germicidal detergents; antibacterial cleaning products; antibacterial preparations; antibacterial alcohol skin sanitizer gel; antibacterial hand-wash; skin care products, namely, antibacterial skin cleanser and waterless antimicrobial hand rinse, for use in health care facilities; antimicrobials; antimicrobial preparations; antimicrobial preparations for inhibiting mold, mildew, viruses, bacteria, and fungi; antimicrobial adjuvants; bactericides; bacteria fighting cleanser; biocides; all purpose disinfectants; all purpose disinfectants for control of viruses, bacteria, and fungi; all purpose disinfectants for schools, businesses, medical facilities, animal care facilities; all purpose disinfecting and deodorizing preparations; disinfectants and sanitizers for warewashing; disinfectants for sanitary purposes; disinfecting preparations for use in medical environments; disinfectant bathroom cleaner; disinfectant wipes; germicides; general purpose germicide; sanitizing preparations for hospital use; sanitizing preparations for household use; sanitizing preparations for use in institutional and industrial areas; sanitizing preparations for commercial, hospital, and animal care industry use; sanitizing wipes; hand-sanitizing preparations; sanitizing preparations for commercial, healthcare, hospital, industrial, and institutional use; preparations for destroying vermin; virucides; antibacterial soaps; disinfectant soaps.

(260) AM 2022 115787 A
 (800) 1633029
 (151) 2021 07 01
 (891) 2021 07 01
 (731) FUTURE ENTERPRISES PTE. LTD.
 31 Harrison Road, #08-01, Food Empire
 Business Suites, Singapore 369649,
 Singapore

(540)



(591) Green, dark green, gold, yellow, beige, white,
 red, black and brown
 (531) 01.15.11; 05.07.27; 17.02.02; 26.03.04;
 26.04.18; 27.05.10; 29.01.15
 (511)
 30 – Coffee; artificial coffee; unroasted coffee; vege-
 tal preparations for use as coffee substitutes; chicory
 [coffee substitute]; coffee-based beverages; coffee be-
 verages with milk; flavourings, other than essential
 oils, for beverages.

(260) AM 2022 115788 A
 (800) 1633153
 (151) 2021 11 08
 (891) 2021 11 08
 (731) Apple Inc.
 One Apple Park Way, Cupertino CA 95014,
 USA

(540)

PRORES

(591) Black, white
 (511)
 9 – Downloadable or recorded computer software for
 modifying image, video and other file content and for
 converting such content into different formats; down-
 loadable or recorded computer software for video and
 motion picture production; downloadable or recorded
 computer software for post-production finishing and
 mastering of video and motion pictures; downloadable
 or recorded computer software for creating, viewing,
 broadcasting, and editing video and audio recordings
 and motion picture films; downloadable or recorded
 computer software for authoring, downloading, trans-
 mitting, distributing, viewing, editing, compressing,
 extracting, encoding, decoding, playing, storing and

organizing audio, video, still images and other multi-
 media content and digital data.

(260) AM 2022 115789 A
 (800) 1633183
 (151) 2021 09 14
 (891) 2021 09 14
 (731) Limited Liability Company "WHOOSH"
 ul. Zamorenova, d. 12, str. 1, vn. ter.
 g. munitsipal'nyy okrug Presnenskiy,
 RU-123242 Moscow, Russian
 Federation

(540)

WHOOSH

(591) Black, white
 (531) 26.11.06; 26.11.08; 27.05.01
 (511)
 39 – Electric scooter rental services.

(260) AM 2022 115790 A
 (800) 1633204
 (151) 2021 11 17
 (891) 2021 11 17
 (731) Tensar International Corporation
 2500 Northwinds Parkway, Suite 500,
 Alpharetta GA 30009, USA

(540)

INTERAX

(591) Black, white
 (511)
 19 – Plastic sheet materials for construction; soil rein-
 forcement mesh and soil stabilization mesh made of
 plastic.

(260) AM 2022 115821 A
 (800) 1202942
 (151) 2014 01 14
 (891) 2021 11 26
 (731) Tronios Group International B.V.
 Bedrijvenpark Twente N 18, NL-7602
 KR Almelo, Netherlands

(540)

BEAMZ

(591) Black, white
 (511)
 11 – Lighting effect apparatus for professional and
 consumer, including apparatus for light/laser light ef-
 fects for discos, LED lighting, smoke machines, smo-
 ke and effect liquids and apparatus, fans adapted for
 use with light and sound effects, fittings included in
 this class for the aforesaid lighting and light effects,
 including cables and plugs.

(260) AM 2022 115822 A
 (800) 1211342
 (151) 2014 01 14
 (891) 2021 11 26
 (731) Tronios Group International B.V.
 Bedrijvenpark Twente N 18, NL-7602
 KR Almelo, Netherlands

(540)


 The logo for beamZ features a stylized 'b' with a yellow and grey gradient, followed by the word 'beamZ' in a grey, lowercase, sans-serif font.

(591) Yellow and grey
 (531) 26.04.02; 26.04.05; 26.04.18; 26.11.11;
 29.01.12

(511)

11 – Lighting effect apparatus for professional and consumer, including apparatus for light/laser, light effects for discos, LED lighting, smoke machines, smoke and effect liquids and apparatus, fans adapted for use with light and sound effects, fittings included in this class for the aforesaid lighting and light effects, including cables and plugs.

(260) AM 2022 115823 A
 (800) 1217941
 (151) 2014 03 31
 (891) 2021 11 26
 (731) Tronios Group International B.V.
 Bedrijvenpark Twente N 18, NL-7602
 KR Almelo, Netherlands

(540)


 The logo for RL consists of the letters 'R' and 'L' in a bold, blue, stylized font with a yellow outline.

(591) Blue and orange
 (531) 27.05.22; 29.01.12
 (511)

9 – Professional and consumer audio/video goods, including sound amplifiers, amplifiers, transmitters and audio-receivers and video-receivers, apparatus and instruments for audio/video purposes, CD/DVD/MP3/MP4 players and recorders, sound processors, equalisers, audio mixers, loudspeakers, mobile sound systems, 100V amplifiers and loudspeakers, (wireless) microphones, headphones, stands for loudspeakers, microphones and other audio, video and lighting devices are indeed included in this class, computer peripheral devices for audio and video purposes, measuring apparatus for audio and video goods, accessories included in this class for the aforesaid goods, including cables and plugs; amplifiers, cables and plugs.

15 – Musical instruments; electric and acoustic guitars, piano keyboards, electronic drum sets, music stands, accessories included in this class.

(260) AM 2022 115826 A
 (800) 1301788
 (151) 2016 02 26
 (891) 2021 11 30
 (731) INNOVITA S.R.L.
 Via Pascolo, 4, I-23842 BOSISIO PARINI
 (LC), Italy

(540)


 The logo for innovita features the word 'innovita' in a lowercase, black, sans-serif font. The letter 'i' has a small orange dot above it.

(591) Black, green and orange
 (531) 27.05.01; 29.01.13

(511)

11 – Heaters for baths, boilers and radiant heaters.

37 – Installation of heater for baths, boilers and radiant heaters.

(260) AM 2022 115827 A
 (800) 1305115
 (151) 2016 05 02
 (891) 2021 11 12
 (731) GROUPE GO SPORT, Société Anonyme
 17 Avenue de la Falaise, F-38360
 SASSENAGE, France

(540)

ATHLITECH

(591) Black, white

(511)

18 – Luggage namely trunks, suitcases, traveling bags, handbags, beach bags, school bags, backpacks, bags with wheels, bags for climbers, bags for campers, bags for sports.

(260) AM 2022 115828 A
 (800) 1365845
 (151) 2017 05 09
 (891) 2021 11 12
 (731) GROUPE GO SPORT
 17 avenue de la Falaise, F-38360 Sassenage,
 France

(540)

WANABEE

(591) Black, white

(511)

28 – Gymnastic and sporting articles (except mats) for physical training, football, basketball, handball, volleyball, rugby, badminton, tennis, squash, table tennis, golf, athletics, running, water sports (swimming, diving, boating, wind surfing, water-skiing), mountain sports (skiing, snowboarding, hiking, climbing), riding, combat sports, inline skating, skateboarding, cycling.

(260) AM 2022 115829 A
 (800) 1414745
 (151) 2018 04 16
 (891) 2021 11 26
 (731) Tronios Group International B.V.
 Bedrijvenpark Twente N 18, NL-7602
 KR Almelo, Netherlands

(540)
POWER DYNAMICS

(591) Black, white
 (511)
 9 – Professional and consumer audio/video goods, including sound amplifiers, amplifiers, transmitters and audio-receivers and video-receivers, apparatus and instruments for audio/video purposes, CD/DVD/MP3/MP4 players and recorders, sound processors, equalisers, audio mixers, loudspeakers, mobile sound systems, 100V amplifiers and loudspeakers, (wireless) microphones, headphones, stands for loudspeakers and microphones and other audio, video and lighting goods, computer peripheral devices for audio and video purposes, measuring apparatus for audio and video goods, accessories included in this class for the aforesaid goods, including cables and plugs, amplifiers, cables and plugs.

15 – Musical instruments; electric and acoustic guitars, keyboards for musical instruments, electronic drum sets, music stands, accessories included in this class, including cables and plugs.

(260) AM 2022 115830 A
 (800) 1445075
 (151) 2018 10 30
 (891) 2021 12 02
 (731) TECHNISEM
 ZAC Anjou Actiparc de Jumelles, F-49160
 LONGUÉ JUMELLES, France

(540)


(591) Green, white
 (531) 26.01.03; 26.01.24; 26.11.03; 26.11.08;
 26.13.25; 27.05.17; 29.01.12

(511)
 31 – Agricultural, horticultural and forestry products; grains, neither prepared nor processed; fresh fruits and vegetables; fresh citrus fruits; seeds (grains); germ seed for botanical purposes; seeds, bulbs and seedlings for selective plant cultivation; cereal seeds, unprocessed; malt; natural plants and flowers; natural turf; fodder; seedlings; trees; dried plants for decoration.

(260) AM 2022 115834 A
 (800) 1524794
 (151) 2020 02 21
 (891) 2021 11 11
 (731) OBSHESTVO S OGRANICHENNOY
 OTVETSTVENNOSTYU "BALTIYSKAYA
 ZVEZDA"
 Dokuka ul., d.7, kv.16, g. Kaliningrad,
 RU-236019 Kaliningrad region, Russian
 Federation

(540)


(591) Black, white
 (531) 26.05.01; 26.05.18; 26.05.24; 27.05.08;
 27.05.09; 27.05.10; 27.05.24

(511)
 12 – Bicycles; bicycle motors; adhesive rubber patches for repairing inner tubes; bicycle bells; rearview mirrors; inner tubes for bicycle tyres; bicycle wheels; baskets adapted for bicycles; panniers adapted for bicycles; treads for retreading tyres; mopeds; repair outfits for inner tubes; pumps for bicycles, cycles; rims for bicycle wheels; bicycle pedals; bicycle kicks-tands; casings for pneumatic tyres; bicycle frames; bicycle handlebars; bicycle cranks; bicycle saddles; dress guards for bicycles; motor scooters; snowmobiles; spokes for bicycle wheels; hubs for bicycle wheels; bicycle brakes; spoke clips for wheels; bicycle chains; anti-skid chains; saddle covers for bicycles; gears for bicycles; tubeless tires for bicycles; bicycle tyres; bicycle mudguards.

28 – Scooters [toys]; toy vehicles.

(260) AM 2022 115838 A
 (800) 1571879
 (151) 2020 08 20
 (891) 2021 10 05
 (731) TikTok Information Technologies UK Limited
 One London Wall, 6th Floor, London
 EC2Y 5EB, United Kingdom

(540)
TikTok

(591) Black, white
 (511)
 3 – Cosmetics; soap; cleaning preparations; polishing preparations; abrasives; perfume; dentifrices; cosmetics for pets; air fragrancing preparations; incense.
 8 – Sharpening instruments; garden tools, hand-operated; nail clippers, electric or non-electric; hand tools, hand-operated; graving tools [hand tools]; cutters; table cutlery [knives, forks and spoons].

10 – Feeding bottles.

27 – Carpets; door mats; floor coverings; yoga mats; textile wallpaper.

29 – Meat; weed extracts for food; seaweed extracts for food; fish, not live; fruits, tinned; fruits, canned; fruit, preserved; vegetables, preserved; eggs; edible fats; vegetable salads; gelatine; nuts, prepared; dried edible mushrooms.

31 – Trees; animal foodstuffs; aromatic sand [litter] for pets; beans, fresh; coconut shells; flowers, dried, for decoration; nuts, unprocessed; peanuts, fresh; vegetables, fresh; yeast for animal consumption.

32 – Non-alcoholic drinks; beers; syrups for beverages.

33 – Spirits and liquors; wine.

39 – Transportation services; travel reservation services; transport reservation services; travel agency services; packaging of goods; boat rental; mail delivery and courier services; arranging of tours.

43 – Accommodation bureaux [hotels, boarding houses]; providing campground facilities; day-nurseries [crèches]; boarding for animals; self-service restaurant services; restaurant services; tourist home services; food and drink catering; rental of chairs, tables, table linen, glassware.

(260) AM 2022 115904 A

(800) 1634014

(151) 2021 08 19

(891) 2021 08 19

(731) Egis Gyógyszergyár Zrt.

Keresztúri út 30-38., H-1106 Budapest,
Hungary

(540)

ВИВАСОЛЮТ

(591) Black, white

(531) 28.05

(511)

3 – Cosmetics and cosmetic preparations.

5 – Human pharmaceutical preparations; dietetic substances adapted for medical use; dietary supplements; medicinal ointments; medicated skin creams; plasters, materials for dressings.

(260) AM 2022 115905 A

(800) 1634019

(151) 2021 08 19

(891) 2021 08 19

(731) Egis Gyógyszergyár Zrt.

Keresztúri út 30-38., H-1106 Budapest,
Hungary

(540)

ПРОДЕРМОЛОН

(591) Black, white

(531) 28.05

(511)

3 – Cosmetics and cosmetic preparations.

5 – Human pharmaceutical preparations; dietetic substances adapted for medical use; dietary supplements; medicinal ointments; medicated skin creams; plasters, materials for dressings.

(260) AM 2022 115906 A

(800) 1634020

(151) 2021 08 19

(891) 2021 08 19

(731) Egis Gyógyszergyár Zrt.

Keresztúri út 30-38., H-1106 Budapest,
Hungary

(540)

МЕПРЕСОЛЮТ

(591) Black, white

(531) 28.05

(511)

3 – Cosmetics and cosmetic preparations.

5 – Human pharmaceutical preparations; dietetic substances adapted for medical use; dietary supplements; medicinal ointments; medicated skin creams; plasters, materials for dressings.

(260) AM 2022 115907 A

(800) 1634022

(151) 2021 08 12

(891) 2021 08 12

(731) Egis Gyógyszergyár Zrt.

Keresztúri út 30-38., H-1106 Budapest,
Hungary

(540)

ОРИВЕАЛ

(591) Black, white

(531) 28.05

(511)

3 – Cosmetics and cosmetic preparations.

5 – Human pharmaceutical preparations; dietetic substances adapted for medical use; dietary supplements; medicinal ointments; medicated skin creams; plasters, materials for dressings; none of the aforesaid being pharmaceutical preparations for the treatment of fungal infections and diseases; antifungal drugs; anti-fungal preparations.

(260) AM 2022 115908 A
 (800) 1634047
 (151) 2021 11 03
 (891) 2021 11 03
 (731) Bayer Intellectual Property GmbH
 Alfred-Nobel-Str. 10, 40789 Monheim
 am Rhein, Germany
 (540)

ASPISEPT

(591) Black, white
 (511)
 5 – Pharmaceutical preparations.

(260) AM 2022 115909 A
 (800) 1634058
 (151) 2021 11 09
 (891) 2021 11 09
 (731) MÄURER & WIRTZ GmbH & Co. KG
 Zweifaller Str. 120, 52224 Stolberg, Germany
 (540)

Wild Ride

(591) Black, white
 (511)
 3 – Soaps, perfumery products, essential oils, cosmetics, hair lotions, dentifrices.

(260) AM 2022 115911 A
 (800) 1634080
 (151) 2021 10 19
 (891) 2021 10 19
 (731) ZHEJIANG GEELY HOLDING GROUP CO.,
 LTD.
 1760 Jiangling Road, Binjiang District,
 Hangzhou, Zhejiang, China

(540)

FARIZON AUTO

(591) Black, white
 (531) 27.05.01
 (511)
 12 – Vehicles for locomotion by land, air, water or rail; electric vehicles; propulsion mechanisms for land vehicles; land vehicle gearbox; automobiles; automobile chassis; motorcycles; electric self-balancing car; tyres for vehicle wheels; brakes for vehicles.

37 – Construction consultation; construction; upholstery repair; heating equipment installation and repair; electric appliance installation and repair; motor vehicle maintenance and repair; airplane maintenance and repair; rustproofing; retreading of tyres; furniture maintenance.

(260) AM 2022 115912 A
 (800) 1634099
 (151) 2021 08 03
 (891) 2021 08 03
 (731) Nordbrand Nordhausen GmbH
 Bahnhofstraße 25, 99734 Nordhausen,
 Germany
 (540)

Humboldt

(591) Black, white
 (511)
 32 – Non-alcoholic beverages; preparations for making beverages; non-alcoholic sparkling wine; non-alcoholic secco; non-alcoholic wine.

33 – Alcoholic beverages (except beers); wine; sparkling wine; spirits; liqueurs.

(260) AM 2022 115913 A
 (800) 1634141
 (151) 2021 11 04
 (891) 2021 11 04
 (731) FERRERO S.P.A.
 PIAZZALE PIETRO FERRERO 1, I-12051
 ALBA, CUNEO, Italy
 (540)



(591) Brown, beige, red-orange and white
 (531) 01.15.15; 05.07.02; 05.07.06; 08.01.20;
 08.03.01; 11.03.02; 11.03.20; 25.05.02;
 26.04.05; 26.04.16; 29.01.15

(511)
 30 – Pastries; confectionery; chocolate; chocolate products; cereal-based confectionery products; biscuits; ice cream.

(260) AM 2022 115914 A
 (800) 1634170
 (151) 2021 10 19
 (891) 2021 10 19
 (731) ZHEJIANG GEELY HOLDING GROUP CO.,
 LTD.
 1760 Jiangling Road, Binjiang District,
 Hangzhou, Zhejiang, China

(540)



(591) Black, blue, white

(531) 09.03.19; 26.15.25; 29.01.12

(511)

12 – Vehicles for locomotion by land, air, water or rail; electric vehicles; automobile chassis; automobiles; trucks; propulsion mechanisms for land vehicles; gear boxes for land vehicles; self-balancing boards; commercial vehicle tire; brakes for vehicles.

37 – Construction consultation; construction; upholstery repair; heating equipment installation and repair; electric appliance installation and repair; motor vehicle maintenance and repair; airplane maintenance and repair; rustproofing; retreading of tyres; furniture maintenance.

(260) AM 2022 115915 A

(800) 1634210

(151) 2021 10 28

(891) 2021 10 28

(731) Obshchestvo s ogranichennoj otvetstvennostju
AVTOR

ul. Tallinskaya, d. 7, lit. O, chast' pom. 2N,
of. 379, RU-195196 Sankt-Peterburg,

Russian Federation

(540)

COMPASS

(591) Black, white

(531) 27.05.01

(511)

9 – electrical control and monitoring apparatus; mileage recorders for vehicles; bells [warning devices]; vehicle radios; signals, luminous or mechanical; vehicle breakdown warning triangles; electro-dynamic apparatus for the remote control of signals; sirens; remote control apparatus; theft prevention installations, electric; voltage regulators for vehicles; anti-theft warning apparatus; road signs, luminous or mechanical; fog signals, non-explosive; smoke detectors; traffic cones.

(260) AM 2022 115916 A

(800) 1634308

(151) 2021 08 17

(891) 2021 08 17

(731) RAINBOW S.P.A.

Via Brece Snc, I-60025 LORETO (AN), Italy

(540)



(591) Black, white

(531) 07.15.08; 14.01.13; 24.17.25; 27.05.01;
27.05.08; 27.05.09; 27.05.10

(511)

16 – Printed matter; stationery; stationery cases; diaries and agendas; pocket diaries; note pads; drawing pads; writing tablets; albums; notebook; printed tickets; gift cards; envelopes [stationery]; wrapping paper; folders for papers; folders of paper; ring binders; calendars; drawing paper; writing paper; adhesives [glues] for stationery or household purposes; stickers [decalcomanias]; collector trading cards; trivia cards; towels of paper; handkerchiefs of paper; party decorations of paper; party ornaments of paper; drawing pads for party invitations; banners of paper; flags of paper; gift bags; babies' bibs of paper; table napkins of paper; tablecloths of paper; place mats of paper; paper bags and sacks; paper gift bags; stamps [seals]; inking pads; stamp mounts; stamp cases; artists' materials; paintbrushes; drawing instruments; pens [office requisites]; pencils; decorations for pencils; rubber erasers; crayons; felt-tip pens; children's paint-boxes; aquarelles; chalks for colouring; bookmarkers; paperweights; photographs [printed]; photograph stands; printed publications; educational publications; newspapers; periodicals; strategy guide magazines for card games; computer game instruction manuals; pamphlets; recipe books; books; children's books; sticker activity books; children's books incorporating an audio component; typewriters, electric or non-electric; office requisites, except furniture; instructional and teaching material (except apparatus); plastic materials for packaging; printing fonts; bookbinding material; printing blocks; modelling paste; paper decorations for cakes; glitter glue for stationery purposes.

25 – Clothing; hosiery; sweaters; cardigans; waistcoats; dresses; trousers; shorts; jerseys; leather clothing; waterproof clothing; stockings; stocking suspenders; sock suspenders; wind-resistant jackets; raincoats; ski pants; fur coats; evening coats; overcoats; skirts; suits; jackets; undershirts; T-shirts; clothing for gymnastics; collars; shirts; head scarves; neckerchiefs; swimming costumes; bikinis; sundresses; tracksuits; sweat suits; wedding dresses; bath robes; beach robes; underwear; brassieres; corsets; slippers; underpants; briefs; night-shirts; housecoats; pyjamas; gloves (clothing); mittens; shawls; scarves; ties; bow ties; cassocks; layettes [clothing]; cloth bibs; babies' bibs of plastic; sleepwear for babies; aprons [clothing]; masquerade costumes; Halloween costumes; party hats [clothing]; belts

made from imitation leather; textile belts [clothing]; belts made from leather or skin; braces; headgear for wear; caps; ear muffs [clothing]; wrist warmers; headbands; shoes; boots; ankle boots; leather shoes; galoshes; rain boots; sports footwear; sandals; slippers; soles for footwear; heels; footwear uppers.

28 – Games and playthings; dolls; dolls' clothing; dolls' clothing accessories; dolls' houses; furniture for dolls' houses; toy houses; bean bag dolls; carnival masks; toy figures; playsets for action figures; plush toys; marionettes; imitation cosmetic preparations being toys; parlour games; toys adapted for educational purposes; electronic educational teaching games; toy clocks and watches; electronic toys; hand-held electronic video games; free-standing video games apparatus; electronic amusement apparatus incorporating a liquid crystal display; free-standing video games machines; protective carrying cases specially adapted for handheld video games; mechanical toys; building games; toy building blocks; jigsaw puzzles; action skill games; chess games; board games; clockwork toys; magic tricks; playing cards; toy figures; musical toys; toy musical boxes; toy record cassette players; bathtub toys; infants' swings; multiple activity toys for babies; snow globes; marbles for games; spinning tops [toys]; novelties for parties, dances [party favors, favours]; party favor hats; toy horns; Halloween masks; costume masks; carnival caps in the nature of paper party hats; toy money boxes; inflatable toys; bouncy castles; inflatable bath toys; stuffed toys; bubble making wand and solution sets; kites; toy buckets and spades; swimming rings; toy furniture; play tents; play mats incorporating infant toys [playthings]; toy bicycles; ride-on toy vehicles; scale model vehicles; toy scooters; toy cars; toy trucks; toy model hobbycraft kits; water squirting toys; gymnastic and sporting articles; rubber balls; balloons; soccer balls; basketballs; baseballs; beach balls; bowling balls; tennis balls; tables for table tennis; golf balls; golf gloves; gloves for games; gloves made specifically for use in playing sports; baseball bats; hockey pucks; roller skates; scooters [toys]; skateboards; snowboards; wakeboards; bags especially designed for skis and surfboards; protectors for elbows for use when riding bicycles [sports articles]; skipping rope; targets; punching bags; shuttlecocks; flying discs [toys]; paper party favours; paper party hats; streamers [party novelties]; decorations for Christmas trees, except illumination articles and confectionery; Christmas stockings, accessories for games; fishing tackle; toy putty; toy jewellery; toy cookware; toy sewing sets.

35 – Business management services; on-line retail and wholesale store services, and the bringing together, for the benefit of others, of a variety of goods, enabling customers to conveniently view and purchase those goods in relation to soap, perfumery, essential oils, cosmetics, hair lotions, dentifrices, bleaching preparations and other substances for laundry use,

cleaning, polishing, scouring and abrasive preparations, instructional and teaching apparatus and instruments, apparatus for recording, transmission or reproduction of sound or images, headphones, computer mice, mouse pads, USB flash drives, computer hardware, tablet computers, stands adapted for tablet computers, hand-held computers, software for tablet computers, DVDs, CD-ROMs, blank discs, digital recording media, computer game software, video games software, computer software, joy sticks, decorative magnets, audiovisual teaching apparatus, downloadable electronic publications, eyeglasses, eyeglass cases, eyeglass cords, eyeglass frames, spectacle lenses, optical apparatus and instruments, cellular phones, smartphones, portable telecommunications apparatus, telephone earpieces, battery chargers for cellular phones, downloadable ring tones for mobile phones, cases adapted for cellular phones, cell phone straps, bags adapted for laptops, DVD cases, cases adapted for cameras, cases adapted for optical articles, coin-operated mechanisms, protective helmets for sports, photographic apparatus and instruments, measuring apparatus, electrical weighing apparatus, vehicles, apparatus for locomotion by land, air or water, bicycles; on-line retail and wholesale store services, and the bringing together, for the benefit of others, of a variety of goods, enabling customers to conveniently view and purchase those goods in relation to precious metals and their alloys, gold jewelry, jewellery, precious stones, timepieces, chronometric instruments, musical instruments, paper, cardboard, printed matter, book-binding material, printed photographs, stationery, stationery cases, diaries, agendas, adhesives [glues] for stationery or household purposes, artists' materials, paintbrushes, typewriters and office requisites other than furniture, instructional and teaching material other than apparatus, plastic materials for packaging, printing fonts, printing blocks, trading cards, printed publications, leather and imitations of leather, bags, coin purses, wallets, credit card holders made of leather, keycases, key cases of leather and skins, rucksacks, haversacks, school satchels, suitcases, bum-bags, empty cosmetic bags, trunks and travelling bags, clothing for pets, umbrellas, parasols, walking sticks, furniture, mirrors, picture frames, photograph frames, storage boxes, magazine racks, bathroom fittings in the nature of furniture, baskets, trays not of metal, sculptures of bone, clothes stands, umbrella stands, screens [furniture], trolleys [furniture], chairs [seats], divans, beds, cots for babies, crib bumpers, babies' bouncing chairs, high chairs for babies, infant walkers, baby changing mats, mats for infant playpens, chests for toys, baby changing platforms, mattresses, cushions, playpens for babies, household or kitchen utensils or containers, combs, sponges, brushes, articles for cleaning purposes, glassware for household purposes, porcelain ware, toilet utensils, household or kitchen utensils and containers, thermally insulated containers for food and drink, baskets for domestic

use, vases, figurines [statuettes] of porcelain, ceramic, earthenware or glass, decorative articles of porcelain; on-line retail and wholesale store services, and the bringing together, for the benefit of others, of a variety of goods, enabling customers to conveniently view and purchase those goods in relation to textile goods and substitutes for textile goods, bed linen, quilts, bath linen except clothing, towels of textile, table linen of textile, table covers, furniture coverings of textile, curtains of textile or plastic, clothing, shoes, headgear for wear, belts, lace and embroidery, ribbons and braid, buttons, hooks and eyes, brooches, needles, artificial flowers, hair ornaments not of precious metal, brooches [clothing accessories], buckles [clothing accessories], games, toys, gymnastic and sporting articles, decorations for Christmas trees, meat, fish, poultry, game, meat extracts, preserved, frozen, dried and cooked fruits and vegetables, jellies, jams, compotes, eggs, milk and milk products, edible oils and fats, coffee, tea, cocoa, artificial coffee, rice, tapioca, sago, flour, cereal preparations, bread, pastries, confectionery, ice cream, sugar, honey, golden syrup, yeast, baking-powder, salt, mustard, vinegar, sauces in the nature of condiments, spices, ice, beer, mineral and aerated waters and other non-alcoholic beverages, fruit beverages and fruit juices, syrups and other preparations for making beverages; presentation of goods on communication media, for retail purposes; business merchandising display services; sales promotion for others; organization of events, exhibitions, fairs and shows for commercial, promotional and advertising purposes; advertising, including on-line advertising on a computer network; business administration; office functions; business management assistance; import-export agency services; personnel management consultancy; administrative services for the relocation of businesses; secretarial services; book-keeping; rental of vending machines; vending machine services; retail or wholesale services for pharmaceutical, veterinary and sanitary preparations and medical supplies.

41 – Entertainment services; entertainment in the form of films; producing, distribution and rental of motion pictures, television and radio programmes, sound recordings and videos; creating animated cartoons; production of cartoons; production of entertainment live performances; showing of cinematographic films; presentation of recital; television entertainment in the nature of live-action, comedy, drama, and/or animated television programmes; providing non-downloadable films and television programs via a video-on-demand service; providing films, not downloadable, via video-on-demand services; providing television programmes, not downloadable, via video-on-demand services; rental of videotapes; providing on-line electronic publications, not downloadable; television entertainment; entertainment services provided via a global computer network; providing of films available online on the Internet, non-downloadable;

provision of non-downloadable games on the Internet; publication of books, magazines and electronic publications on cinema, music and video games; information on services related to games, music and cinema services available on-line, not downloadable; booking of rooms for entertainment; provision of entertainment facilities; entertainment services provided by clowns; holiday camp amusement centre services; amusement parks; amusement parks and arcades; theme park services; zoological garden services; amusement park services; providing waterpark services; entertainment services in the nature of an amusement park show; organisation of entertainment, sporting, recreational, cultural and artistic events; organisation of group recreational activities; ticket agency services; ticket reservation and booking services for entertainment events; booking of seats for shows and booking of theatre tickets; booking agency services for cinema tickets; entertainment information; providing information on entertainment through computer networks; providing entertainment events in the form of live music shows; rental of amusement machines and apparatus; arranging and conducting conferences, exhibitions and seminars; arranging of contests; organization of competitions; theater productions; sporting and cultural activities; providing recreation facilities; teaching; providing of training; organization of training courses; workshops for training purposes; production of training videos; conducting of instructional seminars; provision of information relating to training; recreation and training services; provision of training facilities; instruction in group exercise; provision of instruction relating to nutrition; publishing printed matter and publications; publication of books, magazines, almanacs and journals; providing on-line publications.

(260) AM 2022 115917 A

(800) 1634344

(151) 2021 08 20

(891) 2021 08 20

(731) "FADO S.R.L." Societa' a responsabilita' Limitata
PIAZZA DEL MERCATO 18, I-00044
FRASCATI (RM), Italy

(540)



(591) Orange and white

(531) 26.04.04; 26.04.05; 26.04.18; 26.04.24;
27.05.01; 27.05.17; 27.05.19; 27.05.22;
27.05.24; 29.01.12

(511)

6 – Arbours [structures] of metal; aluminium foil; aluminium wire; aluminium; anchors; anchor plates/ tie plates; anti-friction metal; reinforcing materials of metal for building; reinforcing materials, of metal, for concrete; reinforcing materials of metal for pipes; reinforcing materials of metal for machine belts; beacons of metal, non-luminous; beams of metal; girders of metal; bottles [containers] of metal for compressed gas or liquid air; balustrades of metal; crash barriers of metal for roads; barrels of metal; swimming pools [structures] of metal; beryllium [glucinium]; white metal; blooms [metallurgy]; eye bolts; screw rings; bolts of metal; casks of metal; mooring buoys of metal; identification bracelets of metal; bronze; armoured doors of metal; armour-plating of metal; fittings of metal for building; buildings of metal; buildings, transportable, of metal; building materials of metal; hoppers of metal, non-mechanical; vanadium; bird baths [structures] of metal; loading pallets of metal; signboards of metal; ironmongery; windows of metal; shutters of metal; window fasteners of metal; window frames of metal; window stops of metal; sash fasteners of metal for windows; bag hangers of metal; containers of metal for storing acids; packaging containers of metal; containers of metal for liquid fuel; containers of metal for compressed gas or liquid air; tanks of metal; reservoirs of metal; refractory construction materials of metal; water-pipes of metal; roof gutters of metal; gutter pipes of metal; aviaries [structures] of metal; tungsten; gates of metal; sleeves [metal hardware]; street gutters of metal; nuts of metal; hooks [metal hardware]; hooks of metal for roofing slates; galena [ore]; celtium [hafnium]; clothes hooks of metal; hooks of metal for clothes rails; pot hooks of metal; screws of metal; screw tops of metal for bottles; germanium; latticework of metal; trellis of metal; furnace fireguards of metal; vice claws of metal; roof coverings of metal; doors of metal; door bells of metal, non-electric; door knockers of metal; door panels of metal; door frames of metal; door casings of metal; door handles of metal; door stops of metal; door fasteners of metal; mouldings of metal for building; mouldings of metal for cornices; chimney cowls of metal; bells; bells for animals; chimneys of metal; chimney shafts of metal; dispensers for dog waste bags, fixed, of metal; towel dispensers, fixed, of metal; paving slabs of metal; paving blocks of metal; steps of metal; drain pipes of metal; wire of common metal; wire of common metal alloys, except fuse wire; soldering wire of metal; wire cloth; wire gauze; badges of metal for vehicles; labels of metal; troughs of metal for mixing mortar; jalousies of metal; tinsplate; pantiles of metal; rivets of metal; sealing caps of metal; iron wire; railway points; railway sleepers of metal; iron ores; iron strip; hoop iron; iron, unwrought or semi-wrought; locks of metal for bags; locks of metal for vehicles; locks of metal, other than electric; padlocks of metal, other than electronic; spring locks; sa-

fety chains of metal; box fasteners of metal; bolts, flat; lock bolts; door bolts of metal; wheel clamps [boots]; cramps of metal [crampons]; clips of metal for cables and pipes; clips of metal for sealing bags; tree protectors of metal; safety cashboxes; prefabricated houses [kits] of metal; common metals, unwrought or semi-wrought; junctions of metal for pipes; couplings of metal for chains; machine belt fasteners of metal; cable joints of metal, non-electric/cable linkages of metal, non-electric; ingots of common metal; road signs, non-luminous and non-mechanical, of metal; signs, non-luminous and non-mechanical, of metal; outdoor blinds of metal; gold solder; nameplates of metal; identity plates of metal; indium; cabanas of metal; paint spraying booths of metal/booths of metal for spraying paint; cadmium; ropes of metal; jerrycans of metal; framework of metal for building; greenhouse frames of metal; cornices of metal; cermet; crampons [climbing irons]; pegs of metal; shoe pegs of metal; tent pegs of metal; ferrules of metal; ferrules of metal for handles; rings of metal; stop collars of metal; drain traps [valves] of metal; water-pipe valves of metal; valves of metal, other than parts of machines; metal cages for wild animals; keys of metal; latches of metal; cobalt, raw; anvils; anvils [portable]; ironwork for windows; ironwork for doors; skating rinks [structures] of metal; chimney pots of metal; bottle caps of metal; bottle caps of metal; chill-moulds [foundry]; manifolds of metal for pipelines; elbows of metal for pipes; bed casters of metal; furniture casters of metal; pillars of metal for building; barbed wire; preserve tins; bicycle parking installations of metal; containers of metal [storage, transport]; check rails of metal for railways; boxes of common metal; tool boxes of metal, empty; reels of metal, non-mechanical, for flexible hoses; baskets of metal; taps of metal for casks; silicon iron; closures of metal for containers; bottle closures of metal; bottle fasteners of metal; manhole covers of metal; binding screws of metal for cables; brackets of metal for building; brackets of metal for furniture; balls of steel; chicken-houses of metal; angle irons of metal; cattle chains; chains of metal; brass, unwrought or semi-wrought; foundry moulds of metal/foundry molds of metal; limonite; sheets and plates of metal; cast steel; letters and numerals of common metal, except type; magnesium; manganese; grease nipples; linings of metal for building; wall linings of metal for building; cladding of metal for building; wall claddings of metal for building; railway material of metal; materials of metal for funicular railway permanent ways; memorial plates of metal; iron slabs; metals in powder form; metals in foil or powder form for 3D printers; copper wire, not insulated; copper rings; copper, unwrought or semi-wrought; molybdenum; pipe muffs of metal; tombs of metal; bronzes for tombstones; monuments of metal for tombs; grave slabs of metal; tombstone stelae of metal; flashing of metal for building; fish plates [rails]; rope thimbles of metal; ferrules of metal for walking sticks;

winding spools of metal, non-mechanical, for flexible hoses; penstock pipes of metal; handcuffs; nozzles of metal; duckboards of metal; tension links; nickel silver; thread of metal for tying-up purposes; nickel; niobium; house numbers of metal, non-luminous; bindings of metal; sheaf binders of metal; loading gauge rods of metal for railway wagons; barrel hoops of metal; casings of metal for oilwells; wainscoting of metal; fences of metal; enclosures of metal for tombs; tin; tinplate packings; shuttering of metal for concrete; poles of metal; posts of metal for power lines; poles of metal for power lines; filings of metal; monuments of metal; building panels of metal; traps for wild animals; branching pipes of metal; binding thread of metal for agricultural purposes; partitions of metal; lintels of metal; porches [structures] of metal; transport pallets of metal; handling pallets of metal; horseshoe nails; floors of metal; trays of metal; stakes of metal for plants or trees; props of metal; cask stands of metal; firedogs [andirons]; pyrophoric metals; floating containers of metal; floating docks of metal, for mooring boats; platforms, prefabricated, of metal; rocket launching platforms of metal; slabs of metal for building; tiles of metal for building; floor tiles of metal; tile floorings of metal; turntables [railways]; busts of common metal; stringers [parts of staircases] of metal; roofing tiles of metal; roofing of metal; roof flashing of metal; roofing of metal, incorporating photovoltaic cells; fireplace mantles of metal; joists of metal; sills of metal; bathtub grab bars of metal; silver-plated tin alloys; letter boxes of metal; door scrapers; wire stretchers [tension links]; stretchers for metal bands [tension links]; stretchers for iron bands [tension links]; belt stretchers of metal; window openers of metal, non-electric; door openers of metal, non-electric; window closers of metal, non-electric; door closers of metal, non-electric; wind-driven bird-repelling devices made of metal; stoppers of metal; plugs of metal; shims; springs [metal hardware]; rods of metal for welding; rods of metal for brazing and welding rods of metal for brazing; frames of metal for building; registration plates of metal; numberplates of metal; rails of metal; gratings of metal; scaffolding of metal; beak-irons; split rings of common metal for keys; window pulleys of metal; roller blinds of steel; ores of metal; knobs of metal; pigsties of metal; lead, unwrought or semi-wrought; lead seals; safes [metal or non-metal]/strongboxes [metal or non-metal]; safes, electronic; signalling panels, non-luminous and non-mechanical, of metal; silos of metal; laths of metal; insect screens of metal; pitons of metal; burial vaults of metal; buckles of common metal [hardware]; braces of metal for handling loads; chests of metal; bins of metal; tool chests of metal, empty; straps of metal for handling loads; belts of metal for handling loads; jets of metal; alloys of common metal; silver solder; steel wire; steel buildings; steel sheets; steel strip; hoop steel; steel pipes; steel masts; steel alloys; steel, unwrought or semi-wrought; tinfoil; statues of com-

mon metal; ceilings of metal; stables of metal; step stools of metal; wall tiles of metal; wall plugs of metal; posts of metal; stops of metal; steps [ladders] of metal; latch bars of metal; bars for metal railings; hot-rolled steel bars; peeled metal bars; drawn and polished metal bars; bright steel bars; bands of metal for tying-up purposes; slings of metal for handling loads; casement windows of metal; folding doors of metal; mobile boarding stairs of metal for passengers; staircases of metal; stair treads [steps] of metal; tombstone plaques of metal; tantalum [metal]; brazing alloys; bronzes [works of art]; works of art of common metal; telegraph posts of metal; telephone boxes of metal; greenhouses of metal, transportable; titanium; tombac; diving boards of metal; telpher cables; cables of metal; wire rope; pipes of metal; ducts of metal for ventilating and air-conditioning installations; ducts of metal, for central heating installations; pipework of metal; advertisement columns of metal; mooring bollards of metal; turnstiles of metal; tubbing of metal; tungsten iron; molybdenum iron; ferrotitanium; chrome iron; statuettes of common metal; fillings of metal for compressed air lines; flagpoles of metal; flanges of metal [collars]; weather- or wind-vanes of metal; foils of metal for wrapping and packaging; ice moulds of metal; door fittings of metal; fittings of metal for furniture; fittings of metal for windows; fittings of metal for beds; fittings of metal for coffins; runners of metal for sliding doors; collars of metal for fastening pipes; chromium; chrome ores; nails; tacks [nails]; brads; zinc; zirconium; cast iron, unwrought or semi-wrought; vats of metal; palings of metal; washers of metal; hinges of metal; strap-hinges of metal; pulleys of metal, other than for machines; window casement bolts; cotter pins of metal; spurs; sheet piles of metal; pins [hardware]; shoe dowels of metal; masts of metal; cashboxes [metal or non-metal].

7 – 3D printers; automatic grapnels for marine purposes; air brushes for applying colour; aerocondensers; glaziers' diamonds [parts of machines]; anti-friction bearings for machines; anti-friction pads for machines; apparatus for aerating water; apparatus for aerating beverages; elevator operating apparatus; lift operating apparatus; acetylene cleaning apparatus; apparatus for drawing up beer under pressure; drums [parts of machines]; concrete mixers [machines]; pulleys; reels [parts of machines]; bobbins for weaving looms; harrows; flour mill machines; journal boxes [parts of machines]; bulldozers; hoppers [mechanical discharging]; drilling rigs, floating or non-floating; vacuum pumps [machines]; loom shafts; rolling mill cylinders; haulage apparatus [mining]; haulage apparatus [mining]; loading ramps; fans for motors and engines; machine tools; die-cutting and tapping machines; nut-tapping machines; threading machines; screwdrivers, electric; exhaust manifold for engines; exhausts for motors and engines; vibrators [machines] for industrial use; wringing machines for laundry; clack valves [parts of machines]; centrifugal mills; centrifugal

pumps; whisks, electric, for household purposes; winnowers; water heaters being parts of machines; metal drawing machines; friezing machines; notchers [machine tools]; coal-cutting machines; suction machines for industrial purposes; suction nozzles for vacuum cleaners; carbon brushes [electricity]; vulcanization apparatus; knitting machines; lawnmowers [machines]; brake shoes, other than for vehicles; brake pads, other than for vehicles; brake linings, other than for vehicles; brake segments, other than for vehicles; emergency power generators; alternators; dynamos; bicycle dynamos; current generators; hydraulic engines and motors; hydraulic engines and motors; torque converters, other than for land vehicles; mine borers; mineworking machines; mufflers for motors and engines; cylinder heads for engines; card clothing [parts of carding machines]; potters' wheels; sharpening machines; rakes for raking machines; engraving machines; stalk separators [machines]; mud catchers and collectors [machines]; tarring machines; rubber tracks being parts of crawlers on construction machines; rubber tracks being parts of crawlers on mining machines; rubber tracks being parts of crawlers on loading-unloading machines and apparatus; rubber tracks being parts of crawlers on agricultural machines; rubber tracks being parts of crawlers on snow ploughs; aeroplane engines; aeronautical engines; engines for boats; engines for air cushion vehicles; compressed air engines; motors, other than for land vehicles/engines, other than for land vehicles; de-aerators for feedwater; disintegrators; tympan [parts of printing presses]; woodworking machines; derricks; joysticks being parts of machines, other than for game machines; adhesive tape dispensers [machines]; dividing machines; mortising machines; milking machines; chisels for machines; jacks [machines]; pneumatic jacks; road sweeping machines, self-propelled; road making machines; drainage machines; electric hand drills; kitchen grinders, electric; typographic machines; typographic presses; printing plates; printing rollers for machines; printing presses; printing machines; printing cylinders; ejectors; fuel economisers for motors and engines; excavators; electrical apparatus for sealing plastics [packaging]; electric welding apparatus; electric hammers; generators of electricity; motors, electric, other than for land vehicles; electrodes for welding machines; electric arc welding apparatus; electric arc cutting apparatus; electromechanical machines for chemical industry; escalators; labellers [machines]; flues for engine boilers; feeders [parts of machines]; feeding apparatus for engine boilers; reapers; reapers and binders; millstones; handling apparatus for loading and unloading; railroad constructing machines; igniting devices for internal combustion engines; chucks [parts of machines]; scale collectors for machine boilers; soldering apparatus, gas-operated; welding apparatus, gas-operated; welding machines, electric; bending machines; raking machines; grain separators; reapers and threshers; joints [parts of engines];

shaft couplings [machines]; mixing machines; mixers [machines]; blenders, electric, for household purposes; machine wheelwork; couplings, other than for land vehicles; stitching machines; injectors for engines; incubators for eggs; ski edge sharpening tools, electric; control cables for machines, engines or motors; capstans; coffee grinders, other than hand-operated; calenders; sizing machines; stone-working machines; ditchers [ploughs]; cowlings [parts of machines]; guards [parts of machines]; carburetters; carburetter feeders; sliders for knitting machines; crankcases for machines, motors and engines; catalytic converters; hydraulic controls for machines, motors and engines; pneumatic controls for machines, motors and engines; piston segments; valves [parts of machines]; glue guns, electric; riveting machines; machine wheels; crank shafts; compressors [machines]; compressors for refrigerators; conveyors [machines]; converters for steelworks; steam condensers [parts of machines]; condensing installations; diggers [machines]; rams [machines]; cranks [parts of machines]; boxes for matrices [printing]; gear boxes, other than for land vehicles; housings [parts of machines]; steam engine boilers; reels, mechanical, for flexible hoses; basket presses; cranes [lifting and hoisting apparatus]; taps [parts of machines, engines or motors]; hangers [parts of machines]; tilt hammers; ball rings for bearings; cultivators [machines]; food processors, electric; kitchen machines, electric; gas-operated blow torches; elevator chains [parts of machines]; chain saws; winches; blade sharpening [stropping] machines; blade sharpening machines; blade holders [parts of machines]; foundry machines; moulds [parts of machines]/molds [parts of machines]; elevators [lifts]; shovels, mechanical; blades [parts of machines]; igniting magnetos; handling machines, automatic [manipulators]; churns; butter machines; grease rings [parts of machines]; grease boxes [parts of machines]; lubricating pumps; lubricators [parts of machines]; matrices for use in printing; machine fly-wheels; whitewashing machines; sausage making machines; sausage making machines; cord making machines; lace making machines; stereotype machines; bitumen making machines; pasta making machines, electric; machines for the mineralization of drinking water; machines for the production of sugar; electroplating machines; swaging machines; food preparation machines, electromechanical; beverage preparation machines, electromechanical; printing machines for use on sheet metal; dyeing machines; bottle capping machines; bottle stoppering machines; sealing machines for industrial purposes; bottle sealing machines; bicycle assembling machines; harvesting machines; earth moving machines; leather paring machines; finishing machines; grain husking machines/corn and grain husking machines; bottle washing machines; type-setting machines [printing]; bottle filling machines; racket stringing machines; leather-working machines; machines for processing plastics; ore treating machines; glass-wor-

king machines; tobacco processing machines; peeling machines; papermaking machines; dairy machines; oil refining machines; brewing machines; hemming machines; crushing machines; grinding machines; shearing machines for animals; machines for the textile industry; embossing machines; waste compacting machines; trash compacting machines; machines and apparatus for carpet shampooing, electric; machines and apparatus for wax-polishing, electric; machines and apparatus for cleaning, electric; pump diaphragms; metalworking machines; control mechanisms for machines, engines or motors; mechanized livestock feeders; power hammers; high pressure washers; washing installations for vehicles; washing apparatus; fleshing machines; bellows [parts of machines]; forge blowers; agitators; mills [machines]; pepper mills, other than hand-operated; mills for household purposes, other than hand-operated; threshing machines; hammers [parts of machines]; cream/milk separators; engine mounts, other than for land vehicles; roller bridges; motorized cultivators; motors for boats; freewheels, other than for land vehicles; clutches, other than for land vehicles; meat choppers [machines]; pressure valves [parts of machines]; superchargers; reeling apparatus, mechanical; guides for machines; vacuum cleaner attachments for disseminating perfumes and disinfectants; pumps [machines]; pumps [parts of machines, engines or motors]; aerating pumps for aquaria; pumps for heating installations; beer pumps; shears, electric; scissors, electric; knives for mowing machines; chaff cutter blades; knives, electric; tin openers, electric; kick starters for motorcycles; wrapping machines; rotary printing presses; fittings for engine boilers; braiding machines; axles for machines; dust removing installations for cleaning purposes; dust exhausting installations for cleaning purposes; packing machines; fuel dispensing pumps for service stations; rotary steam presses, portable, for fabrics; steamrollers; road rollers; steam engines; steam/oil separators; superheaters; steam traps; fan belts for motors and engines; dynamo belts; belts for motors and engines; lift belts; belts for machines; adhesive bands for pulleys; soldering irons, gas-operated; soldering irons, electric; soldering apparatus, electric; soldering blow pipes; soldering lamps; pedal drives for sewing machines; gears, other than for land vehicles; fuel conversion apparatus for internal combustion engines; saws [machines]; saw blades [parts of machines]; vacuum cleaners; saw benches [parts of machines]; lifting apparatus; hoists; railway wagon lifts; lifts for trucks; elevating apparatus; lifts, other than ski-lifts; bearings [parts of machines]; bearings for transmission shafts; ball-bearings; roller bearings; bearing brackets for machines; guns [tools using explosives]; spray guns for paint; ploughs; turf removing ploughs; ploughshares; compressed air machines; pneumatic hammers; compressed air pumps; compressed air guns for the extrusion of mastics; pneumatic transporters;

pneumatic tube conveyors; air suction machines; blowing machines; blowing machines for the compression, sucking and carrying of grain; blowing machines for the compression, exhaustion and transport of gases; air condensers; air pumps [garage installations]; paper feeders [printing]; crushers for kitchen use, electric; garbage disposal units; weeding machines; pistons [parts of machines or engines]; shock absorber plungers [parts of machines]; pistons for engines; pistons for cylinders; dishwashers; trimming machines; apparatus for machining; washing machines [laundry]; coin-operated washing machines; ironing machines; smoothing presses; presses [machines for industrial purposes]; wine presses; fodder presses; fruit presses, electric, for household purposes; window openers, hydraulic; window openers, electric; window openers, pneumatic; door openers, hydraulic; door openers, electric; door openers, pneumatic; binding apparatus for hay; window closers, hydraulic; window closers, electric; window closers, pneumatic; door closers, hydraulic; door closers, electric; door closers, pneumatic; degreasers [machines]; anti-pollution devices for motors and engines; air cushion devices for moving loads; shoe polishers, electric; parquet wax-polishers, electric; cleaning appliances utilizing steam; curtain drawing devices, electrically operated; bookbinding apparatus and machines for industrial purposes; punching machines; punches for punching machines; rolling mills; rinsing machines; sifting installations; sifting machines; springs [parts of machines]; spinning frames; spinning machines; spinning wheels; puddling machines; pulverisers [machines]; atomisers [machines]; sewage pulverizers; tambours for embroidery machines; radiators [cooling] for motors and engines; jet engines, other than for land vehicles; regulators [parts of machines]; speed governors for machines, engines and motors; pressure regulators [parts of machines]; reduction gears, other than for land vehicles; pressure reducers [parts of machines]; rack and pinion jacks; rail-laying machines; gears for weaving looms; cutting blow pipes, gas-operated; cutters [machines]; tools [parts of machines]; cutting machines; knives [parts of machines]; industrial robots; filling machines; camshafts for vehicle engines; vending machines; vending machines; expansion tanks [parts of machines]; moving walkways; hand-held tools, other than hand-operated; propulsion mechanisms, other than for land vehicles; stuffing boxes [parts of machines]; self-oiling bearings; self-regulating fuel pumps; satinizing machines; drilling machines; drilling heads [parts of machines]; drilling heads [parts of machines]; drill chucks [parts of machines]; sparking plugs for internal combustion engines; glow plugs for Diesel engines; water separators; cigarette machines for industrial purposes; sieves [machines or parts of machines]; cinder sifters [machines]; sowers [machines]; agricultural implements, other than hand-operated; agricultural elevators; agricultural machines; tedding machines; net hauling ma-

chines [fishing]; straw [chaff] cutters; pigs for cleaning pipes; snow ploughs; sheaf-binding machines; juice extractors, electric; sorting machines for industry; suction cups for milking machines; stands for machines; starters for motors and engines; stators [parts of machines]; tables for machines; clippers [machines]; belts for conveyors; belt conveyors; planing machines; slide rests [parts of machines]; heat exchangers [parts of machines]; thermic lances [machines]; grating machines for vegetables; beating machines; beaters, electric; kneading machines; looms; hosiery looms; lathes [machine tools]; vacuum cleaner bags; grindstones [parts of machines]; sharpening wheels [parts of machines]; rammers [machines]; transmissions for machines; transmissions, other than for land vehicles; transmission shafts, other than for land vehicles; transmission chains, other than for land vehicles; holding devices for machine tools; boiler tubes [parts of machines]; wind turbines; turbines, other than for land vehicles; turbocompressors; driving motors, other than for land vehicles; driving chains, other than for land vehicles; universal joints [Cardan joints]; packaging machines; painting machines; aprons [parts of machines]; filters being parts of machines or engines; filters for cleaning cooling air, for engines; cartridges for filtering machines; filter presses; filtering machines; moulding machines; type-setting machines [photocomposition]; milling machines; bread cutting machines; journals [parts of machines]; nail extractors, electric; central vacuum cleaning installations; centrifugal machines; spin dryers [not heated]; cylinders for motors and engines; cylinders for machines; galvanizing machines; carding machines; shuttles [parts of machines]; inking apparatus for printing machines; connecting rods for machines, motors and engines; sewing machines; lasts for shoes [parts of machines]; pulleys [parts of machines]; vacuum cleaner hoses; trueing machines; shredders [machines] for industrial use; typecasting machines; die-stamping machines; stamping machines; darning machines; brushes [parts of machines]; dynamo brushes; brushes for vacuum cleaners; brushes, electrically operated [parts of machines].

8 – Abrading instruments [hand instruments]; glaziers' diamonds [parts of hand tools]; apparatus for destroying plant parasites, hand-operated; bayonets; razors, electric or non-electric; razor strops; borers; pickhammers; bushhammers; levers; fulling tools [hand tools]; table forks; screwdrivers, non-electric; agricultural forks [hand tools]; tap wrenches; lawn clippers [hand instruments]; spanners [hand tools]; wrenches [hand tools]; harpoons; harpoons for fishing; tattoo needles; scythe stones; stropping instruments; sharpening stones; leather strops; edge tools [hand tools]; pincers; tongs; goffering irons; crimping irons; rakes [hand tools]; sand trap rakes; engraving needles; cutter bars [hand tools]; handles for hand-operated hand tools; table knives, forks and spoons for babies; punch pliers [hand tools]; chisels; sculptors' chisels; mortise chi-

sels; lifting jacks, hand-operated; extension pieces for braces for screw taps; sharpening instruments; spades [hand tools]; clamps for carpenters or coopers; side arms, other than firearms; rabbeting planes; bits [hand tools]; depilation appliances, electric and non-electric; implements for decanting liquids [hand tools]; hand implements for hair curling; priming irons [hand tools]; gouges [hand tools]; numbering punches; oyster openers; ski edge sharpening tools, hand-operated; ear-piercing apparatus; livestock marking tools; moulding irons; stone hammers; embossers [hand tools]; punch rings [knuckle dusters]; instruments for punching tickets; ceramic knives; centre punches [hand tools]; truncheons; daggers; picks [hand tools]; pickaxes; mallets [hand instruments]; annular screw plates; scythe rings; scythe handles; riveters [hand tools]; riveting hammers [hand tools]; blades [weapons]; pliers; wire strippers [hand tools]; breast drills; fireplace bellows [hand tools]; caulking irons; diggers [hand tools]; lasts [shoemakers' hand tools]; rams [hand tools]; scythes; hainault scythes; squares [hand tools]; fire irons; nail clippers, electric or non-electric; blades [hand tools]; razor blades; blades for planes; shear blades; blade sharpening instruments; vices; bench vices [hand implements]; foundry ladles [hand tools]; fingernail polishers, electric or non-electric; spoons; crow bars; shovels [hand tools]; trowels [gardening]; spatulas for use by artists; ice picks; manicure sets; manicure sets, electric; palette knives; machetes; hair clippers for personal use, electric and non-electric; swords; taps [hand tools]; sledgehammers; hammers [hand tools]; masons' hammers; mattocks; ditchers [hand tools]; trowels; mincing knives [hand tools]; pedicure sets; needle files; emery grinding wheels; emery files; emery boards; files [tools]; dies [hand tools]; hand pumps; metal wire stretchers [hand tools]; metal band stretchers [hand tools]; shaving cases; cattle shearers; wick trimmers [scissors]; shears; shearers [hand instruments]; pruning shears; tree pruners; border shears; scissors; tin openers, non-electric; farriers' knives; scaling knives; pizza cutters, non-electric; grafting tools [hand tools]; bill-hooks; hunting knives; cleavers; bill-hooks; penknives; knives; cutlery; nail drawers [hand tools]; vegetable slicers, hand-operated; vegetable choppers; budding knives; reamer sockets; perforating tools [hand tools]; saws [hand tools]; jig-saws; bow saws; nail files; nail files, electric; tweezers; hair-removing tweezers; guns [hand tools]; non-electric caulking guns; guns, hand-operated, for the extrusion of mastics; sword scabbards; table knives, forks and spoons of plastic; fruit pickers [hand tools]; paring irons [hand tools]; air pumps, hand-operated; weeding forks [hand tools]; polishing irons [glazing tools]; saw blades [parts of hand tools]; tool belts [holders]; flat irons; irons [non-electric hand tools]; money scoops; fish tapes [hand tools]; apparatus for tattooing; punches [hand tools]; nail punches; pin punches; thistle extractors [hand tools]; frames for handsaws; rasps [hand tools]; cutting tools [hand to-

ols]; tube cutting instruments; bits [parts of hand tools]; graving tools [hand tools]; cutters; syringes for spraying insecticides; reamers; insecticide vaporizers [hand tools]; expanders [hand tools]; planes; plane irons; knife handles; saw holders; hand drills, hand-operated; fullers [hand tools]; hand tools, hand-operated; beard clippers; hair clippers for animals [hand instruments]; garden tools, hand-operated; pruning knives; hoes [hand tools]; augers [hand tools]; hollowing bits [parts of hand tools]; gimlets [hand tools]; drill holders [hand tools]; pruning scissors; sickles; choppers [knives]; mandolines; agricultural implements, hand-operated; cheese slicers, non-electric; scrapers for skis; scraping tools [hand tools]; axes; holing axes; hatchets; hoop cutters [hand tools]; silver plate [knives, forks and spoons]; table cutlery [knives, forks and spoons]; drawing knives; mortars for pounding [hand tools]; mitre boxes [hand tools]; branding irons; adzes [tools]; carpenters' augers; braiders [hand tools]; sharpening steels; grindstones [hand tools]; sharpening wheels [hand tools]; rammers [hand tools]; pestles for pounding [hand tools]; earth rammers [hand tools]; whetstone holders; ratchets [hand tools]; tube cutters [hand tools]; razor cases; hobby knives [scalpels]; nail extractors, hand-operated; ladles [hand tools]; hackles [hand tools]; scraping tools [hand tools]; sabres; milling cutters [hand tools]; marline spikes; awls; instruments and tools for skinning animals; spatulas [hand tools]; stamping-out tools [hand tools]; curling tongs; cuticle tweezers; nail nippers; eyelash curlers; egg slicers, non-electric.

9 – 3D spectacles; answering machines; ticket dispensers; circuit breakers; automated teller machines [ATM]; steering apparatus, automatic, for vehicles; automatic indicators of low pressure in vehicle tyres; aerometers; asbestos clothing for protection against fire; asbestos gloves for protection against accidents; asbestos screens for firemen; accelerometers; actinometers; batteries for electronic cigarettes; accumulators, electric; acoustic couplers; alidades; altimeters; ammeters; anemometers; anodes; anode batteries; aerials; anti-glare glasses; visors for helmets; anticathodes; remote control apparatus; data processing apparatus; apparatus to check franking; apparatus for fermentation [laboratory apparatus]; igniting apparatus, electric, for igniting at a distance; apparatus and installations for the production of X-rays, not for medical purposes; Global Positioning System [GPS] apparatus; testing apparatus not for medical purposes; aperimeters [optics]; acid hydrometers; acidimeters for batteries; apparatus and instruments for astronomy; audio- and video-receivers; audiovisual teaching apparatus; audio interfaces; beacons, luminous; balancing apparatus; lighting ballasts; battery jars/accumulator jars; barometers; ignition batteries; batteries, electric; batteries, electric, for vehicles/accumulators, electric, for vehicles; accumulators, electric, for vehicles; cordless telephones; balances [steelyards]; betatrons; binoculars; biochips; computer memory devi-

ces; black boxes [data recorders]; fire hose nozzles; connected bracelets [measuring instruments]; scales; baby scales; scales with body mass analysers; bathroom scales; weighbridges; plumb bobs; vacuum gauges; vacuum tubes [radio]; variometers; shoes for protection against accidents, irradiation and fire; measuring instrument; gauges; measuring apparatus; measuring devices, electric; measures; current rectifiers; high-frequency apparatus; flowmeters; branch boxes [electricity]; video screens; camcorders; video cassettes; video baby monitors; video telephones; viewfinders, photographic; sighting telescopes for firearms; telescopic sights for firearms; viscosimeters; wind socks for indicating wind direction; levelling staffs [surveying instruments]; rods [surveying instruments]; peepholes [magnifying lenses] for doors; marking buoys; fire extinguishers; diving suits; divers' masks; fibre optic cables/fiber optic cables; voltmeters; ear plugs for divers; gas testing instruments; gasometers [measuring instruments]; discharge tubes, electric, other than for lighting; galena crystals [detectors]; galvanic batteries; galvanic cells; galvanometers; hands-free kits for telephones; virtual reality headsets; heliographic apparatus; surveying apparatus and instruments; surveying chains; weights; hygrometers; hydrometers; needles for surveying compasses; needles for record players; holograms; measuring glassware; sounding leads; loudspeakers; range finders; decompression chambers; densimeters; densitometers; detectors; smoke detectors; counterfeit coin detectors; bells [warning devices]; mirrors [optics]; mirrors for inspecting work; dictating machines; dynamometers; floppy disks; disks, magnetic; disk drives for computers; juke boxes for computers; telerupters; distillation apparatus for scientific purposes; diffraction apparatus [microscopy]; breathing apparatus for underwater swimming; breathing apparatus, except for artificial respiration; diagnostic apparatus, not for medical purposes; transparencies [photography]; slides [photography]; slide projectors; diaphragms [acoustics]; diaphragms [photography]; diaphragms for scientific apparatus; DNA chips; adding machines; dosage dispensers; dosimeters; road signs, luminous or mechanical; traffic cones; fuse wire; choking coils [impedance]; equalizers [audio apparatus]; screens [photography]; exposure meters [light meters]; electrified fences; electrified rails for mounting spot lights; electric door bells; electricity conduits; electro-dynamic apparatus for the remote control of railway points; electro-dynamic apparatus for the remote control of signals; electrolyzers; electromagnetic coils; electronic key fobs being remote control apparatus; electronic publications, downloadable; electronic interactive whiteboards; electronic pocket translators; electronic collars to train animals; electronic sheet music, downloadable; electronic pens [visual display units]; electronic notice boards; electronic access control systems for interlocking doors; electric and electronic effects units for musical instruments; electronic tags for go-

ods; epidiascopes; ergometers; encoded identification bracelets, magnetic; locks, electric; electronic agendas; voltage surge protectors; fuses; battery chargers; chargers for electric accumulators; chargers for electronic cigarettes; charging stations for electric vehicles; protection devices for personal use against accidents; protection devices for personal use against accidents; protective suits for aviators; protective masks; goggles for sports; protective films adapted for computer screens; protective films adapted for smartphones; head guards for sports; mouth guards for sports; protective helmets; protective helmets for sports; acoustic alarms; sound reproduction apparatus; sound recording carriers; sound recording apparatus; phonograph records; sound recording strips; sound transmitting apparatus; acoustic conduits; connectors [electricity]; couplers [data processing equipment]; connections for electric lines; couplings, electric; wire connectors [electricity]; mechanical signs; signs, luminous; probes for scientific purposes; sounding apparatus and machines; buzzers; readers [data processing equipment]; bar code readers; identity cards, magnetic; inverters [electricity]; slope indicators; inclinometers; clinometers; pressure indicators; incubators for bacteria culture; instruments containing eyepieces; integrated circuits; interactive touch screen terminals; interfaces for computers; infrared detectors; ionization apparatus not for the treatment of air or water; spark-guards; starter cables for motors; cables, electric; calipers; calibrating rings; calorimeters; pocket calculators; teeth protectors; capillary tubes; memory cards for video game machines; integrated circuit cards [smart cards]; encoded key cards; carriers for dark plates [photography]; video game cartridges; cash registers; cathodes; cathodic anti-corrosion apparatus; mouse pads; cinematographic film, exposed; cinematographic cameras; terminals [electricity]; push buttons for bells; coaxial cables; encoded magnetic cards; collectors, electric; dog whistles; compact discs [audio-video]; compact discs [read-only memory]; comparators; directional compasses; marine compasses; computers; computer hardware; computer game software; computer software, recorded; joysticks for use with computers, other than for video games; computer keyboards; computer peripheral devices; printers for use with computers; magnetic tape units for computers; computer programs, downloadable; computer programs, recorded; computer operating programs, recorded; commutators; electric apparatus for commutation; condensers [capacitors]/capacitors; contacts, electric; contact lenses; containers for contact lenses; boiler control instruments; correcting lenses [optics]; junction boxes [electricity]; cabinets for loudspeakers; battery boxes/accumulator boxes; squares for measuring; cosmographic instruments; clothing for protection against fire; garments for protection against fire; spools [photography]; laboratory pipettes; pedometers; circular slide rules; bullet-proof clothing; bullet-proof vests; azimuth instruments; laboratory trays;

logs [measuring instruments]; lasers, not for medical purposes; lactodensimeters; lactometers; darkroom lamps [photography]; flash-bulbs [photography]; spectacle chains; laptop computers; spectacle lenses; rulers [measuring instruments]; carpenters' rules; optical lanterns; optical lamps; counters; revolution counters; distance recording apparatus; mileage recorders for vehicles; slide-rules; sounding lines; magnifying glasses [optics]; magnets; decorative magnets; magnetic encoders; magnetic data media; magnetic wires; magnetic tapes; videotapes; crash test dummies; pressure gauges; solderers' helmets; mathematical instruments; materials for electricity mains [wires, cables]; weighing machines; money counting and sorting machines; material testing instruments and machines; furniture especially made for laboratories; megaphones; portable media players; metal detectors for industrial or military purposes; meteorological instruments; meteorological balloons; rules [measuring instruments]; dressmakers' measures; metronomes; mechanisms for counter-operated apparatus; mechanisms for coin-operated apparatus; coin-operated mechanisms for television sets; mouse [computer peripheral]; copper wire, insulated; micrometers; micrometer screws for optical instruments; microprocessors; microscopes; microtomes; microphones; audio mixers; measuring spoons; mobile telephones; cellular phones; modems; monitors [computer hardware]; monitors [computer programs]; apparatus for editing cinematographic film; apparatus for editing cinematographic film; nautical apparatus and instruments; marine depth finders; naval signalling apparatus; juke boxes, musical; animated cartoons; junction sleeves for electric cables; navigational instruments; navigation apparatus for vehicles [on-board computers]; teaching apparatus; headphones; knee-pads for workers; covers for electric outlets; semi-conductors; neon signs; identification threads for electric wires; thread counters; surveyors' levels; levelling instruments; verniers; nose clips for divers and swimmers; notebook computers; objectives [lenses] [optics]; lenses for astrophotography; close-up lenses; limiters [electricity]; sheaths for electric cables; identification sheaths for electric wires; egg-candlers; clothing for protection against accidents, irradiation and fire; clothing especially made for laboratories; ozonisers [ozonators]; octants; spectacles; sunglasses; eyepieces; ohmmeters; spectacle frames; optical glass; eyewear; optical fibres [light conducting filaments]; optical discs; optical character readers; optical condensers; optical lenses; optical data media; optical apparatus and instruments; telescopic sights for artillery; oscillographs; cleaning apparatus for phonograph records; selfie sticks [hand-held monopods]; parking meters; safety restraints, other than for vehicle seats and sports equipment; pince-nez; stills for laboratory experiments; intercommunication apparatus; speaking tubes; transmitters of electronic signals; oxygen transvasing apparatus; switchboxes [electricity]; switchboards; switches, electric;

time switches, automatic; converters, electric; periscopes; personal stereos; punched card machines for offices; furnaces for laboratory use; amplifying tubes; amplifiers; wrist rests for use with computers; pyrometers; planimeters; plane tables [surveying instruments]; tablet computers; plates for batteries; wafers for integrated circuits; printed circuit boards; DVD players; cassette players; compact disc players; films, exposed; plotters; fire escapes; fire engines; fire pumps; fire blankets; fire beaters; fire alarms; fire boats; electric loss indicators; quantity indicators; petrol gauges; gasoline gauges; water level indicators; sprinkler systems for fire protection; polarimeters; vehicle breakdown warning triangles; letter scales; precision balances; prisms [optics]; computer software applications, downloadable; air analysis apparatus; food analysis apparatus; distance measuring apparatus; appliances for measuring the thickness of leather; apparatus for measuring the thickness of skins; speed checking apparatus for vehicles; time recording apparatus; weighing apparatus and instruments; particle accelerators; hemline markers; railway traffic safety appliances; speed measuring apparatus [photography]; invoicing machines; video recorders; fire extinguishing apparatus; tape recorders; apparatus for changing record player needles; film cutting apparatus; electronic book readers; test tubes; flashing lights [luminous signals]; conductors, electric; wires, electric; ducts [electricity]; record players; projection apparatus; projection screens; washing trays [photography]; anti-interference devices [electricity]; theft prevention installations, electric; anti-theft warning apparatus; processors [central processing units]; rods for water diviners; plumb lines; control panels [electricity]; radar apparatus; radiological apparatus for industrial purposes; radiology screens for industrial purposes; baby monitors; radio pagers; transmitting sets [telecommunication]; radios; vehicle radios; walkie-talkies; radiotelegraphy sets; radiotelephony sets; masts for wireless aerials; frames for photographic transparencies; screens for photoengraving; abacuses; calculating machines; voting machines; resuscitation mannequins [teaching apparatus]; regulating apparatus, electric; voltage regulators for vehicles; light dimmers [regulators], electric; stage lighting regulators; speed regulators for record players; cell switches [electricity]; resistances, electric; marking gauges [joinery]; T-squares for measuring; relays, electric; cell phone straps; X-ray apparatus not for medical purposes; X-ray films, exposed; X-ray tubes not for medical purposes; X-ray photographs, other than for medical purposes; rheostats; respirators for filtering air; respiratory masks, other than for artificial respiration; retorts; refractometers; refractors; grids for batteries; downloadable ring tones for mobile phones; levels [instruments for determining the horizontal]; screw-tapping gauges; humanoid robots with artificial intelligence; sockets, electric; electric plugs; demagnetizing apparatus for magnetic tapes; distribution boxes [electricity];

ty]; distribution consoles [electricity]; distribution boards [electricity]; lightning conductors; lightning conductors; slide calipers; mercury levels; circuit closers; gloves for divers; gloves for protection against X-rays for industrial purposes; gloves for protection against accidents; horns for loudspeakers; life-saving apparatus and equipment; safety tarpaulins; life buoys; life jackets; life-saving capsules for natural disasters; life-saving rafts; life belts; subwoofers; whistle alarms; reflective articles for wear, for the prevention of accidents; reflective safety vests; lens hoods; blueprint apparatus; light-emitting diodes [LED]; light-emitting electronic pointers; traffic-light apparatus [signalling devices]; sextants; fog signals, non-explosive; signals, luminous or mechanical; signalling buoys; signal bells; alarm bells, electric; signal lanterns; signalling panels, luminous or mechanical; alarms; signalling whistles; simulators for the steering and control of vehicles; sirens; safety nets; life nets; nets for protection against accidents; scanners [data processing equipment]; smartwatches; smart rings; smartglasses; smartphones; salinometers; solenoid valves [electromagnetic switches]; sonars; solar batteries; solar panels for the production of electricity; spectrograph apparatus; spectrometers; spirit levels; alcoholmeters; speed indicators; monitoring apparatus, other than for medical purposes; observation instruments; shutter releases [photography]; stereoscopes; stereoscopic apparatus; head cleaning tapes [recording]; stroboscopes; sulfimeters; bags adapted for laptops; satellites for scientific purposes; satellite navigational apparatus; drying apparatus for photographic prints; drying racks [photography]; spherometers; printed circuits; time clocks [time recording devices]; egg timers [sandglasses]; hourglasses; taximeters; tachometers; television apparatus; telegraphs [apparatus]; telegraph wires; telescopes; teleprompters; teleprinters; telephone apparatus; telephone transmitters; telephone wires; telephone receivers; temperature indicators; temperature indicator labels, not for medical purposes; theodolites; thermal imaging cameras; heat regulating apparatus; thermo-hygrometers; thermionic valves; thermionic tubes; thermometers, not for medical purposes; thermostats; thermostats for vehicles; crucibles [laboratory]; pressure measuring apparatus; pressure indicator plugs for valves; security tokens [encryption devices]; tone arms for record players; toner cartridges, unfilled, for printers and photocopiers; totalizers; precision measuring apparatus; transistors [electronic]; transmitters [telecommunication]; transponders; protectors [measuring instruments]; transformers [electricity]; step-up transformers; holders for electric coils; tripods for cameras; triodes; Pitot tubes; urinometers; downloadable image files; downloadable music files; facsimile machines; apparatus and instruments for physics; filters for use in photography; filters for respiratory masks; filters for ultraviolet rays, for photography; wearable activity trackers; USB flash drives; fluorescent screens; cameras [photography]; glazing

apparatus for photographic prints; drainers for use in photography; photovoltaic cells; shutters [photography]; enlarging apparatus [photography]; photocopiers [photographic, electrostatic, thermic]; darkrooms [photography]; photometers; flashlights [photography]; phototelegraphy apparatus; spectacle cases; cases for smartphones; containers for microscope slides; cases especially made for photographic apparatus and instruments; wavemeters; chemistry apparatus for laboratory use; chronographs [time recording apparatus]; laboratory centrifuges; centering apparatus for photographic transparencies; cyclotrons; compasses for measuring; digital weather stations; digital signs; digital photo frames; saccharometers; magic lanterns; frequency meters; Petri dishes; chips [integrated circuits]; square rulers for measuring; sleeves for laptops; covers for personal digital assistants [PDAs]; covers for tablet computers; covers for smartphones; jigs [measuring instruments]; spectacle cords; riding helmets; retorts' stands; stands for photographic apparatus; sound locating instruments; workmen's protective face-shields; armatures [electricity].

11 – Lampshades; autoclaves, electric, for cooking; pressure cookers, electric; aquarium lights; aquarium heaters; aquarium filtration apparatus; steam accumulators; heat accumulators; anti-glare devices for vehicles [lamp fittings]; anti-dazzle devices for vehicles [lamp fittings]; defrosters for vehicles; hot air apparatus; book sterilization apparatus; loading apparatus for furnaces; apparatus for dehydrating food waste; ionization apparatus for the treatment of air or water; beverage cooling apparatus; air cooling apparatus; gas scrubbing apparatus; oil-scrubbing apparatus; desiccating apparatus; tanning apparatus; coffee roasters; drying apparatus for fodder and forage; hand drying apparatus for washrooms; water filtering apparatus; steam facial apparatus [saunas]; air purifying apparatus and machines; water softening apparatus and installations; lighting apparatus and installations; hydromassage bath apparatus; acetylene generators; acetylene flares; acetylene burners; germicidal lamps for purifying air; barbecues; bidets; laundry room boilers; washing coppers; bath tubs; spa baths [vessels]; waffle irons, electric; bicycle lights; fans [air-conditioning]; fans [parts of air-conditioning installations]; electric fans for personal use; ventilation [air-conditioning] installations for vehicles; ventilation [air-conditioning] installations and apparatus; safety lamps; kilns; evaporators; extractor hoods for kitchens; ventilation hoods; ventilation hoods for laboratories; fabric steamers; pressure water tanks; whirlpool-jet apparatus; water conduits installations; water intake apparatus; water heaters; water purification installations; water purifying apparatus and machines; water supply installations; water flushing installations; flushing tanks; carbon for arc lamps; gas lighters; gas condensers, other than parts of machines; gas boilers; gas burners; gas lamps; gas scrubbers [parts of gas installa-

tions]; scrubbers [parts of gas installations]; discharge tubes, electric, for lighting; hydrants; fairy lights for festive decoration; hearths; roisseries; hot water bottles; warming pans; footwarmers, electric or non-electric; bed warmers; disinfectant apparatus; disinfectant apparatus for medical purposes; deodorizing apparatus, not for personal use; ornamental fountains; chimney flues; disinfectant dispensers for toilets; stills; distillation apparatus; distillation columns; arc lamps; showers; shower cubicles; electric appliances for making yogurt; electric lamps; electrically heated carpets; roasters; malt roasters; grills [cooking appliances]; roasting spits; flues for heating boilers; feeding apparatus for heating boilers; immersion heaters; lighters; safety accessories for water or gas apparatus and pipes; chimney blowers; humidifiers for central heating radiators; coils [parts of distilling, heating or cooling installations]; furnace ash boxes; drip irrigation emitters [irrigation fittings]; coffee machines, electric; heating apparatus; lava rocks for use in barbecue grills; fireplaces, domestic; hot air ovens; electric pressure cookers; oxyhydrogen burners; Chinese lanterns; pocket warmers; level controlling valves in tanks; air valves for steam heating installations; blankets, electric, not for medical purposes; furnace grates; air conditioners; air conditioners for vehicles; taps for pipes; taps; mixer taps for water pipes; radiator caps; forges, portable; cooking utensils, electric; cooking apparatus and installations; cooking rings; kitchen ranges [ovens]; cooking stoves; laboratory lamps; laboratory burners; lamps; curling lamps; light bulbs for directional signals for vehicles; lamp glasses; lamp chimneys; lights, electric, for Christmas trees; street lamps; street lamps; lights for automobiles; lanterns for lighting; lights for vehicles; electric torches; luminous tubes for lighting; chandeliers; magnesium filaments for lighting; oil lamps; ice machines and apparatus; microwave ovens [cooking apparatus]; microwave ovens for industrial purposes; freezers; motorcycle lights; multicookers; footmuffs, electrically heated; heating apparatus for defrosting vehicle windows; heating elements; hot plates; heaters for baths; heaters for heating irons; heaters, electric, for feeding bottles; air reheaters; brackets for gas burners; heating filaments, electric; filaments for electric lamps; roasting jacks; heating plates; stoves [heating apparatus]; fumigation apparatus, not for medical purposes; bath fittings; hot air bath fittings; heating installations [water]; heating installations; heaters for vehicles; heating apparatus, electric; heating apparatus for solid, liquid or gaseous fuels; heating boilers; kiln furniture [supports]; lighting installations for air vehicles; light-emitting diodes [LED] lighting apparatus; dehumidifiers; coolers for furnaces; cool boxes, electric; purification installations for sewage; burners; germicidal burners; burners for lamps; oil burners; food steamers, electric; boilers, other than parts of machines; steam boilers, other than parts of machines; pasteurisers; sockets for electric lights; Turkish bath

cabinets, portable; coffee percolators, electric; dental ovens; furnaces, other than for laboratory use; diving lights; plate warmers; urinals being sanitary fixtures; lamp globes; heating cushions, electric, not for medical purposes; watering installations, automatic; watering machines for agricultural purposes; polymerisation installations; tortilla presses, electric; heated display cabinets; chocolate fountains, electric; book sterilization apparatus; glue-heating appliances; searchlights; washers for water taps; anti-splash tap nozzles; radiators [heating]; radiators, electric; central heating radiators; sinks; refining towers for distillation; heat regenerators; regulating and safety accessories for water apparatus; regulating and safety accessories for gas pipes; regulating accessories for water or gas apparatus and pipes; regulating and safety accessories for gas apparatus; dampers [heating]; lamp reflectors; vehicle reflectors; refrigerators; refrigerators; incandescent burners; expansion tanks for central heating installations; sanitary apparatus and installations; luminous house numbers; lighting apparatus for vehicles; light bulbs; light bulbs, electric; light bulbs for directional signals for vehicles; light diffusers; toilet seats; bath tubs for sitz baths; incinerators; solar furnaces; solar thermal collectors [heating]; alcohol burners; ceiling lights; sterilizers; water sterilizers; air sterilizers; clean chambers [sanitary installations]; structural framework for ovens; tobacco roasters; fruit roasters; laundry dryers, electric; drying apparatus and installations; heat pumps; heat guns; heat exchangers, other than parts of machines; thermostatic valves [parts of heating installations]; bread toasters; lampshade holders; pipes [parts of sanitary installations]/water-pipes for sanitary installations; water-pipes for sanitary installations; boiler pipes [tubes] for heating installations; toilets [water-closets]; toilets, portable; ultraviolet ray lamps, not for medical purposes; wash-hand basins [parts of sanitary installations]; toilet bowls; ash conveyor installations, automatic; bath installations; steam generating installations; desalination plants; air-conditioning installations; installations for processing nuclear fuel and nuclear moderating material; cooling installations for water; milk cooling installations; water distribution installations; sauna bath installations; air filtering installations; swimming pool chlorinating apparatus; flaming torches; flare stacks for use in the oil industry; headlights for automobiles; vehicle headlights; fittings, shaped, for furnaces; hair dryers; filters for air conditioning; filters for drinking water; fountains; friction lighters for igniting gas; deep fryers; oven fittings made of fireclay; bread baking machines; bread baking machines; bread-making machines; cooling installations for liquids; cooling installations for tobacco; cooling installations and machines; refrigerating apparatus and machines; refrigerating containers; refrigerating chambers; refrigerating display cabinets; cooling appliances and installations; refrigerating appliances; refrigerating cabinets; chromatography apparatus for industrial purpo-

ses; lamp mantles; kettles, electric; wine cellars, electric; miners' lamps; socks, electrically heated; nuclear reactors.

16 – Fountain pens; address plates for addressing machines; address stamps; addressing machines; aquarelles/watercolors [paintings]; albums; scrapbooks; almanacs; bookbinding apparatus and machines [office equipment]; architects' models; atlases; banknotes; tags for index cards; biological samples for use in microscopy [teaching materials]; forms, printed; pads [stationery]; drawing pads; wristbands for the retention of writing instruments; pamphlets; booklets; plastic bubble packs for wrapping or packaging; rollers for typewriters; house painters' rollers; composing sticks; signboards of paper or cardboard; sewing patterns; viscose sheets for wrapping; greeting cards; musical greeting cards; drawer liners of paper, perfumed or not; cream containers of paper; waxed paper; charcoal pencils; newspapers; electrotypes; hectographs; geographical maps; shields [paper seals]; toilet paper; bunting of paper; histological sections for teaching purposes; terrestrial globes; drawing sets; engraving plates; engravings; graphic representations; graphic reproductions; graining combs; pencil leads; rubber erasers; adhesive tape dispensers [office requisites]; bibs, sleeved, of paper; diagrams; punches [office requisites]; advertisement boards of paper or cardboard; printing blocks; typewriters, electric or non-electric; printing type; printed matter; printed publications; graphic prints; elastic bands for offices; prints [engravings]; labels of paper or cardboard; magazines [periodicals]; bookmarks; note books; money clips; paper clasps; pen clips; moisteners [office requisites]; moisteners for gummed surfaces [office requisites]; binding strips [bookbinding]; erasing products; writing board erasers; transfers [decalcomanias]; writing or drawing books; handwriting specimens for copying; credit card imprinters, non-electric; newsletters; calendars; tracing patterns; tracing paper; tracing cloth; gums [adhesives] for stationery or household purposes; ink stones [ink reservoirs]; stationery; paintings [pictures], framed or unframed; announcement cards [stationery]; trading cards, other than for games; cards; wood pulp board [stationery]; cardboard; cardboard tubes; files [office requisites]; catalogues; flower-pot covers of paper; manifolds [stationery]; tickets; typewriter keys; glue for stationery or household purposes; pastes for stationery or household purposes; adhesive bands for stationery or household purposes; adhesive tapes for stationery or household purposes; gluten [glue] for stationery or household purposes; adhesives [glues] for stationery or household purposes; books; bookends; comic books; drawing pins; thumbtacks; envelopes [stationery]; conical paper bags; carbon paper; copying paper [stationery]; tracing needles for drawing purposes; duplicators; correcting fluids [office requisites]; correcting ink [heliography]; hat boxes of cardboard; boxes of paper or cardboard; squares for drawing; spools for inking ribbons; tailors'

chalk; chalk for lithography; spray chalk; drawing boards; drawing instruments; French curves; drawing materials; drawing pens; starch paste [adhesive] for stationery or household purposes; printed coupons; document laminators for office use; sheets of reclaimed cellulose for wrapping; absorbent sheets of paper or plastic for foodstuff packaging; humidity control sheets of paper or plastic for foodstuff packaging; flyers; drawing rulers; lithographs; lithographic works of art; lithographic stones; paint trays; luminous paper; pictures; sealing compounds for stationery purposes; bookbinding material; modelling materials; packaging material made of starches; envelope sealing machines for offices; sealing machines for offices; franking machines for office use; pencil sharpening machines, electric or non-electric; garbage bags of paper or of plastics; plastic bags for pet waste disposal; modelling clay; modelling wax, not for dental purposes; painters' easels; padding materials of paper or cardboard; galley racks [printing]; composing frames [printing]; printing sets, portable [office requisites]; teaching materials [except apparatus]; stickers [stationery]; fingerstalls for office use; table runners of paper; writing cases [stationery]; writing cases [sets]; paper knives [letter openers]; paper cutters [office requisites]; paper creasers [office requisites]; handkerchiefs of paper; printed sheet music; numbering apparatus; covers [stationery]; passport holders; sealing wafers; index cards [stationery]; indexes; oleographs; pencils; pencil lead holders; slate pencils; bottle wrappers of paper or cardboard; office requisites, except furniture; office perforators; etchings; etching needles; printers' blankets, not of textile; bags for microwave cooking; bottle envelopes of paper or cardboard; packing [cushioning, stuffing] materials of paper or cardboard; palettes for painters; pantographs [drawing instruments]; paper bows, other than haberdashery or hair decorations; paper tapes; paper tapes and cards for the recordal of computer programmes; papier mâché; paper sheets [stationery]; electrocardiograph paper; paper for recording machines; wrapping paper; paper for radiograms; wood pulp paper; paper; document files [stationery]; folders for papers; loose-leaf binders; pastels [crayons]; modelling paste; pen cases; paintbrushes; painters' brushes; nibs; nibs of gold; parchment paper; periodicals; pen wipers; perforated cards for Jacquard looms; seals [stamps]; writing chalk; writing materials; writing paper; writing slates; writing instruments; writing brushes; letter trays; trays for sorting and counting money; manuals [handbooks]; handbooks [manuals]; hand-rests for painters; stands for pens and pencils; photograph stands; coasters of paper; mats for beer glasses; stamp stands; desk mats; tablemats of paper; place mats of paper; song books; posters; clipboards; plastics for modelling; plastic film for wrapping; plastic cling film, extensible, for palletization; paper shredders for office use; stamp pads; polymer modelling clay; banners of paper; canvas for painting; cloth for bookbinding;

portraits postcards; postage stamps; obliterating stamps; flags of paper; paperweights; vignetting apparatus; apparatus for mounting photographs; gummed cloth for stationery purposes; gummed tape [stationery]; blotters; prospectuses; printers' reglets; ledgers [books]; T-squares for drawing; isinglass for stationery or household purposes; rice paper; printed timetables; marking chalk; pens [office requisites]; marking pens [stationery]; towels of paper; hand labelling appliances; face towels of paper; towels of paper; self-adhesive tapes for stationery or household purposes; blueprints; table napkins of paper; tissues of paper for removing make-up; cigar bands; tablecloths of paper; clips for offices; scrapers [erasers] for offices; paperclips; silver paper; steel letters; steel pens; steatite [tailor's chalk]; stapling presses [office requisites]; table linen of paper; balls for ball-point pens; typewriter ribbons; correcting tapes [office requisites]; bags [envelopes, pouches] of paper or plastics, for packaging; sealing wax; embroidery designs [patterns]; placards of paper or cardboard; fabrics for bookbinding; pencil sharpeners, electric or non-electric; transparencies [stationery]; stencils; stencils [stationery]; stencil plates; mimeograph apparatus and machines; document holders [stationery]; chalk holders; pencil holders; holders for cheque books; holders for stamps [seals]; page holders; Indian inks; chart pointers, non-electronic; paint boxes for use in schools; statuettes of papier mâché; paper coffee filters; filter paper; filtering materials of paper; moulds for modelling clays [artists' materials]/molds for modelling clays [artists' materials]; photo-engravings; photographs [printed]; cases for stamps [seals]; chromolithographs [chromos]; papers for painting and calligraphy; compasses for drawing; numbers [type]; artists' watercolour saucers; ink; inkwells; inking sheets for duplicators; inking sheets for document reproducing machines; inking pads; inkstands; ink sticks; inking ribbons; ink ribbons for computer printers; square rulers for drawing; stencil cases; erasing shields; desktop cabinets for stationery [office requisites]; school supplies [stationery]; blackboards; cords for bookbinding; type [numerals and letters]; stamps [seals]; sealing stamps; washi.

17 – Asbestos; asbestos felt; asbestos packing; asbestos cloth; asbestos millboards; asbestos paper; asbestos slate; asbestos fibres; asbestos safety curtains; asbestos sheets; asbestos coverings; asbestos fabrics; acrylic resins, semi-processed; shock-absorbing buffers of rubber; anti-glare films for windows [tinted films]; reinforcing materials, not of metal, for pipes; cellulose acetate, semi-processed; balata; canvas hose pipes; cotton wool for packing [caulking]; clack valves of rubber; window stops of rubber; viscose sheets, other than for wrapping; water-tight rings; stuffing rings; waterproof packings; rubber sleeves for protecting parts of machines; carbon fibres, other than for textile use; vulcanized fibre; flexible hoses, not of metal; gum, raw or semi-worked; rubber material for re-

capping tyres; rubber stoppers; gutta-percha; door stops of rubber; dielectrics [insulators]; ebonite; lute; soundproofing materials; junctions, not of metal, for pipes; connecting hose for vehicle radiators; insulators; insulators for electric mains; insulators for railway tracks; insulators for cables; insulating felt; glass wool for insulation; insulating plaster; insulating paper; duct tapes; insulating refractory materials; insulating varnish; insulating oils; insulating oil for transformers; insulating materials; insulating gloves; insulating bands; insulating tapes; insulating fabrics; insulating paints; rubber, raw or semi-worked; rubber solutions; rings of rubber; valves of india-rubber or vulcanized fibre; adhesive bands, other than stationery and not for medical or household purposes; adhesive tapes, other than stationery and not for medical or household purposes; latex [rubber]; foil of regenerated cellulose, other than for wrapping; brake lining materials, partly processed; weatherstripping compositions; caulking materials; compositions to prevent the radiation of heat; boiler composition to prevent the radiation of heat; foils of metal for insulating; cylinder jointings; mineral wool [insulator]; pipe muffers, not of metal; threads of rubber, other than for textile use; elastic threads, other than for textile use; elastic yarns, other than for textile use; threads of plastic for soldering; threads of plastic materials, other than for textile use; floating anti-pollution barriers; packing [cushioning, stuffing] materials of rubber or plastics; paper for electrical capacitors; plastic substances, semi-processed; plastic sheeting for agricultural purposes; plastic fibres, other than for textile use; plastic film, other than for wrapping; bark coverings for sound insulation; watering hose; rubber seals for jars; padding materials of rubber or plastics; stuffing of rubber or plastics; substances for insulating buildings against moisture; liquid rubber; self-adhesive tapes, other than stationery and not for medical or household purposes; synthetic rubber; synthetic resins, semi-processed; artificial resins, semi-processed; fibreglass for insulation; mica, raw or partly processed; stops of rubber; bags [envelopes, pouches] of rubber, for packaging; non-conducting materials for retaining heat; fibreglass fabrics for insulation; gaskets; expansion joint fillers; pipe gaskets; draught excluder strips; sealant compounds for joints; filtering materials of semi-processed foams of plastic; fittings, not of metal, for flexible pipes; fittings, not of metal, for rigid pipes; fittings, not of metal, for compressed air lines; foam supports for flower arrangements [semi-finished products]; ebonite moulds; clutch linings; chemical compositions for repairing leaks; washers of rubber or vulcanized fibre; slag wool [insulator]; hoses of textile material; cords of rubber.

19 – Asbestos mortar; asbestos cement; aquaria [structures]; alabaster; alabaster glass; arbours [structures], not of metal; reinforcing materials, not of metal, for building; asphalt; asphalt paving; beacons, not of metal, non-luminous; balustrades, not of metal; huts;

crash barriers, not of metal, for roads; swimming pools [structures], not of metal; safety glass; concrete; concrete building elements; bitumen; bituminous products for building; bituminous coatings for roofing; bitumen paper for building; armoured doors, not of metal; armour-plating, not of metal; beams, not of metal; girders, not of metal; building glass; building stone; building paper; buildings, not of metal; buildings, transportable, not of metal; building materials, not of metal; construction materials, not of metal; rubble; bird baths [structures], not of metal; lime; limestone; calcareous stone; calcareous marl; works of stonemasonry; agglomerated bagasses of cane [building material]; windows, not of metal; window glass for building; window glass, other than vehicle window glass; shutters, not of metal; window frames, not of metal; vinyl siding; stained-glass windows; tanks of masonry; firebricks; refractory construction materials, not of metal; fireproof cement coatings; water-pipes, not of metal; roof gutters, not of metal; gutter pipes, not of metal; aviaries [structures], not of metal; gates, not of metal; street gutters, not of metal; binding material for road repair; binding agents for making briquettes; geotextiles; gypsum [building material]; fireclay; grog [fired refractory material]; potters' clay; earth for bricks; clay; potters' clay; gravel; aquarium gravel; granite; latticework, not of metal; trellises, not of metal; rubber bearings for seismic isolation of buildings; hips for roofing; roof coverings, not of metal; doors, not of metal; door panels, not of metal; door frames, not of metal; door casings, not of metal; mouldings, not of metal, for building; mouldings, not of metal, for cornices; cask wood; wood for making household utensils; wood, semi-worked; wood veneers; wooden floor boards; wood panelling; chimney cowls, not of metal; chimneys, not of metal; chimney shafts, not of metal; paving slabs, not of metal; wood paving; paving blocks, not of metal; lengthening pieces, not of metal, for chimneys; furrings of wood; drain pipes, not of metal; enamelled glass, for building; jalousies, not of metal; pantiles, not of metal; railway sleepers, not of metal; prefabricated houses [kits], not of metal; road signs, non-luminous and non-mechanical, not of metal; non-luminous and non-mechanical signs, not of metal; outdoor blinds, not of metal and not of textile; insulating glass for building; cabanas, not of metal; paint spraying booths, not of metal; stone; coal tar; framework, not of metal, for building; greenhouse frames, not of metal; cornices, not of metal; paperboard for building; wood pulp board for building; quartz; sandstone pipes; caissons for construction work under water; drain traps [valves], not of metal or plastic; water-pipe valves, not of metal or plastic; clinker ballast; skating rinks [structures], not of metal; chimney pots, not of metal; pillars, not of metal, for building; bicycle parking installations, not of metal; agglomerated cork for building; raw chalk; silica [quartz]; manhole covers, not of metal; rock crystal; brackets, not of metal, for building; xylolith; chicken-houses, not of metal;

tal; angle irons, not of metal; foundry moulds, not of metal; plate glass [windows] for building; building timber; manufactured timber; sawn timber; magnesia cement; macadam; marble; materials for making and coating roads; linings, not of metal, for building; wall linings, not of metal, for building; cladding, not of metal, for building; wall claddings, not of metal, for building; road coating materials; memorial plaques, not of metal; mosaics for building; tombs, not of metal; gravestones; tombs [monuments], not of metal; grave slabs, not of metal; tombstone stelae, not of metal; flashing, not of metal, for building; penstock pipes, not of metal; duckboards, not of metal; wainscoting, not of metal; fences, not of metal; tomb or grave enclosures, not of metal; olivine for building; shuttering, not of metal, for concrete; reeds for building; monuments, not of metal; building panels, not of metal; parquet flooring; parquet floor boards; branching pipes, not of metal; partitions, not of metal; lintels, not of metal; scantlings [carpentry]; porches [structures], not of metal; floors, not of metal; props, not of metal; aquarium sand; sand, except foundry sand; sandstone for building; floating docks, not of metal, for mooring boats; planks of wood for building; plastic landscape edgings; platforms, prefabricated, not of metal; rocket launching platforms, not of metal; slabs, not of metal, for building; road marking sheets and strips of synthetic material; tiles, not of metal, for building; floor tiles, not of metal; tile floorings, not of metal; felt for building; busts of stone, concrete or marble; stringers [parts of staircases], not of metal; coatings [building materials]; roofing tiles, not of metal; roofing shingles; roofing slates; roofing, not of metal; roof flashing, not of metal; roofing, not of metal, incorporating photovoltaic cells; fireplace mantles, not of metal; joists, not of metal; sills, not of metal; porphyry [stone]; letter boxes of masonry; tarred strips for building; tar; scaffolding, not of metal; mortar for building; fair huts; pigsties, not of metal; luminous paving blocks; signalling panels, non-luminous and non-mechanical, not of metal; silos, not of metal; perches; laths, not of metal; insect screens, not of metal; burial vaults, not of metal; glass granules for road marking; slate; slate powder; pitch; silver sand; statues of stone, concrete or marble; ceilings, not of metal; stables, not of metal; wall tiles, not of metal; posts, not of metal; posts, not of metal, for power lines; poles, not of metal, for power lines; casement windows, not of metal; folding doors, not of metal; staircases, not of metal; stair-treads [steps], not of metal; tombstone plaques, not of metal; works of art of stone, concrete or marble; telegraph posts, not of metal; telephone booths, not of metal; greenhouses, transportable, not of metal; terra-cotta [building material]; diving boards, not of metal; rigid pipes, not of metal, for building; ducts, not of metal, for ventilating and air-conditioning installations; advertisement columns, not of metal; mooring bollards, not of metal; turnstiles, not of metal; tufa; plywood; veneer wood; figurines of

stone, concrete or marble; flagpoles [structures], not of metal; mouldable wood; bricks; cement for blast furnaces; cement for furnaces; cement; cement slabs; cement post; palings, not of metal; schists; slag [building material]; slag stone; clinker stone; pilings, not of metal; plaster; artificial stone; masts [poles], not of metal.

22 – Carded wool; raw cotton; cotton tow; cotton waste [flock] for padding and stuffing; tarpaulins; wadding for padding and stuffing upholstery; wadding for filtering; camel hair; sails; sails for ski sailing; raw or treated wool; wool flock; raffia; ramie fibre; esparto grass; raw fibrous textile; carbon fibres for textile use; hammocks; wood wool; wood shavings; jute; wax ends; net pens for fish farming; outdoor blinds of textile; combed wool; cables, not of metal; kapok; horsehair; tow; cocoons; coconut fibre; hemp fibres; hemp bands; liber; raw linen [flax]; sacks for the transport and storage of materials in bulk; body bags; mesh bags for washing laundry; seaweed for stuffing; string; packing string; whipcord; rope ladders; upholstery wool [stuffing]; padding materials, not of rubber, plastics, paper or cardboard; stuffing, not of rubber, plastics, paper or cardboard; awnings of synthetic materials; awnings of textile; tents; purse seines; schappe [raw silk waste]; silk waste; sheaf-binding yarns; thread, not of metal, for wrapping or binding; bindings, not of metal; shorn wool; packing [cushioning, stuffing] materials, not of rubber, plastics, paper or cardboard; wrapping or binding bands, not of metal; twine made of paper; canvas for sails; snares [nets]; flock [stuffing]; binding thread, not of metal, for agricultural purposes; feathers for stuffing upholstery; feathers for bedding; plastic fibres for textile use; network; mail bags; fibrous gaskets for ships; brattice cloth; down [feathers]; linters; eiderdown; fishing nets; fleece wool; sisal; animal feeding nets; nets for camouflage; nets; glass fibres for textile use; vitreous silica fibres for textile use; braces, not of metal, for handling loads; harness, not of metal, for handling loads; strips for tying-up vines; straps, not of metal, for handling loads; belts, not of metal, for handling loads; straw for stuffing upholstery; straw wrappers for bottles; bottle envelopes of straw/packing, of straw, for bottles; ladder tapes for Venetian blinds; slings, not of metal, for handling loads; bags [envelopes, pouches] of textile, for packaging; animal hair; textile fibres; sawdust; grasses for upholstering; car towing ropes; packing rope; ropes; vehicle covers, not fitted; covers for camouflage; cords for hanging pictures; sash cords; twine for nets; silk flock; raw silk; pig bristles.

35 – Administrative processing of purchase orders; administration of consumer loyalty programs; administration of frequent flyer programs; cost price analysis; business auditing; auctioneering; outsourced administrative management for companies; book-keeping; accounting; web indexing for commercial or ad-

vertising purposes; negotiation of business contracts for others; market studies; opinion polling; invoicing; arranging newspaper subscriptions for others; arranging subscriptions to telecommunication services for others; payroll preparation; tax preparation; demonstration of goods; business inquiries; business management assistance; commercial or industrial management assistance; advisory services for business management; business research; economic forecasting; providing business information via a website; compilation of information into computer databases; compilation of statistics; providing business information; business management of performing artists; business management for freelance service providers; business management of hotels; business management of sports people; business management of reimbursement programmes for others; providing commercial information and advice for consumers in the choice of products and services; commercial administration of the licensing of the goods and services of others; computerized file management; personnel management consultancy; business management consultancy; consultancy regarding public relations communication strategies; consultancy regarding advertising communication strategies; business organization consultancy; marketing; marketing research; typing; providing commercial and business contact information; provision of an online marketplace for buyers and sellers of goods and services; writing of curriculum vitae for others; writing of resumes for others; writing of publicity texts; scriptwriting for advertising purposes; word processing; updating of advertising material; updating and maintenance of data in computer databases; updating and maintenance of information in registries; website traffic optimization; organization of exhibitions for commercial or advertising purposes; organization of fashion shows for promotional purposes; organization of trade fairs; rental of advertising space; shop window dressing; business appraisals; personnel recruitment; business management and organization consultancy; business intermediary services relating to the matching of potential private investors with entrepreneurs needing funding; commercial information agency services; employment agency services; business efficiency expert services; outsourcing services [business assistance]; business project management services for construction projects; commercial intermediation services; layout services for advertising purposes; appointment reminder services [office functions]; news clipping services; price comparison services; procurement services for others [purchasing goods and services for other businesses]; administrative services for the relocation of businesses; photocopying services; appointment scheduling services [office functions]; tax filing services; import-export agency services; modelling for advertising or sales promotion; advertising agency services; secretarial services; public relations; retail or wholesale services of a variety of goods, namely, common metals and their alloys, metal

materials for buildings and structures, mobile building constructions metal, non-electric cables and wires of common metals, small metal products, metal containers for storage or transportation, machines, tools with a mechanical drive, engines other than for land vehicles, clutches and transmissions, other than those intended for land vehicles, agricultural implements, except hand tools with manual drive, vending machines, hand tools and implements, hand operated, apparatus and instruments for transmitting, switching, converting, accumulating, regulating or controlling the distribution or use of electricity, apparatus and instruments for recording, transmission, reproduction or processing of sound, images or data, apparatus and equipment for lighting, heating, cooling, steam generating, cooking, drying, ventilating, water supply and sanitary purposes, paper and cardboard, adhesives for stationery or household needs, sheets, films and packages for wrapping and packaging, plastic, unprocessed and semi-worked rubber, gutta-percha, rubber, asbestos, mica and substitutes for all these materials, molded plastic and resin materials for production needs, materials for caulking, sealing and insulation, flexible pipes and hoses, not of metal, building and construction materials, not of metal, rigid construction pipes, not of metal, ropes and cords, grids, tents and tarpaulins, gaskets, linings and packing materials, other than of paper, paperboard, rubber or plastics, raw textile fiber and its substitutes; data search in computer files for others; sponsorship search; search engine optimization for sales promotion; presentation of goods on communication media, for retail purposes; telephone answering for unavailable subscribers; rental of billboards [advertising boards]; office machines and equipment rental; publicity material rental; rental of advertising time on communication media; rental of vending machines; rental of sales stands; rental of photocopying machines; direct mail advertising; psychological testing for the selection of personnel; publication of publicity texts; radio advertising; registration of written communications and data; advertising; pay per click advertising; outdoor advertising; bill-posting; advertising by mail order; online advertising on a computer network; reproduction of documents; distribution of samples; dissemination of advertising matter; development of advertising concepts; business investigations; systemization of information into computer databases; drawing up of statements of accounts; compiling indexes of information for commercial or advertising purposes; sales promotion for others; production of teleshopping programmes; production of advertising films; shorthand; transcription of communications [office functions]; television advertising; telemarketing services; negotiation and conclusion of commercial transactions for third parties; professional business consultancy.

(260) AM 2022 115918 A
 (800) 1634440
 (151) 2021 10 25
 (891) 2021 10 25
 (731) NOVARTIS AG
 CH-4002 Basel, Switzerland
 (540)

EMPRANDO

(591) Black, white
 (511)
 5 – Pharmaceutical and medical preparations, vaccines; medical devices pre-filled with pharmaceutical preparations.
 10 – Medical injection devices for the administration of pharmaceutical preparations.

(260) AM 2022 115919 A
 (800) 1634446
 (151) 2021 10 29
 (891) 2021 10 29
 (731) NOVARTIS AG
 CH-4002 Basel, Switzerland
 (540)

ЭМПРЕДО

(591) Black, white
 (531) 28.05
 (511)
 5 – Pharmaceutical and medical preparations, vaccines; medical devices pre-filled with pharmaceutical preparations.
 10 – Medical injection devices for the administration of pharmaceutical preparations.

(260) AM 2022 115920 A
 (800) 1634447
 (151) 2021 10 29
 (891) 2021 10 29
 (731) NOVARTIS AG
 CH-4002 Basel, Switzerland
 (540)

КИНВИТАР

(591) Black, white
 (531) 28.05
 (511)
 5 – Pharmaceutical and medical preparations, vaccines; medical devices pre-filled with pharmaceutical preparations.
 10 – Medical injection devices for the administration of pharmaceutical preparations.

(260) AM 2022 115921 A
 (800) 1634467
 (151) 2021 11 10
 (891) 2021 11 10
 (731) Avon Products, Inc.
 1 Avon Place, Suffern NY 10901, USA
 (540)

HERSTORY

(591) Black, white
 (511)
 3 – Perfumes; fragrances; toilet waters; cologne; room fragrances; incense sticks; essential oils (cosmetic); oils for perfumes and scents; potpourri.

(260) AM 2022 115922 A
 (800) 1634508
 (151) 2021 11 01
 (891) 2021 11 01
 (731) Frenn Global Pte. Ltd.
 1A INTERNATIONAL BUSINESS PARK,
 #13-01, Singapore 609933, Singapore
 (540)

FRENN

(591) Black, white
 (511)
 36 – Financial services; digital wallet payment services; electronic funds transfer services; credit card services; debit card services; commercial lending services; consumer lending services; online banking; electronic banking; financial evaluation and analysis; financial assessments; financial appraisals; financial banking; financial consultancy.

(260) AM 2022 115923 A
 (800) 1634546
 (151) 2021 10 18
 (891) 2021 10 18
 (731) CIRO PAONE S.P.A.
 VIA SAN PASQUALE A CHIAIA 83,
 I-80121 Napoli, Italy
 (540)



(591) Blue, red and black
 (531) 27.05.07; 27.05.17; 29.01.13
 (511)
 18 – Trunks [luggage]; bags; handbags; backpacks; luggage; briefcases; key cases; umbrellas; card cases [notecases]; document holders [carrying cases]; pocket wallets; coin purses; music cases; satchels; travelling bags; boxes of leather or leatherboard; school

satchels; saddlery; clothing for pets; collars for animals; vanity cases, not fitted.

25 – Clothing; dresses; shirts; blouses; skirts; suits; jackets [clothing]; trousers; shorts; jerseys [clothing]; t-shirts; singlets; corsets [underclothing]; raincoats; overcoats; coats; tracksuits; wind-resistant jackets; fur coats; dressing gowns; bathrobes; bathing suits; belts [clothing]; neckties; neckerchiefs; gloves [clothing]; underwear; pajamas; nightgowns; socks; stockings; tights; shawls; scarves; footwear; slippers; shoes; boots; sandals; headwear.

(260) AM 2022 115948 A

(800) 1635142

(151) 2021 11 19

(891) 2021 11 19

(731) Avon Products, Inc.

1 Avon Place, Suffern NY 10901, USA

(540)

SUMMER WHITE RIO

(591) Black, white

(511)

3 – Non-medicated toilet preparations; toiletries; skin care preparations; skin moisturizers; skin toners; body and beauty care preparations; powders, cleansers, creams and lotions, all for the face, hands and body; exfoliating scrubs for cosmetic purposes; cosmetic sun-tan preparations; sunscreen oils and lotions; soaps; shower and bath preparations; bath gel, bath oils, bath salts, bath beads, and effervescent bath preparations; beauty masks; talcum powder; nail polish; nail polish remover; false nails; adhesives for cosmetic purposes; cosmetics; eye cream; eye gels; eye lotions; eye make-up remover; eye shadow; eye liner; eyebrow cosmetics; mascara; lipstick; lip liner; lip-gloss; lip balm; make-up foundation; facial concealer; blusher; tissues impregnated with cosmetic lotions; powdered cosmetic tissues; cotton sticks for cosmetic purposes; cotton wool for cosmetic purposes; pumice stone; preparations for cleaning, moisturising, colouring and styling the hair; shampoos, conditioners, finishing spray, and gels, all for the hair; preparations for cleaning the teeth; shaving and aftershave preparations; perfumes; fragrances; toilet waters; cologne; room fragrances; incense sticks; deodorants for human beings; anti-perspirants for personal use (toiletries); essential oils (cosmetic); oils for perfumes and scents; potpourri; cosmetic kits.

(260) AM 2022 115950 A

(800) 1635155

(151) 2021 10 14

(891) 2021 10 14

(731) Arkhipov Evgeny Petrovich

Raspletina st., 3, bldg. 3, apt. 69, RU-123060
Moscow, Russian Federation

(540)

GUBA

(591) Black, white

(511)

45 – Marriage agency services; legal document preparation services; online social networking services; dating services.

(260) AM 2022 115951 A

(800) 1635163

(151) 2021 11 03

(891) 2021 11 03

(731) Fuli Technology (Shanghai) Co., Ltd.

Room 403, No.356 Xinzha Road, Huangpu
District, 200001 Shanghai City, China

(540)



(591) Black, white

(531) 02.01.04; 02.01.08; 02.01.24

(511)

5 – Adhesive patches for medical purposes; pharmaceutical preparations for ophthalmological use; dietetic substances adapted for medical use; ointments for pharmaceutical purposes; air purifying preparations; biocides; medicines for veterinary purposes; surgical dressings; dental mastics; pharmaceutical preparations for skin care; vitamin preparations; dietary fiber; cod liver oil; herbal medicines; powdered milk for babies; food for babies; dietary supplements for infants; nutritional supplements; protein dietary supplements; babies' diaper-pants; sanitary pads; disinfectant wipes; babies' diapers.

9 – Computer programs, downloadable; video screens; internet servers; facial recognition software; electronic publications, downloadable; theft prevention installations, electric; remote control apparatus; chips [integrated circuits]; Global Positioning System [GPS] apparatus; portable media players.

10 – Medical apparatus and instruments; galvanic therapeutic appliances; hearing aids; oxygen bags; babies' bottles; contraceptives, non-chemical; artificial limbs; abdominal belts; thread, surgical; dental apparatus and instruments; incubators for babies; nasal aspirators; thermometers for medical purposes; massage apparatus; sphygmomanometers; blood glucose meters; medical masks; gum massagers for babies; baby feeding pacifiers; orthopedic appliances.

25 – Clothing; waterproof clothing; masquerade costumes; hats; hosiery; gloves [clothing]; footwear; scarfs; girdles; clothing for martial arts; clothing for children; aprons [clothing]; underwear; clothing for babies; bibs, not of paper; baby shoes; layettes [clothing]; bodysuits for babies; bathing caps; wedding dresses.

29 – Fish, canned; edible fats; nuts, prepared; meat; fish-based foodstuffs; fruit-based snack food; vegetables, preserved; eggs; oils for food; tofu; edible birds' nests; isinglass for food; fruits, canned; cheese; milk products; powdered milk; milk; fruit jellies; vegetable-based snack foods; dried edible mushrooms.

35 – Personnel management consultancy; sponsorship search; retail services for pharmaceutical, veterinary and sanitary preparations and medical supplies; sales promotion for others; systemization of information into computer databases; advertising; business management consultancy; provision of an online marketplace for buyers and sellers of goods and services; rental of vending machines; accounting.

38 – Message sending; communications by cellular phones; communications by computer terminals; rental of message sending apparatus; providing telecommunications connections to a global computer network; broadcasting of programs via the internet; providing access to databases; streaming of data; radio communications; video-on-demand transmission.

42 – Technological research; inspection of goods for quality control; biological research; material testing; packaging design; design of interior décor; cloud computing; cosmetic research; authenticating works of art; platform as a service [PaaS].

(260) AM 2022 115954 A

(800) 1635192

(151) 2021 09 10

(891) 2021 09 10

(731) PEPCO Poland Sp. z o.o.

Strzeszyńska 73A, PL-60-479 Poznań, Poland

(540)



(591) Black, white

(531) 27.05.25

(511)

28 – Toys, games, and playthings; toy sets; wooden toys; building blocks [toys]; wooden toy building blocks; toy vehicles; jigsaw puzzles.

(260) AM 2022 115955 A

(800) 1635203

(151) 2021 10 15

(891) 2021 10 15

(731) ROSSINI S.r.l.

Via Enzo Ferrari s.n.c., LA MARTELLA,
I-75100 MATERA (MT), Italy

(540)



(591) Black, white

(531) 26.01.03; 26.01.12; 26.01.18; 27.05.01

(511)

20 – Sofas, armchairs.

(260) AM 2022 115957 A

(800) 1635267

(151) 2021 07 20

(891) 2021 07 20

(731) Aebi Schmidt Holding AG

Schulstrasse 4, CH-8500 Frauenfeld,
Switzerland

(540)



591) Black, white

(531) 24.17.20; 26.03.23; 26.11.07; 26.11.09;
27.05.01

(511)

7 – Suction machines for industrial use; equipment, superstructures or interchangeable bodies for vehicles serving as sweepers, sprayers, spreaders or clearing machines; drives for machines; agricultural apparatus mounted on trailers; vaporizing or spraying or spreading or cleaning or clearing devices which can be mounted on vehicles or trailers; vehicle-mounted sweepers; automatic cleaning machines; public works machines; floor cleaning machines; brushes [parts of machines]; brush sweeping machines; electrically-operated vacuum cleaners [for industrial use]; electric brushes; electric floor sweeping apparatus; electric floor cleaning apparatus; electric machines for floor maintenance through cleaning, polishing, scouring, vacuuming; electric cleaning machines; electric vacuum cleaners; electric vacuum cleaners; dust removing installations for cleaning purposes; mobile machines, in particular agricultural motorized mowers, road sweeping machines, sowers [machines], public works machines, snow blowers, snow clearing machines and multipurpose machines, fertilizer spreaders, sprayers, sand shredders, sand centrifuges, sand-milling centrifuges, if they are included in this class; mobile machines with equipment carriers, in particular for agricultural use and for municipal services and cleaning; transmission gears for vehicles, other than for land ve-

hicles; conveyor belts; device for transporting dry and wet salt and deicing agents; road sweeping machines, sowers [machines], public works machines, snow blowers, snow clearing machines and multipurpose machines, fertilizer spreaders, sprayers, sand shredders, sand centrifuges, sand-milling centrifuges, if they are included in this class; elevators (lifts); lifting machines; sweeping machines; power transmission mechanisms for machines; couplings [connections], other than for land vehicles; harvesting machines; machines for cleaning, clearing and/or deicing, including being equipment or vehicle or trailer supports; backfilling machines, including being equipment or vehicle or trailer supports; mechanical spreaders; feeders [parts of machines]; blending machines; mixers [machines]; snow groomers; lawnmower; broaching machines; cleaning apparatus [machines] with brushes; cleaning machines; cleaning machines for industrial purposes; cleaning machines and apparatus [electric]; suction ventilator; suction machines for industrial use; non-manual agricultural apparatus, suction ventilators and combined ventilators and hay dispensers, hay ventilation systems; accessories for snow blowers for vehicles; snow plows; snow plows with snow blowing devices; snow removal equipment; snow turbine; sprayers, atomizers for liquid agents, in particular for use against black ice or for cleaning (not manual); control devices for machines or motors; road sweeping machines, sowers [machines]; sweeping machines; sweeping machines [self-propelled]; street sweeping devices for vehicles; street cleaning machines; street cleaning machines [self-propelled]; spreaders/spreading machines; transmission gears for vehicles, other than for land vehicles; shredding machines for industrial use; chassis for vehicles.

9 – Dosage dispensers; electronic control systems for dosing; electronic control for autonomous vehicles; navigation apparatus; locating devices; monitoring devices; computer software for automating data warehousing; black boxes (data recorders); data recorder; data acquisition devices for machines, machine installations and vehicles; electrical control, testing and monitoring apparatus; software; sensors.

12 – Trailers [vehicles]; trailers for vehicles; trailers for receiving spraying machines, spreader machines and road cleaning machines; fixed or carried equipment adapted for use in vehicles; fixed or carried equipment adapted for use in utility vehicles; parts of heavy goods vehicles; electric vehicles; vehicles; transport vehicles for industrial use; vehicles, especially, vehicles for agricultural, forestry and municipal transport; vehicles with bucket loaders; vehicles equipped with loading apparatus; vehicles equipped with lifting apparatus; vehicles equipped with prehensile apparatus; vehicles for emptying loads; boxes adapted for permanent attachment to vehicles; tilt trucks; dumping trucks; automobiles; crankcases for land vehicle

parts, except engines and motors; land transport vehicles for industrial use; dump bodies for trucks; multipurpose trolleys; apparatus stands adapted for use in multipurpose works vehicles; utility vehicles; watering trucks [street cleaning]; cars; fixed equipment adapted for use in railway vehicles; fixed equipment adapted for use in freight cars; self-driving cars; all the aforesaid goods for irrigating, spraying, spreading, clearing, deicing, washing, cleaning and/or repairing road or railway surfaces; drive gears [parts for land vehicles]; vehicle chassis; bodies for vehicles; gear boxes for land vehicles; hydraulic circuits for vehicles; bodies for land vehicles; garbage collection vehicles; treads for vehicles [such as tractors]; drive chains for land vehicles; tractors; undercarriage for vehicles; freight car chassis for vehicles.

37 – Servicing, care, maintenance and repair of vehicles and vehicle parts; rental of construction equipment, in particular sweepers, public works machines, snow blowers, snow clearing machines; rental of sprayers for servicing and maintenance of roads, paths and runways for aircraft take-off and landing; advice in the fields of cleaning, servicing and maintenance of machines and vehicles; advisory services in the field of cleaning, servicing and maintenance of roads, paths and runways for aircraft take-off and landing; refitting and conversion of machines and vehicles; custom conversion of vehicles and components thereof; advice on the installation, maintenance and repair of hydraulic apparatus; installation, maintenance and repair of lighting systems; installation, maintenance and repair of control systems.

42 – Design and development of central database optimized for analysis; technical product development; technological advisory services; technical planning and development of special vehicles and special railway trains; technical planning and development of hydraulic installations; technical planning and development of lighting systems; technical planning and development of control systems; technical planning and development of deicing systems; development of computer programs; development of web applications for data mining; creating programs for electronic data processing; computer system analyses; technical feasibility studies.

(260) AM 2022 115958 A

(800) 1635375

(151) 2021 11 02

(891) 2021 11 02

(731) Ehrmann SE

A.-Ehrmann-Straße 2, 87770 Oberschöneck,
Germany

(540)



(591) Lilac, brown, dark-brown, light-brown, beige, red, blue, white, grey

(531) 01.15.15; 08.01.17; 08.01.22; 08.03.02; 25.01.06; 25.01.25; 27.05.01; 27.05.19; 29.01.15

(511)

29 – Milk products, namely, yogurt, drinking yogurt, dessert quark, quark products with fruit, nuts, milk based and cream based desserts, milk based and cream based desserts with addition of fruit and nut filling, milk based and cream based pudding, milk based and cream based pudding with addition of fruit and nut filling, milk based and cream based buttercream, milk based and cream based buttercream with addition of fruit and nut filling; cream [dairy products]; whipped cream.

(260) AM 2022 115959 A

(800) 1635376

(151) 2021 11 12

(891) 2021 11 12

(731) Papa John's International, Inc.
2002 Papa John's Boulevard, Louisville
KY 40299, USA

(540)



(591) Black, white

(531) 27.01.16; 27.05.10; 27.05.17

(511)

29 – Chicken; chicken nuggets; chicken wings; prepared foods for consumption on or off the premises, namely, chicken; cheese sticks.

30 – Pizza; flatbread, piadiana, pizza turnover, calzone, and stromboli; pizza cheese sticks; bread rolls; pepperoni rolls; breadsticks; cookies; brownies; baked desserts, namely, cinnamon bread and cookie cakes; donut holes; sauces; dipping sauces; garlic-based sauces; spicy sauces; ranch sauces; blue cheese sauce; buffalo sauce; BBQ sauce; honey mustard sauce; cheese sauce; seasonings.

39 – Pizza delivery services; delivery of food and drinks by restaurants.

43 – Restaurant services; restaurant services featuring in-restaurant dining and carryout and delivery services; take-out restaurant services.

(260) AM 2022 115960 A

(800) 1635411

(151) 2021 10 28

(891) 2021 10 28

(731) Dongguan Denmen Electronic Technology Co., LTD

No. 8, Tianxinhu Street, Changping Town,
Dongguan City, 523588 Guangdong Province,
China

(540)



(591) Black, white

(531) 03.09.01; 03.09.24; 04.05.15; 26.04.04; 26.04.05; 26.04.18; 26.05.24; 27.05.24

(511)

9 – Data cables; wireless headphones; earphones; smartphone battery chargers; wireless battery chargers; USB chargers; cases for smartphones; protective films adapted for smartphones; rechargeable batteries; mobile phone stands.

(260) AM 2022 115961 A

(800) 942461

(151) 2007 10 01

(891) 2021 12 07

(731) Barros Laboratories Pty Ltd

White Glo House, 10 Narabang Way,
BELROSE NSW 2085, Australia

(540)

WHITE GLO

(591) Black, white

(511)

3 – Dentifrices; teeth whitening gels; mouth rinses; denture abrasives, denture polishes, denture cleaning solutions.

21 – Toothbrushes, dental floss, toothpicks, electric toothbrushes, toothbrush components.

(260) AM 2022 115962 A

(800) 1193817

(151) 2013 12 09

(891) 2021 11 09

(731) Dual GmbH

Graf-Zeppelin-Str. 7, 86899 Landsberg am
Lech, Germany

(540)



(591) Black, white

(531) 26.04.18; 26.04.24; 27.05.01; 27.05.24

(511)

9 – Scientific, nautical, surveying, photographic, cinematographic, optical, weighing, measuring, signaling, checking (supervision), life-saving and teaching apparatus and instruments; apparatus and instruments for conducting, switching, transforming, storing, controlling and monitoring electricity; apparatus for recording, transmission and reproduction of sound and images; magnetic data carriers, recording discs; mechanisms for coin-operated machines; cash registers, calculating machines, data processing apparatus and computers.

(260) AM 2022 115963 A

(800) 1207465

(151) 2014 03 21

(891) 2021 10 27

(731) NOVARTIS AG

CH-4002 Basel, Switzerland

(540)

TUGALTO

(591) Black, white

(511)

5 – Pharmaceutical preparations.

(260) AM 2022 115964 A

(800) 1452177

(151) 2018 10 15

(891) 2021 12 07

(731) ELSA POUX MAPOESIE

69 rue du Chemin Vert, F-75011 Paris, France

(540)

MAPOESIE

(591) Black, white

(511)

18 – Goods of leather or imitation leather; leather; slings for carrying infants; trunks, luggage, suitcases,

bags; umbrellas and parasols; small bags; small bags for men; clutch bags; clutches (purses); leather pouches; pouches of fabric; Japanese multi-use pouches [shingen-bukuro]; key bags; document cases; pouches for holding make-up, keys and other personal items; pouches for driving licenses; clutch bags (evening handbags); credit card holders; purses (coin purses); wallets; bags; shoulder bags for children; courier bags; backpacks; handbags; evening purses [handbags]; hipsacks; shopping bags; reusable shopping bags; belt bags; shoulder bags; business bags; school bags; shopping bags; gym bags; fashion bags; beach bags; evening bags; sports bags; traveling bags; leather bags; imitation leather bags; bags of plastic materials; fabric bags; terrycloth bags; canvas shopping bags; water proof bags; clutch bags; barrel bags; baby carrying bags; suit bags; bags for women; bags for clothing; knitted bags other than of precious metals; cosmetic cases; cosmetic sets; make-up bags sold empty; shaving sets, sold empty; toiletry bags; toiletry bags for transporting toiletries; toiletry cases sold empty; empty toiletry sets; traveling sets (leatherware); leather bags; cases in fabric; empty bags for cosmetic products.

24 – Quilts; calicoes; canvas for tapestry or embroidery; table runners; hat linings; cotton fabrics; bedspreads; ticking; bed blankets; bed covers of paper; traveling rugs [lap robes]; bed covers; coverlets [bedspreads]; coasters (table linen); sheets; valanced bed sheets; bath sheets; bed sheets; bed sheets of paper; beach towels; cot sheets; sleeping bag sheets; fitted sheets; eiderdowns (down coverlets); curtain holders of textile material; mattress covers; hand towels of textile; glass cloths; cloth; upholstery fabrics; woolen cloths; hand woven silk fabrics; silk fabrics for furniture; non-woven cloths; lingerie fabric; furniture textiles; woven fabrics for upholstery; woven fabrics made of linen; woven fabrics for sofas; woven fabrics for cushions; woven fabrics for armchairs; woven fabric for making clothing articles; woven fabrics for furniture; frieze [cloth]; washing mitts made of non-woven fabrics; washing mitts; large bath towels; pillow shams; loose covers for furniture; table covers; toilet seat covers; covers for cushions; covers for pouffes; bed throws; fabric table toppers; throws of textile materials; sofa throws; bath linen except clothing; bed linen; household linen, including face towels; table linen not of paper; handkerchiefs of textile; mosquito nets, wall hangings of textile; tablecloths (not of paper); small face towels of textile; small towels for toiletry purposes; lap robes; furniture coverings of plastic; furniture coverings of textile; shower curtains of textile or plastic; curtains of textile or plastic; table mats not of paper; bath towels of textile; hand towels of textile; bath towels; hooded bath towels; kitchen towels (textile); beach towels; fabric table napkins; face towels; towels of textile materials; face towels of textile; face towels; serviettes of textile; towels of textile for babies; towels of textile materials for infants; terry towels; terry

towels for the face; Japanese cotton towels [tenugui]; children's towels; cloths for removing make-up; hand towels; pillowcases; tablecloths, not of paper; wall hangings of textile; fabrics; fabrics for textile use; fabrics for upholstery and tapestry; elastic fabrics; fabrics for footwear; fabric for furniture; traced cloths for embroidery; textile fabrics for use in the manufacture of towels; oilcloth for use as tablecloths; bed skirts of textile; velvet.

25 – Bandanas [neckerchiefs]; overalls; hosiery; belts (clothing); shawls; headgear; socks; bedroom slippers; footwear; beach footwear; footwear for sports; shirts; nightgowns; neckties; ties [tied scarves]; tube scarf [clothing]; sashes for wear; scarves [clothing]; silk scarves; stoles (clothing); neckerchiefs; head scarves; scarves; scarves [clothing]; head scarves; neckerchiefs; cashmere scarves; printed scarves; shoulder scarves; headscarves; neck scarves; woven scarves; knitted scarves; furs (clothing); gloves (clothing); skirts; trousers; pareus; dressing gowns; pyjamas; dresses; shorts; underwear; t-shirts; beach clothes; clothing; clothing of leather.

27 – Rugs; bath mats; linoleum and other floor coverings (with the exception of tiling and paints); moquettes (carpets); mats; doormats; wallpapers; floor coverings in the form of mats for sporting activities; carpets; bath mats; shower mats; gymnastic mats; play mats; hand-made woolen carpets; carpets of textile; door mats; floor mats for household use; carpets, rugs, mats and matting; wall hangings not of textile.

(260) AM 2022 115965 A

(800) 1459590

(151) 2018 08 31

(891) 2021 11 07

(731) Obshchestvo s ogranichennoj,
otvetstvennostyu "ARVITEX"
ul. Mashinostroyeniya 2-ya, d. 11, kv. 21,
RU-115088 Moscow, Russian Federation

(540)

EXXE

(591) Black, white

(531) 27.05.01

(511)

3 – Amber [perfume]; antistatic preparations for household purposes; breath freshening sprays; petroleum jelly for cosmetic purposes; cotton wool for cosmetic purposes; cotton swabs for cosmetic purposes; aromatics [essential oils]; cake flavorings [essential oils]; flavorings for beverages [essential oils]; sachets for perfuming linen; scented water; Javelle water; lavender water; toilet water; tailors' wax; moustache wax; dental bleaching gels; make-up; deodorants for human beings; scented wood; perfumes; non-slipping liquids for floors; greases for cosmetic purposes; volcanic ash for cleaning; perfumery; decorative transfers for cos-

metic purposes; ionone [perfumery]; eyebrow pencils; cosmetic pencils; adhesives for affixing false eyelashes; adhesives for affixing false hair; beard dyes; colorants for toilet purposes; cosmetic dyes; starch for laundry purposes; cosmetic creams; cream for whitening the skin; creams for leather; waxes for leather; incense; hair spray; nail varnish; after-shave lotions; hair lotions; lotions for cosmetic purposes; beauty masks; oils for perfumes and scents; oils for cosmetic purposes; oils for toilet purposes; essential oils; essential oils of cedarwood; essential oils of lemon; oils for cleaning purposes; bergamot oil; gaultheria oil; jasmine oil; lavender oil; almond oil; rose oil; oil of turpentine for degreasing; adhesives for cosmetic purposes; cleaning chalk; almond milk for cosmetic purposes; cleansing milk for toilet purposes; musk [perfumery]; soap; deodorant soap; shaving soap; soap for brightening textile; cakes of toilet soap; antiperspirant soap; soap for foot perspiration; almond soap; mint for perfumery; cosmetic kits; false nails; eau de Cologne; bases for flower perfumes; joss sticks; shining preparations [polish]; pastes for razor strops; dentifrices; pumice stone; hydrogen peroxide for cosmetic purposes; lipsticks; pomades for cosmetic purposes; shaving preparations; cosmetic preparations for baths; toiletries; hair waving preparations; laundry soaking preparations; smoothing preparations [starching]; leather bleaching preparations; denture polishes; polishing preparations; mouthwashes, not for medical purposes; cosmetic preparations for slimming purposes; starch glaze for laundry purposes; fabric softeners for laundry use; laundry bleaching preparations; dry-cleaning preparations; make-up removing preparations; paint stripping preparations; lacquer-removing preparations; nail care preparations; cleaning preparations; preparations for cleaning dentures; make-up powder; scouring solutions; false eyelashes; tissues impregnated with cosmetic lotions; safrol; turpentine for degreasing; potpourris [fragrances]; bleaching soda; washing soda, for cleaning; bath salts, not for medical purposes; bleaching salts; preservatives for leather [polishes]; fumigation preparations [perfumes]; ammonia [volatile alkali] [detergent]; astringents for cosmetic purposes; eyebrow cosmetics; stain removers; make-up preparations; sun-tanning preparations [cosmetics]; hair colorants; neutralizers for permanent waving; preparations to make the leaves of plants shiny; cosmetic preparations for eyelashes; depilatory preparations; cosmetic preparations for skin care; shoes cleaning preparations; cosmetics; cosmetics for animals; mascara; detergents, other than for use in manufacturing operations and for medical purposes; degreasers, other than for use in manufacturing processes; bleaching preparations [decolorants] for cosmetic purposes; antiperspirants [toiletries]; talcum powder, for toilet use; terpenes [essential oils]; cloths impregnated with a detergent for cleaning; shampoos; shampoos for pets [non-medicated grooming preparations]; extracts of flowers [perfumes].

5 – Aldehydes for pharmaceutical purposes; dental amalgams of gold; dental amalgams; aseptic cotton; antiseptic cotton; absorbent cotton; wadding for medical purposes; melissa water for pharmaceutical purposes; sea water for medicinal bathing; mineral waters for medical purposes; thermal water; molding wax for dentists; mud for baths; medicinal mud; deodorants, other than for human beings or for animals; deodorants for clothing and textiles; dental lacquer; adhesive plasters; liniments; ointments for pharmaceutical purposes; sunburn ointments; gauze for dressings; medicinal oils; dental mastics; menthol; disinfectant soap; medicated soap; stick liquorice for pharmaceutical purposes; plasters for medical purposes; pomades for medical purposes; therapeutic preparations for the bath; preparations to facilitate teething; air purifying preparations; pharmaceutical preparations for treating dandruff; medicinal hair growth preparations; sanitary towels; panty liners [sanitary]; solvents for removing adhesive plasters; sanitary napkins; sanitary pads; tissues impregnated with pharmaceutical lotions; bath salts for medical purposes; antiseptics; disinfectants for hygiene purposes; mouthwashes for medical purposes; remedies for perspiration; remedies for foot perspiration; sanitary tampons; sanitary panties; underpads for incontinents of paper or of cellulose; diapers for incontinents of paper or of cellulose.

16 – Garbage bags of paper or of plastics; stickers [stationery]; bags of paper for packaging; towels of paper; tissues of paper for removing make-up; face towels of paper; Indian inks.

(260) AM 2022 115966 A

(800) 1548833

(151) 2020 06 12

(891) 2021 12 02

(731) Chongqing Meiqi Industry Co., Ltd.
Baosheng East Road, Huixing town,
Yubei district, Chongqing City, China

(540)

HIROMIKI

(591) Black, white

(531) 27.05.01

(511)

7 – Agricultural machines; lawnmowers [machines]; reapers; cultivators [machines]; tea manufacturing machines; dynamos; gasoline engines, other than for land vehicles; ploughshares; grain separators; chaff cutters; aerating pumps for aquaria.

12 – Driving motors for land vehicles; transmission shafts for land vehicles; motorcycles; automobiles; axles for vehicles; upholstery for vehicles; engines for land vehicles; brakes for vehicles.

(260) AM 2022 115967 A

(800) 1571167

(151) 2020 08 20

(891) 2021 10 05

(731) TikTok Information Technologies UK Limited
One London Wall, 6th Floor, London
EC2Y 5EB, United Kingdom

(540)



(591) Black, Pantone colour 318C and Pantone colour 2040C

(531) 24.17.10; 26.13.25; 29.01.13

(511)

6 – Baskets of metal; bells for animals; split rings of common metal for keys; boxes of common metal; clothes hooks of metal; door bells of metal, non-electric; keys of metal.

11 – Coffee machines; coffee percolators; cooking apparatus and installations; electric fans for personal use; hot water bottles; luminous house numbers; electric lamps; light bulbs; nail lamps; refrigerating apparatus and machines; water heaters; wine cellars, electric; USB-powered cup heaters; USB-powered hand warmers; safety lamps; hair driers; sanitary apparatus and installations; disinfectant apparatus; radiators; lighters.

20 – Air mattresses; baby changing mats; bamboo curtains; bedding; boxes of wood or plastic; camping mattresses; clips of plastic for sealing bags; decorations of plastic for foodstuffs; furniture; furniture fittings, not of metal; hand-held flagpoles, not of metal; identification bracelets, not of metal; keyboards for hanging keys; letter boxes, not of metal or masonry.

21 – Kitchen utensils; glassware; kitchen utensils; cooking utensils; ceramics for household purposes; combs; mugs; tea sets; toilet utensils; toothbrushes; cosmetic utensils; cages for household pets; brushes; works of art, of porcelain, terracotta or glass.

24 – Textiles; bed clothes; wall hangings of textile; loose covers for furniture; curtains of textile or plastic; banners; non-woven textile fabrics; felts.

26 – Edgings for clothing; fastenings for clothing; false hair; artificial flowers; heat adhesive patches for repairing textile articles; numerals or letters for marking linen; shoulder pads for clothing; needles.

(260) AM 2022 115968 A
 (800) 1572059
 (151) 2020 08 20
 (891) 2021 10 05
 (731) TikTok Information Technologies UK Limited
 One London Wall, 6th Floor, London
 EC2Y 5EB, United Kingdom

(540)

TikTok

(591) Black, white

(511)

14 – Alarm clocks; badges of precious metal; boxes of precious metal; bracelets; earrings; jewellery; ornamental pins; shoe jewellery; tie clips; necklaces; watches; split rings of precious metal for keys; key rings; key chains.

16 – Bookmarks; printed matter; composing frames; drawing materials; desk mats; document holders; marking pens; school supplies; stationery; writing paper; table napkins of paper; paper; pencils; pictures; stands for pens and pencils; ink; teaching materials.

18 – Bags; bags for sports; boxes of leather or leather-board; card cases; chain mesh purses; clothing for pets; handbags; net bags for shopping; suitcases; umbrellas; walking sticks; leather goods unworked or semi-worked namely, leather purses, leather cloths, leather bags, leather wallets, leather coin purses and leather briefcases.

25 – Clothing, namely, shirts, t-shirts, jackets, sweaters, sweatshirts, vests, shorts, pants, bodysuits, cloth bibs, jerseys, pullovers, socks; headgear, namely, hats, caps, beanies, visors; beach shoes; belts; caps being headwear; bandanas [neckerchiefs]; gloves.

28 – Games; toys; board games; balls for games; body-building apparatus; archery implements; physical exercise machines; toy whistles; inflatable swimming pools; plastic race tracks; ice skates; Christmas tree ornaments, except illumination articles and confectionery; fishing tackle; twirling batons; camouflage screens [sports articles]; scratch cards for playing lottery games.

(260) AM 2022 116002 A

(800) 1635462

(151) 2021 07 07

(891) 2021 07 07

(731) ThisCompany Limited
 8 Percy Street, London W1T 1DJ,
 United Kingdom

(540)



(591) Black, white

(531) 26.04.09; 26.04.24; 27.05.01; 27.05.15

(511)

3 – Preparations for applications to the skin, scalp, hair or nails; body and beauty preparations for men and women; preparations for the hair; perfumes; perfumed products; eau de toilette; eau de parfum; eau de cologne; bath and shower gels and salts not for medical purposes; bath additives; essential oils; skin care preparations; facial masks, peels and packs; beauty masks; nail care preparations; soaps; talcum powder; deodorants for personal use; anti-perspirant preparations; cosmetics; cosmetic creams, milks, lotions, gels and powders for the face, body and hands; sun-tanning and sun protection milks, gels and oils and after-sun preparations (cosmetics); make-up preparations; shampoos; hair conditioners; gels, mousses, oils, lotions, balms and preparations; non-medicated massage preparations; shaving preparations; scented articles all for perfumery use; tissues impregnated with cosmetic powder; abrasives for personal use; make-up removal products; bleaching preparations and other substances for laundry use.

4 – Candles; scented candles; perfumed candles; perfumed combustible oils.

16 – Printed matter, paper, cardboard; swing tags; labels; catalogues; magazines; journals; periodicals; manuals; newspapers; posters; point of sale marketing materials made from paper or cardboard; address books; personal organisers being printed matter; photographs; stationery; instructional and teaching materials (except apparatus); greetings cards; books; calendars; publications; comics; cartoons; albums; scrap books; gift wrap; plastic bags; paper bags; stickers and sticker albums; packaging envelopes, bags and pouches, all of either paper, cardboard or plastics; plastic materials for packaging (not included in other classes).

(260) AM 2022 116003 A

(800) 1635512

(151) 2021 10 15

(891) 2021 10 15

(731) "Awada systems" Limited liability company
 Dorogobuzhskaya ul., d. 14, str. 6, pom. 16,
 RU-121354 Moskva, Russian Federation

(540)

АВАДА

(591) Black, white

(531) 28.05

(511)

9 – DVD players; ticket dispensers; juke boxes, musical; fire engines; answering machines; electrical adapters; batteries for electronic cigarettes; accumulators, electric; batteries, electric, for vehicles; accelero-

meters; actinometers; alidades; altimeters; ear pads for earphones; ammeters; nanoparticle size analysers; anemometers; anodes; aerials; anticathodes; apertometers [optics]; high-frequency apparatus; testing apparatus not for medical purposes; remote control apparatus; electro-dynamic apparatus for the remote control of railway points; electro-dynamic apparatus for the remote control of signals; monitoring apparatus, other than for medical purposes; sound recording apparatus; Global Positioning System [GPS] apparatus; distillation apparatus for scientific purposes; diffraction apparatus [microscopy]; air analysis apparatus; apparatus to check franking; sound transmitting apparatus; apparatus for fermentation [laboratory apparatus]; breathing apparatus for underwater swimming; breathing apparatus, except for artificial respiration; apparatus and installations for the production of X-rays, not for medical purposes; cash registers; electric apparatus for commutation; intercommunication apparatus; stills for laboratory experiments; projection apparatus; fire extinguishing apparatus; radiological apparatus for industrial purposes; X-ray apparatus not for medical purposes; blueprint apparatus; flashing lights [luminous signals]; stereoscopic apparatus; telephone apparatus; facsimile machines; phototelegraphy apparatus; igniting apparatus, electric, for igniting at a distance; acid hydrometers; salinometers; acidimeters for batteries; aerometers; beacons, luminous; battery jars; automated teller machines [ATM]; barometers; anode batteries; galvanic batteries; ignition batteries; solar batteries; solar panels for the production of electricity; batteries, electric; balances [steelyards]; betatrons; binoculars; biochips; electronic tags for goods; lens hoods; magnetic tape units for computers; computer memory devices; fire hose nozzles; encoded identification bracelets, magnetic; connected bracelets [measuring instruments]; safety tarpaulins; electronic key fobs being remote control apparatus; bullet-proof clothing; signalling buoys; life buoys; marking buoys; directional compasses; vacuum gauges; electrolyzers; variometers; verniers; scales; baby scales; bathroom scales; letter scales; weighbridges; precision balances; scales with body mass analysers; levelling staffs [surveying instruments]; camcorders; video baby monitors; video cassettes; video projectors; video telephones; video screens; viewfinders, photographic; electric plugs; micrometer screws for optical instruments; viscosimeters; circuit closers; wavemeters; voltmeters; mechanical signs; signs, luminous; switchboxes [electricity]; current rectifiers; gas testing instruments; gasometers [measuring instruments]; galvanometers; hands-free kits for telephones; heliographic apparatus; hygrometers; hydrometers; weights; peepholes [magnifying lenses] for doors; hairdressing training heads [teaching apparatus]; holograms; plotters; sounding leads; plumb bobs; range finders; parking sensors for vehicles; piezoelectric sensors; densimeters; densitometers; detectors; smoke detectors; infrared detectors; counterfeit coin detectors; joysticks for use with com-

puters, other than for video games; transparencies [photography]; slide projectors; diaphragms [photography]; dictating machines; dynamometers; light-emitting diodes [LED]; quantum dot light-emitting diodes [QLED]; organic light-emitting diodes [OLED]; floppy disks; phonograph records; disks, magnetic; optical discs; circular slide rules; disk drives for computers; juke boxes for computers; wearable video display monitors; electronic numeric displays; DNA chips; electronic interactive whiteboards; electronic notice boards; electric wire harnesses for automobiles; bullet-proof vests; life jackets; reflective safety vests; identification threads for electric wires; nose clips for divers and swimmers; padlocks, electronic; locks, electric; bells [warning devices]; alarm bells, electric; electric door bells; signal bells; acoustic conduits; mirrors for inspecting work; road signs, luminous or mechanical; marine depth finders; probes for scientific purposes; buzzers; needles for surveying compasses; needles for record players; eyewear; reflective articles for wear, for the prevention of accidents; measures; pressure measuring apparatus; simulators for the steering and control of vehicles; inverters [electricity]; pressure indicators; automatic indicators of low pressure in vehicle tyres; temperature indicators; incubators for bacteria culture; measuring instruments; cosmographic instruments; mathematical instruments; levelling instruments; instruments containing eyepieces; surveying instruments; azimuth instruments; interfaces for computers; ionization apparatus not for the treatment of air or water; satellite finder meters; spark-guards; coaxial cables; fibre optic cables; cables, electric; calipers; slide calipers; screw-tapping gauges; calorimeters; calculating machines; pocket calculators; decompression chambers; rearview cameras for vehicles; cinematographic cameras; thermal imaging cameras; mouth guards for sports; life-saving capsules for natural disasters; electronic pens [visual display units]; holders for electric coils; biometric identity cards; identity cards, magnetic; video game cartridges; ink cartridges, unfilled, for printers and photocopiers; memory cards for video game machines; encoded magnetic cards; riding helmets; protective helmets; carriers for dark plates [photography]; cathodes; spools [photography]; choking coils [impedance]; coils, electric; electromagnetic coils; cinematographic film, exposed; computer keyboards; solenoid valves [electromagnetic switches]; wire connectors [electricity]; thin client computers; downloadable cryptographic keys for receiving and spending cryptocurrency; encoded key cards; electronic book readers; electronic agendas; push buttons for bells; magnetic encoders; visors for helmets; collectors, electric; calibrating rings; smart rings; ring sizers; protective suits for aviators; commutators; compact discs [audio-video]; comparators; marine compasses; computers; laptop computers; tablet computers; notebook computers; wearable computers; condensers [capacitors]; contacts, electric; wind socks for indicating wind direction; tra-

ffic cones; branch boxes [electricity]; distribution boxes [electricity]; junction boxes [electricity]; battery boxes; cabinets for loudspeakers; diving suits; downloadable e-wallets; galena crystals [detectors]; covers for electric outlets; logs [measuring instruments]; lasers, not for medical purposes; lactodensimeters; lactometers; vacuum tubes [radio]; darkroom lamps [photography]; thermionic valves; amplifying tubes; flashlights [photography]; head cleaning tapes [recording]; magnetic tapes; videotapes; surveying chains; fire escapes; rulers [measuring instruments]; square rulers for measuring; slide-rules; contact lenses; correcting lenses [optics]; optical lenses; optical condensers; sounding lines; electricity conduits; measuring spoons; magnifying glasses [optics]; thread counters; magnets; decorative magnets; close-up lenses; crash test dummies; resuscitation mannequins [teaching apparatus]; pressure gauges; security tokens [encryption devices]; divers' masks; solderers' helmets; protective masks; respiratory masks, other than for artificial respiration; materials for electricity mains [wires, cables]; voting machines; money counting and sorting machines; material testing instruments and machines; furniture especially made for laboratories; megaphones; portable media players; diaphragms [acoustics]; diaphragms for scientific apparatus; metal detectors for industrial or military purposes; digital weather stations; metronomes; rules [measuring instruments]; carpenters' rules; dressmakers' measures; mechanisms for coin-operated apparatus; mechanisms for counter-operated apparatus; coin-operated mechanisms for television sets; shutter releases [photography]; micrometers; microprocessors; microscopes; microtomes; microphones; audio mixers; modems; lightning conductors; monitors [computer hardware]; monitors [computer programs]; selfie sticks [hand-held monopods]; terminals [electricity]; junction sleeves for electric cables; teeth protectors; temperature indicator labels, not for medical purposes; knee-pads for workers; headphones; earpieces for remote communication; surveyors' levels; sound recording carriers; magnetic data media; optical data media; electronic sheet music, downloadable; sheaths for electric cables; identification sheaths for electric wires; weighing machines; computer hardware; punched card machines for offices; life saving equipment; objectives [lenses] [optics]; lenses for astrophotography; selfie lenses; egg-candlers; fire extinguishers; rescue laser signalling flares; electrified fences; limiters [electricity]; clothing for protection against accidents, irradiation and fire; clothing for protection against fire; asbestos clothing for protection against fire; clothing especially made for laboratories; survival blankets; ozonisers [ozonators]; octants; eyepieces; ohmmeters; wrist rests for use with computers; spectacle frames; oscillographs; plumb lines; mirrors [optics]; spectacles; sunglasses; goggles for sports; electronic collars to train animals; finger sizers; signalling panels, luminous or mechanical; biometric passports; wah-wah pe-

dals; radio pagers; pince-nez; electronic pocket translators; transmitters [telecommunication]; telephone transmitters; transmitters of electronic signals; switches, electric; periscopes; data gloves; gloves for divers; gloves for protection against accidents; gloves for protection against X-rays for industrial purposes; asbestos gloves for protection against accidents; furnaces for laboratory use; droppers for measuring, other than for medical or household purposes; laboratory pipettes; pyrometers; planimeters; plane tables [surveying instruments]; plates for batteries; computer software platforms, recorded or downloadable; wafers for integrated circuits; printed circuit boards; compact disc players; cassette players; protective films adapted for computer screens; protective films adapted for smartphones; sound recording strips; X-ray films, exposed; films, exposed; life-saving rafts; animal signalling rattles for directing livestock; laboratory trays; digital signs; stands adapted for laptops; semi-conductors; polarimeters; personal digital assistants [PDAs]; fire pumps; measuring glassware; weight belts for divers; life belts; fuses; circuit breakers; converters, electric; telerupters; food analysis apparatus; diagnostic apparatus, not for medical purposes; distance recording apparatus; distance measuring apparatus; speed measuring apparatus [photography]; appliances for measuring the thickness of leather; apparatus for measuring the thickness of skins; speed checking apparatus for vehicles; teaching apparatus; time recording apparatus; apparatus and instruments for astronomy; surveying apparatus and instruments; weighing apparatus and instruments; nautical apparatus and instruments; navigational instruments; optical apparatus and instruments; apparatus and instruments for physics; chemistry apparatus and instruments; measuring apparatus; measuring devices, electric; boiler control instruments; meteorological instruments; naval signalling apparatus; observation instruments; navigation apparatus for vehicles [on-board computers]; satellite navigational apparatus; regulating apparatus, electric; telecommunication apparatus in the form of jewellery; precision measuring apparatus; audio- and video-receivers; prisms [optics]; computer software applications, downloadable; ticket printers; printers for use with computers; retorts' stands; apparatus for changing record player needles; drainers for use in photography; cleaning apparatus for phonograph records; fire beaters; sighting telescopes for firearms; telescopic sights for artillery; test tubes; pressure indicator plugs for valves; magnetic wires; telegraph wires; telephone wires; wires, electric; conductors, electric; copper wire, insulated; fuse wire; computer game software, downloadable; computer programs, downloadable; computer screen saver software, recorded or downloadable; record players; processors [central processing units]; rods for water diviners; electronic publications, downloadable; distribution consoles [electricity]; control panels [electricity]; radar apparatus; masts for wireless aerials; transmitting sets [teleco-

mmunication]; radios; vehicle radios; sprinkler systems for fire protection; frames for photographic transparencies; screens for photoengraving; flowmeters; walkie-talkies; voltage surge protectors; voltage regulators for vehicles; stage lighting regulators; speed regulators for record players; cell switches [electricity]; washing trays [photography]; marking gauges [joinery]; T-squares for measuring; time switches, automatic; relays, electric; body harnesses for support when lifting loads; X-ray photographs, other than for medical purposes; rheostats; respirators for filtering air; retorts; refractometers; refractors; grids for batteries; security surveillance robots; laboratory robots; teaching robots; telepresence robots; humanoid robots with artificial intelligence; electric sockets; height measuring instruments; speaking tubes; horns for loudspeakers; subwoofers; saccharometers; optical fibres [light conducting filaments]; traffic-light apparatus [signalling devices]; dog whistles; signalling whistles; sports whistles; sextants; inductors [electricity]; safety nets; nets for protection against accidents; fire alarms; signals, luminous or mechanical; rescue flares, non-explosive and non-pyrotechnic; sirens; electronic access control systems for interlocking doors; hand-held electronic dictionaries; integrated circuit cards [smart cards]; smartglasses; smartphones; smartwatches; connections for electric lines; couplings, electric; sonars; sound locating instruments; lighting ballasts; resistances, electric; spectrograph apparatus; spectroscopes; speed indicators; alcoholmeters; satellites for scientific purposes; protection devices for personal use against accidents; audiovisual teaching apparatus; charging stations for electric vehicles; radiotelegraphy sets; radiotelephony sets; spectacle lenses; anti-glare glasses; optical glass; personal stereos; stereoscopes; stands for photographic apparatus; stroboscopes; fire boats; sulfimeters; bags adapted for laptops; drying racks [photography]; spherometers; integrated circuits; printed circuits; counters; parking meters; mileage recorders for vehicles; revolution counters; abacuses; egg timers [sandglasses]; taximeters; ear plugs for divers; tachometers; television apparatus; telegraphs [apparatus]; telescopes; teleprompters; teleprinters; cordless telephones; mobile telephones; theodolites; credit card terminals; interactive touch screen terminals; thermo-hygrometers; thermometers, not for medical purposes; thermostats; thermostats for vehicles; climate control digital thermostats; crucibles [laboratory]; tone arms for record players; totalizers; transistors [electronic]; transponders; protractors [measuring instruments]; transformers [electricity]; step-up transformers; resuscitation training simulators; vehicle breakdown warning triangles; triodes; starter cables for motors; discharge tubes, electric, other than for lighting; capillary tubes; neon signs; Pitot tubes; X-ray tubes not for medical purposes; telephone receivers; headgear being protective helmets; squares for measuring; gauges; quantity indicators; petrol gauges; water level indicators; electric loss indicators; light-

emitting electronic pointers; slope indicators; levels [instruments for determining the horizontal]; mercury levels; spirit levels; urinometers; amplifiers; particle accelerators; electric installations for the remote control of industrial operations; baby monitors; steering apparatus, automatic, for vehicles; balancing apparatus; video recorders; sound reproduction apparatus; invoicing machines; tape recorders; protection devices against X-rays, not for medical purposes; railway traffic safety appliances; data processing apparatus; oxygen transvasing apparatus; theft prevention installations, electric; devices for the projection of virtual keyboards; film cutting apparatus; drying apparatus for photographic prints; optical character readers; centering apparatus for photographic transparencies; dosage dispensers; battery chargers; chargers for electric accumulators; chargers for electronic cigarettes; acoustic alarms; sounding apparatus and machines; apparatus for editing cinematographic film; cathodic anti-corrosion apparatus; couplers [data processing equipment]; anti-theft warning apparatus; computer peripheral devices; anti-interference devices [electricity]; demagnetizing apparatus for magnetic tapes; acoustic couplers; alarms; fog signals, non-explosive; whistle alarms; adding machines; heat regulating apparatus; photocopiers [photographic, electrostatic, thermic]; electric and electronic effects units for musical instruments; bar code readers; downloadable image files; downloadable music files; animated cartoons; filters for respiratory masks; filters for ultraviolet rays, for photography; filters for use in photography; USB flash drives; magic lanterns; optical lanterns; signal lanterns; cameras [photography]; glazing apparatus for photographic prints; shutters [photography]; darkrooms [photography]; photometers; flash-bulbs [photography]; digital photo frames; enlarging apparatus [photography]; photovoltaic cells; containers for contact lenses; spectacle cases; containers for microscope slides; cases for smartphones; cases especially made for photographic apparatus and instruments; chromatography apparatus for laboratory use; chronographs [time recording apparatus]; laboratory centrifuges; spectacle chains; cyclotrons; compasses for measuring; frequency meters; time clocks [time recording devices]; Petri dishes; sleeves for laptops; covers for personal digital assistants [PDAs]; covers for tablet computers; covers for smartphones; fire blankets; chips [integrated circuits]; jigs [measuring instruments]; pedometers; meteorological balloons; electrified rails for mounting spot lights; asbestos screens for firemen; fire hose; virtual reality headsets; protective helmets for sports; head guards for sports; lifeboats; snorkels; cell phone straps; spectacle cords; tripods for cameras; switchboards; distribution boards [electricity]; equalizers [audio apparatus]; workmen's protective face-shields; projection screens; radiology screens for industrial purposes; fluorescent screens; exposure meters [light meters]; ducts [electricity]; galvanic cells; downloadable graphics for mobile phones;

epidiascopes; ergometers; armatures [electricity]; black boxes [data recorders]; 3D spectacles; magnetic resonance imaging [MRI] apparatus, not for medical purposes; screens [photography]; downloadable emoticons for mobile phones; downloadable ring tones for mobile phones; audio interfaces; toner cartridges, unfilled, for printers and photocopiers; mouse pads; compact discs [read-only memory]; mouse [computer peripheral]; trackballs [computer peripherals]; ear pads for headphones; computer software, recorded; shoes for protection against accidents, irradiation and fire; hemline markers; computer programs, recorded; light dimmers [regulators], electric; lanyards for safety purposes for fall protection; scanners [data processing equipment]; wearable activity trackers; readers [data processing equipment].

35 – Arranging subscriptions to telecommunication services for others; import-export agency services; commercial information agency services; advertising agency services; cost price analysis; rental of office equipment in co-working facilities; rental of advertising space; business auditing; financial auditing; business intermediary services relating to the matching of potential private investors with entrepreneurs needing funding; employment agency services; computerized file management; book-keeping; invoicing; demonstration of goods; transcription of communications [office functions]; opinion polling; market studies; business investigations; business research; marketing research; personnel recruitment; business management and organization consultancy; business organization consultancy; business management consultancy; personnel management consultancy; professional business consultancy; consultancy regarding advertising communication strategies; layout services for advertising purposes; marketing; targeted marketing; business management of performing artists; business management of sports people; writing of curriculum vitae for others; scriptwriting for advertising purposes; news clipping services; updating and maintenance of information in registries; updating and maintenance of data in computer databases; updating of advertising material; word processing; online retail services for downloadable and pre-recorded music and movies; online retail services for downloadable ring tones; online retail services for downloadable digital music; organization of exhibitions for commercial or advertising purposes; arranging newspaper subscriptions for others; organization of fashion shows for promotional purposes; organization of trade fairs; shop window dressing; business appraisals; payroll preparation; data search in computer files for others; sponsorship search; administrative assistance in responding to calls for tenders; business management assistance; commercial or industrial management assistance; commercial intermediation services; providing business information; providing business information via a website; providing commercial and business contact information; providing commercial information and advice

for consumers in the choice of products and services; providing user reviews for commercial or advertising purposes; web indexing for commercial or advertising purposes; providing user rankings for commercial or advertising purposes; economic forecasting; auctioneering; retail services for works of art provided by art galleries; sales promotion for others; promotion of goods and services through sponsorship of sports events; production of teleshopping programmes; production of advertising films; office machines and equipment rental; rental of advertising time on communication media; publicity material rental; rental of billboards [advertising boards]; rental of vending machines; rental of sales stands; rental of photocopying machines; consumer profiling for commercial or marketing purposes; publication of publicity texts; radio advertising; development of advertising concepts; bill-posting; distribution of samples; dissemination of advertising matter; direct mail advertising; registration of written communications and data; writing of publicity texts; advertising; online advertising on a computer network; advertising by mail order; television advertising; compilation of statistics; compilation of information into computer databases; business inquiries; systemization of information into computer databases; administrative services for medical referrals; advisory services for business management; corporate communications services; negotiation of business contracts for others; negotiation and conclusion of commercial transactions for third parties; compiling indexes of information for commercial or advertising purposes; tax preparation; drawing up of statements of accounts; telemarketing services; psychological testing for the selection of personnel; interim business management; business management of hotels; business management for freelance service providers; business project management services for construction projects; commercial administration of the licensing of the goods and services of others; business management of reimbursement programmes for others; administration of consumer loyalty programs; administration of frequent flyer programs; administrative processing of purchase orders; administrative services for the relocation of businesses; public relations; commercial lobbying services; competitive intelligence services; modelling for advertising or sales promotion; typing; market intelligence services; appointment reminder services [office functions]; website traffic optimization; tax filing services; search engine optimization for sales promotion; retail services relating to bakery products; gift registry services; price comparison services; pay per click advertising; secretarial services; procurement services for others [purchasing goods and services for other businesses]; shorthand; outsourcing services [business assistance]; telephone answering for unavailable subscribers; telephone switchboard services; photocopying services; business efficiency expert services; consultancy regarding public relations communication strategies; marketing in the framework of software pub-

lishing; provision of an online marketplace for buyers and sellers of goods and services; presentation of goods on communication media, for retail purposes; media relations services; wholesale services for pharmaceutical, veterinary and sanitary preparations and medical supplies; retail services for pharmaceutical, veterinary and sanitary preparations and medical supplies; outsourced administrative management for companies; appointment scheduling services [office functions].

38 – News agency services; wireless broadcasting; television broadcasting; cable television broadcasting; electronic bulletin board services [telecommunications services]; providing user access to global computer networks; providing access to databases; providing telecommunications connections to a global computer network; providing telecommunication channels for teleshopping services; video-on-demand transmission; transmission of podcasts; message sending; computer aided transmission of messages and images; transmission of telegrams; transmission of digital files; providing information in the field of telecommunications; providing online forums; videoconferencing services; rental of message sending apparatus; rental of access time to global computer networks; rental of modems; rental of telecommunication equipment; rental of smartphones; rental of telephones; rental of facsimile apparatus; radio broadcasting; radio communications; transmission of electronic mail; communications by fibre optic networks; communications by cellular phones; communications by computer terminals; satellite transmission; communications by telegrams; communications by telephone; facsimile transmission; paging services [radio, telephone or other means of electronic communication]; teleconferencing services; telex services; voice mail services; streaming of data; telegraph services; telephone services; providing internet chatrooms; transmission of greeting cards online; telecommunications routing and junction services.

42 – Water analysis; computer system analysis; handwriting analysis [graphology]; chemical analysis; rental of meters for the recording of energy consumption; energy auditing; recovery of computer data; business card design; graphic design of promotional materials; industrial design; graphic arts design; computer virus protection services; oil-field surveys; geological surveys; engineering; installation of computer software; meteorological information; clinical trials; material testing; textile testing; bacteriological research; biological research; geological research; research in the field of environmental protection; cosmetic research; mechanical research; research in the field of welding; research in the field of building construction; research in the field of telecommunications technology; research in the field of physics; chemical research; research and development of new products for others; medical research; scientific and technological research relating to patent mapping; scientific and technologi-

cal research in the field of natural disasters; scientific research; analysis for oil-field exploitation; underwater exploration; technological research; calibration [measuring]; website design consultancy; computer security consultancy; information technology [IT] consultancy; computer technology consultancy; consultancy in the design and development of computer hardware; architectural consultancy; internet security consultancy; computer software consultancy; data security consultancy; technological consultancy; oil-well testing; quality control; vehicle roadworthiness testing; land surveying; dress designing; updating of computer software; monitoring of computer systems to detect breakdowns; monitoring of computer systems for detecting unauthorized access or data breach; monitoring of computer systems by remote access; software as a service [SaaS]; maintenance of computer software; authenticating works of art; design of interior decor; quality evaluation of standing timber; quality evaluation of wool; digitization of documents [scanning]; conversion of data or documents from physical to electronic media; urban planning; providing information relating to computer technology and programming via a website; providing search engines for the internet; conversion of computer programs and data, other than physical conversion; conducting technical project studies; computer system design; rental of web servers; computer rental; rental of computer software; unlocking of mobile phones; geological prospecting; oil prospecting; hosting computer sites [web sites]; development of computer platforms; construction drafting; computer software design; software development in the framework of software publishing; cloud seeding; server hosting; consultancy in the field of energy-saving; creating and designing website-based indexes of information for others [information technology services]; creating and maintaining websites for others; computer programming; technical writing; copying of computer programs; cloud computing; architectural services; information technology services provided on an outsourcing basis; chemistry services; packaging design; off-site data backup; telecommunications technology consultancy; scientific laboratory services; user authentication services using single sign-on technology for online software applications; user authentication services using technology for e-commerce transactions; weather forecasting; styling [industrial design]; cartography services; exploration services in the field of the oil, gas and mining industries; data encryption services; electronic data storage; surveying; electronic monitoring of credit card activity to detect fraud via the internet; electronic monitoring of personally identifying information to detect identity theft via the internet; interior design; providing scientific information, advice and consultancy relating to carbon offsetting; platform as a service [PaaS].

(260) AM 2022 116004 A

(800) 1635516

(151) 2021 10 15

(891) 2021 10 15

(731) "Awada systems" Limited liability company

Dorogobuzhskaya ul., d. 14, str. 6, pom. 16,

RU-121354 Moskva, Russian Federation

(540)


 The logo consists of the word "AWADA" in a bold, black, sans-serif font. The letters are stylized with sharp, angular shapes. The 'A's are particularly prominent, with a wide base and a sharp peak. The 'W' is composed of two 'A' shapes joined together. The 'D' is a simple, rounded shape. The 'A' at the end is identical to the first one.

(591) Black, white

(531) 27.05.01

(511)

9 – Ticket dispensers; juke boxes, musical; answering machines; fire engines; accumulators, electric; batteries, electric, for vehicles; actinometers; alidades; altimeters; ammeters; anemometers; anodes; aerials; anti-cathodes; apertometers [optics]; high-frequency apparatus; testing apparatus not for medical purposes; remote control apparatus; electro-dynamic apparatus for the remote control of railway points; electro-dynamic apparatus for the remote control of signals; sound recording apparatus; Global Positioning System [GPS] apparatus; distillation apparatus for scientific purposes; diffraction apparatus [microscopy]; air analysis apparatus; apparatus to check franking; sound transmitting apparatus; apparatus for fermentation [laboratory apparatus]; breathing apparatus for underwater swimming; breathing apparatus, except for artificial respiration; apparatus and installations for the production of X-rays, not for medical purposes; cash registers; electric apparatus for commutation; intercommunication apparatus; stills for laboratory experiments; projection apparatus; radiological apparatus for industrial purposes; X-ray apparatus not for medical purposes; blueprint apparatus; flashing lights [luminous signals]; stereoscopic apparatus; telephone apparatus; facsimile machines; phototelegraphy apparatus; igniting apparatus, electric, for igniting at a distance; acid hydrometers; salinometers; acidimeters for batteries; aerometers; beacons, luminous; battery jars; barometers; anode batteries; galvanic batteries; ignition batteries; solar batteries; batteries, electric; balances [steelyards]; betatrons; binoculars; electronic tags for goods; magnetic tape units for computers; computer memory devices; fire hose nozzles; encoded identification bracelets, magnetic; safety tarpaulins; signalling buoys; life buoys; marking buoys; directional compasses; vacuum gauges; electrolyzers; variometers; verniers; scales; letter scales; weighbridges; precision balances; levelling staffs [surveying instruments]; camcorders; video cassettes; video telephones; video screens; viewfinders, photographic; micrometer screws for optical instruments; viscosimeters; circuit closers; wavemeters; voltmeters; switchboxes [electricity]; current rectifiers; gas testing instruments; gasometers [measuring instruments]; galvanometers; hands-free kits for telephones; heliographic apparatus; hygrometers; hydrometers; weights; peepholes [magnifying

lenses] for doors; holograms; plotters; sounding leads; plumb bobs; range finders; densimeters; densitometers; detectors; smoke detectors; counterfeit coin detectors; transparencies [photography]; slide projectors; diaphragms [photography]; dictating machines; dynamometers; light-emitting diodes [LED]; floppy disks; phonograph records; disks, magnetic; optical discs; circular slide rules; disk drives for computers; juke boxes for computers; DNA chips; electronic notice boards; bullet-proof vests; life jackets; identification threads for electric wires; nose clips for divers and swimmers; locks, electric; bells [warning devices]; alarm bells, electric; electric door bells; signal bells; acoustic conduits; mirrors for inspecting work; road signs, luminous or mechanical; mechanical signs; signs, luminous; marine depth finders; probes for scientific purposes; buzzers; needles for record players; measures; pressure measuring apparatus; simulators for the steering and control of vehicles; inverters [electricity]; pressure indicators; temperature indicators; temperature indicator labels, not for medical purposes; incubators for bacteria culture; measuring instruments; cosmographic instruments; mathematical instruments; levelling instruments; instruments containing eyepieces; surveying instruments; azimuth instruments; interfaces for computers; ionization apparatus not for the treatment of air or water; spark-guards; coaxial cables; fibre optic cables; cables, electric; calipers; slide calipers; screw-tapping gauges; calculating machines; pocket calculators; decompression chambers; cinematographic cameras; electronic pens [visual display units]; holders for electric coils; identity cards, magnetic; video game cartridges; encoded magnetic cards; riding helmets; protective helmets; carriers for dark plates [photography]; cathodes; spools [photography]; choking coils [impedance]; coils, electric; electromagnetic coils; cinematographic film, exposed; computer keyboards; solenoid valves [electromagnetic switches]; wire connectors [electricity]; electronic agendas; push buttons for bells; magnetic encoders; collectors, electric; calibrating rings; protective suits for aviators; commutators; compact discs [audio-video]; comparators; marine compasses; computers; laptop computers; notebook computers; condensers [capacitors]; contacts, electric; wind socks for indicating wind direction; traffic cones; branch boxes [electricity]; distribution boxes [electricity]; junction boxes [electricity]; battery boxes; cabinets for loudspeakers; diving suits; galena crystals [detectors]; covers for electric outlets; logs [measuring instruments]; lasers, not for medical purposes; lactodensimeters; lactometers; vacuum tubes [radio]; darkroom lamps [photography]; thermionic valves; amplifying tubes; flashlights [photography]; head cleaning tapes [recording]; magnetic tapes; videotapes; surveying chains; fire escapes; rulers [measuring instruments]; slide-rules; contact lenses; correcting lenses [optics]; optical lenses; optical condensers; sounding lines; electricity conduits; measuring spoons; magnifying glasses [op-

tics]; thread counters; magnets; decorative magnets; crash test dummies; resuscitation mannequins [teaching apparatus]; pressure gauges; divers' masks; solderers' helmets; protective masks; materials for electricity mains [wires, cables]; voting machines; money counting and sorting machines; material testing instruments and machines; furniture especially made for laboratories; megaphones; portable media players; diaphragms [acoustics]; diaphragms for scientific apparatus; metal detectors for industrial or military purposes; metronomes; rules [measuring instruments]; carpenters' rules; dressmakers' measures; mechanisms for coin-operated apparatus; mechanisms for counter-operated apparatus; coin-operated mechanisms for television sets; shutter releases [photography]; micrometers; microprocessors; microscopes; microtomes; microphones; modems; lightning conductors; monitors [computer hardware]; monitors [computer programs]; terminals [electricity]; junction sleeves for electric cables; teeth protectors; knee-pads for workers; headphones; surveyors' levels; sound recording carriers; magnetic data media; optical data media; computer software, recorded; sheaths for electric cables; identification sheaths for electric wires; weighing machines; punched card machines for offices; life saving equipment; shoes for protection against accidents, irradiation and fire; objectives [lenses] [optics]; lenses for astrophotography; egg-candlers; fire extinguishers; electrified fences; limiters [electricity]; clothing for protection against accidents, irradiation and fire; clothing for protection against fire; asbestos clothing for protection against fire; clothing especially made for laboratories; ozonisers [ozonators]; octants; eyepieces; ohmmeters; wrist rests for use with computers; spectacle frames; pince-nez mountings; oscillographs; plumb lines; mirrors [optics]; spectacles; sunglasses; goggles for sports; signalling panels, luminous or mechanical; radio pagers; pince-nez; electronic pocket translators; transmitters [telecommunication]; telephone transmitters; transmitters of electronic signals; switches, electric; periscopes; gloves for divers; gloves for protection against accidents; gloves for protection against X-rays for industrial purposes; asbestos gloves for protection against accidents; furnaces for laboratory use; pyrometers; planimeters; plane tables [surveying instruments]; plates for batteries; wafers for integrated circuits; printed circuit boards; compact disc players; cassette players; sound recording strips; X-ray films, exposed; films, exposed; life-saving rafts; laboratory trays; semi-conductors; polarimeters; fire pumps; measuring glassware; life belts; fuses; circuit breakers; converters, electric; telerupters; food analysis apparatus; diagnostic apparatus, not for medical purposes; distance recording apparatus; distance measuring apparatus; speed measuring apparatus [photography]; appliances for measuring the thickness of leather; apparatus for measuring the thickness of skins; speed checking apparatus for vehicles; teaching apparatus; time recording apparatus; hemline markers; apparatus

and instruments for astronomy; surveying apparatus and instruments; weighing apparatus and instruments; nautical apparatus and instruments; navigational instruments; optical apparatus and instruments; apparatus and instruments for physics; chemistry apparatus and instruments; measuring apparatus; measuring devices, electric; boiler control instruments; meteorological instruments; naval signalling apparatus; observation instruments; navigation apparatus for vehicles [on-board computers]; satellite navigational apparatus; regulating apparatus, electric; precision measuring apparatus; audio- and video-receivers; prisms [optics]; printers for use with computers; retorts' stands; apparatus for changing record player needles; drainers for use in photography; cleaning apparatus for phonograph records; fire beaters; sighting telescopes for firearms; test tubes; pressure indicator plugs for valves; magnetic wires; telegraph wires; telephone wires; wires, electric; conductors, electric; copper wire, insulated; fuse wire; computer programs, recorded; computer operating programs, recorded; record players; processors [central processing units]; rods for water diviners; electronic publications, downloadable; distribution consoles [electricity]; control panels [electricity]; radar apparatus; masts for wireless aerials; transmitting sets [telecommunication]; radios; vehicle radios; sprinkler systems for fire protection; frames for photographic transparencies; screens for photoengraving; walkie-talkies; voltage surge protectors; voltage regulators for vehicles; stage lighting regulators; speed regulators for record players; cell switches [electricity]; washing trays [photography]; marking gauges [joinery]; time switches, automatic; relays, electric; X-ray photographs, other than for medical purposes; rheostats; respirators for filtering air; retorts; refractometers; refractors; grids for batteries; speaking tubes; horns for loudspeakers; saccharometers; optical fibres [light conducting filaments]; traffic-light apparatus [signalling devices]; dog whistles; signalling whistles; sextants; inductors [electricity]; safety nets; nets for protection against accidents; fire alarms; signals, luminous or mechanical; sirens; scanners [data processing equipment]; integrated circuit cards [smart cards]; connections for electric lines; couplings, electric; sonars; sound locating instruments; lighting ballasts; resistances, electric; spectrograph apparatus; spectroscopes; speed indicators; alcoholmeters; satellites for scientific purposes; protection devices for personal use against accidents; audiovisual teaching apparatus; radiotelegraphy sets; radiotelephony sets; spectacle lenses; anti-glare glasses; optical glass; personal stereos; stereoscopes; stands for photographic apparatus; stroboscopes; fire boats; sulfimeters; bags adapted for laptops; drying racks [photography]; spherometers; integrated circuits; printed circuits; counters; parking meters; mileage recorders for vehicles; revolution counters; abacuses; egg timers [sand-glasses]; taximeters; ear plugs for divers; tachometers; television apparatus; telegraphs [apparatus]; telescopes

pes; teleprompters; teleprinters; cordless telephones; theodolites; thermometers, not for medical purposes; thermostats; thermostats for vehicles; crucibles [laboratory]; tone arms for record players; totalizers; transistors [electronic]; transponders; protractors [measuring instruments]; transformers [electricity]; step-up transformers; vehicle breakdown warning triangles; triodes; starter cables for motors; discharge tubes, electric, other than for lighting; capillary tubes; neon signs; Pitot tubes; X-ray tubes not for medical purposes; telephone receivers; gauges; quantity indicators; petrol gauges; water level indicators; electric loss indicators; light-emitting electronic pointers; slope indicators; levels [instruments for determining the horizontal]; mercury levels; spirit levels; urinometers; amplifiers; particle accelerators; electric installations for the remote control of industrial operations; steering apparatus, automatic, for vehicles; balancing apparatus; video recorders; sound reproduction apparatus; invoicing machines; tape recorders; protection devices against X-rays, not for medical purposes; railway traffic safety appliances; data processing apparatus; oxygen transvasing apparatus; theft prevention installations, electric; film cutting apparatus; drying apparatus for photographic prints; optical character readers; centering apparatus for photographic transparencies; dosage dispensers; battery chargers; chargers for electric accumulators; acoustic alarms; sounding apparatus and machines; apparatus for editing cinematographic film; cathodic anti-corrosion apparatus; couplers [data processing equipment]; anti-theft warning apparatus; computer peripheral devices; anti-interference devices [electricity]; demagnetizing apparatus for magnetic tapes; acoustic couplers; alarms; fog signals, non-explosive; whistle alarms; adding machines; readers [data processing equipment]; heat regulating apparatus; photocopiers [photographic, electrostatic, thermic]; bar code readers; downloadable image files; downloadable music files; animated cartoons; filters for respiratory masks; filters for ultraviolet rays, for photography; magic lanterns; optical lanterns; signal lanterns; cameras [photography]; glazing apparatus for photographic prints; shutters [photography]; darkrooms [photography]; photometers; flash-bulbs [photography]; digital photo frames; enlarging apparatus [photography]; photovoltaic cells; containers for contact lenses; spectacle cases; pince-nez cases; containers for microscope slides; cases especially made for photographic apparatus and instruments; chromatography apparatus for laboratory use; chronographs [time recording apparatus]; laboratory centrifuges; pince-nez chains; cyclotrons; frequency meters; time clocks [time recording devices]; Petri dishes; sleeves for laptops; fire blankets; chips [integrated circuits]; jigs [measuring instruments]; pedometers; meteorological balloons; electrified rails for mounting spot lights; asbestos screens for firemen; fire hose; protective helmets for sports; cell phone straps; pince-nez cords; tripods for cameras; swit-

chboards; distribution boards [electricity]; workmen's protective face-shields; projection screens; radiology screens for industrial purposes; fluorescent screens; exposure meters [light meters]; ducts [electricity]; galvanic cells; epidiascopes; ergometers; armatures [electricity]; screens [photography]; compasses for measuring; filters for use in photography; downloadable ring tones for mobile phones; automatic indicators of low pressure in vehicle tyres; protective industrial respirators; safety restraints, other than for vehicle seats and sports equipment; light dimmers [regulators], electric; computer game software, downloadable; computer game software, recorded; mouse [computer peripheral]; laboratory pipettes; monitoring apparatus, other than for medical purposes; lens hoods; electric sockets; electric plugs; plug connectors; loudspeakers with built-in amplifiers; eyewear; mouse pads; visors for helmets; compact discs [read-only memory]; reflective articles for wear, for the prevention of accidents.

35 – Arranging subscriptions to telecommunication services for others; import-export agency services; commercial information agency services; advertising agency services; cost price analysis; rental of advertising space; business auditing; employment agency services; computerized file management; book-keeping; invoicing; demonstration of goods; opinion polling; market studies; business investigations; business research; marketing research; personnel recruitment; business management and organization consultancy; business organization consultancy; business management consultancy; personnel management consultancy; professional business consultancy; layout services for advertising purposes; marketing; business management of performing artists; business management of sports people; news clipping services; updating of advertising material; word processing; organization of exhibitions for commercial or advertising purposes; arranging newspaper subscriptions for others; organization of fashion shows for promotional purposes; organization of trade fairs for commercial or advertising purposes; shop window dressing; business appraisals; payroll preparation; data search in computer files for others; sponsorship search; business management assistance; commercial or industrial management assistance; economic forecasting; auctioneering; sales promotion for others; production of advertising films; office machines and equipment rental; rental of advertising time on communication media; publicity material rental; rental of vending machines; rental of photocopying machines; publication of publicity texts; radio advertising; bill-posting; distribution of samples; dissemination of advertising matter; direct mail advertising; writing of publicity texts; advertising; online advertising on a computer network; advertising by mail order; television advertising; document reproduction; compilation of statistics; compilation of information into computer databases; business inquiries; systemization of information into computer databases; tax

preparation; drawing up of statements of accounts; telemarketing services; psychological testing for the selection of personnel; business management of hotels; commercial administration of the licensing of the goods and services of others; administrative processing of purchase orders; public relations; modelling for advertising or sales promotion; typing; price comparison services; secretarial services; procurement services for others [purchasing goods and services for other businesses]; shorthand; outsourcing services [business assistance]; telephone answering for unavailable subscribers; photocopying services; business efficiency expert services; administrative services for the relocation of businesses; advisory services for business management; retail services for pharmaceutical, veterinary and sanitary preparations and medical supplies; presentation of goods on communication media, for retail purposes; providing business information; transcription of communications [office functions]; providing commercial information and advice for consumers in the choice of products and services.

38 – News agency services; wireless broadcasting; television broadcasting; cable television broadcasting; electronic bulletin board services [telecommunications services]; providing user access to global computer networks; providing access to databases; providing telecommunications connections to a global computer network; providing telecommunication channels for teleshopping services; video-on-demand transmission; transmission of podcasts; message sending; computer aided transmission of messages and images; transmission of telegrams; transmission of digital files; providing information in the field of telecommunications; providing online forums; videoconferencing services; rental of message sending apparatus; rental of access time to global computer networks; rental of modems; rental of telecommunication equipment; rental of smartphones; rental of telephones; rental of facsimile apparatus; radio broadcasting; radio communications; transmission of electronic mail; communications by fibre optic networks; communications by cellular phones; communications by computer terminals; satellite transmission; communications by telegrams; communications by telephone; facsimile transmission; paging services [radio, telephone or other means of electronic communication]; teleconferencing services; telex services; voice mail services; streaming of data; telegraph services; telephone services; providing internet chatrooms; transmission of greeting cards online; telecommunications routing and junction services.

42 – Water analysis; computer system analysis; handwriting analysis [graphology]; chemical analysis; rental of meters for the recording of energy consumption; energy auditing; recovery of computer data; business card design; graphic design of promotional materials; industrial design; graphic arts design; computer virus protection services; oil-field surveys; geological sur-

veys; engineering; installation of computer software; meteorological information; clinical trials; material testing; textile testing; bacteriological research; biological research; geological research; research in the field of environmental protection; cosmetic research; mechanical research; research in the field of welding; research in the field of building construction; research in the field of telecommunications technology; research in the field of physics; chemical research; research and development of new products for others; medical research; scientific and technological research relating to patent mapping; scientific and technological research in the field of natural disasters; scientific research; analysis for oil-field exploitation; underwater exploration; technological research; calibration [measuring]; website design consultancy; computer security consultancy; information technology [IT] consultancy; computer technology consultancy; consultancy in the design and development of computer hardware; architectural consultancy; internet security consultancy; computer software consultancy; data security consultancy; technological consultancy; oil-well testing; quality control; vehicle roadworthiness testing; land surveying; dress designing; updating of computer software; monitoring of computer systems to detect breakdowns; monitoring of computer systems for detecting unauthorized access or data breach; monitoring of computer systems by remote access; software as a service [SaaS]; maintenance of computer software; authenticating works of art; design of interior decor; quality evaluation of standing timber; quality evaluation of wool; digitization of documents [scanning]; conversion of data or documents from physical to electronic media; urban planning; providing information relating to computer technology and programming via a website; providing search engines for the internet; conversion of computer programs and data, other than physical conversion; conducting technical project studies; computer system design; rental of web servers; computer rental; rental of computer software; unlocking of mobile phones; geological prospecting; oil prospecting; hosting computer sites [web sites]; development of computer platforms; construction drafting; computer software design; software development in the framework of software publishing; cloud seeding; server hosting; consultancy in the field of energy-saving; creating and designing website-based indexes of information for others [information technology services]; creating and maintaining websites for others; computer programming; technical writing; copying of computer programs; cloud computing; architectural services; information technology services provided on an outsourcing basis; chemistry services; packaging design; off-site data backup; telecommunications technology consultancy; scientific laboratory services; user authentication services using single sign-on technology for online software applications; user authentication services using technology for e-commerce transactions; weather forecasting; sty-

ling [industrial design]; cartography services; exploration services in the field of the oil, gas and mining industries; data encryption services; electronic data storage; surveying; electronic monitoring of credit card activity to detect fraud via the internet; electronic monitoring of personally identifying information to detect identity theft via the internet; interior design; providing scientific information, advice and consultancy relating to carbon offsetting; platform as a service [PaaS].

(260) AM 2022 116005 A

(800) 1635517

(151) 2021 10 15

(891) 2021 10 15

(731) "Holding company Varton" Limited Liability Company

Dorogobuzhskaya ul., d. 14, str. 6, et/pom 2/7,
RU-121354 Moskva, Russian Federation

(540)

Г А У С С

(591) Black, white

(531) 28.05

(511)

9 – DVD players; ticket dispensers; juke boxes, musical; fire engines; answering machines; electrical adapters; batteries for electronic cigarettes; accumulators, electric; batteries, electric, for vehicles; accelerometers; actinometers; alidades; altimeters; ear pads for earphones; ammeters; nanoparticle size analysers; anemometers; anodes; aerials; anticathodes; apertometers [optics]; high-frequency apparatus; testing apparatus not for medical purposes; remote control apparatus; electro-dynamic apparatus for the remote control of railway points; electro-dynamic apparatus for the remote control of signals; monitoring apparatus, other than for medical purposes; sound recording apparatus; Global Positioning System [GPS] apparatus; distillation apparatus for scientific purposes; diffraction apparatus [microscopy]; air analysis apparatus; apparatus to check franking; sound transmitting apparatus; apparatus for fermentation [laboratory apparatus]; breathing apparatus for underwater swimming; breathing apparatus, except for artificial respiration; apparatus and installations for the production of X-rays, not for medical purposes; cash registers; electric apparatus for commutation; intercommunication apparatus; stills for laboratory experiments; projection apparatus; fire extinguishing apparatus; radiological apparatus for industrial purposes; X-ray apparatus not for medical purposes; blueprint apparatus; flashing lights [luminous signals]; stereoscopic apparatus; telephone apparatus; facsimile machines; phototelegraphy apparatus; igniting apparatus, electric, for igniting at a distance; acid hydrometers; salinometers; acidimeters for batteries; aerometers; beacons, luminous; battery jars; automated teller machines

[ATM]; barometers; anode batteries; galvanic batteries; ignition batteries; solar batteries; solar panels for the production of electricity; batteries, electric; balances [steelyards]; betatrons; binoculars; biochips; electronic tags for goods; lens hoods; magnetic tape units for computers; computer memory devices; fire hose nozzles; encoded identification bracelets, magnetic; connected bracelets [measuring instruments]; safety tarpaulins; electronic key fobs being remote control apparatus; bullet-proof clothing; signalling buoys; life buoys; marking buoys; directional compasses; vacuum gauges; electrolyzers; variometers; verniers; scales; baby scales; bathroom scales; letter scales; weighbridges; precision balances; scales with body mass analysers; levelling staffs [surveying instruments]; camcorders; video baby monitors; video cassettes; video projectors; video telephones; video screens; viewfinders, photographic; electric plugs; micrometer screws for optical instruments; viscosimeters; circuit closers; wavemeters; voltmeters; mechanical signs; signs, luminous; switchboxes [electricity]; current rectifiers; gas testing instruments; gasometers [measuring instruments]; galvanometers; hands-free kits for telephones; heliographic apparatus; hygrometers; hydrometers; weights; peepholes [magnifying lenses] for doors; hairdressing training heads [teaching apparatus]; holograms; plotters; sounding leads; plumb bobs; range finders; parking sensors for vehicles; piezoelectric sensors; densimeters; densitometers; detectors; smoke detectors; infrared detectors; counterfeit coin detectors; joysticks for use with computers, other than for video games; transparencies [photography]; slide projectors; diaphragms [photography]; dictating machines; dynamometers; light-emitting diodes [LED]; quantum dot light-emitting diodes [QLED]; organic light-emitting diodes [OLED]; floppy disks; phonograph records; disks, magnetic; optical discs; circular slide rules; disk drives for computers; juke boxes for computers; wearable video display monitors; electronic numeric displays; DNA chips; electronic interactive whiteboards; electronic notice boards; electric wire harnesses for automobiles; bullet-proof vests; life jackets; reflective safety vests; identification threads for electric wires; nose clips for divers and swimmers; padlocks, electronic; locks, electric; bells [warning devices]; alarm bells, electric; electric door bells; signal bells; acoustic conduits; mirrors for inspecting work; road signs, luminous or mechanical; marine depth finders; probes for scientific purposes; buzzers; needles for surveying compasses; needles for record players; eyewear; reflective articles for wear, for the prevention of accidents; measures; pressure measuring apparatus; simulators for the steering and control of vehicles; inverters [electricity]; pressure indicators; automatic indicators of low pressure in vehicle tyres; temperature indicators; incubators for bacteria culture; measuring instruments; cosmographic instruments; mathematical instruments; levelling instruments; instruments containing eyepieces; surveying instruments; azimuth ins-

truments; interfaces for computers; ionization apparatus not for the treatment of air or water; satellite finder meters; spark-guards; coaxial cables; fibre optic cables; cables, electric; calipers; slide calipers; screw-tapping gauges; calorimeters; calculating machines; pocket calculators; decompression chambers; rear-view cameras for vehicles; cinematographic cameras; thermal imaging cameras; mouth guards for sports; life-saving capsules for natural disasters; electronic pens [visual display units]; holders for electric coils; biometric identity cards; identity cards, magnetic; video game cartridges; ink cartridges, unfilled, for printers and photocopiers; memory cards for video game machines; encoded magnetic cards; riding helmets; protective helmets; carriers for dark plates [photography]; cathodes; spools [photography]; choking coils [impedance]; coils, electric; electromagnetic coils; cinematographic film, exposed; computer keyboards; solenoid valves [electromagnetic switches]; wire connectors [electricity]; thin client computers; downloadable cryptographic keys for receiving and spending cryptocurrency; encoded key cards; electronic book readers; electronic agendas; push buttons for bells; magnetic encoders; visors for helmets; collectors, electric; calibrating rings; smart rings; ring sizers; protective suits for aviators; commutators; compact discs [audio-video]; comparators; marine compasses; computers; laptop computers; tablet computers; notebook computers; wearable computers; condensers [capacitors]; contacts, electric; wind socks for indicating wind direction; traffic cones; branch boxes [electricity]; distribution boxes [electricity]; junction boxes [electricity]; battery boxes; cabinets for loudspeakers; diving suits; downloadable e-wallets; galena crystals [detectors]; covers for electric outlets; logs [measuring instruments]; lasers, not for medical purposes; lactodensimeters; lactometers; vacuum tubes [radio]; darkroom lamps [photography]; thermionic valves; amplifying tubes; flashlights [photography]; head cleaning tapes [recording]; magnetic tapes; videotapes; surveying chains; fire escapes; rulers [measuring instruments]; square rulers for measuring; slide-rules; contact lenses; correcting lenses [optics]; optical lenses; optical condensers; sounding lines; electricity conduits; measuring spoons; magnifying glasses [optics]; thread counters; magnets; decorative magnets; close-up lenses; crash test dummies; resuscitation mannequins [teaching apparatus]; pressure gauges; security tokens [encryption devices]; divers' masks; solderers' helmets; protective masks; respiratory masks, other than for artificial respiration; materials for electricity mains [wires, cables]; voting machines; money counting and sorting machines; material testing instruments and machines; furniture especially made for laboratories; megaphones; portable media players; diaphragms [acoustics]; diaphragms for scientific apparatus; metal detectors for industrial or military purposes; digital weather stations; metronomes; rules [measuring instruments]; carpenters' rules; dres-

smakers' measures; mechanisms for coin-operated apparatus; mechanisms for counter-operated apparatus; coin-operated mechanisms for television sets; shutter releases [photography]; micrometers; microprocessors; microscopes; microtomes; microphones; audio mixers; modems; lightning conductors; monitors [computer hardware]; monitors [computer programs]; selfie sticks [hand-held monopods]; terminals [electricity]; junction sleeves for electric cables; teeth protectors; temperature indicator labels, not for medical purposes; knee-pads for workers; headphones; earpieces for remote communication; surveyors' levels; sound recording carriers; magnetic data media; optical data media; electronic sheet music, downloadable; sheaths for electric cables; identification sheaths for electric wires; weighing machines; computer hardware; punched card machines for offices; life saving equipment; objectives [lenses] [optics]; lenses for astrophotography; selfie lenses; egg-candlers; fire extinguishers; rescue laser signalling flares; electrified fences; limiters [electricity]; clothing for protection against accidents, irradiation and fire; clothing for protection against fire; asbestos clothing for protection against fire; clothing especially made for laboratories; survival blankets; ozonisers [ozonators]; octants; eyepieces; ohmmeters; wrist rests for use with computers; spectacle frames; oscillographs; plumb lines; mirrors [optics]; spectacles; sunglasses; goggles for sports; electronic collars to train animals; finger sizers; signalling panels, luminous or mechanical; biometric passports; wah-wah pedals; radio pagers; pince-nez; electronic pocket translators; transmitters [telecommunication]; telephone transmitters; transmitters of electronic signals; switches, electric; periscopes; data gloves; gloves for divers; gloves for protection against accidents; gloves for protection against X-rays for industrial purposes; asbestos gloves for protection against accidents; furnaces for laboratory use; droppers for measuring, other than for medical or household purposes; laboratory pipettes; pyrometers; planimeters; plane tables [surveying instruments]; plates for batteries; computer software platforms, recorded or downloadable; wafers for integrated circuits; printed circuit boards; compact disc players; cassette players; protective films adapted for computer screens; protective films adapted for smartphones; sound recording strips; X-ray films, exposed; films, exposed; life-saving rafts; animal signalling rattles for directing livestock; laboratory trays; digital signs; stands adapted for laptops; semi-conductors; polarimeters; personal digital assistants [PDAs]; fire pumps; measuring glassware; weight belts for divers; life belts; fuses; circuit breakers; converters, electric; telerupters; food analysis apparatus; diagnostic apparatus, not for medical purposes; distance recording apparatus; distance measuring apparatus; speed measuring apparatus [photography]; appliances for measuring the thickness of leather; apparatus for measuring the thickness of skins; speed checking apparatus for vehicles; teaching appa-

ratus; time recording apparatus; apparatus and instruments for astronomy; surveying apparatus and instruments; weighing apparatus and instruments; nautical apparatus and instruments; navigational instruments; optical apparatus and instruments; apparatus and instruments for physics; chemistry apparatus and instruments; measuring apparatus; measuring devices, electric; boiler control instruments; meteorological instruments; naval signalling apparatus; observation instruments; navigation apparatus for vehicles [on-board computers]; satellite navigational apparatus; regulating apparatus, electric; telecommunication apparatus in the form of jewellery; precision measuring apparatus; audio- and video-receivers; prisms [optics]; computer software applications, downloadable; ticket printers; printers for use with computers; retorts' stands; apparatus for changing record player needles; drainers for use in photography; cleaning apparatus for phonograph records; fire beaters; sighting telescopes for firearms; telescopic sights for artillery; test tubes; pressure indicator plugs for valves; magnetic wires; telegraph wires; telephone wires; wires, electric; conductors, electric; copper wire, insulated; fuse wire; computer game software, downloadable; computer programs, downloadable; computer screen saver software, recorded or downloadable; record players; processors [central processing units]; rods for water diviners; electronic publications, downloadable; distribution consoles [electricity]; control panels [electricity]; radar apparatus; masts for wireless aerials; transmitting sets [telecommunication]; radios; vehicle radios; sprinkler systems for fire protection; frames for photographic transparencies; screens for photoengraving; flowmeters; walkie-talkies; voltage surge protectors; voltage regulators for vehicles; stage lighting regulators; speed regulators for record players; cell switches [electricity]; washing trays [photography]; marking gauges [joinery]; T-squares for measuring; time switches, automatic; relays, electric; body harnesses for support when lifting loads; X-ray photographs, other than for medical purposes; rheostats; respirators for filtering air; retorts; refractometers; refractors; grids for batteries; security surveillance robots; laboratory robots; teaching robots; telepresence robots; humanoid robots with artificial intelligence; electric sockets; height measuring instruments; speaking tubes; horns for loudspeakers; subwoofers; saccharometers; optical fibres [light conducting filaments]; traffic-light apparatus [signalling devices]; dog whistles; signalling whistles; sports whistles; sextants; inductors [electricity]; safety nets; nets for protection against accidents; fire alarms; signals, luminous or mechanical; rescue flares, non-explosive and non-pyrotechnic; sirens; electronic access control systems for interlocking doors; hand-held electronic dictionaries; integrated circuit cards [smart cards]; smartglasses; smartphones; smartwatches; connections for electric lines; couplings, electric; sonars; sound locating instruments; lighting ballasts; resistances, electric; spectrograph

apparatus; spectroscopes; speed indicators; alcoholmeters; satellites for scientific purposes; protection devices for personal use against accidents; audiovisual teaching apparatus; charging stations for electric vehicles; radiotelegraphy sets; radiotelephony sets; spectacle lenses; anti-glare glasses; optical glass; personal stereos; stereoscopes; stands for photographic apparatus; stroboscopes; fire boats; sulfimeters; bags adapted for laptops; drying racks [photography]; spherometers; integrated circuits; printed circuits; counters; parking meters; mileage recorders for vehicles; revolution counters; abacuses; egg timers [sandglasses]; taximeters; ear plugs for divers; tachometers; television apparatus; telegraphs [apparatus]; telescopes; teleprompters; teleprinters; cordless telephones; mobile telephones; theodolites; credit card terminals; interactive touch screen terminals; thermo-hygrometers; thermometers, not for medical purposes; thermostats; thermostats for vehicles; climate control digital thermostats; crucibles [laboratory]; tone arms for record players; totalizers; transistors [electronic]; transponders; protractors [measuring instruments]; transformers [electricity]; step-up transformers; resuscitation training simulators; vehicle breakdown warning triangles; triodes; starter cables for motors; discharge tubes, electric, other than for lighting; capillary tubes; neon signs; Pitot tubes; X-ray tubes not for medical purposes; telephone receivers; headgear being protective helmets; squares for measuring; gauges; quantity indicators; petrol gauges; water level indicators; electric loss indicators; light-emitting electronic pointers; slope indicators; levels [instruments for determining the horizontal]; mercury levels; spirit levels; urinometers; amplifiers; particle accelerators; electric installations for the remote control of industrial operations; baby monitors; steering apparatus, automatic, for vehicles; balancing apparatus; video recorders; sound reproduction apparatus; invoicing machines; tape recorders; protection devices against X-rays, not for medical purposes; railway traffic safety appliances; data processing apparatus; oxygen transvasing apparatus; theft prevention installations, electric; devices for the projection of virtual keyboards; film cutting apparatus; drying apparatus for photographic prints; optical character readers; centering apparatus for photographic transparencies; dosage dispensers; battery chargers; chargers for electric accumulators; chargers for electronic cigarettes; acoustic alarms; sounding apparatus and machines; apparatus for editing cinematographic film; cathodic anti-corrosion apparatus; couplers [data processing equipment]; anti-theft warning apparatus; computer peripheral devices; anti-interference devices [electricity]; demagnetizing apparatus for magnetic tapes; acoustic couplers; alarms; fog signals, non-explosive; whistle alarms; adding machines; heat regulating apparatus; photocopiers [photographic, electrostatic, thermic]; electric and electronic effects units for musical instruments; bar code readers; downloadable image files; downloadable music files;

animated cartoons; filters for respiratory masks; filters for ultraviolet rays, for photography; filters for use in photography; USB flash drives; magic lanterns; optical lanterns; signal lanterns; cameras [photography]; glazing apparatus for photographic prints; shutters [photography]; darkrooms [photography]; photometers; flash-bulbs [photography]; digital photo frames; enlarging apparatus [photography]; photovoltaic cells; containers for contact lenses; spectacle cases; containers for microscope slides; cases for smartphones; cases especially made for photographic apparatus and instruments; chromatography apparatus for laboratory use; chronographs [time recording apparatus]; laboratory centrifuges; spectacle chains; cyclotrons; compasses for measuring; frequency meters; time clocks [time recording devices]; Petri dishes; sleeves for laptops; covers for personal digital assistants [PDAs]; covers for tablet computers; covers for smartphones; fire blankets; chips [integrated circuits]; jigs [measuring instruments]; pedometers; meteorological balloons; electrified rails for mounting spot lights; asbestos screens for firemen; fire hose; virtual reality headsets; protective helmets for sports; head guards for sports; lifeboats; snorkels; cell phone straps; spectacle cords; tripods for cameras; switchboards; distribution boards [electricity]; equalizers [audio apparatus]; workmen's protective face-shields; projection screens; radiology screens for industrial purposes; fluorescent screens; exposure meters [light meters]; ducts [electricity]; galvanic cells; downloadable graphics for mobile phones; epidiascopes; ergometers; armatures [electricity]; black boxes [data recorders]; 3D spectacles; magnetic resonance imaging [MRI] apparatus, not for medical purposes; screens [photography]; downloadable emoticons for mobile phones; downloadable ring tones for mobile phones; audio interfaces; toner cartridges, unfilled, for printers and photocopiers; mouse pads; compact discs [read-only memory]; mouse [computer peripheral]; trackballs [computer peripherals]; ear pads for headphones; computer software, recorded; shoes for protection against accidents, irradiation and fire; hemline markers; computer programs, recorded; light dimmers [regulators], electric; lanyards for safety purposes for fall protection; scanners [data processing equipment]; wearable activity trackers; readers [data processing equipment].

11 – Lampshades; steam accumulators; heat accumulators; defrosters for vehicles; disinfectant apparatus for medical purposes; distillation apparatus; desiccating apparatus; hydromassage bath apparatus; disinfectant apparatus; air deodorizing apparatus; tanning apparatus [sun beds]; ionization apparatus for the treatment of air or water; coffee roasters; beverage cooling apparatus; hand drying apparatus for washrooms; fruit roasters; water purifying apparatus and machines; refrigerating apparatus and machines; underfloor heating apparatus and installations; drying apparatus and installations; freezers; heating and cooling apparatus for dispensing hot and cold beverages; drying

apparatus; coolers for furnaces; expansion tanks for central heating installations; flushing tanks; refining towers for distillation; bidets; boilers, other than parts of machines; bath tubs; spa baths [vessels]; bath tubs for sitz baths; waffle irons, electric; fans [air-conditioning]; fans [parts of air-conditioning installations]; electric fans for personal use; roasting spits; refrigerating display cabinets; heated display cabinets; dehumidifiers; water heaters; water flushing installations; air reheaters; extractor hoods for kitchens; gas condensers, other than parts of machines; acetylene generators; fog machines; microbubble generators for baths; hydrants; burners; acetylene burners; gas burners; burners for lamps; germicidal burners; incandescent burners; oxyhydrogen burners; laboratory burners; oil burners; alcohol burners; hot water bottles; footwarmers, electric or non-electric; bed warmers; USB-powered hand warmers; pocket warmers; warming pans; roasting apparatus; food dehydrators, electric; lampshade holders; stills; showers; refrigerating containers; lighters; gas lighters; friction lighters for igniting gas; chimney blowers; coils [parts of distilling, heating or cooling installations]; furnace ash boxes; evaporators; shower cubicles; Turkish bath cabinets, portable; heating apparatus; cool boxes, electric; refrigerating chambers; fireplaces, domestic; chimney flues; coffee capsules, empty, for electric coffee machines; structural framework for ovens; air valves for steam heating installations; level controlling valves in tanks; thermostatic valves [parts of heating installations]; electrically heated carpets; light bulbs; light bulbs, electric; solar thermal collectors [heating]; distillation columns; furnace grates; ventilation hoods; ventilation hoods for laboratories; lamp globes; air-conditioning apparatus; air conditioners for vehicles; gas boilers; laundry room boilers; heating boilers; coffee machines, electric; taps; taps for pipes and pipelines; mixer taps for water pipes; forges, portable; lava rocks for use in barbecue grills; couscous cookers, electric; lights, electric, for Christmas trees; acetylene flares; safety lamps; gas lamps; curling lamps; nail lamps; curing lamps, not for medical purposes; germicidal lamps for purifying air; light bulbs for directional signals for vehicles; arc lamps; laboratory lamps; oil lamps; ultraviolet ray lamps, not for medical purposes; miners' lamps; electric lamps; chandeliers; barbecues; watering machines for agricultural purposes; ice-cream making machines; soya milk making machines, electric; pounded rice cake making machines, electric, for household purposes; multicookers; footmuffs, electrically heated; heaters for baths; heaters for heating irons; immersion heaters; brackets for gas burners; anti-splash tap nozzles; heat pumps; filaments for electric lamps; magnesium filaments for lighting; heating filaments, electric; luminous house numbers; socks, electrically heated; heating apparatus for defrosting vehicle windows; hot air bath fittings; bath fittings; loading apparatus for furnaces; kiln furniture [supports]; sauna bath installations; refrigera-

ting appliances and installations; directional lights for bicycles; electrically heated clothing; blankets, electric, not for medical purposes; fabric steamers; lamp reflectors; vehicle reflectors; hearths; electric cooktops; food steamers, electric; steam boilers, other than parts of machines; pasteurisers; lamp mantles; sockets for electric lights; coffee percolators, electric; stoves [heating apparatus]; bakers' ovens; hot air ovens; kitchen ranges [ovens]; microwave ovens [cooking apparatus]; microwave ovens for industrial purposes; incinerators; kilns; solar furnaces; dental ovens; furnaces, other than for laboratory use; urinals being sanitary fixtures; feeding apparatus for heating boilers; heating plates; cooking stoves; hot plates; wine cellars, electric; heaters, electric, for feeding bottles; aquarium heaters; USB-powered cup heaters; aquarium lights; heating cushions, electric, not for medical purposes; clean chambers [sanitary installations]; tortilla presses, electric; water intake apparatus; deodorizing apparatus, not for personal use; apparatus for dehydrating food waste; fumigation apparatus, not for medical purposes; gas scrubbing apparatus; oil-scrubbing apparatus; glue-heating appliances; drying apparatus for fodder and forage; water filtering apparatus; air purifying apparatus and machines; ice machines and apparatus; cooling appliances and installations; cooking apparatus and installations; lighting apparatus and installations; sanitary apparatus and installations; cooking rings; lighting apparatus for vehicles; light-emitting diodes [LED] lighting apparatus; heating apparatus for solid, liquid or gaseous fuels; heating apparatus, electric; hot air apparatus; steam facial apparatus [saunas]; safety accessories for water or gas apparatus and pipes; regulating and safety accessories for gas apparatus; regulating accessories for water or gas apparatus and pipes; regulating and safety accessories for water apparatus; regulating and safety accessories for gas pipes; roasting jacks; plate warmers; anti-glare devices for vehicles [lamp fittings]; rotisseries; radiator caps; searchlights; diving lights; light projectors; washers for water taps; heat guns; radiators [heating]; central heating radiators; radiators, electric; sinks; disinfectant dispensers for toilets; drip irrigation emitters [irrigation fittings]; light diffusers; nuclear reactors; heat regenerators; pressure water tanks; roasters; beverage urns, electric; lamps; ceiling lights; toilet seats; hydroponic growing systems; lighting installations for air vehicles; autoclaves, electric, for cooking; gas scrubbers [parts of gas installations]; lamp glasses; sterilizers; water sterilizers; air sterilizers; air dryers; laundry dryers, electric; hair dryers; malt roasters; tobacco roasters; tajines, electric; heat exchangers, other than parts of machines; bread toasters; discharge tubes, electric, for lighting; lamp chimneys; luminous tubes for lighting; pipes [parts of sanitary installations]; flues for heating boilers; boiler pipes [tubes] for heating installations; toilets [water-closets]; toilets, portable; humidifiers; humidifiers for central heating radiators; wash-hand basins [parts of sanitary installa-

tions]; toilet bowls; water conduits installations; air-conditioning installations; desalination plants; installations for processing nuclear fuel and nuclear moderating material; watering installations, automatic; cooling installations for water; cooling installations for liquids; milk cooling installations; cooling installations for tobacco; water purification installations; purification installations for sewage; steam generating installations; water distribution installations; air filtering installations; swimming pool chlorinating apparatus; ventilation [air-conditioning] installations and apparatus; ventilation [air-conditioning] installations for vehicles; water softening apparatus and installations; cooling installations and machines; heating installations; heaters for vehicles; heating installations [water]; polymerisation installations; water supply installations; flare stacks for use in the oil industry; ash conveyor installations, automatic; whirlpool-jet apparatus; air cooling apparatus; sous-vide cookers, electric; aquarium filtration apparatus; cooking utensils, electric; flaming torches; headlights for automobiles; vehicle headlights; filters for air conditioning; filters for drinking water; wicks adapted for oil stoves; lights for automobiles; bicycle lights; motorcycle lights; lights for vehicles; electric torches; head torches; lanterns for lighting; candle lanterns; street lamps; Chinese lanterns; fountains; ornamental fountains; chocolate fountains, electric; air fryers; deep fryers, electric; fittings, shaped, for furnaces; oven fittings made of fireclay; bread-making machines; refrigerators; refrigerators, cooling apparatus and freezers for medical storage purposes; chromatography apparatus for industrial purposes; kettles, electric; dampers [heating]; book sterilization apparatus; refrigerating cabinets; carbon for arc lamps; heating elements; fairy lights for festive decoration; electric appliances for making yogurt; bread baking machines; bath installations; standard lamps; thermo-pots, electric.

35 – Arranging subscriptions to telecommunication services for others; import-export agency services; commercial information agency services; advertising agency services; cost price analysis; rental of office equipment in co-working facilities; rental of advertising space; business auditing; financial auditing; business intermediary services relating to the matching of potential private investors with entrepreneurs needing funding; employment agency services; computerized file management; book-keeping; invoicing; demonstration of goods; transcription of communications [office functions]; opinion polling; market studies; business investigations; business research; marketing research; personnel recruitment; business management and organization consultancy; business organization consultancy; business management consultancy; personnel management consultancy; professional business consultancy; consultancy regarding advertising communication strategies; layout services for advertising purposes; marketing; targeted marketing; business management of performing artists; business

management of sports people; writing of curriculum vitae for others; scriptwriting for advertising purposes; news clipping services; updating and maintenance of information in registries; updating and maintenance of data in computer databases; updating of advertising material; word processing; online retail services for downloadable and pre-recorded music and movies; online retail services for downloadable ring tones; online retail services for downloadable digital music; organization of exhibitions for commercial or advertising purposes; arranging newspaper subscriptions for others; organization of fashion shows for promotional purposes; organization of trade fairs; shop window dressing; business appraisals; payroll preparation; data search in computer files for others; sponsorship search; administrative assistance in responding to calls for tenders; business management assistance; commercial or industrial management assistance; commercial intermediation services; providing business information; providing business information via a website; providing commercial and business contact information; providing commercial information and advice for consumers in the choice of products and services; providing user reviews for commercial or advertising purposes; web indexing for commercial or advertising purposes; providing user rankings for commercial or advertising purposes; economic forecasting; auctioneering; retail services for works of art provided by art galleries; sales promotion for others; promotion of goods and services through sponsorship of sports events; production of teleshopping programmes; production of advertising films; office machines and equipment rental; rental of advertising time on communication media; publicity material rental; rental of billboards [advertising boards]; rental of vending machines; rental of sales stands; rental of photocopying machines; consumer profiling for commercial or marketing purposes; publication of publicity texts; radio advertising; development of advertising concepts; bill-posting; distribution of samples; dissemination of advertising matter; direct mail advertising; registration of written communications and data; writing of publicity texts; advertising; online advertising on a computer network; advertising by mail order; television advertising; compilation of statistics; compilation of information into computer databases; business inquiries; systemization of information into computer databases; administrative services for medical referrals; advisory services for business management; corporate communications services; negotiation of business contracts for others; negotiation and conclusion of commercial transactions for third parties; compiling indexes of information for commercial or advertising purposes; tax preparation; drawing up of statements of accounts; telemarketing services; psychological testing for the selection of personnel; interim business management; business management of hotels; business management for freelance service providers; business project management services for construction projects; commer-

cial administration of the licensing of the goods and services of others; business management of reimbursement programmes for others; administration of consumer loyalty programs; administration of frequent flyer programs; administrative processing of purchase orders; administrative services for the relocation of businesses; public relations; commercial lobbying services; competitive intelligence services; modelling for advertising or sales promotion; typing; market intelligence services; appointment reminder services [office functions]; website traffic optimization; tax filing services; search engine optimization for sales promotion; retail services relating to bakery products; gift registry services; price comparison services; pay per click advertising; secretarial services; procurement services for others [purchasing goods and services for other businesses]; shorthand; outsourcing services [business assistance]; telephone answering for unavailable subscribers; telephone switchboard services; photocopying services; business efficiency expert services; consultancy regarding public relations communication strategies; marketing in the framework of software publishing; provision of an online marketplace for buyers and sellers of goods and services; presentation of goods on communication media, for retail purposes; media relations services; wholesale services for pharmaceutical, veterinary and sanitary preparations and medical supplies; retail services for pharmaceutical, veterinary and sanitary preparations and medical supplies; outsourced administrative management for companies; appointment scheduling services [office functions].

(260) AM 2022 116006 A

(800) 1635581

(151) 2021 10 15

(891) 2021 10 15

(731) SHENZHEN TCL NEW TECHNOLOGY CO., LTD.

9/F, Building D4, International E City, 1001
Zhongshan Park Road, Xili Street, Nanshan
District Shenzhen, 518000 Guangdong, China

(540)



(591) Black, white

(531) 26.03.23

(511)

7 – Ironing machines; dry-cleaning machines; washing machines [laundry]; wringing machines for laundry; compressed air machines; compressors for refrigerators; curtain drawing devices, electrically operated; mixing machines; food preparation machines, electromechanical; juice extractors, electric; dishwas-

hers; coffee grinders, other than hand-operated; blenders, electric, for household purposes; kitchen machines, electric; food processors, electric; vacuum cleaners; machines and apparatus for cleaning, electric; fruit squeezers, electric, for household purposes; beverage preparation machines, electromechanical.

9 – Data processing apparatus; computers; computer peripheral devices; monitors [computer hardware]; tablet computers; smartwatches (data processing apparatus); smartglasses (data processing apparatus); interactive touch screen terminals; electronic interactive whiteboards; loudspeakers; cabinets for loudspeakers; microphones; electric door bells; locks, electric; alarms; electronic notice boards; television apparatus; sound recording apparatus; laptop computers; mobile telephones; camcorders; audio- and video-receivers; sound reproduction apparatus; sound transmitting apparatus; virtual reality headsets; television cameras; computer software applications, downloadable; computer programs, downloadable; headsets; electronic surveillance apparatus; cameras [photography]; audio-visual teaching apparatus.

11 – Cooking utensils, electric; cooking apparatus and installations; roasting apparatus; gas burners; autoclaves, electric, for cooking; coffee machines, electric; kettles, electric; microwave ovens [cooking apparatus]; bread-making machines; coffee percolators, electric; coffee roasters; refrigerators; freezers; wine cellars, electric; air-conditioning installations; air-conditioning apparatus; air purifying apparatus and machines; drying apparatus and installations; extractor hoods for kitchens; dehumidifiers for household purposes; electric fans for personal use; laundry drying machines; fabric steamers; air humidifying apparatus; electric hair dryers; fans [air-conditioning]; humidifiers for household purposes; heating apparatus; heating installations; heaters for baths; hand drying apparatus for washrooms; bathroom heaters; toilets [water-closets]; toilet seats; toilet bowls; steam facial apparatus [saunas]; fumigation apparatus, not for medical purposes; hydromassage bath apparatus; drinking fountains; water purifying apparatus and machines; sterilized cupboard; ultrasonic sterilizers for household purposes; radiators, electric.

(260) AM 2022 116007 A

(800) 1635598

(151) 2021 11 03

(891) 2021 11 03

(731) CIRO PAONE S.P.A.

VIA SAN PASQUALE A CHIAIA 83, I-80121
Napoli, Italy

(540)



(591) BLUE (PANTONE 286C – C:100 / M:79 /
Y:16 / K:3)

(531) 27.05.17; 27.05.19; 29.01.04

(511)

18 – Trunks [luggage]; bags; handbags; backpacks; luggage; briefcases; key cases; umbrellas; card cases [notecases]; document holders [carrying cases]; pocket wallets; coin purses; music cases; satchels; travelling bags; boxes of leather or leatherboard; school satchels; saddlery; clothing for pets; collars for animals; vanity cases, not fitted.

25 – Clothing; dresses; shirts; blouses; skirts; suits; jackets [clothing]; trousers; shorts; jerseys [clothing]; T-shirts; singlets; corsets [underclothing]; raincoats; overcoats; coats; tracksuits; wind-resistant jackets; fur coats; dressing gowns; bathrobes; bathing suits; belts [clothing]; neckties; neckerchiefs; gloves [clothing]; underwear; pajamas; nightgowns; socks; stockings; tights; shawls; scarves; footwear; slippers; shoes; boots; sandals; headwear.

(260) AM 2022 116008 A

(800) 1635618

(151) 2021 09 24

(891) 2021 09 24

(731) PingCAP Xingchen (Beijing) Technology Co.,
Ltd.

Room 101A-195, Building B-2, Dongsheng
Science & Technology Park.; Zhongguancun,
No.66, Xixiaokou Road, Haidian District,
Beijing, China

(540)



(591) Black, white

(531) 27.05.17

(511)

35 – Advertising; on-line promotion of computer networks and websites; presentation of goods on communication media, for retail purposes; providing business information, also via internet, the cable network or other forms of data transfer; business management consultancy; marketing; promotion of goods and services for others; personnel management consultancy; systemization of information into computer databases; updating and maintenance of data in computer databases.

(260) AM 2022 116009 A

(800) 1635635

(151) 2021 10 26

(891) 2021 10 26

(731) Beijing InnoCare Pharma Tech Co., Ltd.

Bldg. 8, Community No.1, No.8 Courtyard,
Life Park Road, ZGC Life Science Park,
Changping District, 102206 Beijing, China

(540)

Hibruka

(591) Black, white

(531) 26.15.01; 27.05.01; 27.05.07

(511)

5 – Medicines for human purposes; reagents for use in medical genetic testing; cultures of microorganisms for medical or veterinary use; vaccines; nutritional supplements; air purifying preparations; medicines for veterinary purposes; diagnostic preparations for medical purposes; preparations for destroying noxious animals; dietetic substances adapted for medical use.

(260) AM 2022 116010 A

(800) 1635636

(151) 2021 11 30

(891) 2021 11 30

(731) QINGDAO AUFINE TYRE CO., LTD.

(A) 100, Rm 209, 2F No.43 Beijing Rd, Bonded Port Area, Qingdao, 266555 Shandong, China

(540)

AUFINE

(591) Black, white

(531) 27.05.01

(511)

12 – Electric vehicles; wheels for automobiles; bicycles; handcars; casings for pneumatic tyres; pneumatic tyres; solid tyres for vehicle wheels; tyres for vehicle wheels; automobile tyres; tubeless tires for cycles and bicycles.

(260) AM 2022 116011 A

(800) 1635638

(151) 2021 10 19

(891) 2021 10 19

(731) Jiaxing Surtec Machinery Co., Ltd

North Qianxi Rd, Group 8, Gangzhong Village, Guangchen Town, Pinghu City, Zhejiang, China

(540)

SURTEO

(591) Red, black and white

(531) 27.05.01; 29.01.13

(511)

7 – Lawnmowers [machines]; woodworking machines; cutting machines; hand-held tools, other than hand-operated; cylinders for machines; pressure regulating valves; axles for machines; presses [machines for industrial purposes]; bearings [parts of machines].

(260) AM 2022 116012 A

(800) 1635647

(151) 2021 11 18

(891) 2021 11 18

(731) Shandong Lelutu Trading Co., Ltd.

Westwater Industrial Zone, Guangrao County, Dongying City, Shandong Province, China

(540)

MEGARUN

(591) Black, white

(511)

12 – Tyres for vehicle wheels; casings for pneumatic tyres; pneumatic tyres; automobile tyres; tires for aircraft wheels; inner tubes for pneumatic tyres; air vehicles.

(260) AM 2022 116014 A

(800) 1635655

(151) 2021 10 27

(891) 2021 10 27

(731) Philip Morris Products S.A.

Quai Jeanrenaud 3, CH-2000 Neuchâtel, Switzerland

(540)

TROPICA PEARL

(591) Black, white

(511)

34 – Wired vaporizers for electronic cigarettes and electronic smoking devices; tobacco, raw or manufactured; tobacco products, including cigars, cigarettes, cigarillos, tobacco for roll-your-own cigarettes, pipe tobacco, chewing tobacco, snuff tobacco, kretek; snus; tobacco substitutes (not for medical purposes); smokers' articles, including cigarette paper and tubes, cigarette filters, tobacco tins, cigarette cases and ashtrays, pipes, pocket apparatus for rolling cigarettes, lighters; matches; tobacco sticks, tobacco products for the purpose of being heated, electronic devices and their parts for the purpose of heating cigarettes or tobacco in order to release nicotine-containing aerosols for inhalation; liquid nicotine solutions for use in electronic cigarettes; electronic smoking devices; electronic cigarettes; electronic cigarettes as substitutes for traditional cigarettes; electronic devices for the inhalation of nicotine-containing aerosol; oral vaporizing devices for smokers, tobacco products and tobacco substitutes; smokers' articles for electronic cigarettes; parts and fittings for the aforesaid products included in this class; devices for extinguishing heated cigarettes and cigars as well as heated tobacco sticks; electronic rechargeable cigarette cases.

(260) AM 2022 116015 A

(800) 1635656

(151) 2021 10 27

(891) 2021 10 27

(731) Philip Morris Products S.A.

Quai Jeanrenaud 3, CH-2000 Neuchâtel,
Switzerland

(540)

GARDEN PEARL

(591) Black, white

(511)

34 – Wired vaporizers for electronic cigarettes and electronic smoking devices; tobacco, raw or manufactured; tobacco products, including cigars, cigarettes, cigarillos, tobacco for roll-your-own cigarettes, pipe tobacco, chewing tobacco, snuff tobacco, kretek; snus; tobacco substitutes (not for medical purposes); smokers' articles, including cigarette paper and tubes, cigarette filters, tobacco tins, cigarette cases and ashtrays, pipes, pocket apparatus for rolling cigarettes, lighters; matches; tobacco sticks, tobacco products for the purpose of being heated, electronic devices and their parts for the purpose of heating cigarettes or tobacco in order to release nicotine-containing aerosols for inhalation; liquid nicotine solutions for use in electronic cigarettes; electronic smoking devices; electronic cigarettes; electronic cigarettes as substitutes for traditional cigarettes; electronic devices for the inhalation of nicotine-containing aerosol; oral vaporizing devices for smokers, tobacco products and tobacco substitutes; smokers' articles for electronic cigarettes; parts and fittings for the aforesaid products included in this class; devices for extinguishing heated cigarettes and cigars as well as heated tobacco sticks; electronic rechargeable cigarette cases.

(260) AM 2022 116016 A

(800) 1635657

(151) 2021 10 27

(891) 2021 10 27

(731) Philip Morris Products S.A.

Quai Jeanrenaud 3, CH-2000 Neuchâtel,
Switzerland

(540)

AZORA PEARL

(591) Black, white

(511)

34 – Wired vaporizers for electronic cigarettes and electronic smoking devices; tobacco, raw or manufactured; tobacco products, including cigars, cigarettes, cigarillos, tobacco for roll-your-own cigarettes, pipe tobacco, chewing tobacco, snuff tobacco, kretek; snus; tobacco substitutes (not for medical purposes); smokers' articles, including cigarette paper and tubes, cigarette filters, tobacco tins, cigarette cases and ashtrays, pipes, pocket apparatus for rolling cigarettes, lighters; matches; tobacco sticks, tobacco products for the

purpose of being heated, electronic devices and their parts for the purpose of heating cigarettes or tobacco in order to release nicotine-containing aerosols for inhalation; liquid nicotine solutions for use in electronic cigarettes; electronic smoking devices; electronic cigarettes; electronic cigarettes as substitutes for traditional cigarettes; electronic devices for the inhalation of nicotine-containing aerosol; oral vaporizing devices for smokers, tobacco products and tobacco substitutes; smokers' articles for electronic cigarettes; parts and fittings for the aforesaid products included in this class; devices for extinguishing heated cigarettes and cigars as well as heated tobacco sticks; electronic rechargeable cigarette cases.

(260) AM 2022 116017 A

(800) 1635658

(151) 2021 10 27

(891) 2021 10 27

(731) Philip Morris Products S.A.

Quai Jeanrenaud 3, CH-2000 Neuchâtel,
Switzerland

(540)

GLACIER PEARL

(591) Black, white

(511)

34 – Wired vaporizers for electronic cigarettes and electronic smoking devices; tobacco, raw or manufactured; tobacco products, including cigars, cigarettes, cigarillos, tobacco for roll-your-own cigarettes, pipe tobacco, chewing tobacco, snuff tobacco, kretek; snus; tobacco substitutes (not for medical purposes); smokers' articles, including cigarette paper and tubes, cigarette filters, tobacco tins, cigarette cases and ashtrays, pipes, pocket apparatus for rolling cigarettes, lighters; matches; tobacco sticks, tobacco products for the purpose of being heated, electronic devices and their parts for the purpose of heating cigarettes or tobacco in order to release nicotine-containing aerosols for inhalation; liquid nicotine solutions for use in electronic cigarettes; electronic smoking devices; electronic cigarettes; electronic cigarettes as substitutes for traditional cigarettes; electronic devices for the inhalation of nicotine-containing aerosol; oral vaporizing devices for smokers, tobacco products and tobacco substitutes; smokers' articles for electronic cigarettes; parts and fittings for the aforesaid products included in this class; devices for extinguishing heated cigarettes and cigars as well as heated tobacco sticks; electronic rechargeable cigarette cases.

(260) AM 2022 116027 A
 (800) 1636124
 (151) 2021 11 09
 (891) 2021 11 09
 (731) EcoFlow Inc.

Plant A202, Founder Technology Industrial
 Park, Shiyan Sub-district, Bao'an District
 Shenzhen, 518100 Guangdong, China

(540)

AIMOW

(591) Black, white
 (531) 27.05.01
 (511)

7 – Agricultural machines; electric hedge cutters; washing machines [laundry]; wind power plants; industrial robots; dynamos; direct current generators; alternating current servo motors; rechargeable sweepers; lawnmowers [machines]; lawn trimmers, electric; kitchen machines, electric; wind-powered installations for generating electricity; alternators; generators of electricity; gas-operated power generators; road sweeping machines.

(260) AM 2022 116029 A
 (800) 1636230
 (151) 2021 10 25
 (891) 2021 10 25
 (731) FACIPHER LLC

5215 NORTH O'CONNOR BOULEVARD,
 IRVING TX 75039, USA

(540)

FACIPHER

(591) Black, white
 (511)
 3 – Cosmetics; non-medicated skin care preparations.

(260) AM 2022 116031 A
 (800) 1636259
 (151) 2021 10 18
 (891) 2021 10 18

(731) Toruńskie Zakłady Materiałów Opatrunkowych,
 Spółka Akcyjna
 Żółkiewskiego 20/26, PL-87-100 Toruń, Poland

(540)



(591) Green, white, beige and navy blue

(531) 05.03.14; 05.11.13; 26.04.15; 26.11.01;
 27.05.07; 29.01.14

(511)
 5 – Sanitary towels, panty liners (hygienic products).

(260) AM 2022 116032 A
 (800) 1636275

(151) 2021 11 01
 (891) 2021 11 01

(731) Landos Biopharma, Inc.
 Suite 216, 1800 Kraft Drive, Blacksburg
 WI 24060, USA

(540)

LANCE

(591) Black, white
 (511)

42 – Biopharmaceutical services, namely, research, identification, development and testing of therapeutics for patients with diseases, namely, restoring the immune tolerance for patients with autoimmune disease.

(260) AM 2022 116033 A
 (800) 1636342

(151) 2021 08 23
 (891) 2021 08 23

(731) WORLD MEDICINE İLAÇ SAN.VE TİC.A.Ş.
 15 Temnuz Mah. Cami Yolu Cad. No:50,
 Bağcılar İstanbul, Türkiye

(540)

GLYHAT - ГЛИХАТ

(591) Black, white
 (531) 28.05
 (511)

5 – Pharmaceutical and veterinary preparations for medical purposes; chemical preparations for medical and veterinary purposes, chemical reagents for pharmaceutical and veterinary purposes; medicated cosmetics, dietary supplements for pharmaceutical and veterinary purposes; dietary supplements; nutritional supplements; medical preparations for slimming purposes; food for babies; herbs and herbal beverages adapted for medicinal purposes, dental preparations and articles; teeth filling material, dental impression material, dental adhesives and material for repairing teeth, sanitary preparations for medical use; hygienic pads; hygienic tampons; plasters; materials for dressings; diapers made of paper and textiles for babies, adults and pets, preparations for destroying vermin; herbicides, fungicides, preparations for destroying rodents, deodorants, other than for human beings or for animals; air purifying preparations; air deodorising preparations, disinfectants; antiseptics; detergents for medical purposes; medicated soaps; disinfectant soaps; antibacterial hand lotions.

(260) AM 2022 116034 A

(800) 1636343

(151) 2021 08 23

(891) 2021 08 23

(731) WORLD MEDICINE İLAÇ SAN.VE TİC.A.Ş.

15 Temnuz Mah. Cami Yolu Cad. No:50,

Bağcılar İstanbul, Türkiye

(540)

TRUMIO-ТРУМІО

(591) Black, white

(531) 28.05

(511)

5 – Pharmaceutical and veterinary preparations for medical purposes; chemical preparations for medical and veterinary purposes, chemical reagents for pharmaceutical and veterinary purposes; medicated cosmetics, dietary supplements for pharmaceutical and veterinary purposes; dietary supplements; nutritional supplements; medical preparations for slimming purposes; food for babies; herbs and herbal beverages adapted for medicinal purposes, dental preparations and articles; teeth filling material, dental impression material, dental adhesives and material for repairing teeth, sanitary preparations for medical use; hygienic pads; hygienic tampons; plasters; materials for dressings; diapers made of paper and textiles for babies, adults and pets, preparations for destroying vermin; herbicides, fungicides, preparations for destroying rodents, deodorants, other than for human beings or for animals; air purifying preparations; air deodorising preparations, disinfectants; antiseptics; detergents for medical purposes; medicated soaps; disinfectant soaps; antibacterial hand lotions.

(260) AM 2022 116035 A

(800) 1636345

(151) 2021 10 08

(891) 2021 10 08

(731) HADAT COSMETICS LTD

Shiloah 4, Petah Tikva, Israel

(540)

**HADAT****COSMETICS**

(591) Black, white

(531) 26.04.05; 26.04.18; 27.05.10; 27.05.19;
27.05.22

(511)

3 – Perfumery, essential oils, cosmetics, hair lotions; non-medicated dentifrices; amber [perfume]; aromatics [essential oils]; air fragrancing preparations; cake

flavourings [essential oils]; flavourings for beverages [essential oils]; food flavourings [essential oils]; breath freshening sprays; balms, other than for medical purposes; basma [cosmetic dye]; lip glosses; petroleum jelly for cosmetic purposes; cotton wool for cosmetic purposes; adhesives for cosmetic purposes; scented water; javelle water; lavender water; toilet water; depilatory wax; moustache wax; creams for le-ather; massage gels, other than for medical purposes; heliotropine; dental bleaching gels; geraniol; make-up; deodorants for pets; deodorants for human beings or for animals; depilatory preparations; air fragrance reed diffusers; scented wood; perfumes; greases for cosmetic purposes; decorative transfers for cosmetic purposes; ionone [perfumery]; shaving stones [astringents]; eyebrow pencils; cosmetic pencils; alum stones [astringents]; adhesives for affixing false eyelashes; adhesives for affixing false hair; hair conditioners; beard dyes; cosmetic dyes; shoe cream; polishing creams; cosmetic creams; skin whitening creams; incense; hair spray; nail varnish; hair lotions; lotions for cosmetic purposes; after-shave lotions; beauty masks; oils for perfumes and scents; oils for cosmetic purposes; oils for toilet purposes; essential oils of cedarwood; essential oils of lemon; essential oils of citron; oils for cleaning purposes; bergamot oil; gaultheria oil; jasmine oil; lavender oil; almond oil; rose oil; oil of turpentine for degreasing; cleaning chalk; almond milk for cosmetic purposes; cleansing milk for toilet purposes; musk [perfumery]; soap; deodorant soap; shaving soap; cakes of toilet soap; anti-perspirant soap; soap for foot perspiration; almond soap; mint for perfumery; cosmetic kits; nail art stickers; false nails; eau de cologne; bases for flower perfumes; joss sticks; pastes for razor strops; pumice stone; lipstick cases; hydrogen peroxide for cosmetic purposes; breath freshening strips; teeth whitening strips; lipsticks; pomades for cosmetic purposes; dentifrices; shaving preparations; cosmetic preparations for baths; bath preparations, not for medical purposes; hair straightening preparations; hair waving preparations; colour-removing preparations; leather bleaching preparations; polishing preparations; denture polishes; mouthwashes, not for medical purposes; cosmetic preparations for slimming purposes; eye-washes, not for medical purposes; dry-cleaning preparations; paint stripping preparations; lacquer-removing preparations; make-up removing preparations; floor wax removers [scouring preparations]; varnish-removing preparations; rust removing preparations; nail care preparations; cleaning preparations; preparations for cleaning dentures; wallpaper cleaning preparations; collagen preparations for cosmetic purposes; bleaching preparations [decolorants] for household purposes; aloe vera preparations for cosmetic purposes; sunscreen preparations; breath freshening preparations for personal hygiene; shining preparations [polish]; make-up powder; stain removers; nail varnish removers; vaginal washes for personal sanitary or deodorant purposes;

scouring solutions; false eyelashes; baby wipes impregnated with cleaning preparations; tissues impregnated with cosmetic lotions; tissues impregnated with make-up removing preparations; saffrol; massage candles for cosmetic purposes; potpourris [fragrances]; bleaching soda; bath salts, not for medical purposes; bleaching salts; fumigation preparations [perfumes]; leather preservatives [polishes]; ammonia [volatile alkali] [detergent]; astringents for cosmetic purposes; eyebrow cosmetics; make-up preparations; sun-tanning preparations [cosmetics]; hair dyes; neutralizers for permanent waving; cosmetic preparations for eyelashes; cosmetic preparations for skin care; cosmetics; cosmetics for children; cosmetics for animals; mascara; cleansers for intimate personal hygiene purposes, non medicated; douching preparations for personal sanitary or deodorant purposes [toiletries]; detergents, other than for use in manufacturing operations and for medical purposes; degreasers, other than for use in manufacturing processes; bleaching preparations [decolorants] for cosmetic purposes; toiletry preparations; antiperspirants [toiletries]; phytocosmetic preparations; talcum powder, for toilet use; cotton swabs for cosmetic purposes; terpenes [essential oils]; cloths impregnated with a detergent for cleaning; henna [cosmetic dye]; shampoos; dry shampoos; sandpaper; soda lye; herbal extracts for cosmetic purposes; extracts of flowers [perfumes]; ethereal essences; badian essence; mint essence [essential oil]; nail glitter; gel eye patches for cosmetic purposes.

35 – Import-export agency services; commercial information agency services; advertising agency services; cost price analysis; rental of advertising space; business auditing; financial auditing; business intermediary services relating to the matching of potential private investors with entrepreneurs needing funding; computerized file management; demonstration of goods; opinion polling; market studies; business investigations; business research; marketing research; business management and organization consultancy; business organization consultancy; business management consultancy; personnel management consultancy; professional business consultancy; consultancy regarding advertising communication strategies; consultancy regarding public relations communication strategies; layout services for advertising purposes; marketing; targeted marketing; business management of performing artists; business management of sports people; scriptwriting for advertising purposes; updating and maintenance of data in computer databases; updating of advertising material; online retail services for downloadable and pre-recorded music and movies; organization of exhibitions for commercial or advertising purposes; organization of fashion shows for promotional purposes; organization of trade fairs for commercial or advertising purposes; shop window dressing; business appraisals; data search in computer files for others; sponsorship search; administrative assistance in responding to calls for tenders; business management

assistance; commercial or industrial management assistance; commercial intermediation services; providing business information via a website; providing commercial and business contact information; web indexing for commercial or advertising purposes; presentation of goods on communication media, for retail purposes; economic forecasting; auctioneering; retail services for works of art provided by art galleries; sales promotion for others; promotion of goods and services through sponsorship of sports events; production of teleshopping programmes; production of advertising films; rental of sales stands; publication of publicity texts; radio advertising; distribution of samples; dissemination of advertising matter; direct mail advertising; advertising; online advertising on a computer network; bill-posting; advertising by mail order; television advertising; compilation of information into computer databases; business inquiries; systemization of information into computer databases; advisory services for business management; corporate communications services; negotiation of business contracts for others; negotiation and conclusion of commercial transactions for third parties; compiling indexes of information for commercial or advertising purposes; telemarketing services; interim business management; business management for freelance service providers; commercial administration of the licensing of the goods and services of others; business management of reimbursement programmes for others; administration of consumer loyalty programs; administrative processing of purchase orders; public relations; commercial lobbying services; competitive intelligence services; modelling for advertising or sales promotion; market intelligence services; website traffic optimization; search engine optimization for sales promotion; price comparison services; secretarial services; procurement services for others [purchasing goods and services for other businesses]; outsourcing services [business assistance]; photocopying services; business efficiency expert services; providing business information; providing commercial information and advice for consumers in the choice of products and services; provision of an online marketplace for buyers and sellers of goods and services; wholesale services for pharmaceutical, veterinary and sanitary preparations and medical supplies; retail services for pharmaceutical, veterinary and sanitary preparations and medical supplies; media relations services; outsourced administrative management for companies; pay per click advertising.

41 – Academies [education]; production of music; discotheque services; health club services [health and fitness training]; nightclub services [entertainment]; correspondence courses; practical training [demonstration]; training services provided via simulators; organization of balls; organization of exhibitions for cultural and educational purposes; providing recreation facilities; arranging and conducting of colloquiums; arranging and conducting of congresses; arranging and conducting of conferences; arranging and

conducting of concerts; arranging and conducting of workshops [training]; arranging and conducting of in-person educational forums; arranging and conducting of seminars; arranging and conducting of symposiums; organization of competitions [education or entertainment]; arranging of beauty contests; organization of cosplay entertainment events; organization of lotteries; organization of fashion shows for entertainment purposes; amusement park services; know-how transfer [training]; television entertainment; vocational retraining; providing online videos, not downloadable; providing online music, not downloadable; providing television programmes, not downloadable, via video-on-demand services; providing online electronic publications, not downloadable; presentation of circus performances; presentation of variety shows; presentation of live performances; theatre productions; conducting fitness classes; educational examination; electronic desktop publishing; online publication of electronic books and journals; publication of texts, other than publicity texts; radio entertainment; entertainer services; entertainment services; tutoring; club services [entertainment or education]; production of shows; providing films, not downloadable, via video-on-demand services.

44 – Public bath services for hygiene purposes; Turkish bath services; hospital services; depilatory waxing; health centre services; hair implantation; medical advice for individuals with disabilities; pharmacy advice; aromatherapy services; manicuring; chiropractic; massage; medical testing; artificial insemination services; palliative care; hairdressing; body piercing; preparation of prescriptions by pharmacists; beauty salon services; sanatorium services; blood bank services; health counselling; flower arranging; dentistry services; tattooing; health spa services; human tissue bank services; aquaculture services; visagists' services; convalescent home services; rest home services; medical clinic services; alternative medicine services; opticians' services; orthodontic services; in vitro fertilization services; services of a psychologist; sauna services; solarium services; telemedicine services; physiotherapy; plastic surgery; medical screening.

(260) AM 2022 116047 A

(800) 1636657

(151) 2021 09 22

(891) 2021 09 22

(731) Lightbox Jewelry Ltd

17 Charterhouse Street, London EC1N 6RA,
United Kingdom

(540)

LIGHTBOX
FINEST
LABORATORY-GROWN DIAMONDS

(591) Black, white

(531) 27.05.01

(511)

14 – Precious metals and their alloys; badges of precious metal; ingots of precious metal; boxes of precious metal; ornaments of precious metal; jewellery including precious stones and semi-precious stones, diamonds, synthetic stones; precious stones and semi-precious stones; diamonds; synthetic stones; horological and chronometric instruments including watches, pocket watches and clocks; all the aforesaid containing natural and synthetic diamonds; precious metals and their alloys; badges of precious metal; ingots of precious metal; boxes of precious metal; ornaments of precious metal; jewellery including precious stones and semi-precious stones, diamonds, synthetic stones; precious stones and semi-precious stones; diamonds; synthetic stones; horological and chronometric instruments including watches, pocket watches and clocks; all the aforesaid containing natural and synthetic diamonds.

35 – Retail and wholesale services, advertising and marketing services all in the field of precious metals and their alloys, badges of precious metal, ingots of precious metal, boxes of precious metal, ornaments of precious metal, precious stones and semi-precious stones, diamonds, synthetic stones, jewellery including precious stones and semi-precious stones, diamonds, synthetic stones, horological and chronometric instruments including watches, pocket watches and clocks; retail and wholesale services, advertising and marketing services all in the field of precious metals and their alloys, badges of precious metal, ingots of precious metal, boxes of precious metal, ornaments of precious metal, precious stones and semi-precious stones, diamonds, synthetic stones, jewellery including precious stones and semi-precious stones, diamonds, synthetic stones, horological and chronometric instruments including watches, pocket watches and clocks.

(260) AM 2022 116048 A

(800) 1636727

(151) 2021 07 26

(891) 2021 07 26

(731) TÜRKİYE TURİZM TANITIM VE

GELİŞTİRME AJANSI

Esentepe Mahallesi, Büyükdere Caddesi,

Astoria 127 B/71, Şişli, İstanbul, Türkiye

(540)

TURKAEGEAN 

(591) Red, blue, green, black and white

(531) 02.09.01; 26.11.03; 26.11.09; 27.05.01; 29.01;
29.01.13

(511)

35 – Advertising, marketing and public relations; organization of exhibitions and trade fairs for commercial or advertising purposes; development of advertising concepts; provision of an online marketplace for buyers and sellers of goods and services; office functions; secretarial services; arranging newspaper subscriptions for others; compilation of statistics; rental of office machines; systemization of information into computer databases; telephone answering for unavailable subscribers; business management, business administration and business consultancy; accounting; commercial consultancy services; personnel recruitment, personnel placement, employment agencies, import-export agencies; temporary personnel placement services; auctioneering.

38 – Radio and television broadcasting services; telecommunication services; providing access to the internet; news agencies.

39 – Land, water and air transport services; rental of land, water or air vehicles; arranging of travel tours; travel reservation; issuing of tickets for travel; courier services (messages or merchandise); car parking; garage rental; boat storage; transport by pipeline; electricity distribution; water supplying; rescue operations for vehicles and goods; storage, wrapping and packaging of goods; transport and storage of trash; transport and storage of waste.

41 – Education and training; arranging and conducting of conferences, congresses and seminars; sporting and cultural activities; entertainment; ticket reservation and booking services for entertainment, sporting and cultural events, including ticket reservation and booking services for theatres, cinemas, museums and concerts; publication and editing of printed matter, including magazines, books, newspapers, other than publicity texts; electronic publication services; production of movie films, radio and television programmes; news reporters services; photographic reporting services; photography; translation.

43 – Services for providing food and drink; temporary accommodation; reservation of temporary accommodation, rental of banquet and social function facilities for special occasions, namely, wedding receptions, conferences and meetings; day-nurseries (crèches); boarding for animals.

45 – Legal services, consultancy in the fields of intellectual and industrial property rights; security services for the protection of individuals and property; marriage agencies; funeral services; clothing rental; fire-fighting services; escorting in society (chaperoning); consultancy relating to workplace safety; online social networking services.

(260) AM 2022 116049 A

(800) 1636729

(151) 2021 10 01

(891) 2021 10 01

(731) M.O.D.R. COMPANY LTD

OFFICE 328, REGICO OFFICES, THE OLD BANK, 153, THE PARADE, HIGH STREET, WATFORD WD17 1NA, United Kingdom

(540)



(591) Gold and black

(531) 26.04.05; 26.04.18; 26.04.24; 27.05.01;
27.05.09; 27.05.10; 29.01.12

(511)

3 – Amber [perfume]; antiperspirants [toiletries]; joss sticks; aromatics [essential oils]; potpourris [fragrances]; balms, other than for medical purposes; lip glosses; nail glitter; body glitter; badian essence; vaginal washes for personal sanitary or deodorant purposes; petroleum jelly for cosmetic purposes; petroleum jelly for cosmetic purposes; cotton swabs for cosmetic purposes; moustache wax; depilatory wax; astringents for cosmetic purposes; gaultheria oil; make-up; lipsticks; deodorants for human beings or for animals; scented wood; scented water; extracts of flowers [perfumes]; herbal extracts for cosmetic purposes; ethereal essences; essential oils; essential oils of cedarwood; essential oils of lemon; essential oils of citron; jasmine oil; greases for cosmetic purposes; hair colorants; ionone [perfumery]; shaving stones [astringents]; adhesives for affixing false eyelashes; adhesives for affixing false hair; adhesives for cosmetic purposes; collagen preparations for cosmetic purposes; hair conditioners; cosmetics; eyebrow cosmetics; cosmetics for children; cosmetics for animals; beauty masks; cosmetic preparations for baths; cosmetic preparations for eyelashes; cosmetic preparations for skin care; cosmetic preparations for slimming purposes; cosmetic creams; lavender water; lavender oil; incense; hair spray; nail varnish; hair lotions; lotions for cosmetic purposes; after-shave lotions; massage gels, other than for medical purposes; massage candles for cosmetic purposes; almond oil; almond milk for cosmetic purposes; deodorant soap; shaving soap; cakes of toilet soap; almond soap; antiperspirant soap; soap for foot perspiration; soap; micellar water; musk [perfumery]; mint for perfumery; mint essence [essential oil]; cosmetic kits; nail art stickers; neutralizers for permanent waving; fumigation preparations [perfumes]; eau de Cologne; eyebrow pencils; cosmetic pencils; oils for toi-

let purposes; oils for perfumes and scents; oils for cosmetic purposes; oils for cleaning purposes; oil of turpentine for degreasing; bases for flower perfumes; cleansing milk for toilet purposes; cleansers for intimate personal hygiene purposes, non medicated; perfumery; perfumes; gel eye patches for cosmetic purposes; pumice stone; hydrogen peroxide for cosmetic purposes; hair straightening preparations; shaving preparations; depilatory preparations; nail care preparations; hair waving preparations; sun-tanning preparations [cosmetics]; make-up removing preparations; make-up preparations; aloe vera preparations for cosmetic purposes; toiletry preparations; make-up powder; nail varnish removers; antistatic dryer sheets; tissues impregnated with cosmetic lotions; tissues impregnated with make-up removing preparations; bath salts, not for medical purposes; sunscreen preparations; do-uching preparations for personal sanitary or deodorant purposes [toiletries]; double eyelid tapes; talcum powder, for toilet use; terpenes [essential oils]; rose oil; toilet water; mascara; beard dyes; hair dyes; liquid latex body paint for cosmetic purposes; body paint for cosmetic purposes; cosmetic dyes; phytocosmetic preparations; lipstick cases; henna [cosmetic dye]; dry shampoos; shampoos; false eyelashes; false nails.

44 – Hygienic and beauty care for human beings or animals, including depilatory waxing; pet grooming; hairdressing; visagists' services; beauty salon services; solarium services; manicuring.

(260) AM 2022 116050 A
(800) 1636742
(151) 2021 11 23
(891) 2021 11 23
(731) Buffalo Boots GmbH
Schanzenstr. 41, 51063 Köln,
Germany

(540)



(591) Black, white
(531) 27.05.01; 27.05.19
(511)
25 – Clothing; footwear; headgear.

(260) AM 2022 116051 A
(800) 1636746
(151) 2021 11 29
(891) 2021 11 29
(731) eleven teamsports GmbH
Im Winkel 1-3, 74589 Satteldorf,
Germany

(540)



(591) Red
(531) 26.01.03; 26.01.17; 27.07.17; 27.07.24;
29.01.12

(511)
16 – Iron-on transfers; silk screen prints; printed matter; labels of paper or cardboard.

26 – Heat adhesive patches; heat adhesive patches for decoration of textile articles [haberdashery]; heat adhesive patches for repairing textile articles; patches (textile -) for ironing-on; embroidery.

40 – Printing on clothing; textile printing; pattern printing on fabric; dyeing of clothing; transfer of photographic prints; silkscreen printing; flocking for clothing; flocking for headwear; treating of textiles, treatment of fabric and leather working; embroidering; embroidering; laminating; laser scribing services; engraving; providing information relating to embroidery services.

(260) AM 2022 116053 A
(800) 1636752
(151) 2021 05 17
(891) 2021 05 17
(731) Limited Liability Company "SportRadar"
ulitsa Azovskaya, dom 6, korpus 3,
etazh/pomeshch 2/204, RU-117149 Moscow,
Russian Federation

(540)

astrabet

(591) Black, white
(511)
41 – Gambling services.

(260) AM 2022 116055 A
(800) 1636780
(151) 2021 10 26
(891) 2021 10 26
(731) Apple Inc.
One Apple Park Way, Cupertino CA 95014,
USA

(540)

APPLE AIRTAG

(591) Black, white

(511)
18 – Carrying cases of leather, key cases, leather straps, leather key cases, luggage tags.

(260) AM 2022 116056 A
(800) 836380
(151) 2004 10 08
(891) 2021 12 01
(731) Vandenberg Special Products B.V.
Alexander Bellstraat 10, NL-3261 LX
OUD-BEIJERLAND, Netherlands

(540)

CONES

(591) Black, white
(511)
34 – Tobacco; smokers' articles; matches, cigarette paper, cigarette tubes, cigar tubes, lighters for smokers.

(260) AM 2022 116065 A
(800) 1559752
(151) 2019 11 13
(891) 2021 03 01
(731) Dirk Rossmann GmbH
Isernhägener Straße 16, 30938 Burgwedel,
Germany

(540)

ROSSMANN

(591) Black, white
(531) 04.02.01; 26.01.03; 27.05.08
(511)
3 – Animal grooming preparations; tailors' and cobblers' wax; cleaning and fragrancing preparations; toiletries; essential oils and aromatic extracts; cosmetics; massage gels, other than for medical purposes; cosmetic kits; balms, other than for medical purposes; aloe vera preparations for cosmetic purposes; oral hygiene preparations; perfumery and fragrances; body cleaning and beauty care preparations; make-up preparations; household fragrances; soaps and gels; laundry preparations; leather and shoe cleaning and polishing preparations; skin, eye and nail care preparations; hair preparations and treatments; vehicle cleaning preparations; hair removal and shaving preparations; deodorants and antiperspirants; bath preparations; make-up removing preparations; breath freshening preparations for personal hygiene; essential oils; eyebrow cosmetics; bath preparations, not for medical purposes; pumice stone; laundry bleach; bleaching preparations [decolorants] for cosmetic purposes; bleaching soda; polish for furniture and flooring; deodorants for human beings or for animals; sachets for perfuming linen; depilatory preparations; colorants for toilet purposes; color-removing preparations; shining preparations [polish]; hair dye; hair lotion; hair spray; condi-

tioning preparations for the hair; adhesives for cosmetic purposes; collagen preparations for cosmetic purposes; cosmetic pencils; skincare cosmetics; skin lotion; false nails; lipstick; lip gloss; lotions for cosmetic purposes; cloths impregnated with a detergent for cleaning; tissues impregnated with cosmetic lotions; unblocking drain pipes (preparations for -); douching preparations for personal sanitary or deodorant purposes [toiletries]; mouthwashes, not for medical purposes; nail varnish removers; nail polish; nail care preparations; oils for toilet purposes; oils for cosmetic purposes; oils for cleaning purposes; perfumery; perfume; polishing preparations; dry-cleaning preparations; refurbishing preparations; shaving preparations; cleansing milk for toilet purposes; refurbishing preparations; make-up preparations; make-up preparations; cosmetic masks; boot cream; shoe polish; soaps; shampoo; sunscreen preparations; cosmetics for animals; toiletries; laundry soaking preparations; laundry preparations; cotton sticks for cosmetic purposes; dentifrices; fabric softeners; smoothing preparations [starching]; starch for laundry purposes; laundry blue; fabric softener for laundry; anti-static dryer sheets; laundry blue; laundry liquids; rinsing agents for laundry; laundry balls containing laundry detergent; soap powder; laundry additives for water softening.

5 – Absorbent articles for personal hygiene; pharmaceuticals and natural remedies; nappies for babies and incontinents; baby food; feminine hygiene products; deodorizers; diagnostic preparations and materials; disinfectants and antiseptics; dietary supplements and dietetic preparations; hygienic preparations and articles; medicated and sanitising soaps and detergents; dietary supplements for animals; pest control preparations and articles; medical dressings and medical plasters; dental preparations and articles, and medicated dentifrices; evacuants; lice treatment preparations [pediculicides]; anti-bacterial soap; antiseptics; appetite suppressant pills; medicines for human purposes; medicines for veterinary purposes; asthmatic tea; babies' diaper-pants; infant formula; babies' diapers; bath preparations for medical purposes; fibre (dietary -); balsamic preparations for medical purposes; bandages for dressings; tranquilizers; medicated candy; chemico-pharmaceutical preparations; pregnancy (chemical preparations for the diagnosis of -); chemical preparations for medical purposes; chemical preparations for veterinary purposes; chemical preparations for pharmaceutical purposes; sanitary towels; deodorants for clothing and textiles; disinfectants; disinfectants for hygiene purposes; disinfectant soap; diagnostic preparations; dietetic beverages adapted for medical purposes; dietetic substances adapted for medical use; dietetic foods adapted for medical use; albuminous preparations for medical purposes; enzyme preparations for medical purposes; febrifuges; fly destroying preparations; fly catching paper; fungicides; first-aid boxes, filled; adhesive plasters; remedies for foot perspiration; corn remedies; corn rings for the feet; dog washes [in-

secticides]; insecticides; insect repellents; personal sexual lubricants; camphor for medical purposes; cachets for pharmaceutical purposes; capsules for medicines; chewing gum for medical purposes; adhesive bands for medical purposes; compresses; herbal extracts for medical purposes; herbal teas for medicinal purposes; solutions for contact lenses; lotions for pharmaceutical purposes; magnesia for pharmaceutical purposes; mice (preparations for destroying -); beverages adapted for medicinal purposes; medicinal herbs; medicinal infusions; medicated soap; medicinal tea; medicated toiletry preparations; medicated dentifrices; powdered milk for babies; mineral food supplements; bums (preparations for the treatment of -); acne treatment preparations; callouses (preparations for -); air deodorising preparations; sanitary pants; mud for baths; mothproofing preparations; mouthwashes for medical purposes; nutritional supplements; nervines; nicotine patches for use as aids to stop smoking; medicinal oils; lozenges for pharmaceutical purposes; pharmaceuticals; pharmaceutical preparations; rat poison; fumigating pastilles; contact lens cleaning preparations; medicine cases, portable, filled; ointments for pharmaceutical purposes; soporifics; serums; panty liners; sunburn ointments; breast-nursing pads; tampons; bath (therapeutic preparations for the -); animal washes [insecticides]; herbicides; vermin destroying preparations; vaginal washes for medical purposes; petroleum jelly for medical purposes; dressings, medical; surgical dressings; digestives for pharmaceutical purposes; veterinary preparations; vitamin preparations; wart pencils; diapers for pets; nappies of paper for incontinent; disposable napkins for incontinent; pant liners for incontinent; disposable nappies made of cellulose for incontinent.

35 – Business analysis, research and information services; advertising, marketing and promotional services; business assistance, management and administrative services; advertising, marketing and promotional consultancy, advisory and assistance services; loyalty, incentive and bonus program services; organizing and conducting trade shows and exhibitions for commercial or advertising purposes; conducting of trade shows; public relations services; product demonstrations and product display services; distribution of advertising, marketing and promotional material; provision of advertising space, time and media; marketing studies; collection and systematization of business data; cost price analysis; news clipping services; online advertising; online retail store services relating to cosmetic and beauty products; arranging commercial transactions, for others, via online shops; provision of an online marketplace for buyers and sellers of goods and services; procurement of contracts [for others]; procurement of contracts for others relating to the sale of goods; arranging of contracts for others for the buying and selling of goods; arranging of contracts, for others, for the providing of services; retailing and wholesaling in the fields of body care preparations, body

cleansing and body care preparations, perfumery and fragrances, oral hygiene preparations, make-up, soaps and gels, bath and shower preparations, deodorants and antiperspirants, skin care preparations, hair preparations and hair treatments, depilatory and shaving preparations, animal care preparations, cleaning and fragrancing preparations, fuels and illuminants, dietic preparation and nutritional supplements, food for babies; retailing and wholesaling in the fields of sanitary preparations and articles, materials for dressings, medical covering materials and applicators, medicines and natural remedies, pregnancy tests, hygienic and beauty implements for human beings and animals, hair styling apparatus, manicure and pedicure apparatus, hair cutting and hair removal apparatus, shaving apparatus, utensils for preparing foodstuffs, kitchen utensils, kitchen knives and tableware, recorded data; retailing and wholesaling in the fields of software, information technology and audiovisual apparatus, electronic and electric articles, and accessories therefor, eyeglasses, hearing protectors, feeding aids and dummies, sex aids, medical and veterinary apparatus and instruments, contraceptive devices, diagnostic, examination and monitoring apparatus; retailing and wholesaling in the fields of massage apparatus, lighting, jewellery, clocks and watches, jewellery cases and watch cases, works of art and figurines of paper or cardboard, and architectural models, decorative and artistic materials and media, bags, pouches and goods for packaging, packing and storage purposes of paper or cardboard, stationery, and instructional and teaching materials; retailing and wholesaling in the fields of adhesives for stationery or household purposes, printed matter, paper and cardboard, disposable paper articles, bags, pouches and goods for packaging, packing and storage purposes of paper or cardboard or plastic, furniture and furnishings, beds, bedding, mattresses, cushions and pads, animal houses and beds, decorations, gardening articles; retailing and wholesaling in the fields of brushes, brooms and brush-making materials, dishes, cooking pot sets and containers, glasses, drinking vessels, cutlery, kitchenware and bar accessories, cleaning apparatus and articles for cleaning purposes, cosmetic and toilet utensils, and bathroom articles, animal husbandry articles, household articles for clothing and footwear, textile goods and substitutes for textiles, headgear, footwear, clothing accessories, sewing machines; retailing and wholesaling in the fields of sewing articles, yarns, textiles and decorative textile articles, hair decorations, hair curlers, hair fastening articles and false hair, sporting articles and equipment, games, toys, playthings and novelties, food, foodstuffs, animal foodstuffs and animal requisites, beverages, tobacco products, smokers' articles, insect repellent and articles; retailing and wholesaling in the fields of articles for babies and infants, furniture for babies and infants, parts and fittings for vehicles, in particular child seats, gift sets, sunscreen and care articles, household goods, mobile

telephone accessories and pre-paid cards; commercial services and consumer information in the field of cleaning and fragrancing preparations, body care preparations, beauty care preparations, cleaning preparations, sanitary preparations and articles, medicines and natural remedies, food for babies, nappies for babies and incontinence, dietary supplements, household items for the care of clothing and footwear, cosmetic and toilet utensils, and bathroom articles.

(260) AM 2022 116080 A
 (800) 1636940
 (151) 2021 07 29
 (891) 2021 07 29
 (731) SC ARELUX SRL
 Alexei Tolstoi 12, Bacau, Romania
 (540)



(591) Orange and black
 (531) 01.01.02; 01.01.09; 27.05.10; 29.01.13
 (511)
 11 – Apparatus for lighting, heating, steam generating, cooking, refrigerating, drying, ventilating, water supply and sanitary purposes.
 35 – Advertising; business assistance services; business administration; administrative services.
 39 – Transport; packaging and storage of goods; travel arrangement.

(260) AM 2022 116081 A
 (800) 1636947
 (151) 2021 09 06
 (891) 2021 09 06
 (731) Egis Gyógyszergyár Zrt.
 Keresztúri út 30-38, H-1106 Budapest, Hungary
 (540)

SALIXABAN

(591) Black, white
 (511)
 5 – Pharmaceutical preparations for human use; dietetic substances adapted for medical use; dietary supplements.

(260) AM 2022 116082 A
 (800) 1636948
 (151) 2021 09 06
 (891) 2021 09 06
 (731) Egis Gyógyszergyár Zrt.
 Keresztúri út 30-38, H-1106 Budapest, Hungary

(540)

EXAB

(591) Black, white
 (511)
 5 – Pharmaceutical preparations for human use; dietetic substances adapted for medical use; dietary supplements.

(260) AM 2022 116083 A
 (800) 1636949
 (151) 2021 09 06
 (891) 2021 09 06
 (731) Egis Gyógyszergyár Zrt.
 Keresztúri út 30-38, H-1106 Budapest, Hungary
 (540)

ELIXAC

(591) Black, white
 (511)
 5 – Pharmaceutical preparations for human use; dietetic substances adapted for medical use; dietary supplements.

(260) AM 2022 116084 A
 (800) 1636950
 (151) 2021 09 06
 (891) 2021 09 06
 (731) Egis Gyógyszergyár Zrt.
 Keresztúri út 30-38, H-1106 Budapest, Hungary
 (540)

LIXANON

(591) Black, white
 (511)
 5 – Pharmaceutical preparations for human use; dietetic substances adapted for medical use; dietary supplements.

(260) AM 2022 116085 A
 (800) 1636967
 (151) 2021 10 11
 (891) 2021 10 11
 (731) RASAKU PTE. LIMITED
 21 TAGORE LANE, Singapore 787479,
 Singapore
 (540)

RASAKU

(591) Black, white
 (511)
 29 – Coconut powder; coconut milk powder; coconut milk; coconut cream; desiccated coconut; soup mixes; soup powders; coconut butter; coconut fat; coconut oil; coconut flakes; coconut milk-based beverages; edible jellies made from milk and vegetable products; fruit jellies; prepared peanuts; prepared snacks made

principally from nuts; spreads consisting wholly or principally of dairy products; spreads derived from milk; food spreads being a blend of edible oils and edible fats; edible oils and fats; milk beverages, milk predominating; jellies; jams; preserved, frozen, dried and cooked fruits and vegetables; soups; vegetable soup preparations; preserved food products of vegetables; frozen fruits; prepared nuts; coconut milk for cooking; grated coconut; prepared coconut; processed coconut; mixes for making soup; dry mixes for soups; butter; buttercream; coconut milk for culinary purposes; coconut oil for food; condensed milk; dates; edible fats; fermented baked milk; fruit-based snack food; freeze-dried vegetables; nut-based spreads; nuts, prepared; peanut butter; palm kernel oil for food; palm oil for food; peas, preserved; powdered milk; raisins; sesame oil for food; soya milk; soya beans, preserved, for food; soya patties; sweet corn, processed; tuna, not live; vegetable-based spreads; vegetables, dried; vegetables, tinned; vegetables, canned; whipped cream; tomato paste; tomato puree; dried onions; onions, preserved; preserved garlic; processed sweet corn; processed mushrooms; sweet spreads [jams].

30 – Processed herbs; spices in the form of powders; curry mixes; curry powder; dried culinary herbs [seasonings]; herbal infusions; herbal extracts [seasonings]; flavourings for soups, other than essential oils; spices; flour and preparations made from cereals; bread; pastry; confectionery; sauces; baking-powder; mustard; natural starches for food; cake powder; pudding powders; sauce powders; corn flakes; maize flakes; essences for foodstuffs, except etheric essences and essential oils; sweets; candy; wafers; biscuits; sweetmeats; chocolate; cookies; coffee; tea; cocoa; condiments; noodles; macaroni; vermicelli; seasonings; pizzas; meat pies; biscuit products; ice-cream; cakes; stuffed bread; filled bread products; fruit coulis [sauces]; curry spice mixes; mixed spice powder; curry paste; food pastes [seasonings]; food pastes [spices]; preserved herbs [seasonings]; cereal based foodstuffs for human consumption; cocoa beverages; cocoa mixes; cocoa powder; cocoa-based ingredients for confectionery products; puddings; artificial coffee; bean meal; breadcrumbs; cereal bars; cereal preparations; cereal-based snack food; chips [cereal products]; chocolate beverages with milk; chocolate-based beverages; chocolate-based spreads; cinnamon [spice]; cocoa beverages with milk; cocoa-based beverages; coconut macaroons; crackers; dressings for salad; coffee flavourings; coffee-based beverages; honey; sugar confectionery; sugar; palm sugar; food flavourings, other than essential oils; fruit jellies [confectionery]; instant rice; ketchup [sauce]; laksa; noodle-based prepared meals; peanut confectionery; powders for making ice cream; sesame seeds [seasonings]; soya sauce; soya flour; starch for food; tomato sauce; vinegar; wheat flour; rice cakes; pepper.

32 – Fruit drinks; fruit juices; soft drinks; non-alcoholic fruit extracts; tomato juice beverages; seltzer water; vegetable juices [beverages]; syrups and other non-alcoholic preparations for making beverages; mineral and aerated waters; non-alcoholic drinks; coconut water as beverage; coconut juice; powders used in the preparation of coconut water drinks; carbonated water; energy drinks; cider, non-alcoholic; isotonic beverages; fruit nectars, non-alcoholic; non-alcoholic honey-based beverages; non-alcoholic beverages flavoured with coffee; non-alcoholic beverages flavoured with tea; non-alcoholic dried fruit beverages; non-alcoholic fruit extracts; non-alcoholic preparations for making beverages; protein-enriched sports beverages; soda water; smoothies; soya-based beverages, other than milk substitutes; syrups for beverages; table waters; tomato juice [beverage]; waters [beverages].

(260) AM 2022 116086 A

(800) 1636977

(151) 2021 11 29

(891) 2021 11 29

(731) Ferdinand Richter GmbH & Co KG
Schärdinger Strasse 1, A-4061 Pasching,
Austria

(540)



(591) Blue, green, white and black

(531) 02.09.19; 27.05.01; 27.05.08; 29.01.13

(511)

25 – Clothing, footwear, headgear, in particular for children and young people.

(260) AM 2022 116112 A

(800) 1637866

(151) 2021 11 12

(891) 2021 11 12

(731) Beiersdorf AG
Unnastr. 48, 20253 Hamburg, Germany

(540)



(591) Blue and white

(531) 26.01.03; 26.01.18; 26.01.20; 27.05.24;
29.01.12

(511)

3 – Non-medicated soaps; perfumery, essential oils, non-medicated cosmetics; non-medicated preparations for body and beauty care; non-medicated preparations for the cleansing, care and embellishment of hair; non-medicated sunscreen preparations; non-medicated sun care preparations for cosmetic and dermatological purposes, non-medicated after sun preparations for cosmetic and dermatological purposes; cosmetic shaving and after-shaving preparations; wipes impregnated with cosmetic lotions; non-medicated dentifrices; deodorants and anti-perspirants for personal use; household fragrances; bleaching preparations and other substances for laundry use; cleaning, polishing, scouring and abrasive preparations.

5 – Pharmaceuticals, medical and veterinary preparations; sanitary preparations for medical purposes; dietetic food and substances adapted for medical or veterinary use, food for babies; dietary supplements for humans and animals; plasters, materials for dressings; disinfectants; skin care preparations for medical use; solutions for medical use in washing the nasal passages; sterile solutions for medical purposes.

21 – Fitted vanity cases; household and kitchen utensils and containers; cooking utensils and tableware, except knives, forks and spoons; combs and sponges; brushes [except paint brushes]; brush-making materials; cleaning articles; drinking bottles; cups; mugs; soap boxes; facial cleansing sponges; body sponges; foam toe separators for use in pedicures.

25 – Clothing; footwear; headgear.

44 – Hairdressing and beauty salon services; beauty consultation, nutrition consultancy; provision of sauna facilities, tanning salon and solarium services; massage services; hygienic and beauty care; manicure and pedicure services; providing of information relating to cosmetics and cosmetic services on the Internet.

(260) AM 2022 116491 A

(800) 1642185

(151) 2021 08 12

(891) 2021 08 12

(731) Euro Games Technology Ltd.

4, "Maritsa" Str., "Vranya-Lozen-Triugulnika",
BG-1151 Sofia, Bulgaria

(540)



The logo for 'VAMPIRE KING' features the words 'VAMPIRE' and 'KING' in a stylized, bold, red font with a black outline and a slight 3D effect. The letters are set against a dark, textured background that resembles a night sky or a vampire's face.

(591) Red, black, grey and beige

(531) 03.07.23; 03.07.24; 27.05.01; 27.05.02;
27.05.03; 27.05.04; 27.05.08; 27.05.10;
29.01.13

(511)

28 – Gaming machines for gambling; chips for gambling; mah-jong; arcade games; gambling machines operating with coins, notes and cards; games; electronic games; parlor games; gaming chips; gaming tables; slot machines [gaming machines]; LCD game machines; slot machines and gaming devices; coin-operated amusement machines; roulette chips; poker chips; chips and dice [gaming equipment]; gaming equipment for casinos; roulette tables, gaming roulette wheels; casino games; gambling machines and amusement machines, automatic and coin-operated; coin-operated amusement machines and/or electronic coin-operated amusement machines with or without the possibility of gain; boxes for coin-operated machines, slot machines and gaming machines; electronic or electrotechnical amusement machines and apparatus, gaming machines, coin-operated entertainment machines; housings for coin-operated machines, gaming equipment, gaming machines, machines for gambling; electropneumatic and electrical gambling machines (slot machines).

41 – Gambling; entertainment services related to gambling; gaming services for entertainment purposes, casino, gaming and gambling services; training in the development of software systems; provision of gaming equipment for gambling halls; providing casino equipment [gambling]; gaming machine entertainment services; providing casino facilities [gambling]; gaming hall services; amusement arcade services; games equipment rental; rental of gaming machines; providing amusement arcade services; rental of gaming machines with images of fruits; editing or recording of sounds and images; sound recording and video entertainment services; hire of sound reproducing apparatus; provision of gaming equipment for casinos; providing of casino facilities; online gambling services; casino, gaming and gambling services; provision of gaming facilities, gaming hall facilities, Internet casinos and online gambling services.

(260) AM 2022 116678 A

(800) 1644462

(151) 2021 11 19

(891) 2021 11 19

(731) MULTINODE NETWORK SRL

etaj 3, str. Emil Racovita, nr.20, bloc C1,
077190 Voluntari, jud. Ilfov, Romania

(540)

BOB CONCIERGE

(591) Black, white

(511)

7 – Dispensing machines.

INTERNATIONAL TRADEMARKS PROTECTED IN GEORGIA

(260) AM 2022 108937 A
(800) 563242
(151) 1990 06 11
(181) 2030 06 11
(891) 2020 05 12
(511) 01, 05

(260) AM 2022 112651 A
(800) 1586739
(151) 2021 03 05
(181) 2031 03 05
(891) 2021 03 05
(511) 01

(260) AM 2022 112977 A
(800) 1590958
(151) 2021 03 20
(181) 2031 03 20
(891) 2021 03 20
(511) 34

(260) AM 2022 114374 A
(800) 1608606
(151) 2021 06 17
(181) 2031 06 17
(891) 2021 06 17
(511) 09, 35, 36, 37, 39, 41, 42

(260) AM 2022 114424 A
(800) 1608942
(151) 2021 06 22
(181) 2031 06 22
(891) 2021 06 22
(511) 42

(260) AM 2022 114426 A
(800) 1608997
(151) 2021 04 01
(181) 2031 04 01
(891) 2021 04 01
(511) 30, 35

(260) AM 2022 114433 A
(800) 1609312
(151) 2021 06 01
(181) 2031 06 01

(891) 2021 06 01
(511) 05

(260) AM 2022 114452 A
(800) 878434
(151) 2006 01 20
(181) 2026 01 20
(891) 2021 08 10
(511) 03, 05, 37

(260) AM 2022 114453 A
(800) 994574
(151) 2008 11 25
(181) 2028 11 25
(891) 2021 08 09
(511) 25

(260) AM 2022 114454 A
(800) 1138545
(151) 2012 08 09
(181) 2022 08 09
(891) 2021 07 16
(511) 09, 11

(260) AM 2022 114455 A
(800) 1170291
(151) 2013 03 08
(181) 2023 03 08
(891) 2021 07 23
(511) 06, 08, 11, 18, 19, 20, 21, 22

(260) AM 2022 114456 A
(800) 1337939
(151) 2017 01 17
(181) 2027 01 17
(891) 2021 07 20
(511) 09, 38

(260) AM 2022 114488 A
(800) 1610594
(151) 2021 06 24
(181) 2031 06 24
(891) 2021 06 24
(511) 09, 41, 42, 45

(260) AM 2022 114489 A
(800) 1610614
(151) 2021 05 25
(181) 2031 05 25
(891) 2021 05 25
(511) 09

(260) AM 2022 114490 A
(800) 1610640
(151) 2021 05 20
(181) 2031 05 20
(891) 2021 05 20
(511) 01, 03, 05

(260) AM 2022 114491 A
(800) 1610644
(151) 2021 05 21
(181) 2031 05 21
(891) 2021 05 21
(511) 05

(260) AM 2022 114492 A
(800) 1610660
(151) 2021 06 09
(181) 2031 06 09
(891) 2021 06 09
(511) 09

(260) AM 2022 114494 A
(800) 1610754
(151) 2021 03 22
(181) 2031 03 22
(891) 2021 03 22
(511) 07

(260) AM 2022 114497 A
(800) 1610858
(151) 2021 02 04
(181) 2031 02 04
(891) 2021 02 04
(511) 09, 28, 35, 38, 41, 42

(260) AM 2022 114504 A
(800) 1611077
(151) 2021 07 15
(181) 2031 07 15
(891) 2021 07 15
(511) 09, 35, 36, 38, 41, 42, 45

(260) AM 2022 114505 A
(800) 1611102
(151) 2021 06 28
(181) 2031 06 28

(891) 2021 06 28
(511) 10

(260) AM 2022 114506 A
(800) 1611154
(151) 2021 06 29
(181) 2031 06 29
(891) 2021 06 29
(511) 10

(260) AM 2022 114508 A
(800) 1611237
(151) 2021 06 10
(181) 2031 06 10
(891) 2021 06 10
(511) 25

(260) AM 2022 114509 A
(800) 1611248
(151) 2021 07 05
(181) 2031 07 05
(891) 2021 07 05
(511) 09

(260) AM 2022 114511 A
(800) 1611345
(151) 2021 06 09
(181) 2031 06 09
(891) 2021 06 09
(511) 09

(260) AM 2022 114512 A
(800) 1611347
(151) 2021 04 06
(181) 2031 04 06
(891) 2021 04 06
(511) 09, 35, 38, 41, 42

(260) AM 2022 114518 A
(800) 929205
(151) 2007 05 09
(181) 2027 05 09
(891) 2021 08 13
(511) 10, 28

(260) AM 2022 114519 A
(800) 996561A
(151) 2009 03 06
(181) 2029 03 06
(891) 2021 08 19
(511) 05

(260) AM 2022 114520 A
(800) 1047891
(151) 2010 03 11
(181) 2030 03 11
(891) 2021 07 16
(511) 07, 12

(260) AM 2022 114521 A
(800) 1404943
(151) 2018 02 06
(181) 2028 02 06
(891) 2021 07 27
(511) 25

(260) AM 2022 114522 A
(800) 1437927
(151) 2018 09 04
(181) 2028 09 04
(891) 2021 06 17
(511) 12

(260) AM 2022 114560 A
(800) 1611840
(151) 2021 08 12
(181) 2031 08 12
(891) 2021 08 12
(511) 28

(260) AM 2022 114561 A
(800) 1611863
(151) 2021 06 04
(181) 2031 06 04
(891) 2021 06 04
(511) 05

(260) AM 2022 114562 A
(800) 1611869
(151) 2021 06 04
(181) 2031 06 04
(891) 2021 06 04
(511) 05

(260) AM 2022 114563 A
(800) 1611880
(151) 2021 07 22
(181) 2031 07 22
(891) 2021 07 22
(511) 03, 05, 14, 18, 24, 25, 26

(260) AM 2022 114564 A
(800) 1611895
(151) 2021 03 22
(181) 2031 03 22

(891) 2021 03 22
(511) 30, 35

(260) AM 2022 114565 A
(800) 1611908
(151) 2021 05 28
(181) 2031 05 28
(891) 2021 05 28
(511) 03, 05, 09, 35

(260) AM 2022 114566 A
(800) 1611910
(151) 2021 04 22
(181) 2031 04 22
(891) 2021 04 22
(511) 16

(260) AM 2022 114567 A
(800) 1611942
(151) 2021 06 18
(181) 2031 06 18
(891) 2021 06 18
(511) 07

(260) AM 2022 114568 A
(800) 1612047
(151) 2021 05 07
(181) 2031 05 07
(891) 2021 05 07
(511) 03

(260) AM 2022 114569 A
(800) 1612052
(151) 2021 04 28
(181) 2031 04 28
(891) 2021 04 28
(511) 09

(260) AM 2022 114574 A
(800) 1612201
(151) 2021 03 12
(181) 2031 03 12
(891) 2021 03 12
(511) 01, 25

(260) AM 2022 114575 A
(800) 1612304
(151) 2021 05 16
(181) 2031 05 16
(891) 2021 05 16
(511) 05

(260) AM 2022 114576 A
(800) 1612312
(151) 2021 06 23
(181) 2031 06 23
(891) 2021 06 23
(511) 09, 35, 36, 38, 41, 42, 45

(260) AM 2022 114577 A
(800) 1612368
(151) 2021 06 03
(181) 2031 06 03
(891) 2021 06 03
(511) 03

(260) AM 2022 114579 A
(800) 1612463
(151) 2021 05 14
(181) 2031 05 14
(891) 2021 05 14
(511) 03, 05, 30

(260) AM 2022 114585 A
(800) 1510256
(151) 2019 11 26
(181) 2029 11 26
(891) 2021 07 30
(511) 18, 25

(260) AM 2022 114586 A
(800) 1526038
(151) 2019 12 02
(181) 2029 12 02
(891) 2021 08 12
(511) 25, 35

(260) AM 2022 114587 A
(800) 1537324
(151) 2020 02 14
(181) 2030 02 14
(891) 2021 06 02
(511) 12, 20, 28, 35

(260) AM 2022 114622 A
(800) 1612539
(151) 2021 04 06
(181) 2031 04 06
(891) 2021 04 06
(511) 09, 35, 38, 41, 42

(260) AM 2022 114623 A
(800) 1612619
(151) 2021 05 24
(181) 2031 05 24

(891) 2021 05 24
(511) 05

(260) AM 2022 114630 A
(800) 1613054
(151) 2021 06 03
(181) 2031 06 03
(891) 2021 06 03
(511) 12

(260) AM 2022 114638 A
(800) 1613460
(151) 2021 06 04
(181) 2031 06 04
(891) 2021 06 04
(511) 05, 10, 42

(260) AM 2022 114650 A
(800) 1613815
(151) 2021 01 20
(181) 2031 01 20
(891) 2021 01 20
(511) 03, 05, 35

(260) AM 2022 114651 A
(800) 1613838
(151) 2021 04 22
(181) 2031 04 22
(891) 2021 04 22
(511) 09, 25

(260) AM 2022 114652 A
(800) 1613951
(151) 2021 07 06
(181) 2031 07 06
(891) 2021 07 06
(511) 30, 43

(260) AM 2022 114653 A
(800) 1613974
(151) 2021 07 02
(181) 2031 07 02
(891) 2021 07 02
(511) 09

(260) AM 2022 114654 A
(800) 1613990
(151) 2021 07 23
(181) 2031 07 23
(891) 2021 07 23
(511) 10

(260) AM 2022 114665 A
(800) 1596443
(151) 2020 10 27
(181) 2030 10 27
(891) 2021 08 16
(511) 25, 35

(260) AM 2022 114666 A
(800) 1608034
(151) 2021 05 27
(181) 2031 05 27
(891) 2021 08 10
(511) 05

(260) AM 2022 114667 A
(800) 1608037
(151) 2021 05 27
(181) 2031 05 27
(891) 2021 08 17
(511) 05

(260) AM 2022 114702 A
(800) 1614305
(151) 2021 08 12
(181) 2031 08 12
(891) 2021 08 12
(511) 41, 44

(260) AM 2022 114706 A
(800) 1614451
(151) 2021 04 19
(181) 2031 04 19
(891) 2021 04 19
(511) 09, 14, 16, 18, 24, 25, 35

(260) AM 2022 114708 A
(800) 1614530
(151) 2021 07 14
(181) 2031 07 14
(891) 2021 07 14
(511) 42

(260) AM 2022 114709 A
(800) 1614602
(151) 2021 06 07
(181) 2031 06 07
(891) 2021 06 07
(511) 34

(260) AM 2022 114715 A
(800) 1614942
(151) 2021 07 22
(181) 2031 07 22

(891) 2021 07 22
(511) 07

(260) AM 2022 114716 A
(800) 1614957
(151) 2021 07 06
(181) 2031 07 06
(891) 2021 07 06
(511) 09

(260) AM 2022 114718 A
(800) 1615037
(151) 2021 06 22
(181) 2031 06 22
(891) 2021 06 22
(511) 09, 11, 35, 37

(260) AM 2022 114720 A
(800) 723488
(151) 1999 05 12
(181) 2029 05 12
(891) 2021 08 23
(511) 16, 41, 42

(260) AM 2022 114721 A
(800) 863055
(151) 2005 07 08
(181) 2025 07 08
(891) 2021 08 05
(511) 10

(260) AM 2022 114722 A
(800) 930211
(151) 2007 06 21
(181) 2027 06 21
(891) 2021 08 24
(511) 09, 11, 19

(260) AM 2022 114723 A
(800) 1251930
(151) 2015 04 22
(181) 2025 04 22
(891) 2021 08 06
(511) 06, 09, 11, 19, 20, 21, 35

(260) AM 2022 114724 A
(800) 1254033
(151) 2015 04 22
(181) 2025 04 22
(891) 2021 08 06
(511) 06, 09, 11, 19, 20, 21, 35

(260) AM 2022 114725 A
(800) 1288429
(151) 2015 10 22
(181) 2025 10 22
(891) 2021 09 03
(511) 03, 04

(260) AM 2022 114726 A
(800) 1358292
(151) 2017 05 24
(181) 2027 05 24
(891) 2021 08 27
(511) 05

(260) AM 2022 114727 A
(800) 1512027
(151) 2019 11 29
(181) 2029 11 29
(891) 2021 09 08
(511) 17

(260) AM 2022 114728 A
(800) 1533151
(151) 2020 04 09
(181) 2030 04 09
(891) 2021 08 19
(511) 05

(260) AM 2022 114730 A
(800) 1552654
(151) 2020 07 27
(181) 2030 07 27
(891) 2021 08 18
(511) 05

(260) AM 2022 114731 A
(800) 1557571
(151) 2020 07 27
(181) 2030 07 27
(891) 2021 08 19
(511) 05

(260) AM 2022 114732 A
(800) 1557937
(151) 2020 07 27
(181) 2030 07 27
(891) 2021 08 19
(511) 05

(260) AM 2022 114733 A
(800) 1577912
(151) 2021 01 15
(181) 2031 01 15

(891) 2021 09 09
(511) 29, 30

(260) AM 2022 114734 A
(800) 1611620
(151) 2021 06 13
(181) 2031 06 13
(891) 2021 07 16
(511) 36

(260) AM 2022 114763 A
(800) 1615210
(151) 2021 07 07
(181) 2031 07 07
(891) 2021 07 07
(511) 06

(260) AM 2022 114764 A
(800) 1615283
(151) 2021 08 04
(181) 2031 08 04
(891) 2021 08 04
(511) 11

(260) AM 2022 114765 A
(800) 1615296
(151) 2021 06 11
(181) 2031 06 11
(891) 2021 06 11
(511) 11

(260) AM 2022 114766 A
(800) 1615298
(151) 2021 06 18
(181) 2031 06 18
(891) 2021 06 18
(511) 07

(260) AM 2022 114767 A
(800) 1615326
(151) 2021 08 03
(181) 2031 08 03
(891) 2021 08 03
(511) 09

(260) AM 2022 114768 A
(800) 1615383
(151) 2021 02 19
(181) 2031 02 19
(891) 2021 02 19
(511) 17

(260) AM 2022 114770 A
(800) 1615401
(151) 2021 04 30
(181) 2031 04 30
(891) 2021 04 30
(511) 09, 16, 35, 36, 41, 45

(260) AM 2022 114771 A
(800) 1615513
(151) 2021 06 25
(181) 2031 06 25
(891) 2021 06 25
(511) 25

(260) AM 2022 114772 A
(800) 1615561
(151) 2021 09 01
(181) 2031 09 01
(891) 2021 09 01
(511) 34

(260) AM 2022 114783 A
(800) 1616035
(151) 2021 03 24
(181) 2031 03 24
(891) 2021 03 24
(511) 11

(260) AM 2022 114840 A
(800) 1616955
(151) 2021 06 18
(181) 2031 06 18
(891) 2021 06 18
(511) 05

(260) AM 2022 114841 A
(800) 1616995
(151) 2021 08 27
(181) 2031 08 27
(891) 2021 08 27
(511) 05

(260) AM 2022 114842 A
(800) 1617000
(151) 2021 07 15
(181) 2031 07 15
(891) 2021 07 15
(511) 09

(260) AM 2022 114845 A
(800) 1617077
(151) 2021 09 08
(181) 2031 09 08

(891) 2021 09 08
(511) 05

(260) AM 2022 114846 A
(800) 1617114
(151) 2021 04 27
(181) 2031 04 27
(891) 2021 04 27
(511) 33

(260) AM 2022 114847 A
(800) 1617132
(151) 2021 09 09
(181) 2031 09 09
(891) 2021 09 09
(511) 03

(260) AM 2022 114848 A
(800) 1617149
(151) 2021 06 11
(181) 2031 06 11
(891) 2021 06 11
(511) 04, 09, 37, 39, 42

(260) AM 2022 114849 A
(800) 1617180
(151) 2021 05 04
(181) 2031 05 04
(891) 2021 05 04
(511) 42

(260) AM 2022 114850 A
(800) 1617218
(151) 2021 06 29
(181) 2031 06 29
(891) 2021 06 29
(511) 08, 21

(260) AM 2022 114851 A
(800) 1617416
(151) 2021 07 26
(181) 2031 07 26
(891) 2021 07 26
(511) 03

(260) AM 2022 114852 A
(800) 1617476
(151) 2021 09 08
(181) 2031 09 08
(891) 2021 09 08
(511) 12

(260) AM 2022 114853 A
(800) 1617492
(151) 2021 03 01
(181) 2031 03 01
(891) 2021 03 01
(511) 17, 19

(260) AM 2022 114854 A
(800) 1617628
(151) 2021 08 13
(181) 2031 08 13
(891) 2021 08 13
(511) 11

(260) AM 2022 114863 A
(800) 1617894
(151) 2021 02 25
(181) 2031 02 25
(891) 2021 02 25
(511) 35

(260) AM 2022 114864 A
(800) 1617895
(151) 2021 02 25
(181) 2031 02 25
(891) 2021 02 25
(511) 35

(260) AM 2022 114865 A
(800) 1617897
(151) 2021 02 25
(181) 2031 02 25
(891) 2021 02 25
(511) 35

(260) AM 2022 114866 A
(800) 1617898
(151) 2021 02 25
(181) 2031 02 25
(891) 2021 02 25
(511) 35

(260) AM 2022 114867 A
(800) 1617899
(151) 2021 02 25
(181) 2031 02 25
(891) 2021 02 25
(511) 35

(260) AM 2022 114871 A
(800) 1617970
(151) 2021 06 18
(181) 2031 06 18

(891) 2021 06 18
(511) 08, 12, 18, 22, 25

(260) AM 2022 114873 A
(800) 1618043
(151) 2021 08 03
(181) 2031 08 03
(891) 2021 08 03
(511) 09

(260) AM 2022 114874 A
(800) 1618119
(151) 2021 07 07
(181) 2031 07 07
(891) 2021 07 07
(511) 07

(260) AM 2022 114875 A
(800) 1618120
(151) 2021 07 16
(181) 2031 07 16
(891) 2021 07 16
(511) 25

(260) AM 2022 114876 A
(800) 1618157
(151) 2021 07 09
(181) 2031 07 09
(891) 2021 07 09
(511) 02, 03, 04, 05, 09, 10, 14, 16, 18, 21, 24, 25, 26,
28, 35

(260) AM 2022 114969 A
(800) 1274475
(151) 2015 04 27
(181) 2025 04 27
(891) 2021 09 21
(511) 08, 21

(260) AM 2022 114970 A
(800) 1417066
(151) 2018 05 14
(181) 2028 05 14
(891) 2021 09 22
(511) 06, 07, 17, 19, 37

(260) AM 2022 114971 A
(800) 1591056
(151) 2021 03 23
(181) 2031 03 23
(891) 2021 08 31
(511) 05

(260) AM 2022 115029 A
(800) 1619866
(151) 2021 06 08
(181) 2031 06 08
(891) 2021 06 08
(511) 05, 10

(260) AM 2022 115039 A
(800) 1619958
(151) 2021 06 10
(181) 2031 06 10
(891) 2021 06 10
(511) 03, 05

(260) AM 2022 115030 A
(800) 1619871
(151) 2021 09 14
(181) 2031 09 14
(891) 2021 09 14
(511) 05

(260) AM 2022 115079 A
(800) 1621530
(151) 2021 06 23
(181) 2031 06 23
(891) 2021 06 23
(511) 01

(260) AM 2022 115031 A
(800) 1619873
(151) 2021 08 30
(181) 2031 08 30
(891) 2021 08 30
(511) 05

(260) AM 2022 115082 A
(800) 1621738
(151) 2021 09 16
(181) 2031 09 16
(891) 2021 09 16
(511) 34

(260) AM 2022 115032 A
(800) 1619893
(151) 2021 08 24
(181) 2031 08 24
(891) 2021 08 24
(511) 12

(260) AM 2022 115084 A
(800) 717141
(151) 1999 07 20
(181) 2029 07 20
(891) 2021 09 15
(511) 03, 04, 08, 11, 16, 21, 24, 30

(260) AM 2022 115033 A
(800) 1619903
(151) 2021 08 30
(181) 2031 08 30
(891) 2021 08 30
(511) 03

(260) AM 2022 115085 A
(800) 886215
(151) 2006 01 20
(181) 2026 01 20
(891) 2021 09 21
(511) 08

(260) AM 2022 115036 A
(800) 1619953
(151) 2021 06 10
(181) 2031 06 10
(891) 2021 06 10
(511) 03, 05

(260) AM 2022 115139 A
(800) 1621974
(151) 2021 07 13
(181) 2031 07 13
(891) 2021 07 13
(511) 30

(260) AM 2022 115038 A
(800) 1619956
(151) 2021 06 10
(181) 2031 06 10
(891) 2021 06 10
(511) 05

(260) AM 2022 115156 A
(800) 1622460
(151) 2021 05 17
(181) 2031 05 17
(891) 2021 05 17
(511) 29, 30, 35, 43

(260) AM 2022 115162 A
(800) 1622629
(151) 2021 06 17
(181) 2031 06 17
(891) 2021 06 17
(511) 43

(260) AM 2022 115163 A
(800) 1622639
(151) 2021 03 09
(181) 2031 03 09
(891) 2021 03 09
(511) 08, 18, 19, 25, 28

(260) AM 2022 115164 A
(800) 1622646
(151) 2021 06 25
(181) 2031 06 25
(891) 2021 06 25
(511) 35, 38, 41, 42

(260) AM 2022 115165 A
(800) 1622675
(151) 2021 08 27
(181) 2031 08 27
(891) 2021 08 27
(511) 32, 33

(260) AM 2022 115168 A
(800) 1622784
(151) 2021 08 16
(181) 2031 08 16
(891) 2021 08 16
(511) 03

(260) AM 2022 115169 A
(800) 1622794
(151) 2020 08 25
(181) 2030 08 25
(891) 2020 08 25
(511) 01, 02, 03, 04, 05, 06, 07, 08, 09, 11, 12, 13, 14,
16, 17, 18, 19, 20, 21, 22, 24, 25, 26, 27, 28, 31,
35, 36, 37, 38, 39, 40, 41, 42, 44, 45

(260) AM 2022 115170 A
(800) 1622799
(151) 2020 12 31
(181) 2030 12 31
(891) 2020 12 31
(511) 07, 09, 11

(260) AM 2022 115171 A
(800) 1622840
(151) 2021 04 30
(181) 2031 04 30
(891) 2021 04 30
(511) 35, 40

(260) AM 2022 115174 A
(800) 1622913
(151) 2021 06 10
(181) 2031 06 10
(891) 2021 06 10
(511) 35, 41, 42

(260) AM 2022 115179 A
(800) 1623023
(151) 2021 07 09
(181) 2031 07 09
(891) 2021 07 09
(511) 10

(260) AM 2022 115191 A
(800) 1364450
(151) 2017 03 06
(181) 2027 03 06
(891) 2021 10 01
(511) 41

(260) AM 2022 115249 A
(800) 1623641
(151) 2021 06 21
(181) 2031 06 21
(891) 2021 06 21
(511) 31

(260) AM 2022 115250 A
(800) 1623647
(151) 2021 07 09
(181) 2031 07 09
(891) 2021 07 09
(511) 28, 30

(260) AM 2022 115252 A
(800) 1623701
(151) 2021 09 01
(181) 2031 09 01
(891) 2021 09 01
(511) 32

(260) AM 2022 115254 A
 (800) 1623766
 (151) 2021 06 08
 (181) 2031 06 08
 (891) 2021 06 08
 (511) 29

(260) AM 2022 115272 A
 (800) 1624127
 (151) 2021 09 03
 (181) 2031 09 03
 (891) 2021 09 03
 (511) 32

(260) AM 2022 115255 A
 (800) 1623821
 (151) 2021 08 12
 (181) 2031 08 12
 (891) 2021 08 12
 (511) 09, 12, 16, 18, 25, 28, 30, 38, 41, 42, 43

(260) AM 2022 115273 A
 (800) 1624145
 (151) 2021 09 07
 (181) 2031 09 07
 (891) 2021 09 07
 (511) 33

(260) AM 2022 115256 A
 (800) 1623873
 (151) 2021 08 11
 (181) 2031 08 11
 (891) 2021 08 11
 (511) 30

(260) AM 2022 115274 A
 (800) 1624160
 (151) 2021 07 16
 (181) 2031 07 16
 (891) 2021 07 16
 (511) 05, 29, 35, 44

(260) AM 2022 115257 A
 (800) 1623874
 (151) 2021 08 11
 (181) 2031 08 11
 (891) 2021 08 11
 (511) 30

(260) AM 2022 115275 A
 (800) 1624161
 (151) 2021 07 16
 (181) 2031 07 16
 (891) 2021 07 16
 (511) 05, 29, 35, 44

(260) AM 2022 115258 A
 (800) 1623875
 (151) 2021 08 11
 (181) 2031 08 11
 (891) 2021 08 11
 (511) 30

(260) AM 2022 115276 A
 (800) 1624251
 (151) 2020 12 18
 (181) 2030 12 18
 (891) 2020 12 18
 (511) 01, 04, 07, 09, 11, 12

(260) AM 2022 115269 A
 (800) 1624043
 (151) 2021 04 30
 (181) 2031 04 30
 (891) 2021 04 30
 (511) 29, 30

(260) AM 2022 115278 A
 (800) 1624298
 (151) 2021 04 30
 (181) 2031 04 30
 (891) 2021 04 30
 (511) 02

(260) AM 2022 115271 A
 (800) 1624067
 (151) 2021 06 01
 (181) 2031 06 01
 (891) 2021 06 01
 (511) 05

(260) AM 2022 115289 A
 (800) 930137
 (151) 2007 07 06
 (181) 2027 07 06
 (891) 2021 10 18
 (511) 32, 33

(260) AM 2022 115290 A
(800) 979254
(151) 2008 05 22
(181) 2028 05 22
(891) 2021 03 30
(511) 03

(260) AM 2022 115449 A
(800) 1626067
(151) 2021 06 17
(181) 2031 06 17
(891) 2021 06 17
(511) 09, 42

(260) AM 2022 115292 A
(800) 1281637
(151) 2015 09 17
(181) 2025 09 17
(891) 2021 09 27
(511) 05, 29, 32, 35

(260) AM 2022 115450 A
(800) 1626074
(151) 2021 06 29
(181) 2031 06 29
(891) 2021 06 29
(511) 07, 09

(260) AM 2022 115297 A
(800) 1452740
(151) 2018 06 28
(181) 2028 06 28
(891) 2021 07 13
(511) 30

(260) AM 2022 115451 A
(800) 1626136
(151) 2021 07 19
(181) 2031 07 19
(891) 2021 07 19
(511) 05, 10

(260) AM 2022 115298 A
(800) 1531292
(151) 2020 04 06
(181) 2030 04 06
(891) 2021 10 05
(511) 05

(260) AM 2022 115452 A
(800) 1626143
(151) 2021 07 23
(181) 2031 07 23
(891) 2021 07 23
(511) 09, 12

(260) AM 2022 115300 A
(800) 1574494
(151) 2020 12 07
(181) 2030 12 07
(891) 2021 10 18
(511) 05

(260) AM 2022 115453 A
(800) 1626167
(151) 2021 08 16
(181) 2031 08 16
(891) 2021 08 16
(511) 35, 36, 41, 42, 45

(260) AM 2022 115302 A
(800) 1610850
(151) 2020 12 18
(181) 2030 12 18
(891) 2021 09 09
(511) 01, 42, 44

(260) AM 2022 115454 A
(800) 1626184
(151) 2021 08 31
(181) 2031 08 31
(891) 2021 08 31
(511) 06, 16, 17, 20, 21

(260) AM 2022 115361 A
(800) 1624635
(151) 2021 05 14
(181) 2031 05 14
(891) 2021 05 14
(511) 05

(260) AM 2022 115455 A
(800) 1626196
(151) 2021 09 16
(181) 2031 09 16
(891) 2021 09 16
(511) 03, 44

(260) AM 2022 115456 A
(800) 1626197
(151) 2021 09 24
(181) 2031 09 24
(891) 2021 09 24
(511) 09

(260) AM 2022 115480 A
(800) 1627175
(151) 2021 08 17
(181) 2031 08 17
(891) 2021 08 17
(511) 05

(260) AM 2022 115469 A
(800) 1626755
(151) 2021 05 11
(181) 2031 05 11
(891) 2021 05 11
(511) 11

(260) AM 2022 115482 A
(800) 1627318
(151) 2021 09 29
(181) 2031 09 29
(891) 2021 09 29
(511) 30

(260) AM 2022 115470 A
(800) 1626816
(151) 2021 02 24
(181) 2031 02 24
(891) 2021 02 24
(511) 07, 09, 12

(260) AM 2022 115483 A
(800) 1627326
(151) 2021 08 31
(181) 2031 08 31
(891) 2021 08 31
(511) 12

(260) AM 2022 115471 A
(800) 1626884
(151) 2021 07 07
(181) 2031 07 07
(891) 2021 07 07
(511) 05, 09, 10, 16, 21, 22, 25

(260) AM 2022 115499 A
(800) 1473414
(151) 2018 12 27
(181) 2028 12 27
(891) 2021 08 19
(511) 35

(260) AM 2022 115472 A
(800) 1626902
(151) 2021 06 22
(181) 2031 06 22
(891) 2021 06 22
(511) 25

(260) AM 2022 115500 A
(800) 1523242
(151) 2019 10 17
(181) 2029 10 17
(891) 2021 09 21
(511) 05

(260) AM 2022 115476 A
(800) 1627087
(151) 2021 07 16
(181) 2031 07 16
(891) 2021 07 16
(511) 05

(260) AM 2022 115501 A
(800) 1548218
(151) 2020 07 10
(181) 2030 07 10
(891) 2021 11 03
(511) 10

(260) AM 2022 115479 A
(800) 1627161
(151) 2021 06 15
(181) 2031 06 15
(891) 2021 06 15
(511) 41

(260) AM 2022 115502 A
(800) 1563069
(151) 2020 10 26
(181) 2030 10 26
(891) 2021 11 03
(511) 10

(260) AM 2022 115541 A
(800) 1627631
(151) 2021 04 22
(181) 2031 04 22
(891) 2021 04 22
(511) 11

(260) AM 2022 115644 A
(800) 1629942
(151) 2021 08 06
(181) 2031 08 06
(891) 2021 08 06
(511) 07, 09, 11, 39, 42

(260) AM 2022 115542 A
(800) 1627649
(151) 2021 09 24
(181) 2031 09 24
(891) 2021 09 24
(511) 09, 11, 35

(260) AM 2022 115645 A
(800) 1629999
(151) 2021 09 16
(181) 2031 09 16
(891) 2021 09 16
(511) 31, 35

(260) AM 2022 115544 A
(800) 1627729
(151) 2021 07 08
(181) 2031 07 08
(891) 2021 07 08
(511) 21

(260) AM 2022 115646 A
(800) 1630015
(151) 2021 11 01
(181) 2031 11 01
(891) 2021 11 01
(511) 14

(260) AM 2022 115545 A
(800) 1627772
(151) 2021 08 27
(181) 2031 08 27
(891) 2021 08 27
(511) 08

(260) AM 2022 115647 A
(800) 1630064
(151) 2021 11 01
(181) 2031 11 01
(891) 2021 11 01
(511) 09

(260) AM 2022 115641 A
(800) 1629895
(151) 2021 08 25
(181) 2031 08 25
(891) 2021 08 25
(511) 08, 10

(260) AM 2022 115648 A
(800) 1630105
(151) 2021 04 30
(181) 2031 04 30
(891) 2021 04 30
(511) 29, 30, 32

(260) AM 2022 115642 A
(800) 1629905
(151) 2021 10 18
(181) 2031 10 18
(891) 2021 10 18
(511) 03, 05

(260) AM 2022 115649 A
(800) 1630169
(151) 2021 09 14
(181) 2031 09 14
(891) 2021 09 14
(511) 39

(260) AM 2022 115643 A
(800) 1629938
(151) 2021 07 08
(181) 2031 07 08
(891) 2021 07 08
(511) 07, 09, 11, 37, 38, 39, 42

(260) AM 2022 115661 A
(800) 1477510
(151) 2019 05 08
(181) 2029 05 08
(891) 2021 11 12
(511) 35, 36

(260) AM 2022 115662 A
(800) 1517975
(151) 2019 11 06
(181) 2029 11 06
(891) 2021 11 03
(511) 01, 05, 09, 11

(260) AM 2022 115669 A
(800) 1610362
(151) 2021 05 18
(181) 2031 05 18
(891) 2021 10 26
(511) 05

(260) AM 2022 115663 A
(800) 1524299
(151) 2019 11 06
(181) 2029 11 06
(891) 2021 11 03
(511) 01, 05, 09, 11

(260) AM 2022 115664 A
(800) 1537764
(151) 2020 05 20
(181) 2030 05 20
(891) 2021 10 26
(511) 05

(260) AM 2022 115665 A
(800) 1583464
(151) 2021 02 04
(181) 2031 02 04
(891) 2021 10 27
(511) 05

(260) AM 2022 115666 A
(800) 1598723
(151) 2021 03 30
(181) 2031 03 30
(891) 2021 11 10
(511) 09, 14, 18, 25, 35

(260) AM 2022 115667 A
(800) 1600225
(151) 2020 11 08
(181) 2030 11 08
(891) 2021 10 27
(511) 03, 05, 06, 16, 21

(260) AM 2022 115668 A
(800) 1606017
(151) 2021 05 21
(181) 2031 05 21
(891) 2021 11 01
(511) 29

GEOGRAPHICAL INDICATIONS
REGISTERED GEOGRAPHICAL INDICATIONS

(111) 26
(151) 2022 09 29
(540)

AJIKA

(732) The Ministry of Environmental Protection and Agriculture of Georgia: Marshal Gelovani Ave. 6,
0159, Tbilisi, Georgia
(511) 30

(111) 27
(151) 2022 09 29
(540)

TKEMALI

(732) The Ministry of Environmental Protection and Agriculture of Georgia: Marshal Gelovani Ave. 6,
0159, Tbilisi, Georgia
(511) 30

**OFFICIAL NOTIFICATIONS
INVENTIONS
RESTORATION OF PATENTS**

(21) AP 2014 13545
(11) P 2016 6497 B
(73) Endi Tumanishvili;
Vazha Jamarjashvili
(54) HYDROPOWER UNIT WITH VARIABLE SCORE
DATE OF PATENT CANCELLATION: 2022 08 06
DATE OF PATENT RESTORATION: 2022 10 10

(21) AP 2015 14450
(11) P 2021 7331 B
(73) Merck Sharp & Dohme Corp.
(54) ANTI-TIGIT ANTIBODIES
DATE OF PATENT CANCELLATION: 2022 08 17
DATE OF PATENT RESTORATION: 2022 10 10

ABOLITION OF PATENTS WITH THE RIGHT TO RESTORE

(21) AP 2008 10888
(11) P 2010 5034 B
(73) Les Laboratoires Servier
(54) 1,2,4,5-TETRAHYDRO-3H-BENZAZEPINE DERIVATIVES, PROCESS FOR THEIR PREPARATION
AND PHARMACEUTICAL COMPOSITIONS CONTAINING THEM
DATE OF PATENT CANCELLATION: 2022 09 04
LIMITED DATE OF PATENT RESTORATION: 2023 09 04

(21) AP 2007 11124
(11) P 2011 5327 B
(73) Mebiol Inc.
(54) PLANT CULTIVATION SYSTEM
DATE OF PATENT CANCELLATION: 2022 09 10
LIMITED DATE OF PATENT RESTORATION: 2023 09 10

(21) AP 2009 11453
(11) P 2012 5580 B
(73) Gugu Kiknavelidze
(54) DOUBLE-ACTING FOUR-CYLINDER STIRLING ENGINE
DATE OF PATENT CANCELLATION: 2022 09 08
LIMITED DATE OF PATENT RESTORATION: 2023 09 08

(21) AP 2008 11762
(11) P 2013 5757 B
(73) Skyonic Corporation
(54) METHOD OF CARBON DIOXIDE REMOVAL FROM WASTE STREAMS THROUGH CARBONATE AND/OR BICARBONATE MINERALS COGENERATION
DATE OF PATENT CANCELLATION: 2022 09 19
LIMITED DATE OF PATENT RESTORATION: 2023 09 19

(21) AP 2009 12319
(11) P 2013 5949 B
(73) Vossloh Werke GMBH
(54) ELASTIC TENSIONING CLAMP AND RAIL FIXATION
DATE OF PATENT CANCELLATION: 2022 09 02
LIMITED DATE OF PATENT RESTORATION: 2023 09 02

(21) AP 2010 12642
(11) P 2014 6080 B
(73) Pierre Fabre Dermo-Cosmetique
(54) CHROMONE DERIVATIVES, METHOD OF THEIR PREPARATION AND THERAPEUTIC APPLICATIONS
DATE OF PATENT CANCELLATION: 2022 08 31
LIMITED DATE OF PATENT RESTORATION: 2023 08 31

(21) AP 2010 12647
(11) P 2015 6224 B
(73) Kyowa Kirin Co., LTD
(54) THERAPEUTIC AGENT FOR MOOD DISORDERS
DATE OF PATENT CANCELLATION: 2022 09 02
LIMITED DATE OF PATENT RESTORATION: 2023 09 02

(21) AP 2010 12648
(11) P 2015 6225 B
(73) Kyowa Kirin Co., LTD
(54) THERAPEUTIC AGENT FOR ANXIETY DISORDERS
DATE OF PATENT CANCELLATION: 2022 09 02
LIMITED DATE OF PATENT RESTORATION: 2023 09 02

(21) AP 2011 13228
(11) P 2015 6316 B
(73) Crystal Lagoons (Curacao) B.V.
(54) METHOD AND SYSTEM FOR TREATING WATER USED FOR INDUSTRIAL PURPOSES
DATE OF PATENT CANCELLATION: 2022 09 12
LIMITED DATE OF PATENT RESTORATION: 2023 09 12

(21) AP 2011 13229
(11) P 2016 6515 B
(73) Crystal Lagoons (Curacao) B.V.
(54) CHEEP SUSTAINABLE METHOD AND SYSTEM TO TREAT WATER BODIES AFFECTED BY BACTERIA AND MICROALGAE
DATE OF PATENT CANCELLATION: 2022 09 12
LIMITED DATE OF PATENT RESTORATION: 2023 09 12

(21) AP 2011 13230
(11) P 2015 6317 B
(73) Crystal Lagoons (Curacao) B.V.
(54) METHOD AND SYSTEM FOR THE SUSTAINABLE COOLING OF INDUSTRIAL PROCESSES
DATE OF PATENT CANCELLATION: 2022 09 12
LIMITED DATE OF PATENT RESTORATION: 2023 09 12

(21) AP 2014 13576
(11) P 2016 6546 B
(73) Temur Revishvili;
David Abkhazia;
Zurab Dzneladze;
Merab Khomeriki;
Raul Gotsiridze;
Ekaterine Gobronidze
(54) METHOD FOR NON-ALCOHOLIC TONIC CARBONATED BEVERAGE PREPARATION
DATE OF PATENT CANCELLATION: 2022 09 22
LIMITED DATE OF PATENT RESTORATION: 2023 09 22

(21) AP 2013 13744
(11) P 2017 6775 B
(73) Biogaia AB
(54) METHOD FOR SELECTION OF AGENTS INFLUENCING INTESTINAL MOTILITY DISORDERS
AND PAIN
DATE OF PATENT CANCELLATION: 2022 09 03
LIMITED DATE OF PATENT RESTORATION: 2023 09 03

(21) AP 2017 14588
(11) P 2021 7250 B
(73) Daw SE
(54) SOLVENT-CONTAINING COATING COMPOSITION
DATE OF PATENT CANCELLATION: 2022 09 18
LIMITED DATE OF PATENT RESTORATION: 2023 09 18

(21) AP 2016 14734
(11) P 2020 7170 B
(73) Les Laboratoires Servier
(54) PHARMACEUTICAL COMPOSITION COMPRISING AN HMG-CoA REDUCTASE INHIBITOR AND
AN ECA INHIBITOR
DATE OF PATENT CANCELLATION: 2022 08 26
LIMITED DATE OF PATENT RESTORATION: 2023 08 26

(21) AP 2019 15184
(11) P 2021 7264 B
(73) Vladimir Vladimirovich Ivanov
(54) METHOD FOR AUTOMOTIVE SEMITRAILER CARRIAGE-PLATFORM LOADING
DATE OF PATENT CANCELLATION: 2022 09 10
LIMITED DATE OF PATENT RESTORATION: 2023 09 10

(21) AP 2005 8972
(11) P 2009 4663 B
(73) Giorgi Ioramashvili;
Marine Beroshvili

(54) METHOD FOR SEPARATION OF FLUID INTRUSION
DATE OF PATENT CANCELLATION: 2022 09 12
LIMITED DATE OF PATENT RESTORATION: 2023 09 12

EXPIRATION OF DATE OF PATENTS RESTORATION

(21) AP 2011 12365
(11) P 2014 6073 B
(73) Elguja Bakhtadze
(54) METHOD OF SOAP PRODUCTION
DATE OF PATENT CANCELLATION: 2021 09 09
DATE OF PATENT RESTORATION EXPIRATION: 2022 09 09

(21) AP 2011 13039
(11) P 2015 6262 B
(73) FMC Corporation
(54) FUNGICIDAL PYRAZOLES AND THEIR MIXTURES
DATE OF PATENT CANCELLATION: 2021 09 01
DATE OF PATENT RESTORATION EXPIRATION: 2022 09 01

(21) AP 2012 13226
(11) P 2019 7052 B
(73) Los Angeles Biomedical Research Center
(54) HYR1-DERIVED COMPOSITIONS AND METHODS OF TREATMENT USING SAME
DATE OF PATENT CANCELLATION: 2021 09 14
DATE OF PATENT RESTORATION EXPIRATION: 2022 09 14

(21) AP 2013 13784
(11) P 2018 6881 B
(73) Les Laboratoires Servier;
Shanghai Institute Of Pharmaceutical Industry
(54) STABILISED AMORPHOUS FORM OF AGOMELATINE, A PROCESS FOR ITS PREPARATION AND
PHARMACEUTICAL COMPOSITIONS CONTAINING IT
DATE OF PATENT CANCELLATION: 2021 09 11
DATE OF PATENT RESTORATION EXPIRATION: 2022 09 11

(21) AP 2003 8705
(11) P 2011 5167 B
(73) Geox S.P.A.
(54) WATERPROOF AND BREATHABLE SOLE FOR SHOES, AND SHOE MANUFACTURED WITH SUCH
SOLE
DATE OF PATENT CANCELLATION: 2021 09 18
DATE OF PATENT RESTORATION EXPIRATION: 2022 09 18

EXPIRATION OF TERMS OF PATENTS

(21) AP 2002 6778
(11) P 2005 3457 B
(73) Otsuka Pharma Co LTD
(54) LOW HYGROSCOPIC ARIPIRAZOLE DRUG SUBSTANCE AND PROCESSES FOR PREPARATION THEREOF
DATE OF PATENT EXPIRATION: 25 09 2022

(21) AP 2002 8155
(11) P 2006 3907 B
(73) BASF Aktiengesellschaft
(54) HERBICIDAL MIXTURES BASED ON 3-PHENYLURACILS
DATE OF PATENT EXPIRATION: 10 09 2022

TRANSFER OF RIGHTS

(21) AP 2005 10157
(11) P 2010 5086 B
(54) POTASSIUM SALT OF AN HIV INTEGRASE INHIBITOR
NEW NAME AND ADDRESS OF PATENT OWNER: Merck Sharp & Dohme LLC (US)
126 East Lincoln Ave., P.O.Box 2000, Rahway, New Jersey, 07065, USA (US);
LTD "MDS Italia S.r.l." (IT)
Via Vitorchiano 151, 00189, Rome, Italy (IT)
FORMER NAME AND ADDRESSES OF PATENT OWNER: LTD "MDS Italia S.r.l." (IT)
Via Vitorchiano 151, 00189, Rome, Italy (IT);
Merck Sharp & Dohme Corp. (US)
126 East Lincoln Avenue, Rahway, NJ 07065-0907, USA (US)
DATE OF REGISTRATION: 29 09 2022

(21) AP 2010 12428
(11) P 2014 6134 B
(54) INHIBITORS OF HEPATITIS C VIRUS REPLICATION
NEW NAME AND ADDRESS OF PATENT OWNER: Merck Sharp & Dohme LLC (US)
126 East Lincoln Ave., P.O.Box 2000, Rahway, New Jersey, 07065, USA (US)
FORMER NAME AND ADDRESSES OF PATENT OWNER: Merck Sharp & Dohme Corp. (US)
126 East Lincoln Avenue, Rahway, NJ 07065-0907, USA (US)
DATE OF REGISTRATION: 29 09 2022

(21) AP 2010 12594
(11) P 2020 7101 B
(54) ENANTIO- AND STEREO-SPECIFIC SYNTHESSES OF β -AMINO- α -HYDROXY AMIDES
NEW NAME AND ADDRESS OF PATENT OWNER: Merck Sharp & Dohme LLC (US)
126 East Lincoln Ave., P.O.Box 2000, Rahway, New Jersey, 07065, USA (US)

FORMER NAME AND ADDRESSES OF PATENT OWNER: Merck Sharp & Dohme Corp. (US)
126 East Lincoln Avenue, Rahway, NJ 07065-0907, USA (US)

DATE OF REGISTRATION: 29 09 2022

(21) AP 2010 12693

(11) P 2015 6366 B

(54) IMINOTHIADIAZINE DIOXIDE COMPOUNDS AS BACE INHIBITORS, COMPOSITIONS, AND THEIR USE

NEW NAME AND ADDRESS OF PATENT OWNER: Merck Sharp & Dohme LLC (US)
126 East Lincoln Ave., P.O.Box 2000, Rahway, New Jersey, 07065, USA (US)

FORMER NAME AND ADDRESSES OF PATENT OWNER: Merck Sharp & Dohme Corp. (US)
126 East Lincoln Avenue, Rahway, NJ 07065-0907, USA (US)

DATE OF REGISTRATION: 29 09 2022

(21) AP 2013 13818

(11) P 2018 6838 B

(54) 5-PHENOXY-3H-PYRIMIDIN-4-ONE DERIVATIVES AND THEIR USAGE AS HIV REVERSE TRANSCRIPTASE INHIBITORS

NEW NAME AND ADDRESS OF PATENT OWNER: Merck Sharp & Dohme LLC (US)
126 East Lincoln Ave., P.O.Box 2000, Rahway, New Jersey, 07065, USA (US)

FORMER NAME AND ADDRESSES OF PATENT OWNER: Merck Sharp & Dohme Corp. (US)
126 East Lincoln Avenue, Rahway, NJ 07065-0907, USA (US)

DATE OF REGISTRATION: 29 09 2022

(21) AP 2015 14307

(11) P 2019 7009 B

(54) 4'-SUBSTITUTED NUCLEOSIDEDERIVATIVES AS HIV REVERSE TRANSCRIPTASE INHIBITORS

NEW NAME AND ADDRESS OF PATENT OWNER: Merck Sharp & Dohme LLC (US)
126 East Lincoln Ave., P.O.Box 2000, Rahway, New Jersey, 07065, USA (US)

FORMER NAME AND ADDRESSES OF PATENT OWNER: Merck Sharp & Dohme Corp. (US)
126 East Lincoln Avenue, Rahway, NJ 07065-0907, USA (US)

DATE OF REGISTRATION: 29 09 2022

(21) AP 2015 14453

(11) P 2022 7343 B

(54) ANTI-LAG3 ANTIBODIES AND ANTIGEN-BINDING FRAGMENTS

NEW NAME AND ADDRESS OF PATENT OWNER: Merck Sharp & Dohme LLC (US)
126 East Lincoln Ave., P.O.Box 2000, Rahway, New Jersey, 07065, USA (US)

FORMER NAME AND ADDRESSES OF PATENT OWNER: Merck Sharp & Dohme Corp. (US)
126 East Lincoln Avenue, Rahway, NJ 07065-0907, USA (US)

DATE OF REGISTRATION: 29 09 2022

(21) AP 2016 14794

(11) P 2021 7260 B

(54) ANTIBODY NEUTRALIZING HUMAN RESPIRATORY SYNCYTIAL VIRUS

NEW NAME AND ADDRESS OF PATENT OWNER: Merck Sharp & Dohme LLC (US)
126 East Lincoln Ave., P.O.Box 2000, Rahway, New Jersey, 07065, USA (US)

FORMER NAME AND ADDRESSES OF PATENT OWNER: Merck Sharp & Dohme Corp. (US)
126 East Lincoln Avenue, Rahway, NJ 07065-0907, USA (US)

DATE OF REGISTRATION: 29 09 2022

(21) AP 2016 14811

(11) P 2020 7174 B

(54) CTLA4 BINDERS

NEW NAME AND ADDRESS OF PATENT OWNER: Merck Sharp & Dohme LLC (US)
126 East Lincoln Ave., P.O.Box 2000, Rahway, New Jersey, 07065, USA (US)

FORMER NAME AND ADDRESSES OF PATENT OWNER: Merck Sharp & Dohme Corp. (US)
126 East Lincoln Avenue, Rahway, NJ 07065-0907, USA (US)

DATE OF REGISTRATION: 29 09 2022

(21) AP 2016 14812

(11) P 2021 7220 B

(54) PD1 AND/OR LAG3 BINDERS

NEW NAME AND ADDRESS OF PATENT OWNER: Merck Sharp & Dohme LLC (US)
126 East Lincoln Ave., P.O.Box 2000, Rahway, New Jersey, 07065, USA (US)

FORMER NAME AND ADDRESSES OF PATENT OWNER: Merck Sharp & Dohme Corp. (US)
126 East Lincoln Avenue, Rahway, NJ 07065-0907, USA (US)

DATE OF REGISTRATION: 29 09 2022

(21) AP 2016 14831

(11) P 2020 7205 B

(54) 4-AMINO-2-(1H-PYRAZOLO[3,4-B]PYRIDIN-3-YL)-6-OXO-6,7-DIHYDRO-5H-PYRROLO[2,3-D]PYRIMIDINE DERIVATIVES AND RESPECTIVE (1H-INDAZOL-3-YL) DERIVATIVES AS CGMP MODULATORS FOR TREATING CARDIOVASCULAR DISEASES

NEW NAME AND ADDRESS OF PATENT OWNER: Merck Sharp & Dohme LLC (US)
126 East Lincoln Ave., P.O.Box 2000, Rahway, New Jersey, 07065, USA (US)

FORMER NAME AND ADDRESSES OF PATENT OWNER: Merck Sharp & Dohme Corp. (US)
126 East Lincoln Avenue, Rahway, NJ 07065-0907, USA (US)

DATE OF REGISTRATION: 29 09 2022

(21) AP 2017 14908

(11) P 2020 7149 B

(54) ALLOSTERIC MODULATORS OF NICOTINIC ACETYLCHOLINE RECEPTORS

NEW NAME AND ADDRESS OF PATENT OWNER: Merck Sharp & Dohme LLC (US)
126 East Lincoln Ave., P.O.Box 2000, Rahway, New Jersey, 07065, USA (US)

FORMER NAME AND ADDRESSES OF PATENT OWNER: Merck Sharp & Dohme Corp. (US)
126 East Lincoln Avenue, Rahway, NJ 07065-0907, USA (US)

DATE OF REGISTRATION: 29 09 2022

(21) AP 2017 14983

(11) P 2022 7382 B

(54) ANTI-COAGULATION FACTOR XI ANTIBODIES

NEW NAME AND ADDRESS OF PATENT OWNER: Adimab LLC (US)

7 Lucent Drive, Lebanon, NH 03766, USA (US);

Merck Sharp & Dohme LLC (US)

126 East Lincoln Ave., P.O.Box 2000, Rahway, New Jersey, 07065, USA (US)

FORMER NAME AND ADDRESSES OF PATENT OWNER: Merck Sharp & Dohme Corp. (US)

126 East Lincoln Avenue, Rahway, NJ 07065-0907, USA (US);

Adimab LLC (US)

7 Lucent Drive, Lebanon, NH 03766, USA (US)

DATE OF REGISTRATION: 29 09 2022

(21) AP 2017 15055

(11) P 2021 7263 B

(54) ANTI-CD27 ANTIBODIES

NEW NAME AND ADDRESS OF PATENT OWNER: Merck Sharp & Dohme LLC (US)

126 East Lincoln Ave., P.O.Box 2000, Rahway, New Jersey, 07065, USA (US);

Merck Sharp & Dohme B.V. (NL)

Waarderweg 39, 2031 BN Haarlem, Netherlands (NL)

FORMER NAME AND ADDRESSES OF PATENT OWNER: Merck Sharp & Dohme Corp. (US)

126 East Lincoln Avenue, Rahway, NJ 07065-0907, USA (US);

Merck Sharp & Dohme B.V. (NL)

Waarderweg 39, 2031 BN Haarlem, Netherlands (NL)

DATE OF REGISTRATION: 29 09 2022

(21) AP 2017 15066

(11) P 2021 7285 B

(54) BENZO[b]THIOPHENE COMPOUNDS AS STING AGONISTS

NEW NAME AND ADDRESS OF PATENT OWNER: Merck Sharp & Dohme LLC (US)

126 East Lincoln Ave., P.O.Box 2000, Rahway, New Jersey, 07065, USA (US)

FORMER NAME AND ADDRESSES OF PATENT OWNER: Merck Sharp & Dohme Corp. (US)

126 East Lincoln Avenue, Rahway, NJ 07065-0907, USA (US)

DATE OF REGISTRATION: 29 09 2022

(21) AP 2018 15170

(11) P 2022 7392 B

(54) HUMANIZED ANTIBODY FOR TREATING OR PREVENTING COGNITIVE DISORDERS, PROCESS FOR PRODUCING THE SAME, AND AGENT FOR TREATING OR PREVENTING COGNITIVE DISORDERS USING THE SAME

NEW NAME AND ADDRESS OF PATENT OWNER: Merck Sharp & Dohme LLC (US)

126 East Lincoln Ave., P.O.Box 2000, Rahway, New Jersey, 07065, USA (US);

Teijin Pharma Limited (JP)

2-1, Kasumigaseki 3-chome, Chiyoda-ku, Tokyo, 100-0013, Japan (JP)

FORMER NAME AND ADDRESSES OF PATENT OWNER: Merck Sharp & Dohme Corp. (US)
126 East Lincoln Avenue, Rahway, NJ 07065-0907, USA (US)
Teijin Pharma Limited (JP)
2-1, Kasumigaseki 3-chome, Chiyoda-ku, Tokyo, 100-0013, Japan (JP)

DATE OF REGISTRATION: 29 09 2022

(21) AP 2018 15303

(11) P 2022 7406 B

(54) CHROMANE MONOBACTAM COMPOUNDS FOR THE TREATMENT OF BACTERIAL INFECTIONS

NEW NAME AND ADDRESS OF PATENT OWNER: Merck Sharp & Dohme LLC (US)
126 East Lincoln Ave., P.O.Box 2000, Rahway, New Jersey, 07065, USA (US)

FORMER NAME AND ADDRESSES OF PATENT OWNER: Merck Sharp & Dohme Corp. (US)
126 East Lincoln Avenue, Rahway, NJ 07065-0907, USA (US)

DATE OF REGISTRATION: 29 09 2022

(21) AP 2017 15310

(11) P 2021 7279 B

(54) CHROMANE, ISOCHROMANE AND DIHYDROISOBENZOFURAN DERIVATIVES AS
mGluR2-NEGATIVE ALLOSTERIC MODULATORS, COMPOSITIONS AND THEIR USE

NEW NAME AND ADDRESS OF PATENT OWNER: Merck Sharp & Dohme LLC (US)
126 East Lincoln Ave., P.O.Box 2000, Rahway, New Jersey, 07065, USA (US)

FORMER NAME AND ADDRESSES OF PATENT OWNER: Merck Sharp & Dohme Corp. (US)
126 East Lincoln Avenue, Rahway, NJ 07065-0907, USA (US)

DATE OF REGISTRATION: 29 09 2022

(21) AP 2002 8284

(11) P 2006 3875 B

(54) PHARMACEUTICAL NANOPARTICULATE COMPOSITION OF A TACHYKININ RECEPTOR
ANTAGONIST

NEW NAME AND ADDRESS OF PATENT OWNER: Merck Sharp & Dohme LLC (US)
126 East Lincoln Ave., P.O.Box 2000, Rahway, New Jersey, 07065, USA (US)

FORMER NAME AND ADDRESSES OF PATENT OWNER: Merck Sharp & Dohme Corp. (US)
126 East Lincoln Avenue, Rahway, NJ 07065-0907, USA (US)

DATE OF REGISTRATION: 29 09 2022

(21) AP 2004 9182

(11) P 2008 4489 B

(54) PHARMACEUTICAL NANOPARTICULATE COMPOSITION OF A TACHYKININ RECEPTOR
ANTAGONIST

NEW NAME AND ADDRESS OF PATENT OWNER: Merck Sharp & Dohme LLC (US)
126 East Lincoln Ave., P.O.Box 2000, Rahway, New Jersey, 07065, USA (US)

FORMER NAME AND ADDRESSES OF PATENT OWNER: Merck Sharp & Dohme Corp. (US)
126 East Lincoln Avenue, Rahway, NJ 07065-0907, USA (US)

DATE OF REGISTRATION: 29 09 2022

UTILITY MODELS

RESTORATION OF PATENTS

(21) AU 2017 14570
(11) U 2018 1990 Y
(73) G. Eliava Institute of Bacteriophagy, Microbiology and Virology;
Taras Gabisonia
(54) METHOD FOR BACTERIOPHAGE DRUGS PREPARATION TO USE THEREIN VETERINARY
MEDICINE
DATE OF PATENT CANCELLATION: 2022 08 16
DATE OF PATENT RESTORATION: 2022 10 10

(21) AU 2017 14589
(11) U 2018 1987 Y
(73) Davit Shavgulidze
(54) METHOD FOR FOODSTUFF "POMI" PREPARATION
DATE OF PATENT CANCELLATION: 2021 09 18
DATE OF PATENT RESTORATION: 2022 10 10

(21) AU 2019 15177
(11) U 2021 2064 Y
(73) LTD "Geo Mulch"
(54) EXCLUSIVE TECHNOLOGY FOR ECOLOGICALLY PURE "BIOORGANIC MULCH" PRODUCTION
DATE OF PATENT CANCELLATION: 2021 08 26
DATE OF PATENT RESTORATION: 2022 10 10

ABOLITION OF PATENTS WITH THE RIGHT TO RESTORE

(21) AU 2013 13209
(11) U 2015 1856 Y
(73) Giorgi Ugulava
(54) DAM
DATE OF PATENT CANCELLATION: 2022 08 30
LIMITED DATE OF PATENT RESTORATION: 2023 08 30

(21) AU 2017 14589
(11) U 2018 1987 Y
(73) Davit Shavgulidze
(54) METHOD FOR FOODSTUFF "POMI" PREPARATION
DATE OF PATENT CANCELLATION: 2022 09 18
LIMITED DATE OF PATENT RESTORATION: 2023 09 18

(21) AU 2019 15177
(11) U 2021 2064 Y
(73) LTD "Geo Mulch"
(54) EXCLUSIVE TECHNOLOGY FOR ECOLOGICALLY PURE "BIOORGANIC MULCH" PRODUCTION

DATE OF PATENT CANCELLATION: 2022 08 26
LIMITED DATE OF PATENT RESTORATION: 2023 08 26

(21) AU 2020 15425
(11) U 2022 2109 Y
(73) Roland Zhorzholiani
(54) COASTLINE ANTI-LANDSLIDE FAST CONSTRUCTING WALL
DATE OF PATENT CANCELLATION: 2022 08 26
LIMITED DATE OF PATENT RESTORATION: 2023 08 26

(21) AU 2020 15432
(11) U 2021 2102 Y
(73) Jumber Kutchukhidze
(54) ANTY-INFLAMATORY REMEDY
DATE OF PATENT CANCELLATION: 2022 09 02
LIMITED DATE OF PATENT RESTORATION: 2023 09 02

(21) AU 2020 15445
(11) U 2021 2097 Y
(73) LEPL "Institute of Micro and Nanoelectronics";
Nugzar Dolidze;
Alexander Jomarjidze;
Maya Dolidze;
Amiran Bibilashvili;
Zurab Jibuti
(54) PHOTOTHERAPY DEVICE "LALI-1"
DATE OF PATENT CANCELLATION: 2022 09 16
LIMITED DATE OF PATENT RESTORATION: 2023 09 16

DESIGNS

EXTENTION OF TERMS OF DESIGNS REGISTRATION

(11) D 2012 507 S
(73) LTD "Tobi" (GE)
Rustabeli Av. 40-40a, 0108, Tbilisi, Georgia (GE)
(54) CARDBOARD PACKAGE
(28) 2
(24) 2012 09 05
(18) 2027 09 05
(58) 2022 09 29

(11) D 2012 513 S
(73) Giorgi Tkemaladze (GE)
Davit Aghmashenebeli St. 162, 2600, Kaspi, Georgia (GE)
(54) CANDLE
(28) 1
(24) 2012 10 15
(18) 2027 10 15
(58) 2022 10 03

CANCELLATION OF DESIGNS REGISTRATION

(11) D 2012 494 S
(73) JSC "Lomisi" (GE)
Vill. Natakhtari, 3308, Mtskheta, Georgia (GE)
(54) BOTTLE
(18) 2022 03 09
(58) 2022 09 22

(11) D 2017 733 S
(73) Ucha Nemsadze (GE)
M. Asatiani St. 12, 0177, Tbilisi, Georgia (GE)
Kakhaber Janiashvili (GE)
Vazha-Pshavela Av. 8, app. 20, 0160, Tbilisi, Georgia (GE)
(54) TOBACCO SMOKING FACILITY
(18) 2022 03 09
(58) 2022 09 20

EXTENTION OF TERMS OF INTERNATIONAL DESIGNS REGISTRATION

(11) DM/69269
(73) OMEGA SA (OMEGA AG) (OMEGA LTD.)
Jakob-Stämpfli-Strasse 96, CH-2502 Biel/Bienne (CH)
(15) 2007 09 07
(24) 2007 09 07
(18) 2027 09 07
(28) 5
(28') 5
(54) BILLFOLD, KEY HOLDER, PURSE, PURSE, WALLET

(11) DM/69314
(73) SWATCH AG (SWATCH SA) (SWATCH LTD.)
Jakob-Stämpfli-Strasse 94, CH-2502 Biel/Bienne (CH)
(15) 2007 09 18
(24) 2007 09 18
(18) 2027 09 18
(28) 2
(28') 2
(54) WRISTWATCHES

(11) DM/79049
(73) TISSOT SA (TISSOT AG) (TISSOT LTD.)
Chemin des Tourelles 17, CH-2400 Le Locle (CH)
(15) 2012 09 04
(24) 2012 09 04
(18) 2027 09 04
(28) 3
(28') 3
(54) OSCILLATING WEIGHT, PARTS OF WATCH MOVEMENT

(11) DM/79080
(73) SWATCH AG (SWATCH SA)(SWATCH LTD.)
 Jakob-Stämpfli-Strasse 94, CH-2502 Biel/Bienne (CH)
(15) 2012 09 13
(24) 2012 09 13
(18) 2027 09 13
(28) 1
(28') 1
(54) WRISTWATCH

(11) DM/79084
(73) THE SWATCH GROUP MANAGEMENT SERVICES AG
 (THE SWATCH GROUP MANAGEMENT SERVICES SA)
 (THE SWATCH GROUP MANAGEMENT SERVICES LTD.)
 Faubourg du Lac 6, CH-2502 Biel/Bienne (CH)
(15) 2012 09 12
(24) 2012 09 12
(18) 2027 09 12
(28) 4
(28') 4
(54) WRISTWATCHES

(11) DM/79312
(73) AVM HOLDING AG
 Kasernenplatz 2, CH-6003 Luzern (CH)
(15) 2012 10 10
(24) 2012 10 10
(18) 2027 10 10
(28) 3
(28') 3
(54) BALL-POINT PEN, FOUNTAIN PEN, PEN HOLDER

(11) DM/97714
(73) NEUROVALENS LIMITED
 8 Carmagrim Road, Ballymena BT44 8BP (GB)
(15) 2017 08 27
(24) 2017 08 27
(18) 2027 08 27
(28) 1
(28') 1
(54) APPLIANCE FOR ELECTRICAL NERVE STIMULATION

(11) DM/98191
(73) SOLARISFLOAT LTD
 Rua da Guarda 675, P-4455-466 Matosinhos (EM)
(15) 2017 08 04
(24) 2017 08 04
(18) 2027 08 04
(28) 1
(28') 1
(54) SUPPORT FOR SOLAR PANELS

(11) DM/98536
(73) B Medical Systems S.à r.l.
17, op der Hei, L-9809 Hosingen (BX)
(15) 2017 11 16
(24) 2017 11 16
(18) 2027 11 16
(28) 2
(28') 2
(54) REFRIGERATING APPARATUS

CANCELLATION OF INTERNATIONAL DESIGNS REGISTRATION

(11) DM/68195
(73) THE SWATCH GROUP MANAGEMENT SERVICES AG
(THE SWATCH GROUP MANAGEMENT SERVICES SA)
(THE SWATCH GROUP MANAGEMENT SERVICES LTD.)
Seevorstadt 6, CH-2502 BIENNE (CH)
DATE OF REGISTRATION CANCELLATION: 2021 10 13
(58) 2022 09 28

(11) DM/68391
(73) UNILEVER N.V.
Weena 455, NL-3013 AL Rotterdam (NL)
DATE OF REGISTRATION CANCELLATION: 2021 12 15
(58) 2022 09 28

(11) DM/77399
(73) BELECTRIC DRIVE GMBH
Steigweg 24, 97318 Kitzingen (DE)
DATE OF REGISTRATION CANCELLATION: 2021 11 03
(58) 2022 09 28

(11) DM/77527
(73) SMARTSEAL AS
Jakob Askelandsvei 21, N-4314 Sandnes (NO)
DATE OF REGISTRATION CANCELLATION: 2021 11 23
(58) 2022 09 20

TRADEMARKS**EXTENSION OF TERMS OF TRADEMARKS REGISTRATION**

(111) M 2002 14463 R2
(156) 2002 05 24
(186) 2032 05 24
(732) Teva Pharma EAD
Ul. Lyuba Velichkova 9, 1407 Sofia, Bulgaria

(111) M 2002 14465 R2
(156) 2002 05 24
(186) 2032 05 24
(732) Teva Pharma EAD
Ul. Lyuba Velichkova 9, 1407 Sofia, Bulgaria

(111) M 2012 22756 R1
(156) 2012 07 13
(186) 2032 07 13
(732) Beiben Trucks Group Co., LTD
N9 Binggong East Road, Equipment
Manufacturing Industry Park, Baotou City,
Inner Mongolia Autonomous Region, China

(111) M 2012 22757 R1
(156) 2012 07 13
(186) 2032 07 13
(732) Beiben Trucks Group Co. LTD
N9 Binggong East Road, Equipment
Manufacturing Industry Park, Baotou City,
Inner Mongolia Autonomous Region, China

(111) M 2012 22540 R1
(156) 2012 04 30
(186) 2032 04 30
(732) LTD "T & A"
A. Tseretli Av.1, 0154, Tbilisi, Georgia

(111) M 2012 22485 R1
(156) 2012 04 05
(186) 2032 04 05
(732) Irakli Glonti
Iv. Javakhishvili St. 27, 0102, Tbilisi, Georgia

(111) M 2012 22624 R1
(156) 2012 05 16
(186) 2032 05 16
(732) LTD "Aversi-Farma"
Davit Aghmashenebli Av. 148/2, 0112,
Tbilisi, Georgia

(111) M 2012 22957 R1
(156) 2012 09 24
(186) 2032 09 24
(732) LTD "Barambo"
Vill. Natakhtari, 3308, Mtskheta, Georgia

(111) M 2012 23008 R1
(156) 2012 10 09
(186) 2032 10 09
(732) LTD "Barambo"
Vill. Natakhtari, 3308, Mtskheta, Georgia

(111) M 2012 23167 R1
(156) 2012 12 10
(186) 2032 12 10
(732) LTD "Barambo"
Vill. Natakhtari, 3308, Mtskheta, Georgia

(111) M 2012 22970 R1
(156) 2012 09 24
(186) 2032 09 24
(732) World Vision International
800 West Chestnut Avenue, 91016 Monrovia,
California, USA

(111) M 2012 23175 R1
(156) 2012 12 10
(186) 2032 12 10
(732) LTD "Barambo"
Vill. Natakhtari, 3308, Mtskheta, Georgia

(111) M 2012 23140 R1
(156) 2012 11 29
(186) 2032 11 29
(732) Cds Canada 4 L.P.
8400 av. du Cirque, Montreal, Quebec,
H1Z 4M6, Canada

(111) M 2012 23142 R1
(156) 2012 11 29
(186) 2032 11 29
(732) Cds Canada 4 L.P.
8400 av. du Cirque, Montreal, Quebec,
H1Z 4M6, Canada

(111) M 2013 23638 R1
(156) 2013 04 26
(186) 2033 04 26
(732) Fonterra Brands (Singapore) Pte Limited
182 Cecil Street, #15-01 Frasers Tower,
069547, Singapore

(111) M 2013 23639 R1
(156) 2013 04 26
(186) 2033 04 26
(732) Fonterra Brands (Singapore) Pte Limited
182 Cecil Street, #15-01 Frasers Tower,
069547, Singapore

(111) M 2012 23228 R1
(156) 2012 12 27
(186) 2032 12 27
(732) LTD "Barambo"
District Natakhtari, 3308, Mtskheta, Georgia

(111) M 2013 23869 R1
(156) 2013 07 30
(186) 2033 07 30
(732) JSC "Chateau Mukhrani"
Vill. Mukhrani, 3309, Mtskheta, Georgia

COMPLETE TRANSFER OF RIGHTS

(111) M 2021 34644 R
(732) Tengiz Lomitashvili
Kurdiani St. 4, app. 62, Didube District,
Tbilisi Georgia
(770) LTD "Berika"
Ilia Chavchavadze Av. 1, 6, app. 80, 0179,
Tbilisi Georgia
(580) 2022 09 27

(111) M 2002 14463 R
(732) Teva Pharma EAD
Ul. Lyuba Velichkova 9, 1407 Sofia, Bulgaria
(770) Teva Pharma EAD
Ul. Lyuba Velichkova 9, 1407 Sofia, Bulgaria;
Balkanfarma Trojan ad
"Krajrechna" 1, Trojan 5600, Bulgaria;
Balkanfarma Dupnitsa ad
Samokovsko shosse, 3, Dupnitsa 2600,
Bulgaria
(580) 2022 09 15

(111) M 2005 16100 R
(732) Corteva Agriscience LLC
9330 Zionsville Road, Indianapolis,
Indiana 46268, USA
(770) E.i. Du Pont de Nemours & Company
1007 Market Street, Wilmington,
Delaware 19898, USA
(580) 2022 08 31

(111) M 2006 16455 R
(732) Corteva Agriscience LLC
9330 Zionsville Road, Indianapolis,
Indiana 46268, USA
(770) E.i. Du Pont de Nemours and Company
1007 Market Street, Wilmington,
Delaware 19898, USA
(580) 2022 08 31

(111) M 2006 16616 R
(732) Corteva Agriscience LLC
9330 Zionsville Road, Indianapolis,
Indiana 46268, USA
(770) E.i. Du Pont de Nemours and Company
1007 Market Street, Wilmington,
Delaware 19898, USA
(580) 2022 08 31

(111) M 1999 11703 R
(732) Kemet Electronics Corporation
One East Broward Boulevard, Fort
Lauderdale, Florida, 33301, USA
(770) Krc Trade Corporation
2835 Kemet Way, Simpsonville, South
carolina 29681, USA
(580) 2022 09 20

(111) M 2013 23372 R
(732) LTD "Foodservice" (406286674)
T. Chantladze St. 40/Didi Lilo, Tetri Khevi
Settlement, Tbilisi, Georgia
(770) LTD "Foodservice" (205179849)
T. Chantladze St. 40/Didi Lilo, Tetri Khevi
Settlement, Tbilisi, Georgia
(580) 2022 08 31

(111) M 2013 23373 R
(732) LTD "Foodservice" (406286674)
T. Chantladze St. 40/Didi Lilo, Tetri Khevi
Settlement, Tbilisi, Georgia
(770) LTD "Foodservice" (205179849)
T. Chantladze St. 40/Didi Lilo, Tetri Khevi
Settlement, Tbilisi, Georgia
(580) 2022 08 31

(111) M 2013 24204 R
(732) Corteva Agriscience LLC
9330 Zionsville Road, Indianapolis,
Indiana 46268, USA
(770) E.I. du Pont de Nemours and Company
1007 Market Street, Wilmington,
DE 19898, USA
(580) 2022 08 31

CHANGES OF NAMES AND/OR ADDRESSES OF TRADEMARKS OWNERS

(111) M 1999 12429 R
(732) Chanel Sarl
Quai du Général-Guisan 24, 1204 Genève,
Switzerland
(770) Chanel Sarl
Burgstrasse 26, CH-8750 Glaris,
Switzerland
(580) 2022 08 17

(111) M 2002 14463 R
(732) Teva Pharma EAD
Ul. Lyuba Velichkova 9, 1407 Sofia, Bulgaria;
Balkanfarma Trojan ad
"Krajrechna" 1, Trojan 5600, Bulgaria;
Balkanfarma Dupnitsa ad
Samokovsko shosse; 3, Dupnitsa 2600,
Bulgaria
(770) "Actavis" EAD
Ul. Athanas Dukov 29, Sofia, Raion Lozenets,
Bulgaria Balkanfarma Trojan ad
"Krajrechna" 1, Trojan 5600, Bulgaria;
Balkanfarma Dupnitsa ad
Samokovsko shosse; 3, Dupnitsa 2600,
Bulgaria
(580) 2022 09 15

(111) M 2002 14465 R
(732) Teva Pharma EAD
Ul. Lyuba Velichkova 9, 1407 Sofia, Bulgaria
(770) "Actavis" EAD
Ul. Athanas Dukov 29, Sofia, Raion Lozenets,
Bulgaria
(580) 2022 09 15

(111) M 1997 7083 R
(732) Chanel SARL
Quai du Général-Guisan 24, 1204 Genève,
Switzerland
(770) Chanel SARL
Burgstrasse 26, CH-8750 Glarus,
Switzerland
(580) 2022 08 17

(111) M 1997 7084 R
(732) Chanel SARL
Quai du Général-Guisan 24, 1204 Genève,
Switzerland
(770) Chanel SARL
Burgstrasse 26, CH-8750 Glarus, Switzerland
(580) 2022 08 17

(111) M 1997 7085 R
(732) Chanel SARL
Quai du Général-Guisan 24, 1204 Genève,
Switzerland
(770) Chanel SARL
Burgstrasse 26, CH-8750 Glarus, Switzerland
(580) 2022 08 17

(111) M 2009 19755 R
(732) Chanel SARL
Quai du Général-Guisan 24, 1204 Genève,
Switzerland
(770) Chanel SARL
Burgstrasse 26, CH-8750 Glaris, Switzerland
(580) 2022 08 17

(111) M 1996 3303 R
(732) Chanel SARL
Quai du Général-Guisan 24, 1204 Genève,
Switzerland
(770) Chanel SARL
Burgstrasse 26, CH-8750 Glarus, Switzerland
(580) 2022 08 17

(111) M 1997 7316 R
(732) Chanel SARL
Quai du Général-Guisan 24, 1204 Genève,
Switzerland
(770) Chanel SARL
Burgstrasse 26, CH-8750 Glaris, Switzerland
(580) 2022 08 17

(111) M 1997 7317 R
(732) Chanel SARL
Quai du Général-Guisan 24, 1204 Genève,
Switzerland
(770) Chanel SARL
Burgstrasse 26, CH-8750 Glarus, Switzerland
(580) 2022 08 17

(111) M 1997 7318 R
(732) Chanel SARL
Quai du Général-Guisan 24, 1204 Genève,
Switzerland
(770) Chanel SARL
Burgstrasse 26, CH-8750 Glarus, Switzerland
(580) 2022 08 17

(111) M 1997 7319 R
(732) Chanel SARL
Quai du Général-Guisan 24, 1204 Genève,
Switzerland
(770) Chanel SARL
Burgstrasse 26, CH-8750 Glarus, Switzerland
(580) 2022 08 17

(111) M 1998 8393 R
(732) Chanel SARL
Quai du Général-Guisan 24, 1204 Genève,
Switzerland
(770) Chanel SARL
Burgstrasse 26, CH-8750 Glarus, Switzerland
(580) 2022 08 17

(111) M 1996 3304 R
(732) Chanel SARL
Quai du Général-Guisan 24, 1204 Genève,
Switzerland
(770) Chanel SARL
Burgstrasse 26, CH-8750 Glarus, Switzerland
(580) 2022 08 17

(111) M 2013 23372 R
(732) LTD "Foodservice"
T. Chantladze St. 40/Didi Lilo, Tetri Khevi
Settlement, Tbilisi, Georgia
(770) LTD "Foodservice"
Marshal Gelovani Av. 2, 0159, Tbilisi, Georgia
(580) 2022 09 12

(111) M 2013 23373 R
(732) LTD "Foodservice"
T. Chantladze St. 40/Didi Lilo, Tetri Khevi
Settlement, Tbilisi, Georgia
(770) LTD "Foodservice"
Marshal Gelovani Av. 2, 0159, Tbilisi, Georgia
(580) 2022 09 12

CANCELLATION OF TRADEMARKS REGISTRATION

(111) M 2012 22397 R
(151) 2012 03 16
(732) LTD "Topiverta"
Sanapiro St. 10, 0112, Tbilisi, Georgia
(141) 2022 09 26

(111) M 2012 22399 R
(151) 2012 03 16
(732) Obshchestvo s Ogranichenoy Otvetstvennostiu
"Doctor Kafman Pharma"
Per. Neftannoy 43, 344016, Rostov na Donu,
Russian Federation
(141) 2022 09 26

(111) M 2012 22400 R
(151) 2012 03 16
(732) Obshchestvo s Ogranichenoy Otvetstvennostiu
"Doctor Kafman Pharma"
Per. Neftannoy 43, 344016, Rostov na Donu,
Russian Federation
(141) 2022 09 26

(111) M 2012 22401 R
(151) 2012 03 16
(732) Obshchestvo s Ogranichenoy Otvetstvennostiu
"Doctor Kafman Pharma"
Per. Neftannoy 43, 344016, Rostov na Donu,
Russian Federation
(141) 2022 09 26

(111) M 2012 22403 R
(151) 2012 03 16
(732) Nikoloz Beniaidze
Vill. Arkhiloskalo, Dedoplistskaro, 1603,
Georgia
(141) 2022 09 26

(111) M 2012 22404 R
(151) 2012 03 16
(732) LTD "Tinatin Maghalashvili"
Temka, III mcr., II qu., bld. 29, app. 11, 0197,
Tbilisi, Georgia
(141) 2022 09 26

(111) M 2012 22406 R
(151) 2012 03 16
(732) Karen Grantis dze Vardaniani
Baironi St. 3, app. 36, Yerevan, Armenia
(141) 2022 09 26

(111) M 2012 22407 R
(151) 2012 03 16
(732) General Motors LLC
300 Renaissance Center, City of Detroit,
State of Michigan 48265-3000, USA
(141) 2022 09 26

(111) M 2012 22409 R
(151) 2012 03 16
(732) Genzyme Corporation (Massachusetts
Corporation)
50 Binney Street, Cambridge, Massachusetts
02142, USA
(141) 2022 09 26

(111) M 2012 22410 R
(151) 2012 03 16
(732) Genzyme Corporation (a Massachusetts
Corporation)
50 Binney Street, Cambridge, Massachusetts
02142, USA
(141) 2022 09 26

(111) M 2012 22411 R
(151) 2012 03 16
(732) Genzyme Corporation (a Massachusetts
Corporation)
50 Binney Street, Cambridge, Massachusetts
02142, USA
(141) 2022 09 26

(111) M 2012 22412 R
(151) 2012 03 16
(732) Genzyme Corporation (a Massachusetts
Corporation)
50 Binney Street, Cambridge, Massachusetts
02142, USA
(141) 2022 09 26

(111) M 2012 22416 R
(151) 2012 03 16
(732) General Motors LLC
300 Renaissance Center, City of Detroit,
State of Michigan 48265-3000, USA
(141) 2022 09 26

(111) M 2012 22417 R
(151) 2012 03 16
(732) Tea Zarandia
Cherkezishvili St., Lane 60, 0102, Tbilisi,
Georgia
(141) 2022 09 26

(111) M 2012 22419 R
(151) 2012 03 16
(732) Tequila Cuervo, S.A. DE C.V.
(a company organized existing under the
laws of Mexico)
Avenida Periferico Sur N8500, Tlaquepaque,
Jalisco, C.P. 45601, Mexico
(141) 2022 09 26

(111) M 2012 22420 R
(151) 2012 03 16
(732) Philip Morris Brands SARL
Quai Jeanrenaud 3, 2000 Neuchâtel,
Switzerland
(141) 2022 09 26

(111) M 2012 22421 R
(151) 2012 03 16
(732) LTD "DGT"
Tevdore Mghvdeli St. 10, app. 13, 0112,
Tbilisi, Georgia
(141) 2022 09 26

(111) M 2012 22422 R
(151) 2012 03 16
(732) General Motors LLC
300 Renaissance Center, City of Detroit,
State of Michigan 48265-3000, USA
(141) 2022 09 26

(111) M 2012 22424 R
(151) 2012 03 16
(732) Boehringer Ingelheim Pharma GmbH & Co.
KG
55218 Ingelheim, Germany
(141) 2022 09 26

(111) M 2012 22425 R
(151) 2012 03 16
(732) General Motors Llc (a Limited Liability
Organized Existing Under Laws of the State of
Delaware)
300 Renaissance Center, City of Detroit,
State of Michigan 48265-3000, USA
(141) 2022 09 26

(111) M 2012 22426 R
(151) 2012 03 16
(732) LTD "Topiverta"
Sanapiro St. 10, 0112, Tbilisi, Georgia
(141) 2022 09 26

(111) M 2012 22427 R
(151) 2012 03 16
(732) Intercontinental Great Brands LLC
100 Deforest Ave, East Hanover, NJ, 07936,
USA
(141) 2022 09 26

(111) M 2012 22431 R
(151) 2012 03 16
(732) JSC "Foodmart"
Gudiashvili Square 4, 0105, Tbilisi, Georgia
(141) 2022 09 26

(111) M 2012 22432 R
(151) 2012 03 16
(732) JSC "Foodmart"
Gudiashvili Square 4, 0105, Tbilisi, Georgia
(141) 2022 09 26

(111) M 2012 22435 R
(151) 2012 03 16
(732) LTD "Express Diagnostics"
Nutsbidze Plateau, III mcr., 1 qu, bld. 7,
app. 22, 0183, Tbilisi, Georgia
(141) 2022 09 26

(111) M 2012 22392 R
(151) 2012 03 12
(732) LTD "Metskhre Arkhi"
300 Aragveli St. 1, 0144, Tbilisi, Georgia
(141) 2022 09 20

(111) M 2012 22395 R
(151) 2012 03 15
(732) LTD "LaMeR"
Asatiani Square 37, 0105, Batumi, Georgia
(141) 2022 09 23

(111) M 2012 22394 R
(151) 2012 03 13
(732) LTD "Eurasia Management Haus"
Tergi St. 14a, fl. 2, app. 3, 0179, Tbilisi,
Georgia
(141) 2022 09 21

(111) M 2012 22390 R
(151) 2012 03 12
(732) JSC "Georgian Bank"
Gagarin St. 29a, 0160, Tbilisi Georgia
(141) 2022 09 20

(111) M 2018 30554 R
(151) 2018 12 04
(732) Adidas 2015
Todria St., Lane II, bld. 7, app. 34, 3700
Rustavi, Georgia
(141) 2022 09 30 - Registration is canceled by court
decision
Ground: Article 2 (a) of the Law of Georgia on
Enforcement Proceedings
(511) Canceled List of Goods and/or Services:
Class – 25, 35

CHANGES IN LIST OF GOODS AND/OR SERVICES OF TRADEMARK

(111) M 2014 25370 R
(732) Nissan Jidosha Kabushiki Kaisha (also trading as Nissan Motor Co. LTD)
No.2 Takara-cho, Kanagawa-ku, Yokohamashi, Kanagawa-ken, Japan
(511) 12
(580) 2022 09 20

CLASSIFICATION INDEXES

INVENTIONS

CONCORDANCE TABLE OF INTERNATIONAL CLASSIFICATION INDEX AND PUBLICATION NUMBERS

INTERNATIONAL CLASSIFICATION INDEXES (51)	NUMBER OF PUBLISHED APPLICATION (10)
A 01 G 9/12	AP 2022 15958 A
A 61 K 31/4985; A 61 K 31/495; A 61 P 25/28; A 61 P 35/00; C 07 D 487/04	AP 2022 15327 A
A 61 K 31/573; A 61 K 31/56; A 61 K 31/454; A 61 P 37/08; A 61 P 43/00; A 61 P 37/00; A 61 P 11/06	AP 2022 15712 A
B 28 B 1/00; C 04 B 7/02	AP 2022 15412 A

CONCORDANCE TABLE OF PUBLICATION NUMBERS AND INTERNATIONAL CLASSIFICATION INDEX

NUMBER OF PUBLISHED APPLICATION (10)	INTERNATIONAL CLASSIFICATION INDEXES (51)
AP 2022 15327 A	A 61 K 31/4985; A 61 K 31/495; A 61 P 25/28; A 61 P 35/00; C 07 D 487/04
AP 2022 15412 A	B 28 B 1/00; C 04 B 7/02
AP 2022 15712 A	A 61 K 31/573; A 61 K 31/56; A 61 K 31/454; A 61 P 37/08; A 61 P 43/00; A 61 P 37/00; A 61 P 11/06
AP 2022 15958 A	A 01 G 9/12

CONCORDANCE TABLE OF INTERNATIONAL CLASSIFICATION INDEX, PATENT NUMBERS AND PUBLICATION NUMBERS

INTERNATIONAL CLASSIFICATION INDEX (51)	NUMBER OF PATENT (11)	NUMBER OF PUBLISHED APPLICATION (10)
A 61 P 3/06; A 61 P 25/28; A 61 P 1/16; A 61 P 9/10; A 61 K 31/44	P 2022 7421 B	AP 2022 15262 A
A 61 K 8/37; A 61 K 8/73; A 61 K 8/27; A 61 K 8/34; A 61 K 8/92; A 61 K 8/67; A 61 K 8/19; A 61 K 8/891; A 61 Q 15/00	P 2022 7424 B	AP 2022 15769 A
A 61 K 39/09; A 61 K 39/385; A 61 K 39/00; A 61 P 31/04	P 2022 7420 B	AP 2022 15382 A
A 61 K 39/395; A 61 K 39/00; C 07 K 16/00	P 2022 7419 B	AP 2022 15554 A
B 01 D 1/28; B 01 D 1/30; B 01 D 5/00; B 01 D 1/00; C 02 F 1/04; C 02 F 1/14	P 2022 7422 B	AP 2022 15584 A
C 22 C 33/04	P 2022 7425 B	AP 2022 15513 A
F 28 D 1/053; F 28 D 1/03; F 28 F 1/16; F 28 F 3/04	P 2022 7423 B	AP 2022 15510 A

**CONCORDANCE TABLE OF PATENT NUMBERS,
PUBLICATION NUMBERS AND INTERNATIONAL CLASSIFICATION INDEX**

NUMBER OF PATENT (11)	NUMBER OF PUBLISHED APPLICATION (10)	INTERNATIONAL CLASSIFICATION INDEX (51)
P 2022 7419 B	AP 2022 15554 A	A 61 K 39/395; A 61 K 39/00; C 07 K 16/00
P 2022 7420 B	AP 2022 15382 A	A 61 K 39/09; A 61 K 39/385; A 61 K 39/00; A 61 P 31/04
P 2022 7421 B	AP 2022 15262 A	A 61 P 3/06; A 61 P 25/28; A 61 P 1/16; A 61 P 9/10; A 61 K 31/44
P 2022 7422 B	AP 2022 15584 A	B 01 D 1/28; B 01 D 1/30; B 01 D 5/00; B 01 D 1/00; C 02 F 1/04; C 02 F 1/14
P 2022 7423 B	AP 2022 15510 A	F 28 D 1/053; F 28 D 1/03; F 28 F 1/16; F 28 F 3/04
P 2022 7424 B	AP 2022 15769 A	A 61 K 8/37; A 61 K 8/73; A 61 K 8/27; A 61 K 8/34; A 61 K 8/92; A 61 K 8/67; A 61 K 8/19; A 61 K 8/891; A 61 Q 15/00
P 2022 7425 B	AP 2022 15513 A	C 22 C 33/04

**CONCORDANCE TABLE OF APPLICATION NUMBERS,
PUBLICATION NUMBERS AND PATENTS**

NUMBER OF APPLICATION (21)	NUMBER OF PUBLISHED APPLICATION (10)	NUMBER OF PATENT (11)
AP 2018 15262	AP 2022 15262 A	P 2022 7421 B
AP 2018 15382	AP 2022 15382 A	P 2022 7420 B
AP 2019 15510	AP 2022 15510 A	P 2022 7423 B
AP 2020 15513	AP 2022 15513 A	P 2022 7425 B
AP 2016 15554	AP 2022 15554 A	P 2022 7419 B
AP 2019 15584	AP 2022 15584 A	P 2022 7422 B
AP 2020 15769	AP 2022 15769 A	P 2022 7424 B

UTILITY MODELS

**CONCORDANCE TABLE OF INTERNATIONAL CLASSIFICATION INDEX
AND PUBLICATION NUMBERS**

INTERNATIONAL CLASSIFICATION INDEXES (51)	NUMBER OF PUBLISHED APPLICATION (10)
A 61 P 43/00	AU 2022 15537 U

**CONCORDANCE TABLE OF PUBLICATION NUMBERS
AND INTERNATIONAL CLASSIFICATION INDEX**

NUMBER OF PUBLISHED APPLICATION (10)	INTERNATIONAL CLASSIFICATION INDEXES (51)
AU 2022 15537 U	A 61 P 43/00

CONCORDANCE TABLE OF INTERNATIONAL CLASSIFICATION INDEX,
PATENT NUMBERS AND PUBLICATION NUMBERS

INTERNATIONAL CLASSIFICATION INDEX (51)	NUMBER OF PATENT (11)	NUMBER OF PUBLISHED APPLICATION (10)
B 66 B 9/00	U 2022 2133 Y	AU 2022 15099 U

CONCORDANCE TABLE OF PATENT NUMBERS,
PUBLICATION NUMBERS AND INTERNATIONAL CLASSIFICATION INDEX

NUMBER OF PATENT (11)	NUMBER OF PUBLISHED APPLICATION (10)	INTERNATIONAL CLASSIFICATION INDEX (51)
U 2022 2133 Y	AU 2022 15099 U	B 66 B 9/00

CONCORDANCE TABLE OF APPLICATION NUMBERS,
PUBLICATION NUMBERS AND PATENTS

NUMBER OF APPLICATION (21)	NUMBER OF PUBLISHED APPLICATION (10)	NUMBER OF PATENT (11)
AU 2019 15099	AU 2022 15099 U	U 2022 2133 Y

DESIGNS

CONCORDANCE TABLE OF INTERNATIONAL CLASSIFICATION INDEX
AND PUBLICATION NUMBERS

INTERNATIONAL CLASSIFICATION INDEXES (51)	NUMBER OF PUBLISHED APPLICATION (10)
06-01; 06-03	AD 2022 1268 S

CONCORDANCE TABLE OF PUBLICATION NUMBERS
AND INTERNATIONAL CLASSIFICATION INDEX

NUMBER OF PUBLISHED APPLICATION (10)	INTERNATIONAL CLASSIFICATION INDEXES (51)
AD 2022 1268 S	06-01; 06-03

CONCORDANCE TABLE OF INTERNATIONAL CLASSIFICATION INDEX,
NUMBERS OF REGISTRATION AND PUBLICATION NUMBERS

INTERNATIONAL CLASSIFICATION INDEX (51)	NUMBER OF REGISTRATION (11)	NUMBER OF PUBLISHED APPLICATION (10)
11-01	D 2022 946 S	AD 2022 1258 S
19-18	D 2022 945 S	AD 2022 1263 S

CONCORDANCE TABLE OF NUMBERS OF REGISTRATION,
PUBLICATION NUMBERS AND INTERNATIONAL CLASSIFICATION INDEX

NUMBER OF REGISTRATION (11)	NUMBER OF PUBLISHED APPLICATION (10)	INTERNATIONAL CLASSIFICATION INDEX (51)
D 2022 945 S	AD 2022 1263 S	19-18
D 2022 946 S	AD 2022 1258 S	11-01

CONCORDANCE TABLE OF APPLICATION NUMBERS,
PUBLICATION NUMBERS AND NUMBERS OF REGISTRATION

NUMBER OF APPLICATION (21)	NUMBER OF PUBLISHED APPLICATION (10)	NUMBER OF REGISTRATION (11)
AD 2022 1258	AD 2022 1258 S	D 2022 946 S
AD 2022 1263	AD 2022 1263 S	D 2022 945 S

TRADEMARKS

CONCORDANCE TABLE OF REGISTRATION NUMBERS, APPLICATION NUMBERS, PUBLICATION NUMBERS AND BULLETIN NUMBERS

NUMBER OF REGISTRATION (111)	NUMBER OF APPLICATIONS (210)	NUMBER OF PUBLISHED APPLICATIONS (260)	NUMBER OF BULLETIN
M 2022 35963 R	AM 85823	AM 2022 85823 A	5(584)2022
M 2022 35964 R	AM 119346	-	19(598)2022
M 2022 35965 R	AM 119293	-	19(598)2022
M 2022 35966 R	AM 119375	-	19(598)2022
M 2022 35967 R	AM 119292	-	19(598)2022
M 2022 35968 R	AM 119585	-	19(598)2022
M 2022 35969 R	AM 110126	AM 2022 110126 A	5(584)2022
M 2022 35970 R	AM 110765	AM 2022 110765 A	3(582)2022
M 2022 35971 R	AM 110767	AM 2022 110767 A	3(582)2022
M 2022 35972 R	AM 110768	AM 2022 110768 A	3(582)2022
M 2022 35973 R	AM 112471	AM 2022 112471 A	8(587)2022
M 2022 35974 R	AM 113219	AM 2022 113219 A	5(584)2022
M 2022 35975 R	AM 114220	AM 2022 114220 A	5(584)2022
M 2022 35976 R	AM 114230	AM 2022 114230 A	5(584)2022
M 2022 35977 R	AM 114319	AM 2022 114319 A	9(588)2022
M 2022 35978 R	AM 114322	AM 2022 114322 A	6(585)2022
M 2022 35979 R	AM 114393	AM 2022 114393 A	6(585)2022
M 2022 35980 R	AM 114463	AM 2022 114463 A	8(587)2022
M 2022 35981 R	AM 114464	AM 2022 114464 A	7(586)2022
M 2022 35982 R	AM 114465	AM 2022 114465 A	8(587)2022
M 2022 35983 R	AM 114472	AM 2022 114472 A	8(587)2022
M 2022 35984 R	AM 114921	AM 2022 114921 A	11(590)2022
M 2022 35985 R	AM 114922	AM 2022 114922 A	11(590)2022
M 2022 35986 R	AM 114926	AM 2022 114926 A	11(590)2022
M 2022 35987 R	AM 114974	AM 2022 114974 A	10(589)2022
M 2022 35988 R	AM 114975	AM 2022 114975 A	10(589)2022
M 2022 35989 R	AM 114976	AM 2022 114976 A	10(589)2022
M 2022 35990 R	AM 115011	AM 2022 115011 A	9(588)2022
M 2022 35991 R	AM 115130	AM 2022 115130 A	10(589)2022
M 2022 35992 R	AM 115202	AM 2022 115202 A	10(589)2022
M 2022 35993 R	AM 115208	AM 2022 115208 A	10(589)2022
M 2022 35994 R	AM 115210	AM 2022 115210 A	11(590)2022
M 2022 35995 R	AM 115221	AM 2022 115221 A	11(590)2022
M 2022 35996 R	AM 115326	AM 2022 115326 A	11(590)2022
M 2022 35997 R	AM 115330	AM 2022 115330 A	11(590)2022
M 2022 35998 R	AM 115333	AM 2022 115333 A	11(590)2022
M 2022 35999 R	AM 115337	AM 2022 115337 A	11(590)2022
M 2022 36000 R	AM 115339	AM 2022 115339 A	11(590)2022
M 2022 36001 R	AM 115341	AM 2022 115341 A	10(589)2022
M 2022 36002 R	AM 115342	AM 2022 115342 A	10(589)2022
M 2022 36003 R	AM 115343	AM 2022 115343 A	10(589)2022
M 2022 36004 R	AM 115344	AM 2022 115344 A	10(589)2022
M 2022 36005 R	AM 115345	AM 2022 115345 A	11(590)2022
M 2022 36006 R	AM 115347	AM 2022 115347 A	11(590)2022
M 2022 36007 R	AM 115399	AM 2022 115399 A	11(590)2022
M 2022 36008 R	AM 115402	AM 2022 115402 A	10(589)2022

1	2	3	4
M 2022 36009 R	AM 115404	AM 2022 115404 A	11(590)2022
M 2022 36010 R	AM 115417	AM 2022 115417 A	11(590)2022
M 2022 36011 R	AM 115431	AM 2022 115431 A	11(590)2022
M 2022 36012 R	AM 115522	AM 2022 115522 A	11(590)2022
M 2022 36013 R	AM 115528	AM 2022 115528 A	11(590)2022
M 2022 36014 R	AM 115532	AM 2022 115532 A	11(590)2022
M 2022 36015 R	AM 115537	AM 2022 115537 A	11(590)2022
M 2022 36016 R	AM 115597	AM 2022 115597 A	11(590)2022
M 2022 36017 R	AM 119608	–	19(598)2022
M 2022 36018 R	AM 119349	–	19(598)2022
M 2022 36019 R	AM 119477	–	19(598)2022
M 2022 36020 R	AM 119503	–	19(598)2022

**CONCORDANCE TABLE OF PUBLICATION NUMBERS
AND APPLICATION NUMBERS**

NUMBER OF PUBLISHED APPLICATION (260)	NUMBER OF APPLICATION (210)	1	2
		1	2
		AM 2022 116980 A	AM 116980
		AM 2022 116982 A	AM 116982
		AM 2022 116991 A	AM 116991
		AM 2022 116992 A	AM 116992
		AM 2022 117064 A	AM 117064
		AM 2022 117068 A	AM 117068
		AM 2022 117075 A	AM 117075
		AM 2022 117076 A	AM 117076
		AM 2022 117078 A	AM 117078
		AM 2022 117081 A	AM 117081
		AM 2022 117082 A	AM 117082
		AM 2022 117090 A	AM 117090
		AM 2022 117091 A	AM 117091
		AM 2022 117092 A	AM 117092
		AM 2022 117093 A	AM 117093
		AM 2022 117096 A	AM 117096
		AM 2022 117097 A	AM 117097
		AM 2022 117098 A	AM 117098
		AM 2022 117099 A	AM 117099
		AM 2022 117100 A	AM 117100
		AM 2022 117173 A	AM 117173
		AM 2022 117176 A	AM 117176
		AM 2022 117179 A	AM 117179
		AM 2022 117186 A	AM 117186
		AM 2022 117187 A	AM 117187
		AM 2022 117191 A	AM 117191
		AM 2022 117192 A	AM 117192
		AM 2022 117194 A	AM 117194
		AM 2022 117258 A	AM 117258
		AM 2022 117278 A	AM 117278
		AM 2022 117286 A	AM 117286
		AM 2022 117293 A	AM 117293

CONCORDANCE TABLE OF INDEX OF GOODS AND/OR SERVICES
AND APPLICATION NUMBERS

INDEX OF GOODS AND/OR SERVICES (511)	NUMBER OF PUBLISHED APPLICATIONS (260)	1	2
1	2	28	AM 2022 116979 A
5	AM 2022 116750 A	28	AM 2022 116980 A
5	AM 2022 116751 A	28	AM 2022 116982 A
5	AM 2022 116752 A	28	AM 2022 117097 A
5	AM 2022 116767 A	28	AM 2022 117098 A
5	AM 2022 117179 A	29	AM 2022 115119 A
7	AM 2022 116828 A	29	AM 2022 115120 A
9	AM 2022 116766 A	29	AM 2022 117082 A
9	AM 2022 116828 A	29	AM 2022 117100 A
9	AM 2022 116958 A	29	AM 2022 117187 A
9	AM 2022 116975 A	30	AM 2022 115119 A
9	AM 2022 116976 A	30	AM 2022 115120 A
9	AM 2022 116977 A	30	AM 2022 116647 A
9	AM 2022 116978 A	30	AM 2022 116973 A
9	AM 2022 116979 A	30	AM 2022 117082 A
9	AM 2022 116980 A	30	AM 2022 117100 A
9	AM 2022 116982 A	30	AM 2022 117278 A
9	AM 2022 117097 A	30	AM 2022 117293 A
9	AM 2022 117098 A	30	AM 2022 115119 A
10	AM 2022 116766 A	31	AM 2022 115120 A
10	AM 2022 116767 A	31	AM 2022 115120 A
14	AM 2022 116958 A	32	AM 2022 116627 A
16	AM 2022 116958 A	32	AM 2022 116628 A
16	AM 2022 116982 A	32	AM 2022 116630 A
16	AM 2022 117090 A	32	AM 2022 116958 A
16	AM 2022 117091 A	32	AM 2022 116973 A
16	AM 2022 117092 A	32	AM 2022 117082 A
16	AM 2022 117093 A	32	AM 2022 117099 A
16	AM 2022 117093 A	32	AM 2022 117076 A
18	AM 2022 116958 A	32	AM 2022 117099 A
18	AM 2022 116982 A	32	AM 2022 117176 A
20	AM 2022 117173 A	32	AM 2022 117192 A
20	AM 2022 117194 A	32	AM 2022 117286 A
21	AM 2022 117173 A	33	AM 2022 114754 A
21	AM 2022 117194 A	33	AM 2022 116958 A
24	AM 2022 116958 A	33	AM 2022 116972 A
24	AM 2022 117194 A	33	AM 2022 116973 A
24	AM 2022 117194 A	33	AM 2022 117068 A
25	AM 2022 116958 A	33	AM 2022 117076 A
25	AM 2022 116982 A	33	AM 2022 117099 A
25	AM 2022 116992 A	33	AM 2022 117176 A
25	AM 2022 117081 A	33	AM 2022 117192 A
25	AM 2022 117173 A	33	AM 2022 117286 A
26	AM 2022 116992 A	34	AM 2022 114804 A*
27	AM 2022 116958 A	34	AM 2022 114977 A*
27	AM 2022 117173 A	34	AM 2022 117186 A
28	AM 2022 116958 A	35	AM 2022 115119 A
28	AM 2022 116975 A	35	AM 2022 115120 A
28	AM 2022 116976 A	35	AM 2022 116627 A
28	AM 2022 116977 A	35	AM 2022 116628 A
28	AM 2022 116978 A	35	AM 2022 116630 A
28	AM 2022 116978 A	35	AM 2022 116841 A
28	AM 2022 116978 A	35	AM 2022 116957 A
28	AM 2022 116978 A	35	AM 2022 116958 A
28	AM 2022 116978 A	35	AM 2022 116975 A
28	AM 2022 116978 A	35	AM 2022 116976 A
28	AM 2022 116978 A	35	AM 2022 116977 A
28	AM 2022 116978 A	35	AM 2022 116978 A
28	AM 2022 116978 A	35	AM 2022 116979 A

1	2	1	2
35	AM 2022 116980 A	41	AM 2022 117097 A
35	AM 2022 117064 A	41	AM 2022 117098 A
35	AM 2022 117078 A	41	AM 2022 117187 A
35	AM 2022 117097 A	42	AM 2022 116958 A
35	AM 2022 117098 A	42	AM 2022 116991 A
35	AM 2022 117194 A	42	AM 2022 117090 A
35	AM 2022 117258 A	42	AM 2022 117091 A
36	AM 2022 116958 A	42	AM 2022 117092 A
36	AM 2022 116967 A	42	AM 2022 117093 A
36	AM 2022 117090 A	42	AM 2022 117097 A
36	AM 2022 117091 A	42	AM 2022 117098 A
36	AM 2022 117092 A	43	AM 2022 116762 A
36	AM 2022 117093 A	43	AM 2022 116841 A
36	AM 2022 117097 A	43	AM 2022 116958 A
36	AM 2022 117098 A	43	AM 2022 116973 A
37	AM 2022 116828 A	43	AM 2022 117076 A
38	AM 2022 116958 A	43	AM 2022 117096 A
39	AM 2022 116828 A	43	AM 2022 117099 A
39	AM 2022 117258 A	43	AM 2022 117100 A
40	AM 2022 116828 A	43	AM 2022 117192 A
41	AM 2022 116958 A	43	AM 2022 117258 A
41	AM 2022 116975 A	44	AM 2022 117075 A
41	AM 2022 116976 A	44	AM 2022 117090 A
41	AM 2022 116977 A	44	AM 2022 117091 A
41	AM 2022 116978 A	44	AM 2022 117092 A
41	AM 2022 116979 A	44	AM 2022 117093 A
41	AM 2022 116980 A	44	AM 2022 117191 A
41	AM 2022 116982 A	45	AM 2022 116958 A

**CONCORDANCE TABLE OF INDEX OF GOODS AND/OR SERVICES
AND NUMBERS OF TRADEMARKS REGISTERED ACCORDING
TO THE ACCELERATED PROCEDURE**

INDEX OF GOODS AND/OR SERVICES (511)	NUMBERS OF REGISTERED ACCORDING TO THE ACCELERATED PROCEDURE (111)
5	M 2022 35964 R
12	M 2022 35968 R
25	M 2022 36018 R
29	M 2022 36019 R
30	M 2022 35966 R
31	M 2022 35967 R
33	M 2022 35967 R
35	M 2022 36018 R
42	M 2022 36017 R
43	M 2022 35965 R
43	M 2022 36020 R

OFFICIAL BULLETIN OF THE INDUSTRIAL PROPERTY

INVENTIONS
UTILITY MODELS
DESIGNS
TRADEMARKS
GEOGRAPHICAL INDICATIONS

19(598)

EDITOR-IN-CHIEF: N. Bebrishvili

EDITOR-TRANSLATOR: E. Gabunia

PROOFREADER: A. Shixashvili

COMPUTER LAYOUT: M. Ordenidze
K. Svanidze

ISSN 2720-8486

info@sakpatenti.gov.ge
www.sakpatenti.gov.ge