

Official Bulletin of the Industrial Property

Inventions

Utility Models

Designs

Trademarks



საქართველოს ინტელექტუალური
საკუთრების ეროვნული ცენტრი

საქპატენტი

SAKPATENTI

NATIONAL INTELLECTUAL PROPERTY
CENTER OF GEORGIA

www.sakpatenti.gov.ge

Date of Publication – 2023 10 10

19(622)

INID CODES FOR IDENTIFICATION OF BIBLIOGRAPHIC DATA

INVENTIONS, UTILITY MODELS

- (10) Number of publication of examined application/
Application publication number***
- (11) Patent number/ Patent number***
Registered utility model number***
- (21) Application number
- (22) Date of filing of the application
- (23) Date of exhibition priority
- (24) Date from which patent may have effect
- (31) Number of priority application
- (32) Date of filing of priority application
- (33) Code of the country or regional organization allotting application number
- (43) Date of publication of application, number of bulletin***
- (44) Date of publication of examined application, on which no grant has taken place and number of bulletin
- (45) Date of publication of patent/ Date of publication of patent***
Date of publication of registered utility model***
- (51) International Patent Classification Index
- (54) Title of the invention/title of the utility model
- (57) Abstract
- (60) Number of examined patent document granted by foreign patent office, date from which patent has effect and country code
- (62) Number and filing date of the earlier application in case of a divisional application
- (71) Name and address of applicant (country code)
- (72) Name of inventor (country code)
- (73) Name and address of patent owner/patent owner***/ registered utility model owner*** (country code)
- (74) Name of representative or patent attorney
- (85) Date of commencement of the national phase of international application (PCT)
- (86) Number and date of filing of international application (PCT)
- (87) Number and date of publication of international application (PCT)
- (94) Calculated date of expiry of the SPC or the duration of the SPC

DESIGNS

- (10) Number of publication for application
- (11) Number of patent and kind of document or number of registration
- (15) Date of registration/Date of patent renewal
- (18) Expected expiration date of patent or registration
- (21) Serial number of application
- (22) Date of filing of the application
- (23) Date of exhibition or the date of the earlier filing and the number of application, if any
- (24) Date from which patent may have effect
- (28) Number of designs included in the application
- (30) Data relating to priority (number of application, date of filing of application, two-letter code identifying the authority with whom the priority application was made)
- (31) Number of priority application
- (32) Date of filing of priority application
- (33) Code of the country or regional organization allotting priority application number
- (34) Two-letter code according to WIPO St.3 identifying the authority with which the priority application was made
- (44) Date of publication of design and number of bulletin (the first publication)
- (45) Date of publication of design registered by WIPO and number of bulletin
- (51) International Classification for designs (class and subclass of the Locarno Classification)
- (54) Title of the invention
- (55) Reproduction of the design
- (57) Description of characteristic features of the design including indication of colors
- (58) Date of recording of any kind of amendment in the Register
- (62) Number of the earlier application, registration and document number and if available the date of filing an application in case of divided application
- (71) Name, surname and address of applicant (country code)
- (72) Name, surname of creator (country code)
- (73) Name, surname and address of patent owner (country code)
- (74) Name, surname of representative or patent attorney
- (81) Contracting states concerned
II designated contracting states according to the 1960 Act
III designated contracting states according to the 1999 Act
- (85) Owner's permanent address
- (86) Owner's nationality
- (87) Owner's residence
- (88) State in which the owner has a real and effective industrial or commercial establishment

TRADEMARKS

- (111) – Number of registration
- (151) – Date of registration
- (156) – Date of the renewal
- (181) – Expected expiration date of registration
- (186) – Renewal expiration date of registration
- (141) – Date of cancel of duration of the mark
- (210) – Serial number of application
- (220) – Date of filing of the application
- (230) – Data concerning exhibition
- (260) – Number of application, for which favorable decision of examination about registration has been taken (publication number)
- (310) – Number of the first application
- (320) – Date of filing of the first application
- (330) – Code, identifying national or regional Office where the first application was made
- (511) – International Classification of Goods and Services for the purposes of registration of trade marks and/or list of goods and/or services classified according thereto
- (526) – Disclaimer
- (531) – Description of figurative elements of Trade Marks according to the International Classification of the Figurative Elements of Marks
- (540) – Reproduction of Trade Mark
- (550) – Nature and kind of Trade Mark
- (551) – Indication to the effect that the mark is a collective mark, a certification mark or a guarantee mark
- (554) – Three-dimensional mark
- (580) – Date of recording of any kind changes in respect of applications or registrations
- (591) – Information concerning colors claimed
- (731) – Name and address of the applicant
- (732) – Name and address of the holder of the registration
- (740) – Name and address of the representative
- (750) – Addreses for correspondence
- (770) – Name and address of the previous applicant or holder in case of change in ownership
- (771) – Previous name and address of the applicant or holder in case of change in ownership
- (791) – Name and address of the licensee
- (793) – Indication of conditions and/or restrictions under the license (Type of license, number of license agreement, data of license, data of validity of license)
- (800) – Certain data relating to the international registration of Trade Marks under the Protocol Relating to Madrid Agreement (International registration number
- (852) – Partial cancellation of the list of goods and services
- (891) – Date of subsequent designation

CODES FOR PUBLICATION IN BULLETIN

- (21) AP 0000 000000 – number of application for invention
- (10) AP 0000 0000 A – number of publication of application for invention
- (11) P 0000 0000 B – number of patent for invention/ patent number***
- (21) API 0000 000000 – number of application for imported patent
- (11) PI 0000 0000 A – number of imported patent
- (21) AU 0000 000000 – number of application for utility model
- (10) AU 0000 000 U – number of publication of application for utility model
- (11) U 0000 000 Y – number of patent for utility model/ registered utility model number***
- (21) AD 0000 000000 – serial number of application for design
- (10) AD 0000 000 S – number of published application for design (first publication)
- (11) D 0000 000 S – registered design

INTERNATIONAL PATENT CLASSIFICATION FOR INVENTIONS AND UTILITY MODELS

- SECTION A – HUMAN NECESSITIES
- SECTION B – PERFORMING OPERATIONS; TRANSPORTING
- SECTION C – CHEMISTRY; METALLURGY
- SECTION D – TEXTILES; PAPER
- SECTION E – FIXED CONSTRUCTIONS
- SECTION F – MECHANICAL ENGINEERING; LIGHTING; HEATING; WEAPONS; BLASTING
- SECTION G – PHYSICS
- SECTION H – ELECTRICITY

* Number of application published after the decision of Appellation Chamber of SAKPATENTI

** Number of application published after Court decision

*** Materials published according to the amendments of May 16, 2023 (No. 2883-XI0b-X03) to the Patent Law of Georgia

- M – Trade Mark
- (210) AM 0000 000000 – Serial number of application;
- (260) AAM 0000 00000 A – Publication number of application;
- (111) M 0000 00000 R – Number of registration;
- (111) MMM0000 00000 Rn – Number of renewals, in which n=1,2,3;
- (111) M 0000 00000 R(P) – Number of registration under partial assignment of rights

Official Bulletin of the Industrial Property

Inventions

Utility Models

Designs

Trademarks

CONTENT

PUBLISHED TITLES OF PROTECTION	3
INVENTIONS	
▪ APPLICATIONS APPROVED FOR GRANTING PATENT	4
▪ PATENTED INVENTIONS	7
▪ APPLICATIONS***	10
UTILITY MODELS	
▪ APPLICATIONS APPROVED FOR GRANTING PATENT	12
▪ PATENTED UTILITY MODELS	14
DESIGNS	
▪ APPLICATIONS APPROVED FOR REGISTRATION	15
▪ REGISTERED DESIGN	18
▪ DESIGNS REGISTERED ACCORDING TO THE ACCELERATED PROCEDURE	19
▪ DESIGNS, WICH HAVE BEEN REGISTERED WITH THE INTERNATIONAL BUREAU CLAIMING PRIORITY ON THE TERRITORY OF GEORGIA	20
TRADEMARKS	
▪ APPLICATIONS FILED UNDER THE NATIONAL PROCEDURE APPROVED FOR REGISTRATION	35
▪ REGISTERED TRADEMARKS	43
▪ TRADEMARKS REGISTERED ACCORDING TO THE ACCELERATED PROCEDURE	48
▪ INTERNATIONAL TRADEMARKS FOR WHICH A DECISION ON GRANTING PROTECTION IS TAKEN	50
▪ ADDED CLASS IN THE LIST OF GOODS OF REGISTERED MARK	133
▪ INTERNATIONAL TRADEMARKS PROTECTED IN GEORGIA	134
OFFICIAL NOTIFICATION	
INVENTIONS	
▪ RESTORATION OF PATENTS	142
▪ LAPSE OF PATENTS WITH THE RIGHT TO RESTORE	142
▪ EXPIRATION OF PATENTS RESTORATION TERM	144
UTILITY MODELS	
▪ RESTORATION OF PATENTS	145
▪ EXPIRATION OF PATENT RESTORATION TERM	145
DESIGNS	
▪ EXTENSION OF TERM OF DESIGN REGISTRATION	145
▪ CANCELLATION OF DESIGNS REGISTRATION	146
▪ CANCELLATION OF INTERNATIONAL DESIGNS REGISTRATION	146
TRADEMARKS	
▪ EXTENSION OF TERM OF TRADEMARKS REGISTRATION	150
▪ COMPLETE TRANSFER OF RIGHTS	151
▪ CHANGES OF NAME AND/OR ADDRESS OF TRADEMARKS OWNERS	154
▪ CANCELLATION OF TRADEMARKS REGISTRATION	160
CLASSIFICATION INDEXES	
INVENTIONS	166
UTILITY MODELS	168
DESIGNS	169
TRADEMARKS	171

PUBLISHED TITLES OF PROTECTION

INVENTIONS

- **APPLICATIONS APPROVED FOR GRANTING PATENT:**
16014; 15897; 16037; 16038; 15753
- **PATENTED INVENTIONS:**
7545-7553
- **APPLICATIONS:** ***
16269; 16283; 16335; 16290; 16317

UTILITY MODELS

- **APPLICATIONS APPROVED FOR GRANTING PATENT:**
16196; 16092
- **PATENTED UTILITY MODEL:**
2156

DESIGNS

- **APPLICATIONS APPROVED FOR REGISTRATION:**
1306; 1302
- **REGISTERED DESIGN:**
981
- **DESIGNS REGISTERED ACCORDING TO THE ACCELERATED PROCEDURE:**
980
- **DESIGNS, WHICH HAVE BEEN REGISTERED WITH THE INTERNATIONAL BUREAU CLAIMING PRIORITY ON THE TERRITORY OF GEORGIA:**
230240; 230241; 230288; 223006; 222299; 222308; 222597; 223070; 230332, 230333; 226684; 226686

TRADEMARKS

- **APPLICATIONS FILED UNDER THE NATIONAL PROCEDURE APPROVED FOR REGISTRATION:**
118760; 120441, 120442; 121519; 121530, 121531; 121536; 121648; 121658-121661; 121667; 121672; 121723; 121729; 121731, 121737, 121738; 121740; 121745-121747; 121762; 121764, 121771; 121773; 121848, 121849; 121906; 121908; 121916; 121918-121920; 121922; 121928, 121929; 121937; 122006, 122007; 122018, 122019; 122026; 122039; 122106-122109; 122116; 122128; 122204; 122206
- **REGISTERED TRADEMARKS:**
37331-37333; 37335-37360; 37362-37385
- **TRADEMARKS REGISTERED ACCORDING TO THE ACCELERATED PROCEDURE:**
37323-37330; 37334; 37361
- **INTERNATIONAL TRADEMARKS FOR WHICH A DECISION ON GRANTING PROTECTIONS IS TAKEN:**
119567; 120678; 120869; 120913; 120916; 120991-120999; 121001, 121002; 121008; 121024; 121027; 121033; 121074, 121075; 121086, 121087; 121089-121091; 121104, 121105; 121108, 121109; 121173-121178; 121181; 121186; 121190-121192; 121195-121198; 121200-121202; 121270-121275; 121282; 121284-121287; 121290; 121293; 121295, 121296; 121359, 121360; 121391, 121392; 121395-121401; 121443-121448; 121488-121490; 121547-121552; 121583, 121584; 121602-121604; 121698; 121799; 121804; 121806; 121842
- **INTERNATIONAL TRADEMARKS PROTECTED IN GEORGIA:**
118117; 118284; 118769; 119299; 119314; 119434-119439; 119520; 119535; 119554; 119559-119566; 119568-119572; 119626-119635; 119657-119659; 119662-119665; 119667; 119671; 119674; 119710; 119718, 119719; 119721-119730; 119741-119743; 119745; 119747; 119755-119759; 119827; 119845-119848; 119854-119863; 119874, 119875; 119938-119940; 119972; 120054, 120055; 120082-120085; 120178-120183; 120189, 120190; 120222-120224; 120290

INVENTIONS

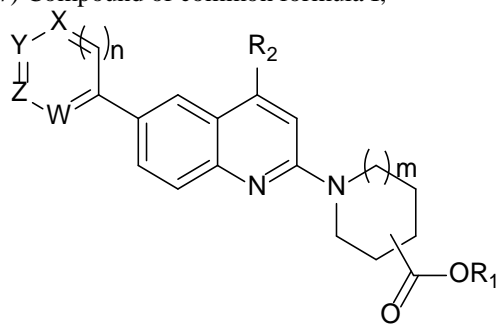
APPLICATIONS APPROVED FOR GRANTING PATENT

The decision can be appealed at the Chamber of Appeal of Sakpatenti within 3 months from the publication or at the Mtskheta District Court Administrative Cases Board (Address: №17, Samkhedro St., Mtskheta), within 1 month following the publication.

PART A

A 61

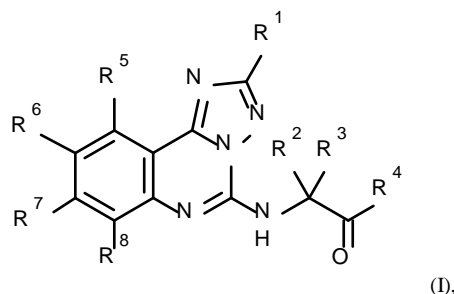
- (10) AP 2023 16014 A (51) Int. Cl. (2006)
A 61 K 31/506
A 61 K 31/4709
A 61 P 31/06
C 07 D 409/14
C 07 D 405/14
C 07 D 401/14
C 07 D 401/04
- (21) AP 2020 16014 (22) 2020 12 28
(31) 116028; 116168; 20163200.7
(32) 2019 12 27; 2020 03 13; 2020 03 13
(33) PT; PT; EP
- (71) Tecnimede-Sociedade Técnico-Medicinal SA (PT)
Rua Da Tapada Grande, №2 Abrunheira,
2710-089 Sintra, Portugal (PT)
- (72) PARDAL FILIPE, Augusto Eugénio (PT);
RAMOS DAMIL, João Carlos (PT);
CORDEIRO SIMÕES, Ana Vanessa (PT);
DA COSTA PEREIRA ROSA, Carla
Patrícia (PT);
ALMEIDA FERREIRA, Ana Lúcia (PT);
SILVA SERRA, João Pedro (PT);
MARQUES HOMEM E SOUSA DOS
SANTOS, Sara Alexandra (PT);
GOMES NEVES, Rita Isabel (PT)
- (74) Larisa Amirkhanyan
(85) 2022 07 26
(86) PCT/IB2020/062483, 2020 12 28
(54) ANTIBACTERIAL QUINOLINES
(57) Compound of common formula I,



pharmaceutical composition on their basis for the treatment of tuberculosis.

Claims: 4 independents
24 dependents

- (10) AP 2023 15897 A (51) Int. Cl. (2006)
A 61 P 35/00
C 07 D 519/00
C 07 D 487/04
- (21) AP 2020 15897 (22) 2020 08 10
(31) 19191299.7; 20167707.7
(32) 2019 08 12; 2020 04 02
(33) EP; EP
- (71) Bayer Pharma Aktiengesellschaft (DE)
Müllerstraße 178, Berlin, 13353, Germany (DE);
Bayer Aktiengesellschaft (DE)
Kaiser-Wilhelm-Allee 1, Leverkusen, 51373,
Germany (DE)
- (72) MEIER, Robin, Michael (DE);
ZORN, Ludwig (DE);
HERBERT, Simon Anthony (DE);
LEFRANC, Julien (DE);
SCHMEES, Norbert (DE);
GÜNTHER, Judith (DE);
GUTCHER, Ilona (DE);
RÖSE, Lars (DE);
BADER, Benjamin (DE);
STÖCKIGT, Detlef (DE);
GORJÁNÁ CZ, Mátyás (DE);
KOBBER, Christina (DE);
BUCHMANN, Bernd (DE);
BOTHE, Ulrich (DE);
PLATTEN, Michael (DE);
BÖHME, Stephan (DE);
BAUMANN, Daniel (DE)
- (74) Tamar Kotchlamazashvili
(85) 2022 03 08
(86) PCT/EP2020/072377, 2020 08 10
(54) [1,2,4]TRIAZOLO[1,5-C]QUINAZOLIN-
5-AMINES
(57) Compound of common formula (I):



wherein value of R¹, R², R³, R⁴, R⁵, R⁶, R⁷, R⁸ and R⁸ substitutes are provided in the claims, their polymorphs, enantiomers, diastereomers, racemates, tautomers, N-oxides, hydrates and solvates, physiologically

acceptable salts and solvates of salts, pharmaceutical compositions on the basis thereof, and their usage for the treatment of cancer or conditions with dysregulated immune responses.

Claims: 9 independents

7 dependents

Table: 51

PART B

B 01

(10) AP 2023 16037 A (51) Int. Cl. (2006)

B 01 J 23/00

F 01 N 3/00

(21) AP 2022 16037 (22) 2022 09 06

(71) LEPL "Rafiel Dvali Institute of Machine

Mechanics" (GE)

Mindeli St. 10, 0168, Tbilisi, Georgia (GE)

(72) Lana Shamanauri (GE);

Tamaz Natriashvili (GE);

Revaz Kavtaradze (GE);

Giorgi Tchilashvili (GE)

(54) METHOD FOR HYDROGEN ENGINE EXHAUST GASES NITROGEN OXIDES NEUTRALIZATION

(57) A method provides gaseous hydrogen (H₂) supplement into the hydrogen internal combustion engine by means of the exhaust pipe through the pipeline, and mixing therewith the exhaust gases; at that, during hydrogen (H₂) delivery from the pipeline, and before mixing therewith exhaust gases. By the engine hydrogen (H₂) is passed between the electrodes installed in the gas discharge pipe in the electric discharge arc, wherein the hydrogen molecules (H₂) are converted into hydrogen atoms (H) dissociation; and when hydrogen atoms (H) are mixed with processed gases, the process of nitrogen oxides (NO_x) reduction to environmentally safe molecular nitrogen is carried out. Furthermore, nitrogen oxides recovery in outlet pipe begins at ambient temperature before gas pipe heating.

Claims: 1 independent

Fig.: 1

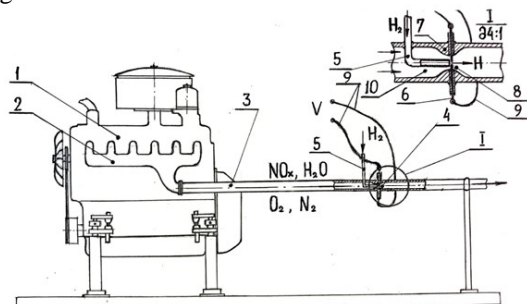


Fig. 1

PART E

E 04

(10) AP 2023 16038 A (51) Int. Cl. (2006)

E 04 H 6/06

(21) AP 2022 16038 (22) 2022 09 07

(71) Sergo Jorbenadze (GE)

Didi Dighomi, III m/r, bld.. 19, ap. 80, Tbilisi,

Georgia (GE)

(72) Sergo Jorbenadze (GE)

(54) PARKING LIFT SAFETY BRAKE (ALUM)

(57) A brake includes a case 1, fixing mechanism actuator 12 and fixing tongue 6 capable to move in a window 15 executed in elevator case 14, and additionally includes a crankshaft 2 having central axis ends 3 and eccentric knee, whereon fixing tongue 6 is placed by means of groove 7, executed capable to move in the windows 5 and 15 executed as in stationary case 1 front wall, as in elevator moving frame 14; at that, it is connected to tongue front wall with a spring 8; furthermore, fixing forging plate 9 with inclined groove 10, wherein the eccentric joint 4 is inserted moveable and rotate around the central axis, is inserted into the case on the guides 11 moveable up/down, by means of actuator 12.

Claims: 1 independent

Fig.: 6

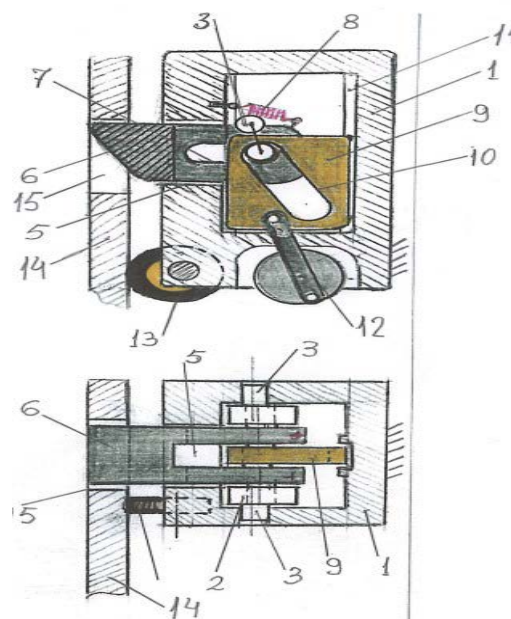


Fig. 4

PART F

F 25

- (10) AP 2023 15753 A (51) Int. Cl. (2006)
 F 25 D 3/10
 G 01 N 27/00
 G 01 N 29/00
 G 01 R 33/00
- (21) AP 2021 15753 (22) 2021 10 08

- (71) LEPL "Ilia Vekua Sukhumi Institute of Physics and Technology" (GE)
 Mindeli St. 7, 0186, Tbilisi, Georgia (GE);
 Guram Dgebuadze (GE)
 Tsinamdzhvrishvili St. 121, ap. 94, 0164, Tbilisi, Georgia (GE)
- (72) Guram Dgebuadze (GE);
 Guram Bokuchava (GE);
 Bezhan Bendeliani (GE);
 Giorgi Giorganashvili (GE);
 Ioseb Metskhvarishvili (GE);
 Ekaterine Sanaia (GE);
 Revaz Giorganashvili (GE)
- (54) MULTIFUNCTIONAL CRYOSTAT

(57) A cryostat contains made of mirror-polished stainless steel the collapsible structure case 1 with hermetically connected lid 2, wherein the liquid nitrogen vessel 4 is suspended on the lid by means of two tubes 3, hermetically built-in research glass-chamber 5, wherein the copper cylindrical cup with a solenoid 7 is inserted with hot contact; furthermore, the cryostat is equipped with replaceable modules 12, wherein each module contains a rod 15 having protective screen 14 coaxially inserted into cylindrical copper cup, and equipped with research superconducting sample holder 16, temperature gauge 22 and electrical inputs 21; at that, the rod is rotatable and movable vertically, up to 150 mm, furthermore, the cryostat is equipped with cryosorption pump 8 to achieve high vacuum on nitrogen vessel, and a cryorefrigerator 10 is switched to case lower flange by means of vibration-resistant adapter to research the temperature 4.2-300K in wide range.

Claims: 1 independent
 4 dependents

Fig.: 1

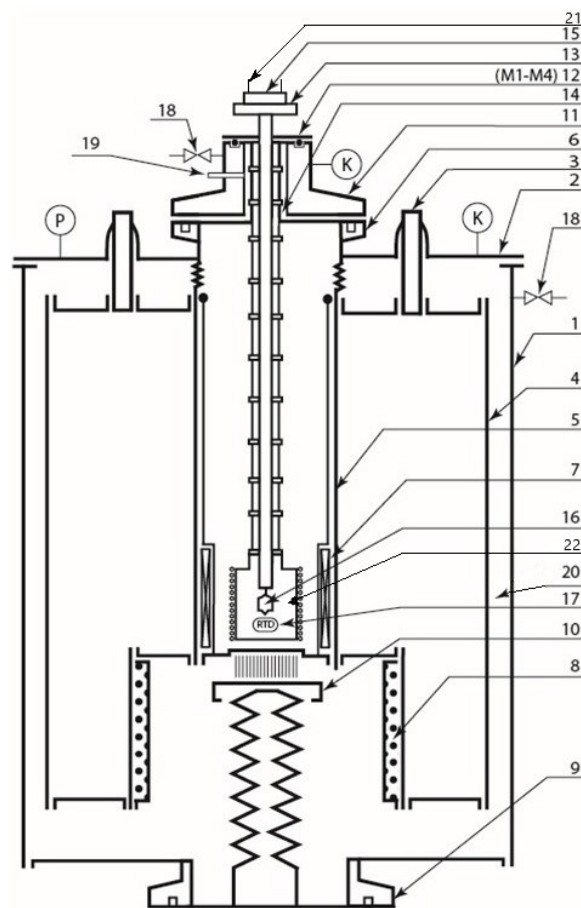


Fig. 1

PATENTED INVENTIONS

PART A

A 01

- (11) P 2023 7551 B (51) Int. Cl. (2006)
 A 01 N 25/04
 A 01 N 25/30
 A 01 N 43/54
 A 01 N 43/56
 A 01 N 43/78
 A 01 N 43/80
 A 01 P 3/00
- (10) AP 2023 15766 A (44) 9(612)/2023
 (21) AP 2020 15766
 (22) 2020 02 24
 (24) 2020 02 24
 (31) 62/824,804
 (32) 2019 03 27
 (33) US
 (86) PCT/EP2020/054741, 2020 02 24
 (73) Syngenta Crop Protection AG (CH)
 Rosentalstrasse 67, Basel, 4058,
 Switzerland (CH)
 (72) CAPUZZI, Giulia (US);
 KIM, Sejong (US);
 VARSHNEY, Manoj (US)
 (74) Tamar Kochlamazashvili
 (54) FUNGICIDE FORMULATIONS WITH
 REDUCED CRYSTAL GROWTH

A 23

- (11) P 2023 7545 B (51) Int. Cl. (2006)
 A 23 B 4/027
 A 23 L 17/30
- (10) AP 2023 15696 A (44) 11(614)/2023
 (21) AP 2019 15696
 (22) 2019 11 20
 (24) 2019 11 20
 (31) 102018132386.7; 62/780,356; 18212833.0;
 (32) 2018 12 17; 2018 12 17; 2018 12 17
 (33) DE; US; EP
 (86) PCT/DE2019/100993, 2019 11 20
 (73) Alfred-Wegener-Institut, Helmholtz-Zentrum Für
 Polar- Und Meeresforschung (DE)
 Am Handelshafen 12, Bremerhaven, 27570,
 Germany (DE)
 (72) KÖHLER-GÜNTHER, Angela (DE)
 (74) Tamar Kochlamazashvili
 (54) METHOD FOR PRODUCING CAVIAR OR
 CAVIAR-LIKE PRODUCT FROM LIVING,
 MATURE EGGS OF FISH OR CRUSTACE-
 ANS, AND PRODUCTS OF THIS KIND

A 61

- (11) P 2023 7550 B (51) Int. Cl. (2006)
 A 61 M 1/34
- (10) AP 2023 15715 A (44) 11(614)/2023
 (21) AP 2020 15715
 (22) 2020 01 13
 (24) 2020 01 13
 (31) 62/791,617
 (32) 2019 01 11
 (33) US
 (86) PCT/IB2020/050236, 2020 01 13
 (73) Marker Holdings AG (CH)
 Bahnhofstrasse 20, Zug 6300, Switzerland (CH)
 (72) WENTHOLD, Randy (US)
 (74) Tamar Kochlamazashvili
 (54) PLASMA DETOXIFICATION METHODS
 AND SYSTEMS

- (11) P 2023 7548 B (51) Int. Cl. (2006)
 A 61 P 25/28
 A 61 P 29/00
 A 61 P 35/00
 A 61 P 9/00
 C 07 D 487/04
 C 07 D 519/00
- (10) AP 2023 15551 A (44) 8(611)/2023
 (21) AP 2019 15551
 (22) 2019 07 03
 (24) 2019 07 03
 (31) 62/694,138; 62/755,845
 (32) 2018 07 05; 2018 11 05
 (33) US; US
 (86) PCT/US2019/040496, 2019 07 03
 (73) Incyte Corporation (US)
 1801 Augustine Cut-Off Wilmington, DE 19803,
 USA (US)
 (72) HOANG, Gia (US);
 WANG, Xiaozhao (US);
 CARLSEN, Peter Niels (US);
 GAN, Pei (US);
 LI, Yong (US);
 QI, Chao (US);
 WU, Liangxing (US);
 YAO, Wenqing (US);
 YU, Zhiyong (US);
 ZHU, Wenyu (US)
 (74) Tamaz Shilakadze
 (54) FUSED PYRAZINE DERIVATIVES AS A2A /
 A2B INHIBITORS

PART B**B 61**

- (11) P 2023 7552 B (51) Int. Cl. (2006)
B 61 H 1/00
F 16 D 69/00
F 16 D 65/06
- (10) AP 2023 15527 A (44) 11(614)/2023
(21) AP 2019 15527
(22) 2019 04 11
(24) 2019 04 11
(31) 2018120029
(32) 2018 05 30
(33) RU
(86) PCT/RU2019/000238, 2019 04 11
(73) OJSC "Ural Plant of Auto-Textille Products" (RU)
Plekhanov St. 64, Asbest, Sverdlovsk Rgn.
624269, Russian Federation (RU)
- (72) ROMANENKO, Vitaliy Valerievich (RU);
KUZMINICH, Andrey Germanovich (RU);
SUKHAREV, Evgeniy Albertovich (RU)
- (74) Larisa Amirkhanyan
(54) RAILWAY VEHICLE BRAKE SHOE

PART C**C 23**

- (11) P 2023 7547 B (51) Int. Cl. (2006)
C 23 C 14/28
H 01 L 21/203
- (10) AP 2023 15728 A (44) 11(614)/2023
(21) AP 2021 15728
(22) 2021 09 03
(24) 2021 09 03
(73) Waldemar Maier (DE)
Füssener Str. 80, Königsbrunn 86343,
Germany (DE);
Paata Kervalishvili (GE)
Zaza Panaskerteli St. 6 -30, 0194, Tbilisi,
Georgia (GE);
Habibollah Bakhtiari (GE)
Anna Politkovskaya St. 47, ap. 129, 0186, Tbilisi,
Georgia (GE)
- (72) Waldemar Maier (DE);
Paata Kervalishvili (GE);
Habibollah Bakhtiari (GE)
- (74) Paata Kervalishvili
(54) DEVICE FOR OBTAINING SOLID-STATE
FILMS BY LASER-PLASMA METHOD

C 25

- (11) P 2023 7549 B (51) Int. Cl. (2006)
C 25 D 3/04
G 01 N 27/28
- (10) AP 2023 15234 A (44) 11(614)/2023
(21) AP 2019 15234
(22) 2019 12 12
(24) 2019 12 12
(73) Georgian Technical University (GE)
Merab Kostava St. 77, 0171, Tbilisi,
Georgia (GE)
- (72) Elguja Butskhrikidze (GE);
Vladimer Padiurashvili (GE);
Tamaz Dzagania (GE);
Archil Prangishvili (GE)
- (74) Givi Sibashvili
(54) METHOD FOR MAKING SILVER
CHLORIDE ELECTRODE

PART E**E 02**

- (11) P 2023 7546 B (51) Int. Cl. (2006)
E 02 F 9/28
- (10) AP 2023 15783 A (44) 9(612)/2023
(21) AP 2020 15783
(22) 2020 04 14
(24) 2020 04 14
(31) 62/834,214; 16/843,623
(32) 2019 04 15; 2020 04 08
(33) US; US
(86) PCT/US2020/028111, 2020 04 14
(73) Hensley Industries Inc. (US)
2108 Joe Field Road, P.O. Box 29779, Dallas,
TX 75229, USA (US)
- (72) BILAL, Mohamad Youssef (US)
(74) Giorgi Kartvelishvili
(54) POSITION-BIASED LOCKING PIN ASSEMBLY FOR GROUND ENGAGING WEAR MEMBER

APPLICATIONS***

PART A

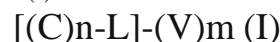
A 61

- (10) AP 2023 16269 A (51) A 61 K 9/20
A 61 K 9/00
A 61 K 31/40
A 61 P 1/04
- (43) 2023 10 10 №19
(21) AP 2021 16269
(22) 2021 12 17
(31) 10-2020-0178281
(32) 2020 12 18
(33) KR
(71) Daewoong Pharmaceutical CO., LTD. (KR)
35-14, Jeyakgongdan 4-gil, Hyangnam-eup,
Hwaseong-si, Gyenggi-do 18623, Republic
of Korea (KR)
(72) JANG, Hye Jung (KR);
KUK, Do Hoon (KR);
KIM, Gyoung Won (KR);
KIM, Gwan Young (KR);
HA, Songyi (KR)
(74) Shalva Gvaramadze
(85) 2023 06 15
(86) PCT/KR2021/019265, 2021 12 17
(54) NOVEL FORMULATION FOR ORAL ADMINISTRATION, COMPRISING 1-(5-(2,4-DIFLUOROPHENYL)-1-((3-FLUOROPHENYL)SULFONYL)-4-METHOXY-1H-PYRROL-3-YL)-N-METHYLMETHANAMINE
(57) Present invention relates to a formulation for oral administration, comprising 1-(5-(2,4-difluorophenyl)-1-((3-fluorophenyl) sulfonyl)-4-methoxy-1H-pyrrol-3-yl)-N-methylmethanamine exhibiting an improved elution characteristic.

- (10) AP 2023 16283 A (51) A 61 K 31/506
A 61 P 11/00
A 61 P 11/06
C 07 D 491/048
- (43) 2023 10 10 №19
(21) AP 2021 16283
(22) 2021 12 13
(31) 20214144.6
(32) 2020 12 15
(33) EP
(71) Chiesi Farmaceutici S.P.A. (IT)
Via Palermo, 26/A, 43122 Parma, Italy (IT)
(72) RANCATI, Fabio (IT);
ACCETTA, Alessandro (IT);
CAPELLI, Anna Maria (IT);
PALA, Daniele (IT);

- EDWARDS, Christine (IT);
PASQUA, Adele Elisa (IT);
KAPADNIS, Prashant Bhimrao (IT);
CHEGUILLAUME, Arnaud Jean François
Auguste (IT);
CLARK, David Edward (IT)
(74) Shalva Gvaramadze
(85) 2023 07 06
(86) PCT/EP2021/085367, 2021 12 13
(54) DIHYDROFUROPYRIDINE DERIVATIVES AS RHO- KINASE INHIBITORS
(57) The invention relates to compounds of formula (I) inhibiting Rho Kinase that are dihydrofuro-pyridine derivatives, methods of preparing such compounds, pharmaceutical compositions containing them and therapeutic use thereof. Particularly the compounds of the invention may be useful in the treatment of many disorders associated with ROCK enzymes mechanisms, such as pulmonary diseases including asthma, chronic obstructive pulmonary disease (COPD), idiopathic pulmonary fibrosis (IPF) and pulmonary arterial hypertension (PAH).

- (10) AP 2023 16335 A (51) A 61 K 51/10
C 07 D 413/14
- (43) 2023 10 10 №19
(21) AP 2021 16335
(22) 2021 01 31
(31) 21154574.4
(32) 2021 02 01
(33) EP
(71) Bayer Aktiengesellschaft (DE)
Kaiser-Wilhelm-Allee 1, Leverkusen, 51373,
Germa (DE);
Bayer AS (NO)
Drammensveien 288, 0283, Oslo, Norway (NO)
(72) KROGSTIE, Vilde Roko (NO);
CRUCIANI, Véronique (NO);
KRISTIAN, Alexander (NO);
BRUMBY, Thomas (DE);
CUTHBERTSON, Alan (NO);
INDREVOLL, Bård (NO);
RAFIQUE, Waqas (NO)
(74) Giorgi Kartvelishvili
(85) 2023 08 28
(86) PCT/EP2022/052170, 2021 01 31
(54) MULTIMERIC CHELATOR COMPOUNDS FOR USE IN TARGETED RADIOTHERAPY
(57) The present invention covers compounds of general formula (I):



where C is a chelator and $n > 1$, L is a multi-functional linker moiety comprising multiple functional groups for the covalent attachment of chelator such as a

polyamine or polyacid-containing backbone or amino acid containing polymer comprising side-chains with amino, thiol or carboxylic acid moieties such as lysine, cysteine or glutamic acid and V is a tissue targeting moiety where m= 1-5 which preferentially coupled through a coupling moiety to either the multifunctional linker moiety L or directly to the chelator moiety C, and stereoisomers, tautomers, N-oxides, hydrates, solvates, and salts thereof, and mixtures of same.

PART C

C 04

- (10) AP 2023 16290 A (51) C 04 B 111/10
C 04 B 111/27
C 04 B 28/14
C 04 B 40/00
- (43) 2023 10 10 №19
(21) AP 2021 16290
(22) 2021 12 21
(31) 63/128,270; 17/245,862
(32) 2020 12 21; 2021 04 30
(33) US; US
(71) Knauf Gips KG (DE)
Am Bahnhof 10, 97346 Iphoven, Germany (DE)
(72) LI, Qinghua (US);
DUBEY, Ashish (US);
D'ANNA, Nicholas (US)
(74) Tamaz Shilakadze
(85) 2023 07 12
(86) PCT/IB2021/062113, 2021 12 21
(54) CALCIUM ALUMINATE CEMENT AND
CALCIUM SULFOALUMINATE CEMENT
CATALYSTS IN GYPSUM PANELS AND USE
THEREOF
(57) Water-resistant gypsum products may be produced using a novel catalyst that includes calcium aluminate cement and/or calcium sulfoaluminate cement. For example, a water-resistant gypsum panel may have a core comprising: interwoven matrices of calcium sulfate dihydrate crystals and a silicone resin, wherein the interwoven matrices have dispersed throughout them a siloxane polymerization catalyst comprising (a) 55 wt% to 100 wt% calcium aluminate cement and/or calcium aluminate cement and (b) 0 wt% to 45 wt% and magnesium oxide, wherein the weight ratio of the siloxane polymerization catalyst to the calcium sulfate dihydrate is 0.01-5:100. The water-resistant gypsum panel may have an absence of one or more of: Portland cement, limestone, aragonite, calcite, dolomite, and slaked lime.

PART F

F 41

- (10) AP 2023 16317 A (51) F 41 J 11/00
F 41 J 5/00
- (43) 2023 10 10 №19
(21) AP 2021 16317
(22) 2021 11 26
(31) 2021103961
(32) 2021 02 17
(33) RU
(71) LEONTEV, Sergei Nikolaevich (RU)
Pr. Budenovskiy, 120/1, qu. 16, Rostov-on-Don,
344011, Russian Federation (RU)
(72) LEONTEV, Sergei Nikolaevich (RU)
(74) Khatuna Imnadze
(85) 2023 08 01
(86) PCT/RU2021/050396, 2021 11 26
(54) SHOOTING RANGE
(57) The invention relates to high performance sport and can be used for carrying out training events and competitions. The technical result consists in the creation of a simple shooting range for developing and consolidating proper skills for combined running and shooting races using a laser pistol and laser targets. The present shooting range comprises a mobile modular disassemblable structure consisting of a firing line, a target line, and a system for video recording shots fired, wherein the firing line is configured from a set of individual modules joined to form a single linear structure and being a disassemblable modular structure consisting of a frame with a roof and protective side walls for each module, the side pieces of the frame being connected to one another by two cross-pieces arranged in two tiers.

UTILITY MODELS

APPLICATION APPROVED FOR GRANTING PATENT

The decision can be appealed at the Chamber of Appeal of Sakpatenti within 3 months from the publication or at the Mtskheta District Court Administrative Cases Board (Address: №17, Samkhedro St., Mtskheta), within 1 month following the publication.

PART A

A 23

(10) AU 2023 16196 U (51) Int. Cl. (2006)

A 23 F 3/00

(21) AU 2023 16196 (22) 2023 03 22

(71) Bakhva Dolidze (GE)

I. Shemokmedeli St. 32, 3500, Ozurgeti,

Georgia (GE);

Temur Revishvili (GE)

University St. 9/13, 3500, Ozurgeti, Georgia

(GE);

Zurab Andghuladze (GE)

II. Chavchavadze St. 10, ap. 2, 3500, Ozurgeti,

Georgia (GE);

Ekaterine Gobronidze (GE)

II. Chavchavadze St. 11, 3500, Ozurgeti,

Georgia (GE);

Luka Zhvania (GE)

Merab Aleksidze St., bld. 1, ap. 42, Tbilisi,

Georgia (GE)

(72) Bakhva Dolidze (GE);

Temur Revishvili (GE);

Zurab Andghuladze (GE);

Ekaterine Gobronidze (GE);

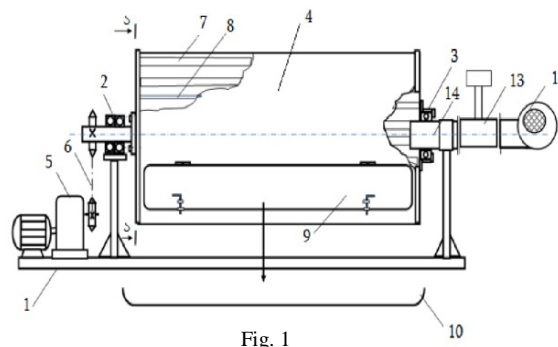
Luka Zhvania (GE)

(54) TWISTED TEA-LEAF SHAPING-DRYING
DEVICE

(57) A device includes rotatable drum 4 installed on a stand 1, on inner surface 7 whereof the blades 8 are fixed; hot air supply system executed as stationary pipe 14 connected to an electrocalorifier 13 and fan 12; the means for tea-foilage loading and unloading, that is a door 9 executed on drum surface. The drum is mounted on the stand by means of bearings 2 and 3, and inner surface thereof is dressed with wood material. The electrocalorifier for hot air supply system is inverter, and a pipe connected thereto is partially placed in the drum, and it is rotation axis of one from bearings 3 for the purpose to install the drum on the stand. Furthermore, the device has exhausted air outlet, executed as mesh windows 11 on the drum torcial wall, in front of said pipe.

Claims: 1 independent

Fig.: 2



PART B

B 24

(10) AU 2023 16092 U (51) Int. Cl. (2006)

B 24 D 3/10

(21) AU 2022 16092 (22) 2022 11 16

(71) Nikoloz Loladze (GE)

Merab Kostava St. 75, bld. 11, ap. 12, Tbilisi,

Georgia (GE);

Medea Tserodze (GE)

Tskneti Highway 20, ap. 64, Tbilisi,

Georgia (GE);

Zurab Avalishvili (GE)

Tskaltubo St. 24a, ap. 43, Tbilisi, Georgia (GE);

Iuri Dzidzishvili (GE)

Vazisubani, IV m/r, I qu., bld. 13, ap. 60,

Tbilisi, Georgia (GE);

Georgian Technical University (GE)

Merab Kostava St. 77, 0175, Tbilisi,

Georgia (GE);

LEPL "Shota Rustaveli National Science

Foundation of Georgia" (GE)

M. Aleksidze St. 1, Tbilisi, Georgia (GE)

(72) Nikoloz Loladze (GE);

Medea Tserodze (GE);

Zurab Avalishvili (GE);

Iuri Dzidzishvili (GE)

(54) Metal binder for diamond tools

(57) Metal binder for diamond tools material includes baking powder of copper, titanium, tin and nickel alloy; at that, binder powder is obtained by

further dispersing of pre-melted alloy in drum or planetary mills with the following ratio of componentry in mass%:

Cu – 73.0-77.0;

Ti – 7.0-13.0;

Sn – 7.0-18.0;

Ni – 2.0-3.0

Claims: 1 independent

Table: 1

DESIGNS

APPLICATIONS APPROVED FOR REGISTRATION

The decision can be appealed at the Chamber of Appeal of Sakpatenti within 3 months from the publication or at the Mtskheta District Court Administrative Cases Board (Address: №17, Samkhedro str., Mtskheta), within 1 month following the publication.

(10) AD 2023 1306 S (51) 06-02

(21) AD 2023 1306 (22) 2023 04 20

(28) 1

(71) Aleksandre Bolkvadze (GE)

Davit Aghmashenebeli Av. 129a, fl. 4, 0102, Tbilisi, Georgia (GE)

(72) Ana Telia (GE)

(54) TABLE FOR MASSAGE

(55)



1.1



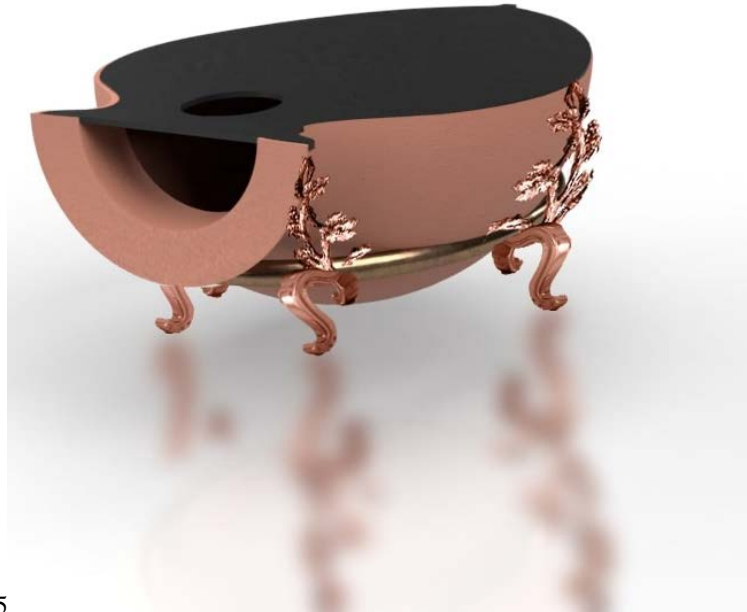
1.2



1.3



1.4



1.5

-
- (10) AD 2023 1302 S (51) 11-01
(21) AD 2023 1302 (22) 2023 03 28
(28) 11
(71) LTD "Eshvi" (GE)
Gergeti St. 3, 0105, Mtatsminda District, Tbilisi, Georgia (GE)
(72) Natia Chkhartishvili (GE)
(54) 10-11. RING; 1.-8 EARING; 9. NECKLACE
(55)





6.1

7.1



8.1



9.1



10.1

11.1

REGISTERED DESIGN

- (11) D 2023 981 S (51) 32-01
(10) AD 2023 1297 S (44) 2023 06 26 №12
(21) AD 2023 1297
(22) 2023 02 07
(24) 2023 02 07
(28) 1
(18) 2028 02 07
(73) LTD "Askaneli Brothers" (GE)
 Kakheti Highway 110a, 0198, Isani-Samgori
 District, Tbilisi, Georgia (GE)
(72) Giorgi Kalmakhelidze (GE);
 Shalva Radiani (GE);
 Davit Mchedlishvili (GE)
(74) Davit Dzamukashvili (GE)
(54) GRAPHICAL COMPOSITION
-

DESIGN REGISTERED ACCORDING TO THE ACCELERATED PROCEDURE

The decision can be appealed at the Chamber of Appeal of Sakpatenti within 3 months from the publication.

(11) D 2023 980 S (51) 25-03
(21) AD 2023 1312 (22) 2023 05 30
(24) 2023 05 30
(28) 1
(18) 2028 05 30
(73) Arnold Stepanyan (GE)
S. Tsuladze St. 24, 0113, Tbilisi, Georgia (GE)
(72) Arnold Stepanyan (GE)
(54) HOTEL DESIGN
(55)



1.1

DESIGNS, WHICH HAVE BEEN REGISTERED WITH THE INTERNATIONAL BUREAU CLAIMING PRIORITY ON THE TERRITORY OF GEORGIA

The decision can be appealed at the Chamber of Appeal of Sakpatenti within 3 months from the publication or at the Mtskheta District Court Administrative Cases Board (Address: №17, Samkhedro St., Mtskheta), within 1 month following the publication.

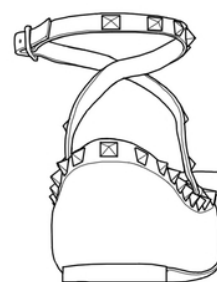
- (11) DM/230 240
- (15) 2023 07 05
- (22) 2023 07 05
- (28) 2
- (73) Valentino S.p.A.
Via Turati 16/18, I-20121 Milano (EM)
- (85) –
- (86) EM, IT
- (87) EM, IT
- (88) EM, IT
- (89) EM, IT
- (81) III. UA, KG, GE, TR, RU, JP, TJ, KR, EM, AZ, GB
- (72) Pierpaolo PICCIOLI
C/o VALENTINO S.p.A. Via Turati, 16/18, I-20121, Milano (IT)
- (74) Jacobacci & Partners S.p.A./ Matteo Mozzi
Via Senato, 8, I-20121 Milano (IT)
- (46) 2023 07 21
- (54) 1.-2. SHOE
- (55)



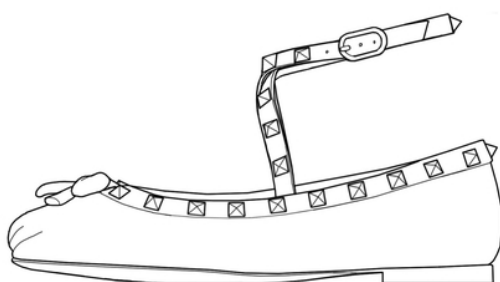
1.1



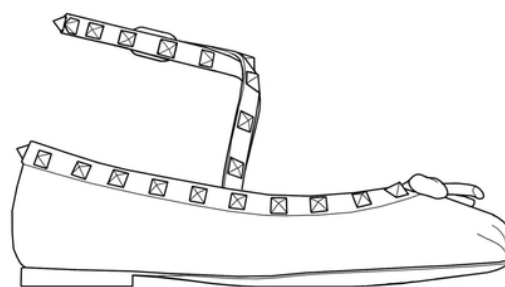
1.2



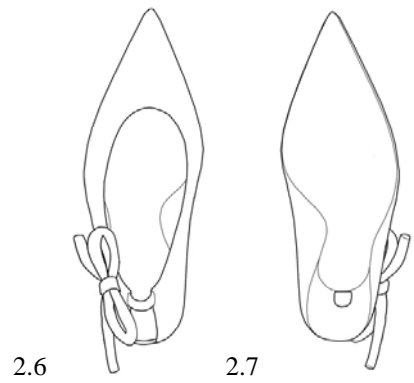
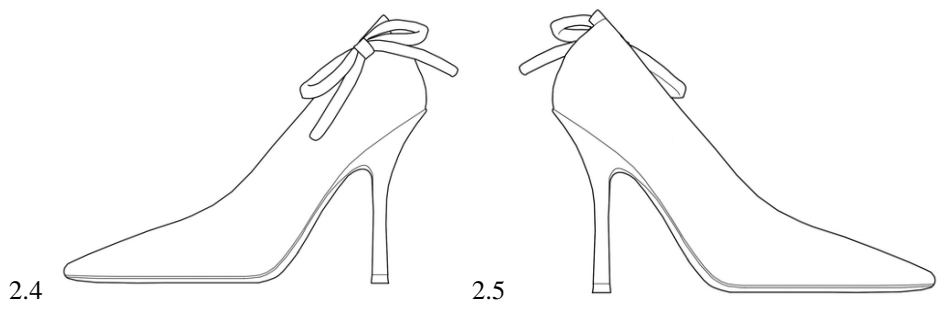
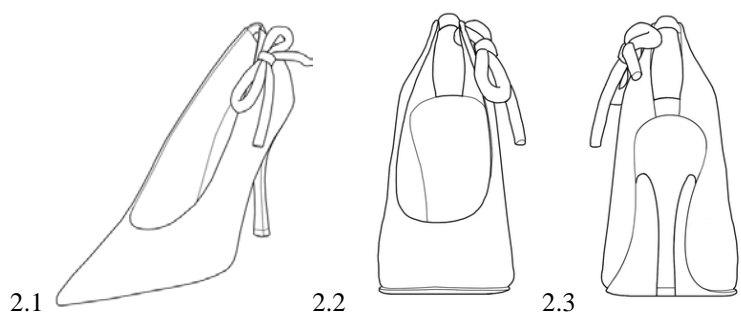
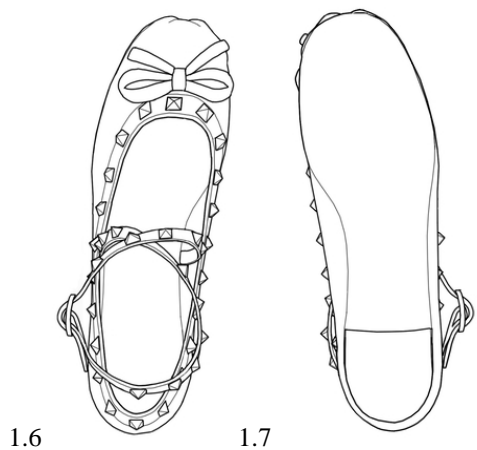
1.3



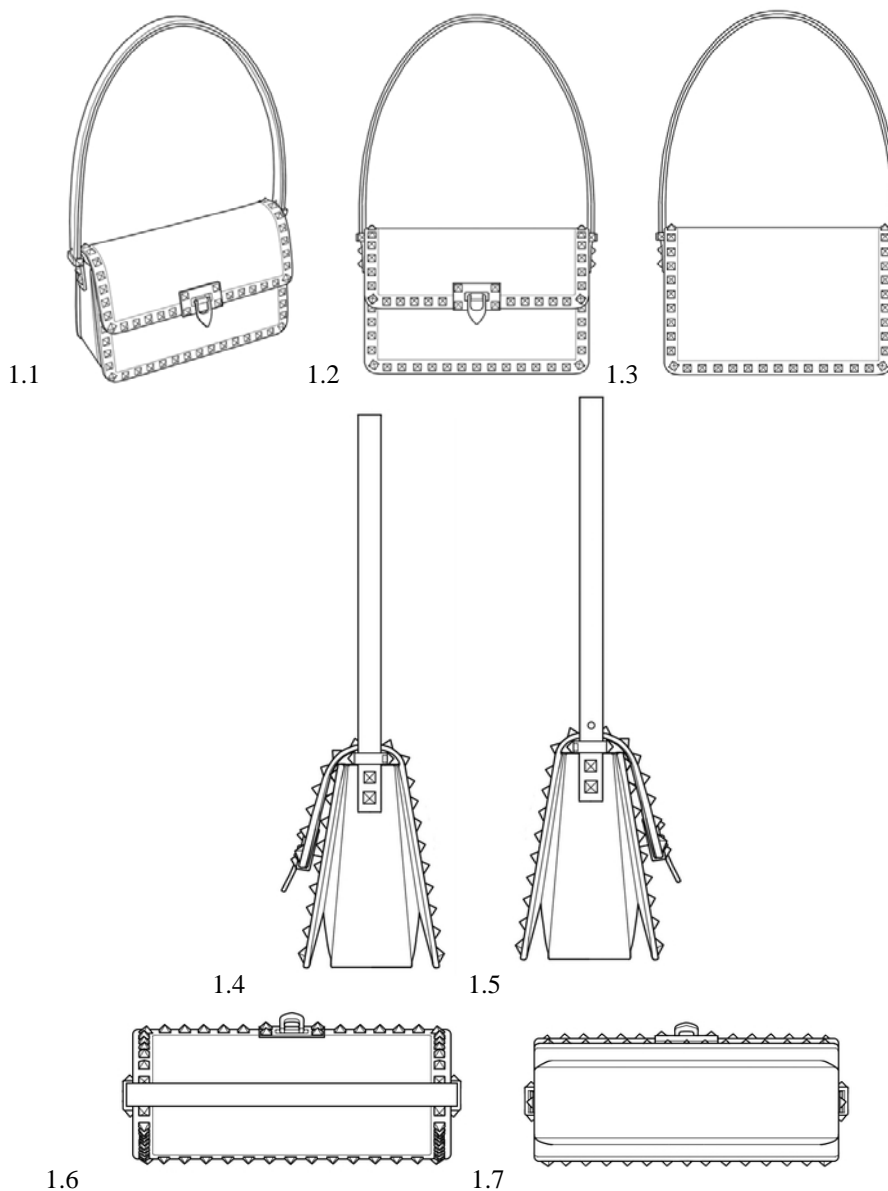
1.4



1.5



- (11) DM/230 241 (51) 03-01
 (15) 2023 07 05 (44) 29/2023 (2023 07 21)
 (22) 2023 07 05
 (28) 1
 (73) Valentino S.p.A.
 Via Turati 16/18, I-20121 Milano (EM)
 (85) –
 (86) EM, IT
 (87) EM, IT
 (88) EM, IT
 (89) EM, IT
 (81) III. UA, KG, US, TR, GE, RU, JP, TJ, KR, EM, AZ, GB
 (72) Pierpaolo PICCIOLI
 C/o VALENTINO S.p.A. Via Turati, 16/18, I-20121, Milano (IT)
 (74) Jacobacci & Partners S.p.A./ Matteo Mozzi
 Via Senato, 8, I-20121 Milano (IT)
 (46) 2023 07 21
 (54) 1. BAG
 (55)



- (11) DM/230 288 (51) 08-05
(15) 2023 04 21 (44) 29/2023 (2023 07 21)
(22) 2023 04 21
(28) 1
(30) No1: 02.01.2023; 015007743-0001; EP
(73) AARKADA Spółka Z Ograniczoną Odpowiedzialnością
Dekoracyjna 12a, 65-155 Zielona Góra (PL)
(85) –
(86) PL
(87) PL
(88) –
(89) PL
(81) III. UA, KG, AM, GE, MN, RU, TJ, MD, BY, AZ, TM
(72) Adrian Arkada
Dekoracyjna 12a, 65-155, Zielona Góra (PL)
(74) Andrzej Boboli
Olesiński I Wspólnicy Sp.K. Marszałkowska 126/134, 00-008 Warszawa (PL)
(46) 2023 07 21
(54) 1. MANUAL TOOL FOR SHAPING PODOLOGICAL CLIPS
(55)



1.1

(11) DM/223 006

(51) 09-09

(15) 2022 07 18

(44) 29/2023 (2023 07 21)

(22) 2022 07 18

(28) 1

(73) Bogdan Alin Ciorbagiu

Str. Alexandru Șerbănescu Nr. 21-23, Bl. M7, Sc. 1, Ap. 8, 014282 București, Sector 1 (Ro)

(85) –

(86) RO

(87) –

(88) RO

(89) RO

(81) II. ML, BJ, GA, CI, SN, MA, NE III. CA, OM, GE, RS, NO, RW, SY, AM, BW, TJ, MD, VN, TN, SR, MN, JP, KR, CN, UA, OA, ME, AZ, SM, KG, WS, LI, MK, US, BA, EG, RU, JM, IS, BY, GB, KH, TR, ST, GH, IL, KP, CH, AL, MX, BN, NA, SG, MC, BZ, TM

(72) Bogdan Alin Ciorbagiu

Str. Alexandru Șerbănescu Nr. 21-23, Bl. M7, Sc. 1, Ap. 8, 014282 București, Sector 1 (RO)

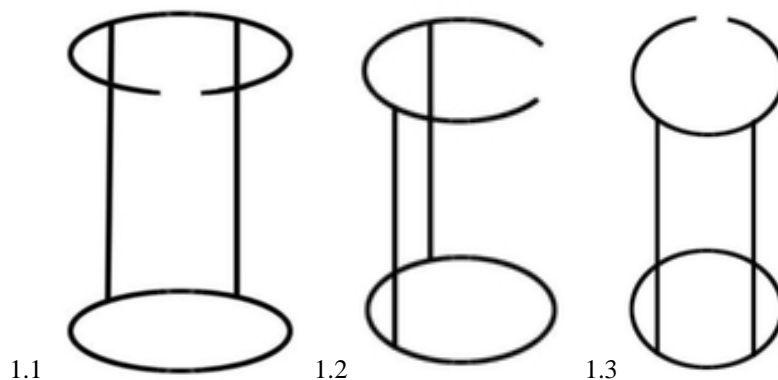
(74) Cabinet Enpora Intellectual Property SRL

Str. George Calinescu, nr. 52A, Ap. 1., 011694 Bucuresti, Sector 1 (RO)

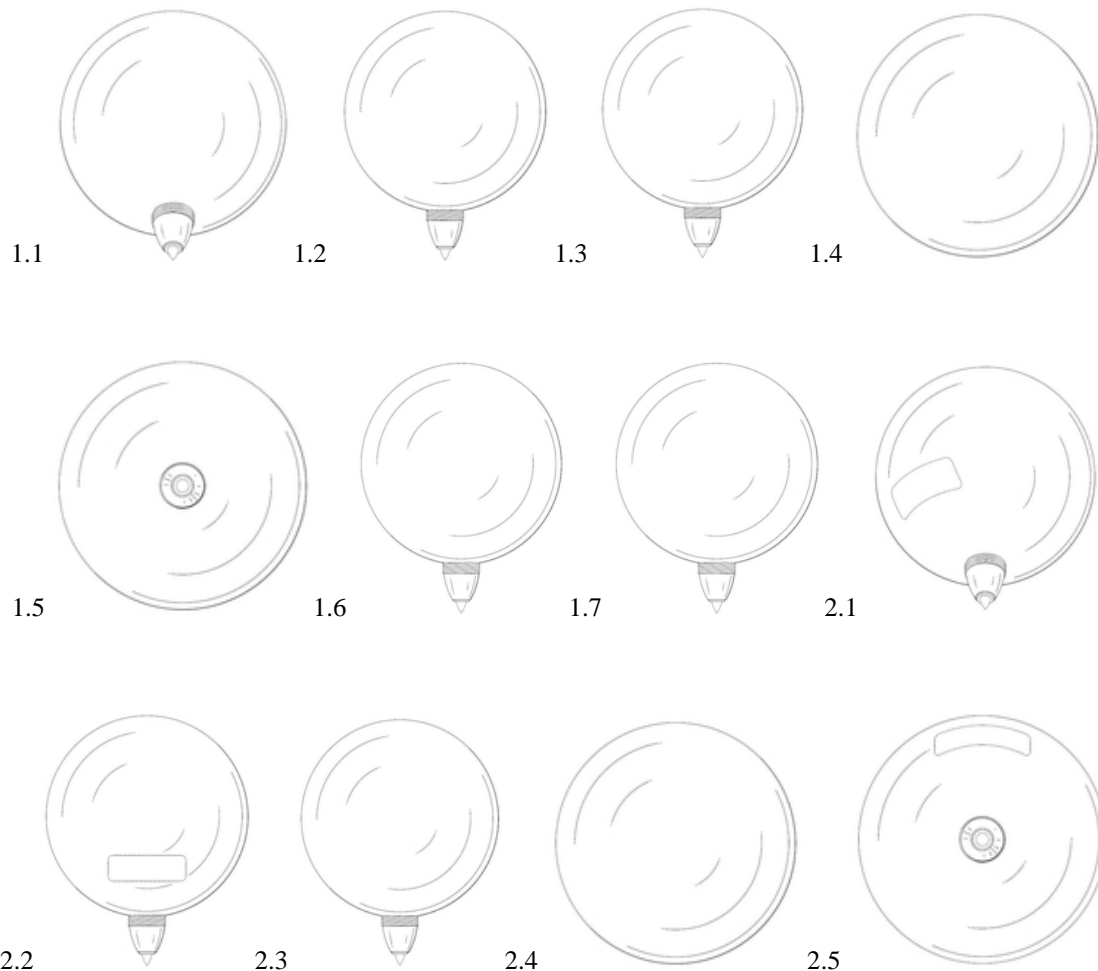
(46) 2023 07 21

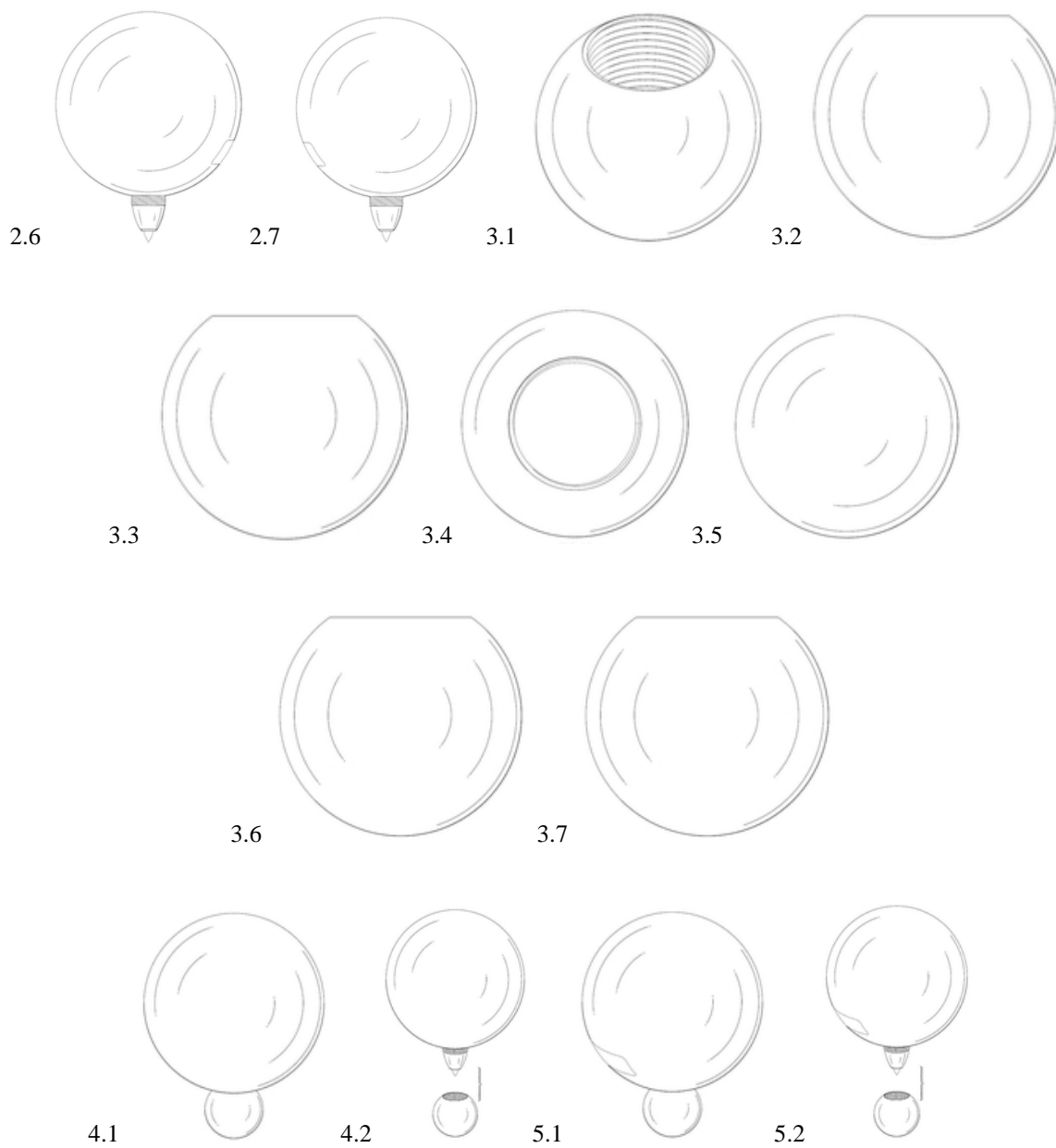
(54) 1. SUPPORT FOR RUBBISH BAGS

(55)

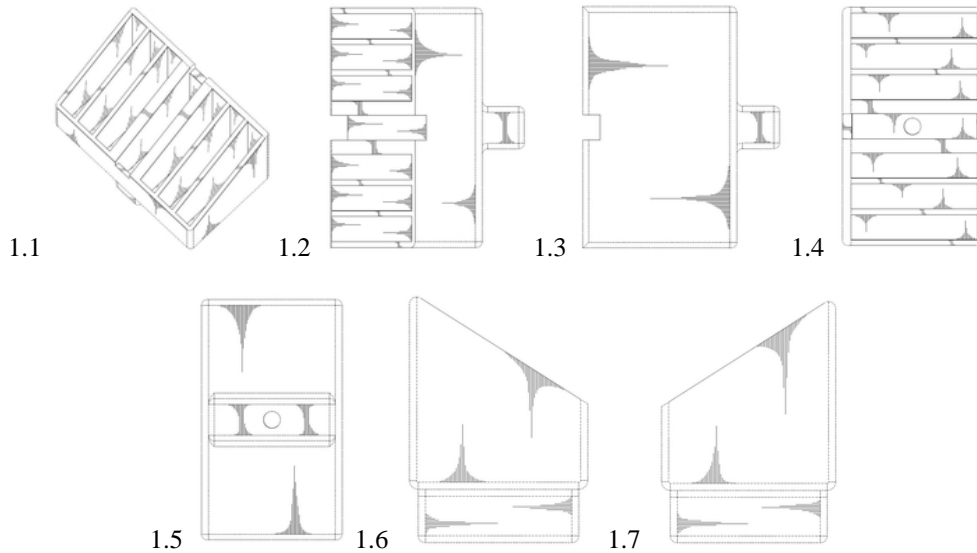


- (11) DM/222 299 (51) 19-06
 (15) 2022 07 18 (44) 29/2023 (2023 07 21)
 (22) 2022 07 18
 (28) 5
 (30) No1: 20.01.2022; 29791595; US; No2: 20.01.2022; 29791595; US; No3: 20.01.2022; 29791595; US;
 No4: 20.01.2022; 29791595; US; No5: 20.01.2022; 29791595; US
 (73) Mark Cuban
 2931 Elm Street, 75226 Dallas, TX (US)
 (85) US
 (86) US
 (87) US
 (88) US
 (89) US
 (81) III. OM, GE, CA, NO, RS, RW, SY, EM, AM, BW, TJ, MD, VN, TN, SR, MN, JP, KR, CN, UA, OA, ME,
 AZ, SM, KG, WS, LI, MK, BA, EG, RU, JM, IS, BY, GB, KH, TR, GH, ST, IL, CH, KP, MX, AL, BN, NA,
 SG, MC, BZ, TM
 (72) Mark Cuban
 2931 Elm Street, 75226 Dallas, TX (US)
 (74) Klemchuk LLP
 8150 North Central Expressway 10th Floor, 75206 Dallas, TX (US)
 (46) 2023 07 21
 (54) 1.-2. PEN, 3. PEN CAP, 4.-5. PEN AND CAP
 (55)

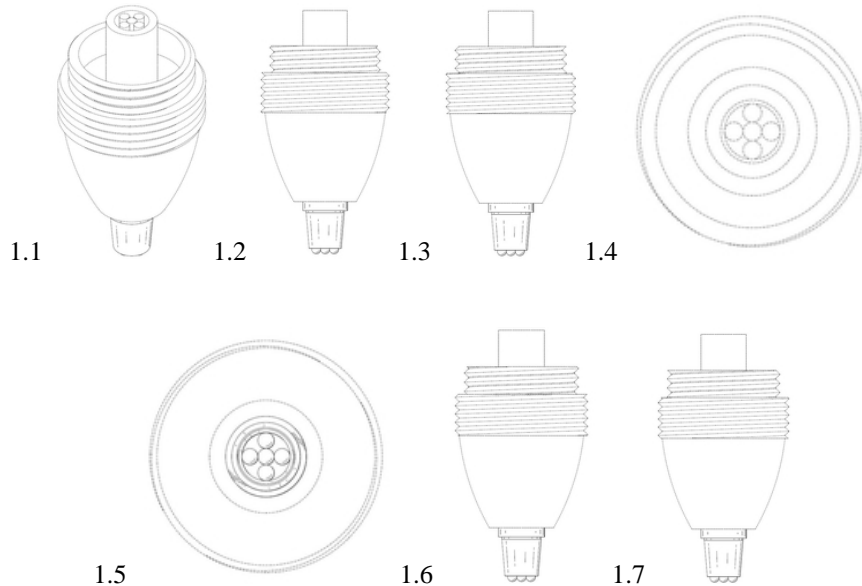




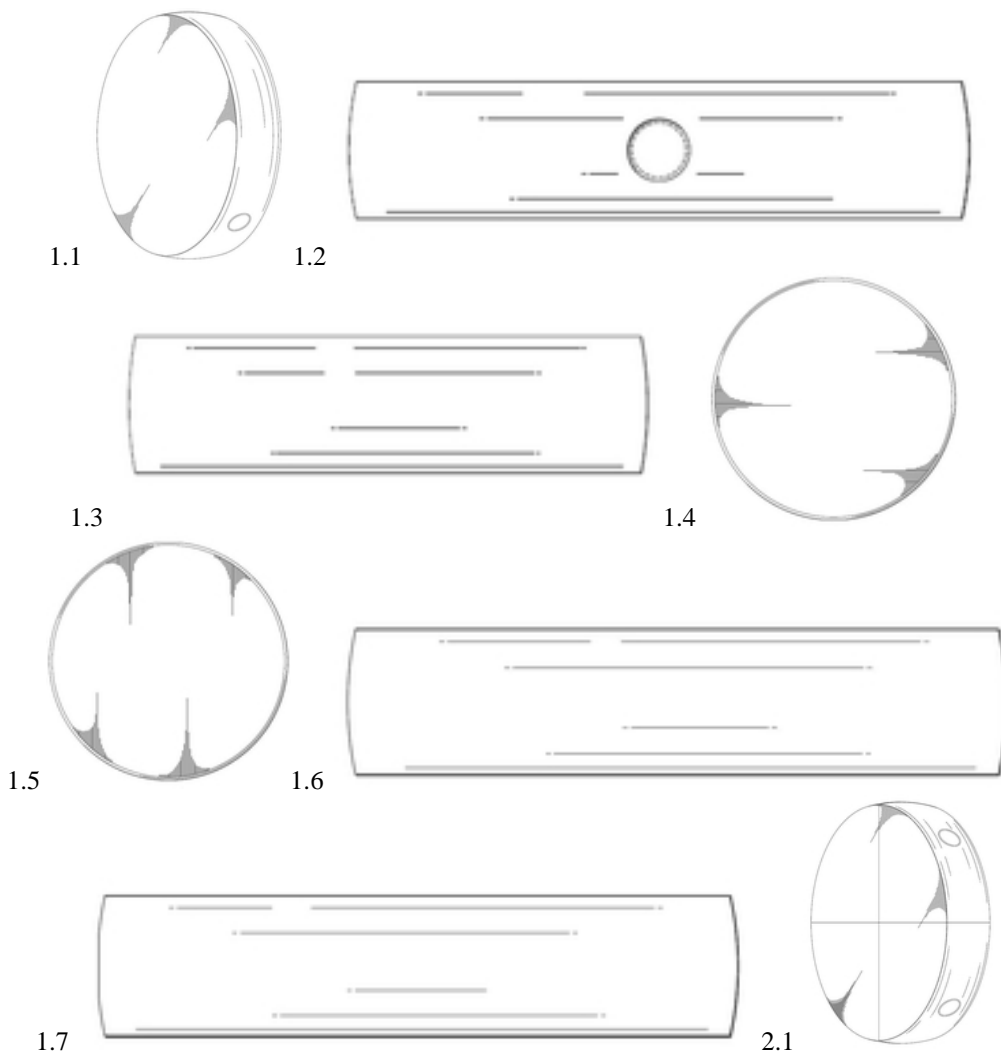
- (11) DM/222 308 (51) 19-06
 (15) 2022 07 19 (44) 29/2023 (2023 07 21)
 (22) 2022 07 19
 (28) 1
 (30) No1: 20.01.2022; 29791596; US
 (73) Mark Cuban
 2931 Elm Street, 75226 Dallas, TX (US)
 (85) US
 (86) US
 (87) US
 (88) US
 (89) US
 (81) III. GE, CA, OM, RS, NO, RW, SY, EM, AM, BW, TJ, MD, VN, TN, SR, MN, JP, KR, CN, UA, OA, ME, AZ, SM, WS, KG, LI, MK, BA, EG, JM, RU, IS, BY, GB, KH, TR, ST, GH, IL, CH, KP, AL, MX, BN, NA, SG, MC, BZ, TM
 (72) Mark Cuban
 2931 Elm Street, 75226 Dallas, TX (US)
 (74) Klemchuk LLP
 8150 North Central Expressway 10th Floor, 75206 Dallas, TX (US)
 (46) 2023 07 21
 (54) 1. PEN INK CARTRIDGE HOLDER
 (55)



- (11) DM/222 597
- (15) 2022 07 16
- (22) 2022 07 16
- (28) 1
- (30) No1: 20.01.2022; 29791598; US
- (73) Mark Cuban
2931 Elm Street, 75226 Dallas, TX (US)
- (85) US
- (86) US
- (87) US
- (88) US
- (89) US
- (81) III. OM, GE, CA, RS, NO, RW, SY, EM, AM, BW, TJ, MD, VN, TN, SR, MN, JP, KR, CN, UA, OA, ME, AZ, SM, KG, WS, LI, MK, BA, EG, JM, RU, IS, BY, GB, KH, TR, ST, GH, IL, KP, CH, MX, AL, BN, NA, SG, MC, BZ, TM
- (72) Mark Cuban
2931 Elm Street, 75226 Dallas, TX (US)
- (74) Klemchuk LLP
8150 North Central Expressway 10th Floor, 75206 Dallas (US)
- (46) 2023 07 21
- (54) 1. STYLUS FIVE-POINT NIB
- (55)

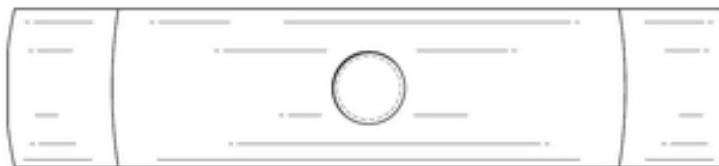


- (11) DM/223 070 (51) 19-06
- (15) 2022 07 19 (44) 29/2023 (2023 07 21)
- (22) 2022 07 19
- (28) 2
- (30) No1: 20.01.2022; 29791597; US; No2: 20.01.2022; 29791597; US
- (73) Mark Cuban
2931 Elm Street, 75226 Dallas, TX (US)
- (85) US
- (86) US
- (87) US
- (88) US
- (89) US
- (81) III. CA, OM, GE, NO, RS, RW, SY, EM, AM, BW, TJ, MD, VN, TN, SR, MN, JP, KR, CN, UA, OA, ME, AZ, SM, WS, KG, LI, MK, BA, EG, JM, RU, IS, BY, GB, KH, TR, ST, GH, IL, KP, CH, AL, MX, BN, NA, SG, MC, BZ, TM
- (72) Mark Cuban
2931 Elm Street, 75226 Dallas, TX (US)
- (74) Klemchuk LLP
8150 North Central Expressway 10th Floor, 75206 Dallas, TX (US)
- (46) 2023-07-21
- (54) 1.-2. Pen ink cartridge
- (55)

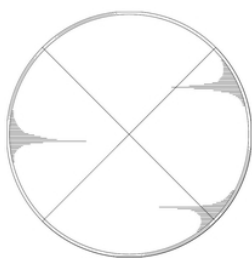




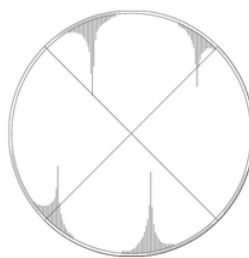
2.2



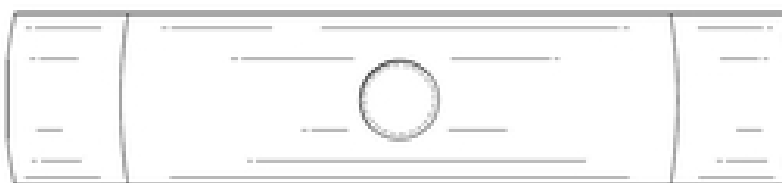
2.3



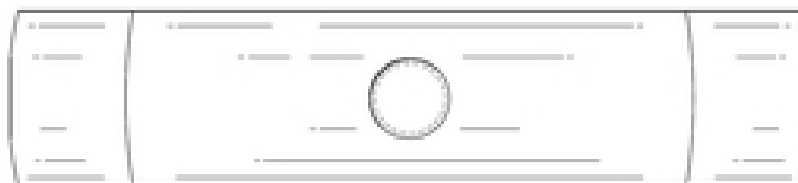
2.4



2.5

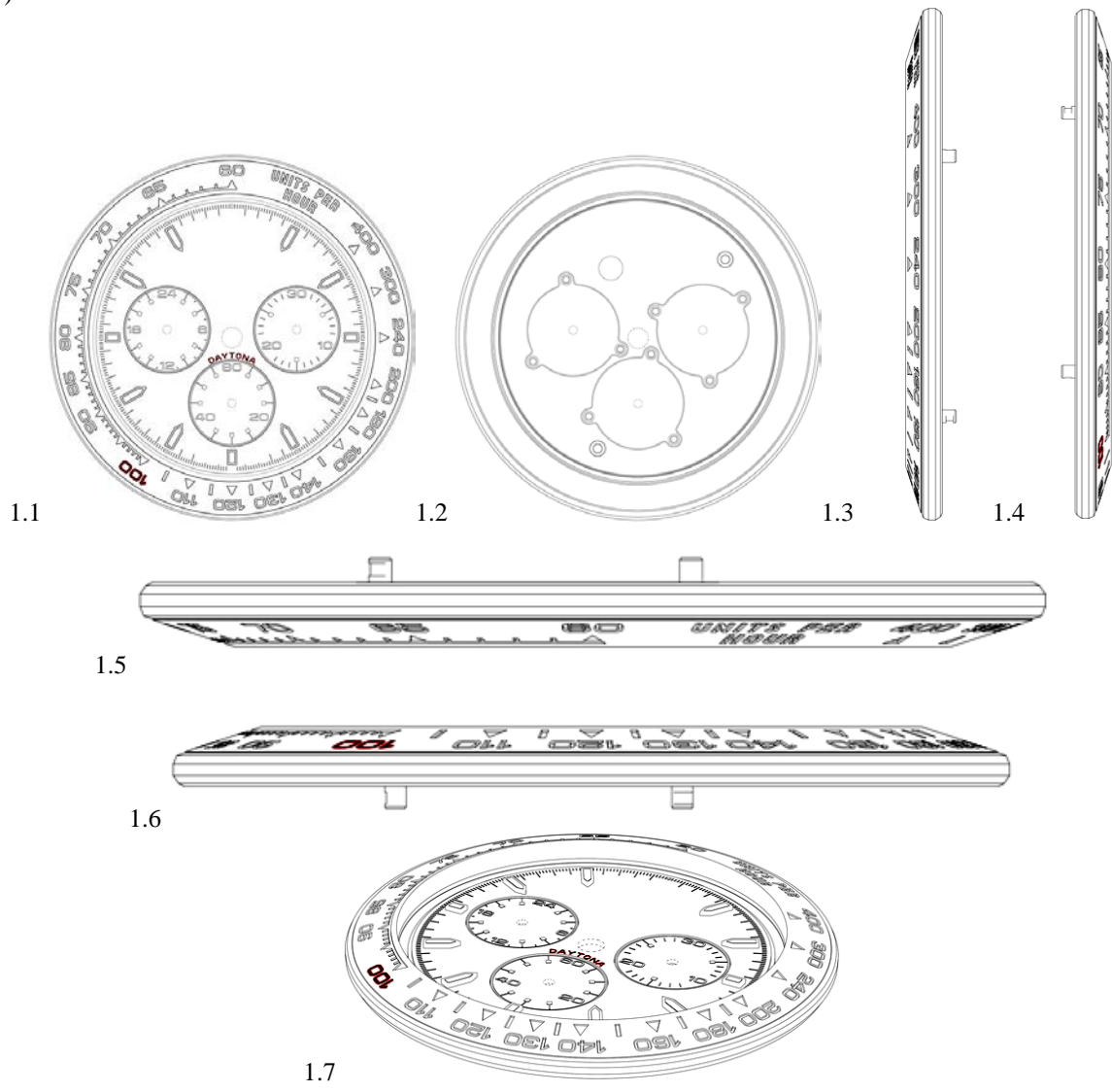


2.6



2.7

- (11) DM/230 332 (51) 10-07
 (15) 2023 07 04 (44) 30/2023 (2023 07 28)
 (22) 2023 07 04
 (28) 1
 (73) Rolex SA
 Rue François-Dussaud 3-5-7, 1211 Genève 26 (CH)
 (85) CH
 (86) CH
 (87) CH
 (88) CH
 (89) CH
 (81) III. CA, OM, GE, RS, NO, RW, EM, MU, AM, BW, TJ, MD, VN, TN, SR, MN, JP, KR, UA, OA, MA, ME, AZ, SM, KG, WS, LI, MK, BA, EG, JM, RU, IS, BY, GB, KH, TR, GH, ST, IL, KP, MX, AL, BN, NA, SG, MC, BZ, TM
 (72) Giovanni SICILIANO
 9, Chemin Docteur-Adolphe Pasteur, 1209, Genève (CH)
 (74) Bugnion S.A.
 10, Route De Florissant Case Postale 375, 1211 Genève 12 (CH)
 (46) 2023 07 28
 (54) 1. WATCH DIAL
 (55)



(11) DM/230 333 (51) 10-02
(15) 2023 07 06 (44) 30/2023 (2023 07 28)
(22) 2023 07 06

(28) 1
(30) No1: 16.03.2023; 2023-00158; CH
(73) Rolex SA

Rue François-Dussaud 3-5-7, 1211 Genève 26 (CH)

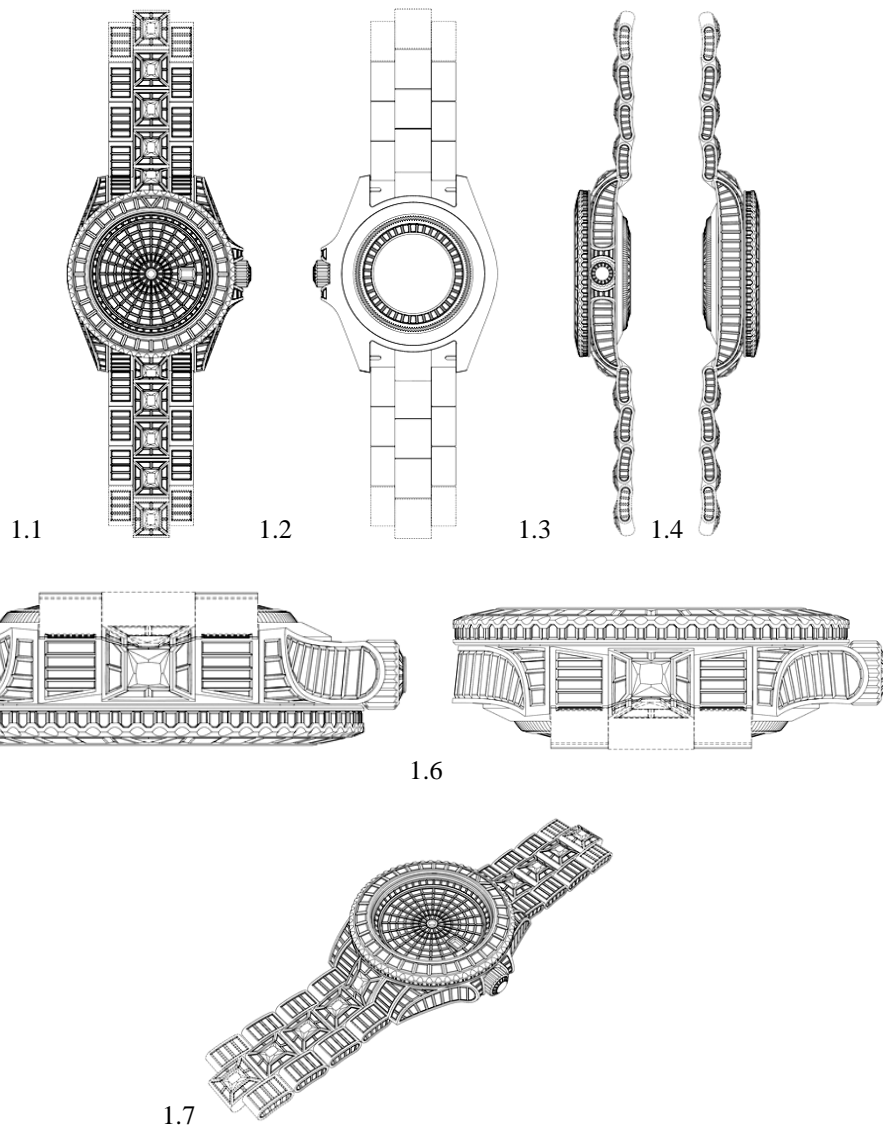
(85) CH
(86) CH
(87) CH
(88) CH
(89) CH

(81) III. GE, OM, CA, RS, NO, RW, MU, EM, AM, BW, TJ, MD, VN, TN, SR, MN, JP, KR, UA, OA, MA, ME, AZ, SM, KG, WS, LI, MK, BA, EG, JM, RU, IS, BY, GB, KH, TR, GH, ST, IL, KP, MX, AL, BN, NA, SG, MC, BZ, TM

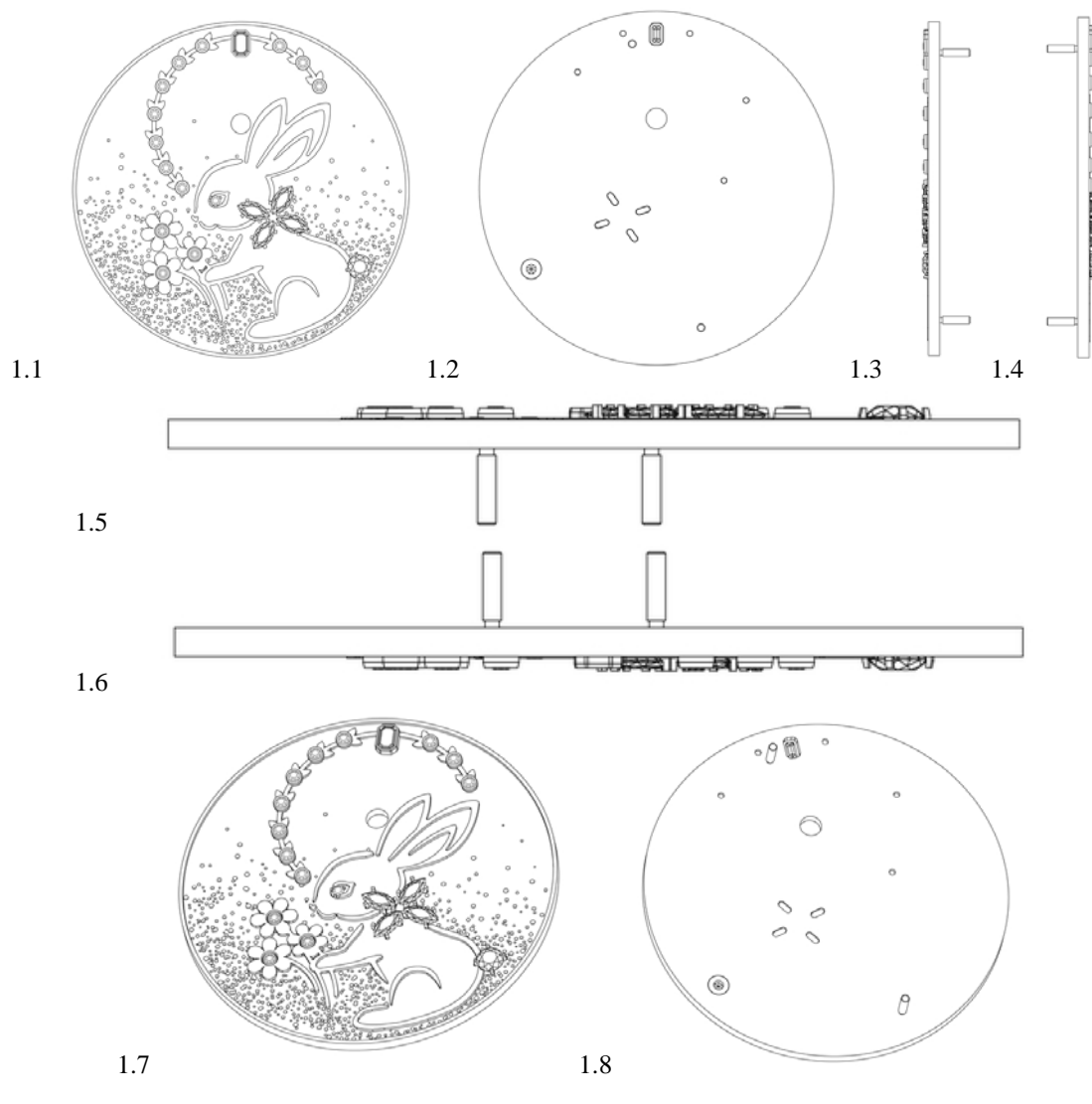
(72) Michele LA MAZZA
Rue Du Ronzier 13, 1260, Nyon (CH)

(74) Bugnion SA
10, Route De Florissant Case Postale 375, 1211 Genève 12 (CH)

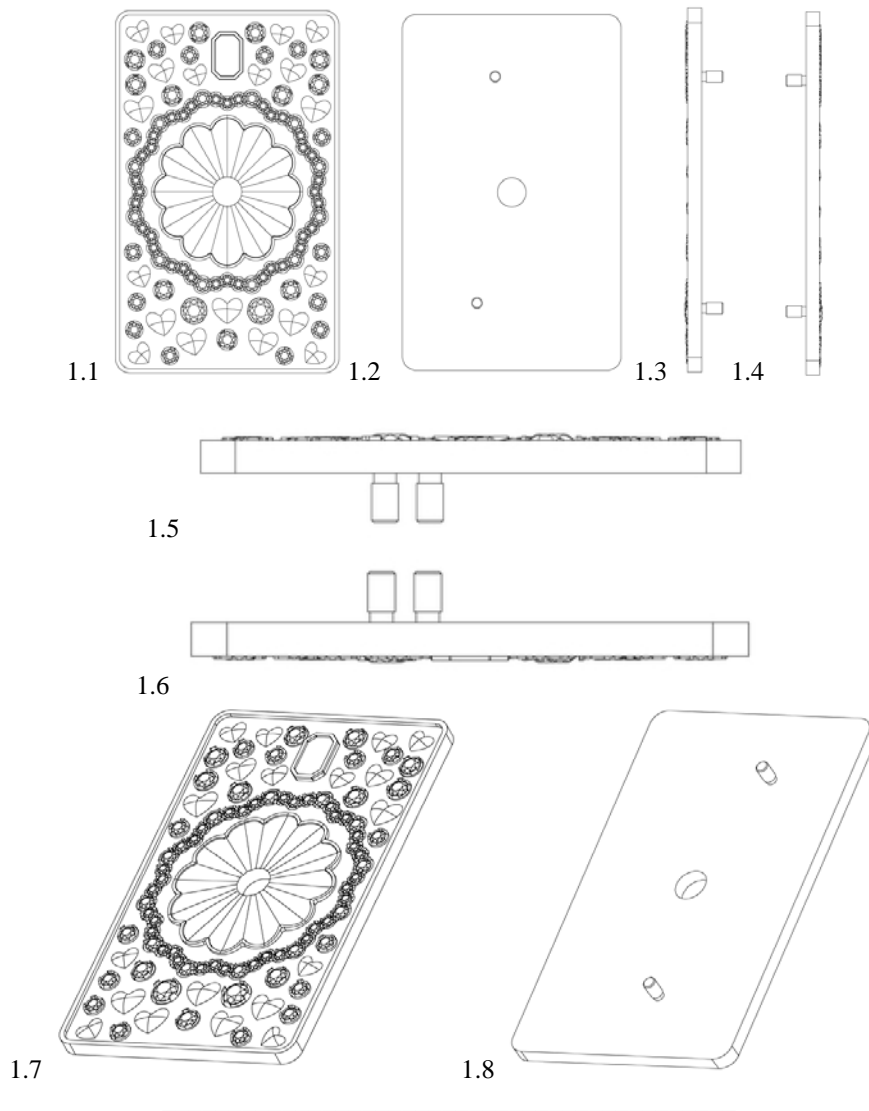
(46) 2023 07 28
(54) 1. WATCH
(55)



- (11) DM/226 684
- (15) 2023 02 09
- (22) 2023 02 09
- (28) 1
- (73) Harry Winston SA
Chemin Du Tourbillon 8, 1228 Plan-les-Ouates (CH)
- (85) CH
- (86) CH
- (87) CH
- (88) CH
- (89) CH
- (81) III. KG, LI, CA, MK, GE, OM, BA, NO, RU, EM, AM, MD, TN, GB, TR, MN, CH, AL, UA, MA, SG, MC, BZ, ME, AZ
- (72) Nathalie CAO
C/o Harry Winston SA, Chemin Du Tourbillon 8, 1228, Plan-les-Ouates (CH)
- (74) The Swatch Group AG (The Swatch Group SA) (The Swatch Group Ltd.)
Faubourg Du Lac 6, 2501 Biel/Bienne (CH)
- (46) 2023 08 11
- (54) 1. WATCH DIAL
- (55)



- (11) DM/226 686 (51) 10-07
 (15) 2023 02 09 (44) 32/2023 (2023 08 11)
 (22) 2023 02 09
 (28) 1
 (73) Harry Winston SA
 Chemin Du Tourbillon 8, 1228 Plan-les-Ouates (CH)
 (85) CH
 (86) CH
 (87) CH
 (88) CH
 (89) CH
 (81) III. KG, LI, CA, OM, MK, GE, BA, NO, RU, EM, AM, MD, TN, GB, TR, MN, CH, AL, UA, MA, SG, MC,
 BZ, ME, AZ
 (72) Mathilde PETIT
 C/o Harry Winston SA, Chemin Du Tourbillon 8, 1228, Plan-les-Ouates (CH)
 (74) The Swatch Group AG (The Swatch Group SA) (The Swatch Group Ltd.)
 Faubourg Du Lac 6, 2501 Biel/Bienne (CH)
 (46) 2023 08 11
 (54) 1. WATCH DIAL
 (55)



TRADEMARKS

APPLICATIONS FILED UNDER THE NATIONAL PROCEDURE APPROVED FOR REGISTRATION

The decision can be appealed at the Chamber of Appeal of Sakpatenti within 3 months from the publication or at the Mtskheta District Court Administrative Cases Board (Address: №17, Samkhedro St., Mtskheta), within 1 month following the publication.

(260) AM 2023 118760 A
(210) AM 118760
(220) 2022 07 28
(731) LLC "Borjomi Products"
Nearby Gamarjveba St., 1200, Borjomi,
Georgia
(540)



(591) Black, red, silver
(531) 19.03.01; 27.05.01; 27.05.24; 29.01.12
(511) 32

(260) AM 2023 120441 A
(210) AM 120441
(220) 2022 11 22
(731) LLC "British Georgian Academy"
Leo Kvatchadze St. 17, Saburtalo District,
Tbilisi, Georgia
(740) Mariam Titberidze
(540)



(591) 2978C6 blue, FFFFFFF white
(531) 03.01.01; 03.01.02; 20.07.01; 20.07.02;
20.07.05; 26.04.02; 26.04.22; 26.04.24; 28.19;
29.01.12
(511) 41, 42

(260) AM 2023 120442 A
(210) AM 120442
(220) 2022 11 22
(731) LLC "British Georgian Academy"
Leo Kvatchadze St. 17, Saburtalo District,
Tbilisi, Georgia
(740) Mariam Titberidze
(540)



(591) 2978C6 blue, FFFFFFF white
(531) 03.01.01; 03.01.02; 20.07.01; 20.07.02;
20.07.05; 26.04.02; 26.04.22; 26.04.24;
27.05.01; 27.05.24; 29.01.12
(511) 41, 42

(260) AM 2023 121519 A
(210) AM 121519
(220) 2023 02 06
(731) Plonq D M C C
Office 508, Fortune Executive Tower,
Cluster T, Jumeirah Lakes Towers, Dubai,
United Arab Emirates
(740) Irakli Gvilia
(540)

FLOPQ

(591) Black-white
(531) 27.05.01
(511) 9, 11, 34

(260) AM 2023 121530 A
(210) AM 121530
(220) 2023 02 08
(731) RB Health (US) LLC
399 Interpace Parkway, Parsippany, New Jersey
07054, USA
(740) Shalva Gvaramadze

(540)

MOVE FREE

(591) Black-white
(511) 5

(260) AM 2023 121531 A

(210) AM 121531

(220) 2023 02 08

(731) RB Health (US) LLC

399 Interpace Parkway, Parsippany, New Jersey
07054, USA

(740) Shalva Gvaramadze

(540)

AIRBORNE

(591) Black-white
(511) 5

(260) AM 2023 121536 A

(210) AM 121536

(220) 2023 02 09

(731) Oksana Bogun

Shalva Inasaridze St. 13, ap. 125, Batumi,
Georgia

(740) Shota Metreveli

(540)

ჭამის დროა

eat time

время есть

(591) Black-white
(511) 43

(260) AM 2023 121648 A

(210) AM 121648

(220) 2023 02 14

(731) LTD "Tiflisski Vinni Pogreb"

Yumashev St. 27, 0198, Tbilisi, Georgia

(740) Shalva Gvaramadze

(540)

ГВАРЕЛЛИ

GVARELLI

გვარელი

(591) Black-white
(511) 33

(260) AM 2023 121658 A

(210) AM 121658

(220) 2023 02 16

(731) I-Tail Corporation Public Company Limited

979/92-94, 29 Floor, S.M. Tower, Phaholyothin
Road, Phaya Thai Sub-district, Phaya Thai
District, Bangkok 10400, Thailand

(540)

เบลลอลต้า
Bellotta

(591) Black-white

(531) 26.11.12; 27.05.10; 27.05.11

(511) 31

(260) AM 2023 121659 A

(210) AM 121659

(220) 2023 02 16

(731) LTD "Franco"

Kakheti Highway 20th km. 0190, Samgori
District, Tbilisi, Georgia

(540)

franko[®]
having your style

(591) Black-white

(531) 27.05.01; 27.05.10; 28.11; 29.01.08

(511) 7, 9

(260) AM 2023 121660 A

(210) AM 121660

(220) 2023 02 16

(731) LTD "Franco"

Kakheti Highway 20th km. 0190, Samgori
District, Tbilisi, Georgia

(540)

franko[®]
PREMIUM

(591) Black, golden

(531) 27.05.09; 29.01.12

(511) 7, 9

(260) AM 2023 121661 A

(210) AM 121661

(220) 2023 02 16

(731) LTD "Franco"

Kakheti Highway 20th km. 0190, Samgori
District, Tbilisi, Georgia

(540)

franko[®]

(591) Black-white

(531) 27.05.01

(511) 7, 9

(260) AM 2023 121667 A
 (210) AM 121667
 (220) 2023 02 16
 (731) Joie International Co. Limited
 31/F, Tower Two Times Square, 1 Matheson
 Street, Causeway Bay, Hong Kong
 (740) Tamaz Shilakadze
 (540)

Joie

(591) Black-white
 (531) 05.03.13; 05.03.15; 27.05.07
 (511) 12, 18, 20

(260) AM 2023 121672 A
 (210) AM 121672
 (220) 2023 02 16
 (731) Foshan Boyuan Electronics Co., Ltd.
 4th Floor, No. 9 Hedong Central Road, Yanbu,
 Dali Town, Nanhai District, Foshan City,
 Guangdong Province, China
 (740) Giorgi Kartvelishvili
 (540)

Earldom

(591) Black-white
 (531) 27.05.01
 (511) 9

(260) AM 2023 121723 A
 (210) AM 121723
 (220) 2023 02 17
 (731) Worldwide Franchise Systems Inc.
 One StarPoint, Stamford, Connecticut 06902,
 USA
 (740) Tamaz Shilakadze
 (540)

**FOUR POINTS
 express**

(591) Black-white
 (531) 27.05.01; 27.05.10
 (511) 43

(260) AM 2023 121729 A
 (210) AM 121729
 (220) 2023 02 20
 (731) LTD "Shateau Manavi"
 Vill. Manavi, Sagarejo, Georgia
 (540)

**ადანდალი
 Adandali
 Адандали**

(591) Black-white
 (511) 33

(260) AM 2023 121731 A
 (210) AM 121731
 (220) 2023 02 20
 (731) Philip Morris Products S.A.
 Quai Jeanrenaud 3, 2000 Neuchâtel,
 Switzerland
 (740) Pavle Meipariani
 (540)



(591) Various shades of grey, white
 (531) 26.13.25
 (511) 34

(260) AM 2023 121737 A
 (210) AM 121737
 (220) 2023 02 20
 (731) LTD "Biography Living"
 Merab Kostava St. 46, 0179, Tbilisi,
 Georgia
 (540)



(591) Black-white
 (531) 05.05.20; 07.01.24; 25.03.03; 27.03.11;
 27.03.15; 27.05.10; 27.05.24
 (511) 35, 36

(260) AM 2023 121738 A
 (210) AM 121738
 (220) 2023 02 20
 (731) LTD "Biography Living"
 Merab Kostava St. 46, 0179, Tbilisi,
 Georgia
 (540)



(591) Black-white
 (531) 03.01.01; 03.01.02; 03.01.16; 03.03.01;
 19.01.12; 19.03.25; 25.03.01; 25.03.03;
 27.05.01; 27.05.10; 27.05.24
 (511) 35, 36

(260) AM 2023 121740 A
 (210) AM 121740
 (220) 2023 02 20
 (731) LTD "Biography Living"
 Merab Kostava St. 46, 0179, Tbilisi,
 Georgi
 (540)



(591) Black-white
 (531) 03.13.16; 05.07.22; 05.07.23; 25.03.01;
 25.03.03; 26.13.25; 27.05.01; 27.05.10; 28.19
 (511) 35, 36

(260) AM 2023 121745 A
 (210) AM 121745
 (220) 2023 02 21
 (731) Olan-Haushaltsgeräte e. K.
 Eichborndamm 277, 13437 Berlin, Germany;
 Kaeser Kompressoren SE
 Carl-Kaeser-Str. 26, 96450 Coburg, Germany
 (740) Shalva Gvaramadze
 (540)

Kaeser

(591) Black-white
 (511) 7, 11

(260) AM 2023 121746 A
 (210) AM 121746
 (220) 2023 02 21
 (731) Olan-Haushaltsgeräte e. K.
 Eichborndamm 277, 13437 Berlin, Germany;
 Kaeser Kompressoren SE
 Carl-Kaeser-Str. 26, 96450 Coburg, Germany
 (740) Shalva Gvaramadze
 (540)



(591) Black-white
 (531) 26.04.02; 26.04.22; 26.04.24; 27.05.01;
 27.05.09; 27.05.17; 27.05.24
 (511) 7, 11

(260) AM 2023 121747 A
 (210) AM 121747
 (220) 2023 02 21
 (731) Olan-Haushaltsgeräte e. K.
 Eichborndamm 277, 13437 Berlin, Germany;
 Kaeser Kompressoren SE
 Carl-Kaeser-Str. 26, 96450 Coburg, Germany

(740) Shalva Gvaramadze
 (540)



(591) Black-white
 (531) 26.04.02; 26.04.22; 26.04.24; 27.05.01;
 27.05.10; 27.05.17; 27.05.24
 (511) 7, 11

(260) AM 2023 121762 A
 (210) AM 121762
 (220) 2023 02 22
 (731) Essity Hygiene and Health Aktiebolag
 SE-405 03 Göteborg, Sweden
 (740) Tamaz Shilakadze
 (540)

ULTIMATE TOUCH

(591) Black-white
 (511) 16

(260) AM 2023 121764 A
 (210) AM 121764
 (220) 2023 02 22
 (731) LLC "Silk Road Group Holding"
 Republic Square, Tbilisi, Georgia
 (540)

**სოკოქ
 Silk
 СИЛК**

(591) Black-white
 (511) 1, 2, 6, 7, 9, 10, 11, 12, 13, 15, 17, 19, 20,
 26, 27, 28, 29, 31, 45

(260) AM 2023 121771 A
 (210) AM 121771
 (220) 2023 02 23
 (731) Mitsubishi Jidosha Kogyo Kabushiki Kaisha
 1-21, Shibaura 3-chome, Minato-ku, Tokyo
 108-8410, Japan
 (740) Pavle Meipariani
 (540)

OUTLANDER SPORT

(591) Black-white
 (511) 12

(260) AM 2023 121773 A
 (210) AM 121773
 (220) 2023 02 23
 (731) Bayer Aktiengesellschaft
 Kaiser-Wilhelm-Allee, 51373 Leverkusen,
 Germany
 (740) Shalva Gvaramadze

(540)

SERENADE

(591) Black-white

(511) 5

(260) AM 2023 121848 A

(210) AM 121848

(220) 2023 02 24

(731) JSC "Gepha"

Akaki Beliaashvili St. 142, 0159, Tbilisi,
Georgia

(740) Salome Jeladze

(540)

(591) E4B715 yellow, E2D474 light yellow,
190E07 dark brown, 796953 light brown,
1F5A79 blue, AECFD3 light blue,
C48D55 beige, E9D6B4 light beige,
BD0007 red, D5AEA4 light red

(531) 03.05.09; 03.05.24; 03.05.25; 29.01.15

(511) 5, 35

(260) AM 2023 121849 A

(210) AM 121849

(220) 2023 02 24

(731) LTD "Rotcho's Vineyards"

Wardrops St. 4, Kvareli, Georgia

(540)

**ROTCHO**
ᄁᄁᄁᄁ

(591) Black, red, white

(531) 03.07.03; 27.05.01; 28.19; 29.01.13

(511) 33, 35

(260) AM 2023 121906 A

(210) AM 121906

(220) 2023 03 06

(731) Sanovel Ilac Sanayi Ve Ticaret A. S.

Istinye Mahallesi, Balabandere Caddesi No:14
TR-34460 Sariyer, Istanbul, Türkiye

(540)

Narona - Sanovel

(591) Black-white

(531) 27.05.01

(511) 5

(260) AM 2023 121908 A

(210) AM 121908

(220) 2023 03 06

(731) Sanovel Ilac Sanayi Ve Ticaret A. S.

Istinye Mahallesi, Balabandere Caddesi No:14
TR-34460 Sariyer, Istanbul, Türkiye

(540)

Bilvelo - Sanovel

(591) Black-white

(531) 27.05.01

(511) 5

(260) AM 2023 121916 A

(210) AM 121916

(220) 2023 03 06

(731) Sanovel Ilac Sanayi Ve Ticaret A. S.

Istinye Mahallesi, Balabandere Caddesi No:14
TR-34460 Sariyer, Istanbul, Türkiye

(540)

Oterdoc - Sanovel

(591) Black-white

(531) 27.05.01

(511) 5

(260) AM 2023 121918 A

(210) AM 121918

(220) 2023 03 06

(731) Sanovel Ilac Sanayi Ve Ticaret A. S.

Istinye Mahallesi, Balabandere Caddesi No:14
TR-34460 Sariyer, Istanbul, Türkiye

(540)

Erseglate - Sanovel

(591) Black-white

(531) 27.05.01

(511) 5

(260) AM 2023 121919 A

(210) AM 121919

(220) 2023 03 06

(731) Sanovel Ilac Sanayi Ve Ticaret A. S.

Istinye Mahallesi, Balabandere Caddesi No:14
TR-34460 Sariyer, Istanbul, Türkiye

(540)

Flupesaz - Sanovel

(591) Black-white

(531) 27.05.01
(511) 5

(260) AM 2023 121920 A
(210) AM 121920
(220) 2023 03 06
(731) Sanovel Ilac Sanayi Ve Ticaret A. S.
Istinye Mahallesi, Balabandere Caddesi No:14
TR-34460 Sariyer, Istanbul, Türkiye

(540)

Glapsomet - Sanovel

(591) Black-white
(531) 27.05.01
(511) 5

(260) AM 2023 121922 A
(210) AM 121922
(220) 2023 03 06
(731) LTD "Ariki"
Chitadze St. 3a; Nyaghvari St. 4, Parking lot 13,
Tbilisi, Georgia
(740) Giorgi Taktakishvili
(540)



(591) Yellow, green
(531) 26.01.01; 26.01.04; 26.01.20; 26.01.22;
26.01.24; 27.05.24; 28.19; 29.01.12
(511) 16, 41

(260) AM 2023 121928 A
(210) AM 121928
(220) 2023 03 07
(731) Shell Brands International AG
Baarermatte, CH 6340 Baar, Switzerland
(740) Giorgi Taktakishvili
(540)

SHELL NATURELLE

(591) Black-white
(511) 1

(260) AM 2023 121929 A
(210) AM 121929
(220) 2023 03 07
(731) LTD "Herbswisdom"
Ilia Chavchavadze Av. 80, block B, ap. 29,
0131, Vake District, Tbilisi, Georgia
(540)



(591) Turquoise, dark grey, white
(531) 05.05.20; 05.05.22; 05.05.23; 10.03.07;
27.05.10; 27.05.11; 29.01.12
(511) 5

(260) AM 2023 121937 A
(210) AM 121937
(220) 2023 03 09
(731) LTD "Tyripomi Fruit"
Erekle Tatishvili St. 1, Gori, Georgia
(740) Giorgi Taktakishvili
(540)



(591) Green, red, white, black
(531) 05.03.13; 05.03.14; 26.01.01; 26.01.04; 28.19;
29.01.13
(511) 29, 31, 32, 33

(260) AM 2023 122006 A
(210) AM 122006
(220) 2023 03 10
(731) British American Tobacco (Brands) Limited
Globe House, 4 Temple Place, London,
WC2R 2PG, United Kingdom
(740) Tamar Kotchlamazashvili
(540)

VEO

(591) Black-white
(511) 34

(260) AM 2023 122007 A
(210) AM 122007
(220) 2023 03 10
(731) LLC "Lithuanian Bakery+"
T. Eristavi St. 1, 0192, Tbilisi, Georgia

(540)



(591) Sky-blue, yellow, white, carnelian
 (531) 02.01.02; 02.01.20; 05.09.12; 05.09.17;
 08.01.01; 08.01.06; 25.01.25; 29.01.15
 (511) 30, 35

(260) AM 2023 122018 A
 (210) AM 122018
 (220) 2023 03 12
 (731) Mitsubishi Jidosha Kogyo Kabushiki Kaisha
 1-21, Shibaura 3-chome, Minato-ku, Tokyo
 108-8410, Japan
 (740) Pavle Meipariani
 (540)

RALLIART

(591) Black-white
 (511) 12, 27

(260) AM 2023 122019 A
 (210) AM 122019
 (220) 2023 03 13
 (731) Mitsubishi Jidosha Kogyo Kabushiki Kaisha
 1-21, Shibaura 3-chome, Minato-ku, Tokyo
 108-8410, Japan
 (740) Pavle Meipariani
 (540)



(591) Black-white
 (531) 26.04.02; 26.04.05; 26.04.12; 26.04.22;
 26.04.24; 26.11.09; 27.05.01; 27.05.24
 (511) 12, 27

(260) AM 2023 122026 A
 (210) AM 122026
 (220) 2023 03 15
 (731) Mondelez Hellas SA
 19-21 Aristotelous Street, Metamorfosi Attikis,
 144 51, Greece
 (740) Giorgi Taktakishvili
 (540)



(591) Orange, blue, yellow, white
 (531) 26.01.01; 26.01.19; 27.05.02; 29.01.14
 (511) 30

(260) AM 2023 122039 A
 (210) AM 122039
 (220) 2023 03 15
 (731) Bloomden Bioceramics Co., Ltd
 No.702, 7rd Floor, 5th Building, Zhongdian
 Software Park, No.39, Jianshan Road,
 Changsha Hi-Tech Development Zone, HN,
 People's Republic of China
 (740) Giorgi Kartvelishvili
 (540)



(591) Blue, white
 (531) 26.11.02; 26.11.12; 27.05.01; 29.01.04
 (511) 5

(260) AM 2023 122106 A
 (210) AM 122106
 (220) 2023 03 17
 (731) Supple Tek Industries Private Limited
 Village Chabba, Tarn Taran Road, Amritsar,
 143022, Punjab, India
 (740) Giorgi Meipariani
 (540)



(591) Purole, white
 (531) 05.03.08; 28.01; 29.01.12
 (511) 30

(260) AM 2023 122107 A
 (210) AM 122107
 (220) 2023 03 18
 (731) Schneider Electric IT Corporation
 70 Mechanic Street, Foxboro, Massachusetts
 02035, USA
 (740) Giorgi Meipariani
 (540)

APC

(591) Black-white
 (511) 9, 42

(260) AM 2023 122108 A
 (210) AM 122108
 (220) 2023 03 18
 (731) FA Trademarks Zarębska Spółka Jawna
 ul. Konna 40, 80-174 Otomin, Poland
 (740) Shalva Gvaramadze
 (540)

NUCLEAR NUTRITION

(591) Black-white
 (511) 5

(260) AM 2023 122109 A
 (210) AM 122109
 (220) 2023 03 18
 (731) FA Trademarks Zarębska Spółka Jawna
 ul. Konna 40, 80-174 Otomin, Poland
 (740) Shalva Gvaramadze
 (540)

BAD ASS

(591) Black-white
 (511) 5

(260) AM 2023 122116 A
 (210) AM 122116
 (220) 2023 03 20
 (731) LLC "Palitra L Publishing House"
 T. Iosebidge St. 49, 0160, Tbilisi,
 Georgia
 (540)

AI books

(591) Black-white
 (531) 26.01.01; 26.01.18; 26.01.24; 27.05.01;
 27.05.24
 (511) 41

(260) AM 2023 122128 A
 (210) AM 122128
 (220) 2023 03 22
 (731) Levan Gvaramadze
 Al. Kazbegi St. 2, ap. 12, 0160, Tbilisi, Georgia
 (740) Levan Gvaramadze
 (540)

**კაკაბი
 Kakabi**

(591) Black-white
 (511) 33

(260) AM 2023 122204 A
 (210) AM 122204
 (220) 2023 03 27
 (731) Frito-Lay Trading Company (Europe) GmbH
 2 Spitalgasse, Bern, CH 3011, Switzerland
 (740) Tamar Kotchlamazashvili
 (540)

CHIPICAO

(591) Black-white
 (511) 29, 30

(260) AM 2023 122206 A
 (210) AM 122206
 (220) 2023 03 27
 (731) Balraj Bidhuri
 B32, 2nd floor, Pamposh Enclave Greater
 Kailash-1, New Delhi, India
 (540)

BRB ბრბ

(591) Black-white
 (511) 43

REGISTERED TRADEMARKS

(111) M 2023 37331 R
 (151) 2023 09 27
 (181) 2033 09 27
 (260) AM 2022 120260 A
 (220) 2022 11 10
 (732) RC Alvazi
 Vill. Jvarisa, Ambrolauri Municipality, Georgia

(111) M 2023 37338 R
 (151) 2023 09 27
 (181) 2033 09 27
 (260) AM 2022 118936 A
 (220) 2022 08 11
 (732) LLC "Amaline Group"
 Dighomi Array, IV qu., bld. 25, flat 48, 0159,
 Tbilisi, Georgia

(111) M 2023 37332 R
 (151) 2023 09 27
 (181) 2033 09 27
 (260) AM 2022 119904 A
 (220) 2022 10 20
 (732) LLC "Gegidze Agency"
 Konstantine Stanislavskiy St. 12, flat 36,
 Didube District, Tbilisi, Georgia

(111) M 2023 37339 R
 (151) 2023 09 27
 (181) 2033 09 27
 (260) AM 2022 118935 A
 (220) 2022 08 11
 (732) LLC "Amaline Group"
 Dighomi Array, IV qu., bld. 25, flat 48, 0159,
 Tbilisi, Georgia

(111) M 2023 37333 R
 (151) 2023 09 27
 (181) 2033 09 27
 (260) AM 2022 119809 A
 (220) 2022 10 13
 (732) LTD "Agrochemicals Georgia"
 Dighomi, VI qu., bld. 9, ap. 50,
 Didube-Chughureti District, Tbilisi, Georgia

(111) M 2023 37340 R
 (151) 2023 09 27
 (181) 2033 09 27
 (260) AM 2022 118937 A
 (220) 2022 08 11
 (732) LLC "Amaline Group"
 Dighomi Array, IV qu., bld. 25, flat 48, 0159,
 Tbilisi, Georgia

(111) M 2023 37335 R
 (151) 2023 09 27
 (181) 2033 09 27
 (260) AM 2022 120335 A
 (220) 2022 11 11
 (732) Biomedical News of Georgia
 Vazha-Pshavela Av. 33, 0101, Tbilisi, Georgia

(111) M 2023 37341 R
 (151) 2023 09 27
 (181) 2033 09 27
 (260) AM 2022 118938 A
 (220) 2022 08 11
 (732) LLC "Amaline Group"
 Dighomi Array, IV qu., bld. 25, flat 48, 0159,
 Tbilisi, Georgia

(111) M 2023 37336 R
 (151) 2023 09 27
 (181) 2033 09 27
 (260) AM 2022 119615 A
 (220) 2022 09 29
 (732) Boo Enterprises Inc.
 11050 Queen Street Suite 100, Honolulu,
 Hawaii 96815-4130, USA

(111) M 2023 37342 R
 (151) 2023 09 27
 (181) 2033 09 27
 (260) AM 2022 118939 A
 (220) 2022 08 11
 (732) LLC "Amaline Group"
 Dighomi Array, IV qu., bld. 25, flat 48, 0159,
 Tbilisi, Georgia

(111) M 2023 37337 R
 (151) 2023 09 27
 (181) 2033 09 27
 (260) AM 2022 118933 A
 (220) 2022 08 11
 (732) LLC "Amaline Group"
 Dighomi Array, IV qu., bld. 25, flat 48, 0159,
 Tbilisi, Georgia

(111) M 2023 37343 R
 (151) 2023 09 27
 (181) 2033 09 27
 (260) AM 2022 118531 A
 (220) 2022 07 11
 (732) LLC "RHM Georgia"

Nutsbidze Slope, II m/r., IV qu., bld. 2, Flat 76, Vake District, Tbilisi, Georgia	(732) LTD "Rich Group" Vill. Mughanlo, Marneuli Region, Georgia
(111) M 2023 37344 R (151) 2023 09 27 (181) 2033 09 27 (260) AM 2022 118663 A (220) 2022 07 22 (732) Manchister General Trading L.L.C. Office 603, owned by Sheikha Maryam bint Rashid bin Saeed Al Maktoum – Al Bateen, Dubai, United Arab Emirates	(111) M 2023 37350 R (151) 2023 09 27 (181) 2033 09 27 (260) AM 2022 119903 A (220) 2022 10 20 (732) LTD "Rich Group" Vill. Mughanlo, Marneuli Region, Georgia
(111) M 2023 37345 R (151) 2023 09 27 (181) 2033 09 27 (260) AM 2022 119611 A (220) 2022 09 28 (732) Johnson & Johnson (a New Jersey, USA Corporation) One Johnson & Johnson Plaza, New Brunswick, NJ, 08933, USA	(111) M 2023 37351 R (151) 2023 09 27 (181) 2033 09 27 (260) AM 2022 119676 A (220) 2022 09 30 (732) LTD "Geo Olymp" Rapiel Eristavi St. 16, Tbilisi, Georgia
(111) M 2023 37346 R (151) 2023 09 27 (181) 2033 09 27 (260) AM 2022 119580 A (220) 2022 09 23 (732) JSC "Argo" Lilo Lochini Ravine (plot N05/001), 0151, Tbilisi, Georgia	(111) M 2023 37352 R (151) 2023 09 27 (181) 2033 09 27 (260) AM 2022 119178 A (220) 2022 08 26 (732) Ana Adeishvili 6th Street 18, Krtsanisi, Tbilisi, Georgia
(111) M 2023 37347 R (151) 2023 09 27 (181) 2033 09 27 (260) AM 2022 119900 A (220) 2022 10 20 (732) LTD "Rich Group" Vill. Mughanlo, Marneuli Region, Georgia	(111) M 2023 37353 R (151) 2023 09 27 (181) 2033 09 27 (260) AM 2022 119773 A (220) 2022 10 08 (732) Aleksii Mamulashvili Simon Chikovani St. 2, ap. 105, 0171, Tbilisi, Georgia
(111) M 2023 37348 R (151) 2023 09 27 (181) 2033 09 27 (260) AM 2022 119901 A (220) 2022 10 20 (732) LTD "Rich Group" Vill. Mughanlo, Marneuli Region, Georgia	(111) M 2023 37354 R (151) 2023 09 27 (181) 2033 09 27 (260) AM 2022 119485 A (220) 2022 09 19 (732) Intel Corporation 2200 Mission College Boulevard, Santa Clara, CA 95052, USA
(111) M 2023 37349 R (151) 2023 09 27 (181) 2033 09 27 (260) AM 2022 119902 A (220) 2022 10 20	(111) M 2023 37355 R (151) 2023 09 27 (181) 2033 09 27 (260) AM 2022 120235 A (220) 2022 11 07 (732) LLC "LB Capital" Ilia Chavchavadze Av. 34, shop 12A, 0179, Vake District, Tbilisi, Georgia

(111) M 2023 37356 R (151) 2023 09 27 (181) 2033 09 27 (260) AM 2022 119794 A (220) 2022 10 12 (732) British American Tobacco (Brands) Inc. (a Delaware Corporation) 251 Little Falls Drive, Suite 100, Wilmington, Delaware, 19808-1674, USA	Givi Kartozia St. 10, entrance 6, G-floor, Commercial Space 13, 0177, Saburtalo District, Tbilisi, Georgia
(111) M 2023 37357 R (151) 2023 09 28 (181) 2033 09 28 (260) AM 2022 119610 A (220) 2022 09 28 (732) Johnson & Johnson (a New Jersey, USA Corporation) One Johnson & Johnson Plaza, New Brunswick, NJ, 08933, USA	(111) M 2023 37363 R (151) 2023 09 29 (181) 2033 09 29 (260) AM 2022 120034 A (220) 2022 10 26 (732) LLC "M ² Group" Givi Kartozia St. 10, entrance 6, G-floor, Commercial Space 13, 0177, Saburtalo District, Tbilisi, Georgia
(111) M 2023 37358 R (151) 2023 09 28 (181) 2033 09 28 (260) AM 2022 119607 A (220) 2022 09 28 (732) Johnson & Johnson (a New Jersey, USA Corporation) One Johnson & Johnson Plaza, New Brunswick, NJ, 08933, USA	(111) M 2023 37364 R (151) 2023 09 29 (181) 2033 09 29 (260) AM 2022 120044 A (220) 2022 10 26 (732) LLC "M ² Group" Givi Kartozia St. 10, entrance 6, G-floor, Commercial Space 13, 0177, Saburtalo District, Tbilisi, Georgia
(111) M 2023 37359 R (151) 2023 09 28 (181) 2033 09 28 (260) AM 2022 119086 A (220) 2022 08 23 (732) Fonterra Brands (Singapore) Pte Limited 182 Cecil Street, No. 15-01, Frasers Tower, 069547, Singapore	(111) M 2023 37365 R (151) 2023 09 29 (181) 2033 09 29 (260) AM 2022 120035 A (220) 2022 10 26 (732) LLC "M ² Group" Givi Kartozia St. 10, entrance 6, G-floor, Commercial Space 13, 0177, Saburtalo District, Tbilisi, Georgia
(111) M 2023 37360 R (151) 2023 09 28 (181) 2033 09 28 (260) AM 2022 119085 A (220) 2022 08 23 (732) Fonterra Brands (Singapore) Pte Limited 182 Cecil Street, No. 15-01, Frasers Tower, 069547, Singapore	(111) M 2023 37366 R (151) 2023 09 29 (181) 2033 09 29 (260) AM 2022 120038 A (220) 2022 10 26 (732) LLC "M ² Group" Givi Kartozia St. 10, entrance 6, G-floor, Commercial Space 13, 0177, Saburtalo District, Tbilisi, Georgia
(111) M 2023 37362 R (151) 2023 09 29 (181) 2033 09 29 (260) AM 2022 120040 A (220) 2022 10 26 (732) LLC "M ² Group"	(111) M 2023 37367 R (151) 2023 09 29 (181) 2033 09 29 (260) AM 2022 120039 A (220) 2022 10 26 (732) LLC "M ² Group" Givi Kartozia St. 10, entrance 6, G-floor, Commercial Space 13, 0177, Saburtalo District, Tbilisi, Georgia

(111) M 2023 37368 R (151) 2023 09 29 (181) 2033 09 29 (260) AM 2022 120037 A (220) 2022 10 26 (732) LLC "M ² Group" Givi Kartoziya St. 10, entrance 6, G-floor, Commercial Space 13, 0177, Saburtalo District, Tbilisi, Georgia	Al. Kazbegi Av. 21, 0160, Saburtalo District, Tbilisi, Georgia
(111) M 2023 37369 R (151) 2023 09 29 (181) 2033 09 29 (260) AM 2022 120043 A (220) 2022 10 26 (732) LLC "M ² Group" Givi Kartoziya St. 10, entrance 6, G-floor, Commercial Space 13, 0177, Saburtalo District, Tbilisi, Georgia	(111) M 2023 37374 R (151) 2023 09 29 (181) 2033 09 29 (260) AM 2022 119176 A (220) 2022 08 26 (732) Vasili Babluani Ghrmaghele I Lane 55, 0192, Tbilisi, Georgia
(111) M 2023 37370 R (151) 2023 09 29 (181) 2033 09 29 (260) AM 2022 120036 A (220) 2022 10 26 (732) LLC "M ² Group" Givi Kartoziya St. 10, entrance 6, G-floor, Commercial Space 13, 0177, Saburtalo District, Tbilisi, Georgia	(111) M 2023 37375 R (151) 2023 09 29 (181) 2033 09 29 (260) AM 2022 119100 A (220) 2022 08 24 (732) LLC "Georgian Organic Wine Company" Ioseb Grishashvili St. 49, floor 2, Auxiliary Area E, Krtsanisi District, Tbilisi, Georgia
(111) M 2023 37371 R (151) 2023 09 29 (181) 2033 09 29 (260) AM 2022 120337 A (220) 2022 11 11 (732) Roland DG Corporation 1-6-4 Shinmiyakoda, Kita-ku, Hamamatsu-shi, Shizuoka-ken, 431-2103, Japan	(111) M 2023 37376 R (151) 2023 09 29 (181) 2033 09 29 (260) AM 2022 119188 A (220) 2022 08 26 (732) LTD "Sooley & Co." Ilia Chavchavadze Av. 62, ap. 53, Tbilisi, Georgia
(111) M 2023 37372 R (151) 2023 09 29 (181) 2033 09 29 (260) AM 2022 119769 A (220) 2022 10 07 (732) LTD "Orovela" Vill. Chabinaani, 0910, Akhmet Region, Georgia	(111) M 2023 37377 R (151) 2023 10 02 (181) 2033 10 02 (260) AM 2022 120033 A (220) 2022 10 26 (732) LLC "M2 Group" Givi Kartoziya St. 10, entrance 6, G-floor, Commercial Space 13, 0177, Saburtalo District, Tbilisi, Georgia
(111) M 2023 37373 R (151) 2023 09 29 (181) 2033 09 29 (260) AM 2022 120147 A (220) 2022 11 01 (732) JSC "ProCredit Bank"	(111) M 2023 37378 R (151) 2023 10 02 (181) 2033 10 02 (260) AM 2022 119103 A (220) 2022 08 25 (732) LTD "Ori Nabiji" Navtlughi St. 39-41, 0113, Isani District, Tbilisi, Georgia
(111) M 2023 37374 R (151) 2023 09 29 (181) 2033 09 29 (260) AM 2022 119105 A (220) 2022 08 25	(111) M 2023 37379 R (151) 2023 10 02 (181) 2033 10 02 (260) AM 2022 119105 A (220) 2022 08 25

(732) LTD "Ori Nabiji"
Navtlughi St. 39-41, 0113, Isani District,
Tbilisi, Georgia

(732) SC IP Limited Charter
Pleis, 23-27 Siton Pleis, St Helier, JE1 1JY,
Jersey

(111) M 2023 37380 R
(151) 2023 10 02
(181) 2033 10 02
(260) AM 2022 120522 A
(220) 2022 11 30
(732) LTD "Mogzauri"
Vazha-Pshavela Av., VI qu., bld. 10, ap. 36,
0186, Tbilisi, Georgia

(111) M 2023 37381 R
(151) 2023 10 02
(181) 2033 10 02
(260) AM 2022 120241 A
(220) 2022 11 08
(732) LTD "Blink"
Davit Bakradze St. 6, 0119, Tbilisi, Georgia

(111) M 2023 37382 R
(151) 2023 10 02
(181) 2033 10 02
(260) AM 2022 120239 A
(220) 2022 11 07
(732) Lela Ghviniashvili
Ikalto Gori St., bld. 1, ap. 10, 0171, Tbilisi,
Georgia

(111) M 2023 37383 R
(151) 2023 10 02
(181) 2033 10 02
(260) AM 2022 119680 A
(220) 2022 09 30
(732) Biosidus S.A.U.
Constitución 4234, Buenos Aires 1254,
Argentina

(111) M 2023 37384 R
(151) 2023 10 02
(181) 2033 10 02
(260) AM 2022 120433 A
(220) 2022 11 18
(732) LTD "Geotradere Group"
Junker Shalva Eristavi St. 5, Didube District,
Tbilisi, Georgia

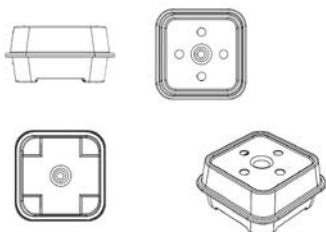
(111) M 2023 37385 R
(151) 2023 10 02
(181) 2033 10 02
(260) AM 2022 119691 A
(220) 2022 10 04

TRADEMARKS REGISTERED ACCORDING TO THE ACCELERATED PROCEDURE

The decision can be appealed at the Chamber of Appeal of Sakpatenti within 3 months from the publication.

(111) M 2023 37323 R
 (151) 2023 09 21
 (181) 2033 09 21
 (210) AM 124604
 (220) 2023 09 06
 (732) Gela Khositashvili
 Navtlughi St. 24, bld. 2, ap. 9, 0190, Isani
 District, Tbilisi, Georgia
 (740) Giorgi Tsatava;
 Lia Shikhiashvili;
 Zurab Bezhashvili;
 Ioane Iarajuli

(540)



(591) Black-white
 (531) 19.03.03; 19.03.04; 19.03.06; 19.03.25
 (554) Three Dimensional
 (511) 4, 16

(111) M 2023 37324 R
 (151) 2023 09 26
 (181) 2033 09 26
 (210) AM 124710
 (220) 2023 09 13
 (732) WHR Europe, Inc.
 22 Sylvan Way, Parsippany, New Jersey 07054,
 USA
 (740) Tamaz Shilakadze
 (540)

VIENNA TOWN HOUSE

(591) Black-white
 (511) 43

(111) M 2023 37325 R
 (151) 2023 09 26
 (181) 2033 09 26
 (210) AM 124711
 (220) 2023 09 13
 (732) WHR Europe, Inc.
 22 Sylvan Way, Parsippany, New Jersey 07054,
 USA
 (740) Tamaz Shilakadze

(540)

VIENNA HOUSE
Town

(591) Red, white, black
 (531) 27.01.12; 27.05.01; 29.01.12
 (511) 43

(111) M 2023 37326 R
 (151) 2023 09 27
 (181) 2033 09 27
 (210) AM 124532
 (220) 2023 08 31
 (732) Philip Morris Brands Sàrl
 Quai Jeanrenaud 3, 2000 Neuchâtel,
 Switzerland
 (740) Pavle Meipariani
 (540)



(591) Orange, white
 (531) 19.03.24; 27.05.24; 29.01.12
 (511) 34

(111) M 2023 37327 R
 (151) 2023 09 27
 (181) 2033 09 27
 (210) AM 124531
 (220) 2023 08 31
 (732) Philip Morris Brands Sàrl

Quai Jeanrenaud 3, 2000 Neuchâtel,
Switzerland
(740) Pavle Meipariani
(540)



(591) Blue, sky-blue, black, white, various shades of purple
(531) 19.03.24; 27.05.01; 27.05.24; 29.01.14
(526) Selling to minors is prohibited
(511) 34

(111) M 2023 37328 R
(151) 2023 09 27
(181) 2033 09 27
(210) AM 124706
(220) 2023 09 12
(732) Tariel Tsakadze
Sadgeri St. 2, Tbilisi, Georgia
(740) Tariel Tsakadze
(540)

AMBRO
resort & spa

(591) 000000 Black, white
(511) 43

(111) M 2023 37329 R
(151) 2023 09 27
(181) 2033 09 27
(210) AM 124715
(220) 2023 09 14
(732) LTD "Agrostyle and Winemaking"
I. Katcharava St. 95, Tbilisi, Georgia

(540)



(591) Green, white
(531) 01.03.01; 01.03.15; 25.01.25; 26.01.13;
28.19; 29.01.12
(511) 32, 33

(111) M 2023 37330 R
(151) 2023 09 27
(181) 2033 09 27
(210) AM 124714
(220) 2023 09 14
(732) LTD "Agrostyle and Winemaking"
I. Katcharava St. 95, Tbilisi, Georgia
(540)



(591) Green, white
(531) 01.03.01; 01.03.15; 25.01.25; 26.01.01;
26.01.13; 27.05.01; 29.01.12
(511) 31, 32, 33

(111) M 2023 37334 R
(151) 2023 09 27
(181) 2033 09 27
(210) AM 124781
(220) 2023 09 20
(732) Laboratoires Onagrine
66, Avenue des Champs Elysées, Paris,
75008, France
(740) Tamar Kotchlamazashvili
(540)

ONAGRINE

(591) Black-white
(511) 3

(111) M 2023 37361 R
(151) 2023 09 29
(181) 2033 09 29
(210) AM 124791
(220) 2023 09 21
(732) LTD "Black Sea Distribution"
I. Abashidze St. 31, ap. 9b, Tbilisi, Georgia
(540)



(591) Light sky-blue, white, sky-blue, dark blue, blue
(531) 26.01.01; 26.01.12; 26.11.03; 26.11.05;
26.11.12; 26.11.13; 27.05.01; 29.01.12
(511) 39

INTERNATIONAL TRADEMARKS FOR WHICH A DECISION ON GRANTING PROTECTIONS IS TAKEN

The decision can be appealed at the Chamber of Appeal of Sakpatenti within 3 months from the publication or at the Mtskheta District Court Administrative Cases Board (Address: №17, Samkhedro St., Mtskheta), within 1 month following the publication.

(260) AM 2023 119567 A

(800) 1578230

(151) 2020 09 11

(891) 2022 09 02

(731) KOMATSU LTD.

3-6, 2-chome Akasaka, Minato-ku, Tokyo

107-8414, Japan

(540)

KOMATSU

(591) Black, white

(531) 26.04.01; 26.04.24; 27.05.01; 27.05.17

(511)

8 – Pocket knives; multifunction hand tools; torque screwdrivers (hand tools); tableware [knives, forks and spoons]; can openers, non-electric; abrading instruments [hand instruments]; drills, hand-operated; palette knives; fruit pickers [hand tools]; hand tools and implements, hand-operated; hand tools and implements for agricultural, gardening, and landscaping purposes, hand-operated; diggers [hand tools]; ditchers [hand tools]; hand pumps [hand instruments]; air pumps, hand-operated; tool belts; vises; tweezers; beard clippers; spatulas [hand tools]; flat irons; nail files; nail clippers; hair clippers, electric or non-electric; emergency hammers; razors, non-electric; bladed or pointed hand tools and swords; hand tools, hand operated, other than bladed or pointed hand tools.

9 – Tape measures; protective helmets for children; sports helmets for children; protective goggles; sunglasses; portable battery chargers; USB flash drives; USB memory sticks; battery chargers for automobiles; cell phone battery chargers for use in vehicles; USB chargers; battery chargers; USB hubs; wireless speakers; wireless audio speakers; keyboards for smartphones; headphones; USB adapters; earphones; mouse; charging cables for smartphones; webcam covers; electronic machines, apparatus and parts and attachments thereof; electronic machines, apparatus and parts thereof for remote monitoring system; wireless remote controls for vehicles; wireless remote controls; telecommunication machines and apparatus and parts and attachments thereof; computer software and computer hardware; computer programs; computer programs for data processing; computer programs for repair or maintenance of metalworking machines and apparatus, construction machines and apparatus, loading-unloading machines and apparatus, mining machines and apparatus, agricultural machines and im-

plements, forest machines and apparatus; computer programs for controlling position, battery and operational status, and for providing maintenance management information of metalworking machines and apparatus, construction machines and apparatus, loading-unloading machines and apparatus, mining machines and apparatus, agricultural machines and implements, forest machines and apparatus; tablet computer terminals and parts and attachments thereof; tablet computer terminals to collect, manage and analyse the operation data of metalworking machines and apparatus, construction machines and apparatus, loading-unloading machines and apparatus, mining machines and apparatus, agricultural machines and implements, forest machines and apparatus; personal digital assistants and parts and attachments thereof; electrical control, testing and monitoring apparatus and parts and attachments thereof; batteries and cells; battery boxes; capacitors; accumulators [batteries]; battery terminals; vehicle batteries; battery chargers for battery driven vehicles and parts and attachments thereof; measuring or testing machines and instruments and parts and attachments thereof; surveying machines and instruments and parts and attachments thereof; power distribution or control machines and apparatus and parts and attachments thereof; LCD monitors; computer monitors; touchscreen monitors; tablet monitors; electroluminescent display panels; computer display monitors; electronic numeric displays; electrical controlling devices; electrical charge controllers; electronic power controllers; electronic speed controllers; pressure sensors; condensers; capacitance boxes; storage media recorded with computer programs; connectors [electricity]; electronic connectors; electric wires and cables; cables, electric; sensors [measurement apparatus], other than for medical use; optical sensors; humanoid robots with artificial intelligence; remote control telemetering machines and instruments for industrial robots; anti-theft warning apparatus; cases for smartphones; straps for mobile phones; mobile phones and parts and attachments thereof; smartphones and parts and attachments thereof; clothing for protection against accidents, irradiation and fire; computer programs, downloadable; computer programs, recorded; computer software applications, downloadable; covers for tablet computers; gloves for protection against accidents; mouse pads; reflective safety vests; wrist rests for use with computers; laboratory apparatus and instruments; constant temperature incubators for laboratory use; automatic temperature control ma-

chines and instruments; thermoelectric conversion elements; protective industrial shoes; safety clothing for protection against accident or injury; electronic publications; downloadable music files; downloadable image files and video files; electronic game programs; rulers [measuring instruments]; cases with card storing pockets for mobile phones and smartphones; kneepads for workers; helmets for protection from heat.

14 – Wrist watches; table clocks; wall clocks; clocks and watches; key chains, key holders and key rings; cases adapted to contain personal ornaments and items of jewelry; key rings with bottle openers; charms for key chains and key rings; brooches [jewellery]; cuff links; pins [jewellery]; tie pins; watchbands; ornaments of precious metal in the nature of jewelry; personal ornaments [jewellery, jewelry (Am.)]; jewellery and imitation jewellery; prize cups of precious metals; commemorative shields; badges of precious metal.

16 – Posters; pens; ballpoint pens; highlighter pens; colour pencils; crayons; pencils; adhesive note paper; rulers for stationery and office use; day planners; notebooks; notepads; filler paper; document holders [stationery]; binders; clear file folders; carry-on bags made of paper; carry-on shopping bags made of polyethylene or polypropylene; carry-on wrapping bags made of polyethylene or polypropylene; tissue paper; photograph stands; photographs; calendars; desk mats; coloring books; memo holders; retractable reels for name badge holders and identification card holders [office requisites]; clips for name badge holders and identification card holders [office requisites]; stickers; car stickers; paper badges; identification card holders; identification card holders made of metal or leather; drawing rulers; square rulers for drawing; book ends; pen and pencil cases; name badge holders; bibs of paper; coasters made of paper; desktop cabinets for stationery [office requisites]; drawing materials; paper folders; fountain pens; office requisites; stationery; mechanical pencils; rubber erasers; pen and pencil holders; staplers; catalogs; booklets; paper flags; notepad holders; paper and cardboard; printed matter; passport cases and holders; banners of paper; paper pennons; paper bibs; lunch bags.

18 – Shopping bags; telescopic umbrellas; umbrellas; golf umbrellas; sport bags; backpacks [rucksacks]; coin cases being coin purses; purses; wallets; leather pouches; roller bags; water resistant bags; tote bags; luggage bags made of plastic; travel bags made of plastic materials; belt bags; briefcases; travel bags; eco bags; business card cases; suitcase belts; travel cases; card cases; luggage tags; shoe bags; leather straps; canes and walking sticks; costumes for animals; parasols; suitcases; trunks; sling bags for carrying babies; school bags; key cases; attache cases; labels of leather; umbrella covers; bags; pouches; industrial packaging containers of leather; unfitted vanity cases; textile pouches.

21 – Lunch boxes; heat-insulated containers for beverages; mugs; drinking flasks; drinking bottles for sports; drinking flasks having heat insulation effect; drinking flasks having heat insulation function and cooling function; tumblers; tableware for babies and children, other than knives, forks and spoons, of precious metal; covers for PET bottles; portable insulation covers for PET bottles; flower vases; lacquered bowl; lacquered tray; chopsticks; barbecue griddles [cooking utensils]; non-electric barbecue griddles; barbecue gloves; barbecue turners; barbecue serving tongs; holders for PET bottles; cleaning instruments, hand-operated; brushes; baby bath tubs; crockery; coasters, not of paper or textile; coffee services [tableware]; cooking utensils, non-electric; covers for flower pots; containers for household or kitchen use; soap dishes; sports bottles sold empty; utensils for household purposes; portable cool boxes, non-electric; services [dishes]; shoe horns; figurines of glass; ornamental glass spheres; glassware (bibelots); works of art made of glass for indoor use; works of art made of china in the shape of dump trucks; works of art of porcelain; works of art of ceramic; cotton work gloves; industrial packaging containers of glass or porcelain; kitchen utensils and containers, not including gas water heaters for household use, non-electric cooking heaters for household purposes, kitchen worktops and kitchen sinks; cleaning tools and washing utensils; cooler bags; insulated lunch bags; thermal insulated tote bags for food or beverages; polishing cloths; cloths for polishing shoes; brushes for cleaning golf clubs; golf brushes; insulated lunch bags made of textile; cloths for cleaning spectacles.

24 – Banners and flags, not of paper; triangle banner flags, not of paper; company flags; banners; tapestry [wall hangings], of textile; duvet covers; covers for futon quilts; towels; handkerchiefs; cooling towels, not for medical or protective purposes; table cloths; blankets; bed spreads; covers [loose] for furniture; cushion covers; sleeping bags; textiles; woven textile goods for personal use; mosquito nets; sheets [textile]; futon quilts; futon ticks [unstuffed futon]; pillowcases; bedsheets; table napkins of textile; dish towels for drying; bedsheets of leather; covers of textile for PET bottles; coasters of textile; textile wall hangings, namely, cloth posters.

25 – T-shirts; polo shirts; shirts for suits; blouses; golf shirts; sweatshirts; jackets; windcheaters; fleeces; jumpers [pullovers]; pullovers; vests; sweaters; cardigans; pants; socks and stockings other than special sportswear; headwear; hats; caps being headwear; golf caps; knitted caps; cap visors; sun visors [headwear]; ponchos; raincoats; scarves [scarfs]; neckties; gloves [clothing]; sport shirts; athletic pants; cycling vests; cycling pants; bandanas [neckerchiefs]; work jackets; work pants; working overalls; boiler suits; clothing for babies; children's vests; bibs, not of paper; belts [clothing]; footwear; clothing; jerseys [clothing]; co-

ats; working clothing; pajamas; aprons [clothing]; ear muffs [clothing]; helmet liners [headwear]; clothes for sports; judo suits; motorists' clothing; suspenders [braces]; waistbands; sports shoes; shoes and boots [other than special footwear for sports]; work boots; work shoes; boots; ankle boots; golf shoe bags.

28 – Toy construction blocks; footballs [soccer] of leather; stuffed toys; ride-on toys; ride-on toy cars; ride-on toy construction machinery; miniature toy models; toy dolls and toy figures; flying discs [toys]; mini footballs; footballs; golf balls; golf tees; golf ball markers; divot repair tools [golf accessories]; ornaments for Christmas trees, except lights, candles and confectionery; balloons; rubber toys; toys; toy models; die-cast scale model toys; toy vehicles; toy helmets; drones [toys]; home video game machines; hand-held games with liquid crystal displays; games; puzzles; kites; playing cards; board games; dolls; playing balls; balls for sports; sports equipment; machines for physical exercises; golf bags, with or without wheels; golf bag carts; golf bag trolleys; golf gloves; fishing tackle; amusement machines, automatic and coin-operated.

(260) AM 2023 120678 A

(800) 1700620

(151) 2022 07 19

(891) 2022 07 19

(731) Terra infrastructure GmbH

Hollestraße 7a, 45127 Essen, Germany

(540)

terra infrastructure

(591) Black, white

(511)

6 – Common metals and their alloys; building materials of metal; buildings, transportable, of metal; railway material of metal; non-electric cables and wires of common metal; ironmongery, small items of metal hardware; pipes and tubes of metal; metal products, in particular scaffolding of metal, building components (metal -) in the form of slabs, building structures of metal, reinforcement materials (metal -) for construction, reinforcing materials of metal for building, building and construction materials and elements of metal, structural platforms [structures] of metal, metallic mountings, laminated metals, mooring bollards of metal, rotating junctions of metal for pipes, roadways of metal, metal brackets, mouldings of metal for building, shaped metal portions, gantries [structures] of metal, threaded bars of metal, building castings of metal, building castings of metal alloys, cable clamps of metal, clips of metal for tubes, metal clips, collets of metal, other than parts of machines, materials of metal for scaffolds, structures of metal, reinforcing materials of metal, anchorage plates of metal, anchors of metal, reinforcing materials, of metal, for concrete, fittings of metal for pipes, reinforcing bars of metal for use in

brickwork, ramps being structures of metal, containers of metal [storage, transport], ties of metal for use in building; building materials of metal for civil engineering, canal construction and structural engineering, including large- area steel shoring, in particular shoring elements and formwork elements of metal, namely steel shoring panels, supports, props, spindles, struts, slide rails, chateau planks, sheet piles, supporting frames and stretching frames, formwork panels, pressure beams, posts, stabilisers, guide frames; boxes of metal for shoring trenches, metallic building components, rails of metal for building, link chains of metal, tanks of metal, bung covers; shoring apparatus of steel, in particular shoring panels, shuttering boards, threaded spindles; all the aforementioned goods not in relation to doors, windows, roller shutters, jalousies and their components.

7 – Machines and machine tools for treatment of materials and production; motors, other than for land vehicles; machine coupling and transmission components (except for land vehicles); construction machinery for sewer construction and structural engineering, in particular for large-scale steel construction; mechanical equipment, for use in the following fields, civil engineering, earthworks, onstruction works, oil and gas extraction, mining extraction, especially, vibrators and other machines for driving, drawing and compacting, drive units for construction machines, connection forks, tensioners, safety grippers and earth augers; parts and accessories for all the aforesaid goods, included in this class; all the aforementioned goods not in relation to doors, windows, roller shutters, jalousies and their components.

35 – Advertising; business management; business administration; office functions; retail services in relation to building materials, especially, trench shoring devices, namely of, shoring elements, formwork elements goods of metal, namely, transportable constructions of metal, boxes of metal for shoring trenches, components of metal, ironmongery and small items of metal hardware, pipes of metal and rails for building, link chains of metal, metal cables and wires (not for electrical purposes), containers of metal, bung covers; retail services in relation o building equipment and machines, in particular trench shoring devices, namely transportable constructions of metal.

37 – Construction; repair of construction machines and construction materials for civil engineering; installation in the context of fitting construction materials for civil engineering; installation in he context of fitting construction materials for flood protection; construction, especially, engineering (civil-), sewer construction, engineering (construction-), civil engineering construction, rental, in relation to the following goods: building apparatus, tools, especially, trench shoring devices; rental, in relation to the following goods: building equipment, building machines, especially, equipment, for use in the following fields:

trench shoring, engineering (civil-), for earthworks, building construction, oil and gas extraction, and mining extraction; underground civil engineering services, for arthworks, building construction, oil and gas extraction, and mining extraction; all the aforementioned services not in relation to doors, windows, roller shutters, jalousies and their components.

42 – Scientific and technological services and research and design relating thereto; industrial analysis and research services; computer software design; scientific and technological services, relating to the following sectors: underground construction, ground works, construction work, extraction of oil and gas, mining works; testing, authentication and quality control, relating to the following sectors: underground construction, ground works, construction work, extraction of oil and gas, mining works.

(260) AM 2023 120869 A

(800) 1702466

(151) 2022 11 09

(891) 2022 11 09

(731) HYUNDAI MOTOR COMPANY

12, Heolleung-ro, Seocho-gu, Seoul 06797,
Republic of Korea

(540)



(591) Blue

(531) 24.11.18; 26.01.02; 26.01.03; 26.01.18;
27.05.01; 27.05.09; 29.01.04

(511)

10 – Surgical robots; nanorobots for medical purposes; robotic exoskeleton suits for medical purposes; body rehabilitation apparatus for medical purposes; electroencephalographs; pulse measuring devices; apparatus for nerve location; artificial limbs; artificial joints; medical instruments; medical apparatus and instruments; artificial limbs, eyes and teeth; massaging apparatus for personal use; babies' bottles; sterilised clothing for surgical purposes; reusable protective clothing for medical purposes; gloves for medical purposes.

(260) AM 2023 120913 A

(800) 1703550

(151) 2022 09 16

(891) 2022 09 16

(731) Chanel S.A.R.L.

Quai du Général-Guisan 24, CH-1204 Genève,
Switzerland

(540)

CHANEL

(591) Black, white

(511)

10 – Surgical, medical, dental and veterinary apparatus and instruments; artificial limbs, eyes and teeth; orthopedic articles; suture materials; therapeutic and assistance devices designed for people with disabilities; massage apparatus; apparatus, devices and articles for child care; sexual activity apparatus, devices and articles; feeding teats for babies; feeding bottles; pacifier clips; babies' pacifiers [teats]; anesthetic masks; surgical masks; hygiene masks for medical use; masks for use by medical personnel; respiratory masks for artificial respiration; therapeutic masks to be worn on the face; elastic bandages; support bandages; slings [supporting bandages]; compression garments; cases fitted for use by doctors; clothing especially for operating rooms; crutches; dropper bottles for medical use; ear plugs; aesthetic massage apparatus; massage gloves; electric heating cushions [pads] for medical use; lice combs; love dolls [sex dolls]; condoms; sex toys; vibromassage apparatus; soporific pillows for insomnia; canes for medical use.

16 – Paper and cardboard; printed matter; bookbinding material; photographs; stationery and office requisites, excluding furniture; adhesives for stationery or household purposes; drawing material and material for artists; paintbrushes; instructional or teaching material; plastic sheets, films and bags for wrapping and packaging; printing type, printing blocks; adhesive tapes for stationery or household purposes; advertisement boards of paper or cardboard; albums; announcement cards [stationery]; aquarelles; Small bags [envelopes, pouches] of paper or plastic for packaging, bags [envelopes, pouches] of paper or plastic for packaging; banners of paper; bookends; booklets; bookmarks, page markers; books; packaging of paper or cardboard for bottles; boxes made of cardboard or paper; pennants (flags) of paper; calendars; cardboard; cards; catalogs; cigar bands, cigar rings; paper coasters for decanters; covers [stationery]; desk mats; document holders (stationery); drawer liners of paper, perfumed or not; drawing materials; embroidery patterns; engravings, engraved works of art; face towels of paper; figurines of papier mâché, statuettes of papier mâché; fliers, leaflets; garbage bags of paper or of plastics; graphic prints; greeting cards; handkerchiefs of paper; cardboard hat boxes; holders for checkbooks; labels of paper or cardboard; lithographic works of art; magazines [periodicals]; money clips; newsletters; notebooks; office requisites except furniture; packaging [padding] materials of paper or cardboard; framed or unframed pictures [paintings], framed or non-framed paintings [pictures]; paper bows other than haberdashery or for hair; paper knives [letter openers]; paper ribbons except for haberdashery or for the hair; paperweights; passport holders; photograph stands; photographs [printed]; pictures; place mats of paper; postcards; posters; printing products, prints, printed matter; protective covers for books; patterns for dressmaking; signboards of paper or card-

board; stamps [seals]; seals [stamps]; stationery; stickers [stationery]; table linen of paper; instruction materials except apparatus, teaching materials except apparatus; tissues of paper for removing make-up; toilet paper; hand towels of paper; transfers (decalcomanias); wrapping paper; writing or drawing books; writing paper; inkstands; writing instruments; writing materials.

20 – Furniture, mirrors, picture frames; transport or storage containers not of metal; bag hangers not of metal; benches [furniture]; barrels not of metal; boxes of wood or plastic materials; bottle stoppers; knobs, not of metal; desks; sideboards; costume stands; picture frames; couches; not encoded and non-magnetic plastic key cards; chairs [seats]; coffins; easy chairs; chests not of metal; tables; baskets not of metal; cushions; hangers for clothing; armchairs; non-electric fans for personal use; hairdressers' chairs; covers for clothing [wardrobe]; garment covers [storage]; beds; mannequins; pillows; inflatable publicity objects; screens [furniture]; table tops; hat stands; coat stands; umbrella stands; magazine racks; towel stands [furniture]; display stands; display units for jewelry; stools; barrels not of metal; valet stands; pet cushions; beds for household pets; bedding except linen; deck chairs; indoor blinds [furniture]; mobiles [decoration]; signboards of wood or plastic; non-metallic trays; art objects of wood, wax, plaster or plastic.

21 – Household or kitchen utensils and containers; cooking utensils and tableware, with the exception of forks, knives and spoons; combs and sponges; brushes, except paintbrushes; brush-making materials; cleaning material; unworked or semi-worked glass, except building glass; glassware, porcelain and earthenware; abrasive pads for kitchen purposes; perfume burners; perfume vaporizers, perfume sprayers; aromatic oil diffusers other than stick diffusers; aquarium hoods; electric devices for attracting and killing insects; non-electric autoclaves, non-electric pressure cookers, non-electric autoclave cookers; portable baby baths; pastry baking mats; basins [receptacles]; baskets for domestic use; spoons for basting meat [cooking utensils]; kitchen brushes; non-electric beaters; beer mugs; bird baths; aviaries [bird cages], bird cages; non-electric blenders for household use; boot jacks; bottle openers, electric and non-electric; bottles; bowls, basins, tins, jars; boxes for dispensing paper towels; boxes of glass; bread baskets; bread boards; bread bins; brooms; brushes for cleaning tanks and containers; buckets, pails, tubs; buckets made of woven fabrics; bulb basters; statuettes of porcelain, ceramic, earthenware or glass; butter dishes; butter-dish covers; button hooks; cabarets [serving trays]; cages for pets; cake molds; candlesticks, candle holders, candelabra [candlesticks]; candle rings; candle extinguishers; candle jars [holders]; candy boxes; gloves for washing cars; carpet beaters [hand instruments]; carpet sweepers; cauldrons; ceramic products

for household purposes; chamber pots, night chamber pots; chamois leather for cleaning, chamois leathers for cleaning; cheese-dish covers; chopsticks; cinder sifters [household utensils]; hand-operated cleaning instruments; cleaning tow; closures for pot lids; cloth for washing floors; clothes pegs; clothing stretchers; coasters, not of paper and other than table linen; shakers; cocktail stirrers; manual coffee grinders; coffee services; non-electric coffee filters; non-electric coffee percolators; non-electric coffeepots; comb cases; confectioners' decorating bags; containers for household or kitchen use; cookery molds; cookie cutters [kitchenware]; cookie jars; cooking pot sets; cooking skewers, of metal; cooking pots; non-electric cooking utensils; corkscrews, electric and non-electric; cotton waste for cleaning; cruet sets for oil and vinegar; cruets; crumb trays; non-electric kitchen grinders; crystal [glassware]; cups; cups of paper or plastic; currycombs, currycombs for cattle; cutting boards for the kitchen; decanters; non-electric deep fryers; demi-johns, carboys; dish covers; dishes; disposable table plates; drinking troughs; drinking vessels; drinking horns; drinking bottles; drinking glasses; dripping pans; drying racks for laundry; trash cans; non-electric dusting apparatus; dusting cloths [rags]; earthenware; earthenware saucepans; egg cups; enameled glass; epergnes (table centerpieces); feather dusters; feeding troughs; fiberglass other than for insulation or textile use; fiberglass thread, not for textile use; flasks; flat iron stands, flat iron soleplates; flower pots; flowerpot cover not of paper; fly swatters; fly traps; non-electric steamers; fruit cups; non-electric fruit presses for household use; frying pans; funnels; furniture dusters; fused silica [semi-worked product], other than for building; gardening gloves; garlic presses [kitchen utensils]; glass vials [containers]; glass flasks [containers]; glass jars [carboys]; glass stoppers; glass balls; unworked or semi-worked glass, except building glass; glass wool other than for insulation; glass incorporating fine electrical conductors; glass for vehicle windows [semi-finished product]; glasses [receptacles]; glove stretchers; household gloves; glue-pots; kitchen graters; grill supports; grills [cooking utensils]; heat-insulated containers for beverages; heat-insulated containers; non-electric feeding bottle warmers; pocket flasks; holders for plants [flower arranging], holders for flowers [flower arranging]; non-electrically heated hot pots; ice molds; ice buckets, coolers; indoor terrariums [plant cultivation]; indoor aquariums; indoor terrariums [vivariums]; insect traps; insulating flasks; ironing board covers; ironing boards; isothermal bags; jugs, pitchers, small jugs; non-electric kettles; non-electric kitchen mills; kitchen containers; kitchen utensils; knife rests for the table; lazy susans [kitchenware]; liqueur sets; litter boxes for animals, litter trays; lunch boxes; mangers for animals; menu card holders; mess-tins; hand-operated mills for household use; mixing spoons [kitchen utensils]; mop wringers; mops; mosaics of glass, not

for building; molds [kitchen utensils]; mouse traps; mugs; napkin rings; towel holders; nest eggs, artificial; noodle-making apparatus [hand implements]; nozzles for sprinkler hoses; nozzles for watering cans; opal glass; opaline glass; oven mitts, barbecue mitts; painted glass; paper plates; pastry cutters [baker's knives]; manual pepper mills; pepper pots; fitted picnic baskets, including dishes; pie servers; coin banks (piggy banks); wine tasters [pipettes], pipettes [wine-tasters]; plate glass [raw material]; plates to prevent milk boiling over; plungers for clearing blocked drains; polishing leather; non-electric polishing apparatus and machines for household use; polishing materials [for making shiny] excluding preparations, paper and stone; polishing gloves; portable non-electric refrigerating containers; pot lids; pot holders (oven gloves); pots; pottery; powdered glass for decoration; cloths [rags] for cleaning, cloths for cleaning; rat traps; refrigerating bottles; make-up removing apparatus; rolling pins; salad bowls; salt cellars; saucepan scourers of metal; saucers; scoops [tableware]; scouring pads; services [dishes]; shoe trees [stretchers]; shoe horns; signboards of porcelain or glass; siphon bottles for carbonated water; smoke absorbers for household use; soup bowls; spatulas [kitchen utensils]; spice sets; spouts; sprinklers; statuettes of porcelain, ceramic, earthenware or glass; steel wool for cleaning; stew-pans; colanders; drinking straws; sugar bowls; syringes for watering flowers and plants; table plates; tableware; tankards; tar-brushes; tea caddies; tea services; tea infusers; tea filters and strainers; tea cosies; teapots; thermally insulated containers for food; tie presses; toilet paper dispensers; toilet paper holders; towel rails and rings; trays for household use; trivets [table utensils]; trouser presses; urns; vases; vegetable dishes; vessels of metal for making ices and iced drinks; non-electric waffle irons; washing boards; washtubs; waste paper baskets; watering implements; watering cans; apparatus for wax-polishing [non-electric]; wax-polishing appliances, non-electric, for shoes; non-electric whisks for household use; window-boxes; wool waste for cleaning; art objects of porcelain, ceramic, earthenware or glass; cosmetic utensils; spatulas for cosmetic use; deodorizing apparatus for personal use; eyebrow brushes; perfume burners; perfume vaporizers, perfume sprayers; dental floss; dental water jets; toothpick holders; toothpicks; toilet sponges; toilet utensils; shaving brushes, beard shaving brushes; shaving brush holders; powder puffs; powder compacts; soap boxes; soap dispensers; soap holders; make-up sponges; toilet cases.

37 – Installation services; repair services; laundry, pressing, ironing services; washing, servicing, repair, renovation, cleaning services, all the aforesaid services concerning spectacles, sunglasses, jewels, articles of fine jewelry, timepieces, textile articles, clothing, hats and shoes, leather items, including bags and leatherware, and components thereof made of all materials; providing information with respect to laundry,

washing, servicing and repair of all goods made, fully or partly, of leather, fabric, textile, metal, resin, ceramic, plastic, paste jewelry, enamel.

40 – Treatment of materials; recycling of trash and waste; printing services; material treatment services, namely, for leather, metal, textile, plastic, ceramic, resin and enamel; sizing; applying finishing products; bleaching; waterproofing; quilting; dyeing services; dressmaking; embroidery services; staining of leather; cutting of leather; soaking of leather; graining of leather; tanning of leather, skin dressing; textile cutting; cloth and fabric cutting; cloth edging; tailoring services; fabric bleaching; wool treatment; pattern printing; pattern printing; silkscreen printing; retouching services; services for processing spectacles, sunglasses, jewels, articles of fine jewelry, timepieces, textile articles, clothing, hats and shoes, leather goods, including bags and leatherware, and components thereof of all materials; information, advice and assistance with respect to treating materials; custom assembly of materials for third parties; recycling and reclamation of materials and waste; recycling of spectacles, sunglasses, jewels, articles of fine jewelry, timepieces, textile articles, clothing, hats and shoes, leather goods, including bags and leatherware, and components thereof of all materials; 3D printing of spectacles, sunglasses, jewels, articles of fine jewelry, timepieces, textile articles, clothing, hats and shoes, leather goods, including bags and leatherware, and components thereof of all materials, particularly made of metal, resin, plastic, ceramic, paste jewelry and enamel on demand and according to the specifications of an internal or external customer.

44 – Hygienic and beauty care for human beings or animals; aromatherapy services; make-up services; cosmetology services; skin care services; manicure services; massage services; beauty salon services; beauty salon and hairdressing salon services; barber services; health spa services; medical clinic services; plastic surgery; sauna services; tattooing services; piercing services; Turkish bath services; solarium services; floristry; flower arranging; opticians' services; animal grooming; advisory services with respect to beauty; providing information, advice and expertise in the field of perfumery, skin care, beauty and cosmetics; personalized skin care assessment services; personalized recommendation services with respect to perfumery; personalized recommendation services on the ingredients of skin care products and cosmetics; advice relating to health and beauty.

(260) AM 2023 120916 A

(800) 1703565

(151) 2022 08 09

(891) 2022 08 09

(731) Mahindra and Mahindra Limited
Gateway Building, Apollo Bunder,
Mumbai-400001, India

(540)

mahindra ^{Rise}

(591) Black, white

(531) 27.05.01; 27.05.09

(511)

9 – Scientific, research, navigation, surveying, photographic, cinematographic, audiovisual, optical, weighing, measuring, signalling, detecting, testing, inspecting, life-saving and teaching apparatus and instruments; apparatus and instruments for conducting, switching, transforming, accumulating, regulating or controlling the distribution or use of electricity; apparatus and instruments for recording, transmitting, reproducing or processing sound, images or data; recorded and downloadable media, computer software, blank digital or analogue recording and storage media; mechanisms for coin-operated apparatus; cash registers, calculating devices; computers and computer peripheral devices; diving suits, divers' masks, ear plugs for divers, nose clips for divers and swimmers, gloves for divers, breathing apparatus for underwater swimming; fire-extinguishing apparatus; computer programs, downloadable; computer programs, recorded; computer software applications, downloadable; computer software platforms, recorded or downloadable.

35 – Advertising; business management, organization and administration; office functions; updating and maintenance of data in computer databases; advisory services for business management; providing business information; bringing together, for the benefit of others, of a variety of goods, excluding the transport thereof, enabling customers to conveniently view and purchase those goods.

42 – Scientific and technological services and research and design relating thereto; industrial analysis, industrial research and industrial design services; quality control and authentication services; design and development of computer hardware and software; computer programming; computer software design; maintenance of computer software; software as a service [saas]; platform as a service [paas].

(260) AM 2023 120991 A

(800) 1704407

(151) 2022 04 28

(891) 2022 04 28

(731) TIKTOK INFORMATION TECHNOLOGIES
UK LIMITED
6TH FLOOR, ONE LONDON WALL,
LONDON EC2Y 5EB, United Kingdom

(540)



(591) Black, pantone colour 318C and pantone colour 2040C.(531) 24.17.10; 24.17.25; 26.13.25; 29.01.13

(511)

2 – Dye, printing ink; pigments; tattooing ink; paints; anti-rust preparations for preservation; raw natural resins; varnishes; colorants for foodstuffs and beverages; colorants; tattoo colorants; colorants for textiles and leather; gum resins; preservatives; powder paints; paint blocks; paint thinner; paint primers; watercolor paints; artists' paints; fabric paints; spray paint; car paints.

4 – Candles; dust removing preparations; perfumed candles; tallow candles; floating candles; church candles; scented candles; nightlights [candles]; wicks for candles; aromatherapy fragrance candles; christmas tree candles; candles in tins; dust suppressants; dust absorbing compositions; dust binding compositions; light oils; textile oils; engine oils; motor oils; industrial oils; lubricating oils.

5 – Medical nutrition food; sterilising preparations; depuratives; diapers for pets; contact lens solutions; sanitary preparations for personal hygiene; diapers for babies; incontinence diapers; diaper liners; disposable diapers; paper diapers; babies' swim diapers; adult diapers; disposable training pants [diapers]; deodorants, other than for human beings or for animals; medicated shampoos, soaps, lotions and dentifrices; dietary supplements; meal replacements and dietetic food and beverages adapted for medical or veterinary use; nutritional supplements; liquid nutritional supplements; dietetic and nutritional preparations; nutritional supplement energy bars; nutritional supplements for livestock feed; nutritional supplements for veterinary use; nutritional drink mix for use as a meal replacement; medicated diaper rash ointment; diaper changing mats, disposable, for babies; sanitary wear; sanitary towels; sanitary tampons; sanitary preparations and articles; sanitary preparations for medical use; sanitary preparations for veterinary use; multivitamin preparations; herbal supplements; prebiotic supplements; disinfectants for sanitary use; antiseptic preparations; medicated shampoos for pets; antibacterial soap; medicated and sanitising soaps and detergents; hand lotion (medicated); medicated hair lotions; skin care lotions (medicated); lotions for veterinary purposes; antibacterial gels; hand-sanitising preparations; sexual stimulant gels; lubricant gels for personal use; massage gels for medical purposes; air deodoriser gels; diet capsules; food for medically restricted diets.

7 – Industrial printing machines, industrial washing machines and industrial cleaning machines; hand-held tools, other than hand-operated; distribution machines, automatic; automatic vending machines; shoe polishers, electric; washing machines [laundry]; knitting machines; painting machines; sewing machines; photocomposing machines; gumball machines; labellers [machines]; gardening tools (electric); tools for machines; car washing machines; floor washing machines; domestic washing machines; refrigerated vending machines; dispensing machines [other than vending machines]; 3D printers; industrial robots; robotic lawnmowers; robotic cleaning machines.

12 – Cars; carts; bicycles; air pumps [vehicle accessories]; wheelchairs; repair outfits for inner tubes; autonomous cars; racing cars; robotic cars; car sun blinds; car seat covers; car seat harnesses; children's car seats; vehicle booster seats for children; car seat ties; car seat canopies; car theft alarms; car-top luggage carriers; head-rests for car seats; motorbikes; bicycle seats; tricycles; prams; harnesses for prams; aprons for prams; fitted footmuffs for prams; vehicle safety restraints for use with pram bodies; pushchairs; strollers; pushchair covers; fitted footmuffs for pushchairs; bags adapted for pushchairs; pushchairs for pets; fitted pushchair mosquito nets.

15 – Brass instruments; musical instruments; keyboard instruments; string instruments; woodwind instruments; percussion instruments; wind instruments; musical boxes; musical instrument cases; musical instrument stands; drums; electrical musical instruments; music synthesizers; musical instrument straps.

34 – Tobacco and cigarettes; matches; lighters for smokers; cigarette filters; electronic cigarettes; cigarette holders; cigarette cutters; cigarette papers; cigarette cases, boxes and pouches; cigarette tips; menthol cigarettes; liquids for electronic cigarettes; personal vaporisers and electronic cigarettes, and flavourings and solutions therefor; cigars; cigarillos; cigarette lighters; lighter flints; wicks for lighters; matches; match boxes and holders of precious metal.

40 – Food processing services; custom assembling of materials for others; pottery firing; custom tailoring; processing of cinematographic films; framing of works of art; paper finishing; metal treating; printing, and photographic and cinematographic development; cloth treating; treating of textiles; paper treating; photo finishing; print finishing services; film developing.

44 – Medical clinic services; nutrition consultation; animal grooming; gardening; opticians' services; rental of sanitation facilities; beauty salon services; dental clinic services; homeopathic clinical services; cosmetic and plastic surgery clinic services; medical treatment services; medical clinic day care services for sick children; nutrition counselling; veterinary services; landscape gardening services; garden maintenance; advisory services relating to the design of gardens;

beauty treatment; beauty consultancy; beauty spa services; hygienic and beauty care; facial beauty treatment services; pet beauty salon services; hairdressing services; nail salon services; health counselling; beauty counselling; dietetic counselling services [medical]; lifestyle counselling and consultancy for medical purposes; psychological counselling; herbalism; massage services.

(260) AM 2023 120992 A

(800) 1704435

(151) 2022 11 16

(891) 2022 11 16

(731) HYUNDAI MOTOR COMPANY

12, Heolleung-ro, Seocho-gu, Seoul 06797,
Republic of Korea

(540)



(591) Blue, white

(531) 24.11.25; 26.01.02; 26.01.03; 26.01.18;

27.05.01; 27.05.09; 29.01.04

(511)

37 – Installation/maintenance/repair of compressed natural gas charger; garage services for the maintenance and repair of motor vehicles; automobile battery replacement services; vehicle battery charging; vehicle repair services; maintenance, servicing and repair of vehicles; electric motor vehicle maintenance and repair; hydrogen gas refuelling service for vehicles; vehicle service stations [refuelling and maintenance]; repair and maintenance of automobiles and parts thereof; providing information relating to the repair or maintenance of automobiles; motor vehicle maintenance and repair; automobile internals repair; repair and maintenance of vehicles; inspection of automobiles and parts thereof prior to maintenance and repair; natural gas refuelling service for motor vehicles; tires maintenance and repair; recharging services for electric vehicles; repair and maintenance of engines for motor vehicles; repair of braking devices; installation, maintenance and repair of batteries and accumulators; recharging of batteries and accumulators; installation of automotive remote start systems; automobile cleaning and car washing; disinfecting for vehicles; custom installation of exterior, interior and mechanical parts of vehicles [tuning]; tuning of motor vehicle.

(260) AM 2023 120993 A

(800) 1704472

(151) 2022 07 07

(891) 2022 07 07

(731) ASPİLSAN ENERJİ SANAYİ VE TİCARET

ANONİM ŞİRKETİ

MİMARŞİNAN OSB MAH., 1 CAD. 43

Melikgazi, Kayseri, Türkiye

(540)



(591) Blue, white

(531) 27.05.10; 27.05.14; 27.05.22; 29.01.04

(511)

9 – Devices for recording, transferring or reproducing sound and image: cameras, cameras, televisions, videos, CD-DVD recording and player devices, MP3 players, computers, desktop-tablet computers, wearable technological devices, namely, smartwatches, smart wristbands and head-mounted cameras, microphones, speakers, headphones; communication and duplication devices and computer peripheral equipment: mobile phones and their cases, fixed telephones, telephone exchanges, computer printers, scanners, copiers; antennas, satellite dishes, amplifiers and parts thereof; elements used in the electronics of machines and devices: semiconductors, electronic circuits, integrated circuit chips, diodes, transistors, magnetic heads, deflectors; electronic locks, photocells, sensors (sensors); protective clothing, protection and life-saving equipment; electrical energy transmission, conversion, storage control devices and tools: plugs, junction boxes, switches, breakers, fuses, ballasts, starters, electrical panels, resistors, sockets, transformers, adapters, chargers, cables used in electricity, electronics, batteries, accumulators, solar panels for electricity generation; signaling apparatus and instruments; radars, submarine radars (sonars), night vision devices; metronomes; measuring instruments, including those for science, nautical, topography, meteorology, industrial and laboratory use: non-medical thermometers, barometers, ammeters, voltmeters, humidity meters, telescopes, periscopes, compasses; automatic indicators of low pressure in vehicle tyres; laboratory equipment, namely microscopes, magnifiers, binoculars; magnetic and optical record carriers and computer programs and software recorded on them; electronic publications that can be downloaded via computer networks and recorded on magnetic and optical media; encoded magnetic cards, optical cards, and card readers, motion pictures, serials and video music clips recorded on magnetic, optical and electronic media; cash machines; counters and timers that measure the amount of consumption per unit time; eyeglasses, sunglasses, lenses and their cases, cases, parts and accessories; alarms and warning equipment; anti-theft alarms other than for vehicles, electric bells; fire-fighting appliances and devices, including fire-fighting hoses and fire-fighting valves; decorative magnets.

(260) AM 2023 120994 A

(800) 1704519

(151) 2022 10 06

(891) 2022 10 06

(731) MIP Pharma Holding GmbH

Kirkeler Straße 41, 66440 Blieskastel, Germany

(540)



(591) Light blue, dark blue and white

(531) 26.03.02; 26.03.11; 26.03.24; 26.04.02; 26.04.05; 26.04.18; 26.07.15; 27.05.17; 29.01.12

(511)

5 – Pharmaceutical products.

35 – Advertising; business assistance, management and administrative services.

(260) AM 2023 120995 A

(800) 1704524

(151) 2022 10 24

(891) 2022 10 24

(731) ENERGY DOME S.p.A.

VIALE ABRUZZI 94, I-20131 MILANO (MI), Italy

(540)

CO2 BATTERY

(591) Black, white

(511)

7 – Current generators; electrical generator stations.

9 – Apparatus and instruments for accumulating and storage of electricity; electricity storage apparatus.

11 – Industrial treatment installations; installations for the collection of gases.

37 – Power infrastructure construction; maintenance of power generating apparatus and installations; maintenance and repair of energy storage installations; installation of plant of energy storage.

39 – Storage of energy and fuels; storage and distribution of electricity; electricity supply and distribution resulting from the operation of energy storage facilities.

(260) AM 2023 120996 A

(800) 1704547

(151) 2022 11 09

(891) 2022 11 09

(731) HYUNDAI MOTOR COMPANY

12, Heolleung-ro, Seocho-gu, Seoul 06797, Republic of Korea

(540)



(591) Blue

(531) 24.11.18; 26.01.02; 26.01.03; 26.01.08;
27.05.01; 27.05.09; 29.01.04

(511)

10 – Surgical robots; nanorobots for medical purposes; robotic exoskeleton suits for medical purposes; body rehabilitation apparatus for medical purposes; electroencephalographs; pulse measuring devices; apparatus for nerve location; artificial limbs; artificial joints; medical instruments; medical apparatus and instruments; artificial limbs, eyes and teeth; massaging apparatus for personal use; babies' bottles; sterilised clothing for surgical purposes; reusable protective clothing for medical purposes; gloves for medical purposes.

(260) AM 2023 120997 A

(800) 1704702

(151) 2022 11 11

(891) 2022 11 11

(731) JOINT STOCK COMPANY "FATS AND OIL INTEGRATED WORKS"
UL. TITOVA 27, EKATERINBURG,
RU-620085 SVERDLOVSKAYA OBLAST,
Russian Federation

(540)

NUTRILACTPRO

(591) Black, white

(511)

5 – Dietary supplements for animals, including protected fat-based dietary supplements for animals, milk substitutes-based dietary supplements for animals; protein supplements for animals.

31 – Foodstuffs and beverages for animals.

(260) AM 2023 120998 A

(800) 1704703

(151) 2022 11 11

(891) 2022 11 11

(731) JOINT STOCK COMPANY "FATS AND OIL INTEGRATED WORKS"
UL. TITOVA 27, EKATERINBURG,
RU-620085 SVERDLOVSKAYA OBLAST,
Russian Federation

(540)

НУТРИЛАКТИПРО

(591) Black, white

(531) 28.05

(511)

5 – Dietary supplements for animals, including protected fat-based dietary supplements for animals, milk substitutes-based dietary supplements for animals; protein supplements for animals.

31 – Foodstuffs and beverages for animals.

(260) AM 2023 120999 A

(800) 1704778

(151) 2022 12 01

(891) 2022 12 01

(731) Incyte Holdings Corporation
1801 Augustine Cut-Off, Wilmington
DE 19803, USA

(540)

ITAVTO

(591) Black, white

(511)

5 – Pharmaceutical preparations for the treatment of cancer; pharmaceutical preparations for the treatment of immunological disorders; pharmaceutical preparations for the treatment of hematological disorders; pharmaceutical preparations for the treatment of hypophosphatemia disorders; pharmaceutical preparations for the treatment of myeloproliferative disorders; pharmaceutical preparations for the treatment of skeletal or chondrocyte disorders; pharmaceutical preparations for the treatment of dermatological disorders; pharmaceutical preparations for the treatment of graft versus host disorders.

44 – Providing healthcare information to physicians, patients and caregivers relating to diagnosis and treatment of medical diseases and disorders.

(260) AM 2023 121001 A

(800) 1704818

(151) 2022 09 27

(891) 2022 09 27

(731) FICOSOTA OOD

Madara Blvd. 48, BG-9700 Shumen, Bulgaria

(540)



(591) Dark blue and gold

(531) 24.09.03; 24.09.05; 24.09.07; 27.05.01;
27.05.03; 27.05.07; 27.05.09; 27.05.10;
29.01.12

(511)

5 – Baby's nappies of paper and cellulose (disposable); baby's napkins of paper and cellulose (disposable).

16 – Bathroom tissue; handkerchiefs of paper; napkins of paper (table); disposable paper for household purposes; toilet paper.

(260) AM 2023 121002 A

(800) 1704826

(151) 2022 11 04

(891) 2022 11 04

(731) Richter Gedeon Nyrt.
Gyömrői út 19-21., H-1103 Budapest, Hungary
(540)

BEDANNER

(591) Black, white
(511)
5 – Pharmaceutical preparations.

(260) AM 2023 121008 A
(800) 1705018
(151) 2022 09 07
(891) 2022 09 07
(731) SC IP Limited
13 Castle Street, St Helier, Jersey, JE2 3BT,
Jersey
(540)

FASTOKEN

(591) Black, white
(511)
9 – Application software; application software relating to and for playing casino games, gambling and betting; betting terminals; calculators; random number generators; cards bearing magnetic data; computer and electronic games software; computer software for playing games; computer software for digital lotteries and casinos; computer software for gaming, gambling and betting; computer lottery games; computer lottery games downloadable from the Internet; computer software; computer software distributed via the Internet; computer software downloadable from the Internet; computer software and programs for use on computer networks including the Internet; computer software platforms for social networking; computer software to enable uploading, posting, showing, displaying, tagging, blogging, sharing or otherwise providing electronic media or information in the fields of virtual communities, electronic gaming, entertainment, and general interest via the Internet or other communications networks with third parties; computer software platforms for computer software programs running on, or in connection with, mobile devices; computer software for the provision and management of on-line games and competitions; computer software for use on computer networks, including the Internet for gaming, gambling and betting; computer software relating to and for playing casino games, gambling and betting; computer programs and application software for use on telephones and handheld mobile devices; computer programs relating to and for playing casino games, gambling and betting; data processing equipment and computers; devices for checking tickets, passes and lottery tickets; digital video discs; display equipment and installations for gaming and gambling; downloadable electronic publications; downloadable electronic publications featuring gaming, gambling and betting; electronic cards for use in connection with promotion schemes; electronic loyalty scheme cards; electronic

number generators for gaming and gambling; electronic number terminals for gaming and gambling; electronic publications; electronic publications and information provided on-line from databases or the Internet (downloadable); electronic publications provided by electronic mail; electronic publications featuring gaming, gambling and betting; electronic tags; electro pneumatic and electric machines for detecting winning symbols or winning numbers; entertainment software; equipment for apparatus for sorting and counting for gaming and gambling; games and competitions in downloadable electronic and computer form; games, gaming, and gambling related software; holographic images; indication panels, data and information transmission installations, monitors, control consoles and printers all for gaming and gambling; information recorded on computer media; interactive software for gaming and gambling; interactive games, gaming and gambling software; Internet terminals and terminals for receiving and arranging sports betting; machines for issuing tickets, lottery tickets and forms; magnetic, optic and recording data- and sound carriers; magnetic, optical, electronic and smart cards (cards with integrated circuits); magnetically encoded cards; online games, gaming and gambling related software; operating terminals for acceptance of betting games; publications in electronic form supplied online from a computer database or the Internet; interactive computer software; software for use with games, entertainment, recreational, amusement, gaming and video game terminals, machines and apparatus; software for interactive scratch cards and scratch card games; software and software packages for the registration and operation of betting related to sports including e-sports; software and hardware for automatic gaming machines and gaming machines; software for processing bets including through the Internet; sound and video recordings; totalisators; virtual reality games software for gaming and gambling; voting machines; wagering systems; wagering terminals for gaming and gambling; computer software for use as a cryptocurrency wallet; computer software for cryptocurrency transfer and payment using distributed ledger technology; computer application software for smartphones, namely, software to allow users to transfer cryptocurrency based on distributed ledger technology and pay via 3rd party's application software; computer programs and computer software for electronically trading traditional currency and virtual currency; computer software, namely, electronic financial platform that accommodates payment and financial transactions; electronic data files featuring transferrable electronic cash equivalent units having a specified cash value; downloadable cryptographic keys for receiving and spending cryptocurrency; downloadable cryptographic keys for receiving and spending crypto assets; cryptography software; utility, security and cryptography software; downloadable computer software for managing cryptocurrency transactions using blockchain te-

chnology; downloadable computer software for blockchain technology; software for smart contracts; parts and fittings for all the aforesaid goods for gaming and gambling.

14 – Coins.

35 – Advertising; business management; business administration; office functions; auctioneering, including on the Internet; bookkeeping; classified advertising services; collating of data in computer databases; compilation of statistics; computerised file managing; demonstration of goods; distribution of samples; business services related to establishing and providing sales, brokerage and collection points for betting; loyalty card services; on-line advertising in computer networks; on-line advertising on a computer network; on-line data processing services; organisation of promotional incentive schemes; presentation of goods on communication media, for retail purposes; production of radio, television and cinema advertisements; retail services in relation to games, apparatus and devices for betting, games, gaming, gambling and wagering; retail services in relation to software and software packages for the registration and operation of betting related to sports, magnetic, optic and recording data and sound carriers, data processing equipment and computers and CD-ROMs; sales promotion [for others]; retail services connected with the sale of printed publications; promoting the goods and services of others by arranging for sponsors to affiliate their goods and services; systematic ordering of data in computer databases; business organisation consultancy with regard to providing of betting; television advertising; vending machine rental services; wholesale services in relation to games, gaming and gambling equipment, games and books relating to gambling, and betting materials, devices and equipment; information concerning the services mentioned before; services mentioned before through or not through the Internet; layout design for advertising purposes; advisory and consultancy services in relation to the aforesaid.

36 – Analysis (financial -); banking; banking, especially for virtual currencies; brokerage; capital investments; check [cheque] verification; cash card services; clearing [financial]; cash management, namely, facilitating transfers of electronic cash equivalents; clearing-houses [financial]; computerised financial services; consultancy (financial -); credit bureaux; credit card services; credit cards (issuance of -); crowdfunding; crowdinvesting services; currency dealing; currency trading; currency trading and exchange services; currency exchange rate quotations; electronic funds transfer, namely, transmission of currency via computer terminals and electronic devices; electronic funds transfer, namely, transmission of virtual currency and digital currency via electronic communication networks; electronic transfer of funds; exchanging money; factoring; fiduciary; financial affairs; financial clearing; financial consultancy; financial evaluation

[insurance, banking, real estate]; financial exchange; financial exchange services, in particular by means of a virtual currency; financial information; financial management; financial services, namely, providing a virtual currency for use by members of an on-line community via a global computer network; financial sponsorship; financial transfers and transactions, and payment services; financing and funding services; fiscal assessments; foreign currency exchange services; fund investments; fundraising; funds transfer (electronic -); information services relating to finance, provided on-line from a computer database or the internet; financing services for companies; insurance underwriting; investment (capital -); issue of tokens of value; issuing of travellers' checks [cheques]; loans [financing]; management (financial -); monetary affairs; money (exchanging -); mortgage banking; mutual funds; on-line real-time currency trading; issuance of prepaid cards and tokens of value; provision of means of payment, in particular virtual means of payment; providing currency exchange services, in particular for virtual currency; savings banks; securities brokerage; stock exchange quotations; swaps of currency rates; tokens of value (issue of -); transfer (electronic funds -); travellers' checks [cheques] (issuing of -); deposits of valuables; valuation services; virtual currency exchange transaction services for transferable electronic cash equivalent units having a specified cash value; electronic transmission of currency via computer terminals and electronic devices; transmission of virtual currency and digital currency via electronic communication networks; financial exchange of crypto assets; electronic transfer of crypto assets; electronic funds transfer provided via blockchain technology; financial transactions via blockchain; issue and redemption of tokens of value; issue of tokens, coupons and vouchers of value.

38 – Providing multiple user access to information and news information over the Internet and other global networks; peer-to-peer currency exchange services, namely, electronic transmission of financial data via computer terminals and electronic devices; transmission of financial information by electronic communications networks; provision of access to Internet websites for the implementation of purchase, sale or exchange actions.

41 – Education (training); education in the fields of cryptocurrency, blockchain and online gambling; entertainment services; sporting and cultural activities; entertainment by or relating to games, competitions, quizzes and audience participation events; amusement arcades; amusement arcade gaming machine rental services; amusement parks; arranging and conducting of contests and competitions, including offline and online by way of a computer database or the Internet; arranging, organizing, providing, presenting, management and administration of a lottery, of competitions, games, quizzes, fun events and audience participation

events, and of gaming and gambling services; betting; betting, gaming, games, gambling, book-making, bingo, poker and casino services; betting and pools services; betting services for receiving, recording and conducting bets and paying out betting winnings; betting and bookmaking services provided by means of the internet; betting offices and sports betting terminals; betting shop services provided through retail betting shops; casino, gaming and gambling services; conducting lotteries; electronic betting, gambling and gaming services; entertainment; entertainment information for tourists; entertainment services in the nature of on-line gaming and gambling; entertainment services, namely, providing virtual environments in which users can interact through social games for recreational, leisure or entertainment purposes; electronic game, quiz and competition services provided by means of the Internet or on-line from a computer network or database; entertainment in the form of services providing an Internet platform for downloading software for electronic games, electronic games downloadable from the Internet, electronic action games downloadable from the Internet, electronic puzzles downloadable from the Internet, electronic board games downloadable from the Internet, electronic games of skill, electronic gambling games and electronic card games downloadable from the Internet, skill games, electronic games and software for fixed odds betting, electronic games and software for racing betting, instant lotteries, pools; entertainment and sporting services provided on-line from a computer database or the Internet; provision of sports betting offices (gambling); gambling, gaming, betting and wagering services; gambling services provided by means of the internet; horses (betting on-); information services relating to recreation; information relating to online computer games; interactive entertainment; interactive lottery, gambling, gaming, betting and pools services; internet lottery, gambling, gaming, betting and pools services; lottery services; gaming and gambling machine rental services; lottery, gambling, gaming, betting and pools services; on-line betting, gambling and gaming services; on-line spread betting, gaming, betting, gambling bookmaking and wagering services; organization, production, presentation and conducting of betting events and forums, competitions, contests, games and quizzes; organization, production and presentation of television and radio programs; organization, production and presentation of shows and live performances; organisation and operation of football pools, lotteries and betting; organisation and holding of contests and competitions, including on-line by way of a computer database or the Internet; organising of lotteries; organisation of television lotteries; organisation of on-line betting; organisation of television games and on-line games in the global computer network; prize draws; providing interactive multi-player computer games via the Internet and electronic communication networks; providing temporary use of

non-downloadable interactive, multiplayer and single player games; providing online computer and electronic games by means of a web-based system; providing a computer game that may be accessed network-wide by network users; provision of betting and gaming services by means of a computer based system; provision of non-downloadable internet games; providing games online, namely, interactive scratch cards and scratch card games by wireless, mobile phone, telephone, television, internet or by remote or network communication; providing online reviews of computer games, and providing of information relating to computer games; provision of information on-line via the Internet or from a computer network or database relating to entertainment, lottery, gaming, betting and gambling services; providing casino facilities (gambling); providing casino and gaming services by means of a website and a global computer network; providing on-line information about casinos, gambling and general news about the gaming industry; providing on-line computer games; providing information regarding on-line games; providing information on-line from a computer database or electronic network, including the Internet, relating to entertainment and sporting events; provision of information relating to sporting events; publishing of books; publication of texts, other than publicity texts; production of radio and television programmes; publication of electronic books or periodicals on-line; providing of on-line electronic publications, not downloadable; providing services in halls with games machines; provision of information on-line from a computer database or from the Internet in relation to casinos, gaming, gambling, general news about the gaming industry, bonus schemes related to betting and gaming, betting services, sporting events, amusement, casino, entertainment and betting consultation services; providing on-line information in the field of computer gaming entertainment; providing gaming house facilities; providing computerised, electronic and online databases in the field of sport and entertainment; providing information relating to sport and entertainment online from a computerised database on the Internet; provision of information about gambling and games; on-line gaming services; provision of on-line publications about gambling; rental of gaming and gambling machines and equipment; receiving and conducting of betting, in particular sports betting; running lotteries, exchange rate betting, pools, jackpot systems, tipping competitions and games, running online games, keeping gambling houses, keeping casinos; provision of gambling services in the field of racing, wagers and betting, games of chance, entertainment, bingo halls, casinos, contests, gaming, gambling, games of chance, electronic games, media games, tournaments for poker and other card games, action skill games and lotteries, including online via a computer database, telecommunications and the Internet; provision of gambling and betting services managed by a sports

bookmaker; gambling and betting services providing and operating computerized bingo; spread betting, gaming, betting, gambling, bookmaking and wagering services; television betting, gambling and gaming services; telephone betting, gambling and gaming services and offshore betting, gambling and gaming services; provision of the aforesaid services in electronic or computer form, via the television, radio or other means of broadcasting; provision of the aforesaid services on-line via the Internet or from a computer network or database; consultancy, information and advisory services relating to all the aforesaid services.

42 – Industrial analysis and research services; application service provider (ASP); computer services, namely, creating an online community for registered users to participate in competitions, showcase their skills, get feedback from their peers, form virtual communities, and engage in social networking; application service provider (ASP) featuring software to enable or facilitate the uploading, downloading, streaming, posting, displaying, blogging, linking, sharing or otherwise providing electronic media or information over communication networks; computer game design; creation, hosting, updating and maintaining Internet sites; design and development of software in the form of services relating to the development and creation of software for use in relation to electronic games downloadable from the Internet, electronic puzzles downloadable from the Internet, electronic board games downloadable from the Internet, electronic games of skill, electronic gambling games and electronic card games downloadable from the Internet, skill games, electronic games and software for fixed odds betting programs, electronic games and software for spread betting programs, electronic games and software for horse racing betting, electronic games and software for instant lotteries and pools; design and development services in relation to gaming and gambling machines, apparatus and accessories; design and development services in relation to interactive entertainment products; design of scratch cards and electronic scratch cards and scratch card games; design services relating to the production of computer games and interactive entertainment products; design services in relation to interactive games enabling users to buy, sell, and participate in auctions whilst participating in the game; design of graphics, visuals, virtual and interactive images, and of special effects for games, audiovisual, multimedia productions and for Internet gaming and gambling website pages; development of computer software applications solutions; providing temporary use of non-downloadable software for use in connection with interactive, multiplayer and single player games, gaming and gambling; providing a web hosting platform for use of non-downloadable software in connection with interactive, multiplayer and single player games, gaming and gambling for third parties; provision of quality assurance services in relation to equipment for gambling

in casinos; software as a service (SaaS) allowing the exchange of cryptocurrency; software as a service (SaaS) services featuring software for clearing, allocation, compliance, recordation and settlement of trading related to bitcoins and other cryptocurrencies; consultancy, information and advisory services relating to all the aforesaid services; scientific and technological services; technological research; scientific services and design relating thereto; technological services and design relating thereto; scientific research; software design and development; cryptomining; cryptocurrency mining; user authentication services using blockchain technology; blockchain as a service [BaaS]; certification of data via blockchain; data authentication via blockchain; data storage via blockchain.

(260) AM 2023 121024 A

(800) 1705373

(151) 2022 11 07

(891) 2022 11 07

(731) Obshchestvo s ogranichennoy otvetstvennostyu "Lazernyi Tsentr"

Piskarevsky pr-kt, 25, pom. 132, RU-195176
St. Petersburg, Russian Federation

(540)

LaserBarking

(591) Black, white

(511)

7 – Engraving machines; leather-working machines; glass-working machines; printing machines for use on sheet metal; cutting machines; cutters [machines]; industrial robots.

10 – Dental apparatus and instruments; microdermabrasion apparatus; artificial teeth; surgical implants comprised of artificial materials; lasers for medical purposes.

14 – Agates; diamonds; jewellery charms; brooches [jewellery]; pins [jewellery]; pearls [jewellery]; clasps for jewellery; badges of precious metal; gold, unwrought or beaten; works of art of precious metal; jewellery; ivory jewellery; jewellery of yellow amber; iridium; cabochons; precious stones; semi-precious stones; necklaces [jewellery]; rings [jewellery]; boxes of precious metal; precious metals, unwrought or semi-wrought; gold thread [jewellery]; threads of precious metal [jewellery]; silver thread [jewellery]; osmium; palladium; platinum [metal]; crucifixes as jewellery; rhodium; ruthenium; silver, unwrought or beaten; earrings; ingots of precious metals; alloys of precious metal; statues of precious metal; figurines of precious metal; paste jewellery; chains [jewellery]; spinel [precious stones].

40 – Engraving; metal tempering; providing information relating to material treatment; soldering; pattern printing; laser scribing.

42 – Engineering; installation of computer software; research and development of new products for others; scientific research; technological consultancy; quality control; updating of computer software; conducting technical project studies; computer software design; computer programming; technical writing; scientific laboratory services; surveying.

(260) AM 2023 121027 A

(800) 1255086

(151) 2015 01 16

(891) 2022 12 01

(731) Acumatica, Inc.

11235 SE 6th, Suite 140, Bellevue WA 98004,
USA

(540)

 **Acumatica**

(591) Black, white

(531) 01.15.15; 27.05.05

(511)

9 – Enterprise resource planning software.

42 – Software as a service (SAAS) services, namely, hosting software for use by others for use in enterprise resource planning.

(260) AM 2023 121033 A

(800) 1373937

(151) 2016 11 25

(891) 2022 10 04

(731) SEZER PLASTİK KALIP SANAYİ VE
TİCARET LİMİTED ŞİRKETİ

Akçaburgaz Mahallesi 3026, Sokak. No. 18,
Esenyurt/Istanbul, Türkiye

(540)

 **diverso**

(591) Black, red

(531) 27.05.01; 29.01.12

(511)

9 – Apparatus and instruments used for measurement for scientific purposes and used in laboratory, apparatus for recording, transmission or reproduction of sound and images including data processing apparatus, communication devices, computer software and hardware; computer memories, computer networks; magnetic and optical data media and exposed camera films; antennas, satellite dishes, satellite receivers, amplifiers and their parts; ticket dispensers, cash dispensers; electronic devices used in machines and devices, electronic semiconductors.

(260) AM 2023 121074 A

(800) 1705943

(151) 2022 11 22

(891) 2022 11 22

(731) UAB "NAUJASIS NEVĖŽIS"

Jiesios g. 2, Ilgakiemis, Kauno r., Lithuania

(540)



(591) Black, white

(531) 02.09.14; 04.05.01; 05.01.16; 05.07.02;

24.17.04; 25.01.19; 26.11.08; 27.01.12;

27.05.01; 27.05.10

(511)

30 – Cereal preparations; crisps made of cereals; confectionery.

(260) AM 2023 121075 A

(800) 1705967

(151) 2022 07 05

(891) 2022 07 05

(731) Tovarishchestvo s ogranichennoy

otvetstvennostyu "Torgovaya kompaniya
"PLYUS"

ulitsa Kabdolova, 16, korpus 1, ofis 301,
Auezovskiy rayon, 050062 gorod Almaty,
Kazakhstan

(540)

ЦЕНЫ ДЛЯ ЖИЗНИ

(591) Black, white

(531) 28.05

(511)

20 – Picture frame brackets; work benches; vice benches [furniture]; sideboards; bolsters; valet stands; coatstands; display stands; showcases [furniture]; signboards of wood or plastics; covers for clothing [wardrobe]; doors for furniture; divans; flower-stands [furniture]; mirrors [looking glasses]; hand-held mirrors [toilet mirrors]; bamboo, unworked or semi-worked; rattan; wickerwork; works of art of wood, wax, plaster or plastic; cabinet work; settees; index cabinets [furniture]; bed casters, not of metal; furniture casters, not of metal; bassinets; chests of drawers; console tables; containers, not of metal [storage, transport]; lecterns; armchairs; deck chairs; hospital beds; bedsteads of wood; beds; cots for babies; edgings of plastic for furniture; brackets, not of metal, for furniture; table tops; clothes hooks, not of metal; playpens for babies; mattresses; furniture; furniture of metal; inflatable furniture; office furniture; school furniture; legs for furniture; feet for furniture; bed bases; furniture partitions of wood; freestanding partitions [furniture]; headrests [furniture]; trestles [furniture]; magazine racks; book rests [furniture]; flower pot supports; reusable baby changing mats; pillows; cushions; air cushions, not for medical purposes; air pillows, not for medical purposes; racks [furniture]; library shelves; shelves

for file cabinets; furniture shelves; shelves for storage; wood ribbon; towel stands [furniture]; inflatable publicity objects; hat stands; counters [tables]; bedding, except linen; picture frames; door handles, not of metal; seats of metal; benches [furniture]; sofas; statues of wood, wax, plaster or plastic; figurines of wood, wax, plaster or plastic; silvered glass [mirrors]; shelving units; trolleys for computers [furniture]; dressing tables; washstands [furniture]; typing desks; drafting tables; massage tables; tables of metal; wall-mounted baby changing platforms; saw benches [furniture]; desks; tea trolleys; dinner wagons [furniture]; tables; chairs [seats]; high chairs for babies; placards of wood or plastics; stools; footstools; crates; trolleys [furniture]; decorations of plastic for foodstuffs; door fasteners, not of metal; door fittings, not of metal; bed fittings, not of metal; furniture fittings, not of metal; hinges, not of metal; screens [furniture]; filing cabinets; medicine cabinets; plate racks [furniture]; meat safes; bookcases; wardrobes; cupboards; screens for fireplaces [furniture]; labels of plastic; lockers [furniture]; chests for toys; tool chests, not of metal, empty; boxes of wood or plastic; bottle racks; slatted indoor blinds.

35 – Import-export agency services; commercial information agency services; advertising agency services; cost price analysis; rental of advertising space; business auditing; employment agency services; computerized file management; book-keeping; invoicing; demonstration of goods; transcription of communications [office functions]; opinion polling; market studies; providing business information; commercial information and advice for consumers in the choice of products and services; business investigations; business research; marketing research; personnel recruitment; business management and organization consultancy; business organization consultancy; consultancy regarding public relations communication strategies; personnel management consultancy; business management consultancy; professional business consultancy; consultancy regarding advertising communication strategies; layout services for advertising purposes; marketing; scriptwriting for advertising purposes; news clipping services; updating and maintenance of information in registries; updating and maintenance of data in computer databases; updating of advertising material; word processing; organization of exhibitions for commercial or advertising purposes; organization of trade fairs for commercial or advertising purposes; shop window dressing; development of advertising concepts; business appraisals; payroll preparation; sponsorship search; business management assistance; commercial or industrial management assistance; providing business information via a website; providing commercial and business contact information; web indexing for commercial or advertising purposes; presentation of goods on communication media, for retail purposes; sales promotion for others; production of telemarketing programmes; production of advertising

films; rental of advertising time on communication media; publicity material rental; rental of billboards [advertising boards]; rental of sales stands; publication of publicity texts; radio advertising; distribution of samples; dissemination of advertising matter; direct mail advertising; registration of written communications and data; editing of publicity texts; advertising; online advertising on a computer network; television advertising; document reproduction; compilation of statistics; compilation of information into computer databases; business inquiries; systemization of information into computer databases; advisory services for business management; negotiation of business contracts for others; negotiation and conclusion of commercial transactions for third parties; compiling indexes of information for commercial or advertising purposes; tax preparation; drawing up of statements of accounts; telemarketing services; psychological testing for the selection of personnel; outsourced administrative management for companies; business management for freelance service providers; business project management services for construction projects; commercial administration of the licensing of the goods and services of others; business management of reimbursement programmes for others; administration of consumer loyalty programs; administrative processing of purchase orders; public relations; appointment reminder services [office functions]; website traffic optimization; administrative services for the relocation of businesses; tax filing services; search engine optimization for sales promotion; appointment scheduling services [office functions]; price comparison services; pay per click advertising; secretarial services; procurement services for others [purchasing goods and services for other businesses]; outsourcing services [business assistance]; business efficiency expert services; commercial intermediation services; provision of an online marketplace for buyers and sellers of goods and services; bill-posting.

37 – Providing information relating to repairs; riveting; varnishing; re-tinning; upholstering; rustproofing; sanding; paper hanging; painting or repair of signs; painting services; carpentry services; upholstery repair; furniture restoration; warehouse construction and repair; kitchen equipment installation; office machines and equipment installation, maintenance and repair; furniture maintenance; leather care, cleaning and repair.

39 – Parking place rental; rental of warehouses; transport reservation; delivery of goods; providing traffic information; providing transportation information; storage information; transportation logistics; hauling; transporting furniture; ferry-boat transport; car transport; railway transport; transport brokerage; freight brokerage [forwarding (Am.)]; providing driving directions for travel purposes; stevedoring; wrapping of goods; chauffeur services; courier services [messages or merchandise]; transport; freight [shipping of go-

ods]; freighting; physical storage of electronically stored data or documents; storage of goods; storage; freight forwarding.

(260) AM 2023 121086 A

(800) 1706163

(151) 2022 10 27

(891) 2022 10 27

(731) Roche Diagnostics GmbH
Sandhofer Strasse 116, 68305 Mannheim,
Germany

(540)

VENTANA

(591) Black, white

(511)

35 – Business data collection and compilation of statistical and scientific information into computer databases in the field of medicine and healthcare; administration of businesses relating to promoting collaboration and the exchange of information and resources via a user community to achieve advances in the fields of medical diagnostics, clinical diagnostics, medical research, clinical research, life sciences, biology, molecular pathology, molecular diagnostics, laboratory medicine, biotechnology, forensics and genetics; compiling scientific and/or clinical data, in particular patient data; computer-based updating and maintenance of data in databases, all in the pharmaceutical and/or healthcare sector.

41 – Education; providing of training; medical courses; training and tuition in connection with medical and medical technology instruments, apparatus, equipment and methods; arranging of conferences in the field of medicine; providing educational materials and information in the field of health and medicine.

42 – Scientific and technological services and research and design relating thereto; industrial analysis, industrial research and industrial design services; quality control and authentication services; design and development of computer hardware and software; technical support services, namely remote monitoring and remote maintenance of laboratory apparatus and instruments in the field of pathology; application service provider (ASP) services namely hosting computer software for use in viewing, analyzing, managing, reporting and archiving of digital images for use in the field of pathology.

(260) AM 2023 121087 A

(800) 1706197

(151) 2022 11 03

(891) 2022 11 03

(731) FERRERO S.P.A.
PIAZZALE PIETRO FERRERO 1, I-12051
ALBA, CUNEO, Italy

(540)

NUTELLA – 60 YEARS OF SMILES

(591) Black, white

(511)

9 – Scientific, research, navigation, surveying, photographic, cinematographic, audiovisual, optical, weighing, measuring, signalling, detecting, testing, inspecting, life-saving and teaching apparatus and instruments; apparatus and instruments for conducting, switching, transforming, accumulating, regulating or controlling the distribution or use of electricity; apparatus and instruments for recording, transmitting, reproducing or processing sound, images or data; recorded or downloadable media, computer software, blank digital or analogue recording and storage media; mechanisms for coin-operated apparatus; cash registers, calculating devices; computers and computer peripheral devices; diving suits, divers' masks, ear plugs for divers, nose clips for divers and swimmers, gloves for divers, breathing apparatus for underwater swimming; fire extinguishers; downloadable software; downloadable podcasts.

30 – Pastries; confectionery; biscuits; chocolate; chocolate based products; chocolate spreads for use on bread; edible ices; ice cream; sorbets [ices].

41 – Teaching; providing of training; entertainment services; sporting and cultural activities; organization of educational, entertainment, sporting and cultural events; organization of competitions [education and/or entertainment]; organization and provision of games and competitions via the Internet; providing of entertainment services on the Internet; interactive entertainment services; entertainment services provided via a global communication network; providing of entertainment services in the nature of podcasts.

(260) AM 2023 121089 A

(800) 1706224

(151) 2022 11 09

(891) 2022 11 09

(731) KRKA, tovarna zdravil, d.d., Novo mesto
Šmarješka cesta 6, SI-8000 Novo mesto,
Slovenia

(540)

ТИГАЛАНТ

(591) Black, white

(531) 28.05

(511)

5 – Pharmaceutical products.

(260) AM 2023 121090 A

(800) 1706243

(151) 2022 10 06

(891) 2022 10 06

(731) Npublichnoye aktsionernoye obschestvo

"Natsionalnaya sputnikovaya kompaniya"

Moskovskiy pr-kt, d. 139, korp. 1, str. 1,

pom. 10-H, RU-196105 Saint-Petersburg,

Russian Federation

(540)

Tricolor

(591) Black, white

(511)

9 – Aerials; high-frequency apparatus; apparatus for transmission of sound; video recorders; camcorders; video telephones; video screens; sound reproduction apparatus; dictating machines; transmitters [telecommunication]; transmitters of electronic signals; remote control apparatus; tape recorders; sound recording equipment; audio- and video-receivers; computer cables; junction sleeves for electric cables; sheaths for electric cables; monitors [computer hardware]; transmitting sets [telecommunication]; radio receivers; radios; waveguides for high-power beam delivery; optical fibres [light conducting filaments]; acoustic couplers; connections for electric lines; electrical connections; electric cable connectors; television apparatus; remote controls for televisions; electro-dynamic apparatus for the remote control of signals.

35 – Import-export agencies; computerized file management; market research; data search in computer files for others; rental of advertising time on communication media; business intermediary services in the field of product sales.

38 – Cable television broadcasting; message sending; computer aided transmission of messages and images; rental of message sending apparatus; rental of equipment for telecommunications; radio broadcasting; communications by fibre optic networks; satellite transmission; television broadcasting; providing information about wireless communication; telecommunication routing and junction services; providing user access to global computer networks; providing telecommunications connections to a global computer network.

41 – Videotape editing; production of radio and television programmes; television entertainment; videotape film production, other than advertising films; production of motion pictures; rental of audio and sound recordings; rental of audio equipment; rental of videotapes; rental of motion pictures; rental of radio and television sets; radio entertainment; news reporters services; subtitling; digital imaging services [editing of images].

42 – Industrial design; conducting technical project studies; engineering; software installation; material testing; professional consultancy relating to computer

security; consultancy and advice in the field of architecture; technical advice relating to operation of computers; quality control; scientific research and development; design of new products; surveying.

(260) AM 2023 121091 A

(800) 1706269

(151) 2022 11 25

(891) 2022 11 25

(731) "Rafarma" Joint-stock company

Dorozhnaya str., 6A, Terbuny village,

RU-399540 Terbunsky district, Lipetsk region,

Russian Federation

(540)

Рокон

(591) Black, white

(531) 28.05

(511)

5 – Nutritional supplements; chemico-pharmaceutical preparations; drugs for medical purposes; pastilles for pharmaceutical purposes; pomades for medical purposes; vitamin preparations; pharmaceutical preparations; suppositories.

(260) AM 2023 121104 A

(800) 1706759

(151) 2022 11 18

(891) 2022 11 18

(731) Société des Produits Nestlé S.A.

CH-1800 Vevey, Switzerland

(540)

JUMBLE

(591) Black, white

(511)

30 – Cocoa; cocoa-based beverages; chocolate; chocolate products; chocolate pastes; chocolate-based spreads; chocolate-based beverages; confectionery; sugar confectionery; candy; sugar; chewing gum not for medical use; bakery products; bread; pastry; biscuits and cookies; cakes; cookies; wafers; caramels; ice cream; water ices; sherbets [ices]; frozen confectionery; iced cakes; frozen desserts; frozen yogurts; cereals; breakfast cereals; muesli and muesli-based preparations; corn flakes; cereal bars; ready-to-eat cereals; cereal preparations; cereal-based snacks; rice; pasta; noodles; food products based on rice, flour, oat meal or cereals, also in the form of cooked dishes; oatmeal; porridge; granola.

(260) AM 2023 121105 A

(800) 1706762

(151) 2022 10 03

(891) 2022 10 03

(731) Pate Play Ltd

Mladost Area, 159, Tsarigradsko Shose Blvd.,
9 fl., BG-1784 Sofia, Bulgaria

(540)

Pateplay 

(591) Black and yellow

(531) 03.07.06; 03.07.24; 09.07.05; 27.05.01;
29.01.12

(511)

9 – Telecommunications apparatus and instruments; multimedia apparatus and instruments; apparatus for the transmission of images; utility software; game software in the field of gambling recorded; computer gaming software; casino management software; computer operating system software; device drivers; electronic device software drivers that allow computer hardware and electronic devices to communicate with each other; computer software packages; computer operating system software; computer software, recorded; computer software (recorded) in the field of gambling; software drivers; virtual reality software; games software; games software; computer game software in the field of gambling; computer programs for network management; operating computer software for main frame computers; monitors [computer hardware]; monitors (computer hardware) in the field of gambling; computer hardware; computer hardware in the field of gambling; apparatus for recording images; monitors [computer programs]; games software; recorded computer game programs; apparatus for recording, transmission or reproduction of sound or images; communications servers [computer hardware]; electronic components for gambling machines; computer application software featuring games and gaming; computer software for the administration of on-line games and gaming; computer software for managing online gambling and gambling; computer hardware for games and gaming; computer hardware for gaming and gambling; hardware and software for games of chance, for slot machines, for games of chance on the Internet and via a telecommunications network; downloadable information relating to games and gaming; blank electronic chip cards; totalizators; gaming software that generates or displays wager outcomes of gaming machines; electronic labels and slips; electronic publications, downloadable; interfaces for computers; electronic betting devices; computer software and computer programs relating to or involving games, casino games, card games, gambling or betting; computer software and computer programs downloadable from the Internet; computer software and computer programs relating to games, card games, games of skill, poker, poker games, casino games, games of chance or betting and poker tournaments, competitions, contests, shows and events; computer software platforms for social networking in relation to games, card games, games of skill, poker, poker games, casino games, gambling and betting and poker tournaments,

competitions, contests, shows and events; computer application software relating to games, card games, games of skill, poker, poker games, casino games, gambling and betting and poker tournaments, competitions, contests, games, shows and events; video game programs relating to card games, games of skill, poker, poker games, casino games, gambling and betting and poker tournaments, competitions, contests, games, exhibitions and events; interactive video game programs relating to card games, games of skill, poker, poker games, casino games, gambling and betting and poker tournaments, competitions, contests, games, exhibitions and events; downloadable electronic game programs and social networking computer software platforms available for download from the Internet, e-mail or portable, mobile, desktop or tablet devices, relating to card games, games of skill, poker, poker games, casino games, gambling and betting and poker tournaments, competitions, contests, games, exhibitions and events; pre-recorded compact discs, dvds and discs relating to card games, games of skill, poker, poker games, casino games, gambling and betting and poker tournaments, competitions, contests, games, exhibitions and events; recordable electronic publications relating to card games, games of skill, poker, poker games, casino games, gambling and betting and poker tournaments, competitions, contests, games, exhibitions and events; electronic publications, downloadable, relating to games and gaming; electronic publications recorded on computer media; recorded and downloadable information related to gaming and gambling; computer game software for use with on-line interactive games; coin-operated mechanisms.

28 – Chips for gambling; slot machines [gaming machines]; LCD game machines; gaming machines for gambling; bill-operated gaming equipment; chips and dice [gaming equipment]; playing cards; playing card shuffling device; arcade games (electronic -) [coin or counter operated apparatus]; dice; electronic board games; lottery scratch cards; lottery tickets; bingo cards; backgammon games; scratch cards for playing lottery games; printed lottery tickets; bingo game playing equipment; table-top games and gambling devices; roulette tables; roulette chips; poker chips; mah-jong; arcade games; video game apparatus, arcade games, and amusement machines; coin-operated amusement machines; amusement machines, operated by inserting coins, notes and cards; slot machines [gaming machines]; electronic games in the field of gambling; parlour games; playing cards; slot machines [gaming machines]; coin-operated amusement machines; gaming equipment for casinos; gaming roulette wheels; casino games; slot machines and gambling machines; slot machines and or electronic coin machines with or without the possibility of winning; boxes for slot machines, and slot machines; electronic or electrotechnical amusement machines and apparatus, gaming machines, coin-operated entertainment machines; housings

for coin-operated gaming machines, gaming equipment, slot machines, gambling machines; electropneumatic and electric slot machines (gaming machines).

41 – Gambling services; gambling services; gaming services for entertainment purposes; casino, gaming and gambling services; training in the development of software systems; providing gaming house facilities; providing casino facilities [gambling]; gaming machine entertainment services; providing casino facilities [gambling]; amusement arcades; amusement arcade services; games equipment rental; games equipment rental; arcade game services; games equipment rental; leasing of casino games; editing or recording of sounds and images; sound recording and video entertainment services; hire of sound reproducing apparatus; providing gaming facilities for casinos; provision of gambling equipment; providing of casino and gaming facilities; on-line gambling services; casino, gaming and gambling services; provision of gaming facilities, gaming hall facilities, Internet casinos and online betting services; organization of lotteries; organization of lotteries; provision of games by means of a computer based system; online interactive entertainment; on-line casino services; online game services through mobile devices; providing online entertainment in the nature of game tournaments; providing on-line information in the field of computer gaming entertainment; sports betting services; online sports betting services.

(260) AM 2023 121108 A
(800) 850779
(151) 2005 04 18
(891) 2022 12 17
(731) Audio Design Lautsprecher Vertriebs GmbH
Am Breilingsweg 3, 76709 Kronau,
Germany
(540)

RENEGADE

(591) Black, white

(511)
9 – Electronic entertainment apparatus (included in this class); recording, transmitting and reproducing apparatus for sound and images, particularly amplifiers, loudspeakers and loudspeaker cabinets, high-fidelity systems for motor vehicles.

(260) AM 2023 121109 A
(800) 890472
(151) 2005 12 23
(891) 2022 11 24
(731) MOLteni & C. S.P.A.
Via Rossini, 50, I-20034 GIUSSANO (Milano),
Italy

(540)

Molteni & C

(591) Black, white

(531) 27.05.01

(511)

20 – Furniture of any kind and material; beds; armchairs and sofa; tables and small tables; chairs; wardrobes, and fittings for walking closets; mirrors; picture frames; goods (not included in other classes) of wood, cork, reed, cane, wicker, horn, bone, ivory, whalebone, shell, amber, mother-of-pearl, meerschaum and substitutes for all these materials and of plastics; pillows, cushions.

21 – Household and kitchen utensils and containers (not of precious metal or coated therewith); glassware, articles of porcelain, ceramic and majolica not included in other classes.

(260) AM 2023 121173 A

(800) 1707201

(151) 2022 11 15

(891) 2022 11 15

(731) Richter Gedeon Nyrt.

Gyömrői út 19-21, H-1103 Budapest, Hungary

(540)

ЛУРЕНСОДИН

(591) Black, white

(531) 28.05

(511)

5 – Pharmaceutical preparations.

(260) AM 2023 121174 A

(800) 1707202

(151) 2022 11 15

(891) 2022 11 15

(731) Richter Gedeon Nyrt.

Gyömrői út 19-21., H-1103 Budapest, Hungary

(540)

ДАЛДИНОМИН

(591) Black, white

(531) 28.05

(511)

5 – Pharmaceutical preparations.

(260) AM 2023 121175 A

(800) 1707203

(151) 2022 11 15

(891) 2022 11 15

(731) Richter Gedeon Nyrt.

Gyömrői út 19-21., H-1103 Budapest, Hungary

(540)

БЕДАННЕР

(591) Black, white
 (531) 28.05
 (511)
 5 – Pharmaceutical preparations.

(260) AM 2023 121176 A
 (800) 1707206
 (151) 2022 11 15
 (891) 2022 11 15
 (731) Richter Gedeon Nyrt.
 Gyömrői út 19-21., H-1103 Budapest, Hungary

(540)
СКЕНТАРОН

(591) Black, white
 (531) 28.05
 (511)
 5 – Pharmaceutical preparations.

(260) AM 2023 121177 A
 (800) 1707207
 (151) 2022 11 15
 (891) 2022 11 15
 (731) Richter Gedeon Nyrt.
 Gyömrői út 19-21., H-1103 Budapest, Hungary

(540)
МИПАТЕН

(591) Black, white
 (531) 28.05
 (511)
 5 – Pharmaceutical preparations.

(260) AM 2023 121178 A
 (800) 1707208
 (151) 2022 11 15
 (891) 2022 11 15
 (731) Richter Gedeon Nyrt.
 Gyömrői út 19-21., H-1103 Budapest, Hungary

(540)
СОППОТИКС

(591) Black, white
 (531) 28.05
 (511)
 5 – Pharmaceutical preparations.

(260) AM 2023 121181 A
 (800) 1707310
 (151) 2022 10 14
 (891) 2022 10 14
 (731) TWINSET S.p.A.
 Via Del Commercio 32, I-41012 Carpi
 (Modena), Italy

(540)



(591) Black, white
 (531) 26.11.02; 26.11.12; 27.05.01; 27.05.21
 (511)

18 – Leather purses; briefcases [leather goods]; travelling sets [leatherware]; shoulder belts [straps] of leather; briefcases; bags; handbags; rucksacks; trunks [luggage]; suitcases; key-cases of leather and skins; document cases of leather; leather wallets; pocket wallets; banknote holders; card wallets [leatherware]; portfolio cases [briefcases]; luggage; travel luggage; travelling trunks; umbrellas; parasols; golf umbrellas; clothing for pets.

25 – Skirts; trousers; denim jeans; shirts; blouses; jerseys [clothing]; sweaters; undershirts; snow suits; casual jackets; blousons; jackets [clothing]; raincoats; stockings; socks; hats; headgear; gloves [clothing]; cravats; bathing suits; scarf (clothing); belts (clothing); shoes; beach shoes; slippers; boots; gymnastic shoes; tennis shoes; underwear; sportswear.

(260) AM 2023 121186 A
 (800) 1707381
 (151) 2022 11 21
 (891) 2022 11 21
 (731) Obshchestvo s ogranichennoy otvetstvennostju "KDV Voronezh"
 Lesnaya str., Bld. 31, Derevnaya Bogdanovo,
 Ramonsky rajon, RU-396039 Voronezhskaya oblast, Russian Federation

(540)



(591) Black, brown and its shades, beige and its shades, orange and its shades
 (531) 01.15.15; 05.07.23; 08.01.19; 27.05.01;
 29.01.14

(511)
 30 – Fruit jellies [confectionery]; candy decorations for cakes; confectionery for decorating Christmas trees; peanut confectionery; almond confectionery; fruit confectionery; caramels [sweets]; sweets; liquorice [confectionery]; peppermint sweets; marzipan; nougat; chocolate.

(260) AM 2023 121190 A

(800) 1707531

(151) 2022 10 21

(891) 2022 10 21

(731) VISMEDERI HOLDING S.R.L.

UNIPERSONALE

VIA FRANCO FERRINI, 53 -, LOC.

TOGNAZZA – SAN MARTINO, I-53035

MONTERIGGIONI (SI), Italy

(540)



(591) Black, white

(531) 26.03.05; 26.03.23; 26.11.09

(511)

42 – Conducting clinical trials for pharmaceuticals; laboratory research; laboratory testing; biological laboratory services; chemical and biological laboratory services; laboratory research in the field of bacteriology; laboratory research in the field of pharmaceuticals; medical research; medical and pharmacological research services; medical research laboratory services; scientific research for medical purposes; scientific and medical research and development; design and development of medical technology; pharmaceutical research; research and development services relating to vaccines and medicines; research and development services relating to vaccines.

44 – Laboratory analysis services relating to the treatment of persons; medical laboratory services for the analysis of samples taken from patients; medical testing; medical consultations; medical screening; pharmaceutical consultancy.

(260) AM 2023 121191 A

(800) 1707532

(151) 2022 11 15

(891) 2022 11 15

(731) GÜNEYCE PAZARLAMA SANAYİ VE

TİCARET LİMİTED ŞİRKETİ

EMEK MH. 16.CD. NO:90/C, Çankaya

Ankara, Türkiye

(540)



(591) Green

(531) 24.15.21; 26.04.16; 26.04.18; 27.05.10; 29.01.03

(511)

3 – Bleaching and cleaning preparations, detergents other than for use in manufacturing operations and for medical purposes, laundry bleach, fabric softeners for laundry use, stain removers, dishwasher detergents; perfumery; non-medicated cosmetics; fragrances; deodorants for personal use and animals; soaps; dental care preparations: dentifrices, denture polishes, tooth whitening preparations, mouth washes, not for medical purposes; abrasive preparations; emery cloth; sandpaper; pumice stone; abrasive pastes; polishing preparations for leather, vinyl, metal and wood, polishes and creams for leather, vinyl, metal and wood, wax for polishing.

(260) AM 2023 121192 A

(800) 1707554

(151) 2022 11 07

(891) 2022 11 07

(731) Joint Stock Company "Cherkizovsky meat processing plant"

ul. Permskaya, d. 5, RU-107143 Moscow, Russian Federation

(540)

БОРОДИНСКАЯ

(591) Black, white

(531) 28.05

(511)

29 – Meat; semi-finished meat and poultry products; poultry, not live; meat, preserved; meat, tinned; charcuterie; broth concentrates; sausages; salted meats; pork; preparations for making bouillon; meat jellies; jellies for food; tripe; liver pâté; salted pork ham products; game, not live.

(260) AM 2023 121195 A

(800) 1707603

(151) 2022 10 27

(891) 2022 10 27

(731) Limited Liability Company "KONSTANTA TORG"

Schelkovskoe highway, 100, building 5, floor 9, 923, Severnoye Izmailovo municipal district, RU-105523 Moscow, Russian Federation

(540)



(591) Red and white

(531) 18.01.19; 24.17.25; 25.05.01; 26.04.07;
26.04.16; 26.04.24; 28.05; 29.01.13

(511)

3 – Abrasive cloth; abrasive paper; abrasives; adhesives for affixing false eyelashes; adhesives for affixing false hair; adhesives for cosmetic purposes; after-shave lotions; air fragrance reed diffusers; air fragrancing preparations; almond milk for cosmetic purposes; almond oil; almond soap; aloe vera preparations for cosmetic purposes; alum stones [astringents]; amber [perfume]; ammonia [volatile alkali] [detergent]; antiperspirant soap; antiperspirants [toiletries]; antistatic preparations for household purposes; aromatics [essential oils]; astringents for cosmetic purposes; badian essence; balms, other than for medical purposes; extracts of flowers [perfumes]; bath preparations, not for medical purposes; bath salts, not for medical purposes; beard dyes; beauty masks; bergamot oil; bleaching preparations [decolorants] for cosmetic purposes; bleaching preparations [decolorants] for household purposes; bleaching salts; bleaching soda; breath freshening preparations for personal hygiene; breath freshening sprays; breath freshening strips; cake flavorings [essential oils]; cakes of soap; canned pressurized air for cleaning and dusting purposes; carbides of metal [abrasives]; chemical cleaning preparations for household purposes; cleaning chalk; cleaning preparations; cleansers for intimate personal hygiene purposes, non medicated; cleansing milk for toilet purposes; cloths impregnated with a detergent for cleaning; cobblers' wax; collagen preparations for cosmetic purposes; color-brightening chemicals for household purposes [laundry]; color-removing preparations; colorants for toilet purposes; corundum [abrasive]; cosmetic creams; cosmetic dyes; cosmetic kits; cosmetic pencils; cosmetic preparations for baths; cosmetic preparations for eyelashes; cosmetic preparations for skin care; cosmetic preparations for slimming purposes; cosmetics; cosmetics for animals; cosmetics for children; cotton sticks for cosmetic purposes; cotton wool for cosmetic purposes; creams for leather; decorative transfers for cosmetic purposes; degreasers, other than for use in manufacturing processes; dental bleaching gels; dentifrices; denture polishes; deodorants for human beings or for animals; deodorants for pets; deodorant soap; depilatory preparations; depilatory wax; descaling preparations for household purposes; detergents, other than for use in manufacturing operations and for medical purposes; diamantine [abrasive]; douching preparations for personal sanitary or deodorant purposes [toiletries]; dry-cleaning preparations; drying agents for dishwashing machines; dry shampoos; eau de cologne; emery; emery cloth; emery paper; essential oils; essential oils of cedarwood; essential oils of citron; essential oils of lemon; ethereal essences; eye-washes, not for medical purposes; eyebrow cosmetics; eyebrow pencils; fabric softeners for laundry use; false eyelashes; false nails; flavorings for beve-

rages [essential oils]; floor wax; floor wax removers [scouring preparations]; food flavorings [essential oils]; fumigation preparations [perfumes]; gaultheria oil; geraniol; glass cloth [abrasive cloth]; greases for cosmetic purposes; grinding preparations; hair conditioners; hair dyes; hair lotions; hair spray; hair straightening preparations; hair waving preparations; heliotropine; henna [cosmetic dye]; herbal extracts for cosmetic purposes; hydrogen peroxide for cosmetic purposes; incense; ionone [perfumery]; jasmine oil; javelle water; joss sticks; lacquer-removing preparations; laundry bleach; laundry blueing; laundry glaze; laundry preparations; laundry soaking preparations; laundry starch; lavender oil; lavender water; leather bleaching preparations; lip glosses; lipstick cases; lipsticks; lotions for cosmetic purposes; make-up; make-up powder; make-up preparations; make-up removing preparations; mascara; massage candles for cosmetic purposes; massage gels, other than for medical purposes; mint essence [essential oil]; mint for perfumery; mouthwashes, not for medical purposes; musk [perfumery]; mustache wax; nail art stickers; nail care preparations; nail polish; nail polish removers; neutralizers for permanent waving; non-slipping liquids for floors; non-slipping wax for floors; oil of turpentine for degreasing; oils for cleaning purposes; oils for cosmetic purposes; oils for perfumes and scents; oils for toilet purposes; paint stripping preparations; pastes for razor strops; perfumery; perfumes; petroleum jelly for cosmetic purposes; phytocosmetic preparations; polish for furniture and flooring; polishing creams; polishing paper; polishing preparations; polishing rouge; polishing stones; polishing wax; pomades for cosmetic purposes; potpourris [fragrances]; preparations for cleaning dentures; preparations for unblocking drain pipes; preparations to make the leaves of plants shiny; preservatives for leather [polishes]; pumice stone; quillaia bark for washing; rose oil; rust removing preparations; sachets for perfuming linen; safrol; sandpaper; scented water; scented wood; scouring solutions; shampoos; shampoos for animals [non-medicated grooming preparations]; shampoos for pets [non-medicated grooming preparations]; shaving preparations; shaving soap; shaving stones [astringents]; shining preparations [polish]; shoe cream; shoemakers' wax; shoe polish; shoe wax; silicon carbide [abrasive]; skin whitening creams; smoothing preparations [starching]; smoothing stones; soap; soap for brightening textile; soap for foot perspiration; soda lye; stain removers; starch glaze for laundry purposes; sun-tanning preparations [cosmetics]; sunscreen preparations; tailors' wax; talcum powder, for toilet use; teeth whitening strips; terpenes [essential oils]; tissues impregnated with cosmetic lotions; tissues impregnated with make-up removing preparations; toiletry preparations; toilet water; toothpaste; tripoli stone for polishing; turpentine for degreasing; vaginal washes for personal sanitary or deodorant purposes; varnish-removing preparations; volcanic ash for cleaning; wallpaper clea-

ning preparations; washing soda, for cleaning; wax for parquet floors; whitening; windshield cleaning liquids.

4 – Additives, non-chemical, to motor fuel; alcohol [fuel]; anthracite; beeswax; beeswax for use in the manufacture of cosmetics; belting wax; benzene fuel; benzine; biomass fuel; bone oil for industrial purposes; candles; motor fuel; carnauba wax; castor oil for industrial purposes; ceresine; charcoal [fuel]; christmas tree candles; coal; coal briquettes; coal dust [fuel]; coal naphtha; coal tar oil; coke; combustible briquettes; cutting fluids; diesel oil; dust absorbing compositions; dust binding compositions for sweeping; dust laying compositions; dust removing preparations; electrical energy; ethanol [fuel]; firelighters; firewood; fish oil, not edible; fuel; fuel gas; fuel oil; fuel with an alcohol base; gas for lighting; grease for arms [weapons]; grease for belts; grease for footwear; grease for leather; greases for the preservation of leather; industrial grease; industrial oil; industrial wax; kerosene; lamp wicks; lanolin; lanolin for use in the manufacture of cosmetics; lighting fuel; lignite; ligroin; lubricants; lubricating graphite; lubricating grease; lubricating oil; mazut; methylated spirit; mineral fuel; moistening oil; motor oil; naphtha; nightlights [candles]; non-slipping preparations for belts; oil-gas; oils for lighting; oils for paints; oils for releasing form work [building]; oils for the preservation of leather; oils for the preservation of masonry; oleine; ozokerite; paper spills for lighting fires; paraffin; peat briquettes [fuel]; peat [fuel]; perfumed candles; petrol; petroleum, raw or refined; petroleum ether; petroleum jelly for industrial purposes; producer gas; rape oil for industrial purposes; solidified gases [fuel]; soya bean oil preparations for non-stick treatment of cooking utensils; stearine; sunflower oil for industrial purposes; tallow; textile oil; tinder; vaporized fuel mixtures; wax for lighting; wax for skis; wax [raw material]; wicks for candles; wood briquettes; wood spills for lighting fires; xylene fuel.

5 – Absorbent cotton; acai powder dietary supplements; acaricides; acetates for pharmaceutical purposes; acids for pharmaceutical purposes; acne treatment preparations; aconitine; adhesive plasters; adhesives for dentures; adhesive tapes for medical purposes; adjuvants for medical purposes; air deodorising preparations; air purifying preparations; albumin dietary supplements; albuminous foodstuffs for medical purposes; albuminous preparations for medical purposes; alcohol for pharmaceutical purposes; aldehydes for pharmaceutical purposes; algicides; alginic acid dietary supplements; alginates for pharmaceutical purposes; alkaline iodides for pharmaceutical purposes; alkalooids for medical purposes; alloys of precious metals for dental purposes; almond milk for pharmaceutical purposes; aloe vera preparations for pharmaceutical purposes; aluminium acetate for pharmaceutical purposes; amino acids for medical purposes; amino acids for veterinary purposes; anaesthetics; analgesics; an-

gostura bark for medical purposes; animal washes [insecticides]; anti-uric preparations; antibacterial hand-washes; antibacterial soap; antibiotics; anticryptogamic preparations; antioxidant pills; antiparasitic collars for animals; antiparasitic preparations; antiseptic cotton; antiseptics; appetite suppressant pills; appetite suppressants for medical purposes; aseptic cotton; asthmatic tea; astringents for medical purposes; babies' diaper-pants; babies' diapers; bacterial poisons; bacterial preparations for medical and veterinary use; bacteriological preparations for medical and veterinary use; balms for medical purposes; balsamic preparations for medical purposes; bandages for dressings; barks for pharmaceutical purposes; bath preparations for medical purposes; bath salts for medical purposes; bicarbonate of soda for pharmaceutical purposes; biocides; biological preparations for medical purposes; biological preparations for veterinary purposes; biological tissue cultures for medical purposes; biological tissue cultures for veterinary purposes; bismuth preparations for pharmaceutical purposes; bismuth subnitrate for pharmaceutical purposes; blood for medical purposes; blood plasma; bone cement for surgical and orthopedic purposes; breast-nursing pads; bromine for pharmaceutical purposes; bronchodilating preparations; bunion pads; by-products of the processing of cereals for dietetic or medical purposes; cachets for pharmaceutical purposes; cachou for pharmaceutical purposes; calomel [fungicide]; camphor for medical purposes; camphor oil for medical purposes; capsules for medicines; carbolineum [parasiticide]; casein dietary supplements; castor oil for medical purposes; cattle washes [insecticides]; caustic pencils; caustics for pharmaceutical purposes; cedar wood for use as an insect repellent; cellulose esters for pharmaceutical purposes; cellulose ethers for pharmaceutical purposes; cement for animal hooves; charcoal for pharmaceutical purposes; chemical conductors for electrocardiograph electrodes; chemical contraceptives; chemical preparations for medical purposes; chemical preparations for pharmaceutical purposes; chemical preparations for the diagnosis of pregnancy; chemical preparations for treating diseases affecting vine plants; chemical preparations for treating mildew; chemical preparations for treating phylloxera; chemical preparations for treating wheat blight; chemical preparations for veterinary purposes; chemical reagents for medical or veterinary purposes; chemico-pharmaceutical preparations; chewing gum for medical purposes; chilblain preparations; chinoline for medical purposes; chloroform; cocaine for medical purposes; cod liver oil; collagen for medical purposes; collodion for pharmaceutical purposes; collyrium; compresses; condurango bark for medical purposes; contact lens cleaning preparations; cooling sprays for medical purposes; corn remedies; corn rings for the feet; cotton for medical purposes; cotton sticks for medical purposes; cream of tartar for pharmaceutical purposes; creosote for pharmaceutical purposes; croton bark; cultures of

microorganisms for medical or veterinary use; curare; decoctions for pharmaceutical purposes; dental amalgams; dental amalgams of gold; dental cements; dental impression materials; dental lacquer; dental mastics; deodorants, other than for human beings or for animals; deodorants for clothing and textiles; depuratives; detergents for medical purposes; diabetic bread adapted for medical use; diagnostic biomarker reagents for medical purposes; diagnostic preparations for medical purposes; diagnostic preparations for veterinary purposes; diapers for incontinence; diapers for pets; diastase for medical purposes; dietary fiber; dietary supplements for animals; dietary supplements with a cosmetic effect; dietetic beverages adapted for medical purposes; dietetic foods adapted for medical purposes; dietetic substances adapted for medical use; digestives for pharmaceutical purposes; digitalin; dill oil for medical purposes; disinfectants; disinfectants for chemical toilets; disinfectants for hygiene purposes; disinfectant soap; dog washes [insecticides]; douching preparations for medical purposes; dressings, medical; drugs for medical purposes; elixirs [pharmaceutical preparations]; enzyme dietary supplements; enzyme preparations for medical purposes; enzyme preparations for veterinary purposes; enzymes for medical purposes; enzymes for veterinary purposes; ergot for pharmaceutical purposes; esters for pharmaceutical purposes; ethers for pharmaceutical purposes; eucalyptol for pharmaceutical purposes; eucalyptus for pharmaceutical purposes; extracts of hops for pharmaceutical purposes; eyepatches for medical purposes; febrifuges; fennel for medical purposes; ferments for pharmaceutical purposes; first-aid boxes, filled; fish meal for pharmaceutical purposes; flour for pharmaceutical purposes; flowers of sulfur for pharmaceutical purposes; fly catching paper; fly destroying preparations; fly glue; food for babies; formic aldehyde for pharmaceutical purposes; freeze-dried food adapted for medical purposes; freeze-dried meat adapted for medical purposes; frostbite salve for pharmaceutical purposes; fumigating sticks; fumigation preparations for medical purposes; fungicides; gallic acid for pharmaceutical purposes; gamboge for medical purposes; gases for medical purposes; gauze for dressings; gelatine for medical purposes; gentian for pharmaceutical purposes; germicides; glucose dietary supplements; glucose for medical purposes; glycerine for medical purposes; glycerophosphates; greases for medical purposes; greases for veterinary purposes; guaiacol for pharmaceutical purposes; gum for medical purposes; gurjun balsam for medical purposes; hematogen; hemoglobin; hemorrhoid preparations; hemostatic pencils; herbal extracts for medical purposes; herbal teas for medicinal purposes; herbicides; homogenized food adapted for medical purposes; hormones for medical purposes; hydrastine; hydrastinine; hydrated chloral for pharmaceutical purposes; hydrogen peroxide for medical purposes; immunostimulants; infant formula; insecticidal animal shampoos; insectici-

dal veterinary washes; insecticides; insect repellent incense; insect repellents; iodides for pharmaceutical purposes; iodine for pharmaceutical purposes; iodoform; irish moss for medical purposes; isotopes for medical purposes; jalap; jujube, medicated; lacteal flour for babies; lactose for pharmaceutical purposes; larvae exterminating preparations; laxatives; lead water; lecithin dietary supplements; lecithin for medical purposes; leeches for medical purposes; lice treatment preparations [pediculicides]; lime-based pharmaceutical preparations; liniments; linseed dietary supplements; linseed for pharmaceutical purposes; linseed meal for pharmaceutical purposes; linseed oil dietary supplements; lint for medical purposes; liquorice for pharmaceutical purposes; lotions for pharmaceutical purposes; lotions for veterinary purposes; lupulin for pharmaceutical purposes; magnesia for pharmaceutical purposes; malted milk beverages for medical purposes; malt for pharmaceutical purposes; mangrove bark for pharmaceutical purposes; massage candles for therapeutic purposes; bacteriological culture mediums; medical preparations for slimming purposes; medicated after-shave lotions; medicated animal feed; medicated candies; medicated dry shampoos; medicated eye-washes; medicated hair lotions; medicated shampoos; medicated shampoos for pets; medicated soap; medicated toiletry preparations; medicated toothpaste; medicinal alcohol; medicinal drinks; medicinal hair growth preparations; medicinal herbs; medicinal infusions; medicinal mud; medicinal oils; medicinal roots; medicinal tea; medicine cases, portable, filled; medicines for alleviating constipation; medicines for dental purposes; medicines for human purposes; medicines for veterinary purposes; melissa water for pharmaceutical purposes; menthol; mercurial ointments; milk ferments for pharmaceutical purposes; milking grease; mineral food supplements; mineral water salts; mineral waters for medical purposes; mint for pharmaceutical purposes; molding wax for dentists; moleskin for medical purposes; mothproofing paper; mothproofing preparations; mouthwashes for medical purposes; mud for baths; mustard for pharmaceutical purposes; mustard oil for medical purposes; mustard plasters; myrobalan bark for pharmaceutical purposes; narcotics; nervines; nicotine gum for use as an aid to stop smoking; nicotine patches for use as aids to stop smoking; nutraceutical preparations for therapeutic or medical purposes; nutritional supplements; nutritive substances for microorganisms; oil of turpentine for pharmaceutical purposes; ointments for pharmaceutical purposes; opiates; opium; opodeldoc; opotherapy preparations; oxygen baths; oxygen for medical purposes; pants, absorbent, for incontinence; panty liners [sanitary]; paper for mustard plasters; parasiticides; pastilles for pharmaceutical purposes; pearl powder for medical purposes; pectin for pharmaceutical purposes; pediculicidal shampoos; pepsins for pharmaceutical purposes; peptones for pharmaceutical purposes; personal sexual lubricants; pesti-

cides; petroleum jelly for medical purposes; pharmaceutical preparations; pharmaceutical preparations for skin care; pharmaceutical preparations for treating dandruff; pharmaceutical preparations for treating sunburn; pharmaceuticals; phenol for pharmaceutical purposes; phosphates for pharmaceutical purposes; phytotherapy preparations for medical purposes; plant extracts for pharmaceutical purposes; poisons; pollen dietary supplements; pomades for medical purposes; porcelain for dental prostheses; potassium salts for medical purposes; poultices; powdered milk for babies; powder of cantharides; pre-filled syringes for medical purposes; preparations for callouses; preparations for destroying dry rot fungus; preparations for destroying mice; preparations for destroying noxious animals; preparations for reducing sexual activity; preparations for the treatment of burns; preparations of microorganisms for medical or veterinary use; preparations of trace elements for human and animal use; preparations to facilitate teething; propolis dietary supplements; propolis for pharmaceutical purposes; protein dietary supplements; protein supplements for animals; purgatives; pyrethrum powder; quassia for medical purposes; quebracho for medical purposes; quinine for medical purposes; quinquina for medical purposes; radioactive substances for medical purposes; radiological contrast substances for medical purposes; radium for medical purposes; rat poison; reagent paper for medical purposes; reagent paper for veterinary purposes; remedies for foot perspiration; remedies for perspiration; repellents for dogs; rhubarb roots for pharmaceutical purposes; royal jelly dietary supplements; royal jelly for pharmaceutical purposes; rubber for dental purposes; salts for medical purposes; salts for mineral water baths; sanitary pants; sanitary tampons; sanitary pads; sarsaparilla for medical purposes; scapulars for surgical purposes; seawater for medicinal bathing; sedatives; semen for artificial insemination; serotherapeutic medicines; serums; sexual stimulant gels; siccatives [drying agents] for medical purposes; slimming pills; slug exterminating preparations; smelling salts; smoking herbs for medical purposes; sodium salts for medical purposes; soil-sterilizing preparations; solutions for contact lenses; solvents for removing adhesive plasters; soporifics; starch for dietetic or pharmaceutical purposes; stem cells for medical purposes; stem cells for veterinary purposes; sterilizing preparations; steroids; stick liquorice for pharmaceutical purposes; strychnine; styptic preparations; sugar for medical purposes; sulfonamides [medicines]; sulfur sticks [disinfectants]; sunburn ointments; suppositories; surgical dressings; surgical glues; surgical implants comprised of living tissues; syrups for pharmaceutical purposes; tanning pills; tartar for pharmaceutical purposes; teeth filling material; therapeutic preparations for the bath; thermal water; thymol for pharmaceutical purposes; tincture of iodine; tinctures for medical purposes; tissues impregnated with pharmaceutical lotions; tobacco-free cigare-

ttes for medical purposes; tobacco extracts [insecticides]; tonics [medicines]; transplants [living tissues]; turpentine for pharmaceutical purposes; vaccines; vaginal washes for medical purposes; vermifuges; vesicants; veterinary preparations; vitamin preparations; vitamin supplement patches; vulnerary sponges; wadding for medical purposes; wart pencils; wheat germ dietary supplements; yeast dietary supplements; yeast for pharmaceutical purposes.

7 – 3D printers; 3d printing pens; acetylene cleaning apparatus; adhesive bands for pulleys; adhesive tape dispensers [machines]; aerating pumps for aquaria; aerocondensers; aeronautical engines; aeroplane engines; agitators; agricultural elevators; agricultural implements, other than hand-operated; agricultural machines; air brushes for applying colour; air condensers; air cushion devices for moving loads; air pumps [garage installations]; air suction machines; alternators; anti-friction bearings for machines; anti-pollution devices for motors and engines; apparatus for aerating beverages; apparatus for aerating water; apparatus for drawing up beer under pressure; aprons [parts of machines]; automatic grapnels for marine purposes; axles for machines; ball-bearings; ball rings for bearings; basket presses; bearing brackets for machines; bearings for transmission shafts; bearings [parts of machines]; beaters, electric; beating machines; beer pumps; bellows [parts of machines]; belt conveyors; belts for conveyors; belts for machines; belts for motors and engines; bending machines; beverage preparation machines, electromechanical; bicycle assembling machines; bicycle dynamos; binding apparatus for hay; bitumen making machines; blade holders [parts of machines]; blade sharpening [stropping] machines; blades [parts of machines]; blenders, electric, for household purposes; blowing machines; blowing machines for the compression, exhaustion and transport of gases; blowing machines or fans for the compression, sucking and carrying of grain; bobbins for weaving looms; boiler tubes [parts of machines]; bookbinding apparatus and machines for industrial purposes; bottle capping machines; bottle filling machines; bottle sealing machines; bottle stoppering machines; bottle washing machines; boxes for matrices [printing]; braiding machines; brake linings, other than for vehicles; brake pads, other than for vehicles; brake segments, other than for vehicles; brake shoes, other than for vehicles; bread cutting machines; brewing machines; brushes, electrically operated [parts of machines]; brushes for vacuum cleaners; brushes [parts of machines]; bulldozers; butter machines; calenders; camshafts for vehicle engines; can openers, electric; capstans; carbon brushes [electricity]; carburetter feeders; carburetters; card clothing [parts of carding machines]; carding machines; carriages for knitting machines; cartridges for filtering machines; catalytic converters; central vacuum cleaning installations; centrifugal machines; centrifugal mills; centrifugal pumps; chaff cutter blades; chaff cutters; chain

saws; chisels for machines; chucks [parts of machines]; churns; cigarette machines for industrial purposes; cinder sifters [machines]; clack valves [parts of machines]; cleaning appliances utilizing steam; clippers [machines]; clutches, other than for land vehicles; coal-cutting machines; coffee grinders, other than hand-operated; coin-operated washing machines; compressed air engines; compressed air guns for the extrusion of mastics; compressed air machines; compressed air pumps; compressors for refrigerators; compressors [machines]; concrete mixers [machines]; condensing installations; control cables for machines, engines or motors; control mechanisms for machines, engines or motors; converters for steelworks; conveyors [machines]; cord making machines; couplings, other than for land vehicles; cowlings [parts of machines]; cranes [lifting and hoisting apparatus]; crankcases for machines, motors and engines; crank shafts; cranks [parts of machines]; crushers for kitchen use, electric; crushing machines; cultivators [machines]; current generators; curtain drawing devices, electrically operated; cutters [machines]; cutting blow pipes, gas-operated; cutting machines; cylinder heads for engines; cylinders for machines; cylinders for motors and engines; dairy machines; darning machines; de-aerators for feedwater; degreasers [machines]; derricks; die-cutting and tapping machines; die-stamping machines; diggers [machines]; dishwashers; disintegrators; ditchers [ploughs]; dividing machines; door closers, electric; door closers, hydraulic; door closers, pneumatic; door openers, electric; door openers, hydraulic; door openers, pneumatic; drainage machines; drill chucks [parts of machines]; drilling bits [parts of machines]; drilling heads [parts of machines]; drilling machines; drilling rigs, floating or non-floating; driving chains, other than for land vehicles; driving motors, other than for land vehicles; drums [parts of machines]; dust exhausting installations for cleaning purposes; dust removing installations for cleaning purposes; dyeing machines; dynamo belts; dynamo brushes; dynamos; earth moving machines; ejectors; electrical apparatus for sealing plastics [packaging]; electric arc cutting apparatus; electric arc welding apparatus; electric hammers; electric hand drills; electric welding apparatus; electrodes for welding machines; electromechanical machines for chemical industry; electroplating machines; elevating apparatus; elevator belts; elevator chains [parts of machines]; elevator operating apparatus; elevators [lifts]; embossing machines; emergency power generators; engine mounts, other than for land vehicles; engines for air cushion vehicles; engines for boats; engraving machines; excavators; exhaust manifold for engines; exhausts for motors and engines; expansion tanks [parts of machines]; extractors for mines; fan belts for motors and engines; fans for motors and engines; feeders [parts of machines]; feeding apparatus for engine boilers; filling machines; filtering machines; filter presses; filters being parts of machines or engines; filters for cleaning cooling air, for en-

gines; finishing machines; fittings for engine boilers; fleshing machines; flour mill machines; flues for engine boilers; fodder presses; food preparation machines, electromechanical; food processors, electric; forge blowers; foundry machines; freewheels, other than for land vehicles; friezing machines; fruit presses, electric, for household purposes; fuel conversion apparatus for internal combustion engines; fuel dispensing pumps for service stations; fuel economisers for motors and engines; galvanizing machines; gas-operated blow torches; gear boxes, other than for land vehicles; gears, other than for land vehicles; gears for weaving looms; generators of electricity; glass-working machines; glaziers' diamonds [parts of machines]; glow plugs for diesel engines; glue guns, electric; grain husking machines; grain separators; grating machines for vegetables; grease boxes [parts of machines]; grease rings [parts of machines]; grindstones [parts of machines]; guides for machines; guns [tools using explosives]; hair clipping machines for animals; hammers [parts of machines]; hand-held tools, other than hand-operated; handling apparatus for loading and unloading; handling machines, automatic [manipulators]; hangers [parts of machines]; harrows; harvesting machines; heat exchangers [parts of machines]; hemming machines; high pressure washers; hoists; holding devices for machine tools; hoppers [mechanical discharging]; hosiery looms; housings [parts of machines]; hydraulic controls for machines, motors and engines; hydraulic engines and motors; hydraulic turbines; igniting devices for internal combustion engines; igniting magnetos; incubators for eggs; industrial robots; injectors for engines; inking apparatus for printing machines; ironing machines; jacks [machines]; jet engines, other than for land vehicles; joints [parts of engines]; journal boxes [parts of machines]; journals [parts of machines]; joysticks being parts of machines, other than for game machines; juice extractors, electric; kick starters for motorcycles; kitchen grinders, electric; kitchen machines, electric; kneading machines; knitting machines; knives, electric; knives for mowing machines; knives [parts of machines]; labellers [machines]; lace making machines; lasts for shoes [parts of machines]; lathes [machine tools]; lawnmowers [machines]; leather-working machines; leather paring machines; lifting apparatus; lifts, other than ski-lifts; loading ramps; looms; loom shafts; lubricating pumps; lubricators [parts of machines]; machine fly-wheels; machines and apparatus for carpet shampooing, electric; machines and apparatus for cleaning, electric; machines and apparatus for polishing [electric]; machines and apparatus for wax-polishing, electric; machines for processing plastics; machines for the mineralisation of drinking water; machines for the production of sugar; machines for the textile industry; machine tools; machine wheels; machine wheelwork; matrices for use in printing; meat choppers [machines]; mechanized livestock feeders; metal drawing machines; metalworking machi-

nes; cream/milk separators; milking machines; milling machines; mills for household purposes, other than hand-operated; millstones; mills [machines]; mine borers; mineworking machines; mixers [machines]; mixing machines; molding machines; molds [parts of machines]; mortising machines; motorized cultivators; motors, electric, other than for land vehicles; motors, other than for land vehicles; motors for boats; moving sidewalks; moving staircases [escalators]; mud catchers and collectors [machines]; mufflers for motors and engines; nail extractors, electric; net hauling machines [fishing]; notchers [machine tools]; oil refining machines; ore treating machines; packaging machines; packing machines; painting machines; paper feeders [printing]; papermaking machines; parquet wax-polishers, electric; pasta making machines, electric; pedal drives for sewing machines; peeling machines; pepper mills, other than hand-operated; pigs for cleaning pipes; piston segments; pistons for cylinders; pistons for engines; pistons [parts of machines or engines]; planing machines; ploughs; ploughshares; pneumatic controls for machines, motors and engines; pneumatic hammers; pneumatic jacks; pneumatic transporters; pneumatic tube conveyors; pneumatic waste oil drainers; potters' wheels; power hammers; presses [machines for industrial purposes]; pressure reducers [parts of machines]; pressure regulators [parts of machines]; pressure valves [parts of machines]; printing cylinders; printing machines; printing machines for use on sheet metal; printing plates; printing presses; printing rollers for machines; propulsion mechanisms, other than for land vehicles; puddling machines; pulleys; pulleys [parts of machines]; pulverisers [machines]; pump diaphragms; pumps for counter-current swimming; pumps for heating installations; pumps [machines]; pumps [parts of machines, engines or motors]; punches for punching machines; punching machines; rack and pinion jacks; racket stringing machines; radiators [cooling] for motors and engines; rail-laying machines; railroad constructing machines; railway wagon lifts; rakes for raking machines; raking machines; rammers [machines]; rams [machines]; reapers; reapers and binders; reapers and threshers; reduction gears, other than for land vehicles; reeling apparatus, mechanical; reels, mechanical, for flexible hoses; reels [parts of machines]; regulators [parts of machines]; rinsing machines; riveting machines; road making machines; road sweeping machines, self-propelled; roller bearings; roller bridges; rolling mill cylinders; rolling mills; rotary printing presses; rotary steam presses, portable, for fabrics; rubber tracks being parts of crawlers on agricultural machines; rubber tracks being parts of crawlers on construction machines; rubber tracks being parts of crawlers on loading-unloading machines and apparatus; rubber tracks being parts of crawlers on mining machines; rubber tracks being parts of crawlers on snow ploughs; satinizing machines; sausage making machines; saw benches [parts of machines]; saw bla-

des [parts of machines]; saws [machines]; scale collectors for machine boilers; scissors, electric; screwdrivers, electric; sealing machines for industrial purposes; self-oiling bearings; self-regulating fuel pumps; sewage pulverizers; sewing machines; shaft couplings [machines]; sharpening machines; sheaf-binding machines; shears, electric; shock absorber plungers [parts of machines]; shoe polishers, electric; shovels, mechanical; shredders [machines] for industrial use; shuttles [parts of machines]; sieves [machines or parts of machines]; sifting installations; sifting machines; sizing machines; ski edge sharpening tools, electric; slide rests [parts of machines]; smoothing presses; snow ploughs; soldering apparatus, electric; soldering blow pipes, gas-operated; soldering irons, electric; soldering irons, gas-operated; soldering lamps; sorting machines for industry; sowers [machines]; sparking plugs for internal combustion engines; speed governors for machines, engines and motors; spin driers [not heated]; spinning frames; spinning machines; spinning wheels; spray guns for paint; springs [parts of machines]; stalk separators [machines]; stamping machines; stands for machines; starters for motors and engines; stators [parts of machines]; steam/oil separators; steam condensers [parts of machines]; steam engine boilers; steam engines; steamrollers; steam traps; stereotype machines; stitching machines; stone-working machines; stuffing boxes [parts of machines]; suction cups for milking machines; suction machines for industrial purposes; suction nozzles for vacuum cleaners; superchargers; superheaters; swaging machines; tables for machines; tambours for embroidery machines; taps [parts of machines, engines or motors]; tarring machines; tedding machines; thermic lances [machines]; threading machines; threshing machines; tilling machines for agricultural purposes; tilt hammers; tobacco processing machines; torque converters, other than for land vehicles; transmission chains, other than for land vehicles; transmissions, other than for land vehicles; transmissions for machines; transmission shafts, other than for land vehicles; trimming machines; trueing machines; turbines, other than for land vehicles; turbocompressors; turf removing ploughs; tympan [parts of printing presses]; type-setting machines [photocomposition]; type-setting machines [printing]; typecasting machines; typographic machines; typographic presses; universal joints [cardan joints]; vacuum cleaner attachments for disseminating perfumes and disinfectants; vacuum cleaner bags; vacuum cleaner hoses; vacuum cleaners; vacuum pumps [machines]; valves [parts of machines]; vegetable spiralizers, electric; vending machines; vibrators [machines] for industrial use; vulcanization apparatus; washing apparatus; washing installations for vehicles; washing machines [laundry]; waste compacting machines; waste disposal units; water heaters being parts of machines; water separators; weeding machines; welding apparatus, gas-operated; welding machines, electric; whisks,

electric, for household purposes; whitewashing machines; winches; window closers, electric; window closers, hydraulic; window closers, pneumatic; window openers, electric; window openers, hydraulic; window openers, pneumatic; wind turbines; wine presses; winnowers; woodworking machines; wrapping machines; wringing machines for laundry.

8 – Abrading instruments [hand instruments]; adzes [tools]; agricultural forks [hand tools]; agricultural implements, hand-operated; air pumps, hand-operated; annular screw plates; apparatus for destroying plant parasites, hand-operated; apparatus for tattooing; augers [hand tools]; awls; axes; bayonets; beard clippers; bench vices [hand implements]; bill-hooks; bits [hand tools]; bits [parts of hand tools]; blades for planes; blade sharpening instruments; blades [hand tools]; blades [weapons]; border shears; borers; bow saws; box cutters; braiders [hand tools]; branding irons; breast drills; budding knives; can openers, non-electric; carpenters' augers; cattle shearers; caulking irons; centre punches [hand tools]; ceramic knives; cheese slicers, non-electric; chisels; clamps for carpenters or coopers; cleavers; crimping irons; crow bars; curling tongs; cuticle tweezers; cutlery; cutter bars [hand tools]; cutters; cutting tools [hand tools]; daggers; depilation appliances, electric and non-electric; dies [hand tools]; diggers [hand tools]; ditchers [hand tools]; drawing knives; drill holders [hand tools]; ear-piercing apparatus; earth rammers [hand tools]; edge tools [hand tools]; egg slicers, non-electric; embossers [hand tools]; emery boards; emery files; emery grinding wheels; engraving needles; expanders [hand tools]; extension pieces for braces for screw taps; eyelash curlers; farriers' knives; files [tools]; fingernail polishers, electric or non-electric; fire irons; fireplace bellows [hand tools]; fish tapes [hand tools]; flat irons; foundry ladles [hand tools]; frames for handsaws; fruit corers; fruit pickers [hand tools]; fruit segmenters; fullers [hand tools]; fulling tools [hand tools]; garden tools, hand-operated; gimlets [hand tools]; glaziers' diamonds [parts of hand tools]; goffering irons; gouges [hand tools]; grafting tools [hand tools]; graving tools [hand tools]; grindstones [hand tools]; guns, hand-operated, for the extrusion of mastics; guns [hand tools]; hackles [hand tools]; haintault scythes; hair-removing tweezers; hair braiders, electric; hair clippers for animals [hand instruments]; hair clippers for personal use, electric and non-electric; hammers [hand tools]; hand drills, hand-operated; hand implements for hair curling; handles for hand-operated hand tools; hand pumps; hand tools, hand-operated; harpoons; harpoons for fishing; hatchets; hobby knives [scalpels]; hoes [hand tools]; holing axes; hollowing bits [parts of hand tools]; hoop cutters [hand tools]; hunting knives; ice picks; implements for decanting liquids [hand tools]; insecticide sprayers [hand tools]; instruments and tools for skinning animals; instruments for punching tickets; irons [non-electric hand tools]; jig-saws; kitchen mandoli-

nes; knife handles; knives; ladles [hand tools]; lasts [shoemakers' hand tools]; lawn clippers [hand instruments]; leather strops; levers; lifting jacks, hand-operated; livestock marking tools; machetes; mallets [hand instruments]; manicure sets; manicure sets, electric; marline spikes; masons' hammers; mattocks; metal band stretchers [hand tools]; metal wire stretchers [hand tools]; milling cutters [hand tools]; mincing knives [hand tools]; mitre boxes [hand tools]; molding irons; money scoops; mortars for pounding [hand tools]; mortise chisels; nail clippers, electric or non-electric; nail drawers [hand tools]; nail extractors, hand-operated; nail files; nail files, electric; nail nippers; nail punches; needle files; non-electric caulking guns; numbering punches; oyster openers; palette knives; paring irons [hand tools]; paring knives; pedicure sets; penknives; perforating tools [hand tools]; pestles for pounding [hand tools]; pickaxes; pickhammers; picks [hand tools]; pin punches; pizza cutters, non-electric; plane irons; planes; pliers; polishing irons [glazing tools]; priming irons [hand tools]; pruning knives; pruning shears; punches [hand tools]; punch pliers [hand tools]; punch rings [knuckle dusters]; rabbeting planes; rakes [hand tools]; rams [hand tools]; rasps [hand tools]; ratchets [hand tools]; razor blades; razor cases; razors, electric or non-electric; razor strops; reamers; reamer sockets; riveters [hand tools]; riveting hammers [hand tools]; sabres; sand trap rakes; saw blades [parts of hand tools]; saw holders; saws [hand tools]; scaling knives; scissors; scrapers for skis; scrapers [hand tools]; scraping tools [hand tools]; screwdrivers, non-electric; sculptors' chisels; scythe handles; scythe rings; scythes; scythe stones; secateurs; sharpening instruments; sharpening steels; sharpening stones; shaving cases; shear blades; shearers [hand instruments]; shears; shovels [hand tools]; sickles; side arms, other than firearms; silver plate [knives, forks and spoons]; ski edge sharpening tools, hand-operated; sledgehammers; spades [hand tools]; spanners [hand tools]; spatulas for use by artists; spatulas [hand tools]; spoons; squares [hand tools]; stamping-out tools [hand tools]; stirring sticks for mixing paint; stone hammers; stopping instruments; swords; sword scabbards; syringes for spraying insecticides; table cutlery [knives, forks and spoons]; table forks; table knives, forks and spoons for babies; table knives, forks and spoons of plastic; taps [hand tools]; tap wrenches; tattoo needles; thistle extractors [hand tools]; tongs; tool belts [holders]; tree pruners; trowels; trowels [gardening]; truncheons; tube cutters [hand tools]; tube cutting instruments; tweezers; vegetable choppers; vegetable peelers, hand-operated; vegetable slicers, hand-operated; vegetable spiralizers, hand-operated; vices; weeding forks [hand tools]; whetstone holders; wick trimmers [scissors]; wine bottle foil cutters, hand-operated; wire strippers [hand tools].

9 – 3D spectacles; abacuses; accelerometers; accumulators, electric; accumulators, electric, for vehicles;

acid hydrometers; acidimeters for batteries; acoustic alarms; acoustic conduits; acoustic couplers; actinometers; adding machines; aerometers; air analysis apparatus; alarm bells, electric; alarms; alcoholmeters; alidades; altimeters; ammeters; amplifiers; amplifying tubes; anemometers; animated cartoons; anode batteries; anodes; answering machines; antennas; anti-glare glasses; anti-interference devices [electricity]; anti-theft warning apparatus; anticathodes; apertometers [optics]; apparatus and installations for the production of x-rays, not for medical purposes; apparatus and instruments for astronomy; apparatus and instruments for physics; apparatus for changing record player needles; apparatus for editing cinematographic film; apparatus for fermentation [laboratory apparatus]; apparatus for measuring the thickness of skins; apparatus to check franking; appliances for measuring the thickness of leather; armatures [electricity]; asbestos clothing for protection against fire; asbestos gloves for protection against accidents; asbestos screens for firemen; audio and video-receivers; audio interfaces; audio mixers; audiovisual teaching apparatus; automated teller machines [atm]; automatic indicators of low pressure in vehicle tyres; azimuth instruments; baby monitors; baby scales; bags adapted for laptops; balances [steelyards]; balancing apparatus; bar code readers; barometers; bathroom scales; batteries, electric; batteries for electronic cigarettes; battery boxes; battery chargers; battery jars; beacons, luminous; bells [warning devices]; betatrons; binoculars; biochips; black boxes [data recorders]; blueprint apparatus; boiler control instruments; branch boxes [electricity]; breathing apparatus, except for artificial respiration; breathing apparatus for underwater swimming; bullet-proof clothing; bullet-proof vests; buzzers; cabinets for loudspeakers; cables, electric; calculating machines; calibrating rings; calipers; calorimeters; camcorders; cameras [photography]; capillary tubes for laboratory use; carpenters' rules; carriers for dark plates [photography]; cases especially made for photographic apparatus and instruments; cases for smartphones; cash registers; cassette players; cathodes; cathodic anti-corrosion apparatus; cell phone straps; cell switches [electricity]; cell phones; centering apparatus for photographic transparencies; chargers for electric accumulators; chargers for electronic cigarettes; charging stations for electric vehicles; chemistry apparatus and instruments; chips [integrated circuits]; choking coils [impedance]; chromatography apparatus for laboratory use; chronographs [time recording apparatus]; cinematographic cameras; cinematographic film, exposed; circuit breakers; circuit closers; circular slide rules; cleaning apparatus for sound recording discs; close-up lenses; clothing especially made for laboratories; clothing for protection against accidents, irradiation and fire; clothing for protection against fire; coaxial cables; coils, electric; coin-operated mechanisms for television sets; coin-operated musical automata [juke boxes]; collectors, electric; commutators; compact disc

players; compact discs [audio-video]; compact discs [read-only memory]; comparators; compasses for measuring; computer game software, downloadable; computer game software, recorded; computer hardware; computer keyboards; computer memory devices; computer operating programs, recorded; computer peripheral devices; computer programs, downloadable; computer programs, recorded; computers; computer screen saver software, recorded or downloadable; computer software, recorded; computer software applications, downloadable; computer software platforms, recorded or downloadable; condensers [capacitors]; conductors, electric; connected bracelets [measuring instruments]; connections for electric lines; connectors [electricity]; contact lenses; contacts, electric; containers for contact lenses; containers for microscope slides; control panels [electricity]; converters, electric; copper wire, insulated; cordless telephones; correcting lenses [optics]; cosmographic instruments; counterfeit [false] coin detectors; counters; couplers [data processing equipment]; couplings, electric; covers for electric outlets; covers for personal digital assistants [pdas]; covers for smartphones; covers for tablet computers; crash test dummies; crucibles [laboratory]; current rectifiers; cyclotrons; darkroom lamps [photography]; darkrooms [photography]; data processing apparatus; decompression chambers; decorative magnets; demagnetizing apparatus for magnetic tapes; densimeters; densitometers; detectors; diagnostic apparatus, not for medical purposes; diaphragms for scientific apparatus; diaphragms [acoustics]; diaphragms [photography]; dictating machines; diffraction apparatus [microscopy]; digital photo frames; digital signs; digital weather stations; directional compasses; discharge tubes, electric, other than for lighting; disk drives for computers; disks, magnetic; distance measuring apparatus; distance recording apparatus; distillation apparatus for scientific purposes; distribution boards [electricity]; distribution boxes [electricity]; distribution consoles [electricity]; divers' masks; diving suits; dna chips; dog whistles; dosage dispensers; downloadable graphics for mobile phones; downloadable image files; downloadable music files; downloadable ring tones for mobile phones; drainers for use in photography; dressmakers' measures; droppers for measuring, other than for medical or household purposes; drying apparatus for photographic prints; drying racks [photography]; ducts [electricity]; dvd players; dynamometers; ear plugs for divers; egg-candlers; egg timers [sandglasses]; electrical adapters; electric and electronic effects units for musical instruments; electric apparatus for commutation; electric door bells; electric installations for the remote control of industrial operations; electricity conduits; electric loss indicators; electric plugs; electric sockets; electric wire harnesses for automobiles; electrified fences; electrified rails for mounting spot lights; electro-dynamic apparatus for the remote control of railway points; electro-dynamic apparatus for the remote con-

trol of signals; electrolysis apparatus for laboratory use; electromagnetic coils; electronic access control systems for interlocking doors; electronic agendas; electronic book readers; electronic collars to train animals; electronic interactive whiteboards; electronic key fobs being remote control apparatus; electronic notice boards; electronic numeric displays; electronic pens [visual display units]; electronic pocket translators; electronic publications, downloadable; electronic sheet music, downloadable; electronic tags for goods; encoded identification bracelets, magnetic; encoded key cards; encoded magnetic cards; enlarging apparatus [photography]; epidiascopes; equalizers [audio apparatus]; ergometers; exposure meters [light meters]; eyeglass cases; eyeglass chains; eyeglass cords; eyeglasses; eyeglass frames; eyeglass lenses; eyepieces; eyewear; facsimile machines; fiber optic cables; film cutting apparatus; films, exposed; filters for respiratory masks; filters for ultraviolet rays, for photography; filters for use in photography; finger sizers; fire alarms; fire beaters; fire blankets; fire boats; fire engines; fire escapes; fire extinguishers; fire extinguishing apparatus; fire hose; fire hose nozzles; fire pumps; flash-bulbs [photography]; flashing lights [luminous signals]; flashlights [photography]; floppy disks; flowmeters; fluorescent screens; fog signals, non-explosive; food analysis apparatus; frames for photographic transparencies; frequency meters; furnaces for laboratory use; furniture especially made for laboratories; fuses; fuse wire; galena crystals [detectors]; galvanic batteries; galvanic cells; galvanometers; gasoline gauges; gasometers [measuring instruments]; gas testing instruments; gauges; glazing apparatus for photographic prints; global positioning system [gps] apparatus; gloves for divers; gloves for protection against accidents; gloves for protection against x-rays for industrial purposes; goggles for sports; grids for batteries; hand-held electronic dictionaries; hands-free kits for telephones; head cleaning tapes [recording]; head guards for sports; headphones; heat regulating apparatus; heliographic apparatus; hemline markers; high-frequency apparatus; holders for electric coils; holograms; horns for loudspeakers; humanoid robots with artificial intelligence for use in scientific research; hydrometers; hygrometers; identification sheaths for electric wires; identification threads for electric wires; identity cards, magnetic; igniting apparatus, electric, for igniting at a distance; ignition batteries; incubators for bacteria culture; inductors [electricity]; infrared detectors; instruments containing eyepieces; integrated circuit cards [smart cards]; integrated circuits; interactive touch screen terminals; intercommunication apparatus; interfaces for computers; inverters [electricity]; invoicing machines; ionization apparatus not for the treatment of air or water; jigs [measuring instruments]; joysticks for use with computers, other than for video games; juke boxes for computers; junction boxes [electricity]; junction sleeves for electric cables; kilometer recorders for vehicles; knee-pads for wor-

kers; laboratory centrifuges; laboratory pipettes; laboratory robots; laboratory trays; lactodensimeters; lactometers; laptop computers; lasers, not for medical purposes; lenses for astrophotography; lens hoods; letter scales; levelling instruments; levelling staffs [surveying instruments]; levels [instruments for determining the horizontal]; life-saving equipment; life-saving capsules for natural disasters; life-saving rafts; life belts; life buoys; life jackets; light-emitting diodes [led]; light-emitting electronic pointers; light dimmers [regulators], electric; lighting ballasts; lightning rods; limiters [electricity]; locks, electric; logs [measuring instruments]; loudspeakers; magic lanterns; magnetic data media; magnetic encoders; magnetic resonance imaging [mri] apparatus, not for medical purposes; magnetic tapes; magnetic tape units for computers; magnetic wires; magnets; magnifying glasses [optics]; marine compasses; marine depth finders; marking buoys; marking gauges [joinery]; masts for wireless aerials; materials for electricity mains [wires, cables]; material testing instruments and machines; mathematical instruments; measures; measuring apparatus; measuring devices, electric; measuring glassware; measuring instruments; measuring spoons; mechanical signs; mechanisms for coin-operated apparatus; mechanisms for counter-operated apparatus; megaphones; memory cards for video game machines; mercury levels; metal detectors for industrial or military purposes; meteorological balloons; meteorological instruments; metronomes; micrometers; micrometer screws for optical instruments; microphones; microprocessors; microscopes; microtomes; mirrors for inspecting work; mirrors [optics]; modems; money counting and sorting machines; monitoring apparatus, other than for medical purposes; monitors [computer hardware]; monitors [computer programs]; mouse pads; mouse [computer peripheral]; mouth guards for sports; nautical apparatus and instruments; naval signalling apparatus; navigational instruments; navigation apparatus for vehicles [on-board computers]; needles for record players; needles for surveying compasses; neon signs; nets for protection against accidents; nose clips for divers and swimmers; notebook computers; objectives [lenses] [optics]; observation instruments; octants; ohmmeters; optical apparatus and instruments; optical character readers; optical condensers; optical data media; optical discs; optical fibers [fibres] [light conducting filaments]; optical glass; optical lamps; optical lenses; oscillographs; oxygen transvasing apparatus; ozonisers [ozonators]; parking meters; particle accelerators; pedometers; peepholes [magnifying lenses] for doors; periscopes; personal digital assistants [pdas]; personal stereos; petri dishes; photocopiers [photographic, electrostatic, thermic]; photometers; phototelegraphy apparatus; photovoltaic cells; pince-nez; pitot tubes; plane tables [surveying instruments]; planimeters; plates for batteries; plotters; plumb bobs; plumb lines; pocket calculators; polarimeters; portable media players; precision balances; precision measu-

ring apparatus; pressure gauges; pressure indicator plugs for valves; pressure indicators; pressure measuring apparatus; printed circuit boards; printed circuits; printers for use with computers; prisms [optics]; probes for scientific purposes; processors [central processing units]; projection apparatus; projection screens; protection devices against x-rays, not for medical purposes; protection devices for personal use against accidents; protective films adapted for smartphones; protective helmets; protective helmets for sports; protective masks; protective suits for aviators; protractors [measuring instruments]; punched card machines for offices; push buttons for bells; pyrometers; quantity indicators; radar apparatus; radiological apparatus for industrial purposes; radiology screens for industrial purposes; radio pagers; radios; radiotelegraphy sets; radiotelephony sets; railway traffic safety appliances; range finders; readers [data processing equipment]; rearview cameras for vehicles; record players; reflective articles for wear, for the prevention of accidents; reflective safety vests; refractometers; refractors; regulating apparatus, electric; relays, electric; remote control apparatus; rescue laser signalling flares; resistances, electric; respirators for filtering air; respiratory masks, other than for artificial respiration; resuscitation mannequins [teaching apparatus]; resuscitation training simulators; retorts; retorts' stands; revolution counters; rheostats; riding helmets; ring sizers; road signs, luminous or mechanical; rods for water diviners; rulers [measuring instruments]; rules [measuring instruments]; saccharometers; safety nets; safety restraints, other than for vehicle seats and sports equipment; safety tarpaulins; salinometers; satellite finder meters; satellite navigational apparatus; satellites for scientific purposes; scales; scales with body mass analysers; scanners [data processing equipment]; screens for photoengraving; screens [photography]; screw-tapping gauges; security surveillance robots; security tokens [encryption devices]; selfie lenses; selfie sticks [hand-held monopods]; semi-conductors; sextants; sheaths for electric cables; shoes for protection against accidents, irradiation and fire; shutter releases [photography]; shutters [photography]; sighting telescopes for firearms; signal bells; signal lanterns; signalling buoys; signalling panels, luminous or mechanical; signalling whistles; signals, luminous or mechanical; signs, luminous; simulators for the steering and control of vehicles; sirens; sleeves for laptops; slide-rules; slide calipers; slide projectors; slope indicators; smartglasses; smartphones; smart rings; smartwatches; smoke detectors; snorkels; solar batteries; solar panels for the production of electricity; solderers' helmets; solenoid valves [electromagnetic switches]; sonars; sounding apparatus and machines; sounding leads; sounding lines; sound locating instruments; sound recording apparatus; sound recording carriers; sound recording discs; sound recording strips; sound reproduction apparatus; sound transmitting apparatus;

spark-guards; speaking tubes; spectrograph apparatus; spectrometers; speed checking apparatus for vehicles; speed indicators; speed measuring apparatus [photography]; speed regulators for record players; spherometers; spirit levels; spools [photography]; sports whistles; sprinkler systems for fire protection; square rulers for measuring; squares for measuring; stage lighting regulators; stands for photographic apparatus; starter cables for motors; steering apparatus, automatic, for vehicles; step-up transformers; stereoscopes; stereoscopic apparatus; stills for laboratory experiments; stroboscopes; subwoofers; sulfitometers; sunglasses; surveying apparatus and instruments; surveying chains; surveying instruments; surveyors' levels; switchboards; switchboxes [electricity]; switches, electric; t-squares for measuring; tablet computers; tachometers; tape recorders; taximeters; teaching apparatus; teaching robots; teeth protectors; telecommunication apparatus in the form of jewelry; telegraphs [apparatus]; telegraph wires; telephone apparatus; telephone receivers; telephone transmitters; telephone wires; teleprinters; teleprompters; telerupters; telescopes; telescopic sights for artillery; television apparatus; temperature indicator labels, not for medical purposes; temperature indicators; terminals [electricity]; testing apparatus not for medical purposes; test tubes; theft prevention installations, electric; theodolites; thermal imaging cameras; thermionic tubes; thermohygrometers; thermometers, not for medical purposes; thermostats; thermostats for vehicles; thin client computers; thread counters; ticket dispensers; time clocks [time recording devices]; time recording apparatus; time switches, automatic; tone arms for record players; toner cartridges, unfilled, for printers and photocopiers; totalizers; traffic-light apparatus [signalling devices]; traffic cones; transformers [electricity]; transistors [electronic]; transmitters of electronic signals; transmitters [telecommunication]; transmitting sets [telecommunication]; transparencies [photography]; transponders; triodes; tripods for cameras; urinometers; usb flash drives; vacuum gauges; vacuum tubes [radio]; variometers; vehicle breakdown warning triangles; vehicle radios; verniers; video baby monitors; video cassettes; video game cartridges; video recorders; video screens; videotapes; video telephones; viewfinders, photographic; virtual reality headsets; viscosimeters; visors for helmets; voltage regulators for vehicles; voltage surge protectors; voltmeters; voting machines; wafers for integrated circuits; walkie-talkies; washing trays [photography]; water level indicators; wavemeters; wearable activity trackers; wearable computers; wearable video display monitors; weighbridges; weighing apparatus and instruments; weighing machines; weights; whistle alarms; wind socks for indicating wind direction; wire connectors [electricity]; wires, electric; workmen's protective face-shields; wrist rests for use with computers; x-ray apparatus not for medical purposes; x-ray films, ex-

posed; x-ray photographs, other than for medical purposes; x-ray tubes not for medical purposes.

10 – Abdominal belts; abdominal corsets; abdominal pads; acupuncture needles; aerosol dispensers for medical purposes; air beds for medical purposes; air cushions for medical purposes; air mattresses for medical purposes; air pillows for medical purposes; ambulance stretchers; anaesthetic apparatus; anaesthetic masks; analyzers for bacterial identification for medical purposes; anti-nausea wristbands; anti-rheumatism bracelets; anti-rheumatism rings; apparatus and installations for the production of x-rays, for medical purposes; apparatus for acne treatment; apparatus for artificial respiration; apparatus for dna and rna testing for medical purposes; apparatus for the regeneration of stem cells for medical purposes; apparatus for the treatment of deafness; appliances for washing body cavities; arch supports for footwear; armchairs for medical or dental purposes; artificial breasts; artificial eyes; artificial jaws; artificial limbs; artificial skin for surgical purposes; artificial teeth; baby feeding pacifiers; balling guns; bandages, elastic; basins for medical purposes; bed pans; beds specially made for medical purposes; bed vibrators; belts, electric, for medical purposes; belts for medical purposes; biodegradable bone fixation implants; blankets, electric, for medical purposes; blood testing apparatus; body composition monitors; body fat monitors; body rehabilitation apparatus for medical purposes; boots for medical purposes; bracelets for medical purposes; brain pacemakers; breast pumps; brushes for cleaning body cavities; canulae; cases fitted for medical instruments; castrating pincers; catgut; catheters; childbirth mattresses; clips, surgical; clips for dummies; clothing especially for operating rooms; commode chairs; compression garments; compressors [surgical]; condoms; containers especially made for medical waste; contraceptives, non-chemical; cooling pads for first aid purposes; cooling patches for medical purposes; corn knives; corsets for medical purposes; crutches; cupping glasses; cushions for medical purposes; defibrillators; dental apparatus, electric; dental apparatus and instruments; dental burs; dentists' armchairs; dentures; diagnostic apparatus for medical purposes; dialyzers; douche bags; drainage tubes for medical purposes; draw-sheets for sick beds; dropper bottles for medical purposes; droppers for medical purposes; dummies for babies; ear picks; ear plugs [hearing protection devices]; ear trumpets; elastic stockings for surgical purposes; electric acupuncture instruments; electrocardiographs; electrodes for medical use; endoscopy cameras for medical purposes; enema apparatus for medical purposes; esthetic massage apparatus; feeding bottles; feeding bottle teats; feeding bottle valves; filters for ultraviolet rays, for medical purposes; finger guards for medical purposes; forceps; fumigation apparatus for medical purposes; furniture especially made for medical purposes; galvanic belts for medical purposes; galvanic therapeutic appliances; gastroscopes;

gloves for massage; gloves for medical purposes; gum massagers for babies; hair prostheses; hearing aids; hearing protectors; heart pacemakers; heating pads, electric, for medical purposes; haemocytometers; hot air therapeutic apparatus; hot air vibrators for medical purposes; hydrogen inhalers; hypodermic syringes; hypogastric belts; ice bags for medical purposes; implantable subcutaneous drug delivery devices; incontinence sheets; incubators for babies; incubators for medical purposes; inhalers; injectors for medical purposes; instrument cases for use by doctors; insufflators; knee bandages, orthopedic; knives for surgical purposes; lamps for medical purposes; lancets; lasers for medical purposes; lenses [intraocular prostheses] for surgical implantation; lice combs; love dolls [sex dolls]; magnetic resonance imaging [mri] apparatus for medical purposes; masks for use by medical personnel; massage apparatus; maternity belts; medical apparatus and instruments; medical guidewires; menstrual cups; microdermabrasion apparatus; mirrors for dentists; mirrors for surgeons; nasal aspirators; needles for medical purposes; obstetric apparatus; obstetric apparatus for cattle; operating tables; ophthalmometers; ophthalmoscopes; orthodontic appliances; orthodontic rubber bands; orthopedic articles; orthopedic bandages for joints; orthopedic belts; orthopedic footwear; orthopedic soles; pads for preventing pressure sores on patient bodies; patient hoists; pessaries; physical exercise apparatus for medical purposes; physiotherapy apparatus; pins for artificial teeth; plaster bandages for orthopedic purposes; portable hand-held urinals; probes for medical purposes; protection devices against x-rays, for medical purposes; pulse meters; pumps for medical purposes; quad canes for medical purposes; quartz lamps for medical purposes; radiological apparatus for medical purposes; radiology screens for medical purposes; radiotherapy apparatus; radium tubes for medical purposes; receptacles for applying medicines; respirators for artificial respiration; respiratory masks for artificial respiration; resuscitation apparatus; saws for surgical purposes; scalpels; scissors for surgery; sex toys; slings [supporting bandages]; soporific pillows for insomnia; sphygmomanometers; spirometers [medical apparatus]; spittoons for medical purposes; splints, surgical; spoons for administering medicine; stents; sterile sheets, surgical; stethoscopes; stockings for varices; strait jackets; stretchers, wheeled; support bandages; supports for flat feet; surgical apparatus and instruments; surgical bougies; surgical cutlery; surgical drapes; surgical implants comprised of artificial materials; surgical robots; surgical sponges; suture materials; suture needles; syringes for injections; syringes for medical purposes; teething rings; teeth protectors for dental purposes; temperature indicator labels for medical purposes; testing apparatus for medical purposes; thermal packs for first aid purposes; thermo-electric compresses [surgery]; thermometers for medical purposes; thread, surgical; tips for crutches; toe separators for

orthopaedic purposes; tomographs for medical purposes; tongue depressors for medical purposes; tongue scrapers; traction apparatus for medical purposes; trocars; trusses; ultraviolet ray lamps for medical purposes; umbilical belts; urethral probes; urethral syringes; urinals being vessels; urological apparatus and instruments; uterine syringes; vaginal syringes; vaporizers for medical purposes; veterinary apparatus and instruments; vibromassage apparatus; walking frames for disabled persons; walking sticks for medical purposes; water bags for medical purposes; waterbeds for medical purposes; wheeled walkers to aid mobility; x-ray apparatus for medical purposes; x-ray photographs for medical purposes; x-ray tubes for medical purposes.

11 – Acetylene burners; acetylene flares; acetylene generators; air-conditioning apparatus; air-conditioning installations; air conditioners for vehicles; air cooling apparatus; air deodorising apparatus; air dryers; air filtering installations; air fryers; air purifying apparatus and machines; air reheaters; air sterilizers; air valves for steam heating installations; alcohol burners; anti-glare devices for vehicles [lamp fittings]; anti-splash tap nozzles; apparatus for dehydrating food waste; aquarium filtration apparatus; aquarium heaters; aquarium lights; arc lamps; ash conveyor installations, automatic; bakers' ovens; barbecues; bath fittings; bath installations; bath tubs; bath tubs for sitz baths; bed warmers; beverage cooling apparatus; bicycle lights; bidets; blankets, electric, not for medical purposes; boiler pipes [tubes] for heating installations; boilers, other than parts of machines; book sterilization apparatus; brackets for gas burners; bread-making machines; bread baking machines; bread toasters; burners; burners for lamps; candle lanterns; carbon for arc lamps; ceiling lights; central heating radiators; chandeliers; chimney blowers; chimney flues; chinese lanterns; chocolate fountains, electric; chromatography apparatus for industrial purposes; clean chambers [sanitary installations]; coffee machines, electric; coffee percolators, electric; coffee roasters; coils [parts of distilling, heating or cooling installations]; cookers; cooking apparatus and installations; cooking rings; cooking utensils, electric; cool boxes, electric; coolers for furnaces; cooling appliances and installations; cooling installations and machines; cooling installations for liquids; cooling installations for tobacco; cooling installations for water; curling lamps; dampers [heating]; deep fryers, electric; defrosters for vehicles; dental ovens; deodorising apparatus, not for personal use; desalination plants; desiccating apparatus; directional lights for bicycles; discharge tubes, electric, for lighting; disinfectant apparatus; disinfectant apparatus for medical purposes; disinfectant apparatus for dispensing solutions into water-pipes for sanitary installations; distillation apparatus; distillation columns; diving lights; drip irrigation emitters [irrigation fittings]; drying apparatus; drying apparatus and installations; electrically heated carpets; electrically heated

clothing; electric appliances for making yogurt; electric cooktops; electric fans for personal use; electric lamps; electric lights for christmas trees; electric torches; evaporators; expansion tanks for central heating installations; extractor hoods for kitchens; fabric steamers; fairy lights for festive decoration; fans [air-conditioning]; fans [parts of air-conditioning installations]; feeding apparatus for heating boilers; filaments for electric lamps; filters for air conditioning; filters for drinking water; fireplaces, domestic; fittings, shaped, for ovens; flaming torches; flare stacks for use in the oil industry; flues for heating boilers; flushing tanks; food steamers, electric; footmuffs, electrically heated; footwarmers, electric or non-electric; forage drying apparatus; forges, portable; fountains; freezers; friction lighters for igniting gas; fruit roasters; fumigation apparatus, not for medical purposes; furnace ash boxes; furnace grates; furnaces, other than for laboratory use; gas boilers; gas burners; gas condensers, other than parts of machines; gas lamps; gas lighters; gas scrubbers [parts of gas installations]; gas scrubbing apparatus; germicidal burners; germicidal lamps for purifying air; glue-heating appliances; grills [cooking appliances]; hair dryers; hand drying apparatus for washrooms; headlights for automobiles; head torches; hearths; heat accumulators; heated display cabinets; heaters, electric, for feeding bottles; heaters for baths; heaters for heating irons; heaters for vehicles; heat exchangers, other than parts of machines; heat guns; heating and cooling apparatus for dispensing hot and cold beverages; heating apparatus; heating apparatus, electric; heating apparatus for defrosting vehicle windows; heating apparatus for solid, liquid or gaseous fuels; heating boilers; heating pads, electric, not for medical purposes; heating elements; heating filaments, electric; heating installations; heating plates; heat pumps; heat regenerators; hot air apparatus; hot air bath fittings; hot air ovens; hot plates; hot water bottles; hot water heating installations; humidifiers for central heating radiators; hydrants; hydromassage bath apparatus; ice-cream making machines; ice machines and apparatus; immersion heaters; incandescent burners; incinerators; installations for processing nuclear fuel and nuclear moderating material; ionization apparatus for the treatment of air or water; kettles, electric; kiln furniture [supports]; kilns; kitchen ranges [ovens]; laboratory burners; laboratory lamps; lamp chimneys; lamp glasses; lamp globes; lamp mantles; lamp reflectors; lamps; lampshade holders; lampshades; lanterns for lighting; laundry dryers, electric; laundry room boilers; lava rocks for use in barbecue grills; level controlling valves in tanks; light-emitting diodes [led] lighting apparatus; light bulbs; light bulbs, electric; light bulbs for directional signals for vehicles; light diffusers; lighting apparatus and installations; lighting apparatus for vehicles; lighting installations for air vehicles; lights for automobiles; lights for vehicles; loading apparatus for furnaces; luminous house numbers; luminous tubes for lighting;

magnesium filaments for lighting; malt roasters; microbubble generators for baths; microwave ovens for industrial purposes; microwave ovens [cooking apparatus]; milk cooling installations; miners' lamps; mixer taps for water pipes; motorcycle lights; multicookers; nail lamps; nuclear reactors; oil-scrubbing apparatus; oil burners; oil lamps; ornamental fountains; oven fittings made of fireclay; oxyhydrogen burners; pasteurisers; pipes [parts of sanitary installations]; plate warmers; pocket warmers; polymerisation installations; pounded rice cake making machines, electric, for household purposes; pressure water tanks; purification installations for sewage; radiator caps; radiators, electric; radiators [heating]; refining towers for distillation; refrigerating apparatus and machines; refrigerating appliances and installations; refrigerating cabinets; refrigerating chambers; refrigerating containers; refrigerating display cabinets; refrigerators; regulating accessories for water or gas apparatus and pipes; regulating and safety accessories for gas apparatus; regulating and safety accessories for gas pipes; regulating and safety accessories for water apparatus; roasters; roasting jacks; roasting spits; rotisseries; safety accessories for water or gas apparatus and pipes; safety lamps; sanitary apparatus and installations; sauna bath installations; searchlights; shower enclosures; showers; sinks; sockets for electric lights; socks, electrically heated; solar furnaces; solar thermal collectors [heating]; spa baths [vessels]; standard lamps; steam accumulators; steam boilers, other than parts of machines; steam facial apparatus [saunas]; steam generating installations; sterilizers; stills; stoves [heating apparatus]; structural framework for ovens; swimming pool chlorinating apparatus; tanning apparatus [sun beds]; taps; taps for pipes and pipelines; thermostatic valves [parts of heating installations]; tobacco roasters; toilet bowls; toilets, portable; toilet seats; toilets [water-closets]; tortilla presses, electric; turkish bath cabinets, portable; ultraviolet ray lamps, not for medical purposes; urinals being sanitary fixtures; vehicle headlights; vehicle reflectors; ventilation hoods; ventilation hoods for laboratories; ventilation [air-conditioning] installations and apparatus; ventilation [air-conditioning] installations for vehicles; waffle irons, electric; warming pans; wash-hand basins [parts of sanitary installations]; washers for water taps; water conduits installations; water distribution installations; water filtering apparatus; water flushing installations; water heaters; watering installations, automatic; watering machines for agricultural purposes; water intake apparatus; water purification installations; water purifying apparatus and machines; water softening apparatus and installations; water sterilizers; water supply installations; whirlpool-jet apparatus; wicks adapted for oil stoves; wine cellars, electric.

12 – Adhesive rubber patches for repairing inner tubes; aerial conveyors; aeronautical apparatus, machines and appliances; aeroplanes; air bags [safety devices for automobiles]; aircraft; air pumps [vehicle ac-

cessories]; airships; air vehicles; ambulances; amphibious airplanes; anti-glare devices for vehicles; anti-skid chains; anti-theft alarms for vehicles; anti-theft devices for vehicles; ashtrays for automobiles; automobile bodies; anti-skid chains for automobiles; automobile chassis; automobile hoods; automobile tyres; autonomous underwater vehicles for seabed inspections; axle journals; axles for vehicles; baby carriages; bags adapted for pushchairs; balance weights for vehicle wheels; bands for wheel hubs; barges; baskets adapted for bicycles; bellows for articulated buses; bicycle bells; bicycle brakes; bicycle chains; bicycle cranks; bicycle frames; bicycle handlebars; bicycle kickstands; bicycle motors; bicycle mudguards; bicycle pedals; bicycles; bicycle saddles; bicycle trailers; bicycle tyres; bicycle wheels; boat hooks; boats; bodies for vehicles; bogies for railway cars; brake discs for vehicles; brake linings for vehicles; brake pads for automobiles; brake segments for vehicles; brakes for vehicles; brake shoes for vehicles; buffers for railway rolling stock; bumpers for automobiles; cable transport apparatus and installations; caissons [vehicles]; camera drones; canoes; caps for vehicle fuel tanks; caravans; cars; cars for cable transport installations; carts; casings for pneumatic tyres; casters for trolleys [vehicles]; casting carriages; chairlifts; cigar lighters for automobiles; civilian drones; cleaning trolleys; cleats [nautical]; clips adapted for fastening automobile parts to automobile bodies; clutches for land vehicles; concrete mixing vehicles; connecting rods for land vehicles, other than parts of motors and engines; couplings for land vehicles; covers for vehicle steering wheels; crankcases for land vehicle components, other than for engines; davits for boats; delivery tricycles; dining cars; disengaging gear for boats; doors for vehicles; dredgers [boats]; dress guards for bicycles; driverless cars [autonomous cars]; driving chains for land vehicles; driving motors for land vehicles; ejector seats for aircraft; electric bicycles; electric vehicles; engine mounts for land vehicles; engines for land vehicles; fenders for ships; ferry boats; fishing trolleys; fitted footmuffs for baby carriages; fitted footmuffs for pushchairs; fitted pushchair mosquito nets; flanges for railway wheel tyres; forklift trucks; freewheels for land vehicles; funiculars; funnels for locomotives; funnels for ships; garbage trucks; gear boxes for land vehicles; gearing for land vehicles; gears for bicycles; golf carts [vehicles]; handcars; handling carts; head-rests for vehicle seats; headlight wipers; hoods for vehicle engines; hoods for vehicles; horns for vehicles; hose carts; hot air balloons; hub caps; hubs for bicycle wheels; hubs for vehicle wheels; hydraulic circuits for vehicles; hydroplanes; inclined ways for boats; inner tubes for bicycle tires; inner tubes for pneumatic tyres; jet engines for land vehicles; kick sledges; launches; locomotives; luggage carriers for vehicles; luggage nets for vehicles; lug nuts for vehicle wheels; masts for boats; military drones; military vehicles for transport; mine cars; mine cart

wheels; mobility scooters; mopeds; motor buses; motor coaches; motorcycle chains; motorcycle engines; motorcycle frames; motorcycle handlebars; motorcycle kickstands; motorcycles; motorcycle saddles; motor homes; motor racing cars; motors, electric, for land vehicles; motor scooters; mudguards; non-skid devices for vehicle tyres; oars; paddles for canoes; panniers adapted for bicycles; panniers adapted for motorcycles; parachutes; pneumatic tyres; pontoons; porches; propulsion mechanisms for land vehicles; pumps for bicycle tyres; pushchair hoods; pushchairs; pushchair covers; push scooters [vehicles]; railway carriages; railway couplings; rearview mirrors; reduction gears for land vehicles; refrigerated railway wagons; refrigerated vehicles; remote control vehicles, other than toys; remotely operated vehicles for underwater inspections; repair outfits for inner tubes; rescue sleds; reversing alarms for vehicles; rims for bicycle wheels; rims for vehicle wheels; robotic cars; roll cage trolleys; rolling stock for funicular railways; rolling stock for railways; rowlocks; rudders; saddlebags adapted for bicycles; saddle covers for bicycles; saddle covers for motorcycles; safety belts for vehicle seats; safety seats for children, for vehicles; screw-propellers; screw-propellers for boats; screws [propellers] for ships; sculls; seaplanes; seat covers for vehicles; security harness for vehicle seats; ship hulls; ships; shock absorbers for automobiles; shock absorbing springs for vehicles; shopping trolleys; side cars; side view mirrors for vehicles; signal arms for vehicles; ski carriers for cars; ski lifts; sleeping berths for vehicles; sleeping cars; sleighs [vehicles]; snowmobiles; solid tires for vehicle wheels; space vehicles; spare wheel covers; spars for ships; spikes for tyres; spoilers for vehicles; spoke clips for wheels; spokes for bicycle wheels; sports cars; sprinkling trucks; steering gears for ships; steering wheels for vehicles; sun-blinds adapted for automobiles; suspension shock absorbers for vehicles; tailboard lifts [parts of land vehicles]; telpher railways [cable cars]; tilting-carts; tilt trucks; timbers [frames] for ships; tipping apparatus [parts of railway wagons]; tipping bodies for lorries; tyres for vehicle wheels; torque converters for land vehicles; torsion bars for vehicles; tow trucks; tractors; trailer hitches for vehicles; trailers for transporting bicycles; trailers [vehicles]; tramcars; transmission chains for land vehicles; transmissions for land vehicles; transmission shafts for land vehicles; treads for retreading tyres; treads for vehicles [tractor type]; tricycles; trucks; trucks with a crane feature incorporated; tubeless tires for bicycles; turbines for land vehicles; two-wheeled trolleys; tyre mousse inserts; undercarriages for vehicles; upholstery for vehicles; valves for vehicle tyres; vans [vehicles]; vehicle bumpers; vehicle chassis; vehicle covers [shaped]; vehicle joysticks; vehicle running boards; vehicle seats; vehicles for locomotion by land, air, water or rail; vehicle suspension springs; vehicle wheels; vehicle wheel spokes; water vehicles; wheelbarrows;

wheelchairs; windows for vehicles; windshields; windshield wipers; yachts.

13 – Acetyl-nitrocellulose; air pistols [weapons]; ammonium nitrate explosives; ammunition; ammunition for firearms; apparatus for filling cartridge belts; artillery guns [cannons]; automatic firearm ammunition belts; ballistic weapons; belts adapted for ammunition; bengal lights; breeches of firearms; cannons; cartridge cases; cartridge loading apparatus; cartridge pouches; cartridges; cleaning brushes for firearms; detonating caps, other than toys; detonating fuses for explosives; detonating plugs; detonators; dynamite; explosive cartridges; explosive powders; explosives; firearms; firecrackers; fireworks; firing platforms; flare pistols; fog signals, explosive; fuses for explosives; fuses for explosives, for use in mines; gun barrels; gun carriages [artillery]; gun cases; guncotton; gunpowder; gunstocks; guns [weapons]; hammers for guns and rifles; hand grenades; harpoon guns [weapons]; hunting firearms; lead shot for hunting; machine guns; mines [explosives]; mortars [firearms]; motorized weapons; noise-suppressors for guns; pistols [arms]; powder horns; primings [fuses]; projectiles [weapons]; pyrophoric substances; pyrotechnic products; rescue flares, explosive or pyrotechnic; revolvers; rifles; rocket launchers; rockets [projectiles]; shells [projectiles]; shoulder straps for weapons; side arms [firearms]; sighting mirrors for guns and rifles; sights, other than telescopic sights, for artillery; sights, other than telescopic sights, for firearms; signal rocket flares; sprays for personal defense purposes; tanks [weapons]; tear-gas weapons; torpedoes; trigger guards for guns and rifles; trunnions for heavy weapons.

14 – Agates; alarm clocks; alloys of precious metal; amulets [jewelry]; anchors [clock- and watchmaking]; atomic clocks; badges of precious metal; barrels [clock- and watchmaking]; beads for making jewelry; boxes of precious metal; bracelets made of embroidered textile [jewelry]; bracelets [jewelry]; brooches [jewelry]; busts of precious metal; cabochons; chains [jewelry]; charms for key rings; chronographs [watches]; chronometers; chronometric instruments; chronoscopes; clasps for jewelry; clock cases; clock hands; clocks; clocks and watches, electric; clockworks; cloisonné jewelry; coins; control clocks [master clocks]; copper tokens; crucifixes as jewelry; crucifixes of precious metal, other than jewelry; cuff links; dials [clock- and watchmaking]; diamonds; earrings; figurines of precious metal; gold, unwrought or beaten; gold thread [jewelry]; hat jewelry; ingots of precious metals; iridium; ivory jewelry; jet, unwrought or semi-wrought; jewelry boxes; jewelry charms; jewelry; jewelry findings; jewelry of yellow amber; jewelry rolls; key chains [split rings with trinket or decorative fob]; lockets [jewelry]; medals; misbaha [prayer beads]; movements for clocks and watches; necklaces [jewelry]; olivine [gems]; ornamental pins;

ornaments of jet; osmium; palladium; paste jewelry; pearls made of ambroid [pressed amber]; pearls [jewelry]; pendulums [clock- and watchmaking]; pins [jewelry]; platinum [metal]; precious metals, unwrought or semi-wrought; precious stones; presentation boxes for jewelry; presentation boxes for watches; rhodium; rings [jewelry]; rosaries; ruthenium; semi-precious stones; shoe jewelry; silver, unwrought or beaten; silver thread [jewelry]; spinel [precious stones]; split rings of precious metal for keys; spun silver [silver wire]; statues of precious metal; stopwatches; sundials; threads of precious metal [jewelry]; tie clips; tie pins; watch bands; watch cases [parts of watches]; watch chains; watches; watch glasses; watch hands; watch springs; works of art of precious metal; wristwatches.

16 – Absorbent sheets of paper or plastic for foodstuff packaging; addressing machines; address plates for addressing machines; address stamps; adhesive bands for stationery or household purposes; adhesives [glues] for stationery or household purposes; adhesive tape dispensers [office requisites]; adhesive tapes for stationery or household purposes; advertisement boards of paper or cardboard; albums; almanacs; animation cels; announcement cards [stationery]; apparatus for mounting photographs; aquarelles; architects' models; arithmetical tables; artists' watercolor saucers; atlases; bags for microwave cooking; bags [envelopes, pouches] of paper or plastics, for packaging; balls for ball-point pens; banknotes; banners of paper; bibs, sleeved, of paper; bibs of paper; binding strips [bookbinding]; biological samples for use in microscopy [teaching materials]; blackboards; blotters; blueprints; bookbinding apparatus and machines [office equipment]; bookbinding cloth; bookbinding material; bookends; booklets; bookmarkers; books; bottle envelopes of paper or cardboard; bottle wrappers of paper or cardboard; boxes of paper or cardboard; bunting of paper; calendars; canvas for painting; carbon paper; cardboard; cardboard tubes; cards; cases for stamps [seals]; catalogues; chalk for lithography; chalk holders; charcoal pencils; chart pointers, non-electronic; chromolithographs [chromos]; cigar bands; clipboards; clips for name badge holders [office requisites]; coasters of paper; comic books; compasses for drawing; composing frames [printing]; composing sticks; conical paper bags; copying paper [stationery]; cords for bookbinding; correcting fluids [office requisites]; correcting ink [heliography]; correcting tapes [office requisites]; covers of paper for flower pots; covers [stationery]; cream containers of paper; credit card imprinters, non-electric; dental tray covers of paper; desk mats; desktop cabinets for stationery [office requisites]; diagrams; document files [stationery]; document holders [stationery]; document laminators for office use; drawer liners of paper, perfumed or not; drawing boards; drawing instruments; drawing materials; drawing pads; drawing pens; drawing pins; drawing rulers; drawing sets; duplicators; elastic bands

for offices; electrocardiograph paper; electrotypes; embroidery designs [patterns]; engraving plates; engravings; envelope sealing machines for offices; envelopes [stationery]; erasing products; erasing shields; etching needles; etchings; fabrics for bookbinding; face towels of paper; figurines of papier mâché; files [office requisites]; filtering materials of paper; filter paper; fingerstalls for office use; flags of paper; flyers; folders for papers; forms, printed; fountain pens; franking machines for office use; french curves; galleys racks [printing]; garbage bags of paper or of plastics; geographical maps; glue for stationery or household purposes; gluten [glue] for stationery or household purposes; graining combs; graphic prints; graphic representations; graphic reproductions; greeting cards; gummed cloth for stationery purposes; gummed tape [stationery]; gums [adhesives] for stationery or household purposes; hand-rests for painters; handkerchiefs of paper; hand labelling appliances; handwriting specimens for copying; hat boxes of cardboard; hectographs; histological sections for teaching purposes; holders for cheque books; holders for stamps [seals]; house painters' rollers; humidity control sheets of paper or plastic for foodstuff packaging; index cards [stationery]; indexes; indian inks; ink; inking pads; inking ribbons; inking sheets for document reproducing machines; inking sheets for duplicators; inkstands; ink sticks; ink stones [ink reservoirs]; inkwells; isinglass for stationery or household purposes; labels of paper or cardboard; ledgers [books]; letter trays; lithographic stones; lithographic works of art; lithographs; luminous paper; magazines [periodicals]; manifolds [stationery]; manuals [handbooks]; marking chalk; marking pens [stationery]; mats of paper for beer glasses; mimeograph apparatus and machines; modelling clay; modelling materials; modelling paste; modelling wax, not for dental purposes; moisteners for gummed surfaces [office requisites]; moisteners [office requisites]; molds for modelling clays [artists' materials]; money clips; musical greeting cards; name badge holders [office requisites]; newsletters; newspapers; nibs; nibs of gold; note books; numbering apparatus; numbers [type]; obliterating stamps; office perforators; office requisites, except furniture; oleographs; packaging material made of starches; packing [cushioning, stuffing] materials of paper or cardboard; pads [stationery]; page holders; paint boxes for use in schools; paintbrushes; painters' brushes; painters' easels; paintings [pictures], framed or unframed; paint trays; palettes for painters; pamphlets; pantographs [drawing instruments]; paper; paper-clips; paper bags for use in the sterilization of medical instruments; paper bows, other than haberdashery or hair decorations; paper clasps; paper coffee filters; paper creasers [office requisites]; paper cutters [office requisites]; paper for medical examination tables; paper for radiograms; paper for recording machines; paper knives [letter openers]; paper ribbons, other than haberdashery or hair decorations; papers for painting and calligraphy;

paper sheets [stationery]; paper shredders for office use; paper tapes and cards for the recordal of computer programmes; paperweights; papier mâché; parchment paper; passport holders; pastels [crayons]; pen cases; pencil holders; pencil lead holders; pencil leads; pencils; pencil sharpeners, electric or non-electric; pencil sharpening machines, electric or non-electric; pen clips; penholders; pens [office requisites]; pen wipers; perforated cards for jacquard looms; periodicals; photo-engravings; photograph stands; photographs [printed]; pictures; placards of paper or cardboard; place mats of paper; plastic bags for pet waste disposal; plastic bubble packs for wrapping or packaging; plastic cling film, extensible, for palletization; plastic film for wrapping; plastics for modelling; polymer modelling clay; portraits; postage stamps; postcards; posters; printed coupons; printed matter; printed publications; printed sheet music; printed time-tables; printers' blankets, not of textile; printers' galleys; printing blocks; printing sets, portable [office requisites]; printing type; prints [engravings]; prospectuses; punches [office requisites]; retractable reels for name badge holders [office requisites]; rice paper; rollers for typewriters; rubber erasers; school supplies [stationery]; scrapers [erasers] for offices; sealing compounds for stationery purposes; sealing machines for offices; sealing stamps; sealing wafers; sealing wax; seals [stamps]; self-adhesive tapes for stationery or household purposes; sewing patterns; sheets of reclaimed cellulose for wrapping; shields [paper seals]; signboards of paper or cardboard; silver paper; slate pencils; song books; spools for inking ribbons; spray chalk; square rulers for drawing; squares for drawing; stamp pads; stamp stands; stamps [seals]; stands for pens and pencils; staples for offices; stapling presses [office requisites]; starch paste [adhesive] for stationery or household purposes; stationery; steatite [tailor's chalk]; steel letters; steel pens; stencil cases; stencil plates; stencils; stencils [stationery]; stickers [stationery]; stuffing of paper or cardboard; t-squares for drawing; tablecloths of paper; table linen of paper; tablemats of paper; table napkins of paper; table runners of paper; tags for index cards; tailors' chalk; teaching materials [except apparatus]; terrestrial globes; tickets; tissues of paper for removing make-up; toilet paper; towels of paper; tracing cloth; tracing needles for drawing purposes; tracing paper; tracing patterns; trading cards, other than for games; transfers [decalcomanias]; transparencies [stationery]; trays for sorting and counting money; typewriter keys; typewriter ribbons; typewriters, electric or non-electric; type [numerals and letters]; vignetting apparatus; viscose sheets for wrapping; washi; waxed paper; wood pulp board [stationery]; wood pulp paper; wrapping paper; wristbands for the retention of writing instruments; writing board erasers; writing brushes; writing cases [sets]; writing cases [stationery]; writing chalk; writing instruments; writing materials; writing or drawing books; writing paper; writing slates.

18 – Animal skins; attaché cases; baggage tags; bags; bags for campers; bags for climbers; bags for sports; bags [envelopes, pouches] of leather, for packaging; beach bags; bits for animals [harness]; blinkers [harness]; boxes of leather or leatherboard; boxes of vulcanized fibre; bridles [harness]; bridoons; briefcases; business card cases; butts [parts of hides]; card cases [notecases]; cases of leather or leatherboard; casings, of leather, for springs; cat o' nine tails; cattle skins; chain mesh purses; chamois leather, other than for cleaning purposes; chin straps, of leather; clothing for pets; collars for animals; compression cubes adapted for luggage; conference folders; covers for animals; covers for horse saddles; credit card cases [wallets]; curried skins; fastenings for saddles; frames for umbrellas or parasols; fur-skins; furniture coverings of leather; game bags [hunting accessories]; garment bags for travel; girths of leather; goldbeaters' skin; grips for holding shopping bags; halters; handbag frames; handbags; harness fittings; harness for animals; harness straps; hat boxes of leather; haversacks; hiking sticks; horse blankets; horse collars; horseshoes; imitation leather; key cases; kid; knee-pads for horses; labels of leather; leather, unworked or semi-worked; leatherboard; leather cord; leather leashes; leather straps; moleskin [imitation of leather]; motorized suitcases; mountaineering sticks; music cases; muzzles; net bags for shopping; nose bags [feed bags]; pads for horse saddles; parasols; parts of rubber for stirrups; pocket wallets; pouch baby carriers; purses; randsels [japanese school satchels]; reins; reins for guiding children; riding saddles; rucksacks; saddlebags; saddlecloths for horses; saddlery; saddle trees; school bags; reusable shopping bags; shoulder belts [straps] of leather; sling bags for carrying infants; slings for carrying infants; stirrup leathers; stirrups; straps for skates; straps for soldiers' equipment; straps of leather [saddlery]; suitcase handles; suitcases; suitcases with wheels; tefillin [phylacteries]; tool bags, empty; traces [harness]; travelling bags; travelling sets [leatherware]; travelling trunks; trimmings of leather for furniture; trunks [luggage]; umbrella covers; umbrella handles; umbrella or parasol ribs; umbrella rings; umbrellas; umbrella sticks; valises; valves of leather; vanity cases, not fitted; walking stick handles; walking sticks; walking stick seats; wheeled shopping bags; whips.

20 – Air beds, not for medical purposes; air cushions, not for medical purposes; air mattresses, not for medical purposes; air pillows, not for medical purposes; ambroid bars; ambroid plates; animal claws; animal hooves; animal horns; anti-roll cushions for babies; armchairs; reusable baby changing mats; bag hangers, not of metal; bakers' bread baskets; bamboo, unworked or semi-worked; bamboo curtains; barrel hoops, not of metal; barrels, not of metal; baskets, not of metal; bathtub grab bars, not of metal; bead curtains for decoration; bed bases; bed casters, not of metal; bedding, except linen; bed fittings, not of metal; beds;

beds for household pets; bedsteads of wood; beehives; benches [furniture]; binding screws, not of metal, for cables; birdhouses; bolsters; bolts, not of metal; book-cases; book rests [furniture]; bottle caps, not of metal; bottle casings of wood; bottle closures, not of metal; bottle racks; boxes of wood or plastic; brackets, not of metal, for furniture; brush mountings; bumper guards for cots, other than bed linen; bungs, not of metal; busts of wood, wax, plaster or plastic; cabinet work; camping mattresses; carts for computers [furniture]; casks, not of metal; casks of wood for decanting wine; cask stands, not of metal; chairs [seats]; chaise longue; chests, not of metal; chests for toys; chests of drawers; chopping blocks [tables]; clips, not of metal, for cables and pipes; clips of plastic for sealing bags; closures, not of metal, for containers; clothes hooks, not of metal; coat hangers; coatstands; coffin fittings, not of metal; coffins; collars, not of metal, for fastening pipes; comb foundations for beehives; console tables; containers, not of metal, for liquid fuel; containers, not of metal [storage, transport]; coral; corks; corks for bottles; corozo; costume stands; cots for babies; counters [tables]; covers for clothing [wardrobe]; cradles; crates; crucifixes of wood, wax, plaster or plastic, other than jewelry; cupboards; curtain holders, not of textile material; curtain hooks; curtain rails; curtain rings; curtain rods; curtain rollers; curtain tie-backs; cushions; deck chairs; decorations of plastic for foodstuffs; desks; dinner wagons [furniture]; dispensers for dog waste bags, fixed, not of metal; display boards; display stands; divans; dog kennels; door bells, not of metal, non-electric; door bolts, not of metal; door fasteners, not of metal; door fittings, not of metal; door handles, not of metal; door knockers, not of metal; doors for furniture; door stops, not of metal or rubber; drafting tables; drain traps [valves] of plastic; dressing tables; edgings of plastic for furniture; embroidery frames; fans for personal use, non-electric; feet for furniture; filing cabinets; fishing baskets; floating containers, not of metal; flower-pot pedestals; flower-stands [furniture]; fodder racks; footstools; freestanding partitions [furniture]; funerary urns; furniture; furniture casters, not of metal; furniture fittings, not of metal; furniture of metal; furniture partitions of wood; furniture shelves; garment covers [storage]; gun racks; hairdressers' chairs; hampers [baskets] for the transport of items; hand-held flagpoles, not of metal; hand-held mirrors [toilet mirrors]; handling pallets, not of metal; hat stands; head-rests [furniture]; head positioning pillows for babies; head support cushions for babies; high chairs for babies; hinges, not of metal; honeycombs; hooks, not of metal, for clothes rails; horn, unworked or semi-worked; hospital beds; house numbers, not of metal, non-luminous; identification bracelets, not of metal; identity plates, not of metal; imitation tortoiseshell; index cabinets [furniture]; indoor window blinds of paper; indoor window blinds of textile; indoor window blinds of woven wood; indoor window blinds [furniture];

infant walkers; inflatable furniture; inflatable publicity objects; jerrycans, not of metal; jewelry organizer displays; kennels for household pets; keyboards for hanging keys; knobs, not of metal; labels of plastic; ladders of wood or plastics; latches, not of metal; lecterns; legs for furniture; letter boxes, not of metal or masonry; library shelves; loading gauge rods, not of metal, for railway wagons; loading pallets, not of metal; lockers; locks, not of metal, for vehicles; locks, other than electric, not of metal; magazine racks; mannequins; massage tables; mats for infant playpens; mattresses; meat safes; medicine cabinets; meerschaum; mirrors [looking glasses]; mirror tiles; mobile boarding stairs, not of metal, for passengers; mobiles [decoration]; moldings for picture frames; mooring buoys, not of metal; moses baskets; mother-of-pearl, unworked or semi-worked; nesting boxes; nesting boxes for household pets; newspaper display stands; nuts, not of metal; office furniture; oil drainage containers, not of metal; oyster shells; packaging containers of plastic; pegs [pins], not of metal; pet cushions; picture frame brackets; picture frames; pillows; placards of wood or plastics; plaited straw, except matting; plastic key cards, not encoded and not magnetic; plastic keys; plastic ramps for use with vehicles; plate racks; playpens for babies; plugs [dowels], not of metal; poles, not of metal; pulleys of plastics for blinds; racks [furniture]; rattan; reeds [plaiting materials]; reels, not of metal, non-mechanical, for flexible hoses; reels of wood for yarn, silk, cord; registration plates, not of metal; removable covers for sinks; rivets, not of metal; sash fasteners, not of metal, for windows; saw benches [furniture]; saw horses; school furniture; scratching posts for cats; screens for fireplaces [furniture]; screens [furniture]; screws, not of metal; screw tops, not of metal, for bottles; sealing caps, not of metal; seats of metal; sections of wood for beehives; settees; shells; shelves for file cabinets; shelves for storage; shelving units; shoe dowels, not of metal; shoe pegs, not of metal; shoulder poles [yokes]; showcases [furniture]; shower chairs; sideboards; signboards of wood or plastics; silvered glass [mirrors]; slatted indoor blinds; sleeping mats; sofas; split rings, not of metal, for keys; stag antlers; stair rods; stakes, not of metal, for plants or trees; standing desks; stands for calculating machines; statues of wood, wax, plaster or plastic; statuettes of wood, wax, plaster or plastic; staves of wood; step stools, not of metal; steps [ladders], not of metal; stools; stoppers, not of glass, metal or rubber; straw edgings; straw mattresses; straw plaits; stuffed animals; stuffed birds; tables; tables of metal; table tops; tanks, not of metal nor of masonry; taps, not of metal, for casks; tea carts; tent pegs, not of metal; tool boxes, not of metal, empty; tool chests, not of metal, empty; tortoiseshell; towel dispensers, fixed, not of metal; towel stands [furniture]; transport pallets, not of metal; trays, not of metal; trestles [furniture]; trolleys [furniture]; troughs, not of metal, for mixing mortar; ty-

ping desks; umbrella stands; valet stands; valves, not of metal, other than parts of machines; vats, not of metal; vice benches [furniture]; wall-mounted baby changing platforms; wardrobes; washstands [furniture]; water-pipe valves of plastic; waterbeds, not for medical purposes; whalebone, unworked or semi-worked; wickerwork; wind chimes [decoration]; winding spools, not of metal, non-mechanical, for flexible hoses; window fasteners, not of metal; window fittings, not of metal; window stops, not of metal or rubber; wood ribbon; work benches; works of art of wood, wax, plaster or plastic; writing desks; yellow amber.

21 – Abrasive pads for kitchen purposes; abrasive sponges for scrubbing the skin; atomizers for household purposes; animal bristles [brushware]; apparatus for wax-polishing, non-electric; aquarium hoods; autoclaves, non-electric, for cooking; baby baths, portable; baking mats; basins [receptacles]; baskets for household purposes; basting brushes; basting spoons [cooking utensils]; beaters, non-electric; beer mugs; bird baths; birdcages; blenders, non-electric, for household purposes; bobèches; bootjacks; boot trees; bottle openers, electric and non-electric; bottles; bowls [basins]; boxes for dispensing paper towels; boxes of glass; bread baskets for household purposes; bread bins; bread boards; broom handles; brooms; brushes; brushes for cleaning tanks and containers; buckets; buckets made of woven fabrics; bulb basters; busts of porcelain, ceramic, earthenware, terra-cotta or glass; butter-dish covers; butter dishes; buttonhooks; cabarets [trays]; cages for household pets; cake moulds; candelabra [candlesticks]; candle extinguishers; candle jars [holders]; candy boxes; carpet beaters [hand instruments]; carpet sweepers; car washing mitts; cauldrons; ceramics for household purposes; chamber pots; chamois leather for cleaning; cheese-dish covers; china ornaments; chopsticks; cinder sifters [household utensils]; cleaning instruments, hand-operated; cleaning tow; closures for pot lids; clothes-pegs; cloth for washing floors; clothing stretchers; cloths for cleaning; coasters, not of paper or textile; cocktail shakers; cocktail stirrers; coffee filters, non-electric; coffee grinders, hand-operated; coffee percolators, non-electric; coffeepots, non-electric; coffee services [tableware]; coin banks; cold packs for chilling food and beverages; comb cases; combs; combs for animals; confectioners' decorating bags [pastry bags]; containers for household or kitchen use; cookery moulds; cookie jars; cookie [biscuit] cutters; cooking mesh bags, other than for microwaves; cooking pots; cooking pot sets; cooking skewers of metal; cooking utensils, non-electric; coolers [ice pails]; corkscrews, electric and non-electric; cosmetic spatulas; cosmetic utensils; cotton waste for cleaning; covers, not of paper, for flower pots; cruets; cruet sets for oil and vinegar; crumb trays; crushers for kitchen use, non-electric; crystal [glassware]; cups; cups of paper or plastic; currycombs; cutting boards for the kitchen; decanters; decanter tags; decorative glass spheres; deep fry-

ers, non-electric; demijohns; deodorising apparatus for personal use; dish covers; dishes; dishwashing brushes; disposable table plates; drinking bottles for sports; drinking glasses; drinking horns; drinking straws; drinking troughs; drinking vessels; dripping pans; drying racks for laundry; dustbins; dusting apparatus, non-electric; dusting cloths [rags]; earthenware; earthenware saucepans; egg cups; egg separators, non-electric, for household purposes; electric brushes, except parts of machines; electric combs; electric devices for attracting and killing insects; enamelled glass, not for building; epergnes; eyebrow brushes; eyelash brushes; feather-dusters; feeding troughs; fiberglass, other than for insulation or textile use; fiberglass thread, other than for textile use; figurines of porcelain, ceramic, earthenware, terra-cotta or glass; fitted picnic baskets, including dishes; flasks; flat-iron stands; floss for dental purposes; flower pots; fly swatters; fly traps; foam toe separators for use in pedicures; food steamers, non-electric; fruit bowls; fruit presses, non-electric, for household purposes; frying pans; funnels; furniture dusters; fused silica [semi-worked product], other than for building; gardening gloves; garlic presses [kitchen utensils]; glass, unworked or semi-worked, except building glass; glass bulbs [receptacles]; glasses [receptacles]; glass flasks [containers]; glass for vehicle windows [semi-finished product]; glass incorporating fine electrical conductors; glass jars [carboys]; glass stoppers; glass wool, other than for insulation; gloves for household purposes; glove stretchers; glue-pots; graters for kitchen use; grill supports; grills [cooking utensils]; hair for brushes; heads for electric toothbrushes; heat-insulated containers; heat-insulated containers for beverages; heaters for feeding bottles, non-electric; hip flasks; holders for flowers and plants [flower arranging]; horse brushes; horsehair for brush-making; hot pots, not electrically heated; ice cream scoops; ice cube molds; ice tongs; indoor aquaria; indoor terrariums [plant cultivation]; indoor terrariums [vivariums]; inflatable bath tubs for babies; insect traps; insulating flasks; ironing board covers, shaped; ironing boards; isothermic bags; kettles, non-electric; kitchen containers; kitchen grinders, non-electric; kitchen utensils; knife rests for the table; ladles for serving wine; lamp-glass brushes; large-toothed combs for the hair; lazy susans; lint removers, electric or non-electric; liqueur sets; litter boxes for pets; lunch boxes; majolica; make-up brushes; make-up removing appliances; make-up sponges; mangers for animals; material for brush-making; menu card holders; mess-tins; mills for household purposes, hand-operated; mixing spoons [kitchen utensils]; moulds [kitchen utensils]; mops; mop wringer buckets; mop wringers; mortars for kitchen use; mosaics of glass, not for building; mouse traps; mugs; nail brushes; napkin rings; nest eggs, artificial; noodle machines, hand-operated; nozzles for watering cans; nozzles for watering hose; nutcrackers; opal glass; opaline glass; oven mitts; painted glassware;

paper plates; pastry cutters; pepper mills, hand-operated; pepper pots; perfume burners; perfume vaporizers; pestles for kitchen use; pie servers; pig bristles for brush-making; piggy banks; pitchers; place mats, not of paper or textile; plate glass [raw material]; plates to prevent milk boiling over; plug-in diffusers for mosquito repellents; plungers for clearing blocked drains; polishing apparatus and machines, for household purposes, non-electric; polishing cloths; polishing gloves; polishing leather; polishing materials for making shiny, except preparations, paper and stone; porcelain ware; portable cool boxes, non-electric; pot-holders; pot lids; pots; pottery; poultry rings; pouring spouts; powder compacts, empty; powdered glass for decoration; powder puffs; rat traps; refrigerating bottles; reusable ice cubes; rings for birds; rolling pins, domestic; rotary washing lines; salad bowls; salad tongs; salt cellars; saucepan scourers of metal; saucers; scoops for household purposes; scouring pads; scrubbing brushes; services [dishes]; serving ladles; shaving brushes; shaving brush stands; shoe brushes; shoe horns; shoe trees; sieves [household utensils]; sifters [household utensils]; signboards of porcelain or glass; siphon bottles for aerated water; ski wax brushes; smoke absorbers for household purposes; soap boxes; soap dispensers; soap holders; soup bowls; spatulas for kitchen use; spice sets; sponge holders; sponges for household purposes; sprinklers; stands for portable baby baths; statues of porcelain, ceramic, earthenware, terra-cotta or glass; steel wool for cleaning; stew-pans; strainers for household purposes; sugar bowls; sugar tongs; syringes for watering flowers and plants; tablemats, not of paper or textile; table napkin holders; table plates; tableware, other than knives, forks and spoons; tankards; tar-brushes, long handled; tea bag rests; tea caddies; tea cosies; tea infusers; teapots; tea services [tableware]; tea strainers; thermally insulated containers for food; tie presses; toilet brushes; toilet cases; toilet paper dispensers; toilet paper holders; toilet sponges; toilet cleaning utensils; toothbrushes; toothbrushes, electric; toothpick holders; toothpicks; tortilla presses, non-electric [kitchen utensils]; towel rails and rings; trays for household purposes; trays of paper, for household purposes; trivets [table utensils]; trouser presses; utensils for household purposes; vases; vegetable dishes; vessels for making ices and ice cream; vitreous silica fibres, other than for textile use; waffle irons, non-electric; washing boards; washtubs; waste paper baskets; water apparatus for cleaning teeth and gums; watering cans; watering devices; wax-polishing appliances, non-electric, for shoes; whisks, non-electric, for household purposes; window-boxes; wine-tasting pipettes; wine aerators; wool waste for cleaning; works of art of porcelain, ceramic, earthenware, terra-cotta or glass.

22 – Animal feeding nets; animal hair; awnings of synthetic materials; awnings of textile; bags [envelopes, pouches] of textile, for packaging; bindings, not of metal; binding thread, not of metal, for agricultural

purposes; body bags; braces, not of metal, for handling loads; brattice cloth; cables, not of metal; camel hair; canvas for sails; carbon fibres for textile use; carded wool; car towing ropes; coconut fiber; cocoons; combed wool; cords for hanging pictures; cotton tow; cotton waste [flock] for padding and stuffing; covers for camouflage; down [feathers]; dust sheets; eiderdown; esparto grass; feathers for bedding; feathers for stuffing upholstery; fibrous gaskets for ships; fishing nets; fleece wool; flock [stuffing]; glass fibers for textile use; grasses for upholstering; hammocks; hemp bands; hemp fibers; horsehair; jute; kapok; ladder tapes for venetian blinds; liber; linters; mail bags; mesh bags for washing laundry; net pens for fish farming; nets; nets for camouflage; network; outdoor blinds of textile; packing rope; packing string; packing [cushioning, stuffing] materials, not of rubber, plastics, paper or cardboard; padding materials, not of rubber, plastics, paper or cardboard; pig bristles; plastic fibers for textile use; purse seines; raffia; ramie fiber; raw cotton; raw fibrous textile; raw linen [flax]; raw or treated wool; raw silk; rope ladders; ropes; ropes, not of metal; sacks for the transport and storage of materials in bulk; sails; sails for ski sailing; sash cords; sawdust; schappe [raw silk waste]; seaweed for stuffing; sheaf-binding yarns; shorn wool; silk flock; sisal; slings, not of metal, for handling loads; snares [nets]; straps, not of metal, for handling loads; straw for stuffing upholstery; straw wrappers for bottles; string; strips for tying-up vines; tarpaulins; tents; textile fibers; thread, not of metal, for wrapping or binding; tow; twine for nets; twine made of paper; upholstery wool [stuffing]; vehicle covers, not fitted; vitreous silica fibres for textile use; wadding for filtering; wadding for padding and stuffing upholstery; wax ends; whipcord; wood shavings; wood wool; wool flock; wrapping or binding bands, not of metal.

23 – Chenille yarn; coir thread and yarn; cotton thread and yarn; darning thread and yarn; elastic thread and yarn for textile use; embroidery thread and yarn; fiberglass thread for textile use; hemp thread and yarn; jute thread and yarn; linen thread and yarn; rayon thread and yarn; rubber thread for textile use; sewing thread and yarn; silk thread and yarn; spun cotton; spun silk; spun thread and yarn; spun wool; thread; thread of metal for embroidery; threads of plastic materials for textile use; woollen thread and yarn.

24 – Adhesive fabric for application by heat; baby buntings; banners of textile or plastic; bath linen, except clothing; bath mitts; bed blankets; bed covers; bed covers of paper; bed linen; bed valances; billiard cloth; blankets for household pets; bolting cloth; brocades; buckram; bunting of textile or plastic; calico; canvas for tapestry or embroidery; cheese cloth; chenille fabric; chevviots [cloth]; cloth; cloths for removing make-up; coasters of textile; cotton fabrics; covers for cushions; covers [loose] for furniture; crepe [fabric]; crepon; crib bumpers [bed linen]; curtain hol-

ders of textile material; curtains of textile or plastic; damask; diaper changing cloths for babies; diapered linen; door curtains; drugget; eiderdowns [down coverlets]; elastic woven fabrics; esparto fabric; fabric; fabric, impervious to gases, for aeronautical balloons; fabric for footwear; fabric imitating animal skins; fabrics for textile use; face towels of textile; felt; fiber-glass fabrics, for textile use; filtering materials of textile; fitted toilet lid covers of fabric; flags of textile or plastic; flannel [fabric]; frieze [cloth]; furniture coverings of plastic; furniture coverings of textile; fustian; gauze [cloth]; glass cloths [towels]; gummed cloth, other than for stationery purposes; haircloth [sackcloth]; handkerchiefs of textile; hat linings, of textile, in the piece; hemp cloth; hemp fabric; household linen; jersey [fabric]; jute fabric; knitted fabric; labels of textile; linen cloth; lingerie fabric; lining fabric for footwear; linings [textile]; marabouts [cloth]; mattress covers; moleskin [fabric]; mosquito nets; muslin fabric; net curtains; non-woven textile fabrics; oilcloth for use as tablecloths; pillowcases; pillow shams; place mats of textile; plastic material [substitute for fabrics]; printed calico cloth; printers' blankets of textile; ramie fabric; rayon fabric; sheets [textile]; shower curtains of textile or plastic; shrouds; silk fabrics for printing patterns; silk [cloth]; sleeping bag liners; sleeping bags; sleeping bags for babies; tablecloths, not of paper; table linen, not of paper; tablemats of textile; table napkins of textile; table runners, not of paper; taffeta [cloth]; textile material; ticks [mattress covers]; tick [linen]; towels of textile; traced cloth for embroidery; travelling rugs [lap robes]; trellis [cloth]; tulle; upholstery fabrics; velvet; wall hangings of textile; woollen cloth; zephyr [cloth].

25 – Albs; ankle boots; aprons [clothing]; ascots; babies' pants [underwear]; bandanas [neckerchiefs]; bathing caps; bathing suits; bathing trunks; bath robes; bath sandals; bath slippers; beach clothes; beach shoes; belts [clothing]; berets; bibs, not of paper; bibs, sleeved, not of paper; boas [necklets]; bodices [lingerie]; boots; boots for sports; boot uppers; boxer shorts; braces for clothing [suspenders]; brassieres; breeches for wear; camisoles; cap peaks; chasubles; clothing; clothing for gymnastics; clothing of imitations of leather; clothing of leather; coats; collars [clothing]; combinations [clothing]; corselets; corsets [underclothing]; cuffs; cyclists' clothing; detachable collars; dresses; dressing gowns; dress shields; ear muffs [clothing]; esparto shoes or sandals; fingerless gloves; fishing vests; fittings of metal for footwear; football shoes; footmuffs, not electrically heated; footwear; footwear uppers; fur stoles; furs [clothing]; gabardines [clothing]; gaiters; gaiter straps; galoshes; garters; girdles; gloves [clothing]; gymnastic shoes; hairdressing capes; half-boots; hat frames [skeletons]; hats; headbands [clothing]; headwear; heelpieces for stockings; heel protectors for shoes; heels; hoods [clothing]; hosiery; inner soles; jackets [clothing]; jerseys [clothing]; judo uniforms; jumper dresses; karate uni-

forms; kimonos; knitwear [clothing]; lace boots; layettes [clothing]; leggings [leg warmers]; leggings [trousers]; leotards; liveries; maniples; mantillas; masquerade costumes; miters [hats]; money belts [clothing]; motorists' clothing; muffs [clothing]; neck gaiters; neckties; non-slipping devices for footwear; outer-clothing; overalls; overcoats; pajamas; panties; paper clothing; paper hats [clothing]; parkas; pelerines; pelisses; petticoats; pockets for clothing; pocket squares; ponchos; ready-made clothing; ready-made linings [parts of clothing]; sandals; saris; sarongs; sashes for wear; scarfs; shawls; shirt fronts; shirts; shirt yokes; shoes; short-sleeve shirts; shower caps; ski boots; ski gloves; skirts; skorts; skull caps; sleep masks; slippers; slips [underclothing]; socks; sock suspenders; soles for footwear; spats; sports jerseys; sports shoes; sports singlets; stockings; stocking suspenders; studs for football boots; stuff jackets [clothing]; suits; sweat-absorbent socks; sweat-absorbent stockings; sweat-absorbent underwear; sweaters; teddies [underclothing]; tee-shirts; tights; tips for footwear; togas; top hats; trousers; turbans; underpants; underwear; uniforms; valenki [felted boots]; veils [clothing]; vests; visors being headwear; waterproof clothing; welts for footwear; wet suits for water-skiing; wimples; wooden shoes.

26 – Appliqués [haberdashery]; artificial christmas garlands; artificial christmas garlands incorporating lights; artificial christmas wreaths; artificial christmas wreaths incorporating lights; artificial flowers; artificial fruit; artificial garlands; artificial plants, other than christmas trees; badges for wear, not of precious metal; beads, other than for making jewelry; belt clasps; binding needles; birds' feathers [clothing accessories]; blouse fasteners; bobbins for retaining embroidery floss or wool [not parts of machines]; bodkins; bows for the hair; boxes for needles; braids; brassards; brooches [clothing accessories]; buckles [clothing accessories]; buttons; charms, other than for jewelry, key rings or key chains; chenille [passementerie]; collar supports; competitors' numbers; cords for clothing; cords for trimming; crochet hooks; darning lasts; darning needles; decorative articles for the hair; edgings for clothing; elastic ribbons; embroidery; embroidery needles; entomological pins; expanding bands for holding sleeves; eyelets for clothing; false beards; false hair; false hems; false moustaches; fastenings for clothing; fastenings for suspenders; feathers [clothing accessories]; festoons [embroidery]; frills for clothing; frills [lacework]; fringes; gold embroidery; haberdashery bows; haberdashery ribbons; haberdashery [dressmakers' articles], except thread; hair bands; hair barrettes; hair coloring caps; hair curlers, electric and non-electric, other than hand implements; hair curling papers; hair curling pins; hair extensions; hair grips; hair nets; hair pins; hatbands; hat trimmings; heat adhesive patches for decoration of textile articles [haberdashery]; heat adhesive patches for repairing textile articles; hook and pile fastening

tapes; hooks for corsets; hooks [haberdashery]; human hair; knitting needles; lace for edgings; lace trimmings; letters for marking linen; mica spangles; needle-threaders; needle cases; needle cushions; needles; needles for wool combing machines; numerals for marking linen; numerals or letters for marking linen; ornamental novelty badges [buttons]; ostrich feathers [clothing accessories]; picot [lace]; pin cushions; pins, other than jewelry; prize ribbons; ribbons and bows, not of paper, for gift wrapping; ribbons for the hair; rosettes [haberdashery]; rug hooks; saddlers' needles; sewing boxes; sewing kits; sewing needles; sewing thimbles; shoe buckles; shoe eyelets; shoe fasteners; shoe hooks; shoe laces; shoemakers' needles; shoe trimmings; shoulder pads for clothing; shuttles for making fishing nets; silver embroidery; skirt flounces; snap fasteners; spangles for clothing; tapes for curtain headings; tassels [haberdashery]; top-knots [pom-poms]; toupees; tresses of hair; trimmings for clothing; trouser clips for cyclists; whalebones for corsets; wigs; woollen laces; wreaths of artificial flowers; zippers; zippers for bags.

27 – Artificial turf; bath mats; carpets; carpets for automobiles; carpet underlay; door mats; floor coverings; floor mats, fire-resistant, for fireplaces and barbecues; gymnasium mats; linoleum; mats; mats of woven rope for ski slopes; non-slip mats; reed mats; textile wallpaper; vinyl floor coverings; wall hangings, not of textile; wallpaper; yoga mats.

28 – Amusement machines, automatic and coin-operated; apparatus for games; appliances for gymnastics; arcade video game machines; archery implements; artificial fishing bait; artificial snow for christmas trees; ascenders [mountaineering equipment]; baby gyms; backgammon games; bags especially designed for skis; bags especially designed for surfboards; ball pitching machines; balls for games; bar-bells; baseball gloves; batting gloves [accessories for games]; bells for christmas trees; billiard balls; billiard cues; billiard cue tips; billiard markers; billiard table cushions; billiard tables; bingo cards; bite indicators [fishing tackle]; bite sensors [fishing tackle]; bladders of balls for games; bob-sleighs; body-building apparatus; bodyboards; bowling apparatus and machinery; bows for archery; boxing gloves; building blocks [toys]; building games; butterfly nets; camouflage screens [sports articles]; candle holders for christmas trees; caps for pistols [toys]; carnival masks; chalk for billiard cues; checkerboards; checkers [games]; chessboards; chess games; chest expanders [exercisers]; chips for gambling; christmas crackers [party novelties]; christmas trees of synthetic material; christmas tree stands; clay pigeons [targets]; clay pigeon traps; climbers' harness; coin-operated billiard tables; confetti; conjuring apparatus; controllers for game consoles; controllers for toys; counters [discs] for games; creels [fishing traps]; cricket bags; cups for dice; darts; decoys for hunting or fishing; dice; discusses for sports; divot repair tools

[golf accessories]; dolls; dolls' beds; dolls' clothes; dolls' feeding bottles; dolls' houses; dolls' rooms; dominoes; drones [toys]; dumb-bells; edges of skis; elbow guards [sports articles]; electronic targets; fairground ride apparatus; fencing gauntlets; fencing masks; fencing weapons; fish hooks; fishing lines; fishing tackle; flippers for swimming; floats for fishing; flying discs [toys]; foosball tables; games; gaming machines for gambling; gloves for games; golf bag carts; golf bags, with or without wheels; golf clubs; golf gloves; gut for fishing; gut for rackets; gyroscopes and flight stabilizers for model aircraft; hang gliders; harness for sailboards; harpoon guns [sports articles]; hockey sticks; horseshoe games; hunting game calls; ice skates; in-line roller skates; inflatable games for swimming pools; jigsaw puzzles; joysticks for video games; kaleidoscopes; kite reels; kites; knee guards [sports articles]; landing nets for anglers; machines for physical exercises; mah-jong; marbles for games; masks [playthings]; masts for sailboards; matryoshka dolls; men's athletic supporters [sports articles]; needles for pumps for inflating balls for games; nets for sports; novelty toys for parties; novelty toys for playing jokes; ornaments for christmas trees, except lights, candles and confectionery; pachinkos; paddleboards; paintball guns [sports apparatus]; paintballs [ammunition for paintball guns] [sports apparatus]; paper party hats; paragliders; board games; party poppers [party novelties]; percussion caps [toys]; pinatas; playing balls; playing cards; plush toys; plush toys with attached comfort blanket; poles for pole vaulting; portable games and toys incorporating telecommunication functions; portable games with liquid crystal displays; protective films adapted for screens for portable games; protective paddings [parts of sports suits]; pumps specially adapted for use with balls for games; punching bags; puppets; quoits; rackets; rattles [playthings]; reels for fishing; remote-controlled toy vehicles; rhythmic gymnastics ribbons; ring games; rocking horses; rods for fishing; rollers for stationary exercise bicycles; roller skates; rosin used by athletes; roulette wheels; sailboards; scale model kits [toys]; scale model vehicles; scent lures for hunting or fishing; scooters [toys]; scratch cards for playing lottery games; seal skins [coverings for skis]; shin guards [sports articles]; shuttlecocks; skateboards; ski bindings; skis; skittles; skittles [games]; sleds [sports articles]; slides [playthings]; sling shots [sports articles]; slot machines [gaming machines]; snowboards; snow globes; snowshoes; soap bubbles [toys]; sole coverings for skis; spinning tops [toys]; spring boards [sports articles]; starting blocks for sports; stationary exercise bicycles; strings for rackets; stuffed toys; surfboard leashes; surfboards; swimming belts; swimming jackets; swimming kickboards; swimming pool air floats; swimming pools [play articles]; swings; table-top games; tables for table tennis; targets; teddy bears; tennis ball throwing apparatus; tennis nets; theatrical masks; toy air pistols; toy

dough; toy figures; toy imitation cosmetics; toy mobiles; toy models; toy pistols; toy putty; toy robots; toys; toy vehicles; trampolines; tricycles for infants [toys]; twirling batons; video game machines; waterskis; water wings; weight lifting belts [sports articles].

29 – Albumen for culinary purposes; albumin milk; alginates for culinary purposes; almond milk; almond milk-based beverages; almond milk for culinary purposes; almonds, ground; aloe vera prepared for human consumption; anchovy, not live; animal marrow for food; apple purée; arrangements of processed fruit; artichokes, preserved; bacon; beans, preserved; berries, preserved; black pudding; bone oil for food; bouillon; bouillon concentrates; bulgogi; butter; buttercream; candied nuts; caviar; charcuterie; cheese; clams, not live; cocoa butter for food; coconut, desiccated; coconut butter; coconut fat; coconut milk; coconut milk-based beverages; coconut milk for culinary purposes; coconut oil for food; colza oil for food; compotes; condensed milk; corn dogs; corn oil for food; cottage cheese fritters; cranberry compote; crayfish, not live; cream [dairy products]; croquettes; crustaceans, not live; crystallized fruits; curd; dates; edible ant larvae, prepared; edible birds' nests; edible fats; edible insects, not live; eggplant paste; eggs; extra virgin olive oil for food; falafel; fat-containing mixtures for bread slices; fatty substances for the manufacture of edible fats; fermented baked milk; fish, not live; fish, preserved; fish, canned; fish-based foodstuffs; fish fillets; fish meal for human consumption; fish mousses; fish roe, prepared; flavored nuts; freeze-dried meat; freeze-dried vegetables; frozen fruits; fruit, preserved; fruit, stewed; fruit-based snack food; fruit chips; fruit jellies; fruit peel; fruit preserved in alcohol; fruit pulp; fruits, canned; fruit salads; game, not live; gelatine; gherkins; ginger jam; guacamole; ham; hazelnuts, prepared; herrings, not live; hot dog sausages; hummus; isinglass for food; jams; jellies for food; kefir; kimchi; klipfish [salted and dried cod]; kumys; lard; laver, preserved; lecithin for culinary purposes; lemon juice for culinary purposes; lentils, preserved; linseed oil for food; liver; liver pastes; lobsters, not live; low-fat potato chips; margarine; meat; meat, preserved; meat, canned; meat extracts; meat jellies; milk; milk beverages, milk predominating; milk ferments for culinary purposes; milk products; milk shakes; milk substitutes; mollusks, not live; mushrooms, preserved; mussels, not live; non-alcoholic eggnog; nut-based spreads; nuts, prepared; oat milk; oils for food; olive oil for food; olives, preserved; onion rings; onions, preserved; oysters, not live; palm kernel oil for food; palm oil for food; peanut butter; peanut milk; peanut milk-based beverages; peanut milk for culinary purposes; peanuts, prepared; peas, preserved; pectin for culinary purposes; pickles; pollen prepared as foodstuff; pork; potato-based dumplings; potato chips; potato flakes; potato fritters; poultry, not live; powdered eggs; powdered milk; prawns, not live; preparations for making bouillon; preparations for ma-

king soup; preserved garlic; preserved peppers; preserved fruit paste; raisins; rennet; rice milk; rice milk for culinary purposes; salmon, not live; salted fish; salted meats; sardines, not live; sauerkraut; sausage casings, natural or artificial; sausages; sausages in batter; sea-cucumbers, not live; seaweed extracts for food; seeds, prepared; sesame oil for food; shrimps, not live; silkworm chrysalis for human consumption; smetana; snail eggs for consumption; soups; soured milk; soya bean oil for food; soya beans, preserved, for food; soya milk; soya patties; spiny lobsters, not live; suet for food; sunflower oil for food; sunflower seeds, prepared; sweet corn, processed; tahini; tofu; tofu patties; tofu skin; tomato juice for cooking; tomato paste; tomato purée; tripe; truffles, preserved; tuna, not live; vegetable-based cream; vegetable juices for cooking; vegetable marrow paste; vegetable mousses; vegetables, cooked; vegetables, dried; vegetables, preserved; vegetables, canned; vegetable salads; vegetable soup preparations; whey; whipped cream; white of eggs; yakitori; yogurt; yolk of eggs.

30 – Agave syrup [natural sweetener]; allspice; almond confectionery; almond paste; aniseed; apple sauce [condiment]; aromatic preparations for food; coffee substitutes; baking powder; baking soda [bicarbonate of soda for cooking purposes]; baozi; barley meal; bean meal; beer vinegar; bibimbap [rice mixed with vegetables and beef]; binding agents for ice cream; bread; breadcrumbs; bread rolls; buckwheat, processed; buckwheat flour; bulgur; buns; burritos; cake dough; cake frosting [icing]; cake powder; cakes; candies; candy decorations for cakes; capers; caramels [candies]; celery salt; cereal-based snack food; cereal bars; cereal preparations; chamomile-based beverages; cheeseburgers [sandwiches]; chewing gum; chewing gum for breath freshening; chicory [coffee substitute]; chips [cereal products]; chocolate; chocolate-based beverages; chocolate-based spreads; chocolate-coated nuts; chocolate beverages with milk; chocolate decorations for cakes; chocolate mousses; chocolate spreads containing nuts; chow-chow [condiment]; chutneys [condiments]; cinnamon [spice]; cloves [spice]; cocoa; cocoa-based beverages; cocoa beverages with milk; coffee; coffee-based beverages; coffee beverages with milk; coffee flavorings; condiments; confectionery; confectionery for decorating christmas trees; cookies; cooking salt; corn, milled; corn, roasted; corn flakes; corn flour; couscous; crackers; cranberry sauce [condiment]; cream of tartar for culinary purposes; croutons; crushed barley; crushed oats; curry [spice]; custard; dessert mousses [confectionery]; dough; dressings for salad; dulce de leche; edible ices; edible paper; edible rice paper; essences for foodstuffs, except etheric essences and essential oils; ferments for pastes; flavorings, other than essential oils, for cakes; flavorings, other than essential oils, for beverages; flour; flour-based dumplings; flowers or leaves for use as tea substitutes; fondants [confectionery]; food flavorings, other than essential

oils; freeze-dried dishes with the main ingredient being pasta; freeze-dried dishes with the main ingredient being rice; frozen yogurt [confectionery ices]; fruit confectionery; fruit coulis [sauces]; fruit jellies [confectionery]; garden herbs, preserved [seasonings]; gingerbread; glucose for culinary purposes; gluten additives for culinary purposes; gluten prepared as foodstuff; golden syrup; groats for human food; ground ginger; halvah; ham glaze; high-protein cereal bars; hominy; hominy grits; honey; hot dog sandwiches; husked barley; husked oats; ice, natural or artificial; ice cream; ice cubes; iced tea; ice for refreshment; infusions, not medicinal; instant rice; jiaozi; ketchup [sauce]; leaven; linseed for culinary purposes [seasoning]; liquorice [confectionery]; macaroni; macarons; malt biscuits; malt extract for food; malt for human consumption; maltose; marinades; marzipan; mayonnaise; meat gravies; meat pies; meat tenderizers for household purposes; minced garlic [condiment]; mint for confectionery; mints for breath freshening; mirror icing [mirror glaze]; miso; molasses for food; muesli; mustard; mustard meal; natural sweeteners; noodle-based prepared meals; noodles; nut flours; nutmegs; oat-based food; oat flakes; oatmeal; onigiri; palm sugar; pancakes; pasta; pasta sauce; pastilles [confectionery]; pastries; pastry dough; peanut confectionery; pelmeni; pepper; peppermint sweets; peppers [seasonings]; pesto; petit-beurre biscuits; petits fours; piccaililli; pies; pizzas; popcorn; potato-based flatbreads; potato flour; powders for making ice cream; pralines; preparations for stiffening whipped cream; processed seeds for use as a seasoning; propolis; puddings; pâtés en croûte; quiches; quinoa, processed; ramen; ravioli; relish [condiment]; rice; rice-based snack food; rice cakes; rice crackers; rice pudding; rice pulp for culinary purposes; royal jelly; rusks; saffron [seasoning]; sago; salt for preserving foodstuffs; sandwiches; sauces [condiments]; sausage binding materials; savory pancake mixes; savory pancakes; seasonings; seawater for cooking; seaweed [condiment]; semolina; sesame seeds [seasonings]; shaved ice with sweetened red beans; sherbets [ices]; soba noodles; soya flour; soya sauce; spaghetti; spices; spring rolls; star aniseed; starch for food; stick liquorice [confectionery]; sugar; sushi; tabbouleh; tacos; tapioca; tapioca flour; tarts; tea; tea-based beverages; thickening agents for cooking foodstuffs; tomato sauce; tortillas; turmeric; udon noodles; unleavened bread; unroasted coffee; vanilla flavorings for culinary purposes; vanillin [vanilla substitute]; vegetal preparations for use as coffee substitutes; vermicelli; vinegar; waffles; wheat flour; wheat germ for human consumption; yeast.

31 – Algae, unprocessed, for human or animal consumption; algarovilla for animal consumption; almonds [fruits]; aloe vera plants; anchovy, live; animal fattening preparations; animal foodstuffs; aromatic sand [litter] for pets; arrangements of fresh fruit; artichokes, fresh; bagasses of cane [raw material]; barley; beans, fresh; beet, fresh; berries, fresh; beverages for

pets; bird food; bran; bran mash for animal consumption; bred stock; buckwheat, unprocessed; by-products of the processing of cereals, for animal consumption; cereal seeds, unprocessed; chestnuts, fresh; chicory, fresh; chicory roots; christmas trees; citrus fruit, fresh; cocoa beans, raw; coconuts; coconut shell; copra; crayfish, live; crustaceans, live; cucumbers, fresh; cuttle bone for birds; distillery waste for animal consumption; dog biscuits; draff; edible chews for animals; edible insects, live; edible linseed, unprocessed; edible sesame, unprocessed; eggs for hatching, fertilized; fish, live; fishing bait, live; fish meal for animal consumption; fish spawn; flax meal [fodder]; flower bulbs; flowers, dried, for decoration; flowers, natural; fodder; fruit, fresh; fruit residue [marc]; garden herbs, fresh; garlic, fresh; grains for animal consumption; grains [cereals]; grapes, fresh; groats for poultry; hay; hazelnuts, fresh; herrings, live; hop cones; hops; juniper berries; koi carp, live; kola nuts; leeks, fresh; lemons, fresh; lentils, fresh; lettuce, fresh; lime for animal forage; linseed for animal consumption; linseed meal for animal consumption; litter for animals; litter peat; live animals; lobsters, live; locust beans, raw; maize; maize cake for cattle; malt for brewing and distilling; mash for fattening livestock; meal for animals; menagerie animals; mollusks, live; mushrooms, fresh; mushroom spawn for propagation; mussels, live; nettles; nuts, unprocessed; oats; oil cake; olives, fresh; onions, fresh; oranges, fresh; oysters, live; palms [leaves of the palm tree]; palm trees; peanut cake for animals; peanut meal for animals; peanuts, fresh; peas, fresh; peppers [plants]; pet food; pine cones; plants; plants, dried, for decoration; pollen [raw material]; potatoes, fresh; poultry, live; preparations for egg laying poultry; quinoa, unprocessed; rape cake for cattle; raw barks; residue in a still after distillation; rhubarb, fresh; rice, unprocessed; rice meal for forage; roots for animal consumption; rose bushes; rough cork; rye; salmon, live; salt for cattle; sanded paper [litter] for pets; sardines, live; sea-cucumbers, live; seed germ for botanical purposes; seedlings; seeds for planting; shrubs; silkworm eggs; silkworms; spinach, fresh; spiny lobsters, live; squashes, fresh; stall food for animals; straw litter; straw mulch; straw [forage]; strengthening animal forage; sugarcane; trees; truffles, fresh; trunks of trees; tuna, live; turf, natural; undressed timber; unprocessed sweet corn ears [husked or unhusked]; unsawn timber; vegetable marrows, fresh; vegetables, fresh; vine plants; wheat; wheat germ for animal consumption; wood chips for the manufacture of wood pulp; wreaths of natural flowers; yeast for animal consumption.

32 – Aerated water; aloe vera drinks, non-alcoholic; aperitifs, non-alcoholic; barley wine [beer]; beer; beer-based cocktails; beer wort; cider, non-alcoholic; cocktails, non-alcoholic; energy drinks; extracts of hops for making beer; fruit juices; fruit nectars, non-alcoholic; ginger beer; grape must, unfermented; isotonic beverages; kvass; lemonades; lithia water; malt

beer; malt wort; mineral water [beverages]; must; non-alcoholic beverages; non-alcoholic beverages flavored with coffee; non-alcoholic beverages flavored with tea; non-alcoholic essences for making beverages; non-alcoholic fruit extracts; non-alcoholic fruit juice beverages; non-alcoholic honey-based beverages; non-alcoholic preparations for making beverages; orgeat; pastilles for effervescing beverages; powders for effervescing beverages; preparations for making aerated water; protein-enriched sports beverages; rice-based beverages, other than milk substitutes; sarsaparilla [non-alcoholic beverage]; seltzer water; sherbets [beverages]; smoothies; soda water; soft drinks; soya-based beverages, other than milk substitutes; syrups for beverages; syrups for lemonade; table waters; tomato juice [beverage]; vegetable juices [beverages]; waters [beverages]; whey beverages.

33 – Alcoholic beverages, except beer; alcoholic beverages containing fruit; alcoholic essences; alcoholic extracts; anisette [liqueur]; anise [liqueur]; aperitifs; arrack [arak]; bitters; brandy; cider; cocktails; curacao; digestifs [liqueurs and spirits]; distilled beverages; fruit extracts, alcoholic; gin; grain-based distilled alcoholic beverages; kirsch; liqueurs; mead [hydromel]; peppermint liqueurs; perry; piquette; pre-mixed alcoholic beverages, other than beer-based; rice alcohol; rum; sake; spirits [beverages]; sugarcane-based alcoholic beverages; vodka; whisky; wine.

34 – Absorbent paper for tobacco pipes; ashtrays for smokers; books of cigarette papers; chewing tobacco; cigar cases; cigar cutters; cigarette cases; cigarette filters; cigarette holders; cigarette paper; cigarettes; cigarettes containing tobacco substitutes, not for medical purposes; cigarette tips; cigar holders; cigarillos; cigars; electronic cigarettes; firestones; flavorings, other than essential oils, for tobacco; flavorings, other than essential oils, for use in electronic cigarettes; gas containers for cigar lighters; herbs for smoking; humidors; lighters for smokers; liquid solutions for use in electronic cigarettes; matchboxes; matches; match holders; mouthpieces for cigarette holders; oral vaporizers for smokers; pipe cleaners for tobacco pipes; pipe racks for tobacco pipes; pocket machines for rolling cigarettes; snuff; snuff boxes; spittoons for tobacco users; tips of yellow amber for cigar and cigarette holders; tobacco; tobacco jars; tobacco pipes; tobacco pouches.

35 – Administration of consumer loyalty programs; administrative processing of purchase orders; advertising; advertising by mail order; auctioneering; billposting; book-keeping; business inquiries; business investigations; business management and organization consultancy; business management consultancy; business management of reimbursement programs for others; business organization consultancy; commercial administration of the licensing of the goods and services of others; competitive intelligence services; compilation of information into computer databases;

compilation of statistics; compiling indexes of information for commercial or advertising purposes; demonstration of goods; development of advertising concepts; direct mail advertising; dissemination of advertising matter; distribution of samples; drawing up of statements of accounts; economic forecasting; gift registry services; layout services for advertising purposes; marketing; marketing in the framework of software publishing; marketing research; modelling for advertising or sales promotion; negotiation and conclusion of commercial transactions for third parties; negotiation of business contracts for others; online advertising on a computer network; online retail services for downloadable and pre-recorded music and movies; online retail services for downloadable digital music; online retail services for downloadable ring tones; organization of exhibitions for commercial or advertising purposes; organization of fashion shows for promotional purposes; organization of trade fairs; outdoor advertising; pay per click advertising; personnel management consultancy; photocopying services; presentation of goods on communication media, for retail purposes; price comparison services; procurement services for others [purchasing goods and services for other businesses]; production of advertising films; production of teleshopping programmes; promotion of goods and services through sponsorship of sports events; providing commercial information and advice for consumers in the choice of products and services; provision of an online marketplace for buyers and sellers of goods and services; publication of publicity texts; publicity material rental; radio advertising; registration of written communications and data; rental of advertising time on communication media; rental of billboards [advertising boards]; rental of sales stands; rental of vending machines; retail services for pharmaceutical, veterinary and sanitary preparations and medical supplies; retail services for works of art provided by art galleries; retail services relating to bakery products; sales promotion for others; search engine optimization for sales promotion; shop window dressing; systemization of information into computer databases; targeted marketing; tax preparation; telemarketing services; television advertising; updating of advertising material; web indexing for commercial or advertising purposes; wholesale services for pharmaceutical, veterinary and sanitary preparations and medical supplies; writing of résumés for others.

40 – Abrasion; air deodorising; applying finishes to textiles; blacksmithing; boilermaking; bookbinding; burnishing by abrasion; cadmium plating; chromium plating; cloth cutting; cloth dyeing; cloth edging; cloth fireproofing; clothing alteration; cloth pre-shrinking; colour separation services; crease-resistant treatment for clothing; cryopreservation services; custom assembling of materials for others; custom fashioning of fur; custom tailoring; decontamination of hazardous materials; dressmaking; dyeing services; elec-

troplating; embroidering; engraving; fabric bleaching; fabric waterproofing; flour milling; food and drink preservation; food smoking; framing of works of art; freezing of foods; fruit crushing; fulling of cloth; fur conditioning; fur dyeing; fur glossing; fur mothproofing; fur satining; galvanization; gilding; glass-blowing; gold plating; grinding; key cutting; laminating; laser scribing; leather staining; leather working; lithographic printing; magnetization; metal plating; metal tempering; metal treating; millworking; nickel plating; offset printing; optical glass grinding; paper finishing; paper treating; pattern printing; permanent-press treatment of fabrics; photocomposing services; photographic film development; photographic printing; photogravure; planing of materials; pottery firing; printing; processing of cinematographic films; providing information relating to material treatment; quilting; refining services; rental of electricity generators; saddlery working; sandblasting services; sawing of materials; shoe staining; silkscreen printing; silver plating; skin dressing; soldering; stripping finishes; tanning; taxidermy; textile dyeing; textile mothproofing; textile treating; timber felling and processing; tin plating; tinting of car windows; vulcanization [material treatment]; warping [looms]; water treating; welding services; window tinting treatment being surface coating; woodworking; wool treating.

41 – Amusement park services; arranging and conducting of colloquiums; arranging and conducting of concerts; arranging and conducting of conferences; arranging and conducting of congresses; arranging and conducting of seminars; arranging and conducting of symposiums; arranging of beauty contests; club education services; conducting guided tours; electronic desktop publishing; entertainment services; layout services, other than for advertising purposes; online publication of electronic books and journals; organization of balls; organization of competitions [education or entertainment]; organization of fashion shows for entertainment purposes; organization of lotteries; photography; presentation of circus performances; presentation of variety shows; production of shows; providing films, not downloadable, via video-on-demand services; providing museum facilities; providing online electronic publications, not downloadable; providing online music, not downloadable; providing online videos, not downloadable; providing sports facilities; providing television programmes, not downloadable, via video-on-demand services; publication of texts, other than publicity texts; radio entertainment; scriptwriting, other than for advertising purposes; ticket agency services [entertainment].

43 – Café services; food and drink catering; food sculpting; hotel accommodation services; motel services; providing campground facilities.

(260) AM 2023 121196 A

(800) 1707635

(151) 2022 11 03

(891) 2022 11 03

(731) SHENZHEN IVPS TECHNOLOGY CO., LTD.

Room 101, Building B8, No.2, Cengyao Industrial Zone, Yulv Community, Yutang Street, Guangming District, Shenzhen, 518132 Guangdong, China

(540)

AVP

(591) Black, white

(531) 27.05.01; 27.05.17; 27.05.23

(511)

34 – Electronic cigarettes; liquid solutions for use in electronic cigarettes; cigarette tips; flavourings, other than essential oils, for use in electronic cigarettes; cigarette cases; oral vaporizers for smokers; cigarettes containing tobacco substitutes, not for medical purposes; pipe racks for tobacco pipes.

(260) AM 2023 121197 A

(800) 1707656

(151) 2022 11 14

(891) 2022 11 14

(731) Qingdao Daiyoujia Biological Technology Co., Ltd.

Room 1201, 12th Floor, Building 1, 19 Qinling Road, Laoshan District, Qingdao City, 266100 Shandong Province, China

(540)

KATO

(591) Black, white

(511)

3 – Cosmetics; cotton wool for cosmetic purposes; cosmetic pencils; skin whitening creams; cleansing milk for toilet purposes; volcanic ash for cleaning; teeth whitening strips; beauty masks; ethereal oils; toiletries.

(260) AM 2023 121198 A

(800) 1707663

(151) 2022 11 07

(891) 2022 11 07

(731) SHENZHEN IVPS TECHNOLOGY CO., LTD.

Room 101, Building B8, No.2, Cengyao Industrial Zone, Yulv Community, Yutang Street, Guangming District, Shenzhen 518132 Guangdong, China

(540)

mavic

(591) Black, white

(511)
34 – Oral vaporizers for smokers; flavourings, other than essential oils, for use in electronic cigarettes; electronic cigarettes; liquid solutions for use in electronic cigarettes; tobacco pipes; electronic cigarettes for use as an alternative to traditional cigarettes; cigarette cases; electronic cigars; liquid nicotine solutions for use in electronic cigarettes; tips of yellow amber for cigar and cigarette holders.

(260) AM 2023 121200 A

(800) 1707751

(151) 2022 10 07

(891) 2022 10 07

(731) Bayer Aktiengesellschaft
Kaiser-Wilhelm-Allee, 51373 Leverkusen,
Germany

(540)



(591) Blue, white

(531) 02.09.01; 02.09.24; 17.01.19; 29.01.12

(511)

41 – Education, providing of training and educational activities in the field of cardiovascular and subsequent diseases.

44 – Medical services.

(260) AM 2023 121201 A

(800) 1707753

(151) 2022 10 05

(891) 2022 10 05

(731) Euro Games Technology Ltd.
"Maritsa" Str. 4, "Vranya-Lozen-Triugulnika",
BG-1151 Sofia, Bulgaria

(540)



(591) Green, dark green, light green, gold, black and white

(531) 05.03.06; 29.01; 29.01.14

(511)

9 – Operating computer software for main frame computers; monitors (computer hardware); computer hardware; apparatus for recording images; monitors

(computer programs); computer game programs; recorded computer game programs; apparatus for recording, transmission or reproduction of sound or images; communications servers (computer hardware); electronic components for gambling machines; computer application software featuring games and gaming; computer software for the administration of on-line games and gaming; computer hardware for games and gaming; hardware and software for gambling, gambling machines, gambling games on the internet and via telecommunication network; computer systems; computer operating system software; computer terminals; interactive terminals; multimedia terminals; electronic terminals for generating lottery tickets; interactive touch screen terminals; computer touchscreens; electronic display panels; liquid crystal display screens; digital signage display panels; multimedia software; multimedia apparatus and instruments; interactive multimedia software for playing games; computer screens; led large-screen displays; liquid crystal displays [leds] for home theatres; media streaming software; computer application software for streaming audio-visual media content via the internet; software; computer gaming software; computer software packages; computer operating system software; computer software, recorded; software drivers; virtual reality software; games software; entertainment software for computer games; computer programs for network management; electronic lottery tickets; computer software platforms; operating systems; interactive computer systems; operating system programs; computer game software for use with on-line interactive games; interactive casino games provided through a computer or mobile platform; software for slot machines, betting software, software for video slot games, for casino games, for gambling and bingo games, provided online or through computer networks and that can be played on any type of computer device, including arcade games, personal computers, portable devices and mobile phones.

28 – Gaming machines for gambling; chips for gambling; mah-jong; arcade games; gambling machines operating with coins, notes and cards; games; electronic games; parlor games; gaming chips; gaming tables; slot machines [gaming machines]; LCD game machines; slot machines and gaming devices; coin-operated amusement machines; roulette chips; poker chips; chips and dice [gaming equipment]; gaming equipment for casinos; roulette tables; gaming roulette wheels; casino games; gambling machines and amusement machines, automatic and coin-operated; coin-operated amusement machines and/or electronic coin-operated amusement machines with or without the possibility of gain; boxes for coin-operated amusement machines, slot machines and gaming machines; electronic or electrotechnical amusement machines and apparatus, gaming machines, coin-operated entertainment machines; housings for coin-operated amusement machines, gaming equipment, gaming machi-

nes, machines for gambling; electropneumatic and electrical gambling machines (slot machines); lottery games; electronic targets for games and sports.

41 – Gambling services; entertainment services related to gambling; gaming services for entertainment purposes; casino, gaming and gambling services; training in the development of software systems; provision of gaming equipment for gambling halls; providing casino equipment [gambling]; gaming machine entertainment services; providing casino facilities [gambling]; gaming hall services; games equipment rental; rental of gaming machines; providing amusement arcade services; rental of gaming machines with images of fruits; editing or recording of sounds and images; sound recording and video entertainment services; hire of sound reproducing apparatus; provision of gaming equipment for casinos; providing of gambling facilities; online gambling services; casino services; provision of gaming facilities and gaming hall facilities, internet casinos and online gambling services; lottery services; organization of lotteries; provision of games by means of a computer based system; online interactive entertainment; on-line casino services; online game services through mobile devices; providing online entertainment in the nature of game tournaments; providing on-line information in the field of computer gaming entertainment; sports betting services; online sports betting services; providing online games and games of chance.

(260) AM 2023 121202 A

(800) 1707779

(151) 2022 10 13

(891) 2022 10 13

(731) Gorilla Drinks Limited

Amathountos, 50E, PEARL BUILDING,
3rd floor, Flat/Office 1, Agios Tychonas,
CY-4532 Limassol, Cyprus

(540)



(591) Red, yellow, white, pink, beige and gray

(531) 02.01.08; 02.01.16; 02.01.23; 03.05.19;
03.05.20; 03.05.24; 25.01.25; 26.04.05;
26.04.16; 26.04.18; 26.04.24; 27.05.01;
27.05.09; 27.05.10; 27.05.19; 27.05.24;
29.01.15

(526) JUICE, ENERGY, LYCHEE, Pear

(511)

32 – Non-alcoholic beverages; fruit beverages and fruit juices; syrups and other non-alcoholic preparations for making beverages; aperitifs, non-alcoholic; cocktails, non-alcoholic; isotonic beverages; protein-

enriched sports beverages; soft drinks; non-alcoholic fruit juice beverages; non-alcoholic energy drinks; non-alcoholic tonic drinks, including those containing caffeine, taurine, except for medical and dietary purposes; fruit nectars, non-alcoholic; smoothies; non-alcoholic fruit extracts.

(260) AM 2023 121270 A

(800) 1708180

(151) 2022 06 06

(891) 2022 06 06

(731) Palantir Technologies Inc.

1555 Blake Street, Suite 250, Denver
CO 80202, USA

(540)



(591) Black, white

(531) 26.01.03; 26.03.23

(511)

9 – Software for edge computing; edge artificial intelligence software; software for data processing, data storage, data capture, data collection, data validation, data security, data warehousing, data management, and data mining; software for artificial intelligence, machine learning, deep learning, natural language generation, statistical learning, supervised learning, unsupervised learning, data mining, predictive analytics, business intelligence, and computer vision; software, namely, knowledge-based artificial intelligence platforms, data analytics platforms, and automation platforms for use in the fields of artificial intelligence, machine learning, deep learning, statistical learning, supervised learning, unsupervised learning, data mining, predictive analytics and business intelligence; simulation, modeling and data processing software for use in data visualization, data analysis, data mining, data interpretation, predictive analytics, accessing and editing large-scale data, interactive visual computing, and design of information graphics; software for information and data integration, analysis, management, collaboration, algorithmic and human-driven exploration, viewing, modeling, exporting, visualization, organization, modification, book marking, transmission, storage, exchange, sharing, querying, auditing, collection, editing, hosting, security, and tracking of data and information; software for analysis, management, collaboration, algorithmic and human-driven exploration, viewing, modeling, exporting, visualization, organization, modification, book marking, transmission, storage, exchange, sharing, querying, auditing, collection, editing, hosting, security, and tracking of geospatial, map and location data and information; software for use in scientific and technological research and analysis in the field of national security; software for use in scientific and technological research and deve-

lopment in the field of national security; software for use in technology consultation and research in the field of national security; software for use in advance product research in the field of national security; software for use in engineering and design in the field of national security; software development tools in the field of national security; all of the aforementioned goods designed for and marketed to governmental, business, or other institutional users (but not to individual consumers) and not distributed through retail channels.

35 – Business data analysis; business consulting services concerning use of data and information by financial institutions, health institutions, non-profit organizations, legal institutions, commercial entities, and government agencies; advisory services relating to information and data processing; all the aforementioned services designed for and marketed to governmental, business, or other institutional users (but not to individual consumers) and not distributed through retail channels.

42 – Providing non-downloadable software for edge computing; providing non-downloadable edge artificial intelligence software; providing non-downloadable software for data processing, data storage, data capture, data collection, data validation, data security, data warehousing, data management, and data mining; providing non-downloadable software for artificial intelligence, machine learning, deep learning, natural language generation, statistical learning, supervised learning, un-supervised learning, data mining, predictive analytics, business intelligence, and computer vision; providing non-downloadable software, namely, knowledge-based artificial intelligence platforms, data analytics platforms, and automation platforms for use in the fields of artificial intelligence, machine learning, deep learning, statistical learning, supervised learning, un-supervised learning, data mining, predictive analytics and business intelligence; providing non-downloadable simulation, modeling and data processing software for use in data visualization, data analysis, data mining, data interpretation, predictive analytics, accessing and editing large-scale data, interactive visual computing, and design of information graphics; providing non-downloadable software for information and data integration, analysis, management, collaboration, algorithmic and human-driven exploration, viewing, modeling, exporting, visualization, organization, modification, book marking, transmission, storage, exchange, sharing, querying, auditing, collection, editing, hosting, security, and tracking of data and information; providing non-downloadable software for analysis, management, collaboration, algorithmic and human-driven exploration, viewing, modeling, exporting, visualization, organization, modification, book marking, transmission, storage, exchange, sharing, querying, auditing, collection, editing, hosting, security, and tracking of geospatial,

map and location data and information; software as a service (SaaS) featuring software for data processing, data storage, data capture, data collection, data validation, data security, data warehousing, data management, and data mining; software as a service (SaaS) featuring software for artificial intelligence, machine learning, deep learning, natural language generation, statistical learning, supervised learning, un-supervised learning, data mining, predictive analytics, business intelligence, and computer vision; software as a service (SaaS) featuring knowledge-based artificial intelligence platforms, data analytics platforms, and automation platforms for use in the fields of artificial intelligence, machine learning, deep learning, statistical learning, supervised learning, un-supervised learning, data mining, predictive analytics and business intelligence; software as a service (SaaS) featuring simulation, modeling and data processing software for use in data visualization, data analysis, data mining, data interpretation, predictive analytics, accessing and editing large-scale data, interactive visual computing, and design of information graphics; software as a service (SaaS) featuring software for information and data integration, analysis, management, collaboration, algorithmic and human-driven exploration, viewing, modeling, exporting, visualization, organization, modification, book marking, transmission, storage, exchange, sharing, querying, auditing, collection, editing, hosting, security, and tracking of data and information; software as a service (SaaS) featuring software for analysis, management, collaboration, algorithmic and human-driven exploration, viewing, modeling, exporting, visualization, organization, modification, book marking, transmission, storage, exchange, sharing, querying, auditing, collection, editing, hosting, security, and tracking of geospatial, map and location data and information; advanced product research in the field of artificial intelligence; scientific and technological research and analysis in the field of national security; scientific and technological research and development in the field of national security; technology consultation and research in the field of national security; advance product research in the field of national security; engineering and design in the field of national security; software design and development in the field of national security; providing non-downloadable software for use in scientific and technological research and analysis in the field of national security; providing non-downloadable software for use in scientific and technological research and development in the field of national security; providing non-downloadable software for use in technology consultation and research in the field of national security; providing non-downloadable software for use in advance product research in the field of national security; providing non-downloadable software for use in engineering and design in the field of national security; providing non-downloadable software development tools in the field of national security; all the aforementioned services

designed for and marketed to governmental, business, or other institutional users (but not to individual consumers) and not distributed through retail channels.

(260) AM 2023 121271 A

(800) 1708208

(151) 2022 12 02

(891) 2022 12 02

(731) KT & G CORPORATION

71, Beotkot-gil, Daedeok-gu, Daejeon,
Republic of Korea

(540)



(591) Black, white

(531) 27.05.01; 29.01.04

(511)

9 – Computer software for creating searchable databases; graphical user interface software; data processing software for graphic representations; computer programmes relating to financial matters; interactive computer software; data communications software; computer software to enable searching of data; computer software for data processing; simulation software for use in digital computers; computer software for application and database integration; computer software for distributing and monitoring content on the internet; financial management software; computer search engine software; computer programs for searching the contents of computers and computer networks by remote control; downloadable mobile coupons; electronic publications, downloadable; computer application software for mobile phones; software for commerce over a global communications network; software for controlling and managing electronic cigarettes for smart phones.

(260) AM 2023 121272 A

(800) 1708220

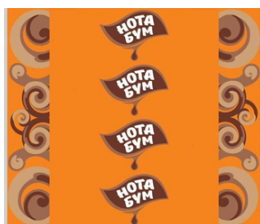
(151) 2022 11 22

(891) 2022 11 22

(731) Obshchestvo s ogranichennoy otvetstvennostju
"KDV Voronezh"

Lesnaya str., Bld. 31, Derevnja Bogdanovo,
Ramonsky rajon RU-396039 Voronezhskaya
oblast, Russian Federation

(540)



(591) White, brown and its shades, beige and orange-yellow

(531) 01.15.15; 19.03.24; 25.01.25; 26.04.05;
26.04.16; 26.04.24; 28.05; 29.01.14

(511)

30 – Cereal bars; pancakes; buns; bread rolls; pains au chocolat; waffles; croûtons; rice-based snack food; cereal-based snack food; fruit jellies [confectionery]; candy decorations for cakes; confectionery for decorating Christmas trees; cakes; pastries; peanut confectionery; almond confectionery; fruit confectionery; frozen yogurt [confectionery ices]; cocoa; caramels [sweets]; sweets; liquorice [confectionery]; peppermint sweets; crackers; crème brûlée; croissants; macaroons [pastries]; marzipan; honey; ice cream; confectionery in the form of mousses; chocolate mousses; muesli; cocoa-based beverages; tea-based beverages; chocolate-based beverages; nougat; chocolate-coated nuts; stick liquorice [confectionery]; lozenges [confectionery]; biscuits; pies; pizzas; fondants [confectionery]; popcorn; profiteroles; gingerbread; petits fours; puddings; chewing gum; halvah; chips [cereal products]; chocolate.

(260) AM 2023 121273 A

(800) 1708254

(151) 2022 06 09

(891) 2022 06 09

(731) Onlife Inc.

8 The Green, Suite #11883, Dover DE 19901,
USA

(540)

STREETWARE

(591) Black, white

(511)

9 – Downloadable computer programs for video and computer games; computer game software downloadable from a global computer network; downloadable augmented reality software for playing computer games; downloadable computer game software via a global computer network and wireless devices; downloadable interactive multimedia computer game programs; downloadable computer game software for use on mobile and cellular phones; downloadable interactive game programs; downloadable interactive game software; downloadable interactive multimedia computer game programs; downloadable virtual reality game software; downloadable augmented reality software for use in mobile devices for integrating electronic data with real world environments for the purpose of finding, locating and interacting with users; downloadable augmented reality software for use in mobile devices for integrating electronic data with real world environments for the purpose of posting review and recommendations on products and services of others; downloadable computer application software for mobile phones, namely, software for virtual currency; downloadable augmented reality software for crea-

ting, developing, storing, managing, manipulating, processing, transforming, deploying, distributing, displaying, sharing and transmitting augmented reality (AR) content and virtual reality (VR) content; computer hardware modules for receiving, processing, and transmitting data in Internet of things electronic devices; electronic devices and downloadable computer software that allow users to remotely interact with other smart devices for monitoring and controlling automated systems; downloadable computer software and firmware used to allow electronic devices to share data and communicate with each other; downloadable software drivers for electronic devices that allow computer hardware and electronic devices to communicate with each other; downloadable computer software for network and device security, namely, software that ensures secure receipt, processing, transmission and storage of data in the internet of things; downloadable computer software for use and interoperability of application program interfaces that are used by electronic devices, systems, and interchanges that exchange data via communications networks and the internet and that connect with private and public computer networks for data storage and exchange services; downloadable virtual goods, namely, computer programs featuring footwear, clothing, headwear, eyewear, bags, sports bags, backpacks, sports equipment, art, toys, and accessories for use online and in online virtual worlds; downloadable software for providing access to an online virtual environment.

41 – Providing on-line computer games; entertainment services, namely, providing on-line computer games; virtual reality game services provided on-line from a computer network; providing online computer games in the field of finding, locating and interacting with users and places; virtual reality game services provided on-line from a computer network; entertainment services, namely, providing on-line, non-downloadable virtual footwear, clothing, headwear, eyewear, bags, sports bags, backpacks, sports equipment, art, toys, accessories, digital animated and non-animated designs and characters, avatars, digital overlays, and skins for use in virtual environments; entertainment services, namely, providing online non-downloadable game software and online video games; entertainment services, namely, providing virtual environments in which users can interact for recreational, leisure, or entertainment purposes; entertainment services, namely, providing an online environment featuring streaming of entertainment content and live streaming of entertainment events; entertainment services in the nature of organizing, arranging, and hosting virtual performances and social entertainment events.

42 – Design and development of computer game software; computer software development; computer programming of computer games; providing non-downloadable software for finding, locating and interacting

with other users and places via a website; electronic data storage; computer programming services for creating, developing and designing augmented reality (AR) applications and virtual reality (VR) applications; providing temporary use of a non-downloadable web application for creating, developing, storing, managing, manipulating, processing, transforming, deploying, distributing, displaying, sharing and transmitting augmented reality (AR) content and virtual reality (VR) content; providing temporary use of a non-downloadable web application for creating, developing and designing augmented reality (AR) and virtual reality (VR) applications; providing temporary use of on-line non-downloadable software and applications for enabling enable augmented reality (AR) applications and virtual reality (VR) applications to access backend services; digital asset management; providing temporary use of on-line non-downloadable software and applications for finding, locating and interacting with other users and places; application service provider featuring application programming interface (API) software for integration of third-party applications to allow an interactive user experience; cloud computing featuring software for connecting, operating and managing networked devices via wireless or wired networks; cloud computing featuring software for connecting, operating and managing networked devices in the internet of things; cloud computing featuring software for use in the collection, management, monitoring, storage and analysis of data; cloud computing featuring software for managing machine-to-machine applications and machine-to-machine networks; providing temporary use of non-downloadable cloud-based software for connecting, operating, and managing networked payment terminals, entertainment devices, smartphones, lighting systems, HVAC systems, in the internet of things (IoT).

(260) AM 2023 121274 A
 (800) 1708284
 (151) 2022 03 05
 (891) 2022 03 05
 (731) AŽD Praha s.r.o.
 Žirovnická 3146/2, Záběhlce, CZ-106 00
 Praha 10, Czech Republic
 (540)

SAFELY TO YOUR DESTINATION

(591) Black, white
 (511)
 9 – Computer games with output to PC or TV; games software; mechanical or illuminated advertising boards, including mobile; illuminated advertising apparatus; recording media, recorded or blank; software and firmware for computers and computer peripherals and computer hardware; computer peripherals; infor-

mation technology equipment; electronic, data, telecommunication and IT components included in this class; electronic databases; electronic information records, including records on information carriers and online downloadable records; electronic multimedia catalogues; electronic information catalogues; electronic magazines and books (e-books); computer software for application and database integration; computer software for controlling and managing access server applications; reservation systems software; software and applications for mobile devices; audio books; audio visual recordings; databases (electronic); electronic publications, downloadable; electronic publications recorded on computer media; downloadable electronic brochures; firmware; interactive multimedia computer programs; interactive computer systems; communications equipment; application software; safety, security, protection and signalling devices; safety apparatus [for the prevention of accident or injury]; measuring, detecting, monitoring and controlling devices; navigation, guidance, tracking, targeting and map making devices; apparatus, instruments and cables for electricity; control transport systems; offence electronic systems; perimeter protection systems (MW barriers, IR barriers); electronic security systems; camera systems; electronic security systems; access control systems and attendance control systems (ACS); radio; sound and voice systems; electric fire alarm systems (fire prevention systems); entry phones; video telephones; doorbell systems; telecommunication apparatus and equipment; sensors; detectors; electronic LED display panels; railway signalling devices.

16 – Paper loyalty cards; exercise books; magazines [periodicals]; educational publications; pamphlets; photographs [printed]; flyers; posters; visiting cards; photo albums and collectors' albums; office requisites, except furniture; instructional manuals for teaching purposes; books; correcting and erasing implements; gums [adhesives] for stationery or household purposes; paper and cardboard; stationery and educational supplies; reference books; writing and stamping implements; bags and articles for packaging, wrapping and storage of paper; cardboard or plastics; school supplies [stationery]; printed matter; works of art and figurines of paper and cardboard, and architects' models; educational materials for teaching purposes [except apparatus]; printed publications; periodicals; promotional publications; diplomas; commemorative letters.

35 – Marketing; advertising; advertising; marketing studies; production, publication, providing, publishing, notification, issuing and updating of advertising materials and their content; rental of advertising space and advertising time, including rental of advertising space on the internet, on web pages and on social networks; layout services for advertising purposes; search engines marketing services; online contextual advertising; online advertising; advertising agency ser-

vices; merchandising; procurement services for others (purchasing goods and services for other businesses) in marketing and advertising production; assistance in managing trade and commercial activities; assistance in operating shops, industrial or commercial companies; business services and advertising via the internet; preparation, compilation, transmission or systematisation of texts, images, data or electronic communications and records; compilation and analysis of business data, information and communications with the use of mathematical and statistical data and methods; business intermediary services relating to the trade of the following products: computer games with output to PC or TV, programs for computer games, mechanical or illuminated advertising boards, including movable, illuminated advertising apparatus, recording media, recorded or blank, software and firmware for computers and computer peripherals, hardware, computer peripherals, communication and office technology; business intermediary services relating to the trade of the following products: electronic, data, telecommunication and IT components included in this class, electronic databases and database products, electronic information records, including records on information carriers and online downloadable records, electronic multimedia catalogues, electronic information catalogues, electronic magazines and books (e-books), computer software for application and database integration, electronic LED panels; business intermediary services relating to the trade of the following products: computer software for controlling and managing access server applications, reservation systems software, software and applications for mobile devices, audio books, audio and visual recordings, databases (electronic), downloadable electronic publications, electronic publications recorded on computer media, downloadable electronic brochures, computer firmware, interactive multimedia computer programs; business intermediary services relating to the trade of the following products: interactive computer systems, communications equipment, application software, security, safety, protection and signalling devices, safety apparatus [for the prevention of accident or injury], measuring, detecting, monitoring and controlling devices, navigation, guidance, tracking, targeting and map making devices, apparatus, instruments and cables for electricity, traffic control systems, electronic systems for recording offences; business intermediary services relating to the trade of the following products: perimeter protection systems (mw barriers, ir barriers), electronic security systems, camera systems, vehicle licence plate readers, access control systems and attendance control systems (ACS), radio, sound and voice systems, electric fire alarm systems (fire prevention systems), entry phones, videophones, doorbell systems, telecommunication devices and equipment, sensors, detection devices, railway signalling devices; business intermediary services relating to the trade of the following products: paper loyalty cards,

exercise books, magazines and other periodicals, educational publications, brochures, photographs, leaflets, posters, business cards, photo albums and collectors' albums, office requisites (except furniture), instruction manuals for teaching purposes, books, correction and erasing implements, adhesives for stationery or household use, paper and cardboard, stationery and teaching materials, teaching supplies, reference books; business intermediary services relating to the trade of the following products: writing and stamping implements, bags and articles for packaging, wrapping and storage of paper, cardboard or plastics, school supplies [stationery], printed matter, works of art and figurines of paper and cardboard, and architects' models, educational equipment, printed publications, educational publications, periodicals, promotional publications, instructional manuals for teaching purposes, diplomas, commemorative sheets; business intermediary services relating to the trade of the following services: marketing, advertising, promotion, market studies, production, publication, providing, publishing, notification, issuing and updating of advertising materials and their content, rental of advertising space and advertising time, including rental of advertising space on the internet, on web pages and on social networks, layout services for advertising purposes, internet search services; business intermediary services relating to the trade of the following services: online contextual advertising, online advertising, advertising agency services, merchandising, procurement services, for others (purchasing goods and services for other businesses) in marketing and advertising production, assistance in managing trade and trade activities, assistance in operating shops, industrial or commercial companies; business intermediary services relating to the trade of the following services: use of the internet for business and advertising activities, preparation, compilation, transmission or systematisation of texts, images, data or electronic communications and records, use of mathematical and statistical data and methods in the processing and compilation of business data, information and communications; business intermediary services relating to the trade of the following services: television and radio broadcasting, interactive television and radio broadcasting, cable television broadcasting, music broadcasting, internet services related to television and radio broadcasting, providing access to multimedia content on-line, dissemination of electronic magazines and books, dissemination of audiovisual and multimedia works on the internet and social networks, content dissemination by satellite, information services, news agencies; business intermediary services relating to the trade of the following services: news agencies, message sending services, forums [chat rooms] for social networking, electronic bulletin boards, interactive communication services, advisory services in the media, advisory services and providing information about telecommunications, providing telecommunication facilities for

educational purposes, telecommunication services; business intermediary services relating to the trade of the following services: computer communications, email services, message sending, transmission of digital information via computers and telecommunication apparatus, audiovisual communications via the internet, dissemination and publishing of information via telecommunications networks (other than commercial), teleconferences, transmission activities (services), mediating audiovisual communications, providing telecommunications connections to computer networks; business intermediary services relating to the trade of the following services: rental of telecommunications apparatus and installations for information transfer, operation of internet portals focused on computer (mobile) communications, advisory services and providing information about telecommunications services and telecommunications technology; business intermediary services relating to the trade of the following services: publishing activities, editorial and publishing activities, desktop publishing, including online book and magazine publishing, brokerage of sound, audiovisual and multimedia recordings via the internet and social networks, organising of entertainment and cultural programmes and competitions, organising and arranging of sports competitions and events; business intermediary services relating to the trade of the following services: rental of cultural and sports equipment, operating lotteries, organisation of live performances, film and television production, recording of sound, audiovisual and multimedia recordings, making sound, audiovisual and multimedia recordings of copyright works, photography services, photographic reporting, providing of entertainment and amusement information, organisation and running of games and competitions; business intermediary services relating to the trade of the following services: agency activities in culture and entertainment, brokerage activities in entertainment, culture, education and sport, exhibition activities in culture, entertainment, education and instruction, not for advertising purposes, preparation and creation of entertainment, educational, training and competitive radio and television shows and programmes, including programmes for internet television and radio broadcasting, recording of photographs and videos; business intermediary services relating to the trade of the following services: scientific and technological services and related research and design planning, industrial analysis, industrial research and industrial design, design and development of computer hardware and software, research and development into signalling and communications apparatus for railway and road transport, professional technical consultations, expert and engineering activities in transport and communications, signalling and security technologies; business intermediary services relating to the trade of the following services: development, installation and maintenance of computer programs for traffic management including implementation, rental of soft-

ware, providing remote computer network administration for third parties (technician services), geodesy, geodesic work and surveying activities, traffic measurement, design planning in the field of transport, in particular, design planning of electrical, electronic, signalling and communications apparatus; business intermediary services relating to the trade of the following services: implementation of quality controls on a range of different services, certification (quality control), awarding of quality marks (quality control), testing and control activities, expertise in service quality, consulting and advisory activities in service quality control, process monitoring for quality assurance, issuing and awarding of certificates, development of rules and standards for certification; business intermediary services relating to the trade of the following services: control, inspection, verification, testing and conducting of certification audits, professional consultation and advice in the certification, control and evaluation of product and service quality, testing of systems for evaluating the origin and quality of services, development of rules and standards for certifying the origin and quality of services, all included in this class.

38 – Radio and television broadcasting; interactive television and radio broadcasting; cable television broadcasting; music broadcasting; internet services related to television and radio broadcasting; providing access to multimedia content online; transmission of downloadable magazines and books; transmission of audiovisual and multimedia works on the internet and social networks; content transmission by satellite; information services in the field of electronic communication; news agency services; news agency services; message sending services; providing internet chatrooms; electronic bulletin board services [telecommunications services]; interactive communication services; media advisory services; advisory services and providing information about telecommunications and media communications; provision of telecommunication facilities for educational purposes; telecommunication services; communications by computer terminals; transmission of electronic mail; message sending; transmission of digital information via computer or telecommunications apparatus; audiovisual communications via the internet; transmission and publication of information via telecommunications networks (non-commercial); teleconferencing services; broadcasting; mediation of audiovisual communications; providing telecommunication connections to computer networks; rental of telecommunications apparatus and equipment for transmission of information; providing access to internet portals relating to the field of mobile computer communications; consultancy and providing information in the field of telecommunications services and telecommunications equipment.

41 – Publication services and publication publishing; publishing; electronic publishing services including

online publication of books and magazines; mediation of audio recordings; audiovisual and multimedia recordings via the internet and social networks; organising entertainment and educational competitions; organising of entertainment and cultural programmes and competitions; organising and arranging of sports competitions and events; operating and conducting games and competitions; rental of cultural and sports facilities; organization of lotteries; presentation of live performances; film and television creation and production; recording of sound; production of audiovisual and multimedia recordings; production of sound; production of audiovisual and multimedia recordings of copyright works; photography; photographic reporting; providing of entertainment and amusement information; ticket agency services in the field of culture and entertainment; brokerage activities in entertainment; culture; education and sport; exhibition activities in culture; entertainment; exhibition activities in culture, entertainment, education and instruction, not for advertising purposes; preparation and creation of entertainment, educational, training, competitive and educational television and radio shows and programmes, including programmes for internet television and radio broadcasting; organization of competitive and educational television and radio shows and programmes, including programmes for internet television and radio broadcasting; recording of photographs and videos.

42 – Scientific and technological services and research and design relating thereto; industrial analysis; industrial research and industrial design; design and development of computer hardware and software; research and development related to new security systems and signalling and communications apparatus for railway and road transport; technological consultancy; provision of engineering expertise related to transport and communications, signalling and security technology; development, installation, maintenance and implementation of computer programs for road management; rental of computer software; providing remote computer network administration for third parties (technician services); land surveying; geodesic work and surveying activities; measurement services related to traffic; design planning in the field of transport, in particular design planning of electrical, electronic, signalling and communications apparatus; implementation of quality controls on a range of different services; certification (quality control); quality control to award quality marks; testing and control activities; expertise in service quality; consulting and advisory activities in relation to quality control; process monitoring for service quality assurance; issuance and validation of certificates; setting of rules and standards for certification; technical testing; testing and conducting of certification audits; professional advisory and consultation in certification; goods quality control; technical testing of systems for evaluating the origin and

quality of services; development of rules and standards for certifying the origin and quality of services.

(260) AM 2023 121275 A

(800) 1708314

(151) 2022 08 16

(891) 2022 08 16

(731) Apple Inc.

One Apple Park Way, Cupertino CA 95014,
USA

(540)

REALITY ONE

(591) Black, white

(511)

9 – Photographic and optical apparatus and instruments; apparatus for recording, transmission or reproduction of sound or images; data processing equipment; data communication apparatus that transmit data and information to databases; measuring apparatus for values concerning fitness and exercise; cameras; optical lenses; contact lenses; smartglasses; eyewear; eyeglasses; optical goods; optical apparatus and instruments; computer chips; integrated circuits; telecommunication apparatus for mobile networks for the sending, receiving and storing of digital data; computers; computer hardware; computer peripherals; interactive touchscreens; interfaces for computers; smartphones; smartwatches; headphones; headsets; virtual and augmented reality headsets, goggles, and glasses; wearable computer hardware; computer peripheral devices; wearable computer peripherals, interfaces, controllers, and remote controls for use with computers, computer hardware, telecommunications apparatus and instruments, smartphones, smartwatches, headphones, headsets, media streaming devices, portable media players, cameras, virtual and augmented reality headsets, goggles, glasses, and smartglasses; computer software; software for accessing, browsing and searching downloadable audio and video files, information and commentary available online from databases or the Internet; virtual and augmented reality software; digital recording media; downloadable audio files, image files, video files, music files and multimedia content.

10 – Surgical and therapeutic imaging, diagnostic, and monitoring apparatus and devices using virtual and augmented reality; health, fitness, exercise, and wellness sensors, monitors, measuring apparatus, and displays, namely, heart rate monitoring apparatus, pulse rate monitors, heart monitors to be worn during exercise, sensors [measurement apparatus] for general wellness monitoring purposes, wearable monitors used to measure biometric data for general wellness monitoring purposes, blood pressure measuring apparatus, computerized device for measuring, displaying, tracking, monitoring, storing, and transmitting bio-

metric data, heart rate, body movement, and calories burned.

42 – Design and development services relating to computer hardware and computer peripherals; design, development, maintenance and updating of computer software; computer programming; creating and maintaining web sites; design and maintenance of computer databases; electronic data storage; cloud computing services; providing non-downloadable software; consultation services for developing computer systems, databases and applications; computer security and data security consultancy; data encryption services; providing online information about the design and development of computer hardware and software; maintenance, repair and updating of computer software and applications; technical consultancy relating to the design of computer hardware, software, and computer peripherals; computer software technical support services; troubleshooting of computer software problems [technical support]; providing search engines for obtaining data via the internet and other electronic communications networks; computer services, namely, creating computer network-based indexes of information, websites and resources; hosting an Internet portal allowing users to preview and download electronic books, publications, and other documents; information, advisory and consultancy services relating to all the aforesaid.

44 – Medical, health, fitness, exercise, and wellness testing, imaging, diagnostic, screening, assessment, evaluation, monitoring, and counseling services using virtual and augmented reality; providing information in the fields of health, fitness, exercise, and wellness.

(260) AM 2023 121282 A

(800) 1708465

(151) 2022 11 25

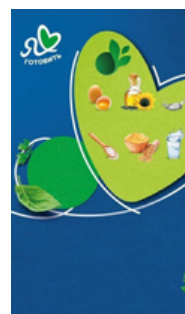
(891) 2022 11 25

(731) Joint Stock Company "Fats And Oil Integrated Works"

Ul. Titova 27, Ekaterinburg, Ru-620085

Sverdlovskaya Oblast, Russian Federation

(540)



(591) White, black, green, light green, dark green, blue, light blue, beige, light beige, dark beige, brown, yellow, orange and gray

(531) 02.09.01; 05.03.13; 05.05.04; 08.07.11;
08.07.25; 26.01.03; 26.04.05; 26.04.15;
26.04.16; 26.04.24; 26.11.13; 28.05; 29.01.15

(511)

30 – Mayonnaise; mayonnaise sauce.

(260) AM 2023 121284 A

(800) 1708560

(151) 2022 08 23

(891) 2022 08 23

(731) Mas'uliyati cheklangan jamiyat shaklidagi
"EUROPAINT" xorijiy korxonasi
h.140, Oltintopgan street, Bektemir district,
Tashkent city 100073, Uzbekistan

(540)

(591) Black, white

(531) 27.05.01; 27.05.17; 28.05

(511)

1 – Adhesives for industrial purposes; gums [adhesives] for industrial purposes; acetone; antifreeze; chemicals, except pigments, for the manufacture of enamel; color-brightening chemicals for industrial purposes; ceramic glazings; enamel-staining chemicals; opacifiers for enamel; photographic emulsions; adhesives for wall tiles; glue for industrial purposes; chemicals for the manufacture of paints; chemicals for the manufacture of pigments; bleaching preparations [decolorants] for industrial purposes; solvents for varnishes.

2 – Paints; mordants; varnishes; colophony; colorants; lacquers.

17 – Acrylic resins, semi-processed; weatherstripping compositions; insulating materials; gutta-percha; insulating varnish; insulating paints; lute; artificial resins, semi-processed; liquid rubber; insulating refractory materials.

19 – Binding material for road repair; coatings [building materials]; road coating materials; pitch; building materials, not of metal; materials for making and coating roads.

35 – Advertising; sales promotion for others; online advertising on a computer network; marketing.

(260) AM 2023 121285 A

(800) 1708561

(151) 2022 09 29

(891) 2022 09 29

(731) İpek Züccaciye İthalat İhracat Sanayi Ve Ticaret Limited Şirketi
Mahmutbey Mah. 2417. Sk. 1, Bağcılar,
İstanbul, Türkiye;
İpek Ay Diş Ticaret Limited Şirketi Mahmut-

bey Mah. 2413. Sk., Ze Plaza No:7 İç Kapı
No:11, Bağcılar, İstanbul, Türkiye

(540)

(591) Beige pink and black

(531) 27.05.01; 29.01.12

(511)

21 – Hand-operated non-electric cleaning instruments and appliances: brushes, except paintbrushes, steel chips for cleaning, sponges for cleaning, steel wool for cleaning, cloths of textile for cleaning, gloves for dishwashing, non-electric polishing machines for household purposes, brooms for carpets, mops; toothbrushes, electric toothbrushes, dental floss, shaving brushes, hair brushes, combs; non-electric household or kitchen utensils, included in this class, [other than forks, knives, spoons], services [dishes], pots and pans, bottle openers, flower pots, drinking straws, non-electric cooking utensils; ironing boards and shaped covers therefor, drying racks for washing, clothes drying hangers; cages for household pets, indoor aquariums, vivariums and indoor terrariums for animals and plant cultivation; ornaments and decorative goods of glass, porcelain, earthenware or clay namely statues, figurines, vases and trophies; mouse traps, insect traps, electric devices for attracting and killing flies and insects, fly catchers, fly swatters; perfume burners, perfume sprayers, perfume vaporizers, electric or non-electric make-up removing appliances, powder puffs, toilet cases; nozzles for sprinkler hose, nozzles for watering cans, watering devices, garden watering cans; unworked or semi-worked glass, except building glass, mosaics of glass and powdered glass for decoration, except for building, glass wool other than for insulation or textile use.

(260) AM 2023 121286 A

(800) 884148

(151) 2005 11 30

(891) 2022 12 01

(731) Obchtchestvo s ogranitchennoi
otvetstvennostyuu "Markon"
ul. M. Tul'skaya, 59, RU-115191 Moscow,
Russian Federation

(540)

(591) Red, white, black and yellow

(531) 04.05.21; 24.17.04; 28.05; 29.01.14

(511)

29 – Meat, fish, poultry and game; meat extracts; preserved, prepared, frozen, dried and cooked fruits, ve-

getables, mushrooms and nuts; jellies, jams, compotes; eggs, milk and dairy products; edible oils and fats; sausages; large sausages; charcuterie; butchery products; liver pâtés; prepared sunflower seeds and squash seeds; concentrates and meals in which milk, meat, fish, vegetables and eggs predominate; bouillon concentrates; thick soups; marmalades; potato crisps; sausages.

30 – Pastry and confectionery, sandwiches; ices; honey, cereal preparations, semi-finished goods and concentrates of these preparations; spaghetti; noodles; macaroni; dried cereal flakes; chewing gum for non-medical purposes; yeast, coffee, artificial coffee, cocoa, chocolate-based beverages; tea; sago; groats for human consumption; flours; pizza; pelmenis (ravioli-type filled dumplings); vareniki; sauces (condiments); spices; ice for refreshment; salt, mustard; essences for foodstuffs (except etheric essences and essential oils); sausage spreads, toasted sandwiches.

35 – Sales promotion (for third parties), supply services for third parties (purchase of goods and services for other companies); marketing research; advertising; dissemination of advertising material; import-export agencies; organization of exhibitions for commercial or advertising purposes; commercial information; professional consulting, business research.

43 – Services for providing food and drink; providing of food and drink in restaurants (meals); coffee shops; bar services; fast-food restaurants and snackbars.

(260) AM 2023 121287 A

(800) 1364242

(151) 2017 02 15

(891) 2022 12 30

(731) KALESERAMİK ÇANAKKALE
KALEBODUR SERAMİK SANAYİ ANONİM
ŞİRKETİ
Büyükdere Caddesi Kaleseramik Binası, Levent
Beşiktaş, İstanbul, Türkiye

(540)

Çanakkale Seramik

(591) Black, white

(531) 07.01.01; 07.01.06; 07.15.01

(511)

19 – Ceramic tiles; ceramic ceiling tiles; ceramic floor tiles; ceramic roofing tiles; ceramic tiles for tile floors and coverings; glazed ceramic tiles; glazed ceramic wall tiles; glazed ceramic floor tiles; glazed ceramic roofing tiles; ceramic tiles for walls, floors, lining and ceilings; ceramic tiles for facing; clay floor tiles; clay roofing tiles; clay wall tiles; floor tiles, not of metal; tiles, not of metal, for building; wall tiles, not of metal; tile floorings, not of metal; ceiling tiles of plastic; earthenware floor tiles; earthenware roofing tiles; earthenware tiles; earthenware wall tiles; fireproof tiles; floor tiles of glass; floor tiles of natural stone; floor ti-

les of plastic; floor tiles of wood; glass tiles, not for roofing; gypsum tiles; mosaic floor tiles; mosaic art tiles made of marble; mosaic wall tiles; natural stone tiles; paving tiles; plastic tiles; wall tiles of plastic; roofing tiles, not of metal; roofing tiles of glass; roofing tiles of natural stone; roofing tiles of plastic; rubber floor tiles; stone roofing tiles; terra cotta floor tiles; wall tiles, not of metal, for building; wall tiles of glass; wall tiles of natural stone; cladding, not of metal, for building; wall claddings, not of metal, for building; wainscoting, not of metal; stone; building stone; artificial stone; natural stone; stone for building and construction; porphyry [stone]; mosaics for building; glass mosaics for use in building; alabaster; alabaster glass; arbours [structures], not of metal; beams, not of metal; blocks of concrete; boards of wood; bricks; building materials, not of metal; building materials of artificial stone; building materials of glass; building materials of natural stone; building materials of plastics; building materials of wood; building panels, not of metal; buildings, not of metal; building timber; ceiling boards, not of metal; ceiling boards of wood; ceiling panels, not of metal; ceilings, not of metal; cement slabs; clay slabs; clinker ballast; clinker stone; coatings [building materials]; colored sheet glass for building; concrete bricks; concrete building elements; concrete building materials; concrete floors; concrete panels; concrete slabs; concrete vaults; concrete walls; concrete walls for building; coverings for ceilings, not of metal; decorative glass for building; door panels, not of metal; earth for bricks; enamelled glass, for building; engraved and cut stone plaques; facings, not of metal, for building; felt for building; felt roof coverings; floor boards, not of metal; flooring or wall claddings of synthetic materials; flooring underlay; floor panels, not of metal; floors, not of metal; furrings of wood; glass bars for building; glass blocks for building; glass bricks; glass panels for building; glass slabs for use in building; granite; insulating glass for building; laminate flooring, not of metal; linings, not of metal, for building; marble [building material]; parquet floor boards; parquet flooring; parquet flooring of wood; partitions, not of metal, for building; paving blocks, not of metal; paving slabs, not of metal; plywood; potters' clay; pottery stone; quartz; railings, not of metal; ready-to-use concrete; refractory construction materials, not of metal; reinforcing materials, not of metal, for building; rock materials for use as cladding; rock materials for use in the construction of flooring; roof coverings, not of metal; roofing boards of wood; roofing, not of metal; roofing panels, not of metal; rubber flooring; sandstone for building; slabs, not of metal, for building; slates for cladding roofs; slates for cladding walls; swimming pools, not of metal; swimming pools [structures], not of metal; terra cotta [building material]; vinyl tile flooring; wall linings, not of metal, for building; wall panels, not of metal; wooden flooring; wooden floor boards; wood panelling; wood, semi-wor-

ked; sand, gravel, crushed stone, asphalt, bitumen, cement, lime, gypsum, plaster, concrete, marble blocks for construction, included in this class; building materials [as finished products] made of concrete, gypsum, clay, potters' clay, stone, marble, wood, plastics and synthetic materials for building, construction, road construction purposes, included in this class; non-metallic buildings, non-metallic building materials, poles not of metal for power lines, barriers not of metal; natural and synthetic coatings in the form of panels and sheets, being building materials; bitumen cardboard coatings for roofing; bitumen coating for roofing; doors and windows of wood and synthetic materials; traffic signs not of metal, non-luminous and non-mechanical, for roads; monuments and statuettes of stone, concrete and marble; building glass; prefabricated swimming pools not of metal [structures]; aquarium sand; building materials [non-metallic]; non-metallic rigid pipes for building; asphalt, pitch and bitumen; non-metallic transportable buildings; monuments, not of metal.

(260) AM 2023 121290 A
 (800) 1391005
 (151) 2017 12 13
 (891) 2022 12 30
 (731) ANTIMO CAPUTO S.R.L.
 Corso San Giovanni a Teduccio, n° 55/59,
 I-80146 Napoli, Italy
 (540)



(591) Black, yellow, cyan, magenta and white
 (531) 02.01.11; 05.07.02; 25.01.06; 29.01.14
 (511)
 30 – Farina [meal]; yeast; food leavening agents; yeast and leavening agents; cereal seeds, processed; processed grains, starches, and goods made thereof, baking preparations and yeasts; bread; panettone; rusks; mixes for the preparation of bread; baked goods, confectionery, chocolate and desserts; frozen pastries; frozen dough; tomato sauce; artificial coffee; coffee; pasta preserves.

(260) AM 2023 121293 A
 (800) 1531258
 (151) 2020 02 21
 (891) 2022 12 07
 (731) Ismail Ahmadov
 DMCC Business Centre, Jewellery & Gemplex,
 Dubai, United Arab Emirates
 (540)

EVERPURE

(591) Black, white
 (511)
 5 – Infant formula; food for babies; dietary supplements for human beings; mineral waters for medical purposes.
 32 – Beers; non-alcoholic beverages; mineral and aerated waters; fruit beverages; fruit juices; syrups and other non-alcoholic preparations for making beverages; energy drinks; isotonic drinks; lemonades; shandy; soft drinks.

(260) AM 2023 121295 A
 (800) 1627600
 (151) 2021 08 03
 (891) 2022 12 08
 (731) PJSC "Cherkizovo Group"
 ul. Cherkizovskaya, (Myasopererabotka ter.),
 1, pomeshchenie 1, kab. 2, d. Topkanovo,
 g. Kashira, RU-142931 Moskovskaya oblast,
 Russian Federation
 (540)



(591) Black, white
 (531) 26.13.25
 (511)
 29 – Broth; ham; cabbage rolls stuffed with meat; game, not live; meat jellies; bone oil for food; lard; suet for food; charcuterie; cassoulet; black pudding; kielbasa; meat, tinned; duck confits; broth concentrates; corn dogs; animal marrow for food; meat; meat, preserved; freeze-dried meat; sausage casings, natural or artificial; liver pâté; liver; poultry, not live; bulgogi; bacon; satay; pork; salted meats; sausages; sausages in batter; hot dog sausages; preparations for making bouillon; preparations for making soup; tripe; tajine [prepared meat, fish or vegetable dish]; meat extracts.

(260) AM 2023 121296 A
 (800) 1668169
 (151) 2022 02 08
 (891) 2022 12 30
 (731) AR KAĞIT KOZMETİK SANAYİ VE
 TİCARET ANONİM ŞİRKETİ
 AYDINLI - ISTANBUL AYOSB MAH., 2.
 SANAYİ CAD., ISTANBUL ANADOLU
 YAKASI OSB 5, Tuzla / Istanbul, Türkiye
 (540)



(591) Blue, dark blue and white
 (531) 01.15.15; 01.15.21; 27.05.01; 27.05.02;
 27.05.09; 27.05.24; 29.01.12

(511)
 3 – Bleaching and cleaning preparations, detergents other than for use in manufacturing operations and for medical purposes, laundry bleach, fabric softeners for laundry use, stain removers, dishwasher detergents; perfumery, non-medicated cosmetics, fragrances, deodorants for personal use and animals; soaps; dental care preparations, dentifrices, denture polishes, tooth whitening preparations, mouth washes, not for medical purposes; abrasive preparations, emery cloth, sandpaper, pumice stone, abrasive pastes; polishing preparations for leather, vinyl, metal and wood, polishes and creams for leather, vinyl, metal and wood, wax for polishing.

(260) AM 2023 121359 A
 (800) 1708631
 (151) 2022 11 16
 (891) 2022 11 16
 (731) HYUNDAI MOTOR COMPANY
 12, Heolleung-ro, Seocho-gu, Seoul 06797,
 Republic of Korea

(540)



(591) Blue, white
 (531) 26.01.03; 26.01.18; 27.05.01; 27.05.09;
 27.05.25; 29.01.04

(511)
 12 – Wheelchairs; parachutes; tractors; vehicles for locomotion by land, air, water or rail; civilian drones; air vehicles; pilotless aircraft; land vehicles; mobility scooters; robotic cars; motor trucks; automatic transport vehicles; driverless cars [autonomous cars]; buses; structural parts for buses; sports cars; coach vans; parts and fittings for motorcycles; motorcycles; driverless cars; self-driving cars; automobiles; lane departure warning systems for automobiles; parts and fittings for automobiles; electrically operated scooters; electric cars; hybrid power scooters; camping vehicles; camping trailers; invalids' carriages; bicycles; electric bicycles; automobile tires; suspension shock absorbers for vehicles; brakes for land vehicles; tractors for agricultural purposes; motors and engines for land vehicles; electric drives for land vehicles; rubber belts for land vehicles transmissions; couplings for land vehicles; electric motors for motor cars.

(260) AM 2023 121360 A
 (800) 1708646
 (151) 2022 08 17
 (891) 2022 08 17
 (731) Beijing Hotgen Biotech Co., Ltd.
 9th Building, No.9 Tianfu Street, Daxing
 Biomedical Industry Base, Zhongguancun

Science Park, Daxing District, 102600 Beijing,
 China

(540)

Hotgen

(591) Black, white

(531) 27.05.01

(511)

10 – Blood testing apparatus; medical apparatus and instruments; testing apparatus for medical purposes; diagnostic apparatus for medical purposes; hot air therapeutic apparatus; apparatus for nursing infants; dropper bottles for medical purposes; massage apparatus; galvanic therapeutic appliances.

(260) AM 2023 121391 A

(800) 1709636

(151) 2022 10 06

(891) 2022 10 06

(731) Euro Games Technology Ltd.

4, "Maritsa" Str., "Vranya-Lozen-Triugulnika",
 BG-1151 Sofia, Bulgaria

(540)

Pharaoh's Glory

(591) Black, white

(511)

9 – Operating computer software for main frame computers; monitors (computer hardware); computer hardware; apparatus for recording images; monitors (computer programs); computer game programs; recorded computer game programs; apparatus for recording, transmission or reproduction of sound or images; communications servers (computer hardware); electronic components for gambling machines; computer application software featuring games and gaming; computer software for the administration of online games and gaming; computer hardware for games and gaming; hardware and software for gambling, gambling machines, gambling games on the Internet and via telecommunication network; computer systems; computer operating system software; computer terminals; interactive terminals; multimedia terminals; electronic terminals for generating lottery tickets; interactive touch screen terminals; computer touchscreens; electronic display panels; liquid crystal display screens; digital signage display panels; multimedia software; multimedia apparatus and instruments; interactive multimedia software for playing games; computer screens; LCD large-screen displays; liquid crystal displays [LCDs] for home theatres; media streaming software; computer application software for streaming audio-visual media content via the Internet; software; computer gaming software; computer software packages; computer operating system software; computer software, recorded; software drivers; virtual reality software; games software; entertainment software for

computer games; computer programs for network management; electronic lottery tickets; computer software platforms; operating systems; interactive computer systems; operating system programs; computer game software for use with on-line interactive games; games software for use with video game consoles.

28 – Gaming machines for gambling; chips for gambling; mah-jong; arcade games; gambling machines operating with coins, notes and cards; games; electronic games; parlor games; gaming chips; gaming tables; slot machines [gaming machines]; LCD game machines; slot machines and gaming devices; coin-operated amusement machines; roulette chips; poker chips; chips and dice [gaming equipment]; gaming equipment for casinos; roulette tables; gaming roulette wheels; casino games; gambling machines and amusement machines, automatic and coin-operated; coin-operated amusement machines and/or electronic coin-operated amusement machines with or without the possibility of gain; boxes for coin-operated amusement machines, slot machines and gaming machines; electronic or electrotechnical amusement machines and apparatus, gaming machines, coin-operated entertainment machines; housings for coin-operated amusement machines, gaming equipment, gaming machines, machines for gambling; electropneumatic and electrical gambling machines (slot machines); lottery games; electronic targets for games and sports; video game consoles.

41 – Gambling services; entertainment services related to gambling; gaming services for entertainment purposes; casino, gaming and gambling services; training in the development of software systems; provision of gaming equipment for gambling halls; providing casino equipment [gambling]; gaming machine entertainment services; providing casino facilities [gambling]; gaming hall services; games equipment rental; rental of gaming machines; providing amusement arcade services; rental of gaming machines with images of fruits; editing or recording of sounds and images; sound recording and video entertainment services; hire of sound reproducing apparatus; provision of gaming equipment for casinos; providing of gambling facilities; online gambling services; casino services; provision of gaming facilities and gaming hall facilities, Internet casinos and online gambling services; lottery services; organization of lotteries; provision of games by means of a computer based system; online interactive entertainment; on-line casino services; online game services through mobile devices; providing online entertainment in the nature of game tournaments; providing on-line information in the field of computer gaming entertainment; sports betting services; online sports betting services; providing online games and games of chance; rental of video game consoles.

(260) AM 2023 121392 A

(800) 1709637

(151) 2022 10 31

(891) 2022 10 31

(731) Limited liability company "MOBIL K"

Ulica Novaya, derevnya Polichnya,

Gagarinskiiraion, RU-215010 Smolenskaya

oblast, Russian Federation

(540)

KATANA

(591) Black, white

(511)

7 – Machines and machine tools; machine coupling and transmission components, except for land vehicles; agricultural implements, other than hand-operated; welding machines, electric; soldering apparatus, gas-operated; vulcanization apparatus; acetylene cleaning apparatus; high pressure washers; apparatus for drawing up beer under pressure; apparatus for aerating water; apparatus for aerating beverages; electrical apparatus for sealing plastics [packaging]; electric arc cutting apparatus; electric arc welding apparatus; electric welding apparatus; inking apparatus for printing machines; fittings for engine boilers; expansion tanks [parts of machines]; drums [parts of machines]; reels, mechanical, for flexible hoses; brake shoes, other than for vehicles; concrete mixers [machines]; bobbins for weaving looms; harrows; journal boxes [parts of machines]; bulldozers; hoppers [mechanical discharging]; mine borers; railway wagon lifts; rolling mill cylinders; crank shafts; printing rollers for machines; transmission shafts, other than for land vehicles; valves [parts of machines]; fans for motors and engines; saw benches [parts of machines]; winnowers; vibrators [machines] for industrial use; bearings [parts of machines]; agitators; drilling rigs, floating or non-floating; lawnmowers [machines]; card clothing [parts of carding machines]; emergency power generators; alternators; dynamos; bicycle dynamos; current generators; electricity generators; hydraulic controls for machines, motors and engines; mufflers for motors and engines; drilling heads [parts of machines]; drilling bits [parts of machines]; cylinder heads for engines; soldering blow pipes, gas-operated; gas-operated blow torches; raking machines; stalk separators [machines]; sieves [machines or parts of machines]; mud catchers and collectors [machines]; tarring machines; hydraulic engines and motors; aeronautical engines; aeroplane engines; engines for air cushion vehicles; compressed air engines; jet engines, other than for land vehicles; engines for boats; driving motors, other than for land vehicles; motors, other than for land vehicles; propulsion mechanisms, other than for land vehicles; disintegrators; tympan [parts of printing presses]; holding devices for machine tools; turf removing ploughs; pump diaphragms; chisels for machines; jacks [machines]; rack and pinion jacks; moving walkways; electric hand drills; crushers, electric, for household purposes; flues for engine boilers; reapers;

reapers and binders; millstones; rakes for raking machines; shredders [machines] for industrial use; injectors for engines; incubators for eggs; hand-held tools, other than hand-operated; air condensers; control cables for machines, engines or motors; capstans; calendars; rotary steam presses, portable, for fabrics; ditchers [ploughs]; carburettors; sliders for knitting machines; crankcases for machines, motors and engines; steamrollers; reels [parts of machines]; pressure valves [parts of machines]; clack valves [parts of machines]; pressure reducers [parts of machines]; cowlings [parts of machines]; machine wheels; freewheels, other than for land vehicles; scale collectors for machine boilers; lasts for shoes [parts of machines]; brake pads, other than for vehicles; piston segments; grease rings [parts of machines]; reapers and threshers; coal-cutting machines; compressors [machines]; air pumps [garage installations]; compressors for refrigerators; conveyors [machines]; belt conveyors; converters for steelworks; steam condensers [parts of machines]; aerocondensers; diggers [machines]; rams [machines]; thermic lances [machines]; boxes for matrices [printing]; gear boxes, other than for land vehicles; grease boxes [parts of machines]; housings [parts of machines]; harvesting machines; steam engine boilers; coffee grinders, other than hand-operated; taps [parts of machines, engines or motors]; cranes [lifting and hoisting apparatus]; roller bridges; water separators; spray guns for paint; cranks [parts of machines]; potters' wheels; grindstones [parts of machines]; cultivators [machines]; soldering lamps; winches; ploughshares; belts for conveyors; igniting magnetos; handling machines, automatic [manipulators]; lubricators [parts of machines]; churns; matrices for use in printing; machine fly-wheels; shearing machines for animals; paper mill machines; blowing machines; knitting machines; galvanizing machines; bending machines; ironing machines; mineworking machines; net hauling machines [fishing]; electroplating machines; bottle sealing machines; sealing machines for industrial purposes; embossing machines; engraving machines; finishing machines; waste disposal units; blade sharpening [stropping] machines; earth moving machines; cord making machines; lace making machines; butter machines; cigarette machines for industrial purposes; sausage making machines; stereotype machines; hosiery looms; crushing machines; dyeing machines; bottle washing machines; dishwashers; bottle filling machines; racket stringing machines; leather-working machines; dairy machines; glass-working machines; tobacco processing machines; grain husking machines; painting machines; oil refining machines; peeling machines; ore treating machines; printing machines for use on sheet metal; brewing machines; whitewashing machines; road sweeping machines, self-propelled; leather paring machines; bitumen making machines; papermaking machines; machines for the production of sugar; weeding machines; cinder sifters [machines]; puddling machines; notchers [machine tools];

bread cutting machines; road making machines; railroad constructing machines; machines for the textile industry; rail-laying machines; bottle capping machines; bottle stoppering machines; blowing machines for the compression, sucking and carrying of grain; waste compacting machines; die-stamping machines; stamping machines; darning machines; milking machines; drainage machines; wrapping machines; grain separators; bookbinding apparatus and machines for industrial purposes; machines and apparatus for cleaning, electric; machines and apparatus for carpet shampooing, electric; machines and apparatus for polishing [electric]; size adjustment cutting machines for industrial purposes; punching machines; riveting machines; kitchen machines, electric; foundry machines; smoothing presses; fleshing machines; flour mill machines; type-setting machines [printing]; hemming machines; grating machines for vegetables; braiding machines; wringing machines for laundry; cutting machines; steam engines; printing machines; rotary printing presses; compressed air machines; trimming machines; spinning machines; filling machines; friezing machines; cutters [machines]; satinizing machines; agricultural machines; mixing machines; sorting machines for industry; stitching machines; can washing machines; washing machines [laundry]; coin-operated washing machines; clippers [machines]; spinning frames; looms; kneading machines; typographic machines; type-setting machines [photocomposition]; beating machines; beaters, electric; packing machines; filtering machines; moulding machines; carding machines; sewing machines; typecasting machines; electromechanical machines for chemical industry; labellers [machines]; mills [machines]; mills for household purposes, other than hand-operated; pepper mills, other than hand-operated; centrifugal mills; machine wheelwork; feeders [parts of machines]; forge blowers; mixers [machines]; blenders, electric, for household purposes; vacuum cleaner bags; threshing machines; pneumatic hammers; hammers [parts of machines]; tilt hammers; power hammers; reeling apparatus, mechanical; motorized cultivators; motors for boats; clutches, other than for land vehicles; meat choppers, electric; superchargers; brake linings, other than for vehicles; guides for machines; vacuum cleaner attachments for disseminating perfumes and disinfectants; pumps [machines]; pumps [parts of machines, engines or motors]; aerating pumps for aquaria; vacuum pumps [machines]; compressed air pumps; pumps for heating installations; beer pumps; lubricating pumps; self-regulating fuel pumps; fuel dispensing pumps for service stations; centrifugal pumps; knives for mowing machines; chaff cutter blades; knives, electric; shears, electric; scissors, electric; pulverisers [machines]; axles for machines; steam traps; chucks [parts of machines]; drill chucks [parts of machines]; exhaust manifold for engines; soldering irons, gas-operated; soldering irons, electric; superheaters; gears, other than for land vehicles; reduction gears, other than for

land vehicles; drilling machines; saws [machines]; chain saws; guns [tools using explosive cartridges]; glue guns, electric; compressed air guns for the extrusion of mastics; carburetter feeders; feeding apparatus for engine boilers; loading ramps; ploughs; pneumatic transporters; pneumatic controls for machines, motors and engines; hangers [parts of machines]; anti-friction bearings for machines; roller bearings; self-oiling bearings; bearings for transmission shafts; ball-bearings; elevators [lifts]; hoists; lifts, other than ski-lifts; pulleys; saw blades [parts of machines]; pistons [parts of machines or engines]; shock absorber plungers [parts of machines]; pistons for engines; pistons for cylinders; catalytic converters; torque converters, other than for land vehicles; fuel conversion apparatus for internal combustion engines; presses [machines for industrial purposes]; wine presses; fodder presses; printing presses; typographic presses; swaging machines; pedal drives for sewing machines; cleaning appliances utilizing steam; food processors, electric; springs [parts of machines]; spinning wheels; punches for punching machines; vacuum cleaners; radiators [cooling] for motors and engines; sewage pulverizers; air brushes for applying colour; regulators [parts of machines]; pressure regulators [parts of machines]; speed governors for machines, engines and motors; knives being parts of machines; cutting blow pipes, gas-operated; blade holders [parts of machines]; loom shafts; gears for weaving looms; belts for machines; elevator belts; fan belts for motors and engines; dynamo belts; belts for motors and engines; adhesive bands for pulleys; kick starters for motorcycles; stuffing boxes [parts of machines]; paper feeders [printing]; whisks, electric, for household purposes; sparking plugs for internal combustion engines; glow plugs for diesel engines; brake segments, other than for vehicles; tedding machines; separators; steam/oil separators; cream/milk separators; ball rings for bearings; sowers [machines]; snow ploughs; sheaf-binding machines; shaft couplings [machines]; fruit squeezers, electric, for household purposes; straw [chaff] cutters; suction cups for milking machines; stands for machines; die-cutting and tapping machines; woodworking machines; sharpening machines; bicycle assembling machines; mortising machines; stone-working machines; metalworking machines; threading machines; planing machines; lathes [machine tools]; milling machines; grinding machines; metal drawing machines; rolling mills; starters for motors and engines; stators [parts of machines]; glaziers' diamonds [parts of machines]; tables for machines; derricks; slide rests [parts of machines]; couplings, other than for land vehicles; heat exchangers [parts of machines]; transmissions for machines; transmission mechanisms, other than for land vehicles; boiler tubes [parts of machines]; wind turbines; hydraulic turbines; turbines, other than for land vehicles; turbocompressors; central vacuum cleaning installations; suction machines for industrial purposes; washing installa-

tions for vehicles; degreasers [machines]; dust exhausting installations for cleaning purposes; sifting installations; pneumatic tube conveyors; dust removing installations for cleaning purposes; condensing installations; lifting apparatus; air suction machines; dividing machines; igniting devices for internal combustion engines; washing apparatus; binding apparatus for hay; haulage apparatus [mining]; door openers, electric; curtain drawing devices, electrically operated; adhesive tape dispensers [machines]; anti-pollution devices for motors and engines; beverage preparation machines, electromechanical; food preparation machines, electromechanical; elevator operating apparatus; control mechanisms for machines, engines or motors; shoe polishers, electric; machines and apparatus for wax-polishing, electric; air cushion devices for moving loads; handling apparatus for loading and unloading; elevating apparatus; aprons [parts of machines]; filter presses; filters for cleaning cooling air, for engines; moulds [parts of machines]; printing plates; journals [parts of machines]; centrifugal machines; elevator chains [parts of machines]; drive chains, other than for land vehicles; transmission chains, other than for land vehicles; cylinders for motors and engines; cylinders for machines; printing cylinders; shuttles [parts of machines]; universal joints [cardan joints]; pulleys [parts of machines]; vacuum cleaner hoses; brushes [parts of machines]; dynamo brushes; brushes, electrically operated [parts of machines]; carbon brushes [electricity]; ejectors; fuel economisers for motors and engines; excavators; shovels, mechanical; agricultural elevators; motors, electric, other than for land vehicles; electrodes for welding machines; electric hammers; parquet wax-polishers, electric; cartridges for filtering machines; moving staircases [escalators]; automatic grapnels for marine purposes.

(260) AM 2023 121395 A

(800) 1709717

(151) 2022 11 25

(891) 2022 11 25

(731) SEYREKOĞLU KUYUMCULUK SANAYİ VE TİCARET A.Ş.

NURUOSMANİYE CAD. NO:74,
CAĞALOĞLÜ FATİH, İSTANBUL,
Türkiye

(540)



(591) Black, white

(531) 26.13.25; 27.05.01; 27.05.09; 27.05.22

(511)

14 – Jewellery; imitation jewellery; gold jewelry; precious and semi-precious stones; precious metals; boxes of precious metal; ingots of precious metal; cufflinks; watches; watch chains; watch bands.

35 – Retail store services featuring jewelry, wholesale store services featuring jewelry.

(260) AM 2023 121396 A

(800) 1709727

(151) 2022 12 03

(891) 2022 12 03

(731) PJSC "Cherkizovo Group"

ul. Cherkizovskaya, d. 1, str. 1, kabinet 206, ter. Myasopererabotka, d. Topkanovo, g.o. Kashira, RU-142931 Moskovskaya oblast, Russian Federation

(540)

Браунбургская

(591) Black, white

(531) 28.05

(511)

29 – Agar-agar for culinary purposes; aloe vera prepared for human consumption; alginates for culinary purposes; andouillettes; anchovy, not live; peanuts, prepared; artichokes, preserved; albumen for culinary purposes; white of eggs; beans, preserved; soya beans, preserved, for food; broth; ginger jam; ham; fatty substances for the manufacture of edible fats; laver, preserved; edible birds' nests; sea-cucumbers, not live; cabbage rolls stuffed with meat; peas, preserved; mushrooms, preserved; guacamole; game, not live; gelatine; meat jellies; jellies for food; fruit jellies; yolk of eggs; coconut fat; bone oil for food; lard; suet for food; edible fats; rennet; fruit-based snack food; milk substitutes; soya patties; tofu patties; charcuterie; raisins; caviar; aubergine paste; vegetable marrow paste; fish roe, prepared; ginger, preserved; crystallized ginger; pickled ginger; yogurt; sauerkraut; cassoulet; quark; kephir; kimchi; isinglass for food; clams, not live; potato-based dumplings; klipfish [salted and dried cod]; milk shakes; black pudding; onion rings; arrangements of processed fruit; compotes; meat, tinned; vegetables, tinned; fish, tinned; fruits, tinned; duck confits; broth concentrates; vegetable-based concentrate for cooking; fruit-based concentrate for cooking; corn dogs; gherkins; shrimps, not live; prawns, not live; buttercream; croquettes; silkworm chrysalis for human consumption; sweet corn, processed; koumiss; spiny lobsters, not live; lecithin for culinary purposes; edible ant larvae, prepared; salmon, not live; onions, preserved; margarine; marmalade, other than confectionery; oils for food; peanut butter; cocoa butter for food; coconut oil for food; coconut butter; maize oil for food; sesame oil for food; linseed oil for food; extra virgin olive oil for food; olive oil for food; palm oil for food; palm kernel oil for food; sunflower

oil for food; rape oil for food; butter; soya bean oil for food; mussels, not live; almonds, ground; animal marrow for food; molluscs, not live; milk; peanut milk; peanut milk for culinary purposes; coconut milk; coconut milk for culinary purposes; almond milk; almond milk for culinary purposes; oat milk; rice milk; rice milk for culinary purposes; albumin milk; condensed milk; soured milk; soya milk; powdered milk; fermented baked milk; fish meal for human consumption; vegetable mousses; fish mousses; fruit pulp; meat; meat, preserved; freeze-dried meat; lactic acid drinks; milk beverages, milk predominating; peanut milk-based beverages; coconut milk-based beverages; almond milk-based beverages; edible insects, not live; sausage casings, natural or artificial; vegetables, preserved; freeze-dried vegetables; vegetables, processed; vegetables, dried; vegetables, cooked; hash browns; potato fritters; olives, preserved; lobsters, not live; omelettes; flavoured nuts; candied nuts; coconut, desiccated; nuts, prepared; tomato paste; pressed fruit paste; liver pâté; pectin for culinary purposes; preserved peppers; liver; pickles; jams; powdered eggs; milk products; fish-based foodstuffs; poultry, not live; white pudding; bulgogi; pollen prepared as foodstuff; cranberry compote; tomato purée; apple purée; crayfish, not live; crustaceans, not live; shellfish, not live; ratatouille; fish, preserved; fish, not live; salted fish; vegetable salads; fruit salads; bacon; sardines, not live; satay; pork; herrings, not live; seeds, prepared; sunflower seeds, prepared; cream [dairy products]; whipped cream; vegetable-based cream; fat-containing mixtures for bread slices; smetana; lemon juice for culinary purposes; tomato juice for cooking; vegetable juices for cooking; salted meats; sausages; sausages in batter; hot dog sausages; preparations for making bouillon; preparations for making soup; tofu skin; vegetable-based spreads; nut-based spreads; tripe; soups; vegetable soup preparations; whey; cottage cheese fritters; cheese; tajine [prepared meat, fish or vegetable dish]; tahini; cottage cheese; tofu; tempeh; truffles, preserved; tuna, not live; oysters, not live; falafel; milk ferments for culinary purposes; fish fillets; dates; crystallized fruits; frozen fruits; fruit, preserved; fruit, processed; fruit preserved in alcohol; fruit, stewed; hazelnuts, prepared; potato flakes; hummus; edible flowers, dried; fruit peel; preserved garlic; lentils, preserved; potato crisps; low-fat potato crisps; fruit chips; choucroute garnie; non-alcoholic eggnog; seaweed extracts for food; meat extracts; berries, preserved; snail eggs for consumption; eggs; yakitori.

(260) AM 2023 121397 A

(800) 1709739

(151) 2022 12 16

(891) 2022 12 16

(731) AGRO SELECTIONS FRUITS

La Prade de Mousseillous, F-66200 Elne, France

(540)



(591) Green, blue, brown, white

(531) 01.15.15; 27.05.01; 27.05.02; 27.05.04;
27.05.24; 29.01.14

(511)

31 – Fresh fruit; unprocessed fruits; unprocessed apples; fresh apples.

(260) AM 2023 121398 A

(800) 1709741

(151) 2022 12 16

(891) 2022 12 16

(731) AGRO SELECTIONS FRUITS

La Prade de Mousseillous, F-66200 Elne,
France

(540)



(591) Green, yellow, white

(531) 01.15.15; 05.03.13; 05.07.23; 27.03.11;
27.05.01; 27.05.07; 27.05.09; 27.05.10;
29.01.12

(511)

31 – Fresh fruit; unprocessed fruits; nectarines; none of the aforesaid goods being of botanical genus Ribes.

(260) AM 2023 121399 A

(800) 993183

(151) 2008 08 25

(891) 2022 10 28

(731) SERİN TREYLER ANONİM ŞİRKETİ

Konya Organize Sanayi Bölgesi, Büyük
Kayacak Mah. Evrenköy Cad.Nº:30, Selçuklu
Konya, Türkiye

(540)



(591) Black, white

(531) 26.13.25

(511)

12 – Automobiles, trucks, buses, haulers, tractors, refrigerated vehicles, truck mixers (mobile concrete mixers), military vehicles for transport, ambulances, horse carts, sports cars, golf carts, trucks for carrying garbage, hearses, fork lift trucks, sewage trucks; engines for land vehicles; chassis, axles, bars for axles, steering rods, gear boxes, clutches, turbines and transmission chains for vehicles; vehicle wheels and rims for vehicle wheels; bodies for vehicles, vehicle doors, bumpers; cycle mudguards, cycles, motorcycles, mopeds and their bodies, tractor-trailers; dumpers for vehicles, lifting devices for vehicles; shock absorbers; air-operated, electric, or mechanical springs for shock absor-

bers; cylinders and parts for shock absorbers; brake repair outfits; brake apparatus and parts for vehicles, brakes, brake linings and brake shoes (block); vehicle seats, head-rests for vehicle seats, safety seats for children; signals and semaphore arms for direction signals; inner tubes for bicycles, tires; repair outfits for tires, patches for vehicle tires, adhesive rubber patches for repairing inner tubes; valves for vehicle tires; vehicle windows, safety vehicle windows; windshield wipers for vehicle windows, windshield wiper sleeves; fuel tanks for vehicles; anti-skid chains, traction rope for vehicles, non-skid devices for vehicles; luggage-carriers for vehicles, bicycle saddles for vehicles; pumps for cycles; anti-theft alarms and horns for vehicles; safety belts for vehicles, air cushions for vehicles; seat covers, vehicle covers, sun blinds; trailer couplings; shaped bars for vehicles made of metal and synthetic material (for decorative purposes); rear view and side mirrors for vehicles; strollers, baby carriages, wheel chairs; trolleys, sack-barrows, one or two-wheeled trolleys, shopping trolleys, trolleys for household appliances; aerial conveyors, chairlifts.

(260) AM 2023 121400 A

(800) 1127802

(151) 2012 05 30

(891) 2022 12 20

(731) Strabag AG

Ortenburgerstrasse 27, A-9800 Spittal an der
Drau, Austria

(540)



(591) White, red and black

(531) 27.05.11; 29.01.12

(511)

19 – Emulsions of bitumen.

(260) AM 2023 121401 A

(800) 1152651

(151) 2012 12 17

(891) 2022 12 18

(731) "Beer of Yerevan" CJSC

8, Tsovakal Isakovi Ave., 0082 Yerevan,
Armenia

(540)



(591) Black, white

(531) 24.09.02; 24.09.05; 24.09.12

(511)

32 – Beers; mineral and aerated waters and other non-alcoholic beverages; fruit beverages and fruit juices; syrups and other preparations for making beverages.

(260) AM 2023 121443 A

(800) 1709822

(151) 2022 10 12

(891) 2022 10 12

(731) KADİR PIÇAKÇIEFE

İkitelli O.S.B. Aykosan Sanayi Sitesi, 6 lı C

Blok No: 87-88, Başakşehir Küçükçekmece,

İstanbul, Türkiye

(540)



(591) The trademark consists of the word "comformini". Letters in "comfor" are black. There is an orange, wavy line starting from the first letter "C" and it reaches to last letter "I". The letter "m" is pink, the letter "I" is blue, the letter "n" is green. At the end of the word "comformini", there are five elliptical objects in color, going from biggest to smallest, respectively pink, blue, green, purple and orange ellipticals

(531) 02.09.19; 26.01.02; 26.01.06; 26.01.24;

27.01.12; 27.05.01; 27.05.09; 27.05.10;

29.01.15

(511)

25 – Adhesive bras, ankle boots, aprons, ascots, babies' pants, bandanas, bath robes, bath sandals, bath slippers, bathing caps, swimsuits, beach clothes, beach shoes, belts, berets, bibs, not of paper, boots, clothing, coats, corsets, gloves, cyclists' clothing, dresses, ear muffs, esparto shoes or sandals, face coverings not for medical or sanitary purposes, vests, sports shoes, footwear, hats, heels, jackets, jerseys, knickers, sports uniforms, knitwear, latex clothing, leggings, trousers, mittens, outer clothing, overalls, overcoats, paper clothing, paper hats, pyjamas, ready-made clothing, scarves, shirts, shoes, skirts, slippers, socks, soles for footwear, sportswear incorporating digital sensors, suits, sweaters, tee-shirts, tights, trousers, turbans, underwear, uniforms.

35 – Advertising, marketing and public relations, organization of exhibitions and trade fairs for commercial or advertising purposes, layout services, graphic art designs, business card designs, packaging designs, development of advertising concepts and commercial purposes, provision of an online marketplace for buyers and sellers of goods and services; office functions, secretarial services, arranging newspaper subscriptions for others, compilation of statistics, rental of office machines, systemization of information into computer databases, telephone answering for unavailable subscribers; business management, business administration and business consultancy, accounting, commercial consultancy services, personnel recruitment, personnel placement, employment agencies, import-export agencies, temporary personnel placement services; auctioneering; the bringing together, for the

benefit of others, of a variety of goods, namely, chemicals used in industry, science, photography, agriculture, horticulture and forestry, manures and soils, unprocessed artificial resins and unprocessed plastics, fire extinguishing compositions, adhesives not for medical, household and stationery purposes, paints, varnishes, lacquers, preservatives against rust, preservatives against deterioration of wood, thinners and binders for paints, pigments, preservatives for metals, shoe dyes, printing dyes and ink, toners (including filled toner cartridges), colorants for food, pharmaceuticals and beverages, raw natural resins, metals in foil and powder form for painters, decorators, printers and artists, bleaching and cleaning preparations, detergents other than for use in manufacturing operations and for medical purposes, laundry bleach, fabric softeners for laundry use, stain removers, dishwasher detergents, perfumery, non-medicated cosmetics, fragrances, deodorants for personal use and animals, soaps, dental care preparations, dentifrices, denture polishes, tooth whitening preparations, mouth washes, not for medical purposes, abrasive preparations, emery cloth, sandpaper, pumice stone, abrasive pastes, polishing preparations for leather, vinyl, metal and wood, polishes and creams for leather, vinyl, metal and wood, wax for polishing, industrial oils and greases, cutting fluids, dust absorbing, wetting and binding compositions, solid fuels, coal, firewood, liquid and gas fuels, petrol, diesel oil, liquified petroleum gas, natural gas, fuel oil and their non-chemical additives, candles, wicks, semi-finished wax, wax and paraffin for lighting purposes, electrical energy, pharmaceutical and veterinary preparations for medical purposes, chemical preparations for medical and veterinary purposes, chemical reagents for pharmaceutical and veterinary purposes, medicated cosmetics, dietary supplements for pharmaceutical and veterinary purposes, dietary supplements, nutritional supplements, medical preparations for slimming purposes, food for babies, herbs and herbal beverages adapted for medicinal purposes, dental preparations and articles, teeth filling material, dental impression material, dental adhesives and material for repairing teeth, sanitary preparations for medical use, hygienic pads, hygienic tampons, plasters, materials for dressings, diapers made of paper and textiles for babies, adults and pets, preparations for destroying vermin, herbicides, fungicides, preparations for destroying rodents, deodorants, other than for human beings or for animals, air purifying preparations, air deodorising preparations, disinfectants, antiseptics, detergents for medical purposes, medicated soaps, disinfectant soaps, antibacterial hand lotions, ores of non-precious metal, common metals and their alloys and semi-finished products made of these materials, irons for construction, mats and stirrups of common metals for buildings, common metals in the form of plate, billet, stick, profile, sheet and sheeting, goods and materials of common metal used for storage, wrapping, packaging and sheltering purposes,

containers of metal (storage, transport), buildings of metal, frames of metal for building, poles of metal for building, metal boxes, packaging containers of metal, aluminium foil, fences made of metal, guard barriers of metal, metal tubes, storage containers of metal, metal containers for the transportation of goods, ladders of metal, goods of common metal for filtering and sifting purposes, doors, windows, shutters, jalousies and their cases and fittings of metal, non-electric cables and wires of metal, ironmongery, small hardware of metal, screws of metal, nails, bolts of metal, nuts of metal, pegs of metal, flakes of metal, pitons of metal, metal chains, furniture casters of metal, fittings of metal for furniture, industrial metal wheels, door handles of metal, window handles of metal, hinges of metal, metal latches, metal locks, metal keys for locks, metal rings for carrying keys, metal pulleys, ventilation ducts, vents, vent covers, pipes, chimney caps, man-hole covers, grilles of metal for ventilation, heating, sewage, telephone, underground electricity and air conditioning installations, metal panels or boards (non-luminous and non-mechanical) used for signalling, route showing, publicity purposes, signboards of metal, advertisement columns of metal, signalling panels of metal, non-luminous and non-mechanical traffic signs of metal, pipes of metal for transportation of liquids and gas, drilling pipes of metal and their metal fittings, valves of metal, couplings of metal for pipes, elbows of metal for pipes, clips of metal for pipes, connectors of metal for pipes, safes (strong boxes) of metal, metal railway materials, metal rails, metal railway ties, railway switches, bollards of metal, floating docks of metal, mooring buoys of metal, anchors, metal moulds for casting, other than machine parts, works of art made of common metals or their alloys, trophies of common metal, metal closures, bottle caps of metal, metal poles, metal pillars, scaffolding of metal, metal stakes, metal towers, metal pallets and metal ropes for lifting, loading and transportation purposes, metal hangers, ties, straps, tapes and bands used for load-lifting and load-carrying, wheel chocks made primarily of metal, metal profile laths for vehicles for the purposes of decoration, machines, machine tools and industrial robots for processing and shaping wood, metals, glass, plastics and minerals, 3d printers, construction machines and robotic mechanisms (machines) for use in construction, bulldozers, diggers (machines), excavators, road construction and road paving machines, drilling machines, rock drilling machines, road sweeping machines, lifting, loading and transmission machines and robotic mechanisms (machines) for lifting, loading and transmission purposes, elevators, escalators and cranes, machines and robotic mechanisms (machines) for use in agriculture and animal breeding, machines and robotic mechanisms (machines) for processing cereals, fruits, vegetables and food, machines for preparing and processing beverages, engines and motors, other than for land vehicles, parts and fittings therefor, hydraulic

and pneumatic controls for engines and motors, brakes other than for vehicles, brake linings for engines, crankshafts, gearboxes, other than for land vehicles, cylinders for engines, pistons for engines, turbines, not for land vehicles, filters for engines and motors, oil, air and fuel filters for land vehicle engines, exhausts for land vehicle engines, exhaust manifolds for land vehicle engines, engine cylinders for land vehicles, engine cylinder heads for land vehicles, pistons for land vehicle engines, carburettors for land vehicles, fuel conversion apparatus for land vehicle engines, injectors for land vehicle engines, fuel economisers for land vehicle engines, pumps for land vehicle engines, valves for land vehicle engines, starter motors for land vehicles, dynamos for land vehicle engines, sparking plugs for land vehicle engines, bearings (parts of machines), roller or ball bearings, machines for mounting and detaching tires, alternators, current generators, electric generators, current generators operated with solar energy, painting machines, automatic spray guns for paint, electric, hydraulic and pneumatic punching machines and guns, electric adhesive tape dispensers [machines], electric guns for compressed gas or liquid spraying machines, electric hand drills, electric hand saws, electric jigsaw machines, spiral machines, compressed air machines, compressors (machines), vehicle washing installations, industrial robots with the abovementioned functions, electric and gas-operated welding apparatus, electric arc welding apparatus, electric soldering apparatus, electric arc cutting apparatus, electrodes for welding machines, industrial robots (machines) with the abovementioned functions, printing machines, packaging machines, filling, plugging and sealing machines, labellers (machines), sorting machines, industrial robots (machines) with the abovementioned functions, electric packing machines for plugging and sealing of plastics, machines for textile processing, sewing machines, industrial robots (machines) with the abovementioned functions, pumps other than parts of machines or engines, fuel dispensing pumps for service stations, self-regulating fuel pumps, electric kitchen machines for chopping, grinding, crushing, mixing and mincing foodstuff, washing machines, laundry washing machines, dishwashers, spin driers (not heated), electric cleaning machines for cleaning floors, carpets or floorings, vacuum cleaners and parts thereof, automatic vending machines, galvanizing and electroplating machines, electric door openers and closers, gaskets for engines and motors, forks, spoons, knives and non-electric cutters, slicers, peelers for kitchen use, including those made of precious metals, side arms and blades (weapons), tools and apparatus for personal beauty care use, tools and apparatus for shaving, depilation, manicure and pedicure, electric hand implements for straightening and curling hair, scissors, hand-operated [non-electric] hand tools for the repair of machines, apparatus and vehicles and for use in construction, agriculture, horticulture and forestry, no-

ne of them being power tools, electric or non-electric irons, steam irons, handles for hand-operated hand tools, measurement apparatus and equipment including those for scientific, nautical, topographic, meteorologic, industrial and laboratory purposes, thermometers, not for medical purposes, barometers, ammeters, voltmeters, hygrometers, testing apparatus not for medical purposes, telescopes, periscopes, directional compasses, speed indicators, laboratory apparatus, microscopes, magnifying glasses, stills, binoculars, ovens and furnaces for laboratory experiments, apparatus for recording, transmission or reproduction of sound or images, cameras, photographic cameras, television apparatus, video recorders, cd and dvd players and recorders, mp3 players, computers, desktop computers, tablet computers, wearable technological devices (smart watches, wristbands, head-mounted devices) microphones, loudspeakers, earphones, telecommunications apparatus, apparatus for the reproduction of sound or images, computer peripheral devices, cell phones, covers for cell phones, telephone apparatus, computer printers, scanners [data processing equipment], photocopiers, magnetic and optical data carriers and computer software and programmes recorded thereto, downloadable and recordable electronic publications, encoded magnetic and optical cards, movies, tv series and video music clips recorded on magnetic, optical and electronic media, antennas, satellite antennas, amplifiers for antennas, parts of the aforementioned goods, ticket dispensers, automatic teller machines (ATM), electronic components used in the electronic parts of machines and apparatus, semi-conductors, electronic circuits, integrated circuits, chips [integrated circuits], diodes, transistors [electronic], magnetic heads for electronic apparatus, electronic locks, photocells, remote control apparatus for opening and closing doors, optical sensors, counters and quantity indicators for measuring the quantity of consumption, automatic time switches, clothing for protection against accidents, irradiation and fire, safety vests and life-saving apparatus and equipment, eyeglasses, sunglasses, optical lenses and cases, containers, parts and components thereof, apparatus and instruments for conducting, transforming, accumulating or controlling electricity, electric plugs, junction boxes [electricity], electric switches, circuit breakers, fuses, lighting ballasts, battery starter cables, electrical circuit boards, electric resistances, electric sockets, transformers [electricity], electrical adapters, battery chargers, electric doorbells, electric and electronic cables, batteries, electric accumulators, solar panels for production of electricity, alarms and anti-theft alarms, other than for vehicles, electric bells, signalling apparatus and instruments, luminous or mechanical signs for traffic use, fire extinguishing apparatus, fire engines, fire hose and fire hose nozzles, radar apparatus, sonars, night vision apparatus and instruments, decorative magnets, metronomes, surgical, medical, dental and veterinary apparatus and instruments, furniture

especially made for medical purposes, artificial limbs and prostheses, medical orthopaedic articles, corsets for medical purposes, orthopaedic shoes, elastic bandages and supportive bandages, surgical gowns and surgical sterile sheets, adult sexual aids, condoms, babies' bottles, babies' pacifiers, teats, gum massagers for babies, bracelets and rings for medical purposes, anti-rheumatism bracelets, anti-rheumatism rings, lighting installations, lights for vehicles and interior-exterior spaces, heating installations using solid, liquid or gas fuels or electricity, central heating boilers, boilers for heating installations, radiators [heating], heat exchangers, not parts of machines, stoves, kitchen stoves, solar thermal collectors [heating], steam, gas and fog generators, steam boilers, other than parts of machines, acetylene generators, oxygen generators, nitrogen generators, installations for air-conditioning and ventilating, cooling installations and freezers, electric and gas-powered devices, installations and apparatus for cooking, drying and boiling, cookers, electric cooking pots, electric water heaters, barbecues, electric laundry driers, hair driers, hand drying apparatus, sanitary installations, taps [faucets], shower installations, toilets [water-closets], shower and bathing cubicles, bath tubs, toilet seats, sinks, wash-hand basins [parts of sanitary installations], washers for water taps, stuffings (tap valves), water softening apparatus, water purification apparatus, water purification installations, waste water purification installations, electric bed warmers and electric blankets, not for medical use, electric pillow warmers, electric or non-electric footwarmers, hot water bottles, electrically heated socks, filters for aquariums and aquarium filtration apparatus, industrial type installations for cooking, drying and cooling purposes, pasteurizers and sterilizers, motor land vehicles, motorcycles, mopeds, engines and motors for land vehicles, clutches for land vehicles, transmissions, transmission belts and transmission chains for land vehicles, gearing for land vehicles, brakes, brake discs and brake linings for land vehicles, vehicle chassis, automobile bonnets, vehicle suspension springs, shock absorbers for automobiles, gearboxes for land vehicles, steering wheels for vehicles, rims for vehicle wheels, bicycles and their bodies, handlebars and mudguards for bicycles, vehicle bodies, tipping bodies for trucks, trailers for tractors, frigorific bodies for land vehicles, trailer hitches for vehicles, vehicle seats, head-rests for vehicle seats, safety seats for children, for vehicles, seat covers for vehicles, vehicle covers (shaped), sun-blinds adapted for vehicles, direction signals and arms for direction signals for vehicles, windscreen wipers and wiper arms for vehicles, inner tubes and tires for vehicle wheels, tubeless tires, tire-fixing sets comprised of tire patches and tire valves for vehicles, windows for vehicles, safety windows for vehicles, rear-view mirrors and wing mirrors for vehicles, anti-skid chains for vehicles, luggage carriers for vehicles, bicycle and ski carriers for cars, saddles for bicycles or motorcycles, air

pumps for vehicles, for inflating tires, anti-theft alarms for vehicles, horns for vehicles, safety belts for vehicle seats, air bags (safety devices for automobiles), baby carriages, wheelchairs, pushchairs, wheelbarrows, shopping carts, single or multi-wheeled wheelbarrows, shopping trolleys, grocery carts, handling carts, rail vehicles, locomotives, trains, trams, wagons, cable cars, chairlifts, vehicles for locomotion by water and their parts, other than their motors and engines, vehicles for locomotion by air and their parts, other than their motors and engines, firearms, air pistols (weapons), spring-loaded firearms, adapted cases and shoulder straps, heavy weapons, mortars and rockets, fireworks, sprays for personal defence purposes, jewellery, imitation jewellery, gold, precious stones and jewellery made thereof, cufflinks, tie pins, statuettes and figurines of precious metal, clocks, watches and chronometrical instruments, chronometers and their parts, watch straps, trophies made of precious metal, rosaries, musical instruments and cases for musical instruments, paper and cardboard, paper and cardboard for packaging and wrapping purposes, cardboard boxes, paper towels, toilet paper, paper napkins, plastic materials for packaging and wrapping purposes, printing blocks and types, bookbinding material, printed publications, printed matter, books, magazines, newspapers, bill books, printed dispatch notes, printed vouchers, calendars, posters, photographs [printed], paintings, stickers [stationery], postage stamps, stationery, office stationery, instructional and teaching material [except furniture and apparatus], writing and drawing implements, artists' materials, paper products for stationery purposes, adhesives for stationery purposes, pens, pencils, erasers, adhesive tapes for stationery purposes, cardboard cartons [artists' materials], writing paper, copying paper, paper rolls for cash registers, drawing materials, chalkboards, painting pencils, watercolors [paintings], office requisites, paint rollers and paintbrushes for painting, rubber, gutta-percha, gum, asbestos, mica and semi-finished synthetic goods made from these materials in the form of powder, bars, panels and foils, insulation, stopping and sealing materials, insulating paints, insulating fabrics, insulating tape and band, insulation covers for industrial machinery, joint sealant compounds for joints, gaskets, o-rings for sealing purposes (other than gaskets for motors, cylinders and washer for water taps), flexible pipes made from rubber and plastic, hoses made of plastic and rubber, including those used for vehicles, junctions for pipes of plastic and rubber, pipe jackets of plastic and rubber, hoses of textile material, junctions for pipes, not of metal, pipe jackets, not of metal, connecting hose for vehicle radiators, profile laths made of synthetic materials for vehicles for the purposes of decoration, unworked or semi-worked leather and animal skins, imitations of leather, stout leather, leather used for linings, goods made of leather, imitations of leather or other materials, designed for carrying items, bags, wallets, boxes and trunks

made of leather or stout leather, key cases, trunks [luggage], suitcases, umbrellas, parasols, sun umbrellas, walking sticks, whips, harness, saddlery, stirrups, straps of leather (saddlery), sand, gravel, crushed stone, asphalt, bitumen, cement, gypsum, plaster, concrete, marble blocks for construction, building materials (as finished products) made of concrete, gypsum, clay, potters' clay, stone, marble, wood, plastics and synthetic materials for building, construction, road construction purposes, non-metallic buildings, non-metallic building materials, poles, not of metal for power lines, barriers not of metal, natural and synthetic coverings in the form of panels and sheets, being building materials, bitumen cardboard for roofing, bitumen covering for roofing, doors and windows of wood and synthetic materials, traffic signs not of metal, non-luminous and non-mechanical, for roads, monuments and statuettes of stone, concrete and marble, building glass, prefabricated swimming pools not of metal (structures), aquarium sand, furniture, made of any kind of material, mattresses, pillows, air mattresses and cushions, not for medical purposes, water beds, mirrors, beehives, artificial honeycombs and sections of wood for honeycombs, bouncing chairs for babies, playpens for babies, cradles, infant walkers, display boards, frames for pictures and paintings, identity plates, identification bracelets, name plates, identification tags, made of wood or synthetic materials, packaging containers of wood or plastics, casks for use in transportation or storage, barrels, storage drums, tanks, boxes, storage containers, transportation containers, chests, loading pallets and closures for the aforementioned goods, of wood or plastics, small hardware goods of wood or synthetic materials, furniture fittings, of wood or synthetic materials, opening and closing mechanisms of wood or synthetic materials, ornaments and decorative goods of wood, cork, reed, cane, wicker, horn, bone, ivory, whalebone, shell, amber, mother-of-pearl, meerschaum, beeswax, plastic or plaster namely figurines, holiday ornaments for walls, sculptures, trophies, baskets, not of metal, fishing baskets, kennels, nesting boxes and beds for household pets, portable ladders and mobile boarding stairs of wood or synthetic materials, bamboo curtains, roller indoor blinds [for interiors], slatted indoor blinds, vertical indoor blinds, bead curtains for decoration, curtain hooks, curtain rings, curtain lie-backs, curtain rods, on-metal wheel chocks, hand-operated non-electric cleaning instruments and appliances, brushes, except paintbrushes, steel chips for cleaning, sponges for cleaning, steel wool for cleaning, cloths of textile for cleaning, gloves for dishwashing, non-electric polishing machines for household purposes, brooms for carpets, mops, toothbrushes, electric toothbrushes, dental floss, shaving brushes, hairbrushes, combs, non-electric household or kitchen utensils, [other than forks, knives, spoons], services [dishes], pots and pans, bottle openers, flowerpots, drinking straws, non-electric cooking utensils, ironing boards

and shaped covers therefor, drying racks for washing, clothes drying hangers, cages for household pets, indoor aquariums, vivarium and indoor terrariums for animals and plant cultivation, ornaments and decorative goods of glass, porcelain, earthenware or clay namely statues, figurines, vases and trophies, mouse traps, insect traps, electric devices for attracting and killing flies and insects, fly catchers, fly swatters, perfume burners, perfume sprayers, perfume vaporizers, electric or non-electric make-up removing appliances, powder puffs, toilet cases, nozzles for sprinkler hose, nozzles for watering cans, watering devices, garden watering cans, unworked or semi-worked glass, except building glass, mosaics of glass and powdered glass for decoration, except for building, glass wool other than for insulation or textile use, ropes, strings, rope ladders, hammocks, fishing nets, tents, awnings, tarpaulins, sails, vehicle covers, not fitted, bags of textile, for packaging, padding and stuffing materials, except of rubber and plastics, including those of wool and cotton, synthetic fibers for textile use, raw spun fiber, glass fibers for textile use, yarns and threads for textile use, threads and yarns for sewing, embroidery and knitting, thread, elastic yarns and threads for textile use, woven or non-woven textile fabrics, textile goods for household use, curtains, bed covers, sheets (textile), pillowcases, blankets, quilts, towels, flags, pennants, labels of textile, swaddling blankets, sleeping bags for camping, clothing, including underwear and outer clothing, other than special purpose protective clothing, socks, mufflers [clothing], shawls, bandanas, scarves, belts [clothing], footwear, shoes, slippers, sandals, headgear, hats, caps with visors, berets, caps [headwear], skull caps, laces and embroidery, guipure lace, festoons, ribbons (haberdashery), ribbons and braid, reinforcing tapes for clothing, cords for clothing, letters and numerals for marking linen, embroidered emblems, badges for wear, not of precious metal, shoulder pads for clothing, buttons for clothing, fastenings for clothing, eyelets for clothing, zippers, buckles for shoes and belts, rivet buttons, adhesive tapes [haberdashery], fasteners, pins, other than jewellery, needles, sewing needles, needles for sewing machines, lacing needles, needles for knitting and embroidery, boxes for needles, needle cushions, artificial flowers, artificial fruits, hair pins, hair buckles, hair bands, decorative articles for the hair, not made of precious metal, wigs, hair extensions, electric or non-electric hair curlers, other than hand implements, carpets, rugs, mats, prayer rugs, linoleum, artificial turf, linoleum for covering floors, gymnasium mats, wallpaper, wall hangings not of textile, games and toys, arcade video game machines, game apparatus and machines for use with an external display screen and monitor, including those coin-operated, toys for animals, toys for outdoor playgrounds, parks and game parks, gymnastic and sporting articles, fishing tackle, artificial fishing bait, decoys for hunting and fishing, artificial Christmas trees, or-

naments for Christmas trees, artificial snow for Christmas trees, rattles (playthings), novelties for parties, novelty toys for playing jokes and for parties, paper party hats, meat, fish, poultry and game, processed meat products, dried pulses, soups, bouillon, processed olives, olive paste, milks of animal origin, milks of herbal origin, milk products, butter, edible oils, dried, preserved, frozen, cooked, smoked or salted fruits and vegetables, tomato paste, prepared nuts and dried fruits as snacks, hazelnut spreads and peanut butter, tahini (sesame seed paste), eggs and powdered eggs, potato chips, coffee, cocoa, coffee or cocoa based beverages, chocolate based beverages, pasta, stuffed dumplings, noodles, pastries and bakery products based on flour, desserts based on flour and chocolate, bread, simit [Turkish ring-shaped bagel covered with sesame seeds], pogaça [Turkish bagel], pita, sandwiches, katmer [Turkish pastry], pies, cakes, baklava [Turkish dessert based on dough coated with syrup], kadayıf [Turkish dessert based on dough], desserts based on dough coated with syrup, puddings, custard, kazandibi [Turkish pudding], rice pudding, keşkül [Turkish pudding], honey, bee glue for human consumption, propolis for food purposes, condiments for foodstuff, vanilla (flavouring), spices, sauces (condiments), tomato sauce, yeast, baking powder, flour, semolina, starch for food, sugar, cube sugar, powdered sugar-, tea, iced tea, confectionery, chocolate, biscuits, crackers, wafers, chewing gums, ice-cream, edible ices, salt, cereal-based snack food, popcorn, crushed oats, corn chips, breakfast cereals, processed wheat for human consumption, crushed barley for human consumption, processed oats for human consumption, processed rye for human consumption, rice, molasses for food, agricultural and horticultural products, seeds, forestry products, live animals, fertilized eggs for hatching, plants, dried plants for decoration, fresh garden herbs, dried garden herbs for decoration, animal foodstuffs, malt not for human consumption, underlays for pets, cat litters, beers, preparations for making beer, mineral water, spring water, table water, soda water, fruit juices and vegetable juices [beverages], fruit and vegetable concentrates for making beverages and non-alcoholic fruit extracts for making beverages, soft drinks, energy drinks, protein-enriched sports beverages, alcoholic beverages (except beers), wines, raki [traditional Turkish alcoholic drink], whisky, liqueurs, alcoholic cocktails, tobacco, chewing tobacco, cigarettes, cigars, smokers' articles including those made of precious metals, pipes, mouthpieces for cigars and cigarettes, ashtrays, tobacco boxes, pocket apparatus for rolling cigarettes, cigarette paper, tobacco pipes, firestones, lighters for smokers, electronic cigarettes and their cartridges, matches enabling customers to conveniently view and purchase those goods, such services may be provided by retail stores, wholesale outlets, by means of electronic media or through mail order catalogues.

(260) AM 2023 121444 A

(800) 1709868

(151) 2022 08 04

(891) 2022 08 04

(731) Limited Liability Company "KRAAB SYSTEMS"

st. Marshal Govorov, 35, building 4, lit. I,

POM/OFFICE 24-N/513, RU-198095

St. Petersburg, Russian Federation

(540)


 The logo consists of the word "KRAAB" in a stylized, outlined font. The letter 'A' is unique, featuring a triangle inside it with a dot at its base.

(591) Black, white

(531) 27.05.01; 27.05.19

(511)

6 – Fittings of metal for compressed air lines; fittings of metal for building; beams of metal; balustrades of metal; anchors; bolts of metal; eye bolts; screws of metal; sleeves [metal hardware]; ferrules of metal for handles; nuts of metal; doors of metal; prefabricated houses [kits] of metal; wall plugs of metal; jalousies of metal; roof gutters of metal; crampons of metal [cramps]; rivets of metal; plugs of metal; tension links; ironmongery; framework of metal for building, including framework of metal for installation of stretch ceilings; cornices of metal; brackets of metal for building; buildings of metal; buildings, transportable, of metal; roofing of metal; roofing of metal, incorporating photovoltaic cells; hooks [metal hardware]; building materials of metal; refractory construction materials of metal; mouldings of metal for building; flashing of metal, for building; roof flashing of metal; duckboards of metal; stretchers for metal bands [tension links]; wire stretchers [tension links]; stretchers for iron bands [tension links]; wall claddings of metal for building; laths of metal; wall linings of metal for building; props of metal; wainscotting of metal; building boards of metal; partitions of metal; metal wall tiles; tiles of metal for building; slabs of metal for building; roof coverings of metal; cladding of metal for building; cladding of metal for construction and building; floors of metal; ceilings of metal; wire of common metal; wire of common metal alloys, except fuse wire; frames of metal for building; grilles of metal; ducts of metal for ventilating and air conditioning installations; pipes of metal; angle irons; cotter pins of metal; pantiles of metal; tiles of metal; washers of metal; pins [hardware].

17 – Shock-absorbing buffers of rubber; fittings, not of metal, for compressed air lines; insulating paper; cotton wool for packing [caulking]; insulating felt; plastic fibers, not for use in textiles; vulcanized fiber; lute; valves of india-rubber or vulcanized fiber [fibre]; clack valves of rubber; rings of rubber; stuffing rings; insulating paints; insulating varnish; latex [rubber]; duct tapes; insulating tape; adhesive tapes, other than stationery and not for medical or household purposes; self-adhesive tapes, other than stationery and not for medical or household purposes; viscose sheets, other

than for wrapping; foil of regenerated cellulose, other than for wrapping; weatherstripping compositions; caulking materials; soundproofing materials; insulating materials; insulating refractory materials; stuffing of rubber or plastic; non-conducting materials for retaining heat; sealant compounds for joints; soldering threads of plastic; threads of plastic materials, not for textile use; threads of rubber, not for use in textiles; elastic yarns, not for use in textiles; stops of rubber; insulating plaster; plastic film, not for wrapping; anti-dazzle films for windows [tinted films]; asbestos coverings; rubber stoppers; expansion joint fillers; washers of rubber or vulcanized fiber [fibre]; weatherstripping; seals; rubber solutions; substances for insulating buildings against moisture; chemical compositions for repairing leaks; flexible tubes, not of metal; waterproof packings.

19 – Beams, not of metal; balustrades, not of metal; concrete; bitumen; joists, not of metal; building paper; stained-glass windows; felt for building; geotextiles; gypsum [building material]; plaster; chimney pots, not of metal; prefabricated houses [kits], not of metal; chimney shafts, not of metal; jalousies, not of metal; framework, not of metal, for building, including framework, not of metal, for installation of stretch ceilings; bricks; pillars, not of metal, for building; brackets, not of metal, for building; buildings, not of metal; buildings, transportable, not of metal; roofing, not of metal; building timber; reinforcing materials, not of metal, for building; bituminous products for building; tar; pitch; building materials, not of metal; refractory construction materials, not of metal; mosaics for building; mouldings, not of metal, for cornices; mouldings, not of metal, for building; flashing, not of metal, for building; roof flashing, not of metal; duckboards, not of metal; wall claddings, not of metal, for building; coatings [building materials]; laths, not of metal; wall linings, not of metal, for building; props, not of metal; wainscotting, not of metal; building panels, not of metal; partitions, not of metal; tarred strips for building; planks of wood for building; wall tiles, not of metal; floor tiles, not of metal; tiles, not of metal, for building; cement slabs; tile floorings, not of metal; slabs, not of metal, for building; roof coverings, not of metal; roofing, not of metal, incorporating photovoltaic cells; cladding, not of metal, for building; linings, not of metal, for building; floors, not of metal; ceilings, not of metal, including stretch ceilings; grout; vinyl siding; building glass; insulating glass for building; enamelled glass, for building; hips for roofing; ducts, not of metal, for ventilating and air-conditioning installations; rigid pipes, not of metal, for building; angle irons, not of metal; cement; pantiles, not of metal; pantiles; roofing slates; concrete building elements.

37 – Rebuilding machines that have been worn or partially destroyed; building sealing; building insulating; repair information; construction information; brickla-

ying; construction consultation; building construction supervision; wallpapering; laying of cable; plumbing; masonry; roofing services; painting, interior and exterior; carpentry services; plastering; burner maintenance and repair; building construction; installation of doors and windows; installation and repair of stretch ceilings; air conditioning apparatus installation and repair; electric appliance installation and repair; machinery installation, maintenance and repair; interference suppression in electrical apparatus.

(260) AM 2023 121445 A

(800) 1709871

(151) 2022 08 04

(891) 2022 08 04

(731) Limited Liability Company "KRAAB SYSTEMS"

st. Marshal Govorov, 35, building 4, lit. I,

POM/OFFICE 24-N/513, RU-198095

St. Petersburg, Russian Federation

(540)

SLOTT

(591) Black, white

(531) 27.05.01

(511)

6 – Fittings of metal for compressed air lines; fittings of metal for building; beams of metal; balustrades of metal; anchors; bolts of metal; eye bolts; screws of metal; sleeves [metal hardware]; ferrules of metal for handles; nuts of metal; doors of metal; prefabricated houses [kits] of metal; wall plugs of metal; jalousies of metal; roof gutters of metal; crampons of metal [cramps]; rivets of metal; plugs of metal; tension links; ironmongery; framework of metal for building, including framework of metal for installation of stretch ceilings; cornices of metal; brackets of metal for building; buildings of metal; buildings, transportable, of metal; roofing of metal; roofing of metal, incorporating photovoltaic cells; hooks [metal hardware]; building materials of metal; refractory construction materials of metal; mouldings of metal for building; flashing of metal, for building; roof flashing of metal; duckboards of metal; stretchers for metal bands [tension links]; wire stretchers [tension links]; stretchers for iron bands [tension links]; wall claddings of metal for building; laths of metal; wall linings of metal for building; props of metal; wainscoting of metal; building boards of metal; partitions of metal; metal wall tiles; tiles of metal for building; slabs of metal for building; roof coverings of metal; cladding of metal for building; cladding of metal for construction and building; floors of metal; ceilings of metal; wire of common metal; wire of common metal alloys, except fuse wire; frames of metal for building; grilles of metal; ducts of metal for ventilating and air conditioning installations; pipes of metal; angle irons; cotter pins of metal; pantiles of metal; tiles of metal; washers of metal; pins [hardware].

11 – Heat accumulators; fans [air-conditioning]; water heaters; air reheaters; chimney flues; air valves for steam heating installations; thermostatic valves [parts of heating installations]; solar thermal collectors [heating]; ventilation hoods; air conditioning apparatus; safety lamps; electric lamps; heat pumps; lamp reflectors; heating plates; hot plates; lighting apparatus and installations; sanitary apparatus and installations; light-emitting diodes [led] lighting apparatus; heating apparatus for solid, liquid or gaseous fuels; heating apparatus, electric; hot air apparatus; safety accessories for water or gas apparatus and pipes; regulating and safety accessories for gas apparatus; regulating accessories for water or gas apparatus and pipes; regulating and safety accessories for water apparatus; regulating and safety accessories for gas pipes; searchlights; washers for water taps; heat guns; radiators [heating]; light diffusers; heat regenerators; lamps; ceiling lights; water conduits installations; air conditioning installations; heating installations; lanterns for lighting.

17 – Shock-absorbing buffers of rubber; fittings, not of metal, for compressed air lines; insulating paper; cotton wool for packing [caulking]; insulating felt; plastic fibers, not for use in textiles; vulcanized fiber; lute; valves of india-rubber or vulcanized fiber [fibre]; clack valves of rubber; rings of rubber; stuffing rings; insulating paints; insulating varnish; latex [rubber]; duct tapes; insulating tape; adhesive tapes, other than stationery and not for medical or household purposes; self-adhesive tapes, other than stationery and not for medical or household purposes; viscose sheets, other than for wrapping; foil of regenerated cellulose, other than for wrapping; weatherstripping compositions; caulking materials; soundproofing materials; insulating materials; insulating refractory materials; stuffing of rubber or plastic; non-conducting materials for retaining heat; sealant compounds for joints; soldering threads of plastic; threads of plastic materials, not for textile use; threads of rubber, not for use in textiles; elastic yarns, not for use in textiles; stops of rubber; plastic film, not for wrapping; anti-dazzle films for windows [tinted films]; asbestos coverings; rubber stoppers; seals; expansion joint fillers; washers of rubber or vulcanized fiber [fibre]; weatherstripping; rubber solutions; substances for insulating buildings against moisture; chemical compositions for repairing leaks; flexible tubes, not of metal; waterproof packings.

19 – Beams, not of metal; balustrades, not of metal; concrete; bitumen; joists, not of metal; building paper; stained-glass windows; felt for building; geotextiles; gypsum [building material]; plaster; chimney pots, not of metal; prefabricated houses [kits], not of metal; chimney shafts, not of metal; jalousies, not of metal; framework, not of metal, for building, including framework, not of metal, for installation of stretch ceilings; bricks; pillars, not of metal, for building; brac-

kets, not of metal, for building; buildings, not of metal; buildings, transportable, not of metal; roofing, not of metal; building timber; reinforcing materials, not of metal, for building; bituminous products for building; tar; pitch; building materials, not of metal; refractory construction materials, not of metal; mosaics for building; mouldings, not of metal, for cornices; mouldings, not of metal, for building; flashing, not of metal, for building; roof flashing, not of metal; duckboards, not of metal; wall claddings, not of metal, for building; coatings [building materials]; laths, not of metal; wall linings, not of metal, for building; props, not of metal; wainscotting, not of metal; building panels, not of metal; partitions, not of metal; tarred strips for building; planks of wood for building; wall tiles, not of metal; floor tiles, not of metal; tiles, not of metal, for building; cement slabs; tile floorings, not of metal; slabs, not of metal, for building; roof coverings, not of metal; roofing, not of metal, incorporating photovoltaic cells; cladding, not of metal, for building; linings, not of metal, for building; floors, not of metal; ceilings, not of metal, including stretch ceilings, not of metal; agglomerated cork for building; grout; vinyl siding; building glass; insulating glass for building; enamelled glass, for building; hips for roofing; ducts, not of metal, for ventilating and air-conditioning installations; rigid pipes, not of metal, for building; angle irons, not of metal; cement; pantiles, not of metal; roofing tiles, not of metal; roofing slates; concrete building elements.

(260) AM 2023 121446 A

(800) 1709882

(151) 2022 08 25

(891) 2022 08 25

(731) EAGLELINE LIMITED

JUNCTION BUSINESS CENTRE, 1ST
FLOOR, SQAQ LOURDES, HMR 3334 ST.
JULIANS SWQ, Malta

(540)

GOLDEN AGE

(591) Black, white

(511)

9 – Game software, computer game programs, electronic game software, computer game software, electronic game programs, video game programs [software], interactive video game programs, computer game cartridges (software), video game cartridges (software), software, video game software, computer software, educational software, application software, community software, computer application software for mobile telephones, interactive computer software, computer communication software, computer programs, electronic components for gaming machines, game cartridges used with electronic gaming machines, portable music players, juke boxes, musical, automated cash machines; cash dispensing machines.

28 – Games, sports games, manipulative games, mechanical games, musical games, electronic games, board games, board games, quiz games, console gaming devices, portable gaming devices, arcade games, skill-building and action games, portable electronic games, handheld computer games, lottery wheels, lottery tickets, gaming machines, gaming machines (machines), coin-operated gaming machines, counter-operated gaming machines, LCD gaming machines, chips for gambling, gaming chips, gaming tables, amusement devices for use in gaming rooms.

41 – Gambling, lotteries, lotteries (organisation of lottery games), prize draws (lotteries), organisation of lotteries, operation of apparatus and instruments used in lotteries, lottery services, training in the field of business management relating to lotteries, rental of gaming machines, casino services, provision of casino facilities, rental of casino games, casino gaming services, conducting and providing facilities for casino gaming contests and tournaments, provision of casino facilities, casino, gaming and gambling services, training in the operation of computerised systems use in gaming rooms, operation of video and audio equipment for use in gaming rooms, gaming services.

(260) AM 2023 121447 A

(800) 1709987

(151) 2022 10 05

(891) 2022 10 05

(731) Euro Games Technology Ltd.

4, "Maritsa" Str., "Vranya-Lozen-Triugulnika",
BG-1151 Sofia, Bulgaria

(540)



(591) Green, dark green, light green, black, gray, white, gold and yellow

(531) 01.15.09; 05.03.06; 05.03.13; 26.04.04;
26.04.05; 26.04.06; 29.01.15

(511)

9 – Operating computer software for main frame computers; monitors (computer hardware); computer hardware; apparatus for recording images; monitors (computer programs); computer game programs; recorded computer game programs; apparatus for recording, transmission or reproduction of sound or images; communications servers (computer hardware); electronic components for gambling machines; computer application software featuring games and gaming; computer software for the administration of on-line games and gaming; computer hardware for games and gaming; hardware and software for gambling, gam-

bling machines, gambling games on the Internet and via telecommunication network; computer systems; computer operating system software; computer terminals; interactive terminals; multimedia terminals; electronic terminals for generating lottery tickets; interactive touch screen terminals; computer touchscreens; electronic display panels; liquid crystal display screens; digital signage display panels; multimedia software; multimedia apparatus and instruments; interactive multimedia software for playing games; computer screens; LCD large-screen displays; liquid crystal displays [LCDs] for home theatres; media streaming software; computer application software for streaming audio-visual media content via the Internet; software; computer gaming software; computer software packages; computer operating system software; computer software, recorded; software drivers; virtual reality software; games software; entertainment software for computer games; computer programs for network management; electronic lottery tickets; computer software platforms; operating systems; interactive computer systems; operating system programs; computer game software for use with on-line interactive games; interactive casino games provided through a computer or mobile platform; software for slot machines, betting software, software for video slot games, for casino games, for gambling and bingo games, provided online or through computer networks and that can be played on any type of computer device, including arcade games, personal computers, portable devices and mobile phones.

28 – Gaming machines for gambling; chips for gambling; mah-jong; arcade games; gambling machines operating with coins, notes and cards; games; electronic games; parlor games; gaming chips; gaming tables; slot machines [gaming machines]; LCD game machines; slot machines and gaming devices; coin-operated amusement machines; roulette chips; poker chips; chips and dice [gaming equipment]; gaming equipment for casinos; roulette tables; gaming roulette wheels; casino games; gambling machines and amusement machines, automatic and coin-operated; coin-operated amusement machines and/or electronic coin-operated amusement machines with or without the possibility of gain; boxes for coin-operated amusement machines, slot machines and gaming machines; electronic or electrotechnical amusement machines and apparatus, gaming machines, coin-operated entertainment machines; housings for coin-operated amusement machines, gaming equipment, gaming machines, machines for gambling; electropneumatic and electrical gambling machines (slot machines); lottery games; electronic targets for games and sports.

41 – Gambling services; gaming services for entertainment purposes; casino, gaming and gambling services; training in the development of software systems; provision of gaming equipment for gambling halls; providing casino equipment [gambling]; gaming

machine entertainment services; providing casino facilities [gambling]; gaming hall services; games equipment rental; rental of gaming machines; providing amusement arcade services; rental of gaming machines with images of fruits; editing or recording of sounds and images; sound recording and video entertainment services; hire of sound reproducing apparatus; provision of gaming equipment for casinos; providing of gambling facilities; online gambling services; casino services; provision of gaming facilities and gaming hall facilities, Internet casinos and online gambling services; lottery services; organization of lotteries; provision of games by means of a computer based system; online interactive entertainment; online casino services; online game services through mobile devices; providing online entertainment in the nature of game tournaments; providing on-line information in the field of computer gaming entertainment; sports betting services; online sports betting services; providing online games and games of chance; entertainment services related to gambling.

(260) AM 2023 121448 A

(800) 1709999

(151) 2022 11 09

(891) 2022 11 09

(731) HYUNDAI MOTOR COMPANY

12, Heolleung-ro, Seocho-gu, Seoul 06797,
Republic of Korea

(540)



(591) Blue

(531) 24.11.18; 24.11.25; 26.01.02; 26.01.03;
26.01.18; 27.05.01; 27.05.09; 29.01.04

(511)

36 – Financing relating to automobiles; automobile lease financing; financial guarantee services for the reimbursement of expenses incurred as a result of vehicle breakdown; financial guarantee services for the reimbursement of expenses incurred as a result of vehicle accident; hire purchase financing services; credit and debit card services; factoring; processing of credit card payments; agencies for rent collection of parking; agencies for collecting payment for parking charges; financial services for the management of prepaid credit cards with membership card function; providing information relating to financial and monetary affairs; automobile insurance services; consultancy and brokerage services relating to vehicle insurance; automobile insurance information; motor vehicle insurance brokerage; virtual money brokerage; on-line financial transactions; financial brokerage services relating to blockchain-based non-fungible tokens (NFTs); financial customs brokerage services; automobile appraisal; appraisal of used automobiles; providing information relating to the appraisal of used

automobiles; collection of monetary donations for charitable purposes; providing information relating to automobile appraisal; issuance of membership credit card; providing rebates at participating establishments of others through use of a membership card; vehicle insurance information; processing of payment transactions via the Internet; e-wallet payment services; electronic processing of payments; processing of payment transactions for electronic money; brokerage of intellectual property rights; electronic payment for others.

(260) AM 2023 121488 A

(800) 1711265

(151) 2022 11 24

(891) 2022 11 24

(731) ADAGIO S.A.S

L'Artois – Espace Pont de Flandre, 11 rue de Cambrai, F-75947 PARIS CEDEX 19, France

(540)



(591) Yellow (Pantone 130 C)

(531) 27.05.10; 29.01.02

(511)

36 – Financial and real estate management of housing and accommodation, such as hotels, motels, hotel complexes, apartments and hotel residences, tourist homes and other places of residence for vacation and leisure; rental of apartments, studios, rooms, chalets and vacation homes; rental of apartments and shared living spaces.

43 – Hotel services, services for providing food and beverages; temporary accommodation; services provided by motels, restaurants, cafeterias, tea rooms, bars (except clubs), holiday homes, residential hotels; retirement homes; retirement home services; hotel room reservation services for travelers; booking services for temporary accommodation; consultancy and advice (not business-related) in the fields of hotel services, temporary accommodation and provision of food and beverages; provision of facilities for exhibition, conferences and meetings; hotel and restaurant reservation services; provision of information online relating to hotel and restaurant reservations.

(260) AM 2023 121489 A

(800) 1711266

(151) 2022 11 24

(891) 2022 11 24

(731) ADAGIO S.A.S

L'Artois – Espace Pont de Flandre, 11 rue de Cambrai, F-75947 PARIS CEDEX 19, France

(540)

ADAGIO

APARTHOTEL

(591) Red (Pantone 192 C) and black

(Pantone Black C)

(531) 27.05.10; 29.01.12

(511)

36 – Financial and real estate management of housing and accommodation, such as hotels, motels, hotel complexes, apartments and hotel residences, tourist homes and other places of residence for vacation and leisure; rental of apartments, studios, rooms, chalets and vacation homes; rental of apartments and shared living spaces.

43 – Hotel services, services for providing food and beverages; temporary accommodation; services provided by motels, restaurants, cafeterias, tea rooms, bars (except clubs), holiday homes, residential hotels; retirement homes; retirement home services; hotel room reservation services for travelers; booking services for temporary accommodation; consultancy and advice (not business-related) in the fields of hotel services, temporary accommodation and provision of food and beverages; provision of facilities for exhibitions, conferences and meetings; hotel and restaurant reservation services; provision of information online relating to hotel and restaurant reservations.

(260) AM 2023 121490 A

(800) 1711277

(151) 2022 12 26

(891) 2022 12 26

(731) Limited Liability Company "Al'tomore"

ul. Sportivnaya, d. 62, kv. 140, g. Kaliningrad, RU-236010 Kaliningradskaya obl., Russian Federation

(540)



(591) White, red, dark red and brown

(531) 25.01.18; 28.05; 29.01.12

(511)

29 – Anchovy, not live; caviar; isinglass for food; fish, tinned; shrimps, not live; salmon, not live; mussels, not live; molluscs, not live; fish meal for human consumption; lobsters, not live; fish-based foodstuffs; crustaceans, not live; fish, not live; fish, preserved; sardines, not live; herrings, not live; sea-cucumbers, not live; tuna fish; oysters, not live; fish fillets.

(260) AM 2023 121547 A
 (800) 1711542
 (151) 2022 12 01
 (891) 2022 12 01
 (731) FIXDERMA INDIA PRIVATE LIMITED
 p-62, silver crest, behind scottish mall,
 sector-48, sohna road, gurgaon, haryana
 122003, India

(540)

FIXDERMA

(591) Black, white
 (531) 27.05.01
 (511)
 3 – Cosmetics, perfumery, hair oil, cream, lotion, talcum powder, soap, shampoo and toiletries, hair dyes, skin care and make-up preparations in all form, beauty products, beauty masks and dentifrices.

(260) AM 2023 121548 A
 (800) 1711572
 (151) 2022 11 30
 (891) 2022 11 30
 (731) DOLCE & GABBANA TRADEMARKS S.r.l.
 VIA GOLDONI 10, I-20129 MILANO, Italy

(540)

DG ACTIVES STUDIO

(591) Black, white
 (511)
 3 – Cosmetics; perfumes; perfumes in solid form; body deodorants; soap; liquid soap; cakes of toilet soap; bath foam; dentifrices; shampoos; essential oils; hair lotions; preparations for the permanent waving and curling of hair; beauty gels; hair tints; face creams for cosmetic purposes; mascara; eyeliner; eyeshadow; make-up pencils; sun bronzers; lipsticks; foundation; body creams; nail varnish; nail hardeners; nail varnish removers; cosmetic oils; suntan creams.

(260) AM 2023 121549 A
 (800) 1711573
 (151) 2022 11 28
 (891) 2022 11 28
 (731) DOLCE & GABBANA TRADEMARKS S.r.l.
 VIA GOLDONI 10, I-20129 MILANO (IT),
 Italy

(540)

**DOLCE & GABBANA SHOW
 FASHION**

(591) Black, white
 (511)
 3 – Cosmetics; perfumes; perfumes in solid form; body deodorants; soap; liquid soap; cakes of toilet soap; bath foam; dentifrices; shampoos; essential oils; hair lotions; preparations for the permanent waving and

curling of hair; beauty gels; hair tints; face creams for cosmetic purposes; mascara; eyeliner; eyeshadow; make-up pencils; sun bronzers; lipsticks; foundation; body creams; nail varnish; nail hardeners; nail varnish removers; cosmetic oils; suntan creams.

(260) AM 2023 121550 A
 (800) 1711574
 (151) 2022 11 18
 (891) 2022 11 18
 (731) Zentiva, k.s.
 U kabelovny 130/22, CZ-102 37 Praha 10,
 Dolní Měcholupy, Czech Republic

(540)

4Lax

(591) Black, white
 (531) 27.05.01; 27.07.01; 27.07.11
 (511)
 10 – Enema apparatus for medical purposes.

(260) AM 2023 121551 A
 (800) 1711585
 (151) 2022 12 29
 (891) 2022 12 29
 (731) TOPCATALOG Limited liability company
 Mebelnaya st., 12, korp. 1, liter B, pom. 2N,
 of. 112, RU-197374 Saint Petersburg,
 Russian Federation

(540)

COFER

(591) Black, white
 (531) 11.03.01; 11.03.02; 27.03.15
 (511)
 21 – Goblets; bottles; containers for household or kitchen use; heat-insulated containers; heat-insulated containers for beverages; thermally insulated containers for food; coffee pots, non-electric; beer mugs; tankards; dish covers; reusable silicone food covers; cooking pot sets; fitted picnic baskets, including dishes; painted glassware; tableware, other than knives, forks and spoons; porcelain ware; earthenware; crystal [glassware]; drinking vessels; cups of paper or plastic; glasses [receptacles]; drinking glasses; insulating flasks; hip flasks; drinking bottles for sports; cups; wine aerators; kitchen containers; mixing spoons [kitchen utensils]; basting spoons [cooking utensils]; pie servers; cosmetic spatulas; spatulas for kitchen use; corkscrews, electric and non-electric.

35 – Import-export agency services; demonstration of goods; provision of an online marketplace for buyers and sellers of goods and services; presentation of goods on communication media, for retail purposes;

sales promotion for others; distribution of samples; administrative processing of purchase orders; procurement services for others [purchasing goods and services for other businesses]; outsourcing services [business assistance].

(260) AM 2023 121552 A

(800) 1711646

(151) 2022 12 14

(891) 2022 12 14

(731) "WORLD TRADING COMPANY" mas'uliyati cheklangan jamiyat qo'shma korxon
Beruniy street 22, G'alaba MFY, Jizzakh city,
Jizzakh region, Uzbekistan

(540)

VERTEX

(591) Red, black and white

(531) 27.05.01; 27.05.02; 27.05.03; 29.01.13

(511)

1 – Chemicals for use in industry, science and photography, as well as in agriculture, horticulture and forestry; unprocessed artificial resins, unprocessed plastics; fire extinguishing and fire prevention compositions; tempering and soldering preparations; substances for tanning animal skins and hides; adhesives for use in industry; putties and other paste fillers; compost, manures, fertilizers; biological preparations for use in industry and science.

4 – Lubricating oils; industrial oil; motor oil; lubricants.

(260) AM 2023 121583 A

(800) 1712326

(151) 2022 12 09

(891) 2022 12 09

(731) TOYOTA JIDOSHA KABUSHIKI KAISHA
(also trading as TOYOTA MOTOR
CORPORATION)

1, Toyota-cho, Toyota-shi, Aichi-ken 471-8571,
Japan

(540)



(591) Black, white

(531) 26.03; 26.03.01; 26.03.23; 26.04.05;
26.04.12; 26.04.16; 26.04.24

(511)

12 – Driving motors for land vehicles; engine mounts for land vehicles; engines for land vehicles; jet engines for land vehicles; motors for land vehicles; pro-

pulsion mechanisms for land vehicles; turbines for land vehicles; drive chains for land vehicles; connecting rods for land vehicles, other than parts of motors and engines; gear boxes for land vehicles; gearing for land vehicles; hydraulic circuits for automobiles; reduction gears for land vehicles; torque converters for land vehicles; transmission chains for land vehicles; transmission shafts for land vehicles; transmissions for land vehicles; power transmission belts for land vehicles; brake discs for land vehicles; brake linings for land vehicles; brake pads for automobiles; brake segments for land vehicles; brake shoes for land vehicles; brakes for land vehicles; brake systems for land vehicles; AC motors for land vehicles, not including their parts; DC motors for land vehicles not including their parts; motors, electric, for land vehicles; automobiles and structural parts thereof; buses; structural parts for buses; trucks; structural parts for trucks; dune buggies [vehicles]; vans [vehicles]; sports utility vehicles; coaches; electrically powered motor vehicles; electric cars; hybrid cars; electric tricycles; ambulances; racing cars; amphibious vehicles; snowmobiles; armored vehicles; fork lift trucks; camping cars; tractors; trailers; trolley buses; hearses; fuel cell cars; automobile bodies; automobile bonnets; automobile bumpers; automobile chassis; automobile dashboards; automobile doors; automobile door handles; automobile hoods; automobile horns; automobile seats; automobile seat covers; automobile sunroofs; automobile tires; automobile wheels; spokes for automobile wheels; inner tubes for automobile tires; automobile wheel rims; rearview mirrors for automobiles; automobile windows; automobile windscreens; automobile windshields; automobile convertible tops; safety belts for automobile seats; safety harnesses for automobile racing; safety harnesses for automobile seats; security harness for automobile seats; steering wheels for automobiles; steering wheel covers for automobiles; air bags for automobiles, buses and trucks; seat belt pre-tensioners for automobiles; brake pedals for land vehicles; direction signals for automobiles; leather upholstery for automobile seats; leather upholstery for automobiles; cigar lighters for automobiles; shaped automobile covers; mudguards for automobiles; luggage carriers for automobiles; spare wheel holders for automobiles; automobile roof racks; headlight wipers; windscreen wipers; windscreen wiper blades; motor vehicle brake control systems for applying emergency braking at low vehicle speeds; electronic brake control apparatus for automobiles; two-wheeled motor vehicles; structural parts for two-wheeled motor vehicles; bicycles; structural parts for bicycles; motorcycles; structural parts for motorcycles.

(260) AM 2023 121584 A

(800) 1712327

(151) 2022 12 21

(891) 2022 12 21

(731) Closed Joint Stock Company "Sotex
"PharmFirm"
pos. Belikovo, d. 11, selskoe poselenie
Bereznyakovskoe, Sergievo-Posadsky
municipal district, RU-141345 Moscow
Region, Russian Federation

(540)

КАПОРИЗА

(591) Black, white

(531) 28.05

(511)

5 – Chemico-pharmaceutical preparations; food for babies; medicines for human purposes; nutritional supplements; pastilles for pharmaceutical purposes; pomades for medical purposes; pharmaceutical preparations; pre-filled syringes for medical purposes; suppositories; vitamin preparations.

(260) AM 2023 121602 A

(800) 1712689

(151) 2023 01 04

(891) 2023 01 04

(731) A-T Trade, Inc.

Suite 1100, 1999 Avenue of the Stars,
Los Angeles CA 90067, USA

(540)

ROCKDALE

(591) Black, white

(511)

9 – Metronomes; microphones; subwoofers; acoustic amplifiers; acoustic conduits; acoustic couplers; acoustic sound alarms; amplifier stands; audio adapter cables; audio cables; audio headphones; audio mixers; audio mixing consoles; digital music systems that synchronizes digital radio files stored on a home unit, a car unit, or portable unit and that may be backed up to an internet depository; effects pedals for guitars; electric cables, wires, conductors and connection fittings therefor; electric control panels; electrical cables for use in connections; electronic sound mixing, processing and synthesizing apparatus; electronic systems for recording and automated playback of acoustic pianos; electronic effects pedals for use with musical instruments; electronic effects units for musical instruments; guitar amplifiers; guitar cables; microphone cables; microphone stands; musical instrument amplifiers; personal headphones for use with sound transmitting systems; power amplifiers; public address (PA) and sound system accessories, namely, microphone stands, speaker stands, microphone cables, speaker cables, speaker boxes and sound mixers; racks for amplifiers; sound cards; sound mixers; sound mixers with integrated amplifiers; sound recorded magnetic cards, sheets and tapes; stands adapted for stereos and audio speakers; stereo cables; stereo headphones; stereo tuners; studio audio monitors for music production; consumer electronic products, namely, audio amplifiers, audio speakers, audio receivers, electrical audio and speaker cables and connectors, au-

dio decoders, video decoders, speakers, power conversion devices, power converters, and power inverters.

15 – Drumsticks; acoustic guitars; bass guitars; covers adapted for guitars; digital pianos; drum brushes; drum parts, namely, routs; drum pedals; drum practice pads; electric guitars; electronic musical instruments; electronic musical keyboards; electronic percussion instruments; guitar accessories, namely, guitar slides; guitar armrests; guitar picks; guitar saddles; guitar straps; music synthesizers; musical instrument strings; percussion instruments; piano keyboards; tuners for musical instruments; drums and percussion instruments; pedals, other than electric and electronic effects units, for musical instruments; tuners for electronic musical instruments.

20 – Benches; chairs; furniture; furniture, namely, display units; furniture, namely, showcases; piano benches; screens; upholstered furniture; electric piano keyboard bench.

(260) AM 2023 121603 A

(800) 1712797

(151) 2022 11 10

(891) 2022 11 10

(731) OLIVE LINE INTERNATIONAL, S.L.

C/ Manuel Pombo Angulo, N° 24, Planta
2 Ofic. 13, E-28050 MADRID (MADRID),
Spain

(540)



(591) Green, yellow, gradient yellow, red, black and orange

(531) 24.03.08; 24.03.18; 26.01.02; 26.01.04;
26.01.20; 27.05.01; 27.05.10; 29.01.13

(511)

29 – Fish, canned fish, olives, edible oils and fats; pickles, vegetables, canned vegetables, prepared dishes in which fish and vegetables predominate; canned, dried and cooked fruits and legumes; jams, candied fruits; preserved fungi; edible dried black fungi; dried truffles [edible dried mushrooms]; preserved champignons; preserved mushrooms; prepared mushrooms.

30 – Rice, tapioca, flour and preparations made from cereals, bread, pastry and confectionery; Mustard and ketchup, vinegar, sauces, spices, salt, pasta, prepared dishes in which flour and/or rice predominate.

(260) AM 2023 121604 A

(800) 1712799

(151) 2022 11 04

(891) 2022 11 04

(731) Biotta AG
Pflanzbergstrasse 8, CH-8274 Tägerwilten,
Switzerland

(540)

BIOTTA

(591) Black, white

(511)

29 – Vegetable juices (for cooking); preserved, frozen, dried and cooked fruits and vegetables; jams; compotes; eggs; milk, cheese, butter, yogurt and other dairy products.

32 – Non-alcoholic beverages; mineral and aerated waters; fruit beverages and fruit juices; syrups and other non-alcoholic preparations for making beverages; vegetable and fruit juices.

35 – Advertising; commercial business management; commercial administration; office functions; advertising, marketing and promotional services; commercial information and advice for consumers (in-store consumer advice); business support and management services and administrative services; analysis, research and information services relating to business; retail and wholesale services; mail order retail sale; provision of sales areas online for sellers and buyers of goods; marketing and market research.

(260) AM 2023 121698 A

(800) 1713802

(151) 2022 07 26

(891) 2022 07 26

(731) Društvo za trgovija i usluge EVRO GEJMS
TEHNOLODŽI DOOEL Skopje
Ul. Boris Trajkovski br.214 A, 1000 Skopje,
The Republic of North Macedonia

(540)

Flame Hope

(591) Black, white

(511)

9 – Software; games software; computer gaming software; computer software packages; computer operating system software; computer software for the administration of on-line games and gaming; computer software, recorded; software drivers; virtual reality software; entertainment software for computer games; computer programs for network management; hardware and software for gambling, gambling machines, gambling games on the Internet and via telecommunication network; operating computer software for main frame computers; monitors (computer hardware); computer hardware; apparatus for recording images; monitors (computer programs); computer game programs; computer programs for recorded games; apparatus for recording, transmission or reproduction of sound or images; computer hardware for communications services; electronic components for gambling machines; computer application software featuring

games and gaming; computer hardware for games and gaming.

28 – Games; chips for gambling; mah-jong; arcade games; gambling machines operating with coins, notes and cards; electropneumatic and electrical gambling machines (slot machines), electronic games; parlor games; gaming chips; gaming tables; slot machines [gaming machines]; LCD game machines; slot machines and gaming devices; coin-operated amusement machines; roulette chips; poker chips; chips and dice [gaming equipment]; gambling equipment for casinos; roulette tables; gaming roulette wheels; casino games; automats and gambling machines; coin-operated machines and/or electronic coin-operated machines with or without the possibility of gain; boxes for coin-operated machines, slot machines and gaming machines; electronic or electrotechnical gaming devices, automats and machines, coin-operated machines; housings for coin-operated machines, gaming equipment, gaming machines, machines for gambling; gaming machines for gambling.

41 – Casino management services in the nature of organizing gambling activities in casinos; operation of gaming establishments, gaming halls, Internet casinos, online gambling sites; services related to gambling; gaming services for entertainment purposes; casino, gaming and gambling services; gambling; training in the development of software systems; provision of gaming equipment for gambling halls; providing casino equipment [gambling]; gaming machine entertainment services; providing casino facilities [gambling]; providing halls with gaming machines; amusement arcade services; games equipment rental; rental of gaming machines; providing amusement arcade services; rental of gaming machines with images of fruits; editing or recording of sounds and images; sound recording and video entertainment services; hire of sound reproducing apparatus; provision of gaming equipment for casinos; providing of casino facilities; online gambling services.

(260) AM 2023 121799 A

(800) 1715105

(151) 2022 12 02

(891) 2022 12 02

(731) Perfect Gem Global Hong Kong Limited
Level 96, International Commerce Centre,
1 Austin Road, West Kowloon, Hong Kong,
China

(540)



(591) Black, white

(531) 03.03.01; 03.03.15; 03.03.24; 28.03

(511)

32 – Isotonic energy drinks; waters [beverages]; mineral water [beverages]; condensed juice for making sports drinks; vegetable drink; whey beverages; alcohol-free beverages for energy supplementation; protein-enriched sports beverages; carbonated beverages, non-alcoholic; energy drinks.

(260) AM 2023 121804 A

(800) 1715203

(151) 2022 07 26

(891) 2022 07 26

(731) Alcadrain s.r.o.

Komunardu 1626/35, CZ-170 00 Praha, Czech Republic

(540)

alcadrain

(591) Black, white

(531) 27.05.01; 27.05.25

(511)

6 – Structural members made of metal; shaped metal sections; fittings of metal for connecting construction elements; fittings of metal for connecting metal profiles; metal ties, for use in the following fields, assembly of construction elements; metal ties, for use in the following fields, assembly of metal profiles; handrails of metal, for use in the following fields, securing of construction elements and/or metal sections to building elements, walls, ceilings, floors; metal elements, for use in the following fields, securing of construction elements and/or metal sections to building elements, walls, ceilings, floors; anchoring elements of metal, for use in the following fields, securing of construction elements and/or metal sections to building elements, walls, ceilings, floors; support elements of metal; brackets and filling elements for use with construction elements and/or metal profiles; pipes holders of metal, metal pipe brackets, hose holders of metal, metal cable holders; metal mounting frames for sanitary installations; metal mounting frames for sanitary installations fitted with water reservoirs, water flushing installations, pipes, hoses; prefabricated installation walls and parts of walls with metal construction elements and/or metal profiles; prefabricated installation sets containing metal construction elements and/or metal profiles; prefabricated installation sets containing metal construction elements and/or metal profiles and mounting and/or installation frames and brackets; prefabricated installation sets containing walls, ceilings, floors or their parts with metal construction elements and/or metal profiles; metal installation frames and brackets; eaves of metal; laths of metal; gratings of metal; traps of metal; ironmongery of metal; metal mounts, props of metal; manifolds of metal for pipelines; manifolds of metal with flowmeters for pipelines; manifolds of me-

tal for floor heating or cooling; manifolds of metal for ceiling heating or cooling; quick couplings of metal; transition pieces of metal; junctions of metal for pipes; valves of metal; water-pipe valves of metal.

9 – Electronic systems, for use in the following fields, water flushing; electronic switch boards; power distributing boxes; flowmeters; dew-point sensors; dew point converters; bus bars; thermostats; thermal actuators (thermoregulators); control units, for use in relation to the following goods, heat pumps.

11 – Sanitary apparatus and instruments; installations and apparatus for water supply and drainage; mixer taps for water pipes; filters for drinking water; bidets; sinks; fountains; bath fittings; pipe line cocks [spigots]; bath tubs; bath fittings; bath linings; urinals being sanitary fixtures; water-pipes being parts for sanitary installations, water-pipes for sanitary installations; radiators; radiator caps; regulating and safety accessories for water apparatus; sauna bath installations; sitz baths; toilet seats; water flushing installations and its components; showers; shower cubicles; washers for water taps; toilets [water-closets]; bathroom sinks; disinfectant dispensers for toilets; hand driers; bath fittings; apparatus for making whirlpools in water; water treatment and filtering equipment; toilets, portable; water supply installations; mixing sets for underfloor heating or cooling; taps for pipes and pipelines; taps and fittings; heat pumps; heat pumps; outdoor heat pump units; water tanks for heat pumps; storage water heaters; units for cooling buildings; ventilation [air-conditioning] installations and apparatus; recycling units; ventilation units with heat recovery; dehumidifying units; spigots of metal; plastic taps, faucets of plastic.

17 – Soundproofing pads and liners, not of metal, for building materials; packing, stopping and insulating materials; non-metallic hoses, tubes and pipes; rings of rubber; plastics in extruded form for use in manufacture; plastic seals; flexible plastic pipes for plumbing purposes; flexible plastic pipes for plumbing purposes for walls or ceilings for heating or cooling purposes; flexible plastic pipes for plumbing purposes for hot and cold water manifolds; flexible plastic pipes for plumbing purposes for air distribution; thermal insulators, footstep sound insulation material; non-metallic pipe joints, couplings and connectors, plastic fittings for connecting pipes; fittings, of the following materials, plastic, joints of plastic, for pipes and tubes, transition sleeves, of the following materials, plastic; couplings with metal thread, of the following materials, plastic.

19 – Plastic load-bearing elements; brackets and filling elements for use with construction elements and/or metal profiles; plastic supports for pipes, tubes, hoses and cables; timber boarding, for use in relation to the following goods, construction elements and metal profiles; gullies, not of metal; grates, of the follo-

wing materials, plastic; drain traps, not of metal; non-metallic building products, accessories for the aforesaid goods; rigid tubes not of metal, for use in the following fields, pipes for fluids; building materials, not of metal; boards for laying pipes, of the following materials, plastic; boards with admixture of graphite; fire-resistant boards and panels, not of metal, for building; bathroom linings; plastic rails for laying pipes.

20 – Furniture and parts therefor, especially, units for bathroom utensils, sanitary furniture; articles of plastics, not included in other classes, mats or covers for sinks; containers, not of metal; bathroom shelves; cases of plastic; dressing tables; water-pipe valves of plastics; coathooks, not of metal; mirrors (silvered glass); articles of plastics included in this class as plastic fittings; boxes, of the following materials, plastic; packaging containers of plastic; cable handles, of the following materials, plastic; plastics wall plugs; screws, not of metal; sealing caps, not of metal; closures for containers, non-metallic; valves, non metallic; manifolds for pipe systems, of the following materials, plastic; manifolds with flow meters for pipe systems, of the following materials, plastic; manifolds for underfloor heating or cooling, of the following materials, plastic; manifolds for ceiling cooling or heating, of the following materials, plastic; splice connectors (plastic -) for non-electric cables; drain traps [valves] of plastic; plastic fasteners for connecting construction elements; plastic fasteners for connecting metal profiles; plastic couplers, for use in the following fields, assembly of construction elements; plastic couplers, for use in the following fields, assembly of metal profiles; plastic fixtures for securing construction elements and/or metal profiles to building elements, walls, ceilings, floors; plastic elements for securing construction elements and/or metal profiles to building elements, walls, ceilings, floors; plastic anchoring elements for securing construction elements and/or metal profiles to building elements, walls, ceilings, floors; quick couplers, of the following materials, plastic; biscuit connectors for boards.

(260) AM 2023 121806 A

(800) 1715258

(151) 2022 11 16

(891) 2022 11 16

(731) HYUNDAI MOTOR COMPANY

12, Heolleung-ro, Seocho-gu, Seoul 06797,

Republic of Korea

(540)



(591) Black, white

(531) 26.01.03; 26.01.18; 27.05.01; 27.05.09;

27.05.21; 29.01.04

(511)

9 – DNA chips; electric locks for vehicles; instruments for diagnosis [for scientific use]; laboratory ins-

truments [other than for medical use]; apparatus and instruments for physics; optical apparatus and instruments, except for glasses and photographic apparatus; safety equipment for vehicles, namely cameras for vehicles; blind-spot detection cameras for exposing and eliminating the blind spots on both sides of the vehicle; black box camera for cars; car recognizing cameras; night vision infrared cameras with built-in air-lines; photographic equipment; video conferencing apparatus; home theater systems; audiovisual teaching apparatus; distance sensors; lidar sensors for detecting objects and motions for autonomous cars; motion recognizing sensors for blind spot; blind spot object detecting sensors; blind spot motion sensors; sensors for measuring speed; apparatus for testing vehicle brakes; apparatus for testing vehicle transmissions; thermostats for vehicles; autonomous driving control systems for vehicles; parking sensors for vehicles; kilometer recorders for vehicles; diagnostic apparatus for vehicles; automatic indicators of low pressure in vehicle tyres; sensors for engines; sensors for determining position, velocity, acceleration and temperature; sensors for determining position; automatic vehicle speed control apparatus; motion sensors for automobiles; electronic sensors for automobiles, namely, forward and backward safety sensors; speed sensors for automobiles; OBD (on-board diagnostics) apparatus for automobiles; electronic sensors for automobiles, namely, detector units for use in controlling the actuation and operation of automotive safety apparatus and equipment; electronic sensors for automobiles, namely, sensors for use in controlling the actuation and operation of automotive safety apparatus and equipment; parking and locational sensors for automobiles; parking sensors for automobiles; crash sensors for automobiles; odometers; backup electronic sensors (for use in vehicle safety equipment); electronic sensors for vehicles; lateral distance sensors for cars; lateral safety sensors for cars; measuring instruments; vehicle speed control apparatus; temperature and environmental sensors for measuring the presence of objects in the environment and the speed, trajectory, and heading of objects; protective eyeglasses; sunglasses; eyeglasses; eyeglass cases; time recording equipment; calculating machines, data-processing equipment and computers; acoustic vehicle alert system of virtual engine sound; collision alarms; alarms for tire pressure monitoring systems; theft prevention apparatus, other than for vehicles; signals, luminous or mechanical; warning lamps for vehicles; fire trucks; air sensors for vehicles; USB battery chargers for use in automobiles; robotic electrical control apparatus; uninterruptible electrical power supplies; voltage regulators for vehicles; electrical controlling devices for engines; charging appliances for rechargeable equipment; charging stations for electric vehicles; electricity devices for controlling energy supply; electrical controlling devices; control installations (electric -); apparatus and instruments for regulating electricity; regulating apparatus,

electric; apparatus and instruments for conveying, distributing, transforming, storing, regulating or controlling electric current; current rectifiers; apparatus for adjusting headlights; solar modules; batteries for vehicles; fuel cells; batteries for automobiles; rechargeable batteries; batteries for electric vehicles; electric batteries; nickel-hydrogen batteries; energy storage apparatus comprised of batteries; power bank (rechargeable batteries); electricity measuring apparatus and instruments; starter cables for motors; electric cables, wires, conductors and connection fittings therefor; electric hybrid cables; black boxes [data recorders]; voice processing systems; video recording apparatus for vehicles; car cassette players; smartwatches; wearable computers; apparatus for recording, transmission or reproduction of sound, images and data; remote monitoring apparatus; electronic monitoring instruments, other than for medical use; television monitoring apparatus; GPS navigation device; GPS tracking and location devices; remote control apparatus for industrial automation instruments; radar object detectors for vehicles; navigation apparatus for vehicles [on-board computers]; remote control apparatus; GPS navigation devices for cars; electric telecommunications apparatus; navigation apparatus for automobiles with electronic payment software; telecommunication apparatus for use in cars; electronic payment terminals for cars; electronic terminals for highway toll collection; laboratory robots; humanoid robots with artificial intelligence for use in scientific research; software for controlling robots; downloadable computer software for the provision of information relating to vehicle trip information history, parking location management, trip information, vehicle health management, driving information, and third-party promotional data in the form of advertising for drivers; downloadable and recorded computer software for autonomous driving of motor vehicles; recorded software for data processing for autonomous driving control; downloadable and recorded computer software for the navigation, steering, calibration, and management for autonomous vehicles; downloadable software for parking location identification; downloadable and recorded computer software for vehicle navigation; recorded computer software for the ignition, coordination, calibrating, direction and management of vehicles; downloadable and recorded computer software for controlling vehicle communications networks; downloadable and recorded computer software platforms for advanced safety and driver assistance systems for vehicles; computer programs and software for vehicles; downloadable software for the control and remote control of vehicles; computer databases; computer software for simple payment; computer application software for use on smartphones for simple payment; in-vehicle audio video navigation software for simple payment; software for secure data storage and retrieval and transmission of customer information used by individuals, banking and financial institutions for el-

ectronic payment; downloadable smartphone application (software); computer software for use with route planners, electronic maps and digital dictionaries for navigation purposes; computer application software for smartphones for use in rental car leasing and rental car maintenance; computer software for facilitating payment transactions by electronic means over wireless networks, global computer networks and/or mobile telecommunications devices; downloadable computer application software for use on smartphones for the provision of information relating to vehicle trip information history, parking location management, trip information, vehicle health management, driving information, and third-party promotional data in the form of advertising for drivers; downloadable computer software for providing remote vehicle diagnosis, vehicle maintenance information, entertainment in the form of audio and visual displays in vehicles, third-party communication in vehicles, navigation function, and audio and visual display in vehicles; smartphone application (software) that enables the drivers to make in-vehicle simple payment regarding refueling, parking, using toll gate and purchasing products at various stores; smartphone application (software) that enables the drivers to make in-vehicle simple payment regarding refueling, parking, using toll gate and purchasing products at various stores as well as ordering purchase of foods and beverages in vehicle; computer software that enables the drivers to make in-vehicle simple payment regarding refueling, parking, using toll gate and purchasing products at various stores as well as ordering purchase of foods and beverages in vehicle; application software for providing electronic payment agency services; computer software of in-vehicle simple payment; smartphone application (software) accessible to in-vehicle systems; computer program for simple payment through in-vehicle audio video navigation; computer firmware for platform of in-vehicle simple payment; computer application software for smartphones of in-vehicle simple payment; computer application software for use on smartphones for use in the management of vehicle rental and vehicle maintenance; computer application software for use on smartphones for a vehicle lease; downloadable computer application software in the operation and management of vehicles; recorded computer software for safe car driving; downloadable computer application software for vehicles; computer application software for computers and mobile devices, namely, software for locating and sharing information regarding electric vehicle charging stations; encoded cards for use in relation to the electronic transfer of financial transactions; computer hardware for use with satellite and/or GPS navigation systems for navigation purposes; data processing apparatus; computer hardware for facilitating payment transactions by electronic means over wireless networks, global computer networks and/or mobile telecommunications devices; laser installations, other than for medical use, for sensing dis-

tance to objects; steering apparatus, automatic, for vehicles; simulator for optical devices; vehicle drive training simulators; flight simulators for aircraft; electronic payment terminal operated by encoded cards, stored value cards, prepaid cards and smart cards; speech recognition apparatus; digital car driving recording apparatus; black box for cars; electronic keyless entry systems for automobiles (vehicles) (terms too vague in the opinion of the International Bureau – Rule 13 (2) (b) of the Regulations); electronic control apparatus for autonomous driving of vehicles; computer apparatus for parking location identification; security terminal for in-vehicle electronic transactions; devices for in-vehicle e-payment process; computer hardware for vehicle fleet launching, coordination, calibrating, direction, and management; computer hardware for transmission of data within a vehicle and for communications between and among vehicles and a cloud-based platform; LED information display apparatus for car; laser object detectors for use on vehicles; computer apparatus for the control and remote control of vehicles; computer display monitors; computer components and parts; computer hardware; peripherals adapted for use with computers; video game cartridges and cassettes; articles of protective clothing for wear by motorcyclists for protection against accident or injury; downloadable music files; downloadable multimedia file; downloadable image files; downloadable computer graphics; encoded plastic non-magnetically coded IC cards; downloadable ticket; downloadable electronic maps; computer digital maps; game software for metaverse environments; computer interface software for metaverse environments; recorded data files featuring meta data containing information on digital assets; downloadable image files featuring virtual merchandise such as clothing, shoes, bags, headgear, eyewear, sports equipment, works of art, paintings, toys, etc. for metaverse environments; downloadable image files featuring virtual cars for metaverse environments; downloadable image files featuring character images for metaverse environments; downloadable image files featuring avatars for metaverse environments; computer software for creating and managing virtual goods authenticated by non-fungible tokens [NFTs]; content operating software for metaverse environments; computer software for automatic storage of trading data of blockchain-based non-fungible tokens; computer software for issuing, trading, selling, managing, and verifying blockchain-based non-fungible tokens; encryption apparatus with blockchain-based non-fungible tokens (NFTs); computer software for issuing, trading, selling, managing, and verifying blockchain-based ownership and license of digital contents; downloadable software for virtual money; downloadable computer programmes for electronic money payment; computer application software for allowing users to experience in metaverse environment; computer software for distributing digital content in metaverse environments; computer software

for providing digital content in metaverse environments; game software for smartphones in order to experience indirectly various information through metaverse environments; video display managing software; data processing software (for the purpose of editing, storing, sharing, broadcasting, sending and viewing of photos/videos or chatting); computer application software for mobile phone camera based on virtual/augmented reality; computer software for processing digital images featuring services that automatically converts portrait into 3D avatar images; software for creating, manipulating and participating 3D virtual environments; computer e-commerce software for creating and managing virtual goods authenticated by non-fungible tokens [NFTs]; computer software for used in implementing the metaverse environments; computer software for metaverse environments; software for navigating an augmented reality environment; virtual reality software; software for virtual reality experiences; software for navigating a virtual reality environment; virtual reality software for users to experience virtual reality visualization, manipulation and immersion; augmented reality software for interactive experiences; virtual reality software for interactive experiences; software for augmented reality experiences; augmented reality software; virtual reality software that enables you to provide virtual reality experiences with computers, tablets, mobile devices or mobile phones.

(260) AM 2023 121842 A

(800) 1591925

(151) 2021 03 22

(891) 2023 02 08

(731) Ferrara Candy Company

404 W. Harrison Street, Chicago IL 60607,
USA

(540)



(591) The color(s) white, light blue, dark blue, green, yellow, pink, and purple is/are claimed as a feature of the mark

(531) 01.15.11; 01.15.21; 27.05.02; 27.05.17;
27.05.24; 29.01.15

(511)

30 – Candy.

ADDED CLASS IN THE LIST OF GOODS OF REGISTERED MARK

(800) 1693245

(151) 2023 09 26

(731) Stradivarius España, S.A.

Polígono Industrial de Sabón, Avenida
de la Diputación, s/n, E-15142 Arteixo
(A Coruña), Spain

(540)



(511)

14 – Precious metals and their alloys; jewelry articles; precious and semi-precious stones; timepieces; chronometric instruments; time-measuring instruments; ornamental pins; tie pin; works of art of precious metal; novelty key rings of precious metals; medals; coins; badges of precious metal; footwear ornaments of precious metal; hat ornaments of precious metal; cuff links; pendants for watch chains; watch chains; watch cases; threads of precious metal (jewelry); jewelry cases; ornamental pins [jewelry]; decorative brooches [jewelry]; jewelry of yellow amber; amulets (jewelry); rings (jewelry); jet ornaments; bracelets (jewelry); brooches (jewelry); chains (jewelry); boxes of precious metal; necklaces (jewelry); tie clips; watch glasses; chronographs (watches); alarm clocks; diamonds; charms (jewelry); costume jewelry; cases for jewelry; costume jewelry; medallions (jewelry); earrings; pearls (jewelry); watch straps; grandfather clocks; rosaries; wristwatches.

INTERNATIONAL TRADEMARKS PROTECTED IN GEORGIA

(260) AM 2023 118117 A
(800) 1665666
(151) 2021 09 17
(181) 2031 09 17
(891) 2021 09 17
(511) 07, 08, 09

(260) AM 2023 118284 A
(800) 1575203
(151) 2021 01 08
(181) 2031 01 08
(891) 2022 05 27
(511) 35

(260) AM 2023 118769 A
(800) 1674253
(151) 2022 06 27
(181) 2032 06 27
(891) 2022 06 27
(511) 32

(260) AM 2023 119299 A
(800) 1681200
(151) 2022 06 24
(181) 2032 06 24
(891) 2022 06 24
(511) 17

(260) AM 2023 119314 A
(800) 1681614
(151) 2022 02 24
(181) 2032 02 24
(891) 2022 02 24
(511) 01, 05, 07, 08, 09, 10, 16, 20, 21, 24, 25, 31, 35,
37, 39, 40, 41

(260) AM 2023 119434 A
(800) 1683885
(151) 2022 04 06
(181) 2032 04 06
(891) 2022 04 06
(511) 09, 28, 41

(260) AM 2023 119435 A
(800) 1683915
(151) 2022 05 16
(181) 2032 05 16

(891) 2022 05 16
(511) 09

(260) AM 2023 119436 A
(800) 1683918
(151) 2022 05 05
(181) 2032 05 05
(891) 2022 05 05
(511) 09, 10, 18, 25, 28, 35, 41

(260) AM 2023 119437 A
(800) 1683926
(151) 2022 05 19
(181) 2032 05 19
(891) 2022 05 19
(511) 09, 16, 44

(260) AM 2023 119438 A
(800) 1683931
(151) 2022 05 17
(181) 2032 05 17
(891) 2022 05 17
(511) 30

(260) AM 2023 119439 A
(800) 1683933
(151) 2022 06 02
(181) 2032 06 02
(891) 2022 06 02
(511) 09, 28, 41

(260) AM 2023 119520 A
(800) 1684405
(151) 2022 08 11
(181) 2032 08 11
(891) 2022 08 11
(511) 33

(260) AM 2023 119535 A
(800) 1684891
(151) 2022 07 29
(181) 2032 07 29
(891) 2022 07 29
(511) 12

(260) AM 2023 119554 A
(800) 1685458
(151) 2022 01 12
(181) 2032 01 12
(891) 2022 01 12
(511) 43

(260) AM 2023 119565 A
(800) 1458216
(151) 2018 10 31
(181) 2028 10 31
(891) 2022 08 26
(511) 29, 30, 35

(260) AM 2023 119559 A
(800) 1685782
(151) 2022 07 18
(181) 2032 07 18
(891) 2022 07 18
(511) 12

(260) AM 2023 119566 A
(800) 1471534
(151) 2019 04 12
(181) 2029 04 12
(891) 2022 08 26
(511) 29, 30, 35

(260) AM 2023 119560 A
(800) 1685792
(151) 2022 05 31
(181) 2032 05 31
(891) 2022 05 31
(511) 12, 37

(260) AM 2023 119568 A
(800) 1584257
(151) 2021 01 25
(181) 2031 01 25
(891) 2022 07 07
(511) 03, 04

(260) AM 2023 119561 A
(800) 539861
(151) 1989 06 02
(181) 2029 06 02
(891) 2022 07 27
(511) 21

(260) AM 2023 119569 A
(800) 1587416
(151) 2021 02 11
(181) 2031 02 11
(891) 2022 09 02
(511) 09, 11

(260) AM 2023 119562 A
(800) 678012
(151) 1997 07 29
(181) 2027 07 29
(891) 2022 08 02
(511) 01

(260) AM 2023 119570 A
(800) 1624272
(151) 2021 10 05
(181) 2031 10 05
(891) 2022 07 25
(511) 05

(260) AM 2023 119563 A
(800) 735029
(151) 1999 12 21
(181) 2029 12 21
(891) 2022 09 01
(511) 06, 07, 09, 11

(260) AM 2023 119571 A
(800) 1624358
(151) 2021 10 05
(181) 2031 10 05
(891) 2022 07 25
(511) 05

(260) AM 2023 119564 A
(800) 785230
(151) 2002 04 26
(181) 2032 04 26
(891) 2022 07 29
(511) 01, 03, 05, 11, 24, 25, 42

(260) AM 2023 119572 A
(800) 1637582
(151) 2021 10 20
(181) 2031 10 20
(891) 2022 07 01
(511) 30

(260) AM 2023 119626 A
(800) 1685940
(151) 2022 05 19
(181) 2032 05 19
(891) 2022 05 19
(511) 09, 28, 41

(260) AM 2023 119627 A
(800) 1685942
(151) 2022 05 26
(181) 2032 05 26
(891) 2022 05 26
(511) 09, 12, 35, 37, 42

(260) AM 2023 119628 A
(800) 1685944
(151) 2022 07 18
(181) 2032 07 18
(891) 2022 07 18
(511) 09

(260) AM 2023 119629 A
(800) 1686039
(151) 2022 07 21
(181) 2032 07 21
(891) 2022 07 21
(511) 03, 14, 25, 35

(260) AM 2023 119630 A
(800) 1686081
(151) 2022 06 29
(181) 2032 06 29
(891) 2022 06 29
(511) 09, 36, 42

(260) AM 2023 119631 A
(800) 1686082
(151) 2022 06 29
(181) 2032 06 29
(891) 2022 06 29
(511) 09, 36, 42

(260) AM 2023 119632 A
(800) 1686083
(151) 2022 06 29
(181) 2032 06 29
(891) 2022 06 29
(511) 09, 36, 42

(260) AM 2023 119633 A
(800) 1686085
(151) 2022 07 20
(181) 2032 07 20
(891) 2022 07 20
(511) 36

(260) AM 2023 119634 A
(800) 1686101
(151) 2022 08 18
(181) 2032 08 18
(891) 2022 08 18
(511) 33

(260) AM 2023 119635 A
(800) 1686168
(151) 2022 06 03
(181) 2032 06 03
(891) 2022 06 03
(511) 07, 08

(260) AM 2023 119657 A
(800) 1686940
(151) 2022 02 23
(181) 2032 02 23
(891) 2022 02 23
(511) 09, 18, 21, 24, 25, 27, 28

(260) AM 2023 119658 A
(800) 1687013
(151) 2021 12 22
(181) 2031 12 22
(891) 2021 12 22
(511) 03, 04, 05, 08, 09, 11, 14, 16, 18, 20, 21, 24, 27, 28

(260) AM 2023 119659 A
(800) 1687042
(151) 2022 06 06
(181) 2032 06 06
(891) 2022 06 06
(511) 16, 17, 35, 40, 44

(260) AM 2023 119662 A
(800) 1687170
(151) 2022 06 22
(181) 2032 06 22
(891) 2022 06 22
(511) 07, 08, 09

(260) AM 2023 119663 A
(800) 1687198
(151) 2022 02 18
(181) 2032 02 18
(891) 2022 02 18
(511) 12

(260) AM 2023 119718 A
(800) 1687266
(151) 2022 06 08
(181) 2032 06 08
(891) 2022 06 08
(511) 09, 28, 41

(260) AM 2023 119664 A
(800) 427217
(151) 1976 12 16
(181) 2026 12 16
(891) 2022 09 08
(511) 07, 19

(260) AM 2023 119719 A
(800) 1687372
(151) 2022 03 28
(181) 2032 03 28
(891) 2022 03 28
(511) 32, 33, 35

(260) AM 2023 119665 A
(800) 624092
(151) 1994 09 03
(181) 2024 09 03
(891) 2022 09 12
(511) 05

(260) AM 2023 119721 A
(800) 1687416
(151) 2022 07 07
(181) 2032 07 07
(891) 2022 07 07
(511) 33

(260) AM 2023 119667 A
(800) 915493
(151) 2006 11 21
(181) 2026 11 21
(891) 2022 07 29
(511) 01, 06, 39, 42

(260) AM 2023 119722 A
(800) 1687479
(151) 2022 08 03
(181) 2032 08 03
(891) 2022 08 03
(511) 18

(260) AM 2023 119671 A
(800) 1483795
(151) 2019 03 08
(181) 2029 03 08
(891) 2022 08 10
(511) 35, 37

(260) AM 2023 119723 A
(800) 1687527
(151) 2021 12 21
(181) 2031 12 21
(891) 2021 12 21
(511) 20, 24, 35, 37, 40

(260) AM 2023 119674 A
(800) 1591537
(151) 2021 02 12
(181) 2031 02 12
(891) 2022 08 09
(511) 29

(260) AM 2023 119724 A
(800) 1687569
(151) 2022 03 21
(181) 2032 03 21
(891) 2022 03 21
(511) 01, 05, 09, 10, 41, 42

(260) AM 2023 119710 A
(800) 1687249
(151) 2021 12 15
(181) 2031 12 15
(891) 2021 12 15
(511) 09, 28, 41

(260) AM 2023 119725 A
(800) 1687613
(151) 2022 07 25
(181) 2032 07 25
(891) 2022 07 25
(511) 07

(260) AM 2023 119726 A
(800) 1687618
(151) 2022 07 18
(181) 2032 07 18
(891) 2022 07 18
(511) 05

(260) AM 2023 119743 A
(800) 1688079
(151) 2022 08 10
(181) 2032 08 10
(891) 2022 08 10
(511) 09

(260) AM 2023 119727 A
(800) 1687620
(151) 2022 07 18
(181) 2032 07 18
(891) 2022 07 18
(511) 05

(260) AM 2023 119745 A
(800) 1688213
(151) 2022 02 18
(181) 2032 02 18
(891) 2022 02 18
(511) 07

(260) AM 2023 119728 A
(800) 1687629
(151) 2022 08 25
(181) 2032 08 25
(891) 2022 08 25
(511) 09

(260) AM 2023 119747 A
(800) 1688275
(151) 2022 06 02
(181) 2032 06 02
(891) 2022 06 02
(511) 29

(260) AM 2023 119729 A
(800) 1687714
(151) 2022 09 09
(181) 2032 09 09
(891) 2022 09 09
(511) 29

(260) AM 2023 119755 A
(800) 1627073
(151) 2021 09 30
(181) 2031 09 30
(891) 2022 09 01
(511) 34

(260) AM 2023 119730 A
(800) 1687760
(151) 2022 07 07
(181) 2032 07 07
(891) 2022 07 07
(511) 33

(260) AM 2023 119756 A
(800) 1635706
(151) 2021 11 18
(181) 2031 11 18
(891) 2022 09 14
(511) 09

(260) AM 2023 119741 A
(800) 1688068
(151) 2022 08 12
(181) 2032 08 12
(891) 2022 08 12
(511) 03

(260) AM 2023 119757 A
(800) 1661825
(151) 2021 11 18
(181) 2031 11 18
(891) 2022 09 15
(511) 35, 37, 38, 41, 42

(260) AM 2023 119742 A
(800) 1688071
(151) 2022 07 08
(181) 2032 07 08
(891) 2022 07 08
(511) 07, 09, 12, 35, 37, 41, 42, 44

(260) AM 2023 119758 A
(800) 1676035
(151) 2022 03 28
(181) 2032 03 28
(891) 2022 09 16
(511) 25

(260) AM 2023 119759 A
(800) 1684821
(151) 2022 07 20
(181) 2032 07 20
(891) 2022 09 17
(511) 31

(260) AM 2023 119827 A
(800) 1688807
(151) 2022 05 19
(181) 2032 05 19
(891) 2022 05 19
(511) 09, 28, 41

(260) AM 2023 119845 A
(800) 1689418
(151) 2022 06 14
(181) 2032 06 14
(891) 2022 06 14
(511) 21, 35

(260) AM 2023 119846 A
(800) 1689431
(151) 2022 09 09
(181) 2032 09 09
(891) 2022 09 09
(511) 30, 43

(260) AM 2023 119847 A
(800) 1689435
(151) 2022 09 09
(181) 2032 09 09
(891) 2022 09 09
(511) 30, 43

(260) AM 2023 119848 A
(800) 1689437
(151) 2022 08 15
(181) 2032 08 15
(891) 2022 08 15
(511) 05

(260) AM 2023 119854 A
(800) 1689563
(151) 2022 09 05
(181) 2032 09 05
(891) 2022 09 05
(511) 03, 05

(260) AM 2023 119855 A
(800) 1689583
(151) 2022 09 22
(181) 2032 09 22
(891) 2022 09 22
(511) 12

(260) AM 2023 119856 A
(800) 1689584
(151) 2022 08 01
(181) 2032 08 01
(891) 2022 08 01
(511) 01

(260) AM 2023 119857 A
(800) 1689614
(151) 2022 08 09
(181) 2032 08 09
(891) 2022 08 09
(511) 09

(260) AM 2023 119858 A
(800) 1689666
(151) 2022 07 08
(181) 2032 07 08
(891) 2022 07 08
(511) 33

(260) AM 2023 119859 A
(800) 1689727
(151) 2022 04 05
(181) 2032 04 05
(891) 2022 04 05
(511) 01, 03, 04, 06, 07, 08, 09, 10, 11, 12, 14, 15, 16,
18, 20, 21, 24, 25, 26, 27, 28, 29, 30, 32, 33, 34,
35, 36, 37, 38, 39, 40, 41, 42, 43, 44, 45

(260) AM 2023 119860 A
(800) 1689728
(151) 2022 05 03
(181) 2032 05 03
(891) 2022 05 03
(511) 01

(260) AM 2023 119861 A
(800) 1689731
(151) 2022 05 06
(181) 2032 05 06
(891) 2022 05 06
(511) 01, 02, 03, 04, 07, 08, 09, 11, 12, 17, 24, 37, 40

(260) AM 2023 119862 A
 (800) 1689741
 (151) 2022 06 02
 (181) 2032 06 02
 (891) 2022 06 02
 (511) 09, 16, 35, 36, 39, 42

(260) AM 2023 119972 A
 (800) 1691537
 (151) 2022 09 13
 (181) 2032 09 13
 (891) 2022 09 13
 (511) 33

(260) AM 2023 119863 A
 (800) 1689759
 (151) 2022 08 04
 (181) 2032 08 04
 (891) 2022 08 04
 (511) 35, 36, 41

(260) AM 2023 120054 A
 (800) 1691578
 (151) 2022 06 23
 (181) 2032 06 23
 (891) 2022 06 23
 (511) 09, 36, 42

(260) AM 2023 119874 A
 (800) 1689990
 (151) 2022 07 21
 (181) 2032 07 21
 (891) 2022 07 21
 (511) 09

(260) AM 2023 120055 A
 (800) 1691581
 (151) 2022 06 28
 (181) 2032 06 28
 (891) 2022 06 28
 (511) 06, 17, 19

(260) AM 2023 119875 A
 (800) 1690010
 (151) 2022 08 15
 (181) 2032 08 15
 (891) 2022 08 15
 (511) 14

(260) AM 2023 120082 A
 (800) 1692117
 (151) 2022 08 08
 (181) 2032 08 08
 (891) 2022 08 08
 (511) 07, 12

(260) AM 2023 119938 A
 (800) 1690618
 (151) 2022 06 21
 (181) 2032 06 21
 (891) 2022 06 21
 (511) 19, 37, 40, 42

(260) AM 2023 120083 A
 (800) 1692132
 (151) 2022 07 29
 (181) 2032 07 29
 (891) 2022 07 29
 (511) 25

(260) AM 2023 119939 A
 (800) 1690629
 (151) 2022 08 18
 (181) 2032 08 18
 (891) 2022 08 18
 (511) 36

(260) AM 2023 120084 A
 (800) 1692134
 (151) 2022 04 04
 (181) 2032 04 04
 (891) 2022 04 04
 (511) 03, 04, 09, 12, 14, 16, 18, 25, 26, 28, 29, 30, 32, 35, 36, 38, 39, 41, 43

(260) AM 2023 119940 A
 (800) 1690644
 (151) 2022 09 08
 (181) 2032 09 08
 (891) 2022 09 08
 (511) 04

(260) AM 2023 120085 A
 (800) 1692175
 (151) 2022 08 19
 (181) 2032 08 19
 (891) 2022 08 19
 (511) 36

(260) AM 2023 120178 A
(800) 1692698
(151) 2022 09 13
(181) 2032 09 13
(891) 2022 09 13
(511) 18, 25, 35

(260) AM 2023 120190 A
(800) 1693245
(151) 2022 04 12
(181) 2032 04 12
(891) 2022 04 12
(511) 03, 04, 09, 14, 16, 18, 25, 26, 35

(260) AM 2023 120179 A
(800) 1692736
(151) 2022 04 26
(181) 2032 04 26
(891) 2022 04 26
(511) 09, 11, 34

(260) AM 2023 120222 A
(800) 1557037
(151) 2020 09 07
(181) 2030 09 07
(891) 2022 10 18
(511) 03, 05, 10, 41, 44

(260) AM 2023 120180 A
(800) 1692743
(151) 2022 09 22
(181) 2032 09 22
(891) 2022 09 22
(511) 09

(260) AM 2023 120223 A
(800) 1557360
(151) 2020 09 07
(181) 2030 09 07
(891) 2022 10 18
(511) 01, 03, 05

(260) AM 2023 120181 A
(800) 1692774
(151) 2022 06 16
(181) 2032 06 16
(891) 2022 06 16
(511) 09, 28, 41

(260) AM 2023 120224 A
(800) 1614369
(151) 2021 05 31
(181) 2031 05 31
(891) 2022 10 18
(511) 03, 05, 10, 41, 44

(260) AM 2023 120182 A
(800) 1692790
(151) 2022 03 10
(181) 2032 03 10
(891) 2022 03 10
(511) 09, 35, 36, 38, 41

(260) AM 2023 120290 A
(800) 1694801
(151) 2022 07 11
(181) 2032 07 11
(891) 2022 07 11
(511) 09, 28, 41

(260) AM 2023 120183 A
(800) 1692791
(151) 2022 03 10
(181) 2032 03 10
(891) 2022 03 10
(511) 09, 35, 36, 38, 41

(260) AM 2023 120189 A
(800) 1693218
(151) 2022 07 11
(181) 2032 07 11
(891) 2022 07 11
(511) 09, 28, 41

OFFICIAL NOTIFICATIONS

INVENTIONS

RESTORATION OF PATENTS

(21) AP 2013 13771
(11) P 2017 6755 B
(73) Paion UK Limited
(54) METHOD FOR ADMINISTERING HYPNOTIC/SEDATIVE AGENT
DATE OF PATENT LAPSE: 2023 08 30
DATE OF PATENT RESTORATION: 2023 10 10

(21) AP 2020 15415
(11) P 2021 7297 B
(73) Zaali Patchkoria
(54) DESINFACTION ROBOT
DATE OF PATENT LAPSE: 2023 08 21
DATE OF PATENT RESTORATION: 2023 10 10

(21) AP 2019 15588
(11) P 2023 7476 B
(73) Pfizer Inc.
(54) N-SUBSTITUTED-DIOXOCYCLOBUTENYLAMINO-3-HYDROXYPICOLINAMIDES USEFUL AS
CCR6 INHIBITORS
DATE OF PATENT LAPSE: 2023 09 18
DATE OF PATENT RESTORATION: 2023 10 10

(21) AP 2021 15711
(11) P 2023 7475 B
(73) Zaali Patchkoria
(54) DISINFECTION ROBOT WITH AIR HUMIDIFIER AND OZONATOR
DATE OF PATENT LAPSE: 2023 08 02
DATE OF PATENT RESTORATION: 2023 10 10

LAPSE OF PATENTS WITH THE RIGHT TO RESTORE

(21) AP 2006 10649
(11) P 2010 4943 B
(73) Bristol-Myers Squibb Company
(54) FUSED HETEROCYCLIC COMPOUNDS USEFUL AS KINASE MODULATORS
DATE OF PATENT LAPSE: 2023 09 22
PATENT RESTORATION TERM: 2024 09 22

(21) AP 2013 13247
(11) P 2019 6994 B
(73) Ivane Beroshvili;
Abesalom Beroshvili;
Teimuraz Kechiani
(54) METHOD FOR GAS INJECTION

DATE OF PATENT LAPSE: 2023 09 27
PATENT RESTORATION TERM: 2024 09 27

(21) AP 2018 14878
(11) P 2020 7080 B
(73) LTD "Irnero"
(54) EQUIPMENT FOR WINDOW AUTOMATIC CLEANING
DATE OF PATENT LAPSE: 2023 09 18
PATENT RESTORATION TERM: 2024 09 18

(21) AP 2019 15184
(11) P 2021 7264 B
(73) Ivanov Vladimir Vladimirovich
(54) METHOD FOR AUTOMOTIVE SEMITRAILER CARRIAGE-PLATFORM LOADING
DATE OF PATENT LAPSE: 2023 09 10
PATENT RESTORATION TERM: 2024 09 10

(21) AP 2020 15454
(11) P 2022 7400 B
(73) Gocha Kurdadze
(54) METHOD FOR RECOVERY OF MANGANESE AND OBTAINING SIMN METAL PHASE
DATE OF PATENT LAPSE: 2023 09 21
PATENT RESTORATION TERM: 2024 09 21

(21) AP 2019 15588
(11) P 2023 7476 B
(73) Pfizer Inc.
(54) N-SUBSTITUTED-DIOXOCYCLOBUTENYLAMINO-3-HYDROXYPICOLINAMIDES USEFUL
AS CCR6 INHIBITORS
DATE OF PATENT LAPSE: 2023 09 18
PATENT RESTORATION TERM: 2025 09 18

(21) AP 2005 8972
(11) P 2009 4663 B
(73) Giorgi Ioramashvili;
Marine Beroshvili
(54) METHOD FOR SEPARATION OF FLUID INTRUSION
DATE OF PATENT LAPSE: 2023 09 12
PATENT RESTORATION TERM: 2024 09 12

EXPIRATION OF PATENTS RESTORATION TERM

(21) AP 2006 10664
(11) P 2012 5595 B
(73) Cypress Bioscience Inc.
(54) MILNACIPRAN FOR LONG-TERM TREATMENT OF FIBROMYALGIA SYNDROME
DATE OF PATENT LAPSE: 2022 09 27
DATE OF EXPIRATION OF PATENT RESTORATION TERM: 2023 09 27

(21) AP 2007 11124
(11) P 2011 5327 B
(73) Mebiol Inc.
(54) PLANT CULTIVATION SYSTEM
DATE OF PATENT LAPSE: 2022 09 10
DATE OF EXPIRATION OF PATENT RESTORATION TERM: 2023 09 10

(21) AP 2008 11762
(11) P 2013 5757 B
(73) Skyonic Corporation
(54) METHOD OF CARBON DIOXIDE REMOVAL FROM WASTE STREAMS THROUGH CARBONATE AND/OR BICARBONATE MINERALS COGENERATION
DATE OF PATENT LAPSE: 2022 09 19
DATE OF EXPIRATION OF PATENT RESTORATION TERM: 2023 09 19

(21) AP 2014 13576
(11) P 2016 6546 B
(73) Temur Revishvili;
Davit Abkhazava;
Zurab Dzneladze;
Merab Khomerik;
Raul Gotsiridze;
Ekaterine Gobronidze
(54) METHOD FOR NON-ALCOHOLIC TONIC CARBONATED BEVERAGE PREPARATION
DATE OF PATENT LAPSE: 2022 09 22
DATE OF EXPIRATION OF PATENT RESTORATION TERM: 2023 09 22

(21) AP 2014 14124
(11) P 2019 6952 B
(73) Merck Sharp & Dohme Corp
(54) SUBSTITUTED QUINOLIZINE DERIVATIVES USEFUL AS HIV INTEGRASE INHIBITORS
DATE OF PATENT LAPSE: 2022 09 26
DATE OF EXPIRATION OF PATENT RESTORATION TERM: 2023 09 26

(21) AP 2005 9999
(11) P 2012 5714 B
(73) Joe, David JONES
(54) CARBON DIOXIDE REMOVAL FROM WASTE STREAMS THROUGH CARBONATE AND/OR BICARBONATE MINERALS COGENERATION
DATE OF PATENT LAPSE: 2022 09 23
DATE OF EXPIRATION OF PATENT RESTORATION TERM: 2023 09 23

UTILITY MODELS RESTORATION OF PATENTS

(21) AU 2017 14383
(11) U 2019 2003 Y
(73) Mamuchar Kipiani;
Nikoloz Batselashvili;
Ruslan Geladze
(54) METHOD FOR HELMINTOX DRUG PREPARATION
DATE OF PATENT LAPSE: 2023 01 17
DATE OF PATENT RESTORATION: 2023 10 10

(21) AU 2020 15425
(11) U 2022 2109 Y
(73) Giorgi Zhorzholiani
(54) COASTLINE ANTI-LANDSLIDE FAST CONSTRUCTING WALL
DATE OF PATENT LAPSE: 2023 08 26
DATE OF PATENT RESTORATION: 2023 10 10

EXPIRATION OF PATENT RESTORATION TERM

(21) AU 2017 14589
(11) U 2018 1987 Y
(73) Davit Shavgulidze
(54) METHOD FOR FOODSTUFF "POMI" PREPARATION
DATE OF PATENT LAPSE: 2022 09 18
DATE OF EXPIRATION OF PATENT RESTORATION TERM: 2023 09 18

DESIGNS

EXTENSION OF TERM OF DESIGNS REGISTRATION

(11) D 2018 778 S
(73) LTD "Kartveli" (GE)
Kakheti Highway 110a, 0151, Isani-Samgori District, Tbilisi, Georgia (GE)
(54) 1.-3. LABEL
(28) 3
(24) 2018 03 13
(18) 2028 03 13
(58) 2023 09 26

(11) D 2018 750 S
(73) Tea Kurtanidze (GE)
Tsminda Ninos St. 22, 3300, Mtskheta, Georgia
(54) KHINKALI-SHAPED VESSELS: SALTCELLAR AND PEPPER POT
(28) 2
(24) 2017 08 01
(18) 2027 08 01
(58) 2023 10 03

CANCELLATION OF DESIGNS REGISTRATION

(11) D 2018 755 S
(73) Revaz Beselashvili (GE)
G. Dolidze St. 9, 0112, Tbilisi, Georgia (GE)
(54) 1.-11. SOCK
(18) 2023 03 12
(58) 2023 09 22

(11) D 2018 791 S
(73) Vinfast Treiding End Prodaqshen Limitid Laiabiliti Kompani (VN)
Dinh Vu-ket Hai Ekonimik Zon, Ket Hai Ailand, Ket Hai Taun, Ket Hai Distrikt, Hai Fong Siti,
Viet Nam (VN)
(54) CAR
(18) 2023 03 14
(58) 2023 09 26

(11) D 2018 792 S
(73) Vinfast Treiding End Prodaqshen Limitid Laiabiliti Kompani (VN)
Dinh Vu-ket Hai Ekonimik Zon, Ket Hai Ailand, Ket Hai Taun, Ket Hai Distrikt, Hai Fong Siti,
Viet Nam (VN)
(54) CAR
(18) 2023 03 14
(58) 2023 09 26

CANCELLATION OF INTERNATIONAL DESIGNS REGISTRATION

(11) DM/69541
(73) TISSOT S.A.
Chemin des Tourelles 17, CH-2400 LE LOCLE (CH)
DATE OF CANCELLATION OF REGISTRATION: 2022 12 12
(58) 2023 09 29

(11) DM/69588
(73) SEAT S.A.
Autovia A-2, Km. 585, E-08760 Martorell, Barcelona (ES)
DATE OF CANCELLATION OF REGISTRATION: 2022 12 19
(58) 2023 09 29

(11) DM/69632
(73) MONTRES JAQUET DROZ SA (MONTRES JAQUET DROZ AG) (MONTRES JAQUET DROZ LTD)
Rue Jaquet Droz 5, CH-2300 La Chaux-de-Fonds (CH)
DATE OF CANCELLATION OF REGISTRATION: 2023 01 28
(58) 2023 09 29

(11) DM/69638
(73) SWATCH AG (SWATCH SA) (SWATCH LTD)
Jakob-Stämpfli-Strasse 94, CH-2502 Biel/Bienne (CH)
DATE OF CANCELLATION OF REGISTRATION: 2023 01 08
(58) 2023 09 29

(11) DM/69640
(73) SWATCH AG (SWATCH SA) (SWATCH LTD)
Jakob-Stämpfli-Strasse 94, CH-2502 Biel/Bienne (CH)
DATE OF CANCELLATION OF REGISTRATION: 2023 01 08
(58) 2023 09 29

(11) DM/69641
(73) SWATCH AG (SWATCH SA) (SWATCH LTD)
Jakob-Stämpfli-Strasse 94, CH-2502 Biel/Bienne (CH)
DATE OF CANCELLATION OF REGISTRATION: 2023 01 08
(58) 2023 09 29

(11) DM/69644
(73) SWATCH AG (SWATCH SA) (SWATCH LTD.)
Jakob-Stämpfli-Strasse 94, CH-2502 Biel/Bienne (CH)
DATE OF CANCELLATION OF REGISTRATION: 2023 01 23
(58) 2023 09 29

(11) DM/69645
(73) SWATCH AG (SWATCH SA) (SWATCH LTD.)
Jakob-Stämpfli-Strasse 94, CH-2502 Biel/Bienne (CH)
DATE OF CANCELLATION OF REGISTRATION: 2023 01 23
(58) 2023 09 29

(11) DM/69656
(73) HTS INTERNATIONAL TRADING AG
Neuhofstrasse 21, CH-6340 Baar (CH)
DATE OF CANCELLATION OF REGISTRATION: 2022 12 05
(58) 2023 09 29

(11) DM/69683
(73) TISSOT S.A.
Chemin des Tourelles 17, CH-2400 LE LOCLE (CH)
DATE OF CANCELLATION OF REGISTRATION: 2023 02 01
(58) 2023 09 29

(11) DM/69709
(73) MERCEDES-BENZ GROUP AG
Mercedesstrasse 120 70372 Stuttgart (DE)
DATE OF CANCELLATION OF REGISTRATION: 2023 02 05
(58) 2023 09 29

(11) DM/69723
(73) SEAT S.A.
Autovia A-2, Km. 585, E-08760 Martorell, Barcelona (ES)
DATE OF CANCELLATION OF REGISTRATION: 2022 12 13
(58) 2023 09 29

(11) DM/69730
(73) SWATCH AG (SWATCH SA)(SWATCH LTD)
Jakob-Stämpfli-Strasse 94, CH-2502 BIEL/BIENNE (CH)
DATE OF CANCELLATION OF REGISTRATION: 2023 02 14
(58) 2023 09 29

(11) DM/69736
(73) TISSOT S.A.
Chemin des Tourelles 17, CH-2400 LE LOCLE (CH)
DATE OF CANCELLATION OF REGISTRATION: 2023 01 31
(58) 2023 09 29

(11) DM/69737
(73) SWATCH AG (SWATCH SA) (SWATCH LTD.)
Jakob-Stämpfli-Strasse 94, CH-2502 Biel/Bienne (CH)
DATE OF CANCELLATION OF REGISTRATION: 2023 01 31
(58) 2023 09 29

(11) DM/69738
(73) MONTRES JAQUET DROZ SA (MONTRES JAQUET DROZ AG) (MONTRES JAQUET DROZ LTD.)
5, rue Jaquet Droz, CH-2300 La Chaux-de-Fonds (CH)
DATE OF CANCELLATION OF REGISTRATION: 2023 01 31
(58) 2023 09 29

(11) DM/69743
(73) MERCEDES-BENZ GROUP AG
Mercedesstrasse 120 70372 Stuttgart (DE)
DATE OF CANCELLATION OF REGISTRATION: 2023 02 07
(58) 2023 09 29

(11) DM/69753
(73) HTS INTERNATIONAL TRADING AG
Neuhofstrasse 21, CH-6340 Baar (CH)
DATE OF CANCELLATION OF REGISTRATION: 2023 01 31
(58) 2023 09 29

(11) DM/69815
(73) MONTRES JAQUET DROZ SA (MONTRES JAQUET DROZ AG) (MONTRES JAQUET DROZ LTD)
Allée Du Tourbillon 2, CH-2300 La Chaux-de-Fonds (CH)
DATE OF CANCELLATION OF REGISTRATION: 2023 03 05
(58) 2023 09 29

(11) DM/69873
(73) SOCIÉTÉ DES PRODUITS NESTLÉ S.A.
CH-1800 VEVEY (CH)
DATE OF CANCELLATION OF REGISTRATION: 2023 03 03
(58) 2023 09 29

(11) DM/79048
(73) ALFRED KÄRCHER GMBH & CO. KG
Alfred-Kärcher-Straße 28-40, 71364 Winnenden (DE)
DATE OF CANCELLATION OF REGISTRATION: 2022 09 04
(58) 2023 09 29

(11) DM/79099
(73) ALFRED KÄRCHER GMBH & CO. KG
Alfred-Kärcher-Straße 28-40, 71364 Winnenden (DE)
DATE OF CANCELLATION OF REGISTRATION: 2022 09 10
(58) 2023 09 29

(11) DM/79280
(73) MILONAS A GEORGIOS
Kilkis Industrial Area, GR-611 00 Kilkis (GR)
DATE OF CANCELLATION OF REGISTRATION: 2022 09 26
(58) 2023 09 29

(11) DM/79381
(73) MICROSOFT MOBILE OY
Keilalahdentie 2-4, FI-02150 Espoo (FI)
DATE OF CANCELLATION OF REGISTRATION: 2022 10 29
(58) 2023 09 29

(11) DM/79509
(73) ALFRED KÄRCHER GMBH & CO. KG
Alfred-Kärcher-Straße 28-40, 71364 Winnenden (DE)
DATE OF CANCELLATION OF REGISTRATION: 2022 11 14
(58) 2023 09 29

(11) DM/79538
(73) ALFRED KÄRCHER GMBH & CO. KG
Alfred-Kärcher-Straße 28-40, 71364 Winnenden (DE)
DATE OF CANCELLATION OF REGISTRATION: 2022 11 19
(58) 2023 09 29

TRADEMARKS**EXTENSION OF TERM OF TRADEMARKS REGISTRATION**

(111) M 2004 15428 R2 (151) 2004 02 27 (186) 2034 02 27 (732) Holt's Company 12270 Townsend Road Philadelphia, Pennsylvania 19154, USA	Sokak Karsan Plaza №1/2, Sancaktepe - Istanbul, Türkiye
(111) M 2003 15316 R2 (151) 2003 11 14 (186) 2033 11 14 (732) Zumtobel Group AG Höchsterstrasse 8, 6850, Dornbirn, Austria	(111) M 2013 23781 R1 (151) 2013 06 19 (186) 2033 06 19 (732) Davit Ananiashvili I. Abashidze St. 37, ap. 11, Tbilisi, Georgia
(111) M 2003 15315 R2 (151) 2003 11 14 (186) 2033 11 14 (732) Hayat Kimya Sanayi A.Ş. Mahir İz Caddesi No: 25 Altunizade Üsküdar, İstanbul, Türkiye	(111) M 2013 24026 R1 (151) 2013 09 17 (186) 2033 09 17 (732) Medicovert Holding (Cyprus) Limited Eirinis, 119, CY-3041 Limassol, Cyprus
(111) M 2003 15287 R2 (151) 2003 10 15 (186) 2033 10 15 (732) Merz Consumer Care GmbH Eckenheimer Landstr. 100 60318 Frankfurt am Main, Germany	(111) M 2013 24034 R1 (151) 2013 09 17 (186) 2033 09 17 (732) LLC "Kvarlis Marani 2011" Rustaveli St. 3, 4800, Kvareli, Georgia
(111) M 2003 15357 R2 (151) 2003 12 15 (186) 2033 12 15 (732) Bearingpoint IP Holding B.v. De entree 89, 1101 BH Amsterdam, Netherlands	(111) M 2013 24324 R1 (151) 2013 11 29 (186) 2033 11 29 (732) Bladimeri Bidzinashvili Sanzona, bld. 6, ap. 28, 0192, Tbilisi, Georgia
(111) M 2013 23963 R1 (151) 2013 09 02 (186) 2033 09 02 (732) Bionime Corporation No. 100, Sec. 2, Daqing St., South Dist., Taichung City 40242, Taiwan, Province of China	(111) M 2013 24311 R1 (151) 2013 11 21 (186) 2033 11 21 (732) Cheddite S.R.L. Via del Giaggiolo 189, Livorno, Italy
(111) M 2013 24068 R1 (151) 2013 09 30 (186) 2033 09 30 (732) AAK Turkey Gıda Sanayi ve Ticaret Ltd. Şti Meclis Mahallesi Boğaziçi Caddesi Şeheryeli	

COMPLETE TRANSFER OF RIGHTS

-
- (111) M 2020 32443 R
(732) Biosimilars Newco Limited
16 Great Queen Street, Covent Garden,
London, WC2B 5AH, United Kingdom
(770) Mylan Inc.
1000 Mylan Blvd Canonsburg, PA 15317,
USA
(580) 2023 09 18
-
- (111) M 2020 32449 R
(732) Biosimilars Newco limited
16 Great Queen Street, Covent Garden,
London, WC2B 5AH, United Kingdom
(770) Mylan Inc.
1000 Mylan Blvd Canonsburg, PA 15317,
USA
(580) 2023 09 18
-
- (111) M 2020 33247 R
(732) Amazon.com Inc.
251, Little Falls Drive, 19808 Wilmington,
State of Delaware 19808, USA
(770) Amazon.com Sales Inc.
251, Little Falls Drive, 198081674
Wilmington, State of Delaware 19808, USA
(580) 2023 08 31
-
- (111) M 2020 33247 R
(732) Amazon.com Sales, Inc.
251, Little Falls Drive, 198081674
Wilmington, State of Delaware 19808, USA
(770) Amazon Europe Core S.à.r.l.
38 avenue John F. Kennedy, L-1855
Luxembourg, Luxembourg
(580) 2023 08 31
-
- (111) M 2020 33247 R
(732) Amazon Technologies Inc.
410 Terry Avenue North, Seattle,
Washington 98109, USA
(770) Amazon.com Inc.
251, Little Falls Drive, 19808 Wilmington,
State of Delaware 19808, USA
(580) 2023 08 31
-
- (111) M 2020 33117 R
(732) LTD "Segesta +"
Shalva Nutsubidze St. 201, ap. 25, Vake
District, Tbilisi, Georgia
(770) LTD "Sauer Krim Masteri"
Zahesi Setlrmrn, Mikheil Tsinamdzghvri-
shvili St. 19, Gldani District, Tbilisi, Georgia
(580) 2023 09 28
-
- (111) M 2020 33118 R
(732) LTD "Segesta +"
Shalva Nutsubidze St. 201, ap. 25, Vake
District, Tbilisi, Georgia
(770) LTD "Sauer Krim Masteri"
Zahesi Setlrmrn, Mikheil Tsinamdzghvri-
shvili St. 19, Gldani District, Tbilisi, Georgia
(580) 2023 09 28
-
- (111) M 2023 37189 R
(732) Nutrex Research Inc.
579 S. Econ Circle, Oviedo, FL 32765, USA
(770) LTD "Geo Olymp"
Rapiel Eristavi St. 16, Tbilisi, Georgia
(580) 2023 09 04
-
- (111) M 2001 13820 R
(732) Amazon.com Inc.
251, Little Falls Drive, 19808 Wilmington,
State of Delaware 19808, USA
(770) Amazon.com Sales Inc.
251, Little Falls Drive, 198081674
Wilmington, State of Delaware 19808, USA
(580) 2023 08 31
-
- (111) M 2001 13820 R
(732) Amazon Technologies Inc.
410 Terry Avenue North, Seattle, Washington
98109, USA
(770) Amazon.com Inc.
251, Little Falls Drive, 19808 Wilmington,
State of Delaware 19808, USA
(580) 2023 08 31
-
- (732) Amazon Technologies Inc.
410 Terry Avenue North, Seattle, Washington
98109, USA
(770) Amazon.com Inc.
251, Little Falls Drive, 19808 Wilmington,
State of Delaware 19808, USA
(580) 2023 08 31
-
- (111) M 2004 15803 R
(732) ITG Cigars Inc. (a Delaware, U.S.A.
corporation)
714 Green Valley Road, Greensboro, North
Carolina 27408, USA
-

(770) Max Rohr Inc.
103 Foulk Road, Suite 253, Wilmington,
DE 19803, USA
(580) 2023 09 18

(111) M 1997 6852 R
(732) JNTL Consumer Health I (Switzerland) GmbH
Gubelstrasse 34, CH-6300 Zug, Switzerland
(770) Janssen Pharmaceutica N.V.
Turnhoutseweg 30, B-2340 Beerse, Belgium
(580) 2023 07 27

(111) M 1997 5139 R
(732) JNTL Consumer Health (Belgium) BV
Michel de Braeystraat 52, 2000 Antwerpen,
Belgium
(770) Janssen Pharmaceutica N.V.
Turnhoutseweg 30, B-2340 Beerse, Belgium
(580) 2023 09 29

(111) M 1997 5140 R
(732) JNTL Consumer Health (Belgium) BV
Michel de Braeystraat 52, 2000 Antwerpen,
Belgium
(770) Janssen Pharmaceutica N.V.
Turnhoutseweg 30, B-2340 Beerse, Belgium
(580) 2023 09 29

(111) M 2014 24487 R
(732) Meito Sangyo Co., Ltd.
41, Sasazuka-cho 2-chome, Nishi-ku, Nagoya-
shi, Aichi 451-8520, Japan
(770) I/E Giorgi Shotadze
Dighomi, VI qu., bld., 16, ap. 21, 0159, Tbilisi,
Georgia
(580) 2023 09 14

(111) M 2017 29007 R
(732) Biosimilars Newco Limited
16 Great Queen Street, Covent Garden,
London, WC2B 5AH, United Kingdom
(770) Mylan Inc.
1000 Mylan Blvd Canonsburg, PA 15317,
USA
(580) 2023 09 18

(111) M 2017 29201 R
(732) Amazon Technologies Inc.
410 Terry Avenue North, Seattle, Washington
98109, USA
(770) Amazon.com Inc.
251, Little Falls Drive, 19808 Wilmington,
State of Delaware 19808, USA

(580) 2023 08 31

(111) M 2017 29201 R
(732) Amazon.com Sales Inc.
251, Little Falls Drive, 198081674
Wilmington, State of Delaware 19808, USA
(770) Amazon Europe Core S.à r.l.
38 avenue John F. Kennedy, L-1855
Luxembourg, Luxembourg
(580) 2023 08 31

(111) M 2017 29201 R
(732) Amazon.com Inc.
251, Little Falls Drive, 19808 Wilmington,
State of Delaware 19808, USA
(770) Amazon.com Sales Inc.
251, Little Falls Drive, 198081674
Wilmington, State of Delaware 19808, USA
(580) 2023 08 31

(111) M 2019 32163 R
(732) Amazon.com Sales Inc.
251, Little Falls Drive, 198081674
Wilmington, State of Delaware 19808, USA
(770) Amazon Europe Core S.à r.l.
38 avenue John F. Kennedy, L-1855,
Luxembourg, Luxembourg
(580) 2023 08 31

(111) M 2019 32163 R
(732) Amazon Technologies Inc.
410 Terry Avenue North, Seattle,
Washington 98109, USA
(770) Amazon.com Inc.
251, Little Falls Drive, 19808 Wilmington,
State of Delaware 19808, USA
(580) 2023 08 31

(111) M 2019 32163 R
(732) Amazon.com Inc.
251, Little Falls Drive, 19808 Wilmington,
State of Delaware 19808, USA
(770) Amazon.com Sales Inc.
251, Little Falls Drive, 198081674
Wilmington, State of Delaware 19808, USA
(580) 2023 08 31

(111) M 2019 31062 R
(732) Amazon.com Inc.
251, Little Falls Drive, 19808 Wilmington,
State of Delaware 19808, USA
(770) Amazon.com Sales Inc.

251, Little Falls Drive, 198081674
Wilmington, State of Delaware 19808, USA
(580) 2023 08 31

(111) M 2019 31062 R
(732) Amazon.com Sales Inc.
251, Little Falls Drive, 198081674
Wilmington, State of Delaware 19808, USA
(770) Amazon Europe Core S.à r.l.
38 avenue John F. Kennedy, L-1855
Luxembourg, Luxembourg
(580) 2023 08 31

(111) M 2019 31508 R
(732) Biosimilars Newco Limited
16 Great Queen Street, Covent Garden,
London, WC2B 5AH, United Kingdom
(770) Mylan Inc.
1000 Mylan Blvd Canonsburg, PA 15317,
USA
(580) 2023 09 18

(111) M 2019 31850 R
(732) Biosimilars Newco Limited
16 Great Queen Street, Covent Garden,
London, WC2B 5AH, United Kingdom
(770) Mylan Inc.
1000 Mylan Blvd Canonsburg, PA 15317,
USA
(580) 2023 09 18

CHANGES OF NAME AND/OR ADDRESS OF TRADEMARKS OWNERS

(111) M 1997 7678 R
(732) Glaxo Group Limited
GSK Medicines Research Centre, Gunnels
Wood Road, Stevenage, SG1 2NY, United
Kingdom
(770) Glaxo Group Limited
980 Great West Road, Brentford, Middlesex
TW8 9GS, United Kingdom
(580) 2023 09 05

(111) M 1997 7682 R
(732) Glaxo Group Limited
GSK Medicines Research Centre, Gunnels
Wood Road, Stevenage, SG1 2NY, United
Kingdom
(770) Glaxo Group Limited
980 Great West Road, Brentford, Middlesex
TW8 9GS, United Kingdom
(580) 2023 09 05

(111) M 1997 7664 R
(732) Glaxo Group Limited
GSK Medicines Research Centre, Gunnels
Wood Road, Stevenage, SG1 2NY, United
Kingdom
(770) Glaxo Group Limited
980 Great West Road, Brentford, Middlesex
TW8 9GS, United Kingdom
(580) 2023 09 05

(111) M 1997 7665 R
(732) Glaxo Group Limited
GSK Medicines Research Centre, Gunnels
Wood Road, Stevenage, SG1 2NY, United
Kingdom
(770) Glaxo Group Limited
980 Great West Road, Brentford, Middlesex
TW8 9GS, United Kingdom
(580) 2023 09 05

(111) M 1997 7685 R
(732) Glaxo Group Limited
GSK Medicines Research Centre, Gunnels
Wood Road, Stevenage, SG1 2NY, United
Kingdom
(770) Glaxo Group Limited
980 Great West Road, Brentford, Middlesex
TW8 9GS, United Kingdom
(580) 2023 09 05

(111) M 2019 31927 R
(732) Pfizer Inc.
66 Hudson Boulevard East, New York,
N.Y. 10001-2192, USA
(770) Pfizer Inc.
235 East 42nd Street, New York,
New York 10017, USA
(580) 2023 09 13

(111) M 1997 5414 R
(732) Glaxo Group Limited
GSK Medicines Research Centre, Gunnels
Wood Road, Stevenage, SG1 2NY, United
Kingdom
(770) Glaxo Group Limited
980 Great West Road, Brentford, Middlesex
TW8 9GS, United Kingdom
(580) 2023 09 05

(111) M 2020 33174 R
(732) Pfizer Inc.
66 Hudson Boulevard East, New York,
N.Y. 10001-2192, USA
(770) Pfizer Inc.
235 East 42nd Street, New York,
New York 10017, USA
(580) 2023 09 13

(111) M 1998 8101 R
(732) Glaxo Group Limited
GSK Medicines Research Centre, Gunnels
Wood Road, Stevenage, SG1 2NY, United
Kingdom
(770) Glaxo Group Limited
980 Great West Road, Brentford, Middlesex
TW8 9GS, United Kingdom
(580) 2023 09 05

(111) M 1995 944 R
(732) Glaxo Group Limited
GSK Medicines Research Centre, Gunnels
Wood Road, Stevenage, SG1 2NY, United
Kingdom
(770) Glaxo Group Limited
980 Great West Road, Brentford, Middlesex
TW8 9GS, United Kingdom
(580) 2023 09 05

(111) M 1997 4446 R
(732) Glaxo Group Limited
GSK Medicines Research Centre, Gunnels
Wood Road, Stevenage, SG1 2NY, United
Kingdom
(770) Glaxo Group Limited
980 Great West Road, Brentford, Middlesex
TW8 9GS, United Kingdom
(580) 2023 09 05

(111) M 1997 4448 R
(732) Glaxo Group Limited
GSK Medicines Research Centre, Gunnels
Wood Road, Stevenage, SG1 2NY, United
Kingdom
(770) Glaxo Group Limited
980 Great West Road, Brentford, Middlesex
TW8 9GS, United Kingdom
(580) 2023 09 05

(111) M 1997 6491 R
(732) Glaxo Group Limited
GSK Medicines Research Centre, Gunnels
Wood Road, Stevenage, SG1 2NY, United
Kingdom
(770) Glaxo Group Limited
980 Great West Road, Brentford, Middlesex
TW8 9GS, United Kingdom
(580) 2023 09 05

(111) M 1997 6492 R
(732) Glaxo Group Limited
GSK Medicines Research Centre, Gunnels
Wood Road, Stevenage, SG1 2NY, United
Kingdom
(770) Glaxo Group Limited
980 Great West Road, Brentford, Middlesex
TW8 9GS, United Kingdom
(580) 2023 09 05

(111) M 1997 4451 R
(732) Glaxo Group Limited
GSK Medicines Research Centre, Gunnels
Wood Road, Stevenage, SG1 2NY, United
Kingdom
(770) Glaxo Group Limited
980 Great West Road, Brentford, Middlesex
TW8 9GS, United Kingdom
(580) 2023 09 05

(111) M 1998 8173 R
(732) Glaxo Group Limited
GSK Medicines Research Centre, Gunnels
Wood Road, Stevenage, SG1 2NY, United
Kingdom

(770) Glaxo Group Limited
980 Great West Road, Brentford, Middlesex
TW8 9GS, United Kingdom
(580) 2023 09 05

(111) M 1998 8210 R
(732) Glaxo Group Limited
GSK Medicines Research Centre, Gunnels
Wood Road, Stevenage, SG1 2NY, United
Kingdom
(770) Glaxo Group Limited
980 Great West Road, Brentford, Middlesex
TW8 9GS, United Kingdom
(580) 2023 09 05

(111) M 1998 9931 R
(732) Glaxo Group Limited
GSK Medicines Research Centre, Gunnels
Wood Road, Stevenage, SG1 2NY, United
Kingdom
(770) Glaxo Group Limited
980 Great West Road, Brentford, Middlesex
TW8 9GS, United Kingdom
(580) 2023 09 05

(111) M 1998 9976 R
(732) Glaxo Group Limited
GSK Medicines Research Centre, Gunnels
Wood Road, Stevenage, SG1 2NY, United
Kingdom
(770) Glaxo Group Limited
980 Great West Road, Brentford, Middlesex
TW8 9GS, United Kingdom
(580) 2023 09 05

(111) M 1998 9979 R
(732) Glaxo Group Limited
GSK Medicines Research Centre, Gunnels
Wood Road, Stevenage, SG1 2NY, United
Kingdom
(770) Glaxo Group Limited
980 Great West Road, Brentford, Middlesex
TW8 9GS, United Kingdom
(580) 2023 09 05

(111) M 1998 11313 R
(732) Glaxo Group Limited
GSK Medicines Research Centre, Gunnels
Wood Road, Stevenage, SG1 2NY, United
Kingdom
(770) Glaxo Group Limited
980 Great West Road, Brentford, Middlesex
TW8 9GS, United Kingdom
(580) 2023 09 05

(111) M 1999 11507 R
 (732) Glaxo Group Limited
 GSK Medicines Research Centre, Gunnels
 Wood Road, Stevenage, SG1 2NY, United
 Kingdom
 (770) Glaxo Group Limited
 980 Great West Road, Brentford, Middlesex
 TW8 9GS, United Kingdom
 (580) 2023 09 05

(111) M 1999 12613 R
 (732) Mustang-Bekleidungswerke
 GMBH+CO. KG
 Karl-Kurz-Str. 44/1, 74523 Schwäbisch Hall,
 Germany
 (770) Mustang-Bekleidungswerke
 GMBH+CO. KG
 Austrasse 10, D-74653 Kunzelsau, Germany
 (580) 2023 09 01

(111) M 1999 12832 R
 (732) Pfizer Inc
 66 Hudson Boulevard East, New York,
 N.Y. 10001-2192, USA
 (770) Pfizer Inc
 235 East 42nd Street, New York 10017-5755,
 USA
 (580) 2023 09 13

(111) M 2000 13493 R
 (732) Glaxo Group Limited
 GSK Medicines Research Centre, Gunnels
 Wood Road, Stevenage, SG1 2NY, United
 Kingdom
 (770) Glaxo Group Limited
 980 Great West Road, Brentford, Middlesex
 TW8 9GS, United Kingdom
 (580) 2023 09 05

(111) M 2000 13497 R
 (732) Glaxo Group Limited
 GSK Medicines Research Centre, Gunnels
 Wood Road, Stevenage, SG1 2NY, United
 Kingdom
 (770) Glaxo Group Limited
 980 Great West Road, Brentford, Middlesex
 TW8 9GS, United Kingdom
 (580) 2023 09 05

(111) M 2000 13666 R
 (732) Glaxo Group Limited
 GSK Medicines Research Centre, Gunnels
 Wood Road, Stevenage, SG1 2NY, United
 Kingdom

(770) Glaxo Group Limited
 980 Great West Road, Brentford, Middlesex
 TW8 9GS, United Kingdom
 (580) 2023 09 05

(111) M 2001 14106 R
 (732) Glaxo Group Limited
 GSK Medicines Research Centre, Gunnels
 Wood Road, Stevenage, SG1 2NY, United
 Kingdom
 (770) Glaxo Group Limited
 980 Great West Road, Brentford, Middlesex
 TW8 9GS, United Kingdom
 (580) 2023 09 05

(111) M 2001 14129 R
 (732) Glaxo Group Limited
 GSK Medicines Research Centre, Gunnels
 Wood Road, Stevenage, SG1 2NY, United
 Kingdom
 (770) Glaxo Group Limited
 980 Great West Road, Brentford, Middlesex
 TW8 9GS, United Kingdom
 (580) 2023 09 05

(111) M 2004 15428 R
 (732) Holt's Company
 12270 Townsend Road Philadelphia,
 Pennsylvania 19154, USA
 (770) Holt's Company
 1105 N. Market Street, Suite 1300,
 Wilmington, Delaware 19801, USA
 (580) 2023 09 19

(111) M 2003 15319 R
 (732) Alza Corporation (a wholly owner subsidiary
 of Jonson & Johnson manufacturers and
 merchants)
 700 Eubanks Drive, Vacaville, CA 95688,
 USA
 (770) Alza Corporation (a wholly owner
 subsidiary of Jonson & Johnson manufacturers
 and merchants)
 1900 Charleston Road, Mountain View,
 CA 94039-7210, USA
 (580) 2023 09 21

(111) M 2004 15437 R
 (732) Glaxo Group Limited
 GSK Medicines Research Centre, Gunnels
 Wood Road, Stevenage, SG1 2NY, United
 Kingdom
 (770) Glaxo Group Limited

980 Great West Road, Brentford, Middlesex
TW8 9GS, United Kingdom
(580) 2023 09 05

(111) M 2004 15503 R
(732) Glaxo Group Limited
GSK Medicines Research Centre, Gunnels
Wood Road, Stevenage, SG1 2NY, United
Kingdom
(770) Glaxo Group Limited
980 Great West Road, Brentford, Middlesex
TW8 9GS, United Kingdom
(580) 2023 09 05

(111) M 2005 15820 R
(732) Glaxo Group Limited
GSK Medicines Research Centre, Gunnels
Wood Road, Stevenage, SG1 2NY, United
Kingdom
(770) Glaxo Group Limited
980 Great West Road, Brentford, Middlesex
TW8 9GS, United Kingdom
(580) 2023 09 05

(111) M 2005 16403 R
(732) Glaxo Group Limited
GSK Medicines Research Centre, Gunnels
Wood Road, Stevenage, SG1 2NY, United
Kingdom
(770) Glaxo Group Limited
980 Great West Road, Brentford, Middlesex
TW8 9GS, United Kingdom
(580) 2023 09 05

(111) M 2005 16406 R
(732) Glaxo Group Limited
GSK Medicines Research Centre, Gunnels
Wood Road, Stevenage, SG1 2NY, United
Kingdom
(770) Glaxo Group Limited
980 Great West Road, Brentford, Middlesex
TW8 9GS, United Kingdom
(580) 2023 09 05

(111) M 2007 17664 R
(732) Glaxo Group Limited
GSK Medicines Research Centre, Gunnels
Wood Road, Stevenage, SG1 2NY, United
Kingdom
(770) Glaxo Group Limited
980 Great West Road, Brentford, Middlesex
TW8 9GS, United Kingdom
(580) 2023 09 05

(111) M 2008 19017 R
(732) Pfizer Inc. a Delaware corporation
66 Hudson Boulevard East, New York,
N.Y. 10001-2192, USA
(770) Pfizer Inc. a Delaware corporation
235 East 42nd Street, New York,
NY 10017, USA
(580) 2023 09 18

(111) M 2010 20587 R
(732) Glaxo Group Limited
GSK Medicines Research Centre, Gunnels
Wood Road, Stevenage, SG1 2NY, United
Kingdom
(770) Glaxo Group Limited
980 Great West Road, Brentford, Middlesex
TW8 9GS, United Kingdom
(580) 2023 09 05

(111) M 2008 18977 R
(732) Glaxo Group Limited
GSK Medicines Research Centre, Gunnels
Wood Road, Stevenage, SG1 2NY, United
Kingdom
(770) Glaxo Group Limited
980 Great West Road, Brentford, Middlesex
TW8 9GS, United Kingdom
(580) 2023 09 05

(111) M 2008 18978 R
(732) Glaxo Group Limited
GSK Medicines Research Centre, Gunnels
Wood Road, Stevenage, SG1 2NY, United
Kingdom
(770) Glaxo Group Limited
980 Great West Road, Brentford, Middlesex
TW8 9GS, United Kingdom
(580) 2023 09 05

(111) M 2010 20588 R
(732) Glaxo Group Limited
GSK Medicines Research Centre, Gunnels
Wood Road, Stevenage, SG1 2NY, United
Kingdom
(770) Glaxo Group Limited
980 Great West Road, Brentford, Middlesex
TW8 9GS, United Kingdom
(580) 2023 09 05

(111) M 2010 20589 R
(732) Glaxo Group Limited
GSK Medicines Research Centre, Gunnels
Wood Road, Stevenage, SG1 2NY, United
Kingdom

(770) Glaxo Group Limited
980 Great West Road, Brentford, Middlesex
TW8 9GS, United Kingdom
(580) 2023 09 05

(111) M 1997 7309 R
(732) Glaxo Group Limited
GSK Medicines Research Centre, Gunnels
Wood Road, Stevenage, SG1 2NY, United
Kingdom
(770) Glaxo Group Limited
980 Great West Road, Brentford, Middlesex
TW8 9GS, United Kingdom
(580) 2023 09 05

(111) M 2010 20853 R
(732) Pfizer Inc. a Delaware corporation
66 Hudson Boulevard East, New York,
N.Y. 10001-2192, USA
(770) Pfizer Inc. a Delaware corporation
235 East 42nd Street, New York,
NY 10017, USA
(580) 2023 09 13

(111) M 2013 23895 R
(732) Glaxo Group Limited
GSK Medicines Research Centre, Gunnels
Wood Road, Stevenage, SG1 2NY, United
Kingdom
(770) Glaxo Group Limited
980 Great West Road, Brentford, Middlesex
TW8 9GS, United Kingdom
(580) 2023 09 05

(111) M 2013 24042 R
(732) Millennium end Copthorne International
Limited
9 Raffles Place, #12-01, Republic Plaza,
Singapore 048619, Singapore
(770) Millennium end Copthorne International
Limited
36 Robinson Road, #04-01 City House,
Singapore 068877, Singapore
(580) 2023 09 15

(111) M 2013 24043 R
(732) Millennium end Copthorne International
Limited
9 Raffles Place, #12-01, Republic Plaza,
Singapore 048619, Singapore
(770) Millennium end Copthorne International
Limited

36 Robinson Road, #04-01 City House,
Singapore 068877, Singapore
(580) 2023 09 15

(111) M 2013 24045 R
(732) Millennium end Copthorne International
Limited
9 Raffles Place, #12-01, Republic Plaza,
Singapore 048619, Singapore
(770) Millennium end Copthorne International
Limited
36 Robinson Road, #04-01 City House,
Singapore 068877, Singapore
(580) 2023 09 15

(111) M 2014 25316 R
(732) Pfizer Inc.
66 Hudson Boulevard East, New York,
N.Y. 10001-2192, USA
(770) Pfizer Inc.
235 East 42nd Street, New York,
New York 10017, USA
(580) 2023 09 13

(111) M 2014 25247 R
(732) Glaxo Group Limited
GSK Medicines Research Centre, Gunnels
Wood Road, Stevenage, SG1 2NY, United
Kingdom
(770) Glaxo Group Limited
980 Great West Road, Brentford, Middlesex
TW8 9GS, United Kingdom
(580) 2023 09 05

(111) M 1997 7857 R
(732) Glaxo Group Limited
GSK Medicines Research Centre, Gunnels
Wood Road, Stevenage, SG1 2NY, United
Kingdom
(770) Glaxo Group Limited
980 Great West Road, Brentford, Middlesex
TW8 9GS, United Kingdom
(580) 2023 09 05

(111) M 1997 7858 R
(732) Glaxo Group Limited
GSK Medicines Research Centre, Gunnels
Wood Road, Stevenage, SG1 2NY, United
Kingdom
(770) Glaxo Group Limited
980 Great West Road, Brentford, Middlesex
TW8 9GS, United Kingdom
(580) 2023 09 05

(111) M 1999 11943 R
(732) Glaxo Group Limited
GSK Medicines Research Centre, Gunnels
Wood Road, Stevenage, SG1 2NY, United
Kingdom
(770) Glaxo Group Limited
980 Great West Road, Brentford, Middlesex
TW8 9GS, United Kingdom
(580) 2023 09 05

(111) M 1998 8544 R
(732) Glaxo Group Limited
GSK Medicines Research Centre, Gunnels
Wood Road, Stevenage, SG1 2NY, United
Kingdom
(770) Glaxo Group Limited
980 Great West Road, Brentford, Middlesex
TW8 9GS, United Kingdom
(580) 2023 09 05

(111) M 1999 11944 R
(732) Glaxo Group Limited
GSK Medicines Research Centre, Gunnels
Wood Road, Stevenage, SG1 2NY, United
Kingdom
(770) Glaxo Group Limited
980 Great West Road, Brentford, Middlesex
TW8 9GS, United Kingdom
(580) 2023 09 05

(111) M 1997 6258 R
(732) Glaxo Group Limited
GSK Medicines Research Centre, Gunnels
Wood Road, Stevenage, SG1 2NY, United
Kingdom
(770) Glaxo Group Limited
980 Great West Road, Brentford, Middlesex
TW8 9GS, United Kingdom
(580) 2023 09 05

(111) M 1999 11946 R
(732) Glaxo Group Limited
GSK Medicines Research Centre, Gunnels
Wood Road, Stevenage, SG1 2NY, United
Kingdom
(770) Glaxo Group Limited
980 Great West Road, Brentford, Middlesex
TW8 9GS, United Kingdom
(580) 2023 09 05

(111) M 1997 6259 R
(732) Glaxo Group Limited
GSK Medicines Research Centre, Gunnels
Wood Road, Stevenage, SG1 2NY, United
Kingdom
(770) Glaxo Group Limited
980 Great West Road, Brentford, Middlesex
TW8 9GS, United Kingdom
(580) 2023 09 05

(111) M 1999 12190 R
(732) Glaxo Group Limited
GSK Medicines Research Centre, Gunnels
Wood Road, Stevenage, SG1 2NY, United
Kingdom
(770) Glaxo Group Limited
980 Great West Road, Brentford, Middlesex
TW8 9GS, United Kingdom
(580) 2023 09 05

(111) M 2018 30085 R
(732) LTD "Grand Tobacco"
22 Hrant Vardanyan Street, Yerevan 0061,
Armenia
(770) LTD "Grand Tobacco"
Shahamiryanner 22 Shengavit, 0061, Yerevan,
Armenia
(580) 2023 09 05

(111) M 2015 26096 R
(732) LTD "Amboli"
At the intersection of Didi Dighomi-Gldani
Highway and Beliashvili St. (Plot 4/77)
Akaki Beliashvili St. 142, Didubi District,
Tbilisi, Georgia
(770) LTD "Motorstar"
Leonidze St., bld. 24, ap. 100, 0504, Rustavi,
Georgia
(580) 2023 09 26

(111) M 2018 30086 R
(732) LTD "Grand Tobacco"
22 Hrant Vardanyan Street, Yerevan 0061,
Armenia
(770) LTD "Grand Tobacco"
Shahamiryanner 22 Shengavit, 0061, Yerevan,
Armenia
(580) 2023 09 05

(111) M 1997 6946 R
(732) Glaxo Group Limited
GSK Medicines Research Centre, Gunnels
Wood Road, Stevenage, SG1 2NY, United
Kingdom

(770) Glaxo Group Limited
980 Great West Road, Brentford, Middlesex
TW8 9GS, United Kingdom
(580) 2023 09 05

(111) M 2019 31797 R
(732) Pfizer Inc.
66 Hudson Boulevard East, New York,
N.Y. 10001-2192, USA
(770) Pfizer Inc.
235 East 42nd Street, New York,
New York 10017, USA
(580) 2023 09 13

CANCELLATION OF TRADEMARKS REGISTRATION

(111) M 2023 36928 R
(151) 2023 06 08
(732) LTD "Gloria Jeans Georgia"
Patardzeuli St. 22/11, Tbilisi, Georgia
(141) 2023 09 28

(111) M 2001 14015 R
(151) 2001 09 13
(732) "Actavis" EAD
ul. Athanas Dukov 29, Sofia, Raion Lozenets,
Bulgaria;
Balkanfarma Trojan Ad
"Krajrechna" 1, Trojan 5600, Bulgaria;
Balkanfarma Dupnitsa Ad
Samokovsko shosse; 3, Dupnitsa 2600,
Bulgaria
(141) 2023 09 26

(111) M 2003 15017 R
(151) 2003 03 12
(732) JSC "Argo"
Lilo, Lotchini Ravine (Plot 05/001), 0151,
Tbilisi, Georgia
(141) 2023 09 26

(111) M 2003 15018 R
(151) 2003 03 12
(732) JSC "Argo"
Lilo, Lotchini Ravine (Plot 05/001), 0151,
Tbilisi, Georgia
(141) 2023 09 26

(111) M 2003 15019 R
(151) 2003 03 12
(732) JSC "Argo"
Lilo, Lotchini Ravine (Plot 05/001), 0151,
Tbilisi, Georgia
(141) 2023 09 26

(111) M 2003 15025 R
(151) 2003 03 25
(732) LLC "Armen Amik Yegpairner"
RA, Kotayk Marz, Gegashen, Armenia
(141) 2023 09 29

(111) M 2003 15041 R
(151) 2003 03 28
(732) Pfizer Products Inc.
a Connecticut Corporation
Eastern Point Road, Groton, Connecticut
06340, USA
(141) 2023 10 02

(111) M 2003 15050 R
(151) 2003 03 28
(732) Upjohn Manufacturing Ireland
Unlimited Company
Little Island, Co. Cork, T45 F627, Ireland
(141) 2023 10 02

(111) M 2003 15064 R
(151) 2003 03 28
(732) Upjohn US 1 Llc

235 East 42nd Street, New York,
N.Y. 10017, USA
(141) 2023 10 02

(111) M 2003 15069 R
(151) 2003 03 28
(732) JSC "Lomisi"
Vill. Natakhtari, 3308, Mtskheta, Georgia
(141) 2023 10 02

(111) M 2003 15059 R
(151) 2003 03 28
(732) MSD International Holdings GmbH
Veystrasse 20, CH-6000, Lucerne 6,
Switzerland
(141) 2023 10 02

(111) M 2003 15060 R
(151) 2003 03 28
(732) MSD International Holdings GmbH
Veystrasse 20, CH-6000, Lucerne 6,
Switzerland
(141) 2023 10 02

(111) M 1997 6366 R
(151) 1997 08 14
(732) Baccarat
F-54120 Baccarat, France
(141) 2023 07 07 – By Court Decision
(511) 9, 14
Grounds: The Law of Georgia on Trademarks,
Articles 27.5.

(111) M 2010 20567 R
(151) 2010 06 14
(732) Vegis-Hun Kft
Podmaniczky utca 13, Budapest 1065,
Hungary
(141) 2023 09 28 – By Court Decision
(511) 32
Grounds: The Law of Georgia on Trademarks,
Articles 27.5.

(111) M 2013 23483 R
(151) 2013 03 27
(732) Dianatus Management Limited
Arch. Makariou III, 69, Tlais Tower, 3rd floor,
Flat/Office 301, 1070, Nicosia, Cyprus
(141) 2023 10 02

(111) M 2013 23420 R
(151) 2013 03 13
(732) LTD "Rakiin Development"
Baratashvili St. 2, 0105, Tbilisi, Georgia
(141) 2023 09 29

(111) M 2013 23421 R
(151) 2013 03 13
(732) LTD "Rakiin Development"
Baratashvili St. 2, 0105, Tbilisi, Georgia
(141) 2023 09 29

(111) M 2013 23485 R
(151) 2013 03 27
(732) Reckitt & Colman (Overseas) Health Limited
103-105 Bath Road, Slough, Berkshire,
SL1 3UH, United Kingdom
(141) 2023 10 02

(111) M 2013 23486 R
(151) 2013 03 27
(732) LLC "Guramishvili Winery"
Saguramo, block 64, plot 54, Mtskheta,
District, Georgia
(141) 2023 10 02

(111) M 2013 23487 R
(151) 2013 03 27
(732) Bosnalijek, Pharmaceutical and Chemical
Industry, Joint Stock Company
71000 Sarajevo, Jukićeva 53, Bosnia and
Herzegovina
(141) 2023 10 02

(111) M 2013 23488 R
(151) 2013 03 27
(732) Harrington Development Inc.
Elvira Mendez Street, Vallarino bldg.,
3rd Floor, Panama, Republic of Panama
(141) 2023 10 02

(111) M 2013 23490 R
(151) 2013 03 27
(732) LTD "Basko"
Vazisubani, II m/r, bld. 9, ap. 78, 0152,
Tbilisi, Georgia
(141) 2023 10 02

(111) M 2013 23491 R
(151) 2013 03 27
(732) Arian Chimia Tech.
68, Saech Street, Tehran, Islamic Republic
of Iran

(141) 2023 10 02

(111) M 2013 23492 R

(151) 2013 03 27

(732) Arian Chimia Tech.

68, Saech Street, Tehran, Islamic Republic
of Iran

(141) 2023 10 02

(111) M 2013 23494 R

(151) 2013 03 27

(732) Harrington Development Inc.

Arango-Orillac Bldg. East 54 th street,
Republic of Panama

(141) 2023 10 02

(111) M 2013 23495 R

(151) 2013 03 27

(732) Harrington Development Inc.

Elvira Mendez Street, Vallarino bldg.,
3rd Floor, Panama, Republic of Panama

(141) 2023 10 02

(111) M 2013 23496 R

(151) 2013 03 27

(732) Harrington Development Inc.

Elvira Mendez Street, Vallarino bldg.,
3rd Floor, Panama, Republic of Panama

(141) 2023 10 02

(111) M 2013 23441 R

(151) 2013 03 13

(732) LTD "Never Land"

Varktili 3 I m/r, bld. 29, ap. 17, 0163,
Tbilisi, Georgia

(141) 2023 09 29

(111) M 2013 23497 R

(151) 2013 03 27

(732) Garage International Lux Sarl

1 Allée Scheffer, Suite 2.05.1, L-2520
Luxembourg, Luxembourg

(141) 2023 10 02

(111) M 2013 23498 R

(151) 2013 03 27

(732) Mamuka Israelashvili

Barnovi Str. 140, 0179, Tbilisi, Georgia

(141) 2023 10 02

(111) M 2013 23499 R

(151) 2013 03 27

(732) Visa International Service Association

900 Metro Center Boulevard, Foster City,
California 94404, USA

(141) 2023 10 02

(111) M 2013 23500 R

(151) 2013 03 27

(732) JSC "Lomisi"

Vill. Natakhtari, 3308, Mtskheta, Georgia

(141) 2023 10 02

(111) M 2013 23501 R

(151) 2013 03 27

(732) JSC "Lomisi"

Vill. Natakhtari, 3308, Mtskheta, Georgia

(141) 2023 10 02

(111) M 2013 23502 R

(151) 2013 03 27

(732) JSC "Lomisi"

Vill. Natakhtari, 3308, Mtskheta, Georgia

(141) 2023 10 02

(111) M 2013 23503 R

(151) 2013 03 27

(732) LTD "Istanbul-Textile"

Davit Aghmashenebeli Alley, 7th kilome-
ter, 0131, Tbilisi, Georgia

(141) 2023 10 02

(111) M 2013 23506 R

(151) 2013 03 27

(732) Allied Global Tobacco Ltd

Uei Qort Uesti, Iunion Roudi, Farnhami,
Sari GU 9 7PT, United Kingdom

(141) 2023 10 02

(111) M 2013 23507 R

(151) 2013 03 27

(732) Allied Global Tobacco Limited

Wey Court West, Union Road, Farnham,
GU9 7PT Surrey, United Kingdom

(141) 2023 10 02

(111) M 2013 23508 R

(151) 2013 03 27

(732) Harrington Development Inc.

Arango-Orillac Bldg. East 54 th street,
Republic of Panama

(141) 2023 10 02

(111) M 2013 23509 R
(151) 2013 03 27
(732) Harrington Development Inc.
Arango-Orillac Bldg. East 54 th street,
Republic of Panama
(141) 2023 10 02

(111) M 2013 23510 R
(151) 2013 03 27
(732) JSC "Lomisi"
Vill. Natakhtari, 3308, Mtskheta, Georgia
(141) 2023 10 02

(111) M 2013 23511 R
(151) 2013 03 27
(732) JSC "Lomisi"
Vill. Natakhtari, 3308, Mtskheta, Georgia
(141) 2023 10 02

(111) M 2013 23512 R
(151) 2013 03 27
(732) JSC "Lomisi"
Vill. Natakhtari, 3308, Mtskheta, Georgia
(141) 2023 10 02

(111) M 2013 23451 R
(151) 2013 03 13
(732) LTD "Magtikom"
A. Politkovskaia St. 5, 0186, Tbilisi, Georgia
(141) 2023 10 02

(111) M 2013 23515 R
(151) 2013 03 27
(732) LTD "Suntrade"
Varketili 3, IIIa m/r, bld. 340, ap. 8, 0163,
Tbilisi, Georgia
(141) 2023 10 02

(111) M 2013 23519 R
(151) 2013 03 27
(732) JSC Microfinance Organization "Crystal"
Tamar Mepe St. 72, 4600, Kutaisi, Georgia
(141) 2023 10 02

(111) M 2013 23521 R
(151) 2013 03 27
(732) Nissan Jidosha Kabushiki Kaisha
(also trading as Nissan Motor Co., Ltd.)
No.2 Takaracho, Kanagawa-ku, Yokohama-
shi, Kanagawa-ken, Japan
(141) 2023 10 02

(111) M 2013 23520 R
(151) 2013 03 27
(732) Nissan Jidosha Kabushiki Kaisha
(also trading as Nissan Motor Co., Ltd.)
No.2 Takaracho, Kanagawa-ku, Yokohama-
shi, Kanagawa-ken, Japan
(141) 2023 10 02

(111) M 2013 23522 R
(151) 2013 03 27
(732) Nissan Jidosha Kabushiki Kaisha
(also trading as Nissan Motor Co., Ltd.)
No.2 Takaracho, Kanagawa-ku, Yokohama-
shi, Kanagawa-ken, Japan
(141) 2023 10 02

(111) M 2013 23523 R
(151) 2013 03 27
(732) Nissan Jidosha Kabushiki Kaisha
(also trading as Nissan Motor Co., Ltd.)
No.2 Takaracho, Kanagawa-ku, Yokohama-
shi, Kanagawa-ken, Japan
(141) 2023 10 02

(111) M 2013 23524 R
(151) 2013 03 27
(732) Nissan Jidosha Kabushiki Kaisha
(also trading as Nissan Motor Co., Ltd.)
No.2 Takaracho, Kanagawa-ku, Yokohama-
shi, Kanagawa-ken, Japan
(141) 2023 10 02

(111) M 2013 23525 R
(151) 2013 03 27
(732) Nissan Jidosha Kabushiki Kaisha
(also trading as Nissan Motor Co., Ltd.)
No.2 Takaracho, Kanagawa-ku, Yokohama-
shi, Kanagawa-ken, Japan
(141) 2023 10 02

(111) M 2013 23526 R
(151) 2013 03 27
(732) Nissan Jidosha Kabushiki Kaisha
(also trading as Nissan Motor Co., Ltd.)
No.2 Takaracho, Kanagawa-ku, Yokohama-
shi, Kanagawa-ken, Japan
(141) 2023 10 02

(111) M 2013 23527 R
(151) 2013 03 27
(732) Nissan Jidosha Kabushiki Kaisha
(also trading as Nissan Motor Co., Ltd.)

No.2 Takaracho, Kanagawa-ku, Yokohama-shi, Kanagawa-ken, Japan
(141) 2023 10 02

(111) M 2013 23528 R
(151) 2013 03 27
(732) Nissan Jidosha Kabushiki Kaisha
(also trading as Nissan Motor Co., Ltd.)
No.2 Takaracho, Kanagawa-ku, Yokohama-shi, Kanagawa-ken, Japan
(141) 2023 10 02

(111) M 2013 23530 R
(151) 2013 03 27
(732) Kireç Ve Tuğla Kimya Sanayi
Anonim Şirketi
Kayseri-Ankara Karayolu 60, KM., Kalaba, Avanos-Neveşehir, Türkiye
(141) 2023 10 02

(111) M 2013 23531 R
(151) 2013 03 27
(732) Hercules Incorporated
Hercules Plaza, 1313 North Market Street, Wilmington, Delaware 19894-0001, USA
(141) 2023 10 02

(111) M 2013 23533 R
(151) 2013 03 27
(732) Levan Alavidze
Ip. Khvichia St. 17, ap. 12, 0160, Tbilisi, Georgia
(141) 2023 10 02

(111) M 2013 23534 R
(151) 2013 03 27
(732) Levan Alavidze
Ip. Khvichia St. 17, ap. 12, 0160, Tbilisi, Georgia
(141) 2023 10 02

(111) M 2013 23540 R
(151) 2013 03 27
(732) LTD "Sky Travel"
VI. Gabashvili St. 3, ap. 33, 0112, Tbilisi, Georgia
(141) 2023 10 02

(111) M 2013 23542 R
(151) 2013 03 28
(732) Harrington Development Inc.
Elvira Mendez Street, Vallarino bldg., 3rd Floor, Panama, Republic of Panama

(141) 2023 10 02

(111) M 2013 23543 R
(151) 2013 03 28
(732) Harrington Development Inc.
Elvira Mendez Street, Vallarino bldg., 3rd Floor, Panama, Republic of Panama
(141) 2023 10 02

(111) M 2013 23544 R
(151) 2013 03 28
(732) Harrington Development Inc.
Elvira Mendez Street, Vallarino bldg., 3rd Floor, Panama, Republic of Panama
(141) 2023 10 02

(111) M 2013 23545 R
(151) 2013 03 28
(732) Harrington Development Inc.
Elvira Mendez Street, Vallarino bldg., 3rd Floor, Panama, Republic of Panama
(141) 2023 10 02

(111) M 2013 23546 R
(151) 2013 03 28
(732) LTD "Chokhatauri Matsne"
N. Dumbadze St. 27, 4900, Chokhatauri Region, Georgia
(141) 2023 10 02

(111) M 2013 23473 R
(151) 2013 03 18
(732) LLC "Bulgartabac Holding Group FIZ"
Poti FIZ (Former Harbor Extension Development Zone), Plot Inner No.: 1B-7T/68, 4400, Poti, Georgia
(141) 2023 09 26

(111) M 2013 23475 R
(151) 2013 03 25
(732) Techno Tronics Gulf
Jebel Ali Free Zone, Dubai, United Arab Emirates
(141) 2023 09 29

(111) M 2013 23476 R
(151) 2013 03 25
(732) LTD "Eurolux"
Lilo Settlement, V qu, bld. 2, ap. 108, 0198, Tbilisi, Georgia
(141) 2023 09 29

(111) M 2013 23478 R
(151) 2013 03 25
(732) Giorgi Dakishvili
Vill. Shalauri, Telavi Region, 2200, Georgia
(141) 2023 09 29

(111) M 2013 23479 R
(151) 2013 03 25
(732) LTD "Zaza"
E. Bezhanishvili St. 1, bld. 23, ap. 28, 0192,
Gldani-Nadzaladevi District, Tbilisi, Georgia
(141) 2023 09 29

(111) M 2013 23480 R
(151) 2013 03 25
(732) LTD "Zaza"
E. Bezhanishvili St. 1, bld. 23, ap. 28, 0192,
Gldani-Nadzaladevi District, Tbilisi, Georgia
(141) 2023 09 29

(111) M 2006 16521 R
(210) 33347
(732) LTD "PSP Pharma"
Davit Agmashenebeli Av., 148, 0112,
Tbilisi, Georgia
(141) 2023 09 26 – List of goods and/or services
canceled by court decision
(511) 32, 33
Grounds: The Law of Georgia on Enforcement
Proceedings, Article 2(a); The Law of Georgia on
Trademarks, Articles 27.4 and 27.5.

CLASSIFICATION INDEXES

INVENTIONS

CONCORDANCE TABLE OF INTERNATIONAL CLASSIFICATION INDEX AND PUBLICATION NUMBERS

INTERNATIONAL CLASSIFICATION INDEXES (51)	NUMBER OF PUBLISHED APPLICATION (10)
A 61 K 31/506; A 61 K 31/4709; A 61 P 31/06; C 07 D 409/14; C 07 D 405/14; C 07 D 401/14; C 07 D 401/04	AP 2023 16014 A
A 61 P 35/00; C 07 D 519/00; C 07 D 487/04	AP 2023 15897 A
B 01 J 23/00; F 01 N 3/00	AP 2023 16037 A
E 04 H 6/06	AP 2023 16038 A
F 25 D 3/10; G 01 N 27/00; G 01 N 29/00; G 01 R 33/00	AP 2023 15753 A

CONCORDANCE TABLE OF PUBLICATION NUMBERS AND INTERNATIONAL CLASSIFICATION INDEX

NUMBER OF PUBLISHED APPLICATION (10)	INTERNATIONAL CLASSIFICATION INDEXES (51)
AP 2023 15753 A	F 25 D 3/10; G 01 N 27/00; G 01 N 29/00; G 01 R 33/00
AP 2023 15897 A	A 61 P 35/00; C 07 D 519/00; C 07 D 487/04
AP 2023 16014 A	A 61 K 31/506; A 61 K 31/4709; A 61 P 31/06; C 07 D 409/14; C 07 D 405/14; C 07 D 401/14; C 07 D 401/04
AP 2023 16037 A	B 01 J 23/00; F 01 N 3/00
AP 2023 16038 A	E 04 H 6/06

CONCORDANCE TABLE OF INTERNATIONAL CLASSIFICATION INDEX, PATENT NUMBERS AND PUBLICATION NUMBERS

INTERNATIONAL CLASSIFICATION INDEX (51)	NUMBER OF PATENT (11)	NUMBER OF PUBLISHED APPLICATION (10)
A 01 N 25/04; A 01 N 25/30; A 01 N 43/54; A 01 N 43/56; A 01 N 43/78; A 01 N 43/80; A 01 P 3/00	P 2023 7551 B	AP 2023 15766 A
A 23 B 4/027; A 23 L 17/30	P 2023 7545 B	AP 2023 15696 A
A 61 M 1/34	P 2023 7550 B	AP 2023 15715 A
A 61 P 25/28; A 61 P 29/00; A 61 P 35/00; A 61 P 9/00; C 07 D 487/04; C 07 D 519/00	P 2023 7548 B	AP 2023 15551 A
B 61 H 1/00; F 16 D 69/00; F 16 D 65/06	P 2023 7552 B	AP 2023 15527 A
C 23 C 14/28; H 01 L 21/203	P 2023 7547 B	AP 2023 15728 A
C 25 D 3/04; G 01 N 27/28	P 2023 7549 B	AP 2023 15234 A
E 02 F 9/28	P 2023 7546 B	AP 2023 15783 A
G 09 B 19/06	P 2023 7553 B	AP 2023 15989 A

**CONCORDANCE TABLE OF PATENT NUMBERS,
PUBLICATION NUMBERS AND INTERNATIONAL CLASSIFICATION INDEX**

NUMBER OF PATENT (11)	NUMBER OF PUBLISHED APPLICATION (10)	INTERNATIONAL CLASSIFICATION INDEX (51)
P 2023 7545 B	AP 2023 15696 A	A 23 B 4/027; A 23 L 17/30
P 2023 7546 B	AP 2023 15783 A	E 02 F 9/28
P 2023 7547 B	AP 2023 15728 A	C 23 C 14/28; H 01 L 21/203
P 2023 7548 B	AP 2023 15551 A	A 61 P 25/28; A 61 P 29/00; A 61 P 35/00; A 61 P 9/00; C 07 D 487/04; C 07 D 519/00
P 2023 7549 B	AP 2023 15234 A	C 25 D 3/04; G 01 N 27/28
P 2023 7550 B	AP 2023 15715 A	A 61 M 1/34
P 2023 7551 B	AP 2023 15766 A	A 01 N 25/04; A 01 N 25/30; A 01 N 43/54; A 01 N 43/56; A 01 N 43/78; A 01 N 43/80; A 01 P 3/00
P 2023 7552 B	AP 2023 15527 A	B 61 H 1/00; F 16 D 69/00; F 16 D 65/06
P 2023 7553 B	AP 2023 15989 A	G 09 B 19/06

**CONCORDANCE TABLE OF APPLICATION NUMBERS,
PUBLICATION NUMBERS AND PATENTS**

NUMBER OF APPLICATION (21)	NUMBER OF PUBLISHED APPLICATION (10)	NUMBER OF PATENT (11)
AP 2019 15234	AP 2023 15234 A	P 2023 7549 B
AP 2019 15527	AP 2023 15527 A	P 2023 7552 B
AP 2019 15551	AP 2023 15551 A	P 2023 7548 B
AP 2019 15696	AP 2023 15696 A	P 2023 7545 B
AP 2020 15715	AP 2023 15715 A	P 2023 7550 B
AP 2021 15728	AP 2023 15728 A	P 2023 7547 B
AP 2020 15766	AP 2023 15766 A	P 2023 7551 B
AP 2020 15783	AP 2023 15783 A	P 2023 7546 B
AP 2022 15989	AP 2023 15989 A	P 2023 7553 B

APPLICATION***

**CONCORDANCE TABLE OF INTERNATIONAL CLASSIFICATION INDEX
AND PUBLICATION NUMBERS**

INTERNATIONAL CLASSIFICATION INDEXES (51)	NUMBER OF PUBLISHED APPLICATION (10)
A 61 K 9/20; A 61 K 9/00; A 61 K 31/40; A 61 P 1/04	AP 2023 16269 A
A 61 K 31/506; A 61 P 11/00; A 61 P 11/06; C 07 D 491/048	AP 2023 16283 A
A 61 K 51/10; C 07 D 413/14	AP 2023 16335 A
C 04 B 111/10; C 04 B 111/27; C 04 B 28/14; C 04 B 40/00	AP 2023 16290 A
F 41 J 11/00; F 41 J 5/00	AP 2023 16317 A

**CONCORDANCE TABLE OF PUBLICATION NUMBERS
AND INTERNATIONAL CLASSIFICATION INDEX**

NUMBER OF PUBLISHED APPLICATION (10)	INTERNATIONAL CLASSIFICATION INDEXES (51)
AP 2023 16269 A	A 61 K 9/20; A 61 K 9/00; A 61 K 31/40; A 61 P 1/04
AP 2023 16283 A	A 61 K 31/506; A 61 P 11/00; A 61 P 11/06; C 07 D 491/048
AP 2023 16290 A	C 04 B 111/10; C 04 B 111/27; C 04 B 28/14; C 04 B 40/00
AP 2023 16317 A	F 41 J 11/00; F 41 J 5/00
AP 2023 16335 A	A 61 K 51/10; C 07 D 413/14

UTILITY MODELS

**CONCORDANCE TABLE OF INTERNATIONAL CLASSIFICATION INDEX
AND PUBLICATION NUMBERS**

INTERNATIONAL CLASSIFICATION INDEXES (51)	NUMBER OF PUBLISHED APPLICATION (10)
A 23 F 3/00	AU 2023 16196 U
B 24 D 3/10	AU 2023 16092 U

**CONCORDANCE TABLE OF PUBLICATION NUMBERS
AND INTERNATIONAL CLASSIFICATION INDEX**

NUMBER OF PUBLISHED APPLICATION (10)	INTERNATIONAL CLASSIFICATION INDEXES (51)
AU 2023 16092 U	B 24 D 3/10
AU 2023 16196 U	A 23 F 3/00

**CONCORDANCE TABLE OF INTERNATIONAL CLASSIFICATION INDEX,
PATENT NUMBERS AND PUBLICATION NUMBERS**

INTERNATIONAL CLASSIFICATION INDEX (51)	NUMBER OF PATENT (11)	NUMBER OF PUBLISHED APPLICATION (10)
C 01 B 31/08; C 02 F 1/28	U 2023 2156 Y	AU 2023 15667 U

**CONCORDANCE TABLE OF PATENT NUMBERS,
PUBLICATION NUMBERS AND INTERNATIONAL CLASSIFICATION INDEX**

NUMBER OF PATENT (11)	NUMBER OF PUBLISHED APPLICATION (10)	INTERNATIONAL CLASSIFICATION INDEX (51)
U 2023 2156 Y	AU 2023 15667 U	C 01 B 31/08; C 02 F 1/28

**CONCORDANCE TABLE OF APPLICATION NUMBERS,
PUBLICATION NUMBERS AND PATENTS**

NUMBER OF APPLICATION (21)	NUMBER OF PUBLISHED APPLICATION (10)	NUMBER OF PATENT (11)
AU 2021 15667	AU 2023 15667 U	U 2023 2156 Y

DESIGNS

**CONCORDANCE TABLE OF INTERNATIONAL CLASSIFICATION INDEX
AND PUBLICATION NUMBERS**

INTERNATIONAL CLASSIFICATION INDEXES (51)	NUMBER OF PUBLISHED APPLICATION (10)
06-02	AD 2023 1306 S
11-01	AD 2023 1302 S

**CONCORDANCE TABLE OF PUBLICATION NUMBERS
AND INTERNATIONAL CLASSIFICATION INDEX**

NUMBER OF PUBLISHED APPLICATION (10)	INTERNATIONAL CLASSIFICATION INDEXES (51)
AD 2023 1302 S	11-01
AD 2023 1306 S	06-02

**CONCORDANCE TABLE OF INTERNATIONAL CLASSIFICATION INDEX,
NUMBERS OF REGISTRATION AND PUBLICATION NUMBERS**

INTERNATIONAL CLASSIFICATION INDEX (51)	NUMBER OF REGISTRATION (11)	NUMBER OF PUBLISHED APPLICATION (10)
32-01	D 2023 981 S	AD 2023 1297 S

**CONCORDANCE TABLE OF NUMBERS OF REGISTRATION,
PUBLICATION NUMBERS AND INTERNATIONAL CLASSIFICATION INDEX**

NUMBER OF REGISTRATION (11)	NUMBER OF PUBLISHED APPLICATION (10)	INTERNATIONAL CLASSIFICATION INDEX (51)
D 2023 981 S	AD 2023 1297 S	32-01

CONCORDANCE TABLE OF APPLICATION NUMBERS,
PUBLICATION NUMBERS AND NUMBERS OF REGISTRATION

NUMBER OF APPLICATION (21)	NUMBER OF PUBLISHED APPLICATION (10)	NUMBER OF REGISTRATION (11)
AD 2023 1297	AD 2023 1297 S	D 2023 981 S

**DESIGNS REGISTERED ACCORDING TO THE ACCELERATED
PROCEDURE**

CONCORDANCE TABLE OF INTERNATIONAL CLASSIFICATION INDEX
AND PUBLICATION NUMBERS

INTERNATIONAL CLASSIFICATION INDEXES (51)	NUMBER OF REGISTRATION (11)
25-03	D 2023 980 S

CONCORDANCE TABLE OF PUBLICATION NUMBERS
AND INTERNATIONAL CLASSIFICATION INDEX

NUMBER OF REGISTRATION (11)	INTERNATIONAL CLASSIFICATION INDEXES (51)
D 2023 980 S	25-03

CONCORDANCE TABLE OF APPLICATION NUMBERS,
PUBLICATION NUMBERS AND PATENTS

NUMBER OF APPLICATION (21)	NUMBER OF REGISTRATION (11)
AD 2023 1312	D 2023 980 S

TRADEMARKS

CONCORDANCE TABLE OF REGISTRATION NUMBERS, APPLICATION NUMBERS, PUBLICATION NUMBERS AND BULLETIN NUMBERS

NUMBER OF REGISTRATION (111)	NUMBER OF APPLICATIONS (210)	NUMBER OF PUBLISHED APPLICATIONS (260)	NUMBER OF BULLETIN
1	2	3	4
M 2023 37323 R	AM 124604	–	19(622)2023
M 2023 37324 R	AM 124710	–	19(622)2023
M 2023 37325 R	AM 124711	–	19(622)2023
M 2023 37326 R	AM 124532	–	19(622)2023
M 2023 37327 R	AM 124531	–	19(622)2023
M 2023 37328 R	AM 124706	–	19(622)2023
M 2023 37329 R	AM 124715	–	19(622)2023
M 2023 37330 R	AM 124714	–	19(622)2023
M 2023 37331 R	AM 120260	AM 2023 120260 A	11(614)2023
M 2023 37332 R	AM 119904	AM 2023 119904 A	11(614)2023
M 2023 37333 R	AM 119809	AM 2023 119809 A	9(612)2023
M 2023 37334 R	AM 124781	–	19(622)2023
M 2023 37335 R	AM 120335	AM 2023 120335 A	11(614)2023
M 2023 37336 R	AM 119615	AM 2023 119615 A	8(611)2023
M 2023 37337 R	AM 118933	AM 2023 118933 A	5(608)2023
M 2023 37338 R	AM 118936	AM 2023 118936 A	5(608)2023
M 2023 37339 R	AM 118935	AM 2023 118935 A	5(608)2023
M 2023 37340 R	AM 118937	AM 2023 118937 A	5(608)2023
M 2023 37341 R	AM 118938	AM 2023 118938 A	5(608)2023
M 2023 37342 R	AM 118939	AM 2023 118939 A	5(608)2023
M 2023 37343 R	AM 118531	AM 2023 118531 A	5(608)2023
M 2023 37344 R	AM 118663	AM 2023 118663 A	5(608)2023
M 2023 37345 R	AM 119611	AM 2023 119611 A	10(613)2023
M 2023 37346 R	AM 119580	AM 2023 119580 A	11(614)2023
M 2023 37347 R	AM 119900	AM 2023 119900 A	11(614)2023
M 2023 37348 R	AM 119901	AM 2023 119901 A	11(614)2023
M 2023 37349 R	AM 119902	AM 2023 119902 A	11(614)2023
M 2023 37350 R	AM 119903	AM 2023 119903 A	11(614)2023
M 2023 37351 R	AM 119676	AM 2023 119676 A	9(612)2023
M 2023 37352 R	AM 119178	AM 2023 119178 A	6(609)2023
M 2023 37353 R	AM 119773	AM 2023 119773 A	9(612)2023
M 2023 37354 R	AM 119485	AM 2023 119485 A	9(612)2023
M 2023 37355 R	AM 120235	AM 2023 120235 A	11(614)2023
M 2023 37356 R	AM 119794	AM 2023 119794 A	11(614)2023
M 2023 37357 R	AM 119610	AM 2023 119610 A	10(613)2023
M 2023 37358 R	AM 119607	AM 2023 119607 A	10(613)2023
M 2023 37359 R	AM 119086	AM 2023 119086 A	11(614)2023
M 2023 37360 R	AM 119085	AM 2023 119085 A	11(614)2023
M 2023 37361 R	AM 124791	–	19(622)2023
M 2023 37362 R	AM 120040	AM 2023 120040 A	11(614)2023
M 2023 37363 R	AM 120034	AM 2023 120034 A	11(614)2023
M 2023 37364 R	AM 120044	AM 2023 120044 A	11(614)2023
M 2023 37365 R	AM 120035	AM 2023 120035 A	11(614)2023
M 2023 37366 R	AM 120038	AM 2023 120038 A	11(614)2023
M 2023 37367 R	AM 120039	AM 2023 120039 A	11(614)2023
M 2023 37368 R	AM 120037	AM 2023 120037 A	11(614)2023

1	2	3	4
M 2023 37369 R	AM 120043	AM 2023 120043 A	11(614)2023
M 2023 37370 R	AM 120036	AM 2023 120036 A	11(614)2023
M 2023 37371 R	AM 120337	AM 2023 120337 A	11(614)2023
M 2023 37372 R	AM 119769	AM 2023 119769 A	11(614)2023
M 2023 37373 R	AM 120147	AM 2023 120147 A	12(615)2023
M 2023 37374 R	AM 119176	AM 2023 119176 A	6(609)2023
M 2023 37375 R	AM 119100	AM 2023 119100 A	10(613)2023
M 2023 37376 R	AM 119188	AM 2023 119188 A	7(610)2023
M 2023 37377 R	AM 120033	AM 2023 120033 A	11(614)2023
M 2023 37378 R	AM 119103	AM 2023 119103 A	7(610)2023
M 2023 37379 R	AM 119105	AM 2023 119105 A	7(610)2023
M 2023 37380 R	AM 120522	AM 2023 120522 A	12(615)2023
M 2023 37381 R	AM 120241	AM 2023 120241 A	11(614)2023
M 2023 37382 R	AM 120239	AM 2023 120239 A	12(615)2023
M 2023 37383 R	AM 119680	AM 2023 119680 A	10(613)2023
M 2023 37384 R	AM 120433	AM 2023 120433 A	12(615)2023
M 2023 37385 R	AM 119691	AM 2023 119691 A	8(611)2023

CONCORDANCE TABLE OF PUBLICATION NUMBERS
AND APPLICATION NUMBERS

NUMBER OF PUBLISHED APPLICATION (260)	NUMBER OF APPLICATION (210)	1	2
1	2	AM 2023 121771 A	AM 121771
AM 2023 118760 A	AM 118760	AM 2023 121773 A	AM 121773
AM 2023 120441 A	AM 120441	AM 2023 121848 A	AM 121848
AM 2023 120442 A	AM 120442	AM 2023 121849 A	AM 121849
AM 2023 121519 A	AM 121519	AM 2023 121906 A	AM 121906
AM 2023 121530 A	AM 121530	AM 2023 121908 A	AM 121908
AM 2023 121531 A	AM 121531	AM 2023 121916 A	AM 121916
AM 2023 121536 A	AM 121536	AM 2023 121918 A	AM 121918
AM 2023 121648 A	AM 121648	AM 2023 121919 A	AM 121919
AM 2023 121658 A	AM 121658	AM 2023 121920 A	AM 121920
AM 2023 121659 A	AM 121659	AM 2023 121922 A	AM 121922
AM 2023 121660 A	AM 121660	AM 2023 121928 A	AM 121928
AM 2023 121661 A	AM 121661	AM 2023 121929 A	AM 121929
AM 2023 121667 A	AM 121667	AM 2023 121937 A	AM 121937
AM 2023 121672 A	AM 121672	AM 2023 122006 A	AM 122006
AM 2023 121723 A	AM 121723	AM 2023 122007 A	AM 122007
AM 2023 121729 A	AM 121729	AM 2023 122018 A	AM 122018
AM 2023 121731 A	AM 121731	AM 2023 122019 A	AM 122019
AM 2023 121737 A	AM 121737	AM 2023 122026 A	AM 122026
AM 2023 121738 A	AM 121738	AM 2023 122039 A	AM 122039
AM 2023 121740 A	AM 121740	AM 2023 122106 A	AM 122106
AM 2023 121745 A	AM 121745	AM 2023 122107 A	AM 122107
AM 2023 121746 A	AM 121746	AM 2023 122108 A	AM 122108
AM 2023 121747 A	AM 121747	AM 2023 122109 A	AM 122109
AM 2023 121762 A	AM 121762	AM 2023 122116 A	AM 122116
AM 2023 121764 A	AM 121764	AM 2023 122128 A	AM 122128
		AM 2023 122204 A	AM 122204
		AM 2023 122206 A	AM 122206

CONCORDANCE TABLE OF INDEX OF GOODS AND/OR SERVICES
AND APPLICATION NUMBERS

INDEX OF GOODS AND/OR SERVICES (511)	NUMBER OF PUBLISHED APPLICATIONS (260)	1	2
1	2		
1	AM 2023 121764 A	17	AM 2023 121764 A
1	AM 2023 121928 A	18	AM 2023 121667 A
2	AM 2023 121764 A	19	AM 2023 121764 A
5	AM 2023 121530 A	20	AM 2023 121667 A
5	AM 2023 121531 A	20	AM 2023 121764 A
5	AM 2023 121773 A	26	AM 2023 121764 A
5	AM 2023 121848 A	27	AM 2023 121764 A
5	AM 2023 121906 A	27	AM 2023 122018 A
5	AM 2023 121908 A	27	AM 2023 122019 A
5	AM 2023 121916 A	28	AM 2023 121764 A
5	AM 2023 121918 A	29	AM 2023 121764 A
5	AM 2023 121919 A	29	AM 2023 121937 A
5	AM 2023 121920 A	29	AM 2023 122204 A
5	AM 2023 121929 A	30	AM 2023 122007 A
5	AM 2023 122039 A	30	AM 2023 122026 A
5	AM 2023 122108 A	30	AM 2023 122106 A
5	AM 2023 122109 A	30	AM 2023 122204 A
6	AM 2023 121764 A	31	AM 2023 121658 A
7	AM 2023 121659 A	31	AM 2023 121764 A
7	AM 2023 121660 A	31	AM 2023 121937 A
7	AM 2023 121661 A	32	AM 2023 118760 A
7	AM 2023 121745 A	32	AM 2023 121937 A
7	AM 2023 121746 A	33	AM 2023 121648 A
7	AM 2023 121747 A	33	AM 2023 121729 A
7	AM 2023 121764 A	33	AM 2023 121849 A
9	AM 2023 121519 A	33	AM 2023 121937 A
9	AM 2023 121659 A	33	AM 2023 122128 A
9	AM 2023 121660 A	34	AM 2023 121519 A
9	AM 2023 121661 A	34	AM 2023 121731 A
9	AM 2023 121672 A	34	AM 2023 122006 A
9	AM 2023 121764 A	35	AM 2023 121737 A
9	AM 2023 122107 A	35	AM 2023 121738 A
10	AM 2023 121764 A	35	AM 2023 121740 A
11	AM 2023 121519 A	35	AM 2023 121848 A
11	AM 2023 121745 A	35	AM 2023 121849 A
11	AM 2023 121746 A	35	AM 2023 122007 A
11	AM 2023 121747 A	36	AM 2023 121737 A
11	AM 2023 121764 A	36	AM 2023 121738 A
12	AM 2023 121667 A	36	AM 2023 121740 A
12	AM 2023 121764 A	41	AM 2023 120441 A
12	AM 2023 121771 A	41	AM 2023 120442 A
12	AM 2023 122018 A	41	AM 2023 121922 A
12	AM 2023 122019 A	41	AM 2023 122116 A
13	AM 2023 121764 A	42	AM 2023 120441 A
15	AM 2023 121764 A	42	AM 2023 120442 A
16	AM 2023 121762 A	42	AM 2023 122107 A
16	AM 2023 121922 A	43	AM 2023 121536 A
		43	AM 2023 121723 A
		43	AM 2023 122206 A
		45	AM 2023 121764 A

CONCORDANCE TABLE OF INDEX OF GOODS AND/OR SERVICES
AND NUMBERS OF TRADEMARKS REGISTERED ACCORDING
TO THE ACCELERATED PROCEDURE

INDEX OF GOODS AND/OR SERVICES (511)	NUMBERS OF REGISTERED ACCORDING TO THE ACCELERATED PROCEDURE (111)
3	M 2023 37334 R
4	M 2023 37323 R
16	M 2023 37323 R
31	M 2023 37330 R
32	M 2023 37329 R
32	M 2023 37330 R
33	M 2023 37329 R
33	M 2023 37330 R
34	M 2023 37326 R
34	M 2023 37327 R
39	M 2023 37361 R
43	M 2023 37324 R
43	M 2023 37325 R
43	M 2023 37328 R

OFFICIAL BULLETIN OF THE INDUSTRIAL PROPERTY

INVENTIONS

UTILITY MODELS

DESIGNS

TRADEMARKS

19(622)

EDITOR-IN-CHIEF: N. Bebrishvili

EDITOR-TRANSLATOR: E. Gabunia

PROOFREADER: A. Shikhashvili

COMPUTER LAYOUT: M. Ordenidze
K. Svanidze

ISSN 2720-8486

info@sakpatenti.gov.ge
www.sakpatenti.gov.ge