

Official Bulletin of the Industrial Property

Inventions

Utility Models

Designs

Trademarks



საქართველოს ინტელექტუალური
საკუთრების ეროვნული ცენტრი

საქპატენტი

SAKPATENTI

NATIONAL INTELLECTUAL PROPERTY
CENTER OF GEORGIA

www.sakpatenti.gov.ge

Date of Publication – 2022 10 25

20(599)

INID CODES FOR IDENTIFICATION OF BIBLIOGRAPHIC DATA

INVENTIONS, UTILITY MODELS

- (10) Number of publication for application, which has been examined
- (11) Number of patent and kind of document
- (21) Serial number of application
- (22) Date of filing of the application
- (23) Date of exhibition or the date of the earlier filing and the number of application, if any
- (24) Date from which patent may have effect
- (31) Number of priority application
- (32) Date of filing of priority application
- (33) Code of the country or regional organization allotting priority application number
- (44) Date of publication of application not granted, but examined and number of bulletin
- (45) Date of publication of registered document
- (51) International Patent Classification Index

- (54) Title of the invention
- (57) Abstract
- (60) Number of examined patent document granted by foreign patent office, date from which patent has effect and country code
- (62) Number of the earlier application and in case of divided application, date of filing an application
- (71) Name, surname and address of applicant (country code)
- (72) Name, surname of inventor (country code)
- (73) Name, surname and address of patent owner (country code)
- (74) Name, surname of representative or patent attorney
- (85) Date of commencement of the national phase of International Application
- (86) Number and date of filing of international application
- (87) Number and date of publication of international application
- (94) Calculated date of expiry of the SPC or the duration of the SPC

DESIGNS

- (10) Number of publication for application
- (11) Number of patent and kind of document or number of registration
- (15) Date of registration/Date of patent renewal
- (18) Expected expiration date of patent or registration
- (21) Serial number of application
- (22) Date of filing of the application
- (23) Date of exhibition or the date of the earlier filing and the number of application, if any
- (24) Date from which patent may have effect
- (28) Number of designs included in the application
- (30) Data relating to priority (number of application, date of filing of application, two-letter code identifying the authority with whom the priority application was made)
- (31) Number of priority application
- (32) Date of filing of priority application
- (33) Code of the country or regional organization allotting priority application number
- (34) Two-letter code according to WIPO St.3 identifying the authority with which the priority application was made
- (44) Date of publication of design and number of bulletin (the first publication)
- (45) Date of publication of design registered by WIPO and number of bulletin

- (51) International Classification for designs (class and subclass of the Locarno Classification)
- (54) Title of the invention
- (55) Reproduction of the design
- (57) Description of characteristic features of the design including indication of colors
- (58) Date of recording of any kind of amendment in the Register
- (62) Number of the earlier application, registration and document number and if available the date of filing an application in case of divided application
- (71) Name, surname and address of applicant (country code)
- (72) Name, surname of creator (country code)
- (73) Name, surname and address of patent owner (country code)
- (74) Name, surname of representative or patent attorney
- (81) Contracting states concerned
 - II designated contracting states according to the 1960 Act
 - III designated contracting states according to the 1999 Act
- (85) Owner's permanent address
- (86) Owner's nationality
- (87) Owner's residence
- (88) State in which the owner has a real and effective industrial or commercial establishment

TRADEMARKS

- (111) - Number of registration
- (151) - Date of registration
- (156) - Date of the renewal
- (181) - Expected expiration date of registration
- (186) - Renewal expiration date of registration
- (141) - Date of cancel of duration of the mark
- (210) - Serial number of application
- (220) - Date of filing of the application
- (230) - Data concerning exhibition
- (260) - Number of application, for which favorable decision of examination about registration has been taken (publication number)
- (310) - Number of the first application
- (320) - Date of filing of the first application
- (330) - Code, identifying national or regional Office where the first application was made
- (511) - International Classification of Goods and Services for the purposes of registration of trade marks and/or list of goods and/or services classified according thereto
- (526) - Disclaimer
- (531) - Description of figurative elements of Trade Marks according to the International Classification of the Figurative Elements of Marks

- (540) - Reproduction of Trade Mark
- (550) - Nature and kind of Trade Mark
- (551) - Indication to the effect that the mark is a collective mark, a certification mark or a guarantee mark
- (554) - Three-dimensional mark
- (580) - Date of recording of any kind changes in respect of applications or registrations
- (591) - Information concerning colors claimed
- (731) - Name and address of the applicant
- (732) - Name and address of the holder of the registration
- (740) - Name and address of the representative
- (750) - Addreses for correspondence
- (770) - Name and address of the previous applicant or holder in case of change in ownership
- (771) - Previous name and address of the applicant or holder in case of change in ownership
- (791) - Name and address of the licensee
- (793) - Indication of conditions and/or restrictions under the license (Type of license, number of license agreement, data of license, data of validity of license)
- (800) - Certain data relating to the international registration of Trade Marks under the Protocol Relating to Madrid Agreement (International registration number
- (852) - Partial cancellation of the list of goods and services
- (891) - Date of subsequent designation

CODES FOR PUBLICATION IN BULLETIN

- (21) AP 0000 000000 - serial number of application for invention
- (10) AP 0000 0000 A - number of published application for invention (first publication)
- (11) P 0000 0000 B - number of patent for invention (second publication)
- (21) API 0000 000000 - number of application for imported patent
- (11) PI 0000 0000 A - number of imported patent (first publication)
- (21) AU 0000 000000 - serial number of application for utility model
- (10) AU 0000 000 U - number of published application for utility model (first publication)
- (11) U 0000 000 Y - number of patent for utility model (second publication)
- (21) AD 0000 000000 - serial number of application for design
- (10) AD 0000 000 S - number of published application for design (first publication)
- (11) D 0000 000 S - registered design

INTERNATIONAL PATENT CLASSIFICATION FOR INVENTIONS AND UTILITY MODELS

- SECTION A - HUMAN NECESSITIES
- SECTION B - PERFORMING OPERATIONS; TRANSPORTING
- SECTION C - CHEMISTRY; METALLURGY
- SECTION D - TEXTILES; PAPER
- SECTION E - FIXED CONSTRUCTIONS
- SECTION F - MECHANICAL ENGINEERING; LIGHTING; HEATING; WEAPONS; BLASTING
- SECTION G - PHYSICS
- SECTION H - ELECTRICITY

-
- M - Trade Mark
 - (210) AM 0000 000000 - Serial number of application;
 - (260) AAM 0000 00000 A - Publication number of application;
 - (111) M 0000 00000 R - Number of registration;
 - (111) MMM0000 00000 Rn - Number of renewals, in which n=1,2,3;
 - (111) M 0000 00000 R(P) - Number of registration under partial assignment of rights
-

Official Bulletin of the Industrial Property

Inventions

Utility Models

Designs

Trademarks

CONTENT

PUBLISHED TITLES OF PROTECTION	3
INVENTIONS	
▪ APPLICATIONS APPROVED FOR GRANTING PATENT	4
▪ PATENTED INVENTIONS	8
UTILITY MODELS	
PATENTED UTILITY MODELS	11
DESIGNS	
▪ APPLICATIONS APPROVED FOR REGISTRATION	12
▪ REGISTERED DESIGN	16
▪ DESIGNS, WHICH HAVE BEEN REGISTERED WITH THE INTERNATIONAL BUREAU CLAIMING PRIORITY ON THE TERRITORY OF GEORGIA	17
TRADEMARKS	
▪ APPLICATIONS FILED UNDER THE NATIONAL PROCEDURE APPROVED FOR REGISTRATION	24
▪ REGISTERED TRADEMARKS	29
▪ TRADEMARKS REGISTERED ACCORDING TO THE ACCELERATED PROCEDURE	34
▪ INTERNATIONAL TRADEMARKS FOR WHICH A DECISION ON GRANTING PROTECTION IS TAKEN	38
▪ INTERNATIONAL TRADEMARKS PROTECTED IN GEORGIA	92
OFFICIAL NOTIFICATIONS	
INVENTIONS	
▪ RESTORATION OF PATENT	103
▪ ABOLITION OF PATENTS WITH THE RIGHT TO RESTORE	103
▪ EXPIRATION OF TERMS OF PATENTS RESTORATION	105
▪ TRANSFER OF RIGHTS	106
▪ CHANGE OF NAME AND/OR ADDRESS OF PATENT OWNER	107
▪ CORRECTION OF PUBLISHED INFORMATION	107
DESIGNS	
▪ EXTENSION OF TERMS OF DESIGNS REGISTRATION	108
▪ CANCELLATION OF DESIGN REGISTRATION	108
TRADEMARKS	
▪ EXTENSION OF TERMS OF TRADEMARKS REGISTRATION	109
▪ COMPLETE TRANSFER OF RIGHTS	111
▪ CHANGES OF NAMES AND/OR ADDRESSES OF TRADEMARKS OWNERS	112
▪ CANCELLATION OF TRADEMARKS REGISTRATION	114
CLASSIFICATION INDEXES	
INVENTIONS	118
UTILITY MODELS	119
DESIGNS	121
TRADEMARKS	122

PUBLISHED TITLES OF PROTECTION

INVENTIONS

- **APPLICATIONS APPROVED FOR GRANTING PATENT:**
15490; 15711; 15745; 15523; 15600; 15306; 15867; 15316; 15547; 15707
- **PATENTED INVENTIONS:**
7426-7434

UTILITY MODELS

- **PATENTED UTILITY MODELS:**
2134, 2135

DESIGNS

- **APPLICATIONS APPROVED FOR REGISTRATION:**
1267; 1269
- **REGISTERED DESIGN:**
947
- **DESIGNS, WHICH HAVE BEEN REGISTERED WITH THE INTERNATIONAL BUREAU CLAIMING PRIORITY ON THE TERRITORY OF GEORGIA:**
222498; 219996; 219629; 219997

TRADEMARKS

- **APPLICATIONS FILED UNDER THE NATIONAL PROCEDURE APPROVED FOR REGISTRATION:**
114913*; 115858; 116225; 116950-116952; 116954, 116955; 116986; 116988; 117073, 117074; 117087; 117104, 117105; 117108; 117168, 117169; 117266; 117268-117271; 117274; 117320; 117443, 117444
- **REGISTERED TRADEMARKS:**
17630P; 36022-36057; 36075-36089
- **TRADEMARKS REGISTERED ACCORDING TO THE ACCELERATED PROCEDURE:**
36021; 36058-36074
- **INTERNATIONAL TRADEMARKS FOR WHICH A DECISION ON GRANTING PROTECTIONS IS TAKEN:**
114578; 115270; 115824, 115825; 115949; 116013; 116028; 116030; 116036, 116037; 116039-116041; 116044-116046; 116052; 116057-116059; 116061-116064; 116087; 116089-116093; 116104-116111; 116113-116123; 116125; 116135-116140; 116142, 116143; 116172-116178; 116180-116185; 116187-116204; 116206-116212; 116275; 116348-116350; 116352-116356; 116364; 116368-116370; 116372-116377; 116441; 116469-116471; 116598-116601; 116603, 116604; 116871, 116872; 116913, 116914; 116916; 116918; 116920
- **INTERNATIONAL TRADEMARKS PROTECTED IN GEORGIA:**
107140; 107381; 111143; 112211; 113542; 114503; 114573; 114636, 114637; 114639-114644; 114705; 114781, 114782; 114784-114786; 114843; 114855-114861; 114868, 114869; 114877-114880; 114950; 114953; 114955; 115035; 115037; 115040-115042; 115044; 115047-115050; 115052-115055; 115057-115065; 115095; 115145; 115147; 115155; 115172, 115173; 115175-115178; 115182; 115184-115188; 115192-115199; 115251; 115253; 115301; 115362-115375; 115386, 115387; 115389-115391; 115394, 115395; 115457, 115458; 115474; 115478; 115546, 115547; 115549, 115550; 115553; 115555, 115556; 115558-115560; 115562-115565; 115578, 115579; 115621; 115623-115626; 115699; 115709-115712; 115714; 115716-115718; 115791-115796; 115800; 115831; 115833; 115836, 115837; 115839; 115903; 116038; 116042

INVENTIONS

APPLICATIONS APPROVED FOR GRANTING PATENT

The decision can be appealed at the Chamber of Appeal of Sakpatenti within 3 months from the publication or at the Mtskheta District Court Administrative Cases Board (Address: №17, Samkhedro St., Mtskheta), within 1 month following the publication.

PART A

A 47

(10) AP 2022 15490 A (51) Int. Cl. (2006)
A 47 J 31/18
A 47 J 31/42

(21) AP 2019 15490 (22) 2019 05 15

(31) 2018 028

(32) 2018 09 10

(33) LT

(71) WAB "Aparata" (LT)
155-19 Šiauliai, Vilnius, LT-76352,
Lithuania (LT)

(72) KLEISMANTAS, Giedrius (LT)

(74) Irakli Gvilia

(85) 2020 11 13

(86) PCT/IB2019/054020, 2019 05 15

(54) AUTOMATIC COFFEE AND TEA MAKER

(57) Automatic coffee and tea maker includes: dosing and supplying tea coupage, coffee beans, milk and condiment devices (7,9,17,15) and the containers (8,10,18,16,20) intended therefor, water pump (11), water heater (12), vapor generator (13), coffee and tea making module (3), coffee and tea portion preparation device (4), main control unit (2), and a monitor having control panel (1). Automatic maker has vapor flow control valve (14), and main control unit (2) is equipped with additional control unit (2a).

Claims: 2 independents

2 dependents

Fig.: 2

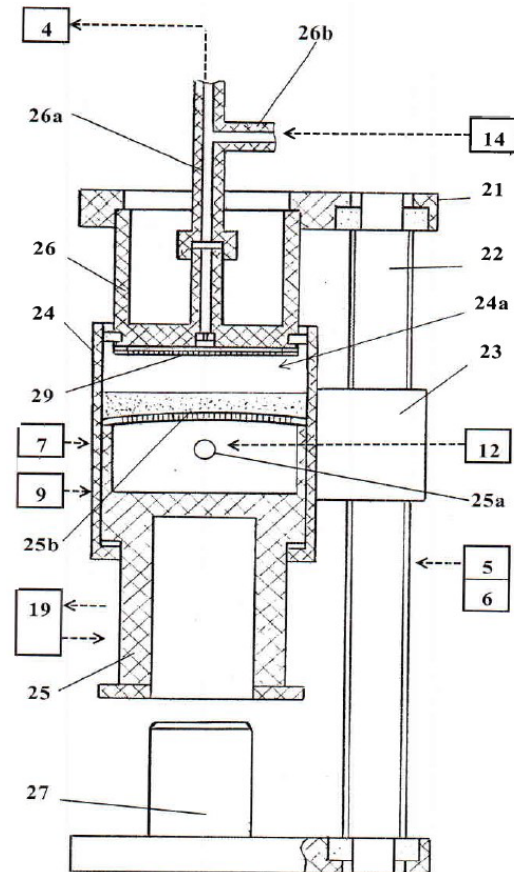


Fig. 2

(10) AP 2022 15711 A (51) Int. Cl. (2006)
A 47 L 9/28
A 61 L 2/20
G 05 D 1/00

(21) AP 2021 15711 (22) 2021 08 02

(71) Zaali Pachkoria (GE)

Mshvidoba Ave. 102, Sokhumi, Georgia (GE)

(72) Zaali Pachkoria (GE)

(74) Shalva Gvaramadze

(54) DISINFECTION ROBOT WITH AIR
HUMIDIFIER AND OZONATOR

(57) Disinfection robot with air humidifier and ozonator includes on-off button, loudspeaker, anti-collision ultrasonic and environmental sensors, manipulator, brushless motors, 220-24 V converter, computer, cable self-winding device equipped, in its turn, with toothed plug-cable, self-switching device

channel and motor, wheels for balance, accumulators, air intake fan. The device is additionally equipped with cameras, air humidifier, ozone conducting tube, ozone utilization tube having charcoal filter, a guide, ozone generator, and the HEPA filter. All components are controlled by computer; and they are switched to each other so that be capable to bring the ozone content and humidity up to conditional indicator by the environmental sensors.

Claims: 1 independent

Fig.: 3

A 61

(10) AP 2022 15745 A (51) Int. Cl. (2006)

A 61 K 8/04

A 61 K 8/43

A 61 K 8/60

A 61 Q 11/00

(21) AP 2020 15745 (22) 2020 02 27

(31) 102019000003009

(32) 2019 03 01

(33) IT

(71) CURASEPT A.D.S. S.R.L. (IT)

Via Giuseppe Parini 19A, 21047, Saronno,
Italy (IT)

(72) BOIOCCHI, Lorenzo Emiliano (IT)

(74) Shalva Gvaramadze

(85) 2021 10 01

(86) PCT/EP2020/055199, 2020 02 27

(54) ORAL CARE PRODUCT

(57) Sodium DNA is used for the treatment of chlorhexidine side effects. At that, said side effects cause change of oral mucosae cellular structure.

Claims: 1 independent

15 dependents

Fig.: 7

(10) AP 2022 15523 A (51) Int. Cl. (2006)

A 61 K 31/4178

A 61 P 11/00

A 61 P 37/00

C 07 D 403/12

(21) AP 2019 15523 (22) 2019 05 22

(31) 2018119193

(32) 2018 05 24

(33) RU

(71) Pharmenterprises Allergy LLC (RU)

Bolshoj Blvrd., 42, bldg. 1, 2nd fl., Office Space
771, Skolkovo Innovation Centre, 12105,
Moscow, Russian Federation (RU)

(72) NEBOLSIN, Vladimir Evgenievich (RU)

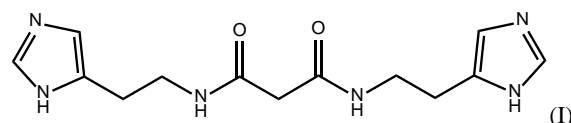
(74) Shalva Gvaramadze

(85) 2020 12 21

(86) PCT/RU2019/050066, 2019 05 22

(54) USE OF MALONIC ACID BISAMIDE DERIVATIVE FOR TREATING ALLERGIC AND OTHER DISEASES IN HUMANS AND ANIMALS

(57) Compound of formula (I)



is used for prevention and/or therapy of disorders selected from itching and allergic diseases.

Claims: 5 independents

2 dependents

(10) AP 2022 15600 A (51) Int. Cl. (2006)

A 61 K 31/437

A 61 K 9/08

A 61 K 9/00

A 61 P 25/20

(21) AP 2019 15600 (22) 2019 10 04

(31) 201821038060

(32) 2018 10 08

(33) IN

(71) Troikaa Pharmaceuticals Limited (IN)

Commerce House – 1, Satya Marg, Bodakdev,
Ahmedabad, 380054, India (IN)

(72) PATEL, Nisheel K. (IN);

PATEL, Ketan R. (IN);

PATEL, Milan R. (IN);

PATEL, Kush M. (IN);

PATEL, Asheel K. (IN)

(74) Nikoloz Gogilidze

(85) 2021 04 04

(86) PCT/IN2019/050734, 2019 10 04

(54) OROMUCOSAL SOLUTIONS OF ZOLPIDEM OR PHARMACEUTICALLY ACCEPTABLE SALTS THEREOF

(57) Anhydrous oromucosal solution contains zolpidem, suction booster, and anhydrous solvent system.

Claims: 1 independent

6 dependents

(10) AP 2022 15306 A (51) Int. Cl. (2006)

A 61 K 47/26

A 61 K 47/02

A 61 K 9/08

A 61 K 9/19

(21) AP 2018 15306 (22) 2018 09 06

(31) 17190117.6; 17207771.1

(32) 2017 09 08; 2017 12 15

(33) EP; EP

(71) Bayer Pharma Aktiengesellschaft (DE)

Müllerstraße 178, Berlin, 13353, Germany (DE);
Bayer Consumer Care AG (CH)

Peter-Merian-Str. 84 4002, Basel,
Switzerland (CH)

(72) JACOBS, Tia (DE);

FREUNDLIEB, Julia (DE)

(74) Tamar Kochlamazashvili

(85) 2020 04 03

(86) PCT/EP2018/073965, 2018 09 06

(54) FORMULATIONS OF COPANLISIB

(57) Stable medicinal form contains copanlisib, citric acid, sodium hydroxide, and mannitol.

Claims: 3 independents

9 dependents

Fig.: 4

PART B

B 29

(10) AP 2022 15867 A (51) Int. Cl. (2006)
B 29 C 53/20

B 29 C 43/02

(21) AP 2022 15867 (22) 2022 01 28

(71) Irakli Chantadze (GE)

Davit Aghmashenebeli Ave., bld. 179, ap. 5,
0112, Tbilisi, Georgia (GE);

Vakhtang Chantadze (GE)

Davit Aghmashenebeli Ave., bld. 179, ap. 5,
0112, Tbilisi, Georgia (GE)

(72) Irakli Chantadze (GE);

Vakhtang Chantadze (GE)

(54) METHOD AND EQUIPMENT FOR
MAKING RECTANGULAR GROOVES
FROM POLYMER MATERIAL PIPES

(57) A method provides cutting of polymeric pipe along a depicter, and disposition thereon a plug 2 placed into water tank 1; then, heating of pipe and created by cutting the ribs separation by a distaff, moving them in opposite directions, at first, and then, moving them towards each other, until said ribs are located along plug side surfaces; furthermore, cooling of II-shaped article to create final form of rectangular groove.

Claims: 2 independents

3 dependents

Fig.: 5

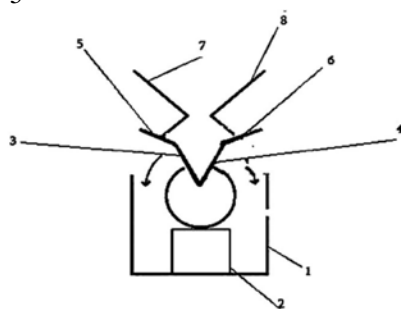


Fig. 3

PART C

C 07

(10) AP 2022 15316 A (51) Int. Cl. (2006)
C 07 K 16/24

(21) AP 2018 15316 (22) 2018 09 11

(31) 17191989.7

(32) 2017 09 19

(33) EP

(71) Tillotts Pharma AG (CH)

15, Baslerstrasse, 4310 Rheinfelden, Switzer-
land (CH)

(72) FURRER, Esther Maria (CH)

(74) Tamar Kochlamazashvili

(85) 2020 04 15

(86) PCT/EP2018/074522, 2018 09 11

(54) ANTIBODY VARIANTS

(57) Present invention relates to the antibodies containing TNF α -binding domain and FcRn-bind site having high affinity relative to human FcRn, on pH 6, and additionally – no affinity or low affinity relative to human FcRn, on pH 7.4. Said antibodies have good pharmacokinetic features, and are used for the treatment of inflammatory condition.

Claims: 5 independents

11 dependents

Fig.: 5

List of Sequences: 32 p.

PART E

E 01

(10) AP 2022 15547 A (51) Int. Cl. (2006)
E 01 F 15/04

(21) AP 2019 15547 (22) 2019 07 22

(31) A 50645/2018

(32) 2018 07 24

(33) AT

(71) Deltabloc International GMBH (AT)

Kirchdorfer Platz 1, 2752 Wöllersdorf-
Steinabrückl, Austria (AT)

(72) EDL, Thomas (AT);

LEHMANN, Stefan (AT)

(74) Shalva Gvaramadze

(85) 2021 02 01

(86) PCT/EP2019/069695, 2019 07 22

(54) VEHICLE RESTRAINT SYSTEM

(57) Vehicle restraint system (2) includes at least one stand (1), and at least one support barrier (4) fastened onto the stand by means of fastener (3). The stand (1) contains figured support (5) and the stiffness coils (6) placed therein, wherein support and coil are attached to each other by means of removable connecting

device (10). Figured support (5) has one narrow (7) and two wide (8) sides, and at least one fastener (3) is placed from narrow side of figured support (5) on at least one stand (1).

Claims: 1 independent

11 dependents

Fig.: 10

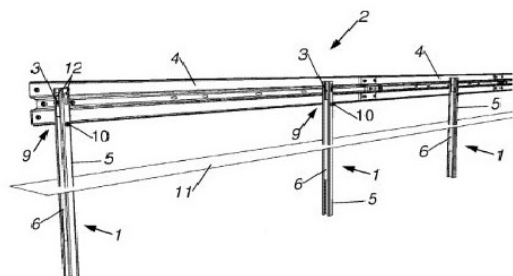


Fig. 1

PART G

G 01

(10) AP 2022 15707 A (51) Int. Cl. (2006)

G 01 J 3/00

(21) AP 2021 15707 (22) 2021 07 27

(71) National High Technology Centre of Georgia

LLC (GE)

P. Kavtaradze St. 46, 0186, Tbilisi, Georgia (GE)

(72) Vakhtang Betlemidze (GE);

Lamzira Parulava (GE);

Natia Mzareulishvili (GE)

(74) Tamar Nadiradze

(54) MASS-SPECTROMETRIC METHOD
FOR NITROGEN-15 ISOTOPE ATOMIC
FRACTION DETERMINATION IN
CYANOACETIC ACID

(57) A method for nitrogen-15 isotope atomic fraction determination directly in cyanoacetic acid provides mixing of sample therewith tungsten powder, in ratio 1:1, disposition thereon mass-spectrometric evaporator, evaporation and molecules ionization in ionizer with electrical bombing, ionized molecules separation in mass-spectrometric analyzer, received spectrum registration, received data researching in accordance to the ratio of m/z mass to charge, measuring the intensity of peaks whose m/z is equal to 86; 87; 88 and 67; 68; 69; 70, and nitrogen-15 isotope atomic part determination by means of given mathematical formulas. At that, nitrogen-15 isotope atomic part calculation in cyanoacetic acid can be provided by measuring of peaks the mass correlation with charge with $m/z=67; 68; 69; 70$ equation. Finally, nitrogen-15 isotope atomic fraction values calculated by two different mass lines are compared.

Claims: 1 independent

PATENTED IVENTIONS

PART A

A 23

- (11) P 2022 7427 B (51) Int. Cl. (2006)
A 23 F 3/00
- (10) AP 2022 15792 A (44) 12(591)/2022
- (21) AP 2021 15792
- (22) 2021 11 09
- (24) 2021 11 09
- (73) Bakhva Dolidze (GE)
I. Shemokmedeli Str. 32, 3500, Ozurgeti,
Georgia (GE);
Temur Revishvili (GE)
University Str. 9, ap. 13, Ozurgeti,
Georgia (GE);
Zurab Andghuladze (GE)
Ilia Chavchavadze Str. 10, ap. 2, Ozurgeti,
Georgia (GE);
Alu Gamakharia (GE)
Tavisupleba St., IV lane 33, Kutaisi,
Georgia (GE);
Zaza Papidze (GE)
Sulkhan-Saba Ave. 19/21, Kutaisi,
Georgia (GE);
Davit Rokva (GE)
Metsniereba St.14/24, Ozurgeti, Georgia (GE);
Mamuka Tskhvaradze (GE)
Ilia Chavchavadze Str. 7/37, Kutaisi,
Georgia (GE)
- (72) Bakhva Dolidze (GE);
Temur Revishvili (GE);
Zurab Andghuladze (GE);
Alu Gamakharia (GE);
Zaza Papidze (GE);
Davit Rokva (GE);
Mamuka Tskhvaradze (GE)
- (54) DEVICE FOR TEA LEAF ROASTING

A 61

- (11) P 2022 7431 B (51) Int. Cl. (2006)
A 61 K 9/00
A 61 K 31/7048
A 61 K 31/43
A 61 K 31/4184
A 61 P 31/04
- (10) AP 2022 15593 A (44) 13(592)/2022
- (21) AP 2019 15593
- (22) 2019 08 28
- (24) 2019 08 28
- (31) 10-2018-0102250
- (32) 2018 08 29

- (33) KR
- (86) PCT/KR2019/011017, 2019 08 28
- (73) Hk Inno.N Corporation (KR)
6F, 7F, 8F, 100, Eulji-ro, Jung-Gu, Seoul
04551, Republic of Korea (KR)
- (72) KIM, Bong Tae (KR);
KIM, Dongkyu (KR);
KIM, Eun Ji (KR);
LEE, Ji Won (KR);
OH, Kyeongmin (KR);
KIM, Ahrong (KR);
SONG, Geun Seog (KR);
RYU, Shin-Young (KR);
KIM, Eun Kyung (KR);
SHIN, Naree (KR);
KANG, Hyun Ji (KR);
KIM, Jae Min (KR);
PARK, Yu-Gyeong (KR);
JEONG, Haneul (KR)
- (74) Shalva Gvaramadze
- (54) COMPOSITION FOR ERADICATING
HELICOBACTER PYLORI

- (11) P 2022 7432 B (51) Int. Cl. (2006)
A 61 K 31/19
A 61 K 9/06
A 61 K 47/38
A 61 K 31/185
A 61 K 31/191
A 61 K 9/00
- (10) AP 2022 15586 A (44) 12(591)/2022
- (21) AP 2019 15586
- (22) 2019 08 28
- (24) 2019 08 28
- (31) 18191289.0
- (32) 2018 08 28
- (33) EP
- (86) PCT/EP2019/072926, 2019 08 28
- (73) Selo Medical GmbH (AT)
Moosham 29, 5585 Untertrenberg, Austria (AT)
- (72) Norbert Fuchs (AT)
- (74) Shalva Gvaramadze
- (54) THERAPY OF HIGH-RISK HUMAN
PAPILLOMAVIRUS INFECTIONS

- (11) P 2022 7429 B (51) Int. Cl. (2006)
A 61 K 31/53
A 61 P 35/00
C 07 D 487/04
- (10) AP 2022 15322 A (44) 10(589)/2022
- (21) AP 2018 15322
- (22) 2018 09 26
- (24) 2018 09 26

- (31) 62/564,070; 62/714,196
(32) 2017 09 27; 2018 08 03
(33) US; US
(86) PCT/US2018/052925, 2018 09 26
(73) Incyte Corporation (US)
1801 Augustine Cut-off Wilmington,
DE 19803, USA (US)
- (72) JIA, Zhongjiang (US);
WU, Yongzhong (US);
PAN, Yongchun (US);
ZHOU, Jiacheng (US);
LI, Qun (US)
- (74) Tamaz Shilakadze
- (54) SALTS OF PYRROLOTRIAZINE
DERIVATIVES USEFUL AS TAM
INHIBITORS
-
- (11) P 2022 7428 B (51) Int. Cl. (2006)
A 61 K 31/423
A 61 P 37/00
C 07 D 413/12
C 07 D 471/04
C 07 D 413/06
C 07 D 487/04
C 07 D 498/04
C 07 D 513/04
C 07 D 413/14
- (10) AP 2022 15134 A (44) 9(588)/2022
(21) AP 2017 15134
(22) 2017 12 21
(24) 2017 12 21
(31) 62/438,009; 62/487,336; 62/551,033
(32) 2016 12 22; 2017 04 19; 2017 08 28
(33) US; US; US
(86) PCT/US2017/067951, 2017 12 21
(73) Ncyte Corporation (US)
1801 Augustine Cut-Off Wilmington,
DE 19803, USA (US)
- (72) WU, Liangxing (US);
LI, Jingwei (US);
QI, Chao (US);
ZHANG, Fenglei (US);
LI, Zhenwu (US);
ZHU, Wenyu (US);
YU, Zhiyong (US);
XIAO, Kaijiong (US);
LU, Liang (US);
MEI, Song (US);
QIAN, Ding-Quan (US);
HE, Chunhong (US);
YE, Yingda (US);
XU, Meizhong (US);
YAO, Wenqing (US)
- (74) Tamaz Shilakadze
- (54) HETEROCYCLIC COMPOUNDS AS
IMMUNOMODULATORS
-
- (11) P 2022 7434 B (51) Int. Cl. (2006)
A 61 K 31/437
A 61 K 31/444
A 61 K 31/4196
A 61 P 35/00
C 07 D 471/04
- (10) AP 2022 15630 A (44) 12(591)/2022
(21) AP 2019 15630
(22) 2019 11 12
(24) 2019 11 12
(31) 62/767,602; 62/909,970
(32) 2018 11 15; 2019 10 03
(33) US; US
(86) PCT/IB2019/059702, 2019 11 12
(73) PFIZER INC (US)
235 East 42nd Street, New-York, NY 10017,
USA (US)
- (72) AHMAD, Omar Khaled (US);
DEL BEL, Matthew L. (US);
GALLEGO, Rebecca Anne (US);
HE, Mingying (US);
JALAIE, Mehran (US);
JOHNSON, Ted William (US);
KANIA, Robert Steven (US);
MCTIGUE, Michele Ann (US);
NAIR, Sajiv Krishnan (US);
SCHMITT, Anne-Marie Dechert (US);
TUTTLE, Jamison Bryce (US);
ZHOU, Ru (US);
ZHOU, Dahui (US)
- (74) Shalva Gvaramadze
- (54) 2,3-DIHYDRO-1H-PYRROLO[3,4-C]PYRIDIN-
1-ONE DERIVATIVES AS HPK1 INHIBI-
TORS FOR THE TREATMENT OF CANCER
-
- (11) P 2022 7433 B (51) Int. Cl. (2006)
A 61 P 35/00
C 07 D 401/14
C 07 D 405/14
C 07 D 487/04
C 07 D 498/04
- (10) AP 2022 15475 A (44) 13(592)/2022
(21) AP 2019 15475
(22) 2019 04 22
(24) 2019 04 22
(31) 62/663,096; 62/750,454; 62/826,609
(32) 2018 04 26; 2018 10 25; 2019 03 29
(33) US; US; US
(86) PCT/IB2019/053314, 2019 04 22
(73) Pfizer Inc. (US)
235 East 42nd Street, New York, NY 10017,
USA (US)
- (72) CHEN, Ping (US);
CHO-SCHULTZ, Sujin (US);
DEAL, Judith Gail (US);
GALLEGO, Gary Michael (US);
JALAIE, Mehran (US);
KANIA, Robert Steven (US);

NAIR, Sajiv Krishnan (US);
NINKOVIC, Sacha (US);
ORR, Suvi Tuula Marjukka (US);
PALMER, Cynthia Louise (US),
(74) Shalva Gvaramadze
(54) 2-AMINO-PYRIDINE OR 2-AMINO-PYRI-
MIDINE DERIVATIVES AS CYCLIN
DEPENDENT KINASE INHIBITORS

Tamar Bzhalava (GE)
Sulkhan Tsintsadze Str. 42, ap. 10, 0160,
Tbilisi, Georgia (GE)
(72) Lali Chakhvashvili (GE);
Tamar Berberashvili (GE);
Paata Kervalishvili (GE);
Tamar Bzhalava (GE)
(54) METHOD FOR VIRUSES VIBRATIO-
NAL FREQUENCY DETERMINATION

PART B

B 01

(11) P 2022 7430 B (51) Int. Cl. (2006)
B 01 J 20/18
C 02 F 1/28
C 02 F 1/64
(10) AP 2022 15408 A (44) 8(587)/2022
(21) AP 2020 15408
(22) 2020 08 14
(24) 2020 08 14
(73) Jemal Shengelia (GE)
Nutsubidze St. 2, ap. 9, 0177, Tbilisi,
Georgia (GE);
Guram Galogre (GE)
Tsinamdghvrishvili St. 91, Tbilisi,
Georgia (GE)
(72) Jemal Shengelia (GE);
Guram Galogre (GE)
(54) METHOD OF MAKING ZEOLITE
MODIFIED WITH MANGANESE
DIOXIDE CONTAINING FE³⁺ IONS

PART C

C 12

(11) P 2022 7426 B (51) Int. Cl. (2006)
C 12 M 1/34
(10) AP 2022 15657 A (44) 12(591)/2022
(21) AP 2021 15657
(22) 2021 06 09
(24) 2021 06 09
(73) Lali Chakhvashvili (GE)
Mukhiani II mcr., bld. 7, ap. 40, 0172, Tbilisi,
Georgia (GE);
Tamar Berberashvili (GE)
Al. Kazbegi Ave. 47, ap. 31, 0177, Tbilisi,
Georgia (GE);
Paata Kervalishvili (GE)
Panaskertel-Tsitsishvili Str. bld. 6, ap. 30,
0194, Tbilisi, Georgia (GE);

DESIGNS

APPLICATIONS APPROVED FOR REGISTRATION

The decision can be appealed at the Chamber of Appeal of Sakpatenti within 3 months from the publication or at the Mtskheta District Court Administrative Cases Board (Address: №17, Samkhedro str., Mtskheta), within 1 month following the publication.

(10) AD 2022 1267 S (51) 01-01

(21) AD 2022 1267

(22) 2022 05 16

(28) 3

(71) Marina Akhaladze (GE)

Chechelashvili St. 37, 4600, Kutaisi, Georgia (GE)

(72) Marina Akhaladze (GE)

(74) Mariam Gogitidze (GE)

(54) 1.-3. KHINKALI-SHAPED CHURCHKHELA

(55)



1.1



1.2



2.1



2.2

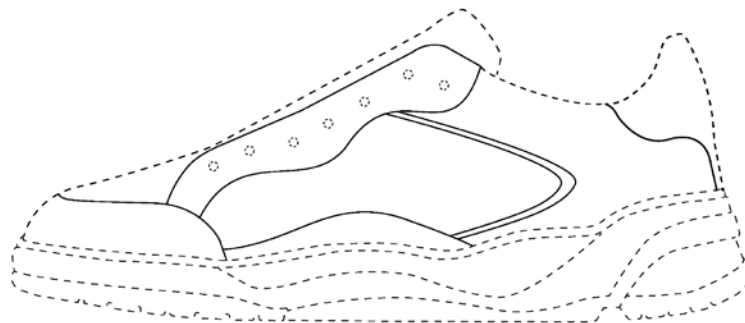


3.1

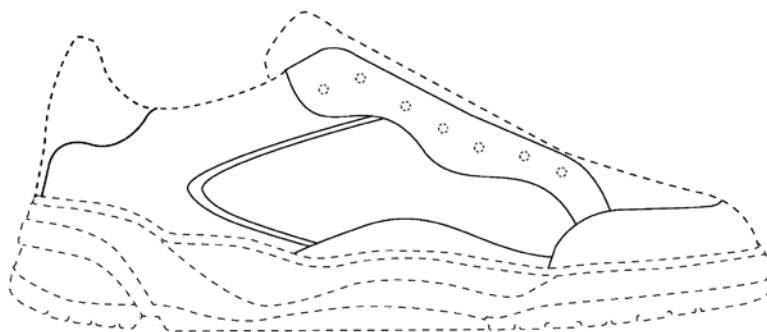


3.2

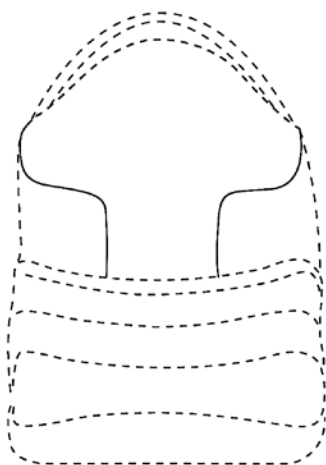
- (10) AD 2022 1269 S (51) 02-04
(21) AD 2022 1269 (22) 2022 06 17
(28) 2
(71) LTD "CROSS T GLOBAL" (GE)
N. Zhvania St. 2, Fl. 10, ap. 39 (Block №II), 0101, Old Tbilisi, Tbilisi, Georgia (GE)
(72) Giorgi Mikaia (GE)
(74) Giorgi Zhorzholiani (GE)
(54) SHOE
(55)



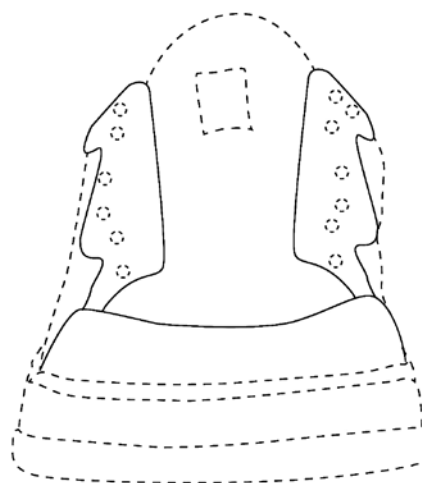
1.1



1.2

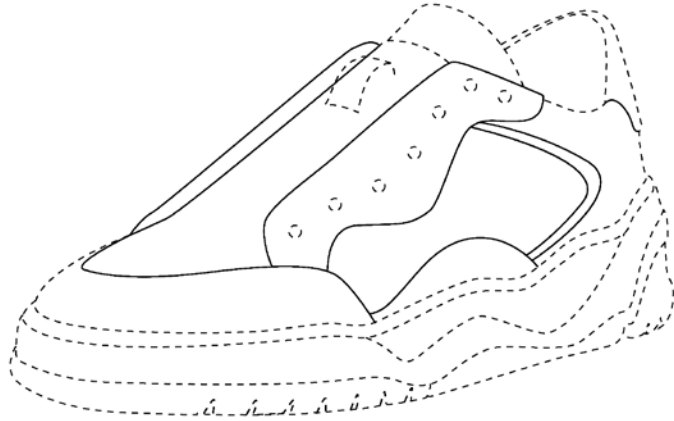


1.3

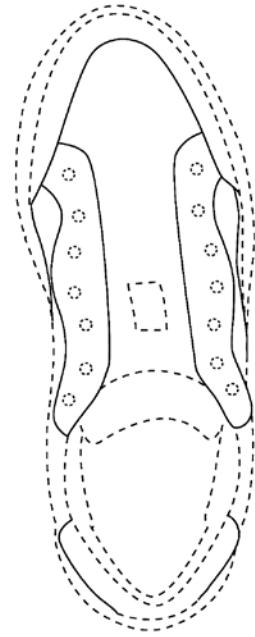


1.4

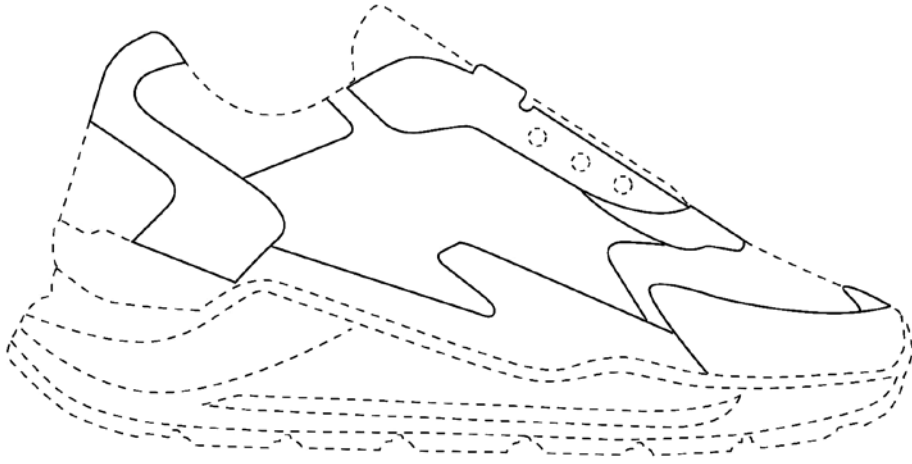
1.5



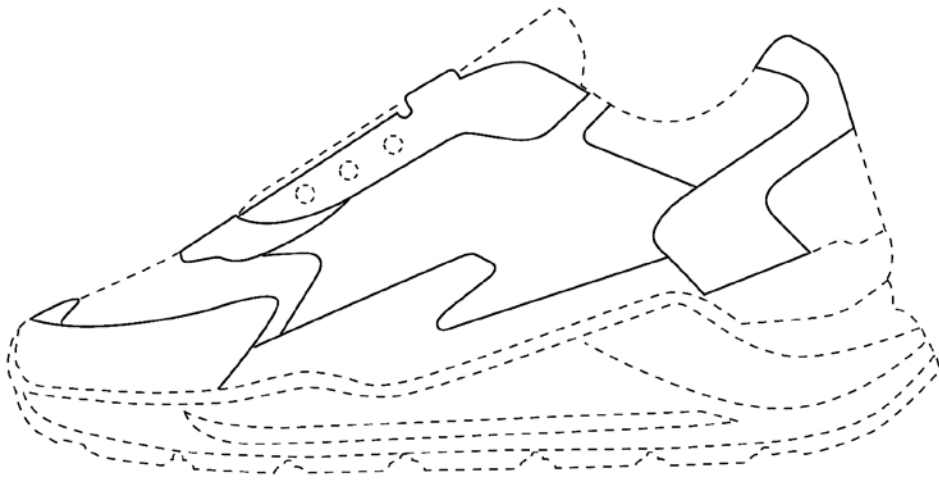
1.6

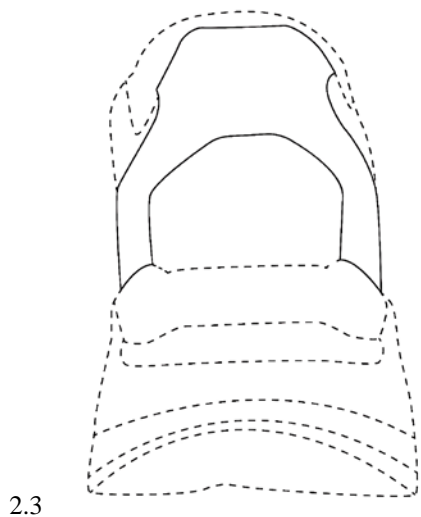


2.1

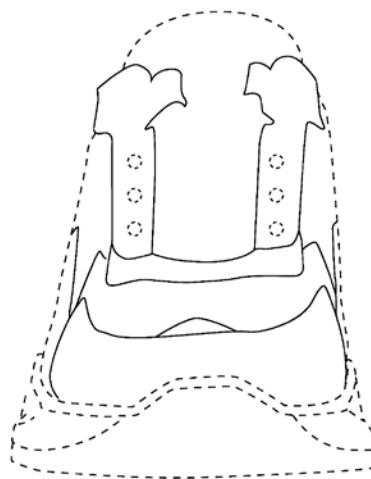


2.2





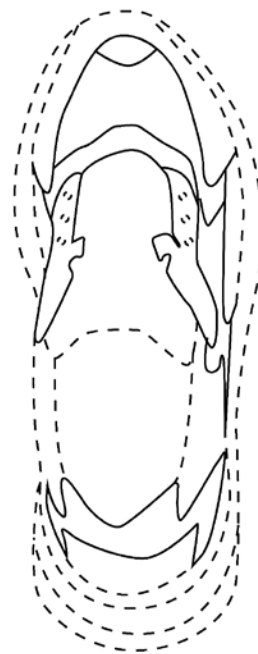
2.3



2.4



2.5



2.6

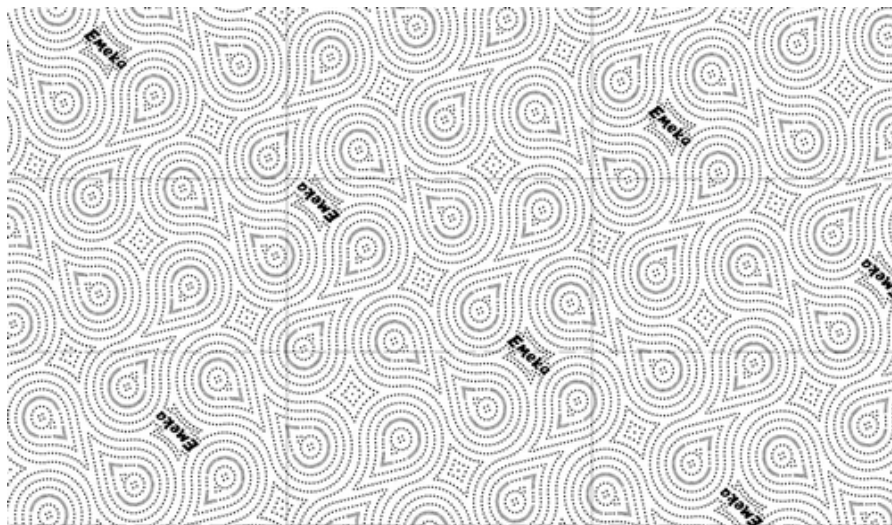
REGISTERED DESIGN

(11) D 2022 947 S (51) 21-01
(10) AD 2022 1257 S (44) 2022 06 27 №12
(21) AD 2022 1257
(22) 2022 01 25
(24) 2022 01 25
(28) 13
(18) 2027 01 25
(73) LTD "Zarapkhana" (GE)
 Lublyana St. 15, 0159, Tbilisi, Georgia (GE)
(72) Mikheil Darjania (GE)
(54) 1.-12. CHESS FIGURES; 13. CHESS SET

DESIGNS, WHICH HAVE BEEN REGISTERED WITH THE INTERNATIONAL BUREAU CLAIMING PRIORITY ON THE TERRITORY OF GEORGIA

The decision can be appealed at the Chamber of Appeal of Sakpatenti within 3 months from the publication or at the Mtskheta District Court Administrative Cases Board (Address: №17, Samkhedro St., Mtskheta), within 1 month following the publication.

- (11) DM/222 498 (51) 32-00
(15) 2022 06 17 (44) 32/2022 (2022 08 12)
(22) 2022 06 17
(28) 1
(73) FICOSOTA OOD
48 Madara Blvd, 9700 Shumen (BG)
(85) –
(86) –
(87) –
(88) BG
(89) BG
(81) III. AM, EM, GE, MD, MK, RS, TR, UA
(72) Giacomo Bianchi
Via di Isola 265 Picciorana, Lucca, Italy (IT)
(74) Maciej Bugalski
ul. Kierbedzia 6/20, 00-728 Warszawa, Poland (PL)
(46) 2022 08 12
(54) 1. SURFACE PATTERN
(55)



1.1

(11) DM/219 996

(51) 10-07

(15) 2022 03 11

(44) 37/2022 (2022 09 16)

(22) 2022 03 11

(28) 1

(73) Compagnie des Montres Longines, Francillon S.A. (Longines Watch Co. Francillon Ltd.)

Rue des Noyettes 8, 2610 St-Imier (CH)

(85) CH

(86) CH

(87) CH

(88) CH

(89) CH

(81) II. MA III. AL, AM, AZ, BA, BZ, CA, CH, EM, GB, GE, KG, KR, LI, MC, MD, ME, MK, MN, NO, OM, RU, SG, TN, TR, UA

(72) Gaïane DEMUR

c/o Compagnie des Montres Longines, Francillon S.A. Rue des Noyettes 8, 2610, Saint-Imier (CH)

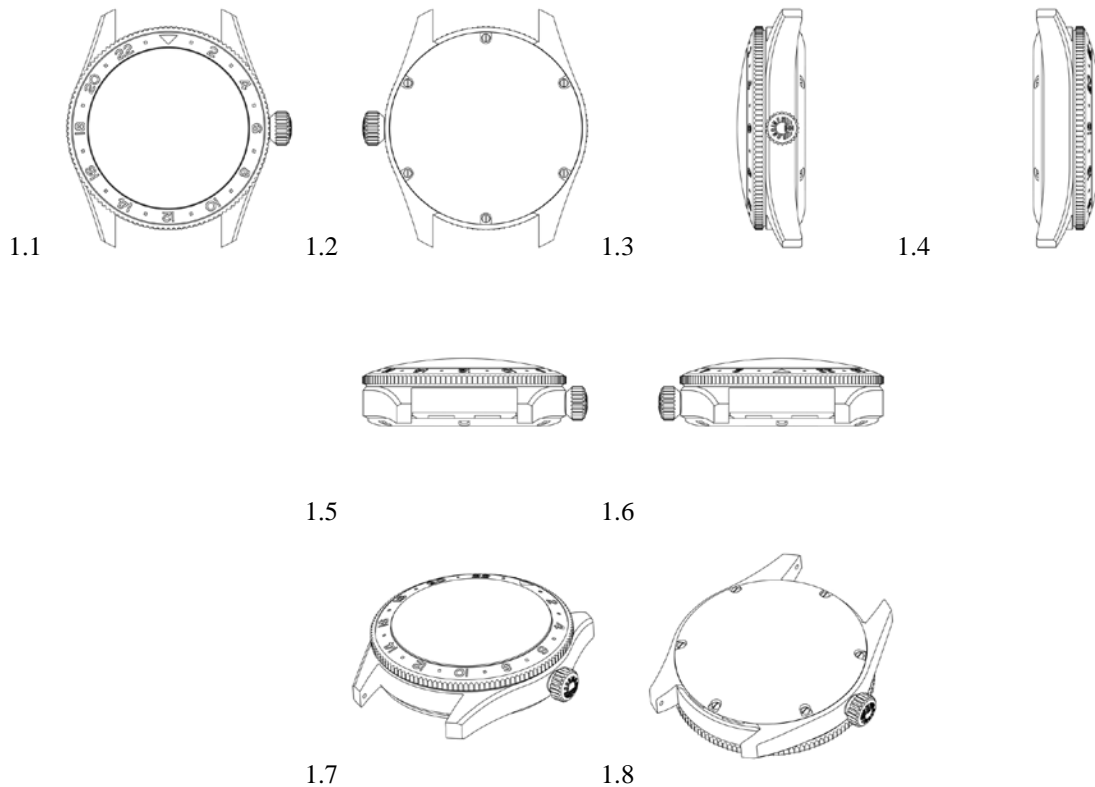
(74) The Swatch Group AG (The Swatch Group SA) (The Swatch Group Ltd.)

Faubourg du Lac 6, 2501 Biel/Bienne (CH)

(46) 2022 09 16

(54) 1. WATCH CASE

(55)



- (11) DM/219 629 (51) 11-01
(15) 2022 03 15 (44) 37/2022 (2022 09 16)
(22) 2022 03 15
(28) 1
(73) HARRY WINSTON SA
Chemin Du Tourbillon 8, 1228 Plan-les-Ouates (CH)
(85) CH
(86) CH
(87) CH
(88) CH
(89) CH
(81) II. MA III. AL, AM, AZ, BA, BZ, CA, CH, EM, GB, GE, KG, LI, MC, MD, ME, MK, MN, NO, OM, RU,
SG, TN, TR, UA
(72) Delphine ABDOURAHIM
C/o Harry Winston Inc. 718 Fifth Avenue, 10019, New York (US)
(74) The Swatch Group AG (The Swatch Group SA) (The Swatch Group Ltd.)
Faubourg Du Lac 6, 2501 Biel/Bienne (CH)
(46) 2022 09 16
(54) 1. NECKLACE
(55)



1.1



1.2



1.3



1.4



1.5



1.6



1.7



1.8

- (11) DM/219 997 (51) 11-01
(15) 2022 03 11 (44) 37/2022 (2022 09 16)
(22) 2022 03 11
(28) 2
(73) HARRY WINSTON SA
Chemin du Tourbillon 8, 1228 Plan-les-Ouates (CH)
(85) CH
(86) CH
(87) CH
(88) CH
(89) CH
(81) II. MA III. AL, AM, AZ, BA, BZ, CA, CH, EM, GB, GE, KG, LI, MC, MD, ME, MK, MN, NO, OM, SG,
TN, TR, UA
(72) Tobias WUEST
c/o Harry Winston Inc., 718 Fifth Avenue, 10019, New York, NY (US)
(74) The Swatch Group AG (The Swatch Group SA) (The Swatch Group Ltd.)
Faubourg du Lac 6, 2501 Biel/Bienne (CH)
(46) 2022 09 16
(54) 1. CHARM, 2. FINGER RING
(55)



1.1



1.2



1.3



1.4



1.5



1.6



1.7



1.8



TRADEMARKS

APPLICATIONS FILED UNDER THE NATIONAL PROCEDURE APPROVED FOR REGISTRATION

The decision can be appealed at the Chamber of Appeal of Sakpatenti within 3 months from the publication or at the Mtskheta District Court Administrative Cases Board (Address: №17, Samkhedro St., Mtskheta), within 1 month following the publication.

(260) AM 2022 114913 A*

(210) AM 114913

(220) 2021 10 11

(731) GABA International Holding GmbH
Grabetsmattweg, Therwil 4106, Switzerland

(740) Tamaz Shilakadze

(540)

**ELMEX NATURAL
BIO-ARGIN**

(591) Black-white

(511) 3

(260) AM 2022 115858 A

(210) AM 115858

(220) 2021 12 21

(731) N(N)LE "Georgian Rugby Union"
Chabua Amirejibi Highway 6, Point 6.00,
Office space 3, 0179, Tbilisi, Georgia

(540)



(591) Black-white

(531) 26.13.25; 27.05.04; 28.19

(511) 25, 28, 32, 33, 36, 41

(260) AM 2022 116225 A

(210) AM 116225

(220) 2022 01 14

(731) Levan Zhvania
Nutsubidze Plateau, III mcr., III qu., bld. 6,
ap. 15, 0183, Tbilisi, Georgia

(540)



(591) White, black, red, grey, brown, ivory

(531) 02.01.01; 19.09.02; 24.03.02; 24.03.16;

24.03.19; 25.01.10; 25.01.19; 28.19; 29.01.15

(526) Georgia, მცხეთა, ილია ჭავჭავაძის
პორტრეტი

(511) 33

(260) AM 2022 116950 A

(210) AM 116950

(220) 2022 03 04

(310) 5123939

(320) 2021 09 08

(330) IN

(731) Nissan Jidosha Kabushiki Kaisha
(Also Trading As Nissan Motor Co., LTD.)
No.2, Takara-cho, Kanagawa-ku, Yokohama-
shi, Kanagawa-ken, Japan

(540)

MAGNITE

(591) Black-white

(531) 27.05.01

(511) 12

(260) AM 2022 116951 A
 (210) AM 116951
 (220) 2022 03 04
 (310) 084925
 (320) 2021 11 12
 (330) JM
 (731) Nicoventures Holdings Limited
 Globe House, 1 Water Street, London, WC2R
 3LA, United Kingdom
 (740) Tamar Kochlamazashvili
 (540)

VUSE GO

(591) Black-white
 (511) 34

(260) AM 2022 116952 A
 (210) AM 116952
 (220) 2022 03 04
 (310) 085296
 (320) 2021 12 21
 (330) JM
 (731) Nicoventures Holdings Limited
 Globe House, 1 Water Street, London, WC2R
 3LA, United Kingdom
 (740) Tamar Kochlamazashvili
 (540)

VUSE GO MAX

(591) Black-white
 (511) 34

(260) AM 2022 116954 A
 (210) AM 116954
 (220) 2022 03 04
 (731) LTD "Kakhuri"
 Tbilisi Highway 1, Telavi, Georgia
 (540)

კახეთის სიამაყე Гордость Кახетии Pride of Kakheti

(591) Black-white
 (526) კახეთი, Кახეთი, Kakheti
 (511) 33, 35, 43

(260) AM 2022 116955 A
 (210) AM 116955
 (220) 2022 03 04
 (731) LTD "Kakhuri"
 Tbilisi Highway 1, Telavi, Georgia

(540)

კახეთის საიდუმლო Секрет Кახетии The secret of Kakheti

(591) Black-white
 (526) კახეთი, Кახეთი, Kakheti
 (511) 35, 43

(260) AM 2022 116986 A
 (210) AM 116986
 (220) 2022 03 09
 (731) Ape Foundation
 Whitehall Chambers, 2nd Floor Whitehall
 House, 238 North Church Street, P.O. Box
 31489, KY1-1206, George Town, Grand
 Cayman, Cayman Islands
 (740) Shalva Gvaramadze
 (540)

APECOIN

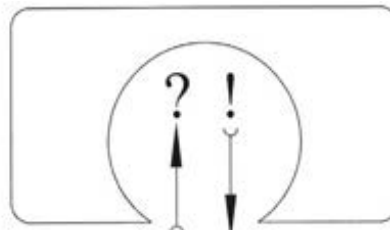
(591) Black-white
 (511) 9, 14, 16, 18, 24, 25, 27, 28, 32, 33, 35, 36, 38,
 41, 42, 43, 45

(260) AM 2022 116988 A
 (210) AM 116988
 (220) 2022 03 10
 (731) Fonterra Brands (Singapore) PTE Limited
 182 Cecil Street, #15-01 Frasers Tower,
 Singapore 069547, Singapore
 (740) Liliana Darakhvelidze
 (540)

COUNTRY SOFT

(591) Black-white
 (511) 29

(260) AM 2022 117073 A
 (210) AM 117073
 (220) 2022 03 15
 (731) Shota Tsikhelashvili
 Dighomi Array, V qu., bld. 20, ap. 42, 0159,
 Tbilisi, Georgia
 (540)



ბიზნესის დამხმარე პროგრამა „კვიანი გენერატორი“ (Business Advisor „Smart Generator“)

(591) Black-white
(531) 24.15.02; 24.17.04; 26.04.10
(511) 35

(260) AM 2022 117074 A
(210) AM 117074
(220) 2022 03 15
(731) LLC "Legal Firm VBAT"
Gizo Nishnianidze St. 1, ap. 11, 0105,
Tbilisi Georgia
(740) Tinatin Tskhvediani
(540)



(591) Black-white
(531) 26.03.23; 26.11.25; 27.05.04
(511) 45

(260) AM 2022 117087 A
(210) AM 117087
(220) 2022 03 16
(731) LLC "Advanced Medical Technologies and Service"
Ak. Beliashvili St. 83, Tbilisi, Georgia
(740) Natia Gogadze
(540)

მოწინავე სამედიცინო ტექნოლოგიები და სერვისი



Advanced Medical Technologies and Service

(591) FCF9F9 white, EF4040 red
(531) 24.13.01; 24.13.13; 29.01.01
(511) 10, 35, 39, 42, 44

(260) AM 2022 117104 A
(210) AM 117104
(220) 2022 03 17
(731) LLC "Impexpharm"
Giorgi Saakadze II Exit 17, 0160, Tbilisi,
Georgia
(740) Nugzar Ksovreli
(540)

Verezon

(591) Black-white
(511) 5

(260) AM 2022 117105 A
(210) AM 117105
(220) 2022 03 17
(731) Western Digital Technologies Inc.
5601 Great Oaks Parkway San Jose, California
95119, USA
(740) Tamaz Shilakadze
(540)



(591) Black-white
(531) 26.03.01; 26.03.04; 26.03.07; 26.03.24;
26.13.25
(511) 9, 16, 35, 42

(260) AM 2022 117108 A
(210) AM 117108
(220) 2022 03 17
(731) LLC "Producer Center Game-TV"
Kikodze St. 3, 0190, Tbilisi, Georgia
(740) Levan Nanobashvili
(540)

რა? სად? როდის?

(591) Black-white
(511) 41

(260) AM 2022 117168 A
(210) AM 117168
(220) 2022 03 18
(731) LTD "Bolero & Company"
Kuchishvili St. 12-14-16, fl. 6, 0179, Tbilisi,
Georgia
(540)

King Vakhtang

(591) Black-white
(511) 33

(260) AM 2022 117169 A
(210) AM 117169
(220) 2022 03 18
(731) LTD "Solar Georgia"
Guram Panjikidze St. 6, ap. 14, 0160, Tbilisi,
Georgia
(540)

ზედაველა

(591) Black-white
(511) 33

(260) AM 2022 117266 A
 (210) AM 117266
 (220) 2022 03 28
 (731) LTD "Gamo Digital"
 Davit Aghmashenebeli Av. 76/1, 0102,
 Chughureti District, Tbilisi, Georgia
 (540)



(591) 000000 black, E9FF08 yellow
 (531) 26.04.04; 26.04.16; 26.04.18; 26.13.25;
 27.05.01; 28.19; 29.01.12
 (511) 42

(260) AM 2022 117268 A
 (210) AM 117268
 (220) 2022 03 28
 (731) LTD "Kvareli Cellar"
 Vill. Chikaani, 4814, Kvareli, Georgia
 (740) Khatuna Imnadze
 (540)

SANCTUM

(591) Black-white
 (511) 33

(260) AM 2022 117269 A
 (210) AM 117269
 (220) 2022 03 28
 (731) LTD "Kvareli Cellar"
 Vill. Chikaani, 4814, Kvareli, Georgia
 (740) Khatuna Imnadze
 (540)

SUMMUM

(591) Black-white
 (511) 33

(260) AM 2022 117270 A
 (210) AM 117270
 (220) 2022 03 28
 (731) LTD "Kvareli Cellar"
 Vill. Chikaani, 4814, Kvareli, Georgia
 (740) Khatuna Imnadze
 (540)

AURUM

(591) Black-white
 (511) 33

(260) AM 2022 117271 A
 (210) AM 117271
 (220) 2022 03 28
 (731) LTD "Kvareli Cellar"
 Vill. Chikaani, 4814, Kvareli, Georgia
 (740) Khatuna Imnadze
 (540)

ORTUS

(591) Black-white
 (511) 33

(260) AM 2022 117274 A
 (210) AM 117274
 (220) 2022 03 29
 (731) LTD "Lavapi"
 Ilia Chavchavadze Av. 80, (plot 1/37),
 Commercial space 5, 0162, Tbilisi, Georgia
 (740) Valerian Jinjolava
 (540)



LavaPing

(591) White, dark lilac, yellow, orange, light lilac
 (531) 16.03.25; 29.01.14
 (511) 9, 42

(260) AM 2022 117320 A
 (210) AM 117320
 (220) 2022 04 08
 (731) LTD "Agrospace"
 Kalistrate Kutateladze St. 5, ap. 45, 0179,
 Tbilisi, Georgia
 (740) Giorgi Ghvinjilia
 (540)



(591) White, F9E4E4 pink, BC0302 red,
 006818 light green, 0C7A2 dark green
 (531) 05.03.15; 05.07.08; 26.01.15; 28.19; 29.01.13
 (511) 31

(260) AM 2022 117443 A

(210) AM 117443

(220) 2022 04 12

(731) Monoprix

14-16 rue Marc Bloch, 92110 CLICHY, France

(740) Shalva Gvaramadze

(540)

MONOPRIX

(591) Black-white

(511) 3, 8, 11, 16, 18, 20, 21, 24, 25, 26, 28, 29, 30,
31, 32, 33, 35

(260) AM 2022 117444 A

(210) AM 117444

(220) 2022 04 12

(731) Alkaloid AD Skopje

Blvd. Aleksandar Makedonski 12, Skopje,
1000, The Republic of North Macedonia

(740) Shalva Gvaramadze

(540)

DANQONA

(591) Black-white

(511) 5

REGISTERED TRADEMARKS

(111) M 2007 17630P R
 (151) 2007 07 12
 (181) 2027 07 12
 (260) AM 2022 119783 A
 (220) 2022 10 10
 (732) Ülker Bisküvi Sanayi Anonim Şirketi
 Kisikh Mahallesi, Ferah Gaddesi No. 1
 Büyükcamlıca, Üsküdar, İstanbul, Türkiye
 (511) 30

(111) M 2022 36022 R
 (151) 2022 10 06
 (181) 2032 10 06
 (260) AM 2021 114342 A
 (220) 2021 08 19
 (732) LTD "Bioplus"
 I. Noneshvili St. 65, 6000, Batumi, Georgia

(111) M 2022 36023 R
 (151) 2022 10 06
 (181) 2032 10 06
 (260) AM 2021 114414 A
 (220) 2021 08 26
 (732) Zarbi'z Inc.
 50 Old Field Road, Greenwich CT, 06830, USA

(111) M 2022 36024 R
 (151) 2022 10 06
 (181) 2032 10 06
 (260) AM 2021 114415 A
 (220) 2021 08 26
 (732) Zarbi'z Inc.
 50 Old Field Road, Greenwich CT, 06830, USA

(111) M 2022 36025 R
 (151) 2022 10 06
 (181) 2032 10 06
 (260) AM 2021 114416 A
 (220) 2021 08 26
 (732) Zarbi'z Inc.
 50 Old Field Road, Greenwich CT, 06830, USA

(111) M 2022 36026 R
 (151) 2022 10 06
 (181) 2032 10 06
 (260) AM 2021 114417 A
 (220) 2021 08 26
 (732) Zarbi'z Inc.
 50 Old Field Road, Greenwich CT, 06830, USA

(111) M 2022 36027 R
 (151) 2022 10 06
 (181) 2032 10 06
 (260) AM 2021 114470 A
 (220) 2021 08 30
 (732) LTD "Biopolus"
 Noneshvili St. 65, 6000, Batumi, Georgia

(111) M 2022 36028 R
 (151) 2022 10 06
 (181) 2032 10 06
 (260) AM 2021 114529 A
 (220) 2021 09 03
 (732) Quramax Limited U.K.
 Quramax Limited, Artisans House, 7
 Queensbridge Northampton NN4 7BF,
 United Kingdom

(111) M 2022 36029 R
 (151) 2022 10 06
 (181) 2032 10 06
 (260) AM 2021 114530 A
 (220) 2021 09 03
 (732) Quramax Limited U.K.
 Quramax Limited, Artisans House, 7
 Queensbridge Northampton NN4 7BF,
 United Kingdom

(111) M 2022 36030 R
 (151) 2022 10 06
 (181) 2032 10 06
 (260) AM 2021 114592 A
 (220) 2021 09 10
 (732) Nicholas Jonathan Michael Momprou
 116 Rezydencja Les Sabletes-28800
 Mohamedia-maroko, France

(111) M 2022 36031 R
 (151) 2022 10 06
 (181) 2032 10 06
 (260) AM 2021 114593 A
 (220) 2021 09 10
 (732) Nicholas Jonathan Michael Momprou
 116 Rezydencja Les Sabletes-28800
 Mohamedia-maroko, France

(111) M 2022 36032 R
 (151) 2022 10 06
 (181) 2032 10 06
 (260) AM 2021 114753 A

(220) 2021 09 29
(732) LTD "Palavani"
Shindisi Highway 19, Gori, Georgia

(111) M 2022 36033 R
(151) 2022 10 06
(181) 2032 10 06
(260) AM 2021 114900 A
(220) 2021 10 08
(732) LTD "Palavani"
Shindisi Highway 19, Gori, Georgia

(111) M 2022 36034 R
(151) 2022 10 06
(181) 2032 10 06
(260) AM 2021 114901 A
(220) 2021 10 08
(732) LTD "Palavani"
Shindisi Highway 19, Gori, Georgia

(111) M 2022 36035 R
(151) 2022 10 06
(181) 2032 10 06
(260) AM 2021 114902 A
(220) 2021 10 08
(732) LTD "Palavani"
Shindisi Highway 19, Gori, Georgia

(111) M 2022 36036 R
(151) 2022 10 06
(181) 2032 10 06
(260) AM 2021 114972 A
(220) 2021 10 15
(732) The Coca-Cola Company
One Coca-Cola Plaza, Atlanta,
GA 30313, USA

(111) M 2022 36037 R
(151) 2022 10 06
(181) 2032 10 06
(260) AM 2021 114973 A
(220) 2021 10 15
(732) Nino Melanashvili
Gldani, VI mcr., bld. 23, ap. 3, Tbilisi, Georgia

(111) M 2022 36038 R
(151) 2022 10 06
(181) 2032 10 06
(260) AM 2021 115239 A
(220) 2021 11 04
(732) JSC "TBC Bank"
Kote MarjaniShvili St. 7, 0102, Tbilisi, Georgia

(111) M 2022 36039 R
(151) 2022 10 06
(181) 2032 10 06
(260) AM 2021 115405 A
(220) 2021 11 15
(732) LLC "TR Real Estate"
I. Abashidze St. 65-67, ap. 15, Vake District,
Tbilisi, Georgia

(111) M 2022 36040 R
(151) 2022 10 06
(181) 2032 10 06
(260) AM 2021 115406 A
(220) 2021 11 15
(732) LLC "TR Real Estate"
I. Abashidze St. 65-67, ap. 15, Vake District,
Tbilisi, Georgia

(111) M 2022 36041 R
(151) 2022 10 06
(181) 2032 10 06
(260) AM 2021 115408 A
(220) 2021 11 15
(732) LLC "TR Real Estate"
I. Abashidze St. 65-67, ap. 15, Vake District,
Tbilisi, Georgia

(111) M 2022 36042 R
(151) 2022 10 06
(181) 2032 10 06
(260) AM 2021 115410 A
(220) 2021 11 15
(732) LLC "TR Georgia Project 2"
Chitadze St. 3 / Niaghvari St. 4, ap. 11,
Mtatsminda District, Tbilisi, Georgia

(111) M 2022 36043 R
(151) 2022 10 06
(181) 2032 10 06
(260) AM 2021 115411 A
(220) 2021 11 15
(732) LLC "TR Georgia Project 2"
Chitadze St. 3 / Niaghvari St. 4, ap. 11,
Mtatsminda District, Tbilisi, Georgia

(111) M 2022 36044 R
(151) 2022 10 06
(181) 2032 10 06
(260) AM 2021 115412 A
(220) 2021 11 15
(732) LLC "TR Georgia Project 2"
Chitadze St. 3 / Niaghvari St. 4, ap. 11,
Mtatsminda District, Tbilisi, Georgia

(111) M 2022 36045 R
(151) 2022 10 06
(181) 2032 10 06
(260) AM 2021 115414 A
(220) 2021 11 15
(732) LLC "TR Georgia Project 2"
Chitadze St. 3 / Niaghvari St. 4, ap. 11,
Mtatsminda District, Tbilisi, Georgia

(111) M 2022 36051 R
(151) 2022 10 06
(181) 2032 10 06
(260) AM 2021 115512 A
(220) 2021 11 22
(732) LLC "TR Georgia Project 2"
Chitadze St. 3 / Niaghvari St. 4, ap. 11,
Mtatsminda District, Tbilisi, Georgia

(111) M 2022 36046 R
(151) 2022 10 06
(181) 2032 10 06
(260) AM 2021 115415 A
(220) 2021 11 15
(732) LLC "TR Georgia Project 2"
Chitadze St. 3 / Niaghvari St. 4, ap. 11,
Mtatsminda District, Tbilisi, Georgia

(111) M 2022 36052 R
(151) 2022 10 06
(181) 2032 10 06
(260) AM 2021 115513 A
(220) 2021 11 22
(732) LLC "TR Real Estate"
Irakli Abashidze St. 65-67, ap. 15, Tbilisi,
Vake District, Georgia

(111) M 2022 36047 R
(151) 2022 10 06
(181) 2032 10 06
(260) AM 2021 115416 A
(220) 2021 11 15
(732) LLC "TR Georgia Project 2"
Chitadze St. 3 / Niaghvari St. 4, ap. 11,
Mtatsminda District, Tbilisi, Georgia

(111) M 2022 36053 R
(151) 2022 10 06
(181) 2032 10 06
(260) AM 2021 115514 A
(220) 2021 11 22
(732) LLC "TR Real Estate"
Irakli Abashidze St. 65-67, ap. 15, Tbilisi,
Vake District, Georgia

(111) M 2022 36048 R
(151) 2022 10 06
(181) 2032 10 06
(260) AM 2021 115418 A
(220) 2021 11 15
(732) LLC "TR Georgia Project 2"
Chitadze St. 3 / Niaghvari St. 4, ap. 11,
Mtatsminda District, Tbilisi, Georgia

(111) M 2022 36054 R
(151) 2022 10 06
(181) 2032 10 06
(260) AM 2021 115518 A
(220) 2021 11 23
(732) Dunhill Tobacco of London Limited
Globe House, 4 Temple Place, London,
WC2R 2PG, United Kingdom

(111) M 2022 36049 R
(151) 2022 10 06
(181) 2032 10 06
(260) AM 2021 115420 A
(220) 2021 11 15
(732) LLC "TR Georgia Project 2"
Chitadze St. 3 / Niaghvari St. 4, ap. 11,
Mtatsminda District, Tbilisi, Georgia

(111) M 2022 36055 R
(151) 2022 10 06
(181) 2032 10 06
(260) AM 2021 115114 A
(220) 2021 10 27
(732) Shenzhen Han Qing Da Technology Co., Ltd.
1/F & 2/F, Bldg.A4-101, Yulv industrial area,
Gongming Property Development
Corporation, Yulv Community, Yutang St.,
Guangming Dist., Shenzhen City, People's
Republic of China

(111) M 2022 36050 R
(151) 2022 10 06
(181) 2032 10 06
(260) AM 2021 115511 A
(220) 2021 11 22
(732) LLC "TR Georgia Project 2"
Chitadze St. 3 / Niaghvari St. 4, ap. 11,
Mtatsminda District, Tbilisi, Georgia

(111) M 2022 36056 R
(151) 2022 10 07
(181) 2032 10 07
(260) AM 2021 114756 A
(220) 2021 09 30

(732) LTD "Zetline"
Akaki Beliashvili St. 43, Tbilisi, Georgia

(111) M 2022 36057 R
(151) 2022 10 07
(181) 2032 10 07
(260) AM 2021 115510 A
(220) 2021 11 22
(732) Monster Energy Company a Delaware
Corporation
1 Monster Way, Corona, California 92879, USA

(111) M 2022 36075 R
(151) 2022 10 19
(181) 2032 10 19
(260) AM 2021 114608 A
(220) 2021 09 14
(732) JSC "Konti-Rus"
Zolotaya St. 13, Kursk, Kursky Region,
305000, Russian Federation

(111) M 2022 36076 R
(151) 2022 10 19
(181) 2032 10 19
(260) AM 2021 114736 A
(220) 2021 09 24
(732) Shalva Abramishvili
Tsageri St. 6, ap. 4, 0160, Tbilisi, Georgia

(111) M 2022 36077 R
(151) 2022 10 19
(181) 2032 10 19
(260) AM 2021 114758 A
(220) 2021 09 30
(732) YETI Coolers LLC
7601 Southwest Parkway, Austin, Texas
78735, USA

(111) M 2022 36078 R
(151) 2022 10 19
(181) 2032 10 19
(260) AM 2021 115206 A
(220) 2021 10 29
(732) Gaba International Holding GmbH
Grabetsmattweg, Therwil 4106, Switzerland

(111) M 2022 36079 R
(151) 2022 10 19
(181) 2032 10 19
(260) AM 2021 115424 A
(220) 2021 11 16
(732) LTD "IG Development Georgia"
Vazha-Pshavela Ave. 70, 0186, Tbilisi, Georgia

(111) M 2022 36080 R
(151) 2022 10 19
(181) 2032 10 19
(260) AM 2021 115425 A
(220) 2021 11 16
(732)) LTD "IG Development Georgia"
Vazha-Pshavela Ave. 70, 0186, Tbilisi, Georgia

(111) M 2022 36081 R
(151) 2022 10 19
(181) 2032 10 19
(260) AM 2021 115427 A
(220) 2021 11 16
(220) 2021 11 16
(732)) LTD "IG Development Georgia"
Vazha-Pshavela Ave. 70, 0186, Tbilisi, Georgia

(111) M 2022 36082 R
(151) 2022 10 19
(181) 2032 10 19
(260) AM 2021 115429 A
(220) 2021 11 16
(732) The Lubrizol Corporation
29400 Lakeland Blvd., Wickliffe, Ohio
44092-2298, USA

(111) M 2022 36083 R
(151) 2022 10 19
(181) 2032 10 19
(260) AM 2021 115596 A
(220) 2021 11 30
(732) The Procter & Gamble Company
One Procter & Gamble Plaza Cincinnati,
Ohio 45202, USA

(111) M 2022 36084 R
(151) 2022 10 19
(181) 2032 10 19
(260) AM 2021 115670 A
(220) 2021 12 03
(732) The Procter & Gamble Company
One Procter & Gamble Plaza Cincinnati,
Ohio 45202, USA

(111) M 2022 36085 R
(151) 2022 10 19
(181) 2032 10 19
(260) AM 2021 115672 A
(220) 2021 12 04
(732) LTD "AD Media"
Kukuri Gogiasvili St., I Lane 2, 0131, Tbilisi,
Georgia

(111) M 2022 36086 R
(151) 2022 10 19
(181) 2032 10 19
(260) AM 2021 115674 A
(220) 2021 12 06
(732) LTD "Onway"
Kiri St. 7, 0101, Tbilisi, Georgia

(111) M 2022 36087 R
(151) 2022 10 19
(181) 2032 10 19
(260) AM 2021 115675 A
(220) 2021 12 06
(732) "Folipharm" GmbH
Regensburger St. 28C, Berlin, 10777, Germany

(111) M 2022 36088 R
(151) 2022 10 19
(181) 2032 10 19
(260) AM 2021 115682 A
(220) 2021 12 07
(732) LTD "Nutrimax"
L. Ghoghoberidze St. 67b, 0165, Tbilisi, Georgia

(111) M 2022 36089 R
(151) 2022 10 19
(181) 2032 10 19
(260) AM 2021 115880 A
(220) 2021 12 22
(732) MYR GmbH
Hessenring 89, Bad Homburg, 61348, Germany

TRADEMARKS REGISTERED ACCORDING TO THE ACCELERATED PROCEDURE

The decision can be appealed at the Chamber of Appeal of Sakpatenti within 3 months from the publication.

(111) M 2022 36021 R

(151) 2022 10 05

(181) 2032 10 05

(210) AM 119373

(220) 2022 09 15

(732) Ousama Kafa

Kyiv region, Kyiv-Svyatoshinsky District,
Village Petropavlivska Borshagivka,
St. Vishnevaya, 45, 08130, Ukraine

(740) Giorgi Taktakishvili

(540)

CHITŌ

(591) Black-white

(531) 27.05.01

(511) 43

(111) M 2022 36058 R

(151) 2022 10 10

(181) 2032 10 10

(210) AM 119114

(220) 2022 08 25

(732) LLC "Vegas Holding"

Davit Aghmashenebeli Av. 129a, Office 4,
Floor +3, 0102, Didube District, Tbilisi,
Georgia

(740) Giorgi Batlidze

(540)



(591) Black, light golden, golden

(531) 24.01.15; 24.01.17; 24.01.18; 24.01.19;

24.09.01; 26.01.16; 26.01.22; 26.01.24;

27.05.11; 27.05.24; 29.01.12

(511) 7

(111) M 2022 36059 R

(151) 2022 10 10

(181) 2032 10 10

(210) AM 119586

(220) 2022 09 26

(732) LLC "Maybach Tools Georgia"

Kakheti Highway 65, Tbilisi, Georgia

(540)



(591) White, black, red, silver

(531) 24.01.03; 24.01.15; 26.04.02; 26.04.22;

26.04.24; 27.05.01; 27.05.24; 29.01.14

(511) 7

(111) M 2022 36060 R

(151) 2022 10 10

(181) 2032 10 10

(210) AM 119587

(220) 2022 09 26

(732) Nobel Ilac Sanayii Ve Ticaret Anonim Sirketi
Representation in Georgia

4 Liberty Square, 0105, Tbilisi, Georgia

(740) Tinatin Tskhvediani

(540)

Duksolin

დუქსოლინი

(591) Black-white

(511) 5

(111) M 2022 36061 R

(151) 2022 10 10

(181) 2032 10 10

(210) AM 119588

(220) 2022 09 26

(732) Nobel Ilac Sanayii Ve Ticaret Anonim Sirketi
Representation in Georgia

4 Liberty Square, 0105, Tbilisi, Georgia

(740) Tinatin Tskhvediani

(540)

Irbeduo

ირბედუო

(591) Black-white

(511) 5

(111) M 2022 36062 R
 (151) 2022 10 10
 (181) 2032 10 10
 (210) AM 119589
 (220) 2022 09 26
 (732) Nobel Ilac Sanayii Ve Ticaret Anonim Sirketi
 Representation in Georgia
 4 Liberty Square, 0105, Tbilisi, Georgia
 (740) Tinatin Tskhvediani
 (540)

Esribel ესრიბელი

(591) Black-white
 (511) 5

(111) M 2022 36063 R
 (151) 2022 10 10
 (181) 2032 10 10
 (210) AM 119590
 (220) 2022 09 26
 (732) Nobel Ilac Sanayii Ve Ticaret Anonim Sirketi
 Representation in Georgia
 4 Liberty Square, 0105, Tbilisi, Georgia
 (740) Tinatin Tskhvediani
 (540)

Irbedopin ირბედოპინი

(591) Black-white
 (511) 5

(111) M 2022 36064 R
 (151) 2022 10 10
 (181) 2032 10 10
 (210) AM 119591
 (220) 2022 09 26
 (732) Nobel Ilac Sanayii Ve Ticaret Anonim Sirketi
 Representation in Georgia
 4 Liberty Square, 0105, Tbilisi, Georgia
 (740) Tinatin Tskhvediani
 (540)

Zepoxel ზეპოქსელი

(591) Black-white
 (511) 5

(111) M 2022 36065 R
 (151) 2022 10 10
 (181) 2032 10 10
 (210) AM 119592
 (220) 2022 09 26

(732) Nobel Ilac Sanayii Ve Ticaret Anonim Sirketi
 Representation in Georgia
 4 Liberty Square, 0105, Tbilisi, Georgia
 (740) Tinatin Tskhvediani
 (540)

Etodin Duo ეტოდინ დუო

(591) Black-white
 (511) 5

(111) M 2022 36066 R
 (151) 2022 10 10
 (181) 2032 10 10
 (210) AM 119593
 (220) 2022 09 26
 (732) Nobel Ilac Sanayii Ve Ticaret Anonim Sirketi
 Representation in Georgia
 4 Liberty Square, 0105, Tbilisi, Georgia
 (740) Tinatin Tskhvediani
 (540)

Vesobel ვესობელი

(591) Black-white
 (511) 5

(111) M 2022 36067 R
 (151) 2022 10 10
 (181) 2032 10 10
 (210) AM 119618
 (220) 2022 09 29
 (732) LTD "Geo Hospitals"
 Gazapkhuli St. 18, Tbilisi, Georgia
 (540)



ჯამ ჰოსპიტალსი
 GEO HOSPITALS

(591) Purple, green, sky-blue, yellow, orange, black
 (531) 01.17.11; 26.03.04; 26.03.06; 29.01.15
 (511) 44

(111) M 2022 36068 R
 (151) 2022 10 11
 (181) 2032 10 11
 (210) AM 119501
 (220) 2022 09 21
 (732) LTD "Taste for Taste"
 Gldani Gorge, bld.10, ap. 16, Gldani
 District, Tbilisi, Georgia

(540)



(591) Orange, yellow, white, black, red
 (531) 26.11.11; 26.11.13; 27.05.01; 27.05.03;
 27.05.04; 29.01.14
 (511) 32

(111) M 2022 36069 R
 (151) 2022 10 11
 (181) 2032 10 11
 (210) AM 119604
 (220) 2022 09 27
 (732) LTD "Rivanna"
 Vakhtang Gorgasali St. 5, Batumi, Georgia
 (540)

RIVANNA

(591) Black-white
 (511) 20, 35

(111) M 2022 36070 R
 (151) 2022 10 17
 (181) 2032 10 17
 (210) AM 119491
 (220) 2022 09 20
 (732) JSC "M-UAV"
 Jiuli Shartava St. 18a, ap. 32, 0105, Saburtalo
 District, Tbilisi, Georgia
 (540)



(591) Grey, red, white
 (531) 01.01.02; 01.01.10; 01.01.15; 01.05.02;
 01.05.06; 27.05.01; 29.01.12
 (511) 12

(111) M 2022 36071 R
 (151) 2022 10 17
 (181) 2032 10 17
 (210) AM 119801
 (220) 2022 10 12
 (732) LTD "Vogg"
 Ilia Chavchavadze Av. 11, ap. 5, Tbilisi,
 Georgia

(540)



(591) Black-white
 (531) 27.05.19; 27.05.22
 (511) 16, 18, 25, 26, 35

(111) M 2022 36072 R
 (151) 2022 10 18
 (181) 2032 10 18
 (210) AM 119583
 (220) 2022 09 23
 (732) LTD "Global Beer Georgia"
 Village Tsilkani, 3319, Mtskheta, Georgia
 (540)



კაკიკი

(591) ED9C2A light brown, FFFFFFF white,
 000000 black
 (531) 02.01.16; 18.03.01; 29.01.12
 (511) 32

(111) M 2022 36073 R
 (151) 2022 10 18
 (181) 2032 10 18
 (210) AM 119584
 (220) 2022 09 23
 (732) LTD "Global Beer Georgia"
 Village Tsilkani, 3319, Mtskheta, Georgia
 (540)



KAYAKI

(591) ED9C2A light brown, 000000 black,
 FFFFFFF white

(531) 02.01.16; 18.03.01; 29.01.12
(511) 32

(111) M 2022 36074 R
(151) 2022 10 18
(181) 2032 10 18
(210) AM 119701
(220) 2022 10 05
(732) LLC "Metropol Management"
Zaza Panaskerteli-Tsitsishvili St. 14, ap. 48,
Tbilisi, Georgia
(740) Natia Gogadze
(540)

Metropol
მეტროპოლ

(591) Black-white
(511) 35, 37, 43

INTERNATIONAL TRADEMARKS FOR WHICH A DECISION ON GRANTING PROTECTIONS IS TAKEN

The decision can be appealed at the Chamber of Appeal of Sakpatenti within 3 months from the publication or at the Mtskheta District Court Administrative Cases Board (Address: №17, Samkhedro St., Mtskheta), within 1 month following the publication.

(260) AM 2022 114578 A

(800) 1612420

(151) 2021 02 22

(891) 2021 02 22

(731) MEY ALKOLLÜ İÇKİLER SANAYİİ VE
TİCARET ANONİM ŞİRKETİ

Büyükdere Cad. Bahar Sok. No:13, River Plaza
Kat:25, TR-34394 Şişli İstanbul, Türkiye

(540)



(591) Blue, gray, white

(531) 24.01.05; 24.01.15; 26.11.03; 26.11.07;
27.05.01; 27.05.02; 27.05.09; 27.05.10;
27.05.15; 27.05.22; 27.05.24

(511)

33 – Raki [traditional Turkish alcoholic drink].

(260) AM 2022 115270 A

(800) 1624046

(151) 2021 05 20

(891) 2021 05 20

(731) Wolt Enterprises Oy

Arkadiankatu 6, FI-00100 Helsinki,
Finland

(540)



(591) Blue and white

(531) 26.01.03; 26.01.18; 27.05.24; 29.01.12

(511)

35 – Advertising relating to food, retail products, groceries, restaurants, grocery stores, online ordering services, online marketplaces, retail services, and delivery and transport services; online ordering services; online ordering services in the field of restaurant take-out and delivery; retail and wholesale services of paints, cleaning, polishing, scouring and abrasive preparations, hair care preparations, dentifrices, sanitary preparations, pharmaceuticals, medical and veterinary preparations, plasters, materials for dressings, disinfectants, dietary supplements and vitamins, dietetic food and substances, food for babies, food and beverage cooking and treatment equipment, pet foods and food containers, pet shampoos and cosmetics, pet clothing, pet collars, toys for pets, leashes and brushes, household textiles, curtains for showers, carpets, rugs, mats and matting, sauna and bath equipment, gardening articles, arts, crafts and modelling equipment, yarns and threads, sewing articles, lace and embroidery, ribbons and braid, buttons, candles, bags, paper, cardboard, printed matter, horological and chronometric instruments, musical instruments, video game apparatus, games and playthings, gymnastic and sporting articles, hunting and fishing equipment, decorations for christmas trees, festive decorations, carnival playthings and party novelties; retail services relating to foodstuffs and beverages; retail services in relation to food cooking equipment; retail services relating to cosmetics; retail services relating to books and stationery; retail services relating to horticultural products; retail services relating to clothing and footwear; retail services in relation to cleaning articles; retail services in relation to toys; retail services relating to electronic apparatus and devices for household use; retail services relating to jewellery; retail services relating to sporting articles; retail services relating to furniture, lighting, household utensils, dishes [household utensils] and storage containers; online retail services relating to the aforementioned goods; retail services via global computer networks related to foodstuffs; provision of an on-line marketplace for buyers and sellers of goods and services.

36 – Issuance of prepaid cards and tokens of value; issue of tokens, coupons and vouchers of value; issuing tokens of value in the nature of gift vouchers; financial transfers and transactions, and payment services; payment card services.

38 – Telecommunication services; communications services; data transmission; provision of access to content, websites and portals; electronic order transmission; transmission of consumer generated reviews online.

39 – Transportation and delivery of goods; delivery services; distribution services; delivery of food by restaurants; delivery of groceries; delivery of drinks; flower delivery; delivery of cooking equipment, cosmetics, books, stationery, horticultural products, clothing, footwear, cleaning articles and toys; delivery of electronic apparatus and devices; delivery of jewellery; delivery of sporting articles; delivery of furniture, lighting, household utensils, dishes [household utensils] and storage containers; transport and delivery of packages; courier services; courier services for the delivery packages; courier services for the delivery of goods; transport reservation; transportation logistics.

43 – Services for providing food and drink; supplying of meals for immediate consumption; takeaway food services.

(260) AM 2022 115824 A
(800) 1270144
(151) 2015 01 21
(891) 2021 11 24
(731) Traxxas LP
6250 Traxxas Way, McKinney TX 75070, USA
(540)

ID

(591) Black, white
(511)
9 – Electronic speed controllers; batteries and battery charging equipment, parts and accessories; electrical components for remote controlled model vehicles and parts therefor.
28 – Remote controlled model vehicles and parts and accessories therefor.

(260) AM 2022 115825 A
(800) 1270145
(151) 2015 01 21
(891) 2021 11 24
(731) Traxxas LP
6250 Traxxas Way, McKinney TX 75070, USA
(540)



(591) Black, white
(531) 26.04.01; 26.04.02; 26.04.09; 26.04.12;
27.03.01; 27.03.15; 27.05.17

(511)
9 – Electronic speed controllers; batteries and battery charging equipment, parts and accessories; electrical components for remote controlled model vehicles and parts therefor.

28 – Remote controlled model vehicles and parts and accessories therefor.

(260) AM 2022 115949 A
(800) 1635143
(151) 2021 11 19
(891) 2021 11 19
(731) Avon Products, Inc.
1 Avon Place, Suffern NY 10901, USA
(540)

SUMMER WHITE MALDIVES

(591) Black, white
(511)
3 – Non-medicated toilet preparations; toiletries; skin care preparations; skin moisturizers; skin toners; body and beauty care preparations; powders, cleansers, creams and lotions, all for the face, hands and body; exfoliating scrubs for cosmetic purposes; cosmetic suntan preparations; sunscreen oils and lotions; soaps; shower and bath preparations; bath gel, bath oils, bath salts, bath beads, and effervescent bath preparations; beauty masks; talcum powder; nail polish; nail polish remover; false nails; adhesives for cosmetic purposes; cosmetics; eye cream; eye gels; eye lotions; eye make-up remover; eye shadow; eye liner; eyebrow cosmetics; mascara; lipstick; lip liner; lip-gloss; lip balm; make-up foundation; facial concealer; blusher; tissues impregnated with cosmetic lotions; powdered cosmetic tissues; cotton sticks for cosmetic purposes; cotton wool for cosmetic purposes; pumice stone; preparations for cleaning, moisturising, colouring and styling the hair; shampoos, conditioners, finishing spray, and gels, all for the hair; preparations for cleaning the teeth; shaving and aftershave preparations; perfumes; fragrances; toilet waters; cologne; room fragrances; incense sticks; deodorants for human beings; anti-perspirants for personal use (toiletries); essential oils (cosmetic); oils for perfumes and scents; potpourri; cosmetic kits.

(260) AM 2022 116013 A
(800) 1635649
(151) 2021 06 25
(891) 2021 06 25
(731) INDUSTRIA DE DISEÑO TEXTIL, S.A.,
(INDITEX, S.A.)
Avenida de la Diputación, Edificio Inditex,
Arteixo, E-15143 A CORUÑA, Spain

(540)

COMPRESSIVE

(591) Black, white

(511)

25 – Clothing, footwear, headwear; clothing for motorists and cyclists; bibs not of paper; headbands (clothing); bath robes; swimming costumes; bathing caps and sandals; boas (clothing); scarves; footwear for sports and beach shoes; hoods (clothing); shawls; belts (clothing); money belts (clothing); wet suits for water-skiing; neckties; girdles [corsets]; fur stoles; foulards; caps [headwear]; caps; gloves (clothing); raincoats; girdles (underwear); body linen [garments]; mantillas; stockings; socks; neckerchiefs; furs (clothing); pajamas; soles (for footwear); heels; veils [clothing]; suspenders; layettes (clothing); capes (clothing); sports jerseys; mittens; ear muffs (clothing); inner soles; wristbands (clothing); dress shields; beach wear; dressing gowns; pockets for clothing; sock suspenders; stocking suspenders; petticoats; tights; aprons (clothing); masquerade costumes; uniforms; cap peaks; wooden shoes; caps; coats; esparto shoes or sandals; non-slip devices for footwear; bath slippers; academic caps; blouses; bodices (clothing); berets; footmuffs, not electrically heated; lace boots; boots; boot uppers; studs for football boots; half-boots; fittings of metal for footwear; tips for footwear; heelpieces for footwear; shirts; shirt yokes; shirt fronts; T-shirts; tee-shirts; bodices [lingerie]; vests; jackets; fishing vests; stuff jackets; slippers (underwear); ready-made clothing; detachable collars and collars; clothing of leather; clothing of imitation leather; shower caps; slippers; skirts; trousers; ready-made linings (parts of clothing); overcoats (coats); trench coats (clothing); gymnastic shoes; jerseys (clothing); pullovers; sweaters; liveries; muffs (clothing); footwear uppers; pocket squares; parkas; pelerines; pelisses; spats; leggings; knitwear [clothing]; clothing for gymnastics; underwear; sandals; saris; underpants; hats; wimples (clothing); togas; trouser straps; suits; turbans; dresses; slippers; shoes; sports footwear.

(260) AM 2022 116028 A

(800) 1636195

(151) 2021 08 26

(891) 2021 08 26

(731) Heidi Chocolat Suisse SA

Täschmattstrasse 10, CH-6015 Luzern,
Switzerland

(540)

**HEIDI THE CHOCOLATE
SIDE OF LIFE**

(591) Black, white

(511)

5 – Dietetic substances and foodstuffs, chocolate, chocolate candy, candy, petits fours (pastry) and confectionery for diabetics.

30 – Chocolate; petits fours (cakes); chocolate candy; candy and sugar confectionery; edible ices.

35 – Advertising; commercial business management; commercial administration; office functions; retail sale and wholesale of chocolate, chocolate candy, petits fours (pastry), candy, sugar confectionery and edible ices; on-line retail store services for chocolate, chocolate candy, petits fours (pastry), candy, sugar confectionery and edible ices.

(260) AM 2022 116030 A

(800) 1636258

(151) 2021 09 27

(891) 2021 09 27

(731) WORLDMATCH SRL

Via Monte di Pietà, 19, I-20121 MILANO, Italy

(540)



(591) Black, white

(531) 25.01.25; 26.01.18; 27.05.10

(511)

9 – Software; video games software; software for on-line video games and gambling management.

41 – Entertainment services, namely providing online video games; providing online video games; on-line gambling services.

(260) AM 2022 116036 A

(800) 1636404

(151) 2021 11 15

(891) 2021 11 15

(731) Searchlight Electric Limited

Sidney House, 900 Oldham Road, Manchester
M40 2BS, United Kingdom

(540)



(591) Blue

(531) 26.01.01; 26.01.02; 26.01.06; 26.01.24;

27.01.06; 29.01.12

(511)

11 – Lighting apparatus and equipment; decorative lighting; light fittings; but not including searchlights, torches or flashlights.

- (260) AM 2022 116037 A
 (800) 1636414
 (151) 2021 11 23
 (891) 2021 11 23
 (731) Obshchestvo s ogranichennoi otvetstvennostyu
 "VSK"
 ul. 50 let Oktyabrya, 113, g. Dimitrovgrad,
 RU-433502 Ulyanovskaya oblast, Russian
 Federation
 (540)



- (591) Vinous, beige and white
 (531) 05.07.02; 05.11.15; 25.01.15; 29.01.13
 (526) НАТУРАЛЬНОЕ БРОЖЕНИЕ
 (511)
 32 – Barley wine [beer]; kvass; beer-based cocktails;
 non-alcoholic honey-based beverages; beer; ginger
 beer; malt beer; must; grape must, unfermented; beer
 wort; malt wort; extracts of hops for making beer.
 33 – Aperitifs; wine; piquette; cocktails; pre-mixed
 alcoholic beverages, other than beer-based; alcoholic
 beverages, except beer; spirits [beverages]; hydromel
 [mead]; cider; alcoholic extracts.

- (260) AM 2022 116039 A
 (800) 1636442
 (151) 2021 11 25
 (891) 2021 11 25
 (731) Obshchestvo s ogranichennoy otvetstvennostyu
 "BEAUTY BRANDS"
 ul. Profsoyuznaya, dom 22/10, korpus 1,
 RU-117292 Moskva, Russian Federation
 (540)

MONÉ

- (591) Black, white
 (531) 27.05.01
 (511)
 44 – Manicuring; hairdressing; beauty salon services;
 visagists' services; massage.

- (260) AM 2022 116040 A
 (800) 1636450
 (151) 2021 10 26
 (891) 2021 10 26

- (731) Guangzhou Zhizheng Trading Co., Ltd
 No. 06, 1st Floor, 50th of Zhongshan Eight
 Road, Liwan District, Guangzhou City, 510176
 Guangdong Province, China
 (540)

PINK SMILE

- (591) Black, white
 (531) 27.05.01; 27.05.17
 (511)
 3 – Oils for cleaning purposes; ethereal oils; lipsticks;
 beauty masks; cosmetic kits; cosmetics; cosmetic pen-
 cils; eyebrow cosmetics; perfumes; eyebrow pencils.

- (260) AM 2022 116041 A
 (800) 1636451
 (151) 2021 10 26
 (891) 2021 10 26
 (731) Guangzhou Zhizheng Trading Co., Ltd.
 No. 06, 1st Floor, 50th of Zhongshan Eight
 Road, Liwan District, Guangzhou City, 510176
 Guangdong Province, China
 (540)



Teyana Taylor

- (591) Black, white
 (531) 26.02.07; 26.02.18; 26.02.24; 27.05.01;
 27.05.24
 (511)
 3 – Polishing preparations; essential oils; perfumes;
 cosmetics; toothpaste; incense; cosmetics for animals;
 air fragrancing preparations; oils for cleaning purpo-
 ses; cleansing milk for toilet purposes.

- (260) AM 2022 116044 A
 (800) 1636522
 (151) 2021 11 23
 (891) 2021 11 23
 (731) Yuganov Maksim Anatolevich
 ul. Timokhina, d. 14A, kv. 53, g. Cherepovets,
 RU-162605 Vologodckaya obl., Russian
 Federation
 (540)



(591) Black, grey, white, red, dark red and gold
(531) 25.01.06; 28.05; 29.01.13
(526) РУССКИЙ БИСКВИТ
(511)
30 – Biscuits; confectionery mainly with filling; pastries, including cupcakes, rolls, cakes; cookies; puddings; baked goods, including with filling.

(260) AM 2022 116045 A
(800) 1636551
(151) 2021 11 10
(891) 2021 11 10
(731) ROLEX SA
Rue François-Dussaud 3-5-7, CH-1211
Genève 26, Switzerland
(540)

MASTER DAY-DATE

(591) Black, white
(511)
14 – Timepieces, namely, watches, wrist-watches, component parts for timepieces and accessories for timepieces not included in other classes, clocks and other chronometric instruments, chronometers, chronographs (timepieces), watch bands, dials (timepieces), boxes and cases for timepieces and jewelry, watch movements and their parts; jewelry, jewelry items; precious stones and semi-precious stones; precious metals and alloys thereof; pins (jewelry).

(260) AM 2022 116046 A
(800) 1636568
(151) 2021 04 14
(891) 2021 04 14
(731) Hipp & Co
Brünigstr. 141, CH-6072 Sachseln, Switzerland
(540)

THE NEXT GENERATION'S COMPANY

(591) Black, white
9 – Scientific, research, navigation, surveying, photographic, cinematographic, audiovisual, optical, weighing, measuring, signalling, detecting, testing, inspecting, life-saving and teaching apparatus and instruments; apparatus and instruments for conducting, switching, transforming, accumulating, regulating or controlling the distribution or use of electricity; apparatus and instruments for recording, transmitting, reproducing or processing sound, images or data; recorded and downloadable media, computer software, blank digital or analogue recording and storage media; calculating machines; computers and computer peripherals.

10 – Apparatus, devices and articles for nursing infants.

11 – Apparatus and installations for lighting, heating, cooling, steam generating, cooking, drying, ventilating and water supply and sanitary purposes.

20 – Containers, not of metal, for storage or transport.

25 – Clothing; headgear; footwear.

28 – Games; toys; toys; video game apparatus; gymnastic and sporting articles.

29 – Meat, fish, poultry, game and meat products; meat extracts; meat, fish, fruit and vegetable jellies; jams and marmalade; freeze-dried fruit and vegetables; compotes; eggs, milk and milk products, in particular butter, cheese, cream, yoghurt, quark, dried milk, powdered milk; fruit bars, consisting primarily of fruit and/or nuts, including those with added grains, muesli, cereals, pseudocereals, preparations made from cereals, preparations made from pseudocereals and/or sugar; vegetable pulp; fruit pulp; vegetable purees; fruit purées; purees and pulps consisting primarily of meat, fish, poultry, game, fruit and/or vegetables, either singly or in combination; snacks made from fruits and/or vegetables; snacks based on fruits and/or vegetables; desserts and puddings, predominantly of milk, milk products and/or fruit; prepared and semi-prepared meals, consisting primarily of meat, poultry, game, fish, fruit, vegetables, eggs, milk products, pulses and/or potatoes; soups; meat, fish, poultry, game, vegetable and fruit preserves; condensed milk; edible oils and fats; dietetic food, not adapted for medical use, consisting predominantly of meat, fish, poultry and/or game, eggs, milk and milk preparations, processed fruit and/or vegetables, including with added proteins, fats, fatty acids, carbohydrates and/or fibre, vitamins, minerals, trace elements, either singly or in combination.

30 – Tea; tea drinks; infusions, not medicinal; cocoa; grape sugar; rice; tapioca; sago; flour; semolina; chips (cereal products) and pseudocereal flakes and other preparations made from cereals and preparations made from pseudocereals (other than animal fodder); bread; biscuits; cakes; pastries; long-life bakery products; snack products, namely the aforesaid consisting predominantly of chips (cereal products), substitutes for chips (cereal products), corn flakes, oat flakes, cereal preparations, substitutes for cereal preparations, biscuits, cakes, pastries, confectionery, chocolate, sugar confectionery, muesli, cereals, either singly or in combination, including the aforesaid with added fruits and/or nuts; confectionery; pasta; chocolate; bonbons made of sugar; glucose preparations; bee glue (propolis) for culinary purposes; desserts and puddings with a base of chocolate, cereals, custard; prepared meals and semi-prepared meals, consisting primarily of cereals, pseudocereals, preparations made from cereals, preparations made from pseudocereals, rice and/or pasta; spices; dressings for food; prepared foodstuffs in the form of sauces; muesli, consisting primarily of grains, cereals, pseudocereals, preparations

made from cereals and/or preparations made from pseudocereals, including the aforesaid with added nuts and/or sugar and fruits; cereal and pseudocereal bars, consisting primarily of grains, muesli, preparations made from cereals, preparations made from pseudocereals, cereals and/or pseudocereals, all also including added fruit, nuts and/or sugar; muesli bars, consisting primarily of fruit, grains, preparations made from cereals, preparations made from pseudocereals, cereals and/or pseudocereals, all also including added fruit, nuts and/or sugar; ready-to-eat cereal and/or pseudocereal foods; dietetic food, not adapted for medical use, consisting predominantly of cereals, rice, noodles, pasta and/or chocolate, including with added proteins, fats, fatty acids, carbohydrates and/or fibre, vitamins, fatty acids, minerals, trace elements, either singly or in combination.

31 – Raw and unprocessed agricultural, aquacultural, horticultural and forestry products; raw and unprocessed grains and seeds; fresh fruit and vegetables, fresh herbs; natural plants and flowers; onions, seedlings and grains (seeds) in the form of propagation material; live animals; foodstuffs for animals and beverages for animals; malt.

32 – Waters and other non-alcoholic beverages, in particular fruit juices, fruit juice beverages, fruit spritzers, non-alcoholic; fruit syrups and other non-alcoholic fruit preparations for making non-alcoholic beverages.

36 – Brokerage of carbon credits.

38 – Providing internet chatrooms; providing online forums; providing telecommunication channels for teleshopping services; computer aided transmission of messages and images; voice mail services; streaming of data; transmission of digital files; transmission of electronic mail; transmission of greeting cards online; message sending; transmission of podcasts; providing access to databases.

40 – Freezing of foods; food and drink preservation; flour milling; pasteurizing of food and beverages.

41 – Recreation information; education information; entertainment information; providing user reviews for entertainment or cultural purposes; providing user rankings for entertainment or cultural purposes; providing recreation facilities; nursery schools; know-how transfer [training]; arranging and conducting of symposiums; conducting guided tours.

43 – Day-nursery [crèche] services; information and advice in relation to the preparation of meals; café services; cafeteria services; canteen services; restaurant services; accommodation bureau services [hotels, boarding houses].

44 – Midwife services; medical assistance; chiropractic; services of a psychologist; health centre services; health counselling; medical analysis services for diag-

nostic and treatment purposes provided by medical laboratories; tree planting for carbon offsetting purposes; therapy services; medical equipment rental.

45 – Babysitting; online social networking services; licensing [legal services] in the framework of software publishing; licensing of computer software [legal services]; licensing of intellectual property.

(260) AM 2022 116052 A

(800) 1636748

(151) 2020 02 04

(891) 2020 02 04

(731) TDL Broadcasting Limited
Broadcasting House, 3A Princes Street,
South Dublin 2, Ireland

(540)



(591) Yellow and black

(531) 25.05.02; 27.05.01; 27.05.24; 29.01.13

(511)

9 – Pre-recorded television programmes; blank and pre-recorded video cassettes; DVDs; compact discs; computer games, computer software; cinematographic, radio, television, telecommunications, signalling apparatus and instruments; apparatus for recording, transmitting, reproducing, and receiving sound or images; electrical and electronic apparatus for use in the reception of satellite, and terrestrial or cable broadcasts; decoders and set-top boxes; sound recordings; sunglasses.

38 – Telecommunication services; television and radio broadcasting, transmission and communication services; broadcasting and transmission of radio or television programmes; transmission of sound and/or pictures; computer aided transmission of messages and images; communication services by satellite, television and/or radio; news agency services; hiring, rental and leasing of communications apparatus; electronic mail services; telecommunication and broadcasting services relating to the Internet; telecommunication and broadcasting of information (including web pages); provision of telecommunications links to computer databases and websites on the Internet; teletext services; interactive television services; television broadcasting services incorporating interactive services for viewing; services relating to broadcasting.

41 – Education and entertainment services; education and entertainment services by means of radio, television, the Internet and on-line databases; hiring, rental and leasing of cine-films, video cassettes, sound recordings, sound recording apparatus, sports apparatus,

television sets and video recorders; production of films and television programmes; provision of information relating to television and radio programmes, to entertainment, music and to sport; providing on-line electronic publications (not downloadable); publication of magazines, books, texts and printed matter; publication of electronic books or journals on-line; provision of recording studio facilities; live show production services; organising of sporting activities and competitions; information and advisory services relating to education, recreation, sport and to entertainment including information relating to education, entertainment, recreation or sport, provided on-line from a computer database or the Internet; organisation of competitions; ticket reservation services relating to entertainment and sport; production and presentation of radio and television programmes, interactive television, interactive games, interactive entertainment and interactive competitions; production and presentation of competitions, contests, games, quizzes, studio entertainment and audience participation events (term considered too vague by the International Bureau – Rule 13 (2) (b) of the Regulations); viewing guide services; sporting and cultural activities; betting, gaming and gambling services.

(260) AM 2022 116057 A

(800) 1148026

(151) 2012 09 27

(891) 2021 10 04

(731) OBSHESTVO S OGRANICHENNOY
OTVETSTVENNOSTYU "TK GRAT-WEST"
Kutuzovsky prosp., 36, str. 3, socele, pom. IVB,
k. 13, RU-121170 Moscow, Russian Federation

(540)



(591) Red, yellow, black, beige, dark brown, pink,
light green and dark green

(531) 03.05.25; 27.05.02; 29.01.13

(511)

9 – Computer game programs.

28 – Arcade video game machines; video game machines; gaming machines for gambling; amusement machines, automatic and coin-operated; toy vehicles; swimming pools [play articles]; trampolines; novelties for parties, dances [party favors, favours]; scratch cards for playing lottery games; starting blocks for sports; body boards; skating boots with skates attached; dolls' feeding bottles; stationary exercise bicycles; creels [fishing traps]; shuttlecocks; spinning tops [toys]; jigsaw puzzles; punching bags; hang gliders; flying discs [toys]; discuses for sports; dolls' houses; dominoes; swimming kick boards; surf boards; spring

boards [sports articles]; skateboards; sailboards; chessboards; checkerboards; darts; christmas trees of synthetic material; cups for dice; swimming jackets; ascenders [mountaineering equipment]; kites; toys; toys for domestic pets; plush toys; mobiles [toys]; practical jokes [novelties]; parlor games; board games; ring games; games; building games; kaleidoscopes; bladders of balls for games; rosin used by athletes; edges of skis; bingo cards; playing cards; fairground ride apparatus; reels for fishing; rocking horses; swings; skittles; ninepins; billiard cues; golf clubs; hockey sticks; seal skins [coverings for skis]; bells for christmas trees; dolls' rooms; confetti; explosive bonbons [christmas crackers]; ice skates; roller skates; in-line roller skates; dice; paintball guns [sports apparatus]; ski bindings; dolls' beds; roulette wheels; fish hooks; building blocks [toys]; dolls; flippers for swimming; lines for fishing; gut for fishing; bows for archery; skis; waterskis; surf skis; mah-jong; wax for skis; hunting game calls; marionettes; toy masks; theatrical masks; fencing masks; masts for sailboards; teddy bears; chalk for billiard cues; clay pigeons [targets]; electronic targets; scale model kits [toys]; scale model vehicles; balls for games; artificial fishing bait; billiard table cushions; knee guards [sports articles]; billiard cue tips; elbow guards [sports articles]; dolls' clothes; fencing weapons; twirling batons; paragliders; pachinkos; baseball gloves; boxing gloves; golf gloves; gloves for games; batting gloves [accessories for games]; fencing gauntlets; pinatas; toy pistols; air pistols [toys]; detonating caps [toys]; caps for pistols [toys]; rattles [playthings]; horseshoe games; candle holders for christmas trees; christmas tree stands; sole coverings for skis; water wings; floats for fishing; portable games with liquid crystal displays; swimming belts; decoys for hunting or fishing; scent lures for hunting or fishing; archery implements; kite reels; soap bubbles [toys]; divot repair tools [golf accessories]; billiard markers; protective paddings [parts of sports suits]; bats for games; surfboard leashes; harness for sailboards; weight lifting belts [sports articles]; sling shots [sports articles]; rollers for stationary exercise bicycles; harpoon guns [sports articles]; scooters [toys]; sleighs [sports articles]; bob-sleighs; butterfly nets; nets for sports; tennis nets; bite sensors [fishing tackle]; scrapers for skis; slot machines [gaming machines]; appliances for gymnastics; quoits; dumbbells; climbers' harness; fishing tackle; artificial snow for christmas trees; snowshoes; snowboards; clay pigeon traps; billiard tables; coin-operated billiard tables; tables for table tennis; tables for indoor football; strings for rackets; gut for rackets; cricket bags; golf bags, with or without wheels; slides [playthings]; radio-controlled toy vehicles; body-training apparatus; machines for physical exercises; backgammon games; men's athletic supporters [sports articles]; rods for fishing; ornaments for christmas trees, except illumination articles and confectionery; tennis ball throwing apparatus; conjuring apparatus; apparatus for games;

bowling apparatus and machinery; counters [discs] for games; chips for gambling; bags especially designed for skis and surfboards; marbles for games; billiard balls; playing balls; play balloons; paintballs [ammunition for paintball guns] [sports apparatus]; snow globes; chess games; checkers [games]; poles for pole vaulting; paper party hats; shin guards [sports articles]; camouflage screens [sports articles]; exercisers [expanders].

(260) AM 2022 116058 A

(800) 1180685

(151) 2013 06 19

(891) 2021 12 02

(731) CORAL CLUB DISTRIBUTION LTD

Agapinoros, 52, 1 & 2th floor, Flat/Office 1,
CY-8049 Paphos, Cyprus

(540)



(591) White, dark-blue and dark-green

(531) 26.04.03; 26.11.13; 29.01.12

(526) INTERNATIONAL.

(511)

5 – Sanitary preparations for medical purposes; dietic substances adapted for medical use, food for babies; mineral food-supplements; fodder supplements for veterinary purposes; nutritional additives for medical purposes; dietetic beverages adapted for medical purposes.

(260) AM 2022 116059 A

(800) 1207547

(151) 2014 02 13

(891) 2021 12 06

(731) NAOS

355 rue Pierre-Simon Laplace, F-13290
AIX-EN-PROVENCE, France

(540)

ATODERM

(591) Black, white

(511)

5 – Pharmaceutical, dermatological and sanitary products; dermatological preparations for skin care and soothing; dietetic substances for medical use; food for babies; plasters, materials for dressings; disinfectants.

(260) AM 2022 116061 A

(800) 1337132

(151) 2016 10 05

(891) 2021 12 03

(731) Vandenberg Special Products B.V.

10, Alexander Bellstraat, Oud-Beijerland,
NL-3261 LX, Netherlands

(540)

MOUNTAIN HIGH

(591) Black, white

(531) 27.05.01

(511)

7 – Tobacco processing machines; cigarette machines for industrial purposes; machines for making cigarette filter rods; paper production machines; paper reeling machines.

34 – Tobacco; flavourings for tobacco; hookah tobacco; tobacco and tobacco products (including substitutes); articles for use with tobacco; rolling tobacco; cigarette paper; cigarette tubes; cigarette cases; cigarette lighters; cigar and cigarette cases; containers for cigars; smokers' articles; matches; cigarette wrappers; machines to preroll cigarette tubes; electronic cigarettes; liquid nicotine solutions for use in electronic cigarettes; cigarette filters; pocket cigarette rolling machines; hand held machines for injecting tobacco into tubes.

35 – Advertising, marketing and promotional services; services with regard to product presentation to the public; promoting the goods and services of others; retail and wholesale services in the field of tobacco processing machines, cigarette machines for industrial purposes, machines for making cigarette filter rods, paper production machines, paper reeling machines; retail and wholesale services in relation to tobacco and tobacco products (including substitutes; retail and wholesale services in relation to articles for use with tobacco and tobacco products (including substitutes; retail and wholesale services in relation to disposable paper products, cigarette tubes, cigarette lighters, cigar and cigarette cases; import/export and commercial intermediation services in relation to tobacco processing machines, cigarette machines for industrial purposes, machines for making cigarette filter rods, paper production machines, paper reeling machines; import/export and commercial intermediation services in relation to tobacco and tobacco products (including substitutes; import/export and commercial intermediation services in relation to articles for use with tobacco and tobacco products (including substitutes; import/export and commercial intermediation services in relation to disposable paper products, cigarette tubes, cigarette lighters, cigar and cigarette cases; the aforementioned services also provided via the internet.

(260) AM 2022 116062 A
 (800) 1341165
 (151) 2016 10 05
 (891) 2021 12 03
 (731) Vandenberg Special Products B.V.
 10, Alexander Bellstraat, Oud-Beijerland,
 NL-3261 LX, Netherlands

(540)



(591) Yellow (pantone 109 Uncoated CMYK colour structure 0 cyan 25 magenta 100 yellow 0 black)

(531) 10.01.05; 10.01.25; 25.03.25; 26.01.18;
 26.01.19; 27.05.09; 27.05.17; 27.05.24;
 29.01.12

(511)

7 – Tobacco processing machines; cigarette machines for industrial purposes; machines for making cigarette filter rods; paper production machines; paper reeling machines.

34 – Tobacco; flavourings for tobacco; hookah tobacco; tobacco and tobacco products (including substitutes); articles for use with tobacco; rolling tobacco; cigarette paper; cigarette tubes; cigarette cases; cigarette lighters; cigar and cigarette cases; containers for cigars; smokers' articles; matches; cigarette wrappers; machines to preroll cigarette tubes; electronic cigarettes; liquid nicotine solutions for use in electronic cigarettes; cigarette filters; pocket cigarette rolling machines; hand held machines for injecting tobacco into tubes.

35 – Advertising, marketing and promotional services; services with regard to product presentation to the public; promoting the goods and services of others; retail and wholesale services in the field of tobacco processing machines, cigarette machines for industrial purposes, machines for making cigarette filter rods, paper production machines, paper reeling machines; retail and wholesale services in relation to tobacco and tobacco products (including substitutes); retail and wholesale services in relation to articles for use with tobacco and tobacco products (including substitutes); retail and wholesale services in relation to disposable paper products, cigarette tubes, cigarette lighters, cigar and cigarette cases; import/export and commercial intermediation services in relation to tobacco processing machines, cigarette machines for industrial purposes, machines for making cigarette filter rods, paper production machines, paper reeling machines; import/export and commercial intermediation services in relation to tobacco and tobacco products (including substitutes); import/export and commercial intermediation services in relation to articles

for use with tobacco and tobacco products (including substitutes); import/export and commercial intermediation services in relation to disposable paper products, cigarette tubes, cigarette lighters, cigar and cigarette cases; the aforementioned services also provided via the internet.

(260) AM 2022 116063 A

(800) 1420476

(151) 2018 07 11

(891) 2021 12 14

(731) HIGHER EDUCATION SKINCARE LLC.

15707 Rockfield Blvd., Suite 220, Irvine
 CA 92618, USA

(540)

HIGHER EDUCATION

(591) Black, white

(511)

3 – Skin care products, namely, skin lotion, cleansers, and moisturizer.

(260) AM 2022 116064 A

(800) 1422244

(151) 2018 06 19

(891) 2021 12 03

(731) Tumi, Inc.

499 Thornall Street, 10th Floor, Edison NJ
 08837, USA

(540)



(591) Black, white

(531) 27.05.01

(511)

3 – All-purpose cleaners; cleaning preparations; scented fabric refresher spray; polishing preparations; fabric softeners; shoe polish, creams and cleaning preparations; fragrances; perfumes.

20 – Clothes hangers; pillows; split rings, not of metal, for keys; non-metal locks.

(260) AM 2022 116087 A

(800) 1636988

(151) 2021 12 06

(891) 2021 12 06

(731) Graminex L.L.C.

95 Midland Rd., Saginaw MI 48638, USA

(540)

G63

(591) Black, white

(511)

5 – Dietary and nutritional supplements.

(260) AM 2022 116089 A
 (800) 1637054
 (151) 2021 10 19
 (891) 2021 10 19
 (731) TELESPIAZIO S.P.A.
 VIA TIBURTINA 965, I-00156 ROMA, Italy
 (540)



(591) Red
 (531) 01.13.01; 01.13.05; 24.17.01; 26.01.03;
 26.11.02; 26.11.12; 27.05.01; 27.05.09;
 27.05.10; 29.01.01
 (511)
 9 – Electronic equipment and software for controlling satellites; electronic equipment and software for the acquisition and processing of satellite data and images; electronic equipment and software for the acquisition and processing of satellite data and images for monitoring the earth's surface and seas; electronic equipment and software for consultation, analysis and use of satellite data and images; electronic equipment and software for identification, processing and monitoring of data from space and / or from ground of the earth's surface and seas; electronic publications.
 38 – Satellite and / or ground telecommunication services relating to satellite data and images; communication services via the internet or telematics for consultation, analysis and use of satellite data and images; services via the internet or telematics by subscription for access to an informatic platform for consultation, analysis and use of satellite data and images.
 42 – Satellite monitoring services; services for the acquisition and processing of satellite data and images; services for the acquisition and processing of satellite data and images for monitoring the earth's surface and seas; services for the analysis and use of satellite data and images; data processing and monitoring services from space and / or front ground of the earth's surface and seas.
 45 – Services for the acquisition, monitoring, analysis, processing and use of satellite data and/or images for the protection of persons and property; license of rights to use satellite data and / or images; copyright license; licensing of intellectual property rights.

(260) AM 2022 116090 A
 (800) 1637080
 (151) 2021 11 22
 (891) 2021 11 22
 (731) Obshchestvo s ogranichennoi otvetstvennostyu "VSK"
 ul. 50 let Oktyabrya, 113, g. Dimitrovgrad,
 RU-433502 Ulyanovskaya oblast, Russian
 Federation

(540)



(591) Brown, red-brown, beige, white, grey and yellow
 (531) 05.07.02; 08.01.01; 19.07.25; 28.05; 29.01.14
 (526) Words "rye", "unfiltered" in Russian language.
 (511)
 32 – Barley wine [beer]; kvass; beer-based cocktails; non-alcoholic beverages; beer; malt beer; must; beer wort; malt wort; extracts of hops for making beer.

(260) AM 2022 116091 A
 (800) 1637098
 (151) 2021 11 03
 (891) 2021 11 03
 (731) Shunhua LI
 No. 255, Liyu Zikou Village, Henantuan Town,
 Quzhou County, Handan City, Hebei Province,
 China

(540)

LUTA

(591) Black, white
 (511)
 12 – Motor cars; bicycles; trolleys; pneumatic tyres; windshields; telfer railways [cable cars]; mudguards; bicycle handlebars; small motor vehicles, namely, compact cars.

(260) AM 2022 116092 A
 (800) 1637107
 (151) 2021 11 26
 (891) 2021 11 26
 (731) LTD "VALENTA-INTELLEKT"
 ul. Ryabinovaya, d. 26, str. 10, k. 6-26,
 RU-121471 Moscow, Russian Federation

(540)

ИННОВИРОН

(591) Black, white
 (531) 28.05
 (511)
 5 – Pharmaceuticals for the treatment of cough, pharyngitis, laryngitis and tracheitis; pharmaceutical preparations for the treatment and prevention of viral diseases; pharmaceutical preparations for the treatment and prevention of colds, including preparations in the form of suspensions; pharmaceuticals for the treatment of eosinophilic diseases and diseases of the

upper respiratory tract; antivirals in the form of tablets, capsules, suspensions and drops.

(260) AM 2022 116093 A

(800) 1637160

(151) 2021 09 28

(891) 2021 09 28

(731) Giganci Programowania Sp. z o.o.
ul. Krucza 46 lok. 3, PL-00-509 Warszawa,
Poland

(540)



(591) White, orange and black

(531) 02.09.25; 16.03.13; 27.07.01; 29.01.13

(511)

38 – Telecommunication services.

41 – Education services.

(260) AM 2022 116104 A

(800) 1637461

(151) 2021 11 30

(891) 2021 11 30

(731) OBCHESTVO S OGRANICHENNOY
OTVETSTVENNOSTYU "BALTIYSKAYA
ZVEZDA"

Dokuka ul., d. 7, kv. 16, g. Kaliningrad,
g.o. Kaliningrad, RU-236019 Kaliningrad
region, Russian Federation

(540)

МИКАДО
MIKADO

(591) Black, white

(531) 27.05.01; 28.05

(511)

12 – Vehicles; apparatus for locomotion by land, air or water.

(260) AM 2022 116105 A

(800) 1637520

(151) 2021 10 20

(891) 2021 10 20

(731) SAVENCIA SA
42 rue Rieussec, F-78220 VIROFLAY,
France

(540)



(591) Black, white

(531) 18.03.15; 25.01.15; 26.04.07; 26.04.16;
26.04.18; 26.04.24; 26.11.08; 26.11.12;
26.13.25; 27.05.01; 27.05.08; 27.05.09;
27.05.10; 27.05.24

(511)

29 – Cheese.

(260) AM 2022 116106 A

(800) 1637559

(151) 2021 10 29

(891) 2021 10 29

(731) "Lex Tobacco Company" LLC
Kurghinyan Street 13, apt. 32, Malatia-Sebastia,
0068 Yerevan, Armenia

(540)



(591) Black, white, grey, red, blue, gold, silver, green and raspberry

(531) 03.01.02; 19.03.24; 24.01.03; 24.01.18;
24.01.19; 29.01.15

(526) All records except the words DEMOCRAT and LEX.

(511)

34 – Tobacco, whether manufactured or unmanufactured; smoking tobacco, pipe tobacco, hand rolling tobacco, chewing tobacco, snus tobacco; cigarettes, electronic cigarettes, cigars, cigarillos; snuff; smokers' articles included in this class; cigarette papers, cigarette tubes and matches.

(260) AM 2022 116107 A

(800) 1637583

(151) 2021 11 17

(891) 2021 11 17

(731) Mariusz Cierniak GETWELL
ul. Grodnicka 14, PL-61-059 Poznań, Poland

(540)



(591) Green, dark blue and white

(531) 01.15.21; 05.03.15; 19.07.17; 27.05.10;
29.01.13

(511)

5 – Dietary supplements.

(260) AM 2022 116108 A

(800) 1637623

(151) 2021 11 18

(891) 2021 11 18

(731) Shenzhen Baijie Technology Co., Ltd.

Bao'an Internet Industry Base Area A, 5 Blocks
306, Mabu Community, Xixiang Street, Bao'an
District, Shenzhen City, 518000 Guangdong
Province, China

(540)

HelperODM

(591) Black, white

(511)

9 – Computer programmes [programs], recorded;
computer peripheral devices; computer software [re-
corded]; microprocessors; tablet computers; computer
hardware; navigational instruments; printed circuit
boards; measuring apparatus; e-book readers.

(260) AM 2022 116109 A

(800) 1637706

(151) 2021 07 16

(891) 2021 07 16

(731) K.B. Kronenbach GmbH

Schanzenstraße 39, 51063 Köln, Germany

(540)

Kronenbach

(591) Black, white

(511)

6 – Hose fittings of metal for showers or showerhe-
ads; fastening materials of metal for radiators or sa-
nitary apparatus and devices, especially for cisterns or
water flushes; metal building materials for the insta-
llation of radiators, sanitary equipment or water flush-
es.9 – Thermostats for use in fittings; sensors for actua-
ting water flushing sanitary equipment.11 – Apparatus for lighting, heating, refrigerating,
drying, ventilating, water supply and sanitary purpo-
ses; fixtures, high-pressure and low-pressure taps for
sanitary equipment, for water supply, hot water prepa-
ration, bath, shower, washing, rinsing, bidet and closet
installations and for the water intake and water drai-
nage of such installations in bathrooms and kitchens;
mixer taps, single-lever mixers and two-lever mixers
with and without sensor technology, each for tap wa-
ter or hot water; valves being parts of water-bearing
fittings or sanitary devices; spray nozzles and spray
heads as parts of showers or showerheads; hoses for
showerheads and showers; bathroom ceramics, name-
ly bathtubs, shower trays, shower cubicles, sink units,
countertop sinks, built-in sinks and undermount sinks,
toilets [water-closets], toilet seats, urinals, bidets, spa
baths [vessels], partitions and privacy partitions; sho-
wer cubicles, shower doors; actuation buttons being
parts of water flushing sanitary equipment; kitchen
sinks; radiators; components and spare parts for all the
aforesaid goods; lighting equipment for external illu-
mination of cosmetic mirrors; handles being parts of
sanitary equipment or sanitary installations, in parti-
cular bathtub handles; fitted liners for bathtubs.17 – Hose fittings of plastics for showers or shower-
heads.20 – Furniture, mirrors [looking glasses]; bathroom
furniture, washstands [furniture], column furniture
and vanity units [furniture], racks [furniture], sidebo-
ards, wall cabinets, cupboards, closets, seating furni-
ture; kitchen furniture, seating furniture; mirrors, che-
val glasses, wall mirrors, bathroom mirrors, hand-held
mirrors [toilet mirrors], shaving mirrors, make-up
mirrors with and without internal lighting, mirrored
cabinets; fastening materials (non-metallic) for sanita-
ry apparatus and equipment, in particular for cisterns
or water flushes; shower grab bars, not of metal.21 – Utensils and containers for household and kit-
chen use; soap dispensers, soap dishes, toothbrush
cups, towel racks, holders for toilet paper, dish racks,
toothbrush glasses and mugs; unworked or semi-wor-
ked glass (except glass used in building); glassware,
porcelain and earthenware, not included in other clas-
ses.

(260) AM 2022 116110 A

(800) 1637793

(151) 2021 10 14

(891) 2021 10 14

(731) TELESPAZIO S.P.A.

VIA TIBURTINA 965, I-00156 ROMA, Italy

(540)



(591) Red

(531) 01.05.02; 27.05.01; 29.01.01

(511)

9 – Electronic equipment and software for controlling satellites; electronic equipment and software for the acquisition and processing of satellite data and images; electronic equipment and software for the acquisition and processing of satellite data and images for monitoring the earth's surface and seas; electronic equipment and software for consultation, analysis and use of satellite data and images; electronic equipment and software for identification, processing and monitoring of data from space and / or from ground of the earth's surface and seas; electronic publications.

38 – Satellite and / or ground telecommunication services relating to satellite data and images; communication services via the internet or telematics for consultation, analysis and use of satellite data and images; services via the Internet or telematics by subscription for access to an informatic platform for consultation, analysis and use of satellite data and images.

42 – Satellite monitoring services; services for the acquisition and processing of satellite data and images; services for the acquisition and processing of satellite data and images for monitoring the earth's surface and seas; services for the analysis and use of satellite data and images; data processing and monitoring services from space and / or from ground of the earth's surface and seas.

45 – Services for the acquisition, monitoring, analysis, processing and use of satellite data and / or images for the protection of persons and property; license of rights to use satellite data and / or images; copyright license; licensing of intellectual property rights.

(260) AM 2022 116111 A

(800) 1637810

(151) 2021 09 28

(891) 2021 09 28

(731) ADB SAFEGATE BV

Leuvensesteenweg 585, B-1930 Zaventem,
Belgium

(540)



The logo for LINCNET features the word "LINCNET" in a bold, blue, sans-serif font. To the right of the text is a stylized orange and blue graphic element resembling a drop or a signal icon.

(591) Blue and orange

(531) 24.15.21; 26.03.23; 27.05.01; 29.01.12

(511)

9 – Wireless controllers to monitor and control the functioning of electronic devices, other than controllers for gaming apparatus; wireless controllers to remotely monitor and control the function and status of other electrical, electronic, and mechanical devices or systems; platform software for controlling, monitoring and managing aviation ground lighting equipment; computer software interfaces for controlling, monito-

ring and managing aviation ground lighting equipment; electronic apparatus and equipment for interoperability lighting management systems for controlling, monitoring and analyzing a connected lighting network; all aforesaid goods for air traffic systems and ground traffic systems, including road, street, tunnel and parking areas and industrial areas.

11 – Lighting installations with wireless connection to a remote controlling and monitoring software; lighting installations integrating a management system for smart devices management and monitoring; lighting apparatus offering smart connected services including data monitoring, data analysis and/or data transfer; lighting installations with wireless connection to a management system for smart device management, real-time and schedule control; all aforesaid goods for air traffic systems and ground traffic systems, including road, street, tunnel and parking areas and industrial areas.

(260) AM 2022 116113 A

(800) 1637947

(151) 2021 11 24

(891) 2021 11 24

(731) Huvepharma EOOD

5th floor, 3 "A" Nikolay Haitov Str, BG-1113
Sofia, Bulgaria

(540)



The logo for HuveNutra features a green stylized leaf or drop icon to the left of the brand name "HuveNutra" in a bold, green, sans-serif font.

(591) Green, white

(531) 01.15.15; 27.05.01; 29.01.12

(511)

5 – Dietary supplements and dietetic preparations; pharmaceuticals and natural remedies; veterinary preparations; medicated additives for animal foods; fodder additives for medical purposes; dietary supplements for human beings; dietary supplements for animals; food for babies; dietetic foods adapted for infants; dietetic substances adapted for medical use; dietetic substances adapted for veterinary use; vitamins and vitamin preparations.

(260) AM 2022 116114 A

(800) 1638049

(151) 2021 12 13

(891) 2021 12 13

(731) NTC SRL

Via Luigi Razza 3, I-20124 Milano,
Italy

(540)

KLEERKOL

(591) Black, white

(511)
5 – Laxatives; douching preparations for medical purposes.

(260) AM 2022 116115 A
(800) 1638050
(151) 2021 12 13
(891) 2021 12 13
(731) NTC SRL
Via Luigi Razza 3, I-20124 Milano, Italy
(540)

QUICLIREZ

(591) Black, white
(511)
5 – Laxatives; douching preparations for medical purposes.

(260) AM 2022 116116 A
(800) 1638057
(151) 2021 12 07
(891) 2021 12 07
(731) Richter Gedeon Nyrt.
Gyömrői út 19-21, H-1103 Budapest, Hungary
(540)

БИГТОФАРТ

(591) Black, white
(531) 28.05
(511)
5 – Pharmaceutical preparations.

(260) AM 2022 116117 A
(800) 1638059
(151) 2021 12 07
(891) 2021 12 07
(731) Richter Gedeon Nyrt.
Gyömrői út 19-21, H-1103 Budapest, Hungary
(540)

ИРАГЕО

(591) Black, white
(531) 28.05
(511)
5 – Pharmaceutical preparations.

(260) AM 2022 116118 A
(800) 1638060
(151) 2021 12 07
(891) 2021 12 07
(731) Richter Gedeon Nyrt.
Gyömrői út 19-21, H-1103 Budapest, Hungary
(540)

ВИРЕЛВА

(591) Black, white
(531) 28.05
(511)
5 – Pharmaceutical preparations.

(260) AM 2022 116119 A
(800) 1638095
(151) 2021 11 22
(891) 2021 11 22
(731) Idemitsu Kosan Co., Ltd.
2-1, Otemachi 1-chome, Chiyoda-ku, Tokyo
100-8321, Japan
(540)

IDEMITSU NANOUREA

(591) Black, white
(511)
4 – Solid lubricants; fuels; industrial oils; industrial greases; lubricating oils; non-mineral oils and greases for industrial purposes [not for fuel]; waxes [raw material]; engine oils; gear oils; lubricants; lubricating greases; automotive greases.

(260) AM 2022 116120 A
(800) 1638140
(151) 2021 06 14
(891) 2021 06 14
(731) HOTELS ET PREFERENCE
Tour Voltaire, 1 place des Degrés, F-92800
PUTEAUX, France
(540)



**HÔTELS &
PRÉFÉRENCE**

(591) Black, white
(531) 07.03.01; 07.03.03; 27.05.01
(511)
35 – Business organization and management of the commercial affairs of a network of affiliated members within the hotel industry; advisory and assistance services, namely, advice and assistance in the operation or management of business or commercial functions for the benefit of affiliated establishments within a hotel or restaurant chain, marketing studies, marketing and promotion, recruiting personnel, managing a database of reservations, managing real estate affairs and administrative management of real estate, including administrative management of hotels, hotel complexes, apartments and residential hotels; advertising services in relation to the organization and management of hotels, hotel complexes, aparthotels, apartments

and temporary accommodation; Expert reports on business and business information; commercial consultancy services in the field of travel and travel planning; advertising services in connection with hotels and restaurants; point-of-sale advertising; distribution of flyers, samples, advertising items; promotional and advertising actions; dissemination of advertisements and advertising material; commercial promotion in all forms and on all media including via a computer communication network (such as the Internet or Intranet) and particularly by providing privileged user cards, organization and management of commercial customer loyalty operations especially by means of loyalty cards; commercial consultancy services in the field of travel and travel planning; provision of comparison information on hotel and air fare prices; the bringing together, for the benefit of others, of goods (excluding the transport thereof) and offers of services relating to entertainment, leisure, travel, transportation, tourism, temporary accommodation, dining, enabling customers to conveniently view and purchase those goods or services by any means, especially on a commercial website; retail services, especially on a merchant website, of goods and services relating to the fields of entertainment, leisure, sports, travel, transport, tourism, temporary accommodation, catering (meals); organization of competitions for commercial and promotional purposes as well as for staff motivation purposes, including via a computer communication network (such as the Internet or Intranet).

36 – Financial services in connection with holding loyalty cards; payment by loyalty cards; financial services relating to the holding of promotional loyalty coupons; payment by promotional loyalty coupons; issuance and financial management of payment means, particularly purchase vouchers; issuing of travelers' checks, tokens of value; insurance services; financial affairs; monetary affairs; real estate affairs; real estate appraisals; financing services; financial analysis; raising or investing capital; financial consultancy; financial evaluation (insurance, banking, real estate); fund investment; stock exchange brokerage; mutual funds; capital investments to assist in the setting up of new companies; Management of real estate, residences and accommodation, including hotels, hotel complexes and residential hotels; managing housing and accommodation, leasing real estate.

39 – Passenger or freight transport; travel organization services; travel guide and traveler escort services; travel and tourist agency services, namely, booking trips and journeys; car transport; bus transport; air transport; railway transport; boat transport; chauffeur services; organization of cruises; advice and information with respect to organizing transport and tourism in a city and/or region; organization of tours and excursions; rental of motor vehicles, airplanes and boats; courier services; home delivery; parking services; information services pertaining to transport services; information on travel, holidays, tourism and geograp-

hical information, including maps and travel routes; advice and assistance in all the aforesaid fields.

41 – Hotel staff training services concerning hotel bookings, database management and hotel management; training in hotel management and remote bookings, namely, via Internet, Extranet, and Intranet networks; organization and conducting of training workshops; vocational guidance (education or training advice); practical training (demonstration); courses given in the framework of seminars; correspondence courses; organization of exhibitions for cultural or educational purposes; organization of competitions relating to education or entertainment; organization and conducting of colloquiums, conferences, congresses and seminars; production and screening of films for educational purposes; sporting activities, organization of sports competitions; rental of sports equipment (excluding vehicles); leisure services; reception planning (entertainment); providing ratings, reports and recommendations on events and activities in the field of entertainment viewed by users via a website; organization of seminars.

42 – Consultancy unrelated to business dealings concerning computer systems and especially hotel management and booking programs; design and maintenance of computer programs and systems for hotel reservation and management assistance by providing databases; help and technical support with respect to software relating to commission payment systems; advice unrelated to business dealings related to computer systems for the payment of commissions; configuration of computer hardware; setting up of software parameters for third parties in the field of hotels; rental of software in the field of hotels; recovery of computer data; study of technical projects to install a hotel reservation system on the Internet; quality control, namely, identification and detection of anomalies, development and reporting of audit reports; construction drafting, technical project studies with respect to construction (engineering works); design of interior decor; industrial design; graphic arts design services; study, information and consulting in the field of ecological and environmental protection; advice for establishing a supplier database; monitoring data, signals, images and information processed by computers.

43 – Hotel, catering (food), temporary accommodation services, restaurant, cafeteria, tea room, bar services (excluding clubs), hotel room reservation services for travelers, consultation and advice (not related to business conduct) in the hotel and catering fields; travel agency services, namely reservation of restaurants and meals; provision of information relating to hotels, temporary accommodation and restaurant services; reservation, lending and rental of rooms, halls and conference and meeting facilities; reservation, hiring and rental of rooms, halls and spaces for seminars, banquets, cocktails and receptions; consulting and advice (unrelated to business operation) in con-

nection with hotels and restaurants; stay organization services.

44 – Thalassotherapy establishment services; beauty salon, hairdressing salon services; hygienic and beauty care for human beings; gardening; aromatherapy services; Turkish baths; floral composition services; manicure services; massage services; health spa services.

(260) AM 2022 116121 A

(800) 1638149

(151) 2021 07 09

(891) 2021 07 09

(731) AEROPORTS DE PARIS

1 rue de France, F-93290 TREMBLAY-EN-FRANCE, France

(540)

EXTIME

(591) Black, white

(511)

9 – Software; application software; data processing software; software for creating, managing, updating and using databases; software and applications in the field of transport and indication of routes, parking, booking of services for people, booking of catering services; automatic dispensers for tickets, cards, passenger tickets; equipment for data processing and computers; multimedia terminals; magnetic or optical data media; recording media for sound, images and data, in particular, sound recording disks, compact disks (audio, video, multimedia); memory or microprocessor or magnetic or chip cards, bank cards; access control apparatus; magnetic and electronic access cards, magnetic and electronic transport network traffic passes.

35 – Administrative management of airports; organizational management of airports; assistance with the management of business activities; commercial management of shops at airports; recruitment of ground crew for airports; airport personnel management services; advertising services at airports; providing commercial information about products and services to customers; advertising; dissemination of advertisements and advertising material; promoting the products and services of others through loyalty reward card programs; loyalty programs; retail, especially in duty-free shops, of soap, perfumes, cosmetics, lotions for the hair, dentifrices, make-up removing products, razors, shaving products, herbal teas, pharmaceutical products, sanitary towels, cameras, video cameras, compact discs, DVDs, Bluray discs, integrated circuit cards [smart cards], computers, computer peripheral devices, tablet computers, e-readers, telephones, smartphones, headphones, software [recorded programs], spectacles, eyewear, diving masks, bags adapted for laptops, smartwatches, electric batteries, ventilation apparatus, flashlights, fine jewelry, jewelry,

horological and chronometric instruments, watches, watch cases, novelty key rings, musical instruments, printed matter, photographs, stationery, cards, books, newspapers, brochures, calendars, handkerchiefs of paper, face towels of paper, toilet paper, bags [envelopes, pouches] of paper or plastic materials for packaging, trunks and suitcases, umbrellas and parasols, walking sticks, wallets, purses, credit card holders [wallets], bags, vanity cases, not fitted, collars for animals, clothing for animals, mirrors [looking glasses], cushions, boxes of wood or plastic, household utensils, kitchen utensils, combs, brushes [except paint brushes], bottles, toiletry utensils, toiletry cases, glasses [receptacles], crockery, bags [envelopes, pouches] of textile, for packaging, household linen, table linen not of paper, bath linen except clothing, clothing, footwear, headwear, artificial plants, games, toys, video game consoles, controllers for video game consoles, decorations and party ornaments and artificial Christmas trees, balls for games, card games, board games, scooters [toys], sporting articles and equipment, models [toys], figurines [toys], meat, preserved fruits, dried fruits, cooked fruits, preserved vegetables, dried vegetables, cooked vegetables, jellies, jams, compotes, milk products, edible oils and fats, charcuterie, crustaceans [not live], canned meat, canned fish, cheese, milk beverages with milk predominating, coffee, tea, cocoa, sugar, rice, preparations made from cereals, bread, pastry, confectionery, edible ices, honey, salt, mustard, sauces [condiments], spices, sandwiches, pasta, pizzas, pancakes [foodstuffs], cookies [biscuits], cakes, sugar confectionery, chocolate, cocoa-based beverages, coffee-based beverages, tea-based beverages, fresh fruits, fresh vegetables, plants, beers, mineral waters [beverages], carbonated waters, fruit-based beverages, preparations for making beverages, lemonades, soda waters, alcohol-free aperitifs, alcoholic beverages, wines, tobacco, articles for smokers, electronic cigarettes; information and consulting services concerning the aforesaid services; commercial intermediation services.

39 – Airport services; provision of airport installations for aviation; transport services; airport transfer services; airport check-in services; booking and organizing access to airport lounges; ground traffic control services for aircraft; loading and unloading of airplanes; airport baggage handling; ground assistance services provided at airports in the framework of handling freight; airport parking services; information and consulting services concerning the aforesaid services; travel organization services; travel guide and traveler escort services; escorting of travelers; provision of travel information; provision of flight arrival and departure information.

43 – Services for providing food and beverages; temporary accommodation; accommodation agencies (hotels, boarding houses); bar services; coffee shops; cafeterias; day-nurseries [crèches]; hotel services; hotel

reservation; self-service restaurants; rental of temporary accommodation; rental of meeting rooms; temporary accommodation reservation; fast-food restaurants, snack bars; provision of food and beverages (meals).

(260) AM 2022 116122 A

(800) 1638200

(151) 2021 11 15

(891) 2021 11 15

(731) Novaswiss Holding SA Lancy

Route des Jeunes 4BIS, c/o Interazama SA,
CH-1227 Les Acacias, Switzerland

(540)



(591) Black, white

(531) 26.04.05; 26.04.16; 26.04.18; 26.13.25

(511)

25 – Footwear, excluding footwear for sports; boots; belts (clothing).

(260) AM 2022 116123 A

(800) 1638247

(151) 2021 07 12

(891) 2021 07 12

(731) Apple Inc.

One Apple Park Way, Cupertino CA 95014,
USA

(540)

MACOS MONTEREY

(591) Black, white

(511)

9 – Downloadable computer operating software.

(260) AM 2022 116125 A

(800) 1638272

(151) 2021 07 23

(891) 2021 07 23

(731) Euro Games Technology Ltd.

4, "Maritsa" Str., "Vranya-Lozen-Triugulnika",
BG-1151 Sofia, Bulgaria

(540)

PYRAMID

(591) Black, white

(511)

9 – Computer gaming software; computer operating system software for computer games and gambling;

software drivers for computer games and gambling; virtual reality software for computer games and gambling; games software; entertainment software for computer games; computer programs for network management in relation to computer games and gambling; operating computer software for main frame computers management in relation to computer games and gambling; monitors (computer hardware) for gambling, gambling machines, gambling games on the Internet and via telecommunication network; computer hardware for gambling, gambling machines, gambling games on the Internet and via telecommunication network; apparatus for recording images for gambling, gambling machines, gambling games on the Internet and via telecommunication network; monitors (computer programs) for gambling, gambling machines, gambling games on the Internet and via telecommunication network; computer game programs; computer programs for recorded games; apparatus for recording, transmission or reproduction of sound or images for gambling, gambling machines, gambling games on the Internet and via telecommunication network; communications servers [computer hardware] for gambling, gambling machines, gambling games on the Internet and via telecommunication network; electronic components for gambling machines; computer application software featuring games and gaming; computer software for the administration of on-line games and gaming; computer hardware for games and gaming; electronic components and computer software for gambling, gambling machines, gambling games on the Internet and via telecommunication network.

28 – Gaming machines for gambling; chips for gambling; mah-jong; arcade games; gambling machines operating with coins, notes and cards; games; electronic games; parlor games; gaming chips; gaming tables; slot machines [gaming machines]; LCD game machines; slot machines and gaming devices; coin-operated amusement machines; roulette chips; poker chips; chips and dice [gaming equipment]; gaming equipment for casinos; roulette tables; gaming roulette wheels; casino games; gambling machines and amusement machines, automatic and coin-operated; coin-operated amusement machines and/or electronic coin-operated amusement machines with or without the possibility of gain; boxes for coin-operated amusement machines, slot machines and gaming machines; electronic or electrotechnical amusement machines and apparatus, gaming machines, coin-operated entertainment machines; housings for coin-operated amusement machines, gaming equipment, gaming machines, machines for gambling; electropneumatic and electrical gambling machines (slot machines).

41 – Gambling; entertainment services related to gambling; gaming services for entertainment purposes; casino, gaming and gambling services; training in the development of software systems; provision of gaming equipment for gambling halls; providing casino

equipment [gambling]; gaming machine entertainment services; providing casino facilities [gambling]; gaming hall services; amusement arcade services; games equipment rental; rental of gaming machines; providing amusement arcade services; rental of gaming machines with images of fruits; editing or recording of sounds and images; sound recording and video entertainment services; hire of sound reproducing apparatus; provision of gaming equipment for casinos; providing of casino facilities; online gambling services; casino, gaming and gambling services; provision of gaming facilities, gaming hall facilities, Internet casinos and online gambling services.

(260) AM 2022 116135 A
 (800) 1412931
 (151) 2018 06 14
 (891) 2021 12 20
 (731) STADA Arzneimittel AG
 Stadastr. 2-18, 61118 Bad Vilbel, Germany
 (540)

PROBIELLE

(591) Black, white
 (511)
 5 – Pharmaceuticals, medical and veterinary preparations; sanitary preparations for medical purposes; dietetic food and substances adapted for medical or veterinary use, food for babies; dietary supplements for humans and animals; plasters, materials for dressings; material for stopping teeth, dental wax; disinfectants; preparations for destroying vermin; fungicides, herbicides.

(260) AM 2022 116136 A
 (800) 1421702
 (151) 2018 06 08
 (891) 2021 08 18
 (731) ANCOR GROUP GMBH
 Neuseser-Tal-Strasse 5, 97999 Igersheim,
 Germany
 (540)

KAIF

(591) Black, white
 (511)
 32 – Mineral and aerated waters, fruit drinks and fruit juices, syrups and other preparations for making beverages.

(260) AM 2022 116137 A
 (800) 1460119
 (151) 2019 01 24
 (891) 2021 06 16
 (731) MOKOSH DIDIUK SPÓŁKA
 KOMANDYTOWA
 ul. Dolna 14, PL-05-152 Kazuń Nowy, Poland

(540)

MOKOSH

(591) Black, white
 (511)
 3 – Antiperspirants [toiletries]; balms, other than for medical purposes; colorants for toilet purposes; cosmetic dyes; scented wood; extracts of flowers [perfumes]; ethereal essences; incense; cosmetics; cosmetic preparations for skin care; cosmetic creams; nail polish; beauty masks; cleansing milk for toilet purposes; cakes of soap; cakes of toilet soap; hair conditioners; oils for cosmetic purposes; oils for perfumes and scents; essential oils; ethereal oils; oils for toilet purposes; eyebrow pencils; hair lotions; perfumes; lotions for cosmetic purposes; lipsticks; pomades for cosmetic purposes; make-up removing preparations; potpourris [fragrances]; depilatory preparations; make-up preparations; mouthwashes, not for medical purposes; nail care preparations; bath preparations, not for medical purposes; cosmetic preparations for baths; cosmetic preparations for slimming purposes; toiletry preparations; pumice stone; bath salts, not for medical purposes; shampoos; talcum powder, for toilet use; greases for cosmetic purposes; scented water; cosmetic kits; toilet water.

(260) AM 2022 116138 A
 (800) 1535066
 (151) 2020 03 11
 (891) 2021 12 15
 (731) Ellesse International S.p.A.
 Via Mario Angeloni 80/A, I-06124 Perugia,
 Italy
 (540)



(591) Blue, brown, orange
 (531) 26.02.16; 26.11.12; 27.05.17; 29.01.12
 (511)
 18 – Leather and imitations of leather; bags; bags for clothes; carrying cases; satchels; holdalls; sports bags; athletic bags; flight bags; school bags; rucksacks; trunks and travelling bags; handbags; clutch bags; cosmetic and toilet bags; purses; wallets; leather shoulder belts; umbrellas and parasols; walking sticks; animal skins, hides; whips, harness and saddlery; parts and fittings for all the aforesaid goods.
 25 – Sportswear; clothing; t-shirts; polo-shirts; shorts; skirts; socks; dresses; sweatpants; sweatshirts; jogging pants; skiwear; gym wear; footwear; trainers; sweatbands; running shoes; tennis shoes; sports shoes; headgear; hats; caps; visors; belts for wear; parts and fittings for all the aforesaid goods.

(260) AM 2022 116139 A
 (800) 1535175
 (151) 2020 03 11
 (891) 2021 12 15
 (731) Ellesse International S.p.A.
 Via Mario Angeloni 80/A, I-06124 Perugia,
 Italy
 (540)



(591) brown, orange
 (531) 26.02.16; 26.11.12; 29.01.01
 (511)
 18 – Leather and imitations of leather; bags; bags for clothes; carrying cases; satchels; holdalls; sports bags; athletic bags; flight bags; school bags; rucksacks; trunks and travelling bags; handbags; clutch bags; cosmetic and toilet bags; purses; wallets; leather shoulder belts; umbrellas and parasols; walking sticks; animal skins, hides; whips, harness and saddlery; parts and fittings for all the aforesaid goods.

25 – Sportswear; clothing; t-shirts; polo-shirts; shorts; skirts; socks; dresses; sweatpants; sweatshirts; jogging pants; skiwear; gym wear; footwear; trainers; sweatbands; running shoes; tennis shoes; sports shoes; headgear; hats; caps; visors; belts for wear; parts and fittings for all the aforesaid goods.

(260) AM 2022 116140 A
 (800) 1536152
 (151) 2020 03 10
 (891) 2021 12 15
 (731) Ellesse International S.p.A.
 Via Mario Angeloni 80/A, I-06124 Perugia,
 Italy
 (540)

ELLESSE

(591) Black, white
 (511)
 18 – Leather and imitations of leather; bags; bags for clothes; carrying cases; satchels; holdalls; sports bags; athletic bags; gym bags; kit bags; flight bags; school bags; rucksacks; trunks and travelling bags; handbags; clutch bags; cosmetic and toilet bags; purses; wallets; leather shoulder belts; umbrellas and parasols; walking sticks; animal skins, hides; whips, harness and saddlery; parts and fittings for all the aforesaid goods.

(260) AM 2022 116142 A
 (800) 1584069
 (151) 2020 12 17
 (891) 2021 06 29
 (731) DFC PET İÇ VE DIŞ TİCARET LİMİTED
 ŞİRKETİ
 Çınarlı Mahallesi, Ozan Abay Caddesi,
 Egeperla Blok, No:10, İç Kapı No:094,
 Konak, İzmir, Türkiye
 (540)

molly

(591) Black, white
 (511)
 31 – Animal foodstuffs; cat litter.

(260) AM 2022 116143 A
 (800) 1584304
 (151) 2021 01 26
 (891) 2021 12 03
 (731) Zhejiang Weixing New Building Materials Co.,
 Ltd.
 Economic Development Zone of Linhai,
 Zhejiang Province, China
 (540)

VASEN

(591) Black, white
 (531) 27.05.01
 (511)
 17 – Synthetic rubber; pipe jackets, not of metal; chemical compositions for repairing leaks; organic glass; junctions, not of metal, for pipes; flexible hoses, not of metal; insulating refractory materials; insulating materials; padding materials of rubber or plastics.

19 – Wood, semi-worked; sandstone for building; gypsum [building material]; cement; concrete building elements; floor tiles, not of metal; refractory construction materials, not of metal; bituminous products for building; rigid pipes, not of metal, for building; composite aluminum-plastic pipes; plastic tubes for building use; buildings, not of metal; binding agents for making stones; statues of stone, concrete or marble; memorial plaques, not of metal.

(260) AM 2022 116172 A
 (800) 1638324
 (151) 2021 04 16
 (891) 2021 04 16
 (731) Zhukovska Valentyna Borysivna
 Provulok Muzeinyi, 8, kv. 43, Kyiv 01001,
 Ukraine

(540)

ВАКЦИНА

(591) Black, white

(531) 28.05

(511)

33 – Alcoholic beverages, except beer; alcoholic beverages containing fruit; aperitifs; arrack (arak); brandy; wine; whisky; vodka; liqueurs; kirsch; perry; gin; cocktails; curacao; hydromel (mead); peppermint liqueurs; pre-mixed alcoholic beverages, other than beer-based; bitters; sugarcane-based alcoholic beverages; distilled beverages; piquette; rice alcohol; rum; sake; cider; spirits (beverages); alcoholic extracts; alcoholic essences; fruit extracts, alcoholic.

(260) AM 2022 116173 A

(800) 1638361

(151) 2021 10 25

(891) 2021 10 25

(731) H & M Hennes & Mauritz AB

Mäster Samuelsgatan 46A, SE-106 38

Stockholm, Sweden

(540)



(591) Black, white

(531) 26.07.25; 27.01.01; 27.05.25

(511)

9 – Pedometers; sunglasses; mobile telephone cases; glasses for sports; swim goggles.

10 – Graduated compression hosiery; compression panty hose; foam massage rollers; trigger balls; massage balls; pressure relief pads and cushions; face masks for medical use.

18 – Leather and imitations of leather; animal skins and hides; luggage; bags; sport bags; umbrellas; travelling bags; wallets; handbags; evening handbags; work bags; shoulder bags; canvas bags; shopping bags; rucksacks; athletics bags; purses; trunks (luggage); key cases; toiletry bags.

25 – Clothing; footwear; headgear; sport suits; bathing drawers; swimsuits; bath robes; bikinis; pantsuits; sports pants; neckerchiefs; gloves; sports jackets; shell jackets; fleece jackets; padded jackets; sports shorts; skirts; sports underwear; short-sleeve shirts; sports jumpers; overalls; pocket squares; rainwear; scarves; sports shirts; beachwear; sports tank tops; sports bras; athletic tights; sports stockings; sweaters; sports t-shirts; waistcoats; mittens; outer clothing; coats; jackets; children's clothing; t-shirts; shorts; tights; tank tops; pants; jumpers; underwear; stockings; hats; caps; beanies; visors; headbands;

running shoes; training shoes; hiking shoes; face masks [fashion wear]; wetsuits for surface watersports; neck tubes, sweatbands.

28 – Games; playthings; gymnastic and sporting articles; rubber bands for exercise; dumbbells; exercise weights; yoga blocks; gym balls for yoga; yoga straps; kettle bells; rings for sports; manually operated rings for lower and upper body resistance exercise; pilates toning balls; skipping ropes.

35 – Advertising and marketing services; providing on-line consumer information relating to goods and services; retail services regarding sunglasses, glasses for sports, swim goggles, pedometers, compression socks, foam massage rollers, trigger balls, massage balls, pressure relief pads and cushions, pillows, face masks, glass bottles, plastic bottles, clothing, footwear, headgear, yoga mats, games and playthings, gymnastic and sporting articles, sport accessories, mobile cases, key holders, card holders.

41 – Gym activity classes; yoga instruction; pilates instruction; sports and fitness services; rental services relating to equipment and facilities for sports.

(260) AM 2022 116174 A

(800) 1638402

(151) 2020 10 27

(891) 2020 10 27

(731) Egis Gyógyszergyár Zrt.

Keresztúri út 30-38, H-1106 Budapest, Hungary

(540)

ERASEDERM

(591) Black, white

(511)

3 – Cosmetics and cosmetic preparations.

5 – Human pharmaceutical preparations; dietetic substances adapted for medical use; dietary supplements; medicinal ointments; medicated skin creams; plasters, materials for dressings.

(260) AM 2022 116175 A

(800) 1638435

(151) 2021 07 22

(891) 2021 07 22

(731) Eagleline Limited

The Victoria Centre, Unit 2, Lower Ground Floor, Valletta Road, MST 9012 MOSTA, Malta

(540)



(591) Green, grey

(531) 24.15.01; 24.15.13; 24.17.25; 27.05.01; 29.01.12

(511)

9 – Games software; computer gaming software; software programs for video games; interactive video game programs; computer game cartridges; software; educational software; application software; community software; computer telephony software; interactive computer software; communication software; programs for computers; electronic components for gambling machines; games cartridges for use with electronic games apparatus; juke boxes, musical; computer game software for use with on-line interactive games; computer application software featuring games and gaming; interactive multimedia software for playing games; automated teller machines [ATM]; computers and computer hardware; communications servers [computer hardware]; VPN [virtual private network] hardware; network access server hardware; LAN [local operating network] hardware; computer networking hardware; computer hardware for use in computer-assisted software engineering; none of the aforesaid goods relating to audio software or audio hardware for audio emulation, audio producing, audio recording, audio manipulation or audio processing.

28 – Games; sports games; manipulative games; mechanical games; musical games; electronic games; parlour games; table-top games; quiz games; apparatus for games; arcade games; skill and action games; electronic hand-held game units; lottery wheels; lottery tickets; slot machines [gaming machines]; automatic gaming machines; coin-operated amusement machines; bill-operated gaming equipment; LCD game machines; counters [discs] for games; board games; amusement apparatus for use in arcades.

41 – Gambling services; organization of lotteries; games equipment rental; casino services; providing casino facilities; leasing of casino games; providing casino facilities [gambling]; providing of casino and gaming facilities; casino, gaming and gambling services; providing amusement arcade services; prize draws [lotteries]; organising and conducting lotteries; provision of instruction relating to computer programming; on-line casino services.

42 – Software as a service [SaaS]; rental of computer software; computer software design; installation and maintenance of computer programs; updating of computer software; computer software research; troubleshooting in the nature of diagnosing computer hardware and software problems; configuring computer hardware using software; design and development of video game software; platform as a service [PaaS]; design of computer hardware; computer software consultancy; computer technology consultancy; consultancy in the design and development of computer hardware; rental of computer hardware; computer hardware development; diagnosing computer hardware problems using software; software development, programming and implementation; providing information, advice and consultancy services in the field of

computer software; research in the field of computer hardware; consultancy in the design and development of computer hardware; none of the aforesaid services relating to audio software or audio hardware for audio emulation, audio producing, audio recording, audio manipulation or audio processing.

(260) AM 2022 116176 A

(800) 1638439

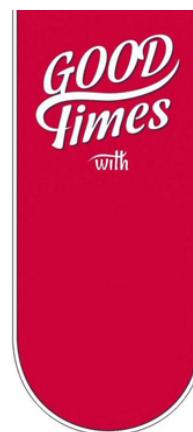
(151) 2021 09 13

(891) 2021 09 13

(731) Krzysztof Lipiński

Willowa 77, PL-32-085 Modlniczka, Poland

(540)



(591) Red and white.

(531) 25.03.05; 27.05.03; 27.05.24; 29.01.12

(511)

28 – Puzzles; puzzles [toys]; jigsaw puzzles.

35 – Online advertising; sales promotion; advertising via electronic media and specifically the internet; online retail services relating to toys; internet marketing.

(260) AM 2022 116177 A

(800) 1638451

(151) 2021 09 22

(891) 2021 09 22

(731) Obshchestvo s ogranichennoy otvetstvennost'yu

"Kontinent Proizvodstvennyye Resheniya"

ul. SH-2, str. 4/2, korp. 4, pomesch. 66,

Yelabuzhskiy r-n, ter. O EZ Alabuga,

RU-423601 Respublika Tatarstan, Russian

Federation

(540)

(591) Black, white

(531) 27.05.01

(511)

7 – Rinsing machines; wringing machines for laundry; washing machines [laundry]; coin-operated washing machines; spin dryers [not heated]; sewing machines;

vacuum cleaner bags; meat choppers [machines]; vacuum cleaners; fruit presses, electric, for household purposes.

11 – Coffee roasters; freezers; electric fans for personal use; refrigerating display cabinets; heated display cabinets; water heaters; air reheaters; roasting apparatus; refrigerating containers; refrigerating chambers; electric pressure cooking pans; air-conditioning apparatus; coffee machines, electric; electric lamps; multicookers; heat pumps; heaters; refrigerating appliances and installations; food steamers, electric; bakers' ovens; kitchen ranges [ovens]; microwave ovens [cooking apparatus]; microwave ovens for industrial purposes; cooking stoves; hot plates; water filtering apparatus; cooking apparatus and installations; radiators, electric; laundry dryers, electric; hair dryers; bread toasters; ventilation [air-conditioning] installations and apparatus; heating installations; bread-making machines; refrigerators; kettles, electric; refrigerating cabinets.

(260) AM 2022 116178 A

(800) 1638462

(151) 2021 11 25

(891) 2021 11 25

(731) The Carlstar Group LLC

Suite 500, 725 Cool Springs Blvd., Franklin
TN 37067, USA

(540)

CARLSTAR

(591) Black, white

(511)

12 – Tires; tire tubes for vehicles; inner tubes for pneumatic tires; vehicle wheels.

(260) AM 2022 116180 A

(800) 1638475

(151) 2021 09 30

(891) 2021 09 30

(731) AGRO SEVILLA ACEITUNAS, S. COOP.
AND.

Avda. de la Innovación, s/n, Edificio Renta
Sevilla, PL 8ª, E-41020 Sevilla, Spain

(540)



(591) Black, white and yellow

(531) 05.07.01; 20.05.25; 27.03.11; 29.01.13

(511)

29 – Edible oils and fats; meat and meat products; processed fruits, mushrooms, vegetables, nuts and le-

gumes; eggs and egg products; prepared larvae and insects; fish, seafood and shellfish, not live; milk products and milk substitutes; soups and broths, meat extracts; guts and imitations; prepared vegetable products; preparations for making soup; prepared dishes consisting primarily of meat; prepared green-vegetable-based dishes; prepared nuts; prepared meals mainly based on fish; prepared meals consisting mainly of vegetables; clear soups, [soups]; prepared salads; vegetable salads; stews; guacamole [ground avocado]; cream and fruit cake; jellies, jams, compotes, fruit and vegetable spreads; preserved olives; prepared olives; Processed avocados; dried olives; processed edible algae; creamy fruit spread; stewed fruit; gelatine; olive paste; fruit paste; pressed fruit paste; nut pastes; vegetable-based spreads; garlic-based spreads; vegetable spreads; spreads consisting mainly of eggs; spreads consisting mainly of fruit; vegetable terrines; tapenades (olive paste); concentrated tomato [purée]; vegetable-based snack foods; snack foods based on vegetables of all kinds; nut-based snacks; candied fruit snacks; potato snacks; fruit and nut-based snack bars; vegetable-based chips; fruit preserves; vegetable chips; preserves, pickles; cheese dips for snacks; croquettes; cut vegetable salads; pickles; vegetable extracts for cooking; processed edible flowers; prepared fruit; crystallized fruits; fruit preserves in alcohol; glazed fruits; fermented fruits; edible nuts [processed]; candied nuts; vegetable patties; dehydrated fruit leathers; sweet corn [canned]; pickle mixes; snack mixes consisting of dehydrated fruit and processed nuts; vegetable mixes; vegetable mousse; garlic paste for culinary use; truffle paste; vegetable-based spreads; French fries; anchovy pâté; pectin for culinary use; main courses based on vegetables; snack foods based on vegetables; dried fruit products; vegetable products for use as food; formed textured vegetable protein for use as a meat substitute; olive puree; vegetables puree; fruit purees; processed roots; vegetarian sausages; edible seeds; prepared mushrooms; milk-based snacks; potato cakes; frozen vegetables; powdered vegetables; crystallized fruits.

(260) AM 2022 116181 A

(800) 1638531

(151) 2021 05 10

(891) 2021 05 10

(731) Exeger Operations AB

Box 55597, SE-102 04 Stockholm, Sweden

(540)

Powerfoyle

(591) Black, white

(511)

6 – Metal roofing; windows of metal; facades of metal; walls of metal.

7 – Robots [machines]; robots for industrial use, robots for household and commercial cleaning, robots

[parts of -], robots for assisting people (machines), robots used in manufacture; solar power generators and parts and fittings therefor; electric generators using solar cells and parts and fittings therefor.

9 – Scientific, nautical, surveying, photographic, cinematographic, optical, weighing, measuring, signalling, checking (supervision), life-saving and teaching apparatus and instruments; apparatus and instruments for conducting, switching, transforming, accumulating, regulating or controlling electricity; measuring instruments and measuring and control instruments; apparatus and instruments for storing power; apparatus and instruments for recording, transmission or reproduction of sound or images; solar panels for use in energy generation and recycling; data processing equipment; computers; calculating machines; computer software; photovoltaic apparatus for generating electricity; photovoltaic apparatus for converting solar radiation and light energy into electricity; solar cells for electricity generation, parts for solar cells, included in this class; solar panels; photovoltaic solar modules; solar batteries; solar battery chargers; solar batteries for domestic use; solar-powered rechargeable batteries; solar-powered electronic apparatus and instruments, namely solar-powered electronic control apparatus and instruments, solar-powered electronic communication apparatus, solar-powered electronic data processing apparatus, solar-powered electronic GPS apparatus, and solar-powered electronic audio apparatus, and fittings thereto; solar-powered portable electronic apparatus and instruments, namely solar-powered portable electronic control apparatus and instruments, solar-powered portable electronic communication apparatus, solar-powered portable electronic data processing apparatus, solar-powered portable electronic GPS apparatus, and solar-powered portable electronic audio apparatus; solar powered telephones; solar powered radios; solar-powered computers; solar-powered computer tablets; solar-powered ear phones; solar-powered electronic sport simulators; portable computers for sports and fitness purposes; e-readers having writing functions; wireless communication apparatus; cell phones; cases adapted for mobile phones; tablets; cases for tablet computers; portable computers; sleeves for laptops; wireless headphones; loudspeakers; speakers for wireless use; wireless keyboards; mouse pads; electric signs; light (traffic- -) apparatus [signalling devices]; safety helmets; sports glasses; helmets for use in sports; games software; head protection; goggles; remote control; digital and electronic computer tablets; telecommunication apparatus; video devices; calibrating apparatus and instruments; electronic tracking devices; fitness monitoring devices; remote controls, remote control, controllers for machine tools, management software, control apparatus for software, checking (supervision) apparatus; fitted covers and fittings for the aforesaid goods, included in this class; smartwatches; electric power supply units using solar cells.

11 – Solar cell lighting apparatus; solar powered torches; solar energy powered heating installations; solar powered lamps; roof lights [lamps]; solar panels for use in heating; fittings for the aforesaid goods included in this class.

12 – Vehicles; robot vehicles; apparatus for locomotion by land, air or water, and structural parts and fittings therefor; transportation robots.

14 – Time instruments; solar clocks and watches; parts and fittings for chronometric instruments; sports watches.

18 – Leather and imitation leather; leatherboard (imitation of leather); imitation leather cases; bags made of imitation leather; imitation leather purses; imitations of leather for furniture; imitations of leather for shoes; shoulder-belts and straps of leather or imitation leather; casual bags; fashion handbags; travelling trunks and all-purpose carrying bags; umbrellas and parasols; walking sticks; whips, harness and saddlery; collars, clothing and leashes for animals.

19 – Ceilings, not of metal; windows, not of metal; facades, not of metal; walls, not of metal.

20 – Furniture; mirrors (silvered glass); picture frames; indoor window blinds [furniture] containing photovoltaic cells.

25 – Clothing; footwear; hats; sportswear; athletic shoes; clothing accessories, namely belts [clothing].

28 – Toys; games [intelligence games]; electronic games; sports playthings; robotic toys; handheld video game apparatus; video game controllers; video games accessories; sporting goods, sporting articles, sports equipment and accessories; face guards for sports use; body protectors for sports use; bags especially adapted for sports equipment; protective padding for playing sports; gymnastic articles; remote control toys.

37 – Construction, installation, repair and maintenance of light and solar systems; construction of utility solar installations; installation of residential solar panel power systems; construction services.

40 – Generation of electricity from solar energy; custom assembly of materials for others.

42 – Scientific and technological services and research and design relating thereto; industrial analysis and research; design and development of computer hardware and software; design and development of software for control, regulation and monitoring of solar energy systems; research and design in the field of solar cell development; design and development of computer hardware and software; consultancy relating to solar cell technology.

(260) AM 2022 116182 A
 (800) 1638607
 (151) 2021 08 25
 (891) 2021 08 25
 (731) Polski Ogród Spółka z ograniczoną
 Odpowiedzialnością
 ul. Mszczonowska 2, PL-02-337 Warszawa,
 Poland

(540)



(591) Red, green, white
 (531) 05.03.11; 05.03.13; 05.03.16; 20.05.25;
 26.11.14; 27.05.01; 29.01; 29.01.13

(511)

29 – Frozen fruits and vegetables; frozen fruit and vegetable blends; frozen ready-made dishes made of fruits and vegetables; frozen ready-made vegan, vegetarian dishes and dishes consisting primarily of meat; soups; frozen ingredients for making soups being vegetables and vegetable blends; frozen mushrooms; dietetic food and low fat and cholesterol food, not for medical purpose consisting primarily of fruits and vegetable excluding food constituting: jellies, jams, compotes, yoghurt, kefir, smoothie, mousses, fruit and vegetable pomaces, fruit pulp, fruit and vegetable concentrates and drinks and juices included in this class.

30 – Rice; tapioca; sago; products made primarily with flour; food products made primarily with flour deep-frozen; food products made predominantly of flour with addition of fruits and vegetables; frozen food products made with flour with addition of fruits and vegetables; prepared dishes made on basis of cereals and flour; ravioli; pizza; lasagna; pasta; cereals products; groats; bakery products; ice-creams; edible ices; powdered edible ices; dairy ice-creams; fruit ice-creams; sorbets; ice-cream desserts.

31 – Agricultural, horticultural, forestry products, grains, unprocessed; live animals; fish, seafood and molluscs, crustaceans, live fish, fresh fruits and vegetables, citrus fruit, berries, fresh mushrooms, herbs, natural seeds, plants and flowers; young plants, seed germ for botanical purposes, foodstuffs for animals, malt.

40 – Custom manufacturing of frozen fruits and vegetables, frozen fruit and vegetable blends, frozen ready-made fruit and vegetable dishes, ice-cream products and desserts, ice creams, sorbets (other than drinks) for others; custom manufacturing of food for others excluding goods being: jellies, fruit jellies,

jams, fruits boiled in water with sugar (compotes), beverages, smoothie, fruit and vegetable mousses, fruit and vegetable pomaces, fruit pulp, fruit and vegetable concentrate, fruit and vegetable juices, concentrated fruit and vegetable juices and drinks.

(260) AM 2022 116183 A

(800) 1638639

(151) 2021 10 29

(891) 2021 10 29

(731) GSH TRADEMARKS LIMITED
 AFRODITIS, 25 2ND FLOOR, OFFICE 204,
 NICOSIA, Cyprus

(540)



(591) Black, white

(531) 19.07.01; 19.07.23; 25.01.15; 25.01.25;
 27.05.03; 27.05.09

(554) მოცულობითი

(511)

33 – Alcoholic beverages based on sugar cane; alcoholic beverages, except beer; alcoholic beverages containing fruit; anise tincture [liqueur]; anise liqueur; aperitifs; arak; brandy; wines; whiskey; vodka; cherry vodka; perry; gin; digestifs [liqueurs and alcoholic beverages]; cocktails; curacao; liqueurs; mead [honey drink]; mint liqueurs; mixed alcoholic beverages, except beer-based beverages; bitter tinctures; pickets [wine from grape pomace]; rice alcohol; rum; sake; cider; alcoholic drinks; alcoholic beverages obtained by distillation; grain-based spirits; alcohol extracts; alcohol essences; fruit extracts, alcoholic.

(260) AM 2022 116184 A

(800) 1638643

(151) 2021 10 22

(891) 2021 10 22

(731) "International Association, "Trans-Caspian International Transport Route" Association of Legal Entities (KZ) international
 Dinmukhamed Kunaev street, 12/1, Yesil district, 010000 Nur-Sultan city, Kazakhstan

(540)



(591) Blue, green and black

(531) 26.03.23; 27.05.10; 29.01.13

(526) Trans-Caspian International Transport Route.

(511)

35 – Providing information in the area of global sustainable business solutions; providing consultancy services in the area of global sustainable business solutions; business development; business strategy development; providing business efficiency advice; providing advice in the field of business efficiency; search engine optimization for sales promotion; cost analysis; cost price analysis; business management analysis; analysis of market research data; business data analysis; marketing analysis; business profit analysis; analysis of market studies; strategic business analysis; cost-benefit analysis; consultancy relating to business analysis; analysis of market research statistics; business profit analysis services; market analysis; economic forecasting and analysis; advisory services relating to business analysis; collection, systematization, compilation and analysis of business data and information stored in computer databases; development of processes for the analysis and the implementation of strategy plans and management projects; business assistance, management and information services; business information and appraisal services; business consulting and business information for enterprises; business advisory and information services; information services relating to business matters; business consultancy and information services; business consultancy and business information services provided to enterprises; business advisory, consultancy and information services; compilation and analysis of data and information relating to business management; marketing strategy planning; development of marketing strategies and concepts; development and implementation of marketing strategies for others; document filing [office functions]; vehicle registration and title transfer services; processing warranty registration documents for others; providing transportation documentation for others [administrative services]; preparation of business statistics; providing marketing reports; preparation of business reports; preparation of expert evaluations and reports relating to business matters.

36 – Valuation of freight and cargo; financial evaluation and analysis; capital investment; providing information relating to insurance; financial research and information services; providing funding for the development of new technology.

39 – Tracking and tracing of shipments [transport information]; shipping of goods; freight forwarding; parcel delivery; cargo handling; cargo delivery servi-

ces; cargo handling and freight services; storage, transportation and delivery of goods; information services relating to the movement of cargo; storage, transport, pick-up, and packing of freight; global transportation of freight for others by all available means; monitoring and tracking of package shipments [transport information]; computerized tracking and tracing of packages in transit [transport information]; supply chain logistics and reverse logistics services consisting of the storage, transportation and delivery of freight; transportation logistics; logistics services consisting of the transportation and warehousing of goods; logistics services consisting of the storage and transportation of goods; freight transportation brokerage; local and long distance commercial road transport; road haulage service; providing information relating to shipbrokerage; operating toll roads; information services relating to methods of transport; document delivery; physical storage of electronically stored data or documents.

(260) AM 2022 116185 A

(800) 1638665

(151) 2021 11 19

(891) 2021 11 19

(731) ZAMZAMTECHNOLOGY LLC

8 The Green Suite #6932, Dover DE 19901, USA

(540)



(591) Black, white

(531) 26.11.06; 26.11.09; 26.11.12; 26.13.25; 27.05.01

(511)

9 – Recorded and downloadable computer software for managing digital assets and cryptocurrency.

36 – Financial cryptocurrency exchange services; banking services; financial securities and commodity trading services for others; margin lending, namely, money lending that allows the borrower to invest the money; financial services, namely, brokerage and trading services for securities, stocks, bonds, capital investments, commodities and equities; financial investment brokerage services; providing information in the fields of investment and finance over computer networks and global communication networks; financial information provided by electronic means in the field of finance, securities trading, investments, securities brokerage; electronic financial trading services; electronic financial trading services for others via a global computer network; cryptocurrency, namely, providing a virtual currency, namely, digital currency and digital tokens, for use by members of a community via a global computer network; cryptocurrency, namely, provi-

ding electronic transfer of a virtual currency for use by members of an online community via a global computer network; issuance of digital tokens of value; payment processing services in the field of digital currency, cryptocurrency, and the electronic transfer of financial instruments and digital tokens; cryptocur-
 rency exchange services; virtual currency trading services; digital currency trading services; financial services, namely, providing a virtual currency for use by members of an online community via a global computer network; financial services, namely, providing electronic transfer of a virtual currency for use by members of an online community via a global computer network; electronic funds transfer services; providing monetary exchange services, namely, exchanging cash of others for digitized assets, namely, bitcoins, cryptocurrency, digital tokens, collateral for derivatives, derivative contracts, virtual currency, and digital currency; financial services, namely, providing virtual currency tokens using blockchain technology for use by members of an online community via a global computer network.

42 – Providing temporary use of online non-downloadable computer software for managing digital assets and cryptocurrency.

(260) AM 2022 116187 A

(800) 1638744

(151) 2021 12 07

(891) 2021 12 07

(731) Henkel AG & Co. KgaA

Henkelstrasse 67, 40589 Düsseldorf, Germany

(540)

EPIX

(591) Black, white

(511)

1 – Unprocessed plastics; adhesives for use in industry; cellulose.

16 – Paper and cardboard; office requisites, except furniture; adhesives for stationery or household purposes; plastic film and bags for wrapping; sheets of reclaimed cellulose for wrapping; stickers [stationery]; fabrics for bookbinding; padding materials of paper or cardboard; envelopes [stationery]; packing [cushioning, stuffing] materials of paper or cardboard; boxes of paper or cardboard; bags [envelopes, pouches] of paper or plastics, for packaging; wrapping paper.

(260) AM 2022 116188 A

(800) 1638752

(151) 2021 12 06

(891) 2021 12 06

(731) Richter Gedeon Nyrt.

Gyömrői út 19-21, H-1103 Budapest,
Hungary

(540)

ROCENTA

(591) Black, white

(511)

5 – Pharmaceutical preparations.

(260) AM 2022 116189 A

(800) 1638753

(151) 2021 12 06

(891) 2021 12 06

(731) Richter Gedeon Nyrt.

Gyömrői út 19-21, H-1103 Budapest, Hungary

(540)

DOMEDOVAR

(591) Black, white

(511)

5 – Pharmaceutical preparations.

(260) AM 2022 116190 A

(800) 1638754

(151) 2021 12 06

(891) 2021 12 06

(731) Richter Gedeon Nyrt.

Gyömrői út 19-21, H-1103 Budapest, Hungary

(540)

SPONDEO

(591) Black, white

(511)

5 – Pharmaceutical preparations.

(260) AM 2022 116191 A

(800) 1638755

(151) 2021 12 06

(891) 2021 12 06

(731) Richter Gedeon Nyrt.

Gyömrői út 19-21, H-1103 Budapest, Hungary

(540)

SORORON

(591) Black, white

(511)

5 – Pharmaceutical preparations.

(260) AM 2022 116192 A

(800) 1638756

(151) 2021 12 07

(891) 2021 12 07

(731) Richter Gedeon Nyrt.

Gyömrői út 19-21, H-1103 Budapest, Hungary

(540)

ДИСИРВИС

(591) Black, white

(531) 28.05

(511)
5 – Pharmaceutical preparations.

(260) AM 2022 116193 A
(800) 1638757
(151) 2021 12 07
(891) 2021 12 07
(731) Richter Gedeon Nyrt.
Gyömrői út 19-21, H-1103 Budapest, Hungary

(540)

ИТОГАР

(591) Black, white
(531) 28.05
(511)
5 – Pharmaceutical preparations.

(260) AM 2022 116194 A
(800) 1638758
(151) 2021 12 07
(891) 2021 12 07
(731) Richter Gedeon Nyrt.
Gyömrői út 19-21, H-1103 Budapest, Hungary

(540)

ИКСБИРА

(591) Black, white
(531) 28.05
(511)
5 – Pharmaceutical preparations.

(260) AM 2022 116195 A
(800) 1638759
(151) 2021 12 07
(891) 2021 12 07
(731) Richter Gedeon Nyrt.
Gyömrői út 19-21, H-1103 Budapest, Hungary

(540)

ДЕГИЛОРЕТ

(591) Black, white
(531) 28.05
(511)
5 – Pharmaceutical preparations.

(260) AM 2022 116196 A
(800) 1638760
(151) 2021 12 07
(891) 2021 12 07
(731) Richter Gedeon Nyrt.
Gyömrői út 19-21, H-1103 Budapest,
Hungary

(540)

ДОМЕДОВАР

(591) Black, white
(531) 28.05

(511)
5 – Pharmaceutical preparations.

(260) AM 2022 116197 A
(800) 1638761
(151) 2021 11 03
(891) 2021 11 03
(731) Beijing Chaji Catering Management Co., Ltd.
Room 405, 4F, Building 5, Courtyard 16,
Xinzhong North Street, Shunyi District,
Beijing, China

(540)



CHAGEE
霸王茶姬

(591) Black, white
(531) 02.03.01; 09.07.01; 26.01.24; 28.03
(511)

35 – Presentation of goods on communication media, for retail purposes; business project management services; commercial administration of the licensing of the goods and services of others; provision of an on-line marketplace for buyers and sellers of goods and services; sales promotion for others; personnel management consultancy; search engine optimization for sales promotion; accounting; sponsorship search; retail services for pharmaceutical, veterinary and sanitary preparations and medical supplies.

43 – Teahouse services; café services; ice cream parlors; bar services; canteen services; providing conference rooms; retirement home services; day-nursery [crèche] services; boarding for animals; rental of chairs, tables, table linen, glassware.

(260) AM 2022 116198 A
(800) 1638776
(151) 2021 01 11
(891) 2021 01 11
(731) TRINO Sp. z o.o.
ul. H. Modrzejewskiej 30, PL-31-327 Kraków,
Poland

(540)

MERCATOR

(591) Black, white
(511)
3 – Bleaching preparations and other substances for laundry use; cleaning, polishing, scouring and abrasive preparations; soaps; perfumery, essential oils, beauty and body care preparations; hair lotions; dentifrices; sanding gloves; cotton wool for cosmetic purposes; washing preparations for surfaces and objects; cleaning agents for the hands, hand care preparations; skin wash; skin care preparations; cleansing wipes;

preparations for manual washing of instruments; preparations for mechanical washing of instruments; preparations for manual and mechanical washing of instruments; washing preparations for endoscopes; washing preparations for dental instruments; washing preparations for haemodialysis apparatus; washing preparations for medical apparatus and equipment; industrial cleaning preparations; cleaning preparations for machines, apparatus and production lines; cleaning and fragrancings preparations; animal grooming preparations; toiletries; essential oils and aromatic extracts.

5 – Pharmaceutical and veterinary preparations; sanitary preparations for medical purposes; dietetic food and substances adapted for medical or veterinary use, food for babies; dietary supplements for human beings and animals; adhesive plasters; dressings [medical]; teeth filling material; impression materials; disinfectants; preparations for destroying vermin; fungicides; herbicides; compresses; gauze compresses; medicated compresses; non-woven compresses, cotton swabs for medical purposes; adhesive surgical dressings (sterile and non-sterile); medical and surgical dressings; high-absorption compresses; dental compresses; specialised dressings, namely alginate, antibacterial, hydrocolloid, hydrolymer, hydrogel, silicon, and gel dressings; adhesive dressings; disinfectant dressings; elastic bandages [dressings]; gauze for dressings; bandages for dressings; materials for dressings; medicated dressings; adhesive bandages; surgical dressings; liquid bandages; compresses for use as dressings; cellulose wadding; aseptic cotton; cotton for medical, veterinary, surgical or pharmaceutical purposes; diapers; pants for continence care; protective panties; panty liners, anatomical pads; absorbent sanitary pads; elastic mesh menstruation underpants; sanitary towels; pantyliners; disinfectants for surfaces and objects; hand-sanitizing preparations; preparations for disinfecting skin; sanitizing wipes; preparations for manual disinfection of instruments; preparations for mechanical disinfection of instruments; preparations for manual and mechanical disinfection of instruments; aerosol preparations for the disinfection of air; disinfectants for endoscopes; disinfectants for dental instruments; disinfectants for haemodialysis apparatus; disinfectants for medical apparatus and equipment; disinfectants for machines, apparatus and production lines; disinfectants and antiseptics; hygienic preparations and articles; sanitary preparations for surfaces and objects; sanitary preparations for the hands (antiseptic); sanitary preparations for the skin (antiseptic); sanitary preparations for use in industry; antiseptics; antiseptic cleaning, washing, maintenance and care preparations; dental preparations and articles; pest control preparations and articles; sanitary preparations and articles; medical and veterinary preparations and articles; dietary supplements and dietetic preparations; eye pads for surgical use, adhesive tapes for medical purposes.

9 – Fire resistant gloves; safety gloves for protection against accident or injury; gloves for industrial purposes, for protection against accident or injury; gloves for protection against x-rays; disposable gloves for laboratory use; cable sheaths, covers for cameras; protective gloves for industrial use; protective gloves; spectacles [optics]; sunglasses; spectacle frames; spectacle accessories, spectacle chains, cords and cases, containers for contact lenses; opticians' goods; parts for spectacles; nose pads for eyewear; eyewear pouches; correcting lenses [optics]; eyewear cases; eyeglass shields; bars for spectacles; thermometers; balances (scale); alarms, alarm bells; electronic instruments for measuring temperature, humidity and pressure; alcoholmeters; compact discs, DVDs and other digital recording media; computers and computer hardware and accessories; peripheral equipment for computers; telecommunication equipment and accessories; radios, television apparatus; audiovisual apparatus; audiovisual data carriers, recorded data carriers, discs, hard discs, USB keys; programs for computers; computer games; navigation, guidance, tracking, targeting and map making devices; safety, security, protection and signalling devices; recorded content; measuring, detecting and monitoring instruments, indicators and controllers; scientific research and laboratory apparatus, educational apparatus and simulators; electronic tracking apparatus and instruments; electronic navigating apparatus; electronic target location apparatus; measuring, detecting and monitoring instruments, indicators and controllers; dosage dispensers for pills, medicines and pharmaceuticals; gloves for laboratory use; cable sheaths, covers for cameras on medical apparatus; dosage dispensers.

10 – Gloves for medical, veterinary, dental, cosmetic, rehabilitation or sanitary purposes; sterile surgical gloves; gloves for use during operations; gloves for use in hospitals; protective gloves for medical use; gloves for use by medical personnel; sterile and non-sterile diagnostic gloves; disposable protective gloves for medical purposes; gloves for massage; gloves for use in tattoo studios and for use during tattooing procedures and in hairdressing; protective clothing for medical purposes; diagnostic fingerstalls; protective masks for medical use; surgical masks; surgical caps; gowns for surgical use; clothing for use in operating theatres; surgical clothing; footwear protectors (for use in operating theatres, hospitals and healthcare centres); covers for operating tables; surgical drapes; bedding for medical purposes; bandages (supportive -); elastic bandages for medical purposes; surgical drapes; individual sets of disposable materials for medical purposes (custom procedure packs and trays, CPT sets); orthopaedic compression supports; padding for orthopaedic casts; plaster bandages for orthopaedic purposes (casts); elastic bandages; elasticated supports for the ankle, wrist, elbow or knee; tubular elastic bandages for supporting joints; tubular elastic bandages for supporting limbs; tennis elbow supports;

thermo-electric compresses; thermal electric compresses for medical use; compression socks, tights and stockings; chemically activated compresses for medical purposes; padding for orthopedic casts; shields for medical instruments; fitted covers for medical apparatus and equipment; prosthetic sleeves for limbs; anesthesia screens; face shields for surgical, medical, dental or veterinary use; eye shields for surgical, medical, dental or veterinary use; nipple shields for personal use; face protection shields for use by medical personnel; sleeves for limbs; pads of cellulose and of cellulose and film for placing beneath patients; patient gowns; colonoscopy shorts; shorts for gynaecological use; disposable bedding sets for medical purposes; instrument pouches of film and materials for dressings; surgical film; towels of cellulose or viscose for medical purposes; pressure relief pads and cushions; dental rolls, dental pads; blood filters; filters for use within veins; anti-embolic filters; membranes for filtration [medical]; light filters for medical use; power filters for medical use; high filter surgical masks; applicators of antiseptic, disinfectant, sanitary and medical preparations and products; surgical, medical, dental and veterinary surgical instruments and apparatuses; artificial limbs, eyes and teeth; orthopedic articles; suture materials; sex aids; condoms; tubular bandages; applicators for pharmaceutical preparations.

16 – Paper, cardboard; boxes of cardboard or paper; packaging of paper or cardboard; packaging of foil and plastic; packaging of paper and film; printed matter; books; printed publications; teaching, instructional, advertising and informational material; stationery; packaging of paper and film for surgical gloves; paper towels; paper napkins and tissues; towels of cellulose; tissues; self-adhesive tapes for stationery use; teaching materials [except apparatus]; plastic materials for packaging; writing materials; filtering materials of paper; stationery and educational supplies; bags and articles for packaging, wrapping and storage of paper, cardboard or plastics; works of art and figurines of paper and cardboard; architecture models; disposable paper napkins; adhesives for stationery or household purposes.

21 – Gloves for household purposes; gloves for household or horticultural purposes; gardening gloves; kitchen gloves; oven mitts; exfoliating mitts; abrasive mitts for scrubbing the skin; polishing gloves; dusting gloves; gloves for cleaning purposes; disposable and reusable protective gloves for household use, household or, gardening, for use as personal protection equipment; gloves for contact with food; dispensers and feeders for soap, paper, tissues, hygiene articles, napkins and cleaning preparations; boxes for dispensing paper serviettes; personal dispensers for pills or capsules for domestic use; household containers; cleaning articles: household or kitchen utensils and containers; combs and sponges; glassware, porcelain and earthenware; cosmetic and toilet utensils and bathro-

om articles; brushes and brush-making articles; statues, figurines, plaques and works of art made of porcelain, ceramic, earthenware, terra-cotta or glass; tableware, cookware and containers; dispensers of antiseptic, disinfectant, sanitary and medical preparations and products.

24 – Washing gloves, bath mitts; washing gloves for toilet use; towels of textile; textiles and substitutes for textiles; fabrics; oilcloth; knitted fabric; textile materials for soft furnishings; linens; coverings for furniture; wall hangings; curtains; streamers of textile; wash cloths; tapestries of textile; mosquito nets; ticks [mattress covers]; bed linen and blankets; towels of textile; bed linen and table linen; contoured mattress covers; bed blankets; blankets; receiving blankets; cot blankets; children's blankets; duvets; mattress covers; duvet covers; blanket throws; bed throws; covers for cushions; quilt covers; bed sheets; quilts; bedspreads; pillowcases; sheets (textile); textile goods for use as bedding; bed clothes; mattress protectors; textile napkins, table linen; heavy curtains; net curtains; labels of textile; coverings for furniture; wall hangings; household textile articles; handkerchiefs; labels of cloth; flags of textile or plastic; fabric cascades; wash cloths; disposable cloths; tapestries of textile; banners of textile; make-up pads of textile for removing make-up; towels of viscose.

(260) AM 2022 116199 A

(800) 1638807

(151) 2021 06 09

(891) 2021 06 09

(731) YIWU WENYUAN STATIONERY CO., LTD.

Shenzhou Road, Houzhai Industrial District,

Yiwu City, 322008 Zhejiang Province, China

(540)



(591) Black, white

(531) 01.15.05; 27.05.01

(511)

16 – Whiteboard marker; office perforators; clips for offices; paper shredders for office use; elastic bands for offices; note books or drawing books; pads [stationery]; note pad; forms, printed; self-adhesive paper; colored creped paper; magnetic drawing board; pin [stationery]; clipboards; terrestrial globes; stapler; staples for offices; ledgers [books]; trays for sorting and counting money; writing chalk; manifolds [stationery]; carbon paper; copying paper [stationery]; manuscript paper; jackets for papers; numbering machine; greeting cards; blackboard eraser; passport holders; clips; drawing boards; compasses for drawing; loose-leaf cover; inking ribbons for computer printers; clips [stationery]; office requisites, except furniture; adhesive tape dispensers [office requisites]; teaching materi-

als [except apparatus]; pencil sharpener; self-adhesive labels; waxed paper [stationery]; exercise book; nail puller [office requisites]; pencils; pencil knife; pencil leads; scudding knife [office requisites]; paper cutters [office requisites]; French curves; calendars; moisteners [office requisites]; stapling presses [office requisites]; bookends; bookbindings; bookmarkers; writing board erasers; writing mats; writing instruments; tags for index cards; indexes; thumbtacks; correcting fluids [office requisites]; files [office requisites]; document files [stationery]; covers [stationery]; stationery; office cabinet [office requisites]; adhesive bands for stationery or household purposes; glues for stationery or household purposes; rubber erasers; pencil sharpeners; paperweights; paint boxes for use in schools; inkpad; stamp pads [stationery]; stamp pads ink; stamp-pad ink [printing oil]; stamps [seals]; stamps cases; albums; oil pastels; balls for ball-point pens; humidifier [office requisites]; certificates; holders for cheque books; square rulers; boxes of cardboard or paper; paper clasps; drawing T-squares; cords for bookbinding; fountain pens.

(260) AM 2022 116200 A

(800) 1638825

(151) 2021 07 02

(891) 2021 07 02

(731) DÖNMEZLER LİSANS KIRTASIYE
OYUNCAK SANAYİ VE TİCARET
ANONİM ŞİRKETİ

Maslak Mahallesi, Büyük Dere Caddesi,
Noramin İş Merkezi, No:237, B4,
Sarıyer – İstanbul, Türkiye

(540)

MILANO X CHANGE

(591) Grey and black.

(531) 27.05.01

(511)

3 – Bleaching and cleaning preparations, detergents other than for use in manufacturing operations and for medical purposes, laundry bleach, fabric softeners for laundry use, stain removers, dishwasher detergents; perfumery; cosmetics (except medicated cosmetics); fragrances; deodorants for personal use and animals, soaps (except medicated soap); dental care preparations, dentifrices, denture polishes, tooth whitening preparations, mouth washes, not for medical purposes; abrasive preparations; emery cloth; sandpaper; pumice stone; abrasive pastes; polishing preparations for leather, vinyl, metal and wood, polishes and creams for leather, vinyl, metal and wood, wax for polishing.

16 – Paper and cardboard; paper and cardboard for packaging and wrapping purposes, cardboard boxes; paper towels; toilet paper; paper napkins; plastic materials for packaging and wrapping purposes; printing

blocks and types; bookbinding material; printed publications; printed matter; books, magazines, newspapers, bill books, printed dispatch notes, printed vouchers, calendars; posters; photographs [printed]; paintings; stickers [stationery]; postage stamps; stationery, office stationery, instructional and teaching material [except furniture and apparatus]; writing and drawing implements; artists' materials; paper products for stationery purposes; adhesives for stationery purposes, pens, pencils, erasers, adhesive tapes for stationery purposes, cardboard cartons [artists' materials], writing paper, copying paper, paper rolls for cash registers, drawing materials, chalkboards, painting pencils, watercolors [paintings]; office requisites; paint rollers and paintbrushes for painting.

18 – Unworked or semi-worked leather and animal skins, imitations of leather, stout leather, leather used for linings; goods made of leather, imitations of leather or other materials, designed for carrying items, included in this class; bags, wallets, boxes and trunks made of leather or stout leather; keycases, trunks [luggage], suitcases; umbrellas; parasols; sun umbrellas; walking sticks; whips; harness; saddlery; stirrups; straps of leather (saddlery).

25 – Clothing, including underwear and outerclothing, other than special purpose protective clothing; socks, mufflers [clothing], shawls, bandanas, scarves, belts [clothing]; footwear, shoes, slippers, sandals; headwear, hats, caps with visors, berets, caps [headwear], skull caps.

(260) AM 2022 116201 A

(800) 1638850

(151) 2021 11 01

(891) 2021 11 01

(731) Apple Inc.

One Apple Park Way, Cupertino CA 95014,
USA

(540)

The logo for Apple AirTag, featuring the Apple logo icon followed by the word "AirTag" in a bold, sans-serif font.

(591) Black, white

(531) 05.07.13; 05.07.23; 27.05.01

(511)

9 – Radio transmitters and receivers; wireless communication devices for the transmission of data and audio; downloadable computer software for locating, monitoring and tracking the position of objects and other electronic devices; electronic tags used for locating, monitoring, and tracking the position of objects and other electronic devices; wearable computer peripherals used for locating, monitoring, and tracking the position of objects and other electronic devices; sound reproducing apparatus; lanyards for mobile di-

gital electronic devices and wearable electronic devices; carrying cases for radio transmitters, radio receivers, global positioning systems (GPS) devices, and mobile electronic devices used for locating, monitoring, and tracking the position of objects and electronic devices; carrying cases for wearable computer peripherals used for locating, monitoring, and tracking the position of objects and other electronic devices; carrying cases for electronic tags for goods.

(260) AM 2022 116202 A

(800) 1638906

(151) 2021 11 29

(891) 2021 11 29

(731) INNER MONGOLIA KUNMING
CIGARETTE LIMITED LIABILITY
COMPANY NO.19 DAERDENG NORTH
ROAD, SAIHAN DISTRICT, HUUH
CITY, 010020 INNER MONGOLIA
AUTONOMOUS REGION, China

(540)

INICE

(591) Black, white

(531) 27.05.01

(511)

34 – Cigarettes; cut tobacco; cigarette cases; oral vaporizers for smokers; matches; lighters for smokers; cigarette filters; flavorings, other than essential oils, for use in electronic cigarettes; electronic cigarettes; liquid solutions for use in electronic cigarettes.

(260) AM 2022 116203 A

(800) 1638949

(151) 2021 08 02

(891) 2021 08 02

(731) NEXANS

4 ALLÉE DE L'ARCHE, F-92400
COURBEVOIE, France

(540)

AMPLIFY BY NEXANS

(591) Black, white

(511)

9 – Apparatus and instruments for conducting, switching, transforming, accumulating, regulating or controlling the distribution or use of electricity; electric cables and wires; telecommunication wires and cables; connectors; switches; optical fibers; software and instruments for controlling, optimizing electrical energy, electricity networks and communication networks; software and devices for measuring and improving energy performance; downloadable software and software applications for user experience management in the field of electrical power, infrastructure and electricity networks; downloadable software and software

applications for user experience management in the field of infrastructure and communication networks; downloadable software and software applications for the design, checking, analysis, protection, inspection, measurement, regulation, adjustment, monitoring, maintenance, supervision, optimization, management, installation, monitoring, remote control of electricity networks and micro networks, electrical power generation sources and communication networks; downloadable software and software applications for managing a platform for offers of goods and services in the fields of electrical energy production and distribution and communication networks.

35 – Business expertise in the fields of electrical power production, transmission and distribution infrastructure, electrical power and communication networks; assistance and advice in company management and advisory services in business organization and management in the fields of electrical power production, transmission and distribution infrastructure, electrical power and communication networks; collecting, compiling, processing data and managing computer files in the fields of electrical power production, transmission and distribution infrastructure, electrical power and communication networks; market analysis in the fields of electrical power production, transmission and distribution infrastructure, electrical power and communication networks; services for the online sale of devices and instruments for conducting, distributing, transforming, accumulating, regulating or controlling electrical power, electrical and communication cables, connectors, drums for electrical cables, for communication cables.

37 – Construction, repair, maintenance and installation services in the fields of electrical power production, transport and distribution infrastructure, electrical and communication networks; advisory services in the field of construction, repair, maintenance and installation of infrastructure for the production, transport and distribution of electrical power, electrical and communication networks; online assistance services for functional diagnosis of electrical power production, transport and distribution infrastructure, electrical networks and parts thereof, for assisting in the repair of electrical networks and parts thereof; services for laying electrical and communication cables; advisory services in the field of laying electrical and communication cables; supervisory services for construction project works for electrical power production, transport and distribution infrastructure, electrical and communication networks; deconstruction and disassembling services for electrical power transmission infrastructure, electrical and communication networks and parts thereof; advisory services in the field of deconstruction and dismantling of electrical power transmission infrastructure, electrical and communication networks and parts thereof; consulting and advisory services in the fields of installation, maintenance

nance and repair of electrical and communication networks.

39 – Storage, distribution, transport, shipping and delivery of equipment and cables for transport and distribution of electrical energy, for electric networks and for communication networks; consultation and advisory services in the fields of electrical power transport and distribution; storage, distribution, transport of electrical energy; advice in the field of logistics, including for the supply of equipment for electric and communication networks; recovery services of drums (removal); collection of electrical equipment, electric and communication cables.

42 – Engineering services in the field of electrical power production, transmission and distribution infrastructure, electrical and communication networks, engineering and research services in the field of infrastructures for electricity generation and for networks for the transmission and distribution of electrical power and communication and parts therefor; inspection services for the electric and communications networks and their components; analysis and evaluation of the performance of electrical installations and their components and communications networks; engineering services for technical monitoring of electrical power transport and distribution infrastructures and communication networks and parts therefor; software design for managing electrical networks and electric charging points and terminals for vehicles; providing online computer programs and downloadable applications for assisting decision-making in the field of electrical power transport and distribution infrastructure, electrical or communication networks and parts therefor; technical project management in the field of electric and communications networks; research services in the field of the recycling of electrical equipment and electrical and communication cables and provision of technical advice relating thereto; technical support services for obtaining certification and registration; technical advice [engineering services] for checking the compliance of electrical installations and electrical and communication networks; software design for implementing electrical and communication networks, maintenance thereof, monitoring thereof, cost calculation; engineering and scientific research services in the field of energy saving; engineering and technical and scientific research services in the field of sustainable development, energy transition, recycling of electrical and communication equipment.

(260) AM 2022 116204 A

(800) 1638951

(151) 2021 09 08

(891) 2021 09 08

(731) RAIL4LOGISTICS

16 rue Simone Veil, F-93400 SAINT OUEN,
France

(540)



(591) Green and blue

(531) 07.11.15; 26.11.12; 29.01.12

(511)

39 – Transportation commissioner services; transport; environmentally-friendly transport services; multimodal transportation; express transport; freight; freight (transport of merchandise); freight services by land, rail, road, river, sea or air; transport by rail motorway; rail-road transport services, namely, rail-road transport of parcels; railway transport; river transport; road transport; transport of goods by means of combined multimodal transport solutions; transport services, namely, managing multimodal transport platforms for goods; intermodal distribution (delivery) of goods and messages combining logistical platforms, railway, river and road networks with their fixed and rolling stock, namely locomotives, wagons, vans, trucks, heavy goods vehicles, trailers, boats, barges, cargo ships; collection and removal of vehicles (transport) and goods, storage; routing and delivery of goods, containers and parcels; loading and unloading; railroad car rental; hauling; loading and unloading of trailers, semi-trailers or tractors on board railroad cars; Customs brokerage services; transportation of valuables; transportation of mail; electronic tracking of consignments; transport brokerage; storage of merchandise; courier services (goods); rental of parking spaces and areas, garages; lending and rental of vehicles, railway cars, wagons, cars, trucks, vans, heavy goods vehicles, trailers, boats, barges, cargo ships; shipping services; freight forwarding; packaging, wrapping and packing of merchandise, goods and parcels; garages (vehicle parking); transport brokerage of land and river railway vehicles; freight forwarding and rental of tankers; warehousing of liquids, storage of liquids, transfer of liquids from land vehicles to storage tanks or vice-versa; assistance with the organization of transport; animal transport; information on transport, transport fares and timetables, particularly for railway, river, sea and road transport; warehousing of freight; logistics services relating to transport; cargo handling; issuing of travel tickets; issuing of transport documents; travel reservation; reservation of transport documents; reservation and rental, including on-line, of seats for travel and on means of transport, especially on trains; transport; freight (transport of merchandise); transport of travelers; transport of pets; transportation of luggage; transport of parcels; railway transport; collection, pick-up, warehousing, forwarding and delivery of merchandise, luggage and parcels; loading and unloading; rental of parking spaces and areas, garages; lending and rental of vehicles, rail-

way cars, carriages (railway), trucks, vans, motor cars, motorcycles and bicycles; shipping services; freight forwarding; parking of vehicles; import-export cargo handling service; airport passenger, luggage, cargo and cargo handling services; freight brokerage services; services of a freight transporter, shipper and broker; rental of storage areas and especially warehouses and storage containers; warehousing; transport by sea, land and air of goods or people; information, including online, with respect to warehousing, packaging, delivery, distribution and transport; information relating to the transport of goods; road and rail freight transport services; parking services; reservation and rental of transport spaces and containers; organization of railway convoys; advice relating to the transport, storage and distribution of goods; information relating to storage, packaging, delivery, distribution and transport; information relating to freight (transportation of goods); travel organization provided by a travel agent; transport and travel arrangement, including by rail; organization of excursions; arranging of tours and sightseeing; reservation and rental, including on-line, of seats for travel and on means of transport, especially on trains; escorting of travelers; chauffeur services; taxi services; information, including online, with respect to transportation and tours, particularly by train; information, also on-line, concerning ticket prices and timetables for transport, particularly for trains and coaches.

(260) AM 2022 116206 A

(800) 1639044

(151) 2021 05 25

(891) 2021 05 25

(731) EMAS MAKİNA SANAYİ ANONİM
ŞİRKETİ

Organize Sanayi Bölgesi 3., Kısım Mustafa
Kemal Bulvarı No:13, Yunusemre Yunusemre,
Manisa, Türkiye

(540)



(591) Blue, grey, white

(531) 14.01.05; 14.01.07; 16.01.01; 16.01.25;
26.07.04; 26.11.02; 26.11.11; 27.05.01;
27.05.09; 27.05.25; 29.01.13

(511)

11 – Lighting installations; lights for vehicles and interior-exterior spaces; heating installations using solid, liquid or gas fuels or electricity, central heating boilers, boilers for heating installations, radiators [heating], heat exchangers, not parts of machines, stoves, kitchen stoves, solar thermal collectors [heating]; steam, gas and fog generators, steam boilers, other than

parts of machines, acetylene generators, oxygen generators, nitrogen generators; installations for air conditioning and ventilating; cooling installations and freezers; electric and gas-powered devices, installations and apparatus for cooking, drying and boiling: cookers, electric cooking pots, electric water heaters, barbecues, electric laundry driers; hair driers; hand drying apparatus; sanitary installations, taps [faucets], shower installations, toilets [water-closets], shower and bath cubicles, bath tubs, toilet seats, sinks, wash-hand basins [parts of sanitary installations], washers for water taps, taps [faucets]; water softening apparatus; water purification apparatus; water purification installations; waste water purification installations; electric bed warmers and electric blankets, not for medical use; electric pillow warmers; electric or non-electric foot warmers; hot water bottles, electrically heated socks; filters for aquariums and aquarium filtration apparatus; industrial type installations for cooking, drying and cooling purposes; pasteurizers and sterilizers.

(260) AM 2022 116207 A

(800) 1639148

(151) 2021 09 22

(891) 2021 09 22

(731) GUANGDONG OPPO MOBILE
TELECOMMUNICATIONS CORP., LTD.
No.18 Haibin Road, Wusha, Chang'an,
Dongguan, Guangdong, China

(540)

Soloop

(591) Black, white

(531) 27.05.01

(511)

9 – Smartphones; cases for smartphones; protective films adapted for smartphones; USB cables; telephone apparatus; smartphone software applications, downloadable; computer programs, downloadable; downloadable image files; downloadable music files; computer software platforms, recorded or downloadable; data processing apparatus.

(260) AM 2022 116208 A

(800) 1639191

(151) 2021 11 29

(891) 2021 11 29

(731) Japan Chemical Innovation Corporation, KK
Toranomom, 40MT Building 7F, 5-13-1
Toranomom, Minato-ku, Tokyo 105-0001,
Japan

(540)



(591) Light lilac, lilac, dark lilac, raspberry, brown, red, pink, light blue, blue and dark blue

(531) 04.05.05; 26.01.03; 26.01.16; 26.01.18; 26.13.25; 27.05.01; 27.05.09; 27.05.10; 27.07.01; 27.07.11; 29.01.15

(511)

10 – Condoms.

(260) AM 2022 116209 A

(800) 1639211

(151) 2021 08 10

(891) 2021 08 10

(731) Barilla G. e R. Fratelli -, Società per Azioni
Via Mantova 166, I-43122 Parma (PR), Italy

(540)

A SIGN OF LOVE

(591) Black, white

(531) 27.05.01

(511)

29 – Meat; fish; poultry and game; meat extracts; preserved, frozen, dried and cooked fruits and vegetables; jellies; marmalade; eggs; milk and milk products; edible oils and fats; anchovy, not live; stock; soups; caviar; fruits, tinned (canned (Am.)); vegetables, tinned (canned (Am.)); cheese; milk shakes; fruit chips; frozen fruits; preserved fruits; fruit preserved in alcohol; cooked fruits; crystallized fruits; mushrooms, preserved; gelatine; fruit jellies; vegetable soup preparations; vegetable preserves; vegetables, cooked; dried pulses; lentils, preserved; fruit salads; vegetable salads; margarine; whipped cream; cream (dairy products); potato chips; low-fat potato crisps; fish, preserved; poultry (not live); soup (preparations for making -); fruit-based snack food; vegetable juices for cooking; tomato juice for cooking; yoghurt.

30 – Coffee; tea; cocoa and artificial coffee; rice; tapioca and sago; flour and preparations made from cereals; bread; pastry and confectionery; edible ices; sugar; honey; golden syrup; yeast; baking powder; salt; mustard; vinegar; sauce (condiments); spices; ice; oat-based food; farinaceous foods; starch for food; aniseed; star aniseed; seasonings; coffee flavorings (flavourings); flavourings (other than essential oils); plant-based flavourings, other than essential oils, for beverages; flavourings, other than essential oils, for

cakes; oatmeal; high-protein cereal bars; stick liquorice (confectionery); cocoa-based beverages; beverages (coffee-based -); beverages (chocolate-based -); tea-based beverages; baking soda (bicarbonate of soda for cooking purposes); petit-beurre biscuits; sweetmeats (candy); buns; puddings; cocoa; cocoa beverages with milk; coffee beverages with milk; coffee (unroasted -); cinnamon (spice); caramels; condiments; crackers; couscous (semolina); sponge cake; wheat flour; flour; fruit jellies (confectionery); ice; baking powder; macaroni; mayonnaise; rusks; unleavened bread; breadcrumbs; bread rolls; pasta; pesto (sauce); pizza; cereal preparations; ravioli; table salt; tomato sauce; soya sauce; dressings for salad; sandwiches; peppers (seasonings); semolina; hominy grits; cereal-based snack food; rice-based snack food; sorbets (ices); spaghetti; meat gravies (sauces); pasta sauce; noodles; tarts; vermicelli (noodles); saffron (seasoning); ginger (spice).

43 – Services for providing food and drink; temporary accommodation; cafés; cafeterias; rental of temporary accommodation; canteens; hotel reservations; temporary accommodation reservations; boarding house bookings; restaurants; self-service restaurants; hotels; bar services; holiday camp services (lodging); food and drink catering; motels; snack-bars.

(260) AM 2022 116210 A

(800) 1639218

(151) 2021 09 16

(891) 2021 09 16

(731) Avon Products, Inc.

1 Avon Place, Suffern NY 10901, USA

(540)

GLIMMERSTICK

(591) Black, white

(511)

3 – Eye shadow; eye liner; brow liner; eyebrow cosmetics; mascara; lipstick; lip liner; lip gloss; lip balm.

(260) AM 2022 116211 A

(800) 1639237

(151) 2021 12 15

(891) 2021 12 15

(731) Corby Spirit and Wine Limited

225 King Street West, Suite 1100, Toronto
ON M5V 3M2, Canada

(540)

LAMB'S

(591) Black, white

(511)

33 – Rum.

(260) AM 2022 116212 A

(800) 1237519

(151) 2014 10 01

(891) 2021 11 22

(731) Logvynenko Sergii Mykolaiovych
vul. Metrobudivnykiv, 32, kv. 103, m. Kharkiv
61183, Ukraine

(540)



Electro House

(591) Red, grey and white

(531) 24.01.05; 29.01.13

(511)

9 – Acoustic couplers; batteries, electric; electronic publications, downloadable; switches, electric; switchboxes [electricity]; gauges; measuring instruments; measuring devices, electric; current rectifiers; branch boxes [electricity]; video telephones; alarm bells, electric; jigs [measuring instruments]; electric installations for the remote control of industrial operations; electronic agendas; electric loss indicators; electricity conduits; fibre [fiber (Am.)] optic cables; cables, electric; pocket calculators; coaxial cables; encoded magnetic cards; lasers, not for medical purposes; material testing instruments and machines; devices for mounting cables, wires (clips, staples); junction sleeves for electric cables; neon signs; magnetic data media; limiters [electricity]; sheaths for electric cables; electric loss indicators; wires, electric; telephone wires; ducts [electricity]; light regulators [dimmers], electric; telegraphs [apparatus].

11 – Lamp shades; aquarium lights; acetylene flares; fans [air-conditioning]; safety lamps; electric lamps; burners for lamps; globes for lamps; curling lamps; lamps for directional signals of automobiles; light bulbs for directional signals for vehicles; light bulbs, electric; electric lights for Christmas trees; lights; lanterns for lighting; chandeliers; filaments for electric lamps; heating apparatus for solid, liquid or gaseous fuels; lamps; diving lights; lighting apparatus for vehicles; lighting apparatus and installations; light bulbs; lighting installations for air vehicles.

35 – Sales promotion for others.

(260) AM 2022 116275 A

(800) 1639616

(151) 2021 12 06

(891) 2021 12 06

(731) Richter Gedeon Nyrt.
Gyömrői út 19-21, H-1103 Budapest, Hungary

(540)

BIGTOFART

(591) Black, white

(511)

5 – Pharmaceutical preparations.

(260) AM 2022 116348 A

(800) 1640322

(151) 2021 12 17

(891) 2021 12 17

(731) Obshchestvo s ogranichennoi otvetstvennost'yu
"Laboratoriya sovremennogo zdorovya"
ul. Khimzavodskaya, 11/20, Berdsk,
RU-633004 Novosibirskaya oblast',
Russian Federation

(540)

VISION BOX

(591) Black, white

(511)

5 – Acai powder dietary supplements; acne treatment preparations; adhesive bands for medical purposes; adhesive plasters; air deodorising preparations; air purifying preparations; albumin dietary supplements; albuminous foodstuffs for medical purposes; albuminous preparations for medical purposes; alginate dietary supplements; almond milk for pharmaceutical purposes; aloe vera preparations for pharmaceutical purposes; amino acids for medical purposes; anaesthetics; analgesics; antibacterial handwashes; antibacterial soap; antioxidant pills; antiseptic cotton; antiseptics; anti-uric preparations; appetite suppressant pills; appetite suppressants for medical purposes; asthmatic tea; babies' nappies; balms for medical purposes; barks for pharmaceutical purposes; bath salts for medical purposes; biological preparations for medical purposes; cachets for pharmaceutical purposes; capsules for medicines; casein dietary supplements; chemico-pharmaceutical preparations; chewing gum for medical purposes; chilblain preparations; cod liver oil; collagen for medical purposes; collyrium; contact lens cleaning preparations; corn remedies; decoctions for pharmaceutical purposes; deodorants for clothing and textiles; deodorants, other than for human beings or for animals; depuratives; dietary fiber; dietary supplements for animals; dietary supplements with a cosmetic effect; dietetic beverages adapted for medical purposes; dietetic foods adapted for medical purposes; dietetic substances adapted for medical use; digestives for pharmaceutical purposes; disinfectant soap; disinfectants for hygiene purposes; dressings, medical; drugs for medical purposes; elixirs [pharmaceutical preparations]; enzyme dietary supplements; enzyme preparations for medical purposes; eucalyptus for pharmaceutical purposes; febrifuges; ferments for pharmaceutical purposes; first-aid boxes, filled; flour for pharmaceutical purposes; food for babies; frostbite salve for pharmaceutical purposes; fumigation preparations for medical purposes; gauze for dressings; gelatine for medical purposes; glucose dietary supplements; glucose for medical purposes; hematogen; hemostatic pencils; herbal teas for medicinal purposes;

homogenised food adapted for medical purposes; immunostimulants; infant formula; lacteal flour for babies; lactose for pharmaceutical purposes; laxatives; lecithin dietary supplements; liniments; linseed dietary supplements; linseed for pharmaceutical purposes; linseed oil dietary supplements; lotions for pharmaceutical purposes; lyophilised food adapted for medical purposes; magnesia for pharmaceutical purposes; medical preparations for slimming purposes; medicated after-shave lotions; medicated candies; medicated dry shampoos; medicated eye-washes; medicated hair lotions; medicated shampoos; medicated soap; medicated toiletry preparations; medicated toothpaste; medicinal drinks; medicinal hair growth preparations; medicinal herbs; medicinal infusions; medicinal mud; medicinal oils; medicinal roots; medicinal tea; medicine cases, portable, filled; medicines for alleviating constipation; medicines for human purposes; milk ferments for pharmaceutical purposes; mineral food supplements; mineral waters for medical purposes; mouthwashes for medical purposes; mud for baths; mustard plasters; nervines; nutraceutical preparations for therapeutic or medical purposes; nutritional supplements; ointments for pharmaceutical purposes; organotherapy preparations; panty liners [sanitary]; pastilles for pharmaceutical purposes; pearl powder for medical purposes; personal sexual lubricants; petroleum jelly for medical purposes; pharmaceutical preparations for skin care; pharmaceutical preparations for treating dandruff; pharmaceutical preparations for treating sunburn; pharmaceutical preparations; pharmaceuticals; phytotherapy preparations for medical purposes; plant extracts for pharmaceutical purposes; pollen dietary supplements; pomades for medical purposes; poultices; powdered milk for babies; preparations for the treatment of burns; preparations of trace elements for human and animal use; propolis dietary supplements; propolis for pharmaceutical purposes; protein dietary supplements; protein supplements for animals; purgatives; remedies for perspiration; royal jelly dietary supplements; royal jelly for pharmaceutical purposes; salts for medical purposes; salts for mineral water baths; sanitary napkins; seawater for medicinal bathing; sedatives; tranquillizers; serums; sexual stimulant gels; slimming pills; solutions for contact lenses; styptic preparations; sugar for medical purposes; sunburn ointments; suppositories; syrups for pharmaceutical purposes; tanning pills; therapeutic preparations for the bath; thermal water; tissues impregnated with pharmaceutical lotions; tonics [medicines]; vitamin preparations; vitamin supplement patches; wadding for medical purposes; wheat germ dietary supplements; yeast dietary supplements; yeast for pharmaceutical purposes.

(260) AM 2022 116349 A

(800) 1640339

(151) 2021 04 07

(891) 2021 04 07

(731) BENELLI Q.J. SRL

Strada Fornace Vecchia s.n., I-61122 Pesaro,
Italy

(540)



(591) Black, white

(531) 01.01.10; 03.01.01; 03.01.24; 05.13.03;
24.03.07; 24.03.13; 24.03.14; 24.03.18;
27.05.01

(511)

12 – Vehicles, except water vehicles; vehicles and conveyances, except water vehicles and conveyances; vehicles for locomotion by land, air, or rail; electric vehicles; parts and fittings for vehicles; motorcycles; scooters [vehicles]; mopeds; self-balancing scooters; parts and fittings for land vehicles; bodywork parts for vehicles; dashboards; front forks for motorcycles; brake systems for vehicles; motorcycle saddlebags; shock absorbers for motorcycles; rack trunk bags for motorcycles; fitted motorcycle covers; motors for motorcycles; engines for motorcycles; wheels; tires; warning horns for motorcycles; motors and engines for land vehicles; motors for land vehicles; engines for land vehicles.

35 – Advertising, marketing and promotion services; business assistance, management and administrative services; Internet marketing; import and export services (terms too vague in the opinion of the International Bureau – Rule 13 (2) (b) of the Regulations); import and export agency services; preparing and placing of advertisements; public relations; marketing services; foreign trade information and consultation; online ordering services; electronic order processing; sales administration; advisory services relating to the purchase of goods on behalf of others; arranging of buying and selling contracts for third parties; arranging of trading transactions and commercial contracts; arranging subscriptions to Internet services; arranging commercial transactions, for others, via online shops; provision of an online marketplace for buyers and sellers of goods and services; arranging of contracts for the purchase and sale of goods and services, for others; procurement of goods on behalf of other businesses; wholesale services in relation to vehicles; retail services in relation to vehicles; retail services in relation to lubricants; online advertising; online mar-

keting; video recordings for marketing purposes (production of -); production of video recordings for marketing purposes; producing promotional videotapes, video discs, and audio visual recordings; sales promotion using audiovisual media; advertising and marketing services provided by means of social media; television advertising; radio and television advertising; organizing and conducting trade shows and exhibitions for commercial or advertising purposes; organization of events, exhibitions, fairs and shows for commercial, promotional and advertising purposes; arranging and conducting trade show exhibitions; arranging and conducting of commercial exhibitions and shows; conducting virtual trade show exhibitions online; business analysis and information services, and market research; commercial administration of the licensing of the goods and services of others; promotion of goods and services through sponsorship; retail services in relation to bags; commercial information services; providing trade information.

(260) AM 2022 116350 A
(800) 1640406
(151) 2021 11 19
(891) 2021 11 19
(731) HI Limited Partnership
1815 The Exchange, Atlanta GA 30339, USA
(540)

MAKING A DIFFERENCE ONE WING AT A TIME

(591) Black, white
(511)
43 – Catering services; restaurant services; restaurant carryout services.

(260) AM 2022 116352 A
(800) 1640419
(151) 2021 12 13
(891) 2021 12 13
(731) Printify, Inc.
108 West 13th Street, Wilmington DE 19801,
USA
(540)

PRINTIFY

(591) Black, white
(511)
40 – Customized printing of company names and logos for promotional and advertising purposes on the goods of others; design printing for others; digital printing; letterpress printing; material treatment information; offset printing; pattern printing; pattern printing on textiles; portrait printing; printing; printing services; printing of images on objects; printing of decorative patterns on gift wrap; printing of photos; photographic etching of clothing articles; photograp-

hic processing; photographic image processing; photographic printing; photocomposing services; photo-gravure printing; printing of photographic images from digital media; t-shirt printing; textile printing; silkscreen printing; stationery printing services; wool printing; professional consultancy in the field of printing services; providing information relating to printing services.

(260) AM 2022 116353 A
(800) 1640503
(151) 2021 08 11
(891) 2021 08 11
(731) Egis Gyógyszergyár Zrt.
Keresztúri út 30-38., H-1106 Budapest,
Hungary
(540)

TROMILIN

(591) Black, white
(511)
3 – Cosmetics and cosmetic preparations.
5 – Human pharmaceutical preparations; dietetic substances adapted for medical use; dietary supplements; medicinal ointments; medicated skin creams; plasters, materials for dressings.

(260) AM 2022 116354 A
(800) 1640504
(151) 2021 08 11
(891) 2021 08 11
(731) Egis Gyógyszergyár Zrt.
Keresztúri út 30-38., H-1106 Budapest,
Hungary
(540)

LULLOMIN

(591) Black, white
(511)
3 – Cosmetics and cosmetic preparations.
5 – Human pharmaceutical preparations; dietetic substances adapted for medical use; dietary supplements; medicinal ointments; medicated skin creams; plasters, materials for dressings.

(260) AM 2022 116355 A
(800) 1640505
(151) 2021 08 19
(891) 2021 08 19
(731) Egis Gyógyszergyár Zrt.
Keresztúri út 30-38., H-1106 Budapest,
Hungary
(540)

CLINSOLUTE

(591) Black, white

(511)

3 – Cosmetics and cosmetic preparations.

5 – Human pharmaceutical preparations; dietetic substances adapted for medical use; dietary supplements; medicinal ointments; medicated skin creams; plasters, materials for dressings.

(260) AM 2022 116356 A

(800) 1640518

(151) 2021 11 25

(891) 2021 11 25

(731) Latentia Winery S.p.A.

Via Niccolò Tommaseo 6, I-70022 Altamura
(BA), Italy

(540)



(591) Black, white

(531) 27.05.01; 27.07.01

(511)

33 – Wines; sparkling wines; sparkling white wines; rosé wines; wines with protected designation of origin; table wines; still wines; sweet wines; wines for aperitifs; white wines; red wines; fruit extracts, alcoholic; alcoholic extracts; alcoholic essences; digestive liqueurs; cocktails; spirits and liquors; alcoholic biters; aperitifs; wine-based aperitifs; liquor-based aperitifs; alcoholic aperitif bitters; alcoholic beverages containing fruit; wine-based drinks; alcoholic fruit cocktail drinks; prepared alcoholic cocktails; grappa.

(260) AM 2022 116364 A

(800) 1640653

(151) 2021 12 15

(891) 2021 12 15

(731) EGT Interactive

159 Tsarigradsko Shose Blvd., Fl. 10, BG-1784
Sofia, Bulgaria

(540)



(591) Yellow, golden, black and purple

(531) 01.01.03; 01.01.09; 26.04.05; 26.04.18;
26.04.24; 27.01.01; 27.05.01; 27.05.02;
27.05.03; 27.05.04; 27.05.24; 27.05.25;
29.01.13

(511)

9 – Computer software for the administration of on-line games and gaming; computer application software featuring games and gaming; betting software; gaming software that generates or displays wager outcomes of gaming machines.

28 – Slot machines [gaming machines]; gaming machines for gambling.

41 – Providing of casino and gaming facilities; betting services.

(260) AM 2022 116368 A

(800) 1641006

(151) 2021 12 16

(891) 2021 12 16

(731) HI Limited Partnership

1815 The Exchange, Atlanta GA 30339, USA

(540)

IAM

(591) Black, white

(511)

43 – Restaurant and bar services.

(260) AM 2022 116369 A

(800) 1641007

(151) 2021 12 16

(891) 2021 12 16

(731) HI Limited Partnership

1815 The Exchange, Atlanta GA 30339, USA

(540)

I AM A HOOTERS GIRL

(591) Black, white

(511)

43 – Restaurant and bar services.

(260) AM 2022 116370 A

(800) 1641008

(151) 2021 12 06

(891) 2021 12 06

(731) Richter Gedeon Nyrt.

Gyömrői út 19-21, H-1103 Budapest, Hungary

(540)

BRAGONIT

(591) Black, white

(511)

5 – Pharmaceutical preparations.

(260) AM 2022 116372 A

(800) 1641011

(151) 2021 12 06

(891) 2021 12 06

(731) Richter Gedeon Nyrt.

Gyömrői út 19-21, H-1103 Budapest, Hungary

(540)

TELLEKOMB

(591) Black, white

(511)

5 – Pharmaceutical preparations.

(260) AM 2022 116373 A

(800) 1641012

(151) 2021 12 06

(891) 2021 12 06

(731) Richter Gedeon Nyrt.

Gyömrői út 19-21, H-1103 Budapest, Hungary

(540)

VYRELVA

(591) Black, white

(511)

5 – Pharmaceutical preparations.

(260) AM 2022 116374 A

(800) 1641013

(151) 2021 12 06

(891) 2021 12 06

(731) Richter Gedeon Nyrt.

Gyömrői út 19-21, H-1103 Budapest, Hungary

(540)

YRAGEO

(591) Black, white

(511)

5 – Pharmaceutical preparations.

(260) AM 2022 116375 A

(800) 1641038

(151) 2021 11 24

(891) 2021 11 24

(731) Cai Qingji

NO. 89 North Road, Dongcun village, Neikeng Town, Jinjiang City, 362268 Fujian Province, China

(540)



(591) Black, white

(531) 03.09.01; 03.09.24; 04.05.13; 26.04.03; 26.04.09; 26.04.18; 26.04.24; 27.05.01; 27.05.21

(511)

25 – Footwear; caps being headwear; hosiery; gloves [clothing]; neckties; girdles; layettes [clothing]; bathing suits; clothing.

(260) AM 2022 116376 A

(800) 1045371

(151) 2010 06 10

(891) 2021 12 23

(731) TERAPIA S.A.

Str. Fabricii nr.124, Cluj-Napoca; jud. Cluj, Romania

(540)

FARINGOSEPT

(591) Black, white

(531) 27.05.01

(511)

5 – Medicine in the form of injectable ampoules, tablets and sugar-coated tablets and any other pharmaceutical forms.

(260) AM 2022 116377 A

(800) 1103549

(151) 2011 09 22

(891) 2021 11 12

(731) LTD "VALENTA-INTELLEKT"

ul. Ryabinovaya, d. 26, str. 10, k.6-26, RU-121471 Moscow, Russian Federation

(540)

**мультипласт**

(591) Black, white

(531) 26.01.18; 28.05

(511)

5 – Pharmaceutical and veterinary preparations; hygienic preparations for medical purposes ; dietetic substances adapted for medical use, baby food; plasters, materials for dressings; disinfectants.

(260) AM 2022 116441 A

(800) 1641355

(151) 2021 12 07

(891) 2021 12 07

(731) Henkel AG & Co. KgaA

Henkelstrasse 67, 40589 Düsseldorf, Germany

(540)



(591) Black and green

(531) 26.03.01; 26.03.02; 26.03.06; 26.15.25;
27.05.01; 29.01.12

(511)

1 – Unprocessed plastics; adhesives for use in industry; cellulose.

16 – Paper and cardboard; office requisites, except furniture; adhesives for stationery or household purposes; plastic film and bags for wrapping; sheets of reclaimed cellulose for wrapping; stickers [stationery]; fabrics for bookbinding; padding materials of paper or cardboard; envelopes [stationery]; packing [cushioning, stuffing] materials of paper or cardboard; boxes of paper or cardboard; bags [envelopes, pouches] of paper or plastics, for packaging; wrapping paper.

(260) AM 2022 116469 A

(800) 1641621

(151) 2021 05 31

(891) 2021 05 31

(731) Union des Associations Européennes de Football (UEFA)
Route de Genève 46, CH-1260 Nyon,
Switzerland

(540)



(591) Green, black and white

(531) 26.11.01; 26.11.06; 26.11.12; 26.13.25;
29.01.12

(511)

9 – Exposed films, slides, video game disks; software (recorded programs), including game software; computer databases and programs; recorded or downloaded sounds, images or data; videotapes, magnetic tapes, magnetic disks, DVDs, mini-disks, diskettes, optical disks, compact disks, CD-ROMs, videodisks, memory cards, USB flash drives, whether blank or prerecorded with music, sound or images (which may

be animated cartoons); holograms; electronic publications provided by means of CD-ROMs, databases and the Internet; spectacles, sunglasses, diving and swimming goggles; cases, cords and chains for sunglasses and spectacles; binoculars; magnets and decorative magnets; directional compasses; sound and image recording, transmitting and reproducing apparatus; satellite dishes; decoders, namely, electronic hardware and software which can convert, supply and transmit audio and video data; television sets; flat screens, liquid crystal display screens, high-definition screens and plasma screens; radios; home cinema systems; video recorders; CD players; DVD players; MP3 players; cassette players; mini-disk players; digital music players; loudspeakers; headphones, earphones; computers, including laptop computers and electronic tablets; karaoke apparatus; sound editing and sound mixing apparatus; apparatus for editing and mixing video images; apparatus for computer data processing; computer keyboards; computer screens; modems; accessories for computers included in this class; computer mice, mouse pads; navigation apparatus; PDAs (personal digital assistants); electronic pocket translators; dictating machines; electronic agendas; scanners; printers; photocopiers; facsimile machines; telephones; answering machines; video telephones; cellular telephones; accessories for cellular telephones included in this class, namely, cases for cellular telephones, apparatus for using hands-free cellular telephones, earphones and headsets for cellular telephones, keypads for cellular telephones, straps for cellular telephones, special cases for carrying cellular telephones, cameras and video cameras integrated in cellular telephones, and portable telephone covers; remote controls for television sets and video systems; software intended for enabling teleconferencing services; calculating machines; credit card readers; currency converting machines; automated teller machines; video cameras, portable video cameras with built-in videocassette recorders (camcorders); photographic equipment, photographic apparatus, cameras (cinematographic apparatus), projectors, flash lamps, special cases and cords for photographic apparatus and instruments, electric cells and batteries; screen saver programs for computers; magnetic, digital or analog recording media, recorded or not, for sounds or images; magnetic cards (encoded); memory cards; integrated circuit cards (smart cards); microchip or magnetic credit cards, microchip or magnetic telephone cards, microchip or magnetic cards for cash dispensers, microchip or magnetic cards for automated teller machines and money exchange machines, prepaid microchip or magnetic cards for cellular telephones, microchip or magnetic travel and show admission cards, microchip or magnetic check guarantee cards and microchip or magnetic debit cards; alarms; wind socks (for indicating wind direction); distance-measuring apparatus; apparatus for measuring and displaying speed; protective gloves; audio receivers, sound amplifiers; televi-

sion tubes; cathode ray tubes; decoders, namely computer hardware and software which can convert, supply and transmit audio and video data; disk drives for computers; protected semi-conductors; integrated circuits containing programs for processing audio, visual or computer data; rechargeable batteries; audio and video data processors and converters; data transmission cables; payment apparatus for electronic commerce; protective helmets for sports; magnetic identification bracelets; components of electronic instruments; fuel/air coefficient analyzers; remote control devices for locking cars; photovoltaic cells; video game cassettes; scientific, weighing, measuring, signaling, checking (supervision), emergency (life-saving) and teaching apparatus and instruments, included in this class; burglar alarms, anti-theft alarm apparatus, fire alarms; measuring apparatus and instruments; remote control apparatus and instruments, remote controls; navigation apparatus, navigational instruments; telematic apparatus; telematic terminals; encoded electronic tickets; tickets in the form of magnetic cards; electric apparatus, equipment and instruments for the production of electricity.

12 – Bicycles, motorcycles, motor cars, trucks, vans, utility vehicles, buses, camper vans, refrigerated vehicles; airplanes and boats; air balloons, dirigible balloons [airships]; vehicle accessories, namely sun visors, pneumatic tires, tire covers, luggage racks, ski racks, rims and hub caps for wheels; seat linings, vehicle covers, baby carriages, strollers, safety seats for infants and children (for vehicles); engines and motors for land vehicles; bull bars; headlamp covers; steering wheels for vehicles; trailers; motors and timing belts for land vehicles; alarm devices for vehicles, anti-theft devices for vehicles.

14 – Jewelry, necklaces; jewelry; watches; wristwatches, clocks; chronographs; pendulum clocks; medallions, pendants, brooches; bracelets; pins (jewelry); lapel pins (jewelry); tie clips and tie pins; cuff links; commemorative medals of precious metal; prize cups, commemorative plates, trophies, statues, sculptures, all of precious metal; decorative hat pins, key rings (trinkets or fobs), printed metal disks for collection purposes (pogs), all made of precious metal; decorative key holders; coins; medals for clothing; cases for watches; badges of precious metal; alarm clocks; badges and pins (jewelry); leather bracelets; bracelets of plastic materials; ornamental key rings of plastic materials.

16 – Coloring and drawing books; activity books; magazines; newspapers; books and journals, including those concerning sportsmen, sportswomen or sports events; bookmarks; printed teaching material; score sheets; event programs; albums for events; photograph albums; autograph books; printed timetables; pamphlets; collectible photographs of players; bumper stickers, stickers, albums, sticker albums; posters; photographs; tablecloths of paper; towels of paper;

bags of paper; invitation cards; greeting cards; gift wrapping paper; coasters and place mats of paper; garbage bags of paper or of plastics; food wrapping paper; small bags for preserving foodstuffs; coffee filters of paper; labels (not of textile); hand towels of paper; wet hand-wipes of paper; toilet paper; tissues of paper for removing make-up; paper and cardboard boxes for pocket handkerchiefs; handkerchiefs of paper; stationery and instructional and teaching material (except apparatus); typewriter paper; copying paper; envelopes; notepads; folders for papers; tissue paper; writing books; paper sheets for note-taking; writing paper; binder paper; files; covering paper; luminous paper; adhesive paper for notes; paperweights; crêpe paper; tissue paper; badges or insignia of paper; flags of paper; pennants (flags) of paper; writing instruments; fountain pens; pencils; ballpoint pens; ballpoint pen and pencil sets; felt-tip pens (marking pens); fiber-tip pens and felt-tip pens; marking pens; writing ink, pen ink, stamp pads, rubber stamps; typewriters (electric or non-electric); lithograph prints, lithographic works of art; paintings (pictures), framed or unframed; paint cans, paint crayons and colored pencils; chalks; pencil ornaments [stationery]; printing blocks; address books; diaries (planners); personal organizers of paper; road maps; tickets, entry tickets; checks; comic books; calendars; postcards; advertising boards, banners and material included in this class; transfers (decalcomanias); sticking labels; office requisites (except furniture); correction fluids; rubber erasers; pencil sharpeners; stands for pens and pencils; paper clips; thumbtacks; drawing rulers; adhesive tapes for stationery purposes, adhesive tape dispensers; staples; stencils; document holders (stationery); paper clips; holders for notepads; bookends; stamps (seals); postage stamps, foreign postage stamps, collectible postage stamps, postage stamps for collectors; commemorative stamp sheets; credit cards, telephone cards, ATM cards, cards for traveling and for shows, check guarantee cards and debit cards, non-magnetic, and of paper or cardboard; baggage tags of paper; passport cases; travelers' checks; holders for checkbooks; money clips of metal; letter trays.

18 – Leather and imitations of leather; leather straps; umbrellas, parasols; sports bags (other than those adapted for products they are designed to contain); leisure bags; travel bags, backpacks; school bags; bags for hanging on belts; handbags, leather bags; beach bags; garment bags; suitcases; document cases; identity card holders; belts for suitcases; briefcases (leather goods); cases for toiletry articles known as vanity cases (not fitted); toiletry bags; key cases (leather goods); business card cases; wallets; purses; whips; collars for animals; luggage tags of leather.

25 – Clothing; shoes and footwear; headwear; shirts; knitwear (clothing); pullovers; slipovers; T-shirts; vests; jerseys; sleeveless jerseys, dresses; skirts; un-

derwear, functional underwear, brassieres; swimsuits; bathrobes; shorts; trousers; sweaters; stocking caps; caps; hats; long scarves; scarves, shawls; peaked caps; tracksuits; sweatshirts; jackets, sports jackets, stadium jackets (jumpers); blazers; waterproof clothing; coats; uniforms; neckties; wrist bands (clothing); headbands; gloves; aprons; bibs (not of paper); pajamas; play suits for infants and children; socks and stockings; tights and leggings, garters; belts; suspenders; sandals; sports shoes, namely, shoes for outdoor sports, basketball shoes, multi-sport shoes, cycling shoes, indoor sports shoes, track and field shoes, football shoes (indoor and outdoor), canvas shoes, tennis shoes, sneakers, sailing shoes, shoes for aerobics; hiking boots; flip-flops; sportswear, namely, fleece tops, jogging suits, knitted sportswear, casual sports pants, polo shirts, sweat shirts, sweat pants football shirts, rugby shirts, bathing suits, sports jerseys, leotards, ski suits, ski jackets, ski trousers; wrist bands [clothing].

28 – Games and toys; sports balls; play balloons; board games; tables for indoor football; dolls and plush toys; vehicles (toys); jigsaw puzzles; balloons; inflatable toys; play disks (pogs); playing cards; confetti; gymnastic and sporting articles; football equipment, namely balls for football, gloves, knee guards, elbow guards, shoulder guards, shin guards; football goals; sports bags and containers (adapted to objects) for carrying sports articles; party hats (toys); small electronic games designed for use with a television set; video game apparatus; game consoles, electronic games other than those adapted for use with television receivers only; steering wheels for video games and mats for video games (for dancing upon); hands made of rubber or foam (toys); entertainment robots; appliances for gymnastics; kites; roller skates; scooters; skateboards; coin-operated video games for game halls (arcade games); electronic games with liquid crystal display; joysticks for video games, manually or voice-activated joysticks for video games; lottery cards, scratch tickets for lottery games; toys for household pets; computer game joysticks; voice-activated or manually operated computer game joysticks; wrist straps for sports.

30 – Coffee; tea; cocoa; chocolates; sugar; honey; coffee substitutes; flours; cereal preparations; cereals; bread; pastry; pastes (pastry); pasta; cakes; biscuits and cookies; crackers; candy; edible ices; confectionery; rice; dried cereal flakes; mustard; vinegar; sauces (condiments); spices; salt; honey, molasses, yeast, salt, mustard, vinegar or spices; products with added vitamins for culinary use and food additives for culinary use based on coffee, tea, cocoa, sugar, rice, tapioca, sago, flour or cereal preparations, honey, molasses, yeast, salt, mustard, vinegar or spices; salt and salt-based products for preserving foodstuffs; pizzas; fresh pizzas; pizza doughs; hamburgers; hot dogs (sandwiches); sandwiches filled with meat; cheeseburgers (sandwiches); fish sandwiches; tea-based beverages; iced tea; instant cocoa.

32 – Non-alcoholic beverages; syrups and powders for making non-alcoholic beverages; mineral and aerated waters; energy drinks, isotonic drinks, hypertonic and hypotonic drinks; fruit and vegetable beverages; fruit and vegetable juices; sports beverages; frozen fruit drinks, frozen flavored drinks, non-carbonated and non-alcoholic; drinks enriched with added vitamins, not for medical use; beers; strong dark beers; lagers and ales; non-alcoholic or low-alcohol beers.

35 – Employment agencies; personnel recruitment; advertising services; services provided by an agency publishing advertising texts; advertising agency services; advertising agency services on a global computer network (the Internet) or via wireless electronic communication devices; dissemination of advertisements; rental of advertising space; rental of advertising time in film credits; television advertising, radio advertising; advertising in the form of animated cartoons; promotion agency services, promotion agency services for sports and public relations; promotion of football events; market study services; market research services; public opinion polling services; organization of exhibitions for commercial or advertising purposes; organization of advertising for trade fairs; compilation and systematization of data in data banks; data bank management services; establishing statistics; advertising for sports events in the field of football; retail sale services and collection of various goods for the benefit of third parties (except the transport thereof), namely clothing, footwear, headgear, sports articles, stationery, apparatus for recording, transmission and reproduction of sound and images, books, newspapers, magazines, publications, video games, toys, dolls, badges of all kinds, key rings, tickets, watches and jewelry, souvenir items in connection with football, bags, luggage, briefcases, umbrellas, flags and pennants, alcoholic and non-alcoholic beverages, confectionery, medical apparatus and instruments, vehicles and car accessories; retail sale services for solvents, paraffin, waxes, bitumen and petroleum; consolidating the following goods for the benefit of third parties (excluding transport) to enable customers to conveniently view and purchase these goods in a store or on a global computer network (the Internet) or via wireless electronic communication devices, namely clothing, shoes, headgear, sports articles, stationery, apparatus for recording, transmission and reproduction of sound and images, books, newspapers, magazines, publications, video games, toys, dolls, badges of all kinds, key rings, tickets, watches and jewelry, souvenir items in connection with football, bags, luggage, briefcases, umbrellas, flags and pennants, alcoholic and non-alcoholic beverages, confectionery, medical apparatus and instruments, vehicles and accessories for motor cars; advertising and promotion services, information services with regard to advertising and promotion, commercial information agencies, all the aforesaid services provided on-line

from a computer database or via a global computer network (the Internet) or via wireless electronic communication devices; design and compilation of advertisements for use as a web site on a global computer network (the Internet) or via wireless electronic communication devices; provision of space on web sites, for advertising of goods and services; auctioneering on a global computer network (the Internet) or via wireless electronic communication devices; collection of directories for publication on the Internet and on wireless electronic communication networks; business administration services for processing commercial services on a global computer network (Internet) or via wireless electronic communication devices; compilation, creation and management of databases, namely collection of domain names in a register; sales promotion, namely creation of preferential programs for customers; implementation of bonus programs for customers in stadiums by distributing encoded loyalty and membership cards which can contain the personal data of the user; development, launch and administration of loyalty programs, namely issuing loyalty cards to fans, containing personal information on the identity of the card holder; electronic commerce (e-commerce) services, namely provision of information on goods via telecommunication networks for advertising or sales purposes; compilation of data into a computer database, especially still or animated images; e-commerce services, namely online services for providing contracts for the purchase and sale of goods on behalf of others; promotion of sports events in the field of football; promotion of the goods and services of others, through contractual agreements, particularly partnership (sponsoring) and licensing agreements, providing them with increased notoriety and enhanced image derived from cultural and sporting events, particularly international events; compilation and recording of data and information on sporting performances; provision of personnel, particularly for selling beverages and foods; promotion of football events; retail sale of interactive educational and entertainment products, interactive compact disks, CD-ROMs and computer games; retail sale services, particularly on a global computer network, for interactive educational and entertainment products, interactive compact disks, CD-ROMs and computer games; presentation of computer programs for retail sale purposes; procurement services for others [purchasing goods and services for other businesses]; procurement services for others [purchasing goods and services for other businesses] for sports events or entertainment; promotion of the goods and services of others, through contractual agreements, particularly partnership (sponsoring) and licensing agreements, providing them with increased notoriety and/or enhanced image and/or affinity derived from cultural and sporting events, particularly international events; retail and wholesale services for motor vehicles, motor vehicle parts and motor vehicle accessories; retail and wholesale trading services on

the Internet for motor vehicles, motor vehicle parts and motor vehicle accessories; compilation of data in computer data banks.

36 – Issuance and management of credit cards and travelers' checks; financial services; banking, credit and investment services; insurance services; lease-purchase financing; lending services; financial sponsorship of sports events; information services related to finance and insurance, provided from a computer database or the Internet or on all wireless electronic communication networks; home banking services; banking services on the Internet or on all wireless electronic communication networks; payment services, including services provided from a computer database or via the Internet or via mobile telephones; safe deposit services; issue of vouchers, namely issue of loyalty cards to fans, which contain personal data on the identity of the cardholder and are used for access control at sports stadiums; financial promotion of events in the field of football; financial payment services for electronic commerce, namely transfer of funds, all via electronic communication networks; financial sponsorship search for football competitions; financial payment services for electronic commerce in connection with the purchase of goods and services provided by others, all via electronic communication networks, and clearing and settlement of financial transactions via electronic communication networks; issue of vouchers in the form of travel vouchers.

38 – Telecommunication services; communication by mobile telephones; communication by telex; communication via electronic computer terminals linked to telecommunication networks, data banks and the Internet or via wireless electronic communication devices; communication by telegraphs; communication by telephones; communications by facsimile; paging services; telephone or video conferencing services; television program broadcasting; broadcasting of cable television programs; radio program broadcasting; transmission of radio and television programs of sports and sports events; news and press agency services; other message transmission services; rental of telephones, facsimile machines and other telecommunication apparatus; transmission of commercial Internet pages online or via wireless electronic communication devices; services for transmitting and broadcasting television and radio programs provided via the Internet or via any wireless electronic communication network; electronic transmission of messages; simultaneous broadcasting of film recordings and sound and video recordings; provision of access to telematic servers and real-time chat forums; computer-aided transmission of messages and images; telecommunication via fiber-optic networks; provision of access to a global computer network or interactive communication technologies for access to private and commercial purchasing and ordering services; transmission of information and other data via websites and compu-

ters; transmission of information (including sites by telematic means) via telecommunication, computer programs and other data; transmission of information, computer programs and other data by telematic means; electronic mail services; provision of access via the Internet or on any wireless electronic communication network (telecommunication services); providing connections for telecommunications with a global computer network (the Internet) or data banks; provision of access to websites offering digital music on the Internet by means of a global computer network or via wireless electronic communication devices; rental of access time to MP3 websites on the Internet, via a global computer network or via wireless electronic communication devices; rental of access time to a database server center (telecommunication services); rental of access time to a computer database (telecommunication services); transmission of digital music by telecommunications; online transmission of electronic publications; digital music transmission via the Internet or on any wireless electronic communication network; digital music transmission via MP3 Internet sites; simultaneous broadcasting and/or netcasting of film recordings and sound and video recordings (telecommunications); simultaneous broadcasting and/or netcasting of interactive educational and entertainment products, interactive compact disks, CD-ROMs, computer programs and computer games (telecommunications); provision of access to blackboards (bulletin and announcement boards), a blog and discussion forums (chat rooms) in real time via a global computer network; rental and provision of access time to blackboards (boards for displaying information and advertisements) and to chat rooms in real time by means of a global computer network (communication services); telecommunication services dedicated to retail sale by means of interactive communications with customers; multimedia telecommunication; videotext and teletext transmission services; information transmission via communication satellite, microwave or by electronic, digital or analog means; transmission of digital information by cable, wire or fiber; transmission of information by mobile telephones, telephones, facsimile and telex; telecommunication services for receiving and exchanging information, messages, images and data; telecommunication services for setting up discussion groups on the Internet and on any wireless electronic communication network; provision of access to search engines on the Internet, provision of access to platforms on the Internet (also on the mobile Internet) in the form of customized online pages featuring information defined or specified by users, personal profiles, audio contents, video contents, photographic images, texts, graphic illustrations and data; provision of access to search engines for obtaining data and information on global networks.

39 – Services of a travel agency, namely, travel arrangement and reservation; ticket reservation and infor-

mation services for travel; transport by airplane, railway, bus and truck; boat transport; boat travel services; tourist travel services; rental of vehicles and automobiles; rental of parking spaces; taxi services; boat transport services for goods; distribution of water, heat, gas or electricity; distribution of newspapers, magazines and books; postal services, third-party mail services and courier services; storage of merchandise; delivery of solvents, paraffins, waxes, bitumens and oil products, excluding liquid gas; distribution (delivery) of films and sound and image recordings; distribution (delivery) of interactive educational and entertainment products, interactive compact disks, CD-ROMs, computer programs and computer games; ticket distribution (transport); navigation services by global positioning system; advice relating to power and electricity distribution; transport services; packaging and storage of goods; towing, transport and taxi; car transport; rental of vehicles, especially automobiles; motor vehicle fleet tracking and monitoring services using electronic positioning and navigation devices.

41 – Education; training; entertainment; organization of lotteries, raffles and competitions; betting and gaming services in connection with sports; provision of entry tickets and information brochures on sports for VIPs, as well as guiding and gathering VIPs for sports or entertainment events, provision of online information in the field of sports or sports events from a computer database or the Internet; customer reception services (entertainment services) including provision of access tickets during sports or entertainment events; entertainment services relating to sporting events; entertainment services in the form of public gatherings during the retransmission of sports events; sporting and cultural activities; organization of sporting and cultural events and activities; amusement park services; sports club services [health and fitness training]; organization of sports competitions; organization of events in the field of football; sports camp services; provision of sports facilities; rental of video and audiovisual installations; production, presentation, distribution and/or rental of film recordings and sound and video recordings; presentation, distribution and/or rental of interactive educational and entertainment products, interactive compact disks, CD-ROMs, and computer games; radio and television coverage of sporting events; production services for radio, television programs and video films; ticket reservation services and information services for sports or entertainment events; timing services relating to sports events; organization of beauty contests; interactive entertainment; on-line betting and gaming services on the Internet or on any wireless electronic communication network; information in the field of entertainment (including in the field of sports), provided on-line from a computer database or via the Internet or via any wireless electronic communication network; electronic game services transmitted via the Internet or on

mobile telephones; editing of books; publication of books and electronic journals on-line; audio and video recording services; production of animated cartoons for the cinema, production of animated cartoons for television; rental of sound and image recordings for entertainment purposes; information in the field of education provided on-line from a computer database or via the Internet or any wireless electronic communication network; translation services; photography services; provision of entertainment infrastructure; ticket agencies in connection with sports events; entertainment information in the field of sports; provision of information in the field of sports events; publication of statistics; publication of statistics and information on sports performances; provision of entertainment infrastructure, namely VIP boxes and boxes inside and outside stadiums.

43 – Providing food and drink, snack-bars; hospitality services, namely provision of food and drink; catering services; hotel services; providing accommodation and food and drink, booking hotels and temporary accommodation; hospitality services, namely provision of food and drink during sports or entertainment events.

(260) AM 2022 116470 A

(800) 1641633

(151) 2021 10 14

(891) 2021 10 14

(731) THALES LAS FRANCE SAS

2 avenue Gay Lussac, F-78990 ÉLANCOURT,
France

(540)

HEADLIGHT

(591) Black, white

(511)

9 – Software platforms in the nature of recorded or downloadable software; data processors; data terminals; data networks; data banks; databases (electronic); data processing software; mobile data apparatus; database management software; database server centers; software for computers; data processing equipment and systems; electronic databases recorded on computer media; computer software for the security and protection of data, networks and communications; data storage device; downloadable software applications; computer application software; downloadable electronic publications; all the aforesaid goods being operated in the context of a computer platform featuring digital services for the military defense sector.

42 – Hosting of interactive applications, servers and computer sites; development of computer platforms; advice with respect to cybersecurity; monitoring of computer systems for detecting unauthorized access or data security breaches; electronic data storage; research and development of new products, namely, software for others; analysis for the installation of

dedicated computer systems; computer programming for the creation and restoration of databases; testing of installations of computer systems; software design, development, and maintenance; engineering (technical expertise) for providing computer software as a service; data mining; database design services; computer data recovery; data backup services; development of data programs; electronic data back-up; installation of database software; computer database design; design, development and programming services for software; technical support services, namely, solving software problems; all the aforesaid services being operated in the context of a computer platform featuring digital services for the military defense sector; platform as a service (PaaS), consisting of computer software platforms for use in developing user mobility and autonomy, in simplifying logistical engineering and maintenance of military equipment and systems, in managing the fleet, in developing user skills via training and know-how in the context of military land, maritime and air operations; software as a service (SaaS), consisting of software for use in developing user mobility and autonomy, in simplifying logistical engineering and maintenance of military equipment and systems, in managing the fleet, in developing user skills via training and know-how in the context of military land, maritime and air operations; cloud computing services featuring software for use in developing user mobility and autonomy, in simplifying logistical engineering and maintenance of military equipment and systems, in managing the fleet, in developing user skills via training and know-how in the context of military land, maritime and air operations; providing temporary use of online downloadable cloud computing software for use in developing user mobility and autonomy, in simplifying logistical engineering and maintenance of military equipment and systems, in managing the fleet, in developing user skills via training and know-how in the context of military land, maritime and air operations.

(260) AM 2022 116471 A

(800) 1641737

(151) 2021 09 09

(891) 2021 09 09

(731) Apple Inc.

One Apple Park Way, Cupertino CA 95014,
USA

(540)



(591) Black, white
 (531) 03.03.03; 03.03.15; 03.03.24; 26.01.03;
 26.01.15; 26.01.24; 26.13.25

(511)
 35 – Career planning and information services for musicians; advertising, marketing, and promotion services in the field of music; market research, namely, analysis of advertising response and market research in the field of music; media planning services in the field of music, namely, identifying audience, communication goals, geography, markets, timing, and appropriate media platforms to promote and disseminate an artist's message; data processing services in the field of music; business monitoring and consulting services, namely, tracking web sites and consumer behavior to provide strategy, insight, marketing, sales, and operations advice in the field of music; promoting musical concerts and other entertainment events of others.

41 – Arranging, organizing, conducting, and presenting concerts, live performances, entertainment special events, and festivals; providing information featuring ongoing radio and television entertainment and music programming, namely, programming featuring musical artists, musical performances, interviews, opinions, commentary and recommendations via a website; music publishing services; music and video production services.

(260) AM 2022 116598 A
 (800) 1643798
 (151) 2021 12 17
 (891) 2021 12 17
 (731) Frever AB
 Åsögatan 140, SE-116 24 Stockholm, Sweden
 (540)



(591) Black, white
 (531) 04.05.05; 04.05.15; 04.05.21; 26.03.23;
 26.11.02; 26.11.12; 26.13.25

(511)
 9 – Computer gaming software; virtual reality game software; augmented reality game software; downloadable electronic game programs.

41 – Interactive entertainment services; online interactive entertainment; interactive computer game services; game services provided online from a computer network; on-line gaming services; games services provided via computer networks and global communica-

tion networks; game services provided by means of communications by computer terminals or mobile telephone; online game services through mobile devices; video game entertainment services.

(260) AM 2022 116599 A
 (800) 1643817
 (151) 2021 12 14
 (891) 2021 12 14
 (731) Hangzhou Techderm Biological Products Co., Ltd
 Floor 2, East Building 6, No. 88 Jiangling Road, Binjiang District, Hangzhou, Zhejiang Province, China

(540)

Techderm

(591) Black, white
 (531) 02.01.01; 02.03.01; 27.05.01; 27.05.08
 (511)

10 – Surgical apparatus and instruments; cushions for medical purposes; feeding bottles; condoms; orthopedic articles; artificial surgical implants; suture materials; artificial limbs; artificial jaws; hair prostheses.

(260) AM 2022 116600 A
 (800) 1643858
 (151) 2021 10 01
 (891) 2021 10 01
 (731) Limited liability company "Noviy Dom"
 Saliutovskaya street, 31, city Izhevsk,
 RU-426053 Udmurt republic, Russian Federation
 (540)

GOL

(591) Black, white
 (511)

2 – Whites [colorants or paints]; white lead; glazes [paints, lacquers]; primers; titanium dioxide [pigment]; indigo [colorant]; alizarine dyes; aniline dyes; ink for leather; shoe dyes; ink for skins; dyewood; dyestuffs; ink [toner] for photocopiers; aluminium paints; bactericidal paints; wood stains; ceramic paints; marking ink for animals; fireproof paints; printing ink; engraving ink; enamel paints; paints; creosote for wood preservation; bitumen varnish; bronzing lacquers; lacquers; preservative oils for wood; mastic [natural resin]; zinc oxide [pigment]; pigments; coatings [paints]; wood coatings [paints]; varnishes; bronze powder; silvering powders; metals in powder form for painters, decorators, printers and artists; protective preparations for metals; wood mordants; thinners for paints; thinners for lacquers; whitewash; soot [colorant]; siccatives [drying agents] for paints; natural resins, raw; badigeon; anti-rust preparations for preser-

vation; wood preservatives; fixatives [varnishes]; fixatives for watercolors; wood dyestuffs; enamels [varnishes]; silver emulsions [pigments].

(260) AM 2022 116601 A

(800) 1644008

(151) 2021 11 18

(891) 2021 11 18

(731) JOEONE CO., LTD.

Qingmengyuan Zone, Quanzhou Economy & Technology, Development Area, Fujian Province, China

(540)



(591) Black, white

(531) 24.17.20; 26.03.23

(511)

18 – Fur; pocket wallets; shopping bags; pouch baby carriers; bags; furniture coverings of leather; reins for guiding children; umbrellas; walking sticks; clothing for pets.

25 – Footwear; hats; hosiery; gloves [clothing]; neckties; belts made of leather; clothing; layettes [clothing]; bathing suits; sleep masks.

(260) AM 2022 116603 A

(800) 1644083

(151) 2021 07 07

(891) 2021 07 07

(731) Midea Group Co., Ltd.

B26-28F, Midea Headquarter Building, No. 6 Midea Avenue, Beijiao, Shunde, Foshan, Guangdong, China

(540)

(591) Black, white

(531) 27.05.01

(511)

7 – Disintegrators; compressors [machines]; compressed air machines; electric kitchen machines; waste disposers; butter machines; electric fruit presses for household purposes; dry cleaning machines; food waste disposers; mixing machines; spin driers [not heated]; electric juice extractors; dishwashers; washing machines [laundry]; wringing machines for laundry; vacuum cleaners; electric food processing machines.

9 – Fuse wires; rheostats; electric coils; transformers [electricity]; electric couplings; automatic time swit-

ches; electric light dimmers [regulators]; traffic-light apparatus [signalling devices]; electric plugs, sockets and other contacts; electronic notice boards; electric wires; electric cables; electronic power converters; flashing lights [luminous signals]; neon lights [signals]; printers for use with computers; protection devices for personal use against accidents; face recognition equipment; transducers; bathroom scales; portable digital electronic scales; portable remote-controlled stoppers for vehicles; portable scales; light conducting filaments [optical fibers]; optical lenses; holograms; humanoid robots with artificial intelligence; animated cartoons; chemistry apparatus and instruments; semi-conductors; electronic scales for kitchen use; dictating machines; downloadable cellular phone applications; downloadable computer software applications; photocopiers [photographic, electrostatic, thermic]; security surveillance robots; laboratory robots; petri dishes for laboratory use; incubators with constant temperature for laboratory use; incubators with constant humidity for laboratory use; gasification devices for laboratory use; bioreactors for laboratory use; glassware for use in scientific experiments; body fat scales for household purposes; remote controllers for household purposes; radiological apparatus for industrial purposes; scales with body mass analysers; invoicing machines; thermostats; inductors [electricity]; mechanisms for coin-operated apparatus; voting machines; alarms; electronic random number indicator equipment [ERNIE]; electronic numeric displays; smartphones; carpenters' rules; car audio equipment; surveying apparatus and instruments; temperature indicators; fire extinguishers; lamp boxes in the nature of illuminated advertising devices; smoke detectors; heat regulating apparatus; photo printers; cameras [photography]; egg-candlers; material testing instruments for chemical or physical experiments and composition analysis; electronic weight scales; electronic navigation equipment; vacuum tubes; electronic chips; electronic key [remote-controlled devices]; electric theft prevention installations; electric switches; electrified fences; battery chargers; materials for electricity mains [wires, cables]; electrolyzers; electric locks; eyeglasses; ticket printers; scales; portable electric sources [rechargeable batteries]; air analysis apparatus; infrared detectors; acid proof gloves for protection against accidents or injury; weighing apparatus and instruments; hemline markers; decorative magnets; audiovisual teaching apparatus; chronographs [time recording apparatus]; computers; electronic collars for animal training; test tubes; audio scales; sports whistles; thermostats for vehicles; simulators for the steering and control of vehicles; microphones for remote communication devices; remote control apparatus; lightning arresters; apparatus to check stamping mail; integrated circuits; droppers for measuring, other than for medical or household purposes; testing apparatus not for medical purposes; skin moisture testing appa-

ratus not for medical purposes; food analysis apparatus.

11 – Soybean milk machines for household purposes; electric pressure cookers; electric pressure cookers for household purposes; central air-conditioners; heating installations; freezers; refrigerators; refrigerating display cabinets; air coolers; humidifiers; heated display cabinets; water-pipes for sanitary installations; lights for kitchens; lights for bathrooms; kitchen ranges [ovens]; extractor hoods for kitchen use; ventilating fans for kitchens; LED lighting apparatus; table lamps; ceiling fans; pendant lamps; ceiling lights; induction cookers for commercial purposes; fountains; wall lamps; fireplaces; solar water heaters; microwave ovens for industrial purposes; microwave ovens [cooking apparatus]; dehumidifier; ceiling ventilator; exhaust fans; radiators [heating]; taps for pipes and pipelines; showers; heaters for baths; ovens; bread baking machines; heat pumps; cooking apparatus and installations; electric grilling machines for household purposes; lighting devices; gas cookers; gas burners; electric heaters; electric heating apparatus; electric dryers; electric hair driers; electric kettles; induction cookers; electric fans; electric rice cookers; air purifying apparatus and machines; air-conditioners; fabric steamers; stage lights; floor lamps; street lamps; wine refrigerators; USB-powered hand warmers; pocket warmers; portable electric foot baths; heat-storage warmers; refrigerating appliances and installations; cooling installations and machines; cooling appliances and installations; refrigerating chambers; refrigerating containers; ice makers; ice machines and apparatus; ice-lolly machines; machines for manufacturing ice creams; heating apparatus; sanitary apparatus and installations; coffee roasters; water fountains; electric multicookers; hair driers; laboratory lamps; laboratory burners; charcoal ovens for household purposes; household water purifiers for household purposes; household tap-water filters; electric water purifiers for household purposes; electric radiant heaters for household purposes; electric cookers for household purposes; ultrasonic sterilizers for household purposes; lighters; LED driers for nail polish; walk-in refrigerators; water purifying machines; water purification installations; water purifying apparatus and machines; hydro-massage bath apparatus; water softening apparatus and installations; water filtering apparatus; automobile lights; air conditioning equipment for automobiles; bath installations; bath microbubble generators; sterilizers; sterilizers for household purposes; disinfectant apparatus; roasters; hot water bottles; cooking stoves; electric autoclaves for cooking; lighting apparatus and installations; gas ovens for household purposes; milk sterilizers; hair dryers for barber shops; electric coffee machines; electric coffee makers; electric foot baths; electric coffee pots; electric coffee percolators; electronic candles; electric slow cookers; electric radiators; electric lamps; electric cooking utensils; electric stew pots; electrically heated clothing; electric heating

casseroles; electric heating braisers; electric frying pans; electric food steamers; germicidal lamps for purifying air; air sterilization equipment; air conditioning installations; nail lamps; polymerisation installations; water purifying installations; smoke generating machines for creating special theatrical effects; steam facial apparatus; steam facial apparatus [saunas]; ornamental fountains; smoked ovens for outdoor barbecue; lava rocks for use in barbecue grills; electric food warmers; water dispensers; filters for drinking water; drinking water filtration equipment; cocks for pipes and pipelines.

21 – Ceramics for household purposes; kitchen utensil crocks; enamel plastic utensils for household purposes; sweepers; cups of paper or plastic; liqueur sets; iron pans; pot lids; non-electric pressure cookers; non-electric cooking utensils; disposable chopsticks; stainless steel cutting boards; vacuum bottles; insulating flasks; vacuum flasks [insulating flasks]; isothermic bags; chopsticks for children training; knife rests; cutting boards; materials for brush-making; roller tubes for peeling garlic; combs for animals; toothbrushes for animals; water troughs for animals; animal-activated animal feeders; animal-activated livestock waterers; spoon shovels [tableware]; mess-tins; make-up removing appliances; cosmetic facial cleansing devices; garlic presses; kitchen containers; kitchen utensils; cutting boards for kitchen use; graters for kitchen use; chopping blocks for kitchen use; non-mechanical portable waterers for pets; straw cups; coffee services [tableware]; coffee cups; plastic lunch boxes; finger toothbrushes for infants; pet feeding bowls; litter boxes for pets; litter trays for pets; brushes for pets; pet feeding utensils; toothbrushes for pets; automatic litter boxes for pets; hair removing brushes for pets; hair removing combs for pets; automatic feeders for pets; automatic pet feeding bowls; pet drinking bowls; indoor aquaria; chocolate making moulds for household purposes; scoops [tableware] for household purposes; containers for household purposes; containers for household or kitchen use; non-electric whisks for household purposes; non-electric blenders for household purposes; pudding moulds; wide-mouth glass bottles with sealed screw lids; flat-bottomed glasses; pans; corkscrews; electric or non-electric corkscrews; bottle openers; electric or non-electric bottle openers; services [dishes]; cooking pot sets; hand-operated machines for making noodles; hand-operated coffee grinders; carpet sweepers; Japanese teapots; travelling mugs; mugs; cups; cupcake moulds; cupcake baking cups; combs; moulds [kitchen utensils]; jugs; crystal [glassware]; fruit cups; fruit bowls; cruet sets for oil and vinegar; stir-frying spoons made of iron; stir fry pan; stew-pans; baking cups; non-electric cooking pans; cookery moulds; non-electric autoclaves for cooking; cooking pots; pans for frying eggs; frying pans; non-electric frying pans; gas hot pots; flat-iron stands; ironing boards; toothbrushes; water apparatus for cleaning teeth and gums; litter trays for cats; gla-

sses [receptacles]; glass flasks [containers]; glass jars; bottles; china ornaments; electric brushes, except parts of machines; electric hair brushes; electric toothbrushes; heads for electric toothbrushes; electric and non-electric aromatic oil diffusers, other than reed diffusers; electric combs; floss picks driven by batteries; salt cellars; table plates; insulating vacuum bottles; stone pots; bowls [basins]; chopsticks; chopsticks containers; confectioners' decorating bags [pastry bags]; slender glasses; urns; pots; pepper pots; automatic feeders for animals; tea services [tableware]; teapots; teacups; wine openers; garlic presses [kitchen utensils]; steamer baskets; cake moulds; cake decorating tips and tubes; electric devices for attracting and killing insects; spice sets; cruets; metal lunch boxes; scoops [household or kitchen utensils]; earthenware saucepans; heat-insulated containers; not electrically heated hot pots; non-electric eggbeaters; non-electric coffee grinders; non-electric coffeepots; non-electric coffee percolators; non-electric coffee filters; non-electric stir fry pans; non-electric cooking steamers; non-electric teapots; non-electric food steamers; hand-operated noodle machines; glass jars for food preservation; thermally insulated containers for food; thermally insulated containers for food or beverages; draining racks for tableware; lunch boxes; rice scoops for household purposes; drinking glasses; cookie and biscuit cutters; electric and non-electric candle warmers.

(260) AM 2022 116604 A

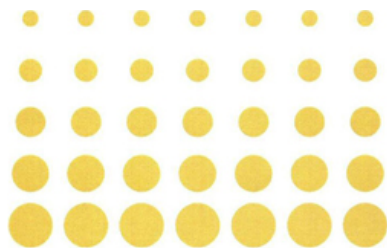
(800) 1644100

(151) 2021 09 22

(891) 2021 09 22

(731) Public Joint Stock Company Acron
Veliky Novgorod, RU-173012 Novgorod
region, Russian Federation

(540)



(591) Yellow

(531) 25.07.07; 26.01.06; 29.01.02

(511)

1 – Nitrogen; aldehydes; ammonia; ammonia [volatile alkali] for industrial purposes; anhydrous ammonia; argon; preparations for the purification of gas; tanning substances; adhesives for industrial purposes; surface-active chemical agents; foundry binding substances; leather-dressing chemicals; chemicals for the manufacture of paints; seed preserving substances; distilled water; gadolinium; holmium; dysprosium; europium; ytterbium; yttrium; lime carbonate; carbonates; catalysts; oxygen for industrial purposes; nitric acid; acids; mineral acids; glue for industrial purposes; pre-

servatives for use in the pharmaceutical industry; copper sulfate [blue vitriol]; lanthanum; dry ice [carbon dioxide]; filtering materials of unprocessed plastics; filtering materials of mineral substances; filtering materials of vegetable substances; filtering materials of chemical substances; metalloids; alkaline-earth metals; alkaline metals; methane; neodymium; ammonium nitrate; nitrates; combusting preparations [chemical additives to motor fuel]; nitrous oxide; plastics, unprocessed; praseodymium; metal hardening preparations; plant growth regulating preparations; fertilising preparations; chemical preparations for analyses in laboratories, other than for medical or veterinary purposes; chemical preparations for scientific purposes, other than for medical or veterinary use; chemical preparations to prevent diseases affecting cereal plants; anti-sprouting preparations for vegetables; chemical substances for preserving foodstuffs; promethium; drilling muds; samarium; salpêtre; scandium; acrylic resins, unprocessed; synthetic resins, unprocessed; artificial resins, unprocessed; salts [fertilisers]; salts [chemical preparations]; ammoniacal salts; ammonium salts; salts of precious metals for industrial purposes; salt for preserving, other than for foodstuffs; salts for industrial purposes; calcium salts; sodium salts [chemical compounds]; salt, raw; salts from rare earth metals; fire extinguishing compositions; acid proof chemical compositions; fireproofing preparations; wood alcohol; alcohol; sulfates; sulfides; sulfonic acids; superphosphates [fertilisers]; terbium; thulium; fertilisers; nitrogenous fertilisers; flocculants; formic aldehyde for chemical purposes; phosphates [fertilisers]; chemicals for use in forestry, except fungicides, herbicides, insecticides and parasiticides; horticultural chemicals, except fungicides, herbicides, insecticides and parasiticides; agricultural chemicals, except fungicides, herbicides, insecticides and parasiticides; soil conditioning preparations; industrial chemicals; color-brightening chemicals for industrial purposes; refrigerants; cerium; rare earths; erbium.

35 – Import-export agency services; commercial information agency services; advertising agencies; cost price analysis; book-keeping; demonstration of goods; market studies; business investigations; business research; marketing research; layout services for advertising purposes; marketing; targeted marketing; organization of exhibitions for commercial or advertising purposes; organization of trade fairs; shop window dressing; business appraisals; commercial intermediation services; providing business information; providing business information via a web site; providing commercial information and advice for consumers in the choice of products and services; presentation of goods on communication media, for retail purposes; economic forecasting; sales promotion for others; publication of publicity texts; distribution of samples; dissemination of advertising matter; direct mail advertising; advertising; online advertising on a computer

network; outdoor advertising; commercial administration of the licensing of the goods and services of others; search engine optimization for sales promotion.

(260) AM 2022 116871 A

(800) 1647184

(151) 2021 10 07

(891) 2021 10 07

(731) Euro Games Technology Ltd.

4, "Maritsa" Str., "Vranya-Lozen-Triugulnika",
BG-1151 Sofia, Bulgaria

(540)



(591) Blue, yellow, orange, red and brown

(531) 13.01.08; 27.05.03; 27.05.17; 29.01.15

(511)

9 – Software; computer gaming software; computer software packages; computer operating system software; computer software, recorded; software drivers; virtual reality software; games software; entertainment software for computer games; computer programs for network management; operating computer software for main frame computers; monitors (computer hardware); computer hardware; apparatus for recording images; monitors (computer programs); computer game programs; computer programs for recorded games; apparatus for recording, transmission or reproduction of sound or images; communications servers [computer hardware]; electronic components for gambling machines; computer application software featuring games and gaming; computer software for the administration of on-line games and gaming; computer hardware for games and gaming; hardware and software for gambling, gambling machines, gambling games on the Internet and via telecommunication network.

28 – Gaming machines for gambling; chips for gambling; mah-jong; arcade games; gambling machines operating with coins, notes and cards; games; electronic games; parlor games; gaming chips; gaming tables; slot machines [gaming machines]; LCD game machines; slot machines and gaming devices; coin-operated amusement machines; roulette chips; poker chips; chips and dice [gaming equipment]; equipment for casinos; roulette tables; gaming roulette wheels; casino games; automats and gambling machines; coin-operated machines and/or electronic coin-operated machines with or without the possibility of gain; boxes for coin-operated machines, slot machines and gaming machines; electronic or electrotechnical ga-

ming devices, automats and machines, coin-operated machines; housings for coin-operated machines, gaming equipment, gaming machines, machines for gambling; electropneumatic and electrical gambling machines (slot machines).

41 – Gambling; services related to gambling; gaming services for entertainment purposes; casino, gaming and gambling services; training in the development of software systems; provision of gaming equipment for gambling halls; providing casino equipment [gambling]; gaming machine entertainment services; providing casino facilities [gambling]; halls with gaming machines; amusement arcade services; games equipment rental; rental of gaming machines; providing amusement arcade services; rental of gaming machines with images of fruits; editing or recording of sounds and images; sound recording and video entertainment services; hire of sound reproducing apparatus; provision of gaming equipment for casinos; providing of casino facilities; online gambling services; casino management services; operation of gaming establishments, gaming halls, internet casinos, online gambling sites.

(260) AM 2022 116872 A

(800) 1647215

(151) 2021 09 24

(891) 2021 09 24

(731) Hangzhou Techderm Biological Products Co.,
Ltd.

Floor 2, East Building 6, No. 88 Jiangling Road,
Binjiang District, Hangzhou, China

(540)

SOFIYAL

(591) Black, white

(531) 27.05.01

(511)

3 – Soap; detergents other than for use in manufacturing operations and for medical purposes; polishing preparations; grinding preparations; perfumery; cosmetics; dentifrices; incense; cosmetics for animals; air fragrancing preparations.

5 – Aloe vera gel for therapeutic purposes; dietetic substances adapted for medical use; depuratives; medicines for veterinary purposes; pesticides; medical dressings; teeth filling material.

10 – Surgical apparatus and instruments; dental apparatus and instruments; thermo-electric compresses (surgery); cushions for medical purposes; feeding bottles; condoms; artificial surgical implants; orthopedic articles; suture materials.

(260) AM 2022 116913 A

(800) 1648239

(151) 2022 01 19

(891) 2022 01 19

(731) Kia Corporation

12, Heolleung-ro, Seocho-gu, Seoul 06797,
Republic of Korea

(540)



Movement that inspires

(591) Black, white

(531) 27.05.01; 27.05.19

(511)

28 – Games and playthings; portable games and toys incorporating telecommunication functions; gymnastic and sporting articles; decoys for hunting or fishing; butterfly nets; toys for pets; ornaments for Christmas trees, except illumination articles and confectionery; fairground ride apparatus; toys (playthings); dolls; toys; toy cars; scale model vehicles; games; machines for physical exercises; ascenders [mountaineering equipment]; golf bags; golf equipment; golf balls; fishing tackle.

(260) AM 2022 116914 A

(800) 1648303

(151) 2022 01 12

(891) 2022 01 12

(731) Kia Corporation

12, Heolleung-ro, Seocho-gu, Seoul 06797,
Republic of Korea

(540)



Movement that inspires

(591) Black, white

(531) 27.05.01; 27.05.09; 27.05.10; 27.05.19;
27.05.22

(511)

18 – Portable cosmetic cases (sold empty); labels of leather; garments for pets; worked or semi-worked hides and other leather; leather and imitations of leather; imitation leather; bags; luggage bags; travelling bags; sport bags; book bags; purses; leather key cases; business card cases; baggage tags; handbags; boxes made of leather; packaging containers of leather; bags (envelopes, pouches) of leather for packaging; trimmings of leather for furniture; straps for skates; parasols (sun umbrellas); umbrellas, parasols and walking sticks; feed bags for animals; valves of leather; harnesses for horses; reins for guiding children; leather straps.

(260) AM 2022 116916 A

(800) 1648335

(151) 2021 08 10

(891) 2021 08 10

(731) Limited Liability Company "Piteko"

Engels St., 110, Balakhna, RU-606402

Nizhegorodskaya Region, Russian Federation

(540)

Fit

P A R A D

(591) Black, white

(531) 27.05.01; 27.05.09; 27.05.10

(511)

5 – Balms for medical purposes; dietetic substances adapted for medical use; sea water for medicinal bathing; mineral waters for medicinal purposes; thermal water; dietary fiber; dietary fibre; hematogen; haematogen; mud for baths; medicinal mud; medicinal sediment [mud]; vitamin supplement patches; mineral food supplements; nutritional supplements; albumin dietary supplements; dietary supplements for animals; yeast dietary supplements; alginate dietary supplements; glucose dietary supplements; casein dietary supplements; lecithin dietary supplements; linseed oil dietary supplements; flaxseed oil dietary supplements; propolis dietary supplements; protein dietary supplements; royal jelly dietary supplements; pollen dietary supplements; wheat germ dietary supplements; linseed dietary supplements; flaxseed dietary supplements; acai powder dietary supplements; dietary supplements with a cosmetic effect; enzyme dietary supplements; yeast for pharmaceutical purposes; fish oils for medical purposes; cachou for pharmaceutical purposes; candy, medicated; starch for dietetic or pharmaceutical purposes; lactose for pharmaceutical purposes; milk sugar for pharmaceutical purposes; candy for medical purposes; adhesive plasters; sticking plasters; medicinal oils; castor oil for medical purposes; dill oil for medical purposes; menthol; medicinal drinks; almond milk for pharmaceutical purposes; powdered milk for babies; royal jelly for pharmaceutical purposes; flour for pharmaceutical purposes; meal for pharmaceutical purposes; linseed meal for pharmaceutical purposes; flaxseed meal for pharmaceutical purposes; mint for pharmaceutical purposes; dietetic beverages adapted for medical purposes; malted milk beverages for medical purposes; cotton sticks for medical purposes; cotton swabs for medical purposes; stick liquorice for pharmaceutical purposes; pastilles for pharmaceutical purposes; lozenges for pharmaceutical purposes; pectin for pharmaceutical purposes; pepsins for pharmaceutical purposes; peptones for pharmaceutical purposes; food for babies; vitamin

preparations; pharmaceutical preparations for skin care; preparations of trace elements for human and animal use; dietetic foods adapted for medical purposes; syrups for pharmaceutical purposes; bath salts for medical purposes; digestives for pharmaceutical purposes; nervines; serums; appetite suppressant pills; slimming pills; antioxidant pills; medicinal herbs; diabetic bread adapted for medical use; medicinal tea; herbal teas for medicinal purposes; eucalyptus for pharmaceutical purposes; elixirs [pharmaceutical preparations].

29 – Ajvar [preserved peppers]; peanuts, prepared; albumen for culinary purposes; white of eggs; beans, preserved; soya beans, preserved, for food; bouillon; broth; ginger jam; ham; laver, preserved; peas, preserved; mushrooms, preserved; guacamole [mashed avocado]; gelatin; jellies for food; fruit jellies; yolk of eggs; fruit-based snack food; milk substitutes; eggplant paste; aubergine paste; vegetable marrow paste; fish roe, prepared; caviar; yogurt; kephir [milk beverage]; kefir [milk beverage]; kimchi [fermented vegetable dish]; milk shakes; arrangements of processed fruit; compotes; vegetables, tinned; vegetables, canned; fruits, tinned; fruits, canned; croquettes; sweet corn, processed; marmalade; oils for food; peanut butter; cocoa butter for food; coconut oil for food; corn oil for food; maize oil for food; sesame oil for food; linseed oil for food; flaxseed oil for food; extra virgin olive oil for food; olive oil for food; sunflower oil for food; almonds, ground; milk; peanut milk; peanut milk for culinary purposes; coconut milk; coconut milk for culinary purposes; almond milk; almond milk for culinary purposes; oat milk; rice milk; rice milk for culinary purposes; albumin milk; protein milk; condensed milk; soya milk; powdered milk; vegetable mousses; fruit pulp; milk beverages, milk predominating; peanut milk-based beverages; coconut milk-based beverages; almond milk-based beverages; vegetables, preserved; freeze-dried vegetables; lyophilized vegetables; lyophilised vegetables; vegetables, dried; vegetables, cooked; olives, preserved; flavoured nuts; flavored nuts; candied nuts; coconut, desiccated; nuts, prepared; pickles; jams; milk products; prostokvasha [soured milk]; cranberry compote; tomato purée; apple purée; ryazhenka [fermented baked milk]; vegetable salads; fruit salads; seeds, prepared; sunflower seeds, prepared; cream [dairy products]; whipped cream; vegetable-based cream; smetana [sour cream]; lemon juice for culinary purposes; tomato juice for cooking; vegetable juices for cooking; whey; cheese; tahini [sesame seed paste]; falafel; dates; crystallized fruits; frosted fruits; frozen fruits; fruit, preserved; fruit, stewed; hazelnuts, prepared; hummus [chickpea paste]; fruit peel; low-fat potato chips; low-fat potato crisps; fruit chips; seaweed extracts for food; berries, preserved.

30 – Vanilla flavourings for culinary purposes; vanilla flavorings for culinary purposes; flavorings [flavou-

rings], other than essential oils, for cakes; flavorings, other than essential oils, for cakes; flavourings, other than essential oils, for cakes; flavourings, other than essential oils, for beverages; flavorings, other than essential oils, for beverages; coffee flavourings; coffee flavorings; food flavorings, other than essential oils; food flavourings, other than essential oils; baozi [stuffed buns]; cereal bars; high-protein cereal bars; pancakes; buns; bulgur; bread rolls; edible rice paper; burritos; vanillin [vanilla substitute]; vareniki [stuffed dumplings]; waffles; vermicelli [noodles]; natural sweeteners; seaweed [condiment]; malt biscuits; cloves [spice]; mirror icing [mirror glaze]; cake frosting [icing]; glucose for culinary purposes; mustard; buckwheat, processed; gluten additives for culinary purposes; yeast; rice-based snack food; cereal-based snack food; artificial coffee; vegetal preparations for use as coffee substitutes; dressings for salad; fruit jellies [confectionery]; candy decorations for cakes; confectionery for decorating Christmas trees; cakes; pastries; peanut confectionery; almond confectionery; pasta; ginger [spice]; frozen yogurt [confectionery ices]; frozen yoghurt [confectionery ices]; cocoa; capers; caramels [candy]; curry [spice]; ketchup [sauce]; gimbap [Korean rice dish]; quiches; gluten prepared as foodstuff; flour-based dumplings; sweetmeats [candy]; liquorice [confectionery]; peppermint sweets; mints for breath freshening; dulce de leche; cinnamon [spice]; coffee; starch for food; crackers; custard; hominy grits; semolina; oatmeal; crushed barley; groats for human food; ice cubes; corn, milled; maize, milled; corn, roasted; maize, roasted; meat pies; turmeric; couscous [semolina]; noodles; edible ices; candy; rice cakes; mayonnaise; macaroons [pastry]; macaroni; maltose; hominy; marinades; marzipan; honey; miso [seasoning]; royal jelly; ice cream; bean meal; buckwheat flour; tapioca flour; potato flour; corn flour; corn meal; maize flour; maize meal; nut flours; flour; meal; wheat flour; soya flour; barley meal; dessert mousses [confectionery]; chocolate mousses; muesli; mint for confectionery; cocoa beverages with milk; coffee beverages with milk; coffee-based beverages; cocoa-based beverages; chamomile-based beverages; tea-based beverages; chocolate beverages with milk; chocolate-based beverages; infusions, not medicinal; crushed oats; husked oats; nutmegs; chocolate-coated nuts; stick liquorice [confectionery]; pastila [confectionery]; pastilles [confectionery]; lozenges [confectionery]; molasses for food; pelmeni [dumplings stuffed with meat]; pepper; allspice; peppers [seasonings]; pesto [sauce]; cookies; biscuits; petit-beurre biscuits; bibimbap [rice mixed with vegetables and beef]; pies; pizzas; meat gravies; fondants [confectionery]; popcorn; powders for making ice cream; baking powder; mustard meal; pralines; aromatic preparations for food; condiments; cereal preparations; oat-based food; propolis; bee glue; gingerbread; spices; petits fours [cakes]; rice pudding; puddings; cake powder; fruit coulis [sauces]; ravioli; chewing gum; rice; instant ri-

ce; wheat germ for human consumption; spring rolls; sago; sugar; palm sugar; sesame seeds [seasonings]; linseed for culinary purposes [seasoning]; flaxseed for culinary purposes [seasoning]; processed seeds for use as a seasoning; aniseed; agave syrup [natural sweetener]; golden syrup; confectionery; sugar confectionery; batter mixes for okonomiyaki [Japanese savoury pancakes]; batter mixes for okonomiyaki [Japanese savory pancakes]; baking soda [bicarbonate of soda for cooking purposes [baking soda]; malt for human consumption; salt for preserving foodstuffs; cooking salt; sherbets [ices]; sorbets [ices]; cranberry sauce [condiment]; soya sauce; tomato sauce; apple sauce [condiment]; sauces [condiments]; pasta sauce; spaghetti; seasonings; chocolate-based spreads; chocolate spreads containing nuts; rusks; breadcrumbs; sushi; sandwiches; tarts; dough; pastry dough; almond paste; rice pulp for culinary purposes; cake dough; cake batter; tortillas; garden herbs, preserved [seasonings]; chocolate decorations for cakes; vinegar; halvah; bread; unleavened bread; chips [cereal products]; corn flakes; maize flakes; oat flakes; hot dog sandwiches; flowers or leaves for use as tea substitutes; chicory [coffee substitute]; tea; iced tea; chutneys [condiments]; minced garlic [condiment]; cheeseburgers [sandwiches]; saffron [seasoning]; chocolate; husked barley.

32 – Aperitifs, non-alcoholic; aerated water; carbonated water; lithia water; seltzer water; soda water; waters [beverages]; mineral water [beverages]; table waters; kvass [non-alcoholic beverage]; cocktails, non-alcoholic; lemonades; non-alcoholic beverages; isotonic beverages; non-alcoholic honey-based beverages; rice-based beverages, other than milk substitutes; soya-based beverages, other than milk substitutes; aloe vera drinks, non-alcoholic; whey beverages; protein-enriched sports beverages; soft drinks; non-alcoholic beverages flavoured with coffee; non-alcoholic beverages flavored with coffee; non-alcoholic beverages flavoured with tea; non-alcoholic beverages flavored with tea; non-alcoholic fruit juice beverages; energy drinks; fruit nectars, non-alcoholic; orgeat; powders for effervescing beverages; sarsaparilla [non-alcoholic beverage]; syrups for lemonade; syrups for beverages; smoothies; tomato juice [beverage]; cider, non-alcoholic; vegetable juices [beverages]; fruit juices; fruit juice; non-alcoholic preparations for making beverages; preparations for making aerated water; preparations for making carbonated water; pastilles for effervescing beverages; sherbets [beverages]; sorbets [beverages]; non-alcoholic fruit extracts; essences for making beverages.

35 – Advertising agency services; demonstration of goods; commercial information and advice for consumers in the choice of products and services; marketing; organization of exhibitions for commercial or advertising purposes; commercial intermediation services; provision of an online marketplace for buyers

and sellers of goods and services; presentation of goods on communication media, for retail purposes; wholesale services for pharmaceutical, veterinary and sanitary preparations and medical supplies; retail services for pharmaceutical, veterinary and sanitary preparations and medical supplies; sales promotion for others; advertising; publicity; online advertising on a computer network; outdoor advertising; advertising by mail order; television advertising; procurement services for others [purchasing goods and services for other businesses].

43 – Accommodation bureau services [hotels, boarding houses]; tourist home services; hotel services; snack-bar services; information and advice in relation to the preparation of meals; café services; cafeteria services; boarding house services; rental of cooking apparatus; rental of chairs, tables, table linen, glassware; rental of transportable buildings; rental of drinking water dispensers; restaurant services; self-service restaurant services; canteen services; decorating of food; holiday camp services [lodging]; bar services; food and drink catering.

(260) AM 2022 116918 A
 (800) 1648366
 (151) 2021 09 24
 (891) 2021 09 24
 (731) Blaser Group GmbH
 Ziegelstadel 1, 88316 Isny, Germany
 (540)

HunTec

(591) Black, white
 (511)
 8 – Hunting knives; pocket knives; instruments and tools for skinning animals; cutlery and plastic cutlery, namely knives, forks, spoons; kitchen knives.

9 – Optical apparatus and instruments; binoculars; monoculars; tripods, except for firearms; telescopes; optical sighting devices; sighting telescopes; sighting telescopes for firearms; scope mounts; night vision goggles; thermal imaging apparatus; thermal cameras; trail cameras; laser rangefinders; compasses; laser target sights for guns; shot counters; housings, cases and bags for the foregoing articles; mounts [attachments] for telescopic sights.

13 – Firearms; air and gas weapons; trigger guards for guns and rifles; hammers for guns and rifles; gun barrels; gunstocks; butt plates; muzzle brakes that screw onto a rifle barrel; swivels for gun slings; magazines for weapons; ammunition; accessories for firearms, namely, rifle cases, gun bags, cartridge belts, gun slings; cartridge pouches; noise-suppressors for guns; cleaning brushes for firearms; breeches for firearms; bipods for firearms; sighting mirrors for guns and rifles; mounts for attaching telescopic sight to a firearm; sights, other than telescopic sights, for firearms.

18 – Luggage, bags, wallets and carrying bags; leather and imitation leather, and goods made of these materials, namely trunks and travelling bags, handbags, briefcases, tote bags, bum bags, travel accessories, hunting bags, backpacks; umbrellas; parasols; walking sticks; hiking sticks; mountaineering sticks; saddlery; whips; collars, leads, blankets and clothing for animals; casings, of leather, for springs.

20 – Furniture for camping; sleeping pads; air mattresses for use when camping and foam camping mattresses; animal houses and beds.

22 – Nets; tents; tarpaulins; awnings of textile or of plastic; sails; tents for mountaineering and camping; covers for tents; tents for use as an adjunct to vehicles; sail bags; packaging bags of textile.

24 – Textile material; textiles and substitutes for textiles; canvas; sleeping bags; covers for sleeping bags; linens; bed linen and blankets; travelling rugs.

28 – Toy weapons; paintball guns [toys]; airsoft guns [toys]; air pistols [toys]; air guns [toys]; ammunition and projectiles for the aforesaid weapons [toys]; model and replica weapons for use with electronic targets and/or electronic displays [toys]; games apparatus suitable for use with model and replica weapons for virtual shooting; model and replica weapons [non-firing] for virtual shooting; decorative weapons [non-firing]; model and replica weapons [non-firing].

(260) AM 2022 116920 A

(800) 1648395

(151) 2021 10 20

(891) 2021 10 20

(731) Adventist Development and Relief Agency

International

12501 Old Columbia Pike, Silver Spring

MD 20904, USA

(540)

ADRA

(591) Black, white

(511)

41 – Educational services, namely, conferences, workshops, seminars and college and university courses and programs involving international community development.

43 – Disaster preparedness and disaster relief services, namely, providing of food and shelter all for charity purposes.

44 – Disaster preparedness and disaster relief services, namely, providing of sanitation, medical aid, health care, counselling and consultation on personal hygiene and nutrition, establishing health clinics and dispensing medication all for charity purposes.

45 – Missionary services; disaster preparedness and disaster relief services, namely, providing of all for charity purposes.

INTERNATIONAL TRADEMARKS PROTECTED IN GEORGIA

(260) AM 2022 107140 A
(800) 1363639
(151) 2017 07 14
(181) 2027 07 14
(891) 2020 01 27
(511) 34

(260) AM 2022 107381 A
(800) 1363473
(151) 2017 07 11
(181) 2027 07 11
(891) 2020 02 13
(511) 34

(260) AM 2022 111143 A
(800) 1549781
(151) 2020 04 24
(181) 2030 04 24
(891) 2020 12 11
(511) 33

(260) AM 2022 112211 A
(800) 1581239
(151) 2020 12 29
(181) 2030 12 29
(891) 2020 12 29
(511) 09, 10, 14, 15, 16, 28, 29, 30, 31, 36, 37, 38, 39,
41, 42, 43

(260) AM 2022 113542 A
(800) 1596906
(151) 2021 02 05
(181) 2031 02 05
(891) 2021 02 05
(511) 09, 28, 41

(260) AM 2022 114503 A
(800) 1611073
(151) 2021 04 01
(181) 2031 04 01
(891) 2021 04 01
(511) 05

(260) AM 2022 114573 A
(800) 1612149
(151) 2021 05 27
(181) 2031 05 27

(891) 2021 05 27
(511) 39

(260) AM 2022 114636 A
(800) 1613315
(151) 2021 05 06
(181) 2031 05 06
(891) 2021 05 06
(511) 05

(260) AM 2022 114637 A
(800) 1613411
(151) 2021 06 18
(181) 2031 06 18
(891) 2021 06 18
(511) 30

(260) AM 2022 114639 A
(800) 1613461
(151) 2021 06 04
(181) 2031 06 04
(891) 2021 06 04
(511) 05, 10, 42

(260) AM 2022 114640 A
(800) 1613486
(151) 2021 05 24
(181) 2031 05 24
(891) 2021 05 24
(511) 05

(260) AM 2022 114641 A
(800) 1613526
(151) 2021 06 01
(181) 2031 06 01
(891) 2021 06 01
(511) 14

(260) AM 2022 114642 A
(800) 1613538
(151) 2021 02 17
(181) 2031 02 17
(891) 2021 02 17
(511) 09, 14, 18

(260) AM 2022 114643 A
(800) 1613556
(151) 2021 05 09
(181) 2031 05 09
(891) 2021 05 09
(511) 30

(260) AM 2022 114644 A
(800) 1613602
(151) 2021 07 23
(181) 2031 07 23
(891) 2021 07 23
(511) 25

(260) AM 2022 114705 A
(800) 1614435
(151) 2021 04 29
(181) 2031 04 29
(891) 2021 04 29
(511) 35, 41, 45

(260) AM 2022 114781 A
(800) 1615956
(151) 2021 08 12
(181) 2031 08 12
(891) 2021 08 12
(511) 05

(260) AM 2022 114782 A
(800) 1615968
(151) 2021 07 02
(181) 2031 07 02
(891) 2021 07 02
(511) 01

(260) AM 2022 114784 A
(800) 1616099
(151) 2021 03 02
(181) 2031 03 02
(891) 2021 03 02
(511) 03, 04, 05, 16, 19, 20, 21

(260) AM 2022 114785 A
(800) 1616202
(151) 2021 07 26
(181) 2031 07 26
(891) 2021 07 26
(511) 09

(260) AM 2022 114786 A
(800) 1616226
(151) 2021 07 09
(181) 2031 07 09

(891) 2021 07 09
(511) 41

(260) AM 2022 114843 A
(800) 1617028
(151) 2021 07 27
(181) 2031 07 27
(891) 2021 07 27
(511) 41

(260) AM 2022 114855 A
(800) 1617691
(151) 2021 08 06
(181) 2031 08 06
(891) 2021 08 06
(511) 07

(260) AM 2022 114856 A
(800) 1617769
(151) 2021 03 29
(181) 2031 03 29
(891) 2021 03 29
(511) 07

(260) AM 2022 114857 A
(800) 1617788
(151) 2021 07 16
(181) 2031 07 16
(891) 2021 07 16
(511) 05

(260) AM 2022 114858 A
(800) 1617793
(151) 2021 07 12
(181) 2031 07 12
(891) 2021 07 12
(511) 03

(260) AM 2022 114859 A
(800) 1617837
(151) 2021 09 08
(181) 2031 09 08
(891) 2021 09 08
(511) 05, 29, 31

(260) AM 2022 114860 A
(800) 1617848
(151) 2021 07 06
(181) 2031 07 06
(891) 2021 07 06
(511) 05, 09

(260) AM 2022 114861 A
(800) 1617849
(151) 2021 07 06
(181) 2031 07 06
(891) 2021 07 06
(511) 18, 25

(260) AM 2022 114868 A
(800) 1617905
(151) 2021 04 27
(181) 2031 04 27
(891) 2021 04 27
(511) 05, 30

(260) AM 2022 114869 A
(800) 1617933
(151) 2021 05 18
(181) 2031 05 18
(891) 2021 05 18
(511) 09, 35, 37, 38, 42

(260) AM 2022 114877 A
(800) 369373
(151) 1970 05 27
(181) 2030 05 27
(891) 2021 08 06
(511) 25

(260) AM 2022 114878 A
(800) 570488
(151) 1991 05 17
(181) 2031 05 17
(891) 2021 09 03
(511) 03

(260) AM 2022 114879 A
(800) 700227
(151) 1998 09 25
(181) 2028 09 25
(891) 2021 09 13
(511) 02

(260) AM 2022 114880 A
(800) 710368
(151) 1999 02 23
(181) 2029 02 23
(891) 2021 09 13
(511) 05, 42

(260) AM 2022 114950 A
(800) 1619213
(151) 2021 08 09
(181) 2031 08 09

(891) 2021 08 09
(511) 31

(260) AM 2022 114953 A
(800) 1619275
(151) 2021 05 10
(181) 2031 05 10
(891) 2021 05 10
(511) 09

(260) AM 2022 114955 A
(800) 1619359
(151) 2021 04 14
(181) 2031 04 14
(891) 2021 04 14
(511) 12, 20

(260) AM 2022 115035 A
(800) 1619907
(151) 2021 07 16
(181) 2031 07 16
(891) 2021 07 16
(511) 09, 28, 41

(260) AM 2022 115037 A
(800) 1619954
(151) 2021 06 10
(181) 2031 06 10
(891) 2021 06 10
(511) 03, 05

(260) AM 2022 115040 A
(800) 1619984
(151) 2021 08 27
(181) 2031 08 27
(891) 2021 08 27
(511) 09, 12, 14, 15, 16, 18, 20, 21, 22, 23, 24, 25, 26,
28, 29, 30, 31, 32, 35, 39, 41, 43, 44, 45

(260) AM 2022 115041 A
(800) 1619986
(151) 2021 08 27
(181) 2031 08 27
(891) 2021 08 27
(511) 09, 12, 14, 15, 16, 18, 20, 21, 22, 23, 24, 25, 26,
28, 29, 30, 31, 32, 35, 39, 41, 43, 44, 45

(260) AM 2022 115042 A
(800) 1620016
(151) 2021 06 23
(181) 2031 06 23
(891) 2021 06 23

(511) 05

(260) AM 2022 115044 A
(800) 1620078
(151) 2021 07 13
(181) 2031 07 13
(891) 2021 07 13
(511) 11

(260) AM 2022 115047 A
(800) 1620276
(151) 2021 08 05
(181) 2031 08 05
(891) 2021 08 05
(511) 10

(260) AM 2022 115048 A
(800) 1620293
(151) 2021 09 07
(181) 2031 09 07
(891) 2021 09 07
(511) 10

(260) AM 2022 115049 A
(800) 1620331
(151) 2021 06 30
(181) 2031 06 30
(891) 2021 06 30
(511) 09, 35, 42

(260) AM 2022 115050 A
(800) 1620422
(151) 2021 08 06
(181) 2031 08 06
(891) 2021 08 06
(511) 12

(260) AM 2022 115052 A
(800) 1620449
(151) 2021 09 02
(181) 2031 09 02
(891) 2021 09 02
(511) 05

(260) AM 2022 115053 A
(800) 1620497
(151) 2021 06 04
(181) 2031 06 04
(891) 2021 06 04
(511) 35

(260) AM 2022 115054 A
(800) 1620580
(151) 2021 06 01
(181) 2031 06 01
(891) 2021 06 01
(511) 08, 12, 18, 22, 25

(260) AM 2022 115055 A
(800) 1620619
(151) 2021 07 17
(181) 2031 07 17
(891) 2021 07 17
(511) 14, 18, 25

(260) AM 2022 115057 A
(800) 1620769
(151) 2021 06 10
(181) 2031 06 10
(891) 2021 06 10
(511) 03

(260) AM 2022 115058 A
(800) 1620813
(151) 2021 07 12
(181) 2031 07 12
(891) 2021 07 12
(511) 10

(260) AM 2022 115059 A
(800) 1620819
(151) 2021 06 22
(181) 2031 06 22
(891) 2021 06 22
(511) 03, 05, 35

(260) AM 2022 115060 A
(800) 1620898
(151) 2021 05 06
(181) 2031 05 06
(891) 2021 05 06
(511) 03, 05, 10, 18, 21, 24, 25, 28

(260) AM 2022 115061 A
(800) 1620924
(151) 2021 09 10
(181) 2031 09 10
(891) 2021 09 10
(511) 03

(260) AM 2022 115062 A
(800) 1620928
(151) 2021 05 26
(181) 2031 05 26
(891) 2021 05 26
(511) 05

(260) AM 2022 115063 A
(800) 1620966
(151) 2021 05 26
(181) 2031 05 26
(891) 2021 05 26
(511) 05

(260) AM 2022 115064 A
(800) 1620987
(151) 2021 09 15
(181) 2031 09 15
(891) 2021 09 15
(511) 09

(260) AM 2022 115065 A
(800) 1620990
(151) 2021 04 19
(181) 2031 04 19
(891) 2021 04 19
(511) 16, 35

(260) AM 2022 115095 A
(800) 1602209
(151) 2021 04 14
(181) 2031 04 14
(891) 2021 09 07
(511) 09

(260) AM 2022 115145 A
(800) 1622212
(151) 2021 06 22
(181) 2031 06 22
(891) 2021 06 22
(511) 07

(260) AM 2022 115147 A
(800) 1622227
(151) 2021 08 24
(181) 2031 08 24
(891) 2021 08 24
(511) 03

(260) AM 2022 115155 A
(800) 1622420
(151) 2021 03 16
(181) 2031 03 16

(891) 2021 03 16
(511) 01, 03, 07, 09, 11, 20, 21, 32, 35, 36, 37, 38, 39,
40, 41, 42

(260) AM 2022 115172 A
(800) 1622869
(151) 2021 05 27
(181) 2031 05 27
(891) 2021 05 27
(511) 09, 14

(260) AM 2022 115173 A
(800) 1622877
(151) 2021 05 20
(181) 2031 05 20
(891) 2021 05 20
(511) 04, 09, 12, 35, 36, 37, 38, 39, 41, 42, 43, 45

(260) AM 2022 115175 A
(800) 1622915
(151) 2021 05 18
(181) 2031 05 18
(891) 2021 05 18
(511) 03, 35

(260) AM 2022 115176 A
(800) 1622934
(151) 2021 07 14
(181) 2031 07 14
(891) 2021 07 14
(511) 09

(260) AM 2022 115177 A
(800) 1622944
(151) 2021 07 06
(181) 2031 07 06
(891) 2021 07 06
(511) 12

(260) AM 2022 115178 A
(800) 1622995
(151) 2021 07 26
(181) 2031 07 26
(891) 2021 07 26
(511) 30

(260) AM 2022 115182 A
(800) 1623261
(151) 2021 09 23
(181) 2031 09 23
(891) 2021 09 23
(511) 33

(260) AM 2022 115184 A
(800) 710192
(151) 1999 03 10
(181) 2029 03 10
(891) 2021 10 13
(511) 31

(260) AM 2022 115185 A
(800) 1089928
(151) 2011 03 22
(181) 2031 03 22
(891) 2021 10 06
(511) 05, 31

(260) AM 2022 115186 A
(800) 1101415
(151) 2011 08 06
(181) 2031 08 06
(891) 2021 10 14
(511) 35, 39

(260) AM 2022 115187 A
(800) 1190000
(151) 2013 12 04
(181) 2023 12 04
(891) 2021 10 05
(511) 34

(260) AM 2022 115188 A
(800) 1268313
(151) 2015 09 08
(181) 2025 09 08
(891) 2021 09 28
(511) 43

(260) AM 2022 115192 A
(800) 1370788
(151) 2017 08 10
(181) 2027 08 10
(891) 2021 10 07
(511) 18, 25

(260) AM 2022 115193 A
(800) 1399976
(151) 2018 02 22
(181) 2028 02 22
(891) 2021 09 25
(511) 10

(260) AM 2022 115194 A
(800) 1417812
(151) 2018 06 26
(181) 2028 06 26

(891) 2021 10 07
(511) 30

(260) AM 2022 115195 A
(800) 1452931
(151) 2018 11 21
(181) 2028 11 21
(891) 2021 10 07
(511) 35

(260) AM 2022 115196 A
(800) 1523358
(151) 2020 01 28
(181) 2030 01 28
(891) 2021 08 02
(511) 24, 25, 35

(260) AM 2022 115197 A
(800) 1551914
(151) 2020 07 29
(181) 2030 07 29
(891) 2021 09 23
(511) 07, 11

(260) AM 2022 115198 A
(800) 1571815
(151) 2020 12 02
(181) 2030 12 02
(891) 2021 10 05
(511) 43

(260) AM 2022 115199 A
(800) 1578600
(151) 2020 11 24
(181) 2030 11 24
(891) 2021 09 30
(511) 06

(260) AM 2022 115251 A
(800) 1623693
(151) 2021 09 27
(181) 2031 09 27
(891) 2021 09 27
(511) 09

(260) AM 2022 115253 A
(800) 1623725
(151) 2021 09 28
(181) 2031 09 28
(891) 2021 09 28
(511) 14

(260) AM 2022 115301 A
(800) 1601309
(151) 2021 05 28
(181) 2031 05 28
(891) 2021 10 07
(511) 05

(260) AM 2022 115362 A
(800) 1624672
(151) 2021 09 24
(181) 2031 09 24
(891) 2021 09 24
(511) 03

(260) AM 2022 115363 A
(800) 1624673
(151) 2021 09 24
(181) 2031 09 24
(891) 2021 09 24
(511) 03

(260) AM 2022 115364 A
(800) 1624757
(151) 2021 08 11
(181) 2031 08 11
(891) 2021 08 11
(511) 34

(260) AM 2022 115365 A
(800) 1624790
(151) 2021 09 24
(181) 2031 09 24
(891) 2021 09 24
(511) 09

(260) AM 2022 115366 A
(800) 1624899
(151) 2021 07 23
(181) 2031 07 23
(891) 2021 07 23
(511) 11, 19, 21, 35

(260) AM 2022 115367 A
(800) 1624919
(151) 2021 09 30
(181) 2031 09 30
(891) 2021 09 30
(511) 05

(260) AM 2022 115368 A
(800) 1624922
(151) 2021 09 17
(181) 2031 09 17

(891) 2021 09 17
(511) 05

(260) AM 2022 115369 A
(800) 1624942
(151) 2021 07 13
(181) 2031 07 13
(891) 2021 07 13
(511) 35

(260) AM 2022 115370 A
(800) 1624953
(151) 2021 07 05
(181) 2031 07 05
(891) 2021 07 05
(511) 03, 08, 35, 41, 44

(260) AM 2022 115371 A
(800) 1624956
(151) 2021 08 23
(181) 2031 08 23
(891) 2021 08 23
(511) 05, 10

(260) AM 2022 115372 A
(800) 1624989
(151) 2021 10 05
(181) 2031 10 05
(891) 2021 10 05
(511) 05

(260) AM 2022 115373 A
(800) 1625005
(151) 2021 05 12
(181) 2031 05 12
(891) 2021 05 12
(511) 29

(260) AM 2022 115374 A
(800) 1625011
(151) 2021 07 22
(181) 2031 07 22
(891) 2021 07 22
(511) 06, 19, 35, 37, 42

(260) AM 2022 115375 A
(800) 1625012
(151) 2021 07 23
(181) 2031 07 23
(891) 2021 07 23
(511) 09, 11

(260) AM 2022 115386 A
(800) 1625596
(151) 2021 10 08
(181) 2031 10 08
(891) 2021 10 08
(511) 42

(260) AM 2022 115387 A
(800) 1625639
(151) 2021 03 08
(181) 2031 03 08
(891) 2021 03 08
(511) 09

(260) AM 2022 115389 A
(800) 1625795
(151) 2021 06 30
(181) 2031 06 30
(891) 2021 06 30
(511) 35, 38, 41

(260) AM 2022 115390 A
(800) 1625822
(151) 2021 08 31
(181) 2031 08 31
(891) 2021 08 31
(511) 06, 16, 17, 20, 21

(260) AM 2022 115391 A
(800) 1625908
(151) 2021 08 10
(181) 2031 08 10
(891) 2021 08 10
(511) 01, 02, 17, 19

(260) AM 2022 115394 A
(800) 1232155
(151) 2014 10 23
(181) 2024 10 23
(891) 2021 06 02
(511) 05

(260) AM 2022 115395 A
(800) 1329181
(151) 2016 09 30
(181) 2026 09 30
(891) 2021 10 27
(511) 31

(260) AM 2022 115457 A
(800) 1626218
(151) 2021 10 01
(181) 2031 10 01

(891) 2021 10 01
(511) 16

(260) AM 2022 115458 A
(800) 1626318
(151) 2021 09 07
(181) 2031 09 07
(891) 2021 09 07
(511) 21

(260) AM 2022 115474 A
(800) 1627003
(151) 2021 09 13
(181) 2031 09 13
(891) 2021 09 13
(511) 09

(260) AM 2022 115478 A
(800) 1627146
(151) 2021 04 30
(181) 2031 04 30
(891) 2021 04 30
(511) 29, 30

(260) AM 2022 115546 A
(800) 1627788
(151) 2021 09 27
(181) 2031 09 27
(891) 2021 09 27
(511) 01, 05, 35

(260) AM 2022 115547 A
(800) 1627812
(151) 2021 10 01
(181) 2031 10 01
(891) 2021 10 01
(511) 05

(260) AM 2022 115549 A
(800) 1627854
(151) 2021 08 11
(181) 2031 08 11
(891) 2021 08 11
(511) 25

(260) AM 2022 115550 A
(800) 1627855
(151) 2021 09 27
(181) 2031 09 27
(891) 2021 09 27
(511) 05

(260) AM 2022 115553 A
(800) 1628061
(151) 2021 03 12
(181) 2031 03 12
(891) 2021 03 12
(511) 09, 35

(260) AM 2022 115555 A
(800) 1628102
(151) 2021 08 03
(181) 2031 08 03
(891) 2021 08 03
(511) 41

(260) AM 2022 115556 A
(800) 1628119
(151) 2021 07 08
(181) 2031 07 08
(891) 2021 07 08
(511) 06, 19, 35, 36, 37, 42

(260) AM 2022 115558 A
(800) 1628173
(151) 2021 09 29
(181) 2031 09 29
(891) 2021 09 29
(511) 03, 14, 18, 25, 35

(260) AM 2022 115559 A
(800) 1628175
(151) 2021 09 27
(181) 2031 09 27
(891) 2021 09 27
(511) 17

(260) AM 2022 115560 A
(800) 1628268
(151) 2021 10 05
(181) 2031 10 05
(891) 2021 10 05
(511) 16, 41, 44

(260) AM 2022 115562 A
(800) 1628283
(151) 2021 10 15
(181) 2031 10 15
(891) 2021 10 15
(511) 34

(260) AM 2022 115563 A
(800) 1628314
(151) 2021 07 07
(181) 2031 07 07

(891) 2021 07 07
(511) 01, 17, 39

(260) AM 2022 115564 A
(800) 1628427
(151) 2021 08 19
(181) 2031 08 19
(891) 2021 08 19
(511) 33

(260) AM 2022 115565 A
(800) 1628533
(151) 2021 09 14
(181) 2031 09 14
(891) 2021 09 14
(511) 03

(260) AM 2022 115578 A
(800) 1628927
(151) 2021 10 14
(181) 2031 10 14
(891) 2021 10 14
(511) 05, 16, 44

(260) AM 2022 115579 A
(800) 1628934
(151) 2021 10 08
(181) 2031 10 08
(891) 2021 10 08
(511) 05

(260) AM 2022 115621 A
(800) 1629306
(151) 2021 06 21
(181) 2031 06 21
(891) 2021 06 21
(511) 09, 35, 38, 41, 42

(260) AM 2022 115623 A
(800) 1629337
(151) 2021 10 13
(181) 2031 10 13
(891) 2021 10 13
(511) 05

(260) AM 2022 115624 A
(800) 1629357
(151) 2021 09 15
(181) 2031 09 15
(891) 2021 09 15
(511) 25

(260) AM 2022 115625 A
(800) 1629364
(151) 2021 10 11
(181) 2031 10 11
(891) 2021 10 11
(511) 35, 36, 37, 42

(260) AM 2022 115626 A
(800) 1629400
(151) 2021 04 30
(181) 2031 04 30
(891) 2021 04 30
(511) 09, 18

(260) AM 2022 115699 A
(800) 1630589
(151) 2021 08 17
(181) 2031 08 17
(891) 2021 08 17
(511) 35, 41

(260) AM 2022 115709 A
(800) 1630989
(151) 2021 10 26
(181) 2031 10 26
(891) 2021 10 26
(511) 14

(260) AM 2022 115710 A
(800) 1631042
(151) 2021 07 23
(181) 2031 07 23
(891) 2021 07 23
(511) 03

(260) AM 2022 115711 A
(800) 1631068
(151) 2021 04 26
(181) 2031 04 26
(891) 2021 04 26
(511) 09, 35, 41

(260) AM 2022 115712 A
(800) 1631262
(151) 2021 10 04
(181) 2031 10 04
(891) 2021 10 04
(511) 27

(260) AM 2022 115714 A
(800) 1631357
(151) 2021 11 03
(181) 2031 11 03

(891) 2021 11 03
(511) 18, 25

(260) AM 2022 115716 A
(800) 1631541
(151) 2021 11 08
(181) 2031 11 08
(891) 2021 11 08
(511) 05

(260) AM 2022 115717 A
(800) 1631555
(151) 2021 08 31
(181) 2031 08 31
(891) 2021 08 31
(511) 29, 30, 32, 43

(260) AM 2022 115718 A
(800) 1631558
(151) 2021 08 19
(181) 2031 08 19
(891) 2021 08 19
(511) 33

(260) AM 2022 115791 A
(800) 1633205
(151) 2021 11 17
(181) 2031 11 17
(891) 2021 11 17
(511) 09

(260) AM 2022 115792 A
(800) 1633295
(151) 2021 11 03
(181) 2031 11 03
(891) 2021 11 03
(511) 05

(260) AM 2022 115793 A
(800) 1633300
(151) 2021 10 20
(181) 2031 10 20
(891) 2021 10 20
(511) 19, 35

(260) AM 2022 115794 A
(800) 1633309
(151) 2021 08 11
(181) 2031 08 11
(891) 2021 08 11
(511) 32

(260) AM 2022 115795 A
 (800) 1633312
 (151) 2021 11 09
 (181) 2031 11 09
 (891) 2021 11 09
 (511) 09, 38

(260) AM 2022 115796 A
 (800) 1633349
 (151) 2021 11 17
 (181) 2031 11 17
 (891) 2021 11 17
 (511) 05, 10

(260) AM 2022 115800 A
 (800) 1633484
 (151) 2021 11 12
 (181) 2031 11 12
 (891) 2021 11 12
 (511) 29, 30, 39, 43

(260) AM 2022 115831 A
 (800) 1471435
 (151) 2019 04 18
 (181) 2029 04 18
 (891) 2021 11 09
 (511) 05

(260) AM 2022 115833 A
 (800) 1509382
 (151) 2019 10 01
 (181) 2029 10 01
 (891) 2021 03 01
 (511) 01, 03, 05

(260) AM 2022 115836 A
 (800) 1556535
 (151) 2020 06 18
 (181) 2030 06 18
 (891) 2021 12 02
 (511) 06, 07, 11, 37

(260) AM 2022 115837 A
 (800) 1571861
 (151) 2020 08 20
 (181) 2030 08 20
 (891) 2021 10 05
 (511) 03, 08, 10, 27, 29, 30, 31, 32, 33, 39, 43

(260) AM 2022 115839 A
 (800) 1616992
 (151) 2021 08 26
 (181) 2031 08 26

(891) 2021 11 18
 (511) 05

(260) AM 2022 115903 A
 (800) 1633992
 (151) 2021 10 19
 (181) 2031 10 19
 (891) 2021 10 19
 (511) 12

(260) AM 2022 116038 A
 (800) 1636439
 (151) 2021 11 17
 (181) 2031 11 17
 (891) 2021 11 17
 (511) 07

(260) AM 2022 116042 A
 (800) 1636462
 (151) 2021 10 19
 (181) 2031 10 19
 (891) 2021 10 19
 (511) 10

**OFFICIAL NOTIFICATIONS
INVENTIONS
RESTORATION OF PATENT**

(21) AP 2012 13384
(11) P 2017 6668 B
(73) Takeda Vaccines Inc.
(54) PARENTERAL NOROVIRUS VACCINE FORMULATIONS
DATE OF PATENT CANCELLATION: 2022 07 11
DATE OF PATENT RESTORATION: 2022 10 25

ABOLITION OF PATENTS WITH THE RIGHT TO RESTORE

(21) AP 2006 10664
(11) P 2012 5595 B
(73) Cypress Bioscience Inc.
(54) MILNACIPRAN FOR LONG-TERM TREATMENT OF FIBROMYALGIA SYNDROME
DATE OF PATENT CANCELLATION: 2022 09 27
LIMITED DATE OF PATENT RESTORATION: 2023 09 27

(21) AP 2013 13247
(11) P 2019 6994 B
(73) Ivane Beroshvili;
Abesalom Beroshvili;
Teimuraz Kechiani
(54) METHOD FOR GAS INJECTION
DATE OF PATENT CANCELLATION: 2022 09 27
LIMITED DATE OF PATENT RESTORATION: 2023 09 27

(21) AP 2014 14124
(11) P 2019 6952 B
(73) Merck Sharp & Dohme Corp.
(54) SUBSTITUTED QUINOLIZINE DERIVATIVES USEFUL AS HIV INTEGRASE INHIBITORS
DATE OF PATENT CANCELLATION: 2022 09 26
LIMITED DATE OF PATENT RESTORATION: 2023 09 26

(21) AP 2016 14774
(11) P 2022 7349 B
(73) Tensar Corporation LLC
(54) GEOGRID MADE FROM COEXTRUDED MULTILAYERED POLYMER
DATE OF PATENT CANCELLATION: 2022 10 06
LIMITED DATE OF PATENT RESTORATION: 2023 10 06

(21) AP 2018 14895
(11) P 2020 7120 B
(73) Gocha Kurdadze
(54) METHOD FOR SILICO MANGANESE PRODUCTION
DATE OF PATENT CANCELLATION: 2022 10 05
LIMITED DATE OF PATENT RESTORATION: 2023 10 05

(21) AP 2017 15054
(11) P 2021 7284 B
(73) Heinze Gruppe Verwaltungs GMBH
(54) CONCRETE CEILING, KIT FOR PRODUCING A CONCRETE CEILING, AND METHOD FOR
PRODUCING A CONCRETE CEILING
DATE OF PATENT CANCELLATION: 2022 09 27
LIMITED DATE OF PATENT RESTORATION: 2023 09 27

(21) AP 2017 15076
(11) P 2021 7269 B
(73) Bayer Aktiengesellschaft;
Bayer Pharma Aktiengesellschaft
(54) SUBSTITUTED 6-(1H-PYRAZOL-1-YL)PYRIMIDIN-4-AMINE DERIVATIVES AND USES THEREOF₃
DATE OF PATENT CANCELLATION: 2022 10 09
LIMITED DATE OF PATENT RESTORATION: 2023 10 09

(21) AP 2003 8770
(11) P 2007 4059 B
(73) CO₂ Pac Limited
(54) CONTAINER STRUCTURE FOR REMOVAL OF VACUUM PRESSURE
DATE OF PATENT CANCELLATION: 2022 09 30
LIMITED DATE OF PATENT RESTORATION: 2023 09 30

(21) AP 2005 9999
(11) P 2012 5714 B
(73) Joe, David JONES
(54) CARBON DIOXIDE REMOVAL FROM WASTE STREAMS THROUGH CARBONATE AND/OR
BICARBONATE MINERALS COGENERATION
DATE OF PATENT CANCELLATION: 2022 09 23
LIMITED DATE OF PATENT RESTORATION: 2023 09 23

EXPIRATION OF DATE OF PATENTS RESTORATION

(21) AP 2005 10669
(11) P 2012 5369 B
(73) One Smart Star Limited
(54) COMMUNICATING WITH BUSINESS CUSTOMERS
DATE OF PATENT CANCELLATION: 2021 09 28
DATE OF PATENT RESTORATION EXPIRATION: 2022 09 28

(21) AP 2006 10681
(11) P 2011 5168 B
(73) Chinoin Gyogyszer Es Vegyeszeti Termek Gyara ZRT
(54) DEVICE FOR PACKAGING AND DISPENSING OF SOLID SHAPED BODIES, ESPECIALLY ORAL TABLETS OR/AND CAPSULES
DATE OF PATENT CANCELLATION: 2021 09 26
DATE OF PATENT RESTORATION EXPIRATION: 2022 09 26

(21) AP 2010 12676
(11) P 2015 6214 B
(73) The Regents of the University of Kalifornia
(54) MONOCLONAL ANTIBODIES
DATE OF PATENT CANCELLATION: 2021 09 30
DATE OF PATENT RESTORATION EXPIRATION: 2022 09 30

(21) AP 2010 13232
(11) P 2016 6458 B
(73) The Regents of the University of Kalifornia
(54) MONOCLONAL ANTIBODIES
DATE OF PATENT CANCELLATION: 2021 09 30
DATE OF PATENT RESTORATION EXPIRATION: 2022 09 30

(21) AP 2013 13243
(11) P 2015 6305 B
(73) Eter Kemertelidze;
Paul Yavich;
Louisa Churadze
(54) DRUG FOR PATIENT PREPARATION FOR PROCTOSCOPY
DATE OF PATENT CANCELLATION: 2021 09 26
DATE OF PATENT RESTORATION EXPIRATION: 2022 09 26

(21) AP 2013 13245
(11) P 2014 6172 B
(73) Merab Dvali
(54) PHACO INTRAOCULAR CRYSTALLINE LENS
DATE OF PATENT CANCELLATION: 2021 09 26
DATE OF PATENT RESTORATION EXPIRATION: 2022 09 26

(21) AP 2014 13580
(11) P 2016 6445 B
(73) Shota Amiridze;
Genadi Elnikov;

Giorgi Zunturashvili;
Marad Kukhaleishvili
(54) MONITORING SYSTEM OF OPEN IRRIGATING CHANNELS
DATE OF PATENT CANCELLATION: 2021 09 24
DATE OF PATENT RESTORATION EXPIRATION: 2022 09 24

(21) AP 2019 15188
(11) P 2021 7289 B
(73) Gurami Topuria
(54) MECHANICAL MINI POWER STATION
DATE OF PATENT CANCELLATION: 2021 09 27
DATE OF PATENT RESTORATION EXPIRATION: 2022 09 27

TRANSFER OF RIGHTS

(21) AP 2017 15056
(11) P 2021 7266 B
(54) CHROMANE, ISOCHROMANE AND DIHYDROISOBENZOFURAN DERIVATIVES AS mGluR₂-NEGATIVE ALLOSTERIC MODULATORS, COMPOSITIONS, AND THEIR USE
NAME AND ADDRESS OF NEW PATENT OWNER: Merck Sharp & Dohme LLC (US)
126 East Lincoln Av., P.O.Box 2000, Rahway, New Jersey, 07065, USA (US)
NAME AND ADDRESSES OF FORMER PATENT OWNER: Merck Sharp & Dohme Corp. (US)
126 East Lincoln Avenue, Rahway, NJ 07065-0907, USA (US)
DATE OF REGISTRATION: 12 10 2022

(21) AP 2019 15499
(11) P 2022 7409 B
(54) SPIROPIPERIDINE ALLOSTERIC MODULATORS OF NICOTINIC ACETYLCHOLINE RECEPTORS
NAME AND ADDRESS OF NEW PATENT OWNER: Merck Sharp & Dohme LLC (US)
126 East Lincoln Av., P.O.Box 2000, Rahway, New Jersey, 07065, USA (US)
NAME AND ADDRESSES OF FORMER PATENT OWNER: Merck Sharp & Dohme Corp. (US)
126 East Lincoln Avenue, Rahway, NJ 07065-0907, USA (US)
DATE OF REGISTRATION: 12 10 2022

CHANGES OF NAME AND/OR ADDRESS OF PATENT OWNER

(21) AP 2019 15584

(11) P 2022 7422 B

(54) SOLAR-POWERED CONTINUOUS DISTILLATION ASSEMBLY HAVING EFFICIENT HEAT RECOVERY

NAME AND ADDRESS OF NEW PATENT OWNER: WaterTransformer Gmbh (AT)
 Liechtensteinstraße 25/16, 1090, Vienna, Austria (AT)

NAME AND ADDRESSES OF FORMER PATENT OWNER: WaterTransformer Gmbh (AT)
 Schrutkagasse 48/10, 1130, Wien, Austria (AT)

DATE OF REGISTRATION: 05 10 2022

CORRECTION OF PUBLISHED INFORMATION

BULLETIN №21(577) 2021 11 25

NUMBER OF APPLICATION (10)	Pg.	Column	PUBLISHED	MUST BE
AU 2021 15487 U	7	II	(54) COBALT BASED THERMO-ELECTRIC POTTERY (57) Cobalt based thermoelectric pottery containing oxides: Bi ₂ O ₃ , CaO, Co ₃ O ₄ , additionally contains Pb(BO ₂) ₂ , as well, with the following ratio of componentry (in mass%):	(54) COBALT BASED THERMO-ELECTRIC CERAMIC (57) Cobalt based thermoelectric ceramic containing oxides: Bi ₂ O ₃ , CaO, Co ₃ O ₄ , additionally contains Pb(BO ₂) ₂ , as well, with the following ratio of componentry (in mass%):

BULLETIN №6(586) 2022 03 25

NUMBER OF PATENT (11)	Pg.	Column	PUBLISHED	MUST BE
U 2022 2112 Y	7	I	(54) COBALT BASED THERMO-ELECTRIC POTTERY	(54) COBALT BASED THERMO-ELECTRIC CERAMIC

DESIGNS EXTENTION OF TERMS OF DESIGNS REGISTRATION

(11) D 2017 734 S
(73) Chengjun Feng (GE)
Shatberashvili Gorge 10a, 0179, Tbilisi, Georgia (GE)
(54) WHITE WINE VESSEL, COLORED WINE VESSEL
(28) 2
(24) 2017 10 30
(18) 2027 10 30
(58) 2022 10 06

(11) D 2018 766 S
(73) LTD "Batono"
Gotua St. 8, 0139, Vake-Saburtalo District, Tbilisi (GE)
(54) 1.-10. LOGO
(28) 10
(24) 2017 10 04
(18) 2027 10 04
(58) 2022 10 05

CANCELLATION OF DESIGN REGISTRATION

(11) D 2017 735 S
(73) Shalva Avtandilashvili (GE)
Leselidze St. 1, 4500, Kareli, Georgia (GE)
(54) WINE BOTTLE CASING – SOUVENIR
(18) 2022 03 21
(58) 2022 10 03

TRADEMARKS**EXTENSION OF TERMS OF TRADEMARKS REGISTRATION**

(111) M 2002 14766 R2
(156) 2002 10 15
(186) 2032 10 15
(732) The American Society of Mechanical
Engineering
Two Park Avenue, New York,
New York 10016-5990, USA

(111) M 2002 14507 R2
(156) 2002 06 13
(186) 2032 06 13
(732) Recordati Ireland Limited
Reheens East, Ringaskiddy Co. Cork, Ireland

(111) M 2002 14733 R2
(156) 2002 10 15
(186) 2032 10 15
(732) HBI Europe GmbH
Luxemburger Straße 19, 41812 Erkelenz,
Germany

(111) M 2002 14707 R2
(156) 2002 10 15
(186) 2032 10 15
(732) Qualitea Ceylon (Pvt) LTD.
14 Station Road, Wattala, Sri Lanka

(111) M 2002 14761 R2
(156) 2002 10 15
(186) 2032 10 15
(732) Qualitea Ceylon (Pvt) LTD
No.14, Station Road, Wattala, Sri Lanka

(111) M 2002 14826 R2
(156) 2002 11 28
(186) 2032 11 28
(732) Diageo Brands B.V.
Molenwerf 10-12, 1014 BG Amsterdam,
Netherlands

(111) M 2002 14827 R2
(156) 2002 11 28
(186) 2032 11 28
(732) Diageo Brands B.V.
Molenwerf 10-12, 1014 BG Amsterdam,
Netherlands

(111) M 2002 14828 R2
(156) 2002 11 28
(186) 2032 11 28
(732) Diageo Brands B.V.
Molenwerf 10-12, 1014 BG Amsterdam,
Netherlands

(111) M 2012 23027 R1
(156) 2012 11 02
(186) 2032 11 02
(732) Diners Club International LTD.,
a New York Corporation
2500 Lake Cook Road, Riverwoods,
Illinois 60015, USA

(111) M 2012 22591 R1
(156) 2012 05 16
(186) 2032 05 16
(732) LTD "Biopolus"
Noneshvili St. 65, 1200, Batumi, Georgia

(111) M 2012 22451 R1
(156) 2012 04 05
(186) 2032 04 05
(732) LTD "Poliglot"
Gudamakari St. 4, 0141, Tbilisi, Georgia

(111) M 2012 23048 R1
(156) 2012 11 02
(186) 2032 11 02
(732) New Balance Athletics Inc.
100 Guest Street, Boston, MA 02135, USA

(111) M 2012 23198 R1
(156) 2012 12 10
(186) 2032 12 10
(732) Marriott Worldwide Corporation
10400 Fernwood Road, Bethesda,
Maryland 20817, USA

(111) M 2012 23145 R1
(156) 2012 11 29
(186) 2032 11 29
(732) Galderma Holding SA
Zählerweg 10 6300 Zug, Switzerland

(111) M 2012 23146 R1
(156) 2012 11 29
(186) 2032 11 29
(732) Galderma Holding SA
Zählerweg 10 6300 Zug, Switzerland

(111) M 2013 23997 R1
(156) 2013 09 02
(186) 2033 09 02
(732) Vasil Sulkhanišvili
Ir. Abashidze St. 72, ap. 51, 0162, Tbilisi,
Georgia

(111) M 2013 24056 R1
(156) 2013 09 17
(186) 2033 09 17
(732) Grindeks, Akciju sabiedrība (Grindeks,
joint stock company)
Krustpils street 53, Riga, LV-1057, Latvia

(111) M 2013 23707 R1
(156) 2013 05 20
(186) 2033 05 20
(732) LLC "Askaneli Winery & Distiller"
Kakheti Highway, 110a, Samgori District,
Tbilisi Georgia

COMPLETE TRANSFER OF RIGHTS

(111) M 2002 14768 R

(732) F. Hoffmann-La Roche AG
Grenzacherstrasse 124, 4070 Basel,
Switzerland

(770) OSI Pharmaceuticals, LLC
1 Astellas Way, Northbrook, Illinois,
60062, USA

(580) 2022 09 30

(111) M 2004 15774 R

(732) Chipita Global Societe Anonyme
(Chipita Global S.A.)
12th km National Road Athens-Lamia,
14452, Metamorfosis, Attica, Greece

(770) Chipita Industrial And
Commercial Company S.A. (Chipita S.A.)
12 km National Road Athens-Lamia,
144 52 Metamorphosi, Attica, Greece

(580) 2022 05 30

(111) M 2005 16083 R

(732) F. Hoffmann-La Roche AG
Grenzacherstrasse 124, 4070 Basel,
Switzerland

(770) OSI Pharmaceuticals, LLC
1 Astellas Way, Northbrook, Illinois,
60062, USA

(580) 2022 09 30

(111) M 2011 21717 R

(732) Burger King Company LLC
5707 Blue Lagoon Drive, Miami,
Florida 33126, USA

(770) Burger King Corporation
5707 Blue Lagoon Drive, Miami,
Florida 33126, USA

(580) 2022 10 02

(111) M 2011 21718 R

(732) Burger King Company LLC
5707 Blue Lagoon Drive, Miami,
Florida 33126, USA

(770) Burger King Corporation
5707 Blue Lagoon Drive, Miami,
Florida 33126, USA

(580) 2022 10 02

(111) M 2011 21719 R

(732) Burger King Company LLC
5707 Blue Lagoon Drive, Miami,
Florida 33126, USA

(770) Burger King Corporation

5707 Blue Lagoon Drive, Miami,
Florida 33126, USA

(580) 2022 10 02

(111) M 2014 24844 R

(732) Twentieth Century Fox Film Corporation
10201 West Pico Boulevard, Los Angeles,
California 90035, USA

(770) Elite Sports Limited
57-63 Line Wall Road, Gibraltar

(580) 2022 10 04

CHANGES OF NAMES AND/OR ADDRESSES OF TRADEMARKS OWNERS

(111) M 1997 7001 R

(732) Panasonic Holdings Corporation
1006, Oaza- Kadoma, Kadoma-shi,
Osaka 571-8501, Japan

(770) Panasonic Corporation
1006, Oaza- Kadoma, Kadoma-shi,
Osaka 571-8501, Japan

(580) 2022 09 08

(111) M 1998 10482 R

(732) sanpellegrino S.P.A.
San Pellegrino Terme (Bergamo), Località
Ruspino, I-24016, Italy

(770) Sanpellegrino S.P.A.
Via Lodovico il Moro, 35, 20142 Milano, Italy

(580) 2022 09 26

(111) M 1996 3072 R

(732) Panasonic Holdings Corporation
1006, Oaza- Kadoma, Kadoma-shi,
Osaka 571-8501, Japan

(770) Panasonic Corporation
1006, Oaza- Kadoma, Kadoma-shi,
Osaka 571-8501, Japan

(580) 2022 09 08

(111) M 1996 3800 R

(732) Panasonic Holdings Corporation
1006, Oaza- Kadoma, Kadoma-shi, Osaka
571-8501, Japan

(770) Panasonic Corporation
1006, Oaza- Kadoma, Kadoma-shi,
Osaka 571-8501, Japan

(580) 2022 09 08

(111) M 1996 3073 R

(732) Panasonic Holdings Corporation
1006, Oaza- Kadoma, Kadoma-shi,
Osaka 571-8501, Japan

(770) Panasonic Corporation
1006, Oaza- Kadoma, Kadoma-shi,
Osaka 571-8501, Japan

(580) 2022 09 08

(111) M 1997 6136 R

(732) Panasonic Holdings Corporation
1006, Oaza- Kadoma, Kadoma-shi,
Osaka 571-8501, Japan

(770) Panasonic Corporation
1006, Oaza- Kadoma, Kadoma-shi,

Osaka 571-8501, Japan

(580) 2022 09 08

(111) M 2009 19082 R

(732) Janome Corporation
1463 Hazama-Machi, Hachiojo-Shi, Tokio,
Japan

(770) Jenome Sewing Machine Company Limited
1463 Hazama-Machi, Hachiojo-Shi,
Tokio, Japan

(580) 2022 09 26

(111) M 2011 21714 R

(732) Burger King Corporation
5707 Blue Lagoon Drive, Miami, Florida
33126, USA

(770) Burger King Corporation
5505 Blue Lagoon Drive, Miami, Florida
33126, USA

(580) 2022 10 02

(111) M 2011 21715 R

(732) Burger King Corporation
5707 Blue Lagoon Drive, Miami, Florida
33126, USA

(770) Burger King Corporation
5505 Blue Lagoon Drive, Miami, Florida
33126, USA

(580) 2022 10 02

(111) M 2011 21716 R

(732) Burger King Corporation
5707 Blue Lagoon Drive, Miami, Florida
33126, USA

(770) Burger King Corporation
5505 Blue Lagoon Drive, Miami, Florida
33126, USA

(580) 2022 10 02

(111) M 2011 21717 R

(732) Burger King Corporation
5707 Blue Lagoon Drive, Miami, Florida
33126, USA

(770) Burger King Corporation
5505 Blue Lagoon Drive, Miami, Florida
33126, USA

(580) 2022 10 02

(111) M 2011 21718 R
(732) Burger King Corporation
5707 Blue Lagoon Drive, Miami, Florida
33126, USA
(770) Burger King Corporation
5505 Blue Lagoon Drive, Miami, Florida
33126, USA
(580) 2022 10 02

(111) M 1998 9618 R
(732) Sanden Corporation
20, Kotobuki-cho, Isesaki-shi, 372-8502
Gunma, Japan
(770) Sanden Holdings corporation
20, Kotobuki-cho, Isesaki-shi, 372-8502
Gunma, Japan
(580) 2022 10 07

(111) M 2011 21719 R
(732) Burger King Corporation
5707 Blue Lagoon Drive, Miami, Florida
33126, USA
(770) Burger King Corporation
5505 Blue Lagoon Drive, Miami, Florida
33126, USA
(580) 2022 10 02

(111) M 1998 9619 R
(732) Sanden Corporation
20, Kotobuki-cho, Isesaki-shi, 372-8502
Gunma, Japan
(770) Sanden Holdings Corporation
20, Kotobuki-cho, Isesaki-shi, 372-8502
Gunma, Japan
(580) 2022 10 07

(111) M 2011 21786 R
(732) Burger King Corporation
5707 Blue Lagoon Drive, Miami, Florida
33126, USA
(770) Burger King Corporation
5505 Blue Lagoon Drive, Miami, Florida
33126, USA
(580) 2022 10 02

(111) M 2012 22549 R
(732) Panasonic Holdings Corporation
1006, Oaza Kadoma, Kadoma-Shi,
Osaka 571-8501, Japan
(770) Panasonic Corporation
1006, Oaza Kadoma, Kadoma-Shi,
Osaka 571-8501, Japan
(580) 2022 09 08

(111) M 2015 25693 R
(732) Janome Corporation
1463 Hazama-Machi, Hachiojo-Shi,
Tokio, Japan
(770) Janome Sewing Machine Company Limited
1463 Hazama-Machi, Hachiojo-Shi,
Tokio, Japan
(580) 2022 09 26

(111) M 1997 6188 R
(732) Panasonic Holdings Corporation
1006, Oaza Kadoma, Kadoma-Shi,
Osaka 571-8501, Japan
(770) Panasonic Corporation
1006, Oaza Kadoma, Kadoma-Shi,
Osaka 571-8501, Japan
(580) 2022 09 08

CANCELLATION OF TRADEMARKS REGISTRATION

(111) M 2021 33816 R

(151) 2021 03 17

(732) Mariam Lashkhi

Besiki St. 23, 0108, Tbilisi, Georgia

(141) 2022 10 05 – Registration is Canceled

Grounds: Commodity signs About the
"Trademarks" the Law of Georgia 15th of
Prima Article 8

(141) 2022 10 10

(111) M 2002 14399 R

(151) 2002 04 01

(732) WM.Wrigley jr.Company

410 North Michigan Avenue, Chicago,

Illinois 60611, USA

(141) 2022 10 10

(111) M 2002 14357 R

(151) 2002 03 27

(732) Human Gesellschaft fur Biochemica und
Diagnostica mbH

Max-Planck-Ring 21, 65205 Wiesbaden,
Germany

(141) 2022 10 05

(111) M 2002 14355 R

(151) 2002 03 27

(732) Harrington Development Inc.

Elvira Mendez Street, Vallarino bldg.,

3rd Floor, Panama, Republic of Panama

(141) 2022 10 05

(111) M 2002 14386 R

(151) 2002 03 27

(732) Drugtech Corporation (a corporation
of Delaware)

300 Delaware Avenue, Suite 1270,
Wilmington, Delaware 19801, USA

(141) 2022 10 05

(111) M 2002 14387 R

(151) 2002 03 27

(732) Wyeth LLC

Five Giralda Farms, Madison, New Jersey,
07940, USA

(141) 2022 10 05

(111) M 2002 14408 R

(151) 2002 04 01

(732) Mars, Incorporated

(a Delaware corporation)

6885 Elm Street, McLean, Virginia
22101-3883, USA

(141) 2022 10 10

(111) M 2002 14401 R

(151) 2002 04 01

(732) Harrington Development Inc.

Elvira Mendez Street, Vallarino bldg.,

3rd Floor, Panama, Republic of Panama

(141) 2022 10 10

(111) M 2002 14391 R

(151) 2002 03 27

(732) Chevron Global Energy Inc.

a State of Delaware

6001 Bolinger Canyon Road, San Ramon,
California 94583, USA

(141) 2022 10 05

(111) M 2002 14402 R

(151) 2002 04 01

(732) Harrington Development Inc.

Elvira Mendez Street, Vallarino bldg.,

3rd Floor, Panama, Republic of Panama

(141) 2022 10 10

(111) M 2012 22444 R

(151) 2012 04 05

(732) PJSC Comercial Bank "Privatbank"

Ul. Nabehezhnaya Pobedi, 50,

Dnepropetrovsk, 49094, Ukraine

(141) 2022 10 17

(111) M 2002 14404 R

(151) 2002 04 01

(732) Harrington Development Inc.

Elvira Mendez Street, Vallarino bldg.,

3rd Floor, Panama, Republic of Panama

(111) M 2012 22448 R

(151) 2012 04 05

(732) PJSC Comercial Bank "Privatbank"

Ul. Nabehezhnaya Pobedi, 50,

Dnepropetrovsk, 49094, Ukraine

(141) 2022 10 17

(111) M 2012 22449 R (151) 2012 04 05 (732) PJSC Comercial Bank "Privatbank" Ul. Nabehezhnaya Pobedi, 50, Dnepropetrovsk, 49094, Ukraine (141) 2022 10 17	(141) 2022 10 17
(111) M 2012 22450 R (151) 2012 04 05 (732) LTD "Beauty Life" Gagarin Lane 2/5-4, Floor 3, Office Space 4, 0160, Tbilisi, Georgia (141) 2022 10 17	(111) M 2012 22462 R (151) 2012 04 05 (732) Celgene Corporation 86 Morris Avenue, Summit, New Jersey 07901, USA (141) 2022 10 17
(111) M 2012 22452 R (151) 2012 04 05 (732) World Medicine Limited Commonwealth Trust Limited, Drake Chambers, Tortola, Virgin Islands (British) (141) 2022 10 17	(111) M 2012 22464 R (151) 2012 04 05 (732) Celgene Corporation 86 Morris Avenue, Summit, New Jersey 07901, USA (141) 2022 10 17
(111) M 2012 22453 R (151) 2012 04 05 (732) World Medicine Limited Commonwealth Trust Limited, Drake Chambers, Tortola, Virgin Islands (British) (141) 2022 10 17	(111) M 2012 22466 R (151) 2012 04 05 (732) LTD "CBS Pharmaceuticals" Jansugh Kakhidze St. 8, 0102, Tbilisi, Georgia (141) 2022 10 17
(111) M 2012 22455 R (151) 2012 04 05 (732) LTD "Oriana" Samtredia St. 1, ap. 77, 0119, Tbilisi, Georgia (141) 2022 10 17	(111) M 2012 22467 R (151) 2012 04 05 (732) LTD "CBS Pharmaceuticals" Jansugh Kakhidze St. 8, 0102, Tbilisi, Georgia (141) 2022 10 17
(111) M 2012 22456 R (151) 2012 04 05 (732) Temur Kiladze Lomtadidze St.. 24, 3500, Ozurgeti, Georgia (141) 2022 10 17	(111) M 2012 22468 R (151) 2012 04 05 (732) LTD "CBS Pharmaceuticals" Jansugh Kakhidze St. 8, 0102, Tbilisi, Georgia (141) 2022 10 17
(111) M 2012 22460 R (151) 2012 04 05 (732) Intercontinental Great Brands LLC. 100 Deforest Ave, East Hanover, NJ, 07936, USA (141) 2022 10 17	(111) M 2012 22470 R (151) 2012 04 05 (732) LTD "CBS Pharmaceuticals" Jansugh Kakhidze St. 8, 0102, Tbilisi, Georgia (141) 2022 10 17
(111) M 2012 22461 R (151) 2012 04 05 (732) Geomed Medizin-Technik GmbH & Co. KG Ludwigstaler straÙe 27, 78532 Tuttlingen, Germany	(111) M 2012 22474 R (151) 2012 04 05 (732) Avance' Phytotherapies Private Limited 204, Circle-P Building, S.G.HighWay, Ahmedabad, 380054, Gujarat, India (141) 2022 10 17
	(111) M 2012 22476 R (151) 2012 04 05 (732) LTD "Aspharma – Georgian Pharmaceutical Company"

Mtskheta St. 8, 0179, Tbilisi, Georgia
(141) 2022 10 17

(111) M 2012 22478 R
(151) 2012 04 05
(732) LTD "Aspharma – Georgian Pharmaceutical Company"
Mtskheta St. 8, 0179, Tbilisi, Georgia
(141) 2022 10 17

(111) M 2012 22479 R
(151) 2012 04 05
(732) LTD "Aspharma – Georgian Pharmaceutical Company"
Mtskheta St. 8, 0179, Tbilisi, Georgia
(141) 2022 10 17

(111) M 2012 22482 R
(151) 2012 04 05
(732) LTD "Clean World"
Dighomi, V qu., bld. 1, 0159, Tbilisi Georgia
(141) 2022 10 17

(111) M 2012 22484 R
(151) 2012 04 05
(732) LTD "Aspharma – Georgian Pharmaceutical Company"
Mtskheta St. 8, 0179, Tbilisi, Georgia
(141) 2022 10 17

(111) M 2012 22486 R
(151) 2012 04 05
(732) Amoun Pharmaceutical Industries Co. S.A.E.
El Salam City 11491, PO Box 3001, Cairo,
Egypt
(141) 2022 10 17

(111) M 2012 22487 R
(151) 2012 04 05
(732) LTD "Econom"
Zovreti and Mgaloblishvili Street
Corner, 0160, Tbilisi, Georgia
(141) 2022 10 17

(111) M 2012 22488 R
(151) 2012 04 05
(732) JSC "Bank of Georgia"
Gagarin Str. 29a, 0160, Tbilisi, Georgia
(141) 2022 10 17

(111) M 2012 22496 R
(151) 2012 04 12
(732) LTD "Georgian Trade Group"
Gagarin I Lane 1, 0160, Tbilisi, Georgia
(141) 2022 10 20

(111) M 2012 22493 R
(151) 2012 04 06
(732) LTD "Guguli"
DaviT Aghmashenebeli St. 67, 1100,
Bolnisi, Georgia
(141) 2022 10 17

(111) M 2012 22438 R
(151) 2012 03 28
(732) JSC "Lomisi"
Vill. Natakhtari, 3308, Mtskheta, Georgia
(141) 2022 10 06

(111) M 2012 22442 R
(151) 2012 03 29
(732) LTD "Suntrade"
Varketili-3, IIIa mcr., bld. 340, ap. 8, 0163,
Tbilisi, Georgia
(141) 2022 10 07

(111) M 2012 22443 R
(151) 2012 03 29
(732) LTD "Suntrade"
Varketili-3, IIIa mcr., bld. 340, ap. 8, 0163,
Tbilisi, Georgia
(141) 2022 10 07

(111) M 2012 22440 R
(151) 2012 03 29
(732) Georgian Industrial Asset Management Group
Shota Rustaveli St. 74, 6200, Kobuleti,
Georgia
(141) 2022 10 07

(111) M 2012 22439 R
(151) 2012 03 28
(732) LTD "LaMeR"
Asatiani Square 37, 0105, Batumi, Georgia,
(141) 2022 10 06

(111) M 2012 22494 R
(151) 2012 04 06
(732) JSC "Lilo 1"
Iumashev St. 14, 0198, Tbilisi, Georgia
(141) 2022 10 17

(111) M 2012 22495 R

(151) 2012 04 06

(732) JSC "Lilo 1"

Iumashev St. 14, 0198, Tbilisi, Georgia

(141) 2022 10 17

CLASSIFICATION INDEXES

INVENTIONS

CONCORDANCE TABLE OF INTERNATIONAL CLASSIFICATION INDEX AND PUBLICATION NUMBERS

INTERNATIONAL CLASSIFICATION INDEXES (51)	NUMBER OF PUBLISHED APPLICATION (10)
A 47 J 31/18; A 47 J 31/42	AP 2022 15490 A
A 47 L 9/28; A 61 L 2/20; G 05 D 1/00	AP 2022 15711 A
A 61 K 8/04; A 61 K 8/43; A 61 K 8/60; A 61 Q 11/00	AP 2022 15745 A
A 61 K 31/4178; A 61 P 11/00; A 61 P 37/00; C 07 D 403/12	AP 2022 15523 A
A 61 K 31/437; A 61 K 9/08; A 61 K 9/00; A 61 P 25/20	AP 2022 15600 A
A 61 K 47/26; A 61 K 47/02; A 61 K 9/08; A 61 K 9/19	AP 2022 15306 A
B 29 C 53/20; B 29 C 43/02	AP 2022 15867 A
C 07 K 16/24	AP 2022 15316 A
E 01 F 15/04	AP 2022 15547 A
G 01 J 3/00	AP 2022 15707 A

CONCORDANCE TABLE OF PUBLICATION NUMBERS AND INTERNATIONAL CLASSIFICATION INDEX

NUMBER OF PUBLISHED APPLICATION (10)	INTERNATIONAL CLASSIFICATION INDEXES (51)
AP 2022 15306 A	A 61 K 47/26; A 61 K 47/02; A 61 K 9/08; A 61 K 9/19
AP 2022 15316 A	C 07 K 16/24
AP 2022 15490 A	A 47 J 31/18; A 47 J 31/42
AP 2022 15523 A	A 61 K 31/4178; A 61 P 11/00; A 61 P 37/00; C 07 D 403/12
AP 2022 15547 A	E 01 F 15/04
AP 2022 15600 A	A 61 K 31/437; A 61 K 9/08; A 61 K 9/00; A 61 P 25/20
AP 2022 15707 A	G 01 J 3/00
AP 2022 15711 A	A 47 L 9/28; A 61 L 2/20; G 05 D 1/00
AP 2022 15745 A	A 61 K 8/04; A 61 K 8/43; A 61 K 8/60; A 61 Q 11/00
AP 2022 15867 A	B 29 C 53/20; B 29 C 43/02

**CONCORDANCE TABLE OF INTERNATIONAL CLASSIFICATION INDEX,
PATENT NUMBERS AND PUBLICATION NUMBERS**

INTERNATIONAL CLASSIFICATION INDEX (51)	NUMBER OF PATENT (11)	NUMBER OF PUBLISHED APPLICATION (10)
A 23 F 3/00	P 2022 7427 B	AP 2022 15792 A
A 61 K 9/00; A 61 K 31/7048; A 61 K 31/43; A 61 K 31/4184; A 61 P 31/04	P 2022 7431 B	AP 2022 15593 A
A 61 K 31/19; A 61 K 9/06; A 61 K 47/38; A 61 K 31/185; A 61 K 31/191; A 61 K 9/00	P 2022 7432 B	AP 2022 15586 A
A 61 K 31/53; A 61 P 35/00; C 07 D 487/04	P 2022 7429 B	AP 2022 15322 A
A 61 K 31/423; A 61 P 37/00; C 07 D 413/12; C 07 D 471/04; C 07 D 413/06; C 07 D 487/04; C 07 D 498/04; C 07 D 513/04; C 07 D 413/14	P 2022 7428 B	AP 2022 15134 A
A 61 K 31/437; A 61 K 31/444; A 61 K 31/4196; A 61 P 35/00; C 07 D 471/04	P 2022 7434 B	AP 2022 15630
A 61 P 35/00; C 07 D 401/14; C 07 D 405/14; C 07 D 487/04; C 07 D 498/04	P 2022 7433 B	AP 2022 15475 A
B 01 J 20/18; C 02 F 1/28; C 02 F 1/64	P 2022 7430 B	AP 2022 15408 A
C 12 M 1/34	P 2022 7426 B	AP 2022 15657 A

**CONCORDANCE TABLE OF PATENT NUMBERS,
PUBLICATION NUMBERS AND INTERNATIONAL CLASSIFICATION INDEX**

NUMBER OF PATENT (11)	NUMBER OF PUBLISHED APPLICATION (10)	INTERNATIONAL CLASSIFICATION INDEX (51)
P 2022 7426 B	AP 2022 15657 A	C 12 M 1/34
P 2022 7427 B	AP 2022 15792 A	A 23 F 3/00
P 2022 7428 B	AP 2022 15134 A	A 61 K 31/423; A 61 P 37/00; C 07 D 413/12; C 07 D 471/04; C 07 D 413/06; C 07 D 487/04; C 07 D 498/04; C 07 D 513/04; C 07 D 413/14
P 2022 7429 B	AP 2022 15322 A	A 61 K 31/53; A 61 P 35/00; C 07 D 487/04
P 2022 7430 B	AP 2022 15408 A	B 01 J 20/18; C 02 F 1/28; C 02 F 1/64
P 2022 7431 B	AP 2022 15593 A	A 61 K 9/00; A 61 K 31/7048; A 61 K 31/43; A 61 K 31/4184; A 61 P 31/04
P 2022 7432 B	AP 2022 15586 A	A 61 K 31/19; A 61 K 9/06; A 61 K 47/38; A 61 K 31/185; A 61 K 31/191; A 61 K 9/00
P 2022 7433 B	AP 2022 15475 A	A 61 P 35/00; C 07 D 401/14; C 07 D 405/14; C 07 D 487/04; C 07 D 498/04
P 2022 7434 B	AP 2022 15630	A 61 K 31/437; A 61 K 31/444; A 61 K 31/4196; A 61 P 35/00; C 07 D 471/04

**CONCORDANCE TABLE OF APPLICATION NUMBERS,
PUBLICATION NUMBERS AND PATENTS**

NUMBER OF APPLICATION (21)	NUMBER OF PUBLISHED APPLICATION (10)	NUMBER OF PATENT (11)
AP 2017 15134	AP 2022 15134 A	P 2022 7428 B
AP 2018 15322	AP 2022 15322 A	P 2022 7429 B
AP 2020 15408	AP 2022 15408 A	P 2022 7430 B
AP 2019 15475	AP 2022 15475 A	P 2022 7433 B
AP 2019 15586	AP 2022 15586 A	P 2022 7432 B
AP 2019 15593	AP 2022 15593 A	P 2022 7431 B
AP 2019 15630	AP 2022 15630 A	P 2022 7434 B
AP 2021 15657	AP 2022 15657 A	P 2022 7426 B
AP 2021 15792	AP 2022 15792 A	P 2022 7427 B

UTILITY MODELS

**CONCORDANCE TABLE OF INTERNATIONAL CLASSIFICATION INDEX,
PATENT NUMBERS AND PUBLICATION NUMBERS**

INTERNATIONAL CLASSIFICATION INDEX (51)	NUMBER OF PATENT (11)	NUMBER OF PUBLISHED APPLICATION (10)
B 22 F 3/11; B 22 F 3/23; C 22 C 1/08	U 2022 2134 Y	AU 2022 15433 U
B 22 F 9/14; B 82 B 3/00	U 2022 2135 Y	AU 2022 15641 U

**CONCORDANCE TABLE OF PATENT NUMBERS,
PUBLICATION NUMBERS AND INTERNATIONAL CLASSIFICATION INDEX**

NUMBER OF PATENT (11)	NUMBER OF PUBLISHED APPLICATION (10)	INTERNATIONAL CLASSIFICATION INDEX (51)
U 2022 2134 Y	AU 2022 15433 U	B 22 F 3/11; B 22 F 3/23; C 22 C 1/08
U 2022 2135 Y	AU 2022 15641 U	B 22 F 9/14; B 82 B 3/00

**CONCORDANCE TABLE OF APPLICATION NUMBERS,
PUBLICATION NUMBERS AND PATENTS**

NUMBER OF APPLICATION (21)	NUMBER OF PUBLISHED APPLICATION (10)	NUMBER OF PATENT (11)
AU 2020 15433	AU 2022 15433 U	U 2022 2134 Y
AU 2021 15641	AU 2022 15641 U	U 2022 2135 Y

DESIGNS**CONCORDANCE TABLE OF INTERNATIONAL CLASSIFICATION INDEX
AND PUBLICATION NUMBERS**

INTERNATIONAL CLASSIFICATION INDEXES (51)	NUMBER OF PUBLISHED APPLICATION (10)
01-01	AD 2022 1267 S
02-04	AD 2022 1269 S

**CONCORDANCE TABLE OF PUBLICATION NUMBERS
AND INTERNATIONAL CLASSIFICATION INDEX**

NUMBER OF PUBLISHED APPLICATION (10)	INTERNATIONAL CLASSIFICATION INDEXES (51)
AD 2022 1267 S	01-01
AD 2022 1269 S	02-04

**CONCORDANCE TABLE OF INTERNATIONAL CLASSIFICATION INDEX,
NUMBERS OF REGISTRATION AND PUBLICATION NUMBERS**

INTERNATIONAL CLASSIFICATION INDEX (51)	NUMBER OF REGISTRATION (11)	NUMBER OF PUBLISHED APPLICATION (10)
21-01	D 2022 947 S	AD 2022 1257 S

**CONCORDANCE TABLE OF NUMBERS OF REGISTRATION,
PUBLICATION NUMBERS AND INTERNATIONAL CLASSIFICATION INDEX**

NUMBER OF REGISTRATION (11)	NUMBER OF PUBLISHED APPLICATION (10)	INTERNATIONAL CLASSIFICATION INDEX (51)
D 2022 947 S	AD 2022 1257 S	21-01

**CONCORDANCE TABLE OF APPLICATION NUMBERS,
PUBLICATION NUMBERS AND NUMBERS OF REGISTRATION**

NUMBER OF APPLICATION (21)	NUMBER OF PUBLISHED APPLICATION (10)	NUMBER OF REGISTRATION (11)
AD 2022 1257	AD 2022 1257 S	D 2022 947 S

TRADEMARKS

CONCORDANCE TABLE OF REGISTRATION NUMBERS, APPLICATION NUMBERS, PUBLICATION NUMBERS AND BULLETIN NUMBERS

NUMBER OF REGISTRATION (111)	NUMBER OF APPLICATIONS (210)	NUMBER OF PUBLISHED APPLICATIONS (260)	NUMBER OF BULLETIN
1	2	3	4
M 2022 36021 R	AM 119373	–	20(599)2022
M 2022 36022 R	AM 114342	AM 2022 114342 A	6(585)2022
M 2022 36023 R	AM 114414	AM 2022 114414 A	7(586)2022
M 2022 36024 R	AM 114415	AM 2022 114415 A	7(586)2022
M 2022 36025 R	AM 114416	AM 2022 114416 A	7(586)2022
M 2022 36026 R	AM 114417	AM 2022 114417 A	7(586)2022
M 2022 36027 R	AM 114470	AM 2022 114470 A	7(586)2022
M 2022 36028 R	AM 114529	AM 2022 114529 A	7(586)2022
M 2022 36029 R	AM 114530	AM 2022 114530 A	7(586)2022
M 2022 36030 R	AM 114592	AM 2022 114592 A	7(586)2022
M 2022 36031 R	AM 114593	AM 2022 114593 A	7(586)2022
M 2022 36032 R	AM 114753	AM 2022 114753 A	8(587)2022
M 2022 36033 R	AM 114900	AM 2022 114900 A	8(587)2022
M 2022 36034 R	AM 114901	AM 2022 114901 A	8(587)2022
M 2022 36035 R	AM 114902	AM 2022 114902 A	8(587)2022
M 2022 36036 R	AM 114972	AM 2022 114972 A	8(587)2022
M 2022 36037 R	AM 114973	AM 2022 114973 A	9(588)2022
M 2022 36038 R	AM 115239	AM 2022 115239 A	10(589)2022
M 2022 36039 R	AM 115405	AM 2022 115405 A	12(591)2022
M 2022 36040 R	AM 115406	AM 2022 115406 A	12(591)2022
M 2022 36041 R	AM 115408	AM 2022 115408 A	12(591)2022
M 2022 36042 R	AM 115410	AM 2022 115410 A	12(591)2022
M 2022 36043 R	AM 115411	AM 2022 115411 A	12(591)2022
M 2022 36044 R	AM 115412	AM 2022 115412 A	12(591)2022
M 2022 36045 R	AM 115414	AM 2022 115414 A	12(591)2022
M 2022 36046 R	AM 115415	AM 2022 115415 A	12(591)2022
M 2022 36047 R	AM 115416	AM 2022 115416 A	12(591)2022
M 2022 36048 R	AM 115418	AM 2022 115418 A	12(591)2022
M 2022 36049 R	AM 115420	AM 2022 115420 A	12(591)2022
M 2022 36050 R	AM 115511	AM 2022 115511 A	12(591)2022
M 2022 36051 R	AM 115512	AM 2022 115512 A	12(591)2022
M 2022 36052 R	AM 115513	AM 2022 115513 A	11(590)2022
M 2022 36053 R	AM 115514	AM 2022 115514 A	12(591)2022
M 2022 36054 R	AM 115518	AM 2022 115518 A	12(591)2022
M 2022 36055 R	AM 115114	AM 2022 115114 A	9(588)2022
M 2022 36056 R	AM 114756	AM 2022 114756 A	7(586)2022
M 2022 36057 R	AM 115510	AM 2022 115510 A	12(591)2022
M 2022 36058 R	AM 119114	–	20(599)2022
M 2022 36059 R	AM 119586	–	20(599)2022
M 2022 36060 R	AM 119587	–	20(599)2022
M 2022 36061 R	AM 119588	–	20(599)2022
M 2022 36062 R	AM 119589	–	20(599)2022
M 2022 36063 R	AM 119590	–	20(599)2022
M 2022 36064 R	AM 119591	–	20(599)2022
M 2022 36065 R	AM 119592	–	20(599)2022
M 2022 36066 R	AM 119593	–	20(599)2022

1	2	3	4
M 2022 36067 R	AM 119618	–	20(599)2022
M 2022 36068 R	AM 119501	–	20(599)2022
M 2022 36069 R	AM 119604	–	20(599)2022
M 2022 36070 R	AM 119491	–	20(599)2022
M 2022 36071 R	AM 119801	–	20(599)2022
M 2022 36072 R	AM 119583	–	20(599)2022
M 2022 36073 R	AM 119584	–	20(599)2022
M 2022 36074 R	AM 119701	–	20(599)2022
M 2022 36075 R	AM 114608	AM 2022 114608 A	8(587)2022
M 2022 36076 R	AM 114736	AM 2022 114736 A	7(586)2022
M 2022 36077 R	AM 114758	AM 2022 114758 A	9(588)2022
M 2022 36078 R	AM 115206	AM 2022 115206 A	11(590)2022
M 2022 36079 R	AM 115424	AM 2022 115424 A	11(590)2022
M 2022 36080 R	AM 115425	AM 2022 115425 A	11(590)2022
M 2022 36081 R	AM 115427	AM 2022 115427 A	11(590)2022
M 2022 36082 R	AM 115429	AM 2022 115429 A	11(590)2022
M 2022 36083 R	AM 115596	AM 2022 115596 A	12(591)2022
M 2022 36084 R	AM 115670	AM 2022 115670 A	12(591)2022
M 2022 36085 R	AM 115672	AM 2022 115672 A	13(592)2022
M 2022 36086 R	AM 115674	AM 2022 115674 A	13(592)2022
M 2022 36087 R	AM 115675	AM 2022 115675 A	12(591)2022
M 2022 36088 R	AM 115682	AM 2022 115682 A	13(592)2022
M 2022 36089 R	AM 115880	AM 2022 115880 A	13(592)2022

CONCORDANCE TABLE OF PUBLICATION NUMBERS
AND APPLICATION NUMBERS

NUMBER OF PUBLISHED APPLICATION (260)	NUMBER OF APPLICATION (210)	1	2
		1	2
AM 2022 114913 A*	AM 114913	AM 2022 117074 A	AM 117074
AM 2022 115858 A	AM 115858	AM 2022 117087 A	AM 117087
AM 2022 116225 A	AM 116225	AM 2022 117104 A	AM 117104
AM 2022 116950 A	AM 116950	AM 2022 117105 A	AM 117105
AM 2022 116951 A	AM 116951	AM 2022 117108 A	AM 117108
AM 2022 116952 A	AM 116952	AM 2022 117168 A	AM 117168
AM 2022 116954 A	AM 116954	AM 2022 117169 A	AM 117169
AM 2022 116955 A	AM 116955	AM 2022 117266 A	AM 117266
AM 2022 116986 A	AM 116986	AM 2022 117268 A	AM 117268
AM 2022 116988 A	AM 116988	AM 2022 117269 A	AM 117269
AM 2022 117073 A	AM 117073	AM 2022 117270 A	AM 117270
		AM 2022 117271 A	AM 117271
		AM 2022 117274 A	AM 117274
		AM 2022 117320 A	AM 117320
		AM 2022 117443 A	AM 117443
		AM 2022 117444 A	AM 117444

CONCORDANCE TABLE OF INDEX OF GOODS AND/OR SERVICES
AND APPLICATION NUMBERS

INDEX OF GOODS AND/OR SERVICES (511)	NUMBER OF PUBLISHED APPLICATIONS (260)	1	2
1	2	32	AM 2022 117443 A
3	AM 2022 114913 A*	33	AM 2022 115858 A
3	AM 2022 117443 A	33	AM 2022 116225 A
5	AM 2022 117104 A	33	AM 2022 116954 A
5	AM 2022 117444 A	33	AM 2022 116986 A
8	AM 2022 117443 A	33	AM 2022 117168 A
9	AM 2022 116986 A	33	AM 2022 117169 A
9	AM 2022 117105 A	33	AM 2022 117268 A
9	AM 2022 117274 A	33	AM 2022 117269 A
10	AM 2022 117087 A	33	AM 2022 117270 A
11	AM 2022 117443 A	33	AM 2022 117271 A
12	AM 2022 116950 A	33	AM 2022 117443 A
14	AM 2022 116986 A	34	AM 2022 116951 A
16	AM 2022 116986 A	34	AM 2022 116952 A
16	AM 2022 117105 A	35	AM 2022 116954 A
16	AM 2022 117443 A	35	AM 2022 116955 A
18	AM 2022 116986 A	35	AM 2022 116986 A
18	AM 2022 117443 A	35	AM 2022 117073 A
20	AM 2022 117443 A	35	AM 2022 117087 A
21	AM 2022 117443 A	35	AM 2022 117105 A
24	AM 2022 116986 A	35	AM 2022 117443 A
24	AM 2022 117443 A	36	AM 2022 115858 A
25	AM 2022 115858 A	36	AM 2022 116986 A
25	AM 2022 116986 A	38	AM 2022 116986 A
25	AM 2022 117443 A	39	AM 2022 117087 A
26	AM 2022 117443 A	41	AM 2022 115858 A
27	AM 2022 116986 A	41	AM 2022 116986 A
28	AM 2022 115858 A	41	AM 2022 117108 A
28	AM 2022 116986 A	42	AM 2022 116986 A
28	AM 2022 117443 A	42	AM 2022 117087 A
29	AM 2022 116988 A	42	AM 2022 117105 A
29	AM 2022 117443 A	42	AM 2022 117266 A
30	AM 2022 117443 A	42	AM 2022 117274 A
31	AM 2022 117320 A	43	AM 2022 116954 A
31	AM 2022 117443 A	43	AM 2022 116955 A
32	AM 2022 115858 A	43	AM 2022 116986 A
32	AM 2022 116986 A	44	AM 2022 117087 A
		45	AM 2022 116986 A
		45	AM 2022 117074 A

CONCORDANCE TABLE OF INDEX OF GOODS AND/OR SERVICES
AND NUMBERS OF TRADEMARKS REGISTERED ACCORDING
TO THE ACCELERATED PROCEDURE

INDEX OF GOODS AND/OR SERVICES (511)	NUMBERS OF REGISTERED ACCORDING TO THE ACCELERATED PROCEDURE (111)
5	M 2022 36060 R
5	M 2022 36061 R
5	M 2022 36062 R
5	M 2022 36063 R
5	M 2022 36064 R
5	M 2022 36065 R
5	M 2022 36066 R
7	M 2022 36058 R
7	M 2022 36059 R
12	M 2022 36070 R
16	M 2022 36071 R
18	M 2022 36071 R
20	M 2022 36069 R
25	M 2022 36071 R
26	M 2022 36071 R
32	M 2022 36068 R
32	M 2022 36072 R
32	M 2022 36073 R
35	M 2022 36069 R
35	M 2022 36071 R
35	M 2022 36074 R
37	M 2022 36074 R
43	M 2022 36021 R
43	M 2022 36074 R
44	M 2022 36067 R

OFFICIAL BULLETIN OF THE INDUSTRIAL PROPERTY

INVENTIONS
UTILITY MODELS
DESIGNS
TRADEMARKS

20(599)

EDITOR-IN-CHIEF: N. Bebrishvili

EDITOR-TRANSLATOR: E. Gabunia

PROOFREADER: A. Shixashvili

COMPUTER LAYOUT: M. Ordenidze
K. Svanidze

ISSN 2720-8486

info@sakpatenti.gov.ge
www.sakpatenti.gov.ge