



საქართველოს ინტელექტუალური საკუთრების ეროვნული ცენტრი
NATIONAL INTELLECTUAL PROPERTY CENTER OF GEORGIA

საქპატენტი
SAKPATENTI

**OFFICIAL BULLETIN
OF THE INDUSTRIAL PROPERTY**

21(529)

2019
TBILISI

INID CODES FOR IDENTIFICATION OF BIBLIOGRAPHIC DATA

INVENTIONS, UTILITY MODELS

- (10) Number of publication for application, which has been examined
- (11) Number of patent and kind of document
- (21) Serial number of application
- (22) Date of filing of the application
- (23) Date of exhibition or the date of the earlier filing and the number of application, if any
- (24) Date from which patent may have effect
- (31) Number of priority application
- (32) Date of filing of priority application
- (33) Code of the country or regional organization allotting priority application number
- (44) Date of publication of application not granted, but examined and number of bulletin
- (45) Date of publication of registered document
- (51) International Patent Classification Index

- (54) Title of the invention
- (57) Abstract
- (60) Number of examined patent document granted by foreign patent office, date from which patent has effect and country code
- (62) Number of the earlier application and in case of divided application, date of filing an application
- (71) Name, surname and address of applicant (country code)
- (72) Name, surname of inventor (country code)
- (73) Name, surname and address of patent owner (country code)
- (74) Name, surname of representative or patent attorney
- (85) Date of commencement of the national phase of International Application
- (86) Number and date of filing of international application
- (87) Number and date of publication of international application
- (94) Calculated date of expiry of the SPC or the duration of the SPC

DESIGNS

- (10) Number of publication for application
- (11) Number of patent and kind of document or number of registration
- (15) Date of registration/Date of patent renewal
- (18) Expected expiration date of patent or registration
- (21) Serial number of application
- (22) Date of filing of the application
- (23) Date of exhibition or the date of the earlier filing and the number of application, if any
- (24) Date from which patent may have effect
- (28) Number of designs included in the application
- (30) Data relating to priority (number of application, date of filing of application, two-letter code identifying the authority with whom the priority application was made)
- (31) Number of priority application
- (32) Date of filing of priority application
- (33) Code of the country or regional organization allotting priority application number
- (34) Two-letter code according to WIPO St.3 identifying the authority with which the priority application was made
- (44) Date of publication of design and number of bulletin (the first publication)
- (45) Date of publication of design registered by WIPO and number of bulletin

- (51) International Classification for designs (class and subclass of the Locarno Classification)
- (54) Title of the invention
- (55) Reproduction of the design
- (57) Description of characteristic features of the design including indication of colors
- (58) Date of recording of any kind of amendment in the Register
- (62) Number of the earlier application, registration and document number and if available the date of filing an application in case of divided application
- (71) Name, surname and address of applicant (country code)
- (72) Name, surname of creator (country code)
- (73) Name, surname and address of patent owner (country code)
- (74) Name, surname of representative or patent attorney
- (81) Contracting states concerned
 - II designated contracting states according to the 1960 Act
 - III designated contracting states according to the 1999 Act
- (85) Owner's permanent address
- (86) Owner's nationality
- (87) Owner's residence
- (88) State in which the owner has a real and effective industrial or commercial establishment

TRADEMARKS

- (111) - Number of registration
- (151) - Date of registration
- (156) - Date of the renewal
- (181) - Expected expiration date of registration
- (186) - Renewal expiration date of registration
- (141) - Date of cancel of duration of the mark
- (210) - Serial number of application
- (220) - Date of filing of the application
- (230) - Data concerning exhibition
- (260) - Number of application, for which favorable decision of examination about registration has been taken (publication number)
- (310) - Number of the first application
- (320) - Date of filing of the first application
- (330) - Code, identifying national or regional Office where the first application was made
- (511) - International Classification of Goods and Services for the purposes of registration of trade marks and/or list of goods and/or services classified according thereto
- (526) - Disclaimer
- (531) - Description of figurative elements of Trade Marks according to the International Classification of the Figurative Elements of Marks

- (540) - Reproduction of Trade Mark
- (550) - Nature and kind of Trade Mark
- (551) - Indication to the effect that the mark is a collective mark, a certification mark or a guarantee mark
- (554) - Three-dimensional mark
- (580) - Date of recording of any kind changes in respect of applications or registrations
- (591) - Information concerning colors claimed
- (731) - Name and address of the applicant
- (732) - Name and address of the holder of the registration
- (740) - Name and address of the representative
- (750) - Addreses for correspondence
- (770) - Name and address of the previous applicant or holder in case of change in ownership
- (771) - Previous name and address of the applicant or holder in case of change in ownership
- (791) - Name and address of the licensee
- (793) - Indication of conditions and/or restrictions under the license (Type of license, number of license agreement, data of license, data of validity of license)
- (800) - Certain data relating to the international registration of Trade Marks under the Protocol Relating to Madrid Agreement (International registration number
- (852) - Partial cancellation of the list of goods and services
- (891) - Date of subsequent designation

CODES FOR PUBLICATION IN BULLETIN

- (21) AP 0000 000000 - serial number of application for invention
- (10) AP 0000 0000 A - number of published application for invention (first publication)
- (11) P 0000 0000 B - number of patent for invention (second publication)
- (21) API 0000 000000 - number of application for imported patent
- (11) PI 0000 0000 A - number of imported patent (first publication)
- (21) AU 0000 000000 - serial number of application for utility model
- (10) AU 0000 000 U - number of published application for utility model (first publication)
- (11) U 0000 000 Y - number of patent for utility model (second publication)
- (21) AD 0000 000000 - serial number of application for design
- (10) AD 0000 000 S - number of published application for design (first publication)
- (11) D 0000 000 S - registered design

INTERNATIONAL PATENT CLASSIFICATION FOR INVENTIONS AND UTILITY MODELS

- SECTION A - HUMAN NECESSITIES
- SECTION B - PERFORMING OPERATIONS; TRANSPORTING
- SECTION C - CHEMISTRY; METALLURGY
- SECTION D - TEXTILES; PAPER
- SECTION E - FIXED CONSTRUCTIONS
- SECTION F - MECHANICAL ENGINEERING; LIGHTING; HEATING; WEAPONS; BLASTING
- SECTION G - PHYSICS
- SECTION H - ELECTRICITY

-
- M - Trade Mark
 - (210) AM 0000 000000 - Serial number of application;
 - (260) AAM 0000 00000 A - Publication number of application;
 - (111) M 0000 00000 R - Number of registration;
 - (111) MMM0000 00000 Rn - Number of renewals, in which n=1,2,3;
 - (111) M 0000 00000 R(P) - Number of registration under partial assignment of rights
-

**LIST OF CODES, IN ALPHABETIC SEQUENCE, AND THE CORRESPONDING (SHORT) NAMES OF STATES, OTHER ENTITIES AND INTERGOVERNMENTAL ORGANIZATIONS
(WIPO STANDARD ST.3)**

AD	Andorra				
AE	United Arab Emirates	GD	Grenada	NE	Niger
AF	Afghanistan	GG	Guernsey	NG	Nigeria
AG	Antigua and Barbuda	GH	Ghana	NI	Nicaragua
AI	Anguilla	GI	Gibraltar	NL	Netherlands
AL	Albania	GT	Guatemala	NO	Norway
AM	Armenia	GW	Guinea- Bissau	NP	Nepal
AN	Netherlands Antilles	GY	Guyana	NR	Nauru
AO	Angola	HK	The Hong Kong Special Administrative Region of the People's Republic of China	NZ	New Zealand
AP	African Regional Intellectual Property Organization (ARIPO)	HN	Honduras	OA	African Intellectual Property Organization (OAPI)
AR	Argentina	HR	Croatia	OM	Oman
AT	Austria	HT	Haiti	PA	Panama
AU	Australia	HU	Hungary	PE	Peru
AW	Aruba	IB	International Bureau of the World Intellectual Property Organization (WIPO)	PG	Papua New Guinea
AZ	Azerbaijan	ID	Indonesia	PH	Philippines
BA	Bosnia and Herzegovina	IE	Ireland	PK	Pakistan
BB	Barbados	IL	Israel	PL	Poland
BD	Bangladesh	IM	Isle of Man	PT	Portugal
BE	Belgium	IN	India	PW	Palau
BF	Burkina Faso	IQ	Iraq	PY	Paraguay
BG	Bulgaria	IR	Iran (Islamic Republic of)	QA	Qatar
BH	Bahrain	IS	Iceland	QZ	Community Plant Variety Office (European Community) (CPVO)
BI	Burundi	IT	Italy	RO	Romania
BJ	Benin	JE	Jersey	RS	Serbia
BM	Bermuda	JM	Jamaica	RU	Russian Federation
BN	Brunei Darussalam	JO	Jordan	RW	Rwanda
BO	Bolivia	JP	Japan	SA	Saudi Arabia
BR	Brazil	KE	Kenya	SB	Solomon Islands
BS	Bahamas	KG	Kyrgyzstan	SC	Seychelles
BT	Bhutan	KH	Cambodia	SD	Sudan
BV	Bouvet Island	KI	Kiribati	SG	Singapore
BW	Botswana	KM	Saint Kitts and Nevis	SH	Saint Helena
BX	Benelux Office for Intellectual Property (BOIP)	KP	Democratic People's Republic of Korea	SI	Slovenia
BY	Belarus	KR	Republic of Korea	SK	Slovakia
BZ	Belize	KW	Kuwait	SL	Sierra Leone
CA	Canada	KY	Cayman Islands	SM	San Marino
CD	Democratic Republic of the Congo	KZ	Kazakhstan	SN	Senegal
CF	Central African Republic	LA	Lao People's Democratic Republic	SO	Somalia
CG	Congo	LB	Lebanon	SR	Suriname
CH	Switzerland	LC	Saint Lucia	ST	Sao Tome and Principe
CI	Cote d'Ivoire	LI	Liechtenstein	SV	El Salvador
CK	Cook Islands	LK	Sri Lanka	SY	Syrian Arab Republic
CL	Chile	LR	Liberia	SZ	Swaziland
CM	Cameroon	LS	Lesotho	TC	Turks and Caicos Islands
CN	China	LT	Lithuania	TD	Chad
CO	Colombia	LU	Luxembourg	TG	Togo
CR	Costa Rica	LV	Latvia	TH	Thailand
CU	Cuba	LY	Libyan Arab Jamahiriya	TJ	Tajikistan
CV	Cape Verde	MA	Morocco	TL	Timor-Leste
CY	Cyprus	MC	Monaco	TM	Turkmenistan
CZ	Czech Republic	MD	Republic of Moldova	TN	Tunisia
DE	Germany	ME	Montenegro	TO	Tonga
DJ	Djibouti	MG	Madagascar	TR	Turkey
DM	Dominica	MK	The former Yugoslav Republic of Macedonia	SE	Sweden
DO	Dominican Republic	ML	Mali	TT	Trinidad and Tobago
DZ	Algeria	MM	Myanmar	TV	Tuvalu
EA	Eurasian Patent Organization (EAPO)	MN	Mongolia	TW	Taiwan, Province of China
EC	Ecuador	MO	Macao	TZ	United Republic of Tanzania
EE	Estonia	MP	Northern Mariana Islands	UA	Ukraine
EG	Egypt	MR	Mauritania	UG	Uganda
EH	Western Sahara	MS	Montserrat	US	United States of America
EM	Office for Harmonization in the Internal Market (Trademarks and Designs)(OHIM)	MT	Malta	UY	Uruguay
EP	European Patent Office (EPO)	MU	Mauritius	UZ	Uzbekistan
ER	Eritrea	MV	Maldives	VA	Holy See
ES	Spain	MW	Malawi	VC	Saint Vincent and the Grenadines
ET	Ethiopia	MX	Mexico	VE	Venezuela
FI	Finland	MY	Malaysia	VG	Virgin Islands (British)
FJ	Fiji	MZ	Mozambique	VN	Viet Nam
FK	Falkland Islands (Malvinas)	NA	Namibia	VU	Vanuatu
FO	Faroe Islands			WO	World Intellectual Property Organization (WIPO)
FR	France			WS	Samoa
GA	Gabon			XN	Nordic Patent Institute (NPI)
GB	United Kingdom			YE	Yemen
GC	Patent Office of the Cooperation Council for the Arab States of the Gulf (GCC)			ZA	South Africa
				ZM	Zambia
				ZW	Zimbabwe

OFFICIAL BULLETIN OF THE INDUSTRIAL PROPERTY

21(529)

**INVENTIONS
UTILITY MODELS
DESIGNS
TRADEMARKS
APPELLATIONS OF ORIGIN OF GOODS**

DATE OF PUBLICATION: 2019 11 11

CONTENTS

PUBLISHED TITLES OF PROTECTION	3
INVENTIONS	
▪ APPLICATIONS APPROVED FOR GRANTING PATENTS	4
▪ PATENTED INVENTIONS	9
UTILITY MODELS	
▪ PATENTED UTILITY MODELS	11
DESIGNS	
▪ APPLICATION APPROVED FOR REGISTRATION	12
▪ REGISTERED DESIGN	13
▪ DESIGN REGISTERED ACCORDING TO THE ACCELERATED PROCEDURE	14
▪ DESIGNS, WHICH HAVE BEEN REGISTERED WITH THE INTERNATIONAL BUREAU CLAIMING PRIORITY ON THE TERRITORY OF GEORGIA	16
TRADEMARKS	
▪ APPLICATIONS FILED UNDER THE NATIONAL PROCEDURE APPROVED FOR REGISTRATION	67
▪ REGISTERED TRADEMARKS	78
▪ TRADEMARKS REGISTERED ACCORDING TO THE ACCELERATED PROCEDURE	85
▪ INTERNATIONAL TRADEMARKS FOR WHICH A DECISION ON GRANTING PROTECTION IS TAKEN	88
▪ INTERNATIONAL TRADEMARKS PROTECTED IN GEORGIA	181
APPELATION OF ORIGIN OF GOODS	
▪ PROTECTED INTERNATIONAL APPELATION OF ORIGIN OF GOODS	191
OFFICIAL NOTIFICATIONS	
INVENTIONS	
▪ EXPIRATION OF PATENTS RESTORATION	194
▪ ABOLITION OF PATENTS WITH THE RIGHT TO RESTORE	194
▪ EXPIRATION OF TERM OF RESTORATION OF PATENTS	196
UTILITY MODELS	
▪ ABOLITION OF PATENTS WITH THE RIGHT TO RESTORE	197
▪ EXPIRATION OF TERM OF RESTORATION OF PATENTS	197
DESIGNS	
▪ EXTENSION OF REGISTRATION OF INTERNATIONAL DESIGNS	198
TRADEMARKS	
▪ RENEWAL OF REGISTRATIONS	209
▪ COMPLETE TRANSFER OF RIGHTS	210
▪ CHANGES OF NAMES AND/OR ADDRESSES OF OWNERS	211
▪ TERMINATION OF TRADEMARKS REGISTRATION	212
▪ LICENSE AGREEMENT	217
CLASSIFICATION INDEXES	
INVENTIONS	218
UTILITY MODELS	220
DESIGNS	221
TRADEMARKS	223

PUBLISHED TITLES OF PROTECTION

INVENTIONS

- **APPLICATIONS APPROVED FOR GRANTING PATENT:**
14678; 14339; 14591; 14297; 14679, 14680; 15009; 14843
- **PATENTED INVENTIONS:**
7037-7041

UTILITY MODELS

- **PATENTED UTILITY MODELS:**
2021, 2022

DESIGNS

- **APPLICATION APPROVED FOR REGISTRATION:**
1094
- **REGISTERED DESIGN:**
824
- **DESIGN REGISTERED ACCORDING TO THE ACCELERATED PROCEDURE:**
825
- **DESIGNS, WHICH HAVE BEEN REGISTERED WITH THE INTERNATIONAL BUREAU CLAIMING PRIORITY ON THE TERRITORY OF GEORGIA:**
202044; 200690; 200716; 200696; 202050; 201965; 202120; 202194; 202224; 202255; 200703; 202250; 202161

TRADEMARKS

- **APPLICATIONS FILED UNDER THE NATIONAL PROCEDURE APPROVED FOR REGISTRATION:**
97703; 99429; 100070; 100084; 100464; 101213, 101214; 101618; 101671-101673; 101918; 102069; 102072-102075; 102145; 102158, 102159; 102166; 102174; 102233; 102236, 102237; 102239; 102251, 102252; 102256; 102259; 102268; 102347; 102359; 102362, 102363; 102370; 102372; 102374; 102386; 102398; 102400, 102401; 102491; 102493; 102495; 102498; 102500-102503; 102518, 102519; 102521, 102522; 102525; 102527; 102533; 102539; 102546; 102566; 102694; 102707; 102713, 102714; 102720; 102730; 102737; 102927
- **REGISTERED TRADEMARKS:**
31873-31914; 31924-31963
- **TRADEMARKS REGISTERED ACCORDING TO THE ACCELERATED PROCEDURE:**
31915-31923; 31964-31969
- **INTERNATIONAL TRADEMARKS FOR WHICH A DECISION ON GRANTING PROTECTIONS IS TAKEN:**
97315*; 97663*; 99598; 100338; 100723; 101072-101076; 101096; 101098-101101; 101103; 101137, 101138; 101140- 101143; 101145, 101146; 101159-101161; 101163-101165; 101167-101172; 101175-101186; 101202-101206; 101208, 101209; 101260, 101261; 101263-101266; 101270-101273; 101275, 101276; 101281, 101282; 101285; 101308; 101329- 101336; 101338; 101348, 101349; 101353; 101356; 101359, 101360; 101369; 101423-101428; 101444; 101447; 101449-101457; 101463-101467; 101469-101471; 101557-101562; 101575, 101576; 101725; 101729-101732; 101795; 101896, 101897; 101908; 102130-102133; 102189-102191; 102223-102225; 102335, 102336; 102338; 102466; 102478, 102479
- **INTERNATIONAL TRADEMARKS PROTECTED IN GEORGIA:**
95729; 97117; 98838; 98943; 98951; 99283; 99375; 99390; 99400; 99548; 99561, 99562; 99570; 99585-99588; 99601; 99620; 99684-99692; 99694; 99707; 99714; 99717-99720; 99722-99727; 99729-99732; 99734-99737; 99739; 99741; 99744-99749; 99798; 99800-99803; 99806, 99807; 99820; 99822-99824; 99831, 99832; 99835-99839; 99846; 100099; 100102, 100103; 100127, 100128; 100131-100134; 100138; 100141; 100152, 100153; 100155; 100157-100170; 100183; 100214; 100221, 100222; 100225, 100226; 100229; 100234; 100236; 100238; 100241; 100253; 100343-100345; 100347-100361; 100486; 100509; 100570-100578; 100617, 100618

APPELATION OF ORIGIN OF GOODS

- **ROTECTED INTERNATIONAL APPELATION OF ORIGINE OF GOODS:**
1107-1130

INVENTIONS

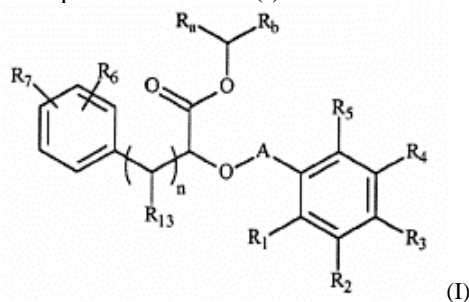
APPLICATIONS APPROVED FOR GRANTING PATENTS

The decision can be appealed at the Chamber of Appeal of Sakpatenti within 3 months from the publication or at the Mtskheta District Court Administrative Cases Board (Address: №17, Samkhedro str., Mtskheta), within 1 month following the publication.

PART A

A 61

- (10) AP 2019 14678 A (51) Int. Cl. (2006)
A 61 K 31/519
A 61 p 35/00
A 61 P 37/00
C 07 D 495/04
- (21) AP 2016 14678 (22) 2016 06 22
(31) 1555752
(32) 2015 06 23
(33) FR
(71) VERNALIS (R&D) LIMITED (GB)
100 Berkshire Place Wharfedale Road
Winnersh Berkshire RG41 5RD (GB);
LES LABORATOIRES SERVIER (FR)
35 rue de Verdun 92284 Suresnes Cedex (FR)
- (72) SIPOS, Szabolcs (HU);
PACZAL, Attila (HU);
CHANRION, Maïa (FR);
DEMARLES, Didier (FR);
SZLÁVIK, Zoltán (HU);
BÁLINT, Balázs (HU);
DAVIDSON, James Edward Paul (GB);
KOTSCHY, András (HU);
MURRAY, James Brooke (GB);
GENESTE, Olivier (FR)
- (74) Tamaz Shilakadze
(85) 2018 01 18
(86) PCT/EP2016/064433, 2016 06 22
(54) **NEW HYDROXYESTER
DERIVATIVES, PROCESS FOR THEIR
PREPARATION AND PHARMACEU-
TICAL COMPOSITIONS CONTAINING
THEM**
- (57) Compound of formula (I)



preparation method thereof, pharmaceutical compositions and therapeutic agents on the basis thereof, and their usage for cancer treatment.

Claims: 20 independent
24 dependent

Table: 1

- (10) AP 2019 14339 A (51) Int. Cl. (2006)
A 61 K 31/4985
A 61 P 25/24
- (21) AP 2014 14339 (22) 2014 05 09
(71) Tecnimede Sociedade Tecnico-
Medicinal S.A. (PT)
Rua Tapada Grande, №2 Abrunheira
P-2710-089 Sintra (PT)
- (72) PARDAL FILIPE, Augusto Eugénio (PT);
EUFRÁSIO PEDROSO, Pedro Filipe (PT);
ALMEIDA PECORELLI, Susana
Marques (PT);
CASIMIRO CAIXADO, Carlos Alberto
Eufrásio (PT);
LOPES, Ana Sofia da Conceição (PT);
DAMIL, João Carlos Ramos (PT);
E OLIVEIRA SANTOS, Pedro Paulo
de Lacerda (PT)
- (74) Tamaz Shilakadze
(85) 2016 12 05
(86) PCT/PT2014/000026, 2014 05 09
(54) **PHARMACEUTICALLY ACCEPTABLE
SALTS OF PIRLINDOLE ENANTIO-
MERS FOR USE IN MEDICINE**
- (57) Pirlindole enantiomers pharmaceutically acceptable salts usage in medicine, wherein acid generating pharmaceutically acceptable salt is methansulph acid.
Claims: 2 independent
5 dependent
Table: 1

(10) AP 2019 14591 A **(51) Int. Cl. (2006)**
A 61 K 35/747
A 61 K 35/744
A 61 P 35/00
A 61 P 29/00

(21) AP 2016 14591 (22) 2016 03 24

(31) 62/138,491

(32) 2015 03 26

(33) US

(71) BIOGAIA AB (SE)

Box 3242 SE-103 64 Stockholm (SE)

(72) GAO, Chunxu (US);

GANESH, Bhanu (US);

MÖLLSTAM, Bo (SE);

VERSALOVIC, James (US)

(74) Shalva Gvaramadze

(85) 2017 09 19

(86) PCT/SE2016/050253, 2016 03 24

(54) HISTAMINE-PRODUCING BACTERIAL STRAINS AND THEIR USAGE AGAINST CANCER

(57) Present invention relates to histamine-producing lactic acid bacterial strain *Lactobacillus reuteri* usage for histamine-related cancer prevention, inhibition or treatment; wherein said strain is capable to produce diacylglycerol kinase (DagK).

Claims: 8 independent

7 dependent

Fig.: 10

(10) AP 2019 14297 A **(51) Int. Cl. (2006)**
A 61 K 47/12
A 61 K 47/28
A 61 K 47/34
A 61 K 9/107
A 61 K 9/51
A 61 K 31/5377

(21) AP 2015 14297 (22) 2015 03 13

(31) 61/953,628

(32) 2014 03 14

(33) US

(71) PFIZER INC. (US)

235 East 42nd Street New York,
 NY 10017 (US)

(72) BAGRODIA, Shubha (US);

LAFONTAINE, Jennifer (US);

LOVATT, Zach (US);

SHIN, Eyoung (US);

SONG, Young, Ho (US);

TROIANO, Greg (US);

WANG, Hong (US)

(74) Shalva Gvaramadze

(85) 2016 10 12

(86) PCT/US2015/020343, 2015 03 13

(54) THERAPEUTIC NANOPARTICLES COMPRISING THERAPEUTIC AGENT AND METHODS OF MAKING AND USING SAME

(57) Present invention generally relates to nanoparticles comprising piece of therapeutic agent (1-(4-{[4-(dimethylamino)piperidin-1-yl]carbonyl}phenyl)-3-[4-(4,6-dimorpholin-4-yl-1,3,5-triazin-2-yl)phenyl]urea), substantially hydrophobic acid and polymer selected from poly(lactic acid)-poly(ethylene)glycol diblock copolymer or poly(lactic acid coglycol acid)-poly(ethylene)glycol diblock copolymer and combination thereof. Said invention relates to usage such nanoparticles for cancer treatment, as well.

Claims: 7 independent

11 dependent

Fig.: 10

(10) AP 2019 14679 A **(51) Int. Cl. (2006)**
A 61 P 37/00
A 61 P 35/00
A 61 K 31/519
C 07 D 495/04

(21) AP 2016 14679 (22) 2016 06 22

(31) 1555747

(32) 2015 06 23

(33) FR

(71) LES LABORATOIRES SERVIER (FR)

35 rue de Verdun 92284 Suresnes Cedex (FR);

VERNALIS (R&D) LIMITED (GB)

100 Berkshire Place Wharfedale Road

Berkshire Winnersh Berkshire

RG41 5RD (GB)

(72) DAVIDSON, James Edward Paul (GB);

KOTSCHY, András (HU);

RADICS, Gábor (HU);

SIPOS, Szabolcs (HU);

CSÉKEI, Márton (HU);

MURRAY, James Brooke (GB);

ONDI, Levente (HU);

PROSZENYÁK, Ágnes (HU);

PACZAL, Attila (HU);

PERRON-SIERRA, Françoise (FR);

BÁLINT, Balázs (HU);

SZLÁVIK, Zoltán (HU);

SZABÓ, Zoltán (HU);

BRUNO, Alain (FR);

GENESTE, Olivier (FR);

CHEN, I-Jen (GB)

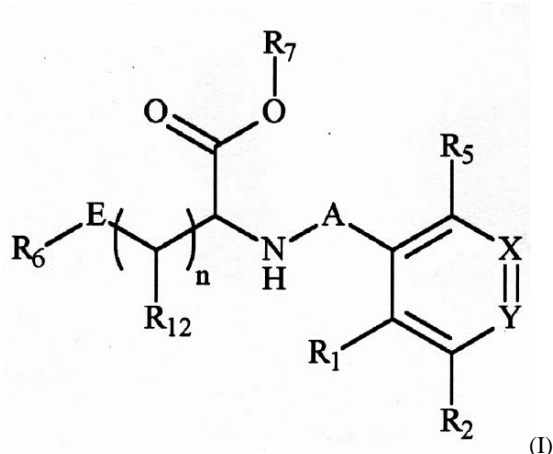
(74) Tamaz Shilakadze

(85) 2018 01 18

(86) PCT/EP2016/064436, 2016 06 22

(54) NEW AMINOACID DERIVATIVES, A PROCESS FOR THEIR PREPARATION AND PHARMACEUTICAL COMPOSITIONS CONTAINING THEM

(57) Compound of formula (I),



preparation method, pharmaceutical compositions and therapeutic agents on the basis thereof, and their usage for cancer treatment.

Claims: 17 independent
24 dependent

Table: 1

(10) AP 2019 14680 A (51) Int. Cl. (2006)
A 61 P 37/00
A 61 P 35/00
A 61 K 31/519
C 07 D 495/04

(21) AP 2016 14680

(22) 2016 06 22

(31) 1555753

(32) 2015 06 23

(33) FR

(71) VERNALIS (R&D) LIMITED (GB)

100 Berkshire Place Wharfedale Road Berkshire
Winnersh Berkshire RG41 5RD (GB);

LES LABORATOIRES SERVIER (FR)

35 rue de Verdun 92284 Suresnes Cedex (FR)

(72) PROSZENYÁK, Ágnes (HU);

DAVIDSON, James Edward Paul (GB);

CHANRION, Maïa (FR);

GENESTE, Olivier (FR);

KOTSCHY, András (HU);

MURRAY, James Brooke (GB);

PACZAL, Attila (HU);

SZLÁVIK, Zoltán (HU);

SIPOS, Szabolcs (HU);

BÁLINT, Balázs (HU)

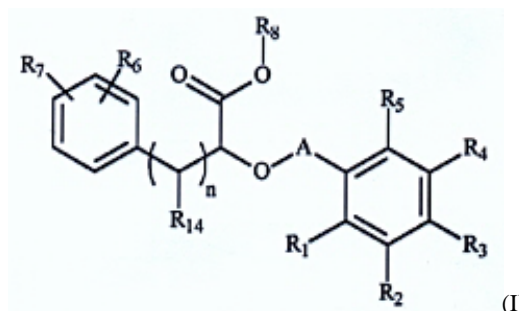
(74) Tamaz Shilakadze

(85) 2018 01 18

(86) PCT/EP2016/064417, 2016 06 22

(54) **NEW HYDROXYACID DERIVATIVES,
A PROCESS FOR THEIR PREPARA-
TION AND PHARMACEUTICAL
COMPOSITIONS CONTAINING THEM**

(57) Compound of formula (I),



preparation method, pharmaceutical compositions and therapeutic agents on the basis thereof, and their usage for cancer treatment.

Claims: 16 independent
22 dependent

Table: 1

PART B

B 22

(10) AP 2019 15009 A (51) Int. Cl. (2006)
B 22 F 9/08

(21) AP 2019 15009

(22) 2019 02 18

(71) Giorgi Sakhvadze (GE)

Saiatnova St. 1, 0105, Tbilisi (GE);

Gigo Jandieri (GE)

Vazisubani, I mkr., ap. 36, 0152, Tbilisi (GE);

Davit Sakhvadze (GE)

Saiatnova St. 1, 0105, Tbilisi (GE)

(72) Giorgi Sakhvadze (GE);

Gigo Jandieri (GE);

Davit Sakhvadze (GE)

(54) **METHOD FOR METALLIC
POWDER PREPARATION AND DEVICE
FOR IMPLEMENTATION THEREOF**

(57) A device includes a case 1, metallic melt spraying chamber 3 formed therein, absorbent jet 9, formed around spraying chamber the channel system 7 for water supply under the pressure from up to down, toroidal channel-shaped spray formed around absorbent jet with said channel system, and executed for water supply into absorbent jet, a collector 13, a pipe 12 transporting warked water with weighted therein metallic particles in to the collector, a unit supplying water under pressure; at that, spraying chamber is cylindrical-shaped and has diffuser part, whereto said transporting pipe is connected. Furthermore, the device is equipped with intermediate scoop 17, wherein horizontal siphon channel for metallic melt is executed and placed on a table 19 movable in vertical plane. The device is equipped with set of interchangeable absorbent jets, wherefrom each is standing in a

head 8, and has hollow cylindrical shape, and is executed with ceramical material.

Claims: 2 independent
2 dependent

Fig.: 1

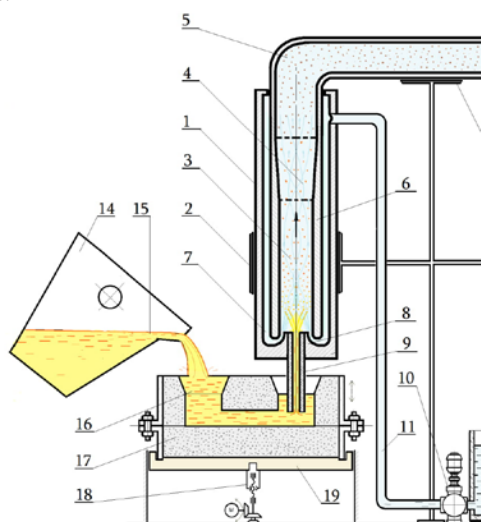


Fig. 1

B 65

(10) AP 2019 14843 A (51) Int. Cl. (2006)
B 65 G 25/08

(21) AP 2018 14843 (22) 2018 07 26

(71) Khatuna Amkoladze (GE)

Meliton & Andria Balavanchivadzes St.,
korp. I, ap. 63, 0171, Tbilisi (GE);

Tornike Kapanadze (GE)

Tevdore Mghvdeli St. 54, ap. 53, 0154,
Tbilisi (GE);

Davit Mosulishvili (GE)

Megobroba Ave., korp. 41, ap. 64, 3700,
Rustavi (GE);

Dato Nachkebia (GE)

Gamsakhurdia St. 41, ap. 6, 0160,
Tbilisi (GE);

Tinatin Gogishvili (GE)

Gldani Gorge, korp. 3, ap. 111, 0107,
Tbilisi (GE);

Ramaz Tkemaladze (GE)

Village Etseri, 5510, Chiatura (GE);

Zaur Chitidze (GE)

Tarkhnishvili St. 16, 0179, Tbilisi (GE);

Vakhtang Abaishvili (GE)

Shartava St. 6, ap. 53, 0160, Tbilisi (GE);

Tamaz Mchedlishvili (GE)

T. Tabidze St. 76, 0179, Tbilisi (GE);

Zaur Balamtsarashvili (GE)

S. Tsintsadze St. 7, 0160, Tbilisi (GE);

Marine Kashivadze (GE)

Tskalsadeni St. 45, 0153, Tbilisi (GE)

(72) Khatuna Amkoladze (GE);

Tornike Kapanadze (GE);

Davit Mosulishvili (GE);

Dato Nachkebia (GE);

Tinatin Gogishvili (GE);

Ramaz Tkemaladze (GE);

Zaur Chitidze (GE);

Vakhtang Abaishvili (GE);

Tamaz Mchedlishvili (GE);

Zaur Balamtsarashvili (GE);

Marine Kashivadze (GE)

(54) AUTOMATIC LATHE PITCH CONVEYER CUTTING ORNAMENT

(57) Lathe pitch conveyer includes electromagnetic clutch 11-12 on which case 11 the rocking arm 18 having screw mechanism 19 is hinged, hingedly mounted onto a guide 29 moving articles the spring loaded rocking arm 55 with contact part fixed onto short arm 56 thereof, contact part fastened onto one of chain 23 pusher 28, and circle dial 58 – pitch falt indicator stationarily fastened onto rocking arm hinge center; at that, hinge mechanism nut 20 is executed cylindrical shaped, on which upper torcial part attached perpendicularly relative to screw axis the boom 64 is connected to flat dial 65 pitch magnitude indicator fastened immovable on to rocking arm 18 parallel relative to screw axis, and attached parallel relative to screw axis on cylindrical nut reflector the boom 66 is connected to pitch false indicating circle dial 68 fastened on set on the screw the single nut 67 and a torso. Furthermore, the intervals between pitch false indicator and liquidation dials partitions are attached so, that they are equal.

Claims: 1 independent

Fig.: 4

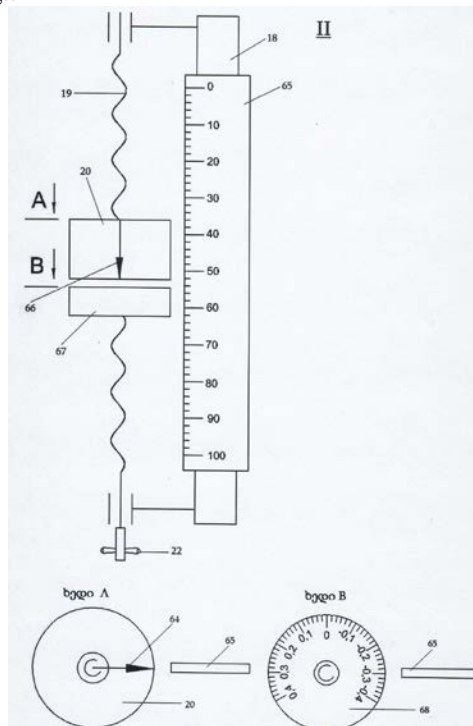


Fig. 4

UTILITY MODELS

PATENTED UTILITY MODELS

PART A

A 47

- (11) U 2019 2022 Y (51) Int. Cl. (2006)
A 47 K 10/38
- (10) AU 2019 14784 U (44) 14(522)/2019
(21) AU 2014 14784
(22) 2014 11 17
(24) 2014 11 17
(62) AU 2014 14166 2014 11 17
(31) 2013/13360
(32) 2013 11 18
(33) TR
(73) Egzaji Basi Tuketim Urunleri
Sanayi Ve Ticaret Anonim Sirketi (TR)
Tokmak Koyu Kavak Mevkii Karamursel
77700 Yalova (TR)
(72) ŞİMŞİR, Boğaç (TR)
(74) Larisa Amirkhanyan
(54) **DISPENSER COMPRISING A
PRODUCT LOADING MECHANISM**
-

PART B

B 65

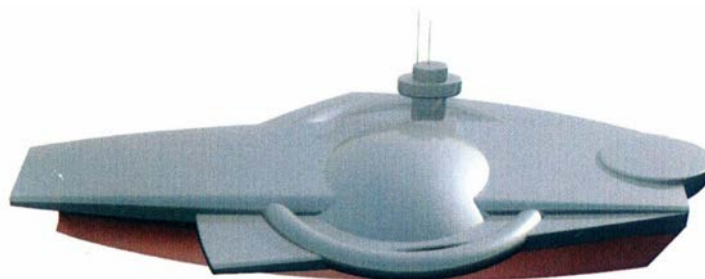
- (11) U 2019 2021 Y (51) Int. Cl. (2006)
B 65 D 5/40
- (10) AU 2019 14723 U (44) 7(515)/2019
(21) AU 2018 14723
(22) 2018 03 07
(24) 2018 03 07
(73) Gaga Lomouri (GE)
Lermontovi St. 67, 6000, Batumi (GE)
(72) Gaga Lomouri (GE)
(54) **FAT- AND WATERPROOF CARDBOARD
BOX FOR FOODSTUFF**
-

DESIGNS

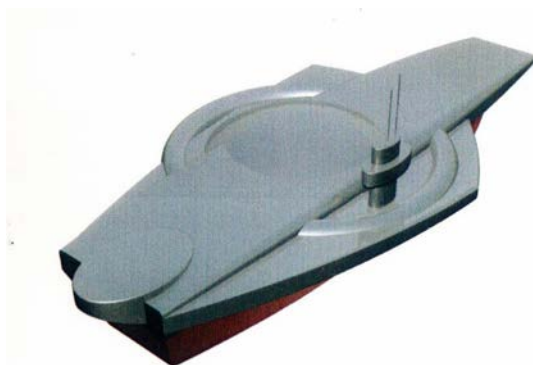
APPLICATION APPROVED FOR REGISTRATION

The decision can be appealed at the Chamber of Appeal of Sakpatenti within 3 months from the publication or at the Mtskheta District Court Administrative Cases Board (Address: №17, Samkhedro str., Mtskheta), within 1 month following the publication.

- (10) AD 2019 1094 S (51) 12-06
(21) AD 2019 1094 (22) 2019 06 14
(28) 2
(71) Teimuraz Murvanidze (GE)
S. Virsaladze St. 2/4, 0108, Tbilisi, Georgia (GE)
(72) Teimuraz Murvanidze (GE)
(74) Shalva Gvaramadze (GE)
(54) 1.-2. SHIPS
(55)



1.1



1.2



1.3



2.1

REGISTERED DESIGN

- (11) **D 2019 824 S** (51) **09-03**
(10) AD 2019 1078 S (44) 2019 07 25 №14
(21) AD 2019 1078
(22) 2019 03 14
(24) 2019 03 14
(28) 1
(18) 2024 03 14
(73) Marsa Yag San. Ve Tic. A.S. (TR)
 Ramazanođlu Mah. Mahmut Bayram Caddesi
 No: 9 Őeyhli PENDİK, İSTANBUL (TR)
(72) ÜLKER, Ali (TR)
(74) Tamaz Shilakadze (GE)
(54) **FOODSTUFF PACKAGING**
-

DESIGN REGISTERED ACCORDING TO THE ACCELERATED PROCEDURE

The decision can be appealed at the Chamber of Appeal of Sakpatenti within 3 months from the publication.

(11) D 2019 825 S (51) 06-01
(21) AD 2019 1111 (22) 2019 10 24
(24) 2019 10 24
(28) 1
(18) 2024 10 24
(73) Natgiz Gvalia (GE)
Z. Paliashvili St. 108, ap. 15, 0162, Tbilisi, Georgia (GE)
(72) Nargiz Gvalia (GE)
(54) ENGRAVED WOODEN CHAIR-ARMCHAIR
(55)



1.1



1.2



1.3

1.4



1.5



DESIGNS, WHICH HAVE BEEN REGISTERED WITH THE INTERNATIONAL BUREAU CLAIMING PRIORITY ON THE TERRITORY OF GEORGIA

The decision can be appealed at the Chamber of Appeal of Sakpatenti within 3 months from the publication or at the Mtskheta District Court Administrative Cases Board (Address: №17, Samkhedro Str., Mtskheta), within 1 month following the publication.

- (11) **DM/202 044** (51) **07-02**
 (15) 2019 01 10 (44) 31/2019 (2019 08 02)
 (22) 2019 01 10
 (28) 4
 (73) **FEMAŞ METAL SANAYİ VE TİCARET ANONİM ŞİRKETİ**
 Organize Sanayi Bölgesi 9. Cad. No: 17 Melikgazi, 38070 Kayseri (TR)
 (85) TR
 (86) TR
 (87) TR
 (88) TR
 (89) TR
 (81) III. AM, IS, MD, TJ, BW, GH, MN, ST, TN, CH, BN, UA, AL, AZ, TM, ME, MC, SG, NA, OA, NO, RS,
 BA, GE, OM, MK, LI, KG, EM, RW
 (72) **ALİ ERKAN MAMUR**
 Organize Sanayi Bölgesi 9. Cadde No:17 Melikgazi, 38070 Kayseri (TR)
 (74) **DESTEK PATENT ANONİM ŞİRKETİ**
 LEFKOŞE CAD. NM OFİS PARK B BLOK NO:36/5 BEŞEVLER NİLÜFER/BURSA (TR)
 (54) 1.-4. Gas cooktop
 (55)

1.1



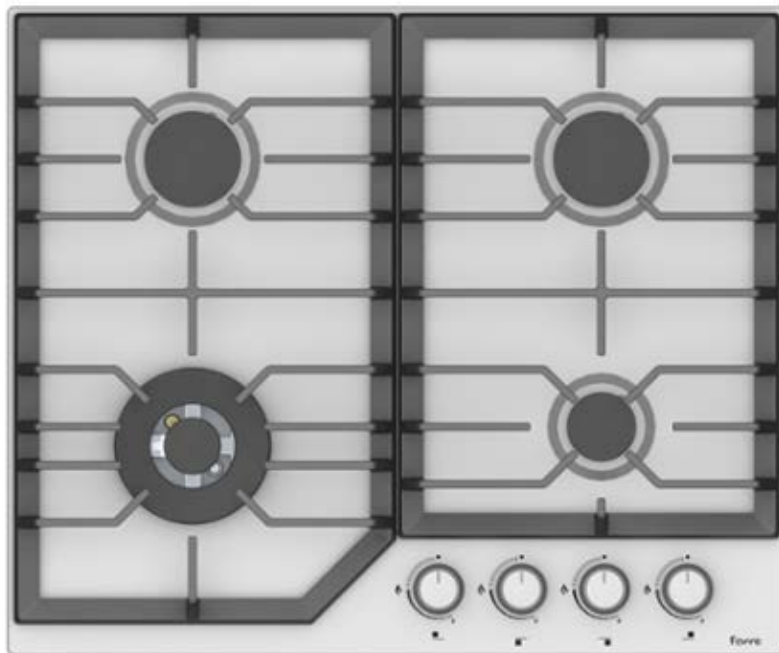
1.2



1.3



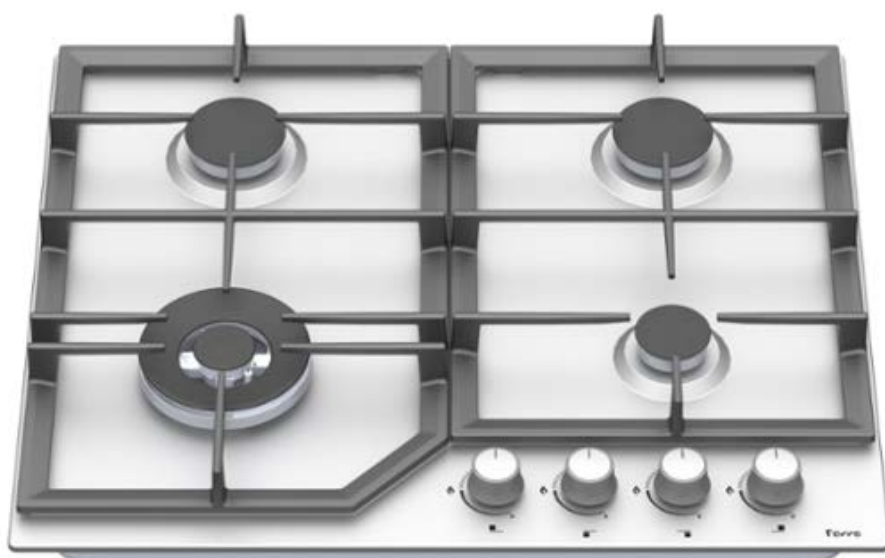
1.4



2.1



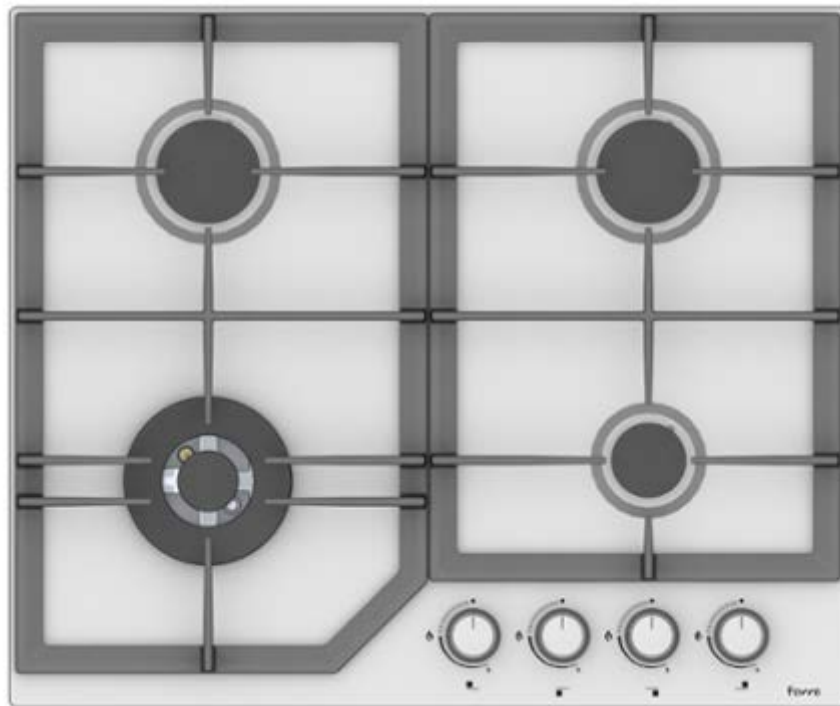
2.2



2.3



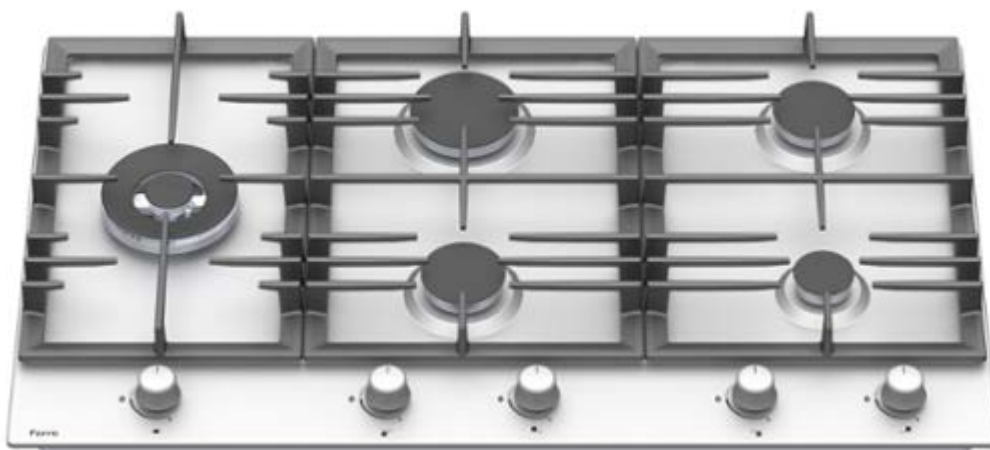
2.4



3.1



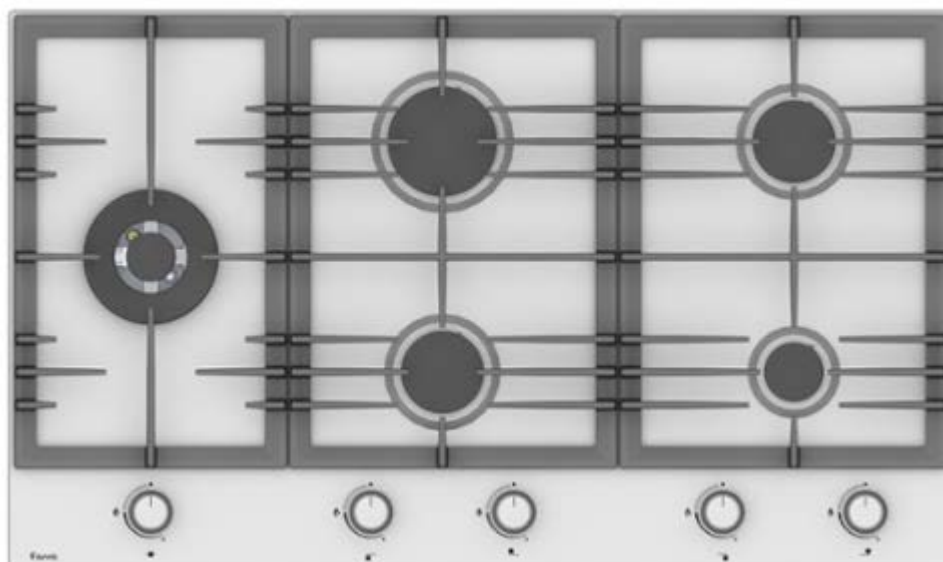
3.2



3.3



3.4



4.1



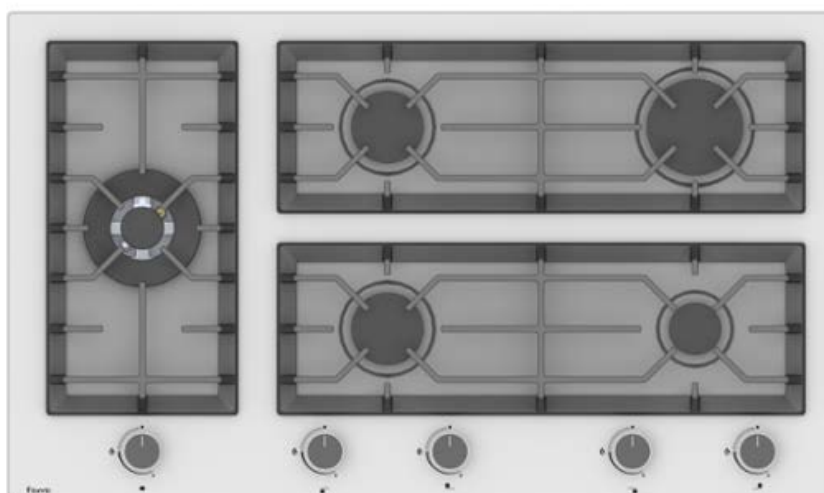
4.2



4.3



4.4

**(11) DM/200 690**

(15) 2019 01 30

(22) 2019 01 30

(28) 6

(73) HARRY WINSTON SA

Chemin du Tourbillon 8, 1228 Plan-Les-Ouates (CH)

(85) CH

(86) CH

(87) CH

(88) CH

(89) CH

(81) II. MA III. UA, AM, AL, AZ, BZ, ME, MD, MC, SG, NO, MN, BA, MK, TR, GE, OM, LI, KG, GB, TN, EM, CH

(72) 1: Steve KAMILINDI

c/o Harry Winston SA Chemin du Tourbillon 8, 1228 Plan-les-Ouates (CH);

2; 6: Sandra GARSAUD

c/o Harry Winston SA Chemin du Tourbillon 8, 1228 Plan-les-Ouates (CH);

3-4: Christophe LASSERRE

c/o Harry Winston SA Chemin du Tourbillon 8, 1228 Plan-les-Ouates (CH);

5: Emmanuelle DOMINGUEZ

c/o Harry Winston SA Chemin du Tourbillon 8, 1228 Plan-les-Ouates (CH)

(74) The Swatch Group AG (The Swatch Group SA) (The Swatch Group Ltd.)

Faubourg du Lac 6, 2501 BIEL/BIENNE (CH)

(54) 1. Oscillating weight, 2.-5. Dial, 6. Wristwatch case

(55)

(51) 10-07

(44) 31/2019 (2019 08 02)

1.1**1.2**

1.3



1.4



1.5



1.6



1.7



1.8



2.1



2.2



2.3



2.5



2.4



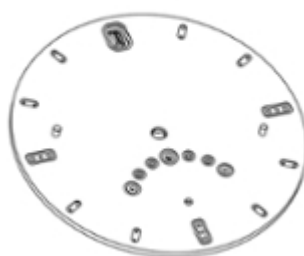
2.6



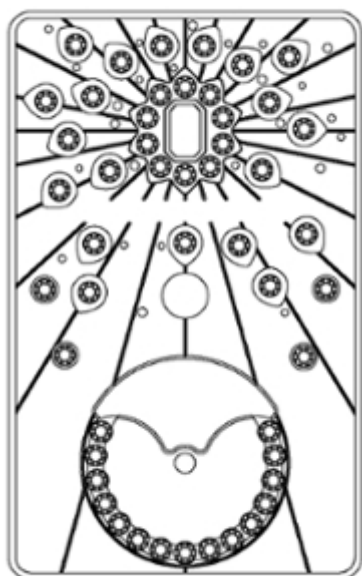
2.7



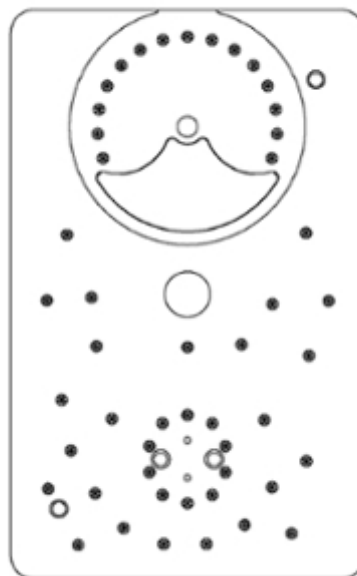
2.8



3.1



3.2



3.3



3.5



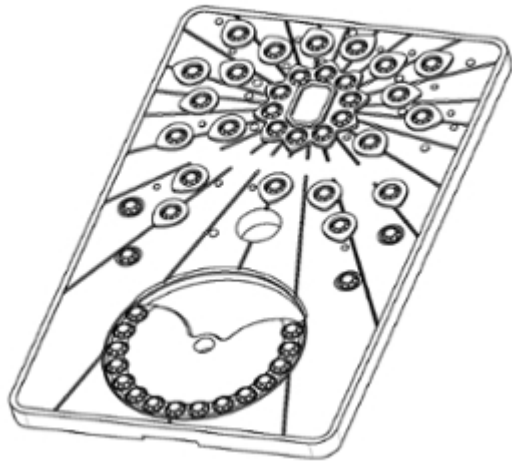
3.4



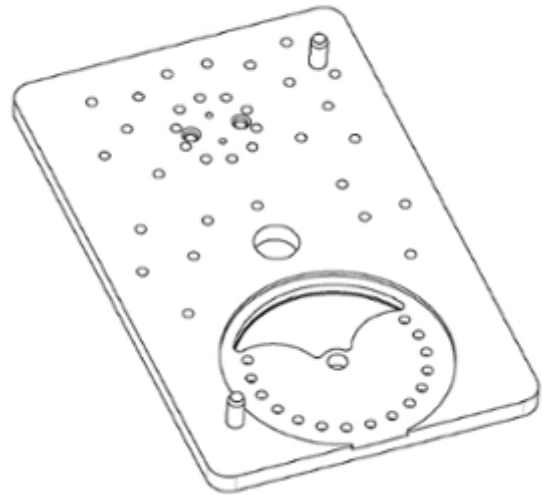
3.6



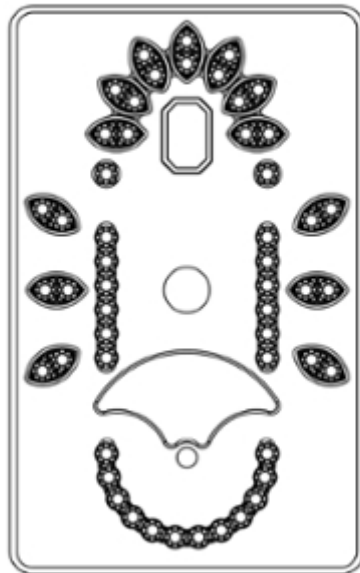
3.7



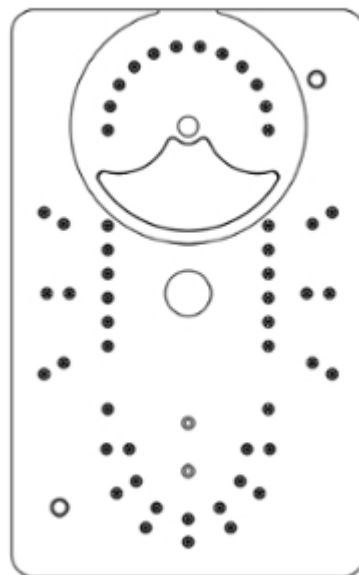
3.8



4.1



4.2



4.3



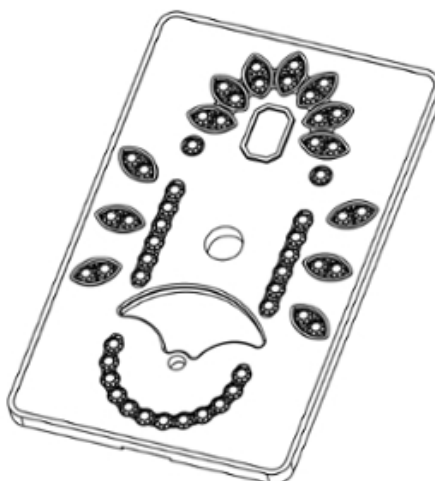
4.4



4.5



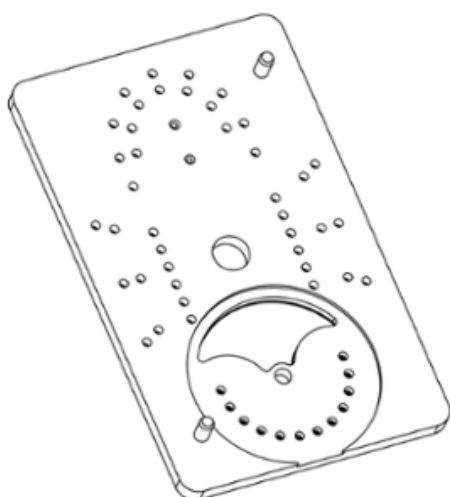
4.7



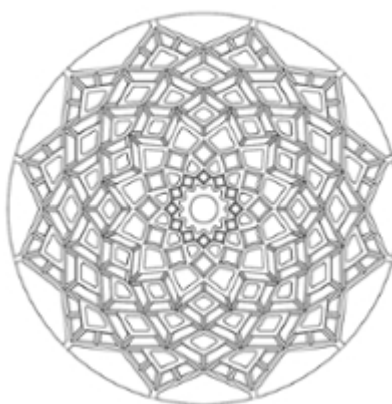
4.6



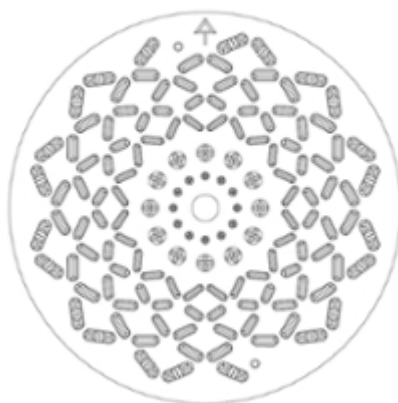
4.8



5.1



5.2



5.3



5.4



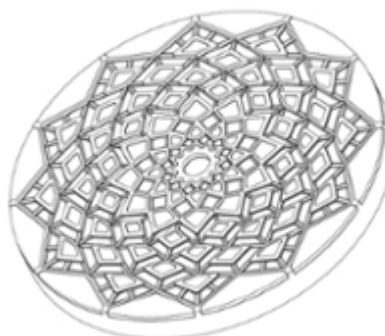
5.5



5.6



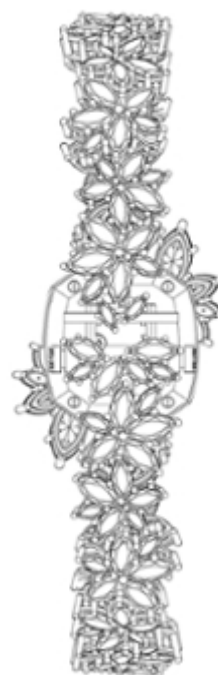
5.7



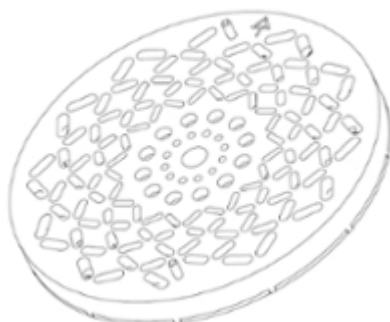
6.1



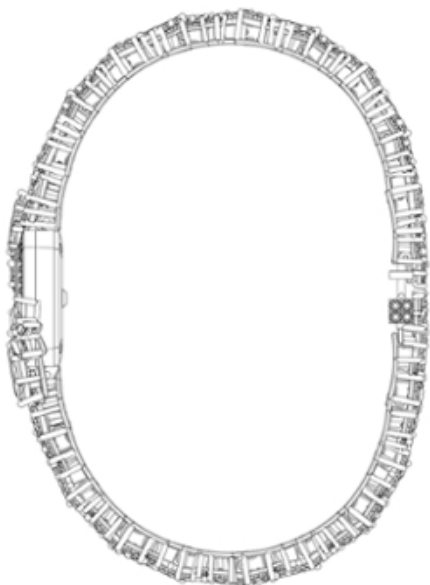
6.2



5.8



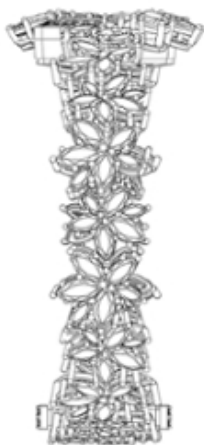
6.3



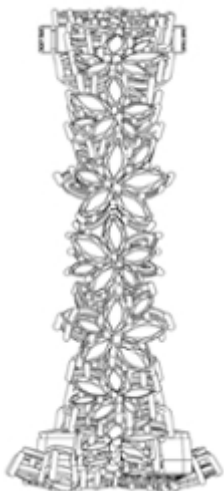
6.5



6.4



6.6



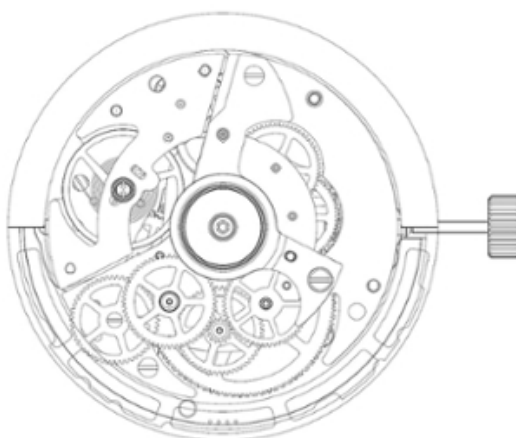
6.7



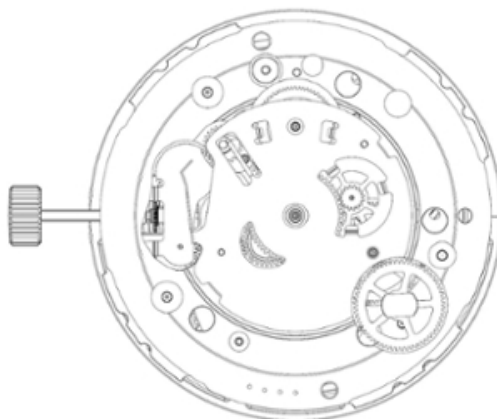
6.8



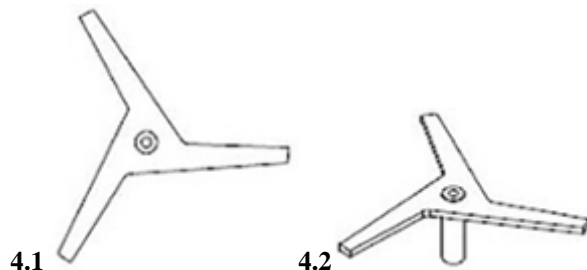
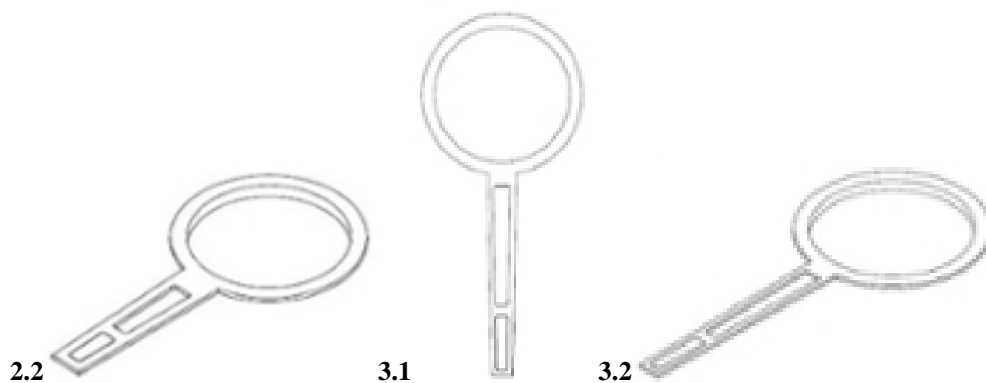
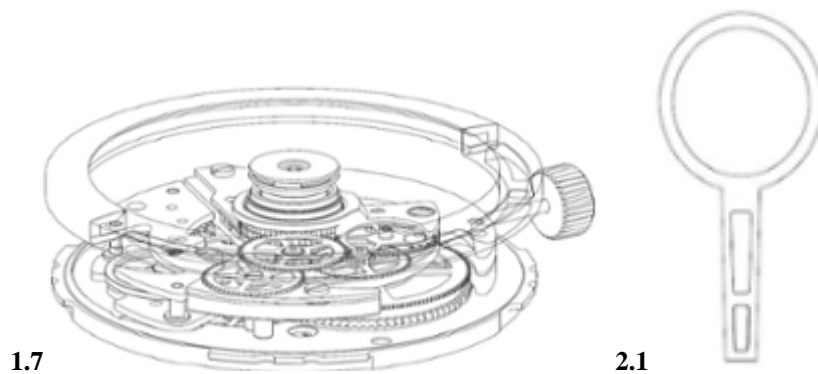
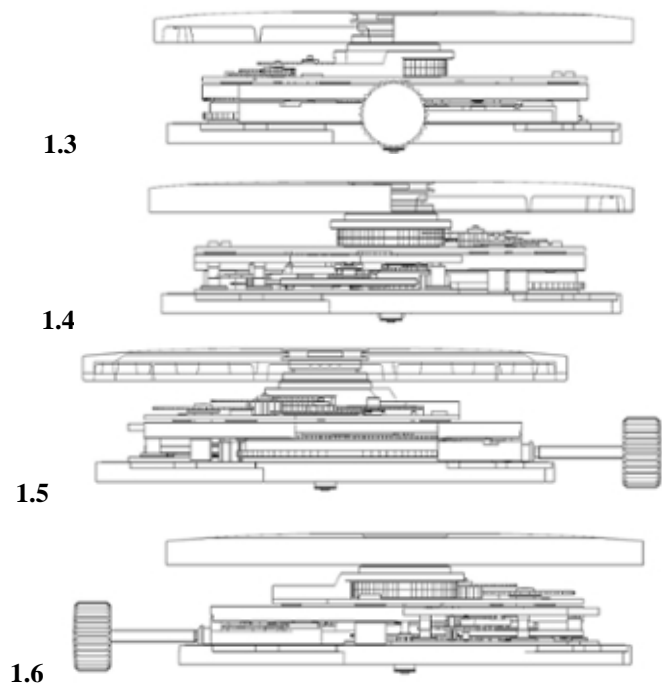
- (11) DM/200 716** **(51) 10-07**
 (15) 2019 01 28 (44) 31/2019 (2019 08 02)
 (22) 2019 01 28
 (28) 4
 (73) SWATCH AG (SWATCH SA) (SWATCH LTD.)
 Jakob-Stämpfli-Strasse 94, 2502 BIEL/BIENNE (CH)
 (85) CH
 (86) CH
 (87) CH
 (88) CH
 (89) CH
 (81) II. MA III. AM, UA, AL, AZ, BZ, ME, MD, MC, SG, NO, MN, BA, TR, OM, GE, MK, LI, KG, GB,
 TN, EM, CH
 (72) 1: Dominique BOIZARD
 Bäriswilstrasse 9, 2545 Selzach (CH);
 1: Ivan VILLAR
 Guinandstrasse 4, 2555 Brugg (CH);
 1: Laurent KAELIN
 Rue de la Gare 13, 2615 Sonvilier (CH);
 1: Yassine Rachdi
 Impasse Lazare Ponticelli 13, 90100 Joncherey (FR);
 1: Didier FINK
 7a rue Steinacker, 68510 Rantzwiller (FR);
 1: Christophe CATTIN
 Rue des Finages 9, 2340 Le Noirmont (CH)
 (74) The Swatch Group AG (The Swatch Group SA) (The Swatch Group Ltd.)
 Faubourg du Lac 6, 2501 BIEL/BIENNE (CH)
 (54) 1. watch movement, 2.-4. watch hand
 (55)



1.1



1.2



(11) DM/200 696

(51) 11-01

(15) 2019 01 31

(44) 31/2019 (2019 08 02)

(22) 2019 01 31

(28) 2

(73) HARRY WINSTON SA

Chemin du Tourbillon 8, 1228 Plan-Les-Ouates (CH)

(85) CH

(86) CH

(87) CH

(88) CH

(89) CH

(81) IL, MA, III, AM, UA, AL, AZ, ME, BZ, MD, MC, SG, MN, NO, BA, GE, MK, OM, TR, LI, KG, GB, TN, EM, CH

(72) 1: Chaeree KWON

c/o Harry Winston Inc. 718 Fifth Avenue, 10019 New York (US);

2: Rie YATSUGI-KANG

c/o Harry Winston Inc. 718 Fifth Avenue, 10019 New York (US)

(74) The Swatch Group AG (The Swatch Group SA) (The Swatch Group Ltd.)

Faubourg du Lac 6, 2501 BIEL/BIENNE (CH)

(54) 1. Necklace, 2. Finger ring

(55)

1.1



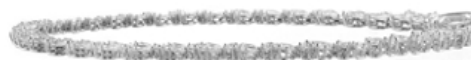
1.2



1.3



1.4



1.5



1.6



1.7



1.8



2.1



2.2



2.3



2.4



2.5



2.6



2.7



2.8



(11) DM/202 050

(15) 2018 12 20

(22) 2018 12 20

(28) 1

(30) No1: 12.07.2018; 005500451-0001; EM

(73) Pro-Aqua International GmbH

Technologiepark 6, 91522 Ansbach (DE)

(85) –

(86) DE

(87) –

(88) –

(89) EM

(81) III. AM, UA, AL, IS, HR, AZ, ME, MD, MC, TJ, SG, MN, RS, NO, BA, OM, GE, MK, TR, LI, KG, TN, CH, EG

(72) Jürgen Wehner

Technologiepark 6, 91522 Ansbach, DE; Mareike Roth, Fürther Str. 174 A, 90429 Nürnberg (DE)

(74) Lermer Raible Patent- und Rechtsanwalts PartGmbH (Sebastian Reichart)

Lessingstr. 6, 80336 München (DE)

(54) 1. Wall holder for vacuum cleaner accessories

(55)

(51) 15-05

(44) 31/2019 (2019 08 02)



(11) DM/201 965**(51) 16-06**

(15) 2018 08 13

(44) 31/2019 (2019 08 02)

(22) 2018 08 13

(28) 2

(30) No1: 16.02.2018; 2018-003153; JP; No2: 16.02.2018; 2018-003154; JP

(73) HAZUKI COMPANY KABUSHIKI KAISHA

10-1, Roppongi 6-chome, Minato-ku Tokyo (JP)

(85) –

(86) JP

(87) –

(88) –

(89) JP

(81) III. ES, HU, IS, MN, PL, GB, LT, KR, BN, FR, AL, HR, LV, TM, MC, SG, NA, DE, BA, MK, LI, KG, FI, RU, EG, AM, MD, TJ, BW, ST, GH, TR, KH, TN, KP, CH, UA, AZ, ME, SI, OA, NO, RS, EE, GE, OM, RO, EM, DK, SY, BG, RW

(72) Kenzo MATSUMURA

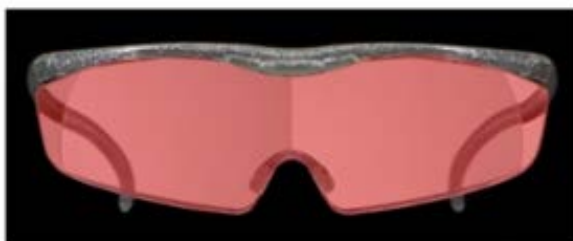
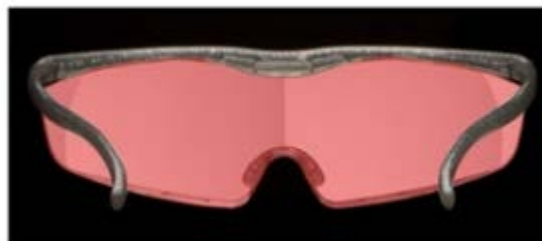
c/o Hazuki Company Kabushiki Kaisha, 10-1, Roppongi 6-chome, Minato-ku, Tokyo (JP)

(74) Shuya KOHHARA

Acropolis 21 Bldg, 8th Floor, 4-10, Higashi Nihonbashi 3-chome, Chuo-Ku Tokyo (JP)

(54) 1.-2. Magnifying glasses

(55)

1.1**1.2****1.3****1.4**

1.5



1.6



1.7



1.8



1.9



1.10



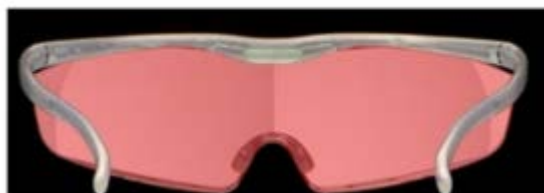
2.1



2.2



2.3



2.4



2.5



2.6



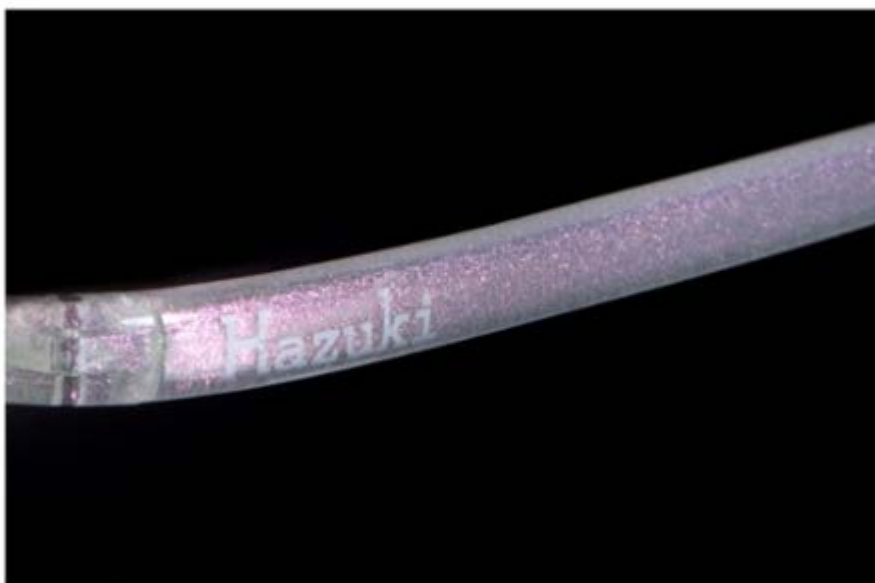
2.7



2.8



2.9



2.10



(11) DM/202 120

(15) 2019 01 28

(22) 2019 01 28

(28) 1

(30) No1: 30.07.2018; 29658225 DAS: 4539; US

(73) Stinger Oil Tools LLC

3701 Briarpark Drive, Suite 150, 77042 Houston (US)

(85) US

(86) US

(87) US

(88) US

(89) US

(81) III. AM, UA, AL, IS, AZ, ME, MD, MC, BX, SG, NO, RS, BA, GE, OM, CA, MK, LI, GB, EM, KR, CH, RU

(72) Roy Jones

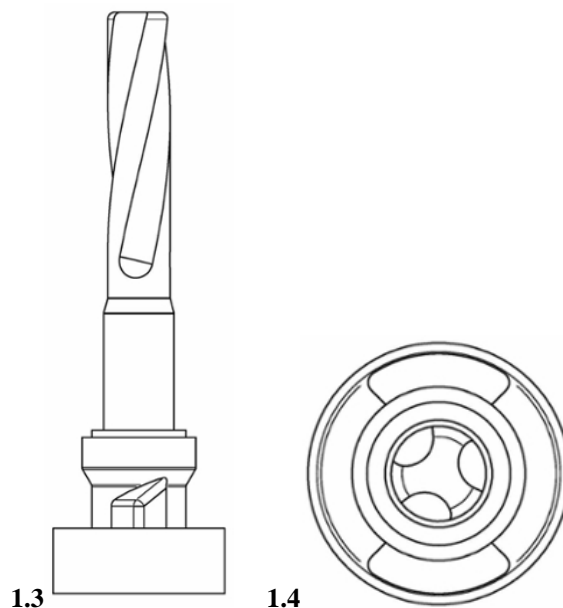
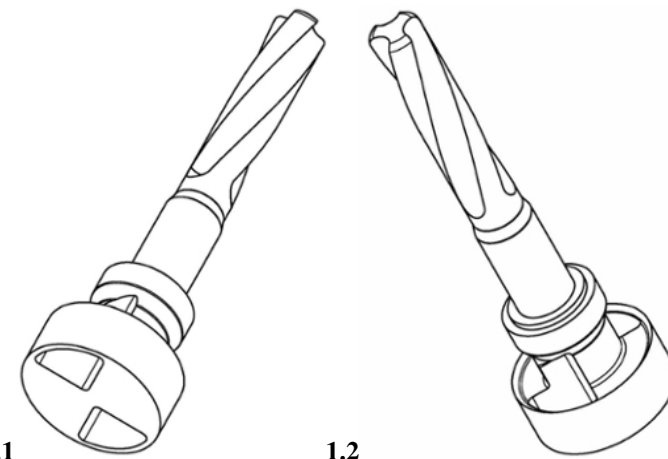
3701 Briarpark Drive Suite 150, 77042 Houston (US)

(74) Usha Menon

D'Ambrosio & Menon, PLLC 12808 West Airport Blvd., Suite 329, 77478 Sugar Land (US)

(54) 1. Valve for reciprocating piston pumps

(55)



- (11) **DM/202 194** (51) **09-02**
(15) 2019 02 12 (44) 32/2019 (2019 08 09)
(22) 2019 02 12
(28) 4
(73) FrieslandCampina Nederland B.V.
Stationsplein 4, 3818 LE AMERSFOORT (BX)
(85) BX
(86) EM
(87) BX
(88) BX
(89) EM
(81) III. RS, GE, TR, AM, UA, AL, AZ, EM, SG, RU
(72) Timo Siro
60 Kandahar Streert, 198906 Singapore (SG)
(74) Chiever B.V.
Barbara Strozzilaan 201, 1083 HN Amsterdam (NL)
(54) 1.-4. Storage can
(55)



1.1



1.2



1.3





2.2



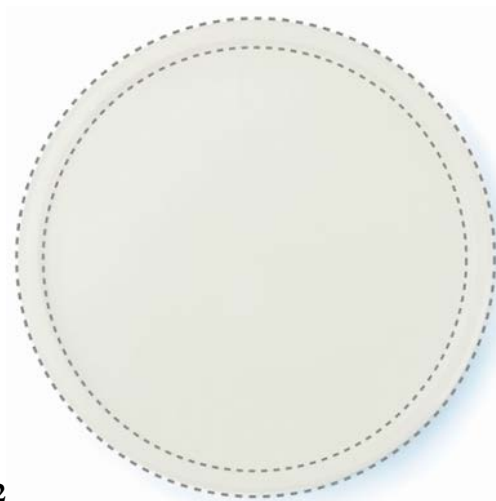
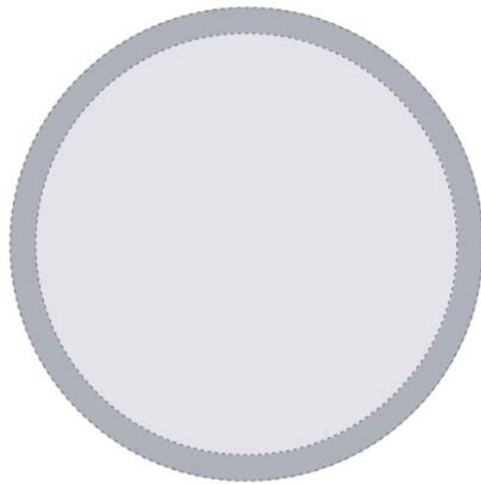
2.3



2.4



2.5





3.3



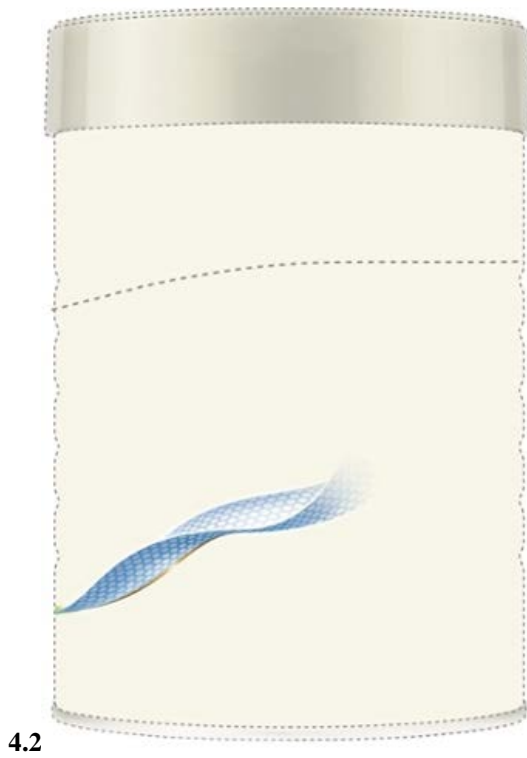
3.4

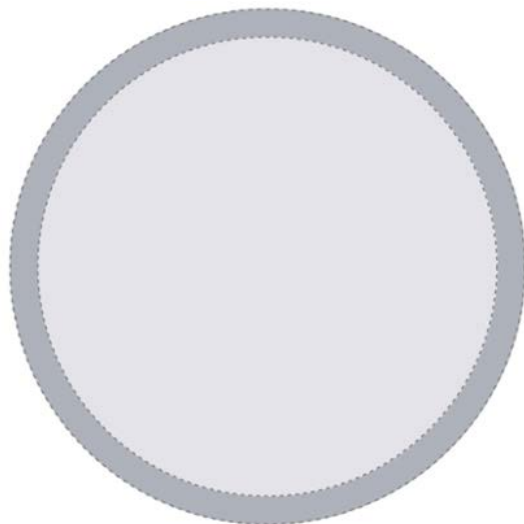


3.5



3.6





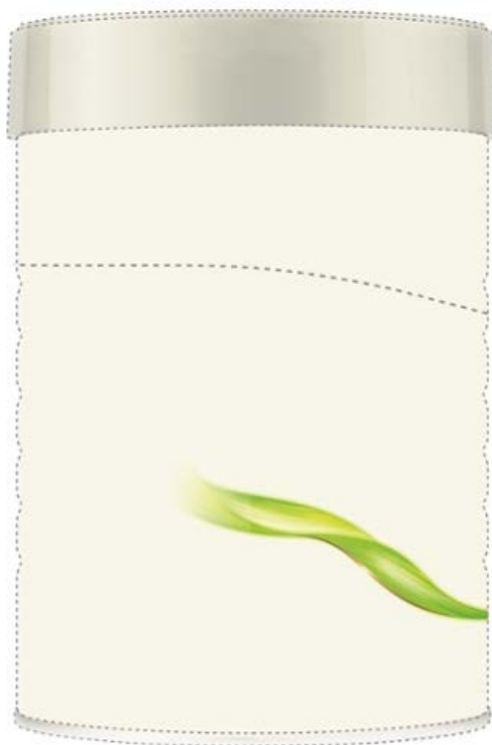
4.4



4.5



4.6



4.7

(11) DM/202 224

(51) 05-06

(15) 2018 07 10

(44) 33/2019 (2019 08 16)

(22) 2019 07 10

(28) 2

(30) No1: 29.03.2018; 29/642,479; US; No2: 29.03.2018; 29/642,481; US

(73) CURT G. JOA INC.

100 CROCKER AVENUE, 53085 SHEBOYGAN FALLS, WI (US)

(85) US

(86) US

(87) US

(88) US

(89) US

(81) III. ES, HU, IS, MN, PL, GB, LT, KR, JP, FR, BN, AL, LV, HR, TM, MC, SG, NA, DE, BA, MK, LI, KG, FI, RU, EG, AM, MD, TJ, BW, GH, ST, TR, KH, TN, KP, CH, UA, AZ, ME, SI, OA, RS, NO, EE, GE, OM, RO, EM, DK, SY, BG, RW

(72) Michael Schaap

2828 Rammer Court, 53081 Sheboygan, WI (US)

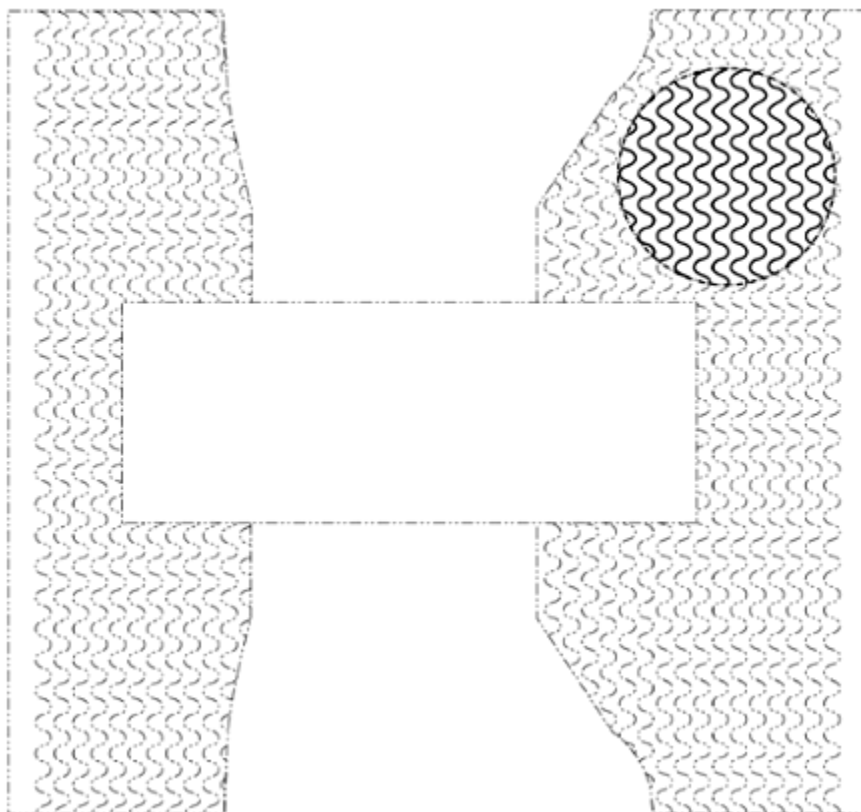
(74) Ziolkowski Patent Solutions Group

SC, 136 South Wisconsin Street, 53074 Port Washington (US)

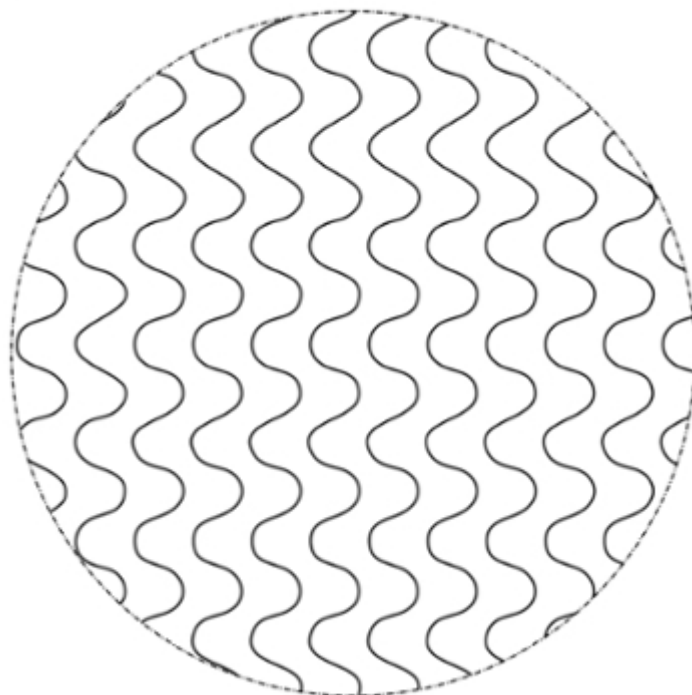
(54) 1. Stretch laminate, 2. Stretch laminate

(55)

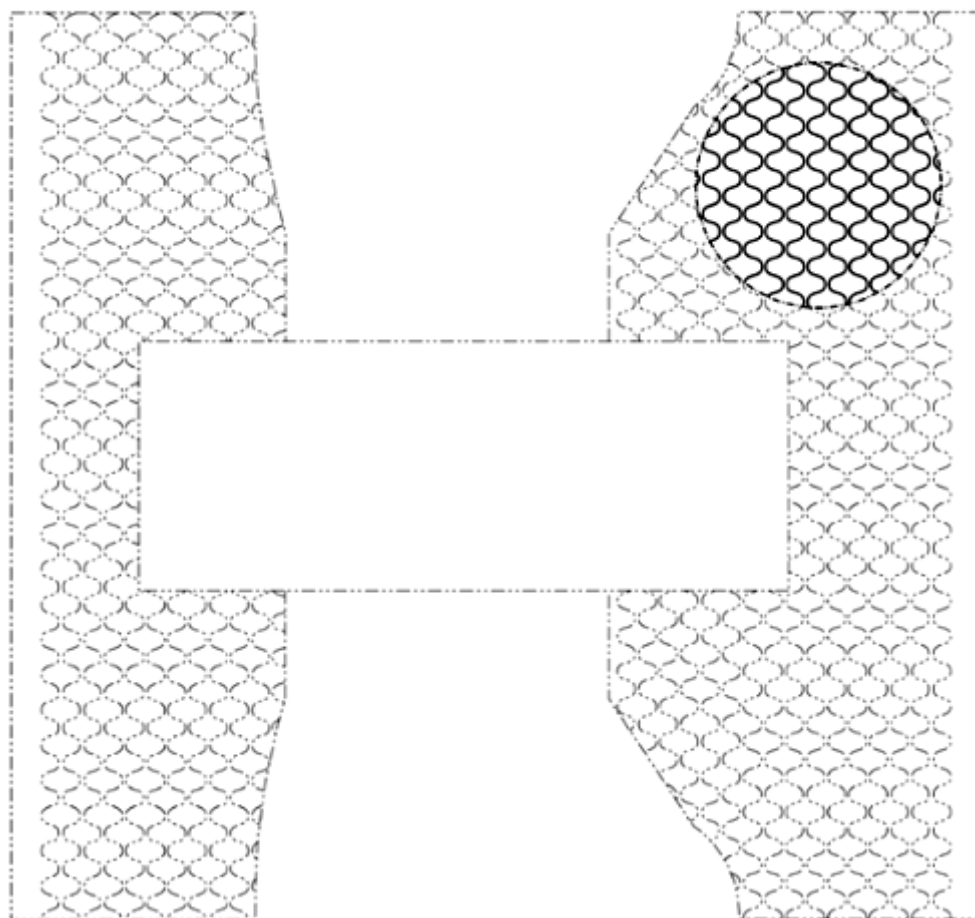
1.1



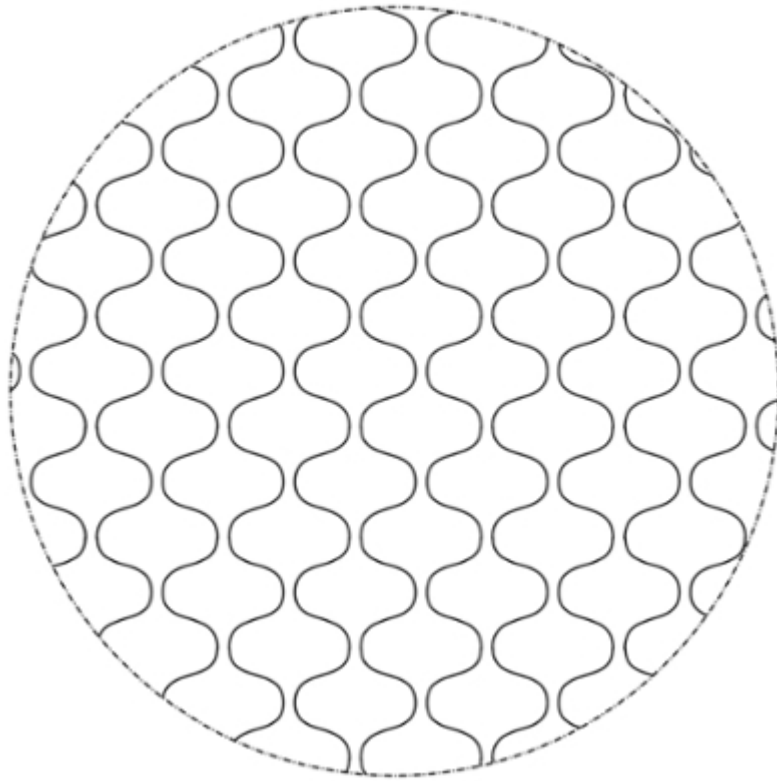
1.2



2.1



2.2



(11) DM/202 255

(15) 2018 10 10

(22) 2018 10 10

(28) 1

(30) No1: 10.04.2018; 29643680; US

(73) Sayyid Nadimi

1200 AVENUE H E, 76011 Arlington(Texas) (US)

(85) US

(86) US

(87) US

(88) US

(89) US

(81) III. ES, HU, IS, MN, PL, GB, LT, KR, JP, BN, FR, AL, HR, LV, TM, MC, SG, NA, DE, BA, MK, LI, KG, FI, RU, EG, AM, MD, TJ, BW, ST, GH, TR, KH, TN, CH, UA, AZ, ME, SI, OA, RS, NO, EE, GE, OM, RO, EM, DK, SY, RW, BG

(72) Sayyid Nadimi

1200 AVENUE H E, 76011 Arlington(Texas) (US)

(74) Sam Sokhansanj

10300 N CENTRAL EXPY, SUITE 198, 75231 Dallas, Texas (US)

(54) 1. Container for tobacco products

(55)

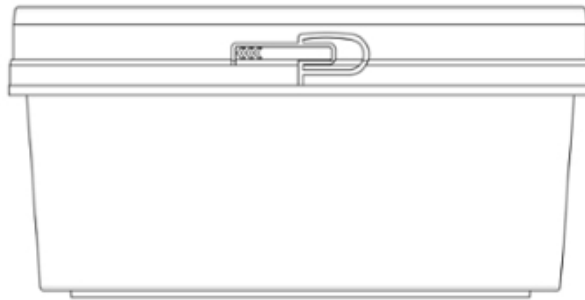
1.1



1.2



1.3



1.4



1.5



1.6



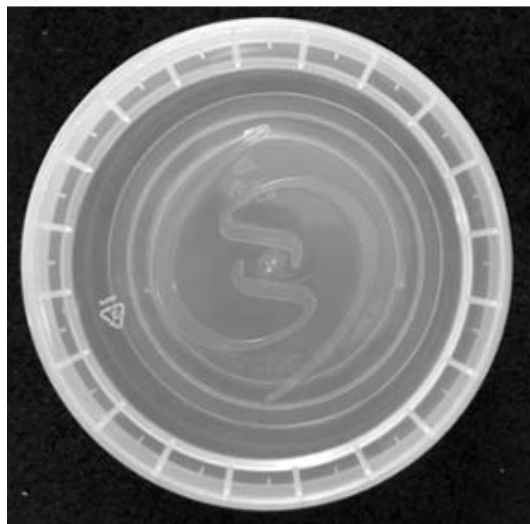
1.7



1.8



1.9



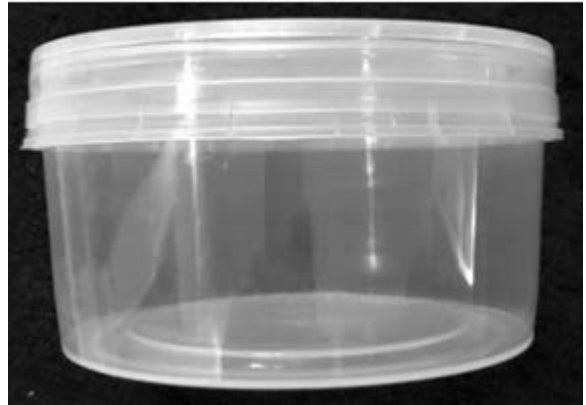
1.10



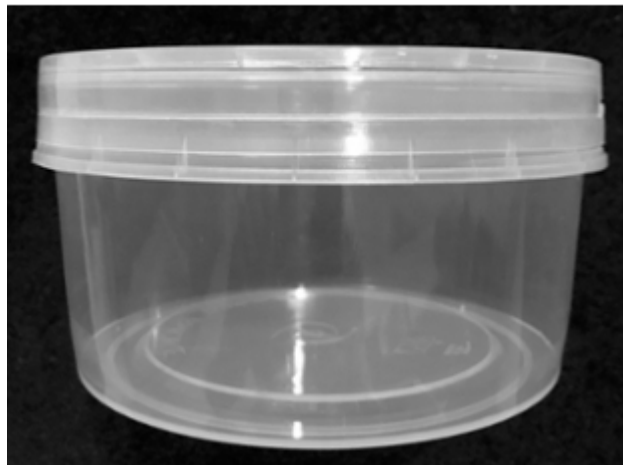
1.11



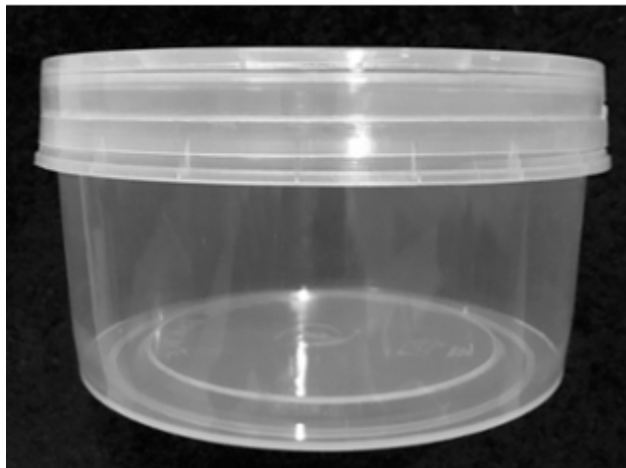
1.12



1.13



1.14



- (11) **DM/DM/200 703** (51) **11-01**
 (15) 2019 02 11 (44) 33/2019 (2019 08 16)
 (22) 2019 02 11
 (28) 2
 (73) HARRY WINSTON SA
 Chemin du Tourbillon 8, 1228 Plan-Les-Ouates (CH)
 (85) CH
 (86) CH
 (87) CH
 (88) CH
 (89) CH
 (81) IL, MA, III, AM, UA, AL, AZ, ME, BZ, MD, MC, SG, NO, MN, BA, TR, OM, GE, MK, LI, KG, GB,
 TN, EM, CH
 (72) 1: Dominique RIVIERE
 C/o Harry Winston Inc. 718 Fifth Avenue, 10019 New York (US);
 2: Rie YATSUGI-KANG
 C/o Harry Winston Inc. 718 Fifth Avenue, 10019 New York (US)
 (74) The Swatch Group AG (The Swatch Group SA) (The Swatch Group Ltd.)
 Faubourg du Lac 6, 2501 BIEL/BIENNE (CH)
 (54) 1.-2. Finger ring
 (55)



1.1



1.2



1.3



1.4





2.5



2.6



2.7

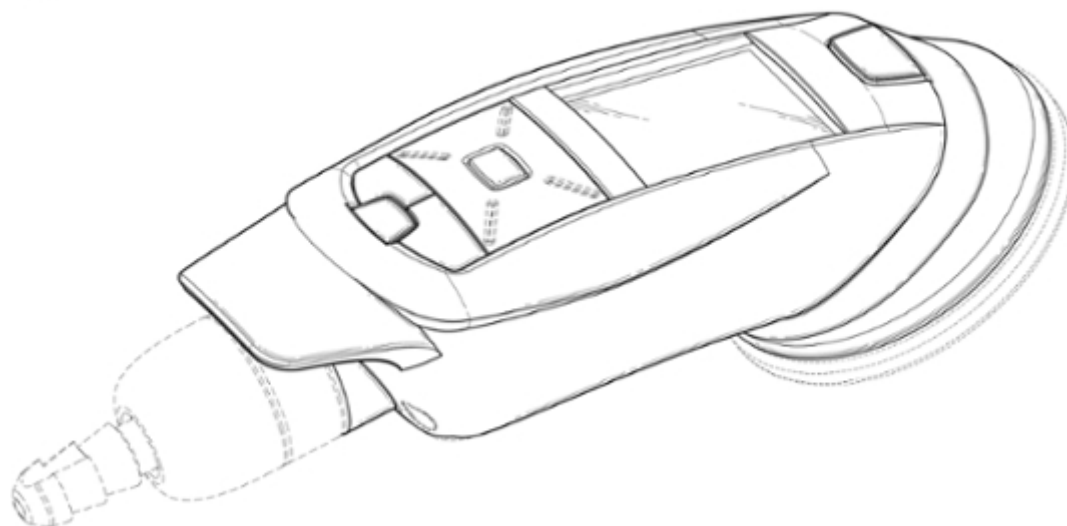


2.8

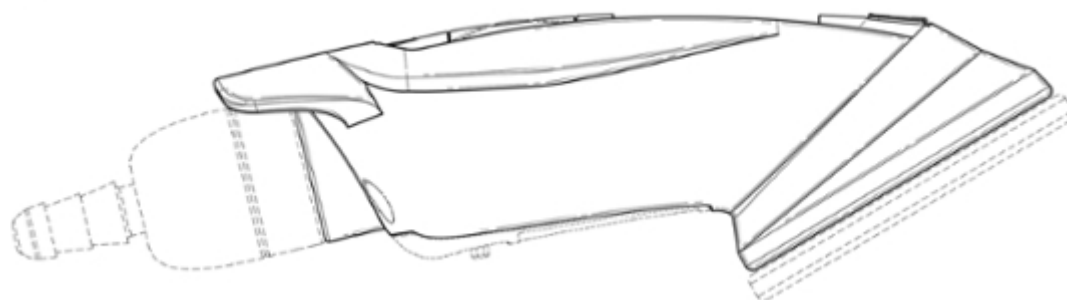


2.9

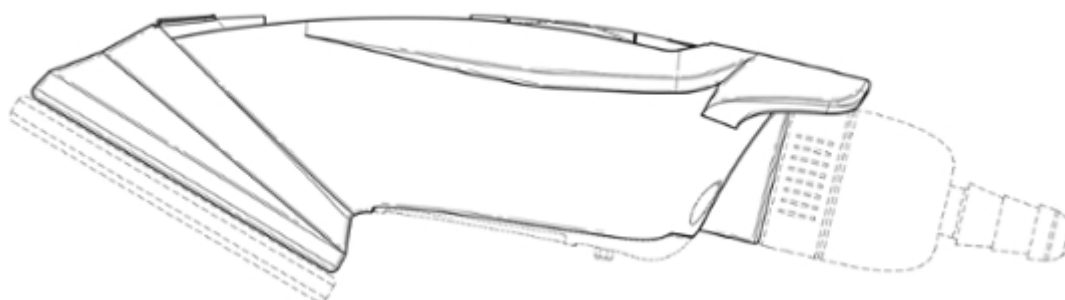
- (11) **DM/202 250** (51) **24-02**
(15) 2018 09 26 (44) 33/2019 (2019 08 16)
(22) 2018 09 26
(28) 5
(73) VITALCHAINS CORPORATION
2710 Sandhill Road, 94025 Menlo Park, CA (US)
(85) –
(86) –
(87) –
(88) US
(89) US
(81) III. AM, IS, MD, TJ, BW, ST, MN, GH, TR, KH, GB, TN, KR, JP, KP, CH, UA, BN, AL, TM, AZ, ME, MC, SG, NA, OA, NO, RS, BA, US, OM, GE, MK, LI, KG, EM, SY, RW, RU, EG
(72) 1 Kun-Hsi TSAI
2F., No. 12, Sec. 2, Shengyi Rd., 302 Zhubei City(Hsinchu County) (CN);
1 Yu-Cheng HUANG
No. 99, Lushi 1st St., Qionglin Township, 307 Hsinchu County (CN);
1-2 Ching-Heng LIN
3F., No. 26, Aly. 112, Ln. 352, Ren'ai Rd., Yonghe Dist., 234 New Taipei City (CN);
1-5 Tzu-Chih LIN
No.169, Lushi 1st St. , 307 Qionglin Township(Hsinchu County) (CN);
2 Yi-Ting HUANG
2F., No. 9, Ln. 27, Xinxing Rd., Zhubei City, 302 Hsinchu County (CN);
3 Yu-Ting TAI
3F., No. 14, Zhongming Rd., Zhongli Dist., 320 Taoyuan City (CN);
3-4 Yu-Cheng HUANG
No. 99, Lushi 1st St., Qionglin Township, 307 Hsinchu County (CN);
4 Ke-Wen WANG
1F., No. 38, Guosheng 2nd St., Taoyuan Dist., 330 Taoyuan City (CN);
5 Kun-Hsi TSAI
2F., No. 12, Sec. 2, Shengyi Rd., 302 Zhubei City(Hsinchu County) (CN)
(74) Elizabeth L. Neal
13845 Bishop's Dr, Suite 300, 53005 Brookfield, WI (US)
(54) 1.-5. Electronic stethoscope
(55)

1.1

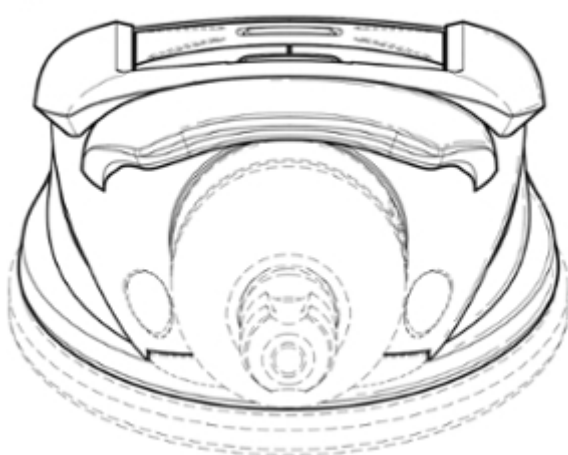
1.2



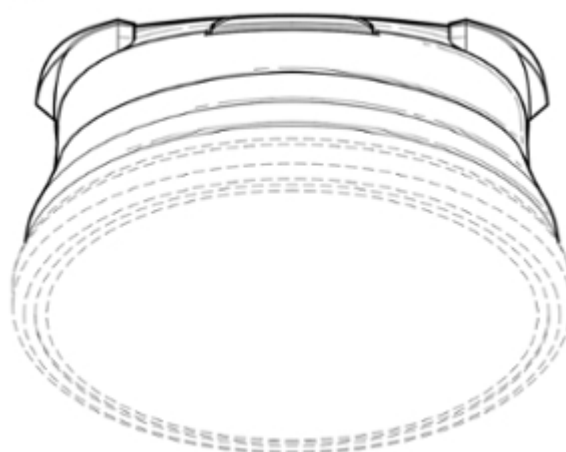
1.3



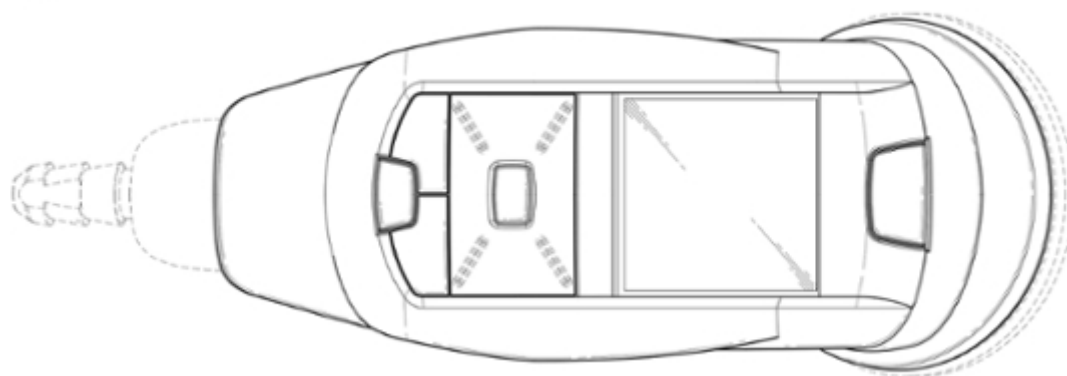
1.4



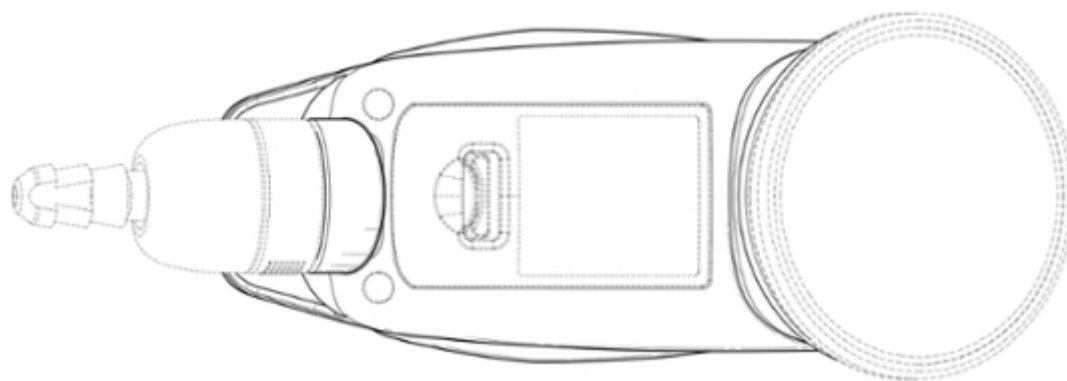
1.5



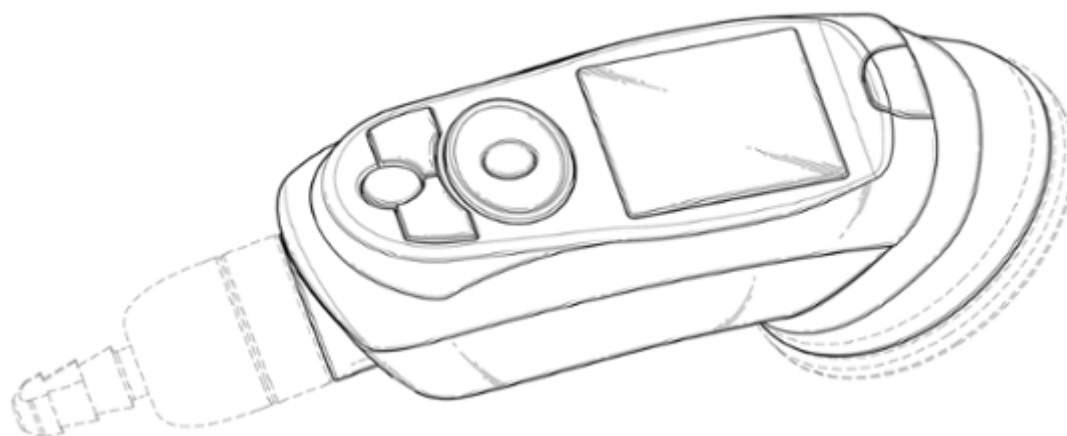
1.6



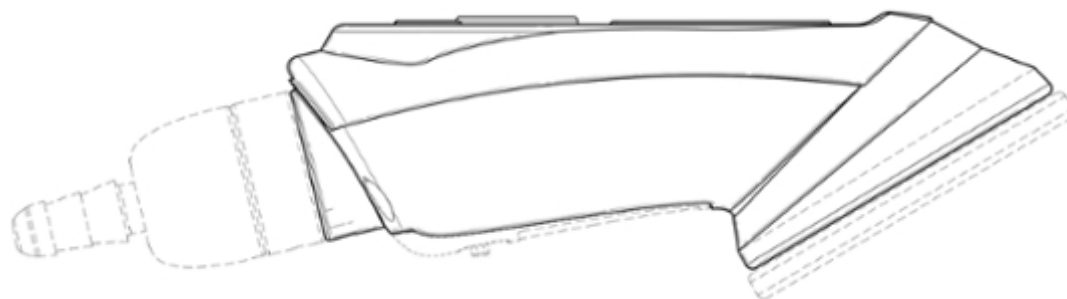
1.7



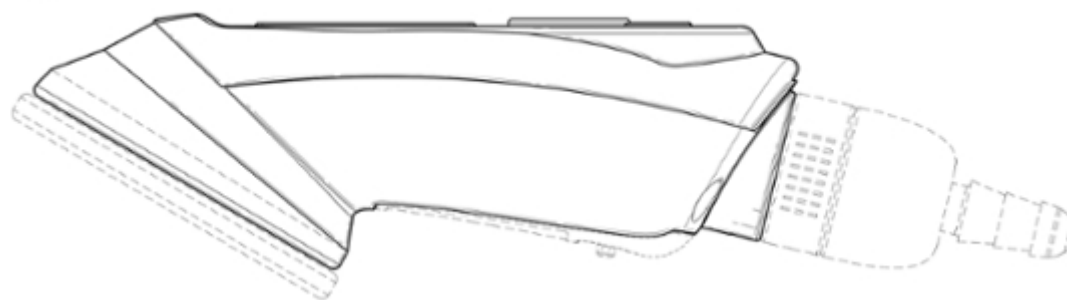
2.1



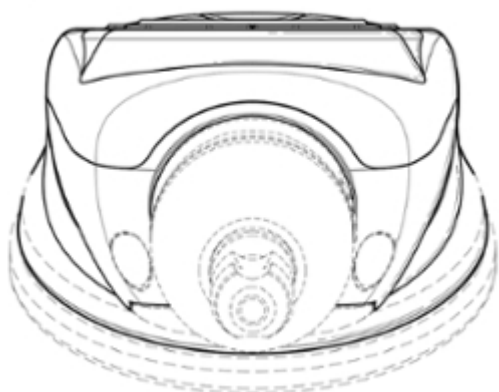
2.2



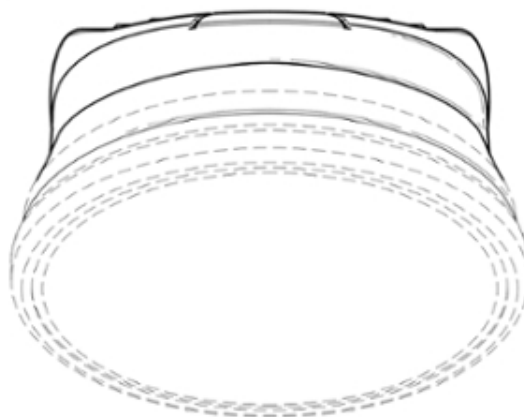
2.3



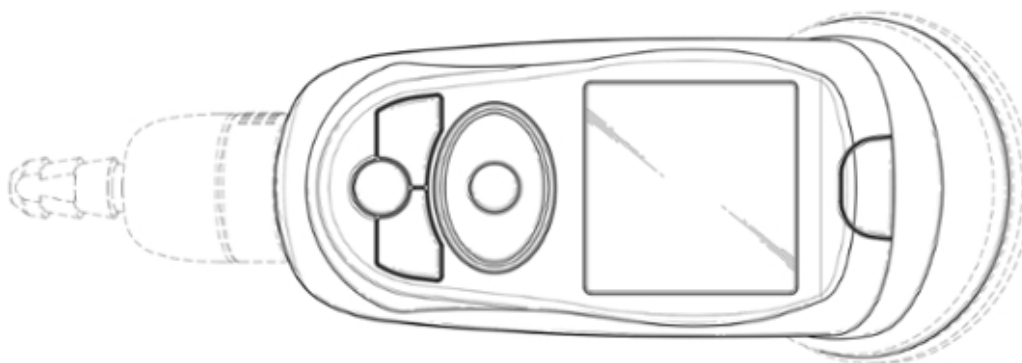
2.4



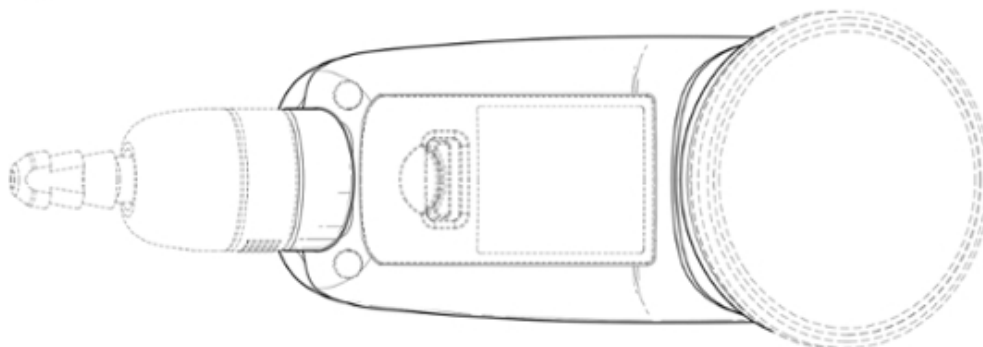
2.5



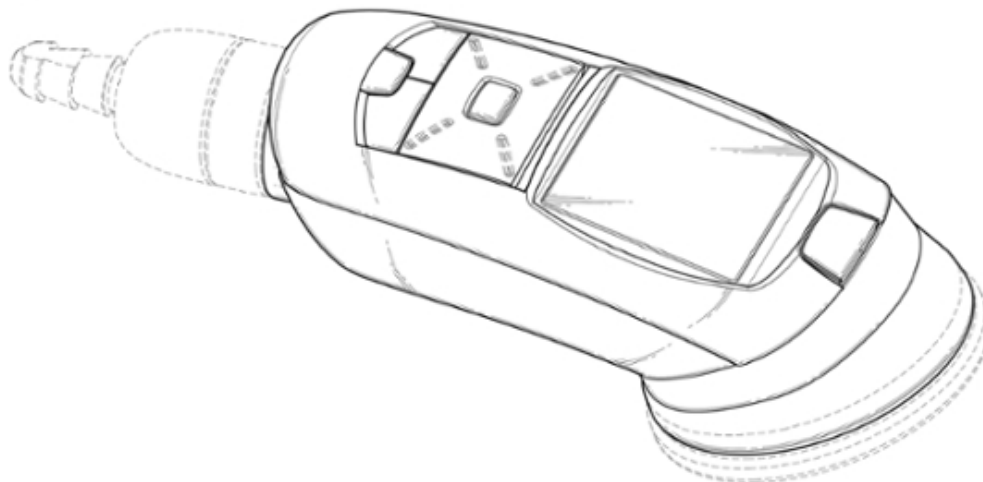
2.6



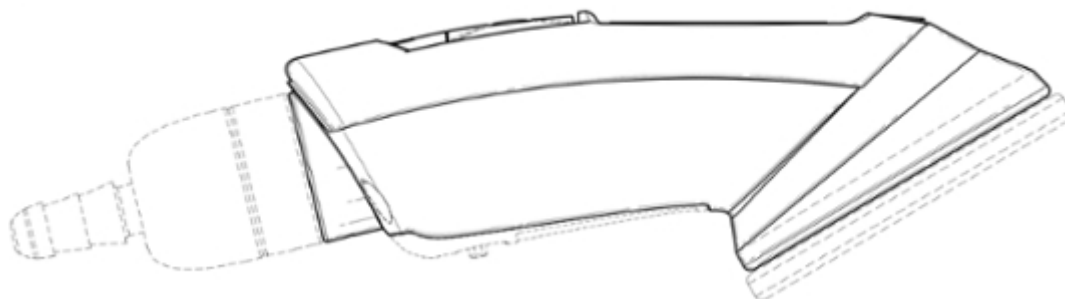
2.7



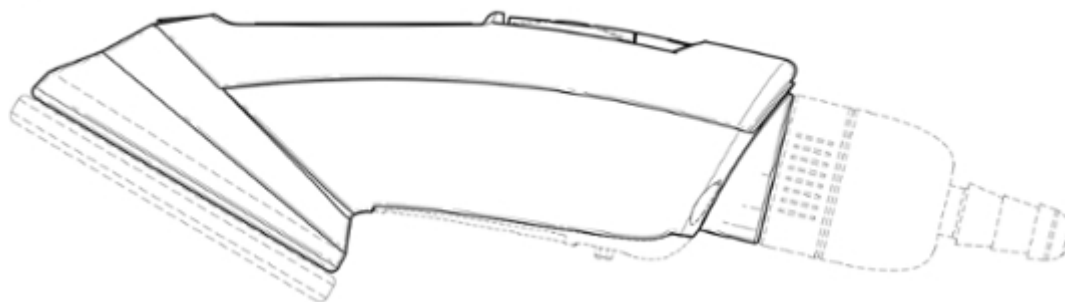
3.1



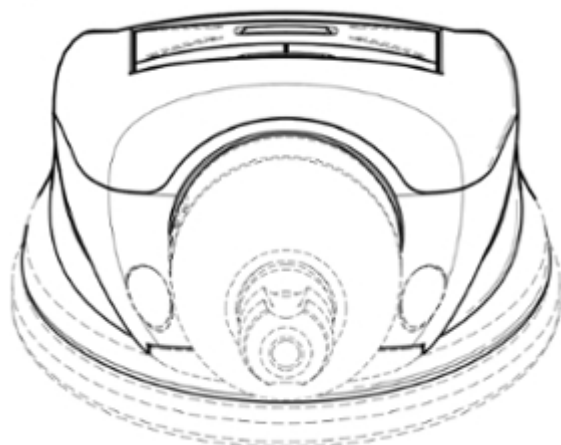
3.2



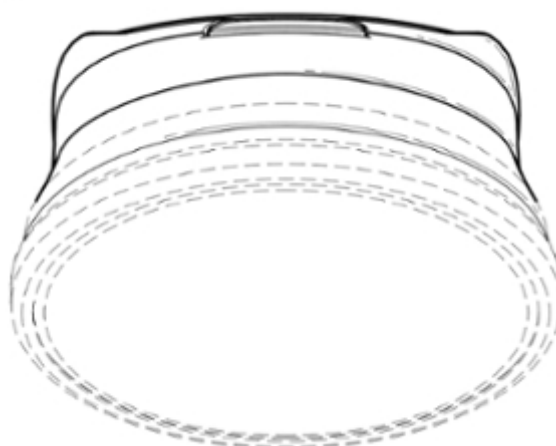
3.3



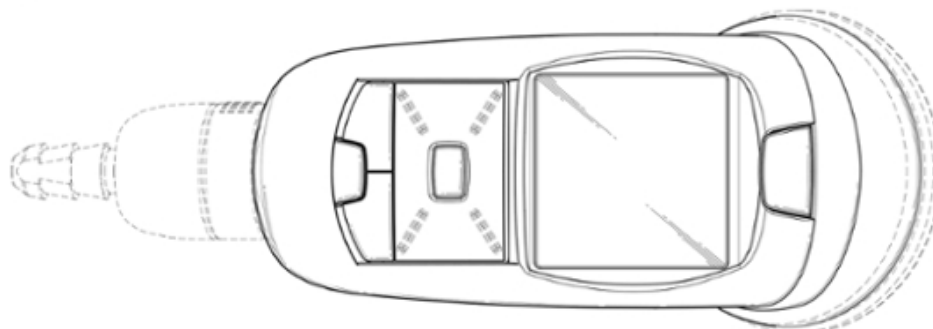
3.4



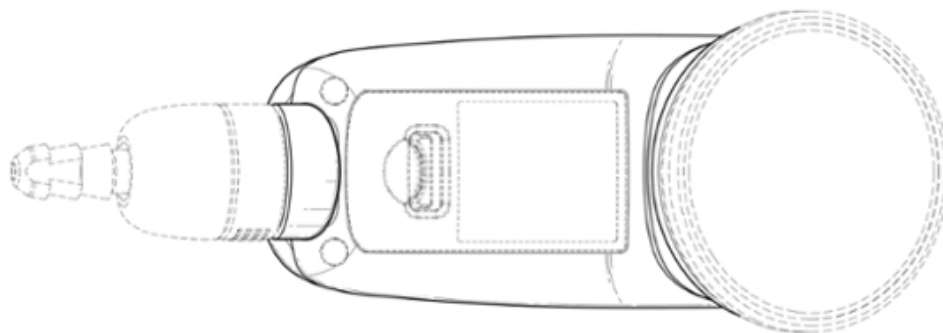
3.5



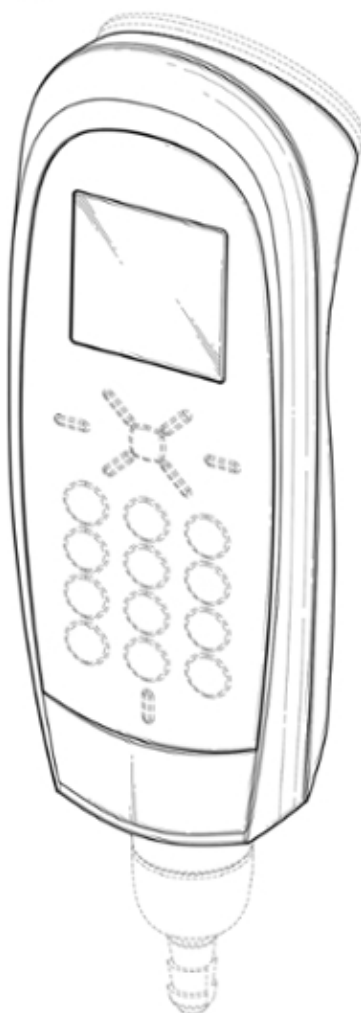
3.6



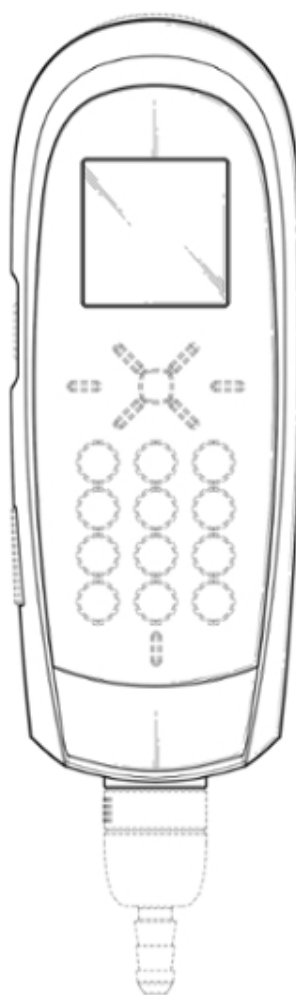
3.7



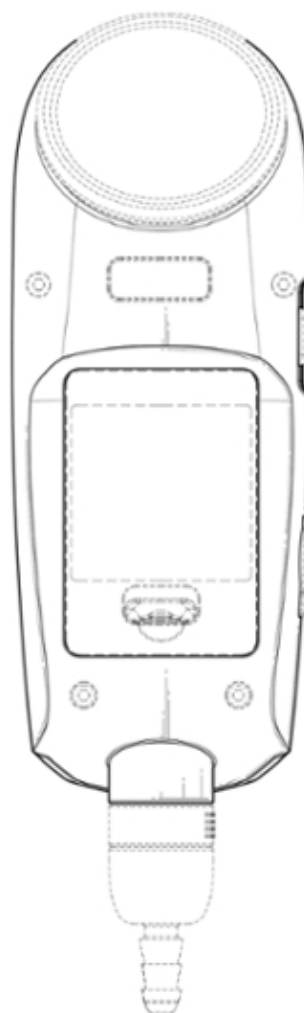
4.1



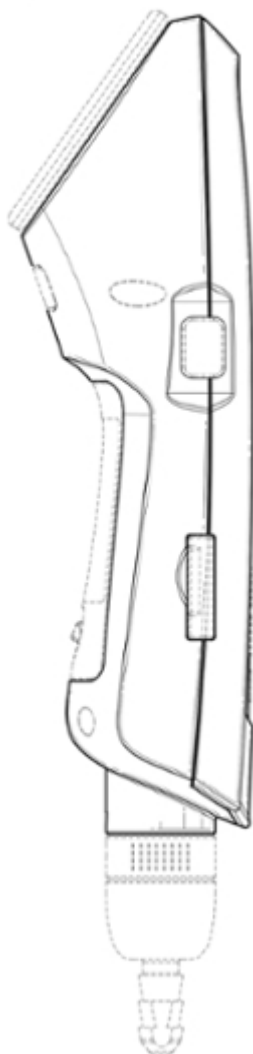
4.2



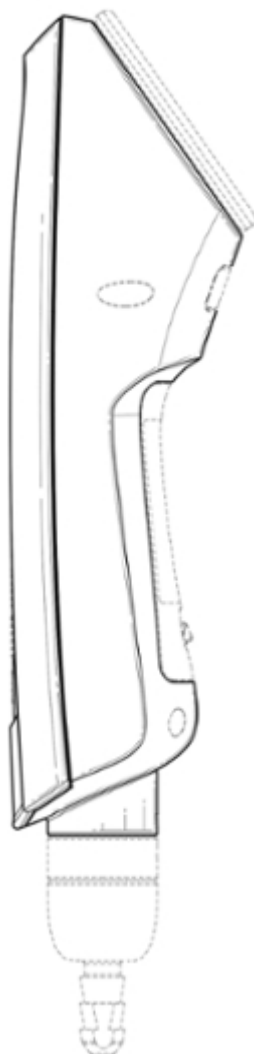
4.3



4.4



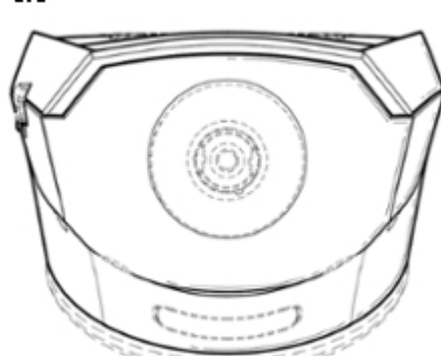
4.5



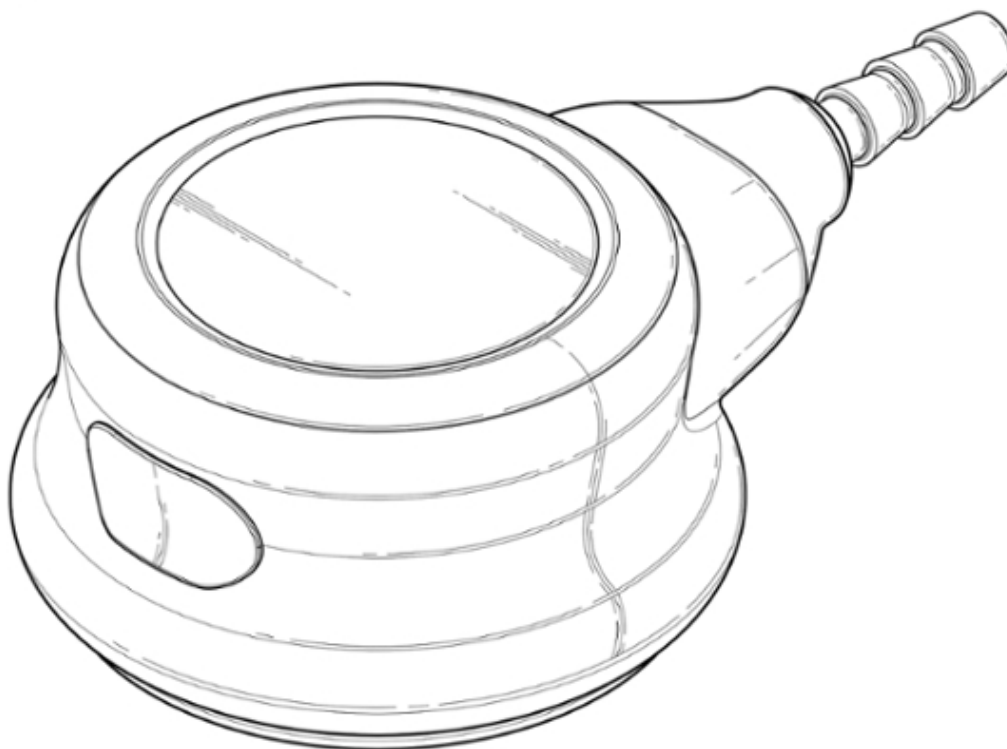
4.6



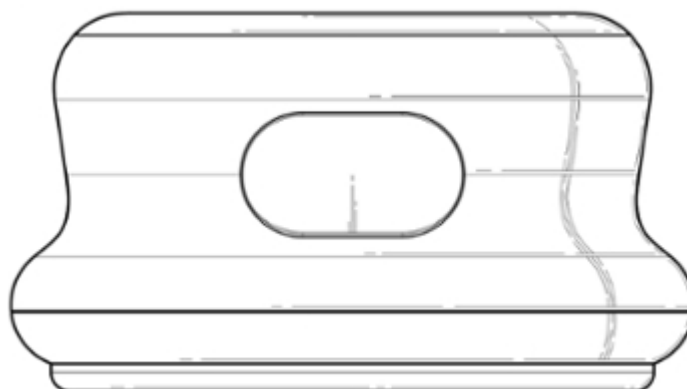
4.7



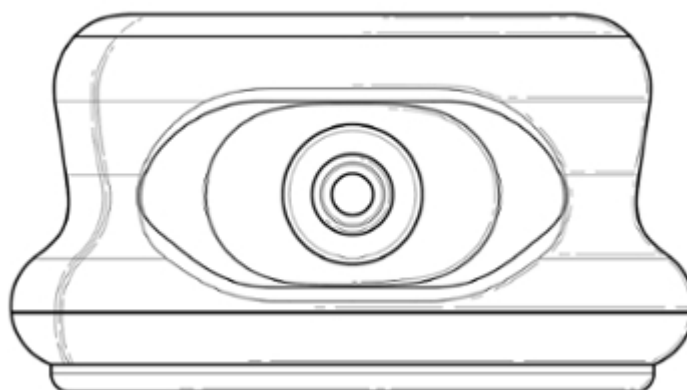
5.1



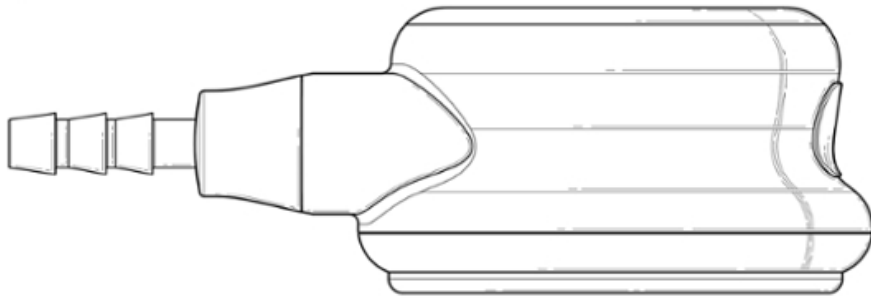
5.2



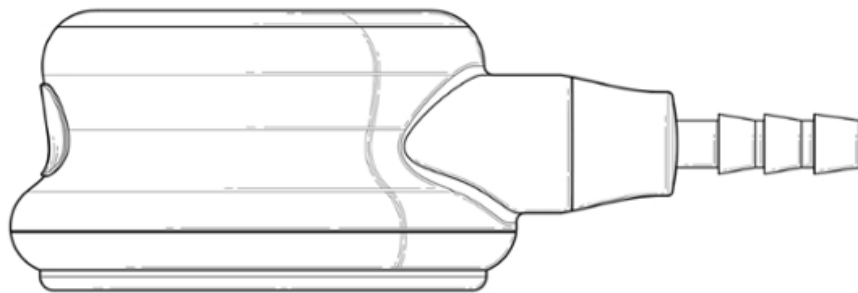
5.3



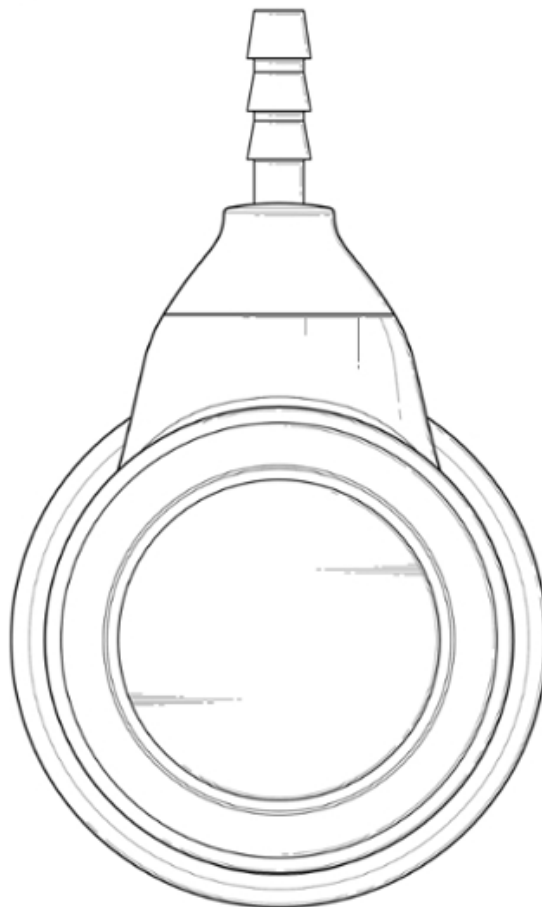
5.4



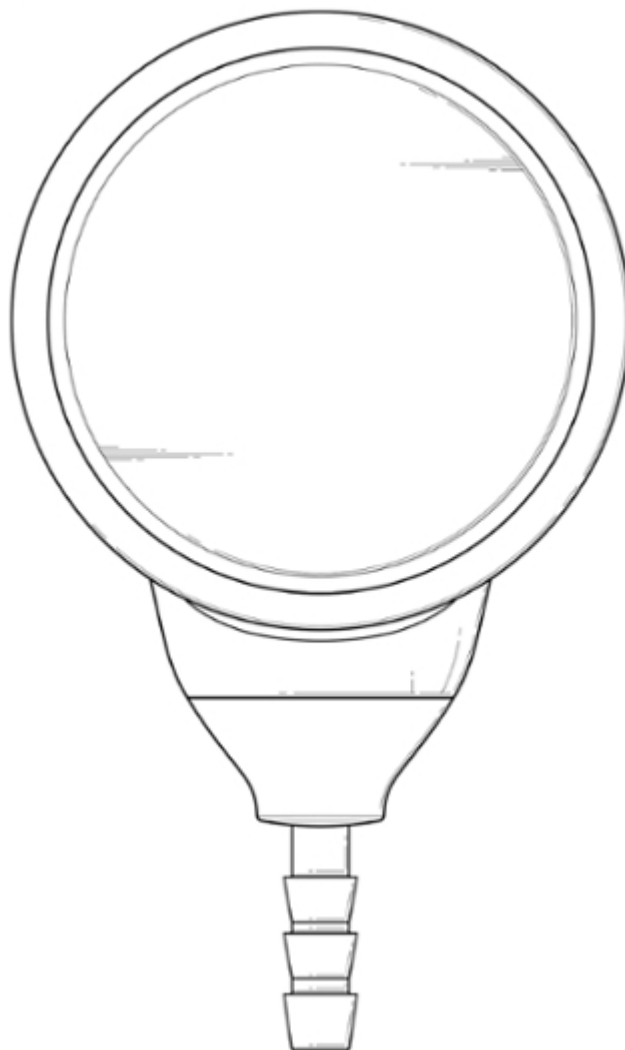
5.5



5.6



5.7



- (11) **DM/202 161** (51) **32-00**
(15) 2019 02 12 (44) 33/2019 (2019 08 06)
(22) 2019 02 12
(28) 2
(73) FrieslandCampina Nederland B.V.
Stationsplein 4, 3818 LE AMERSFOORT, (NL) (BX)
(85) BX
(86) EM
(87) BX
(88) BX
(89) EM
(81) III. RS, TR, GE, AM, UA, AL, AZ, EM, SG, RU
(72) Timo Siro
60 Kandahar Streert, 198906 Singapore (SG)
(74) Chiever B.V.
Barbara Strozzilaan 201, 1083 HN Amsterdam (NL)
(54) 1. Ornementation,2. Ornementation
(55)



TRADEMARKS

APPLICATIONS FILED UNDER THE NATIONAL PROCEDURE APPROVED FOR REGISTRATION

The decision can be appealed at the Chamber of Appeal of Sakpatenti within 3 months from the publication or at the Mtskheta District Court Administrative Cases Board (Address: №17, Samkhedro St., Mtskheta), within 1 month following the publication.

(260) AM 2019 97703 A

(210) AM 97703

(220) 2018 05 15

(731) LTD "BEKHO"

Gldani, Libani St. 2, 0189, Tbilisi, Georgia

(540)



(591) Brown, white, black

(531) 06.01.01; 06.01.04; 27.05.17; 29.01.13

(526) Darial

(511) 34

(260) AM 2019 99429 A

(210) AM 99429

(220) 2019 04 02

(731) Givi Tevzadze

Tskneti Highway 16/18, Tbilisi,
Georgia

(540)



(591) Green, white, red

(531) 25.03.05; 26.04.06; 26.04.24; 27.05.24;
29.01.13

(511) 41, 43

(260) AM 2019 100070 A

(210) AM 100070

(220) 2018 11 01

(731) ALIBABA GROUP HOLDING LIMITED

Fourth Floor, One Capital Place, P. O. Box

847, George Town, Grand Cayman, Cayman
Islands

(740) Tamaz Shilakadze

(540)

ANT FINANCIAL

(591) Black, white

(511) 38, 39, 41, 45

(260) AM 2019 100084 A

(210) AM 100084

(220) 2019 04 25

(731) LTD "BORUN LIGHT"

Marneuli St. 44, 0165, Tbilisi, Georgia

(540)

Schpindel

(591) Dark blue

(531) 27.05.01; 27.05.17; 29.01.04

(511) 7, 8

(260) AM 2019 100464 A

(210) AM 100464

(220) 2019 04 25

(731) LTD "BORUN LIGHT"

Marneuli St. 44, 0165, Tbilisi, Georgia

540)



(591) White, black, green

(531) 26.01.10; 26.01.11; 26.01.12; 26.01.18;
26.01.24; 26.03.04; 26.03.06; 26.03.24;
27.05.17; 29.01.13

(511) 31, 44

(260) AM 2019 101213 A

(210) AM 101213

(220) 2019 03 20

(731) JSC "GREENWAY GEORGIA"

Universitety St. 6, 0177, Tbilisi, Georgia

(540)



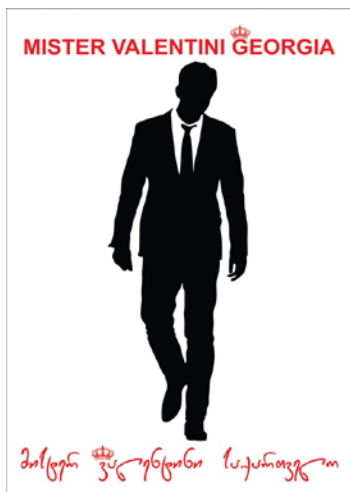
(591) White, light green, green
 (531) 24.17.20; 27.05.21; 28.19; 29.01.12
 (511) 9, 37, 39, 42

(260) AM 2019 101214 A
 (210) AM 101214
 (220) 2019 03 20
 (731) JSC "GREENWAY GEORGIA"
 University St. 6, 0177, Tbilisi, Georgia
 (540)



(591) Green, light green, white
 (531) 24.17.20; 27.05.01; 27.05.21; 29.01.12
 (511) 9, 37, 39, 42

(260) AM 2019 101618 A
 (210) AM 101618
 (220) 2019 02 11
 (731) LLC "International Georgia Mister Valentin"
 Kostava St. 9, Kobuleti district, Kobuleti,
 Georgia
 (540)



(591) Red, white, black
 (531) 02.01.05; 02.01.16; 24.01.01; 27.05.01; 28.19;
 29.01.13
 (526) GEORGIA, საქართველო
 (511) 41

(260) AM 2019 101671 A
 (210) AM 101671
 (220) 2019 02 19
 (731) LLC "Ras Al Khaimah Investment Authority
 Georgia"
 Nutsubidze II mkr, Plot 16, Vake District,
 0183, Tbilisi, Georgia
 (540)

Feast ფისტი

(591) Black, white
 (511) 43

(260) AM 2019 101672 A
 (210) AM 101672
 (220) 2019 02 19
 (731) LLC "Ras Al Khaimah Investment Authority
 Georgia"
 Nutsubidze II mkr, Plot 16, Vake District,
 0183, Tbilisi, Georgia
 (540)

P'auza პ'აუზა

(591) Black, white
 (511) 44

(260) AM 2019 101673 A
 (210) AM 101673
 (220) 2019 02 19
 (731) LLC "Ras Al Khaimah Investment Authority
 Georgia"
 Nutsubidze II mkr, Plot 16, Vake District,
 0183, Tbilisi, Georgia
 (540)

Craft House კრაფტ ჰაუსი

(591) Black, white
 (511) 43

(260) AM 2019 101918 A
 (210) AM 101918
 (220) 2019 02 27
 (731) LLC "Pharmahub-Georgia"

Giorgi Brtskinvale St. 26, ap. 28, Tbilisi,
Georgia

(540)

Pharmahub
ფარმაჰუბი
Фармахаб

(591) Black, white
(511) 35

(260) AM 2019 102069 A

(210) AM 102069

(220) 2019 03 07

(731) MYLAN INSTITUTIONAL INC
1718 Nortrok Kort, Rockford, Illinois, 61103,
USA

(740) Tamar Kochlamazashvili

(540)

NEPEXTO

(591) Black, white
(511) 5

(260) AM 2019 102072 A

(210) AM 102072

(220) 2019 03 07

(731) LLC "Ras Al Khaimah Investment Authority
Georgia"
Telavi St. 20, Isani district, 0183, Tbilisi,
Georgia

(540)

Ati
ათი

(591) Black, white
(511) 43

(260) AM 2019 102073 A

(210) AM 102073

(220) 2019 03 07

(731) LLC "Ras Al Khaimah Investment Authority
Georgia"
Telavi St. 20, Isani district, 0183, Tbilisi,
Georgia

(540)

Ati-shi
ათი-ში

(591) Black, white
(511) 43

(260) AM 2019 102074 A

(210) AM 102074

(220) 2019 03 07

(731) LLC "Ras Al Khaimah Investment Authority
Georgia"
Telavi St. 20, Isani district, 0183, Tbilisi,
Georgia

(540)

Meateze
მეათეზე

(591) Black, white
(511) 43

(260) AM 2019 102075 A

(210) AM 102075

(220) 2019 03 07

(731) LLC "Ras Al Khaimah Investment Authority
Georgia"
Telavi St. 20, Isani district, 0183, Tbilisi,
Georgia

(540)

Atianshi
ათიანში

(591) Black, white
(511) 43

(260) AM 2019 102145 A

(210) AM 102145

(220) 2019 03 11

(731) LLC "GD TRADE"
Vill. Dzegvi 1, Mtskheta district, Georgia

(540)



(591) Black, green, light green, white
(531) 05.03.13; 05.03.14; 25.03.01; 25.03.11;
25.03.13; 27.05.01; 28.19; 29.01.13
(511) 29, 30

(260) AM 2019 102158 A

(210) AM 102158

(220) 2019 03 13

(731) RICHTER GEDEON NYRT.
1103 Budapesht, Dzomroi Ut 19-21, Hungary

(740) Shalva Gvaramadze
(540)

რეაგილა

(591) Black, white
(511) 5

(260) AM 2019 102159 A
(210) AM 102159
(220) 2019 03 13
(731) SOCIÉTÉ DES PRODUITS NESTLÉ S.A.
1800 Vevey, Switzerland
(740) Tamaz Shilakadze
(540)

ГУРМӘ

(591) Black, white
(511) 31

(260) AM 2019 102166 A
(210) AM 102166
(220) 2019 03 14
(731) LLC "R Sports"
Sh. Rustaveli Av. 148, 4600, Kutaisi
Georgia
(540)



(591) White, lilac
(531) 26.04.22; 26.04.24; 27.05.10; 27.05.24
(511) 5, 35

(260) AM 2019 102174 A
(210) AM 102174
(220) 2019 03 14
(731) Giorgi Machavariani
Vazha-Pshavela Av., II kvart., ap. 1,
Tbilisi, Georgia
(540)



(591) Black, white
(531) 26.04.03; 26.04.09; 26.04.16; 26.04.22;
26.04.24; 27.05.01; 27.05.24; 28.19
(511) 33

(260) AM 2019 102233 A
(210) AM 102233
(220) 2019 03 15
(731) BASF CORPORATION
100 Park Avenue, Florham Park
New Jersey, USA
(740) Giorgi Taktakishvili
(540)

DIANAT

(591) Black, white
(511) 5

(260) AM 2019 102236 A
(210) AM 102236
(220) 2019 03 15
(731) Sport&Fashion Management Pte. Ltd
6 Shenton Vei, N18-11, Oue Dauntaun 2,
Singapore, 068809, Singapore
(740) Vakhtang Torotadze
(540)

Termit

(591) Black, white
(511) 7, 8, 9, 18, 25, 28

(260) AM 2019 102237 A
(210) AM 102237
(220) 2019 03 15
(731) Sport&Fashion Management Pte. Ltd
6 Shenton Vei, N18-11, Oue Dauntaun 2,
Singapore, 068809, Singapore
(740) Vakhtang Torotadze
(540)

TERMİT

(591) Black, white
(531) 03.13.02; 03.13.24; 27.05.01
(511) 7, 8, 9, 18, 25, 28

(260) AM 2019 102239 A
(210) AM 102239
(220) 2019 03 15
(731) Sport&Fashion Management Pte. Ltd
6 Shenton Vei, N18-11, Oue Dauntaun 2,
Singapore, 068809, Singapore
(740) Vakhtang Torotadze

(540)



(591) Black, white
 (531) 26.13.25; 27.05.01
 (511) 9, 18, 25, 28

(260) AM 2019 102251 A
 (210) AM 102251
 (220) 2019 03 19
 (731) MARIAM ARAKELOVA
 I. Khvedeliani St. 29V, 0179, Tbilisi,
 Georgia
 (740) Liliana Darakhvelidze
 (540)



(591) Black, white, purple, orange
 (531) 26.04.01; 26.04.09; 27.05.01; 27.05.09;
 27.05.10; 28.19; 29.01.13
 (511) 3, 35, 44

(260) AM 2019 102252 A
 (210) AM 102252
 (220) 2019 03 19
 (731) MYLAN INSTITUTIONAL INC.
 1718 Northrock Court, Rockford, Illinois,
 61103, USA
 (740) Tamar Kochlamazashvili
 (540)

ABEVMY

(591) Black, white
 (511) 5

(260) AM 2019 102256 A
 (210) AM 102256
 (220) 2019 03 20
 (731) LLC "IRNERO"
 Sanapiro St. 2a, Krtsanisi district, Tbilisi,
 Georgia
 (740) Shalva Gvaramadze
 (540)



(591) Black, white, orange
 (531) 26.04.02; 26.04.03; 26.04.07; 26.04.22;
 26.04.24; 27.05.24; 29.01.13
 (511) 6, 9, 11, 19, 37

(260) AM 2019 102259 A
 (210) AM 102259
 (220) 2019 03 20
 (731) CHINA TOBACCO HUNAN INDUSTRIAL
 CO., LTD
 NO.188 SECTION 3, ANJIALI MIDDLE RD
 CHANGSHA HUNAN CHINA
 (740) Liliana Darakhvelidze
 (540)

YANKER

(591) Black, white
 (511) 34

(260) AM 2019 102268 A
 (210) AM 102268
 (220) 2019 03 22
 (731) ZURAB KHARBEDIA
 Zviad Gamsakhurdia St.133, Senaki,
 4100, Georgia
 (540)



(591) Brown, golden, white, sky-blue
 (531) 18.03.03; 27.01.12; 27.05.01; 29.01.13
 (511) 35, 39, 41

(260) AM 2019 102347 A
 (210) AM 102347
 (220) 2019 03 22

(731) SHANGHAI YUNDA EXPRESS CO., LTD
No.3728, JIASONG MIDDLE ROAD,
HUAXIN TOWN, QINGPU DISTRICT,
SHANGHAI, China

(740) Giorgi Kartvelishvili
(540)



(591) Black, white
(531) 24.17.03; 26.02.07; 27.05.10; 27.05.17;
27.05.23
(511) 39

(260) AM 2019 102359 A
(210) AM 102359
(220) 2019 03 22
(731) LTD "GMP"
Vill. Ponitchala 65, 0165, Tbilisi, Georgia
(740) Nugzar Ksovreli
(540)

კორმაქსი
KOPMAKC
KORMAX

(591) Black, white
(511) 5

(260) AM 2019 102362 A
(210) AM 102362
(220) 2019 03 24
(731) OBA RETAIL CHAIN MMC
AZ5001, Sumqayit seheri, 9 mkr,
ev 25C, Baku, Azerbaijan
(740) Giorgi Kartvelishvili
(540)

OBA Market

(591) Black, white
(511) 35

(260) AM 2019 102363 A
(210) AM 102363
(220) 2019 03 24
(731) OBA RETAIL CHAIN MMC
AZ5001, Sumqayit seheri, 9 mkr,
ev 25C, Baku, Azerbaijan
(740) Giorgi Kartvelishvili

(540)



(591) Yellow, orange, red, blue, sky-blue, white,
black, gray
(531) 26.01.05; 26.01.16; 26.01.22; 26.04.10;
26.04.22; 28.19; 29.01.15
(511) 35

(260) AM 2019 102370 A
(210) AM 102370
(220) 2019 03 25
(731) LLC "EXPORTINVEST"
Dighmis massiv, VI kvart., korp. 16, ap. 28,
Tbilisi, Georgia
(540)



(591) Red, green, white
(531) 05.11.11; 26.01.01; 26.01.16; 26.01.20;
26.13.25; 27.05.01; 28.19; 29.01.13
(511) 30

(260) AM 2019 102372 A
(210) AM 102372
(220) 2019 03 25
(731) Shanghai Jinjiang International Hotels
Development Co. Ltd
4t Floor, Jinjiang Oriental Hotel (district B),
No.899, Iang Gao Nan Roud, China
(Shanghai) Pailot Frii Treid Zone, Shanghai
(China), China
(740) Shalva Gvaramadze

(540)

郁金香

(591) Black, white

(531) 28.03

(511) 35, 43

(260) AM 2019 102374 A

(210) AM 102374

(220) 2019 03 25

(731) LTD "PURI CHVENI ARSOBISA"

Kldekari St. 23, Tbilisi, Georgia

(540)

თბილპური Tbilpuri

(591) Black, white

(511) 30

(260) AM 2019 102386 A

(210) AM 102386

(220) 2019 03 27

(731) BOTTEGA VENETA S.R.L.

Lokalita Konti Maltraverso 1, 36054

Montebelo Vichentino (VI), Italy

(740) Shalva Gvaramadze

(540)

KNOT

(591) Black, white

(511) 3, 18

(260) AM 2019 102398 A

(210) AM 102398

(220) 2019 03 27

(731) LTD "BIBLUS"

Iosebidge St. 49, 0160, Tbilisi, Georgia

(540)



(591) Red, grey white

(531) 25.01.19; 25.01.25; 27.05.09; 27.05.10; 28.19; 29.01.13

(526) GEORGIAN, ჯორჯიან

(511) 14, 28, 35

(260) AM 2019 102400 A

(210) AM 102400

(220) 2019 03 28

(731) YIWU RASHEL TRADING CO., LTD

1st-2nd Floor, No. 50 Yingriyuan, Dongzhou, Xiawang, Jiangdong, Yiwu City, Zhejiang Province, China

(740) Merab Kvimsadze

(540)

DR·RASHEL

(591) Black, white

(531) 27.05.01

(511) 3,

(260) AM 2019 102401 A

(210) AM 102401

(220) 2019 03 28

(731) PAX Labs Inc.

660 Alabama Street, 2nd Floor, San Francisco, California, 94110, USA

(740) Tamar Kochlamazashvili

(540)

PAX

(591) Black, white

(511) 34

(260) AM 2019 102491 A

(210) AM 102491

(220) 2019 03 29

(731) LLC "KART-VELI"

Vazha-Pshavela Av., II kvart., korp. 17, ap. 37-38, 0186, Tbilisi, Georgia

(740) Giorgi Taktakishvili

(540)



(591) White, blue

(531) 26.04.24; 27.05.24; 28.19; 29.01.12

(511) 39, 43

(260) AM 2019 102493 A

(210) AM 102493

(220) 2019 03 29

(731) LTD "Bebias"

D. Tavdadebuli st. 4, ap. 13, 0131, Tbilisi, Georgia

(540)



(591) Black, white
 (531) 05.03.16; 09.01.06; 09.01.15; 09.01.25; 28.19
 (511) 25, 35

(260) AM 2019 102495 A

(210) AM 102495

(220) 2019 03 29

(731) LLC Georgian "AGRO House"
 M. Kostava St. 37-39, II fl., Mtatsminda
 district, 0179, Tbilisi, Georgia

(540)



(591) Green yellow
 (531) 05.03.13; 05.03.15; 29.01.12
 (511) 31

(260) AM 2019 102498 A

(210) AM 102498

(220) 2019 03 29

(731) LLC Georgian "AGRO House"
 M. Kostava St. 37-39, II fl., Mtatsminda
 district, 0179, Tbilisi, Georgia

(540)



(591) Green, light green, crimson
 (531) 05.03.15; 05.09.17; 26.04.05; 29.01.13
 (511) 31

(260) AM 2019 102500 A

(210) AM 102500

(220) 2019 03 30

(731) LTD "GMP"

Vill. Ponitchala 65, 0165, Tbilisi, Georgia

(740) Nugzar Ksovreli

(540)



(591) Black, white, red, yellow
 (531) 01.15.15; 27.05.10; 27.05.11; 29.01.14
 (511) 5

(260) AM 2019 102501 A

(210) AM 102501

(220) 2019 03 30

(731) LTD "GMP"

Vill. Ponitchala 65, 0165, Tbilisi, Georgia

(740) Nugzar Ksovreli

(540)

Idee PharmaWelt GmbH

(591) Black, white
 (511) 5

(260) AM 2019 102502 A

(210) AM 102502

(220) 2019 03 30

(731) LTD "GMP"

Vill. Ponitchala 65, 0165, Tbilisi, Georgia

(740) Nugzar Ksovreli

(540)

WELT PHARMA

(511) 5

(260) AM 2019 102503 A

(210) AM 102503

(220) 2019 04 01

(731) LLC Georgian "AGRO House"

M. Kostava St. 37-39, II fl., Mtatsminda
 district, 0179, Tbilisi, Georgia

(540)



(591) Green, light green, crimson
 (531) 05.03.15; 05.09.17; 26.04.05; 29.01.14
 (511) 31

(260) AM 2019 102518 A
 (210) AM 102518
 (220) 2019 04 03
 (731) N(N)LE Rugby Union of Georgia
 Chabua Amirejibi Road. 6, benchmark
 6.00, Office Space 3, Tbilisi, Georgia
 (540)

Rugby is our game რაგბი ჩვენი თამაშის

(591) Black, white
 (511) 25, 28, 32, 33, 35, 36, 41

(260) AM 2019 102519 A
 (210) AM 102519
 (220) 2019 04 03
 (731) N(N)LE Rugby Union of Georgia
 Chabua Amirejibi Road. 6, benchmark
 6.00, Office Space 3, Tbilisi, Georgia
 (540)



(591) Black, white, red
 (531) 23.01.01; 26.04.02; 26.04.16; 26.04.24;
 29.01.13
 (511) 25, 28, 32, 33, 35, 36, 41

(260) AM 2019 102521 A
 (210) AM 102521
 (220) 2019 04 03
 (731) LTD "LERMONT"
 Lermontovi St. 10, 0105, Tbilisi, Georgia
 (540)

Iota Hotel

(591) Black, white
 (511) 43

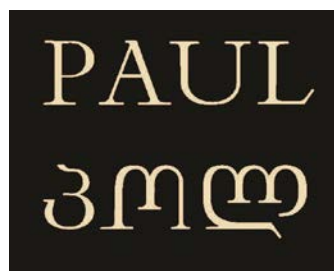
(260) AM 2019 102522 A
 (210) AM 102522
 (220) 2019 04 03

(731) SANOFI
 54, Rue La Boétie, Paris, 75008, France
 (740) Shalva Gvaramadze
 (540)

კობლავიქსი

(591) Black, white
 (511) 5

(260) AM 2019 102525 A
 (210) AM 102525
 (220) 2019 04 04
 (731) PAUL International SA
 rue Saint-Leger 2, c/o Paul Suisse SA,
 1205 GENEVE, Switzerland
 (740) Giorgi Taktakishvili
 (540)



(591) Yellow, black
 (531) 26.04.02; 26.04.22; 26.04.24; 27.05.24; 28.19;
 29.01.12
 (511) 30, 35, 43

(260) AM 2019 102527 A
 (210) AM 102527
 (220) 2019 04 04
 (731) BISWANATH HOSIERY MILLS LTD
 39 KALI KRISHNA TAGORE STREET,
 CALCUTTA 700007, WEST BENGAL, India
 (740) Merab Kvimsadze
 (540)

LUX

Maestro

(591) Black, white
 (531) 27.05.02; 27.05.09; 27.05.10; 27.05.17
 (511) 25

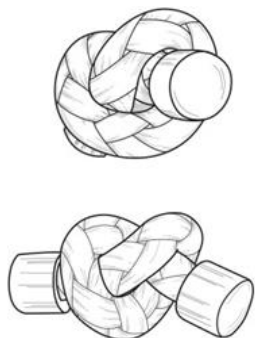
(260) AM 2019 102533 A
 (210) AM 102533
 (220) 2019 04 05
 (731) Khvicha Medulashvili
 V. Barnovi St. 71, 0179, Tbilisi,
 Georgia

(540)



(591) Green, sky-blue, yellow, white
 (531) 01.03.01; 01.03.02; 01.03.06; 01.03.13;
 01.15.24; 06.01.04; 29.01.14
 (511) 39

(260) AM 2019 102539 A
 (210) AM 102539
 (220) 2019 04 05
 (731) BOTTEGA VENETA S.R.L.
 Località Conti Maltraverso 1, 36054
 Montebello Vicentino (VI), Italy
 (740) Shalva Gvaramadze
 (540)



(554) Three-dimensional
 (591) Black, white
 (531) 09.01.06; 09.01.07; 14.01.02; 14.01.05
 (511) 3, 18

(260) AM 2019 102546 A
 (210) AM 102546
 (220) 2019 04 09
 (731) Michael Jerzey Pelchinskiy
 Vakhtang Gorgasali Lane 5, b. 32, Krtsanisi
 district, 0105, Tbilisi, Georgia
 (740) David Dzamukashvili
 (540)

Tax Free Nomad

(591) Black, white
 (511) 35, 45

(260) AM 2019 102566 A
 (210) AM 102566
 (220) 2019 04 11
 (731) Enrico Beridze
 10 Titsian Tabidze St., Lane 1, Tbilisi,
 Georgia
 (740) Salome Jeladze
 (540)

ABEROX

(591) Black, white
 (511) 5

(260) AM 2019 102694 A
 (210) AM 102694
 (220) 2019 04 12
 (731) GIORGI CHKHEIDZE
 Ghambashidze St. 9/2, Tbilisi, Georgia
 (540)



(591) Black, white
 (531) 03.07.01; 03.07.16; 05.03.04; 27.05.01; 28.19;
 29.01.12
 (511) 33, 35, 43

(260) AM 2019 102707 A
 (210) AM 102707
 (220) 2019 04 12
 (731) LLC "LALE"
 Vazha-Pshavela Av. 41, Fl. 4, 0177,
 Tbilisi, Georgia
 (540)



(591) Black, white
 (531) 28.19
 (511) 33, 32, 33

(260) AM 2019 102713 A
 (210) AM 102713
 (220) 2019 04 15
 (731) JSC "GEPHA"
 Akaki Belashvili St. 142, 0159, Tbilisi,
 Georgia
 (740) Salome Jeladze
 (540)

BEAUTYLAB

(591) Black, white
 (511) 35, 44

(260) AM 2019 102714 A
 (210) AM 102714
 (220) 2019 04 15
 (731) JSC "GEPHA"
 Akaki Belashvili St. 142, 0159, Tbilisi,
 Georgia
 (740) Salome Jeladze
 (540)

BEAUTYHUB

(591) Black, white
 (511) 35, 44

(260) AM 2019 102720 A
 (210) AM 102720
 (220) 2019 04 15
 (731) LLC "Agroconsortium Tserovani"
 Village Tserovani, 3300, Mtskheta,
 Georgia
 (740) Vakhtang Torotadze
 (540)

Дари, дочка!

(591) Black, white
 (511) 29

(260) AM 2019 102730 A
 (210) AM 102730
 (220) 2019 04 17
 (731) BMJ Industries FZ-LLC
 P.O. Box: 31053, Al-Jazeera, Al-Hamra,
 Ras AL Khaimah, United Arab Emirates
 (740) Pavle Meipariani;
 Giorgi Meipariani
 (540)

4K

(591) Black, white
 (531) 27.05.21; 27.07.11; 27.07.17
 (511) 34

(260) AM 2019 102737 A
 (210) AM 102737
 (220) 2019 04 19
 (220) 2019 04 15
 (731) JSC "GEPHA"
 Akaki Belashvili St. 142, 0159, Tbilisi,
 Georgia
 (740) Salome Jeladze
 (540)

JANSADGURI

(591) Black, white
 (511) 35, 44

(260) AM 2019 102927 A
 (210) AM 102927
 (220) 2019 04 30
 (731) KT & G CORPORATION
 71, Beotkkot-gil, Daedeok-gu, Daejeon,
 Republic of Korea
 (740) Pavle Meipariani
 (540)

BOHEM

(591) Black, white
 (511) 34

REGISTERED TRADEMARKS

(111) M 2019 31873 R

(151) 2019 10 23

(181) 2029 10 23

(260) AM 2018 100031 A

(220) 2018 10 24

(732) LTD "IMPEXP HARM"

The river on the right bank of the river
Mtkvari, bacteriophage near the road to the
bacteriophage, 0160, Tbilisi, Georgia

(111) M 2019 31874 R

(151) 2019 10 23

(181) 2029 10 23

(260) AM 2018 100044 A

(220) 2018 10 26

(732) VRANGLER EPEREL CORP.

3411 Silverside Road, Wilmington, State
Delaware 19810, USA

(111) M 2019 31875 R

(151) 2019 10 23

(181) 2029 10 23

(260) AM 2018 100046 A

(220) 2018 10 26

(732) ANZOR KARDANOV

Sovetskaya St. 162, Ap. 24, Karachi-
Cherkessk Republic, Stavropol region,
Russian Federation

(111) M 2019 31876 R

(151) 2019 10 23

(181) 2029 10 23

(260) AM 2018 100061 A

(220) 2018 10 31

(732) APPLE INC.

One Apple Park Way, California, Cupertino,
95014, USA

(111) M 2019 31877 R

(151) 2019 10 23

(181) 2029 10 23

(260) AM 2018 100074 A

(220) 2018 11 02

(732) LTD "FIND COUNSELING"

Petre Gamkrelidze St. 1b, Nadzaladevi district,
0178, Tbilisi, Georgia

(111) M 2019 31878 R

(151) 2019 10 23

(181) 2029 10 23

(260) AM 2018 100398 A

(220) 2018 11 14

(732) Facebook, Inc. (a Delaware corporation)

1601 Willow Road, Menlo Park California,
94025, USA

(111) M 2019 31879 R

(151) 2019 10 23

(181) 2029 10 23

(260) AM 2018 100442 A

(220) 2018 11 21

(732) Pharmacia & Upjohn Company LLC

7000 Portage Road, Kalamazoo, MI 49001,
USA

(111) M 2019 31880 R

(151) 2019 10 23

(181) 2029 10 23

(260) AM 2018 100445 A

(220) 2018 11 22

(732) INPHA LLP Representative office in Georgia

Besiki St. 4 Nearby (plot 46/10), 0108,
Tbilisi, Georgia

(111) M 2019 31881 R

(151) 2019 10 23

(181) 2029 10 23

(260) AM 2018 100448 A

(220) 2018 11 22

(732) INPHA LLP Representative office in Georgia

Besiki St. 4 Nearby (plot 46/10), 0108,
Tbilisi, Georgia

(111) M 2019 31882 R

(151) 2019 10 23

(181) 2029 10 23

(260) AM 2018 100449 A

(220) 2018 11 22

(732) INPHA LLP Representative office in Georgia

Besiki St. 4 Nearby (plot 46/10), 0108,
Tbilisi, Georgia

(111) M 2019 31883 R

(151) 2019 10 23

(181) 2029 10 23

(260) AM 2018 100456 A

(220) 2018 11 22

(732) INPHA LLP Representative office in Georgia

Besiki St. 4 Nearby (plot 46/10), 0108,
Tbilisi, Georgia

(111) M 2019 31884 R
 (151) 2019 10 23
 (181) 2029 10 23
 (260) AM 2018 100462 A
 (220) 2018 11 22
 (732) INPHA LLP Representative office in Georgia
 Besiki St. 4 Nearby (plot 46/10), 0108,
 Tbilisi, Georgia

(111) M 2019 31890 R
 (151) 2019 10 23
 (181) 2029 10 23
 (260) AM 2018 100605 A
 (220) 2018 11 29
 (732) Instagram LLC
 1601 Willow Road, Menlo Park, California,
 94025, USA

(111) M 2019 31885 R
 (151) 2019 10 23
 (181) 2029 10 23
 (260) AM 2018 100584 A
 (220) 2018 11 23
 (732) LTD "AUTOTEST GEORGIA"
 Vil. Dighomi, Thirteen Asureli Fathers
 St. 128, 0159, Tbilisi, Georgia

(111) M 2019 31891 R
 (151) 2019 10 23
 (181) 2029 10 23
 (260) AM 2018 100606 A
 (220) 2018 11 29
 (732) Instagram LLC
 1601 Willow Road, Menlo Park, California,
 94025, USA

(111) M 2019 31886 R
 (151) 2019 10 23
 (181) 2029 10 23
 (260) AM 2018 100585 A
 (220) 2018 11 23
 (732) LTD "AUTOTEST GEORGIA"
 Vil. Dighomi, Thirteen Asureli Fathers
 St. 128, 0159, Tbilisi, Georgia

(111) M 2019 31892 R
 (151) 2019 10 23
 (181) 2029 10 23
 (260) AM 2018 100690 A
 (220) 2018 12 05
 (732) Midas International Corporation
 a Delaware corporation
 TBC Way, Palm Beach Gardens, FL 33410,
 USA

(111) M 2019 31887 R
 (151) 2019 10 23
 (181) 2029 10 23
 (260) AM 2018 100591 A
 (220) 2018 11 26
 (732) Alibaba Group Holding Limited
 Fourth Floor, One Capital Place, P. O. Box
 847, George Town, Grand Cayman, Cayman
 Islands

(111) M 2019 31893 R
 (151) 2019 10 23
 (181) 2029 10 23
 (260) AM 2018 100691 A
 (220) 2018 12 05
 (732) Midas International Corporation
 a Delaware corporation
 TBC Way, Palm Beach Gardens, FL 33410, USA

(111) M 2019 31888 R
 (151) 2019 10 23
 (181) 2029 10 23
 (260) AM 2018 100594 A
 (220) 2018 11 27
 (732) The Gillette Company LLC
 One Gillette Park, Boston, Massachusetts
 02127, USA

(111) M 2019 31894 R
 (151) 2019 10 23
 (181) 2029 10 23
 (260) AM 2018 100788 A
 (220) 2018 12 14
 (732) LLC "MARNISKARI"
 Apakidze St. 11, 0101, Tbilisi, Georgia

(111) M 2019 31889 R
 (151) 2019 10 23
 (181) 2029 10 23
 (260) AM 2018 100602 A
 (220) 2018 11 28
 (732) Joseph Ghudushauri
 Zestaponi St. 3, Ap. 1, 0180, Tbilisi, Georgia;
 Temur Kometiani
 I. Jebashvili St. 16, 0177, Tbilisi Georgia

(111) M 2019 31895 R
 (151) 2019 10 23
 (181) 2029 10 23
 (260) AM 2018 100800 A
 (220) 2018 12 18
 (732) LTD "Sanus Vita"
 The fall of Giorgi Saakadze 6, Commercial
 space 11, Vake-Saburtalo district, Tbilisi,
 Georgia

(111) M 2019 31896 R
 (151) 2019 10 23
 (181) 2029 10 23
 (260) AM 2018 100801 A
 (220) 2018 12 18

(732) LTD "Sanus Vita"
 The fall of Giorgi Saakadze 6, Commercial
 space 11, Vake-Saburtalo district, Tbilisi,
 Georgia

(111) M 2019 31897 R
 (151) 2019 10 23
 (181) 2029 10 23
 (260) AM 2018 100802 A
 (220) 2018 12 18

(732) LTD "Sanus Vita"
 The fall of Giorgi Saakadze 6, Commercial
 space 11, Vake-Saburtalo-LoDistrict, Tbilisi,
 Georgia

(111) M 2019 31898 R
 (151) 2019 10 23
 (181) 2029 10 23
 (260) AM 2018 100821 A
 (220) 2018 12 21

(732) LTD "Lyon Trans"
 N. Pirosmani 2 lane, Ap. 8, Zestaponi,
 Georgia

(111) M 2019 31899 R
 (151) 2019 10 23
 (181) 2029 10 23
 (260) AM 2018 97419 A
 (220) 2018 11 19

(732) Gvantsa Mgaloblishvili
 Barnov St., I Lane 8, 0108, Tbilisi, Georgia

(111) M 2019 31900
 (151) 2019 10 23
 (181) 2029 10 23
 (260) AM 2018 98772 A
 (220) 2018 08 01

(732) Nika Goletiani
 Bakhtrionis q. 60, 2200, Telavi, Georgia

(111) M 2019 31901 R
 (151) 2019 10 23
 (181) 2029 10 23
 (260) AM 2018 98773 A
 (220) 2018 08 01

(732) Nika Goletiani
 Bakhtrioni St. 60, 2200, Telavi, Georgia

(111) M 2019 31902 R
 (151) 2019 10 23
 (181) 2029 10 23
 (260) AM 2018 98912 A
 (220) 2018 08 09

(732) LTD "Bolero&Company"
 Marshal Gelovanis gamz. 13, sart. 9, 0179,
 Tbilisi, Georgia

(111) M 2019 31903 R
 (151) 2019 10 23
 (181) 2029 10 23
 (260) AM 2018 99315 A
 (220) 2018 09 11

(732) LTD "ფეშონტვიზიონი-FASHIONTV
 GEORGIA"
 Grishashvili St. 4, 4600, Kutaisi, Georgia

(111) M 2019 31904 R
 (151) 2019 10 23
 (181) 2029 10 23
 (260) AM 2018 99330 A
 (220) 2018 09 12

(732) LTD "ALPEN MILK"
 D. Aghmashenebeli St. 28/1, Akhalkalaki,
 Georgia

(111) M 2019 31905 R
 (151) 2019 10 23
 (181) 2029 10 23
 (260) AM 2018 99331 A
 (220) 2018 09 12

(732) LTD "ALPEN MILK"
 D. Aghmashenebeli St. 28/1, Akhalkalaki,
 Georgia

(111) M 2019 31906 R
 (151) 2019 10 23
 (181) 2029 10 23
 (260) AM 2018 99353 A
 (220) 2018 09 13

(732) LTD "ALPEN MILK"
 D. Aghmashenebeli St. 28/1, Akhalkalaki,
 Georgia

(111) M 2019 31907 R
 (151) 2019 10 23
 (181) 2029 10 23
 (260) AM 2018 99466 A
 (220) 2018 09 21

(732) LTD "OXIGEN"
 Vazha-Pshavela Ave., III kvart, korp. 21,
 ap. 1, 0186, Tbilisi, Georgia

(111) M 2019 31908 R
(151) 2019 10 23
(181) 2029 10 23
(260) AM 2018 99907 A
(220) 2018 10 18
(732) ADAMA AGAN Ltd.
P.O. Box 262, Northern Industrial Zone,
Ashdod 7710201, Israel

(111) M 2019 31909 R
(151) 2019 10 23
(181) 2029 10 23
(260) AM 2018 99908 A
(220) 2018 10 18
(732) ADAMA AGAN Ltd.
P.O. Box 262, Northern Industrial Zone,
Ashdod 7710201, Israel

(111) M 2019 31910 R
(151) 2019 10 23
(181) 2029 10 23
(260) AM 2018 99909 A
(220) 2018 10 18
(732) ADAMA AGAN Ltd.
P.O. Box 262, Northern Industrial Zone,
Ashdod 7710201, Israel

(111) M 2019 31911 R
(151) 2019 10 23
(181) 2029 10 23
(260) AM 2018 99967 A
(220) 2018 10 22
(732) EMPRESA CUBANA DEL TABACO
(CUBATABACO)
Calle Nueva No. 75 e/ Universidad y Pedroso,
municipio Cerro, provincia La Habana, Cuba

(111) M 2019 31912 R
(151) 2019 10 23
(181) 2029 10 23
(260) AM 2018 99975 A
(220) 2018 10 23
(732) Bayer Intellectual Property GmbH
Alfred-Nobel-Straße 10, 40789 Monheim
am Rhein, Germany

(111) M 2019 31913 R
(151) 2019 10 23
(181) 2029 10 23
(260) AM 2018 99980 A
(220) 2018 10 23
(732) LTD "AVERSI-PHARMA"
D. Aghmashenebli Av. 148/2, 0112,
Tbilisi, Georgia

(111) M 2019 31914 R
(151) 2019 10 23
(181) 2029 10 23
(260) AM 2018 99981 A
(220) 2018 10 23
(732) LTD "AVERSI-PHARMA"
D. Aghmashenebli Av. 148/2, 0112,
Tbilisi, Georgia

(111) M 2019 31924 R
(151) 2019 10 31
(181) 2029 10 31
(260) AM 2018 100381 A
(220) 2018 11 12
(732) LTD "AGRO-CONSORTIUM TSEROVANI"
Village Tserovani, 3300 Mtskheta, Georgia

(111) M 2019 31925 R
(151) 2019 10 31
(181) 2029 10 31
(260) AM 2018 100407 A
(220) 2018 11 15
(732) LTD "GIAVSPIRTPROM"
Lilo St. 51, 0198, Tbilisi, Georgia

(111) M 2019 31926 R
(151) 2019 10 31
(181) 2029 10 31
(260) AM 2018 100418 A
(220) 2018 11 17
(732) Ltd "N Plus"
Tamar Mepe St. 32, ap. 4, 6200, Kobuleti,
Georgia

(111) M 2019 31927 R
(151) 2019 10 31
(181) 2029 10 31
(260) AM 2018 100687 A
(220) 2018 12 05
(732) Pfizer Inc.
235 East 42nd Street, New York, New York
10017, USA

(111) M 2019 31928 R
(151) 2019 10 31
(181) 2029 10 31
(260) AM 2018 100768 A
(220) 2018 12 08
(732) ABBOTT LABORATORIES
100 Abbott Park Road, Illinois, Abbott Park,
60064, USA

(111) M 2019 31929 R
(151) 2019 10 31
(181) 2029 10 31
(260) AM 2018 100808 A
(220) 2018 12 18
(732) United States Polo Association
1400 Centrepark Blvd., Suite 200, 33401,
West Palm Beach, FL, USA

(111) M 2019 31935 R
(151) 2019 10 31
(181) 2029 10 31
(260) AM 2018 99184 A
(220) 2018 09 03
(732) LTD "Georgian Vine and Wine Company"
D. Aghmasheneblis gamz. 179f, b. 25,
Dzvevli Tbilisis r-no, Tbilisi, Georgia

(111) M 2019 31930 R
(151) 2019 10 31
(181) 2029 10 31
(260) AM 2019 100915 A
(220) 2019 01 04
(732) LTD "SAKME.GE"
Iosebidge St. 49, (Plot 17/1) / Kutateli St. 3,
(Shchorsi St.), 0160, Vake-Saburtalo District,
Tbilisi, Georgia

(111) M 2019 31936 R
(151) 2019 10 31
(181) 2029 10 31
(260) AM 2018 99471 A
(220) 2018 09 24
(732) LTD "Lithuanian Bakery +"
T. Eristavi St. 1, 0192, Tbilisi, Georgia

(111) M 2019 31931 R
(151) 2019 10 31
(181) 2029 10 31
(260) AM 2019 100916 A
(220) 2019 01 04
(732) LTD "SAKME.GE"
Iosebidge St. 49, (Plot 17/1) / Kutateli St. 3,
(Shchorsi St.), 0160, Vake-Saburtalo District,
Tbilisi, Georgia

(111) M 2019 31937 R
(151) 2019 10 31
(181) 2029 10 31
(260) AM 2018 99472 A
(220) 2018 09 24
(732) LTD "Lithuanian Bakery +"
T. Eristavi St. 1, 0192, Tbilisi, Georgia

(111) M 2019 31932 R
(151) 2019 10 31
(181) 2029 10 31
(260) AM 2018 98667 A
(220) 2018 07 24
(732) LTD "N-M-G GROUP"
Ts. Dadiani St. 319, 0192, Tbilisi, Georgia

(111) M 2019 31938 R
(151) 2019 10 31
(181) 2029 10 31
(260) AM 2018 99473 A
(220) 2018 09 24
(732) LTD "Lithuanian Bakery +"
T. Eristavi St. 1, 0192, Tbilisi, Georgia

(111) M 2019 31933 R
(151) 2019 10 31
(181) 2029 10 31
(260) AM 2018 98909 A
(220) 2018 08 09
(732) LTD "Bolero & Company"
Marshal Gelovani Ave. 13, fl. 9, 0159, Tbilisi,
Georgia

(111) M 2019 31939 R
(151) 2019 10 31
(181) 2029 10 31
(260) AM 2018 99474 A
(220) 2018 09 24
(732) LTD "Lithuanian Bakery +"
T. Eristavi St. 1, 0192, Tbilisi, Georgia

(111) M 2019 31934 R
(151) 2019 10 31
(181) 2029 10 31
(260) AM 2018 98910 A
(220) 2018 08 09
(732) LTD "Bolero & Company"
Marshal Gelovani Ave. 13, fl. 9, 0159, Tbilisi,
Georgia

(111) M 2019 31940 R
(151) 2019 10 31
(181) 2029 10 31
(260) AM 2018 99475 A
(220) 2018 09 24
(732) LTD "Lithuanian Bakery +"
T. Eristavi St. 1, 0192, Tbilisi, Georgia

(111) M 2019 31941 R
(151) 2019 10 31
(181) 2029 10 31
(260) AM 2018 99476 A

(220) 2018 09 24
(732) LTD "Lithuanian Bakery +"
T. Eristavi St. 1, 0192, Tbilisi, Georgia

(111) M 2019 31942 R
(151) 2019 10 31
(181) 2029 10 31
(260) AM 2018 99487 A
(220) 2018 09 24
(732) E. I. du Pont de Nemours and Company
Chestnut Run Plaza, 974 Centre Road,
Wilmington, DE 19805, USA

(111) M 2019 31943 R
(151) 2019 10 31
(181) 2029 10 31
(260) AM 2018 99489 A
(220) 2018 09 24
(732) E. I. du Pont de Nemours and Company
Chestnut Run Plaza, 974 Centre Road,
Wilmington, DE 19805, USA

(111) M 2019 31944 R
(151) 2019 10 31
(181) 2029 10 31
(260) AM 2018 99490 A
(220) 2018 09 24
(732) E. I. du Pont de Nemours and Company
Chestnut Run Plaza, 974 Centre Road,
Wilmington, DE 19805, USA

(111) M 2019 31945 R
(151) 2019 10 31
(181) 2029 10 31
(260) AM 2018 99491 A
(220) 2018 09 24
(732) E. I. du Pont de Nemours and Company
Chestnut Run Plaza, 974 Centre Road,
Wilmington, DE 19805, USA

(111) M 2019 31946 R
(151) 2019 10 31
(181) 2029 10 31
(260) AM 2018 99493 A
(220) 2018 09 24
(732) E. I. du Pont de Nemours and Company
Chestnut Run Plaza, 974 Centre Road,
Wilmington, DE 19805, USA

(111) M 2019 31947 R
(151) 2019 10 31
(181) 2029 10 31
(260) AM 2018 99494 A

(220) 2018 09 24
(732) E. I. du Pont de Nemours and Company
Chestnut Run Plaza, 974 Centre Road,
Wilmington, DE 19805, USA

(111) M 2019 31948 R
(151) 2019 10 31
(181) 2029 10 31
(260) AM 2018 99495 A
(220) 2018 09 24
(732) E. I. du Pont de Nemours and Company
Chestnut Run Plaza, 974 Centre Road,
Wilmington, DE 19805, USA

(111) M 2019 31949 R
(151) 2019 10 31
(181) 2029 10 31
(260) AM 2018 99496 A
(220) 2018 09 24
(732) E. I. du Pont de Nemours and Company
Chestnut Run Plaza, 974 Centre Road,
Wilmington, DE 19805, USA

(111) M 2019 31950 R
(151) 2019 10 31
(181) 2029 10 31
(260) AM 2018 99497 A
(220) 2018 09 24
(732) E. I. du Pont de Nemours and Company
Chestnut Run Plaza, 974 Centre Road,
Wilmington, DE 19805, USA

(111) M 2019 31951 R
(151) 2019 10 31
(181) 2029 10 31
(260) AM 2018 99499 A
(220) 2018 09 24
(732) E. I. du Pont de Nemours and Company
Chestnut Run Plaza, 974 Centre Road,
Wilmington, DE 19805, USA

(111) M 2019 31952 R
(151) 2019 10 31
(181) 2029 10 31
(260) AM 2018 99500 A
(220) 2018 09 24
(732) E. I. du Pont de Nemours and Company
Chestnut Run Plaza, 974 Centre Road,
Wilmington, DE 19805, USA

(111) M 2019 31953 R
(151) 2019 10 31
(181) 2029 10 31

(260) AM 2018 99502 A
(220) 2018 09 24
(732) E. I. du Pont de Nemours and Company
Chestnut Run Plaza, 974 Centre Road,
Wilmington, DE 19805, USA

(111) M 2019 31954 R
(151) 2019 10 31
(181) 2029 10 31
(260) AM 2018 99503 A
(220) 2018 09 24
(732) E. I. du Pont de Nemours and Company
Chestnut Run Plaza, 974 Centre Road,
Wilmington, DE 19805, USA

(111) M 2019 31955 R
(151) 2019 10 31
(181) 2029 10 31
(260) AM 2018 99504 A
(220) 2018 09 24
(732) E. I. du Pont de Nemours and Company
Chestnut Run Plaza, 974 Centre Road,
Wilmington, DE 19805, USA

(111) M 2019 31956 R
(151) 2019 10 31
(181) 2029 10 31
(260) AM 2018 99505 A
(220) 2018 09 24
(732) E. I. du Pont de Nemours and Company
Chestnut Run Plaza, 974 Centre Road,
Wilmington, DE 19805, USA

(111) M 2019 31957 R
(151) 2019 10 31
(181) 2029 10 31
(260) AM 2018 99506 A
(220) 2018 09 24
(732) E. I. du Pont de Nemours and Company
Chestnut Run Plaza, 974 Centre Road,
Wilmington, DE 19805, USA

(111) M 2019 31958 R
(151) 2019 10 31
(181) 2029 10 31
(260) AM 2018 99507 A
(220) 2018 09 24
(732) E. I. du Pont de Nemours and Company
Chestnut Run Plaza, 974 Centre Road,
Wilmington, DE 19805, USA

(111) M 2019 31959 R
(151) 2019 10 31
(181) 2029 10 31
(260) AM 2018 99750 A
(220) 2018 10 05
(732) E. I. du Pont de Nemours and Company
Chestnut Run Plaza, 974 Centre Road,
Wilmington, DE 19805, USA

(111) M 2019 31960 R
(151) 2019 10 31
(181) 2029 10 31
(260) AM 2018 99946 A
(220) 2018 10 22
(732) Courvoisier S.A.S.
2 Place du Chateau, 16200 Jarnac, France

(111) M 2019 31961 R
(151) 2019 10 31
(181) 2029 10 31
(260) AM 2018 99352 A
(220) 2018 09 13
(732) PPG INDUSTRIES OHIO INC.
3800 West 143rd St., Cleveland, Ohio
44111, USA

(111) M 2019 31962 R
(151) 2019 10 31
(181) 2029 10 31
(260) AM 2018 99444 A
(220) 2018 09 20
(732) JURA Elektroapparate AG
Kaffeeweltstrasse 10, 4626 Niederbuchsiten,
Switzerland

(111) M 2019 31963 R
(151) 2019 10 31
(181) 2029 10 31
(260) AM 2018 99445 A
(220) 2018 09 20
(732) JURA Elektroapparate AG
Kaffeeweltstrasse 10, 4626 Niederbuchsiten,
Switzerland

TRADEMARKS REGISTERED ACCORDING TO THE ACCELERATED PROCEDURE

The decision can be appealed at the Chamber of Appeal of Sakpatenti within 3 months from the publication.

(111) M 2019 31915 R
(151) 2019 10 24
(181) 2029 10 24
(210) AM 105251
(220) 2019 10 10
(732) LTD "RTVELISI"
R. Shmerlingi St.19, Saburtalo district, 0131,
Tbilisi, Georgia
(540)



(591) Cornelian-red, white
(531) 05.07.10; 19.09.02; 24.01.15; 25.01.05;
25.01.09; 25.01.10; 27.05.21; 28.19; 29.01.12
(511) 33, 35

(111) M 2019 31916 R
(151) 2019 10 24
(181) 2029 10 24
(210) AM 105252
(220) 2019 10 10
(732) LTD "RTVELISI"
R. Shmerlingi St.19, Saburtalo district, 0131,
Tbilisi, Georgia
(540)



(591) Cornelian-red, white
(531) 05.07.10; 19.09.02; 24.01.15; 25.01.05;
25.01.09; 25.01.10; 27.05.21; 29.01.12
(511) 33, 35

(111) M 2019 31917 R
(151) 2019 10 25
(181) 2029 10 25
(210) AM 105333
(220) 2019 10 11
(732) NIKOLOZ PAIASHVILI
Zahesi, Andronikashvili St. 143, Tbilisi,
Georgia
(540)



(591) Red, white
(531) 26.04.03; 26.04.18; 26.04.22; 26.04.24;
27.05.24; 29.01.12
(511) 35

(111) M 2019 31918 R
(151) 2019 10 25
(181) 2029 10 25
(210) AM 105342
(220) 2019 10 15
(732) JSC "ENERGONY"
Zahesi Settlement Cascade St. 1, Gldani
district, Tbilisi, Georgia
(740) Mariam Vashakidze
(540)

ენერჯონი
Energony

(591) Black-white
(511) 6, 11, 12, 19, 35, 37, 38, 39, 40

(111) M 2019 31919 R
(151) 2019 10 28
(181) 2029 10 28
(210) AM 105208
(220) 2019 10 04
(732) Vakhtang Karitchashvili
S. Virsaladze St. 2/4, ap. 6 (last Engineer St.)
0108, Tbilisi, Georgia
(540)

გრუზვინპრომ
ГРУЗВИНПРОМ
GRUZWINPROM

(591) Black-white
(511) 33, 35

(111) M 2019 31920 R
(151) 2019 10 28
(181) 2029 10 28
(210) AM 105344
(220) 2019 10 15
(732) LTD "GURIA FISH"
Vill. Likhauri, Ozurgeti district, Georgia
(740) Mariam Vashakidze
(540)



GURIAFISH

(591) Red, white, black, sky-blue, brown
(531) 02.01.04; 02.01.21; 29.01.15
(511) 29

(111) M 2019 31921 R
(151) 2019 10 28
(181) 2029 10 28
(210) AM 105357
(220) 2019 10 17
(732) LTD "SOLO"
Davit Agmashenebeli Av. 79, 0102, Tbilisi,
Georgia
(740) Giorgi Taktakishvili
(540)



სოლო

(591) Black, orange, white
(531) 26.01.18; 27.05.22; 28.19; 29.01.13
(511) 35, 39, 43, 45

(111) M 2019 31922 R
(151) 2019 10 28
(181) 2029 10 28
(210) AM 105341
(220) 2019 10 15

(732) LTD "POWER LIGHT"
Stanislavskiy St. 5, Tbilisi, Georgia
(740) Nikoloz Minashvili
(540)



POWER LIGHT

(591) Black, white, orange
(531) 26.11.09; 27.05.01; 27.05.09; 27.05.10;
27.05.22; 29.01.12
(511) 11

(111) M 2019 31923 R
(151) 2019 10 29
(181) 2029 10 29
(210) AM 105346
(220) 2019 10 15
(732) JSC "ARGO"
Lilo, Lotchinis Khevi (place 05/001),
0102, Tbilisi, Georgia
(740) Marekh Amirashvili
(540)

ზანდუკელი

ZANDUKELI

(591) შავ-თეთრი
(511) 32

(111) M 2019 31964 R
(151) 2019 10 31
(181) 2029 10 31
(210) AM 104892
(220) 2019 09 13
(732) JSC "VABAKO"
Botchorishvili St37, Flat 221, 0186, Tbilisi,
Georgia
(540)



EKIMO

(591) White, black, orange
(531) 24.13.14; 27.05.17; 27.05.21; 29.01.12
(511) 42

(111) M 2019 31965 R

(151) 2019 11 01

(181) 2029 11 01

(210) AM 105552

(220) 2019 10 29

(732) LTD "Coast-Investment Group"

Khosharauli and Eliava Streets Between the left bank of the river Mtkvari and Vakhushti bridge, Tbilisi, Georgia

(540)



ქეიკაპა

ა მ ე ი

(591) Green, yellow, lettuce-green, orange, gray, light green

(531) 05.05.20; 05.05.22; 26.01.06; 28.19; 29.01.13

(511) 11, 35, 36, 37, 38, 39, 40, 41, 42, 43, 45

(111) M 2019 31966 R

(151) 2019 11 01

(181) 2029 11 01

(210) AM 105345

(220) 2019 10 15

(732) JSC "GOODWILL"

Ilia Chavchavadze Av. 9, Vake-Saburtalo District, Tbilisi, Georgia

(540)

გუდვილი გურბე

(591) Black-white

(511) 43

(111) M 2019 31967 R

(151) 2019 11 01

(181) 2029 11 01

(210) AM 105338

(220) 2019 10 14

(732) JUUL Labs Inc.

560 20th Street, Building 104, San Francisco CA 94107, USA

(740) Giorgi Kartvelishvili

(540)

JUUL

(591) Black-white

(511) 9, 34

(111) M 2019 31968 R

(151) 2019 11 01

(181) 2029 11 01

(210) AM 105339

(220) 2019 10 14

(732) JUUL Labs, Inc.

560 20th Street, Building 104, San Francisco CA 94107, USA

(740) Giorgi Kartvelishvili

(540)

JUUL

(591) Black-white

(531) 27.05.01

(511) 9, 34

(111) M 2019 31969 R

(151) 2019 11 04

(181) 2029 11 04

(210) AM 105460

(220) 2019 10 24

(732) LTD "HILDA"

Uznadze St. 111, Flat 11, buil. 2, Didube District, 0102, Tbilisi, Georgia

(540)



(591) Black-white

(531) 26.01.12; 26.11.12; 27.05.17

(511) 29, 30, 31

INTERNATIONAL TRADEMARKS FOR WHICH A DECISION ON GRANTING PROTECTIONS IS TAKEN

The decision can be appealed at the Chamber of Appeal of Sakpatenti within 3 months from the publication or at the Mtskheta District Court Administrative Cases Board (Address: №17, Samkhedro str., Mtskheta), within 1 month following the publication.

(260) AM 2019 97315 A*

(800) 1396944

(151) 2018 02 28

(891) 2018 02 28

(731) STADA Arzneimittel AG

Stadastr. 2-18; 61118 Bad Vilbel, Germany

(540)

BEVIMLAR

(591) Black, white

(511)

5 – Pharmaceutical preparations; veterinary preparations; medicine; sanitary preparations for medical purposes; dietary supplements and dietetic preparations; dietary supplements for humans; dietary supplements for animals; medical and veterinary preparations and articles; infant formula; diagnostic preparations; plasters, materials for dressings; dressings, medical; teeth filling material; dental impression materials; disinfectants; fungicides.

(260) AM 2019 97663 A*

(800) 1401471

(151) 2018 02 19

(891) 2018 02 19

(731) JSC "TELAVI WINE CELLAR"

Village Kurdgelauri, 2200 Telavi, Georgia

(540)

IMERULI MARANI

(591) Black, white

(511)

32 – Beers; mineral and aerated waters and other non-alcoholic beverages; fruit beverages and fruit juices; syrups and other preparations for making beverages; waters [beverages].

(260) AM 2019 99598 A

(800) 1425062

(151) 2018 04 13

(891) 2018 04 13

(731) Public Joint-Stock Company "KRASNYY OCTYABR"

ul. Malaya Krasnoselskaya, d.7, str. 24,
RU-107140 Moscow, Russian Federation

(540)

ALENKA

(591) Black, white

(531) 27.05.17

(511)

30 – Aromatic preparations for food; flavorings, other than essential oils, for cakes; flavorings, other than essential oils, for beverages; coffee flavorings; star aniseed; high-protein cereal bars; sponge cakes; pancakes; noodle-based prepared meals; buns; bread rolls; vanillin [vanilla substitute]; waffles; vermicelli [noodles]; natural sweeteners; sausage binding materials; binding agents for ice cream; sea water for cooking; seaweed [condiment]; malt biscuits; cloves [spice]; cake frosting [icing]; mustard; gluten additives for culinary purposes; yeast; thickening agents for cooking foodstuffs; leaven; rice-based snack food; cereal-based snack food; artificial coffee; vegetal preparations for use as coffee substitutes; dressings for salad; fruit jellies (confectionery); confectionery for decorating Christmas trees; cakes; pastries; peanut confectionery; pasta; ginger (spice); frozen yogurt [confectionery ices]; cocoa; capers; caramels [candy]; curry [spice]; ketchup [sauce]; quiches; gluten prepared as foodstuff; sweetmeats [candy]; liquorice [confectionery]; peppermint sweets; cinnamon [spice]; coffee; unroasted coffee; starch for food; crackers; custard; groats for human food; corn, milled; corn, roasted; meat pies; turmeric for food; couscous (semolina); noodles; ice for refreshment; candy; ice, natural or artificial; edible ices; rice cakes; mayonnaise; macaroons [pastry]; macaroni; maltose; hominy; marinades; marzipan; honey; royal jelly; ice cream; flour; dessert mousses (confectionery); chocolate mousses; muesli; mint for confectionery; cocoa beverages with milk; coffee beverages with milk; coffee-based beverages; tea-based beverages; chocolate beverages with milk; chocolate-based beverages; cocoa-based beverages; infusions, not medicinal; crushed oats; husked oats; nutmegs; stick liquorice (confectionery); soya bean paste [condiment]; pastilles (confectionery); molasses for food; pepper; allspice; peppers [seasonings]; pesto [sauce]; cookies; petit-beurre biscuits; pies; pizzas; meat gravies; fondants [confectionery]; popcorn; powders for making ice cream; baking powder; mustard meal; pralines; condiments; meat tenderizers for household purposes; cereal preparations; oat-based food; propolis; gingerbread; spices; petits fours (cakes); puddings; cake powder; fruit coulis [sauces]; ravioli; chewing gum; relish [condiment]; rice; wheat germ for human consumption; spring rolls; sago; sugar;

aniseed; linseed for culinary purposes [seasoning]; golden syrup; confectionery; chocolate paste; baking soda [bicarbonate of soda for cooking purposes]; malt for human consumption; salt for preserving foodstuffs; cooking salt; celery salt; sherbets [ices]; ham glaze; soya sauce; tomato sauce; sauces [condiments]; spaghetti; seasonings; rusks; breadcrumbs; sushi; sandwiches; tabbouleh; tacos; tapioca; tarts; almond paste; tortillas; garden herbs, preserved (seasonings); vinegar; beer vinegar; ferments for pastes; halvah; bread; unleavened bread; chips [cereal products]; corn flakes; oat flakes; chicory [coffee substitute]; tea; iced tea; chutneys [condiments]; cheeseburgers [sandwiches]; chow-chow [condiment]; saffron (seasoning); chocolate; malt extract for food; essences for foodstuffs, except etheric essences and essential oils; husked barley.

35 – Demonstration of goods; marketing; organization of trade fairs for commercial or advertising purposes; shop window dressing; design of advertising materials; organization of exhibitions for commercial or advertising purposes; updating and maintenance of data in computer databases; commercial intermediation services; providing business information via a web site; provision of an on-line marketplace for buyers and sellers of goods and services; presentation of goods on communication media, for retail purposes; rental of sales stands; distribution of samples; sales promotion for others; retail or wholesale trading services; advertising; on-line advertising on a computer network; procurement services for others [purchasing goods and services for other businesses].

43 – Services for providing food and drink; cafés, cafeteria and restaurant services; food and drink catering.

(260) AM 2019 100338 A
 (800) 1433009
 (151) 2018 06 21
 (891) 2018 06 21
 (731) HELIOS Tovarna barv, lakov in umetnih smol
 Količevo, d.o.o.
 Količevo 65, SI-1230 Domžale, Slovenia
 (540)



(591) Silver, black and yellow
 (531) 19.01.01; 27.05.08; 27.05.10; 29.01.14

(554) Free-dimensional
 (511)

1 – Chemical products used in industry, especially chemicals used in manufacturing of paints, industrial chemicals, aldehydes, anti-static preparations (except for household purposes), bacteriologic preparations (except for medical and veterinary purposes); chemical reactant (except for medical and veterinary purposes); concrete preservatives, except paints and oils; condensation-preventing chemicals; degreasing preparations for use in manufacturing processes; decolorants for industrial processes; emulsifiers; fireproofing preparations; preservatives used in masonry, except paints and oils; enamel staining chemicals; salts for coloring metal; artificial resins, unprocessed; plastics, unprocessed; tanning substances; adhesives for industrial purposes, solvents for varnishes.

2 – Paints, including wood colorings, bactericidal paints, fireproof paints, paints for ceramics; aluminium paints, printing ink and printing paints; painting coatings i.e. coatings, whitening substances, dyes, and binding substances for paints; varnishes for painting; lacquers, including lacquers on the basis of varnish and painting lacquers; anti-rust preparations, especially preservatives against rust; preservatives for metal, minium, red lead, white lead, undercoatings and coatings for chassis of vehicles; mastic, primers; thinners for paints and lacquers; thickeners for paints and lacquers; agglutinants for paints; mordants; enamels; fixatives for watercolors; mordants for leather; wood preservatives, including wood coatings and wood mordants; metals in foil and powder form for painters, decorators, printers and artists, colorants.

17 – Artificial resins (semi-processed), acrylic resins (semi-processed); rubber (raw other semi-processed); seals and rings of rubber; semi-processed plastics; plastic fibres, not for use in textile; adhesive bands and tapes (other than stationery and not for medical purposes); insulating fabrics, insulating oil, insulating paints, insulating varnish, insulating tape and band, substances for insulating buildings against moisture; filtering materials (semi-processed foams or films of plastics); flexible tubes, not of metal.

(260) AM 2019 100723 A
 (800) 1437901
 (151) 2018 06 11
 (891) 2018 06 11
 (731) HELIOS Tovarna barv, lakov in umetnih smol
 Količevo, d.o.o.
 Količevo 65, SI-1230 Domžale, Slovenia
 (540)

GRAVIHEL

(591) Black, white
 (511)

1 – Chemical products used in industry, especially chemicals used in manufacturing of paints, industrial chemicals, aldehydes, anti-static preparations (except for household purposes), bacteriologic preparations (except for medical and veterinary purposes); chemical reactant (except for medical and veterinary purposes); concrete preservatives, except paints and oils; condensation-preventing chemicals; degreasing preparations for use in manufacturing processes; decolorants for industrial processes; emulsifiers; fireproofing preparations; preservatives used in masonry, except paints and oils; enamel-staining chemicals; salts for coloring metal; artificial resins, unprocessed; plastics, unprocessed; tanning substances; adhesives for industrial purposes, solvents for varnishes.

2 – Paints, including wood colorings, bactericidal paints, fireproof paints, paints for ceramics; aluminium paints, printing ink and printing paints; paint coatings i.e. coatings, whitening substances, dyes, and binding substances for paints; varnishes for painting; lacquers, including lacquers on the basis of varnish and painting lacquers; anti-rust preparations, especially preservatives against rust; preservatives for metal, minium, red lead, white lead, undercoatings and coatings for chassis of vehicles; mastic, primers; thinners for paints and lacquers; thickeners for paints and lacquers; agglutinants for paints; mordants; enamels; fixatives for watercolors; mordants for leather; wood preservatives, including wood coatings and wood mordants; metals in foil and powder form for painters, decorators, printers and artists; colorants.

17 – Artificial resins (semi-processed), acrylic resins (semi-processed); rubber (raw other semi-processed); seals and rings of rubber; semi-processed plastics; plastic fibres, not for use in textile; adhesive bands and tapes, other than stationery and not for medical purposes; insulating fabrics, insulating oil, insulating paints, insulating varnish, insulating tape and band, substances for insulating buildings against moisture; filtering materials (semi-processed foams or films of plastics); flexible tubes, not of metal.

(260) AM 2019 101072 A

(800) 1442109

(151) 2018 07 24

(891) 2018 07 24

(731) "Company "Shokooooooooolad"

Poshtova 16A, Lviv 79020, Ukraine

(540)



(591) White and brown

(531) 07.01.03; 08.01.19; 26.13.01; 27.01.01;
29.01.12

(511)

21 – Abrasive pads for kitchen purposes; perfume burners; cookie jars; saucers; demijohns; vases; fruit cups; waffle irons, non-electric; epergnes; signboards of porcelain or glass; cookie [biscuit] cutters; ice buckets; buckets; buckets made of woven fabrics; towel rails and rings; containers for household or kitchen use; candle extinguishers; jugs; crockery; feeding troughs; pottery; pots; decanters; large-toothed combs for the hair; combs; cutting boards for the kitchen; bread boards; blenders, non-electric, for household purposes; toothbrushes; toothpicks; coffee-pots, non-electric; coffee grinders, hand-operated; coffee services [tableware]; cauldrons; candelabra [candlesticks]; stew-pans; earthenware saucepans; rolling pins, domestic; flower-pot covers, not of paper; ceramics for household purposes; baking mats; napkin rings; boxes of glass; waste paper baskets; fitted picnic baskets, including dishes; baskets for household purposes; crystal [glassware]; reusable ice cubes; mugs; cooking utensils, non-electric; cooking pots; cookery molds; kitchen utensils; kitchen utensils; funnels; ice cream scoops; spatulas for kitchen use; soap boxes; bowls [basins]; confectioners' decorating bags [pastry bags]; liqueur sets; spice sets; pot lids; butter-dish covers; covers for dishes; utensils for household purposes; fitted vanity cases; floss for dental purposes; pouring spouts; disposable table plates; portable cool boxes, non-electric; chopsticks; paper plates; mixing spoons [kitchen utensils]; cabarets [trays]; trays for household purposes; trivets [table utensils]; place mats, not of paper or textile; bottles; drinking bottles for sports; busts of porcelain, ceramic, earthenware, terra-cotta or glass; porcelain ware; dishes; drinking vessels; glass bowls; vessels of metal for making ices and iced drinks; powder compacts; salad bowls; candle jars [holders]; services [dishes]; sieves [household utensils]; siphon bottles for carbonated water; glass, unworked or semi-worked, except building glass; glass jars [carboys]; glass flasks [containers]; glasses [receptacles]; drinking glasses; drinking straws; statues of porcelain, ceramic, earthenware, terra-cotta or glass; tableware, other than knives, forks and spoons; table plates; mortars for kitchen use; soup bowls; drying racks for laundry; basins [receptacles]; works of art of porcelain, ceramic, earthenware, terra-cotta or glass; vacuum bottles; graters for kitchen use; pestles for kitchen use; toothpick holders; toilet paper holders; menu card holders; table napkin holders; toilet utensils; toilet sponges; tea cosies; figurines of porcelain, ceramic, earthenware, terra-cotta or glass; coffee filters, non-electric; flasks; molds [kitchen utensils]; cake molds; comb cases; bread bins; strainers for household purposes; candy boxes; sugar bowls; teapots; kettles, non-electric; tea services [ta-

blewared; tea infusers, cups; cups of paper or plastic; cocktail shakers; dustbins.

30 – Peanut confectionery; flavorings, other than essential oils, for cakes; food flavorings, other than essential oils; cereal bars; high-protein cereal bars; nut flours; flour; pastries; bread rolls; buns; vareniki [stuffed dumplings]; waffles; vermicelli [noodles]; flour-based dumplings; oatmeal; oat flakes; biscuits; cloves [spice]; cake frosting [icing]; chocolate-coated nuts; yeast; dulce de leche; chewing gum; custard; thickening agents for cooking foodstuffs; leaven; ferments for pastes; artificial coffee; frozen yoghurt [confectionery ices]; wheat germ for human consumption; cereal preparations; edible paper; coffee; unroasted coffee; coffee flavorings; coffee beverages with milk; cocoa; cocoa beverages with milk; caramels [candy]; confectionery; confectionery for decorating Christmas trees; crackers; groats for human food; ice cubes; corn flour; corn flakes; ice for refreshment; ice, natural or artificial; macaroni; pasta; macaroons [pastry]; maltose; marzipan; honey; almond paste; pancakes; ice cream; dessert mousses [confectionery]; chocolate mousses; nutmegs; muesli; peppermint sweets; coffee-based beverages; tea-based beverages; chocolate-based beverages; infusions, not medicinal; pastilles [confectionery]; petits fours [cakes]; pizzas; popcorn; chocolate decorations for cakes; unleavened bread; oat-based food; bee glue; gingerbread; spices; puddings; cake powder; wheat flour; ravioli; sweetmeats [candy]; chocolate-based spreads; rusks; petit-beurre biscuits; sushi; tarts; cakes; dough; cake dough; pastry dough; tortillas; fruit jellies [confectionery]; halvah; chicory [coffee substitute]; candy; sugar; iced tea; tea; chocolate; chocolate beverages with milk; chocolate spreads containing nuts.

35 – Administrative processing of purchase orders; administration of consumer loyalty programs; administration of frequent flyer programs; cost price analysis; business auditing; auctioneering; outsourced administrative management for companies; book-keeping; web indexing for commercial or advertising purposes; negotiation of business contracts for others; market studies; opinion polling; demonstration of goods; business inquiries; business management assistance; commercial or industrial management assistance; advisory services for business management; business research; economic forecasting; providing business information via a web site; compilation of information into computer databases; compilation of statistics; business information; business management of performing artists; business management for freelance service providers; business management of hotels; business management of reimbursement programs for others; commercial administration of the licensing of the goods and services of others; computerized file management; personnel management consultancy; business manage-

ment consultancy; consultancy regarding public relations communication strategies; consultancy regarding advertising communication strategies; business organization consultancy; marketing; marketing research; provision of an on-line marketplace for buyers and sellers of goods and services; writing of publicity texts; scriptwriting for advertising purposes; updating of advertising material; updating and maintenance of data in computer databases; updating and maintenance of information in registries; web site traffic optimization; organization of exhibitions for commercial or advertising purposes; organization of trade fairs for commercial or advertising purposes; rental of advertising space; shop window dressing; business appraisals; personnel recruitment; business management and organization consultancy; business intermediary services relating to the matching of potential private investors with entrepreneurs needing funding; commercial information agency services; employment agency services; business efficiency expert services; outsourcing services [business assistance]; business project management services for construction projects; commercial intermediation services; layout services for advertising purposes; procurement services for others [purchasing goods and services for other businesses]; advertising agency services; public relations; search engine optimization for sales promotion; presentation of goods on communication media, for retail purposes; rental of billboards [advertising boards]; publicity material rental; advertising; outdoor advertising; bill-posting; on-line advertising on a computer network; distribution of samples; dissemination of advertising matter; design of advertising materials; sales promotion for others; negotiation and conclusion of commercial transactions for third parties; professional business consultancy.

43 – Food and drink catering; rental of meeting rooms; rental of temporary accommodation; bar services; hotel services; canteen services; cafe services; cafeteria services; motel services; boarding house services; restaurant services; self-service restaurant services; snack-bar services; holiday camp services [lodging]; tourist home services; rental of tents; rental of cooking apparatus; rental of lighting apparatus; rental of transportable buildings; rental of chairs, tables, table linen, glassware; hotel reservations; temporary accommodation reservations; reception services for temporary accommodation [management of arrivals and departures]; food sculpting.

(260) AM 2019 101073 A

(800) 1442117

(151) 2018 10 12

(891) 2018 10 12

(731) PAION UK LIMITED

Paion UK, Compass House, Chivers Way,
Histon, CAMBRIDGE CB24 9ZR, United
Kingdom

(540)

МОДЕПТА

(591) Black, white

(531) 28.05

(511)

5 – Sedatives, anaesthetics, hypnotics, anxiolytics, muscle relaxants, anticonvulsants and analgesics.

(260) AM 2019 101074 A

(800) 1442138

(151) 2018 08 09

(891) 2018 08 09

(731) EVOLUTION MALTA LIMITED

Level 1, The Centre, Tigne Point,
TPO 0001 SLIEMA, Malta

(540)



(591) Black, white

(531) 05.03.11; 05.03.13; 05.03.15

(511)

9 – Computer software platforms; databases; computer programs for network management; interactive computer systems; application software for mobile phones; computer programs [downloadable software]; software; mobile apps; application software.

28 – Gaming machines for gambling; coin-operated games; counters [discs] for games.

41 – Casino, gaming and gambling services; gambling services; providing casino facilities [gambling]; leasing of casino games; services for the operation of computerised bingo; game services provided on-line from a computer network; providing of casino and gaming facilities; entertainment provided via the internet; organization of lotteries; production of live television programmes for entertainment; entertainment services; entertainment services provided on-line from a computer database or the internet; education, entertainment and sport services; education, entertainment and sports.

42 – Computer programming; design and development of databases; Information technology (IT) consulting services; software development, programming and implementation; IT consultancy, advisory and information services; design, development and programming of computer software; hosting services and software as a service and rental of software; design services; science and technology services.

(260) AM 2019 101075 A

(800) 1442147

(151) 2018 09 28

(891) 2018 09 28

(731) ComOn IP GmbH

Asylstrasse 82, CH-8032 Zürich, Switzerland

(540)



(591) Black, white

(531) 27.05.01; 27.05.17

(511)

25 – Ready-made clothing; ready-made clothing; clothing; underwear.

(260) AM 2019 101076 A

(800) 1442153

(151) 2017 10 12

(891) 2017 10 12

(731) JM Holding GmbH & Co. KGaA

Horchheimer Straße 50, 67547 Worms,
Germany

(540)



Rely on it.

(591) Black, white

(531) 24.17.02; 26.04.01; 26.04.05; 26.04.18;
27.05.09; 27.05.10; 27.05.17

(511)

1 – Adhesives used in industry; mineral suspensions for water treatment, especially for binding metal ions; unprocessed plastics; plastic granulate for manufacturing medical articles; unprocessed artificial resins; chemical preparations in the form of pastes and coatings for waterproofing and for protecting tiles and shingles (except paints); chemical products based on polymers and synthetic resins used for making waterproofing coating materials; solvents for industrial use; solvent welding compound.

2 – Paints, pastes, coatings and varnishes used for waterproofing and for protecting tiles, shingles, roofs, terraces and balconies from deterioration due to environmental effects; varnishes, lacquer pens for repairing plastic surfaces and for colouring joints and butt joints of plastic parts; anti-corrosion goods; antifouling self-adhesive tapes [anti-corrosion goods]; self-adhesive antifouling films and sheets [anti-corrosion goods]; corrosion prevention self-adhesive tapes; self-adhesive corrosion prevention films and sheets.

6 – Metal building materials, building materials of metal; laminated metal sheets, laminated metal plates; composite metal sheets and profiles; metal screws, profiles of metal, metal bars, metal plates; rivets, especially expanding rivets, from metal; roofing elements of metal; plastic coated metal cladding panels.

10 – Medical apparatus and instruments; bags, containers, and tubes for surgical, medical, dental and veterinary purposes; drainage tubes for medical purposes; adapted caps, closures, ports, and connectors for bags, containers, and tubes for surgical, medical, dental and veterinary purposes; continuous ambulatory peritoneal dialysis system comprising bags, connecting tubes and valves; plastic films and sheets (medical grade materials) for surgical, medical, pharmaceutical, biopharmaceutical, dental and veterinary use.

12 – Windscreens; windows for vehicles; windows for soft tops of vehicles; Vehicle roofs of flexible plastic, rear and side plastic trim for vehicles; Vehicle parts in the form of sheets made of plastic material, extruded thermoformable sheets made of plastic material, extruded grained and/or printed sheet, extruded thermoformable sheets made of composite materials, extruded thermoformable sheets made of plastic material and natural fibres and/or mineral fillers, panels including honeycomb structure and films and/or sheets; vehicle parts of plastic or of composite material including such comprising plastic and wood and/or other fillers, in particular panels and support for dashboards, drawers, consoles, glove compartments, shelves, posts, body parts, such as seats, seat backs, door panels, trunk trim, trunk floor and other vehicle parts included in this class; windows for spray hoods and enclosures of boats; sheets and cloth of plastic as tarpaulins and casings for marine protection.

16 – Self-adhesive sheets of plastics as stationary; adhesive tape for decoration purposes with or without a protective layer as stationary; films designed for overwrapping and the outer packaging of medical devices in particular sterile solution bags and blood bag systems; printed matter; magazines and periodicals; advertising pamphlets, advertising posters; films for packaging of food, especially fresh meat and fish; films for packaging cosmetics; protection film for food; protection films and sheets for packaging; protection film from laminated plastic for use in packaging; sterilizable packaging and packaging materials of plastic for goods for surgical, medical, dental and veterinary use.

17 – Semi-finished products from plastic materials (for further manufacturing) in the form of films, sheets, bars, pipes, blocks, pellets, plates; plastic substances partly processed; synthetic resins [semi-finished products]; artificial resins [semi-finished pro-

ducts]; plastics films and sheets for industrial use; films and sheets of plastic material except for packaging; films and sheets from plastic for use in manufacturing; calendared films and sheets for further manufacturing; films and sheets from plastic for thermoforming; plastic films and sheets with antimicrobial surface; films, sheets, and panels of plastic not for packaging, all aforementioned goods also of plastic including fillers like wood fibers, glass fibers or particles, and mineral fibers or particles as well as in the form of multilayer laminates incorporating other films and sheets of plastics, paper, rubber, leather, wood, metal, woven fabrics, knit fabrics, non-wovens of paper, textile material or plastic; thermoformable films, sheets, panels of plastic or of plastic including fillers like wood fibers, glass fibers or particles, and mineral fibers or particles, as far as included in this class; plastic films, sheets and panels for the manufacture of furniture, furniture parts, and furnishings; films and sheets of plastic for the surface of furniture, including furniture fronts, furniture doors, shelves, edges for furniture, carcasses, sides, or rear panels; films and sheets of plastic for coating or covering of furniture, furniture parts, and furnishings for use in manufacture; films and sheets of plastic for the coating of profiles for furniture, including light rails and mouldings for use in manufacture; films and sheets from plastic for covering drawer frames and for coating shelves for use in manufacture; films and sheets of plastics for coating or covering of building materials or of building components, including doors, door frames, windows, window frames, fences, facades, profiles, mouldings, plates, beams, boards, paneling, ceiling liners, pipes, piles, window panes, gates, steps, partitions, of wood, metal, plastic and other materials; plastic films and sheets for manufacturing cladding of doors, walls and ceilings; plastic films and sheets for manufacturing housings of electrical equipment; plastic films and sheets for manufacturing interior decoration parts of automobiles, caravans, ships, boats, elevators, offices, hotels, shops, and rooms in private and public buildings; films, sheets and plates made of plastic material, extruded thermoformable films, sheets and plates made of plastic material, extruded grained and/or printed films, sheet and plates, extruded thermoformable films, sheets and plates made of composite materials, extruded thermoformable films, sheets and plates made of plastic material and natural fibres and/or mineral fillers, plates including honeycomb structure and films and/or sheets, all for manufacturing vehicle parts; films and sheets from plastic for the manufacturing of windows, windows for soft tops of cars, and windows for sprayhoods and enclosures of boats; films, cloth and sheets from plastic for the manufacturing of sails, tarpaulins and casings for the shipping industry; films and sheets from plastic for the manufacturing of office supplies, organizational aids for offices, book covers and sta-

tionery; films and sheets from plastic for the manufacturing of promotional items; films and sheets from plastic for the manufacturing of items of camping equipment, recreation-oriented products and household goods; films and sheets from plastic for use in manufacturing solar modules; films [semi-finished goods] for building stretch ceilings; transparent films, sheets and plates from plastic for commercial use and further manufacturing; films and sheets and self adhesive films and sheets from plastic for manufacturing facade elements and for coating and renovating facade elements; flexible pipes (not of metal); flexible tubes made of plastic materials; plastic films for manufacturing medical containers and bags also sealable and sterilizable, especially blood bags, bags for infusion solution, containers for medicaments, multi chamber containers and bags with frangible partition; plastic films for manufacturing medical coverings; plastic films for manufacturing body bags; plastic films for manufacturing protective clothing; sealants; sealants in the form of waterproofing products for roofs, floors and walls; pastes and coating for sealing tiles, shingles, roofs, terraces and balconies against water and environmental effects; sealing strip; face to face welding tape of plastic; seam welding agents [sealant]; films for protecting surfaces (films for protecting against soiling); protective films and sheets of plastic, in particular antifouling films and sheets and corrosion prevention films and sheets; films and sheets of plastic coated with silicone or containing a layer from silicone for applying to surfaces; self-adhesive sheets of plastics for industrial use; adhesive tape for decoration purposes with or without a protective layer for industrial use; self-adhesive film strips for repairing or mending surfaces laminated with film; self-adhesive protection film; protective film coated with antifouling substances or containing antifouling substances; protective film coated with non-corrosive substances or containing non-corrosive substances, self-adhesive, flocked protective films; adhesive tape for antifouling purposes with or without a protective layer; flocked films and sheets of plastic for use in covering floors, walls, stairways and other surfaces of buildings and vehicles for locomotion by land, air, water or rail; films and sheets with anti-slipping surface of plastic or of plastic with fillers for use in covering floors, walls, stairways and other surfaces of buildings and vehicles for locomotion by land, air, water or rail; films and sheets with anti-abrasion surface of plastic or of plastic with fillers for use in covering floors, walls, stairways and other surfaces of buildings and vehicles for locomotion by land, air, water or rail; films, sheets, membranes, and plates of plastic as waterproofing materials, for the waterproofing of terraces, tunnels, foundations, and buildings, as membrane sheets for sealing of roofs; films of plastic for swimming pools and garden ponds, for structural and civil engineering, for the building of

roads, canals, dykes and river beds, for construction for environmental protection purposes, in particular storage pools and reservoirs for storing solid and liquid waste, retaining lakes, dams, tunnels, drainages, ducts, floating covers (for example on water basins), large area coverings (for example at salines), for protecting the ground including at filling stations, landfills, highways, waste deposits; plastic films for roofing; sheets and membranes (not of metal) for waterproofing roofing; antifouling films and tapes from plastic for construction; corrosion prevention films from plastic for construction; flocked films from plastic for use in construction; films with anti-slipping surface from plastic or from plastic with fillers for use in construction; films with anti-abrasion surface from plastic or from plastic with fillers for use in constructions; films of plastic for use in construction.

19 – Building materials made of plastic; processed plastic materials for use in construction; sheets and panels of plastic for use in construction but not as sealant or for insulation; lightweight panels; lightweight panels of plastic or of composite materials based on plastic; plastic films and sheets for use as geomembranes; geomembranes; sheets, membranes, and plates of plastic for swimming pools and garden ponds, as construction materials, for structural and civil engineering, for the building of roads, canals, dykes and river beds, for construction for environmental protection purposes, in particular storage pools and reservoirs for storing solid and liquid waste, retaining lakes, dams, tunnels, drainages, ducts, floating covers, large area coverings, for protecting the ground including at filling stations, landfills, highways, waste deposits; skylight domes and lighting ridges for buildings, also ventilated; molded parts for ridges, eaves and wall connection; thermoformable sheets and panels for construction purposes; honeycomb panels from plastic for use in construction; textile and fibre reinforced films and sheets of plastic for use in construction; roof covering, not of metal; plastic sheets for roofing; plastic profiles for roofing; sheets and transparent sheets of plastic for building, in particular for roofs, walls, coverings, facade claddings and for exhibition stand construction; cladding parts for buildings, not of metal; transparent plates from plastic with perforations and/or stiffening ribs as wall panels; plastic window screens; flexible plastic window screens; building material (not of metal), in the nature of facade elements; coatings for use in construction except paint; plastic composite material for manufacturing formwork; non-wovens made of synthetic fibres for use in the building industry; stretch ceiling film and stretch ceilings; plastic coated cladding panel not of metal; protective plate, sheet from plastic for construction; antifouling sheets from plastic for construction; corrosion prevention sheets from plastic for construction; flocked sheets from plastic for use in construc-

tion; sheets with anti-slipping surface from plastic or from plastic with fillers for use in construction; sheets with anti-abrasion surface from plastic or from plastic with fillers for use in construction; covers not from metal in the form of thermoformed protective covers for covering conveyors; transparent plates from plastic.

27 – Floor coverings; wall coverings; wall hangings (non-textile); wall paper (not of textile material).

35 – Market research and trend analysis in the field of colour trends of plastic films for others.

41 – Training, organizing workshops and seminars in the field of cleaning and repairing film surfaces, especially of film coatings on building elements such as windows, doors, facade elements; training, organizing workshops and seminars in the field of roofing and waterproofing roofs, especially with respect to decorating with profiles and fixing of solar modules; training, organizing workshops and seminars in the field of pasting faces of buildings with plastic film; training, organizing workshops and seminars in the field of swimming pool construction (relating to the installation of swimming pool membrane); training, organizing workshops and seminars in the field of handling, manipulation, installation and maintenance of plastic films, plastic sheets and plastic plates.

42 – Development of colours and colour palettes, for others; styling services (industrial design); conception (services of an engineer) of production lines and machines for laminating plastic films.

(260) AM 2019 101096 A

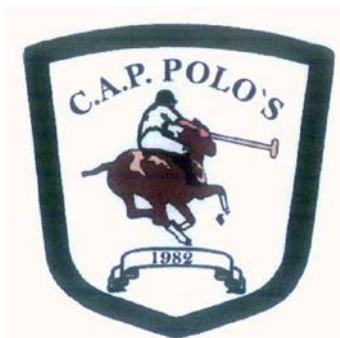
(800) 1442686

(151) 2018 05 02

(891) 2018 05 02

(731) ALBATROS KARALAR DIŞ TİCARET
TURİZM OTOMOTİV İNŞAAT SARACIYE
SANAYİ VE TİCARET LİMİTED ŞİRKETİ
Mercan Havancı Sok. No:11/A, Fatih,
İstanbul, Turkey

(540)



(591) Black, white, rose, brown, dark green

(531) 02.01.08; 02.01.20; 02.01.21; 21.03.07;
24.01.08; 24.01.09; 29.01.13

(511)

18 – Class 18 includes mainly leather, imitations of leather and certain goods made of those materials (terms considered too vague by the International Bureau – rule 13 (2) (b) of the Common Regulations).

(260) AM 2019 101098 A

(800) 1442706

(151) 2018 10 29

(891) 2018 10 29

(731) ELCORE SOLUTIONS APS

Alhambravej 3, DK-1826 Frederiksberg C.,
Denmark

(540)



(591) Turquoise, white and gray

(531) 01.15.11; 27.05.01; 29.01.12

(511)

9 – Computer hardware and software.

35 – Advertising; commercial business management; commercial administration; office functions; providing online information in the field of online retail sale and online wholesale via computer databases or the Internet; wholesale and retail sale of goods of all kinds, particularly by means of computer hardware and software.

42 – Design and development of computer hardware and software.

(260) AM 2019 101099 A

(800) 1442709

(151) 2018 10 23

(891) 2018 10 23

(731) Open-Type Joint Stock Company "ROT
FRONT"
2-oy Novokuznetskiy pereulok, d. 13/15,
RU-115184 Moscow, Russian Federation

(540)



(591) White and green

(531) 26.04.24; 27.05.24; 29.01.12

(511)

30 – Aromatic preparations for food; flavorings, other than essential oils, for cakes; flavorings, other

than essential oils, for beverages; coffee flavorings; food flavorings, other than essential oils; star aniseed; high-protein cereal bars; sponge cakes; pancakes; noodle-based prepared meals; buns; bread rolls; vanillin [vanilla substitute]; waffles; vermicelli [noodles]; natural sweeteners; sausage binding materials; binding agents for ice cream; sea water for cooking; seaweed [condiment]; malt biscuits; cloves [spice]; cake frosting [icing]; mustard; gluten additives for culinary purposes; yeast; thickening agents for cooking foodstuffs; rice-based snack food; cereal-based snack food; artificial coffee; vegetal preparations for use as coffee substitutes; dressings for salad; fruit jellies [confectionery]; confectionery for decorating Christmas trees; cakes; pastries; peanut confectionery; almond confectionery; pasta; ginger [spice]; frozen yogurt (confectionery ices); cocoa; capers; caramels [candy]; curry [spice]; gruel, with a milk base, for food; ketchup [sauce]; quiches; gluten prepared as foodstuff; sweetmeats [candy]; liquorice [confectionery]; peppermint sweets; cinnamon [spice]; coffee; unroasted coffee; starch for food; crackers; custard; groats for human food; hominy grits; semolina; oatmeal; crushed barley; corn, milled; corn, roasted; meat pies; turmeric; couscous [semolina]; noodles; ice for refreshment; ice, natural or artificial; edible ices; rice cakes; mayonnaise; macarons [pastry]; macaroni; maltose; hominy; marinades; marzipan; honey; royal jelly; ice cream; flour; bean meal; tapioca flour; potato flour; corn flour; wheat flour; soya flour; barley meal; dessert mousses [confectionery]; chocolate mousses; muesli; mint for confectionery; cocoa beverages with milk; coffee beverages with milk; coffee-based beverages; tea-based beverages; chocolate beverages with milk; chocolate-based beverages; cocoa-based beverages; infusions, not medicinal; crushed oats; husked oats; nutmegs; stick liquorice [confectionery]; soya bean paste [condiment]; pastilles [confectionery]; molasses for food; pepper; allspice; peppers [seasonings]; pesto [sauce]; cookies; petit-beurre biscuits; pies; pizzas; meat gravies; fondants [confectionery]; popcorn; powders for making ice cream; baking powder; mustard meal; pralines; condiments; meat tenderizers for household purposes; cereal preparations; oat-based food; propolis; gingerbread; spices; petits fours [cakes]; puddings; cake powder; fruit coulis [sauces]; ravioli; chewing gum; relish [condiment]; rice; wheat germ for human consumption; spring rolls; sago; sugar; aniseed; golden syrup; confectionery; zephyr [confectionery]; nougat; pastila [confectionery]; baking soda [bicarbonate of soda for cooking purposes]; malt for human consumption; salt for preserving foodstuffs; cooking salt; celery salt; sherbets [ices]; ham glaze; soya sauce; tomato sauce; sauces [condiments]; spaghetti; seasonings; preparations for stiffening whipped cream; rusks; breadcrumbs; sushi; sandwiches; tabbouleh; tacos; tapioca; cream of tartar for culinary purposes; tarts; almond paste;

tortillas; garden herbs, preserved [seasonings]; beer vinegar; vinegar; ferments for pastes; halvah; bread; unleavened bread; corn flakes; oat flakes; chicory [coffee substitute]; tea; iced tea; chutneys [condiments]; cheeseburgers [sandwiches]; chow-chow [condiment]; saffron [seasoning]; malt extract for food; essences for foodstuffs, except etheric essences and essential oils; husked barley.

(260) AM 2019 101100 A

(800) 1442726

(151) 2018 07 03

(891) 2018 07 03

(731) PING AN INSURANCE (GROUP)

COMPANY OF CHINA, LTD.

15-18F, Galaxy Center, Fuhua Road, Futian

District, Shenzhen, Guangdong, China

(540)

PING AN

(591) Black, white

(531) 27.05.01

(511)

35 – Advertising; accounting; economic forecasting; personnel management consultancy; relocation for commercial establishments; business management assistance; business management and organization consultancy; business appraisals; price comparison services; business auditing; marketing research; procurement services for others [purchasing goods and services for other businesses]; commercial information and advice for consumers [consumer advice shop]; sponsorship search; brand evaluation services.

36 – Banking; issuance of securities; debt collection agency services; agencies for brokerage of securities; capital investments; organization of collections; insurance services; insurance brokerage; insurance consultancy; rental of real estate; real estate management; surety services; lending against security; instalment loans; public fund raising; marine insurance services; fire insurance underwriting; investment of funds; health insurance services; loans [financing]; financing services; financial management; financial evaluation [insurance, banking, real estate]; brokerage; charitable fund raising; brokerage of futures; life insurance services; real estate services relating to the sale, purchase and leasing of real estate; accident insurance services; trusteeship; issuance of credit cards; art appraisal.

38 – Television broadcasting, electronic bulletin board services [telecommunications services]; electronic mailing services; computer aided transmission of messages and images; message sending; rental of information transfer equipment; computer aided telecommunications consultation; teleconferencing service.

44 – Health care; beauty salon services; sauna services; rental of sanitation facilities; optician's services; medical assistance; medical clinic services; pharmacy advice; hospital services; dietary and nutritional guidance; telemedicine services.

(260) AM 2019 101101 A

(800) 1442732

(151) 2018 11 05

(891) 2018 11 05

(731) SOCIETE EUROPEENNE DE
CARDIOLOGIE

2035 route des Colles, F-06903 SOPHIA
ANTIPOLIS, France

(540)



EHRA
European Heart
Rhythm Association

(591) Black, white, blue, red

(531) 02.09.01; 20.05.07; 26.11.02; 26.11.12;
27.05.10; 29.01.13

(511)

35 – Rental of advertising time on communication media; design of advertising materials; rental of advertising material; presentation of goods on all communication media, for retail sale; dissemination of samples; public relations; document reproduction; compilation of information into computer databases; advertising; rental of advertising space; organization of exhibitions for commercial or advertising purposes; publication of advertising texts; arranging newspaper subscriptions for others; dissemination of advertisements; arranging subscriptions to telecommunication services for others; rental of advertising panels; online advertising on a computer network.

38 – Videoconferencing services; communications by fiber-optic networks; information on telecommunications; cellular telephone communication services; communications by computer terminals; provision of user access to global computer networks; telephone communications; provision of access to databases; news or information agencies; connection by telecommunications to a global computer network; electronic messaging services; rental of telecommunication apparatus; television broadcasting; radio broadcasting; provision of on-line forums; rental of access time to global computer networks; electronic bulletin board services (telecommunication services); telecommunications; radio communications; teleconferencing services.

41 – Publication of books; organization of exhibitions for cultural or educational purposes; rental of videotapes; organization and conducting of seminars; organization and conducting of symposiums; videotape editing; rental of video cassette recorders; education; publication of texts other than advertising

texts; organization and conducting of colloquiums, conferences or congresses; online publication of specialized electronic books and journals; training; rental of radio and television sets; videotape film production; electronic desktop publishing; rental of motion pictures; book lending; organization and conducting of non-virtual educational forums; organization and conducting of training workshops; sporting and cultural activities; organization of competitions (education or entertainment); vocational retraining; game services provided on-line from a computer network; information relating to education; rental of sound recordings; entertainment; electronic publication of books and journals online; publishing; publication of printed matter concerning education; editing of medical publications; editing of electronic publications; online publication services; provision of non-downloadable electronic publications; publication services for periodical and non-periodical publications, other than advertising texts; services regarding publications which can be consulted via a global computer network or the Internet.

42 – Technical project studies; software development; software as a service (SaaS); rental of computer software; information technology (IT) consultancy; electronic data storage; digitization of documents; computer system design; scientific research; research and development of new products for others; maintenance of computer software; services provided by engineers and scientists conducting assessments, estimates, research and reports in the field of science and technology; Scientific research services for medical purposes; programming for computers.

(260) AM 2019 101103 A

(800) 1442761

(151) 2018 10 19

(891) 2018 10 19

(731) Limited liability company
"NESTLE ROSSIYA"

Paveletskaya square, 2, bldg. 1, RU-115054
Moscow, Russian Federation

(540)



(591) White, red, light brown, beige, yellow

(531) 07.03.11; 26.13.25; 28.05; 29.01.13

(526) ROSSIYA

(511)

30 – Cereal bars; buns; bread rolls; waffles; malt biscuits; cereal-based snack food; zephyr [confectionery]; fruit jellies [confectionery]; candy decorations for cakes; confectionery for decorating Christmas trees; cakes; pastries; peanut confectionery; almond confectionery; cocoa; caramels [candy]; sweetmeats [candy]; liquorice [confectionery]; peppermint sweets; crackers; candy; macaroons [pastry]; marzipan; dessert mousses [confectionery]; chocolate mousses; chocolate-coated nuts; stick liquorice [confectionery]; pastila [confectionery]; pastilles [confectionery]; cookies; petit-beurre biscuits; fondants [confectionery]; pralines; gingerbread; petits fours [cakes]; confectionery; chocolate-based spreads; chocolate spreads containing nuts; tarts; tortillas; chocolate decorations for cakes; halvah; chocolate.

(260) AM 2019 101137 A

(800) 1443299

(151) 2018 09 30

(891) 2018 09 30

(731) YAYLA AGRO GIDA SANAYİ VE
NAKLİYAT ANONİM ŞİRKETİ
Saray Mah. Fatih Sultan Mehmet Blv.,
No:327 Saray Kazan, Ankara, Turkey

(540)



(591) Blue, white, green, red

(531) 05.03.20; 26.01.02; 26.01.03; 26.01.15;
26.01.18; 26.04.04; 26.04.05; 26.04.16;
26.04.24; 27.05.01; 29.01.14

(511)

29 – Meat, fish, poultry and game; processed meat products, dried pulses, soups, bouillon, processed olives, olive paste, milks of animal origin; milks of herbal origin; milk products; butter, edible oils, dried, preserved, frozen, cooked, smoked or salted fruits and vegetables; tomato paste, prepared nuts and dried fruits as snacks, hazelnut spreads and peanut butter; tahini (sesame seed paste), eggs and powdered eggs, potato chips.

30 – Coffee, cocoa; coffee or cocoa based beverages, chocolate based beverages, pasta, stuffed dumplings, noodles, pastries and bakery products based on flour; desserts based on flour and chocolate; bread, simit [Turkish ring-shaped bagel covered with sesame seeds], poğaça [Turkish bagel], pita, sandwiches, kat-

mer [Turkish pastry], pies, cakes, baklava [Turkish dessert based on dough coated with syrup], kadayıf [Turkish dessert based on dough]; desserts based on dough coated with syrup; puddings, custard, kazandibi [Turkish pudding], rice pudding, keşkül [Turkish pudding], honey, bee glue for human consumption, propolis for food purposes, condiments for foodstuff, vanilla (flavoring), spices, sauces (condiments), tomato sauce, yeast, baking powder, flour, semolina, starch for food, sugar, cube sugar, powdered sugar, tea, iced tea, confectionery, chocolate, biscuits, crackers, wafers, chewing gums, ice-cream, edible ices, salt, cereal-based snack food, popcorn, crushed oats, corn chips, breakfast cereals, processed wheat for human consumption, crushed barley for human consumption, processed oats for human consumption, processed rye for human consumption, rice, molasses for food.

32 – Beers; preparations for making beer, mineral water, spring water, table water, soda water, fruit and vegetable juices, fruit and vegetable concentrates and extracts for making beverages, non-alcoholic soft drinks, energy drinks; protein-enriched sports beverages.

(260) AM 2019 101138 A

(800) 1443350

(151) 2018 06 19

(891) 2018 06 19

(731) AMADEUS ALS GMBH
Julius Tandler Platz 11/20, A-1090 Vienna,
Austria

(540)



(591) Black, white

(531) 05.05.04; 05.05.21; 05.07.01; 26.04.05;
26.04.16; 26.04.22; 26.04.24; 27.05.24

(511)

16 – Paper and cardboard; printed matter; bookbinding material; photographs (printed); stationery and office requisites, except furniture; adhesives (glues) for stationery or household purposes; drawing materials and materials for artists; painters' brushes; instructional and teaching materials; plastic sheets, films and bags for wrapping and packaging; printers' type, printing blocks; albums; paper bows, other than haberdashery or hair decorations; forms, printed; pamphlets; booklets; plastic bubble packs for

wrapping or packaging; signboards of paper or cardboard; viscose sheets for wrapping; waxed paper; graphic representations; printed publications; graphic prints; labels of paper or cardboard; labels of paper or cardboard for halvah and confectionery; magazines (periodicals); transfers (decalcomanias); newsletters; calendars; tracing patterns; trading cards, other than for games; cards; cardboard; cardboard tubes; catalogues; conical paper bags; boxes of paper or cardboard; printed coupons; sheets of reclaimed cellulose for wrapping; absorbent sheets of paper or plastic for foodstuff packaging; humidity control sheets of paper or plastic for foodstuff packaging; flyers; pictures; packaging material made of starches; stickers (stationery); envelopes of paper or cardboard for halvah and confectionery; sealing wafers; wrappers of paper or cardboard for halvah and confectionery; packing (cushioning, stuffing) materials of paper or cardboard; wrapping paper; parchment paper; tablemats of paper; posters; plastic film for wrapping; plastic cling film, extensible, for palletization; animation cels; banners of paper; prospectuses; rice paper; self-adhesive tapes for stationery or household purposes; table napkins of paper; table linen of paper; paper ribbons, other than haberdashery or hair decorations; bags (envelopes, pouches) of paper or plastics, for packaging; placards of paper or cardboard; sealing stamps.

29 – Meat, fish, poultry and game; meat extracts.

(260) AM 2019 101140 A

(800) 1443377

(151) 2018 10 08

(891) 2018 10 08

(731) J. CHOO LIMITED

10 Howick Place, London SW1P 1GW,
United Kingdom

(540)



(591) Black, white

(531) 26.01.06; 27.05.01; 27.05.19

(511)

14 – Precious metals and their alloys and goods in precious metals or coated therewith; jewellery; jewellery in the nature of jewellery ornaments; jewellery for use on shoes and handbags; jewellery in the nature of clip-on jewellery for use as fashion accessories; costume jewellery; costume jewellery in the nature of jewellery ornaments; costume jewellery for use on shoes and handbags; costume jewellery in the nature of clip-on jewellery for use as fashion accessories; earrings, bracelets, chains, necklaces, clip on jewellery, arm cuffs (jewellery), wrist bands (jewellery); jewellery made of leather; key rings (trinkets or fobs); key fobs; trinkets of metal; key fobs of leat-

her or imitations of leather incorporating key rings; horological and chronometric instruments; watches, bracelets and straps for watches, cases adapted to contain watches; jewellery boxes, presentation boxes for jewellery, boxes of precious metals; tie clips, cufflinks; shoe ornaments and handbag ornaments of precious metal; ornaments (jewellery); key rings; key chains; key holders; parts and fittings for the aforesaid goods.

18 – Handbags, travelling bags, weekend bags, trunks, trunks for storing shoes, purses, wallets, clutch bags, travel wallets, luggage tags, luggage label holders, cosmetic bags, make-up bags, vanity bags, vanity cases not fitted, pouches, cases, bags, shoe bags, cloth bags, backpacks, garment bags, beach bags, briefcases, suitcases, attaché cases; cases of leather or leather board; key cases, key bags; card cases; card holders, credit card holders, debit card holders, bank card holders, business card cases; document cases; hat boxes made of leather or imitations of leather; parasols, umbrellas, walking sticks; parts and fittings for the aforesaid goods; laces (leather); leashes; collars and leads for animals; garments and clothing for pets.

25 – Clothing, footwear and headgear; scarves; gloves, hats, belts, swimming hats; raincoats, hosiery, sashes for wear, wedding dresses, fur stoles, stoles of imitation fur, fur muffs, muffs of imitation fur, ear muffs, fur hats, hats of imitation fur, fur coats, coats of imitation fur; kaftans; swimwear; underclothing; outerclothing.

(260) AM 2019 101141 A

(800) 1443378

(151) 2018 06 21

(891) 2018 06 21

(731) SHISEIDO COMPANY, LIMITED

5-5, Ginza 7-chome, Chuo-ku, Tokyo
104-0061, Japan

(540)



(591) Black, white

(531) 05.05.19; 05.05.20; 25.01.10; 26.13.25

(511)

21 – Unworked or semi-worked glass (except building glass); pans for cooking, non-electric; non-electric coffee-pots (not of precious metal); tetsubin (Japanese cast iron kettles), non-electric; kettles, non-electric; dishware (not of precious metal); ice

pails; household whisks (non-electric); cooking skewers; portable coldboxes; strainers for household purposes; pepper pots; sugar bowls/salt shakers (not of precious metal); egg cups (not of precious metal); napkin holders/napkin rings (not of precious metal); trays (not of precious metal); toothpick holders (not of precious metal); kitchen containers for rice; salad bowls (not of precious metal); colanders for household purposes; shakers; cooked rice scoops [Shamoji]; hand-operated coffee grinders/pepper mills; funnels; food preserving jars of glass; drinking flasks; wooden pestles; earthenware mortars; dining trays/stands; bottle openers; cooking graters; tart scoops; pan-mats/trivets; chopsticks; chopstick cases; ladles/dippers for kitchen use; sieves/sifters for cooking; chopping boards; insulating flasks/vacuum bottles; rolling pins; grills; toothpicks; lemon squeezers; non-electric waffle irons; cleaning and laundry equipment; gloves for household purposes; toilet utensils (cosmetic utensils); dental floss; tub brushes; metal brushes; brushes for pipes; industrial brushes; ship scrubbing brushes; pig bristles for brushes; clothes brushes; shoe-brushes; shoe horns; shoe shine cloths; handy shoe shiners; shoe-trees; packaging containers of glass or ceramic; troughs for livestock (mangers); poultry rings; ironing boards; feeding vessels for pets; brushes for pets; flower pots; hydroponic instruments for home gardening; cinder sifters for household use; boxes of metal for dispensing paper towels; tailors' sprayer; boot jacks; kotodai [ironing boards]; bird cages; bird baths; watering cans; chamber pots; coal scuttles; soap dispensers; piggy banks (not of metal); toilet paper holders; mouse traps; fly swatters; hera-dai (tailor's tracing-spatula boards); hot bath water stirrers; bathroom pails; candle extinguishers and candlesticks (not of precious metal); vases (not of precious metal); upright signboards of ceramic or glass; koro (incense burners)/perfume burners; portable outdoor cooking sets; flower bowls (not of precious metal).

(260) AM 2019 101142 A

(800) 1443391

(151) 2018 10 05

(891) 2018 10 05

(731) THE NET-A-PORTER GROUP LIMITED

1 The Village Offices, Westfield, Ariel

Way, London W12 7GF, United Kingdom

(540)

- N -

(591) Black, white

(531) 26.11.02; 26.11.08; 27.05.01; 27.05.21

(511)

9 – Downloadable electronic data files featuring information in electronic form in the field of fashion,

news, lifestyle, culture, entertainment, travel and social networking; electronic downloadable publications in the fields of fashion, news, lifestyle, culture, entertainment, travel, social networking; computer software to enable uploading, downloading, accessing, posting, displaying, tagging, blogging, streaming, linking, sharing or otherwise providing electronic media or information via computer and communication networks; electronic software applications relating to fashion, news, lifestyle, culture, entertainment, travel and social networking for use with electronic applications for electronic telecommunications equipment; application software; apps; photographic and cinematographic apparatus and instruments; universal serial bus (USB) devices; speakers, headphones; earphones; radios; cases for spectacles [glasses] and sunglasses; contact lens cases; covers and cases for mobile telephones; covers and cases for tablet computers and notebook computers; covers and cases for cameras; spectacles [glasses]; sunglasses; covers and cases for MP3 players and portable media players; time clocks; parts, fittings and accessories for all of the aforesaid goods; sports helmets; downloadable e-bulletins and blogs; downloadable e-newsletters; downloadable video broadcasts; downloadable radio broadcasts; computer software platforms for social networking; application software for social networking services.

16 – Paper and cardboard; cardboard boxes; printed publications; leaflets; brochures; catalogues; calendars; notebooks; photograph albums; bookends; bookmarks; printed matter; magazines; publications in relation to fashion, travel and lifestyle; books; address books; pamphlets; manuals; periodical publications; newspapers; newsletters; decalcomanias; stickers; photographs; cards; plastic materials for packaging; plastic film for packaging; packaging materials; adhesive packaging tape; packaging containers of card; packaging materials made of cardboard; packaging containers of paper; gift wrapping paper; paper gift wrapping ribbons; bubble packs for packaging; packaging bags of paper; paper packaging; envelopes; paper envelopes for packaging; gift bags; plastic bags for packaging; bubble packs for packaging; paper pouches for packaging; containers of cardboard for packaging; bags and articles for packaging, wrapping and storage of paper, cardboard or plastics; money clips; greeting cards; gift tags; diaries; postcards; posters; stationery; pens; cases for pens; writing implements [writing instruments]; tissues.

35 – Retail services, including the provision of retail services via internet website, physical stores, television channel, telephone or mobile phone, portable Internet-enabled device, or other telecommunications device or direct marketing, relating to clothing, headgear and footwear, jewellery, watches, fashion accessories, sporting equipment, cameras, audio-vi-

sual equipment, textiles, books, stationery, magazines, toys, cosmetics, perfumes, eau de toilette, eau de parfum, colognes, non-medicated toilet preparations, eye wear, luggage, bags, wallets and other carriers, saddlery, whips and apparel for animals, umbrellas, sports helmets, brushes and other articles for cleaning, brush-making materials, tableware, cookware and containers, furniture and furnishings, lamps, household and kitchen utensils, barware, cosmetic and toilet utensils and bathroom articles, dental cleaning articles, articles for clothing and footwear namely shoe polish kit, shoe horns, articles for cleaning purposes; the bringing together for the benefit of others of clothing, headgear and footwear, jewellery, watches, fashion accessories, sporting equipment, cameras, audio-visual equipment, textiles, books, stationery, magazines, toys, cosmetics, perfumes, eau du toilette, eau de parfum, colognes, non-medicated toilet preparations, eye wear, luggage, bags, wallets and other carriers, saddlery, whips and apparel for animals, umbrellas, sports helmets, brushes and other articles for cleaning, brush-making materials, tableware, cookware and containers, furniture and furnishings, lamps, household and kitchen utensils, barware, cosmetic and toilet utensils and bathroom articles, dental cleaning articles, articles for clothing and footwear namely shoe polish kit, shoe horns, articles for cleaning purposes, enabling customers to conveniently view and purchase those goods; the provision of information and advice in relation to retail services; business management consultancy; provision of advice and assistance in the selection of goods; promotion services through provision of sponsored links to third party websites; promotion of goods and services through sponsorship; advertising and business services; advertising for others.

41 – Entertainment services featuring electronic media, multimedia content, videos, movies, pictures, images, text, photos, user-generated content, audio content, and related information via the internet and other communications networks in the field of fashion, cultural events and entertainment related topics; educational services featuring electronic media, multimedia content, videos, movies, pictures, images, text, photos, user-generated content, audio content, and related information via the internet and other communications networks in the field of fashion, cultural events and entertainment related topics; production of films on videotapes or on all types of audiovisual or sound media in the field of fashion, cultural events and entertainment related topics; production of audiovisual recordings; television production; production of radio programs; on-line electronic publishing of books and periodicals in the field of fashion, cultural events and entertainment related topics; providing on-line electronic publications (not downloadable) in the field of fashion, cultural events and entertainment related topics; digital

video, audio and multimedia entertainment publishing services in the field of fashion, cultural events and entertainment related topics; online digital publishing services in the field of fashion, cultural events and entertainment related topics; organization of fashion shows for entertainment purposes; news reporting; providing entertainment information; providing information about cultural activities; electronic publication for fashion, entertainment; consultancy, information and advisory services relating to the aforesaid; on line research library services, namely, providing electronic library services which feature newspapers, magazines, photographs and pictures via an on line computer network containing images, pictures, photographs, text and other multimedia content via an online computer network and other electronic communication networks or broadcast via network or satellite television; publishing of electronic books and journals online, namely blogs featuring personal information and opinions; publishing services, namely photo sharing via the internet and wireless communication devices; organizing cultural and arts events; entertainment services in the nature of contests; entertainment services in the nature of competitions; entertainment services in the nature of video games; sporting activities; organization of education competitions; cultural activities; educational and entertainment services pertaining to travel and dining; publishing services.

(260) AM 2019 101143 A

(800) 1443417

(151) 2018 06 29

(891) 2018 06 29

(731) Obshchestvo s ogranichennoy
otvetstvennostyu "SPETSAVTO"
Makarenko street, 11/1, Kolosistiy village,
RU-350053 Krasnodar city, Russian
Federation

(540)

Putzpulman

(591) Black, white

(531) 27.05.17; 27.05.19

(511)

4 – Anthracite; cutting fluids; tallow; industrial grease; kerosene; mazut; fuel oil; lubricating oil; industrial oil; moistening oil; motor oil; lubricants; non-slipping preparations for belts; alcohol [fuel]; methylated spirit; diesel oil; carburants; fuel with an alcohol base; electrical energy; ethanol [fuel].

6 – Aluminium; fittings of metal for compressed air lines; fittings of metal for building; white metal; beams of metal, non-luminous; vats of metal; beams of metal; joists of metal; bottles [metal containers] for compressed gas or liquid air; tin cans; reels of metal, non-mechanical, for flexible hoses; swimming pools [structures] of metal; beryllium [gluci-

nium]; arbours [structures] of metal; blooms [metallurgy]; ingots of common metal; anchors; bolts of metal; eye bolts; casks of metal; mooring buoys of metal; barrels of metal; identification bracelets of metal, for hospitals; bronze; bells for animals; bells; letters and numerals of common metal, except type; silos of metal; busts of common metal; vanadium; bird baths [structures] of metal; valves of metal, other than parts of machines; screws of metal; aviaries [structures] of metal; tungsten; hoppers of metal, non-mechanical; gates of metal; sleeves [metal hardware]; ferrules of metal for handles; signboards of metal; diving boards of metal; loading gauge rods of metal for railway wagons; nuts of metal; galena [ore]; hafnium [celtium]; nails; tacks [nails]; horseshoe nails; germanium; vice claws of metal; doors of metal; chimney pots of metal; prefabricated houses [kits] of metal; memorial plates of metal; chimney shafts of metal; wall plugs of metal; troughs of metal for mixing mortar; packaging containers of metal; containers of metal for storing acids; jalousies of metal; iron strip; iron, unwrought or semi-wrought; roof gutters of metal; street gutters of metal; tinplate; door bolts of metal; window fasteners of metal; bolts, flat; binding screws of metal for cables; crampons of metal [cramps]; wheel clamps [boots]; rivets of metal; padlocks; box fasteners of metal; locks of metal for bags; locks of metal for vehicles; locks of metal, other than electric; spring locks; closures of metal for containers; bungs of metal; latches of metal; tension links; couplings of metal for chains; door bells of metal, non-electric; road signs, non-luminous and non-mechanical, of metal; registration plates of metal; signs, non-luminous and non-mechanical, of metal; fences of metal; buckles of common metal [hardware]; bronzes [works of art]; works of art of common metal; hardware of metal, small; indium; cabanas of metal; telephone booths of metal; cadmium; paint spraying booths of metal; telpher cables; ropes of metal; greenhouse frames of metal; framework of metal for building; cornices of metal; skating rinks [structures] of metal; cermets; water-pipe valves of metal; drain traps [valves] of metal; metal cages for wild animals; keys; mooring bollards of metal; cobalt, raw; chill-molds [foundry]; elbows of metal for pipes; bed casters of metal; furniture casters of metal; manifolds of metal for pipelines; pillars of metal for building; casings of metal for oilwells; chimney cowls of metal; bottle caps of metal; sealing caps of metal; tent pegs of metal; pegs of metal; split rings of common metal for keys; copper rings; rings of metal; ferrules of metal; door fittings of metal; fittings of metal for windows; buildings of metal; buildings, transportable, of metal; steel buildings; containers of metal [storage, transport]; guard rails of metal for railways; baskets of metal; door frames of metal; tool boxes of metal, empty; stringers [parts of staircases] of metal; faucets of metal for casks; tubing of metal; roofing of

metal; brackets of metal for building; turntables [railways]; screw tops of metal for bottles; manhole covers of metal; pitons of metal; hooks [metal hardware]; pot hooks of metal; hooks of metal for roofing slates; hooks of metal for clothes rails; clothes hooks of metal; chicken-houses of metal; brass, unwrought or semi-wrought; wrapping or binding bands of metal; scaffolding of metal; staircases of metal; ladders of metal; limonite; steel sheets; cast steel; traps for wild animals; magnesium; manganese; reinforcing materials, of metal, for concrete; reinforcing materials of metal for machine belts; reinforcing materials of metal for pipes; reinforcing materials of metal for building; brazing alloys; railway material of metal; materials of metal for funicular railway permanent ways; building materials of metal; refractory construction materials of metal; masts of metal; steel masts; copper, unwrought or semi-wrought; cupronickel; sheets and plates of metal; common metals, unwrought or semi-wrought; pyrophoric metals; metals in powder form; moldings of metal for cornices; molybdenum; metal knockers; pipe muffs of metal; porches [structures] of metal; monuments of bronze for tombs; tombs of metal; flashing of metal for building; roof flashing of metal; fish plates [rails]; anvils; anvils [portable]; beak-irons; ferrules of metal for walking sticks; rope thimbles of metal; handcuffs; jets of metal; duckboards of metal; belt stretchers of metal; stretchers for metal bands [tension links]; wire stretchers [tension links]; stretchers for iron bands [tension links]; nickel silver; nickel; niobium; grease nipples; binding thread of metal for agricultural purposes; thread of metal for tying-up purposes; house numbers of metal, non-luminous; braces of metal for handling loads; wall claddings of metal for building; enclosures of metal for tombs; laths of metal; barrel hoops of metal; wall linings of metal for building; palings of metal; crash barriers of metal for roads; tree protectors of metal; trellis of metal; windows of metal; ironwork for doors; ironwork for windows; tin; shuttering of metal for concrete; filings of metal; poles of metal for power lines; props of metal; branching pipes of metal; monuments of metal; monuments of metal for tombs; wainscotting of metal; signalling panels, non-luminous and non-mechanical, of metal; building panels of metal; partitions of metal; lintels of metal; casement windows of metal; strap-hinges of metal; shims; rocket launching platforms of metal; transport pallets of metal; platforms, prefabricated, of metal; floor tiles of metal; tiles of metal for building; anchor plates; armor plates; grave slabs of metal; tile floorings of metal; iron slabs; lead seals; loading pallets of metal; handling pallets of metal; trays of metal; firedogs [andirons]; armor-plating; paving blocks of metal; roof coverings of metal; linings of metal for building; steel strip; door panels of metal; floors of metal; sills of metal; ceilings of metal; gold solder; silver solder; door closers, non-electric; door

openers, non-electric; collars of metal for fastening pipes; winding spools of metal, non-mechanical, for flexible hoses; floating docks of metal, for mooring boats; aluminium wire; iron wire; wire of common metal; wire of common metal alloys, except fuse wire; barbed wire; copper wire, not insulated; soldering wire of metal; steel wire; springs [metal hardware]; rods of metal for welding; rods of metal for brazing and welding; rods of metal for brazing; window frames of metal; frames of metal for building; containers of metal for liquid fuel; containers of metal for compressed gas or liquid air; tanks of metal; floating containers of metal; rails of metal; straps of metal for handling loads; furnace fireguards of metal; grilles of metal; runners of metal for sliding doors; window pulleys; iron ores; ores of metal; chrome ores; door handles of metal; knobs of metal; sheet piles of metal; pigsties of metal; lead, unwrought or semi-wrought; safes [strong boxes]; insect screens of metal; burial vaults of metal; foot scrapers; cable joints of metal, non-electric; junctions of metal for pipes; nozzles of metal; anti-friction metal; silver-plated tin alloys; alloys of common metal; sheaf binders of metal; bindings of metal; bottle closures of metal; shutters of metal; outdoor blinds of metal; steel alloys; steel, unwrought or semi-wrought; tin-foil; statues of common metal; figurines [statuettes] of common metal; cask stands of metal; tombstone stelae of metal; bars for metal railings; stables of metal; advertisement columns of metal; posts of metal; telegraph posts of metal; railway points; step stools of metal; slings of metal for handling loads; stair treads [steps] of metal; chests of metal; machine belt fasteners of metal; tombstone plaques of metal; identity plates of metal; tantalum [metal]; greenhouses of metal, transportable; titanium; wire cloth; tombac; mobile boarding stairs of metal for passengers; cables of metal, non-electric; wire rope; pipe-work of metal; penstock pipes of metal; water-pipes of metal; gutter pipes of metal; ducts of metal for ventilating and air-conditioning installations; drain pipes of metal; chimneys of metal; pipes of metal; ducts of metal, for central heating installations; steel pipes; turnstiles of metal; angle irons of metal; tin-plate packings; door fasteners of metal; door stops of metal; stops of metal; window stops of metal; sash fasteners of metal for windows; bicycle parking installations of metal; wind-driven bird-repelling devices made of metal; towel dispensers, fixed, of metal; tungsten iron; molybdenum iron; silicon iron; titanium iron; chrome iron; flanges of metal [collars]; weather- or wind-vanes of metal; aluminium foil; foils of metal for wrapping and packaging; ice moulds of metal; foundry molds of metal; fittings of metal for coffins; fittings of metal for beds; fittings of metal for furniture; building or furniture fittings of nickel-silver; clips of metal for pipes; chromium; cattle chains; chains of metal; safety chains of metal; zinc; zirconium; roofing tiles of metal; cast iron, un-

wrought or semi-wrought; washers of metal; balls of steel; hinges of metal; poles of metal; crampons [climbing irons]; cashboxes of metal; safety cashboxes; chests of metal for food; pulleys of metal, other than for machines; railroad ties of metal; window casement bolts; cotter pins of metal; spurs; pins [hardware]; roller blinds of steel; latch bars of metal; badges of metal for vehicles; lock bolts; tool chests of metal, empty; boxes of common metal; letter boxes of metal.

7 – Welding machines, electric; welding apparatus, gas-operated; vulcanization apparatus; acetylene cleaning apparatus; high pressure washers; apparatus for drawing up beer under pressure; apparatus for aerating water; apparatus for aerating beverages; electrical apparatus for sealing plastics [packaging]; electric arc cutting apparatus; electric arc welding apparatus; electric welding apparatus; soldering apparatus, electric; expansion tanks [parts of machines]; drums [parts of machines]; reels, mechanical, for flexible hoses; brake shoes, other than for vehicles; concrete mixers [machines]; journal boxes [parts of machines]; bulldozers; hoppers [mechanical discharging]; mine borers; railway wagon lifts; rolling mill cylinders; crank shafts; transmission shafts, other than for land vehicles; valves [parts of machines]; fans for motors and engines; winnowers; vibrators [machines] for industrial use; bearings [parts of machines]; water heaters [parts of machines]; bellows [parts of machines]; agitators; exhausts for motors and engines; drilling rigs, floating or non-floating; card clothing [parts of carding machines]; emergency power generators; alternators; dynamos; bicycle dynamos; current generators; generators of electricity; hydraulic controls for machines, motors and engines; mufflers for motors and engines; drilling heads [parts of machines]; drilling bits [parts of machines]; cylinder heads for engines; soldering blow pipes, gas-operated; gas-operated blow torches; sieves [machines or parts of machines]; mud catchers and collectors [machines]; tarring machines; hydraulic engines and motors; driving motors, other than for land vehicles; motors, other than for land vehicles; propulsion mechanisms, other than for land vehicles; de-aerators for feedwater; disintegrators; holding devices for machine tools; turf removing ploughs; pump diaphragms; jacks [machines]; rack and pinion jacks; crushers, electric, for household purposes; shredders [machines] for industrial use; injectors for engines; tools [parts of machines]; hand-held tools, other than hand-operated; air condensers; control cables for machines, engines or motors; capstans; carburettors; carriages for knitting machines; crankcases for machines, motors and engines; steamrollers; reels [parts of machines]; pressure valves [parts of machines]; clack valves [parts of machines]; pressure reducers [parts of machines]; cowlings [parts of machines]; machine wheels; freewheels, other than for land vehicles; brake pads, ot-

her than for vehicles; piston segments; grease rings [parts of machines]; reapers and threshers; coal-cutting machines; compressors [machines]; air pumps [garage installations]; compressors for refrigerators; conveyors [machines]; belt conveyors; converters for steelworks; steam condensers [parts of machines]; aerocondensers; diggers [machines]; rams [machines]; gear boxes, other than for land vehicles; grease boxes [parts of machines]; housings [parts of machines]; steam engine boilers; taps [parts of machines, engines or motors]; cranes [lifting and hoisting apparatus]; roller bridges; water separators; spray guns for paint; cranks [parts of machines]; grindstones [parts of machines]; cultivators [machines]; winches; igniting magnetos; handling machines, automatic [manipulators]; lubricators [parts of machines]; machine fly-wheels; finishing machines; butter machines; painting machines; printing machines for use on sheet metal; machines and apparatus for polishing [electric]; sizing machines; punching machines; riveting machines; foundry machines; cutting machines; compressed air machines; trimming machines; packing machines; filtering machines; molding machines; guides for machines; pumps [machines]; pumps [parts of machines, engines or motors]; vacuum pumps [machines]; compressed air pumps; pumps for heating installations; lubricating pumps; self-regulating fuel pumps; bearing brackets for machines; axles for machines; exhaust manifold for engines; pneumatic transporters; pneumatic controls for machines, motors and engines; hangers [parts of machines]; anti-friction bearings for machines; roller bearings; self-oiling bearings; bearings for transmission shafts; ball-bearings; elevators [lifts]; hoists; lifts, other than ski-lifts; pulleys; pistons [parts of machines or engines]; shock absorber plungers [parts of machines]; pistons for engines; pistons for cylinders; presses [machines for industrial purposes]; springs [parts of machines]; radiators [cooling] for motors and engines; regulators [parts of machines]; pressure regulators [parts of machines]; speed governors for machines, engines and motors; belts for machines; elevator belts; fan belts for motors and engines; dynamo belts; belts for motors and engines; adhesive bands for pulleys; industrial robots; stuffing boxes [parts of machines]; sparking plugs for internal combustion engines; glow plugs for diesel engines; brake segments, other than for vehicles; separators; ball rings for bearings; shaft couplings [machines]; machine tools; die-cutting and tapping machines; woodworking machines; starters for motors and engines; stators [parts of machines]; tables for machines; derricks; slide rests [parts of machines]; couplings, other than for land vehicles; heat exchangers [parts of machines]; transmissions for machines; transmissions, other than for land vehicles; turbocompressors; connecting rods for machines, motors and engines; joints [parts of engines]; central vacuum cleaning installations; suction ma-

chines for industrial purposes; degreasers [machines]; dust exhausting installations for cleaning purposes; dust removing installations for cleaning purposes; condensing installations; lifting apparatus; dividing machines; igniting devices for internal combustion engines; anti-pollution devices for motors and engines; control mechanisms for machines, engines or motors; shoe polishers, electric; handling apparatus for loading and unloading; elevating apparatus; filters [parts of machines or engines]; filters for cleaning cooling air, for engines; molds [parts of machines]; centrifugal machines; elevator chains [parts of machines]; driving chains, other than for land vehicles; transmission chains, other than for land vehicles; cylinders for motors and engines; cylinders for machines; universal joints [cardan joints]; pulleys [parts of machines]; brushes [parts of machines]; dynamo brushes; brushes, electrically operated [parts of machines]; fuel economisers for motors and engines; excavators; shovels, mechanical; agricultural elevators; motors, electric, other than for land vehicles; electric hammers; parquet wax-polishers, electric.

17 – Shock-absorbing buffers of rubber; fittings, not of metal, for compressed air lines; asbestos; cellulose acetate, semi-processed; balata; asbestos paper; paper for electrical capacitors; insulating paper; cotton wool for packing [caulking]; mineral wool [insulator]; asbestos felt; insulating felt; plastic fibers, other than for textile use; carbon fibers, other than for textile use; asbestos fibers; vulcanized fiber; gutta-percha; foam supports for flower arrangements [semi-finished products]; dielectrics [insulators]; floating anti-pollution barriers; lute; insulators; insulators for railway tracks; insulators for electric mains; insulators for cables; asbestos millboards; liquid rubber; synthetic rubber; rubber, raw or semi-worked; valves of india-rubber or vulcanized fiber; clack valves of rubber; rings of rubber; water-tight rings; insulating paints; insulating varnish; latex [rubber]; insulating tapes; adhesive bands, other than stationery and not for medical or household purposes; self-adhesive tapes, other than stationery and not for medical or household purposes; asbestos sheets; viscose sheets, other than for wrapping; sheets of regenerated cellulose, other than for wrapping; insulating oils; insulating oil for transformers; reinforcing materials, not of metal, for pipes; weatherstripping compositions; caulking materials; brake lining materials, partly processed; soundproofing materials; insulating materials; insulating refractory materials; padding materials of rubber or plastics; rubber material for recapping tires; non-conducting materials for retaining heat; boiler composition to prevent the radiation of heat; packing [cushioning, stuffing] materials of rubber or plastics; sealant compounds for joints; filtering materials [semi-processed foams or films of plastic]; compositions to prevent the radiation of heat; bags [envelopes, pouches] of rubber, for

packaging; pipe muffers, not of metal; sleeves of rubber for protecting parts of machines; asbestos packing; clutch linings; threads of plastic for soldering; threads of plastic materials, other than for textile use; threads of rubber, other than for textile use; elastic threads, other than for textile use; stops of rubber; insulating gloves; plastic substances, semi-processed; insulating plaster; plastic sheeting for agricultural purposes; plastic film, other than for wrapping; anti-dazzle films for windows [tinted films]; asbestos coverings; bark coverings for sound insulation; asbestos cloth; rubber stoppers; expansion joint fillers; cylinder jointings; washers of rubber or vulcanized fiber; pipe gaskets; weatherstripping; gaskets; rubber solutions; mica, raw or partly processed; acrylic resins, semi-processed; synthetic resins, semi-processed; pipe couplings, not of metal; substances for insulating buildings against moisture; chemical compositions for repairing leaks; glass wool for insulation; fiberglass for insulation; asbestos fabrics; fiberglass fabrics for insulation; insulating fabrics; flexible hoses, not of metal; hoses of textile material; connecting hose for vehicle radiators; waterproof packings; rubber seals for jars; foils of metal for insulating; ebonite molds; asbestos slate; slag wool [insulator]; watering hose; canvas hose pipes; cords of rubber; asbestos safety curtains; ebonite.

(260) AM 2019 101145 A

(800) 1443428

(151) 2018 10 22

(891) 2018 10 22

(731) BITFURY GROUP LIMITED

c/o Harneys Services (Cayman) Limited,
4th Floor, Harbour Place, 103 South Church
Street, PO Box 10240, KY1-1002 George
Town, Cayman Islands

(540)

EXONUM

(591) Black, white

(511)

9 – Downloadable software for use in the design, development and implementation of blockchains and blockchain-based computer applications; downloadable electronic databases for use in the design, development and implementation of blockchains and blockchain-based computer applications; downloadable software for managing, validating, authenticating, securing and transmitting encrypted data.

35 – Management of databases; business advice and consultancy in the field of digital rights management, namely, consulting relating to smart contract design, implementation and monitoring; business advice and consultancy in the field of voting process integrity; business advice and consultancy in the field of digital rights management.

36 – Financial advice and consultancy relating to financial transaction security, transparency and opti-

mization, through the use of blockchain technology; credit scoring services.

42 – Data encryption and decryption; coding and decoding of data; database design; providing online, non-downloadable computer software for use in the design, development and implementation of blockchains and blockchain-based computer applications; providing online, non-downloadable computer software for managing, validating, authenticating, securing and transmitting encrypted data; computer programming, namely, developing blockchains for use by others; providing online, non-downloadable computer software to facilitate virtual currency transactions by creating encrypted, verifiable, and immutable records of transactions; providing online, non-downloadable computer software to manage virtual currency transactions, by creating and maintaining encrypted records of transactions; providing online, non-downloadable computer software for use in the field of crowdfunding, namely, software to enable encrypted, verifiable, and immutable records of financial contributions to others; providing online, non-downloadable computer software to enable encrypted, verifiable, and immutable records of workflow status and asset location; providing online, non-downloadable computer software to enable the conduct and management of votes and referenda, namely, enabling encrypted, verifiable, and immutable records of voter selections; providing online, non-downloadable computer software to enable encrypted, verifiable, and immutable records of the rights, duties and obligations of parties to agreements and transactions, and to monitor and execute compliance therewith; advice and consultancy relating to the aforesaid.

(260) AM 2019 101146 A

(800) 1443447

(151) 2018 11 06

(891) 2018 11 06

(731) HOTEL LOTTE CO., LTD.

30, Eulji-ro, Jung-gu, Seoul, Republic of Korea

(540)

SIGNIEL

(591) Black, white

(531) 27.05.01

(511)

43 – Tourist home services; restaurant services; resort lodging services; bar and cocktail lounge services; providing room reservation and hotel reservation services; food and drink catering by bakeries; pubs; cafe services; hotel services; rental of meeting rooms.

(260) AM 2019 101159 A

(800) 1443703

(151) 2018 08 24

(891) 2018 08 24

(731) ORIFLAME COSMETICS AG
c/o Oriflame Global Management AG,
Bleicheplatz 3, CH-8200 Schaffhausen,
Switzerland

(540)

ORIFLAME ETERNAL MAN

(591) Black, white

(511)

3 – Non-medicated conditioning and care preparations for application to the hair, scalp, skin and nails; shampoos; hair conditioner; soaps; perfumes; perfumery; eau de cologne; toilet waters; essential and herbal oils; cosmetics; make-up; make-up preparations; lipsticks; nail varnishes; nail varnish removers; eyeliner; mascara; non-medicated toilet preparations; hair lotions; hair sprays and hair gels; preparations for use in the bath or shower; bath and shower oils, gels, creams and foams; face and body masks; face and body scrubs; facial washes; skin cleansers and hydrators; skin toners; skin moisturizers; blemish creams and blemish gels; deodorants; antiperspirants; preparations for use before shaving and after shaving; shaving soaps; shaving creams; shaving gels; after-shave preparations; pre-shave preparations; talcum powders; toiletries; dentifrices; toothpastes; foot care preparations (non-medicated).

(260) AM 2019 101160 A

(800) 1443705

(151) 2018 10 03

(891) 2018 10 03

(731) PACIFIC PHARMACEUTICALS PTE LTD
101 Cecil Street, #17-07 Tong Eng
Building, Singapore 069533, Singapore

(540)

Medivic

(591) Black, white

(511)

5 – Mineral dietary supplements for humans; pharmaceutical drugs.

(260) AM 2019 101161 A

(800) 1443711

(151) 2018 07 26

(891) 2018 07 26

(731) "AZERSUN HOLDING" Limiyted Liability
Company
92a, Heydar Aliyev ave., AZ-1029 Baku,
Azerbaijan

(540)



(591) Green, blue and white

(531) 01.01.05; 01.01.10; 26.11.02; 26.11.12;
27.05.04; 27.05.09; 27.05.10; 27.05.12;
29.01.13

(511)

1 – Chemicals for use in industry, science and photography, as well as in agriculture, horticulture and forestry; unprocessed artificial resins, unprocessed plastics; fire extinguishing and fire prevention compositions; tempering and soldering preparations; substances for tanning animal skins and hides; adhesives for use in industry; putties and other paste fillers; compost, manures, fertilizers; biological preparations for use in industry and science.

2 – Paints, varnishes, lacquers; preservatives against rust and against deterioration of wood; colorants, dyes; inks for printing, marking and engraving; raw natural resins; metals in foil and powder form for use in painting, decorating, printing and art.

3 – Non-medicated cosmetics and toiletry preparations; non-medicated dentifrices; perfumery, essential oils; bleaching preparations and other substances for laundry use; cleaning, polishing, scouring and abrasive preparations.

4 – Industrial oils and greases, wax; lubricants; dust absorbing, wetting and binding compositions; fuels and illuminants; candles and wicks for lighting.

(260) AM 2019 101163 A

(800) 1443784

(151) 2018 11 28

(891) 2018 11 28

(731) NOKIAN TYRES PLC

Pirkkalaistie 7, FI-37100 Nokia, Finland

(540)

Nokian WR Snowproof

(591) Black, white

(511)

12 – Vehicle tyres; winter tyres for vehicles.

(260) AM 2019 101164 A

(800) 1443791

(151) 2018 06 08

(891) 2018 06 08

(731) Obschestvo s ogranichennoy otvetstvennostiyu
ALLOFERON"
ul. Shuhova, 14, RU-115162 Moscow,
Russian Federation

(540)

**АЛЛОКИН
ALLOKIN**

(591) Black, white

(531) 28.05

(511)

3 – Essential oils; cosmetics; cosmetic creams; cosmetic preparations for skin care; oils for cosmetic purposes; cosmetics prepared with synthesized substances of peptide nature; cosmetics for animals prepared with synthesized substances of peptide nature.

5 – Veterinary preparations; sanitary preparations for medical purposes; pharmaceutical preparations; chemico-pharmaceutical preparations; chemical preparations for medical purposes; chemical preparations for pharmaceutical purposes; chemical reagents for medical or veterinary purposes; pharmaceutical preparations for skin care; ointments for pharmaceutical purposes; greases for medical purposes; greases for veterinary purposes.

44 – Medical services; veterinary services; medical assistance; veterinary assistance; pharmacy advice; beauty salon services; medical clinic services.

(260) AM 2019 101165 A

(800) 1443868

(151) 2018 08 03

(891) 2018 08 03

(731) PRIVATE JOINT-STOCK COMPANY
"ENTERPRISE WITH FOREIGN
INVESTMENTS "INTERCERAMA"
vul. Baikalska, 2B, smt Slobozhanske,
Dniprovskiy r-n, Dnipropetrovska obl. 52005,
Ukraine

(540)



(591) Red, wine red and white

(531) 27.05.10; 29.01.12

(511)

19 – Tiles, not of metal, for building; wall tiles, not of metal; floor tiles, not of metal; wall ceramic tiles, not of metal; floor ceramic tiles, not of metal; glazed ceramic wall tiles, not of metal; glazed ceramic floor tiles, not of metal.

(260) AM 2019 101167 A

(800) 1443892

(151) 2018 11 16

(891) 2018 11 16

(731) COLGATE-PALMOLIVE COMPANY
300 Park Avenue, New York NY 10022,
USA

(540)



(591) The color(s) red and white is/are claimed as a feature of the mark

(531) 26.04.04; 26.04.06; 29.01.12

(511)

3 – Non-medicated toothpaste, non-medicated mouthwash, cosmetic whiteners in the nature of cosmetic teeth whitening preparations.

5 – Medicated toothpaste, medicated mouth rinses; medicated oral care products, namely, a professional tooth whitening kit comprised primarily of medicated tooth whitening gel, and also syringes and mouth trays, for at-home use.

21 – Toothbrushes, interdental cleaners, dental floss.

(260) AM 2019 101168 A

(800) 1443917

(151) 2018 08 15

(891) 2018 08 15

(731) VINGROUP JOINT STOCK COMPANY
No.7, Bang Lang 1 Street, Vinhomes
Riverside Ecological Urban Area, Viet
Hung Ward, Long Bien District, Hanoi
City, Viet Nam

(540)



(591) Black, white, gray and silver

(531) 26.03.23; 27.05.01; 27.05.03; 27.05.17;
27.05.21

(511)

4 – Lubricating oils; lubricating greases; motor oils; fuel oils.

11 – Air conditioners for vehicles; anti-glare devices for vehicles [lamp fittings]; defrosters for vehicles; headlights for automobiles; lights for vehicles; heaters for vehicles; lamps for directional signals of automobiles; vehicle reflectors.

12 – Land vehicles; automobiles; off road light utility vehicles; motorcycles; scooters; three-wheeled motorcycles; three-wheeled scooters; mopeds; bicycles; electric bicycles; electric assist bicycles; all terrain vehicles; snowmobiles; golf cars; engines and motors for land vehicles; cars; sports cars; electric vehicles; tricycles; vehicles for locomotion by rail.

35 – Advertising and publicity services; retail services or wholesale services for automobile and their parts, fuels, lubricating oil, lubricating grease.

37 – Installation, maintenance and repair of land vehicles, automobiles, motorcycles; automobile cleaning; automobile polishing.

42 – Industrial design, including design of automobiles and parts thereof; furnishing design services for the interiors of automobiles; vehicle roadworthiness testing; quality control; mechanical research; research and development of new products relating automobiles.

(260) AM 2019 101169 A

(800) 1443925

(151) 2018 08 15

(891) 2018 08 15

(731) Sovmestnoe obchtchestvo s ogranichennoy otvetstvennostiyu "CONTE SPA"
d. 30, Pobedy Street, 230026 Grodno, Belarus

(540)



(591) Red and black.

(531) 27.05.10; 29.01.12

(526) Family collection

(511)

25 – Wimples; bandanas [neckerchiefs]; underwear; sweat-absorbent underwear; berets; overalls; boas [necklets]; teddies [underclothing]; boots, included in this class; ski boots; boots for sports; breeches for wear; trousers; football boots; brassieres; detachable collars; collars [clothing]; pelerines; shirt yokes; veils [clothing]; gabardines [clothing]; neckties; ascots; leggings [leg warmers]; gaiters; knee-high stockings; corselets; jerseys [clothing]; vests; sports jerseys; hosiery; long underwear; hoods [clothing]; tights; slips [underclothing]; combinations [clothing]; wet suits for water-skiing; bodices [lingerie]; corsets [underclothing]; suits; bathing suits; masquerade costumes; beach clothes; jackets [clothing]; stuff jackets [clothing]; fishing vests; leggings [trousers]; liveries; camisoles; cuffs; short-sleeve shirts; mantillas; sleep masks; mittens; muffs [clothing]; footmuffs, not electrically heated; bibs, not of paper; fur stoles; ear muffs [clothing]; socks; footwear, included in this class; paper clothing; outerclothing; ready-made clothing; motorists' clothing; cyclists' clothing; clothing for gymnastics; clothing of imitations of leather; clothing of leather; uniforms; clothing; pajamas; bathing trunks; scarfs; pocket squares; dresses; headbands [clothing]; garters; sock suspenders; stocking suspenders; ready-made linings [parts of clothing]; dress shields; ponchos; girdles; belts [clothing]; mo-

ney belts [clothing]; layettes [clothing]; pullovers; heelpieces for stockings; shirts; sarongs; jumper dresses; saris; sweaters; togas; knitwear [clothing]; underpants; skull caps; turbans; headgear for wear; aprons [clothing]; tee-shirts; bath robes; stockings; sweat-absorbent stockings; shawls; paper hats [clothing]; caps [headwear]; paper hats [clothing]; shower caps; caps for sauna; bathing caps; sashes for wear; hats; babies' pants [underwear]; trouser straps; pelisses; esparto shoes or sandals; skirts; petticoats; skorts.

35 – Advertising; on-line advertising on a computer network; rental of advertising space; organization of fashion shows for promotional purposes; business management; marketing; opinion polling; market studies; business administration; office functions; procurement services for others [purchasing goods and services for other businesses]; demonstration of goods, including via global computer networks on internet web sites; sales promotion for others; retail services connected to the sale of clothing, footwear, headgear, bags, purses, wallet, perfumery, non-medicated cosmetics, trimmings for clothing, hair decorations, fashion jewelry, sunglasses, umbrellas; presentation of goods on communication media, for retail purposes; commercial information and advice for consumers [information on goods for consumers]; administrative processing of purchase orders; distribution of samples.

(260) AM 2019 101170 A

(800) 1443926

(151) 2018 11 21

(891) 2018 11 21

(731) APPLE INC.

One Apple Park Way, Cupertino CA 95014,
USA

(540)



(591) Blue, tan, and white

(531) 21.03.01; 23.01.25; 26.04.04; 29.01.13

(511)

9 – Computer game software.

(260) AM 2019 101171 A

(800) 1443927

(151) 2018 07 27

(891) 2018 07 27

(731) BUMFA GROUP LTD
Privokzal'naya, 16 Cherkessk, RU-369000
Karachay-Cherkess Republic, Russian
Federation

(540)

RELUX

(591) Black, white

(511)

3 – Cleaning, polishing, scouring and abrasive preparations; soap; perfumery, essential oils, cosmetics, hair lotions; non-medicated dentifrices; non-medicated toiletries; antiperspirants for personal use; body deodorants [perfumery]; tissues impregnated with cosmetic lotions; pre-moistened cosmetic wipes; decorative transfers for cosmetic purposes; beauty masks; adhesives for cosmetic purposes; cloths impregnated with a detergent for cleaning; cosmetic nail care preparations; cosmetic preparations for skin care; cosmetic hair dressing preparations; cosmetic preparations for the care of mouth and teeth; polishing paper; emery paper; abrasive paper; abrasive cloth; cotton sticks for cosmetic purposes; cotton wool for cosmetic purposes.

5 – Pharmaceutical preparations; sanitary preparations for medical purposes; dietetic substances adapted for medical use; food for babies; plasters, materials for dressings; disinfectants; preparations for destroying noxious animals; fungicides, herbicides; mineral waters for medical purposes; thermal water; means for skin care, hair, nails for medical purposes; mothproofing paper; medicated compresses; wadding for medical purposes; deodorants, other than for human beings or for animals; gauze for dressings; vulnerary sponges; bandages for dressings; pants, absorbent, for incontinents; sanitary panties; tissues impregnated with pharmaceutical lotions; surgical mesh comprised primarily of living tissue; veterinary preparations; sanitary tampons; sanitary towels.

10 – Elbow braces for medical purposes; bandages, elastic; maternity belts; belts for medical purposes; pads for preventing pressure sores on patient bodies.

16 – Paper and cardboard; printed matter; bookbinding material; photographs [printed]; stationery; adhesives [glues] for stationery or household purposes; artists' materials; paintbrushes; typewriters and office requisites [except furniture]; instructional and teaching material [except apparatus]; plastic materials for packaging; printing type; printing blocks; stickers [stationery]; postcards; school supplies [stationery]; printed publications; newspapers; magazines [periodicals]; books; catalogues; booklets; posters; sewing patterns; paper pads for changing diapers; paper for wrapping and packaging; bags [envelopes, pouches] of paper or plastics, for packaging; cream containers of paper; table linen of paper; tissue paper; hand towels of paper; handkerchiefs of paper; labels of paper; flags of paper; toilet paper;

tissues of paper for removing make-up; face towels of paper; lettering guides; stencils; paper coffee filters; coasters of paper.

21 – Household or kitchen utensils and containers of paper or cardboard; articles for cleaning purposes; cloths for cleaning.

24 – Fabric; bed linen; bath linen, except clothing; household linen; bed blankets; cloths for removing make-up; face towels of textile; place mats, not of paper; non-woven textile fabrics; bed throws; tablecloths of textile.

35 – Promotion of the above goods (for third parties), including wholesale and retail trade; supply chain management services.

40 – Treatment of materials; textile treating; recycling of paper; treatment of cellulose.

(260) AM 2019 101172 A

(800) 1443967

(151) 2018 10 19

(891) 2018 10 19

(731) PEPSICO, INC. (a North Carolina corporation)
700 Anderson Hill Road, Purchase NY 10577,
USA

(540)



(591) Black, white, red, dark red, brick, brown, light brown, orange, yellow, light yellow, light purple, violet, cream, green, light green, lime, pink

(531) 05.09.17; 05.09.22; 08.01.01; 08.01.06;
08.07.01; 24.15.21; 27.05.09; 28.05; 29.01.15

(526) The image of the baguette; the word element that transliterates into Latin as "Baguette"

(511)

30 – Bread; rusks.

(260) AM 2019 101175 A

(800) 1444016

(151) 2018 10 09

(891) 2018 10 09

(731) FINANGEL LTD
Ioanni Stylianou 6, 2nd floor, Flat/Office 202,
CY-2003 Nicosia, Cyprus

(540)



(591) Dark blue

(531) 05.03.11; 05.03.13; 26.11.02; 26.11.06;
26.11.12; 27.01.25; 29.01.04

(511)

36 – Savings bank services; safe deposit services for valuables; safe deposit services for precious metals; safe deposit services for securities; banking consultancy; banking; merchant banking and investment banking services; issuance of bank checks; processing of bank transfer transactions; online banking; internet banking; telephone banking; trading of bank acceptances; automated banking services; banking and financing services; banking and financial services; computerized banking services; banking services relating to the deposit of money; property investment banking services; automated teller machine (ATM) banking services; banking, financial and insurance services; investment banking; rental of automated teller machines (ATMs); investment banking consultancy and advisory services; providing bank account information by telephone; private banking; commercial banking; merchant banking; banking services relating to the acceptance of fixed interval installment payments; consumer banking services provided by credit unions; financial evaluation (insurance, banking, real estate); providing information, consultancy and advice in the field of investment banking; on-line commercial banking; banking services provided via cellular phone; financial evaluation services for insurance, banking and real estate purposes; electronic banking via a global computer network (internet banking); providing on-line information relating to financial, banking, insurance and investment services; providing information and advice in the field of finance; advisory services relating to personal finance; financial consultancy; financial consultancy and advisory services; financial management and consultancy services; financial management of building projects; insurance and financial information and consultancy services; financial consultancy for lottery winners; financial consultancy relating to investments; providing information in the field of personal finance; financial management of shares in other companies; financial management and brokerage of futures funds; financial management of collective investment schemes; financial management of real estate projects; financial information and advisory services; advisory services relating to investments and finance; financial and investment market risk analysis, appraisal and projection; financial consultancy in the field of risk ma-

agement; financial consultancy and information services; financial consultancy relating to real estate investment; financial consultancy relating to infrastructure investment; financial consultancy relating to credit services; financial consultancy relating to student loan services; financial consultancy relating to loans; financial management and investment services relating to equities; financial management and investment services relating to securities; financial management of stocks; financial management of building renovation projects; financial management of building occupancy expenses; financial management, analysis and information services; financial consultancy relating to the execution of cashless payment transactions; providing information and research in the field of finance and financial investments; information, advisory, consultancy and research services relating to finance and investments; financial management and investment services relating to securities and equities; financial management and brokerage services in the field of equities, futures, stocks, bonds and other securities; currency trading; financial and monetary transactions; financial and monetary affairs; foreign exchange information services; on-line real-time currency trading; providing information relating to financial and monetary affairs; insurance, financial affairs, monetary affairs and real estate affairs; on-line cash account services; on-line business fund raising services; on-line financial planning services; conducting of financial transactions on-line; conducting of financial affairs on-line; on-line bill payment services; on-line trading of options on the options exchange market; on-line discount securities brokerage services; providing on-line investment account information; providing financial information on-line; on-line financial transactions; on-line escrow services relating to the exchange of services; stock exchange information provided on-line from a computer database or the internet; financial information provided on-line from a computer database or the internet; on-line trading of financial instruments, shares, options and other derivative products; on-line brokerage for trading and transactions relating to currency and other financial products; providing securities market information via an on-line computer database; providing stock market information via an on-line computer database; domestic remittance services provided on-line; providing on-line information about reinsurance from a computer database or the internet; providing on-line information about insurance from a computer database or the internet; providing on-line financial information from a computer database or the internet; providing financial and insurance information on-line from a computer database or a global communication network; agencies for trading of securities; issuance of tradable securities; issuance of tokens of value; securities exchange price quotations; lending against securities; securities lending; finan-

cial securities exchange services; securities trading; share price information; securities portfolio management; trading of securities and bonds; trading of securities options; securities arbitrage; trusteeship of securities; securities deposit services; securities underwriting; brokerage of bonds and other securities; issuance of mortgage-backed securities; investment services relating to securities; quotation of stock exchange prices; brokerage of foreign market securities futures; providing information relating to securities trading; providing stock market information; providing loans secured by commercial paper; conducting of capital market transactions; securities trading services provided via the internet; management of portfolios of transferable securities; automated securities brokerage; securities trade execution services; financing of loans against security; financial investment in the field of securities; financial services relating to investment securities; agencies for trading of securities index futures; agencies for trading of foreign market securities futures; issuance of tokens of value in the nature of restaurant vouchers; issuance of tokens of value in the nature of trading stamps; brokerage of securities options; brokerage of shares and other securities; providing information relating to securities underwriting; providing information relating to securities brokerage; trading of securities contracts; trading of securities options and foreign market securities futures; trading of foreign market securities futures; management of listed securities; automated securities trade execution services; transfer agency services rendered to issuers of investment securities; brokerage of securities index futures; agencies for brokerage of securities; trading of domestic market securities futures; trading of securities, securities index futures, securities options, and domestic market securities futures; agencies for brokerage of securities index futures; agencies for brokerage of foreign market securities futures; trusteeship of money, securities, personal property and land; completion of financial transactions for stocks, bonds, securities and equities for others; providing information relating to domestic and foreign market securities futures; providing information relating to the trading of securities options; providing information relating to the trading of foreign market securities futures; providing information relating to brokerage of securities options; providing information relating to brokerage of foreign market securities futures; providing information relating to the trading of domestic market securities futures; securities trading and investing services for others provided via the internet; trading of securities and securities index futures in foreign markets; financial advisory services relating to securities, derivatives and other financial products; insurance services relating to price protection for goods purchased using credit cards; holding securities, funds and other assets in escrow; financial investment services in the fields of secu-

rities, mutual funds and portfolio management; providing information relating to safe deposit services for valuables; providing information relating to the trading of securities and securities index futures in foreign markets; providing information relating to safe deposit services for securities; trading of financial instruments, securities, shares, options and other derivative products; management of private equity funds; real estate investment; financial investment services; mutual fund investment; financial investment and advisory services; consultancy in the field of private equity investment; arranging of financial investments; investment brokerage; brokerage of financial investments; real estate investment management; public equity investment management; financial investment management; investment services; investment management; variable insurance investment services; global investment research services; property investment and management services; financial investment in the field of real estate; financial investment services in relation to the printing industry; providing information and advice in the field of financial investments; providing information in the fields of finance and investment; advisory services relating to investments and pensions; advisory services relating to financial investment; investment management services relating to annuities; public and private equity financing; advisory services relating to financial planning and investment; brokerage of financial investments in energy companies; investment consultancy, brokerage and management services; commodity investment advice; investment management services in the field of acquiring joint ventures; real estate services relating to the management of property investments; advisory services relating to financial investment management; financial analysis services relating to investments; providing information and analysis via the internet in the field of financial investments; investment management services relating to variable annuities; advisory services relating to credit and debit control, investment, grants and financing of loans.

(260) AM 2019 101176 A

(800) 1444017

(151) 2018 11 15

(891) 2018 11 15

(731) APPLE INC.

One Apple Park Way, Cupertino CA 95014, USA
(540)



(591) Orange, pink, green, and blue
 (531) 26.04.03; 26.04.04; 26.04.09; 29.01.14
 (511)

9 – Computer software enabling users to create, save, and launch sequences of commands and logic within and between other computer software applications and computer software functionality; computer software for personal information management.

(260) AM 2019 101177 A
 (800) 1444020
 (151) 2018 08 15
 (891) 2018 08 15
 (731) Telefonaktiebolaget LM Ericsson
 SE-164 83 STOCKHOLM, Sweden
 (540)



(591) Blue, red and turquoise
 (531) 26.01.03; 26.03.01; 27.01.01; 27.05.01;
 29.01.13

(511)
 9 – Computer hardware; computer software; computer networks; application software for cloud computing services.

37 – Maintenance and repair of hardware for data processing apparatus; installation of hardware for computer networks; maintenance and repair of hardware for computer networks.

38 – Telecommunications services; computer network communication services; providing access to global computer networks; providing access to platforms on the Internet; broadcasting programs via a global computer network; transmission of audio and video content via computer networks; provision of telecommunication access to video content provided via the Internet.

42 – Maintenance of data processing software; computer network services; configuration of computer systems and networks; cloud computing; programming of software for Internet platforms; installation of software for computer networks; maintenance and repair of software for computer networks.

(260) AM 2019 101178 A
 (800) 1444032
 (151) 2018 07 13
 (891) 2018 07 13
 (731) DRINKSTAR GMBH
 Äußere Oberastr. 36/5, 83026 Rosenheim,
 Germany

(540)



(591) Black, white
 (531) 01.01.02; 01.01.15; 27.05.07; 27.05.10
 (511)

29 – Canned sliced fruits; fruit, preserved; soya beans, preserved, for food; strawberries being preserved; tangerines [preserved]; preserved plums; fruit preserves; berries, preserved.

(260) AM 2019 101179 A
 (800) 1444058
 (151) 2018 11 16
 (891) 2018 11 16
 (731) Apple Inc.
 One Apple Park Way, Cupertino CA 95014, USA
 (540)



(591) Orange and white
 (531) 01.05.05; 20.07.05; 24.17.20; 26.04.01;
 26.04.04; 29.01.12

(511)
 9 – Educational software for classroom instruction.

(260) AM 2019 101180 A
 (800) 1444094
 (151) 2018 08 13
 (891) 2018 08 13
 (731) Stiftung Ethereum (Foundation Ethereum)
 Zeughausgasse 7a, CH-6300 Zug, Switzerland
 (540)

ETHEREUM

(591) Black, white
 (511)

9 – Computer application software for blockchain-based platforms, namely, software platforms for distributed applications and software using a consensus engine incorporating blockchain technology for securing data with cryptographic information; computer software platforms for developing and building of distributed software applications and distributed computing platforms; computer software platforms for blockchains.

36 – Cryptocurrency services, namely, providing a digital currency or digital token for use by members of an on-line community via a global computer network; cryptocurrency services, namely, a digital currency or digital token, incorporating cryptographic protocols, used to operate and build applications and blockchains on a decentralized computer platform and as a method of payment for goods and services.

41 – Developing, arranging, and conducting educational and business conferences; educational services, namely, developing, arranging and conducting classes, seminars, conferences, workshops, retreats, camps and field trips in the field of blockchains and distributed computing platforms, and distribution of training material in connection therewith.

42 – Software development services; design, development and implementation of software for distributed computing platforms; design, development and implementation of software in the field of blockchains; research and development of computer software; software development and product development consulting in the field of distributed computing platforms; software development and product development consulting in the field of blockchains.

(260) AM 2019 101181 A

(800) 1444109

(151) 2018 10 03

(891) 2018 10 03

(731) CHINA TOBACCO HUBEI INDUSTRIAL CO., LTD.

No.1355, Jinshan Road, Dongxihu District,
Wuhan City, Hubei Province, China

(540)



HUANGHELOU

(591) Black, white

(531) 01.03.01; 03.07.07; 07.01.05; 24.01.11

(511)

34 – Tobacco; cigars; cigarettes; cigarillos; cigarette tips; matchboxes; lighters for smokers; cigarette filters; cigarette paper; flavorings, other than essential oils, for tobacco.

(260) AM 2019 101182 A

(800) 1444178

(151) 2018 10 11

(891) 2018 10 11

(731) SIKA AG

Zugerstrasse 50, CH-6340 Baar, Switzerland

(540)

SIKA THERMOCOAT

(591) Black, white

(511)

1 – Chemical products for use in industry; unprocessed inorganic products for facade preparation.

2 – Inorganic decorative and protective coatings in the form of paints other than for insulation purposes, coatings (paints) used as primers.

17 – Insulating materials, particularly thermal insulation materials and acoustic insulation materials for facades.

19 – Non-metallic building materials, particularly, ready-to-use inorganic paste, cement, lime, mortar for leveling and repairing, facade coating, adhesive mortars of cement for leveling; reinforcing fabrics of fiberglass.

(260) AM 2019 101183 A

(800) 1444183

(151) 2018 07 18

(891) 2018 07 18

(731) BITMAINTTECH PTE. LTD.

26 ENG HOON STREET, SG-169776
SINGAPUR, Singapore

(540)

BITMAIN

(591) Black, white

(511)

9 – Calculating machines; data processing apparatus; computers; peripherals adapted for use with computers; couplers [data processing equipment]; integrated circuit cards; electronic chips; printed circuits; integrated circuits; chips [integrated circuits]; printed circuit boards; software using decentralized computer technologies for blockchain.

35 – Commercial administration; advertising and commercial business management; services comprising the input, recording, transcription, transformation, composition, compilation and systematization of financial, stock market and business information (office functions); calculation, recording, compilation and systemization of stock exchange, financial indexes and other economic indexes; computer processing of computer data relating to stock exchange and commercial information; collection and systematization of financial, stock exchange and commercial information and data; statistical analyses of stock exchange information; advice in business organization for the organization and administration of means of recording, transcription, transformation, composition, compilation and systematization of computer data; computer file management; keeping

of records, keeping of records of shares, keeping of records of securities; advice in business organization for the electronic administration and organization of banking and financial affairs; providing market research information; consultancy and information relating to all the aforesaid services.

36 – Installment loans; credit agency services; debt collection agencies; banking services; mutual funds; fund investment; fund investments; exchanging money; issuance of travelers' checks; financial clearing operations; safe deposit services; organization of collections; loans [financing]; fiscal assessments; financial evaluation [insurance, banking, real estate]; financing services; financial management; mortgage banking operations; savings bank services; lease-purchase financing; stock and bonds brokerage; financial analysis; check verification; financial consultancy; credit card services, debit card services; debit card services; electronic transfer of funds; financial information; rent collection; issuance of tokens of value; deposits of valuables; stock exchange quotations; issuance of credit cards; retirement payment services; financial sponsorship; home banking services; business liquidation services [financial services]; financial estimates of repair costs; brokerage of carbon credits; provident fund services; financial services, namely, services for processing of financial transactions via Web portals and systems using online non-downloadable software enabling users to access and use electronic clearing and settlement networks using blockchain technology, for the purpose of post-trade process acceleration and for the settlement, clearing, allocation, compliance and registration of financial negotiations and financial investments for the purpose of facilitating financial negotiations; business affair services, in particular exchanges and providing virtual and digital currencies; financial services, namely, financial derivative market services and trading of financial derivatives on the Internet.

41 – Providing online electronic publications of business, economic, financial and stock exchange information, securities sold on the stock market and economic factors; publication of index figures, securities and information concerning indexes, texts (other than advertising texts) and data, especially indexes relating to business on the stock exchange, securities, financial instruments, companies, markets and economic realities; online publication of index figures, securities and information concerning indexes, texts (other than advertising texts) and data, especially indexes relating to business on the stock exchange, securities, financial instruments, companies, markets and economic realities; providing online electronic publications; periodical publication of stock, financial indexes and other economic indexes.

42 – Computer rental; computer programming; software development [design]; updating of software;

consultancy in the design and development of computer hardware; software rental; recovery of computer data; software maintenance; computer system analysis; computer system design; duplication of computer programs; conversion of data or documents from physical to electronic media; creating and maintaining web sites for others; hosting of computer sites; software installation; conversion of computer programs and data, other than physical conversion; software consulting services; rental of web servers; antivirus protection services; provision of Internet search engines; digitization of documents [scanning]; monitoring of computer systems by remote access; providing Internet platforms using decentralized computer technologies for blockchain; providing an Internet platform for electronic commerce, with financial derivative markets and for the trading of financial derivatives on the Internet; electronic data storage; software as a service (SaaS); provision of software (Software as a Service, SaaS); research and development of new products for others; scientific research and development.

(260) AM 2019 101184 A

(800) 1444198

(151) 2018 09 13

(891) 2018 09 13

(731) EPIC GAMES, INC.

620 Crossroads Boulevard, Cary NC 27518,
USA

(540)

FORTNITE

(591) Black, white

(511)

9 – Computer peripherals and accessories, namely, mouse pads and headsets; phone cases.

41 – Providing blogs and non-downloadable publications in the nature of articles in the field of gaming via a website; arranging and conducting live, interactive gaming tournaments featuring video games; organizing live fan meetings and conferences in which there is interactive gameplay between conference participants in the fields of gaming, video games, and e-sports; organizing live video game and e-sports competitions; entertainment services, namely, providing online video games.

(260) AM 2019 101185 A

(800) 1444206

(151) 2018 11 21

(891) 2018 11 21

(731) Obshchestvo s ogranichennoy

otvetstvennostyu "Kvadrat-S"

Irtyskij 2-j pr-d, 4B, korp. 5, RU-107143

Moscow, Russian Federation

(540)

ШЕЛЛНЕЙЛ**SHELLNAIL**

(591) Black, white

(531) 27.05.01; 28.05

(511)

5 – Antiseptics; dietetic substances adapted for medical use; sea water for medicinal bathing; mineral waters for medical purposes; dietary fiber; mud for baths; medicinal mud; mineral food supplements; nutritional supplements; albumin dietary supplements; yeast dietary supplements; alginate dietary supplements; glucose dietary supplements; casein dietary supplements; lecithin dietary supplements; linseed oil dietary supplements; propolis dietary supplements; protein dietary supplements; protein supplements for animals; royal jelly dietary supplements; pollen dietary supplements; wheat germ dietary supplements; linseed dietary supplements; enzyme dietary supplements; yeast for pharmaceutical purposes; cod liver oil; capsules for medicines; cachets for pharmaceutical purposes; adhesive plasters; lotions for pharmaceutical purposes; liniments; ointments for pharmaceutical purposes; drugs for medical purposes; medicines for human purposes; medicinal drinks; antibacterial soap; disinfectant soap; medicated soap; dietetic beverages adapted for medical purposes; medicinal infusions; tinctures for medical purposes; balsamic preparations for medical purposes; corn remedies; pharmaceutical preparations for skin care; pharmaceutical preparations; chemico-pharmaceutical preparations; chemical preparations for medical purposes; syrups for pharmaceutical purposes; greases for medical purposes; antibacterial handwashes; medicated shampoos; herbal extracts for medical purposes; plant extracts for pharmaceutical purposes; elixirs [pharmaceutical preparations].

(260) AM 2019 101186 A

(800) 1444219

(151) 2018 11 13

(891) 2018 11 13

(731) BANK OF AMERICA CORPORATION

100 North Tryon Street, Charlotte NC 28255,
USA

(540)

MERRILL

(591) Black, white

(511)

9 – Computer software for financial research, financial information, financial analysis, financial planning, financial management, investment manage-

ment, banking services, trading of foreign exchange, providing electronic processing of electronic funds transfer, ACH, electronic check and electronic payments, financial transactions, electronic funds transfers; downloadable computer software for financial research, financial information, financial analysis, financial planning, financial management, investment management, banking services, trading of foreign exchange, providing electronic processing of electronic funds transfer, ACH, electronic check and electronic payments, financial transactions, electronic funds transfers; downloadable software in the nature of a mobile application for financial research, financial information, financial analysis, financial planning, financial management, investment management, banking services, trading of foreign exchange, providing electronic processing of electronic funds transfer, ACH, electronic check and electronic payments, financial transactions, electronic funds transfers.

36 – Financial research; financial information; financial analysis; financial advice; financial planning; financial consultation; financial management; investment brokerage; investment consultation; investment management; investment advice; mutual fund investment; banking services; credit card and debit card services; trading of securities, shares, foreign exchange, commodities, options and other derivative products for others; financial planning for retirement; financial information and services provided online from a computer database or global computer network.

42 – Computer programming; computer software consultancy; computer systems analysis; provision of online computer software; providing online non-downloadable software for financial research, financial information, financial analysis, financial planning, financial management, investment management, banking services, trading of foreign exchange, providing electronic processing of electronic funds transfer, ACH, electronic check and electronic payments, financial transactions, electronic funds transfers; design, maintenance, development and updating of computer software for financial research, financial information, financial analysis, financial planning, financial management, investment management, banking services, trading of foreign exchange, providing electronic processing of electronic funds transfer, ACH, electronic check and electronic payments, financial transactions, electronic funds transfers.

(260) AM 2019 101202 A

(800) 1444488

(151) 2018 11 08

(891) 2018 11 08

(731) MSB ALFA PLASTİK TEKSTİL SANAYİ

VE TİCARET ANONİM ŞİRKETİ
Vakıflar Osb Mah., D100 Caddesi No:44/10,
Ergene, Tekirdağ, Turkey

(540)



(591) White, yellow, orange, red, pink, purple, blue and green

(531) 01.15.23; 25.12.25; 27.05.01; 27.05.24;
29.01.15

(511)

17 – Rubber, gutta-percha, gum, asbestos, mica and semi-finished synthetic goods made from these materials in the form of powder, bars, panels and foils included in this class; insulation, stopping and sealing materials: insulation paints, insulation fabrics, insulating tape and band, insulation covers for industrial machinery, joint sealant compounds for joints, gaskets, O-rings for sealing purposes (other than gaskets for motors, cylinders and washer for water taps); flexible pipes made from rubber and plastic; hoses made of plastic and rubber, including those used for vehicles; junctions for pipes of plastic and rubber; pipe jackets of plastic and rubber; hoses of textile material; junctions for pipes, not of metal; pipe jackets, not of metal; connecting hose for vehicle radiators.

(260) AM 2019 101203 A

(800) 1444548

(151) 2018 09 25

(891) 2018 09 25

(731) SPECIALES GILLARDEAU

Baie de Sinche, F-17560 BOURCEFRANC-
LE-CHAPUS, France

(540)



S É L E C T I O N

(591) Black, white

(531) 27.05.09; 27.05.10; 27.05.22

(511)

29 – Fish, not live; canned fish; preserved fish; salted fish; shellfish, not live; crustaceans, not live; oysters, not live; fish meal for human consumption;

foods based on non-live fish; seaweed extracts for food.

31 – Live fish; live shellfish; live crustaceans; live oysters; fish spawn; algae for human or animal consumption.

35 – Retail services for non-live fish, canned fish, preserved fish, salted fish, shellfish (not live), crustaceans (not live), oysters (not live), fish meal for human consumption, foods based on non-live fish, seaweed extracts for food, live fish, live shellfish, live crustaceans, live oysters, fish roe, algae for human or animal consumption.

(260) AM 2019 101204 A

(800) 349481

(151) 1968 08 09

(891) 2018 12 19

(731) Klafs GmbH & Co. KG

Erich-Klafs-Strasse 1-3, 74523 Schwäbisch
Hall, Germany

(540)

Klafs

(591) Black, white

(531) 27.05.01; 27.05.17

(511)

10 – Installations for medical baths and treatments according to Kneipp, inhalation apparatus, medical air conditioners, electromedical apparatus.

11 – Sauna installations, sauna ovens.

(260) AM 2019 101205 A

(800) 1146095

(151) 2012 11 29

(891) 2018 12 13

(731) UNIFI, INC.

7201 W. Friendly Avenue, Greensboro NC
27410, USA

(540)



(591) Black, white, grey

(531) 24.15.02; 24.15.13; 26.01.18; 26.01.24;
27.05.21

(511)

23 – Yarn.

(260) AM 2019 101206 A
 (800) 1182857
 (151) 2013 09 26
 (891) 2018 12 18
 (731) MAYORAL MODA INFANTIL, S.A.
 La Orotava, 118, Polígono San Luis,
 E-29006 MÁLAGA, Spain

(540)



(591) Blue ("Pantone 277 C"), orange ("Pantone 1365 C"), white

(531) 02.05.01; 02.05.06; 02.05.23; 26.01.22;
 27.03.01; 27.03.02; 29.01.13

(511)

25 – Ready-made clothing for external and internal use; footwear; headgear, belts and scarves (clothing).

(260) AM 2019 101208 A
 (800) 1357416
 (151) 2017 02 27
 (891) 2018 12 18
 (731) MAYORAL MODA INFANTIL, S.A.
 La Orotava, 118 – Pol. San Luis, E-29006
 MALAGA, Spain

(540)



(591) Blue and white.

(531) 01.15.11; 26.01.13; 29.01.12

(511)

25 – Bathrobes; clothing for external and internal use, footwear (except orthopedic footwear), headgear, layettes, school uniforms, bibs of fabric and bibs of plastic for babies.

(260) AM 2019 101209 A
 (800) 1395528
 (151) 2017 10 17
 (891) 2018 12 07
 (731) SYBO ApS
 Jorcks Passage 1 A, 4, DK-1162 Copenhagen
 DK-1162, Denmark

(540)

SUBSURF

(591) Black, white

(511)

9 – Photographic, cinematographic, optical, and teaching apparatus and instruments; apparatus and instruments for conducting, switching, transforming, accumulating, regulating or controlling electricity; apparatus for recording, transmission or reproduction of sound or images; magnetic data carriers, recording discs; compact discs, DVDs and other digital recording media; mechanisms for coin-operated apparatus; calculating machines, data processing equipment, computers; computer software; games software; software programs for games, including computer games, video games and electronic games for use on mobile phones and tablet computers; wireless communication devices and handheld electronic devices; computer game software, including recorded and interactive computer game programs and computer game programs downloaded via the internet [software]; application software (downloadable) with games for computers, tablet computers and mobile phones; USB flash drives [not pre-recorded]; USB chargers; power units and packs [batteries]; selfie sticks used as smartphone accessories; films, exposed, including motion pictures, television films and animated cartoons; downloadable films, including motion pictures, television films and animated cartoons; tablet covers; covers for mobile phones; bags adapted for laptops; mouse pads; computer mouses, including wireless computer mouses; 3D glasses; smart glasses; cameras (photography); webcams; stereophonic apparatus; loudspeakers; digital video recorders; joysticks; spectacles [optics]; sunglasses; cases for spectacles and sunglasses.

16 – Paper and cardboard; printed matter; bookbinding materials; photographs; stationery; adhesives for stationery or household purposes; artists' materials; paintbrushes; typewriters and office requisites [except furniture]; instructional and teaching material [except apparatus]; plastic materials for packaging; printers' type; printing blocks; books; computer game hint books; comics; drawings; posters; calendars; notebooks; diaries, including pocket diaries; photo albums and collectors' albums; colouring books; pen and pencil cases; pencils; ball pens; india ink pens; pencil sharpeners; rubber erasers; rulers; pads [stationery]; bookbindings; gift wrap paper; instruction sheets; manuals for instructional purposes; stickers [stationery]; decalcomania; notepaper; cards and envelopes [stationery].

25 – Clothing, footwear, headgear; sportswear; sports shoes; bathwraps (clothing); masquerade costumes; costumes for use in children's dress up play.

28 – Games and playthings; gymnastic and sporting articles; video game apparatus; handheld computer

games; arcade video game machines; electronic games; amusement game machines; slot machines [gaming machines]; battery-powered computer games with LCD screen; controllers for game consoles; video game joysticks; hand-held units for playing electronic games and video games; games relating to fictional characters; toy action figurines; playsets for action figures; action toys; toy figures; clothing for toy figures; miniatures for use in games; remote control toys; electronic toys; skateboards, roller skates and in-line roller skates; bags specially adapted for sports equipment; bags for skateboards; costume masks; athletic protective pads and guards for skateboarding in the form of knee pads, elbow pads, wrist pads and arm pads.

41 – Education; providing of training; entertainment; sporting and cultural activities; provision of on-line computer games; providing, arranging and organization of games; game services provided on-line from a computer network; electronic games services, including provision of computer games on-line or by means of a global computer network; providing interactive multi-player computer games via the internet and electronic communication networks; provision of instruction relating to computer software; training services concerned with the use of computer software; providing on-line information in the field of computer gaming entertainment; providing information on-line relating to computer games and computer enhancements for games; providing information to game players about the ranking of their scores of games through the web sites; rental of electronic game equipment; entertainment by film; services for the production, presentation and rental of films, including motion pictures, television films and animated cartoons; organisation of games and competitions, including via the internet; fan club services (entertainment).

42 – Design and development of computer hardware and software; computer programming of computer games; design, development, testing, implementation, maintenance, adaption, upgrading and repair of computer game software; hosting services and software as a service and rental of software, including software for computer games; computer games software consultancy; providing temporary use of web-based software; providing temporary use of web-based applications; providing temporary use of non-downloadable software applications accessible via a website; rental of computer game programs.

(260) AM 2019 101260 A

(800) 1444581

(151) 2018 11 30

(891) 2018 11 30

(731) APPLE INC.

One Apple Park Way, Cupertino CA 95014,
USA

(540)



(591) Black and yellow are claimed as a feature of the mark

(531) 16.01.11; 16.01.25; 26.04.10; 29.01.13

(511)

9 – Telecommunications computer software for wearable devices.

(260) AM 2019 101261 A

(800) 1444582

(151) 2018 05 04

(891) 2018 05 04

(731) Baskin Yauheni Rafailovich
d. 2, ul. Klaypedskaya, 212010 Mogilev,
Belarus

(540)



(591) Red, white and black

(531) 25.03.01; 25.03.03; 26.04.04; 26.04.22; 28.05;
29.01.13

(511)

29 – Meat, fish, poultry, game and foods made therefrom; meat extracts; preserved, frozen, dried and cooked fruits and vegetables; jellies, jams, compotes; eggs; milk and milk products; oils and fats for food; poultry, not live; broiled chicken, not live; poultry, preserved, dried, smoked, chilled, frozen; cooked poultry; poultry ham; rolls made exclusively from poultry; meat, preserved, dried, smoked, chilled, frozen; meat products; charcuterie; sausages; small sausages; smoked foods, included in this class; ham; tripe and foods made therefrom; liver; meat pastes; liver pastes; pastes made from tripe; semi-prepared foods made from poultry, tripe; minces; preparations for making bouillon; preparations for making soup.

30 – Coffee, tea, cocoa and artificial coffee; rice; tapioca and sago; flour and preparations made from cereals; bread, pastries and confectionery; ice cream; sugar, honey, treacle; yeast, baking-powder; salt;

mustard; vinegar, sauces [condiments]; spices; ice for refreshment; pre-cooked foods made from dough with filling; pre-cooked foods made from dough, with meat; pelmeni; vareniki [stuffed dumplings]; pies; pasties; meat pies; pancakes; pizzas.

35 – Advertising; Internet advertising services; retail and wholesale services; wholesale and retail trade services for foodstuffs; promoting the goods and services of others; promoting the goods and services of others including via the Internet; sales promotion for others; procurement services for others [purchasing goods and services for other businesses]; demonstration of goods; distribution of samples; organization of contests, festivals, shows, exhibitions, trade fairs and other events for commercial or advertising purposes; shop window dressing; presentation of goods on communication media, for retail purposes; business management; business administration; business management and organization consultancy; business investigations; business information; office functions.

(260) AM 2019 101263 A

(800) 1444634

(151) 2018 11 07

(891) 2018 11 07

(731) SOPRO BAUCHEMIE GMBH

Biebricher Straße 74, 65203 Wiesbaden,
Germany

(540)

Sopro

(591) Black, white

(511)

37 – Construction services; providing information relating to building construction; providing online information relating to building construction; provision of construction information, in particular with respect to the field of application and use of building materials; on site project management relating to the construction of buildings; construction project management in the course of building construction (construction supervision); rental of building tools; rental of building materials; repair in the field of buildings above ground, underground engineering and completion of interiors; construction of interior accommodation.

41 – Provision of training courses; education and instruction services; organization of webinars; provision of training and education; developing, arranging, organizing and conducting of courses, tutorials, tutorials for craftsmen, tutorials about construction materials and tiles for specialists, tutorials for planners and technical experts, lectures, certification courses and workshops (training); education, further education and further education, in particular also e-learning, computer-based training, web-based training with external persons via intranet and internet.

42 – Testing, authentication and quality control; scientific and technological services; advisory services relating to material testing; consultancy services relating to quality control; technical measuring and testing; quality checking and testing; material testing for fault detection; materials testing and analyzing; quality control of completed buildings; quality control of building materials; environmental testing and inspection services; design services relating to civil engineering; research on building construction and building materials; technical review in particular review of sealing and waterproofing defects; technical consultancy services relating to civil engineering; engineering consultancy relating to manufacture; technical consulting in the field of environmental engineering; civil engineering planning services; architectural and engineering services; engineering consultancy services.

(260) AM 2019 101264 A

(800) 1444669

(151) 2018 10 26

(891) 2018 10 26

(731) SAMSUNG ELECTRONICS CO., LTD.

129, Samsung-Ro, Yeongtong-Gu, Suwon-Si,
Gyeonggi-Do, Republic of Korea

(540)

Samsung Galaxy Fit

(591) Black, white

(511)

9 – Wrist-mounted smartphones; watches that communicate data to smartphone; smartphones in the shape of a watch; wearable digital electronic devices incorporating smartphones in the shape of a watch; wearable digital electronic devices, comprised primarily of smart watchbands that communicate data to smartphones comprised primarily of software and display screens for viewing, sending and receiving texts, emails, data and information to smartphones; smart watches that communicate data to smartphones, through Internet websites and other computer and electronic communication networks; watches incorporating cameras and MP3 players, and that communicate data to smartphones and PDAs; wearable computers; wearable computer peripherals; smartglasses; wearable digital electronic communication devices; software for smartphones in the shape of a watch; bands for smartphones in the shape of a watch; straps for smartphones in the shape of a watch; chargers for smartphones in the shape of a watch; cable for smartphones in the shape of a watch.

14 – Watch bands and straps; parts and fittings for wristwatches; watch cases [parts of watches].

(260) AM 2019 101265 A

(800) 1444747

(151) 2018 05 29

(891) 2018 05 29

(731) LINCO BAXO INDUSTRIE REFRATTARI

SPA

Via C. Boncompagni, 51/B, I-20139 MILANO

(MI), Italy

(540)



(591) Black, white

(531) 26.13.25; 27.01.01; 27.05.01

(511)

6 – Common metals and their alloys; metal materials for construction; transportable metal constructions; metal materials for railroads; metal non-electric cables and wires; metalwork, small metal articles, metal pipes and tubes; safes; metal products not included in other classes; ores.

16 – Paper, cardboard and products made of these materials and not included in other classes; printed material; bookbinding articles; materials for artists; paintbrushes; typing machines and office material (except for furniture); instruction and educational material (except for devices); plastic material for packaging not included in other classes; printers' type; printing blocks.

19 – Non-metal building materials; non-metal hard pipes for construction; asphalt, pitch and bitumen; non-metal transportable homes; non-metal monuments.

35 – Advertisement and business.

37 – Construction and repair.

(260) AM 2019 101266 A

(800) 1444777

(151) 2018 09 17

(891) 2018 09 17

(731) SAMSUNG ELECTRONICS CO., LTD.

129, Samsung-ro, Yeongtong-gu, Suwon-si,

Gyeonggi-do, Republic of Korea

(540)

SAMSUNG

(591) Black, white

(511)

9 – Telematics terminal; computer networking and data communications equipment for automobiles; mobile telephones for use in vehicle; emergency telephone apparatus; software for vehicles; internet messaging software for vehicles; communications software for vehicles; data communications software for vehicles; data processing software for vehicles;

computer software which provides over the air updates to other software; computers for cars; apparatus for the transmission and reproduction of images for vehicles; transmitters of electronic signals; OBD (On-Board Diagnosis) apparatus for automobiles; displays in meters for automobiles; audio, video apparatus for cars; car audio apparatus; apparatus for reproducing image for cars; video recording apparatus for vehicles; vehicle radio attached to cars; satellite receiver attached to cars; car attachable video receiving apparatus; car attachable communication apparatus; car attachable navigation apparatus for vehicles; remote control apparatus attachable to automobiles; car attachable navigation apparatus using satellites; car attachable wireless transmitter of sound information; car attachable receiving apparatus for communication; car attachable microphone for communication apparatus; wireless earphones for vehicles; earphones for electric audio and visual apparatus and instruments of vehicles; computer software for controlling the operation of audio and video devices; software for diagnostics and troubleshooting; display management software; display panels for automobiles; LED panels for automobiles; touch panels for automobiles; electronic display units for automobiles; electronic driver-interface displays for automobiles; solenoid valves; temperature detection and control apparatus for water cooling installations; electronic sensors for vehicle instrumentation; navigation apparatus for vehicles (on-board computers); car navigations; remote control apparatus for autonomous vehicles; wireless transmission and receiving equipment for use in connection with autonomous and hands-free driving, automobile safety features and warning or alarm functions, accident prevention and traffic alerts; cameras for vehicle; network surveillance cameras; black box camera for cars; automatic vehicle speed control apparatus; motion detecting sensors; position sensing gauges; acceleration measuring sensors for automobiles; self-diagnostic apparatus for operation record of automobiles; car recognizing cameras; apparatus and instruments for controlling lighting; cables for electrical and optical signal transmission for automobiles; software for processors of autonomous vehicles; software for controlling autonomous vehicles; operating systems for autonomous cars; computer software for use in connection with autonomous and hands-free driving, automobile safety features and warning or alarm functions, accident prevention and traffic alerts; recorded computer software for safe car driving; downloadable computer security software; operation recording apparatus for car; processors for controlling autonomous vehicles; simulators for the steering and control of vehicles; black box for cars; complex black box apparatus for car navigation; computer hardware that enables real-time information exchange and information access from people, devices, machines, equipment; electronic control

unit for automobiles, namely, electronic apparatus for interacting an automobile customer service center; computer controls for lighting apparatus and instruments; data security apparatus; smart card for conducting security chip technology; electronic memory for security; security terminal for authentication; controllers and regulators for idle speed, speed, speed limitation and electric gas pedals; automatic steering apparatus for vehicles, namely, electric and electro-hydraulic steering aids; axle load monitoring apparatus; car alarm apparatus; distance warning and control apparatus for vehicles; anti-theft detection apparatus; drowsiness warning apparatus for vehicles; speed control apparatus for vehicles; optical and acoustic speed warning apparatus for vehicles; maintenance indicators for vehicles; network cameras with software and hardware for internet of things; digital cameras with software and hardware for internet of things; tv cameras with software and hardware for internet of things; alarms with software and hardware for internet of things; remote control apparatus with software and hardware for internet of things; electric audio and visual apparatus and instruments with software and hardware for internet of things; electric and electronic video surveillance installations with software and hardware for internet of things; closed circuit television image recording devices with software and hardware for internet of things; speakers with software and hardware for internet of things; tv with software and hardware for internet of things; wireless communication devices for internet of things; remote control apparatus for internet of things; application software for internet of things; mobile application software for internet of things; computer software for remote control of electronic apparatus; computer software for data sharing and communication between electronic devices; interface for a computer that enables internet of things; pre-recorded usb flash drives featuring software used to allow electronic devices to share data and communicate with each other; computer hardware modules for use in internet of things (iot) electronic devices; application software for automobiles for internet of things; biochips with software and hardware for internet of things; blood glucose testing apparatus with software and hardware for internet of things; weight scales with software and hardware for internet of things; breathing masks with software and hardware for internet of things; wearable telecommunication machines and implements with software and hardware for internet of things; software interfaces with multi health devices to record health conditions; sensors for the internet of things; digital signage; computer software for personal information management; interactive entertainment software for use with computers; interactive computer software; computer software for dictation; computer software used to process voice commands; speech to text conversion software; voice recognition software; com-

puter software used for the control of voice controlled information and communication devices; computer software for users to share information to provide interactive and personalized intelligence for use by their computer hard devices and software for interfacing with the internet; computer software for scheduling appointments, reminders, and events on an electronic calendar; computer software to enable the provision of information via communications networks; character recognition software; gesture recognition software; computer software for biometric systems for the identification and authentication of persons; computer software development tools for use in the fields of artificial intelligence; computer software for use in managing and controlling production schedules, shipping schedules, purchase of materials, inventories and accounts; computer software and computer programs for use in relation to artificial intelligence, machine learning, deep learning and building neural networks; data synchronization software; computer software for the synchronization of data between a remote station or device and a fixed or remote station or device; application development software; operating system software; robot operating computer programs; computer programs used as software development tools for robot operating programs; computer programs used as software development tools for control devices that perform sequence control, servo control, control of industrial robots, numerical control, control of energy conversion, inverter control or electronic control; computer programs for control devices that perform sequence control, servo control, control of industrial robots, numerical control, control of energy conversion, inverter control or electronic control; computer software used for setup, maintenance or test operation of control devices that perform sequence control, servo control, control of industrial robots, numerical control, control of energy conversion, inverter control or electronic control; inverter control computer programs; computer programs for controlling electronic power converters; electronic servo motor control computer programs; computer programs for electronic control units; industrial process control software; electronic apparatus with artificial intelligence, in particular for controlling, regulating and operating robots; computer hardware and software, in particular with artificial intelligence for controlling, regulating and simulating robots, mobile platforms and tools; computer software for use in big data analysis; computer software for collecting, editing, modifying, organizing, synchronizing, integrating, monitoring, transmitting, storage and sharing of data and information; computer software for data backup, recovery and archiving; computer software for data warehousing; computer software for data protection and data security; computer software for data transfer and migration; computer software for logging changes within a database; computer soft-

ware for searching databases; database management software; computer software for creating, configuring, provisioning and scaling databases; computer software for improving database performance; computer software for configuring, provisioning and scaling data cache storage for databases; computer software for storing, retrieving, caching, extracting, formatting, structuring, systematizing, organizing, indexing, processing, querying, analyzing, replicating and controlling access to data; business intelligence software; business analytics software for collecting and analyzing data to facilitate business decision making; computer software for speech, facial and optical character recognition; computer software for image analysis, identification, processing, conversion, cropping, resizing and enhancement; computer software for event logging, reporting, analysis and alert generation; computer software for creating searchable databases of information and data; computer software that provides real-time, integrated business management intelligence by combining information from various databases; computer software for enabling electronic devices to operate and communicate locally while retaining the benefits of analytics and high-level services in the cloud; computer software that automates the processing of un-structured, semi-structured and structured information and data stored on computer networks and the internet; computer software that provides access to cloud-based scalable computing resources and data storage; data processing software; computer software for data and document capture, transmission, storage and indexing; light emitting diode (LED) displays; virtual reality headsets; blank usb flash drives; blank flash memory cards; digital door locks; digital signage display panels; smart watches; solid state drives; smartphones; wearable activity trackers; tablet computers.

11 – Air conditioners with software and hardware for internet of things; in-door lighting apparatus with software and hardware for internet of things; refrigerators with software and hardware for internet of things; air cleaners with software and hardware for internet of things; laundry washing machines with software and hardware for internet of things; dish-washing machines with software and hardware for internet of things; air driers with software and hardware for internet of things; ovens with software and hardware for internet of things; robot cleaners with software and hardware for internet of things; humidifiers with software and hardware for internet of things; electric clothes management apparatus in the nature of garment steamers for household purposes; dehumidifiers for household use; electric laundry dryers; apparatus for cooking, namely, cooktops; electric clothes management machines for drying clothes for household purpose.

38 – Telematics services; data transmission via telematic networks; transmission of information via na-

tional and international networks; transmission and reception transmission of database information via the telecommunication network; telematic in-vehicle communication service for wireless vehicle navigation and tracking; interactive teletext services using artificial intelligence; transmission, broadcasting and reception of audio, video, still and moving images, text and data using artificial intelligence; digital broadcasting using artificial intelligence; teletext and interactive broadcasting services using artificial intelligence.

42 – Development of control software for electrical vehicle equipment; design of control device for autonomous vehicles; development of software for autonomous vehicles; design of motor vehicle parts; automobile technology research; development of vehicles; advanced product research in the field of artificial intelligence; research and consultancy services relating to artificial intelligence; technical support services, namely, developing technologies for others in the fields of artificial intelligence; providing information on computer technology and programming via a website; software design and development in the fields of augmented reality, artificial intelligence, machine learning, and the internet of things; scientific research consulting in the fields of machine learning, artificial intelligence and robotics; providing scientific information, advice and consultancy in the fields of machine learning, artificial intelligence and robotics; development of new technology in the fields of machine learning, artificial intelligence and robotics; scientific research and development in the fields of machine learning, artificial intelligence and robotics; consultancy in the design and development of computer hardware and computer software for robotics and automation technology; database design and development; computer programming and software design; data automation and collection service using software; computer technology support services; providing an online information in the fields of information technology, technology support and computer network management from a computer database; collaborative computer programming; providing virtual computer systems and virtual computer environments through cloud computing; cloud hosting provider services of electronic databases; product design using artificial intelligence; design of products using artificial intelligence; evaluation of product design using artificial intelligence.

(260) AM 2019 101270 A

(800) 1444837

(151) 2018 09 05

(891) 2018 09 05

(731) KANSAI PAINT CO., LTD.

33-1, Kanzaki-cho, Amagasaki-shi, Hyogo
661-8555, Japan

(540)



(591) Red, blue and dark blue
 (531) 26.11.02; 26.11.12; 27.05.09; 27.05.10;
 29.01.13

(511)
 2 – Paints; varnishes; lacquers; pigments; thinners
 for paints.

(260) AM 2019 101271 A

(800) 1444845

(151) 2018 09 17

(891) 2018 09 17

(731) LIMITED LIABILITY COMPANY "ALAN"

Startova street, 26, Dnipro 49000,
 Ukraine

(540)



(591) Black, white
 (531) 01.05.08; 03.04.23; 25.01.05; 25.01.06; 28.05
 (511)

29 – Bacon; albumen for culinary purposes; milk albumen; milk protein; preparations for making bouillon; bouillons; bouillon concentrates; game, not live; gelatine; meat jellies; jellies for food; bone oil for food; lard for food; suet for food; fatty substances for the manufacture of edible fats; animal marrow for food; charcuterie; blood sausage; lecithin for culinary purposes; meat extracts; meat, canned; meat; meat, preserved; salted meats; liver pastes; pectin for culinary purposes; liver; poultry, not live; pork; rennet; pickles; sausages; sausages in batter; tripe; edible fats; ham.

(260) AM 2019 101272 A

(800) 1444851

(151) 2018 07 17

(891) 2018 07 17

(731) EURO GAMES TECHNOLOGY LTD.

"Maritsa" Str. 4, "Vranya-Lozen-Triugulnika",
 BG-1151 Sofia, Bulgaria

(540)



(591) Yellow, red, brown, light blue and purple
 (531) 08.03.12; 27.05.01; 27.05.09; 29.01.15
 (511)

9 – Apparatus for recording, transmission or reproduction of sound or image, computer software /recorded, monitors/computer hardware.

28 – Games, that are not included in other classes, gaming machines operating with coins, banknotes and cards; gaming machines for gambling.

(260) AM 2019 101273 A

(800) 1444852

(151) 2018 05 04

(891) 2018 05 04

(731) BASKIN YAUHENI RAFAILOVICH

d. 2, ul. Klaypedskaya, 212010 Mogilev,
 Belarus

(540)



(591) Red, white and black
 (531) 25.03.01; 25.03.03; 26.04.04; 26.04.18; 28.05;
 29.01.13

(511)

29 – Meat, fish, poultry, game and foods made therefrom; meat extracts; preserved, frozen, dried and cooked fruits and vegetables; jellies, jams, composites; eggs; milk and milk products; oils and fats for food; poultry, not live; broiled chicken, not live; poultry, preserved, dried, smoked, chilled, frozen; cooked poultry; poultry ham; rolls made exclusively from poultry; meat, preserved, dried, smoked, chilled, frozen; meat products; charcuterie; sausages; small sausages; smoked foods, included in this class; ham; tripe and foods made therefrom; liver; meat pastes; liver pastes; pastes made from tripe; semi-prepared foods made from poultry, tripe; minces; preparations for making bouillon; preparations for making soup.

30 – Coffee, tea, cocoa and artificial coffee; rice; tapioca and sago; flour and preparations made from cereals; bread, pastries and confectionery; ice cream; sugar, honey, treacle; yeast, baking-powder; salt;

mustard; vinegar, sauces [condiments]; spices; ice for refreshment; pre-cooked foods made from dough with filling; pre-cooked foods made from dough, with meat; pelmeni; vareniki [stuffed dumplings]; pies; pasties; meat pies; pancakes; pizzas.

35 – Advertising; Internet advertising services; retail and wholesale services; wholesale and retail trade services for foodstuffs; promoting the goods and services of others; promoting the goods and services of others including via the Internet; sales promotion for others; procurement services for others [purchasing goods and services for other businesses]; demonstration of goods; distribution of samples; organization of contests, festivals, shows, exhibitions, trade fairs and other events for commercial or advertising purposes; shop window dressing; presentation of goods on communication media, for retail purposes; business management; business administration; business management and organization consultancy; business investigations; business information; office functions.

(260) AM 2019 101275 A

(800) 1444882

(151) 2018 08 03

(891) 2018 08 03

(731) PRIVATE JOINT-STOCK COMPANY
"ENTERPRISE WITH FOREIGN
INVESTMENTS "INTERCERAMA"
vul. Baikalska, 2B, smt Slobozhanske,
Dniprovskiyi r-n, Dnipropetrovska obl.
52005, Ukraine

(540)



(591) Black, white

(531) 26.03.05; 26.03.19; 26.03.24; 27.05.10

(511)

19 – Tiles, not of metal, for building; wall tiles, not of metal; floor tiles, not of metal; wall ceramic tiles, not of metal; floor ceramic tiles, not of metal; glazed ceramic wall tiles, not of metal; glazed ceramic floor tiles, not of metal.

(260) AM 2019 101276 A

(800) 1444884

(151) 2018 06 19

(891) 2018 06 19

(731) Union des Associations Européennes de
Football (UEFA)
Route de Genève 46, CH-1260 Nyon,
Switzerland

(540)



(591) Black, white

(531) 13.01.05; 27.03.15

(511)

1 – Sensitized films (unexposed); chemical products used in science and/or photography; tanning materials; artificial sweeteners; chemical products for industrial use; chemical products for use in industry and/or in manufacturing processes; synthetic materials for absorbing oil; detergent additives for motor fuel; chemical additives for fuels, lubricants and greases; adhesives for industrial use; antifreeze; brake fluids; clutch fluids; brazing products; degreasing products used in manufacturing processes; oil dispersants; fluids for hydraulic circuits; chemical preparations for welding; transmission fluids; transmission oils; cutting and milling fluids; coolants; chemical preparations for treating cooling systems; coolant preparations for cutting fluids; dehumidifying fluids; all the aforesaid goods for industrial use; chemical products for preserving foodstuffs.

4 – Lubricants; engine oils and fuels, including gasoline, diesel oil, gases and bio-fuels; candles; waxes; industrial greases; natural gas; liquid gases; industrial oils and greases; lubricating oils and greases; carburants; liquefied petroleum gas; non-chemical additives for fuel, lubricants and greases; dust absorbing, wetting and binding compositions; lighting fuel; lubricants, oils and greases, and lubricating preparations for industrial use; cutting oils for industrial use; milling oils.

9 – Exposed films, slides, video game disks; software (recorded programs), including game software; computer databases and programs; recorded or downloaded sounds, images or data; videotapes, magnetic tapes, magnetic disks, DVDs, mini-disks, diskettes, optical disks, compact disks, CD-ROMs, videodisks, memory cards, USB flash drives, whether blank or prerecorded with music, sound or images (which may be animated cartoons); holograms; electronic publications provided by means of CD-ROMs, databases and the Internet; spectacles, sunglasses, diving and swimming goggles; cases, cords and chains for sunglasses and spectacles; binoculars; magnets and decorative magnets; directional compasses; sound and image recording, transmitting and reproducing apparatus; satellite dishes; decoders, namely, electronic hardware and software which can convert, supply and transmit audio and video data;

television sets; flat screens, liquid crystal display screens, high-definition screens and plasma screens; radios; home cinema systems; video recorders; CD players; DVD players; MP3 players; cassette players; mini-disk players; digital music players; loudspeakers; headphones, earphones; computers, including laptop computers and electronic tablets; karaoke systems; systems for editing sounds and for mixing sounds; systems for editing video images, and for mixing video images; apparatus for computer data processing; computer keyboards; computer screens; modems; accessories for computers included in this class; computer mice, mouse pads; navigation apparatus; personal digital assistants (PDAs); electronic pocket translators; dictating machines; electronic agendas; scanners; printers; photocopiers; facsimile machines; telephones; answering machines; video telephones; cellular telephones; accessories for cellular telephones included in this class, namely, cases for cellular telephones, apparatus for using hands-free cellular telephones, earphones and headsets for cellular telephones, keypads for cellular telephones, straps for cellular telephones, special cases for carrying cellular telephones, cameras and video cameras integrated in cellular telephones, and portable telephone covers; remote controls for television sets and video systems; teleconferencing systems; calculating machines; credit card readers; currency converting machines; automated teller machines; video cameras, portable video cameras with built-in videocassette recorders (camcorders); photographic equipment, photographic apparatus, cameras (cinematographic apparatus), projectors, flash lamps, special cases and cords for photographic apparatus and instruments, electric cells and batteries; screen saver programs for computers; magnetic, digital or analog recording media, recorded or not, for sounds or images; magnetic cards (encoded); memory cards; integrated circuit cards (smart cards); microchip or magnetic credit cards, microchip or magnetic telephone cards, microchip or magnetic cards for cash dispensers, microchip or magnetic cards for automated teller machines and money exchange machines, prepaid microchip or magnetic cards for cellular telephones, microchip or magnetic travel and show admission cards, microchip or magnetic check guarantee cards and microchip or magnetic debit cards; alarms; wind socks (for indicating wind direction); distance-measuring apparatus; apparatus for measuring and displaying speed; protective gloves; audio receivers, sound amplifiers; television tubes; cathode ray tubes; decoders, namely computer hardware and software which can convert, supply and transmit audio and video data; disk drives for computers; protected semi-conductors; integrated circuits containing programs for processing audio, visual or computer data; rechargeable batteries; audio and video data processors and converters; data transmission cables; payment apparatus for electronic commerce;

protective helmets for sports; magnetic identification bracelets; components of electronic instruments; fuel/air coefficient analyzers; remote control devices for locking cars; photovoltaic cells; video game cassettes; scientific, weighing, measuring, signaling, checking (supervision), emergency (life-saving) and teaching apparatus and instruments, included in this class; burglar alarms, anti-theft alarm apparatus, fire alarms; measuring apparatus and instruments; remote control equipment, remote controls; navigation apparatus, navigational instruments; telematic apparatus; telematic terminals; encoded electronic tickets; tickets in the form of magnetic cards.

12 – Bicycles, motorcycles, motor cars, trucks, vans, utility vehicles, buses, camper vans, refrigerated vehicles; airplanes and boats; air balloons, dirigible balloons [airships]; vehicle accessories, namely sun visors, pneumatic tires, tire covers, luggage racks, ski racks, rims and hub caps for wheels; seat linings, vehicle covers, baby carriages, strollers, safety seats for infants and children (for vehicles); engines and motors for land vehicles; bull bars; headlamp covers; steering wheels for vehicles; trailers; motors, engines and distributors for land vehicles; alarm systems for vehicles, anti-theft devices for vehicles.

14 – Coins.

16 – Coloring and drawing books; activity books; magazines; newspapers; books and journals, including those concerning sportsmen, sportswomen or sports events; bookmarks; printed teaching material; score sheets; event programs; albums for events; photograph albums; autograph books; printed timetables; pamphlets; collectible photographs of players; bumper stickers, stickers, albums, sticker albums; posters; photographs; tablecloths of paper; napkins of paper; bags of paper; invitation cards; greeting cards; gift wrapping paper; coasters and place mats of paper; garbage bags of paper or of plastics; food wrapping paper; small bags for preserving foodstuffs; coffee filters of paper; labels (not of textile); hand towels of paper; wet hand-wipes of paper; toilet paper; napkins for removing make-up; handkerchief boxes of paper and cardboard; tissues of paper; stationery and instructional and teaching material (except apparatus); typewriter paper; copying paper; envelopes; notepads; folders for papers; tissue paper; writing books; paper sheets for note-taking; writing paper; binder paper; files; covering paper; luminous paper; adhesive paper for notes; paperweights; crêpe paper; tissue paper; badges or insignia of paper; flags of paper; pennants (flags) of paper; writing instruments; fountain pens; pencils; ballpoint pens; ballpoint pen and pencil sets; felt-tip pens (marking pens); fiber-tip pens and felt-tip pens; marking pens; ink, inking pads, rubber stamps; typewriters (electric or non-electric); lithograph prints, lithographic works of art; paintings (pictures), framed or unframed; paint boxes, paints and colored

pencils; chalks; pencil ornaments [stationery]; printing blocks; address books; diaries (planners); personal organizers of paper; road maps; tickets, entry tickets; checks; comic books; calendars; postcards; advertising boards, banners and material included in this class; transfers (decalcomanias); sticking labels; office requisites (except furniture); correction fluids; rubber erasers; pencil sharpeners; stands for pens and pencils; paper clips; thumbtacks; drawing rulers; adhesive tapes for stationery purposes, adhesive tape dispensers; staples; stencils; document holders (stationery); paper clips; holders for notepads; bookends; stamps (seals); postage stamps, foreign postage stamps, collectible postage stamps, postage stamps for collectors; Commemorative stamp sheets; credit cards, telephone cards, ATM cards, cards for traveling and for shows, check guarantee cards and debit cards, non-magnetic, and of paper or cardboard; baggage tags of paper; passport cases; travelers' checks; holders for checkbooks; money clips of metal; letter trays.

18 – Leather and imitations of leather; thongs [straps] of leather; umbrellas, parasols; sports bags (other than those adapted for products they are designed to contain); leisure bags; travel bags, backpacks; school bags; bags for hanging on belts; handbags, leather bags; beach bags; garment bags; suitcases; briefcases; identity card holders; belts for suitcases; briefcases (leather goods); cases for toiletry articles known as vanity cases (not fitted); toiletry bags; key cases (leather goods); business card cases; wallets; purses (coin purses); whips; collars for animals; luggage tags of leather.

25 – Clothing; shoes and footwear; headgear; shirts; knitwear (clothing); pullovers; slipovers; T-shirts; vests; singlets; sleeveless jerseys, dresses; skirts; underwear, functional underwear, brassieres; swimsuits; bath robes; shorts; trousers; sweaters; caps (bonnets); caps; hats; sashes for wear; scarves, shawls; peaked caps; tracksuits; sweatshirts; jackets, sports jackets, stadium jackets (jumpers); blazers; waterproof clothing; coats; uniforms; neckties; wrist bands; headbands; gloves; aprons; bibs (not of paper); pajamas; play suits for infants and children; socks and stockings; tights and leggings, garters; belts; suspenders; sandals, flip-flops; sports shoes, namely, shoes for outdoor sports, shoes for basketball, multi-sport shoes, cycling shoes, indoor sports shoes, athletic shoes for track and field, football shoes (indoor and outdoor), canvas shoes, tennis shoes, sneakers, sailing shoes, shoes for aerobics; hiking boots; flip-flops; sportswear, namely, fleece tops, jogging suits, sportswear of knitted fabric, casual sports trousers, polo shirts, sweatshirts, tracksuit pants, football jerseys, rugby shirts, swimwear, sports jerseys, leotards, wristbands (clothing), ski suits, ski jackets, ski pants.

28 – Games and toys; sports balls; play balloons; board games; tables for indoor football; dolls and plush toys; vehicles (toys); jigsaw puzzles; balloons; inflatable toys; play disks (pogs); playing cards; confetti; gymnastic and sporting articles; football equipment, namely balls for football, gloves, knee guards, elbow guards, shoulder guards, shin guards; football goals; sports bags and containers (adapted to objects) for carrying sports articles; party hats (toys); small electronic games designed for use with a television set; video game apparatus; game consoles, electronic games other than those adapted for use with television receivers only; steering wheels for video games and mats for video games (for dancing upon); hands made of rubber or foam (toys); entertainment robots; appliances for gymnastics; kites; roller skates; scooters; skateboards; coin-operated video games for game halls (arcade games); electronic games with liquid crystal display; joysticks for video games, manually or voice-activated joysticks for video games; lottery tickets; lottery cards, scratch tickets for lottery games; toys for household pets; computer game joysticks; voice-activated or manually operated computer game joysticks.

29 – Jams; marmalades and jellies.

35 – Employment agencies; personnel recruitment; advertising services; services provided by an agency publishing advertising texts; advertising agency services; advertising agency services on a global computer network (the Internet) or via wireless electronic communication devices; dissemination of advertisements; rental of advertising space; rental of advertising time in film credits; television advertising, radio advertising; advertising in the form of animated cartoons; promotion agency services, promotion agency services for sports and public relations; promotion of football events; market study services; market research services; public opinion polling services; organization of exhibitions for commercial or advertising purposes; organization of advertising for trade fairs; compilation and systematization of data in data banks; data bank management services; compilation of statistics; advertising for sports events in the field of football; retail sale services for and bringing together of various goods for the benefit of others (excluding the transport thereof), namely clothing, footwear, headgear, sports articles, stationery, apparatus for recording, transmission and reproduction of sound and images, books, newspapers, magazines, publications, video games, toys, dolls, badges of all kinds, key rings, tickets, watches and jewelry, souvenir items in connection with football, bags, luggage, briefcases, umbrellas, flags and pennants, alcoholic and non-alcoholic beverages, confectionery, medical apparatus and instruments, vehicles and accessories for motor cars; retail sale services for solvents, paraffin, waxes, bitumen and petroleum; bringing together of the following goods for the be-

nefit of others (excluding transport thereof) to enable customers to conveniently view and purchase these goods in a store or on a global computer network (the Internet) or via wireless electronic communication devices, namely clothing, footwear, headgear, sports articles, stationery, apparatus for recording, transmission and reproduction of sound and images, books, newspapers, magazines, publications, video games, toys, dolls, badges of all kinds, key rings, tickets, watches and jewelry, souvenir items in connection with football, bags, luggage, briefcases, umbrellas, flags and pennants, alcoholic and non-alcoholic beverages, confectionery, medical apparatus and instruments, vehicles and accessories for motor cars; advertising and promotion services, information services with regard to advertising and promotion, commercial information agencies, all the aforesaid services provided on-line from a computer database or via a global computer network (the Internet) or via wireless electronic communication devices; design and compilation of advertisements for use as a web site on a global computer network (the Internet) or via wireless electronic communication devices; provision of space on web sites, for advertising of goods and services; auctioneering on a global computer network (the Internet) or via wireless electronic communication devices; collection of directories for publication on the Internet and on wireless electronic communication networks; business administration services for processing commercial services on a global computer network (Internet) or via wireless electronic communication devices; compilation, creation and management of databases, namely collection of domain names in a register; sales promotion, namely creation of preferential programs for customers; implementation of bonus programs for customers in stadiums by distributing encoded loyalty and membership cards which can contain the personal data of the user; development, launch and administration of loyalty programs, namely issuing loyalty cards to fans, containing personal information on the identity of the card holder; electronic commerce (e-commerce) services, namely provision of information on goods via telecommunication networks for advertising or sales purposes; compilation of data into a computer database, especially still or animated images; e-commerce services, namely online services for providing contracts for the purchase and sale of goods on behalf of others; promotion of sports events in the field of football; promotion of the goods and services of others, through contractual agreements, particularly partnership (sponsoring) and licensing agreements, providing them with increased notoriety and enhanced image derived from cultural and sporting events, particularly international events; compilation and recording of data and information on sporting performances; provision of personnel, particularly for selling beverages and foods; promotion of football events; retail sale of interactive edu-

cational and entertainment products, interactive compact disks, CD-ROMs and computer games; retail sale services, particularly on a global computer network, for interactive educational and entertainment products, interactive compact disks, CD-ROMs and computer games; presentation of computer programs for retail sale purposes; procurement services for others [purchasing goods and services for other businesses]; procurement services for others [purchasing goods and services for other businesses] for sports events or entertainment; promotion of the goods and services of others, through contractual agreements, particularly partnership (sponsoring) and licensing agreements, providing them with increased notoriety and/or enhanced image and/or affinity derived from cultural and sporting events, particularly international events; retail and wholesale services for motor vehicles, motor vehicle parts and motor vehicle accessories; retail and wholesale trading services on the Internet for motor vehicles, motor vehicle parts and motor vehicle accessories; compilation of data in computer data banks.

36 – Issuance and management of credit cards and travelers' checks; financial services; banking, credit and investment services; insurance services; lease-purchase financing; hire-purchase services; financial sponsorship of sports events; information services related to finance and insurance, provided from a computer database or the Internet or on all wireless electronic communication networks; home banking services; banking services on the Internet or on all wireless electronic communication networks; payment services, including services provided from a computer database or via the Internet or via mobile telephones; safe deposit services; issue of vouchers, namely issue of loyalty cards to fans, containing personal data on the identity of the cardholder and enabling access control at sports stadiums; financial promotion of events in the field of football; financial payment services for electronic commerce, namely transfer of funds, all via electronic communication networks; financial sponsorship search for football competitions; financial payment services for electronic commerce in connection with the purchase of goods and services provided by others, all via electronic communication networks, and clearing and settlement of financial transactions via electronic communication networks; issue of vouchers in the form of travel vouchers.

38 – Telecommunication services; communication by mobile telephones; communication by telex; communication via electronic computer terminals linked to telecommunication networks, data banks and the Internet or via wireless electronic communication devices; communication by telegraphs; communication by telephones; communications by facsimile; paging services; telephone or video conferencing services; television program broadcasting; broadcas-

ting of cable television programs; radio program broadcasting; transmission of radio and television programs of sports and sports events; news and press agency services; other message transmission services; rental of telephones, facsimile machines and other telecommunication apparatus; transmission of commercial Internet pages online or via wireless electronic communication devices; services for transmitting and broadcasting television and radio programs provided via the Internet or via any wireless electronic communication network; electronic transmission of messages; simultaneous broadcasting of film recordings and sound and video recordings; provision of access to telematic servers and real-time chat forums; computer-aided transmission of messages and images; telecommunication via fiber-optic networks; provision of access to a global computer network or interactive communication technologies for access to private and commercial purchasing and ordering services; transmission of information and other data via websites and computers; transmission of information (including sites by telematic means) via telecommunication, computer programs and other data; transmission of information, computer programs and other data by telematic means; electronic mail services; provision of access via the Internet or on any wireless electronic communication network (telecommunication services); providing connections for telecommunications with a global computer network (the Internet) or data banks; provision of access to websites offering digital music on the Internet by means of a global computer network or via wireless electronic communication devices; rental of access time to MP3 websites on the Internet, via a global computer network or via wireless electronic communication devices; rental of access time to a database server center (telecommunication services); rental of access time to a computer database (telecommunication services); transmission of digital music by telecommunications; online transmission of electronic publications; digital music transmission via the Internet or on any wireless electronic communication network; digital music transmission via MP3 Internet sites; simultaneous broadcasting and/or netcasting of film recordings and sound and video recordings (telecommunications); simultaneous broadcasting and/or netcasting of interactive educational and entertainment products, interactive compact disks, CD-ROMs, computer programs and computer games (telecommunications); providing access to blackboards (display and advertisement notice boards) a blog, and to discussion forums (chat rooms) in real time via a global computer network; rental and provision of access time to blackboards (boards for displaying information and advertisements) and to chat rooms in real time by means of a global computer network (communication services); telecommunication services dedicated to retail sale by means of interactive communications with custo-

mers; multimedia telecommunication; videotext and teletext transmission services; information transmission via communication satellite, microwave or by electronic, digital or analog means; transmission of digital information by cable, wire or fiber; transmission of information by mobile telephones, telephones, facsimile and telex; telecommunication services for receiving and exchanging information, messages, images and data; telecommunication services for setting up discussion groups on the Internet and on any wireless electronic communication network; provision of access to search engines on the Internet, provision of access to platforms on the Internet (also on the mobile Internet) in the form of customized online pages featuring information defined or specified by users, personal profiles, audio contents, video contents, photographic images, texts, graphic illustrations and data; provision of access to search engines for obtaining data and information on global networks.

39 – Services of a travel agency, namely, travel arrangement and reservation; ticket reservation and information services for travel; transport by airplane, railway, bus and truck; boat transport; boat travel services; tourist travel services; vehicle rental; rental of parking spaces; taxi services; boat transport services for goods; distribution of water, heat, gas or electricity; distribution of newspapers, magazines and books; postal services, mail delivery and courier services; storage of goods; delivery of solvents, paraffins, waxes, bitumens and oil products, excluding liquid gas; distribution (delivery) of films and sound and image recordings; distribution (delivery) of interactive educational and entertainment products, interactive compact disks, CD-ROMs, computer programs and computer games; ticket distribution (transport); navigation services by global positioning system; advice relating to power and electricity distribution; transport services; packaging and storage of goods; towing, transport and taxi; car transport; rental of vehicles and automobiles; tracking and monitoring of vehicle fleets by means of electronic navigation and positioning devices.

41 – Education; training; entertainment; organization of lotteries, raffles and competitions; betting and gaming services in connection with sports; providing entry tickets and information brochures on sports for VIPs, as well as guiding and gathering VIPs for sports or entertainment events, providing online information in the field of sports or sports events from a computer database or the Internet; customer reception services (entertainment services), including providing access tickets during sports or entertainment events; entertainment services relating to sporting events; entertainment services in the form of public gatherings during the retransmission of sports events; sporting and cultural activities; organization of sporting and cultural events and activities; amuse-

ment park services; sports club services [health and fitness training]; organization of sports competitions; organization of events in the field of football; sports camp services; provision of sports facilities; rental of video and audiovisual installations; production, presentation, distribution and/or rental of film recordings and sound and video recordings; presentation, distribution and/or rental of interactive educational and entertainment products, interactive compact disks, CD-ROMs, and computer games; radio and television coverage of sporting events; production services for radio, television programs and video films; ticket reservation services and information services for sports or entertainment events; timing services relating to sports events; organization of beauty contests; interactive entertainment; on-line betting and gaming services on the Internet or on any wireless electronic communication network; information in the field of entertainment (including in the field of sports), provided on-line from a computer database or via the Internet or via any wireless electronic communication network; electronic game services transmitted via the Internet or on mobile telephones; editing of books; publication of books and electronic journals on-line; audio and video recording services; production of animated cartoons for the cinema, production of animated cartoons for television; rental of sound and image recordings for entertainment purposes; information in the field of education provided on-line from a computer database or via the Internet or any wireless electronic communication network; translation services; photography services; provision of entertainment infrastructure; ticket agencies in connection with sports events; entertainment information in the field of sports; provision of information in the field of sports events; publication of statistics; publication of statistics and information relating to sports performance; provision of entertainment infrastructures, namely, VIP boxes and boxes inside and outside of stage.

43 – Providing food and drink, snack-bars; hospitality services, namely provision of food and drink; catering services; hotel services; providing accommodation and food and drink, booking hotels and temporary accommodation; hospitality services, namely provision of food and drink during sports or entertainment events.

(260) AM 2019 101281 A
(800) 1444956
(151) 2018 09 07
(891) 2018 09 07
(731) KMEW Co., Ltd.

2-27, Shiromi 1-chome, Chuo-ku, Osaka-shi,
Osaka 540-6013, Japan

(540)

CERADIR

(591) Black, white

(511)

6 – Iron and steel; nonferrous metals and their alloys; ores of metal; metal materials for building or construction; prefabricated building assembly kits of metal; metal moulds for forming cement products; metal junctions for pipes; metal flanges; road signs of metal [not luminous nor mechanical]; beacons of metal [non-luminous]; internal floating lids of aluminium for use with gas or liquefied gas storage tanks; liquefied gas storage tanks of metal; gas storage tanks of metal; containers of metal for transport; metal hardware, not including "security locks, keys of metal for locks, ring of metal for keys and padlocks"; wire nets and gauzes; metal nameplates and door nameplates; letter boxes of metal; water tanks of metal for household purposes; towel dispensers of metal; metal joinery fittings; safes; outdoor blinds of metal; upright signboards of metal; transportable greenhouses of metal for household use; metal tombs and metal tomb plaques.

19 – Ceramic building materials, bricks and refractory products; building materials made of linoleum for fixing to existing walls or floors; plastic building materials; synthetic building materials; asphalt, and asphalt building or construction materials; rubber building or construction materials; plaster for building purposes; lime building or construction materials; building or construction materials of plaster; rockslide retention nets of textiles [construction materials]; buildings, not of metal; cement and its products; building timber; building stone; building glass; non-metallic minerals for building or construction; joinery fittings, not of metal; tar; pitch; flagpoles [structures], not of metal; erosion control mats integrating plants seeds; plastic security windows allowing communication; moulds for forming cement products, not of metal; water-pipe valves, not of metal or plastics; reservoirs, not of metal or plastics; letter boxes of masonry; outdoor blinds, not of metal or textile; non metallic mineral materials [unworked or partly worked].

(260) AM 2019 101282 A

(800) 1444975

(151) 2018 10 09

(891) 2018 10 09

(731) COMITÉ INTERNATIONAL OLYMPIQUE
Château de Vidy, CH-1007 Lausanne,
Switzerland

(540)



(591) Black, white

(531) 14.01.13; 24.11.25; 26.01.06

(511)

35 – Advertising; dissemination of advertising matter via all media, in particular in the form of thematic messages centered on human values; advertising by sponsoring; online advertising and marketing services; business management; business administration; office functions; promoting the goods and services of others, by means of contractual agreements, in particular sponsoring and licensing agreements, enabling them to gain additional notoriety and/or enhanced image and/or a surge of sympathy derived from cultural and sporting events, in particular international events; promoting the goods and services of others by means of what is referred to as the initial interest factor leading the public to consider, among a multitude of competitors, goods or services presented to the public bearing signs, emblems or messages able to capture its attention; promoting the goods and services of others by means of the so-called image transfer; rental of advertising space of all type and on all media, whether digital or not; business administration of the participation of national teams to an international athletic competition, and promoting the support to said teams with the public and the concerned circles; inventory management services; consultation relating to stock monitoring services; advertising by means of direct marketing for others consisting in marketing of databases; consultation for advertising by means of direct marketing for others consisting in marketing of databases; consultation services in connection with business reorganization; truck and automobile fleet management services, namely billing and consulting in connection with the administrative management of truck and automobile fleets; business administration consultancy; administrative management of power plants of others; business consultation in connection with the management of power plants; commercial administration of contracts for repair and servicing; supply chain commercial management services; business consulting services relating to the purchase and supply of chemical services and products; commercial supply management of products; establishing product inventory; consulting, marketing, analysis of prices and costs concerning devices for electrochemical purification of liquids for industrial use; administrative, commercial and technical management of computer files; data input and processing services; department store retail services connected with the sale of beauty products, toiletries, machines for household use, hand tools, optical goods, domestic electrical and electronic equipment; information services concerning the sale of raw materials; commercial information services; commercial information agency services; photocopier rental services; promoting the sale of goods and services of others by means of advertisements, promotional competi-

tions, awarding of prizes and bonuses in the form of promotional lotteries, discounts, reduction tokens and value-added offers in connection with the use of payment cards; promoting sporting competitions and events for use by others; promoting concerts and cultural events for others, organization of exhibitions for commercial or advertising purposes; provision of documentation, namely direct mail advertising, distribution of advertising material, distribution of samples, reproduction of documents; advertising concerning the promotion of commercial sales of goods and services for retail sale purposes; provision of information in connection with e-commerce and electronic retail sale; provision of information concerning the purchase of goods and services on line via the Internet and other computer networks; advertising concerning transport, travel, hotels, accommodation, food and meals, sports, entertainment and sightseeing tours provided through tourist agencies; maintenance of computerized databases; digital file management comprising a portfolio of images and video sequences intended for use under license in traditional advertising and in the promotion of behaviour [moral advertising]; providing an online market for the buyer and seller of goods and services; presentation of goods on all communication media, for retail purposes; procurement services for others [purchasing goods and services for other businesses].

41 – Education; training; entertainment; sporting and cultural activities, televised sporting and cultural entertainment; organization of exhibitions for cultural and educational purposes; organization of lotteries and competitions; entertainment services provided during sporting events or concerning sporting events; organization of sporting and cultural events and activities; organization of real or virtual sporting competitions; providing sports facilities; entertainment in the nature of television news shows; entertainment services in the nature of creation, development and production of television programming; entertainment services in the nature of an ongoing reality-based television program; entertainment in the nature of ongoing television programs in the field of sport; rental of audio and video equipment; production of films, other than advertising films; production of sound and video recordings; presentation and distribution of films and of sound and video recordings; rental of films and of sound and video recordings; rental and/or provision via a computer network of interactive education and entertainment products, namely interactive compact discs, CD-ROMs, computer games; entertainment, namely presentation of interactive education and entertainment products, namely interactive compact discs, CD-ROMs, computer games; radio and television coverage of sporting events; production of television and radio programs and of videotapes; production of cartoons; production of animated programs for television; reser-

vation of tickets for sporting events and shows; timing of sports events; organization of beauty contests; interactive entertainment; provision of games on the Internet; provision of raffle services; provision of information concerning entertainment or education, provided on line from a data bank or the Internet; electronic game services provided by means of the Internet; providing on line electronic publications; publication of books, magazines, texts (other than publicity texts) and periodicals; online publication of electronic books, magazines, texts (other than publicity texts) and periodicals; provision of digital music from the Internet; provision of sporting results; provision of information concerning sports and sporting events; rental of recorded sounds and images; audio production services; provision of information concerning sports events provided online from a computer database or the Internet; editing and publishing services; provision of digital music (non-downloadable); offering digital music by means of telecommunications; publication of statistics regarding sporting results and audience ratings for sporting competitions; training in the use and operation of systems for signaling and notification of crossings for the railway and transit industries; conducting of seminars, conferences, symposiums or workshops in the field of medical imaging and diagnosis intended for medical practitioners and employees of pharmaceutical companies; education services, namely conducting of seminars, conferences, symposiums or workshops in the field of life sciences and biotechnology for scientists and researchers; conducting of seminars on problems in connection with industrial water treatment; training services in all the aforesaid fields; training services in the field of management and medicine by means of the use of instructions and demonstrations provided on line, via the Internet, intranets and extranets; education services, namely conducting of practical training workshops, courses and seminars including demonstrations in the field of medicine and management; design, conducting and hosting of courses, seminars and all training activities in the field of information technology; organization and performance of concerts; booking of seats for shows; movie presentations; provision of information relating to entertainment; film production; show production; theater production services; operation of golf facilities; health club services (fitness training); sports camp services; presentation of live performances; film projection; organization of shows (impresario services); holiday camp services [entertainment]; movie studios; news reporter services; provision of on-line electronic publications, not downloadable; music hall services; education services, namely conducting of courses, seminars, presentations, video presentations; provision of educational material, namely dissemination of material in the field of financial knowledge; education services in the field of tourism; services of provision of infor-

mation in the field of tourism, namely services of provision of information regarding reservation of tickets for recreational events; services of provision of information in the field of tourism, namely services of provision of information regarding entertainment; services of provision of information in the field of tourism, namely services of provision of information regarding planned sporting, cultural and recreational activities; services in connection with entertainment for tourist assistance; tourist reservation services, namely activity and entertainment reservation services; assistance services for tourists concerning reservation of tickets for recreational events; assistance services for tourists concerning planned sporting, cultural and recreational activities; presenting of prizes rewarding the authors of exceptional acts or performances; arranging and conducting ceremonies relating to the presentation of prizes and awards.

(260) AM 2019 101285 A

(800) 784846

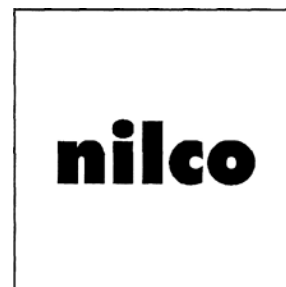
(151) 2002 06 03

(891) 2018 12 31

(731) SARUHAN KİMYA VE TEMİZLİK
ÜRÜNLERİ SANAYİ TİCARET ANONİM
ŞİRKETİ

Halkalı Merkez Mahallesi, Basın Ekspres Cadesi No:39/2, Küçükçekmece, İstanbul, Turkey

(540)



(591) Black, white

(531) 26.04.22; 27.05.01

(511)

5 – Deodorants, other than for personal use.

(260) AM 2019 101308 A

(800) 1445113

(151) 2018 12 12

(891) 2018 12 12

(731) Victoria's Secret Stores Brand
Management, Inc.

4 Limited Parkway, Reynoldsburg OH 43068,
USA

(540)

**VICTORIA'S SECRET FIRST
LOVE**

(591) Black, white

(511)
3 – Body wash; body cream; body butter; body lotion; body milk; body scrub; hand cream; perfume; eau de parfum; eau de toilette; non-medicated skin care preparations, namely, body mist; body sprays; non-medicated lip care preparations; lip gloss; facial masks; body masks; bath bombs; non-medicated bath salts.

(260) AM 2019 101329 A
(800) 1445549
(151) 2017 12 21
(891) 2017 12 21
(731) BAYER AKTIENGESELLSCHAFT
Kaiser-Wilhelm-Allee, 51373 Leverkusen,
Germany
(540)



(591) Bright green, bright blue and dark blue
(531) 24.13.05; 24.13.22; 26.01.01; 26.01.03;
26.01.18; 29.01.14
(511)
16 – Paper, cardboard and cardboard cartons; stationery and educational supplies; stationery; instructional and teaching materials.

(260) AM 2019 101330 A
(800) 1445563
(151) 2018 10 15
(891) 2018 10 15
(731) ROYAL TOBACCO SİĞARA VE TÛTÛN
MAMÛLLERİ SANAYİ VE TİCARET
ANONİM ŞİRKETİ
İbn-İ Melek OSB Mahallesi, TOSBİ Yol 2
Sokak No:14, Tire, İzmir, Turkey
(540)

Stark

(591) Black, white
(531) 27.05.17
(511)
34 – Tobacco, chewing tobacco, cigarettes, cigars; smokers' articles including those made of precious metals; pipes, mouthpieces for cigars and cigarettes, ashtrays, tobacco boxes, pocket apparatus for rolling cigarettes, cigarette paper, tobacco pipes, firestones, lighters for smokers.

(260) AM 2019 101331 A
(800) 1445565
(151) 2018 05 01
(891) 2018 05 01
(731) COMITÉ INTERNATIONAL OLYMPIQUE
Château de Vidy, CH-1007 Lausanne,
Switzerland
(540)



(591) Blue, yellow, orange, black, green and red
(531) 09.01.10; 14.01.16; 24.11.25; 26.01.06;
26.11.11; 27.05.01; 27.07.01; 29.01.15

(511)
1 – Chemicals for use in industry, science and photography, as well as in agriculture, horticulture and forestry; unprocessed artificial resins, unprocessed plastics; fire extinguishing and fire prevention compositions; tempering and soldering preparations; substances for tanning animal skins and hides; adhesives for use in industry; putties and other paste fillers; compost, manures, fertilizers; biological preparations for use in industry and science; unexposed sensitized films; synthetic resins; thermoplastic and thermosetting synthetic resins and organic compounds for molding, for general use in the industrial arts; chemical intermediates; organosilicon compounds, namely polysiloxanes and silanes in the form of resins, pastes, fluids, elastomers, vulcanization and acceleration products; anti-foaming agents; catalysts for paints; chemicals for development and setting of x-ray films and other chemicals in connection with the development of said films; phosphorescent substances; chemical substances used as nuclear fission materials; fuel for nuclear reactors; adhesive substances for industrial purposes; polycrystalline alumina ceramic for general use in the industrial arts; brazing and soldering fluxes and products; thermoplastic and thermosetting adhesives; chemicals, biochemicals and reagents for use in industry, science and research; chemical products for cell separation and culture; chemical products for cell separation and culture, chemical products for the purification of nucleic acid, nucleotides, fluorescent nucleotides, oligonucleotides, peptides, proteins, amino acids, organic molecules and markers for DNA/RNA synthesis; reagents for luminescence; reagents for gene expression quantification; reagents for polymerase chain reaction processes; reagents for rolling circle amplification processes; reagents for DNA

cloning and vectors, enzymes for modification and restriction; reagents for labeling, sequencing and fragment analysis of nucleic acids and proteins and customized synthesis; reagents for recombinant protein expression and purification; chromatography media; reagents for electrophoresis, biocomputing, spectrophotometry and fluorometry; radiochemical products for scientific research; reagents for scintillation proximity assay; test kits and products for high data rate analysis for producing medicines; reagents for high-resolution laser microscopy, fluorescence microscopy and confocal microscopy; specialized chemicals for use in industry, science and research; gases and gas mixtures for use in industry, research and science; chemical products and substances for the manufacture of pharmaceutical products, diagnostic products and substances; chemical testing reagents, saline solution and paper coated with reagents, all for scientific use and for use in laboratories; fissile chemicals for scientific research; radioactive elements and isotopes for use in industry, science and research; radioactive norms and sources for radiographic technology; radioactive sources for non-destructive sterilization, purification and testing, technology; radionuclides for scientific research; chemical compounds and chemicals for use in the treatment of water supply systems; chemical compounds and chemicals for use in the treatment of wastewater treatment systems; chemical compounds and chemicals for use in the treatment of cooling water circuits; chemical compounds and chemicals for use in the treatment of boiler water and steam generating systems; chemical compounds and chemicals for use in the treatment of boiler condensate systems; chemical compounds and chemicals for use in the treatment of liquid separation systems; chemical compounds and chemicals for use in the treatment of systems for water purification and dehydration in aqueous systems; chemical compounds and chemicals for use in the treatment of conditioning systems; chemical compounds and chemicals for use in the treatment of gas purification systems; chemical compounds and chemicals for use in the treatment of industrial process systems; chemical compounds and chemicals for use in the treatment of fuel treatment systems; chemical compounds and chemicals for use in the treatment of hydrocarbon and gas treatment systems; chemical compounds and chemicals for use in the treatment of petrochemical systems and oil and gas treatment systems; chemical compounds and chemicals for use in the treatment of paper and pulp making systems; chemical compounds and chemicals for use in the treatment of plastic and metal coating systems; chemical compounds and chemicals for use in the treatment of metal processing systems; chemicals, namely chemical additives for gasoline, additives for heating oil and additives for improving the efficiency of turbine engine fuel; chemically-treated bagged water-absorbing granular materials for

placement into fuel tanks; testing kit comprising reagents for determining the presence of algae and active organic organisms in diesel fuel; bacterial cultures and nutrients for sludge and wastewater treatment; polymeric chemicals for dispersing particles in steam generating equipment; chemicals and chemical compounds used as anti-fouling and demulsifying agents in operations for producing coke by-product operations of steel industries; chemicals, catalysts, plastic semi-processed goods used as materials, filtering materials for removing acid gases, unprocessed plastics, crystal whiskers and zinc oxide; radio-pharmaceuticals for scientific use and for research; polymeric membrane materials for liquid separation.

2 – Paints, varnishes, lacquers; preservatives against rust and against deterioration of wood; colorants, dyes; inks for printing, marking and engraving; raw natural resins; metals in foil and powder form for painting, decoration, printing and works of art; corrosion inhibitors in the form of coatings for use in the metal finishing industry, namely acid aqueous products for final rinsing; corrosion inhibitors in the form of coatings for cooling water circuits; corrosion inhibitors in the form of coatings, namely resinous coatings for metal and masonry surfaces; coating materials, etching fluids; toner cartridges for printers; ink cartridges for printers; toners; toners for copiers; toners for facsimile machines.

3 – Non-medicated cosmetics and toiletry preparations; non-medicated dentifrices; perfumery products, essential oils; bleaching preparations and other substances for laundry use; cleaning, polishing, scouring and abrasive preparations; cleaning preparations containing chemicals and chemical compounds for cleaning steel, aluminum, galvanized and mixed metal surfaces for general industrial use in the manufacture of metal products; cleaning agents containing chemicals and chemical compounds for industrial use for removing contaminants in industrial process systems; paint stripping preparations containing chemicals and chemical compounds for removing paint from equipment surfaces in spray-painting booth operations.

9 – Scientific, nautical, surveying, photographic, cinematographic, optical, weighing, measuring, signalling, checking (supervision), life-saving and teaching apparatus and instruments; apparatus and instruments for conducting, switching, transforming, accumulating, regulating or controlling electricity; apparatus for recording, transmission or reproduction of sound or images; magnetic data carriers, recording discs; compact disks, DVDs and other digital recording media; mechanisms for coin-operated apparatus; cash registers, calculating machines, data processing equipment, computers; computer software; fire-extinguishing apparatus; protective helmets for sports; glasses, sunglasses, sports goggles; com-

puter game software; fuel distribution equipment, namely electric fuel-level gauges, control valves for regulating gas flow and fuel lines; operating software for calibrated fuel pumps for refueling of land vehicles, marine vehicles and aircraft; operating software for flow control panels for refueling of land vehicles, marine vehicles and aircraft; operating software for fuel lines and pump nozzles for refueling of land vehicles, marine vehicles and aircraft; gas meters; on-board and roadside signaling and communication systems, train inspection systems, crossing notification systems, apparatus for electric control of switching; GPS tracking and monitoring systems for the transit and railway industries; capacitors; circuit breakers; circuit-breaker patch boards; circuit closers; contact breakers; commutators; contactors; current rectifiers; current limiters; electric contacts; electric collectors; electric conductors; electric connectors; electric controllers; electric inductors; electric power supply systems; distribution boards [electricity]; branch boxes [electricity]; electrical distribution consoles; electrical switchboards and switchboxes; software for troubleshooting and maintenance of programmable controllers; software for cardiac vessel analysis, including heart vessel analysis, also with calculation functions with regard to blood vessels; software for medical patient-monitoring equipment; software for receiving, processing, transmitting and displaying data; software for developing customized programs for asset allocation; software for use on line enabling vendors of office equipment to place orders, to manage portfolios and communicate with the company; software for accessing mortgage and insurance information; software for collecting data concerning vital signs; software for analyzing electrical systems and electronic instruction manuals sold as a unit therewith; software for employees of financial institutions used for assessing customers' financial investments and processing the sale of the identified investments; software for obtaining information on the risk of flooding with regard to real property; software for developing graphic user interfaces and displaying data; software for calculating mortgage payments; software for controlling and managing vehicle fleet maintenance services; software for using and accessing commercial computer services; software used by clients to obtain information regarding lease portfolios; software for a radiology information system for radiologists and radiology departments; software for managing databases containing information on employees and patients for archiving purposes and patient monitoring; software installed on and used with PCs and medical monitoring equipment for graphic user interfaces; software for sending encrypted and compressed data to radio-paging (transport) systems; software for providing access to web sites so that buyers and sellers can carry out business transactions by electronic means; software for subterranean

navigation, namely navigation of the assembly of a depth probe for oil drilling and drilling assemblies so as to route subterranean installations; electronic, nuclear, industrial and laboratory, testing, measuring, calculating and monitoring instruments and apparatus; electrical products, electricity production and distribution products and voltage surge protection products, namely lightning conductors, armored rods; switches for lighting; input/output controls and devices; fuses; controls for lighting; switch boxes; LEDs, namely light-emitting diodes; voltage regulators for electric power; voltage surge protectors; voltage surge limiters; voltmeters; electrical circuit boards; relays and timers; solenoids and limit switches; manual full-voltage starters; reduced-voltage starters; electric switches and disconnecting switches; splitters for circuit boards and pumping panels; circuit breakers and disconnecting switches; transformers; electric circuit and electric lighting boards; electric wires; cables; cords and conductors; electric wiring; lightning conductors; electricity meters; wattmeters; grounding resistances; humidity and temperature sensors; industrial calibration sensors, push buttons, engine and motor control centers and their electric controls and voltage regulators included in this class; computer programs and software for medical use, industrial use and for research; electrophoresis apparatus; chromatography columns and pumps; apparatus for particle or laser ray micro-fabrication; apparatus for bio-informatics systems; scintillation apparatus; imaging apparatus for radioactive and luminescent emissions; integrated synthesis and purification systems; oligonucleotide-producing apparatus; optical laser systems for digital imaging; glassware for laboratories; vials and microvials; microtiter plates; software for managing hospital operating rooms; software for intensive care information management; software for industrial operation control; software and manuals therefor sold as unit for factory management; graphic interface computer programs for controlling machines in industrial automation applications; software for creating graphic presentations and editing dynamic data interfaces for real-time graphic applications for industrial and commercial use; communication software for connecting computer network users; software for plastic injection molding; software for controlling, monitoring, simulating, communicating, recording and collecting data and for factory automation; software for integration of manufacturing machine operations, process control, supply of data for displaying, problem monitoring and production report generation; software packages for operating and programming grinders in the manufacturing industry; computer hardware for monitoring industrial processes, namely computer monitors; portable computers, Ethernet cards and cables; computer networking hardware, memory cards; microchips; microprocessors; computer network hubs, switches and routers, computer

accessories, displaying devices and terminals; computer whiteboards; processors and system cards; call controllers, operator interfaces, reference interfaces and data collectors; applications for manufacture and control, namely for statistical process control, data collection, direct digital control; document management systems; digital signal processing products and systems, namely, industrial automation controls and programmable logic controllers; adaptive control product in the form of an external controller for optimizing rough and semi-rough cutting performance of machine tools; wired and remote input/output electric equipment; input/output modules; interface modules; electricity supplies; assembly equipment; anti-theft and burglar alarm systems; logic programming computers for security systems; control panels for security systems; electronic burglar detectors; electronic glass-breakage detectors; electronic vibration detectors; magnetic contacts for security systems; electronic switch plates for security systems; electronic motion detectors for alarm systems; electronic motion-sensitive switches; fixed connection sirens for security systems; audio loudspeakers for security systems; electronic navigation systems for security systems; access control and alarm monitoring systems; fire, heat and smoke alarms and detectors; computer card access control systems; card readers, card encoders and encoded cards for card-operated access control systems; video cameras; video devices for object recognition; video devices for object tracking; video devices for reading license plates; video devices for checking alarms; video devices for facial recognition; video devices for vehicle recognition; video devices for traffic detection; video devices for access door control; video devices for burglar detection; processing hardware or software used for analyzing digital video images for automatically extracting, recording and reporting information automatically, and remote video monitoring systems for security and surveillance applications; central video monitors; video recorders; apparatus for shooting and filming; closed-circuit video systems; closed-circuit video systems consisting of one or several cameras and camera housings; wireless, short-range and radio-frequency transceivers; transceivers for electrical lines; communication monitoring equipment for operating closed-circuit cameras; communication monitoring equipment, namely numeric-pad controls, matrix switching devices, multiplexers, digital video recorders, integrated swinging panoramic zoom dome cameras, remote video controllers, receivers, electronic alarms, video transmission devices; personal digital assistants (PDAs) configured for use by real estate professionals; communication interfacing devices for personal digital assistants (PDAs); fiber-optic transmission systems, namely fiber-optic transmitters, receivers and transceivers for transmission of video signals, audio signals and data via optical fibers; electric switches; el-

ectromechanical locking devices; magnetic cards for locks, access control, presence control, alarms and security systems; portable electronic hardware for reception, control, storage, handling, display and transmission of data and for actuating electronic locks; electronic access cards and readers and encoders thereof; magnetic access cards and readers and encoders thereof; memory access cards and readers and encoders thereof; proximity cards; proximity card readers; proximity card encoders; electronic keys and readers and encoders thereof; barcode access cards and readers, encoders and laminators thereof; access keypads; radio-frequency tracking tags; tracking and control systems consisting of one or several radio-frequency beacons, detectors and transceivers for determining and checking the location and movements of tangible assets, stocks and individuals; infrared sensors; control boards; access card readers; video imaging equipment and systems; video surveillance equipment and systems; digital hard disk recording equipment and systems; network transmission equipment and systems; remote access equipment and systems; networked digital video storage servers; applications for surveillance and access control; applications for alarm and security monitoring; computer software and hardware for monitoring and operating access and security systems comprising locking systems, doors, access and identification devices and security cases in the form of boxes for securing keys; surveillance systems sold separately or as components or in the form of sets comprising one or several surveillance cameras, hidden cameras, closed-circuit television cameras, camera housings, camera stands, lenses, video monitors, video recorders, digital recorders, video recording media, video switches; surveillance systems sold separately or as components or in the form of sets comprising control panels, numerical pad controls, joysticks; surveillance systems sold separately or as components or in the form of sets comprising interface apparatus for alarms and access control equipment, transceivers, receivers, transmitters, signal processors, multiplexers, matrix switches, controls, control panel casings, switch housings, transformers, switches, splitters, coaxial cables, connectors, motion detectors, microphones and loudspeakers; user interface software and control software for management of access, security and fire-extinguishing systems; electric locks; portable electronic communication and computer equipment for data reception, control, storage, handling, display and transmission for operating electronic locking devices; electronic key holders, readers and encoders; data processing computer software and hardware; electric power supplies, namely batteries, rectifiers/regulators of current/voltage and transformers; control panels, namely electronic apparatus designed for electronically monitoring a predefined activity and for activating an anti-theft alarm; loudspeakers for sirens and electro-

nic siren controls, namely ringer tone generators and amplifiers for sirens; software for controlling communication equipment for operating and controlling closed-circuit cameras; switching devices integrating magnetically triggered blade switches for anti-theft alarm systems and fire alarm systems, integrated into industrial tracking apparatus, revolution counters, security lock systems for equipment cabinets, industrial position-monitoring apparatus, electric cables and pump and valve monitoring apparatus and home security alarm systems; electric and electronic checking apparatus for detecting the presence of certain substances on individuals, in luggage and freight; electric and electronic checking apparatus for detecting the presence of explosives and/or narcotics on individuals, in luggage and freight; apparatus for detecting the presence of explosives and other contraband; timers or sensitive apparatus for detecting changes in conditions for launching and monitoring regeneration or washing cycles for water treatment equipment; control valves for water treatment and filtering equipment; bioreactors for cell culture; portable analysis instruments, namely a probe with a recorder for data conversion equipped with microprocessors for measuring organic and inorganic products in water; filters and filter housings for laboratories; membrane filters for laboratories; silt density measuring devices; deionization devices for laboratories, filters and filter housings for laboratories; liquid separating apparatus for laboratories; membranes for laboratories; liquid flow control devices, namely pumps, valves, flowmeters and regulators for laboratories; ozone monitoring instruments; laboratory equipment, namely porous titration microplates for cellular biology and other applications in life sciences; electronic controls for treatment of industrial and commercial water supply systems; electronic controls for treatment of boiler water systems; electronic controls for treatment of water cooling systems; electronic controls for treatment of cooling water systems; electronic controls for treatment of closed water-supply systems; electronic controls for treatment of systems for paper and pulp treatment; electronic controls for fuel treatment systems; electronic controls for metal treatment systems for analyzing the chemistry of the system, determining the proper treatment program, applying the desired treatment and monitoring the effectiveness of the treatment; data management software in the field of paper, pulp and water treatment; electronic controls for data processing in the field of paper, pulp and water treatment; apparatus for industrial water-supply systems for measuring and checking pH and conductivity; apparatus for supplying an industrial, commercial or municipal water supply system with measured quantities of chemicals; electronic testing apparatus for water treatment; laboratory testing equipment, namely apparatus for testing deposit levels and corrosion speed; equipment and instruments for mobile

laboratory equipped for measuring and monitoring pH, conductivity and concentration of chromate in domestic and industrial waters; equipment and instruments for mobile laboratory equipped for carrying out inorganic and microbiological water testing; electronic and electrochemical products, namely fuel cells; apparatus for converting photo-electric radiation to electrical energy, namely, photovoltaic solar modules, hybrid photovoltaic solar modules, electronic sensors for measuring solar radiation, photocells; apparatus for converting electronic radiation to electric energy, namely photovoltaic solar modules, systems and components and all related system components; printers, laser printers, ink-jet printers, multi-function and multi-purpose printers, parts of all the aforesaid goods; portable electronic devices for wireless reception and/or transmission of audio and video data with integrated memory; software for synchronization of data between a remote unit or station and a fixed unit or station, and software providing a one-way and/or two-way wireless connection to data; portable digital electronic apparatus and software related thereto; portable electronic devices for wireless data reception and/or transmission; software for re-orientation of messages, electronic mail and/or other data from a personal computer or a server towards one or several portable electronic devices; computer software and programs for wireless device operation and management; telecommunication devices; software for accessing, searching, indexing and retrieving information and data from global computer networks and global communication networks, and for navigation on the aforesaid network websites; software for sending and receiving short messages and electronic mail and for filtering non-text information from data; portable electronic devices for voice, video, data and image communications; computer game software for mobile telephone receivers; electronic game software for mobile telephone receivers; software packages; batteries, dry cells and batteries, rechargeable batteries, battery chargers, storage batteries, solar cells and batteries, fuel cells; carbon electrodes for dry batteries; wiring apparatus; electric cables; electric ducts; floor ducts specially designed for housing electric cables; ballast (for discharge lamps); under carpet wiring systems; code lighting-switches; magnetic contactors and starter switches; circuit protectors; switching devices; electric connecting boxes; device switches; output jacks; plugs (electric); electric timers; other wiring devices; signaling apparatus and instruments, video intercoms, intercom systems, electric door chimes, intercoms, fire alarms, gas-leak alarms, anti-theft alarms, portable emergency intercoms; acoustic machines and apparatus; radios; tape recorders/players; radio cassette recorders; portable tape players; compact disc recorders/players; minidisc recorders/players; minidisc deck consoles; DVD (digital versatile disc) audio recorders/players; secured digital recor-

ders/players; secured digital cards; loudspeakers; tuners; amplifiers; stereo component systems; disc readers; graphic equalizers; radio alarm clocks; integrated circuit recorders; digital audio processing devices; earphones; headphones; microphones; cassette recorders/players; software for compact discs (pre-recorded); electric megaphones; language laboratories; audio systems for cars; public address systems; audio mixers; audio equipment cleaning equipment, namely magnetic head cleaning equipment; audio cables, video cables, other audio machines; audiovisual machines and apparatus; television sets; cathode ray tube display devices; cathode ray tubes; image pick-up tubes; plasma television sets; plasma displays; LCD (liquid crystal display) television sets; liquid crystal display monitors; television sets combined with video tape recorders; television sets combined with disc players; antennas; tuners for satellite broadcasting; television tuners; Internet terminals; video projectors; video cassette recorders; camcorders; video printers; laser disc players; video CD (compact disc) players; software for video CD (compact disc); video recorders/players for DVDs; color video systems for large-scale display; cable television systems; hard disk units; video imaging devices; electric optical display boards; multi-purpose electric display systems; closed-circuit video equipment systems; software for DVDs; television cameras; video switches; non-linear editing systems; editing controllers; DVD creation systems; light emitting diodes (LED) displays; optical disc machines and apparatus; optical disc units, optical disc recorders, optical disc players, optical disc changers, optical disc cartridges, optical disc recording systems; communication apparatus and machines; facsimile transceivers; transceivers; telephones; cellular mobile telephones; cases for cellular mobile telephones; telephone answering machines; private auto-switch systems; global positioning system receivers; radiotelephones; marine radars; radio paging receivers; mobile communication systems; multi-channel access radio systems; electric panels for traffic information; videoconferencing systems; private portable telephone systems; local network systems; AV codecs (coder-decoders); navigation systems for cars (road guidance systems); electronic systems for road toll collection; GPS (global positioning system) antennas; checking (supervision) apparatus and instruments; communication and surveillance systems for apartment buildings; intruder detection systems; automated systems for surveillance and control of functions within buildings; electric multi-layer security apparatus; checking (supervision) apparatus and instruments, communication and surveillance systems for apartment buildings, intruder detection systems, automated systems for surveillance and control of functions within buildings, electric multi-layer security apparatus; automatic control machines and instruments; electric distribution boards; road signal control

apparatus; bus location systems; ultrasound vehicle detectors; information and telecommunication networks for road traffic management; light dimmers; light switches; inverters; programmable control systems; electrical enclosures; domestic electricity production systems; power capacitors; data processing equipment; computers and computer peripherals; word processors; software (recorded); image scanners for personal computers; PC (personal computer) cards; computer keyboards; mouse (data processing equipment); CD-ROM (compact disc-read only memory) units; diskette units; card reading/writing systems; barcode readers; time recorders; portable data terminals; point-of-sale systems; data collection terminals; personal digital assistants (PDAs); DVD-RAM/ROM (digital versatile disc-random access memory / read only memory) units; CAD/CAM (computer-aided design/computer-aided manufacturing) systems; electronic calculators; uninterrupted power supplies for computers / communication / broadcasting; external storage devices; video cassettes; cleaning heads; D-VHS (video data home systems); other computer peripherals; videotapes; audio cassettes; diskettes; optical discs; mini-discs; DVDs (digital versatile discs); integrated circuit memory cards; weighing and measuring apparatus and instruments; thermoluminescent dosimetry systems; portable x-ray dosimeters; electronic meters; ammeters; electricity consumption meters; grip measuring devices; electric apparatus for measuring leakage; electric insulation meters; thermometers; measuring system processors; electric multi-circuit sector voltage monitors; micro-precision measuring devices; pacers; audio/video analyzers; oscilloscopes; modulators; distortion meters; sensors, light-sensitive sensors, thermometric sensors, position sensors, angular velocity sensors, rotation sensors, angle sensors, dew point sensors, other sensors; electrical components; light emitting diodes; liquid crystals; liquid crystal display modules; magnetrons; transistors; semiconductor storage devices; one chip micro-computers; cartridges for electric condenser microphones; thermostats; integrated circuits; gray-scale image processors; thermal printing heads; magnetic heads; permanent magnets; relays; display components; semiconductor lasers; charge coupling devices (CCD device); image detectors; film capacitors; over-oxygenation membrane units; electric tuner units; high-frequency units; coin validation units; note validation units; magnetic card reading/writing devices; voltage-controlled oscillators; phase-locking circuit synthesizing modules; wireless communication module units; optical transmission components; printed wiring boards; loudspeaker components; electricity supplies; AC (alternating current) adaptors; focusing magnets; inductors (coils); capacitors for electric apparatus; electric signal filters; deflection coils; thermistors; varistors; piezoelectric ceramic components; acoustic-optical components; resistances; po-

tentiometers; printing units; hybrid integrated circuits; switching components; heat-welding wiring boards; transparent touch panels; electroluminescent components; remote control units; magnetic resistance elements; thermal disconnects; data processing equipment, in particular for financial applications; operating system programs; computer hardware and software, in particular for local and wide-range computer networks development, maintenance and use; systems for reading memory cards and systems for reading stored data including integrated circuit memories and bank card memories; automatic ticket dispensers; accounting machines; encoded cards, including magnetic cards and integrated circuit cards, in particular for financial applications; card readers, printing apparatus, including printing apparatus for data processing systems and financial transaction systems; machines for banking institutions; encoders and decoders; modems; encoded magnetic cards; electronic data carrier cards; encoded magnetic card readers; electronic data card readers; electronic encryption systems; computer hardware; computer terminals; software used in financial services, in the banking and telecommunication industries; electric and electronic products, namely calculating machines, pocket planners, alarms; bank cards, including printed bank cards and bank cards with magnetic memory and with integrated circuit memory; bank cards, credit cards, debit cards, including such cards equipped with integrated circuits and microprocessors; memory cards (smart cards); automated teller machines (ATMs); data processing equipment and computers including cards equipped with microprocessors and integrated circuits; computer hardware in the form of integrated circuit cards and card readers containing transponders and other proximity payment devices; mouse pads; machines and machine systems, including parts and accessories for transmission, distribution and control of electricity; induction devices; electrical displacement devices; electricity control and regulation devices; electricity measuring instruments; electrical protection devices; switchboards; switchboard apparatus; wiring devices; liquid control devices, namely, flowmeters, manostats, sequential timers, electric switches and controls; audio amplifiers for keyboards; external memories for musical instruments; systems for managing data and preserving archives in the field of anesthesia; gradient coils, namely magnetic gradient coils for magnetic resonance imaging; alarm devices for tire pressure; pressure gauges for vehicle tires; rubber testing machines; electronic apparatus for practicing golf.

14 – Coins, ingots and medals in precious metals or in their alloys, commemorative or not; jewelry, precious and semi-precious stones; pins; horological and chronometric instruments; key rings.

25 – Clothing, footwear, headgear.

29 – Meat, fish, poultry and game; meat extracts; preserved, frozen, dried and cooked fruits and vegetables; jellies, jams, compotes; eggs, milk and dairy products; edible oils and fats.

32 – Beers; mineral and aerated waters and other non-alcoholic beverages; fruit beverages and fruit juices; syrups and other preparations for making beverages.

35 – Advertising; dissemination of advertising matter via all media, in particular in the form of thematic messages centered on human values; advertising by sponsoring; online advertising and marketing services; business management; business administration; office functions; promoting the goods and services of others, by means of contractual agreements, in particular sponsoring and licensing agreements, enabling them to gain additional notoriety and/or enhanced image and/or a surge of sympathy derived from cultural and sporting events, in particular international events; promoting the goods and services of others by means of what is referred to as the initial interest factor leading the public to consider goods or services presented to the public bearing signs, emblems or messages able to capture its attention; promoting the goods and services of others by means of the so-called image transfer; rental of advertising space of all type and on all media, whether digital or not; business administration of the participation of national teams to an international athletic competition, and promoting the support to said teams with the public and the concerned circles; inventory management services; consultation relating to stock monitoring services; advertising by means of direct marketing for others consisting in marketing of databases; consultation for advertising by means of direct marketing for others consisting in marketing of databases; consultation services in connection with business reorganization; truck and automobile fleet management services, namely billing and consulting in connection with the administrative management of truck and automobile fleets; business administration consultancy services; administrative management of power plants of others; business consultation in connection with the management of power plants; commercial administration of contracts for repair and servicing; supply chain commercial management services; business consulting services relating to the purchase and supply of chemical services and products; commercial supply management of products; establishing product inventory; consulting, marketing, analysis of prices and costs concerning devices for electrochemical purification of liquids for industrial use; administrative, commercial and technical management of computer files; data input and processing services; department store retail services connected with the sale of beauty products, toiletries, machines for household use, hand tools, optical goods, domestic electrical and el-

electronic equipment; information services concerning the sale of raw materials; commercial information services; commercial information agency services; photocopier rental services; promoting the sale of goods and services of others by means of advertisements, promotional competitions, awarding of prizes and bonuses in the form of promotional lotteries, discounts, reduction tokens and value-added offers in connection with the use of payment cards; promoting sporting competitions and events for use by others; promoting concerts and cultural events for others; organization of exhibitions for commercial or advertising purposes; provision of documentation, namely direct mail advertising, distribution of advertising material, distribution of samples, reproduction of documents; advertising concerning the promotion of commercial sales of goods and services for retail sale purposes; provision of information in connection with e-commerce and electronic retail sale; provision of information concerning the purchase of goods and services on line via the Internet and other computer networks; advertising concerning transport, travel, hotels, accommodation, food and meals, sports, entertainment and sightseeing tours provided through tourist agencies; maintenance of computerized databases; digital file management comprising a portfolio of images and video sequences intended for use under license in traditional advertising and in the promotion of behaviour [moral advertising]; providing an online market for the buyer and seller of goods and services; retail services or wholesale services for tires; retail services or wholesale services for clothing, footwear, headgear; retail services or wholesale services for sports goods; retail services or wholesale services for bicycles and parts and fittings for bicycles; retail or wholesale services for pharmaceutical, veterinary and sanitary preparations as well as for medical supplies; presentation of goods on all communication media, for retail purposes; procurement services for others [purchasing goods and services for other businesses]; retail services or wholesale services for jewellery, horological instruments, fashion accessories, bags, memorabilia.

36 – Insurance; financial affairs; banking affairs; monetary affairs; real estate affairs; credit card services; financing of sporting and cultural activities; rental of buildings and outbuildings designed for hosting corporate entertainment events; equity and private mark financing services; financial analyses and consultation; financial services in connection with credit cards; credit card services, namely granting credit to others; financial asset management for others; insurance and reinsurance services, namely underwriting of all types of insurance; equity capital investment services; insurance underwriting services in the field of bonds; financial security underwriting services; personal loan financing; lending against collateral; acquisition financing services; commercial financing services; commercial real-estate agency

services; mutual funds; loan and private capital investments; services for providing information in the field of the aforesaid services; services of assistance and consultancy in the field of the aforesaid services; lease-purchasing of mobile and modular structures; insurance brokerage services; credit agency services in the field of commercial and consumer credit; financing of real estate loans and financial and banking services; monetary operations in particular by means of bank cards or customer loyalty cards; financial clearing services; issuance of checks and letters of credit; financial services; insurance services; financial operations; bill payment services; debit card services; payment card services; pre-paid card services; electronic transactions by credit and debit card; electronic transfer of funds; smart card and electronic money services; provision of liquidities; credit card and payment services replacing cash payments; electronic transfer of capital; check verification; check cashing services; automated teller and safe deposit system services; payment processing services; transaction authentication and verification services; provision of financial information via a global computer network; financial sponsoring of festivals and concerts; financial services for purchasing goods and services sold in retail at points-of-sale for promotion purposes; provision of information services in the field of tourism, namely providing financial information; financial services for tourist assistance purposes; lease-purchasing of telephones, facsimile machines and other telecommunication equipment; lease-purchasing of transport containers; financial sponsorship of sporting activities. Insurance services; financial affairs; banking affairs; monetary affairs; real estate affairs; credit card services; financing of sporting and cultural activities; rental of buildings and outbuildings designed for hosting corporate entertainment events; equity and private mark financing services; financial analyses and consultation; financial services in connection with credit cards; credit card services, namely granting credit to others; financial asset management for others; insurance and reinsurance services, namely underwriting of all types of insurance; equity capital investment services; insurance underwriting services in the field of bonds; financial security underwriting services; personal loan financing; lending against collateral; acquisition financing services; commercial financing services; commercial real-estate agency services; mutual funds; loan and private capital investments; services for providing information in the field of the aforesaid services, services of assistance and consultancy in the field of the aforesaid services; lease-purchasing of mobile and modular structures; insurance brokerage services; credit agency services in the field of commercial and consumer credit; financing of real estate loans and financial and banking services; monetary operations in particular by means of bank cards or customer loyalty cards; financial clearing

services; issuance of checks and letters of credit; financial services; insurance services; financial operations; bill payment services; debit card services; payment card services; pre-paid card services; electronic transactions by credit and debit card; electronic transfer of funds; smart card and electronic money services; provision of liquidities; credit card and payment services replacing cash payments; electronic transfer of capital; check verification; check cashing services; automated teller and safe deposit system services; payment processing services; transaction authentication and verification services; provision of financial information via a global computer network; financial sponsoring of festivals and concerts; financial services for purchasing goods and services sold in retail at points-of-sale for promotion purposes; provision of information services in the field of tourism, namely providing financial information; financial services for tourist assistance purposes; lease-purchasing of telephones, facsimile machines and other telecommunication equipment; lease-purchasing of transport containers; financial sponsorship of sporting activities.

38 – Telecommunications; television program broadcasting, broadcasting of televised programs (live or recorded); cellular telephone communication; communications by electronic computer terminals, by databases and by telecommunication networks connected to the Internet; communications by telegrams; communications by telephone; communications by facsimile machines; radio paging; teleconferencing communications; television broadcasting; cable television broadcasting; radio broadcasting; news agency services; other message transmission services; provision of access to a commercial site on the Internet; radio and television broadcasting provided via the Internet; electronic messaging; providing access to computer information newsletters and to discussion forums on line; transmission of messages and images via computers; providing access to home and office shopping services via computer and/or interactive communication technologies; telecommunication of information (including web pages), of computer programs and of all other data; electronic messaging services; providing user access to the Internet; telecommunication connections to the Internet or to databases; providing access to digital music web sites on the Internet; rental of access time to a central database (telecommunications); provision of access to search engines; providing discussion forums on the Internet; rental of access time to a central server database; rental of access time to a computer database (telecommunication services); simultaneous broadcasting, in particular by means of electronic interconnections, of films and of video and sound recordings; wireless data messaging services, in particular services enabling a user to send and/or receive messages via a wireless data network; one-way and two-way messaging services; electronic

transmission of data, images, documents, mails, messages and audio and video data, via local or global computer and communication networks; electronic transmission of data, images, documents, mails, messages and audio and video data via the Internet, intranets, extranets, television; electronic transmission of data, images, documents, mails, messages and audio and video data via mobile communication networks, cellular networks and satellite networks; electronic transmission of software via local or global communication networks, including the Internet, intranets, extranets, television, mobile communication networks, cellular networks and satellite networks; providing access to databases and to local or global communication networks, including the Internet, intranets, extranets, television, mobile communication, cellular and satellite networks; transmission and relay of messages, namely electronic transmission of messages; telecommunication services for the dissemination of information by mobile telephone, namely, transmission of data to mobile telephones; communication by mobile telephone; voice communication transmission and reception services; transmission and reception on a value-added network; telecommunication services by telematic means and by multimedia networks; rental of access time to a database server center; operating networks for transmission of value-added data (multimedia systems, interactive videography, global computer telecommunication networks).

41 – Education; providing of training; entertainment; sporting and cultural activities, televised sporting and cultural entertainment; organization of exhibitions for cultural and educational purposes; organization of lotteries and competitions; betting and gambling services in connection with or relating to sports; entertainment services provided during sporting events or concerning sporting events; organization of sporting and cultural events and activities; organization of real or virtual sporting competitions; providing sports facilities; entertainment in the nature of television news shows; entertainment services in the nature of creation, development and production of television programming; entertainment services in the nature of ongoing reality-based television programs; entertainment in the nature of ongoing television programs in the field of sport; rental of audio and video equipment; production of films, other than advertising films; production of sound and video recordings; presentation and distribution of films and of sound and video recordings; rental of films and of sound and video recordings; rental and/or provision via a computer network of interactive education and entertainment products, namely interactive compact discs, CD-ROMs, computer games; entertainment, namely presentation of interactive education and entertainment products, namely interactive compact discs, CD-ROMs, computer games; radio and television coverage of sporting events; pro-

duction of television and radio programs and of videotapes; production of cartoons; production of animated programs for television; reservation of tickets for sporting events and shows; timing of sports events; organization of beauty contests; interactive entertainment; on-line betting services; provision of games on the Internet; provision of raffle services; provision of information concerning entertainment or education, provided online from a data bank or the Internet; electronic game services provided by means of the Internet; providing on line electronic publications; publication of books, magazines, texts (other than advertising texts) and periodicals; online publication of electronic books, magazines, texts (other than advertising texts) and periodicals; provision of digital music from the Internet; provision of sporting results; provision of information concerning sports and sporting events; rental of recorded sounds and images; audio production services; provision of information concerning sports events provided online from a computer database or the Internet; editing and publishing services; provision of digital music (non-downloadable); offering digital music by means of telecommunications; publication of statistics regarding sporting results and audience ratings for sporting competitions; training in the use and operation of systems for signaling and notification of crossings for the railway and transit industries; conducting of seminars, conferences, symposiums or workshops in the field of medical imaging and diagnosis intended for medical practitioners and employees of pharmaceutical companies; education services, namely conducting of seminars, conferences, symposiums or workshops in the field of life sciences and biotechnology for scientists and researchers; conducting of seminars on problems in connection with industrial water treatment; training services in all the aforesaid fields; training services in the field of management and medicine by means of the use of instructions and demonstrations provided on line, via the Internet, intranets and extranets; education services, namely conducting of practical training workshops, courses and seminars including demonstrations in the field of medicine and management; design, conducting and hosting of courses, seminars and all training activities in the field of information technology; organization and performance of concerts; booking of seats for shows; movie presentations; provision of information relating to entertainment; film production; show production; theater production services; operation of golf facilities; health club services (fitness training); sports camp services; presentation of live performances; film projection; organization of shows (impresario services); holiday camp services [entertainment]; movie studios; news reporter services; provision of on-line electronic publications, not downloadable; music hall services; education services, namely conducting of courses, seminars, presentations, video presentations; provi-

sion of educational material, namely dissemination of material in the field of financial knowledge; education services in the field of tourism; services of provision of information in the field of tourism, namely services of provision of information regarding reservation of tickets for recreational events; services of provision of information in the field of tourism, namely services of provision of information regarding entertainment; services of provision of information in the field of tourism, namely services of provision of information regarding planned sporting, cultural and recreational activities; services in connection with entertainment for tourist assistance; tourist reservation services, namely activity and entertainment reservation services; assistance services for tourists concerning reservation of tickets for recreational events; assistance services for tourists concerning planned sporting, cultural and recreational activities; presenting of prizes rewarding the authors of exceptional acts or performances; arranging and conducting ceremonies relating to the presentation of prizes and awards.

43 – Services for providing food and drink; temporary accommodation; cafeteria and restaurant services; welcoming and hospitality services, namely providing food and drink; food and drink catering; reservation of hotels and temporary accommodation; bar services; cafés; rental of meeting rooms; tourist homes; services of provision of information in the field of tourism, namely providing accommodation information; services of provision of information in the field of tourism, namely providing information on provision of food and meals; accommodation services for tourist assistance; services in connection with providing food and meals for tourist assistance; reservation services for tourism, namely reservation of hotel rooms and of food and meals; services of provision of information in the field of tourism, namely services of provision of information concerning the reservation of hotel rooms, accommodation, food and meals; assistance provided to tourists concerning the reservation of hotel rooms, accommodation, food and meals; tourist reservation services, namely reservation of hotel rooms, accommodation, food and meals; rental of mobile and modular structures.

(260) AM 2019 101332 A

(800) 1445630

(151) 2018 11 06

(891) 2018 11 06

(731) SPAZZOLIFICIO PIAVE S.P.A.

Via Palladio, 5, I-35010 Onara di Tombolo
(Padova), Italy

(540)

OCEAN 87

(591) Black, white
(531) 27.05.01; 27.07.01
(511)

3 – Dentifrices; mouthwash; oral hygiene preparations; washing preparations for personal use; tooth cleaning preparations; feminine hygiene cleansing towelettes; hand washes; cosmetic preparations for the care of mouth and teeth; douching preparations for personal sanitary or deodorant purposes [toiletries]; breath freshening preparations for personal hygiene; vaginal washes for personal sanitary or deodorant purposes; nasal cleaning preparations for personal sanitary purposes; detergents; cleansing gels; cleansing lotions; cleaning sprays; cleansing mousse; cleansing oil; cleansing balm; cleansing masks; washing creams; emulsifying solvent cleaners; foam detergents; hand cleansers; skin cleansers; detergents for household use; skin cleansing cream; facial cleansers [cosmetic]; cleansers for household purposes; cleaning masks for the face; cleaning agents for household purposes; cleaning preparations for personal use; non-medicated cleansing creams; skin cleansers [cosmetic]; body cleansing foams; skin cleansing lotion; cloths impregnated with a detergent for cleaning; disposable wipes impregnated with cleansing compounds for use on the face; spray cleaners for household use; laundry detergents for household cleaning use; cleansers for intimate personal hygiene purposes, non medicated; cosmetics; cosmetic moisturisers; mousses [cosmetics]; cleansing milk for toilet purposes; cosmetics and cosmetic preparations; cosmetic soaps; oils for cosmetic purposes; hair pomades; hair spray; hair emollients; hair care lotions; hair dyes; hair creams; hair mousse; hair tonic; shampoos; balms, other than for medical purposes; hair conditioners; bath foam; foaming bath liquids; foaming bath gels; antiperspirants [toiletries]; deodorant soap; soap; soaps in liquid form; scented soaps; perfumes; liquid perfumes; laundry soap; detergent soap; liquid soap for laundry; fabric softeners for laundry use; polishing preparations; refurbishing preparations; oils for cleaning purposes; cleaning and fragrancing preparations; polishing wax; polishing creams; grease-removing preparations; abrasives; powder compacts [cosmetics]; skin cleansers [non-medicated].

21 – Toothbrushes; toothbrushes, electric; heads for electric toothbrushes; hairbrushes; brushes; floss for dental purposes; nail brushes; make-up sponges; toilet sponges; sponges for household purposes; dusting cloths [rags]; cloths for cleaning; soap holders; brooms; make-up brushes; eyebrow brushes; eyelash brushes; toilet utensils; shaving brushes; perfume sprayers [sold empty]; combs.

(260) AM 2019 101333 A
(800) 1445631
(151) 2018 11 23

(891) 2018 11 23
(731) YEARCON CO., LTD.
No.239, Wenzhong East Road, Wenxi Town,
Qingtian County, 323903 Zhejiang Province,
China

(540)

意尔康

(591) Black, white
(531) 28.03
(511)

18 – Animal skins; school bags; attaché cases; handbags; travelling bags; leather straps; umbrellas; pocket wallets.

25 – Clothing; layettes [clothing]; swimsuits; shoes; football shoes; hats; hosiery; gloves [clothing]; neckties.

(260) AM 2019 101334 A
(800) 1445643
(151) 2018 06 28
(891) 2018 06 28
(731) Private limited liability company "SPAR
Russia B.V."
Rokin 101, 1012 KM Amsterdam,
Netherlands, Netherlands

(540)



(591) Green, white, light green, light yellow
(531) 01.15.09; 26.01.18; 27.05.10; 29.01.13
(511)

3 – Abrasives; amber [perfume]; descaling preparations for household purposes; antistatic preparations for household purposes; aromatics [essential oils]; air fragrancing preparations; cake flavorings [essential oils]; flavorings for beverages [essential oils]; food flavorings [essential oils]; breath freshening sprays; canned pressurized air for cleaning and dusting purposes; balms, other than for medical purposes; lip glosses; petroleum jelly for cosmetic purposes; shoe polish; cobblers' wax; cotton wool for cosmetic purposes; sachets for perfuming linen; drying agents for dishwashing machines; adhesives for cosmetic purposes; scented water; Javelle water; lavender water; toilet water; laundry wax; wax for parquet floors; floor wax; non-slipping wax for floors; depilatory wax; moustache wax; tailors' wax; waxes for

leather; polish for furniture and flooring; shoemakers' wax; polishing wax; massage gels, other than for medical purposes; dental bleaching gels; make-up; deodorants for pets; deodorants for human beings or for animals; depilatory preparations; scented wood; perfumes; non-slipping liquids for floors; windshield cleaning liquids; greases for cosmetic purposes; volcanic ash for cleaning; perfumery; decorative transfers for cosmetic purposes; shaving stones [astringents]; smoothing stones; eyebrow pencils; cosmetic pencils; alum stones [astringents]; adhesives for affixing false eyelashes; adhesives for affixing false hair; hair conditioners; quillaia bark for washing; beard dyes; colorants for toilet purposes; cosmetic dyes; laundry starch; laundry glaze; shoe cream; polishing creams; cosmetic creams; skin whitening creams; hair spray; nail polish; lotions for cosmetic purposes including hair lotions, after-shave lotions; beauty masks; oils for perfumes and scents; oils for cosmetic purposes; oils for toilet purposes; essential oils, including essential oils of cedarwood; essential oils of lemon; essential oils of citron; oils for cleaning purposes; bergamot oil; gaultheria oil; jasmine oil; lavender oil; almond oil; rose oil; oil of turpentine for degreasing; whiting; cleaning chalk; almond milk for cosmetic purposes; cleansing milk for toilet purposes; musk [perfumery]; soap, including deodorant soap; shaving soap; soap for brightening textile; cakes of toilet soap; antiperspirant soap; soap for foot perspiration; soap; almond soap; mint for perfumery; cosmetic kits; emery; nail art stickers; false nails; eau de Cologne; bases for flower perfumes; joss sticks; pastes for razor strops; dentifrices; pumice stone; lipstick cases; hydrogen peroxide for cosmetic purposes; breath freshening strips; teeth whitening strips; lipsticks; pomades for cosmetic purposes; cosmetic preparations for baths; shaving preparations; bath preparations, not for medical purposes; hair straightening preparations; hair waving preparations; laundry soaking preparations; douching preparations for personal sanitary or deodorant purposes; smoothing preparations [starching]; color-removing preparations; leather bleaching preparations; polishing preparations, including denture polishes; mouthwashes, not for medical purposes; cosmetic preparations for slimming purposes; starch glaze for laundry purposes; refurbishing preparations; eye-washes, not for medical purposes; fabric softeners for laundry use; laundry bleaching preparations; dry-cleaning preparations; paint stripping preparations; lacquer-removing preparations; make-up removing preparations; floor wax removers [scouring preparations]; varnish-removing preparations; rust removing preparations; nail care preparations; cleaning preparations; preparations for cleaning dentures; wallpaper cleaning preparations; preparations for unblocking drain pipes; collagen preparations for cosmetic purposes; laundry preparations; aloe vera preparations for cosmetic purposes; sunscreen pre-

parations; color-brightening chemicals for household purposes [laundry]; shining preparations [polish]; make-up powder; stain removers; nail polish removers; vaginal washes for personal sanitary or deodorant purposes; scouring solutions; false eyelashes; tissues impregnated with cosmetic lotions; tissues impregnated with make-up removing preparations; laundry blueing; turpentine for degreasing; potpourris [fragrances]; bleaching soda; washing soda, for cleaning; bath salts, not for medical purposes; bleaching salts; fumigation preparations [perfumes]; preservatives for leather [polishes]; ammonia [volatile alkali] [detergent]; astringents for cosmetic purposes; eyebrow cosmetics; make-up preparations; sun-tanning preparations [cosmetics]; hair dyes; neutralizers for permanent waving; preparations to make the leaves of plants shiny; cosmetic preparations for eyelashes; cosmetic preparations for skin care; shoe wax; cosmetics; cosmetics for animals; mascara; cleansers for intimate personal hygiene purposes, non medicated; detergents, other than for use in manufacturing operations and for medical purposes; degreasers, other than for use in manufacturing processes; bleaching preparations [decolorants] for cosmetic purposes; antiperspirants [toilettries]; toiletry preparations; phytocosmetic preparations; talcum powder, for toilet use; cotton swabs for cosmetic purposes; terpenes [essential oils]; cloths impregnated with a detergent for cleaning; henna [cosmetic dye]; shampoos for animals [non-medicated grooming preparations]; shampoos for pets [non-medicated grooming preparations]; dry shampoos; shampoos; herbal extracts for cosmetic purposes; extracts of flowers [perfumes]; ethereal essences; badian essence; mint essence [essential oil].

5 – Medicine cases, portable, filled; first-aid boxes, filled; fly catching paper; mothproofing paper; melissa water for pharmaceutical purposes; mineral waters for medical purposes; thermal water; sexual stimulant gels; air deodorizing preparations; deodorants, other than for human beings or for animals; deodorants for clothing and textiles; candy, medicated; medicated animal feed; candy for medical purposes; adhesive plasters; medicated hair lotions; lotions for pharmaceutical purposes; medicated after-shave lotions; personal sexual lubricants; powdered milk for babies; fly catching adhesives; antibacterial soap; disinfectant soap; medicated soap; dietetic beverages adapted for medical purposes; malted milk beverages for medical purposes; antiparasitic collars for animals; cotton swabs for medical purposes; food for babies; babies' diapers [napkins]; diapers for pets; pomades for medical purposes; belts for sanitary napkins [towels]; preparations for destroying noxious animals; preparations for destroying noxious plants; preparations for destroying dry rot fungus; larvae exterminating preparations; fly destroying preparations; preparations for destroying mice; slug exterminating preparations; parasiticides; mothp-

roofing preparations; solutions for contact lenses; dietetic foods adapted for medical purposes; homogenized food adapted for medical purposes; freeze-dried food adapted for medical purposes; sanitary pads; menstruation bandages; panty liners [sanitary]; pearl powder for medical purposes; chewing gum for medical purposes; insect repellents; insect repellent incense; repellents for dogs; tissues impregnated with pharmaceutical lotions; sugar for medical purposes; fumigating sticks; lacteal flour for babies; infant formula; bicarbonate of soda for pharmaceutical purposes; antibacterial handwashes; disinfectants for chemical toilets; animal washes [insecticides]; detergents for medical purposes; dog washes [insecticides]; insecticidal veterinary washes; antiparasitic preparations; menstruation tampons; sanitary panties; babies' diaper-pants; diabetic bread adapted for medical use; medicinal tea; herbal teas for medicinal purposes; insecticidal animal shampoo; medicated shampoos; medicated shampoos for pets; pediculicidal shampoos; medicated dry shampoos; rat poison; bacterial poisons.

8 – Table forks; cutlery; edge tools [hand tools]; implements for decanting liquids [hand tools]; depilation appliances, electric and non-electric; oyster openers; polishing irons [glazing tools]; cutting tools [hand tools]; nail nippers; blades [hand tools]; razor blades; spoons; table knives, forks and spoons for babies; table knives, forks and spoons of plastic; manicure sets; manicure sets, electric; pedicure sets; shaving cases; cheese slicers, non-electric; egg slicers, non-electric; pizza cutters, non-electric; scaling knives; hobby knives [scalpels]; ceramic knives; can openers, non-electric; penknives; braiders [hand tools]; bill-hooks; knives; cleavers; border shears; pruning shears; scissors; vegetable slicers; nail files; nail files, electric; tweezers; hair-removing tweezers; table cutlery [knives, forks and spoons]; hand implements for hair curling; vegetable choppers; money scoops; fingernail polishers, electric or non-electric; hackles [hand tools]; insecticide sprayers [hand tools]; syringes for spraying insecticides; silver plate [knives, forks and spoons]; pruning knives; mortars for pounding [hand tools]; razor cases; tongs; curling tongs; cuticle tweezers; eyelash curlers.

16 – Fountain pens; watercolors [paintings]; albums; almanacs; document laminators for office use; atlases; posters; banknotes; banners of paper; paper bows; table linen of paper; tickets; forms, printed; announcement cards [stationery]; note books; pads [stationery]; drawing pads; loose-leaf binders; wristbands for the retention of writing instruments; pamphlets; booklets; paper sheets [stationery]; waxed paper; paper for recording machines; drawer liners of paper, perfumed or not; wood pulp paper; carbon paper; copying paper [stationery]; parchment paper; writing paper; rice paper; luminous paper; toilet paper; wrapping paper; filter paper; paper; newsletters;

modelling wax, not for dental purposes; signboards of paper or cardboard; sewing patterns; bunting of paper; newspapers; electrotypes; hectographs; modelling clay; polymer modelling clay; terrestrial globes; engravings; slate pencils; pencil leads; document holders [stationery]; pencil holders; chalk holders; holders for checkbooks; holders for stamps [seals]; page holders; table runners of paper; writing slates; galley racks [printing]; drawing boards; advertisement boards of paper or cardboard; punches [office requisites]; cream containers of paper; magazines [periodicals]; money clips; tags for index cards; pen clips; bookmarkers; periodicals; printed publications; graphic representations; drawing instruments; calendars; gums [adhesives] for stationery or household purposes; pencils; pencil lead holders; charcoal pencils; pictures; transfers [decalcomanias]; paintings [pictures], framed or unframed; cardboard; hat boxes of cardboard; files [office requisites]; cards; index cards [stationery]; geographical maps; paper tapes and cards for the recordal of computer programmes; trading cards, other than for games; catalogues; covers of paper for flower pots; paintbrushes; painters' brushes; writing brushes; glue for stationery or household purposes; gluten [glue] for stationery or household purposes; books; comic books; drawing pins; cigar bands; envelopes [stationery]; boxes of paper or cardboard; cases for stamps [seals]; paint boxes [articles for use in school]; correcting fluids [office requisites]; printed coupons; paper ribbons; typewriter ribbons; gummed tape [stationery]; adhesive bands for stationery or household purposes; correcting tapes [office requisites]; inking ribbons; adhesive tapes for stationery or household purposes; self-adhesive tapes for stationery or household purposes; square rulers for drawing; drawing rulers; flyers; absorbent sheets of paper or plastic for foodstuff packaging; humidity control sheets of paper or plastic for foodstuff packaging; viscose sheets for wrapping; sheets of reclaimed cellulose for wrapping; plastic bubble packs for wrapping or packaging; steel letters; type [numerals and letters]; paint trays; postage stamps; plastics for modelling; graphic prints; modelling materials; teaching materials [except apparatus]; sealing compounds for stationery purposes; adhesives [glues] for stationery or household purposes; stuffing of paper or cardboard; bookbinding material; packing [cushioning, stuffing] materials of paper or cardboard; packaging material made of starches; filtering materials [paper]; tablemats of paper; pencil sharpening machines, electric or non-electric; writing chalk; marking chalk; spray chalk; bags [envelopes, pouches] of paper or plastics, for packaging; garbage bags of paper or of plastics; plastic bags for pet waste disposal; bibs of paper; stickers [stationery]; finger-stalls [office requisites]; writing cases [stationery]; cords for bookbinding; paper knives [letter openers]; printed sheet music; numbering apparatus; bottle en-

velopes of paper or cardboard; sealing wafers; covers [stationery]; passport holders; plastic cling film, extensible, for palletization; embroidery designs [patterns]; musical greeting cards; greeting cards; post-cards; conical paper bags; bags for microwave cooking; palettes for painters; ink sticks; folders for papers; papier mâché; pastels [crayons]; modelling paste; pen cases; pen wipers; pens [office requisites]; seals [stamps]; clipboards; handkerchiefs of paper; plastic film for wrapping; desk mats; letter trays; trays for sorting and counting money; coasters of paper; bookends; stamp stands; mats for beer glasses; stands for pens and pencils; photograph stands; obliterating stamps; inking pads; stamp pads; binding strips [bookbinding]; towels of paper; writing cases [sets]; inkstands; office requisites [except furniture]; writing materials; writing instruments; drawing materials; school supplies [stationery]; adhesive tape dispensers [office requisites]; hand labelling appliances; printed matter; prospectuses; printed timetables; ledgers [books]; indexes; rubber erasers; elastic bands for offices; penholders; marking pens [stationery]; tissues of paper for removing make-up; face towels of paper; place mats of paper; table napkins of paper; tablecloths of paper; paper clasps; document files [stationery]; scrapers [erasers] for offices; paper-clips; staples for offices; erasing products; writing or drawing books; stationery; pencil sharpeners, electric or non-electric; transparencies [stationery]; stencil plates; cardboard tubes; Indian inks; moisteners [office requisites]; moisteners for gummed surfaces [office requisites]; chart pointers, non-electronic; bottle wrappers of paper or cardboard; apparatus for mounting photographs; stapling presses [office requisites]; manuals [handbooks]; figurines [statuettes] of papier mâché; paper coffee filters; flags of paper; silver paper; molds for modelling clays [artists' materials]; photographs [printed]; canvas for painting; compasses for drawing; ink; inkwells; address stamps; stamps [seals]; shields [paper seals]; labels of paper or cardboard.

18 – Slings for carrying infants; luggage tags; pocket wallets; business card cases; reins for guiding children; sling bags for carrying infants; credit card cases [wallets]; umbrellas; parasols; card cases [note-cases]; cases of leather or leatherboard; boxes of leather or leatherboard; boxes of vulcanized fiber; purses; bags [envelopes, pouches] of leather, for packaging; moleskin [imitation of leather]; travelling sets [leatherware]; muzzles; vanity cases, not fitted; clothing for pets; covers for animals; collars for animals; music cases; leather leashes; garment bags for travel; shoulder belts [straps] of leather; briefcases; haversacks; leather straps; straps of leather [saddlery]; grips for holding shopping bags; rucksacks; travelling bags; net bags for shopping; bags for climbers; tool bags, empty; handbags; beach bags; saddlebags; bags for sports; bags for campers; shopping bags; wheeled shopping bags; school bags; bags; po-

uch baby carriers; travelling trunks; trunks [luggage]; nose bags [feed bags]; key cases; suitcases; suitcases with wheels; valises; attaché cases; umbrella covers; labels of leather.

21 – Tanks [indoor aquaria]; wine aerators; buckets; cookie jars; candle jars [holders]; china ornaments; dishes; paper plates; vegetable dishes; saucers; mugs; candy boxes; bottles; demijohns; busts of porcelain, ceramic, earthenware, terra-cotta or glass; vases; epergnes; fruit cups; baby baths, portable; plungers for clearing blocked drains; waffle irons, non-electric; ice buckets; mop wringer buckets; buckets made of woven fabrics; whisks, non-electric, for household purposes; cooking skewers of metal; rails and rings for towels; clothing stretchers; birdcages; funnels; carpet beaters [hand instruments]; signboards of porcelain or glass; candle extinguishers; heads for electric toothbrushes; flower pots; chamber pots; cruets; decanters; large-toothed combs for the hair; combs for animals; tea cosies; abrasive sponges for scrubbing the skin; make-up sponges; sponges for household purposes; toilet sponges; sponge holders; toothpick holders; soap holders; table napkin holders; holders for flowers and plants [flower arranging]; shaving brush stands; toilet paper holders; soap dispensers; toilet paper dispensers; plug-in diffusers for mosquito repellents; ironing boards; cutting boards for the kitchen; bread boards; washing boards; crushers for kitchen use, non-electric; strainers for household purposes; smoke absorbers for household purposes; containers for household or kitchen use; kitchen containers; glass jars [carboys]; heat-insulated containers; heat-insulated containers for beverages; thermally insulated containers for food; glass flasks [containers]; closures for pot lids; chamois leather for cleaning; toothpicks; ceramics for household purposes; majolica; works of art of porcelain, ceramic, earthenware, terra-cotta or glass; brush goods; kitchen grinders, non-electric; cleaning instruments, hand-operated; cabarets [trays]; stew-pans; flower-pot covers, not of paper; shaving brushes; make-up brushes; basting brushes; cages for household pets; baking mats; ladles for serving wine; polishing leather; hot pots, not electrically heated; glass bulbs [receptacles]; boot trees [stretchers]; shoe trees [stretchers]; napkin rings; poultry rings; rings for birds; coin banks; piggy banks; bread baskets for household purposes; baskets for household purposes; waste paper baskets; feeding troughs; mangers for animals; lunch boxes; tea caddies; washtubs; earthenware saucepans; mess-tins; cauldrons; coffee percolators, non-electric; coffeepots, non-electric; coffee grinders, hand-operated; fused silica [semi-worked product], other than for building; beer mugs; tankards; rat traps; pot lids; aquarium hoods; butter-dish covers; dish covers; cheese-dish covers; buttonhooks; reusable ice cubes; pitchers; perfume burners; watering cans; fly traps; insect traps; ice cream scoops; mixing spoons [kitchen utensils];

basting spoons [cooking utensils]; tart scoops; cosmetic spatulas; spatulas for kitchen use; litter boxes for pets; butter dishes; polishing materials for making shiny, except preparations, paper and stone; tablemats, not of paper or textile; noodle machines, hand-operated; lint removers, electric or non-electric; polishing apparatus and machines, for household purposes, non-electric; pepper mills, hand-operated; mills for household purposes, hand-operated; feather-dusters; brooms; isothermic bags; confectioners' decorating bags [pastry bags]; bowls [basins]; mosaics of glass, not for building; saucepan scourers of metal; soap boxes; cooking pot sets; pouring spouts; fitted picnic baskets, including dishes; toilet cases; floss for dental purposes; fiberglass thread, other than for textile use; cookie [biscuit] cutters; pastry cutters; sprinklers; sprinklers for watering flowers and plants; cotton waste for cleaning; wool waste for cleaning; cleaning tow; cold packs for chilling food and beverages; chopsticks; cocktail stirrers; pepper pots; kitchen mitts; gloves for household purposes; car washing mitts; polishing gloves; gardening gloves; dripping pans; trays for household purposes; trays of paper, for household purposes; lazy susans; heaters for feeding bottles, non-electric; candelabra [candlesticks]; trivets [table utensils]; coasters, not of paper or textile; grill supports; menu card holders; knife rests for the table; flat-iron stands; egg cups; abrasive pads for kitchen purposes; pads for cleaning; drinking troughs; serving ladles; powdered glass for decoration; pottery; pots; cooking pots; painted glassware; tableware, other than knives, forks and spoons; porcelain ware; earthenware; crystal [glassware]; cosmetic utensils; toilet utensils; deodorizing apparatus for personal use; cruet sets for oil and vinegar; make-up removing appliances; spice sets; apparatus for wax-polishing, non-electric; bottle openers, electric and non-electric; potholders; clothes-pegs; glass stoppers; powder compacts; perfume vaporizers; powder puffs; dusting apparatus, non-electric; foam toe separators for use in pedicures; combs, including electric combs; grills [cooking utensils]; sifters [household utensils]; drinking horns; shoe horns; candle rings; broom handles; salad bowls; place mats, not of paper or textile; sugar bowls; beaters, non-electric; egg separators, non-electric, for household purposes; services [dishes]; coffee services [tableware]; liqueur sets; tea services [tableware]; sieves [household utensils]; tea strainers; rolling pins, domestic; frying pans; steel wool for cleaning; currycombs; blenders, non-electric, for household purposes; scoops for household purposes; fruit presses, non-electric, for household purposes; drinking straws; salt cellars; drinking vessels; vessels of metal for making ices and iced drinks; refrigerating bottles; bulb basters; cups of paper or plastic; glasses [receptacles]; drinking glasses; statues of porcelain, ceramic, earthenware or glass; figurines [statuettes] of porcelain,

ceramic, earthenware or glass; mortars for kitchen use; portable cool boxes, non-electric; soup bowls; drying racks for laundry; basins [receptacles]; table plates; disposable table plates; graters for kitchen use; vacuum bottles; indoor terrariums [plant cultivation]; indoor terrariums [vivariums]; cloth for washing floors; polishing cloths; cloths for cleaning; dusting cloths [rags]; furniture dusters; urns; aerosol dispensers, not for medical purposes; wax-polishing appliances, non-electric, for shoes; water apparatus for cleaning teeth and gums; electric devices for attracting and killing insects; watering devices; utensils for household purposes; household and kitchen utensils, including cooking utensils, non-electric; coffee filters, non-electric; flasks; hip flasks; drinking bottles for sports; molds [kitchen utensils]; cake molds; ice cube molds; cookery molds; deep fryers, non-electric; comb cases; bread bins; fly swatters; teapots; kettles, non-electric; cups; garlic presses [kitchen utensils]; ironing board covers, shaped; tea infusers; mops; mop wringers; cocktail shakers; corkscrews, electric and non-electric; dishwashing brushes; ski wax brushes; brushes for cleaning tanks and containers; scrubbing brushes; toothbrushes; toothbrushes, electric; carpet sweepers; brushes for footwear; tar-brushes, long handled; toilet brushes; electric brushes, except parts of machines; eyebrow brushes; nail brushes; eyelash brushes; nutcrackers; ice tongs; salad tongs; sugar tongs; decanter tags; nest eggs, artificial; boxes for dispensing paper towels; garbage cans; window-boxes; boxes of glass.

24 – Household linen; diapered linen; bath linen, except clothing; bed linen; table linen, not of paper; table runners of textile; drugget; shower curtains of textile or plastic; curtains of textile or plastic; net curtains; baby buntings; tablemats of textile; sleeping bags; sleeping bags for babies; pillowcases; mattress covers; bed blankets; blankets for household pets; diaper changing cloths for babies; handkerchiefs of textile; travelling rugs [lap robes]; bed covers; bed covers of paper; towels of textile; sheets [textile]; eiderdowns [down coverlets]; bath mitts; glass cloths [towels]; cloths for removing make-up; face towels of textile; place mats of textile; table napkins of textile; mosquito nets; oilcloth for use as tablecloths; tablecloths, not of paper; cheese cloth; covers for cushions; fitted toilet lid covers of fabric; covers [loose] for furniture; pillow shams; labels of textile.

25 – Bandanas [neckerchiefs]; underwear; sweat-absorbent underwear; bodies [underclothing]; boxer shorts; brassieres; galoshes; leggings [leg warmers]; gaiters; hoods [clothing]; visors [headwear]; tights; slips [underclothing]; bodices [lingerie]; corsets [underclothing]; bathing suits; masquerade costumes; beach clothes; leotards; leggings [trousers]; camisoles; sports singlets; sleep masks; mittens; muffs [clothing]; footmuffs, not electrically heated; heelpi-

aces for footwear; bibs, not of paper; hairdressing capes; ear muffs [clothing]; socks; sweat-absorbent socks; beach shoes; sports shoes; paper clothing; waterproof clothing; fittings of metal for footwear; panties; gloves [clothing]; ski gloves; pajamas; bathing trunks; scarfs; pocket squares; headbands [clothing]; garters; sock suspenders; stocking suspenders; ready-made linings [parts of clothing]; dress shields; braces for clothing [suspenders]; girdles; belts [clothing]; money belts [clothing]; layettes [clothing]; non-slipping devices for footwear; heelpieces for stockings; welts for footwear; wooden shoes; sandals; bath sandals; inner soles; bath slippers; underpants; gymnastic shoes; slippers; shoes; aprons [clothing]; tee-shirts; dressing gowns; bath robes; stockings; sweat-absorbent stockings; caps [headwear]; paper hats [clothing]; shower caps; bathing caps; sashes for wear; babies' pants [underwear]; trouser straps.

28 – Toy vehicles; swimming pools [play articles]; trampolines; novelties for parties, dances [party favors, favours]; scratch cards for playing lottery games; shuttlecocks; spinning tops [toys]; jigsaw puzzles; clay pigeons [targets]; flying discs [toys]; dolls' houses; dominoes; swimming kick boards; chessboards; checkerboards; darts; Christmas trees of synthetic material; cups for dice; swimming jackets; kites; toys for pets; stuffed toys; plush toys; mobiles [toys]; practical jokes [novelties]; toys; parlor games; board games; ring games; games; building games; kaleidoscopes; bladders of balls for games; playing cards; rocking horses; swings; skittles; skittles [games]; baby gyms; bells for Christmas trees; dolls' rooms; confetti; explosive bonbons [Christmas crackers]; dice; dolls' beds; roulette wheels; fish hooks; building blocks [toys]; dolls; swimming webs [flippers]; toy models; marionettes; masks [playthings]; carnival masks; theatrical masks; fencing masks; matryoshka dolls; masts for sailboards; teddy bears; chalk for billiard cues; targets; electronic targets; scale model kits [toys]; scale model vehicles; kite reels; balls for games; backgammon games; pumps specially adapted for use with balls for games; dolls' clothes; toy pistols; toy air pistols; percussion caps [toys]; caps for pistols [toys]; rattles [playthings]; horseshoe games; candle holders for Christmas trees; Christmas tree stands; soap bubbles [toys]; rackets; toy robots; sling shots [sports articles]; plush toys with attached comfort blanket; scooters [toys]; sleds [sports articles]; bob-sleighs; butterfly nets; landing nets for anglers; nets for sports; tennis nets; artificial snow for Christmas trees; remote-controlled toy vehicles; clay pigeon traps; slides [playthings]; men's athletic supporters [sports articles]; rods for fishing; ornaments for Christmas trees, except illumination articles and confectionery; tennis ball throwing apparatus; conjuring apparatus; apparatus for games; toy figures; counters [discs] for games; chips for gambling; foosball tables; bags es-

pecially designed for skis and surfboards; marbles for games; billiard balls; playing balls; play balloons; paintballs [ammunition for paintball guns] [sports apparatus]; chess games; checkers [games]; poles for pole vaulting; paper party hats; chest expanders [exercisers].

29 – Ajvar [preserved peppers]; aloe vera prepared for human consumption; alginates for culinary purposes; anchovy, not live; peanuts, prepared; artichokes, preserved; albumen for culinary purposes; white of eggs; beans, preserved; soya beans, preserved, for food; bouillon; ginger jam; fatty substances for the manufacture of edible fats; toasted laver; edible birds' nests; sea-cucumbers, not live; peas, preserved; mushrooms, preserved; guacamole [mashed avocado]; game, not live; gelatine; meat jellies; jellies for food; fruit jellies; yolk of eggs; coconut fat; bone oil, edible; lard; edible fats, including suet for food; curd; fruit-based snack food; milk substitutes; sausages, including blood sausage; caviar; eggplant paste; vegetable marrow paste; fish roe, prepared; yogurt; galbi [grilled meat dish]; sauerkraut; kefir [milk beverage]; kimchi [fermented vegetable dish]; isinglass for food; clams, not live; potato-based dumplings; milk shakes; onion rings; arrangements of processed fruit; compotes; canned food, including canned meat, vegetables, fish, fruits; bouillon concentrates; corn dogs; gherkins; shrimps, not live; buttercream; croquettes; silkworm chrysalis for human consumption; sweet corn, processed; kumys [kumyss] [milk beverage]; fish, not live, including preserved fish, salted fish; spiny lobsters, not live; salmon, not live; lecithin for culinary purposes; onions, preserved; margarine; marmalade; oils for food, including peanut butter, cocoa butter for food, coconut oil for food, coconut butter, corn oil for food, sesame oil for food, flaxseed oil for culinary purposes, extra virgin olive oil for food, olive oil for food, palm oil for food, palm kernel oil for food, sunflower oil for food, colza oil for food, soya bean oil for food; shellfish, not live; almonds, ground; animal marrow for food; mussels, not live; milk; peanut milk; peanut milk for culinary purposes; coconut milk; almond milk for culinary purposes; oat milk; rice milk; rice milk for culinary purposes; protein milk; condensed milk; soya milk; powdered milk; fish meal for human consumption; vegetable mousses; fish mousses; fruit pulp; meat and meat products, including preserved meat, freeze-dried meat, ham, salted meats, meat extracts; milk beverages, milk predominating; peanut milk-based beverages; coconut milk-based beverages; almond milk-based beverages; edible insects, not live; sausage casings, natural or artificial; vegetables, including preserved vegetables; freeze-dried vegetables; vegetables, dried; vegetables, cooked; potato fritters; olives, preserved; lobsters, not live; flavored nuts; candied nuts; coconut, desiccated; nuts, prepared; tomato paste;

pâté, including made of liver; pectin for culinary purposes; liver; pickles; jams; powdered eggs; milk products; fish-based foodstuffs; prostokvasha [sour milk]; poultry and game, including not live poultry; bulgogi [Korean beef dish]; pollen prepared as foodstuff; cranberry sauce [compote]; tomato purée; apple purée; crayfish, not live; crustaceans, not live; ryazhenka [fermented baked milk]; salads, including vegetable and fruit salads; bacon; sardines, not live; pork; herrings, not live; seeds, prepared; sunflower seeds, prepared; cream [dairy products]; whipped cream; vegetable-based cream; fat-containing mixtures for bread slices; smetana [sour cream]; lemon juice for culinary purposes; tomato juice for cooking; vegetable juices for cooking; sausages, including sausages in batter, hot dog sausages; preparations for making bouillon and soup; nut-based spreads; tripe; soups, including vegetable soup preparations; whey; cheese; tahini [sesame seed paste]; tofu; truffles, preserved; tuna, not live; oysters, not live; falafel; milk ferments for culinary purposes; rennet; fish fillets; dates; fruits, including frosted fruits, frozen fruits, preserved fruit, fruit preserved in alcohol; fruit, stewed; dried fruits, including raisins; hazelnuts, prepared; potato flakes; hummus [chickpea paste]; fruit peel; preserved garlic; lentils, preserved; potato chips, including low-fat potato chips; fruit chips; non-alcoholic eggnog; seaweed extracts for food; escamoles [edible ant larvae, prepared]; berries, preserved; eggs, including snail eggs for consumption; yakitori.

30 – Vanilla flavorings for culinary purposes; flavorings [flavourings], other than essential oils, for cakes; flavorings, other than essential oils, for beverages; coffee flavorings; food flavorings, other than essential oils; star aniseed; baozi [stuffed buns]; cereal bars; high-protein cereal bars; pancakes; noodle-based prepared meals; freeze-dried dishes with main ingredient being pasta; freeze-dried dishes with main ingredient being rice; buns; bread rolls; edible rice paper; edible paper; burritos; vanillin [vanilla substitute]; vareniki [stuffed dumplings]; waffles; vermicelli [noodles]; natural sweeteners; sausage binding materials; binding agents for ice cream; sea water for cooking; seaweed [condiment]; malt biscuits; cloves [spice]; mirror icing [mirror glaze]; cake frosting [icing]; glucose for culinary purposes; gluten additives for culinary purposes; yeast, including yeast for dough; thickening agents for cooking foodstuffs; leaven; rice-based snack food; cereal-based snack food; coffee substitutes, including chicory; vegetal preparations for use as coffee substitutes; dressings for salad; candy decorations for cakes; confectionery, including confectionery for decorating Christmas trees, pastries, peanut confectionery, almond confectionery, fruit jellies [confectionery], chewing gum, chocolate, sugar confectionery; pastries, including gingerbread; pasta, including spaghetti, ravioli; ginger [spice]; frozen yogurt [confectionery ices]; cocoa and

cocoa-based foodstuffs, including cocoa beverages with milk and cocoa-based beverages; cream of tartar for culinary purposes; capers; caramels [candy]; curry [spice]; ketchup [sauce]; gimbap [Korean rice dish]; quiches; gluten prepared as foodstuff; flour-based dumplings; sweetmeats [candy]; liquorice [confectionery]; peppermint sweets; dulce de leche; cinnamon [spice]; coffee, including unroasted coffee; starch for food; crackers; custard; hominy grits; semolina; oatmeal; crushed barley; groats for human food; ice cubes; corn, milled; corn, roasted; meat pies; turmeric; couscous [semolina]; noodles; edible ices, including ice for refreshment; ice, natural or artificial; candy; rice cakes; mayonnaise; macaroons [pastry]; macaroni; maltose; hominy; piccaililli; marinades; marzipan; honey; soya bean paste [condiment]; royal jelly; ice cream; bean meal; tapioca flour; potato flour; corn flour; nut flours; flour; wheat flour; soya flour; barley meal; dessert mousses [confectionery]; chocolate mousses; muesli; mint for confectionery; coffee beverages with milk; coffee-based beverages; chamomile-based beverages; tea-based beverages; chocolate beverages with milk; chocolate-based beverages; infusions, not medicinal; crushed oats; husked oats; okonomiyaki [Japanese savory pancakes]; onigiri [rice balls]; nutmegs; chocolate-coated nuts; stick liquorice [confectionery]; pastilles [confectionery]; molasses for food; pâtés en croûte; pelmeni [dumplings stuffed with meat]; pepper; allspice; seasonings, including peppers, saffron; pesto [sauce]; biscuits; petit-beurre biscuits; bibimbap [rice mixed with vegetables and beef]; pies; pizzas; meat gravies; fondants [confectionery]; popcorn; powders for making ice cream; baking powder; mustard meal; pralines; aromatic preparations for food; condiments, including mustard; meat tenderizers for household purposes; cereal preparations; oat-based food; propolis; spices; petits fours [cakes]; puddings, including rice pudding; cake powder; fruit coulis [sauces]; ramen [Japanese noodle-based dish]; relish [condiment]; rice, including instant rice; wheat germ for human consumption; spring rolls; sago; sugar, including palm sugar; sesame seeds [seasonings]; linseed for culinary purposes [seasoning]; processed seeds for use as a seasoning; aniseed; agave syrup [natural sweetener]; golden syrup; batter mixes for okonomiyaki [Japanese savory pancakes]; bicarbonate of soda for cooking purposes [baking soda]; malt for human consumption; salt for preserving foodstuffs; salt, including cooking salt; celery salt; sorbets [ices]; ham glaze; sauces [condiments], including soya sauce, tomato sauce, pasta sauce; chocolate-based spreads; chocolate spreads containing nuts; preparations for stiffening whipped cream; rusks; breadcrumbs; sushi; sandwiches, including cheeseburgers; tabbouleh; tacos; tapioca; tarts; dough, including pastry dough, almond paste, rice pulp for culinary purposes, cake dough; tortillas; cakes; garden herbs, preserved [seasonings]; chocolate

decorations for cakes; vinegar, including beer vinegar; ferments for pastes; halvah; bread, including unleavened bread; chips [cereal products]; corn flakes; oat flakes; hot dog sandwiches; flowers or leaves for use as tea substitutes; jiaozi [stuffed dumplings]; tea, including iced tea; chutneys [condiments]; minced garlic [condiment]; chow-chow [condiment]; malt extract for food; essences for foodstuffs, except etheric essences and essential oils; husked barley.

31 – Algarovilla for animal consumption; oranges, fresh; peanuts, fresh; artichokes, fresh; beans, fresh; locust beans, raw; wreaths of natural flowers; grapes, fresh; algae, unprocessed, for human or animal consumption; dog biscuits; peas, fresh; mushroom spawn for propagation; mushrooms, fresh; trees; palm trees; turf, natural; Christmas trees; edible chews for animals; cereal seeds, unprocessed; grains [cereals]; grains for animal consumption; lime for animal forage; fish spawn; vegetable marrows, fresh; cocoa beans, raw; potatoes, fresh; chestnuts, fresh; arrangements of fresh fruit; animal foodstuffs, including pet food; bird food; strengthening animal for age; chicory roots; roots for animal consumption; nettles; groats for poultry; maize; edible sesame, unprocessed; bushes; rose bushes; spiny lobsters, live; lemons, fresh; vine plants; salmon, live; onions, fresh; flower bulbs; leeks, fresh; olives, fresh; bran mash for animal consumption; shellfish, live; almonds [fruits]; mussels, live; peanut meal for animals; linseed meal for animal consumption; meal for animals; flax meal [fodder]; rice meal for forage; fish meal for animal consumption; straw mulch; beverages for pets; edible insects, live; oats; vegetables, fresh; cucumbers, fresh; lobsters, live; nuts [fruits]; coconuts; kola nuts; bran; cuttle bone for birds; peppers [plants]; aromatic sand [litter] for pets; citrus fruit, fresh; litter for animals; unprocessed sweet corn ears [husked or unhusked]; crayfish, live; crustaceans, live; seedlings; plants; aloe vera plants; plants, dried, for decoration; rhubarb, fresh; rice, unprocessed; rye; fish, live; lettuce, fresh; sardines, live; beet, fresh; herrings, live; seeds for planting; sanded paper [litter] for pets; garden herbs, fresh; truffles, fresh; tuna, live; squashes, fresh; oysters, live; fruit, fresh; hazelnuts, fresh; fodder; hops; flowers, natural; flowers, dried, for decoration; chicory, fresh; silkworms; garlic, fresh; lentils, fresh; pine cones; hop cones; spinach, fresh; juniper berries; berries, fresh; barley.

32 – Aperitifs, non-alcoholic; lithia water; seltzer water; soda water; waters [beverages]; aerated water; mineral water [beverages]; table waters; kvass [non-alcoholic beverage]; cocktails, non-alcoholic; beer-based cocktails; lemonades; non-alcoholic beverages; isotonic beverages; non-alcoholic honey-based beverages; rice-based beverages, other than milk substitutes; soya-based beverages, other than milk

substitutes; aloe vera drinks, non-alcoholic; whey beverages; protein-enriched sports beverages; soft drinks; non-alcoholic beverages flavored with coffee; non-alcoholic beverages flavored with tea; non-alcoholic fruit juice beverages; fruit nectars, non-alcoholic; orgeat; beer, including ginger, malt beer; powders for effervescing beverages; sarsaparilla [non-alcoholic beverage]; syrups for lemonade; syrups for beverages; smoothies; tomato juice [beverage]; cider, non-alcoholic; juices, including vegetable juices [beverages]; fruit juices; preparations for making aerated water; preparations for making liqueurs; preparations for making beverages, namely mineral enriched water; preparations for making beverages; must; grape must, unfermented; beer wort; malt wort; pastilles for effervescing beverages; sorbets [beverages]; non-alcoholic fruit extracts; extracts of hops for making beer; essences for making beverages.

33 – Aperitifs; arrack [arak]; baijiu [Chinese distilled alcoholic beverage]; brandy; wine, including piquette; whisky; vodka; anisette [liqueur]; kirsch; gin; cocktails; curacao; liqueurs and digesters [liqueurs and spirits], anise [liqueur]; pre-mixed alcoholic beverages, other than beer-based; alcoholic beverages, except beer; alcoholic beverages containing fruit; spirits [beverages]; distilled beverages; mead [hydromel]; peppermint liqueurs; liqueurs, bitters; nira [sugarcane-based alcoholic beverage]; rum; sake; perry; cider; rice alcohol; alcoholic extracts; fruit extracts, alcoholic; alcoholic essences.

34 – Flavorings, other than essential oils, for use in electronic cigarettes; flavorings, other than essential oils, for tobacco; gas containers for cigar lighters; absorbent paper for tobacco pipes; cigarette paper; accessories for smoking, including lighters for smokers, ashtrays for smokers, snuffboxes; tobacco pouches; books of cigarette papers; humidors; matchboxes; firestones; cigar cutters; holders, including cigar and cigarette holders; mouthpieces for cigarette holders; tips of yellow amber for cigar and cigarette holders; ashtrays for smokers; spittoons for tobacco users; pipe racks for tobacco pipes; pipe cleaners for tobacco pipes; liquid solutions for use in electronic cigarettes; electronic cigarettes; cigarettes, including cigarettes containing tobacco substitutes, not for medical purposes; tobacco products, including cigarettos; cigars; tobacco jars; match holders; matches; oral vaporizers for smokers; tobacco, including chewing tobacco; snuff; herbs for smoking; tobacco pipes; pocket machines for rolling cigarettes; cigarette filters; cigarette tips; cigar cases; cigarette cases.

35 – Demonstration of goods and presentation of goods on communication media, for retail purposes; commercial information and advice for consumers [consumer advice shop]; organization of exhibitions and trade fairs for commercial or advertising purposes; shop window dressing; provision of an on-line

marketplace for buyers and sellers of goods and services; retail or wholesale services for pharmaceutical, veterinary and sanitary preparations and medical supplies; sales promotion for others; rental of sales stands; administration of consumer loyalty programs; administrative processing of purchase orders; procurement services for others [purchasing goods and services for other businesses].

43 – Snack-bar services; café services; cafeteria services; restaurant services; self-service restaurant services; food sculpting; canteen services; bar services; food and drink catering.

(260) AM 2019 101335 A

(800) 1445650

(151) 2018 11 23

(891) 2018 11 23

(731) YEARCON CO., LTD.

No.239, Wenzhong East Road, Wenxi Town,
Qingtian County, 323903 Zhejiang Province,
China

(540)

意尔康
YEARCON

(591) Black, white

(531) 27.05.01; 28.03

(511)

18 – Imitation leather; school bags; briefcases; travelling bags; pocket wallets; shopping bags; umbrellas; umbrella covers; parasols.

25 – Clothing; layettes [clothing]; swimsuits; water-proof clothing; tips for footwear; footwear uppers; shoes; sports shoes; hats; hosiery; gloves [clothing]; neckties; girdles.

(260) AM 2019 101336 A

(800) 1445670

(151) 2018 07 23

(891) 2018 07 23

(731) DURMAZLAR MAKİNA SANAYİ VE
TİCARET ANONİM ŞİRKETİ

Organize Sanayi Bölgesi 75., Yıl Bulvarı
No:4, Nilüfer, Bursa, Turkey

(540)

 **durmazlar**

(591) Red, black and dark grey

(531) 04.05.05; 15.07.01; 15.07.15; 26.05.01;

26.05.24; 27.05.01; 29.01.13

(511)

7 – Machine tools to process wood, metal, glass and plastic materials; lathes, milling machines, planing machines, saw blades, sanding machines, industrial grinding machines, cutting machines, plastic injection machines, threading machines; working machines, construction machines; bulldozers, excavators, road making machines, drainage machines, rock drilling machines, loaders, road sweeping machines [self propelled], rolling mills, rams, molding machines, rolling mill cylinders, lifting and hoisting machines; elevators for people and material, moving pavements, ramps, lifts, cranes, moving staircases (escalators), belt conveyors, elevators; milking machines, churns, dairy machines, incubators for eggs and brooding machines, engines and motors, segments, transmission chains and shafts, transmission shaft bearings, crank shafts, pressure reducers, pressure regulators, pressure valves, hydraulic and pneumatic controls, pulleys, bobbins, pistons for engines and sleeves, speed governors, driving mechanisms, torque transformers (converters), counter pedals, clutches, cardan joints (universal joints), turbines, other than for land vehicles (for working machines and water and air vehicles, turbines); brake mechanisms and segments, brakes, brake linings and shoes, brake repair sets, other than for vehicles; starters, dynamos, bicycle dynamos, spark plugs, igniting devices, injectors; exhausts, exhaust installations, engine mufflers; belts, v-belts, dynamo belts, conveyor belts for engines and motors; bearings, ball or roller bearings; carburetors, carburetor feeders; fuel economizers for engines, fuel conversion apparatus for internal combustion engines (LPG conversion apparatus); radiators (engine cooling) for vehicles, fans for engines; oil, fuel and air filters for engines and motors; hydraulic and pneumatic cylinders (pistons), cylinder heads other than engine parts, electric engines (other than for land transportation vehicles), rack and pinion jacks for tires, alternators, generators, electrical generators, solar generators, painting machines, spray guns for paint, electrical punching machines and guns, glue guns (electric), pressurized air or liquid spray guns, electric hand drills, chainsaws, decoupling machines, industrial robots, shearing machines for animals, compressed air machines, compressors; welding machines; electric welding machines, point welding machines, printing machines and apparatus; mine working machines for crumbling and breaking; packaging machines, filling-tapping and covering machines, labelers, separators; machines for manufacturing of leather and fabric goods; sewing machines, embroidery machines, edging machines, button looping and sewing machines, cutting machines; textile machines; weaving machines, threshing machines, reed machines, thread bending machines (ring machines), weaving looms; electric pumps, engines or motors; pressure tanks, water pumps (electro pumps, motor

pumps), diver pumps, pumps for heating installations; pumps (parts of machines, engines or motors) (liquid and gas pumps), casting machines and their parts, catalytic converters; vehicle washing installations, automatic kneading machines, dough shaping machines, drying machines for setting dough aside, dough cutting machines; metal annealing machines, machines for separating foreign bodies, sieving machines, electro magnetizing (separator) machines, vibro silo machines (for discharging materials); milling machines, grain processors, grain breaking machines, wheat brushing machines, peeling and separating machines; electric closing mechanisms for vehicle windows.

(260) AM 2019 101338 A
(800) 1445695
(151) 2018 09 17
(891) 2018 09 17
(731) LIMITED LIABILITY COMPANY "ALAN"
Startova street, 26, Dnipro 49000, Ukraine
(540)



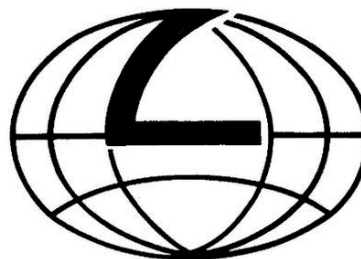
(591) Black, white
(531) 03.04.01; 03.04.04; 03.04.24; 28.05
(511)
29 – Bacon; albumen for culinary purposes; bouillons; preparations for making bouillon; bouillon concentrates; game, not live; meat jellies; suet for food; animal marrow for food; charcuterie; blood sausage; meat extracts; meat, canned; meat; meat, preserved; salted meats; liver pastes; liver; sausages; sausages in batter; ham.

(260) AM 2019 101348 A
(800) 1445906
(151) 2018 12 04
(891) 2018 12 04
(731) Leatherman Tool Group, Inc.
12106 N.E. Ainsworth Circle, Portland
OR 97220, USA
(540)



(591) Black, white
(531) 26.01.03; 26.01.18; 26.04.09; 27.05.21
(511)
8 – Multiple-function folding hand tool comprising two or more of the following elements -- scissors, pliers, knife, screwdriver, saw, file, can opener, awl, tweezers, bottle opener and cork puller.
14 – Watches and bracelets.
25 – Clothing, namely, jackets, T-shirts, sweatshirts, sweat pants, caps, polo shirts and button down shirts.

(260) AM 2019 101349 A
(800) 1445932
(151) 2018 11 14
(891) 2018 11 14
(731) LOCKTON, INC.
444 WEST 47TH STREET, SUITE 900,
KANSAS CITY MO 64112, USA
(540)



(591) Black, white
(531) 01.05.02; 01.05.06; 27.05.21
(511)
36 – Financial risk management; insurance risk management; insurance agency services.

(260) AM 2019 101353 A
(800) 1446034
(151) 2018 10 31
(891) 2018 10 31
(731) TAIZHOU RIDA VALVE CO., LTD
No.8 Xingfutang Road, Bingang Industrial
Zone, Shamen, Yuhuan, Taizhou, Zhejiang,
China
(540)

WFK

(591) Black, white
(531) 27.05.23
(511)
6 – Ironmongery; safe box [metal or non-metal]; steel bottle for pressure gas and hydraulic pressure gas reducing valve; works of art of common metal; copper, unwrought or semi-wrought; reinforcing ma-

materials of metal for machine belts; elbows of metal for pipes; junctions of metal for pipes; signboards of metal; nuts of metal; locks of metal, other than electric; doors of metal; valves of metal, other than parts of machines; rods of metal for brazing and welding; cable joints of metal, non-electric.

11 – Heating installations; refrigerators; floor drain; thermostatic valves [parts of heating installations]; heating radiator; cooling installations for water; mixer taps for water pipes; level controlling valves in tanks; disinfectant apparatus; lamps; roasters; radiators, electric; air conditioning installations; taps.

(260) AM 2019 101356 A

(800) 1446070

(151) 2018 11 22

(891) 2018 11 22

(731) DR. THEISS NATURWAREN GMBH

Michelinstr. 10, 66424 Homburg, Germany

(540)

DR.THEISS
BI  **Active-Complex**

(591) Black, white

(531) 26.05.04; 27.01.04; 27.05.09; 27.05.10

(511)

3 – Soaps; perfumery, essential oils, cosmetics, hair lotions; dentifrices.

5 – Pharmaceutical and veterinary preparations; medicines for human or veterinary purposes; nutritional supplements; sanitary preparations for medical purposes; dietetic substances adapted for medical use, food for babies; plasters, materials for dressings.

44 – Hygienic and beauty care for human beings or animals.

(260) AM 2019 101359 A

(800) 1446178

(151) 2018 09 14

(891) 2018 09 14

(731) Joint-Stock Company "FABRIKA "RUSSKIY SHOKOLAD"

ul. Vereyskaya, d. 29, str. 143, RU-121357

Moscow, Russian Federation

(540)



(591) White, gold, brown, dark brown, light brown, green, red, blue

(531) 05.07.06; 08.01.19; 27.05.07; 29.01.13

(511)

30 – Confectionery.

(260) AM 2019 101360 A

(800) 1446183

(151) 2018 09 14

(891) 2018 09 14

(731) Joint-Stock Company "FABRIKA "RUSSKIY SHOKOLAD"

ul. Vereyskaya, d. 29, str. 143, RU-121357

Moscow, Russian Federation

(540)



(591) White, gold, brown, dark brown, light brown, green, red, blue.

(531) 05.07.06; 08.01.19; 27.05.07; 29.01.15

(511)

30 – Confectionery.

(260) AM 2019 101369 A

(800) 1355121

(151) 2016 10 27

(891) 2018 10 26

(731) STRELLSON AG

Sonnenwiesenstrasse 21, CH-8280

Kreuzlingen, Switzerland

(540)

JOOP!

(591) Black, white

(511)

8 – Hand apparatus for extracting, sharpening steels, oyster openers, cutlery (knives, forks and spoons), flat irons, tin-openers (non-electric), ice picks, table forks, hand implements for hair curling, vegetable slicers, vegetable choppers, razor blades, spoons, manicure sets, knives, cutlery, mortars for pounding, nail files, electric or non-electric nail clippers, shaving cases, nutcrackers, tongs, electric or non-electric razors, razor strops, scissors, silver plate (knives, forks and spoons), sugar tongs.

34 – Lighters for smokers, mouthpieces for cigarette holders, matches, match boxes, tobacco pouches, tobacco jars, pipes, cigarette cases, cigar cutters.

(260) AM 2019 101423 A

(800) 1446337

(151) 2018 10 18

(891) 2018 10 18

(731) Vegapharm LLP

Astra House, Arklow Road, London
SE14 6EB, United Kingdom

(540)

Glisite

(591) Black, white

(511)

5 – Adhesive band for medical use; adhesive bands for medical purposes; adhesive compositions for medical use; adhesive plaster; adhesive tapes for medical purposes; alcohol for pharmaceutical purposes; allergy medications; allergy relief medication; anti-allergic medicines; anti-bacterial soap; antibiotics; antitussives; appetite stimulant preparations; baby foods; balms for medical purposes; balsamic preparations for medical purposes; biological preparations for medical purposes; cardiovascular preparations; chemical preparations for medical purposes; chemical preparations for pharmaceutical purposes; chemical preparations for testing blood for medical purposes; chemical preparations for the diagnosis of diabetes; cotton for medical purposes; cough syrups; court plaster; dietary supplemental drinks; dietary supplements; dietary supplements for humans and animals; dietary supplements for infants; dietary supplements for medical use; dietetic beverages adapted for medical purposes; dietetic confectionery adapted for medical purposes; dietetic food and substances adapted for medical or veterinary use, food for babies; dietetic foods adapted for infants; dietetic foods adapted for invalids; dietetic foods adapted for medical purposes; dietetic foods for medicinal purposes; dietetic foodstuffs for medical purposes; dietetic infusions for medical use; dietetic preparations adapted for medical use; dietetic products for medical purposes; dietetic substances adapted for medical use; dietetic sugar for medical use; disinfectants; disinfectants for hygiene purposes; disinfectants for medical instruments; disinfectant soap; dragees [medicines]; dressing retention materials; dressings, medical; medicinal drinks; elixirs for preventing chills; elixirs for preventing colds; elixirs for relieving asthma; elixirs for relieving chills; elixirs for relieving colds; elixirs [pharmaceutical preparations]; enzyme dietary supplements; enzyme preparations for medical purposes; enzyme preparations for veterinary purposes; enzymes for medical purposes; enzymes for veterinary purposes; eye drops; eye lotions for medical use; eye ointment for medical use; eye pads for medical use; food for babies; food for diabetics; food for infants; food for invalids; food supplements for dietetic use; foodstuffs for diabetics [specially made for]; medicated foot balms; medicated foot creams; gastrointestinal preparations; glucose dietary

supplements; glucose for medical purposes; glucose preparations for medical purposes; hemoglobin; herbal medicine; medicinal herbs; immunoassay reagents for medical use; immunomodulators; medical preparation for slimming purposes; medicated baby powders; medicated balms; medicated hand wash; medicated plasters; medicated shampoo; medicated shampoos; medicated soap; medicated skin lotions; medicated sugar; medicinal beverages; medicinal creams for skin care; medicinal herbal extracts for medical purposes; medicinal infusions; medicinal oils; medicinal preparations for stimulating hair growth; medicated mineral drinks; mineral food supplements; mineral salts for medical purposes; mineral water salts; mineral waters for medical purposes; nasal decongestants; nervines; nutritional supplements; ointments for pharmaceutical purposes; ophthalmologic preparations; pain relief medication; pharmaceutical and veterinary preparations; pharmaceutical compositions; pharmaceutical creams; pharmaceutical implants; pharmaceutical lipsalves; pharmaceutical preparations; pharmaceutical preparations for animal skincare; pharmaceutical preparations for animals; pharmaceutical preparations for skin care; pharmaceutical preparations for treating dandruff; pharmaceutical preparations for veterinary use; pharmaceutical preparations in strip form; pharmaceutical skin lotions; pharmaceutical sweets; pharmaceuticals for the treatment of erectile dysfunction; plasters [dressings]; plasters for medical purposes; plasters, materials for dressings; preparations for destroying pests; preparations for destroying vermin; preparations for ocular lubrication; preparations for use as additives to food for human consumption [medicated]; sanitary knickers; sanitary pads; sanitary panties; sanitary preparations for medical purposes; sanitary tampons; sanitary towels; sanitary wear; siccatives [drying agents] for medical purposes; styptic preparations; sugar for medical purposes; sugar substitutes for diabetics; tampons [sanitary]; therapeutic creams [medical]; tonics preparations for medical purposes; vitamins for animals.

(260) AM 2019 101424 A

(800) 1446338

(151) 2018 03 12

(891) 2018 03 12

(731) ZARATE CORPORATION N.V.

Penstraat 35, Curaçao

(540)

HELLO

(591) Black, white

(511)

34 – Tobacco; smokers' articles; matches.

(260) AM 2019 101425 A

(800) 1446420

(151) 2018 11 26

(891) 2018 11 26

(731) VASHURKIN MYKHAILO YURIIOVYCH
vul. Shevchenka, 258, kv. 57, m. Cherkasy
18000, Ukraine

(540)

E-tec

(591) Black, white

(511)

1 – Chemicals for use in industry, science and photography, as well as in agriculture, horticulture and forestry; unprocessed artificial resins, unprocessed plastics; fire extinguishing and fire prevention compositions; tempering and soldering preparations; substances for tanning animal skins and hides; adhesives for use in industry; compost, manures, fertilizers; biological preparations for use in industry and science; antifreeze; cooling liquids.

4 – Industrial oils and greases, wax; lubricants; dust absorbing, wetting and binding compositions; fuels and illuminants; candles and wicks for lighting.

(260) AM 2019 101426 A

(800) 1446433

(151) 2018 08 10

(891) 2018 08 10

(731) OSMAN ARSLANTAŞ
Düğmeciler Mah. Alp Sok., No:9/Kat:3
Eyüp, İstanbul, Turkey

(540)

TVT

(591) Black, white

(511)

6 – Ores of non-precious metal; common metals and their alloys and semi-finished products made of these materials; goods and materials of common metal used for storage, wrapping, packaging and sheltering purposes, containers of metal (storage, transport), buildings of metal, frames of metal for building, poles of metal for building, metal boxes, packaging containers of metal, aluminium foil, fences made of metal, guard barriers of metal, metal tubes, storage containers of metal, metal containers for the transportation of goods, ladders of metal; doors, windows, shutters, jalousies and their cases and fittings of metal; non-electric cables and wires of metal; ironmongery, small hardware of metal; ventilation ducts, vents, vent covers, pipes, chimney caps, man-hole covers, grilles of metal for ventilation, heating, sewage, telephone, underground electricity and air

conditioning installations; metal panels or boards (non-luminous and non-mechanical) used for signalling, route showing, publicity purposes, signboards of metal, advertisement columns of metal, signaling panels of metal, non-luminous and non-mechanical traffic signs of metal; pipes of metal for transportation of liquids and gas, drilling pipes of metal and their metal fittings, valves of metal, couplings of metal for pipes, elbows of metal for pipes, clips of metal for pipes, connectors of metal for pipes; safes (strong boxes) of metal; metal railway materials, metal rails, metal railway ties, railway switches; bollards of metal, floating docks of metal, mooring buoys of metal, anchors; metal moulds for casting, other than machine parts; works of art made of common metals or their alloys; metal closures, bottle caps of metal; metal poles; metal pallets and metal ropes for lifting, loading and transportation purposes; metal hangers, ties, straps, tapes and bands used for load-lifting and load-carrying; wheel chocks made primarily of metal.

(260) AM 2019 101427 A

(800) 1446435

(151) 2018 11 19

(891) 2018 11 19

(731) Obshchestvo s ogranichennoy
otvetstvennostyu "STRATFORD GLOBAL"
ul. Belkinskaya, d. 25, podiezd 5, pom. 1,
Obninsk, RU-249034 Kaluzhskaya obl.,
Russian Federation

(540)



(591) Black, white

(531) 05.01.12; 24.01.25

(511)

25 – Clothing, footwear, headgear; wimples; bandanas [neckerchiefs]; underwear; sweat-absorbent underwear; berets; overalls; boas [necklets]; teddies [underclothing]; boxer shorts; ankle boots; ski boots; boots for sports; breeches for wear; trousers; football boots; brassieres; valenki [felted boots]; collars [clothing]; detachable collars; shirt yokes; veils [clothing]; gabardines [clothing]; galoshes; neckties; ascots; leggings [leg warmers]; gaiters; boot uppers; corselets; jerseys [clothing]; vests; sports jerseys; hosiery; heels; hoods [clothing]; hat frames [skeletons]; pockets for clothing; neck scarfs [mufflers]; kimonos; visors [headwear]; cap peaks; tights; slips [underclothing]; combinations [clothing]; wet suits

for water-skiing; bodices [lingerie]; corsets [underclothing]; suits; bathing suits; masquerade costumes; beach clothes; leotards; jackets [clothing]; stuff jackets [clothing]; fishing vests; leggings [trousers]; liveries; camisoles; sports singlets; cuffs; short-sleeve shirts; mantillas; coats; sleep masks; furs [clothing]; mittens; miters [hats]; muffs [clothing]; footmuffs, not electrically heated; heelpieces for footwear; bibs, not of paper; bibs, sleeved, not of paper; fur stoles; hairdressing capes; ear muffs [clothing]; socks; sweat-absorbent socks; footwear; beach shoes; sports shoes; clothing; paper clothing; outer-clothing; ready-made clothing; motorists' clothing; cyclists' clothing; clothing for gymnastics; clothing of imitations of leather; clothing of leather; waterproof clothing; uniforms; fittings of metal for footwear; maniples; overcoats; panties; parkas; pelerines; gloves [clothing]; ski gloves; pajamas; bathing trunks; shirt fronts; scarfs; pocket squares; dresses; headbands [clothing]; garters; sock suspenders; stocking suspenders; ready-made linings [parts of clothing]; dress shields; soles for footwear; braces for clothing [suspenders]; half-boots; lace boots; sweaters; ponchos; girdles; belts [clothing]; money belts [clothing]; layettes [clothing]; non-slipping devices for footwear; heelpieces for stockings; welts for footwear; chasubles; shirts; wooden shoes; sandals; bath sandals; boots; jumper dresses; saris; sarongs; footwear uppers; inner soles; albs; bath slippers; togas; knitwear [clothing]; underpants; shoes; gymnastic shoes; slippers; skull caps; turbans; headgear for wear; aprons [clothing]; judo uniforms; karate uniforms; tee-shirts; dressing gowns; bath robes; top hats; tips for footwear; stockings; sweat-absorbent stockings; shawls; caps [headwear]; paper hats [clothing]; shower caps; bathing caps; sashes for wear; studs for football boots; hats; babies' pants [underwear]; trouser straps; pelisses; esparto shoes or sandals; skirts; petticoats; skorts.

29 – Meat, fish, poultry and game; meat extracts; preserved, frozen, dried and cooked fruits and vegetables; jellies, jams, compotes; eggs; milk and milk products; edible oils and fats; ajvar [preserved peppers]; aloe vera prepared for human consumption; alginates for culinary purposes; anchovy, not live; peanuts, prepared; artichokes, preserved; albumen for culinary purposes; white of eggs; beans, preserved; soya beans, preserved, for food; bouillon; ginger jam; ham; fatty substances for the manufacture of edible fats; laver, preserved; edible birds' nests; sea-cucumbers, not live; peas, preserved; mushrooms, preserved; guacamole [mashed avocado]; game, not live; gelatine; meat jellies; jellies for food; fruit jellies; yolk of eggs; coconut fat; bone oil for food; lard; suet for food; edible fats; curd; fruit-based snack food; milk substitutes; soya patties; tofu patties; charcuterie; cottage cheese fritters; raisins; caviar; eggplant paste; vegetable marrow paste; fish roe, prepared; yogurt; galbi [grilled meat dish]; sau-

erkraut; kephir [milk beverage]; kimchi [fermented vegetable dish]; isinglass for food; clams, not live; potato-based dumplings; klipfish [salted and dried cod]; milk shakes; black pudding; onion rings; arrangements of processed fruit; compotes; meat, tinned; vegetables, tinned; fish, tinned; fruits, tinned; bouillon concentrates; corn dogs; gherkins; shrimps, not live; prawns, not live; buttercream; croquettes; silkworm chrysalis for human consumption; sweet corn, processed; kumys [milk beverage]; spiny lobsters, not live; lecithin for culinary purposes; salmon, not live; onions, preserved; margarine; marmalade; oils for food; peanut butter; cocoa butter for food; coconut oil for food; coconut butter; corn oil for food; sesame oil for food; linseed oil for food; extra virgin olive oil for food; olive oil for food; palm oil for food; palm kernel oil for food; sunflower oil for food; colza oil for food; butter; soya bean oil for food; shellfish, not live; almonds, ground; animal marrow for food; mussels, not live; milk; peanut milk; peanut milk for culinary purposes; coconut milk; coconut milk for culinary purposes; almond milk; almond milk for culinary purposes; oat milk; rice milk; rice milk for culinary purposes; albumin milk; condensed milk; soya milk; powdered milk; fish meal for human consumption; vegetable mousses; fish mousses; fruit pulp; meat; meat, preserved; freeze-dried meat; milk beverages, milk predominating; peanut milk-based beverages; coconut milk-based beverages; almond milk-based beverages; edible insects, not live; sausage casings, natural or artificial; vegetables, preserved; freeze-dried vegetables; vegetables, dried; vegetables, cooked; potato fritters; olives, preserved; lobsters, not live; flavored nuts; candied nuts; coconut, desiccated; nuts, prepared; tomato paste; pressed fruit paste; liver pate; pectin for culinary purposes; liver; pickles; jams; powdered eggs; milk products; fish-based foodstuffs; prostokvasha [sour milk]; poultry, not live; bulgogi [Korean beef dish]; pollen prepared as foodstuff; cranberry compote; tomato puree; apple puree; crayfish, not live; crustaceans, not live; fish, preserved; fish, not live; salted fish; ryazhenka [fermented baked milk]; vegetable salads; fruit salads; bacon; sardines, not live; pork; herrings, not live; seeds, prepared; sunflower seeds, prepared; cream [dairy products]; whipped cream; vegetable-based cream; fat-containing mixtures for bread slices; smetana [sour cream]; lemon juice for culinary purposes; tomato juice for cooking; vegetable juices for cooking; salted meats; sausages; sausages in batter; hot dog sausages; preparations for making bouillon; preparations for making soup; nut-based spreads; tripe; soups; vegetable soup preparations; whey; cheese; tahini [sesame seed paste]; tofu; truffles, preserved; tuna, not live; oysters, not live; falafel; milk ferments for culinary purposes; rennet; fish fillets; dates; crystallized fruits; frozen fruits; fruit, preserved; fruit preserved in alcohol; fruit, stewed; hazelnuts, prepared; potato

flakes; hummus [chickpea paste]; fruit peel; preserved garlic; lentils, preserved; potato chips; low-fat potato chips; fruit chips; non-alcoholic eggnog; seaweed extracts for food; escamoles [edible ant larvae, prepared]; yuba [tofu skin]; berries, preserved; snail eggs for consumption; yakitori.

30 – Coffee, tea, cocoa and artificial coffee; rice; tapioca and sago; flour and preparations made from cereals; bread, pastry and confectionery; ices; sugar, honey, treacle; yeast, baking-powder; salt; mustard; vinegar, sauces (condiments); spices; vanilla flavorings for culinary purposes; flavorings, other than essential oils, for cakes; flavorings, other than essential oils, for beverages; coffee flavorings; food flavorings, other than essential oils; star aniseed; baozi [stuffed buns]; cereal bars; high-protein cereal bars; pancakes; noodle-based prepared meals; freeze-dried dishes with the main ingredient being pasta; freeze-dried dishes with the main ingredient being rice; buns; bulgur; bread rolls; edible rice paper; edible paper; burritos; vanillin [vanilla substitute]; vareniki [stuffed dumplings]; waffles; vermicelli [noodles]; natural sweeteners; sausage binding materials; binding agents for ice cream; sea water for cooking; seaweed [condiment]; malt biscuits; cloves [spice]; mirror icing [mirror glaze]; cake frosting [icing]; glucose for culinary purposes; croutons; buckwheat, processed; gluten additives for culinary purposes; yeast; thickening agents for cooking foodstuffs; leaven; rice-based snack food; cereal-based snack food; artificial coffee; vegetal preparations for use as coffee substitutes; dressings for salad; zephyr [confectionery]; fruit jellies [confectionery]; candy decorations for cakes; confectionery for decorating Christmas trees; cakes; pastries; peanut confectionery; almond confectionery; pasta; ginger [spice]; frozen yogurt [confectionery ices]; cocoa; cream of tartar for culinary purposes; capers; caramels [candy]; curry [spice]; ketchup [sauce]; gimbap [Korean rice dish]; kimchiyeon [fermented vegetable pancakes]; quinoa, processed; quiches; gluten prepared as foodstuff; flour-based dumplings; sweetmeats [candy]; liquorice [confectionery]; peppermint sweets; mints for breath freshening; dulce de leche; cinnamon [spice]; coffee; unroasted coffee; starch for food; crackers; custard; hominy grits; semolina; oatmeal; crushed barley; groats for human food; ice cubes; corn, milled; corn, roasted; meat pies; turmeric; couscous [semolina]; noodles; soba noodles; udon noodles; ice for refreshment; ice, natural or artificial; edible ices; candy; rice cakes; lomper [potato-based flatbread]; mayonnaise; macaroons [pastry]; macaroni; maltose; hominy; piccalilli; marinades; marzipan; honey; soya bean paste [condiment]; royal jelly; ice cream; bean meal; buckwheat flour; tapioca flour; potato flour; corn flour; nut flours; flour; wheat flour; soya flour; barley meal; dessert mousses [confectionery]; chocolate mousses; muesli; mint for confectionery; cocoa beverages with milk; coffee bevera-

ges with milk; coffee-based beverages; cocoa-based beverages; chamomile-based beverages; tea-based beverages; chocolate beverages with milk; chocolate-based beverages; infusions, not medicinal; crushed oats; husked oats; okonomiyaki [Japanese savory pancakes]; onigiri [rice balls]; nutmegs; chocolate-coated nuts; stick liquorice [confectionery]; pastila [confectionery]; pastilles [confectionery]; molasses for food; pâtés en croûte; pelmeni [dumplings stuffed with meat]; pepper; allspice; peppers [seasonings]; pesto [sauce]; cookies; petit-beurre biscuits; bibimbap [rice mixed with vegetables and beef]; pies; pizzas; meat gravies; fondants [confectionery]; popcorn; powders for making ice cream; baking powder; mustard meal; pralines; aromatic preparations for food; condiments; meat tenderizers for household purposes; cereal preparations; oat-based food; propolis; gingerbread; petits fours [cakes]; rice pudding; puddings; cake powder; fruit coulis [sauces]; ravioli; ramen [Japanese noodle-based dish]; chewing gum; chewing gum for breath freshening; relish [condiment]; instant rice; wheat germ for human consumption; spring rolls; sago; sugar; palm sugar; sesame seeds [seasonings]; linseed for culinary purposes [seasoning]; processed seeds for use as a seasoning; aniseed; agave syrup [natural sweetener]; golden syrup; confectionery; batter mixes for okonomiyaki [Japanese savory pancakes]; baking soda [bicarbonate of soda for cooking purposes]; malt for human consumption; salt for preserving foodstuffs; cooking salt; celery salt; sherbets [ices]; ham glaze; cranberry sauce [condiment]; soya sauce; tomato sauce; apple sauce [condiment]; sauces [condiments]; pasta sauce; spaghetti; seasonings; chocolate-based spreads; chocolate spreads containing nuts; preparations for stiffening whipped cream; shaved ice with sweetened red beans; rusks; breadcrumbs; sushi; senbei [rice crackers]; sandwiches; tabbouleh; tacos; tapioca; tarts; dough; pastry dough; almond paste; rice pulp for culinary purposes; cake dough; tortillas; garden herbs, preserved [seasonings]; chocolate decorations for cakes; vinegar; beer vinegar; ferments for pastes; halvah; bread; unleavened bread; chips [cereal products]; corn flakes; oat flakes; hot dog sandwiches; flowers or leaves for use as tea substitutes; jiaozi [stuffed dumplings]; chicory [coffee substitute]; tea; iced tea; chutneys [condiments]; minced garlic [condiment]; cheeseburgers [sandwiches]; chow-chow [condiment]; saffron [seasoning]; chocolate; malt extract for food; essences for foodstuffs, except etheric essences and essential oils; husked barley.

43 – Services for providing food and drink; snack-bar services; café services; cafeteria services; restaurant services; self-service restaurant services; canteen services; bar services; food and drink catering.

(260) AM 2019 101428 A
 (800) 1446454
 (151) 2018 12 21
 (891) 2018 12 21
 (731) CELLAED LIFE SAVER PTY LTD
 L5, 552 Lonsdale St, MELBOURNE VIC
 3000, Australia

(540)

CELLAED

(591) Black, white
 (511)
 10 – Defibrillator monitors; defibrillators.

(260) AM 2019 101444 A
 (800) 1446865
 (151) 2018 10 10
 (891) 2018 10 10
 (731) AS Liviko
 Masina 11, EE-10144 Tallinn, Estonia

(540)



(591) Black, white, red, brown and golden
 (531) 19.07.01; 19.07.23; 24.01.15; 25.01.15;
 27.05.10; 29.01.15
 (554) მოცულობითი
 (526) TALLINN, 40
 (511)
 33 – Alcoholic beverages (except beers).

(260) AM 2019 101447 A
 (800) 1446932
 (151) 2018 10 31
 (891) 2018 10 31
 (731) LAIWU TAI FENG FOODS CO., LTD.
 Taiping Village, Kou Town, Laicheng
 District, Laiwu City, Shandong Province,
 China

(540)



(591) Black, white
 (531) 05.07.24; 05.09.24; 06.19.01; 27.01.01
 (511)

31 – Live animals; pears, fresh; apples, fresh; edible
 fresh mushrooms; grapes, fresh; vegetables, fresh;
 fruit, fresh; potatoes, fresh; onions, fresh; cherry,
 fresh.

(260) AM 2019 101449 A
 (800) 1446990
 (151) 2018 11 27
 (891) 2018 11 27
 (731) SOCIÉTÉ DES PRODUITS NESTLÉ S.A.
 CH-1800 Vevey, Switzerland
 (540)

GOFREE

(591) Black, white
 (511)
 30 – Coffee, coffee extracts, flavored coffee, coffee-
 based beverages; iced coffee; artificial coffee, artifi-
 cial coffee extracts, beverages based on artificial
 coffee; chicory (coffee substitute); tea, tea extracts,
 tea-based beverages; iced tea; malt extract for food;
 malt for human consumption; cocoa and cocoa-ba-
 sed beverages; chocolate, chocolate products, choco-
 late-based beverages; cereal-based beverages inclu-
 ded in this class; sugar; biscuits, cookies; confectio-
 nery; sugar confectionery; cookies; cakes; wafers;
 caramels; puddings; candy; chewing gum not for
 medical use; natural sweeteners; bakery products;
 flours; bread; yeast; powdered mixture for cakes;
 pastry; desserts (included in this class); edible ices,
 water ices, sherbets, frozen confectionery, frozen ca-
 kes, ice creams, frozen desserts, frozen yogurts, po-
 wders and binding agents (included in this class) for
 preparing edible ices and/or water ices and/or sher-
 bets and/or frozen confectionery and/or frozen cakes
 and/or ice creams and/or frozen yogurts; honey and
 honey substitutes; cereals, breakfast cereals, cereal
 bars, muesli, corn flakes, cereal bars, ready-to-eat
 cereals; cereal preparations; cereal-based snacks;
 rice, pasta, noodles; food products based on rice,
 flour, oat meal or cereals, also in the form of cooked
 dishes; pizzas; sandwiches; ready-to-bake cake paste
 and food paste preparations.

(260) AM 2019 101450 A
 (800) 1447010
 (151) 2018 12 05
 (891) 2018 12 05
 (731) Obshchestvo s ogranichennoi otvetstvennostyu "VSK"
 ul. 50-let Oktyabrya, 113, g. Dimitrovgrad,
 RU-433502 Ulyanovskaya oblast, Russian
 Federation
 (540)

THREE PINES

(591) Black, white
 (511)
 32 – Aperitifs, non-alcoholic; seltzer water; soda water; waters [beverages]; aerated water; mineral water [beverages]; table waters; kvass [non-alcoholic beverage]; cocktails, non-alcoholic; beer-based cocktails; lemonades; non-alcoholic beverages; isotonic beverages; non-alcoholic honey-based beverages; rice-based beverages, other than milk substitutes; soya-based beverages, other than milk substitutes; whey beverages; protein-enriched sports beverages; soft drinks; non-alcoholic beverages flavored with tea; non-alcoholic fruit juice beverages; fruit nectars, non-alcoholic; beer; ginger beer; malt beer; sarsaparilla [non-alcoholic beverage]; syrups for lemonade; syrups for beverages; smoothies; vegetable juices [beverages]; fruit juices; preparations for making aerated water; preparations for making beverages, namely mineral enriched water; preparations for making beverages; must; grape must, unfermented; beer wort; malt wort; sherbets [beverages]; non-alcoholic fruit extracts; extracts of hops for making beer; essences for making beverages.

(260) AM 2019 101451 A
 (800) 1447020
 (151) 2018 08 23
 (891) 2018 08 23
 (731) Drustvo za hotelierstvo trgovija i usluzi TROKADERO INTERACIONAL DOOEL
 Tetovo
 160 31, Tetovo, The former Yugoslav
 Republic of Macedonia
 (540)

TROKADERO

(591) Black, white
 (531) 27.05.01
 (511)
 16 – Paper and cardboard; printed matter; bookbinding material; photographs; stationery; adhesives for stationery or household purposes; paintbrushes; instructional and teaching materials; plastic materials for packaging; printers' type, printing blocks.
 30 – Coffee, tea, cocoa and artificial coffee; rice; tapioca and sago; flour and preparations made from cereals; bread, pastries and confectionery; edible

ices; sugar, honey, treacle; yeast, baking-powder; salt; mustard; vinegar, sauces [condiments]; spices; ice [frozen water].

32 – Beers; mineral and aerated waters and other non-alcoholic beverages; fruit beverages and fruit juices; syrups and other preparations for making beverages.

(260) AM 2019 101452 A
 (800) 1447034
 (151) 2018 09 27
 (891) 2018 09 27
 (731) "ARMLOGISITC" LLC
 Apt 42, Frunze 6/1, Yerevan, Armenia
 (540)



(591) Black, white
 (531) 07.01.06; 19.01.01; 19.01.06; 26.04.02;
 26.04.05; 26.04.18; 26.04.24; 27.05.10;
 27.05.24; 27.07.11; 27.07.24
 (526) PREMIUM VODKA, 700ML, 40% Vol.
 (511)
 33 – Alcoholic beverages, namely vodka.

(260) AM 2019 101453 A
 (800) 1447066
 (151) 2018 07 16
 (891) 2018 07 16
 (731) TURKIYE MAARIF VAKFI
 Ord. Prof. Dr. Fahrettin Kerim Gökay,
 Caddesi Erdem Sokak No:5, Altunizade
 Usküdar, ISTANBUL, Turkey
 (540)



**TURKISH MAARIF
 FOUNDATION**

(591) The mark contains the wording "Turkish maarif foundation" and a figure above it in turquoise blue on white background.

(531) 26.13.25; 27.05.01; 29.01.12

(511)

16 – Paper and cardboard; goods made of paper or cardboard not otherwise classified by function or purpose, for example, paper bags, cardboard bags, envelopes and containers for packaging; disposable paper products, bibs, handkerchiefs and table linen of paper; goods made of plastic for packaging and envelopment; printing blocks; printed matter; books, magazines, newspapers, invoices, vouchers, calendars, photographs, tables, coupons, stamps; stationery and office requisites except furniture; paper sheets, erasers, adhesives for stationery or household purposes; drawing materials and materials for artists; paintbrushes; instructional and teaching materials; office machines; paintbrushes.

38 – Services which consist essentially of the diffusion of radio or television programs; telecommunications, including the services providing Internet service; news agency services.

41 – Services consisting of all forms of education; services having the basic aim of the entertainment, amusement or recreation of people including ticket agency services for cinema presentations, sports competitions, theatre presentations, museum facilities, concerts; publication of texts, books, magazines ext; film production and services for production of radio and television programs; news reporters' services and photographic reporting; photography services; translation services.

43 – Services providing food and drink; temporary accommodation; temporary accommodation reservations, rental of wedding ceremony rooms, rental of meeting rooms for conference and other meetings; day-nursery services.

(260) AM 2019 101454 A

(800) 1447107

(151) 2018 12 12

(891) 2018 12 12

(731) APPLE INC.

One Apple Park Way, Cupertino CA 95014,
USA

(540)

ENVERB

(591) Black, white

(511)

9 – Computer software for creating and recording music; computer software for sound mixing and synthesizing; computer software for digital audio production, processing, and editing; computer software for control and customization of audio effects.

(260) AM 2019 101455 A

(800) 1447120

(151) 2018 08 24

(891) 2018 08 24

(731) GIADA S.P.A.

Viale Risorgimento, 56, I-45011 Adria RO,
Italy

(540)



(591) Red and black

(531) 26.11.01; 26.11.12; 27.05.01; 29.01.12

(511)

25 – Clothing; footwear; headgear; parts and fittings of clothing, footwear, headgear, included in this class.

(260) AM 2019 101456 A

(800) 1447142

(151) 2018 03 09

(891) 2018 03 09

(731) SUPERIOR 14 INDUSTRIAL

KERESKEDELMI KFT

ECSERI ÚT 14-16, H-1097 BUDAPEST,

Hungary

(540)



(591) Black, brown and white

(531) 24.01.15; 24.01.17; 24.01.20; 27.07.01;
29.01.13

(511)

5 – Pharmaceuticals, medical and veterinary preparations; sanitary preparations for medical purposes; dietetic food and substances adapted for medical or veterinary use, food for babies; dietary supplements for humans and animals; plasters, materials for dressings; material for stopping teeth, dental wax; disinfectants; preparations for destroying vermin; fungicides, herbicides.

28 – Games, toys and playthings; video game apparatus; gymnastic and sporting articles; decorations for Christmas trees.

32 – Beers; mineral and aerated waters and other non-alcoholic beverages; fruit beverages and fruit juices; syrups and other preparations for making beverages.

(260) AM 2019 101457 A
 (800) 1447150
 (151) 2018 10 11
 (891) 2018 10 11
 (731) Limited Liability Company "ORIMI"
 1-st Microrayon Street, 15/4 plot, Sverdlov
 factory settlement, Vsevolozhsk district,
 RU-188682 Leningrad oblast, Russian
 Federation

(540)



(591) White, black, dark brown, brown, burgundy,
 yellow, beige

(531) 02.01.20; 26.01.14; 26.01.15; 26.01.21;
 26.07.05; 29.01.13

(511)

30 – Coffee; unroasted coffee; artificial coffee; coffee-based beverages; coffee beverages with milk.

(260) AM 2019 101463 A
 (800) 1447405
 (151) 2018 11 29
 (891) 2018 11 29
 (731) APPLE INC.
 One Apple Park Way, Cupertino CA 95014,
 USA

(540)



(591) Blue and white

(531) 26.04.04; 26.04.18; 27.05.02; 27.05.03;
 29.01.12

(511)

9 – Computer software used in developing other software applications; application development software.

(260) AM 2019 101464 A

(800) 1447486

(151) 2018 08 09

(891) 2018 08 09

(731) Limited Liability Company
 "PIVOVARENNYI ZAVOD
 KHADIZHENSKIY"
 Promyslovaya street, 20, Khadizhensk,
 Krasnodarskiy krai, RU-352680 Apsheronskiy
 raion, Russian Federation

(540)



(591) Black, white, gray

(531) 01.15.21; 11.03.03; 11.03.07; 26.01.03;
 26.01.16; 26.01.18; 28.05

(511)

32 – Beer; soft drinks; mineral water; fruit waters (terms too vague in the opinion of the International Bureau – Rule 13 (2) (b) of the Common Regulation).

35 – Advertising.

(260) AM 2019 101465 A

(800) 1447504

(151) 2018 10 18

(891) 2018 10 18

(731) ABSTRAGAN HOLDING LIMITED
 Astra House, Arklow Road, London
 SE14 6EB, United Kingdom

(540)

Berrylact

(591) Black, white

(511)

5 – Absorbent cotton / absorbent wadding; acaricides; acetates for pharmaceutical purposes; acids for pharmaceutical purposes; acne treatment preparations; aconitine; adhesive plasters / sticking plasters; adhesives for dentures; adhesive tapes for medical purposes / adhesive bands for medical purposes; ad-

juvants for medical purposes; air deodorising preparations; air purifying preparations; albumin dietary supplements; albuminous foodstuffs for medical purposes; albuminous preparations for medical purposes; alcohol for pharmaceutical purposes; aldehydes for pharmaceutical purposes; algicides; alginate dietary supplements; alginates for pharmaceutical purposes; alkaline iodides for pharmaceutical purposes; alkaloids for medical purposes; alloys of precious metals for dental purposes; almond milk for pharmaceutical purposes; aloe vera preparations for pharmaceutical purposes; aluminium acetate for pharmaceutical purposes; amino acids for medical purposes; amino acids for veterinary purposes; anaesthetics; analgesics; angostura bark for medical purposes; animal washes [insecticides]; antibacterial handwashes; antibacterial soap; antibiotics; anticryptogamic preparations; antioxidant pills; antiparasitic collars for animals; antiparasitic preparations; antiseptic cotton; antiseptics; anti-uric preparations; appetite suppressant pills; appetite suppressants for medical purposes; aseptic cotton; asthmatic tea; astringents for medical purposes; babies' diapers [napkins] / babies' napkins [diapers]; babies' napkin-pants [diaper-pants] / babies' diaper-pants / babies' napkin-pants; bacterial poisons; bacterial preparations for medical and veterinary use; bacteriological preparations for medical and veterinary use; balms for medical purposes; balsamic preparations for medical purposes; bandages for dressings; barks for pharmaceutical purposes; bath preparations for medical purposes; bath salts for medical purposes; belts for sanitary napkins [towels]; bicarbonate of soda for pharmaceutical purposes; biocides; biological preparations for medical purposes; biological preparations for veterinary purposes; biological tissue cultures for medical purposes; biological tissue cultures for veterinary purposes; bismuth preparations for pharmaceutical purposes; bismuth subnitrate for pharmaceutical purposes; blood for medical purposes; blood plasma; bone cement for surgical and orthopaedic purposes / bone cement for surgical and orthopedic purposes; breast-nursing pads; bromine for pharmaceutical purposes; bronchodilating preparations; bunion pads; by-products of the processing of cereals for dietetic or medical purposes; cachets for pharmaceutical purposes; cachou for pharmaceutical purposes; calomel [fungicide]; camphor for medical purposes; camphor oil for medical purposes; candy for medical purposes; candy, medicated; capsules for medicines; carbolineum [parasiticide]; casein dietary supplements; castor oil for medical purposes; cattle washes [insecticides]; caustic pencils; caustics for pharmaceutical purposes; cedar wood for use as an insect repellent; cellulose esters for pharmaceutical purposes; cement for animal hooves; charcoal for pharmaceutical purposes; chemical conductors for electrocardiograph electrodes; chemical contraceptives;

chemical preparations for medical purposes; chemical preparations for pharmaceutical purposes; chemical preparations for the diagnosis of pregnancy; chemical preparations for treating phylloxera; chemical preparations for veterinary purposes; chemical preparations to treat mildew; chemical preparations to treat wheat blight [smut] / chemical preparations to treat wheat smut; chemical reagents for medical or veterinary purposes; chemico-pharmaceutical preparations; chewing gum for medical purposes; chilblain preparations; chinoline for medical purposes; chloroform; cocaine; cod liver oil; collagen for medical purposes; collodion for pharmaceutical purposes; collyrium; compresses; condurango bark for medical purposes; contact lens cleaning preparations; cooling sprays for medical purposes; corn remedies; corn rings for the feet; cotton for medical purposes; cotton sticks for medical purposes / cotton swabs for medical purposes; cream of tartar for pharmaceutical purposes; creosote for pharmaceutical purposes; croton bark; cultures of microorganisms for medical or veterinary use; curare; decoctions for pharmaceutical purposes; dental abrasives; dental amalgams; dental amalgams of gold; dental cements; dental impression materials; dental lacquer; dental mastics; deodorants for clothing and textiles; deodorants, other than for human beings or for animals; depuratives; detergents for medical purposes; diabetic bread adapted for medical use; diagnostic biomarker reagents for medical purposes; diagnostic preparations for medical purposes; diagnostic preparations for veterinary purposes; diapers for pets; diastase for medical purposes; dietary fiber / dietary fibre; dietary supplements for animals; dietetic beverages adapted for medical purposes; dietetic foods adapted for medical purposes; dietetic substances adapted for medical use; digestives for pharmaceutical purposes; digitalin; dill oil for medical purposes; disinfectants; disinfectants for chemical toilets; disinfectants for hygiene purposes; disinfectant soap; dog washes [insecticides]; douching preparations for medical purposes; dressings, medical; drugs for medical purposes; elixirs [pharmaceutical preparations]; enzyme dietary supplements; enzyme preparations for medical purposes; enzyme preparations for veterinary purposes; enzymes for medical purposes; enzymes for veterinary purposes; ergot for pharmaceutical purposes; esters for pharmaceutical purposes; ethers for pharmaceutical purposes; eucalyptol for pharmaceutical purposes; eucalyptus for pharmaceutical purposes; extracts of hops for pharmaceutical purposes; eyepatches for medical purposes; febrifuges; fennel for medical purposes; ferments for pharmaceutical purposes; first-aid boxes, filled; fish meal for pharmaceutical purposes; flour for pharmaceutical purposes / meal for pharmaceutical purposes; flowers of sulfur for pharmaceutical purposes; fly catching paper; fly destroying preparations; fly glue / fly catching adhesives; food for babies; formic

aldehyde for pharmaceutical purposes; freeze-dried food adapted for medical purposes / lyophilized food adapted for medical purposes / lyophilised food adapted for medical purposes; freeze-dried meat adapted for medical purposes / lyophilized meat adapted for medical purposes / lyophilised meat adapted for medical purposes; frostbite salve for pharmaceutical purposes; fumigating sticks / fumigating pastilles; fumigation preparations for medical purposes; fungicides; gallic acid for pharmaceutical purposes; gamboge for medical purposes; gases for medical purposes; gauze for dressings; gelatine for medical purposes; gentian for pharmaceutical purposes; germicides; glucose dietary supplements; glucose for medical purposes; glycerine for medical purposes; glycerophosphates; greases for medical purposes; greases for veterinary purposes; guaiacol for pharmaceutical purposes; gum for medical purposes; gurjun [gurjon, gurjan] balsam for medical purposes; hematogen / haematogen; hemoglobin / haemoglobin; hemorrhoid preparations / haemorrhoid preparations; hemostatic pencils / haemostatic pencils; herbal extracts for medical purposes; herbal teas for medicinal purposes; herbicides / weedkillers / preparations for destroying noxious plants; homogenized food adapted for medical purposes / homogenised food adapted for medical purposes; hormones for medical purposes; hydrastine; hydrastinine; hydrated chloral for pharmaceutical purposes; hydrogen peroxide for medical purposes; immunostimulants; infant formula; insecticidal animal shampoo; insecticidal veterinary washes; insecticides; insect repellent incense; insect repellents; iodides for pharmaceutical purposes; iodine for pharmaceutical purposes; iodoform; irish moss for medical purposes; isotopes for medical purposes; jalap; jujube, medicated; lacteal flour for babies; lactose for pharmaceutical purposes / milk sugar for pharmaceutical purposes; larvae exterminating preparations; laxatives; lead water / goulard water; lecithin dietary supplements; lecithin for medical purposes; leeches for medical purposes; lice treatment preparations [pediculicides]; lime-based pharmaceutical preparations; liniments; linseed dietary supplements / flaxseed dietary supplements; linseed for pharmaceutical purposes / flaxseed for pharmaceutical purposes; linseed meal for pharmaceutical purposes / flaxseed meal for pharmaceutical purposes; linseed oil dietary supplements / flaxseed oil dietary supplements; lint for medical purposes; liquorice for pharmaceutical purposes; lotions for pharmaceutical purposes; lotions for veterinary purposes; lupulin for pharmaceutical purposes; magnesia for pharmaceutical purposes; malted milk beverages for medical purposes; malt for pharmaceutical purposes; mangrove bark for pharmaceutical purposes; media for bacteriological cultures / bouillons for bacteriological cultures / bacteriological culture mediums; medical preparations for slimming purposes; medicated after-shave lotions; medicated animal fe-

ed; medicated dentifrices; medicated dry shampoos; medicated eye-washes; medicated hair lotions; medicated shampoos; medicated shampoos for pets; medicated soap; medicated toiletry preparations; medicinal alcohol; medicinal drinks; medicinal hair growth preparations; medicinal herbs; medicinal infusions; medicinal mud / medicinal sediment [mud]; medicinal oils; medicinal roots; medicinal tea; medicine cases, portable, filled; medicines for alleviating constipation; medicines for dental purposes; medicines for human purposes; medicines for veterinary purposes; melissa water for pharmaceutical purposes; menthol; mercurial ointments; milk ferments for pharmaceutical purposes; milking grease; mineral food supplements; mineral water salts; mineral waters for medical purposes; mint for pharmaceutical purposes; molding wax for dentists / moulding wax for dentists; moleskin for medical purposes; mothproofing paper / mothproof paper; mothproofing preparations; mouthwashes for medical purposes; mud for baths; mustard for pharmaceutical purposes; mustard oil for medical purposes; mustard plasters / mustard poultices; myrobalan bark for pharmaceutical purposes; napkins for incontinents / diapers for incontinents; narcotics; nervines; nutraceutical preparations for therapeutic or medical purposes; nutritional supplements; nutritive substances for microorganisms; oil of turpentine for pharmaceutical purposes; ointments for pharmaceutical purposes; opiates; opium; opodeldoc; ootherapy preparations / organotherapy preparations; oxygen baths; oxygen for medical purposes; pants, absorbent, for incontinents; panty liners [sanitary]; paper for mustard plasters / paper for mustard poultices; parasiticides; pastilles for pharmaceutical purposes / lozenges for pharmaceutical purposes; pearl powder for medical purposes; pectin for pharmaceutical purposes; pediculicidal shampoos; pepsins for pharmaceutical purposes; peptones for pharmaceutical purposes; personal sexual lubricants; pesticides; petroleum jelly for medical purposes; pharmaceutical preparations; pharmaceutical preparations for skin care; pharmaceutical preparations for treating dandruff; pharmaceutical preparations for treating sunburn; pharmaceuticals; phenol for pharmaceutical purposes; phosphates for pharmaceutical purposes; phytotherapy preparations for medical purposes; plant extracts for pharmaceutical purposes; poisons; pollen dietary supplements; pomades for medical purposes; porcelain for dental prostheses; potassium salts for medical purposes; poultices; powdered milk for babies; powder of cantharides; pre-filled syringes for medical purposes; preparations for callouses; preparations for destroying dry rot fungus; preparations for destroying mice; preparations for destroying noxious animals; preparations for reducing sexual activity; preparations for the treatment of burns; preparations of microorganisms for medical or veterinary use; preparations of trace elements for human

and animal use; preparations to facilitate teething; propolis dietary supplements; propolis for pharmaceutical purposes; protein dietary supplements; protein supplements for animals; purgatives / evacuants; pyrethrum powder; quassia for medical purposes; quebracho for medical purposes; quinine for medical purposes; quinquina for medical purposes / cinchona for medical purposes; radioactive substances for medical purposes; radiological contrast substances for medical purposes; radium for medical purposes; rat poison; reagent paper for medical purposes; reagent paper for veterinary purposes; remedies for foot perspiration; remedies for perspiration; repellents for dogs; rhubarb roots for pharmaceutical purposes; royal jelly dietary supplements; royal jelly for pharmaceutical purposes; rubber for dental purposes; salts for medical purposes; salts for mineral water baths; sanitary pads / menstruation bandages; sanitary panties / menstruation knickers / sanitary knickers / sanitary pants; sanitary tampons / menstruation tampons; sanitary towels / sanitary napkins; sarsaparilla for medical purposes; scapulars for surgical purposes; sea water for medicinal bathing; sedatives / tranquillizers; semen for artificial insemination; serotherapeutic medicines; serums; sexual stimulant gels; siccatives [drying agents] for medical purposes; slimming pills; slug exterminating preparations; smelling salts; smoking herbs for medical purposes; sodium salts for medical purposes; soil-sterilising preparations; solutions for contact lenses / solutions for use with contact lenses; solvents for removing adhesive plasters; soporifics; starch for dietetic or pharmaceutical purposes; stem cells for medical purposes; stem cells for veterinary purposes; sterilising preparations; steroids; stick liquorice for pharmaceutical purposes; strychnine; styptic preparations; sugar for medical purposes; sulfonamides [medicines]; sulfur sticks [disinfectants]; sunburn ointments; suppositories; surgical dressings; surgical glues; surgical implants comprised of living tissues; syrups for pharmaceutical purposes; tanning pills; tartar for pharmaceutical purposes; teeth filling material; therapeutic preparations for the bath; thermal water; thymol for pharmaceutical purposes; tincture of iodine; tinctures for medical purposes; tissues impregnated with pharmaceutical lotions; tobacco extracts [insecticides]; tobacco-free cigarettes for medical purposes; tonics [medicines]; transplants [living tissues]; turpentine for pharmaceutical purposes; vaccines; vaginal washes for medical purposes; vermifuges / anthelmintics; vermin destroying preparations; vesicants; veterinary preparations; vine disease treating chemicals; vitamin preparations*; vulnerable sponges; wadding for medical purposes; wart pencils; wheat germ dietary supplements; yeast dietary supplements; yeast for pharmaceutical purposes.

(260) AM 2019 101466 A

(800) 1447571

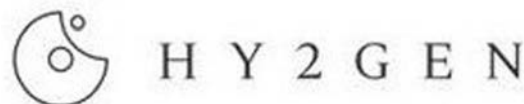
(151) 2018 08 09

(891) 2018 08 09

(731) HY2GEN AG

Max-Eyth Straße 21, 71088 Holzgerlingen,
Germany

(540)



(591) Black, white

(531) 26.01.01; 26.01.04; 26.01.06; 26.07.25;
26.13.25; 27.05.01; 27.07.11

(511)

1 – Chemical substances for use in manufacture, in the biochemical industry and with energy applications.

9 – Apparatus and instruments for accumulating and storing electricity; scientific and laboratory devices for treatment using electricity, in particular electrolyzers.

42 – Services in the fields of science and technology, as well as related research and development services.

(260) AM 2019 101467 A

(800) 1447604

(151) 2018 12 11

(891) 2018 12 11

(731) YIWU JIYAN IMPORT & EXPORT

CO., LTD

BUILDING 1 ZHANQIAN COMMUNITY,
CHOUCHENG STREET, YIWU ZHEJIANG,
China

(540)

KAVKAZ NAR

(591) Black, white

(531) 27.05.01; 27.05.17

(511)

32 – Soy beverages (non-milk substitutes); beer; preparations for making beverages; Milk tea (mainly non-milk); non-alcoholic beverages; waters [beverages]; Soy based beverages (non-milk substitutes); fruit juices; essences for making beverages; Soy drinks.

33 – Spirits [beverages]; Yellow Wine; arrack; brandy; wine; alcoholic beverages, except beer; fruit extracts, alcoholic; cocktails; vodka; white spirit.

(260) AM 2019 101469 A

(800) 1447606

(151) 2018 12 11

(891) 2018 12 11

(731) L&O HUNTING GROUP GMBH
Ziegelstadel 1, 88316 Isny im Allgäu,
Germany

(540)

SAUER 204

(591) Black, white

(511)

13 – Firearms; air and gas weapons; trigger guards for rifles; hammers for guns and rifles, rifle barrels, gunstocks; butt plates; muzzle brakes that screw onto a rifle barrel; sling swivels for weapons; magazines for weapons; ammunition; accessories, namely, gun cases, gun bags, cartridge belts, gun slings; cartridge pouches; silencers for guns; cleaning brushes for firearms; breeches of firearms; bipods for firearms; sighting mirrors for guns; mounts for attaching telescopic sights to a firearm; sights, other than telescopic sights, for firearms.

28 – Toy weapons, model and replica weapons, decorative weapons, paintball guns (toys), airsoft guns (toys), air pistols (toys), air guns (toys), ammunition and projectiles for the aforesaid weapons (toys); model and replica weapons for virtual shooting, model and replica weapons for use with electronic targets and/or electronic displays (toys); games apparatus, suitable for use with model and replica weapons for virtual shooting.

(260) AM 2019 101470 A

(800) 1447607

(151) 2018 11 02

(891) 2018 11 02

(731) SOS Health OÜ

Akadeemia tee 21/1, EE-12618 Tallinn,
Estonia

(540)



(591) Red

(531) 06.01.01; 06.01.02; 06.01.04; 29.01.01

(511)

5 – Nutritional supplements and non-prescription medical substances for humans and animals; vitamins, minerals, amino acids, probiotics; preparations including vitamins, minerals, amino acids, probiotics and preparations including combinations thereof; liposomal preparations; all aforementioned preparations in liquid, powdered, capsule or tablet form.

(260) AM 2019 101471 A

(800) 1447635

(151) 2018 10 04

(891) 2018 10 04

(731) Joint-Stock Company "ARTISTIC PAINTS
PLANT "NEVSKAYA PALITRA"

Serdobolskaya ulitsa, 68, liter F, pomeshenie
17, RU-197342 Saint-Petersburg, Russian
Federation

(540)

БЕЛЫЕ НОЧИ

(591) Black, white

(531) 28.05

(511)

2 – Binding preparations for paints; coatings [paints]; colorants; dyes; enamels [varnishes]; engraving ink; fixatives [varnishes]; fixatives for watercolors; food dyes; glazes [paints, lacquers]; gum resins; lacquers; mastic [natural resin]; metals in foil and powder form for use in painting, decorating, printing and art; mordants; paints; paper for dyeing Easter eggs; pigments; preservatives against rust and against deterioration of wood; primers; thinners for lacquers; titanium white; varnishes; watercolors [paints]; white lead.

(260) AM 2019 101557 A

(800) 1448257

(151) 2018 12 19

(891) 2018 12 19

(731) ACINO PHARMA AG

Birsweg 2, CH-4253 Liesberg, Switzerland

(540)

Upozan

(591) Black, white

(511)

5 – Pharmaceutical products.

(260) AM 2019 101558 A

(800) 1448264

(151) 2018 12 19

(891) 2018 12 19

(731) ACINO PHARMA AG

Birsweg 2, CH-4253 Liesberg, Switzerland

(540)

Ortacta

(591) Black, white

(511)

5 – Pharmaceutical products.

(260) AM 2019 101559 A

(800) 1448267

(151) 2018 12 19

(891) 2018 12 19
 (731) ACINO PHARMA AG
 Birsweg 2, CH-4253 Liesberg, Switzerland
 (540)

Pulsafy

(591) Black, white
 (511)
 5 – Pharmaceutical products.

(260) AM 2019 101560 A
 (800) 1448283
 (151) 2018 12 19
 (891) 2018 12 19
 (731) ACINO PHARMA AG
 Birsweg 2, CH-4253 Liesberg, Switzerland
 (540)

Adjunex

(591) Black, white
 (511)
 5 – Pharmaceutical products.

(260) AM 2019 101561 A
 (800) 1448284
 (151) 2018 10 09
 (891) 2018 10 09
 (731) PATRICK SCHUR
 Eggmattweg 7, CH-4312 Magden, Switzerland
 (540)



(591) Black, white
 (531) 26.07.05; 26.13.25
 (511)
 9 – Scientific, nautical, surveying, photographic, cinematographic, optical, weighing, measuring, signaling, checking (supervision), emergency (life-saving) and teaching apparatus and instruments; apparatus and instruments for conducting, switching, transforming, accumulating, regulating or controlling electricity; apparatus for recording, transmission or reproduction of sound or images; magnetic recording media, sound recording disks; compact disks, DVDs and other digital recording media; mechanisms for coin-operated apparatus; cash registers, calculating machines, data processing equipment, computers; software; fire extinguishers.
 35 – Advertising; commercial business management; commercial administration; office functions.
 36 – Insurance services; financial affairs; monetary affairs; real estate affairs.
 38 – Telecommunications.

39 – Transport; packaging and storage of merchandise; travel organization.

41 – Education; training; entertainment; sporting and cultural activities.

42 – Scientific and technological services as well as research and design services relating thereto; industrial analysis and research services; design and development of computers and software.

44 – Medical services; veterinary services; hygienic and beauty care for human beings or animals; agriculture, horticulture and forestry services.

45 – Legal services; security services for the protection of property and individuals; detective agency services; baby sitting; escorting in society (chaperoning), mediation; marriage agency services, dating services; horoscope casting; undertaking services, crematorium services, organization of religious meetings; clothing rental.

(260) AM 2019 101562 A
 (800) 1448304
 (151) 2018 08 10
 (891) 2018 08 10
 (731) FUJIAN HUANYUTONG TECHNOLOGY CO., LTD
 Fujian Haixi High-Tech Industrial Zone,
 Fengze District, Quanzhou, China
 (540)



(591) Black, white
 (531) 27.05.17
 (511)
 9 – Theft prevention installations, electric; anti-theft warning apparatus; transmitters of electronic signals; network communication equipment; electronic monitoring instruments; intercommunication apparatus; integrated circuit cards [smart cards]; video telephones; camcorders.

(260) AM 2019 101575 A
 (800) 1448767
 (151) 2018 06 22
 (891) 2018 06 22
 (731) ROBERTO CAVALLI S.P.A.
 Piazza San Babila, 3, I-20122 MILANO, Italy
 (540)



(591) White, red and black
 (531) 26.04.22; 27.05.10; 29.01.13
 (511)

18 – Leather and imitations of leather; handbags; travel baggage; card wallets [leatherware]; card cases of leather; leather credit card holders; wallets; key cases; clutch bags; suitcases; wheeled suitcases; make-up bags, not fitted; sport bags; evening bags and shoulder bags for women; shopping bags made of skin; school book bags; travel garment covers; shoe carriers for travel; beach bags; nappy bags; backpacks; Boston bags; travelling cases; canvas bags; overnight bags; luggage and carrying bags; sling bags for carrying infants; satchels; formal handbags; vanity cases (not fitted); luggage tags; trunks of leather and boxes of leather; briefcases [leather goods]; straps made of leather; animal skins, hides; umbrellas and parasols; walking sticks; whips, harness and saddlery; leather leashes; collars, leads and clothing for animals.

25 – Clothing; coats; jackets [clothing]; trousers; skirts; tops; mackintoshes; topcoats; furs [clothing]; waist belts; suspenders; gowns; heavy jackets; sweaters; denim jeans; suits; uniforms; cloaks; parkas; shirts; undershirts; cardigans; underwear; baby doll nighties; garters; robes; bathing wear; negligees; swimming costumes; dressing gowns; pyjamas; shawls; foulards [clothing articles]; sashes for wear; neckties; bow ties; sweat shirts; maillots [hosiery]; polo shirts; leotards; short trousers; combinations [clothing]; masquerade costumes; hosiery; wedding dresses; layettes [clothing]; bibs, not of paper; stockings; socks; tights; footwear; shoes; training shoes; slippers; covers for shoes; galoshes; clogs; outsoles for footwear; shoe uppers; boots; ski boots; snow boots; half-boots; espadrilles; sandals; bath sandals; gloves [clothing]; mittens; headgear; hats and caps; peaks (cap-).

35 – Advertising; business management; business administration; office functions; dissemination of advertising matter; consultancy regarding business organisation and business economics; demonstration of goods; commercial or industrial management assistance; marketing studies; shop window dressing; modelling for advertising or sales promotion; organization of exhibitions for commercial or advertising purposes; sales promotion for others; presentation of goods on communication media, for retail purposes; consumers (commercial information and advice for-) [consumer advice shop]; commercial administration of the licensing of the goods and services of others; sponsorship search; fashion shows for promotional purposes (organization of-); marketing services; provision of an on-line marketplace for buyers and sellers of goods and services; business advisory services relating to the establishment and operation of franchises; retailing and wholesaling of cosmetics, perfumery, candles, hand tools and implements,

hand-operated, cutlery, razors, manicure and pedicure utensils; retailing and wholesaling of spectacles, optical goods and cases for optical goods, telephones and covers therefor, laptop computers, tablet computers and covers therefor, smartwatches, health monitoring sensors and heart rate monitoring apparatus, lighting installations and lamps, land vehicles; retailing and wholesaling of jewellery, horological instruments, paper stationery, office stationery, bags, pocket wallets, saddlery, furniture, kitchen utensils, household utensils, services (dishes); retailing and wholesaling of bath linen, bed linen, table linen, clothing, footwear, headgear, belts, buttons, hinges, buckles, carpets, floor coverings, wall hangings; retailing and wholesaling of games, toys and playthings, instruments, tools, devices and clothing specifically for sports matches, sports and physical education, bags and pouches for sporting articles; retailing and wholesaling of fruits and vegetables, jellies, jams, compotes, honey, oils for food, pastries, confectionery, chocolate, coffee, tea, natural plants and flowers, non-alcoholic beverages, alcoholic beverages, smokers' articles.

(260) AM 2019 101576 A
 (800) 1448822
 (151) 2018 11 05
 (891) 2018 11 05
 (731) AROMATIKA LTD.
 7-9 Nyzhniy Val str., Kyiv 04071, Ukraine
 (540)



(591) Black, white
 (531) 03.01.06; 03.01.08; 03.01.28; 03.03.01;
 27.05.02; 27.05.11

(511)
 3 – Soaps, namely skin soap; perfumery, essential oils for personal and household use; cosmetics; hair lotions, cosmetics for animals.

29 – Meat extracts; preserved, frozen, dried and cooked fruits and vegetables; jellies for food, jams; compotes; eggs; edible oils and fats.

31 – Animal feed, pet treats, edible and pet food; litter for animals; meal for animals; animal foodstuffs.

(260) AM 2019 101725 A
 (800) 1449414
 (151) 2018 10 26

(891) 2018 10 26

(731) Obschestvo s ograničennoy otvetstvennostyu
"POLYARIS"
Prichal number 1, Rybnyi port, RU-183001
Murmansk, Russian Federation

(540)



(591) Black, white

(531) 02.09.01; 26.11.13; 28.05

(511)

5 – Biological preparations for medical purposes; cod liver oil; dietetic foods adapted for medical purposes; dietetic beverages adapted for medical purposes; diabetic bread adapted for medical use; food for babies; medicines for human purposes; pharmaceutical preparations for animals; medicinal herbs; medical preparations for slimming purposes.

29 – Caviar; edible fats; fish-based foodstuffs; fish, tinned; seaweed extracts for food.

35 – Commercial or industrial management assistance; import-export agencies.

(260) AM 2019 101729 A

(800) 1449529

(151) 2018 07 26

(891) 2018 07 26

(731) SHAANXI HEAVY-DUTY AUTOMOBILE
CO., LTD.

Jingwei Industrial Park, Xi'An Economic
and Technological, Development Zone,
710200 Xi'An, Shaanxi, China

(540)

SHACMAN

(591) Black, white

(531) 27.05.01; 27.05.17

(511)

4 – Wheel anti-slippery plaster; dust removing preparations; electrical energy; industrial oil; motor fuel; petrol; fuel; lubricating oil; illuminating wax; petroleum, raw or refined.

7 – Washing installation for vehicle; vehicle bearing; dynamotor; hoists; automobile motor piston; automobile motor spark plug; automobile motor camshaft; maintenance machines for vehicle; automobile oil pump; road building machines.

9 – Vehicle breakdown warning triangles; vehicle navigation instrument [with car computer]; vehicle

radio; vehicle battery; wires, electric; anti-theft warning apparatus; computers; fire engines.

42 – Conversion of data and documents from physical to electronic media; vehicle roadworthiness testing; geological surveys; industrial design; chemical analysis; technical project studies; computer software design; construction engineering services [technical project studies in the field of construction]; hosting computer sites [web sites]; quality testing.

(260) AM 2019 101730 A

(800) 1449536

(151) 2018 08 01

(891) 2018 08 01

(731) VOLKA ENTERTAINMENT LIMITED

15, Spyrou Kyprianou Street, Matrix Tower II,
1st Floor, Mesa Geitonia Area, CY-4001
Limassol, Cyprus

(540)



(591) Light green, dark green and green.

(531) 01.15.23; 27.05.03; 27.05.04; 27.05.17;

29.01.12

(511)

9 – Computer game software; computer game programs; electronic game programs; interactive video game programs; computer software for providing access to computer games through online social networking websites; computer game software for use on mobile devices.

41 – Entertainment services, namely, providing online computer and electronic games, enhancements within online computer and electronic games, and game applications within online computer and electronic games; entertainment services, namely, providing games on mobile devices; entertainment services, namely, providing on-line reviews of computer games and information relating to computer games; entertainment services provided through internet website portals in the field of computer games and gaming; entertainment services provided via virtual environments in which users can interact through social games for recreational, leisure or entertainment purposes; entertainment services for social networking provided via online games played with members of a social network.

45 – Online social networking services; providing on-line social networking services through online computer/searchable databases; providing information regarding social networking via the internet.

(260) AM 2019 101731 A
 (800) 1449538
 (151) 2018 12 20
 (891) 2018 12 20
 (731) FERRERO INTERNATIONAL S.A.
 Findel Business Center, Complexe B,
 Rue de Trèves, L-2632 Findel, Luxembourg
 (540)

RAISINETS

(591) Black, white
 (511)
 30 – Pastry and confectionery; biscuits; cakes; chocolate and chocolate-based products; cereal-based snacks; edible ices.

(260) AM 2019 101732 A
 (800) 1449545
 (151) 2018 07 23
 (891) 2018 07 23
 (731) WIZZ Air Hungary Ltd.
 Kőér u. 2/A. B. ép. II-V, H-1103 Budapest,
 Hungary
 (540)



(591) Pink and cobalt blue
 (531) 25.05.02; 25.12.03; 29.01.12
 (511)
 35 – Retail services in relation to toiletries; retail services relating to jewellery; retail services in relation to toys; retail services in relation to watches; retail services in relation to electronic devices; loyalty scheme services; management of customer loyalty, incentive or promotional schemes; advertising; magazine advertising; providing advertising space in periodicals, newspapers and magazines; online advertising; preparing advertisements for others; dissemination of advertising matter.

39 – Airline services; transport; transport of passengers; transport of goods; travel arrangements; travel booking agency services; organising of travel tours; operating of travel tours; airline transport; priority boarding, check-in, seating and reservation services for frequent air travellers; booking of air tickets; airline bookings; airline ticket services; booking of airport parking; booking and arranging of access to airport lounges; car parking; car parking [valet] services; vehicle parking and storage; car rental; rental

of car parking spaces; providing information relating to car rental services.

(260) AM 2019 101795 A
 (800) 1441120
 (151) 2018 05 07
 (891) 2018 12 21
 (731) VOLKSWAGEN AKTIENGESELLSCHAFT
 Berliner Ring 2, 38440 Wolfsburg, Germany
 (540)

ID.

(591) Black, white
 (511)
 12 – Motorised vehicles, other than rail vehicles; motors, engines and drives for motor vehicles; propulsion mechanisms for automobiles; chassis for motor vehicles; vehicle superstructures for motor vehicles; clutch mechanisms for motor cars; shock absorbers for automobiles; shock absorbing springs for motor cars; tyres for motor vehicle wheels; rims for motor vehicle wheels; solid rubber tyres for motor vehicle wheels; automotive wheels; hubs for motor vehicle wheels; inner tubes for pneumatic tires; repair outfits for inner tubes, adhesive rubber patches for repairing tyre inner tubes, spikes for tires [tyres], snow chains; non-skid devices for automobile tires; car seats; rearview mirrors; head-rests for car seats; alarms for motor vehicles, anti-theft devices for motor vehicles; cigar lighters for automobiles; automotive vehicles; cars; lorries; trailers and semi-trailers for motor vehicles, trailer hitches for motor vehicles; omnibuses; buses; caravans; tractors; cycles, scooters [vehicles]; chairlifts, funiculars; wheelchairs; parts and fittings of all the aforesaid goods, included in this class; none of the aforesaid goods in connection with rail vehicles.

(260) AM 2019 101896 A
 (800) 1229408
 (151) 2014 10 21
 (891) 2018 11 15
 (731) TERRA FOOD MANAGEMENT
 COMPANY LIMITED
 Esperidon, 12, 4th floor, CY-1087 Nicosia,
 Cyprus
 (540)

Gold Valley

(591) Black, white
 (511)
 29 – Meat; fish, not live; poultry, not live; game, not live; milk; milk products; meat extracts; fruit, preserved; dried fruit; vegetables, preserved; vegetables, dried; jams; compotes; eggs; edible oils; edible fats; yogurt; whipped cream; cream (dairy products); cheese; cream cheese; blue cheese; spiced cheese; goat

cheese; buffalo cheese; cow cheese; sheep cheese; smoked cheese; soft cheese; semi-soft cheese; cheese paste; processed cheese; hard cheese; hard rennet cheese; cheese flakes; cheese sticks; cheese mixes for sandwiches; suluguni cheese; chocolate covered curd bars; cooked cheese products; prepared milk products; milk jellies; fat-containing mixtures for bread slices; chocolate nut butter; kefir (milk beverage); sour milk products; margarine; marmalade; butter; dairy butter; mixed butter fats; oil for food; spreads; salted butter; butter of animal origin; melted butter; chocolate butter; butter cream; long storage milk; baked milk; milk beverages, milk predominating; milk cream; milk cream with cocoa and hazelnuts; milk based desserts; curd based desserts; ryazhenka (fermented baked milk); chocolate glazed cream cheese; curd with raisins; sweet curd; curd with fruit or berries; curd paste; sweet creamed curds; creamed cheese paste; whey; rennet; sour cream; sour cream products; soya milk (milk substitute); pickles; milk soups; cheese soups; instant soups; dehydrated milk products; cream soups; cheese snacks; milk based snacks; condensed milk; packed, cooked milk foods, sour milk foods, cheese foods; curd.

(260) AM 2019 101897 A
(800) 1301923
(151) 2016 03 17
(891) 2019 01 15
(731) GRAND PARC DU PUY DU FOU
Puy du Fou, F-85590 LES EPESES, France
(540)

PUY DU FOU

(591) Black, white
(511)
41 – Education, training, entertainment, providing recreation facilities, academy, holiday camp services (entertainment), animal training, entertainer services, production and promotion of artists, musical composition services, amusement parks, circuses, theater ticket agency services, theatrical performances, organization and production of shows and concerts, booking of seats for shows, reservation and rental of rooms for shows or meetings, production and performance of shows, organization and conducting of colloquiums, conferences or conventions, organization of exhibitions for cultural or educational purposes, organization of competitions or lotteries, management and rental of show scenery, recording studio services, recording or editing of videotapes and of radio and television programs, production of films on videotapes and compact disks, rental of cinematographic apparatus and accessories, rental of audio apparatus, of lighting apparatus for theatrical sets, rental of show scenery, publication of books, the aforesaid services also using and via the Internet and websites, exploitation of non-downloadable online electronic publications, online electronic publication

of books and periodicals, information or game services provided online on a computer network.

(260) AM 2019 101908 A
(800) 1449565
(151) 2018 12 25
(891) 2018 12 25
(731) SHANDONG HONGSHENG RUBBER TECHNOLOGY CO., LTD.
EAST OF SHENGLI ROAD, WEST OF XINGGONG ROAD, DAWANG TOWN, GUANGRAO COUNTY, DONGYING CITY 257335 250014 SHANDONG PROVINCE, China

(540)

PracticalMax

(591) Black, white
(511)
12 – Treads for retreading tires; tubeless tires for bicycles; tires for vehicle wheels; aircraft tires; solid tires for vehicle wheels; safety seats for children, for vehicles; non-skid devices for vehicle tires; casings for pneumatic tires [tyres]; pneumatic tires; automobile tires.

(260) AM 2019 102130 A
(800) 1203808
(151) 2013 12 13
(891) 2019 02 04
(731) NEW TECHNOLOGIES. LTD.
ul. Zemlyanoi Val, 7, pom. III, kom. 3, et. 3,
RU-105064 Moscow, Russian Federation
(540)



(591) Black, blue, light-blue, green, red, orange, yellow and violet.
(531) 21.01.25; 29.01.15
(511)
16 – Paper, cardboard and goods made from these materials, not included in other classes; printed matter; bookbinding material; stationery; artists' materials; typewriters and office requisites, except furniture; instructional and teaching material, except apparatus; plastic materials for packaging, not included in other classes; printing blocks; fountain pens; aquarels; albums; almanacs; document laminators for office use; mimeograph apparatus and machines; atlases; posters; paper bows; table linen of paper; tickets; forms, printed; announcement cards [stationery]; note books; pads [stationery]; drawing pads; loose-leaf binders; wristbands for the retention of writing instruments; pamphlets; booklets; paper sheets [stationery]; waxed paper; paper for recording

machines; paper for radiograms; electrocardiograph paper; drawer liners of paper, perfumed or not; wood pulp paper; carbon paper; copying paper [stationery]; parchment paper; writing paper; luminous paper; Xuan paper for Chinese painting and calligraphy; toilet paper; wrapping paper; filter paper; paper; blotters; newsletters; rollers for typewriters; house painters' rollers; obliterating stamps; modelling wax, not for dental purposes; signboards of paper or cardboard; patterns for making clothes; patterns for dressmaking; newspapers; electrotypes; hectographs; modelling clay; terrestrial globes; drawing sets; engravings; slate pencils; pencil leads; document holders [stationery]; pencil holders; chalk holders; holders for checkbooks [cheque books]; holders for stamps [seals]; diagrams; engraving plates; writing slates; blackboards; galley racks [printing]; drawing boards; advertisement boards of paper or cardboard; duplicators; punches [office requisites]; cream containers of paper; magazines [periodicals]; money clips; tags for index cards; pen clips; bookmarks; etching needles; tracing needles for drawing purposes; periodicals; printed publications; cardboard articles; paper shredders for office use; graphic representations; credit card imprinters, non-electric; graining combs; drawing instruments; calendars; tracing paper; tracing cloth; tracing patterns; gums [adhesives] for stationery or household purposes; lithographic stones; ink stones [ink reservoirs]; pencils; pencil lead holders; charcoal pencils; pictures; transfers [decalcomanias]; paintings [pictures], framed or unframed; wood pulp board [stationery]; paperboard; hat boxes of cardboard; files [office requisites]; cards; index cards [stationery]; geographical maps; paper tapes and cards for the recordal of computer programmes; trading cards other than for games; perforated cards for Jacquard looms; catalogues; spools for inking ribbons; covers of paper for flower pots; paintbrushes; painters' brushes; writing brushes; typewriter keys; glue for stationery or household purposes; isinglass for stationery or household purposes; gluten [glue] for stationery or household purposes; starch paste [adhesive] for stationery or household purposes; books; manifolds [stationery]; comic books; drawing pins; cigar bands; envelopes [stationery]; cases for stamps [seals]; boxes of cardboard or paper; paint boxes [articles for use in school]; correcting fluids [office requisites]; stencils [stationery]; French curves; paper ribbons; typewriter ribbons; gummed tape [stationery]; adhesive bands for stationery or household purposes; correcting tapes [office requisites]; inking ribbons; inking ribbons for computer printers; adhesive tapes for stationery or household purposes; self-adhesive tapes for stationery or household purposes; drawing rulers; square rulers; absorbent sheets of paper or plastic for foodstuff packaging; humidity control sheets of paper or plastic for foodstuff packaging; viscose sheets for wrapping; sheets of reclaimed cellulose for wrap-

ping; plastic bubble packs for wrapping or packaging; steel letters; type [numerals and letters]; lithographs; paint trays; architects' models; postage stamps; plastics for modelling; graphic prints; modelling materials; teaching materials [except apparatus]; sealing compounds for stationery purposes; adhesives [glues] for stationery or household purposes; packaging material made of starches; filtering materials [paper]; addressing machines; pencil sharpening machines, electric or non-electric; bookbinding apparatus and machines [office equipment]; typewriters, electric or non-electric; folders [stationery]; franking machines for office use; chalk for lithography; writing chalk; tailors' chalk; marking chalk; bags [envelopes, pouches] of paper or plastics, for packaging; garbage bags of paper or of plastics; painters' easels; hand-rests for painters; writing cases [stationery]; printing sets, portable [office requisites]; bibs of paper; stickers [stationery]; finger-stalls [office requisites]; cords for bookbinding; paper knives [cutters] [office requisites]; numbering apparatus; bottle envelopes of cardboard or paper; sealing wafers; covers [stationery]; passport holders; plastic cling film, extensible, for palletization; embroidery designs [patterns]; handwriting specimens for copying; oleographs; musical greeting cards; greeting cards; postcards; etchings; conical paper bags; bags for microwave cooking; palettes for painters; ink sticks; pantographs [drawing instruments]; folders for papers; papier mâché; pastels [crayons]; modelling paste; pen cases; bookbindings; pen wipers; office perforators; pens [office requisites]; nibs of gold; nibs; steel pens; drawing pens; song books; seals [stamps]; sealing stamps; clipboards; address plates for addressing machines; handkerchiefs of paper; plastic film for wrapping; writing pads; letter trays; trays for sorting and counting money; coasters of paper; bookends; stamp stands; mats for beer glasses; stands for pens and pencils; photograph stands; inking pads; stamp pads; binding strips [bookbinding]; towels of paper; inking sheets for document reproducing machines; inking sheets for duplicators; bookbinding cloth; gummed cloth for stationery purposes; printers' blankets, not of textile; portraits; paperweights; writing cases [sets]; inkstands; office requisites, except furniture; writing materials; writing instruments; drawing materials; school supplies [stationery]; adhesive tape dispensers [office requisites]; hand labelling appliances; lithographic works of art; prospectuses; printed timetables; ledgers [books]; printers' galleys; indexes; rubber erasers; elastic bands for offices; drawing T-squares; graphic reproductions; penholders; marking pens [stationery]; tissues of paper for removing make-up; face towels of paper; table napkins of paper; place mats of paper; tablemats of paper; tablecloths of paper; paper clasps; document files [stationery]; scrapers [erasers] for offices; paper-clips; staples for offices; erasing products; biological samples for use

in microscopy [teaching materials]; histological sections for teaching purposes; steatite [tailor's chalk]; writing board erasers; composing frames [printing]; sealing wax; arithmetical tables; placards of paper or cardboard; writing or drawing books; fabrics for bookbinding; pencil sharpeners, electric or non-electric; transparencies [stationery]; stencil plates; cardboard tubes; Indian inks; moisteners [office requisites]; moisteners for gummed surfaces [office requisites]; drawing squares; chart pointers, non-electronic; bottle wrappers of cardboard or paper; envelope sealing machines, for offices; sealing machines for offices; vignetting apparatus; apparatus for mounting photographs; stapling presses [office requisites]; manuals [handbooks]; figurines [statuettes] of papier mâché; paper coffee filters; flags of paper; flyers; silver paper; molds for modelling clays [artists' materials]; photo-engravings; photographs [printed]; stencil cases; canvas for painting; chromolithographs [chromos]; compasses for drawing; numbers [type]; watercolor [watercolour] saucers for artists; correcting ink [heliography]; writing ink; inkwells; blueprints; rosaries; stencils; erasing shields; balls for ball-point pens; cabinets for stationery [office requisites]; printing type; address stamps; stamps [seals]; shields [paper seals]; prints [engravings]; labels, not of textile.

38 – Telecommunications; news agencies; wireless broadcasting; television broadcasting; cable television broadcasting; electronic bulletin board services [telecommunications services]; information about telecommunication; providing user access to global computer networks; providing access to databases; providing internet chatrooms; providing telecommunications connections to a global computer network; providing telecommunication channels for teleshopping services; transmission of greeting cards online; message sending; computer aided transmission of messages and images; transmission of telegrams; transmission of digital files; electronic mail; rental of message sending apparatus; rental of access time to global computer networks; rental of modems; rental of telecommunication equipment; rental of telephones; rental of facsimile apparatus; radio broadcasting; communications by fiber [fibre] optic networks; cellular telephone communication; communications by computer terminals; satellite transmission; communications by telegrams; communications by telephone; facsimile transmission; paging services [radio, telephone or other means of electronic communication]; teleconferencing services; telex services; voice mail services; telecommunications routing and junction services; telegraph services; telephone services.

41 – Education; providing of training; entertainment; sporting and cultural activities; modelling for artists; academies [education]; rental of sports grounds; rental of tennis courts; lending libraries; booking of se-

ats for shows; videotaping; physical education; discotheque services; animal training; dubbing; gambling; publication of books; education information; recreation information; entertainment information; movie studios; health club services [health and fitness training]; night clubs; layout services, other than for advertising purposes; microfilming; videotape editing; production of radio and television programmes; music-halls; production of music; game services provided on-line from a computer network; providing on-line electronic publications, not downloadable; religious education; gymnastic instruction; correspondence courses; practical training [demonstration]; organization of balls; organization of exhibitions for cultural or educational purposes; providing recreation facilities; arranging and conducting of colloquiums; arranging and conducting of congresses; arranging and conducting of conferences; arranging and conducting of concerts; arranging and conducting of workshops [training]; arranging and conducting of seminars; arranging and conducting of symposiums; organization of competitions [education or entertainment]; arranging of beauty contests; operating lotteries; organization of fashion shows for entertainment purposes; organization of shows [impresario services]; organization of sports competitions; vocational guidance [education or training advice]; amusement parks; sign language interpretation; television entertainment; mobile library services; vocational retraining; providing karaoke services; providing golf facilities; providing sports facilities; providing amusement arcade services; cinema presentations; presentation of live performances; theatre productions; conducting fitness classes; educational examination; timing of sports events; videotape film production; film production, other than advertising films; rental of audio equipment; rental of video cameras; rental of video cassette recorders; rental of videotapes; rental of show scenery; rental of sound recordings; toy rental; rental of movie projectors and accessories; rental of motion pictures; games equipment rental; rental of stadium facilities; rental of lighting apparatus for theatrical sets or television studios; rental of radio and television sets; rental of skin diving equipment; rental of sports equipment, except vehicles; rental of stage scenery; electronic desktop publishing; publication of electronic books and journals on-line; publication of texts, other than publicity texts; radio entertainment; entertainer services; writing of texts, other than publicity texts; zoological garden services; news reporters services; party planning [entertainment]; music composition services; subtitling; holiday camp services [entertainment]; disc jockey services; personal trainer services [fitness training]; providing casino facilities [gambling]; calligraphy services; club services [entertainment or education]; providing museum facilities [presentation, exhibitions]; orchestra services; translation; scriptwriting services; ticket agency ser-

vices [entertainment]; coaching [training]; sport camp services; recording studio services; language interpreter services; nursery schools; photography; photographic reporting; circuses; boarding schools; production of shows.

(260) AM 2019 102131 A
(800) 1235074
(151) 2014 08 08
(891) 2019 02 05
(731) MEDA – VITA S.P.A.
Via Bernardino Telesio, 15, I-20145
MILANO, Italy

(540)

MEDAVITA

(591) Black, white

(511)

3 – Cosmetics and hair care products, shampoos, conditioners, hair creams; hair colorants; hair creams; fixatives for hair; hair gel; hair moisturizers; hair sprays; cosmetic lotions for hair; lotions for hair fixative; hair lotions; modeling paste for hair; oils for hair; pomades for hair; preparations for hair bleaches; products for hair relaxing; hair lighteners; foam for hair; shampoos and hair conditioners; sprays and hair gels; mousses and hair gels; read hair dyes; hair dyes; hair tonics; preparations to color hair; preparations for hair care; hair waving preparations; products for straightening hair; non-medicated scalp treatment creams; lotions for the treatment of hair strengthener; cosmetic preparations for the skin and hair; preparations for cleaning, coloring, dyeing, clearing, styling and perming hair; non-medicated skin treatment preparations, hair and scalp; lotions, creams and treatment preparations for the face, body, scalp, hair and nails; cosmetics and creams for body care, face, hands, feet; cosmetics and make-up; make-up powder; make-up products; make-up removing products; make-up for the face and body; make-up for eyes; make-up for lips; make-up primers.

41 – Providing of training, vocational training and skilled vocational training, organization and implementation of training courses, consulting service in training and improvement courses and classes, all these services for operators in the trichological field, hair stylists and cosmetician.

(260) AM 2019 102132 A
(800) 1259519
(151) 2015 04 10
(891) 2018 12 03
(731) BIONORICA SE
Kerscheneinsteinerstrasse 11-15, 92318
Neumarkt, Germany

(540)

Siklodinon

(591) Black, white

(511)

5 – Pharmaceutical, veterinary and sanitary preparations; dietetic substances adapted for medical use; plasters; materials for dressings; disinfectants; extracts, tinctures and aromatic substances and preparations made from plants, in liquid, solid or gaseous form, for pharmaceutical preparations, for food supplements and for dietetic substances adapted for medical use; food supplements.

(260) AM 2019 102133 A
(800) 1276547
(151) 2015 09 21
(891) 2019 02 18
(731) YILDIZ YÜCEL OLGUN
Celal Nuri Sok. Orkide; Apt. No:25/14,
Bahçelievler, Istanbul, Turkey

(540)



ZEN & ZEN
NATURAL CULTURE

(591) Black, white, brown, yellow.

(531) 05.01.03; 24.17.25; 27.05.10; 29.01.13

(511)

25 – Clothing, footwear, headgear.

(260) AM 2019 102189 A
(800) 1455284
(151) 2018 10 26
(891) 2018 10 26
(731) PREMIATA S.r.l.
Via Friuli, 64, I-20135 MILANO (MI), Italy

(540)



(591) Black, white

(531) 18.05.03; 26.13.25

(511)

18 – Animal skins; leather, unworked or semi-worked; imitation leather; curried skins; valises; rucksacks; vanity cases, not fitted; bags; handbags; traveling sets [leatherware]; garment bags for travel made of leather; bags for sports; beach bags; chain mesh purses; suitcases; attaché cases; garment bags

for travel; briefcases; card cases [notecases]; key cases; pocket wallets; purses.

25 – Clothing; clothing for men, women and children; clothing of leather; clothing of imitations of leather; clothing for sports; sweaters; dresses; coats; combinations [clothing]; skirts; sashes for wear; neckerchiefs; pocket squares; kerchiefs [clothing]; waistbands [parts of clothing]; money belts [clothing]; neckties; gloves [clothing]; ski gloves; stockings; socks; hats; headgear for wear; visor caps; shoes; shoes for men, women and children; bath slippers; beach shoes; esparto shoes or sandals; gymnastic shoes; footwear; footwear for men, women and children; boots for sports; slippers; sandals; wooden shoes; boots; boot uppers; half-boots; lace boots; ski boots; football boots; non-slipping devices for footwear; heels; soles for footwear; inner soles; footwear uppers.

35 – Business consultancy, management, planning and supervision; advertising; advertising and marketing services; advertising services provided via the Internet; organization and conducting of product presentations; administration of business affairs; marketing; on-line advertising and marketing services; telemarketing services; retailing and wholesaling, including via the Internet of animal skins, leather, unworked or semi-worked, imitation leather, curried skins, valises, rucksacks, vanity cases, not fitted, bags, handbags, travelling sets [leather ware], garment bags for travel made of leather, bags for sports, beach bags, chain mesh purses, suitcases, attaché cases, garment bags for travel, briefcases, card cases [notecases], key cases, pocket wallets, purses; retailing and wholesaling, including via the Internet of clothing, clothing for men, women and children, clothing of leather, clothing of imitations of leather, clothing for sports, sweaters, dresses, coats, combinations [clothing], skirts, sashes for wear, neckerchiefs, pocket squares, kerchiefs [clothing], waistbands [parts of clothing], money belts [clothing], neckties, gloves [clothing], ski gloves, stockings, socks, hats, headgear for wear, visor caps, shoes, shoes for men, women and children, bath slippers, beach shoes, esparto shoes or sandals, gymnastic shoes, footwear, footwear for men, women and children, boots for sports, slippers, sandals, wooden shoes, boots, boot uppers, half-boots, lace boots, ski boots, fittings of metal for footwear, football boots, non-slipping devices for footwear, heels, soles for footwear, inner soles, footwear uppers; electronic commerce services, namely providing information about products via telecommunication networks for advertising and sales purposes; on-line auctioneering; business advice relating to franchising; business management advisory services relating to franchising; business advisory services relating to the establishment and operation of franchises; merchandising services; office functions.

(260) AM 2019 102190 A

(800) 1455324

(151) 2018 08 15

(891) 2018 08 15

(731) ŞOK MARKETLER TİCARET ANONİM ŞİRKETİ

Kısıklı Mahallesi Hanımseti Sokak No:35

B-1, Üsküdar, TR-34692 İstanbul, Turkey

(540)



(591) Tones of yellow, red, white and blue

(531) 01.01.12; 01.15.07; 26.04.18; 27.05.01;

29.01.14

(511)

35 – Advertising, marketing and public relations, organization of exhibitions and trade fairs for commercial or advertising purposes, office functions, secretarial services, arranging newspaper subscriptions for others, compilation of statistics, rental of office machines, systemization of information into computer databases, telephone answering for unavailable subscribers, business management, business administration and business consultancy, accounting, commercial consultancy services, personnel recruitment, personnel placement, employment agencies, import-export agencies, temporary personnel placement services, expertise services for commercial and industrial products, auctioneering; the bringing together, for the benefit of others of a variety of goods, namely, chemicals used in industry, science, photography, agriculture, horticulture and forestry, manures and soils, unprocessed artificial resins and unprocessed plastics, fire extinguishing compositions, adhesives not for medical, household and stationery purposes, paints, varnishes, lacquers, preservatives against rust, preservatives against deterioration of wood, thinners and binders for paints, pigments, preservations for metals, shoe dyes, printing dyes and ink, toners (including filled toner cartridges), colorants for food, pharmaceuticals and beverages, raw natural resins, metals in foil and powder form for painters, decorators, printers and artists, bleaching and cleaning preparations, perfumery, non-medicated cosmetics, fragrances, deodorants for personal use and animals, soaps, dental care preparations, abrasive preparations, emery cloth, sandpaper, pumice stone, abrasive pastes, polishing preparations for leather, vinyl, metal and wood, polishes and creams for leather, vinyl, metal and wood, wax for polishing, industrial oils and greases, cutting fluids, dust absorbing, wetting and binding compositions, solid fuels, coal, firewood, liquid and gas fuels, pet-

rol, diesel oil, liquified petroleum gas, natural gas, fuel oil and their non-chemical additives, candles, wicks, semi-finished wax, wax and paraffin for lighting purposes, pharmaceutical and veterinary preparations for medical purposes, chemical preparations for medical and veterinary purposes, chemical preparations for medical and veterinary purposes, chemical preparations for medical and veterinary purposes, chemical reagents for pharmaceutical and veterinary purposes, dietary supplements for pharmaceutical and veterinary purposes, dietary supplements, nutritional supplements, medical preparations for slimming purposes, food for babies, herbs and herbal beverages adapted for medicinal purposes, dental preparations and articles, sanitary preparations for medical use, hygienic pads, hygienic tampons, plasters, materials for dressings, diapers made of paper and textiles for babies, adults and pets, preparations for destroying vermin, herbicides, fungicides, preparations for destroying rodents, deodorants, other than for human beings or for animals, air purifying preparations, air deodorising preparations, disinfectants, antiseptics, detergents for medical purposes, ores of non-precious metal, common metals and their alloys and semi-finished products made of these materials, goods and materials of common metal used for storage, wrapping, packaging and sheltering purposes, containers of metal (storage, transport), buildings of metal, frames of metal for building, poles of metal for building, metal boxes, packaging containers of metal, aluminium foil, fences made of metal, guard barriers of metal, metal tubes, storage containers of metal, metal containers for the transportation of goods, ladders of metal, goods of common metal for filtering and sifting purposes, doors, windows, shutters, jalousies and their cases and fittings of metal, non-electric cables and wires of metal, ironmongery, small hardware of metal, ventilation ducts, vents, vent covers, pipes, chimney caps, manhole covers, grilles of metal for ventilation, heating, sewage, telephone, underground electricity and air conditioning installations, metal panels or boards (non-luminous and non-mechanical) used for signalling, route showing, publicity purposes, signboards of metal, advertisement columns of metal, signaling panels of metal, non-luminous and non-mechanical traffic signs of metal, pipes of metal for transportation of liquids and gas, drilling pipes of metal and their metal fittings, valves of metal, couplings of metal for pipes, elbows of metal for pipes, clips of metal for pipes, connectors of metal for pipes, safes (strong boxes) of metal, metal railway materials, bollards of metal, floating docks of metal, mooring buoys of metal, anchors, metal moulds for casting, other than machine parts, works of art made of common metals or their alloys, metal closures, bottle caps of metal, metal poles, metal pallets and metal ropes for lifting, loading and transportation purposes, metal hangers, ties, straps, tapes and bands

used for load-lifting and load-carrying, wheel chocks made primarily of metal, machines, machine tools and industrial robots for processing and shaping wood, metals, glass, plastics and minerals, 3D printers, construction machines and robotic mechanisms (machines) for use in construction, lifting, loading and transmission machines and robotic mechanisms (machines) for lifting, loading and transmission purposes, elevators, escalators and cranes, machines and robotic mechanisms (machines) for use in agriculture and animal breeding, machines and robotic mechanisms (machines) for processing cereals, fruits, vegetables and food, engines and motors, other than for land vehicles, parts and fittings therefor, bearings (parts of machines), roller or ball bearings, machines for mounting and detaching tires, alternators, current generators, electric generators, current generators operated with solar energy, painting machines, automatic spray guns for paint, electric, hydraulic and pneumatic punching machines and guns, electric adhesive tape dispensers (machines), electric guns for compressed gas or liquid spraying machines, electric hand drills, electric hand saws, electric jigsaw machines, spiral machines, compressed air machines, compressors (machines), vehicle washing installations, robotic mechanisms (machines) with the abovementioned functions, electric and gas-operated welding apparatus, electric arc welding apparatus, electric soldering apparatus, electric arc cutting apparatus, electrodes for welding machines, industrial robots (machines) with the abovementioned functions, printing machines, packaging machines, filling, plugging and sealing machines, labellers (machines), sorting machines, industrial robots (machines) with the abovementioned functions, electric packing machines for plugging and sealing of plastics, machines for textile processing, sewing machines, industrial robots (machines) with the abovementioned functions, pumps other than parts of machines or engines, fuel dispensing pumps for service stations, self-regulating fuel pumps, electric kitchen machines for chopping, grinding, crushing, mixing and mincing foodstuff, washing machines, laundry washing machines, dishwashers, spin driers (not heated), electric cleaning machines for cleaning floors, carpets or floorings, vacuum cleaners and parts thereof, automatic vending machines, galvanizing and electroplating machines, electric door openers and closers, gaskets for engines and motors, forks, spoons, knives and non-electric cutters, slicers, peelers for kitchen use, including those made of precious metals, side arms and blades (weapons), tools and apparatus for personal beauty care use, tools and apparatus for shaving, epilation, manicure and pedicure, electric hand implements for straightening and curling hair, scissors, hand-operated [non-electric] hand tools for the repair of machines, apparatus and vehicles and for use in construction, agriculture, horticultural and forestry, none of them being power tools, electric or non-el-

electric irons, steam irons, measurement apparatus and equipment including those for scientific, nautical, topographic, meteorologic, industrial and laboratory purposes, apparatus for recording, transmission or reproduction of sound or images, telecommunications apparatus, apparatus for the reproduction of sound or images, computer peripheral devices, data processing, magnetic and optic data carriers and computer software and programmes recorded thereto, downloadable and recordable electronic publications, encoded magnetic and optic cards, antennas, satellite antennas, amplifiers for antennas, parts of the aforementioned goods, ticket dispensers, automatic teller machines (ATM), electronic components used in the electronic parts of machines and apparatus, counters and quantity indicators for measuring the quantity of consumption, automatic time switches, clothing for protection against accidents, irradiation and fire, safety vests and life-saving apparatus and equipment, eyeglasses, sunglasses, optical lenses and cases, containers, parts and components thereof, apparatus and instruments for conducting, transforming, accumulating or controlling electricity, electric and electronic cables, batteries, electric accumulators, alarms and anti-theft alarms, other than for vehicles, electric bells, signalling apparatus and instruments, luminous or mechanical signs for traffic use, fire extinguishing apparatus, fire engines, fire hose and fire hose nozzles, radar apparatus, sonars, night vision apparatus and instruments, decorative magnets, metronomes, surgical, medical, dental and veterinary apparatus and instruments, furniture especially made for medical purposes, artificial limbs and prostheses, medical orthopaedic articles, surgical gowns and surgical sterile sheets, adult sexual aids, condoms, babies' bottles, babies' pacifiers, teats, teethers for babies, lighting installations, lights for vehicles and interior-exterior spaces, heating installations using solid, liquid or gas fuels or electricity, steam, gas and fog generators, steam boilers, other than parts of machines, installations for air-conditioning and ventilating, cooling installations and freezers, electric and gas-powered devices, installations and apparatus for cooking, drying and boiling, cookers, electric cooking pots, electric water heaters, barbecues, electric laundry driers, hair driers, hand drying apparatus, sanitary installations, taps [faucets], shower installations, toilets [water-closets], shower and bathing cubicles, bath tubs, toilet seats, sinks, wash-hand basins [parts of sanitary installations], washers for water taps, stuffings (tap valves), water softening apparatus, water purification apparatus, water purification installations, waste water purification installations, electric bed warmers and electric blankets, not for medical use, electric pillow warmers, electric or non-electric foot warmers, hot water bottles, electrically heated socks, filters for aquariums and aquarium filtration apparatus, industrial type installations for cooking, drying and coo-

ling purposes, pasteurizers and sterilizers, motor land vehicles, motorcycles, mopeds, engines and motors for land vehicles, bicycles and their bodies, handlebars and mudguards for bicycles, vehicle bodies, tipping bodies for trucks, trailers for tractors, frigorific bodies for land vehicles, trailer hitches for vehicles, vehicle seats, head-rests for vehicle seats, safety seats for children, for vehicles, seat covers for vehicles, vehicle covers (shaped), sun-blinds adapted for vehicles, direction signals and arms for direction signals for vehicles, windscreen wipers and wiper arms for vehicles, inner and outer tires for vehicle wheels, tubeless tires, tire-fixing sets comprised of tire patches and tire valves for vehicles, windows for vehicles, safety windows for vehicles, rearview mirrors and wing mirrors for vehicles, anti-skid chains for vehicles, luggage carriers for vehicles, bicycle and ski carriers for cars, saddles for bicycles or motorcycles, air pumps for vehicles, for inflating tires, anti-theft alarms for vehicles, horns for vehicles, safety belts for vehicle seats, air bags (safety devices for automobiles), baby carriages, wheelchairs, pushchairs, wheelbarrows, shopping carts, single or multi-wheeled wheelbarrows, shopping trolleys, grocery carts, handling carts, rail vehicles, locomotives, trains, trams, waggons, cable cars, chairlifts, vehicles for locomotion by water and their parts, other than their motors and engines, vehicles for locomotion by air and their parts, other than their motors and engines, firearms, air pistols (weapons), spring-loaded firearms, adapted cases and shoulder straps therefor, heavy weapons, mortars and rockets, fireworks, sprays for personal defence purposes, jewellery, imitation jewellery, gold, precious stones and jewellery made thereof, cufflinks, tie pins, statuettes and figurines of precious metal, clocks, watches and chronometrical instruments, chronometers and their parts, watch straps, musical instruments and cases for musical instruments, paper and cardboard, paper and cardboard for packaging and wrapping purposes, cardboard boxes, paper towels, toilet paper, paper napkins, plastic materials for packaging and wrapping purposes, printing blocks and types, bookbinding material, printed publications, printed matter, books, magazines, newspapers, bill books, printed dispatch notes, printed vouchers, calendars, posters, photographs [printed], paintings, stickers [stationery], postage stamps, stationery, office stationery, instructional and teaching material [except furniture and apparatus], writing and drawing implements, artists' materials, paper products for stationery purposes, adhesives for stationery purposes, pens, pencils, erasers, adhesive tapes for stationery purposes, cardboard cartons [artists' materials], writing paper, copying paper, paper rolls for cash registers, drawing materials, chalkboards, painting pencils, watercolors [paintings], office requisites, paint rollers and paintbrushes for painting, rosaries, rubber, gutta-percha, gum, asbestos, mica and semi-finished synthetic go-

ods made from these materials in the form of powder, bars, panels and foils, insulation, stopping and sealing materials, insulation paints, insulation fabrics, insulating tape and band, insulation covers for industrial machinery, joint sealant compounds for joints, gaskets, O-rings for sealing purposes (other than gaskets for motors, cylinders and washer for water taps), flexible pipes made from rubber and plastic, hoses made of plastic and rubber, including those used for vehicles, junctions for pipes of plastic and rubber, pipe jackets of plastic and rubber, hoses of textile material, junctions for pipes, not of metal, pipe jackets, not of metal, connecting hose for vehicle radiators, unworked or semi-worked leather and animal skins, imitations of leather, stout leather, leather used for linings, goods made of leather, imitations of leather or other materials, designed for carrying items, bags, wallets, boxes and trunks made of leather or stout leather, keycases, trunks [luggage], suitcases, umbrellas, parasols, sun umbrellas, walking sticks, whips, harness, saddlery, stirrups, straps of leather (saddlery), sand, gravel, crushed stone, asphalt, bitumen, cement, gypsum, plaster, concrete, marble blocks for construction, building materials (as finished products) made of concrete, gypsum, clay, potters' clay, stone, marble, wood, plastics and synthetic materials for building, construction, road construction purposes, non-metallic buildings, non-metallic building materials, poles not of metal for power lines, barriers not of metal, natural and synthetic coatings in the form of panels and sheets, being building materials, bitumen cardboard coatings for roofing, bitumen coating for roofing, doors and windows of wood and synthetic materials, traffic signs not of metal, non-luminous and non-mechanical, for roads, monuments and statuettes of stone, concrete and marble, building glass, prefabricated swimming pools not of metal (structures), aquarium sand, furniture, made of any kind of material, mattresses, pillows, air mattresses and cushions, not for medical purposes, water beds, mirrors, beehives, artificial honeycombs and sections of wood for honeycombs, bouncing chairs for babies, playpens for babies, cradles, infant walkers, display boards, frames for pictures and paintings, identification plates, identification tags, nameplates, identification labels made of wood or synthetic materials, packaging containers of wood or plastics, casks for use in transportation or storage, barrels, storage drums, tanks, boxes, storage containers, transportation containers, chests, loading pallets and closures for the aforementioned goods, of wood or plastics, small hardware goods of wood or synthetic materials, furniture fittings, of wood or synthetic materials, opening and closing mechanisms of wood or synthetic materials, ornaments and decorative goods of wood, cork, reed, cane, wicker, horn, bone, ivory, whalebone, shell, amber, mother-of-pearl, meerschaum, beeswax, plastic or plaster, baskets, fishing baskets, kennels, nesting boxes and

beds for household pets, portable ladders and mobile boarding stairs of wood or synthetic materials, bamboo curtains, roller indoor blinds [for interiors], slatted indoor blinds, trip curtains, bead curtains for decoration, curtain hooks, curtain rings, curtain tie-backs, curtain rods, non-metal wheel chocks, hand-operated non-electric cleaning instruments and appliances, brushes, other than paintbrushes, steel chips for cleaning, sponges for cleaning, steel wool for cleaning, cloths of textile for cleaning, gloves for dishwashing, non-electric polishing machines for household purposes, brooms for carpets, mops, toothbrushes, electric toothbrushes, dental floss, shaving brushes, hair brushes, combs, non-electric household or kitchen utensils, [other than forks, knives, spoons], services [dishes], pots and pans, ironing boards and shaped covers therefor, drying racks for washing, clothes drying hangers, cages for household pets, indoor aquariums, vivariums and indoor terrariums for animals and plant cultivation, ornaments and decorative goods of glass, porcelain, earthenware or clay namely statues, figurines, vases, and trophies, mouse traps, insect traps, electric devices for attracting and killing flies and insects, fly catchers, fly swatters, perfume burners, perfume sprayers, perfume vaporizers, electric or non-electric make-up removing appliances, powder puffs, toilet cases, nozzles for sprinkler hose, nozzles for watering cans, watering devices, garden watering cans, unworked or semi-worked glass, except building glass, mosaics of glass and powdered glass for decoration, except for building, glass wool other than for insulation or textile use, trophies made of precious metal, ropes, strings, rope ladders, hammocks, fishing nets, tents, awnings, tarpaulins, sails, vehicle covers, not fitted, bags of textile, for packaging, padding and stuffing materials, except of rubber and plastics, including those of wool and cotton, textile fibers, raw spun fiber, glass fibers for textile use, yarns and threads for textile use, threads and yarns for sewing, embroidery and knitting, thread, elastic yarns and threads for textile use, woven or non-woven textile fabrics, textile goods for household use, curtains, bed covers, sheets (textile), pillowcases, blankets, quilts, towels, flags, pennants, labels of textile, swaddling blankets, clothing, including underwear and outerclothing, other than special purpose protective clothing, socks, footwear, shoes, slippers, sandals, headgear, laces and embroidery, guipures, festoons, ribbons (haberdashery), ribbons and braid, fastening tapes for clothing, cords for clothing, letters and numerals for marking linen, embroidered emblems, badges for wear, not of precious metal, shoulder pads for clothing, buttons for clothing, fasteners for clothing, eyelets for clothing, zippers, buckles for shoes and belts, fasteners, shoe and belt buckles, pins, other than jewellery, adhesive patches for decoration of textile articles, laces, needles, sewing needles, needles for sewing machines, need-

les for knitting and embroidery, boxes for needles, needle cushions, artificial flowers, artificial fruits, hair pins, hair buckles, hair bands, decorative articles for the hair, not made of precious metal, wigs, hair extensions, electric or non-electric hair curlers, other than hand implements, carpets, rugs, mats, prayer rugs, linoleum, artificial turf, linoleum for covering floors, gymnasium mats, wallpaper, wall hangings not of textile, games and toys, arcade video game machines, game apparatus and machines for use with an external display screen and monitor, including those coin-operated, toys for animals, toys for outdoor playgrounds, parks and game parks, gymnastic and sporting articles, Christmas trees of artificial material, ornaments for Christmas trees, artificial snow for Christmas trees, rattles (playthings), novelties for parties, dances (party favors), paper party hats, meat, fish, poultry and game, processed meat products, dried pulses, soups, bouillon, processed olives, olive paste, milks of animal origin, milks of herbal origin, milk products, butter, edible oils, dried, preserved, frozen, cooked, smoked or salted fruits and vegetables, tomato paste, prepared nuts and dried fruits as snacks, hazelnut spreads and peanut butter, tahini (sesame seed paste), eggs and powdered eggs, potato chips, coffee, cocoa, coffee or cocoa based beverages, chocolate based beverages, pasta, stuffed dumplings, noodles, pastries and bakery products based on flour, desserts based on flour and chocolate, honey, bee glue for human consumption, propolis for food purposes, condiments for foodstuff, vanilla (flavoring), spices, sauces (condiments), tomato sauce, yeast, baking powder, flour, semolina, starch for food, sugar, cube sugar, powdered sugar, tea, ice tea, confectionery, chocolate, biscuits, crackers, wafers, chewing gums, ice-cream, edible ices, salt, cereal-based snack food, molasses for food, agricultural and horticultural products, seeds, forestry products, live animals, fertilized eggs for hatching, plants, dried plants for decoration, fresh garden herbs, dried garden herbs for decoration, animal foodstuffs, malt not for human consumption, beers, preparations for making beer, mineral water, spring water, table water, soda water, fruit and vegetable juices, fruit and vegetable concentrates and extracts for making beverages, non-alcoholic soft drinks, energy drinks, protein-enriched sports beverages, alcoholic beverages (except beers), tobacco, chewing tobacco, cigarettes, cigars, smokers' articles including those made of precious metals, pipes, mouthpieces for cigars and cigarettes, ashtrays, tobacco boxes, pocket apparatus for rolling cigarettes, cigarette paper, tobacco pipes, firestones, lighters for smokers, electronic cigarettes and their cartridges, matches, enabling customers to conveniently view and purchase those goods, such services may be provided by retail stores, wholesale outlets, by means of electronic media or through mail order catalogues.

(260) AM 2019 102191 A

(800) 1455338

(151) 2018 12 14

(891) 2018 12 14

(731) DAW SE

Roßdörfer Str. 50, 64372 Ober-Ramstadt,
Germany

(540)

ArteDolce

(591) Black, white

(511)

2 – Paints; varnishes; lacquers; glazes; coatings; preservatives against rust; primers; colorants; dyestuffs; dye pastes; mordants; paint thickeners; fixatives; siccatives for paints; raw natural resins; thinning and binding preparations for paints and lacquers; solvents for thinning paints; preparations for preserving wood; wood mordants; wood preserving oils; paints, including structuring paints; bactericidal and/or fungicidal paints; anti-corrosion preparations; protective preparations for metals; metals in foil and powder form for painters, decorators, printers and artists.

19 – Building materials, not of metal or mainly not of metal, in particular profile rails and corner irons, finishing profiles; adjusting and levelling parts, spacers for building, sills, all not of metal or mainly not of metal; natural and artificial stone; mortar (building materials); quartz; plaster [building materials]; coatings (building materials); wall and ceiling panels (not of metal or mainly not of metal, for building); fabric embedding compounds for building; fillers (building materials); fabrics for building, not of metal or mainly not of metal, in particular stabilising fabrics.

27 – Wall hangings (non-textile); wallpaper; floor coverings.

(260) AM 2019 102223 A

(800) 443086

(151) 1979 02 23

(891) 2019 02 24

(731) ARNOLD ANDRÉ GMBH & CO. KG

Moltkestrasse 10-18, 32257 Bünde, Germany

(540)

VASCO DA GAMA

(591) Black, white

(511)

34 – Tobacco goods, in particular cigars, cigarillos, cheroots, smoking and chewing tobacco; cigarette paper.

(260) AM 2019 102224 A

(800) 1060872

(151) 2010 11 11

(891) 2019 01 18
 (731) SERVIER IP UK LIMITED
 Sefton House Sefton Park, Bells Hill Stoke
 Poges, Slough SL2 4JS, United Kingdom

(540)


(591) Black, white
 (531) 28.05
 (511)
 5 – Pharmaceutical preparations.

(260) AM 2019 102225 A
 (800) 1299178
 (151) 2016 03 22
 (891) 2019 02 11
 (731) SOCIÉTÉ DES PRODUITS NESTLÉ S.A.
 CH-1800 Vevey, Switzerland

(540)



(591) Yellow, dark blue, light blue, turquoise and white
 (531) 27.05.02; 27.05.03; 29.01.13
 (511)
 29 – Milk, cream, butter, cheese and dairy products; milk substitutes; almond milk; milk beverages where milk is predominating; milk-based desserts and cream-based desserts; yogurts; spread based on a dairy product; soy milk (milk substitute), protein preparations for human consumption; coffee and/or tea whiteners (cream substitutes); food products and beverages enriched with nutritional and/or dietetic elements (with milk predominating).

30 – Coffee, coffee-based beverages and preparations; iced coffee; artificial coffee, preparations and beverages based on artificial coffee; tea, tea-based beverages and preparations; iced tea; malt-based preparations for human consumption; cocoa and cocoa-based beverages and preparations; cocoa-based spread; chocolate, chocolate products, chocolate-based beverages and preparations; cereal-based beverages and preparations included in this class; malt extract for food, malt for human consumption, malt-based preparations and beverages; confectionery; bakery products, biscuits, cakes, cookies, wafers, edible ices, water ices, ice creams; breakfast cereals, muesli, corn flakes, cereal bars, ready-to-eat cereals; cereal preparations; food products based on rice, flour, barley or cereals, also in the form of cooked dishes;

cereal-based beverages and food products enriched with nutritional and/or dietetic elements included in this class.

(260) AM 2019 102335 A
 (800) 1005887
 (151) 2009 01 23
 (891) 2019 03 01
 (731) ASTIER DE VILLATTE
 173 rue Saint Honoré, F-75001 Paris,
 France

(540)

ASTIER DE VILLATTE

(591) Black, white
 (511)
 3 – Cosmetic preparations for slimming purposes, shampoos for pets, sunscreens (cosmetic preparations for skin tanning), cosmetic preparations for baths, bath salts, not for medical purposes, shaving stones (antiseptic), shaving soaps, beauty masks, skin whitening creams, scented wood, mouth washes, not for medical purposes, hair lotions, cosmetic preparations for eyelashes, false eyelashes, depilatory wax, eau de Cologne, cosmetic creams, make-up removing preparations, dentifrices, deodorants for personal use (perfumery), deodorant soaps, lavender water, eaux de toilette, incense, depilatory preparations, essential oils, ethereal oils, make-up, cleansing milk for toilet purposes, hair spray, nail varnish, lipsticks, mascara, musk (perfumery), false nails, perfumery, cosmetic preparations for skin care, pot-pourris (fragrances), soaps, shampoos, eyebrow pencils, talcum powder for toiletry use; bleachers (laundry), shoe polish, shoe cream, floor waxes, polishing creams, creams for leather, detergents other than for use in manufacturing operations and for medical purposes, Javelle water, emery paper, polish for furniture and flooring, essence of turpentine (degreasing products), sachets for perfuming linen, pumice stones.

4 – Candles, perfumed candles, tapers, illuminating wax, lamp wicks, paraffin, nightlights (candles).

20 – Curtain rings, non-textile decorative wall fittings (furnishings), cupboards, bins, not of metal, benches (furniture), cradles, bookcase shelves and shelving, letter-boxes, not of metal or masonry, boxes of wood or plastic, embroidery frames, sideboards, dinner wagons (furniture), desks (furniture), busts of wood, wax, plaster or plastic, picture frames, settees, chairs (seats), high chairs for babies, deck chairs, fire screens, coat hangers, chests of drawers, non-metallic baskets, cushions, tea trolleys, fixed non-metallic towel dispensers, divans, curtain holders, not of textile material, armchairs, figurines (statuettes) of wood, wax, plaster or plastic, flower-pot pedestals, mirrors (looking glasses), newspaper display stands, bedding (except linen), spring-mat-

tresses, bookstands, mattresses, pillows, umbrella stands, screens (furniture), non-metallic clothes hooks, curtain tie-backs, bead curtains for decoration, table-tops, coat stands (furniture), sofas, slatted indoor blinds, indoor window blinds (furniture), tables, dressing tables (furniture), shelves for storage, stools, bolsters, plate racks.

21 – Works of art, of porcelain, terra-cotta or glass, plates, butter dishes, beer mugs, glass jars, biscuit tins, bread bins, soap boxes, tea caddies, boxes of glass, bowls, hors d'oeuvres dishes, demijohns, sweet dishes, bottles, bottle openers, door knobs made of porcelain, electric brushes (excluding parts of machines), perfume burners, flowerpot covers not of paper, non-electric coffeepots, candelabra (candlesticks), decanters, saucepans, chamber pots, chamois leather for cleaning, shoe brushes, cloths for cleaning, eggcups, baskets for household use, fruit cups, knife rests for the table, dish and pot lids and covers, pitchers, small jugs, kitchen containers, cutting boards for the kitchen, table mats (table utensils), soap dispensers, sponges for household purposes, toilet sponges, sponge holders, dusting rags (cloths), candle extinguishers, earthenware, flasks, flowerpots, frying pans, non-electric deep friers, cake moulds, ice cube moulds, cups of paper or plastic, goblets, oil cruets, basins, liqueur sets, basting spoons, for kitchen use, manual mixers (shakers), crumb trays, fitted picnic baskets including dishes, rolling pins, combs, pie servers, ironing boards, serving dishes, earthenware saucepans, hand-operated pepper mills, pepper pots, china ware, soap holders, towel rails, pots, refuse bins, powder compacts, graters (household utensils), napkin rings, salad bowls, salt cellars, floor cloths, saucers, soup tureens, spatulas (kitchen utensils), sugar bowls, vases, glasses (receptacles).

(260) AM 2019 102336 A
(800) 1070159
(151) 2011 02 10
(891) 2018 08 30
(731) Association limited "Medical center
"M.T.K."
10, Mykola Amosov Str. 680, Kyiv 03680,
Ukraine

(540)

Rheosorbilact

(591) Black, white
(531) 27.05.01
(511)

5 – Pharmaceutical preparations; medicines for human purposes; chemico-pharmaceutical preparations; chemical preparations for medical purposes; vaccines; vitamin preparations; medicinal cosmetics.

(260) AM 2019 102338 A
(800) 1281658
(151) 2015 10 23
(891) 2019 02 05
(731) ZERNOFF S.R.L., întreprindere mixtă
Bd. Mircea cel Bătrîn nr. 13, bloc 1, ap.(of.)
of.1F, MD-2075 CHIȘINĂU, Republic of
Moldova

(540)

ZERNOFF

(591) Black, white
(511)
33 – Alcoholic beverages (except beers).

(260) AM 2019 102466 A
(800) 1458799
(151) 2018 12 27
(891) 2018 12 27
(731) BIONORICA SE
Kerschensteinerstrasse 11-15, 92318
Neumarkt, Germany

(540)

სინუპრეტი

(591) Black, white
(531) 28.19
(511)
5 – Pharmaceuticals; medicine; dietetic preparations and food supplements; nutritional supplements for humans; nutritional supplements for animals; medicinal preparations; veterinary preparations.

(260) AM 2019 102478 A
(800) 1458969
(151) 2018 11 15
(891) 2018 11 15
(731) Joint stock company "TATSPIRTPROM"
Baumana str., 44/8, Kazan, RU-420111
Respublic of Tatarstan, Russian Federation

(540)

Glenap

(591) Black, white
(511)
33 – Alcoholic beverages (except beers).

(260) AM 2019 102479 A
(800) 1458971
(151) 2019 02 22
(891) 2019 02 22
(731) Open Joint Stock Company "KOMPANIA
ROSINKA"
Universalniy pr-d, 11, RU-398032
g. Lipetsk, Russian Federation

(540)

Frutmotiv

(591) Black, white

(511)

5 – Dietetic beverages adapted for medical purposes, including mineral waters for medical purposes; medicinal infusions; tinctures for medical purposes.

32 – Beer; mineral and aerated waters; fruit beverages and fruit juices; syrups and other preparations for making beverages.

INTERNATIONAL TRADEMARKS PROTECTED IN GEORGIA

(260) AM 2019 95729 A
(800) 1379458
(151) 2017 10 21
(181) 2027 10 21
(891) 2017 10 21
(511) 09

(260) AM 2019 99390 A
(800) 1422578
(151) 2018 05 28
(181) 2028 05 28
(891) 2018 05 28
(511) 12, 35

(260) AM 2019 97117 A
(800) 1395394
(151) 2017 12 12
(181) 2027 12 12
(891) 2017 12 12
(511) 09

(260) AM 2019 99400 A
(800) 1422999
(151) 2018 04 05
(181) 2028 04 05
(891) 2018 04 05
(511) 09, 11

(260) AM 2019 98838 A
(800) 1415883
(151) 2018 01 29
(181) 2028 01 29
(891) 2018 01 29
(511) 05, 10, 35, 38, 44

(260) AM 2019 99548 A
(800) 1423765
(151) 2018 07 03
(181) 2028 07 03
(891) 2018 07 03
(511) 03

(260) AM 2019 98943 A
(800) 1417193
(151) 2018 05 18
(181) 2028 05 18
(891) 2018 05 18
(511) 33

(260) AM 2019 99561 A
(800) 1424122
(151) 2018 07 03
(181) 2028 07 03
(891) 2018 07 03
(511) 03

(260) AM 2019 98951 A
(800) 1417379
(151) 2018 05 29
(181) 2028 05 29
(891) 2018 05 29
(511) 38, 41, 44

(260) AM 2019 99562 A
(800) 1424132
(151) 2018 06 06
(181) 2028 06 06
(891) 2018 06 06
(511) 09

(260) AM 2019 99283 A
(800) 1421873
(151) 2018 03 21
(181) 2028 03 21
(891) 2018 03 21
(511) 37

(260) AM 2019 99570 A
(800) 1318812
(151) 2016 06 24
(181) 2026 06 24
(891) 2018 09 04
(511) 35, 36, 44

(260) AM 2019 99375 A
(800) 1422225
(151) 2018 07 13
(181) 2028 07 13
(891) 2018 07 13
(511) 03

(260) AM 2019 99585 A
(800) 1424581
(151) 2018 07 05
(181) 2028 07 05
(891) 2018 07 05
(511) 06, 07, 12, 17

(260) AM 2019 99586 A
(800) 1424641
(151) 2018 07 27
(181) 2028 07 27
(891) 2018 07 27
(511) 14

(260) AM 2019 99587 A
(800) 1424730
(151) 2018 07 30
(181) 2028 07 30
(891) 2018 07 30
(511) 25, 45

(260) AM 2019 99588 A
(800) 1424745
(151) 2018 03 22
(181) 2028 03 22
(891) 2018 03 22
(511) 02

(260) AM 2019 99601 A
(800) 1425149
(151) 2018 02 26
(181) 2028 02 26
(891) 2018 02 26
(511) 01, 05, 09, 10, 35, 41, 42, 44

(260) AM 2019 99620 A
(800) 528754
(151) 1988 08 06
(181) 2028 08 06
(891) 2018 08 07
(511) 01, 30

(260) AM 2019 99684 A
(800) 1425668
(151) 2017 12 22
(181) 2027 12 22
(891) 2017 12 22
(511) 01, 04, 06, 07, 09, 11, 35, 37, 39, 40, 42

(260) AM 2019 99685 A
(800) 1425705
(151) 2018 07 11
(181) 2028 07 11
(891) 2018 07 11
(511) 05

(260) AM 2019 99686 A
(800) 1425720
(151) 2018 06 11
(181) 2028 06 11

(891) 2018 06 11
(511) 18, 25, 35

(260) AM 2019 99687 A
(800) 1425729
(151) 2018 07 11
(181) 2028 07 11
(891) 2018 07 11
(511) 34

(260) AM 2019 99688 A
(800) 1425775
(151) 2018 03 15
(181) 2028 03 15
(891) 2018 03 15
(511) 02, 17, 35

(260) AM 2019 99689 A
(800) 1425776
(151) 2018 05 08
(181) 2028 05 08
(891) 2018 05 08
(511) 29

(260) AM 2019 99690 A
(800) 1425777
(151) 2018 08 02
(181) 2028 08 02
(891) 2018 08 02
(511) 39

(260) AM 2019 99691 A
(800) 1425789
(151) 2017 11 21
(181) 2027 11 21
(891) 2017 11 21
(511) 29, 30

(260) AM 2019 99692 A
(800) 1425790
(151) 2018 07 20
(181) 2028 07 20
(891) 2018 07 20
(511) 09

(260) AM 2019 99694 A
(800) 1425860
(151) 2018 06 12
(181) 2028 06 12
(891) 2018 06 12
(511) 16

(260) AM 2019 99707 A
(800) 1426182
(151) 2018 06 22
(181) 2028 06 22
(891) 2018 06 22
(511) 36, 39, 41, 43, 44

(260) AM 2019 99714 A
(800) 1426198
(151) 2018 06 22
(181) 2028 06 22
(891) 2018 06 22
(511) 36, 39, 41, 43, 44

(260) AM 2019 99717 A
(800) 1426215
(151) 2018 06 22
(181) 2028 06 22
(891) 2018 06 22
(511) 36, 39, 41, 43, 44

(260) AM 2019 99718 A
(800) 1426266
(151) 2018 07 20
(181) 2028 07 20
(891) 2018 07 20
(511) 09, 20, 24, 28, 42

(260) AM 2019 99719 A
(800) 1426270
(151) 2018 04 11
(181) 2028 04 11
(891) 2018 04 11
(511) 12

(260) AM 2019 99720 A
(800) 1426309
(151) 2018 01 12
(181) 2028 01 12
(891) 2018 01 12
(511) 35, 36, 39

(260) AM 2019 99722 A
(800) 1426407
(151) 2018 07 11
(181) 2028 07 11
(891) 2018 07 11
(511) 09, 41

(260) AM 2019 99723 A
(800) 1426418
(151) 2018 07 30
(181) 2028 07 30

(891) 2018 07 30
(511) 05

(260) AM 2019 99724 A
(800) 1426464
(151) 2018 07 23
(181) 2028 07 23
(891) 2018 07 23
(511) 05

(260) AM 2019 99725 A
(800) 1426483
(151) 2018 06 26
(181) 2028 06 26
(891) 2018 06 26
(511) 32

(260) AM 2019 99726 A
(800) 1426497
(151) 2018 07 03
(181) 2028 07 03
(891) 2018 07 03
(511) 09

(260) AM 2019 99727 A
(800) 1426499
(151) 2018 07 18
(181) 2028 07 18
(891) 2018 07 18
(511) 18, 25

(260) AM 2019 99729 A
(800) 1426538
(151) 2018 07 07
(181) 2028 07 07
(891) 2018 07 07
(511) 01, 05

(260) AM 2019 99730 A
(800) 1426558
(151) 2018 01 26
(181) 2028 01 26
(891) 2018 01 26
(511) 36

(260) AM 2019 99731 A
(800) 1426632
(151) 2018 03 23
(181) 2028 03 23
(891) 2018 03 23
(511) 01, 04, 07, 08, 12, 17

(260) AM 2019 99732 A
(800) 1426704
(151) 2018 07 18
(181) 2028 07 18
(891) 2018 07 18
(511) 14

(260) AM 2019 99734 A
(800) 1426734
(151) 2018 07 10
(181) 2028 07 10
(891) 2018 07 10
(511) 12, 35, 37, 41

(260) AM 2019 99735 A
(800) 1426834
(151) 2018 04 17
(181) 2028 04 17
(891) 2018 04 17
(511) 01, 16, 17

(260) AM 2019 99736 A
(800) 1426838
(151) 2018 02 20
(181) 2028 02 20
(891) 2018 02 20
(511) 14, 20

(260) AM 2019 99737 A
(800) 1426859
(151) 2018 05 03
(181) 2028 05 03
(891) 2018 05 03
(511) 09, 38, 41

(260) AM 2019 99739 A
(800) 1427000
(151) 2016 11 22
(181) 2026 11 22
(891) 2016 11 22
(511) 38, 42

(260) AM 2019 99741 A
(800) 869565
(151) 2005 09 28
(181) 2025 09 28
(891) 2018 09 19
(511) 03, 05

(260) AM 2019 99744 A
(800) 1237948
(151) 2014 10 24
(181) 2024 10 24

(891) 2018 06 06
(511) 14

(260) AM 2019 99745 A
(800) 1248192
(151) 2015 03 24
(181) 2025 03 24
(891) 2018 09 06
(511) 03

(260) AM 2019 99746 A
(800) 1263784
(151) 2015 05 20
(181) 2025 05 20
(891) 2018 09 06
(511) 35, 36

(260) AM 2019 99747 A
(800) 1269842
(151) 2015 08 12
(181) 2025 08 12
(891) 2018 08 09
(511) 03

(260) AM 2019 99748 A
(800) 1286741
(151) 2015 12 15
(181) 2025 12 15
(891) 2018 09 18
(511) 05

(260) AM 2019 99749 A
(800) 1337806
(151) 2016 01 22
(181) 2026 01 22
(891) 2018 08 28
(511) 07, 08, 09, 11

(260) AM 2019 99798 A
(800) 1427022
(151) 2018 06 26
(181) 2028 06 26
(891) 2018 06 26
(511) 06, 19, 37

(260) AM 2019 99800 A
(800) 1427073
(151) 2018 07 02
(181) 2028 07 02
(891) 2018 07 02
(511) 12

(260) AM 2019 99801 A
(800) 1427110
(151) 2018 06 22
(181) 2028 06 22
(891) 2018 06 22
(511) 03

(260) AM 2019 99802 A
(800) 1427115
(151) 2018 07 10
(181) 2028 07 10
(891) 2018 07 10
(511) 34

(260) AM 2019 99803 A
(800) 1427131
(151) 2017 12 27
(181) 2027 12 27
(891) 2017 12 27
(511) 02

(260) AM 2019 99806 A
(800) 1427237
(151) 2018 07 16
(181) 2028 07 16
(891) 2018 07 16
(511) 05

(260) AM 2019 99807 A
(800) 1427240
(151) 2018 07 16
(181) 2028 07 16
(891) 2018 07 16
(511) 05

(260) AM 2019 99820 A
(800) 1427619
(151) 2018 04 25
(181) 2028 04 25
(891) 2018 04 25
(511) 09, 16, 41, 42

(260) AM 2019 99822 A
(800) 1427650
(151) 2018 04 02
(181) 2028 04 02
(891) 2018 04 02
(511) 29

(260) AM 2019 99823 A
(800) 1427698
(151) 2018 05 23
(181) 2028 05 23

(891) 2018 05 23
(511) 09, 11, 37, 42

(260) AM 2019 99824 A
(800) 1427716
(151) 2018 05 18
(181) 2028 05 18
(891) 2018 05 18
(511) 05

(260) AM 2019 99831 A
(800) 1427995
(151) 2018 09 13
(181) 2028 09 13
(891) 2018 09 13
(511) 25

(260) AM 2019 99832 A
(800) 1427996
(151) 2018 09 13
(181) 2028 09 13
(891) 2018 09 13
(511) 09

(260) AM 2019 99835 A
(800) 1428006
(151) 2018 05 11
(181) 2028 05 11
(891) 2018 05 11
(511) 09, 12, 35, 36, 37, 38, 39, 41, 42, 43, 45

(260) AM 2019 99836 A
(800) 1428050
(151) 2018 04 24
(181) 2028 04 24
(891) 2018 04 24
(511) 09, 35, 36, 38, 41, 42, 45

(260) AM 2019 99837 A
(800) 1428060
(151) 2018 08 03
(181) 2028 08 03
(891) 2018 08 03
(511) 05

(260) AM 2019 99838 A
(800) 1428079
(151) 2018 08 29
(181) 2028 08 29
(891) 2018 08 29
(511) 13

(260) AM 2019 99839 A
(800) 1428085
(151) 2017 02 27
(181) 2027 02 27
(891) 2017 02 27
(511) 07

(260) AM 2019 99846 A
(800) 1428308
(151) 2018 08 20
(181) 2028 08 20
(891) 2018 08 20
(511) 12, 16, 35

(260) AM 2019 100099 A
(800) 1428386
(151) 2018 07 02
(181) 2028 07 02
(891) 2018 07 02
(511) 35

(260) AM 2019 100102 A
(800) 1428457
(151) 2018 08 17
(181) 2028 08 17
(891) 2018 08 17
(511) 22, 23

(260) AM 2019 100103 A
(800) 1428517
(151) 2018 07 02
(181) 2028 07 02
(891) 2018 07 02
(511) 15

(260) AM 2019 100127 A
(800) 1429171
(151) 2018 07 05
(181) 2028 07 05
(891) 2018 07 05
(511) 02, 17, 35

(260) AM 2019 100128 A
(800) 1429173
(151) 2017 01 19
(181) 2027 01 19
(891) 2017 01 19
(511) 03

(260) AM 2019 100131 A
(800) 1429229
(151) 2018 08 14
(181) 2028 08 14

(891) 2018 08 14
(511) 01, 02

(260) AM 2019 100132 A
(800) 1429245
(151) 2018 03 27
(181) 2028 03 27
(891) 2018 03 27
(511) 30

(260) AM 2019 100133 A
(800) 1429246
(151) 2018 06 06
(181) 2028 06 06
(891) 2018 06 06
(511) 07, 08

(260) AM 2019 100134 A
(800) 1429250
(151) 2018 08 24
(181) 2028 08 24
(891) 2018 08 24
(511) 03

(260) AM 2019 100138 A
(800) 1429361
(151) 2018 08 15
(181) 2028 08 15
(891) 2018 08 15
(511) 09

(260) AM 2019 100141 A
(800) 1429370
(151) 2018 08 29
(181) 2028 08 29
(891) 2018 08 29
(511) 09

(260) AM 2019 100152 A
(800) 1429695
(151) 2018 08 21
(181) 2028 08 21
(891) 2018 08 21
(511) 34

(260) AM 2019 100153 A
(800) 1429728
(151) 2018 04 13
(181) 2028 04 13
(891) 2018 04 13
(511) 29, 30, 32

(260) AM 2019 100155 A
(800) 912464
(151) 2006 10 20
(181) 2026 10 20
(891) 2018 10 04
(511) 16, 35, 41

(260) AM 2019 100157 A
(800) 1429760
(151) 2018 08 23
(181) 2028 08 23
(891) 2018 08 23
(511) 43

(260) AM 2019 100158 A
(800) 1429764
(151) 2018 07 02
(181) 2028 07 02
(891) 2018 07 02
(511) 24

(260) AM 2019 100159 A
(800) 1429795
(151) 2018 08 03
(181) 2028 08 03
(891) 2018 08 03
(511) 05

(260) AM 2019 100160 A
(800) 1429832
(151) 2018 08 16
(181) 2028 08 16
(891) 2018 08 16
(511) 18, 25

(260) AM 2019 100161 A
(800) 1429836
(151) 2018 08 31
(181) 2028 08 31
(891) 2018 08 31
(511) 13

(260) AM 2019 100162 A
(800) 1429863
(151) 2018 07 13
(181) 2028 07 13
(891) 2018 07 13
(511) 11, 20

(260) AM 2019 100163 A
(800) 1429880
(151) 2018 03 22
(181) 2028 03 22

(891) 2018 03 22
(511) 35, 41

(260) AM 2019 100164 A
(800) 1429881
(151) 2018 08 02
(181) 2028 08 02
(891) 2018 08 02
(511) 06, 09

(260) AM 2019 100165 A
(800) 1429882
(151) 2018 08 02
(181) 2028 08 02
(891) 2018 08 02
(511) 06, 09

(260) AM 2019 100166 A
(800) 1429914
(151) 2018 03 12
(181) 2028 03 12
(891) 2018 03 12
(511) 34

(260) AM 2019 100167 A
(800) 1429915
(151) 2018 03 12
(181) 2028 03 12
(891) 2018 03 12
(511) 34

(260) AM 2019 100168 A
(800) 1429957
(151) 2018 07 02
(181) 2028 07 02
(891) 2018 07 02
(511) 09

(260) AM 2019 100169 A
(800) 1429979
(151) 2018 03 12
(181) 2028 03 12
(891) 2018 03 12
(511) 34

(260) AM 2019 100170 A
(800) 1429993
(151) 2018 03 12
(181) 2028 03 12
(891) 2018 03 12
(511) 34

(260) AM 2019 100183 A
(800) 1430414
(151) 2018 08 08
(181) 2028 08 08
(891) 2018 08 08
(511) 01, 02, 19

(260) AM 2019 100214 A
(800) 848115
(151) 2005 03 11
(181) 2025 03 11
(891) 2018 10 08
(511) 03, 44

(260) AM 2019 100221 A
(800) 1371993
(151) 2017 07 18
(181) 2027 07 18
(891) 2018 09 21
(511) 05, 30, 35

(260) AM 2019 100222 A
(800) 1430966
(151) 2018 03 22
(181) 2028 03 22
(891) 2018 03 22
(511) 05

(260) AM 2019 100225 A
(800) 1431041
(151) 2018 05 16
(181) 2028 05 16
(891) 2018 05 16
(511) 24

(260) AM 2019 100226 A
(800) 1431049
(151) 2018 02 13
(181) 2028 02 13
(891) 2018 02 13
(511) 08

(260) AM 2019 100229 A
(800) 1431104
(151) 2018 07 20
(181) 2028 07 20
(891) 2018 07 20
(511) 30

(260) AM 2019 100234 A
(800) 1431200
(151) 2018 09 05
(181) 2028 09 05

(891) 2018 09 05
(511) 29

(260) AM 2019 100236 A
(800) 1431236
(151) 2018 08 20
(181) 2028 08 20
(891) 2018 08 20
(511) 16, 28

(260) AM 2019 100238 A
(800) 1431256
(151) 2018 05 22
(181) 2028 05 22
(891) 2018 05 22
(511) 05, 35

(260) AM 2019 100241 A
(800) 1431318
(151) 2017 05 16
(181) 2027 05 16
(891) 2017 05 16
(511) 28

(260) AM 2019 100253 A
(800) 1431478
(151) 2018 01 31
(181) 2028 01 31
(891) 2018 01 31
(511) 41

(260) AM 2019 100343 A
(800) 1433089
(151) 2018 07 12
(181) 2028 07 12
(891) 2018 07 12
(511) 05

(260) AM 2019 100344 A
(800) 1433111
(151) 2018 06 29
(181) 2028 06 29
(891) 2018 06 29
(511) 18, 25, 35

(260) AM 2019 100345 A
(800) 1433272
(151) 2018 02 07
(181) 2028 02 07
(891) 2018 02 07
(511) 03, 05, 10

(260) AM 2019 100347 A
(800) 1433314
(151) 2018 08 02
(181) 2028 08 02
(891) 2018 08 02
(511) 09

(260) AM 2019 100348 A
(800) 1433329
(151) 2018 07 02
(181) 2028 07 02
(891) 2018 07 02
(511) 36, 37

(260) AM 2019 100349 A
(800) 1433355
(151) 2018 08 10
(181) 2028 08 10
(891) 2018 08 10
(511) 28

(260) AM 2019 100350 A
(800) 1433415
(151) 2018 04 27
(181) 2028 04 27
(891) 2018 04 27
(511) 09

(260) AM 2019 100351 A
(800) 1433469
(151) 2018 04 12
(181) 2028 04 12
(891) 2018 04 12
(511) 07, 11, 35

(260) AM 2019 100352 A
(800) 1433476
(151) 2018 03 27
(181) 2028 03 27
(891) 2018 03 27
(511) 06, 09, 11, 35

(260) AM 2019 100353 A
(800) 1433482
(151) 2018 08 17
(181) 2028 08 17
(891) 2018 08 17
(511) 14, 35, 36, 38, 41

(260) AM 2019 100354 A
(800) 1433505
(151) 2018 05 09
(181) 2028 05 09

(891) 2018 05 09
(511) 09, 38, 42

(260) AM 2019 100355 A
(800) 1433509
(151) 2018 05 11
(181) 2028 05 11
(891) 2018 05 11
(511) 29, 30, 32

(260) AM 2019 100356 A
(800) 1433520
(151) 2018 05 02
(181) 2028 05 02
(891) 2018 05 02
(511) 01, 31

(260) AM 2019 100357 A
(800) 1433582
(151) 2018 08 10
(181) 2028 08 10
(891) 2018 08 10
(511) 09, 41, 42

(260) AM 2019 100358 A
(800) 227097
(151) 1959 12 28
(181) 2019 12 28
(891) 2018 09 26
(511) 03

(260) AM 2019 100359 A
(800) 508966
(151) 1986 12 19
(181) 2026 12 19
(891) 2018 10 19
(511) 05

(260) AM 2019 100360 A
(800) 539003
(151) 1989 06 07
(181) 2029 06 07
(891) 2018 10 18
(511) 05, 10

(260) AM 2019 100361 A
(800) 635479
(151) 1995 03 30
(181) 2025 03 30
(891) 2018 10 18
(511) 05, 10

(260) AM 2019 100486 A
(800) 1434180
(151) 2018 04 17
(181) 2028 04 17
(891) 2018 04 17
(511) 01, 05

(260) AM 2019 100509 A
(800) 1281944
(151) 2015 07 14
(181) 2025 07 14
(891) 2018 10 12
(511) 07, 09, 12, 25

(260) AM 2019 100570 A
(800) 1436010
(151) 2018 08 23
(181) 2028 08 23
(891) 2018 08 23
(511) 14, 18

(260) AM 2019 100571 A
(800) 1436046
(151) 2018 03 01
(181) 2028 03 01
(891) 2018 03 01
(511) 21, 29, 30

(260) AM 2019 100572 A
(800) 1436072
(151) 2018 02 07
(181) 2028 02 07
(891) 2018 02 07
(511) 03, 05, 10

(260) AM 2019 100573 A
(800) 1436142
(151) 2018 09 20
(181) 2028 09 20
(891) 2018 09 20
(511) 01

(260) AM 2019 100574 A
(800) 1436181
(151) 2018 10 04
(181) 2028 10 04
(891) 2018 10 04
(511) 02, 16

(260) AM 2019 100575 A
(800) 1436185
(151) 2018 06 11
(181) 2028 06 11

(891) 2018 06 11
(511) 03, 10, 11

(260) AM 2019 100576 A
(800) 1436249
(151) 2018 05 22
(181) 2028 05 22
(891) 2018 05 22
(511) 09, 11

(260) AM 2019 100577 A
(800) 692501
(151) 1998 03 26
(181) 2028 03 26
(891) 2018 11 08
(511) 30

(260) AM 2019 100578 A
(800) 833473
(151) 2004 08 20
(181) 2024 08 20
(891) 2018 11 02
(511) 33

(260) AM 2019 100617 A
(800) 1436310
(151) 2018 08 09
(181) 2028 08 09
(891) 2018 08 09
(511) 03, 06, 08, 11, 20, 21, 29, 30, 37, 42, 43

(260) AM 2019 100618 A
(800) 1436361
(151) 2018 08 14
(181) 2028 08 14
(891) 2018 08 14
(511) 33, 35

APPELLATIONS OF ORIGIN OF GOODS

PROTECTED INTERNATIONAL APPELLATION OF ORIGIN OF GOODS

(800) 1107
(151) 2018 02 13
(540)

AMARONE DELLA VALPOLICELLA

(732) Consorzio per la Tutela dei Vini Valpolicella
Via Valpolicella 57, 37029 San Pietro in Cariano (Verona), Italy
(511)
33 – Wine.

(800) 1108
(151) 2018 02 13
(540)

VALPOLICELLA RIPASSO

(732) Consorzio per la Tutela dei Vini Valpolicella
Via Valpolicella 57, 37029 San Pietro in Cariano, Italy
(511)
33 – Wine.

(800) 1109
(151) 2018 02 13
(540)

VALPOLICELLA

(732) Consorzio per la Tutela dei Vini Valpolicella
Via Valpolicella 57, 37029 San Pietro in Cariano (Verona), Italy
(511)
33 – Wine.

(800) 1110
(151) 2018 02 13
(540)

RECIOTO DELLA VALPOLICELLA

(732) Consorzio per la Tutela dei Vini Valpolicella
Via Valpolicella 57, 37029 San Pietro in Cariano (Verona), Italy
(511)
33 – Wine.

(800) 1111
(151) 2018 04 15
(540)

Abgineh Tehran

(732) Producer or groups of producers benefiting from the appellation of origin concerned: The Institute of Crafts Artists and Craftsmen Association./Shahre Rey (City of Rey) of Tehran Province./, Iran
(511)
21 – Glassware.

(800) 1112
(151) 2018 05 18
(540)

YAHUALICA

(732) The Mexican State shall be the holder of the Appellation of Origin "YAHUALICA" and the latter may only be used by means of authorization issued by the Mexican Institute of Industrial Property to natural or legal persons meeting the requirements established in Article 169 of the Law of Industrial Property. /The region for the Yahualica Appellation of Origin is made up of 11 municipalities, 9 of which are located in the Los Altos region of the State of Jalisco and correspond to Yahualica de González Gallo, Mexitacán, Teocaltiche, Cañadas de Obregón, Jalo-stotitlán, Encarnación de Díaz, Villa Hidalgo, Cuquío and Ixtlahuacán del Río, and 2 municipalities in the State of Zacatecas, Nochistlán de Mejía and Apulco./, Mexico
(511)
31 – Chili.

(800) 1113
(151) 2018 06 19
(540)

Gazz e Isfahan e Iran

(732) Producer or groups of producers benefiting from the appellation of origin concerned. Institute of the Union for the production and sale of Gaz and confectionery in Isfahan. / Region of Isfahan city, Iran
(511)
30 – Gaz (Persian Nougat).

(800) 1114
(151) 2018 06 19
(540)

Teravertan e Mahallat

(732) Producer or groups of producers benefiting from the appellation of origin concerned.
Industrial Estates Corporation of Markazi Province.
Region of Mahallat County., Iran

(511)
1 – Travertine.

(800) 1115
(151) 2018 06 19
(540)

Morvarid e Khalij e Fars

(732) Producer or groups of producers benefiting from the appellation of origin concerned.
Bandar-e Kong Fishing cooperative.
Region of Bandar-e Kong city, Iran

(511)
14 – Pearl.

(800) 1116
(151) 2018 06 19
(540)

Gaz e Boldaji e Iran

(732) Producer or groups of producers benefiting from the appellation of origin concerned.
Union of gaz manufacturers of Boldaji.
Region of Boldaji city, Iran

(511)
30 – Gaz (Persian Nougat).

(800) 1117
(151) 2018 06 19
(540)

ANJEER E ESTAHBAN E IRAN

(732) Producer or groups of producers benefiting from the appellation of origin concerned.
Estahban county fig association. Region of Estahban county, Iran

(511)
31 – Fig.

(800) 1118
(151) 2018 06 19
(540)

Zaferan e Ghayenat e Iran

(732) Tarvand saffron ghaen company
Region of Ghayenat County, Iran;
Union of Agricultural Cooperatives of barberry growers, gardeners and saffron growers of South Khorasan.
Region of Ghayenat County, Iran

(511)
30 – Saffron.

(800) 1119
(151) 2018 06 19
(540)

Keshmesh e Malayer e Iran

(732) Producer or groups of producers benefiting from the appellation of origin concerned.
Association of Malayer Raisin Producers and Exporters.
Region of Malayer County, Iran

(511)
31 – Raisin.

(800) 1120
(151) 2018 07 30
(540)

CACAO AMAZONAS PERÚ

(732) The Peruvian State is the holder of the Peruvian appellations of origin and the producers who use them require authorizations from the Peruvian State.
Peru

(511)
31 – Cocoa (Theobroma cacao L. Var. "Native cocoa") as fermented dry beans with shell.

(800) 1121
(151) 2018 07 30
(540)

ACEITUNA DE TACNA

(732) The Peruvian State is the holder of the Peruvian appellations of origin and the producers who use them require authorizations from the Peruvian State.
Peru

(511)
31 – Table olive, Sevillana de Perú or Criolla variety (green, black and mulata types).

(800) 1122
(151) 2018 07 30
(540)

Romanijski skorup – kajmak

(732) Udruženje proizvođača "Romanijski skorup – kajmak"
Borička b.b., 73220 Rogatica, Bosnia and Herzegovina, Bosnia and Herzegovina
(511)
29 – Cream (dairy products).

(800) 1123
(151) 2018 07 31
(540)

Mina ie Isfahan

(732) Producer or groups of producers benefiting from the appellation of origin concerned.
Union of the crafts of Isfahan. Region of Isfahan, Iran
(511)
2 – Enamel.

(800) 1124
(151) 2018 07 31
(540)

Kilim e Shirakipich e Sirjan

(732) Producer or groups of producers benefiting from the appellation of origin concerned.
Cooperative of Firouzeh handmade carpet of Samangan of Sirjan.
Region of Sirjan, Iran
(511)
27 – Kilim

(800) 1125
(151) 2018 07 31
(540)

Zilu e Merbod

(732) Producer or groups of producers benefiting from the appellation of origin concerned.
The Association for the Conservation and Revival of Meybod Zilu.
Meybod City, Iran
(511)
27 – Carpet.

(800) 1126
(151) 2018 07 31
(540)

Varni e Mogan

(732) Producer or groups of producers benefiting from the appellation of origin concerned.

Moghan Zarin Art Cooperative. Region of Ardabil, Iran

(511)
27 – Weaving products, kilim.

(800) 1127
(151) 2018 07 31
(540)

Nazuk kari e sanandaj

(732) Producer or groups of producers benefiting from the appellation of origin concerned.
Cooperatives Union for Handicrafts of Kurdistan Province. City of Sanandaj, Iran
(511)
19 – Joinery.

(800) 1128
(151) 2018 10 09
(540)

FIOR D'ARANCIO COLLI EUGANEI

(732) Consorzio Volontario per la Tutela dei Vini Colli Euganei
Piazzetta Martiri 10 – 35030 Vo' (Padova), Italy
(511)
33 – Wine.

(800) 1129
(151) 2018 11 05
(540)

LUGANA

(732) Consorzio Volontario di Tutela dei Vini "Lugana" D.O.C.
Via Marconi, 2 – Sirmione (BS), Italy
(511)
33 – Wine.

(800) 1130
(151) 2018 12 30
(540)

Kilim e Harsin

(732) Producer or groups of producers benefiting from the appellation of origin concerned.
Cooperative of Kilim weaving of Harsin Region of Harsin, Iran
(511)
27 – Kilim.

OFFICIAL NOTIFICATION

INVENTIONS

EXPIRATION OF PATENT RESTORATION

(21) AP 2009 12474

(11) P 2013 5893 B

(73) Peter Selesh;

Yene Chan

(54) **CIGARETTE FILTER**

DATE OF CANCELLATION OF PATENT: 2019 04 30

DATE OF RESTORATION OF PATENT: 2019 11 11

ABOLITION OF PATENTS WITH THE RIGHT TO RESTORE

(21) AP 2011 12411

(11) P 2014 6005 B

(73) Vakhtang Kankava;

Gia Natsvlishvili;

Zurab Chinchaladze;

David Chinchaladze;

Alexander Kankava

(54) **MULTICOMPONENT CEMENT**

DATE OF CANCELLATION OF PATENT: 2019 10 11

DATE OF RESTORATION OF PATENT: 2020 10 11

(21) AP 2011 12424

(11) P 2013 5740 B

(73) Allied Global Tobacco Limited

(54) **CIGARETTE WITHOUT FILTER**

DATE OF CANCELLATION OF PATENT: 2019 10 24

DATE OF RESTORATION OF PATENT: 2020 10 24

(21) AP 2013 13258

(11) P 2015 6320 B

(73) LES LABORATOIRES SERVIER

(54) **NOVEL METHOD FOR SYNTHESIS OF 3-(2-BROMO-4,5-DIMETHOXY PHENYL) PROPANENITRILE, USAGE THEREOF AND PHARMACEUTICALLY ACCEPTABLE ACID-ADDITIVE SALTS THEREOF**

DATE OF CANCELLATION OF PATENT: 2019 10 10

DATE OF RESTORATION OF PATENT: 2020 10 10

(21) AP 2014 13594

(11) P 2016 6498 B

(73) Roland Zhorzholiani

(54) **WALL BLOCK**

DATE OF CANCELLATION OF PATENT: 2019 10 09

DATE OF RESTORATION OF PATENT: 2020 10 09

(21) AP 2014 13602

(11) P 2015 6404 B

(73) Merab Lekveishvili

(54) **DRUG FOR TREATMENT OF CONDITIONS RELATED TO OXIDATIVE STRESS**

DATE OF CANCELLATION OF PATENT: 2019 10 20

DATE OF RESTORATION OF PATENT: 2020 10 20

(21) AP 2014 14148

(11) P 2018 6846 B

(73) NORTHERN TECHNOLOGIES INTERNATIONAL CORPORATION

(54) **SYSTEMS FOR CORROSION PROTECTION OF STORAGE TANK SOIL SIDE BOTTOMS**

DATE OF CANCELLATION OF PATENT: 2019 10 16

DATE OF RESTORATION OF PATENT: 2020 10 16

(21) AP 2003 7158

(11) P 2004 3374 B

(73) LTD "KAMELIN"

(54) **MEDICINAL MEANS ON THE BASE OF HONEY, THEIR USE AND METHOD FOR PRODUCTION THEREOF**

DATE OF CANCELLATION OF PATENT: 2019 10 17

DATE OF RESTORATION OF PATENT: 2020 10 17

(21) AP 2003 8704

(11) P 2010 4939 B

(73) GEOX S.P.A.

(54) **WATERPROOFED AND BREATHABLE SOLE FOR SHOES AND MANUFACTURING METHOD THEREOF**

DATE OF CANCELLATION OF PATENT: 2019 10 13

DATE OF RESTORATION OF PATENT: 2020 10 13

(21) AP 2006 9654

(11) P 2009 4653 B

(73) LES LABORATOIRES SERVIER

(54) **DELTA D-CRYSTALLINE FORM OF IVABRADINE HYDROCHLORIDE, A PROCESS FOR ITS PREPARATION AND PHARMACEUTICAL COMPOSITIONS CONTAINING IT**

DATE OF CANCELLATION OF PATENT: 2019 10 10

DATE OF RESTORATION OF PATENT: 2020 10 10

(21) AP 2006 9655

(11) P 2009 4654 B

(73) LES LABORATOIRES SERVIER

(54) **DELTA D-CRYSTALLINE FORM OF IVABRADINE HYDROCHLORIDE, A PROCESS FOR ITS PREPARATION AND PHARMACEUTICAL COMPOSITIONS CONTAINING IT**

DATE OF CANCELLATION OF PATENT: 2019 10 10

DATE OF RESTORATION OF PATENT: 2020 10 10

EXPIRATION OF TERM OF RESTORATION OF PATENTS

(21) AP 2013 13785

(11) P 2017 6621 B

(73) H. Lundbeck A/S

(54) **BENZAMIDES**

DATE OF CANCELLATION OF PATENT: 2018 10 11

THE TERM OF RESTORATION OF PATENT VALIDITY HAS EXPIRED: 2019 10 11

(21) AP 2015 13969

(11) P 2017 6791 B

(73) Merab Kiknavelidze

(54) **DEVICE FOR PISCATION**

DATE OF CANCELLATION OF PATENT: 2018 10 21

THE TERM OF RESTORATION OF PATENT VALIDITY HAS EXPIRED: 2019 10 21

(21) AP 2001 8198

(11) P 2007 4029 B

(73) OTSUKA PHARMACEUTICAL CO., LTD

(54) **FLASHMELT ORAL DOSAGE FORMULATION**

DATE OF CANCELLATION OF PATENT: 2018 10 09

THE TERM OF RESTORATION OF PATENT VALIDITY HAS EXPIRED: 2019 10 09

(21) AP 2004 9401

(11) P 2009 4800 B

(73) Interdigital technology Corporation

(54) **METHOD FOR REPORTING WLAN CAPABILITIES OF A DUAL MODE GPRS/WLAN OR UMTS/WLAN WTRU**

DATE OF CANCELLATION OF PATENT: 2018 10 14

THE TERM OF RESTORATION OF PATENT VALIDITY HAS EXPIRED: 2019 10 14

UTILITY MODELS

ABOLITION OF PATENTS WITH THE RIGHT TO RESTORE

(21) AU 2011 12425

(11) U 2012 1740 Y

(73) Zurab Tskitishvili;
Tamar Piranishvili;
Givi Basiladze

(54) METHOD OF DRY FULL CREAM MILK PRODUCTION

DATE OF CANCELLATION OF PATENT: 2019 10 24

MODEL RESTORATION IS AVAILABLE: 2020 10 24

(21) AU 2016 14299

(11) U 2019 2006 Y

(73) Teimuraz Katamadze

(54) METHOD FOR INTAKE CONSTRUCTION IN MOUNTAIN RIVER

DATE OF CANCELLATION OF PATENT: 2019 10 12

MODEL RESTORATION IS AVAILABLE: 2020 10 12

EXPIRATION OF TERM OF RESTORATION OF PATENT

(21) AU 2014 13606

(11) U 2017 1921 Y

(73) Gocha Pipia

(54) ADVERTISING MATERIAL FOR DISTILLED ALCOHOLIC BEVERAGES

DATE OF CANCELLATION OF PATENT: 2018 10 22

THE TERM OF RESTORATION OF PATENT VALIDITY HAS EXPIRED: 2019 10 22

DESIGNS

EXTENSION OF REGISTRATION OF INTERNATIONAL DESIGNS

(11) DM/65295
(73) SWATCH AG (SWATCH SA) (SWATCH LTD.) (CH)
(15) 2004 04 06
(24) 2004 04 06
(18) 2024 04 06
(28) 2
(28') 1
(54) Watch straps

(11) DM/65301
(73) SWATCH AG (SWATCH SA) (SWATCH LTD.) (CH)
(15) 2004 04 06
(24) 2004 04 06
(18) 2024 04 06
(28) 4
(28') 2
(54) Wristwatches

(11) DM/65367
(73) SWATCH AG (SWATCH SA) (SWATCH LTD.) (CH)
(15) 2004 04 06
(24) 2004 04 06
(18) 2024 04 06
(28) 2
(28') 2
(54) Wristwatches

(11) DM/65501
(73) SWATCH AG (SWATCH SA) (SWATCH LTD.) (CH)
(15) 2004 06 18
(24) 2004 06 18
(18) 2024 06 18
(28) 1
(28') 1
(54) Watch strap

(11) DM/70999
(73) SOREMARTEC S.A.
Drève de l'Arc-en-Ciel 102, B-6700 SCHOPPACH-ARLON (BE)
(15) 2008 11 26
(24) 2008 11 26
(18) 2023 11 26
(28) 22
(28') 22
(54) Packagings or containers for confectionery products such as chocolates or pralines

(11) DM/71178
(73) SWATCH AG (SWATCH SA)(SWATCH LTD)
Jakob-Stämpfli-Strasse 94, CH-2502 BIEL/BIENNE (CH)
(15) 2009 01 12
(24) 2009 01 12
(18) 2024 01 12
(28) 6
(28') 6
(54) Wristwatches

(11) DM/71337
(73) "FICOSOTA SYNTEZ" OOD
Madara Blvd. 48, BG-9701 SHUMEN (BG)
(15) 2009 01 30
(24) 2009 01 30
(18) 2024 01 30
(28) 4
(28') 4
(54) Babies' diapers

(11) DM/71705
(73) VIKO ELEKTRIK VE ELEKTRONIK ENDÜSTRISI SANAYI VE TICARET ANONIM SİRKETİ
Abdurrahmangazi Mah. Ebubekir Cad. No:44 Samandira, ISTANBUL (TR)
(15) 2009 02 26
(24) 2009 02 26
(18) 2024 02 26
(28) 2
(28') 2
(54) Socket,Switch

(11) DM/82414
(73) SAVERGLASS
3 rue de la Gare F-60960 FEUQUIERES (FR)
(15) 2013 12 13
(24) 2013 12 13
(18) 2023 12 13
(28) 1
(28') 1
(54) Bottle

(11) DM/82481
(73) VALENTINO S.P.A.
Via Turati, 16/18, I-20121 Milano (IT)
(15) 2013 12 19
(24) 2013 12 19
(18) 2023 12 19
(28) 6
(28') 6
(54) Shoes

(11) DM/82556
(73) SOREMARTEC S.A.
Findel Business Center, Complexe B, Rue de Trèves, L-2632 Findel (BX)
(15) 2013 12 19
(24) 2013 12 19
(18) 2023 12 19
(28) 12
(28') 12
(54) Bottle, Container, Containers, Jar, Packaging

(11) DM/82566
(73) HARRY WINSTON SA
Chemin du Tourbillon 8, CH-1228 Plan-les-Ouates (CH)
(15) 2014 01 06
(24) 2014 01 06
(18) 2024 01 06
(28) 2
(28') 2
(54) Cuff link, Shirt button

(11) DM/82567
(73) OMEGA SA (OMEGA AG) (OMEGA LTD.)
Jakob-Stämpfli-Strasse 96, CH-2502 Biel/Bienne (CH)
(15) 2014 01 07
(24) 2014 01 07
(18) 2029 01 07
(28) 1
(28') 1
(54) Set of characters and typographic symbols for printing and digital display

(11) DM/82567
(73) OMEGA SA (OMEGA AG) (OMEGA LTD.)
Jakob-Stämpfli-Strasse 96, CH-2502 Biel/Bienne (CH)
(15) 2014 01 07
(24) 2014 01 07
(18) 2029 01 07
(28) 1
(28') 1
(54) Set of characters and typographic symbols for printing and digital display

(11) DM/82568
(73) OMEGA SA (OMEGA AG) (OMEGA LTD.)
Jakob-Stämpfli-Strasse 96, CH-2502 Biel/Bienne (CH)
(15) 2014 01 07
(24) 2014 01 07
(18) 2024 01 07
(28) 1
(28') 1
(54) Watch case

(11) DM/82602
(73) HAMILTON INTERNATIONAL AG (HAMILTON INTERNATIONAL SA)
(HAMILTON INTERNATIONAL LTD)
Mattenstrasse 149, CH-2503 Biel/Bienne (CH)

(15) 2014 01 09
(24) 2014 01 09
(18) 2024 01 09
(28) 23
(28') 8
(54) Dial, Oscillating weight, Watch, Watch bracelet, Watch case, Wristwatch

(11) DM/82613
(73) TISSOT SA (TISSOT AG) (TISSOT LTD)
Chemin des Tourelles 17, CH-2400 Le Locle (CH)
(15) 2014 01 13
(24) 2014 01 13
(18) 2024 01 13
(28) 2
(28') 2
(54) Watch bracelet, Watch case

(11) DM/82634
(73) VALENTINO S.P.A.
Via Turati, 16/18, I-20121 Milano (EM)
(15) 2013 12 11
(24) 2013 12 11
(18) 2023 12 11
(28) 1
(28') 1
(54) Bag

(11) DM/82638
(73) RADO UHREN AG (RADO WATCH CO. LTD.) (MONTRES RADO SA)
Bielstrasse 43, CH-2543 LENGNAU (CH)
(15) 2014 01 17
(24) 2014 01 17
(18) 2024 01 17

(28) 1
(28') 1
(54) Wristwatch

(11) DM/82639
(73) OMEGA SA (OMEGA AG) (OMEGA LTD.)
Jakob-Stämpfli-Strasse 96, CH-2502 Biel/Bienne (CH)
(15) 2014 01 17
(24) 2014 01 17
(18) 2024 01 17
(28) 2
(28') 2
(54) Dials

(11) DM/82675
(73) TISSOT SA (TISSOT AG) (TISSOT LTD)
Chemin des Tourelles 17, CH-2400 Le Locle (CH)
(15) 2014 01 13
(24) 2014 01 13
(18) 2024 01 13
(28) 5

(28') 5
(54) Watch bracelet, Watch cases

(11) DM/82768
(73) GLASHÜTTER UHRENBETRIEB GMBH
Altenberger Straße 1, 01768 Glashütte (DE)
(15) 2014 01 30
(24) 2014 01 30
(18) 2024 01 30
(28) 7
(28') 7
(54) Clasp for watch bracelet, Dials, Watch case, Watches

(11) DM/82779
(73) SOCIÉTÉ DES PRODUITS NESTLÉ S.A.
CH-1800 Vevey (CH)
(15) 2014 02 03
(24) 2014 02 03
(18) 2024 02 03
(28) 3
(28') 3
(54) Ice cream sticks

(11) DM/82878
(73) SWATCH AG (SWATCH SA) (SWATCH LTD.)
Jakob-Stämpfli-Strasse 94, CH-2502 Biel/Bienne (CH)
(15) 2014 02 14
(24) 2014 02 14
(18) 2024 02 14
(28) 1
(28') 1
(54) Display unit

(11) DM/82879
(73) OMEGA SA (OMEGA AG) (OMEGA LTD.)
Jakob-Stämpfli-Strasse 96, CH-2502 Biel/Bienne (CH)
(15) 2014 02 17
(24) 2014 02 17
(18) 2024 02 17
(28) 1
(28') 1
(54) Belt buckle

(11) DM/82890
(73) BLANCPAIN SA
Le Rocher 12, CH-1348 LE BRASSUS (CH)
(15) 2014 02 14
(24) 2014 02 14
(18) 2024 02 14
(28) 3
(28') 3
(54) Dials, Watch

(11) DM/82894
(73) BLANCPAIN SA
Le Rocher 12, CH-1348 LE BRASSUS (CH)
(15) 2014 02 14
(24) 2014 02 14
(18) 2024 02 14
(28) 5
(28') 5
(54) Dials, Watch rim

(11) DM/82909
(73) SWATCH AG (SWATCH SA)(SWATCH LTD.)
Jakob-Stämpfli-Strasse 94, CH-2502 Biel/Bienne (CH)
(15) 2014 02 18
(24) 2014 02 18
(18) 2024 02 18
(28) 2
(28') 2
(54) Wristwatches

(11) DM/82911
(73) MONTRES BREGUET S.A.
Place de la Tour 23, CH-1344 L'ABBAYE (CH)
(15) 2014 02 21
(24) 2014 02 21
(18) 2024 02 21
(28) 2
(28') 2
(54) Watches

(11) DM/82913
(73) MONTRES JAQUET DROZ SA (MONTRES JAQUET DROZ AG) (MONTRES JAQUET DROZ LTD.)
Allée du Tourbillon 2, CH-2300 La Chaux-de-Fonds (CH)
(15) 2014 02 19
(24) 2014 02 19
(18) 2024 02 19
(28) 2
(28') 2
(54) Writing implements

(11) DM/82988
(73) TISSOT SA (TISSOT AG) (TISSOT LTD)
Chemin des Tourelles 17, CH-2400 Le Locle (CH)
(15) 2014 02 25
(24) 2014 02 25
(18) 2024 02 25
(28) 1
(28') 1
(54) Watch movement

(11) DM/82995
(73) CERTINA AG (CERTINA SA) (CERTINA LTD.)
17, chemin des Tourelles, CH-2400 LE LOCLE (CH)
(15) 2014 02 27

(24) 2014 02 27
(18) 2024 02 27
(28) 2
(28') 1
(54) Watch cases

(11) DM/83021
(73) HARRY WINSTON SA
Chemin du Tourbillon 8, CH-1228 Plan-les-Ouates (CH)
(15) 2014 03 05
(24) 2014 03 05
(18) 2024 03 05
(28) 5
(28') 5
(54) Watches

(11) DM/83055
(73) OMEGA SA (OMEGA AG) (OMEGA LTD.)
Jakob-Stämpfli-Strasse 96, CH-2502 Biel/Bienne (CH)
(15) 2014 03 07
(24) 2014 03 07
(18) 2024 03 07
(28) 1
(28') 1
(54) Watch

(11) DM/83056
(73) ETA SA MANUFACTURE HORLOGÈRE SUISSE
Schild-Rust-Strasse 17, CH-2540 Grenchen (CH)
(15) 2014 03 07
(24) 2014 03 07
(18) 2024 03 07
(28) 2
(28') 2
(54) Part of timepiece movement, Timepiece movement

(11) DM/83060
(73) HARRY WINSTON SA, Chemin du Tourbillon 8
CH-1228 Plan-les-Ouates (CH)
(15) 2014 03 05
(24) 2014 03 05
(18) 2024 03 05
(28) 5
(28') 5
(54) Earrings, Pendant, Pendants (necklaces)

(11) DM/83067
(73) MONTRES BREGUET S.A.
Place de la Tour 23, CH-1344 L'ABBAYE (CH)
(15) 2014 03 10
(24) 2014 03 10
(18) 2024 03 10

(28) 3
(28') 3
(54) Watches

(11) DM/83096
(73) OMEGA SA (OMEGA AG) (OMEGA LTD.)
Jakob-Stämpfli-Strasse 96, CH-2502 Biel/Bienne (CH)
(15) 2014 03 06
(24) 2014 03 06
(18) 2024 03 06
(28) 9
(28') 9
(54) Bracelets, Charms, Earrings, Finger ring, Pendant (necklace)

(11) DM/83115
(73) MONTRES BREGUET S.A.
Place de la Tour 23, CH-1344 L'ABBAYE (CH)
(15) 2014 03 14
(24) 2014 03 14
(18) 2024 03 14
(28) 1
(28') 1
(54) Wristwatch

(11) DM/83153
(73) SWATCH AG (SWATCH SA) (SWATCH LTD.)
94, rue Jakob Stämpfli, CH-2502 Biel/Bienne (CH)
(15) 2014 03 19
(24) 2014 03 19
(18) 2024 03 19
(28) 2
(28') 2
(54) Wristwatches

(11) DM/83170
(73) MONTRES JAQUET DROZ SA (MONTRES JAQUET DROZ AG) (MONTRES JAQUET DROZ LTD.)
Allée du Tourbillon 2, CH-2300 La Chaux-de-Fonds (CH)
(15) 2014 03 24
(24) 2014 03 24
(18) 2024 03 24
(28) 3
(28') 2
(54) Dials, Oscillating weight

(11) DM/83195
(73) MONTRES JAQUET DROZ SA (MONTRES JAQUET DROZ AG) (MONTRES JAQUET DROZ LTD.)
Allée du Tourbillon 2, CH-2300 La Chaux-de-Fonds (CH)
(15) 2014 03 24
(24) 2014 03 24
(18) 2024 03 24
(28) 10
(28') 6
(54) Dials, Watch bracelet buckles, Watch case

(11) DM/83200
(73) HARRY WINSTON SA
Chemin du Tourbillon 8, CH-1228 Plan-les-Ouates (CH)
(15) 2014 03 25
(24) 2014 03 25
(18) 2024 03 25
(28) 4
(28') 3
(54) Bracelets, Earring, Jewelry article

(11) DM/83203
(73) OMEGA SA (OMEGA AG) (OMEGA LTD.)
Jakob-Stämpfli-Strasse 96, CH-2502 Biel/Bienne (CH)
(15) 2014 03 25
(24) 2014 03 25
(18) 2024 03 25
(28) 3
(28') 3
(54) Bracelet, Brooch, Earrings

(11) DM/83204
(73) MONTRES JAQUET DROZ SA (MONTRES JAQUET DROZ AG)
(MONTRES JAQUET DROZ LTD.)
Allée du Tourbillon 2, CH-2300 La Chaux-de-Fonds (CH)
(15) 2014 03 25
(24) 2014 03 25
(18) 2024 03 25
(28) 2
(28') 1
(54) Watches

(11) DM/83210
(73) HARRY WINSTON SA
Chemin du Tourbillon 8, CH-1228 Plan-les-Ouates (CH)
(15) 2014 03 24
(24) 2014 03 24
(18) 2024 03 24
(28) 2
(28') 2
(54) Watch, Watch case

(11) DM/83211
(73) HARRY WINSTON SA
Chemin du Tourbillon 8, CH-1228 Plan-les-Ouates (CH)
(15) 2014 03 26
(24) 2014 03 26
(18) 2024 03 26
(28) 1
(28') 1
(54) Dial

(11) DM/83212
(73) MONTRES JAQUET DROZ SA (MONTRES JAQUET DROZ AG) (MONTRES JAQUET DROZ LTD.)
Allée du Tourbillon 2, CH-2300 La Chaux-de-Fonds (CH)

(15) 2014 03 26
(24) 2014 03 26
(18) 2024 03 26
(28) 2
(28') 2
(54) Dials

(11) DM/83232
(73) MONTRES JAQUET DROZ SA (MONTRES JAQUET DROZ AG) (MONTRES JAQUET DROZ LTD.)
Allée du Tourbillon 2, CH-2300 La Chaux-de-Fonds (CH)
(15) 2014 03 25
(24) 2014 03 25
(18) 2024 03 25
(28) 1
(28') 1
(54) Watch case for wristwatch

(11) DM/83264
(73) SWATCH AG (SWATCH SA) (SWATCH LTD.)
Jakob-Stämpfli-Strasse 94, CH-2502 Biel/Bienne (CH)
(15) 2014 04 02
(24) 2014 04 02
(18) 2024 04 02
(28) 2
(28') 2
(54) Wristwatches

(11) DM/83267
(73) VALENTINO S.P.A.
Via Turati, 16/18, I-20121 Milano (EM)
(15) 2014 03 31
(24) 2014 03 31
(18) 2024 03 31
(28) 1
(28') 1
(54) Shoe

(11) DM/83269
(73) HARRY WINSTON SA
Chemin du Tourbillon 8, CH-1228 Plan-les-Ouates (CH)
(15) 2014 04 01
(24) 2014 04 01
(18) 2024 04 01
(28) 2
(28') 2
(54) Earring, Pendant

(11) DM/83479
(73) JT INTERNATIONAL S.A.
Rue de la Gabelle 1, CH-1211 Geneva 26
(15) 2014 04 17
(24) 2014 04 17
(18) 2024 04 17
(28) 1

(28') 1
(54) Cigarette packet

(11) DM/83488
(73) BORIS TATIEVSKI
Martin-Buber-Str. 12, 14163 Berlin (DE)
(15) 2014 04 30
(24) 2014 04 30
(18) 2024 04 30
(28) 8
(28') 8
(54) Canisters

(11) DM/84217
(73) DE GRISOGONO S.A.176bis, Route de Saint-Julien
CH-1228 Plan-les-Ouates (CH)
(15) 2014 07 28
(24) 2014 07 28
(18) 2024 07 28
(28) 5
(28') 5
(54) Wrist watches

(11) DM/84661
(73) VİKO ELEKTRİK VE ELEKTRONİK ENDÜSTRİSİ SANAYİ VE TİCARET ANONİM ŞİRKETİ
Abdurrahmangazi Mah., Ebubekir Cad. No: 44, Samandira Kartal, TR-34887 İstanbul (TR)
(15) 2014 01 24
(24) 2014 01 24
(18) 2024 01 24
(28) 8
(28') 8
(54) Four-gang earthed group socket, Four-gang earthed group socket with switch, Six-gang earthed group socket,
Six-gang earthed group socket with switch, Three-gang earthed group socket, Three-gang earthed group socket
with switch, Two-gang earthed group socket, Two-gang earthed group socket with switch

TRADEMARKS

RENEWAL OF REGISTRATIONS

(111) M 1999 12985 R2

(156) 1999 11 29

(186) 2029 11 29

(732) HERAEUS HOLDING GMB.H

Heraeus Strasse 12-14, D-63450 Hanau,
Germany

(111) M 2009 20044 R1

(156) 2009 11 27

(186) 2029 11 27

(732) IDS Borjomi Beverages Co. N.V.

Pareraweg 45, Curacao, Netherlands Antilles

(111) M 2000 13277 R2

(156) 2000 04 26

(186) 2030 04 26

(732) D-Link Corporation

No. 289, Shihnu 3rd Rd., Neihu District,
Taipei City 114, Taiwan, Province of China

(111) M 2009 20045 R1

(156) 2009 11 27

(186) 2029 11 27

(732) IDS Borjomi Beverages Co. N.V.

Pareraweg 45, Curacao, Netherlands Antilles

(111) M 2009 19706 R1

(156) 2009 09 08

(186) 2029 09 08

(732) EFES HOLLAND TECHNICAL

MANAGEMENT CONSULTANCY B.V.
Strawinskylaan 1229, 1077XX Amsterdam,
Netherlands

(111) M 2010 20147 R1

(156) 2010 01 21

(186) 2030 01 21

(732) Intersun Holding FZCO

P.O. b.ox: 61051, Jeb.el Ali Free Zone,
Dubai, United Arab Emirates

(111) M 2009 19707 R1

(156) 2009 09 08

(186) 2029 09 08

(732) EFES HOLLAND TECHNICAL

MANAGEMENT CONSULTANCY B.V.
Strawinskylaan 1229, 1077XX Amsterdam,
Netherlands

(111) M 2009 19823 R1

(156) 2009 09 30

(186) 2029 09 30

(732) SIDERCA SOCIEDAD ANONIMA

INDUSTRIAL Y COMERCIAL
Ing. Carlos Maria della Paolera 299
piso 16, C1001AAF-Ciudad Autonoma
de B.uenos Aires, Argentina

(111) M 2009 20043 R1

(156) 2009 11 27

(186) 2029 11 27

(732) IDS Borjomi Beverages Co. N.V.

Pareraweg 45, Curacao, Netherlands Antilles

COMPLETE TRANSFER OF RIGHTS

(111) M 1998 10735 R

(732) AREQSONS S.R.L.

Via Antica Di Cassano 23, 20063 Cernusco
sul Naviglio (MI), Italy

(770) PETRONAS LUB.RICANTS ITALY S.p.A.

Via Santena 1, Villastellone (Torino), Italy

(580) 18 10 2019

(111) M 2016 27046 R

(732) KAKHABER TCHABUKIANI

P. Ingorokva St. 19, ap. 18, 0108, Tbilisi,
Georgia;

ZIADIN ALAZOV

Vil. Sartichala, Gardabani district, Georgia

(770) ZIADIN ALAZOVI

Vill. Sartichala, Gardabani District, Georgia

(580) 23 10 2019

CHANGES OF NAMES AND/OR ADDRESS OF OWNERS

(111) M 1998 10735 R
(732) Arexons S.p.A.
Via Antica Di Cassano 23, 20063 Cernusco
sul Naviglio (MI), Italy
(770) Areqsons S.r.l.
Via Antica Di Cassano 23, 20063 Cernusco
sul Naviglio (MI), Italy
(580) 18 10 2019

(111) M 2011 21060 R
(732) Kyowa Kirin Co., Ltd.
1-9-2, Otemachi, Chiyoda-ku, Tokyo, Japan
(770) Kyowa Hakko Kirin Co., Ltd
6-1, Ohtemachi 1-chome, Chiyoda-ku Tokyo,
Japan
(580) 22 10 2019

(111) M 2011 21278 R
(732) Toyo Tire Corporation
2-2-13 Fujinoki, Itami-shi Hyogo, Japan
(770) TOYO TIRE & RUBBER. LTD
17-18, Edob.ori 1-chome, Nishi-ku, Osaka,
Japan
(580) 25 10 2019

(111) M 2015 25564 R
(732) Premier Brands IP LLC
1411 Broadway, New York, NY 10018, USA
(770) Nine West Development LLC
1411 Broadway, New York, NY 10018, USA
(580) 07 10 2019

(111) M 2016 27244 R
(732) Toyo Tire Corporation
2-2-13 Fujinoki, Itami-shi Hyogo, Japan
(770) TOYO TIRE & RUB.B.ER CO., LTD.
17-18, Edob.ori 1-chome, Nishi-ku, Osaka,
Japan
(580) 25 10 2019

TERMINATION OF TRADEMARKS REGISTRATIONS

(111) M 1999 11829 R
(151) 1999 04 19
(732) MCI COMMUNICATIONS CORPORATION
1133, 19th Street N.W., Washington,
D.C. 20036, USA
(141) 2019 10 30
(851) Non-payment of invoice for extension of
registration validity

(111) M 1999 11830 R
(151) 1999 04 19
(732) TCBY Systems, LLC
2855 E. Cottonwood Parkway, Suite
400, Salt Lake City, Utah 84121, USA
(141) 2019 10 30
(851) Non-payment of invoice for extension of
registration validity

(111) M 1999 11845 R
(151) 1999 04 20
(732) BENCOM S.r.l.
Via Villa Minelli 1, 31050 Ponzano
Veneto (Treviso), Italy
(141) 2019 10 30
(851) Non-payment of invoice for extension of
registration validity

(111) M 1999 11667 R
(151) 1999 02 26
(732) BAYER INTELLECTUAL PROPERTY
GMBH
Alfred-Nobel-Strasse 10, 40789 Monheim
am Rhein, Germany
(141) 2019 10 30
(851) Non-payment of invoice for extension of
registration validity

(111) M 1999 11832 R
(151) 1999 04 19
(732) BAXI S.P.A.
Via Trozzenti 20-36061 Bassano del
Grappa (VI), Italy
(141) 2019 10 30
(851) Non-payment of invoice for extension of
registration validity

(111) M 1999 11856 R
(151) 1999 04 20
(732) GLAXO GROUP LIMITED
Glaxo Wellcome House, Berkeley Avenue,

Greenford, Middlesex UB6 0NN, United
Kingdom
(141) 2019 10 30
(851) Non-payment of invoice for extension of
registration validity

(111) M 1999 11857 R
(151) 1999 04 20
(732) GLAXO GROUP LIMITED
980 Great West Road, Brentford, Middlesex
TW8 9GS, United Kingdom
(141) 2019 10 30
(851) Non-payment of invoice for extension of
registration validity

(111) M 1999 11861 R
(151) 1999 04 20
(732) VIIV HEALTHCARE UK LIMITED
980 Great West Road, Brentford, Middlesex
TW8 9GS, United Kingdom
(141) 2019 10 30
(851) Non-payment of invoice for extension of
registration validity

(111) M 1999 11836 R
(151) 1999 04 19
(732) PFIZER PRODUCTS INC.,
a Connecticut corporation
Eastern Point Road, Groton, Connecticut
06340, USA
(141) 2019 10 30
(851) Non-payment of invoice for extension of
registration validity

(111) M 1999 11878 R
(151) 1999 04 20
(732) ABBOTT PRODUCTS OPERATIONS AG
Hegenheimermattweg 127, 4123 Allschwil,
Switzerland
(141) 2019 10 30
(851) Non-payment of invoice for extension of
registration validity

(111) M 1999 11852 R
(151) 1999 04 20
(732) BERLIN-CHEMIE AG
Glienicke Weg 125, D-12489, Berlin,
Germany
(141) 2019 10 30
(851) Non-payment of invoice for extension of
registration validity

(111) M 1999 11865 R
 (151) 1999 04 20
 (732) HERO AG
 CH-5600, Lenzburg 1, Switzerland
 (141) 2019 10 30
 (851) Non-payment of invoice for extension of
 registration validity

(111) M 1999 11879 R
 (151) 1999 04 20
 (732) Warner Chilcott Company, LLC
 Union Street KM 1.1, Fajardo, 00738,
 Puerto Rico, USA
 (141) 2019 10 30
 (851) Non-payment of invoice for extension of
 registration validity

(111) M 1999 11866 R
 (151) 1999 04 20
 (732) UNILEVER N.V.
 Weena 455, NL-3013 AL Rotterdam,
 Netherlands
 (141) 2019 10 30
 (851) Non-payment of invoice for extension of
 registration validity

(111) M 1999 11867 R
 (151) 1999 04 20
 (732) UNILEVER N.V.
 Weena 455, NL-3013 AL Rotterdam,
 Netherlands
 (141) 2019 10 30
 (851) Non-payment of invoice for extension of
 registration validity

(111) M 2009 19202 R
 (151) 2009 04 21
 (732) Obschestvo S Ogranichennoy Otvestvennostju
 "Nauchno-Proizvodstvennaya Kompaniya
 "PHARMASOFT"
 Avtozavodskaya 22, 109218, Moskow,
 Russian Federation
 (141) 2019 10 30
 (851) Non-payment of invoice for extension of
 registration validity

(111) M 2009 19203 R
 (151) 2009 04 21
 (141) 2019 10 30
 (732) LLC "GLUKOZA PRODUCTION"
 Novinskiy Bulvar, Dom 3, Stroenie 1,
 Moskow, Russian Federation
 (851) Non-payment of invoice for extension of
 registration validity

(111) M 2009 19204 R
 (151) 2009 04 21
 (732) LLC "GLUKOZA PRODUCTION"
 Novinskiy Bulvar, Dom 3, Stroenie 1,
 Moskow, Russian Federation
 (141) 2019 10 30
 (851) Non-payment of invoice for extension of
 registration validity

(111) M 2009 19237 R
 (151) 2009 04 21
 (732) LTD "GAMA+"
 T. Tabidze St. 16, 0179, Tbilisi, Georgia
 (141) 2019 10 30
 (851) Non-payment of invoice for extension of
 registration validity

(111) M 2009 19206 R
 (151) 2009 04 21
 (732) LLC "GLUKOZA PRODUCTION"
 Novinskiy Bulvar, Dom 3, Stroenie 1,
 Moskow, Russian Federation
 (141) 2019 10 30
 (851) Non-payment of invoice for extension of
 registration validity

(111) M 2009 19238 R
 (151) 2009 04 21
 (732) JSC "Gomi Alcohol and Vodka Company"
 Vill. Gomi, 5702, Khashuri district, Georgia
 (141) 2019 10 30
 (851) Non-payment of invoice for extension of
 registration validity

(111) M 2009 19195 R
 (151) 2009 04 16
 (732) NED
 41 Avenue GASTON Roussel 93230
 Romainville, France
 (141) 2019 10 30
 (851) Non-payment of invoice for extension of
 registration validity

(111) M 2009 19208 R
 (151) 2009 04 21
 (732) DUNHILL TOBACO OF LONDON
 LIMITED
 Globe House, 4 Temple Place, London
 WC2R 2PG, United Kingdom
 (141) 2019 10 30
 (851) Non-payment of invoice for extension of
 registration validity

(111) M 2009 19209 R
(151) 2009 04 21
(732) DUNHILL TOBACO OF LONDON
LIMITED
Globe House, 4 Temple Place, London
WC2R 2PG, United Kingdom
(141) 2019 10 30
(851) Non-payment of invoice for extension of
registration validity

(111) M 2009 19210 R
(151) 2009 04 21
(732) DIAGEO IRELAND
St. James's Gate, Dublin 8, Ireland
(141) 2019 10 30
(851) Non-payment of invoice for extension of
registration validity

(111) M 2009 19240 R
(151) 2009 04 21
(732) VIACOM INTERNATIONAL INC.
1515 Broadway, New York, NY 10036, USA
(141) 2019 10 30
(851) Non-payment of invoice for extension of
registration validity

(111) M 2009 19211 R
(151) 2009 04 21
(732) MARS, INCORPORATED
6885 Elm Street, McLean, Virginia
22101-3883, USA
(141) 2019 10 30
(851) Non-payment of invoice for extension of
registration validity

(111) M 2009 19120 R
(151) 2009 03 16
(732) LTD "VASHAKIDZE DA BAZERASHVILI
– LAWYERS IN TBILISI"
Bakhtioni St. 26, ap. 31, 0194, Tbilisi,
Georgia
(141) 2019 10 30
(851) Non-payment of invoice for extension of
registration validity

(111) M 2009 19212 R
(151) 2009 04 21
(732) BLACKBERRY LIMITED
2200 University Avenue East, Waterloo,
Ontario N2K 0A7, Canada
(141) 2019 10 30
(851) Non-payment of invoice for extension of
registration validity

(111) M 2009 19241 R
(151) 2009 04 21
(732) LTD "MALAMO"
Chargli St. 79, 0141, Tbilisi, Georgia
(141) 2019 10 30
(851) Non-payment of invoice for extension of
registration validity

(111) M 2009 19242 R
(151) 2009 04 21
(732) LTD "BISKVIT"
Al. Kazbegi Av. 42, Fl.4, 0160, Tbilisi,
Georgia
(141) 2019 10 30
(851) Non-payment of invoice for extension of
registration validity

(111) M 2009 19213 R
(151) 2009 04 21
(732) IVAX Pharmaceuticals s.r.o.
Ostravska 29, 74770 Opava-Komarov,
Czech Republic
(141) 2019 10 30
(851) Non-payment of invoice for extension of
registration validity

(111) M 2009 19215 R
(151) 2009 04 21
(732) Marriott Worldwide Corporation
10400 Fernwood Road, Bethesda, Maryland
20817, USA
(141) 2019 10 30
(851) Non-payment of invoice for extension of
registration validity

(111) M 2009 19173 R
(151) 2009 03 30
(732) Chengdu Huawei Science & Technology
Co., Ltd
Qingshui River Zone, West Hi-Tech Zone,
Chengdu, China
(141) 2019 10 30
(851) Non-payment of invoice for extension of
registration validity

(111) M 2009 19217 R
(151) 2009 04 21
(732) JSC "LOMISI"
Sanapiro St. 1, Akhgori, 0600, Georgia
(141) 2019 10 30
(851) Non-payment of invoice for extension of
registration validity

(111) M 2009 19244 R
 (151) 2009 04 21
 (732) ELCHINI VELIEV
 Shatberashvili St. 4, Entr. II, ap. 16, 0179,
 Tbilisi, Georgia
 (141) 2019 10 30
 (851) Non-payment of invoice for extension of
 registration validity

(111) M 2009 19108 R
 (151) 2009 03 02
 (732) LTD "GEORGIAN DISHES"
 Aerodromes Settlement St. 7, ap. 6, 0182,
 Tbilisi, Georgia
 (141) 2019 10 30
 (851) Non-payment of invoice for extension of
 registration validity

(111) M 2009 19219 R
 (151) 2009 04 21
 (732) LTD "RAKEEN DEVELOPMENT"
 N. Baratashvili St. 2, 0105, Tbilisi, Georgia
 (141) 2019 10 30
 (851) Non-payment of invoice for extension of
 registration validity

(111) M 2009 19220 R
 (151) 2009 04 21
 (732) LTD "RAKEEN DEVELOPMENT"
 N. Baratashvili St. 2, 0105, Tbilisi, Georgia
 (141) 2019 10 30
 (851) Non-payment of invoice for extension of
 registration validity

(111) M 2009 19221 R
 (151) 2009 04 21
 (732) LTD "RAKEEN DEVELOPMENT"
 N. Baratashvili St. 2, 0105, Tbilisi, Georgia
 (141) 2019 10 30
 (851) Non-payment of invoice for extension of
 registration validity

(111) M 2009 19222 R
 (151) 2009 04 21
 (732) LTD "RAKEEN DEVELOPMENT"
 N. Baratashvili St. 2, 0105, Tbilisi, Georgia
 (141) 2019 10 30
 (851) Non-payment of invoice for extension of
 registration validity

(111) M 2009 19223 R
 (151) 2009 04 21
 (732) LTD "RAS AL KHAIMA INVESTMENT

AUTHORITY GEORGIA"
 Baratashvili St. 2, 0105, Tbilisi, Georgia
 (141) 2019 10 30
 (851) Non-payment of invoice for extension of
 registration validity

(111) M 2009 19224 R
 (151) 2009 04 21
 (732) LTD "RAS AL KHAIMA INVESTMENT
 AUTHORITY GEORGIA"
 Baratashvili St. 2, 0105, Tbilisi, Georgia
 (141) 2019 10 30
 (851) Non-payment of invoice for extension of
 registration validity

(111) M 2009 19225 R
 (151) 2009 04 21
 (732) LTD "RAS AL KHAIMA INVESTMENT
 AUTHORITY GEORGIA"
 Baratashvili St. 2, 0105, Tbilisi, Georgia
 (141) 2019 10 30
 (851) Non-payment of invoice for extension of
 registration validity

(111) M 2009 19226 R
 (151) 2009 04 21
 (732) LTD "RAS AL KHAIMA INVESTMENT
 AUTHORITY GEORGIA"
 Baratashvili St. 2, 0105, Tbilisi, Georgia
 (141) 2019 10 30
 (851) Non-payment of invoice for extension of
 registration validity

(111) M 2009 19229 R
 (151) 2009 04 21
 (732) LTD "ASPHARMA" – Georgian
 Pharmaceutical Company
 Shevchenko St. 12, 0108, Tbilisi, Georgia
 (141) 2019 10 30
 (851) Non-payment of invoice for extension of
 registration validity

(111) M 2009 19230 R
 (151) 2009 04 21
 (732) Zentiva Sağlık Ürünleri Sanayi ve Ticaret A.Ş.
 Büyükdere Cad No:193 Kat:4 Levent,
 Istanbul, Turkey
 (141) 2019 10 30
 (851) Non-payment of invoice for extension of
 registration validity

(111) M 2009 19231 R
(151) 2009 04 21
(732) LTD "ASPHARMA" – Georgian
Pharmaceutical Company
Shevchenko St. 12, 0108, Tbilisi, Georgia
(141) 2019 10 30
(851) Non-payment of invoice for extension of
registration validity

(111) M 1999 11804 R
(151) 1999 04 19
(732) ARISTA RECORDS LLC
550 Madison Avenue, New York,
New York, USA
(141) 2019 10 30
(851) Non-payment of invoice for extension of
registration validity

(111) M 1999 11805 R
(151) 1999 04 19
(732) ARISTA RECORDS LLC
550 Madison Avenue, New York,
New York, USA
(141) 2019 10 30
(851) Non-payment of invoice for extension of
registration validity

(111) M 1999 11806 R
(151) 1999 04 19
(732) SONY MUSIC ENTERTAINMENT
INTERNATIONAL SERVICES GMBH
Neumarket Strasse 28, D-81673 Munich,
Germany
(141) 2019 10 30
(851) Non-payment of invoice for extension of
registration validity

(111) M 1999 11730 R
(151) 1999 03 17
(732) CHINA GREAT WALL COMPUTER (H.K.)
HOLDING LIMITED
4 F., blk. C, Seaview Est., 2-8 Watson Road,
North Point, Hong Kong
(141) 2019 10 30
(851) Non-payment of invoice for extension of
registration validity

(111) M 1999 11809 R
(151) 1999 04 19
(732) DOMINO S.P.A.
Via delle Industrie 16/18, Sirtori-Fraz.
Bevera, Lecco, Italy
(141) 2019 10 30

(851) Non-payment of invoice for extension of
registration validity

(111) M 1999 11817 R
(151) 1999 04 19
(732) HARLEQUIN ENTERPRISES LIMITED
225 Duncan Mill Road, Don Mills,
Ontario M3B 3K9, Canada
(141) 2019 10 30
(851) Non-payment of invoice for extension of
registration validity

(111) M 1999 11821 R
(151) 1999 04 19
(732) HARLEQUIN ENTERPRISES LIMITED
225 Duncan Mill Road, Don Mills,
Ontario M3B 3K9, Canada
(141) 2019 10 30
(851) Non-payment of invoice for extension of
registration validity

LICENSE AGREEMENT

(111) M 2004 15392P R

(732) LLC "ISSI ROYALT"

St. Ryabinovaya, House 26, Building 1,
Floor 7, Ap. 4, 121471, Moscow, Russian
Federation

(791) LLC "WAINMAN"

L. Gidiashvili St. 11, 0105, Tbilisi, Georgia

(793) 1587

(793) From 04 11 2019 on the validity of the mark

(793) Simple

(793) 32, 33

CLASSIFICATION INDEXES

INVENTIONS

CONCORDANCE TABLE OF INTERNATIONAL CLASSIFICATION INDEX AND PUBLICATION NUMBERS

INTERNATIONAL CLASSIFICATION INDEXES (51)	NUMBER OF PUBLISHED APPLICATION (10)
A 61 K 31/519; A 61 p 35/00; A 61 P 37/00; C 07 D 495/04	AP 2019 14678 A
A 61 K 31/4985; A 61 P 25/24	AP 2019 14339 A
A 61 K 35/747; A 61 K 35/744; A 61 P 35/00; A 61 P 29/00	AP 2019 14591 A
A 61 K 47/12; A 61 K 47/28; A 61 K 47/34; A 61 K 9/107; A 61 K 9/51; A 61 K 31/5377	AP 2019 14297 A
A 61 P 37/00; A 61 P 35/00; A 61 K 31/519; C 07 D 495/04	AP 2019 14679 A
A 61 P 37/00; A 61 P 35/00; A 61 K 31/519; C 07 D 495/04	AP 2019 14680 A
B 22 F 9/08	AP 2019 15009 A
B 65 G 25/08	AP 2019 14843 A

CONCORDANCE TABLE OF PUBLICATION NUMBERS AND INTERNATIONAL CLASSIFICATION INDEX

NUMBER OF PUBLISHED APPLICATION (10)	INTERNATIONAL CLASSIFICATION INDEXES (51)
AP 2019 14297 A	A 61 K 47/12; A 61 K 47/28; A 61 K 47/34; A 61 K 9/107; A 61 K 9/51; A 61 K 31/5377
AP 2019 14339 A	A 61 K 31/4985; A 61 P 25/24
AP 2019 14591 A	A 61 K 35/747; A 61 K 35/744; A 61 P 35/00; A 61 P 29/00
AP 2019 14678 A	A 61 K 31/519; A 61 p 35/00; A 61 P 37/00; C 07 D 495/04
AP 2019 14679 A	A 61 P 37/00; A 61 P 35/00; A 61 K 31/519; C 07 D 495/04
AP 2019 14680 A	A 61 P 37/00; A 61 P 35/00; A 61 K 31/519; C 07 D 495/04
AP 2019 14843 A	B 65 G 25/08
AP 2019 15009 A	B 22 F 9/08

CONCORDANCE TABLE OF INTERNATIONAL CLASSIFICATION INDEX, PATENT NUMBERS AND PUBLICATION NUMBERS

INTERNATIONAL CLASSIFICATION INDEX (51)	NUMBER OF PATENT (11)	NUMBER OF PUBLISHED APPLICATION (10)
1	2	3
A 43 B 7/12; A 43 B 7/08	P 2019 7039 B	AP 2019 14649 A
A 61 K 31/05; C 07 C 39/225; C 07 C 37/84; C 07 C 37/07; C 12 P 7/22	P 2019 7040 B	AP 2019 14586 A
A 61 K 31/695; A 61 K 38/56; A 61 K 31/415; A 61 K 31/7048; A 61 K 33/30; A 61 K 36/28; A 61 K 36/48; A 61 K 36/81; A 61 K 36/886; A 61 K 453/06; A 61 K 9/00; A 61 K 31/14; A 61 K 31/164	P 2019 7038 B	AP 2019 14625 A

1	2	3
B 41 M 3/00; B 41 M 5/28; C 09 D 11/00; C 09 D 11/30; C 09 D 11/50; C 09 K 19/58; B 41 M 3/14; B 42 D 25/305; B 42 D 25/364	P 2019 7037 B	AP 2019 14312 A
F 27 B 14/06; F 27 B 14/08; F 27 D 1/04; F 27 D 11/06; F 27 D 27/00	P 2019 7041 B	AP 2019 14705 A

**CONCORDANCE TABLE OF PATENT NUMBERS,
PUBLICATION NUMBERS AND INTERNATIONAL CLASSIFICATION INDEX**

NUMBER OF PATENT (11)	NUMBER OF PUBLISHED APPLICATION (10)	INTERNATIONAL CLASSIFICATION INDEX (51)
P 2019 7037 B	AP 2019 14312 A	B 41 M 3/00; B 41 M 5/28; C 09 D 11/00; C 09 D 11/30; C 09 D 11/50; C 09 K 19/58; B 41 M 3/14; B 42 D 25/305; B 42 D 25/364
P 2019 7038 B	AP 2019 14625 A	A 61 K 31/695; A 61 K 38/56; A 61 K 31/415; A 61 K 31/7048; A 61 K 33/30; A 61 K 36/28; A 61 K 36/48; A 61 K 36/81; A 61 K 36/886; A 61 K 453/06; A 61 K 9/00; A 61 K 31/14; A 61 K 31/164
P 2019 7039 B	AP 2019 14649 A	A 43 B 7/12; A 43 B 7/08
P 2019 7040 B	AP 2019 14586 A	A 61 K 31/05; C 07 C 39/225; C 07 C 37/84; C 07 C 37/07; C 12 P 7/22
P 2019 7041 B	AP 2019 14705 A	F 27 B 14/06; F 27 B 14/08; F 27 D 1/04; F 27 D 11/06; F 27 D 27/00

**CONCORDANCE TABLE OF APPLICATION NUMBERS, PUBLICATION NUMBERS
AND PATENTS**

NUMBER OF APPLICATION (21)	NUMBER OF PUBLISHED APPLICATION (10)	NUMBER OF PATENT (11)
AP 2015 14312	AP 2019 14312 A	P 2019 7037 B
AP 2016 14586	AP 2019 14586 A	P 2019 7040 B
AP 2015 14625	AP 2019 14625 A	P 2019 7038 B
AP 2016 14649	AP 2019 14649 A	P 2019 7039 B
AP 2016 14705	AP 2019 14705 A	P 2019 7041 B

UTILITY MODELS

CONCORDANCE TABLE OF INTERNATIONAL CLASSIFICATION INDEX, PATENT NUMBERS AND PUBLICATION NUMBERS

INTERNATIONAL CLASSIFICATION INDEX (51)	NUMBER OF PATENT (11)	NUMBER OF PUBLISHED APPLICATION (10)
A 47 K 10/38	U 2019 2022 Y	AU 2019 14784 U
B 65 D 5/40	U 2019 2021 Y	AU 2019 14723 U

CONCORDANCE TABLE OF PATENT NUMBERS, PUBLICATION NUMBERS AND INTERNATIONAL CLASSIFICATION INDEX

NUMBER OF PATENT (11)	NUMBER OF PUBLISHED APPLICATION (10)	INTERNATIONAL CLASSIFICATION INDEX (51)
U 2019 2021 Y	AU 2019 14723 U	B 65 D 5/40
U 2019 2022 Y	AU 2019 14784 U	A 47 K 10/38

CONCORDANCE TABLE OF APPLICATION NUMBERS, PUBLICATION NUMBERS AND PATENTS

NUMBER OF APPLICATION (21)	NUMBER OF PUBLISHED APPLICATION (10)	NUMBER OF PATENT (11)
AU 2018 14723	AU 2019 14723 U	U 2019 2021 Y
AU 2014 14784	AU 2019 14784 U	U 2019 2022 Y

DESIGNS**CONCORDANCE TABLE OF INTERNATIONAL CLASSIFICATION INDEX
AND PUBLICATION NUMBERS**

INTERNATIONAL CLASSIFICATION INDEXES (51)	NUMBER OF PUBLISHED APPLICATION (10)
12-06	AD 2019 1094 S

**CONCORDANCE TABLE OF PUBLICATION NUMBERS
AND INTERNATIONAL CLASSIFICATION INDEX**

NUMBER OF PUBLISHED APPLICATION (10)	INTERNATIONAL CLASSIFICATION INDEXES (51)
AD 2019 1094 S	12-06

**CONCORDANCE TABLE OF INTERNATIONAL CLASSIFICATION INDEX,
PATENT NUMBERS AND PUBLICATION NUMBERS**

INTERNATIONAL CLASSIFICATION INDEX (51)	NUMBER OF PATENT (11)	NUMBER OF PUBLISHED APPLICATION (10)
09-03	D 2019 824 S	AD 2019 1078 S

**CONCORDANCE TABLE OF PATENT NUMBERS,
PUBLICATION NUMBERS AND INTERNATIONAL CLASSIFICATION INDEX**

NUMBER OF PATENT (11)	NUMBER OF PUBLISHED APPLICATION (10)	INTERNATIONAL CLASSIFICATION INDEX (51)
D 2019 824 S	AD 2019 1078 S	09-03

**CONCORDANCE TABLE OF APPLICATION NUMBERS, PUBLICATION NUMBERS
AND PATENTS**

NUMBER OF APPLICATION (21)	NUMBER OF PUBLISHED APPLICATION (10)	NUMBER OF PATENT (11)
AD 2019 1078	AD 2019 1078 S	D 2019 824 S

**DESIGN REGISTERED ACCORDING TO THE ACCELERATED
PROCEDURE**

CONCORDANCE TABLE OF INTERNATIONAL CLASSIFICATION INDEX
AND PUBLICATION NUMBERS

INTERNATIONAL CLASSIFICATION INDEXES (51)	NUMBER OF PUBLISHED APPLICATION (11)
06-01	D 2019 825 S

CONCORDANCE TABLE OF PUBLICATION NUMBERS
AND INTERNATIONAL CLASSIFICATION INDEX

NUMBER OF PUBLISHED APPLICATION (11)	INTERNATIONAL CLASSIFICATION INDEXES (51)
D 2019 825 S	06-01

CONCORDANCE TABLE OF APPLICATION NUMBERS,
PUBLICATION NUMBERS AND PATENTS

NUMBER OF APPLICATION (21)	NUMBER OF PATENT (11)
AD 2019 1111	D 2019 825 S

TRADEMARKS

CONCORDANCE TABLE OF REGISTRATION NUMBERS, APPLICATION NUMBERS, PUBLICATION NUMBERS AND BULLETIN NUMBERS

NUMBER OF REGISTRATION (111)	NUMBER OF APPLICATIONS (210)	NUMBER OF PUBLISHED APPLICATIONS (260)	NUMBER OF BULLETIN
M 2019 31873 R	AM 100031	AM 2019 100031 A	12(520) 2019
M 2019 31874 R	AM 100044	AM 2019 100044 A	12(520) 2019
M 2019 31875 R	AM 100046	AM 2019 100046 A	12(520) 2019
M 2019 31876 R	AM 100061	AM 2019 100061 A	12(520) 2019
M 2019 31877 R	AM 100074	AM 2019 100074 A	11(519) 2019
M 2019 31878 R	AM 100398	AM 2019 100398 A	11(519) 2019
M 2019 31879 R	AM 100442	AM 2019 100442 A	12(520) 2019
M 2019 31880 R	AM 100445	AM 2019 100445 A	12(520) 2019
M 2019 31881 R	AM 100448	AM 2019 100448 A	12(520) 2019
M 2019 31882 R	AM 100449	AM 2019 100449 A	12(520) 2019
M 2019 31883 R	AM 100456	AM 2019 100456 A	12(520) 2019
M 2019 31884 R	AM 100462	AM 2019 100462 A	12(520) 2019
M 2019 31885 R	AM 100584	AM 2019 100584 A	11(519) 2019
M 2019 31886 R	AM 100585	AM 2019 100585 A	11(519) 2019
M 2019 31887 R	AM 100591	AM 2019 100591 A	12(520) 2019
M 2019 31888 R	AM 100594	AM 2019 100594 A	12(520) 2019
M 2019 31889 R	AM 100602	AM 2019 100602 A	13(521) 2019
M 2019 31890 R	AM 100605	AM 2019 100605 A	12(520) 2019
M 2019 31891 R	AM 100606	AM 2019 100606 A	12(520) 2019
M 2019 31892 R	AM 100690	AM 2019 100690 A	13(521) 2019
M 2019 31893 R	AM 100691	AM 2019 100691 A	13(521) 2019
M 2019 31894 R	AM 100788	AM 2019 100788 A	13(521) 2019
M 2019 31895 R	AM 100800	AM 2019 100800 A	11(519) 2019
M 2019 31896 R	AM 100801	AM 2019 100801 A	11(519) 2019
M 2019 31897 R	AM 100802	AM 2019 100802 A	12(520) 2019
M 2019 31898 R	AM 100821	AM 2019 100821 A	13(521) 2019
M 2019 31899 R	AM 97419	AM 2019 97419 A	10(518) 2019
M 2019 31900 R	AM 98772	AM 2019 98772 A	6(514) 2019
M 2019 31901 R	AM 98773	AM 2019 98773 A	7(515) 2019
M 2019 31902 R	AM 98912	AM 2019 98912 A	6(514) 2019
M 2019 31903 R	AM 99315	AM 2019 99315 A	7(515) 2019
M 2019 31904 R	AM 99330	AM 2019 99330 A	7(515) 2019
M 2019 31905 R	AM 99331	AM 2019 99331 A	7(515) 2019
M 2019 31906 R	AM 99353	AM 2019 99353 A	12(520) 2019
M 2019 31907 R	AM 99466	AM 2019 99466 A	8(516) 2019
M 2019 31908 R	AM 99907	AM 2019 99907 A	11(519) 2019
M 2019 31909 R	AM 99908	AM 2019 99908 A	11(519) 2019
M 2019 31910 R	AM 99909	AM 2019 99909 A	11(519) 2019
M 2019 31911 R	AM 99967	AM 2019 99967 A	12(520) 2019
M 2019 31912 R	AM 99975	AM 2019 99975 A	12(520) 2019
M 2019 31913 R	AM 99980	AM 2019 99980 A	12(520) 2019
M 2019 31914 R	AM 99981	AM 2019 99981 A	12(520) 2019
M 2019 31915 R	AM 105251	–	21(529)2019
M 2019 31916 R	AM 105252	–	21(529)2019
M 2019 31917 R	AM 105333	–	21(529)2019
M 2019 31918 R	AM 105342	–	21(529)2019
M 2019 31919 R	AM 105208	–	21(529)2019

1	2	3	4
M 2019 31920 R	AM 105344	–	21(529)2019
M 2019 31921 R	AM 105357	–	21(529)2019
M 2019 31922 R	AM 105341	–	21(529)2019
M 2019 31923 R	AM 105346	–	21(529)2019
M 2019 31924 R	AM 100381	AM 2019 100381 A	12(520) 2019
M 2019 31925 R	AM 100407	AM 2019 100407 A	13(521) 2019
M 2019 31926 R	AM 100418	AM 2019 100418 A	13(521) 2019
M 2019 31927 R	AM 100687	AM 2019 100687 A	13(521) 2019
M 2019 31928 R	AM 100768	AM 2019 100768 A	13(521) 2019
M 2019 31929 R	AM 100808	AM 2019 100808 A	13(521) 2019
M 2019 31930 R	AM 100915	AM 2019 100915 A	14(522) 2019
M 2019 31931 R	AM 100916	AM 2019 100916 A	14(522) 2019
M 2019 31932 R	AM 98667	AM 2019 98667 A	7(515) 2019
M 2019 31933 R	AM 98909	AM 2019 98909 A	7(515) 2019
M 2019 31934 R	AM 98910	AM 2019 98910 A	7(515) 2019
M 2019 31935 R	AM 99184	AM 2019 99184 A	6(514) 2019
M 2019 31936 R	AM 99471	AM 2019 99471 A	7(515) 2019
M 2019 31937 R	AM 99472	AM 2019 99472 A	7(515) 2019
M 2019 31938 R	AM 99473	AM 2019 99473 A	7(515) 2019
M 2019 31939 R	AM 99474	AM 2019 99474 A	7(515) 2019
M 2019 31940 R	AM 99475	AM 2019 99475 A	7(515) 2019
M 2019 31941 R	AM 99476	AM 2019 99476 A	7(515) 2019
M 2019 31942 R	AM 99487	AM 2019 99487 A	13(521) 2019
M 2019 31943 R	AM 99489	AM 2019 99489 A	13(521) 2019
M 2019 31944 R	AM 99490	AM 2019 99490 A	13(521) 2019
M 2019 31945 R	AM 99491	AM 2019 99491 A	13(521) 2019
M 2019 31946 R	AM 99493	AM 2019 99493 A	13(521) 2019
M 2019 31947 R	AM 99494	AM 2019 99494 A	13(521) 2019
M 2019 31948 R	AM 99495	AM 2019 99495 A	13(521) 2019
M 2019 31949 R	AM 99496	AM 2019 99496 A	13(521) 2019
M 2019 31950 R	AM 99497	AM 2019 99497 A	13(521) 2019
M 2019 31951 R	AM 99499	AM 2019 99499 A	13(521) 2019
M 2019 31952 R	AM 99500	AM 2019 99500 A	13(521) 2019
M 2019 31953 R	AM 99502	AM 2019 99502 A	13(521) 2019
M 2019 31954 R	AM 99503	AM 2019 99503 A	13(521) 2019
M 2019 31955 R	AM 99504	AM 2019 99504 A	13(521) 2019
M 2019 31956 R	AM 99505	AM 2019 99505 A	13(521) 2019
M 2019 31957 R	AM 99506	AM 2019 99506 A	13(521) 2019
M 2019 31958 R	AM 99507	AM 2019 99507 A	13(521) 2019
M 2019 31959 R	AM 99750	AM 2019 99750 A	13(521) 2019
M 2019 31960 R	AM 99946	AM 2019 99946 A	10(518) 2019
M 2019 31961 R	AM 99352	AM 2019 99352 A	9(517) 2019
M 2019 31962 R	AM 99444	AM 2019 99444 A	9(517) 2019
M 2019 31963 R	AM 99445	AM 2019 99445 A	9(517) 2019
M 2019 31964 R	AM 104892	–	21(529)2019
M 2019 31965 R	AM 105552	–	21(529)2019
M 2019 31966 R	AM 105345	–	21(529)2019
M 2019 31967 R	AM 105338	–	21(529)2019
M 2019 31968 R	AM 105339	–	21(529)2019
M 2019 31969 R	AM 105460	–	21(529)2019

CONCORDANCE TABLE OF PUBLICATION NUMBERS
AND APPLICATION NUMBERS

NUMBER OF PUBLISHED APPLICATION (260)	NUMBER OF APPLICATION (210)	1	2
1	2		
AM 2019 97703 A	AM 97703	AM 2019 102359 A	AM 102359
AM 2019 99429 A	AM 99429	AM 2019 102362 A	AM 102362
AM 2019 100070 A	AM 100070	AM 2019 102363 A	AM 102363
AM 2019 100084 A	AM 100084	AM 2019 102370 A	AM 102370
AM 2019 100464 A	AM 100464	AM 2019 102372 A	AM 102372
AM 2019 101213 A	AM 101213	AM 2019 102374 A	AM 102374
AM 2019 101214 A	AM 101214	AM 2019 102386 A	AM 102386
AM 2019 101618 A	AM 101618	AM 2019 102398 A	AM 102398
AM 2019 101671 A	AM 101671	AM 2019 102400 A	AM 102400
AM 2019 101672 A	AM 101672	AM 2019 102401 A	AM 102401
AM 2019 101673 A	AM 101673	AM 2019 102491 A	AM 102491
AM 2019 101918 A	AM 101918	AM 2019 102493 A	AM 102493
AM 2019 102069 A	AM 102069	AM 2019 102495 A	AM 102495
AM 2019 102072 A	AM 102072	AM 2019 102498 A	AM 102498
AM 2019 102073 A	AM 102073	AM 2019 102500 A	AM 102500
AM 2019 102074 A	AM 102074	AM 2019 102501 A	AM 102501
AM 2019 102075 A	AM 102075	AM 2019 102502 A	AM 102502
AM 2019 102145 A	AM 102145	AM 2019 102503 A	AM 102503
AM 2019 102158 A	AM 102158	AM 2019 102518 A	AM 102518
AM 2019 102159 A	AM 102159	AM 2019 102519 A	AM 102519
AM 2019 102166 A	AM 102166	AM 2019 102521 A	AM 102521
AM 2019 102174 A	AM 102174	AM 2019 102522 A	AM 102522
AM 2019 102233 A	AM 102233	AM 2019 102525 A	AM 102525
AM 2019 102236 A	AM 102236	AM 2019 102527 A	AM 102527
AM 2019 102237 A	AM 102237	AM 2019 102533 A	AM 102533
AM 2019 102239 A	AM 102239	AM 2019 102539 A	AM 102539
AM 2019 102251 A	AM 102251	AM 2019 102546 A	AM 102546
AM 2019 102252 A	AM 102252	AM 2019 102566 A	AM 102566
AM 2019 102256 A	AM 102256	AM 2019 102694 A	AM 102694
AM 2019 102259 A	AM 102259	AM 2019 102707 A	AM 102707
AM 2019 102268 A	AM 102268	AM 2019 102713 A	AM 102713
AM 2019 102347 A	AM 102347	AM 2019 102714 A	AM 102714
		AM 2019 102720 A	AM 102720
		AM 2019 102730 A	AM 102730
		AM 2019 102737 A	AM 102737
		AM 2019 102927 A	AM 102927

CONCORDANCE TABLE OF INDEX OF GOODS AND/OR SERVICES
AND APPLICATION NUMBERS

INDEX OF GOODS AND/OR SERVICES (511)	NUMBER OF PUBLISHED APPLICATIONS (26)	1	2
1	2	28	AM 2019 102518 A
3	AM 2019 102251 A	28	AM 2019 102519 A
3	AM 2019 102386 A	29	AM 2019 102145 A
3	AM 2019 102400 A	29	AM 2019 102720 A
3	AM 2019 102539 A	30	AM 2019 102145 A
5	AM 2019 102069 A	30	AM 2019 102370 A
5	AM 2019 102158 A	30	AM 2019 102374 A
5	AM 2019 102166 A	30	AM 2019 102525 A
5	AM 2019 102233 A	31	AM 2019 100464 A
5	AM 2019 102252 A	31	AM 2019 102159 A
5	AM 2019 102359 A	31	AM 2019 102495 A
5	AM 2019 102500 A	31	AM 2019 102498 A
5	AM 2019 102501 A	31	AM 2019 102503 A
5	AM 2019 102502 A	32	AM 2019 102518 A
5	AM 2019 102522 A	32	AM 2019 102519 A
5	AM 2019 102566 A	32	AM 2019 102707 A
6	AM 2019 102256 A	32	AM 2019 102500 A
7	AM 2019 100084 A	33	AM 2019 102501 A
7	AM 2019 102236 A	33	AM 2019 102502 A
7	AM 2019 102237 A	33	AM 2019 102522 A
8	AM 2019 100084 A	33	AM 2019 102566 A
8	AM 2019 102236 A	33	AM 2019 102256 A
8	AM 2019 102237 A	34	AM 2019 100084 A
9	AM 2019 101213 A	34	AM 2019 102236 A
9	AM 2019 101214 A	34	AM 2019 102237 A
9	AM 2019 102236 A	34	AM 2019 102236 A
9	AM 2019 102237 A	34	AM 2019 102237 A
9	AM 2019 102239 A	34	AM 2019 102730 A
9	AM 2019 102256 A	34	AM 2019 102927 A
11	AM 2019 102256 A	35	AM 2019 101918 A
14	AM 2019 102398 A	35	AM 2019 102166 A
18	AM 2019 102236 A	35	AM 2019 102251 A
18	AM 2019 102237 A	35	AM 2019 102268 A
18	AM 2019 102239 A	35	AM 2019 102362 A
18	AM 2019 102386 A	35	AM 2019 102363 A
18	AM 2019 102539 A	35	AM 2019 102372 A
19	AM 2019 102256 A	35	AM 2019 102398 A
25	AM 2019 102236 A	35	AM 2019 102493 A
25	AM 2019 102237 A	35	AM 2019 102518 A
25	AM 2019 102239 A	35	AM 2019 102519 A
25	AM 2019 102493 A	35	AM 2019 102525 A
25	AM 2019 102518 A	35	AM 2019 102546 A
25	AM 2019 102519 A	35	AM 2019 102694 A
25	AM 2019 102527 A	35	AM 2019 102713 A
28	AM 2019 102236 A	35	AM 2019 102714 A
28	AM 2019 102237 A	35	AM 2019 102737 A
28	AM 2019 102239 A	36	AM 2019 102518 A
28	AM 2019 102398 A	36	AM 2019 102519 A
		37	AM 2019 101213 A
		37	AM 2019 101214 A
		37	AM 2019 102256 A
		38	AM 2019 100070 A
		39	AM 2019 100070 A
		39	AM 2019 101213 A
		39	AM 2019 101214 A

1	2
39	AM 2019 102268 A
39	AM 2019 102347 A
39	AM 2019 102491 A
39	AM 2019 102533 A
41	AM 2019 99429 A
41	AM 2019 100070 A
41	AM 2019 101618 A
41	AM 2019 102268 A
41	AM 2019 102518 A
41	AM 2019 102519 A
42	AM 2019 101213 A
42	AM 2019 101214 A
43	AM 2019 99429 A
43	AM 2019 101671 A
43	AM 2019 101673 A
43	AM 2019 102072 A
43	AM 2019 102073 A

1	2
43	AM 2019 102074 A
43	AM 2019 102075 A
43	AM 2019 102372 A
43	AM 2019 102491 A
43	AM 2019 102521 A
43	AM 2019 102525 A
43	AM 2019 102694 A
43	AM 2019 102707 A
44	AM 2019 100464 A
44	AM 2019 101672 A
44	AM 2019 102251 A
44	AM 2019 102713 A
44	AM 2019 102714 A
44	AM 2019 102737 A
45	AM 2019 100070 A
45	AM 2019 102546 A

CONCORDANCE TABLE OF INDEX OF GOODS AND/OR SERVICES
AND NUMBERS OF TRADEMARKS REGISTERED ACCORDING
TO THE ACCELERATED PROCEDURE

INDEX OF GOODS AND/OR SERVICES (511)	NUMBERS OF REGISTERED ACCORDING TO THE ACCELERATED PROCEDURE (111)	1	2
1	2	35	M 2019 31916 R
6	M 2019 31918 R	35	M 2019 31917 R
9	M 2019 31967 R	35	M 2019 31918 R
9	M 2019 31968 R	35	M 2019 31919 R
11	M 2019 31918 R	35	M 2019 31921 R
11	M 2019 31922 R	35	M 2019 31965 R
11	M 2019 31965 R	36	M 2019 31965 R
12	M 2019 31918 R	37	M 2019 31918 R
19	M 2019 31918 R	37	M 2019 31965 R
29	M 2019 31920 R	38	M 2019 31918 R
29	M 2019 31969 R	38	M 2019 31965 R
30	M 2019 31969 R	39	M 2019 31918 R
31	M 2019 31969 R	39	M 2019 31921 R
32	M 2019 31923 R	39	M 2019 31965 R
33	M 2019 31915 R	40	M 2019 31918 R
33	M 2019 31916 R	40	M 2019 31965 R
33	M 2019 31919 R	41	M 2019 31965 R
34	M 2019 31967 R	42	M 2019 31964 R
34	M 2019 31968 R	42	M 2019 31965 R
35	M 2019 31915 R	43	M 2019 31921 R
		43	M 2019 31965 R
		43	M 2019 31966 R
		45	M 2019 31921 R
		45	M 2019 31965 R

OFFICIAL BULLETIN OF THE INDUSTRIAL PROPERTY

INVENTIONS
UTILITY MODELS
DESIGNS
TRADEMARKS
APPELATIONS OF ORIGIN OG GOODS

21(529)

EDITOR-IN-CHIEF: N. Bebrishvili

EDITOR-TRANSLATOR: E. Gabunia

PROOFREADER: A. Shikhashvili

COMPUTER LAYOUT: M. Ordenidze
K. Svanidze

www.sakpatenti.gov.ge

E-mail: info@sakpatenti.org.ge