



**NATIONAL INTELLECTUAL PROPERTY CENTER OF GEORGIA
SAKPATENTI**

**OFFICIAL BULLETIN
OF THE INDUSTRIAL PROPERTY**

22(506)

**2018
TBILISI**

INID CODES FOR IDENTIFICATION OF BIBLIOGRAPHIC DATA

INVENTIONS, UTILITY MODELS

- (10) Number of publication for application, which has been examined
- (11) Number of patent and kind of document
- (21) Serial number of application
- (22) Date of filing of the application
- (23) Date of exhibition or the date of the earlier filing and the number of application, if any
- (24) Date from which patent may have effect
- (31) Number of priority application
- (32) Date of filing of priority application
- (33) Code of the country or regional organization allotting priority application number
- (44) Date of publication of application not granted, but examined and number of bulletin
- (45) Date of publication of registered document
- (51) International Patent Classification Index
- (54) Title of the invention
- (57) Abstract
- (60) Number of examined patent document granted by foreign patent office, date from which patent has effect and country code
- (62) Number of the earlier application and in case of divided application, date of filing an application
- (71) Name, surname and address of applicant (country code)
- (72) Name, surname of inventor (country code)
- (73) Name, surname and address of patent owner (country code)
- (74) Name, surname of representative or patent attorney
- (85) Date of commencement of the national phase of International Application
- (86) Number and date of filing of international application
- (87) Number and date of publication of international application

DESIGNS

- (10) Number of publication for application
- (11) Number of patent and kind of document or number of registration
- (15) Date of registration/Date of patent renewal
- (18) Expected expiration date of patent or registration
- (21) Serial number of application
- (22) Date of filing of the application
- (23) Date of exhibition or the date of the earlier filing and the number of application, if any
- (24) Date from which patent may have effect
- (28) Number of designs included in the application
- (30) Data relating to priority (number of application, date of filing of application, two-letter code identifying the authority with whom the priority application was made)
- (31) Number of priority application
- (32) Date of filing of priority application
- (33) Code of the country or regional organization allotting priority application number
- (34) Two-letter code according to WIPO St.3 identifying the authority with which the priority application was made
- (44) Date of publication of design and number of bulletin (the first publication)
- (45) Date of publication of design registered by WIPO and number of bulletin
- (51) International Classification for designs (class and subclass of the Locarno Classification)
- (54) Title of the invention
- (55) Reproduction of the design
- (57) Description of characteristic features of the design including indication of colors
- (58) Date of recording of any kind of amendment in the Register
- (62) Number of the earlier application, registration and document number and if available the date of filing an application in case of divided application
- (71) Name, surname and address of applicant (country code)
- (72) Name, surname of creator (country code)
- (73) Name, surname and address of patent owner (country code)
- (74) Name, surname of representative or patent attorney
- (81) Contracting states concerned
 - II designated contracting states according to the 1960 Act
 - III designated contracting states according to the 1999 Act
- (85) Owner's permanent address
- (86) Owner's nationality
- (87) Owner's residence
- (88) State in which the owner has a real and effective industrial or commercial establishment

TRADEMARKS

- (111) – Number of registration
- (151) – Date of registration
- (156) – Date of the renewal
- (181) – Expected expiration date of registration
- (186) – Renewal expiration date of registration
- (141) – Date of cancel of duration of the mark
- (210) – Serial number of application
- (220) – Date of filing of the application
- (230) – Date concerning exhibition
- (260) – Number of application, for which favorable decision of examination about registration has been taken (publication number)
- (310) – Number of the first application
- (320) – Date of filing of the first application
- (330) – Code, identifying national or regional Office where the first application was made
- (511) – International Classification of Goods and Services for the purposes of registration of trade marks and/or list of goods and/or services classified according thereto
- (531) – Description of figurative elements of Trade Marks according to the International Classification of the Figurative Elements of Marks
- (540) – Reproduction of Trade Mark
- (550) – Nature and kind of Trade Mark
- (580) – Date of recording of any kind changes in respect of applications or registrations
- (591) – Information concerning colors claimed
- (731) – Name and address of the applicant
- (732) – Name and address of the holder of the registration
- (740) – Name and address of the representative
- (750) – Address for correspondence
- (770) – Name and address of the previous applicant or holder in case of change in ownership
- (771) – Previous name and address of the applicant or holder in case of change in ownership
- (791) – Name and address of the licensee
- (793) – Indication of conditions and/or restrictions under the license (Type of license, number of license agreement, data of license, data of validity of license)
- (800) – Certain data relating to the international registration of Trade Marks under the Protocol Relating to Madrid Agreement (International registration number)

CODES FOR PUBLICATION IN BULLETIN

- (21) AP 0000 000000 – serial number of application for invention
- (10) AP 0000 0000 A – number of published application for invention (first publication)
- (11) P 0000 0000 B – number of patent for invention (second publication)
- (21) API 0000 000000 – number of application for imported patent
- (11) PI 0000 0000 A – number of imported patent (first publication)
- (21) AU 0000 000000 – serial number of application for utility model
- (10) AU 0000 000 U – number of published application for utility model (first publication)
- (11) U 0000 000 Y – number of patent for utility model (second publication)
- (21) AD 0000 000000 – serial number of application for design
- (10) AD 0000 000 S – number of published application for design (first publication)
- (11) D 0000 000 S – number of patent for design (second publication)

INTERNATIONAL PATENT CLASSIFICATION FOR INVENTIONS AND UTILITY MODELS

- SECTION A – HUMAN NECESSITIES
- SECTION B – PERFORMING OPERATIONS; TRANSPORTING
- SECTION C – CHEMISTRY; METALLURGY
- SECTION D – TEXTILES; PAPER
- SECTION E – FIXED CONSTRUCTIONS
- SECTION F – MECHANICAL ENGINEERING; LIGHTING; HEATING; WEAPONS; BLASTING
- SECTION G – PHYSICS
- SECTION H – ELECTRICITY

-
- M – Trade Mark
 - (210) AM 0000 000000 – Serial number of application;
 - (260) AAM 0000 00000 A – Publication number of application;
 - (111) M 0000 00000 R – Number of registration;
 - (111) MMM0000 00000 Rn – Number of renewals, in which n=1,2,3;
 - (111) M 0000 00000 R(P) – Number of registration under partial assignment of rights
-

LIST OF CODES, IN ALPHABETIC SEQUENCE, AND THE CORRESPONDING (SHORT) NAMES OF STATES, OTHER ENTITIES AND INTERGOVERNMENTAL ORGANIZATIONS
(WIPO STANDARD ST.3)

AD	Andorra		for the Arab States of the Gulf (GCC)	NE	Niger
AE	United Arab Emirates	GD	Grenada	NG	Nigeria
AF	Afghanistan	GG	Guernsey	NI	Nicaragua
AG	Antigua and Barbuda	GH	Ghana	NL	Netherlands
AI	Anguilla	GI	Gibraltar	NO	Norway
AL	Albania	GT	Guatemala	NP	Nepal
AM	Armenia	GW	Guinea- Bissau	NR	Nauru
AN	Netherlands Antilles	GY	Guyana	NZ	New Zealand
AO	Angola	HK	The Hong Kong Special Administrative Region of the People's Republic of China	OA	African Intellectual Property Organization (OAPI)
AP	African Regional Intellectual Property Organization (ARIPO)	HN	Honduras	OM	Oman
AR	Argentina	HR	Croatia	PA	Panama
AT	Austria	HT	Haiti	PE	Peru
AU	Australia	HU	Hungary	PG	Papua New Guinea
AW	Aruba	IB	International Bureau of the World Intellectual Property Organization (WIPO)	PH	Philippines
AZ	Azerbaijan	ID	Indonesia	PK	Pakistan
BA	Bosnia and Herzegovina	IE	Ireland	PL	Poland
BB	Barbados	IL	Israel	PT	Portugal
BD	Bangladesh	IM	Isle of Man	PW	Palau
BE	Belgium	IN	India	PY	Paraguay
BF	Burkina Faso	IQ	Iraq	QA	Qatar
BG	Bulgaria	ID	Indonesia	QZ	Community Plant Variety Office (European Community) (CPVO)
BH	Bahrain	IE	Ireland	RO	Romania
BI	Burundi	IL	Israel	RS	Serbia
BJ	Benin	IM	Isle of Man	RU	Russian Federation
BM	Bermuda	IN	India	RW	Rwanda
BN	Brunei Darussalam	IQ	Iraq	SA	Saudi Arabia
BO	Bolivia	IR	Iran (Islamic Republic of)	SB	Solomon Islands
BR	Brazil	IS	Iceland	SC	Seychelles
BS	Bahamas	IT	Italy	SD	Sudan
BT	Bhutan	JE	Jersey	SG	Singapore
BV	Bouvet Island	JM	Jamaica	SH	Saint Helena
BW	Botswana	JO	Jordan	SI	Slovenia
BX	Benelux Office for Intellectual Property (BOIP)	JP	Japan	SK	Slovakia
BY	Belarus	KE	Kenya	SL	Sierra Leone
BZ	Belize	KG	Kyrgyzstan	SM	San Marino
CA	Canada	KH	Cambodia	SN	Senegal
CD	Democratic Republic of the Congo	KI	Kiribati	SO	Somalia
CF	Central African Republic	KM	Saint Kitts and Nevis	SR	Suriname
CG	Congo	KP	Democratic People's Republic of Korea	ST	Sao Tome and Principe
CH	Switzerland	KR	Republic of Korea	SV	El Salvador
CI	Cote d'Ivoire	KW	Kuwait	SY	Syrian Arab Republic
CK	Cook Islands	KY	Cayman Islands	SZ	Swaziland
CL	Chile	KZ	Kazakhstan	TC	Turks and Caicos Islands
CM	Cameroon	LA	Lao People's Democratic Republic	TD	Chad
CN	China	LB	Lebanon	TG	Togo
CO	Colombia	LC	Saint Lucia	TH	Thailand
CR	Costa Rica	LI	Liechtenstein	TJ	Tajikistan
CU	Cuba	LK	Sri Lanka	TL	Timor-Leste
CV	Cape Verde	LR	Liberia	TM	Turkmenistan
CY	Cyprus	LS	Lesotho	TN	Tunisia
CZ	Czech Republic	LT	Lithuania	TO	Tonga
DE	Germany	LU	Luxembourg	TR	Turkey
DJ	Djibouti	LV	Latvia	SE	Sweden
DM	Dominica	LY	Libyan Arab Jamahiriya	TT	Trinidad and Tobago
DO	Dominican Republic	MA	Morocco	TV	Tuvalu
DZ	Algeria	MC	Monaco	TW	Taiwan, Province of China
EA	Eurasian Patent Organization (EAPO)	MD	Republic of Moldova	TZ	United Republic of Tanzania
EC	Ecuador	ME	Montenegro	UA	Ukraine
EE	Estonia	MG	Madagascar	UG	Uganda
EG	Egypt	MK	The former Yugoslav Republic of Macedonia	US	United States of America
EH	Western Sahara	ML	Mali	UY	Uruguay
EM	Office for Harmonization in the Internal Market (Trademarks and Designs)(OHIM)	MM	Myanmar	UZ	Uzbekistan
EP	European Patent Office (EPO)	MN	Mongolia	VA	Holy See
ER	Eritrea	MO	Macao	VC	Saint Vincent and the Grenadines
ES	Spain	MP	Northern Mariana Islands	VE	Venezuela
ET	Ethiopia	MR	Mauritania	VG	Virgin Islands (British)
FI	Finland	MS	Montserrat	VN	Viet Nam
FJ	Fiji	MT	Malta	VU	Vanuatu
FK	Falkland Islands (Malvinas)	MU	Mauritius	WO	World Intellectual Property Organization (WIPO)
FO	Faroe Islands	MV	Maldives	WS	Samoa
FR	France	MW	Malawi	XN	Nordic Patent Institute (NPI)
GA	Gabon	MX	Mexico	YE	Yemen
GB	United Kingdom	MY	Malaysia	ZA	South Africa
GC	Patent Office of the Cooperation Council	MZ	Mozambique	ZM	Zambia
		NA	Namibia	ZW	Zimbabwe

**NATIONAL INTELLECTUAL PROPERTY CENTER OF GEORGIA
SAKPATENTI**

**OFFICIAL BULLETIN
OF THE INDUSTRIAL PROPERTY**

22(506)

INVENTIONS

UTILITY MODELS

DESIGNS

TRADEMARKS

APPELLATIONS OF ORIGIN OF GOODS

DATE OF PUBLICATION

2018 11 26

CONTENTS

PUBLISHED TITLES OF PROTECTION	3
INVENTIONS	
▪ APPLICATIONS APPROVED FOR GRANTING PATENTS	4
▪ PATENTED INVENTIONS	7
UTILITY MODELS	
▪ APPLICATIONS APPROVED FOR GRANTING PATENTS	8
▪ PATENTED UTILITY MODEL	10
DESIGNS	
▪ REGISTERED DESIGNS	11
TRADEMARKS	
▪ APPLICATIONS FILED UNDER THE NATIONAL PROCEDURE APPROVED FOR REGISTRATION	12
▪ REGISTERED TRADEMARKS	18
▪ TRADEMARKS REGISTERED ACCORDING TO THE ACCELERATED PROCEDURE	25
▪ INTERNATIONAL TRADEMARKS FOR WHICH A DECISION ON GANTING PROTECTION IS TAKEN	27
▪ INTERNATIONAL TRADEMARKS PROTECTED IN GEORGIA	77
APPELLATIONS OF ORIGIN OF GOODS	
▪ APPELLATIONS OF ORIGIN OF GOODS FILED IN GEORGIA FOR EXAMINATION UNDER LISBON AGREEMENT, ON THE BASIS OF THE INTERNATIONAL REGISTRATION	88
OFFICIAL NOTIFICATIONS	
INVENTIONS	
▪ RENEWAL OF PATENTS	90
▪ CANCELLATION OF PATENTS	90
▪ CHANGES IN NAMES AND/OR ADDRESSES OF OWNERS	92
TRADEMARKS	
▪ RENEWAL OF REGISTRATION	93
▪ TRANSFER OF RIGHTS	96
▪ CHANGES IN NAMES AND/OR ADDRESSES OF OWNERS	97
▪ INVALIDATION OF TRADEMARK REGISTRATIONS	103
▪ LICENSE AGREEMENT	113
CLASSIFICATION INDEXES	
INVENTIONS	114
UTILITY MODELS	115
DESIGNS	116
TRADEMARKS	117

PUBLISHED TITLES OF PROTECTION

INVENTIONS

- **APPLICATIONS APPROVED FOR GRANTING PATENTS:**
14409; 13723; 14135; 14472; 14404; 14134
- **PATENTED INVENTIONS:**
6928, 6929

UTILITY MODELS

- **APPLICATIONS APPROVED FOR GRANTING PATENTS:**
14621; 14736; 14630
- **PATENTED UTILITY MODEL:**
1994

DESIGNS

- **REGISTERED DESIGNS:**
784-786

TRADEMARKS

- **APPLICATIONS FILED UNDER THE NATIONAL PROCEDURE APPROVED FOR REGISTRATION:**
94719; 96801; 96859; 96862; 96865; 96892; 96982; 96993; 97014; 97018; 97173; 97188; 97198; 97203, 97204; 97206; 97208, 97209; 97222, 97223; 97365; 97372; 97379; 97386; 97388; 97390; 97403-97405; 97418
- **REGISTERED TRADEMARKS:**
30383-30457
- **TRADEMARKS REGISTERED ACCORDING TO THE ACCELERATED PROCEDURE:**
30382; 30458-30466
- **INTERNATIONAL TRADEMARKS FOR WHICH A DECISION ON GRANTING PROTECTIONS IS TAKEN:**
92420*; 92521*; 93256; 93409*; 94231; 94802; 95389; 95952; 95960; 95964, 95965; 96053-96058; 96060, 96061; 96063; 96082; 96084; 96089; 96096; 96103; 96123, 96124; 96191-96193; 96195; 96209; 96211, 96212; 96238; 96241; 96267; 96274; 96277, 96278; 96328; 96345; 96352, 96353; 96356; 96363; 96376, 96377; 96380; 96383, 96384; 96396; 96398; 96409; 96451, 96452; 96454; 96456; 96460, 96461; 96472; 96475; 96482; 96488; 96497-96500; 96502, 96503; 96539; 96546; 96577-96579; 96605; 96620, 96621; 96629; 96640; 96654; 96662; 96669, 96670; 96672-96674; 96702; 96713; 96719; 96741; 96743-96745
- **INTERNATIONAL TRADEMARKS PROTECTED IN GEORGIA:**
90916; 91125; 91929; 92028; 93078; 93461; 94273; 94278; 94436; 94489; 94491; 94493-94496; 94498- 94500; 94506; 94511-94515; 94523-94526; 94626, 94627; 94632; 94634-94642; 94644; 94653-94657; 94659-94662; 94666, 94667; 94687; 94689; 94692; 94695; 94697, 94698; 94700; 94702, 94703; 94705-94707; 94733-94735; 94737; 94742; 94756; 94761; 94763, 94764; 94766; 94819, 94820; 94822-94825; 94827, 94828; 94834-94836; 94840; 94843-94850; 94852; 94871, 94872; 94874, 94875; 94878-94882; 94911, 94912; 94914-94920; 94971; 94973-94975; 94988; 95017-95019; 95021; 95045; 95047; 95056; 95058, 95059; 95165-95171; 95187-95189; 95253; 95268; 95330, 95331; 95368; 95371-95376; 95417; 95419-95423; 95460, 95461; 95814; 95884; 95888, 95889; 95892, 95893

APPELLATIONS OF ORIGIN OF GOODS

- **APPELLATIONS OF ORIGIN OF GOODS FILED IN GEORGIA FOR EXAMINATION UNDER LISBON AGREEMENT, ON THE BASIS OF THE INTERNATIONAL REGISTRATION:**
1526-1531

INVENTIONS

APPLICATIONS APPROVED FOR GRANTING PATENTS

The decision can be appealed at the Chamber of Appeal of Sakpatenti within 3 months from the publication or at the Mtskheta District Court Administrative Cases Board (Address: №17, Samkhedro str., Mtskheta), within 1 month following the publication.

PART A

A 43

(10) AP 2018 14409 A (51) Int. Cl. (2006)

A 43 B 7/12

A 43 B 23/02

(21) AP 2015 14409 (22) 2015 07 10

(31) PD2014A000186

(32) 2014 07 11

(33) IT

(71) GEOX S.P.A. (IT)

Via Feltrina Centro 16, I-31044 Montebelluna,
Frazione Biadene (IT)

(72) POLEGATO MORETTI, Mario (IT);

POLONI, Livio (IT);

MATTIONI, Bruno (IT)

(74) Aleksandre Gegechkori

(85) 2017 02 06

(86) PCT/EP2015/065861, 2015 07 10

(54) **SHOE WITH WATERPROOF
AND VAPOR-PERMEABLE SOLE
AND UPPER**

(57) A shoe with waterproof and vapor-permeable sole (11, 111) and an assembly (12, 112) associated in an upward region with respect to the sole and comprising: – an external vapor-permeable upper (13, 113), an internal lining (14, 114) and, interposed between them, a first waterproof and vapor-permeable functional element (15, 115), – a perforated or vapor-permeable insole (16, 116), which is joined in a perimetric region at least to the lining (14, 114), the shoe (10, 110) also comprising a flexible waterproof element (18, 118) associated in a downward region with respect to the insole (16, 116), at least partially perforated or vapor-permeable at a vapor permeation area (19, 119), the sole (11, 111) being joined perimetrically so as to form a seal to the assembly (12, 112) and to the flexible element.

Claims: 1 independent

15 dependent

Fig.: 6

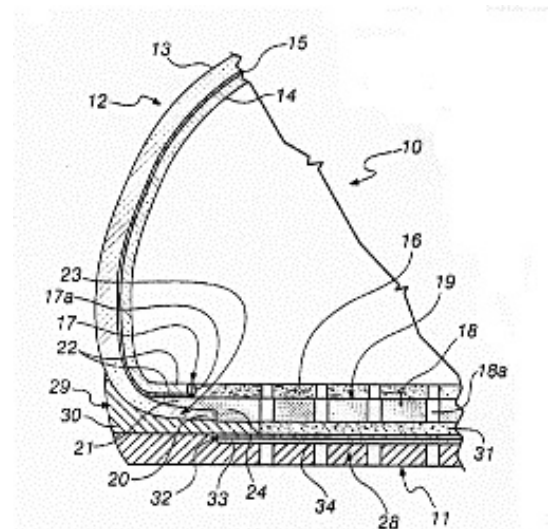


Fig. 2

A 61

(10) AP 2018 13723 A (51) Int. Cl. (2006)
A 61 K 39/395

(21) AP 2010 13723 (22) 2010 10 22

(62) 61/254,474 2009 10 23 (US)

(31) 61/254,474

(32) 2009 10 23

(33) US

(71) MILLENNIUM PHARMACEUTICALS
INC. (US)

The Takeda Oncology Company, 40 Lands-
downe Street Cambridge, MA 02139 (US);

AMGEN BRITISH COLUMBIA (CA)

7990 Enterprise Street, Burnaby,

BC V5A 1V7 (CA)

(72) NAM, Samuel, S. (US);

GREENFIELD, Edward, A. (US);

BABCOOK, John (US);

O'KEEFE, Theresa (US);

QIN, Shixin (US)

(74) Shalva Gvaramadze

(85) 2015 02 05

(86) PCT/US2010/053686, 2010 10 22

(54) **ANTI-GCC ANTIBODY MOLECULES
AND RELATED COMPOSITIONS
AND METHODS**

(57) There are disclosed anti-GCC antibody
molecules bound to conformational epitope GCC,

with a specific amino acid sequence, and at the same time, blocking binding of molecules of reference antibody with GCC; at that, antibody molecule is conjugated with therapeutic agent or detectable marking. A method to obtain said immunoconjugates and their usage in the treatment of cancer is considered.

Claims: 8 independent

31 dependent

Fig.: 4

PART B

B 28

(10) AP 2018 14135 A (51) Int. Cl. (2006)

B 28 B 19/00

C 04 B 28/14

C 04 B 111/00

(21) AP 2013 14135 (22) 2013 10 07

(71) KNAUF GIPS KG (DE)

Am Bahnhof, 7, 97346 Iphofen (DE)

(72) PIWOWARSKI, Jacek (PL)

(74) Tamar Kochlamazashvili

(85) 2016 05 06

(86) PCT/EP2013/070852, 2013 10 07

(54) **METHOD FOR PRODUCING GYPSUM PLASTERBOARD**

(57) A method provides production of gypsum liquid solution, preparation for freshly made connecting grit from gypsum plasterboard leftovers, adding at least part of connecting grit to gypsum liquid solution, forming liquid solution of mixture of gypsum and connecting grit and drying. At that, freshly made connecting grit are taken in the process of manufacturing plasterboards filled with organosilicic oil as hydrophobic agent.

Claims: 3 independent

6 dependent

Fig.: 1

PART C

C 02

(10) AP 2018 14472 A (51) Int. Cl. (2006)

C 02 F 1/00

C 02 F 1/32

C 02 F 1/34

C 02 F 1/36

C 02 F 1/48

C 02 F 1/78

(21) AP 2017 14472 (22) 2017 04 11

(71) Tatiana Gegechkori (GE)

Vazha-Pshavelas gamz. VI kv.,

korp. 38, b.3, 0186, Tbilisi (GE);

Grigor Mamniashvili (GE)

Vazha-Pshavelas gamz. VI kv.,

korp. 38, b.3, 0186, Tbilisi (GE);

Sarkis Markaryan (GE)

Ts. Dadianis q. 34, korp. 12, b. 41, 0180,

Tbilisi (GE);

Tsisana Gavasheli (GE)

Toidzis q. 43, 0102, Tbilisi (GE)

(72) Tatiana Gegechkori (GE);

Grigor Mamniashvili (GE);

Sarkis Markaryan (GE);

Tsisana Gavasheli (GE)

(54) **SYNERGETIC DEVICE AND METHOD FOR WATER PURIFICATION**

(57) A device includes stainless steel body having a triangular prism shape, inlet branch pipe, solenoid, compressor, ultraviolet radiation sources, ultrasonic transducers, silver cell and outlet branch pipe. Body and inlet branch pipe inner surfaces are covered with a film of titanium dioxide nanoparticles. A method provides treatment of water entering the chamber by simultaneous exposure to the water by an alternating magnetic field, cavitation, ultraviolet radiation, ozone, and titanium dioxide nanoparticles. Furthermore, the water leaving the chamber is treated with silver ions. Cavitation is obtained by means of ultrasound formed with ultrasonic transducers. Water ozonation provides obtaining air-ozone mixture in the chamber by ionizing air bubbles appeared as a result of cavitation received by means of ultraviolet radiation.

Claims: 2 independent

Fig.: 2

C 04

(10) AP 2018 14404 A (51) Int. Cl. (2006)

C 04 B 20/06

C 04 B 14/12

(21) AP 2017 14404 (22) 2017 02 02

- (71) LEPL GEORGIAN TECHNICAL UNIVERSITY (GE)
Kostavas q. 77, 0175, Tbilisi (GE)
- (72) Razhden Skhvitaridze (GE);
Elena Shapakidze (GE);
Tamaz Vashakidze (GE);
Irakli Giorgadze (GE);
Shalva Verulava (GE)
- (74) Givi Sibashvili
- (54) **METHOD FOR HAYDITE PRODUCTION**
- (57) Haydite production method includes shale sediments removal from the river Duruji, grinding, firing to swell and obtaining granules with caked surface; at that, after grinding the shale is moisturized with concrete plasticizer including naphthalene sulfonate or lignonaphthalene sulfonate, in an amount of 5-10% of shale mass, and then it is holded till completing absorption modification with shale plasticizer; and in the firing process, the temperature is increased in the range of 100-1000°C, with speed of at least 30°C per minute.
- Claims: 1 independent
-

C 07

- (10) AP 2018 14134 A (51) Int. Cl. (2006)
C 07 K 5/02
- (21) AP 2014 014134 (22) 2014 11 06
(31) MI2013A001856
(32) 2013 11 08
(33) IT
- (71) GNOSIS S.P.A. (IT)
Piazza del Carmine, 4, I-20121 Milano (IT)
- (72) BIANCHI, Davide (IT);
VALETTI, Marco (IT);
BAZZA, Paola (IT)
- (74) Shalva Gvaramadze
- (85) 2016 05 05
(86) PCT/EP2014/073957, 2014 11 06
- (54) **CRYSTALLINE FORMS OF S-ACETYL
GLUTATHIONE, THEIR REPARATIONS
AND USES IN PHARMACEUTICAL AND
NUTRACEUTICAL FORMULATIONS**
- (54) Crystalline form S-acetyl glutathione (SAG), called as form A and usage thereof as an ingredient of pharmaceutical or nutraceutical compositions.
- Claims: 3 independent
5 dependent
- Fig.: 12
Table: 3
-

PATENTED INVENTIONS
PART C**C 07**

- (11) **P 2018 6928 B** (51) **Int. Cl. (2006)**
C 07 K 16/28
A 61 K 39/395
A 61 P 35/02
A 61 P 37/00
- (10) AP 2018 13496 A (44) 13(497)/2018
(21) AP 2012 013496
(22) 2012 11 15
(24) 2012 11 15
(31) 61/560,144; 61/560,149; 61/560,162;
61/560,178; 61/560,183; 61/651,486;
61/651,474
(32) 2011 11 15; 2011 11 15; 2011 11 15;
2011 11 15; 2011 11 15; 2012 05 24;
2012 05 24
(33) US; US; US; US; US; US; US
(86) PCT/EP2012/072699, 2012 11 15
(73) Amgen Research (Munich) GMBH (DE)
Staffelsestr. 2 81477 Munich (DE);
Boehringer Ingelheim International
GMBH (DE)
Binger Strasse 173 55216 Ingelheim
am Rhein (DE)
(72) KUFER, Peter (DE);
RAUM, Tobias (DE);
HOFFMANN, Patrick (DE);
KISCHEL, Roman (DE);
LUTTERBUESE, Ralf (DE);
RAU, Doris (DE);
ADAM, Paul (DE);
BORGES, Eric (DE);
HEBEIS, Barbara (DE);
HIPPE, Susanne (DE)
(74) Aleksandre Gegechkori
(85) 2014 06 09
(86) PCT/EP2012/072699, 2012 11 15
(54) **BINDING MOLECULES FOR BCMA
AND CD3**
-

PART E**E 04**

- (11) **P 2018 6929 B** (51) **Int. Cl. (2006)**
E 04 C 2/296
- (10) AP 2018 14227 A (44) 12(496)/2018
(21) AP 2016 014227
(22) 2016 07 28
(24) 2016 07 28
(73) Vakhtang Dvalishvili (GE)
I. Petritsis q. 31, 4600, Kutaisi (GE);
Teimuraz Gogoladze (GE)
Nutsubidzis q. 26a, b. 89, 4600, Kutaisi (GE);
Mariam Dvalishvili (GE)
Rodzevichis q. 7, 4600, Kutaisi (GE)
(72) Vakhtang Dvalishvili (GE);
Teimuraz Gogoladze (GE);
Mariam Dvalishvili (GE)
(74) Archil Geguchadze
(54) **STRUCTURAL SANDWICH PANEL**
-

UTILITY MODELS

APPLICATION APPROVED FOR GRANTING PATENT

The decision can be appealed at the Chamber of Appeal of Sakpatenti within 3 months from the publication or at the Mtskheta District Court Administrative Cases Board (Address: №17, Samkhedro str., Mtskheta), within 1 month following the publication.

PART A

A 23

(10) AU 2018 14621 U (51) Int. Cl. (2006)
A 23 B 7/00

(21) AU 2017 14621 (22) 07 11 2017
(71) Merab Zhgenti (GE)
Terevenkos q. 36, b. 49, Tbilisi (GE);
Levan Gulua (GE)
A. Mirtskhulavas q. 3a, b. 37, Tbilisi (GE);
Tamar Turmanidze (GE)
D/Dighomi, D. Tavaddebulis q.
41/16, 8. 20, Tbilisi (GE);
LEPL SHOTA RUSTAVELI NATIONAL
SCIENCE FOUNDATION (GE)
Merab Aleksidzis q. 1, 0193, Tbilisi (GE);
NLE AGRICULTURAL UNIVERSITY
OF GEORGIA (GE)
D. Aghmasheneblis kheivani 240, 0131,
Tbilisi (GE)

(72) Merab Zhgenti (GE);
Levan Gulua (GE);
Tamar Turmanidze (GE)

(54) **METHOD FOR UNCOOKED
BILBERRIES STORAGE**

(57) A method provides fruit picking, sorting processing of fruits within 2 minutes with combined solution of 20-22°C temperature, containing 0.5% ascorbic acid, 0.03% salicylic acid and 0.02% methyl jasmonate, placing in containers and storage at the temperature 0-1°C with air relative humidity 85-95%.

Claims: 1 independent

PART C

C 02

(10) AU 2018 14736 U (51) Int. Cl. (2006)
C 02 F 3/32

(21) AU 2018 14736 (22) 23 03 2018
(71) Giorgi Gigolashvili (GE)
Didi Dighomi, Ioane Petritsis q. 8a, b. 19,
0131, Tbilisi (GE);
Gia Khatisashvili (GE)
D/Dighomi, III mkr., korp. 15, b. 222,
0131, Tbilisi (GE);
Maritsa Kurashvili (GE)
Vazha-Pshavelas gamz., II kv., korp. 25,
b. 32, 0186, Tbilisi (GE);
Liana Chokheli (GE)
Kandelakis q. 8a, b. 14, 0160, Tbilisi (GE);
Agricultural University Of Georgia (GE)
D. Aghmashebelis kheivani 240, Tbilisi (GE);
Tamar Varazi (GE)
Pasteris q. 7a, 0102, Tbilisi (GE);
Shota Rustaveli National Science Foundation (GE)
Merab Aleksidzis q. 1, 0193, Tbilisi (GE);
Giorgi Adamia (GE)
M. Tamarashvilis gamz. 15/52, 0177,
Tbilisi (GE);
Marine Pruidze (GE)
Gamsakhurdias gamz. 36, b. 44, 0160,
Tbilisi (GE)

(72) Giorgi Gigolashvili (GE);
Gia Khatisashvili (GE);
Maritsa Kurashvili (GE);
Liana Chokheli (GE);
Tamar Varazi;
Giorgi Adamia (GE);
Marine Pruidze (GE)

(54) **METHOD FOR POLLUTED 2,4,6 - TNT
(TRINITROTOLUENE) WATER PURIFI-
CATION WITH USAGE OF SPIRULINA
BLUE-GREEN ALGAE**

(57) Utility model relates to environment protection field, and biological method for polluted 2,4,6 - TNT water purification, providing introduction effective amount of spirulina (*Spirulina platensis*) blue-green algae in the water.

Claims: 1 independent

C 04

**(10) AU 2018 14630 U (51) Int. Cl. (2006)
C 04 B 35/45
H 01 L 39/00**

(21) AU 2017 14630 (22) 22 11 2017
(71) Nikoloz Margiani (GE)
Vazha-Pshavelas gamz., V kv., korp. 4, b.
49, 0186, Tbilisi (GE);
Nodar Kekelidze (GE)
Kekelidzis q. 25, b. 188, 0179, Tbilisi (GE);
Giorgi Mumladze (GE)
Politkovskayas q. 47, 0186, Tbilisi (GE);
Zurab Adamia (GE)
Saburtalos q. 57, b. 5, 0177, Tbilisi (GE);
Iamze Kvartskhava (GE)
D. Tavdadebulis q. 7, b. 27, 4400, Poti (GE);
Natela Papunashvili (GE)
Dolidzis q., korp. 15, b. 19, 0171,
Tbilisi (GE);
Vakhtang Zhghamadze (GE)
Varketili 3, I mkr., korp. 3, b. 108,
0163, Tbilisi (GE);
Maia Balakhashvili (GE)
V. Bochorishvilis q. 28, 0171, Tbilisi (GE)

(72) Nikoloz Margiani (GE);
Vakhtang Zhghamadze (GE);
Natela Papunashvili (GE);
Iamze Kvartskhava (GE);
Zurab Adamia (GE);
Maia Balakhashvili (GE);
Giorgi Mumladze (GE);
Nodar Kekelidze (GE)

(54) SUPERCONDUCTING HIGH-TEMPERATURE CERAMICS WITH HIGH CRITICAL CURRENT

(57) Superconducting high-temperature ceramics, containing oxides: Bi_2O_3 , PbO , SrO , CaO , CuO и $\text{Sr}(\text{BO}_2)_2\text{co}$ with following correlation of componentry, (mass%):

Bi_2O_3 38.59 ÷ 38.73

PbO 6.53 ÷ 6.55

SrO 19.40 ÷ 19.90

CaO 10.93 ÷ 10.97

CuO 23.25 ÷ 23.35

$\text{Sr}(\text{BO}_2)_2$ 0.50 ÷ 1.30.

Claims: 1 independent

PATENTED UTILITY MODEL

PART A

A 47

- (11) U 2018 1994 Y (51) Int. Cl. (2006)
A 47 K 10/40
- (10) AU 2018 14168 U (44) 14(498)/2018
(21) AU 2014 14168
(22) 2014 11 17
(24) 2014 11 17
(31) 2013/13357
(32) 2013 11 18
(33) TR
(86) PCT/TR2014/000435, 2014 11 17
(73) EJZAJIBASHI TUCETIM URUNLERY
SANAYİ VE TİCARET ANONİM
ŞİRKETİ (TR)
Tokmak Köyü Kavak Mevkii 77700
Karamürsel/Yalova (TR)
(72) ŞİMŞİR Boğaç (TR)
(74) Larisa Amirkhanyan
(85) 2016 06 06
(86) PCT/TR2014/000435, 2014 11 17
(54) **DISPENSER COMPRISING A
PRODUCT LOADING AND
UNLOADING MECHANISM**
-

DESIGNS

REGISTERED DESIGNS

(11) D 2018 786 S **(51) 07-06**
(10) AD 2018 1031 S (44) 15(499)2018
(21) AD 2018 1031
(22) 2018 04 12
(24) 2018 04 12
(28) 2
(18) 2023 04 12
(73) Nodar Tsveniashvili (GE)
 V. Gorgasalis q., shesakh. IV, me-2 chikhi 7,
 0105, Tbilisi, Georgia (GE)
(72) Nodar Tsveniashvili (GE)
(54) **1. KHINKALI-SHAPED SALTCELLAR**
 2. KHINKALI-SHAPED PEPPER POT

(11) D 2018 784 S **(51) 09-01**
(10) AD 2018 1015 S (44) 15(499)2018
(21) AD 2018 1015
(22) 2018 01 18
(24) 2018 01 18
(28) 10
(18) 2023 01 18
(73) Mikheil Kochakidze (GE)
 T. Tabidzis q. 56, b. 1, 0162, Tbilisi,
 Georgia (GE)
(72) Mikheil Kochakidze (GE)
(54) **1.-10. BOTTLE WITH WORKSHEET**
 LABEL

(11) D 2018 785 S **(51) 14-99**
(10) AD 2018 1021 S (44) 15(499)2018
(21) AD 2018 1021
(22) 2018 02 21
(24) 2018 02 21
(28) 1
(18) 2023 02 21
(73) LTD "SMARTPHONE" (GE)
 Samtrediis q. 2a, b. 32, 0119, Tbilisi,
 Georgia (GE)
(72) Davit Virabyan (GE)
(74) Inga Tskhvedadze (GE)
(54) **MOBILE PHONE POST**

TRADEMARKS

APPLICATIONS FILED UNDER THE NATIONAL PROCEDURE APPROVED FOR REGISTRATION

The decision can be appealed at the Chamber of Appeal of Sakpatenti within 3 months from the publication or at the Mtskheta District Court Administrative Cases Board (Address: №17, Samkhedro St., Mtskheta), within 1 month following the publication.

(260) AM 2018 94719 A
(210) AM 94719
(220) 20 10 2017
(731) SHNEIDER Electric IT Corporation
132 Fairgrounds Road, West Kingston, Rhode
Island 02892, USA
(740) Giorgi Meipariani
(540)

(591) Black, white
(531) 27.05.17; 27.05.23
(511) 42

(260) AM 2018 96801 A
(210) AM 96801
(220) 12 03 2018
(731) HARRINGTON DEVELOPMENT INC.
Elvira Mendesis Striti, Valarino bldg, me-3
Sart. Panama, Republic of Panama
(740) Givi Akopashvili
(540)



(591) Blue, dark blue, white, silvery
(531) 03.07.16; 03.07.24; 19.03.24; 25.01.01;
26.11.12; 27.05.24; 29.01.13
(511) 34

(260) AM 2018 96859 A
(210) AM 96859
(220) 15 03 2018
(731) INPHA LLP Representative Office in Georgia
Besikis q. 4-is mimdebared (nakveti 46/10),
0108, Tbilisi, Georgia
(740) Keso Antelidze
(540)

Silaut
სილაუტი
СИЛАУТ

(591) Black, white
(511) 5

(260) AM 2018 96862 A
(210) AM 96862
(220) 15 03 2018
(731) NEWZHONGYUAN BUILDING
MATERIALS CO., LTD
Floor 4, N190, Nanzhuang Road East,
Nanzhuang Town, Chancheng District, Foshan
City, Guangdong Province, China
(740) Giorgi Meipariani
(540)



新中源陶瓷
XIN ZHONG YUAN CERAMICS

(591) Black, white
(531) 27.05.01; 27.05.17; 28.03
(511) 19

(260) AM 2018 96865 A
(210) AM 96865
(220) 16 03 2018

(731) LTD "AISI"
Varketili 3, I mkr., korp. 28, b. 26, 0163,
Tbilisi, Georgia

(540)

IRANOL
ირანოლი
ИРАНОЛ

(591) Black, white

(511) 4

(260) AM 2018 96892 A

(210) AM 96892

(220) 19 03 2018

(731) SAGA IMPEX

Beliashvilis q. 145, 0159, Tbilisi, Georgia

(540)



(591) Red, sky-blue

(531) 26.01.05; 26.01.06; 27.05.01; 28.19; 29.01.12

(511) 11, 37

(260) AM 2018 96982 A

(210) AM 96982

(220) 22 03 2018

(731) LTD "MINISO GEORGIA"

Ana Kalandadzis q. 4, sad. 1, S/P 5a,

Tbilisi, Georgia

(540)



(591) White and red

(531) 04.05.01; 04.05.03; 26.04.01; 26.04.22;
26.04.24; 27.05.24; 29.01.12

(511) 35

(260) AM 2018 96993 A

(210) AM 96993

(220) 23 03 2018

(731) LTD "MZAMZAREULI"

Zakaria Paliashvilis q. 2, b.18, 0179,

Tbilisi, Georgia

(540)



(591) Green, black

(531) 02.01.11; 27.05.01; 28.19; 29.01.12

(511) 29, 30, 35

(260) AM 2018 97014 A

(210) AM 97014

(220) 27 03 2018

(731) KUMIAI CHEMICAL INDUSTRY CO.,
LTD

4-26, IKENOHATA 1-CHOME, TAITO-KU,
TOKYO, Japan

(740) Tamaz Shilakadze

(540)



(591) Red

(531) 26.05.02; 26.05.04; 29.01.12

(511) 1, 5

(260) AM 2018 97018 A

(210) AM 97018

(220) 27 03 2018

(731) LTD "BRAVO AIR"

Aeroportis dasakhleba 42, b. 20, 0182, Tbilisi,
Georgia

(540)



(591) Blue, white

(531) 26.01.01; 26.01.18; 27.05.17; 27.05.21;
27.05.24; 29.01.04; 29.01.12

(511) 39

(260) AM 2018 97173 A
 (210) AM 97173
 (220) 02 04 2018
 (731) HEBTA GROUP FOR PROJECT
 MANAGEMENT CO.
 Ofis (1013), Flor (10), Blok (7), Tunis Strit,
 Bilding №800010 (rehab Kompleqs), Havalli,
 Kuwait
 (740) Merab Kvimsadze
 (540)



(591) Black, white
 (531) 01.15.21; 27.07.17; 27.07.24
 (511) 9

(260) AM 2018 97188 A
 (210) AM 97188
 (220) 04 04 2018
 (731) DAVIT GABROSHVILI
 Vazisubani, II mkr., korp. 1, b. 89, 0152,
 Tbilisi, Georgia
 (540)

GABRO®

(591) Blue, white
 (531) 01.01.02; 01.01.10; 01.01.12; 26.01.13;
 27.05.01; 27.05.17; 29.01.12
 (511) 12

(260) AM 2018 97198 A
 (210) AM 97198
 (220) 10 04 2018
 (731) GETZ PHARMA INTERNATIONAL FZ
 LLC
 Office No.1307, 13th Floor, Al-Thuraya
 Tower 1, Dubai Media City, Dubai, United
 Arab Emirates
 (740) Merab Kvimsadze
 (540)

VILGET

(591) Black, white
 (531) 27.05.01
 (511) 5

(260) AM 2018 97203 A
 (210) AM 97203
 (220) 10 04 2018
 (731) GETZ PHARMA INTERNATIONAL FZ
 LLC
 Office No.1307, 13th Floor, Al-Thuraya
 Tower 1, Dubai Media City, Dubai, United
 Arab Emirates
 (740) Merab Kvimsadze
 (540)

GABICA

(591) Black, white
 (531) 27.05.01
 (511) 5

(260) AM 2018 97204 A
 (210) AM 97204
 (220) 10 04 2018
 (731) GETZ PHARMA INTERNATIONAL FZ
 LLC
 Office No.1307, 13th Floor, Al-Thuraya
 Tower 1, Dubai Media City, Dubai, United
 Arab Emirates
 (740) Merab Kvimsadze
 (540)

SIVAB

(591) Black, white
 (531) 27.05.01
 (511) 5

(260) AM 2018 97206 A
 (210) AM 97206
 (220) 10 04 2018
 (731) GETZ PHARMA INTERNATIONAL FZ
 LLC
 Office No.1307, 13th Floor, Al-Thuraya
 Tower 1, Dubai Media City, Dubai, United
 Arab Emirates
 (740) Merab Kvimsadze
 (540)

FORTRAGET

(591) Black, white
 (531) 27.05.01
 (511) 5

(260) AM 2018 97208 A
 (210) AM 97208
 (220) 10 04 2018
 (731) GETZ PHARMA INTERNATIONAL FZ
 LLC
 Office No.1307, 13th Floor, Al-Thuraya

Tower 1, Dubai Media City, Dubai, United Arab Emirates
 (740) Merab Kvimsadze
 (540)

SALBOGET

(591) Black, white
 (531) 27.05.01
 (511) 5

(260) AM 2018 97209 A
 (210) AM 97209
 (220) 10 04 2018
 (731) GETZ PHARMA INTERNATIONAL FZ LLC
 Office No.1307, 13th Floor, Al-Thuraya Tower 1, Dubai Media City, Dubai, United Arab Emirates

(740) Merab Kvimsadze
 (540)

EMPIGET

(591) Black, white
 (531) 27.05.01
 (511) 5

(260) AM 2018 97222 A
 (210) AM 97222
 (220) 12 04 2018
 (731) LTD "AGROTAO"
 Vakhtang Gorgaslis q. 15, 4200, Tsnori, Sighnaghi, Georgia

(540)

Ubatono
უბატონო

(591) Black, white
 (511) 33

(260) AM 2018 97223 A
 (210) AM 97223
 (220) 12 04 2018
 (731) Arshavir Minasaryan
 Aharonyan Str. 12, ap. 7, Yerevan, Armenia
 (740) Giorgi Sarajishvili
 (540)

expago

(591) Black, white
 (511) 9, 39, 42

(260) AM 2018 97365 A
 (210) AM 97365
 (220) 17 04 2018

(731) DIMITRI TABAGHUA
 Sh. Nucubidzis q. 77a, b.10, 0177, Tbilisi, Georgia
 (540)



(591) White, black, green, gray
 (531) 02.05.01; 28.19; 29.01.13
 (511) 30, 31

(260) AM 2018 97372 A
 (210) AM 97372
 (220) 19 04 2018
 (731) LTD "The Twins House in Napareuli"
 Sop. Napareuli, 2211, Telavis Municipality, Georgia
 (740) Davit Dzamukashvili
 (540)



(591) Terracotta
 (531) 19.09.01; 19.09.02; 29.01.12
 (511) 41, 42, 43

(260) AM 2018 97379 A
 (210) AM 97379
 (220) 23 04 2018
 (731) Khatuna Malania
 Evdoshvilis q. 19, me-3 sart., b. 10, 0154, Tbilisi, Georgia

(540)

(591) Black, white
 (531) 09.05.02; 27.03.15; 27.05.01; 27.05.13
 (511) 18, 25, 35

(260) AM 2018 97386 A

(210) AM 97386

(220) 24 04 2018

(731) JSC "GOODWILL"

I. Chavchavadzis gamz. 9, Vake-
 Saburtalos r-ni, Tbilisi, Georgia

(740) Nino Tsaturova

(540)



(591) Green, brown
 (531) 11.01.03; 11.01.04; 11.03.09; 29.01.12
 (511) 43

(260) AM 2018 97388 A

(210) AM 97388

(220) 24 04 2018

(731) LTD "AGROLINX"

Al. Kazbegis gamz. 34, b. 12a, 0177, Tbilisi,
 Georgia

(740) Irma Kartoza

(540)

(591) Black, white
 (511) 1, 5, 44

(260) AM 2018 97390 A

(210) AM 97390

(220) 24 04 2018

(731) LTD "AGROLINX"

Al. Kazbegis gamz. 34, b. 12a, 0177, Tbilisi,
 Georgia

(740) Irma Kartoza

(540)

(591) Black, white

(511) 1, 5, 44

(260) AM 2018 97403 A

(210) AM 97403

(220) 25 04 2018

(731) OUSAMA KAFA

Kiev region, Kyiv-Svyatoshinsky district,
 village Petropavlivska Borshagivka, st.
 Vishnevaya, 45, 08130, Ukraine

(740) Giorgi Taktakishvili

(540)



CHAIKHANA BAZAR UKAFA

(591) White, pink, purple, black
 (531) 05.05.20; 26.01.15; 26.01.21; 27.05.01;
 27.05.10; 29.01.14

(526) CHAIKHANA

(511) 43

(260) AM 2018 97404 A

(210) AM 97404

(220) 25 04 2018

(731) BRIDGESTON CORPORATION

1-1, Kyobashi 3-chome, Chuo-ku, Tokyo,
 Japan

(740) Tamar Kochlamazashvili

(540)

R249

(591) Black, white

(511) 12

(260) AM 2018 97405 A

(210) AM 97405

(220) 25 04 2018

(731) BRIDGESTON CORPORATION

1-1, Kyobashi 3-chome, Chuo-ku, Tokyo,
 Japan

(740) Tamar Kochlamazashvili

(540)

M729

(591) Black, white

(511) 12

(260) AM 2018 97418 A

(210) AM 97418

(220) 27 04 2018

(731) GVANCA MGALOBESHVILI
Barnovis q., I chikhi 8, 0108, Tbilisi,
Georgia

(540)

ღვინო მგალობლიშვილი
Wine Mgaloblishvili

(591) Black, white
(511) 33

REGISTERED TRADEMARKS

(111) M 2018 30383 R

(151) 08 11 2018

(181) 08 11 2028

(260) AM 2016 90095 A

(220) 23 12 2016

(732) LTD "BOLERO & COMPANY"

Kuchishvilis q. 12-14-16, 0179, Tbilisi,
Georgia

Elvira Mendez Street, Vallarino Bldg, 3-rd
Floor, Panama, Panama

(111) M 2018 30389 R

(151) 08 11 2018

(181) 08 11 2028

(260) AM 2017 92894 A

(220) 22 06 2017

(732) NIKOLOZ SUKHITASHVILI

Sop. Kurdghelauri, 2200, Telavi, Georgia

(111) M 2018 30384 R

(151) 08 11 2018

(181) 08 11 2028

(260) AM 2017 91867 A

(220) 06 11 2017

(732) LTD "ARIK"

S. Tsintsadzis q. 12, sart. 3, 0160, Tbilisi,
Georgia

(111) M 2018 30390 R

(151) 08 11 2018

(181) 08 11 2028

(260) AM 2017 93221 A

(220) 06 07 2017

(732) JSC "GEPHA"

Sanapiros q. 6, 0108, Tbilisi, Georgia

(111) M 2018 30385 R

(151) 08 11 2018

(181) 08 11 2028

(260) AM 2017 92585 A

(220) 06 06 2017

(732) LTD "VIVO MEDICAL GROUP"

Lublianas q. 5, 0159, Tbilisi, Georgia

(111) M 2018 30391 R

(151) 08 11 2018

(181) 08 11 2028

(260) AM 2017 93222 A

(220) 06 07 2017

(732) JSC "GEPHA"

Sanapiros q. 6, 0108, Tbilisi, Georgia

(111) M 2018 30386 R

(151) 08 11 2018

(181) 08 11 2028

(260) AM 2017 92665 A

(220) 08 06 2017

(732) LTD "ALAZANI VINERY"

D. Tavdadebulis q. 3, 4800, Kvareli,
Georgia

(111) M 2018 30392 R

(151) 08 11 2018

(181) 08 11 2028

(260) AM 2017 93224 A

(220) 06 07 2017

(732) JSC "GEPHA"

Sanapiros q. 6, 0108, Tbilisi, Georgia

(111) M 2018 30387 R

(151) 08 11 2018

(181) 08 11 2028

(260) AM 2017 92739 A

(220) 12 06 2017

(732) QURAMAX LIMITED

Artisans House, 7 Queensbridge
Northampton N4 7BF, United Kingdom

(111) M 2018 30393 R

(151) 08 11 2018

(181) 08 11 2028

(260) AM 2017 93225 A

(220) 06 07 2017

(732) JSC "GEPHA"

Sanapiros q. 6, 0108, Tbilisi, Georgia

(111) M 2018 30388 R

(151) 08 11 2018

(181) 08 11 2028

(260) AM 2017 92885 A

(220) 21 06 2017

(732) HARRINGTON DEVELOPMENT INC.

(111) M 2018 30394 R

(151) 08 11 2018

(181) 08 11 2028

(260) AM 2017 93437 A

(220) 21 07 2017

(732) GIORGI ZAUTASHVILI
D. Tavdadebulis q. 3, 4800, Kvareli, Georgia

(220) 07 08 2017
(732) BESIK CHIKHRADZE
Sarajishvilis q. 26, Tbilisi, Georgia

(111) M 2018 30395 R
(151) 08 11 2018
(181) 08 11 2028
(260) AM 2017 93559 A
(220) 31 07 2017
(732) JSC "KOTEKHI-GURJAANI WINE
FACTORY"
K. Koroghlishvilis q. 38, 1500, Gurjaani,
Georgia

(111) M 2018 30401 R
(151) 08 11 2018
(181) 08 11 2028
(260) AM 2017 93665 A
(220) 07 08 2017
(732) BESIK CHIKHRADZE
Sarajishvilis q. 26, Tbilisi, Georgia;
LASHA MIKAVA
I. Chavchavadzis gamz. 33, b. 30, Tbilisi,
Georgia;
VASIL MAISURADZE
Davit Rektoris q. 21, Telavi, Georgia

(111) M 2018 30396 R
(151) 08 11 2018
(181) 08 11 2028
(260) AM 2017 93617 A
(220) 02 08 2017
(732) AMGEN INC.
One Amgen Center Drive, Thousand Oaks,
California 91320-1799, USA

(111) M 2018 30402 R
(151) 08 11 2018
(181) 08 11 2028
(260) AM 2017 93666 A
(220) 07 08 2017
(732) BESIK CHIKHRADZE
Sarajishvilis q. 26, Tbilisi, Georgia;
LASHA MIKAVA
I. Chavchavadzis gamz. 33, b. 30, Tbilisi,
Georgia;
VASIL MAISURADZE
Davit Rektoris q. 21, Telavi, Georgia

(111) M 2018 30397 R
(151) 08 11 2018
(181) 08 11 2028
(260) AM 2017 93661 A
(220) 07 08 2017
(732) BESIK CHIKHRADZE
Sarajishvilis q. 26, Tbilisi, Georgia

(111) M 2018 30403 R
(151) 08 11 2018
(181) 08 11 2028
(260) AM 2017 93901 A
(220) 28 08 2017
(732) ARVEN ILAC SANAYI VE TICARET
ANONIM SIRKETI
Istinye Mahallesi, Balabandere Caddesi No:14
TR-34460 SARIYER/ISTANBUL, Turkey

(111) M 2018 30398 R
(151) 08 11 2018
(181) 08 11 2028
(260) AM 2017 93662 A
(220) 07 08 2017
(732) BESIK CHIKHRADZE
Sarajishvilis q. 26, Tbilisi, Georgia

(111) M 2018 30404 R
(151) 08 11 2018
(181) 08 11 2028
(260) AM 2017 93902 A
(220) 28 08 2017
(732) ARVEN ILAC SANAYI VE TICARET
ANONIM SIRKETI
Istinye Mahallesi, Balabandere Caddesi No:14
TR-34460 SARIYER/ISTANBUL, Turkey

(111) M 2018 30399 R
(151) 08 11 2018
(181) 08 11 2028
(260) AM 2017 93663 A
(220) 07 08 2017
(732) LASHA MIKAVA
I. Chavchavadzis gamz. 33, b. 30, Tbilisi,
Georgia;
VASIL MAISURADZE
Davit Rektoris q. 21, Telavi, Georgia;
BESIK CHIKHRADZE
Sarajishvilis q. 26, Tbilisi, Georgia

(111) M 2018 30405 R
(151) 08 11 2018
(181) 08 11 2028
(260) AM 2017 94016 A
(220) 04 09 2017

(111) M 2018 30400 R
(151) 08 11 2018
(181) 08 11 2028
(260) AM 2017 93664 A

(732) JSC "TELIANI VALLEY"
Tbilisis gzatk. 3, Telavi, Georgia

New Jersey 07901, USA

(111) M 2018 30406 R
(151) 08 11 2018
(181) 08 11 2028
(260) AM 2017 94181 A
(220) 13 09 2017
(732) NINO ZENAISHVILI
Z. Paliashvilis q. 51/6, 0179, Tbilisi,
Georgia

(111) M 2018 30412 R
(151) 08 11 2018
(181) 08 11 2028
(260) AM 2017 94283 A
(220) 25 09 2017
(732) IDF HOLDING LTD
Kyriakou Matsi 16, Eagle House, 10th Floor,
Agiou Omologites, 1082 Nicosia, Cyprus

(111) M 2018 30407 R
(151) 08 11 2018
(181) 08 11 2028
(260) AM 2017 94259 A
(220) 21 09 2017
(732) JSC "GEPHA"
Sanapiros q. 6, 0108, Tbilisi, Georgia

(111) M 2018 30413 R
(151) 08 11 2018
(181) 08 11 2028
(260) AM 2017 94333 A
(220) 27 09 2017
(732) SKY ZONE, LLC
1201 W. Fifth Street, Suite T-340, Los Angeles,
CA 90017, USA

(111) M 2018 30408 R
(151) 08 11 2018
(181) 08 11 2028
(260) AM 2017 94260 A
(220) 21 09 2017
(732) JSC "GEPHA"
Sanapiros q. 6, 0108, Tbilisi, Georgia

(111) M 2018 30414 R
(151) 08 11 2018
(181) 08 11 2028
(260) AM 2017 94362 A
(220) 29 09 2017
(732)) YAO GENGJUN
Xinjiang, Urumug, China

(111) M 2018 30409 R
(151) 08 11 2018
(181) 08 11 2028
(260) AM 2017 94261 A
(220) 21 09 2017
(732) JSC "GEPHA"
Sanapiros q. 6, 0108, Tbilisi, Georgia

(111) M 2018 30415 R
(151) 08 11 2018
(181) 08 11 2028
(260) AM 2017 94452 A
(220) 04 10 2017
(732) LTD "AGRO POWER"
Dedoplistskaros q. II Shesakh. I, (nakveti
52/17), C/S 1C, Tsiteltskaros I shesakh.,
kutkheshi, 0103, Tbilisi, Georgia

(111) M 2018 30410 R
(151) 08 11 2018
(181) 08 11 2028
(260) AM 2017 94268 A
(220) 22 09 2017
(732) CELGENE CORPORATION
86 Morris Avenue, Summit, New Jersey
07901, USA

(111) M 2018 30416 R
(151) 08 11 2018
(181) 08 11 2028
(260) AM 2017 94578 A
(220) 12 10 2017
(732) PHILIP MORRIS PRODUCTS S.A.
Quai Jeanrenaud 3, 2000 Neuchâtel,
Switzerland

(111) M 2018 30411 R
(151) 08 11 2018
(181) 08 11 2028
(260) AM 2017 94269 A
(220) 22 09 2017
(732) CELGENE CORPORATION
86 Morris Avenue, Summit,

(111) M 2018 30417 R
(151) 08 11 2018
(181) 08 11 2028
(260) AM 2017 94579 A
(220) 12 10 2017
(732) PHILIP MORRIS PRODUCTS S.A.

Quai Jeanrenaud 3, 2000 Neuchâtel,
Switzerland

(111) M 2018 30418 R
(151) 08 11 2018
(181) 08 11 2028
(260) AM 2017 94580 A
(220) 12 10 2017
(732) PHILIP MORRIS PRODUCTS S.A.
Quai Jeanrenaud 3, 2000 Neuchâtel,
Switzerland

(111) M 2018 30419 R
(151) 08 11 2018
(181) 08 11 2028
(260) AM 2017 94583 A
(220) 13 10 2017
(732) LTD "EASTERN PROMOTION"
Melikishvilis gamz.1, 0179, Tbilisi,
Georgia

(111) M 2018 30420 R
(151) 08 11 2018
(181) 08 11 2028
(260) AM 2017 94612 A
(220) 16 10 2017
(732) LTD "GEORGIAN ALLIANCE"
Nadareishvilis q. 4, 0137, Tbilisi, Georgia

(111) M 2018 30421 R
(151) 08 11 2018
(181) 08 11 2028
(260) AM 2017 94613 A
(220) 16 10 2017
(732) LTD "GEORGIAN ALLIANCE"
Nadareishvilis q. 4, 0137, Tbilisi, Georgia

(111) M 2018 30422 R
(151) 08 11 2018
(181) 08 11 2028
(260) AM 2017 94615 A
(220) 16 10 2017
(732) JSC "LIBERTY BANK"
Ilia Chavchavadzis Gamz. 74, 0162, Tbilisi,
Georgia

(111) M 2018 30423 R
(151) 08 11 2018
(181) 08 11 2028
(260) AM 2017 94622 A
(220) 17 10 2017
(732) LTD "GEORGIAN ALLIANCE"
Nadareishvilis q. 4, 0137, Tbilisi, Georgia

(111) M 2018 30424 R
(151) 08 11 2018
(181) 08 11 2028
(260) AM 2017 94674 A
(220) 18 10 2017
(732)) LTD "AVERSI-PHARMA"
Davit Aghmashenebelis Gamz. 148/2, 0112,
Tbilisi, Georgia

(111) M 2018 30425 R
(151) 08 11 2018
(181) 08 11 2028
(260) AM 2017 94677 A
(220) 18 10 2017
(732)) LTD "AVERSI-PHARMA"
Davit Aghmashenebelis Gamz. 148/2, 0112,
Tbilisi, Georgia

(111) M 2018 30426 R
(151) 08 11 2018
(181) 08 11 2028
(260) AM 2017 94679 A
(220) 18 10 2017
(732)) LTD "AVERSI-PHARMA"
Davit Aghmashenebelis Gamz. 148/2, 0112,
Tbilisi, Georgia

(111) M 2018 30427 R
(151) 08 11 2018
(181) 08 11 2028
(260) AM 2017 94690 A
(220) 18 10 2017
(732) KUMIAI CHEMICAL INDUSTRY
CO., LTD
4-26, IKENOHATA 1-CHOME, TAITO-KU,
TOKYO 110-8782, Japan

(111) M 2018 30428 R
(151) 08 11 2018
(181) 08 11 2028
(260) AM 2017 94709 A
(220) 19 10 2017
(732) INTEL CORPORATION
2200 Mission College Boulevard, Santa Clara,
California 95052-8119, USA

(111) M 2018 30429 R
(151) 08 11 2018
(181) 08 11 2028
(260) AM 2017 94721 A
(220) 20 10 2017
(732) MERCK SHARP & DOHME CORP.
One Merck Drive, Whitehouse Station,
New Jersey, 08889, USA

(111) M 2018 30430 R
(151) 08 11 2018
(181) 08 11 2028
(260) AM 2017 94760 A
(220) 25 10 2017
(732) THE PROCTER & GAMBLE COMPANY
One Procter & Gamble Plaza, Cincinnati,
Ohio 45202, USA

(111) M 2018 30431 R
(151) 08 11 2018
(181) 08 11 2028
(260) AM 2017 94789 A
(220) 27 10 2017
(732) IALCHIN FARZALIEV
L. Gudiashevili q. 42, 3000, Marneuli, Georgia

(111) M 2018 30432 R
(151) 08 11 2018
(181) 08 11 2028
(260) AM 2017 94873 A
(220) 01 11 2017
(732) LTD "GEORGIAN WATER AND POWER"
Kostavas I shes.33, Dzveli Tbilisis Raioni,
0179, Tbilisi, Georgia

(111) M 2018 30433 R
(151) 08 11 2018
(181) 08 11 2028
(260) AM 2017 94956 A
(220) 06 11 2017
(732) MEIZU TEQNOLOJI KO., LTD
(korporacia Organizebulia Da Arsebobs
Chinetis Kanonmdeblobis Shesabamisad)
Meizu Teqnoloji Bilding, Teqnoloji
& Inoveishn Qoust, Juhai, Guangdongi, China

(111) M 2018 30434 R
(151) 08 11 2018
(181) 08 11 2028
(260) AM 2017 95009 A
(220) 08 11 2017
(732) LTD "MARNISKARI"
Sh. Askuravas q. 17, Tbilisi, Georgia

(111) M 2018 30435 R
(151) 08 11 2018
(181) 08 11 2028
(260) AM 2017 95026 A
(220) 10 11 2017
(732) LLC "ICR TRADE"
Agmashenebeli Alley 12th km, Shopping
and Business Center "My House", fl. 5,
Digomi training-trial farming territory, 0159,
Tbilisi, Georgia

(111) M 2018 30436 R
(151) 08 11 2018
(181) 08 11 2028
(260) AM 2017 95027 A
(220) 10 11 2017
(732) LLC "ICR TRADE"
Agmashenebeli Alley 12th km, Shopping
and Business Center "My House", fl. 5,
Digomi training-trial farming territory, 0159,
Tbilisi, Georgia

(111) M 2018 30437 R
(151) 08 11 2018
(181) 08 11 2028
(260) AM 2017 95052 A
(220) 14 11 2017
(732) LTD "KAKHETIAN TRADITIONAL
WINEMAKING-AGRO-CHOKHATAURI"
S. Tsintsadzis q. 12, A/P 3-6, sart. 3,
Vake-Saburtalos r-ni, 0170, Tbilisi, Georgia

(111) M 2018 30438 R
(151) 08 11 2018
(181) 08 11 2028
(260) AM 2017 95053 A
(220) 14 11 2017
(732) LTD "KAKHETIAN TRADITIONAL
WINEMAKING-AGRO-CHOKHATAURI"
S. Tsintsadzis q. 12, A/P 3-6, sart. 3,
Vake-Saburtalos r-ni, 0170, Tbilisi, Georgia

(111) M 2018 30439 R
(151) 08 11 2018
(181) 08 11 2028
(260) AM 2017 95054 A
(220) 14 11 2017
(732) LTD "KAKHETIAN TRADITIONAL
WINEMAKING-AGRO-CHOKHATAURI"
S. Tsintsadzis q. 12, A/P 3-6, sart. 3,
Vake-Saburtalos r-ni, 0170, Tbilisi, Georgia

(111) M 2018 30440 R
(151) 09 11 2018
(181) 09 11 2028
(260) AM 2017 95119 A
(220) 17 11 2017
(732) ABBOTT LABORATORIES
100 Abbott Park Road, Illinois, 60064, Abbott
Park, USA

(111) M 2018 30441 R
(151) 09 11 2018
(181) 09 11 2028
(260) AM 2017 95183 A
(220) 22 11 2017

(732) S.A. VICHY CATALAN.
Roger de Lluria, 126., 08037, Barcelona,
Spain

(220) 06 12 2017
(732) SIEMENS AKTIENGESELLSCHAFT
Werner-von-Siemens-Straße 1, München,
Germany

(111) M 2018 30442 R
(151) 09 11 2018
(181) 09 11 2028
(260) AM 2017 95184 A
(220) 22 11 2017
(732) S.A. VICHY CATALAN.
Roger de Lluria, 126., 08037, Barcelona,
Spain

(111) M 2018 30448 R
(151) 09 11 2018
(181) 09 11 2028
(260) AM 2017 95446 A
(220) 11 12 2017
(732) BILIM ILAJ SANAI VE TIJARET ANONIM
SHIRQETI
Qaftanfasha Mahalesi, Zinjirliqiuu Jadesi,
No:184 Beioglu, Istanbul, Turkey

(111) M 2018 30443 R
(151) 09 11 2018
(181) 09 11 2028
(260) AM 2017 95238 A
(220) 29 11 2017
(732) LTD "PORTO FRANKO"
Memed Abashidzis q. 39, 6000, Batumi,
Georgia

(111) M 2018 30449 R
(151) 09 11 2018
(181) 09 11 2028
(260) AM 2017 95449 A
(220) 11 12 2017
(732) BILIM ILAJ SANAI VE TIJARET ANONIM
SHIRQETI
Qaftanfasha Mahalesi, Zinjirliqiuu Jadesi,
No:184 Beioglu, Istanbul, Turkey

(111) M 2018 30444 R
(151) 09 11 2018
(181) 09 11 2028
(260) AM 2017 95317 A
(220) 01 12 2017
(732) LTD "TIFLISSKI VINNI POGREB"
Iumashevis q. 27, 0198, Tbilisi, Georgia

(111) M 2018 30450 R
(151) 09 11 2018
(181) 09 11 2028
(260) AM 2017 95454 A
(220) 11 12 2017
(732) BILIM ILAJ SANAI VE TIJARET ANONIM
SHIRQETI
Qaftanfasha Mahalesi, Zinjirliqiuu Jadesi,
No:184 Beioglu, Istanbul, Turkey

(111) M 2018 30445 R
(151) 09 11 2018
(181) 09 11 2028
(260) AM 2017 95339 A
(220) 04 12 2017
(732) PHILIP MORRIS PRODUCTS S. A.
Quai Jeanrenaud 3, 2000, Neuchâtel,
Switzerland

(111) M 2018 30451 R
(151) 09 11 2018
(181) 09 11 2028
(260) AM 2017 95456 A
(220) 11 12 2017
(732) BILIM ILAJ SANAI VE TIJARET ANONIM
SHIRQETI
Qaftanfasha Mahalesi, Zinjirliqiuu Jadesi,
No:184 Beioglu, Istanbul, Turkey

(111) M 2018 30446 R
(151) 09 11 2018
(181) 09 11 2028
(260) AM 2017 95340 A
(220) 04 12 2017
(732) PHILIP MORRIS PRODUCTS S. A.
Quai Jeanrenaud 3, Neuchâtel, 2000,
Switzerland

(111) M 2018 30452 R
(151) 09 11 2018
(181) 09 11 2028
(260) AM 2017 95521 A
(220) 13 12 2017
(732) GUANGZHOU JIBEI BIOTECHNOLOGY
CO. LTD

(111) M 2018 30447 R
(151) 09 11 2018
(181) 09 11 2028
(260) AM 2017 95370 A

Rum 1613, Iun Cheng Uest Roud 888, Baiun
Distriqti, Guanjou, China

(111) M 2018 30453 R
(151) 09 11 2018
(181) 09 11 2028
(260) AM 2017 95522 A
(220) 13 12 2017
(732) TIENS GROUP CO. LTD
Wu Qing Development Zone, Tianjin New
Tech Industrial Park, 301700, Tianjin, China

(111) M 2018 30454 R
(151) 09 11 2018
(181) 09 11 2028
(260) AM 2017 95606 A
(220) 22 12 2017
(732) NINGBO GENIN INDUSTRIAL CO., LTD.
Room 536, Bld. 5, No. 22 Henghe Road,
Beilun District, Ningbo, Zhejiang Province,
China

(111) M 2018 30455 R
(151) 09 11 2018
(181) 09 11 2028
(260) AM 2017 95663 A
(220) 25 12 2017
(732) LTD "ARTPHARMA"
Gamrekelis q. 19 (512), 0160, Tbilisi, Georgia

(111) M 2018 30456 R
(151) 09 11 2018
(181) 09 11 2028
(260) AM 2017 95664 A
(220) 25 12 2017
LTD "ARTPHARMA"
Gamrekelis q. 19 (512), 0160, Tbilisi, Georgia

(111) M 2018 30457 R
(151) 09 11 2018
(181) 09 11 2028
(260) AM 2018 97999 A
(220) 11 06 2018
(732) Beats Electronics, LLC.
8600 Hayden Place, California, 90232, Culver
City, USA

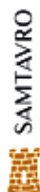
TRADEMARKS REGISTERED ACCORDING TO THE ACCELERATED PROCEDURE

The decision can be appealed at the Chamber of Appeal of Sakpatenti within 3 months from the publication.

(111) M 2018 30382 R
(151) 08 11 2018
(181) 08 11 2028
(210) AM 99876
(220) 16 10 2018
(732) JSC "TELIANI VALLEY"
Tbilisis Gzat. 3, 2200, Telavi, Georgia
(540)



SAMTAVRO



(591) White, black, brown
(531) 07.01.01; 07.01.06; 24.01.10; 24.01.15;
24.01.18; 27.05.01; 27.05.25; 29.01.13
(526) SAMTAVRO
(511) 32, 33

(111) M 2018 30458 R
(151) 12 11 2018
(181) 12 11 2028
(210) AM 99665
(220) 03 10 2018
(732) CLEAN ENERGY GROUP GEORGIA,
LLC
Tavisuflebis moedani 4, Tbilisi, Georgia
(740) Irakli Gvilia
(540)



Clean Energy
Group Georgia

(591) White, sky-blue, black
(531) 26.11.12; 26.13.25; 27.05.01; 27.05.15;
29.01.13
(526) Georgia
(511) 40

(111) M 2018 30459 R
(151) 12 11 2018
(181) 12 11 2028
(210) AM 99957
(220) 22 10 2018
(732) LTD "ACC Distribution"
Tchkondidelis q. 26, Gldani-Nadzaladevis
r-ni, 0180, Tbilisi, Georgia
(540)

VESTA

(591) Black, white
(511) 7, 8, 9, 11

(111) M 2018 30460 R
(151) 13 11 2018
(181) 13 11 2028
(210) AM 100094
(220) 08 11 2018
(732) JSC "INTERFRAIS QRUM"
M. Gakhokidzis q. 49, Tbilisi, Georgia
(540)

Salvalto

(591) Black, white
(511) 3

(111) M 2018 30461 R
(151) 13 11 2018
(181) 13 11 2028
(210) AM 100033
(220) 24 10 2018
(732) LTD "GLOBAL BEER GEORGIA"
Sop. Tsilkani, Mtskhetis r-ni, 3319,
Georgia
(540)

გლობ

RERO PEPO

(511) 32

(111) M 2018 30462 R
 (151) 13 11 2018
 (181) 13 11 2028
 (210) AM 100096
 (220) 08 11 2018
 (732) LTD "TD POWER"
 Rostevanis q. 29b, Tbilisi, Georgia
 (540)



(591) Red, white, yellow, blue
 (531) 26.01.01; 26.01.06; 27.05.03; 29.01.13
 (511) 3

(111) M 2018 30463 R
 (151) 14 11 2018
 (181) 14 11 2028
 (210) AM 100063
 (220) 31 10 2018
 (732) LTD "TAT GROUP"
 Uznadzis q. 111 b. 11, Tbilisi, Georgia
 (540)



(591) Green, yellow, white
 (531) 01.15.15; 26.01.13; 27.01.06; 29.01.13
 (511) 4

(111) M 2018 30464 R
 (151) 21 11 2018
 (181) 21 11 2028
 (210) AM 100095
 (220) 08 11 2018
 (732) LTD "METRA DEVELOPMENT"
 Bagebis mimdebare, Tsknetis gzatkecilis
 Samkhretit mdebare sakhli 26, arasackhov-
 rebeli parti 1, Vake-Saburtalos raioni, Tbilisi,
 Georgia
 (540)



(591) White, red, grey
 (531) 07.01.09; 26.05.01; 26.05.18; 29.01.13
 (511) 36

(111) M 2018 30465 R
 (151) 21 11 2018
 (181) 21 11 2028
 (210) AM 100082
 (220) 06 11 2018
 (732) ZVIAD IOSAVA
 Mukhiani 2 M/r, me-4 kor. Tbilisi, Georgia
 (540)



(591) Orange, lilac, black
 (531) 26.04.02; 26.04.22; 26.04.24; 27.05.09;
 27.05.10; 27.05.24; 29.01.13
 (511) 41

(111) M 2018 30466 R
 (151) 21 11 2018
 (181) 21 11 2028
 (210) AM 99865
 (220) 15 10 2018
 (732) LTD "Kakhetian Traditional Winemaking"
 S. Tsintsadzis q. 12, S/p 3-6, sart. 3, 0160,
 Tbilisi, Georgia
 (540)



(591) White, black, cornelian-red
 (531) 01.01.05; 01.01.10; 06.19.07; 07.01.01;
 27.05.09; 27.05.10; 29.01.13
 (526) AKHASHENI
 (511) 43

INTERNATIONAL TRADEMARKS FOR WHICH A DECISION ON GRANTING PROTECTIONS IS TAKEN

The decision can be appealed at the Chamber of Appeal of Sakpatenti within 3 months from the publication or at the Mtskheta District Court Administrative Cases Board (Address: №17, Samkhedro str., Mtskheta), within 1 month following the publication.

(260) AM 2018 92420 A*
 (800) 1345080
 (151) 2016 12 22
 (891) 2016 12 22
 (731) ABBOTT PRODUCTS OPERATIONS AG
 Hegenheimermattweg 127,CH-4123
 Allschwil, Switzerland
 (540)



(591) Purple and pink
 (531) 02.03.02; 05.03.16; 05.05.20; 27.05.10;
 29.01.13
 (511)
 9 – Computer software; electronic publications, being downloadable; applications for electronic apparatus, in particular for smart phones and computers; all the aforesaid goods in the field of prevention and treatment of women's and gynecological diseases.

(260) AM 2018 92521 A*
 (800) 1345589
 (151) 2016 11 11
 (891) 2016 11 11
 (731) ROSE GESELLSCHAFT M.B.H.
 Modecenterstraße 22/A4 A-1030 Wien,
 Austria
 (540)

EASY
 BY
Jones

(591) Black and white
 (531) 27.05.01; 27.05.15
 (511)
 4 – Room candles, tapers.
 20 – Picture frames, cushions.

24 – Slip covers (for pillows), hand towels, serviettes, down quilts, coverlets (bedspreads), table linen, bed linen.

(260) AM 2018 93256 A
 (800) 1353770
 (151) 2017 03 21
 (891) 2017 03 21
 (731) COFIX GLOBAL LIMITED
 Stavrou 56, KARYATIS CENTRE, 1st floor,
 Flat / Office 104, CY-2035 Strovolos, Nicosia,
 Cyprus
 (540)

cofix

(591) Black, white
 (531) 27.05.17
 (511)
 30 – Pastries.
 35 – Sales of food, beverages and pastries.
 43 – Cafes and cafeterias.

(260) AM 2018 93409 A*
 (800) 1355608A
 (151) 2016 12 02
 (891) 2016 12 02
 (731) AMAZON EUROPE CORE S.À.R.L.
 5, rue Plaetis, L-2338 Luxembourg,
 Luxembourg
 (540)

AMAZON PRIME

(591) Black, white
 (511)
 9 – Computer software for streaming, broadcasting, transmitting, distributing, reproducing, organizing and sharing music, audio, video, games and other data; computer software for use in authoring, downloading, transmitting, receiving, editing, extracting, encoding, decoding, playing, viewing, storing and organizing text, data, images, and audio and video files; computer software to enable users to view or listen to audio, video, text and multimedia content; computer software for creating and providing user access to searchable databases of information and

data; search engine software; computer software for wireless content delivery; computer software for accessing online information; computer software for online shopping; computer software for facilitating payments and online transactions; computer software that provides retail and ordering services for a wide variety of consumer goods; computer software for use in disseminating advertising for others; computer software for disseminating information regarding consumer product discounts; computer software for use in sharing information about products, services, and deals; computer software for use in barcode scanning and price comparison; computer software for scheduling shipping and deliveries; computer software for electronic storage of data; computer software for storing, organizing, editing and sharing photos; computer software for image and speech recognition; computer software for home automation; computer software for purchasing, accessing and viewing movies, TV shows, videos, music, and multimedia content; game software; internet browser software; downloadable music files; downloadable movies, TV shows, and videos; downloadable digital media; downloadable digital audio files featuring music, news, and voice and spoken word recordings on a variety of topics; downloadable books, e-books and audiobooks; magnetically encoded gift cards.

16 – Paper gift cards, printed gift certificates, non-magnetically encoded prepaid purchase cards; printed publications; paper.

35 – Administration of customer loyalty program services featuring rewards in the form of discounted shipping services, early access to retail discounts and offers, access to books and other publications, access to audiobooks, discounted online storage of photos and music, and discounted music, video and game streaming; retail services, namely, administration of a program enabling participants to obtain discounts on shipping services, early access to retail discounts and offers, access to books and other publications, access to audiobooks, discounted online storage of photos and music, and discounted music, video and game streaming; retail store services and online retail store services; retail store and online retail store services featuring a wide array of consumer goods; online retail store services featuring audio and video recordings, spoken word recordings, electronic books and computer games; online retail store services in the field of groceries, fresh and prepared foods, drug store and general merchandise; retail grocery stores; wholesale distributorship featuring fresh foods and groceries; subscription-based services featuring books, audiobooks, music, movies, TV shows, videos and games; advertising.

38 – Video-on-demand transmission; Internet protocol television (IPTV) transmission services; streaming of audio and video material on the Internet; streaming of data; streaming of music, movies, TV

shows and games; broadcasting services; audio and video broadcasting services; subscription-based audio and video broadcasting via a global computer network; Internet broadcasting services; Internet radio broadcasting services; electronic data transmission; electronic transmission and streaming of digital media content for others via global and local computer networks; transmission of webcasts; transmission of digital files; electronic transmission of digital photo files; providing access to digital music websites on the Internet; providing access to online directories, databases, websites, blogs and reference materials; transmission of news; delivery of messages by electronic transmission; electronic mail and messaging services; podcasting services; providing access to on-line chat lines; providing internet chat-rooms, forums and electronic bulletin boards.

39 – Transport services; providing a website featuring information in the field of transportation; shipping, delivery, distribution and storage of goods; freight transportation by means of truck, train and air; goods warehousing; packaging of articles for transport; merchandise packaging for others; rental of storage containers; mailbox rental; locating and arranging for reservations for storage space for others; courier services; messenger services; expedited shipping services; providing online services which afford customers the ability to select a distribution point for goods purchased on the Internet; membership-based shipping programs; administration of a discount program enabling participants to obtain discounts on shipping services; travel arrangement for others; travel booking agencies; providing travel information and commentary via a website.

41 – Entertainment services; publication of printed matter; book, audiobook, newspaper, magazine and web magazine publishing; publishing of electronic publications; providing non-downloadable electronic publications; lending and rental of books, audiobooks and other publications; production of digital image recordings on image carriers; providing non-downloadable videos, films, movies and television shows via a video-on-demand service; film and video rental services; film, movie, TV show and video production and distribution; creating and developing concepts for movies and television programs; audio and video recording services; providing online radio programming; digital audio, video and multimedia publishing services; providing non-downloadable prerecorded music and audio; providing online information and commentary in the field of music and audio; presenting live musical concerts and performances; music production services; music publishing services; providing online video games; providing online non-downloadable game software; publishing of game software; production of video; rental of video games; entertainment services, namely, live performances by video game players; entertainment

services, namely, providing online videos featuring games being played by others; entertainment services, namely, providing virtual environments in which users can interact for recreational, leisure or entertainment purposes; entertainment services, namely, providing on-line virtual goods for use in virtual environments created for entertainment purposes; providing on-line computer games and electronic games for consumers to play and share game enhancements and game strategies via an online website portal; arranging and conducting competitions and tournaments for video game players; organizing video gaming leagues; providing enhancements within online video games, namely enhanced levels of game play; publishing of reviews; providing the ratings, reviews and recommendations of users in the fields of entertainment and education via a website; providing ratings and reviews of television, movies, videos, music, screenplays, scripts, books and video game content; entertainment information; providing online news, information and commentary in the field of entertainment; publication of on-line diaries [blogs] on the internet featuring information about entertainment; entertainment services, namely, profiling of musicians, artists and bands; providing non-downloadable music, radio, movies, tv shows, videos and information about music, albums, artists and songs via a subscription based website; arranging of contests and sweepstakes; hosting online sweepstakes and contests for others.

42 – Leasing and rental of computers and computer software; computer time-sharing services; computer co-location services, namely, providing facilities for the location of computer servers with the equipment of others; rental of computing and data storage facilities of variable capacity to third parties; computer diagnostic services; technical support services, namely, troubleshooting in the nature of diagnosing computer hardware and software problems; application service provider (ASP), namely, hosting computer software applications or others; providing temporary use of non-downloadable computer software for streaming, broadcasting, transmitting, distributing, reproducing, organizing and sharing music, audio, video, games and other data; providing temporary use of non-downloadable computer software for use in authoring, downloading, transmitting, receiving, editing, extracting, encoding, decoding, playing, viewing, storing and organizing text, data, images, and audio and video files; providing temporary use of non-downloadable computer software to enable users to view or listen to audio, video, text and multimedia content; providing temporary use of non-downloadable computer software for creating and providing user access to searchable databases of information and data; providing temporary use of non-downloadable search engine software; providing temporary use of non-downloadable computer software for wireless content delivery; providing temporary

use of non-downloadable computer software for accessing online information; providing temporary use of non-downloadable computer software for online shopping; providing temporary use of non-downloadable computer software for facilitating payments and online transactions; providing temporary use of non-downloadable computer software that provides retail and ordering services for a wide variety of consumer goods; providing temporary use of non-downloadable computer software for use in disseminating advertising for others; providing temporary use of non-downloadable computer software for disseminating information regarding consumer product discounts; providing temporary use of non-downloadable computer software for use in sharing information about products, services, and deals; providing temporary use of non-downloadable computer software for use in barcode scanning and price comparison; providing temporary use of non-downloadable computer software for scheduling shipping and deliveries; providing temporary use of non-downloadable computer software for electronic storage of data; providing temporary use of non-downloadable computer software for storing, organizing, editing and sharing photos; providing temporary use of non-downloadable computer software for image and speech recognition; providing temporary use of non-downloadable computer software for home automation; providing temporary use of non-downloadable computer software for purchasing, accessing and viewing movies, TV shows, videos, music, and multimedia content; electronic data storage; data backup and recovery services; file sharing services, namely, providing technology enabling users to upload and download electronic files via a website; hosting of digital content on the Internet; hosting, building and maintaining web sites; cloud hosting provider services; providing search engines; computer services, namely, creating computer network-based indexes of information, websites and resources; computer services, namely, hosting on-line web facilities for others for organizing and conducting online meetings, gatherings, and interactive discussions; computer services, namely, uploading music and photos to the Internet for others; computer services, namely, creating an on-line community for registered users to participate in discussions, get feedback from their peers, form virtual communities, and engage in social networking services; creating an on-line community for connecting video players, teams and leagues and organizing game and sports activities; providing software technology that creates personalized movie, tv show, video and music channels for listening, viewing, and sharing via a website; design of computer game software; development of computer game software.

(260) AM 2018 94231 A

(800) 1364733

(151) 2017 03 21

(891) 2017 03 21

(731) SUPER COFIX LTD.

Weizman 34 St. 4424712 Kfar Saba, Israel

(540)

Super Cofix – סופר קופיקס

(591) Black and white

(531) 27.05.05; 28.09

(511)

16 – Paper, cardboard and goods made from these materials, not included in other classes; printed matter; bookbinding material; photographs; stationery; adhesives for stationery or household purposes; artists' materials; paint brushes; plastic materials for packaging.

30 – Coffee, tea, cocoa and artificial coffee; rice, tapioca, sago; flour and preparations made from cereals, bread, pastry and confectionery, ices; sugar; honey, treacle; yeast, baking-powder; salt, mustard; vinegar, sauces (condiments); spices; ice.

35 – Retail and wholesale marketing; stores for the sale and marketing of food, beverages and cigarettes.

(260) AM 2018 94802 A

(800) 1370108

(151) 2017 08 28

(891) 2017 08 28

(731) APPLE INC.

One Apple Park Way Cupertino CA 95014,
USA

(540)

LivePhotosKit

(591) Black, white

(531) 27.05.01; 27.05.05

(511)

9 – Computer software; computer software used in developing other software applications; application development software; website development software; multimedia development software; computer software for displaying digital photographs and videos on webpages.

42 – Scientific and technological services; computer programming; design and development of computer software; computer software consulting services; support services in the nature of consultation services for developing applications; providing computer software information online; application service provider (ASP) services featuring software for creating, authoring, distributing, downloading, transmitting, receiving, playing, extracting, encoding, decoding, displaying, and organizing graphics, images, audio, video, and multimedia content; application service

provider featuring application programming interface (API) software for website, software and multimedia development; application service provider featuring application programming interface (API) software for displaying digital photographs and videos on webpages; providing online non-downloadable software.

(260) AM 2018 95389 A

(800) 663019

(151) 1996 02 20

(891) 2017 10 27

(731) MITTELDEUTSCHER

WARENZEICHENVERBAND NARVA E.V.

Altmarkt 12 08523 Plauen, Germany

(540)

NARVA

(591) Black and white

(531) 27.05.17

(511)

9 – Lamps (photography), neon signs, starters for discharge lamps.

(260) AM 2018 95952 A

(800) 1383703

(151) 2017 06 15

(891) 2017 06 15

(731) VALENTINO S.P.A.

Via Turati, 16/18, I-20121 MILANO, Italy

(540)

LOVEBLADE

(591) Black, white

(511)

3 – Cosmetics, including night and day creams; preparations for cleaning and care of the face and body; bubble bath; shaving foam; aftershave; make-up foundations; nail polish; body deodorants for men and women; hand and body soap; shampoos and hair rinses; hair spray; dentifrices; fragrances, namely perfume, eau de Cologne, and essential oils for personal use for men and women.

18 – Leather and imitations of leather; purses; school book bags; bags (nose -) [feed bags]; card wallets [leatherware]; traveling trunks; travelling bags; backpacks; wallets; grocery tote bags; attache cases; beach bags; casual bags; handbags; travel baggage; handbag frames; purses; document suitcase; cases made of leather; beauty cases sold empty; key-cases of leather and skins; travel garment covers; sport bags; hat boxes of leather; bags (garment -) for travel; straps (leather shoulder -); straps (leather-); raw skins; dog collars; clothing for pets; umbrellas; walking sticks; walking staffs; whips, harness and saddle; harness fittings.

25 – Clothing; coveralls; underwear; jumpers; shirts; sweaters; tutus; ready-made clothing; breeches; top clothes; knitwear [clothing]; coats; skirts; petticoats; sweaters; topcoats; jackets [clothing]; quilted jackets; ski jackets; ski trousers; parkas; leather clothing; tee-shirts; chemisettes; trousers; dressing gowns; tights; gilets; jerseys; pajamas (am.); robes; brassieres; vest tops; bustiers; briefs; children's wear; layettes; swimming caps; swimming costumes; clothing for gymnastics; rainproof clothing; mackintoshes; masquerade costumes; footwear; slippers; bath sandals; boots; sports (boots for-); riding shoes; galoshes; shoes; beach shoes; sandals; training shoes; gymnastic shoes; overshoes; headgear; hats; berets; visors; socks; suspenders for stockings; stockings; garters; gloves [clothing]; fingerless gloves; muffs [clothing]; shawls; neckties; bow ties; scarves, sashes for wear; veils [clothing]; bandanas [neckerchiefs]; furs (clothing); stoles of fur; waist belts; wedding dresses.

(260) AM 2018 95960 A

(800) 1383923

(151) 2017 11 27

(891) 2017 11 27

(731) JANSSEN PHARMACEUTICA NV

Turnhoutseweg 30, B-2340 Beerse,
Belgium

(540)

UNODEXTRI

(591) Black, white

(511)

5 – Human pharmaceutical preparations for the prevention and treatment of viral diseases, auto-immune and inflammatory diseases, cardiovascular diseases, central nervous system diseases, pain, dermatologic diseases, gastro-intestinal diseases, infectious-related diseases, metabolic diseases, oncologic diseases, ophthalmic diseases and respiratory diseases; vaccines.

(260) AM 2018 95964 A

(800) 1384057

(151) 2017 08 24

(891) 2017 08 24

(731) Zakrytoe aktsionernoe obshchestvo

"KAPITAL RIGENT SECURITIES"

ul. Lyusinovskaya, 36, build. 2, RU-115093
Moscow, Russian Federation

(540)

SUN

(591) Black, white

(531) 27.05.23; 29.01.04

(511)

6 – Common metals and their alloys; metal materials for building and construction; transportable buildings of metal; railway material of metal; non-electric cables and wires of common metal; buckles of common metal [hardware]; hardware of metal, small; works of art of common metal; metal pipes; safes; ores, including iron ores, metal ores, polymetallic ores, chrome ores.

8 – Hand tools and implements [hand-operated]; cutlery; side arms; razors.

12 – Vehicles; apparatus for locomotion by land, air or water.

13 – Firearms; ammunition and projectiles; explosives; fireworks.

17 – Unprocessed and semi-processed rubber, gutta-percha, gum, asbestos, mica and substitutes for all these materials; plastics in extruded form for use in manufacture; packing, stopping and insulating materials.

29 – Meat, fish, poultry and game; meat extracts; preserved, frozen, dried and cooked fruits and vegetables; jellies, jams, compotes; eggs; milk and milk products; edible oils and fats.

30 – Tea; sugar; rice; tapioca; sago; honey; molasses syrup; yeast; salt; mustard; vinegar; condiments; spices; ice.

31 – Raw and unprocessed agricultural, horticultural, forestry products; raw and unprocessed grains and seeds; live animals; fresh fruits and vegetables; natural plants and flowers; foodstuffs for animals; malt.

32 – Beers; mineral and aerated waters and other non-alcoholic beverages; fruit beverages and fruit juices; syrups and other preparations for making beverages.

33 – Alcoholic beverages [except beers].

36 – Insurance; financial affairs; monetary affairs; real estate affairs.

39 – Packaging and storage of goods.

40 – Processing of oil; production of energy; metal tempering; gilding; material treatment information; metal casting; tin plating; boilermaking; nickel plating; metal treating; soldering; metal plating; burnishing by abrasion; blacksmithing; silver plating; laser scribing; millworking; chromium plating; galvanization.

42 – Scientific and technological services and research and design relating thereto; industrial analysis and research services.

44 – Medical services; veterinary services; hygienic and beauty care for animals; agriculture, horticulture and forestry services.

45 – Legal services; security services for the physical protection of tangible property and individuals; personal and social services rendered by others to meet the needs of individuals.

(260) AM 2018 95965 A

(800) 1384088

(151) 2017 11 15

(891) 2017 11 15

(731) AUGUST STORCK KG

Waldstrasse 27, 13403 Berlin, Germany

(540)



(591) Light green, dark green, red, white, yellow, orange, brown, blue, black and pink

(531) 01.03.01; 01.03.02; 01.03.09; 01.03.13; 01.15.15; 02.09.04; 05.01.12; 05.01.16; 08.01.24; 27.01.12; 27.03.11; 27.05.02; 27.05.10; 27.05.24; 28.05; 29.01.15

(511)

30 – Confectionery; chocolate; chocolate products; pastries; ice-cream; preparations for making the aforementioned products, included in this class.

(260) AM 2018 96053 A

(800) 1384581

(151) 2017 11 13

(891) 2017 11 13

(731) PHILIP MORRIS BRANDS SÀRL

Quai Jeanrenaud 3, CH-2000 Neuchâtel, Switzerland

(540)



(591) Black, white

(531) 10.01.05; 10.01.25; 26.03.23; 26.11.12

(511)

34 – Tobacco, raw or manufactured; tobacco products; cigars, cigarettes, cigarillos, tobacco for roll your own cigarettes, pipe tobacco, chewing tobacco,

snuff tobacco, kretek; snus; tobacco substitutes (not for medical purposes); electronic cigarettes; tobacco products for the purpose of being heated; electronic devices and their parts for the purpose of heating cigarettes or tobacco in order to release nicotine-containing aerosol for inhalation; liquid nicotine solutions for use in electronic cigarettes; smokers' articles, cigarette paper, cigarette tubes, cigarette filters, tobacco tins, cigarette cases, ashtrays, pipes, pocket apparatus for rolling cigarettes, lighters, matches.

(260) AM 2018 96054 A

(800) 1384603

(151) 2017 04 14

(891) 2017 04 14

(731) Rosgosstrakh Insurance Company Public Joint Stock Company

Parkovaya str., 3, Lyubertsy, RU-140002 Moscow Region, Russian Federation

(540)



(591) White, red-brown and golden-yellow

(531) 24.01.15; 24.01.25; 27.07.24; 29.01.13

(526) 1921

(511)

36 – Insurance underwriting; financial affairs; monetary affairs; real estate affairs; credit bureau services; debt collection agency services; real estate agency services; customs brokerage agency services; surety agency services; financial analysis; rental of farms; lease-purchase financing; savings bank services; accommodation bureau services [apartments]; rent collection; issuance of travelers' checks; issuance of credit cards; issuance of tokens of value; issuance of insurance cards; capital investment; insurance information; financial information; clearing, financial; insurance consultancy; financial and banking consultancy; stock exchange quotations; business liquidation services, financial; brokerage; financial management; exchanging money; processing of debit card payments; processing of insurance card payments; processing of credit card payments; Internet banking; banking services relating to the safe deposit for valuables; banking affairs; factoring; organization of collections; antique appraisal; jewellery appraisal; stamp appraisal; real estate appraisal; numismatic appraisal; art appraisal; financial evaluation [insu-

rance, banking, real estate]; repair costs evaluation [financial appraisal]; electronic funds transfer; surety services; financial services relating to pensions; securities brokerage; real estate brokerage; insurance brokerage; loans [financing]; pawnbrokerage; check [cheque] verification; charitable fund raising; rental of real estate; rental of commercial premises; rental of apartments; financial sponsorship; mortgage banking; instalment loans; mandatory pension insurance, professional pension insurance; apartment house management; real estate management; actuarial services; banking; retirement payment services; trusteeship; trusteeship of securities, trusteeship of land; trusteeship of finance; mutual funds; financing services; safe deposit services; brokerage of financial investments; deposits of valuables; fiscal valuation.

(260) AM 2018 96055 A

(800) 1384619

(151) 2017 07 19

(891) 2017 07 19

(731) BEDGEAR LLC

110 Bi-County Blvd., Suite 101, Farmingdale
NY 11735, USA

(540)



(591) Black, white

(531) 01.15.23; 27.05.01

(526) BED GEAR

(511)

20 – Mattresses, mattress toppers, pillows and mattress pads.

24 – Mattress covers, mattress protectors, pillow covers, pillow protectors, crib mattress protectors, bed sheets, bed blankets, comforters, duvets and sleeping bags.

35 – Retail store and on-line retail store services featuring clothing, sleep accessories and bedding.

(260) AM 2018 96056 A

(800) 1384622

(151) 2017 06 19

(891) 2017 06 19

(731) DEFACTO PERAKENDE TİCARET

ANONİM ŞİRKETİ

Defacto Plaza Basın Ekspres, Yolu Atatürk
Mah., Bahariye Cad. No.31, Küçükçekmece,
Turkey

(540)



(591) Black, white

(531) 27.05.17

(511)

25 – Clothing, including underwear and outer clothing, other than special purpose protective clothing; socks, mufflers [clothing], shawls, bandanas, scarves, belts [clothing]; footwear, shoes, slippers, sandals; headgear, hats, caps with visors, berets, caps [headwear], skull caps.

35 – Advertising, marketing and public relations; organization of exhibitions for commercial or advertising purposes; office functions; secretarial services; arranging newspaper subscriptions for other; compilation of statistics and analysis of business administration; rental of office machines; systemization of information into computer databases; answering (telephone -) for unavailable subscribers; business management, business administration and business consultancy; commercial consultancy services; personnel recruitment, personnel placement agencies, import-export agencies; temporary personnel placement services; auctioneering; the bringing together, for the benefit of others, of a variety of goods, enabling customers to conveniently view and purchase those goods, such services may be provided by retail stores, wholesale outlets, by means of electronic media or through mail order catalogues.

(260) AM 2018 96057 A

(800) 1384658

(151) 2017 09 14

(891) 2017 09 14

(731) BLASER GROUP GMBH

Ziegelstadel 1, 88316 Isny, Germany

(540)

SAUER SL5

(591) Black, white

(511)

13 – Firearms; air guns; air pistols; trigger guards for guns and rifles; hammers for guns and rifles, gun barrels, gunstocks; butt plates for pistols, rifles, and shotguns; muzzle brakes that screw onto a rifle barrel; magazines for weapons; gun sling swivels; ammunition; accessories for the aforesaid goods, namely, rifle cases, gun bags, cartridge belts, gun slings; cartridge pouches; noise-suppressors for guns; cleaning brushes for firearms; breeches of firearms; sighting mirrors for guns and rifles; mounts for attaching telescopic sights to a firearm; sights, other than telescopic sights, for firearms.

(260) AM 2018 96058 A

(800) 1384679

(151) 2017 10 10

(891) 2017 10 10

(731) ELENA VLADIMIROVNA TALAGAEVA

kv.143, d. 3, Kommunisticheskaya St,
Ramenskoye, RU-140002 Moskovskaya
oblast, Russian Federation

(540)

Фито Доктор Fito Doktor

(591) Black, white

(531) 27.05.17; 28.05

(511)

3 – Abrasives; amber [perfume]; scale removing preparations for household purposes; antistatic preparations for household purposes; breath freshening sprays; canned pressurized air for cleaning and dusting purposes; polishing stones; abrasive paper; emery paper; polishing paper; petroleum jelly for cosmetic purposes; cotton wool for cosmetic purposes; cotton sticks for cosmetic purposes; aromatics [essential oils]; cake flavorings [essential oils]; cake flavourings [essential oils]; flavorings for beverages [essential oils]; sachets for perfuming linen; scented water; Javelle water; lavender water; toilet water; laundry wax; floor wax; non-slipping wax for floors; mustache wax; tailors' wax; polish for furniture and flooring; shoemakers' wax; heliotropine; dental bleaching gels; geraniol; make-up; deodorants for personal use; scented wood; perfumes; non-slipping liquids for floors; windshield cleaning liquids; greases for cosmetic purposes; volcanic ash for cleaning; perfumery; decorative transfers for cosmetic purposes; ionone [perfumery]; smoothing stones; eyebrow pencils; cosmetic pencils; silicon carbide (abrasive); carbides of metal [abrasives]; alum stones [astringents]; tripoli stone for polishing; adhesives for affixing false eyelashes; adhesives for affixing false hair; quillaia bark for washing; corundum [abrasive]; laundry blueing; beard dyes; colorants for toilet purposes; cosmetic dyes; laundry starch; cosmetic creams; skin whitening creams; creams for leather; polishing rouge; incense; hair spray; nail polish; shaving lotions; hair lotions; lotions for cosmetic purposes; beauty masks; oils for perfumes and scents; oils for cosmetic purposes; oils for toilet purposes; essential oils; essential oils of cedarwood; essential oils of lemon; oils for cleaning purposes; bergamot oil; gaultheria oil; jasmine oil; lavender oil; almond oil; rose oil; oil of turpentine for degreasing; adhesives for cosmetic purposes; whitening; cleaning chalk; almond milk for cosmetic purposes; cleansing milk for toilet purposes; musk [perfumery]; soap; deodorant soap; shaving soap; soap for brightening textile; cakes of toilet soap; antiperspirant soap; soap for foot perspiration; almond soap; mint for perfumery; cosmetic kits; emery; false nails; eau de Cologne; bases for flower perfumes; joss sticks; polishing preparations; pastes for razor stops; dentifrices; pumice stone; hydrogen peroxide for cosmetic purposes; abrasive cloth; glass cloth [abrasive cloth]; lipsticks; pomades for cosmetic purposes; shaving preparations; cosmetic preparations for baths; toiletries; hair

waving preparations; laundry soaking preparations; grinding preparations; smoothing preparations; leather bleaching preparations; denture polishes; mouthwashes, not for medical purposes; cosmetic preparations for slimming purposes; starch glaze for laundry purposes; fabric softeners for laundry use; laundry bleach; dry-cleaning preparations; make-up removing preparations; paint stripping preparations; lacquer-removing preparations; floor wax removers; rust removing preparations; nail care preparations; cleaning preparations; preparations for cleaning dentures; wallpaper cleaning preparations; preparations for unblocking drain pipes; color- [colour-] brightening chemicals for household purposes [laundry]; make-up powder; diamantine [abrasive]; scouring solutions; false eyelashes; tissues impregnated with cosmetic lotions; safrol; turpentine for degreasing; potpourris [fragrances]; bleaching soda; washing soda, for cleaning; bath salts, not for medical purposes; bleaching salts; preservatives for leather [polishes]; fumigation preparations [perfumes]; ammonia [volatile alkali] [detergent]; astringents for cosmetic purposes; eyebrow cosmetics; stain removers; make-up preparations; sun-tanning preparations [cosmetics]; hair dyes; neutralizers for permanent waving; preparations to make the leaves of plants shiny; cosmetic preparations for eyelashes; depilatory preparations; cosmetic preparations for skin care; shoe wax; cosmetics; cosmetics for animals; mascara; detergents, other than for use in manufacturing operations and for medical purposes; degreasers, other than for use in manufacturing processes; bleaching preparations for cosmetic purposes; antiperspirants [toiletries]; talcum powder, for toilet use; terpenes [essential oils]; cloths impregnated with a detergent for cleaning; shampoos; shampoos for pets; sandpaper; soda lye; extracts of flowers [perfumes]; ethereal essences; badian essence; mint essence [essential oil].

(260) AM 2018 96060 A

(800) 1384710

(151) 2017 11 28

(891) 2017 11 28

(731) BAYER AKTIENGESELLSCHAFT

Kaiser-Wilhelm-Allee, 51373 Leverkusen,
Switzerland

(540)

KERENDIA

(591) Black, white

(511)

5 – Pharmaceutical preparations; pharmaceutical preparations for the treatment of renal diseases, cardiovascular diseases, ophthalmic diseases, liver diseases, pulmonary diseases, metabolic diseases, vascular diseases and fibrosis except neurological and oncological diseases.

(260) AM 2018 96061 A
 (800) 1384721
 (151) 2017 08 09
 (891) 2017 08 09
 (731) MUNDIPHARMA AG
 St. Alban-Rheinweg 74, CH-4020 Basel,
 Switzerland
 (540)

ISODINE

(591) Black, white
 (511)
 3 – Soaps; perfumery; essential oils; cosmetics; hair care products; hair lotions; toiletries; cosmetic preparations; sun protection products, including sunscreen sprays, lotions, creams, gels and oils, lip balms and creams; sunscreens; after-sun products (cosmetic use); skin care products (cosmetic use), including hydrants, protective creams, toners, scrubs, sun and self-tanning products, and degreasing products for use on the skin; cosmetic preparations, including for the scalp, nails, hair and skin; wipes and cloths impregnated with cosmetic preparations; wipes and cloths impregnated with a cleansing lotion, including for the skin; mouth washes, not for medical use; gargles not for medical use; hygienic wipes for women, not for medical use; floor cleaning powders; floor shampoos; floor cleaner; renovating creams; mirror cleaner; textile cleaning products; personal hygiene products not for medical use; cleaning products for the hands; hand gels; breath fresheners other than for medical use.

10 – Surgical apparatus and instruments; medical apparatus and instruments; veterinary apparatus and instruments; suture materials; medical devices for healing of wounds; medical devices for closing wounds; apparatus for medical use for draining wounds; wound suction apparatus; surgical treatment equipment; masks for medical use; pressure sore cushions [pouches]; heating pads and dressings for wound care; devices for wound treatment by negative pressure; pessaries; douche bags; surgical, medical, dental and veterinary apparatus and instruments.

30 – Candy; pastilles [confectionery]; tablets not for medical use.

(260) AM 2018 96063 A
 (800) 906281
 (151) 2006 11 07
 (891) 2017 12 22
 (731) UNIL OPAL
 Boulevard Jean Moulin, F-49400 SAUMUR,
 France
 (540)

UNIL OPAL

(591) Black, white

(511)
 4 – Industrial oils and greases; lubricants; fuels (including motor spirit).

(260) AM 2018 96082 A
 (800) 1384976
 (151) 2017 02 03
 (891) 2017 02 03
 (731) OLGA NOVGORODTCEVA
 Salumetsa Tee 2A, Viimsi Vald, EE-74001
 Harjumaa, Estonia
 (540)

СИСТЕМА ДИЗАЙНА ЧЕЛОВЕКА

(591) Black, white
 (511)
 9 – Scientific, nautical, surveying, photographic, cinematographic, optical, weighing, measuring, signalling, checking (supervision), life-saving and teaching apparatus and instruments; apparatus and instruments for conducting, switching, transforming, accumulating, regulating or controlling electricity; apparatus for recording, transmission or reproduction of sound or images; magnetic data carriers, recording discs; compact discs, DVDs and other digital recording media; mechanisms for coin-operated apparatus; cash registers, calculating machines, data processing equipment, computers; computer software; fire-extinguishing apparatus; downloadable electronic publications; audiovisual teaching aids, audio and audiovisual recordings; data storage media; pre-recorded videos; pre-recorded music; audio books; downloadable e-books; computer games software; recorded computer games; downloadable computer games.

16 – Paper and cardboard; printed matter; bookbinding materials; photographs; stationery; adhesives for stationery or household purposes; artists' materials; paintbrushes; typewriters and office requisites (except furniture); instructional and teaching material (except apparatus); plastic materials for packaging; printers' type; printing blocks; printed publications; educational printed publications; cards; posters; brochures; newspapers; calendars; books.

45 – Legal services; security services for the protection of property and individuals; personal development advice; self-awareness advice; spiritual consultancy; on-line social networking services.

(260) AM 2018 96084 A
 (800) 1384988
 (151) 2017 09 19
 (891) 2017 09 19
 (731) ADP GAUSELMANN GMBH
 Merkur-Allee 1-15, 32339 Espelkamp,
 Germany

(540)

Smart Restart

(591) Black, white

(511)

9 – Computer software; coin-operated mechanisms; computer and video games software; games software in particular for use on any computer platform, including electronic entertainment and games consoles; computer game programs; video games (software); computer games provided through a global computer network or supplied by means of multi-media electronic broadcast or through telecommunications or electronic transmission or via the internet; computer games, leisure and recreational software, video games and computer software, all being provided in the form of storage media; programs for operating electric and electronic apparatus for games, amusement and/or entertainment purposes; computer software for computer games on the internet; online games (software), in particular for online betting games, online prize games, online gambling games, online games of skill and online casino games; computer software in the form of an app for mobile devices and computers; calculating apparatus in coin-operated machines and parts for the aforesaid goods; electric, electronic, optical or automatic apparatus, for identifying data carriers, identity cards and credit cards, bank notes and coins; software in particular for casino and/or amusement arcade games, for gaming machines and/or slot machines each one with or without prize payouts; gaming software that generates or displays wager outcomes of gaming machines; operational computer games software; computer software for managing of games (game collection); computer programs for video games.

28 – Games; toys; gaming apparatus (including coin-operated apparatus); coin-operated arcade games (machines); games for amusement arcades (included in this class); coin-operated video gaming apparatus; video games apparatus adapted for use with external screens or monitors only; casino fittings, namely roulette tables, roulette wheels; coin-operated automatic gaming machines and gaming machines, in particular for gaming arcades, with or without a prize payout; electronic or electrotechnical gaming apparatus, automatic gaming machines, gaming machines, slot machines operated by coins, tokens, banknotes, tickets or by means of electronic, magnetic or biometric storage media, in particular for commercial use in casinos and amusement arcades, with or without a prize payout; automatic gaming machines and gaming machines, in particular for commercial use in casinos and gaming arcades, with or without a prize payout; coin-operated gaming machines and/or electronic money-based gaming apparatus (machines), with or without prizes; housings adapted for gaming machines, gaming apparatus and automatic gaming machines, operated by means of coins,

tokens, tickets or by means of electronic, magnetic or biometric storage media, in particular for commercial use in casinos and gaming arcades, with or without a prize payout; electronic games; electronic game entertainment apparatus and parts thereof; video output game machines; drawing apparatus for prize games and lotteries, draws or raffles; housings of metal, plastic and/or wood for coin-operated automatic machines; apparatus for games (including video games), other than adapted for use with external screens or monitors only; electropneumatic and electric slot machines with pulling handles (gaming machines); gaming tables, in particular for table football, billiards, sliding games; flying discs (toys) and darts; gaming machines, namely, electric, electronic or electromechanical apparatus for bingo games, lotteries or video lottery games and for betting offices, connected or unconnected to a computer network; LCD games consoles; automatic gaming machines; all the aforesaid automatic gaming machines operating in networks; apparatus and devices for accepting and storing money, being fittings for the aforesaid automatic machines, included in this class; automatic lottery machines.

(260) AM 2018 96089 A

(800) 1385077

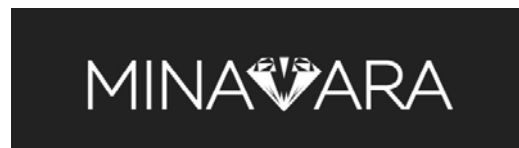
(151) 2017 10 11

(891) 2017 10 11

(731) CRYSTALL GA SAGL

Viale S. Francini 15, CH-6900 Lugano,
Switzerland

(540)



(591) Black, white

(531) 17.02.01; 17.02.02; 26.04.22; 26.04.24;
27.03.15; 27.05.24

(511)

14 – Fashion jewelry.

18 – Bags.

25 – Clothing, footwear, scarves, clothing of leather, bags especially designed for hunting or snow boots.

26 – Buttons, pins.

(260) AM 2018 96096 A

(800) 835095

(151) 2004 05 25

(891) 2018 01 02

(731) VICTOR International GmbH

Robert-Bosch-Str. 17, 25335 Elmshorn,
Germany

(540)

VICFUN

(591) Black, white

(511)

18 – Leather and imitation leather, goods made of leather and imitation leather, namely bags and other cases not adapted to the products they are intended to contain, small leather goods, in particular purses, wallets, key cases; handbags, briefcases, shopping bags, school bags; backpacks; rucksacks; suitcases, small suitcases; umbrellas, parasols and walking sticks; saddler's wares; toilet bags (leather wares).

25 – Clothing, including sportswear; trainers for use in badminton, squash and/or tennis; headgear, including athletic headgear; gloves, including athletic gloves; accessories, namely, headscarves, neckerchiefs, shawls, breast pocket handkerchiefs, ties, belts and scarves; socks and stockings.

28 – Gymnastic and sporting articles (included in this class); gymnastic and sporting apparatus, in particular badminton, tennis and squash rackets; shuttlecocks made of natural feathers, shuttlecocks made of nylon; racket bags for badminton, tennis and squash rackets; nets for use in ball games; tennis nets, net holders for tennis nets and badminton; net tightening devices; badminton and tennis racket strings made of sheep gut and cow gut.

(260) AM 2018 96103 A

(800) 1169034

(151) 2012 12 20

(891) 2017 12 01

(731) Otkrytoe aktsionernoe obshchestvo

"BEREZOVSKY SYRODELNY
KOMBINAT"ul. Sverdlova 28, Brestskaya obl., 225209
g. Bereza, Belarus

(540)



(591) Black, white

(531) 03.04.02; 03.04.13; 03.04.24; 26.01.04;
26.01.15; 28.05

(511)

1 – Casein for the food industry; casein for industrial purposes; lactose (raw material); lactose for the food industry; lactose for industrial purposes.

5 – Casein dietary supplements; lactose for pharmaceutical purposes.

29 – Yogurt; kefir (milk beverage); milk shakes; concentrates for whole milk substitutes (terms linguistically incorrect- in the opinion of the International Bureau Rule 13(2)(b) of the Common Regulations); whey protein concentrate; butter cream; margarine; butter; milk; albumin milk; concentrated milk fat; milk beverages, milk predominating; milk products; curd; cream (dairy products); whey, including dried whey; cheese.

30 – Frozen yogurt (confectionery ices); mayonnaise; ice cream; cocoa beverages with milk; chocolate beverages with milk; chocolate based beverages; cocoa-based beverages; sorbets (ices); chocolate.

31 – Whole milk substitutes (organic feed for calves) (terms too vague in the opinion of the International Bureau- Rule 13(2)(b) of the Common Regulations); animal foodstuffs; concentrated milk fat for animal feeding; animal fattening preparations.

32 – Non-alcoholic beverages; whey beverages; non-alcoholic fruit juice beverages; cocktails, non-alcoholic; fruit nectars, non-alcoholic; lemonades; vegetable juices (beverages); fruit juices.

35 – Import-export agencies; commercial information agencies; demonstration of goods; marketing studies; organization of exhibitions for commercial or advertising purposes; presentation of goods on communication media, for retail purposes; distribution of samples; sales promotion for others; trade services for foodstuffs (terms too vague in the opinion of the International Bureau Rule 13(2)(b) of the Common Regulations); procurement services for others (purchasing goods and services for other businesses).

39 – Rental of warehouses; delivery of goods; transportation information; road haulage; transport brokerage; wrapping of goods; transportation services; storage; freight forwarding.

43 – Cafés; restaurants; canteens; bar services; food and drink catering.

(260) AM 2018 96123 A

(800) 1384736

(151) 2017 10 26

(891) 2017 10 26

(731) THE MOVEMENT IP B.V.

Burgemeester Stramanweg 101, NL-1101
AA Amsterdam, Netherlands

(540)

POLYLANA

(591) Black, white

(511)

25 – Clothing, footwear and headgear, including berets, leggings, outer clothing, hosiery, knitwear, scarves, gloves, headbands, hats, beach wraps (sa-

rongs), earmuffs, caps, ponchos, pullovers, shawls, socks, mittens, pockets for clothing, swimwear.

(260) AM 2018 96124 A
 (800) 1384742
 (151) 2017 11 02
 (891) 2017 11 02
 (731) LEMBERG LEBENSMITTEL GMBH
 Germaniastr. 29 12099 Berlin, Germany
 (540)



(591) Black, white
 (531) 03.09.01; 25.07.01; 25.07.08; 25.07.22;
 27.05.02; 27.05.03
 (511)
 33 – Alcoholic beverages (except beer).

(260) AM 2018 96191 A
 (800) 1385183
 (151) 2017 10 25
 (891) 2017 10 25
 (731) RADATZ FEINE WIENER
 FLEISCHWAREN GESELLSCHAFT
 M.B.H.
 Erlaer Str. 187 A-1230 Wien, Austria
 (540)

RADATZ

(591) Black, white
 (511)
 5 – Pharmaceutical and veterinary preparations; sanitary preparations for medical purposes; dietetic substances adapted for medical use, food for babies; plasters, materials for dressings; material for stopping teeth, dental wax; disinfectants; preparations for destroying vermin; fungicides, herbicides.
 29 – Meat, fish, poultry and game; meat extracts; preserved, dried and cooked fruits and vegetables; jellies, jams; compotes; eggs, milk and milk products; edible oils and fats.
 30 – Coffee, tea, cocoa, sugar, rice, tapioca, sago, artificial coffee; flour and preparations made from cereals, bread, pastry and confectionery, ices; honey, treacle; yeast, baking-powder; salt, mustard; vinegar, sauces (condiments); spices; ice.
 43 – Providing of food and drink and temporary accommodation.

(260) AM 2018 96192 A
 (800) 1385746
 (151) 2017 09 15
 (891) 2017 09 15
 (731) Union des Associations Européennes de
 Football (UEFA)
 Route de Genève 46, CH-1260 Nyon,
 Switzerland
 (540)

UEFA NATIONS LEAGUE FINALS

(591) Black, white
 (511)
 1 – Sensitized films (unexposed); chemical products used in science and/or photography; tanning materials; artificial sweeteners; chemical products for industrial use; chemical products for use in industry and/or in manufacturing processes; synthetic materials for absorbing oil; detergent additives for motor fuel; chemical additives for fuels, lubricants and greases; adhesives for industrial use; antifreeze; brake fluids; clutch fluids; brazing products; degreasing products used in manufacturing processes; oil dispersants; fluids for hydraulic circuits; chemical preparations for welding; transmission fluids; transmission oils; cutting and milling fluids; coolants; chemical preparations for treating cooling systems; coolant preparations for cutting fluids; dehumidifying fluids; all the aforesaid goods for industrial use; chemical products for preserving foodstuffs.
 4 – Lubricants; engine oils and fuels, including gasoline, diesel oil, gases and bio-fuels; candles; waxes; greases; natural gas; liquid gases; industrial oils and greases; lubricating oils and greases; carburants; liquefied petroleum gas; non-chemical additives for fuel, lubricants and greases; dust absorbing, wetting and binding compositions; lighting fuel; lubricants, oils and greases, and lubricating preparations for industrial use; cutting oils for industrial use; milling oils.
 9 – Exposed films, slides, video game disks; software (recorded programs), including game software; computer databases and programs; recorded or downloaded sounds, images or data; videotapes, magnetic tapes, magnetic disks, DVDs, mini-disks, diskettes, optical disks, compact disks, CD-ROMs, videodisks, memory cards, USB flash drives, whether blank or prerecorded with music, sound or images (which may be animated cartoons); holograms; electronic publications provided by means of CD-ROMs, databases and the Internet; spectacles, sunglasses, diving and swimming goggles; cases, cords and chains for sunglasses and spectacles; binoculars; magnets and decorative magnets; directional compasses; sound and image recording, transmitting and reproducing apparatus; satellite dishes; decoders, namely, electronic hardware and software which can

convert, supply and transmit audio and video data; television sets; flat screens, liquid crystal display screens, high-definition screens and plasma screens; radios; home cinema systems; video recorders; CD players; DVD players; MP3 players; cassette players; mini-disk players; digital music players; loudspeakers; headphones, earphones; computers, including laptop computers and electronic tablets; karaoke systems; systems for editing sounds and for mixing sounds; systems for editing video images, and for mixing video images; apparatus for computer data processing; computer keyboards; computer screens; modems; accessories for computers included in this class; computer mice, mouse pads; navigation apparatus; personal digital assistants (PDAs); electronic pocket translators; dictating machines; electronic agendas; scanners; printers; photocopiers; facsimile machines; telephones; answering machines; video telephones; cellular telephones; cellular telephone accessories included in this class, namely cases for cellular telephones, hands-free apparatus for using cellular telephones, earphones and headsets for cellular telephones, keypads for cellular telephones, straps for cellular telephones, special cases for carrying cellular telephones, cameras and video cameras integrated in cellular telephones, and mobile telephone covers; remote controls for television sets and video systems; teleconferencing systems; calculating machines; credit card readers; currency converting machines; automated teller machines; video cameras, portable video cameras with built-in videocassette recorders (camcorders); photographic equipment, photographic apparatus, cameras (cinematographic apparatus), projectors, flash lamps, special cases and cords for photographic apparatus and instruments, electric cells and batteries; screen saver programs for computers; magnetic, digital or analog recording media, recorded or not, for sounds or images; magnetic cards (encoded); memory cards; integrated circuit cards (smart cards); microchip or magnetic credit cards, microchip or magnetic telephone cards, microchip or magnetic cards for cash dispensers, microchip or magnetic cards for automated teller machines and money exchange machines, prepaid microchip or magnetic cards for cellular telephones, microchip or magnetic travel and show admission cards, microchip or magnetic check guarantee cards and microchip or magnetic debit cards; alarms; wind socks (for indicating wind direction); distance measuring equipment; equipment for measuring and displaying speed; protective gloves; audio receivers, sound amplifiers; television tubes; cathode ray tubes; decoders, namely computer hardware and software which can convert, supply and transmit audio and video data; disk drives for computers; protected semi-conductors; integrated circuits containing programs for processing audio, visual or computer data; rechargeable batteries; audio and video data processors and converters; data transmission

cables; payment apparatus for electronic commerce; protective helmets for sports; magnetic identification bracelets; electronic instrument assemblies; fuel/air coefficient analyzers; remote control devices for locking cars; photovoltaic cells; video game cassettes; computer game joysticks; voice-activated or manually operated computer game joysticks.

12 – Bicycles, motorcycles, motor cars, trucks, vans, utility vehicles, buses, camper vans, refrigerated vehicles; airplanes and boats; air balloons, dirigible balloons [airships]; vehicle accessories, namely sun visors, pneumatic tires, tire covers, luggage racks, ski racks, rims and hub caps for wheels; seat linings, vehicle covers, baby carriages, strollers, safety seats for infants and children (for vehicles); engines and motors for land vehicles; bull bars; headlamp covers; steering wheels for vehicles; trailers.

14 – Jewelry, necklaces; jewelry; watches; wristwatches, clocks; chronographs; wall clocks; medallions, pendants, brooches; bracelets; pins (jewelry); lapel pins (jewelry); tie clips and tie pins; cuff links; commemorative medals of precious metal; prize cups, commemorative plates, trophies, statues, sculptures, all of precious metal; decorative hat pins, key rings (trinkets or fobs), printed metal disks for collection purposes (pogs), all made of precious metal; decorative key holders; coins; medals for clothing; cases for watches; badges of precious metal; alarm clocks; badges and pins (jewelry); leather bracelets; bracelets of plastic materials; ornamental key rings of plastic materials.

16 – Coloring and drawing books; activity books; magazines; newspapers; books and journals, including those concerning sportsmen, sportswomen or sports events; bookmarks; printed teaching material; score sheets; event programs; albums for events; photograph albums; autograph books; printed timetables; pamphlets; collectible photographs of players; bumper stickers, stickers, albums, sticker albums; posters; photographs; tablecloths of paper; napkins of paper; bags of paper; invitation cards; greeting cards; gift wrapping paper; coasters and place mats of paper; garbage bags of paper or of plastics; food wrapping paper; small bags for preserving foodstuffs; coffee filters of paper; labels (not of textile); hand towels of paper; wet hand-wipes of paper; toilet paper; napkins for removing make-up; handkerchief boxes of paper and cardboard; tissues of paper; stationery and instructional and teaching material (except apparatus); typewriter paper; copying paper; envelopes; notepads; folders for papers; tissue paper; writing books; paper sheets for note-taking; writing paper; binder paper; files; covering paper; luminous paper; adhesive paper for notes; paperweights; crêpe paper; tissue paper; badges or insignia of paper; flags of paper; pennants (flags) of paper; writing instruments; fountain pens; pencils; ballpoint pens; ballpoint pen and pencil sets; felt-tip

pens (marking pens); fiber-tip pens and felt-tip pens; marking pens; ink, inking pads, rubber stamps; typewriters (electric or non-electric); lithograph prints, lithographic works of art; paintings (pictures), framed or unframed; paint boxes, paints and colored pencils; chalks; pencil ornaments [stationery]; printing blocks; address books; diaries (planners); personal organizers of paper; road maps; tickets, entry tickets; checks; comic books; calendars; postcards; advertising boards, banners and material included in this class; transfers (decalcomanias); sticking labels; office requisites (except furniture); correction fluids; rubber erasers; pencil sharpeners; stands for pens and pencils; paper clips; thumbtacks; rulers; adhesive tapes for stationery purposes, adhesive tape dispensers; staples; stencils; document holders (stationery); paper clips; holders for notepads; bookends; stamps (seals); postage stamps; credit cards, telephone cards, ATM cards, cards for traveling and for shows, check guarantee cards and debit cards, non-magnetic, and of paper or cardboard; baggage tags of paper; passport cases; travelers' checks; holders for checkbooks; money clips of metal; letter trays.

18 – Leather and imitations of leather; thongs [straps] of leather; umbrellas, parasols; sports bags (other than those adapted for products they are designed to contain); leisure bags; travel bags, backpacks; school bags; bags for hanging on belts; handbags, leather bags; beach bags; garment bags; suitcases; briefcases; belts for suitcases; briefcases (leather goods); cases for toiletry articles known as vanity cases (not fitted); toiletry bags; key cases (leather goods); business card cases; wallets; purses (coin purses); whips; collars for animals; luggage tags of leather; identity card holders.

25 – Clothing; shoes and footwear; headgear; shirts; knitwear (clothing); pullovers; slippers; T-shirts; vests; singlets; sleeveless jerseys, dresses; skirts; underwear; swimsuits; bath robes; shorts; trousers; sweaters; caps (bonnets); caps; hats; sashes for wear; scarves, shawls; peaked caps; tracksuits; sweatshirts; jackets, sports jackets, stadium jackets (jumpers); blazers; waterproof clothing; coats; uniforms; neckties; wrist bands; headbands; gloves; aprons; bibs (not of paper); pajamas; play suits for infants and children; socks and stockings; garters; belts; suspenders.

28 – Games and toys; sports balls; play balloons; board games; tables for indoor football; dolls and plush toys; vehicles (toys); jigsaw puzzles; balloons; inflatable toys; play disks (pogs); playing cards; confetti; gymnastic and sporting articles; football equipment, namely balls for football, gloves, knee guards, elbow guards, shoulder guards, shin guards; football goals; sports bags and containers (adapted to objects) for carrying sports articles; party hats (toys); small electronic games designed for use with a television set; video game apparatus; game consoles;

electronic games other than those designed to be used only with a television set; steering wheels for video games and mats for video games (for dancing upon); hands made of rubber or foam (toys); entertainment robots; appliances for gymnastics; kites; roller skates; scooters; skateboards; coin-operated video games for game halls (arcade games); electronic games with liquid crystal display; joysticks for video games, manually or voice-activated joysticks for video games; lottery tickets; lottery cards, scratch tickets for lottery games.

29 – Meat; fish; poultry; game; meat extracts; canned fish and meat; cooked fruits and vegetables; canned fruits and vegetables; edible oils and fats; potato chips; French fries; processed nuts; jams; marmalades and jellies; milk; milk products (milk predominating), dairy products; cheeses; soy milk (milk substitute).

30 – Coffee; tea; cocoa; chocolates; sugar; honey; artificial coffee; flours; cereal preparations; cereals; bread; pastry; pastes (pastry); pasta; cakes; biscuits, cookies; crackers; candy; edible ices; confectionery; rice; dried cereal flakes; mustard; vinegar; sauces (condiments); spices; salt; honey, molasses, yeast, salt, mustard, vinegar or spices; products with added vitamins for culinary use and food additives for culinary use based on coffee, tea, cocoa, sugar, rice, tapioca, sago, flour or cereal preparations, honey, molasses, yeast, salt, mustard, vinegar or spices; salt and salt-based products for preserving foodstuffs; pizzas; fresh pizzas; pizza doughs; burgers inserted in brioche bread, namely hamburgers; hot dogs (sandwiches); sandwiches filled with meat; cheeseburgers (sandwiches); fish sandwiches.

32 – Non-alcoholic beverages; syrups and powders for making non-alcoholic beverages; mineral and aerated waters; isotonic beverages; fruit and vegetable beverages; fruit and vegetable juices; iced fruit beverages; beers; strong dark beers; lagers and ales; non-alcoholic or low-alcohol beers.

35 – Employment agencies; personnel recruitment; advertising services; services provided by an agency publishing advertising texts; advertising agency services; advertising agency services on a global computer network (the Internet) or via wireless electronic communication devices; dissemination of advertisements; rental of advertising space; rental of advertising time in film credits; television advertising, radio advertising; advertising in the form of animated cartoons; promotion agency services, promotion agency services for sports and public relations; promotion of football events; market study services; market research services; public opinion polling services; organization of exhibitions for commercial or advertising purposes; organization of advertising for trade fairs; compilation and systematization of data in data banks; data bank management services;

compilation of statistics; advertising for sports events in the field of football; retail sale services for and bringing together of various goods for the benefit of others (excluding the transport thereof), namely clothing, footwear, headgear, sports articles, stationery, apparatus for recording, transmission and reproduction of sound and images, books, newspapers, magazines, publications, video games, toys, dolls, badges of all kinds, key rings, tickets, watches and jewelry, souvenir items in connection with football, bags, luggage, briefcases, umbrellas, flags and pennants, alcoholic and non-alcoholic beverages, confectionery, medical apparatus and instruments, vehicles and accessories for motor cars; retail sale services for solvents, paraffin, waxes, bitumen and petroleum; bringing together of the following goods for the benefit of others (excluding transport thereof) to enable customers to conveniently view and purchase these goods in a store or on a global computer network (the Internet) or via wireless electronic communication devices, namely clothing, footwear, headgear, sports articles, stationery, apparatus for recording, transmission and reproduction of sound and images, books, newspapers, magazines, publications, video games, toys, dolls, badges of all kinds, key rings, tickets, watches and jewelry, souvenir items in connection with football, bags, luggage, briefcases, umbrellas, flags and pennants, alcoholic and non-alcoholic beverages, confectionery, medical apparatus and instruments, vehicles and accessories for motor cars; advertising and promotion services, information services with regard to advertising and promotion, commercial information agencies, all the aforesaid services provided on-line from a computer database or via a global computer network (the Internet) or via wireless electronic communication devices; design and compilation of advertisements for use as a web site on a global computer network (the Internet) or via wireless electronic communication devices; provision of space on web sites, for advertising of goods and services; auctioneering on a global computer network (the Internet) or via wireless electronic communication devices; collection of directories for publication on the Internet and on wireless electronic communication networks; business administration services for processing commercial services on a global computer network (Internet) or via wireless electronic communication devices; compilation, creation and management of databases, namely collection of domain names in a register; sales promotion, namely creation of preferential programs for customers; implementation of bonus programs for customers in stadiums by distributing encoded loyalty and membership cards which can contain the personal data of the user; development, launch and administration of loyalty programs, namely issuing loyalty cards to fans, containing personal information on the identity of the card holder; electronic commerce (e-commerce) services, namely provision of

information on goods via telecommunication networks for advertising or sales purposes; compilation of data into a computer database, especially still or animated images; e-commerce services, namely online services for providing contracts for the purchase and sale of goods on behalf of others; promotion of sports events in the field of football; promotion of the goods and services of others, through contractual agreements, particularly partnership (sponsoring) and licensing agreements, providing them with increased notoriety and enhanced image derived from cultural and sporting events, particularly international events; compilation and recording of data and information on sporting performances; provision of personnel, particularly for selling beverages and foods; promotion of football events; retail sale of interactive educational and entertainment products, interactive compact disks, CD-ROMs and computer games; retail sale services, particularly on a global computer network, for interactive educational and entertainment products, interactive compact disks, CD-ROMs and computer games; presentation of computer programs for retail sale purposes; procurement services for others [purchasing goods and services for other businesses]; procurement services for others [purchasing goods and services for other businesses] for sports events or entertainment; promotion of the goods and services of others, through contractual agreements, particularly partnership (sponsoring) and licensing agreements, providing them with increased notoriety and/or enhanced image and/or affinity derived from cultural and sporting events, particularly international events.

36 – Issuance and management of credit cards and travelers' checks; financial services; banking, credit and investment services; insurance services; lease-purchase financing; hire-purchase services; financial sponsorship of sports events; information services related to finance and insurance, provided from a computer database or the Internet or on all wireless electronic communication networks; home banking services; banking services on the Internet or on all wireless electronic communication networks; payment services, including services provided from a computer database or via the Internet or via mobile telephones; safe deposit services; issue of vouchers, namely issue of loyalty cards to fans, which contain personal data on the identity of the cardholder and are used for access control at sports stadiums; financial promotion of events in the field of football; financial payment services for electronic commerce, namely transfer of funds, all via electronic communication networks; financial payment services for electronic commerce in connection with the purchase of goods and services provided by others, all via electronic communication networks, and clearing and settlement of financial transactions via electronic communication networks; issue of vouchers in

the form of travel vouchers; financial sponsorship search for football competitions.

38 – Telecommunication services; communication by mobile telephones; communication by telex; communication via electronic computer terminals linked to telecommunication networks, data banks and the Internet or via wireless electronic communication devices; communication by telegraphs; communication by telephones; communications by facsimile; paging services; telephone or video conferencing services; television program broadcasting; broadcasting of cable television programs; radio program broadcasting; radio and television broadcasting of sports and sporting events; news and press agency services; other message transmission services; rental of telephones, facsimile machines and other telecommunication apparatus; transmission of commercial Internet pages online or via wireless electronic communication devices; services for transmitting and broadcasting television and radio programs provided via the Internet or via any wireless electronic communication network; electronic transmission of messages; simultaneous broadcasting of film recordings and sound and video recordings; provision of access to telematic servers and real-time chat forums; computer-aided transmission of messages and images; telecommunication via fiber-optic networks; provision of access to a global computer network or interactive communication technologies for access to private and commercial purchasing and ordering services; transmission of information and other data via websites and computers; transmission of information (including sites by telematic means) via telecommunication, computer programs and other data; transmission of information, computer programs and other data by telematic means; electronic mail services; provision of access via the Internet or on any wireless electronic communication network (telecommunication services); providing connections for telecommunications with a global computer network (the Internet) or data banks; provision of access to websites offering digital music on the Internet by means of a global computer network or via wireless electronic communication devices; rental of access time to MP3 websites on the Internet, via a global computer network or via wireless electronic communication devices; rental of access time to a database server center (telecommunication services); rental of access time to a computer database (telecommunication services); transmission of digital music by telecommunications; online transmission of electronic publications; digital music transmission via the Internet or on any wireless electronic communication network; digital music transmission via MP3 Internet sites; simultaneous broadcasting and/or netcasting of film recordings and sound and video recordings (telecommunications); simultaneous broadcasting and/or netcasting of interactive educational and entertainment products, interactive compact disks,

CD-ROMs, computer programs and computer games (telecommunications); provision of access to blackboards (notice and advertisement boards) and chat rooms in real time via a global computer network; rental and provision of access time to blackboards (boards for displaying information and advertisements) and to chat rooms in real time by means of a global computer network (communication services); telecommunication services dedicated to retail sale by means of interactive communications with customers; multimedia telecommunication; videotext and teletext transmission services; information transmission via communication satellite, microwave or by electronic, digital or analog means; transmission of digital information by cable, wire or fiber; transmission of information by mobile telephones, telephones, facsimile and telex; telecommunication services for receiving and exchanging information, messages, images and data; telecommunication services for setting up discussion groups on the Internet and on any wireless electronic communication network; provision of access to search engines for obtaining data and information on global networks.

39 – Operation of a travel agency, namely travel organization and reservation; ticket reservation and information services for travel; transport by airplane, railway, bus and truck; boat transport; boat travel services; tourist travel services; vehicle rental; rental of parking spaces; taxi services; boat transport services for goods; distribution of water, heat, gas or electricity; distribution of newspapers, magazines and books; postal services, mail delivery and courier services; storage of goods; delivery of solvents, paraffins, waxes, bitumens and oil products, excluding liquid gas; distribution (delivery) of films and sound and image recordings; distribution (delivery) of interactive educational and entertainment products, interactive compact disks, CD-ROMs, computer programs and computer games; advice relating to power and electricity distribution.

41 – Education; training; entertainment; organization of lotteries, raffles and competitions; betting and gaming services in connection with sports; hospitality services (sports, entertainment), namely providing entry tickets and information brochures for sports for VIPs, as well as guiding and gathering VIPs during sports or entertainment events; hospitality services, namely customer reception services (entertainment services), including providing access tickets during sports or entertainment events; entertainment services relating to sporting events; entertainment services in the form of public gatherings during the retransmission of sports events; sporting and cultural activities; organization of sporting and cultural events and activities; organization of sports competitions; organization of events in the field of football; sports camp services; provision of sports facilities; rental of video and audiovisual installations;

production, presentation, distribution and/or rental of film recordings and sound and video recordings; presentation, distribution and/or rental of interactive educational and entertainment products, interactive compact disks, CD-ROMs, and computer games; coverage of radio broadcast and televised sports events; production services for radio, television programs and video films; ticket reservation services and information services for sports or entertainment events; timing services relating to sports events; organization of beauty contests; interactive entertainment; on-line betting and gaming services on the Internet or on any wireless electronic communication network; information in the field of entertainment (including in the field of sports), provided on-line from a computer database or via the Internet or via any wireless electronic communication network; electronic game services transmitted via the Internet or on mobile telephones; editing of books; publication of books and electronic journals on-line; audio and video recording services; production of animated cartoons for the cinema, production of animated cartoons for television; rental of sound and image recordings for entertainment purposes; information in the field of education provided on-line from a computer database or via the Internet or any wireless electronic communication network; translation services; photography services; provision of entertainment infrastructure; ticket agencies in connection with sports events.

43 – Providing food and drink, snack-bars; hospitality services, namely provision of food and drink; catering services; hotel services; providing accommodation and food and drink, booking hotels and temporary accommodation; hospitality services, namely provision of food and drink during sports or entertainment events.

(260) AM 2018 96193 A

(800) 1385185

(151) 2017 11 08

(891) 2017 11 08

(731) ADP GAUSELMANN GMBH

Merkur-Allee 1-15,32339 Espelkamp,
Germany

(540)

Amu-tep

(591) Black, white

(511)

9 – Computer software; coin-operated mechanisms; computer and video games software; games software in particular for use on any computer platform, including electronic entertainment and games consoles; computer game programs; video games (software); computer games provided through a global computer network or supplied by means of multi-media electronic broadcast or through telecommunications or

electronic transmission or via the internet; computer games, leisure and recreational software, video games and computer software, all being provided in the form of storage media; programs for operating electric and electronic apparatus for games, amusement and/or entertainment purposes; computer software for computer games on the internet; online games (software), in particular for online betting games, online prize games, online gambling games, online games of skill and online casino games; computer software in the form of an app for mobile devices and computers; calculating apparatus in coin-operated machines and parts for the aforesaid goods; electric, electronic, optical or automatic apparatus, for identifying data carriers, identity cards and credit cards, bank notes and coins; software in particular for casino and/or amusement arcade games, for gaming machines and/or slot machines each one with or without prize payouts; gaming software that generates or displays wager outcomes of gaming machines; operational computer games software; computer software for managing of games (game collection); computer programs for video games.

28 – Games; toys; gaming apparatus (including coin-operated apparatus); coin-operated arcade games (machines); games for amusement arcades (included in this class); coin-operated video gaming apparatus; video games apparatus adapted for use with external screens or monitors only; casino fittings, namely roulette tables, roulette wheels; coin-operated automatic gaming machines and gaming machines, in particular for gaming arcades, with or without a prize payout; electronic or electrotechnical gaming apparatus, automatic gaming machines, gaming machines, slot machines operated by coins, tokens, banknotes, tickets or by means of electronic, magnetic or biometric storage media, in particular for commercial use in casinos and amusement arcades, with or without a prize payout; automatic gaming machines and gaming machines, in particular for commercial use in casinos and gaming arcades, with or without a prize payout; coin-operated gaming machines and/or electronic money-based gaming apparatus (machines), with or without prizes; housings adapted for gaming machines, gaming apparatus and automatic gaming machines, operated by means of coins, tokens, tickets or by means of electronic, magnetic or biometric storage media, in particular for commercial use in casinos and gaming arcades, with or without a prize payout; electronic games; electronic game entertainment apparatus and parts thereof; video output game machines; drawing apparatus for prize games and lotteries, draws or raffles; housings of metal, plastic and/or wood for coin-operated automatic machines; apparatus for games (including video games), other than adapted for use with external screens or monitors only; electropneumatic and electric slot machines with pulling handles (gaming machines); gaming tables, in particular for table foot-

ball, billiards, sliding games; flying discs (toys) and darts; gaming machines, namely, electric, electronic or electromechanical apparatus for bingo games, lotteries or video lottery games and for betting offices, connected or unconnected to a computer network; LCD games consoles; automatic gaming machines; all the aforesaid automatic gaming machines operating in networks; apparatus and devices for accepting and storing money, being fittings for the aforesaid automatic machines, included in this class; automatic lottery machines.

(260) AM 2018 96195 A
 (800) 1385186
 (151) 2017 10 03
 (891) 2017 10 03
 (731) ADP GAUSELMANN GMBH
 Merkur-Allee 1-15,32339 Espelkamp,
 Germany
 (540)

Crystal Heart

(591) Black, white
 (511)
 9 – Computer software; coin-operated mechanisms; computer and video games software; games software in particular for use on any computer platform, including electronic entertainment and games consoles; computer game programs; video games (software); computer games provided through a global computer network or supplied by means of multi-media electronic broadcast or through telecommunications or electronic transmission or via the internet; computer games, leisure and recreational software, video games and computer software, all being provided in the form of storage media; programs for operating electric and electronic apparatus for games, amusement and/or entertainment purposes; electronic terminals for generating lottery tickets; computer software for computer games on the internet; online games (software), in particular for online betting games, online prize games, online gambling games, online games of skill and online casino games; computer software in the form of an app for mobile devices and computers; calculating apparatus in coin-operated machines and parts for the aforesaid goods; electric, electronic, optical or automatic apparatus, for identifying data carriers, identity cards and credit cards, bank notes and coins; software in particular for casino and/or amusement arcade games, for gaming machines and/or slot machines each one with or without prize payouts; gaming software that generates or displays wager outcomes of gaming machines; operational computer games software; computer software for managing of games (game collection); collection of video games software.

(260) AM 2018 96209 A
 (800) 1385761
 (151) 2017 10 11
 (891) 2017 10 11
 (731) EYAL GRUMBERG
 140, boulevard de la Pétrusse, Luxembourg,
 L-2330, Luxembourg

(540)



(591) Black (RGB 39 42 51), gold (RGB 221 181 3), blue (RGB 50 138 197) and white (RGB 255 255 255)
 (531) 26.01.05; 26.01.17; 26.11.07; 27.05.01; 29.01.14
 (511)
 42 – Design of computer software, including software for introduction platforms aimed at offering professionals and/or individuals the possibility of developing a network of relationships by enabling them to meet individuals and exchange ideas and thus increase professional and/or personal opportunities.

(260) AM 2018 96211 A
 (800) 1385450
 (151) 2017 08 14
 (891) 2017 08 14
 (731) Oriflame Cosmetics AG c/o Oriflame Global Management AG
 Bleicheplatz 3, CH-8200 Schaffhausen,
 Switzerland

(540)

ORIFLAME FRIENDS WORLD

(591) Black, white
 (511)
 3 – Non-medicated conditioning and care preparations for application to the hair, scalp, skin and nails; soaps; perfumes; perfumery; eau de cologne; toilet waters; essential and herbal oils; cosmetics; make-up preparations; lipsticks; nail varnishes; nail varnish removers; non-medicated toilet preparations; hair lotions; hair sprays and hair gels; preparations for use in the bath or shower; bath and shower oils, gels, creams and foams; face and body masks; face and body scrubs; facial washes; skin cleansers and hydrators; skin toners; skin moisturizers; blemish creams and blemish gels; deodorants; antiperspirants; preparations for use before shaving and after shaving; shaving soaps; shaving creams; shaving gels; after-shave preparations; pre-shave preparations; talcum powders; toiletries; dentifrices; toothpastes.

(260) AM 2018 96212 A
 (800) 1385775
 (151) 2017 12 01
 (891) 2017 12 01
 (731) APPLE INC.
 One Apple Park Way, Cupertino CA 95014,
 USA

(540)

GYMKIT

(591) Black, white
 (511)
 9 – Computer software used in developing other software applications; application development software.

(260) AM 2018 96238 A
 (800) 1385618
 (151) 2017 09 18
 (891) 2017 09 18
 (731) Private Joint Stock Company
 "ALEF-VINAL"
 1 Sobinova street, Dnipro 49083, Ukraine

(540)

ADJARI

(591) Black, white
 (511)
 33 – Rice alcohol; alcoholic beverages, except beer; alcoholic essences; alcoholic extracts; anise [liqueur]; anisette [liqueur]; aperitifs; arak [arrack]; alcoholic beverages containing fruit; distilled beverages; bitters; brandy; cider; cocktails; curacao; digesters [liqueurs and spirits]; distilled beverages; fruit extracts, alcoholic; gin; hydromel [mead]; kirsch; liqueurs; mead [hydromel]; peppermint liqueurs; perry; piquette; rice alcohol; rum; sake; spirits [beverages]; vodka; whisky; wine.

(260) AM 2018 96241 A
 (800) 1385624
 (151) 2017 11 22
 (891) 2017 11 22
 (731) İLKAS SAĞLIK ÜRÜNLERİ SANAYİ VE
 TİCARET LİMİTED ŞİRKETİ
 3. Organize Sanayi Bölgesi 83325 Nolu Cadde
 No:5, Şehitkamil Gaziantep, Turkey

(540)



(531) 02.09.01; 27.05.01; 29.01.12
 (511)
 3 – Fragrances; dental care preparations; abrasive preparations; emery cloth; sandpaper; pumice stone; abrasive pastes; polishing preparations for leather, vinyl, metal, wood.

(260) AM 2018 96267 A
 (800) 1385827
 (151) 2017 10 18
 (891) 2017 10 18
 (731) MIZENSIR SA
 Chemin de la Pallanterie 11, CH-1252
 Meinier, Switzerland

(540)



(591) Black, white
 (531) 03.01.08; 03.01.22; 05.13.08; 07.05.08;
 25.01.09; 26.01.05; 26.01.15; 26.01.21;
 27.05.01; 27.05.02; 27.05.10; 27.05.21

(511)

3 – Solid and liquid soaps; essential oils; bath beads and salts for cosmetic use; cosmetic products; hair styling and hair care products, shaving products, body deodorants, oils for cosmetic use, make-up products; incense, incense sticks, scented wood, pot-pourris, perfumery products, perfumes, eaux de parfum, scented waters, extracts of flowers, eaux de toilette, perfumes for laundry, perfumed sachets, perfumed wipes and tissues (perfume), air fragrance preparations, room fragrances, perfumed substances for indoor perfume diffusers; all the aforesaid goods being of Swiss origin.

(260) AM 2018 96274 A
 (800) 532193
 (151) 1988 09 05
 (891) 2017 11 23
 (731) BEIERSDORF AG
 Unnastrasse 48, 20253 Hamburg, Germany

(540)

pH5-Eucerin

(591) Black, white
 (511)
 3 – Medicinal shampoos and cosmetics.

5 – Medical preparations for skin cleansing and care (solid, fluid, as a lotion, cream, ointment), pharmaceutical preparations, chemical products for hygiene.

(260) AM 2018 96277 A

(800) 1063684

(151) 2011 01 07

(891) 2017 11 23

(731) BEIERSDORF AG

Unnastrasse 48, 20253 Hamburg, Germany

(540)

EUCERIN VOLUME-FILLER

(591) Black, white

(511)

3 – Preparations for body and beauty care.

5 – Medicated and dermatological preparations for body and beauty care.

(260) AM 2018 96278 A

(800) 1064302

(151) 2010 12 06

(891) 2017 11 23

(731) BEIERSDORF AG

Unnastrasse 48, 20253 Hamburg, Germany

(540)

DermatOclean

(591) Black, white

(511)

3 – Cosmetic soaps, medicated soaps; preparations for body and beauty care.

5 – Medicated preparations for body and beauty care; dermatological preparations for body and beauty care.

(260) AM 2018 96328 A

(800) 1385947

(151) 2017 02 03

(891) 2017 02 03

(731) OLGA NOVGORODTCEVA

Salumetsa Tee 2A, Viimsi Vald, EE-74001

Harjumaa, Estonia

(540)

HUMAN DESIGN SYSTEM

(591) Black, white

(511)

9 – Scientific, nautical, surveying, photographic, cinematographic, optical, weighing, measuring, signalling, checking (supervision), life-saving and teaching apparatus and instruments; apparatus and instruments for conducting, switching, transforming, accumulating, regulating or controlling electricity; apparatus for recording, transmission or reproduc-

tion of sound or images; magnetic data carriers, recording discs; compact discs, DVDs and other digital recording media; mechanisms for coin-operated apparatus; cash registers, calculating machines, data processing equipment, computers; computer software; fire-extinguishing apparatus; downloadable electronic publications; audiovisual teaching aids, audio- and audiovisual recordings; data storage media; pre-recorded videos; pre-recorded music; audio books; downloadable e-books; computer games software; recorded computer games; downloadable computer games.

16 – Paper and cardboard; printed matter; bookbinding materials; photographs; stationery; adhesives for stationery or household purposes; artists' materials; paintbrushes; typewriters and office requisites (except furniture); instructional and teaching material (except apparatus); plastic materials for packaging; printers' type; printing blocks; printed publications; educational printed publications; cards; posters; brochures; newspapers; calendars; books.

45 – Legal services; security services for the protection of property and individuals; personal development advice; self-awareness advice; spiritual consultancy; on-line social networking services.

(260) AM 2018 96345 A

(800) 1386129

(151) 2018 11 14

(891) 2018 11 14

(731) RICHTER GEDEON NYRT.

Gyömrői út 19-21, H-1103 Budapest, Hungary

(540)

ЭНЗАМАТ

(591) Black, white

(511)

5 – Pharmaceutical preparations.

(260) AM 2018 96352 A

(800) 1386185

(151) 2017 10 04

(891) 2017 10 04

(731) BEIERSDORF AG

Unnastrasse 48, 20253 Hamburg, Germany

(540)



(591) Dark blue, white, silver, black and various shades of grey

(531) 26.01.20; 26.01.24; 26.04.10; 26.04.12; 26.04.24; 26.11.09; 27.05.24; 29.01.14

(511)

3 – Cosmetic soaps; perfumery; body and beauty care preparations for cosmetic purposes; cosmetic preparations for the cleansing and care of the hair; deodorants and anti-perspirants for personal use; cosmetic preparations for skin cleansing and skin care; cosmetic shaving preparations.

(260) AM 2018 96353 A

(800) 1386268

(151) 2017 12 01

(891) 2017 12 01

(731) JANSSEN PHARMACEUTICA NV

Turnhoutseweg 30, B-2340 Beerse, Belgium

(540)

TALFREZAN

(591) Black, white

(511)

5 – Human pharmaceutical preparations for the prevention and treatment of viral diseases, auto-immune and inflammatory diseases, cardiovascular diseases, central nervous system diseases, pain, dermatologic diseases, gastro-intestinal diseases, infectious-related diseases, metabolic diseases, oncologic diseases, ophthalmic diseases and respiratory diseases; vaccines.

(260) AM 2018 96356 A

(800) 1386868

(151) 2016 02 03

(891) 2016 02 03

(731) WORLD MEDICINE İLAÇ SANAYİ VE TİCARET ANONİM ŞİRKETİ

Evren Mah. Camiyolu, Cad. No.50 Kat 1

B Zemin 4-5-6 Güneşli/Bağcılar İstanbul,

France

(540)

LANDORA ЛАНДОПА

(591) Black, white

(531) 27.05.05; 28.05

(511)

5 – Medicines for human purposes, medicines for veterinary purposes, vitamin preparations, chemical preparations for medical purposes, dietetic substances adapted for medical use; dietetic foods adapted for medical purposes, baby foods, medicinal herbs, herbal beverages adapted for medical purposes, nutritional supplements, pollen dietary supplements, mineral food supplements, protein dietary supple-

ments, dietary supplements for animals, fodder supplements for veterinary purposes; medicines for dental purposes, hygienic products for medical purposes including sanitary pads, breast-nursing pads and bunion pads, waddings for medical purposes, plasters for medical purposes, dressings for medical purposes, babies' napkins, preparations for destroying noxious plants, preparations for destroying noxious animals, fungicides, deodorants other than for human beings or for animals, air deodorising preparations, disinfectants for hygiene purposes, antiseptics, detergents for medical purposes.

(260) AM 2018 96363 A

(800) 1386400

(151) 2017 11 08

(891) 2017 11 08

(731) RICHTER GEDEON NYRT.

Gyömrői út 19-21, H-1103 Budapest, Hungary

(540)

PELVENTA

(591) Black, white

(511)

5 – Gynecological products, except oncological products.

(260) AM 2018 96376 A

(800) 1387196

(151) 2017 09 29

(891) 2017 09 29

(731) ASTELLAS PHARMA INC.

5-1, Nihonbashi-Honcho 2-chome, Chuo-ku,

103-8411 Tokyo, Japan

(540)

POWRESI

(591) Black, white

(531) 27.05.17

(511)

5 – Pharmaceutical preparations and substances.

(260) AM 2018 96377 A

(800) 1387203

(151) 2017 11 01

(891) 2017 11 01

(731) H. Lundbeck A/S

Ottiliavej 9, DK-2500 Valby, Denmark

(540)

REXULTI

(591) Black, white

(511)

5 – Pharmaceuticals and medical preparations and substances; vaccines; pharmaceutical preparations

and substances for the prevention and treatment of disorders and diseases in, generated by or acting on the central nervous system; pharmaceutical preparations and substances acting on the central nervous system; central nervous system stimulants; pharmaceutical preparations and substances for the prevention and treatment of psychiatric and neurological disorders and diseases; pharmaceutical preparations and substances for the prevention and treatment of dementia, Alzheimer's disorder and disease, dizziness, seizures, stroke, depression, cognitive impairment, cognitive disorders and diseases, mood disorders, psychosis, anxiety, apathy, epilepsy; pharmaceutical preparations and substances for the prevention and treatment of Lennox-Gastaut syndrome (LGS), sclerosis, porphyria, Huntington's disorder and disease, insomnia, Parkinson's disorder and disease, falls, movement disorders and diseases, tremor, schizophrenia, bipolar disorder and disease, mania, ADHD, PTSD, agitation, aggression, autism, melancholy, OCD, Tourette's syndrome, progressive supranuclear palsy (PSP), restlessness, akathisia, fatigue, somnolence, nausea, cancer, migraine, pain, alcoholism and dependency; preparations, substances, reagents and agents for diagnostic and medical purposes.

10 – Surgical and medical apparatus and instruments; devices, syringes and needles for injections and medical purposes; apparatus and instruments for diagnostic purposes including test kits; integrated medical systems containing medical instruments and software for information and information management for use of a web-based physical and psychological and neurological examination and assessment of patients and clients at a distance and at a clinic; medical instruments for information, guidance, management and control of medicines.

(260) AM 2018 96380 A

(800) 1387306

(151) 2017 06 22

(891) 2017 06 22

(731) SVITLANA LEONIDIVNA ZAITSEVA

vul. Kharkivska, bud. 8/2, kv. 11, Sumy
40024, Ukraine

(540)

WELLCUT

(591) Black, white

(511)

7 – Machines and machine tools; motors and engines [except for land vehicles]; machine coupling and transmission components [except for land vehicles]; agricultural implements, other than hand-operated; incubators for eggs; automatic grapnels for marine purposes; air brushes for applying colour; aerocondensers; aerating pumps for aquaria; glaziers' diamonds [parts of machines]; shock absorber plungers

[parts of machines]; anti-friction bearings for machines; bitumen making machines; acetylene cleaning apparatus; drums [parts of machines]; dyeing machines; concrete mixers [machines]; whitewashing machines; pulleys [parts of machines]; pulleys; reels [parts of machines]; harrows; flour mill machines; blade sharpening [stropping] machines; brewing machines; journal boxes [parts of machines]; bulldozers; hoppers [mechanical discharging]; mine borers; drilling machines; drilling bits [parts of machines]; waggon lifts; vacuum pumps [machines]; axles for machines; bearings for transmission shafts; tambours for embroidery machines; printing rollers for machines; bearings [parts of machines]; handling apparatus for loading and unloading; loading ramps; derricks; bicycle dynamos; bicycle assembling machines; fans for motors and engines; fan belts for motors and engines; shoe polishers, electric; extractors for mines; apparatus for machining; moulds [parts of machines]; exhaust manifold for engines; exhausts for motors and engines; embossing machines; vibrators [machines] for industrial use; wringing machines for laundry; clack valves [parts of machines]; centrifugal mills; centrifugal pumps; freewheels, other than for land vehicles; winnowers; water separators; water heaters [parts of machines]; grain separators; metal drawing machines; friezing machines; suction machines for industrial purposes; coal-cutting machines; carbon brushes [electricity]; vulcanisation apparatus; blowing machines for the compression, exhaustion and transport of gases; apparatus for aerating water; apparatus for aerating beverages; lawnmowers [machines]; nut-tapping machines; brake pads, other than for vehicles; brake shoes, other than for vehicles; alternators; dynamos; dynamo belts; dynamo brushes; current generators; door openers and closers, hydraulic; hydraulic engines and motors; hydraulic turbines; torque converters, other than for land vehicles; mineworking machines; silencers for motors and engines; bending machines; carriages for knitting machines; cylinder heads for engines; card clothing [parts of carding machines]; connecting rods for machines, motors and engines; potters' wheels; sharpening wheels [parts of machines]; sharpening machines; rakes for raking machines; engraving machines; stalk separators [machines]; mud catchers and collectors [machines]; door openers and closers, pneumatic; motors for boats; engines for boats; de-aerators for feedwater; disintegrators; tympan [parts of printing presses]; woodworking machines; derricks; turf removing ploughs; pump diaphragms; dividing machines; punching machines; can openers, electric; mortising machines; milking machines; suction cups for milking machines; chisels for machines; moving pavements [sidewalks]; road building machines; road sweeping machines, self-propelled; road rollers; drainage machines; electric hand drills; grinding machines; typographic presses; boxes for matrices [printing]; typo-

graphic machines; printing plates; printing presses; printing machines; printing cylinders; printing machines for use on sheet metal; ejectors; excavators; shovels, mechanical; electric hammers; generators of electricity; emergency power generators; motors, electric, other than for land vehicles; electromechanical machines for chemical industry; escalators; labellers [machines]; flues for engine boilers; feeding apparatus for engine boilers; reapers; harvesting machines; reapers and binders; millstones; sealing machines for industrial purposes; railroad constructing machines; igniting magnetos; igniting devices for internal combustion engines; curtain drawing devices, electrically operated; whisks, electric, for household purposes; welding machines, electric; welding apparatus, gas-operated; raking machines; earth moving machines; blowing machines for the compression, sucking and carrying of grain; reapers and threshers; grain husking machines; joints [parts of engines]; shaft couplings [machines]; blenders, electric, for household purposes; degreasers [machines]; machine wheelwork; stitching machines; injectors for engines; incubators for eggs; hand-held tools, other than hand-operated; food preparation machines, electromechanical; capstans; coffee grinders, other than hand-operated; calenders; rotary steam presses, portable, for fabrics; stone-working machines; ditchers [ploughs]; control cables for machines, engines or motors; cowlings [parts of machines]; carburettors; carburetter feeders; crankcases for machines, motors and engines; catalytic converters; hydraulic controls for machines, motors and engines; control mechanisms for machines, engines or motors; pneumatic controls for machines, motors and engines; ball rings for bearings; grease rings [parts of machines]; piston rings; valves [parts of machines]; pressure reducers [parts of machines]; glue guns, electric; colour-washing machines; riveting machines; bookbinding apparatus and machines for industrial purposes; machine wheels; crank shafts; compressors [machines]; compressors for refrigerators; compressed air pumps; conveyors [machines]; converters for steelworks; steam condensers [parts of machines]; condensing installations; diggers [machines]; shoe lasts [parts of machines]; rams [machines]; cranks [parts of machines]; fodder presses; mechanized livestock feeders; gear boxes, other than for land vehicles; housings [parts of machines]; knives for mowing machines; bobbins for weaving looms; reels, mechanical, for flexible hoses; scale collectors for machine boilers; taps [parts of machines, engines or motors]; roller bridges; cranes [lifting and hoisting apparatus]; hangers [parts of machines]; tilt hammers; ball-bearings; cultivators [machines]; food processors, electric; kitchen machines, electric; elevator chains [parts of machines]; driving chains, other than for land vehicles; chain saws; winches; blade holders [parts of machines]; ploughshares; foundry machines; adhesive tape dispensers [machines]; machines

and apparatus for polishing [electric]; machines and apparatus for wax-polishing, electric; type-setting machines [printing]; aeroplane engines; elevators [lifts]; hoists; shovels, mechanical; blades [parts of machines]; machines for making pasta; handling machines, automatic [manipulators]; labellers [machines]; churns; butter machines; grease boxes [parts of machines]; lubricating pumps; lubricators [parts of machines]; matrices for use in printing; machine fly-wheels; waste disposers [machines]; machines for the textile industry; waste compacting machines; machines and apparatus for carpet shampooing, electric; notchers [machine tools]; lace making machines; metal working machines; power hammers; washing installations for vehicles; washing apparatus; high pressure washers; washing machines (laundry); fleshing machines; mixers [machines]; machines for the production of mineral water; mixing machines; bellows [parts of machines]; forge bellows; agitators; mills [machines]; mills for household purposes, other than hand-operated; threshing machines; hammers [parts of machines]; pneumatic hammers; dairy machines; cream/milk separators; motorized cultivators; kick starters for motorcycles; cord making machines; clutches, other than for land vehicles; meat mincers [machines]; pressure valves [parts of machines]; superchargers; brake linings, other than for vehicles; reeling apparatus, mechanical; beverage preparation machines, electromechanical; guides for machines; die-cutting and tapping machines; threading machines; pumps [machines]; pumps [parts of machines, engines or motors]; pumps for heating installations; oil refining machines; shears, electric; scissors, electric; knives [parts of machines]; chaff cutter blades; knives, electric; wrapping machines; rotary printing presses; hemming machines; pulverisers [machines]; braiding machines; finishing machines; cleaning appliances utilizing steam; anti-pollution devices for motors and engines; packing machines; fuel conversion apparatus for internal combustion engines; fuel economisers for motors and engines; hosiery looms; papermaking machines; shredders [machines] for industrial use; paper machines; parquet wax-polishers, electric; boiler tubes [parts of machines]; steam engines; steam engine boilers; steam/oil separators; steam traps; belts for machines; belts for conveyors; adhesive bands for pulleys; belts for motors and engines; chucks [parts of machines]; soldering irons, gas-operated; welding apparatus, gas-operated; soldering blow pipes, gas-operated; pedal drives for sewing machines; superheaters; transmission shafts, other than for land vehicles; transmission chains, other than for land vehicles; pepper mills, other than hand-operated; apparatus for drawing up beer under pressure; beer pumps; saws [machines]; saw blades [parts of machines]; dust removing installations for cleaning purposes; dust exhausting installations for cleaning purposes; vacuum cleaners; vacuum cleaner bags; vacuum cleaner

hoses; saw benches [parts of machines]; spray guns for paint; feedwater regulators (machines); lifting apparatus; elevating apparatus; lift belts; lifts, other than ski-lifts; jacks [machines]; roller bearings; guns [tools using explosives]; knitting machines; ploughs; bottle sealing machines; bottle capping machines; bottle stoppering machines; bottle washing machines; bottle filling machines; compressed air machines; compressed air guns for the extrusion of mastics; pneumatic transporters; pneumatic tube conveyors; air suction machines; aeronautical engines; air condensers; engines for air cushion vehicles; air cushion devices for moving loads; air pumps [garage installations]; feeders [parts of machines]; paper feeders [printing]; crushers for kitchen use, electric; cinder sifters [machines]; pistons [parts of machines or engines]; pistons for engines; pistons for cylinders; dishwashers; washing machines [laundry]; coin-operated washing machines; ironing machines; smoothing presses; presses [machines for industrial purposes]; wine presses; swaging machines; trueing machines; vacuum cleaner attachments for disseminating perfumes and disinfectants; punches for punching machines; rolling mills; rolling mill cylinders; rinsing machines; weeding machines; sifting installations; peeling machines; tarring machines; springs [parts of machines]; spinning frames; spinning machines; spinning wheels; puddling machines; radiators [cooling] for motors and engines; racket stringing machines; jet engines, other than for land vehicles; regulators [parts of machines]; speed governors for machines, engines and motors; pressure regulators [parts of machines]; reduction gears, other than for land vehicles; rack and pinion jacks; rail-laying machines; gears for weaving looms; loom shafts; cutting blow pipes, gas-operated; cutters [machines]; holding devices for machine tools; tools [parts of machines]; cutting machines; robots [machines]; sewage pulverizers; filling machines; expansion tanks [parts of machines]; ore treating machines; propulsion mechanisms, other than for land vehicles; stuffing boxes [parts of machines]; self-oiling bearings; satinizing machines; drilling machines; drilling heads [parts of machines]; drilling rigs, floating or non-floating; drill chucks [parts of machines]; glow plugs for Diesel engines; sparking plugs for internal combustion engines; cigarette machines for industrial purposes; sieves [machines or parts of machines]; sifters; sowers [machines]; agricultural elevators; agricultural machines; tedding machines; binding apparatus for hay; net hauling machines [fishing]; straw [chaff] cutters; glass-working machines; snow ploughs; sheaf-binding machines; fruit presses, electric, for household purposes; sorting machines for industry; sizing machines; sausage making machines; stands for machines; starters for motors and engines; stators [parts of machines]; stereotype machines; compressed air engines; tables for machines; clippers [machines]; shearing machi-

nes for animals; belt conveyors; planing machines; slide rests [parts of machines]; spin driers [not heated]; heat exchangers [parts of machines]; thermic lances [machines]; grating machines for vegetables; beating machines; beaters, electric; kneading machines; looms; lathes [machine tools]; transmissions for machines; transmissions, other than for land vehicles; turbines, other than for land vehicles; turbocompressors; tobacco processing machines; connecting rods for machines, motors and engines; driving motors, other than for land vehicles; universal joints [Cardan joints]; packaging machines; painting machines; aprons [parts of machines]; filters [parts of machines or engines]; filters for cleaning cooling air, for engines; cartridges for filtering machines; filter presses; filtering machines; fittings for engine boilers; moulding machines; type-setting machines [photocomposition]; milling machines; bread cutting machines; journals [parts of machines]; central vacuum cleaning installations; centrifuges [machines]; cylinders for motors and engines; cylinders for machines; machines for the production of sugar; carding machines; machines and apparatus for cleaning, electric; shuttles [parts of machines]; inking apparatus for printing machines; sewing machines; leather paring machines; leather-working machines; grindstones [parts of machines]; typesetting machines; die-stamping machines; stamping machines; darning machines; brushes [parts of machines]; brushes, electrically operated [parts of machines]; gasoline pumps for service stations; elevator operating apparatus; electroplating apparatus; galvanizing apparatus; door openers, electric; door closers, electric; electric arc welding apparatus; electric arc cutting apparatus; electric welding apparatus; electrical apparatus for sealing plastics [packaging]; welding apparatus, electric; electrodes for welding machines; fuel dispensing pumps for service stations; self-regulating fuel pumps; soldering irons, electric.

8 – Hand tools and implements [hand-operated]; cutlery; side arms; razors; abrading instruments [hand instruments]; glaziers' diamonds [parts of hand tools]; bayonets; beard clippers; razor cases; razor strops; borers; bushhammers; levers; fulling tools [hand tools]; depilation appliances, electric and non-electric; table forks; screwdrivers, non-electric; agricultural forks [hand tools]; fullers [hand tools]; eyelash curlers; shaving cases; hand implements for hair curling; tap wrenches; ear-piercing apparatus; wrenches [hand tools]; harpoons; harpoons for fishing; wick trimmers [scissors]; scythe stones; stropping instruments; sharpening wheels [hand tools]; leather strops; edge tools [hand tools]; nippers; goffering irons; crimping irons; rakes [hand tools]; sand trap rakes; engraving needles; tree pruners; whetstone holders; cutter bars [hand tools]; perforating tools [hand tools]; can openers, non-electric; rams [hand tools]; chisels; mortise chisels; extension pieces for braces for screw taps; metal band stretchers [hand

tools]; hand instruments for slaughtering butcher's animals; instruments and tools for skinning animals; sharpening instruments; spades [hand tools]; clamps for carpenters or coopers; rabbeting planes; bits [hand tools]; priming irons [hand tools]; gouges [hand tools]; pin punches; implements for decanting liquids [hand tools]; insecticide vaporizers [hand tools]; tool belts [holders]; moulding irons; stone hammers; sharpening stones; embossers [hand tools]; knuckle dusters; instruments for punching tickets; centre punches [hand tools]; truncheons; daggers; picks [hand tools]; pickaxes; mallets [hand instruments]; annular screw plates; riveters [hand tools]; riveting hammers [hand tools]; breast drills; fireplace bellows [hand tools]; caulking irons; diggers [hand tools]; lasts [shoemakers' hand tools]; scythes; scythe rings; hainault scythes; squares [hand tools]; fire irons; blades [hand tools]; razor blades; blades for planes; shear blades; blade sharpening instruments; vices; foundry ladles [hand tools]; polishing irons [glazing tools]; crow bars; shovels [hand tools]; trowels [gardening]; ice picks; manicure sets; manicure sets, electric; guns, hand-operated, for the extrusion of mastics; palette knives; machetes; swords; taps [hand tools]; hammers [hand tools]; sledgehammers; hammer sharpeners; masons' hammers; money scoops; mattocks; ditchers [hand tools]; trowels; mincing knives [hand tools]; needle files; emery grinding wheels; screw stocks [hand tools]; hand pumps; apparatus for destroying plant parasites, hand-operated; nail clippers, electric or non-electric; fingernail polishers, electric or non-electric; nail files; nail files, electric; nail nippers; lawn clippers (hand instruments); shears; shearers [hand instruments]; pruning shears; border shears; scissors; farriers' knives; scaling knives; pizza cutters, non-electric; grafting tools [hand tools]; paring knives; hunting knives; cleavers; bill-hooks; penknives; cutlery; numbering punches; pliers; nail drawers [hand tools]; punch pliers [hand tools]; vegetable slicers; vegetable choppers; vegetable knives; budding knives; pedicure sets; saw holders; saws [hand tools]; jig-saws; bow saws; files [tools]; syringes for spraying insecticides; lifting jacks, hand-operated; tweezers; hair-removing tweezers; guns [hand tools]; sword scabbards; fruit pickers [hand tools]; pliers; paring irons [hand tools]; thistle extirpators [hand tools]; weeding forks [hand tools]; saw blades [parts of hand tools]; hand pumps; irons [non-electric hand tools]; punches [hand tools]; nail punches; pin punches; frames for handsaws; rasps [hand tools]; blades [weapons]; cutting tools [hand tools]; bits [parts of hand tools]; graving tools [hand tools]; cutters; reamer sockets; reamers; expanders [hand tools]; planes; plane irons; hand drills, hand-operated; hand tools, hand-operated; garden tools, hand-operated; pruning knives; hoes [hand tools]; hollowing bits [parts of hand tools]; augers [hand tools]; gimlets [hand tools]; drill holders [hand tools]; pruning scis-

sors; sickles; cheese slicers, non-electric; choppers [knives]; agricultural implements, hand-operated; scraping tools [hand tools]; axes; holing axes; hatchets; hoop cutters [hand tools]; silver plate [knives, forks and spoons]; table cutlery [knives, forks and spoons]; hair clippers for personal use, electric and non-electric; hair clippers for animals [hand instruments]; drawing knives; mortars for pounding [hand tools]; mitre boxes [hand tools]; branding irons; apparatus for tattooing; adzes [tools]; carpenters' augers; pestles for pounding [hand tools]; braiders [hand tools]; sharpening steels; earth rammers, [hand tools]; ratchets [hand tools]; tube cutting instruments; tube cutters [hand tools]; oyster openers; cattle marking tools; cattle shearers; nail pullers, hand-operated; ladles [hand tools]; hackles [hand tools]; scrapers [hand tools]; sabres; milling cutters [hand tools]; choppers [knives]; awls; marline spikes; instruments and tools for skinning animals; spatulas [hand tools]; stamps [hand tools]; tongs; cuticle tweezers; curling tongs; egg slicers, non-electric; flat irons, electric.

9 – Scientific, nautical, surveying, photographic, cinematographic, optical, weighing, measuring, signalling, checking [supervision], life-saving and teaching apparatus and instruments; apparatus and instruments for conducting, switching, transforming, accumulating, regulating or controlling electricity; apparatus for recording, transmission or reproduction of sound or images; magnetic data carriers, recording discs; mechanisms for coin-operated apparatus; cash registers, calculating machines, data processing equipment, computers; fire-extinguishing apparatus; automated teller machines [ATM]; steering apparatus, automatic, for vehicles; fire engines; parking meters; aerometers; asbestos clothing for protection against fire; asbestos gloves for protection against accidents; asbestos screens for firemen; actinometers; accumulators, electric; accumulator jars; accumulator boxes; accumulators, electric, for vehicles; acoustic couplers; alidades; altimeters; ammeters; testing apparatus not for medical purposes; anemometers; anodes; anode batteries; aerials; anticathodes; electric apparatus for remote ignition; apertometers [optics]; acidimeters for batteries; DNA chips; apparatus and instruments for astronomy; lenses for astrophotography; audiovisual teaching apparatus; beacons, luminous; barometers; batteries for lighting; batteries, electric; batteries for pocketlamps; balances [steelyards]; petrol gauges; betatrons; binoculars; integrated circuit cards [smart cards]; comparators; notebook computers; fire hose nozzles; encoded identification bracelets, magnetic; apparatus for fermentation [laboratory apparatus]; bullet-proof waistcoats; marking buoys; signalling buoys; scales; weighbridges; tone arms for record players; weighing machines; plumb bobs; vacuum gauges; vacuum tubes [radio]; variometers; solenoid valves [electromagnetic switches]; riding helmets; shoes for pro-

tection against accidents, irradiation and fire; terminals [electricity]; electronic publications, downloadable; switches, electric; switchboxes [electricity]; gauges; measuring devices, electric; measures; current rectifiers; high-frequency apparatus; branch boxes [electricity]; video screens; videotapes; video recorders; video game cartridges; camcorders; video cassettes; video telephones; answering machines; distance recording apparatus; kilometer recorders for vehicles; distance measuring apparatus; viewfinders, photographic; viscosimeters; wind socks for indicating wind direction; levelling staffs [surveying instruments]; peepholes [magnifying lenses] for doors; circuit closers; clothing for protection against fire; water level indicators; fibre optic cables; voltmeters; battery chargers; coin-operated mechanisms for operating gates for car parking lots; ear plugs for divers; logs [measuring instruments]; gas testing instruments; gasometers [measuring instruments]; discharge tubes, electric, other than for lighting; galena crystals [detectors]; galvanic batteries; galvanic cells; galvanometers; heliographic apparatus; surveyors' levels; weights; hygrometers; sonars; hygrometers; time clocks [time recording devices]; needles for record players; head cleaning tapes [recording]; processors [central processing units]; holograms; hands free kits for phones; voting machines; phonograph records; cleaning apparatus for phonograph records; lightning conductors [rods]; money counting and sorting machines; sounding leads; buzzers; buzzers, electric; loudspeakers; range finders; decompression chambers; densimeters; densitometers; detectors; smoke detectors; juke boxes for computers; signal bells; alarm bells, electric; bells [warning devices]; mirrors for inspecting work; mirrors [optics]; dictating machines; dynamometers; floppy disks; DVD players; disks, magnetic; optical discs; disk drives for computers; remote control apparatus; electric installations for the remote control of industrial operations; electro-dynamic apparatus for the remote control of railway points; electro-dynamic apparatus for the remote control of signals; telerupters; distillation apparatus for scientific purposes; diffraction apparatus [microscopy]; breathing apparatus for underwater swimming; breathing apparatus, except for artificial respiration; diagnostic apparatus, not for medical purposes; slide projectors; diaphragms [acoustics]; diaphragms for scientific apparatus; diaphragms [photography]; adding machines; dosage dispensers; road signs, luminous or mechanical; jigs [measuring instruments]; fuse wire; choking coils [impedance]; screens [photography]; exposure meters [light meters]; electrified rails for mounting spot lights; electric door bells; electricity conduits; electrified fences; materials for electricity mains [wires, cables]; electric loss indicators; electrolyzers; electromagnetic coils; electronic tags for goods; electronic pocket translators; electronic pens [visual display units]; electronic notice boards; epidiascopes; ergo-

meters; mechanisms for counter-operated apparatus; railway traffic safety appliances; locks, electric; electronic agendas; voltage surge protectors; fuses; nose clips for divers and swimmers; protective suits for aviators; protective masks; protective helmets; protection devices against X-rays, not for medical purposes; protective helmets for sports; balancing apparatus; acoustic alarms; sound recording carriers; sound recording strips; acoustic conduits; surveying instruments; wire connectors [electricity]; junction boxes [electricity]; couplers [data processing equipment]; connections for electric lines; connections, electric; connectors [electricity]; signs, luminous; probes for scientific purposes; sounding apparatus and machines; readers [data processing equipment]; optical character readers; bar code readers; inverters [electricity]; pressure indicators; electric loss indicators; slope indicators; incubators for bacteria culture; interfaces for computers; data processing apparatus; ionization apparatus not for the treatment of air or water; spark-guards; cables, electric; junction sleeves for electric cables; coaxial cables; calipers; calibrating rings; capillary tubes; holders for electric coils; encoded magnetic cards; carriers for dark plates [photography]; cassette players; cathodes; cathodic anti-corrosion apparatus; ticket dispensers; remote control apparatus; mouse pads; oxygen transva-sing apparatus; acid hydrometers; pocket calculators; quantity indicators; cinematographic cameras; editing appliances for cinematographic films; cinematographic film, exposed; push buttons for bells; covers for electric outlets; magnetic encoders; collectors, electric; dog whistles; compact discs [audio-video]; compact discs [read-only memory]; directional compasses; marine compasses; computer memory devices; printers for use with computers; computer software, recorded; computers; computer game software; computer keyboards; computer peripheral devices; computer programs [downloadable software]; computer programmes [programs], recorded; computer operating programs, recorded; electric apparatus for commutation; condensers [capacitors]; optical condensers; contacts, electric; contacts, electric, of precious metal; contact lenses; containers for contact lenses; correcting lenses [optics]; cabinets for loudspeakers; cosmographic instruments; pipes; pedometers; compasses for measuring; meteorological balloons; azimuth instruments; clothing especially made for laboratories; laboratory trays; lasers, not for medical purposes; lactodensimeters; lactometers; darkroom lamps [photography]; spectacle chains; close-up lenses; optical lenses; rulers [measuring instruments]; carpenters' rules; flashing lights [luminous signals]; flashlights [photography]; magic lanterns; optical lanterns; counters; circular slide rules; slide-rules; sounding lines; magnifying glasses [optics]; magnets; decorative magnets; magnetic tape units for computers; tape recorders; magnetic wires; magnetic tapes; resuscitation mannequins [te-

aching apparatus]; pressure gauges; solderers' helmets; divers' masks; mathematical instruments; material testing instruments and machines; furniture especially made for laboratories; megaphones; metal detectors for industrial or military purposes; meteorological instruments; rules [measuring instruments]; dressmakers' measures; metronomes; mechanical signs; mouse [computer peripheral]; copper wire, insulated; micrometers; micrometer screws for optical instruments; microprocessors; microscopes; containers for microscope slides; microtomes; microphones; surveying chains; measuring spoons; modems; monitors [computer programs]; monitors [computer hardware]; nautical apparatus and instruments; marine depth finders; naval signalling apparatus; juke boxes, musical; animated cartoons; cases fitted with dissecting instruments [microscopy]; coils, electric; inductors [electricity]; navigation apparatus for vehicles [on-board computers]; navigational instruments; teaching apparatus; headphones; teeth protectors; knee-pads for workers; semi-conductors; screw-tapping gauges; chargers for electric batteries; neon signs; identification threads for electric wires; thread counters; levelling instruments; verniers; optical data media; revolution counters; objectives [lenses] [optics]; workmen's protective face-shields; limiters [electricity]; sheaths for electric cables; egg-candlers; garments for protection against fire; clothing for protection against accidents, irradiation and fire; ozone-sers [ozonators]; octants; spectacle frames; instruments containing eyepieces; spectacle lenses; spectacle cases; spectacles; sunglasses; goggles for sports; eyepieces; ohmmeters; apparatus to check franking; resistances, electric; optical glass; optical goods; sighting telescopes for firearms; lighting ballasts; light dimmers [regulators], electric; protection devices for personal use against accidents; oscillographs; boiler control instruments; safety restraints, other than for vehicle seats and sports equipment; pince-nez; eyeglass frames; eyeglass cases; spectacle cords; stills for laboratory experiments; intercommunication apparatus; speaking tubes; transmitters [telecommunication]; transmitters of electronic signals; mechanisms for coin-operated apparatus; coin-operated mechanisms for television sets; switchboards; commutators; spools [photography]; cordless telephones; circuit breakers; converters, electric; periscopes; personal stereos; punched card machines for offices; furnaces for laboratory use; hemline markers; drying racks [photography]; wrist rests for use with computers; pyrometers; egg timers [sandglasses]; planimeters; plane tables [surveying instruments]; plates for batteries; wafers for integrated circuits; film cutting apparatus; films, exposed; plotters; air analysis apparatus; measuring glassware; cell switches [electricity]; fire escapes; fire pumps; fire alarms; fire boats; fire beaters; levels [instruments for determining the horizontal]; sprinkler systems for fire protection; polarimeters; vehicle break-

down warning triangles; amplifying tubes; amplifiers; letter scales; prisms [optics]; audio- and video-receivers; test tubes; conductors, electric; wires, electric; telephone wires; ducts [electricity]; record players; apparatus for changing record player needles; compact disc players; projection apparatus; projection screens; slides [photography]; frames for photographic transparencies; centering apparatus for photographic transparencies; washing trays [photography]; respiratory masks, other than for artificial respiration; anti-interference devices [electricity]; anti-glare glasses; anti-dazzle shades; theft prevention installations, electric; anti-theft warning apparatus; fire blankets; rods for water diviners; plumb lines; control panels [electricity]; starter cables for motors; radar apparatus; vehicle radios; radiological apparatus for industrial purposes; radiology screens for industrial purposes; radio pagers; transmitting sets [telecommunication]; radios; radiotelegraphy sets; radiotelephony sets; masts for wireless aerials; screens for photoengraving; abacuses; invoicing machines; walkie-talkies; regulating apparatus, electric; voltage regulators for vehicles; speed regulators for record players; marking gauges [joinery]; relays, electric; apparatus and installations for the production of X-rays, not for medical purposes; X-ray apparatus not for medical purposes; X-ray films, exposed; X-ray tubes not for medical purposes; X-ray photographs, other than for medical purposes; rheostats; respiratory masks, other than for artificial respiration; respirators for filtering air; retorts; retorts' stands; refractometers; refractors; grids for batteries; demagnetizing apparatus for magnetic tapes; couplings, electric; identification sheaths for electric wires; identity cards, magnetic; distribution consoles [electricity]; distribution boxes [electricity]; distribution boards [electricity]; slide calipers; mercury levels; gloves for divers; gloves for protection against X-rays for industrial purposes; gloves for protection against accidents; horns for loudspeakers; life saving apparatus and equipment; safety tarpaulins; life buoys; life jackets; life-saving rafts; life belts; safety nets; whistle alarms; reflecting discs for wear, for the prevention of traffic accidents; optical fibers [fibres] [light conducting filaments]; blueprint apparatus; light-emitting electronic pointers; filters [photography]; traffic-light apparatus [signalling devices]; sextants; fog signals, non-explosive; signals, luminous or mechanical; signals, luminous or mechanical; alarms; signalling whistles; signalling panels, luminous or mechanical; sirens; nets for protection against accidents; scanners [data processing equipment]; diving suits; salinometers; solar batteries; spectrograph apparatus; spectrometers; spirit levels; alcoholmeters; speed indicators; monitoring apparatus, electric; observation instruments; shutter releases [photography]; stereoscopes; stereoscopic apparatus; sulfimeters; totalizers; satellites for scientific purposes; satellite navigational apparatus;

drying apparatus for photographic prints; spherometers; printed circuits; integrated circuits; chips [integrated circuits]; stage lighting regulators; taximeters; tachometers; television apparatus; telegraphs [apparatus]; teleprinters; telegraph wires; telescopes; telephone apparatus; telephone transmitters; telephone receivers; temperature indicators; theodolites; heat regulating apparatus; precision balances; thermionic valves; thermionic valves; thermometers, not for medical purposes; thermostats; thermostats for vehicles; crucibles [laboratory]; automatic indicators of low pressure in vehicle tires [tyres]; pressure measuring apparatus; pressure indicator plugs for valves; precision measuring apparatus; transistors [electronic]; protractors [measuring instruments]; transformers [electricity]; simulators for the steering and control of vehicles; tripods for cameras; urinometers; facsimile machines; counterfeit [false] coin detectors; apparatus and instruments for physics; filters for ultraviolet rays, for photography; filters for respiratory masks; fluorescent screens; cameras [photography]; flash-bulbs [photography]; glazing apparatus for photographic prints; drainers for use in photography; photovoltaic cells; shutters [photography]; enlarging apparatus [photography]; photocopiers [photographic, electrostatic, thermic]; darkrooms [photography]; photometers; phototelegraphy apparatus; cases especially made for photographic apparatus and instruments; food analysis apparatus; wavemeters; chemistry apparatus and instruments; chromatography apparatus for laboratory use; chronographs [time recording apparatus]; cyclotrons; saccharometers; time recording apparatus; time switches, automatic; particle accelerators; frequency meters; speed measuring apparatus [photography]; speed checking apparatus for vehicles; appliances for measuring the thickness of leather; apparatus for measuring the thickness of skins; stands for photographic apparatus; sound locating instruments; armatures [electricity].

(260) AM 2018 96383 A

(800) 1386411

(151) 2017 11 07

(891) 2017 11 07

(731) RICHTER GEDEON NYRT.

Gyömrői út 19-21, H-1103 Budapest, Hungary

(540)

AZIZAN

(591) Black, white

(511)

5 – Pharmaceutical preparations.

(260) AM 2018 96384 A

(800) 1387336

(151) 2017 09 19

(891) 2017 09 19

(731) ADP GAUSELMANN GMBH

Merkur-Allee 1-15, 32339 Espelkamp,

Germany

(540)

Voodoo Shark

(591) Black, white

(511)

9 – Computer software; coin-operated mechanisms; computer and video games software; games software in particular for use on any computer platform, including electronic entertainment and games consoles; computer game programs; video games (software); computer games provided through a global computer network or supplied by means of multi-media electronic broadcast or through telecommunications or electronic transmission or via the internet; computer games, leisure and recreational software, video games and computer software, all being provided in the form of storage media; programs for operating electric and electronic apparatus for games, amusement and/or entertainment purposes; computer software for computer games on the internet; online games (software), in particular for online betting games, online prize games, online gambling games, online games of skill and online casino games; computer software in the form of an app for mobile devices and computers; calculating apparatus in coin-operated machines and parts for the aforesaid goods; electric, electronic, optical or automatic apparatus, for identifying data carriers, identity cards and credit cards, bank notes and coins; software in particular for casino and/or amusement arcade games, for gaming machines and/or slot machines each one with or without prize payouts; gaming software that generates or displays wager outcomes of gaming machines; operational computer games software; computer software for managing of games (game collection); collection of video games software.

28 – Games; toys; gaming apparatus (including coin-operated apparatus); coin-operated arcade games (machines); games for amusement arcades (included in class 28); coin-operated video gaming apparatus; video games apparatus adapted for use with external screens or monitors only; casino fittings, namely roulette tables, roulette wheels; coin-operated automatic gaming machines and gaming machines, in particular for gaming arcades, with or without a prize payout; electronic or electrotechnical gaming apparatus, automatic gaming machines, gaming machines, slot machines operated by coins, tokens, banknotes, tickets or by means of electronic, magnetic or biometric storage media, in particular for commercial use in casinos and amusement arcades, with or without a prize payout; automatic gaming machines and gaming machines, in particular for commercial use in casinos and gaming arcades, with or without a prize payout; coin-operated gaming machines and/or electronic money-based gaming appa-

ratus (machines), with or without prizes; housings adapted for gaming machines, gaming apparatus and automatic gaming machines, operated by means of coins, tokens, tickets or by means of electronic, magnetic or biometric storage media, in particular for commercial use in casinos and gaming arcades, with or without a prize payout; electronic games; electronic game entertainment apparatus and parts thereof; video output game machines; drawing apparatus for prize games and lotteries, draws or raffles; housings of metal, plastic and/or wood for coin-operated automatic machines; apparatus for games (including video games), other than adapted for use with external screens or monitors only; electropneumatic and electric slot machines with levers for pulling (gaming machines); gaming tables, in particular for table football, billiards, sliding games; flying discs (toys) and darts; gaming machines, namely, electric, electronic or electromechanical apparatus for bingo games, lotteries or video lottery games and for betting offices, connected or not connected to a computer network; LCD games consoles; automatic gaming machines; all the aforesaid automatic machines, machines and apparatus also operated via computer networks; apparatus and devices for accepting and storing money, being fittings for the aforesaid automatic machines, included in class 28; automatic lottery machines.

(260) AM 2018 96396 A

(800) 1387375

(151) 2017 10 17

(891) 2017 10 17

(731) ADP GAUSELMANN GMBH

Merkur-Allee 1-15, 32339 Espelkamp,
Germany

(540)

JOKER NATURE

(591) Black, white

(511)

9 – Computer software; coin-operated mechanisms; computer and video games software; games software in particular for use on any computer platform, including electronic entertainment and games consoles; computer game programs; video games (software); computer games provided through a global computer network or supplied by means of multi-media electronic broadcast or through telecommunications or electronic transmission or via the internet; computer games, leisure and recreational software, video games and computer software, all being provided in the form of storage media; programs for operating electric and electronic apparatus for games, amusement and/or entertainment purposes; computer software for computer games on the internet; online games (software), in particular for online betting games, online prize games, online gambling games, online games of skill and online casino games; com-

puter software in the form of an app for mobile devices and computers; calculating apparatus in coin-operated machines and parts for the aforesaid goods; electric, electronic, optical or automatic apparatus, for identifying data carriers, identity cards and credit cards, bank notes and coins; software in particular for casino and/or amusement arcade games, for gaming machines and/or slot machines each one with or without prize payouts; gaming software that generates or displays wager outcomes of gaming machines; operational computer games software; computer software for managing of games (game collection); collection of video games software.

28 – Games; toys; gaming apparatus (including coin-operated apparatus); coin-operated arcade games (machines); games for amusement arcades (included in class 28); coin-operated video gaming apparatus; video games apparatus adapted for use with external screens or monitors only; casino fittings, namely roulette tables, roulette wheels; coin-operated automatic gaming machines and gaming machines, in particular for gaming arcades, with or without a prize payout; electronic or electrotechnical gaming apparatus, automatic gaming machines, gaming machines, slot machines operated by coins, tokens, banknotes, tickets or by means of electronic, magnetic or biometric storage media, in particular for commercial use in casinos and amusement arcades, with or without a prize payout; automatic gaming machines and gaming machines, in particular for commercial use in casinos and gaming arcades, with or without a prize payout; coin-operated gaming machines and/or electronic money-based gaming apparatus (machines), with or without prizes; housings adapted for gaming machines, gaming apparatus and automatic gaming machines, operated by means of coins, tokens, tickets or by means of electronic, magnetic or biometric storage media, in particular for commercial use in casinos and gaming arcades, with or without a prize payout; electronic games; electronic game entertainment apparatus and parts thereof; video output game machines; drawing apparatus for prize games and lotteries, draws or raffles; housings of metal, plastic and/or wood for coin-operated automatic machines; apparatus for games (including video games), other than adapted for use with external screens or monitors only; electropneumatic and electric slot machines with levers for pulling (gaming machines); gaming tables, in particular for table football, billiards, sliding games; flying discs (toys) and darts; gaming machines, namely, electric, electronic or electromechanical apparatus for bingo games, lotteries or video lottery games and for betting offices, connected or not connected to a computer network; LCD games consoles; automatic gaming machines; all the aforesaid automatic machines, machines and apparatus also operated via computer networks; apparatus and devices for accepting and storing money, being fittings for the aforesaid

automatic machines, included in class 28; automatic lottery machines.

(260) AM 2018 96398 A

(800) 1387398

(151) 2017 11 07

(891) 2017 11 07

(731) ADP GAUSELMANN GMBH

Merkur-Allee 1-15, 32339 Espelkamp,

Germany

(540)

Bank Safe Feature

(591) Black, white

(511)

9 – Computer software; coin-operated mechanisms; computer and video games software; games software in particular for use on any computer platform, including electronic entertainment and games consoles; computer game programs; video games (software); computer games provided through a global computer network or supplied by means of multi-media electronic broadcast or through telecommunications or electronic transmission or via the internet; computer games, leisure and recreational software, video games and computer software, all being provided in the form of storage media; programs for operating electric and electronic apparatus for games, amusement and/or entertainment purposes; computer software for computer games on the internet; online games (software), in particular for online betting games, online prize games, online gambling games, online games of skill and online casino games; computer software in the form of an app for mobile devices and computers; calculating apparatus in coin-operated machines and parts for the aforesaid goods; electric, electronic, optical or automatic apparatus, for identifying data carriers, identity cards and credit cards, bank notes and coins; software in particular for casino and/or amusement arcade games, for gaming machines and/or slot machines each one with or without prize payouts; gaming software that generates or displays wager outcomes of gaming machines; operational computer games software; computer software for managing of games (game collection); collection of video games software.

28 – Games; toys; gaming apparatus (including coin-operated apparatus); coin-operated arcade games (machines); games for amusement arcades (included in class 28); coin-operated video gaming apparatus; video games apparatus adapted for use with external screens or monitors only; casino fittings, namely roulette tables, roulette wheels; coin-operated automatic gaming machines and gaming machines, in particular for gaming arcades, with or without a prize payout; electronic or electrotechnical gaming apparatus, automatic gaming machines, gaming machines, slot machines operated by coins, tokens, bank-

notes, tickets or by means of electronic, magnetic or biometric storage media, in particular for commercial use in casinos and amusement arcades, with or without a prize payout; automatic gaming machines and gaming machines, in particular for commercial use in casinos and gaming arcades, with or without a prize payout; coin-operated gaming machines and/or electronic money-based gaming apparatus (machines), with or without prizes; housings adapted for gaming machines, gaming apparatus and automatic gaming machines, operated by means of coins, tokens, tickets or by means of electronic, magnetic or biometric storage media, in particular for commercial use in casinos and gaming arcades, with or without a prize payout; electronic games; electronic game entertainment apparatus and parts thereof; video output game machines; drawing apparatus for prize games and lotteries, draws or raffles; housings of metal, plastic and/or wood for coin-operated automatic machines; apparatus for games (including video games), other than adapted for use with external screens or monitors only; electropneumatic and electric slot machines with levers for pulling (gaming machines); gaming tables, in particular for table football, billiards, sliding games; flying discs (toys) and darts; gaming machines, namely, electric, electronic or electromechanical apparatus for bingo games, lotteries or video lottery games and for betting offices, connected or not connected to a computer network; LCD games consoles; automatic gaming machines; all the aforesaid automatic machines, machines and apparatus also operated via computer networks; apparatus and devices for accepting and storing money, being fittings for the aforesaid automatic machines, included in class 28; automatic lottery machines.

(260) AM 2018 96409 A

(800) 1387453

(151) 2017 12 04

(891) 2017 12 04

(731) MUMUSOKR CO., LTD

Room601, 47, Sejong-daero 23-gil,

Jongno-gu, Seoul 03182, Republic

of Korea

(540)

무궁생활

(591) Black, white

(531) 28.03

(511)

35 – Advice in the field of business management and marketing; advertising and business advice; advertising and commercial information services via the internet; business information and accounting advisory services; secretarial and clerical services; bu-

business operation, business administration and office functions; retail department store services; comprehensive shopping mall by internet; retail convenience stores; demonstration of furniture; intermediary services relating to advertising; advertising services of a radio and television advertising agency; demonstration of goods; accounting; jelly procurement services for others; preserved, frozen, dried and cooked fruits and vegetables procurement services for others; gymnastic and sporting articles procurement services for others.

(260) AM 2018 96451 A

(800) 1388108

(151) 2017 11 27

(891) 2017 11 27

(731) NEW BUNREN (CHINA) SPORTS CO., LTD.

No.328 Shanqian, Yuqian Village, Zhangban Town, Quanzhou Investment Zone, for Taiwan Businessman, Quanzhou, Fujian, China

(540)



(591) Black, white

(531) 02.01.08; 26.01.01; 26.01.05; 26.01.14

(511)

18 – Animal skins; school satchels; trimmings of leather for furniture; slings for carrying infants; sling bags for carrying infants; pocket wallets; travelling sets [leatherware]; umbrellas; walking sticks; harness fittings.

25 – Clothing; ready-made clothing; layettes [clothing]; bathing suits; shoes; hats; hosiery; gloves [clothing]; scarfs; leather belts [clothing].

28 – Apparatus for games; toys; playing cards; board games; protective paddings [parts of sports suits]; in-line roller skates; body-building apparatus; machines for physical exercises; swimming pools [play articles]; playing balls.

(260) AM 2018 96452 A

(800) 1388177

(151) 2017 09 27

(891) 2017 09 27

(731) HUAWEI TECHNOLOGIES CO., LTD.

Administration Building Huawei Technologies Co., Ltd., Bantian, Longgang District, Shenzhen, China

(540)

Epic View

(591) Black, white

(511)

9 – Fluorescent screens; video screens; touch screens; screens for liquid crystal displays (LCD); screens for computers; protective films adapted for smartphones; battery chargers; electric batteries; mobile power source (rechargeable batteries); galvanic cells; notebook computers; laptop computers; tablet computers; covers for tablet computers; interactive touch screen terminals; electronic interactive whiteboards; humanoid robots with artificial intelligence; covers for personal digital assistants; computer keyboards; recorded computer operating programs; recorded computer software; mouse (computer peripheral); wearable activity trackers; headphones; earphones; cameras (photography); virtual reality headsets; covers for smartphones; selfie sticks (hand-held monopods); digital photo frames; microphones; computer hardware; smartglasses; smartwatches; smart rings; smartphones; data processing apparatus; computer memories; audio and video receivers; network communication apparatus; modems; loudspeakers; portable media players; sound transmitting apparatus; camcorders; recorded computer programmes (programs); downloadable computer software applications.

(260) AM 2018 96454 A

(800) 1388220

(151) 2017 11 22

(891) 2017 11 22

(731) GESELLSCHAFT MIT BESCHRÄNKTER HAFTUNG "EHRMANN"

pos. RAOS, 15, Ramenskiy r-n, RU-140126 Moscow Region, Russian Federation

(540)

EPICA

(591) Black, white

(511)

29 – Milk and milk products.

(260) AM 2018 96456 A

(800) 1388268

(151) 2017 06 19

(891) 2017 06 19

(731) MIKHAIL SOBOLEV

7 Naxou, CY-4542 Apsiou, Limassol, Cyprus

(540)



(591) Green and white

(531) 01.15.21; 16.01.25; 26.04.04; 26.04.10;
26.04.16; 26.04.24; 29.01.12

(511)

35 – Commercial information agency services, advertising agency services, renting of advertising space, computerized database management, demonstration of products, business information, commercial information and advice for consumers, marketing research, business organisation and management consulting, professional business consulting, advertising and marketing consultancy, marketing, business management, updating advertising material, editing of publicity texts, presentation of goods on communications' media for retail purposes, promoting the sale of goods and services of others through promotional events, advertising film production, rental of advertising time on communication media, rental of advertising materials, publication of advertising material, distribution of advertising material, updating of advertising materials, advertising, online advertising, telemarketing, public relations services, commercial management assistance, business expertise services.

(260) AM 2018 96460 A

(800) 1388279

(151) 2017 07 06

(891) 2017 07 06

(731) GfK SE

Nordwestring 101, 90419 Nürnberg, Germany

(540)



(591) Yellow and black

(531) 25.07.17; 26.02.07; 26.02.08; 27.05.10;
27.07.01; 29.01.13

(511)

9 – Electronic databases [software] in the fields of market research, media research, advertising rese-

arch, business research, retail marketing and sales information, consumer purchase and behaviour research, media audience measurement, media ratings and business and brand consulting, all in downloadable form or recorded on computer media; computer programs used to manage and analyse and prepare reports containing the aforesaid information, all in downloadable form or recorded on computer media for computer as well as computer software programs, database management programs and the respective user's manuals to create, access, view, review, manipulate, categorize, analyse, format, and prepare and print reports from data and information in all the aforesaid databases, all in downloadable form or recorded on computer media.

16 – Printed publications; printed publications in the form of reports and presentations as well as in form of publications in the fields of market research, media research, advertising research, business research, retail marketing and sales information, consumer purchase and behaviour research, media audience measurement, media ratings as well as business and brand consulting.

35 – Market research services; business research particularly in relation to media; advertising research services; business research services, namely survey of market research data as well as statistical analysis of data files for market research and advertising [data-mining purposes]; providing marketing information services for retailers; consumer purchase and behaviour research services in the context of market and sales research; media audience measurement [market research]; market analysis for media rating services; business consulting services; brand consultancy in the context of image consultancy for companies; analysis and evaluation of data obtained by conducting business research surveys, polling, opinion studies, studies, analysis and evaluations, and on line survey panels for market and opinion research; conducting market studies on population and product trends and preparing and providing reports based thereon; arranging of commercial and business contacts by planning and conducting business meetings; organisation and conducting business meetings for business and advertising purposes on the topics market research, media research, advertising research, business research, retail marketing and sales information, consumer purchase and behaviour research, media audience measurement, media ratings and business and brand consulting.

42 – Application service provider [ASP], namely providing on-line non-downloadable software for use on public or private networks with regard to the areas of market research, media research, advertising research, business research, retail marketing and sales information, consumer purchase and behaviour research, media audience measurement, media ratings and business and brand consulting; rental of

database software for creating, accessing, updating, downloading, viewing and processing information and preparing reports from computer databases.

(260) AM 2018 96461 A

(800) 1388344

(151) 2017 12 05

(891) 2017 12 05

(731) APPLE INC.

One Apple Park Way, Cupertino CA 95014,
USA

(540)



(591) Black, white

(531) 05.07.13; 27.05.17; 27.07.17

(526) TV 4K

(511)

9 – Set top boxes; digital media streaming devices; computer hardware and software for use in searching, selecting, playing, streaming, and sharing television, movies, music, podcasts, computer games, images, and other audio, video, data, and multimedia content, and for use in searching, selecting, and using computer applications; remote controls for use with the all of the foregoing.

(260) AM 2018 96472 A

(800) 1388384

(151) 2017 09 16

(891) 2017 09 16

(731) NAVAL GROUP

40/42 rue du Docteur Finlay F-75015 Paris,
France

(540)



(591) Bleu 661C and red 185C

(531) 26.03.01; 26.03.05; 26.03.24; 27.05.08;
27.05.10; 27.05.17; 29.01.12

(511)

7 – Machine tools; motors and engines (other than for land vehicles); couplings and transmissions (except motors and engines for land vehicles); agricultural implements, egg incubators; motors and engines for water vehicles, components and parts of these motors and engines, autonomous energy generators for underwater propulsion; turbines for energy production; alternators for energy production; turbines for wind turbines; motors and engines for wind turbines; robots (machines); on-board helicopter handling assistance devices; airborne wind turbines,

wind turbines; underwater turbine generators; electricity production devices (blades, rotors of wind turbines).

9 – Apparatus and instruments for computer-assisted design of weapons systems or ships, for the use and control of ships, navigation instruments; electric systems and circuits for power generation and distribution for marine and submarine vehicles and naval weapon systems; sound, electronic and electromagnetic apparatus and instruments for naval systems; scientific (other than for medical use), nautical, surveying, photographic, cinematographic, optical, weighing, measuring, signaling, checking (supervision), life-saving and teaching apparatus and instruments; apparatus and instruments for conducting, switching, transforming, accumulating, regulating and controlling electricity; apparatus for non-medical analysis; apparatus and instruments for optronics, detection, data collection, classification, testing, recording, interpreting, signalling, simulation, reproduction, processing, transmission, visualization of sound and images; communication and telecommunication apparatus; magnetic recording media, optical or digital sound recording disks; calculators, consoles, computers, software or recorded computer programs, software packages, magnetic or computer interfaces, data media; magnetic data media; data processing devices (augmented reality devices), data processing apparatus or equipment, computer peripheral devices; electric batteries; simulation devices for naval field training; study and training simulators; electronic and computer devices for managing and controlling of torpedo launching; radar apparatus, sonars; electrical installations for the control of naval installations; cabins reproducing simulation environments, means for immersion (cabins, platforms, walkways), means for reproduction of all or part of premises with their functional, environmental, visual and dynamic aspects (cabin on motion); simulation software for the control of platforms, combat devices, navigation devices; software reproducing the movement of platforms and hardware environment; software for environment and equipment simulation used by surface vessels, submarines, nuclear reactors, naval aviation taking into account the physical phenomena relating to the environment (electromagnetic propagation, sound propagation, thermodynamics, restitution of visual and sound environments); tools (software) for modeling of equipment for controlling platform installations in the field of propulsion systems, electric stations, nuclear reactors, nuclear and civil installation safety; tools (software) for modeling navigation equipment; on-board dynamic control equipment for naval platforms; computer programs and software in the field of hydrodynamics, fluid mechanics, automated systems and optimization; devices for the automatic steering of marine crafts or vessels; dynamic positioning devices; vessel movement stabilization devices; automated systems for supervi-

sing vessel navigation; measurement or test benches in the laboratory or real life; energy converters activated by the movement of the sea, wind or water temperature; energy sensors; floating periscopes; electronic or electromechanical decoy devices (countermeasures) for defense use; computer or electronic devices (software) (equipment for data processing) for combat management and navigation control support; switches; sensors, namely devices and apparatus for capturing information; signal sensors; apparatus and instruments for encryption; computer devices (software) or electronic devices (equipment for data processing) for combat management or the planning of combat or navigation missions; air and marine navigation devices; electronic devices and software for combat management and control support.

11 – Submerged modules for producing nuclear energy (installations for processing nuclear fuel and moderators); transportable nuclear power plants (installations for processing nuclear fuel and moderators); equipment for producing nuclear or non-nuclear energy; modules for producing nuclear or non-nuclear energy.

12 – Vehicles, apparatus for locomotion by land, air or water; watercraft and underwater vehicles; towed devices for watercraft and underwater vehicles; supply vessels; drones for use on water, underwater or in the air; automated seaborne recovery devices for manned and unmanned vehicles.

13 – Firearms, ammunition and projectiles; explosives, fireworks; built-in combat devices for submarines generating and ensuring the use of weaponry such as missiles, torpedoes, mines; missile or torpedo launching modules; electronic sub-sets for management and control of modules for launching missiles or torpedoes or for firing ammunition; sub-sets for ammunition handling and reloading in modules; built-in combat devices for submarines; built-in combat devices for submarines managing and ensuring the use of weaponry such as missiles, torpedoes or mines; pyrotechnic devices for destruction, pyrotechnic devices for neutralization or decoy; self-powered naval aviation targets (decoys).

37 – Shipbuilding; naval base construction; repair and maintenance of vessels, submarines, combat systems, drones, underwater nuclear power production modules, wind turbines, underwater generators, equipment or modules for the production of nuclear or non-nuclear energy, electricity production systems; installation and commissioning of systems for combat, drones, underwater modules for nuclear energy production, wind turbines, underwater generators, equipment or modules for the production of nuclear or non-nuclear energy, electricity production systems; work supervision of combat systems; assembly and maintenance of combat systems, systems and components mounted onto vessels or platforms;

assembly and maintenance of vessels, submarines, underwater modules for producing nuclear energy, wind turbines, underwater generators, equipment or modules for the production of nuclear or non-nuclear energy, electricity production systems; installation, repair and maintenance of scientific, nautical apparatus and instruments, apparatus and instruments for conducting, distributing, transforming, accumulating, regulating and controlling electricity, underwater or non-underwater modules for producing nuclear or non-nuclear energy or transportable nuclear power plants; installation, maintenance and repair of systems carried on vessels and watercraft.

38 – Telecommunications; communication by computer terminals, on any type of network and via any technical procedures and means; communication by fiber-optic networks; provision of access to databases; provision of systems for communication between calculators, whether fixed or on-board (telecommunications); broadband data transmissions via radio relay, acoustic means or via satellite; transmission of digital files; rental of access time to a database server center.

41 – Education; training, training of personnel particularly as regards providing technical assistance; organization of practical personnel training on simulators and on-board systems; providing services for training and training of personnel (crew) using simulators, relating to the naval, nuclear, civil, naval aviation fields and in the energy field (training); individual and group training services, operational training for the operation and maintenance of nuclear, platform, combat and navigation installations, using simulators; organization of contests, competitions, games for education or entertainment purposes; organization and conducting of colloquiums, conferences or congresses; publishing services (including on-line electronic publishing services).

42 – Engineering works, such as research and development of new products (for third parties), research in the field of augmented reality as well as design and development of new products relating thereto (for third parties); technical advice and systems expertise, technical projects studies; ship design; naval architecture; scientific and technological services as well as research, design and development services relating in particular to the naval, nuclear, naval aviation and civilian fields, as well as relating to energy; industrial analysis and research services in the fields of scientific, nautical, electric, electronic, computer apparatus as well as in the naval, nuclear, civil, naval-air, augmented reality and energy fields; evaluations, assessments and research in the fields of science and technology provided by engineers; software design, development, installation, maintenance, updating or rental; design and development of computers; programming for computers, memory cards, electronic cards, data bases or networks;

conversion of computer programs and data (other than physical conversion); conversion of documents from a physical medium to an electronic medium; creation (design) and development of software in the fields of naval architecture and engineering, simulation software, software simulating the operation of nuclear installations, vessels, combat systems and energy production installations; maintenance services in connection with the operational condition of systems for personnel practice and training in the naval, nuclear, naval aviation, civilian and energy fields; creation (design), development, updating and maintenance of software for aerodynamics, hydrodynamics and improved multidisciplinary design; computer programming and use of databases in the field of hydrodynamics; expert appraisals in the fields of on-board measurements, the laws of control and digital simulation, docking and recovery of drones; inspection of naval or underwater structures.

(260) AM 2018 96475 A
 (800) 1042511
 (151) 2010 03 30
 (891) 2017 12 11
 (731) INDUSTRIAS BETER, S.A.
 Aribau, 200, 7. Planta, E-08036
 BARCELONA, Spain

(540)



(591) Black, white
 (531) 02.09.15; 26.04.14; 27.05.17
 (511)
 8 – Hand-operated tools and instruments; safety razors.

21 – Household or kitchen utensils and containers (not of precious metal or plated herewith); combs and sponges; brushes (excluding paintbrushes); brush-making materials.

(260) AM 2018 96482 A
 (800) 1231579
 (151) 2014 10 08
 (891) 2017 12 26
 (731) BERKO ILAC VE KIMYA SANAYI
 ANONIM SIRKETI
 Yenisehir Mah. Ozgur Sok. No. 16-18,
 Atasehir, Istanbul, Turkey

(540)

Butefin

(591) Black, white

(511)
 5 – Pharmaceutical and veterinary preparations for medical purposes; chemical preparations for medical purposes.

(260) AM 2018 96488 A
 (800) 1307749
 (151) 2016 06 27
 (891) 2018 01 19
 (731) PARFUMS CIRO GMBH
 Jaffestrasse 12, 21109 Hamburg, Germany

(540)

CIRO

(591) Black, white
 (511)
 3 – Toiletries; essential oils and aromatic extracts; cleaning and fragrancing preparations; soap; deodorant soap; perfumery; perfume; scented water; pot-pourris (fragrances); toilet water; room fragrances; air fragrancing preparations; fumigation preparations (perfumes); joss sticks; cosmetic creams; cosmetic preparations for skin care; shaving soap; after-shave lotions; shampoos.
 4 – Fuel and illuminants; fragranced candles; candles for lighting; perfumed candles; illuminating wax.
 5 – Hygienic preparations and articles; deodorants for clothing and textiles; air purifying preparations; air deodorizing preparations.

(260) AM 2018 96497 A
 (800) 1387700
 (151) 2017 11 08
 (891) 2017 11 08
 (731) RICHTER GEDEON NYRT.
 Gyömrői út 19-21, H-1103 Budapest, Hungary

(540)

LINDALGIN

(591) Black, white
 (511)
 5 – Pharmaceutical preparations.

(260) AM 2018 96498 A
 (800) 1387701
 (151) 2018 11 14
 (891) 2017 11 14
 (731) RICHTER GEDEON NYRT.
 34, chemin des Colombettes, P.O. Box 18,
 CH-1211 Geneva, Hungary

(540)

ГЕЛЛИОЛ

(591) Black, white
 (511)
 5 – Pharmaceutical preparations.

(260) AM 2018 96499 A
 (800) 1387705
 (151) 2017 11 14
 (891) 2017 11 14
 (731) RICHTER GEDEON NYRT.
 Gyömrői út 19-21, H-1103 Budapest, Hungary
 (540)

СИНЕЛЛА

(591) Black, white
 (511)
 5 – Pharmaceutical preparations.

(260) AM 2018 96500 A
 (800) 1387724
 (151) 2017 07 20
 (891) 2017 07 20
 (731) SOCIALSHARKS S.R.O.
 Kaprova 42/14, CZ-110 00 Praha, Czech
 Republic
 (540)

Socialsharks

(591) Black, white
 (511)
 35 – Advertising, marketing and promotional services; on-line advertising on a computer network; online advertising; promotion [advertising] of business; advertising; advertising and marketing; promotion, advertising and marketing of on-line websites; advertising, including on-line advertising on a computer network; advertising via electronic media and specifically the internet; providing business information in the field of social media; providing marketing consulting in the field of social media; promotional marketing; marketing; trade show and exhibition services (terms considered too vague by the International Bureau – rule 13.2.b) of the Common Regulations); layout services for advertising purposes; preparation and realization of media and advertising plans and concepts; public relations services; public relations consultancy; compilation of advertisements for use as web pages on the internet.

(260) AM 2018 96502 A
 (800) 1387751
 (151) 2017 09 12
 (891) 2017 09 12
 (731) Limited Liability Company "FAMILY STOCKS"
 ul. Petukhova, 47, korp. 03 RU-630088
 Novosibirsk, Russian Federation
 (540)

СЕМЕЙНЫЕ ЗАКРОМА

(591) Black, white
 (531) 28.05
 (511)
 30 – Vermicelli; pasta; hominy grits; groats for human food; meal; rice; sugar.

(260) AM 2018 96503 A
 (800) 1387766
 (151) 2018 11 20
 (891) 2017 11 20
 (731) SHANDONG JINKELI POWER SOURCES
 TECHNOLOGY CO., LTD.
 No.8. Shengchuan Road, Malianshan, Zichuan
 Economic Development Zone, Zibo City
 255130 Shandong Province, China
 (540)

金科力
JINKELI

(591) Black, white
 (531) 27.05.17; 28.03
 (511)
 1 – Tensio-active agents; surface tension active preparation; expander agent for battery plate; barium sulphate; boric acid for industrial purposes.

(260) AM 2018 96539 A
 (800) 1388481
 (151) 2017 12 20
 (891) 2017 12 20
 (731) CHINA EASTERN AIR HOLDING
 COMPANY
 No.2550 Hongqiao Road, Changning District
 Shanghai, China
 (540)



(591) Black, white
 (531) 03.07.13; 26.13.25
 (511)
 39 – Freightling; transport; passenger transport; transport of travellers; transport brokerage; transport reservation; transportation logistics; packaging of goods; boat transport; car transport; railway transport; air transport; aircraft rental; car rental; storage of goods; rental of warehouses; parcel delivery; courier services [messages or merchandise]; escorting of travellers; transport services for sightseeing tours; booking of seats for.

(260) AM 2018 96546 A

(800) 1388557

(151) 2017 08 21

(891) 2017 08 21

(731) LES LABORATOIRES SERVIER

50 rue Carnot, F-92284 Suresnes Cedex,
France

(540)

SERVIER

(591) Black, white

(531) 27.05.01; 27.05.17

(511)

3 – Bleaching preparations and other substances for laundry use; cleaning, polishing, degreasing and abrasive preparations; soaps; perfumery, essential oils, cosmetics, hair lotions; dentifrices.

5 – Pharmaceutical products, medical and veterinary preparations; sanitary products for medical purposes; dietetic food and substances for medical or veterinary use, food for babies; food supplements for humans and animals; plasters, materials for dressings; material for dental fillings and dental impressions; disinfectants; products for destroying vermin; fungicides, herbicides; natural remedies, natural health-products; probiotic supplements; probiotic preparations for medical use; dietary fibers; stem cells; pharmaceutical products for regenerative medicine; enzymes for medical and veterinary use; phytotherapy preparations for medical use; patches for pharmaceutical use.

9 – Scientific, optical, weighing, measuring, signaling, checking (supervision), life-saving and teaching apparatus and instruments; apparatus and instruments for conducting, switching, transforming, accumulating, regulating or controlling electricity; sound or image recording, transmission, reproduction apparatus; magnetic recording media; sound recording disks; digital recording media; data and information processing apparatus and equipment; software; computer programs; computers; data processing equipment; software recorded on magnetic media or downloaded from a remote computer network; downloadable computer software applications; telecommunications equipment for use with mobile networks; computer software for controlling physiological data; software for analysis, storage and monitoring of physiological data, including predictive medicine, diagnostic, monitoring and warning software; personal digital assistant; transmitters of electronic signals; connected bracelets (measuring instruments); connected scales; smartwatches; video cameras; electronic sensors; software for medical, surgical, dental or veterinary use; predictive medicine software; medical imaging software; downloadable applications for mobile devices; artificial intelligence apparatus; spectacles; contact lenses; smart glasses; in-ear headphones; downloadable telemedicine

applications for mobile devices; augmented reality software; virtual reality software; medical image analysis systems based on artificial intelligence; electronic chips; smart helmets.

10 – Medical, surgical, dental and veterinary apparatus, instruments and equipments, artificial limbs, organs, eyes and teeth; orthopedic articles; suture material; compression stockings, tights and socks; stockings, tights and socks for varicose veins; bandages for compression dressing; medical apparatus, instruments and equipments for the introduction of pharmaceutical preparations into the human body; perfusion devices and syringes for medical use; diagnostic tools and instruments for medical use; blood analysis apparatus for medical use; endoscopy medical apparatus; inhalers; physiological measuring and monitoring apparatus for medical use; telemetry apparatus for medical use; acupuncture equipment; hearing aids; automatic analyzers for medical use; medical imaging apparatus; massage apparatus.

42 – Scientific and technological services as well as research and design services relating thereto; industrial analysis and research services; scientific research services for medical purposes; design and development of computer hardware and software; research, design and development of tools for monitoring, diagnosis, prediction, analysis; clinical trials; scientific laboratory services; evaluation, technical and scientific project studies; cloud computing; rental of computer software; updating of software; programming for computers; research and development of new products for others; electronic data storage; web hosting platforms, hosting of web portals, temporary providing of non-downloadable software applications accessible via a website; web site design services on the Internet, in particular collaborative platforms; engineering services relating to robotics; software development for patients.

44 – Medical services; veterinary services; hygienic and beauty care for human beings or animals; health counseling services; pharmacy advice; health services; telemedicine services; therapeutic services; medical diagnosis services; home care services; individualized medical prescription services; online medical prescription services; providing support in the monitoring of patients receiving medical treatment; advice relating to home medical treatment; advice relating to self-medication; provision of medical information to patients; remote medical examination services; advice related to personal well-being [health]; medical monitoring of patients including remote monitoring.

(260) AM 2018 96577 A

(800) 1389179

(151) 2017 12 11

(891) 2017 12 11

(731) BIONORICA SE
Kerschensteinerstrasse 11-15 92318
Neumarkt, Germany

(540)



(591) Black, white

(531) 05.03.14; 19.11.07; 25.05.25; 26.01.15;
26.01.16; 26.02.03

(511)

5 – Pharmaceutical products; medicines; medicinal preparations; veterinary preparations; dietary supplements for human beings; dietary supplements for animals.

16 – Paper; cardboard; printed matter; photographs.

(260) AM 2018 96578 A

(800) 1389180

(151) 2017 12 11

(891) 2017 12 11

(731) BIONORICA SE

Kerschensteinerstrasse 11-15 92318
Neumarkt, Germany

(540)



(591) Black, white

(531) 05.03.13; 05.03.14; 19.11.07; 25.05.05;
25.05.25; 26.01.15; 26.01.16; 26.02.03

(511)

5 – Pharmaceutical products; medicines; medicinal preparations; veterinary preparations; dietary supplements for human beings; dietary supplements for animals.

16 – Paper; cardboard; printed matter; photographs.

(260) AM 2018 96579 A

(800) 1389181

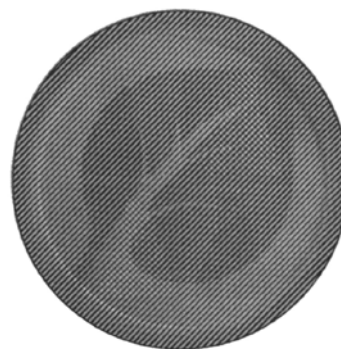
(151) 2017 12 11

(891) 2017 12 11

(731) BIONORICA SE

Kerschensteinerstrasse 11-15 92318
Neumarkt, Germany

(540)



(591) Black, white

(531) 05.03.13; 05.03.14; 26.01.01; 26.01.15

(511)

5 – Pharmaceutical products; medicines; medicinal preparations; veterinary preparations; dietary supplements for human beings; dietary supplements for animals.

16 – Paper; cardboard; printed matter; photographs.

(260) AM 2018 96605 A

(800) 427722

(151) 1977 02 07

(891) 2018 01 30

(731) LES LABORATOIRES ASEPTA, société
anonyme monégasque

1-3, avenue Albert II, "La Ruche" MC-98000
MONACO, Monaco

(540)



(591) Black, white

(531) 26.11.11; 27.05.01; 27.05.10; 27.05.17

(511)

3 – Perfumery products, beauty products, creams, lotions for body, face and hand care and beauty care, cosmetics; essential oils.

(260) AM 2018 96620 A

(800) 1362468

(151) 2017 03 09

(891) 2018 01 26

(731) DESARROLLO INTEGRAL DEL MOLDE,
S.L.

Pol. Ind. Comarca, 1. Calle D, parcela H5,
E-31013 PAMPLONA (Navarra), Spain

(540)



(591) Black, white

(531) 03.07.16; 03.07.24; 26.01.15; 26.01.18;
27.05.01

(511)

25 – Footwear except orthopedic footwear; footwear soles; heels.

(260) AM 2018 96621 A

(800) 1388714

(151) 2017 12 01

(891) 2017 12 01

(731) APPLE INC.

One Apple Park Way, Cupertino CA 95014,
USA

(540)



(591) The color(s) silver, white, purple, pink, blue, and green is/are claimed as a feature of the mark

(531) 01.15.09; 26.01.16; 26.13.25; 29.01.15

(511)

9 – Computers; computer hardware; handheld computers; smart phones; wireless communication devices for the transmission of voice, data, images, audio, video, and multimedia content; network communication apparatus, namely, communications software for connecting global computer networks; handheld digital electronic devices capable of providing access to the Internet and for the sending, receiving, and storing telephone calls, electronic mail, and other digital data; wearable digital electronic devices capable of providing access to the Internet, for sending, receiving and storing of telephone calls, electronic mail, and other digital data; smart watches; home automation hubs in the nature of an electronic voice command and recognition and remote control devices for controlling and monitoring consumer electronics devices, lighting, appliances, thermostats, heating and air conditioning systems, alarm and home security and surveillance systems, smoke and carbon monoxide detectors, door and window locks

and latches, and home automation systems; computer software for setting up, configuring, operating or controlling computers, mobile devices, mobile telephones, wearable computer hardware, computer peripherals, and audio and video players; computer game software; telephone-based information retrieval software; voice recording and voice recognition apparatus; computer software for personal information management; voice recognition software; speech to text conversion software; voice-enabled software applications; computer software used to process voice commands, and create audio responses to voice commands; computer software for dictation; computer software for scheduling appointments, reminders, and events on an electronic calendar; computer software for storing, organizing, and accessing phone numbers, addresses, and other personal contact information; computer software for global positioning and for providing travel directions; computer software for enabling hands-free use of mobile digital electronic devices, wearable digital devices, and other consumer electronics through voice recognition; computer software for making travel arrangements; computer software for making reservations at hotels and restaurants; microphones; set top boxes; remote controls for controlling computers, mobile telephones, mobile electronic devices, wearable electronic devices, smart watches, smart glasses, audio and video players and recorders, televisions, speakers, amplifiers, home theatre systems, home automation hubs, and entertainment systems; computer software for travel and tourism, travel planning, navigation, travel route planning, geographic, destination, transportation and traffic information, driving and walking directions, customized mapping of locations, street atlas information, electronic map display, and destination information; computer software for creating, authoring, distributing, downloading, transmitting, receiving, playing, editing, extracting, encoding, decoding, displaying, storing and organizing text, data, graphics, images, audio, video, and other multimedia content, electronic publications, and electronic games; computer software for use in recording, organizing, transmitting, manipulating, and reviewing text, data, audio files, video files and electronic games in connection with computers, televisions, television set-top boxes, audio players, video players, media players, telephones, and handheld digital electronic devices; computer software to enable users to program and distribute text, data, graphics, images, audio, video, and other multimedia content via global communication networks and other computer, electronic and communications networks; computer software for identifying, locating, grouping, distributing, and managing data and links between computer servers and users connected to global communication networks and other computer, electronic and communications networks.

(260) AM 2018 96629 A
 (800) 1388810
 (151) 2017 11 10
 (891) 2017 11 10
 (731) The Concentrate Manufacturing Company of
 Ireland
 Swan Building, 3th Floor, 26 Victoria Street,
 Hamilton HM12 (BM), Bermuda

(540)

STUBBORN

(591) Black, white
 (531) 27.05.01
 (511)
 32 – Aperitifs, non-alcoholic; soda water; aerated
 water; waters [beverages]; table waters; cocktails,
 non-alcoholic; lemonades; non-alcoholic beverages;
 non-alcoholic fruit juice beverages; energy drinks;
 syrups for beverages; preparations for making bever-
 ages.

(260) AM 2018 96640 A
 (800) 1389177
 (151) 2017 12 11
 (891) 2017 12 11
 (731) BIONORICA SE
 Kerschensteinerstrasse 11-15, 92318
 Neumarkt, Germany

(540)



(531) 05.03.13; 05.03.14; 26.01.15
 (511)
 5 – Pharmaceutical products; medicines; medicinal
 preparations; veterinary preparations; dietary sup-
 plements for human beings; dietary supplements for
 animals.

16 – Paper; cardboard; printed matter; photographs.

(260) AM 2018 96654 A
 (800) 1390200
 (151) 2017 10 25
 (891) 2017 10 25
 (731) Obschestvo s ogranichennoy
 otvetstvennostyu "PERVAK"
 pom. 7N, d. 20, ul. Shornaya 220004 Minsk,
 Belarus

(540)

ТЫСЯЧА ОЗЕР

(591) Black and white
 (511)
 32 – Mineral and aerated waters and other non-alco-
 holic beverages; fruit beverages and fruit juices;
 syrups and other preparations for making beverages;
 waters [beverages].

(260) AM 2018 96662 A
 (800) 1390360
 (151) 2017 09 15
 (891) 2017 09 15
 (731) DENISOVA DARINA BORISOVNA
 1-st Dubrovskaya, 1, build.1, flat 44
 RU-109044 Moscow, Russian Federation

(540)

OLIMP

(591) Black and white
 (511)
 41 – Gambling services; providing recreation facili-
 ties; organization of lotteries; providing amusement
 arcade services; entertainment services; providing
 casino facilities [gambling]; providing on-line enter-
 tainment in the nature of game tournaments, fantasy
 sports leagues and game shows; organization of ga-
 mes and competitions; arranging of games and
 competitions via the Internet; organization and pro-
 vision of games and competitions via the Internet;
 entertainment club services.

(260) AM 2018 96669 A
 (800) 1390491
 (151) 2017 08 02
 (891) 2017 08 02
 (731) INTERWOOD VIETNAM COMPANY LIMITED
 Uyen Hung Ward, Tan Uyen Town Binh
 Duong Province, Viet Nam

(540)



INTERWOOD

(591) Dark blue and light blue
 (531) 26.01.18; 27.05.01; 27.05.13; 27.05.22;
 29.01.04; 29.01.12
 (511)
 20 – Wooden furniture, including wooden furniture
 used indoors, wooden furniture used in offices, wo-
 oden furniture fittings, wooden works of art, and
 wooden things for decoration.

35 – Retail or wholesale services for wooden furni-
 ture.

(260) AM 2018 96670 A
 (800) 1390566
 (151) 2017 12 12
 (891) 2017 12 12
 (731) APPLE INC.

One Apple Park Way, Cupertino CA 95014,
 USA

(540)



(591) Pink, blue, gray, white, orange, red and green
 (531) 24.01.03; 24.01.15; 24.11.25; 24.15.01;
 24.15.21; 26.04.04; 26.04.12; 26.11.06;
 26.11.07; 26.11.09; 26.11.12; 27.07.25;
 29.01.15

(526) 280

(511)

9 – Computer software for use in searching, transmitting, storing, accessing, finding, organizing and viewing geographic locations, and for providing traffic information, travel route planning, driving and walking directions, customized mapping of locations, electronic map display, and destination information.

(260) AM 2018 96672 A
 (800) 1390570
 (151) 2017 12 13
 (891) 2017 12 13
 (731) APPLE INC.

One Apple Park Way, Cupertino CA 95014,
 USA

(540)



(591) Green, yellow, orange, red, violet and blue.
 The mark consists of the design of an apple with a bite removed, with a detached leaf in green, and the apple divided into horizontal colored segments of the following colors (from top to bottom): green, yellow, orange, red, violet and blue

(531) 05.07.13; 29.01.15

(511)

25 – Clothing; headgear, namely, hats and caps.

(260) AM 2018 96673 A

(800) 1390589

(151) 2017 08 17

(891) 2017 08 17

(731) KNECHT MASCHINENBAU GMBH

Witschwender Straße 26, 88368 Bergatreute,
 Germany

(540)

KNECHT

(591) Black, white

(511)

7 – Clamping devices and cutter heads for meat bowl cutters; stropping machines; moulding machines and portioning machines for square raw sausage and boiled sausage.

9 – Computer programs and software for controlling blade sharpening (stropping) machines.

37 – Sharpening of cutting tools (hand tools) for producing foodstuffs.

(260) AM 2018 96674 A

(800) 1390591

(151) 2017 07 22

(891) 2017 07 22

(731) PATENT ATTORNEY DIPL.-ING. RUDI
 BEYER

Am Dickelsbach 8, 40883 Ratingen, Germany;
 DKV EURO SERVICE GmbH + Co. KG
 Balcke-Dürr-Allee 3, 40882 Ratingen,
 Germany

(540)

DKV Box Europe

(591) Black, white

(511)

9 – Computer programs (recorded or downloadable) for commanding a system for the transportation of goods, freight logistics as well as vehicle management; magnetic cards, magnetic identification cards, memory cards and microprocessor cards; electronic global positioning systems; customized housings for electronic devices, apparatus and instruments for geolocation and position recognition or for recognition of passages; electronic satellite geolocation apparatus and instruments, known as GPS or GPS-GPRS; telematic (electronic data transmission) and GPS vehicle locating systems for the localisation of vehicles in real time and for the transmission of data of vehicle use and vehicle handling; non-voice telecommunication apparatuses and instruments for the transmission of data over short distances between road systems and mobile units; data cards for third

generation cellular telephone networks; GSM (Global System for Mobile Communication) data cards, data cards compatible with the broadband wireless telephone standard GPRS (General Packet Radio Services); apparatus for recording, transmission and reproduction of sound and images; computer software and software for traffic management on roads and motorways, for the toll management and for the creation of road itineraries/routes; computer software; measuring, detecting and monitoring instruments and apparatuses; acceleration sensors for the measurement of the speed-up behaviour and braking characteristics, also independently of the geolocation; electronic transmitters and receivers (On-Board-Units) for the use on toll roads; electric, photographic, optical, cinematographic, weighing, measuring, signalling and checking (supervision) apparatus and instruments, in particular radio and communication technology apparatuses, telecommunication apparatuses as well as apparatuses for navigation, position-finding and tracking; transmitters, transceivers, receivers, antennas, sensors, control and checking (supervision) apparatuses; data processing apparatuses and computer; communication apparatuses, machine-readable data carriers recorded with programs; parts for all the aforesaid goods and/or, apparatus made from these goods and/or parts thereof (as far as included in class 9).

12 – Vehicle parts, parts and accessories for vehicles as far as not included in other classes.

35 – Invoicing services relating to border clearance fees (office functions); computer-based preparation of invoices of freight and freight brokerage costs (office functions); border clearance and ferry services, namely procurement of contracts for others for the assignment of access authorizations for toll lanes and tunnels through the negotiation of contracts for others on the purchase and sale of vignettes and the input of data in data processing equipment (office functions); computer-based preparation of invoices for tunnel fees (office functions); computer-based preparation of invoices for repair services (office functions); computer-based preparation of invoices for fuels (office functions); processing of foreign mineral oil tax refunds (office functions); business management; business administration; office functions; auditing; book-keeping; advertising; recording of personal and vehicle-related data (office functions); computer-based statistical analysis and reporting of vehicle master data, of tank data invoices, of motor vehicle costs and revenues; computer-based order planning including the systematic update of data in computer databases for the organisational and business planning of the availability of motor vehicles and orders as well as the coordination and update of order administration in computer data banks; updating and maintenance of data in computer databases relating to addresses; vehicle fleet management, na-

mely organisational vehicle fleet management; consumer information, namely information and consultancy for consumers related to matters of cashless in-transit supply in the commercial transport of goods and persons; compilation and systemization of information into computer databases and mail sorting, handling and receiving [office functions]; advertising in the field of toll collection and transport infrastructure; telephone order taking services for others; customer invoicing for others.

36 – Issue of service cards with payment function to industrial freight and passenger transport businesses for the cashless in-transit supply for trucks, busses and their drivers; computer based settlement of financial transactions/deals; conducting cashless payment transactions for nationally and internationally operating industrial freight and commercial passenger transport and commercial vehicle fleets of passenger vehicles and/or lorries in the transport sector namely bill payment services (within the scope of conducting cashless payment transactions) based mainly on customer-oriented and developed software programs, electronic bill payment services (within the scope of conducting cashless payment transactions) of invoices and check processing and electronic payment services involving electronic processing and subsequent transmission of bill payment data and tax payment processing services; electronic handling of payment services concerning foreign value-added tax refunds; conducting cashless payment transactions in the field of payment of road toll fees and other road fees; debt collection; handling electronic payment transactions; charge card payment processing; financial affairs; customs clearance services for others; border clearance and ferry services, namely providing access entitlement to toll roads and tunnels (customs clearance for others); collecting utilization fees by issuing vignettes; issue of vignettes; preparation of financial damage reports.

37 – Repair of motor vehicles; services provided by a service station and its convenience store and service area, namely cleaning of motor vehicles, repair of motor vehicles; breakdown assistance, namely repair of motor vehicles on site and at motor vehicle repair shops; rental services, namely rental of motor vehicles for the construction sector as well as for further specialist vehicles; maintenance of motor vehicles; repair of tyres and motor vehicle cooling systems; maintenance of tyres and motor vehicle cooling systems; installation of toll logging and toll billing equipment; maintenance of toll logging and toll billing equipment; installation and maintenance of units equipped with a geolocalization, position recognition or passage recognition system; installation and maintenance of electronic satellite geolocalization apparatus and instruments, known as GPS or GPS-GPRS; installation and maintenance of telematic (electronic data transmission) and GPS-vehicle

locating systems for the localisation of vehicles in real time and for the transmission of data of vehicle use and vehicle handling; installation and maintenance of non-voice telecommunication apparatus and instruments for the transmission of data over short distances between road systems and mobile units; installation and maintenance of apparatus for recording, transmission and reproduction of sound and images; installation and maintenance of electronic transmitters and receivers (On-Board-Units) for the use on toll roads; installation, repair and maintenance of telecommunications equipment, of radio and communications technology apparatus as well as of apparatus for navigation, position-finding and positioning, of transmitters, transceivers, receivers, antennas, sensors, control and checking (supervision) apparatus.

38 – Telecommunications (telecommunications services) including radio services, namely radio guidance of motor vehicles in industrial trucking; providing of access to and transmission of messages, data and information on the Internet; provision of mobile communications services; provision of multilingual breakdown assistance services, namely providing access to technical know-how of motor vehicle specialists via the Internet; telecommunication services for nationally and internationally operating industrial freight and commercial passenger transport services, namely the transmission of information on road conditions, the traffic situation, the location of service stations, the location of vehicles, technical vehicle matters, the price of fuel at home and abroad indicated in the Internet by radio services; transmission of information via computer servers, freely accessible electronic data transmission services; transmission and exchange of information via multimedia carriers; telecommunication services regarding geolocation; providing access to a worldwide computer network; providing telecommunication connections to a worldwide computer network; installation of notification functions and delivery of automated reports, namely e-mail services; rental of message sending apparatus and on-board-units; consultation and advice in the field of telecommunications, in particular of geolocation installations in connection with traffic conditions on roads and motorways and related to on-board units; telecommunications services for the remote access to on-board-units for updating and/or uprating of personalization data.

39 – Breakdown assistance, namely vehicle towing and rescue services; accident services, namely organizing replacement vehicles and tow vehicles as well as towing services; rental services, namely rental of busses, motor vehicles for the freight-forwarding sector; transport of motor vehicles by rail; intermodal transportation, namely railway transport services and transport of complete trucks or semi-trailers by rail; packaging of goods; storage of goods; transport;

packaging and storage of goods; arranging of travel tours; transshipment of transport goods; information services for the nationally and internationally operating industrial freight and commercial passenger transport, namely providing information via the Internet, via radio and printed matters on road conditions, the traffic situation, the location of service stations, the location of vehicles, technical vehicle data; tracking of broken-down vehicles by computers through computer-aided map systems; radio-controlled traffic routing, namely fleet control of vehicles using electronic navigating apparatus as well as radio services; information services relating to prices of fuel at home and abroad; transport, in particular freight forwarding (except the customs clearance of goods); provision of city, travel and traffic information; delivery of products offered by teleshopping channels for others; booking of seats for travel; search services related to parking space (providing of information on the availability and the location/position of parking places, notification/displaying of free parking places via electronic navigation and positioning apparatus).

41 – Provision of multilingual breakdown assistance services, namely interpreting services; reservation of entrance tickets.

42 – Installation and maintenance of software for toll registration and toll invoicing devices as well as for systems for geolocation and position recognition or recognition of passages, for electronic satellite geotracking apparatus and instruments, for transmitters and receivers (On-Board-Units); computer database design, namely maintenance and updating of database software; computerized data storage; rental of computers; developing telecommunications systems; technical consultancy relating to the installation and maintenance of computer software; technical development of magnetic and chip cards and other computer-aided verifications; electronic data storage; design and creation of internet sites and homepages; drawing up of technical damage reports; research services and drawing up of technical reports relating to nationally and internationally operating industrial freight and commercial passenger transport, namely drawing up and technical evaluation of reports and statistics relating to the localisation of vehicles in real time and relating to data of vehicle use and vehicle handling (for example travel time, speed, speed-up) as well as comparison and evaluation of the geolocations of vehicles using the geolocations of the maps used; creating software for the remote access to on-board-units for updating and/or uprating of personalization data, for updating the software version of the operating system of on-board-units and for updating maps or other data being relevant for toll collection purposes.

43 – Hotel reservation services.

45 – Legal representation in tax affairs; consultancy and legal services in the field of privacy and security laws, regulations, and requirements; consultancy and advice on legal issues relating to road traffic safety.

(260) AM 2018 96702 A

(800) 1389736

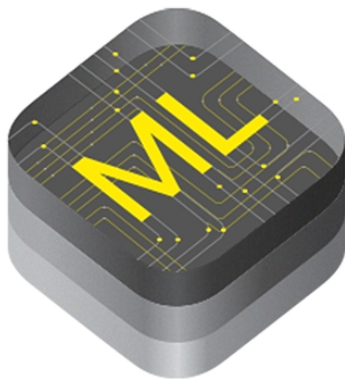
(151) 2017 12 07

(891) 2017 12 07

(731) APPLE INC.

One Apple Park Way, Cupertino CA 95014, USA

(540)



(591) The color(s) black, yellow, and gray is/are claimed as a feature of the mark.

(531) 26.04.04; 26.04.09; 26.11.11; 26.11.25; 27.05.24; 29.01.12

(526) "ML"

(511)

9 – Computer software used in developing other software applications; application development software.

(260) AM 2018 96713 A

(800) 1389824

(151) 2017 11 27

(891) 2017 11 27

(731) XINJIANG LIMAX INTERNATIONAL

TRADE Co., LTD.

1201-1209, 12/F, Building 1, Kashgar Hotel, Xinjiang Shoes Mall, 421 Qiantangjiang Road, Saybagh District, Urumqi the Xinjiang Uygur Autonomous Region, China

(540)



(591) Black, white

(531) 26.04.03; 26.04.09; 26.04.24

(511)

25 – Clothing; underwear; children's clothing; swim-suits; waterproof clothing; costumes; footwear; fitting of metal for footwear; soles for footwear; hats; hosiery; gloves [clothing]; neckties; scarfs; belts [clothing]; leather belt [clothing]; wedding dresses.

(260) AM 2018 96719 A

(800) 1389935

(151) 2018 01 12

(891) 2018 01 12

(731) NOVARTIS AG

CH-4002 Basel, Switzerland

(540)

VIVITY

(591) Black, white

(511)

10 – Intra-ocular lenses.

(260) AM 2018 96741 A

(800) 1390771

(151) 2017 08 16

(891) 2017 08 16

(731) MP FILTRI S.P.A.

Via I° Maggio, 3 I-20060 PESSANO CON BORNAGO (MI), Italy

(540)



(591) Blue and yellow

(531) 01.15.15; 26.01.05; 27.05.01; 27.05.02; 29.01.13

(511)

7 – Couplings for machines; cartridges for filtering machines; oil filters; oil filters for motors and engines; air cleaners [parts of engines]; air filters for automobile engines; fuel filters; filters [parts of machines or engines]; filters for cleaning cooling air, for engines; filters for motors and engines; shaft couplings [machines]; couplings, other than for land vehicles; machine couplings and transmission components, except for land vehicles; joints [parts of engines]; universal joints [Cardan joints]; machine couplings; clutches and apparatus for power transmission, other than for land vehicles; clutches for machines; hydraulic machines and apparatus; machines and apparatus for the textile industry; pneumatic machines and apparatus; hydraulic machines; filtering machines; transmissions, other than for land vehicles; transmissions for machines; air filters be-

ing parts of engines or motors; control mechanisms for machines, engines or motors; pumps [parts of machines, engines or motors]; hydraulic controls for machines, motors and engines; pneumatic controls for machines, motors and engines; engine mounts, other than for land vehicles; filters for hydraulic machines, moveable or stationary; oil filters for mechanical purposes; oil filter adapters; air filters for mechanical purposes; membrane filters for use as parts of machines; filtering elements for fuel filters; air filters for motorcycle engines; air filters for gear units; fuel filters for vehicle engines; shock absorbers for machines; shock absorber bars; shaft couplings for machines.

9 – High-frequency apparatus; electrical and electronic control apparatus and instruments; laboratory apparatus and instruments; data communication apparatus and instruments; apparatus and instruments for recording, transmission or reproduction of sound, data or images; apparatus and instruments for transferring, receiving and storing sound, images and data, both in digital and analog form; scientific, optical, measuring, signalling and checking apparatus and instruments; apparatus for monitoring and recording the performance of machinery; encoding and decoding apparatus; precision measuring apparatus; electrical control, measuring, testing and monitoring apparatus; gauges; vehicle dipsticks; counters; contacts, electric; optical frequency metrology devices; level indicators; pressure indicators; measuring and testing machines and instruments; measuring apparatus; pressure measuring apparatus; luminous flux meters; sensors [measurement apparatus], other than for medical use; level sensors; liquid level sensors; oil level sensors; pressure sensors; application software; industrial process control software; pressure indicator plugs for valves; electronic display units; visual display units; downloadable computer software for remote monitoring and analysis; water filter controllers; electronic components in the nature of capacitors, connectors, filters, relays, switches, transformers, resistors, semiconductors, integrated circuits.

12 – Couplings for land vehicles; engine mounts for land vehicles; hydraulic circuits for vehicles; universal joints for land vehicles.

(260) AM 2018 96743 A

(800) 1390780

(151) 2017 11 07

(891) 2017 11 07

(731) LARKPARK SERVICES INC.

Trident Trust Company (B.V.I.), Trident Chambers, P.O. Box 146, Road Town Tortola, Virgin Islands (British)

(540)

Tinkoff / Тинькофф

(591) Black and white

(511)

9 – Readers [data processing equipment]; downloadable ring tones for mobile phones; downloadable image files; downloadable music files; chips [integrated circuits].

35 – Arranging subscriptions to telecommunication services for others; import-export agency services; commercial information agency services; advertising agency services; cost price analysis; rental of advertising space; account auditing; employment agency services; computerized file management; book-keeping; invoicing; business efficiency expert services; demonstration of goods; transcription of communications; opinion polling; market studies; business information; commercial information and advice for consumers [consumer advice shop]; business investigations; business research; marketing research; personnel recruitment; business management and organization consultancy; business management consultancy; business management consultancy; professional business consultancy; layout services for advertising purposes; marketing; business management of performing artists; business management of sports people; news clipping services; updating of advertising material; word processing; organization of exhibitions for commercial or advertising purposes; arranging newspaper subscriptions for others; organization of fashion shows for promotional purposes; organization of trade fairs for commercial or advertising purposes; shop window dressing; business appraisals; payroll preparation; data search in computer files for others; sponsorship search; business management assistance; commercial or industrial management assistance; presentation of goods on communication media, for retail purposes; economic forecasting; auctioneering; sales promotion for others; production of advertising films; office machines and equipment rental; rental of advertising time on communication media; publicity material rental; rental of vending machines; rental of photocopying machines; publication of publicity texts; radio advertising; billposting; distribution of samples; dissemination of advertising matter; direct mail advertising; writing of publicity texts; advertising; on-line advertising on a computer network; advertising by mail order; television advertising; document reproduction; compilation of statistics; compilation of information into computer databases; business inquiries; systemization of information into computer databases; advisory services for business management; tax preparation; drawing up of statements of accounts; telemarketing services; psychological testing for the selection of personnel; business management of hotels; commercial administration of the licensing of the goods and services of others; administrative processing of purchase orders; public relations; modelling for advertising or sales promotion; typing; relocation

services for businesses; price comparison services; secretarial services; procurement services for others [purchasing goods and services for other businesses]; shorthand; outsourcing services [business assistance]; telephone answering for unavailable subscribers; photocopying services.

36 – Credit bureau services; debt collection agency services; real estate agency services; financial analysis; rental of apartments; rental of real estate; rental of offices [real estate]; rental of farms; lease-purchase financing; savings bank services; accommodation bureau services [apartments]; rent collection; issuance of travelers' checks; issuance of credit cards; issuance of tokens of value; capital investment; insurance information; financial information; clearing, financial; insurance consultancy; financial consultancy; stock exchange quotations; lending against security; business liquidation services, financial; brokerage; financial management; exchanging money; online banking; processing of debit card payments; processing of credit card payments; factoring; organization of collections; antique appraisal; jewellery [jewelry (Am.)] appraisal; financial evaluation of standing timber; stamp appraisal; real estate appraisal; numismatic appraisal; art appraisal; financial evaluation of wool; financial evaluation services for insurance purposes; health insurance underwriting; accident insurance underwriting; marine insurance underwriting; fire insurance underwriting; apartment house management; real estate management; actuarial services; banking; retirement payment services; trusteeship; provident fund services; financial customs brokerage services; mutual funds; financing services; safe deposit services; deposits of valuables; fiscal valuation.

38 – News agency services; wireless broadcasting; television broadcasting; cable television broadcasting; electronic bulletin board services [telecommunications services]; information about telecommunication; providing user access to global computer networks; providing access to databases; providing internet chatrooms; providing telecommunications connections to a global computer network; providing telecommunication channels for teleshopping services; video-on-demand transmission; transmission of greeting cards online; message sending; computer aided transmission of messages and images; transmission of digital files; electronic mail; providing online forums; videoconferencing services; rental of access time to global computer networks; radio broadcasting; radio communications; transmission of electronic mail; communications by fiber optic networks; communications by cellular phones; communications by computer terminals; satellite transmission; communications by telephone; paging services [radio, telephone or other means of electronic communication]; teleconferencing services; voice mail services; telecommunications routing and junction services; streaming of data; telephone services.

(260) AM 2018 96744 A

(800) 1390782

(151) 2017 10 18

(891) 2017 10 18

(731) Товариство з обмеженою відповідальністю "DELTA MEDICAL"
vul. Chornovola, 43 m. Vyshneve Kyievo-Sviatohynskiyi r-n Kyivska obl. 08132,
Ukraine

(540)

DEFLU

(591) Black and white

(531) 27.05.17

(511)

3 – Adhesives for cosmetic purposes; after-shave lotions; air fragrancing preparations; almond oil; almond soap; almond milk for cosmetic purposes; aloe vera preparations for cosmetic purposes; amber [perfume]; antistatic preparations for household purposes; astringents for cosmetic purposes; badian essence; balms, other than for medical purposes; bath salts, not for medical purposes; bath preparations, not for medical purposes; bleaching preparations [decolorants] for cosmetic purposes; breath freshening sprays; breath freshening strips; beauty masks; bergamot oil; cakes of soap; cleansing milk for toilet purposes; collagen preparations for cosmetic purposes; cosmetics; cosmetic creams; cosmetic dyes; cosmetics for animals; cosmetic kits; cosmetic pencils; cosmetic preparations for skin care; cosmetic preparations for slimming purposes; cosmetic preparations for baths; cotton wool for cosmetic purposes; cotton sticks for cosmetic purposes; decorative transfers for cosmetic purposes; dental bleaching gels; dentifrices; deodorants for pets; deodorants for human beings or for animals; deodorant soap; eau de Cologne; ethereal essences; ethereal oils; essential oils of cedarwood; fumigation preparations [perfumes]; refurbishing preparations; greases for cosmetic purposes; hair colorants; hair lotions; ionone [perfumery]; jasmine oil; potassium hypochloride; lavender water; lavender oil; laundry bleaching preparations; lip glosses; lipsticks; lotions for cosmetic purposes; make-up; make-up preparations; make-up removing preparations; mascara; massage gels, other than for medical purposes; mint for perfumery; mint essence [essential oil]; musk [perfumery]; nail care preparations; neutralizers for permanent waving; oils for cosmetic purposes; oils for perfumes and scents; perfumes; perfumery; petroleum jelly for cosmetic purposes; pomades for cosmetic purposes; rose oil; scented water; scented wood; shaving preparations; cream for whitening the skin; soap; soap for foot perspiration; antiperspirant soap; shampoos; dry shampoos; shampoos for pets [non-medicated grooming preparations]; sunscreen preparations; talcum

powder, for toilet use; terpenes [essential oils]; toilet water; tissues impregnated with cosmetic lotions.

5 – Absorbent cotton; acaricides; acetates for pharmaceutical purposes; acids for pharmaceutical purposes; acne treatment preparations; aconitine; adhesive plasters; adhesive tapes for medical purposes; adhesives for dentures; adjuvants for medical purposes; air purifying preparations; air deodorising preparations; albumin dietary supplements; albuminous foodstuffs for medical purposes; albuminous preparations for medical purposes; alcohol for pharmaceutical purposes; aldehydes for pharmaceutical purposes; algicides; alginate dietary supplements; alginates for pharmaceutical purposes; alkaline iodides for pharmaceutical purposes; alkaloids for medical purposes; alloys of precious metals for dental purposes; almond milk for pharmaceutical purposes; aloe vera preparations for pharmaceutical purposes; aluminium acetate for pharmaceutical purposes; amino acids for medical purposes; amino acids for veterinary purposes; anaesthetics; analgesics; angostura bark for medical purposes; animal washes [insecticides]; anti-uric preparations; antibiotics; anti-cryptogamic preparations; antioxidant pills; antiparasitic preparations; antiparasitic collars for animals; antiseptic cotton; antiseptics; appetite suppressants for medical purposes; appetite suppressant pills; aseptic cotton; asthmatic tea; babies' napkin-pants; bacterial poisons; bacterial preparations for medical and veterinary use; bacteriological preparations for medical and veterinary use; balms for medical purposes; balsamic preparations for medical purposes; bandages for dressings; barks for pharmaceutical purposes; bath preparations for medical purposes; bath salts for medical purposes; belts for sanitary napkins [towels]; bicarbonate of soda for pharmaceutical purposes; biocides; biological preparations for medical purposes; biological preparations for veterinary purposes; biological tissue cultures for medical purposes; biological tissue cultures for veterinary purposes; bismuth preparations for pharmaceutical purposes; bismuth subnitrate for pharmaceutical purposes; blood plasma; blood for medical purposes; bone cement for surgical and orthopaedic purposes; media for bacteriological cultures; breast-nursing pads; bromine for pharmaceutical purposes; bronchodilating preparations; bunion pads; by-products of the processing of cereals for dietetic or medical purposes; cachets for pharmaceutical purposes; cachou for pharmaceutical purposes; preparations for callouses; calomel [fungicide]; camphor oil for medical purposes; camphor for medical purposes; candy, medicated; candy for medical purposes; capsules for medicines; carbolineum [parasiticide]; casein dietary supplements; castor oil for medical purposes; cattle washes [insecticides]; caustic pencils; caustics for pharmaceutical purposes; cedar wood for use as an insect repellent; cellulose esters for pharmaceutical purposes; cellulose ethers for pharmaceutical

purposes; cement for animal hooves; charcoal for pharmaceutical purposes; chemical conductors for electrocardiograph electrodes; chemical contraceptives; chemical preparations for the diagnosis of pregnancy; chemical preparations to treat mildew; chemical preparations to treat wheat smut; chemical preparations for treating phylloxera; chemical preparations for pharmaceutical purposes; chemical preparations for medical purposes; chemical preparations for veterinary purposes; chemical reagents for medical or veterinary purposes; chemico-pharmaceutical preparations; chewing gum for medical purposes; chilblain preparations; chinoline for medical purposes; chloroform; cocaine; cod liver oil; collodion for pharmaceutical purposes; compresses; condurango bark for medical purposes; solutions for contact lenses; contact lens cleaning preparations; cooling sprays for medical purposes; corn rings for the feet; corn remedies; cotton for medical purposes; cotton sticks for medical purposes; cream of tartar for pharmaceutical purposes; creosote for pharmaceutical purposes; croton bark; cultures of microorganisms for medical or veterinary use; curare; decoctions for pharmaceutical purposes; dental abrasives; dental amalgams; dental cements; dental impression materials; dental lacquer; dental mastics; dental amalgams of gold; deodorants, other than for human beings or for animals; deodorants for clothing and textiles; depuratives; preparations for destroying noxious animals; preparations for destroying dry rot fungus; preparations for destroying mice; detergents for medical purposes; diabetic bread adapted for medical use; diagnostic preparations for medical purposes; diagnostic biomarker reagents for medical purposes; diagnostic preparations for veterinary purposes; diapers for pets; diastase for medical purposes; dietary fibre; dietary supplements for animals; dietetic foods adapted for medical purposes; dietetic beverages adapted for medical purposes; dietetic substances adapted for medical use; digestives for pharmaceutical purposes; digitalin; dill oil for medical purposes; disinfectant soap; disinfectants for hygiene purposes; disinfectants for chemical toilets; disinfectants; dog washes [insecticides]; douching preparations for medical purposes; dressings, medical; drugs for medical purposes; elixirs [pharmaceutical preparations]; enzyme preparations for medical purposes; enzyme preparations for veterinary purposes; enzyme dietary supplements; enzymes for medical purposes; enzymes for veterinary purposes; ergot for pharmaceutical purposes; esters for pharmaceutical purposes; ethers for pharmaceutical purposes; eucalyptol for pharmaceutical purposes; eucalyptus for pharmaceutical purposes; extracts of hops for pharmaceutical purposes; eyepatches for medical purposes; preparations to facilitate teething; febrifuges; fennel for medical purposes; ferments for pharmaceutical purposes; first-aid boxes, filled; fish meal for pharmaceutical purposes; flour for pharma-

ceutical purposes; flowers of sulfur for pharmaceutical purposes; fly catching paper; fly catching adhesives; fly destroying preparations; food for babies; formic aldehyde for pharmaceutical purposes; frostbite salve for pharmaceutical purposes; fumigating sticks; fumigation preparations for medical purposes; fungicides; gallic acid for pharmaceutical purposes; gamboge for medical purposes; gases for medical purposes; gauze for dressings; gelatine for medical purposes; gentian for pharmaceutical purposes; germicides; glucose for medical purposes; glucose dietary supplements; glycerine for medical purposes; glycerophosphates; greases for medical purposes; greases for veterinary purposes; guaiacol for pharmaceutical purposes; gum for medical purposes; gurjun [gurjon, gurjan] balsam for medical purposes; haematogen; haemoglobin; haemorrhoid preparations; haemostatic pencils; herbal teas for medicinal purposes; herbicides; hormones for medical purposes; hydrastine; hydrastinine; hydrated chloral for pharmaceutical purposes; hydrogen peroxide for medical purposes; infant formula; insect repellents; insect repellent incense; insecticides; iodides for pharmaceutical purposes; iodine for pharmaceutical purposes; iodoform; Irish moss for medical purposes; isotopes for medical purposes; jalap; jujube, medicated; lacteal flour for babies; larvae exterminating preparations; laxatives; lead water; lecithin for medical purposes; lecithin dietary supplements; leeches for medical purposes; lime-based pharmaceutical preparations; liniments; linseed for pharmaceutical purposes; linseed meal for pharmaceutical purposes; linseed dietary supplements; linseed oil dietary supplements; liquorice for pharmaceutical purposes; lotions for pharmaceutical purposes; lotions for veterinary purposes; lupulin for pharmaceutical purposes; magnesia for pharmaceutical purposes; malt for pharmaceutical purposes; malted milk beverages for medical purposes; mangrove bark for pharmaceutical purposes; medical preparations for slimming purposes; medicated eye-washes; medicated animal feed; medicated shampoos for pets; medicated soap; medicinal alcohol; medicinal mud; medicinal infusions; medicinal tea; medicinal oils; medicinal herbs; medicinal roots; medicinal drinks; medicinal hair growth preparations; medicine cases, portable, filled; medicines for alleviating constipation; medicines for dental purposes; medicines for human purposes; medicines for veterinary purposes; melissa water for pharmaceutical purposes; sanitary pads; menthol; mercurial ointments; preparations of microorganisms for medical or veterinary use; milk ferments for pharmaceutical purposes; milk sugar for pharmaceutical purposes; milking grease; mineral waters for medical purposes; mineral water salts; mineral food supplements; mint for pharmaceutical purposes; moleskin for medical purposes; mothproofing preparations; mothproofing paper; moulding wax for dentists; mouthwashes for medical purposes; mud for

baths; mustard oil for medical purposes; mustard for pharmaceutical purposes; mustard plasters; myrobalan bark for pharmaceutical purposes; napkins for incontinents; narcotics; nervines; nutritional supplements; nutritive substances for microorganisms; oil of turpentine for pharmaceutical purposes; ointments for pharmaceutical purposes; opiates; opium; opodeldoc; opotherapy preparations; oxygen baths; oxygen for medical purposes; pants, absorbent, for incontinents; panty liners [sanitary]; paper for mustard plasters; parasiticides; pastilles for pharmaceutical purposes; pearl powder for medical purposes; pectin for pharmaceutical purposes; pepsins for pharmaceutical purposes; peptones for pharmaceutical purposes; pesticides; petroleum jelly for medical purposes; pharmaceutical preparations; pharmaceutical preparations for treating sunburn; pharmaceutical preparations for skin care; pharmaceutical preparations for treating dandruff; pharmaceuticals; phenol for pharmaceutical purposes; phosphates for pharmaceutical purposes; plant extracts for pharmaceutical purposes; poisons; pollen dietary supplements; pomades for medical purposes; porcelain for dental prostheses; potassium salts for medical purposes; poultices; powder of cantharides; powdered milk for babies; propolis for pharmaceutical purposes; propolis dietary supplements; protein dietary supplements; protein supplements for animals; purgatives; pyrethrum powder; quassia for medical purposes; quebracho for medical purposes; quinine for medical purposes; quinquina for medical purposes; radioactive substances for medical purposes; radiological contrast substances for medical purposes; radium for medical purposes; rat poison; reagent paper for medical purposes; reagent paper for veterinary purposes; preparations for reducing sexual activity; remedies for foot perspiration; remedies for perspiration; repellents for dogs; rhubarb roots for pharmaceutical purposes; royal jelly for pharmaceutical purposes; royal jelly dietary supplements; rubber for dental purposes; salts for mineral water baths; salts for medical purposes; sanitary panties; sanitary tampons; sanitary napkins; sarsaparilla for medical purposes; scapulars for surgical purposes; sea water for medicinal bathing; sedatives; semen for artificial insemination; serotherapeutic medicines; serums; personal sexual lubricants; siccatives [drying agents] for medical purposes; slimming pills; slug exterminating preparations; smelling salts; smoking herbs for medical purposes; sodium salts for medical purposes; soil-sterilising preparations; solvents for removing adhesive plasters; soporifics; starch for dietetic or pharmaceutical purposes; sterilising preparations; steroids; stick liquorice for pharmaceutical purposes; strychnine; styptic preparations; sugar for medical purposes; sulfonamides [medicines]; sulfur sticks [disinfectants]; sunburn ointments; suppositories; surgical dressings; surgical implants comprised of living tissues; surgical glues; syrups for pharmaceu-

tical purposes; tanning pills; tartar for pharmaceutical purposes; teeth filling material; therapeutic preparations for the bath; thermal water; thymol for pharmaceutical purposes; tincture of iodine; tinctures for medical purposes; tissues impregnated with pharmaceutical lotions; tobacco extracts [insecticides]; tobacco-free cigarettes for medical purposes; tonics [medicines]; preparations of trace elements for human and animal use; preparations for the treatment of burns; turpentine for pharmaceutical purposes; vaccines; vaginal washes for medical purposes; vermifuges; vermin destroying preparations; vesicants; veterinary preparations; vine disease treating chemicals; vitamin preparations; vulnerary sponges; wadding for medical purposes; wart pencils; wheat germ dietary supplements; yeast for pharmaceutical purposes; yeast dietary supplements.

10 – Abdominal belts; abdominal corsets; abdominal pads; apparatus for acne treatment; acupuncture needles; electric acupuncture instruments; aerosol dispensers for medical purposes; air pillows for medical purposes; air cushions for medical purposes; air mattresses for medical purposes; ambulance stretchers; anaesthetic apparatus; anaesthetic masks; analysers for bacterial identification for medical purposes; anti-rheumatism bracelets, anti-rheumatism rings; arch supports for footwear; armchairs for medical or dental purposes; artificial teeth; artificial jaws; artificial limbs; artificial skin for surgical purposes; apparatus for artificial respiration; artificial breasts; artificial eyes; balling guns; bandages for joints, anatomical; bandages, elastic; basins for medical purposes; bed pans; bed vibrators; beds specially made for medical purposes; belts for medical purposes; belts, electric, for medical purposes; biodegradable bone fixation implants; blankets, electric, for medical purposes; blood testing apparatus; body rehabilitation apparatus for medical purposes; body fat monitors; body composition monitors; boots for medical purposes; bracelets for medical purposes; breast pumps; brushes for cleaning body cavities; cannulae; instrument cases for use by doctors; cases fitted for medical instruments; castrating pincers; catgut; catheters; childbirth mattresses; clips, surgical; clothing especially for operating rooms; commode chairs; compression garments; compressors [surgical]; condoms; containers especially made for medical waste; contraceptives, non-chemical; corn knives; corsets for medical purposes; crutches; cupping glasses; cushions for medical purposes; defibrillators; dental burs; dental apparatus and instruments; dental apparatus, electric; dentists' armchairs; dentures; diagnostic apparatus for medical purposes; dialyzers; douche bags; drainage tubes for medical purposes; draw-sheets for sick beds; dropper bottles for medical purposes; droppers for medical purposes; pacifiers for babies; ear trumpets; ear picks; ear plugs [ear protection devices]; elastic stockings for surgical purposes; electrocardiographs; electrodes

for medical use; endoscopy cameras for medical purposes; enema apparatus for medical purposes; esthetic massage apparatus; feeding bottles; feeding bottle valves; feeding bottle teats; filters for ultraviolet rays, for medical purposes; finger guards for medical purposes; forceps; fumigation apparatus for medical purposes; galvanic belts for medical purposes; galvanic therapeutic appliances; gastroscopes; gloves for medical purposes; gloves for massage; haemocytometers; hair prostheses; hearing aids; hearing protectors; heart pacemakers; heart rate monitoring apparatus; heating pads, electric, for medical purposes; hot air therapeutic apparatus; hot air vibrators for medical purposes; hydrostatic [water] beds for medical purposes; hypodermic syringes; hypogastric belts; ice bags for medical purposes; implantable subcutaneous drug delivery devices; incontinence sheets; incubators for medical purposes; incubators for babies; inhalers; injectors for medical purposes; insufflators; invalids' hoists; knee bandages, orthopaedic; knives for surgical purposes; lamps for medical purposes; lancets; lasers for medical purposes; lenses [intraocular prostheses] for surgical implantation; lice combs; love dolls [sex dolls]; masks for use by medical personnel; massage apparatus; maternity belts; medical apparatus and instruments; medical guidewires; microdermabrasion apparatus; mirrors for dentists; mirrors for surgeons; nasal aspirators; needles for medical purposes; nursing appliances; obstetric apparatus for cattle; obstetric apparatus; operating tables; ophthalmometers; ophthalmoscopes; orthodontic appliances; orthodontic rubber bands; orthopaedic belts; orthopaedic footwear; orthopaedic soles; orthopedic articles; pads [pouches] for preventing pressure sores on patient bodies; pessaries; physical exercise apparatus for medical purposes; physiotherapy apparatus; pins for artificial teeth; plaster bandages for orthopaedic purposes; probes for medical purposes; protection devices against X-rays, for medical purposes; pulse meters; pumps for medical purposes; quad canes for medical purposes; quartz lamps for medical purposes; radiological apparatus for medical purposes; radiology screens for medical purposes; radiotherapy apparatus; radium tubes for medical purposes; receptacles for applying medicines; respirators for artificial respiration; respiratory masks for artificial respiration; resuscitation apparatus; saws for surgical purposes; scalpels; scissors for surgery; sex toys; slings [supporting bandages]; soporific pillows for insomnia; sphygmotensimeters; spirometers [medical apparatus]; spittoons for medical purposes; splints, surgical; spoons for administering medicine; stents; sterile sheets, surgical; stethoscopes; stockings for varices; strait jackets; stretchers, wheeled; supports for flat feet; surgical bougies; surgical sponges; surgical apparatus and instruments; surgical cutlery; surgical drapes; surgical implants comprised of artificial materials; suspensory bandages;

suture needles; suture materials; syringes for injections; syringes for medical purposes; teething rings; temperature indicator labels for medical purposes; testing apparatus for medical purposes; thermal packs for first aid purposes; thermo-electric compresses [surgery]; thermometers for medical purposes; thread, surgical; tips for crutches; toe separators for orthopaedic purposes; tomographs for medical purposes; tongue scrapers; tongue depressors for medical purposes; traction apparatus for medical purposes; apparatus for the treatment of deafness; trocars; trusses; ultraviolet ray lamps for medical purposes; umbilical belts; urethral probes; urethral syringes; urinals [vessels]; urological apparatus and instruments; uterine syringes; vaginal syringes; vaporizers for medical purposes; veterinary apparatus and instruments; vibromassage apparatus; walking frames for disabled persons; appliances for washing body cavities; water bags for medical purposes; X-ray apparatus for medical purposes; X-ray photographs for medical purposes; X-ray tubes for medical purposes; apparatus and installations for the production of X-rays, for medical purposes.

(260) AM 2018 96745 A

(800) 1390796

(151) 2017 10 17

(891) 2017 10 17

(731) LAMSYSTEMS CC

Turgoyak Road, 2/4 Miass RU-456300

Chelyabinsk region, Russian Federation

(540)



(591) White and grey

(531) 26.04.18; 27.05.01; 27.05.17; 27.05.22

(511)

9 – Furniture especially made for laboratories; clothing for protection against accidents, irradiation and fire; clothing for protection against fire; clothing especially made for laboratories; shoes for protection against accidents, irradiation and fire.

11 – Air purifying apparatus and machines; ionization apparatus for the treatment of air; ventilation hoods for laboratories.

37 – Painting, interior and exterior; plastering; burglar alarm installation and repair; installation and repair of air-conditioning apparatus; fire alarm installation and repair; electric appliance installation and repair; installation, maintenance and repair of computer hardware; office machines and equipment installation, maintenance and repair; machinery installation, maintenance and repair; interference suppression in electrical apparatus.

INTERNATIONAL TRADEMARKS PROTECTED IN GEORGIA

(260) AM 2018 90916 A
(800) 1330828
(151) 2016 04 22
(181) 2026 04 22
(891) 2016 04 22
(511) 09, 16, 18, 21, 25, 28, 41

(260) AM 2018 94278 A
(800) 1365548
(151) 2017 04 21
(181) 2027 04 21
(891) 2017 04 21
(511) 21

(260) AM 2018 91125 A
(800) 1333034
(151) 2016 07 07
(181) 2026 07 07
(891) 2016 07 07
(511) 04, 07, 09, 11, 12, 39, 42

(260) AM 2018 94436 A
(800) 935152
(151) 2007 07 13
(181) 2027 07 13
(891) 2017 09 13
(511) 09

(260) AM 2018 91929 A
(800) 1236991
(151) 2014 08 06
(181) 2024 08 06
(891) 2017 03 31
(511) 01, 02

(260) AM 2018 94489 A
(800) 1368011
(151) 2017 03 03
(181) 2027 03 03
(891) 2017 03 03
(511) 36

(260) AM 2018 92028 A
(800) 1341681
(151) 2016 12 27
(181) 2026 12 27
(891) 2016 12 27
(511) 07, 09, 12, 25, 28, 36, 37, 38, 39, 41, 42, 45

(260) AM 2018 94491 A
(800) 1367535
(151) 2017 01 13
(181) 2027 01 13
(891) 2017 01 13
(511) 29, 30, 32, 35, 43

(260) AM 2018 93078 A
(800) 1350978
(151) 2016 09 08
(181) 2026 09 08
(891) 2016 09 08
(511) 05

(260) AM 2018 94493 A
(800) 1368012
(151) 2017 03 03
(181) 2017 03 03
(891) 2017 03 03
(511) 36

(260) AM 2018 93461 A
(800) 1356838
(151) 2016 07 01
(181) 2026 07 01
(891) 2016 07 01
(511) 07, 08, 11, 17, 19, 20

(260) AM 2018 94494 A
(800) 1367553
(151) 2017 03 24
(181) 2027 03 24
(891) 2017 03 24
(511) 06, 09, 20

(260) AM 2018 94273 A
(800) 909972
(151) 2006 12 18
(181) 2026 12 18
(891) 2017 07 18
(511) 05

(260) AM 2018 94495 A
(800) 1368412
(151) 2016 04 13
(181) 2026 04 13
(891) 2016 04 13
(511) 05

(260) AM 2018 94496 A
(800) 1368013
(151) 2017 03 03
(181) 2027 03 03
(891) 2017 03 03
(511) 36

(260) AM 2018 94498 A
(800) 1367572
(151) 2017 05 23
(181) 2027 05 23
(891) 2017 05 23
(511) 03, 05

(260) AM 2018 94499 A
(800) 1368014
(151) 2017 03 03
(181) 2027 03 03
(891) 2017 03 03
(511) 36

(260) AM 2018 94500 A
(800) 1368481
(151) 2017 07 11
(181) 2027 07 11
(891) 2017 07 11
(511) 05, 40, 42, 45

(260) AM 2018 94506 A
(800) 1368049
(151) 2017 06 22
(181) 2027 06 22
(891) 2017 06 22
(511) 05

(260) AM 2018 94511 A
(800) 1367863
(151) 2016 11 16
(181) 2026 11 16
(891) 2016 11 16
(511) 44

(260) AM 2018 94512 A
(800) 1368061
(151) 2017 08 08
(181) 2027 08 08
(891) 2017 08 08
(511) 05

(260) AM 2018 94513 A
(800) 1367871
(151) 2017 02 06

(181) 2027 02 06
(891) 2017 02 06
(511) 35, 36, 38

(260) AM 2018 94514 A
(800) 1367885
(151) 2017 07 21
(181) 2027 08 21
(891) 2017 07 21
(511) 36

(260) AM 2018 94515 A
(800) 1368132
(151) 2017 03 23
(181) 2027 03 23
(891) 2017 03 23
(511) 37, 41, 42

(260) AM 2018 94523 A
(800) 1367963
(151) 2017 08 04
(181) 2027 08 04
(891) 2017 08 04
(511) 41, 43

(260) AM 2018 94524 A
(800) 1368486
(151) 2017 07 11
(181) 2027 07 11
(891) 2017 07 11
(511) 10

(260) AM 2018 94525 A
(800) 1368178
(151) 2017 04 25
(181) 2017 04 25
(891) 2017 04 25
(511) 11

(260) AM 2018 94526 A
(800) 1368194
(151) 2017 05 04
(181) 2027 05 04
(891) 2017 05 04
(511) 26

(260) AM 2018 94626 A
(800) 1369924
(151) 2017 08 08
(181) 2027 08 08

(891) 2017 08 08
(511) 09

(260) AM 2018 94627 A
(800) 1369939
(151) 2017 06 16
(181) 2027 07 19
(891) 2017 06 16
(511) 09, 14, 18, 25

(260) AM 2018 94632 A
(800) 1370033
(151) 2017 05 31
(181) 2027 05 31
(891) 2017 05 31
(511) 34

(260) AM 2018 94634 A
(800) 1369319
(151) 2017 07 04
(181) 2027 07 04
(891) 2017 07 04
(511) 05

(260) AM 2018 94635 A
(800) 1370048
(151) 2017 06 23
(181) 2027 06 23
(891) 2017 06 23
(511) 25

(260) AM 2018 94636 A
(800) 1369349
(151) 2017 03 27
(181) 2027 03 27
(891) 2017 03 27
(511) 03

(260) AM 2018 94637 A
(800) 1370093
(151) 2017 07 21
(181) 2027 07 21
(891) 2017 07 21
(511) 03, 10

(260) AM 2018 94638 A
(800) 1369363
(151) 2017 06 22
(181) 2027 06 22
(891) 2017 06 22
(511) 03

(260) AM 2018 94639 A
(800) 890644
(151) 2006 02 09
(181) 2026 05 26
(891) 2017 05 26
(511) 04

(260) AM 2018 94640 A
(800) 1369378
(151) 2017 07 04
(181) 2027 07 04
(891) 2017 07 04
(511) 05

(260) AM 2018 94641 A
(800) 929717
(151) 2007 06 18
(181) 2027 06 18
(891) 2017 09 21
(511) 09

(260) AM 2018 94642 A
(800) 1369382
(151) 2017 07 04
(181) 2027 07 04
(891) 2017 07 04
(511) 05

(260) AM 2018 94644 A
(800) 1369453
(151) 2017 05 30
(181) 2027 05 30
(891) 2017 05 30
(511) 05, 35

(260) AM 2018 94653 A
(800) 1369713
(151) 2017 06 19
(181) 2027 06 19
(891) 2017 06 19
(511) 05

(260) AM 2018 94654 A
(800) 1369714
(151) 2017 07 04
(181) 2027 07 04
(891) 2017 07 04
(511) 12

(260) AM 2018 94655 A
(800) 1369742
(151) 2017 04 13
(181) 2027 04 13

(891) 2017 04 13
(511) 03

(260) AM 2018 94656 A
(800) 1369750
(151) 2017 06 02
(181) 2027 06 02
(891) 2017 06 02
(511) 29, 30, 32

(260) AM 2018 94657 A
(800) 1343314
(151) 2017 02 24
(181) 2027 02 24
(891) 2017 08 18
(511) 34

(260) AM 2018 94659 A
(800) 1345633
(151) 2017 01 26
(181) 2027 01 26
(891) 2017 08 21
(511) 09

(260) AM 2018 94660 A
(800) 1352579
(151) 2017 02 24
(181) 2017 02 24
(891) 2017 08 18
(511) 34

(260) AM 2018 94661 A
(800) 1354427
(151) 2017 03 21
(181) 2017 03 21
(891) 2017 08 24
(511) 01, 03

(260) AM 2018 94662 A
(800) 1364589
(151) 2017 07 12
(181) 2027 07 12
(891) 2017 09 08
(511) 43

(260) AM 2018 94666 A
(800) 1368690
(151) 2017 04 17
(181) 2027 04 17
(891) 2017 04 17
(511) 30

(260) AM 2018 94667 A
(800) 1368705
(151) 2017 05 19
(181) 2027 05 19
(891) 2017 05 19
(511) 01, 16, 20

(260) AM 2018 94687 A
(800) 1369024
(151) 2017 08 17
(181) 2027 08 17
(891) 2017 08 17
(511) 09

(260) AM 2018 94689 A
(800) 1369026
(151) 2017 08 08
(181) 2027 08 08
(891) 2017 08 08
(511) 01, 04, 35

(260) AM 2018 94692 A
(800) 1369100
(151) 2017 08 04
(181) 2027 08 04
(891) 2017 08 04
(511) 28, 30

(260) AM 2018 94695 A
(800) 1369116
(151) 2027 05 12
(181) 2027 05 12
(891) 2017 05 12
(511) 35, 36, 38

(260) AM 2018 94697 A
(800) 1369121
(151) 2017 06 07
(181) 2027 06 07
(891) 2017 06 07
(511) 14

(260) AM 2018 94698 A
(800) 1369133
(151) 2017 03 29
(181) 2027 03 29
(891) 2017 03 29
(511) 10, 35

(260) AM 2018 94700 A
(800) 1369152
(151) 2017 05 18

(181) 2027 05 18
(891) 2017 05 18
(511) 05

(260) AM 2018 94702 A
(800) 1369183
(151) 2017 08 02
(181) 2027 08 02
(891) 2017 08 02
(511) 12, 25, 27

(260) AM 2018 94703 A
(800) 1369184
(151) 2017 08 02
(181) 2027 08 02
(891) 2017 08 02
(511) 12, 25, 27

(260) AM 2018 94705 A
(800) 1369203
(151) 2017 04 05
(181) 2027 04 05
(891) 2017 04 05
(511) 03, 05, 09, 10, 16, 20, 21, 24, 35, 38, 41, 42, 44

(260) AM 2018 94706 A
(800) 1369204
(151) 2017 04 05
(181) 2027 04 05
(891) 2017 04 05
(511) 03, 05, 09, 10, 16, 20, 21, 24, 35, 38, 41, 42, 44

(260) AM 2018 94707 A
(800) 1369218
(151) 2017 07 27
(181) 2027 07 27
(891) 2017 07 27
(511) 16, 28, 35, 38, 41, 42

(260) AM 2018 94733 A
(800) 1371202
(151) 2017 03 22
(181) 2027 03 22
(891) 2017 10 19
(511) 30

(260) AM 2018 94734 A
(800) 1371204
(151) 2016 08 10
(181) 2026 08 10
(891) 2017 07 31
(511) 09

(260) AM 2018 94735 A
(800) 1371223
(151) 2017 04 05
(181) 2027 04 05
(891) 2017 04 05
(511) 03, 05, 09, 10, 16, 20, 21, 24, 35, 38, 41, 42, 44

(260) AM 2018 94737 A
(800) 1371307
(151) 2017 06 01
(181) 2027 06 01
(891) 2017 06 01
(511) 35

(260) AM 2018 94742 A
(800) 1371337
(151) 2017 06 09
(181) 2027 06 09
(891) 2017 06 09
(511) 19

(260) AM 2018 94756 A
(800) 1318151
(151) 2016 04 13
(181) 2026 04 13
(891) 2017 09 08
(511) 25

(260) AM 2018 94761 A
(800) 1370671
(151) 2017 09 08
(181) 2027 09 08
(891) 2017 09 08
(511) 36

(260) AM 2018 94763 A
(800) 1370769
(151) 2017 03 24
(181) 2017 03 24
(891) 2017 03 24
(511) 05

(260) AM 2018 94764 A
(800) 1370779
(151) 2017 07 12
(181) 2027 07 12
(891) 2017 07 12
(511) 33

(260) AM 2018 94766 A
(800) 1370821
(151) 2017 06 01
(181) 2027 06 01

(891) 2017 06 01
(511) 43, 45

(260) AM 2018 94819 A
(800) 1370564
(151) 2017 05 18
(181) 2027 05 18
(891) 2017 05 18
(511) 09, 35, 36, 38, 42

(260) AM 2018 94820 A
(800) 1370605
(151) 2017 06 01
(181) 2027 06 01
(891) 2017 06 01
(511) 35

(260) AM 2018 94822 A
(800) 1370610
(151) 2017 05 23
(181) 2027 05 23
(891) 2017 05 23
(511) 03, 21

(260) AM 2018 94823 A
(800) 1370615
(151) 2017 08 04
(181) 2027 08 04
(891) 2017 08 04
(511) 30

(260) AM 2018 94824 A
(800) 1370616
(151) 2017 08 04
(181) 2027 08 04
(891) 2017 08 04
(511) 30

(260) AM 2018 94825 A
(800) 1370656
(151) 2017 08 17
(181) 2027 08 17
(891) 2017 08 17
(511) 05

(260) AM 2018 94827 A
(800) 1372317
(151) 2017 02 21
(181) 2027 02 21
(891) 2017 02 21
(511) 11

(260) AM 2018 94828 A
(800) 1372362
(151) 2017 06 30
(181) 2017 06 30
(891) 2017 06 30
(511) 35

(260) AM 2018 94834 A
(800) 1372387
(151) 2017 09 07
(181) 2027 09 07
(891) 2017 09 07
(511) 05

(260) AM 2018 94835 A
(800) 151605
(151) 1951 02 01
(181) 2021 02 01
(891) 2017 10 12
(511) 05

(260) AM 2018 94836 A
(800) 394946
(151) 1973 01 04
(181) 2023 01 04
(891) 2017 10 04
(511) 05

(260) AM 2018 94840 A
(800) 957279
(151) 2008 02 01
(181) 2028 02 01
(891) 2017 08 25
(511) 03, 16

(260) AM 2018 94843 A
(800) 1090636
(151) 2011 08 17
(181) 2021 08 17
(891) 2017 08 28
(511) 03, 05, 16

(260) AM 2018 94844 A
(800) 1118291
(151) 2012 04 25
(181) 2022 04 25
(891) 2017 10 09
(511) 30

(260) AM 2018 94845 A
(800) 1150305
(151) 2012 10 23

(181) 2022 10 23
(891) 2017 10 05
(511) 20, 24

(260) AM 2018 94846 A
(800) 1183743
(151) 2013 09 26
(181) 2023 09 26
(891) 2017 08 28
(511) 03

(260) AM 2018 94847 A
(800) 1312669
(151) 2016 05 05
(181) 2026 05 05
(891) 2017 10 11
(511) 03, 05, 10, 35

(260) AM 2018 94848 A
(800) 1323775
(151) 2015 12 30
(181) 2025 12 30
(891) 2017 06 27
(511) 07, 08

(260) AM 2018 94849 A
(800) 1339715
(151) 2017 01 17
(181) 2027 01 17
(891) 2017 08 25
(511) 09

(260) AM 2018 94850 A
(800) 1341765
(151) 2017 01 31
(181) 2027 01 31
(891) 2017 09 20
(511) 03, 07, 37

(260) AM 2018 94852 A
(800) 1342856
(151) 2017 01 17
(181) 2027 01 17
(891) 2017 08 25
(511) 09

(260) AM 2018 94871 A
(800) 1371587
(151) 2017 09 07
(181) 2027 09 07
(891) 2017 09 07
(511) 05

(260) AM 2018 94872 A
(800) 1371588
(151) 2017 09 07
(181) 2027 09 07
(891) 2017 09 07
(511) 05

(260) AM 2018 94874 A
(800) 1371589
(151) 2017 09 07
(181) 2027 09 07
(891) 2017 09 07
(511) 05

(260) AM 2018 94875 A
(800) 1371590
(151) 2017 09 07
(181) 2027 09 07
(891) 2017 09 07
(511) 05

(260) AM 2018 94878 A
(800) 1371600
(151) 2017 09 21
(181) 2027 09 21
(891) 2017 09 21
(511) 09

(260) AM 2018 94879 A
(800) 1371609
(151) 2017 06 22
(181) 2027 06 22
(891) 2017 06 22
(511) 14, 18

(260) AM 2018 94880 A
(800) 1371616
(151) 2017 08 04
(181) 2027 08 04
(891) 2017 08 04
(511) 39

(260) AM 2018 94881 A
(800) 1371621
(151) 2017 08 23
(181) 2027 08 23
(891) 2017 08 23
(511) 14

(260) AM 2018 94882 A
(800) 1371710
(151) 2017 04 04
(181) 2027 04 04

(891) 2017 04 04
(511) 09, 35, 40

(260) AM 2018 94911 A
(800) 1372157
(151) 2017 04 24
(181) 2027 04 24
(891) 2017 04 24
(511) 35, 36, 42

(260) AM 2018 94912 A
(800) 1372163
(151) 2017 04 04
(181) 2027 04 04
(891) 2017 04 04
(511) 30

(260) AM 2018 94914 A
(800) 1372169
(151) 2017 04 26
(181) 2027 04 26
(891) 2017 04 26
(511) 36

(260) AM 2018 94915 A
(800) 1372186
(151) 2017 06 20
(181) 2027 06 20
(891) 2017 06 20
(511) 41, 42

(260) AM 2018 94916 A
(800) 1372219
(151) 2017 07 21
(181) 2017 07 21
(891) 2017 07 21
(511) 04, 11, 12, 35, 37, 42

(260) AM 2018 94917 A
(800) 1372232
(151) 2017 06 23
(181) 2027 06 23
(891) 2017 06 23
(511) 03, 05

(260) AM 2018 94918 A
(800) 1372272
(151) 2017 07 14
(181) 2027 07 14
(891) 2017 07 14
(511) 05

(260) AM 2018 94919 A
(800) 1372274
(151) 2017 07 14
(181) 2027 07 14
(891) 2017 07 14
(511) 05

(260) AM 2018 94920 A
(800) 1372275
(151) 2017 07 14
(181) 2027 07 14
(891) 2017 07 14
(511) 05

(260) AM 2018 94971 A
(800) 1269146
(151) 2015 02 24
(181) 2025 02 24
(891) 2017 05 10
(511) 03, 18, 25, 35

(260) AM 2018 94973 A
(800) 1337905
(151) 2017 01 17
(181) 2027 01 17
(891) 2017 09 01
(511) 09

(260) AM 2018 94974 A
(800) 1338158
(151) 2017 01 17
(181) 2027 01 17
(891) 2017 09 01
(511) 09

(260) AM 2018 94975 A
(800) 1371897
(151) 2017 09 20
(181) 2027 09 20
(891) 2017 11 12
(511) 05

(260) AM 2018 94988 A
(800) 1372853
(151) 2017 08 26
(181) 2027 08 26
(891) 2017 08 26
(511) 01, 03, 04, 06, 07, 09, 11, 12, 17, 21, 37, 39, 42

(260) AM 2018 95017 A
(800) 1374287
(151) 2017 04 20

(181) 2027 04 20
(891) 2017 04 20
(511) 05, 30, 32

(260) AM 2018 95018 A
(800) 1374294
(151) 2017 04 07
(181) 2027 04 07
(891) 2017 04 07
(511) 44

(260) AM 2018 95019 A
(800) 1374315
(151) 2017 05 26
(181) 2027 05 26
(891) 2017 05 26
(511) 09, 25, 28, 41

(260) AM 2018 95021 A
(800) 1374394
(151) 2017 07 05
(181) 2027 07 05
(891) 2017 07 05
(511) 35

(260) AM 2018 95045 A
(800) 1374683
(151) 2017 08 11
(181) 2027 08 11
(891) 2017 08 11
(511) 43

(260) AM 2018 95047 A
(800) 1374739
(151) 2017 09 27
(181) 2027 09 27
(891) 2017 09 27
(511) 03

(260) AM 2018 95056 A
(800) 1216651
(151) 2014 06 11
(181) 2024 06 11
(891) 2017 10 19
(511) 25

(260) AM 2018 95058 A
(800) 1247017
(151) 2015 01 16
(181) 2025 01 16
(891) 2017 10 26
(511) 05, 25, 28, 29, 30, 32

(260) AM 2018 95059 A
(800) 1340259
(151) 2017 01 30
(181) 2027 01 30
(891) 2017 09 01
(511) 09

(260) AM 2018 95165 A
(800) 1375632
(151) 2017 07 14
(181) 2027 07 14
(891) 2017 07 14
(511) 03

(260) AM 2018 95166 A
(800) 1375658
(151) 2017 08 30
(181) 2027 08 30
(891) 2017 08 30
(511) 12

(260) AM 2018 95167 A
(800) 1375664
(151) 2017 09 01
(181) 2027 09 01
(891) 2017 09 01
(511) 12

(260) AM 2018 95168 A
(800) 1375666
(151) 2017 09 01
(181) 2027 09 01
(891) 2017 09 01
(511) 03, 05, 09, 34

(260) AM 2018 95169 A
(800) 1375674
(151) 2017 09 08
(181) 2027 09 08
(891) 2017 09 08
(511) 36

(260) AM 2018 95170 A
(800) 1375696
(151) 2017 08 18
(181) 2027 08 18
(891) 2017 08 18
(511) 05

(260) AM 2018 95171 A
(800) 1375707
(151) 2017 09 13
(181) 2027 09 13

(891) 2017 09 13
(511) 09

(260) AM 2018 95187 A
(800) 1375712
(151) 2017 09 15
(181) 2027 09 15
(891) 2017 09 15
(511) 10

(260) AM 2018 95188 A
(800) 1375719
(151) 2017 07 21
(181) 2027 07 21
(891) 2017 07 21
(511) 30

(260) AM 2018 95189 A
(800) 1375720
(151) 2017 07 21
(181) 2027 07 21
(891) 2017 07 21
(511) 30

(260) AM 2018 95253 A
(800) 1375176
(151) 2017 08 24
(181) 2027 08 24
(891) 2017 08 24
(511) 18, 25, 35

(260) AM 2018 95268 A
(800) 1375854
(151) 2016 12 22
(181) 2026 12 22
(891) 2016 12 22
(511) 09, 12, 16, 25, 28, 35, 36, 37, 38, 41, 42, 45

(260) AM 2018 95330 A
(800) 1376625
(151) 2017 10 06
(181) 2027 10 06
(891) 2017 10 06
(511) 09

(260) AM 2018 95331 A
(800) 1376656
(151) 2017 07 27
(181) 2027 07 27
(891) 2017 07 27
(511) 30

(260) AM 2018 95368 A
(800) 1376657
(151) 2017 07 25
(181) 2027 07 25
(891) 2017 07 25
(511) 30

(260) AM 2018 95371 A
(800) 1376760
(151) 2017 06 16
(181) 2027 06 16
(891) 2017 06 16
(511) 18, 25, 35

(260) AM 2018 95372 A
(800) 1376773
(151) 2017 09 13
(181) 2027 09 13
(891) 2017 09 13
(511) 05

(260) AM 2018 95373 A
(800) 1376778
(151) 2017 09 15
(181) 2027 09 15
(891) 2017 09 15
(511) 30, 35

(260) AM 2018 95374 A
(800) 1377635
(151) 2017 07 31
(181) 2027 07 31
(891) 2017 07 31
(511) 29, 35

(260) AM 2018 95375 A
(800) 1377651
(151) 2017 09 29
(181) 2027 09 29
(891) 2017 09 29
(511) 09

(260) AM 2018 95376 A
(800) 1377756
(151) 2017 09 18
(181) 2027 09 18
(891) 2017 09 18
(511) 43

(260) AM 2018 95417 A
(800) 1377194
(151) 2017 09 18

(181) 2027 09 18
(891) 2017 09 18
(511) 08

(260) AM 2018 95419 A
(800) 1377317
(151) 2017 09 18
(181) 2027 09 18
(891) 2017 09 18
(511) 07

(260) AM 2018 95420 A
(800) 1377328
(151) 2017 08 16
(181) 2027 08 16
(891) 2017 08 16
(511) 39, 41, 43

(260) AM 2018 95421 A
(800) 1377361
(151) 2017 09 25
(181) 2027 09 25
(891) 2017 09 25
(511) 06

(260) AM 2018 95422 A
(800) 1377373
(151) 2017 09 13
(181) 2027 09 13
(891) 2017 09 13
(511) 11

(260) AM 2018 95423 A
(800) 1377402
(151) 2017 05 16
(181) 2027 05 16
(891) 2017 05 16
(511) 35

(260) AM 2018 95460 A
(800) 1377613
(151) 2017 09 12
(181) 2027 09 12
(891) 2017 09 12
(511) 10, 41, 44

(260) AM 2018 95461 A
(800) 1377621
(151) 2017 09 12
(181) 2027 09 12
(891) 2017 09 12
(511) 06

(260) AM 2018 95814 A
(800) 1381515
(151) 2017 10 25
(181) 2027 10 25
(891) 2017 10 25
(511) 09

(260) AM 2018 95884 A
(800) 1382134
(151) 2017 10 25
(181) 2027 10 25
(891) 2017 10 25
(511) 07

(260) AM 2018 95888 A
(800) 1382207
(151) 2017 08 23
(181) 2027 08 23
(891) 2017 08 23
(511) 34, 35

(260) AM 2018 95889 A
(800) 1382208
(151) 2017 09 14
(181) 2027 09 14
(891) 2018 09 14
(511) 03, 05, 29, 30, 35

(260) AM 2018 95892 A
(800) 1382229
(151) 2017 10 27
(181) 2027 10 27
(891) 2017 10 27
(511) 25

(260) AM 2018 95893 A
(800) 1382279
(151) 2017 08 11
(181) 2027 08 11
(891) 2017 08 11
(511) 29, 30, 32, 35, 39

APPELLATIONS OF ORIGIN OF GOODS

APPELLATIONS OF ORIGIN OF GOODS FILED IN GEORGIA FOR EXAMINATION UNDER LISBON AGREEMENT, ON THE BASIS OF THE INTERNATIONAL REGISTRATION

The decision can be appealed at the Chamber of Appeal of Sakpatenti within 3 months from the publication or at the Mtskheta District Court Administrative Cases Board (Address: №17, Samkhedro str., Mtskheta), within 1 month after publication.

Number of Identification: 1526
Number of International Registration: 1073
Data of International Registration: 2018 01 31
Application Filing Date: 2018 02 12
Appellation of Origin of Good: **Zaferan e Khorasan e Iran**
The Goods for which the Registration of Appellation of Origin is Required: 30 – Saffron
Name and Address of Applicant: Iran's National Saffron Council Region of Khorasan, Iran
Provincial Union Institute of saffron sellers guild of Khorasan
Razavi Region of Khorasan, Iran
Rural Cooperatives Union of Khorasan Province
Region of Khorasan, Iran
Rural Cooperative Union of South Khorasan Province
Region of South Khorasan, Iran
Union of Agricultural Cooperatives of barberry growers,
gardeners and saffron growers of South Khorasan
Region of South Khorasan, Iran

Number of Identification: 1527
Number of International Registration: 1074
Data of International Registration: 2017 09 25
Application Filing Date: 2018 04 20
Appellation of Origin of Good: **FREISA D'ASTI**
The Goods for which the Registration of Appellation of Origin is Required: 33 – Wine
Name and Address of Applicant: Consorzio tutela Barbera d'Asti e Vini del Monferrato
Via Morelli 15 – 14100 Asti, Italy
Ministero delle Politiche Agricole, Alimentari e Forestali
Via XX Settembre, 20 – 00187 Roma, Italy

Number of Identification: 1528
Number of International Registration: 1075
Data of International Registration: 2017 09 25
Name and Address of Applicant: 2018 04 20
Appellation of Origin of Good: **LACRIMA DI MORRO/LACRIMA DI MORRO D'ALBA**
The Goods for which the Registration of Appellation of Origin is Required: 33 – Wine
Name and Address of Applicant: Istituto Marchigiano di tutela vini
Viale dell'Industria, 5 – 60035 Jesi (AN), Italy
Ministero delle Politiche Agricole, Alimentari e Forestali
Via XX Settembre, 20 – 00187 Roma, Italy

Number of Identification: 1529
 Number of International Registration: 1076
 Data of International Registration: 2017 09 25
 Application Filing Date: 2018 04 20
 Appellation of Origin of Good: **MALVASIA DI CASTELNUOVO DON BOSCO**
 The Goods for which the Registration of Appellation of Origin is Required: 33 – Wine
 Name and Address of Applicant: Consorzio tutela Barbera d'Asti e Vini del Monferrato
 Via Morelli 15 – 14100 Asti, Italy
 Ministero delle Politiche Agricole, Alimentari e Forestali
 Via XX Settembre, 20 – 00187 Roma, Italy

Number of Identification: 1530
 Number of International Registration: 1077
 Data of International Registration: 2017 09 25
 Application Filing Date: 2018 04 20
 Appellation of Origin of Good: **NEBBIOLO D'ALBA**
 The Goods for which the Registration of Appellation of Origin is Required: 33 – Wine
 Name and Address of Applicant: Ministero delle Politiche Agricole, Alimentari e Forestali
 Via XX Settembre, 20 – 00187 Roma, Italy
 Consorzio di Tutela Barolo Barbaresco Alba Langhe e Roero
 Corso Enotria 2/C, Alba (Cuneo), Italy

Number of Identification: 1531
 Number of International Registration: 1078
 Data of International Registration: 2017 09 25
 Application Filing Date: 2018 04 20
 Appellation of Origin of Good: **TEROLDEGO ROTALIANO**
 The Goods for which the Registration of Appellation of Origin is Required: 33 – Wine
 Name and Address of Applicant: Consorzio tutela vini del Trentino
 Via del Suffragio, 33 – 8122 Trento, Italy
 Ministero delle Politiche Agricole, Alimentari e Forestali
 Via XX Settembre, 20 – 00187 Roma, Italy

OFFICIAL NOTIFICATIONS

INVENTIONS

RENEWAL OF PATENTS

(21) AP 2009 12474

(11) P 2013 5893 B

(73) Peter Selesh;
Ien Chan

(54) **CIGARETTE FILTER**

DATE OF PATENT CANCELLATION: 2018 04 30

DATE OF PATENT RENEWAL: 2018 11 26

(21) AP 2012 12880

(11) P 2014 6048 B

(73) Sopio Burjanadze

(54) **CAVITATION-ELECTROLYSIS DEVICE FOR HYDROGEN GENERATION**

DATE OF PATENT CANCELLATION: 2018 10 26

DATE OF PATENT RENEWAL: 2018 11 26

CANCELLATION OF PATENTS

(21) AP 2009 11528

(11) P 2011 5338 B

(73) Lali Ghurchumelia

(54) **FIRE EXTINGUISHING POWDERS BASED ON ZEOLITES AND SHALY CLAY 5729**

DATE OF PATENT CANCELLATION: 2018 10 26

PATENT RESTORATION IS AVAILABLE: 2019 10 26

(21) AP 2009 11545

(11) P 2013 5729 B

(73) LES LABORATOIRES SERVIER

(54) **USAGE OF IVABRADINE AS DIAGNOSTIC AGENT IN CORONARY ANGIOGRAPHY
METHOD BY MULTISLICE COMPUTED TOMOGRAPHY**

DATE OF PATENT CANCELLATION: 2018 11 05

PATENT RESTORATION IS AVAILABLE: 2019 11 05

(21) AP 2008 11841

(11) P 2012 5526 B

(73) Aziende Chimiche Riunite Angelini Francesco A.C.R.A.F. S.p.A.

(54) **DRUG ACTIVE IN NEUROPATHIC PAIN**

DATE OF PATENT CANCELLATION: 2018 11 06

PATENT RESTORATION IS AVAILABLE: 2019 11 06

(21) AP 2010 11982

(11) P 2012 5620 B

(73) Archil Prangishvili;

Levan Imnaishvili;

Maguli Bedineishvili

(54) **BIOMETRIC IDENTIFICATION AND REGISTRATION SYSTEM OF PEDAGOGUES**

DATE OF PATENT CANCELLATION: 2018 10 26

PATENT RESTORATION IS AVAILABLE: 2019 10 26

(21) AP 2012 12880

(11) P 2014 6048 B

(73) Sopio Burjanadze

(54) **CAVITATION-ELECTROLYSIS DEVICE FOR HYDROGEN GENERATION**

DATE OF PATENT CANCELLATION: 2018 10 26

PATENT RESTORATION IS AVAILABLE: 2020 10 26

(21) AP 2012 12886

(11) P 2015 6362 B

(73) Guram Eristavi

(54) **TURBINE OF HYDROPOWER PLANT WITHOUT DAM**

DATE OF PATENT CANCELLATION: 2018 10 31

PATENT RESTORATION IS AVAILABLE: 2019 10 31

(21) AP 2013 13257

(11) P 2015 6377 B

(73) Ltd "GeoMax International"

(54) **METHOD FOR BLUEBERRY MICROPLANT GROW STIMULATION**

DATE OF PATENT CANCELLATION: 2018 11 06

PATENT RESTORATION IS AVAILABLE: 2019 11 06

(21) AP 2012 13463

(11) P 2017 6656 B

(73) Pfaizer Inc.

(54) **2-THIOPYRIMIDINONES**

DATE OF PATENT CANCELLATION: 2018 10 28

PATENT RESTORATION IS AVAILABLE: 2019 10 28

CHANGES IN NAMES AND/OR ADDRESSES OF OWNERS

(21) AP 2012 13170

(11) P 2015 6257 B

**(54) NAPHTHA ISOMERISATION ON THREE CATALYTIC REACTION ZONES INSIDE
DISTILLATION COLUMN**

New name and/or address: LIMITED COMPANY "REACTIVE RECTIFICATION TECHNOLOGY" (RU)
Piskarevsky pr., 150/2, office 202, St. Petersburg, 195273, Russian Federation (RU)

Former name and/or address: LIMITED COMPANY "REACTIVE RECTIFICATION TECHNOLOGY" (RU)
Ul. Serpukhovskaya, 10, lit. A, St. Petersburg, 190013 , Russian Federation

Date of entry to the registry: 2018 11 07

(21) AP 2014 13592

(11) P 2016 6516 B

(54) COMPOSITION OF INGREDIENTS FOR BIOACTIVE SUPPLEMENT "GRAIL"

New name and/or address: Ltd "Georgian Natural Product" (GE)
R. Tabukashvilis q. 47, 0108, Tbilisi, Georgia (GE)

Former name and/or address: LTD "VIKTORIA 2014" (GE)
D. Aghmasheneblis kheivani me-6 km., 0131, Tbilisi, Georgia (GE)

Date of entry to the registry: 2018 11 07

TRADEMARKS

RENEWAL OF REGISTRATIONS

(111) M 1998 10643 R2

(156) 10 09 1998

(186) 10 09 2028

(732) AUTOMOBILES CITROEN

7 Rue Henri Sante-Claire Deville, 92500
RUEIL-MALMAISON, France

One World Trade Center, New York, NY
10007, USA

(111) M 1999 11555 R2

(156) 17 02 1999

(186) 17 02 2029

(732) EMI (IP) LIMITED

364-366 Kensington High Street, London
W14 8NS, United Kingdom

(111) M 1998 10841 R2

(156) 22 09 1998

(186) 22 09 2028

(732) AGC, LLC

One American Boulevard, Cleveland, OHIO
44145, USA

(111) M 1998 8966 R2

(156) 24 04 1998

(186) 24 04 2028

(732) SIGMA GROUP a.s.

783 50 Lutinen, Czech Republic

(111) M 1998 10845 R2

(156) 22 09 1998

(186) 22 09 2028

(732) FORD MOTOR COMPANY

One American Road, Dearborn, Michigan
48126, USA

(111) M 1998 8967 R2

(156) 24 04 1998

(186) 24 04 2028

(732) SIGMA GROUP a.s.

783 50 Lutinen, Czech Republic

(111) M 1998 10953 R2

(156) 28 10 1998

(186) 28 10 2028

(732) MAM BABYARTIKEL GESELLSCHAFT
M.B.H.

Lorenz-Mandl-Gasse 50, 1160 Vienna,
Austria

(111) M 1998 8787 R2

(156) 06 04 1998

(186) 06 04 2028

(732) HOUGHTON TECHNICAL CORP.

(a Delaware corporation)
1011 Centre Road, Suite 322, Wilmington,
Delaware 19805, USA

(111) M 1998 10958 R2

(156) 28 10 1998

(186) 28 10 2028

(732) C. & J. CLARK INTERNATIONAL
LIMITED

40 High Street, Street Somerset BA 16 OYA,
United Kingdom

(111) M 1998 9975 R2

(156) 07 07 1998

(186) 07 07 2028

(732) KRAFT FUDS DANMARK

INTELLECTUAL PROPERTY APS
Ringager 2 A, 2.tv. 2605 Brøndby,
Denmark

(111) M 1998 10954 R2

(156) 28 10 1998

(186) 28 10 2028

(732) GIORGIO ARMANI S.p.A.

Milan, Swiss Branch Mendrisio
Via Penate 4, 6850 Mendrisio, Switzerland

(111) M 1999 11942 R2

(156) 04 05 1999

(186) 04 05 2029

(732) ADVANCE MAGAZINE PUBLISHERS
INC.

(111) M 1998 11173 R2

(156) 02 12 1998

(186) 02 12 2028

(732) MONDADORI INTERNATIONAL
BUSINESS SRL

Via Bianca di Savoia, 12, 20122 Milano, Italy

(111) M 1998 11335 R2
(156) 16 12 1998
(186) 16 12 2028
(732) MUNDIPHARMA AG.
St. Alban-Rheinweg 74, CH-4020 Basel,
Switzerland

(111) M 1998 11336 R2
(156) 16 12 1998
(186) 16 12 2028
(732) MUNDIPHARMA AG.
St. Alban-Rheinweg 74, CH-4020 Basel,
Switzerland

(111) M 1998 11337 R2
(156) 16 12 1998
(186) 16 12 2028
(732) MUNDIPHARMA AG.
St. Alban-Rheinweg 74, CH-4020 Basel,
Switzerland

(111) M 1998 11338 R2
(156) 16 12 1998
(186) 16 12 2028
(732) MUNDIPHARMA AG.
St. Alban-Rheinweg 74, CH-4020 Basel,
Switzerland

(111) M 1998 11339 R2
(156) 16 12 1998
(186) 16 12 2028
(732) MUNDIPHARMA AG.
St. Alban-Rheinweg 74, CH-4020 Basel,
Switzerland

(111) M 1998 11340 R2
(156) 18 12 1998
(186) 18 12 2028
(732) MUNDIPHARMA AG.
St. Alban-Rheinweg 74, CH-4020 Basel,
Switzerland

(111) M 2008 18336 R1
(156) 27 03 2008
(186) 27 03 2028
(732) LTD "IVERIAFARMA"
Davit Agmasheneblis kheivani, me-10 km.
0131, Tbilisi, Georgia

(111) M 2009 19249 R1
(156) 29 04 2009
(186) 29 04 2029

(732) CORPORACION HABANOS S.A.
Carretera Vieja Guanabacoa y Linea del Fe-
rocarril Final, Guanabacoa, La Habana, Cuba

(111) M 2009 19172 R1
(156) 30 03 2009
(186) 30 03 2029
(732) ZIPPO MANUFACTURING COMPANY
33 Barbour Street, Bradford, Pennsylvania
16701, USA

(111) M 1998 11202 R2
(156) 02 12 1998
(186) 02 12 2028
(732) HEINZ ITALIA S.P.A.
via Migliara 45, 04100 Latina, Italy

(111) M 1998 9357 R2
(156) 19 05 1998
(186) 19 05 2028
(732) KONINKLIJKE DOUWE EGBERTS B.V.
Oosterdoksstraat 80, 1011 DK Amsterdam,
Netherlands

(111) M 1998 10860 R2
(156) 23 09 1998
(186) 23 09 2028
(732) COGNIS IP MANAGEMENT GmbH
Henkelstrasse 67, 40589 Dusseldorf,
Germany

(111) M 1998 10862 R2
(156) 23 09 1998
(186) 23 09 2028
(732) COGNIS IP MANAGEMENT GmbH
Henkelstrasse 67, 40589 Dusseldorf,
Germany

(111) M 1998 10863 R2
(156) 23 09 1998
(186) 23 09 2028
(732) COGNIS IP MANAGEMENT GmbH
Henkelstrasse 67, 40589 Dusseldorf,
Germany

(111) M 1998 10864 R2
(156) 23 09 1998
(186) 23 09 2028
(732) COGNIS IP MANAGEMENT GmbH
Henkelstrasse 67, 40589 Dusseldorf,
Germany

(111) M 1998 10865 R2
(156) 23 09 1998
(186) 23 09 2028
(732) COGNIS IP MANAGEMENT GmbH
Henkelstrasse 67, 40589 Dusseldorf,
Germany

(111) M 1998 10866 R2
(156) 23 09 1998
(186) 23 09 2028
(732) COGNIS IP MANAGEMENT GmbH
Henkelstrasse 67, 40589 Dusseldorf,
Germany

(111) M 1998 10867 R2
(156) 23 09 1998
(186) 23 09 2028
(732) COGNIS IP MANAGEMENT GmbH
Henkelstrasse 67, 40589 Dusseldorf,
Germany

(111) M 1998 10868 R2
(156) 23 09 1998
(186) 23 09 2028
(732) COGNIS IP MANAGEMENT GmbH
Henkelstrasse 67, 40589 Dusseldorf,
Germany

(111) M 1998 10869 R2
(156) 23 09 1998
(186) 23 09 2028
(732) COGNIS IP MANAGEMENT GmbH
Henkelstrasse 67, 40589 Dusseldorf,
Germany

(111) M 1998 10992 R2
(156) 28 10 1998
(186) 28 10 2028
(732) C & C INTERNATIONAL LIMITED
Kylemore Park, Dublin 10, Ireland

(111) M 1998 10993 R2
(156) 28 10 1998
(186) 28 10 2028
(732) C & C INTERNATIONAL LIMITED
Kylemore Park, Dublin 10, Ireland

COMPLETE TRANSFER OF RIGHTS

(111) M 1998 8787 R
(732) HOUGHTON TECHNICAL CORP.
(a Delaware corporation)
1011 Centre Road, Suite 322, Wilmington,
Delaware 19805, USA
(770) SHELL BRANDS INTERNATIONAL AG
Baarermatte, 6340 Baar, Switzerland
(580) 15 10 2018

(111) M 2001 14003 R
(732) HELLENIC FUELS SOCIETE ANONYME
8A Cheimarras street, 151 25 Marousi,
Greece
(770) EKO INDUSTRIAL AND COMMERCIAL
PETROLEUM COMPANY A.E.
8A Chimarras, 151 25 Marousi, Athens,
Greece
(580) 23 10 2018

(111) M 2003 15195 R
(732) HELLENIC FUELS SOCIETE ANONYME
8A Cheimarras street, 151 25 Marousi,
Greece
(770) EKO INDUSTRIAL AND COMMERCIAL
PETROLEUM COMPANY A.E.
8A Chimarras, 15125 Marousi, Athens,
Greece
(580) 23 10 2018

(111) M 2003 15199 R
(732) HELLENIC FUELS SOCIETE ANONYME
8A Cheimarras street, 151 25 Marousi,
Greece
(770) EKO INDUSTRIAL AND COMMERCIAL
PETROLEUM COMPANY A.E.
8A Chimarras, 15125 Marousi, Athens,
Greece
(580) 23 10 2018

(111) M 2003 15200 R
(732) HELLENIC FUELS SOCIETE ANONYME
8A Cheimarras street, 151 25 Marousi,
Greece
(770) EKO INDUSTRIAL AND COMMERCIAL
ETROLEUM COMPANY A.E.
8A Chimarras, 151 25 Marousi, Athens,
Greece
(580) 23 10 2018

CHANGES IN NAMES AND/OR ADDRESSES OF OWNERS

(111) M 1998 10643 R
 (732) AUTOMOBILES CITROEN
 7 Rue Henri Sante-Claire Deville, 92500
 RUEIL-MALMAISON, France
 (770) AUTOMOBILES CITROEN
 Immeuble le Colisee III, 12 rue Fructidor,
 7835 Paris, France

(111) M 1998 10841 R
 (732) AGC, LLC
 One American Boulevard, Cleveland, OHIO
 44145, USA
 (770) AGC, LLC
 One American Road, Cleveland, OHIO
 44144-2398, USA
 (580) 23 10 2018

(111) M 1998 10845 R
 (732) FORD MOTOR COMPANY
 One American Road, Dearborn, Michigan
 48126, USA
 (770) FORD MOTOR COMPANY
 The American road, city of Dearborn,
 State of Michigan 48121, USA
 (580) 12 09 2018

(111) M 1995 602 R
 (732) KRAFT FOODS GROUP BRANDS LLC
 200 East Randolph Street, Illinois 60601,
 USA
 (770) KRAFT FOODS GROUP BRANDS LLC
 Three Lakes Drive, Northfield, Illinois
 60093, USA
 (580) 19 09 2018

(111) M 1995 603 R
 (732) KRAFT FOODS GROUP BRANDS LLC
 200 East Randolph Street, Illinois 60601,
 USA
 (770) KRAFT FOODS GROUP BRANDS LLC
 Three Lakes Drive, Northfield, Illinois
 60093, USA
 (580) 19 09 2018

(111) M 1996 4138 R
 (732) KRAFT FOODS GROUP BRANDS LLC
 200 East Randolph Street, Illinois 60601,
 USA
 (770) KRAFT FOODS GROUP BRANDS LLC
 Three Lakes Drive, Northfield, Illinois
 60093, USA

(580) 19 09 2018

(111) M 2002 14840 R
 (732) APPLE INC.
 One Apple Park Way, Cupertino, California
 95014, USA
 (770) APPLE INC.
 1 Infinite loop, Cupertino, California 95014,
 USA
 (580) 25 10 2018

(111) M 1996 3759 R
 (732) KRAFT FOODS GROUP BRANDS LLC
 200 East Randolph Street, Illinois 60601,
 USA
 (770) KRAFT FOODS GROUP BRANDS LLC
 Three Lakes Drive, Northfield, Illinois
 60093, USA
 (580) 19 09 2018

(111) M 1995 1264 R
 (732) KRAFT FOODS GROUP BRANDS LLC
 200 East Randolph Street, Illinois 60601,
 USA
 (770) KRAFT FOODS GROUP BRANDS LLC
 Three Lakes Drive, Northfield, Illinois
 60093, USA
 (580) 19 09 2018

(111) M 1995 1254 R
 (732) KRAFT FOODS GROUP BRANDS LLC
 200 East Randolph Street, Illinois 60601,
 USA
 (770) KRAFT FOODS GROUP BRANDS LLC
 Three Lakes Drive, Northfield, Illinois
 60093, USA
 (580) 19 09 2018

(111) M 1995 1277 R
 (732) KRAFT FOODS GROUP BRANDS LLC
 200 East Randolph Street, Illinois 60601,
 USA
 (770) KRAFT FOODS GROUP BRANDS LLC
 Three Lakes Drive, Northfield, Illinois
 60093, USA
 (580) 19 09 2018

(111) M 1995 1272 R
 (732) KRAFT FOODS GROUP BRANDS LLC
 200 East Randolph Street, Illinois 60601, USA

(770) KRAFT FOODS GROUP BRANDS LLC
 Three Lakes Drive, Northfield, Illinois
 60093, USA
 (580) 19 09 2018

(111) M 1995 1274 R
 (732) KRAFT FOODS GROUP BRANDS LLC
 200 East Randolph Street, Illinois 60601,
 USA
 (770) KRAFT FOODS GROUP BRANDS LLC
 Three Lakes Drive, Northfield, Illinois
 60093, USA
 (580) 19 09 2018

(111) M 1995 1270 R
 (732) KRAFT FOODS GROUP BRANDS LLC
 200 East Randolph Street, Illinois 60601,
 USA
 (770) KRAFT FOODS GROUP BRANDS LLC
 Three Lakes Drive, Northfield, Illinois
 0093, USA
 (580) 19 09 2018

(111) M 1995 1244 R
 (732) KRAFT FOODS GROUP BRANDS LLC
 200 East Randolph Street, Illinois 60601,
 USA
 (770) KRAFT FOODS GROUP BRANDS LLC
 Three Lakes Drive, Northfield, Illinois
 60093, USA
 (580) 19 09 2018

(111) M 1995 1275 R
 (732) KRAFT FOODS GROUP BRANDS LLC
 200 East Randolph Street, Illinois 60601,
 USA
 (770) KRAFT FOODS GROUP BRANDS LLC
 Three Lakes Drive, Northfield, Illinois
 60093, USA
 (580) 19 09 2018

(111) M 1995 628 R
 (732) KRAFT FOODS GROUP BRANDS LLC
 200 East Randolph Street, Illinois 60601,
 USA
 (770) KRAFT FOODS GROUP BRANDS LLC
 Three Lakes Drive, Northfield, Illinois
 60093, USA
 (580) 19 09 2018

(111) M 1996 2786 R
 (732) KRAFT FOODS GROUP BRANDS LLC
 200 East Randolph Street, Illinois 60601,
 USA

(770) KRAFT FOODS GROUP BRANDS LLC
 Three Lakes Drive, Northfield, Illinois
 60093, USA
 (580) 19 09 2018

(111) M 1995 1309 R
 (732) KRAFT FOODS GROUP BRANDS LLC
 200 East Randolph Street, Illinois 60601,
 USA
 (770) KRAFT FOODS GROUP BRANDS LLC
 Three Lakes Drive, Northfield, Illinois
 60093, USA
 (580) 19 09 2018

(111) M 1995 1276 R
 (732) KRAFT FOODS GROUP BRANDS LLC
 200 East Randolph Street, Illinois
 60601, USA
 (770) KRAFT FOODS GROUP BRANDS LLC
 Three Lakes Drive, Northfield, Illinois
 60093, USA
 (580) 19 09 2018

(111) M 1996 4161 R
 (732) KRAFT FOODS GROUP BRANDS LLC
 200 East Randolph Street, Illinois 60601,
 USA
 (770) KRAFT FOODS GROUP BRANDS LLC
 Three Lakes Drive, Northfield, Illinois
 60093, USA
 (580) 19 09 2018

(111) M 1996 3958 R
 (732) APPLE INC.
 One Apple Park Way, Cupertino, California
 95014, USA
 (770) APPLE INC.
 1 Infinite loop, Cupertino, California 95014,
 USA
 (580) 25 10 2018

(111) M 2012 22349 R
 (732) APPLE INC.
 One Apple Park Way, Cupertino, California
 95014, USA
 (770) APPLE INC.
 1 Infinite loop, Cupertino, California 95014,
 USA
 (580) 25 10 2018

(111) M 2012 22623 R
 (732) APPLE INC.
 One Apple Park Way, Cupertino, California
 95014, USA

(770) APPLE, INC.
1, Infinite Loop, Cupertino, California 95014,
USA
(580) 25 10 2018

(111) M 2012 22828 R
(732) APPLE INC.
One Apple Park Way, Cupertino, California
95014, USA
(770) APPLE INC.
1 Infinite loop, Cupertino, California 95014,
USA
(580) 25 10 2018

(111) M 2013 23954 R
(732) APPLE INC.
One Apple Park Way, Cupertino, California
95014, USA
(770) APPLE INC.
1, Infinite Loop, Cupertino, California 95014,
USA
(580) 25 10 2018

(111) M 1998 8647 R
(732) APPLE INC.
One Apple Park Way, Cupertino, California
95014, USA
(770) APPLE INC.
1 Infinite loop, Cupertino, California 95014,
USA
(580) 25 10 2018

(111) M 2015 26481 R
(732) APPLE INC.
One Apple Park Way, Cupertino, California
95014, USA
(770) APPLE INC.
1 Infinite loop, Cupertino, California 95014,
USA;
Rockford Corporation. 600 South Rockford
Drive, Tempe, AZ 85281. USA
(580) 25 10 2018

(111) M 2014 25154 R
(732) APPLE INC.
One Apple Park Way, Cupertino, California
95014, USA
(770) APPLE, INC.
1, Infinite Loop, Cupertino, California 95014,
USA
(580) 25 10 2018

(111) M 1997 7330 R
(732) APPLE INC.
One Apple Park Way, Cupertino, California
95014, USA
(770) APPLE INC.
1 Infinite loop, Cupertino, California 95014,
USA
(580) 25 10 2018

(111) M 1997 7331 R
(732) APPLE INC.
One Apple Park Way, Cupertino, California
95014, USA
(770) APPLE INC.
1 Infinite loop, Cupertino, California 95014,
USA
(580) 26 10 2018

(111) M 1997 7428 R
(732) APPLE INC.
One Apple Park Way, Cupertino, California
95014, USA
(770) APPLE INC.
1 Infinite loop, Cupertino, California 95014,
USA
(580) 25 10 2018

(111) M 1997 7430 R
(732) APPLE INC.
One Apple Park Way, Cupertino, California
95014, USA
(770) APPLE INC.
1 Infinite loop, Cupertino, California 95014,
USA
(580) 25 10 2018

(111) M 1997 7431 R
(732) APPLE INC.
One Apple Park Way, Cupertino, California
95014, USA
(770) APPLE INC.
1 Infinite loop, Cupertino, California 95014,
USA
(580) 25 10 2018

(111) M 1997 7432 R
(732) APPLE INC.
One Apple Park Way, Cupertino, California
95014, USA
(770) APPLE INC.
1 Infinite loop, Cupertino, California 95014,
USA
(580) 25 10 2018

(111) M 1997 7434 R
(732) APPLE INC.
One Apple Park Way, Cupertino, California
95014, USA
(770) APPLE INC.
1 Infinite loop, Cupertino, California 95014,
USA
(580) 25 10 2018

(111) M 2014 25491 R
(732) APPLE, INC.
One Apple Park Way, Cupertino, California
95014, USA
(770) APPLE, INC.
1, Infinite Loop, Cupertino, California 95014,
USA
(580) 25 10 2018

(111) M 2015 26201 R
(732) APPLE INC.
One Apple Park Way, Cupertino, California
95014, USA
(770) APPLE INC.
1, Infinit Lupi, Kupertino, Kalifornia 95014,
USA
(580) 25 10 2018

(111) M 2015 26202 R
(732) APPLE INC.
One Apple Park Way, Cupertino, California
95014, USA
(770) APPLE INC.
1, Infinit Lupi, Kupertino, Kalifornia 95014,
USA
(580) 25 10 2018

(111) M 2016 27654 R
(732) APPLE INC.
One Apple Park Way, Cupertino, California
95014, USA
(770) APPLE INC.
1 Infinit Lup, Kupertino, Kalifornia 95014,
USA
(580) 25 10 2018

(111) M 2016 26867 R
(732) APPLE INC.
One Apple Park Way, Cupertino, California
95014, USA
(770) APPLE Inc.
1 Infinite Loop, Cupertino, California 95014,
USA
(580) 25 10 2018

(111) M 2016 27807 R
(732) APPLE INC.
One Apple Park Way, Cupertino, California
95014, USA
(770) APPLE INC.
1, Infinite Loop, Cupertino, California 95014,
USA
(580) 25 10 2018

(111) M 2016 27671 R
(732) APPLE INC.
One Apple Park Way, Cupertino, California
95014, USA
(770) APPLE INC.
1, Infinit Lupi, Kupertino, Kalifornia 95014,
USA
(580) 25 10 2018

(111) M 2016 27683 R
(732) APPLE INC.
One Apple Park Way, Cupertino, California
95014, USA
(770) APPLE INC.
1, Infinite Loop, Cupertino, California 95014,
USA
(580) 25 10 2018

(111) M 2016 27613 R
(732) APPLE INC.
One Apple Park Way, Cupertino, California
95014, USA
(770) APPLE INC.
1, Infinite Loop, Cupertino, California 95014,
USA
(580) 25 10 2018

(111) M 2016 27855 R
(732) APPLE INC.
One Apple Park Way, Cupertino, California
95014, USA
(770) APPLE INC.
1, Infinite Loop, Cupertino, California 95014,
USA
(580) 25 10 2018

(111) M 2016 27997 R
(732) APPLE INC.
One Apple Park Way, Cupertino, California
95014, USA
(770) APPLE INC.
1, Infinite Loop, Cupertino, California 95014,
USA
(580) 25 10 2018

(111) M 2016 28003 R
(732) APPLE INC.
One Apple Park Way, Cupertino, California
95014, USA
(770) APPLE INC.
1, Infinite Loop, Cupertino, California 95014,
USA
(580) 25 10 2018

(111) M 2017 28227 R
(732) APPLE INC.
One Apple Park Way, Cupertino, California
95014, USA
(770) APPLE INC.
1, Infinite Loop, Cupertino, California 95014,
USA
(580) 25 10 2018

(111) M 2017 28467 R
(732) APPLE INC.
One Apple Park Way, Cupertino, California
95014, USA
(770) APPLE INC.
1, Infinite Loop, Cupertino, California 95014,
USA
(580) 25 10 2018

(111) M 2017 28474 R
(732) ZUFFA, LLC
6650 South Torrey Pines Drive, Las Vegas,
Nevada 89118, USA
(770) ZUFFA, LLC
2960 West Sahara Avenue, Las Vegas,
Nevada 89102, USA
(580) 12 10 2018

(111) M 2017 28475 R
(732) ZUFFA, LLC
6650 South Torrey Pines Drive, Las Vegas,
Nevada 89118, USA
(770) ZUFFA, LLC
2960 West Sahara Avenue, Las Vegas,
Nevada 89102, USA
(580) 12 10 2018

(111) M 2017 28476 R
(732) APPLE INC.
One Apple Park Way, Cupertino, California
95014, USA
(770) APPLE INC.
1, Infinite Loop, Cupertino, California 95014,
USA
(580) 25 10 2018

(111) M 2017 28403 R
(732) APPLE INC.
One Apple Park Way, Cupertino, California
95014, USA
(770) APPLE INC.
1, Infinite Loop, Cupertino, California 95014,
USA
(580) 25 10 2018

(111) M 2017 28533 R
(732) APPLE, INC.
One Apple Park Way, Cupertino, California
95014, USA
(770) APPLE, INC.
1, Infinite Loop, Cupertino, California 95014
USA
(580) 25 10 2018

(111) M 2017 28902 R
(732) APPLE INC.
One Apple Park Way, Cupertino, California
95014, USA
(770) APPLE INC.
1, Infinite Loop, Cupertino, California 95014,
USA
(580) 25 10 2018

(111) M 2017 29158 R
(732) APPLE INC.
One Apple Park Way, Cupertino, California
95014, USA
(770) APPLE INC.
1, Infinite Loop, Cupertino, California 95014,
USA
(580) 25 10 2018

(111) M 2018 29748 R
(732) APPLE INC.
One Apple Park Way, Cupertino, California
95014, USA
(770) APPLE INC.
1, Infinite Loop, Cupertino, California,
95014, USA
(580) 25 10 2018

(111) M 2018 29818 R
(732) APPLE INC.
One Apple Park Way, Cupertino, California
95014, USA
(770) APPLE INC.
1, Infinite Loop, Cupertino, California,
95014, USA
(580) 25 10 2018

(111) M 2018 30319 R

(732) APPLE INC.

Uan Efl Park Vei, Kupertino, Kalifornia
95014, USA

(770) APPLE INC.

1, Infinit Lupi, Kalifornia, Cupertino. 95014,
USA

(580) 25 10 2018

(111) M 1997 5267 R

(732) APPLE INC.

One Apple Park Way, Cupertino, California
95014, USA

(770) APPLE INC.

1 Infinite loop, Cupertino, California 95014,
USA

(580) 25 10 2018

INVALIDATION OF TRADEMARK REGISTRATIONS

(111) M 1998 8965 R
(151) 24 04 1998
(181) 2018 10 24
(732) REVLON CONSUMER PRODUCTS
CORPORATION
237 Park Avenue, New York, New York
10017, USA

(111) M 1998 8857 R
(151) 10 04 1998
(181) 2018 10 10
(732) SANOFI
54, rue La Boétie, 75008 Paris, France

(111) M 1998 8860 R
(151) 10 04 1998
(181) 2018 10 10
(732) SANOFI
54, rue La Boétie, 75008 Paris, France

(111) M 1998 8866 R
(151) 10 04 1998
(181) 2018 10 10
(732) SANOFI
54, rue La Boétie, 75008 Paris, France

(111) M 1998 8949 R
(151) 21 04 1998
(181) 2018 10 21
(732) DIVAPHARMA GMBH
41, Motzener Strasse, D-12277 Berlin,
Germany

(111) M 1998 8874 R
(151) 10 04 1998
(181) 2018 10 10
(732) MERCK SHARP & DOHME CORP.
One Merck Drive, Whitehouse Station,
New Jersey 08889, USA

(111) M 1998 8992 R
(151) 27 04 1998
(181) 2018 10 27
(732) GTBAT International Co. Limited
29 th Floor Oxford House, Taikoo Place,
979 King's Road, Island East, Hong Kong

(111) M 1998 8995 R
(151) 27 04 1998
(181) 2018 10 27
(732) DEUTSCHE TELEKOM AG
Friedrich-Ebert-Allee 140, 53113 Bonn,
Germany

(111) M 1998 9001 R
(151) 27 04 1998
(181) 2018 10 27
(732) THE MENTHOLATUM COMPANY
707 Sterling Drive, Orchard Park,
NY14127, USA

(111) M 1998 9002 R
(151) 27 04 1998
(181) 2018 10 27
(732) THE MENTHOLATUM COMPANY
707 Sterling Drive, Orchard Park,
NY14127, USA

(111) M 1998 9003 R
(151) 27 04 1998
(181) 2018 10 27
(732) THE MENTHOLATUM COMPANY
707 Sterling Drive, Orchard Park,
NY14127, USA

(111) M 1998 9004 R
(151) 27 04 1998
(181) 2018 10 27
(732) THE MENTHOLATUM COMPANY
707 Sterling Drive, Orchard Park,
NY14127, USA

(111) M 1998 9005 R
(151) 27 04 1998
(181) 2018 10 27
(732) THE MENTHOLATUM COMPANY
707 Sterling Drive, Orchard Park,
NY14127, USA

(111) M 1998 9006 R
(151) 27 04 1998
(181) 2018 10 27
(732) THE MENTHOLATUM COMPANY
707 Sterling Drive, Orchard Park,
NY14127, USA

(111) M 1998 9007 R
(151) 27 04 1998
(181) 2018 10 27
(732) THE MENTHOLATUM COMPANY
707 Sterling Drive, Orchard Park,
NY14127, USA

(111) M 1998 9008 R
(151) 27 04 1998
(181) 2018 10 27
(732) THE MENTHOLATUM COMPANY
707 Sterling Drive, Orchard Park,
NY14127, USA

(111) M 1998 9011 R
(151) 27 04 1998
(181) 2018 10 27
(732) SMITHKLINE BEECHAM LIMITED
980 Great West Road, Brentford, Middlesex
TW8 9GS, United Kingdom

(111) M 1998 9014 R
(151) 27 04 1998
(181) 2018 10 27
(732) SMITHKLINE BEECHAM LIMITED
980 Great West Road, Brentford, Middlesex
TW8 9GS, United Kingdom

(111) M 1998 9025 R
(151) 28 04 1998
(732) DIAGEO NORTH AMERICA, INC.
801 Main Avenue, Norwalk CT 06851-1127,
USA

(111) M 1998 8778 R
(151) 06 04 1998
(181) 2018 10 06
(732) HAITAI CONFECTIONERY AND FOODS
CO., LTD
321-4 Chonheung-ri, Sungguh-eup, Cheonan
City, Choongchungnam-do, Republic of Korea

(111) M 1998 8877 R
(151) 10 04 1998
(181) 2018 10 10
(732) TENNECO AUTOMOTIVE OPERATING
COMPANY INC.
500 North Field Drive, Lake Forest, Illinois
60045, USA

(111) M 1998 8782 R
(151) 06 04 1998
(181) 2018 10 06

(732) SHELL BRANDS INTERNATIONAL AG
Baareratte, 6340 Baar, Switzerland

(111) M 1998 8783 R
(151) 06 04 1998
(181) 2018 10 06
(732) SHELL BRANDS INTERNATIONAL AG
Baareratte, 6340 Baar, Switzerland

(111) M 1998 8784 R
(151) 06 04 1998
(181) 2018 10 06
(732) SHELL BRANDS INTERNATIONAL AG
Baareratte, 6340 Baar, Switzerland

(111) M 1998 8785 R
(151) 06 04 1998
(181) 2018 10 06
(732) SHELL BRANDS INTERNATIONAL AG
Baareratte, 6340 Baar, Switzerland

(111) M 1998 8786 R
(151) 06 04 1998
(181) 2018 10 06
(732) SHELL BRANDS INTERNATIONAL AG
Baareratte, 6340 Baar, Switzerland

(111) M 1998 8790 R
(151) 06 04 1998
(181) 2018 10 06
(732) SHELL BRANDS INTERNATIONAL AG
Baareratte, 6340 Baar, Switzerland

(111) M 1998 8796 R
(151) 06 04 1998
(181) 2018 10 06
(732) SHELL BRANDS INTERNATIONAL AG
Baareratte, 6340 Baar, Switzerland

(111) M 1998 8797 R
(151) 06 04 1998
(181) 2018 10 06
(732) SHELL BRANDS INTERNATIONAL AG
Baareratte, 6340 Baar, Switzerland

(111) M 1998 8798 R
(151) 06 04 1998
(181) 2018 10 06
(732) SHELL BRANDS INTERNATIONAL AG
Baareratte, 6340 Baar, Switzerland

(111) M 1998 8589 R
(151) 09 03 1998
(181) 2018 09 09
(732) HEINEKEN ASIA PACIFIC PTE. LTD.
459 Jalan Ahmad Ibrahim, Singapore
639934, Singapore

(111) M 1998 8801 R
(151) 06 04 1998
(181) 2018 10 06
(732) HUNTER DOUGLAS INDUSTRIES B.V.
2, Piekstraat, NL-3071 EL Rotterdam,
Netherlands

(111) M 1998 8803 R
(151) 07 04 1998
(181) 2018 10 07
(732) TETRA LAVAL HOLDINGS & FINANCE
S.A.
Avenue General-Guisan 70, CH-1009 Pully,
Switzerland

(111) M 1998 8805 R
(151) 07 04 1998
(181) 2018 10 07
(732) ST. IVES LABORATORIES, INC.
a corporation of the State of Delaware
700 Sylvan Avenue, Englewood Cliffs,
NJ 07632, USA

(111) M 1998 8590 R
(151) 09 03 1998
(181) 2018 09 09
(732) E.R. SQUIBB & SONS, L.L.C.
The Corporation Trusy Company, 1209
Orange Street, Wilmington, New Castle
Country, 19801 Delaware, USA

(111) M 1998 8811 R
(151) 07 04 1998
(181) 2018 10 07
(732) PFIZER INC.
235, East 42nd Street, New York 10017,
USA

(111) M 1998 8816 R
(151) 07 04 1998
(181) 2018 10 07
(732) EUROPE BRANDS S.À R.L.
412F, route d'Esch, L-2086, Luxembourg

(111) M 1998 8822 R
(151) 07 04 1998
(181) 2018 10 07
(732) CHAOYANG BAOLANSI METICULOUS
& CHEMICAL CO., LTD
Xiashan Silian Industrial Zone, Chaoyang
City, Guangdong Provance, China

(111) M 1998 8823 R
(151) 07 04 1998
(181) 2018 10 07
(732) CHAOYANG BAOLANSI METICULOUS
& CHEMICAL CO., LTD
Xiashan Silian Industrial Zone, Chaoyang
City, Guangdong Provance, China

(111) M 1998 8700 R
(151) 20 03 1998
(181) 2018 09 20
(732) FATOGLU GIDA SANAYI VE TICARET
ANONIM SIRKETI
Ucarlimah Sultanselim Caddesi
Balancak/Giresun, Turkey

(111) M 1998 8937 R
(151) 21 04 1998
(181) 2018 10 21
(732) INTELSAT INVESTMENTS S.A.
4, rue Albert Borshette, L-1246, Luxembourg

(111) M 1998 8977 R
(151) 24 04 1998
(181) 2018 10 24
(732) ASSOCIATED BRITISH FOODS PLC
Weston Centre, 10 Grosvenor Street,
London W1K 4QY, United Kingdom

(111) M 1998 8837 R
(151) 10 04 1998
(181) 2018 10 10
(732) L'OREAL
14, rue Royale, F-75008 Paris, France

(111) M 1998 8840 R
(151) 10 04 1998
(181) 2018 10 10
(732) MSD INTERNATIONAL HOLDINGS
GMBH
Veystrasse 20, CH-6000, Lucerne 6,
Switzerland

(111) M 1998 8841 R
(151) 10 04 1998
(181) 2018 10 10
(732) MSD INTERNATIONAL HOLDINGS
GMBH
Veystrasse 20, CH-6000, Lucerne 6,
Switzerland

(111) M 1998 8844 R
(151) 10 04 1998
(181) 2018 10 10
(732) L' OREAL
14 Rue Royale, 75008 Paris, France

(111) M 1998 8845 R
(151) 10 04 1998
(181) 2018 10 10
(732) TAIHO PHARMASEUTICAL CO., LTD.
1-27 Kandanishiki-cho, Chiyoda-ku, Tokyo,
101-8444, Japan

(111) M 1998 8605 R
(151) 09 03 1998
(181) 2018 09 09
(732) LEGO Juris A/S
DK-7190 Billund, Denmark

(111) M 1998 8986 R
(151) 27 04 1998
(181) 2018 10 27
(732) MARS, INCORPORATED
6885, Elm Street, McLean, Virginia, USA

(111) M 1998 8768 R
(151) 03 04 1998
(181) 2018 10 03
(732) LTD "VOGG"
Pasteris q. 3, 0102, Tbilisi, Georgia

(111) M 1998 8769 R
(151) 03 04 1998
(181) 2018 10 03
(732) LTD "VOGG"
Pasteris q. 3, 0102, Tbilisi, Georgia

(111) M 1998 8770 R
(151) 03 04 1998
(181) 2018 10 03
(732) LTD "VOGG"
Pasteris q. 3, 0102, Tbilisi, Georgia

(111) M 1998 8704 R
(151) 20 03 1998
(181) 2018 09 20
(732) BAYER INTELLECTUAL PROPERTY
GMBH
Alfred-Nobel-Strasse 10, 40789 Monheim
am Rhein, Germany

(111) M 1998 8915 R
(151) 16 04 1998
(181) 2018 10 16
(732) BAYER INTELLECTUAL PROPERTY
GMBH
Alfred-Nobel-Strasse 10, 40789 Monheim
am Rhein, Germany

(111) M 1998 8916 R
(151) 16 04 1998
(181) 2018 10 16
(732) BAYER AKTIENGESELLSCHAFT
D-51368 Leverkusen, Germany

(111) M 1998 8649P R
(151) 12 03 1998
(181) 2018 09 12
(732) REEMARK GESELLSCHAFT FUR
MARKENKOOPERATION MBH
Klein Flottbeker 89, 22605 Hamburg,
Germany

(111) M 2008 18345 R
(151) 14 04 2008
(181) 2018 10 14
(732) BAYER CONSUMER CARE AG
Peter Merian-Str. 84, 4052 Basel, Switzerland

(111) M 2008 18342 R
(151) 27 03 2008
(181) 2018 09 27
(732) GIORGI TEVZADZE
Gogebashvilis me-2 shesak. korp. 4, b.20,
0179, Tbilisi, Georgia

(111) M 2008 18319 R
(151) 27 03 2008
(181) 2018 09 27
(732) LLC "Mezon Greez"
Ul. Esperanto, dom 35/98, 420059, Kazan,
Republic of Tatarstan, Russian Federation

(111) M 2008 18346 R
(151) 14 04 2008
(181) 2018 10 14
(732) SCHOLLE CORPORATION
19540 Jamboree Road, Suite 310, Irvine,
CA 92612, USA

(111) M 2008 18321 R
(151) 27 03 2008
(181) 2018 09 27
(732) CHI MEI CORPORATION
No:59-1, San Chia, San Chia Village, Jen
Te Hsiang, Tainan Hsieni, Taiwan, China

(111) M 2008 18347 R
(151) 14 04 2008
(181) 2018 10 14
(732) VITALI MANASYAN
Doesis q. 39, 0113, Tbilisi, Georgia

(111) M 2008 18293 R
(151) 17 03 2008
(181) 2018 09 17
(732) Comunity ARABKIR Limited Liability
Company "VIVA ARGO"
Proshyan st., house 29, Erevan, Armenia

(111) M 2008 18350 R
(151) 14 04 2008
(181) 2018 10 14
(732) THE COCA-COLA COMPANY
One Coca-Cola Plaza, Atlanta, Georgia
30313, USA

(111) M 2008 18351 R
(151) 14 04 2008
(181) 2018 10 14
(732) THE COCA-COLA COMPANY
One Coca-Cola Plaza, Atlanta, Georgia
30313, USA

(111) M 2008 18297 R
(151) 17 03 2008
(181) 2018 09 17
(732) ILIA TSINTSADZE
Enguris q. 3, b.32, 0171, Tbilisi, Georgia

(111) M 2008 18298 R
(151) 17 03 2008
(181) 2018 09 17
(732) LTD "ZHORZHOLIANI TRADIG"
Zhiuli Shartavas q. 43, 0160, Tbilisi, Georgia

(111) M 2008 18299 R
(151) 17 03 2008
(181) 2018 09 17
(732) LTD "ZHORZHOLIANI TRADIG"
Zhiuli Shartavas q. 43, 0160, Tbilisi, Georgia

(111) M 2008 18324 R
(151) 27 03 2008
(181) 2018 09 27
(732) Dotchirne pidpriemstvo "KONDITERSKA
KORPORATZIA "ROSHEN"
Vul. Elektrikiv, 26/9, m. Kyiv, 04176,
Ukraine

(111) M 2008 18326 R
(151) 27 03 2008
(181) 2018 09 27
(732) Dotchirne pidpriemstvo "KONDITERSKA
KORPORATZIA "ROSHEN"
Vul. Elektrikiv, 26/9, m. Kyiv, 04176,
Ukraine

(111) M 2008 18328 R
(151) 27 03 2008
(181) 2018 09 27
(732) Dotchirne pidpriemstvo "KONDITERSKA
KORPORATZIA "ROSHEN"
Vul. Elektrikiv, 26/9, m. Kyiv, 04176,
Ukraine

(111) M 2008 18329 R
(151) 27 03 2008
(181) 2018 09 27
(732) Dotchirne pidpriemstvo "KONDITERSKA
KORPORATZIA "ROSHEN"
Vul. Elektrikiv, 26/9, m. Kyiv, 04176,
Ukraine

(111) M 2008 18330 R
(151) 27 03 2008
(181) 2018 09 27
(732) Dotchirne pidpriemstvo "KONDITERSKA
KORPORATZIA "ROSHEN"
Vul. Elektrikiv, 26/9, m. Kyiv, 04176,
Ukraine

(111) M 2008 18331 R
(151) 27 03 2008
(181) 2018 09 27
(732) Dotchirne pidpriemstvo "KONDITERSKA
KORPORATZIA "ROSHEN"
Vul. Elektrikiv, 26/9, m. Kyiv, 04176,
Ukraine

(111) M 2008 18353 R
(151) 14 04 2008
(181) 2018 10 14
(732) MANUCHAR KUTATELADZE
Ortachalis q. 9, 0114, Tbilisi, Georgia

(111) M 2008 18354 R
(151) 14 04 2008
(181) 2018 10 14
(732) MANUCHAR KUTATELADZE
Ortachalis q. 9, 0114, Tbilisi, Georgia

(111) M 2008 18355 R
(151) 14 04 2008
(181) 2018 10 14
(732) MANUCHAR KUTATELADZE
Ortachalis q. 9, 0114, Tbilisi, Georgia

(111) M 2008 18356 R
(151) 14 04 2008
(181) 2018 10 14
(732) MANUCHAR KUTATELADZE
Ortachalis q. 9, 0114, Tbilisi, Georgia

(111) M 2008 18278 R
(151) 28 02 2008
(181) 2018 08 28
(732) LTD "INTERTEQNIKSI"
Gldanis II mkr., korp. 28, b. 41, 0167, Tbilisi,
Georgia

(111) M 2008 18303 R
(151) 17 03 2008
(181) 2018 09 17
(732) JSC "ELIT ELECTRONICS"
7a Agladze str., 0154, Tbilisi, Georgia

(111) M 2008 18332 R
(151) 27 03 2008
(181) 2018 09 27
(732) LTD "TBILISELEBI PLUS"
Aslanidis q. 14, 0171, Tbilisi, Georgia

(111) M 2008 18307 R
(151) 17 03 2008
(181) 2018 09 17
(732) LTD "LELIANI"
Ilia Chavchavadzis gamz. 29-30-31, b. 72,
0179, Tbilisi, Georgia

(111) M 2008 18308 R
(151) 17 03 2008
(181) 2018 09 17
(732) LTD "LELIANI"
Ilia Chavchavadzis gamz. 29-30-31, b. 72,
0179, Tbilisi, Georgia

(111) M 2008 18309 R
(151) 17 03 2008
(181) 2018 09 17
(732) LTD "MEGHVINEOBA KHAREBA"
Davit Agmasheneblis kheivani me-6 km.,
0131, Tbilisi, Georgia

(111) M 2008 18310 R
(151) 17 03 2008
(181) 2018 09 17
(732) LTD "INTELIGENS GROUP"
Tkhinvalis q. 9/7, 0108, Tbilisi, Georgia

(111) M 2008 18311 R
(151) 17 03 2008
(181) 2018 09 17
(732) LTD "INTELIGENS GROUP"
Tkhinvalis q. 9/7, 0108, Tbilisi, Georgia

(111) M 2008 18361 R
(151) 14 04 2008
(181) 2018 10 14
(732) ZENTIVA, A.S.
Ul. Kabelovny 130, 10237 Prague 10, Dolny
Mecholupi, Czech Republic

(111) M 2008 18362 R
(151) 14 04 2008
(732) LTD "MULTITEST"
Jikias q. 5, 0186, Tbilisi, Georgia

(111) M 2008 18334 R
(151) 27 03 2008
(181) 2018 09 27
(732) LTD "KAMELINI"
Kindzmaraulis q. 7, 0145, Tbilisi, Georgia

(111) M 2008 18312 R
(151) 17 03 2008
(181) 2018 09 17
(732) THE COCA-COLA COMPANY
One Coca-Cola Plaza, Atlanta, Georgia
30313, USA

(111) M 2008 18363 R
(151) 14 04 2008
(181) 2018 10 14
(732) DESOWAG GMBH & Co.KG
Xantener Strasse 235, D-47495 Rheinberg,
Germany

(111) M 2008 18316 R
(151) 17 03 2008
(181) 2018 09 17
(732) LTD "RRADIO-ART"
Ilia Chavchavadzis gamz. 11, 0179, Tbilisi,
Georgia

(111) M 2008 18367 R
(151) 14 04 2008
(181) 2018 10 14
(732) JV ROYAL ARMENIA LTD
38 app/26, Davidashen 2, Yerevan, Armenia

(111) M 2008 18368 R
(151) 14 04 2008
(181) 2018 10 14
(732) JV ROYAL ARMENIA LTD
38 app/26, Davidashen 2, Yerevan, Armenia

(111) M 2008 18369 R
(151) 14 04 2008
(181) 2018 10 14
(732) JV ROYAL ARMENIA LTD
38 app/26, Davidashen 2, Yerevan, Armenia

(111) M 2008 18370 R
(151) 14 04 2008
(181) 2018 10 14
(732) JV ROYAL ARMENIA LTD
38 app/26, Davidashen 2, Yerevan, Armenia

(111) M 2008 18372 R
(151) 14 04 2008
(181) 2018 10 14
(732) WYETH LLC
Five Giralda Farms, Madison, New Jersey,
07940, USA

(111) M 2008 18373 R
(151) 14 04 2008
(181) 2018 10 14
(732) N.V. NUTRICIA
Eerste Stationstraat 186-2712 HM
Zoetermeer, Netherlands

(111) M 2008 18375 R
(151) 14 04 2008
(181) 2018 10 14
(732) QUINTON HAZELL AUTOMATIVE
LIMITID
Newsome Vaughan, Greyfriars House,
Greyfriars Lane, Coventry, West Midlands
CV1 2 GW, United Kingdom

(111) M 2008 18376 R
(151) 14 04 2008
(181) 2018 10 14
(732) QUINTON HAZELL AUTOMATIVE
LIMITID
Newsome Vaughan, Greyfriars House,
Greyfriars Lane, Coventry, West Midlands
CV1 2 GW, United Kingdom

(111) M 2008 18377 R
(151) 14 04 2008
(181) 2018 10 14
(732) QUINTON HAZELL AUTOMATIVE
LIMITID
Newsome Vaughan, Greyfriars House,
Greyfriars Lane, Coventry, West Midlands
CV1 2 GW, United Kingdom

(111) M 2008 18378 R
(151) 14 04 2008
(181) 2018 10 14
(732) QUINTON HAZELL AUTOMATIVE
LIMITID
Newsome Vaughan, Greyfriars House,
Greyfriars Lane, Coventry, West Midlands
CV1 2 GW, United Kingdom

(111) M 2008 18318 R
(151) 19 03 2008
(181) 2018 09 19
(732) NIKOLOZ KARCHAVA
Gamsakhurdias gamz. 43, b. 47, 0160,
Tbilisi, Georgia

(111) M 2008 18337 R
(151) 27 03 2008
(181) 2018 09 27
(732) DAVIT JEJELAVA
Tavisuflebis q.3, Lanchkhuti, 2800, Georgia

(111) M 2008 18338 R
(151) 27 03 2008
(181) 2018 09 27
(732) LTD "Standard Tobacco Incorporated"

Abuseridze-Tbelis q. 13, 0120, Tbilisi, Georgia	(111) M 1998 8655 R (151) 13 03 1998 (181) 2018 09 13 (732) UNILEVER N.V. Weena 455, NL-3013 AL Rotterdam, Netherlands
(111) M 2008 18343 R (151) 08 04 2008 (181) 2018 10 08 (732) LTD "GC" Bakhtrionis q. 18, b. 41, 0194, Tbilisi, Georgia	(111) M 1998 8657 R (151) 13 03 1998 (181) 2018 09 13 (732) UNILEVER N.V. Weena 455, NL-3013 AL Rotterdam, Netherlands
(111) M 2008 18339 R (151) 27 03 2008 (181) 2018 09 27 (732) LTD "GTC&COMPANY" Akaki Tseretlis q. 186, 4600, Kutaisi, Georgia	(111) M 1998 8658 R (151) 13 03 1998 (181) 2018 09 13 (732) UNILEVER N.V. Weena 455, NL-3013 AL Rotterdam, Netherlands
(111) M 2008 18379 R (151) 14 04 2008 (181) 2018 10 14 (732) UNILEVER N.V. Weena 455, Rotterdam, 3013 AL, Netherlands	(111) M 1998 8615 R (151) 11 03 1998 (181) 2018 09 11 (732) UNILEVER N.V. Weena 455, NL-3013 AL Rotterdam, Netherlands
(111) M 2008 18317 R (151) 17 03 2008 (181) 2018 09 17 (732) LTD "ESET AUTOTAILE DOICHLAND" BRANCH IN GEORGIA Vekuas q. 84, 0167, Tbilisi, Georgia	(111) M 1998 8667 R (151) 17 03 1998 (181) 2018 09 17 (732) UNILEVER N.V. Weena 455, NL-3013 AL Rotterdam, Netherlands
(111) M 2008 18344 R (151) 08 04 2008 (181) 2018 10 08 (732) LTD International Joint Enterprise Fuel-Energy Brick Manufacturing in Georgia "Bioenergy" Irakli abashidzis 46, b.5, 0179, Tbilisi, Georgia	(111) M 1998 8694 R (151) 20 03 1998 (181) 2018 09 20 (732) S.A.F. LLI GALLI, CAMIS & STOCK Viale Ten. Col. Giuseppe Galli 29, 6830 Chiasso, Switzerland
(111) M 2008 18381 R (151) 14 04 2008 (181) 2018 10 14 (732) LTD "AESCULAPIUS" Chiaurelis q. 2, 0159, Tbilisi, Georgia	(111) M 1998 8616 R (151) 11 03 1998 (181) 2018 09 11 (732) MARS INC. 6885 Elm Street, McLean, Virginia, USA
(111) M 1998 8950 R (151) 23 04 1998 (181) 2018 10 23 (732) IMO AB P.O. Box 42090, 126 14 Stockholm, Sweden	(111) M 1998 8617 R (151) 11 03 1998 (181) 2018 09 11

(732) LAURA ASHLY LIMITED
27 Bagleys Lane, Fulham, London SW6
2QR, United Kingdom

(111) M 1998 8618 R
(151) 11 03 1998
(181) 2018 09 11

(732) LAURA ASHLY LIMITED
27 Bagleys Lane, Fulham, London SW6
2QR, United Kingdom

(111) M 1998 8709 R
(151) 20 03 1998
(181) 2018 09 20

(732) UNILEVER N.V.
Weena 455, NL-3013 AL Rotterdam,
Netherlands

(111) M 1998 8732 R
(151) 26 03 1998
(181) 2018 09 26

(732) ASSIMIL S.A.S.
13, rue Gay-Lussac, 94430 Chennevieres-
Sur-Marne, Val-de-Marne, France

(111) M 1998 8743 R
(151) 26 03 1998
(181) 2018 09 26

(732) GILMAR S.P.A.
Via Malpaso 723/725, 47842 San Giovanni
in Marignano, Italy

(111) M 1998 8675 R
(151) 17 03 1998
(181) 2018 09 17

(732) PREMARK PEG L.L.C.
1300 N. Marker Street, Wilmington,
Delaware 19801, USA

(111) M 1998 8633 R
(151) 12 03 1998
(181) 2018 09 12

(732) CILAG GMBH INTERNATIONAL
Landis+Gyr-Strasse 1, CH-6300 Zug,
Switzerland

(111) M 1998 8635 R
(151) 12 03 1998
(181) 2018 09 12

(732) HENKEL AG & Co. KgaA
Henkelstrasse 67, 40589 Dusseldorf,
Germany

(111) M 1998 8637 R
(151) 12 03 1998
(181) 2018 09 12

(732) HENKEL AG & Co. KgaA
Henkelstrasse 67, 40589 Dusseldorf,
Germany

(111) M 1998 8638 R
(151) 12 03 1998
(181) 2018 09 12

(732) HENKEL AG & Co. KgaA
Henkelstrasse 67, 40589 Dusseldorf,
Germany

(111) M 1998 8642 R
(151) 12 03 1998
(181) 2018 09 12

(732) NOVO NORDISK A/S
Novo Alle, DK-2880 Bagsvaerd, Denmark

(111) M 1998 8623 R
(151) 11 03 1998
(181) 2018 09 11

(732) IRVITA PLANT PROTECTION N.V.
Pos Cabai Office Park, Unit 13, Curacao,
Netherlands Antilles

(111) M 1998 8645 R
(151) 12 03 1998
(181) 2018 09 12

(732) PERFETTI VAN MELLE S.P.A.
7, Via XXV Aprile, 20020 Lainate (Milano),
Italy

(111) M 1998 8725 R
(151) 25 03 1998
(181) 2018 09 25

(732) DOUBLE-COLA CO.
537 Market Street, Suite 100, Chattanooga,
TN 37402, USA

(111) M 1998 8852 R
(151) 10 04 1998
(181) 2018 10 10

(732) AFTON CHEMICAL LIMITED
London Road, Bracknell, Berkshire RG 12
2UW, United Kingdom

(111) M 1998 8957 R
(151) 23 04 1998
(181) 2018 10 23

(732) COGNIS IP MANAGEMENT GmbH
Henkelstrasse 67, 40589 Dusseldorf,
Germany

(111) M 1998 8776 R
(151) 03 04 1998
(181) 2018 10 03
(732) L'OREAL
14, rue Royale, F-75008 Paris, France

(111) M 1998 8959 R
(151) 23 04 1998
(181) 2018 10 23
(732) Zoetis WHC 2 LLC
100 Campus Drive, Florham Park, NJ 07932,
USA

(111) M 1998 8746 R
(151) 27 03 1998
(181) 2018 09 27
(732) BASF Agro B.V., Arnhem (NL),
weigniederlassung Zürich
Im Tiergarten 7, 8055 Zürich, Switzerland

(111) M 1998 8613 R
(151) 10 03 1998
(181) 2018 09 10
(732) DERMACOL A.S.
Vytvarna 1023/4, 161 00 Praha 6, Czech
Republic

(111) M 1998 8764 R
(151) 30 03 1998
(181) 2018 09 30
(732) DIAGEO BRANDS B.V.
10-12 Molenwerf, 1014 BG Amsterdam,
Netherlands

(111) M 1998 8765 R
(151) 30 03 1998
(181) 2018 09 30
(732) DIAGEO BRANDS B.V.
10-12 Molenwerf, 1014 BG Amsterdam,
Netherlands

(111) M 1998 8773 R
(151) 03 04 1998
(181) 2018 10 03
(732) DIAGEO BRANDS B.V.
10-12 Molenwerf, 1014 BG Amsterdam,
Netherlands

(111) M 1998 8614 R
(151) 10 03 1998
(181) 2018 09 10
(732) VALCOVNY TRUB A.S.
Chomutov, Libusina 4778, Czech Republic

LICENSE AGREEMENT

(800) 1331290

(732) L'OREAL

14, rue Royale, F-75008 Paris, France

(791) OWNER (LICENSOR): "Zao L'OREAL"

4 Golutvinskiy Pereulok 1/8, Stroenie 1-2, 119180, Moskow, Russian Federation

(794) SUB-LICENSEE: LTD "BALA"

Ardonis q. 3, sart. 1, office 4, Chughuretis r-ni, Tbilisi, Georgia

(793) SUB-LICENSEE FORM: Simple

LICENSE AGREEMENT NUMBER: 1555

REGISTRATION DATE: 19 11 2018

IN FORCE: 01 08 2021

(511)

35 – Retail store services relating to cosmetics, makeup, nail polish, cosmetic bags, cosmetic cases, cosmetic sponges, make-up brush holders, and make-up brushes.

CLASSIFICATION INDEXES

INVENTIONS

CONCORDANCE TABLE OF INTERNATIONAL CLASSIFICATION INDEX AND PUBLICATION NUMBERS

INTERNATIONAL CLASSIFICATION INDEXES (51)	NUMBER OF PUBLISHED APPLICATION (10)
A 43 B 7/12; A 43 B 23/02	AP 2018 14409 A
A 61 K 39/395	AP 2018 13723 A
B 28 B 19/00; C 04 B 28/14; C 04 B 111/00	AP 2018 14135 A
C 02 F 1/00, 1/32, 1/34, 1/36, 1/48, 1/78	AP 2018 14472 A
C 04 B 20/06, 14/12	AP 2018 14404 A
C 07 K 5/02	AP 2018 14134 A

CONCORDANCE TABLE OF PUBLICATION NUMBERS AND INTERNATIONAL CLASSIFICATION INDEX

NUMBER OF PUBLISHED APPLICATION (10)	INTERNATIONAL CLASSIFICATION INDEXES (51)
AP 2018 13723 A	A 61 K 39/395
AP 2018 14134 A	C 07 K 5/02
AP 2018 14135 A	B 28 B 19/00; C 04 B 28/14; C 04 B 111/00
AP 2018 14404 A	C 04 B 20/06, 14/12
AP 2018 14409 A	A 43 B 7/12; A 43 B 23/02
AP 2018 14472 A	C 02 F 1/00, 1/32, 1/34, 1/36, 1/48, 1/78

CONCORDANCE TABLE OF INTERNATIONAL CLASSIFICATION INDEX, PATENT NUMBERS AND PUBLICATION NUMBERS

INTERNATIONAL CLASSIFICATION INDEX (51)	NUMBER OF PATENT (11)	NUMBER OF PUBLISHED APPLICATION (10)
C 07 K 16/28; A 61 K 39/395; A 61 P 35/02; A 61 P 37/00	P 2018 6928 B	AP 2018 13496 A
E 04 C 2/296	P 2018 6929 B	AP 2018 14227 A

CONCORDANCE TABLE OF PATENT NUMBERS, PUBLICATION NUMBERS AND INTERNATIONAL CLASSIFICATION INDEX

NUMBER OF PATENT (11)	NUMBER OF PUBLISHED APPLICATION (10)	INTERNATIONAL CLASSIFICATION INDEX (51)
P 2018 6928 B	AP 2018 13496 A	C 07 K 16/28; A 61 K 39/395; A 61 P 35/02; A 61 P 37/00
P 2018 6929 B	AP 2018 14227 A	E 04 C 2/296

**CONCORDANCE TABLE OF APPLICATION NUMBERS, PUBLICATION NUMBERS
AND PATENTS**

NUMBER OF APPLICATION (21)	NUMBER OF PUBLISHED APPLICATION (10)	NUMBER OF PATENT (11)
AP 2012 13496	AP 2018 13496 A	P 2018 6928 B
AP 2016 14227	AP 2018 14227 A	P 2018 6929 B

UTILITY MODEL

**CONCORDANCE TABLE OF INTERNATIONAL CLASSIFICATION INDEX
AND PUBLICATION NUMBERS**

INTERNATIONAL CLASSIFICATION INDEXES (51)	NUMBER OF PUBLISHED APPLICATION (10)
A 23 B 7/00	AU 2018 14621 U
C 02 F 3/32	AU 2018 14736 U
C 04 B 35/45; H 01 L 39/00	AU 2018 14630 U

**CONCORDANCE TABLE OF PUBLICATION NUMBERS
AND INTERNATIONAL CLASSIFICATION INDEX**

NUMBER OF PUBLISHED APPLICATION (10)	INTERNATIONAL CLASSIFICATION INDEXES (51)
AU 2018 14621 U	A 23 B 7/00
AU 2018 14630 U	C 04 B 35/45; H 01 L 39/00
AU 2018 14736 U	C 02 F 3/32

**CONCORDANCE TABLE OF INTERNATIONAL CLASSIFICATION INDEX,
PATENT NUMBERS AND PUBLICATION NUMBERS**

INTERNATIONAL CLASSIFICATION INDEX (51)	NUMBER OF PATENT (11)	NUMBER OF PUBLISHED APPLICATION (10)
A 47 K 10/40	U 2018 1994 Y	AU 2018 14168

**CONCORDANCE TABLE OF PATENT NUMBERS,
PUBLICATION NUMBERS AND INTERNATIONAL CLASSIFICATION INDEX**

NUMBER OF PATENT (11)	NUMBER OF PUBLISHED APPLICATION (10)	INTERNATIONAL CLASSIFICATION INDEX (51)
U 2018 1994 Y	AU 2018 14168	A 47 K 10/40

**CONCORDANCE TABLE OF APPLICATION NUMBERS, PUBLICATION NUMBERS
AND PATENTS**

NUMBER OF APPLICATION (21)	NUMBER OF PUBLISHED APPLICATION (10)	NUMBER OF PATENT (11)
AU 2014 14168	AU 2018 14168	U 2018 1994 Y

DESIGNS

**CONCORDANCE TABLE OF INTERNATIONAL CLASSIFICATION INDEX,
PATENT NUMBERS AND PUBLICATION NUMBERS**

INTERNATIONAL CLASSIFICATION INDEX (51)	NUMBER OF PATENT (11)	NUMBER OF PUBLISHED APPLICATION (10)
07-06	D 2018 786 S	AD 2018 1031 S
09-01	D 2018 784 S	AD 2018 1015 S
14-99	D 2018 785 S	AD 2018 1021 S

**CONCORDANCE TABLE OF PATENT NUMBERS,
PUBLICATION NUMBERS AND INTERNATIONAL CLASSIFICATION INDEX**

NUMBER OF PATENT (11)	NUMBER OF PUBLISHED APPLICATION (10)	INTERNATIONAL CLASSIFICATION INDEX (51)
D 2018 784 S	AD 2018 1015 S	09-01
D 2018 785 S	AD 2018 1021 S	14-99
D 2018 786 S	AD 2018 1031 S	07-06

**CONCORDANCE TABLE OF APPLICATION NUMBERS, PUBLICATION NUMBERS
AND PATENTS**

NUMBER OF APPLICATION (21)	NUMBER OF PUBLISHED APPLICATION (10)	NUMBER OF PATENT (11)
AD 2018 1015	AD 2018 1015 S	D 2018 784 S
AD 2018 1021	AD 2018 1021 S	D 2018 785 S
AD 2018 1031	AD 2018 1031 S	D 2018 786 S

TRADEMARKS

CONCORDANCE TABLE OF REGISTRATION NUMBERS, APPLICATION NUMBERS,
PUBLICATION NUMBERS AND BULLETIN NUMBERS

NUMBER OF REGISTRATION (111)	NUMBER OF APPLICATIONS (210)	NUMBER OF PUBLISHED APPLICATIONS (260)	NUMBER OF BULLETIN
M 2018 30382 R	AM 99876	-	22(506) 2018
M 2018 30383 R	AM 90095	AM 2017 90095 A	22(482) 2017
M 2018 30384 R	AM 91867	AM 2018 91867 A	14(498) 2018
M 2018 30385 R	AM 92585	AM 2018 92585 A	13(497) 2018
M 2018 30386 R	AM 92665	AM 2018 92665 A	8(492) 2018
M 2018 30387 R	AM 92739	AM 2018 92739 A	11(495) 2018
M 2018 30388 R	AM 92885	AM 2018 92885 A	3(487) 2018
M 2018 30389 R	AM 92894	AM 2018 92894 A	6(490) 2018
M 2018 30390 R	AM 93221	AM 2018 93221 A	9(493) 2018
M 2018 30391 R	AM 93222	AM 2018 93222 A	9(493) 2018
M 2018 30392 R	AM 93224	AM 2018 93224 A	9(493) 2018
M 2018 30393 R	AM 93225	AM 2018 93225 A	9(493) 2018
M 2018 30394 R	AM 93437	AM 2018 93437 A	8(492) 2018
M 2018 30395 R	AM 93559	AM 2018 93559 A	11(495) 2018
M 2018 30396 R	AM 93617	AM 2018 93617 A	10(494) 2018
M 2018 30397 R	AM 93661	AM 2018 93661 A	8(492) 2018
M 2018 30398 R	AM 93662	AM 2018 93662 A	8(492) 2018
M 2018 30399 R	AM 93663	AM 2018 93663 A	8(492) 2018
M 2018 30400 R	AM 93664	AM 2018 93664 A	8(492) 2018
M 2018 30401 R	AM 93665	AM 2018 93665 A	8(492) 2018
M 2018 30402 R	AM 93666	AM 2018 93666 A	8(492) 2018
M 2018 30403 R	AM 93901	AM 2018 93901 A	8(492) 2018
M 2018 30404 R	AM 93902	AM 2018 93902 A	8(492) 2018
M 2018 30405 R	AM 94016	AM 2018 94016 A	9(493) 2018
M 2018 30406 R	AM 94181	AM 2018 94181 A	10(494) 2018
M 2018 30407 R	AM 94259	AM 2018 94259 A	9(493) 2018
M 2018 30408 R	AM 94260	AM 2018 94260 A	9(493) 2018
M 2018 30409 R	AM 94261	AM 2018 94261 A	9(493) 2018
M 2018 30410 R	AM 94268	AM 2018 94268 A	11(495) 2018
M 2018 30411 R	AM 94269	AM 2018 94269 A	11(495) 2018
M 2018 30412 R	AM 94283	AM 2018 94283 A	10(494) 2018
M 2018 30413 R	AM 94333	AM 2018 94333 A	9(493) 2018
M 2018 30414 R	AM 94362	AM 2018 94362 A	8(492) 2018
M 2018 30415 R	AM 94452	AM 2018 94452 A	11(495) 2018
M 2018 30416 R	AM 94578	AM 2018 94578 A	13(497) 2018
M 2018 30417 R	AM 94579	AM 2018 94579 A	13(497) 2018
M 2018 30418 R	AM 94580	AM 2018 94580 A	13(497) 2018
M 2018 30419 R	AM 94583	AM 2018 94583 A	13(497) 2018
M 2018 30420 R	AM 94612	AM 2018 94612 A	13(497) 2018
M 2018 30421 R	AM 94613	AM 2018 94613 A	13(497) 2018
M 2018 30422 R	AM 94615	AM 2018 94615 A	12(496) 2018
M 2018 30423 R	AM 94622	AM 2018 94622 A	13(497) 2018
M 2018 30424 R	AM 94674	AM 2018 94674 A	12(496) 2018
M 2018 30425 R	AM 94677	AM 2018 94677 A	12(496) 2018
M 2018 30426 R	AM 94679	AM 2018 94679 A	12(496) 2018
M 2018 30427 R	AM 94690	AM 2018 94690 A	12(496) 2018
M 2018 30428 R	AM 94709	AM 2018 94709 A	11(495) 2018
M 2018 30429 R	AM 94721	AM 2018 94721 A	12(496) 2018
M 2018 30430 R	AM 94760	AM 2018 94760 A	13(497) 2018

1	2	3	4
M 2018 30431 R	AM 94789	AM 2018 94789 A	11(495) 2018
M 2018 30432 R	AM 94873	AM 2018 94873 A	13(497) 2018
M 2018 30433 R	AM 94956	AM 2018 94956 A	13(497) 2018
M 2018 30434 R	AM 95009	AM 2018 95009 A	13(497) 2018
M 2018 30435 R	AM 95026	AM 2018 95026 A	13(497) 2018
M 2018 30436 R	AM 95027	AM 2018 95027 A	13(497) 2018
M 2018 30437 R	AM 95052	AM 2018 95052 A	13(497) 2018
M 2018 30438 R	AM 95053	AM 2018 95053 A	13(497) 2018
M 2018 30439 R	AM 95054	AM 2018 95054 A	13(497) 2018
M 2018 30440 R	AM 95119	AM 2018 95119 A	13(497) 2018
M 2018 30441 R	AM 95183	AM 2018 95183 A	13(497) 2018
M 2018 30442 R	AM 95184	AM 2018 95184 A	13(497) 2018
M 2018 30443 R	AM 95238	AM 2018 95238 A	13(497) 2018
M 2018 30444 R	AM 95317	AM 2018 95317 A	13(497) 2018
M 2018 30445 R	AM 95339	AM 2018 95339 A	13(497) 2018
M 2018 30446 R	AM 95340	AM 2018 95340 A	13(497) 2018
M 2018 30447 R	AM 95370	AM 2018 95370 A	13(497) 2018
M 2018 30448 R	AM 95446	AM 2018 95446 A	14(498) 2018
M 2018 30449 R	AM 95449	AM 2018 95449 A	14(498) 2018
M 2018 30450 R	AM 95454	AM 2018 95454 A	14(498) 2018
M 2018 30451 R	AM 95456	AM 2018 95456 A	14(498) 2018
M 2018 30452 R	AM 95521	AM 2018 95521 A	14(498) 2018
M 2018 30453 R	AM 95522	AM 2018 95522 A	14(498) 2018
M 2018 30454 R	AM 95606	AM 2018 95606 A	13(497) 2018
M 2018 30455 R	AM 95663	AM 2018 95663 A	13(497) 2018
M 2018 30456 R	AM 95664	AM 2018 95664 A	13(497) 2018
M 2018 30457 R	AM 97999	-	22(506) 2018
M 2018 30458 R	AM 99665	-	22(506) 2018
M 2018 30459 R	AM 99957	-	22(506) 2018
M 2018 30460 R	AM 100094	-	22(506) 2018
M 2018 30461 R	AM 100033	-	22(506) 2018
M 2018 30462 R	AM 100096	-	22(506) 2018
M 2018 30463 R	AM 100063	-	22(506) 2018
M 2018 30464 R	AM 100095	-	22(506) 2018
M 2018 30465R	AM 100082	-	22(506) 2018
M 2018 30466 R	AM 99865	-	22(506) 2018

**CONCORDANCE TABLE OF PUBLICATION NUMBERS
AND APPLICATION NUMBERS**

NUMBER OF PUBLISHED APPLICATION (260)	NUMBER OF APPLICATION (210)	1	2
1	2		
AM 2018 94719 A	AM 94719	AM 2018 97203 A	AM 97203
AM 2018 96801 A	AM 96801	AM 2018 97204 A	AM 97204
AM 2018 96859 A	AM 96859	AM 2018 97206 A	AM 97206
AM 2018 96862 A	AM 96862	AM 2018 97208 A	AM 97208
AM 2018 96865 A	AM 96865	AM 2018 97209 A	AM 97209
AM 2018 96892 A	AM 96892	AM 2018 97222 A	AM 97222
AM 2018 96982 A	AM 96982	AM 2018 97223 A	AM 97223
AM 2018 96993 A	AM 96993	AM 2018 97365 A	AM97365
AM 2018 97014 A	AM 97014	AM 2018 97372 A	AM97372
AM 2018 97018 A	AM 97018	AM 2018 97379 A	AM97379
AM 2018 97173 A	AM 97173	AM 2018 97386 A	AM97386
AM 2018 97188 A	AM 97188	AM 2018 97388 A	AM97388
AM 2018 97198 A	AM 97198	AM 2018 97390 A	AM97390
		AM 2018 97403 A	AM97403
		AM 2018 97404 A	AM97404
		AM 2018 97405 A	AM97405
		AM 2018 97418 A	AM97418

**CONCORDANCE TABLE OF INDEX OF GOODS AND/OR SERVICES
AND APPLICATION NUMBERS**

INDEX OF GOODS AND/OR SERVICES (511)	NUMBER OF PUBLISHED APPLICATIONS (26)	1	2
1	2		
1	AM 2018 97014 A	18	AM 2018 97379 A
1	AM 2018 97388 A	19	AM 2018 96862 A
1	AM 2018 97390 A	25	AM 2018 97379 A
4	AM 2018 96865 A	29	AM 2018 96993 A
5	AM 2018 96859 A	30	AM 2018 96993 A
5	AM 2018 97014 A	30	AM 2018 97365 A
5	AM 2018 97198 A	31	AM 2018 97365 A
5	AM 2018 97203 A	33	AM 2018 97222 A
5	AM 2018 97204 A	33	AM 2018 97418 A
5	AM 2018 97206 A	34	AM 2018 96801 A
5	AM 2018 97208 A	35	AM 2018 96982 A
5	AM 2018 97209 A	35	AM 2018 96993 A
5	AM 2018 97388 A	35	AM 2018 97379 A
5	AM 2018 97390 A	37	AM 2018 96892 A
9	AM 2018 97173 A	39	AM 2018 97018 A
9	AM 2018 97223 A	39	AM 2018 97223 A
11	AM 2018 96892 A	41	AM 2018 97372 A
12	AM 2018 97188 A	42	AM 2018 94719 A
12	AM 2018 97404 A	42	AM 2018 97223 A
12	AM 2018 97405 A	42	AM 2018 97372 A
		43	AM 2018 97372 A
		43	AM 2018 97386 A
		43	AM 2018 97403 A
		44	AM 2018 97388 A
		44	AM 2018 97390 A

CONCORDANCE TABLE OF INDEX OF GOODS AND/OR SERVICES
AND NUMBERS OF TRADEMARKS REGISTERED ACCORDING
TO THE ACCELERATED PROCEDURE

INDEX OF GOODS AND/OR SERVICES (511)	NUMBERS OF REGISTERED ACCORDING TO THE ACCELERATED PROCEDURE (111)
3	M 2018 30460 R
3	M 2018 30462 R
4	M 2018 30463 R
7	M 2018 30459 R
8	M 2018 30459 R
9	M 2018 30459 R
11	M 2018 30459 R
32	M 2018 30382 R
32	M 2018 30461 R
33	M 2018 30382 R
36	M 2018 30464 R
40	M 2018 30458 R
41	M 2018 30465 R
43	M 2018 30466 R

OFFICIAL BULLETIN OF THE INDUSTRIAL PROPERTY

INVENTIONS
UTILITY MODELS
DESIGNS
TRADEMARKS
APPELLATIONS OF ORIGIN OF GOODS

22(506)

EDITOR-IN-CHIEF: N. Bebrishvili

EDITOR-TRANSLATOR: E. Gabunia

PROOFREADER: A. Shikhashvili

COMPUTER LAYOUT: M. Ordenidze
K. Svanidze

www.sakpatenti.gov.ge
E-mail: info@sakpatenti.org.ge