



# Official Bulletin of the Industrial Property

Inventions

Utility Models

Designs

Trademarks



საქართველოს ინტელექტუალური  
საკუთრების ეროვნული ცენტრი  
**საქპატენტი**  
**SAKPATENTI**  
NATIONAL INTELLECTUAL PROPERTY  
CENTER OF GEORGIA  
[www.sakpatenti.gov.ge](http://www.sakpatenti.gov.ge)

22(601)

# INID CODES FOR IDENTIFICATION OF BIBLIOGRAPHIC DATA

## INVENTIONS, UTILITY MODELS

- (10) Number of publication for application, which has been examined
- (11) Number of patent and kind of document
- (21) Serial number of application
- (22) Date of filing of the application
- (23) Date of exhibition or the date of the earlier filing and the number of application, if any
- (24) Date from which patent may have effect
- (31) Number of priority application
- (32) Date of filing of priority application
- (33) Code of the country or regional organization allotting priority application number
- (44) Date of publication of application not granted, but examined and number of bulletin
- (45) Date of publication of registered document
- (51) International Patent Classification Index

- (54) Title of the invention
- (57) Abstract
- (60) Number of examined patent document granted by foreign patent office, date from which patent has effect and country code
- (62) Number of the earlier application and in case of divided application, date of filing an application
- (71) Name, surname and address of applicant (country code)
- (72) Name, surname of inventor (country code)
- (73) Name, surname and address of patent owner (country code)
- (74) Name, surname of representative or patent attorney
- (85) Date of commencement of the national phase of International Application
- (86) Number and date of filing of international application
- (87) Number and date of publication of international application
- (94) Calculated date of expiry of the SPC or the duration of the SPC

## DESIGNS

- (10) Number of publication for application
- (11) Number of patent and kind of document or number of registration
- (15) Date of registration/Date of patent renewal
- (18) Expected expiration date of patent or registration
- (21) Serial number of application
- (22) Date of filing of the application
- (23) Date of exhibition or the date of the earlier filing and the number of application, if any
- (24) Date from which patent may have effect
- (28) Number of designs included in the application
- (30) Data relating to priority (number of application, date of filing of application, two-letter code identifying the authority with whom the priority application was made)
- (31) Number of priority application
- (32) Date of filing of priority application
- (33) Code of the country or regional organization allotting priority application number
- (34) Two-letter code according to WIPO St.3 identifying the authority with which the priority application was made
- (44) Date of publication of design and number of bulletin (the first publication)
- (45) Date of publication of design registered by WIPO and number of bulletin

- (51) International Classification for designs (class and subclass of the Locarno Classification)
- (54) Title of the invention
- (55) Reproduction of the design
- (57) Description of characteristic features of the design including indication of colors
- (58) Date of recording of any kind of amendment in the Register
- (62) Number of the earlier application, registration and document number and if available the date of filing an application in case of divided application
- (71) Name, surname and address of applicant (country code)
- (72) Name, surname of creator (country code)
- (73) Name, surname and address of patent owner (country code)
- (74) Name, surname of representative or patent attorney
- (81) Contracting states concerned
  - II designated contracting states according to the 1960 Act
  - III designated contracting states according to the 1999 Act
- (85) Owner's permanent address
- (86) Owner's nationality
- (87) Owner's residence
- (88) State in which the owner has a real and effective industrial or commercial establishment

## TRADEMARKS

- (111) - Number of registration
- (151) - Date of registration
- (156) - Date of the renewal
- (181) - Expected expiration date of registration
- (186) - Renewal expiration date of registration
- (141) - Date of cancel of duration of the mark
- (210) - Serial number of application
- (220) - Date of filing of the application
- (230) - Data concerning exhibition
- (260) - Number of application, for which favorable decision of examination about registration has been taken (publication number)
- (310) - Number of the first application
- (320) - Date of filing of the first application
- (330) - Code, identifying national or regional Office where the first application was made
- (511) - International Classification of Goods and Services for the purposes of registration of trade marks and/or list of goods and/or services classified according thereto
- (526) - Disclaimer
- (531) - Description of figurative elements of Trade Marks according to the International Classification of the Figurative Elements of Marks

- (540) - Reproduction of Trade Mark
- (550) - Nature and kind of Trade Mark
- (551) - Indication to the effect that the mark is a collective mark, a certification mark or a guarantee mark
- (554) - Three-dimensional mark
- (580) - Date of recording of any kind changes in respect of applications or registrations
- (591) - Information concerning colors claimed
- (731) - Name and address of the applicant
- (732) - Name and address of the holder of the registration
- (740) - Name and address of the representative
- (750) - Addreses for correspondence
- (770) - Name and address of the previous applicant or holder in case of change in ownership
- (771) - Previous name and address of the applicant or holder in case of change in ownership
- (791) - Name and address of the licensee
- (793) - Indication of conditions and/or restrictions under the license (Type of license, number of license agreement, data of license, data of validity of license)
- (800) - Certain data relating to the international registration of Trade Marks under the Protocol Relating to Madrid Agreement (International registration number
- (852) - Partial cancellation of the list of goods and services
- (891) - Date of subsequent designation

## CODES FOR PUBLICATION IN BULLETIN

- (21) AP 0000 000000 - serial number of application for invention
- (10) AP 0000 0000 A - number of published application for invention (first publication)
- (11) P 0000 0000 B - number of patent for invention (second publication)
- (21) API 0000 000000 - number of application for imported patent
- (11) PI 0000 0000 A - number of imported patent (first publication)
- (21) AU 0000 000000 - serial number of application for utility model
- (10) AU 0000 000 U - number of published application for utility model (first publication)
- (11) U 0000 000 Y - number of patent for utility model (second publication)
- (21) AD 0000 000000 - serial number of application for design
- (10) AD 0000 000 S - number of published application for design (first publication)
- (11) D 0000 000 S - registered design

## INTERNATIONAL PATENT CLASSIFICATION FOR INVENTIONS AND UTILITY MODELS

- SECTION A - HUMAN NECESSITIES
- SECTION B - PERFORMING OPERATIONS; TRANSPORTING
- SECTION C - CHEMISTRY; METALLURGY
- SECTION D - TEXTILES; PAPER
- SECTION E - FIXED CONSTRUCTIONS
- SECTION F - MECHANICAL ENGINEERING; LIGHTING; HEATING; WEAPONS; BLASTING
- SECTION G - PHYSICS
- SECTION H - ELECTRICITY

- 
- M - Trade Mark
  - (210) AM 0000 000000 - Serial number of application;
  - (260) AAM 0000 00000 A - Publication number of application;
  - (111) M 0000 00000 R - Number of registration;
  - (111) MMM0000 00000 Rn - Number of renewals, in which n=1,2,3;
  - (111) M 0000 00000 R(P) - Number of registration under partial assignment of rights
-

# Official Bulletin of the Industrial Property

Inventions

Utility Models

Designs

Trademarks

# CONTENT

<b>PUBLISHED TITLES OF PROTECTION .....</b>	<b>3</b>
<b>INVENTIONS</b>	
▪ APPLICATIONS APPROVED FOR GRANTING PATENT .....	4
▪ PATENTED INVENTIONS .....	7
<b>UTILITY MODELS</b>	
▪ APPLICATION APPROVED FOR GRANTING PATENT .....	9
▪ PATENTED UTILITY MODEL .....	10
<b>DESIGNS</b>	
DESIGNS, WHICH HAVE BEEN REGISTERED WITH THE INTERNATIONAL BUREAU CLAIMING PRIORITY ON THE TERRITORY OF GEORGIA .....	11
<b>TRADEMARKS</b>	
▪ APPLICATIONS FILED UNDER THE NATIONAL PROCEDURE APPROVED FOR REGISTRATION .....	27
▪ REGISTERED TRADEMARKS .....	38
▪ TRADEMARKS REGISTERED ACCORDING TO THE ACCELERATED PROCEDURE .....	39
▪ INTERNATIONAL TRADEMARKS FOR WHICH A DECISION ON GRANTING PROTECTION IS TAKEN .....	46
▪ INTERNATIONAL TRADEMARKS PROTECTED IN GEORGIA .....	80
<b>OFFICIAL NOTIFICATIONS</b>	
<b>INVENTIONS</b>	
▪ RESTORATION OF PATENTS .....	85
▪ ABOLITION OF PATENTS WITH THE RIGHT TO RESTORE .....	86
▪ EXPIRATION OF PATENTS RESTORATION DATE .....	87
▪ EXPIRATION OF TERMS OF PATENTS .....	89
<b>UTILITY MODELS</b>	
▪ RESTORATION OF PATENT .....	89
▪ ABOLITIONS OF PATENT WITH THE RIGHT TO RESTORE .....	89
<b>DESIGNS</b>	
▪ CANCELLATION OF DESIGN REGISTRATION .....	90
▪ EXTENSION OF TERMS OF INTERNATIONAL DESIGNS REGISTRATION .....	90
▪ CANCELLATION OF INTERNATIONAL DESIGNS REGISTRATION .....	95
<b>TRADEMARKS</b>	
▪ EXTENSION OF TERMS OF TRADEMARKS REGISTRATION .....	96
▪ COMPLETE TRANSFER OF RIGHT .....	97
▪ CANCELLATION OF TRADEMARKS REGISTRATION .....	98
<b>CLASSIFICATION INDEXES</b>	
INVENTIONS .....	99
UTILITY MODELS .....	100
TRADEMARKS .....	102

## **PUBLISHED TITLES OF PROTECTION**

### **INVENTIONS**

- **APPLICATIONS APPROVED FOR GRANTING PATENT:**  
15589; 15817; 15899; 15464; 15814; 15604
- **PATENTED INVENTIONS:**  
7439-7443

### **UTILITY MODELS**

- **APPLICATION APPROVED FOR GRANTING PATENT:**  
15752
- **PATENTED UTILITY MODEL:**  
2137

### **DESIGNS**

**DESIGNS, WHICH HAVE BEEN REGISTERED WITH THE INTERNATIONAL BUREAU CLAIMING PRIORITY ON THE TERRITORY OF GEORGIA:**  
223100; 223277; 223459; 219990; 220228

### **TRADEMARKS**

- **APPLICATIONS FILED UNDER THE NATIONAL PROCEDURE APPROVED FOR REGISTRATION:**  
116857; 116861-116863; 116868; 117066; 117171; 117289; 117296; 117297; 117299; 117305; 117307; 117314; 117315; 117414; 117415; 117418; 117420-117427; 117435-117438; 117446-117452; 117455-117457; 117529; 117530; 117533-117536; 117539; 117541; 117554; 117556; 117557; 117559; 117612; 117617; 117661; 117662; 117714; 117741; 117822; 117823; 117846; 117904
- **REGISTERED TRADEMARKS:**  
36090-36096
- **TRADEMARKS REGISTERED ACCORDING TO THE ACCELERATED PROCEDURE:**  
36123-36135; 36198-36216
- **INTERNATIONAL TRADEMARKS FOR WHICH A DECISION ON GRANTING PROTECTIONS IS TAKEN:**  
116268; 116346; 116449; 116451-116459; 116466; 116480- 116484; 116495-116502; 116505- -116512; 116553; 116556; 116557; 116565-116567; 116569; 116570; 116572; 116573; 116579; 116581; 116582; 116609; 116610; 116612-116614; 116784; 116791-116794; 116915; 116919; 116921; 116922; 117137; 117253; 117254; 117489; 117494; 117495
- **INTERNATIONAL TRADEMARKS PROTECTED IN GEORGIA:**  
112447; 114939; 115051; 115075; 115087; 115088; 115143; 115144; 115166; 115180; 115181; 115200; 115201; 115243-115248; 115259-115261; 115263-115267; 115294; 115376-115385; 115397; 115493; 115540; 115543; 115566-115574; 115622; 115630; 115773; 115799; 115939-115941

---

# INVENTIONS

## APPLICATIONS APPROVED FOR GRANTING PATENT

The decision can be appealed at the Chamber of Appeal of Sakpatenti within 3 months from the publication or at the Mtskheta District Court Administrative Cases Board (Address: №17, Samkhedro St., Mtskheta), within 1 month following the publication.

### PART A

#### A 23

- (10) AP 2022 15589 A (51) Int. Cl. (2006)  
A 23 F 3/34  
(21) AP 2021 15589 (22) 2021 03 20  
(71) Lepl "Shota Rustaveli National Science Foundation of Georgia" (GE)  
M. Aleksidze Str. 1, 0183, Tbilisi, Georgia (GE)  
(72) Vitali Ghvachliani (GE)  
(54) METHOD FOR RECEIVING PARAGUAY MATE TYPE TEA FROM GEORGIAN SNOW ROSE (CAUCASIAN RHODODENDRON) FOLIAGE  
(57) A method provides picking of Georgian snow rose foliage, treating with heating thereof, drying of said mass obtained as a result of evaporation of liquid nitrogen and heating in gaseous nitrogen environment in isolated conditions from air, crushing and fixing therewith smoke obtained from wood chips of alder or juniper.  
Claims: 1 independent

---

#### A 47

- (10) AP 2022 15817 A (51) Int. Cl. (2006)  
A 47 J 31/40  
(21) AP 2021 15817 (22) 2021 12 02  
(71) LTD "Aquix" (GE)  
Dimitri Uznadze Str. 111, bld. 2, ap. 11,  
Didube District, Tbilisi, Georgia (GE)  
(72) CHENTSOV, Andrey Vladimirovich (RU);  
KOLOMITSEV, Aleksandr Viktorovich (RU);  
BALIANKO, Artem Arturovich (RU);  
KALACHEV, Andrey Urevich (RU)  
(74) Shalva Gvaramadze  
(54) BEVERAGE (DRINK) PREPARATION MODULE  
(57) Beverage preparation module contains a case 1, wherein the dispenser with a container of soluble products 2 is placed, wherein the soluble product supplement screw conveyor 3 is fastened for soluble product outlet hole; and drinking vessel 5 fixing equipment 4, executed capable to supply liquid for beverage preparation, is attached to the case; and a device for mixing soluble product and liquid in a vessel. At that, the equipment for fixing the container

is made capable to replace the container with outlet of soluble product for filling the container with soluble product, and mixing device is made as electric mixer, and the dispenser contains rotating plate, whereon the soluble product containers are placed.

Claims: 1 independent  
8 dependents  
Fig.: 4

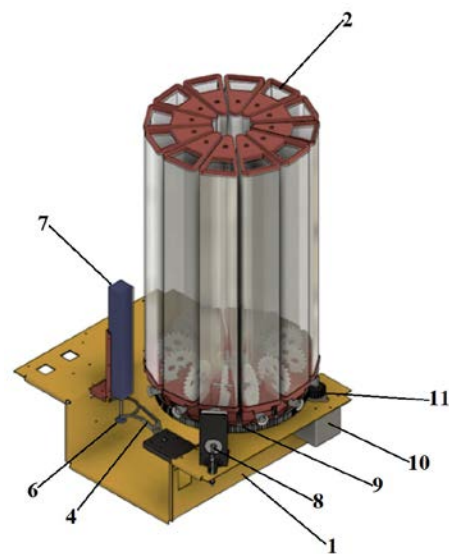


Fig. 1

---

#### A 61

- (10) AP 2022 15899 A (51) Int. Cl. (2006)  
A 61 G 7/05  
(21) AP 2022 15899 (22) 2022 03 10  
(71) Mikheil Kotishadze (GE)  
Ana Politkovskaya Str. 41/60, 0171, Tbilisi,  
Georgia (GE);  
University of Georgia (GE)  
Merab Kostava Str. 77a, 0171, Tbilisi,  
Georgia (GE)  
(72) Mikheil Kotishadze (GE)  
(54) BED AGAINST OF BEDSORES APPEARANCE  
(57) A bed includes supporting case 1, the componentry forming quadrangular lying plane divided into at least two groups 2 and 3, capable of elastic deformation in the vertical plane, on one hand, with the componentry of both groups simultaneously providing support points formation for the case, and on another hand, capability of alternate motion in the vertical

plane to alternate changing of support points for the case by each group, separately; at that, componentry each group is equipped with independent node providing elastic deformation in the vertical plane, made in the form of liquid-filled vessels 4 and 5, wherein a piston 7 is inserted in each vessel 6, mentioned component is connected to piston valve 8, and it also contains a mechanism for moving each group componentry in the vertical plane, performed together with mentioned componentry of shared vessel formed as a mechanism moving in the vertical plane, and connected to the drive 12; at that, one group of forming componentry is arranged in checkerboard pattern towards the componentry of another group, and their surfaces are covered with air-permeable fabric bag 9 filled with details made of silicone 10.

Claims: 1 independent

5 dependents

Fig.: 5

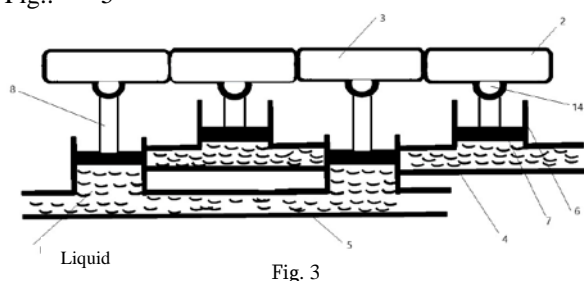
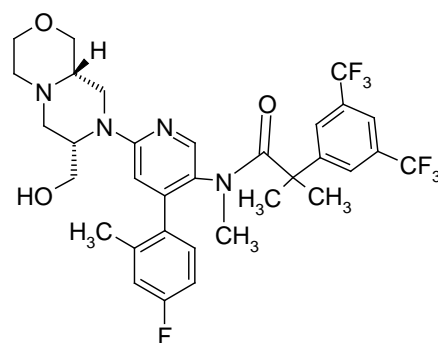


Fig. 3

- (10) AP 2022 15464 A (51) Int. Cl. (2006)  
A 61 K 31/5383  
A 61 P 25/00  
C 07 D 498/04
- (21) AP 2019 15464 (22) 2019 03 13  
(31) 62/642,622  
(32) 2018 03 14  
(33) US
- (71) Kandy Therapeutics Limited (GB)  
Stevenage Bioscience Catalyst, Incubator Bldg.,  
Gunnels Wood Rd., Stevenage Hertfordshire,  
SG1 2FX, UK (GB)
- (72) LAZARO, Monica (US);  
KERR, Mary (GB);  
TROWER, Mike (GB);  
ELDER, David (GB);  
BUSH, Derek (US)
- (74) Tamar Kochlamazashvili  
(85) 2020 10 08  
(86) PCT/EP2019/056303, 2019 03 13
- (54) NOVEL PHARMACEUTICAL  
FORMULATION COMPRISING  
DUAL NK-1/NK-3 RECEPTOR  
ANTAGONISTS
- (57) Soft gelatin capsule pharmaceutical formulations containing 2-[3,5-Bis (trifluoromethyl)phenyl]-N-{4-(4-fluoro-2-methylphenyl)-6-[(7S,9aS)-7-(hydroxymethyl)hexahydropyrazino[2,1-c][1,4]oxazin-8(1H)-yl]-3-pyridinyl}-N,2-dimethylpropanamide,



(Compound A),

methods of preparation thereof, and their usage in medical therapy.

Claims: 5 independents

18 dependents

Fig.: 2

## PART C

### C 02

- (10) AP 2022 15814 A (51) Int. Cl. (2006)  
C 02 F 9/00  
C 02 F 1/461  
C 02 F 1/44  
C 02 F 1/28  
C 02 F 1/42
- (21) AP 2021 15814 (22) 2021 11 29  
(71) LTD "Aquix" (GE)  
Dimitri Uznadze Str. 111, bld. 2, ap. 11  
Didube District, Tbilisi, Georgia (GE)
- (72) CHENTSOV, Andrey Vladimirovich (RU);  
KOLOMITSEV, Aleksandr Viktorovich (RU);  
BALIANKO, Artem Arturovich (RU);  
KALACHEV, Andrey Urevich (RU)
- (74) Shalva Gvaramadze
- (54) WATER TREATMENT METHOD AND  
SYSTEM
- (57) A method of water preparation provides water delivery from spring to water treat vessel, and the water is saturated with hydrogen through electrolysis. After saturation with hydrogen the water is purified mechanically and sorption, in sequence; then, action by reverse osmosis is carried out. At that, purified water is demineralized and fed to finished water vessel, and reverse osmosis drain is fed to carbon filter, and then – to water treatment vessel. And water preparation system contains water treatment vessel 2, wherein an electrolyzer 10 is placed, water treatment vessel outlet is connected to mechanical water purifying device inlet 3, the outlet whereof is connected to water sorption purification device 4 inlet, the outlet whereof is connected to water reverse osmosis device 5 containing purified water outlet connected to mineralizer 6 inlet, and drainage water

outlet is connected to water treatment vessel inlet by means of carbon filter 7, and mineralizer outlet is connected to finished water vessel inlet.

Claims: 1 independent  
3 dependents

Fig.: 4

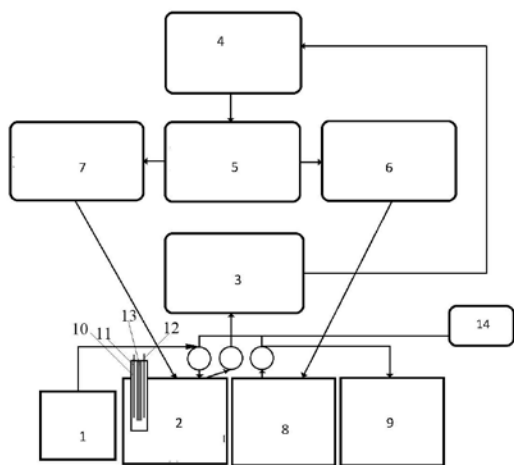


Fig. 1

## PART H

### H 01

(10) AP 2022 15604 A (51) Int. Cl. (2006)  
H 01 Q 15/20

(21) AP 2021 15604 (22) 2021 04 14

(71) LTD "Transforming Buildings Georgia T.N. Georgia" (GE)

Pl. Ioseliani Str. 2, ap. 19, Saburtalo District, Tbilisi, Georgia (GE)

(72) Elguja Medzmariashvili (GE)

(74) Tamaz Shilakadze

(54) EXPANDABLE REFLECTOR

(57) Expandable reflector contains reflector stretchable frame (1) the expansion ring (2) whereof contains hingedly connected to each other the upper and lower belts (28, 29) composed of lower and upper rods (14, 15), and is connected to stretchable frame (1) peripheral ends. Hingedly connected adjacent rods (14, 15) of upper and lower belts are connected to each other by spatially oriented nodes (11). Unfolding ring is equipped with unfolding mechanism – power ropes (27), having a drive (33), each end of ropes is fixed on the rollers (30) existed on the ends of folding rods (14, 15) of upper and lower belts, and the other ends are attached to electric drives (33). Upper concave and lower convex grids (40, 41) of reflector are fixed to upper (28) and lower (29) belts of spreading ring, respectively, by means of peripheral nodes thereof; flexible stands (46, 47, 92), which are flexible rods are attached between upper and lower

belts (28, 29). The sections (3) consist of expansion ring flexible folding rods connected to each other hingedly, each wherefrom also contains cross-intersecting pantographic levers (5) connected by means of cylindrical joint (4), at the point of intersection whereof the central node (6) is arranged. Between intermediate knots of folding rods of upper and lower belts and central knot, the flexible rods, capable to twist in opposite directions in the central knot on the axis, are attached.

Claims: 1 independent  
13 dependents

Fig.: 49

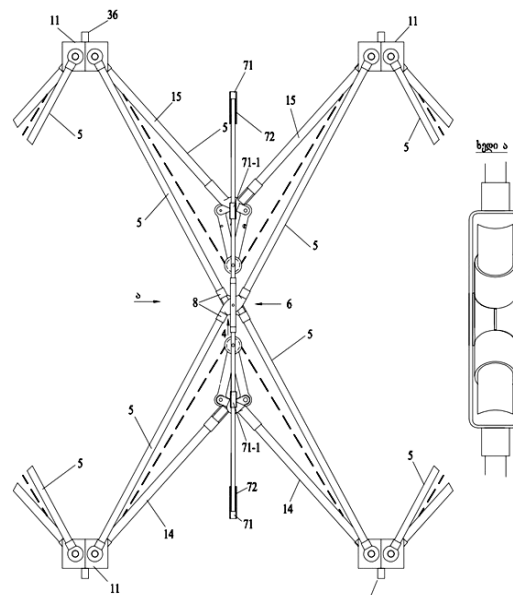


Fig. 26



## PATENTED INVENTIONS

### PART A

#### A 01

- (11) P 2022 7439 B (51) Int. Cl. (2006)  
A 01 N 43/78  
C 07 D 411/12  
C 07 D 277/56
- (10) AP 2022 15671 A (44) 12(591)/2022  
(21) AP 2019 15671  
(22) 2019 11 28  
(24) 2019 11 28  
(31) 18209591.9  
(32) 2018 11 30  
(33) EP  
(86) PCT/EP 2019/082975, 2019 11 28  
(73) Syngenta Participations AG (CH)  
Rosentalstrasse 67, Basel, 4058, Switzerland (CH)
- (72) BLUM, Mathias (CH);  
EDMUNDS, Andrew (CH);  
MONACO, Mattia, Riccardo (CH);  
BURNS, David (GB);  
LAMBERTH, Clemens (CH);  
RENDINE, Stefano (CH)
- (74) Tamar Kochlamazashvili  
(54) MICROBIOCIDAL THIAZOLE DERIVATIVES

#### A 61

- (11) P 2022 7443 B (51) Int. Cl. (2006)  
A 61 K 31/41  
A 61 K 31/4146  
A 61 K 31/4192
- (10) AP 2022 15479 A (44) 11(590)/2022  
(21) AP 2019 15479  
(22) 2019 05 14  
(24) 2019 05 14  
(31) 62/671,985  
(32) 2018 05 15  
(33) US  
(86) PCT/US2019/032289, 2019 05 14  
(73) H. Lundbeck A/S (DK)  
Ottoliavej 9, Valby, DK-2500, Denmark (DK)
- (72) GRICE, Cheryl A. (US);  
BUZARD, Daniel J. (US);  
SHAGHAFI, Michael B. (US)
- (74) Tamaz Shilakadze  
(54) MAGL INHIBITORS

- (11) P 2022 7442 B (51) Int. Cl. (2006)  
A 61 K 31/69  
A 61 P 29/00  
C 07 F 5/02
- (10) AP 2022 15599 A (44) 15(594)/2022  
(21) AP 2019 15599  
(22) 2019 10 01  
(24) 2019 10 01  
(31) 62/741,868; 62/889,599  
(32) 2018 10 05; 2019 08 21  
(33) US; US  
(86) PCT/IB2019/058355, 2019 10 01  
(73) Pfizer Inc. (US)  
235 East 42nd Street, New York, NY 10017,  
USA (US)
- (72) LIMBURG, David Christopher (US);  
STROHBACH, Joseph Walter (US);  
JACOBS, Robert Toms (US);  
PERRY, Matthew Alexander (US);  
PLATTNER, Jacob John (US);  
ZHOU, Yasheen (US);  
BLAKEMORE, David Clive (US);  
ODERINDE, Martins Sunday (US);  
TORELLA, Rubben Federico (US);  
JONES, Peter (US);  
YEOH, Thean Yeow (US);  
AKAMA, Tsutomu (JP)
- (74) Tamar Kochlamazashvili  
(54) BORON CONTAINING PDE4  
INHIBITORS

- (11) P 2022 7440 B (51) Int. Cl. (2006)  
A 61 K 39/395  
A 61 P 35/00  
C 07 K 16/28
- (10) AP 2022 15209 A (44) 13(592)/2022  
(21) AP 2018 15209  
(22) 2018 04 05  
(24) 2018 04 05  
(31) 62/483,019  
(32) 2017 04 07  
(33) US  
(86) PCT/US2018/026160, 2018 04 05  
(73) Agenus Inc. (US)  
3 Forbes Rd. Lexington MA 02421, USA (US);  
Merck Sharp & Dohme Corp. (US)  
126 East Lincoln Ave. Rahway, NJ 07065-  
0907, USA (US)
- (72) JOYCE-SHAIKH, Barbara (US);  
ZUNIGA, Luis, A. (US);  
SCHULTZE, Kornelia (US);  
SCHUSTER, Andrea Claudia (US);  
BLANUSA, Milan (US);

- (74) Shalva Gvaramadze  
(54) ANTI-ILT4 ANTIBODIES AND ANTIGEN-  
-BINDING FRAGMENTS
- 

## **PART F**

### **F 16**

- (11) P 2022 7441 B (51) Int. Cl. (2006)  
F 16 L 55/132  
(10) AP 2022 15536 A (44) 11(590)/2022  
(21) AP 2019 15536  
(22) 2019 06 21  
(24) 2019 06 21  
(31) 62/688,875; 62/689,527  
(32) 2018 06 22; 2018 06 25  
(33) US; US  
(86) PCT/US2019/038523, 2019 06 21  
(73) TDW Delaware Inc. (US)  
Suite 780 1100 Market Street Wilmington,  
DE 19801, USA (US)  
(72) MCKONE, Thomas H. (US);  
PARSLEY, Cody A. (US);  
PREWETT, Keelan J. (US)  
(74) Tamar Kochlamazashvili  
(54) ISOLATION PLUG WITH ENERGIZED  
SEAL
-

---

# UTILITY MODELS

## APPLICATION APPROVED FOR GRANTING PATENT

The decision can be appealed at the Chamber of Appeal of Sakpatenti within 3 months from the publication or at the Mtskheta District Court Administrative Cases Board (Address: №17, Samkhedro St., Mtskheta), within 1 month following the publication.

### PART A

#### A 01

- (10) AU 2022 15752 U (51) Int. Cl. (2006)  
A 01 G 7/04
- (21) AU 2021 15752 (22) 2021 10 08
- (71) Jamlet Monaselidze (GE)  
Vazha-Pshavela Ave., IV qu., bld. 18, ap. 33,  
0186, Tbilisi, Georgia (GE);  
Eteri Ghelaghutashvili (GE)  
Vazha-Pshavela Ave. 73, III qu., bld. 1b,  
ap. 39, 0186, Tbilisi, Georgia (GE);  
Nanuli Baghdavadze (GE)  
Vazha-Pshavela Ave., IV qu., bld. 21, ap. 1,  
0186, Tbilisi, Georgia (GE);  
Aleksandre Ghonghadze (GE)  
Irakli Abashidze St. 68, ap. 24, 0162, Tbilisi,  
Georgia (GE);  
Mikheil Gogebashvili (GE)  
Nutsbidze St. 58, bld. 16, entr. 2, ap. 21, 0177,  
Tbilisi, Georgia (GE)
- (72) Jamlet Monaselidze (GE);  
Eteri Ghelaghutashvili (GE);  
Nanuli Baghdavadze (GE);  
Aleksandre Ghonghadze (GE);  
Mikheil Gogebashvili (GE)
- (54) METHOD FOR RESISTANCE MAINTAINING AND GROWTH STIMULATING OF SPIRULINA PLATENSIS BY USAGE OF CS137 GAMMA RADIATION
- (57) Utility model relates to blue-green alga Spirulina platensis resistance maintaining and growth stimulating by usage of discrete doses of Cs137 gamma radiation.  
Claims: 1 independent
-

## PATENTED UTILITY MODEL

### PART F

#### F 24

- (11) U 2022 2137 Y (51) Int. Cl. (2006)  
F 24 F 12/00
- (10) AU 2022 15764 U (44) 13(592)/2022
- (21) AU 2021 15764
- (22) 2021 10 20
- (24) 2021 10 20
- (31) u 2020 06862
- (32) 2020 10 26
- (33) UA
- (71) KROTOV, Dmitro Viktorovich (UA)  
Vul. Shevchenka, bud. 34, kv. 5m, 79000, Lviv,  
Ukraine (UA);  
KUZICH, Roman Romanovich (UA)  
Vul. Ostrivska, bud. 22, smt. Shchyrets, Lvivska  
obl., 79000, Ukraine (UA)
- (72) KROTOV, Dmitro Viktorovich (UA);  
KUZICH, Roman Romanovich (UA)
- (74) Larisa Amirkhanyan
- (54) HEAT RECOVERY VENTILATION  
SYSTEM
-

**DESIGNS, WHICH HAVE BEEN REGISTERED WITH THE INTERNATIONAL BUREAU CLAIMING PRIORITY ON THE TERRITORY OF GEORGIA**

The decision can be appealed at the Chamber of Appeal of Sakpatenti within 3 months from the publication or at the Mtskheta District Court Administrative Cases Board (Address: №17, Samkhedro St., Mtskheta), within 1 month following the publication.

- (11) DM/223 100 (51) 02-04  
(15) 2022 05 07 (44) 36/2022 (2022 09 09)  
(22) 2022 05 07  
(28) 1  
(30) No1: 07.01.2022; 008822043-0001; EM  
(73) Stephan Henrich  
Mittelstr. 10, 70180 Stuttgart (DE)  
(85) DE  
(86) DE, EM  
(87) DE  
(88) DE  
(89) EM  
(81) II. MA III. AL, AM, AZ, BA, BN, BW, BY, BZ, CA, CH, CN, EG, GB, GE, GH, IL, IS, JM, JP, KH, KP, KR, LI, MC, ME, MK, MN, MX, NA, NO, OA, OM, RS, RU, RW, SG, SM, SR, ST, SY, TJ, TN, TR, UA, US, VN, WS  
(72) Stephan Henrich  
Mittelstr. 10, 70180 Stuttgart (DE)  
(74) Elmar Meyer Zu Bexten  
Schloßberg 10, 71032 Böblingen (DE)  
(46) 2022 09 09  
(54) 1. SOLE FOR FOOTWEAR  
(55)



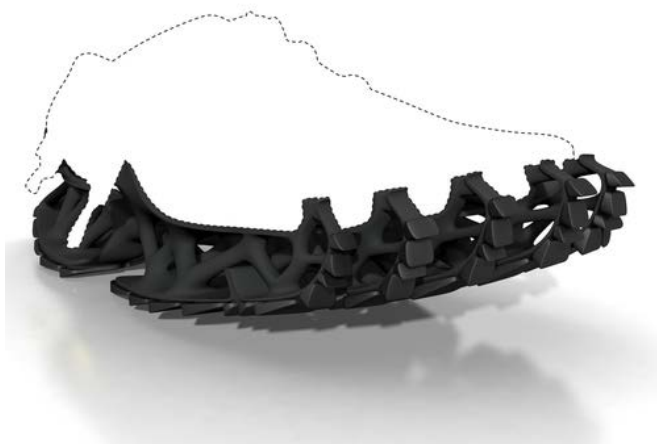
1.1



1.2



1.3



1.4



1.5



1.6

- (11) DM/223 277 (51) 12-11  
 (15) 2022 06 11 (44) 37/2022 (2022 09 16)  
 (22) 2022 06 11  
 (28) 4  
 (30) No1: 23.05.2022; 2022303061731; CN; No2: 23.05.2022; 2022303061731; CN; No3: 23.05.2022; 2022303061731; CN; No4: 23.05.2022; 2022303061731; CN  
 (73) Guipeng ZENG  
 No.68, Group 3, Tiangong Village, Shunhe Town, Dongxing District, 641100 Neijiang City, Sichuan Province (CN)  
 (85) CN  
 (86) CN  
 (87) CN  
 (88) CN  
 (89) CN  
 (81) III. BN, CA, CH, EM, GB, GE, IL, KR, MN, MX, NO, OA, RU, SG, SR, TM, TR, US, VN  
 (72) Guipeng ZENG  
 No.68, Group 3, Tiangong Village, Shunhe Town, Dongxing District, 641100 Neijiang City, Sichuan Province (CN)  
 (46) 2022 09 16  
 (54) 1. FOUR-WHEELED VEHICLE, 2. PART OF TRICYCLE, 3. TRICYCLE, 4. TRICYCLE  
 (55)



1.1



1.2



1.3



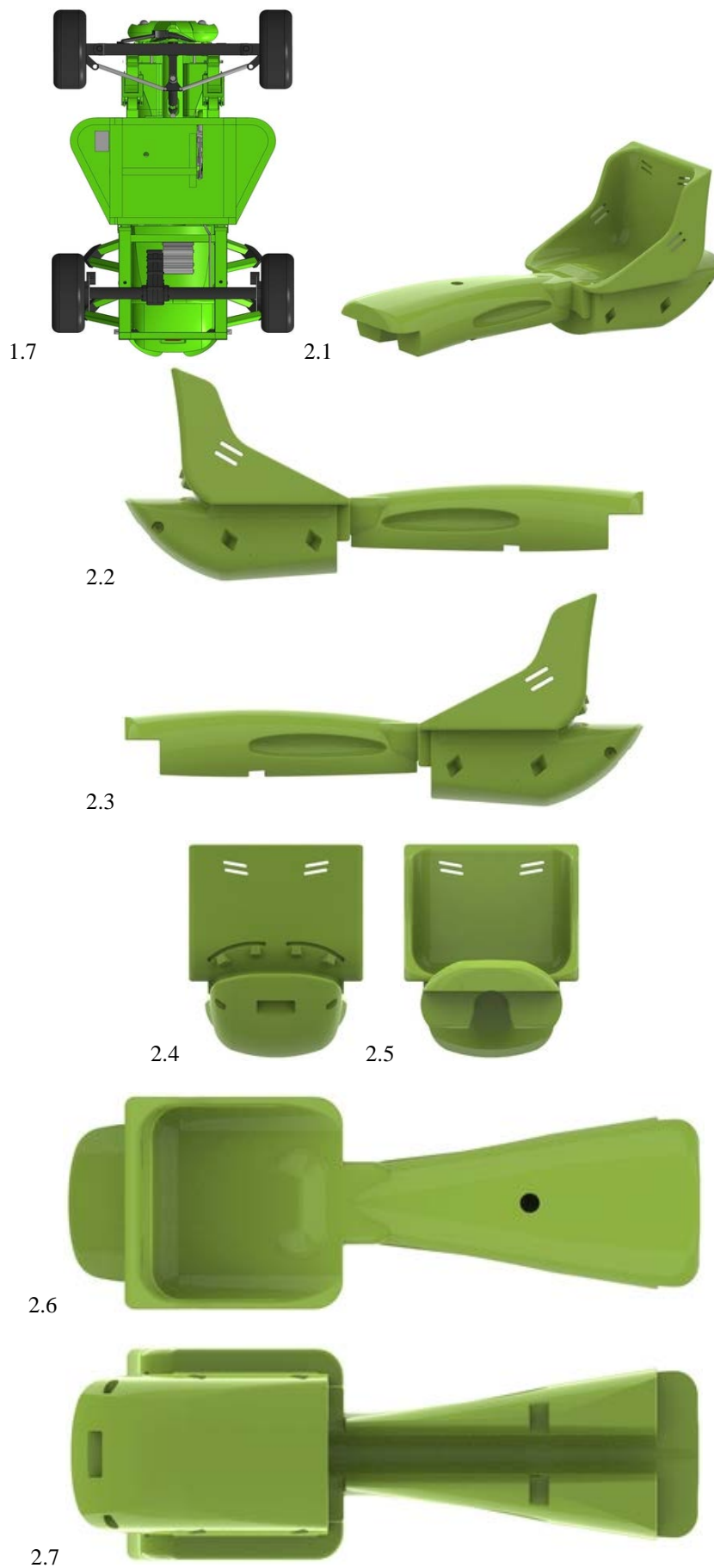
1.4



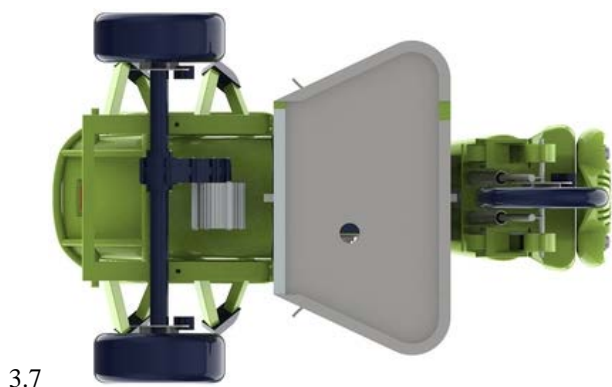
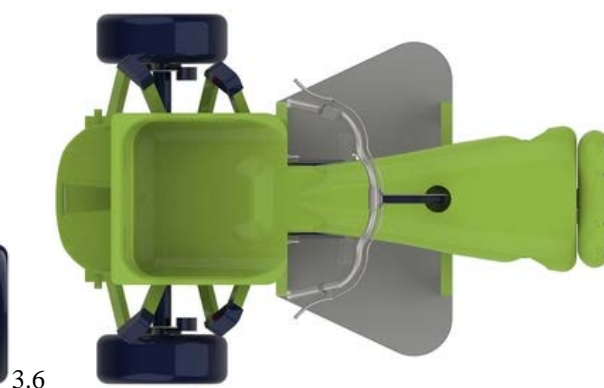
1.5

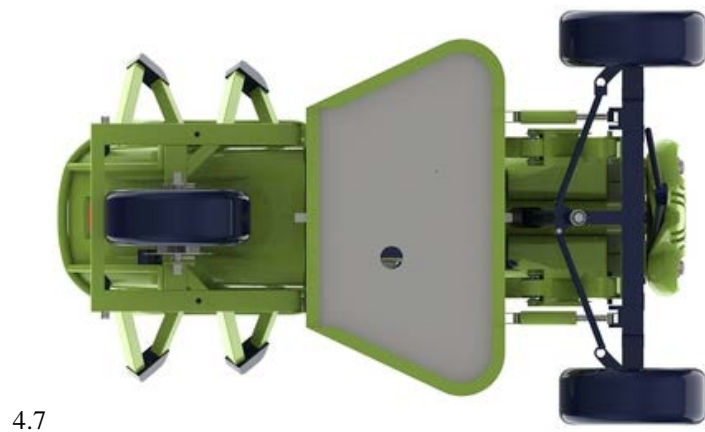
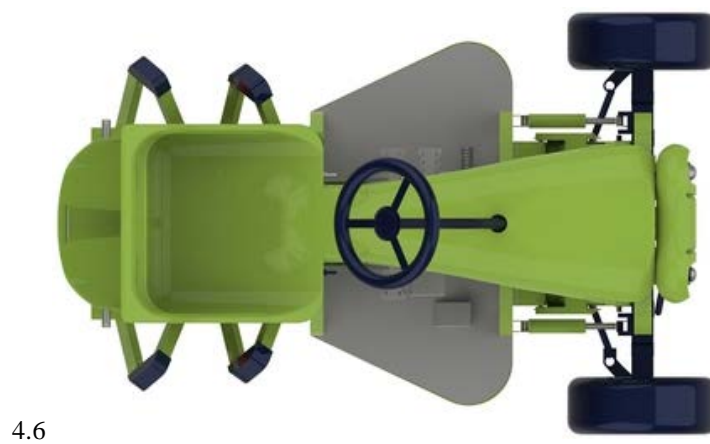


1.6









- (11) DM/223 459 (51) 02-04  
(15) 2022 09 05 (44) 38/2022 (2022 09 23)  
(22) 2022 09 05  
(28) 1  
(73) Valentino S.p.A.  
Via Turati 16/18, I-20121 Milano (IT)  
(85) –  
(86) EM, IT  
(87) EM, IT  
(88) EM, IT  
(89) EM  
(81) III. AZ, EM, GB, GE, JP, KG, KR, RU, TJ, TR, UA, US  
(72) Pierpaolo PICCIOLI  
c/o VALENTINO S.p.A., Via Turati, 16/18, I-20121, Milano (IT)  
(74) Jacobacci & Partners S.p.A. / Matteo Mozzi  
c/o Jacobacci & Partners S.p.A., Via Senato, 8, I-20121 Milano (IT)  
(46) 2022 09 23  
(54) 1. SHOE  
(55)



1.1



1.2



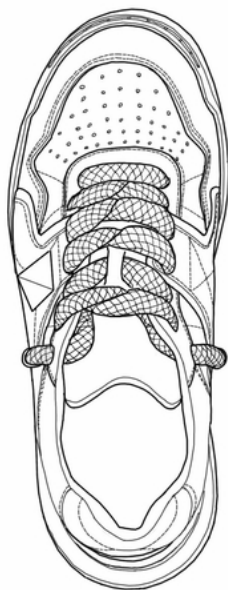
1.3



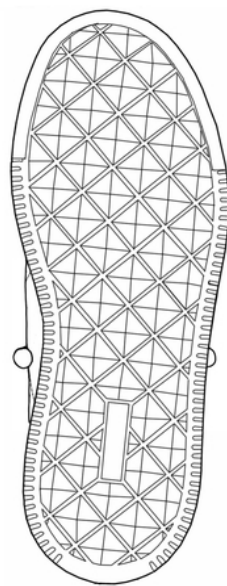
1.4



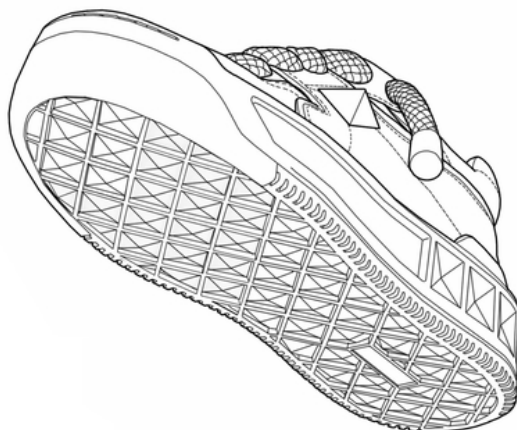
1.5



1.6



1.7



1.8

- (11) DM/219 990 (51) 11-01  
 (15) 2022 04 01 (44) 40/2022 (2022 10 07)  
 (22) 2022 04 01  
 (28) 3  
 (73) HARRY WINSTON SA  
 Chemin Du Tourbillon 8, 1228 Plan-les-Ouates (CH)  
 (85) CH  
 (86) CH  
 (87) CH  
 (88) CH  
 (89) CH  
 (81) II. MA III. AL, AM, AZ, BA, BZ, CA, CH, EM, GB, GE, KG, LI, MC, MD, ME, MK, MN, NO, OM, SG,  
 TN, TR, UA  
 (72) 1-2 Delphine ABDOURAHIM  
 C/o Harry Winston Inc. 718 Fifth Avenue, 10019, New York, NY (US);  
 Rie YATSUGI-KANG  
 C/o Harry Winston Inc. 718 Fifth Avenue, 10019, New York, NY (US)  
 (74) The Swatch Group AG (The Swatch Group SA) (The Swatch Group Ltd.)  
 Faubourg Du Lac 6, 2501 Biel/Bienne (CH)  
 (46) 2022 10 07  
 (54) 1. FINGER RING, 2. NECKLACE, 3. NECKLACE  
 (55)



1.1



1.2



1.3



1.4



1.5



1.6



1.7



1.8



2.1



2.2



2.3



2.4



2.5



2.6



2.7



2.8



3.1



3.2



3.3



3.4



3.5



3.6



3.7



3.8

---



- (11) DM/220 228 (51) 11-01  
 (15) 2022 04 13 (44) 41/2022 (2022 10 14)  
 (22) 2022 04 13  
 (28) 3  
 (73) HARRY WINSTON SA  
 Chemin Du Tourbillon 8, 1228 Plan-les-Ouates (CH)  
 (85) CH  
 (86) CH  
 (87) CH  
 (88) CH  
 (89) CH  
 (81) II. MA III. AL, AM, AZ, BA, BZ, CA, CH, EM, GB, GE, KG, LI, MC, MD, ME, MK, MN, NO, OM, SG,  
 TN, TR, UA  
 (72) 1 Dominique RIVIERE  
 C/o Harry Winston Inc. 718 Fifth Avenue, 10019, New York (US);  
 2-3 Delphine ABDOURAHIM  
 C/o Harry Winston Inc. 718 Fifth Avenue, 10019, New York (US)  
 (74) The Swatch Group AG (The Swatch Group SA) (The Swatch Group Ltd.)  
 Faubourg Du Lac 6, 2501 Biel/Bienne (CH)  
 (46) 2022 10 14  
 (54) 1.-3. NECKLACE  
 (55)



1.1



1.2



1.3



1.4



1.5



1.6



1.7



1.8



2.1



2.2

2.3



2.4



2.5



2.6



2.7



2.8



3.1



3.2





3.3



3.4



3.5



3.6



3.7



3.8

---

---

# TRADEMARKS

## APPLICATIONS FILED UNDER THE NATIONAL PROCEDURE APPROVED FOR REGISTRATION

The decision can be appealed at the Chamber of Appeal of Sakpatenti within 3 months from the publication or at the Mtskheta District Court Administrative Cases Board (Address: №17, Samkhedro St., Mtskheta), within 1 month following the publication.

(260) AM 2022 116857 A  
(210) AM 116857  
(220) 2022 03 02  
(731) Bagi Professional Cleaning Products, Ltd  
194 Akko Road, Kiryat Bialik 27232, Israel  
(740) Davit Kimutsadze  
(540)

**RAHITIT**

**რავიტითი**

(591) Black-white  
(511) 3

---

(260) AM 2022 116861 A  
(210) AM 116861  
(220) 2022 03 02  
(731) Bagi Professional Cleaning Products Ltd  
194 Akko Road, Kiryat Bialik 27232, Israel  
(740) Davit Kimutsadze  
(540)



(591) Red, white  
(531) 24.15.08; 26.15.01; 27.05.17; 27.05.24;  
29.01.13  
(511) 3

---

(260) AM 2022 116862 A  
(210) AM 116862  
(220) 2022 03 02  
(731) Bagi Professional Cleaning Products Ltd  
194 Akko Road, Kiryat Bialik 27232, Israel  
(740) Davit Kimutsadze

(540)

**BAGI**

(591) Red, white  
(531) 24.15.08; 27.05.01; 27.05.04; 29.01.12  
(511) 3

---

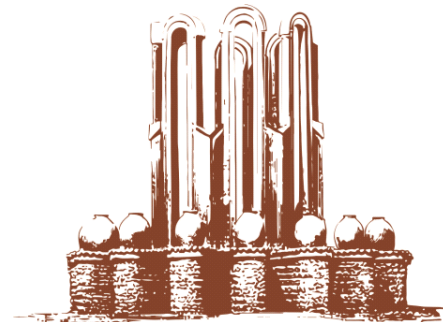
(260) AM 2022 116863 A  
(210) AM 116863  
(220) 2022 03 02  
(731) Bagi Professional Cleaning Products Ltd  
194 Akko Road, Kiryat Bialik 27232, Israel  
(740) Davit Kimutsadze  
(540)



(591) Yellow, lettuce-green  
(531) 01.15.07; 26.13.25; 27.05.01; 29.01.12  
(511) 3

---

(260) AM 2022 116868 A  
(210) AM 116868  
(220) 2022 03 04  
(731) LTD "Akhmeta Wine House"  
Shota Rustaveli Str. 38, 0900, Akhmeta,  
Georgia  
(540)



**ახმეტის ღვინის სახლი**  
**AKHMETA WINE HOUSE**

(591) 8A3E26 brown, F4EDED white  
 (531) 07.01.25; 07.11.25; 19.09.02; 27.05.01;  
 28.19; 29.01.07  
 (526) სბმჯღს, Akhmeta  
 (511) 33

(260) AM 2022 117066 A  
 (210) AM 117066  
 (220) 2022 03 14  
 (731) LTD "IDS Borjomi Beverages Co.N.V."  
 Pareraweg 45, Curaçao  
 (740) Giorgi Jokharidze  
 (540)



(591) 007778 green (to borjomi), D80F19  
 red, 24A741 green, FFFFFFF white,  
 7DC5C4 sky-blue  
 (531) 03.04.07; 03.04.24; 06.01.02; 06.19.05;  
 07.01.01; 07.01.24; 07.05.15; 26.01.02;  
 26.01.22; 27.05.01; 27.05.17; 27.07.01;  
 29.01.15  
 (526) BORJOMI  
 (511) 5, 32, 35

(260) AM 2022 117171 A  
 (210) AM 117171  
 (220) 2022 03 18  
 (731) LTD "Daga Group"  
 Sherip Khimshiashvili Str. 41, ap. 26, 6010,  
 Batumi, Georgia  
 (540)



(591) EFEEEA baige, 494947 dark grey  
 (531) 02.01.02; 02.01.20; 02.01.21; 03.03.01;  
 22.05.10; 22.05.13; 22.05.17; 27.05.01;  
 27.05.19  
 (526) Telavi  
 (511) 33

(260) AM 2022 117289 A  
 (210) AM 117289  
 (220) 2022 03 30  
 (731) LTD "Tiflisi Marani"  
 Zakaria Paliashvili Str. 33, ap. 6, 0179,  
 Tbilisi, Georgia

(540)



(591) Black-white  
 (531) 25.01.10; 25.01.15; 25.01.17; 25.01.25  
 (526) Tiflisi  
 (511) 32, 33

(260) AM 2022 117296 A  
 (210) AM 117296  
 (220) 2022 04 04  
 (731) Basf SE  
 Carl-Bosch-Straße 38, Ludwigshafen am  
 Rhein, Germany  
 (740) Giorgi Taktakishvili  
 (540)

## SECTIVON

(591) Black-white  
 (511) 5

(260) AM 2022 117297 A  
 (210) AM 117297  
 (220) 2022 04 04  
 (731) Basf SE  
 Carl-Bosch-Straße 38, Ludwigshafen am  
 Rhein, Germany  
 (740) Giorgi Taktakishvili  
 (540)

## VERSEON

(591) Black-white  
 (511) 5

(260) AM 2022 117299 A  
 (210) AM 117299  
 (220) 2022 04 04  
 (731) Riot Games, Inc.  
 12333 W. Olympic Blvd., Los Angeles,  
 CA 90064, USA

(740) Tamaz Shilakadze  
(540)

**WREC**

(591) Black-white  
(511) 25, 38

(260) AM 2022 117305 A  
(210) AM 117305  
(220) 2022 04 04  
(310) 97/327  
(320) 2022 03 23  
(330) US  
(731) Crane Holdings, Co.  
100 First Stamford Place, Stamford,  
Connecticut 06902, USA  
(740) Tamaz Shilakadze  
(540)

**CRANE NXT**

(591) Black-white  
(511) 9

(260) AM 2022 117307 A  
(210) AM 117307  
(220) 2022 04 04  
(731) Bilim İlaç Sanayi Ve Ticaret Anonim Şirketi  
Kaptanpasa Mahallesi, Zincirlikuyu Caddesi,  
No:184 Beyoglu, Istanbul, Türkiye  
(740) Giorgi Kartvelishvili  
(540)

**KRONIZON**

(591) Black-white  
(511) 5

(260) AM 2022 117314 A  
(210) AM 117314  
(220) 2022 04 05  
(731) TD "Impost"  
N. Kipshidze Str. 7g, ap. 12b, 0162, Vake  
District, Tbilisi, Georgia  
(540)



(591) 231F20 black, 4A8DD4 blue  
(531) 26.03.06; 26.03.24; 26.11.12; 26.13.25;  
27.05.01; 27.05.04; 27.05.10; 29.01.12  
(511) 37

(260) AM 2022 117315 A  
(210) AM 117315  
(220) 2022 04 05  
(731) Giorgi Khechuashvili  
Badri Shoshitaishvili Dead End 6, ap. 9  
Tbilisi, Georgia;  
Ekaterine Tskhadadze  
David Guramishvili Ave. 1, ap. 10  
Tbilisi, Georgia  
(540)



(591) Black-white  
(531) 11.01.14  
(511) 33, 35

(260) AM 2022 117414 A  
(210) AM 117414  
(220) 2022 04 08  
(731) Tp-Link Corporation Limited  
Room 901, 9/F, New East Ocean Centre,  
9 Science Museum Road, Tsim Sha Tsui,  
Kowloon, Hong Kong  
(740) Merab Kvimsadxe  
(540)

**Aginet**

(591) Black-white  
(531) 27.05.01  
(511) 9, 42

(260) AM 2022 117415 A  
(210) AM 117415  
(220) 2022 04 08  
(731) CDS Canada 4 L.P.  
8400 av. du Cirque, Montreal Quebec H1Z  
4M6, Canada  
(740) Shalva Gvaramadze  
(540)



(591) Black-white  
(531) 01.03.07; 01.03.20; 26.01.13; 26.01.14  
(511) 9, 16, 25, 41

(260) AM 2022 117418 A  
(210) AM 117418  
(220) 2022 04 11  
(731) Tsitadeli  
Didi Dighomi, Demetre Tavadebuli Str. 16,  
ap. 50, 0131, Saburtalo District, Tbilisi,  
Georgia

(540)



(591) Yellow, green, white, emerald-green, red  
(531) 26.04.02; 26.04.09; 26.04.22; 26.04.24;  
28.19; 29.01.15  
(511) 35, 37

(260) AM 2022 117420 A  
(210) AM 117420  
(220) 2022 04 11  
(731) Marsa Yağ Sanayi Ve Ticaret Anonim Şirketi  
Ramazanoğlu Mah. Mahmut Bayram CAD.  
NO: 9 ŞEYHLİ Pendik İstanbul, Türkiye  
(740) Tamaz Shilakadze  
(540)



(591) Blue, red  
(531) 01.15.05; 05.03.14; 27.05.08; 27.05.17;  
27.05.23; 29.01.12  
(511) 29

(260) AM 2022 117421 A  
(210) AM 117421  
(220) 2022 04 11  
(731) LTD "Concept Pharma"  
University Str. 2, ap. 5, Block A, 0177,  
Tbilisi, Georgia  
(740) Nugzar Ksovreli  
(540)

კლოტიგრელი  
**Clotigrel**

(591) Black-white  
(511) 5

(260) AM 2022 117422 A  
(210) AM 117422  
(220) 2022 04 11  
(731) LTD "Concept Pharma"  
University Str. 2, ap. 5, Block A, 0177,  
Tbilisi, Georgia  
(740) Nugzar Ksovreli  
(540)

მონტეკრიტი  
**Montecrit**

(591) Black-white  
(511) 5

(260) AM 2022 117423 A  
(210) AM 117423  
(220) 2022 04 11  
(731) LTD "Mermisi"  
Davit Aghmashenebeli Ave. 142, Tbilisi,  
Georgia  
(740) Giorgi Taktakishvili  
(540)



**MERMISI**

(591) Red, white, black  
(531) 19.13.21; 26.01.02; 27.05.01; 29.01.13  
(511) 35

(260) AM 2022 117424 A  
(210) AM 117424  
(220) 2022 04 11  
(731) LTD "Mermisi"  
Davit Aghmashenebeli Ave. 142, Tbilisi,  
Georgia  
(740) Giorgi Taktakishvili  
(540)

**GESTRANT**

(591) Black-white  
(511) 5

(260) AM 2022 117425 A  
(210) AM 117425  
(220) 2022 04 11  
(731) LTD "Mermisi"  
Davit Aghmashenebeli Ave. 142, Tbilisi,  
Georgia



(740) Giorgi Taktakishvili  
(540)

## Targe-DOX

(591) Black-white  
(511) 5

(260) AM 2022 117426 A  
(210) AM 117426  
(220) 2022 04 11  
(731) LTD "Mermisi"  
Davit Aghmashenebeli Ave. 142, Tbilisi,  
Georgia  
(740) Giorgi Taktakishvili  
(540)

## ALPAXEL

(591) Black-white  
(511) 5

(260) AM 2022 117427 A  
(210) AM 117427  
(220) 2022 04 11  
(731) LTD "Mermisi"  
Davit Aghmashenebeli Ave. 142, Tbilisi,  
Georgia  
(740) Giorgi Taktakishvili  
(540)

## GENEXOL PM

(591) Black-white  
(511) 5

(260) AM 2022 117435 A  
(210) AM 117435  
(220) 2022 04 12  
(731) LLC "Kani"  
Giorgi Saakadze Slope №11, Tbilisi, Georgia  
(740) Giorgi Taktakishvili  
(540)



(591) Vitriol-blue, turquoise, white  
(531) 24.13.01; 24.13.14; 24.15.01; 24.17.05;  
27.05.21; 29.01.12  
(511) 9, 35, 36

(260) AM 2022 117436 A  
(210) AM 117436  
(220) 2022 04 12  
(731) LLC "Kani"  
Giorgi Saakadze Slope №11, Tbilisi, Georgia  
(740) Giorgi Taktakishvili  
(540)



(591) Vitriol-blue, turquoise, white  
(531) 24.13.01; 24.15.01; 24.17.05; 27.05.01;  
27.05.21; 27.05.24; 29.01.12  
(511) 9, 35, 36

(260) AM 2022 117437 A  
(210) AM 117437  
(220) 2022 04 12  
(731) LLC "Kani"  
Giorgi Saakadze Slope №11, Tbilisi, Georgia  
(740) Giorgi Taktakishvili  
(540)



(591) Blue, golden, white  
(531) 26.02.07; 26.04.02; 26.04.16; 26.04.22;  
26.04.24; 26.13.25; 29.01.13  
(511) 16, 36, 42, 44

(260) AM 2022 117438 A  
(210) AM 117438  
(220) 2022 04 12  
(731) LLC "Kani"  
Giorgi Saakadze Slope №11, Tbilisi, Georgia  
(740) Giorgi Taktakishvili  
(540)



(591) Blue, golden, white  
 (531) 26.02.07; 26.04.02; 26.04.16; 26.04.22;  
 26.04.24; 26.13.25; 27.05.01; 27.05.10;  
 27.05.24; 29.01.13  
 (511) 16, 36, 42, 44

(260) AM 2022 117446 A  
 (210) AM 117446  
 (220) 2022 04 12  
 (731) LLC "Chateau Kingstown"  
 Gr. Peradze Str. 22a, Tbilisi, Georgia  
 (540)



(591) Black-white  
 (531) 07.01.01; 25.01.19  
 (526) გარიკულა  
 (511) 33, 43

(260) AM 2022 117447 A  
 (210) AM 117447  
 (220) 2022 04 12  
 (731) LLC "Chateau Kingstown"  
 Gr. Peradze Str. 22a, Tbilisi, Georgia  
 (540)



(591) Black-white  
 (531) 07.01.01; 07.01.08; 25.01.19; 27.05.01;  
 27.05.11  
 (526) ARIKULA  
 (511) 33, 43

(260) AM 2022 117448 A  
 (210) AM 117448  
 (220) 2022 04 13  
 (731) LTD "Franko"  
 Kakheti Highway, 20th km, Samgori District,  
 0190, Tbilisi, Georgia

(540)



(591) 000000 black, FFFFFF white  
 (531) 26.11.02; 26.11.06; 26.11.12  
 (511) 7, 9

(260) AM 2022 117449 A  
 (210) AM 117449  
 (220) 2022 04 13  
 (731) Alkaloid AD Skopje  
 Blvd. Aleksandar Makedonski 12, 1000  
 Skopje, Republic of North Macedonia  
 (740) Shalva Gvaramadze  
 (540)

**DAFREDA**

(591) Black-white  
 (511) 5

(260) AM 2022 117450 A  
 (210) AM 117450  
 (220) 2022 04 13  
 (731) Alkaloid AD Skopje  
 Blvd. Aleksandar Makedonski 12, 1000  
 Skopje, Republic of North Macedonia  
 (740) Shalva Gvaramadze  
 (540)

**NARGAPO**

(591) Black-white  
 (511) 5

(260) AM 2022 117451 A  
 (210) AM 117451  
 (220) 2022 04 13  
 (731) Avaya Inc.  
 2605 Meridian Parkway, Suite 200, Durham,  
 North Carolina 27713, USA  
 (740) Shalva Gvaramadze  
 (540)

**AVAYA VANTAGE**

(591) Black-white  
 (511) 9

(260) AM 2022 117452 A  
 (210) AM 117452  
 (220) 2022 04 13  
 (731) LLC "Rosali Sambar"  
 Osip Mandelstam Str. 2a, Shopping Area 6,  
 floor 2, Tbilisi, Georgia  
 (740) Giorgi Meipariani  
 (540)



(591) Brown, white  
 (531) 26.04.01; 26.04.18; 27.05.22; 29.01.12  
 (511) 30

(260) AM 2022 117455 A  
 (210) AM 117455  
 (220) 2022 04 14  
 (310) 018616716  
 (320) 2021 12 06  
 (330) EUIPO  
 (731) Biologische Heilmittel Heel GmbH  
 Dr.-Reckeweg-Straße 2-4, D-76532  
 Baden-Baden, Germany  
 (740) Tamaz Shilakadze  
 (540)

**Traumeel**

(591) Blue, red  
 (531) 26.11.08; 27.05.01; 27.05.11; 29.01.12  
 (511) 3, 5

(260) AM 2022 117456 A  
 (210) AM 117456  
 (220) 2022 04 14  
 (310) 018616717  
 (320) 2021 12 06  
 (330) EUIPO  
 (731) Biologische Heilmittel Heel GmbH  
 Dr.-Reckeweg-Straße 2-4, D-76532  
 Baden-Baden, Germany  
 (740) Tamaz Shilakadze  
 (540)



(591) Blue, white, grey  
 (531) 02.01.08; 02.01.23; 29.01.04  
 (511) 3, 5

(260) AM 2022 117457 A  
 (210) AM 117457  
 (220) 2022 04 14  
 (731) Paata Aroshidze  
 Vill. Tskhemliskhidi, Ozurgeti, Georgia  
 (540)



(591) Brown, dark green, green, red  
 (531) 05.03.14; 25.03.25; 26.13.25; 28.19; 29.01.13  
 (511) 29

(260) AM 2022 117529 A  
 (210) AM 117529  
 (220) 2022 04 18  
 (731) Kingston Technology Corporation  
 17600 Newhope Street, Fountain Valley,  
 CA 92708, USA  
 (740) Tamaz Shilakadze  
 (540)



(591) Black-white  
 (531) 26.13.25; 27.05.21  
 (511) 9

(260) AM 2022 117530 A  
 (210) AM 117530  
 (220) 2022 04 18  
 (731) LLC "Royal Home Luxury"  
 Rustavi Highway 19, bld. 3, Storeroom,  
 Floor 1, Tbilisi, Georgia  
 (540)

**Valentio**

**B I A N C O**

(591) Black-white  
 (531) 27.05.01; 27.05.09; 27.05.11  
 (511) 24, 35

(260) AM 2022 117533 A  
 (210) AM 117533  
 (220) 2022 04 19  
 (731) LLC "Wings"  
 Ilia Chavchavadze Ave. 37m, floor 19,  
 ap. 56, Tbilisi, Georgia  
 (740) Giorgi Taktakishvili  
 (540)

**HERIO**

(591) Black-white  
 (511) 9, 15

(260) AM 2022 117534 A  
 (210) AM 117534  
 (220) 2022 04 19  
 (731) LTD "Rich Group"  
 Vill. Mughanlo, Marneuli Region, Georgia  
 (540)

**Maculaza**  
**მაკულაზა**

(591) Black-white  
 (511) 5

(260) AM 2022 117535 A  
 (210) AM 117535  
 (220) 2022 04 19  
 (731) LTD "Rich Group"  
 Vill. Mughanlo, Marneuli Region, Georgia  
 (540)

**Azavit**  
**აზავიტი**

(591) Black-white  
 (511) 5

(260) AM 2022 117536 A  
 (210) AM 117536  
 (220) 2022 04 19  
 (731) LLC "LB Group"  
 Ilia Chavchavadze Ave. 34, 0108, Vake  
 District, Tbilisi, Georgia  
 (740) Lia Shikhiashvili;  
 Ioane Iarajuli;  
 Zurab Bezhashvili  
 (540)



(591) Orange, white  
 (531) 02.09.01; 07.01.09; 26.04.02; 26.04.10;  
 26.04.22; 26.04.24; 26.05.01; 26.05.14;  
 27.05.01; 27.05.24; 29.01.12  
 (511) 35

(260) AM 2022 117539 A  
 (210) AM 117539  
 (220) 2022 04 20  
 (731) Derayah Financial Company  
 2nd Floor, Olaya Center, Olaya Main Street,  
 Riyadh 11323, PO Box 286546, Saudi Arabia  
 (540)



(591) Lilac, white, orange  
 (531) 24.15.03; 27.05.01; 28.01  
 (511) 36

(260) AM 2022 117541 A  
 (210) AM 117541  
 (220) 2022 04 20  
 (731) LTD "Gama"  
 Ilia Chavchavadze Ave. 49b, 0179, Tbilisi,  
 Vake District, Georgia  
 (540)

**ანტიპარკინი ANTIPARKIN ANTIПАРКИН**

(591) Black-white  
 (531) 27.05.01; 28.05; 28.19  
 (511) 5

(260) AM 2022 117554 A  
 (210) AM 117554  
 (220) 2022 04 21  
 (310) 018646090  
 (320) 2022 01 31  
 (330) EUIPO  
 (731) DP World FZE  
 5th Floor, LOB 17, Jebel Ali Free Zone,  
 P.O. Box 17000, United Arab Emirates  
 (740) Tamaz Shilakadze  
 (540)



(591) Light sky-blue, sky-blue, light grey

(531) 26.03.10; 27.05.01; 27.05.10; 29.01.13  
(511) 9, 35, 36, 39, 42

(260) AM 2022 117556 A

(210) AM 117556

(220) 2022 04 21

(731) Levan Gvaramadze  
Aleksandre Kazbegi Ave. 2, ap. 12, 0160,  
Tbilisi, Georgia

(540)

**იადონი**  
**IADONI**  
**ИАДОНИ**

(591) Black-white

(511) 33

(260) AM 2022 117557 A

(210) AM 117557

(220) 2022 04 21

(731) Vivo Mobile Communication Co., LTD  
N1 Vivo Road, Chang'an, Dongguan,  
Guangdong, 0100, China

(740) Irakli Gvilia

(540)

**X Shot**

(591) Black-white

(531) 27.05.01

(511) 9

(260) AM 2022 117559 A

(210) AM 117559

(220) 2022 04 21

(731) Sopharma AD  
16, Iliensko shose str., Sofia, BG-1220,  
Bulgaria

(740) Irakli Gvilia

(540)

**BAZHANA**



(591) Blue, sky-blue, green, yellow, orange, red,  
pink, lilac, white

(531) 05.01.16; 27.05.01; 29.01.15

(511) 5

(260) AM 2022 117612 A

(210) AM 117612

(220) 2022 04 26

(310) 84818

(320) 2021 11 05

(330) JM

(731) Intel Corporation  
2200 Mission College Boulevard, Santa Clara,  
CA 95052-8119, USA

(740) Tamaz Shilakadze

(540)

**INTEL PHI**

(591) Black-white

(511) 9, 42

(260) AM 2022 117617 A

(210) AM 117617

(220) 2022 04 27

(731) LTD "Multitest"

Vill. Dighomi, Davit Aghmashenebeli Str. 35,  
Tbilisi, Georgia

(540)



**მულტიტესტი**

(591) Sky-blue, blue

(531) 13.01.20; 15.09.01; 16.03.15; 24.17.25;  
26.01.01; 26.01.24; 27.05.01; 28.19;  
29.01.04

(511) 42

(260) AM 2022 117661 A

(210) AM 117661

(220) 2022 05 03

(731) JSC "Lomisi"

Vill. Nataktari, 3308, Mtskheta, Georgia

(540)

**შენ არავინ გგავს**

(591) Black-white

(511) 32

(260) AM 2022 117662 A  
 (210) AM 117662  
 (220) 2022 05 03  
 (731) LTD "Georgian Wine House"  
 Vill. Zegaani, 1500, Gurjaani, Georgia  
 (740) Sopio Vacheishvili  
 (540)



(591) FEF5FE white, 307650 green, B05157 pink D1AB00 yellow, 000000 black  
 (531) 02.01.04; 23.01.01; 23.05.01; 24.01.03; 24.01.05; 24.01.13; 24.01.17; 24.01.18; 24.01.20; 28.11  
 (511) 33

(260) AM 2022 117714 A  
 (210) AM 117714  
 (220) 2022 05 06  
 (731) LLC "Global Assistance Georgia"  
 Merab Kostava Str. 67, 0171, Tbilisi, Georgia  
 (540)



(591) 0C0C0C black, E3FA4B greenish-yellow  
 (511) 37

(260) AM 2022 117741 A  
 (210) AM 117741  
 (220) 2022 05 11  
 (731) The Gillette Company LLC  
 One Gillette Park, Boston, MA,  
 02127, USA  
 (540)

**SKIN CUSHION**

(591) Black-white

(531) 27.05.01  
 (511) 8

(260) AM 2022 117822 A  
 (210) AM 117822  
 (220) 2022 05 17  
 (731) Emil Kurbanov  
 Sulkhan Tsintsadze Str. 58, 0160, Tbilisi,  
 Georgia  
 (740) Ioane Iarajuli;  
 Lia Shikhiashvili  
 (540)



(591) Dark brown, dark orange, yellow, black  
 (531) 09.01.07; 14.03.21; 26.01.01; 26.01.04; 26.01.21; 26.11.02; 26.11.06; 26.11.08; 26.11.12; 27.05.01; 27.05.09; 27.05.24; 29.01.14  
 (511) 30, 43

(260) AM 2022 117823 A  
 (210) AM 117823  
 (220) 2022 05 17  
 (731) Beijing Maskking Technology  
 Development Co., Ltd.  
 No.1, 3F, Building 9 No.14 Maliandao Road  
 Xicheng District, Beijing, 100056, People's  
 Republic of China  
 (740) Khatuna Imnadze  
 (540)



(591) Black-white  
 (531) 27.01.12; 27.01.25  
 (511) 34, 35

(260) AM 2022 117846 A  
 (210) AM 117846  
 (220) 2022 05 19  
 (731) Wang Chunming  
 No. 12, No. 8, No. 200, Zhenshan Road,  
 Zhifu District, Yantai City, People's Republic  
 of China

(740) Giorgi Kartvelishvili

(540)

The logo for SOOSAN features the word "SOOSAN" in a bold, blue, sans-serif font. The letter "O" is stylized with a light green and dark green gradient, and the letter "S" has a light blue and dark blue gradient.

(591) Blue, light green, dark green, sky-blue

(531) 01.15.09; 27.05.01; 27.05.17; 27.05.19;  
29.01.12

(511) 7

---

(260) AM 2022 117904 A

(210) AM 117904

(220) 2022 05 20

(731) Monster Energy Company  
a Delaware Corporation  
1 Monster Way, Corona, CA 92879,  
USA

(740) Natela Otariidze

(540)



(591) Black-white

(531) 26.11.07; 26.13.25; 27.05.04; 27.05.21

(511) 30, 32

---

---

**REGISTERED TRADEMARKS**

(111) M 2022 36090 R  
(151) 2022 10 20  
(181) 2032 10 20  
(260) AM 2021 114920 A  
(220) 2021 10 13

(732) Corporacion Habanos, S.A.  
Karetera Viekha De Guanabakoa  
I Linea Del Ferokaril Final,  
Guanabakoa, La Habana, Cuba

---

(111) M 2022 36091 R  
(151) 2022 10 20  
(181) 2032 10 20  
(260) AM 2021 115116 A  
(220) 2021 10 27

(732) CJ Corporation  
12, Sowol-Ro 2-Gil, Jung-Gu, Seoul, Republic  
of Korea

---

(111) M 2022 36092 R  
(151) 2022 10 20  
(181) 2032 10 20  
(260) AM 2021 115334 A  
(220) 2021 11 09

(732) Hankook & Company Co., LTD  
286, Pangyo-ro, Bundang-gu, Seongnam-si,  
Gyeonggi-do, Republic of Korea

---

(111) M 2022 36093 R  
(151) 2022 10 20  
(181) 2032 10 20  
(260) AM 2021 115350 A  
(220) 2021 11 11

(732) LLC "Sairme Resort"  
Hotel Sairme, 1000, Resort Sairme, Baghdati  
Municipality, Georgia

---

(111) M 2022 36094 R  
(151) 2022 10 20  
(181) 2032 10 20  
(260) AM 2021 115351 A  
(220) 2021 11 11

(732) LLC "Sairme Resort"  
Hotel Sairme, 1000, Resort Sairme, Baghdati  
Municipality, Georgia

---

(111) M 2022 36095 R  
(151) 2022 10 20  
(181) 2032 10 20  
(260) AM 2021 115753 A

(220) 2021 12 15

(732) Guohua He  
Room 1801, Unit 5, Building 3, Bolanggu  
Garden, Niansanli Street, Yiwu, Zhejiang  
322000, People Republic of China

---

(111) M 2022 36096 R

(151) 2022 10 20  
(181) 2032 10 20  
(260) AM 2021 115988 A

(220) 2021 12 28

(732) LLC "Alazani Winery"  
Demetre Tavdadebuli Str. 3, 4800, Kvareli,  
Georgia

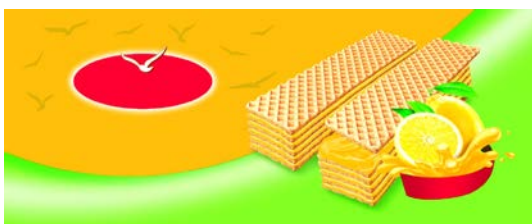
---



## TRADEMARKS REGISTERED ACCORDING TO THE ACCELERATED PROCEDURE

The decision can be appealed at the Chamber of Appeal of Sakpatenti within 3 months from the publication.

(111) M 2022 36123 R  
(151) 2022 11 10  
(181) 2032 11 10  
(210) AM 120006  
(220) 2022 10 24  
(732) "Ləzzət Qida Sənaye" LLC  
59 Nizamis Q., F.12, Nakhichevani,  
Azerbaijan  
(740) Mariam Ghubianuri  
(540)



(591) Yellow, green, light brown, white, red,  
mustard-yellow  
(531) 01.15.15; 01.15.25; 03.07.16; 05.07.12;  
05.07.22; 08.01.06; 08.01.11; 08.01.15;  
26.01.15; 29.01.15  
(511) 30

(111) M 2022 36124 R  
(151) 2022 11 10  
(181) 2032 11 10  
(210) AM 120015  
(220) 2022 10 24  
(732) "Ləzzət Qida Sənaye" LLC  
59 Nizamis Q., F.12, Nakhichevani,  
Azerbaijan  
(740) Mariam Ghubianuri  
(540)



(591) Green, yellow, orange, white, red, mustard-  
yellow  
(531) 01.15.15; 03.07.16; 05.07.12; 05.07.22;  
08.01.06; 08.01.11; 08.01.15; 26.01.15;  
29.01.15  
(511) 30

(111) M 2022 36125 R  
(151) 2022 11 10  
(181) 2032 11 10  
(210) AM 120017  
(220) 2022 10 24  
(732) "Ləzzət Qida Sənaye" LLC  
59 Nizamis Q., F.12, Nakhichevani,  
Azerbaijan  
(740) Mariam Ghubianuri  
(540)



(591) Brown, white, red, green, mustard-yellow,  
yellow  
(531) 01.15.15; 03.07.16; 05.07.06; 08.01.06;  
08.01.11; 08.01.15; 26.01.15; 29.01.15  
(511) 30

(111) M 2022 36126 R  
(151) 2022 11 10  
(181) 2032 11 10  
(210) AM 120018  
(220) 2022 10 24  
(732) "Ləzzət Qida Sənaye" LLC  
59 Nizamis Q., F.12, Nakhichevani,  
Azerbaijan  
(740) Mariam Ghubianuri  
(540)



(591) White, red, brown, mustard-yellow  
(531) 01.15.15; 03.07.16; 08.01.06; 08.01.11;  
08.01.15; 08.01.20; 26.01.15; 29.01.14  
(511) 30

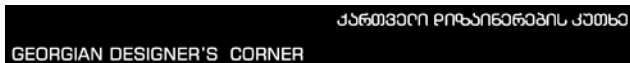
(111) M 2022 36127 R  
(151) 2022 11 10  
(181) 2032 11 10  
(210) AM 120019  
(220) 2022 10 24

(732) "Ləzzət Qida Sənaye" LLC  
59 Nizamis Q., F.12, Nakhichevani,  
Azerbaijan  
(740) Mariam Ghubianuri  
(540)



(591) Beige, white, red, sky-blue, mustard-yellow  
(531) 03.07.16; 05.07.12; 05.07.22; 08.01.11;  
08.01.15; 26.01.15; 29.01.15  
(511) 30

(111) M 2022 36128 R  
(151) 2022 11 10  
(181) 2032 11 10  
(210) AM 120010  
(220) 2022 10 24  
(732) Elene Shavdia  
Tskneti Highway 39, ap.1a, 0162, Tbilisi,  
Georgia  
(740) Lia Shikhiashvili;  
Zurab Bezhashvili;  
Ioane Iarajuli  
(540)



(591) Black-white  
(531) 26.04.02; 26.04.05; 26.04.22; 26.04.24;  
27.05.24  
(511) 25

(111) M 2022 36129 R  
(151) 2022 11 10  
(181) 2032 11 10  
(210) AM 120145  
(220) 2022 11 01  
(732) D&I Service  
Abo Tbileli Str. 10, 0159, Tbilisi, Georgia  
(540)



(591) Blue, white

(531) 26.01.01; 26.01.04; 26.01.20; 26.01.24;  
27.05.01; 27.05.19; 27.05.23; 27.05.24;  
29.01.12  
(511) 32

(111) M 2022 36130 R  
(151) 2022 11 10  
(181) 2032 11 10  
(210) AM 120146  
(220) 2022 11 01  
(732) Mikhail Grigorovich  
Ul. Tumanov N9, kv. 14, Vladimirskiy  
Kray, G. Kovrov, Russian Federation  
(740) Shalva Giorgadze  
(540)

**Playground.**

(591) White, green  
(531) 27.05.01; 29.01.03  
(511) 35, 37, 41, 42

(111) M 2022 36131 R  
(151) 2022 11 10  
(181) 2032 11 10  
(210) AM 120041  
(220) 2022 10 26  
(732) LTD "Keto and Kote"  
Akaki Shanidze Str. 13, 0179, Tbilisi,  
Georgia  
(740) Giorgi Taktakishvili  
(540)

**ქეთო და კოტე**

(591) Black-white  
(511) 43

(111) M 2022 36132 R  
(151) 2022 11 10  
(181) 2032 11 10  
(210) AM 120047  
(220) 2022 10 27  
(732) LTD "Shaloshvili Cellar"  
Vill. Shilda, 48116, Kvareli Region, Georgia  
(540)

**შალოშვილის მარანი**  
**Shaloshvili Cellar**  
**Погреб Шаловили**

(591) Black-white  
(511) 33

(111) M 2022 36133 R  
 (151) 2022 11 10  
 (181) 2032 11 10  
 (210) AM 120016  
 (220) 2022 10 24  
 (732) "Ləzzət Qida Sənaye" LLC  
 59 Nizamis Q., F.12, Nakhichevani,  
 Azerbaijan  
 (740) Mariam Ghubianuri  
 (540)



(591) White, brown, yellow, red, mustard-yellow  
 (531) 03.07.16; 05.07.01; 08.01.06; 08.01.11;  
 08.01.15; 26.01.15; 29.01.15  
 (511) 30

(111) M 2022 36134 R  
 (151) 2022 11 10  
 (181) 2032 11 10  
 (210) AM 120026  
 (220) 2022 10 25  
 (732) Zviadi Tsikolia  
 Ar. Kurdiani Str. 6, ap. 73, 0112, Tbilisi,  
 Georgia  
 (740) Shalva Gvaramadze  
 (540)



**ცოკოლია**  
**TSIKOLIA**

(591) Black-white  
 (531) 27.05.01; 28.19  
 (511) 18, 25

(111) M 2022 36135 R  
 (151) 2022 11 10  
 (181) 2032 11 10  
 (210) AM 120032  
 (220) 2022 10 25  
 (732) Alazani Winery, LLC  
 Demetre Tavdadebuli Str. 3, 4800, Kvareli,  
 Georgia  
 (740) Giorgi Kartvelishvili

(540)



(591) Black-white  
 (531) 05.01.03; 05.01.04; 05.01.16; 19.07.01;  
 19.07.23  
 (511) 33

(111) M 2022 36198 R  
 (151) 2022 11 11  
 (181) 2032 11 11  
 (210) AM 120169  
 (220) 2022 11 03  
 (732) LTD "Georgian Juice"  
 Bakhtrioni Str. 16, ap. 83, Tbilisi, Georgia  
 (540)



(591) Light green, dark green  
 (531) 05.03.14; 05.03.20; 05.07.13; 05.07.14;  
 05.07.16; 05.07.23; 29.01.03  
 (511) 32, 33

(111) M 2022 36199 R  
 (151) 2022 11 11  
 (181) 2032 11 11  
 (210) AM 120151  
 (220) 2022 11 01  
 (732) LLC "ELFBar"  
 Aleksi Machavariani Str. 2, ap. 16, 0179,  
 Mtatsminda District, Tbilisi, Georgia  
 (540)

**ელფბარი**  
**ELFBAR**

(591) Black-white  
 (511) 34

(111) M 2022 36200 R  
 (151) 2022 11 11  
 (181) 2032 11 11  
 (210) AM 119504  
 (220) 2022 09 22  
 (732) N(N)LE "Ilia Chavchavadze Center for  
 European Studies and Civic Education"  
 Pekin Ave. 2, ap. 32a, Tbilisi, Georgia  
 (540)

**ახალი იუკიია**

(591) Grey, dark yellow  
 (531) 26.11.08; 28.19; 29.01.12  
 (526) იუკიია  
 (511) 41

(111) M 2022 36201 R  
 (151) 2022 11 14  
 (181) 2032 11 14  
 (210) AM 120229  
 (220) 2022 11 04  
 (732) LTD "Verde"  
 Nearby Identification St., Vake-  
 Saburtalo District, Tbilisi, Georgia  
 (540)

**ვერდე**  
**VERDE**

(591) Black-white  
 (511) 35

(111) M 2022 36202 R  
 (151) 2022 11 14  
 (181) 2032 11 14  
 (210) AM 120134  
 (220) 2022 10 31

(732) LLC "Ori Nabiji"  
 Navtlughi Str. 39-41, 0113, Isani District,  
 Tbilisi, Georgia  
 (540)



(591) Black, beige, green, light brown, dark brown  
 (531) 01.15.15; 05.07.06; 29.01.14  
 (511) 29, 30

(111) M 2022 36203 R  
 (151) 2022 11 15  
 (181) 2032 11 15  
 (210) AM 119987  
 (220) 2022 10 21  
 (732) LTD "Vioni Georgia"  
 Bambis Rigi 8, 0105, Tbilisi, Georgia  
 (740) Levan Nanomashvili  
 (540)



(591) FFFFFFF white, F15B61 light orange,  
 EF4136 orange, 705CA8 light purple,  
 472F92 purple, EC008C majenta (Phuksin)  
 (531) 26.03.01; 26.04.04; 26.04.09; 26.04.11;  
 28.19; 29.01.14  
 (511) 9, 18, 25, 35, 36, 37, 38, 41, 42, 44

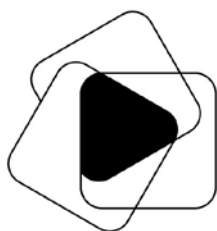
(111) M 2022 36204 R  
 (151) 2022 11 15  
 (181) 2032 11 15  
 (210) AM 119988  
 (220) 2022 10 21  
 (732) LTD "Vioni Georgia"  
 Bambis Rigi 8, 0105, Tbilisi, Georgia  
 (740) Levan Nanomashvili  
 (540)



(591) FFFFFFF white, F15B61 light orange,  
 EF4136 orange, 705CA8 light purple,

472F92 purple, EC008C majenta (Phuksin)  
 (531) 26.03.01; 26.04.04; 26.04.09; 26.04.11;  
 27.05.01; 27.05.10; 29.01.14  
 (511) 9, 18, 25, 35, 36, 37, 38, 41, 42, 44

(111) M 2022 36205 R  
 (151) 2022 11 15  
 (181) 2032 11 15  
 (210) AM 119989  
 (220) 2022 10 21  
 (732) LTD "Vioni Georgia"  
 Bambis Rigi 8, 0105, Tbilisi, Georgia  
 (740) Levan Nanomashvili  
 (540)



**სელოვი**  
 ბიზნესი

(591) Black-white  
 (531) 26.03.01; 26.04.04; 26.04.09; 26.04.11; 28.19  
 (511)  
 (511) 9, 18, 25, 35, 36, 37, 38, 41, 42, 44

(111) M 2022 36206 R  
 (151) 2022 11 15  
 (181) 2032 11 15  
 (210) AM 119990  
 (220) 2022 10 21  
 (732) LTD "Vioni Georgia"  
 Bambis Rigi 8, 0105, Tbilisi, Georgia  
 (740) Levan Nanomashvili  
 (540)



**cellfie**  
 business

(591) Black-white  
 (531) 26.03.01; 26.04.04; 26.04.09; 26.04.11;  
 27.05.01; 27.05.10  
 (511) 9, 18, 25, 35, 36, 37, 38, 41, 42, 44

(111) M 2022 36207 R  
 (151) 2022 11 15  
 (181) 2032 11 15  
 (210) AM 119913  
 (220) 2022 10 20  
 (732) Luka Alliance Limited  
 Akara Bld. 24 De Castro Str., Wickhams Cay1,  
 Roud-Town, Tortola, British Virgin Islands  
 (740) Rima Lomauri  
 (540)



(591) Green. white  
 (531) 05.03.13; 05.03.15; 05.03.20; 27.05.01;  
 29.01.03  
 (511) 35

(111) M 2022 36208 R  
 (151) 2022 11 15  
 (181) 2032 11 15  
 (210) AM 120227  
 (220) 2022 11 04  
 (732) LTD "Minimarts"  
 Station Square, Adjacent to  
 Metropolitan Division (Plot 05/070), Didube-  
 Chugureti District, Tbilisi, Georgia  
 (540)



**ნაუ**  
**NOW**

(591) Black-white  
 (531) 01.15.03; 26.01.01; 26.01.18; 26.01.19;  
 27.05.01; 27.05.17  
 (511) 35

(111) M 2022 36209 R  
 (151) 2022 11 15  
 (181) 2032 11 15  
 (210) AM 120244  
 (220) 2022 11 08  
 (732) LTD "Krach"  
 Vakhtang Kharebava Str. 1, ap. 134, 4600,  
 Kutaisi, Georgia

(540)



(591) F2F209 yellow, E80404 red,  
0C0A0A black, FCF7F7 white, BAB8B8  
grey  
(531) 03.02.07; 03.02.15; 24.01.09; 27.05.01;  
27.05.04; 27.05.09; 27.05.10; 29.01.14  
(511) 32

(111) M 2022 36210 R  
(151) 2022 11 17  
(181) 2032 11 17  
(210) AM 120141  
(220) 2022 11 01  
(732) LTD "Berika"  
Iia Chavchavadze Ave., I Lane №6, ap. 80,  
0128, Tbilisi, Georgia  
(540)

ბაიდი  
naidi  
наиди

(591) Black-white  
(511) 33

(111) M 2022 36211 R  
(151) 2022 11 17  
(181) 2032 11 17  
(210) AM 120254  
(220) 2022 11 09  
(732) LTD "Mountain Beer"  
Tevdore Str. 4, Kaspi, Georgia  
(540)



(591) Black-white  
(531) 02.01.04; 06.01.02; 11.03.18; 27.01.06  
(511) 32

(111) M 2022 36212 R  
(151) 2022 11 17  
(181) 2032 11 17  
(210) AM 120050  
(220) 2022 10 27  
(732) Sergo Dundua  
Iosebidge Str. 60, ap. 2b, Tbilisi, Georgia  
(540)



(591) Black-white  
(531) 02.01.16; 02.01.17; 02.01.23; 18.01.05;  
27.05.01; 27.05.09; 27.05.10; 27.05.17  
(511) 35, 39, 43

(111) M 2022 36213 R  
(151) 2022 11 18  
(181) 2032 11 18  
(210) AM 120138  
(220) 2022 10 31  
(732) Philip Morris Products S.A.  
Quai Jeanrenaud 3, 2000 Neuchâtel,  
Switzerland  
(740) Pavle Meipariani  
(540)

**HEETS SATIN FUSE**

(591) Black-white  
(511) 34

(111) M 2022 36214 R  
(151) 2022 11 18  
(181) 2032 11 18  
(210) AM 120139  
(220) 2022 10 31  
(732) Philip Morris Products S.A.  
Quai Jeanrenaud 3, 2000 Neuchâtel,  
Switzerland  
(740) Pavle Meipariani

(540)

ჰითს სათინ ფიუზი

(591) Black-white

(511) 34

(111) M 2022 36215 R

(151) 2022 11 18

(181) 2032 11 18

(210) AM 120230

(220) 2022 11 04

(732) LTD "Marshe"

Ilia Chavchavadze Ave. 9, ap. 7, Tbilisi,  
Georgia

(540)



(591) Red, white

(531) 02.09.01; 25.03.01; 25.03.25; 27.05.01;  
27.05.21; 27.05.24; 29.01.12

(526) (R)

(511) 29, 30, 31, 32

(111) M 2022 36216 R

(151) 2022 11 18

(181) 2032 11 18

(210) AM 120231

(220) 2022 11 04

(732) LTD "Marshe"

Ilia Chavchavadze Ave. 9, ap. 7, Tbilisi,  
Georgia

(540)



(591) Red, white

(531) 02.09.01; 25.03.01; 25.03.25; 27.05.21; 28.19;  
29.01.12

(526) (R)

(511) 29, 30, 31, 32

## INTERNATIONAL TRADEMARKS FOR WHICH A DECISION ON GRANTING PROTECTIONS IS TAKEN

The decision can be appealed at the Chamber of Appeal of Sakpatenti within 3 months from the publication or at the Mtskheta District Court Administrative Cases Board (Address: №17, Samkhedro St., Mtskheta), within 1 month following the publication.

(260) AM 2022 116268 A

(800) 1639576

(151) 2021 08 05

(891) 2021 08 05

(731) COŞKU GIDA TEKSTİL ELEKTRONİK VE  
TURİZM HİZMETLERİ LİMİTED ŞİRKETİ  
Ataşehir Bulvarı, Ata 2-3 Plaza B-2 Blok K:3  
No:36, Ataşehir, Kadıköy, İstanbul, Türkiye

(540)



(591) Red and blue

(531) 03.01.01; 03.01.16; 03.01.24; 27.05.01;  
29.01.12

(511)

32 – Beers; preparations for making beer; mineral water, spring water, table water, soda water; fruit and vegetable juices, fruit and vegetable concentrates and extracts for making beverages, non-alcoholic soft drinks; energy drinks, protein-enriched sports beverages.

(260) AM 2022 116346 A

(800) 1640320

(151) 2021 12 17

(891) 2021 12 17

(731) Obshchestvo s ogranichennoi otvetstvennost'yu  
"Laboratoriya sovremennogo zdorovya"  
ul. Khimzavodskaya, 11/20, Berdsk,  
RU-633004 Novosibirskaya oblast', Russian  
Federation

(540)

### MAMA BOX

(591) Black, white

(511)

5 – Acai powder dietary supplements; acne treatment preparations; adhesive bands for medical purposes; adhesive plasters; air deodorising preparations; air purifying preparations; albumin dietary supplements; albuminous foodstuffs for medical purposes; albuminous preparations for medical purposes; alginate die-

tary supplements; almond milk for pharmaceutical purposes; aloe vera preparations for pharmaceutical purposes; amino acids for medical purposes; anaesthetics; analgesics; antibacterial handwashes; antibacterial soap; antioxidant pills; antiseptic cotton; antiseptics; anti-uric preparations; appetite suppressant pills; appetite suppressants for medical purposes; asthmatic tea; babies' nappies; balms for medical purposes; barks for pharmaceutical purposes; bath salts for medical purposes; biological preparations for medical purposes; cachets for pharmaceutical purposes; capsules for medicines; casein dietary supplements; chemico-pharmaceutical preparations; chewing gum for medical purposes; chilblain preparations; cod liver oil; collagen for medical purposes; collyrium; contact lens cleaning preparations; corn remedies; decoctions for pharmaceutical purposes; deodorants for clothing and textiles; deodorants, other than for human beings or for animals; depuratives; dietary fiber; dietary supplements for animals; dietary supplements with a cosmetic effect; dietetic beverages adapted for medical purposes; dietetic foods adapted for medical purposes; dietetic substances adapted for medical use; digestives for pharmaceutical purposes; disinfectant soap; disinfectants for hygiene purposes; dressings, medical; drugs for medical purposes; elixirs [pharmaceutical preparations]; enzyme dietary supplements; enzyme preparations for medical purposes; eucalyptus for pharmaceutical purposes; febrifuges; ferments for pharmaceutical purposes; first-aid boxes, filled; flour for pharmaceutical purposes; food for babies; frostbite salve for pharmaceutical purposes; fumigation preparations for medical purposes; gauze for dressings; gelatine for medical purposes; glucose dietary supplements; glucose for medical purposes; hematogen; hemostatic pencils; herbal teas for medicinal purposes; homogenised food adapted for medical purposes; immunostimulants; infant formula; lacteal flour for babies; lactose for pharmaceutical purposes; laxatives; lecithin dietary supplements; liniments; linseed dietary supplements; linseed for pharmaceutical purposes; linseed oil dietary supplements; lotions for pharmaceutical purposes; lyophilised food adapted for medical purposes; magnesia for pharmaceutical purposes; medical preparations for slimming purposes; medicated after-shave lotions; medicated candies; medicated dry shampoos; medicated eye-washes; medicated hair lotions; medicated shampoos; medicated soap; medicated toiletry preparations; medicated toothpaste; medicinal drinks; medicinal hair growth preparations;



medicinal herbs; medicinal infusions; medicinal mud; medicinal oils; medicinal roots; medicinal tea; medicine cases, portable, filled; medicines for alleviating constipation; medicines for human purposes; milk ferments for pharmaceutical purposes; mineral food supplements; mineral waters for medical purposes; mouthwashes for medical purposes; mud for baths; mustard plasters; nervines; nutraceutical preparations for therapeutic or medical purposes; nutritional supplements; ointments for pharmaceutical purposes; organotherapy preparations; panty liners [sanitary]; pastilles for pharmaceutical purposes; pearl powder for medical purposes; personal sexual lubricants; petroleum jelly for medical purposes; pharmaceutical preparations for skin care; pharmaceutical preparations for treating dandruff; pharmaceutical preparations for treating sunburn; pharmaceutical preparations; pharmaceuticals; phytotherapy preparations for medical purposes; plant extracts for pharmaceutical purposes; pollen dietary supplements; pomades for medical purposes; poultices; powdered milk for babies; preparations for the treatment of burns; preparations of trace elements for human and animal use; propolis dietary supplements; propolis for pharmaceutical purposes; protein dietary supplements; protein supplements for animals; purgatives; remedies for perspiration; royal jelly dietary supplements; royal jelly for pharmaceutical purposes; salts for medical purposes; salts for mineral water baths; sanitary napkins; seawater for medicinal bathing; sedatives; tranquilizers; serums; sexual stimulant gels; slimming pills; solutions for contact lenses; styptic preparations; sugar for medical purposes; sunburn ointments; suppositories; syrups for pharmaceutical purposes; tanning pills; therapeutic preparations for the bath; thermal water; tissues impregnated with pharmaceutical lotions; tonics [medicines]; vitamin preparations; vitamin supplement patches; wadding for medical purposes; wheat germ dietary supplements; yeast dietary supplements; yeast for pharmaceutical purposes.

(260) AM 2022 116449 A

(800) 1641420

(151) 2021 11 29

(891) 2021 11 29

(731) Obshchestvo s ogranichennoi otvetstvennostyu "VSK"

ul. 50 let Oktyabrya, 113, g. Dimitrovgrad,  
RU-433502 Ulyanovskaya oblast, Russian  
Federation

(540)



(591) Yellow, brown, red-brown and beige

(531) 01.15.15; 05.07.01; 25.07.21; 26.04.04;  
26.04.05; 26.04.16; 26.04.19; 26.04.24;  
26.11.01; 26.11.13; 28.05; 29.01.14

(511)

32 – Barley wine [beer]; kvass; cocktails, non-alcoholic; beer-based cocktails; non-alcoholic honey-based beverages; beer; ginger beer; malt beer; must; grape must, unfermented; beer wort; malt wort; extracts of hops for making beer.

33 – Aperitifs; cocktails; pre-mixed alcoholic beverages, other than beer-based; alcoholic beverages, except beer; spirits [beverages]; hydromel [mead]; cider.

(260) AM 2022 116451 A

(800) 1641459

(151) 2021 09 29

(891) 2021 09 29

(731) Obshchestvo s ogranichennoy otvetstvennostju "KDV Voronezh"

Lesnaya str., Bld. 31, Derevnya Bogdanovo,  
Ramonsky rajon, RU-396039 Voronezhskaya  
oblast, Russian Federation

(540)



(591) Black, white

(531) 04.05.01; 05.07.06; 24.17.25; 25.01.25;  
26.01.16; 26.01.18

(511)

30 – Cereal bars; muesli bars; chocolate bars; flapjacks [oat bars]; filled chocolate bars; high-protein cereal bars; waffles; zephyr being confectionery; fruit jellies [confectionery]; candy decorations for cakes; confectionery for decorating Christmas trees; cakes; pastries; peanut confectionery; almond confectionery; frozen yogurt [confectionery ices]; caramels [sweets]; sweets; liquorice [confectionery]; peppermint sweets; lollipops [confectionery]; fruit jelly sticks; confectionery containing jelly; dessert mousses [confectionery]; stick liquorice [confectionery]; lozenges [confectionery]; biscuits; petit-beurre biscuits; fondants [confectionery]; pralines; gingerbread; puddings; confectionery; halvah; chocolate; ice cream; pies.

(260) AM 2022 116452 A

(800) 1641469

(151) 2021 12 02

(891) 2021 12 02

(731) Gangtime Pty Ltd

East Tower, Level 2, 608 St Kilda Road,  
Melbourne VIC 3004, Australia

(540)

## Gangtime

(591) Black, white

(511)

9 – Apparatus for communication; apparatus for the communication of data; apparatus for use in digital communication transmission; communication devices; personal communication devices; transmitters for use in emergency communications; digital music (downloadable) from the internet; digital music (downloadable) provided from mp3 web sites on the internet; downloadable cryptographic keys for receiving and spending cryptocurrency; downloadable e-wallets; downloadable emoticons for mobile phones; downloadable image files; downloadable music files; downloadable podcasts; downloadable ring tones for mobile phones; downloadable webcasts; electronic publications (downloadable); telephone ring tones (downloadable); communication software; data communications software; downloadable software applications (apps); application software; electrical tracking apparatus; vehicle tracking apparatus; electronic surveillance apparatus; surveillance apparatus (electronic); computer game software, downloadable; computer games programs downloaded via the internet (software); computer programs and recorded software distributed online; computer software; computer software (programs); computer software for business purposes; computer software platforms, recorded or downloadable; computer software downloaded from the internet.

35 – Provision of an online marketplace for buyers and sellers of goods and services; online promotion on a computer network; business networking services; service to assist in establishing a network of business contacts; online retail services for downloadable and pre-recorded music and movies; online retail services for downloadable digital music; online retail services for downloadable ring tones; advertising; electronic advertising services; online advertising on a computer network; advertising services provided over the internet; electronic data processing.

36 – Providing information, including online, about insurance, financial and monetary affairs and real estate affairs; payment processing services; processing of debit card payments; processing of payments for banks.

38 – Electronic transmission (uploading, posting or displaying) of data, information, pictures, images, audio and/or video via online forums; providing online

forums; transmission of greeting cards online; providing user access to a global computer network and online sites containing information on a wide range of topics; transmission of information on a wide range of topics, including online and over a global computer network; web portal services (providing user access to a global computer network); webcasting (broadcasting over a global computer network); netcasting (broadcasting over a global computer network); providing user access to global computer networks; electronic network communications; communication by electronic means; communication of information by electronic means; communication services for the electronic transmission of data; communication services for the electronic transmission of images; communication services for the electronic transmission of voices; communication services for the transmission of information; communication services for the transmission of information by electronic means; communication services for video conferencing purposes; communication services over computer networks; electronic communication services; electronic communication services for the transmission of data; electronic data communications; electronic funds transfer communication services; electronic transmission of written communications; mobile radio communications; mobile telephone communication services; operating of electronic communications networks; operating of electronic communications systems; message boards; electronic message services; electronic message transmission; electronic transmission of messages; message sending; message storage and transmission (telecommunications); relaying of messages (electronic); sending of messages (by electronic means); sending of emergency messages (by electronic means).

39 – Navigation services; location and tracking of goods by computer.

41 – Electronic publication of information on a wide range of topics, including online and over a global computer network; game services provided online from a computer network; online (electronic) publication of news; online publication of electronic books and journals; providing information, including online, about education, training, entertainment, sporting and cultural activities; provision of education services via an online forum; provision of entertainment services via an online forum; publication of multimedia material online; weblog (blog) services (online publication of journals or diaries); providing online electronic publications, not downloadable; providing online videos, not downloadable; providing digital music (not downloadable) from the internet; providing films, not downloadable, via video-on-demand services; providing films, not downloadable, via video-on-demand transmission services.

42 – Platform as a service (paas); online provision of web-based applications (non-downloadable); information technology (it) services (computer hardware, sof-

ware and peripherals design and technical consultancy); online provision of web-based software (non-downloadable); provision of online non-downloadable software (application service provider); provision of online non-downloadable web-based software; software as a service (saas); user authentication services using single sign-on technology for online software applications; hosting of software as a service (saas).

45 – Dating and social introduction services provided via online personal advertisements; online social networking services; providing information, including online, about personal and social services meeting the needs of individuals; personal and social services provided by third parties to meet the needs of individuals; personal and social services regarding individual needs; personal and social services rendered by others to meet the needs of individuals; tracking of stolen property; electronic surveillance.

(260) AM 2022 116453 A

(800) 1641472

(151) 2021 12 28

(891) 2021 12 28

(731) Kia Corporation

12, Heolleung-ro, Seocho-gu, Seoul,  
Republic of Korea

(540)



(591) Black, white

(531) 27.05.01; 27.05.09; 27.05.17; 27.05.22;  
27.07.11

(511)

12 – Automobiles; sports cars; vans [vehicles]; trucks; motor buses; electric vehicles.

(260) AM 2022 116454 A

(800) 1641476

(151) 2021 02 24

(891) 2021 02 24

(731) Limited liability company "Altayvita"  
proezd Rybozavodskoy 42, RU-656016  
city of Barnaul, Russian Federation

(540)



(591) Brown, light brown, light gray, lilac, light lilac, blue, black, dark lilac, burgundy, yellow, green, light green, dark green and white

(531) 03.04.07; 03.04.24; 03.04.25; 05.05.20;  
05.11.11; 05.13.01; 26.04.02; 26.04.18; 28.05;  
29.01.15

(511)

5 – Nutritional supplements; pollen dietary supplements; dietary supplements with a cosmetic effect; medicinal roots; dietetic beverages adapted for medical purposes; medicinal infusions; tinctures for medical purposes; decoctions for pharmaceutical purposes; dietetic foods adapted for medical purposes; asthmatic tea; medicinal herbs; medicinal tea; herbal teas for medicinal purposes; herbal extracts for medical purposes; plant extracts for pharmaceutical purposes.

30 – Chamomile-based beverages; tea-based beverages; infusions, not medicinal; aromatic preparations for food; garden herbs, preserved [seasonings]; processed seeds for use as a seasoning; flowers or leaves for use as tea substitutes; tea; iced tea.

(260) AM 2022 116455 A

(800) 1641483

(151) 2021 11 17

(891) 2021 11 17

(731) Xiang Hengda

Xiangzhou Village, Zhiren Township, Yueqing  
City, Zhejiang Province, China

(540)



(591) Black, white

(531) 25.03.01; 27.05.01; 27.05.17

(511)

7 – Spray guns for paint; spinning machines; knives, electric; electric hand drills; saw blades [parts of machines]; chisels for machines; jacks [machines]; rubber cutting machines; agricultural machines; calendars; printing machines; engraving machines; sewing machines; wrapping machines; drilling machines; cutters [machines]; pneumatic jacks; electric hammers; sparking plugs for internal combustion engines; hand-held tools, other than hand-operated; paint spraying machines; dynamos; pumps [machines]; valves [parts of machines]; blowing machines; bearings for vehicles; belts for machines; thermic lances [machines]; mechanical seals [machine parts].

8 – Sharpening instruments; agricultural implements, hand-operated; garden tools, hand-operated; beard clippers; bits [parts of hand tools]; polishing irons [glazing tools]; graving tools [hand tools]; knives; si-

de arms, other than firearms; table cutlery [knives, forks and spoons]; hand tools, hand-operated; abrading instruments [hand instruments]; pickhammers; livestock marking tools; harpoons; lifting jacks, hand-operated; scissors.

(260) AM 2022 116456 A

(800) 1641484

(151) 2021 04 07

(891) 2021 04 07

(731) ECZACIBAŞI TÜKETİM ÜRÜNLERİ,  
SANAYİ VE TİCARET ANONİM ŞİRKETİ  
Kavacık Ofis Rüzgarlı Bahçe Mah., Kavak Sk.  
No. 20 Beykoz, İstanbul, Türkiye

(540)



(591) Light blue, dark blue, white

(531) 02.09.01; 03.02.01; 03.02.25; 20.05.25;  
27.05.01; 27.05.02; 27.05.03; 27.05.08;  
27.05.24; 29.01.13

(511)

3 – Bleaching and cleaning preparations, detergents other than for use in manufacturing operations and for medical purposes, laundry bleach, fabric softeners for laundry use, stain removers, dishwasher detergents; cleaning, polishing, scouring and abrasive preparations; perfumery; non-medicated cosmetics; fragrances; deodorants for personal use and animals; essential oils, cosmetics, hair lotions; soaps; dental care preparations; dentifrices, denture polishes, tooth whitening preparations, mouth washes, not for medical purposes; abrasive preparations; emery cloth; sandpaper; pumice stone; abrasive pastes; polishing preparations for leather, vinyl, metal and wood, polishes and creams for leather, vinyl, metal and wood, wax for polishing; wet wipes, tissue papers moisturized with cosmetics; cotton buds for cosmetic purposes; tissues impregnated with cosmetic lotions; pre-moistened and impregnated cleansing pads, tissues and wipes, namely, impregnated cleaning pads impregnated with cosmetics, pre-moistened cosmetic tissues impregnated with make-up removing preparations, and pre-moistened cosmetic wipes; cosmetic pads impregnated with make-up removing preparations; cloths impregnated with cleaning preparations; baby wipes; face wipes; baby wipes for cosmetic purposes; baby wipes for cosmetic use; face cleaning wipes; pre-impregnated cleansing wipes; pre-moistened cleansing wipes; pre-moistened cosmetic wipes; wipes impregnated with a skin clean-

ser; wipes impregnated with cleaning preparations; wipes impregnated with cosmetic preparations; wipes impregnated with skincare preparations; baby wipes impregnated with cleaning preparations; disposable baby wipes impregnated with cosmetic preparations; wipes impregnated with personal cleansing preparations; disposable wipes impregnated with eau de Cologne; disposable baby wipes impregnated with personal cleansing preparations; pre-moistened or impregnated cleaning pads, tissues or wipes; pre-moistened wipes with cleaning preparations for household purposes; wipes impregnated with anti-perspirant preparations for personal use; wipes impregnated with make-up removing preparations; wipes impregnated with deodorant preparations for personal use; disposable wipes impregnated with cleansing chemicals or compounds for personal hygiene; disposable wipes impregnated with cleansing compounds for use on the face.

5 – Pharmaceutical and veterinary preparations for medical purposes; chemical preparations for medical and veterinary purposes, chemical reagents for pharmaceutical and veterinary purposes; medicated cosmetics; dietary supplements for pharmaceutical and veterinary purposes; dietary supplements; nutritional supplements; medical preparations for slimming purposes; food for babies; herbs and herbal beverages adapted for medicinal purposes; dietetic food and substances adapted for medical or veterinary use; dietary supplements for humans and animals; dental preparations and articles; teeth filling material, dental impression material, dental adhesives and material for repairing teeth; hygienic pads; hygienic tampons; diapers made of paper and textiles for babies, adults and pets; material for stopping teeth, dental wax; preparations for destroying vermin; herbicides, fungicides, preparations for destroying rodents; deodorants, other than for human beings or for animals; air purifying preparations; air deodorising preparations; disinfectants; antiseptics; detergents for medical purposes; medicated soaps; disinfectant soaps; antibacterial hand lotions; diapers (babies' napkins); anti-bacterial wipes; tissues and wipes impregnated with pharmaceutical lotions and creams; disposable wipes impregnated with insect repellent lotions for human use; disinfectant wipes; sanitizing wipes; disposable sanitizing wipes; medicated pre-moistened wipes; pre-moistened medicated wipes.

16 – Paper, cardboard and goods made from these materials, not included in other classes; table napkins of paper, handkerchiefs of paper, toilet paper, towels of paper, face towels of paper; baby bibs of paper, table cloths of paper, table mats of paper, ornaments made of paper, tissues of paper for removing make-up, paper wipes for cleaning; plastic materials for packaging and wrapping purposes (not included in other classes); plastic sheets, sacks and bags for wrapping and packaging; bookbinding material; printers' type; printing blocks; printed publications; printed matter; books,

magazines, newspapers, bill books, printed dispatch notes, printed vouchers, calendars; posters; photographs [printed]; paintings; stickers [stationery]; postage stamps; stationery, office stationery, instructional and teaching material [except furniture and apparatus]; writing and drawing implements; artists' materials; paper products for stationery purposes; adhesives for stationery purposes, pens, pencils, erasers, adhesive tapes for stationery purposes, cardboard cartons [artists' materials], writing paper, copying paper, paper rolls for cash registers, drawing materials, chalkboards, painting pencils, watercolors [paintings]; office requisites; paint rollers and paintbrushes for painting.

(260) AM 2022 116457 A

(800) 1641512

(151) 2021 11 27

(891) 2021 11 27

(731) FILSTONE, COMÉRCIO DE ROCHAS, S.A.

ESTRADA PEDRA ALVA, N° 499,

P-2495-352 FÁTIMA, Portugal

(540)



(591) Black, white

(531) 26.15.09; 27.05.01; 27.05.19

(511)

19 – Stones; worked natural stone; natural stone slabs and tiles; natural stone slabs; blocks made from natural stone; aggregate.

(260) AM 2022 116458 A

(800) 1641521

(151) 2021 12 15

(891) 2021 12 15

(731) Limited liability company "PROMOMED RUS"

pr-kt Mira, d. 13, str. 1, of. 13, RU-129090

Moscow, Russian Federation

(540)

**KJAMOCAP**

(591) Black, white

(531) 28.05

(511)

5 – Medicines for human purposes; medicines for medical purposes; capsules for medicines; pills for medical purposes; pharmaceutical preparations; chemico-pharmaceutical preparations.

(260) AM 2022 116459 A

(800) 1641522

(151) 2021 12 17

(891) 2021 12 17

(731) INTERSAN-PLUS Limited Liability Company

Silikatnaya ul., d. 19, tsekh/litera 13/A,

kom. 9-13, RU-141004 g. Mytischki,

Moscow Region, Russian Federation

(540)

**INTERSAN**

(591) Black, white

(511)

3 – Deodorants for human beings or for animals; soap; deodorant soap; bath preparations, not for medical purposes; chemical cleaning preparations for household purposes; scouring solutions; tissues impregnated with cosmetic lotions; cosmetic preparations for skin care; detergents, other than for use in manufacturing operations and for medical purposes; douching preparations for personal sanitary or deodorant purposes [toiletries]; degreasers, other than for use in manufacturing processes; toiletry preparations; shampoos; shampoos for animals [non-medicated grooming preparations].

5 – Antiseptics; germicides; biocides; deodorants, other than for human beings or for animals; deodorizers for litter trays; deodorants for clothing and textiles; air deodorizing preparations; insecticides; lotions for veterinary purposes; lotions for pharmaceutical purposes; antibacterial soap; disinfectant soap; medicated soap; bath preparations for medical purposes; air purifying preparations; sterilizing preparations; pharmaceutical preparations for skin care; medicated eye-washes; anticryptogamic preparations; sanitary towels; sanitary napkins; tissues impregnated with pharmaceutical lotions; antibacterial handwashes; disinfectants; disinfectants for hygiene purposes; disinfectants for chemical toilets; animal washes [insecticides]; detergents for medical purposes; insecticidal veterinary washes; remedies for perspiration; medicated toiletry preparations; insecticidal animal shampoos; medicated shampoos; medicated shampoos for pets.

(260) AM 2022 116466 A

(800) 1641553

(151) 2021 12 08

(891) 2021 12 08

(731) ANNICK GOUTAL

14 rue de Castiglione, F-75001 PARIS, France

(540)

**CELLE QUE J'AIME**

(591) Black, white

(511)

3 – Soaps; perfumery; essential oils; aromatic extracts for cosmetic use; cosmetics; hair lotions; toiletry products; perfuming and cleaning preparations.

(260) AM 2022 116480 A  
 (800) 1642067  
 (151) 2021 12 21  
 (891) 2021 12 21  
 (731) Laboratoire X.O  
 170 Bureaux de la Colline, F-92213  
 SAINT-CLOUD CEDEX, France  
 (540)

## ALIFAZIN

(591) Black, white  
 (511)  
 5 – Pharmaceutical products, medical preparations; hygienic products for medicine; dietetic substances and foodstuffs for medical use, food for babies; food supplements for human beings; medicines against allergies; excluding veterinary products.

(260) AM 2022 116481 A  
 (800) 1642111  
 (151) 2021 11 05  
 (891) 2021 11 05  
 (731) Dochirnie pidpriemstvo "Kondyterska korporatsiia "Roshen"  
 prospect Nauky, bud. 1, korpus 1, m. Kyiv  
 03039, Ukraine  
 (540)

## FUN&CRISPY

(591) Black, white  
 (531) 27.05.01  
 (511)  
 30 – Peanut confectionery; flavourings, other than essential oils, for cakes; cereal bars; high-protein cereal bars; bread rolls; buns; vanillin [vanilla substitute]; vanilla flavourings for culinary purposes; waffles; flour-based dumplings; orange blossom water for culinary purposes; binding agents for ice cream; biscuits; cloves [spice]; cake frosting [icing]; glucose for culinary purposes; chocolate-coated nuts; mirror icing [mirror glaze]; gluten additives for culinary purposes; yeast; dulce de leche; essences for foodstuffs, except etheric essences and essential oils; chewing gum for breath freshening; chewing gum; custard; thickening agents for cooking foodstuffs; leaven; ferments for pastes; cereal-based snack food; artificial coffee; frozen yogurt [confectionery ices]; cereal preparations; ground ginger; cocoa; cocoa beverages with milk; caramels [sweets]; curry [spice]; confectionery; confectionery for decorating Christmas trees; cinnamon [spice]; crackers; rice crackers; cream of tartar for culinary purposes; crème brûlée; starch for food; croissants; croûtons; sorbets [ices]; petit-beurre biscuits; tarts; cakes; dough; cake batter; pastry dough; tortillas; fruit jellies [confectionery]; fruit confectionery; fruit coulis [sauces]; halvah; baking soda [bicarbonate of soda for cooking purposes]; edible ices; pastries; sweets; crystallized rock sugar; sugar; minced garlic [condiment];

saffron [seasoning]; chocolate; chocolate beverages with milk; pains au chocolat.

(260) AM 2022 116482 A  
 (800) 1642140  
 (151) 2021 12 06  
 (891) 2021 12 06  
 (731) Richter Gedeon Nyrt.  
 Gyömrői út 19-21, H-1103 Budapest, Hungary  
 (540)

## TYXENOS

(591) Black, white  
 (511)  
 5 – Pharmaceutical preparations.

(260) AM 2022 116483 A  
 (800) 1642142  
 (151) 2021 12 06  
 (891) 2021 12 06  
 (731) Richter Gedeon Nyrt.  
 Gyömrői út 19-21, H-1103 Budapest, Hungary  
 (540)

## MISOREQUIL

(591) Black, white  
 (511)  
 5 – Pharmaceutical preparations.

(260) AM 2022 116484 A  
 (800) 1642143  
 (151) 2021 12 07  
 (891) 2021 12 07  
 (731) Richter Gedeon Nyrt.  
 Gyömrői út 19-21, H-1103 Budapest, Hungary  
 (540)

## ПОЦЕНТА

(591) Black, white  
 (531) 28.05  
 (511)  
 5 – Pharmaceutical preparations.

(260) AM 2022 116495 A  
 (800) 1642310  
 (151) 2021 11 04  
 (891) 2021 11 04  
 (731) PIRELLI TYRE SPA  
 Viale Piero e Alberto Pirelli 25, I-20126  
 Milano, MI, Italy  
 (540)



(591) Black, white  
(531) 18.01.21; 26.11.12; 27.05.01  
(511)

9 – Downloadable applications for use with mobile devices; software and applications for mobile devices, including software and applications; downloadable computer software for remote monitoring and analysis; applications for smartphones for measuring data of vehicle running motion; sensors, tyre monitoring apparatus; tire pressure sensors; tyre-pressure measurers.

12 – Treads for vehicles; pneumatic tyres; pneumatic, semi-pneumatic and/or solid tyres; vehicle wheels; wheel trims; inner tubes and mousse for vehicle tyres.

(260) AM 2022 116496 A  
(800) 1642367  
(151) 2021 10 13  
(891) 2021 10 13  
(731) TAYAŞ GIDA SANAYİ VE TİCARET  
ANONİM ŞİRKETİ  
Gebze Organize Sanayi Bölgesi, İhsan Dede  
Cad. 800. Sok. No:122, Gebze, Kocaeli,  
Türkiye  
(540)



**Jimmy**

(591) Black, white  
(531) 26.01.03; 26.01.18; 27.05.01; 27.05.09;  
27.05.10  
(511)  
30 – Confectionery; chocolate; biscuits; crackers; wafers.

(260) AM 2022 116497 A  
(800) 1642371  
(151) 2021 10 15  
(891) 2021 10 15  
(731) FLO MAĞAZACILIK VE PAZARLAMA  
ANONİM ŞİRKETİ  
Merkez Mah. Taşocağı Cad. No:24,  
Kat:3, Mahmutbey Bağcılar, İstanbul,  
Türkiye  
(540)

**F.Banetti**

(591) Black, white  
(531) 24.17.02; 27.05.01  
(511)  
25 – Clothing, including underwear and outer clothing, other than special purpose protective clothing, socks, mufflers [clothing], shawls, bandanas, scarves, belts

[clothing], footwear, shoes, slippers, sandals, headgear, hats, caps with visors, berets, caps [headwear], skull caps.

(260) AM 2022 116498 A  
(800) 1642401  
(151) 2021 10 28  
(891) 2021 10 28  
(731) Estetra, société à responsabilité limitée  
Rue Saint-Georges 5, Liège, B-4000, Belgium  
(540)



(591) Blue, purple and pink  
(531) 26.13.25; 29.01.13  
(511)  
5 – Chemical contraceptives; contraceptive pills; pharmaceutical products in the field of gynecology and women's health.

(260) AM 2022 116499 A  
(800) 1642429  
(151) 2021 08 05  
(891) 2021 08 05  
(731) Apple Inc.  
One Apple Park Way, MS 39-1IPL, Cupertino  
CA 95014, USA  
(540)



(591) Purple, blue and white.  
(531) 26.04.04; 26.15.09; 29.01.12  
(511)  
9 – Computer software; computer software used in developing other software applications; application development software; computer software for audio and music recognition and identification; databases containing downloadable recorded music files; downloadable audio, video and multimedia content; computer software enabling viewer of radio, television or streaming programs or audiovisual entertainment or

information content to access, online or via mobile phone or computer, interactive audio and visual entertainment or information content or retail service providers; software for accessing information relating to music and audio and visual content; software enabling discovery, interaction with, and sharing of audio, video, printed, multimedia or augmented reality content.

42 – Design and development of computer hardware and software; design and development of computer hardware and software used in developing other software applications; providing non-downloadable application development software; providing non-downloadable computer software used in developing other software applications; providing information in the field of computer software development; computer software development services; design and development of computer hardware and software for music recognition; electronic data storage; providing information in the field of computer hardware development; computer software services, namely, technical support services for application development software and music recognition software; providing non-downloadable software for sound and music recognition; providing non-downloadable software enabling discovery, interaction with, and sharing of audio, video, printed, multimedia or augmented reality content.

(260) AM 2022 116500 A

(800) 1642480

(151) 2021 09 22

(891) 2021 09 22

(731) Lightbox Jewelry Ltd

17 Charterhouse Street, London EC1N 6RA,  
United Kingdom

(540)

## LIGHTBOX FINEST

(591) Black, white

(511)

14 – Precious metals and their alloys; badges of precious metal; ingots of precious metal; boxes of precious metal; ornaments of precious metal; jewellery including precious stones and semi-precious stones, diamonds, laboratory-grown diamonds; precious stones and semi-precious stones; diamonds; laboratory-grown diamonds; horological and chronometric instruments including watches, pocket watches and clocks; badges of precious metal; ingots of precious metal; boxes of precious metal; ornaments of precious metal; jewellery including precious stones and semi-precious stones, diamonds, laboratory-grown diamonds; precious stones and semi-precious stones; diamonds; laboratory-grown diamonds; horological and chronometric instruments including watches, pocket watches and clocks.

35 – Retail and wholesale services, advertising and marketing services all in the field of precious metals and their alloys, badges of precious metal, ingots of

precious metal, boxes of precious metal, ornaments of precious metal, precious stones and semi-precious stones, diamonds, synthetic stones, jewellery including precious stones and semi-precious stones, diamonds, synthetic stones, horological and chronometric instruments including watches, pocket watches and clocks; retail and wholesale services, advertising and marketing services all in the field of precious metals and their alloys, badges of precious metal, ingots of precious metal, boxes of precious metal, ornaments of precious metal, precious stones and semi-precious stones, diamonds, synthetic stones, jewellery including precious stones and semi-precious stones, diamonds, synthetic stones, horological and chronometric instruments including watches, pocket watches and clocks.

(260) AM 2022 116501 A

(800) 1642507

(151) 2021 09 09

(891) 2021 09 09

(731) COMBINATUL DE PÎINE DIN BĂLȚI S.A.

Str. Ștefan cel Mare nr. 111, MD-3100 Bălți,  
Republic of Moldova

(540)



(591) Black, white

(531) 05.07.02; 05.07.03; 26.04.04; 26.04.15;  
26.04.18; 27.05.01

(511)

30 – Coffee, tea, cocoa and artificial coffee; rice, pasta and noodles; tapioca and sago; flour and preparations made from cereals; bread, pastries and confectionery; chocolate; ice cream, sorbets and other edible ices; sugar, honey, treacle; yeast, baking-powder; salt, seasonings, spices, preserved herbs; vinegar, sauces and other condiments; ice (frozen water).

(260) AM 2022 116502 A

(800) 1642524

(151) 2021 11 05

(891) 2021 11 05

(731) 2660722 Ontario Inc.

60 Minuk Acres, Toronto ON M1E 4Y6,  
Canada

(540)

## SAVAGE

(591) Black, white

(511)

34 – Electronic cigarettes; cartridges for electronic cigarettes sold empty and filled; kits comprising an electronic cigarette and at least one cartridge therefor; liquids for electronic cigarettes; nicotine-based liquids



for use in electronic cigarettes; liquid solutions for use in electronic cigarettes; cartridges sold filled with liquid nicotine for electronic cigarettes; electronic cigarette refill liquids, namely, chemical flavorings in liquid form; chemical flavorings in liquid form used to refill electronic cigarette cartridges; cartridges sold filled with chemical flavorings in liquid form for electronic cigarettes; tobacco substitutes in liquid solution form for electronic cigarettes; cases for electronic cigarettes; electronic cigarette accessories, namely, cartridges, mouth pieces, cases and boxes; replacement atomizers and replacement coils for electronic cigarettes.

35 – Retail store services featuring: electronic cigarettes, cartridges for electronic cigarettes sold empty and filled, kits comprising an electronic cigarette and at least one cartridge therefor, liquids for electronic cigarettes, nicotine-based liquids for use in electronic cigarettes, liquid solutions for use in electronic cigarettes, cartridges sold filled with liquid nicotine for electronic cigarettes, electronic cigarette refill liquids, namely, chemical flavorings in liquid form, chemical flavorings in liquid form used to refill electronic cigarette cartridges, cartridges sold filled with chemical flavorings in liquid form for electronic cigarettes, tobacco substitutes in liquid solution form for electronic cigarettes, cases for electronic cigarettes, electronic cigarette accessories, namely, cartridges, mouth pieces, cases and boxes, replacement atomizers and replacement coils for electronic cigarettes.

(260) AM 2022 116505 A

(800) 1642707

(151) 2021 11 29

(891) 2021 11 29

(731) Bitcoinforme S.L.

Calle Germán Bernacer, 65, E-03203 Elche,  
Spain

(540)



(591) Blue, white

(531) 01.05.24; 24.15.01; 24.15.15; 29.01.04

(511)

9 – Downloadable computer software for use as an electronic wallet; downloadable electronic wallets.

(260) AM 2022 116506 A

(800) 1642710

(151) 2021 10 26

(891) 2021 10 26

(731) HEMP TRADING, S.L.U

Camí del Polio, 51, E-46469 BENIPARRELL,  
Spain

(540)



(591) Red, orange, black, white, gray, yellow, brown, blue and pink

(531) 03.07.12; 04.05.05; 27.05.02; 29.01.15

(511)

1 – Chemical products for use in industry, science and photography, as well as in agriculture, horticulture and forestry; unprocessed artificial resins, unprocessed plastics; soil fertilizers; fire extinguishing compositions; metal tempering and soldering preparations; chemical products for preserving foodstuffs; tanning substances; adhesives for use in industry.

(260) AM 2022 116507 A

(800) 1642732

(151) 2021 11 15

(891) 2021 11 15

(731) HOTELS ET PREFERENCE

1 place des Degrés, Tour Voltaire,  
F-92800 PUTEAUX, France

(540)

## HOTELS & PREFERENCE

(591) Black, white

(511)

16 – Printing products (printed matter); photographs, boxes of cardboard or of paper; posters; albums; cards; books; journals (periodicals); pamphlets; magazines; notebooks, loyalty cards of paper; posters.

35 – Aid in company business organization and business management of a network of affiliated members within the hotel industry; advisory and assistance services, namely, advice and assistance in the operation or management of business or commercial functions for the benefit of affiliated establishments within a hotel or restaurant chain, marketing studies, marketing and promotion, recruiting personnel, managing a database of reservations, managing real estate affairs and administrative management of real estate, including administrative management of hotels, hotel complexes, apartments and residential hotels; advertising services in relation to the organization and management of hotels, hotel complexes, aparthotels, apartments and temporary accommodation; Expert reports on business and business information; commercial consultancy services in the field of travel and travel planning; advertising services in connection with hotels and restaurants; point-of-sale advertising; distribution of flyers, samples, advertising items; promotional and advertising actions; dissemination of adverti-

sements and advertising material; commercial promotion in all forms and on all media including via a computer communication network (such as the Internet or Intranet) and particularly by providing privileged user cards, organization and management of commercial customer loyalty operations especially by means of loyalty cards; commercial consultancy services in the field of travel and travel planning; provision of comparison information on hotel and air fare prices; the bringing together, for the benefit of others, of cosmetics, care or beauty products, alcoholic beverages except beers, and non-alcoholic beverages, clothing, bags, watches, costume jewelry, gold jewelry, bronze jewelry, jewelry display stands, hats, objects for decoration, household linen, household furniture, confectionery, chocolate and hotel room reservation services, entertainment services, leisure services, travel organization and booking, organizing guided tours, tourist stays, temporary accommodation services, transportation services, temporary accommodation services, food and beverage services (meals), enabling customers to conveniently view and purchase those goods or services by any means, especially on a commercial website; retail services, especially on a commercial website, of cosmetics, care or beauty products, alcoholic beverages except beers, and non-alcoholic beverages, clothing, bags, watches, costume jewelry, gold jewelry, bronze jewelry, jewelry display stands, hats, objects for decoration, household linen, household furniture, confectionery, chocolate and hotel room reservation services, entertainment services, leisure services, travel organization and booking, organizing guided tours, tourist trips, temporary accommodation services, transportation services, temporary accommodation services, food and beverage services (meals).

36 – Financial services in connection with holding loyalty cards; payment by loyalty cards; financial services relating to the holding of promotional loyalty coupons; payment by promotional loyalty coupons; issuance and financial management of payment means, particularly purchase vouchers; issuing of travelers' checks, tokens of value; insurance services; financial affairs; monetary affairs; real estate affairs; real estate appraisals; financing services; financial analysis; raising or investing capital; financial consultancy; financial evaluation (insurance, banking, real estate); fund investment; stock exchange brokerage; mutual funds; capital investments to assist in the setting up of new companies; Management of real estate, residences and accommodation, including hotels, hotel complexes and residential hotels; managing housing and accommodation, leasing real estate; financial services in connection with holding loyalty cards; payment by loyalty cards; financial services relating to the holding of promotional loyalty coupons; payment by promotional loyalty coupons; issuance and financial management of payment means, particularly purchase vouchers; issuing of travelers' checks, tokens of

value; insurance services; financial affairs; monetary affairs; real estate affairs; real estate appraisals; financing services; financial analysis; raising or investing capital; financial consultancy; financial evaluation (insurance, banking, real estate); fund investment; stock exchange brokerage; mutual funds; capital investments to assist in the setting up of new companies; Management of real estate, residences and accommodation, including hotels, hotel complexes and residential hotels; managing housing and accommodation, leasing real estate.

39 – Passenger or freight transport; travel organization services; travel guide and traveler escort services; travel and tourist agency services, namely, booking trips and journeys; car transport; bus transport; air transport; railway transport; boat transport; chauffeur services; organization of cruises; advice and information with respect to organizing transport and tourism in a city and/or region; organization of tours and excursions; rental of motor vehicles, airplanes and boats; courier services; home delivery; parking services; information services pertaining to transport services; information on travel, holidays, tourism and geographical information, including maps and travel routes; advice and assistance in all the aforesaid fields; organizing tourist stays.

41 – Hotel staff training services concerning hotel bookings, database management and hotel management; training services regarding hotel management and reservations remotely, namely, via Internet, Extranet, and Intranet networks; organization and conducting of training workshops; vocational guidance (education or training advice); practical training (demonstration); courses given in the framework of seminars; correspondence courses; organization of exhibitions for cultural or educational purposes; organization of competitions relating to education or entertainment; organization and conducting of colloquiums, conferences, congresses and seminars; production and screening of films for educational purposes; sporting activities, organization of sports competitions; rental of sports equipment (excluding vehicles); leisure services; reception planning (entertainment); providing ratings, reviews and recommendations of users for events and activities in the field of entertainment via a website; organizing seminars for commercial or advertising purposes; organization of competitions for commercial and promotional purposes as well as for staff motivation purposes, including via a computer communication network (such as the Internet or Intranet).

42 – Professional consultancy unrelated to business dealings concerning computer systems and in particular hotel management and booking programs; design and maintenance of computer programs and systems for hotel reservation and management assistance by providing databases; aid and technical support relating to commission payment systems; professional advice

unrelated to business dealings related to computer systems for the payment commissions; configuration of computer hardware; setting up of software parameters for third parties in the field of hotels; rental of software in the field of hotels; recovery of computer data; study of technical projects to install a hotel reservation system on the Internet; quality control, namely, identification and detection of anomalies, development and reporting of audit reports; drafting construction plans, technical project studies with respect to construction, surveying (engineering works); design of interior decor; industrial design; graphic arts design services; study, information and consulting in the field of ecological and environmental protection; advice for establishing a supplier database; monitoring data, signals, images and information processed by computers.

43 – Hotel, catering (food), temporary accommodation services, restaurant, cafeteria, tea room, bar services (excluding clubs), hotel room reservation services for travelers, consultation and advice (not related to business conduct) in the hotel and catering fields; travel agency services, namely reservation of restaurants and meals; provision of information relating to hotels, temporary accommodation and restaurant services; reservation, lending and rental of rooms, halls and conference and meeting facilities; reservation, hiring and rental of rooms, halls and spaces for seminars, banquets, cocktails and receptions; consulting and advice (unrelated to business operation) in connection with hotels and restaurants.

44 – Thalassotherapy establishment services; beauty salon, hairdressing salon services; hygienic and beauty care for human beings; gardening; aromatherapy services; Turkish baths; floral composition services; manicure services; massage services; health spa services.

(260) AM 2022 116508 A

(800) 1642745

(151) 2021 12 03

(891) 2021 12 03

(731) MAJYL

83 rue de Reuilly, F-75012 PARIS, France

(540)

**FAVEOD**

(591) White, black and blue

(531) 26.03.04; 27.01.01; 29.01.13

(511)

9 – Computer programs; computer meta-programs; software developed using software; electronic equipment for data processing; electronic equipment intended for processing and securing computer and digital data; downloadable computer applications (software); computer databases and software which can be consulted via an access code enabling the storage, trans-

mission, dissemination and exchange of information; computer software and databases for carrying out information transactions; computer databases and software accessible via an access code enabling the instant generation of computer software; maintenance software; software, application programming interfaces; computer programs; electronic circuits containing programmed data; software packages; magnetic or optical data media; portable electronic devices for wireless reception, storage and/or transmission of data and messages; computer platforms in the form of recorded or downloadable software; computer platforms in the nature of software for use in SaaS mode; electronic publications downloadable from databases or the Internet; computer programs and applications for data analysis.

35 – Business management assistance; business management and organization consultancy; consulting services relating to personnel management; advisory services regarding marketing strategy; advisory services regarding business strategy; advisory services regarding communication (advertising); advisory services regarding communication (public relations); advisory services regarding accounting; advisory services for companies relating to financing of growth; corporate advisory services with respect to corporate responsibility; commercial business analysis; organization of events for commercial and advertising purposes; organization of trade shows for commercial or advertising purposes; systemization of data into a central file, computerized file management services; compilation of information into computer databases; updating and maintenance of data in computer databases; updating and maintenance of data in registers; data search in computer files for others; providing software concerning business organization and management; creating economic forecasts; market studies; establishing statistics; document reproduction; computer file management; arranging subscriptions to telecommunication services for others; advisory services concerning data management and processing.

38 – Communications via computer terminals; transmission of information by telematic means, transmission of information accessible by access code, via computer data processing servers, via computer or telematic networks including the Internet and the World Wide Web; provision of access to computer databases or to telecommunication, computer or telematic networks; providing access to databases; transmission of texts, electronic documents, databases, computer databases and audiovisual information; providing data in computer files for third parties.

41 – Training services; training relating to computer programming; training in connection with data processing; training related to computer architecture; training related to data security, software and software packages; training related to internet security; training related to the design, development and deployment of

computer software; training related to information technology; training related to software engineering; training related to supporting change with respect to technology and digitalization of data; training related to technical and technological innovation as well as digitalization of data; training related to corporate responsibility with respect to business management; editing material or immaterial media for informational purposes; editing material or immaterial media for training purposes.

42 – Development (design), development, programming, installation, maintenance, updating or rental of software; provision of software; computer programming; computer system analysis; computer system design; web site design; conversion of data or documents from physical to electronic media; conducting of technical project studies; consultant services with respect to computer hardware design and development; consultancy with respect to the design, development and deployment of computer software; consultant services relating to Internet security; consultancy with respect to security for software and software packages; consultant services with respect to data security; information technology (IT) consultancy; information technology consultancy services; consultancy relating to computer architecture; consultancy relating to software engineering; telecommunication technology consultancy services; monitoring of computer systems for the detection of unauthorized access or data protection breaches; remote monitoring of computer systems; development of computer software applications, computer data storage; computer support services (programming and installation of software); technical auditing; rental and provision of computer equipment and software; rental and provision of data processing equipment.

(260) AM 2022 116509 A  
(800) 1386379  
(151) 2017 12 01  
(891) 2022 01 18  
(731) "Dr. Martens" International Trading GmbH  
Ahornstrasse 8a, 82166 Gräfelfing, Germany;  
"Dr. Maertens" Marketing GmbH  
An der Ach 3, 82402 Seeshaupt, Germany  
(540)

## MARTIN

(591) Black, white  
(511)  
25 – Footwear, namely shoes and boots except golf shoes.

(260) AM 2022 116510 A  
(800) 1476274  
(151) 2019 05 14  
(891) 2022 01 20  
(731) Alydia Health, Inc.  
3475 Edison Way, Suite J, Menlo Park  
CA 94025, USA  
(540)

## JADA

(591) Black, white  
(511)  
10 – Medical apparatus and instruments for treating hemorrhage; medical devices for use in treating postpartum hemorrhage; medical devices, namely, tamponade used in the treatment of postpartum hemorrhage.

(260) AM 2022 116511 A  
(800) 1493051  
(151) 2019 05 14  
(891) 2021 12 21  
(731) NICO VELO SPA  
Via Roma n. 46, I-35014 Fontaniva (PD), Italy  
(540)



(591) Black, white  
(531) 26.04.01; 26.04.09; 26.04.18; 27.05.10  
(511)  
19 – Building materials (non-metallic); non-metallic rigid pipes for building; asphalt, pitch and bitumen; prefabricated non-metal buildings; prefabricated, non-metal storage sheds; buildings, not of metal; water tanks of masonry [structures]; wine storage tanks [structures] made of masonry; non-metal spandrels; concrete panels; sheds (non-metallic buildings -); screed; concrete beams; beams (non-metallic -) for building purposes; pillars (non-metallic -); tanks of masonry [structures]; bridges [structures] other than of metal; tanks of masonry; settlement tanks of masonry; liquid storage tanks [structures] made of masonry or wood.

(260) AM 2022 116512 A  
(800) 1612184  
(151) 2021 07 08  
(891) 2022 01 03  
(731) Travers Therapeutics, Inc.  
3611 Valley Centre Drive, Suite 300, San Diego  
CA 92130, USA  
(540)

## FILSPARI

(591) Black, white  
(511)  
5 – Pharmaceutical preparations for the treatment of kidney disease; pharmaceutical preparations for the

treatment of focal segmental glomerulosclerosis (FSGS); pharmaceutical preparations for the treatment of Immunoglobulin A Nephropathy (IgAN); pharmaceutical preparations for the treatment of Alport Syndrome.

(260) AM 2022 116553 A

(800) 1642748

(151) 2021 09 27

(891) 2021 09 27

(731) Hermes Arzneimittel GmbH

Georg-Kalb-Straße 5-8, 82049 Pullach,  
Germany

(540)



(591) Green

(531) 26.03.01; 26.03.19; 26.03.23; 27.05.01;  
27.05.17; 29.01.03

(511)

42 – Scientific and technological services, research and development, and industrial analysis and research in the pharmaceutical, medical and nutritional fields, in particular the development of novel dosage forms and fast-dissolving dosage forms, including for non-medical food supplements and dietetic products; development of preparations with a combined pharmaceutical, nutritional and/or dermatopharmaceutical purpose, namely nutricosmetics and cosmeceuticals; organization, planning and conducting of tests, for others, of pharmaceutical preparations with regard to their stability, effectiveness and safety; development of suitable test methods to carry out the aforementioned tests; creation of computer programs in the field of health, pharmacy and nutrition programs.

(260) AM 2022 116556 A

(800) 1642772

(151) 2021 09 23

(891) 2021 09 23

(731) LTD "VALENTA-INTELLEKT"

ul. Ryabinovaya, d.26, str.10, k.6-26,  
RU-121471 Moscow, Russian Federation

(540)

**Лактигарт**

(591) Black, white

(531) 28.05

(511)

5 – Amino acids for veterinary purposes; amino acids for medical purposes; medicine cases, portable, filled; first-aid boxes, filled; balms for medical purposes;

bandages for dressings; diagnostic biomarker reagents for medical purposes; petroleum jelly for medical purposes; oxygen baths; dietetic substances adapted for medical use; radiological contrast substances for medical purposes; radioactive substances for medical purposes; melissa water for pharmaceutical purposes; seawater for medicinal bathing; mineral waters for medical purposes; thermal water; dietary fibre; moulding wax for dentists; gases for medical purposes; sexual stimulant gels; haematogen; haemoglobin; glycerine for medical purposes; glucose for medical purposes; gentian for pharmaceutical purposes; hormones for medical purposes; mustard for pharmaceutical purposes; mustard plasters; mud for baths; medicinal mud; gurjun balsam for medical purposes; diastase for medical purposes; mineral food supplements; nutritional supplements; albumin dietary supplements; dietary supplements for animals; yeast dietary supplements; alginate dietary supplements; glucose dietary supplements; casein dietary supplements; lecithin dietary supplements; linseed oil dietary supplements; propolis dietary supplements; protein dietary supplements; protein supplements for animals; royal jelly dietary supplements; pollen dietary supplements; wheat germ dietary supplements; linseed dietary supplements; acai powder dietary supplements; dietary supplements with a cosmetic effect; enzyme dietary supplements; yeast for pharmaceutical purposes; gelatine for medical purposes; cod liver oil; isotopes for medical purposes; immunostimulants; iodine for pharmaceutical purposes; iodides for pharmaceutical purposes; alkaline iodides for pharmaceutical purposes; tartar for pharmaceutical purposes; camphor for medical purposes; capsules for medicines; cachets for pharmaceutical purposes; capsules made of dendrimer-based polymers, for pharmaceuticals; oxygen for medical purposes; adhesives for dentures; surgical glues; stem cells for veterinary purposes; stem cells for medical purposes; collagen for medical purposes; corn rings for the feet; medicated sweets; barks for pharmaceutical purposes; mangrove bark for pharmaceutical purposes; myrobalan bark for pharmaceutical purposes; quinquina for medical purposes; medicated animal feed; medicinal roots; rhubarb roots for pharmaceutical purposes; lint for medical purposes; starch for dietetic or pharmaceutical purposes; creosote for pharmaceutical purposes; blood for medical purposes; cultures of microorganisms for medical or veterinary use; dental lacquer; liquorice for pharmaceutical purposes; milk sugar for pharmaceutical purposes; adhesive plasters; medicines for alleviating constipation; lecithin for medical purposes; lotions for veterinary purposes; medicated hair lotions; lotions for pharmaceutical purposes; medicated after-shave lotions; personal sexual lubricants; lupulin for pharmaceutical purposes; magnesia for pharmaceutical purposes; liniments; ointments for pharmaceutical purposes; sunburn ointments; frostbite salve for pharmaceutical purposes; medicinal oils; mustard oil for medical purposes;

camphor oil for medical purposes; castor oil for medical purposes; oil of turpentine for pharmaceutical purposes; dill oil for medical purposes; dental mastics; dental abrasives; dental impression materials; teeth filling material; dressings, medical; surgical dressings; drugs for medical purposes; medicines for veterinary purposes; serotherapeutic medicines; medicines for human purposes; medicines for dental purposes; menthol; medicinal drinks; moleskin for medical purposes; almond milk for pharmaceutical purposes; powdered milk for babies; royal jelly for pharmaceutical purposes; milk ferments for pharmaceutical purposes; irish moss for medical purposes; flour for pharmaceutical purposes; linseed meal for pharmaceutical purposes; fish meal for pharmaceutical purposes; medicated soap; freeze-dried meat adapted for medical purposes; mint for pharmaceutical purposes; dietetic beverages adapted for medical purposes; malted milk beverages for medical purposes; medicinal infusions; tincture of iodine; eucalyptol for pharmaceutical purposes; tinctures for medical purposes; decoctions for pharmaceutical purposes; stick liquorice for pharmaceutical purposes; pastilles for pharmaceutical purposes; medicated toothpaste; food for babies; leeches for medical purposes; blood plasma; nicotine patches for use as aids to stop smoking; eyepatches for medical purposes; poultices; compresses; scapulars for surgical purposes; babies' diapers; diapers for pets; diapers for incontinence; bunion pads; breast-nursing pads; pomades for medical purposes; anti-uric preparations; bacterial preparations for medical and veterinary use; bacteriological preparations for medical and veterinary use; balsamic preparations for medical purposes; albuminous preparations for medical purposes; biological preparations for veterinary purposes; biological preparations for medical purposes; veterinary preparations; bismuth preparations for pharmaceutical purposes; vitamin preparations; diagnostic preparations for medical purposes; bath preparations for medical purposes; therapeutic preparations for the bath; haemorrhoid preparations; preparations for callouses; acne treatment preparations; preparations to facilitate teething; preparations for the treatment of burns; fumigation preparations for medical purposes; bronchodilating preparations; preparations for reducing sexual activity; pharmaceutical preparations for skin care; contact lens cleaning preparations; preparations of microorganisms for medical or veterinary use; lime-based pharmaceutical preparations; medicated eye-washes; medicinal hair growth preparations; nutraceutical preparations for therapeutic or medical purposes; aloe vera preparations for pharmaceutical purposes; preparations of trace elements for human and animal use; pharmaceutical preparations; pharmaceutical preparations for treating sunburn; enzyme preparations for veterinary purposes; enzyme preparations for medical purposes; phytotherapy preparations for medical purposes; chemical preparations for medical purposes; chemical preparations for pharmaceutical purposes;

chilblain preparations; collyrium; albuminous foodstuffs for medical purposes; dietetic foods adapted for medical purposes; by-products of the processing of cereals for dietetic or medical purposes; homogenized food adapted for medical purposes; freeze-dried food adapted for medical purposes; pharmaceuticals; sanitary towels; panty liners [sanitary]; propolis for pharmaceutical purposes; pearl powder for medical purposes; vaginal washes for medical purposes; solutions for contact lenses; gum for medical purposes; rubber for dental purposes; chewing gum for medical purposes; nicotine gum for use as an aid to stop smoking; tissues impregnated with pharmaceutical lotions; sugar for medical purposes; asthmatic tea; massage candles for therapeutic purposes; linseed for pharmaceutical purposes; tobacco-free cigarettes for medical purposes; syrups for pharmaceutical purposes; greases for veterinary purposes; greases for medical purposes; lacteal flour for babies; infant formula; soporifics; bicarbonate of soda for pharmaceutical purposes; bath salts for medical purposes; salts for mineral water baths; salts for medical purposes; potassium salts for medical purposes; sodium salts for medical purposes; smelling salts; mineral water salts; malt for pharmaceutical purposes; semen for artificial insemination; alcohol for pharmaceutical purposes; medicinal alcohol; alloys of precious metals for dental purposes; cooling sprays for medical purposes; antibacterial handwashes; adjuvants for medical purposes; astringents for medical purposes; appetite suppressants for medical purposes; medical preparations for slimming purposes; mouthwashes for medical purposes; febrifuges; depuratives; purgatives; remedies for perspiration; remedies for foot perspiration; chemical contraceptives; laxatives; tonics [medicines]; medicated toiletry preparations; digestives for pharmaceutical purposes; nervines; bouillons for bacteriological cultures; steroids; serums; tanning pills; appetite suppressant pills; slimming pills; smoking herbs for medical purposes; medicinal herbs; surgical implants comprised of living tissues; pants, absorbent, for incontinence; sanitary panties; babies' diaper-pants; charcoal for pharmaceutical purposes; porcelain for dental prostheses; enzymes for veterinary purposes; enzymes for medical purposes; ferments for pharmaceutical purposes; diabetic bread adapted for medical use; flowers of sulfur for pharmaceutical purposes; cement for animal hooves; bone cement for surgical and orthopaedic purposes; dental cements; medicinal tea; herbal teas for medicinal purposes; medicated shampoos; medicated shampoos for pets; medicated dry shampoos; pre-filled syringes for medical purposes; eucalyptus for pharmaceutical purposes; herbal extracts for medical purposes; plant extracts for pharmaceutical purposes; tobacco extracts [insecticides]; extracts of hops for pharmaceutical purposes; elixirs [pharmaceutical preparations]; ethers for pharmaceutical purposes; esters for pharmaceutical purposes; cellulose esters for pharmaceutical purposes; medicated candies; cotton

sticks for medical purposes; cotton swabs for medical purposes; diagnostic preparations for veterinary purposes; vaginal douches for medical purposes; hemostatics for medical purposes; suppositories; milking grease; sedatives; tranquilizers; jujube, medicated; fennel for medical purposes; nutritional supplements containing lactitol.

(260) AM 2022 116557 A  
 (800) 1642775  
 (151) 2021 11 11  
 (891) 2021 11 11  
 (731) Chongqing Senci Import & Export Trade Co., Ltd.  
 NO. 200 TONGXING BEI ROAD,  
 TONGJIAXI TOWN, BEIBEI DISTRICT,  
 400700 CHONGQING, China

(540)



(591) Black, white  
 (531) 27.05.01; 27.05.05; 27.05.17  
 (511)  
 7 – Agricultural machines; lawnmowers [machines]; alternators; dynamos; generators of electricity; pumps [machines]; high pressure washers; diesel engines other than for land vehicles; gasoline engines other than for land vehicles; machines and apparatus for cleaning, electric.

(260) AM 2022 116565 A  
 (800) 1642868  
 (151) 2021 08 10  
 (891) 2021 08 10  
 (731) Tovarishchestvo s ogranichennoy  
 otvetstvennostyu "Global Beverages"  
 Prospekt Al Farabi, 116/23, 6, Medeuskkii  
 raion, 050023 Almaty, Kazakhstan

(540)

## Propeller

(591) Black, white  
 (511)  
 33 – Aperitifs; arak; baijiu [Chinese alcoholic beverage]; brandy; wine; wine from grape pomace; whiskey; vodka; anise vodka; cherry vodka; gin; digestives [liqueurs and spirits]; cocktails; curacao; anise liqueur; liqueurs; mixed alcoholic beverages, with the exception of beer-based beverages; alcoholic drinks, except beer; alcoholic beverages containing fruits; alcoholic drinks; distilled alcoholic drinks; honey drink [mead]; mint tincture; bitter tinctures; nira [alcoholic beverage based on sugar cane]; rum; sake; pear cider; ciders; rice alcohol; alcohol extracts; fruit alcohol extracts; alcoholic essences.

(260) AM 2022 116566 A  
 (800) 1642873  
 (151) 2021 10 19  
 (891) 2021 10 19  
 (731) Fuli Technology (Shanghai) Co., Ltd.  
 Room 403, No. 356 Xinzha Road, Huangpu  
 District, 200001 Shanghai City, China

(540)



(591) Black, white  
 (531) 28.03  
 (511)  
 5 – Dietary fiber; cod liver oil; herbal medicines; powdered milk for babies; dietary supplements for infants; food for babies; nutritional supplements; protein dietary supplements; babies' diaper-pants; sanitary pads; babies' diapers; vitamin preparations; medicated candies; air purifying preparations; cattle washes [insecticides]; insecticides; disinfectant wipes; adhesives for dentures; diapers for pets; sticking plasters.

9 – Computers; electronic publications, downloadable; laptop computers; facial recognition software; video telephones; remote control apparatus; theft prevention installations, electric; Global Positioning System [GPS] apparatus; sound reproduction apparatus; life-saving kits comprising primarily emergency warning lights, life jackets and emergency signal transmitters.

10 – Medical apparatus and instruments; artificial teeth; galvanic therapeutic appliances; hearing aids; babies' bottles; artificial limbs; abdominal belts; thread, surgical; oxygen bags; dental apparatus and instruments; incubators for babies; nasal aspirators; thermometers for medical purposes; massage apparatus; sphygmomanometers; blood glucose meters; medical masks; gum massagers for babies; baby feeding pacifiers; orthopedic appliances.

25 – Smocks; clothing; motorists' clothing; waterproof clothing; masquerade costumes; football boots; hats; hosiery; gloves [clothing]; clothing for children; aprons [clothing]; underwear; clothing for babies; bibs, not of paper; baby shoes; layettes [clothing]; bodysuits for babies; bathing caps; wedding dresses.

29 – Charcuterie; caviar; fish, canned; fruit, preserved; soups; powdered eggs; butter; edible fats; fruit jellies; nuts, prepared; edible birds' nests; isinglass for food; fruits, canned; eggs; cheese; milk products; powdered milk; milk; fruit jellies; vegetable-based snack foods.

(260) AM 2022 116567 A  
 (800) 1642878  
 (151) 2021 10 19  
 (891) 2021 10 19  
 (731) "ASTER AUTO" Limited Liability Partnership  
 Almaty region, Talgar district, Raiymbek  
 Batyr street 165, 041609 Besagash village,  
 Kazakhstan

(540)



(591) Blue, yellow and white  
 (531) 26.04.04; 26.04.18; 27.05.24; 29.01.13  
 (526) Kz  
 (511)

12 – Motor buses; motor coaches; camping cars; gyrocopters; concrete mixing vehicles; refrigerated vehicles; driverless cars [autonomous cars]; motor racing cars; cars / automobiles / motor cars; robotic cars; sports cars; caravans; shock absorbers for automobiles; suspension shock absorbers for vehicles; luggage carriers for vehicles; bumpers for automobiles; vehicle bumpers; tyres for vehicle wheels; brake shoes for vehicles; tailboard lifts [parts of land vehicles]; armoured vehicles; transmission shafts for land vehicles; valves for vehicle tyres; automobile hoods; hoods for vehicles; lug nuts for vehicle wheels; lorries; horns for vehicles; doors for vehicles; engines for land vehicles; jet engines for land vehicles; driving motors for land vehicles; brake discs for vehicles; vehicle bonnet pins; adhesive rubber patches for repairing inner tubes; rearview mirrors; side view mirrors for automobiles; hoods for vehicle engines; crankcases for land vehicle components, other than for engines; vehicle wheels; steering wheels for cars; brake pads for automobiles; hub caps; brake linings for vehicles; gear boxes for land vehicles; automobile bodies; tipping bodies for lorries; bodies for vehicles; treads for retreading tyres; propulsion mechanisms for land vehicles; rubbish trucks; repair outfits for inner tubes; air pumps [vehicle accessories]; tyre mousse inserts; upholstery for vehicles; rims for vehicle wheels; windows for vehicles; engine mounts for land vehicles; axles for vehicles; headlight wipers; gearing for land vehicles; head-rests for vehicle seats; vehicle running boards; air bags [safety devices for automobiles]; casings for pneumatic tyres; torque converters for land vehicles; cigar lighters for automobiles; non-skid devices for vehicle tyres; anti-glare devices for vehicles; anti-theft devices for vehicles; sun-blinds adapted for automobiles; balance weights for vehicle wheels; shock absorbing springs for vehicles; reduction gears for land vehicles; safety belts for vehicle seats; security harness for vehicle seats; vehicle suspension springs; rudders; vehicle joysticks; luggage nets for vehicles; anti-theft alarms for vehicles; reversing alarms for vehicles; safety seats for children, for vehicles; vehicle seats; hyd-

raulic circuits for vehicles; vehicle wheel spokes; spoilers for vehicles; electric vehicles; delivery tricycles; windscreens; windshield wipers; hubs for vehicle wheels; trailer hitches for vehicles; couplings for land vehicles; handling carts; brakes for vehicles; torsion bars for vehicles; tractors; transmissions for land vehicles; trailers [vehicles]; turbines for land vehicles; signal arms for vehicles; vans [vehicles]; automobile chains; driving chains for land vehicles; anti-skid chains; transmission chains for land vehicles; undercarriages for vehicles; covers for vehicle steering wheels; seat covers for vehicles; vehicle covers [shaped]; automobile chassis; vehicle chassis; connecting rods for land vehicles, other than parts of motors and engines; axle journals; automobile tyres; pneumatic tyres; solid tyres for vehicle wheels; spikes for tyres; tow trucks; motors, electric, for land vehicles.

35 – Sales promotion for others; providing commercial information and advice for consumers in the choice of products and services; import-export agency services; promoting the goods for others.

37 – Rebuilding engines that have been worn or partially destroyed; rebuilding machines that have been worn or partially destroyed; retreading of tyres; vulcanization of tyres [repair]; vehicle battery charging; providing information relating to repairs; vehicle washing; vehicle maintenance; vehicle polishing; vehicle breakdown repair services; motor vehicle maintenance and repair; vehicle service stations [refuelling and maintenance]; vehicle greasing; tyre balancing; vehicle cleaning.

(260) AM 2022 116569 A  
 (800) 1642942  
 (151) 2021 12 21  
 (891) 2021 12 21  
 (731) Dart Industries Inc.  
 14901 S. Orange Blossom Trail, Orlando  
 FL 32837, USA  
 (540)

**XPLORIS**

(591) Black, white  
 (511)  
 21 – Insulating flasks; vacuum bottles; thermally insulated containers for food and drinks.

(260) AM 2022 116570 A  
 (800) 1642945  
 (151) 2021 12 15  
 (891) 2021 12 15  
 (731) Limited liability company "PROMOMED  
 RUS"  
 pr-kt Mira, d. 13, str. 1, of. 13, RU-129090  
 Moscow, Russian Federation



(540)

**САЛВИСАР**

(591) Black, white

(531) 28.05

(511)

5 – Medicines for medical purposes; medicines for human purposes; pharmaceutical preparations; chemico-pharmaceutical preparations; ointments for pharmaceutical purposes.

(260) AM 2022 116572 A

(800) 1642957

(151) 2021 12 09

(891) 2021 12 09

(731) Honor Device Co., Ltd.

Suite 3401, Unit A, Building 6, Shum Yip Sky Park, No. 8089, Hongli West Road, Xiangmihu Street, Futian District, Shenzhen, 518000 Guangdong, China

(540)



(591) Black, white

(531) 26.04.02; 26.04.05; 26.04.12; 26.15.25

(511)

9 – TV and computer all-in-one; virtual reality headsets; virtual reality headsets adapted for use in playing video games; smartphone software applications, downloadable; computer programs [downloadable software]; memory cards; tablet computers; stands adapted for tablet computers; memories for data processing equipment; smartwatches; notebook computers; stylus pens for touch screens; computers; computer keyboards; mouse [computer peripheral]; USB wireless routers; switchboards; stands adapted for mobile phones; protective films adapted for mobile telephone screens; selfie sticks for mobile phones; smartphones; cases for smartphones; covers for smartphones; keyboards for smartphones; wearable activity trackers; network routers; wrist-mounted smartphones; telecommunication apparatus in the form of jewellery; portable media players; security surveillance robots; trail cameras; loudspeakers; cabinets for loudspeakers; camcorders; wireless headsets for use with cellular phones; webcams; earphones; headsets for virtual reality games; dashboard cameras; microphones; cameras [photography]; tripods for cameras; selfie sticks [hand-held monopods]; selfie lenses; video projectors; digital weather stations; connected bracelets [measuring instruments]; audiovisual teaching apparatus; USB cables; sensors; multi outlet power strips; power strips; elec-

tronic chips; electric plugs; electric sockets; video screens; touch screens; integrated circuits; digital door locks; biometric fingerprint door locks; 3D spectacles; wireless chargers; battery chargers; mobile power supply [rechargeable batteries]; monopods used to take photographs by positioning a smartphone or camera beyond the normal range of the arm.

42 – Technological research; quality control; industrial design; design of interior decor; cloud computing; platform as a service [PaaS]; design and development of databases; electronic data storage; website design consultancy; design and development of virtual reality software; development of computer platforms; consultancy in the design and development of computer hardware; installation, maintenance and repair of computer software; computer software design; software as a service [SaaS]; authenticating works of art; graphic arts design.

(260) AM 2022 116573 A

(800) 1642969

(151) 2022 01 10

(891) 2022 01 10

(731) ANTAI TECHNOLOGY CO., LTD

Guanshan industrial park, Wu'an Town, Changtai county, Zhangzhou, Fujian Province, China

(540)

**ANTA I SOLAR**

(591) Black, white

(531) 27.05.01

(511)

6 – Alloys of common metal; aluminium; roofing of metal, incorporating photovoltaic cells; props of metal; metal pipe bracket; metal cantilever bracket; metal ceiling bracket; weather vanes of metal; fittings of metal for building; buildings, transportable, of metal.

(260) AM 2022 116579 A

(800) 1643175

(151) 2021 12 03

(891) 2021 12 03

(731) SOREMARTEC S.A.

Route de Trèves 16, L-2633 Senningerberg, Luxembourg

(540)



(591) Black, orange-red, yellow, white and brown

(531) 01.15.11; 01.15.15; 08.07.11; 19.03.01;  
19.03.25; 27.05.03; 27.05.04; 27.05.08;  
27.05.09; 27.05.10; 27.05.17; 29.01.14

(511)

28 – Games; toys; action toys; construction games; toy models; scale models vehicles; toy figures.

30 – Pastry and confectionery; chocolate and chocolate-based products; edible ices; filled wafers; chocolate mousses.

(260) AM 2022 116581 A

(800) 1643237

(151) 2021 11 25

(891) 2021 11 25

(731) Schweizerische Eidgenossenschaft v.d.  
Bundesamt für Rüstung armasuisse  
Eidgenössisches Departement für Verteidigung,  
Bevölkerungsschutz und Sport  
Guisanplatz 1, CH-3003 Bern, Switzerland

(540)

## SWISS MILITARY

(591) Black, white

(511)

3 – Cosmetics and toiletries; skin care preparations; sunscreen preparations; shampoos and conditioners for pets (nonmedicated grooming preparations, other than for veterinary use); deodorants for pets; all the aforesaid goods of Swiss origin.

9 – Binoculars; safety helmets; cell and battery chargers; external batteries; batteries (cells); electric cells (batteries); accumulator boxes; dry cells; electric cells and batteries; anode batteries; batteries for mobile telephones; fuel cells; solar batteries; cases for mobile telephones; leather cases for portable telephones; bags for laptop computers; transport cases for tablet computers; electric sockets; USB flash drives; plug connectors; jack cables; converters for electric plugs; holders for mobile telephones; all the aforesaid goods of Swiss origin.

18 – Leather and imitations of leather; luggage, traveling trunks, backpacks; leather bags; leather bags and wallets; leather, briefcases (leather goods); leather handbags; leather pouches; trunks [luggage]; key cases; cases for toiletries; business card cases; collars, leashes and clothing for animals; bags for carrying animals; clothing for pets; electronic pet collars; all the aforesaid goods of Swiss origin.

20 – Beds and cots for indoor animals; portable beds for pets; pet cushions; transport boxes for pets; game houses for pets; nesting boxes for household pets; kennels for household pets; pet grooming tables; all the aforesaid goods of Swiss origin.

21 – Drinking bottles for sports (of plastic materials or of metal); drinking bottles for sporting activities;

non-electric kettles; glassware, porcelain and earthenware; cups; heat-insulated containers; feeding bowls for pets; animal grooming gloves; cages for household pets; all the aforesaid goods of Swiss origin

24 – Blankets for outdoor use, picnic blankets; bed covers, lap robes, bed blankets, duvets of textile materials; bed throws, terry-cloth bedspreads; tablecloths of textile; felt and nonwoven textile fabrics; woolen cloths; cotton fabrics; bed throws; blankets for household pets; all the aforesaid goods of Swiss origin.

30 – Chocolate, chocolate bars, chocolate-based beverages; cereal bars; muesli bars; all the aforesaid goods of Swiss origin.

(260) AM 2022 116582 A

(800) 1643290

(151) 2021 09 20

(891) 2021 09 20

(731) "KONSTANTIN 2004" AD  
Pavlikenska str. No. 16, j.k. Kamenitsa,  
BG-4000 Plovdiv, Bulgaria

(540)



(591) Blue, green, white

(531) 05.03.13; 05.03.14; 25.03.01; 27.05.03;  
27.05.09; 27.05.17; 29.01.13

(511)

29 – Preserved, frozen, dried and cooked fruits and vegetables; jellies, jams, compotes; flavoured milk; almond milk; banana chips; nut and seed-based snack bars; fruit-based meal replacement bars; nut-based meal replacement bars; fruit and nut-based snack bars; nut-based food bars; potato-based snack foods [potato snacks]; sweet corn-based snack foods; snacks of edible seaweed; milk substitutes; vegetable chips; potato chips; potato flakes; coconut chips; coconut milk; snack foods based on legumes; pea-based snack foods enriched with protein; vegetable-based snack foods enriched with protein; vegetable-based snack foods; legume-based snack foods enriched with protein; dried fruit-based snacks; tofu-based snacks; nut-based snack foods; dried fruit mixes; hemp milk used as a milk substitute; almond milk-based beverages; coconut milk-based beverages; oat-based beverages [milk substitute]; soya-based beverages used as milk substitutes; peanut milk-based beverages; processed legumes; processed roots; processed fruits, fungi and vegetables (including nuts and pulses); prepared seeds; processed chia seed for food; prepared nuts; oat milk; organic nut-based and seed-based snack bars; rice milk; fruit chips; fruit-based snack food; processed vegetables; processed fruit; dried fruit products; pro-

tein milk; chips [French fries]; snack mixes consisting of dehydrated fruit and processed nuts; snack mixes consisting of processed fruits and processed nuts; mixtures of fruit and nuts; soya chips; soy-based snack foods; soya milk; formed textured vegetable protein for use as a meat substitute; peanut milk; soy-based food bars; kale chips; purple sweet potato chips; yucca chips; apple chips.

30 – Rice, pasta and noodles; tapioca and sago; flour and preparations made from cereals; bread, pastries and confectionery; chocolate; ice cream, sorbets and other edible ices; sugar, honey, treacle; biscuits; malt biscuits; cookies; buckwheat bars; quinoa bars; snack bars containing nuts (confectionery); cereal-based meal replacement bars; chocolate-based meal replacement bars; muesli bars; sweets, candies; corn candy; sweets containing fruit and cereal preparations; sweets containing fruit and nuts; sweets containing nuts and cereal preparations; sweets containing nuts, fruit and cereal preparations; waffles; high-protein cereal bars; prepared desserts [pastries]; chocolate-based ready-to-eat food bars; granola; snack bars containing a mixture of grains, nuts and dried fruit [confectionery]; granola bars; chocolate-coated bars; extruded food products made of rice; energy bars; cereal based energy bars; energy sweets made from cereal preparations and nuts; energy sweets made from fruit and nuts; energy sweets made from fruit, nuts and cereal preparations; energy sweets; barley flakes; rice-based snacks; sweetmeats [candy]; candied cakes of popped rice; cerealbased snack food; cereal bars; cereal bars and energy bars; corn flakes; cereal based pellets; cereal preparations; cereal products in bar form; caramel-coated rice chips; caramelcoated rice biscuits; caramel-coated rice cookies; quinoa, processed; crackers; croissants; rice-based snack food; ricebased snack foods enriched with protein; snacks manufactured from muesli; lyophilised dishes with the main ingredient being rice; millet flakes; flakes of wheat; petit-beurre biscuits; oat biscuits; oat biscuits for human consumption; oat bars; oat flakes; oat-based food; oatmeal; rice cake; rice chips; rice chips with added seeds; rice biscuits; rice cookies; chocolate-coated rice cakes; rice cake snacks; pellet-shaped rice crackers (arare); rice crackers; rice crackers [senbei]; rice flakes; rice based pellets; rice crisps; rice sticks; fruit drops [confectionery]; protein confectionery bars; protein cereal bars; puffed rice; bars based on wheat; confectionery bars; confectionery, pastries; sweetmeats [candy] being flavoured with fruit; fruit confectionery; pastries (cakes, cupcakes, pastes); muesli; dried sugared cakes of rice flour (rakugan); flapjacks [oat bars]; foodstuffs made from cereals; cereal based food bars; granola-based snack bars; foodstuffs made of rice; maize flakes; chips [cereal products]; buckwheat chips; quinoa chips; chocolate candy with fillings; snack foods prepared from cereals containing nuts protein and seeds protein.

(260) AM 2022 116609 A  
(800) 1644198  
(151) 2021 12 17  
(891) 2021 12 17  
(731) Frever AB  
Åsögatan 140, SE-116 24 Stockholm,  
Sweden  
(540)



(591) Black, white  
(531) 04.05.05; 04.05.15; 04.05.21; 26.03.23;  
26.11.02; 26.11.12; 26.13.25; 27.01.12;  
27.05.17

(511)  
9 – Computer gaming software; virtual reality game software; downloadable electronic game programs; augmented reality game software.

41 – Interactive entertainment services; interactive computer game services; online interactive entertainment; game services provided by means of communications by computer terminals or mobile telephone; games services provided via computer networks and global communication networks; online game services through mobile devices; game services provided online from a computer network; on-line gaming services; video game entertainment services.

(260) AM 2022 116610 A  
(800) 1644348  
(151) 2021 11 15  
(891) 2021 11 15  
(731) Apple Inc.  
One Apple Park Way, Cupertino CA 95014,  
USA  
(540)

**ICLOUD+**

(591) Black, white  
(511)  
35 – Data retrieval services.

39 – Physical storage services for archiving electronically-stored data; information and consultation in connection therewith.

(260) AM 2022 116612 A  
(800) 1124005  
(151) 2012 06 21  
(891) 2021 12 28  
(731) Alden Optical Laboratories, Inc.  
13295 Broadway, Alden NY 14004, USA

(540)

**NOVAKONE**

(591) Black, white

(511)

9 – Contact lenses.

(260) AM 2022 116613 A

(800) 1390650

(151) 2017 11 10

(891) 2021 12 30

(731) Obshchestvo s ogranichennoy otvetstvennostyu  
"EyPiEl Rus"ul. Tikhvinskaya, d. 10, et. 1, komnata 1-39,  
pomeshchenie V, RU-127055 Moscow,  
Russian Federation

(540)



(591) Orange, yellow, white and green

(531) 05.03.15; 29.01.14

(511)

3 – Breath freshening sprays; balms, other than for medical purposes; lip glosses; petroleum jelly for cosmetic purposes; cotton wool for cosmetic purposes; adhesives for cosmetic purposes; massage gels, other than for medical purposes; dental bleaching gels; deodorants for pets; deodorants for human beings or for animals; eyebrow pencils; cosmetic pencils; cosmetic creams; skin whitening creams; hair lotions; lotions for cosmetic purposes; after-shave lotions; beauty masks; oils for cleaning purposes; oils for cosmetic purposes; oils for toilet purposes; cosmetic kits; toothpaste; breath freshening strips; lipsticks; pomades for cosmetic purposes; cosmetic preparations for baths; denture polishes; mouthwashes, not for medical purposes; cosmetic preparations for slimming purposes; preparations for cleaning dentures; make-up removing preparations; make-up powder; tissues impregnated with cosmetic lotions; tissues impregnated with make-up removing preparations; astringents for cosmetic purposes; eyebrow cosmetics; make-up preparations; sun-tanning preparations [cosmetics]; cosmetic preparations for skin care; cosmetics; cosmetics for animals; mascara; antiperspirants [toiletries]; talcum powder, for toilet use; shampoos; dry shampoos.

5 – Balms for medical purposes; petroleum jelly for medical purposes; dietetic substances adapted for medical use; dietary fiber; hematogen; mineral food supplements; nutritional supplements; albumin dietary supplements; dietary supplements for animals; yeast dietary supplements; alginate dietary supplements; glucose dietary supplements; casein dietary supplements; lecithin dietary supplements; linseed oil dieta-

ry supplements; propolis dietary supplements; protein dietary supplements; protein supplements for animals; royal jelly dietary supplements; pollen dietary supplements; wheat germ dietary supplements; linseed dietary supplements; enzyme dietary supplements; candy, medicated; medicated animal feed; dental lacquer; candy for medical purposes; lotions for veterinary purposes; dog lotions; liniments; sunburn ointments; mercurial ointments; medicinal oils; dental mastics; dietetic beverages adapted for medical purposes; malted milk beverages for medical purposes; food for babies; pomades for medical purposes; veterinary preparations; vitamin preparations; bath preparations for medical purposes; therapeutic preparations for the bath; preparations of trace elements for human and animal use; albuminous foodstuffs for medical purposes; dietetic foods adapted for medical purposes; by-products of the processing of cereals for dietetic or medical purposes; syrups for pharmaceutical purposes; cooling sprays for medical purposes; appetite suppressants for medical purposes; medical preparations for slimming purposes; mouthwashes for medical purposes; animal washes; detergents for medical purposes; cattle washes; dog washes; digestives for pharmaceutical purposes; tonics [medicines]; nervines; media for bacteriological cultures; appetite suppressant pills; slimming pills.

16 – Albums; almanacs; atlases; posters; pamphlets; booklets; printed publications; books; greeting cards; postcards; printed matter; prospectuses; tissues of paper for removing make-up; face towels of paper.

29 – Ginger jam; fruit jellies; fruit-based snack food; raisins; compotes; fruits, tinned [canned (Am.)]; buttercream; marmalade; fruit pulp; jams; cranberry sauce [compote]; apple purée; fruit salads; dates; crystallized fruits; frozen fruits; fruit, preserved; fruit preserved in alcohol; fruit, stewed; fruit peel; fruit chips.

30 – Cereal bars; high-protein cereal bars; noodle-based prepared meals; rice-based snack food; cereal-based snack food; artificial coffee; vegetal preparations for use as coffee substitutes; fruit jellies [confectionery]; cocoa; sweetmeats [candy]; liquorice [confectionery]; peppermint sweets; coffee; unroasted coffee; crackers; custard; hominy grits; semolina; oatmeal; crushed barley; groats for human food; corn, milled; corn, roasted; turmeric; couscous [semolina]; noodles; candy; rice cakes; honey; dessert mousses [confectionery]; chocolate mousses; muesli; mint for confectionery; cocoa beverages with milk; coffee beverages with milk; coffee-based beverages; cocoa-based beverages; tea-based beverages; chocolate beverages with milk; chocolate-based beverages; infusions, not medicinal; crushed oats; husked oats; pastilles [confectionery]; fondants [confectionery]; popcorn; cereal preparations; oat-based food; rice pudding; fruit coulis [sauces]; rice; wheat germ for human consumption; corn flakes; oat flakes; chips [cereal products]; flo-

wers or leaves for use as tea substitutes; chicory [coffee substitute]; tea; iced tea; husked barley.

(260) AM 2022 116614 A

(800) 1448655

(151) 2019 01 03

(891) 2022 01 13

(731) Instrumentation Laboratory Company  
180 Hartwell Road, Bedford MA 01730,  
USA

(540)

**HEMOSIL**

(591) Black, white

(511)

5 – Diagnostic reagents used for medical testing.

(260) AM 2022 116784 A

(800) 1646463

(151) 2021 12 29

(891) 2021 12 29

(731) Kia Corporation  
12, Heolleung-ro, Seocho-gu, Seoul 06797,  
Republic of Korea

(540)

 **AutoMode**

(591) Black, white

(531) 27.05.01; 27.05.09; 27.05.10; 27.05.19;  
27.05.22

(511)

9 – Lateral distance sensors for cars; lateral safety sensors for cars; automatic speed control apparatus for vehicles; computerized vehicle engine analyzers; odometers; air sensors for vehicles; laser installations, other than for medical use, for sensing distance to objects; digital car driving recording apparatus; video recording apparatus for vehicles; apparatus for transmission of digital sound and image data; GPS navigation devices; sensors for determining position, velocity, acceleration and temperature; temperature and environmental sensors for measuring the presence of objects in the environment and the speed, trajectory, and heading of objects; small laser radar devices; LED information display apparatus for cars; computer display monitors; computer hardware for transmission of data within a vehicle and for communications between and among vehicles and a cloud-based platform; electronic control apparatus for autonomous driving of vehicles; sensors for automobiles, namely, forward and backward distance sensors; electric sensors for vehicles; parking sensors for automobiles; speed sensors for automobiles; motion sensors for automobiles; crash sensors for automobiles; parking and locational sensors for automobiles; sensors for automobiles, namely, forward and backward safety sensors; laser object detectors for use on vehicles; raster image processors; downloadable and recorded computer software

for the autonomous driving of motor vehicles; downloadable and recorded computer software for autonomous vehicle navigation, steering, calibration, and management; downloadable and recorded computer software for controlling vehicle communications networks; downloadable and recorded computer software for autonomous driving of motor vehicles; downloadable and recorded computer software platforms for advanced safety and driver assistance systems for vehicles; computer hardware for vehicle fleet launching, coordination, calibrating, direction, and management; recorded software for vehicle fleet launching, coordination, calibrating, direction, and management; downloadable and recorded computer software for vehicle navigation; recorded software for data processing for autonomous driving control; computer apparatus for the control and remote control of vehicles; downloadable software for the control and remote control of vehicles; vehicle safety equipment, namely, back-up sensors; vehicle safety equipment, namely, cameras; electronic sensors for automobiles, namely, detector units for use in controlling the actuation and operation of automotive safety apparatus and equipment; electronic sensors for automobiles, namely, sensors for use in controlling the actuation and operation of automotive safety apparatus and equipment; rearview cameras for electronic parking assisting apparatus for vehicles; proximity sensors for electronic parking assisting apparatus for vehicles; computers for electronic parking assisting apparatus for vehicles; computer operating software for electronic parking assisting apparatus for vehicles; blind spot motion detecting sensors; blind spot motion sensors; blind spot object detecting sensors; blind-spot detection cameras for exposing and eliminating the blind spots on both sides of the vehicle; rearview cameras for electronic parking assisting apparatus for automobiles; proximity sensors for electronic parking assisting apparatus for automobiles; computers for electronic parking assisting apparatus for automobiles; computer operating software for electronic parking assisting apparatus for automobiles; computer apparatus for parking location identification; downloadable software for parking location identification.

12 – Automobiles; driverless cars; self-driving cars; reversing alarms for automobiles; automobile bodies; structural parts and fittings for automobiles; autonomous emergency brakes for vehicles; traction control systems for automobiles; ABS (anti-lock braking system) for vehicles; parking assisting apparatus for automobiles; blind spot detection apparatus for automobiles; forward collision warning apparatus for automobiles; backward collision warning apparatus for automobiles; lane-keeping warning apparatus for automobiles; lane departure warning apparatus for automobiles; speed control apparatus for automobiles; speed limit warning apparatus for automobiles; electronic brake control apparatus for automobiles, namely, brakes for vehicles controlled by brake sensors and

on-board computers; structural parts and fittings for automobiles having self-driving and self-parking technology.

(260) AM 2022 116791 A

(800) 1646536

(151) 2022 01 14

(891) 2022 01 14

(731) STADA Arzneimittel AG

Stadastr. 2-18, 61118 Bad Vilbel, Germany

(540)

**ЛУНАРЕНА**

(591) Black, white

(531) 28.05

(511)

5 – Pharmaceuticals, medical and veterinary preparations; medicine; sanitary preparations for medical purposes; dietetic food and substances adapted for medical or veterinary use, food for babies; dietary supplements for human beings and animals; plasters, materials for dressings; material for stopping teeth, dental wax; disinfectants; preparations for destroying noxious animals; fungicides, herbicides.

(260) AM 2022 116792 A

(800) 1646560

(151) 2021 07 12

(891) 2021 07 12

(731) OFFSHORE BUSINESS PROCESSING INC.

17th Cyberscape Gamma, Topaz & Ruby Rds.

Ortigas Center, Pasig City, Metro Manila,

Philippines

(540)



(591) Blue

(531) 24.15.01; 24.15.07; 27.05.01; 27.05.04;  
27.05.09; 27.05.10; 29.01.12

(526) Offshore Business Processing

(511)

35 – Business management, business strategy development services.

39 – Transport, travel arrangement.

42 – Information technology consultancy, design and development of computer software.

(260) AM 2022 116793 A

(800) 1646581

(151) 2021 09 28

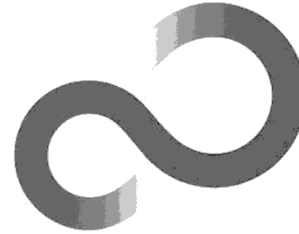
(891) 2021 09 28

(731) FUJITSU LIMITED

1-1, Kamikodanaka 4-chome, Nakahara-ku,

Kawasaki-shi, Kanagawa 211-8588, Japan

(540)



(591) Black, white

(531) 24.17.05; 24.17.08; 26.11.01; 26.11.13

(511)

7 – Metalworking machines; mining machines and apparatus; construction machines and apparatus; loading and unloading machines; electromechanical machines for chemical industry; machines for making textile articles; papermaking machines; machines for processing plant fibers; printing presses; bookbinding apparatus and machines for industrial purposes; glassware manufacturing machines and apparatus; painting machines; packaging machines; wrapping machines; machines for processing plastics; machines for manufacturing semiconductors; rubber manufacturing machines; motors, other than for land vehicles; machine coupling and transmission components, except for land vehicles, and parts therefor; springs [parts of machines]; brake pads, other than for vehicles; valves [parts of machines]; curtain drawing devices, electrically operated; door openers, electric; 3d printers.

9 – Cash registers; automated teller machines [atm]; fire alarms; gas alarms; burglar alarms; laboratory apparatus and instruments; photographic equipment; cinematographic machines and apparatus; optical apparatus and instruments; measuring apparatus; surveying apparatus and instruments; regulating apparatus, electric; batteries, electric; solar batteries; ohmmeters; oscillographs; galvanometers; electric loss indicators; wavemeters; cables, electric; telecommunications equipment; intercommunication apparatus; transmitters [telecommunication]; remote control apparatus; radiotelegraphy sets; radiotelephony sets; radio beacon machines and apparatus; personal digital assistants; smartphones; wearable computers; wearable video display monitors; optical character readers; credit card terminals; interfaces for computers; computer keyboards; monitors [computer hardware]; thin client computers; electronic tags for goods; integrated circuit cards [smart cards]; chips [integrated circuits]; downloadable cryptographic keys for receiving and spending cryptocurrency; central processing units [processors]; data processing apparatus; transistors [electronic]; laptop computers; bar code readers; light-emi-

tting diodes [led]; microprocessors; mouse [computer peripheral]; identity cards, magnetic; usb flash drives; readers [data processing equipment]; quantum dot light-emitting diodes [qled]; computers; computer programs, recorded; computer programs, downloadable; computer peripheral devices; scanners [data processing equipment]; printers for use with computers; hard disk drives; semi-conductors; printed circuits; printed circuit boards; wafers for integrated circuits; computer memory devices; computer hardware; computer servers; computer software, recorded; monitors [computer hardware]; central processing units [processors]; microprocessors; industrial x-ray apparatus; magnetic object detectors; ultrasonic flaw detectors; ultrasonic sensors; virtual reality headsets adapted for use in playing video games; game programs for home video game machines; electronic circuits and cd-roms recorded with programs for hand-held games with liquid crystal displays; electronic circuits and cd-roms recorded with automatic performance programs for electronic musical instruments; phonograph records; downloadable music files; prerecorded videotapes; compact discs [audio-video]; downloadable image files; electronic publications, downloadable; game programs for arcade video game machines; simulators for the steering and control of vehicles; sports training simulators; magnetic cores; resistance wires; electrodes, other than welding electrodes or medical electrodes; humanoid robots with artificial intelligence; virtual private network [vpn] hardware; virtual private network [vpn] operating software.

11 – Drying apparatus for chemical processing; recuperators for chemical processing; steamers for chemical processing; evaporators for chemical processing; distillers for chemical processing; heat exchangers for chemical processing; chemical fibre drying installations; boilers, other than parts of machines; air conditioning apparatus for industrial use; industrial humidifiers; industrial air purifiers; industrial dehumidifiers; freezers for industrial purposes; laundry drying machines; water purification installations; lighting apparatus and installations; electric lamps; electric fans for personal use; electrically heated carpets; heating pads, electric, not for medical purposes; blankets, electric, not for medical purposes; heating cushions, electric, not for medical purposes; footmuffs, electrically heated; socks, electrically heated; electrically heated clothing; immersion heaters; heaters, electric, for feeding bottles; usb-powered cup heaters; usb-powered hand warmers; hair driers for household purposes; water purifying apparatus for household purposes; fireplaces, domestic; wicks adapted for oil stoves; cooking apparatus and installations for commercial use; industrial dish drying machines; dish disinfectant apparatus for industrial purposes; cooking utensils, electric; sinks; tap water faucets; level controlling valves in tanks; pipe line cocks [spigots]; waste water treatment tanks; septic tanks for industrial purposes; solar water heaters; gas-fired water heaters; septic tanks for

household purposes; bath fittings; air deodorizing apparatus; deodorizing apparatus, not for personal use; toilets [water-closets]; bath installations, bath tubs and bath fittings; industrial furnaces; nuclear reactors.

16 – Pastes and other adhesives for stationery or household purposes; sealing wax; printers' galleys; printing type; addressing machines; inking ribbons; electric staplers for offices; sealing machines for offices; stamp cancelling machines; drawing instruments; typewriters; mimeographs [duplicators]; relief duplicators; postage meters for office use; rotary duplicators; paper shredders for office use; marking templates; decorators' paintbrushes; industrial packaging containers of paper; bags [envelopes, pouches] of plastic for packaging; food wrapping plastic film for household use; garbage bags of paper for household purposes; garbage bags of plastic; sewing patterns; tailors' chalk; banners of paper; flags of paper; hygienic hand towels of paper; towels of paper; table napkins of paper; hand towels of paper; handkerchiefs of paper; baggage claim check tags made of paper; paper and cardboard; stationery; printed matter; paintings and calligraphic works; photographs [printed]; photograph stands.

35 – Advertising and publicity services; promoting the goods and services of others through the administration of sales and promotional incentive schemes involving trading stamps; business management analysis; business consultancy; business management; marketing research and analysis; providing information concerning commercial sales; employment agency services; auctioneering; import-export agency services; document reproduction; filing of documents or magnetic tapes [office functions]; compilation of information into computer databases; word processing and typing services; telephone answering service; telephone switchboard services; secretarial services; publicity material rental; rental of typewriters and copying machines; office machines and equipment rental; providing commercial information and advice for consumers in the choice of products and services; providing employment information; news clipping services; rental of vending machines; organization of exhibitions for commercial or advertising purposes; organization of trade fairs; internet advertising services; consultancy regarding advertising communication strategies; computerized file management; updating and maintenance of data in computer databases; systemization of information into computer databases; retail services or wholesale services for electrical machinery and apparatus; retail services or wholesale services for printed matter; retail services or wholesale services for paper and stationery; retail services or wholesale services for automobiles; website traffic optimisation; search engine optimization; consultancy services in the field of internet marketing; promoting the goods and services of others through advertisements on internet web sites; providing and rental of advertising space on the internet; dissemination of ad-

vertising via on-line communications networks; providing consulting services in the area of global sustainable business solutions; business planning and business continuity consulting; business consulting and information services; business management consulting with relation to strategy, marketing, production, personnel and retail sale matters; consultancy relating to search engine optimization.

36 – Savings bank services; loans [financing] and discount of bills; currency trading; surety services; acceptance of bill payments; securities lending; acquisition and transfer of monetary claims; safe deposit services; exchanging money; trusteeship of financial futures contracts; fiduciary; debt collection agency services; advisory services relating to credit and debit control; foreign exchange transactions; issuing of letters of credit; brokerage; issuance of tokens of value; agencies for collecting gas or electric power utility payments; collection of payments for goods and services; trading of securities; trading of securities index futures; trading of securities options; trading of overseas market securities futures; agencies for brokerage of securities; agencies for brokerage of securities index futures; agencies for brokerage of securities options; agencies for brokerage of foreign market securities futures; brokerage for securities liquidation; securities underwriting; brokerage services relating to securities subscription or offering; stock exchange quotations; agencies for trading of commodity futures; life insurance brokerage; life insurance underwriting; agencies for non-life insurance; management of buildings; real estate brokerage; rental of buildings; real estate services relating to the sale, purchase and leasing of real estate; providing real estate information; real estate management services relating to land; agency services for the leasing or rental of land; leasing of land; purchase and sale of land; financial assessment of company credit; rental of paper money and coin counting machines; rental of cash dispensers; rental of automated-teller machines; antique appraisal; art appraisal; appraisal of precious stones; appraisal of used automobiles; charitable fund raising; providing financial information; financial analysis; financial consultancy.

37 – Construction; construction consultancy; maintenance of building equipment; services of electricians; repair or maintenance of cinematographic machines and apparatus; repair or maintenance of optical machines and instruments; repair or maintenance of photographic machines and apparatus; repair or maintenance of office machines and apparatus; repair or maintenance of air-conditioning apparatus [for industrial purposes]; burner maintenance and repair; repair or maintenance of boilers; installation, maintenance and repair of pumps and pumping stations; repair or maintenance of freezing machines and apparatus; repair or maintenance of electronic machines and apparatus; repair or maintenance of telecommunication

machines and apparatus; repair or maintenance of computers; repair or maintenance of telephone apparatus; repair of radio or television sets; repair and maintenance of telecommunications apparatus, other than telephone sets, radio receivers and television receivers; repair or maintenance of consumer electrical appliances; repair or maintenance of power distribution or control machines and apparatus; repair or maintenance of power generators; repair or maintenance of laboratory apparatus and instruments; repair or maintenance of measuring and testing machines and instruments; repair or maintenance of printing or book-binding machines and apparatus; repair or maintenance of chemical processing machines and apparatus; repair or maintenance of metalworking machines and tools; repair or maintenance of machines and systems for manufacturing integrated circuits; repair or maintenance of semi-conductor manufacturing machines and systems; repair or maintenance of plastic processing machines and apparatus; installation, maintenance and repair of packaging machines; repair and maintenance of 3d printers; installation and repair of air-conditioning apparatus.

38 – Telecommunications; broadcasting services; news agency services; rental of telephone sets, facsimile and other communication equipment; transmission of messages and images via computer networks; providing on-line forums for transmission of messages among computer users; streaming of data; electronic data interchange; rental of telecommunications lines; internet access provider services; providing on-line chat room services; providing on-line electronic bulletin boards for transmission of messages among computer users; provision of video conferencing services; transmission of information via optical telecommunication networks; data transmission via telecommunication networks; providing access to telecommunication networks; transmission of videos, movies, pictures, images, text, photos, games, user-generated content, audio content, and information via the internet; electronic transmission and retransmission of sounds, images, documents, messages and data; consultancy, information and advisory services in the field of telecommunications.

40 – Radiation area decontamination services; providing information relating to the treatment or processing of cloth, clothing or fur; metalworking; processing of rubber; processing of plastics; ceramic processing; paper treating; food processing; processing of cinematographic films; photographic enlarging; photographic printing; photographic film development; bookbinding; water treating; recycling of waste and trash; rental of machines and apparatus for film development, photograph printing, photograph enlargement or photograph finishing; rental of metal treating machines and tools; rental of bookbinding machines; rental of chemical processing machines and apparatus; rental of 3d printers; material treatment information;



printing; rental of air-conditioning apparatus; rental of water and air purification equipment; rental of generators; rental of printing machines and apparatus; air deodorizing; rental of machines and apparatus for processing foods.

41 – Educational services; correspondence courses; arranging and conducting of seminars; providing online electronic publications, not downloadable; publication of texts, other than publicity texts; organization of shows [impresario services]; providing online videos, not downloadable; movie theatre presentations; film production, other than advertising films; film distribution; providing online music, not downloadable; presentation of live show performances; theatre productions; musical entertainment services; production of radio and television programmes; production and distribution of sound, movie and video recordings; operation of video and audio equipment for the production of radio and television programs; organization of sports competitions; entertainment and sporting activities; providing sports facilities; providing amusement facilities; providing facilities for movies, shows, plays, music or educational training; rental of radio and television sets; rental of radio sets; rental of records or sound-recorded magnetic tapes; rental of videotapes; language interpretation; translation; rental of cameras; disc jockey services; art exhibitions; toy rental; rental of amusement machines and apparatus; rental of game machines and apparatus; distance learning services provided on-line; training in the field of design, advertising and communication technologies; educational services provided by business correspondence schools; providing electronic publications, not downloadable, from a global computer network; provision of training via a global computer network; computer education training services; training services in the field of computer software development; educational examination; on-line library services; arranging and conducting of seminars, congresses, conferences and symposiums.

42 – Computer aided design for manufacturing operations; industrial design; computer aided graphic design; computer programming; monitoring of telecommunication signals; design and development of wireless computer networks; data encryption services; data decryption services; configuration, installation, fault diagnosis, repair, upgrading and maintenance of computer software; diagnosis of computer software problems; data conversion of computer program data or information [not physical conversion]; duplication of computer programs; creation, design, development, and maintenance of websites; providing internet search engines with specific search options; computer software design; maintenance of computer software; computer software consultancy; technical advice relating to operation of computers; chemistry services; development of new technology for others; energy auditing; providing information relating to computer

technology and programming via a website; computer system analysis; testing of computer software; computer technology consultancy; quality control; information technology [it] consultancy; scientific research; calibration [measuring]; rental of computers; providing temporary use of online non-downloadable software; electronic data storage; rental of web servers; server hosting; cloud computing; software as a service [saas]; platform as a service [paas]; weather forecasting; architectural design; geological research; consultancy in the design and development of computer hardware; providing information relating to computer technology and programming via a website; creating and maintaining websites for others; internet security consultancy; rental of measuring apparatus; rental of laboratory apparatus; rental of technical drawing instruments; information technology [it] consultancy; computer system analysis; providing information relating to computer technology and programming via a website; computer virus protection services; technological research; design and development of computer hardware, software and databases; computer system design and development; providing information about the design and development of computer software; advisory and consultancy services relating to computer software; design, development, installation and maintenance of computer software; design of computer software, computer firmware, computer hardware and computer systems; database design and development; design and development of computer networks; design and development of computer hardware; design and development of computer firmware; design and development of computer peripherals; design and development of data processing apparatus; research in the field of computer software; research and development services relating to computer hardware; research in the field of data processing technology; research in the field of hair care; design and development of medical technology; research in the area of semiconductor processing technology; consultancy and research services in the field of information technology; research relating to mechanical engineering; research in the field of communications technology; provision of technical information in relation to computers; advisory and information services relating to the design and development of computer hardware; consultancy services in the field of design, selection, implementation and use of computer hardware and software systems; advisory services relating to computer software; advisory and consultancy services relating to the design and development of computer hardware; advisory services relating to the design of interior decor; consultancy relating to the creation and design of web sites; consultancy in the field of energy efficiency; professional consultancy relating to computer security; design consultancy; consultancy and research services in the field of information technology; consultancy services in the fields of science, engineering and

information technology; consultancy in the field of telecommunications engineering.

(260) AM 2022 116794 A

(800) 1646664

(151) 2021 12 17

(891) 2021 12 17

(731) GREE ELECTRIC APPLIANCES, INC.

OF ZHUHAI

JINJI WEST ROAD, QIANSHAN ZHUHAI,

519070 GUANGDONG, China

(540)

**GMV**

(591) Black, white

(511)

11 – Refrigerators; air sterilizers; air-conditioning installations; heaters for baths; water purification installations.

(260) AM 2022 116915 A

(800) 1648308

(151) 2021 02 09

(891) 2021 02 09

(731) TANTIVY AUTOMOTIVE CO., LTD.

9C, Tower 2, Plaza B, Golden Resources

Business Center, Lan Dian Chang Dong

Avenue, Hai Dian District, 100097 BEIJING,

China

(540)



(591) Black, white

(531) 26.01.03; 26.01.10; 26.01.12; 26.01.24;

27.05.01; 27.05.17

(511)

7 – Jacks [machines]; igniting devices for internal combustion engines; igniting magnetos; automotive engine cooling radiator; shaft couplings [machines]; pumps [parts of machines, engines or motors]; condensing installations; hydraulic oil filter; shock absorber [parts of engine]; bearings for vehicle; belts for machines; washing installations for vehicles; hydraulic valve; hand-held tools, other than hand-operated; steam condensers [parts of machines]; automotive engine cooling water tank.

9 – Navigation apparatus for vehicles [on-board computers]; voltage regulators for vehicles; switches, electric; locks, electric; accumulators, electric, for vehicles; steering apparatus, automatic, for vehicles; dashboard camera recorders; coils, electric; electronic key fobs being remote control apparatus; sensor; vehicle breakdown warning triangles; life saving apparatus and equipment.

12 – Vehicle bumpers; vehicle chassis; clutches for land vehicles; axles for vehicles; brake linings for vehicles; transmission chains for land vehicles; driving motors for land vehicles; transmission shafts for land vehicles; connecting rods for land vehicles, other than parts of motors and engines; resistance lines of high pressure (dedicated for vehicle); rearview mirrors; hubs for vehicle wheels; automobile tyres.

17 – Stuffing rings; draught excluder strips; shock-absorbing buffers of rubber; gaskets; pipe jackets, not of metal; rubber lagging; junctions, not of metal, for pipes; flexible hoses, not of metal; insulators for cables; waterproof packings.

(260) AM 2022 116919 A

(800) 1648389

(151) 2021 09 13

(891) 2021 09 13

(731) Sazykin Mikhail Yurievich

ul. Vesennyaya, 57, kv. 279, Serpukhov,

RU-142203 Moscow region, Russian

Federation

(540)



(591) Red

(531) 26.11.13; 27.05.01; 29.01.01

(526) TM

(511)

6 – Common metals and their alloys; building materials of metal; buildings, transportable, of metal; railway material of metal; non-electric cables and wires of common metal; buckles of common metal [hardware]; pipes and tubes of metal; safes [strong boxes]; common metal, semi wrought, in sheet, rod, bar or billet form; ores; common metals, unwrought or semi-wrought and common metals in form of plate, billet, stick, profile, sheet and sheeting; swimming pools [structures] of metal; chimney shafts of metal; jalousies of metal; roof gutters of metal; window fasteners of metal; padlocks of metal, other than electronic; locks of metal for vehicles; locks of metal, other than electric; locks of metal for bags; spring locks; box fasteners of metal; machine belt fasteners of metal; door bolts of metal; greenhouse frames of metal; framework of metal for building; cornices of metal; drain traps [valves] of metal; elbows of metal for pipes; bed casters of metal; furniture casters of metal; manifolds of metal for pipelines; door fittings of metal; fittings of metal for windows; door frames of metal; partitions of metal; lintels of metal; door hinges of metal; window hinges of metal; rocket launching platforms of metal; flooring of metal; tiles of metal for building; roof cove-

rings of metal; floors of metal; ceilings of metal; door openers of metal, non-electric; door closers of metal, non-electric; metal valves, not being parts of machines, for controlling the flow of liquid, steam and gas in pipes; gratings of metal; furnace fireguards of metal; junctions of metal for pipes; shutters of metal; outdoor blinds of metal; pipework of metal; ducts of metal for ventilating and air-conditioning installations; penstock pipes of metal; gutter pipes of metal; drain pipes of metal; chimneys of metal; water-pipes of metal; steel pipes; ducts of metal, for central heating installations; door panels of metal; flanges of metal [collars]; weather- or wind-vanes of metal.

7 – Expansion tanks [parts of machines]; drums [parts of machines]; reels, mechanical, for flexible hoses; valves [parts of machines]; fans for motors and engines; water heaters being parts of machines; lawnmowers [machines]; alternators; current generators; generators of electricity; hydraulic engines and motors; electric hand drills; pressure valves [parts of machines]; clack valves [parts of machines]; fittings for engine boilers; compressors [machines]; air pumps [garage installations]; coffee grinders, other than hand-operated; drainage machines; hydraulic controls for machines, motors and engines; pneumatic controls for machines, motors and engines; pumps [machines]; pumps [parts of machines, engines or motors]; aerating pumps for aquaria; vacuum pumps [machines]; compressed air pumps; pumps for heating installations; lubricating pumps; centrifugal pumps; vacuum cleaners; boiler tubes [parts of machines]; filtering machines.

11 – Apparatus for lighting, heating, steam generating, cooking, refrigerating, drying, ventilating, water supply and sanitary purposes; air-conditioning installations; bed warmers; boilers; footwarmers, electric or non-electric; blankets, electric, not for medical purposes; heating cushions, electric, not for medical purposes; kettles, electric; electric cooking pots for household use; steam accumulators; electric water heating apparatus; distillation apparatus; desiccating apparatus; disinfectant apparatus; air deodorising apparatus; ionization apparatus for the treatment of air or water; hand drying apparatus for washrooms; water purifying apparatus and machines; drying apparatus and installations; expansion tanks for central heating installations; refining towers for distillation; bidets; bath tubs; bath tubs for sitz baths; waffle irons, electric; fans [air-conditioning]; fans [parts of air-conditioning installations]; electric fans for personal use; water heaters; water flushing installations; air reheaters; extractor hoods for kitchens; gas condensers, other than parts of machines; hydrants; burners; acetylene burners; gas burners; burners for lamps; germicidal burners; hot water bottles; pocket warmers; stills; showers; chimney flues; refrigerating containers; coils [parts of distilling, heating or cooling installations]; shower enclosures; Turkish bath cabinets, portable;

heating apparatus; fireplaces, domestic; level controlling valves in tanks; thermostatic valves [parts of heating installations]; electrically heated carpets; solar collectors for heating; distillation columns; air-conditioning apparatus; gas boilers; heating boilers; taps for pipes and pipelines; taps; mixer taps for water pipes; heaters for baths; heat pumps; bath linings, fitted; hot air bath fittings; bath fittings; loading apparatus for furnaces; sauna bath installations; refrigerating appliances and installations; steam boilers, other than parts of machines; pasteurisers; stoves [heating apparatus]; hot air ovens; urinals being sanitary fixtures; feeding apparatus for heating boilers; heating plates; water intake apparatus; roasting apparatus; water filtering apparatus; cooling appliances and installations; sanitary apparatus and installations; cooking rings; heating apparatus, electric; hot air apparatus; safety accessories for water or gas apparatus and pipes; radiator caps; washers for water taps; radiators [heating]; central heating radiators; radiators, electric; sinks; disinfectant dispensers for toilets; drip irrigation emitters [irrigation fittings]; flushing tanks; pressure water tanks; water sterilizers; air sterilisers; air dryers; laundry dryers, electric; heat exchangers, other than parts of machines; flues for heating boilers; boiler pipes [tubes] for heating installations; pipes [parts of sanitary installations]; toilets [water-closets]; toilets, portable; humidifiers for central heating radiators; wash-hand basins [parts of sanitary installations]; toilet bowls; water conduits installations; bath installations; watering installations, automatic; cooling installations for water; water purification installations; purification installations for sewage; water distribution installations; air filtering installations; swimming pool chlorinating apparatus; ventilation [air-conditioning] installations and apparatus; water softening apparatus and installations; cooling installations and machines; heating installations; heaters for vehicles; hot water heating installations; water supply installations; whirlpool-jet apparatus; air cooling apparatus; electric water purification filters for household purposes; filters for air conditioning; coffee filters, electric; filters for drinking water; fountains; ornamental fountains.

17 – Unprocessed and semi-processed rubber, gutta-percha, gum, asbestos, mica and substitutes for all these materials; plastics in extruded form for use in manufacture; packing, stopping and insulating materials; flexible pipes, tubes and hoses, not of metal; electrical insulating materials; soundproofing materials; plastic substances, semi-processed in the form of sheets, tiles, plates or rods for industrial purposes; rubber material for recapping tyres; padding materials of rubber or plastics; floating anti-pollution barriers; shock-absorbing buffers of rubber; fittings, not of metal, for compressed air lines; cellulose acetate, semi-processed; balata; asbestos paper; paper for electrical capacitors; insulating paper; asbestos felt; insulating felt; plastic fibres, other than for textile use; carbon fibres, other than for textile use; asbestos fibres; vulcanized

fiber; gutta-percha; foam supports for flower arrangements [semi-finished products]; dielectrics [insulators]; lute; insulators; insulators for railway tracks; insulators for electric mains; insulators for cables; asbestos millboards; liquid rubber; synthetic rubber; rubber, raw or semi-worked; valves of india-rubber or vulcanized fibre; clack valves of rubber; rings of rubber; insulating paints and varnish; latex [rubber]; insulating tapes; adhesive bands, other than stationery and not for medical or household purposes; asbestos sheets; viscose sheets, other than for wrapping; foil of regenerated cellulose, other than for wrapping; insulating oils; insulating oil for transformers; reinforcing materials, not of metal, for pipes; caulking materials; brake lining materials, partly processed; insulating materials; insulating refractory materials; rubber materials for applying new treads on tires; non-conducting materials for retaining heat; boiler composition to prevent the radiation of heat; sealant compounds for joints; filtering materials of semi-processed foams of plastic; compositions to prevent the radiation of heat; bags [envelopes, pouches] of rubber, for packaging; pipe mufflers, not of metal; sleeves of rubber for protecting parts of machines; asbestos packing; threads of plastic for soldering; threads of plastic materials, other than for textile use; threads of rubber, other than for textile use; elastic threads, other than for textile use; stops of rubber; insulating gloves; plastic substances, semi-processed; insulating plaster; plastic film, other than for wrapping; anti-glare films for windows [tinted films]; asbestos coverings; bark coverings for sound insulation; plastic sheeting for agricultural purposes; asbestos cloth; rubber stoppers; expansion joint fillers; clutch linings; washers of rubber or vulcanized fibre; sealing gaskets of metal; weatherstripping; gaskets; rubber solutions; mica, raw or partly processed; acrylic resins, semi-processed; synthetic resins, semi-processed; junctions, not of metal, for pipes; substances for insulating buildings against moisture; chemical compositions for repairing leaks; glass wool for insulation; fiberglass for insulation; asbestos fabrics; fiberglass fabrics for insulation; insulating fabrics; flexible hoses, not of metal; hoses of textile material; connecting hose for vehicle radiators; waterproof packings; rubber seals for jars; foils of metal for insulating; asbestos slate; slag wool [insulator]; watering hose; canvas hose pipes; asbestos safety curtains; ebomite.

(260) AM 2022 116921 A

(800) 1648474

(151) 2021 10 31

(891) 2021 10 31

(731) EYFEL KOZMETIK ANONIM SIRKETI  
ORTA MAH. 30 AGUSTOS CAD., NO:53/1  
Tuzla, İstanbul, Türkiye

(540)



(591) Yellow and black

(531) 26.04.02; 26.04.04; 26.04.05; 26.04.16;  
26.04.22; 26.11.02; 26.11.05; 26.11.08;  
27.05.01; 27.05.09; 27.05.10; 27.05.11;  
29.01.12

(526) EAU DE PARFUM

(511)

3 – Bleaching and cleaning preparations, detergents other than for use in manufacturing operations and for medical purposes, laundry bleach, fabric softeners for laundry use, stain removers, dishwasher detergents; perfumery; non-medicated cosmetics; fragrances; deodorants for personal use and animals; soaps; dental care preparations: dentifrices, denture polishes, tooth whitening preparations, mouth washes, not for medical purposes; abrasive preparations; emery cloth; sandpaper; pumice stone; abrasive pastes; polishing preparations for leather, vinyl, metal and wood, polishes and creams for leather, vinyl, metal and wood, wax for polishing.

5 – Deodorants, other than for human beings or for animals; air purifying preparations; air deodorising preparations.

35 – The bringing together, for the benefit of others, of a variety of goods, namely, perfumery, non-medicated cosmetics, fragrances, deodorants for personal use and animals, soaps, deodorants, other than for human beings or for animals, air purifying preparations, air deodorising preparations, perfume burners, perfume sprayers, perfume vaporizers, electric or non-electric make-up removing appliances, powder puffs, toilet cases, enabling customers to conveniently view and purchase those goods, such services may be provided by retail stores, wholesale outlets, by means of electronic media or through mail order catalogues.

(260) AM 2022 116922 A

(800) 1648481

(151) 2021 12 03

(891) 2021 12 03

(731) FLORACTIVE COMERCIO DE  
COSMETICOS LTDA ME  
R Josué Lemes de Lima, 412 -, Casa  
02 – Panorama, 07792-340 Cajamar/SP, Brazil

(540)



(591) Purple

(531) 05.05.19; 05.05.20; 05.05.21; 27.05.01;  
29.01.05

(511)

3 – Eau de cologne, hydrogen peroxide for cosmetic purposes, amber [perfume], aromatics [essential oils], lipsticks, moustache wax, depilatory wax, hair conditioners, cosmetics, deodorants for human beings or for animals; nail varnish, cosmetic pencils, hair spray, almond milk for cosmetic purposes, tissues impregnated with cosmetic lotions, tissues impregnated with make-up removing preparations, lotions for cosmetic purposes, after-shave lotions, make-up, potpourris [fragrances], almond oil, essential oils, oils for cosmetic purposes, pomades for cosmetic purposes, aloe vera preparations for cosmetic purposes, douching preparations for personal sanitary or deodorant purposes [toilettries], hair straightening preparations, cosmetic preparations for skin care, perfumery, neutralizers for permanent waving, shaving preparations, make-up preparations, cakes of toilet soap, cosmetic dyes, hair dyes, hair lotions, toiletry preparations, shampoos.

(260) AM 2022 117137 A

(800) 1650681

(151) 2021 09 29

(891) 2021 09 29

(731) ENFAL OYUNCAK ANONİM ŞİRKETİ  
İSTOÇ TİCARET MERKEZİ, 2445 SK. 35.  
ADA NO:10-12 BAĞCILAR, İSTANBUL,  
Türkiye

(540)

# LETS BE CHILD

(591) Black, white

(531) 27.05.01

(511)

28 – Games and toys; arcade video game machines; game apparatus and machines for use with an external display screen and monitor, including those coin-operated; toys for animals; toys for outdoor playgrounds, parks and game parks; gymnastic and sporting articles not included in other classes; fishing tackle, artificial fishing bait, decoys for hunting and fishing; Christmas trees of artificial material, ornaments for Christmas trees, artificial snow for Christmas trees, rattles (playthings), novelties for parties, dances (party favors), paper party hats.

(260) AM 2022 117253 A

(800) 1490402

(151) 2019 06 19

(891) 2022 02 01

(731) RENWAR FASHION MANUFACTURING &  
MARKETING (1993) LTD.

13 Arie Shenkar st., Rishon Le'zion, Israel

(540)



(591) Black, blue and white

(531) 26.04.22; 27.05.24; 29.01.13

(511)

25 – Clothing; footwear; headgear; belts [clothing]; scarves.

35 – Retail or wholesale services for perfumery; retail or wholesale services for fashion goods; retail or wholesale services for wearing apparel and footwear; retail or wholesale services for headgear, belts, scarves, bags, purses and wallets; retail or wholesale services for jewelry, spectacles; managing and operation of shops, chain of shops, shopping centers and malls to sell all of the above.

(260) AM 2022 117254 A

(800) 1524342

(151) 2020 01 22

(891) 2021 11 07

(731) Obshchestvo s ogranichennoj otvetstvennostyu  
"ARVITEX"

ul. Mashinostroyeniya 2-ya, d. 11, kv. 21,  
RU-115088 Moscow, Russian Federation

(540)

# EXXE

(591) Black, white

(531) 27.05.17

(511)

21 – Autoclaves, non-electric, for cooking; indoor aquaria; wine aerators; buckets; cookie jars; candle jars [holders]; china ornaments; dishes; paper plates; vegetable dishes; saucers; mugs; boxes for sweets; bottles; carboys; busts of porcelain, ceramic, earthenware, terra-cotta or glass; vases; epergnes; fruit cups; inflatable bath tubs for babies; bird baths; baby baths, portable; plungers for clearing blocked drains; waffle irons, non-electric; pails; coolers [ice pails]; mop wringer buckets; buckets made of woven fabrics; whisks, non-electric, for household purposes; cooking skewers of metal; towel rails and rings; stretchers for clothing; hair for brushes; horsehair for brush-making; birdcages; funnels; carpet beaters [hand instruments]; signboards of porcelain or glass; candle extinguishers; heads for electric toothbrushes; flower pots; chamber pots; glue-pots; cruets; decanters; large-toothed

combs for the hair; combs for animals; tea cosies; abrasive sponges for scrubbing the skin; make-up sponges; sponges for household purposes; toilet sponges; sponge holders; stands for portable baby baths; toothpick holders; soap holders; table napkin holders; holders for flowers and plants [flower arranging]; tea bag rests; stands for shaving brushes; toilet paper holders; soap dispensers; toilet paper dispensers; plug-in diffusers for mosquito repellents; aromatic oil diffusers, other than reed diffusers, electric and non-electric; ironing boards; cutting boards for the kitchen; bread boards; washing boards; crushers for kitchen use, non-electric; strainers for household purposes; smoke absorbers for household purposes; containers for household or kitchen use; kitchen containers; glass jars [carboys]; heat-insulated containers; heat-insulated containers for beverages; thermally insulated containers for food; glass flasks [containers]; closures for pot lids; chamois leather for cleaning; toothpicks; ceramics for household purposes; majolica; works of art of porcelain, ceramic, earthenware, terra-cotta or glass; kitchen grinders, non-electric; cleaning instruments, hand-operated; cabarets [trays]; stew-pans; couscous cooking pots, non-electric; flower-pot covers, not of paper; shaving brushes; make-up brushes; basting brushes; cages for household pets; baking mats; ladles for serving wine; polishing leather; hot pots, not electrically heated; glass bulbs [receptacles]; shoe trees; napkin rings; poultry rings; rings for birds; coin banks; piggy banks; bread baskets for household purposes; baskets for household purposes; waste paper baskets; feeding troughs; mangers for animals; lunch boxes; tea caddies; washtubs; earthenware saucepans; mess-tins; cauldrons; coffee percolators, non-electric; coffeepots, non-electric; coffee grinders, hand-operated; fused silica [semi-worked product], other than for building; beer mugs; tankards; rat traps; pot lids; aquarium hoods; butter-dish covers; covers for dishes; cheese-dish covers; reusable silicone food covers; buttonhooks; reusable ice cubes; pitchers; perfume burners; watering cans; fly traps; insect traps; ice cream scoops; mixing spoons [kitchen utensils]; basting spoons [cooking utensils]; tart scoops; cosmetic spatulas; spatulas for kitchen use; litter trays for pets; butter dishes; material for brush-making; polishing materials for making shiny, except preparations, paper and stone; tablemats, not of paper or textile; noodle machines, hand-operated; lint removers, electric or non-electric; pasta makers, hand-operated; polishing apparatus and machines, for household purposes, non-electric; pepper mills, hand-operated; mills for household purposes, hand-operated; feather-dusters; brooms; isothermic bags; confectioners' decorating bags [pastry bags]; bowls [basins]; mosaics of glass, not for building; saucepan scourers of metal; soap boxes; mouse traps; cooking pot sets; nozzles for watering cans; pouring spouts; cake decorating tips and tubes; nozzles for watering hose; fitted picnic baskets, including dishes; toilet cases; fitted vanity cases;

floss for dental purposes; fiberglass thread, other than for textile use; cookie [biscuit] cutters; pastry cutters; sprinklers; sprinklers for watering flowers and plants; egg yolk separators; cotton waste for cleaning; wool waste for cleaning; cleaning tow; cold packs for chilling food and beverages; chopsticks; cocktail stirrers; food steamers, non-electric; pepper pots; barbecue mitts; animal grooming gloves; gloves for household purposes; car washing mitts; polishing gloves; gardening gloves; kitchen mitts; pestles for kitchen use; droppers for household purposes; wine-tasting pipettes; droppers for cosmetic purposes; plates for diffusing aromatic oil; plates to prevent milk boiling over; dripping pans; trays for household purposes; trays of paper, for household purposes; lazy susans; heaters for feeding bottles, non-electric; candelabra [candlesticks]; trivets [table utensils]; coasters, not of paper or textile; grill supports; menu card holders; knife rests for the table; flat-iron stands; egg cups; gridiron supports; abrasive pads for kitchen purposes; scouring pads; pads for cleaning; drinking troughs; serving ladles; powdered glass for decoration; pottery; pots; cooking pots; painted glassware; tableware, other than knives, forks and spoons; porcelain ware; earthenware; crockery; crystal [glassware]; cosmetic utensils; toilet utensils; trouser presses; tortilla presses, non-electric [kitchen utensils]; deodorizing apparatus for personal use; cruet sets for oil and vinegar; make-up removing appliances; spice sets; apparatus for wax-polishing, non-electric; bottle openers, electric and non-electric; glove stretchers; boot jacks; crumb trays; tie presses; potholders; clothes-pins; glass stoppers; powder compacts, empty; perfume sprayers; powder puffs; dusting apparatus, non-electric; foam toe separators for use in pedicures; combs; electric combs; grills [cooking utensils]; griddles [cooking utensils]; sifters [household utensils]; drinking horns; shoe horns; candle drip rings; broom handles; salad bowls; place mats, not of paper or textile; sugar bowls; beaters, non-electric; egg separators, non-electric, for household purposes; services [dishes]; coffee services [tableware]; liqueur sets; tea services [tableware]; cooking mesh bags, other than for microwaves; sieves [household utensils]; cinder sifters [household utensils]; tea strainers; wine-tasting siphons; siphon bottles for aerated water; siphon bottles for carbonated water; rolling pins, domestic; frying pans; pressure cookers, non-electric; squeegees [cleaning instruments]; steel wool for cleaning; blenders, non-electric, for household purposes; scoops for household purposes; fruit presses, non-electric, for household purposes; drinking straws; salt shakers; drinking vessels; vessels of metal for making ices and iced drinks; refrigerating bottles; bulb basters; cups of paper or plastic; glasses [receptacles]; drinking glasses; statues of porcelain, ceramic, earthenware, terracotta or glass; figurines of porcelain, ceramic, earthenware, terracotta or glass; glass for vehicle windows [semi-finished product]; plate glass [raw material]; opal glass;

glass, unworked or semi-worked, except building glass; opaline glass; glass incorporating fine electrical conductors; enamelled glass, not for building; glass wool, other than for insulation; vitreous silica fibres, other than for textile use; fiberglass, other than for insulation or textile use; mortars for kitchen use; portable cool boxes, non-electric; soup bowls; drying racks for laundry; rotary washing lines; tagines, non-electric; basins [receptacles]; table plates; disposable table plates; graters for kitchen use; insulating flasks; vacuum bottles; indoor terrariums [plant cultivation]; indoor terrariums [vivariums]; straws for drinking; cloth for washing floors; polishing cloths; cloths for cleaning; rags for cleaning; dusting cloths [rags]; furniture dusters; dustbins; aerosol dispensers, not for medical purposes; wax-polishing appliances, non-electric, for shoes; water apparatus for cleaning teeth and gums; electric devices for attracting and killing insects; sprinkling devices; watering devices; utensils for household purposes; kitchen utensils; cooking utensils, non-electric; coffee filters, non-electric; flasks; hip flasks; drinking bottles for sports; boot trees; molds [kitchen utensils]; egg poachers; cake molds; ice cube molds; cookery molds; deep fryers, non-electric; comb cases; bread bins; fly swatters; teapots; kettles, non-electric; cups; garlic presses [kitchen utensils]; ironing board covers, shaped; cooking pins of metal; tea balls; decorative glass spheres; mops; mop wringers; cocktail shakers; corkscrews, electric and non-electric; animal bristles [brushware]; pig bristles for brush-making; brushes; dishwashing brushes; ski wax brushes; brushes for cleaning tanks and containers; lamp-glass brushes; horse brushes; scrubbing brushes; toothbrushes; toothbrushes, electric; carpet sweepers; brushes for footwear; tar-brushes, long handled; toilet brushes; electric brushes, except parts of machines; eyebrow brushes; nail brushes; eyelash brushes; nutcrackers; ice tongs; salad tongs; sugar tongs; decanter tags; nest eggs, artificial; boxes for dispensing paper towels; garbage cans; window-boxes; boxes of glass.

(260) AM 2022 117489 A

(800) 1655898

(151) 2021 03 26

(891) 2021 03 26

(731) Jungheinrich Aktiengesellschaft

Friedrich-Ebert-Damm 129, 22047 Hamburg,  
Germany

(540)

## Jungheinrich

(591) Black, white

(511)

12 – Aircraft; water vehicles; walkie stackers with electric drive; walkie stackers with diesel drive; order picker trucks with electric drive; order picker trucks with diesel drive; reach trucks with electric drive; high rack stackers with electric drive; forklift trucks

with electric drive; diesel powered forklift trucks; gas powered forklift trucks; towing tractors with electric drive; transport trolley for towing tractors; driverless order picker trucks with electric drive; driverless towing tractors with electric drive; driverless carrier vehicles with electric drive; driverless walkie stackers with electric drive; tailboard lifts with electric drive; electric cars; lorries with electric drive [vehicles]; tractors with electric drive; carts with electric drive; electrically powered trolleys; cargo trailers; aerial conveyors; parts of low lift trucks, high lift walkie stackers, pallet trucks, scissor pallet trucks, order picker trucks, reach trucks, high rack stackers, forklift trucks and towing tractors, namely axles [part of land vehicles], trailer hitches for vehicles, transmission chains for land vehicles, drive gears for land vehicles, transmission shafts for land vehicles, fittings as interior parts of vehicles, anti-glare devices for vehicles, electric motors for land vehicles, diesel engines for land vehicles, constant velocity joints [vehicle parts], brakes for land vehicles, windows for vehicles, vehicle wheels, doors for vehicles, undercarriages for vehicles, vehicle seats, tailboard lifts [parts of land vehicles], hydraulic circuits for vehicles, hydraulic servo valves being parts of vehicle braking systems, steering wheels [vehicle parts], air springs for vehicles, air pumps [vehicle accessories], tires for land vehicles, reversing alarms for vehicles, rearview mirrors [part of vehicles], snow chains for land vehicles, spoilers for vehicles, vehicle running boards, solid tires for vehicle wheels, windshields for vehicles.

37 – Demolition of buildings; grouting services relating to warehouses; cleaning of buildings [exterior surface]; warehouse construction and repair; construction of warehouses; construction consultancy with regard to the construction of warehouses; providing construction information relating to warehouses; providing information relating to repairs of warehouses; management of construction works related to warehouses; roofing services; building insulating; scaffolding; painting, interior and exterior; masonry; installation of doors and windows; construction information; installation of floor conveyor technology [machines] and of machines for use in logistics; assembling [installation] of storage systems; repair or maintenance of storage tanks of metal; installation services relating to shelving frames of metal [other than furniture]; repair and maintenance of shelving frames of metal [other than furniture]; installation services relating to storage racks of metal; repair and maintenance of storage racks of metal; installation services relating to storage tanks of metal; repair and maintenance of storage tanks of metal; installation services relating to loading pallets of metal; repair and maintenance of loading pallets of metal; installation services relating to metal shelf brackets; repair and maintenance of metal shelf brackets; recharging of batteries; replacement of batteries; maintenance and repair of mains chargers and parts thereof; maintenance and repair of walkie stackers.

kers; maintenance and repair of forklift trucks, reach trucks and high rack stackers with electric drive; maintenance and repair of diesel powered forklift trucks, reach trucks and high rack stackers; maintenance and repair of order picking trucks with electric drive; maintenance and repair of diesel powered order picker trucks; maintenance and repair of driverless towing tractors; maintenance and repair of driverless forklift trucks; maintenance and repair of driverless carrier vehicles; maintenance and repair of driverless walkie stackers; maintenance, repair of shelving of metal; maintenance of walkie stackers, order picker trucks, reach trucks, high rack stackers, forklift trucks and towing tractors; cleaning of walkie stackers, order picker trucks, reach trucks, high rack stackers, forklift trucks and towing tractors; vehicle service stations [refuelling and maintenance] relating to walkie stackers, order picker trucks, reach trucks, high rack stackers, forklift trucks and towing tractors; rental of floor conveyor technology [machines] and of machines for use in transport logistics; maintenance and repair of machines, vehicles and automotive vehicles; servicing of commercial vehicles; installation of storage facilities; repair of floor conveyor technology [machines] and of machines for use in logistics; painting of walkie stackers, order picker trucks, reach trucks, high rack stackers, forklift trucks and towing tractors; repair, maintenance, servicing, dismantling, assembly, cleaning and painting of vehicles and their components; rental of construction equipment; repair and maintenance of apparatus, instruments and cables for electricity; installation services relating to industrial robots; repair and maintenance of industrial robots.

39 – Transport; packaging and storage of goods; rental services related to transportation and storage; transport information, advice and reservation services regarding transport services; rental of walkie stackers, stock picker trucks, reach trucks, high rack stackers, forklift trucks and towing tractors and parts thereof; rental of commercial vehicles; rental of forklift trucks; services regarding the rental of forklift trucks; rental of warehouses for goods; rental of storage containers; rental of storage facilities; rental of storage crates; rental of portable storage containers; rental of pallets for the transport or storage of goods; rental of pallets and containers for transporting goods; rental of pallets and containers for storing goods; transportation logistics; storage; storage information; transportation information; freight forwarding; vehicle transport services; arranging of car hire; transport of goods; transportation of freight by road; tracking of passenger vehicles by computer or via global positioning system [transport information].

(260) AM 2022 117494 A

(800) 1656038

(151) 2021 05 10

(891) 2021 05 10

(731) TÜRK HAVA YOLLARI ANONİM  
ORTAKLIĞI

GENEL YÖNETİM BİNASI, YEŞİLKÖY

NO: 3 BAKIRKÖY, İSTANBUL, Türkiye

(540)

## TURKISH AIRLINES SKYLIFE

(591) Black, white

(531) 27.05.01

(511)

9 – Electronic equipment used in aeroplanes, machines and devices (term considered too vague by the International Bureau – Rule 13 (2) (b) of the Regulations), measurement and assessment devices, aeroplane indicators, apparatus for recording, transmission or reproduction of sound or images (including computer software and hardware for data processing, communication and reproduction); magnetic, optic data carriers; antennas, satellite antennas, amplifiers and their parts; gauges and time meters; equipment and devices for transferring, converting, storing and controlling of electricity (including cables and power units used in electrics and electronics); warning and alarm devices as the main function, signaling apparatus, fire-extinguishing apparatus; radar apparatus, submarine radars (sonars), night vision apparatus, electrical pest control devices.

16 – Paper and cardboard; printed matter; bookbinding material; photographs; stationery and office requisites, except furniture; adhesives for stationery or household purposes; drawing materials and materials for artists; paintbrushes; instructional and teaching materials; plastic sheets, films and bags for wrapping and packaging; printers' type, printing blocks.

35 – Advertising agencies, television advertising, radio advertising, direct mail advertising, organization of exhibitions and trade fairs for commercial or advertising purposes, marketing studies, sales promotion, public relations, secretarial services, business management consultancy, commercial or industrial management assistance, personnel management consultancy.

38 – Telecommunications services.

39 – Domestic and international air and land transportation services for the carriage of passenger, mail and cargo; booking of seats for air travel; piloting, travel booking (reservation services); rental of aircraft; leasing the use of power lines to third parties for the transmission of electricity; warehousing and transport of materials required for maintenance, repair, recycling and modernization of aircraft and spare parts.

40 – Treatment of materials; recycling of waste and trash; air purification and treatment of water; printing services; food and drink preservation.



41 – Education, training and teaching, arranging and conducting of symposiums, conferences, congresses and seminars, publication of books and magazines, film production, production of radio and television programmes.

42 – Compilation of technology for aircraft and parts thereof, services of scientific and industrial review and research, engineering services, technical expertise for third parties, in the field of aviation, aircraft and flight engineering; technological services and research and design relating thereto in the field of aircraft and parts thereof; inspection of electronic databases and software for aircraft and parts thereof; independent inspection and revision of such services; provision of information relating to technological research and development in the field of aircraft and parts thereof; inspection of airplanes and airplane parts.

43 – Services for providing food and drink; temporary accommodation.

ffee beverages; instant coffee; coffee powder; tea; pastries; sugar and natural sweeteners; pastry dough; biscuits and cookies; cookies; brownies; cheese cakes; cakes; waffles; wafers; confectionery, particularly sugar confectionery and chocolate confectionery; chocolate spreads; chilled and iced confectionery; cereal and chocolate-based desserts; ice desserts based on cereals and chocolate; iced cakes; frozen yogurts; chilled desserts based on cereals and chocolate; dough-based products; cereal-based preparations; breakfast cereals; roasted and popped corn [popcorn]; ice cream; sherbets [ices]; honey; puddings; snacks in the form of popcorn and corn chips; snacks based on corn, rice, barley, rye or pastry dough; cream puddings; trifles.

32 – Non-alcoholic beverages; syrups for making beverages; non-alcoholic preparations for making beverages.

(260) AM 2022 117495 A

(800) 1656039

(151) 2022 02 01

(891) 2022 02 01

(731) Kraft Foods Schweiz Holding GmbH

Chollerstrasse 4, CH-6300 Zug, Switzerland

(540)



(591) Brownish yellow (chamois), red and gold

(531) 06.01.02; 06.01.04; 26.04.02; 26.04.05;  
26.04.16; 26.04.22; 27.05.03; 29.01.13

(511)

29 – Dried, preserved, cooked and steamed fruits; jellies for food; jams; marmalades; cocoa butter; dairy products; dairy spreads; dairy products, particularly dairy desserts and chilled dairy desserts, including creams and yogurt-based products; cheeses; cream cheese; cheese-based products; cheese spread; fresh cheese; milk and dairy products; powdered milk; desserts and dessert preparations based on dairy products; yogurt; drinking yogurts; milkshakes; buttercream; crème fraîche; sour cream; lemon curd; Chantilly cream, whipped cream; cottage cheese; milk-based beverages; milk-based flavored beverages, including milk-based flavored beverages containing chocolate, white chocolate and coffee; dairy product substitutes; almond milk; soy milk; rice milk; coconut milk; oat milk; peanut milk; yogurt-based beverages; desserts based on milk substitutes; beverages based on milk substitutes; snacks based on potatoes, vegetables or fruits; roasted, dried, salted and seasoned nuts; hazelnut spreads; fruit spreads; nut-based spreads.

30 – Coffee; coffee extracts; coffee substitutes; cocoa; chocolate; cocoa beverages; chocolate beverages, co-

**INTERNATIONAL TRADEMARKS PROTECTED IN GEORGIA**

(260) AM 2022 112447 A  
(800) 1584410  
(151) 2020 12 08  
(181) 2030 12 08  
(891) 2020 12 08  
(511) 04

---

(260) AM 2022 114939 A  
(800) 1618649  
(151) 2021 05 18  
(181) 2031 05 18  
(891) 2021 05 18  
(511) 09

---

(260) AM 2022 115051 A  
(800) 1620438  
(151) 2021 09 08  
(181) 2031 09 08  
(891) 2021 09 08  
(511) 35

---

(260) AM 2022 115075 A  
(800) 1621266  
(151) 2021 08 27  
(181) 2031 08 27  
(891) 2021 08 27  
(511) 09, 12, 14, 15, 16, 18, 20, 21, 22, 23, 24, 25, 26,  
28, 29, 30, 31, 32, 35, 39, 41, 43, 44, 45

---

(260) AM 2022 115087 A  
(800) 1010631  
(151) 2009 07 07  
(181) 2029 07 07  
(891) 2021 08 25  
(511) 29

---

(260) AM 2022 115088 A  
(800) 1075954  
(151) 2011 03 01  
(181) 2031 03 01  
(891) 2021 09 14  
(511) 30

---

(260) AM 2022 115143 A  
(800) 1622199  
(151) 2021 07 13  
(181) 2031 07 13

(891) 2021 07 13  
(511) 30

---

(260) AM 2022 115144 A  
(800) 1622201  
(151) 2021 07 13  
(181) 2031 07 13  
(891) 2021 07 13  
(511) 30

---

(260) AM 2022 115166 A  
(800) 1622676  
(151) 2021 08 19  
(181) 2031 08 19  
(891) 2021 08 19  
(511) 03, 05

---

(260) AM 2022 115180 A  
(800) 1623066  
(151) 2021 07 15  
(181) 2031 07 15  
(891) 2021 07 15  
(511) 05, 09, 10, 25, 29, 35, 38, 42

---

(260) AM 2022 115181 A  
(800) 1623176  
(151) 2021 09 14  
(181) 2031 09 14  
(891) 2021 09 14  
(511) 09, 10, 18, 25, 28, 35, 41

---

(260) AM 2022 115200 A  
(800) 1601835  
(151) 2020 12 21  
(181) 2030 12 21  
(891) 2021 09 27  
(511) 05, 09, 10, 28, 29, 30, 32, 35, 41

---

(260) AM 2022 115201 A  
(800) 1604108  
(151) 2021 05 26  
(181) 2031 05 26  
(891) 2021 09 20  
(511) 05, 16, 44

---

(260) AM 2022 115243 A  
(800) 1623459  
(151) 2021 09 06  
(181) 2031 09 06  
(891) 2021 09 06  
(511) 33

---

(260) AM 2022 115244 A  
(800) 1623485  
(151) 2021 02 12  
(181) 2031 02 12  
(891) 2021 02 12  
(511) 06, 17, 19

---

(260) AM 2022 115245 A  
(800) 1623517  
(151) 2021 08 02  
(181) 2031 08 02  
(891) 2021 08 02  
(511) 09, 35, 36, 38, 41, 42, 45

---

(260) AM 2022 115246 A  
(800) 1623595  
(151) 2021 09 27  
(181) 2031 09 27  
(891) 2021 09 27  
(511) 16

---

(260) AM 2022 115247 A  
(800) 1623601  
(151) 2021 09 22  
(181) 2031 09 22  
(891) 2021 09 22  
(511) 05, 16, 44

---

(260) AM 2022 115248 A  
(800) 1623624  
(151) 2021 08 23  
(181) 2031 08 23  
(891) 2021 08 23  
(511) 03, 16, 21

---

(260) AM 2022 115259 A  
(800) 1623896  
(151) 2021 07 09  
(181) 2031 07 09  
(891) 2021 07 09  
(511) 03, 05

---

(260) AM 2022 115260 A  
(800) 1623922  
(151) 2021 08 13  
(181) 2031 08 13  
(891) 2021 08 13  
(511) 16

---

(260) AM 2022 115261 A  
(800) 1623939  
(151) 2021 07 22  
(181) 2031 07 22  
(891) 2021 07 22  
(511) 09

---

(260) AM 2022 115263 A  
(800) 1623985  
(151) 2021 09 23  
(181) 2031 09 23  
(891) 2021 09 23  
(511) 16

---

(260) AM 2022 115264 A  
(800) 1623988  
(151) 2021 09 28  
(181) 2031 09 28  
(891) 2021 09 28  
(511) 03, 05, 10

---

(260) AM 2022 115265 A  
(800) 1623989  
(151) 2021 09 28  
(181) 2031 09 28  
(891) 2021 09 28  
(511) 03, 05, 10

---

(260) AM 2022 115266 A  
(800) 1623990  
(151) 2021 09 28  
(181) 2031 09 28  
(891) 2021 09 28  
(511) 03, 05, 10

---

(260) AM 2022 115267 A  
(800) 1624016  
(151) 2020 12 18  
(181) 2030 12 18  
(891) 2020 12 18  
(511) 01, 04, 07, 09, 11, 12

---

(260) AM 2022 115294 A  
(800) 1366935  
(151) 2017 07 27  
(181) 2027 07 27  
(891) 2021 10 18  
(511) 33

---

(260) AM 2022 115376 A  
(800) 1625025  
(151) 2021 09 09  
(181) 2031 09 09  
(891) 2021 09 09  
(511) 31

---

(260) AM 2022 115377 A  
(800) 1625094  
(151) 2021 10 01  
(181) 2031 10 01  
(891) 2021 10 01  
(511) 03, 35

---

(260) AM 2022 115378 A  
(800) 1625109  
(151) 2021 10 07  
(181) 2031 10 07  
(891) 2021 10 07  
(511) 03, 19, 37

---

(260) AM 2022 115379 A  
(800) 1625240  
(151) 2021 07 07  
(181) 2031 07 07  
(891) 2021 07 07  
(511) 03

---

(260) AM 2022 115380 A  
(800) 1625276  
(151) 2021 08 06  
(181) 2031 08 06  
(891) 2021 08 06  
(511) 30

---

(260) AM 2022 115381 A  
(800) 1625287  
(151) 2021 08 10  
(181) 2031 08 10  
(891) 2021 08 10  
(511) 01, 02

---

(260) AM 2022 115382 A  
(800) 1625351  
(151) 2021 09 23  
(181) 2031 09 23  
(891) 2021 09 23  
(511) 10, 42, 44

---

(260) AM 2022 115383 A  
(800) 1625406  
(151) 2021 09 29  
(181) 2031 09 29  
(891) 2021 09 29  
(511) 09

---

(260) AM 2022 115384 A  
(800) 1625476  
(151) 2021 10 13  
(181) 2031 10 13  
(891) 2021 10 13  
(511) 05, 16, 44

---

(260) AM 2022 115385 A  
(800) 1625574  
(151) 2021 07 27  
(181) 2031 07 27  
(891) 2021 07 27  
(511) 01, 02, 17, 19

---

(260) AM 2022 115397 A  
(800) 1479571  
(151) 2019 04 29  
(181) 2029 04 29  
(891) 2021 10 07  
(511) 18, 25, 35

---

(260) AM 2022 115493 A  
(800) 912829  
(151) 2006 04 14  
(181) 2026 04 14  
(891) 2021 10 22  
(511) 07, 09, 10

---

(260) AM 2022 115540 A  
(800) 1627630  
(151) 2021 04 21  
(181) 2031 04 21  
(891) 2021 04 21  
(511) 01, 02

---

(260) AM 2022 115543 A  
(800) 1627653  
(151) 2021 08 12  
(181) 2031 08 12  
(891) 2021 08 12  
(511) 05

---

(260) AM 2022 115566 A  
(800) 1628546  
(151) 2021 09 17  
(181) 2031 09 17  
(891) 2021 09 17  
(511) 03, 04, 05, 10

---

(260) AM 2022 115567 A  
(800) 1628550  
(151) 2021 09 02  
(181) 2031 09 02  
(891) 2021 09 02  
(511) 06, 10, 17, 20, 21

---

(260) AM 2022 115568 A  
(800) 1628564  
(151) 2021 10 19  
(181) 2031 10 19  
(891) 2021 10 19  
(511) 10, 42, 44

---

(260) AM 2022 115569 A  
(800) 1628602  
(151) 2021 10 01  
(181) 2031 10 01  
(891) 2021 10 01  
(511) 05

---

(260) AM 2022 115570 A  
(800) 1628731  
(151) 2021 07 05  
(181) 2031 07 05  
(891) 2021 07 05  
(511) 01, 02, 03, 04, 05, 06, 07, 09, 11, 12, 14, 16, 17,  
18, 19, 20, 21, 25, 28, 35, 36, 37, 38, 39, 40, 41,  
42, 43, 45

---

(260) AM 2022 115571 A  
(800) 1628735  
(151) 2021 10 06  
(181) 2031 10 06  
(891) 2021 10 06  
(511) 03

---

(260) AM 2022 115572 A  
(800) 1628738  
(151) 2021 10 06  
(181) 2031 10 06  
(891) 2021 10 06  
(511) 14

---

(260) AM 2022 115573 A  
(800) 1628807  
(151) 2021 06 25  
(181) 2031 06 25  
(891) 2021 06 25  
(511) 09

---

(260) AM 2022 115574 A  
(800) 1628809  
(151) 2021 06 10  
(181) 2031 06 10  
(891) 2021 06 10  
(511) 01

---

(260) AM 2022 115622 A  
(800) 1629320  
(151) 2021 07 12  
(181) 2031 07 12  
(891) 2021 07 12  
(511) 09

---

(260) AM 2022 115630 A  
(800) 1629506  
(151) 2021 06 04  
(181) 2031 06 04  
(891) 2021 06 04  
(511) 09, 14, 35

---

(260) AM 2022 115773 A  
(800) 1632769  
(151) 2021 06 23  
(181) 2031 06 23  
(891) 2021 06 23  
(511) 21, 33

---

(260) AM 2022 115799 A  
(800) 1633464  
(151) 2021 11 03  
(181) 2031 11 03  
(891) 2021 11 03  
(511) 09

---

(260) AM 2022 115939 A  
(800) 1635013  
(151) 2021 10 25  
(181) 2031 10 25  
(891) 2021 10 25  
(511) 01, 02

---

(260) AM 2022 115940 A  
(800) 1635031  
(151) 2021 11 04  
(181) 2031 11 04  
(891) 2021 11 04  
(511) 09, 12

---

(260) AM 2022 115941 A  
(800) 1635034  
(151) 2021 11 04  
(181) 2031 11 04  
(891) 2021 11 04  
(511) 09, 12

---

---

**OFFICIAL NOTIFICATIONS  
INVENTIONS  
RESTORATION OF PATENTS**

(21) AP 2011 13228  
(11) P 2015 6316 B  
(73) Crystal Lagoons (Curacao) B.V.  
(54) METHOD AND SYSTEM FOR TREATING WATER USED FOR INDUSTRIAL PURPOSES  
DATE OF PATENT CANCELLATION: 2022 09 12  
DATE OF PATENT RESTORATION: 2022 11 25

---

(21) AP 2011 13229  
(11) P 2016 6515 B  
(73) Crystal Lagoons (Curacao) B.V.  
(54) CHEEP SUSTAINABLE METHOD AND SYSTEM TO TREAT WATER BODIES AFFECTED BY BACTERIA AND MICROALGAE  
DATE OF PATENT CANCELLATION: 2022 09 12  
DATE OF PATENT RESTORATION: 2022 11 25

---

(21) AP 2011 13230  
(11) P 2015 6317 B  
(73) Crystal Lagoons (Curacao) B.V.  
(54) METHOD AND SYSTEM FOR THE SUSTAINABLE COOLING OF INDUSTRIAL PROCESSES  
DATE OF PATENT CANCELLATION: 2022 09 12  
DATE OF PATENT RESTORATION: 2022 11 25

---

(21) AP 2017 14618  
(11) P 2020 7066 B  
(73) Giorgi Oniashvili;  
Garagin Zakharov;  
Giorgi Tavadze;  
Aleksi Berner;  
Zurab Aslamazashvili  
(54) METHOD FOR PRODUCTION OF GRADIENT MATERIAL RESISTANT TO DYNAMIC LOAD OF HIGH INTENSITY WITH METHOD OF SELF-PROPAGATING HIGH-TEMPERATURE SYNTHESIS IN TI-B-N-C-ME AND TI-CR-C-ME SYSTEMS  
DATE OF PATENT CANCELLATION: 2022 10 27  
DATE OF PATENT RESTORATION: 2022 11 25

---

(21) AP 2016 14676  
(11) P 2021 7243 B  
(73) Estetra SPRL  
(54) ORODISPERSIBLE DOSAGE UNIT CONTAINING AN ESTETROL COMPONENT  
DATE OF PATENT CANCELLATION: 2022 06 17  
DATE OF PATENT RESTORATION: 2022 11 25

---

(21) AP 2016 14677  
(11) P 2021 7308 B  
(73) Estetra SPRL  
(54) ORODISPERSIBLE DOSAGE UNIT CONTAINING AN ESTETROL COMPONENT  
DATE OF PATENT CANCELLATION: 2022 06 17  
DATE OF PATENT RESTORATION: 2022 11 25

---

## ABOLITION OF PATENT WITH THE RIGHT TO RESTORE

(21) AP 2012 12880  
(11) P 2014 6048 B  
(73) Sopio Butjanadze  
(54) CAVITATION-ELECTROLYSIS DEVICE FOR HYDROGEN GENERATION  
DATE OF PATENT CANCELLATION: 2022 10 26  
LIMITED DATE OF PATENT RESTORATION: 2023 10 26

---

(21) AP 2013 13269  
(11) P 2015 6411 B  
(73) Gizo Tsanava  
(54) METHOD FOR WALL CONSTRUCTION WITH DRY WALLING  
DATE OF PATENT CANCELLATION: 2022 10 24  
LIMITED DATE OF PATENT RESTORATION: 2024 10 24

---

(21) AP 2014 14088  
(11) P 2018 6904 B  
(73) Crystal Lagoons (Curacao) B.V.  
(54) FLOATING LAKE AND METHODS OF TREATING WATER WITHIN THE FLOATING LAKE  
DATE OF PATENT CANCELLATION: 2022 11 04  
LIMITED DATE OF PATENT RESTORATION: 2023 11 04

---

(21) AP 2015 14514  
(11) P 2020 7081 B  
(73) Ioulia TSETI  
(54) PROCESS FOR PRODUCING IRON (III) CASEIN N-ACETYL-ASPARTYLATED COMPLEXES AND  
USE THEREOF IN PHARMACEUTICAL COMPOSITIONS  
DATE OF PATENT CANCELLATION: 2022 10 22  
LIMITED DATE OF PATENT RESTORATION: 2023 10 22

---

(21) AP 2017 14618  
(11) P 2020 7066 B  
(73) Giorgi Oniashvili;  
Garagin Zakharov;  
Giorgi Tavadze;  
Aleksi Berner;  
Zurab Aslamazashvili  
(54) METHOD FOR PRODUCTION OF GRADIENT MATERIAL RESISTANT TO DYNAMIC LOAD OF  
HIGH INTENSITY WITH METHOD OF SELF-PROPAGATING HIGH-TEMPERATURE SYNTHESIS  
IN TI-B-N-C-ME AND TI-CR-C-ME SYSTEMS  
DATE OF PATENT CANCELLATION: 2022 10 27  
LIMITED DATE OF PATENT RESTORATION: 2024 10 27

---



(21) AP 2018 14915  
(11) P 2020 7140 B  
(73) Shota Gorjeladze;  
Irakli Gorjeladze  
(54) ROPEWAY  
DATE OF PATENT CANCELLATION: 2022 11 02  
LIMITED DATE OF PATENT RESTORATION: 2023 11 02

---

(21) AP 2017 15096  
(11) P 2021 7248 B  
(73) The General Hospital Corporation;  
Bayer Aktiengesellschaft;  
President And Fellows Of Harvard College;  
Bayer Pharma Aktiengesellschaft;  
The Broad Institute Inc.  
(54) 2,4,5-TRISUBSTITUTED 1,2,4-TRIAZOLONES USEFUL AS INHIBITORS OF DHODH  
DATE OF PATENT CANCELLATION: 2022 10 25  
LIMITED DATE OF PATENT RESTORATION: 2023 10 25

---

(21) AP 2018 15351  
(11) P 2022 7373 B  
(73) Aicuris GMBH & CO. KG  
(54) NOVEL, HIGHLY ACTIVE AMINO-THIAZOLE SUBSTITUTED INDOLE-2-CARBOXAMIDES  
ACTIVE AGAINST THE HEPATITIS B VIRUS (HBV)  
DATE OF PATENT CANCELLATION: 2022 11 02  
LIMITED DATE OF PATENT RESTORATION: 2023 11 02

---

(21) AP 2018 15353  
(11) P 2022 7374 B  
(73) Aicuris GMBH & CO. KG  
(54) NOVEL, HIGHLY ACTIVE PYRAZOLO-PIPERIDINE SUBSTITUTED INDOLE-2-CARBOXAMIDES  
ACTIVE AGAINST THE HEPATITIS B VIRUS (HBV)  
DATE OF PATENT CANCELLATION: 2022 11 02  
LIMITED DATE OF PATENT RESTORATION: 2023 11 02

---

## EXPIRATION OF PATENT RESTORATION DATE

(21) AP 2008 10961  
(11) P 2012 5579 B  
(73) Les Laboratoires Servier  
(54) NOVEL CRYSTALLINE FORM VI OF AGOMELATINE, PREPARATION METHOD THEREOF  
AND PHARMACEUTICAL COMPOSITIONS CONTAINING SAME  
DATE OF PATENT CANCELLATION: 2021 11 04  
DATE OF PATENT RESTORATION EXPIRATION: 2022 11 04

---

(21) AP 2007 11265  
(11) P 2012 5568 B  
(73) Takeda Pharmaceutical Company Limited  
(54) METASTIN DERIVATIVES AND USE THEREOF  
DATE OF PATENT CANCELLATION: 2021 10 24  
DATE OF PATENT RESTORATION EXPIRATION: 2022 10 24

---

(21) AP 2009 12240  
(11) P 2013 5860 B  
(73) Sunrise R&D Holdings LLC  
(54) SYSTEMS OF INFLUENCE ON SHOPPERS AT FIRST MOMENT OF DECISION AT RETAIL ESTABLISHMENT  
DATE OF PATENT CANCELLATION: 2021 11 02  
DATE OF PATENT RESTORATION EXPIRATION: 2022 11 02

---

(21) AP 2009 12241  
(11) P 2013 5861 B  
(73) Sunrise R&D Holdings LLC  
(54) METHODS OF INFLUENCE ON SHOPPERS AT FIRST MOMENT OF DECISION AT RETAIL ESTABLISHMENT  
DATE OF PATENT CANCELLATION: 2021 11 02  
DATE OF PATENT RESTORATION EXPIRATION: 2022 11 02

---

(21) AP 2011 12424  
(11) P 2013 5740 B  
(73) Allied Global Tobacco Limited  
(54) CIGARETTE WITHOUT FILTER  
DATE OF PATENT CANCELLATION: 2021 10 24  
DATE OF PATENT RESTORATION EXPIRATION: 2022 10 24

---

(21) AP 2013 14156  
(11) P 2020 7208 B  
(73) Tillotts Pharma AG  
(54) DELAYED RELEASE DRUG FORMULATION  
DATE OF PATENT CANCELLATION: 2021 10 29  
DATE OF PATENT RESTORATION EXPIRATION: 2022 10 29

---

(21) AP 2016 14761  
(11) P 2020 7142 B  
(73) Arven Ilac Sanayi Ve Ticaret A.S.  
(54) BLISTER FOR INHALABLE FORMULATION OF TIOTROPIUM BROMIDE  
DATE OF PATENT CANCELLATION: 2021 10 21  
DATE OF PATENT RESTORATION EXPIRATION: 2022 10 21

---

(21) AP 2013 14874  
(11) P 2020 7119 B  
(73) Tillotts Pharma AG  
(54) A DELAYED RELEASE DRUG FORMULATION  
DATE OF PATENT CANCELLATION: 2021 10 29  
DATE OF PATENT RESTORATION EXPIRATION: 2022 10 29

---

(21) AP 2004 9274  
(11) P 2009 4701 B  
(73) Interdigital Technology Corporation  
(54) METHOD AND APPARATUS FOR PROCESSING DATA BLOCKS DURING SOFT HANDOVER  
DATE OF PATENT CANCELLATION: 2021 11 02  
DATE OF PATENT RESTORATION EXPIRATION: 2022 11 02

---

## EXPIRATION OF TERMS OF PATENTS

(21) AP 2002 8127  
(11) P 2007 4097 B  
(73) Aspen Global Incorporated  
(54) USE OF SPECIFIC DOSE OF FONDAPARINUX SODIUM FOR THE TREATMENT OF ACS  
DATE OF PATENT EXPIRATION: 2022 11 07

---

(21) AP 2002 8256  
(11) P 2007 4222 B  
(73) Pfizer Inc.;  
Abgenix Inc.  
(54) ANTIBODIES TO CD40  
DATE OF PATENT EXPIRATION: 2022 11 08

---

(21) AP 2002 8277  
(11) P 2006 3861 B  
(73) Zentaris AI VI EF GMBH  
(54) INJECTION SOLUTION COMPRISING LHRH ANTAGONIST  
DATE OF PATENT EXPIRATION: 2022 11 15

---

## UTILITY MODELS

### RESTORATION OF PATENT

(21) AU 2020 15425  
(11) U 2022 2109 Y  
(73) Roland Zhorzholiani  
(54) COASTLINE ANTI-LANDSLIDE FAST CONSTRUCTING WALL  
DATE OF PATENT CANCELLATION: 2022 08 26  
DATE OF PATENT RESTORATION: 2022 11 25

---

### ABOLITION OF PATENTS WITH THE RIGHT TO RESTORE

(21) AU 2015 13986  
(11) U 2016 1906 Y  
(73) Raul Tur,anidze;  
Giorgi Popkhadze  
(54) POWER SYSTEM ACCUMULATING WIND AND SOLAR ENERGY  
DATE OF PATENT CANCELLATION: 2022 11 06  
LIMITED DATE OF PATENT RESTORATION: 2023 11 06

---

(21) AU 2019 15204  
(11) U 2020 2057 Y  
(73) Avtandil Bitsadze  
(54) GREENHOUSE FOR COLD REGIONS  
DATE OF PATENT CANCELLATION: 2022 10 25  
LIMITED DATE OF PATENT RESTORATION: 2023 10 25

---

(21) AU 2020 15477  
(11) U 2022 2108 Y  
(73) Mamuka Verulava  
(54) METHOD FOR HOUSEFLY WORM GROWTH  
DATE OF PATENT CANCELLATION: 2022 10 27  
LIMITED DATE OF PATENT RESTORATION: 2023 10 27

---

## DESIGNS

### CANCELLATION OF DESIGN REGISTRATION

(11) D 2018 746 S  
(73) Vladimir Beridze (GE)  
Digomi Massive, Tereverko Str. 36, Entrance 3, ap. 48, 0159, Tbilisi, Georgia (GE)  
(54) WOODY CLOCK  
(18) 2022 03 15  
(58) 2022 11 10

---

### EXTENTION OF TERMS OF INTERNATIONAL DESIGNS REGISTRATION

(11) DM/100032  
(73) XTREME LASHES LLC  
24127 West Hardy Road, Spring, TX 77373 (US)  
(15) 2017 11 16  
(24) 2017 11 16  
(18) 2027 11 16  
(28) 1  
(28') 1  
(54) TWEEZERS

---

(11) DM/69320  
(73) ROLEX SA  
Rue François-Dussaud 3-5-7, CH-1211 Genève 24 (CH)  
(15) 2007 10 17  
(24) 2007 10 17  
(18) 2027 10 17  
(28) 2  
(28') 2  
(54) WATCH CASE, WATCH STRAP

---

(11) DM/69324  
(73) SWATCH AG (SWATCH SA) (SWATCH LTD)  
    Jakob-Stämpfli-Strasse 94, CH-2502 Biel/Bienne (CH)  
(15) 2007 10 15  
(24) 2007 10 15  
(18) 2027 10 15  
(28) 1  
(28') 1  
(54) WRISTWATCH

---

(11) DM/69326  
(73) SWATCH AG (SWATCH SA) (SWATCH LTD)  
    Jakob-Stämpfli-Strasse 94, CH-2502 Biel/Bienne (CH)  
(15) 2007 10 15  
(24) 2007 10 15  
(18) 2027 10 15  
(28) 1  
(28') 1  
(54) WRISTWATCH

---

(11) DM/69337  
(73) OMEGA SA (OMEGA AG) (OMEGA LTD.)  
    Jakob-Stämpfli-Strasse 96, CH-2502 Biel/Bienne (CH)  
(15) 2007 10 08  
(24) 2007 10 08  
(18) 2027 10 08  
(28) 2  
(28') 2  
(54) WATCHES

---

(11) DM/69338  
(73) OMEGA SA (OMEGA AG) (OMEGA LTD.)  
    Jakob-Stämpfli-Strasse 96, CH-2502 Biel/Bienne (CH)  
(15) 2007 10 08  
(24) 2007 10 08  
(18) 2027 10 08  
(28) 1  
(28') 1  
(54) WATCH

---

(11) DM/69339  
(73) THE SWATCH GROUP MANAGEMENT SERVICES AG (THE SWATCH GROUP MANAGEMENT SERVICES SA) (THE SWATCH GROUP MANAGEMENT SERVICES LTD.)  
    Seevorstadt 6, CH-2502 BIENNE (CH)  
(15) 2007 10 08  
(24) 2007 10 08  
(18) 2027 10 08  
(28) 8  
(28') 1  
(54) WATCH CASES; 3.-8. DIALS

---

(11) DM/69376  
(73) THE SWATCH GROUP MANAGEMENT SERVICES AG (THE SWATCH GROUP MANAGEMENT SERVICES SA) (THE SWATCH GROUP MANAGEMENT SERVICES LTD.)  
Seevorstadt 6, CH-2502 BIENNE (CH)  
(15) 2007 10 23  
(24) 2007 10 23  
(18) 2027 10 23  
(28) 18  
(28') 3  
(54) WATCHES, WRISTWATCHES

---

(11) DM/69378  
(73) TISSOT S.A.  
Chemin des Tourelles 17, CH-2400 LE LOCLE (CH)  
(15) 2007 10 22  
(24) 2007 10 22  
(18) 2027 10 22  
(28) 1  
(28') 1  
(54) WATCH CASE WITH BRACELET

---

(11) DM/79122  
(73) İPEK KAĞIT SANAYİ VE TİCARET ANONİM ŞİRKETİ  
Kanyon Ofis Büyükdere Cad. No:185, TR-34394 Levent/Istanbul (TR)  
(15) 2012 07 25  
(24) 2012 07 25  
(18) 2027 07 25  
(28) 8  
(28') 3  
(54) EMBOSsing PATTERNS FOR ARTICLES OF ABSORBENT PAPER

---

(11) DM/79290  
(73) GUNSAN ELEKTRİK MALZEMELERİ SANAYİ VE TİCARET ANONİM ŞİRKETİ  
Osmangazi Mahallesi Yıldırım Beyazıt Caddesi No:29, Sancaktepe/Istanbul (TR)  
(15) 2012 10 03  
(24) 2012 10 03  
(18) 2027 10 03  
(28) 4  
(28') 4  
(54) ELECTRICITY SOCKET, ELECTRIC SWITCH, TELEPHONE PLUG, TOUCH DIMMER

---

(11) DM/79291  
(73) GUNSAN ELEKTRİK MALZEMELERİ SANAYİ VE TİCARET ANONİM ŞİRKETİ  
Osmangazi Mahallesi Yıldırım Beyazıt Caddesi No:29, Sancaktepe/Istanbul (TR)  
(15) 2012 10 03  
(24) 2012 10 03  
(18) 2027 10 03  
(28) 3  
(28') 3  
(54) COMMUTATOR, ELECTRIC SWITCH, GROUNDED SOCKET

---

(11) DM/79300  
(73) THE SWATCH GROUP MANAGEMENT SERVICES AG (THE SWATCH GROUP MANAGEMENT SERVICES SA) (THE SWATCH GROUP MANAGEMENT SERVICES LTD)  
Seevorstadt 6, CH-2502 Biel/Bienne (CH)  
(15) 2012 10 09  
(24) 2012 10 09  
(18) 2027 10 09  
(28) 9  
(28') 5  
(54) WATCH, WATCH CASE, WATCH CASES, WATCH CASES WITH BRACELETS

---

(11) DM/79535  
(73) HANS GEORG HAGLEITNER  
Lindenallee 11, A-5700 Zell am See (EM)  
(15) 2012 11 19  
(24) 2012 11 19  
(18) 2027 11 19  
(28) 3  
(28') 3  
(54) DISPENSERS [SANITARY APPLIANCES]

---

(11) DM/80364  
(73) HAUSBRANDT TRIESTE 1892 S.P.A.  
Via Foscarini, 52, I-31040 NERVESA DELLA BATTAGLIA (TV) (IT)  
(15) 2012 11 28  
(24) 2012 11 28  
(18) 2027 11 28  
(28) 1  
(28') 1  
(54) COFFEE CAPSULE

---

(11) DM/98065  
(73) PROSTORIA LTD  
Pustodol Začretski 19G, HR-49223 Sveti Križ Začretje (HR)  
(15) 2017 10 12  
(24) 2017 10 12  
(18) 2027 10 12  
(28) 3  
(28') 3  
(54) 1.-3. CHAIRS

---

(11) DM/98168  
(73) OMEGA SA (OMEGA AG) (OMEGA LTD.)  
Jakob-Stämpfli-Strasse 96, CH-2502 Biel/Bienne (CH)  
(15) 2017 10 17  
(24) 2017 10 17  
(18) 2027 10 17  
(28) 4  
(28') 4  
(54) WATCH CASE, WATCHES, WATCH WINDING CROWN

---

(11) DM/98231  
(73) THE SWATCH GROUP MANAGEMENT SERVICES AG (THE SWATCH GROUP MANAGEMENT SERVICES SA) (THE SWATCH GROUP MANAGEMENT SERVICES LTD)  
Seevorstadt 6 2502 Biel/Bienne (CH)  
(15) 2017 10 13  
(24) 2017 10 13  
(18) 2027 10 13  
(28) 18  
(28') 2  
(54) 10. WATCH CASE, 11.-12. WATCHES,13. WATCH DIAL, 14.-15. WATCH CASES WITH BRACELETS, 16.-17. WATCHES,18. WATCH DIAL,1. WATCH CASES WITH BRACELETS,2.-3. WRISTWATCHES, 4.-5. WATCHES, 6.-7. WATCH CASES WITH BRACELETS, 8.-9. WATCHES

---

(11) DM/98287  
(73) SWATCH AG (SWATCH SA) (SWATCH LTD.)  
Jakob-Stämpfli-Strasse 94, CH-2502 Biel/Bienne (CH)  
(15) 2017 10 25  
(24) 2017 10 25  
(18) 2027 10 25  
(28) 1  
(28') 1  
(54) WATCH CASE

---

(11) DM/98296  
(73) THE PROCTER & GAMBLE COMPANY  
One Procter & Gamble Plaza, Cincinnati, OH 45202 (US)  
(15) 2017 10 25  
(24) 2017 10 25  
(18) 2027 10 25  
(28) 17  
(28') 17  
(54) 1.-17. ORNAMENTATION

---

(11) DM/99446  
(73) PROSTORIA LTD  
Pustodol Začretski 19G, HR-49223 Sveti Križ Začretje (HR)  
(15) 2017 10 12  
(24) 2017 10 12  
(18) 2027 10 12  
(28) 1  
(28') 1  
(54) LOUNGE CHAIR

---



## CANCELLATION OF INTERNATIONAL DESIGNS REGISTRATION

(11) DM/68408  
(73) PATRICK JOSEPH LASSIGNE  
23, Chemin des Villarets, CH-2036 Cormondrèche (CH)  
DATE OF REGISTRATION CANCELLATION: 2021 12 04  
(58) 2022 11 11

---

(11) DM/68443  
(73) TISSOT S.A.  
17, Chemin des Tourelles, CH-2400 LE LOCLE (CH)  
DATE OF REGISTRATION CANCELLATION: 2021 12 20  
(58) 2022 11 11

---

(11) DM/77234  
(73) TISSOT SA (TISSOT AG) (TISSOT LTD)  
17, Chemin des Tourelles, CH-2400 Le Locle (CH)  
DATE OF REGISTRATION CANCELLATION: 2021 12 01  
(58) 2022 11 11

---

(11) DM/77236  
(73) ETA SA MANUFACTURE HORLOGÈRE SUISSE  
CH-2540 Grenchen (CH)  
DATE OF REGISTRATION CANCELLATION: 2021 12 01  
(58) 2022 11 11

---

(11) DM/77250  
(73) ETA SA MANUFACTURE HORLOGÈRE SUISSE  
CH-2540 Grenchen (CH)  
DATE OF REGISTRATION CANCELLATION: 2021 12 07  
(58) 2022 11 11

---

## TRADEMARKS

### EXTENSION OF TERMS OF TRADEMARKS REGISTRATION

(111) M 2002 14449 R2  
(156) 2002 05 22  
(186) 2032 05 22  
(732) LTD "Football Club "Dinamo Tbilisi"  
Dighomi., III qu., Training Base, 0159, Tbilisi,  
Georgia

---

(111) M 2002 14745 R2  
(156) 2002 10 15  
(186) 2032 10 15  
(732) LTD "Football Club "Dinamo Tbilisi"  
Dighomi., III qu., Training Base, 0159, Tbilisi,  
Georgia

---

(111) M 2002 14746 R2  
(156) 2002 10 15  
(186) 2032 10 15  
(732) LTD "Football Club "Dinamo Tbilisi"  
Dighomi., III qu., Training Base, 0159, Tbilisi,  
Georgia

---

(111) M 2002 14800 R2  
(156) 2002 11 15  
(186) 2032 11 15  
(732) Egis Gyógyszergyár Zrt.  
30-38, Keresztúri út. Budapest, H-1106,  
Budapest, Hungary

---

(111) M 2002 14807 R2  
(156) 2002 11 15  
(186) 2032 11 15  
(732) Firat Plastik Kaucuk Sanayi Ve Ticaret  
A.S.  
Turkoba Koyu, Buyukcekmece Istanbul,  
Türkiye

---

(111) M 2012 22759 R1  
(156) 2012 07 13  
(186) 2032 07 13  
(732) Tariel Mikabadze  
Vill. Tsitelkhevi, 1000, Baghdati Region,  
Georgia

---

(111) M 2012 23132 R1  
(156) 2012 11 29  
(186) 2032 11 29  
(732) Mastellone Hnos. S.A.  
Alte. Brown 957; (1748) General Rodríguez,  
Provincia de Santa Fe, Argentina

---

(111) M 2013 23463 R1  
(156) 2013 03 13  
(186) 2033 03 13  
(732) LTD "Medical Center "Cito"  
Zakaria Paliashvili Str. 40, 0179, Tbilisi,  
Georgia

---

(111) M 2013 24065 R1  
(156) 2013 09 20  
(186) 2033 09 20  
(732) JSC "Rustavi Azoti"  
Mshvidoba Str. 2, Rustavi, Georgia

---

## COMPLETE TRANSFER OF RIGHTS

(111) M 2011 21714 R  
(732) Burger King Company LLC  
5707 Blu Lagon Draivi, Maiami, Florida  
33126, USA  
(770) Burger King Corporation  
5707 Blue Lagoon Drive, Miami, Florida  
33126, USA  
(580) 2022 10 02

---

(111) M 2011 21715 R  
(732) Burger King Company LLC  
5707 Blue Lagoon Drive, Miami, Florida  
33126, USA  
(770) Burger King Corporation  
5707 Blue Lagoon Drive, Miami, Florida  
33126, USA  
(580) 2022 10 02

---

(111) M 2011 21786 R  
(732) Burger King Company LLC  
5707 Blue Lagoon Drive, Miami, Florida  
33126, USA  
(770) Burger King Corporation  
5707 Blue Lagoon Drive, Miami, Florida  
33126, USA  
(580) 2022 10 02

---

## CANCELLATION OF TRADEMARKS REGISTRATION

(111) M 2002 14429 R  
(151) 2002 05 07  
(732) LTD "Standard Tobacco Incorporation"  
Abuseridze-Tbeli Str. 13, 0120, Tbilisi,  
Georgia  
(141) 2022 11 15

---

(111) M 2012 22569 R  
(151) 2012 04 30  
(732) KTD "Amore"  
Vakhtang VI Str. 11, 0103, Tbilisi,  
Georgia  
(141) 2022 11 10

---

(111) M 2012 22577 R  
(151) 2012 05 03  
(732) Gallaher Limited  
Members Hill, Brooklands Road, Weybridge,  
Surrey KT13 0QU, United Kingdom  
(141) 2022 11 11

---

(111) M 2012 22578 R  
(151) 2012 05 03  
(732) Gallaher Limited  
Members Hill, Brooklands Road, Weybridge,  
Surrey KT13 0QU, United Kingdom  
(141) 2022 11 11

---

(111) M 2012 22579 R  
(151) 2012 05 03  
(732) Gallaher Limited  
Members Hill, Brooklands Road, Weybridge,  
Surrey KT13 0QU, United Kingdom  
(141) 2022 11 11

---

(111) M 2012 22574 R  
(151) 2012 05 01  
(732) Japan Tobacco Inc.  
1-1, Toranomon 4-chome, Minato-ku, Tokyo,  
Japan  
(141) 2022 11 10

---

(111) M 2012 22581 R  
(151) 2012 05 04  
(732) Darejan Tabukashvili  
Vazha-Pshavela Ave., I Lanr 3/147, 0177,  
Tbilisi, Georgia  
(141) 2022 11 14

---

(111) M 2012 22575 R  
(151) 2012 05 02  
(732) JS "Corgian Bank"  
Iuri Gagarin Str. 29a, 0160, Tbilisi, Georgia  
(141) 2022 11 10

---

(111) M 2012 22576 R  
(151) 2012 05 02  
(732) JS "Corgian Bank"  
Iuri Gagarin Str. 29a, 0160, Tbilisi, Georgia  
(141) 2022 11 10

---

# CLASSIFICATION INDEXES

## INVENTIONS

### CONCORDANCE TABLE OF INTERNATIONAL CLASSIFICATION INDEX AND PUBLICATION NUMBERS

INTERNATIONAL CLASSIFICATION INDEXES (51)	NUMBER OF PUBLISHED APPLICATION (10)
A 23 F 3/34	AP 2022 15589 A
A 47 J 31/40	AP 2022 15817 A
A 61 G 7/05	AP 2022 15899 A
A 61 K 31/5383; A 61 P 25/00; C 07 D 498/04	AP 2022 15464 A
C 02 F 9/00; C 02 F 1/461; C 02 F 1/44; C 02 F 1/28; C 02 F 1/42	AP 2022 15814 A
H 01 Q 15/20	AP 2022 15604 A

### CONCORDANCE TABLE OF PUBLICATION NUMBERS AND INTERNATIONAL CLASSIFICATION INDEX

NUMBER OF PUBLISHED APPLICATION (10)	INTERNATIONAL CLASSIFICATION INDEXES (51)
AP 2022 15464 A	A 61 K 31/5383; A 61 P 25/00; C 07 D 498/04
AP 2022 15589 A	A 23 F 3/34
AP 2022 15604 A	H 01 Q 15/20
AP 2022 15814 A	C 02 F 9/00; C 02 F 1/461; C 02 F 1/44; C 02 F 1/28; C 02 F 1/42
AP 2022 15817 A	A 47 J 31/40
AP 2022 15899 A	A 61 G 7/05

### CONCORDANCE TABLE OF INTERNATIONAL CLASSIFICATION INDEX, PATENT NUMBERS AND PUBLICATION NUMBERS

INTERNATIONAL CLASSIFICATION INDEX (51)	NUMBER OF PATENT (11)	NUMBER OF PUBLISHED APPLICATION (10)
A 01 N 43/78; C 07 D 411/12; C 07 D 277/56	P 2022 7439 B	AP 2022 15671 A
A 61 K 31/41; A 61 K 31/4146; A 61 K 31/4192	P 2022 7443 B	AP 2022 15479 A
A 61 K 31/69; A 61 P 29/00; C 07 F 5/02	P 2022 7442 B	AP 2022 15599 A
A 61 K 39/395; A 61 P 35/00; C 07 K 16/28	P 2022 7440 B	AP 2022 15209 A
F 16 L 55/132	P 2022 7441 B	AP 2022 15536 A

**CONCORDANCE TABLE OF PATENT NUMBERS,  
PUBLICATION NUMBERS AND INTERNATIONAL CLASSIFICATION INDEX**

NUMBER OF PATENT (11)	NUMBER OF PUBLISHED APPLICATION (10)	INTERNATIONAL CLASSIFICATION INDEX (51)
P 2022 7439 B	AP 2022 15671 A	A 01 N 43/78; C 07 D 411/12; C 07 D 277/56
P 2022 7440 B	AP 2022 15209 A	A 61 K 39/395; A 61 P 35/00; C 07 K 16/28
P 2022 7441 B	AP 2022 15536 A	F 16 L 55/132
P 2022 7442 B	AP 2022 15599 A	A 61 K 31/69; A 61 P 29/00; C 07 F 5/02
P 2022 7443 B	AP 2022 15479 A	A 61 K 31/41; A 61 K 31/4146; A 61 K 31/4192

**CONCORDANCE TABLE OF APPLICATION NUMBERS,  
PUBLICATION NUMBERS AND PATENTS**

NUMBER OF APPLICATION (21)	NUMBER OF PUBLISHED APPLICATION (10)	NUMBER OF PATENT (11)
AP 2018 15209	AP 2022 15209 A	P 2022 7440 B
AP 2019 15479	AP 2022 15479 A	P 2022 7443 B
AP 2019 15536	AP 2022 15536 A	P 2022 7441 B
AP 2019 15599	AP 2022 15599 A	P 2022 7442 B
AP 2019 15671	AP 2022 15671 A	P 2022 7439 B

**UTILITY MODELS**

**CONCORDANCE TABLE OF INTERNATIONAL CLASSIFICATION INDEX  
AND PUBLICATION NUMBERS**

INTERNATIONAL CLASSIFICATION INDEXES (51)	NUMBER OF PUBLISHED APPLICATION (10)
A 01 G 7/04	AU 2022 15752 U

**CONCORDANCE TABLE OF PUBLICATION NUMBERS  
AND INTERNATIONAL CLASSIFICATION INDEX**

NUMBER OF PUBLISHED APPLICATION (10)	INTERNATIONAL CLASSIFICATION INDEXES (51)
AU 2022 15752 U	A 01 G 7/04

CONCORDANCE TABLE OF INTERNATIONAL CLASSIFICATION INDEX,  
PATENT NUMBERS AND PUBLICATION NUMBERS

INTERNATIONAL CLASSIFICATION INDEX (51)	NUMBER OF PATENT (11)	NUMBER OF PUBLISHED APPLICATION (10)
F 24 F 12/00	U 2022 2137 Y	AU 2022 15764 U

CONCORDANCE TABLE OF PATENT NUMBERS,  
PUBLICATION NUMBERS AND INTERNATIONAL CLASSIFICATION INDEX

NUMBER OF PATENT (11)	NUMBER OF PUBLISHED APPLICATION (10)	INTERNATIONAL CLASSIFICATION INDEX (51)
U 2022 2137 Y	AU 2022 15764 U	F 24 F 12/00

CONCORDANCE TABLE OF APPLICATION NUMBERS,  
PUBLICATION NUMBERS AND PATENTS

NUMBER OF APPLICATION (21)	NUMBER OF PUBLISHED APPLICATION (10)	NUMBER OF PATENT (11)
AU 2021 15764	AU 2022 15764 U	U 2022 2137 Y

## TRADEMARKS

### CONCORDANCE TABLE OF REGISTRATION NUMBERS, APPLICATION NUMBERS, PUBLICATION NUMBERS AND BULLETIN NUMBERS

NUMBER OF REGISTRATION (111)	NUMBER OF APPLICATIONS (210)	NUMBER OF PUBLISHED APPLICATIONS (260)	NUMBER OF BULLETIN
M 2022 36090 R	AM 114920	AM 2022 114920 A	8(587)2022
M 2022 36091 R	AM 115116	AM 2022 115116 A	10(589)2022
M 2022 36092 R	AM 115334	AM 2022 115334 A	11(590)2022
M 2022 36093 R	AM 115350	AM 2022 115350 A	13(592)2022
M 2022 36094 R	AM 115351	AM 2022 115351 A	13(592)2022
M 2022 36095 R	AM 115753	AM 2022 115753 A	13(592)2022
M 2022 36096 R	AM 115988	AM 2022 115988 A	13(592)2022
M 2022 36123 R	AM 120006	–	22(601)2022
M 2022 36124 R	AM 120015	–	22(601)2022
M 2022 36125 R	AM 120017	–	22(601)2022
M 2022 36126 R	AM 120018	–	22(601)2022
M 2022 36127 R	AM 120019	–	22(601)2022
M 2022 36128 R	AM 120010	–	22(601)2022
M 2022 36129 R	AM 120145	–	22(601)2022
M 2022 36130 R	AM 120146	–	22(601)2022
M 2022 36131 R	AM 120041	–	22(601)2022
M 2022 36132 R	AM 120047	–	22(601)2022
M 2022 36133 R	AM 120016	–	22(601)2022
M 2022 36134 R	AM 120026	–	22(601)2022
M 2022 36135 R	AM 120032	–	22(601)2022
M 2022 36198 R	AM 120169	–	22(601)2022
M 2022 36199 R	AM 120151	–	22(601)2022
M 2022 36200 R	AM 119504	–	22(601)2022
M 2022 36201 R	AM 120229	–	22(601)2022
M 2022 36202 R	AM 120134	–	22(601)2022
M 2022 36203 R	AM 119987	–	22(601)2022
M 2022 36204 R	AM 119988	–	22(601)2022
M 2022 36205 R	AM 119989	–	22(601)2022
M 2022 36206 R	AM 119990	–	22(601)2022
M 2022 36207 R	AM 119913	–	22(601)2022
M 2022 36208 R	AM 120227	–	22(601)2022
M 2022 36209 R	AM 120244	–	22(601)2022
M 2022 36210 R	AM 120141	–	22(601)2022
M 2022 36211 R	AM 120254	–	22(601)2022
M 2022 36212 R	AM 120050	–	22(601)2022
M 2022 36213 R	AM 120138	–	22(601)2022
M 2022 36214 R	AM 120139	–	22(601)2022
M 2022 36215 R	AM 120230	–	22(601)2022
M 2022 36216 R	AM 120231	–	22(601)2022



CONCORDANCE TABLE OF PUBLICATION NUMBERS  
AND APPLICATION NUMBERS

NUMBER OF PUBLISHED APPLICATION (260)	NUMBER OF APPLICATION (210)	1	2
1	2		
AM 2022 116857 A	AM 116857	AM 2022 117438 A	AM 117438
AM 2022 116861 A	AM 116861	AM 2022 117446 A	AM 117446
AM 2022 116862 A	AM 116862	AM 2022 117447 A	AM 117447
AM 2022 116863 A	AM 116863	AM 2022 117448 A	AM 117448
AM 2022 116868 A	AM 116868	AM 2022 117449 A	AM 117449
AM 2022 117066 A	AM 117066	AM 2022 117450 A	AM 117450
AM 2022 117171 A	AM 117171	AM 2022 117451 A	AM 117451
AM 2022 117289 A	AM 117289	AM 2022 117452 A	AM 117452
AM 2022 117296 A	AM 117296	AM 2022 117455 A	AM 117455
AM 2022 117297 A	AM 117297	AM 2022 117456 A	AM 117456
AM 2022 117299 A	AM 117299	AM 2022 117457 A	AM 117457
AM 2022 117305 A	AM 117305	AM 2022 117529 A	AM 117529
AM 2022 117307 A	AM 117307	AM 2022 117530 A	AM 117530
AM 2022 117314 A	AM 117314	AM 2022 117533 A	AM 117533
AM 2022 117315 A	AM 117315	AM 2022 117534 A	AM 117534
AM 2022 117414 A	AM 117414	AM 2022 117535 A	AM 117535
AM 2022 117415 A	AM 117415	AM 2022 117536 A	AM 117536
AM 2022 117418 A	AM 117418	AM 2022 117539 A	AM 117539
AM 2022 117420 A	AM 117420	AM 2022 117541 A	AM 117541
AM 2022 117421 A	AM 117421	AM 2022 117554 A	AM 117554
AM 2022 117422 A	AM 117422	AM 2022 117556 A	AM 117556
AM 2022 117423 A	AM 117423	AM 2022 117557 A	AM 117557
AM 2022 117424 A	AM 117424	AM 2022 117559 A	AM 117559
AM 2022 117425 A	AM 117425	AM 2022 117612 A	AM 117612
AM 2022 117426 A	AM 117426	AM 2022 117617 A	AM 117617
AM 2022 117427 A	AM 117427	AM 2022 117661 A	AM 117661
AM 2022 117435 A	AM 117435	AM 2022 117662 A	AM 117662
AM 2022 117436 A	AM 117436	AM 2022 117714 A	AM 117714
AM 2022 117437 A	AM 117437	AM 2022 117741 A	AM 117741
		AM 2022 117822 A	AM 117822
		AM 2022 117823 A	AM 117823
		AM 2022 117846 A	AM 117846
		AM 2022 117904 A	AM 117904

CONCORDANCE TABLE OF INDEX OF GOODS AND/OR SERVICES  
AND APPLICATION NUMBERS

INDEX OF GOODS AND/OR SERVICES (511)	NUMBER OF PUBLISHED APPLICATIONS (260)	1	2
1	2	29	AM 2022 117457 A
3	AM 2022 116857 A	30	AM 2022 117452 A
3	AM 2022 116861 A	30	AM 2022 117822 A
3	AM 2022 116862 A	30	AM 2022 117904 A
3	AM 2022 116863 A	32	AM 2022 117066 A
3	AM 2022 117455 A	32	AM 2022 117289 A
3	AM 2022 117456 A	32	AM 2022 117661 A
5	AM 2022 117066 A	32	AM 2022 117904 A
5	AM 2022 117296 A	33	AM 2022 116868 A
5	AM 2022 117297 A	33	AM 2022 117171 A
5	AM 2022 117307 A	33	AM 2022 117289 A
5	AM 2022 117421 A	33	AM 2022 117315 A
5	AM 2022 117422 A	33	AM 2022 117446 A
5	AM 2022 117424 A	33	AM 2022 117447 A
5	AM 2022 117425 A	33	AM 2022 117556 A
5	AM 2022 117426 A	33	AM 2022 117662 A
5	AM 2022 117427 A	34	AM 2022 117823 A
5	AM 2022 117449 A	35	AM 2022 117066 A
5	AM 2022 117450 A	35	AM 2022 117315 A
5	AM 2022 117455 A	35	AM 2022 117418 A
5	AM 2022 117456 A	35	AM 2022 117423 A
5	AM 2022 117534 A	35	AM 2022 117435 A
5	AM 2022 117535 A	35	AM 2022 117436 A
5	AM 2022 117541 A	35	AM 2022 117530 A
5	AM 2022 117559 A	35	AM 2022 117536 A
7	AM 2022 117448 A	35	AM 2022 117554 A
7	AM 2022 117846 A	35	AM 2022 117823 A
8	AM 2022 117741 A	36	AM 2022 117435 A
9	AM 2022 117305 A	36	AM 2022 117436 A
9	AM 2022 117414 A	36	AM 2022 117437 A
9	AM 2022 117415 A	36	AM 2022 117438 A
9	AM 2022 117435 A	36	AM 2022 117539 A
9	AM 2022 117436 A	36	AM 2022 117554 A
9	AM 2022 117448 A	37	AM 2022 117314 A
9	AM 2022 117451 A	37	AM 2022 117418 A
9	AM 2022 117529 A	37	AM 2022 117714 A
9	AM 2022 117533 A	38	AM 2022 117299 A
9	AM 2022 117554 A	39	AM 2022 117554 A
9	AM 2022 117557 A	41	AM 2022 117415 A
9	AM 2022 117612 A	42	AM 2022 117414 A
15	AM 2022 117533 A	42	AM 2022 117437 A
16	AM 2022 117415 A	42	AM 2022 117438 A
16	AM 2022 117437 A	42	AM 2022 117554 A
16	AM 2022 117438 A	42	AM 2022 117612 A
24	AM 2022 117530 A	42	AM 2022 117617 A
25	AM 2022 117299 A	43	AM 2022 117446 A
25	AM 2022 117415 A	43	AM 2022 117447 A
29	AM 2022 117420 A	43	AM 2022 117822 A
		44	AM 2022 117437 A
		44	AM 2022 117438 A

CONCORDANCE TABLE OF INDEX OF GOODS AND/OR SERVICES  
AND NUMBERS OF TRADEMARKS REGISTERED ACCORDING  
TO THE ACCELERATED PROCEDURE

INDEX OF GOODS AND/OR SERVICES (511)	NUMBERS OF REGISTERED ACCORDING TO THE ACCELERATED PROCEDURE (111)	1	2
1	2		
9	M 2022 36203 R	33	M 2022 36198 R
9	M 2022 36204 R	33	M 2022 36210 R
9	M 2022 36205 R	34	M 2022 36199 R
9	M 2022 36206 R	34	M 2022 36213 R
18	M 2022 36134 R	34	M 2022 36214 R
18	M 2022 36203 R	35	M 2022 36130 R
18	M 2022 36204 R	35	M 2022 36201 R
18	M 2022 36205 R	35	M 2022 36203 R
18	M 2022 36206 R	35	M 2022 36204 R
25	M 2022 36128 R	35	M 2022 36205 R
25	M 2022 36134 R	35	M 2022 36206 R
25	M 2022 36203 R	35	M 2022 36207 R
25	M 2022 36204 R	35	M 2022 36208 R
25	M 2022 36205 R	35	M 2022 36212 R
25	M 2022 36206 R	36	M 2022 36203 R
29	M 2022 36202 R	36	M 2022 36204 R
29	M 2022 36215 R	36	M 2022 36205 R
29	M 2022 36216 R	36	M 2022 36206 R
30	M 2022 36123 R	36	M 2022 36206 R
30	M 2022 36124 R	37	M 2022 36130 R
30	M 2022 36125 R	37	M 2022 36203 R
30	M 2022 36126 R	37	M 2022 36204 R
30	M 2022 36127 R	37	M 2022 36205 R
30	M 2022 36133 R	37	M 2022 36206 R
30	M 2022 36202 R	37	M 2022 36206 R
30	M 2022 36215 R	38	M 2022 36203 R
30	M 2022 36216 R	38	M 2022 36204 R
31	M 2022 36215 R	38	M 2022 36205 R
31	M 2022 36216 R	38	M 2022 36206 R
32	M 2022 36129 R	38	M 2022 36206 R
32	M 2022 36198 R	39	M 2022 36212 R
32	M 2022 36209 R	41	M 2022 36130 R
32	M 2022 36211 R	41	M 2022 36200 R
32	M 2022 36215 R	41	M 2022 36203 R
32	M 2022 36216 R	41	M 2022 36204 R
33	M 2022 36132 R	41	M 2022 36205 R
33	M 2022 36135 R	41	M 2022 36206 R
		42	M 2022 36206 R
		42	M 2022 36130 R
		42	M 2022 36203 R
		42	M 2022 36204 R
		42	M 2022 36205 R
		42	M 2022 36206 R
		43	M 2022 36131 R
		43	M 2022 36212 R
		44	M 2022 36203 R
		44	M 2022 36204 R
		44	M 2022 36205 R
		44	M 2022 36206 R

# **OFFICIAL BULLETIN OF THE INDUSTRIAL PROPERTY**

**INVENTIONS**  
**UTILITY MODELS**  
**DESIGNS**  
**TRADEMARKS**

**22(601)**

EDITOR-IN-CHIEF: N. Bebrishvili

EDITOR-TRANSLATOR: E. Gabunia

PROOFREADER: A. Shixashvili

COMPUTER LAYOUT: M. Ordenidze  
K. Svanidze

ISSN 2720-8486

[info@sakpatenti.gov.ge](mailto:info@sakpatenti.gov.ge)  
[www.sakpatenti.gov.ge](http://www.sakpatenti.gov.ge)