

# Official Bulletin of the Industrial Property

Inventions

Utility Models

Designs

Trademarks



საქართველოს ინტელექტუალური  
საკუთრების ეროვნული ცენტრი

**საქპატენტი**

**SAKPATENTI**

NATIONAL INTELLECTUAL PROPERTY  
CENTER OF GEORGIA

[www.sakpatenti.gov.ge](http://www.sakpatenti.gov.ge)

Date of Publication – 2020 12 10

**23(555)**

# INID CODES FOR IDENTIFICATION OF BIBLIOGRAPHIC DATA

## INVENTIONS, UTILITY MODELS

- (10) Number of publication for application, which has been examined
- (11) Number of patent and kind of document
- (21) Serial number of application
- (22) Date of filing of the application
- (23) Date of exhibition or the date of the earlier filing and the number of application, if any
- (24) Date from which patent may have effect
- (31) Number of priority application
- (32) Date of filing of priority application
- (33) Code of the country or regional organization allotting priority application number
- (44) Date of publication of application not granted, but examined and number of bulletin
- (45) Date of publication of registered document
- (51) International Patent Classification Index

- (54) Title of the invention
- (57) Abstract
- (60) Number of examined patent document granted by foreign patent office, date from which patent has effect and country code
- (62) Number of the earlier application and in case of divided application, date of filing an application
- (71) Name, surname and address of applicant (country code)
- (72) Name, surname of inventor (country code)
- (73) Name, surname and address of patent owner (country code)
- (74) Name, surname of representative or patent attorney
- (85) Date of commencement of the national phase of International Application
- (86) Number and date of filing of international application
- (87) Number and date of publication of international application
- (94) Calculated date of expiry of the SPC or the duration of the SPC

## DESIGNS

- (10) Number of publication for application
- (11) Number of patent and kind of document or number of registration
- (15) Date of registration/Date of patent renewal
- (18) Expected expiration date of patent or registration
- (21) Serial number of application
- (22) Date of filing of the application
- (23) Date of exhibition or the date of the earlier filing and the number of application, if any
- (24) Date from which patent may have effect
- (28) Number of designs included in the application
- (30) Data relating to priority (number of application, date of filing of application, two-letter code identifying the authority with whom the priority application was made)
- (31) Number of priority application
- (32) Date of filing of priority application
- (33) Code of the country or regional organization allotting priority application number
- (34) Two-letter code according to WIPO St.3 identifying the authority with which the priority application was made
- (44) Date of publication of design and number of bulletin (the first publication)
- (45) Date of publication of design registered by WIPO and number of bulletin

- (51) International Classification for designs (class and subclass of the Locarno Classification)
- (54) Title of the invention
- (55) Reproduction of the design
- (57) Description of characteristic features of the design including indication of colors
- (58) Date of recording of any kind of amendment in the Register
- (62) Number of the earlier application, registration and document number and if available the date of filing an application in case of divided application
- (71) Name, surname and address of applicant (country code)
- (72) Name, surname of creator (country code)
- (73) Name, surname and address of patent owner (country code)
- (74) Name, surname of representative or patent attorney
- (81) Contracting states concerned
  - II designated contracting states according to the 1960 Act
  - III designated contracting states according to the 1999 Act
- (85) Owner's permanent address
- (86) Owner's nationality
- (87) Owner's residence
- (88) State in which the owner has a real and effective industrial or commercial establishment

## TRADEMARKS

- (111) - Number of registration
- (151) - Date of registration
- (156) - Date of the renewal
- (181) - Expected expiration date of registration
- (186) - Renewal expiration date of registration
- (141) - Date of cancel of duration of the mark
- (210) - Serial number of application
- (220) - Date of filing of the application
- (230) - Data concerning exhibition
- (260) - Number of application, for which favorable decision of examination about registration has been taken (publication number)
- (310) - Number of the first application
- (320) - Date of filing of the first application
- (330) - Code, identifying national or regional Office where the first application was made
- (511) - International Classification of Goods and Services for the purposes of registration of trade marks and/or list of goods and/or services classified according thereto
- (526) - Disclaimer
- (531) - Description of figurative elements of Trade Marks according to the International Classification of the Figurative Elements of Marks

- (540) - Reproduction of Trade Mark
- (550) - Nature and kind of Trade Mark
- (551) - Indication to the effect that the mark is a collective mark, a certification mark or a guarantee mark
- (554) - Three-dimensional mark
- (580) - Date of recording of any kind changes in respect of applications or registrations
- (591) - Information concerning colors claimed
- (731) - Name and address of the applicant
- (732) - Name and address of the holder of the registration
- (740) - Name and address of the representative
- (750) - Addreses for correspondence
- (770) - Name and address of the previous applicant or holder in case of change in ownership
- (771) - Previous name and address of the applicant or holder in case of change in ownership
- (791) - Name and address of the licensee
- (793) - Indication of conditions and/or restrictions under the license (Type of license, number of license agreement, data of license, data of validity of license)
- (800) - Certain data relating to the international registration of Trade Marks under the Protocol Relating to Madrid Agreement (International registration number
- (852) - Partial cancellation of the list of goods and services
- (891) - Date of subsequent designation

## CODES FOR PUBLICATION IN BULLETIN

- (21) AP 0000 000000 - serial number of application for invention
- (10) AP 0000 0000 A - number of published application for invention (first publication)
- (11) P 0000 0000 B - number of patent for invention (second publication)
- (21) API 0000 000000 - number of application for imported patent
- (11) PI 0000 0000 A - number of imported patent (first publication)
- (21) AU 0000 000000 - serial number of application for utility model
- (10) AU 0000 000 U - number of published application for utility model (first publication)
- (11) U 0000 000 Y - number of patent for utility model (second publication)
- (21) AD 0000 000000 - serial number of application for design
- (10) AD 0000 000 S - number of published application for design (first publication)
- (11) D 0000 000 S - registered design

## INTERNATIONAL PATENT CLASSIFICATION FOR INVENTIONS AND UTILITY MODELS

- SECTION A - HUMAN NECESSITIES
- SECTION B - PERFORMING OPERATIONS; TRANSPORTING
- SECTION C - CHEMISTRY; METALLURGY
- SECTION D - TEXTILES; PAPER
- SECTION E - FIXED CONSTRUCTIONS
- SECTION F - MECHANICAL ENGINEERING; LIGHTING; HEATING; WEAPONS; BLASTING
- SECTION G - PHYSICS
- SECTION H - ELECTRICITY

- 
- M - Trade Mark
  - (210) AM 0000 000000 - Serial number of application;
  - (260) AAM 0000 00000 A - Publication number of application;
  - (111) M 0000 00000 R - Number of registration;
  - (111) MMM0000 00000 Rn - Number of renewals, in which n=1,2,3;
  - (111) M 0000 00000 R(P) - Number of registration under partial assignment of rights
-

# Official Bulletin of the Industrial Property

Inventions

Utility Models

Designs

Trademarks

# CONTENTS

<b>PUBLISHED TITLES OF PROTECTION</b> .....	3
<b>INVENTIONS</b>	
▪ APPLICATIONS APPROVED FOR GRANTING PATENTS .....	4
▪ PATENTED INVENTIONS .....	9
<b>UTILITY MODELS</b>	
▪ APPLICATIONS APPROVED FOR GRANTING PATENTS .....	10
▪ PATENTED UTILITY MODELS .....	12
<b>DESIGNS</b>	
▪ DESIGNS, WHICH HAVE BEEN REGISTERED WITH THE INTERNATIONAL BUREAU CLAIMING PRIORITY ON THE TERRITORY OF GEORGIA .....	13
<b>TRADEMARKS</b>	
▪ APPLICATIONS FILED UNDER THE NATIONAL PROCEDURE APPROVED FOR REGISTRATION .....	23
▪ REGISTERED TRADEMARKS .....	28
▪ TRADEMARKS REGISTERED ACCORDING TO THE ACCELERATED PROCEDURE .....	32
▪ INTERNATIONAL TRADEMARKS FOR WHICH A DECISION ON GRANTING PROTECTION IS TAKEN .....	34
▪ INTERNATIONAL TRADEMARKS PROTECTED IN GEORGIA .....	118
<b>OFFICIAL NOTIFICATIONS</b>	
<b>INVENTIONS</b>	
▪ EXPIRATION OF PATENTS RESTORATION .....	128
▪ ABOLITION OF PATENTS WITH THE RIGHT TO RESTORE .....	129
▪ EXPIRATION OF TERM OF RESTORATION OF PATENTS .....	131
▪ EXPIRATION OF PATENT .....	132
<b>UTILITY MODELS</b>	
▪ EXPIRATION OF PATENTS RESTORATION .....	133
▪ ABOLITION OF PATENT WITH THE RIGHT TO RESTORE .....	133
▪ EXPIRATION OF TERM OF RESTORATION OF PATENT .....	135
<b>DESIGNS</b>	
▪ EXTENSION OF REGISTRATION OF DESIGN .....	136
▪ CANCELLATION OF REGISTRATION OF DESIGN .....	136
▪ EXTENSION OF REGISTRATION OF INTERNATIONAL DESIGNS .....	136
▪ CANCELLATION OF REGISTRATION OF INTERNATIONAL DESIGNS .....	145
▪ CORRECTION OF PUBLISH INFORMATION .....	146
<b>TRADEMARKS</b>	
▪ RENEWAL OF REGISTRATIONS .....	147
▪ COMPLETE TRANSFER OF RIGHTS .....	149
▪ CHANGES OF NAMES AND/OR ADDRESSES OF OWNER .....	150
▪ TERMINATION OF TRADEMARKS REGISTRATION .....	152
<b>CLASSIFICATION INDEXES</b>	
INVENTIONS .....	154
UTILITY MODELS .....	156
TRADEMARKS .....	158

# PUBLISHED TITLES OF PROTECTION

## INVENTIONS

- **APPLICATIONS APPROVED FOR GRANTING PATENT:**  
15016; 15034; 15038; 15179; 15035; 14317; 15096; 14821; 15192; 14676; 14707; 14907; 13674
- **PATENTED INVENTIONS:**  
7188-7191

## UTILITY MODELS

- **APPLICATIONS APPROVED FOR GRANTING PATENTS:**  
15320; 15191; 14927
- **PATENTED UTILITY MODELS:**  
2061, 2062

## DESIGNS

- **DESIGNS, WHICH HAVE BEEN REGISTERED WITH THE INTERNATIONAL BUREAU CLAIMING PRIORITY ON THE TERRITORY OF GEORGIA:**  
207214; 205974; 210471

## TRADEMARKS

- **APPLICATIONS FILED UNDER THE NATIONAL PROCEDURE APPROVED FOR REGISTRATION:**  
105362; 105547; 106056, 106057; 107049; 107986; 108057; 108063-108068; 108072; 108113, 108114; 108117, 108118; 108120; 108129; 108131; 108133; 108295
- **REGISTERED TRADEMARKS:**  
33381-33418
- **TRADEMARKS REGISTERED ACCORDING TO THE ACCELERATED PROCEDURE:**  
33376-33380; 33419
- **INTERNATIONAL TRADEMARKS FOR WHICH A DECISION ON GRANTING PROTECTIONS IS TAKEN:**  
104007; 105945\*; 106357; 106696; 107085-107087; 107091, 107092; 107094-107099; 107101, 107102; 107104, 107105; 107117-107135; 107187; 107196-107198; 107216-107220; 107223-107226; 107230, 107231; 107233; 107238-107241; 107246-107248; 107250-107255; 107344-107349; 107351; 107353-107363; 107516; 107594-107596; 107598-107600; 107602; 107607-107610; 107615-107620; 107696; 107698, 107699; 107701, 107702; 107784; 107860; 107863; 107865; 107875, 107876; 107948-107957; 107998, 107999; 108018, 108019; 108021-108025; 108027; 108041, 108042; 108053-108055
- **INTERNATIONAL TRADEMARKS PROTECTED IN GEORGIA:**  
98952; 99009; 99018; 99107; 99274; 99280, 99705; 100110; 101978; 105065; 105193; 105264; 105520; 105523, 105524; 105528, 105529; 105532; 105572, 105573; 105577- 105586; 105597; 105599; 105601-105606; 105682, 105683; 105685, 105686; 105691, 105692; 105703, 105704; 105706; 105711; 105713; 105715-105718; 105723-105727; 105733; 105735; 105737; 105821-105823; 105825; 105829, 105830; 105837, 105838; 105841-105843; 105845, 105846; 105852-105859; 105862; 105865; 105913; 105915; 105920, 105921; 105923-105926; 105930-105934; 105936, 105937; 105948-105951; 105962, 105963; 106001; 106214, 106215; 106227; 106230, 106231; 106233, 106234; 106297; 106303, 106304; 106306; 106312, 106313; 106315; 106318; 106321-106323; 106325; 106333; 106361; 106364; 106401, 106402; 106424; 106430; 106433, 106434; 106451; 106461; 106463-106465; 106537-106540; 106551

---

# INVENTIONS

## APPLICATIONS APPROVED FOR GRANTING PATENTS

The decision can be appealed at the Chamber of Appeal of Sakpatenti within 3 months from the publication or at the Mtskheta District Court Administrative Cases Board (Address: №17, Samkhedro str., Mtskheta), within 1 month following the publication.

### PART A

#### A 47

- (10) AP 2020 15016 A (51) Int. Cl. (2006)  
A 47 J 43/07  
H 02 K 5/00
- (21) AP 2017 15016 (22) 2017 07 21  
(31) 15/221,404  
(32) 2016 07 27  
(33) US  
(71) CAPBRAN HOLDINGS LLC (US)  
11601 Wilshire Blvd. Suite 2300, Los Angeles,  
CA 90025, USA (US)
- (72) COLIN, Sapire (US)  
(74) Tamar Kochlamazashvili  
(85) 2019 02 27  
(86) PCT/US2017/043367, 2017 07 21
- (54) **FOOD PROCESSOR DAMPEN SYSTEM**  
(57) A system comprises a motor mounted to the motor base through a plurality of bolted joints. Each bolted joint is surrounded by a grommet that shaped with upper, middle, and lower portions, and centrally passed the vertical hole. Said grommet middle portion is smaller than other portions so that it creates a recess to install the wall to attach the motor. Furthermore, lower portion additionally comprises a plurality of petal members disposed around the hole.

Claims: 1 independent  
7 dependents

Fig.: 16

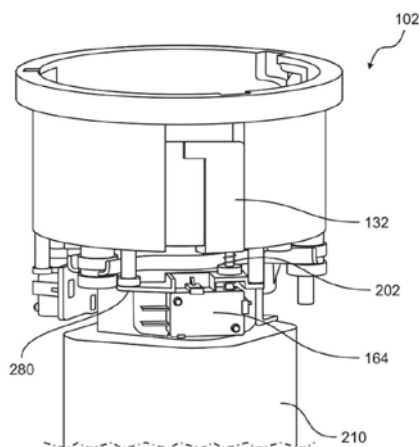


Fig. 2

#### A 61

- (10) AP 2020 15034 A (51) Int. Cl. (2006)  
A 61 K 9/00  
A 61 K 47/10  
A 61 K 31/167  
A 61 K 31/573  
A 61 P 11/00
- (21) AP 2017 15034 (22) 2017 09 18  
(31) 1615908.9; 1620515.5  
(32) 2016 09 19; 2016 12 02  
(33) GB; GB  
(71) MEXICHEM FLUOR S.A. DE C.V. (MX)  
Eje 106 (sin numero), Zona Industrial San Luis  
Potosi, S.L.P., C.P. 78395, Mexico (MX)
- (72) CORR, Stuart (GB);  
NOAKES, Timothy James (GB)
- (74) Shalva Gvaramadze  
(85) 2019 03 28  
(86) PCT/GB2017/052762, 2017 09 18
- (54) **PHARMACEUTICAL COMPOSITION**  
(57) Pharmaceutical composition comprises beclomethasone dipropionate, phormotherol fumarate dehydrate and propellant, at least 90 mass% whereof is 1,1-difluoroethane (HFA-152a).
- Claims: 5 independents  
53 dependents

- 
- (10) AP 2020 15038 A (51) Int. Cl. (2006)  
A 61 K 9/08  
A 61 K 59/595  
A 61 K 47/00
- (21) AP 2017 15038 (22) 2017 08 30  
(31) 62/382,156  
(32) 2016 08 31  
(33) US  
(71) OMEROS CORPORATION (US)  
201 Elliott Ave. West Seattle,  
WA 98119, USA (US)
- (72) WHITAKER, John, Steven (US);  
LAMBERT, William, Joseph (US);  
FERGUSON, Kenneth, M. (US);  
DEMOPULOS, Gregory, A. (US)
- (74) Tamar Kochlamazashvili  
(85) 2019 03 29  
(86) PCT/US2017/049415, 2017 08 30

(54) **HIGHLY CONCENTRATED LOW VISCOSITY MASP-2 INHIBITORY ANTIBODY FORMULATIONS, KITS, AND METHODS**

(57) An invention relates to stable high-concentration low-viscosity formulations of MASP-2 inhibitory antibodies, kits comprising said formulations, and their usage at the treatment of diseases caused by MASP-2 dependent complement activation.

Claims: 7 independents  
13 dependents

Fig.: 11

(10) AP 2020 15179 A (51) Int. Cl. (2006)  
A 61 K 9/20  
A 61 K 31/198  
A 61 K 47/18  
A 61 K 47/20

(21) AP 2018 15179 (22) 2018 02 02

(31) 10 2017 102 192.2; 10 2017 122 807.1

(32) 2017 02 03; 2017 09 29

(33) DE; DE

(71) BERLIN-CHEMIE AG (DE)  
Glienicke Weg 125, 12489 Berlin,  
Germany (DE)

(72) BECKER, Achim (DE)

(74) Shalva Gvaramadze

(85) 2019 08 30

(86) PCT/EP2018/052713, 2018 02 02

(54) **ORAL THYROID THERAPEUTIC AGENT**

(57) Therapeutic agent contains levothyroxine, organic anti-oxidant comprising sulfur, and an adsorbent.

Claims: 1 independent  
11 dependents

Fig.: 2

(10) AP 2020 15035 A (51) Int. Cl. (2006)  
A 61 K 31/40  
A 61 K 31/4704  
A 61 K 31/56  
A 61 K 9/00  
A 61 P 11/00

(21) AP 2017 15035 (22) 2017 09 18

(31) 1615917.0; 1620519.7

(32) 2016 09 19; 2016 12 02

(33) GB; GB

(71) MEXICHEM FLUOR S.A. DE C.V. (MX)  
Eje 106 (sin numero), Zona Industrial  
San Luis Potosi, S.L.P., C.P. 78395,  
Mexico (MX)

(72) CORR, Stuart (GB);  
NOAKES, Timothy James (GB)

(74) Shalva Gvaramadze

(85) 2019 03 28

(86) PCT/GB2017/052761, 2017 09 18

(54) **PHARMACEUTICAL COMPOSITION**

(57) Pharmaceutical composition comprises salt of glycopyrrolate, corticosteroid, phormotherol, and propellant, at least 90 mass% whereof is difluoroethane (HFA-152a).

Claims: 7 independents  
64 dependents

(10) AP 2020 14317 A (51) Int. Cl. (2006)  
A 61 K 31/404  
A 61 K 31/4045  
A 61 K 31/405  
A 61 K 31/407  
A 61 K 31/4184  
A 61 K 31/4188  
A 61 K 31/423  
A 61 K 31/424  
A 61 P 31/00  
A 61 P 25/00  
A 61 P 35/00  
A 61 P 37/00  
A 61 P 43/00  
A 61 K 31/4355  
A 61 K 31/437

(21) AP 2015 14317 (22) 2015 03 19

(31) 1502156.1; 1406154.3

(32) 2015 02 10; 2014 04 04

(33) GB; GB

(71) IOMET PHARMA LTD (GB)  
Nine BioQuarter Little Rd, Edinburgh  
EH16 4UX (GB)

(72) COWLEY, Phillip (GB);  
WISE, Alan (GB);  
DAVIS, Susan (GB);  
KICZUN, Michael (GB)

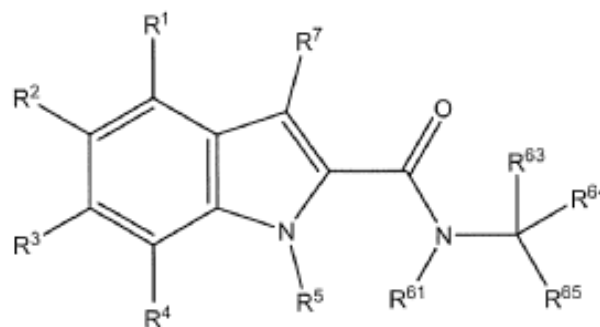
(74) Tamaz Shilakadze

(85) 2016 11 02

(86) PCT/EP2015/055823, 2015 03 19

(54) **INDOLE DERIVATIVES FOR USE IN MEDICINE**

(57) Present invention relates to inhibiting indole compounds of tryptophan-2,3-dioxygenase (TDO) or indoleamine-2,3-dioxygenase (IDO),



and pharmaceutical compositions containing them; the invention relates to said compounds and compo-

sitions usage at cancer, inflammatory conditions, infectious and other diseases treatment, as well.

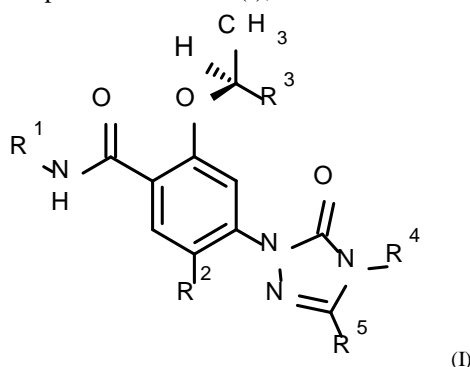
Claims: 8 independent

5 dependents

Fig.: 2

- (10) AP 2020 15096 A (51) Int. Cl. (2006)  
A 61 K 31/4196  
A 61 P 35/02  
C 07 D 405/12  
C 07 D 401/12  
C 07 D 403/12  
C 07 D 413/12  
C 07 D 249/12
- (21) AP 2017 15096 (22) 2017 10 25  
(31) PCT/CN2016/103643; 62/569,296  
(32) 2016 10 27; 2017 10 06  
(33) CN; US
- (71) The General Hospital Corporation (US)  
55 Fruit St., Boston, MA 02114, USA (US);  
Bayer Aktiengesellschaft (DE)  
Kaiser-Wilhelm-Allee 1, Leverkusen, 51373,  
Germany (DE);  
President and Fellows of Harvard College (US)  
17 Quincy St., Cambridge, MA 02138,  
USA (US);  
Bayer Pharma Aktiengesellschaft (DE)  
Müllerstraße, 178, 13353 Berlin, Germany (DE);  
The Broad Institute Inc. (US)  
415 Main St., Cambridge, MA 02142, USA (US)
- (72) NISING, Carl, Friedrich (DE);  
SCHÄFER, Martina (DE);  
ZHOU, Han, Jie (US);  
SHEIKH, Sherif El (DE);  
MUELLER, Thomas (DE);  
CHRISTIAN, Sven (DE);  
JANZER, Andreas (DE);  
STELLFELD, Timo (DE);  
GÜNTHER, Judith (DE);  
EIS, Knut (DE);  
NGUYEN, Duy (DE);  
GRADL, Stefan, Nikolaus (DE);  
ZIMMERMANN, Katja (DE);  
NIEHUES, Michael (DE);  
MERZ, Claudia (DE);  
KRÖBER, Michael (DE);  
LIU, Kery (CN);  
FERRARA, Steven, James (US);  
SYKES, David, Brian (US);  
ZHAO, Changjia (CN)
- (74) Giorgi Kartvelishvili  
(85) 2019 05 26  
(86) PCT/EP2017/077252, 2017 10 25
- (54) **2,4,5-TRISUBSTITUTED 1,2,4-TRIAZOLONES USEFUL AS INHIBITORS OF DHODH**

(57) Compound of formula (I),



(I)

preparation methods thereof, intermediate compounds, pharmaceutical compositions on the basis thereof, and their usage at the treatment of diseases, particularly, hyperproliferating disorders.

Claims: 7 independents

14 dependents

- (10) AP 2020 14821 A (51) Int. Cl. (2006)  
A 61 K 31/551  
A 61 K 31/5415  
A 61 P 31/04  
C 07 D 281/02  
C 07 D 279/08
- (21) AP 2016 14821 (22) 2016 03 23  
(62) AP 2016 14609 2016 03 23  
(31) 15160267.9  
(32) 2015 03 23  
(33) EP
- (71) ECOLE POLYTECHNIQUE FEDERALE DE LAUSANNE (EPFL) (CH)  
EPFL Innovation Park J, 1015 Lausanne, Switzerland (CH)
- (72) MAKAROV, Vadim, Albertovich (RU);  
STEWART, Cole (CH)
- (74) Tamar Kochlamazashvili  
(85) 2018 07 04  
(86) PCT/EP2016/056371, 2016 03 23
- (54) **2-HOMOPIPERAZINE-1-YL-4H-1,3-BENZOTHIAZINE-4-ONE DERIVATIVES AND PROCESS FOR THE PREPARATION OF 2-(HOMO)PIPERAZINE 1,3-BENZOTHIAZINE-4-ONE HYDROCHLORIDES**
- (57) 2-homopiperazine-1-yl-4H-1,3-benzothiazine-4-one derivatives, pharmaceutical compositions on the basis thereof, and their usage at the treatment of bacterial infections, in particular tuberculosis, buruli ulcer and leprosy.
- Claims: 3 independents  
1 dependent



- (10) AP 2020 15192 A (51) Int. Cl. (2006)  
A 61 K 31/519  
A 61 P 25/00  
A 61 P 19/00  
C 07 D 487/04

(21) AP 2018 15192 (22) 2018 03 12

(31) P1700108

(32) 2017 03 13

(33) HU

(71) RICHTER GEDEON NYRT. (HU)  
Gyömrői út 19-21. H-1103 Budapest,  
Hungary (HU)

(72) BORZA, István (HU);  
ROMÁN, Viktor (HU);  
ÉLES, János (HU);  
HADADY, Zsuzsa (HU)

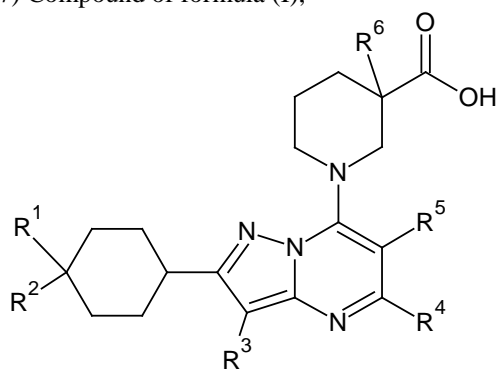
(74) Liliana Darakhvelidze

(85) 2019 10 11

(86) PCT/IB2018/051599, 2018 03 12

(54) **PHARMACOLOGICALLY ACTIVE  
ALICYCLIC-SUBSTITUTED  
PYRAZOLO[1,5-*a*]PYRIMIDINE  
DERIVATIVES**

(57) Compound of formula (I),



preparation method thereof, pharmaceutical compositions on the basis thereof, and their usage at the treatment of the diseases and conditions caused by and modulated with GABAB receptors positive allosteric regulating mechanism.

Claims: 5 independents

4 dependents

- (10) AP 2020 14676 A (51) Int. Cl. (2006)  
A 61 K 31/565  
A 61 K 9/00  
A 61 K 9/20

(21) AP 2016 14676 (22) 2016 06 17

(31) 15172767.4

(32) 2015 06 18

(33) EP

(71) ESTETRA SPRL (BE)  
Rue St Georges 5/7, BE-4000 Liege,  
Belgium (BE)

(72) JASPART, Séverine Francine Isabelle (BE);  
Van Den Heuvel, Denny Johan Marijn (NL);  
PLATTEEUW, Johannes Jan (NL)

(74) Larisa Amirkhanyan

(85) 2018 01 15

(86) PCT/EP2016/064065, 2016 06 17

(54) **ORODISPERSIBLE DOSAGE UNIT  
CONTAINING AN ESTETROL  
COMPONENT**

(57) Pharmaceutical dosage contains estetrol particles and pharmaceutically acceptable ingredient. At that, estetrol particles have average volumetric diameter 3-35  $\mu\text{m}$ .

Claims: 3 independents

21 dependents

Fig.: 1

## PART B

### B 01

- (10) AP 2020 14707 A (51) Int. Cl. (2006)  
B 01 D 1/06  
B 01 J 19/02  
C 07 C 273/04  
C 21 D 6/00  
C 21 D 9/08  
C 21 D 8/00  
C 22 C 38/58  
C 22 C 38/44  
C 22 C 38/04  
C 22 C 38/02  
C 22 C 38/00  
C 22 C 33/04  
F 28 F 21/08

(21) AP 2016 14707 (22) 2016 07 20

(31) 15177441.1

(32) 2015 07 20

(33) NL

(71) STAMICARBON B.V. (NL)  
Mercator 3 NL-6135 KW Sittard,  
Netherlands (NL)

(72) GULLBERG, Daniel (SE);  
HARALDSSON, Christina (SE);  
WILSON, Anders (SE);  
SCHEERDER, Alexander Aleida  
Antonius (NL);  
OFEI, Kirk Anguah (NL)

(74) Liliana Darakhvelidze

(85) 2018 02 20

(86) PCT/NL2016/050542, 2016 07 20

(54) **DUPLEX STAINLESS STEEL AND  
USE THEREOF**

(57) Present invention relates to corrosion resistant duplex stainless steel (ferritic austenitic alloy) suitable for usage in a plant for urea production; the disclosure also relates to objects made of said duplex stainless steel. Furthermore, given invention

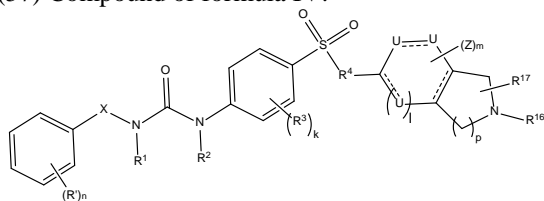
also relates to a method for urea production and to a plant for the production thereof comprising one or more parts made from said duplex stainless steel, and to a method of modifying existing plant for urea production, as well.

Claims: 8 independents  
7 dependents

## PART C

### C 07

- (10) AP 2020 14907 A (51) Int. Cl. (2006)  
C 07 C 311/00  
C 07 C 317/14  
C 07 C 317/26  
C 07 D 239/26  
C 07 D 209/04
- (21) AP 2017 14907 (22) 2017 02 21  
(31) 62/311,573  
(32) 2016 03 22  
(33) US  
(71) HELSINN HEALTHCARE SA (CH)  
Via Pian Scairolo 9 CH-6912 Lugano/Pazzallo,  
Switzerland (CH)  
(72) GIULIANO, Claudio (IT);  
DAINA, Antoine (CH);  
PIETRA, Claudio (IT)  
(74) Shalva Gvaramadze  
(85) 2018 10 18  
(86) PCT/EP2017/053937, 2017 02 21  
(54) **BENZENESULFONYL-ASYMMETRIC  
UREAS AND MEDICAL USES THEREOF**  
(57) Compound of formula IV:



IV

wherein values of  $R^1$ ,  $R^2$ ,  $R^3$ ,  $R^4$ ,  $R^{17}$ ,  $R^{18}$ ,  $X$ ,  $Z$ ,  $U$ ,  $R'$  substituents and  $n$ ,  $m$ ,  $k$ ,  $p$ ,  $I$  derivatives are provided in the claims or pharmaceutically acceptable salt thereof, pharmaceutical compositions on the basis thereof, and their usage at the treatment and/or prevention of pathophysiological diseases caused by ghrelin receptor, wherein said disease is selected from the following: obesity, diabetes, substance abuse, eating disorders, cancer-induced cachexia (CIC), HIV/AIDS or chronic obstructive pulmonary disease (COPD), and intestinal disorders.

Claims: 2 independents  
20 dependents

Tables: 4

### C 12

- (10) AP 2020 13674 A (51) Int. Cl. (2006)  
C 12 N 15/11  
C 12 N 15/63  
C 07 K 19/00  
C 12 N 5/10
- (21) AP 2013 13674 (22) 2013 03 15  
(31) 61/765,576; 61/757,640; 61/716,256; 61/652,086  
(32) 2013 02 15; 2013 01 28; 2012 10 19; 2012 05 25  
(33) US; US; US; US  
(71) THE REGENTS OF THE UNIVERSITY OF CALIFORNIA (US)  
1111, Franklin St. 12<sup>th</sup> Floor Oakland,  
CA 94607 USA (US);  
UNIVERSITY OF VIENNA (AT)  
Universitätsring 1, A-1010 Vienna,  
Austria (AT);  
CHARPENTIER, Emmanuelle (DE)  
Inhoffenstraße 7, 38124 Braunschweig,  
Germany (DE)  
(72) CHARPENTIER, Emmanuelle (DE);  
DOUDNA, Jennifer A. (US);  
JINEK, Martin (US);  
CHYLINSKI, Krzysztof (AT);  
DOUDNA CATE, James Harrison (US);  
LIM, Wendell (US);  
QI, Lei (US)  
(74) Liliana Darakhvelidze  
(85) 2014 12 25  
(86) PCT/US2013/032589, 2013 03 15  
(54) **METHODS AND COMPOSITIONS  
FOR RNA-DIRECTED TARGET DNA  
MODIFICATION AND FOR RNA-DI-  
RECTED MODULATION OF TRAN-  
SCRIPTION**

(57) Present invention relates to site-specific modifying polypeptide, DNA-targeting RNA, target DNA, and/or method for site-specific modification with the target DNA, and methods of modulating transcription of a target nucleic acid in a target cell, generally involving contacting the target nucleic acid with an enzymatically inactive Cas9 polypeptide, and DNA-targeting RNA. The invention also provides kits and compositions to implement the methods mentioned above.

Claims: 33 independents  
112 dependents

Fig.: 128

## PATENTED INVENTIONS

### PART A

#### A 01

- (11) P 2020 7188 B (51) Int. Cl. (2006)  
A 01 N 59/02  
C 05 D 9/00  
C 05 D 9/02
- (10) AP 2020 14997 A (44) 14(546)/2020  
(21) AP 2019 14997  
(22) 2019 02 11  
(24) 2019 02 11  
(73) Giorgi Tsintskaladze (GE)  
Bakhtrioni St. 11, app. 5, 0194, Tbilisi,  
Georgia (GE);  
Omar Lomtadze (GE)  
Ak. Tsereteli Av. 64, app. 57, 0154, Tbilisi,  
Georgia (GE)
- (72) Giorgi Tsintskaladze (GE);  
Omar Lomtadze (GE)
- (54) CLAY-SULFUR COMPOSITION FOR  
PLANT PESTS AND DISEASES  
CONTROL

#### A 61

- (11) P 2020 7189 B (51) Int. Cl. (2006)  
A 61 K 31/675  
A 61 K 47/26  
A 61 K 9/19  
A 61 K 9/08
- (10) AP 2020 14974 A (44) 14(546)/2020  
(21) AP 2017 14974  
(22) 2017 06 01  
(24) 2017 06 01  
(31) 62/345,942  
(32) 2016 06 06  
(33) US  
(86) PCT/EP2017/063268, 2017 06 01
- (73) HELSINN HEALTHCARE SA (CH)  
Via Pian Scairolo 9, 6912, Lugano/ Pazzallo,  
Switzerland (CH)
- (72) VENTURINI, Alessio (IT);  
CANNELLA, Roberta (IT)
- (74) Shalva Gvaramadze
- (54) PHYSIOLOGICALLY BALANCED  
INJECTABLE FORMULATIONS OF  
FOSNETUPITANT

- (11) P 2020 7190 B (51) Int. Cl. (2006)  
A 61 K 31/7076  
A 61 P 31/18
- (10) AP 2020 14873 A (44) 14(546)/2020  
(21) AP 2017 14873  
(22) 2017 02 10  
(24) 2017 02 10  
(31) 62/294,576; 62/297,657  
(32) 2016 02 12; 2016 02 19  
(33) US; US  
(86) PCT/US2017/017283, 2017 02 10
- (73) MERCK SHARP & DOHME CORP. (US)  
126 East Lincoln Avenue, Rahway, NJ 07065-  
0907, USA (US)
- (72) HAZUDA, Daria (US);  
MILLER, Michael D. (US);  
GROBLER, Jay A. (US);  
NICOLL-GRIFFITH, Deborah Anne (CA)
- (74) Shalva Gvaramadze
- (54) METHODS FOR TREATMENT AND  
PROPHYLAXIS OF HIV AND AIDS

### PART E

#### E 02

- (11) P 2020 7191 B (51) Int. Cl. (2006)  
E 02 B 3/06  
E 02 D 29/02
- (10) AP 2020 15059 A (44) 14(546)/2020  
(21) AP 2019 15059  
(22) 2019 04 24  
(24) 2019 04 24
- (73) Shakhi Bakanidze (GE)  
T. Zhordania St. 12, 0108, Tbilisi,  
Georgia (GE);  
Beka Surguladze (GE)  
Gldani, I mcr., corp. 19, app. 34, 0167,  
Tbilisi, Georgia (GE);  
Tamar Arunashvili (GE)  
Gldani, VII mcr., corp. 6a, app. 33, 0167,  
Tbilisi, Georgia (GE)
- (72) Shakhi Bakanidze (GE);  
Beka Surguladze (GE);  
Tamar Arunashvili (GE)
- (54) EARTHQUAKE LANDSLIDE  
RESTRAINING CONSTRUCTION

---

# UTILITY MODELS

## APPLICATIONS APPROVED FOR GRANTING PATENTS

The decision can be appealed at the Chamber of Appeal of Sakpatenti within 3 months from the publication or at the Mtskheta District Court Administrative Cases Board (Address: №17, Samkhedro str., Mtskheta), within 1 month following the publication.

### PART A

#### A 61

- (10) AU 2020 15320 U (51) Int. Cl. (2006)  
A 61 M 16/00  
(21) AU 2020 15320 (22) 2020 04 21  
(71) Giorgi Aleksidze (GE)  
V. Dolidze St. 19, app. 16A, 0171, Tbilisi,  
Georgia (GE)  
(72) Giorgi Aleksidze (GE)  
(74) Davit Dzamukashvili  
(54) ARTIFICIAL RESPIRATION SYSTEM  
(57) Artificial respiration system includes self-inflating balloon 8 and an actuator 4 intended to operate it. Furthermore, the system is equipped with medical tripod 3, and a bracket 1 having upper and lower parts is installed vertically movable and fixable thereon. Angular hole is executed in bracket upper part to fix the actuator, and self-inflating balloon clamp 7 is placed on bracket lower part. Control block 9 is installed movable and fixable on the tripod.

Claims: 1 independent  
4 dependents

Fig.: 2

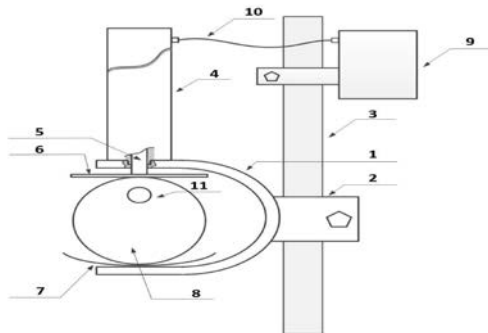


Fig. 1

### PART C

#### C 25

- (10) AU 2020 15191 U (51) Int. Cl. (2006)  
C 25 B 11/04  
(21) AU 2019 15191 (22) 2019 10 10  
(71) Zhiuli Keadze (GE)  
Nutsbidze Plateau, III mcr., II qu., corp. 2,  
app. 69, 0183, Tbilisi, Georgia (GE)  
(72) Temur Chakhunashvili (GE);  
Ketevan Ugrelidze (GE);  
Liana Kakuria (GE);  
Tsisana Gagnidze (GE);  
Zhiuli Keadze (GE)  
(54) ANODE FOR RECEIVING  
ELECTORILYSIS MAGNESIUM  
DIOXIDE  
(57) An anode for receiving electrolysis magnesium dioxide contains frame made with dielectric material, working part made of carbon fiber material and the titanium wire; at that, working part is executed with carbon fiber material once wrapped around the frame, and the wire is executed with two parallel plates disposed from both sides of frame and switched to the frame and working part with screw.

Claims: 1 independent

Fig.: 1

Table: 1

---

**PART E****E 02**

- (10) AU 2020 14927 U (51) Int. Cl. (2006)  
E 02 B 11/00
- (21) AU 2018 14927 (22) 2018 11 16
- (71) LLC Higher Education Institution  
"Education Academy" (GE)  
Ksani St. 35, 0141, Tbilisi, Georgia (GE);  
Goga Chakhaia (GE)  
Sh. Nutsubidze St., I mcr., corp. 1, app. 4, 0183,  
Tbilisi, Georgia (GE);  
Zurab Lobzhanidze (GE)  
Nutsubidze Plateau II mcr., corp. 1, app. 11,  
0183, Tbilisi, Georgia (GE);  
Levan Tsulukidze (GE)  
Sh. Nutsubidze St., I mcr., corp. 1, app. 40,  
0183, Tbilisi, Georgia (GE);  
Sopio Gogilava (GE)  
Sh. Nutsubidze St., I mcr., corp. 1, app. 4, 0183,  
Tbilisi, Georgia (GE)
- (72) Goga Chakhaia (GE);  
Zurab Lobzhanidze (GE);  
Levan Tsulukidze (GE);  
Sopio Gogilava (GE)

**(54) RADIAL CATCHMENT DRAINAGE**

(57) Radial catchment drainage includes water intake conduits 8 placed into the delfs 3 excavated parallel to each other in the soil and/or ground 2 on drying area 1. The conduits are covered with crushed stone 4, gravel 5, thick sand 6, and thin sand 7. Water intake conduits 8 having the perforation 9 in upper area are connected to upper storey drains 11 disposed radially and in equal angles relative to each other on drying area by means of vertical conduits 10 disposed chess-like.

Claims: 1 independent

Fig.: 4

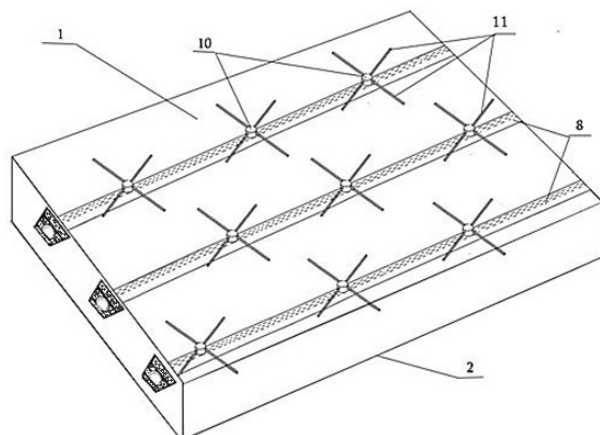


Fig. 1

## PATENTED UTILITY MODELS

### PART C

#### C 11

- (11) U 2020 2062 Y      (51) Int. Cl. (2006)  
  C 11 B 1/04  
  C 11 B 1/06
- (10) AU 2020 15040 U    (44) 16(548)/2020  
(21) AU 2019 15040  
(22) 2019 04 03  
(24) 2019 04 03  
(73) Beka Sukhiashvili (GE)  
      Panaskerteli-Tsitsishvili St. 6, app. 37, Tbilisi,  
      Georgia (GE)  
(72) Beka Sukhiashvili (GE)  
(54) METHOD FOR WALNUT OIL  
      PRODUCTION
- 

### PART G

#### G 06

- (11) U 2020 2061 Y      (51) Int. Cl. (2006)  
  G 06 Q 10/08
- (10) AU 2020 15323 U    (44) 16(548)/2020  
(21) AU 2020 15323  
(22) 2020 04 26  
(24) 2020 04 26  
(73) Davit Topchishvili (GE)  
      Kostava St., II Lane 2, 0179, Tbilisi,  
      Georgia (GE)  
(72) Davit Topchishvili (GE)  
(74) Davit Dzamukashvili  
(54) SYSTEM FOR TRADE IMPLEMENTATION  
      BY USAGE OF MOBILE APPLICATION  
      MANAGED BY COMPUTER
-

**DESIGNS, WHICH HAVE BEEN REGISTERED WITH THE INTERNATIONAL  
BUREAU CLAIMING PRIORITY ON THE TERRITORY OF GEORGIA**

The decision can be appealed at the Chamber of Appeal of Sakpatenti within 3 months from the publication or at the Mtskheta District Court Administrative Cases Board (Address: №17, Samkhedro Str., Mtskheta), within 1 month following the publication.

- (11) DM/207 214 (51) 11-01  
 (15) 2020 03 27 (44) 40/2020 (2020 10 02)  
 (22) 2020 03 27  
 (28) 8  
 (73) HARRY WINSTON SA  
 Chemin Du Tourbillon 8, 1228 Plan-les-Ouates (CH)  
 (85) CH  
 (86) CH  
 (87) CH  
 (88) CH  
 (89) CH  
 (81) II. MA III. UA, AM, AL, AZ, ME, BZ, MD, MC, SG, MN, NO, BA, GE, MK, OM, TR, CA, LI, KG,  
 GB, TN, EM, CH  
 (72) 1-2; 4 Delphine ABDOURAHIM  
 C/o Harry Winston Inc., 718 Fifth Avenue, 10019, New York, N.Y. (US);  
 3; 6-8 Rie YATSUGI-KANG  
 C/o Harry Winston Inc., 718 Fifth Avenue, 10019, New York, N.Y. (US);  
 5. Chaeree KWON  
 C/o Harry Winston Inc., 718 Fifth Avenue, 10019, New York, N.Y. (US)  
 (74) The Swatch Group AG (The Swatch Group SA) (The Swatch Group Ltd.)  
 Faubourg Du Lac 6, 2501 Biel/Bienne (CH)  
 (54) 1.-2. Necklace, 3. Finger ring, 4.-5. Bracelet, 6. Necklace, 7. Pair of earrings, 8. Finger ring  
 (55)









2.3



2.4



2.5



2.6



2.7



2.8



3.1



3.2



3.3



3.4



3.5



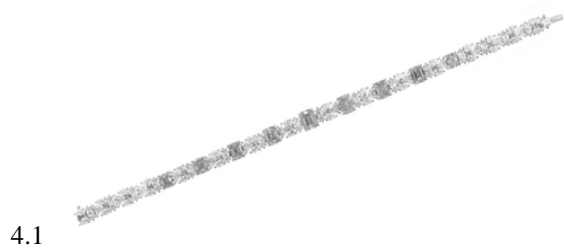
3.6



3.7



3.8





6.1



6.2



6.3



6.4



6.5



6.6



6.7



6.8



7.1



7.2



7.3



7.4





7.5



7.6



7.7



7.8



8.1



8.2



8.3



8.4



8.5



8.6

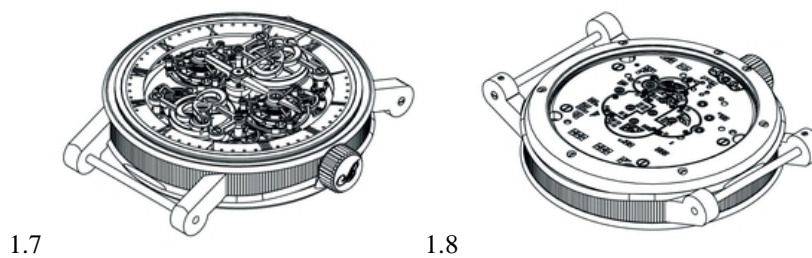
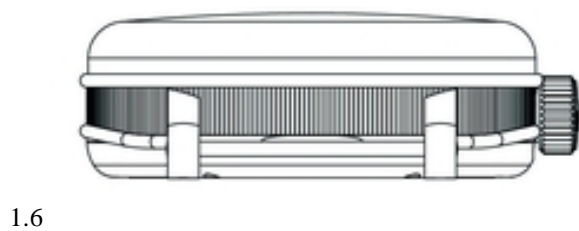
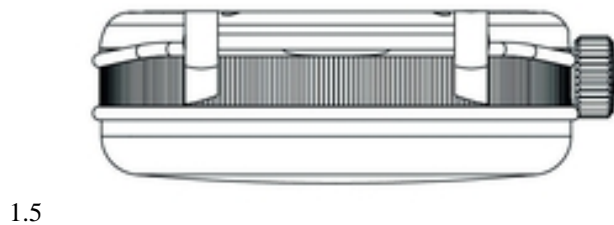
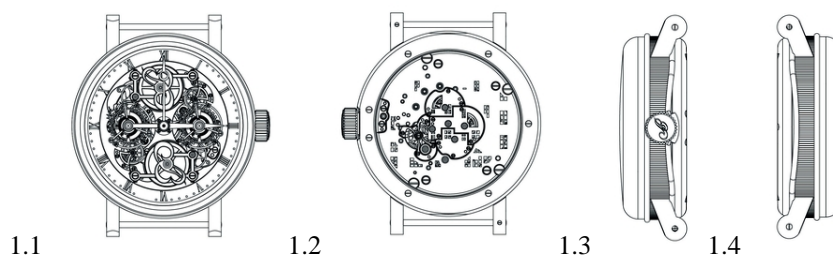


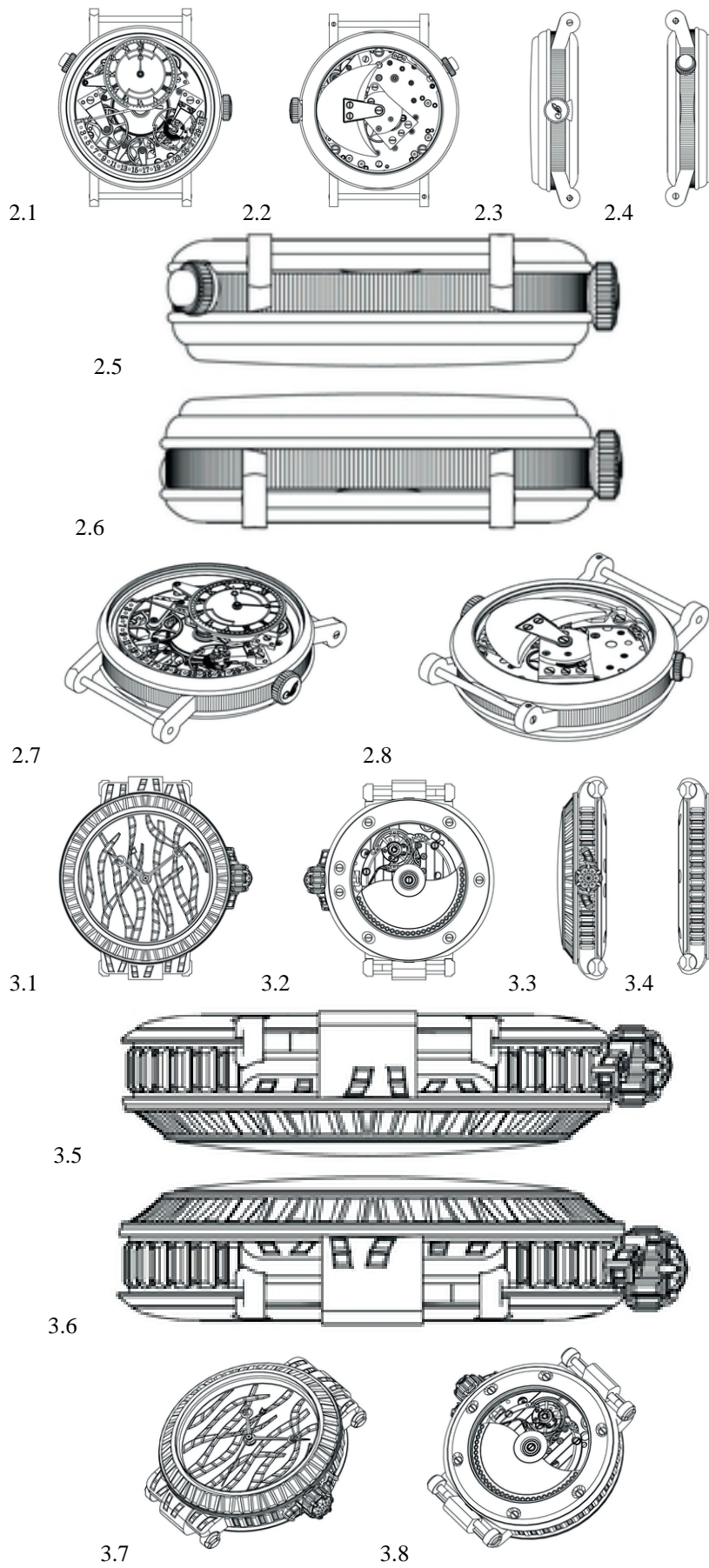
8.7



8.8

- (11) DM/205 974 (51) 10-07  
 (15) 2020 01 09 (44) 41/2020 (2020 10 09)  
 (22) 2020 01 09  
 (28) 3  
 (73) Montres Breguet SA (Montres Breguet AG) (Montres Breguet Ltd)  
 Place De La Tour 23, 1344 L'ABBAYE (CH)  
 (85) CH  
 (86) CH  
 (87) CH  
 (88) CH  
 (89) CH  
 (81) IL, MA, III, UA, AM, AL, AZ, BZ, ME, MD, MC, SG, MN, NO, BA, MK, OM, TR, GE, LI, KG, GB,  
 TN, EM, CH  
 (72) Vincenzo Laucella  
 Route De France 38, CH-1348, Le Brassus (CH)  
 (74) The Swatch Group SA (The Swatch Group AG) (The Swatch Group Ltd.)  
 Faubourg Du Lac 6, 2501 BIEL/BIENNE (CH)  
 (54) 1.-3. Watch case  
 (55)





(11) DM/210 471  
(15) 2020 07 13  
(22) 2020 07 13  
(28) 1

(51) 24-02  
(44) 41/2020 (2020 10 09)

(73) VIRUS GUARD IMEX DEZENFEKTAN DIS TICARET LTD. STI.

Istanbul Ihtisas Serbest Bolge Yesilkoy Sb Mah., A Blok Sokak A Blok No:1/31 Bakirkoy ISTANBUL (TR)

(85) –  
(86) TR  
(87) –  
(88) –  
(89) TR

(81) III. AM, IS, VN, MD, TJ, BW, MN, GH, ST, KH, GB, TN, KR, JP, CH, KP, IL, UA, BN, MX, AL, AZ, TM, ME, BZ, MC, SG, NA, OA, RS, NO, BA, MK, CA, US, GE, OM, LI, WS, KG, SM, EM, SY, RW, RU, EG

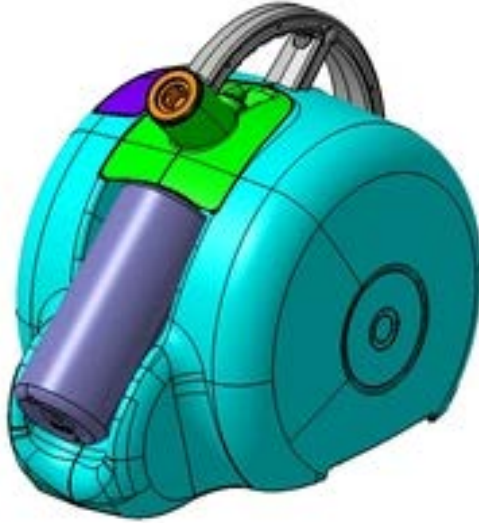
(72) Alex Sahni

Uskumrukoy Mah., Ormanada Bul., Ormanada Evleri Sitesi No. 2AV Sariyer, Istanbul (TR)

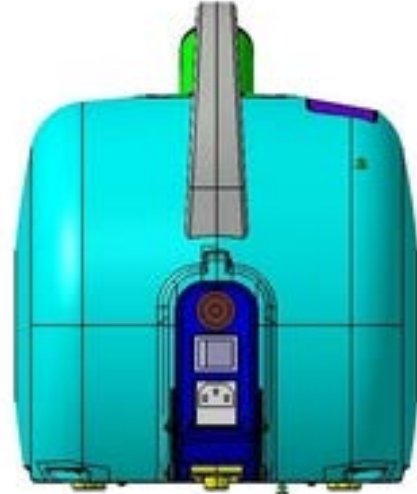
(74) ERDEM KAYA

Konak Mah. Kudret Sk. Elitpark Park Sit. Ofisler Apt. No:12/27, 16110 Bursa (TR)

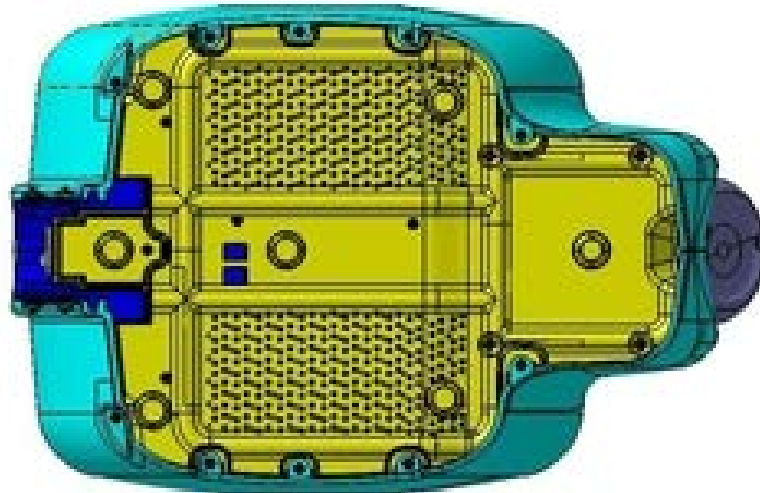
(54) I. Nebulizer  
(55)



1.1



1.2



1.3



# TRADEMARKS

## APPLICATIONS FILED UNDER THE NATIONAL PROCEDURE APPROVED FOR REGISTRATION

The decision can be appealed at the Chamber of Appeal of Sakpatenti within 3 months from the publication or at the Mtskheta District Court Administrative Cases Board (Address: №17, Samkhedro St., Mtskheta), within 1 month following the publication.

(260) AM 2020 105362 A  
(210) AM 105362  
(220) 2020 03 19  
(731) LTD "Kakhetian Wine Cellar"  
Nutsubidze St. 171, 0186, Tbilisi, Georgia  
(740) Giorgi Kurdovanidze  
(540)



(591) Red, golden, white  
(531) 03.03.01; 03.03.24; 05.07.10; 19.09.02;  
24.01.09; 26.01.21; 29.01.12  
(526) KAKHURI კახური KAXURI  
(511) 33, 43

(260) AM 2020 105547 A  
(210) AM 105547  
(220) 2020 05 01  
(731) LTD "GEOCHEM"  
Kindzmarauli St. 33, Tbilisi, Georgia  
(540)



(591) White, black, blue, red, green  
(531) 26.03.01; 26.07.15; 26.07.25; 27.05.01;  
29.01.15  
(511) 2, 19

(260) AM 2020 106056 A  
(210) AM 106056  
(220) 2020 05 22  
(731) LTD "KARTVELI"  
Kakheti Highway 110a, Isani-Samgori  
District, 0151, Tbilisi, Georgia  
(740) Davit Dzamukashvili  
(540)

სოფიკო  
SOFIKO

(591) Black-white  
(511) 33

(260) AM 2020 106057 A  
(210) AM 106057  
(220) 2020 05 22  
(731) LTD "KARTVELI"  
Kakheti Highway 110a, Isani-Samgori  
District, 0151, Tbilisi, Georgia  
(740) Davit Dzamukashvili  
(540)

ვერიკო  
Veriko

(591) Black-white  
(511) 33

(260) AM 2020 107049 A  
(210) AM 107049  
(220) 2020 02 10  
(731) LLC "N DUO"  
O. Taktakishvili St. 14, Tbilisi, Georgia  
(540)



(591) Black-white

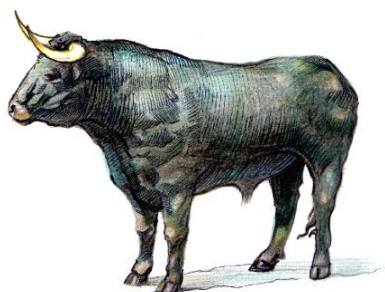
(531) 26.04.02; 26.04.05; 26.04.22; 26.04.24;  
26.11.08; 27.05.24  
(511) 25, 35

(260) AM 2020 107986 A  
(210) AM 107986  
(220) 2020 04 24  
(731) LLC "Georgian Wine House"  
Vill. Zegaani, 1500, Gurjaani, Georgia  
(740) Sophio Vacheishvili  
(540)

**MUKUZANI**

მუკუზანი

DRY RED WINE



(591) Black, grey, blue  
(531) 03.04.01  
(526) MUKUZANI მუკუზანი  
(511) 33

(260) AM 2020 108057 A  
(210) AM 108057  
(220) 2020 04 24  
(731) LLC "Georgian Wine House"  
Vill. Zegaani, 1500, Gurjaani, Georgia  
(740) Sophio Vacheishvili  
(540)



(591) Black, white, ivory, light golden, beige  
(531) 03.01.02; 03.01.20; 03.01.22; 05.13.06;  
11.03.02; 24.01.13; 24.01.25; 25.01.05;  
25.01.19; 27.05.01; 29.01.14

(526) GREMI  
(511) 33

(260) AM 2020 108063 A  
(210) AM 108063  
(220) 2020 04 28  
(731) British American Tobacco (Brands) Inc.  
(a Delaware corporation)  
251 Little Falls Drive, Suite 100, Wilmington,  
Delaware, 19808-1674, USA  
(740) Tamar Kochlamazashvili  
(540)

**KENT CRYSTAL BLUE**

(591) Black-white  
(511) 34

(260) AM 2020 108064 A  
(210) AM 108064  
(220) 2020 04 28  
(731) Ameribeg (UK) Limited  
Doughty Street 42, WC1N2LY, London,  
United Kingdom  
(740) Giorgi Batlidze  
(540)



(591) Black-white  
(531) 26.11.13; 27.05.01; 27.05.09; 27.05.10  
(511) 18

(260) AM 2020 108065 A  
(210) AM 108065  
(220) 2020 04 28  
(310) 045190  
(320) 2019 11 19  
(330) MD  
(731) British American Tobacco (Brands) Inc.  
(a Delaware corporation)  
251 Little Falls Drive, Suite 100, Wilmington,  
Delaware, 19808-1674, USA  
(740) Tamar Kochlamazashvili

(540)



(591) White, black, grey, silver

(531) 25.01.19; 25.12.03; 25.12.25; 26.03.04;  
26.03.23; 27.05.01; 27.05.09

(511) 34

(260) AM 2020 108066 A

(210) AM 108066

(220) 2020 04 28

(731) British American Tobacco (Brands) Inc.  
(a Delaware corporation)  
251 Little Falls Drive, Suite 100, Wilmington,  
Delaware, 19808-1674, USA

(740) Tamar Kochlamazashvili

(540)

**KENT CRYSTAL SILVER**

(591) Black-white

(511) 34

(260) AM 2020 108067 A

(210) AM 108067

(220) 2020 04 29

(731) Brandt Consolidated Inc.  
(Delaware Corporation)  
2935 S. Koke Mill Road, Springfield, Illinois  
62711, USA

(740) Shalva Gvaramadze

(540)

**SEMELE**

(591) Black-white

(511) 1

(260) AM 2020 108068 A

(210) AM 108068

(220) 2020 04 29

(310) 40 2020 0019343

(320) 2020 02 05

(330) KR

(731) Kia Motors Corporation  
12, Heolleung-ro, Seocho-gu, Seoul, Republic  
of Korea

(740) Tamaz Shilakadze

(540)

**PROCEED**

(591) Black-white

(511) 12

(260) AM 2020 108072 A

(210) AM 108072

(220) 2020 04 30

(731) LLC "ALPEN MILK"  
David Agmashenebeli St. 28/1, Akhalkalaki,  
Georgia

(740) Shalva Gvaramadze

(540)

(591) White, black, blue, sky-blue, different tones  
of orange, yellow, green, brown(531) 03.04.02; 06.07.08; 06.07.25; 07.01.09;  
19.03.24; 25.01.05; 25.01.18; 25.01.25;  
25.05.02; 28.05; 28.19; 29.01.15

(511) 29

(260) AM 2020 108113 A

(210) AM 108113

(220) 2020 05 01

(731) Vazha Nekreselashvili  
Vill. Shalauri, 13<sup>th</sup> St. 1, Telavi, Georgia

(540)



(591) Red, blue, white

(531) 26.11.12; 27.05.01; 27.05.17; 27.05.23;  
29.01.12

(511) 29, 30, 33

(260) AM 2020 108114 A  
 (210) AM 108114  
 (220) 2020 05 01  
 (310) 2019755630  
 (320) 2019 11 01  
 (330) RU  
 (731) Energy Beverages LLC  
 2390 Anselmo Drive, Corona, CA 92879, USA  
 (740) Natela Otariidze  
 (540)

## DARK ENERGY

(591) Black-white  
 (511) 32

(260) AM 2020 108117 A  
 (210) AM 108117  
 (220) 2020 05 04  
 (731) Reign Beverage Company LLC  
 1547 N. Knowles Ave, Los Angeles,  
 CA 90063, USA  
 (740) Natela Otariidze  
 (540)



(591) Black, white, grey  
 (531) 04.05.21; 24.09.03; 24.09.09; 24.09.11  
 (511) 32

(260) AM 2020 108118 A  
 (210) AM 108118  
 (220) 2020 05 04  
 (731) İPEKYOL GİYİM SANAYİ PAZARLAMA  
 VE TİCARET ANONİM ŞİRKETİ  
 Merkez Mah. Kazim Orbay Caddesi N35,  
 İstanbul, 34381, Turkey  
 (740) Giorgi Sarajishvili  
 (540)

## IPEKYOL

(591) Black-white  
 (531) 27.05.01  
 (511) 3, 9, 14, 18, 25, 35

(260) AM 2020 108120 A  
 (210) AM 108120  
 (220) 2020 05 04

(731) İPEKYOL GİYİM SANAYİ PAZARLAMA  
 VE TİCARET ANONİM ŞİRKETİ  
 Merkez Mah. Kazim Orbay Caddesi N35,  
 İstanbul, 34381, Turkey  
 (740) Giorgi Sarajishvili  
 (540)



## MACHKA

(591) Black-white  
 (531) 03.01.06; 03.01.16; 03.01.16; 27.07.01  
 (511) 3, 9, 14, 18, 25, 35

(260) AM 2020 108129 A  
 (210) AM 108129  
 (220) 2020 05 06  
 (731) Tea Janashvili  
 Nutsubidze Plateau 4 mcr., corp. 38b, app. 23,  
 Tbilisi, 0183, Georgia  
 (540)



(591) Black, pink (crimson), yellow  
 (531) 26.04.02; 26.04.22; 26.11.08; 28.19; 29.01.13  
 (526) თაის, სახლი  
 (511) 44

(260) AM 2020 108131 A  
 (210) AM 108131  
 (220) 2020 05 07  
 (310) 88/780,865  
 (320) 2020 01 31  
 (330) US  
 (731) STRIPE INC.  
 510 Townsend Street, San Francisco, California  
 94103, USA  
 (740) Tamaz Shilakadze  
 (540)

## GPTN

(591) Black-white  
 (511) 9, 36, 42

(260) AM 2020 108133 A  
 (210) AM 108133  
 (220) 2020 05 07

(731) LTD "BARAKA"  
Petre Kavtaradze St. III Lane 4, app. 43,  
Vake District, Tbilisi, Georgia

(740) Tamar Kharazishvili  
(540)

**პოლარისი**  
**Polaris**

(591) Black-white  
(511) 1, 5

---

(260) AM 2020 108295 A  
(210) AM 108295  
(220) 2020 05 16  
(731) Enriko Beridze  
T. Tabidze St. 10, Dead End 1, Tbilisi, Georgia  
(740) Salome Jeladze  
(540)

**BERO WINES**  
**ბერო ვაინს**

(591) Black-white  
(511) 33, 35

---

---

**REGISTERED TRADEMARKS**

(111) M 2020 33381 R  
(151) 2020 12 03  
(181) 2030 12 03  
(260) AM 2019 102915 A  
(220) 2019 04 30  
(732) Lado Chania  
Irakli Abashidze St. 22, 0179, Tbilisi, Georgia

---

(111) M 2020 33382 R  
(151) 2020 12 03  
(181) 2030 12 03  
(260) AM 2020 104111 A  
(220) 2020 01 14  
(732) LTD "Hotel Management Company"  
Ak. Tsereteli Av. 59, app. 19, 0154, Tbilisi,  
Georgia

---

(111) M 2020 33383 R  
(151) 2020 12 03  
(181) 2030 12 03  
(260) AM 2019 104400 A  
(220) 2019 08 02  
(732) LTD "Georgian Wine House"  
Vill. Zegaani, 1500, Gurjaani district,  
Georgia

---

(111) M 2020 33384 R  
(151) 2020 12 03  
(181) 2030 12 03  
(260) AM 2019 104933 A  
(220) 2019 09 19  
(732) Getz Pharma International FZ LLC  
Office No. 1307, 13th Floor, Al-Thuraya  
Tower 1, Dubai Media City, Dubai, United  
Arab Emirates

---

(111) M 2020 33385 R  
(151) 2020 12 03  
(181) 2030 12 03  
(260) AM 2019 105228 A  
(220) 2019 10 08  
(732) BASF Agro B.V. Arnhem (NL),  
Zweigniederlassung Freienbach  
Huobstrasse 3, Pfäffikon SZ, Switzerland

---

(111) M 2020 33386 R  
(151) 2020 12 03  
(181) 2030 12 03  
(260) AM 2019 105430 A  
(220) 2019 12 06

(732) LTD "IDS Borjomi Beverages Company"  
Tori St. 39, 1200, Borjomi, Georgia

---

(111) M 2020 33387 R  
(151) 2020 12 03  
(181) 2030 12 03  
(260) AM 2019 105640 A  
(220) 2019 11 04  
(732) Intercontinental Great Brands LLC  
100 Deforest Avenue, East Hanover,  
New Jersey 07936, USA

---

(111) M 2020 33388 R  
(151) 2020 12 03  
(181) 2030 12 03  
(260) AM 2019 105641 A  
(220) 2019 11 04  
(732) Intercontinental Great Brands LLC  
100 Deforest Avenue, East Hanover,  
New Jersey 07936, USA

---

(111) M 2020 33389 R  
(151) 2020 12 03  
(181) 2030 12 03  
(260) AM 2019 105654 A  
(220) 2019 11 05  
(732) A & H L.L.C  
Al Araimi Boulevard – Khoud P.O.Box  
676 Muscat, Oman

---

(111) M 2020 33390 R  
(151) 2020 12 03  
(181) 2030 12 03  
(260) AM 2019 105667 A  
(220) 2019 11 06  
(732) Khayrat Al-Manafa for General Trade and  
Public Transport Limited Liability company  
27, Saborni St., Varna, Bulgaria

---

(111) M 2020 33391 R  
(151) 2020 12 03  
(181) 2030 12 03  
(260) AM 2019 105755 A  
(220) 2019 11 12  
(732) CJ Corporation  
12, SOWOL-RO 2-GIL, JUNG-GU, SEOUL,  
Republic of Korea

---

(111) M 2020 33392 R  
(151) 2020 12 03  
(181) 2030 12 03  
(260) AM 2019 105757 A  
(220) 2019 11 12  
(732) CJ CORPORATION  
12, SOWOL-RO 2-GIL, JUNG-GU, SEOUL,  
Republic of Korea

---

(111) M 2020 33393 R  
(151) 2020 12 03  
(181) 2030 12 03  
(260) AM 2019 105789 A  
(220) 2019 11 18  
(732) LLC "CARDEAL"  
Titsian Tabidze St. 8, Tbilisi, Georgia

---

(111) M 2020 33394 R  
(151) 2020 12 03  
(181) 2030 12 03  
(260) AM 2019 106162 A  
(220) 2019 12 13  
(732) The Procter & Gamble Company  
One Procter & Gamble Plaza, Cincinnati,  
Ohio 45202, USA

---

(111) M 2020 33395 R  
(151) 2020 12 03  
(181) 2030 12 03  
(260) AM 2019 106168 A  
(220) 2019 12 17  
(732) LTD "Martali Wine"  
Orpiri St. 41, Tbilisi, Georgia

---

(111) M 2020 33396 R  
(151) 2020 12 03  
(181) 2030 12 03  
(260) AM 2019 106188 A  
(220) 2019 12 19  
(732) Giorgi Dakishvili  
Vill. Shalauri, Telavi, Georgia

---

(111) M 2020 33397 R  
(151) 2020 12 03  
(181) 2030 12 03  
(260) AM 2019 106279 A  
(220) 2019 12 21  
(732) Association "GENESIS"  
Zugdidi St. 3, app. 84, 0154, Tbilisi, Georgia

---

(111) M 2020 33398 R  
(151) 2020 12 03  
(181) 2030 12 03  
(260) AM 2019 106280 A

(220) 2019 12 23  
(732) PW Branding, Inc.  
c/o Aspire IP LLC, 444 E. Pikes Peak Ave.,  
Suite 105, Colorado Springs, Colorado 80903,  
USA

---

(111) M 2020 33399 R  
(151) 2020 12 03  
(181) 2030 12 03  
(260) AM 2019 106281 A  
(220) 2019 12 23  
(732) PW Branding Inc.  
c/o Aspire IP LLC, 444 E. Pikes Peak Ave.,  
Suite 105, Colorado Springs, Colorado  
80903, USA

---

(111) M 2020 33400 R  
(151) 2020 12 03  
(181) 2030 12 03  
(260) AM 2019 106282 A  
(220) 2019 12 23  
(732) PW Branding, Inc  
c/o Aspire IP LLC, 444 E. Pikes Peak Ave.,  
Suite 105, Colorado Springs, Colorado  
80903, USA

---

(111) M 2020 33401 R  
(151) 2020 12 03  
(181) 2030 12 03  
(260) AM 2019 106284 A  
(220) 2019 12 23  
(732) LTD "ALPINE MILK"  
Davit Aghmashenebeli St. 28/1, Akhalkalaki,  
Georgia

---

(111) M 2020 33402 R  
(151) 2020 12 03  
(181) 2030 12 03  
(260) AM 2019 106298 A  
(220) 2019 12 24  
(732) LTD "IHOPESCHOOL"  
Demetre Tavdadebuli St. 16a, app. 15, Tbilisi,  
Georgia

---

(111) M 2020 33403 R  
(151) 2020 12 03  
(181) 2030 12 03  
(260) AM 2019 106299 A  
(220) 2019 12 24  
(732) LTD "VINAGORA"  
G. Tabidze St. 15, Tbilisi, Georgia

---

(111) M 2020 33404 R  
(151) 2020 12 03  
(181) 2030 12 03  
(260) AM 2019 106435 A  
(220) 2019 12 31  
(732) Devi Ishkhanidze  
Giorgi Leonidze St. 60, 4800 Kvareli,  
Kakheti, Georgia

---

(111) M 2020 33405 R  
(151) 2020 12 03  
(181) 2030 12 03  
(260) AM 2019 106436 A  
(220) 2019 12 31  
(732) Shenzhen MicroBT Electronics Technology  
Co., Ltd.  
Unit 801, Hangsheng Science & Technology  
Tower, Gaoxin South 6th Road, Nanshan  
District, Shenzhen, China

---

(111) M 2020 33406 R  
(151) 2020 12 03  
(181) 2030 12 03  
(260) AM 2020 106528 A  
(220) 2020 01 09  
(732) Kawasaki Jukogyo Kabushiki Kaisha  
(Kawasaki Heavy Industries, Ltd.)  
1-1, Higashikawasaki-cho 3-chome, Chuo-ku,  
Kobe, Japan

---

(111) M 2020 33407 R  
(151) 2020 12 03  
(181) 2030 12 03  
(260) AM 2020 106587 A  
(220) 2020 01 10  
(732) Bluetooth SIG Inc.  
5209 Lake Washington Boulevard NE,  
Suite 350, Kirkland, WA 98033, USA

---

(111) M 2020 33408 R  
(151) 2020 12 03  
(181) 2030 12 03  
(260) AM 2020 106594 A  
(220) 2020 01 13  
(732) Novartis AG  
4002 Basel, Switzerland

---

(111) M 2020 33409 R  
(151) 2020 12 03  
(181) 2030 12 03  
(260) AM 2020 106595 A  
(220) 2020 01 13  
(732) Novartis AG  
4002 Basel, Switzerland

---

(111) M 2020 33410 R  
(151) 2020 12 03  
(181) 2030 12 03  
(260) AM 2020 106611 A  
(220) 2020 01 16  
(732) LTD "Kakhetian Traditional Winemaking"  
S. Tsintsadze St. 12, 3rd fl., non-residential  
area 3-6, 0160, Tbilisi, Georgia

---

(111) M 2020 33411 R  
(151) 2020 12 03  
(181) 2030 12 03  
(260) AM 2020 106616 A  
(220) 2020 01 16  
(732) TAEWON NEEDLE LTD  
20, Geumgang-ro 62 beon-gil, Dongnae-gu,  
Busan, Republic of Korea

---

(111) M 2020 33412 R  
(151) 2020 12 03  
(181) 2030 12 03  
(260) AM 2020 106649 A  
(220) 2020 01 20  
(732) Reign Beverage Company LLC  
1547 N. Knowles Ave., Los Angeles,  
California 90063, USA

---

(111) M 2020 33413 R  
(151) 2020 12 03  
(181) 2030 12 03  
(260) AM 2020 106665 A  
(220) 2020 01 22  
(732) ZAKAZ INVESTMENTS LIMITED  
Karditsis, 1, Flat/Office 102, Kaimakli, 1037,  
Nicosia, Cyprus

---

(111) M 2020 33414 R  
(151) 2020 12 03  
(181) 2030 12 03  
(260) AM 2020 106667 A  
(220) 2020 01 22  
(732) ELENE Koghuashvili  
Oniashvili St. 1, Tbilisi, Georgia

---

(111) M 2020 33415 R  
(151) 2020 12 03  
(181) 2030 12 03  
(260) AM 2020 106529 A  
(220) 2020 01 09  
(732) LTD "OMEDIA"  
Kavlashvili St. 3, Tbilisi, Georgia

---



(111) M 2020 33416 R  
(151) 2020 12 03  
(181) 2030 12 03  
(260) AM 2020 106832 A  
(220) 2020 02 01  
(732) LTD "ALAZANI WINERY"  
D. Tavdadebuli St. 3, Kvareli, Georgia

---

(111) M 2020 33417 R  
(151) 2020 12 03  
(181) 2030 12 03  
(260) AM 2019 105767 A  
(220) 2019 11 14  
(732) LTD "BLOOMS"  
Il. Chavchavadze Av. 33a, Floor 2, app. 3,  
Tbilisi, Georgia

---

(111) M 2020 33418 R  
(151) 2020 12 03  
(181) 2030 12 03  
(260) AM 2020 106602 A  
(220) 2020 01 15  
(732) LTD "MUKHAMBAZI"  
Akaki Beliashvili St. 36, 0159, Tbilisi,  
Georgia

---

## TRADEMARKS REGISTERED ACCORDING TO THE ACCELERATED PROCEDURE

The decision can be appealed at the Chamber of Appeal of Sakpatenti within 3 months from the publication.

(111) M 2020 33376 R  
 (151) 2020 11 24  
 (181) 2030 11 24  
 (210) AM 110546  
 (220) 2020 11 19  
 (732) Nikoloz Paiashvili  
 Varketili 3, IIIa mcr., corp. 338, app. 173,  
 0163, Tbilisi, Georgia  
 (540)

**გვირილა**  
**gvirila**

(591) Black-white  
 (511) 35

(591) Black, white, yellow, golden  
 (531) 05.03.01; 05.03.13; 05.03.15; 10.01.05;  
 19.03.03; 19.03.24; 26.05.24; 27.05.01;  
 27.05.24; 28.19; 29.01.15  
 (511) 34

(111) M 2020 33378 R  
 (151) 2020 11 30  
 (181) 2030 11 30  
 (210) AM 110519  
 (220) 2020 11 17  
 (732) LLC "GEO-FLOWER"  
 Vazha-Pshavela St. 2, Ambrolauri, Georgia  
 (540)



**ჩინთა**  
**MONTEA**

(591) Black-white  
 (531) 05.03.11; 05.03.15; 06.07.25; 06.19.09; 28.19  
 (511) 30

(111) M 2020 33377 R  
 (151) 2020 11 26  
 (181) 2030 11 26  
 (210) AM 110189  
 (220) 2020 10 16  
 (732) JSC "TBILISI TOBACCO"  
 Giorgi Nadareishvili St. 7, Tbilisi, Georgia  
 (540)



(111) M 2020 33379 R  
 (151) 2020 12 01  
 (181) 2030 12 01  
 (210) AM 110146  
 (220) 2020 10 15  
 (732) Swissôtel Management GmbH  
 Walter Mittelholzerstraße 6, 8152 Glattbrugg,  
 Switzerland  
 (740) Shalva Gvaramadze  
 (540)

**PÜROVEL**

(591) Black-white  
 (511) 3, 44

(111) M 2020 33380 R  
 (151) 2020 12 02  
 (181) 2030 12 02  
 (210) AM 110145  
 (220) 2020 10 15

(732) Swissôtel Management GmbH  
Walter Mittelholzerstraße 6, 8152 Glattbrugg,  
Switzerland

(740) Shalva Gvaramadze  
(540)

swissôtel

(591) Black, red

(531) 26.03.23; 27.05.01; 27.05.07; 29.01.12

(511) 36, 43

(111) M 2020 33419 R

(151) 2020 12 03

(181) 2030 12 03

(210) AM 110506

(220) 2020 11 13

(732) Pravda Car LLC

8869 Sheridan Rd, Lot B, Kenosha,  
WI 53143, USA

(740) Zurab Bezhashvili

(540)



(591) Sky-blue, dark blue

(531) 17.02.01; 17.02.02; 17.02.04; 18.01.07;  
18.01.09; 26.05.01; 26.05.16; 26.05.19;  
27.05.01; 29.01.04

(511) 9, 16, 38, 41

## INTERNATIONAL TRADEMARKS FOR WHICH A DECISION ON GRANTING PROTECTIONS IS TAKEN

The decision can be appealed at the Chamber of Appeal of Sakpatenti within 3 months from the publication or at the Mtskheta District Court Administrative Cases Board (Address: №17, Samkhedro str., Mtskheta), within 1 month following the publication.

(260) AM 2020 104007 A

(800) 1476181

(151) 2019 02 01

(891) 2019 02 01

(731) PRODUTTORI LATTE ASSOCIATI  
CREMONA – SOC. COOP. AGRICOLA  
(P.L.A.C.) VIA OSTIANO, 70, I-26043  
PERSICO DOSIMO (Cremona), Italy

(540)



(591) Brown, green and red

(531) 24.07.23; 25.01.19; 29.01.14

(526) CREMONA

(511)

29 – Cheese; ripened cheeses; cheese-based snack foods; milk and milk products excluding ice cream; cream cheese; mascarpone; butter; buttercream; margarine; cream being dairy products; whipped cream; yogurt; whey, curd, sour cream; cream of milk products; milk beverages, milk predominating; milk ferments for culinary purposes; milk shakes; condensed milk; soya milk for use as a milk substitute; albumin milk; edible oils and fats; meat extracts; preserved, processed and not live fish, poultry and game; lard for food; edible oils, including olive oil; eggs; tomato puree; pickles, preserved, dried and cooked fruits and vegetables; jellies, jams, preserves; fruit-based snacks.

(260) AM 2020 105945 A\*

(800) 1500691

(151) 2019 10 07

(891) 2019 10 07

(731) Patagonia, Inc.  
259 W. Santa Clara St., Ventura CA 93001,  
USA

(540)



(591) The color(s) purple, blue and orange is/are claimed as a feature of the mark

(531) 06.01.02; 06.01.04; 26.11.08; 27.05.24;  
29.01.13

(511)

32 – Beer.

(260) AM 2020 106357 A

(800) 1505725

(151) 2019 10 30

(891) 2019 10 30

(731) OÜ Good Design

Leiva tn 3, EE-12618 Talinn, Harju maakond,  
Estonia

(540)

## WILDA SIBERICA

(591) Black, white

(531) 27.05.01

(511)

3 – Abrasives; amber [perfume]; descaling preparations for household purposes; antistatic preparations for household purposes; aromatics [essential oils]; air fragrancing preparations; cake flavorings [essential oils]; flavorings for beverages [essential oils]; food flavorings [essential oils]; breath freshening sprays; canned pressurized air for cleaning and dusting purposes; balms, other than for medical purposes; basma [cosmetic dye]; lip glosses; nail glitter; polishing stones; abrasive paper; emery paper; polishing paper; petroleum jelly for cosmetic purposes; shoe polish; cobblers' wax; cotton wool for cosmetic purposes; sachets for perfuming linen; drying agents for dishwashing machines; adhesives for cosmetic purposes; scented water; Javelle water; lavender water; toilet water; wax for parquet floors; floor wax; non-slipping wax for floors; depilatory wax; mustache wax; creams for leather; polish for furniture and flooring; shoemakers' wax; polishing wax; tailors' wax; massage gels, other than for medical purposes; heliotropine; dental bleaching gels; geraniol; make-up; deodorants for pets; deodorants for human beings or for animals; depilatory preparations; air fragrance reed diffusers; scented wood; perfumes; non-slipping liquids for floors; windshield cleaning liquids; greases for cosmetic purposes; volcanic ash for cleaning; perfumery; decorative transfers for cosmetic purposes; ionone [perfumery]; shaving stones [astringents]; smoothing stones; eyebrow pencils; cosmetic pencils; silicon carbide [abrasive]

ve]; carbides of metal [abrasives]; alum stones [astringents]; tripoli stone for polishing; adhesives for affixing false eyelashes; adhesives for affixing false hair; hair conditioners; quillaia bark for washing; corundum [abrasive]; beard dyes; colorants for toilet purposes; cosmetic dyes; laundry starch; laundry glaze; shoe cream; polishing creams; cosmetic creams; skin whitening creams; polishing rouge; incense; hair spray; nail polish; hair lotions; lotions for cosmetic purposes; after-shave lotions; beauty masks; oils for cleaning purposes; oils for perfumes and scents; oils for cosmetic purposes; oils for toilet purposes; essential oils; essential oils of cedarwood; essential oils of lemon; essential oils of citron; bergamot oil; gaultheria oil; jasmine oil; lavender oil; almond oil; rose oil; oil of turpentine for degreasing; whiting; cleaning chalk; almond milk for cosmetic purposes; cleansing milk for toilet purposes; musk [perfumery]; soap; deodorant soap; shaving soap; soap for brightening textile; cakes of toilet soap; antiperspirant soap; soap for foot perspiration; almond soap; mint for perfumery; cosmetic kits; emery; gel eye patches for cosmetic purposes; nail art stickers; false nails; eau de Cologne; bases for flower perfumes; joss sticks; pastes for razor strops; dentifrices; pumice stone; lipstick cases; hydrogen peroxide for cosmetic purposes; breath freshening strips; teeth whitening strips; abrasive cloth; glass cloth [abrasive cloth]; lipsticks; pomades for cosmetic purposes; breath freshening preparations for personal hygiene; shaving preparations; bath preparations, not for medical purposes; cosmetic preparations for baths; hair straightening preparations; hair waving preparations; laundry soaking preparations; grinding preparations; smoothing preparations [starching]; color-removing preparations; leather bleaching preparations; polishing preparations; denture polishes; mouthwashes, not for medical purposes; cosmetic preparations for slimming purposes; starch glaze for laundry purposes; preparations to make the leaves of plants shiny; refurbishing preparations; eye-washes, not for medical purposes; fabric softeners for laundry use; laundry bleach; dry-cleaning preparations; paint stripping preparations; lacquer-removing preparations; make-up removing preparations; floor wax removers [scouring preparations]; varnish-removing preparations; rust removing preparations; nail care preparations; cleaning preparations; preparations for cleaning dentures; wallpaper cleaning preparations; preparations for unblocking drain pipes; chemical cleaning preparations for household purposes; collagen preparations for cosmetic purposes; bleaching preparations [decolorants] for household purposes; laundry preparations; aloe vera preparations for cosmetic purposes; sunscreen preparations; color-brightening chemicals for household purposes [laundry]; shining preparations [polish]; make-up powder; diamantine [abrasive]; stain removers; nail varnish removers; vaginal washes for personal sanitary or deodorant purposes; scouring solutions; false eyelashes; tissues impregnated with

cosmetic lotions; tissues impregnated with make-up removing preparations; baby wipes impregnated with cleaning preparations; safrol; massage candles for cosmetic purposes; laundry blueing; turpentine for degreasing; potpourris [fragrances]; bleaching soda; washing soda, for cleaning; bath salts, not for medical purposes; bleaching salts; fumigation preparations [perfumes]; preservatives for leather [polishes]; ammonia [volatile alkali] [detergent]; astringents for cosmetic purposes; eyebrow cosmetics; make-up preparations; sun-tanning preparations [cosmetics]; hair dyes; neutralizers for permanent waving; cosmetic preparations for eyelashes; cosmetic preparations for skin care; shoe wax; cosmetics; cosmetics for children; cosmetics for animals; mascara; detergents, other than for use in manufacturing operations and for medical purposes; cleansers for intimate personal hygiene purposes, non medicated; douching preparations for personal sanitary or deodorant purposes [toiletries]; degreasers, other than for use in manufacturing processes; bleaching preparations [decolorants] for cosmetic purposes; toiletry preparations; antiperspirants [toiletries]; phytocosmetic preparations; talcum powder, for toilet use; cotton sticks for cosmetic purposes; terpenes [essential oils]; emery cloth; cloths impregnated with a detergent for cleaning; henna [cosmetic dye]; shampoos; shampoos for animals [non-medicated grooming preparations]; shampoos for pets [non-medicated grooming preparations]; dry shampoos; sandpaper; soda lye; herbal extracts for cosmetic purposes; extracts of flowers [perfumes]; ethereal essences; badian essence; mint essence [essential oil].

(260) AM 2020 106696 A

(800) 1509631

(151) 2019 08 26

(891) 2019 08 26

(731) "SOUTHERN JUICE COMPANY" Limited  
Pobedy st., 132, Belorechensk, RU-352630  
Krasnodar region, Russian Federation

(540)

## Like milk

(591) Black, white

(511)

35 – Advertising; business management; business administration; organization of trade fairs and exhibitions for commercial or advertising purposes; presentation of goods on communication media, for retail purposes; sales promotion for others; retail and wholesale store services including online services; market studies; public relations.

(260) AM 2020 107085 A

(800) 1513891

(151) 2019 12 16

(891) 2019 12 16

(731) LABORATOIRES SARBEC

10 rue du Vertuquet, F-59960 NEUVILLE-EN-FERRAIN, France

(540)


 ProperCare logo featuring the brand name in a sans-serif font with a stylized graphic of three curved lines to the right.

(591) Black, white

(531) 01.13.15; 27.05.09

(511)

3 – Laundry preparations; cleaning, polishing, degreasing and abrasive preparations; soaps; perfumes, essential oils, cosmetics, hair lotions; dentifrices; depilatories; make-up removing products; lipstick; beauty masks; shaving products; preservatives for leather (polishes); creams for leather.

5 – Pharmaceutical and veterinary products; sanitary products for medical purposes; disinfectant soaps; medicinal soaps; medicated shampoos; medicated dentifrices; dietetic food and substances for medical or veterinary use; food for babies; food supplements for humans and animals; medical dressings; material for dental fillings and dental impressions; disinfectants; antibacterial products for washing hands; products for destroying vermin; fungicides, herbicides; bath preparations for medical use; sanitary panties or napkins; chemical preparations for medical or pharmaceutical use; medicinal herbs; herbal teas; parasiticides; alloys of precious metals for dental use.

(260) AM 2020 107086 A

(800) 1513925

(151) 2019 12 12

(891) 2019 12 12

(731) Stamburskyy Vladyslav Vasylovych

vul. Voronoho, 13 A, m. Chernihiv 14017, Ukraine

(540)



(591) Black, white

(531) 26.04.09; 26.04.18; 27.05.15

(511)

9 – Scientific, nautical, surveying, photographic, cinematographic, optical, weighing, measuring, signalling, checking (supervision), life-saving and teaching appa-

ratus and instruments; apparatus and instruments for conducting, switching, transforming, accumulating, regulating or controlling electricity; apparatus for recording, transmission or reproduction of sound or images; magnetic data carriers, recording discs; compact discs, DVDs and other digital recording media; mechanisms for coin-operated apparatus; cash registers, calculating machines, data processing equipment, computers; computer software; fire extinguishing apparatus; accumulators, electric; data processing apparatus; apparatus and instruments for astronomy; audiovisual teaching apparatus; batteries, electric; batteries for pocketlamps; binoculars; connected bracelets (measuring instruments); scales; gauges; measuring apparatus; measuring devices, electric; measures; video screens; video cassettes; electronic display units; hands-free kits for telephones; virtual reality headsets; measuring glassware; mirrors (optics); dictating machines; disks, magnetic; optical discs; disk drives for computers; juke boxes for computers; diffraction apparatus (microscopy); diagnostic apparatus, not for medical purposes; transparencies (photography); slide projectors; dosage dispensers; electrical adapters; electronic publications, downloadable; electronic interactive whiteboards; electronic pocket translators; electronic sheet music, downloadable; electronic pens (visual display units); electronic notice boards; electronic tags for goods; electronic agendas; battery chargers; chargers for electric batteries; protective films adapted for computer screens; protective films adapted for smartphones; sound recording carriers; couplers (data processing equipment); readers (data processing equipment); identity cards, magnetic; instruments containing eyepieces; interfaces for computers; pocket calculators; integrated circuit cards (smart cards); mouse pads; downloadable electronic books; compact discs (audio-video); compact discs (read-only memory); directional compasses; computer hardware; computer game software, recorded; computer software, recorded; joysticks for use with computers, other than for video games; computer keyboards; computer peripheral devices; printers for use with computers; computer programs, downloadable; computer programs, recorded; computer operating programs, recorded; commutators; electric apparatus for commutation; squares for measuring; pedometers; circular slide rules; azimuth instruments; laboratory trays; logs (measuring instruments); laptop computers; rulers (measuring instruments); carpenters' rules; counters; slide-rules; magnifying glasses (optics); magnets; decorative magnets; mathematical instruments; furniture especially made for laboratories; rules (measuring instruments); dressmakers' measures; mouse (computer peripheral); microscopes; microphones; measuring spoons; modems; monitors (computer hardware); monitors (computer programs); navigational instruments; headphones; notebook computers; video and audio equipment for presentations; clothing especially made for laboratories; eyeglasses; eyewear; optical lenses;

optical data media; selfie sticks (hand-held monopods); switchboards; converters, electric; furnaces for laboratory use; amplifying tubes; amplifiers; wrist rests for use with computers; egg timers (sandglasses); tablet computers; portable and mobile electronic devices for transmission and reception of digital data; computer software applications, downloadable; time recording apparatus; weighing apparatus and instruments; video recorders; electronic book readers; test tubes; projection apparatus; projection screens; abacuses; cell phone straps; retorts; levels (instruments for determining the horizontal); blueprint apparatus; light-emitting diodes (LED); light-emitting electronic pointers; scanners (data processing equipment); smartwatches; smartglasses; smartphones; solar batteries; bags adapted for laptops; bags adapted for computers; printed circuits; telecommunications equipment; telescopes; temperature indicators; temperature indicator labels, not for medical purposes; thermal imaging cameras; thermometers, not for medical purposes; crucibles (laboratory); security tokens (encryption devices); toner cartridges, unfilled, for printers and photocopiers; precision measuring apparatus; protractors (measuring instruments); downloadable image files; downloadable music files; facsimile machines; apparatus and instruments for physics; wearable activity trackers; USB flash drives; cases for smartphones; chromatography apparatus for laboratory use; chronographs (time recording apparatus); compasses for measuring; digital signs; digital photo frames; square rulers for measuring; sleeves for laptops; covers for personal digital assistants (PDAs); covers for tablet computers; covers for smartphones; jigs (measuring instruments); retorts' stands.

16 – Paper and cardboard; printed matter; bookbinding material; photographs (printed); stationery and office requisites, except furniture; adhesives (glues) for stationery or household purposes; artists' and drawing materials; painters' brushes; instructional and teaching materials; plastic sheets, films and bags for wrapping and packaging; printers' type, printing blocks; fountain pens; address plates for addressing machines; address stamps; addressing machines; aquarelles; albums; almanacs; pocket memorandum books; bookbinding apparatus and machines (office equipment); atlases; biological samples for use in microscopy (teaching materials); forms, printed; drawing pads; spiral-bound notebooks; wristbands for the retention of writing instruments; pamphlets; booklets; house painters' rollers; composing sticks; signboards of paper or cardboard; greeting cards; musical greeting cards; charcoal pencils; newspapers; electrotypes; hectographs; geographical maps; bunting of paper; histological sections for teaching purposes; terrestrial globes; drawing sets; engraving plates; engravings; graphic representations; graphic reproductions; pencil leads; rubber erasers; adhesive tape dispensers (office requisites); diagrams; punches (office requisites); directories (printed matter); advertisement boards of pa-

per or cardboard; blackboards; typewriters, electric or non-electric; printed publications; graphic prints; elastic bands for offices; prints (engravings); labels of paper or cardboard; magazines (periodicals); book-markers; note books; paper clasps; pen clips; baby books (storybooks); writing or drawing books; moisteners (office requisites); moisteners for gummed surfaces (office requisites); erasing products; writing board erasers; transfers (decalcomanias); newsletters; calendars; tracing paper; tracing cloth; paintings (pictures), framed or unframed; announcement cards (stationery); trading cards, other than for games; cards; wood pulp board (stationery); cardboard tubes; files (office requisites); catalogues; manifolds (stationery); tickets; adhesive bands for stationery or household purposes; adhesive tapes for stationery or household purposes; gluten (glue) for stationery or household purposes; books; bookends; comic books; drawing pins; envelopes (stationery); carbon paper; copying paper (stationery); tracing needles for drawing purposes; duplicators; correcting fluids (office requisites); correcting ink (heliography); boxes of paper or cardboard; squares for drawing; tailors' chalk; chalk for lithography; writing chalk; spray chalk; drawing boards; drawing instruments; French curves; drawing pens; printed coupons; document laminators for office use; sheets of reclaimed cellulose for wrapping; flyers; drawing rulers; lithographs; lithographic works of art; paint trays; luminous paper; pictures; stick markers; document markers (highlighting pens); sealing compounds for stationery purposes; modelling materials; envelope sealing machines for offices; sealing machines for offices; franking machines for office use; pencil sharpening machines, electric or non-electric; garbage bags of paper or of plastics; modelling clay; modelling wax, not for dental purposes; painters' easels; galley racks (printing); printing sets, portable (office requisites); stickers (stationery); finger-stalls (office requisites); table runners of paper; writing cases (stationery); writing cases (sets); paper knives (letter openers); paper creasers (office requisites); handkerchiefs of paper; printed sheet music; numbering apparatus; covers (stationery); passport holders; index cards (stationery); indexes; arithmetical tables; oleographs; pencils; pencil lead holders; slate pencils; color pencils; office perforators; bags for microwave cooking; bottle envelopes of paper or cardboard; packing (cushioning, stuffing) materials of paper or cardboard; palettes for painters; pantographs (drawing instruments); paper bows, other than haberdashery or hair decorations; paper ribbons, other than haberdashery or hair decorations; paper tapes and cards for the recordal of computer programmes; papier mâché; paper sheets (stationery); paper for recording machines; sheets of paper for taking notes; papers for painting and calligraphy; document files (stationery); folders for papers; loose-leaf binders; report covers of paper; folders for letters; expanding files (stationery); pastels (crayons); modelling paste; pen cases; paintbrushes;

nibs; nibs of gold; parchment paper; periodicals; seals (stamps); writing chalk; writing materials; writing paper; writing slates; writing instruments; writing brushes; letter trays; manuals (handbooks); hand-rests for painters; stands for pens and pencils; photograph stands; coasters of paper; stamp stands; desk mats; tablemats of paper; song books; posters; clipboards; plastics for modelling; plastic cling film, extensible, for palletization; paper shredders for office use; stamp pads; polymer modelling clay; banners of paper; canvas for painting; portraits; postcards; flags of paper; paperweights; vignetting apparatus; apparatus for mounting photographs; gummed cloth for stationery purposes; gummed tape (stationery); blotters; prospectuses; printers' galleys; ledgers (books); T-squares for drawing; rice paper; printed timetables; marking chalk; pens (office requisites); rollerball pens; gel roller pens; marking pens (stationery); penholders; hand labelling appliances; towels of paper; self-adhesive tapes for stationery or household purposes; blueprints; table napkins of paper; staples for offices; scrapers (erasers) for offices; paper-clips; stapling presses (office requisites); table linen of paper; balls for ball-point pens; correcting tapes (office requisites); bags (envelopes, pouches) of paper or plastics, for packaging; placards of paper or cardboard; highlighting markers; pencil sharpeners, electric or non-electric; transparencies (stationery); stencils; stencils (stationery); stencil plates; mimeograph apparatus and machines; drafting triangles; document holders (stationery); chalk holders; pencil holders; holders for stamps (seals); page holders; toilet paper; folders for blueprints; Indian inks; chart pointers, non-electronic; paint boxes for use in schools; aquarelles; felt-tip pens; molds for modelling clays (artists' materials); photo albums; photo-engravings; cases for stamps (seals); chromolithographs (chromos); compasses for drawing; artists' watercolor saucers; ink; inkwells; inking sheets for duplicators; inking sheets for document reproducing machines; inking pads; inkstands; ink sticks; inking ribbons; square rulers for drawing; erasing shields; cabinets for stationery (office requisites); school supplies (stationery); scaling stamps; diaries.

18 – Leather and imitations of leather; animal skins; luggage and carrying bags; umbrellas and parasols; walking sticks; whips, harness and saddlery; collars, leashes and clothing for animals; valises; business card cases; boxes of vulcanized fiber; key cases; vanity cases, not fitted; purses; travelling bags; labels of leather; attaché cases; pocket wallets; boxes of leather or leatherboard; haversacks; music cases; leather straps; briefcases; randsels (Japanese school satchels); rucksacks; cases of leather or leatherboard; bags for sports; bags (envelopes, pouches) of leather, for packaging; bags; card cases (notecases); credit card cases (wallets); school satchels; leather cord.

(260) AM 2020 107087 A  
(800) 1513980  
(151) 2019 12 18  
(891) 2019 12 18  
(731) Robert Bosch GmbH  
Robert-Bosch-Platz 1, 70839 Gerlingen,  
Germany  
(540)

**BOSCH**

(591) Black, white  
(511)  
10 – Medical and veterinary apparatus and instruments, except dental instruments, artificial limbs; orthopedic articles; suture materials.  
28 – Games and playthings; gymnastic and sporting articles not included in other classes; decorations for Christmas trees.  
44 – Medical services; veterinary services; agriculture, horticulture and forestry services; flower arranging; rental of sanitation facilities; wreath making.  
45 – Legal services; security services for the protection of property and individuals; personal and social services rendered by others to meet the needs of individuals; rental of fire alarms; rental of fire extinguishers; physical security consultancy.

(260) AM 2020 107091 A  
(800) 1514044  
(151) 2019 11 27  
(891) 2019 11 27  
(731) Motorherz GmbH  
Immermannstraße 13, 40210 Düsseldorf,  
Germany  
(540)



(591) Black, white  
(531) 25.03.03; 26.04.04; 26.04.07; 26.04.18;  
26.04.24; 27.05.10; 27.05.17; 27.05.24  
(511)  
7 – Pumps [machines]; pumps [parts of machines or engines]; vacuum pumps [machines]; self-regulating fuel pumps; starters for motors; power generators; electric generators.  
35 – Procurement services for others [purchasing goods and services for other businesses]; sales promotion for others.

(260) AM 2020 107092 A  
(800) 1514048  
(151) 2019 12 17  
(891) 2019 12 17



(731) "Unipharm-Ukraine", LLC  
Moskovskiyi prospect 9-V, Kyiv 04073,  
Ukraine

(540)

## NEUROURIDIN

(591) Black, white

(511)

3 – Non-medicated cosmetics and toiletry preparations; non-medicated dentifrices; perfumery, essential oils; bleaching preparations and other substances for laundry use; cleaning, polishing, scouring and abrasive preparations.

5 – Pharmaceuticals, medical and veterinary preparations; sanitary preparations for medical purposes; dietetic food and substances adapted for medical or veterinary use, food for babies; dietary supplements for human beings and animals; plasters, materials for dressings; material for stopping teeth, dental wax; disinfectants; preparations for destroying vermin; fungicides, herbicides.

10 – Surgical, medical, dental and veterinary apparatus and instruments; artificial limbs, eyes and teeth; orthopaedic articles; suture materials; therapeutic and assistive devices adapted for the disabled; massage apparatus; apparatus, devices and articles for nursing infants; sexual activity apparatus, devices and articles.

32 – Beers; non-alcoholic beverages; mineral and aerated waters; fruit beverages and fruit juices; syrups and other non-alcoholic preparations for making beverages.

(260) AM 2020 107094 A

(800) 1514055

(151) 2019 12 10

(891) 2019 12 10

(731) ASOCIAȚIA OBȘTEASCĂ "BRIO  
SONORES"

Horești, MD-6816 Ialoveni, Republic of  
Moldova

(540)

## BRIO SONORES

(591) Black, white

(511)

16 – Paper, cardboard and goods made from these materials, not included in other classes; printed matter; bookbinding material; photographs; stationery; adhesives for stationery or household purposes; artists' materials; paint brushes; typewriters and office requisites (except furniture); instructional and teaching material (except apparatus); plastic materials for packaging (not included in other classes); printers' type; printing blocks.

38 – Telecommunications.

41 – Education; providing of training; entertainment; sporting and cultural activities.

(260) AM 2020 107095 A

(800) 1514057

(151) 2019 10 09

(891) 2019 10 09

(731) Radatz – Feine Wiener Fleischwaren  
Gesellschaft m.

Erlaaerstraße 187, A-1230 Wien, Austria

(540)



(591) Red, white

(531) 26.04.02; 26.04.22; 26.04.24; 27.01.12;  
27.05.24; 29.01.12

(511)

29 – Meats; sausages; preserved sausages; pepperoni; kielbasa; smoked sausages; botifarra sausages; cured sausages; uncooked sausages; hot dog sausages; air-dried sausages; sausages; charcuterie; salted meats; salted meats.

30 – Mustard; mustard powder for food; mustard powder [spice]; mustard preparations for food; sauces [condiments]; savory sauces, chutneys and pastes; hot sauce.

43 – Services for providing food and drink.

(260) AM 2020 107096 A

(800) 1514065

(151) 2019 12 12

(891) 2019 12 12

(731) "Unipharm-Ukraine", LLC

Moskovskiyi prospect 9-V, Kyiv 04073, Ukraine

(540)

## HEPA-ADEMIN

(591) Black, white

(511)

3 – Non-medicated cosmetics and toiletry preparations; non-medicated dentifrices; perfumery, essential oils; bleaching preparations and other substances for laundry use; cleaning, polishing, scouring and abrasive preparations.

5 – Pharmaceuticals, medical and veterinary preparations; sanitary preparations for medical purposes; dietetic food and substances adapted for medical or veterinary use, food for babies; dietary supplements for human beings and animals; plasters, materials for dressings; material for stopping teeth, dental wax; disin-

fectants; preparations for destroying vermin; fungicides, herbicides.

10 – Surgical, medical, dental and veterinary apparatus and instruments; artificial limbs, eyes and teeth; orthopaedic articles; suture materials; therapeutic and assistive devices adapted for the disabled; massage apparatus; apparatus, devices and articles for nursing infants; sexual activity apparatus, devices and articles.

32 – Beers; non-alcoholic beverages; mineral and aerated waters; fruit beverages and fruit juices; syrups and other non-alcoholic preparations for making beverages.

(260) AM 2020 107097 A

(800) 1514093

(151) 2019 12 03

(891) 2019 12 03

(731) ELAN HOLDINGS LIMITED

2nd Floor, St. Marys Court, Hill Street,  
Douglas, ISLE OF MAN IM1 1EU, United  
Kingdom

(540)

**EL&N**

(591) Black, white

(511)

43 – Café services; restaurant services; preparation of food and beverages; provision of food and drink; catering; services for providing food and drink; temporary accommodation; information, advisory and consultancy services in relation to all of the aforesaid.

(260) AM 2020 107098 A

(800) 1514110

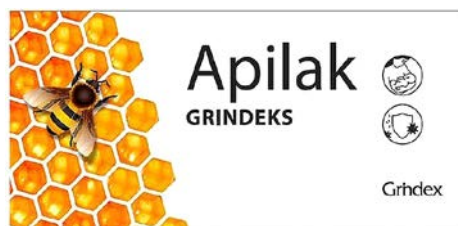
(151) 2019 08 28

(891) 2019 08 28

(731) GRINDEKS, AS

Krustpils iela 53, LV-1057 Rīga, Latvia

(540)



(591) Yellow, orange, brown, grey, black and white

(531) 02.07.09; 03.13.04; 03.13.05; 24.01.01;

26.01.01; 26.01.14; 26.01.16; 27.05.01;

29.01.15

(511)

3 – Cosmetics and cosmetic preparations; natural cosmetics; cosmetic preparations for skin care.

5 – Pharmaceutical preparations; veterinary preparations; drugs for medical purposes; dietary supplements

and dietetic preparations; pharmaceuticals and natural remedies; medical and veterinary preparations and articles; homeopathic pharmaceuticals; infant formula; adhesive plasters; medicated plasters; dietetic substances adapted for medical use; nutraceutical preparations for therapeutic or medical purposes; royal jelly dietary supplements; royal jelly for medical purposes; royal jelly for pharmaceutical purposes.

10 – Medical devices; medical instruments.

(260) AM 2020 107099 A

(800) 1514133

(151) 2019 12 12

(891) 2019 12 12

(731) Stamburskyy Vladyslav Vasylovych

vul. Voronoho, 13 A, m. Chernihiv 14000,  
Ukraine

(540)



(591) Black, white

(531) 26.04.18; 26.04.24; 27.05.19; 27.05.22;

27.05.24

(511)

9 – Scientific, nautical, surveying, photographic, cinematographic, optical, weighing, measuring, signalling, checking (supervision), life-saving and teaching apparatus and instruments; apparatus and instruments for conducting, switching, transforming, accumulating, regulating or controlling electricity; apparatus for recording, transmission or reproduction of sound or images; magnetic data carriers, recording discs; compact discs, DVDs and other digital recording media; mechanisms for coin-operated apparatus; cash registers, calculating machines, data processing equipment, computers; computer software; fire extinguishing apparatus; audio and video equipment; audiovisual teaching apparatus; batteries, electric; batteries for pocket-lamps; binoculars; connected bracelets (measuring instruments); scales; measuring instruments; video screens; electronic display units; video baby monitors; telephone headsets; juke boxes for computers; mirrors (optics); dictating machines; electronic numeric displays; floppy disks; magnetic and optical discs; diffraction apparatus (microscopy); diagnostic apparatus, not for medical purposes; slide projectors; diaphragms for scientific apparatus; adding machines; dosage dispensers; jigs (measuring instruments); electrical adapters; electronic publications, downloadable; electronic notice boards; electronic interactive whiteboards; electronic tags for goods; electronic pocket translators;

electronic pens (visual display units); electronic agendas; protective films adapted for computer screens; balancing apparatus; sound recording carriers; readers (data processing equipment); bar code readers; interfaces for computers; pocket calculators; memory cards for video game machines; integrated circuit cards (smart cards); mouse pads; downloadable electronic books; compact discs (audio-video); compact discs (read-only memory); computer equipment; computer hardware; computer game software, downloadable; joysticks for use with computers, other than for video games; computer peripheral devices; printers for use with computers; computer programs, downloadable; computer programs, recorded; computer operating programs, recorded; electric apparatus for commutation; pedometers; compasses for measuring; circular slide rules; azimuth instruments; laboratory trays; laptop computers; rulers (measuring instruments); carpenters' rules; counters; magnifying glasses (optics); magnets; decorative magnets; mathematical instruments; furniture especially made for laboratories; melodies, ringtones, pictures, images for mobile phones, downloadable; rules (measuring instruments); dressmakers' measures; mouse (computer peripheral); microscopes; microphones; measuring spoons; modems; teaching apparatus; headphones; notebook computers; audio equipment for presentations; eyewear; optical data media; selfie sticks (hand-held monopods); switchboards; wrist rests for use with computers; egg timers (sandglasses); tablet computers; measuring glassware; portable and mobile electronic devices for transmission and reception of digital data; computer software applications, downloadable; time recording apparatus; weighing apparatus and instruments; data processing apparatus; electronic book readers; test tubes; projection apparatus; projection screens; computer software, recorded; baby monitors; frames for photographic transparencies; abacuses; cell phone straps; satellite navigational apparatus; scanners (data processing equipment); transparencies (photography); smartwatches; smartglasses; smartphones; bags adapted for laptops; printed circuits; telecommunications equipment; telescopes; temperature indicators; thermometers, not for medical purposes; crucibles (laboratory); totalizers; precision measuring apparatus; protractors (measuring instruments); tripods for cameras; downloadable image files; downloadable music files; wearable activity trackers; USB flash drives; cases for smartphones; cases especially made for photographic apparatus and instruments; chronographs (time recording apparatus); digital signs; digital photo frames; covers for smartphones; sleeves for laptops.

16 – Paper and cardboard; printed matter; bookbinding material; photographs (printed); stationery; adhesives (glues) for stationery or household purposes; artists' materials; painters' brushes; typewriters and office requisites (except furniture); teaching materials (except apparatus); plastic materials for packaging;

printing type; printing blocks; fountain pens; addressing machines; address plates for addressing machines; address stamps; aquarelles; albums; memorandum books; almanacs; atlases; forms, printed; drawing pads; pads (stationery); pamphlets; booklets; bookbinding apparatus and machines (office equipment); composing sticks; signboards of paper or cardboard; erasing products; erasing shields; writing board erasers; modelling wax, not for dental purposes; greeting cards; newspapers; electrotypes; hectographs; geographical maps; toilet paper; modelling clay; terrestrial globes; pencil sharpeners, electric or non-electric; pencil sharpening machines, electric or non-electric; drawing sets; engraving plates; graphic representations; pencil leads; elastic bands for offices; rubber erasers; adhesive tape dispensers (office requisites); reference books; clipboards; blackboards; writing slates; printing sets, portable (office requisites); printed publications; prints (engravings); labels of paper or cardboard; hand labelling appliances; magazines (periodicals); bookmarkers; sealing machines for offices; envelope sealing machines for offices; note books; pads (stationery); wristbands for the retention of writing instruments; paper clasps; pen clips; moisteners (office requisites); workbooks containing exercises; writing or drawing books; indexes; newsletters; calendars; tracing paper; office perforators; cards; paintings (pictures), framed or unframed; trading cards, other than for games; cardboard tubes; files (office requisites); catalogues; manifolds (stationery); adhesive tapes for stationery or household purposes; books; ledgers (books); bookends; drawing pins; comic books; envelopes (stationery); carbon paper; correcting fluids (office requisites); boxes of paper or cardboard; cases for stamps (seals); spray chalk; writing chalk; drawing instruments; drawing boards; French curves; printed coupons; document laminators for office use; adhesive bands for stationery or household purposes; adhesive tapes for stationery or household purposes; sheets of reclaimed cellulose for wrapping; flyers; drawing rulers; paint trays; stick markers; document markers (highlighting pens); modelling materials; franking machines for office use; bags (envelopes, pouches) of paper or plastics, for packaging; garbage bags of paper or of plastics; duplicators; mimeograph apparatus and machines; painters' easels; waxed paper; stickers (stationery); finger-stalls (office requisites); desk mats; paper knives (letter openers); paper creasers (office requisites); handkerchiefs of paper; numbering apparatus; covers (stationery); passport holders; index cards (stationery); pencils; mechanical pencils; color pencils; bags for microwave cooking; palettes for painters; pantographs (drawing instruments); paper ribbons, other than haberdashery or hair decorations; papier mâché; paper sheets (stationery); papers for painting and calligraphy; document files (stationery); report covers of paper; folders for letters; folders for papers; loose-leaf binders; pastels (crayons); modelling paste; pen cases; nibs; parchment paper; transfers (de-

calcomanias); seals (stamps); sealing stamps; stamp pads; writing chalk; writing materials; writing cases (sets); writing paper; writing slates; writing instruments; writing cases (stationery); writing brushes; manuals (handbooks); coasters of paper; photograph stands; stands for pens and pencils; stamp stands; tablemats of paper; posters; blueprints; plastic cling film, extensible, for palletization; plastics for modelling; plastic film for wrapping; paper shredders for office use; polymer modelling clay; portraits; postcards; flags of paper; paperweights; vignetting apparatus; apparatus for mounting photographs; punches (office requisites); gummed tape (stationery); drawer liners of paper, perfumed or not; blotters; prospectuses; technical pens; arithmetical tables; printers' reglets; ledgers (books); printed timetables; marking chalk; rollerball pens; gel roller pens; marking pens (stationery); towels of paper; tissues of paper for removing make-up; table napkins of paper; tablecloths of paper; staples for offices; stapling presses (office requisites); loose-leaf binders; scrapers (erasers) for offices; cabinets for stationery (office requisites); paper-clips; stapling presses (office requisites); table linen of paper; balls for ball-point pens; correcting tapes (office requisites); letter trays; transparencies (stationery); stencils; stencils (stationery); stencil plates; document holders (stationery); pencil holders; Indian inks; chart pointers, non-electronic; paint boxes for use in schools; felt-tip pens; molds for modelling clays (artists' materials); photo albums; compasses for drawing; artists' water-color saucers; correcting ink (heliography); ink; ink-wells; inking sheets for duplicators; inkstands; square rulers for drawing; school supplies (stationery); diaries.

18 – Leather and imitations of leather; animal skins; trunks and travelling bags; umbrellas and parasols; walking sticks; whips, harness and saddlery; luggage tags; card cases (notecases); trunks (luggage); attaché cases; business card cases; boxes of vulcanized fiber; key cases; vanity cases, not fitted; purses; shopping bags; cases of leather or leatherboard; umbrella rings; boxes of leather or leatherboard; slings for carrying infants; furniture coverings of leather; bags (envelopes, pouches) of leather, for packaging; haversacks; travelling sets (leatherware); music cases; trimmings of leather for furniture; clothing for pets; leather straps; valises; beach bags; travelling trunks; briefcases; randsels (Japanese school satchels); rucksacks; net bags for shopping; bags for sports; tool bags, empty; sling bags for carrying infants; handbags; gentlemen's handbags; wheeled bags; garment bags for travel; bags for campers; bags; pouch baby carriers; credit card cases (wallets); umbrella covers; school satchels; leather cord.

(260) AM 2020 107101 A

(800) 1514169

(151) 2019 10 18

(891) 2019 10 18

(731) Limited Liability Company "RusBioAlliance"  
Pryazhinskoye shosse, d. 2 KM, liter. B, et/kab.  
2/10, Petrozavodsk, RU-185013 the Republic of  
Karelia, Russian Federation

(540)

**RusBioAlliance**

(591) Blue

(531) 27.05.01; 29.01.04

(511)

29 – Confitures; jams; frozen berries; frozen fruits; frozen vegetables; frozen mushrooms; frozen vegetable mixes (including with added rice); fruit and berry-based fillings; berry purees.

30 – Berry sauces.

32 – Concentrated berry juices and nectars; fruit-drinks (morses); fruit-drinks (morses) bases; berry juices and nectars.

(260) AM 2020 107102 A

(800) 1514182

(151) 2019 10 23

(891) 2019 10 23

(731) VROMAN, naamloze vennootschap  
Oudenaardestraat 49, B-8570 Vichte,  
Belgium

(540)



(591) Black, red and white

(531) 26.07.25; 26.13.25; 27.05.10; 27.05.24;  
29.01.13

(526) LUBRICANTS

(511)

4 – Lubricating oils and lubricating greases; motor oils; non-chemical additives for motor fuels; motor fuels.

(260) AM 2020 107104 A

(800) 1514188

(151) 2019 12 05

(891) 2019 12 05

(731) Zakrytoe aktsionernoe obshchestvo "Renna-Holding"  
ul. Privolnaya, 25, RU-109145 Moscow,  
Russian Federation

(540)



(591) Black, white

(531) 26.11.12; 28.05

(511)

29 – Buttercream; margarine; butter; milk; whipped cream; fat-containing mixtures for bread slices; cheese.

30 – Frozen yoghurt; gruel, with a milk base, for food; custard; ice cream; cocoa beverages with milk; coffee beverages with milk; chocolate beverages with milk; powders for making ice cream; puddings.

(260) AM 2020 107105 A

(800) 1514201

(151) 2019 08 06

(891) 2019 08 06

(731) INVESTOR.BG AD

Brussels Blvd 1, BG-1540 Sofia, Bulgaria

(540)

## **KWU International Professional League**

(591) Black, white

(511)

35 – Advertising; business management; commercial administration; administrative services; electronic publication of printed matter for advertising purposes; preparation of promotional material; publication of printed matter for advertising purposes; publication of promotional material; publication of advertising material online; publication of promotional materials and texts; distribution of printed advertising matter; publication of printed matter for advertising purposes, in electronic form; organization of competitions for advertising purposes; promotion of sports competitions and events; promoting the goods and services of others by arranging sponsors to recommend their goods and services in sports; promotional services relating to electronic sporting events; promoting third party goods and services by arranging sponsors to recommend their goods and services in sporting events; marketing services relating to electronic sporting events; business management of sports events [for others]; business management of sports facilities [for others]; business management of athletes; promotional management for sports personalities; advertising, including the promotion of third party products and services through sponsorship agreements and licensing agreements relating to international sporting events; advertising of goods and services through sponsorship

of international sporting events; advertising of goods and services through sponsorship of sporting events; advertising services relating to electronic sporting events; management in the field of professional sports activities; retail services in relation to sports articles; retail services in connection with sports facilities; wholesale services in relation to sports facilities; wholesale services in relation to sports articles; agency services for the promotion of sports personalities; retail services in relation to sports goods; wholesale services in relation to sports goods; engaging athletes in events (promotional services).

36 – Sports insurance services; arranging funding for sports, cultural and leisure projects; financial sponsorship of electronic sports events; financial sponsorship of sports activities.

37 – Construction of sports grounds; construction of sports complexes; construction of sports grounds; maintenance and repair of sports and fitness equipment; maintenance and repair of sports equipment; providing information relating to the repair or maintenance of sports equipment; providing information relating to the repair of sports equipment; repair of sports equipment.

38 – Broadcasting of electronic sports events; streaming of electronic sports events; satellite broadcasting services relating to sporting events.

41 – Organization of entertainment tournaments; organization of sports tournaments; organization of tournaments; arranging of tournaments; conducting sports tournaments; competition information provided by telephone; arranging and conducting of sports competitions; arranging and conducting of competitions [training and entertainment]; arranging of sporting events and competitions; organization of sporting events and competitions; organization of sporting events, competitions and sports tournaments; organization of sports and sporting events; organization of sports competitions and sports activities; rental of equipment for use in sporting events; operation of sports facilities; performance of refereeing in sports competitions; ticket information services for sporting events; sports information services; sports education information; providing club sports facilities; advisory services relating to the organization of sporting events; country clubs providing sports facilities; rental of sports facilities; rental of sports equipment; education, entertainment and sports; education and training services relating to sports; educational services relating to sports; sport camp services; training of sports teachers; e-sports training; training relating to sports activities; handicap setting for sporting events; arranging and conducting of sports competitions in higher education institutions; arranging and conducting of sporting events; organization of electronic sports activities; organization of electronic sports competitions; organization of electronic sporting events; organization of pub-



lic sporting and cultural events; organization of sports activities and competitions; arranging of sports activities for summer camps; arranging of sporting events; organization of sporting events and events; organization of sporting events; organization of sports competitions; arranging of sports training; organization of events for cultural, entertainment and sporting purposes; arranging of sports competitions; provision and management of sporting events; providing information relating to sporting events; providing information relating to sports; providing sports related news; providing sports facilities; providing facilities for sporting events; providing sports facilities; rental of diving equipment; rental of sports grounds and grounds; rental of sports facilities; rental of sports equipment; rental of sports facilities [except vehicles]; rental of sports and training equipment; rental of sports equipment and facilities; providing information about sports activities; providing information relating to athletes; provision of news and information relating to sports wrestling via a global computer network; providing online newsletters in the field of sports entertainment; providing online entertainment in the nature of fantasy sports leagues; provision of sports and recreation facilities; providing sports entertainment via a website; provision of sports facilities; provision of sports training facilities; conducting live sports events; conducting sports events and competitions; conducting sporting events; production of electronic sports events for television; production of sporting events for films; radio coverage of sporting events; arranging and conducting of sporting events; entertainment and sporting activities; entertainment clubs providing sports facilities; entertainment services in the nature of sporting events; entertainment and entertainment, sporting and cultural activities; entertainment provided during breaks during sporting events; reservation of seats for shows and sporting events; reservation of sports facilities; sports and cultural activities; sports training; sports clubs; sports activities; sports instruction services; sports education services; organization of sporting events; rental of sports facilities; organization of sports competitions; sports education; sports training; training of athletes.

(260) AM 2020 107117 A  
 (800) 1514464  
 (151) 2019 10 16  
 (891) 2019 10 16  
 (731) Otkrytoe aktsionernoe obshchestvo "Minskiy molochny zavod №1"  
 ul. Vokzalnaya 11, 223034 Zaslavl, Minskiy rayon, Belarus

(540)



(591) Blue, green, red, yellow, black and white  
 (531) 02.05.03; 02.05.17; 05.05.21; 28.05; 29.01.15  
 (511)  
 29 – Milk products, including smetana [sour cream], cream [dairy products], whey; lactic acid drinks; strained cheese; curd snacks; chocolate glazed curd bars; yogurt; butter; cream, including buttercream; milk puddings.

(260) AM 2020 107118 A  
 (800) 1514494  
 (151) 2019 08 28  
 (891) 2019 08 28  
 (731) Zahorii Hlib Volodymyrovych  
 10, Prorizna street, apt. 19, Kyiv 01001,  
 Ukraine  
 (540)



(591) Black, white  
 (531) 16.03.15; 27.03.15; 27.05.21  
 (511)  
 5 – Antiseptics; vaccines; veterinary preparations; vitamin preparations; disinfectants; diagnostic preparations for veterinary purposes; diagnostic preparations for medical purposes; dietetic beverages adapted for medical purposes; dietetic substances adapted for medical use; dietetic foods adapted for medical purposes; plant extracts for pharmaceutical purposes; herbal extracts for medical purposes; capsules for medicines; medicines for human purposes; drugs for medical purposes; medicinal drinks; medicinal oils; medicated toiletry preparations; medicated shampoos; ointments for pharmaceutical purposes; teeth filling material; medicinal alcohol; food supplements; dressings, medical; nutritional supplements; pre-filled syringes for medical purposes; air purifying preparations; food for babies; protein dietary supplements; tissues impregnated with pharmaceutical lotions; alcohol for pharmaceutical purposes; stem cells for medical purposes; transplants [living tissues]; pharmaceutical preparations; pharmaceuticals; ferments for pharmaceutical purposes; phytotherapy preparations for medical purposes.

poses; chemico-pharmaceutical preparations; chemical preparations for medical purposes; chemical preparations for pharmaceutical purposes; chemical reagents for medical or veterinary purposes; surgical glues; surgical dressings; candy, medicated; candy for medical purposes; sanitary preparations for medical purposes; plasters for medical purposes.

(260) AM 2020 107119 A

(800) 1514541

(151) 2020 01 08

(891) 2020 01 08

(731) Beijing Dongdao Alliance Brand Management Co., Ltd.

Room 201, Building 5, No. 2, Jingyuan North Street, Beijing Economic and Technological, Development Zone, Beijing, China

(540)

**FISH WITH YOU**

**鱼你在一起 下饭酸菜鱼**

(591) Black, white

(531) 26.04.18; 26.04.24; 28.03

(511)

35 – Commercial administration of the licensing of the goods and services of others; providing business information via a web site; business management of hotels; commercial information and advice for consumers in the choice of products and services; business research; import-export agency services; marketing; targeted marketing; provision of an online marketplace for buyers and sellers of goods and services; sales promotion for others.

43 – Canteen services; food and drink catering; hotel services; restaurant services; snack-bar services; cafeteria services; self-service restaurant services; information and advice in relation to the preparation of meals; personal chef services.

(260) AM 2020 107120 A

(800) 1514551

(151) 2019 11 27

(891) 2019 11 27

(731) R. Stahl Aktiengesellschaft

Am Bahnhof 30, 74638 Waldenburg, Germany

(540)



(591) Black, white

(531) 26.05.01; 26.05.18; 26.05.24; 27.05.24

(511)

9 – Electrotechnical and electronic devices and systems, in particular for controlling, regulating, measuring and distributing energy as well as electrical protection devices and systems; remote basic input/output [BIOS] and bus systems; bars and bus modules for collecting electricity; interface devices and interface units; computer security barriers [firewall] and buffer stages; power units; pin and socket connection devices; energy distribution boards; installation equipment, namely, junction boxes [electricity], on-off switches, wall lighting components [switches], distribution boards and boxes, electric switches, distribution cabinets [electricity], junction boxes [electricity] for electric wires, boxes for commutators, housings for electric apparatus, technical cabinets designed to hold electric apparatus, circuit breaker; junction boxes; control and signaling apparatus; tap changers and motor control commutators; all the aforesaid goods particularly for use in blast hazard areas, in vehicles, aircraft and ships and in firedamp areas; equipment and systems for measuring, regulating, signaling, monitoring, operating and controlling; software; electric commutation apparatus and housings for electrical and electronic components, in particular housings with explosion-proof protective casing.

11 – Lighting apparatus and lighting systems, in particular for use in blast hazard areas, in vehicles, aircraft and ships and in firedamp areas.

42 – Development, design, planning and configuration of machines, engines and apparatus and electrotechnical and electronic systems, in particular for control, regulating, measuring, power distribution and electric protection, as well as apparatus and systems for measuring, regulating, signaling, monitoring, controlling and testing, low-voltage switchgear assemblies, electronic and electric controls and technical cabinets, as well as devices and systems for lighting; design and development of computer hardware and computer software; technical research, in particular in the fields of mechanical engineering and electrical engineering; preparation of analyses, expert opinions and consulting services in the fields of mechanical engineering, electrical protection and protection against explosions; planning and configuration of electrotechnical and electronic systems, in particular for use in blast hazard areas, in vehicles, aircraft and ships, as well as in firedamp areas.

(260) AM 2020 107121 A

(800) 1514566

(151) 2019 12 17

(891) 2019 12 17

(731) Aktsionernoe obshchestvo "Essen production AG"

Avtozavodsky district, New Passage 3, of. 95, RU-445037 Tolyatti, Samara Region, Russian Federation

(540)



(591) Red, white, beige, green, dark green, yellow

(531) 05.03.16; 05.07.08; 25.01.19; 28.05; 29.01.13

(526) The word "Jam", the naturalistic image of berries, element ®.

(511)

29 – Jams.

(260) AM 2020 107122 A

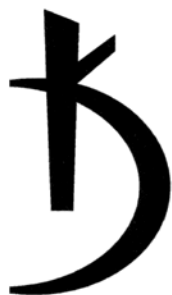
(800) 1514599

(151) 2019 10 25

(891) 2019 10 25

(731) Grygorovych Svitlana Anatoliivna  
vul. Shepeleva 4, kv. 1, Kiev 03061, Ukraine

(540)



(591) Black, white

(531) 27.05.21

(511)

3 – Abrasive paper; abrasives; adhesives for affixing false hair; adhesives for affixing false eyelashes; adhesives for cosmetic purposes; after-shave lotions; air fragrancing preparations; almond oil; almond soap; almond milk for cosmetic purposes; aloe vera preparations for cosmetic purposes; alum stones [astringents]; amber [perfume]; ammonia [volatile alkali] [detergent]; antiperspirant soap; antiperspirants [toiletries]; antistatic preparations for household purposes; aromatics [essential oils]; astringents for cosmetic

purposes; badian essence; balms, other than for medical purposes; bases for flower perfumes; bath salts, not for medical purposes; bath preparations, not for medical purposes; beard dyes; beauty masks; bergamot oil; bleaching salts; bleaching soda; bleaching preparations [decolorants] for cosmetic purposes; breath freshening sprays; breath freshening strips; cake flavourings [essential oils]; cakes of toilet soap; canned pressurized air for cleaning and dusting purposes; carbides of metal [abrasives]; cleaning chalk; cleaning preparations; preparations for cleaning dentures; cleansers for intimate personal hygiene purposes, non medicated; cleansing milk for toilet purposes; cloths impregnated with a detergent for cleaning; cobblers' wax; collagen preparations for cosmetic purposes; color- [colour-] brightening chemicals for household purposes [laundry]; colour-removing preparations; corundum [abrasive]; cosmetic preparations for baths; cosmetic preparations for eyelashes; cosmetic kits; cosmetic pencils; cosmetic creams; cosmetic preparations for skin care; cosmetic dyes; cosmetic preparations for slimming purposes; cosmetic for animals; cosmetic; cotton swabs for cosmetic; cotton sticks for cosmetic purposes; cotton wool for cosmetic purposes; creams for leather; waxes for leather; decorative transfers for cosmetic purposes; degreasers, other than for use in manufacturing processes; dental bleaching gels; dentifrices; denture polishes; deodorant soap; deodorants for human beings or for animals; deodorants for pets; depilatory preparations; depilatory wax; descaling preparations for household purposes; detergents, other than for use in manufacturing operations and for medical purposes; diamantine [abrasive]; douching preparations for personal sanitary or deodorant purposes; dry shampoos; dry-cleaning preparations; drying agents for dishwashing machines; eau de Cologne; emery paper; emery cloth; emery essential oils of cedarwood; essential oils of lemon; essential oils of citron; ethereal essences; essential oils; extracts of flowers [perfumes]; eye-washes, not for medical purposes; eyebrow cosmetics; eyebrow pencils; fabric softeners for laundry use; false eyelashes; false nails; flavourings for beverages [essential oils]; floors wax removers [scouring preparations]; floor wax; food flavorings [essential oils]; fumigation preparation [perfumes]; refurbishing preparations; gaultheria oil; geraniol; glass clothe [abrasive cloth]; greases for cosmetic purposes; grinding preparations; hair lotions; hair colorants; hair waving preparation; hair spray; hair conditioners; hair straightening preparations; heliotropine; henna [cosmetic dye]; herbal extracts for cosmetic purposes; hydrogen peroxide for cosmetic purposes; incense; ionone [perfumery]; jasmine oil; potassium hypochloride; joss sticks; lacquer-removing preparation; laundry blueing; laundry bleach; laundry glaze; laundry wax; laundry soaking preparations; laundry preparations; lavender water; lavender oil; leather bleaching preparation; leather preservatives [polishes]; lip glosses; lipstick cases;



lipsticks; lotions for cosmetic purposes; make-up preparations; make-up removing preparations; make-up; make-up powder; mascara; massage gels, other than for medical purposes; mint essence [essential oil]; mint for perfumery; moustache wax; mouthwashes, not for medical purposes; musk [perfumery]; nail polish; nail care preparations; nail art stickers; nail polish remover; neutralizers for permanent waving; non-slipping wax for floors; non-slipping liquids for floors; oil of turpentine for degreasing; oils for cosmetic purposes; oils for cleaning purposes; oils for perfumes and scents; oils for toilet purposes; paint stripping preparations; pastes for razor strops; perfumery; perfumes; petroleum jelly for cosmetic purposes; phytocosmetic preparations; polish for furniture and flooring; polishing rouge; polishing preparations; polishing wax; polishing creams; polishing paper; polishing stones; pomades for cosmetic purposes; potpourris [fragrances]; pumice stone; quillaia bark for washing; rose oil; rust removing preparations; sachet for perfuming linen; saffrol; sandcloth; sandpaper; scented wood; scented water; scouring solutions; shampoos; shampoos for pets [non medicated grooming preparations]; shampoos for animals [non-medication grooming preparations]; shaving stones [astringents]; shaving soap; shaving preparations; shining preparations [polish]; preparations to make shiny the leaves of plants; shoe cream; shoe wax; shoe polish; shoemakers' wax; silicon carbide [abrasive]; cream for whitening the skin; smoothing stones; smoothing preparations [starching]; soap; soap for brightening textile; soap for foot perspiration; soda lye; stain removers; starch glaze for laundry purposes; starch for laundry purposes; sun tanning preparations [cosmetics]; sunscreen preparations; tailors' wax; talcum powder for toilet use; teeth whitening strips; terpenes [essential oils]; tissues impregnated with cosmetic lotions; tissues impregnated with make-up removing preparations; toilet water; toiletry preparations; tripoli stone for polishing; turpentine for degreasing; preparations for unblocking drain pipes; vaginal washes for personal sanitary or deodorant purposes; varnish-removing preparation; volcanic ash for cleaning; wallpaper cleaning preparations; washing soda for cleaning; wax for parquet floors; whitening; windscreen cleaning liquids.

35 – Business management assistance; business inquiries; business auditing; business management and organization consultancy; business management consultancy; business efficiency expert services; business appraisals; business investigations; business organization consultancy; business research; advisory services for business management; professional business consultancy; business information; business management of hotels; business management of performing artists; business management of sports people; business management for freelance service providers; business projects management services for construction projects; providing business information via a web site; business management of reimbursement programmes

for others; business management programmes for others; business intermediary services relating to the matching of potential private investors with needing funding; commercial information agency services; commercial or industrial management assistance; commercial information and advice for customers [consumer advice shop]; commercial administration of the licensing of the goods and services of others provision of commercial and business contact information; commercial intermediation services; compilation of information into computer databases; compilation of statistics; compiling indexes of information for commercial or advertising purpose; computerized file management; consultancy regarding public relations communications strategy; consultancy regarding advertising communication strategy; cost price analysis; data search in computer files for others; demonstration of goods; design of advertising material; direct mail advertising; dissemination of advertising matter; distribution of samples; document reproduction; drawing up of statements of accounts; economic forecasting; employment agency services; import-export agency services; invoicing; layout services for advertising purposes; market studies; marketing research; marketing; modelling for advertising or sales promotion; negotiation and conclusion of commercial transactions for third parties; negotiation of business contracts for others; news clipping services; arranging newspaper subscriptions for others; office machines and equipment rental; on-line advertising on a computer network; provision of an on-line marketplace for buyers and sellers of goods and services opinion polling; organization of exhibitions for commercial or advertising purposes; organization of trade fairs for commercial or advertising purposes; organization of fashion shows for promotional purposes; outsourced administrative management for companies; outsourcing services [business assistance]; pay per click advertising; payroll preparation; personnel management consultancy; personnel recruitment; photocopying services; rental of photocopying machines; presentation of good on communication media for retail purposes; price comparison services; procurement services for others [purchasing goods and services for other businesses]; psychological testing for the selection of personnel; public relations; publication of publicity texts; publicity material rental; radio advertising; registration of written communications and data; relocation services for businesses; retail or wholesale services for pharmaceutical, veterinary and sanitary preparations and medical supplies sales promotion for others; rental of sales stands; scriptwriting for advertising purposes; search engine optimization for sales promotion; shop window dressing; shorthand; sponsorship search; arranging subscriptions to telecommunication services for other; systemization of information into computer databases; tax preparations; tax filing services; telemarketing services; telephone answering for unavailable subscribers; production of tele-

shopping programmes; television advertising; transcription of communication [office functions]; typing; updating of advertising material; updating and maintenance of data in computer databases; updating and maintenance of information in registries; rental of vending machines; web site traffic optimization; web indexing for commercial of advertising purposes; word processing; writing of publicity texts; writing of résumés for others.

(260) AM 2020 107123 A

(800) 1514650

(151) 2019 12 05

(891) 2019 12 05

(731) Uždaroji akcinė bendrovė "TELTONIKA"  
Saltoniškių g. 9B-1, LT- Vilnius, Lithuania

(540)

## TELTONIKA

(591) Black, white

(511)

9 – Equalizers [audio apparatus]; satellites for scientific purposes; carriers for dark plates [photography]; limiters [electricity]; compact discs [audio-video]; laboratory robots; lenses for astrophotography; solenoid valves [electromagnetic switches]; ring sizers; chemistry apparatus and instruments; hygrometers; marine compasses; computer memory devices; security tokens [encryption devices]; cinematographic cameras; portable media players; compasses for measuring; chargers for electric batteries; wire connectors [electricity]; couplers [data processing equipment]; mileage recorders for vehicles; abacuses; washing trays [photography]; decorative magnets; x-ray films, exposed; organic light-emitting diodes [oled]; plumb bobs; microtomes; batteries for lighting; interfaces for computers; telerupters; choking coils [impedance]; laboratory trays; protective films adapted for computer screens; bathroom scales; incubators for bacteria culture; tablet computers; shoes for protection against accidents, irradiation and fire; safety tarpaulins; crucibles [laboratory]; fire alarms; spectacle frames; monitoring control apparatus [electric]; branch boxes [electricity]; drainers for use in photography; sulfimeters; protective films adapted for smartphones; magnetic tape units for computers; couplings, electric; infrared detectors; regulating apparatus, electric; sonars; electronic access control systems for interlocking doors; teaching robots; voting machines; goggles for sports; densimeters; flashlights [photography]; mercury levels; anode batteries; spherometers; automatic indicators of low pressure in vehicle tyres; rescue flares, non-explosive and non-pyrotechnic; discharge tubes, electric, other than for lighting; signal bells; accelerometers; radios; readers [data processing equipment]; answering machines; alarms; probes for scientific purposes; plates for batteries; downloadable ring tones for mobile phones; computer keypads; time clocks [time recording devices]; aerometers; personal digital

assistants [pdas]; integrated circuit cards [smart cards]; ducts [electricity]; starter cables for motors; asbestos screens for firemen; control panels [electricity]; ohmmeters; yarn counters; life-saving capsules for natural disasters; breathing apparatus, except for artificial respiration; video screens; stereoscopic apparatus; vehicle radios; sprinkler systems for fire protection; acoustic alarms; security surveillance robots; mouse pads; signs, luminous; betatrons; parking meters; material testing instruments and machines; facsimile machines; computer programs, recorded; furnaces for laboratory use; teleprompters; light dimmers [regulators], electric; levelling instruments; solar panels for the production of electricity; nautical apparatus and instruments; mobile telephones; baby monitors; anemometers; aerials; flowmeters; magnets; computer software, recorded; data processing apparatus; joysticks for use with computers, other than for video games; electric apparatus for commutation; data gloves; microphones; optical glass; fibre optic cables; distillation apparatus for scientific purposes; electric wire harnesses for automobiles; calipers; money counting and sorting machines; divers' masks; carpenters' rules; digital photo frames; electric loss indicators; reflective safety vests; climate control digital thermostats; 3d spectacles; resuscitation training simulators; anti-interference devices [electricity]; capillary tubes; materials for electricity mains [wires, cables]; identity cards, magnetic; cell switches [electricity]; spark-guards; telegraphs [apparatus]; telephone receivers; gasoline gauges; t-squares for measuring; computer peripheral devices; toner cartridges, unfilled, for printers and photocopiers; junction boxes [electricity]; chargers for electronic cigarettes; x-ray tubes not for medical purposes; anti-theft warning apparatus; telegraph wires; protection devices for personal use against accidents; covers for electric outlets; electronic publications, downloadable; distribution boards [electricity]; ink cartridges, unfilled, for printers and photocopiers; weights; battery boxes; diagnostic apparatus, not for medical purposes; slide-rules; terminals [electricity]; sound transmitting apparatus; computer game software, recorded; processors [central processing units]; reports; safety nets; quantity indicators; railway traffic safety appliances; pince-nez; black boxes [data recorders]; measuring spoons; spectacle cases; relays, electric; current rectifiers; light-emitting electronic pointers; electricity conduits; voltmeters; computer game software, downloadable; solar batteries; spirit levels; contact lenses; magnifying glasses [optics]; plotters; lighting ballasts; scales; frequency meters; polarimeters; surveying chains; speed measuring apparatus [photography]; alcoholmeters; cosmographic instruments; shutters [photography]; workmen's protective face-shields; dvd players; video game cartridges; megaphones; sirens; audio mixers; camcorders; lasers, not for medical purposes; anti-glare glasses; connected bracelets [measuring instruments]; satellite navigational apparatus; igniting apparatus, electric, for ig-

ning at a distance; darkrooms [photography]; darkroom lamps [photography]; photocopiers; encoded identification bracelets, magnetic; batteries, electric, for vehicles; chips [integrated circuits]; printed circuits; hand-held electronic dictionaries; square rulers for measuring; microscopes; lactodensimeters; boiler control instruments; stereoscopes; switchboards; radiotelephony sets; life buoys; circuit closers; electro-dynamic apparatus for the remote control of signals; revolution counters; metal detectors for industrial or military purposes; wind socks for indicating wind direction; apparatus and installations for the production of x-rays, not for medical purposes; head guards for sports; peepholes [magnifying lenses] for doors; ticket dispensers; coaxial cables; protective masks; punched card machines for offices; pressure gauges; electronic pocket translators; food analysis apparatus; teleprinters; push buttons for bells; remote control apparatus; covers for smartphones; accumulators, electric; holograms; exposure meters [light meters]; sound locating instruments; sextants; hemline markers; speed checking apparatus for vehicles; electrified rails for mounting spot lights; computer hardware; oxygen transvasing apparatus; inverters [electricity]; switches, electric; viewfinders, photographic; rearview cameras for vehicles; glazing apparatus for photographic prints; measuring apparatus; wearable video display monitors; egg timers [sandglasses]; smartwatches; step-up transformers; thermo-hygrometers; encoded key cards; lightning conductors; phonograph records; computer programs, downloadable; precision measuring apparatus; biochips; video baby monitors; filters for respiratory masks; wafers for integrated circuits; range finders; vacuum gauges; compact discs [read-only memory]; holders for electric coils; fire engines; protective suits for aviators; heat regulating apparatus; head cleaning tapes [recording]; mouse [computer peripheral]; electronic book readers; flashing lights [luminous signals]; rulers [measuring instruments]; weighing apparatus and instruments; ear pads for headphones; levelling staffs [surveying instruments]; salinometers; mouth guards for sports; correcting lenses [optics]; resuscitation mannequins [teaching apparatus]; beacons, luminous; letter scales; jigs [measuring instruments]; vehicle drive training simulators; voltage regulators for vehicles; bar code readers; audio recordings; hands-free kits for telephones; egg-candlers; chromatography apparatus for laboratory use; transparencies [photography]; devices for the projection of virtual keyboards; acidimeters for batteries; temperature indicators; apparatus to check franking; thin client computers; cases for smartphones; sound recording carriers; electric and electronic effects units for musical instruments; calibrating rings; fog signals, non-explosive; distribution boxes [electricity]; lactometers; gauges; respiratory masks, other than for artificial respiration; baby scales; transmitter receivers; gloves for divers; finger sizers; cameras [photography]; fire extinguishers; ear plugs for divers;

electrified fences; electronic key fobs being remote control apparatus; printed circuit boards; thermionic valves; screens for photoengraving; rescue laser signalling flares; monitors [computer programs]; test tubes; sounding apparatus and machines; totalizers; height gauges; time recording apparatus; mirrors [optics]; fire hose; compact disc players; asbestos gloves for protection against accidents; usb flash drives; thermostats; tape recorders; centering apparatus for photographic transparencies; downloadable music files; wrist rests for use with computers; connections for electric lines; telescopes; octants; objectives [lenses] [optics]; magnetic resonance imaging [mri] apparatus, not for medical purposes; digital signage; pressure indicator plugs for valves; video cassettes; galvanometers; clothing for protection against accidents, irradiation and fire; traffic cones; transmitters [telecommunication]; actinometers; balances [steelyards]; optical data media; slope indicators; needles for record players; distance measuring apparatus; measures; teeth protectors; computers; testing apparatus not for medical purposes; spectacle cords; fire boats; acoustic couplers; cassette players; navigation apparatus for vehicles [on-board computers]; solderers' helmets; videotapes; audio- and video-receivers; breathing apparatus for underwater swimming; batteries for electronic cigarettes; sounding leads; theodolites; naval signalling apparatus; apparatus and instruments for astronomy; surveyors' levels; locks, electric; clothing for protection against fire; covers for personal digital assistants [pdas]; weighbridges; loudspeaker units; radiological apparatus for industrial purposes; coils, electric; petri dishes; refractors; rods for water diviners; containers for microscope slides; vacuum tubes [radio]; lens hoods; humanoid robots with artificial intelligence; downloadable image files; integrated circuits; dressmakers' measures; selfie lenses; telephone wires; subwoofers; signalling whistles; semi-conductors; headgear being protective helmets; apparatus for changing record player needles; laptop computers; plane tables [surveying instruments]; walkie-talkies; protractors [measuring instruments]; anodes; amplifying tubes; pocket calculators; stroboscopes; prisms [optics]; road signs, luminous or mechanical; asbestos clothing for protection against fire; fire extinguishing apparatus; lens caps; crash test dummies; distribution consoles [electricity]; cleaning apparatus for phonograph records; furniture especially made for laboratories; pressure indicators; electric sockets; sound reproduction apparatus; periscopes; counters; smartphones; bags adapted for laptops; tachometers; sheaths for electric cables; tripods for cameras; sports whistles; spectroscopes; dog whistles; optical lanterns; optical apparatus and instruments; photocells; cash registers; enlarging apparatus [photography]; video recorders; measuring glassware; speed regulators for record players; light-emitting diodes [led]; sound recording apparatus; identification sheaths for electric wires; safety helmets; sighting telescopes for firearms; disks,

magnetic; optical fibres [light conducting filaments]; microprocessors; scales with body mass analysers; pyrometers; junction sleeves for electric cables; telephone apparatus; life belts; decompression chambers; radar apparatus; fire beaters; cables, electric; demagnetizing apparatus for magnetic tapes; mathematical instruments; x-ray photographs, other than for medical purposes; filters for use in photography; blueprint apparatus; electrolyzers; squares for measuring; respirators for filtering air; virtual reality headsets; measuring devices, electric; marking buoys; thermal imaging cameras; signals, luminous or mechanical; hair-dressing training heads [teaching apparatus]; transformers [electricity]; transistors [electronic]; downloadable emoticons for mobile phones; commutators; thermometers, not for medical purposes; galvanic batteries; printers for use with computers; headphones; battery jars; identification threads for electric wires; juke boxes for computers; tone arms for record players; computer software applications, downloadable; protective helmets for sports; encoded magnetic cards; telecommunication apparatus in the form of jewellery; ammeters; neon signs; surveying apparatus and instruments; automated teller machines [atm]; stills for laboratory experiments; disk drives for computers; distance recording apparatus; cyclotrons; magnetic wires; power wires; apertometers [optics]; counterfeit coin detectors; clothing especially made for laboratories; epidiascopes; refractometers; slide projectors; surveying instruments; ozonisers [ozonators]; photometers; dosage dispensers; anticathodes; cases especially made for photographic apparatus and instruments; radiology screens for industrial purposes; selfie sticks [hand-held monopods]; masts for wireless aerials; dictating machines; electronic tags for goods; life jackets; quantum dot light-emitting diodes [qled]; detectors; screw-tapping gauges; wah-wah pedals; needles for surveying compasses; global positioning system [gps] apparatus; wavemeters; magnetic tapes; weighing machines; piezoelectric sensors; containers for contact lenses; memory cards for video game machines; riding helmets; mechanical signs; micrometers; micrometer screws for optical instruments; interactive touch screen terminals; traffic-light apparatus [signalling devices]; gasometers [measuring instruments]; marking gauges [joinery]; computer screen saver software, recorded or downloadable; whistle alarms; nose clips for divers and swimmers; monitors [computer hardware]; electro-dynamic apparatus for the remote control of railway points; calculators; observation instruments; temperature indicator labels, not for medical purposes; steering apparatus, automatic, for vehicles; collectors, electric; satellite finder meters; chronographs [time recording apparatus]; logs [measuring instruments]; teaching apparatus; high-frequency apparatus; speaking tubes; cabinets for loudspeakers; drying apparatus for photographic prints; droppers for measuring, other than for medical or household purposes; wearable activity trackers; dry-

ing racks [photography]; plumb lines; diaphragms [photography]; fire escapes; electronic pens [visual display units]; amplifiers; stands for photographic apparatus; apparatus for fermentation [laboratory apparatus]; copper wire, insulated; computer operating programs, recorded; particle accelerators; sounding lines; wearable computers; meteorological instruments; electronic notepads; spectacle chains; converters, electric; fire blankets; diffraction apparatus [microscopy]; electric installations for the remote control of industrial operations; azimuth instruments; animated cartoons; navigational instruments; inductors [electricity]; height measuring instruments; optical condensers; mirrors for inspecting work; audio interfaces; verniers; apparatus and instruments for physics; comparators; snorkels; electrical adapters; cell phone straps; film cutting apparatus; spectacle lenses; mechanisms for counter-operated apparatus; voltage surge protectors; sound recording strips; downloadable graphics for mobile phones; fluorescent screens; life saving apparatus and equipment; smartglasses; screens [photography]; spools [photography]; meteorological balloons; cathodes; telephone transmitters; laboratory pipettes; instruments containing eyepieces; optical discs; precision balances; spectrograph apparatus; galena crystals [detectors]; slide film mounts; signalling panels, luminous or mechanical; triodes; horns for loudspeakers; personal stereos; conductors, electric; theft prevention installations, electric; invoicing machines; taximeters; condensers [capacitors]; ergometers; cathodic anti-corrosion apparatus; smoke detectors; bullet-proof clothing; projectors; signal lanterns; time switches, automatic; projection apparatus; digital weather stations; radiotelegraphy sets; floppy disks; galvanic cells; marine depth finders; phototelegraphy apparatus; safety restraints, other than for vehicle seats and sports equipment; survival blankets; heliographic apparatus; rules [measuring instruments]; bells [warning devices]; electric plugs; electric connectors; transmitters of electronic signals; binoculars; water level indicators; coin-operated mechanisms; planimeters; levels [instruments for determining the horizontal]; metronomes; speed indicators; appliances for measuring the thickness of leather; fire hose nozzles; resistances, electric; pitot tubes; densitometers; directional compasses; dna chips; optical lenses; ionization apparatus not for the treatment of air or water; electric door bells; record players; flash-bulbs [photography]; magnetic encoders; contacts, electric; calorimeters; urinometers; electronic interactive whiteboards; smart rings; adding machines; gloves for protection against x-rays for industrial purposes; electronic numeric displays; television apparatus; diaphragms [acoustics]; magnetic data media; stage lighting regulators; fuse wire; life-saving rafts; pedometers; lifeboats; reflective articles for wear, for the prevention of accidents; sunglasses; acid hydrometers; electronic collars to train animals; alarm bells, electric; saccharometers; fuses; computer software platforms, recor-

ded or downloadable; apparatus for editing cinematographic film; buzzers; batteries, electric; grids for batteries; diving suits; intercommunication apparatus; nanoparticle size analysers; sleeves for laptops; electronic notice boards; knee-pads for workers; electronic sheet music, downloadable; rheostats; cinematographic film, exposed; hydrometers; connectors [electricity]; air analysis apparatus; filters for ultraviolet rays, for photography; viscosimeters; vehicle breakdown warning triangles; audiovisual teaching apparatus; circular slide rules; charging stations for electric vehicles; films, exposed; retorts' stands; video telephones; scanners [data processing equipment]; cordless telephones; optical character readers; acoustic conduits; shutter releases [photography]; telescopic sights for artillery; trackballs [computer peripherals]; bullet-proof waistcoats; modems; stands adapted for laptops; telepresence robots; variometers; cases for tablet computers; alidades; projection screens; x-ray apparatus not for medical purposes; apparatus for measuring the thickness of skins; armatures [electricity]; laboratory centrifuges; juke boxes, musical; barometers; pagers; eyepieces; thermostats for vehicles; eyewear; gas testing instruments; oscillographs; protective face-shields for protective helmets; protection devices against x-rays, not for medical purposes; nets for protection against accidents; dynamometers; coin-operated mechanisms for television sets; diaphragms for scientific apparatus; gloves for protection against accidents.

(260) AM 2020 107124 A

(800) 1514662

(151) 2019 07 15

(891) 2019 07 15

(731) Apple Inc.

One Apple Park Way, Cupertino CA 95014,  
USA

(540)



(591) Black, white

(531) 05.07.13; 05.07.23

(526) Card

(511)

36 – Financial services; financial transaction services; financial information; currency exchange services; bill payment services; providing secure commercial transactions, in the nature of secure financial transactions; electronic funds transfer and payment services; issuance of credit cards, debit cards, and stored value cards; credit card, debit card, and stored value card payment authorization, verification, and transaction processing services.

42 – Providing online non-downloadable computer software for use in credit card issuance, credit card information verification and authentication, and credit

card payment authorization, transmission, and transaction processing; providing online non-downloadable computer software for use in compiling and displaying credit card account statements, merchant and vendor information, analyses of transactions, and payment schedules; providing online non-downloadable computer software for use in contactless transactions with merchants and vendors; providing online non-downloadable computer software for use in detecting fraud and ensuring the privacy and security of credit card payments and contactless transactions.

(260) AM 2020 107125 A

(800) 1514744

(151) 2019 12 06

(891) 2019 12 06

(731) Heineken Italia S.p.A.

Località Autoporto 11, I-11020 Pollein AO,  
Italy

(540)



(591) Gold, blue, red, green, yellow, orange, pink, white, beige and black

(531) 02.01.01; 02.01.18; 05.13.25; 11.03.03;  
26.01.05; 26.01.14; 26.01.16; 26.11.08;  
27.01.12; 27.05.01; 29.01.15

(511)

32 – Beers; beer wort; non-alcoholic beer; lagers; wheat beer; malt beer; beer; non-alcoholic beverages based on beer.

(260) AM 2020 107126 A

(800) 1514749

(151) 2019 07 16

(891) 2019 07 16

(731) LIMITED LIABILITY MANUFACTURING  
AND TRADING COMPANY "ACME"

5 Promyslova Str., Ukrainka, Obukhivsky r-n,  
Kyivska obl. 08720, Ukraine

(540)



(591) Black, white

(531) 04.05.21; 26.01.01; 26.01.06; 26.01.24;  
27.05.09; 27.05.10

(511)

3 – Toothpastes and pastes; conditioners for hair care; makeup; cosmetic preparations for baths; cosmetic products for skin care; cosmetic creams; hair lotions; lotions for cosmetic needs; soap; cosmetic kits; cleansing agents for intimate hygiene non-therapeutic; shampoos – all the above-mentioned products that meet the definition of "ecological".

28 – Games, toys, plush toys – all the above-mentioned goods that meet the definition of "ecological".

(260) AM 2020 107127 A

(800) 1514751

(151) 2019 09 18

(891) 2019 09 18

(731) AO Kaspersky Lab

Leningradskoe shosse, 39A/2, RU-125212  
Moscow, Russian Federation

(540)



(591) Green, white and black

(531) 03.01.14; 03.01.16; 03.01.24; 29.01.13

(511)

9 – Monitors [computer programs]; computer programs [recorded]; computer programs [downloadable]; computer operating programs; electronic publications, downloadable in the form of manuals, books, brochures and newsletters in the field of detection and curing computer viruses, operating systems and software.

42 – Web site design consultancy; computer software design; installation of computer software; computer virus protection services.

45 – Licensing of computer software [legal services].

(260) AM 2020 107128 A

(800) 1514808

(151) 2019 10 22

(891) 2019 10 22

(731) Tovarystvo z obmezhenoiu vidpovidalnistiu  
"Zhak Aleksander"

vul. B. Khmelnytskogo, 66/2, of. 51, Kyiv  
01030, Ukraine

(540)

**AMISELL**

(591) Black, white

(511)

35 – Advertising; business management; business administration; organization of exhibitions and trade fa-

irs for commercial or advertising purposes; demonstration of goods; providing consumer information relating to goods; import-export agency services; online advertising on a computer network; dissemination of advertising matter; the bringing together, for the benefit of others, of cosmetics and toiletry preparations, dentifrices, perfumery, essential oils, bleaching preparations and other substances for laundry use, cleaning, polishing, scouring and abrasive preparations [excluding the transport thereof] and services, as well as placing advertisements relating thereto, enabling customers to conveniently view and purchase those goods and services at wholesale and retail enterprises and by means of the Internet websites; sales promotion for others.

(260) AM 2020 107129 A

(800) 599836

(151) 1993 04 22

(891) 2020 01 09

(731) AGUGIARO &amp; FIGNA MOLINI S.P.A.

Strada dei Notari, 25/27, I-43044  
COLLECCHIO (PARMA), Italy

(540)



(591) Red, white, yellow and black

(531) 05.07.02; 25.01.19; 25.01.25; 27.05.01;  
27.07.01; 27.07.11; 29.01.01; 29.01.02

(511)

30 – Flours, cereal preparations, bread, pastries, yeast, baking powder, sauces (except salad dressings), spices.

(260) AM 2020 107130 A

(800) 643152

(151) 1995 08 07

(891) 2020 01 09

(731) Orion Corporation

Orionintie 1, FI-02200 Espoo, Finland

(540)

**ORION**

(591) Black, white

(531) 27.05.17

(511)

10 – Surgical, medical, dental and veterinary apparatus and instruments, particularly electronic apparatus for medical diagnosis, medical apparatus and instruments for testing bodily fluids, X-ray apparatus for diagnosis; dentists' armchairs, furniture for dental sur-

gery; dental apparatus and instruments for compressing and draining; artificial limbs, eyes and teeth; orthopedic articles; suture materials; medical inhalers.

(260) AM 2020 107131 A

(800) 937076

(151) 2007 07 24

(891) 2020 01 24

(731) LABORATOIRE D'INNOVATION  
COSMETIQUE ET DERMATOLOGIQUE  
74 Zone artisanale de Montvoisin, F-91400  
GOMETZ-LA-VILLE, France

(540)

## NOVEXPERT

(591) Black, white

(511)

3 – Bleaching preparations and other substances for laundry use; cleaning, polishing, scouring and abrasive preparations; soaps; perfumery, essential oils, cosmetics, hair lotions; dentifrices; cosmetic preparations for baths.

(260) AM 2020 107132 A

(800) 968479

(151) 2008 06 05

(891) 2020 01 22

(731) H & M Hennes & Mauritz AB  
Mäster Samuelsgatan 46 A, SE-106 38  
Stockholm, Sweden

(540)

## MONKI

(591) Black, white

(511)

14 – Jewellery, precious stones; horological and chronometric instruments.

(260) AM 2020 107133 A

(800) 969294

(151) 2008 06 13

(891) 2020 01 22

(731) H & M Hennes & Mauritz AB  
Mäster Samuelsgatan 46 A, SE-106 38  
Stockholm, Sweden

(540)

## MONKI

(591) Black, white

(511)

9 – Glasses and sunglasses.

(260) AM 2020 107134 A

(800) 1003211

(151) 2009 03 19

(891) 2020 01 15

(731) RRI Financial, Inc.

7815 Walton Parkway, New Albany OH 43054,  
USA

(540)

## RED ROOF

(591) Black, white

(511)

43 – Motel services.

(260) AM 2020 107135 A

(800) 1162814

(151) 2012 11 29

(891) 2019 12 23

(731) KAWASAKI JUKOGYO KABUSHIKI  
KAISHA (doing business as KAWASAKI  
HEAVY INDUSTRIES, LTD.)  
1-1, Higashikawasaki-Cho 3-Chome, Chuo-ku,  
Kobe-shi, Hyogo, 650-8670, Japan

(540)

## VULCAN

(591) Black, white

(511)

12 – Vehicles; apparatus for locomotion by land, air or water; motors and engines for land vehicles; couplings and transmission components for land vehicles; air cushion vehicles; unloading tipplers for tilting railway freight cars; pusher cars for mining; puller cars for mining; traction engine; ropeways for cargo or freight handling; non-electric prime movers for land vehicles [not including their parts]; mechanical elements for land vehicles; parachutes; anti-theft alarms for vehicles; wheelchairs; AC motors or DC motors for land vehicles [not including their parts]; vessels; personal water crafts; small water crafts; ships; boats; vehicles for use on water; aircraft; railway rolling stock; automobiles; all-terrain vehicles; utility vehicles; lorries; buggy type vehicles for various purposes; trucks; fork lift trucks; 4-wheel drive light utility car; two-wheeled motor vehicles, bicycles and their parts and fittings; motorcycles; scooters [vehicles]; mopeds; two-wheeled vehicles; handle bars for two-wheeled vehicles; handle pads for two-wheeled vehicles; front forks for two-wheeled vehicles; wheel rims for two-wheeled vehicles; wheel hubs for two-wheeled vehicles; spokes for two-wheeled vehicles; tires for two-wheeled vehicles; frames for two-wheeled vehicles; saddle for two-wheeled vehicles; stands for two-wheeled vehicles; drive chains for two-wheeled vehicles; drive belts for two-wheeled vehicles; fairings for two-wheeled vehicles; mudguards for two-wheeled vehicles; side covers for two-wheeled vehicles; tail covers for two-wheeled vehicles; pedals for two-wheeled vehicles; brake pads for two-wheeled vehicles; luggage racks for two-wheeled vehicles; warning horns for two-wheeled vehicles; steering damper for two-wheeled vehicles; engines for land vehicles; rickshaws; sleighs and sleds [vehicles]; wheelbarrows; carts; horse drawn carriages; bicycle



trailers; adhesive rubber patches for repairing tubes or tires; baby carriages.

(260) AM 2020 107187 A  
 (800) 1514819  
 (151) 2019 12 16  
 (891) 2019 12 16  
 (731) Public Joint-Stock Company "RUSSKY PRODUCT"  
 Moskovskaya str., 77, Detchino vlg.,  
 Maloyaroslavetskiy region, RU-249080  
 Kaluzhskaya area, Russian Federation

(540)



(591) Red, lilac, blue, white, light-green, green, orange, beige, brown, gray and black  
 (531) 02.05.02; 02.05.03; 02.05.20; 02.05.22; 06.19.09; 07.15.22; 29.01.15  
 (511)  
 30 – Oatmeal; crushed barley; groats for human food; cereal preparations; oat-based food; chips [cereal products]; oat flakes.

(260) AM 2020 107196 A  
 (800) 1514993  
 (151) 2019 12 27  
 (891) 2019 12 27  
 (731) International Fruit Genetics, LLC  
 8224 Espresso Drive, Suite 200, Bakersfield  
 CA 93312, USA

(540)

## TORCH

(591) Black, white  
 (511)  
 31 – Fresh fruits and vegetables; grape vines, plants and plant propagating material.

(260) AM 2020 107197 A  
 (800) 1514994  
 (151) 2019 12 26  
 (891) 2019 12 26  
 (731) Compagnie Polynesienne De Transport Maritime  
 B.P. 240 Motu Uta, Papeete, France

(540)

## ARANUI

(591) Black, white  
 (511)  
 39 – Cruise ship services; agency services for arranging cruises; arranging of cruises; boat cruises; pleasure boat cruises; transportation of passengers by cruise ship; travel agency services, namely, making reservations and bookings for cruises.

(260) AM 2020 107198 A  
 (800) 1515022  
 (151) 2019 12 27  
 (891) 2019 12 27  
 (731) International Fruit Genetics, LLC  
 8224 Espresso Drive, Suite 200, Bakersfield  
 CA 93312, USA

(540)

## KOKOMO

(591) Black, white  
 (511)  
 30 – Confectionary; ice cream, sorbets and other edible ices; seasonings, spices; sauces and other condiments.

31 – Fresh fruits and vegetables; grape vines, plants and plant propagating material.

32 – Beers.

33 – Alcoholic beverages (except beers); preparations (for example flavorings and essences) for making alcoholic beverages.

(260) AM 2020 107216 A  
 (800) 1515204  
 (151) 2019 09 13  
 (891) 2019 09 13  
 (731) Apple Inc.  
 One Apple Park Way, Cupertino CA 95014,  
 USA

(540)

## APPLE TRADE IN

(591) Black, white  
 (526) TRADE IN  
 (511)  
 40 – Recycling; recycling of used computers, computer hardware and peripherals, tablet computers, smart-watches, smartphones, set-top boxes, media players, audio speakers, headphones, earphones, wireless routers, computer monitors, computer keyboards, computer mice, computer cables, computer power adapters, computer printers for printing documents and photos, scanners, and peripherals and accessories for the foregoing; providing a recycling program whereby participants are incentivized to recycle by receiving pay-



ment, credit, or services in exchange for trading in used computers, computer hardware and peripherals, tablet computers, smartwatches, smartphones, set-top boxes, media players, audio speakers, headphones, earphones, wireless routers, computer monitors, computer keyboards, computer mice, computer cables, computer power adapters, computer printers for printing documents and photos, scanners, and peripherals and accessories for the foregoing.

(260) AM 2020 107217 A

(800) 1515221

(151) 2019 08 05

(891) 2019 08 05

(731) JILIN GINSENG ASSOCIATION

Room 2013, Building 2, Global Trade Center,  
Changchun City, Jilin Province, China

(540)



长白山人参

CBM GINSENG

(591) Black, white

(531) 26.04.07; 26.04.16; 26.04.24; 26.13.25; 28.03

(551) Collective

(511)

5 – Ginseng.

(260) AM 2020 107218 A

(800) 1515227

(151) 2019 12 27

(891) 2019 12 27

(731) International Fruit Genetics, LLC

8224 Espresso Drive, Suite 200, Bakersfield  
CA 93312, USA

(540)

**CANDY DREAMS**

(591) Black, white

(511)

29 – Preserved, dried and cooked fruits and vegetables; jellies, jams and compotes; milk and milk products.

30 – Confectionery; ice cream, sorbets and other edible ices; seasonings, spices; sauces and other condiments.

31 – Fresh fruits and vegetables; grape vines, plants and plant propagating material.

32 – Beers; non-alcoholic beverages; mineral and aerated waters; fruit beverages and fruit juices; syrups and other non-alcoholic preparations for making beverages.

33 – Alcoholic beverages (except beers); preparations (for example flavorings and essences) for making alcoholic beverages.

(260) AM 2020 107219 A

(800) 1515229

(151) 2019 12 04

(891) 2019 12 04

(731) Obshchestvo s ogranichennoy otvetstvennostyu  
"Babkiny semechki"

Prospekt Mira, 20, Tomsk, RU-634057

Tomskaya oblast, Russian Federation

(540)

**БАБКИНЫ**

(591) Black, white

(531) 28.05

(511)

29 – Meat; fish, not live; poultry, not live; game, not live; meat extracts; vegetables, preserved; fruit, preserved; fruit, stewed; vegetables, cooked; vegetables, dried; compotes; eggs; milk products; milk; oils for food; edible fats; alginates for culinary purposes; anchovy, not live; peanuts, prepared; albumen for culinary purposes; white of eggs; beans, preserved; soya beans, preserved, for food; bouillon; ginger jam; fatty substances for the manufacture of edible fats; edible birds' nests; peas, preserved; mushrooms, preserved; gelatine; meat jellies; jellies for food; fruit jellies; yolk of eggs; coconut fat; bone oil for food; lard; suet for food; fruit-based snack food; charcuterie; raisins; caviar; yogurt; sauerkraut; kephir [milk beverage]; isinglass for food; black pudding; meat, tinned; vegetables, tinned; fish, tinned; fruits, tinned; bouillon concentrates; gherkins; shrimps, not live; prawns, not live; buttercream; croquettes; silkworm chrysalis for human consumption; kumys [milk beverage]; spiny lobsters, not live; salmon, not live; onions, preserved; margarine; marmalade; marmalade; peanut butter; cocoa butter for food; coconut oil for food; coconut butter; butter; shellfish, not live; almonds, ground; animal marrow for food; mussels, not live; soya milk; fish meal for human consumption; fruit pulp; meat, preserved; milk beverages, milk predominating; potato fritters; olives, preserved; lobsters, not live; coconut, desiccated; nuts, prepared; tomato purée; liver pâté; pectin for culinary purposes; liver; pickles; jams; powdered eggs; pre-cooked meat; kimchi [fermented vegetable dish]; fish-based foodstuffs; curd; pollen prepared as foodstuff; cranberry compote; apple purée; crustaceans, not live; fish, preserved; salted fish; vegetable salads; fruit salads; bacon; sardines, not live; pork; herrings, not live; cream [dairy products];

whipped cream; fat-containing mixtures for bread slices; smetana [sour cream]; tomato juice for cooking; vegetable juices for cooking; salted meats; sausages; sausages in batter; preparations for making bouillon; preparations for making soup; tripe; soups; vegetable soup preparations; cheese; whey; cheese spreads; tahini [sesame seed paste]; strained cheese; tofu; sea-cucumbers, not live; truffles, preserved; tuna, not live; oysters, not live; rennet; fish fillets; dates; crystallized fruits; frozen fruits; fruit preserved in alcohol; potato flakes; hummus [chickpea paste]; fruit peel; lentils, preserved; potato chips; fruit chips; seaweed extracts for food; snail eggs for consumption.

30 – Coffee; tea; cocoa; sugar; rice; tapioca; sago; artificial coffee; flour and preparations made from cereals; bread, pastries and confectionery; ice cream; honey, treacle; yeast; baking powder; cooking salt; mustard; vinegar; condiments; spices; edible ices; aromatic preparations for food; flavorings, other than essential oils; flavorings, other than essential oils, for cakes; star aniseed; pancakes; buns; bread rolls; vanillin [vanilla substitute]; waffles; vermicelli [noodles]; coffee flavorings; natural sweeteners; sausage binding materials; sea water for cooking; seaweed [condiment]; cloves [spice]; glucose for culinary purposes; thickening agents for cooking foodstuffs; rice-based snack food; cereal-based snack food; vegetal preparations for use as coffee substitutes; confectionery for decorating christmas trees; fruit jellies [confectionery]; cakes; pastries; peanut confectionery; almond confectionery; pasta; frozen yogurt [confectionery ices]; capers; caramels [candy]; quiches; gluten prepared as foodstuff; sweetmeats [candy]; liquorice [confectionery]; peppermint sweets; unroasted coffee; starch for food; crackers; hominy grits; groats for human food; corn, milled; corn, roasted; meat pies; turmeric; couscous [semolina]; noodles; ice for refreshment; ice, natural or artificial; candies; rice cakes; maltose; hominy; custard; royal jelly; corn flour; muesli; mint for confectionery; cocoa beverages with milk; coffee beverages with milk; coffee-based beverages; tea-based beverages; chocolate beverages with milk; chocolate-based beverages; cocoa-based beverages; infusions, not medicinal; crushed oats; husked oats; nutmegs; pastilles [confectionery]; molasses for food; pelmeni [dumplings stuffed with meat]; pepper; peppers [seasonings]; petits fours [cakes]; cookies; pies; pizzas; meat gravies; fondants [confectionery]; popcorn; powders for making ice cream; meat tenderizers for household purposes; cereal preparations; oat-based food; propolis; gingerbread; puddings; cake powder; ravioli; chewing gum; spring rolls; aniseed; cake dough; confectionery; malt for human consumption; salt for preserving foodstuffs; celery salt; sauces [condiments]; spaghetti; seasonings; preparations for stiffening whipped cream; rusks; breadcrumbs; sushi; sandwiches; tabbouleh; tacos; almond paste; tortillas; fruit cakes; garden herbs, preserved [seasonings]; candy

decorations for cakes; ferments for pastes; halvah; bread; unleavened bread; chips [cereal products]; chicory [coffee substitute]; iced tea; chocolate; malt extract for food; essences for foodstuffs, except etheric essences and essential oils.

35 – Advertising; business administration; office functions; arranging subscriptions to telecommunication services for others; import-export agency services; commercial information agency services; advertising agency services; cost price analysis; rental of advertising space; account auditing; employment agency services; computerized file management; book-keeping; invoicing; demonstration of goods; transcription of communications [office functions]; opinion polling; market studies; business information; commercial information and advice for consumers in the choice of products and services; business investigations; marketing research; personnel recruitment; business management and organization consultancy; personnel management consultancy; business organization consultancy; business management consultancy; professional business consultancy; layout services for advertising purposes; business management of performing artists; news clipping services; updating of advertising material; word processing; secretarial services; organization of exhibitions for commercial or advertising purposes; arranging newspaper subscriptions for others; organization of trade fairs for commercial or advertising purposes; shop window dressing; business appraisals; payroll preparation; data search in computer files for others; sponsorship search; business management assistance; commercial or industrial management assistance; presentation of goods on communication media, for retail purposes; economic forecasting; auctioneering; shorthand; sales promotions at point of purchase or sale, for others; retail or wholesale services for food; office machines and equipment rental; rental of advertising time on communication media; publicity material rental; rental of vending machines; rental of photocopying machines; publication of publicity texts; typing; radio advertising; bill-posting; distribution of samples; dissemination of advertising matter; writing of publicity texts; online advertising on a computer network; advertising by mail order; television advertising; document reproduction; compilation of statistics; compilation of information into computer databases; promoting the goods of others via a global computer network; business inquiries; systemization of information into computer databases; tax preparation; drawing up of statements of accounts; psychological testing for the selection of personnel; business management of hotels; commercial administration of the licensing of the goods and services of others; administrative processing of purchase orders; public relations; modelling for advertising or sales promotion; relocation services for businesses; price comparison services; procurement services for others [purchasing goods and services for other businesses]; outsourcing services [business as-

sistance]; telephone answering for unavailable subscribers; photocopying services; business efficiency expert services.

(260) AM 2020 107220 A

(800) 1515233

(151) 2019 11 05

(891) 2019 11 05

(731) Pharmalys Invest Holding AG

Gartenstrasse 4, CH-6300 Zug, Switzerland

(540)

## NUTRILIFE

(591) Black, white

(511)

5 – Pharmaceutical and veterinary products; dietetic substances and foodstuffs for medical or veterinary use, food for babies; food supplements for humans and animals; plasters, materials for dressings; disinfectants; powdered milk for babies; milk of almonds for pharmaceutical use; malted milk beverages for medical use; galactagogue preparations; lactose for pharmaceutical use; galactagogues; lacteal flour for babies; medicated powders for babies; food for infants; food preparations for infants; food for babies; beverages used as dietary supplements; dietetic beverages for medical use; beverages for diabetics made from fruit juice for medical use; powdered fruit-flavored mixtures for beverages for use as dietary supplements; nutritionally fortified beverages; beverages enriched with vitamins for medical use; nutritional mixtures in the form of beverages used as meal replacements; nutritional supplement mixtures for beverages in the form of powders; preparations for making medicated beverages; dietetic food supplements; dietetic substances consisting of vitamins, minerals, amino acids and trace elements.

(260) AM 2020 107223 A

(800) 1515303

(151) 2019 12 27

(891) 2019 12 27

(731) International Fruit Genetics, LLC

8224 Espresso Drive, Suite 200, Bakersfield  
CA 93312, USA

(540)

## CANDY SNAPS

(591) Black, white

(511)

29 – Preserved, dried and cooked fruits and vegetables; jellies, jams and compotes; milk and milk products.

30 – Confectionery; ice cream, sorbets and other edible ices; seasonings, spices; sauces and other condiments.

31 – Fresh fruits and vegetables; grape vines, plants and plant propagating material.

32 – Beers; non-alcoholic beverages; mineral and aerated waters; fruit beverages and fruit juices; syrups and other non-alcoholic preparations for making beverages.

33 – Alcoholic beverages (except beers); preparations (for example flavorings and essences) for making alcoholic beverages.

(260) AM 2020 107224 A

(800) 1515357

(151) 2019 12 26

(891) 2019 12 26

(731) Joint Stock Company "Institut vzryva"

ul. Akademika Vargi, d. 8, korp. 1, floor 13,

off. 9, RU-117133 Moscow, Russian Federation

(540)

## NITRONIT

(591) Black, white

(531) 27.05.01

(511)

1 – Chemicals for use in industry, science and photography, as well as in agriculture, horticulture and forestry; fire extinguishing and fire prevention compositions; surface-active chemical agents; chemical preparations for scientific purposes, other than for medical or veterinary use; ammoniacal salts; emulsifiers.

13 – Explosives; ammonium nitrate explosives; primings [fuses]; detonators; detonating caps, other than toys; pyrotechnic products; cartridge loading apparatus; detonating fuses for explosives.

35 – Business management; business administration; import-export agency services; commercial information agency services; business efficiency expert services; demonstration of goods; market studies; business information; business investigations; marketing research; business management and organization consultancy; professional business consultancy; business management of performing artists; news clipping services; updating of advertising material; organization of exhibitions for commercial or advertising purposes; organization of trade fairs for commercial or advertising purposes; shop window dressing; business appraisals; business management assistance; commercial or industrial management assistance; economic forecasting; auctioneering; publication of publicity texts; typing; distribution of samples; dissemination of advertising matter; advertising; online advertising on a computer network; advertising by mail order; document reproduction; compilation of information into computer databases; business inquiries; systemization of information into computer databases; procurement services for others [purchasing goods and services for other businesses]; presentation of goods on communica-

tion media, for retail purposes; commercial administration of the licensing of the goods and services of others.

42 – Scientific and technological services and research and design relating thereto; industrial analysis and industrial research services; design and development of computer hardware and software; computer system analysis; chemical analysis; engineering; installation of computer software; material testing; geological research; mechanical research; research in the field of physics; chemical research; research and development of new products for others; technological research; calibration [measuring]; consultancy in the design and development of computer hardware; architectural consultancy; quality control; land surveying; updating of computer software; maintenance of computer software; conversion of data or documents from physical to electronic media; conversion of computer programs and data, other than physical conversion; computer system design; rental of computer software; geological prospecting; hosting computer sites [web sites]; construction drafting; computer software design; creating and maintaining web sites for others; computer programming; chemistry services; surveying; computer software consultancy.

(260) AM 2020 107225 A

(800) 1515381

(151) 2019 12 04

(891) 2019 12 04

(731) ADMIXER LIMITED

Office 167 Regico Offices, The Old Bank,  
153 The Parade High Street, Watford  
WD17 1NA, United Kingdom

(540)

## Adsider

(591) Black, white

(511)

35 – Administrative assistance in responding to calls for tenders/administrative assistance in responding to requests for proposals [RFPs]; administrative processing of purchase orders; administration of consumer loyalty programs; administration of frequent flyer programs; cost price analysis; business auditing; financial auditing; auctioneering; outsourced administrative management for companies; book-keeping/accounting; web indexing for commercial or advertising purposes; negotiation of business contracts for others; market studies; opinion polling; invoicing; arranging newspaper subscriptions for others; arranging subscriptions to telecommunication services for others; payroll preparation; tax preparation; demonstration of goods; business inquiries; business management assistance; commercial or industrial management assistance; advisory services for business management; business research; economic forecasting; providing busi-

ness information via a web site; compilation of information into computer databases; compilation of statistics; business information; business management of performing artists; business management for freelance service providers; business management of hotels; business management of sports people; business management of reimbursement programmes for others/business management of reimbursement programs for others; interim business management; commercial information and advice for consumers in the choice of products and services; commercial administration of the licensing of the goods and services of others; computerized file management; personnel management consultancy; business management consultancy; consultancy regarding advertising communication strategies; consultancy regarding public relations communication strategies; business organization consultancy; marketing; marketing in the framework of software publishing; targeted marketing; marketing research; typing; provision of commercial and business contact information; provision of an online marketplace for buyers and sellers of goods and services; writing of curriculum vitae for others/writing of resumes for others; writing of publicity texts; scriptwriting for advertising purposes; word processing; updating of advertising material; updating and maintenance of data in computer databases; updating and maintenance of information in registries; web site traffic optimization/web site traffic optimisation; organization of exhibitions for commercial or advertising purposes; organization of fashion shows for promotional purposes; organization of trade fairs for commercial or advertising purposes; rental of advertising space; shop window dressing; business appraisals; personnel recruitment; business management and organization consultancy; business intermediary services relating to the matching of potential private investors with entrepreneurs needing funding; commercial information agency services; employment agency services; business efficiency expert services; outsourcing services [business assistance]; business project management services for construction projects; competitive intelligence services; corporate communications services; layout services for advertising purposes; appointment reminder services [office functions]; news clipping services; price comparison services; relocation services for businesses; market intelligence services; photocopying services; procurement services for others [purchasing goods and services for other businesses]; media relations services; appointment scheduling services [office functions]; gift registry services; tax filing services; import-export agency services; modelling for advertising or sales promotion; advertising agency services/publicity agency services; secretarial services; public relations; commercial lobbying services; commercial intermediation services; wholesale services for pharmaceutical, veterinary and sanitary preparations and medical supplies; online retail services for downloadable digital music; online retail services for

downloadable ring tones; online retail services for downloadable and pre-recorded music and movies; retail services for works of art provided by art galleries; retail services for pharmaceutical, veterinary and sanitary preparations and medical supplies; data search in computer files for others; sponsorship search; search engine optimization for sales promotion/search engine optimisation for sales promotion; presentation of goods on communication media, for retail purposes; telephone answering for unavailable subscribers; rental of billboards [advertising boards]; office machines and equipment rental; rental of office equipment in co-working facilities; publicity material rental; rental of advertising time on communication media; rental of vending machines; rental of sales stands; rental of photocopying machines; direct mail advertising; psychological testing for the selection of personnel; publication of publicity texts; radio advertising; registration of written communications and data; advertising/publicity; pay per click advertising; outdoor advertising; advertising by mail order; online advertising on a computer network; document reproduction; bill-posting; distribution of samples; dissemination of advertising matter; design of advertising materials; business investigations; systemization of information into computer databases; drawing up of statements of accounts; compiling indexes of information for commercial or advertising purposes; sales promotion for others; promotion of goods and services through sponsorship of sports events; production of advertising films; production of teleshopping programmes/production of teleshopping programs; shorthand; transcription of communications [office functions]; television advertising; telemarketing services; negotiation and conclusion of commercial transactions for third parties; professional business consultancy.

41 – Academies [education]; teaching/educational services/instruction services; videotaping; arranging and conducting of congresses; arranging and conducting of colloquiums; arranging and conducting of conferences; arranging and conducting of concerts; arranging and conducting of in-person educational forums; arranging and conducting of workshops [training]; arranging and conducting of seminars; arranging and conducting of symposiums; arranging of beauty contests; gymnastic instruction; electronic desktop publishing; nursery schools; animal training; dubbing; educational examination; educational examination for users to qualify to pilot drones; providing online videos, not downloadable; providing online electronic publications, not downloadable; providing online music, not downloadable; providing television programmes, not downloadable, via video-on-demand services/providing television programs, not downloadable, via video-on-demand services; providing films, not downloadable, via video-on-demand services; providing sports facilities; providing recreation facilities; providing golf facilities; providing casino facilities [gambling]; booking of seats for shows; correspon-

dence courses; sound engineering services for events; game services provided online from a computer network; recreation information; education information; entertainment information; cinema presentations/movie theatre presentations; film distribution; cultural, educational or entertainment services provided by art galleries; microfilming; videotape editing; training services provided via simulators; aikido instruction; judo instruction; know-how transfer [training]; sado instruction [tea ceremony instruction]; tutoring; boarding school education; providing museum facilities [presentation, exhibitions]; screenplay writing; songwriting; scriptwriting, other than for advertising purposes; writing of texts; organization of balls; organization of shows [impresario services]; organization of exhibitions for cultural or educational purposes; organization of competitions [education or entertainment]; organization of lotteries; organization of fashion shows for entertainment purposes; organization of cosplay entertainment events; organization of sports competitions; educational services provided by special needs assistants; educational services provided by schools; sign language interpretation; party planning [entertainment]; entertainer services; lending library services; disc jockey services; discotheque services; video editing services for events; calligraphy services; layout services, other than for advertising purposes; lighting technician services for events; language interpreter services; providing amusement arcade services; zoological garden services; coaching [training]; karaoke services; movie studio services; club services [entertainment or education]; health club services [health and fitness training]; modelling for artists; nightclub services [entertainment]; orchestra services; amusement park services; translation; mobile library services/bookmobile services; personal trainer services [fitness training]; news reporters services; sport camp services; recording studio services; holiday camp services [entertainment]; ticket agency services [entertainment]; photographic reporting; gambling services; music composition services; practical training [demonstration]; presentation of live performances; presentation of variety shows; presentation of circus performances; conducting guided climbing tours; conducting guided tours; conducting fitness classes; rental of indoor aquaria; rental of audio equipment; rental of show scenery; rental of video cameras/rental of camcorders; rental of video cassette recorders; rental of videotapes; rental of sound recordings; toy rental; games equipment rental; rental of cinematographic apparatus; rental of motion pictures; rental of skin diving equipment; rental of lighting apparatus for theatrical sets or television studios; rental of radio and television sets; rental of sports grounds; rental of sports equipment, except vehicles; rental of artwork; rental of stage scenery; rental of tennis courts; rental of stadium facilities; vocational retraining; vocational guidance [education or training advice]; online publication of electronic books and journals; publication of

books; publication of texts, other than publicity texts; radio entertainment; film directing, other than advertising films; religious education; entertainment services; production of shows; production of music; production of radio and television programmes; film production, other than advertising films; subtitling; theatre productions; television entertainment; physical education; photography; timing of sports events.

(260) AM 2020 107226 A

(800) 1515405

(151) 2019 10 31

(891) 2019 10 31

(731) WORLD VET İLAÇ SANAYİ VE TİCARET LİMİTED ŞİRKETİ

15 Temmuz Mah. Camiyolu Cad., No.50 K.2  
Güneşli Bağcılar, İstanbul, Turkey

(540)

**TULATRAM – ТУЛАТРАМ**

(591) Black, white

(531) 28.05

(511)

5 – Pharmaceutical and veterinary preparations for medical purposes, chemical preparations for medical purposes, dietary supplements, including those adapted for medical purposes, dietary supplements for slimming purposes, food for babies, herbs and herbal beverages adapted for medicinal purposes, dental preparations and articles, sanitary preparations for medical use, hygienic pads, hygienic tampons, plasters, materials for dressings, diapers, including those made of paper and textiles, preparations for destroying vermin, fungicides, herbicides, deodorants, other than for human beings or for animals, air deodorising preparations, disinfectants, antiseptics, detergents for medical purposes.

(260) AM 2020 107230 A

(800) 1515604

(151) 2019 12 05

(891) 2019 12 05

(731) Shenzhen Sonoff Technologies Co., Ltd.

1001, No. 8 Lianhua Industrial Park, Longhua  
Longyuan Avenue, Hualian Community,  
Longhua Street, Longhua District, Shenzhen  
City, 518000 Guangdong Province, China

(540)

**SONOFF**

(591) Black, white

(531) 26.11.22; 27.05.01

(511)

9 – Printed circuit boards; connectors [electricity]; regulating apparatus, electric; switches, electric; sockets, plugs and other contacts [electric connections];

time switches, automatic; light dimmers [regulators], electric; wire connectors [electricity]; electrical adapters; remote control apparatus.

(260) AM 2020 107231 A

(800) 1515625

(151) 2019 08 14

(891) 2019 08 14

(731) Markus Frenkel

Max-Eyth-Strasse 28, 14195 Berlin, Germany

(540)

**goodbrot**

(591) Black, white

(511)

16 – Packaging materials; packaging containers of cardboard; paper pouches for packaging; publicity materials; printed matter; pictures; catalogues; flyers; postcards; calendars; books; flags of paper.

30 – Bread; bakery goods; pastry; biscuits; cracker biscuits; cakes; cereal-based snack food; coffee; tea; cocoa; sugar; flour; cereal preparations; sauces; spices; cinnamon [spice]; flavourings for cakes; sweetmeats [candy]; cookies; farinaceous foods; farinaceous food pastes; confections; cake mixes; rice-based snack food; snack food products made from potato flour; snack foods prepared from maize; sandwiches; buns; sandwiches; ready-made dishes containing pasta; meat pies; cereal bars; muesli; pancakes; pide (flat bread); pizza; rice cakes; rice-based snack food; chocolate; tortillas; waffles; wraps (pasta); chocolate-based spreads; chocolate spreads containing nuts; cocoa based creams in the form of spreads; mayonnaise-based spreads; sweet spreads [honey].

(260) AM 2020 107233 A

(800) 1515632

(151) 2020 01 10

(891) 2020 01 10

(731) Adalya Tobacco International GmbH

Vogelsanger Weg 80, 40470 Düsseldorf,  
Germany

(540)



(591) Black, white, brown, gold, blue, light blue, yellow

(531) 01.15.05; 02.09.01; 26.04.05; 26.04.16;  
26.04.18; 26.04.24; 27.05.09; 27.05.10;  
27.05.24; 29.01.15

(511)

34 – Tobacco and tobacco products (including substitutes); matches; articles for use with tobacco; flavourings, other than essential oils, for tobacco; tobacco free cigarettes, other than for medical purposes; cigarettes containing tobacco substitutes, not for medical purposes; personal vaporisers for smoking purposes and electronic cigarettes, and flavourings and solutions therefor.

(260) AM 2020 107238 A

(800) 1515739

(151) 2019 08 28

(891) 2019 08 28

(731) Apple Inc.

One Apple Park Way, Cupertino CA 95014,  
USA

(540)

## POWER FOR IMPACT

(591) Black, white

(511)

36 – Financing and funding of energy generation facilities; financial research in the field of energy production, generation, usage, consumption, and efficiency.

37 – Consultancy related to construction of energy and power generation facilities; technical support services, namely, troubleshooting in the nature of repair and maintenance of energy and power generation facilities.

39 – Information, advisory and consultancy services relating to the distribution of energy.

40 – Information, advisory and consultancy services relating to the production and generation of energy.

42 – Research, engineering, and technological consulting services in the field of energy production, generation, usage, consumption, and efficiency.

(260) AM 2020 107239 A

(800) 1515743

(151) 2019 11 22

(891) 2019 11 22

(731) iAero Group LLC

5300 NW 36th St, Miami FL 33166, USA

(540)

## IAERO GROUP

(591) Black, white

(511)

35 – Sales of aircraft, aircraft engines and aircraft parts to others.

37 – Aircraft and engine maintenance and repair services; aircraft overhaul and refurbishing services.

39 – Air transportation services for cargo; air transportation services for passengers; air charter transportation services for passengers; leasing of aircraft and engines to others.

(260) AM 2020 107240 A

(800) 1515748

(151) 2019 11 19

(891) 2019 11 19

(731) TEKSAL TEKSTİL SANAYİ VE TİCARET ANONİM ŞİRKETİ

Ferhatpaşa Mahallesi, Ender Sokak, No:3/102,  
Çatalca, İstanbul, Turkey

(540)



(591) White, red and dark gray

(531) 26.04.18; 26.11.08; 26.11.13; 27.05.10;  
27.05.11; 29.01.13

(526) 1965

(511)

20 – Furniture, made of any kind of material; mattresses, pillows, air mattresses and cushions, not for medical purposes, water beds, not for medical purposes; mirrors; beehives, artificial honeycombs and sections of wood for honeycombs; bouncing chairs for babies, playpens for babies, cradles, infant walkers; display boards, frames for pictures and paintings, identification plates, not of metal; identification tags, not of metal; nameplates, not of metal; identification tags of wood or synthetic materials; packaging containers of wood or plastics, casks for use in transportation or storage, barrels, storage drums, tanks, boxes, storage containers, transportation containers, chests, loading pallets and closures for the aforementioned goods, of wood or plastics; small hardware goods of wood or synthetic materials included in this class, furniture fittings, of wood or synthetic materials, ornaments and decorative goods of wood, cork, reed, cane, wicker, horn, bone, ivory, whalebone, shell, amber, mother-of-pearl, meerschaum, beeswax, plastic or plaster, included in this class, namely figurines, holiday ornaments for walls and sculptures, all made of wood, cork, reed, cane, wicker, horn, bone, ivory, whalebone, shell, amber, mother-of-pearl, meerschaum, beeswax, plastic or plaster; baskets, not of metal; fishing baskets; kennels, nesting boxes and beds for household pets; portable ladders and mobile boarding stairs of wood or synthetic materials; bamboo curtains, roller indoor blinds [for interiors], slatted indoor blinds, bead curtains for decoration, curtain hooks, curtain



rings, curtain tie-backs, curtain rods; non-metal wheel chocks.

(260) AM 2020 107241 A

(800) 1515806

(151) 2020 01 14

(891) 2020 01 14

(731) GUANGZHOU LANA CANE COSMETIC CO., LTD.

Self-editing No.3, Zhenhua Road, Shenshan Industry Zone, Shenshan town, Baiyun District, Guangzhou, 510460 Guangdong Province, China

(540)

**SOWIN**

(591) Black, white

(531) 27.05.01

(511)

3 – Shampoos; cloths impregnated with a detergent for cleaning; dentifrices; scented wood; cosmetics; laundry preparations; essential oils; body powders; non-medicated diaper rash ointments and lotions; cosmetics for animals.

(260) AM 2020 107246 A

(800) 1515900

(151) 2019 10 17

(891) 2019 10 17

(731) IP Holdings (Antigua) Limited

The Ursula Jones Building, Coolidge, P.O. Box 3511, St. John's, Antigua and Barbuda

(540)

**ICRU**

(591) Black, white

(531) 02.01.23; 26.07.04

(511)

36 – Financial services; monetary transfer; payment services; savings services; payment and credit services; charge card, cash card and bank card services; cash management; safe deposit services; bankers' clearing services; account debiting services; escrow services; cheque encashment services; credit brokerage; financing of loans; loans (financial) against security; financial investment services; capital investment services; trustee services; financial management services; brokers and agents (for bonds and other securities); financial consultation services; investment advice; financial guarantees (surety services); financial analysis and providing financial reports; financial information services; financial research services; financing services (securing funds for others); financial

advisory services; services for the provision and purchase of financial and/or credit information; administration of financial affairs; computerized financial services; advice and enquiries regarding credit; services for the provision of credit; acceptance of deposits; discount of bills (notes); domestic remittance, liability guarantee, acceptance of bills, lending securities, acquisition and transfer of monetary claims; trusteeship of money; brokerage of futures contracts; agencies for brokerage of securities, acquisition and transfer of monetary claims; money exchange, foreign exchange transactions, currency exchange services, travellers cheque services; issuing letters of credit-related business, securities trading; agencies for brokerage of index futures, securities options and overseas market securities futures; underwriting securities, selling securities, handling of share subscriptions and offerings of securities, providing stock market information, life insurance brokerage; mortgage services; information relating to economic (finance related) services provided on-line (not downloadable); information relating to financial, banking, insurance and investment services provided on-line (not downloadable); financial analysis and financial market reporting services; computerized financial services, namely online brokerage for transacting and trading of currency and other financial products; computerized financial services, namely providing for the exchange of currencies, futures, commodities, securities, financial instruments and options; providing financial services for secure commercial transactions; credit and debit card services; payment authorization, verification, and transaction processing services; electronic payment and funds transfer services.

(260) AM 2020 107247 A

(800) 1515918

(151) 2019 11 25

(891) 2019 11 25

(731) SAIGON BEER-ALCOHOL-BEVERAGE CORPORATION

187 Nguyen Chi Thanh, Ward 12, District 5, Ho Chi Minh City, Viet Nam

(540)



(591) Red, white, black, yellow and grey

(531) 01.01.02; 03.07.02; 05.05.02; 05.11.15; 05.13.01; 26.01.01; 27.07.02; 29.01.14

(526) ESTD, 1875



(511)  
32 – Beer.

(260) AM 2020 107248 A

(800) 1515933

(151) 2019 05 19

(891) 2019 05 19

(731) Giorgi Papiashvili

Efrem Zaqaraia st. 12, 0101 Tbilisi,

Georgia

(540)

**WÜNSCHER**

(591) Black, white

(511)

1 – Chemicals as additives for lubricants; chemical additives for technical oils; chemical products as additives for lubricants for decarbonisation; chemical filter materials for water; leather-impregnating chemicals; textile-impregnating chemicals; chemical catalysts for use in the purification of synthesis gas and olefin; chemical preservatives for use in rust inhibitors for automotive exhaust systems; chemical preparations for use with corrosion inhibitors; chemical cleaning agents for use in industrial processes; chemical lubricant additives; chemical substances as additives for technical lubricating oils; chemical additives for diesel fuels; chemical additives for petroleum products; chemical additives for fats; chemical additives for gear oils; chemical additives for hydraulic fluids; chemical additives to motor fuel; chemical additives for radiator fluids against rust; chemical additives for fuel injection cleaners; chemical additives for fuel supply line cleaners; chemical additives for oils; sealing glues for motor vehicles; filter aids for the cleaning of liquids; fluids for hydraulic brakes; fluids for couplings; hydraulic oils [hydraulic fluids]; impregnating agents [except paints] for protection against water; putties for power steering systems of motor vehicles; radiator detergents; polyglycols for the production of lubricants; anti-boil preparations for engine coolants; solvent-based cleaner for grease removal in manufacturing processes; cleaning additives for lubricants [oil cleaner]; paste fillers for automobile body repair; stabilizers [chemical additives] for oils; structural adhesives for motor vehicles; surfactants for use in detergents; compounds for filling holes in motor vehicles; compounds for filling cracks in motor vehicles; compounds for covering cracks in motor vehicles; water-resistant chemicals for textiles [chemical impregnating agents]; oils for brakes; oils for hydraulic suspensions [hydraulic fluids]; oils for hydraulic circuits [hydraulic fluids]; oils for hydraulic buffers [hydraulic fluids].

2 – Bitumen paints [colors]; plastic paints to protect metal against moisture [colors]; plastic paints to protect wood from moisture [colors]; paints that can be applied by sprays [paints and varnishes]; paints in the

form of paints and varnishes for vehicles; paints with waterproof properties [paints or oils]; antistatic colors; oiling paints; enamel paint for motor vehicles; colors [fireproof]; water-based paints [excluding insulating paints]; colors for machines; colors in aerosol cans; colors in tubes; colors for use in the automotive industry; colorants; fireproof paints; fluorescent colors; liquid colors; primer coatings [paints and oils]; primer for chassis of vehicles; primer for vehicles; primer for vehicles [paints]; primer for corrosion-prone surfaces of motor vehicles; primer [paints, varnishes and oils]; primer [paints and varnishes]; primer for vehicle chassis [rust protection]; impregnating agent [colors]; industrial colors for metal; anti-corrosive preparations; corrosion inhibitors for vehicles; corrosion inhibitors for metals; paints [colors]; paints for the repair of motor vehicles; paints in the form of colors; solvent for thinning paints; solvent-free colors; metallic colors; preparations for underbody protection on the chassis of vehicles; preparations for underbody protection for vehicle chassis [rust protection]; preparations for priming the surfaces of motor vehicles susceptible to corrosion; repair paints for vehicles; rust inhibitors in the form of coatings for vehicles; protective coating agent [paints] for metals; protective coating agent [colors] for metals for spraying; protective coating agent [paint] for metal surfaces; protective agent [colors] for metals; substances in the nature of colors for filling blemishes in wood surfaces; transparent protective coatings for vehicles; undercoating agent for use on the chassis of vehicles; undercoating for chassis of vehicles; underbody protection for exposed surfaces on motor vehicles [rust protection]; water repellent colors; waterproof colors; additives for paints in the form of thinners.

3 – Alcoholic solvents as cleaning agents; chrome polishes; chrome cleaners; fragrance for use in motor vehicles; color-removing preparations; window cleaner [polish]; carnauba wax for polishing cars; leather and shoe cleaning and polishing preparations; cloths impregnated with a detergent for cleaning; cleansing wipes soaked with polishing agents; wet wipes impregnated with cleaning agents; pads soaked in cleaning agents; wipes soaked in cleaning agents; paper towels impregnated with detergents; wipes impregnated with detergents; colour-removing preparations; polishing cream; polishing preparations; polishing preparations for cars; polishing wax; automobile polish; cleaning agents for household purposes; cleaning agents for the hands; glass cleaning preparations; cleaning preparations for use on masonry; cleaning agents for metal; cleaning agents for carpets; windscreen cleaner; cleaning preparations in the form of foam; glass cleaning preparations; cleaning agents for stain removal; detergents for household use; cleaning preparations for vehicles; cleaning foam [cleaning agent]; shampoos for cleaning vehicles; shampoos for cleaning motor vehicles; detergent strengtheners; detergents for motor vehicles; caustic cleaning agents.

4 – Isolating oils (terms considered too vague by the international bureau – rule 13 (2) (b) of the common regulations); starter and engine sprays [oils]; sprayable lubricants; disinfectant-containing lubricants for conveyor chains; solid lubricants; waterproofing preparations in the form of oils for motor vehicle ignition systems; liquefied gases for motor vehicles; liquids for metalworking in the form of oils; hardened oils [hydrogenated oils for industrial purposes]; greases for the preservation of leather; engine oils for vehicles; non-chemical additives for gasoline; non-chemical additives for petroleum products; non-chemical additives for fats; non-chemical additives for gear oils; non-chemical additives for hydraulic fluids; non-chemical fuel additives; non-chemical additives for fuels; non-chemical additives for organic working fluids as lubricants; non-chemical additives for lubricants; non-chemical additives for cutting oils; non-chemical additives for transmission oils; non-mineral oils for industrial purposes, other than for fuels; lubricants for conveyor belts containing a cleaning agent; rust-dissolving oils; lubricating fats and oils; greases for vehicles; greases for motor vehicles; lubricants; lubricants being gear oils; oil-based lubricants; lubricants for automobiles; lubricants for metalworking; lubricants for motor vehicles; lubricants for machines; lubricants for technical purposes; lubricants in the form of oils; lubricants and industrial greases, waxes and fluids; lubricants for protecting chainsaw chains; lubricants for processing metal; lubricants for use in connection with motor vehicles; lubricants for use in connection with motor vehicles; lubricating oils as hydraulic oils; lubricating oils for motor vehicles; lubricating oils with additives to protect metals from wear due to friction; synthetic oils; industrial oils and greases, lubricants; industrial oils for the lubrication of surfaces; industrial oils for processing metals; release agents [oils]; release agents in the form of oils; combustion enhancers [oils]; penetrating preparations consisting principally of oils; oils for automobiles; oils for the final drive of motor vehicles; oils for the hydrodynamic drive of vehicles; oils for metalworking; oils for chains; oils for turbine units; oils for machine tools; oils with anti-rust additives; oils with dehydrating additives; oils for loosening molds; oils for separating molds.

7 – Intake manifolds for motor vehicles; exhaust pipes for motor vehicles; exhausts for motors and engines; brake linings, other than for vehicles; industrial brakes for industrial washing machines; brakes for industrial machinery; brakes for machines; brake discs, other than for vehicles; electric brakes for machines; electronic ignition devices for vehicles; road sweeping vehicles [machines]; filters [engine parts]; filters [parts of machines or engines]; filters as parts of machines; filters being parts of machines or engines; filters as parts of engines; filters for machines; filters for engines; filters for internal combustion engines; filter hous-

sings as parts of machines; filter housings as parts of engines; filter machines, separators and centrifuges; filter rod making machines; flexible couplings [machine parts]; generators for vehicles; gear boxes for vehicles, except for land vehicles; fuel filters; fuel filters for vehicle engines; clutches and transmission belts [other than for land vehicles]; power transmission couplings and belts, except for land vehicles and their parts; radiators [cooling] for motors and engines; radiator caps for cooling engine radiators; steering linkages for machines; dynamo pulleys for vehicles; air filters [machine parts]; air filters for motor vehicle engines; air filters for mechanical devices; filters for cooling air, for engines; air filters for motorcycle engines; air compressors for compressed air systems in vehicles; wheel bearings; belts for machines; belts for motors and engines; belt drives; pulleys [engine parts]; pulleys as machine parts; pulleys with bearings [machine parts]; mufflers as parts of exhaust systems of vehicles; bearings for transmission shafts; fuel pumps for motor vehicles; vertical bucket conveyors with belt bridges; water pumps [engine parts] for vehicles; cylinders for vehicles, except land vehicles; ignition wires for motor vehicles; ignition wires for spark plugs; spark plugs for vehicle engines; spark plugs for engines; spark plugs for land vehicle engines; spark plugs for internal combustion engines; spark plug systems for internal combustion engines.

11 – Vehicle-mounted air purifiers; lighting and light reflectors for vehicles; lighting fixtures [lamps]; lighting equipment (terms considered too vague by the international bureau – rule 13 (2) (b) of the common regulations); lighting devices for vehicles; lighting devices with leds [LEDS]; lighting fixture [lamps]; anti-glare devices for vehicles [lamp accessories]; anti-glare devices for motor vehicles [lamp accessories]; brake lights for vehicles; electric lighting devices; electric lamps; electric lamps for interior lighting; electrostatic air filters; sockets for electric lamps; filters for lighting apparatus; filters for lighting devices; filters for use with lighting apparatus; filters for air extractor hoods; filters for gas extractors; filters for gases [household or industrial installations]; filters for commercial installations; filters for heating appliances; filters for industrial and household use; filters for lamps; filters for ventilation units; filters for fume extractors; filters for drinking water; filters for drinking water distribution apparatus; filters for water purification devices; filters for air purification; filters for use on air conditioners; filter boxes for water purification; devices for filtering drinking water; filaments for electric lamps; heating systems for motor vehicles; germicidal lamps; air conditioning systems for motor vehicles; radiator caps; lamps for lighting; flashing indicators in the dashboard of motor vehicles; lamps for vehicle lighting; lamps for emergency lighting; wall lights; lamps for electrical installations; lamps for direction indicators for bicycles; lamps for direction indicators for land vehicles; lamps for direction indica-

tors of vehicles; lamps for direction indicators of motor vehicles; lamp holders; lamp mantles; lamp glasses; lamp holders; lamp reflectors; led lighting for motor vehicles; led lamps; lights for motor vehicles; opaque casings for lights; air filters; air filters [air conditioning]; air filters for household purposes; air filters for industrial plants; air filters for industrial purposes; air filters for air conditioners; air filters for air conditioning purposes; air filtering installations; ventilation systems [air conditioning] for vehicles; ventilating apparatus for vehicles; solar powered lamps; testing lamps for motor vehicles; reflectors for lighting devices; reflectors for lamps; taillights for vehicles; taillights for motor vehicles; heating apparatus for defrosting vehicle windows; headlights for vehicles; headlight for motor vehicles; spotlights for use on vehicles; portable lamps [for lighting]; fans for motor vehicles.

12 – Tow bars for vehicles; axles for leaf spring suspension in vehicles; axles for leaf spring suspension systems in vehicles; axles for air suspension systems in vehicles; axles and drive shafts for motor vehicles; axle assemblies for vehicles; axle collars for vehicles; airbags for vehicles; acoustic anti-theft alarms for vehicles; acoustic anti-theft alarms for motor vehicles; acoustic reversing alarms for vehicles; alarm systems for vehicles; alarm systems for motor vehicles; alarm devices for vehicles; alarm devices for motor vehicles; adapted covers for motor vehicles; tumbler holders adapted for use in motor vehicles; seat covers [shaped] for use in motor vehicles; curtain sheets adapted for motor land vehicles; trailer hitches for vehicles; safety belts for vehicle seats; transmission chains for motor vehicles; inflatable airbags for use in motor vehicles to prevent injury or accidents; suspension springs for motor vehicles; automatic transmission for motor vehicles; components for motor vehicles; petrol tank caps for motor vehicles; braking systems for motor vehicles; brake segments for motor vehicles; brake linings for motor vehicles; brakes [bicycle parts]; brakes for vehicles; brakes for motor vehicles; brakes for land vehicles; brakes for aircraft; brake sets for vehicles; brake pads for vehicles; brake pads for motor vehicles; brake pads for land vehicles; brake pipes for motor vehicles; brake discs [motorcycle parts]; brake discs for vehicle brakes; brake discs for vehicles; brake discs for land vehicles; brake discs for motorcycles; brake shoes for motor vehicles; chassis for motor vehicles; roof luggage carriers for motor vehicles; roof racks for motor vehicles; anti-theft devices for use on steering wheels of motor vehicles; torsion springs for motor vehicles; intrusion alarm systems for motor vehicles; electric horns for vehicles; electric steering gear [for vessels]; electric reversing alarms for vehicles; electric sunroofs for vehicles; electric warning systems to prevent theft of or from vehicles; electric motors for motor vehicles; electronic brakes for vehicles; chassis for motor vehicles; bicycle carrier for motor vehicles; bicycle rack

for mounting on motor vehicles; direction indicators for vehicles; direction indicators for vehicles [except lamps]; direction indicators for motor vehicles; vehicle safety belts for motor vehicles; windows for motor vehicles; shaped steering wheel covers for motor vehicles; luggage nets for vehicles; luggage carriers for vehicles; gears for vehicles; gears for motor vehicles; glass front panels for vehicles; main brake cylinders for vehicles; main brake cylinders for motor vehicles; rear windows for motor vehicles; rear windows for vehicles; horns for cars; horns for vehicles; hydraulic rim brakes for vehicles; hydraulic brake pressure regulators for vehicles; hydraulic disc brakes for vehicles; chains for motor vehicles; head-rests for vehicle seats; anti-scratch elements for vehicles [vehicle parts]; radiator grilles of metal for vehicles; radiator grilles for vehicles; radiator grilles, not of metal, for vehicles; casters for trolleys [vehicles]; steering wheels for motor vehicles; idler arms [vehicle parts]; air deflectors for vehicles; engines for land vehicles; engines for motor vehicles; hoods for vehicle engines; automobile hoods; wheel cylinders for vehicles; wheel rims; wheel rims for cars; wheel rims for motorcycles; wheel bearings for land vehicles; friction linings for disc brakes of vehicles; tires for motor vehicles; belt pulleys for land vehicles; wheels for vehicles; wheels for motor vehicles; reversing mirrors for vehicles; reversing alarms for vehicles; rearview mirrors for vehicles; rearview mirrors for motor vehicles; gear boxes for motor vehicles; gear lever sacks for motor vehicles; windshield wipers [for motor vehicles]; windshield wipers for motor vehicles; windscreen wiper blades for vehicles; windscreen wiper blade adapters for vehicles; sunshine roofs for motor vehicles; sunshine roofs for vehicles; sunshine roofs for motor vehicles; inner tubes for the wheels of forestry vehicles; inner tubes for the wheels of vehicles; mudflaps for motor vehicles; mudflap brackets as parts of vehicles; snow chains for motor vehicles; side shields as components of vehicles; side view mirrors for vehicles; side doors for vehicles; seats for motor vehicles; booster seats for children in vehicles; ski carriers for vehicles; ski carriers for motor vehicles; sunshine roofs for vehicles; spoilers for motor vehicles; spray prevention flaps for motor vehicles; suspension shock absorbers for motor vehicles; handlebar dampers [motorcycle parts]; bumpers for motor vehicles; doors for motor vehicles; door handles for motor vehicles; soft tops for motor vehicles; reinforced steering columns for vehicles; wind deflectors for motor vehicles.

35 – Retail services in relation to paints; retail services in relation to cleaning preparations; wholesale services in relation to cleaning preparations; wholesale services relating to lubricants; sales promotion and advertising; promotion, advertising and marketing via online websites; advertising; advertising by advertising leaflets; advertising for famous people; advertising for databases; advertising for car sales via the

internet; advertising for the sale of motor vehicles; advertising for the sale of goods and services of others by means of advertising events; advertising for trade fairs; advertising for motor vehicles; advertising for companies; advertising for goods and services on websites [online]; advertising for goods and services by sponsoring sporting events; advertising relating to clothing; advertising and sales promotion; advertising and advertising services; advertising, including online advertising via a computer network; advertising, including promotion of products and services of third parties through sponsoring arrangements and licence agreements relating to international sports' events; advertising, in particular in the field of telematics and telephone networks; advertising, in particular sales promotion of goods.

(260) AM 2020 107250 A

(800) 1515987

(151) 2019 12 26

(891) 2019 12 26

(731) Joint Stock Company United Chemical Company Uralchem  
Presnenskaya nab., 6, bld. 2, Moscow,  
RU-123112, Russian Federation

(540)



(591) Black, white

(531) 01.15.15; 25.07.07; 26.04.05; 26.04.16;  
26.04.18; 26.04.24; 27.05.01; 27.05.04;  
27.05.24

(511)

1 – Fertilizing preparations.

(260) AM 2020 107251 A

(800) 1516037

(151) 2019 11 20

(891) 2019 11 20

(731) DEVA HOLDİNG ANONİM ŞİRKETİ  
HALKALI MERKEZ MAHALLESİ., BASIN  
EKSPRES CADDESİ. NO.1,  
KÜÇÜKÇEKMECE/İSTANBUL,  
Turkey

(540)



(591) Dark blue and light blue

(531) 26.04.18; 27.05.01; 29.01.13

(511)

5 – Pharmaceuticals, medical and veterinary preparations; sanitary preparations for medical purposes; dietetic food and substances adapted for medical or veterinary use, food for babies; dietary supplements for human beings and animals; plasters, materials for dressings; material for stopping teeth, dental wax; disinfectants; preparations for destroying vermin; fungicides, herbicides.

(260) AM 2020 107252 A

(800) 1516146

(151) 2019 10 17

(891) 2019 10 17

(731) IP Holdings (Antigua) Limited

The Ursula Jones Building, Coolidge, P.O. Box  
3511, St. John's, Antigua and Barbuda

(540)



(591) Black, white

(531) 02.01.23; 26.07.04

(511)

9 – Computer software used to process mobile payments; computer software for use in contactless transactions with retailers, merchants, and vendors via mobile devices used to process mobile payments; computer software for transmitting, processing, facilitating, verifying, and authenticating credit and debit card information and transaction and payment information; computer software for ensuring the security of mobile payments, of contactless transactions with retailers, merchants and vendors via mobile devices, and of credit and debit card information; computer software for the storage, transmission, verification, and authentication of credit and debit card and other payment and transaction information; computer software for use in connection with the electronic storage, transmission, presentation, verification, authentication, and redemption of coupons, rebates, discounts, incentives, and special offers; computer software for use in connection with consumer loyalty programs and loyalty cards used to access and use loyalty points; computer software for use in connection with electronic payment and funds transfers; mobile applications; mobile application software; downloadable graphics for mobile phones; software applications for mobile devices.

36 – Financial services; monetary transfer; payment services; savings services; payment and credit services; charge card, cash card and bank card services;

cash management; safe deposit services; bankers' clearing services; account debiting services; escrow services; cheque encashment services; credit brokerage; financing of loans; loans (financial) against security; financial investment services; capital investment services; trustee services; financial management services; brokers and agents (for bonds and other securities); financial consultation services; investment advice; financial guarantees (surety services); financial analysis and providing financial reports; financial information services; financial research services; financing services (securing funds for others); financial advisory services; services for the provision and purchase of financial and/or credit information; administration of financial affairs; computerized financial services; advice and enquiries regarding credit; services for the provision of credit; acceptance of deposits; discount of bills (notes); domestic remittance, liability guarantee, acceptance of bills, lending securities, acquisition and transfer of monetary claims; trusteeship of money; brokerage of futures contracts; agencies for brokerage of securities, acquisition and transfer of monetary claims; money exchange, foreign exchange transactions, currency exchange services, travellers cheque services; issuing letters of credit-related business, securities trading; agencies for brokerage of index futures, securities options and overseas market securities futures; underwriting securities, selling securities, handling of share subscriptions and offerings of securities, providing stock market information, life insurance brokerage; mortgage services; information relating to economic (finance related) services provided on-line (not downloadable); information relating to financial, banking, insurance and investment services provided on-line (not downloadable); financial analysis and financial market reporting services; computerized financial services, namely online brokerage for transacting and trading of currency and other financial products; computerized financial services, namely providing for the exchange of currencies, futures, commodities, securities, financial instruments and options; providing financial services for secure commercial transactions; credit and debit card services; payment authorization, verification, and transaction processing services; electronic payment and funds transfer services.

---

(260) AM 2020 107253 A

(800) 1516155

(151) 2019 10 17

(891) 2019 10 17

(731) IP Holdings (Antigua) Limited

The Ursula Jones Building, Coolidge, P.O.

Box 3511, St. John's, Antigua and Barbuda

(540)

**ACRU**

(591) Black, white

(511)

36 – Financial services; monetary transfer; payment services; savings services; payment and credit services; charge card, cash card and bank card services; cash management; safe deposit services; bankers' clearing services; account debiting services; escrow services; cheque encashment services; credit brokerage; financing of loans; loans (financial) against security; financial investment services; capital investment services; trustee services; financial management services; brokers and agents (for bonds and other securities); financial consultation services; investment advice; financial guarantees (surety services); financial analysis and providing financial reports; financial information services; financial research services; financing services (securing funds for others); financial advisory services; services for the provision and purchase of financial and/or credit information; administration of financial affairs; computerized financial services; advice and enquiries regarding credit; services for the provision of credit; acceptance of deposits; discount of bills (notes); domestic remittance, liability guarantee, acceptance of bills, lending securities, acquisition and transfer of monetary claims; trusteeship of money; brokerage of futures contracts; agencies for brokerage of securities, acquisition and transfer of monetary claims; money exchange, foreign exchange transactions, currency exchange services, travellers cheque services; issuing letters of credit-related business, securities trading; agencies for brokerage of index futures, securities options and overseas market securities futures; underwriting securities, selling securities, handling of share subscriptions and offerings of securities, providing stock market information, life insurance brokerage; mortgage services; information relating to economic (finance related) services provided on-line (not downloadable); information relating to financial, banking, insurance and investment services provided on-line (not downloadable); financial analysis and financial market reporting services; computerized financial services, namely online brokerage for transacting and trading of currency and other financial products; computerized financial services, namely providing for the exchange of currencies, futures, commodities, securities, financial instruments and options; providing financial services for secure commercial transactions; credit and debit card services; payment authorization, verification, and transaction processing services; electronic payment and funds transfer services.

---

(260) AM 2020 107254 A

(800) 1516163

(151) 2019 10 17

(891) 2019 10 17

(731) Xiaomi Inc.

Floor 13, Rainbow City Shopping Mall II, of

China Resources, No. 68 Qinghe Middle Street,  
Haidian District, Beijing, China

(540)



(591) Black, white

(531) 27.05.01; 27.05.17

(511)

8 – Stropping instruments; sickles; fruit pickers [hand tools]; instruments and tools for skinning animals; harpoons for fishing; beard clippers; flat irons; glaziers' diamonds [parts of hand tools]; household knives; truncheons; cutlery; knife handles; screwdrivers, non-electric; hand tools, hand-operated.

24 – Upholstery fabrics; non-woven textile fabrics; wall hangings of textile; printers' blankets of textile; handkerchiefs of textile; sheets [textile]; tablecloths, not of paper; door curtains; fitted toilet lid covers of fabric; gloves for washing; marabouts [cloth]; hada [traditional ceremonial or offering fabric made of silk]; flags, not of paper; shrouds.

(260) AM 2020 107255 A

(800) 1516181

(151) 2020 01 20

(891) 2020 01 20

(731) Guangdong Pineng Industrial Co., Ltd  
No. 6 ChuangYe Road, Torch Development  
Zone, Zhongshan City, 528437 Guangdong,  
China

(540)



**CHNPINENG**

(591) Black, white

(531) 26.13.25; 27.05.01; 28.03

(511)

9 – Headsets; data transmission cable; battery charging devices for motor vehicles; chargers for electrical accumulators; battery; electric battery chargers; electric socket; mobile power (rechargeable battery); phone case; smart phone screen special protective film.

(260) AM 2020 107344 A

(800) 1516866

(151) 2020 01 22

(891) 2020 01 22

(731) SOREMARTEC S.A

16 Route de Trèves, L-2633 Senningerberg,  
Luxembourg

(540)

## CHARLIE AND THE CHOCOLATE FACTORY

(591) Black, white

(511)

30 – Pastries and confectionery; chocolate; ice creams, sorbets and other edible ices; cocoa based beverages; sugar confectionery; chocolate confectionery; chewing gum.

(260) AM 2020 107345 A

(800) 1516887

(151) 2019 12 26

(891) 2019 12 26

(731) International Fruit Genetics, LLC  
8224 Espresso Drive, Suite 200, Bakersfield  
CA 93312, USA

(540)

## BEBOP

(591) Black, white

(511)

31 – Fresh fruits and vegetables; grape vines, plants and plant propagating material.

(260) AM 2020 107346 A

(800) 1516891

(151) 2019 12 26

(891) 2019 12 26

(731) International Fruit Genetics, LLC  
8224 Espresso Drive, Suite 200, Bakersfield  
CA 93312, USA

(540)

## SWEET BOND

(591) Black, white

(511)

31 – Fresh fruits and vegetables; grape vines, plants and plant propagating material.

(260) AM 2020 107347 A

(800) 1516893

(151) 2019 12 30

(891) 2019 12 30

(731) Onu Technology, Inc.  
7280 Blue Hill Drive, Suite 10, San Jose CA  
95129, USA

(540)



(591) Black, white  
(531) 27.05.22  
(511)

9 – Computer software platforms for artificial intelligence and data analysis; downloadable cloud-computing software for artificial intelligence and data analysis.

36 – Providing information in the fields of opportunities for buying and selling goods and services; cryptocurrency services in the nature of cryptocurrency exchange services, namely, providing a digital currency or digital token for use via a global computer network; cryptocurrency services in the nature of cryptocurrency exchange services featuring blockchain technology, namely, providing a digital currency or digital token incorporating cryptographic protocols used to operate and build applications and blockchains on a decentralized computer platform and as a method of payment for goods and services; financial services, namely, providing information in the fields of currencies, and cryptocurrencies; banking services.

42 – Cloud computing featuring software for use for artificial intelligence and data analysis.

---

(260) AM 2020 107348 A

(800) 1516900

(151) 2019 12 26

(891) 2019 12 26

(731) International Fruit Genetics, LLC

8224 Espresso Drive, Suite 200, Bakersfield  
CA 93312, USA

(540)

## SWEET FAVORS

(591) Black, white

(511)

31 – Fresh fruits and vegetables; grape vines, plants and plant propagating material.

---

(260) AM 2020 107349 A

(800) 1516940

(151) 2019 11 25

(891) 2019 11 25

(731) Lenzing Aktiengesellschaft

Werkstr. 2, A-4860 Lenzing, Austria

(540)

## TENCEL

(591) Black, white

(511)

12 – Aeroplanes; air vehicles; airline seats with a massage function; airplane seats; automatic guided vehicles; automobile dashboards; automobile tyres; automobiles; automotive vehicles; backrests adapted for use in vehicles; backrests for vehicle seats; bicycle saddles; boats; body panels for vehicles; boot ties;

bucket seats for automobiles; cable car cabins; camper vans; camping cars; camping vehicles; canopies for pick-up trucks; car safety seats for children; car seat canopies; car seat harnesses; car seat tidies; car seats; car tidies; caravans; carriage roofs; carrycot restraints for use in vehicles; cars; catamarans; child booster cushions for vehicle seats; child carrying seats for use in vehicles; child restraints for vehicle seats; child safety harnesses for vehicle seats; children's bicycle seats; children's car seats; children's safety belts for use in vehicles; children's seats for use in vehicles; commercial vehicles; consoles being parts of vehicle interiors; convertible car seats; coverings for car seats; cushions adapted for use in vehicles; cushions adapted for use with car seats; dashboards; driverless [autonomous] motor vehicles; driverless cars [autonomous cars]; electric cars; electric railway cars; electrically operated wheelchairs; electrically powered aircraft; electrically powered buses; electrically powered land vehicles; electrically powered motor vehicles; electrically powered watercraft; fitted dashboard covers for vehicles; fitted footmuffs for prams; fitted footmuffs for pushchairs; fitted liners for the cargo area of vehicles; fitted truck bed liners; fuel cell electric cars; funicular railcars; gliders; glove boxes for automobiles; glove boxes for vehicles; head-rests for vehicle seats; horse-drawn carriages; hydroplanes; infants' carriages with removable infant supports; interior panels for vehicles; interior pouches for vehicles; interior trim for automobiles; interior trim parts of automobiles; invalids' carriages; jet aircraft; jet vehicles for water sports; leather upholstery for vehicles; leather upholstery for vehicles; leisure boats; linings for vehicles; minibuses; mobile homes [caravans]; motor buses; motor racing cars; motor water vehicles; motorcycle saddles; motorsailers; mud guards [land vehicle parts]; mudguards; omnibuses; passenger carriages [rail vehicles]; passenger carrying vehicles; passenger ships; passenger trains; perambulators incorporating carry cots; personal jet boats; pet safety seats for use in vehicles; pilotless aircraft; pneumatic tires for automobiles; pneumatic tyres; portable babies' seats for vehicles; portable children's seats for vehicles; powerboats; protective covers for vehicle seats [fitted]; protective covers for vehicle seats [shaped]; protective interiors for vehicles; protective linings for upholstered recesses within vehicles; pushchairs for use with carry cots; racing seats for automobiles; rail vehicles; railway carriages; railway cars; railway coaches; recreational jet boats; remote controlled rail vehicles; remotely operated vehicles; retreaded tyres; roof linings for vehicles; saddle covers for bicycles; saddlebags adapted for bicycles; saddles for bicycles, cycles or motorcycles; safety belts for vehicle seats; safety harnesses for auto racing; safety restraints for use in vehicles; safety seats adapted for use by children in vehicles; safety seats for babies for use in vehicles; safety seats for infants and children for vehicles; safety seats for vehicles; sailboats; seacraft; seap-

lanes; seat covers [shaped] for use in automobiles; seat covers for vehicles; seat cushions for the seats of aircraft; seat cushions for the seats of boats; seat cushions for the seats of land vehicles; seat cushions for the seats of vehicles; seat cushions for the seats of water vehicles; seat safety harnesses for motor cars; seating for water vehicles; seats for railway cars; security harness for vehicle seats; sleeping cars; snowmobiles; spiked tires for vehicles; sports cars; spray prevention flaps for vehicles; sun shields and visors for motor cars; sun visors [vehicle parts]; sun visors for automobiles; sun-blinds adapted for automobiles; sunshine roofs for vehicles; tires; trains [vehicles]; trim panels for vehicle bodies; tyres for agricultural vehicles; tyres for aircraft; tyres for commercial vehicles; tyres for motorcycles; tyres for trucks; unmanned vehicles; upholstery for automobiles; upholstery for vehicle seats; upholstery for vehicles; vehicle booster seats for children; vehicle door panels; vehicle doors; vehicle head rest covers; vehicle safety harness for carry cots; vehicle safety harness for safety seats for children; vehicle safety harnesses for pram bodies; vehicle safety restraints for use with safety seats; vehicle seat covers [shaped]; vehicle seats; vehicle tires; vehicles; vehicles adapted for the disabled; vehicles for locomotion by land, air, water or rail; vehicles for locomotion by sea; vehicles for the physically handicapped and those of reduced mobility; vehicles for travel by air; vehicles for travel by land; vehicles for travel by rail; vehicles for travel by water; vehicles for use on land; vessels [boats and ships]; water vehicles; wheelchair cushions; wheelchairs; windshield visors [vehicle parts]; yachts.

24 – Fibre fabrics for use in the manufacture of linings of bags; fibre fabrics for use in the manufacture of linings of shoes; linen lining fabric for shoes; lining fabrics for shoes; textile piece goods for use in the manufacture of boots; textile piece goods for use in the manufacture of shoes.

25 – Anglers' shoes; apres-ski shoes; aqua shoes; athletics shoes; ballet shoes; ballroom dancing shoes; baseball shoes; basketball shoes; beach shoes; bootees (woollen baby shoes); bowling shoes; boxing shoes; canvas shoes; cleats for attachment to sports shoes; cycling shoes; dance shoes; moccasins; deck shoes; dress shoes; driving shoes; esparto shoes or sandals; espadrilles; flat shoes; foot volleyball shoes; football shoes; golf shoes; gymnastic shoes; handball shoes; heel pieces for shoes; hidden heel shoes; high-heeled shoes; hiking shoes; hockey shoes; infants' shoes; in-soles [for shoes and boots]; jogging shoes; knitted baby shoes; leather shoes; leisure shoes; mountaineering shoes; nursing shoes; platform shoes; pullstraps for shoes and boots; rain shoes; riding shoes; roller shoes; rubber shoes; rugby shoes; running shoes; sandals and beach shoes; shoe covers, other than for medical purposes; shoe inserts for non-orthopedic purposes; shoe soles; shoe soles for repair; shoe straps; shoe

uppers; shoes; shoes for casual wear; shoes for foot volleyball; shoes for infants; shoes for leisurewear; shoes with hook and pile fastening tapes; ski and snowboard shoes and parts thereof; skiing shoes; slip-on shoes; snowboard shoes; soccer shoes; spiked running shoes; sports shoes; stiffeners for shoes; tap shoes; tennis shoes; tongues for shoes and boots; track and field shoes; training shoes; volleyball shoes; walking shoes; waterproof shoes; women's shoes; wooden shoes [footwear]; yoga shoes; work shoes.

(260) AM 2020 107351 A

(800) 1516960

(151) 2019 12 13

(891) 2019 12 13

(731) ZF AFTERMARKET IBERICA, S.L.

Polígono Industrial Ombatillo s/n, E-31591

CORELLA (NAVARRA), Spain

(540)



(591) Yellow, black and white

(531) 26.11.12; 26.11.21; 27.05.10; 29.01.12

(511)

12 – Vehicles other than construction machines, shovel loaders or excavators; friction brake pads; brake linings for vehicles other than construction machines, shovel loaders or excavators.

(260) AM 2020 107353 A

(800) 1516985

(151) 2019 11 07

(891) 2019 11 07

(731) DKV EURO SERVICE GmbH + Co. KG

Balcke-Dürr-Allee 3, 40882 Ratingen, Germany

(540)



(591) Orange and grey

(531) 26.04.04; 26.04.05; 26.04.18; 26.04.22;

26.04.24; 27.05.09; 27.05.24; 29.01.13

(511)

9 – Computer programs (recorded or downloadable) for transportation of goods and freight logistics as well as vehicle management; computer programs for apps for driving as economically as possible and for economical refueling in order to reduce fuel costs; computer programs for creating weekly results reports in transportation and vehicle management; magnetic cards, magnetic identification cards, smart cards and microprocessor cards; electronic location and global positioning systems; adapted housings for electronic



devices, apparatus and instruments for geolocation and position recognition or for recognition of passages; electronic satellite geotracking apparatus and instruments for geolocation, known as GPS or GPS-GPRS; telematic (data transmission) and GPS-vehicle locating systems for the localisation of vehicles in real time and for the transmission of data of vehicle use and vehicle handling; non-voice telecommunication apparatus and instruments for the transmission of data over short distances between road systems and mobile units; data cards for third generation cellular telephone networks; GSM (Global System for Mobile Communication) data cards, data cards compatible with the broadband wireless telephone standard GPRS (General Packet Radio Services); computer software and software for the traffic management on roads and motorways, for the toll management and for the creation of road itineraries/routes; computer software; measuring, detecting and monitoring instruments and devices; acceleration sensors for the measurement of the speed-up behaviour and braking characteristics, also independently of the geopositioning; electronic transmitting and receiving equipment [on-board units] for use on toll roads; radio and telecommunications equipment, as well as equipment for navigation, direction finding and localization; transmitters, transceivers; receivers; electric receivers; antennas; sensors; control and monitoring equipment; satellite navigation instruments; equipment for recording and measuring distances; data processing equipment and computers; communication equipment; programmed machine-readable data carriers of all kinds; navigation equipment for vehicles (on-board computers); mobile apps; application software for mobile devices, for mobile operating systems, for navigation devices, for smartphones, for wireless devices, for cloud computing services; application software for mobile devices with traffic light systems for displaying current and forecast fuel prices; apps for evaluating petrol stations; apps for individual conditions in transport and vehicle management and for the display of petrol station networks; apps for the creation of road itineraries/routes; apps for the display of driving styles in the areas of braking, speed, acceleration and cruise control; parts of all the aforementioned goods [included in this class].

12 – Vehicle parts, parts and accessories for vehicles as far as not included in other classes.

35 – Services of a filling station and its sales and service businesses, namely computer based preparation and balancing of invoices of fees for frontier-clearance (office functions); computer based preparation of invoices of cargo and cargo procurement costs (office functions); border clearance and ferry services, namely the assignment of access authorizations for toll lanes and tunnels through the purchase and sale of vignettes and the input of data in data processing equipment (office functions); computer based preparation of invoices of tunnel fees (office functions); co-

mputer based preparation of invoices of repair services (office functions); computer based preparation of invoices of fuels (office functions); processing of foreign value-added-mineral-oil-tax return service in different countries (office functions); services in the field of the cashless in-transit provisioning of nationally and internationally-active businesses involved in industrial goods and passenger transport, of commercial vehicle fleets of passenger vehicles and/or lorries, and in the transport sector, namely billing (within the scope of cashless payment transactions), based mainly on customer-oriented and developed software programs, computer-aided billing (within the scope of cashless payment transactions) and billing management for fuel, ferry fees, motorway fees, toll fees and/or value-added tax; customer invoicing, for others; accident services, namely procurement of contracts for others for replacement vehicles and tow vehicles as well as towing services; price comparison services, namely provision of information relating to the price of fuels at home and abroad; business management; business administration; office functions; accounting services; business auditing; advertising; recording of personal- and vehicle-related data (office functions); office functions, namely computer based compilation and processing by preparation of statistics and statistical analysis of vehicle master data, of tank data invoices, of motor vehicle costs and revenues; office functions, namely computer based order planning including systematically capture of data and capture and planning both in terms of organization and business planning of motor vehicles and orders; address administration; vehicle fleet management, namely business organisation and management relating to vehicle fleets of motor vehicles and lorries; consumer information, namely providing of information and advice for consumers in matters of cashless in-transit supply in the field of goods and passenger transport; office functions, namely compilation of information and setting up notification functions to send automated reports; advertising in the field of toll collection and transport infrastructure; execution, organization, management and monitoring of sales and promotional incentive schemes; organization and management of customer loyalty schemes including for commercial, promotional and advertising purposes; business evaluation of companies (filling stations); benchmarking services for business management purposes; compilation of business data and/or information relating to different filling station services and fuel offers, for others, to facilitate the comparison and purchase of these services; data entry and data processing (office functions).

36 – Issue of service cards with payment function to industrial freight and passenger transport businesses for the cashless in-transit supplying of automobiles, heavy trucks, busses and their drivers; computer based (aided) settlement of finance transactions/-deals, with service cards with payment function; electronic handling of payment services concerning foreign value-

added tax return; conducting cashless payment transactions in the field of payment of road toll fees and other road fees; debt collection; handling electronic payment transactions; services for payment processing via service cards, in particular concluding contracts with toll plazas; finance services; customs brokerage agency services; financial customs brokerage services relating to provision of access entitlement to toll roads and tunnels for frontier-clearance and ferry services; collecting utilization fees by the issue of vignettes; providing financial information by means of vignettes; preparation of financial damage reports.

37 – Services of a motor vehicle repair workshop; service station services and its businesses relating thereto, namely cleaning of motor vehicles, repair of motor vehicles; breakdown assistance, namely repair of motor vehicles on site and at motor vehicle repair shops; maintenance of motor vehicles; repair of tyres and motor vehicle cooling systems; maintenance of tyres and motor vehicle cooling systems; operation of a multilingual breakdown service via a hotline on the Internet, namely advice from motor vehicle specialists on repairing vehicle breakdowns; installation of toll logging and toll billing equipment; maintenance of toll logging and toll billing equipment; installation and maintenance of units equipped with a system for geolocalisation and position recognition or for recognition of passages; installation and maintenance of electronic satellite geotracking apparatus and instruments, known as GPS or GPS-GPRS; installation and maintenance of telematic (data transmission) and GPS-vehicle locating systems for the localisation of vehicles in real time and for the transmission of data of vehicle use and vehicle handling; installation and maintenance of non-voice telecommunication apparatus and instruments for the transmission of data over short distances between road systems and mobile units; installation and maintenance of apparatus for recording, transmission and reproduction of sound and images, installation and maintenance of electronic transmitting and receiving equipment [on-board units] for use on toll roads; installation and maintenance of navigation equipment; installation, repair and maintenance of radio and telecommunications equipment as well as equipment for navigation, direction finding and localization, transmitters, transceivers, receivers, antennas, sensors, control and monitoring equipment.

38 – Telecommunications (telecommunications services) including radio services, namely radio guidance of motor vehicles in industrial freight and commercial passenger transportation; providing access to and transmission of messages, data and information on the Internet; provision of mobile cellular services; provision of multilingual breakdown services, namely provision of access to the Internet for technical expertise with regard to roadside assistance via the Internet; telecommunication services for nationally and internationally operating industrial freight and commercial

passenger transport services, namely the transmission of information about the state of roads, the traffic situation, the location of service stations, the location of vehicles, technical vehicle matters, the price of fuel at home and abroad via the Internet and radio services; transmission of information via computer servers, data transmission services with free access; transmission and exchange of information via multimedia carriers; telecommunications services for the geolocalisation; access providing services to a worldwide computer network; connection by telecommunication to a worldwide computer network; installation of notification functions and delivery (transmission) of automated reports, namely e-mail-services; rental of telecommunications equipment for the transmission of messages and On-Board-Units; professional consultancy on the field of telecommunications, in particular with regard to geolocalisation installations in connection with traffic conditions on road and motorway networks and with regard to On-Board-Units; telecommunications services for remote access to On-Board-Units for the purpose of updating and/or extending the personalization data.

39 – Breakdown assistance, namely vehicle towing and rescue services; rental services, namely rental of busses, vehicles for the freight forwarding sector; rental services, namely rental of transportation vehicles relating to construction and other special-purpose vehicles; transport of motor vehicles by rail; intermodal transportation services whether or not accompanied for the combined railway traffic, namely transport of complete trucks or semi-tractor trailers by rail; packaging of goods; storage of goods; loading of transport goods; transportation; travel arrangements; information services for the nationally and internationally operating industrial freight and commercial passenger transport services, namely providing information via the Internet and radio services and via printed products about the state of roads, the traffic situation, the location of service stations, the location of vehicles, technical vehicle matters; location of broken-down goods vehicles with computers through computer-aided map systems; GPS navigation services (road guidance services) via mobile radiotelephony, namely controlling of fleet vehicles using electronic navigational and positioning apparatus as well as via radio services; transport services, in particular freight forwarding, except the customs clearance of goods; provision of transport information, namely with city, travel and traffic information; booking of travel; parking space search service [provision of information on the availability and location of parking spaces, display of free parking spaces using electronic navigation and positioning devices]; itinerary travel advice services; location of broken-down vehicles with computers through computer-aided map systems as well as through electronic navigation and positioning devices.

41 – Provision of multilingual breakdown services, namely interpreting services; ticket agency services [entertainment]; arranging of contests; coaching with the goal of increasing the motivation of the users, operators.

42 – Installation and maintenance of software for toll registration and toll invoicing devices as well as for systems for the global positioning and position recognition or recognition of passages, for electronic satellite geotracking apparatus and instruments, for transmitting and receiving equipment [on-board units], for navigation equipment; electronic storage services for archiving electronic data; electronic storage of data in computer databases; design and development of computer databases; operation of data centers, namely leasing of computer facilities in computer centers; technical design and planning of telecommunications equipment; technical support services, namely, troubleshooting of computer software problems via help desk services and hotline services; technical development of magnetic and chip cards and other computer-aided verifications; electronic data storage; design of internet sites and homepages; creation of internet sites and homepages; preparation of technical damage reports; research and preparation of technical reports in the field of industrial freight and commercial passenger transport services, namely preparation and technical evaluation of reports and statistics on the localization of vehicles in real time and for the transmission of data of vehicle use and vehicle handling [for example travel time, speed, accelerations] as well as comparison and evaluation of the GEO-positions of vehicles with maps used GEO-positions; creation of software for the remote access to On-Board-Units to update and/or extend the personalization data, for updating the software version of the On-Board-Unit operating system, and for updating maps or other data relevant to toll collection; creation, installation and adaptation of application software for multimedia content delivery and customized software for navigation devices, smartphones, computers.

43 – Hotel reservation services.

45 – Legal consultancy in the field of taxation; legal consultancy services in the field of security, namely relating to data protection, data security, data access, data archiving services, certification services, testify services (security strategies); consultancy and advice services relating to legal questions concerning road safety.

---

(260) AM 2020 107354 A  
 (800) 1517091  
 (151) 2019 09 27  
 (891) 2019 09 27  
 (731) SICC Coatings GmbH  
 Wackenbergstrasse 78-82, 13156 Berlin,  
 Germany

(540)

**ClimateCoating®**



(591) Blue, red

(531) 26.11.01; 26.11.06; 26.11.12; 26.13.25;  
 27.05.11; 29.01.12

(511)

2 – Moisture repellent coatings [paints]; weatherproofing coatings [paints] for concrete; weatherproofing coatings [paints] for masonry; stabilising preparations in the nature of coatings; pigmented coatings used as paints; clear coatings used as paints; industrial coatings in the nature of paint; powders in the nature of paint for use as coatings; coatings being intumescent [paints or oils, other than building materials]; moisture absorbent coatings in the nature of paints; coatings being inorganic [paints or oils, other than building materials]; surface coatings in the nature of paints; coating compositions for application to brickwork [paints or oils]; coating compositions for preserving stonework [paints or oils]; coatings for the finishing masonry [paints or oils]; coatings for the finishing of surfaces [paints or oils]; paints for use in preventing mould; paints for use in removing mould; dispersion paints.

17 – Gels for insulating; insulating plaster; insulating varnish; insulating varnish; insulating paints; insulating materials made of plastics; acrylic resins (insulating -); insulating paints; insulation for building purposes; aerogels for insulating purposes; insulating paints for facades; insulating paints for roofs; water based insulating paints; insulating coatings of plastic resin; protective acrylic spray coatings for insulating purposes; thermal insulating materials.

---

(260) AM 2020 107355 A

(800) 1517135

(151) 2019 12 13

(891) 2019 12 13

(731) Dubinina Vera Gennadyevna

Serysheva street, 3, apartment 4, Khabarovsk,  
 RU-680038 Khabarovskiy kray, Russian  
 Federation

(540)



(591) Black, white

(531) 27.05.01; 27.05.13; 27.05.13; 27.05.19

(511)

25 – Clothing.

---

(260) AM 2020 107356 A  
 (800) 1517163  
 (151) 2020 02 03  
 (891) 2020 02 03  
 (731) Zhejiang lifuxiu Cosmetics Co., Ltd.  
 67 Dashi Road, Fotang Town, Yiwu City,  
 Zhejiang Province, China

(540)

## RIFESHOW

(591) Black, white  
 (531) 27.05.01  
 (511)

3 – Bath foam; cosmetics; cleaning preparations; abrasives; perfumery; dentifrices; potpourris [fragrances]; polishing preparations; air fragrancing preparations; perfumes.

(260) AM 2020 107357 A  
 (800) 1517167  
 (151) 2020 01 09  
 (891) 2020 01 09  
 (731) Pryvatne pidpriemstvo "BEL"  
 vul. Universytetska, 96, Donetsk 83114,  
 Ukraine

(540)

## TADZARI

(591) Black, white  
 (511)

33 – Alcoholic beverages, except beer; alcoholic beverages containing fruit; low-alcohol beverages, except beer; aperitifs; brandy; wine; vodka.

(260) AM 2020 107358 A  
 (800) 1517176  
 (151) 2019 11 07  
 (891) 2019 11 07  
 (731) DKV EURO SERVICE GmbH + Co. KG  
 Balcke-Dürr-Allee 3, 40882 Ratingen, Germany

(540)

## DKV ECO TRUCKER

(591) Black, white  
 (511)

9 – Computer programs (recorded or downloadable) for transportation of goods and freight logistics as well as vehicle management; computer programs for apps for driving as economically as possible and for economical refueling in order to reduce fuel costs; computer programs for creating weekly results reports in transportation and vehicle management; magnetic cards, magnetic identification cards, smart cards and microprocessor cards; electronic location and global positioning systems; adapted housings for electronic devices, apparatus and instruments for geolocation and position recognition or for recognition of passages; electronic satellite geotracking apparatus and ins-

truments for geolocation, known as GPS or GPS-GPRS; telematic (data transmission) and GPS-vehicle locating systems for the localisation of vehicles in real time and for the transmission of data of vehicle use and vehicle handling; non-voice telecommunication apparatus and instruments for the transmission of data over short distances between road systems and mobile units; data cards for third generation cellular telephone networks; GSM (Global System for Mobile Communication) data cards, data cards compatible with the broadband wireless telephone standard GPRS (General Packet Radio Services); computer software and software for the traffic management on roads and motorways, for the toll management and for the creation of road itineraries/routes; computer software; measuring, detecting and monitoring instruments and devices; acceleration sensors for the measurement of the speed-up behaviour and braking characteristics, also independently of the geopositioning; electronic transmitting and receiving equipment [on-board units] for use on toll roads; radio and telecommunications equipment, as well as equipment for navigation, direction finding and localization; transmitters, transceivers; receivers; electric receivers; antennas; sensors; control and monitoring equipment; satellite navigation instruments; equipment for recording and measuring distances; data processing equipment and computers; communication equipment; programmed machine-readable data carriers of all kinds; navigation equipment for vehicles (on-board computers); mobile apps; application software for mobile devices, for mobile operating systems, for navigation devices, for smartphones, for wireless devices, for cloud computing services; application software for mobile devices with traffic light systems for displaying current and forecast fuel prices; apps for evaluating petrol stations; apps for individual conditions in transport and vehicle management and for the display of petrol station networks; apps for the creation of road itineraries/routes; apps for the display of driving styles in the areas of braking, speed, acceleration and cruise control; parts of all the aforementioned goods [included in this class].

12 – Vehicle parts, parts and accessories for vehicles as far as not included in other classes.

35 – Services of a filling station and its sales and service businesses, namely computer based preparation and balancing of invoices of fees for frontier-clearance (office functions); computer based preparation of invoices of cargo and cargo procurement costs (office functions); border clearance and ferry services, namely the assignment of access authorizations for toll lanes and tunnels through the purchase and sale of vignettes and the input of data in data processing equipment (office functions); computer based preparation of invoices of tunnel fees (office functions); computer based preparation of invoices of repair services (office functions); computer based preparation of invoices of fuels (office functions); processing of foreign value-

added-mineral-oil-tax return service in different countries (office functions); services in the field of the cashless in-transit provisioning of nationally and internationally-active businesses involved in industrial goods and passenger transport, of commercial vehicle fleets of passenger vehicles and/or lorries, and in the transport sector, namely billing (within the scope of cashless payment transactions), based mainly on customer-oriented and developed software programs, computer-aided billing (within the scope of cashless payment transactions) and billing management for fuel, ferry fees, motorway fees, toll fees and/or value-added tax; customer invoicing, for others; accident services, namely procurement of contracts for others for replacement vehicles and tow vehicles as well as towing services; price comparison services, namely provision of information relating to the price of fuels at home and abroad; business management; business administration; office functions; accounting services; business auditing; advertising; recording of personal and vehicle-related data (office functions); office functions, namely computer based compilation and processing by preparation of statistics and statistical analysis of vehicle master data, of tank data invoices, of motor vehicle costs and revenues; office functions, namely computer based order planning including systematically capture of data and capture and planning both in terms of organization and business planning of motor vehicles and orders; address administration; vehicle fleet management, namely business organisation and management relating to vehicle fleets of motor vehicles and lorries; consumer information, namely providing of information and advice for consumers in matters of cashless in-transit supply in the field of goods and passenger transport; office functions, namely compilation of information and setting up notification functions to send automated reports; advertising in the field of toll collection and transport infrastructure; execution, organization, management and monitoring of sales and promotional incentive schemes; organization and management of customer loyalty schemes including for commercial, promotional and advertising purposes; business evaluation of companies (filling stations); benchmarking services for business management purposes; compilation of business data and/or information relating to different filling station services and fuel offers, for others, to facilitate the comparison and purchase of these services; data entry and data processing (office functions).

36 – Issue of service cards with payment function to industrial freight and passenger transport businesses for the cashless in-transit supplying of automobiles, heavy trucks, busses and their drivers; computer based (aided) settlement of finance transactions/-deals, with service cards with payment function; electronic handling of payment services concerning foreign value-added tax return; conducting cashless payment transactions in the field of payment of road toll fees and other road fees; debt collection; handling electronic

payment transactions; services for payment processing via service cards, in particular concluding contracts with toll plazas; finance services; customs brokerage agency services; financial customs brokerage services relating to provision of access entitlement to toll roads and tunnels for frontier-clearance and ferry services; collecting utilization fees by the issue of vignettes; providing financial information by means of vignettes; preparation of financial damage reports.

37 – Services of a motor vehicle repair workshop; service station services and its businesses relating thereto, namely cleaning of motor vehicles, repair of motor vehicles; breakdown assistance, namely repair of motor vehicles on site and at motor vehicle repair shops; maintenance of motor vehicles; repair of tyres and motor vehicle cooling systems; maintenance of tyres and motor vehicle cooling systems; operation of a multilingual breakdown service via a hotline on the Internet, namely advice from motor vehicle specialists on repairing vehicle breakdowns; installation of toll logging and toll billing equipment; maintenance of toll logging and toll billing equipment; installation and maintenance of units equipped with a system for geolocalisation and position recognition or for recognition of passages; installation and maintenance of electronic satellite geotracking apparatus and instruments, known as GPS or GPS-GPRS; installation and maintenance of telematic (data transmission) and GPS-vehicle locating systems for the localisation of vehicles in real time and for the transmission of data of vehicle use and vehicle handling; installation and maintenance of non-voice telecommunication apparatus and instruments for the transmission of data over short distances between road systems and mobile units; installation and maintenance of apparatus for recording, transmission and reproduction of sound and images, installation and maintenance of electronic transmitting and receiving equipment [on-board units] for use on toll roads; installation and maintenance of navigation equipment; installation, repair and maintenance of radio and telecommunications equipment as well as equipment for navigation, direction finding and localization, transmitters, transceivers, receivers, antennas, sensors, control and monitoring equipment.

38 – Telecommunications (telecommunications services) including radio services, namely radio guidance of motor vehicles in industrial freight and commercial passenger transportation; providing access to and transmission of messages, data and information on the Internet; provision of mobile cellular services; provision of multilingual breakdown services, namely provision of access to the Internet for technical expertise with regard to roadside assistance via the Internet; telecommunication services for nationally and internationally operating industrial freight and commercial passenger transport services, namely the transmission of information about the state of roads, the traffic situation, the location of service stations, the location

of vehicles, technical vehicle matters, the price of fuel at home and abroad via the Internet and radio services; transmission of information via computer servers, data transmission services with free access; transmission and exchange of information via multimedia carriers; telecommunications services for the geolocalisation; access providing services to a worldwide computer network; connection by telecommunication to a worldwide computer network; installation of notification functions and delivery (transmission) of automated reports, namely e-mail-services; rental of telecommunications equipment for the transmission of messages and On-Board-Units; professional consultancy on the field of telecommunications, in particular with regard to geolocalisation installations in connection with traffic conditions on road and motorway networks and with regard to On-Board-Units; telecommunications services for remote access to On-Board-Units for the purpose of updating and/or extending the personalization data.

39 – Breakdown assistance, namely vehicle towing and rescue services; rental services, namely rental of busses, vehicles for the freight forwarding sector; rental services, namely rental of transportation vehicles relating to construction and other special-purpose vehicles; transport of motor vehicles by rail; intermodal transportation services whether or not accompanied for the combined railway traffic, namely transport of complete trucks or semi-tractor trailers by rail; packaging of goods; storage of goods; loading of transport goods; transportation; travel arrangements; information services for the nationally and internationally operating industrial freight and commercial passenger transport services, namely providing information via the Internet and radio services and via printed products about the state of roads, the traffic situation, the location of service stations, the location of vehicles, technical vehicle matters; location of broken-down goods vehicles with computers through computer-aided map systems; GPS navigation services (road guidance services) via mobile radiotelephony, namely controlling of fleet vehicles using electronic navigational and positioning apparatus as well as via radio services; transport services, in particular freight forwarding, except the customs clearance of goods; provision of transport information, namely with city, travel and traffic information; booking of travel; parking space search service [provision of information on the availability and location of parking spaces, display of free parking spaces using electronic navigation and positioning devices]; itinerary travel advice services; location of broken-down vehicles with computers through computer-aided map systems as well as through electronic navigation and positioning devices.

41 – Provision of multilingual breakdown services, namely interpreting services; ticket agency services [entertainment]; arranging of contests; coaching with

the goal of increasing the motivation of the users, operators.

42 – Installation and maintenance of software for toll registration and toll invoicing devices as well as for systems for the global positioning and position recognition or recognition of passages, for electronic satellite geotracking apparatus and instruments, for transmitting and receiving equipment [on-board units], for navigation equipment; electronic storage services for archiving electronic data; electronic storage of data in computer databases; design and development of computer databases; operation of data centers, namely leasing of computer facilities in computer centers; technical design and planning of telecommunications equipment; technical support services, namely, troubleshooting of computer software problems via help desk services and hotline services; technical development of magnetic and chip cards and other computer-aided verifications; electronic data storage; design of internet sites and homepages; creation of internet sites and homepages; preparation of technical damage reports; research and preparation of technical reports in the field of industrial freight and commercial passenger transport services, namely preparation and technical evaluation of reports and statistics on the localization of vehicles in real time and for the transmission of data of vehicle use and vehicle handling [for example travel time, speed, accelerations] as well as comparison and evaluation of the GEO-positions of vehicles with maps used GEO-positions; creation of software for the remote access to On-Board-Units to update and/or extend the personalization data, for updating the software version of the On-Board-Unit operating system, and for updating maps or other data relevant to toll collection; creation, installation and adaptation of application software for multimedia content delivery and customized software for navigation devices, smartphones, computers.

43 – Hotel reservation services.

45 – Legal consultancy in the field of taxation; legal consultancy services in the field of security, namely relating to data protection, data security, data access, data archiving services, certification services, testify services (security strategies); consultancy and advice services relating to legal questions concerning road safety.

---

(260) AM 2020 107359 A

(800) 1517205

(151) 2019 12 19

(891) 2019 12 19

(731) "Intelligent Systems of Business Control" Ltd.  
Zavodskaja, 1b, str. 1, fl. 1, room 7,  
Zelenograd, RU-124365 Moscow, Russian  
Federation

(540)

**JEWEPAY**

(591) Black, white

(531) 27.05.01; 27.05.17

(511)

9 – Radio frequency identification devices (RFID systems); apparatus and components of radio frequency identification devices (RFID systems), including module RFID readers and recorders, RFID tags and readers, recording devices for transmitting information and communication with RFID tags, programming devices for programming RFID tags, where RFID tags are in form of cards, tags or key rings; contact smart chips; chips (integrated circuits), namely RFID cards; computer network data routers used in security and access control; computer software for issuing and managing RFID tags; magnetic data media; optical data media; computer hardware for processing and protecting information.

(260) AM 2020 107360 A

(800) 1517221

(151) 2020 01 20

(891) 2020 01 20

(731) ALUCOIL, S.A.U.

Calle Ircio, s/n, Polígono Industrial, E-09200  
Bayas Miranda de Ebro (Burgos), Spain

(540)

**Alucoil**

(591) Blue, red, white and yellow

(531) 26.04.03; 26.04.09; 27.05.17; 29.01.14

(511)

6 – Aluminum composite panels for architectural facades; metal materials for construction of buildings, houses and industrial structures; metal reinforcement materials; roofing materials of metal; construction materials (of metal) such as panels; reinforcing materials of metal for construction; construction materials (of metal) in sheet form; metal facades; metal structures for facades; metal cladding for facades; metal facade cladding; aluminum cladding for facades; double metal wall for thermal insulation of facades of buildings; metal covers; aluminum; aluminum profiles; aluminum sheets; aluminum sheets; extruded aluminum profiles; exterior aluminum cladding; aluminum supports for panels; aluminum profiles, particularly extruded; metal panels; metal panels (construction); metal ceiling panels; metal panels for floors; metal cladding panels; metal panels for walls; panels of metal (construction); metal roof panels; metal wall partitions; metal materials for walls, floors and ceilings of trains, boats and elevators.

(260) AM 2020 107361 A

(800) 1517233

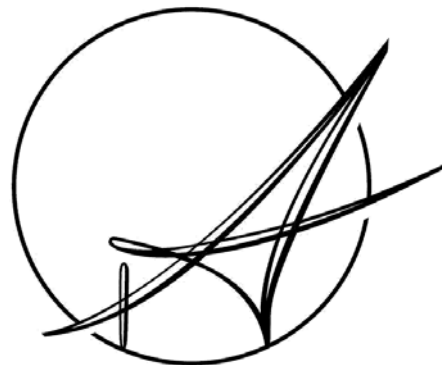
(151) 2019 11 22

(891) 2019 11 22

(731) iAero Group LLC

5300 NW 36th St, Miami FL 33166, USA

(540)



(591) Black, white

(531) 26.01.03; 26.01.18; 26.01.19; 27.05.10

(511)

35 – Sales of aircraft, aircraft engines and aircraft parts to others.

37 – Aircraft and engine maintenance and repair services; aircraft overhaul and refurbishing services.

39 – Air transportation services for cargo; air transportation services for passengers; air charter transportation services for passengers; leasing of aircraft and engines to others.

(260) AM 2020 107362 A

(800) 1517238

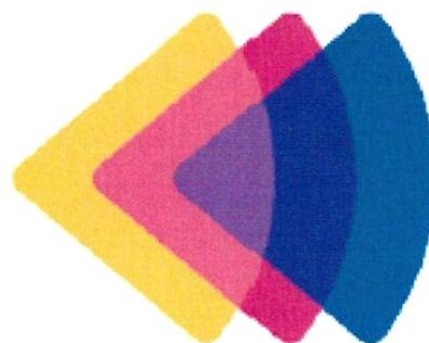
(151) 2019 12 19

(891) 2019 12 19

(731) "Intelligent Systems of Business Control" Ltd.

Zavodskaja, 1b, str. 1, fl. 1, room 7,  
Zelenograd, RU-124365 Moscow, Russian  
Federation

(540)



(591) Yellow, light pink, pink, light purple, purple and blue

(531) 26.03.04; 26.03.06; 29.01.15

(511)

9 – Radio frequency identification devices (RFID systems); apparatus and components of radio frequency



identification devices (RFID systems), including module RFID readers and recorders, RFID tags and readers, recording devices for transmitting information and communication with RFID tags, programming devices for programming RFID tags, where RFID tags are in form of cards, tags or key rings; contact smart chips; chips (integrated circuits), namely RFID cards; computer network data routers used in security and access control; computer software for issuing and managing RFID tags; magnetic data media; optical data media; computer hardware for processing and protecting information.

(260) AM 2020 107363 A

(800) 1517293

(151) 2019 12 19

(891) 2019 12 19

(731) "Unipharm-Ukraine", LLC

Moskovskiy prospect 9-V, Kyiv 04073, Ukraine

(540)

**АДЕМИН**

(591) Black, white

(531) 28.05

(511)

3 – Non-medicated cosmetics and toiletry preparations; non-medicated dentifrices; perfumery, essential oils; bleaching preparations and other substances for laundry use; cleaning, polishing, scouring and abrasive preparations.

5 – Pharmaceuticals, medical and veterinary preparations; sanitary preparations for medical purposes; dietetic food and substances adapted for medical or veterinary use, food for babies; dietary supplements for human beings and animals; plasters, materials for dressings; material for stopping teeth, dental wax; disinfectants; preparations for destroying vermin; fungicides, herbicides.

10 – Surgical, medical, dental and veterinary apparatus and instruments; artificial limbs, eyes and teeth; orthopaedic articles; suture materials; therapeutic and assistive devices adapted for the disabled; massage apparatus; apparatus, devices and articles for nursing infants; sexual activity apparatus, devices and articles.

32 – Beers; non-alcoholic beverages; mineral and aerated waters; fruit beverages and fruit juices; syrups and other non-alcoholic preparations for making beverages.

(260) AM 2020 107516 A

(800) 1519336

(151) 2019 11 07

(891) 2019 11 07

(731) TINYTERIA HOLDINGS LIMITED

Griva Diegeni, 59, Kaimakliotis Building,  
5th floor, CY-6043 Larnaka, Cyprus

(540)



(591) Blue and red

(531) 02.07.23; 04.05.03; 24.17.02; 26.13.25;

27.05.09; 27.05.10; 29.01.12

(511)

5 – Absorbent cotton / absorbent wadding; acai powder dietary supplements; acaricides; acetates for pharmaceutical purposes; acids for pharmaceutical purposes; acne treatment preparations; aconitine; adhesive plasters / sticking plasters; adhesive tapes for medical purposes / adhesive bands for medical purposes; adhesives for dentures; adjuvants for medical purposes; air purifying preparations; air deodorizing preparations / air deodorising preparations; albumin dietary supplements; albuminous foodstuffs for medical purposes; albuminous preparations for medical purposes; alcohol for pharmaceutical purposes; aldehydes for pharmaceutical purposes; algicides; alginate dietary supplements; alginates for pharmaceutical purposes; alkaline iodides for pharmaceutical purposes; alkaloids for medical purposes; alloys of precious metals for dental purposes; almond milk for pharmaceutical purposes; aloe vera preparations for pharmaceutical purposes; aluminium acetate for pharmaceutical purposes; amino acids for medical purposes; amino acids for veterinary purposes; anaesthetics; analgesics; angostura bark for medical purposes; animal washes [insecticides]; anti-uric preparations; antibacterial soap; antibacterial handwashes; antibiotics; anticryptogamic preparations; anaesthetics; analgesics; angostura bark for medical purposes; animal washes [insecticides]; anti-uric preparations; antibacterial soap; antibacterial handwashes; antibiotics; anticryptogamic preparations; antioxidant pills; antiparasitic preparations; antiparasitic collars for animals; antiseptic cotton; antiseptics; appetite suppressants for medical purposes; appetite suppressant pills; aseptic cotton; asthmatic tea; astringents for medical purposes; babies' diapers / babies' napkins; babies' diaper-pants / babies' napkin-pants; bacterial poisons; bacterial preparations for medical and veterinary use; bacteriological preparations for medical and veterinary use; balms for medical purposes; balsamic preparations for medical purposes; bandages for dressings; barks for pharmaceutical purposes; bath preparations for medical purposes; bath salts for medical purposes; bicarbonate of soda for pharmaceutical purposes; biocides; biological preparations for medical purposes; biological preparations for veterinary purposes; biological tissue cultures for medical purposes; biological tissue cultures for veterinary purposes; bismuth preparations for pharmaceutical purposes; bismuth subnitrate for pharmaceutical purposes; blood plasma; blood for medical purposes; bone cement for surgical and orthopaedic purposes / bone cement for surgical and orthopedic purposes;



bouillons for bacteriological cultures / media for bacteriological cultures / bacteriological culture mediums; bracelets impregnated with insect repellent; breast-nursing pads; bromine for pharmaceutical purposes; bronchodilating preparations; bunion pads; by-products of the processing of cereals for dietetic or medical purposes; cachets for pharmaceutical purposes; cachou for pharmaceutical purposes; preparations for callouses; calomel [fungicide]; camphor oil for medical purposes; camphor for medical purposes; candy, medicated; candy for medical purposes; capsules for medicines; capsules made of dendrimer-based polymers, for pharmaceuticals; carbolineum [parasiticide]; casein dietary supplements; castor oil for medical purposes; cattle washes [insecticides]; caustic pencils; caustics for pharmaceutical purposes; cedar wood for use as an insect repellent; cellulose esters for pharmaceutical purposes; cellulose ethers for pharmaceutical purposes; cement for animal hooves; charcoal for pharmaceutical purposes; chemical conductors for electrocardiograph electrodes; chemical contraceptives; chemical preparations for the diagnosis of pregnancy; chemical preparations for treating mildew; chemical preparations for treating wheat blight / chemical preparations for treating wheat smut; chemical preparations for treating phyloxera; chemical preparations for treating diseases affecting vine plants; chemical preparations for pharmaceutical purposes; chemical preparations for medical purposes; chemical preparations for veterinary purposes; chemical reagents for medical or veterinary purposes; chemical preparations for treating diseases affecting cereal plants; chemico-pharmaceutical preparations; chewing gum for medical purposes; chilblain preparations; chinoline for medical purposes; chloroform; cocaine; cod liver oil; collagen for medical purposes; collodion for pharmaceutical purposes; collyrium; compresses; condurango bark for medical purposes; solutions for contact lenses / solutions for use with contact lenses; contact lens cleaning preparations; cooling sprays for medical purposes; corn rings for the feet; corn remedies; cotton for medical purposes; cotton swabs for medical purposes / cotton sticks for medical purposes; cream of tartar for pharmaceutical purposes; creosote for pharmaceutical purposes; croton bark; cultures of microorganisms for medical or veterinary use; curare; decoctions for pharmaceutical purposes; dental abrasives; dental amalgams; dental cements; dental impression materials; dental lacquer; dental mastics; dental amalgams of gold; deodorants, other than for human beings or for animals; deodorants for clothing and textiles; depuratives; preparations for destroying noxious animals; preparations for destroying dry rot fungus; preparations for destroying mice; detergents for medical purposes; diabetic bread adapted for medical use; diagnostic preparations for medical purposes; diagnostic biomarker reagents for medical purposes; diagnostic preparations for veterinary purposes; diapers for incontinence; diapers for

pets; diastase for medical purposes; dietary fibre / dietary fiber; dietary supplements for animals; dietary supplements with a cosmetic effect; dietetic foods adapted for medical purposes; dietetic beverages adapted for medical purposes; dietetic substances adapted for medical use; digestives for pharmaceutical purposes; digitalin; dill oil for medical purposes; disinfectant soap; disinfectants for hygiene purposes; disinfectants for chemical toilets; disinfectants; dog washes [insecticides]; douching preparations for medical purposes; dressings, medical; drugs for medical purposes; elixirs [pharmaceutical preparations]; enzyme preparations for medical purposes; enzyme preparations for veterinary purposes; enzyme dietary supplements; enzymes for medical purposes; enzymes for veterinary purposes; ergot for pharmaceutical purposes; esters for pharmaceutical purposes; ethers for pharmaceutical purposes; eucalyptol for pharmaceutical purposes; eucalyptus for pharmaceutical purposes; extracts of hops for pharmaceutical purposes; eyepatches for medical purposes; preparations to facilitate teething; febrifuges; fennel for medical purposes; ferments for pharmaceutical purposes; first-aid boxes, filled; fish meal for pharmaceutical purposes; flour for pharmaceutical purposes / meal for pharmaceutical purposes; flowers of sulfur for pharmaceutical purposes; fly catching paper; fly glue / fly catching adhesives; fly destroying preparations; food for babies; formic aldehyde for pharmaceutical purposes; freeze-dried food adapted for medical purposes / lyophilized food adapted for medical purposes / lyophilised food adapted for medical purposes; freeze-dried meat adapted for medical purposes / lyophilized meat adapted for medical purposes / lyophilised meat adapted for medical purposes; frostbite salve for pharmaceutical purposes; fumigating sticks / fumigating pastilles; fumigation preparations for medical purposes; fungicides; gallic acid for pharmaceutical purposes; gamboge for medical purposes; gases for medical purposes; gauze for dressings; gelatine for medical purposes; gentian for pharmaceutical purposes; germicides; glucose for medical purposes; glucose dietary supplements; glycerine for medical purposes; glycerophosphates; greases for medical purposes; greases for veterinary purposes; guaiacol for pharmaceutical purposes; gum for medical purposes; gurjun balsam for medical purposes; haematogen / hematogen; haemoglobin / hemoglobin; haemorrhoid preparations / hemorrhoid preparations; haemostatic pencils / hemostatic pencils; herbal teas for medicinal purposes; herbal extracts for medical purposes; herbicides / weedkillers / preparations for destroying noxious plants; homogenized food adapted for medical purposes / homogenised food adapted for medical purposes; hormones for medical purposes; hydrastine; hydrastinine; hydrated chloral for pharmaceutical purposes; hydrogen peroxide for medical purposes; immunostimulants; infant formula; injectable dermal fillers; insect repellents; insect repellent incense; insecticidal animal shampoos; insecticidal ve-

terinary washes; insecticides; iodides for pharmaceutical purposes; iodine for pharmaceutical purposes; iodoform; Irish moss for medical purposes; isotopes for medical purposes; jalap; jujube, medicated; lacteal flour for babies; larvae exterminating preparations; laxatives; lead water / Goulard water; lecithin for medical purposes; lecithin dietary supplements; leeches for medical purposes; lice treatment preparations [pediculicides]; lime-based pharmaceutical preparations; liniments; linseed for pharmaceutical purposes / flaxseed for pharmaceutical purposes; linseed meal for pharmaceutical purposes / flaxseed meal for pharmaceutical purposes; linseed dietary supplements / flaxseed dietary supplements; linseed oil dietary supplements / flaxseed oil dietary supplements; lint for medical purposes; liquorice for pharmaceutical purposes; lotions for pharmaceutical purposes; lotions for veterinary purposes; lupulin for pharmaceutical purposes; magnesia for pharmaceutical purposes; malt for pharmaceutical purposes; malted milk beverages for medical purposes; mangrove bark for pharmaceutical purposes; massage candles for therapeutic purposes; medical preparations for slimming purposes; medicated eye-washes; medicated animal feed; medicated dentifrices; medicated after-shave lotions; medicated shampoos; medicated toiletry preparations; medicated hair lotions; medicated dry shampoos; medicated shampoos for pets; medicated soap; medicinal alcohol; medicinal mud / medicinal sediment [mud]; medicinal infusions; medicinal tea; medicinal oils; medicinal herbs; medicinal roots; medicinal drinks; medicinal hair growth preparations; medicine cases, portable, filled; medicines for alleviating constipation; medicines for dental purposes; medicines for human purposes; medicines for veterinary purposes; melissa water for pharmaceutical purposes; menthol; mercurial ointments; preparations of microorganisms for medical or veterinary use; milk ferments for pharmaceutical purposes; milk sugar for pharmaceutical purposes / lactose for pharmaceutical purposes; milking grease; mineral waters for medical purposes; mineral water salts; mineral food supplements; mint for pharmaceutical purposes; moleskin for medical purposes; mothproofing preparations; mothproofing paper / mothproof paper; moulding wax for dentists / molding wax for dentists; mouthwashes for medical purposes; mud for baths; mustard oil for medical purposes; mustard for pharmaceutical purposes; mustard plasters / mustard poultices; myrobalan bark for pharmaceutical purposes; narcotics; nervines; nicotine gum for use as an aid to stop smoking; nicotine patches for use as aids to stop smoking; nutraceutical preparations for therapeutic or medical purposes; nutritional supplements; nutritive substances for microorganisms; oil of turpentine for pharmaceutical purposes; ointments for pharmaceutical purposes; opiates; opium; opodeldoc; opotherapy preparations / organotherapy preparations; oxygen baths; oxygen for medical purposes; pants, absorbent, for incontinence; panty liners [sanitary];

paper for mustard plasters / paper for mustard poultices; parasiticides; pastilles for pharmaceutical purposes / lozenges for pharmaceutical purposes; pearl powder for medical purposes; pectin for pharmaceutical purposes; pediculicidal shampoos; pepsins for pharmaceutical purposes; peptones for pharmaceutical purposes; pesticides; petroleum jelly for medical purposes; pharmaceutical preparations; pharmaceutical preparations for treating sunburn; pharmaceutical preparations for skin care; pharmaceutical preparations for treating dandruff; pharmaceuticals; phenol for pharmaceutical purposes; phosphates for pharmaceutical purposes; phytotherapy preparations for medical purposes; plant extracts for pharmaceutical purposes; poisons; pollen dietary supplements; pomades for medical purposes; porcelain for dental prostheses; potassium salts for medical purposes; poultices; powder of cantharides; powdered milk for babies; pre-filled syringes for medical purposes; propolis for pharmaceutical purposes; propolis dietary supplements; protein dietary supplements; protein supplements for animals; purgatives / evacuants; pyrethrum powder; quassia for medical purposes; quebracho for medical purposes; quinine for medical purposes; quinquina for medical purposes / cinchona for medical purposes; radioactive substances for medical purposes; radiological contrast substances for medical purposes; radium for medical purposes; rat poison; reagent paper for medical purposes; reagent paper for veterinary purposes; preparations for reducing sexual activity; remedies for foot perspiration; remedies for perspiration; repellents for dogs; rhubarb roots for pharmaceutical purposes; royal jelly for pharmaceutical purposes; royal jelly dietary supplements; rubber for dental purposes; salts for mineral water baths; salts for medical purposes; sanitary panties / menstruation knickers / sanitary knickers / sanitary pants; sanitary tampons / menstruation tampons; sanitary towels / sanitary napkins / sanitary pads; sarsaparilla for medical purposes; scapulars for surgical purposes; sea water for medicinal bathing; sedatives / tranquilizers; semen for artificial insemination; serotherapeutic medicines; serums; personal sexual lubricants; sexual stimulant gels; siccatives [drying agents] for medical purposes; slimming pills; slug exterminating preparations; smelling salts; smoking herbs for medical purposes; sodium salts for medical purposes; soil-sterilizing preparations / soil-sterilising preparations; solvents for removing adhesive plasters; soporifics; starch for dietetic or pharmaceutical purposes; stem cells for medical purposes; stem cells for veterinary purposes; sterilizing preparations / sterilising preparations; steroids; stick liquorice for pharmaceutical purposes; strychnine; styptic preparations; sugar for medical purposes; sulfonamides [medicines]; sulfur sticks [disinfectants]; sunburn ointments; suppositories; surgical dressings; surgical implants comprised of living tissues; surgical glues; syrups for pharmaceutical purposes; tanning pills; tartar for pharmaceutical purposes; teeth filling material; therapeutic

preparations for the bath; thermal water; thymol for pharmaceutical purposes; tincture of iodine; tinctures for medical purposes; tissues impregnated with pharmaceutical lotions; tobacco extracts [insecticides]; tobacco-free cigarettes for medical purposes; tonics [medicines]; preparations of trace elements for human and animal use; transplants [living tissues]; preparations for the treatment of burns; turpentine for pharmaceutical purposes; vaccines; vaginal washes for medical purposes; vermifuges / anthelmintics; vermin destroying preparations; vesicants; veterinary preparations; vitamin preparations; vitamin supplement patches; vulnerary sponges; wadding for medical purposes; wart pencils; wheat germ dietary supplements; yeast for pharmaceutical purposes; yeast dietary supplements.

10 – Abdominal belts; abdominal corsets; abdominal pads; apparatus for acne treatment; acupressure bands; acupuncture needles; electric acupuncture instruments; aerosol dispensers for medical purposes; air pillows for medical purposes; air cushions for medical purposes; air mattresses for medical purposes; air beds for medical purposes; ambulance stretchers; anaesthetic apparatus; anaesthetic masks; analysers for bacterial identification for medical purposes / analyzers for bacterial identification for medical purposes; anti-nausea wristbands; anti-rheumatism bracelets; anti-rheumatism rings; apparatus for DNA and RNA testing for medical purposes; apparatus for the regeneration of stem cells for medical purposes; arch supports for footwear; armchairs for medical or dental purposes; artificial teeth; artificial jaws; artificial limbs; artificial skin for surgical purposes; apparatus for artificial respiration; artificial breasts; artificial eyes; baby feeding dummies / baby feeding pacifiers; balling guns / bolus guns; bandages for joints, anatomical / supportive bandages; bandages, elastic; basins for medical purposes; bed pans; bed vibrators; beds specially made for medical purposes; belts for medical purposes; belts, electric, for medical purposes; biodegradable bone fixation implants; biomagnetic rings for therapeutic or medical purposes; blankets, electric, for medical purposes; blood testing apparatus; body rehabilitation apparatus for medical purposes; body fat monitors; body composition monitors; boots for medical purposes; bracelets for medical purposes; brain pacemakers; breast pumps; brushes for cleaning body cavities; cannulae; instrument cases for use by doctors; cases fitted for medical instruments; castrating pincers; catgut; catheters; childbirth mattresses; cholesterol meters; clips, surgical; clips for dummies / clips for pacifiers; clothing especially for operating rooms; commode chairs; compression garments; compressors [surgical]; condoms; containers especially made for medical waste; contraceptives, non-chemical; cooling patches for medical purposes; cooling pads for first aid purposes; corn knives; corsets for medical purposes; crutches; cupping glasses; curing lamps for medical purposes; cushions for

medical purposes; defibrillators; dental burs; dental apparatus and instruments; dental apparatus, electric; dentists' armchairs; dentures / sets of artificial teeth; diagnostic apparatus for medical purposes; dialyzers; douche bags; drainage tubes for medical purposes; draw-sheets for sick beds; dropper bottles for medical purposes; droppers for medical purposes; dummies for babies; pacifiers for babies; ear trumpets; ear picks; ear plugs [ear protection devices]; elastic stockings for surgical purposes; electrocardiographs; electrodes for medical use; endoscopy cameras for medical purposes; enema apparatus for medical purposes; esthetic massage apparatus; feeding bottles / babies' bottles; feeding bottle valves; feeding bottle teats; filters for ultraviolet rays, for medical purposes; finger guards for medical purposes; forceps; fumigation apparatus for medical purposes; furniture especially made for medical purposes; galvanic belts for medical purposes; galvanic therapeutic appliances; gastroscopes; gloves for medical purposes; gloves for massage; glucometers / glucose meters; gum massagers for babies; haemocytometers / hemocytometers; hair prostheses; hearing aids; hearing protectors; heart pacemakers; heart rate monitoring apparatus; heating cushions, electric, for medical purposes / heating pads, electric, for medical purposes; hot air therapeutic apparatus; hot air vibrators for medical purposes; hydrogen inhalers; hypodermic syringes; hypogastric belts; ice bags for medical purposes; implantable subcutaneous drug delivery devices; incontinence sheets; incubators for medical purposes; incubators for babies; inhalers; injectors for medical purposes; insufflators; invalids' hoists; knee bandages, orthopaedic / knee bandages, orthopedic; knives for surgical purposes; lamps for medical purposes; lancets; lasers for medical purposes; lenses [intraocular prostheses] for surgical implantation / intraocular prostheses [lenses] for surgical implantation; lice combs; love dolls [sex dolls]; magnetic resonance imaging [MRI] apparatus for medical purposes; masks for use by medical personnel; massage apparatus; maternity belts; medical apparatus and instruments; medical guidewires; menstrual cups; microdermabrasion apparatus; mirrors for dentists; mirrors for surgeons; nasal aspirators; needles for medical purposes; obstetric apparatus for cattle; obstetric apparatus; operating tables; ophthalmometers; ophthalmoscopes; orthodontic appliances; orthodontic rubber bands; orthopaedic belts / orthopedic belts; orthopaedic footwear / orthopedic footwear; orthopaedic soles / orthopedic soles; orthopedic articles / orthopaedic articles; pads for preventing pressure sores on patient bodies; patient examination gowns; pessaries; physical exercise apparatus for medical purposes; physiotherapy apparatus; pill crushers; pins for artificial teeth; plaster bandages for orthopaedic purposes / plaster bandages for orthopedic purposes; portable hand-held urinals; probes for medical purposes; protection devices against X-rays, for medical purposes; pulse meters; pumps for medical purposes; quad canes

for medical purposes; quartz lamps for medical purposes; radiological apparatus for medical purposes; radiology screens for medical purposes; radiotherapy apparatus; radium tubes for medical purposes; receptacles for applying medicines; respirators for artificial respiration; respiratory masks for artificial respiration; resuscitation apparatus; robotic exoskeleton suits for medical purposes; saws for surgical purposes; scalpels; scissors for surgery; sex toys; slings [supporting bandages]; soporific pillows for insomnia; sphygmotensimeters / arterial blood pressure measuring apparatus / sphygmomanometers; spirometers [medical apparatus]; spittoons for medical purposes; splints, surgical; spoons for administering medicine; stents; sterile sheets, surgical; stethoscopes; stockings for varices; strait jackets; stretchers, wheeled / gurneys, wheeled; supports for flat feet; surgical bougies; surgical sponges; surgical apparatus and instruments; surgical cutlery; surgical drapes; surgical implants comprised of artificial materials; surgical robots; suspensory bandages; suture needles; suture materials; syringes for injections; syringes for medical purposes; teeth protectors for dental purposes; teething rings; temperature indicator labels for medical purposes; testing apparatus for medical purposes / apparatus for use in medical analysis; therapeutic facial masks; thermal packs for first aid purposes; thermo-electric compresses [surgery]; thermometers for medical purposes; thread, surgical; tips for crutches; toe separators for orthopaedic purposes / toe separators for orthopedic purposes; tomographs for medical purposes; tongue scrapers; tongue depressors for medical purposes; traction apparatus for medical purposes; apparatus for the treatment of deafness; trocars; trusses / hernia bandages; ultraviolet ray lamps for medical purposes; umbilical belts; urethral probes; urethral syringes; urinals being vessels; urological apparatus and instruments; uterine syringes; vaginal syringes; vaporizers for medical purposes; veterinary apparatus and instruments; vibromassage apparatus; walking frames for disabled persons; walking sticks for medical purposes / canes for medical purposes; appliances for washing body cavities; water bags for medical purposes; waterbeds for medical purposes; wheeled walkers to aid mobility; X-ray apparatus for medical purposes; X-ray photographs for medical purposes; X-ray tubes for medical purposes; apparatus and installations for the production of X-rays, for medical purposes.

35 – Administration of frequent flyer programs; administration of consumer loyalty programs; administrative processing of purchase orders; administrative assistance in responding to calls for tenders / administrative assistance in responding to requests for proposals [RFPs]; advertising / publicity; advertising agency services / publicity agency services; rental of advertising space; advertising by mail order; rental of advertising time on communication media; production of advertising films; appointment scheduling services [office functions]; appointment reminder services [of-

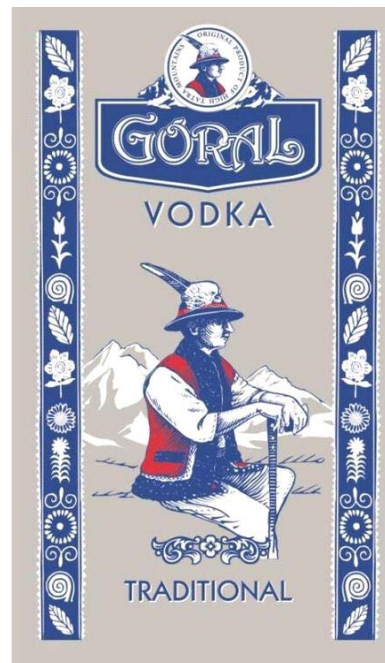
fice functions]; auctioneering; bill-posting; rental of billboards [advertising boards]; book-keeping / accounting; business management assistance; business inquiries; business auditing; business management and organization consultancy; business management consultancy; business efficiency expert services; business appraisals; business investigations; business organization consultancy; business research; advisory services for business management; professional business consultancy; business information; business management of hotels; business management of performing artists; business management of sports people; business management for freelance service providers; business project management services for construction projects; providing business information via a web site; business management of reimbursement programmes for others / business management of reimbursement programs for others; business intermediary services relating to the matching of potential private investors with entrepreneurs needing funding; commercial information agency services; commercial or industrial management assistance; commercial information and advice for consumers in the choice of products and services; commercial administration of the licensing of the goods and services of others; provision of commercial and business contact information; commercial intermediation services; commercial lobbying services; competitive intelligence services; compilation of information into computer databases; compilation of statistics; compiling indexes of information for commercial or advertising purposes; computerized file management; consultancy regarding public relations communication strategies; consultancy regarding advertising communication strategies; corporate communications services; cost price analysis; data search in computer files for others; demonstration of goods; design of advertising materials; direct mail advertising; dissemination of advertising matter; distribution of samples; document reproduction; drawing up of statements of accounts; economic forecasting; employment agency services; financial auditing; gift registry services; import-export agency services; interim business management; invoicing; layout services for advertising purposes; market studies; market intelligence services; marketing research; marketing; marketing in the framework of software publishing; media relations services; modelling for advertising or sales promotion; negotiation and conclusion of commercial transactions for third parties; negotiation of business contracts for others; news clipping services; arranging newspaper subscriptions for others; office machines and equipment rental; rental of office equipment in co-working facilities; online advertising on a computer network; provision of an online marketplace for buyers and sellers of goods and services; online retail services for downloadable digital music; online retail services for downloadable ring tones; online retail services for downloadable and pre-recorded music and movies; opinion polling; organization of

exhibitions for commercial or advertising purposes; organization of trade fairs for commercial or advertising purposes; organization of fashion shows for promotional purposes; outdoor advertising; outsourced administrative management for companies; outsourcing services [business assistance]; pay per click advertising; payroll preparation; personnel management consultancy; personnel recruitment; photocopying services; rental of photocopying machines; presentation of goods on communication media, for retail purposes; price comparison services; procurement for others [purchasing goods and services for other businesses]; promotion of goods and services through sponsorship of sports events; psychological testing for the selection of personnel; public relations; publication of publicity texts; publicity material rental; radio advertising; registration of written communications and data; relocation services for businesses; retail services for pharmaceutical, veterinary and sanitary preparations and medical supplies; retail services for works of art provided by art galleries; sales promotion for others; rental of sales stands; scriptwriting for advertising purposes; search engine optimization for sales promotion / search engine optimisation for sales promotion; secretarial services; shop window dressing; shorthand; sponsorship search; arranging subscriptions to telecommunication services for others; systemization of information into computer databases; targeted marketing; tax preparation; tax filing services; telemarketing services; telephone answering for unavailable subscribers; production of teleshopping programmes / production of teleshopping programs; television advertising; transcription of communications [office functions]; typing; updating of advertising Material; updating and maintenance of data in computer databases; updating and maintenance of information in registries; rental of vending machines; web site traffic optimization / web site traffic optimisation; web indexing for commercial or advertising purposes; wholesale services for pharmaceutical, veterinary and sanitary preparations and medical supplies; word processing; writing of publicity texts; writing of curriculum vitae for others / writing of resumes for others.

37 – Electric appliance installation and repair; laboratory equipment installation and repair; installation, maintenance and repair of computer hardware; disinfecting; provision of information relating to the repair or maintenance of laboratory equipment; repair consultancy about laboratory equipment.

(260) AM 2020 107594 A  
 (800) 1520136  
 (151) 2020 02 13  
 (891) 2020 02 13  
 (731) GAS Familia, s.r.o.  
 Prešovská 8, SK-064 01 Stará Ľubovňa,  
 Slovakia

(540)



(591) Blue, red, white  
 (531) 02.01.01; 02.01.04; 02.01.17; 06.19.13;  
 24.05.01; 24.05.02; 25.01.15; 27.05.01;  
 27.05.04; 27.05.09; 27.05.10; 29.01.15

(511)  
 33 – Vodka.

(260) AM 2020 107595 A  
 (800) 1520231  
 (151) 2020 01 17  
 (891) 2020 01 17  
 (731) KAO KABUSHIKI KAISHA, (also trading as  
 Kao Corporation)  
 14-10, Nihonbashi Kayabacho 1-chome,  
 Chuo-ku; Tokyo 103-8210, Japan  
 (540)

## LAURIER

(591) Black, white  
 (511)  
 5 – Pharmaceutical preparations and other preparations for destroying vermin, fungicides, herbicides; menstruation bandages; menstruation tampons; sanitary napkins; sanitary panties.

(260) AM 2020 107596 A  
 (800) 1520251  
 (151) 2020 01 31  
 (891) 2020 01 31  
 (731) LİLA KOZMETİK SANAYİ ANONİM  
 ŞİRKETİ  
 Yaytaş Mahallesi, Organize Sanayi 1, Cadde  
 No: 23, Yenişehir, Diyarbakır, Turkey

(540)

SEA COLOR

(591) Black, white

(531) 26.11.13; 27.05.01

(511)

3 – Bleaching and cleaning preparations, detergents other than for use in manufacturing operations and for medical purposes, laundry bleach, fabric softeners for laundry use, stain removers, dishwasher detergents; perfumery; cosmetics; fragrances; deodorants for personal use and animals; soaps; dental care preparations; dentifrices, denture polishes, tooth whitening preparations, mouth washes, not for medical purposes.

(260) AM 2020 107598 A

(800) 1520293

(151) 2020 01 21

(891) 2020 01 21

(731) Limited company "POLAR SEAFOOD RUSSIA"

Starye Kremenki St., 90, Jukovskiy district, Kremenki city, RU-249185 Kalujskaya region, Russian Federation

(540)

**Crossfish**

(591) Black, white

(511)

29 – Anchovy, not live; laver, preserved; sea-cucumbers, not live; tofu patties; soya patties; fish roe, prepared; clams, not live; klipfish [salted and dried cod]; fish, tinned; fish, canned; bouillon concentrates; broth concentrates; shrimps, not live; prawns, not live; croquettes; spiny lobsters, not live; salmon, not live; mussels, not live; molluscs, not live; mollusks, not live; fish meal for human consumption; vegetable mousses with fish; fish mousses; potato-fish fritters; lobsters, not live; liver pâté; liver pastes; liver; fish-based foodstuffs; crayfish, not live; crustaceans, not live; fish, preserved; fish, not live; salted fish; vegetable salads with fish; sardines, not live; herrings, not live; preparations for making soup; tuna, not live; oysters, not live; potato-fish falafel; fish fillets; seaweed extracts for food.

(260) AM 2020 107599 A

(800) 1520295

(151) 2019 12 25

(891) 2019 12 25

(731) O.S.G. ORTAK SAĞLIK VE GÜVENLİK BİRİMİ İŞ GÜVENLİĞİ EĞİTİM RİSK ANALİZİ DANIŞMANLIK HİZMETLERİ TİCARET LİMİTED ŞİRKETİ

Yeni Karaman Mahallesi, Sanayi Cadde

No:138C Osmangazi, Bursa, Turkey

(540)

**SORVELLA**

(591) Black, white

(531) 27.05.01

(511)

3 – Perfumery; cosmetics; fragrances; deodorants for personal use and animals; soaps; dental care preparations; dentifrices, denture polishes, tooth whitening preparations.

(260) AM 2020 107600 A

(800) 1520300

(151) 2020 02 17

(891) 2020 02 17

(731) CHINA KWEICHOW MOUTAI DISTILLERY (GROUP) CO., LTD.

No. 4 East Mountain Lane, East Road of Outside Loop, Guiyang City, Guizhou Province, China

(540)



(591) Black, white

(531) 28.03

(511)

33 – Wine; spirits [beverages]; baijiu [Chinese distilled alcoholic beverage]; whisky; sake; fruit extracts, alcoholic; alcoholic beverages, except beer; rice alcohol; cocktails; digesters [liqueurs and spirits].

(260) AM 2020 107602 A

(800) 1520442

(151) 2020 02 05

(891) 2020 02 05

(731) Ravintoraisio Oy

Raisionkaari 55, FI-21200 Raisio, Finland

(540)

**ELOVENA**

(591) Black, white

(531) 27.05.01

(511)

30 – Coffee; tea; cocoa; sugar; rice; tapioca; sago; artificial coffee; flour and preparations made from cereals; bread; pastries; confectionery; ice cream; honey; treacle; yeast; baking-powder; salt; mustard; vinegar; condiments; spices; edible ices.

31 – Agricultural, horticultural, forestry products and unprocessed cereal seeds, not included in other classes; live animals; fresh fruits and vegetables; seeds, natural plants and flowers; foodstuffs for animals; malt.

32 – Beers; mineral and aerated waters and other non-alcoholic beverages; fruit beverages and fruit juices; syrups and other preparations for making beverages.

(260) AM 2020 107607 A

(800) 1520502

(151) 2020 01 08

(891) 2020 01 08

(731) KEPRO S.P.A.

Via Chiese, 13, I-25015 Desenzano Del Garda (BS), Italy

(540)

(591) Black, white

(531) 26.11.01; 26.11.05; 26.11.08; 27.05.10; 27.05.11; 27.05.17

(511)

3 – Soap; fragrances and perfumery; essential oils; cosmetics; hair lotions; hair treatment preparations; hair care preparations; hair dyes and bleaching products; hydrogen peroxide for use on the hair; hair bleaching preparations; hair shampoos; hair masks; hair conditioners; hair creams; preparations for body and beauty care; non-medicated body care preparations; non-medicated preparations for the care of skin, hair and scalp; non-medicated hair care preparations.

(260) AM 2020 107608 A

(800) 1520528

(151) 2020 01 21

(891) 2020 01 21

(731) Limited Liability Company

"PROIZVODSTVENNAYA KOMPANIYA LIDER"

Mikhailovskoe highway, 31, workshop 1, Belgorod, RU-308009 Belgorod region, Russian Federation

(540)

(591) White, black and pink

(531) 02.09.01; 03.01.15; 03.06.03; 05.03.15;

05.11.13; 29.01.13

(511)

28 – Amusement machines, automatic and coin-operated; apparatus for games; appliances for gymnastics; arcade video game machines; archery implements; artificial fishing bait; artificial snow for christmas trees; ascenders [mountaineering equipment]; baby gyms; backgammon games; bags especially designed for skis and surfboards; ball pitching machines; balls for games; bar-bells; baseball gloves; batting gloves [accessories for games]; bells for christmas trees; billiard balls; billiard cue tips; billiard cues; billiard markers; billiard table cushions; billiard tables; bingo cards; bite indicators [fishing tackle]; bite sensors [fishing tackle]; bladders of balls for games; board games; boomerangs; bowling apparatus and machinery; bows for archery; boxing gloves; building blocks [toys]; building games; butterfly nets; camouflage screens [sports articles]; candle holders for christmas trees; caps for pistols [toys]; carnival masks; chalk for billiard cues; checkerboards; checkers [games]; chess games; chessboards; chest expanders [exercisers]; christmas crackers [party novelties]; christmas tree stands; christmas trees of synthetic material; clay pigeon traps; clay pigeons [targets]; climbers' harness; coin-operated billiard tables; confetti; conjuring apparatus; controllers for game consoles; controllers for toys; counters [discs] for games; creels [fishing traps]; cricket bags; cups for dice; darts; decoys for hunting or fishing; dice; discs for sports; divot repair tools [golf accessories]; dolls; dolls' beds; dolls' clothes; dolls' feeding bottles; dolls' houses; dolls' rooms; dominoes; drones [toys]; dumb-bells; edges of skis; elbow guards [sports articles]; electronic targets; fairground ride apparatus; fencing gauntlets; fencing masks; fencing weapons; fish hooks; fishing lines; fishing tackle; flippers for diving; flippers for swimming; floats for fishing; flying discs [toys]; football tables; games; gloves for games; golf bag carts; golf bags, with or without wheels; golf clubs; golf gloves; gut for fishing; gut for rackets; gyroscopes and flight stabilizers for model aircraft; hand-held consoles for playing video games; hang gliders; harness for sailboards; harpoon guns [sports articles]; hockey sticks; horseshoe games; hunting game calls; ice skates; inflatable games for swimming pools; in-line roller skates; jigsaw puzzles; joysticks for video games; kaleidoscopes; kite reels; kites; knee guards [sports articles]; landing nets for anglers; machines for physical exercises; mah-jong; marbles for games; masks [playthings]; masts for sailboards; matryoshka dolls;



men's athletic supporters [sports articles]; needles for pumps for inflating balls for games; nets for sports; novelty toys for parties; novelty toys for playing jokes; ornaments for christmas trees, except lights, candles and confectionery; pachinkos; paddleboards; paintball guns [sports apparatus]; paintballs [ammunition for paintball guns] [sports apparatus]; paper party hats; paragliders; parlor games; party poppers [party novelties]; percussion caps [toys]; pinatas; play balloons; play tents; playing balls; playing cards; plush toys; plush toys with attached comfort blanket; poles for pole vaulting; portable games with liquid crystal displays; protective films adapted for screens for portable games; protective paddings [parts of sports suits]; pumps specially adapted for use with balls for games; punching bags; puppets; quoits; rackets; rattles [playthings]; reels for fishing; remote-controlled toy vehicles; rhythmic gymnastics ribbons; ring games; rocking horses; rods for fishing; roller skates; roller skis; rollers for stationary exercise bicycles; rosin used by athletes; sailboards; scale model kits [toys]; scale model vehicles; scent lures for hunting or fishing; scooters [toys]; scratch cards for playing lottery games; seal skins [coverings for skis]; shin guards [sports articles]; shuttlecocks; skateboards; skating boots with skates attached; ski bindings; ski sticks; ski sticks for roller skis; skis; skittles; skittles [games]; sleds [sports articles]; slides [playthings]; sling shots [sports articles]; snow globes; snowboards; snowshoes; soap bubbles [toys]; sole coverings for skis; spinning tops [toys]; spring boards [sports articles]; starting blocks for sports; stationary exercise bicycles; strings for rackets; stuffed toys; surf skis; surfboard leashes; surfboards; swimming belts; swimming jackets; swimming kickboards; swimming pool air floats; swimming pools [play articles]; swimming webs; swings; tables for table tennis; targets; teddy bears; tennis ball throwing apparatus; tennis nets; theatrical masks; toy air pistols; toy dough; toy figures; toy imitation cosmetics; toy mobiles; toy models; toy pistols; toy putty; toy robots; toy vehicles; toys; toys for pets; trading cards for games; tricycles for infants [toys]; twirling batons; video game consoles; video game machines; waist trimmer exercise belts; water wings; waterskis; weight lifting belts [sports articles]; yoga swings.

(260) AM 2020 107609 A  
 (800) 1520538  
 (151) 2020 01 23  
 (891) 2020 01 23  
 (731) Soci t  Jas Hennessy & Co.  
 rue de la Richonne, F-16100 Cognac,  
 France

(540)



(591) Black, white  
 (531) 26.04.03; 26.04.09; 26.04.22; 27.05.22  
 (526) X.X.O  
 (511)  
 33 – Alcoholic beverages (except beers); alcoholic extracts; alcoholic essences; alcoholic fruit extracts.

(260) AM 2020 107610 A  
 (800) 1520542  
 (151) 2020 02 18  
 (891) 2020 02 18  
 (731) Obschestvo s ogranichennoj otvetstvennost'yu  
 «Torgovyj Dom «SibElektroistochnik»  
 ul. Primorskaja, 22/2, RU-630098 Novosibirsk,  
 Russian Federation

(540)

## RACER

(591) Black, white  
 (531) 27.05.01  
 (511)  
 9 – Accumulators, electric; accumulators, electric, for vehicles; acidimeters for batteries; battery jars; anode batteries; galvanic batteries; batteries for lighting; batteries, electric; galvanometers; battery boxes; plates for batteries; grids for batteries; battery chargers; chargers for electric batteries; galvanic cells.

(260) AM 2020 107615 A  
 (800) 1520700  
 (151) 2019 11 15  
 (891) 2019 11 15  
 (731) Ismail Ahmadov  
 Shlyuzovaya naberezhnaya 8/1, RU-115114  
 Moskau, Russian Federation

(540)

## Riverberg

(591) Black, white  
 (511)  
 5 – Infant formula; food for babies; dietary supplements for human beings; mineral waters for medical purposes.  
 29 – Meat, fish, poultry and game; meat extracts; preserved, frozen, dried and cooked fruits and vegetab-



les; jellies; jams; compotes; eggs; milk; cheese; butter; yoghurt; milk products; edible oils and fats.

30 – Coffee; tea; cocoa; artificial coffee; rice; pasta; noodles; tapioca; sago; flour; cereal preparations; bread, pastries and confectionery; chocolate; ice cream, sorbets and other kinds of edible ices; sugar; honey; treacle; yeast, baking-powder; salt; seasonings; spices; preserved herbs; vinegar, sauces and other condiments; ice [frozen water].

32 – Beers; non-alcoholic beverages; mineral and aerated waters; fruit beverages; fruit juices; syrups and other non-alcoholic preparations for making beverages; energy drinks; isotonic drinks; lemonades; shandy; soft drinks.

33 – Alcoholic beverages, except beers; alcoholic preparations for making beverages; vodka; whisky; gin; rum; liqueurs; red wine; white wine; rose wines; sparkling wines; pre-mixed alcoholic beverages, other than beer-based.

35 – Business management and organization consultancy; business management consulting; professional business consultancy; organizational business consultancy; consultancy in the field of business strategy, business planning, business organization, business management; business advisory and information services; business administration; organizational company representation; business management representation; providing administrative services for other businesses; business records keeping; business office services; business representative services; assistance in management of business activities; assistance in the administration and operation of businesses; administration of business affairs; financial records management; business records management; administration of business payrolls for others; collecting information for business; accountancy, book keeping and auditing; business auditing; accounting; human resources management and recruitment services; personnel management consulting; human resources consultancy; professional consultancy relating to personnel management; personnel consultancy; payroll preparation; organizing, conducting and managing customer loyalty programmes; management of documentation and documents, in particular regulatory approvals, certificates and permits; advertising and marketing; advisory services relating to advertising and marketing; marketing studies; advisory services relating to market research.

36 – Financial management; management of business investments; management of real estate and shares in real estate; consultancy services relating to corporate finance.

45 – Industrial property management; licensing industrial property rights.

(260) AM 2020 107616 A

(800) 1520791

(151) 2020 01 13

(891) 2020 01 13

(731) Guangzhou Hengliang Trading Co., Ltd.  
Room 602, No. 97 Shangcheng Street,  
Baiyun District, Guangzhou City,  
Guangdong Province, China

(540)

# TiBAO

(591) Black, white

(531) 27.05.17

(511)

4 – Industrial grease; petroleum ether; industrial oil; motor oil; lubricating grease; lubricants; naphtha; gear oils; cutting oils; grease for belts; cutting fluids; grease for belts; lubricating oil; lubricating graphite; moistening oil; greases for the preservation of leather.

7 – Power transmission belts for motors used in industrial applications; pistons [parts of machines or engines]; piston rings; oil filters for motors and engines, shock absorber [parts of machines]; air filters for vehicle motors and engines; radiators [cooling] for motors and engines; ignition coils for automotive engines; exhaust gas treatment systems for automotive engines; sparking plugs for automotive engines; cooling fans for automotive engines; cooling water tanks for automotive engines; water pumps for land vehicles; oil pumps for land vehicles; universal joints [Cardan joints]; bearings [parts of machines]; bushings for use as parts of machines.

12 – Bumpers for automobiles; axles for vehicles; vehicle chassis; shock absorbing springs for vehicles; shock absorbers for automobiles; horns for vehicles; upholstery for vehicles; brake linings for vehicles; hydraulic circuits for vehicles; caps for vehicle fuel tanks; windshield wipers; driving motors for land vehicles; transmission shafts for land vehicles; engines for land vehicles; clutches for land vehicles; vehicle running boards; automobile tyres; rearview mirrors; motorcycles.

(260) AM 2020 107617 A

(800) 1520831

(151) 2019 09 25

(891) 2019 09 25

(731) Kermi GmbH  
Pankofen-Bahnhof 1, 94447 Plattling,  
Germany

(540)

# КЕРМИ

(591) Black, white

(531) 28.05

(511)

11 – Bathtubs and shower trays; shower cubicles; partitions for showers and bathtubs made of light metal and/or plastic; heaters, electric heaters, radiators, bathroom heaters, radiators, radiator fittings, heating systems, in particular surface heating systems, under-floor heating systems; ventilation and air conditioning systems, parts of ventilation and air conditioning systems, namely ventilation units and fans, air cooling units, air filter systems, air filters, sanitary appliances and systems, shower trays or shower trays, respectively -sinks, toilets, bidets, urinals, toilet seats, toilet flushes, toilet flush boxes, wash basins, sanitary accessories, namely bathtub handles; tabs and shower sets, water supply systems, mixing taps for water pipes, water supply systems, water purification systems, water taps, water cooling systems; whirlpool bathtubs and basins, whirlpool whirlpools; plumbing fittings, namely, valves being parts of heating and sanitary installations; covers and covers for radiators, radiant screens for radiators; control and safety accessories for water and gas appliances and water and gas pipes.

(260) AM 2020 107618 A

(800) 1520849

(151) 2019 10 17

(891) 2019 10 17

(731) KAYRA METAL ANONİM ŞİRKETİ

Yenibosna Merkez Mahallesi, Kavak Sokak,  
No: 4-E, Bahçelievler – İstanbul, Turkey

(540)

(591) Red and white

(531) 27.05.01; 29.01.01

(511)

6 – Ores of non-precious metal; goods and materials of common metal used for storage, wrapping, packaging and sheltering purposes, containers of metal (storage, transport), buildings of metal, frames of metal for building, poles of metal for building, metal boxes, packaging containers of metal, aluminium foil, fences made of metal, guard barriers of metal, metal tubes, storage containers of metal, metal containers for the transportation of goods, ladders of metal; goods of common metal for filtering purposes, namely, metal window screens, metal sieves being parts of drains; doors, windows, shutters, jalousies and their cases and fittings of metal; non-electric cables and wires of metal; ironmongery, small hardware of metal: ventilation ducts, vents, vent covers, pipes, chimney caps, manhole covers, grilles of metal for ventilation, heating, sewage, telephone, underground electricity and air conditioning installations; metal panels or boards (non-luminous and non-mechanical) used for signalling, route showing, publicity purposes, sig-

nboards of metal, advertisement columns of metal, signaling panels of metal, non-luminous and non-mechanical traffic signs of metal; pipes of metal for transportation of liquids and gas, drill pipes of metal and their metal fittings, valves of metal, other than parts of machines, couplings of metal for pipes, elbows of metal for pipes, clips of metal for pipes, connectors of metal for pipes; safes (strong boxes) of metal; metal railway materials, metal rails, metal railway ties, railway switches; bollards of metal, floating docks of metal, mooring buoys of metal, anchors; metal moulds for casting, other than machine parts; works of art made of common metals or their alloys; metal closures, bottle caps of metal; metal poles; metal pallets and metal ropes for lifting, loading and transportation purposes; metal hangers, ties, straps, tapes and bands used for load-lifting and load-carrying; wheel chocks made primarily of metal; door hinges of metal; hinges of metal; metal window hinges; espagnolettes of metal; door handles of metal; fittings of metal for windows; handles of metal for windows; window frames of aluminium; window frames of metal; door fittings of metal; runners of metal for sliding doors.

(260) AM 2020 107619 A

(800) 1520857

(151) 2020 02 07

(891) 2020 02 07

(731) BARILLA SVERIGE AB

Hälsingegatan 43, SE-113 85 Stockholm,  
Sweden

(540)



(591) Blue and yellow.

(531) 05.03.08; 24.09.16; 29.01.12

(511)

30 – Coffee; tea; cocoa; sugar; rice; tapioca; sago; artificial coffee; flour and preparations made from cereals; bread and bread substitutes; crisp bread; bread buns; bread rolls; ginger bread; unleavened bread; fruit bread; steamed bread; rye bread; toasted bread; gluten-free bread; bread made with soya beans; breadsticks; rusks; crackers; snacks made from cereals; biscuits; pastry and confectionery; chocolate and chocolate-based products or products containing chocolate; bakery products; chocolate creams; cocoa based creams in the form of spreads; rice snacks; rice cake snacks; fruit cake snacks; snack bars containing a mixture of grains, nuts and dried fruit; preparations for making cakes; pizzas and preparations for pizzas;

ice-cream; honey, treacle; yeast; baking-powder; salt, mustard; vinegar; sauces (condiments); spices; ice.

(260) AM 2020 107620 A

(800) 1520872

(151) 2019 10 22

(891) 2019 10 22

(731) HELL ENERGY Magyarország Kft.

Andrássy út 126., H-1062 Budapest, Hungary

(540)

# HELL

(591) Black, white

(531) 27.05.01

(511)

30 – Coffee; coffee flavourings; coffee-based beverages; coffee extracts; coffee essences; coffee concentrates; coffee beverages with milk; decaffeinated coffee; flavoured coffee; coffee in brewed form; malt coffee extracts; iced coffee.

(260) AM 2020 107696 A

(800) 1521600

(151) 2019 11 18

(891) 2019 11 18

(731) LORO PIANA S.p.A.

Corso Rolandi, 10, I-13017 QUARONA (VC),

Italy

(540)

# CLIMA SYSTEM

(591) Black, white

(511)

24 – Textiles and textile goods; textile fabrics for clothing and household furnishings; woven or knitted fabrics; non-woven textile fabrics; apparel fabrics; bed covers; table covers; travelling rugs [lap robes]; bed covers; curtains of textile or plastic; linens; cushion covers; quilts; bed linen; bed sheets; hooded towels; towels of textile; face towels; guest towels; beach towels; table linen; textile napkins; placemats; labels of textile; boxes of textile; upholstery fabrics; traced cloth for embroidery; fabric for footwear; linings [textile]; lingerie fabric; woven fabrics for furniture; wall hangings of textile; table linen; table mats; fabrics for textile use; sofa covers.

25 – Clothing for men, women, and children; pyjamas; lounging robes; nighties; layettes [clothing]; robes; briefs; robes; bathrobes; bathing drawers; swimming costumes; sweaters; waistcoats; knitwear (clothing); shirts; short-sleeve shirts; ready-to-wear clothing; underwear; slippers [underclothing]; tee-shirts; trousers shorts; bermuda shorts; jackets [clothing]; gowns; clothing for men and women; ladies' suits; uniforms; mantles; coats; blousons; rainproof clothing; topcoats; parkas; pea coats; skirts; boots; half-

boots; men's, women's and children's shoes; beach shoes; casual shoes; sandals; bath sandals; mules; hats; berets; bonnets; gloves [clothing]; sashes for wear; shoulder scarves; neckties; bow tie; waist belts; money belts (clothing); foulards [clothing articles]; beach wraps; shawls; stockings; socks; tights; clothing of leather and of imitations of leather; stoles of fur; pelisses.

(260) AM 2020 107698 A

(800) 1521698

(151) 2020 01 23

(891) 2020 01 23

(731) Robert Bosch GmbH

Robert-Bosch-Platz 1, 70839 Gerlingen, Germany

(540)

# Atino

(591) Black, white

(511)

9 – Measuring apparatus, in particular tape measures for measuring distances on walls, ceilings, floors and other surfaces; electric measuring apparatus for measuring distances on walls, ceilings, floors and other surfaces.

(260) AM 2020 107699 A

(800) 1521704

(151) 2020 01 30

(891) 2020 01 30

(731) GROUPE COURIR

5 rue Charles de Gaulle, F-94140 Alfortville,

France

(540)

# COURIR

(591) Black, white

(511)

35 – Retail services for clothing, headwear, caps, hats, gloves, casual footwear, soles, heel pieces, hosiery, socks, lingerie and underwear, leather and imitation leather goods, shoe cleaning, polishing and protection products, deodorizers; retail services online for clothing, headwear, caps, hats, gloves, casual footwear, soles, heel pieces, hosiery, socks, lingerie and underwear, leather and imitation leather goods, shoe cleaning, polishing and protection products, deodorizers; provision of commercial information via the Internet.

(260) AM 2020 107701 A

(800) 1521876

(151) 2020 01 31

(891) 2020 01 31

(731) N.V. Organon

Kloosterstraat 6, NL-5349 AB Oss,

Netherlands

(540)

**ORGANON**

(591) Black, white

(511)

5 – Pharmaceutical preparations and over the counter pharmaceutical preparations and products.

9 – Downloadable software in the nature of a mobile application for providing information on pharmaceuticals, medicines, medical devices, health and wellness.

10 – Surgical and medical apparatus, devices and instruments.

42 – Providing online, non-downloadable software for providing and managing health and healthcare information; scientific research for medical purposes.

44 – Providing information in the fields of pharmaceuticals, medicines, medical devices, health, and wellness.

(260) AM 2020 107702 A

(800) 1521888

(151) 2019 11 18

(891) 2019 11 18

(731) HIMEDIA LABORATORIES PRIVATE LIMITED

23, vadhani industrial estate, l. b. s. marg,  
ghatkopar (west) maharashtra 400086, India

(540)



(591) Black, white

(531) 26.04.18; 26.04.24; 27.05.17; 27.05.24

(511)

1 – Chemical preparations for industrial and scientific purposes; chemicals and biochemicals for use in laboratory, biotechnology, and research purposes; culture media for laboratory use (other than for medical and veterinary purposes); cell culture media for laboratory use; culture media for scientific or research purposes or industrial use; cultures of microorganisms other than for medical and veterinary use; agar and derivatives; biological tissue cultures other than for medical or veterinary purposes; buffers and reagents for scientific purposes; stains and indicators for microbiology for scientific purposes; balanced salt solutions; diagnostic preparations and reagents for laboratory and scientific use; diagnostic preparations for scientific use; cell culture reagents for scientific purposes; nucleic acids for scientific purposes; biological preparations for use in industry and science; molecular ladders and markers for scientific purposes; reagents for scientific purposes for use in nucleic acid isolation and purification; cloning reagents; assays for research

purposes; assays for detection of contaminants in industrial products, argo-foodstuffs, cosmetics, and pharmaceutical products; electrophoresis gels, other than for medical or veterinary purposes; enzyme preparations for industrial purposes; enzymes for scientific and research purposes; water testing chemicals; deionized water; tissue culture grade sterile water for laboratory and scientific purposes; horticulture chemicals, except fungicides, herbicides, insecticides and parasiticides; plant growth regulators; biochemical test kits for detection, identification and differentiation of micro-organisms; litmus paper; amino acids for industrial purposes; amino acid derivatives for laboratory and scientific purposes; saccharides.

(260) AM 2020 107784 A

(800) 1523564

(151) 2020 02 20

(891) 2020 02 20

(731) ERA S.r.l.

Via Fernando Santi 15-15/A, I-10024  
Moncalieri (Torino), Italy

(540)



(591) Blue

(531) 26.04.01; 26.04.18; 27.05.01; 27.05.17;  
29.01.04

(511)

7 – Motors and engines (except for land vehicles); machine coupling and transmission components (except for land vehicles); agricultural implements other than hand-operated; incubators for eggs; automatic vending machines.

9 – Life-saving and teaching apparatus and instruments; fire-extinguishing apparatus.

(260) AM 2020 107860 A

(800) 1524399

(151) 2020 03 09

(891) 2020 03 09

(731) YONGKANG POWERTEC IMPORT &amp; EXPORT CO., LTD.

28th, Jinbi Mansion, China Hardware  
Headquarters Center, Yongkang, Jinhua,  
Zhejiang, China

(540)



(591) Black, white

(531) 27.05.03; 27.05.17

(511)

7 – Pumps [parts of machines, engines or motors]; diesel engines not for land vehicles; washing installa-

tions for vehicles; electric hammers; machines and apparatus for wax-polishing, electric; grinders being power tools; dynamos; wind-powered electricity generators; lawnmowers [machines]; compacting machines; saws [machines]; mixing machines; angle grinders; capstans; compressed air machines; chain saws; soldering apparatus, gas-operated; gasoline engines not for land vehicles; cutting machines; dust exhausting installations for cleaning purposes; snow ploughs; grindstones [parts of machines]; stone cutting machines; electric hand-held drills, excluding electric coal drills; tillers [machines]; whitewashing machines.

8 – Spanners [hand tools]; shovels [hand tools]; hammers [hand tools]; shears; bow saws; riveters [hand tools]; vices; pruning scissors; garden tools, hand-operated; rakes [hand tools].

(260) AM 2020 107863 A

(800) 1524502

(151) 2020 03 12

(891) 2020 03 12

(731) Alcon Inc.

Rue Louis-d'Affry 6, CH-1701 Fribourg,  
Switzerland

(540)

## ACRYSOF IQ VIVITY

(591) Black, white

(511)

10 – Intra-ocular lenses.

(260) AM 2020 107865 A

(800) 1524517

(151) 2020 03 10

(891) 2020 03 10

(731) Alcon Inc.

Rue Louis-d'Affry 6, CH-1701 Fribourg,  
Switzerland

(540)

## CLAREON VIVITY

(591) Black, white

(511)

10 – Intra-ocular lenses.

(260) AM 2020 107875 A

(800) 1524966

(151) 2019 11 27

(891) 2019 11 27

(731) UPL LTD.

upl house, 610 b/2, bandra village, off western  
express highway, bandra (east), mumbai,  
maharashtra 400051, India

(540)

# SHENZI

(591) Black, white

(531) 27.05.01

(511)

1 – Fertilizer and chemical products for use in agriculture, plant nutrient, additive chemical to fungicides, additive chemical to insecticides, flower preservatives, chemicals for forestry, phosphorus, plant growth regulating preparations, carbolineum for the protection of plant.

5 – Pesticides, insecticides, fungicides, herbicides, vermicides, rodenticides, weedicides, preparations for killing weeds and destroying vermin.

(260) AM 2020 107876 A

(800) 1524993

(151) 2020 01 27

(891) 2020 01 27

(731) HERMES INTERNATIONAL

24 rue du Faubourg Saint-Honoré, F-75008  
PARIS, France

(540)




(591) Black, white

(531) 02.01.20; 02.01.25; 03.03.01; 18.01.01;  
27.05.01; 27.07.01

(511)

3 – Perfumes, perfumery products, eau de toilette, eau de parfum, eau de Cologne, cosmetics, oils for cosmetic use, cosmetic lotions for the hair, cosmetic lotions for the body, tissues impregnated with cosmetic lotions, deodorants for personal use, soaps for personal use, shower gels, bath gels, shampoos, beauty creams for the body, beauty masks, make-up products, make-up removing products, skin cleansers, nail and hand care products, sunscreen preparations, cosmetic tanning preparations, shaving products, shaving creams, after-shave lotions, after-shave balms.

(260) AM 2020 107948 A

(800) 1525419

(151) 2020 02 14

(891) 2020 02 14

(731) Obshchestvo s ogranichennoy

otvetstvennostyu "Kvadrat-C"

2-y Irtyshskiy proezd, 4B, kor. 5, RU-107143  
Moscow, Russian Federation

(540)

# ПАНТОТРОПИЛ

(591) Black, white

(531) 28.05

(511)

5 – Acaricides; aconitine; alkaloids for medical purposes; alginates for pharmaceutical purposes; algicides; aldehydes for pharmaceutical purposes; amino acids for medical purposes; acetates for pharmaceutical purposes; germicides; balms for medical purposes; petroleum jelly for medical purposes; vaccines; dietetic substances adapted for medical use; melissa water for pharmaceutical purposes; mineral waters for medical purposes; thermal water; dietary fiber; sexual stimulant gels; glycerine for medical purposes; glycerophosphates; hormones for medical purposes; mustard for pharmaceutical purposes; mud for baths; medicinal mud; gamboge for medical purposes; gurjun balsam for medical purposes; air deodorising preparations; deodorants, other than for human beings or for animals; deodorants for clothing and textiles; mineral food supplements; nutritional supplements; albumin dietary supplements; yeast dietary supplements; alginate dietary supplements; glucose dietary supplements; casein dietary supplements; lecithin dietary supplements; linseed oil dietary supplements; propolis dietary supplements; protein dietary supplements; protein supplements for animals; royal jelly dietary supplements; pollen dietary supplements; wheat germ dietary supplements; linseed dietary supplements; enzyme dietary supplements; yeast for pharmaceutical purposes; gelatine for medical purposes; cod liver oil; immunostimulants; iodine for pharmaceutical purposes; iodides for pharmaceutical purposes; alkaline iodides for pharmaceutical purposes; iodoform; cream of tartar for pharmaceutical purposes; tartar for pharmaceutical purposes; camphor for medical purposes; wart pencils; acids for pharmaceutical purposes; collagen for medical purposes; angostura bark for medical purposes; barks for pharmaceutical purposes; condurango bark for medical purposes; croton bark; mangrove bark for pharmaceutical purposes; myrobalan bark for pharmaceutical purposes; quinquina for medical purposes; medicinal roots; rhubarb roots for pharmaceutical purposes; lint for medical purposes; starch for dietetic or pharmaceutical purposes; creosote for pharmaceutical purposes; cultures of microorganisms for medical use; curare; liquorice for pharmaceutical purposes; lactose for pharmaceutical purposes; medicated candies; adhesive plasters; adhesive tapes for medical purposes; lecithin for medical purposes; medicated hair lotions; lotions for pharmaceutical purposes; personal sexual lubricants; lupulin for pharmaceutical purposes; magnesia for pharmaceutical purposes; liniments; ointments for pharmaceutical purposes; sunburn ointments; mercurial ointments; frostbite salve for pharmaceutical purposes; medicinal oils; mustard oil for medical purposes; camphor oil for medical purposes; castor oil for medical purposes; oil of turpentine for pharmaceutical purposes; dill oil for medical purposes; drugs for medical purposes;

serotherapeutic medicines; medicines for human purposes; antibacterial soap; disinfectant soap; medicated soap; mint for pharmaceutical purposes; dietetic beverages adapted for medical purposes; malted milk beverages for medical purposes; narcotics; medicinal infusions; tincture of iodine; eucalyptol for pharmaceutical purposes; tinctures for medical purposes; decoctions for pharmaceutical purposes; stick liquorice for pharmaceutical purposes; sulfur sticks [disinfectants]; pastilles for pharmaceutical purposes; bunion pads; pomades for medical purposes; powder of cantharides; bacterial preparations for medical use; bacteriological preparations for medical use; balsamic preparations for medical purposes; albuminous preparations for medical purposes; biological preparations for veterinary purposes; biological preparations for medical purposes; vitamin preparations; bath preparations for medical purposes; therapeutic preparations for the bath; preparations for callouses; acne treatment preparations; preparations for the treatment of burns; fumigation preparations for medical purposes; corn remedies; pharmaceutical preparations for treating dandruff; pharmaceutical preparations for skin care; contact lens cleaning preparations; preparations of microorganisms for medical use; lime-based pharmaceutical preparations; medicinal hair growth preparations; nutraceutical preparations for therapeutic or medical purposes; aloe vera preparations for pharmaceutical purposes; preparations of trace elements for human and animal use; pharmaceutical preparations; pharmaceutical preparations for treating sunburn; enzyme preparations for veterinary purposes; enzyme preparations for medical purposes; phytotherapy preparations for medical purposes; chemico-pharmaceutical preparations; chemical preparations for medical purposes; chemical preparations for pharmaceutical purposes; collyrium; lead water; albuminous foodstuffs for medical purposes; dietetic foods adapted for medical purposes; homogenized food adapted for medical purposes; lyophilized food adapted for medical purposes; pharmaceuticals; sanitary towels; panty liners [sanitary]; propolis for pharmaceutical purposes; pearl powder for medical purposes; hydrated chloral for pharmaceutical purposes; solvents for removing adhesive plasters; vaginal washes for medical purposes; chewing gum for medical purposes; tissues impregnated with pharmaceutical lotions; sugar for medical purposes; fumigating sticks; suppositories; linseed for pharmaceutical purposes; tobacco-free cigarettes for medical purposes; siccatives [drying agents] for medical purposes; syrups for pharmaceutical purposes; turpentine for pharmaceutical purposes; greases for medical purposes; bicarbonate of soda for pharmaceutical purposes; bath salts for medical purposes; salts for mineral water baths; salts for medical purposes; potassium salts for medical purposes; sodium salts for medical purposes; smelling salts; mineral water salts; malt for pharmaceutical purposes; ergot for pharmaceutical purposes; cooling sprays for medical purposes;

ses; antibacterial handwashes; astringents for medical purposes; appetite suppressants for medical purposes; medical preparations for slimming purposes; mouthwashes for medical purposes; depuratives; remedies for perspiration; remedies for foot perspiration; tonics [medicines]; medicated toiletry preparations; tanning pills; appetite suppressant pills; slimming pills; antioxidant pills; sanitary tampons; thymol for pharmaceutical purposes; smoking herbs for medical purposes; medicinal herbs; charcoal for pharmaceutical purposes; fennel for medical purposes; phenol for pharmaceutical purposes; enzymes for veterinary purposes; enzymes for medical purposes; ferments for pharmaceutical purposes; formic aldehyde for pharmaceutical purposes; phosphates for pharmaceutical purposes; quinine for medical purposes; chinoline for medical purposes; diabetic bread adapted for medical use; flowers of sulfur for pharmaceutical purposes; medicinal tea; herbal teas for medicinal purposes; medicated shampoos; pediculicidal shampoos; medicated dry shampoos; pre-filled syringes for medical purposes; eucalyptus for pharmaceutical purposes; herbal extracts for medical purposes; plant extracts for pharmaceutical purposes; tobacco extracts [insecticides]; extracts of hops for pharmaceutical purposes; elixirs [pharmaceutical preparations]; ethers for pharmaceutical purposes; esters for pharmaceutical purposes; cellulose ethers for pharmaceutical purposes; cellulose esters for pharmaceutical purposes.

(260) AM 2020 107949 A

(800) 1525427

(151) 2020 02 04

(891) 2020 02 04

(731) Barilla G. e R. Fratelli – Società per Azioni

Via Mantova 166, Parma (PR), Italy

(540)

### **Мастерство, воплощенное в пасте**

(591) Black, white

(531) 28.05

(511)

30 – Coffee, tea, cocoa and artificial coffee; rice; tapioca and sago; flour and preparations made from cereals; bread, pastry and confectionery; ices; sugar, honey, treacle; yeast, baking-powder; salt; mustard; vinegar, sauces (condiments); spices; ice; oat-based food; farinaceous foods; starch for food; aniseed; star aniseed; seasonings; coffee flavorings [flavourings]; flavorings, other than essential oils; flavorings [flavourings], other than essential oils, for beverages; flavorings [flavourings], other than essential oils, for cakes; crushed oats; husked oats; high-protein cereal bars; stick liquorice [confectionery]; cocoa-based beverages; coffee-based beverages; chocolate-based beverages; tea-based beverages; baking soda [bicarbonate of soda for cooking purposes]; biscuits; malt biscuits; petit-beurre biscuits; sweetmeats [candy]; buns; puddings; cocoa; cocoa beverages with milk; coffee be-

verages with milk; unroasted coffee; cinnamon [spice]; caramels [candy]; condiments; crackers; couscous [semolina]; cakes; wheat flour; flour; fruit jellies [confectionery]; edible ices; baking powder; macaroni; mayonnaise; rusks; unleavened bread; breadcrumbs; bread rolls; pasta; pesto [sauce]; pizzas; cereal preparations; ravioli; cooking salt; tomato sauce; soya sauce; dressings for salad; sandwiches; oatmeal; semolina; hominy grits; cereal-based snack food; rice-based snack food; sorbets [ices]; spaghetti; meat gravies; noodles; tarts; vermicelli [noodles]; saffron [seasoning]; ginger [spice].

35 – Advertising; business management; business administration; office functions; commercial administration of the licensing of the goods and services of others; dissemination of advertising matter; demonstration of goods; direct mail advertising; marketing; organization of exhibitions for commercial or advertising purposes; organization of trade fairs for commercial or advertising purposes; presentation of goods on communication media, for retail purposes; sales promotion for others; publication of publicity texts; on-line advertising on a computer network; television advertising; retail business services and online retail business services featuring the following goods: coffee, tea, cocoa and artificial coffee, rice, tapioca and sago, flour and preparations made from cereals, bread, pastry and confectionery, ices, sugar, honey, treacle, yeast, baking-powder, salt, mustard, vinegar, sauces (condiments), spices, ice, oat-based food, farinaceous foods, starch for food, aniseed, star aniseed, seasonings, coffee flavorings [flavourings], flavorings, other than essential oils, flavorings [flavourings], other than essential oils, for beverages, flavorings [flavourings], other than essential oils, for cakes, crushed oats, husked oats, high-protein cereal bars, stick liquorice [confectionery], cocoa-based beverages, coffee-based beverages, chocolate-based beverages, tea-based beverages, baking soda [bicarbonate of soda for cooking purposes], biscuits, malt biscuits, petit-beurre biscuits, sweetmeats [candy], buns, puddings, cocoa, cocoa beverages with milk, coffee beverages with milk, unroasted coffee, cinnamon [spice], caramels [candy], condiments, crackers, couscous [semolina], cakes, wheat flour, flour, fruit jellies [confectionery], edible ices, baking powder, macaroni, mayonnaise, rusks, unleavened bread, breadcrumbs, bread rolls, pasta, pesto [sauce], pizzas, cereal preparations, ravioli, cooking salt, tomato sauce, soya sauce, dressings for salad, sandwiches, oatmeal, semolina, hominy grits, cereal-based snack food, rice-based snack food, sorbets [ices], spaghetti, meat gravies, noodles, tarts, vermicelli [noodles], saffron [seasoning], ginger [spice].

41 – Education; providing of training; entertainment; sporting and cultural activities; academies [education]; practical training (demonstration); education information; recreation information; gymnastic instruc-

tion; correspondence courses; organising cookery courses; organising of competitions; organization of sports competitions; organization of competitions [education or entertainment]; organization of exhibitions for cultural or educational purposes; organization of shows [impresario services]; arranging and conducting of concerts; arranging and conducting of conferences; arranging and conducting of congresses; arranging and conducting of colloquiums; arranging and conducting of seminars; arranging and conducting of symposiums; arranging and conducting of workshops [training]; entertainment party planning; publication of books; publication of texts, other than publicity texts; publication of electronic books and journals online; electronic desktop publishing; presentation of live performances; game services provided on-line from a computer network.

43 – Services for providing food and drink; temporary accommodation; cafés; cafeterias; rental of temporary accommodation; canteens; hotel reservations; temporary accommodation reservations; boarding house bookings; restaurants; self-service restaurants; hotels; bar services; holiday camp services [lodging]; food and drink catering; motels; snack-bars.

(260) AM 2020 107950 A  
(800) 1525444  
(151) 2019 11 26  
(891) 2019 11 26  
(731) BASF Coatings GmbH  
Glaserstr. 1, 48165 Münster, Germany  
(540)



(591) Black, white  
(531) 25.03.07; 26.11.02; 26.11.12; 27.05.01  
(511)  
1 – Paste fillers for automobile body repair.

2 – Paints and washes; varnishes; lacquers; coatings for forms [paints or oils]; anti-rust preparations; coatings for use as primers; ground coatings [paints and oils]; fillers in the nature of paint; mastic [natural resin]; binding agents; thinners for paints.

(260) AM 2020 107951 A  
(800) 1525446  
(151) 2020 03 02  
(891) 2020 03 02  
(731) DRIP DROP DRINKS GMBH  
Feldstrasse 11, 13585 Berlin, Germany

(540)

## 495Vodka

(591) Black, white  
(511)  
33 – Vodka.

(260) AM 2020 107952 A  
(800) 1525453  
(151) 2019 12 17  
(891) 2019 12 17  
(731) UPL LTD.  
UPL House, 610 b/2, Bandra Village, Off  
Western Express Highway, Bandra (East),  
Mumbai, Maharashtra 400051, India

(540)

## POLYGLYMIN

(591) Black, white  
(531) 27.05.01  
(511)

1 – Fertilizer and chemical products for use in agriculture, plant nutrient, additive chemical to fungicides, additive chemical to insecticides, flower preservatives, chemicals for forestry, phosphorus, plant growth regulating preparations, carbolineum for the protection of plant.

5 – Pesticides, insecticides, fungicides, herbicides, vermicides, rodenticides, weedicides, preparations for killing weeds and destroying vermin.

(260) AM 2020 107953 A  
(800) 1525513  
(151) 2019 10 23  
(891) 2019 10 23  
(731) Obshchestvo s ogranichennoy  
otvetstvennostyu "Amata"  
1-y Institutskiy proezd, 3, str. 10,  
pomeshcheniye 55, RU-109428 Moskva,  
Russian Federation

(540)



(591) Black, white  
(531) 01.01.01; 01.01.10; 01.07.03; 01.07.06;  
01.15.11; 27.05.09; 27.05.10

(511)  
9 – 3D spectacles; DVD players; ticket dispensers; coin-operated musical automata [juke boxes]; fire engines; answering machines; electrical adapters; ba-



terries for electronic cigarettes; accumulators, electric; accumulators, electric, for vehicles; accelerometers; actinometers; alidades; altimeters; ammeters; anemometers; anodes; antennas; anticathodes; apertometers [optics]; high-frequency apparatus; testing apparatus not for medical purposes; electro-dynamic apparatus for the remote control of railway points; electro-dynamic apparatus for the remote control of signals; remote control apparatus; sound recording apparatus; Global Positioning System [GPS] apparatus; distillation apparatus for scientific purposes; diffraction apparatus [microscopy]; air analysis apparatus; apparatus to check franking; sound transmitting apparatus; apparatus for fermentation [laboratory apparatus]; breathing apparatus for underwater swimming; breathing apparatus, except for artificial respiration; apparatus and installations for the production of X-rays, not for medical purposes; cash registers; electric apparatus for commutation; intercommunication apparatus; stills for laboratory experiments; projection apparatus; fire extinguishing apparatus; radiological apparatus for industrial purposes; X-ray apparatus not for medical purposes; blueprint apparatus; flashing lights [luminous signals]; stereoscopic apparatus; telephone apparatus; facsimile machines; phototelegraphy apparatus; igniting apparatus, electric, for igniting at a distance; salinometers; acidimeters for batteries; aerometers; battery jars; barometers; anode batteries; galvanic batteries; batteries for lighting; solar batteries; solar panels for the production of electricity; batteries, electric; balances [steelyards]; betatrons; binoculars; biochips; electronic tags for goods; lens hoods; magnetic tape units for computers; computer memory devices; fire hose nozzles; encoded identification bracelets, magnetic; connected bracelets [measuring instruments]; safety tarpaulins; electronic key fobs being remote control apparatus; bullet-proof clothing; signalling buoys; life buoys; marking buoys; vacuum gauges; electrolyzers; variometers; scales; baby scales; bathroom scales; letter scales; weighbridges; precision balances; scales with body mass analysers; camcorders; video cassettes; video telephones; video screens; viewfinders, photographic; micrometer screws for optical instruments; viscosimeters; circuit closers; wavemeters; voltmeters; switchboxes [electricity]; current rectifiers; gas testing instruments; gasometers [measuring instruments]; galvanometers; hands-free kits for telephones; heliographic apparatus; hygrometers; hydrometers; weights; peepholes [magnifying lenses] for doors; holograms; plotters; plumb bobs; range finders; densimeters; densitometers; detectors; smoke detectors; infrared detectors; counterfeit coin detectors; joysticks for use with computers, other than for video games; transparencies [photography]; slide projectors; diaphragms [photography]; dictating machines; dynamometers; light-emitting diodes [LED]; floppy disks; sound recording discs; disks, magnetic; optical discs; disk drives for computers; juke boxes for computers; DNA chips; electronic interactive whiteboards; elec-

tronic notice boards; bullet-proof waistcoats; life jackets; reflective safety vests; identification threads for electric wires; nose clips for divers and swimmers; locks, electric; bells [warning devices]; alarm bells, electric; electric door bells; signal bells; audio interfaces; acoustic conduits; mirrors for inspecting work; road signs, luminous or mechanical; marine depth finders; probes for scientific purposes; buzzers; needles for surveying compasses; needles for record players; measures; pressure measuring apparatus; simulators for the steering and control of vehicles; inverters [electricity]; pressure indicators; temperature indicators; incubators for bacteria culture; measuring instruments; cosmographic instruments; mathematical instruments; levelling instruments; instruments containing eyepieces; surveying instruments; azimuth instruments; interfaces for computers; ionization apparatus not for the treatment of air or water; spark-guards; coaxial cables; fiber optic cables; cables, electric; calipers; slide calipers; screw-tapping gauges; calorimeters; calculating machines; pocket calculators; decompression chambers; cinematographic cameras; thermal imaging cameras; mouth guards for sports; life-saving capsules for natural disasters; electronic pens [visual display units]; holders for electric coils; identity cards, magnetic; video game cartridges; toner cartridges, unfilled, for printers and photocopiers; memory cards for video game machines; encoded magnetic cards; riding helmets; carriers for dark plates [photography]; cathodes; spools [photography]; choking coils [impedance]; coils, electric; electromagnetic coils; cinematographic film, exposed; computer keyboards; solenoid valves [electromagnetic switches]; wire connectors [electricity]; encoded key cards; electronic book readers; electronic agendas; push buttons for bells; magnetic encoders; collectors, electric; calibrating rings; smart rings; protective suits for aviators; commutators; compact discs [audio-video]; comparators; marine compasses; computers; laptop computers; tablet computers; notebook computers; condensers [capacitors]; contacts, electric; wind socks for indicating wind direction; traffic cones; branch boxes [electricity]; distribution boxes [electricity]; junction boxes [electricity]; battery boxes; cabinets for loudspeakers; diving suits; galena crystals [detectors]; covers for electric outlets; logs [measuring instruments]; lasers, not for medical purposes; lactodensimeters; lactometers; vacuum tubes [radio]; darkroom lamps [photography]; thermionic tubes; amplifying tubes; flashlights [photography]; head cleaning tapes [recording]; magnetic tapes; videotapes; surveying chains; fire escapes; rulers [measuring instruments]; square rulers for measuring; slide-rules; contact lenses; correcting lenses [optics]; optical lenses; optical condensers; sounding lines; electricity conduits; measuring spoons; magnifying glasses [optics]; thread counters; magnets; decorative magnets; crash test dummies; resuscitation mannequins [teaching apparatus]; pressure gauges; security tokens [encryption devices]; divers' masks;

solderers' helmets; protective masks; respiratory masks, other than for artificial respiration; materials for electricity mains [wires, cables]; voting machines; money counting and sorting machines; material testing instruments and machines; furniture especially made for laboratories; megaphones; portable media players; diaphragms [acoustics]; diaphragms for scientific apparatus; metal detectors for industrial or military purposes; digital weather stations; metronomes; rules [measuring instruments]; carpenters' rules; dressmakers' measures; mechanisms for coin-operated apparatus; mechanisms for counter-operated apparatus; coin-operated mechanisms for television sets; shutter releases [photography]; micrometers; microprocessors; microscopes; microtomes; microphones; audio mixers; modems; lightning rods; monitors [computer hardware]; monitors [computer programs]; selfie sticks [hand-held monopods]; terminals [electricity]; junction sleeves for electric cables; teeth protectors; temperature indicator labels, not for medical purposes; knee-pads for workers; headphones; surveyors' levels; sound recording carriers; magnetic data media; optical data media; electronic sheet music, downloadable; computer software, recorded; sheaths for electric cables; identification sheaths for electric wires; weighing machines; computer hardware; punched card machines for offices; objectives [lenses] [optics]; lenses for astrophotography; egg-candlers; fire extinguishers; electrified fences; limiters [electricity]; clothing for protection against accidents, irradiation and fire; clothing for protection against fire; asbestos clothing for protection against fire; clothing especially made for laboratories; ozonisers [ozonators]; octants; eyepieces; ohmmeters; wrist rests for use with computers; eyeglass frames; oscillographs; plumb lines; mirrors [optics]; eyeglasses; sunglasses; goggles for sports; electronic collars to train animals; signalling panels, luminous or mechanical; radio pagers; pince-nez; electronic pocket translators; transmitters [telecommunication]; telephone transmitters; transmitters of electronic signals; switches, electric; periscopes; gloves for divers; gloves for protection against accidents; gloves for protection against X-rays for industrial purposes; asbestos gloves for protection against accidents; furnaces for laboratory use; pyrometers; planimeters; plane tables [surveying instruments]; plates for batteries; wafers for integrated circuits; printed circuit boards; compact disc players; cassette players; protective films adapted for computer screens; protective films adapted for smartphones; sound recording strips; X-ray films, exposed; films, exposed; life-saving rafts; laboratory trays; digital signs; semi-conductors; polarimeters; fire pumps; measuring glassware; life belts; fuses; circuit breakers; converters, electric; telerupters; food analysis apparatus; diagnostic apparatus, not for medical purposes; distance recording apparatus; distance measuring apparatus; speed measuring apparatus [photography]; appliances for measuring the thickness of

leather; apparatus for measuring the thickness of skins; speed checking apparatus for vehicles; teaching apparatus; time recording apparatus; apparatus and instruments for astronomy; surveying apparatus and instruments; weighing apparatus and instruments; nautical apparatus and instruments; navigational instruments; optical apparatus and instruments; apparatus and instruments for physics; chemistry apparatus and instruments; measuring apparatus; measuring devices, electric; boiler control instruments; meteorological instruments; naval signalling apparatus; observation instruments; navigation apparatus for vehicles [on-board computers]; satellite navigational apparatus; regulating apparatus, electric; precision measuring apparatus; audio- and video-receivers; prisms [optics]; computer software applications, downloadable; printers for use with computers; retorts' stands; apparatus for changing record player needles; drainers for use in photography; cleaning apparatus for sound recording discs; fire beaters; telescopic sights for firearms; telescopic sights for artillery; test tubes; pressure indicator plugs for valves; magnetic wires; telegraph wires; telephone wires; wires, electric; conductors, electric; copper wire, insulated; fuse wire; computer programs, recorded; computer operating programs, recorded; record players; processors [central processing units]; rods for water diviners; electronic publications, downloadable; distribution consoles [electricity]; control panels [electricity]; radar apparatus; masts for wireless aerials; transmitting sets [telecommunication]; radios; vehicle radios; sprinkler systems for fire protection; frames for photographic transparencies; screens for photoengraving; flowmeters; walkie-talkies; voltage surge protectors; voltage regulators for vehicles; stage lighting regulators; speed regulators for record players; cell switches [electricity]; washing trays [photography]; marking gauges [joinery]; T-squares for measuring; time switches, automatic; relays, electric; X-ray photographs, other than for medical purposes; rheostats; respirators for filtering air; retorts; refractometers; refractors; grids for batteries; humanoid robots with artificial intelligence; speaking tubes; horns for loudspeakers; subwoofers; saccharometers; optical fibers [light conducting filaments]; traffic-light apparatus [signalling devices]; dog whistles; signalling whistles; sextants; inductors [electricity]; safety nets; nets for protection against accidents; fire alarms; signals, luminous or mechanical; sirens; electronic access control systems for interlocking doors; integrated circuit cards [smart cards]; smartglasses; smartphones; smartwatches; connections for electric lines; couplings, electric; sonars; sound locating instruments; lighting ballasts; resistances, electric; spectrograph apparatus; spectroscopes; speed indicators; alcoholmeters; satellites for scientific purposes; protection devices for personal use against accidents; audiovisual teaching apparatus; charging stations for electric vehicles; radiotelegraphy sets; radiotelephony sets; spectacle lenses; anti-glare glasses;

optical glass; personal stereos; stereoscopes; stands for photographic apparatus; stroboscopes; fire boats; sulfimeters; bags adapted for laptops; drying racks [photography]; spherometers; integrated circuits; printed circuits; counters; parking meters; kilometer recorders for vehicles; revolution counters; abacuses; egg timers [sandglasses]; taximeters; ear plugs for divers; tachometers; television apparatus; telegraphs [apparatus]; telescopes; teleprompters; teleprinters; cordless telephones; theodolites; interactive touch screen terminals; thermo-hygrometers; thermometers, not for medical purposes; thermostats; thermostats for vehicles; crucibles [laboratory]; tone arms for record players; totalizers; transistors [electronic]; transponders; protractors [measuring instruments]; transformers [electricity]; step-up transformers; vehicle breakdown warning triangles; triodes; starter cables for motors; discharge tubes, electric, other than for lighting; capillary tubes; neon signs; Pitot tubes; X-ray tubes not for medical purposes; telephone receivers; squares for measuring; gauges; quantity indicators; gasoline gauges; water level indicators; electric loss indicators; light-emitting electronic pointers; slope indicators; levels [instruments for determining the horizontal]; mercury levels; spirit levels; urinometers; amplifiers; particle accelerators; electric installations for the remote control of industrial operations; steering apparatus, automatic, for vehicles; balancing apparatus; video recorders; sound reproduction apparatus; invoicing machines; tape recorders; protection devices against X-rays, not for medical purposes; railway traffic safety appliances; data processing apparatus; oxygen transensing apparatus; theft prevention installations, electric; film cutting apparatus; drying apparatus for photographic prints; optical character readers; centering apparatus for photographic transparencies; dosage dispensers; battery chargers; chargers for electric batteries; chargers for electronic cigarettes; acoustic alarms; sounding apparatus and machines; apparatus for editing cinematographic film; cathodic anti-corrosion apparatus; couplers [data processing equipment]; anti-theft warning apparatus; computer peripheral devices; anti-interference devices [electricity]; demagnetizing apparatus for magnetic tapes; acoustic couplers; alarms; fog signals, non-explosive; whistle alarms; adding machines; heat regulating apparatus; photocopiers [photographic, electrostatic, thermic]; electric and electronic effects units for musical instruments; bar code readers; downloadable image files; downloadable music files; animated cartoons; filters for respiratory masks; filters for ultraviolet rays, for photography; USB flash drives; magic lanterns; optical lamps; signal lanterns; cameras [photography]; glazing apparatus for photographic prints; shutters [photography]; darkrooms [photography]; photometers; flash-bulbs [photography]; digital photo frames; enlarging apparatus [photography]; photovoltaic cells; containers for contact lenses; eyeglass cases; containers for microscope slides; cases for smart-

phones; cases especially made for photographic apparatus and instruments; chromatography apparatus for laboratory use; chronographs [time recording apparatus]; laboratory centrifuges; eyeglass chains; cyclotrons; compasses for measuring; frequency meters; time clocks [time recording devices]; Petri dishes; sleeves for laptops; covers for personal digital assistants [PDAs]; covers for tablet computers; covers for smartphones; fire blankets; chips [integrated circuits]; jigs [measuring instruments]; pedometers; meteorological balloons; electrified rails for mounting spot lights; asbestos screens for firemen; fire hose; virtual reality headsets; protective helmets for sports; head guards for sports; cell phone straps; eyeglass cords; tripods for cameras; switchboards; distribution boards [electricity]; equalizers [audio apparatus]; workmen's protective face-shields; projection screens; radiology screens for industrial purposes; fluorescent screens; exposure meters [light meters]; ducts [electricity]; galvanic cells; epidiascopes; ergometers; armatures [electricity]; black boxes [data recorders]; monitoring apparatus, other than for medical purposes; acid hydrometers; beacons, luminous; directional compasses; verniers; levelling staffs [surveying instruments]; video baby monitors; electrical plugs and sockets; mechanical signs; signs, luminous; woofers; sounding leads; circular slide rules; protective helmets; compact discs; compact discs [read-only memory]; mouse pads; close-up lenses; mouse [computer peripheral]; life saving apparatus and equipment; shoes for protection against accidents, irradiation and fire; laboratory pipettes; hemline markers; computer game software, downloadable; baby monitors; light dimmers [regulators], electric; safety restraints, other than for vehicle seats and sports equipment; scanners [data processing equipment]; downloadable ring tones for mobile phones; cellular phones; automatic indicators of low pressure in vehicle tires; wearable activity trackers; filters for use in photography; screens [photography].

11 – Lamp shades; steam accumulators; heat accumulators; defrosters for vehicles; disinfectant apparatus for medical purposes; distillation apparatus; desiccating apparatus; hydromassage bath apparatus; disinfectant apparatus; air deodorizing apparatus; tanning apparatus [sun beds]; ionization apparatus for the treatment of air or water; coffee roasters; beverage cooling apparatus; hand drying apparatus for washrooms; fruit roasters; water purifying apparatus and machines; refrigerating apparatus and machines; drying apparatus and installations; freezers; drying apparatus; coolers for furnaces; expansion tanks for central heating installations; flushing tanks; refining towers for distillation; bidets; boilers, other than parts of machines; bath tubs; spa baths [vessels]; bath tubs for sitz baths; waffle irons, electric; fans [air-conditioning]; fans [parts of air-conditioning installations]; electric fans for personal use; roasting spits; refrigerating display cabinets; heated display cabinets; water

heaters; water heaters [apparatus]; water flushing installations; air reheaters; extractor hoods for kitchens; gas condensers, other than parts of machines; acetylene generators; hydrants; burners; acetylene burners; gas burners; burners for lamps; germicidal burners; incandescent burners; oxyhydrogen burners; laboratory burners; oil burners; alcohol burners; hot water bottles; footwarmers, electric or non-electric; bed warmers; pocket warmers; warming pans; grills [cooking appliances]; lampshade holders; stills; showers; refrigerating containers; gas lighters; lighters; friction lighters for igniting gas; chimney blowers; coils [parts of distilling, heating or cooling installations]; furnace ash boxes; evaporators; shower enclosures; Turkish bath cabinets, portable; heating apparatus; cool boxes, electric; refrigerating chambers; fireplaces, domestic; chimney flues; air valves for steam heating installations; level controlling valves in tanks; thermostatic valves [parts of heating installations]; electrically heated carpets; light bulbs; light bulbs, electric; solar thermal collectors [heating]; distillation columns; furnace grates; ventilation hoods; ventilation hoods for laboratories; lamp globes; air-conditioning apparatus; air conditioners for vehicles; gas boilers; laundry room boilers; heating boilers; coffee machines, electric; taps; mixer faucets for water pipes; forges, portable; lava rocks for use in barbecue grills; electric lights for Christmas trees; acetylene flares; safety lamps; gas lamps; curling lamps; germicidal lamps for purifying air; light bulbs for directional signals for vehicles; arc lamps; laboratory lamps; oil lamps; ultraviolet ray lamps, not for medical purposes; miners' lamps; electric lamps; chandeliers; barbecues; watering machines for agricultural purposes; multicookers; footmuffs, electrically heated; heaters for baths; heaters for heating irons; immersion heaters; brackets for gas burners; anti-splash tap nozzles; heat pumps; filaments for electric lamps; magnesium filaments for lighting; heating filaments, electric; luminous house numbers; socks, electrically heated; heating apparatus for defrosting vehicle windows; hot air bath fittings; bath fittings; loading apparatus for furnaces; kiln furniture [supports]; sauna bath installations; refrigerating appliances and installations; blankets, electric, not for medical purposes; fabric steamers; lamp reflectors; vehicle reflectors; hearths; food steamers, electric; steam boilers, other than parts of machines; pasteurisers; lamp mantles; sockets for electric lights; coffee percolators, electric; stoves [heating apparatus]; bakers' ovens; hot air ovens; kitchen ranges [ovens]; microwave ovens [cooking apparatus]; microwave ovens for industrial purposes; incinerators; kilns; solar furnaces; dental ovens; furnaces, other than for laboratory use; feeding apparatus for heating boilers; heating plates; cookers; hot plates; wine cellars, electric; heaters, electric, for feeding bottles; aquarium heaters; aquarium lights; heating cushions, electric, not for medical purposes; clean chambers [sanitary installations]; tortilla presses, electric; water intake apparatus; deodorizing ap-

paratus, not for personal use; apparatus for dehydrating food waste; fumigation apparatus, not for medical purposes; gas scrubbing apparatus; oil-scrubbing apparatus; glue-heating appliances; forage drying apparatus; water filtering apparatus; air purifying apparatus and machines; ice machines and apparatus; cooling appliances and installations; cooking apparatus and installations; lighting apparatus and installations; sanitary apparatus and installations; cooking rings; lighting apparatus for vehicles; light-emitting diodes [LED] lighting apparatus; heating apparatus for solid, liquid or gaseous fuels; heating apparatus, electric; hot air apparatus; steam facial apparatus [saunas]; safety accessories for water or gas apparatus and pipes; regulating and safety accessories for gas apparatus; regulating accessories for water or gas apparatus and pipes; regulating and safety accessories for water apparatus; regulating and safety accessories for gas pipes; anti-glare devices for vehicles [lamp fittings]; roasting jacks; plate warmers; rotisseries; radiator caps; searchlights; diving lights; washers for water faucets; heat guns; radiators [heating]; central heating radiators; radiators, electric; sinks; disinfectant dispensers for toilets; drip irrigation emitters [irrigation fittings]; light diffusers; nuclear reactors; heat regenerators; pressure water tanks; roasters; lamps; ceiling lights; toilet seats; lighting installations for air vehicles; pressure cookers, electric; gas scrubbers [parts of gas installations]; lamp glasses; sterilizers; water sterilizers; air sterilizers; air dryers; laundry dryers, electric; hair dryers; malt roasters; tobacco roasters; heat exchangers, other than parts of machines; bread toasters; discharge tubes, electric, for lighting; lamp chimneys; luminous tubes for lighting; pipes [parts of sanitary installations]; flues for heating boilers; boiler pipes [tubes] for heating installations; toilets [water-closets]; toilets, portable; humidifiers for central heating radiators; wash-hand basins [parts of sanitary installations]; toilet bowls; water conduits installations; air-conditioning installations; desalination plants; installations for processing nuclear fuel and nuclear moderating material; watering installations, automatic; cooling installations for water; cooling installations for liquids; milk cooling installations; cooling installations for tobacco; water purification installations; purification installations for sewage; steam generating installations; water distribution installations; air filtering installations; swimming pool chlorinating apparatus; ventilation [air-conditioning] installations and apparatus; ventilation [air-conditioning] installations for vehicles; water softening apparatus and installations; cooling installations and machines; heating installations; heaters for vehicles; hot water heating installations; polymerisation installations; water supply installations; flare stacks for use in the oil industry; ash conveyor installations, automatic; whirlpool-jet apparatus; air cooling apparatus; aquarium filtration apparatus; cooking utensils, electric; flaming torches; headlights for automobiles; vehicle headlights; filters

for air conditioning; filters for drinking water; lights for automobiles; bicycle lights; motorcycle lights; lights for vehicles; electric torches; lanterns for lighting; Chinese lanterns; fountains; ornamental fountains; chocolate fountains, electric; deep fryers, electric; fittings, shaped, for ovens; oven fittings made of fireclay; bread-making machines; refrigerators; chromatography apparatus for industrial purposes; kettles, electric; dampers [heating]; book sterilization apparatus; refrigerating cabinets; carbon for arc lamps; heating elements; fairy lights for festive decoration; bread baking machines; urinals being sanitary fixtures; electric appliances for making yogurt; standard lamps; bath installations.

12 – Motor buses; motor coaches; motor homes; driverless cars [autonomous cars]; motor racing cars; cars; sports cars; concrete mixing vehicles; refrigerated vehicles; caravans; shock absorbers for automobiles; suspension shock absorbers for vehicles; space vehicles; aircraft; aeronautical apparatus, machines and appliances; air cushion vehicles; hot air balloons; ski carriers for cars; luggage carriers for vehicles; bumpers for automobiles; vehicle bumpers; tires for vehicle wheels; barges; brake shoes for vehicles; tailboard lifts [parts of land vehicles]; armored vehicles; buffers for railway rolling stock; mine cars; tilt trucks; sleeping cars; dining cars; refrigerated railway wagons; transmission shafts for land vehicles; bicycles; electric bicycles; valves for vehicle tires; automobile hoods; stroller hoods; hoods for vehicles; oars; paddles for canoes; sculls; screws [propellers] for ships; hydroplanes; seaplanes; flanges for railway wheel tires; trucks; horns for vehicles; treads for vehicles [tractor type]; doors for vehicles; bicycle motors; motorcycle engines; engines for land vehicles; jet engines for land vehicles; driving motors for land vehicles; screw-propellers; screw-propellers for boats; airships; brake discs for vehicles; trolley railways [cable cars]; dredgers [boats]; trolleys; military drones; civilian drones; adhesive rubber patches for repairing inner tubes; bicycle bells; rearview mirrors; side view mirrors for vehicles; portholes; cars for cable transport installations; inner tubes for pneumatic tires; inner tubes for bicycle tires; canoes; hoods for vehicle engines; crankcases for land vehicle components, other than for engines; boats; caissons [vehicles]; bicycle wheels; vehicle wheels; mine cart wheels; casters for trolleys [vehicles]; brake pads for automobiles; hub caps; strollers; side cars; prams; brake linings for vehicles; ships; baskets adapted for bicycles; gear boxes for land vehicles; ship hulls; panniers adapted for bicycles; panniers adapted for motorcycles; fenders for ships; bands for wheel hubs; ejector seats for aircraft; wheelchairs; caps for vehicle fuel tanks; boat hooks; automobile bodies; tipping bodies for trucks; bodies for vehicles; treads for retreading tires; locomotives; masts for boats; golf carts [vehicles]; sprinkling trucks; propulsion mechanisms for land vehicles; mopeds; motor scooters; motorcycles; tyre mousse in-

serts; fitted footmuffs for pushchairs; fitted footmuffs for prams; freewheels for land vehicles; clutches for land vehicles; repair outfits for inner tubes; air pumps [vehicle accessories]; pumps for bicycle tires; upholstery for vehicles; rims for bicycle wheels; rims for vehicle wheels; windows for vehicles; omnibuses; engine mounts for land vehicles; axles for vehicles; headlight wipers; parachutes; ferry boats; bicycle pedals; ashtrays for automobiles; gearing for land vehicles; carts; head-rests for vehicle seats; bicycle kickstands; vehicle running boards; air bags [safety devices for automobiles]; ski lifts; chairlifts; sleeping berths for vehicles; pontoons; torque converters for land vehicles; cigar lighters for automobiles; non-skid devices for vehicle tires; anti-glare devices for vehicles; anti-theft devices for vehicles; sun-blinds adapted for automobiles; balance weights for vehicle wheels; shock absorbing springs for vehicles; bicycle frames; motorcycle frames; spars for ships; reduction gears for land vehicles; safety belts for vehicle seats; security harness for vehicle seats; vehicle suspension springs; rudders; bicycle handlebars; motorcycle handlebars; vehicle joysticks; bicycle cranks; aeroplanes; amphibious airplanes; sleighs [vehicles]; kick sledges; brake segments for vehicles; bicycle saddles; luggage nets for vehicles; dress guards for bicycles; fitted stroller mosquito nets; anti-theft alarms for vehicles; reversing alarms for vehicles; safety seats for children, for vehicles; vehicle seats; bellows for articulated buses; hydraulic circuits for vehicles; push scooters [vehicles]; mobility scooters; snowmobiles; rolling stock for railways; rolling stock for funicular railways; spokes for bicycle wheels; vehicle wheel spokes; spoilers for vehicles; air vehicles; vehicles for locomotion by land, air, water or rail; ambulances; autonomous underwater vehicles for seabed inspections; water vehicles; remotely operated vehicles for underwater inspections; remote control vehicles, other than toys; electric vehicles; tricycles; delivery tricycles; inclined ways for boats; windscreens; windshield wipers; hubs for bicycle wheels; hubs for vehicle wheels; bags adapted for pushchairs; saddlebags adapted for bicycles; railway couplings; trailer hitches for vehicles; couplings for land vehicles; wheelbarrows; handling carts; two-wheeled trolleys; shopping trolleys; hose carts; bogies for railway cars; casting carriages; tilting-carts; forklift trucks; cleaning trolleys; bicycle brakes; brakes for vehicles; torsion bars for vehicles; tractors; tramcars; transmissions for land vehicles; military vehicles for transport; aerial conveyors; trailers [vehicles]; funnels for ships; funnels for locomotives; cleats [nautical]; turbines for land vehicles; rowlocks; disengaging gear for boats; steering gears for ships; cable transport apparatus and installations; spoke clips for wheels; tipping apparatus [parts of railway wagons]; funiculars; vans [vehicles]; automobile chains; bicycle chains; motorcycle chains; driving chains for land vehicles; anti-skid chains; transmission chains for land vehicles; undercarriages for

vehicles; stroller covers; spare wheel covers; covers for vehicle steering wheels; saddle covers for bicycles; saddle covers for motorcycles; seat covers for vehicles; vehicle covers [shaped]; automobile chassis; vehicle chassis; connecting rods for land vehicles, other than parts of motors and engines; axle journals; gears for bicycles; tubeless tires for bicycles; bicycle tyres; automobile tires; pneumatic tires; solid tires for vehicle wheels; spikes for tires; davits for boats; launches; timbers [frames] for ships; mudguards; bicycle mudguards; motors, electric, for land vehicles; yachts; steering wheels for vehicles; signal arms for vehicles.

16 – Fountain pens; aquarelles; albums; document laminators for office use; mimeograph apparatus and machines; atlases; banknotes; banners of paper; table linen of paper; tickets; forms, printed; announcement cards [stationery]; note books; pads [stationery]; drawing pads; wristbands for the retention of writing instruments; paper sheets [stationery]; waxed paper; paper for recording machines; paper for radiograms; electrocardiograph paper; wood pulp paper; carbon paper; copying paper [stationery]; parchment paper; writing paper; rice paper; luminous paper; toilet paper; wrapping paper; filter paper; paper; blotters; rollers for typewriters; house painters' rollers; composing sticks; modelling wax, not for dental purposes; signboards of paper or cardboard; bunting of paper; electrotypes; hectographs; modelling clay; polymer modelling clay; terrestrial globes; drawing sets; engravings; slate pencils; pencil leads; document holders [stationery]; pencil holders; chalk holders; holders for cheque books; holders for stamps [seals]; page holders; diagrams; table runners of paper; engraving plates; writing slates; blackboards; galley racks [printing]; drawing boards; advertisement boards of paper or cardboard; duplicators; punches [office requisites]; cream containers of paper; money clips; tags for index cards; pen clips; bookmarkers; etching needles; tracing needles for drawing purposes; paper shredders for office use; graphic representations; credit card imprinters, non-electric; graining combs; drawing instruments; calendars; tracing paper; tracing cloth; tracing patterns; gums [adhesives] for stationery or household purposes; lithographic stones; ink stones [ink reservoirs]; pencils; pencil lead holders; charcoal pencils; pictures; transfers [decalcomanias]; paintings [pictures], framed or unframed; wood pulp board [stationery]; cardboard; hat boxes of cardboard; files [office requisites]; cards; index cards [stationery]; geographical maps; paper tapes and cards for the recordal of computer programmes; trading cards, other than for games; perforated cards for Jacquard looms; spools for inking ribbons; covers of paper for flower pots; paintbrushes; painters' brushes; writing brushes; typewriter keys; glue for stationery or household purposes; isinglass for stationery or household purposes; gluten [glue] for stationery or household purposes; starch paste [adhesive] for stationery or household purposes; printing blocks; manifolds [stationery]; dra-

wing pins; envelopes [stationery]; boxes of paper or cardboard; cases for stamps [seals]; paint boxes for use in schools; correcting fluids [office requisites]; printed coupons; stencils [stationery]; French curves; paper tapes; typewriter ribbons; gummed tape [stationery]; adhesive bands for stationery or household purposes; correcting tapes [office requisites]; inking ribbons; adhesive tapes for stationery or household purposes; self-adhesive tapes for stationery or household purposes; square rulers for drawing; drawing rulers; flyers; absorbent sheets of paper or plastic for foodstuff packaging; humidity control sheets of paper or plastic for foodstuff packaging; viscose sheets for wrapping; sheets of reclaimed cellulose for wrapping; plastic bubble packs for wrapping or packaging; steel letters; type [numerals and letters]; lithographs; paint trays; architects' models; postage stamps; plastics for modelling; modelling materials; sealing compounds for stationery purposes; adhesives [glues] for stationery or household purposes; stuffing of paper or cardboard; bookbinding material; packing [cushioning, stuffing] materials of paper or cardboard; packaging material made of starches; addressing machines; pencil sharpening machines, electric or non-electric; bookbinding apparatus and machines [office equipment]; typewriters, electric or non-electric; paper creasers [office requisites]; franking machines for office use; chalk for lithography; writing chalk; tailors' chalk; marking chalk; spray chalk; bags [envelopes, pouches] of paper or plastics, for packaging; garbage bags of paper or of plastics; plastic bags for pet waste disposal; painters' easels; hand-rests for painters; printing sets, portable [office requisites]; bibs of paper; stickers [stationery]; finger-stalls [office requisites]; writing cases [stationery]; cords for bookbinding; printed sheet music; numbering apparatus; bottle envelopes of paper or cardboard; sealing wafers; covers [stationery]; passport holders; plastic cling film, extensible, for palletization; handwriting specimens for copying; oleographs; musical greeting cards; greeting cards; postcards; etchings; conical paper bags; bags for microwave cooking; palettes for painters; ink sticks; pantographs [drawing instruments]; folders for papers; papier mâché; pastels [crayons]; modelling paste; pen cases; pen wipers; office perforators; pens [office requisites]; nibs of gold; nibs; steel pens; drawing pens; song books; seals [stamps]; sealing stamps; clipboards; address plates for addressing machines; handkerchiefs of paper; plastic film for wrapping; letter trays; trays for sorting and counting money; coasters of paper; bookends; stamp stands; mats for beer glasses; stands for pens and pencils; photograph stands; obliterating stamps; inking pads; stamp pads; binding strips [bookbinding]; towels of paper; inking sheets for document reproducing machines; inking sheets for duplicators; bookbinding cloth; gummed cloth for stationery purposes; printers' blankets, not of textile; portraits; paperweights; writing cases [sets]; inkstands; office requisites, except furniture;

writing materials; writing instruments; drawing materials; school supplies [stationery]; adhesive tape dispensers [office requisites]; hand labelling appliances; lithographic works of art; prospectuses; printed timetables; ledgers [books]; printers' galleys; indexes; rubber erasers; elastic bands for offices; T-squares for drawing; graphic reproductions; penholders; marking pens [stationery]; tissues of paper for removing make-up; face towels of paper; place mats of paper; tablemats of paper; tablecloths of paper; paper clasps; document files [stationery]; scrapers [erasers] for offices; paper-clips; staples for offices; erasing products; biological samples for use in microscopy [teaching materials]; histological sections for teaching purposes; steatite [tailor's chalk]; writing board erasers; composing frames [printing]; sealing wax; arithmetical tables; placards of paper or cardboard; writing or drawing books; fabrics for bookbinding; stationery; pencil sharpeners, electric or non-electric; transparencies [stationery]; stencil plates; cardboard tubes; Indian inks; moisteners [office requisites]; moisteners for gummed surfaces [office requisites]; squares for drawing; chart pointers, non-electronic; bottle wrappers of paper or cardboard; envelope sealing machines for offices; sealing machines for offices; vignetting apparatus; apparatus for mounting photographs; stapling presses [office requisites]; paper coffee filters; flags of paper; silver paper; molds for modelling clays [artists' materials]; photo-engravings; photographs [printed]; stencil cases; canvas for painting; chromolithographs [chromos]; compasses for drawing; numbers [type]; artists' watercolor saucers; correcting ink [heliography]; ink; inkwells; erasing shields; balls for ball-point pens; cabinets for stationery [office requisites]; printing type; address stamps; stamps [seals]; shields [paper seals]; prints [engravings]; labels of paper or cardboard; posters; paper bows, other than haberdashery or hair decorations; drawer liners of paper, perfumed or not; cigar bands; filtering materials of paper; paper knives [letter openers]; desk mats; figurines of papier mâché.

18 – Mountaineering sticks; luggage tags; pocket wallets; business card cases; reins; reins for guiding children; sling bags for carrying infants; harness fittings; parts of rubber for stirrups; chamois leather, other than for cleaning purposes; umbrellas; parasols; saddlery; frames for umbrellas or parasols; handbag frames; card cases [notecases]; cases of leather or leatherboard; valves of leather; whips; imitation leather; leather, unworked or semi-worked; leatherboard; casings, of leather, for springs; umbrella rings; hat boxes of leather; boxes of leather or leatherboard; boxes of vulcanized fiber; purses; chain mesh purses; fastenings for saddles; butts [parts of hides]; saddle trees; bags [envelopes, pouches] of leather, for packaging; moleskin [imitation of leather]; travelling sets [leatherware]; knee-pads for horses; muzzles; halters; vanity cases, not fitted; furniture coverings of leather; clothing for pets; covers for animals; trimmings of

leather for furniture; collars for animals; music cases; goldbeaters' skin; cat o' nine tails; leather leashes; pads for horse saddles; horseshoes; girths of leather; horse blankets; garment bags for travel; shoulder belts [straps] of leather; briefcases; traces [harness]; fur; randsels [Japanese school satchels]; haversacks; leather straps; straps for soldiers' equipment; harness straps; straps for skates; straps of leather [saddlery]; chin straps, of leather; stirrup leathers; umbrella handles; walking stick handles; suitcase handles; grips for holding shopping bags; rucksacks; travelling bags; riding saddles; net bags for shopping; umbrella or parasol ribs; stirrups; bags for climbers; tool bags, empty; handbags; beach bags; saddlebags; bags for sports; bags for campers; shopping bags; wheeled shopping bags; school satchels; bags; pouch baby carriers; travelling trunks; nose bags [feed bags]; bridoons; walking sticks; umbrella sticks; walking stick seats; tefillin [phylacteries]; bits for animals [harness]; bridles [harness]; harness for animals; key cases; horse collars; suitcases; suitcases with wheels; valises; attaché cases; covers for horse saddles; umbrella covers; kid; curried skins; animal skins; cattle skins; leather cord; blinkers [harness]; labels of leather; game bags [hunting accessories]; slings for carrying infants; saddlecloths for horses; credit card holders of leather.

20 – Picture frame brackets; bumper guards for cots, other than bed linen; reels, not of metal, non-mechanical, for flexible hoses; pulleys of plastics for blinds; bolts, not of metal; casks of wood for decanting wine; mooring buoys, not of metal; casks, not of metal; barrels, not of metal; identification bracelets, not of metal; sideboards; busts of wood, wax, plaster or plastic; costume stands; bolsters; fans for personal use, non-electric; work benches; vice benches [furniture]; valet stands; coatstands; shoulder poles [yokes]; screws, not of metal; display stands; showcases [furniture]; newspaper display stands; jewelry organizer displays; collars, not of metal, for fastening pipes; comb foundations for beehives; signboards of wood or plastics; loading gauge rods, not of metal, for railway wagons; nuts, not of metal; covers for clothing [wardrobe]; shoe pegs, not of metal; nesting boxes; coffins; doors for furniture; curtain holders, not of textile material; pegs [pins], not of metal; divans; kennels for household pets; birdhouses; keyboards for hanging keys; display boards; plugs [dowels], not of metal; containers, not of metal, for liquid fuel; troughs, not of metal, for mixing mortar; packaging containers of plastic; flower-stands [furniture]; curtain tie-backs; clips, not of metal, for cables and pipes; binding screws, not of metal, for cables; clips of plastic for sealing bags; rivets, not of metal; imitation tortoiseshell; locks, not of metal, for vehicles; locks, other than electric, not of metal; bead curtains for decoration; door bolts, not of metal; bottle closures, not of metal; closures, not of metal, for containers; latches, not of metal; mirrors [looking glasses]; hand-

held mirrors [toilet mirrors]; bamboo; scratching posts for cats; animal claws; animal hooves; coral; meersch-chaum; whalebone, unworked or semi-worked; stag antlers; tortoiseshell; shells; horn, unworked or semi-worked; animal horns; rattan; corozo; plaited straw, except matting; wickerwork; hampers [baskets] for the transport of items; works of art of wood, wax, plaster or plastic; cabinet work; reeds [plaiting materials]; settees; jerrycans, not of metal; curtain rods; index cabinets [furniture]; drain traps [valves] of plastic; water-pipe valves of plastic; valves, not of metal, other than parts of machines; staves of wood; plastic keys; plastic key cards, not encoded and not magnetic; mats for infant playpens; sleeping mats; saw horses; bed casters, not of metal; furniture casters, not of metal; brush mountings; chopping blocks [tables]; wind chimes [decoration]; door bells, not of metal, non-electric; bottle caps, not of metal; cradles; tent pegs, not of metal; curtain rings; split rings, not of metal, for keys; chests of drawers; console tables; containers, not of metal [storage, transport]; floating containers, not of metal; lecterns; dog kennels; bakers' bread baskets; baskets, not of metal; Moses baskets; bottle casings of wood; tool boxes, not of metal, empty; faucets, not of metal, for casks; armchairs; hairdressers' chairs; deck chairs; hospital beds; bedsteads of wood; beds; cots for babies; edgings of plastic for furniture; brackets, not of metal, for furniture; screw tops, not of metal, for bottles; table tops; sash fasteners, not of metal, for windows; hooks, not of metal, for clothes rails; curtain hooks; clothes hooks, not of metal; bag hangers, not of metal; beds for household pets; nesting boxes for household pets; ladders of wood or plastics; playpens for babies; mannequins; air mattresses, not for medical purposes; mattresses; furniture of metal; inflatable furniture; office furniture; school furniture; mobiles [decoration]; door knockers, not of metal; curtain rails; legs for furniture; feet for furniture; house numbers, not of metal, non-luminous; barrel hoops, not of metal; door stops, not of metal or rubber; window stops, not of metal or rubber; moldings for picture frames; bed bases; furniture partitions of wood; freestanding partitions [furniture]; mother-of-pearl, unworked or semi-worked; mirror tiles; ambroid plates; registration plates, not of metal; identity plates, not of metal; loading pallets, not of metal; handling pallets, not of metal; transport pallets, not of metal; head-rests [furniture]; stakes, not of metal, for plants or trees; trestles [furniture]; magazine racks; book rests [furniture]; stands for calculating machines; flower-pot pedestals; baby changing mats; pet cushions; pillows; cushions; air cushions, not for medical purposes; air pillows, not for medical purposes; removable mats or covers for sinks; racks [furniture]; library shelves; shelves for file cabinets; furniture shelves; shelves for storage; wood ribbon; straw edgings; towel stands [furniture]; hat stands; bathtub grab bars, not of metal; cask stands, not of metal; inflatable publicity objects; counters [tables];

bedding, except linen; corks for bottles; corks; sealing caps, not of metal; stair rods; standing desks; embroidery frames; dispensers for dog waste bags, fixed, not of metal; towel dispensers, fixed, not of metal; picture frames; sections of wood for beehives; tanks, not of metal nor of masonry; fodder racks; curtain rollers; door handles, not of metal; knobs, not of metal; fishing baskets; writing desks; seats of metal; benches [furniture]; vats, not of metal; honeycombs; sofas; bungs, not of metal; statues of wood, wax, plaster or plastic; oyster shells; silvered glass [mirrors]; shelving units; ambroid bars; umbrella stands; gun racks; carts for computers [furniture]; dressing tables; washstands [furniture]; typing desks; drafting tables; massage tables; tables of metal; wall-mounted baby changing platforms; saw benches [furniture]; desks; tea carts; dinner wagons [furniture]; tables; steps [ladders], not of metal; chairs [seats]; high chairs for babies; chests, not of metal; placards of wood or plastics; stools; footstools; crates; trolleys [furniture]; straw plaits; mobile boarding stairs, not of metal, for passengers; straw mattresses; decorations of plastic for foodstuffs; beehives; door fasteners, not of metal; window fasteners, not of metal; funerary urns; door fittings, not of metal; coffin fittings, not of metal; bed fittings, not of metal; furniture fittings, not of metal; window fittings, not of metal; infant walkers; garment covers [storage]; stuffed animals; stuffed birds; hinges, not of metal; chaise longues; poles, not of metal; screens [furniture]; filing cabinets; medicine cabinets; plate racks; meat safes; bookcases; wardrobes; cupboards; shoe dowels, not of metal; bamboo curtains; slatted indoor blinds; screens for fireplaces [furniture]; labels of plastic; yellow amber; lockers; chests for toys; tool chests, not of metal, empty; boxes of wood or plastic; bottle racks; coat hangers; reels of wood for yarn, silk, cord; trays, not of metal; figurines of wood, wax, plaster or plastic; step stools, not of metal; winding spools, not of metal, non-mechanical, for flexible hoses; window blinds of fabric; letter boxes, not of metal or masonry.

21 – Pressure cookers, non-electric; indoor aquaria; wine aerators; buckets; cookie jars; candle jars [holders]; china ornaments; dishes; paper plates; vegetable dishes; saucers; mugs; candy boxes; bottles; demijohns; vases; epergnes; fruit cups; inflatable bath tubs for babies; bird baths; baby baths, portable; plungers for clearing blocked drains; waffle irons, non-electric; coolers [ice pails]; mop wringer buckets; buckets made of woven fabrics; whisks, non-electric, for household purposes; cooking skewers of metal; towel rails and rings; hair for brushes; horsehair for brush-making; birdcages; funnels; carpet beaters [hand instruments]; signboards of porcelain or glass; candle extinguishers; heads for electric toothbrushes; flower pots; chamber pots; glue-pots; cruets; decanters; large-toothed combs for the hair; combs for animals; tea cosies; abrasive sponges for scrubbing the skin; make-up sponges; sponges for household purposes; toilet spon-



ges; sponge holders; stands for portable baby baths; toothpick holders; soap holders; table napkin holders; holders for flowers and plants [flower arranging]; tea bag rests; shaving brush stands; toilet paper holders; soap dispensers; toilet paper dispensers; plug-in diffusers for mosquito repellents; aromatic oil diffusers, other than reed diffusers; ironing boards; cutting boards for the kitchen; bread boards; washing boards; crushers for kitchen use, non-electric; strainers for household purposes; smoke absorbers for household purposes; containers for household or kitchen use; kitchen containers; glass jars [carboys]; heat-insulated containers; heat-insulated containers for beverages; thermally insulated containers for food; glass flasks [containers]; closures for pot lids; chamois leather for cleaning; toothpicks; ceramics for household purposes; majolica; works of art of porcelain, ceramic, earthenware, terra-cotta or glass; kitchen grinders, non-electric; cleaning instruments, hand-operated; cabarets [trays]; stew-pans; covers, not of paper, for flower pots; shaving brushes; make-up brushes; baking mats; ladles for serving wine; polishing leather; hot pots, not electrically heated; glass bulbs [receptacles]; shoe trees; napkin rings; poultry rings; rings for birds; coin banks; piggy banks; bread baskets for household purposes; baskets for household purposes; waste paper baskets; feeding troughs; mangers for animals; lunch boxes; tea caddies; washtubs; earthenware saucepans; mess-tins; cauldrons; coffee percolators, non-electric; coffeepots, non-electric; coffee grinders, hand-operated; fused silica [semi-worked product], other than for building; beer mugs; pepper pots; oven mitts; gloves for household purposes; car washing mitts; polishing gloves; gardening gloves; pestles for kitchen use; droppers for household purposes; droppers for cosmetic purposes; plates for diffusing aromatic oil; plates to prevent milk boiling over; dripping pans; trays for household purposes; trays of paper, for household purposes; lazy susans; heaters for feeding bottles, non-electric; candelabra [candlesticks]; trivets [table utensils]; coasters, not of paper or textile; grill supports; menu card holders; knife rests for the table; flat-iron stands; egg cups; abrasive pads for kitchen purposes; scouring pads; drinking troughs; serving ladles; powdered glass for decoration; pottery; pots; cooking pots; painted glassware; tableware, other than knives, forks and spoons; porcelain ware; earthenware; crystal [glassware]; cosmetic utensils; toilet utensils; trouser presses; tortilla presses, non-electric [kitchen utensils]; deodorizing apparatus for personal use; cruet sets for oil and vinegar; make-up removing appliances; spice sets; apparatus for wax-polishing, non-electric; bottle openers, electric and non-electric; glove stretchers; boot jacks; crumb trays; tie presses; potholders; clothes-pegs; glass stoppers; powder compacts; perfume vaporizers; powder puffs; dusting apparatus, non-electric; foam toe separators for use in pedicures; combs; electric combs; grills [cooking utensils]; sifters [household utensils]; drin-

king horns; shoe horns; candle drip rings; broom handles; salad bowls; place mats, not of paper or textile; sugar bowls; beaters, non-electric; egg separators, non-electric, for household purposes; services [dishes]; coffee services [tableware]; liqueur sets; tea services [tableware]; cooking mesh bags, other than for microwaves; sieves [household utensils]; cinder sifters [household utensils]; tea strainers; siphon bottles for carbonated water; rolling pins, domestic; frying pans; squeegees [cleaning instruments]; steel wool for cleaning; currycombs; blenders, non-electric, for household purposes; scoops for household purposes; fruit presses, non-electric, for household purposes; drinking straws; salt cellars; drinking vessels; vessels of metal for making ices and iced drinks; refrigerating bottles; cups of paper or plastic; glasses [receptacles]; drinking glasses; statues of porcelain, ceramic, earthenware, terra-cotta or glass; figurines of porcelain, ceramic, earthenware, terra-cotta or glass; glass for vehicle windows [semi-finished product]; plate glass [raw material]; opal glass; glass, unworked or semi-worked, except building glass; opaline glass; glass incorporating fine electrical conductors; enamelled glass, not for building; glass wool, other than for insulation; vitreous silica fibers, other than for textile use; fiberglass, other than for insulation or textile use; mortars for kitchen use; portable cool boxes, non-electric; soup bowls; drying racks for laundry; rotary washing lines; tajines, non-electric; basins [receptacles]; table plates; disposable table plates; graters for kitchen use; insulating flasks; indoor terrariums [plant cultivation]; indoor terrariums [vivariums]; cloth for washing floors; polishing cloths; cloths for cleaning; dusting cloths [rags]; furniture dusters; urns; aerosol dispensers, not for medical purposes; wax-polishing appliances, non-electric, for shoes; water apparatus for cleaning teeth and gums; electric devices for attracting and killing insects; watering devices; utensils for household purposes; kitchen utensils; cooking utensils, non-electric; coffee filters, non-electric; flasks; hip flasks; drinking bottles for sports; boot trees; molds [kitchen utensils]; egg poachers; cake moulds; ice cube moulds; cookery moulds; deep fryers, non-electric; comb cases; bread bins; fly swatters; teapots; kettles, non-electric; cups; ironing board covers, shaped; tea infusers; glass bowls; mops; mop wringers; cocktail shakers; cosmetic spatulas; corkscrews, electric and non-electric; animal bristles [brushware]; pig bristles for brush-making; brushes; dishwashing brushes; ski wax brushes; brushes for cleaning tanks and containers; lamp-glass brushes; horse brushes; scrubbing brushes; toothbrushes; toothbrushes, electric; basting brushes; carpet sweepers; brushes for footwear; tar-brushes, long handled; toilet brushes; electric brushes, except parts of machines; eyebrow brushes; nail brushes; eyelash brushes; nutcrackers; ice tongs; salad tongs; sugar tongs; decanter tags; nest eggs, artificial; boxes for dispensing paper towels; dustbins; window-boxes; boxes of glass; busts of por-

celain, ceramic, earthenware, terracotta or glass; clothing stretchers; couscous cooking pots, non-electric; cages for household pets; animal grooming gloves; wine-tasting pipettes; bulb basters; garlic presses [kitchen utensils].

24 – Frieze [cloth]; banners of textile or plastic; velvet; household linen; diapered linen; bath linen, except clothing; bed linen; table linen, not of paper; buckram; fustian; sleeping bag liners; felt; bunting of textile or plastic; gauze [cloth]; damask; jersey [fabric]; drugget; shower curtains of textile or plastic; curtains of textile or plastic; net curtains; zephyr [cloth]; canvas for tapestry or embroidery; bolting cloth; baby buntings; crepe [fabric]; crepon; furniture coverings of textile; fabrics for textile use; filtering materials of textile; wall hangings of textile; non-woven textile fabrics; plastic material [substitute for fabrics]; textile material; tablemats of textile; sleeping bags; sleeping bags for babies; moleskin [fabric]; pillowcases; mattress covers; bed blankets; blankets for household pets; brocades; diaper changing cloths for babies; handkerchiefs of textile; travelling rugs [lap robes]; coasters of textile; linings [textile]; hat linings, of textile, in the piece; curtain holders of textile material; bed covers; bed covers of paper; furniture coverings of plastic; towels of textile; hemp cloth; gummed cloth, other than for stationery purposes; printers' blankets of textile; cloth; door curtains; sheets [textile]; eiderdowns [down coverlets]; bath mitts; shrouds; glass cloths [towels]; cloths for removing make-up; face towels of textile; place mats of textile; table napkins of textile; mosquito nets; calico; oilcloth for use as tablecloths; tablecloths, not of paper; billiard cloth; taffeta [cloth]; ticks [mattress covers]; tick [linen]; lingerie fabric; fabric, impervious to gases, for aeronautical balloons; jute fabric; fabric for footwear; ramie fabric; esparto fabric; rayon fabric; fiberglass fabrics for textile use; adhesive fabric for application by heat; linen cloth; upholstery fabrics; hemp fabric; lining fabric for footwear; traced cloth for embroidery; chenille fabric; printed calico cloth; knitted fabric; cotton fabrics; silk fabrics for printing patterns; woolen cloth; elastic woven material; fabric; fabric of imitation animal skins; haircloth [sackcloth]; cheese cloth; tulle; flags of textile or plastic; flannel [fabric]; trellis [cloth]; covers for cushions; fitted toilet lid covers of fabric; covers [loose] for furniture; pillow shams; cheviots [cloth]; silk [cloth]; labels of textile; fabric table toppers; marabouts [cloth].

25 – Wimples; bandanas [neckerchiefs]; underwear; sweat-absorbent underwear; berets; overalls; boas [necklets]; teddies [underclothing]; boxer shorts; ankle boots; ski boots; boots for sports; breeches for wear; trousers; football boots; brassieres; valenki [felted boots]; mittens; collars [clothing]; detachable collars; shirt yokes; veils [clothing]; gabardines [clothing]; galoshes; neckties; ascots; leggings [leg warmers]; gaiters; boot uppers; corselets; jerseys [clothing]; vests;

sports jerseys; hosiery; heels; hoods [clothing]; hat frames [skeletons]; pockets for clothing; neck scarfs [mufflers]; caps being headwear; kimonos; cap peaks; visors being headwear; tights; slips [underclothing]; combinations [clothing]; wet suits for water-skiing; bodices [lingerie]; corsets [underclothing]; suits; bathing suits; masquerade costumes; beach clothes; leotards; jackets [clothing]; stuff jackets [clothing]; fishing vests; leggings [trousers]; liveries; camisolas; sports singlets; cuffs; short-sleeve shirts; mantillas; coats; sleep masks; furs [clothing]; hand warmers [fingerless gloves]; miters [hats]; muffs [clothing]; footmuffs, not electrically heated; bibs, not of paper; bibs, sleeved, not of paper; fur stoles; hairdressing capes; heel protectors for shoes; ear muffs [clothing]; socks; sweat-absorbent socks; footwear; beach shoes; sports shoes; clothing; paper clothing; outerclothing; embroidered clothing; ready-made clothing; motorists' clothing; cyclists' clothing; clothing for gymnastics; clothing of imitations of leather; clothing of leather; waterproof clothing; uniforms; clothing containing slimming substances; fittings of metal for footwear; maniples; overcoats; panties; parkas; pelerines; gloves [clothing]; ski gloves; pajamas; bathing trunks; shirt fronts; scarfs; pocket squares; dresses; headbands [clothing]; garters; sock suspenders; stocking suspenders; ready-made linings [parts of clothing]; dress shields; soles for footwear; braces for clothing [suspenders]; half-boots; lace boots; ponchos; girdles; belts [clothing]; money belts [clothing]; layettes [clothing]; non-slipping devices for footwear; heelpieces for stockings; welts for footwear; chasubles; shirts; wooden shoes; sandals; bath sandals; boots; jumper dresses; saris; sarongs; sweaters; footwear uppers; inner soles; albs; bath slippers; togas; knitwear [clothing]; underpants; shoes; gymnastic shoes; slippers; skull caps; turbans; headwear; aprons [clothing]; judo uniforms; karate uniforms; tee-shirts; dressing gowns; bath robes; top hats; tips for footwear; stockings; sweat-absorbent stockings; shawls; paper hats [clothing]; shower caps; bathing caps; sashes for wear; studs for football boots; hats; babies' pants [underwear]; trouser straps; pelisses; esparto shoes or sandals; skirts; petticoats; skorts; fingerless gloves; heel inserts.

27 – Artificial turf; yoga mats; floor mats, fire-resistant, for fireplaces and barbecues; carpets; decorative wall hangings, not of textile; carpets for automobiles; bath mats; non-slip mats; linoleum; wallpaper; textile wallpaper; carpet underlay; vinyl floor coverings; floor coverings; textile wallcoverings; door mats; tatami mats; mats; reed mats.

28 – Arcade video game machines; video game machines; gaming machines for gambling; amusement machines, automatic and coin-operated; toy vehicles; swimming pools [play articles]; trampolines; novelty toys for parties; scratch cards for playing lottery games; starting blocks for sports; bodyboards; skating boots with skates attached; dolls' feeding bottles;

tricycles for infants [toys]; stationary exercise bicycles; creels [fishing traps]; shuttlecocks; spinning tops [toys]; dumbbells; gyroscopes and flight stabilizers for model aircraft; jigsaw puzzles; clay pigeons [targets]; punching bags; bite sensors [fishing tackle]; hang gliders; joysticks for video games; flying discs [toys]; discuses for sports; dolls' houses; dominoes; swimming kickboards; paddleboards; surfboards; spring boards [sports articles]; skateboards; sailboards; chessboards; checkerboards; drones [toys]; darts; Christmas trees of synthetic material; cups for dice; swimming jackets; ascenders [mountaineering equipment]; kites; needles for pumps for inflating balls for games; toys for pets; stuffed toys; plush toys; toy mobiles; toys; parlor games; board games; ring games; games; building games; kaleidoscopes; bladders of balls for games; rosin used by athletes; edges of skis; bingo cards; playing cards; fairground ride apparatus; reels for fishing; rocking horses; swings; skittles; skittles [games]; billiard cues; golf clubs; hockey sticks; baby gyms; seal skins [coverings for skis]; bells for Christmas trees; dolls' rooms; controllers for toys; confetti; ice skates; roller skates; inline roller skates; dice; paintball guns [sports apparatus]; ski bindings; dolls' beds; roulette wheels; fish hooks; building blocks [toys]; dolls; flippers for swimming; fishing lines; gut for fishing; bows for archery; skis; waterskis; surf skis; mah-jong; toy models; hunting game calls; puppets; masks [playthings]; carnival masks; theatrical masks; fencing masks; matryoshka dolls; masts for sailboards; ball pitching machines; teddy bears; chalk for billiard cues; targets; electronic targets; scale model kits [toys]; scale model vehicles; kite reels; balls for games; artificial fishing bait; billiard table cushions; knee guards [sports articles]; billiard cue tips; elbow guards [sports articles]; backgammon games; pumps specially adapted for use with balls for games; dolls' clothes; fencing weapons; twirling batons; paragliders; pachinkos; baseball gloves; boxing gloves; golf gloves; gloves for games; batting gloves [accessories for games]; fencing gauntlets; pinatas; toy pistols; toy air pistols; percussion caps [toys]; caps for pistols [toys]; protective films adapted for screens for portable games; rattles [playthings]; horseshoe games; candle holders for Christmas trees; Christmas tree stands; sole coverings for skis; water wings; floats for fishing; portable games with liquid crystal displays; swimming belts; decoys for hunting or fishing; scent lures for hunting or fishing; archery implements; soap bubbles [toys]; divot repair tools [golf accessories]; billiard markers; protective padings [parts of sports suits]; rackets; surfboard leashes; harness for sailboards; weight lifting belts [sports articles]; toy robots; sling shots [sports articles]; rollers for stationary exercise bicycles; harpoon guns [sports articles]; plush toys with attached comfort blanket; scooters [toys]; sleds [sports articles]; bobsleighs; butterfly nets; landing nets for anglers; nets for sports; tennis nets; bite indicators [fishing tackle];

slot machines [gaming machines]; appliances for gymnastics; quoits; bar-bells; climbers' harness; fishing tackle; artificial snow for Christmas trees; snowshoes; snowboards; remote-controlled toy vehicles; clay pigeon traps; billiard tables; coin-operated billiard tables; tables for table tennis; strings for rackets; gut for rackets; cricket bags; golf bag carts; slides [playthings]; body-building apparatus; machines for physical exercises; men's athletic supporters [sports articles]; rods for fishing; ornaments for Christmas trees, except illumination articles and confectionery; tennis ball throwing apparatus; conjuring apparatus; apparatus for games; bowling apparatus and machinery; toy figures; counters [discs] for games; chips for gambling; foosball tables; bags especially designed for skis and surfboards; marbles for games; billiard balls; playing balls; play balloons; paintballs [ammunition for paintball guns] [sports apparatus]; snow globes; chess games; checkers [games]; poles for pole vaulting; paper party hats; shin guards [sports articles]; camouflage screens [sports articles]; chest expanders [exercisers]; novelty toys for playing jokes; controllers for game consoles; Christmas crackers [party novelties]; golf bags, with or without wheels.

35 – Arranging subscriptions to telecommunication services for others; import-export agency services; commercial information agency services; advertising agency services; cost price analysis; rental of advertising space; business auditing; business intermediary services relating to the matching of potential private investors with entrepreneurs needing funding; employment agency services; computerized file management; book-keeping; invoicing; demonstration of goods; transcription of communications [office functions]; opinion polling; market studies; business information; business investigations; business research; marketing research; personnel recruitment; business management and organization consultancy; business organization consultancy; business management consultancy; personnel management consultancy; professional business consultancy; layout services for advertising purposes; marketing; business management of performing artists; business management of sports people; writing of résumés for others; scriptwriting for advertising purposes; news clipping services; updating and maintenance of information in registries; updating and maintenance of data in computer databases; updating of advertising material; word processing; organization of exhibitions for commercial or advertising purposes; arranging newspaper subscriptions for others; organization of fashion shows for promotional purposes; organization of trade fairs for commercial or advertising purposes; shop window dressing; design of advertising materials; business appraisals; payroll preparation; data search in computer files for others; sponsorship search; business management assistance; commercial or industrial management assistance; providing business information via a web site; provision of commercial and business

contact information; web indexing for commercial or advertising purposes; economic forecasting; auctioneering; sales promotion for others; production of teleshopping programmes; production of advertising films; office machines and equipment rental; rental of advertising time on communication media; publicity material rental; rental of billboards [advertising boards]; rental of vending machines; rental of sales stands; rental of photocopying machines; publication of publicity texts; radio advertising; bill-posting; distribution of samples; dissemination of advertising matter; direct mail advertising; registration of written communications and data; writing of publicity texts; advertising; online advertising on a computer network; advertising by mail order; television advertising; document reproduction; compilation of statistics; compilation of information into computer databases; business inquiries; systemization of information into computer databases; advisory services for business management; negotiation of business contracts for others; negotiation and conclusion of commercial transactions for third parties; compiling indexes of information for commercial or advertising purposes; tax preparation; drawing up of statements of accounts; telemarketing services; psychological testing for the selection of personnel; business management of hotels; business management for freelance service providers; business project management services for construction projects; commercial administration of the licensing of the goods and services of others; business management of reimbursement programs for others; administration of consumer loyalty programs; administration of frequent flyer programs; administrative processing of purchase orders; public relations; modelling for advertising or sales promotion; typing; appointment reminder services [office functions]; web site traffic optimization; relocation services for businesses; tax filing services; search engine optimization for sales promotion; appointment scheduling services [office functions]; price comparison services; secretarial services; procurement services for others [purchasing goods and services for other businesses]; shorthand; outsourcing services [business assistance]; telephone answering for unavailable subscribers; photocopying services; business efficiency expert services; commercial information and advice for consumers in the choice of products and services; consultancy regarding public relations communication strategies; consultancy regarding advertising communication strategies; commercial intermediation services; provision of an online marketplace for buyers and sellers of goods and services; presentation of goods on communication media, for retail purposes; wholesale services for pharmaceutical, veterinary and sanitary preparations and medical supplies; retail services for pharmaceutical, veterinary and sanitary preparations and medical supplies; outsourced administrative management for companies; pay per

click advertising; on-line ordering services featuring goods for children; on-line furniture ordering services.

37 – Asphaltting; drilling of deep oil or gas wells; drilling of wells; rebuilding engines that have been worn or partially destroyed; rebuilding machines that have been worn or partially destroyed; renovation of clothing; retreading of tires; vulcanization of tires [repair]; building sealing; linen ironing; pressing of clothing; disinfecting; rat exterminating; vehicle battery charging; knife sharpening; building insulating; repair information; construction information; bricklaying; riveting; construction consultancy; varnishing; re-tinning; scaffolding; road paving; window cleaning; vehicle washing; building construction supervision; tuning of musical instruments; upholstery; rustproofing; anti-rust treatment for vehicles; sanding; pumicing; strong-room maintenance and repair; vehicle maintenance; paper hanging; painting or repair of signs; cleaning of buildings [exterior surface]; vehicle polishing; vehicle breakdown repair services; rental of bulldozers; rental of drainage pumps; rental of dish drying machines; rental of road sweeping machines; rental of cleaning machines; rental of cranes [construction equipment]; rental of dishwashing machines; rental of laundry washing machines; rental of construction equipment; rental of excavators; laying of cable; masonry; roofing services; painting, interior and exterior; carpentry services; underwater repair; plastering; quarrying services; repair of security locks; umbrella repair; parasol repair; motor vehicle maintenance and repair; burner maintenance and repair; film projector repair and maintenance; airplane maintenance and repair; safe maintenance and repair; clock and watch repair; repair of power lines; pump repair; upholstery repair; shoe repair; clothing repair; photographic apparatus repair; furniture restoration; restoration of musical instruments; restoration of works of art; vehicle greasing; demolition of buildings; warehouse construction and repair; vehicle service stations [refuelling and maintenance]; sterilization of medical instruments; washing; washing of linen; pier breakwater building; pipeline construction and maintenance; underwater construction; harbour construction; factory construction; building of fair stalls and shops; construction; shipbuilding; cleaning of buildings [interior]; street cleaning; vermin exterminating, other than for agriculture, aquaculture, horticulture and forestry; tire balancing; pest control services, other than for agriculture, aquaculture, horticulture and forestry; hydraulic fracturing services; artificial snow-making services; laundering; installation of doors and windows; irrigation devices installation and repair; elevator installation and repair; heating equipment installation and repair; burglar alarm installation and repair; furnace installation and repair; telephone installation and repair; installation and repair of air-conditioning apparatus; fire alarm installation and repair; freezing equipment installation and repair; electric appliance installation and repair; kitchen equ-

ipment installation; installation, maintenance and repair of computer hardware; machinery installation, maintenance and repair; office machines and equipment installation, maintenance and repair; interference suppression in electrical apparatus; swimming-pool maintenance; furniture maintenance; chimney sweeping; boiler cleaning and repair; cleaning of clothing; dry cleaning; vehicle cleaning; diaper cleaning; leather care, cleaning and repair; fur care, cleaning and repair; mining extraction; plumbing; furniture assembly.

39 – Air transport; motor coach rental; boat rental; garage rental; rental of vehicle roof racks; aircraft rental; parking place rental; rental of warehouses; rental of tractors; booking of seats for travel; travel reservation; transport reservation; towing; vehicle breakdown towing services; bottling services; water distribution; delivery of newspapers; message delivery; parcel delivery; delivery of goods; delivery of goods by mail order; flower delivery; launching of satellites for others; traffic information; transportation information; storage information; transportation logistics; rescue operations [transport]; arranging of cruises; organization of tours; armored-car transport; hauling; carting; transport and storage of trash; transporting furniture; lighterage services; ferry-boat transport; removal services; transport of travellers; guarded transport of valuables; bus transport; car transport; barge transport; boat transport; railway transport; marine transport; passenger transport; river transport; ambulance transport; streetcar transport; portering; refloating of ships; cash replenishment of automated teller machines; shipbrokerage; transport brokerage; freight brokerage [forwarding (Am.)]; providing driving directions for travel purposes; car rental; railway truck rental; rental of diving bells; rental of diving suits; rental of motor racing cars; rental of aircraft engines; railway coach rental; rental of wheelchairs; rental of storage containers; horse rental; rental of freezers; rental of navigational systems; refrigerator rental; vehicle rental; rental of electric wine cellars; stevedoring; unloading cargo; electricity distribution; distribution of energy; packaging of goods; collection of recyclable goods [transport]; ice-breaking; piloting; water supplying; escorting of travellers; transport by pipeline; wrapping of goods; operating canal locks; car parking; chauffeur services; pleasure boat transport; car sharing services; courier services [messages or merchandise]; salvaging; salvage of ships; gift wrapping; underwater salvage; taxi transport; transport; transport services for sightseeing tours; franking of mail; freight [shipping of goods]; freighting; physical storage of electronically stored data or documents; boat storage; storage of goods; storage; freight forwarding.

40 – Paper finishing; applying finishes to textiles; beer brewing for others; upcycling [waste recycling]; vulcanization [material treatment]; skin dressing; fruit

crushing; embroidering; galvanization; electroplating; engraving; decontamination of hazardous materials; air deodorizing; stripping finishes; tanning; metal tempering; freezing of foods; gilding; gold plating; material treatment information; cadmium plating; permanent-press treatment of fabrics; food and drink preservation; food smoking; leather staining; fur dyeing; shoe staining; textile dyeing; cloth dyeing; laminating; lithographic printing; metal casting; fur glossing; tin plating; boilermaking; taxidermy; magnetization; nickel plating; abrasion; paper treating; water treating; woodworking; processing of cinematographic films; leather working; cloth edging; metal treating; fur conditioning; fur mothproofing; waste treatment [transformation]; textile mothproofing; fabric waterproofing; crease-resistant treatment for clothing; cloth fireproofing; textile treating; wool treating; framing of works of art; window tinting treatment, being surface coating; air freshening; fabric bleaching; air purification; soldering; clothing alteration; recycling of waste and trash; processing of oil; pattern printing; photographic printing; offset printing; metal plating; printing; burnishing by abrasion; flour milling; dressmaking; custom manufacturing of bread; rental of boilers; knitting machine rental; rental of generators; rental of air-conditioning apparatus; rental of space heating apparatus; photographic film development; pottery firing; blacksmithing; custom assembling of materials for others; bookbinding; welding services; glass-blowing; saddlery working; grinding; cloth cutting; sawing of materials; refining services; timber felling and processing; fur satining; silver plating; incineration of waste and trash; laser scribing; warping [looms]; sorting of waste and recyclable material [transformation]; photocomposing services; quilting; planing of materials; fulling of cloth; tinting of car windows; slaughtering of animals; destruction of waste and trash; cloth pre-shrinking; custom 3D printing for others; services of a dental technician; cryopreservation services; key cutting; dyeing services; sandblasting services; production of energy; custom tailoring; custom fashioning of fur; photogravure; millworking; chromium plating; colour separation services; silkscreen printing; optical glass grinding.

41 – Modelling for artists; academies [education]; rental of indoor aquaria; rental of artwork; rental of sports grounds; rental of tennis courts; lending library services; booking of seats for shows; videotaping; physical education; production of music; discotheque services; animal training; dubbing; gambling services; publication of books; education information; recreation information; entertainment information; movie studio services; nightclub services [entertainment]; layout services, other than for advertising purposes; microfilming; videotape editing; production of radio and television programmes; screenplay writing; religious education; aikido instruction; gymnastic instruction; correspondence courses; practical training [demonstration]; training services provided via simula-

tors; organization of balls; providing recreation facilities; arranging and conducting of colloquiums; arranging and conducting of congresses; arranging and conducting of conferences; arranging and conducting of concerts; arranging and conducting of workshops [training]; arranging and conducting of seminars; arranging and conducting of symposiums; organization of competitions [education or entertainment]; arranging of beauty contests; organization of lotteries; organization of fashion shows for entertainment purposes; organization of shows [impresario services]; organization of sports competitions; vocational guidance [education or training advice]; amusement park services; sign language interpretation; television entertainment; mobile library services; vocational retraining; providing online videos, not downloadable; providing online music, not downloadable; providing golf facilities; providing sports facilities; providing amusement arcade services; cinema presentations; presentation of circus performances; presentation of variety shows; presentation of live performances; theatre productions; conducting fitness classes; educational examination; film production, other than advertising films; rental of audio equipment; rental of video cameras; rental of video cassette recorders; rental of videotapes; rental of show scenery; rental of sound recordings; toy rental; rental of cinematographic apparatus; rental of motion pictures; games equipment rental; rental of stadium facilities; rental of lighting apparatus for theatrical sets or television studios; rental of radio and television sets; rental of skin diving equipment; rental of sports equipment, except vehicles; rental of stage scenery; electronic desktop publishing; online publication of electronic books and journals; publication of texts, other than publicity texts; radio entertainment; entertainer services; entertainment services; writing of texts; sado instruction [tea ceremony instruction]; zoological garden services; news reporters services; party planning [entertainment]; music composition services; subtitling; tutoring; holiday camp services [entertainment]; conducting guided tours; disc jockey services; personal trainer services [fitness training]; providing casino facilities [gambling]; calligraphy services; karaoke services; club services [entertainment or education]; songwriting; providing museum facilities [presentation, exhibitions]; teaching; educational services provided by schools; orchestra services; translation; scriptwriting, other than for advertising purposes; ticket agency services [entertainment]; coaching [training]; sport camp services; recording studio services; language interpreter services; nursery schools; photography; photographic reporting; timing of sports events; boarding school education; production of shows; health club services [health and fitness training]; providing online electronic publications, not downloadable; organization of exhibitions for cultural or educational purposes; arranging and conducting of in-person educational forums; providing television

programs, not downloadable, via video-on-demand services; providing films, not downloadable, via video-on-demand services.

42 – Water analysis; computer system analysis; handwriting analysis [graphology]; energy auditing; recovery of computer data; industrial design; graphic arts design; computer virus protection services; oil-field surveys; geological surveys; engineering; installation of computer software; meteorological information; material testing; textile testing; geological research; research in the field of environmental protection; mechanical research; research and development of new products for others; scientific research; analysis for oil-field exploitation; underwater exploration; calibration [measuring]; web site design consultancy; computer security consultancy; information technology [IT] consultancy; consultancy in the design and development of computer hardware; architectural consultancy; internet security consultancy; computer software consultancy; data security consultancy; technological consultancy; oil-well testing; quality control; vehicle roadworthiness testing; land surveying; dress designing; updating of computer software; monitoring of computer systems to detect breakdowns; monitoring of computer systems for detecting unauthorized access or data breach; monitoring of computer systems by remote access; software as a service [SaaS]; maintenance of computer software; authenticating works of art; design of interior decor; quality evaluation of standing timber; quality evaluation of wool; digitization of documents [scanning]; conversion of data or documents from physical to electronic media; urban planning; providing information on computer technology and programming via a web site; providing search engines for the internet; conversion of computer programs and data, other than physical conversion; conducting technical project studies; computer system design; rental of web servers; computer rental; rental of computer software; unlocking of mobile phones; geological prospecting; oil prospecting; hosting computer sites [web sites]; construction drafting; computer software design; cloud seeding; consultancy in the field of energy-saving; creating and designing website-based indexes of information for others [information technology services]; creating and maintaining web sites for others; computer programming; technical writing; copying of computer programs; architectural services; outsource service providers in the field of information technology; packaging design; off-site data backup; computer technology consultancy; telecommunications technology consultancy; weather forecasting; styling [industrial design]; cartography services; data encryption services; electronic data storage; surveying; electronic monitoring of credit card activity to detect fraud via the internet; electronic monitoring of personally identifying information to detect identity theft via the internet; interior design; provision of scientific information, advice and consultancy in relation to carbon offsetting; server

hosting; cloud computing; research in the field of physics.

(260) AM 2020 107954 A  
(800) 1525515  
(151) 2019 11 27  
(891) 2019 11 27  
(731) UPL LTD.

upl house, 610 b/2, bandra village, off western express highway, bandra (east), mumbai, maharashtra 400051, India

(540)

**QUIMBARA**

(591) Black, white  
(531) 27.05.01  
(511)

1 – Fertilizer and chemical products for use in agriculture, plant nutrient, additive chemical to fungicides, additive chemical to insecticides, flower preservatives, chemicals for forestry, phosphorus, plant growth regulating preparations, carbolineum for the protection of plant.

5 – Pesticides, insecticides, fungicides, herbicides, vermicides, rodenticides, weedicides, preparations for killing weeds and destroying vermin.

(260) AM 2020 107955 A  
(800) 1525556  
(151) 2020 02 06  
(891) 2020 02 06

(731) Pryvatne pidpriemstvo "Sotsialna Marketynhova Initsiatyva"  
vul. Chornovola, 43, m. Vyshneve, Kyievo-Sviatoshynskiyi r-n, Kyivska obl. 08132, Ukraine

(540)

**Мисмер Блусмер**

(591) Black, white  
(531) 28.05  
(511)

16 – Paper; cardboard; printed matter; bookbinding material; photographs [printed]; stationery; adhesives for stationery or household purposes, paintbrushes; typewriters, electric or non-electric; office requisites, except furniture; teaching materials [except apparatus]; plastic film for wrapping; printing type; printing blocks.

35 – Advertising; business management; business administration; office functions.

41 – Education; providing of training; entertainment; sporting and cultural activities.

(260) AM 2020 107956 A  
(800) 1525581  
(151) 2019 10 02  
(891) 2019 10 02  
(731) CHAOZHOU CHAO'AN JINDEFU FOOD CO., LTD.  
QIQIAO INDUSTRIAL ZONE, WENLI VILLIAGE, ANBU TOWN, CHAO'AN DISTRICT, CHAOZHOU CITY, GUANG DONG PROVINCE, China

(540)

**Jindefu 金德福**

(591) Black, white  
(531) 27.05.01; 28.03  
(511)

30 – Rice; soya sauce; coffee; sugar; loquat leaf extract; soyabean flour; corn flakes; rice cakes; leaven; beer vinegar; cereal-based snack food; husked oats; Chinese rice pudding; mooncake; tea-based beverages; pastries; ice cream; rice-based snack food; shrimp tasted cereal bars; almond paste; frozen yogurt [confectionery ices]; starch for food; husked barley; muesli; sugar candy bird's nest; soya flour; peanut confectionery; chocolate-based beverages; cereal preparations; condiments; convenience noodle; aromatic preparations for food; confectionery; sushi; tea; fruit jellies [confectionery]; candy; honey; gluten prepared as foodstuff; biscuits; ricefruit [puffed food].

(260) AM 2020 107957 A  
(800) 1525591  
(151) 2020 03 11  
(891) 2020 03 11  
(731) Bayer Consumer Care AG  
Peter Merian-Str. 84, CH-4052 Basel, Switzerland

(540)



(591) Yellow, orange, gray and white  
(531) 25.07.01; 26.07.25; 29.01.14  
(511)

5 – Dietetic substances and foodstuffs for medical use; food supplements for human consumption; vitamin supplements in the form of water-soluble tablets used for making effervescent beverages; beverages used as dietary supplements.

(260) AM 2020 107998 A  
 (800) 1526337  
 (151) 2019 12 16  
 (891) 2019 12 16  
 (731) Egis Gyógyszergyár Zrt.  
 Keresztúri út 30-38., H-1106 Budapest,  
 Hungary  
 (540)

## REPARON

(591) Black, white  
 (511)  
 3 – Cosmetics, personal sanitary preparations.  
 5 – Pharmaceutical preparations for human use; ointments for pharmaceutical purposes; suppositories; antihemorrhoidal ointments; antihemorrhoidal suppositories; antihemorrhoidal preparations.

(260) AM 2020 107999 A  
 (800) 1526338  
 (151) 2019 12 16  
 (891) 2019 12 16  
 (731) Egis Gyógyszergyár Zrt.  
 Keresztúri út 30-38., H-1106 Budapest,  
 Hungary  
 (540)

## РЕПАРОН

(591) Black, white  
 (531) 28.05  
 (511)  
 3 – Cosmetics, personal sanitary preparations.  
 5 – Pharmaceutical preparations for human use; ointments for pharmaceutical purposes; suppositories; antihemorrhoidal ointments; antihemorrhoidal suppositories; antihemorrhoidal preparations.

(260) AM 2020 108018 A  
 (800) 1526744  
 (151) 2020 03 27  
 (891) 2020 03 27  
 (731) Hebei Hengshui Laobaigan Liquor Co., Ltd.  
 No. 809, Renmin East Road, Hengshui City,  
 Hebei Province, China  
 (540)



(591) Black, white

(531) 26.04.02; 26.04.05; 26.04.18; 26.04.24;  
 27.07.17; 27.07.19; 28.03

(511)  
 33 – Fruit extracts, alcoholic; sparkling wines; sake; rice alcohol; wine; alcoholic beverages, except beer; yellow wines; spirits [beverages]; soju [Korean distilled spirits]; baijiu [Chinese distilled alcoholic beverage].

(260) AM 2020 108019 A  
 (800) 1526761  
 (151) 2020 03 04  
 (891) 2020 03 04  
 (731) LTD "VALENTA-INTELLEKT"  
 ul. Ryabinovaya, d. 26, str. 10, k.6-26,  
 RU-121471 Moscow, Russian Federation  
 (540)

## ЭТОКСИДОЛ

(591) Black, white  
 (531) 28.05  
 (511)  
 5 – Antibiotics; medicines for human purposes; pharmaceutical preparations; chemico-pharmaceutical preparations; chemical preparations for pharmaceutical purposes.

(260) AM 2020 108021 A  
 (800) 1526792  
 (151) 2020 03 20  
 (891) 2020 03 20  
 (731) HUAWEI TECHNOLOGIES CO., LTD.  
 Administration Building, Huawei Technologies  
 Co., Ltd., Bantian, Longgang District,  
 Shenzhen, China  
 (540)

## Larkia

(591) Black, white  
 (531) 27.05.01  
 (511)  
 9 – Anti-theft warning apparatus; eyeglasses; electric batteries; photocopiers (photographic, electrostatic, thermic); computers; computer programs (downloadable software); navigation apparatus for vehicles (on-board computers); satellite navigational apparatus; wearable computers; smartwatches; wearable activity trackers; cabinets for loudspeakers; television apparatus; camcorders; television cameras; projection apparatus; data processing apparatus; speed checking apparatus for vehicles; optical communication equipment; network communication apparatus; network routers; smartphones; bathroom scales; intercommunication apparatus; television apparatus for vehicles; earphones; set-top boxes; cameras (photography); 3D spectacles; baby monitors; downloadable mobile phone software applications; computer programs, recor-



ded; tablet computers; personal digital assistants (PDAs); virtual reality headsets; smart rings; electronic key fobs being remote control apparatus; telecommunication apparatus in the form of jewellery; human face recognition devices; selfie sticks for mobile phones; wearable video display monitors; security surveillance robots; telepresence robots; mobile power source (rechargeable batteries); remote control apparatus for household purposes; interactive touch screen terminals; smartglasses; document printers for use with computers; rearview cameras for vehicles; humanoid robots with artificial intelligence; detectors; measuring apparatus; automatic indicators of low pressure in vehicle tyres; steering apparatus, automatic, for vehicles; integrated circuits; portable media players; sensors; video screens; remote control apparatus; dictating machines; navigational instruments; radios (vehicle —); laptop computers.

42 – Cloud computing; unlocking of mobile phones; data encryption services; outsource service providers in the field of information technology; research and development of new products for others; software as a service (SaaS); computer virus protection services; updating of computer software; electronic data storage; recovery of computer data; installation of computer software; data conversion of computer programs and data (not physical conversion); weather forecasting; computer software design; maintenance of computer software; computer systems analysis; off-site data backup; technical project studies; rental of web servers; providing search engines for the internet; monitoring of computer systems by remote access; meteorological information.

(260) AM 2020 108022 A

(800) 1526798

(151) 2020 02 28

(891) 2020 02 28

(731) SP Group A/S

Snavevej 6-10, DK-5471 Søndersø, Denmark

(540)

**CHAMPION**

(591) Black, white

(511)

10 – Medical PTCA guidewires.

(260) AM 2020 108023 A

(800) 1526808

(151) 2020 02 11

(891) 2020 02 11

(731) "Delta Medical Promotions AG"

Oetenbachgasse 26, CH-8001 Zurich,  
Switzerland

(540)

**БОННИ**

(591) Black, white

(531) 28.05

(511)

3 – Breath freshening sprays; amber [perfume]; air fragrancing preparations; balms, other than for medical purposes; cosmetic dyes; bergamot oil; shaving preparations; astringents for cosmetic purposes; petroleum jelly for cosmetic purposes; bath preparations, not for medical purposes; bath salts, not for medical purposes; cotton wool for cosmetic purposes; cotton swabs for cosmetic purposes / cotton sticks for cosmetic purposes; skin whitening creams; laundry bleaching preparations; dental bleaching gels; depilatory preparations; hair lotions; make-up; make-up preparations; make-up removing preparations; deodorants for pets; deodorants for human beings or for animals; deodorant soap; shampoos for pets [non-medicated grooming preparations]; scented water; extracts of flowers [perfumes]; ethereal essences; ethereal oils; greases for cosmetic purposes; aromatics [essential oils]; flavourings for beverages [essential oils]; cake flavourings [essential oils]; dentifrices; bases for flower perfumes; adhesives for cosmetic purposes; cosmetics; cosmetics for animals; make-up powder; beauty masks; cosmetic kits; cosmetic preparations for slimming purposes; cosmetic creams; cakes of toilet soap; lavender water; lavender oil; essential oils of lemon; lotions for cosmetic purposes; tissues impregnated with cosmetic lotions; mint for perfumery; mint essence [essential oil]; massage gels, other than for medical purposes; almond oil; almond soap; almond milk for cosmetic purposes; soap; soap for foot perspiration; antiperspirant soap; cleansing milk for toilet purposes; musk [perfumery]; nail care preparations; fumigation preparations [perfumes]; eau de Cologne; cosmetic pencils; oils for perfumes and scents; oils for cosmetic purposes; oils for toilet purposes; oils for cleaning purposes; breath freshening strips; scouring solutions; perfumery; perfumes; mouthwashes, not for medical purposes; pomades for cosmetic purposes; aloe vera preparations for cosmetic purposes; sun-tanning preparations [cosmetics]; sunscreen preparations; douching preparations for personal sanitary or deodorant purposes [toiletries]; potpourris [fragrances]; dry shampoos; talcum powder, for toilet use; terpenes [essential oils]; rose oil; toilet water; cosmetic dyes; shampoos; cosmetic preparations for skin care.

5 – Dental abrasives; acaricides; aconitine; alkaloids for medical purposes; alginates for pharmaceutical purposes; alginate dietary supplements; algicides; aldehydes for pharmaceutical purposes; aluminium acetate for pharmaceutical purposes; dental amalgams; amino acids for veterinary purposes; amino acids for medical purposes; analgesics; angostura bark for medical purposes; anaesthetics; antibiotics; appetite suppressants for medical purposes; first-aid boxes, filled; acetates for pharmaceutical purposes; tonics [medicines]; germicides; bacterial poisons; bacterial prepara-

tions for medical and veterinary use; bouillons for bacteriological cultures; bacteriological preparations for medical and veterinary use; balms for medical purposes; balsamic preparations for medical purposes; aseptic cotton; bandages for dressings; tobacco-free cigarettes for medical purposes; albuminous preparations for medical purposes; albuminous foodstuffs for medical purposes; biological preparations for veterinary purposes; biological preparations for medical purposes; biocides; bismuth preparations for pharmaceutical purposes; bismuth subnitrate for pharmaceutical purposes; wart pencils; linseed meal for pharmaceutical purposes; flour for pharmaceutical purposes; bromine for pharmaceutical purposes; bronchodilating preparations; vaginal washes for medical purposes; chemical preparations for the diagnosis of pregnancy; petroleum jelly for medical purposes; vaccines; therapeutic preparations for the bath; salts for mineral water baths; oxygen baths; bath salts for medical purposes; lime-based pharmaceutical preparations; wadding for medical purposes; absorbent wadding; veterinary preparations; tartar for pharmaceutical purposes; chemical preparations for treating diseases affecting vine plants; vitamin preparations; sea water for medicinal bathing; mineral waters for medical purposes; hydrated chloral for pharmaceutical purposes; dietary fibre; medicinal hair growth preparations; charcoal for pharmaceutical purposes; gases for medical purposes; gallic acid for pharmaceutical purposes; guaiacol for pharmaceutical purposes; haematogen; haemoglobin; haemorrhoid preparations; herbicides; sanitary tampons; sanitary panties; sanitary towels; hydrastine; hydrastinine; mustard for pharmaceutical purposes; mustard oil for medical purposes; mustard plasters; vermifuges; glycerine for medical purposes; glycerophosphates; glucose for medical purposes; breast-nursing pads; headache relief sticks; hormones for medical purposes; preparations for destroying dry rot fungus; soil-sterilizing preparations; mud for baths; medicinal mud; rubber for dental purposes; gum for medical purposes; gamboge for medical purposes; gurjun balsam for medical purposes; disinfectants for hygiene purposes; disinfectants for chemical toilets; deodorants for clothing and textiles; deodorants, other than for human beings or for animals; air deodorizing preparations; detergents for medical purposes; digitalin; powdered milk for babies; babies' diaper-pants; diabetic bread adapted for medical use; diagnostic preparations for medical purposes; diastase for medical purposes; dietary supplements for animals; glucose dietary supplements; linseed dietary supplements; royal jelly dietary supplements; pollen dietary supplements; propolis dietary supplements; wheat germ dietary supplements; dietetic beverages adapted for medical purposes; dietetic substances adapted for medical use; dietetic foods adapted for medical purposes; milking grease; yeast for pharmaceutical purposes; yeast dietary supplements; eucalyptus for pharmaceutical purposes; eucalyptol for pharmaceuti-

cal purposes; chemical conductors for electrocardiograph electrodes; elixirs [pharmaceutical preparations]; esters for pharmaceutical purposes; ethers for pharmaceutical purposes; gelatine for medical purposes; cod liver oil; greases for veterinary purposes; greases for medical purposes; jujube, medicated; chewing gum for medical purposes; vulnerary sponges; medicines for alleviating constipation; semen for artificial insemination; nervines; chemical preparations for treating diseases affecting cereal plants; personal sexual lubricants; dental amalgams of gold; preparations to facilitate teething; teeth filling material; dental impression materials; dental lacquer, dental mastics; adhesives for dentures; dental cements; isotopes for medical purposes; immunostimulants; insecticides; Irish moss for medical purposes; caustics for pharmaceutical purposes; caustic pencils; iodine for pharmaceutical purposes; alkaline iodides for pharmaceutical purposes; iodides for pharmaceutical purposes; iodoform; casein dietary supplements; potassium salts for medical purposes; calomel [fungicide]; camphor for medical purposes; camphor oil for medical purposes; capsules for medicines; carbolineum [parasiticide]; cachou for pharmaceutical purposes; quassia for medical purposes; quebracho for medical purposes; oxygen for medical purposes; acids for pharmaceutical purposes; bone cement for surgical and orthopaedic purposes; fly glue; cocaine; collodion for pharmaceutical purposes; insect repellents; insect repellent incense; compresses; condurango bark for medical purposes; solutions for contact lenses; contact lens cleaning preparations; cedar wood for use as an insect repellent; barks for pharmaceutical purposes; quinquina for medical purposes; medicinal roots; rhubarb roots for pharmaceutical purposes; lint for medical purposes; cream of tartar for pharmaceutical purposes; creosote for pharmaceutical purposes; blood plasma; blood for medical purposes; depuratives; haemostatic pencils; styptic preparations; dill oil for medical purposes; croton bark; starch for dietetic or pharmaceutical purposes; cultures of microorganisms for medical or veterinary use; curare; smoking herbs for medical purposes; lactose for pharmaceutical purposes; adhesive plasters; lecithin for medical purposes; lecithin dietary supplements; larvae exterminating preparations; medicinal alcohol; medicine cases, portable, filled; medicines for veterinary purposes; medicines for human purposes; medicines for dental purposes; medicinal tea; medicinal herbs; remedies for foot perspiration; medicinal drinks; medicinal infusions; medicinal oils; liniments; liquorice for pharmaceutical purposes; lotions for veterinary purposes; lotions for pharmaceutical purposes; pharmaceutical preparations for treating dandruff; lupulin for pharmaceutical purposes; lozenges for pharmaceutical purposes; linseed for pharmaceutical purposes; mint for pharmaceutical purposes; magnesia for pharmaceutical purposes; ointments for pharmaceutical purposes; mangrove bark for pharmaceutical purposes; gauze for dressings; roy-

al jelly for pharmaceutical purposes; melissa water for pharmaceutical purposes; menthol; almond milk for pharmaceutical purposes; myrobalan bark for pharmaceutical purposes; preparations for destroying mice; preparations of trace elements for human and animal use; nutritive substances for microorganisms; mothproofing paper; mothproofing preparations; mineral water salts; mineral food supplements; preparations for callouses; moleskin for medical purposes; milk ferments for pharmaceutical purposes; fly catching paper; fly destroying preparations; powder of cantharides; scapulars for surgical purposes; vesicants; narcotics; tincture of iodine; tinctures for medical purposes; sodium salts for medical purposes; antiparasitic collars for animals; smelling salts; fumigation preparations for medical purposes; fumigating sticks; frostbite salve for pharmaceutical purposes; chilblain preparations; oil of turpentine for pharmaceutical purposes; opiates; opium; preparations for the treatment of burns; opodeldoc; ophotherapy preparations; poisons; collyrium; eyepatches for medical purposes; leeches for medical purposes; stick liquorice for pharmaceutical purposes; sulfur sticks [disinfectants]; paper for mustard plasters; vermin destroying preparations; parasiticides; pectin for pharmaceutical purposes; babies' diapers; diapers for incontinence; pepsins for pharmaceutical purposes; peptones for pharmaceutical purposes; dressings, medical; surgical dressings; surgical implants comprised of living tissues; pearl powder for medical purposes; hydrogen peroxide for medical purposes; pesticides; tanning pills; appetite suppressant pills; slimming pills; antioxidant pills; pyrethrum powder; remedies for perspiration; air purifying preparations; nutritional supplements; mouthwashes for medical purposes; pomades for medical purposes; porcelain for dental prostheses; laxatives; aloe vera preparations for pharmaceutical purposes; poultices; food for babies; purgatives; propolis for pharmaceutical purposes; protein dietary supplements; protein supplements for animals; asthmatic tea; febrifuges; chemical contraceptives; antiseptic cotton; antiseptics; corn rings for the feet; antiparasitic preparations; antiuric preparations; anticryptogamic preparations; radium for medical purposes; radioactive substances for medical purposes; chemical reagents for medical or veterinary purposes; radiological contrast substances for medical purposes; insect repellents for dogs; fish meal for pharmaceutical purposes; ergot for pharmaceutical purposes; tissues impregnated with pharmaceutical lotions; solvents for removing adhesive plasters; mercurial ointments; sarsaparilla for medical purposes; lead water; serotherapeutic medicines; siccatives [drying agents] for medical purposes; serums; syrups for pharmaceutical purposes; turpentine for pharmaceutical purposes; slug exterminating preparations; soporifics; dog washes [insecticides]; bicarbonate of soda for pharmaceutical purposes; salts for medical purposes; malt for pharmaceutical purposes; malted milk beverages for medical purposes; sunburn oint-

ments; alloys of precious metals for dental purposes; douching preparations for medical purposes; sterilizing preparations; steroids; stem cells for veterinary purposes; stem cells for medical purposes; strychnine; sulfonamides [medicines]; animal washes [insecticides]; thermal water; thymol for pharmaceutical purposes; gentian for pharmaceutical purposes; herbal teas for medicinal purposes; digestives for pharmaceutical purposes; panty liners [sanitary]; tobacco extracts [insecticides]; pharmaceutical preparations; phenol for pharmaceutical purposes; fennel for medical purposes; ferments for pharmaceutical purposes; enzyme preparations for veterinary purposes; chemical preparations for treating phylloxera; formic aldehyde for pharmaceutical purposes; moulding wax for dentists; phosphates for pharmaceutical purposes; fungicides; chemico-pharmaceutical preparations; chemical preparations for veterinary purposes; chemical preparations for medical purposes; chemical preparations for pharmaceutical purposes; quinine for medical purposes; chinoline for medical purposes; chloroform; extracts of hops for pharmaceutical purposes; cattle washes [insecticides]; flowers of sulfur for pharmaceutical purposes; cellulose esters for pharmaceutical purposes; cellulose ethers for pharmaceutical purposes; medicated candies; sugar for medical purposes; pharmaceutical preparations for skin care; rat poison; jalap.

10 – Aerosol dispensers for medical purposes; obstetric apparatus; forceps; anaesthetic apparatus; arterial blood pressure measuring apparatus; bandages, elastic; soporific pillows for insomnia; dental burs; vaginal syringes; cases fitted for medical instruments; veterinary apparatus and instruments; arch supports for footwear; orthopaedic footwear; traction apparatus for medical purposes; castrating pincers; hot air vibrators for medical purposes; bed vibrators; vibromassage apparatus; containers especially made for medical waste; basins for medical purposes; waterbeds for medical purposes; hair prostheses; ear plugs [ear protection devices]; ear picks; galvanic belts for medical purposes; galvanic therapeutic appliances; pacifiers for babies; strait jackets; hot air therapeutic apparatus; gastroscopes; bed pans; hypogastric belts; plaster bandages for orthopaedic purposes; apparatus for the treatment of deafness; feeding bottle teats; clips for pacifiers; needles for medical purposes; suture needles; acupuncture needles; electric acupuncture instruments; artificial breasts; surgical sponges; defibrillators; mirrors for dentists; mirrors for surgeons; diagnostic apparatus for medical purposes; dialyzers; drainage tubes for medical purposes; medical guidewires; radiology screens for medical purposes; elastic stockings for surgical purposes; stockings for varices; electrodes for medical use; electrocardiographs; heating cushions, electric, for medical purposes; clips, surgical; protection devices against X-rays, for medical purposes; probes for medical purposes; corn knives; dental apparatus and instruments; teething rings; den-

tal apparatus, electric; sets of artificial teeth; injectors for medical purposes; inhalers; incubators for babies; incubators for medical purposes; insufflators; cannulae; heart pacemakers; catheters; quartz lamps for medical purposes; catgut; artificial limbs; enema apparatus for medical purposes; thermo-electric compresses [surgery]; compressors [surgical]; corsets for medical purposes; abdominal corsets; esthetic massage apparatus; dropper bottles for medical purposes; droppers for medical purposes; dentists' armchairs; armchairs for medical or dental purposes; blood testing apparatus; lasers for medical purposes; lamps for medical purposes; lancets; beds specially made for medical purposes; medical apparatus and instruments; spoons for administering medicine; lenses [intraocular prostheses] for surgical implantation; love dolls [sex dolls]; massage apparatus; gloves for massage; masks for use by medical personnel; uterine syringes; childbirth mattresses; furniture especially made for medical purposes; crutches; tips for crutches; microdermabrasion apparatus; douche bags; breast pumps; instrument cases for use by doctors; air mattresses for medical purposes; air pillows for medical purposes; air cushions for medical purposes; knee bandages, orthopaedic; finger guards for medical purposes; feeding bottles; thread, surgical; scissors for surgery; knives for surgical purposes; ambulance stretchers; stretchers, wheeled; fumigation apparatus for medical purposes; operating tables; orthodontic appliances; orthopedic articles; orthopaedic soles; orthopaedic belts; ophthalmometers; ophthalmoscopes; artificial eyes; gloves for medical purposes; pessaries; saws for surgical purposes; slings [supporting bandages]; draw-sheets for sick beds; hypodermic syringes; supports for flat feet; spittoons for medical purposes; bandages for joints, anatomical; cushions for medical purposes; pads for preventing pressure sores on patient bodies; pumps for medical purposes; appliances for washing body cavities; receptacles for applying medicines; maternity belts; belts, electric, for medical purposes; belts for medical purposes; condoms; pulse meters; balling guns; incontinence sheets; umbilical belts; radiological apparatus for medical purposes; resuscitation apparatus; X-ray apparatus for medical purposes; X-ray tubes for medical purposes; X-ray photographs for medical purposes; respirators for artificial respiration; surgical cutlery; urinals being vessels; scalpels; tongue scrapers; hearing aids; ear trumpets; clothing especially for operating rooms; spirometers [medical apparatus]; stents; sterile sheets, surgical; stethoscopes; commode chairs; thermal packs for first aid purposes; thermometers for medical purposes; water bags for medical purposes; ice bags for medical purposes; trocars; radium tubes for medical purposes; blankets, electric, for medical purposes; filters for ultraviolet rays, for medical purposes; ultraviolet ray lamps for medical purposes; urethral probes; urethral syringes; urological apparatus and instruments; physical exercise apparatus for medical purposes; physiotherapy ap-

paratus; surgical apparatus and instruments; surgical implants comprised of artificial materials; boots for medical purposes; abdominal belts; suture materials; splints, surgical; syringes for injections; syringes for medical purposes; pins for artificial teeth; artificial skin for surgical purposes; apparatus for artificial respiration.

(260) AM 2020 108024 A

(800) 1526829

(151) 2020 03 13

(891) 2020 03 13

(731) KIA MOTORS CORPORATION

12, Heolleung-ro, Seocho-gu, Seoul 06797,

Republic of Korea

(540)



(591) Black, white

(531) 27.05.01; 27.05.17; 27.05.19; 27.05.22;  
27.05.23

(511)

11 – Gas igniters; oxygen concentrators for use with fuel cells used in heating, ventilation, air conditioning, lighting, and power systems for buildings; air purifiers; industrial furnaces; apparatus for heating, ventilating and air conditioning; drying machines for agriculture; heating packs, not for medical purposes; bidets; faucet handles; hydrogen generation equipment and components, namely, hydrogen generators, hydrogen purifiers, hydrogen purification membranes, fuel processors, and steam reformers; lighting apparatus for vehicles; aquarium filtration apparatus; heating apparatus and devices for laboratory use; cooking apparatus and installations; beverage cooling apparatus; apparatus for dehydrating food waste; cool boxes, electric; footwarmers, electric or non-electric; electric lighting apparatus; coils [parts of distilling, heating or cooling installations]; whirlpool-jet apparatus; heat guns.

(260) AM 2020 108025 A

(800) 1526839

(151) 2020 03 13

(891) 2020 03 13

(731) KIA MOTORS CORPORATION

12, Heolleung-ro, Seocho-gu, Seoul 06797,

Republic of Korea

(540)



(591) Black, white

(531) 27.05.01; 27.05.17; 27.05.19; 27.05.22;  
27.05.23

(511)

37 – Garage services for the maintenance and repair of motor vehicles; installation, maintenance and repair of batteries and accumulators; recharging of batteries and accumulators; laundering; vehicle battery charging; disinfecting for vehicles; vehicle battery charging; vehicle repair services; fueling of hydrogen gas for vehicles; repair or maintenance of motor automobile parts; automobile cleaning and car washing; providing information relating to the repair or maintenance of automobiles; motor vehicle maintenance and repair; tuning of motor vehicles; automobile parts, fittings and accessories repair; maintenance of electrical installations; battery management; repair of braking devices; vehicle maintenance; rental of cleaning equipment.

(260) AM 2020 108027 A

(800) 1526885

(151) 2020 03 13

(891) 2020 03 13

(731) KIA MOTORS CORPORATION

12, Heolleung-ro, Seocho-gu, Seoul 06797,  
Republic of Korea

(540)



(591) Black, white

(531) 27.05.01; 27.05.17; 27.05.19; 27.05.22;  
27.05.23

(511)

12 – Mobility scooters; parachutes; tractors for agricultural purposes; robotic cars; motor trucks; electric motors for motor cars; automatic transport vehicles; driverless cars [autonomous cars]; civilian drones; motor buses; tricycles; suspension shock absorbers for vehicles; electric drives for vehicles; sports cars; coach vans; parts and fittings for motorcycles; motorcycles; baby strollers; apparatus for locomotion by land, air or water; vehicles for locomotion by land, air, water or rail; land vehicles; engines, motors, rubber belts and brakes for land vehicles; motors and engines for land vehicles; couplings for land vehicles; autonomous cars; automobiles; lane departure warning alarms for automobiles; automobile tires; parts and accessories for automobiles; electrically powered scooters; electric cars; electric bicycles; electrically operated wheelchairs; tractors; hybrid scooters; wheelchairs.

(260) AM 2020 108041 A

(800) 1527258

(151) 2019 10 29

(891) 2019 10 29

(731) Fohoway (Tianjin) Technology Development  
Co., Ltd.

Room 1-4302, Block E, 6 HuaFeng Road,  
HuaMing High-tech Industrial Zone, DongLi  
District, Tianjin, China

(540)



(591) Black, white

(531) 26.13.25; 26.15.01

(511)

3 – Shampoo; hair conditioners; shining preparations [polish]; grinding preparations; hair dyes; depilatories; sunscreen preparations; incense; cosmetics for animals; air fragrancing preparations; hair lotions; facial cleanser; bath lotion; stain removers; polishes; ethereal oils; laundry preparations; cosmetics; perfumes; dentifrices.

5 – Sanitary towels; medicines for human purposes; radioactive medicine; gases for medical purposes; chemical conductors for electrocardiograph electrodes; semen for artificial insemination; disinfectants for hygiene purposes; contact lens cleaning preparations; nutritive substances for microorganisms; dietetic substances adapted for medical use; depuratives; medicines for veterinary purposes; biocides; dressings, medical; alloys of precious metals for dental purposes; diapers for pets.

16 – Paper; paper for recording machines; toilet paper; advertisement boards of paper or cardboard; note books; cardboard tubes; printed publications; newspapers; lithographic works of art; packaging material made of starches; bookbinding material; files [office requisites]; ink; stamps [seals]; writing materials; gummed tape [stationery]; drawing instruments; drawing materials; prints [engravings]; teaching materials [except apparatus]; architects' models; copying paper [stationery]; oil paintings.

24 – Textile material; lingerie fabric; non-woven textile fabrics; curtains of textile or plastic; silk artwork; felt; household linen; pillow cases; quilt cover; mattress covers [bed linen]; loose covers for furniture; fitted toilet lid covers of fabric; bed covers; quilts; sheets [textile]; pillowcases; marabouts [cloth]; hada (greeting fabric); flags of textile or plastic; shrouds.

25 – Layettes [clothing]; footwear; caps being headwear; hosiery; panty hose; gloves [clothing]; scarfs; girdles; religious clothing; sleep masks; sweatband for sports.

28 – Apparatus for games; conjuring apparatus; toys; chess; balls for games; body-building apparatus; fitness exercise machines and apparatus; fitness swing machine; archery implements; machines for physical exercises; hunting game calls; swimming pools [play articles]; plastic race tracks being toys; shin guards [sports articles]; elbow guards [sports articles]; knee guards (sports articles); waist guards for athletic use; leg guards for athletic use; arm guards for athletic use; waist trimmer exercise belts being sports articles; wrist guards for athletic use; snowshoes; Christmas trees of synthetic material; fishing tackle; twirling batons; camouflage screens [sports articles]; scratch cards for playing lottery games; grip bands for rackets.

29 – Edible birds' nests; seaweed extracts for food; fish-based foodstuffs; canned fishery products; pollen prepared as foodstuff; snacks, mainly of fruits or vegetables; processed areca nuts; vegetables, dried; eggs; milk products; edible fats; fruit jellies; dried edible mushrooms; tofu products (bean curd products); sausage casings, natural or artificial.

30 – Coffee-based beverages; cocoa-based beverages; tea; flowers or leaves for use as tea substitutes; tea-based beverages; natural sweeteners; candy; honey; bee glue; royal jelly; confectionery in the nature of bird's nest stewed with rock sugar; essence of chicken with aweto; cookies; pastries; zongzi (glutinous rice wrapped in bamboo leaves); cereal preparations; noodles; cereal-based snack food; starch for food; ice cream; cooking salt; vinegar; condiments; yeast; food flavorings, other than essential oils; preparations for stiffening whipped cream; meat tenderizers for household purposes; gluten prepared as foodstuff.

35 – Accounting; sponsorship search; rental of sales stands; retail or wholesale services for pharmaceutical, veterinary and sanitary preparations and medical supplies; retail or wholesale services for medicines; retail or wholesale services for veterinary medicines.

(260) AM 2020 108042 A  
 (800) 1527304  
 (151) 2020 02 28  
 (891) 2020 02 28  
 (731) SP Group A/S  
 Snavevej 6-10, DK-5471 Søndersø, Denmark  
 (540)

**POSEIDON**

(591) Black, white  
 (511)  
 10 – Medical hydrophilic nitinol guidewires.

(260) AM 2020 108053 A  
 (800) 1514974  
 (151) 2019 12 23

(891) 2020 04 07  
 (731) Rothmans of Pall Mall Limited  
 Route de France 17, CH-2926 Boncourt,  
 Switzerland  
 (540)



(591) Blue, red, silver and white  
 (531) 03.01.01; 03.01.16; 03.01.24; 25.05.03;  
 25.07.21; 26.11.09; 27.05.01; 29.01.14

(511)  
 34 – Cigarettes; raw or manufactured tobacco; tobacco products; tobacco substitutes (other than for medical use); cigars, cigarillos; lighters; matches; smokers' articles; cigarette paper, cigarette tubes, cigarette filters; pocket apparatus for rolling cigarettes; hand-held machines for injecting tobacco into paper tubes; electronic cigarettes; liquids for electronic cigarettes; tobacco products for the purpose of being heated.

(260) AM 2020 108054 A  
 (800) 1515762  
 (151) 2019 12 18  
 (891) 2020 04 01  
 (731) H. Lundbeck A/S  
 Ottiliavej 9, DK-2500 VALBY, Denmark  
 (540)

**VYEPTI**

(591) Black, white  
 (511)  
 10 – Surgical and medical apparatus and instruments; devices, syringes and needles for injections and medical purposes; apparatus and instruments for diagnostic purposes including test kits; integrated medical systems containing medical apparatus and software for information and information management for use of a Web-based physical and psychological and neurological examination and assessment of patients and clients at a distance and at a clinic; medical instruments for information, guidance, management and control of medicines.

(260) AM 2020 108055 A  
 (800) 1518153  
 (151) 2019 07 24  
 (891) 2020 03 02

(731) Open Joint-Stock Company "Gomel'skij likero-  
vodochnyj zavod "Radamir"  
ul. Sevastopol'skaja 106, 246042 Gomel,  
Belarus

(540)

ЗЕМЛЯК

(591) Black, white

(531) 28.05

(511)

32 – Beer; mineral and aerated waters; fruit beverages  
and fruit juices; syrups and other preparations for  
making beverages.

33 – Alcoholic beverages, except beer.

35 – Advertising; organization of trade fairs and ex-  
hibitions for commercial or advertising purposes in-  
cluding on the Internet; the bringing together, presen-  
tation and demonstration, for the benefit of others, of  
a variety of goods (excluding the transport thereof),  
enabling customers to conveniently view and purcha-  
se those goods, including those services also provided  
by retail stores, wholesale outlets, through mail order  
catalogues or by means of electronic media, for exam-  
ple, through web sites or television shopping progra-  
mmes; promoting the goods for others by means of re-  
tail services, home presentations, on the Internet or by  
means of catalogues; help in the arranging of sales  
including consultancy relating to planning and met-  
hods of organization of sales, merchandising services;  
retail and wholesale services, including by means of  
home presentations, on the Internet or by means of ca-  
talogues; procurement services for others [purchasing  
goods and services for other businesses].

---

**INTERNATIONAL TRADEMARKS PROTECTED IN GEORGIA**

(260) AM 2020 98952 A  
(800) 1417392  
(151) 2018 04 20  
(181) 2028 04 20  
(891) 2018 04 20  
(511) 19, 20, 27, 35

---

(260) AM 2020 100110 A  
(800) 1428747  
(151) 2018 04 20  
(181) 2028 04 20  
(891) 2018 04 20  
(511) 19, 20, 27, 35

---

(260) AM 2020 99009 A  
(800) 1417706  
(151) 2018 04 20  
(181) 2028 04 20  
(891) 2018 04 20  
(511) 19, 20, 27, 35

---

(260) AM 2020 101978 A  
(800) 1452735  
(151) 2018 10 15  
(181) 2028 10 15  
(891) 2018 10 15  
(511) 29, 30

---

(260) AM 2020 99018 A  
(800) 1418001  
(151) 2018 04 20  
(181) 2028 04 20  
(891) 2018 04 20  
(511) 19, 20, 27, 35

---

(260) AM 2020 105065 A  
(800) 1488599  
(151) 2019 05 24  
(181) 2029 05 24  
(891) 2019 05 24  
(511) 02, 04, 06, 07, 08, 09, 11, 12, 20, 22

---

(260) AM 2020 99107 A  
(800) 1419281  
(151) 2018 04 20  
(181) 2028 04 20  
(891) 2018 04 20  
(511) 19, 20, 27, 35

---

(260) AM 2020 105193 A  
(800) 1490470  
(151) 2019 07 18  
(181) 2029 07 18  
(891) 2019 07 18  
(511) 05, 34

---

(260) AM 2020 99274 A  
(800) 1421691  
(151) 2018 04 20  
(181) 2028 04 20  
(891) 2018 04 20  
(511) 19, 20, 27, 35

---

(260) AM 2020 105264 A  
(800) 1490772  
(151) 2019 05 10  
(181) 2029 05 10  
(891) 2019 05 10  
(511) 09, 28, 41

---

(260) AM 2020 99280 A  
(800) 1421845  
(151) 2018 04 20  
(181) 2028 04 20  
(891) 2018 04 20  
(511) 19, 20, 27, 35

---

(260) AM 2020 105520 A  
(800) 1494762  
(151) 2019 09 09  
(181) 2029 09 09  
(891) 2019 09 09  
(511) 35, 41

---

(260) AM 2020 99705 A  
(800) 1426153  
(151) 2018 04 20  
(181) 2028 04 20  
(891) 2018 04 20  
(511) 19, 20, 27

---

(260) AM 2020 105523 A  
(800) 1494819  
(151) 2019 05 21  
(181) 2029 05 21  
(891) 2019 05 21  
(511) 12, 35

---



(260) AM 2020 105524 A  
(800) 1494855  
(151) 2019 05 09  
(181) 2029 05 09  
(891) 2019 05 09  
(511) 09, 35

---

(260) AM 2020 105528 A  
(800) 680448  
(151) 1997 09 08  
(181) 2027 09 08  
(891) 2019 10 07  
(511) 32

---

(260) AM 2020 105529 A  
(800) 963886  
(151) 2007 11 15  
(181) 2027 11 15  
(891) 2019 09 02  
(511) 01, 04

---

(260) AM 2020 105532 A  
(800) 1344295  
(151) 2017 02 03  
(181) 2027 02 03  
(891) 2019 09 17  
(511) 03, 09, 14, 16, 18, 25

---

(260) AM 2020 105572 A  
(800) 1495090  
(151) 2019 04 18  
(181) 2029 04 18  
(891) 2019 04 18  
(511) 01, 05, 31, 44

---

(260) AM 2020 105573 A  
(800) 1495091  
(151) 2019 04 04  
(181) 2029 04 04  
(891) 2019 04 04  
(511) 09, 38, 41, 42

---

(260) AM 2020 105577 A  
(800) 1495152  
(151) 2019 09 07  
(181) 2029 09 07  
(891) 2019 09 07  
(511) 01, 02, 19

---

(260) AM 2020 105578 A  
(800) 1495196  
(151) 2019 06 14  
(181) 2029 06 14

(891) 2019 06 14  
(511) 30

---

(260) AM 2020 105579 A  
(800) 1495275  
(151) 2019 08 09  
(181) 2029 08 09  
(891) 2019 08 09  
(511) 33

---

(260) AM 2020 105580 A  
(800) 1495332  
(151) 2019 09 06  
(181) 2029 09 06  
(891) 2019 09 06  
(511) 05

---

(260) AM 2020 105581 A  
(800) 1495345  
(151) 2019 09 16  
(181) 2029 09 16  
(891) 2019 09 16  
(511) 09

---

(260) AM 2020 105582 A  
(800) 1495350  
(151) 2019 09 25  
(181) 2029 09 25  
(891) 2019 09 25  
(511) 02

---

(260) AM 2020 105583 A  
(800) 1495374  
(151) 2019 07 15  
(181) 2029 07 15  
(891) 2019 07 15  
(511) 42

---

(260) AM 2020 105584 A  
(800) 1495386  
(151) 2019 06 18  
(181) 2029 06 18  
(891) 2019 06 18  
(511) 14

---

(260) AM 2020 105585 A  
(800) 1495398  
(151) 2019 04 23  
(181) 2029 04 23  
(891) 2019 04 23  
(511) 07, 09

---

(260) AM 2020 105586 A  
(800) 1495401  
(151) 2019 06 07  
(181) 2029 06 07  
(891) 2019 06 07  
(511) 05, 31

---

(260) AM 2020 105597 A  
(800) 1495633  
(151) 2019 09 06  
(181) 2029 09 06  
(891) 2019 09 06  
(511) 09

---

(260) AM 2020 105599 A  
(800) 1495639  
(151) 2019 07 15  
(181) 2029 07 15  
(891) 2019 07 15  
(511) 09

---

(260) AM 2020 105601 A  
(800) 1495700  
(151) 2019 06 10  
(181) 2029 06 10  
(891) 2019 06 10  
(511) 03

---

(260) AM 2020 105602 A  
(800) 1495702  
(151) 2019 03 15  
(181) 2029 03 15  
(891) 2019 03 15  
(511) 06, 07, 09, 19, 36, 37, 39, 40, 41, 42, 43, 45

---

(260) AM 2020 105603 A  
(800) 1495750  
(151) 2019 07 29  
(181) 2029 07 29  
(891) 2019 07 29  
(511) 35, 38, 41, 42

---

(260) AM 2020 105604 A  
(800) 1495777  
(151) 2019 08 30  
(181) 2029 08 30  
(891) 2019 08 30  
(511) 03, 05, 10

---

(260) AM 2020 105605 A  
(800) 1495801  
(151) 2019 09 20  
(181) 2029 09 20

(891) 2019 09 20  
(511) 05

---

(260) AM 2020 105606 A  
(800) 1495806  
(151) 2019 07 17  
(181) 2029 07 17  
(891) 2019 07 17  
(511) 38

---

(260) AM 2020 105682 A  
(800) 1496008  
(151) 2019 06 27  
(181) 2029 06 27  
(891) 2019 06 27  
(511) 09, 42

---

(260) AM 2020 105683 A  
(800) 1496033  
(151) 2019 05 24  
(181) 2029 05 24  
(891) 2019 05 24  
(511) 35, 36

---

(260) AM 2020 105685 A  
(800) 1496064  
(151) 2019 06 17  
(181) 2029 06 17  
(891) 2019 06 17  
(511) 30

---

(260) AM 2020 105686 A  
(800) 1496071  
(151) 2019 06 27  
(181) 2029 06 27  
(891) 2019 06 27  
(511) 07, 11, 21

---

(260) AM 2020 105691 A  
(800) 1496214  
(151) 2019 08 28  
(181) 2029 08 28  
(891) 2019 08 28  
(511) 03

---

(260) AM 2020 105692 A  
(800) 1496233  
(151) 2019 05 23  
(181) 2029 05 23  
(891) 2019 05 23  
(511) 06, 09, 12, 28, 35, 37, 39, 42

---

(260) AM 2020 105703 A  
(800) 1496422  
(151) 2019 09 03  
(181) 2029 09 03  
(891) 2019 09 03  
(511) 05

---

(260) AM 2020 105704 A  
(800) 1496442  
(151) 2019 07 26  
(181) 2029 07 26  
(891) 2019 07 26  
(511) 01

---

(260) AM 2020 105706 A  
(800) 1496471  
(151) 2019 08 19  
(181) 2029 08 19  
(891) 2019 08 19  
(511) 07

---

(260) AM 2020 105711 A  
(800) 1496557  
(151) 2019 08 26  
(181) 2029 08 26  
(891) 2019 08 26  
(511) 33, 35

---

(260) AM 2020 105713 A  
(800) 1496602  
(151) 2019 09 16  
(181) 2029 09 16  
(891) 2019 09 16  
(511) 09

---

(260) AM 2020 105715 A  
(800) 1496745  
(151) 2019 04 04  
(181) 2029 04 04  
(891) 2019 04 04  
(511) 09, 12, 35, 38, 41, 42

---

(260) AM 2020 105716 A  
(800) 1496746  
(151) 2019 05 08  
(181) 2029 05 08  
(891) 2019 05 08  
(511) 07, 11, 19, 37, 40, 42

---

(260) AM 2020 105717 A  
(800) 1496783  
(151) 2019 08 19  
(181) 2029 08 19

(891) 2019 08 19  
(511) 29, 30, 32, 35

---

(260) AM 2020 105718 A  
(800) 1496804  
(151) 2019 04 30  
(181) 2029 04 30  
(891) 2019 04 30  
(511) 07, 09, 11, 12, 37

---

(260) AM 2020 105723 A  
(800) 1496922  
(151) 2019 07 23  
(181) 2029 07 23  
(891) 2019 07 23  
(511) 22, 43

---

(260) AM 2020 105724 A  
(800) 1496923  
(151) 2019 06 28  
(181) 2029 06 28  
(891) 2019 06 28  
(511) 11

---

(260) AM 2020 105725 A  
(800) 1496976  
(151) 2019 09 23  
(181) 2029 09 23  
(891) 2019 09 23  
(511) 09

---

(260) AM 2020 105726 A  
(800) 1496996  
(151) 2019 09 19  
(181) 2029 09 19  
(891) 2019 09 19  
(511) 33

---

(260) AM 2020 105727 A  
(800) 1497019  
(151) 2019 09 27  
(181) 2029 09 27  
(891) 2019 09 27  
(511) 05, 35

---

(260) AM 2020 105733 A  
(800) 1497175  
(151) 2019 08 28  
(181) 2029 08 28  
(891) 2019 08 28  
(511) 03

---

(260) AM 2020 105735 A  
(800) 1353935  
(151) 2017 03 24  
(181) 2027 03 24  
(891) 2019 09 06  
(511) 28, 35

---

(260) AM 2020 105737 A  
(800) 1404989  
(151) 2018 05 01  
(181) 2028 05 01  
(891) 2019 09 25  
(511) 03

---

(260) AM 2020 105821 A  
(800) 1498671  
(151) 2019 10 07  
(181) 2029 10 07  
(891) 2019 10 07  
(511) 34

---

(260) AM 2020 105822 A  
(800) 1498692  
(151) 2019 08 21  
(181) 2029 08 21  
(891) 2019 08 21  
(511) 02, 04, 16

---

(260) AM 2020 105823 A  
(800) 1498709  
(151) 2019 09 20  
(181) 2029 09 20  
(891) 2019 09 20  
(511) 07

---

(260) AM 2020 105825 A  
(800) 1498724  
(151) 2019 08 20  
(181) 2029 08 20  
(891) 2019 08 20  
(511) 03, 05

---

(260) AM 2020 105829 A  
(800) 1498925  
(151) 2019 06 27  
(181) 2029 06 27  
(891) 2019 06 27  
(511) 05

---

(260) AM 2020 105830 A  
(800) 1498926  
(151) 2019 06 27  
(181) 2029 06 27

(891) 2019 06 27  
(511) 05

---

(260) AM 2020 105837 A  
(800) 1499082  
(151) 2019 09 10  
(181) 2029 09 10  
(891) 2019 09 10  
(511) 30, 43

---

(260) AM 2020 105838 A  
(800) 1499093  
(151) 2019 09 04  
(181) 2029 09 04  
(891) 2019 09 04  
(511) 35, 42

---

(260) AM 2020 105841 A  
(800) 1499181  
(151) 2019 08 02  
(181) 2029 08 02  
(891) 2019 08 02  
(511) 29

---

(260) AM 2020 105842 A  
(800) 1499190  
(151) 2019 09 05  
(181) 2029 09 05  
(891) 2019 09 05  
(511) 32, 37, 41, 44

---

(260) AM 2020 105843 A  
(800) 1499222  
(151) 2019 09 09  
(181) 2029 09 09  
(891) 2019 09 09  
(511) 09, 42

---

(260) AM 2020 105845 A  
(800) 1499345  
(151) 2019 09 25  
(181) 2029 09 25  
(891) 2019 09 25  
(511) 09

---

(260) AM 2020 105846 A  
(800) 1499346  
(151) 2019 09 30  
(181) 2029 09 30  
(891) 2019 09 30  
(511) 41, 42

---

(260) AM 2020 105852 A  
(800) 1499441  
(151) 2019 10 04  
(181) 2029 10 04  
(891) 2019 10 04  
(511) 05

---

(260) AM 2020 105853 A  
(800) 1499452  
(151) 2019 10 04  
(181) 2029 10 04  
(891) 2019 10 04  
(511) 05

---

(260) AM 2020 105854 A  
(800) 1499470  
(151) 2019 05 20  
(181) 2029 05 20  
(891) 2019 05 20  
(511) 35, 41

---

(260) AM 2020 105855 A  
(800) 1499487  
(151) 2019 09 12  
(181) 2029 09 12  
(891) 2019 09 12  
(511) 05

---

(260) AM 2020 105856 A  
(800) 1499495  
(151) 2019 05 02  
(181) 2029 05 02  
(891) 2019 05 02  
(511) 05, 30, 32, 33

---

(260) AM 2020 105857 A  
(800) 1499540  
(151) 2019 06 20  
(181) 2029 06 20  
(891) 2019 06 20  
(511) 35

---

(260) AM 2020 105858 A  
(800) 1499563  
(151) 2019 10 10  
(181) 2029 10 10  
(891) 2019 10 10  
(511) 41

---

(260) AM 2020 105859 A  
(800) 1499650  
(151) 2018 11 28  
(181) 2028 11 28

(891) 2018 11 28  
(511) 35, 41, 42, 45

---

(260) AM 2020 105862 A  
(800) 945731  
(151) 2007 11 12  
(181) 2027 11 12  
(891) 2019 11 04  
(511) 03

---

(260) AM 2020 105865 A  
(800) 1183863  
(151) 2013 07 26  
(181) 2023 07 26  
(891) 2019 08 14  
(511) 29, 32

---

(260) AM 2020 105913 A  
(800) 1499944  
(151) 2019 08 09  
(181) 2029 08 09  
(891) 2019 08 09  
(511) 29

---

(260) AM 2020 105915 A  
(800) 1499959  
(151) 2019 05 21  
(181) 2029 05 21  
(891) 2019 05 21  
(511) 12, 35

---

(260) AM 2020 105920 A  
(800) 1500025  
(151) 2019 09 11  
(181) 2029 09 11  
(891) 2019 09 11  
(511) 30

---

(260) AM 2020 105921 A  
(800) 1500031  
(151) 2019 10 04  
(181) 2029 10 04  
(891) 2019 10 04  
(511) 25, 40

---

(260) AM 2020 105923 A  
(800) 1500060  
(151) 2019 10 07  
(181) 2029 10 07  
(891) 2019 10 07  
(511) 34

---

(260) AM 2020 105924 A  
(800) 1500062  
(151) 2019 09 26  
(181) 2029 09 26  
(891) 2019 09 26  
(511) 05

---

(260) AM 2020 105925 A  
(800) 1500065  
(151) 2019 07 02  
(181) 2029 07 02  
(891) 2019 07 02  
(511) 05

---

(260) AM 2020 105926 A  
(800) 1500083  
(151) 2019 10 10  
(181) 2029 10 10  
(891) 2019 10 10  
(511) 09

---

(260) AM 2020 105930 A  
(800) 1500195  
(151) 2019 10 07  
(181) 2029 10 07  
(891) 2019 10 07  
(511) 05

---

(260) AM 2020 105931 A  
(800) 1500237  
(151) 2019 09 07  
(181) 2029 09 07  
(891) 2019 09 07  
(511) 09

---

(260) AM 2020 105932 A  
(800) 1500293  
(151) 2019 10 15  
(181) 2029 10 15  
(891) 2019 10 15  
(511) 05

---

(260) AM 2020 105933 A  
(800) 1500358  
(151) 2019 08 01  
(181) 2029 08 01  
(891) 2019 08 01  
(511) 16, 35, 41, 42

---

(260) AM 2020 105934 A  
(800) 1500418  
(151) 2019 08 22  
(181) 2029 08 22

(891) 2019 08 22  
(511) 05

---

(260) AM 2020 105936 A  
(800) 1500451  
(151) 2019 05 16  
(181) 2029 05 16  
(891) 2019 05 16  
(511) 01, 17, 19, 20

---

(260) AM 2020 105937 A  
(800) 1500463  
(151) 2019 09 03  
(181) 2029 09 03  
(891) 2019 09 03  
(511) 05

---

(260) AM 2020 105948 A  
(800) 1500819  
(151) 2019 06 17  
(181) 2029 06 17  
(891) 2019 06 17  
(511) 05, 29, 30, 32

---

(260) AM 2020 105949 A  
(800) 1500821  
(151) 2019 10 16  
(181) 2029 10 16  
(891) 2019 10 16  
(511) 09, 35, 38, 42

---

(260) AM 2020 105950 A  
(800) 1500842  
(151) 2019 11 06  
(181) 2029 11 06  
(891) 2019 11 06  
(511) 05

---

(260) AM 2020 105951 A  
(800) 1500868  
(151) 2019 06 05  
(181) 2029 06 05  
(891) 2019 06 05  
(511) 01, 02, 03, 04

---

(260) AM 2020 105962 A  
(800) 1386164  
(151) 2017 09 15  
(181) 2027 09 15  
(891) 2019 10 23  
(511) 35, 37, 39, 41, 42

---

(260) AM 2020 105963 A  
(800) 1387669  
(151) 2017 09 15  
(181) 2027 09 15  
(891) 2019 10 23  
(511) 35, 37, 39, 41, 42

---

(260) AM 2020 106001 A  
(800) 1501240  
(151) 2019 08 14  
(181) 2029 08 14  
(891) 2019 08 14  
(511) 09, 28, 41

---

(260) AM 2020 106214 A  
(800) 1504057  
(151) 2019 10 30  
(181) 2029 10 30  
(891) 2019 10 30  
(511) 05

---

(260) AM 2020 106215 A  
(800) 1504067  
(151) 2019 10 15  
(181) 2029 10 15  
(891) 2019 10 15  
(511) 09, 35, 36, 38, 42

---

(260) AM 2020 106227 A  
(800) 1504231  
(151) 2019 10 16  
(181) 2029 10 16  
(891) 2019 10 16  
(511) 05

---

(260) AM 2020 106230 A  
(800) 1504341  
(151) 2019 06 25  
(181) 2029 06 25  
(891) 2019 06 25  
(511) 11

---

(260) AM 2020 106231 A  
(800) 1504347  
(151) 2018 01 18  
(181) 2028 01 18  
(891) 2018 01 18  
(511) 09, 12, 14, 16, 18, 21, 25, 34, 35, 37, 41, 43

---

(260) AM 2020 106233 A  
(800) 1504402  
(151) 2019 09 24  
(181) 2029 09 24

(891) 2019 09 24  
(511) 12

---

(260) AM 2020 106234 A  
(800) 1504404  
(151) 2019 09 24  
(181) 2029 09 24  
(891) 2019 09 24  
(511) 12

---

(260) AM 2020 106297 A  
(800) 1497381  
(151) 2019 09 27  
(181) 2029 09 27  
(891) 2019 09 27  
(511) 09

---

(260) AM 2020 106303 A  
(800) 1497416  
(151) 2019 03 28  
(181) 2029 03 28  
(891) 2019 03 28  
(511) 03, 35, 44

---

(260) AM 2020 106304 A  
(800) 1497453  
(151) 2019 09 11  
(181) 2029 09 11  
(891) 2019 09 11  
(511) 09, 11

---

(260) AM 2020 106306 A  
(800) 1497462  
(151) 2019 09 19  
(181) 2029 09 19  
(891) 2019 09 19  
(511) 03

---

(260) AM 2020 106312 A  
(800) 1497619  
(151) 2019 09 10  
(181) 2029 09 10  
(891) 2019 09 10  
(511) 05

---

(260) AM 2020 106313 A  
(800) 1497640  
(151) 2019 08 19  
(181) 2029 08 19  
(891) 2019 08 19  
(511) 01, 02, 07, 17

---

(260) AM 2020 106315 A  
(800) 1497643  
(151) 2019 05 21  
(181) 2029 05 21  
(891) 2019 05 21  
(511) 03, 09, 14, 18, 24, 25, 28

---

(260) AM 2020 106318 A  
(800) 1497721  
(151) 2019 08 06  
(181) 2029 08 06  
(891) 2019 08 06  
(511) 09, 28, 35, 36, 41, 42

---

(260) AM 2020 106321 A  
(800) 1497750  
(151) 2019 08 15  
(181) 2029 08 15  
(891) 2019 08 15  
(511) 03

---

(260) AM 2020 106322 A  
(800) 1497827  
(151) 2019 09 09  
(181) 2029 09 09  
(891) 2019 09 09  
(511) 29, 30

---

(260) AM 2020 106323 A  
(800) 1497831  
(151) 2019 07 01  
(181) 2029 07 01  
(891) 2019 07 01  
(511) 03

---

(260) AM 2020 106325 A  
(800) 1497963  
(151) 2019 08 19  
(181) 2029 08 19  
(891) 2019 08 19  
(511) 07, 12, 37

---

(260) AM 2020 106333 A  
(800) 1498085  
(151) 2019 07 02  
(181) 2029 07 02  
(891) 2019 07 02  
(511) 29, 30, 32

---

(260) AM 2020 106361 A  
(800) 1505797  
(151) 2019 09 26  
(181) 2029 09 26

(891) 2019 09 26  
(511) 05

---

(260) AM 2020 106364 A  
(800) 1505842  
(151) 2019 07 15  
(181) 2029 07 15  
(891) 2019 07 15  
(511) 29

---

(260) AM 2020 106401 A  
(800) 1498097  
(151) 2019 06 13  
(181) 2029 06 13  
(891) 2019 06 13  
(511) 19

---

(260) AM 2020 106402 A  
(800) 1498119  
(151) 2019 08 28  
(181) 2029 08 28  
(891) 2019 08 28  
(511) 35

---

(260) AM 2020 106424 A  
(800) 1498553  
(151) 2019 07 23  
(181) 2029 07 23  
(891) 2019 07 23  
(511) 29, 30

---

(260) AM 2020 106430 A  
(800) 1142662  
(151) 2012 11 12  
(181) 2022 11 12  
(891) 2019 10 15  
(511) 18, 25

---

(260) AM 2020 106433 A  
(800) 1442038  
(151) 2018 11 09  
(181) 2028 11 09  
(891) 2019 10 29  
(511) 05

---

(260) AM 2020 106434 A  
(800) 1479883  
(151) 2019 06 07  
(181) 2029 06 07  
(891) 2019 09 17  
(511) 07, 09, 11

---



---

(260) AM 2020 106451 A  
(800) 1506663  
(151) 2019 10 08  
(181) 2029 10 08  
(891) 2019 10 08  
(511) 35, 36, 41, 42

---

(260) AM 2020 106461 A  
(800) 1506928  
(151) 2019 10 08  
(181) 2029 10 08  
(891) 2019 10 08  
(511) 35, 36, 41, 42

---

(260) AM 2020 106463 A  
(800) 1506933  
(151) 2019 06 24  
(181) 2029 06 24  
(891) 2019 06 24  
(511) 04, 19, 35, 36, 37, 38, 39, 40, 42

---

(260) AM 2020 106464 A  
(800) 1506956  
(151) 2019 11 19  
(181) 2029 11 19  
(891) 2019 11 19  
(511) 05

---

(260) AM 2020 106465 A  
(800) 1506977  
(151) 2019 07 19  
(181) 2029 07 19  
(891) 2019 07 19  
(511) 12

---

(260) AM 2020 106537 A  
(800) 1507819  
(151) 2019 10 16  
(181) 2029 10 16  
(891) 2019 10 16  
(511) 12

---

(260) AM 2020 106538 A  
(800) 1507821  
(151) 2019 10 23  
(181) 2029 10 23  
(891) 2019 10 23  
(511) 34

---

(260) AM 2020 106539 A  
(800) 1507866  
(151) 2019 11 05  
(181) 2029 11 05

(891) 2019 11 05  
(511) 41

---

(260) AM 2020 106540 A  
(800) 1507869  
(151) 2019 11 21  
(181) 2029 11 21  
(891) 2019 11 21  
(511) 09

---

(260) AM 2020 106551 A  
(800) 1508208  
(151) 2019 10 31  
(181) 2029 10 31  
(891) 2019 10 31  
(511) 09

---

---

# OFFICIAL NOTIFICATIONS

## INVENTIONS

### EXPIRATION OF PATENTS RESTORATION

(21) AP 2008 10957

(11) P 2010 5091 B

(73) Badri Jalaghonia;

Mary Alania;

Aliosha Bakuridze;

Nana Kavtaradze;

Jemal Aneli

(54) OINTMENT FOR TREATMENT OF PYOINFLAMMATORY PROCESSES

DATE OF CANCELLATION OF PATENT: 2020 11 03

THE TERM OF RESTORATION OF PATENT: 2020 12 10

---

(21) AP 2008 10959

(11) P 2010 5093 B

(73) Badri Jalaghonia;

Venera Natidze;

Mary Alania;

Aliosha Bakuridze;

Nana Kavtaradze;

Ketevan Shalashvili

(54) OINTMENT FOR TREATMENT OF PATHOLOGIES CAUSED BY MICROBIC AND VIRUS INFECTIONS

DATE OF CANCELLATION OF PATENT: 2020 11 03

THE TERM OF RESTORATION OF PATENT: 2020 12 10

---

(21) AP 2012 12880

(11) P 2014 6048 B

(73) Sophio Burjanadze

(54) CAVITATION-ELECTROLYSIS DEVICE FOR HYDROGEN GENERATION

DATE OF CANCELLATION OF PATENT: 2020 10 26

THE TERM OF RESTORATION OF PATENT: 2020 12 10

---

(21) AP 2017 14618

(11) P 2020 7066 B

(73) Giorgi Oniashvili;

Garegin Zakharov;

Giorgi Tavadze;

Alex Berner;

Zurab Aslamazashvili

(54) METHOD FOR PRODUCTION OF GRADIENT MATERIAL RESISTANT TO DYNAMIC LOAD OF HIGH INTENSITY WITH METHOD OF SELF-PROPAGATING HIGH-TEMPERATURE SYNTHESIS IN Ti-B-N-C-Me AND Ti-Cr-C-Me SYSTEMS

DATE OF CANCELLATION OF PATENT: 2020 10 27

THE TERM OF RESTORATION OF PATENT: 2020 12 10

---

(21) AP 2017 14632  
(11) P 2018 6912 B  
(73) HUBER SE  
(54) CONSTRUCTIVELY COMBINED NODE FOR NONPRESSURE SANDY FILTERS  
AND SAID FILTERS EQUIPPED THEREWITH  
DATE OF CANCELLATION OF PATENT: 2020 11 22  
THE TERM OF RESTORATION OF PATENT: 2020 12 10

---

## ABOLITION OF PATENTS WITH THE RIGHT TO RESTORE

(21) AP 2005 10137  
(11) P 2010 4961 B  
(73) ARENA PHARMACEUTICALS INC.  
(54) 3-PHENYL-PYRAZOLE DERIVATIVES AS MODULATORS OF THE 5-HT 2A SEROTONIN RECEPTOR  
USEFUL FOR THE TREATMENT OF DISORDERS RELATED THERETOF  
DATE OF CANCELLATION OF PATENT: 2020 11 17  
THE TERM OF RESTORATION OF PATENT: 2021 11 17

---

(21) AP 2009 12239  
(11) P 2014 6064 B  
(73) PFIZER Inc..  
(54) 3-MINOCYCLOPENTANECARBOXAMIDES AS CHEMOKINE RECEPTOR MODULATORS  
DATE OF CANCELLATION OF PATENT: 2020 11 20  
THE TERM OF RESTORATION OF PATENT: 2021 11 20

---

(21) AP 2011 12930  
(11) P 2016 6551 B  
(73) NOVAMEDICA LLC  
(54) SELECTIVE, LIPOPHILIC, AND LONG-ACTING BETA AGONISTS MONOTHERAPEUTIC  
FORMULATIONS TIONS AND METHODS FOR COSMETIC TREATMENT OF ADIPOSITY  
AND CONTOUR BULGING  
DATE OF CANCELLATION OF PATENT: 2020 11 22  
THE TERM OF RESTORATION OF PATENT: 2021 11 22

---

(21) AP 2012 13496  
(11) P 2018 6928 B  
(73) Amgen Research (Munich) GMBH;  
Amgen Inc.  
(54) BINDING MOLECULES FOR BCMA AND CD3  
DATE OF CANCELLATION OF PATENT: 2020 11 15  
THE TERM OF RESTORATION OF PATENT: 2021 11 15

---

(21) AP 2013 13847  
(11) P 2017 6637 B  
(73) LABORATOIRE HRA-PHARMA  
(54) CO-MICRONISATION PRODUCT COMPRISING ULIPRISTAL ACETATE  
DATE OF CANCELLATION OF PATENT: 2020 11 07  
THE TERM OF RESTORATION OF PATENT: 2021 11 07

---

(21) AP 2013 13848  
(11) P 2017 6648 B  
(73) LABORATOIRE HRA-PHARMA  
(54) CO-MICRONISATION PRODUCT COMPRISING SELECTIVE PROGESTERONE-RECEPTOR  
MODULATOR  
DATE OF CANCELLATION OF PATENT: 2020 11 07  
THE TERM OF RESTORATION OF PATENT: 2021 11 07

---

(21) AP 2015 13994  
(11) P 2018 6832 B  
(73) LEPL "Agricultural Research Center"  
(54) GRAIN COMBINE  
DATE OF CANCELLATION OF PATENT: 2020 11 16  
THE TERM OF RESTORATION OF PATENT: 2021 11 16

---

(21) AP 2014 14151  
(11) P 2018 6878 B  
(73) PFIZER Inc.  
(54) 2,6-SUBSTITUTED PURINE DERIVATIVES AND THEIR USE IN THE TREATMENT OF  
PROLIFERATIVE DISORDERS  
DATE OF CANCELLATION OF PATENT: 2020 11 10  
THE TERM OF RESTORATION OF PATENT: 2021 11 10

---

(21) AP 2014 14152  
(11) P 2018 6854 B  
(73) CRYSTAL LAGOONS (CURACAO) B.V.  
(54) SUCTIONING DEVICE FOR LARGE ARTIFICIAL WATER BODIES  
DATE OF CANCELLATION OF PATENT: 2020 11 12  
THE TERM OF RESTORATION OF PATENT: 2021 11 12

---

(21) AP 2014 14169  
(11) P 2019 6998 B  
(73) EJZAJIBASHI TUQETIM URUNLERI SANAYI VE TIJARET ANONIM SHIRQETI  
(54) A DISPENSER COMPRISING A SYSTEM FACILITATING THE PLACEMENT OF THE PRODUCT  
MADE OF PAPER INTO THE DISPENSER  
DATE OF CANCELLATION OF PATENT: 2020 11 17  
THE TERM OF RESTORATION OF PATENT: 2021 11 17

---

(21) AP 2015 14485  
(11) P 2019 6949 B  
(73) H.lundbek A/s  
(54) 2-AMINO-6-(DIFLUOROMETHYL)-5, 5-DIFLUORO-6-PHENYL-3, 4, 5, 6-TETRA-  
HYDROPYRIDINES AS BACE1 INHIBITORS  
DATE OF CANCELLATION OF PATENT: 2020 11 09  
THE TERM OF RESTORATION OF PATENT: 2021 11 09

---

(21) AP 2016 14582  
(11) P 2019 7008 B  
(73) CAPBRAN HOLDINGS LLC  
(54) FOOD PROCESSOR  
DATE OF CANCELLATION OF PATENT: 2020 11 11  
THE TERM OF RESTORATION OF PATENT: 2021 11 11

---

(21) AP 2017 14629  
(11) P 2019 7022 B  
(73) Tamaz Agladze;  
Marine Donadze;  
LEPL Shota Rustaveli Georgian National Science Foundation  
(54) METHOD FOR SILVER MONODISPERSE NANOPARTICLES PREPARATION  
DATE OF CANCELLATION OF PATENT: 2020 11 20  
THE TERM OF RESTORATION OF PATENT: 2021 11 20

---

(21) AP 2017 14632  
(11) P 2018 6912 B  
(73) HUBER SE  
(54) CONSTRUCTIVELY COMBINED NODE FOR NONPRESSURE SANDY FILTERS AND SAID FILTERS  
EQUIPPED THEREWITH  
DATE OF CANCELLATION OF PATENT: 2020 11 22  
THE TERM OF RESTORATION OF PATENT: 2022 11 22

---

(21) AP 2016 14785  
(11) P 2020 7059 B  
(73) CPD LTD  
(54) BUTTON FOR KEYBOARD AND KEYBOARD  
DATE OF CANCELLATION OF PATENT: 2020 11 18  
THE TERM OF RESTORATION OF PATENT: 2021 11 18

---

(21) AP 2002 8840  
(11) P 2007 4105 B  
(73) SABAF S.P.A.  
(54) GAS BURNER WITH SEPARATE FEEDING OF THE FLAME CROWNS  
DATE OF CANCELLATION OF PATENT: 2020 11 12  
THE TERM OF RESTORATION OF PATENT: 2021 11 12

---

## EXPIRATION OF TERM OF RESTORATION OF PATENTS

(21) AP 2007 10391  
(11) P 2009 4746 B  
(73) Les Laboratoires Servier  
(54) USE OF AGOMELATINE TO OBTAIN MEDICATION AIMED AT TREATING SMITH-MAGENIS  
SYNDROME  
DATE OF CANCELLATION OF PATENT: 2019 11 22  
THE TERM OF RESTORATION OF PATENT VALIDITY HAS EXPIRED: 2020 11 22

---

(21) AP 2007 11320  
(11) P 2012 5414 B  
(73) Aziende Chimiche Riunite Angelini Francesco A.C.R.A.F. S.p.A.  
(54) 2 -ALKYL- INDAZOLE COMPOUNDS FOR THE TREATMENT OF CERTAIN CNS-RELATED  
DISORDERS  
DATE OF CANCELLATION OF PATENT: 2019 11 19  
THE TERM OF RESTORATION OF PATENT VALIDITY HAS EXPIRED: 2020 11 19

---

(21) AP 2007 11341  
(11) P 2011 5179 B  
(73) JSC "OLAINPHARM"  
(54) METHOD FOR PREPARING HIGH PURITY 3-CARBOXY-N,N,N-TRIMETHYL-1-PROPANAMINIUM HYDROXIDE INNER SALT  
DATE OF CANCELLATION OF PATENT: 2019 11 01  
THE TERM OF RESTORATION OF PATENT VALIDITY HAS EXPIRED: 2020 11 01

---

(21) AP 2009 12272  
(11) P 2013 5775 B  
(73) Aziende Chimiche Riunite Angelini Francesco A.C.R.A.F. S.p.A.  
(54) PACKAGING MATERIAL WITH COLOURED ELEMENT DISCOLOURING PARTIALLY REVEALING MARKING AT RPEDETERMINED TEMPERATURE, AND METHOD OF PRODUCTION THEREOF  
DATE OF CANCELLATION OF PATENT: 2019 11 13  
THE TERM OF RESTORATION OF PATENT VALIDITY HAS EXPIRED: 2020 11 13

---

(21) AP 2009 12273  
(11) P 2013 5789 B  
(73) Aziende Chimiche Riunite Angelini Francesco A.C.R.A.F. S.p.A.  
(54) PACKAGING MATERIAL FOR PHARMACEUTICAL PRODUCT WITH SUCH COLOURED ELEMENT AT PRELIMINARILY SPECIFIED TEMPERATURE DISCOLOURING PARTIALLY REVEALING MARKING, AND METHOD OF SUCH MATERIAL PRODUCTION  
DATE OF CANCELLATION OF PATENT: 2019 11 13  
THE TERM OF RESTORATION OF PATENT VALIDITY HAS EXPIRED: 2020 11 13

---

(21) AP 2014 14167  
(11) P 2019 6966 B  
(73) EJZAJIBASHI TUQETIM URUNLERI SANAYI VE TIJARET ANONIM SHIRQETI  
(54) DISPENSER COMPRISING PRODUCT LEVEL INDICATOR  
DATE OF CANCELLATION OF PATENT: 2019 11 17  
THE TERM OF RESTORATION OF PATENT VALIDITY HAS EXPIRED: 2020 11 17

---

## EXPIRATION OF PATENT

(21) AP 2000 6490  
(11) P 2005 3479 B  
(73) Pfizer Products Inc.  
(54) PYRROLO[2,3-D]PYRIMIDINE COMPOUNDS, PHARMACEUTICAL COMPOSITION CONTAINING THE SAME AND USE  
EXPIRATION DATE OF THE PATENT: 23 11 2020

---

---

## UTILITY MODELS

### EXPIRATION OF PATENT RESTORATION

(21) AU 2015 13986  
(11) U 2016 1906 Y  
(73) Raul Turmanidze;  
Giorgi Popkhadze  
(54) POWER SYSTEM ACCUMULATING WIND AND SOLAR ENERGY  
DATE OF CANCELLATION OF PATENT: 2020 11 06  
THE TERM OF RESTORATION OF PATENT: 2020 12 10

---

### ABOLITION OF PATENTS WITH THE RIGHT TO RESTORE

(21) AU 2014 13637  
(11) U 2015 1873 Y  
(73) Lali Latsabidze  
(54) DRYING ROOM FOR LINEN OR CLOTHS WITH PROTECTIVE OVERLAP  
DATE OF CANCELLATION OF PATENT: 2020 11 17  
THE TERM OF RESTORATION OF PATENT: 2021 11 17

---

(21) AU 2015 13988  
(11) U 2018 1977 Y  
(73) Temur Chakhunashvili;  
Teimuraz Rokva;  
Zhiuli Keadze;  
Merab Dadunashvili;  
Zinaida Vatsadze  
(54) ANODE FOR RECEIVING ELECTROLYTIC MANGANESE DIOXIDE  
DATE OF CANCELLATION OF PATENT: 2020 11 09  
THE TERM OF RESTORATION OF PATENT: 2021 11 09

---

(21) AU 2015 13989  
(11) U 2018 1978 Y  
(73) Temur Chakhunashvili;  
Teimuraz Rokva;  
Zhiuli Keadze;  
Zinaida Vatsadze;  
Merab Dadunashvili  
(54) CATHODE FOR RECEIVING ELECTROLYTIC MANGANESE DIOXIDE  
DATE OF CANCELLATION OF PATENT: 2020 11 09  
THE TERM OF RESTORATION OF PATENT: 2021 11 09

---

(21) AU 2015 13993  
(11) U 2017 1920 Y  
(73) Khvicha Tvalabeishvili  
(54) THERAPEUTIC AGENT FOR LACTOSTASIS, MASTOPATHY, AND MASTITIS TREATMENT  
AND/OR PROPHYLAXIS  
DATE OF CANCELLATION OF PATENT: 2020 11 12  
THE TERM OF RESTORATION OF PATENT: 2021 11 12

---

(21) AU 2015 13995  
(11) U 2018 1960 Y  
(73) LTD "Scientific-Technological Pharmaceutical Firm "Polisani"  
(54) DRUG FOR PARENTERAL USAGE  
DATE OF CANCELLATION OF PATENT: 2020 11 18  
THE TERM OF RESTORATION OF PATENT: 2021 11 18

---

(21) AU 2013 14096  
(11) U 2017 1952 Y  
(73) Irina Mirochnik  
(54) ENVELOPE FOR PACKING OF SMALL PIECE GOODS  
DATE OF CANCELLATION OF PATENT: 2020 11 15  
THE TERM OF RESTORATION OF PATENT: 2021 11 15

---

(21) AU 2013 14097  
(11) U 2017 1953 Y  
(73) Irina Mirochnik  
(54) FLEXIBLE WRAPPING MATERIAL FOR MANUFACTURE FOR PACKING OF SMALL PIECE GOODS  
DATE OF CANCELLATION OF PATENT: 2020 11 15  
THE TERM OF RESTORATION OF PATENT: 2021 11 15

---

(21) AU 2016 14321  
(11) U 2018 1964 Y  
(73) Merab Diasamidze;  
Merab Topchiashvili;  
Zurab Suladze;  
David Suladze  
(54) METHOD FOR ARTICLE MANUFACTURE WITH WOOD- POLYMER COMPOSITE  
DATE OF CANCELLATION OF PATENT: 2020 11 14  
THE TERM OF RESTORATION OF PATENT: 2021 11 14

---

(21) AU 2014 14784  
(11) U 2019 2022 Y  
(73) EJZAJIBASHI TUQETIM URUNLERI SANAAI VE TIJARET ANONIM SHIRQETI  
(54) A DISPENSER COMPRISING A PRODUCT LOADING MECHANISM  
DATE OF CANCELLATION OF PATENT: 2020 11 17  
THE TERM OF RESTORATION OF PATENT: 2021 11 17

---

(21) AU 2018 14921  
(11) U 2019 2026 Y  
(73) Anton Frolov  
(54) GROUND ENTERTAINMENT ATTRACTION  
DATE OF CANCELLATION OF PATENT: 2020 11 09  
THE TERM OF RESTORATION OF PATENT: 2021 11 09

---

(21) AU 2018 14928  
(11) U 2020 2030 Y  
(73) Marine Nikolaishvili;  
Tea Museliani;  
Elene Giorgadze;  
Natia Chkheidze



(54) THERAPEUTIC AGENT FOR TYPE II DIABETES  
DATE OF CANCELLATION OF PATENT: 2020 11 20  
THE TERM OF RESTORATION OF PATENT: 2021 11 20

---

## EXPIRATION OF TERM OF RESTORATION OF PATENTS

(21) AU 2013 13287  
(11) U 2014 1824 Y  
(73) Lia Gventsadze;  
Elguja Kutelia;  
David Gventsadze

(54) COMPOSITE MATERIAL OF FRICTION PLATE  
DATE OF CANCELLATION OF PATENT: 2019 11 11  
THE TERM OF RESTORATION OF PATENT VALIDITY HAS EXPIRED: 2020 11 11

---

(21) AU 2014 14168  
(11) U 2018 1994 Y  
(73) EJZAJIBASHI TUQETIM URUNLERI SANAI VE TIJARET ANONIM SHIRQETI  
(54) DISPENSER COMPRISING A PRODUCT LOADING AND UNLOADING MECHANISM  
DATE OF CANCELLATION OF PATENT: 2019 11 17  
THE TERM OF RESTORATION OF PATENT VALIDITY HAS EXPIRED: 2020 11 17

---

(21) AU 2014 14170  
(11) U 2018 1992 Y  
(73) EJZAJIBASHI TUQETIM URUNLERI SANAI VE TIJARET ANONIM SHIRQETI  
(54) DISPENSER ENABLING THE PRODUCT LEVEL REMAINING THEREIN TO BE SEEN  
DATE OF CANCELLATION OF PATENT: 2019 11 17  
THE TERM OF RESTORATION OF PATENT VALIDITY HAS EXPIRED: 2020 11 17

---

## DESIGNS

### EXTENSION OF REGISTRATION OF DESIGN

- (11) D 2015 656 S  
(73) TERRA FOOD MANAGEMENT COMPANY (CY)  
Esperidon, 12, 4th Floor, CY-1087, Nicosia, Cyprus (CY)  
(54) GRAPHIC SYMBOL  
(28) 1  
(24) 2015 11 24  
(18) 2025 11 24  
(58) 2020 12 02
- 

### CANCELLATION OF REGISTRATION OF DESIGN

- (11) D 2011 465 S  
(73) Levan Longurashvili (GE)  
Inanishvili St. 8, 0101, Tbilisi, Georgia (GE);  
Maka Kharchilava (GE)  
Bagebi Student City, corp. 5, app. 603, 0162, Tbilisi, Georgia (GE)  
(54) DEVICE FOR COLD DRINKS AND COOKING COFFEE  
(18) 2020 05 13  
(58) 2020 11 25
- 

### EXTENSION OF REGISTRATION OF INTERNATIONAL DESIGNS

- (11) DM/66866  
(73) SWATCH AG (SWATCH SA) (SWATCH LTD.)  
94, Rue Jakob Stämpfli, CH-2502 BIENNE (CH)  
(15) 2005 07 19  
(24) 2005 07 19  
(18) 2025 07 19  
(28) 2  
(28') 1  
(54) Wristwatches
- 
- (11) DM/67070  
(73) SWATCH AG (SWATCH SA) (SWATCH LTD.)  
94, Rue Jakob Stämpfli, CH-2502 BIENNE (CH)  
(15) 2005 10 18  
(24) 2005 10 18  
(18) 2025 10 18  
(28) 27  
(28') 27  
(54) Jewellery, including necklaces (1, 5, 9, 13, 17, 21, 23, 27), bracelets (2, 6, 14, 18, 24, 25),  
earrings (3, 7, 10, 15, 19, 22), rings (4, 8, 11, 12, 16, 20, 26)
-

(11) DM/67074  
(73) SWATCH AG (SWATCH SA) (SWATCH LTD.)  
94, Rue Jakob Stämpfli, CH-2502 BIENNE (CH)  
(15) 2005 10 14  
(24) 2005 10 14  
(18) 2025 10 14  
(28) 1  
(28') 1  
(54) Wristwatch

---

(11) DM/67088  
(73) RADO UHREN AG (RADO WATCH CO. LTD.) (MONTRES RADO SA)  
Bielstrasse 45, CH-2543 Lengnau (CH)  
(15) 2005 10 05  
(24) 2005 10 05  
(18) 2025 10 05  
(28) 1  
(28') 1  
(54) Wristwatch

---

(11) DM/67117  
(73) SWATCH AG (SWATCH SA) (SWATCH LTD.)  
94, Rue Jakob Stämpfli, CH-2502 BIENNE (CH)  
(15) 2005 10 13  
(24) 2005 10 13  
(18) 2025 10 13  
(28) 1  
(28') 1  
(54) Watch

---

(11) DM/67118  
(73) SWATCH AG (SWATCH SA) (SWATCH LTD.)  
94, Rue Jakob Stämpfli, CH-2502 BIENNE (CH)  
(15) 2005 10 13  
(24) 2005 10 13  
(18) 2025 10 13  
(28) 1  
(28') 1  
(54) Wristwatch

---

(11) DM/74415  
(73) SWATCH AG (SWATCH SA) (SWATCH LTD.)  
Jakob-Stämpfli-Strasse 94, CH-2502 Biel/Bienne (CH)  
(15) 2010 09 06  
(24) 2010 09 06  
(18) 2025 09 06  
(28) 6  
(28') 1  
(54) Wristwatches

---

(11) DM/74422  
(73) SWATCH AG (SWATCH SA) (SWATCH LTD.)  
Jakob-Stämpfli-Strasse 94, CH-2502 Biel/Bienne (CH)  
(15) 2010 09 13

---

(24) 2010 09 13  
(18) 2025 09 13  
(28) 5  
(28') 1  
(54) Wristwatches

---

(11) DM/74429  
(73) SWATCH AG (SWATCH SA) (SWATCH LTD.)  
    Jakob-Stämpfli-Strasse 94, CH-2502 Biel/Bienne (CH)  
(15) 2010 09 08  
(24) 2010 09 08  
(18) 2025 09 08  
(28) 4  
(28') 2  
(54) Wristwatches

---

(11) DM/74433  
(73) SWATCH AG (SWATCH SA) (SWATCH LTD.)  
    Jakob-Stämpfli-Strasse 94, CH-2502 Biel/Bienne (CH)  
(15) 2010 09 16  
(24) 2010 09 16  
(18) 2025 09 16  
(28) 6  
(28') 1  
(54) Wristwatches

---

(11) DM/74443  
(73) THE SWATCH GROUP MANAGEMENT SERVICES AG (THE SWATCH GROUP MANAGEMENT SERVICES SA) (THE SWATCH GROUP MANAGEMENT SERVICES LTD.)  
    Seevorstadt 6, CH-2501 BIEL/BIENNE (CH)  
(15) 2010 08 25  
(24) 2010 08 25  
(18) 2025 08 25  
(28) 19  
(28') 2  
(54) Bracelet with watch case,Dial,Watch bracelet,Watch case,Watches,Wristwatch,Wristwatches

---

(11) DM/74468  
(73) SWATCH AG (SWATCH SA)(SWATCH LTD)  
    Jakob-Stämpfli-Strasse 94, CH-2502 BIEL/BIENNE (CH)  
(15) 2010 09 29  
(24) 2010 09 29  
(18) 2025 09 29  
(28) 4  
(28') 2  
(54) Wristwatches

---

(11) DM/74469  
(73) SWATCH AG (SWATCH SA) (SWATCH LTD.)  
    Jakob-Stämpfli-Strasse 94, CH-2502 Biel/Bienne (CH)  
(15) 2010 09 29  
(24) 2010 09 29  
(18) 2025 09 29  
(28) 2

---

(28') 1  
(54) Wristwatches

---

(11) DM/74473  
(73) SWATCH AG (SWATCH SA) (SWATCH LTD.)  
Jakob-Stämpfli-Strasse 94, CH-2502 Biel/Bienne (CH)  
(15) 2010 09 29  
(24) 2010 09 29  
(18) 2025 09 29  
(28) 4  
(28') 2  
(54) Wristwatches

---

(11) DM/74475  
(73) SWATCH AG (SWATCH SA)(SWATCH LTD)  
Jakob-Stämpfli-Strasse 94, CH-2502 BIEL/BIENNE (CH)  
(15) 2010 09 29  
(24) 2010 09 29  
(18) 2025 09 29  
(28) 7  
(28') 1  
(54) Wristwatches

---

(11) DM/74546  
(73) SWATCH AG (SWATCH SA) (SWATCH LTD.)  
Jakob-Stämpfli-Strasse 94, CH-2502 Biel/Bienne (CH)  
(15) 2010 10 18  
(24) 2010 10 18  
(18) 2025 10 18  
(28) 10  
(28') 10  
(54) Wristwatches

---

(11) DM/74547  
(73) SWATCH AG (SWATCH SA) (SWATCH LTD.)  
Jakob-Stämpfli-Strasse 94, CH-2502 Biel/Bienne (CH)  
(15) 2010 10 18  
(24) 2010 10 18  
(18) 2025 10 18  
(28) 9  
(28') 9  
(54) Figurines (toys)

---

(11) DM/74560  
(73) SWATCH AG (SWATCH SA) (SWATCH LTD.)  
Jakob-Stämpfli-Strasse 94, CH-2502 Biel/Bienne (CH)  
(15) 2010 10 21  
(24) 2010 10 21  
(18) 2025 10 21  
(28) 9  
(28') 9  
(54) display unit for earrings, display unit for jewelry, display unit for necklaces, display unit for rings,  
Display units for bracelets

---

(11) DM/74600  
(73) SWATCH AG (SWATCH SA) (SWATCH LTD.)  
Jakob-Stämpfli-Strasse 94, CH-2502 Biel/Bienne (CH)  
(15) 2010 10 14  
(24) 2010 10 14  
(18) 2025 10 14  
(28) 28  
(28') 28  
(54) Necklace; 2. Ring; 3. Earrings; 4. Bracelet; 5. Necklace; 6. Ring; 7. Earrings; 8. Pendant; 9. Ring;  
10. Earrings; 11. Bracelet; 12. Necklace; 13. Ring; 14. Bracelet; 15. Necklace; 16. Ring; 17. Earrings;  
18. Bracelet; 19.-20. Necklaces; 21. Ring; 22. Earrings; Bracelet; 24. Necklace; 25. Ring; 26. Earrings;  
27. Bracelet; 28. Necklace

---

(11) DM/75176  
(73) NEMIROFF INTELLECTUAL PROPERTY ESTABLISHMENT  
Städtle 31, FL-9490 Vaduz (LI)  
(15) 2011 01 20  
(24) 2011 01 20  
(18) 2026 01 20  
(28) 10  
(28') 10  
(54) Bottles

---

(11) DM/87329  
(73) PETROLIAM NASIONAL BERHAD (PETRONAS)  
Tower 1, Petronas Twin Towers, Kuala Lumpur City Centre, 50088 Kuala Lumpur (MY)  
(15) 2015 08 24  
(24) 2015 08 24  
(18) 2025 08 24  
(28) 2  
(28') 2  
(54) Packagings for lubricant

---

(11) DM/87450  
(73) SWATCH AG (SWATCH SA) (SWATCH LTD.)  
Jakob-Stämpfli-Strasse 94, CH-2502 Biel/Bienne (CH)  
(15) 2015 09 08  
(24) 2015 09 08  
(18) 2025 09 08  
(28) 4  
(28') 3  
(54) Wristwatches

---

(11) DM/87548  
(73) SWATCH AG (SWATCH SA) (SWATCH LTD.)  
Jakob-Stämpfli-Strasse 94, CH-2502 Biel/Bienne (CH)  
(15) 2015 09 11  
(24) 2015 09 11  
(18) 2025 09 11  
(28) 2  
(28') 1  
(54) Wristwatches

---

(11) DM/87551  
(73) SWATCH AG (SWATCH SA) (SWATCH LTD.)  
    Jakob-Stämpfli-Strasse 94, CH-2502 Biel/Bienne (CH)  
(15) 2015 09 14  
(24) 2015 09 14  
(18) 2025 09 14  
(28) 7  
(28') 4  
(54) Wristwatches

---

(11) DM/87809  
(73) SWATCH AG (SWATCH SA) (SWATCH LTD.)  
    Jakob-Stämpfli-Strasse 94, CH-2502 Biel/Bienne (CH)  
(15) 2015 10 01  
(24) 2015 10 01  
(18) 2025 10 01  
(28) 3  
(28') 3  
(54) Wristwatches

---

(11) DM/87829  
(73) SWATCH AG (SWATCH SA) (SWATCH LTD.)  
    Jakob-Stämpfli-Strasse 94, CH-2502 Biel/Bienne (CH)  
(15) 2015 10 01  
(24) 2015 10 01  
(18) 2025 10 01  
(28) 1  
(28') 1  
(54) Wristwatch

---

(11) DM/87830  
(73) ETA SA MANUFACTURE HORLOGÈRE SUISSE  
    Schild-Rust-Strasse 17, CH-2540 Grenchen (CH)  
(15) 2015 10 05  
(24) 2015 10 05  
(18) 2025 10 05  
(28) 20  
(28') 20  
(54) Wristwatches

---

(11) DM/87831  
(73) SWATCH AG (SWATCH SA) (SWATCH LTD.)  
    Jakob-Stämpfli-Strasse 94, CH-2502 Biel/Bienne (CH)  
(15) 2015 10 06  
(24) 2015 10 06  
(18) 2025 10 06  
(28) 1  
(28') 1  
(54) Wristwatch

---

(11) DM/87832  
(73) SWATCH AG (SWATCH SA) (SWATCH LTD.)  
    Jakob-Stämpfli-Strasse 94, CH-2502 Biel/Bienne (CH)  
(15) 2015 10 09

(24) 2015 10 09  
(18) 2025 10 09  
(28) 2  
(28') 2  
(54) Wristwatches

---

(11) DM/87839  
(73) SWATCH AG (SWATCH SA) (SWATCH LTD.)  
    Jakob-Stämpfli-Strasse 94, CH-2502 Biel/Bienne (CH)  
(15) 2015 10 02  
(24) 2015 10 02  
(18) 2025 10 02  
(28) 10  
(28') 10  
(54) Spectacle frames,Sunglasses

---

(11) DM/87868  
(73) SWATCH AG (SWATCH SA) (SWATCH LTD.)  
    Jakob-Stämpfli-Strasse 94, CH-2502 Biel/Bienne (CH)  
(15) 2015 09 28  
(24) 2015 09 28  
(18) 2025 09 28  
(28) 7  
(28') 3  
(54) Wristwatches

---

(11) DM/87875  
(73) SWATCH AG (SWATCH SA) (SWATCH LTD.)  
    Jakob-Stämpfli-Strasse 94, CH-2502 Biel/Bienne (CH)  
(15) 2015 10 01  
(24) 2015 10 01  
(18) 2025 10 01  
(28) 2  
(28') 2  
(54) Wristwatches

---

(11) DM/87876  
(73) SWATCH AG (SWATCH SA) (SWATCH LTD.)  
    Jakob-Stämpfli-Strasse 94, CH-2502 Biel/Bienne (CH)  
(15) 2015 10 01  
(24) 2015 10 01  
(18) 2025 10 01  
(28) 1  
(28') 1  
(54) Wristwatch

---

(11) DM/87877  
(73) SWATCH AG (SWATCH SA) (SWATCH LTD.)  
    Jakob-Stämpfli-Strasse 94, CH-2502 Biel/Bienne (CH)  
(15) 2015 10 01  
(24) 2015 10 01  
(18) 2025 10 01  
(28) 1

---



(28') 1  
(54) Wristwatch

---

(11) DM/87883  
(73) SWATCH AG (SWATCH SA) (SWATCH LTD.)  
Jakob-Stämpfli-Strasse 94, CH-2502 Biel/Bienne (CH)  
(15) 2015 10 05  
(24) 2015 10 05  
(18) 2025 10 05  
(28) 1  
(28') 1  
(54) Watch strap

---

(11) DM/87884  
(73) SWATCH AG (SWATCH SA) (SWATCH LTD.)  
Jakob-Stämpfli-Strasse 94, CH-2502 Biel/Bienne (CH)  
(15) 2015 10 05  
(24) 2015 10 05  
(18) 2025 10 05  
(28) 2  
(28') 2  
(54) Wristwatches

---

(11) DM/87891  
(73) SWATCH AG (SWATCH SA) (SWATCH LTD.)  
Jakob-Stämpfli-Strasse 94, CH-2502 Biel/Bienne (CH)  
(15) 2015 10 08  
(24) 2015 10 08  
(18) 2025 10 08  
(28) 1  
(28') 1  
(54) Wristwatch

---

(11) DM/87904  
(73) HARRY WINSTON SA  
Chemin du Tourbillon 8, CH-1228 Plan-les-Ouates (CH)  
(15) 2015 10 19  
(24) 2015 10 19  
(18) 2025 10 19  
(28) 2  
(28') 2  
(54) Necklace, Ring with gemstones

---

(11) DM/87942  
(73) MONTRES JAQUET DROZ SA (MONTRES JAQUET DROZ AG) (MONTRES JAQUET DROZ LTD)  
Allée du Tourbillon 2, CH-2300 La Chaux-de-Fonds (CH)  
(15) 2015 10 23  
(24) 2015 10 23  
(18) 2025 10 23  
(28) 1  
(28') 1  
(54) Dial

---

(11) DM/88036  
(73) SWATCH AG (SWATCH SA) (SWATCH LTD.)  
    Jakob-Stämpfli-Strasse 94, CH-2502 Biel/Bienne (CH)  
(15) 2015 10 02  
(24) 2015 10 02  
(18) 2025 10 02  
(28) 3  
(28') 3  
(54) Watch case, Watch case with its support, Watch support

---

(11) DM/88092  
(73) SWATCH AG (SWATCH SA) (SWATCH LTD.)  
    Jakob-Stämpfli-Strasse 94, CH-2502 Biel/Bienne (CH)  
(15) 2015 10 27  
(24) 2015 10 27  
(18) 2025 10 27  
(28) 2  
(28') 2  
(54) Wristwatches

---

(11) DM/88093  
(73) THE SWATCH GROUP MANAGEMENT SERVICES AG (THE SWATCH GROUP MANAGEMENT SERVICES SA) (THE SWATCH GROUP MANAGEMENT SERVICES LTD.)  
    Seevorstadt 6, CH-2502 BIENNE (CH)  
(15) 2015 10 30  
(24) 2015 10 30  
(18) 2025 10 30  
(28) 17  
(28') 4  
(54) 10. Wristwatch, 11.-12. Watches, 1.-3. Watch cases with strap, 13. Watch case with strap, 14. Swiveling watch case with strap, 15.-17. Watch cases, 4. Wristwatch, 5. Watch case with strap, 6.-7. Wristwatches, 8. Watch case, 9. Watch case with strap, Swiveling watch case with strap

---

(11) DM/89545  
(73) HEWLETT PACKARD ENTERPRISE DEVELOPMENT LP  
    11445 Compaq Center Drive West, Houston TX 77070 (US)  
(15) 2015 10 30  
(24) 2015 10 30  
(18) 2025 10 30  
(28) 10  
(28') 10  
(54) Logos

---

(11) DM/89546  
(73) HEWLETT PACKARD ENTERPRISE DEVELOPMENT LP  
    11445 Compaq Center Drive West, Houston TX 77070 (US)  
(15) 2015 10 31  
(24) 2015 10 31  
(18) 2025 10 31  
(28) 5  
(28') 5  
(54) Logos

---

(11) DM/89993  
(73) IPEK KAGIT SANAYI VE TICARET ANONIM SIRKETI  
Kanyon Ofis Buyukdere Caddesi No: 185, TR-34394 Istanbul (TR)  
(15) 2015 11 30  
(24) 2015 11 30  
(18) 2025 11 30  
(28) 1  
(28') 1  
(54) Towel dispenser

---

## CANCELLATION OF REGISTRATION OF INTERNATIONAL DESIGNS

(11) DM/85206  
(73) JAPAN TOBACCO INC.  
2-2-1 Toranomom, Minato-ku, Tokyo (JP)  
DATE OF CANCELLATION OF REGISTRATION: 2019 12 17  
(58) 2020 11 19

---

(11) DM/85535  
(73) TFS GLOBAL HANGER MANAGEMENT GMBH  
Hoher Weg 2, 48529 Nordhorn (DE)  
DATE OF CANCELLATION OF REGISTRATION: 2020 02 05  
(58) 2020 11 19

---

(11) DM/85569  
(73) BOURJOIS  
12-14 rue Victor Noir, F-92200 NEUILLY-SUR-SEINE (FR)  
DATE OF CANCELLATION OF REGISTRATION: 2020 02 10  
(58) 2020 11 19

---

(11) DM/85570  
(73) MIDO AG (MIDO SA) (MIDO LTD).  
Chemin des Tourelles 17, CH-2400 Le Locle (CH)  
DATE OF CANCELLATION OF REGISTRATION: 2020 02 10  
(58) 2020 11 19

---

(11) DM/85702  
(73) THE SWATCH GROUP MANAGEMENT SERVICES AG (THE SWATCH GROUP MANAGEMENT SERVICES SA) (THE SWATCH GROUP MANAGEMENT SERVICES LTD.)  
Seevorstadt 6, CH-2502 BIEL/BIENNE (CH)  
DATE OF CANCELLATION OF REGISTRATION: 2020 02 24  
(58) 2020 11 19

---

(11) DM/85713  
(73) OMEGA SA (OMEGA AG) (OMEGA LTD.)  
Jakob-Stämpfli-Strasse 96, CH-2502 Biel/Bienne (CH)  
DATE OF CANCELLATION OF REGISTRATION: 2020 03 02  
(58) 2020 11 19

---

(11) DM/85907  
 (73) THE SWATCH GROUP MANAGEMENT SERVICES AG (THE SWATCH GROUP MANAGEMENT SERVICES SA) (THE SWATCH GROUP MANAGEMENT SERVICES LTD.)  
 Seevorstadt 6, CH-2502 BIEL/BIENNE (CH)  
 DATE OF CANCELLATION OF REGISTRATION: 2020 03 17  
 (58) 2020 11 19

---

(11) DM/85930  
 (73) THE SWATCH GROUP MANAGEMENT SERVICES AG (THE SWATCH GROUP MANAGEMENT SERVICES SA) (THE SWATCH GROUP MANAGEMENT SERVICES LTD.)  
 Seevorstadt 6, CH-2502 BIEL/BIENNE (CH)  
 DATE OF CANCELLATION OF REGISTRATION: 2020 03 16  
 (58) 2020 11 19

---

(11) DM/85931  
 (73) THE SWATCH GROUP MANAGEMENT SERVICES AG (THE SWATCH GROUP MANAGEMENT SERVICES SA) (THE SWATCH GROUP MANAGEMENT SERVICES LTD.)  
 Seevorstadt 6, CH-2502 BIEL/BIENNE (CH)  
 DATE OF CANCELLATION OF REGISTRATION: 2020 03 16  
 (58) 2020 11 19

---

(11) DM/86068  
 (73) CERTINA AG (CERTINA SA) (CERTINA LTD.)  
 17, chemin des Tourelles, CH-2400 LE LOCLE (CH)  
 DATE OF CANCELLATION OF REGISTRATION: 2020 04 02  
 (58) 2020 11 19

---

(11) DM/86291  
 (73) ETA SA MANUFACTURE HORLOGÈRE SUISSE  
 Schild-Rust-Strasse 17, CH-2540 Grenchen (CH)  
 DATE OF CANCELLATION OF REGISTRATION: 2020 04 27  
 (58) 2020 11 19

---

(11) DM/86293  
 (73) THE SWATCH GROUP MANAGEMENT SERVICES AG (THE SWATCH GROUP MANAGEMENT SERVICES SA) (THE SWATCH GROUP MANAGEMENT SERVICES LTD.)  
 Seevorstadt 6, CH-2502 Bienne (CH)  
 DATE OF CANCELLATION OF REGISTRATION: 2020 04 27  
 (58) 2020 11 19

---

## CORRECTION OF PUBLISHED INFORMATION

BULLETIN № 21(553)2020

Pg.	NUMBER OF APPLICATION (10)	PUBLISHED	MUST BE
14	AD 2020 1155 S	(54) CHOCOLATE PACKAGE	(54) CHOCOLATE WRAPPER

# TRADEMARKS

## RENEWAL OF REGISTRATIONS

(111) M 2000 13584 R2 (156) 2000 11 13 (186) 2030 11 13 (732) TECHNICOLOR 8-10 rue du Renard, 75004 Paris, France	1 Nauky Avenue, building 1, Kyiv, 03039, Ukraine
(111) M 2001 13751 R2 (156) 2001 02 20 (186) 2031 02 20 (732) Wyeth LLC 235 East 42nd Street, New York, NY 10017, USA	(111) M 2010 20730 R1 (156) 2010 09 10 (186) 2030 09 10 (732) Dotchirne Pidpriemstvo "Konditerska Korporatzia "Roshen" 1 Nauky Avenue, building 1, Kyiv, 03039, Ukraine
(111) M 2001 13757 R2 (156) 2001 02 20 (186) 2031 02 20 (732) AstraZeneca AB Vastra Malarehamnen 9, 15185 Sodertalje, Sweden	(111) M 2011 21331 R1 (156) 2011 04 06 (186) 2031 04 06 (732) SINGULAR TRADING LIMITED Tagriaferro Business Centre, Level 2, High C/W, Gaiety Lane, Sliema, SLM 1551, Malta
(111) M 2010 20456 R1 (156) 2010 05 13 (186) 2030 05 13 (732) Turkcell İletişim Hizmetleri Anonim Şirketi Aydınevler Mah. İnönü Cad. No:20, Küçükyalı Ofispark, Maltepe İstanbul, Turkey	(111) M 2011 21324 R1 (156) 2011 03 24 (186) 2031 03 24 (732) NOVARTIS AG 4002 Basel, Switzerland
(111) M 2011 21225 R1 (156) 2011 03 01 (186) 2031 03 01 (732) Johnson & Johnson, a New Jersey Corporation One Johnson & Johnson Plaza, New Brunswick, New Jersey, 08933-7001, USA	(111) M 2011 21325 R1 (156) 2011 03 24 (186) 2031 03 24 (732) NOVARTIS AG 4002 Basel, Switzerland
(111) M 2010 20722 R1 (156) 2010 09 10 (186) 2030 09 10 (732) Dotchirne Pidpriemstvo "Konditerska Korporatzia "Roshen" 1 Nauky Avenue, building 1, Kyiv, 03039, Ukraine	(111) M 2011 21326 R1 (156) 2011 03 24 (186) 2031 03 24 (732) NOVARTIS AG 4002 Basel, Switzerland
(111) M 2010 20723 R1 (156) 2010 09 10 (186) 2030 09 10 (732) Dotchirne Pidpriemstvo "Konditerska Korporatzia "Roshen"	(111) M 2011 21419 R1 (156) 2011 04 27 (186) 2031 04 27 (732) NOVARTIS AG 4002 Basel, Switzerland
(111) M 2010 20723 R1 (156) 2010 09 10 (186) 2030 09 10 (732) Dotchirne Pidpriemstvo "Konditerska Korporatzia "Roshen"	(111) M 2011 21420 R1 (156) 2011 04 27 (186) 2031 04 27

(732) NOVARTIS AG  
4002 Basel, Switzerland

---

(111) M 2011 21974 R1  
(156) 2011 11 17  
(186) 2031 11 17  
(732) NOVARTIS AG  
CH-4002 Basel, Switzerland

---

(111) M 2011 21975 R1  
(156) 2011 11 17  
(186) 2031 11 17  
(732) NOVARTIS AG  
CH-4002 Basel, Switzerland

---

## COMPLETE TRANSFER OF RIGHTS

(111) M 2002 14641 R  
(732) UPJOHN US 1 LLC  
235 East 42nd Street, New York, N.Y. 10017,  
USA  
(770) C.P.PHARMACEUTICALS  
INTERNATIONAL C.V.  
c/o General Partners, Pfizer Manufacturing  
LLC and Pfizer Production LLC, 235 East  
42nd Street, New York, NY 10017, USA  
(580) 2020 09 22

---

(770) LTD "VARDZIA"  
Vill. Gogasheni, Akhalkalaki district, 0500,  
Vardzia, Georgia  
(580) 2020 11 26

---

(111) M 1997 7189 R  
(732) Merck KgaA  
Frankfurter Strasse 250, 64293 Darmstadt,  
Germany  
(770) Sigma-Aldrich Co. LLC  
3050 Spruce Street, St. Louis, Missouri,  
63103, USA  
(580) 2020 11 12

---

(111) M 1997 7194 R  
(732) Merck KgaA  
Frankfurter Strasse 250, 64293 Darmstadt,  
Germany  
(770) Sigma-Aldrich Co. LLC  
3050 Spruce Street, St. Louis, Missouri,  
63103, USA  
(580) 2020 11 12

---

(111) M 2011 21331 R  
(732) SINGULAR TRADING LIMITED  
Tagriaferro Business Centre, Level 2, High  
Street C/W, Gaiety Lane, Sliema, SLM 1551,  
Malta  
(770) LTD "SINGULAR GROUP"  
Dzmebi Zubalashvilebi St. 2, 0108, Tbilisi,  
Georgia  
(580) 2020 11 20

---

(111) M 2016 26774 R  
(732) Société des Produits Nestlé S.A.  
1800 Vevey, Switzerland  
(770) MUCOS EMULSIONSGESELLSCHAFT  
MBH CHEMISCH-PHARMAZEUTISCHE  
BETRIEBE  
Miraushtrase 17, Berlin, Germany  
(580) 2020 11 24

---

(111) M 2017 29001 R  
(732) Nikoloz Natenadze  
Liziko Kavtaradze St. 1, app. 54, 0179, Tbilisi,  
Georgia

---

## CHANGES OF NAMES AND/OR ADDRESS OF OWNERS

(111) M 1998 11256 R  
(732) ENERGIZER AUTO INC.  
44 Old Ridgebury Road, Danbury, Connecticut  
06810, USA

(770) The Armor All/STP Products Company,  
a Delaware Corporation  
44 Old Ridgebury Road, Danbury, Connecticut  
06810, USA  
(580) 2020 11 13

---

(111) M 2000 13584 R  
(732) TECHNICOLOR  
8-10 rue du Renard, 75004 Paris, France  
(770) TECHNICOLOR  
1-5 rue Jeanne d'Arc, 92130 Issy Les  
Moulineaux, France  
(580) 2020 10 27

---

(111) M 2001 13751 R  
(732) Wyeth LLC  
235 East 42nd Street, New York, NY 10017,  
USA  
(770) Wyeth LLC  
Five Giralda Farms, Madison, New Jersey,  
07940, USA  
(580) 2020 11 24

---

(111) M 2004 15648 R  
(732) SANOFI İLAÇ SANAYI VE TİCARET  
ANONİM ŞİRKETİ  
Esentepe Mah. Büyükdere Cad. No: 193  
Kat: 4, Şişli, İstanbul, Turkey  
(770) Zentiva Sağlık Ürünleri Sanayi ve Ticaret A.Ş.  
Büyükdere Cad No:193 Kat:4 Levent, İstanbul,  
Turkey  
(580) 2020 11 13

---

(111) M 2006 16981 R  
(732) SANOFI İLAÇ SANAYI VE TİCARET  
ANONİM ŞİRKETİ  
Esentepe Mah. Büyükdere Cad. No: 193  
Kat: 4, Şişli, İstanbul, Turkey  
(770) Zentiva Sağlık Ürünleri Sanayi ve Ticaret A.Ş.  
Büyükdere Cad No:193 Kat:4 Levent, İstanbul,  
Turkey  
(580) 2020 11 13

---

(111) M 2010 20456 R  
(732) Turkcell İletişim Hizmetleri Anonim Şirketi  
Aydınevler Mah. İnönü Cad. No:20, Küçükyalı  
Ofispark, Maltepe İstanbul, Turkey

(770) Turkcell İletişim Hizmetleri Anonim Şirketi  
Turkcell Plaza Meşrutiyet Caddesi No.71  
Tepebaşı İstanbul, Turkey  
(580) 2020 11 17

---

(111) M 2010 20722 R  
(732) Dotchirne Pidpriemstvo "Konditerska  
Korporatzia "Roshen"  
1 Nauky Avenue, building 1, Kyiv, 03039,  
Ukraine  
(770) Dotchirne Pidpriemstvo "Konditerska  
Korporatzia "Roshen"  
Vul. Elektrikiv, 26/9, m. Kyiv, 04176, Ukraine  
(580) 2020 11 17

---

(111) M 2010 20723 R  
(732) Dotchirne Pidpriemstvo "Konditerska  
Korporatzia "Roshen"  
1 Nauky Avenue, Building 1, Kyiv, 03039,  
Ukraine  
(770) Dotchirne Pidpriemstvo "Konditerska  
Korporatzia "Roshen"  
Vul. Elektrikiv, 26/9, m. Kyiv, 04176, Ukraine  
(580) 2020 11 17

---

(111) M 2010 20730 R  
(732) Dotchirne Pidpriemstvo "Konditerska  
Korporatzia "Roshen"  
1 Nauky Avenue, building 1, Kyiv, 03039,  
Ukraine  
(770) Dotchirne Pidpriemstvo "Konditerska  
Korporatzia "Roshen"  
Vul. Elektrikiv, 26/9, m. Kyiv, 04176,  
Ukraine  
(580) 2020 11 17

---

(111) M 2011 21173 R  
(732) SANOFI İLAÇ SANAYI VE TİCARET  
ANONİM ŞİRKETİ  
Esentepe Mah. Büyükdere Cad. No: 193  
Kat: 4, Şişli, İstanbul, Turkey  
(770) Zentiva Sağlık Ürünleri Sanayi ve Ticaret A.Ş.  
Büyükdere Cad No:193 Kat:4 Levent,  
İstanbul, Turkey  
(580) 2020 11 12

---

(111) M 1997 5150 R  
(732) ENERGIZER AUTO, INC.  
44 Old Ridgebury Road, Danbury, Connecticut  
06810, USA  
(770) The Armor All/STP Products Company



44 Old Ridgebury Road, Danbury, Connecticut  
06810, USA  
(580) 2020 11 13

---

(111) M 2014 24571 R  
(732) SANOFI İLAÇ SANAYI VE TİCARET  
ANONİM ŞİRKETİ  
Esentepe Mah. Büyükdere Cad. No: 193  
Kat: 4, Şişli, İstanbul, Turkey  
(770) Zentiva Sağlık Ürünleri Sanayi ve Ticaret A.Ş.  
Büyükdere Cad No:193 Kat:4 Levent,  
İstanbul, Turkey  
(580) 2020 11 12

---

(111) M 2015 26122 R  
(732) LTD "NUTRIMAX"  
Levan Ghoghoberidze St. 67b, Krtsanisi  
district, 0165, Tbilisi, Georgia  
(770) LTD "AGRO TRADING GEORGIA"  
Rustavi Highway 68a, 0165, Tbilisi, Georgia  
(580) 2020 11 27

---

(111) M 2015 26123 R  
(732) LTD "NUTRIMAX"  
Levan Ghoghoberidze St. 67b, Krtsanisi  
district, 0165, Tbilisi, Georgia  
(770) LTD "AGRO TRADING GEORGIA"  
Rustavi Highway 68a, 0165, Tbilisi, Georgia  
(580) 2020 11 27

---

(111) M 2016 26666 R  
(732) LTD "NUTRIMAX"  
Levan Ghoghoberidze St. 67b, Krtsanisi  
district, 0165, Tbilisi, Georgia  
(770) LTD "AGRO TRADING GEORGIA"  
Rustavi Highway 68a, 0165, Tbilisi, Georgia  
(580) 2020 11 27

---

(111) M 2016 27011 R  
(732) SANOFI İLAÇ SANAYI VE TİCARET  
ANONİM ŞİRKETİ  
Esentepe Mah. Büyükdere Cad. No: 193  
Kat: 4, Şişli, İstanbul, Turkey  
(770) ZENTIVA Sağlık Ürünleri Sanayi ve Ticaret  
A.Ş.  
Büyükdere Caddesi, No: 193, Kat: 4, Levent,  
34394, Şişli, İstanbul, Turkey  
(580) 2020 11 13

---

## TERMINATION OF TRADEMARKS REGISTRATION

(111) M 2019 32071 R  
(151) 2019 12 05  
(732) LTD "ALPEN MILK"  
David Aghmashenebeli St. 28/1, Akhalkalaki,  
Georgia  
(141) 2020 11 20

---

(111) M 2010 20436 R  
(151) 2010 05 11  
(732) LTD "GOMBORI CELLAR"  
Pekini St. 5, 0171, Tbilisi, Georgia  
(141) 2020 11 30

---

(111) M 2010 20437 R  
(151) 2010 05 11  
(732) LTD "PHOTOPLAZA +"  
Mukhadze St. 14, 0162, Tbilisi, Georgia  
(141) 2020 11 30

---

(111) M 2010 20440 R  
(151) 2010 05 13  
(732) Giorgi Gelashvili  
Kasteli St. 26, 1400, Gori, Georgia  
(141) 2020 11 30

---

(111) M 2010 20439 R  
(151) 2010 05 13  
(732) LTD "ABASHIDZE 27"  
Cafe Barnova, Abashidze St. 27, 0162, Tbilisi,  
Georgia  
(141) 2020 11 30

---

(111) M 2010 20486 R  
(151) 2010 05 17  
(732) Ozdemir Jhangir  
Vazha Pshavelas 27/7, 0160, Tbilisi, Georgia  
(141) 2020 12 02

---

(111) M 2010 20487 R  
(151) 2010 05 17  
(732) Ozdemir Jhangir  
Vazha-Pshavela Av. 27/7, 0160, Tbilisi,  
Georgia  
(141) 2020 12 02

---

(111) M 2010 20488 R  
(151) 2010 05 17  
(732) Ozdemir Jhangir

Vazha-Pshavela Av. 27/7, 0160, Tbilisi,  
Georgia  
(141) 2020 12 02

---

(111) M 2010 20443 R  
(151) 2010 05 13  
(732) Payless ShoeSource Worldwide, Inc.  
Jayhawk Towers, 700 SW Jackson Street,  
Suite 202, Topeka, KS 66603, USA  
(141) 2020 11 30

---

(111) M 2010 20449 R  
(151) 2010 05 13  
(732) LTD "A-B-C PHARMACY"  
Sanapiro St. 10a, 0108, Tbilisi, Georgia  
(141) 2020 11 30

---

(111) M 2010 20453 R  
(151) 2010 05 13  
(732) Bice International Ltd  
P.O. Box 112888, Dubai, United Arab  
Emirates  
(141) 2020 11 30

---

(111) M 2010 20455 R  
(151) 2010 05 13  
(732) INTEL CORPORATION, a Delaware  
Corporation  
2200 Mission College Boulevard, Santa  
Clara, California 95052-8119, USA  
(141) 2020 11 30

---

(111) M 2010 20460 R  
(151) 2010 05 13  
(732) British American Tobacco (Brands) Inc.  
251 Little Falls Drive, Suite 100, Delaware,  
19808-1674, Wilmington, USA  
(141) 2020 11 30

---

(111) M 2010 20461 R  
(151) 2010 05 13  
(732) British American Tobacco (Brands) Inc.  
251 Little Falls Drive, Suite 100, Delaware,  
19808-1674, Wilmington, USA  
(141) 2020 11 30

---

(111) M 2010 20462 R  
(151) 2010 05 13  
(732) British American Tobacco (Brands) Inc.

251 Little Falls Drive, Suite 100, Delaware,  
19808-1674, Wilmington, USA  
(141) 2020 11 30

---

(111) M 2010 20441 R  
(151) 2010 05 13  
(732) LTD "DIARECT DEBIT GEORGIA"  
Luksemburg St. 25/36, 0160, Tbilisi, Georgia  
(141) 2020 11 30

---

(111) M 2010 20463 R  
(151) 2010 05 13  
(732) Perdigão S.A.  
Avenida Escola Politécnica, 760, Jaguaré,  
São Paulo, SP, Brazil  
(141) 2020 11 30

---

(111) M 2010 20469 R  
(151) 2010 05 13  
(732) MARS INCORPORATED  
6885 ELM Street, McLean, Virginia  
22101-3883, USA  
(141) 2020 11 30

---

(111) M 2010 20471 R  
(151) 2010 05 13  
(732) Philip Morris Brands SARL  
Quai Jeanrenaud 3, 2000 Neuchâtel,  
Switzerland  
(141) 2020 11 30

---

(111) M 2010 20485 R  
(151) 2010 05 17  
(732) LTD "WINEMAN SH.P.S."  
Gudiashvili St. 11, 0105, Tbilisi, Georgia  
(141) 2020 12 02

---

(111) M 2010 20438 R  
(151) 2010 05 11  
(732) LTD "INTERPLAST"  
Didi Lilo, 0104, Tbilisi, Georgia  
(141) 2020 11 30

---

---

# CLASSIFICATION INDEXES

## INVENTIONS

### CONCORDANCE TABLE OF INTERNATIONAL CLASSIFICATION INDEX AND PUBLICATION NUMBERS

INTERNATIONAL CLASSIFICATION INDEXES (51)	NUMBER OF PUBLISHED APPLICATION (10)
A 47 J 43/07; H 02 K 5/00	AP 2020 15016 A
A 61 K 9/00; A 61 K 47/10; A 61 K 31/167; A 61 K 31/573; A 61 P 11/00	AP 2020 15034 A
A 61 K 9/08; A 61 K 59/595; A 61 K 47/00	AP 2020 15038 A
A 61 K 9/20; A 61 K 31/198; A 61 K 47/18; A 61 K 47/20	AP 2020 15179 A
A 61 K 31/40; A 61 K 31/4704; A 61 K 31/56; A 61 K 9/00; A 61 P 11/00	AP 2020 15035 A
A 61 K 31/404; A 61 K 31/4045; A 61 K 31/405; A 61 K 31/407; A 61 K 31/4184; A 61 K 31/4188; A 61 K 31/423; A 61 K 31/424; A 61 P 31/00; A 61 P 25/00; A 61 P 35/00; A 61 P 37/00; A 61 P 43/00; A 61 K 31/4355; A 61 K 31/437	AP 2020 14317 A
A 61 K 31/4196; A 61 P 35/02; C 07 D 405/12; C 07 D 401/12; C 07 D 403/12; C 07 D 413/12; C 07 D 249/12	AP 2020 15096 A
A 61 K 31/551; A 61 K 31/5415; A 61 P 31/04; C 07 D 281/02; C 07 D 279/08	AP 2020 14821 A
A 61 K 31/519; A 61 P 25/00; A 61 P 19/00; C 07 D 487/04	AP 2020 15192 A
A 61 K 31/565; A 61 K 9/00; A 61 K 9/20	AP 2020 14676 A
B 01 D 1/06; B 01 J 19/02; C 07 C 273/04; C 21 D 6/00; C 21 D 9/08; C 21 D 8/00; C 22 C 38/58; C 22 C 38/44; C 22 C 38/04; C 22 C 38/02; C 22 C 38/00; C 22 C 33/04; F 28 F 21/08	AP 2020 14707 A
C 07 C 311/00; C 07 C 317/14; C 07 C 317/26; C 07 D 239/26; C 07 D 209/04	AP 2020 14907 A
C 12 N 15/11; C 12 N 15/63; C 07 K 19/00; C 12 N 5/10	AP 2020 13674 A

**CONCORDANCE TABLE OF PUBLICATION NUMBERS  
AND INTERNATIONAL CLASSIFICATION INDEX**

NUMBER OF PUBLISHED APPLICATION (10)	INTERNATIONAL CLASSIFICATION INDEXES (51)
AP 2020 13674 A	C 12 N 15/11; C 12 N 15/63; C 07 K 19/00; C 12 N 5/10
AP 2020 14317 A	A 61 K 31/404; A 61 K 31/4045; A 61 K 31/405; A 61 K 31/407; A 61 K 31/4184; A 61 K 31/4188; A 61 K 31/423; A 61 K 31/424; A 61 P 31/00; A 61 P 25/00; A 61 P 35/00; A 61 P 37/00; A 61 P 43/00; A 61 K 31/4355; A 61 K 31/437
AP 2020 14676 A	A 61 K 31/565; A 61 K 9/00; A 61 K 9/20
AP 2020 14707 A	B 01 D 1/06; B 01 J 19/02; C 07 C 273/04; C 21 D 6/00; C 21 D 9/08; C 21 D 8/00; C 22 C 38/58; C 22 C 38/44; C 22 C 38/04; C 22 C 38/02; C 22 C 38/00; C 22 C 33/04; F 28 F 21/08
AP 2020 14821 A	A 61 K 31/551; A 61 K 31/5415; A 61 P 31/04; C 07 D 281/02; C 07 D 279/08
AP 2020 14907 A	C 07 C 311/00; C 07 C 317/14; C 07 C 317/26; C 07 D 239/26; C 07 D 209/04
AP 2020 15016 A	A 47 J 43/07; H 02 K 5/00
AP 2020 15034 A	A 61 K 9/00; A 61 K 47/10; A 61 K 31/167; A 61 K 31/573; A 61 P 11/00
AP 2020 15035 A	A 61 K 31/40; A 61 K 31/4704; A 61 K 31/56; A 61 K 9/00; A 61 P 11/00
AP 2020 15038 A	A 61 K 9/08; A 61 K 59/595; A 61 K 47/00
AP 2020 15096 A	A 61 K 31/4196; A 61 P 35/02; C 07 D 405/12; C 07 D 401/12; C 07 D 403/12; C 07 D 413/12; C 07 D 249/12
AP 2020 15179 A	A 61 K 9/20; A 61 K 31/198; A 61 K 47/18; A 61 K 47/20
AP 2020 15192 A	A 61 K 31/519; A 61 P 25/00; A 61 P 19/00; C 07 D 487/04

**CONCORDANCE TABLE OF INTERNATIONAL CLASSIFICATION INDEX,  
PATENT NUMBERS AND PUBLICATION NUMBERS**

INTERNATIONAL CLASSIFICATION INDEX (51)	NUMBER OF PATENT (11)	NUMBER OF PUBLISHED APPLICATION (10)
A 01 N 59/02; C 05 D 9/00; C 05 D 9/02	P 2020 7188 B	AP 2020 14997 A
A 61 K 31/675; A 61 K 47/26; A 61 K 9/19; A 61 K 9/08	P 2020 7189 B	AP 2020 14974 A
A 61 K 31/7076; A 61 P 31/18	P 2020 7190 B	AP 2020 14873 A
E 02 B 3/06; E 02 D 29/02	P 2020 7191 B	AP 2020 15059 A

**CONCORDANCE TABLE OF PATENT NUMBERS,  
PUBLICATION NUMBERS AND INTERNATIONAL CLASSIFICATION INDEX**

NUMBER OF PATENT (11)	NUMBER OF PUBLISHED APPLICATION (10)	INTERNATIONAL CLASSIFICATION INDEX (51)
P 2020 7188 B	AP 2020 14997 A	A 01 N 59/02; C 05 D 9/00; C 05 D 9/02
P 2020 7189 B	AP 2020 14974 A	A 61 K 31/675; A 61 K 47/26; A 61 K 9/19; A 61 K 9/08
P 2020 7190 B	AP 2020 14873 A	A 61 K 31/7076; A 61 P 31/18
P 2020 7191 B	AP 2020 15059 A	E 02 B 3/06; E 02 D 29/02

**CONCORDANCE TABLE OF APPLICATION NUMBERS, PUBLICATION NUMBERS  
AND PATENTS**

NUMBER OF APPLICATION (21)	NUMBER OF PUBLISHED APPLICATION (10)	NUMBER OF PATENT (11)
AP 2017 14873	AP 2020 14873 A	P 2020 7190 B
AP 2017 14974	AP 2020 14974 A	P 2020 7189 B
AP 2019 14997	AP 2020 14997 A	P 2020 7188 B
AP 2019 15059	AP 2020 15059 A	P 2020 7191 B

## UTILITY MODELS

**CONCORDANCE TABLE OF INTERNATIONAL CLASSIFICATION INDEX  
AND PUBLICATION NUMBERS**

INTERNATIONAL CLASSIFICATION INDEXES (51)	NUMBER OF PUBLISHED APPLICATION (10)
A 61 M 16/00	AU 2020 15320 U
C 25 B 11/04	AU 2020 15191 U
E 02 B 11/00	AU 2020 14927 U

**CONCORDANCE TABLE OF PUBLICATION NUMBERS  
AND INTERNATIONAL CLASSIFICATION INDEX**

NUMBER OF PUBLISHED APPLICATION (10)	INTERNATIONAL CLASSIFICATION INDEXES (51)
AU 2020 14927 U	E 02 B 11/00
AU 2020 15191 U	C 25 B 11/04
AU 2020 15320 U	A 61 M 16/00

**CONCORDANCE TABLE OF INTERNATIONAL CLASSIFICATION INDEX,  
PATENT NUMBERS AND PUBLICATION NUMBERS**

INTERNATIONAL CLASSIFICATION INDEX (51)	NUMBER OF PATENT (11)	NUMBER OF PUBLISHED APPLICATION (10)
C 11 B 1/04; C 11 B 1/06	U 2020 2062 Y	AU 2020 15040 U
G 06 Q 10/08	U 2020 2061 Y	AU 2020 15323 U

**CONCORDANCE TABLE OF PATENT NUMBERS,  
PUBLICATION NUMBERS AND INTERNATIONAL CLASSIFICATION INDEX**

NUMBER OF PATENT (11)	NUMBER OF PUBLISHED APPLICATION (10)	INTERNATIONAL CLASSIFICATION INDEX (51)
U 2020 2061 Y	AU 2020 15323 U	G 06 Q 10/08
U 2020 2062 Y	AU 2020 15040 U	C 11 B 1/04; C 11 B 1/06

**CONCORDANCE TABLE OF APPLICATION NUMBERS, PUBLICATION NUMBERS  
AND PATENTS**

NUMBER OF APPLICATION (21)	NUMBER OF PUBLISHED APPLICATION (10)	NUMBER OF PATENT (11)
AU 2019 15040	AU 2020 15040 U	U 2020 2062 Y
AU 2020 15323	AU 2020 15323 U	U 2020 2061 Y

## TRADEMARKS

### CONCORDANCE TABLE OF REGISTRATION NUMBERS, APPLICATION NUMBERS, PUBLICATION NUMBERS AND BULLETIN NUMBERS

NUMBER OF REGISTRATION (111)	NUMBER OF APPLICATIONS (210)	NUMBER OF PUBLISHED APPLICATIONS (260)	NUMBER OF BULLETIN
M 2020 33376 R	AM 110546	–	23(555)2020
M 2020 33377 R	AM 110189	–	23(555)2020
M 2020 33378 R	AM 110519	–	23(555)2020
M 2020 33379 R	AM 110146	–	23(555)2020
M 2020 33380 R	AM 110145	–	23(555)2020
M 2020 33381 R	AM 102915	AM 2020 102915 A	8(540)2020
M 2020 33382 R	AM 104111	AM 2020 104111 A	15(547)2020
M 2020 33383 R	AM 104400	AM 2020 104400 A	9(541)2020
M 2020 33384 R	AM 104933	AM 2020 104933 A	9(541)2020
M 2020 33385 R	AM 105228	AM 2020 105228 A	10(542)2020
M 2020 33386 R	AM 105430	AM 2020 105430 A	15(547)2020
M 2020 33387 R	AM 105640	AM 2020 105640 A	12(544)2020
M 2020 33388 R	AM 105641	AM 2020 105641 A	12(544)2020
M 2020 33389 R	AM 105654	AM 2020 105654 A	12(544)2020
M 2020 33390 R	AM 105667	AM 2020 105667 A	11(543)2020
M 2020 33391 R	AM 105755	AM 2020 105755 A	12(544)2020
M 2020 33392 R	AM 105757	AM 2020 105757 A	11(543)2020
M 2020 33393 R	AM 105789	AM 2020 105789 A	11(543)2020
M 2020 33394 R	AM 106162	AM 2020 106162 A	12(544)2020
M 2020 33395 R	AM 106168	AM 2020 106168 A	14(546)2020
M 2020 33396 R	AM 106188	AM 2020 106188 A	14(546)2020
M 2020 33397 R	AM 106279	AM 2020 106279 A	14(546)2020
M 2020 33398 R	AM 106280	AM 2020 106280 A	13(545)2020
M 2020 33399 R	AM 106281	AM 2020 106281 A	15(547)2020
M 2020 33400 R	AM 106282	AM 2020 106282 A	15(547)2020
M 2020 33401 R	AM 106284	AM 2020 106284 A	15(547)2020
M 2020 33402 R	AM 106298	AM 2020 106298 A	15(547)2020
M 2020 33403 R	AM 106299	AM 2020 106299 A	15(547)2020
M 2020 33404 R	AM 106435	AM 2020 106435 A	15(547)2020
M 2020 33405 R	AM 106436	AM 2020 106436 A	14(546)2020
M 2020 33406 R	AM 106528	AM 2020 106528 A	15(547)2020
M 2020 33407 R	AM 106587	AM 2020 106587 A	16(548)2020
M 2020 33408 R	AM 106594	AM 2020 106594 A	15(547)2020
M 2020 33409 R	AM 106595	AM 2020 106595 A	15(547)2020
M 2020 33410 R	AM 106611	AM 2020 106611 A	15(547)2020
M 2020 33411 R	AM 106616	AM 2020 106616 A	15(547)2020
M 2020 33412 R	AM 106649	AM 2020 106649 A	15(547)2020
M 2020 33413 R	AM 106665	AM 2020 106665 A	15(547)2020
M 2020 33414 R	AM 106667	AM 2020 106667 A	15(547)2020
M 2020 33415 R	AM 106529	AM 2020 106529 A	15(547)2020
M 2020 33416 R	AM 106832	AM 2020 106832 A	16(548)2020
M 2020 33417 R	AM 105767	AM 2020 105767 A	11(543)2020
M 2020 33418 R	AM 106602	AM 2020 106602 A	16(548)2020
M 2020 33419 R	AM 110506	–	23(555)2020



**CONCORDANCE TABLE OF PUBLICATION NUMBERS  
AND APPLICATION NUMBERS**

NUMBER OF PUBLISHED APPLICATION (260)	NUMBER OF APPLICATION (210)	1	2
1	2		
AM 2020 105362 A	AM 105362	AM 2020 108065 A	AM 108065
AM 2020 105547 A	AM 105547	AM 2020 108066 A	AM 108066
AM 2020 106056 A	AM 106056	AM 2020 108067 A	AM 108067
AM 2020 106057 A	AM 106057	AM 2020 108068 A	AM 108068
AM 2020 107049 A	AM 107049	AM 2020 108072 A	AM 108072
AM 2020 107986 A	AM 107986	AM 2020 108113 A	AM 108113
AM 2020 108057 A	AM 108057	AM 2020 108114 A	AM 108114
AM 2020 108063 A	AM 108063	AM 2020 108117 A	AM 108117
AM 2020 108064 A	AM 108064	AM 2020 108118 A	AM 108118
		AM 2020 108120 A	AM 108120
		AM 2020 108129 A	AM 108129
		AM 2020 108131 A	AM 108131
		AM 2020 108133 A	AM 108133
		AM 2020 108295 A	AM 108295

**CONCORDANCE TABLE OF INDEX OF GOODS AND/OR SERVICES  
AND APPLICATION NUMBERS**

INDEX OF GOODS AND/OR SERVICES (511)	NUMBER OF PUBLISHED APPLICATIONS (260)	1	2
1	2		
1	AM 2020 108067 A	29	AM 2020 108072 A
1	AM 2020 108133 A	29	AM 2020 108113 A
2	AM 2020 105547 A	30	AM 2020 108113 A
3	AM 2020 108118 A	32	AM 2020 108114 A
3	AM 2020 108120 A	32	AM 2020 108117 A
5	AM 2020 108133 A	33	AM 2020 105362 A
9	AM 2020 108118 A	33	AM 2020 106056 A
9	AM 2020 108120 A	33	AM 2020 106057 A
9	AM 2020 108131 A	33	AM 2020 107986 A
12	AM 2020 108068 A	33	AM 2020 108057 A
14	AM 2020 108118 A	33	AM 2020 108113 A
14	AM 2020 108120 A	33	AM 2020 108295 A
18	AM 2020 108064 A	34	AM 2020 108063 A
18	AM 2020 108118 A	34	AM 2020 108065 A
18	AM 2020 108120 A	34	AM 2020 108066 A
19	AM 2020 105547 A	35	AM 2020 107049 A
25	AM 2020 107049 A	35	AM 2020 108118 A
25	AM 2020 108118 A	35	AM 2020 108120 A
25	AM 2020 108120 A	35	AM 2020 108295 A
		36	AM 2020 108131 A
		42	AM 2020 108131 A
		43	AM 2020 105362 A
		44	AM 2020 108129 A

CONCORDANCE TABLE OF INDEX OF GOODS AND/OR SERVICES  
AND NUMBERS OF TRADEMARKS REGISTERED ACCORDING  
TO THE ACCELERATED PROCEDURE

INDEX OF GOODS AND/OR SERVICES (511)	NUMBERS OF REGISTERED ACCORDING TO THE ACCELERATED PROCEDURE (111)
3	M 2020 33379 R
9	M 2020 33419 R
16	M 2020 33419 R
30	M 2020 33378 R
34	M 2020 33377 R
35	M 2020 33376 R
36	M 2020 33380 R
38	M 2020 33419 R
41	M 2020 33419 R
43	M 2020 33380 R
44	M 2020 33379 R

# OFFICIAL BULLETIN OF THE INDUSTRIAL PROPERTY

INVENTIONS  
UTILITY MODELS  
DESIGNS  
TRADEMARKS

## 23(555)

EDITOR-IN-CHIEF: N. Bebrishvili

EDITOR-TRANSLATOR: E. Gabunia

PROOFREADER: A. Shikhashvili

COMPUTER LAYOUT: M. Ordenidze  
K. Svanidze

[www.sakpatenti.gov.ge](http://www.sakpatenti.gov.ge)

E-mail: [info@sakpatenti.org.ge](mailto:info@sakpatenti.org.ge)