

# Official Bulletin of the Industrial Property

Inventions

Utility Models

Designs

Trademarks

Appellations of Origin of Goods



საქართველოს ინტელექტუალური  
საკუთრების ეროვნული ცენტრი  
**საქპატი**  
**SAKPATENTI**  
NATIONAL INTELLECTUAL PROPERTY  
CENTER OF GEORGIA

Date of Publication – 2023 12 11

**23(626)**

# INID CODES FOR IDENTIFICATION OF BIBLIOGRAPHIC DATA

## INVENTIONS, UTILITY MODELS

- (10) Number of publication of examined application/  
Application publication number\*\*\*
- (11) Patent number/ Patent number\*\*\*  
Registered utility model number\*\*\*
- (21) Application number
- (22) Date of filing of the application
- (23) Date of exhibition priority
- (24) Date from which patent may have effect
- (31) Number of priority application
- (32) Date of filing of priority application
- (33) Code of the country or regional organization allotting application number
- (43) Date of publication of application, number of bulletin\*\*\*
- (44) Date of publication of examined application, on which no grant has taken place and number of bulletin
- (45) Date of publication of patent/ Date of publication of patent\*\*\*  
Date of publication of registered utility model\*\*\*
- (51) International Patent Classification Index
- (54) Title of the invention/title of the utility model
- (57) Abstract
- (60) Number of examined patent document granted by foreign patent office, date from which patent has effect and country code
- (62) Number and filing date of the earlier application in case of a divisional application
- (71) Name and address of applicant (country code)
- (72) Name of inventor (country code)
- (73) Name and address of patent owner/patent owner\*\*\*/ registered utility model owner\*\*\* (country code)
- (74) Name of representative or patent attorney
- (85) Date of commencement of the national phase of international application (PCT)
- (86) Number and date of filing of international application (PCT)
- (87) Number and date of publication of international application (PCT)
- (94) Calculated date of expiry of the SPC or the duration of the SPC

## DESIGNS

- (10) Number of publication for application
- (11) Number of patent and kind of document or number of registration
- (15) Date of registration/Date of patent renewal
- (18) Expected expiration date of patent or registration
- (21) Serial number of application
- (22) Date of filing of the application
- (23) Date of exhibition or the date of the earlier filing and the number of application, if any
- (24) Date from which patent may have effect
- (28) Number of designs included in the application
- (30) Data relating to priority (number of application, date of filing of application, two-letter code identifying the authority with whom the priority application was made)
- (31) Number of priority application
- (32) Date of filing of priority application
- (33) Code of the country or regional organization allotting priority application number
- (34) Two-letter code according to WIPO St.3 identifying the authority with which the priority application was made
- (44) Date of publication of design and number of bulletin (the first publication)
- (45) Date of publication of design registered by WIPO and number of bulletin
- (51) International Classification for designs (class and subclass of the Locarno Classification)
- (54) Title of the invention
- (55) Reproduction of the design
- (57) Description of characteristic features of the design including indication of colors
- (58) Date of recording of any kind of amendment in the Register
- (62) Number of the earlier application, registration and document number and if available the date of filing an application in case of divided application
- (71) Name, surname and address of applicant (country code)
- (72) Name, surname of creator (country code)
- (73) Name, surname and address of patent owner (country code)
- (74) Name, surname of representative or patent attorney
- (81) Contracting states concerned  
II designated contracting states according to the 1960 Act  
III designated contracting states according to the 1999 Act
- (85) Owner's permanent address
- (86) Owner's nationality
- (87) Owner's residence
- (88) State in which the owner has a real and effective industrial or commercial establishment

## TRADEMARKS

- (111) – Number of registration
- (151) – Date of registration
- (156) – Date of the renewal
- (181) – Expected expiration date of registration
- (186) – Renewal expiration date of registration
- (141) – Date of cancel of duration of the mark
- (210) – Serial number of application
- (220) – Date of filing of the application
- (230) – Data concerning exhibition
- (260) – Number of application, for which favorable decision of examination about registration has been taken (publication number)
- (310) – Number of the first application
- (320) – Date of filing of the first application
- (330) – Code, identifying national or regional Office where the first application was made
- (511) – International Classification of Goods and Services for the purposes of registration of trade marks and/or list of goods and/or services classified according thereto
- (526) – Disclaimer
- (531) – Description of figurative elements of Trade Marks according to the International Classification of the Figurative Elements of Marks
- (540) – Reproduction of Trade Mark
- (550) – Nature and kind of Trade Mark
- (551) – Indication to the effect that the mark is a collective mark, a certification mark or a guarantee mark
- (554) – Three-dimensional mark
- (580) – Date of recording of any kind changes in respect of applications or registrations
- (591) – Information concerning colors claimed
- (731) – Name and address of the applicant
- (732) – Name and address of the holder of the registration
- (740) – Name and address of the representative
- (750) – Addreses for correspondence
- (770) – Name and address of the previous applicant or holder in case of change in ownership
- (771) – Previous name and address of the applicant or holder in case of change in ownership
- (791) – Name and address of the licensee
- (793) – Indication of conditions and/or restrictions under the license (Type of license, number of license agreement, data of license, data of validity of license)
- (800) – Certain data relating to the international registration of Trade Marks under the Protocol Relating to Madrid Agreement (International registration number
- (852) – Partial cancellation of the list of goods and services
- (891) – Date of subsequent designation

## CODES FOR PUBLICATION IN BULLETIN

- (21) AP 0000 000000 – number of application for invention
- (10) AP 0000 0000 A – number of publication of application for invention
- (11) P 0000 0000 B – number of patent for invention/ patent number\*\*\*
- (21) API 0000 000000 – number of application for imported patent
- (11) PI 0000 0000 A – number of imported patent
- (21) AU 0000 000000 – number of application for utility model
- (10) AU 0000 000 U – number of publication of application for utility model
- (11) U 0000 000 Y – number of patent for utility model/ registered utility model number\*\*\*
- (21) AD 0000 000000 – serial number of application for design
- (10) AD 0000 000 S – number of published application for design (first publication)
- (11) D 0000 000 S – registered design

## INTERNATIONAL PATENT CLASSIFICATION FOR INVENTIONS AND UTILITY MODELS

- SECTION A – HUMAN NECESSITIES
- SECTION B – PERFORMING OPERATIONS; TRANSPORTING
- SECTION C – CHEMISTRY; METALLURGY
- SECTION D – TEXTILES; PAPER
- SECTION E – FIXED CONSTRUCTIONS
- SECTION F – MECHANICAL ENGINEERING; LIGHTING; HEATING; WEAPONS; BLASTING
- SECTION G – PHYSICS
- SECTION H – ELECTRICITY

\* Number of application published after the decision of Appellation Chamber of SAKPATENTI

\*\* Number of application published after Court decision

\*\*\* Materials published according to the amendments of May 16, 2023 (No. 2883-XI0b-X03) to the Patent Law of Georgia

- M – Trade Mark
- (210) AM 0000 000000 – Serial number of application;
- (260) AAM 0000 00000 A – Publication number of application;
- (111) M 0000 00000 R – Number of registration;
- (111) MMM0000 00000 Rn – Number of renewals, in which n=1,2,3;
- (111) M 0000 00000 R(P) – Number of registration under partial assignment of rights

# Official Bulletin of the Industrial Property

Inventions

Utility Models

Designs

Trademarks

Appellations of Origin of Goods

# CONTENT

<b>PUBLISHED TITLES OF PROTECTION .....</b>	<b>3</b>
<b>INVENTIONS</b>	
▪ APPLICATIONS APPROVED FOR GRANTING PATENT .....	4
▪ PATENTED INVENTION .....	6
▪ APPLICATIONS*** .....	7
<b>UTILITY MODELS</b>	
APPLICATIONS APPROVED FOR GRANTING PATENT .....	9
<b>DESIGNS</b>	
▪ APPLICATION APPROVED FOR REGISTRATION .....	10
▪ REGISTERED DESIGN .....	16
▪ DESIGNS, WHICH HAVE BEEN REGISTERED WITH THE INTERNATIONAL BUREAU CLAIMING PRIORITY ON THE TERRITORY OF GEORGIA .....	17
<b>TRADEMARKS</b>	
▪ APPLICATIONS FILED UNDER THE NATIONAL PROCEDURE APPROVED FOR REGISTRATION .....	38
▪ REGISTERED TRADEMARKS .....	46
▪ TRADEMARKS REGISTERED ACCORDING TO THE ACCELERATED PROCEDURE .....	53
▪ INTERNATIONAL TRADEMARKS FOR WHICH A DECISION ON GRANTING PROTECTION IS TAKEN .....	59
▪ INTERNATIONAL TRADEMARKS PROTECTED IN GEORGIA .....	101
<b>APPELLATIONS OF ORIGIN OF GOODS</b>	
PROTECTED APPELLATIONS OF ORIGIN OF GOODS .....	110
<b>OFFICIAL NOTIFICATION</b>	
<b>INVENTIONS</b>	
▪ LAPSE OF PATENTS WITH THE RIGHT TO RESTORE .....	111
▪ EXPIRATION OF PATENT RESTORATION TERM .....	112
<b>UTILITY MODELS</b>	
▪ LAPSE OF PATENTS WITH THE RIGHT TO RESTORE .....	112
<b>DESIGNS</b>	
▪ CANCELLATION OF DESIGNS REGISTRATION .....	113
▪ EXTENSION OF TERM OF INTERNATIONAL DESIGNS REGISTRATION .....	113
▪ CANCELLATION OF INTERNATIONAL DESIGNS REGISTRATION .....	117
<b>TRADEMARKS</b>	
▪ EXTENSION OF TERM OF TRADEMARKS REGISTRATION .....	119
▪ COMPLETE TRANSFER OF RIGHTS .....	120
▪ CHANGES OF NAME AND/OR ADDRESS OF TRADEMARKS OWNERS .....	121
▪ CANCELLATION OF TRADEMARKS REGISTRATION .....	123
▪ REGISTRATION OF LICENSE AGREEMENTS .....	127
▪ INTERNATIONAL LICENSE AGREEMENTS .....	128
<b>CLASSIFICATION INDEXES</b>	
INVENTIONS .....	130
UTILITY MODELS .....	132
DESIGNS .....	132
TRADEMARKS .....	134

## **PUBLISHED TITLES OF PROTECTION**

### **INVENTIONS**

- **APPLICATIONS APPROVED FOR GRANTING PATENT:**  
15872; 15920; 15972
- **PATENTED INVENTION:**  
7573
- **APPLICATIONS:**\*\*\*  
16346; 16332, 16333; 16392; 16388

### **UTILITY MODELS**

**APPLICATIONS APPROVED FOR GRANTING PATENT:**  
16198; 16161

### **DESIGNS**

- **APPLICATION APPROVED FOR REGISTRATION:**  
1325
- **REGISTERED DESIGN:**  
985
- **DESIGNS, WHICH HAVE BEEN REGISTERED WITH THE INTERNATIONAL BUREAU CLAIMING PRIORITY ON THE TERRITORY OF GEORGIA:**  
227355; 231142; 231151; 231243, 231244; 227517; 231214; 231189; 231191; 231275; 231491; 227963;  
231561-231564; 231588

### **TRADEMARKS**

- **APPLICATIONS FILED UNDER THE NATIONAL PROCEDURE APPROVED FOR REGISTRATION:**  
120251, 121652, 121653; 122202; 122281; 122287; 122384; 122392; 122414, 122415; 122417; 122498; 122504;  
122506; 122568; 122582; 122652, 122653; 122726; 122736; 122741; 122743, 122744; 122822; 122825; 122829;  
122848-122851; 122853; 122855; 122943; 122945; 122947; 122949-122952; 122956; 122961; 122963-122966;  
122984; 123577
- **REGISTERED TRADEMARKS:**  
37549-37575; 37592-37607; 37619-37628; 37630, 37631; 37637-37661
- **TRADEMARKS REGISTERED ACCORDING TO THE ACCELERATED PROCEDURE:**  
37548; 37576-37591; 37608-37618; 37629; 37632-37636
- **INTERNATIONAL TRADEMARKS FOR WHICH A DECISION ON GRANTING PROTECTIONS IS TAKEN:**  
118790\*; 119233\*; 120204; 121595; 121629; 121776; 121810, 121811; 121822-21826; 121885; 121892-121894;  
121939; 121949; 121987; 122046; 122066; 122068-122071; 122073, 122074; 122080; 122083; 122086; 122092--  
122094; 122144-122147; 122149-122151; 122189; 122261; 122269-122271; 122273; 122311; 122314-122316;  
122325-122327; 122349-122351; 122353; 122368; 122443, 122444; 122450, 122451; 122454; 122512; 122529--  
122533; 122612; 122614, 122615
- **INTERNATIONAL TRADEMARKS PROTECTED IN GEORGIA:**  
106415; 112330; 119510; 119669; 119945; 119949; 119956; 120100; 120261; 120263, 120264; 120295-120299;  
120378-120387; 120397; 120429; 120432; 120454-120461; 120470-120474; 120480-120482; 120485; 120487--  
120491; 120493, 120494; 120539; 120542; 120544; 120548; 120558; 120577-120582; 120589; 120591-120594;  
120634-120638; 120671-120674; 120676; 120691, 120692; 120696, 120697; 120739; 120755; 120783; 120790;  
120809, 120810; 120863, 120864; 120866; 120886-120888; 120905-120908; 120929, 120930; 120932-121035;  
121037-121039; 121055-121061; 121068-121070; 121072; 121110; 121249

### **APPELLATIONS OF ORIGIN OF GOODS**

1273, 1274; 1279

# INVENTIONS

## APPLICATIONS APPROVED FOR GRANTING PATENT

The decision can be appealed at the Chamber of Appeal of Sakpatenti within 3 months from the publication or at the Mtskheta District Court Administrative Cases Board (Address: №17, Samkhedro St., Mtskheta), within 1 month following the publication.

### PART A

Claims: 9 independents  
5 dependents

#### A 61

(10) AP 2023 15872 A (51) Int. Cl. (2006)  
A 61 K 31/42  
C 07 D 413/04  
C 07 D 417/10  
C 07 D 413/10  
C 07 D 413/12  
C 07 D 261/04

(21) AP 2020 15872 (22) 2020 06 02

(31) PCT/CN2019/094601

(32) 2019 07 03

(33) CN

(71) Merck Sharp & Dohme LLC (US)  
126 East Lincoln Avenue, PO Box 2000,  
Rahway, NJ, 07065, USA (US)

(72) CROWLEY, Brendan M. (US);  
NANTERMET, Philippe (US);  
OLSEN, David (US);  
SUZUKI, Takao (CN)

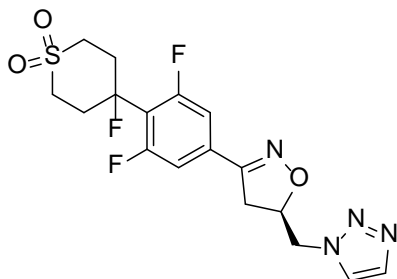
(74) Shalva Gvaramadze

(85) 2022 02 02

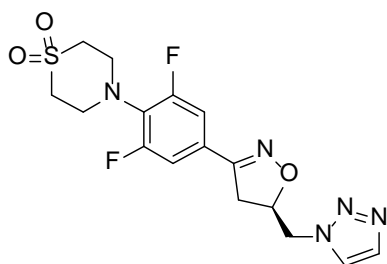
(86) PCT/CN2020/093887, 2020 06 02

(54) COMPOUNDS AND METHODS OF USE  
THEREOF AS ANTIBACTERIAL AGENTS

(57) Present invention relates to (triazol-1-ylmethyl)-  
4,5 dihydroisoxazole compounds, pharmaceutical  
compositions containing them, and their usage for  
treating bacterial infections.



and



(10) AP 2023 15920 A (51) Int. Cl. (2006)  
A 61 K 31/565  
A 61 P 5/30  
A 61 P 15/02  
A 61 P 15/18  
A 61 P 15/00  
A 61 P 17/00  
A 61 P 17/02  
A 61 P 37/06  
A 61 P 35/00  
A 61 P 25/00  
C 07 J 1/00

(21) AP 2020 15920 (22) 2020 09 02

(31) P1900315

(32) 2019 09 03

(33) HU

(71) Richter Gedeon Nyrt. (HU)  
Gyömrői út. 19-21, H-1103 Budapest,  
Hungary (HU)

(72) LOVAS, Róbert (HU);  
MAHÓ, Sándor (HU);  
BACSA, Ildikó (HU);  
MAYER, Beatrix (HU)

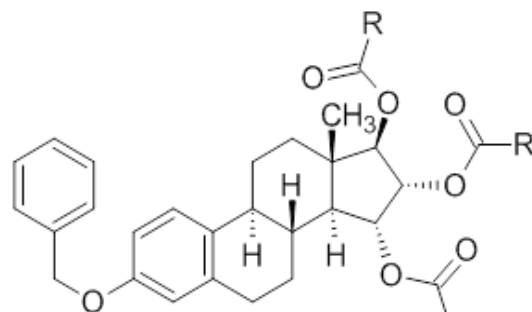
(74) Liliana Darakhvelidze

(85) 2022 04 01

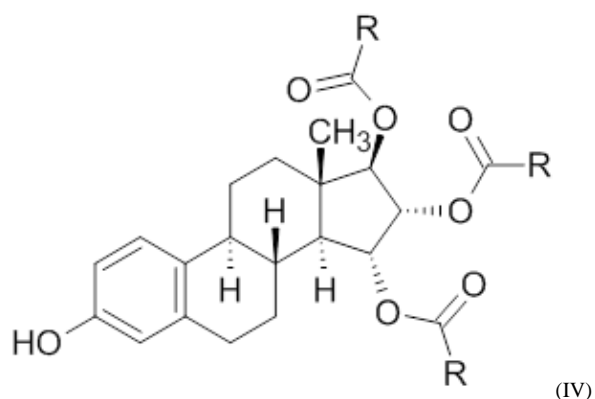
(86) PCT/IB2020/058148, 2020 09 02

(54) INDUSTRIAL PROCESS FOR THE PREPARA-  
TION OF HIGH PURITY ESTETROL

(57) A process for the preparation of estetrol of  
formula (I), wherein the intermediate compounds of  
formula (III) and (IV) are used,



(III),



wherein R belongs to methyl group or is hydrogen atom.

Claims: 3 independents  
13 dependents

Claims: 3 independents  
11 dependents  
Fig.: 2

## PART C

### C 04

(10) AP 2023 15972 A (51) Int. Cl. (2006)  
C 04 B 38/10  
C 04 B 28/14

(21) AP 2019 15972 (22) 2019 11 27

(71) Knauf Gips KG (DE)  
Am Bahnhof 7, Iphofen, 97346, Germany (DE)

(72) HARTMANN, Alexander (DE);  
PETER, Anton (DE);  
PARASKOV, Georgi (DE);  
KARAKOUSSIS, Stergios (DE)

(74) Tamar Kochlamazashvili

(85) 2022 06 13

(86) PCT/EP2019/000321, 2019 11 27

(54) FOAMED LIQUEFIERS IN GYPSUM  
BOARDS

(57) The invention concerns a method for producing gypsum boards, wherein a liquefier for the gypsum slurry is foamed with a gas to provide a foam having a water content of less than 85wt.-%, then incorporated into a gypsum/water mixture and the mixture thus obtained is applied on a two dimensional substrate. The incorporation of the liquefier in foamed form allows for a significant reduction of the amount of liquefier required to provide a desired flowability of the gypsum/ water mixture, thus allowing the production of gypsum boards with similar characteristics with less liquefier. The invention further concerns gypsum board prepared using this process, apparatuses for producing gypsum boards using this process and the use of a corresponding liquefier foam to minimize the amount of liquefier required to establish a desired flowability of a gypsum/water mixture.

## PATENTED INVENTION

### PART H

#### H 02

- (11) P 2023 7573 B (51) Int. Cl. (2006)  
H 02 J 7/00
- (10) AP 2023 15935 A (44) 12(615)/2023
- (21) AP 2022 15935
- (22) 2022 04 21
- (24) 2022 04 21
- (73) Vakhtang Niauri (GE)  
Nutsubidze Plateau, IV m/r, bld. 10a, ap. 1,  
Tbilisi, Georgia (GE);  
Saba Turmanidze (GE)  
Nutsubidze Plateau, IV m/r, bld. 1, ap. 10,  
Tbilisi, Georgia (GE)
- (72) Vakhtang Niauri (GE);  
Saba Turmanidze (GE)
- (54) DOUBLE CAPACITY (DC) CONSTANT  
CURRENT POWER SUPPLY SYSTEM
-



## APPLICATIONS\*\*\*

## PART A

## A 61

(10) AP 2023 16346 A (51) A 61 K 31/715  
A 61 K 35/74  
A 61 K 9/00  
A 61 P 31/04  
A 61 P 31/12

(43) 2023 12 11 №23  
(21) AP 2022 16346  
(22) 2022 02 10  
(31) 21305183.2  
(32) 2021 02 11  
(33) EP  
(71) Danstar Ferment AG (CH)  
Poststrasse 30, Zug, 6300, Switzerland (CH)  
(72) DURMONT, Frédéric (CH)  
(74) Tamar Kochlamazashvili  
(85) 2023 09 08  
(86) PCT/EP2022/053270, 2022 02 10  
(54) COMPOSITIONS COMPRISING EXOPOLY-  
SACCHARIDES AND USES THEREOF  
(57) Present disclosure relates to exopolysaccharides  
produced by marine bacteria, compositions thereof, the  
use of said compositions, and a method for attenuating  
the virulence of a microbial pathogen infection, either  
bacterial or viral infections, by inhibiting or reducing  
colonization of said microbial pathogens onto biological  
and/or non-biological surfaces.

(10) AP 2023 16332 A (51) A 61 K 31/407  
A 61 K 31/397  
C 07 D 403/02  
C 07 D 227/02

(43) 2023 12 11 №23  
(21) AP 2022 16332  
(22) 2022 01 28  
(31) 63/143,360  
(32) 2021 01 29  
(33) US  
(71) Cedilla Therapeutics Inc. (US)  
245 First Street, 3rd Floor, Cambridge,  
MA, 02142, USA (US)  
(72) SCHWARTZ, Carl Eric (US);  
MICHOWSKI, Wojtek (US);  
PORTER, Dale A., Jr. (US);  
RIPPER, Justin (AU);  
BLAISDELL, Thomas P. (US);  
KIRMAN, Louise Clare (US);  
FEUTRILL, John (AU);  
SHERRILL, John Paul (US)

(74) Tamar Kochlamazashvili  
(85) 2023 08 25  
(86) PCT/US2022/070409, 2022 01 28  
(54) CDK2 INHIBITORS AND METHODS OF  
USING THE SAME  
(57) Present disclosure provides compounds, compo-  
sitions thereof, and methods of using the same for the  
inhibition of CDK2, and the treatment of CDK2 related  
diseases and disorders.

(10) AP 2023 16333 A (51) A 61 K 31/444  
A 61 K 31/439  
A 61 K 31/437  
A 61 K 31/496  
A 61 K 31/4184  
A 61 P 3/00  
C 07 D 401/14  
C 07 D 487/08  
C 07 D 487/04  
C 07 D 413/14  
C 07 D 405/14  
C 07 D 403/14

(43) 2023 12 11 №23  
(21) AP 2022 16333  
(22) 2022 01 27  
(31) 63/143,025; 63/183,612; 63/274,893  
(32) 2021 01 28; 2021 05 03; 2021 11 02  
(33) US; US; US  
(71) Carmot Therapeutics, INC. (US)  
740 Heinz Avenue, Berkley, CA 94710,  
USA (US)  
(72) DU, Xiaohui (US);  
FUCINI, Ray (US);  
YEH, Chien-Hung (US);  
ZHOU, Xiang (US);  
GAO, Rui (US);  
JEONG, Joon Won (US);  
LIU, Li (US);  
SAKYA, Subas Man (US);  
WANG, Xiaofang (US);  
KAWAI, Hiroyuki (US);  
LEE, Craig (US);  
LLOYD, David (US);  
HANSEN, Stig (US);  
RAN, Xu (US)

(74) Shalva Gvaramadze  
(85) 2023 08 25  
(86) PCT/US2022/014156, 2022 01 27  
(54) GPCR RECEPTOR AGONISTS, PHARMACEU-  
TICAL COMPOSITIONS COMPRISING THE  
SAME, AND METHODS FOR THEIR USE  
(57) Provided herein are GLP-1 receptor modulator  
compounds, pharmaceutical compositions, methods of  
their preparation, and methods of their use in treat-  
ment, and/or diagnosis.

- (10) AP 2023 16392 A (51) A 61 K 47/14  
 A 61 K 47/44  
 A 61 K 31/355  
 A 61 P 15/06

- (43) 2023 12 11 №23  
 (21) AP 2022 16392  
 (22) 2022 05 16  
 (31) 102021000013898  
 (32) 2021 05 27  
 (33) IT

(71) Hulka S.R.L. (IT)  
 Viale della Scienza 26, Rovigo, 45100, Italy (IT)

(72) PANIN, Giorgio (IT)

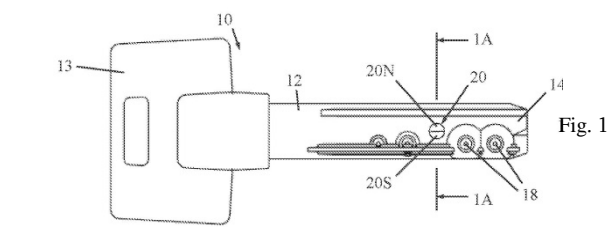
(74) Nugzar Ksovreli

(85) 2023 11 14

(86) PCT/EP2022/063177, 2022 05 16

(54) COMPOSITION COMPRISING ESTER OF  
 ALPHA-TOCOPHEROL FOR REDUCING  
 RISK OF PRETERM BIRTH

(57) A composition for topical application to the oral cavity, for the use in pregnant women to reduce the risk of preterm birth, comprising an ester of vitamin E with a carboxylic acid of formula R-COOH, in which R is an alkyl radical having 1 to 19 carbon atoms, or an alkenyl or alkynyl radical having 2 to 19 carbon atoms, and an oily vehicle; the ester of vitamin E can be selected from vitamin E acetate, n-propionate or linoleate, preferably alpha-tocopheryl acetate.



## PART E

### E 05

- (10) AP 2023 16388 A (51) E 05 B 19/00  
 E 05 B 47/00

- (43) 2023 12 11 №23  
 (21) AP 2020 16388  
 (22) 2020 04 19  
 (62) AP202015806 2021 11 25  
 (31) 266258  
 (32) 2019 04 28  
 (33) IL

(71) Mul-T-Lock Technologies LTD. (IL)  
 PO Box 637, Yavne, 8110400, Israel (IL)

(72) BEN-AHARON, Effi (IL);  
 BORTMAN, Asaf (IL)

(74) Tamar Kochlamazashvili

(85) 2023 11 09

(86) PCT/IL2020/050457, 2020 04 19

(54) ROTATABLE MAGNETIC KEY  
 COMBINATION ELEMENT

(57) Key device (10) includes a generally elongate shaft portion (12), and at least one magnetic key combination element (20) disposed in the shaft portion (12), which is rotatable about a rotation axis (22).

---

# UTILITY MODELS

## APPLICATIONS APPROVED FOR GRANTING PATENT

The decision can be appealed at the Chamber of Appeal of Sakpatenti within 3 months from the publication or at the Mtskheta District Court Administrative Cases Board (Address: №17, Samkhedro St., Mtskheta), within 1 month following the publication.

### PART A

#### A 01

- (10) AU 2023 16198 U (51) Int. Cl. (2006)  
A 01 B 39/14  
(21) AU 2023 16198 (22) 2023 03 29  
(71) LEPL Rafiel Dvali Institute of Machine  
Mechanics (GE)  
Mindeli St. 10, 0168, Tbilisi, Georgia (GE)  
(72) Zaza Makharoblidze (GE);  
Vladimer Margvelashvili (GE);  
Revazi Partskhaladze (GE);  
Sergo Sharashenidze (GE);  
Aleksandre Shermazanashvili (GE)  
(54) INTER-ROW TILLAGE CULTIVATOR  
FOR TEA

(57) A cultivator includes three-point suspension system, two poles 1 and 2 connected to suspension system rotatable, fixable and removable, in horizontal plane, on the other ends whereof the soil deep loosening working bodies are attached rotatable, fixable and removable. Suspension system is composite structure including suspension system high-clearance frame 16 connected to each other by means of bolts 15, and suspension system brackets 11 and 12, whereon the poles are attached, ensuring the poles and suspension system high-clearance frame rigidity, and screw pulls 20 and 21 inserted thereby involving cheeks 22 and 23. The cultivator additionally includes suspension system low-clearance frame 32, working body 33 having discs, and working body 34 having arrow-shaped paws.

Claims: 1 independent

Fig.: 5

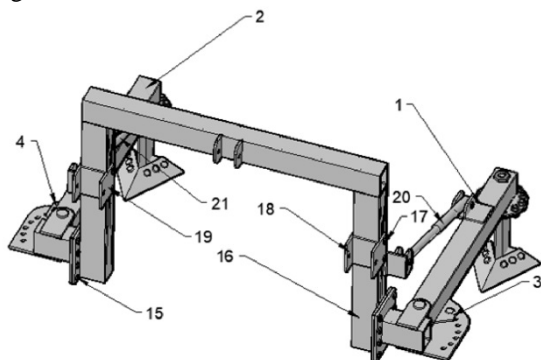


Fig. 1

#### A 23

- (10) AU 2023 16161 U (51) Int. Cl. (2006)  
A 23 G 3/00  
(21) AU 2023 16161 (22) 2023 02 06  
(71) Aleksandre Kharibegashvili (GE)  
Comunaluri St. 2, 2200, Telavi, Georgia (GE)  
(72) Aleksandre Kharibegashvili (GE)  
(54) CONFECTIONERY  
(57) A method provides Gozinaki (Georgian traditional sweet consisting of nuts, honey and sugar, boiled together) preparation, formation thereby giving various shapes, its threading, and bathing, at first, in caramel, and then – in Tatara (boiled Badagi/mash with wheat flour).  
Claims: 1 independent  
3 dependent
-

---

# DESIGNS

## APPLICATION APPROVED FOR REGISTRATION

The decision can be appealed at the Chamber of Appeal of Sakpatenti within 3 months from the publication or at the Mtskheta District Court Administrative Cases Board (Address: №17, Samkhedro str., Mtskheta), within 1 month following the publication.

(10) AD 2023 1325 S

(51) 09-01

(21) AD 2023 1325

(22) 2023 07 17

(28) 2

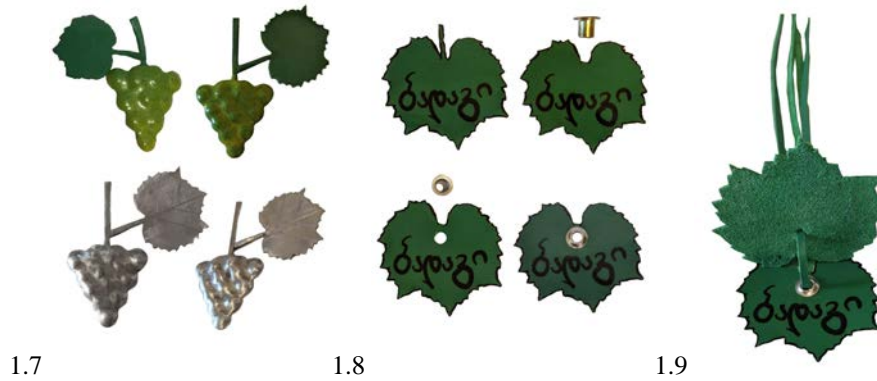
(71) Archil Gavashelishvili (GE)

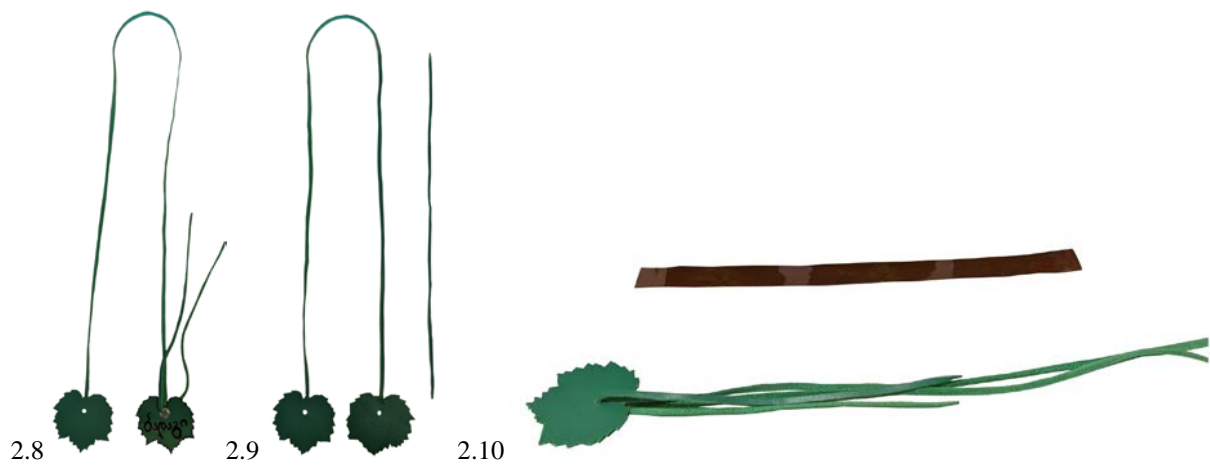
Kapianidze St. 39, 3600, Oni, Georgia (GE)

(72) Archil Gavashelishvili (GE)

(54) 1. BADAGI/MASH (BOILED GRAPE JUICE) BOTTLE; 2. BADAGI/MASH BOTTLE WITH CAN

(55)







2.11



2.12



2.13



2.14



2.15



2.16



2.17



2.18



2.19



2.20

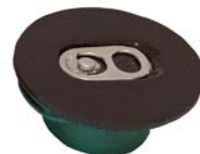




2.21



2.22



2.23



2.24



2.25



2.26









2.36



2.37



2.38



2.39

---

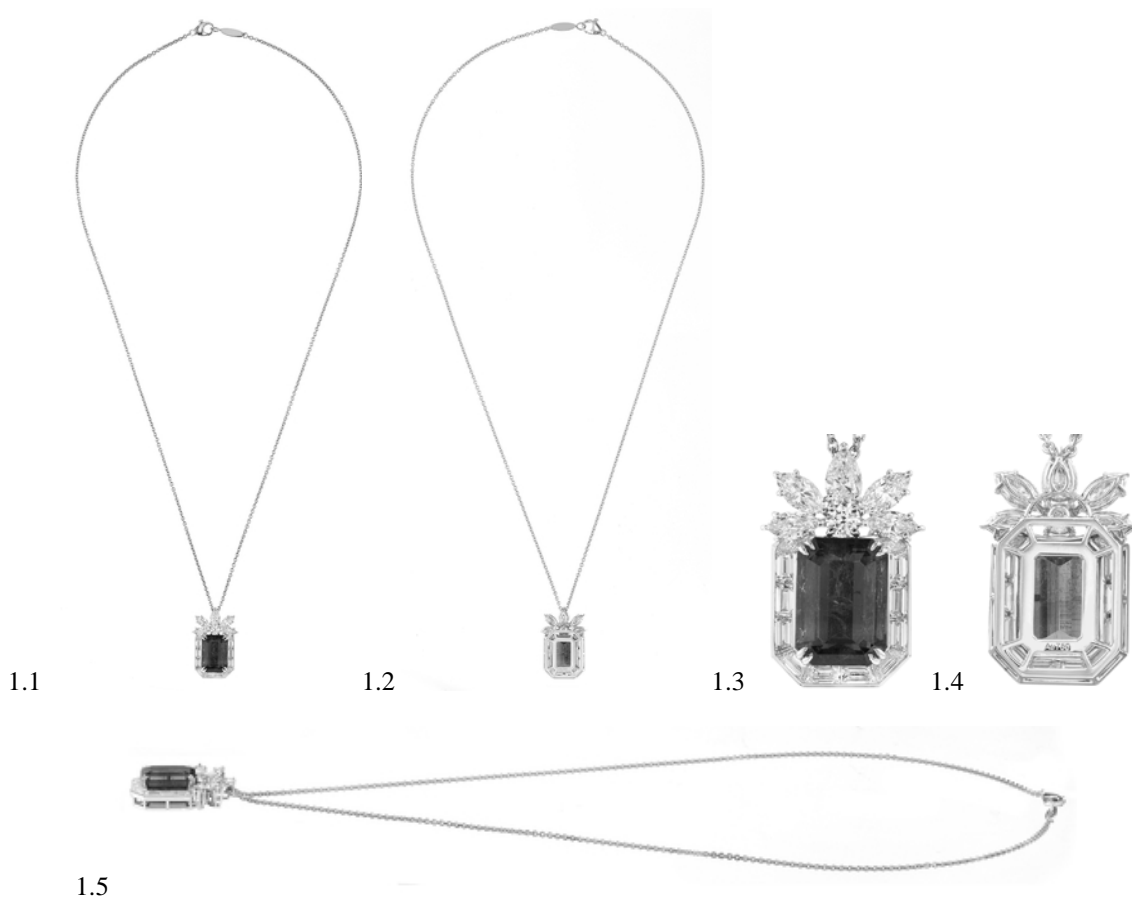
## REGISTERED DESIGN

- (11) D 2023 985 S      (51) 02-02  
(10) AD 2023 1307 S    (44) 2023 08 25 №16  
(21) AD 2023 1307  
(22) 2023 04 25  
(24) 2023 04 25  
(28) 1  
(18) 2028 04 25  
(73) Nana Avaliani (GE)  
    Temka, III m/r, Nishnianidze St. 35, ap. 15,  
    0197, Tbilisi, Georgia (GE)  
(72) Nana Avaliani (GE)  
(54) JEANS WITH DOUBLE FOLDS
-

**DESIGNS, WHICH HAVE BEEN REGISTERED WITH THE INTERNATIONAL  
BUREAU CLAIMING PRIORITY ON THE TERRITORY OF GEORGIA**

The decision can be appealed at the Chamber of Appeal of Sakpatenti within 3 months from the publication or at the Mtskheta District Court Administrative Cases Board (Address: №17, Samkhedro St., Mtskheta), within 1 month following the publication.

- (11) DM/227 355 (51) 11-01  
 (15) 2023 02 27 (44) 35/2023 (2023 09 01)  
 (22) 2023 02 27  
 (28) 1  
 (73) HARRY WINSTON SA  
 Chemin du Tourbillon 8, 1228 Plan-les-Ouates (CH)  
 (85) CH  
 (86) CH  
 (87) CH  
 (88) CH  
 (89) CH  
 (81) III. KG, LI, OM, CA, GE, MK, BA, NO, RU, EM, AM, MD, TN, GB, TR, MN, CH, AL, UA, MA, SG, MC,  
 BZ, ME, AZ  
 (72) Tobias WUEST  
 c/o Harry Winston Inc. 718 Fifth Avenue, 10019, New York (US)  
 (74) The Swatch Group AG (The Swatch Group SA) (The Swatch Group Ltd.)  
 Faubourg du Lac 6, 2501 Biel/Bienne (CH)  
 (46) 2023 09 01  
 (54) 1. NECKLACE WITH PENDANT  
 (55)

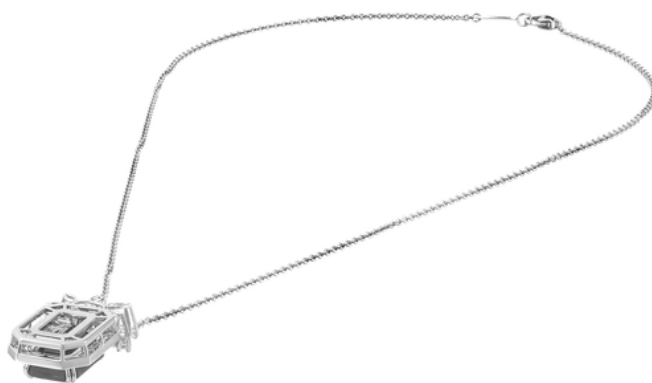




1.6



1.7



1.8

---

- (11) DM/231 142 (51) 09-01  
(15) 2023 04 03 (44) 36/2023 (2023 09 08)  
(22) 2023 04 03  
(28) 1  
(73) Igor Makiev  
1A, Nagornaya, room 25, 362000 Vladikavkaz, Republic of North Ossetia – Alania (RU)  
(85) RU  
(86) RU  
(87) RU  
(88) RU  
(89) RU  
(81) III. AM, TR, GE, BY, AZ, CN  
(72) Igor Makiev  
1A, Nagornaya, apt. 25, 362000, Vladikavkaz, Republic North Ossetia - Alania (RU)  
(74) GIVI IKAEV  
22, Marcusa str., fl.2, 362027 Vladikavkaz, Republic of North Ossetia – Alania (RU)  
(46) 2023 09 08  
(54) 1. BOTTLE  
(55)



(11) DM/231 151  
 (15) 2023 07 06  
 (22) 2023 07 06  
 (28) 2

(51) 14-06  
 (44) 36/2023 (2023 09 08)

(73) CHUN KI KIM

101-ho, 5 Seopangyo-ro 188beon-gil, Bundang-gu, 13473 Seongnam-si, Gyeonggi-do (KR)

(85) -

(86) KR

(87) KR

(88) KR

(89) KR

(81) III. OM, CA, MK, GE, BA, NO, RS, EG, BG, EM, IS, AM, BY, MD, GB, KH, TR, MN, GH, IL, CH, JP, KR, AL, UA, OA, SG, AZ

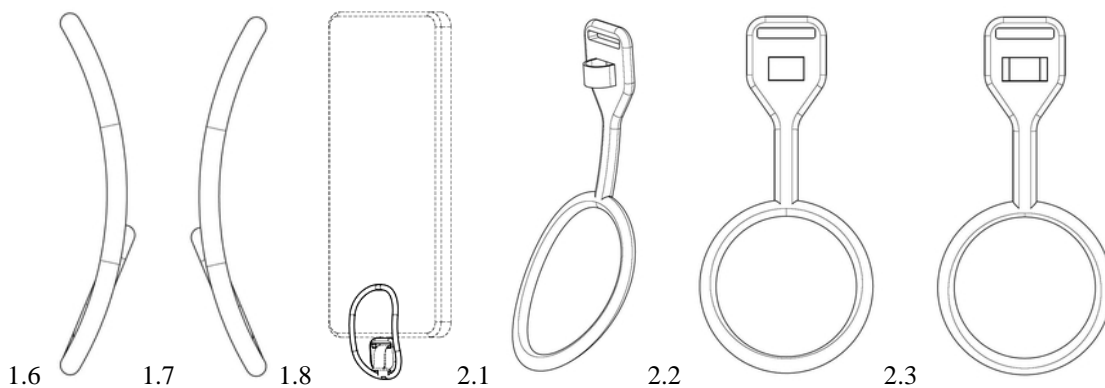
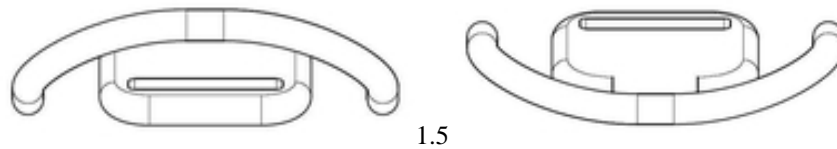
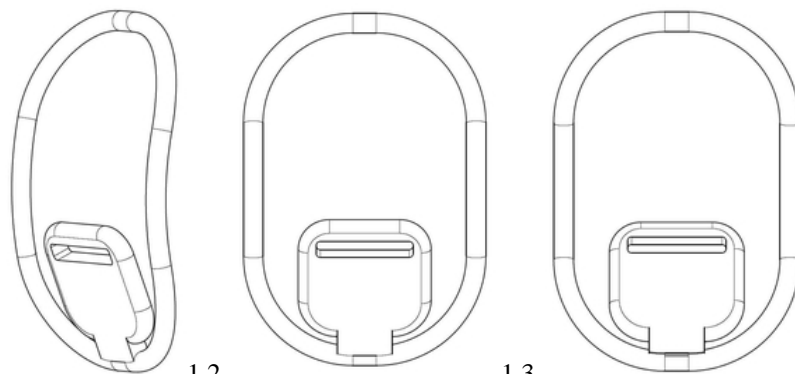
(72) CHUN KI KIM

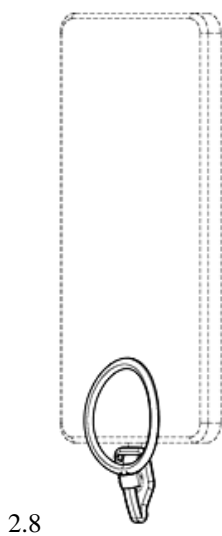
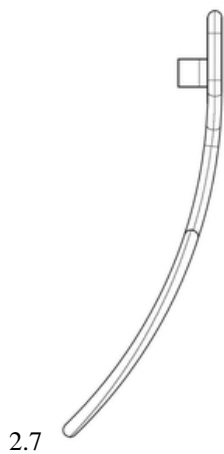
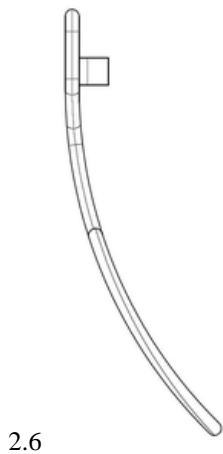
101-ho, 5 Seopangyo-ro 188beon-gil, Bundang-gu, 13473 Seongnam-si, Gyeonggi-do (KR)

(46) 2023 09 08

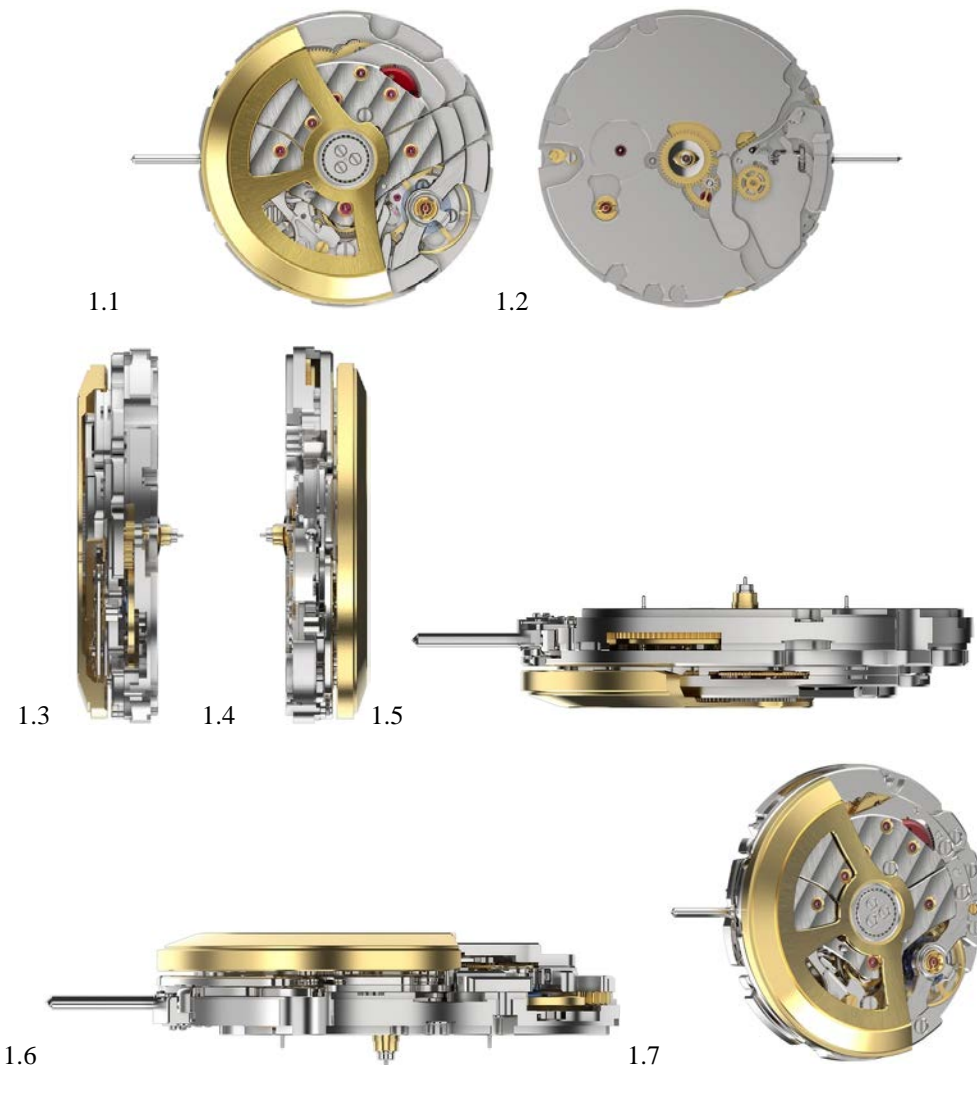
(54) 1.-2. RING HOLDER ATTACHABLE TO PHONE TETHER TAB

(55)





- (11) DM/231 243                   (51) 10-07
- (15) 2023 08 28                 (44) 37/2023 (2023 09 15)
- (22) 2023 08 28
- (28) 1
- (30) No1: 17.03.2023; 2023-00163; CH
- (73) ROLEX SA  
Rue François-Dussaud 3-5-7, 1211 Genève 26 (CH)
- (85) CH
- (86) CH
- (87) CH
- (88) CH
- (89) CH
- (81) III. CA, OM, GE, NO, RS, RW, MU, EM, AM, BW, TJ, MD, VN, TN, SR, MN, JP, KR, UA, OA, MA, ME, AZ, SM, WS, KG, LI, MK, BA, EG, RU, JM, IS, BY, GB, KH, TR, GH, ST, IL, KP, MX, AL, BN, NA, SG, MC, BZ, TM
- (72) Davide AIROLDI  
16 Rue Du Grand-Bureau, 1227, Genève (CH)
- (74) BUGNION S.A.  
10, Route De Florissant Case Postale 375, 1211 Genève 12 (CH)
- (46) 2023 09 15
- (54) 1. TIMEPIECE MOVEMENT
- (55)





(11) DM/231 244 (51) 10-07  
 (15) 2023 08 28 (44) 37/2023 (2023 09 15)

(22) 2023 08 28

(28) 1

(30) No1: 16.03.2023; 2023-00156; CH

(73) ROLEX SA

Rue François-Dussaud 3-5-7, 1211 Genève 26 (CH)

(85) CH

(86) CH

(87) CH

(88) CH

(89) CH

(81) III. GE, CA, OM, RS, NO, RW, MU, EM, AM, BW, TJ, MD, VN, TN, SR, MN, JP, KR, UA, OA, MA, ME, AZ, SM, WS, KG, LI, MK, BA, EG, JM, RU, IS, BY, GB, KH, TR, ST, GH, IL, KP, MX, AL, BN, NA, SG, MC, BZ, TM

(72) Davide AIROLDI

16 Rue Du Grand-Bureau, 1227, Genève (CH)

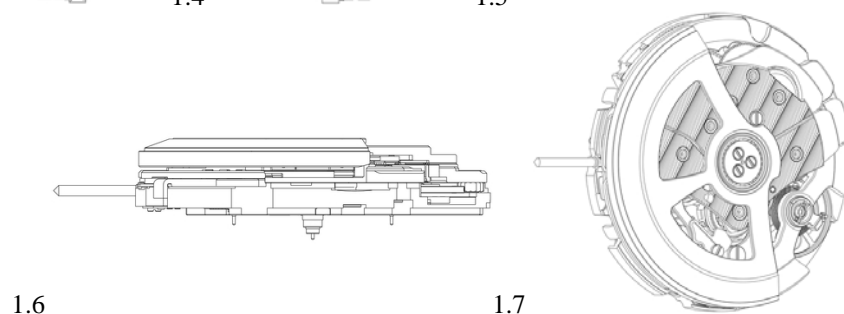
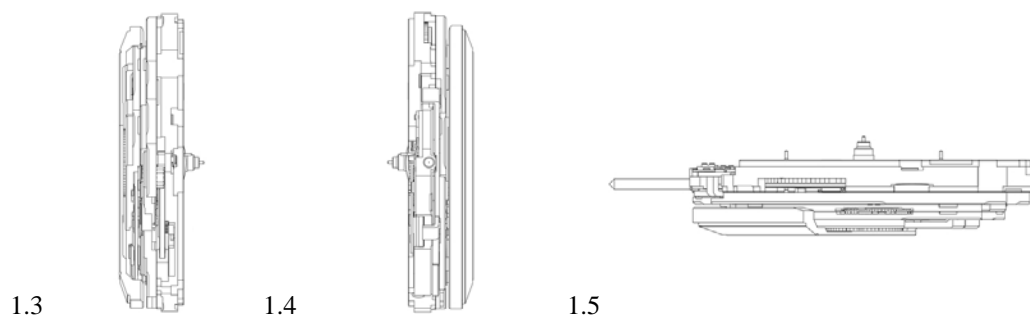
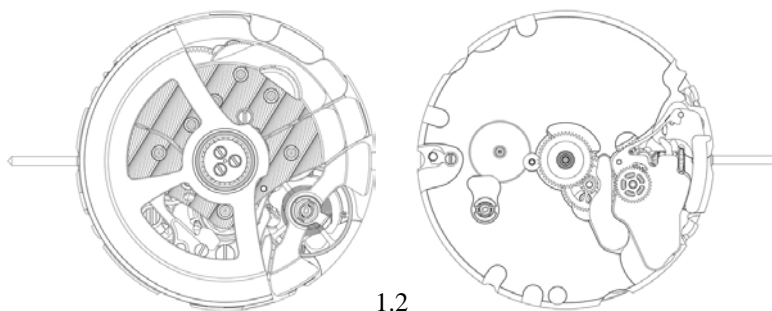
(74) BUGNION S.A.

10, Route De Florissant Case Postale 375, 1211 Genève 12 (CH)

(46) 2023 09 15

(54) 1. TIMEPIECE MOVEMENT

(55)



- (11) DM/227 517 (51) 11-01  
 (15) 2023 03 10 (44) 37/2023 (2023 09 15)  
 (22) 2023 03 10  
 (28) 2  
 (73) HARRY WINSTON SA  
 Chemin du Tourbillon 8, 1228 Plan-les-Ouates (CH)  
 (85) CH  
 (86) CH  
 (87) CH  
 (88) CH  
 (89) CH  
 (81) III. KG, LI, OM, MK, CA, GE, TR, BA, MN, NO, CH, EM, AL, AM, UA, MA, SG, MC, MD, ME, BZ, AZ, TN, GB  
 (72) 1: Rie YATSUGI-KANG  
 c/o Harry Winston Inc., 718 Fifth Avenue, 10019, New York (US);  
 2: Christina YANG  
 c/o Harry Winston Inc., 718 Fifth Avenue, 10019, New York (US)  
 (74) The Swatch Group AG (The Swatch Group SA) (The Swatch Group Ltd.)  
 Faubourg du Lac 6, 2501 Biel/Bienne (CH)  
 (46) 2023 09 15  
 (54) 1. NECKLACE WITH PENDANT, 2. BRACELET  
 (55)



1.1



1.2



1.3



1.4



1.5



1.6



1.7



1.8



2.1



2.2



2.3



2.4



2.5



2.6



2.7



2.8

---

- (11) DM/231 214 (51) 21-01  
(15) 2023 08 17 (44) 37/2023 (2023 09 15)  
(22) 2023 08 17  
(28) 1  
(30) No1: 30.03.2022; 015016222; EM  
(73) NACON  
396-466 Rue de la Voyette CRT2, 59273 Fretin (FR)  
(85) FR  
(86) FR  
(87) FR  
(88) FR  
(89) FR  
(81) III. KG, GE, CA, US, NO, RS, EG, RU, IS, AM, VN, TN, GB, TR, IL, CH, JP, KR, CN, MX, UA, BR,  
OA, SG, MA, AZ  
(72) Valentin Delrue  
396-466 Rue de la Voyette - CRT2, 59273, Fretin (FR);  
Yannick Allaert  
396-466 Rue de la Voyette - CRT2, 59273, Fretin (FR);  
Alain Falc  
396-466 Rue de la Voyette - CRT2, 59273, Fretin (FR)  
(46) 2023 09 15  
(54) 1. CONTROLLER FOR VIDEO GAMES (ELECTRONIC GAME ACCESSORY)  
(55)



1.1



1.2



1.3



1.4



1.5



1.6



1.7

- (11) DM/231 189 (51) 32-01  
(15) 2023 08 22 (44) 37/2023 (2023 09 15)  
(22) 2023 08 22  
(28) 1  
(30) No1: 03.03.2023; 2023501026; RU  
(73) Gesellschaft mit beschränkter Haftung "Ehrmann"  
d. 15, p. Ramenskoy agrokhimstantsii (RAOS), 140126 Ramenskiy g.o., Moscow Region (RU)  
(85) –  
(86) –  
(87) RU  
(88) –  
(89) RU  
(81) III. GE, MN, MD, TM  
(72) Olesya Skripak  
ul. Klary Tsetkin, 79-1, 236029, Kaliningrad (RU)  
(74) Patent and Law Firm "YUS"  
d. 6, Prospekt Mira, 129090 Moscow (RU)  
(46) 2023 09 15  
(54) 1. GRAPHIC DESIGN [TWO-DIMENSIONAL]  
(55)



1.1

---

- (11) DM/231 191 (51) 32-01  
(15) 2023 08 22 (44) 37/2023 (2023 09 15)  
(22) 2023 08 22  
(28) 1  
(30) No1: 03.03.2023; 2023501027; RU  
(73) Gesellschaft Mit Beschränkter Haftung "Ehrmann"  
d. 15, P. Ramenskoy agrokhimstantsii (RAOS), 140126 Ramenskiy g.o., Moscow Region (RU)  
(85) –  
(86) –  
(87) RU  
(88) –  
(89) RU  
(81) III. GE, MN, MD, TM  
(72) Olesya Skripak  
ul. Klary Tsetkin, 79-1, 236029, Kaliningrad (RU)  
(74) Patent and Law Firm "YUS"  
d. 6, Prospekt Mira, 129090 Moscow (RU)  
(46) 2023 09 15  
(54) 1. GRAPHIC DESIGN [TWO-DIMENSIONAL]  
(55)



1.1

(11) DM/231 275

(51) 32-01

(15) 2023 08 31

(44) 37/2023 (2023 09 15)

(22) 2023 08 31

(28) 1

(73) Irfan Cokovic

Goddardstr. 62, 53125 Bonn, Nordrhein-Westfalen (DE)

(85) –

(86) BA

(87) DE

(88) –

(89) BA

(81) III. TR, MK, OM, GE, BA, RS, EG, RU, SY, AL, AM, OA, ME, AZ, TN, GB

(72) Irfan Cokovic

Goddardstr. 62, 53125 Bonn, Nordrhein-Westfalen (DE)

(74) Andreas Erlenhardt

Erlenhardt Rechtsanwälte Neumannstr. 10, 40235 Düsseldorf, Nordrhein-Westfalen (DE)

(46) 2023 09 15

(54) 1. LOGO

(55)



1.1

---

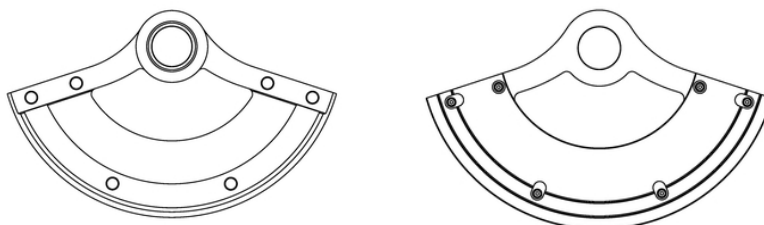


- (11) DM/231 491 (51) 09-03  
(15) 2021 05 02 (44) 38/2023 (2023 09 22)  
(22) 2023 05 02  
(28) 1  
(73) Obshchestvo S Ogranichennoj Otvetstvennost'yu Altajskaya Skazka  
Ul. Shukshina 1A, S., RU-658391 Shipunovo, Altajskij Kraj (RU)  
(85) RU  
(86) RU  
(87) –  
(88) RU  
(89) RU  
(81) III. KG, CA, GE, TR, DE, MN, EG, IL, JP, LV, CN, AM, TJ, BY, VN, AZ, TM  
(72) Yuriy Fedorovich Yurchenko  
Ul. Lesnaya, 2a, S., RU-658390, Shipunovo, Altajskij Kraj (RU)  
(74) Obshchestvo S Ogranichennoj Otvetstvennost'yu Online Patent  
Online Patent, LLC, Post Box 365, RU-121151 Moscow (RU)  
(46) 2023 09 22  
(54) 1. ORNAMENTATION FOR PACKAGING BOXES  
(55)



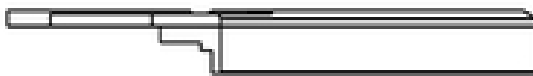
1.1

- (11) DM/227 963                      (51) 10-07
- (15) 2023 03 22                      (44) 38/2023 (2023 09 22)
- (22) 2023 03 22
- (28) 1
- (73) OMEGA SA (OMEGA AG) (OMEGA LTD.)  
       Jakob-Stämpfli-Strasse 96, 2502 BIEL/BIENNE (CH)
- (85) CH
- (86) CH
- (87) CH
- (88) CH
- (89) CH
- (81) III. KG, LI, MK, OM, TR, GE, BA, MN, NO, RU, CH, EM, AL, AM, UA, MA, SG, MC, MD, ME, BZ, AZ,  
       TN, GB
- (72) Gregory Kissling  
       c/o OMEGA SA (OMEGA AG) (OMEGA LTD.) Jakob-Stämpfli-Strasse 96, 2502, Biel/Bienne (CH)
- (74) The Swatch Group AG (The Swatch Group SA) (The Swatch Group Ltd.)  
       6, Faubourg du Lac, 2501 BIEL/BIENNE (CH)
- (46) 2023 09 22
- (54) 1. OSCILLATING WEIGHT
- (55)



1.1

1.2



1.3



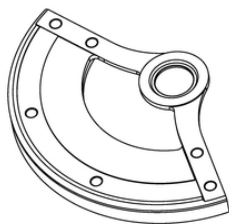
1.4



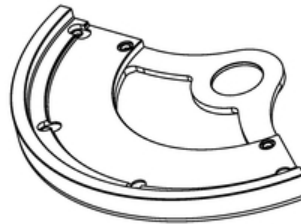
1.5



1.6



1.7



1.8

- (11) DM/231 561 (51) 32-01  
(15) 2023 08 22 (44) 38/2023 (2023 09 22)  
(22) 2023 08 22  
(28) 1  
(30) No1: 03.03.2023; 2023501029; RU  
(73) Gesellschaft Mit Beschränkter Haftung "Ehrmann"  
D. 15, P. Ramenskoj Agrokhimstantsii (RAOS), 140126 Ramenskiy G.o., Moscow Region (RU)  
(85) –  
(86) –  
(87) RU  
(88) –  
(89) RU  
(81) III. GE, MN, MD, TM  
(72) Olesya Skripak  
Ul. Klary Tsetkin, 79-1, 236029, Kaliningrad (RU)  
(74) Patent And Law Firm "YUS"  
D. 6, Prospekt Mira, 129090 Moscow (RU)  
(46) 2023 09 22  
(54) 1. SURFACE ORNAMENTATION  
(55)



1.1

- (11) DM/231 562 (51) 32-01  
(15) 2023 08 22 (44) 38/2023 (2023 09 22)  
(22) 2023 08 22  
(28) 1  
(30) No1: 03.03.2023; 2023501030; RU  
(73) Gesellschaft Mit Beschränkter Haftung "Ehrmann"  
D. 15, P. Ramenskoy Agrokhimstantsii (RAOS), 140126 Ramenskiy G.o., Moscow Region (RU)  
(85) –  
(86) –  
(87) RU  
(88) –  
(89) RU  
(81) III. GE, MN, MD, TM  
(72) Olesya Skripak  
Ul. Klary Tsetkin, 79-1, 236029, Kaliningrad (RU)  
(74) Patent And Law Firm "YUS"  
D. 6, Prospekt Mira, 129090 Moscow (RU)  
(46) 2023 09 22  
(54) 1. SURFACE ORNAMENTATION  
(55)



1.1

---

- (11) DM/231 563 (51) 32-01  
(15) 2023 08 22 (44) 38/2023 (2023 09 22)  
(22) 2023 08 22  
(28) 1  
(30) No1: 03.03.2023; 2023501028; RU  
(73) Gesellschaft Mit Beschränkter Haftung "Ehrmann"  
D. 15, P. Ramenskoy Agrokhimstantsii (RAOS), 140126 Ramenskiy G.o., Moscow Region (RU)  
(85) –  
(86) –  
(87) RU  
(88) –  
(89) RU  
(81) III. GE, MN, MD, TM  
(72) Olesya Skripak  
Ul. Klary Tsetkin, 79-1, 236029, Kaliningrad (RU)  
(74) Patent And Law Firm "YUS"  
D. 6, Prospekt Mira, 129090 Moscow (RU)  
(46) 2023 09 22  
(54) 1. SURFACE ORNAMENTATION  
(55)



1.1

- (11) DM/231 564 (51) 32-01  
(15) 2023 08 22 (44) 38/2023 (2023 09 22)  
(22) 2023 08 22  
(28) 1  
(30) No1: 03.03.2023; 2023501031; RU  
(73) Gesellschaft Mit Beschränkter Haftung "Ehrmann"  
D. 15, P. Ramenskoy Agrokhimstantsii (RAOS), 140126 Ramenskiy G.o., Moscow Region (RU)  
(85) –  
(86) –  
(87) RU  
(88) –  
(89) RU  
(81) III. GE, MN, MD, TM  
(72) Olesya Skripak  
Ul. Klary Tsetkin, 79-1, 236029, Kaliningrad (RU)  
(74) Patent And Law Firm "YUS"  
D. 6, Prospekt Mira, 129090 Moscow (RU)  
(46) 2023 09 22  
(54) 1. SURFACE ORNAMENTATION  
(55)



1.1

- (11) DM/231 588 (51) 19-08  
 (15) 2023 09 05 (44) 39/2023 (2023 09 29)  
 (22) 2023 09 05  
 (28) 3  
 (73) Elite Construction Kft.  
 Déri Miksa U. 8C., 2142 Nagytarcsa (HU)  
 (85) HU  
 (86) HU  
 (87) HU  
 (88) HU  
 (89) HU  
 (81) III. AZ, EM, GE, MD, MN, TJ, UA  
 (72) Oleg Beloshytskyy  
 Déri Miksa Utca 8C., 2142, Nagytarcsa (HU)  
 (74) Danubia Patent & Law Office LLC  
 Bajcsy-Zsilinszky Út 16., 1051 Budapest (HU)  
 (46) 2023 09 29  
 (54) 1.-3. LABEL  
 (55)



---

# TRADEMARKS

## APPLICATIONS FILED UNDER THE NATIONAL PROCEDURE APPROVED FOR REGISTRATION

The decision can be appealed at the Chamber of Appeal of Sakpatenti within 3 months from the publication or at the Mtskheta District Court Administrative Cases Board (Address: №17, Samkhedro St., Mtskheta), within 1 month following the publication.

(260) AM 2023 120251 A\*  
(210) AM 120251  
(220) 2022 11 09  
(310) 086599  
(320) 2022 05 27  
(330) JM  
(731) Rothmans of Pall Mall Limited  
Route de France 17, Boncourt, 2926,  
Switzerland  
(740) Tamar Kotchlamazashvili  
(540)



(591) Blue, red, white, sky-blue, pink  
(531) 01.15.03; 01.15.25; 26.11.03; 26.11.05;  
26.11.11; 26.11.25; 27.05.01; 27.05.17;  
29.01.15  
(511) 34

(260) AM 2023 121653 A  
(210) AM 121653  
(220) 2023 02 15  
(731) "IDS Borjomi Beverages Co.N.V."  
Pareravegis 45, Curaçao  
(740) Giorgi Jokharidze



(554) Three-dimensional  
(591) Purple, blue, grey, light sky-blue, red, sky-blue  
(531) 02.07.23; 03.01.14; 06.01.01; 06.01.02;  
06.01.04; 24.17.05; 28.19  
(526) Bakuriani – non-carbonated natural  
mineral water for babies  
(511) 32, 35

---

(260) AM 2023 121652 A  
(210) AM 121652  
(220) 2023 02 15  
(731) "IDS Borjomi Beverages Co.N.V."  
Pareravegis 45, Curaçao  
(740) Giorgi Jokharidze  
(540)



(591) Sky-blue, light pink, blue, white, purple, grey,  
pink, red  
(531) 01.01.05; 01.01.10; 03.02.01; 03.02.03;  
03.02.24; 06.01.01; 06.01.02; 06.01.04;  
24.17.05; 28.19; 29.01.15  
(526) BAKURIANI  
(511) 32, 35

---

(260) AM 2023 122202 A  
(210) AM 122202  
(220) 2023 03 26  
(731) KT & G Corporation  
71, Beotkkot-gil, Daedeok-gu, Daejeon,  
Republic of Korea  
(740) Pavle Meipariani  
(540)

## BOHEM FINO AQUA

(591) Black-white  
(511) 34

---

(260) AM 2023 122281 A  
(210) AM 122281  
(220) 2023 04 03  
(310) № 18807006  
(320) 2022 12 09  
(330) EUIPO  
(731) David Gómez Sánchez  
Calle José Lázaro Galdiano 6, Madrid, 28036,  
Spain



(540)

**MOEVE**(591) Black-white  
(531) 27.05.01  
(511) 4(260) AM 2023 122287 A  
(210) AM 122287  
(220) 2023 04 03  
(310) № UK00003841466  
(320) 2022 10 21  
(330) UK  
(731) RTGS Global Limited  
Heron Tower, 110 Bishopsgate, London, EC2N  
4AY, United Kingdom

(540)

**RTGS.global**(591) Black-white  
(531) 27.05.01  
(511) 9, 35, 36, 41, 42(260) AM 2023 122384 A  
(210) AM 122384  
(220) 2023 04 07  
(731) Farm Fresh L.L.C  
P.o. Boqs 7011, Jiemji Bildung, Umm Hureir  
Rd, Ud Metha, Bur-dubai, Dubai, United Arab  
Emirates

(540)

**RUH**  
SOUL SATISFYING(591) Black-white  
(531) 27.05.01; 27.05.09; 27.05.10; 27.05.11  
(511) 30, 35(260) AM 2023 122392 A  
(210) AM 122392  
(220) 2023 04 07  
(731) Ignite International, Ltd.  
3308 Towerwood Drive, Farmers Branch,  
TX 75234-2317, USA(740) Giorgi Taktakishvili  
(540)(591) Black, white, grey  
(531) 03.04.05; 03.04.11; 03.04.13; 27.05.01  
(511) 34(260) AM 2023 122414 A  
(210) AM 122414  
(220) 2023 04 11  
(731) LTD "Geo Olymp"  
Rapiel Eristavi St. 16, Tbilisi, Georgia  
(540)(591) Orange, silver, white  
(531) 27.05.01; 27.05.03; 27.07.03; 29.01.13  
(511) 32, 35(260) AM 2023 122415 A  
(210) AM 122415  
(220) 2023 04 12  
(731) LLC "Boygars"  
Davit Aghmashenebeli Av. 129a, Office 4,  
+3 Floor, 0102, Didube District, Tbilisi,  
Georgia  
(740) Giorgi Batlidze  
(540)**BOYGARS**(591) FCFCFC white, 020000 black  
(511) 3, 9, 14, 16, 18, 20, 21, 22, 24, 25, 26, 28, 29,  
30, 31, 32, 33, 35, 36, 41, 43, 44(260) AM 2023 122417 A  
(210) AM 122417  
(220) 2023 04 12  
LLC "Boygars"  
Davit Aghmashenebeli Av. 129a, Office 4,  
+3 Floor, 0102, Didube District, Tbilisi,  
Georgia  
(740) Giorgi Batlidze  
(540)

(591) FCFCFC white, 020000 black  
 (511) 3, 9, 14, 16, 18, 20, 21, 22, 24, 25, 26, 28, 29,  
 30, 31, 32, 33, 35, 36, 41, 43, 44

(260) AM 2023 122498 A  
 (210) AM 122498  
 (220) 2023 04 19  
 (731) World Health Industry Economic  
 Development Alliance Co., Limited  
 Flat/Rm A 12/F Zj 300, 300 Lockhart Road,  
 Wan Chai, Hong Kong  
 (740) Khatuna Imnadze  
 (540)

**WHIEDA**

(591) Black-white  
 (511) 3, 5, 10, 30, 35

(260) AM 2023 122504 A  
 (210) AM 122504  
 (220) 2023 04 19  
 (731) Gogita Sozashvili  
 S. Chikovani St. 35, 0171, Tbilisi, Georgia  
 (540)

**AMIERI WINES**

(591) Black-white  
 (511) 33

(260) AM 2023 122506 A  
 (210) AM 122506  
 (220) 2023 04 20  
 (731) LTD "Blush"  
 Tsotne Dadiani St. 7b, bld. 3, floor 6, ap. 50,  
 Tbilisi, Georgia  
 (540)

**ბლაში  
 blush**

(591) Black-white  
 (511) 35

(260) AM 2023 122568 A  
 (210) AM 122568  
 (220) 2023 04 24  
 (731) Nike Innovate C.V.  
 One Bowerman Drive, Beaverton, Oregon  
 97005-6453, USA  
 (740) Tamaz Shilakadze  
 (540)

**NIKE**

(591) Black-white ltd  
 (511) 3, 7, 10, 12, 21, 26, 27, 35, 41, 42

(260) AM 2023 122582 A  
 (210) AM 122582  
 (220) 2023 04 26  
 (731) LLC "Incoway"  
 Akaki Tsereteli Ave. 39, Didube District,  
 Tbilisi, Georgia  
 (540)



(591) FEFEFE white, F6E741 dark yellow,  
 53372C dark brown, FFFBD6 light yellow  
 (531) 03.05.07; 09.07.19; 26.01.15; 27.01.12;  
 27.05.02; 29.01.13  
 (511) 29

(260) AM 2023 122652 A  
 (210) AM 122652  
 (220) 2023 05 01  
 (731) LLC "East Town Residential"  
 Tvaltchrelidze St. 2, Samgori District, Tbilisi,  
 Georgia  
 (540)



(591) Orange, blue, yellow, pink, green, sky-blue,  
 lilac, white, black  
 (531) 26.11.03; 26.11.05; 26.11.07; 27.05.01;  
 27.05.10; 28.19; 29.01.15  
 (511) 35, 36, 37

(260) AM 2023 122653 A  
 (210) AM 122653  
 (220) 2023 05 01  
 (731) LLC "East Town Residential"  
 Tvaltchrelidze St. 2, Samgori District, Tbilisi,  
 Georgia  
 (540)

**ისტოთაუნ რეზიდენშელ**

(591) Black-white  
 (511) 35, 36, 37

(260) AM 2023 122726 A  
 (210) AM 122726  
 (220) 2023 05 05  
 (731) Kakhaber Tsiskaridze  
 V. Gabashvili St. 9, Ent. 1, ap. 30a, 0177,  
 Tbilisi Georgia  
 (740) Lia Shikhiashvili;  
 Ioane Iarajuli;  
 Zurab Bezhashvili  
 (540)



(591) Black-white  
 (531) 02.01.01; 02.03.01; 02.09.08; 02.09.12;  
 16.03.13; 24.13.09; 28.19  
 (511) 3, 5, 9, 14, 16, 18, 24, 25, 26, 28, 29, 30, 32, 33,  
 35, 41, 43

(260) AM 2023 122736 A  
 (210) AM 122736  
 (220) 2023 05 10  
 (731) Nike Innovate C.V.  
 One Bowerman Drive, Beaverton, Oregon  
 97005-6453, USA  
 (740) Tamaz Shilakadze  
 (540)

**SWOOSH**

(591) Black-white  
 (511) 9, 18, 21, 25, 26, 27, 28, 35, 41, 42

(260) AM 2023 122741 A  
 (210) AM 122741  
 (220) 2023 05 10  
 (731) LTD "Conus 08"  
 Vazisubni, II m/r, bld. 19, ap. 2, Tbilisi,  
 Georgia  
 (540)



(591) Beige, brown, red, white, green  
 (531) 07.01.01; 07.01.12; 07.01.23; 07.01.24;  
 26.01.06; 27.05.01; 27.05.09; 29.01.14  
 (511) 43

(260) AM 2023 122743 A  
 (210) AM 122743  
 (220) 2023 05 10  
 (731) AVATR Co., Ltd.  
 No.24, 1F, Building 1, No.106, West Section of  
 Jinkai Avenue, Yubei District, Chongqing,  
 People's Republic of China  
 (740) Shalva Gvaramadze  
 (540)



(591) Black-white, grey  
 (531) 26.04.12; 26.15.07  
 (511) 12

(260) AM 2023 122744 A  
 (210) AM 122744  
 (220) 2023 05 10  
 (731) Ramaz Kharebava  
 Vill. Zhebota, Tianeti, Georgia  
 (740) Ioane Iarajuli;  
 Lia Shikhiashvili  
 (540)

**ეს დღე შენია**

(591) 050505 Black-white  
 (511) 9, 16, 25, 28, 29, 30, 31, 32, 35, 41, 43

(260) AM 2023 122822 A  
 (210) AM 122822  
 (220) 2023 05 13  
 (731) Tamta Sauri  
 Liberty Av. 11, ap. 15, 1170, Gori, Georgia  
 (540)



(591) CC2222 red, EA25C3 pink, A1BCCC  
 silver, 5DB9CC sky-blue  
 (531) 24.01.15; 29.01.14  
 (511) 33

(260) AM 2023 122825 A  
 (210) AM 122825  
 (220) 2023 05 15  
 (731) LTD "Poliprom"  
 Vill. Dighomi, Tbilisi, Georgia  
 (540)



(591) Blue, green  
 (531) 26.04.05; 26.04.22; 26.04.24; 26.11.09;  
 27.05.24; 29.01.12  
 (511) 35, 39

(260) AM 2023 122829 A  
 (210) AM 122829  
 (220) 2023 05 15  
 (731) Leila Dolidze  
 Dighomi, IV qu., bld. 7, Tbilisi, Georgia  
 (540)

**ვპ საქველმოქმედო ფონდი  
 ლუტეცია**

(591) Black-white  
 (511) 41

(260) AM 2023 122848 A  
 (210) AM 122848  
 (220) 2023 05 17  
 (731) Cooperative DM-Ansi  
 Erekle II St. 9, 1700, Dmanisi, Georgia  
 (540)



(591) 007539 green-white  
 (531) 05.05.20; 06.01.01; 06.01.04; 07.01.01;  
 07.01.06; 24.03.01; 24.03.07; 24.03.15;  
 24.03.18; 28.19; 29.01.12  
 (511) 29

(260) AM 2023 122849 A  
 (210) AM 122849  
 (220) 2023 05 18  
 (731) Posco International Corporation  
 134 Teheran-ro, Gangnam-gu, Seoul, Republic  
 of Korea  
 (740) Nugzar Ksovreli  
 (540)

**DAEWOO**

(591) Black-white  
 (531) 27.05.01; 27.05.17; 27.05.19  
 (511) 11

(260) AM 2023 122850 A  
 (210) AM 122850  
 (220) 2023 05 18  
 (731) Posco International Corporation  
 134 Teheran-ro, Gangnam-gu, Seoul, Republic  
 of Korea  
 (740) Nugzar Ksovreli  
 (540)



(591) Black-white  
 (531) 10.03.07; 26.01.02; 26.01.12; 26.01.24  
 (511) 11

(260) AM 2023 122851 A  
 (210) AM 122851  
 (220) 2023 05 18  
 (731) LLC "Royal Gambling"  
 Demetre Tavdadebuli St. 50, ap. 91, 6000,  
 Batumi, Georgia  
 (540)

**Royal Slot**

(591) Black  
 (511) 41

(260) AM 2023 122853 A  
 (210) AM 122853  
 (220) 2023 05 18  
 (731) LLC "Home Design Gallery"  
 Kipshidze Lane 15, Vake District, Tbilisi,  
 Georgia  
 (540)



**HOME GALLERY**

(591) Black-white  
 (531) 07.01.08; 12.01.09; 26.05.01; 26.05.16;  
 26.05.18; 27.05.01  
 (511) 3, 11, 15, 20, 21, 24, 27, 28

(260) AM 2023 122855 A  
 (210) AM 122855  
 (220) 2023 05 18  
 (731) Noritake Co., Limited  
 3-1-36, Noritake-Shinmachi, Nishi-ku, Nagoya,  
 Aichi 451-8501, Japan  
 (740) Tamaz Shilakadze  
 (540)

*Super Porcelain*  
**EX-3**

(591) Black-white  
 (531) 27.05.01; 27.05.09; 27.05.10; 27.05.19  
 (511) 5, 10

(260) AM 2023 122943 A  
 (210) AM 122943  
 (220) 2023 05 19  
 (731) LTD "Aversi-Pharma"  
 Davit Aghmashenebeli Av. 148, 0112, Tbilisi,  
 Georgia  
 (540)

**ვაგოჰიალი**  
**Vagohyal**  
**Вагогиал**

(591) Black-white

(260) AM 2023 122945 A  
 (210) AM 122945  
 (220) 2023 05 19  
 (731) LTD "Aversi-Pharma"  
 Davit Aghmashenebeli Av. 148, 0112, Tbilisi,  
 Georgia  
 (540)

**ლაიფბაქტი**  
**Лайфбакт**  
**Lifebact**

(591) Black-white  
 (511) 3, 5

(260) AM 2023 122947 A  
 (210) AM 122947  
 (220) 2023 05 19  
 (731) LTD "Aversi-Pharma"  
 Davit Aghmashenebeli Av. 148, 0112, Tbilisi,  
 Georgia

(540)

**ნაფანო**  
**Нафан**  
**Nafan**

(591) Black-white  
 (511) 3, 5

(260) AM 2023 122949 A  
 (210) AM 122949  
 (220) 2023 05 19  
 (731) LTD "Aversi-Pharma"  
 Davit Aghmashenebeli Av. 148, 0112, Tbilisi,  
 Georgia  
 (540)

**ჰეპაფოსილი**  
**Гепафосил**  
**Hepaphosil**

(591) Black-white  
 (511) 3, 5

(260) AM 2023 122950 A  
 (210) AM 122950  
 (220) 2023 05 19  
 (731) LTD "Aversi-Pharma"  
 Davit Aghmashenebeli Av. 148, 0112, Tbilisi,  
 Georgia  
 (540)

**ვალსატრილი**  
**Валсатрил**  
**Valsatril**

(591) Black-white  
 (511) 3, 5

(260) AM 2023 122951 A  
 (210) AM 122951  
 (220) 2023 05 19  
 (731) LTD "Aversi-Pharma"  
 Davit Aghmashenebeli Av. 148, 0112, Tbilisi,  
 Georgia  
 (540)

**ტენზინორმი**  
**Тензинорм**  
**Tenzinorm**

(591) Black-white  
 (511) 5

(260) AM 2023 122952 A  
 (210) AM 122952  
 (220) 2023 05 19  
 (731) Galenicum Vitae S.L.U.  
 C/ Sant Gabriel, 50, 08950 Esplugues de  
 llobregat (Barcelona), Spain  
 (740) Giorgi Kartvelishvili  
 (540)

## Almovitae

(591) Black-white  
 (511) 5

(260) AM 2023 122956 A  
 (210) AM 122956  
 (220) 2023 05 22  
 (731) LTD "Jinaze"  
 Kareli St. 17, fl. 3, ap. 4, 0171, Tbilisi, Georgia  
 (540)

## მალაშო

(591) Black-white  
 (511) 33

(260) AM 2023 122961 A  
 (210) AM 122961  
 (220) 2023 05 22  
 (731) Foshan Zcamp Intelligent Equipment Co., Ltd  
 One of No. 5 Industrial Avenue, Lunjiao  
 Intensive Industrial Zone, Xiyong Village,  
 Lunjiao Street, Shunde District, Foshan City,  
 Guangdong Province, People's Republic of  
 China  
 (740) Irakli Gvilia  
 (540)



(591) Black-white  
 (531) 06.01.02; 26.11.12; 26.13.25; 27.05.11  
 (511) 6

(260) AM 2023 122963 A  
 (210) AM 122963  
 (220) 2023 05 22  
 (731) LTD "Tineti"  
 Shalva Nutsbidze St. 129a, fl. 14, 0186, Vake  
 District, Tbilisi, Georgia  
 (740) Mariam Usenashvili  
 (540)



(591) 6429FF Blue, black, white, inky

(531) 25.03.01; 25.03.03; 26.01.02; 26.01.04;  
 27.05.01; 29.01.13  
 (511) 20, 36, 39, 42

(260) AM 2023 122964 A  
 (210) AM 122964  
 (220) 2023 05 22  
 (731) LTD "Tineti"  
 Shalva Nutsbidze St. 129a, fl. 14, 0186, Vake  
 District, Tbilisi, Georgia  
 (740) Mariam Usenashvili  
 (540)



(591) 307AFF blue, white  
 (531) 26.01.01; 26.01.04; 26.11.12; 27.05.01;  
 29.01.04; 29.01.11  
 (511) 35, 36, 39, 41, 42

(260) AM 2023 122965 A  
 (210) AM 122965  
 (220) 2023 05 22  
 (731) LTD "Tineti"  
 Shalva Nutsbidze St. 129a, fl. 14, 0186, Vake  
 District, Tbilisi, Georgia  
 (740) Mariam Usenashvili  
 (540)



(591) White, 307AFF blue  
 (531) 26.01.01; 26.01.04; 26.11.12; 27.05.01;  
 29.01.04; 29.01.11  
 (511) 35, 36, 39, 41, 42

(260) AM 2023 122966 A  
 (210) AM 122966  
 (220) 2023 05 22  
 (731) LLC "Trade Link"  
 Doesi St. 15, 0144, Tbilisi, Georgia  
 (540)



(591) White, golden, black  
 (531) 05.05.20; 26.04.02; 26.04.15; 26.04.22;  
 26.04.24; 27.05.24; 29.01.13  
 (511) 29, 30, 32, 33

(260) AM 2023 122984 A  
(210) AM 122984  
(220) 2023 05 25  
(731) Biocosm'Ethics Srl  
Via De Gasperi 16, Cartigliano (VI), Italy  
(740) Giorgi Kartvelishvili  
(540)

## NEVITALY

(591) Black-white  
(511) 3, 5

---

(260) AM 2023 123577 A  
(210) AM 123577  
(220) 2023 05 01  
(731) LLC "East Town Residential"  
Tvaltchrelidze St. 2, Samgori District, Tbilisi,  
Georgia  
(540)



(591) Black-white, lilak, sky-blue, green, pink,  
yellow, blue, orange  
(531) 26.11.03; 26.11.05; 26.11.07; 27.05.01;  
27.05.10; 29.01.15  
(511) 35, 36, 37

---

**REGISTERED TRADEMARKS**

(111) M 2023 37549 R  
(151) 2023 11 24  
(181) 2033 11 24  
(260) AM 2022 120434 A  
(220) 2022 11 21  
(732) Ivane Abaiadze  
Davit Aghmashenebeli St. 25, 1400, Gori,  
Georgia

S. Tsintsadze St. 12, fl. 3, Non-residential area  
3-6, 0160, Tbilisi, Georgia

(111) M 2023 37550 R  
(151) 2023 11 24  
(181) 2033 11 24  
(260) AM 2022 120814 A  
(220) 2022 12 16  
(732) LTD "Spraiibi"  
Keskliina District, Tartu Road 83-701, Talini,  
10115, Estonia

(111) M 2023 37555 R  
(151) 2023 11 24  
(181) 2033 11 24  
(260) AM 2022 119506 A  
(220) 2022 09 22  
(732) Betek Boya ve Kimya Sanayi Anonim Şirketi  
Kaynarca, Kavakpınar Mah. Tandoğan Cad.  
Kocamezarlık Karşısı Pendik - İstanbul,  
Türkiye

(111) M 2023 37551 R  
(151) 2023 11 24  
(181) 2033 11 24  
(260) AM 2022 119195 A  
(220) 2022 08 30  
(732) Fonterra Brands (Singapore) Pte Limited  
182 Cecil Street, # 15-01, Frasers Tower,  
Singapore, 069547, Singapore

(111) M 2023 37556 R  
(151) 2023 11 24  
(181) 2033 11 24  
(260) AM 2022 119760 A  
(220) 2022 10 07  
(732) LTD "Khinkali House N1"  
Vazha-Pshavela st. 124, 6000, Batumi,  
Georgia

(111) M 2023 37552 R  
(151) 2023 11 24  
(181) 2033 11 24  
(260) AM 2022 120628 A  
(220) 2022 12 08  
(732) LLC "Kakhetian Traditional Winemaking"  
S. Tsintsadze St. 12, 0160, Tbilisi, Georgia

(111) M 2023 37557 R  
(151) 2023 11 24  
(181) 2033 11 24  
(260) AM 2022 120939 A  
(220) 2022 12 26  
(732) LTD "Tfilisis Marani"  
Paliashvili St. 33, ap. 6, 0179, Tbilisi, Georgia

(111) M 2023 37553 R  
(151) 2023 11 24  
(181) 2033 11 24  
(260) AM 2022 120629 A  
(220) 2022 12 08  
(732) LLC "Kakhetian Traditional Winemaking"  
S. Tsintsadze St. 12, 0160, Tbilisi, Georgia

(111) M 2023 37558 R  
(151) 2023 11 24  
(181) 2033 11 24  
(260) AM 2022 120507 A  
(220) 2022 11 28  
(732) LTD "L.L. Distillery"  
Tsabadze St. 2, 2100, Zugdidi, Georgia

(111) M 2023 37554 R  
(151) 2023 11 24  
(181) 2033 11 24  
(260) AM 2022 120504 A  
(220) 2022 11 28  
(732) LLC "Kakhetian Traditional Winemaking"

(111) M 2023 37559 R  
(151) 2023 11 24  
(181) 2033 11 24  
(260) AM 2022 120527 A  
(220) 2022 12 01  
(732) Ruslan Bolkvadze  
Ivane Javakhishvili St. 78, ap. 48, Batumi,  
Georgia



(111) M 2023 37560 R  
(151) 2023 11 24  
(181) 2033 11 24  
(260) AM 2022 120029 A  
(220) 2022 10 25  
(732) LLC "Lithuanian Bakery+"  
T. Eristavi St. 1, 0192, Tbilisi, Georgia

---

(111) M 2023 37561 R  
(151) 2023 11 24  
(181) 2033 11 24  
(260) AM 2022 120531 A  
(220) 2022 12 01  
(732) Shenzhen Foresight Innovations Technology  
Co., Ltd.  
Flor 4, 1#lichun Bilding, Taihuavutong  
Industrial Park, Sanvei Komuniti, Hangcheng  
Sab-distriqt, Bao'an Disqirtq, Shenjeni,  
People's Republic of China

---

(111) M 2023 37562 R  
(151) 2023 11 24  
(181) 2033 11 24  
(260) AM 2022 120515 A  
(220) 2022 11 29  
(732) LLC "Kotekhi-Gurjaani Winery Factory"  
K. Koroghlishvili St. 38, 1500, Gurjaani,  
Georgia

---

(111) M 2023 37563 R  
(151) 2023 11 24  
(181) 2033 11 24  
(260) AM 2022 120030 A  
(220) 2022 10 25  
(732) LLC "Lithuanian Bakery+"  
T. Eristavi St. 1, 0192, Tbilisi, Georgia

---

(111) M 2023 37564 R  
(151) 2023 11 24  
(181) 2033 11 24  
(260) AM 2022 120028 A  
(220) 2022 10 25  
(732) LLC "Lithuanian Bakery+"  
T. Eristavi St. 1, 0192, Tbilisi, Georgia

---

(111) M 2023 37565 R  
(151) 2023 11 24  
(181) 2033 11 24  
(260) AM 2022 120512 A  
(220) 2022 11 28  
(732) LTD "999"  
Vill. Mughanlo 16th St. 11, Gardabani Region,  
Georgia

---

(111) M 2023 37566 R  
(151) 2023 11 24  
(181) 2033 11 24  
(260) AM 2022 120237 A  
(220) 2022 11 07  
(732) Levan Gvaramadze  
Al. Kazbegi St. 2, ap. 12, 0160, Tbilisi,  
Georgia

---

(111) M 2023 37567 R  
(151) 2023 11 24  
(181) 2033 11 24  
(260) AM 2022 120513 A  
(220) 2022 11 28  
(732) Zaman Alakhiarov  
Technical St. 94, ap. 306, Ekaterinburg,  
Russian Federation

---

(111) M 2023 37568 R  
(151) 2023 11 24  
(181) 2033 11 24  
(260) AM 2022 120626 A  
(220) 2022 12 08  
(732) LTD "Jos! Wines"  
Liziko Kavtaradze St. 1, Tbilisi, Georgia

---

(111) M 2023 37569 R  
(151) 2023 11 24  
(181) 2033 11 24  
(260) AM 2022 119177 A  
(220) 2022 08 26  
(732) Vasili Babluani  
Ghrmaghele I Lane 55, 0192, Tbilisi, Georgia

---

(111) M 2023 37570 R  
(151) 2023 11 24  
(181) 2033 11 24  
(260) AM 2022 120608 A  
(220) 2022 12 02  
(732) LTD "Batono"  
Gotua St. 8, 0160, Tbilisi, Georgia

---

(111) M 2023 37571 R  
(151) 2023 11 24  
(181) 2033 11 24  
(260) AM 2022 120730 A  
(220) 2022 12 15  
(732) LTD "Biotex"  
Iumashev St. 8, Tbilisi, Georgia

---

(111) M 2023 37572 R  
(151) 2023 11 24  
(181) 2033 11 24  
(260) AM 2022 120524 A  
(220) 2022 11 30  
(732) LTD "A-B-F"  
Vill. Martkopi, Vaziani Settlement, 1320,  
Gardabani, Georgia

---

(111) M 2023 37573 R  
(151) 2023 11 24  
(181) 2033 11 24  
(260) AM 2022 120499 A  
(220) 2022 11 25  
(732) LLC "M<sup>2</sup> Group"  
Al. Kazbegi Av. 15, fl. 4, Block D, 0179,  
Tbilisi, Georgia

---

(111) M 2023 37574 R  
(151) 2023 11 24  
(181) 2033 11 24  
(260) AM 2022 120498 A  
(220) 2022 11 25  
(732) LLC "M<sup>2</sup> Group"  
Al. Kazbegi Av. 15, fl. 4, Block D, 0179,  
Tbilisi, Georgia

---

(111) M 2023 37575 R  
(151) 2023 11 24  
(181) 2033 11 24  
(260) AM 2022 120497 A  
(220) 2022 11 25  
(732) LLC "M<sup>2</sup> Group"  
Al. Kazbegi Av. 15, fl. 4, Block D, 0179,  
Tbilisi, Georgia

---

(111) M 2023 37592 R  
(151) 2023 11 27  
(181) 2033 11 27  
(260) AM 2022 119893 A  
(220) 2022 10 19  
(732) "IDS Borjomi Beverages Co.N.V."  
Pareraweg 45, Curaçao

---

(111) M 2023 37593 R  
(151) 2023 11 27  
(181) 2033 11 27  
(260) AM 2022 119892 A  
(220) 2022 10 19  
(732) "IDS Borjomi Beverages Co.N.V."  
Pareraweg 45, Curaçao

---

(111) M 2023 37594 R  
(151) 2023 11 27  
(181) 2033 11 27  
(260) AM 2022 120517 A  
(220) 2022 11 29  
(732) "IDS Borjomi Beverages Co.N.V."  
Pareraweg 45, Curaçao

---

(111) M 2023 37595 R  
(151) 2023 11 27  
(181) 2033 11 27  
(260) AM 2022 120245 A  
(220) 2022 11 08  
(732) "IDS Borjomi Beverages Co.N.V."  
Pareraweg 45, Curaçao

---

(111) M 2023 37596 R  
(151) 2023 11 27  
(181) 2033 11 27  
(260) AM 2022 120440 A  
(220) 2022 11 22  
(732) Toyota Jidosha Kabushiki Kaisha  
(also trading as Toyota Motor Corporation)  
1, Toyota-cho, Toyota-shi, Aichi-ken, Japan

---

(111) M 2023 37597 R  
(151) 2023 11 27  
(181) 2033 11 27  
(260) AM 2022 120259 A  
(220) 2022 11 10  
(732) Toyota Jidosha Kabushiki Kaisha  
(also trading as Toyota Motor Corporation)  
1, Toyota-cho, Toyota-shi, Aichi-ken, Japan

---

(111) M 2023 37598 R  
(151) 2023 11 27  
(181) 2033 11 27  
(260) AM 2023 121216 A  
(220) 2023 01 14  
(732) Zhejiang Cfmoto Power Co., LTD.  
116 Wuzhou Road, Yuhang Economic  
Development Zone, Hangzhou 311100  
Zhejiang Province, People's Republic of China

---

(111) M 2023 37599 R  
(151) 2023 11 27  
(181) 2033 11 27  
(260) AM 2023 121333 A  
(220) 2023 01 25  
(732) LTD "ნოე აგრო NEW AGRO"  
Davit Agmashenebeli Alley 183, 0131,  
Tbilisi, Georgia

---

(111) M 2023 37600 R  
(151) 2023 11 27  
(181) 2033 11 27  
(260) AM 2022 120948 A  
(220) 2022 12 28  
(732) LTD "NGS Group"  
Amaghleba St. 47, 0105, Tbilisi, Georgia

---

(111) M 2023 37601 R  
(151) 2023 11 27  
(181) 2033 11 27  
(260) AM 2022 120250 A  
(220) 2022 11 09  
(732) LTD "Matanat"  
Saburtalo St. 38, 0160, Tbilisi, Georgia

---

(111) M 2023 37602 R  
(151) 2023 11 27  
(181) 2033 11 27  
(260) AM 2022 119991 A  
(220) 2022 10 21  
(732) JSC "Badagoni"  
Vill. Zemo Khodasheni, 0910, 0192, Akhmeta  
Region, Georgia

---

(111) M 2023 37603 R  
(151) 2023 11 27  
(181) 2033 11 27  
(260) AM 2022 120976 A  
(220) 2022 12 30  
(732) Exxon Mobil Corporation  
5959 Las Colinas Boulevard, Irving, Texas  
75039-2298, USA

---

(111) M 2023 37604 R  
(151) 2023 11 27  
(181) 2033 11 27  
(260) AM 2022 120975 A  
(220) 2022 12 30  
(732) Exxon Mobil Corporation  
5959 Las Colinas Boulevard, Irving, Texas  
75039-2298, USA

---

(111) M 2023 37605 R  
(151) 2023 11 27  
(181) 2033 11 27  
(260) AM 2022 120938 A  
(220) 2022 12 26  
(732) LTD "Tfilisis Marani"  
Paliashvili St. 33, ap. 6, 0179, Tbilisi, Georgia

---

(111) M 2023 37606 R  
(151) 2023 11 27  
(181) 2033 11 27  
(260) AM 2022 119792 A  
(220) 2022 10 12  
(732) Aleksandre Jokhadze  
Vill. Varkhani, Adigeni Region, Georgia

---

(111) M 2023 37607 R  
(151) 2023 11 27  
(181) 2033 11 27  
(260) AM 2022 119787 A  
(220) 2022 10 11  
(732) LLC "Lisi Sports"  
Vill. Kvemo Lisi, 0177, Vake-Saburtalo  
District, Tbilisi, Georgia

---

(111) M 2023 37619 R  
(151) 2023 11 30  
(181) 2033 11 30  
(260) AM 2022 119994 A  
(220) 2022 10 21  
(732) LLC "Kakhetian Traditional Winemaking"  
S. Tsintsadze St. 12, fl. 3, Non-residential area  
3-6, 0160, Tbilisi, Georgia

---

(111) M 2023 37620 R  
(151) 2023 11 30  
(181) 2033 11 30  
(260) AM 2023 121301 A  
(220) 2023 01 20  
(732) LLC "Kakhetian Traditional Winemaking"  
S. Tsintsadze St. 12, fl. 3, Non-residential area  
3-6, 0160, Tbilisi, Georgia

---

(111) M 2023 37621 R  
(151) 2023 11 30  
(181) 2033 11 30  
(260) AM 2023 121139 A  
(220) 2023 01 10  
(732) Davit Dvalishvili  
Leningrad Av. 66, bld. 2, ap. 7, Moscow,  
Russian Federation

---

(111) M 2023 37622 R  
(151) 2023 11 30  
(181) 2033 11 30  
(260) AM 2023 121133 A  
(220) 2023 01 10  
(732) LTD "Studio Bike"  
Gldani VI m/r., bld. 20, ap. 81, 0107,  
Tbilisi, Georgia

---

---

(111) M 2023 37623 R (151) 2023 11 30 (181) 2033 11 30 (260) AM 2022 120046 A (220) 2022 10 27 (732) Elene Shavdia Tskneti Highway 39, ap. 1a, 0162, Tbilisi, Georgia	Bazar P.O. Box: 122658, Deira Dubai, United Arab Emirates
(111) M 2023 37624 R (151) 2023 11 30 (181) 2033 11 30 (260) AM 2022 119790 A (220) 2022 10 11 (732) Elene Shavdia Tskneti Highway 39, ap. 1a, 0162, Tbilisi, Georgia	(111) M 2023 37630 R (151) 2023 12 04 (181) 2033 12 04 (260) AM 2022 119368 A (220) 2022 09 14 (732) Neli Gigauri Vill. Tezami, Mtskheta, Georgia
(111) M 2023 37625 R (151) 2023 11 30 (181) 2033 11 30 (260) AM 2022 118297 A (220) 2022 06 24 (732) British American Tobacco (Brands) Limited Globe House, 4 Temple Place, London, WC2R 2PG, United Kingdom	(111) M 2023 37631 R (151) 2023 12 04 (181) 2033 12 04 (260) AM 2021 114671 A (220) 2021 09 17 (732) LTD "Aksimport" Paolo Iashvili St. 10, ap. 4, Tbilisi, Georgia
(111) M 2023 37626 R (151) 2023 11 30 (181) 2033 11 30 (260) AM 2022 120858 A (220) 2022 12 22 (732) HBC Products Industries Limited 182 Santhonburi Road, Bang-wa, Pasicharoen, Bangkok, 10160, Thailand	(111) M 2023 37637 R (151) 2023 12 04 (181) 2033 12 04 (260) AM 2023 121052 A (220) 2023 01 05 (732) NR Class 3 LLC 300 West 23rd Street, PH-B, New York New York 10011, USA
(111) M 2023 37627 R (151) 2023 11 30 (181) 2033 11 30 (260) AM 2022 120253 A (220) 2022 11 09 (732) JFP Gulf General Trading LLC 201, 2nd Floor, Al Mulla Building Murshid Bazar P.O. Box: 122658, Deira Dubai, United Arab Emirates	(111) M 2023 37638 R (151) 2023 12 04 (181) 2033 12 04 (260) AM 2022 120862 A (220) 2022 12 22 (732) Sterling Perfumes Industries (L.L.C.) P.O. Box: 40769, Dubai, United Arab Emirates
(111) M 2023 37628 R (151) 2023 11 30 (181) 2033 11 30 (260) AM 2022 120255 A (220) 2022 11 09 (732) JFP Gulf General Trading LLC 201, 2nd Floor, Al Mulla Building Murshid	(111) M 2023 37639 R (151) 2023 12 04 (181) 2033 12 04 (260) AM 2022 120137 A (220) 2022 10 31 (732) Samer Al Gaddah International General Trading Co. L.L.C. P.O. Box: 377922, Dubai, United Arab Emirates
(111) M 2023 37628 R (151) 2023 11 30 (181) 2033 11 30 (260) AM 2022 120255 A (220) 2022 11 09 (732) JFP Gulf General Trading LLC 201, 2nd Floor, Al Mulla Building Murshid	(111) M 2023 37640 R (151) 2023 12 04 (181) 2033 12 04 (260) AM 2022 120136 A (220) 2022 10 31 (732) Samer Al Gaddah International General Trading Co. L.L.C.

---

---

P.O. Box: 377922, Dubai, United Arab  
Emirates

---

(111) M 2023 37641 R  
(151) 2023 12 04  
(181) 2033 12 04  
(260) AM 2023 121242 A  
(220) 2023 01 18  
(732) LTD "GM Pharmaceuticals"  
Rustavi Highway 52, 0114, Tbilisi, Georgia

---

(111) M 2023 37642 R  
(151) 2023 12 04  
(181) 2033 12 04  
(260) AM 2022 120631 A  
(220) 2022 12 08  
(732) British American Tobacco (Brands) Limited  
Globe House, 4 Temple Place, London, WC2R  
2PG, United Kingdom

---

(111) M 2023 37643 R  
(151) 2023 12 04  
(181) 2033 12 04  
(260) AM 2022 119917 A  
(220) 2022 10 21  
(732) LLC "Grand Candy"  
31 Masi St., 0061, Yerevan, Armenia

---

(111) M 2023 37644 R  
(151) 2023 12 04  
(181) 2033 12 04  
(260) AM 2023 121303 A  
(220) 2023 01 20  
(732) LLC "Wine Company Shumi"  
Lionidze St. 33, Telavi, Georgia

---

(111) M 2023 37645 R  
(151) 2023 12 04  
(181) 2033 12 04  
(260) AM 2023 121304 A  
(220) 2023 01 20  
(732) LLC "Wine Company Shumi"  
Lionidze St. 33, Telavi, Georgia

---

(111) M 2023 37646 R  
(151) 2023 12 04  
(181) 2033 12 04  
(260) AM 2023 121305 A  
(220) 2023 01 20  
(732) LLC "Wine Company Shumi"  
Lionidze St. 33, Telavi, Georgia

---

(111) M 2023 37647 R  
(151) 2023 12 04  
(181) 2033 12 04  
(260) AM 2022 120023 A  
(220) 2022 10 25  
(732) Henesa LLC  
251 Little Falls Drive, Wilmington, DE 19808,  
USA

---

(111) M 2023 37648 R  
(151) 2023 12 04  
(181) 2033 12 04  
(260) AM 2022 120256 A  
(220) 2022 11 09  
(732) Kraft Foods Italia Intellectual Property Srl  
Via Nizzoli, 3, Milan, 20147, Italy

---

(111) M 2023 37649 R  
(151) 2023 12 04  
(181) 2033 12 04  
(260) AM 2023 121212 A  
(220) 2023 01 13  
(732) Natalia Berejnikh  
Kanevskaya Stanitsa, Kanevskiy Raion,  
Ulica Sportivnaya, Dom N15, Krasnodarskiy  
Region, Russian Federation

---

(111) M 2023 37650 R  
(151) 2023 12 04  
(181) 2033 12 04  
(260) AM 2022 120362 A  
(220) 2022 11 16  
(732) Softline Holding PLC  
Kosta Charaki 11, Office 302, 3041, Limassol,  
Cyprus

---

(111) M 2023 37651 R  
(151) 2023 12 04  
(181) 2033 12 04  
(260) AM 2022 119983 A  
(220) 2022 10 21  
(732) LLC "Grand Candy"  
31 Masi St., 0061, Yerevan, Armenia

---

(111) M 2023 37652 R  
(151) 2023 12 04  
(181) 2033 12 04  
(260) AM 2022 120344 A  
(220) 2022 11 15  
(732) LLC "Grand Candy"  
31 Masi St., 0061, Yerevan, Armenia

---

(111) M 2023 37653 R  
(151) 2023 12 05  
(181) 2033 12 05  
(260) AM 2022 120343 A  
(220) 2022 11 14  
(732) AstraZeneka AB  
SE-151 85 Södertälje, Sweden, Sweden

---

(111) M 2023 37659 R  
(151) 2023 12 05  
(181) 2033 12 05  
(260) AM 2022 120346 A  
(220) 2022 11 15  
(732) LLC "Global CBS"  
Guramishvili Av. 62, 0141, Tbilisi, Georgia

---

(111) M 2023 37654 R  
(151) 2023 12 05  
(181) 2033 12 05  
(260) AM 2022 120358 A  
(220) 2022 11 16  
(732) LTD "Otsi"  
Simon Chikovani St. 24a, ap. 62a, Tbilisi,  
Georgia

---

(111) M 2023 37660 R  
(151) 2023 12 05  
(181) 2033 12 05  
(260) AM 2022 120348 A  
(220) 2022 11 15  
(732) LLC "Global CBS"  
Guramishvili Av. 62, 0141, Tbilisi, Georgia

---

(111) M 2023 37655 R  
(151) 2023 12 05  
(181) 2033 12 05  
(260) AM 2022 120698 A  
(220) 2022 12 09  
(732) LTD "Radius"  
Nikoloz Berdzenishvili St. 4, ent. 2, fl. 5,  
ap. 27, 0179, Vake District, Tbilisi, Georgia

---

(111) M 2023 37661 R  
(151) 2023 12 05  
(181) 2033 12 05  
(260) AM 2022 120356 A  
(220) 2022 11 16  
(732) LLC "Global CBS"  
Guramishvili Av. 62, 0141, Tbilisi, Georgia

---

(111) M 2023 37656 R  
(151) 2023 12 05  
(181) 2033 12 05  
(260) AM 2022 120707 A  
(220) 2022 12 12  
(732) LTD "Alpha Food"  
Agladze st. 32, 0119, Tbilisi, Georgia

---

(111) M 2023 37657 R  
(151) 2023 12 05  
(181) 2033 12 05  
(260) AM 2022 119880 A  
(220) 2022 10 17  
(732) Mariam Katsitadze  
Tamarashvili St. 11, ap. 126, 0169, Tbilisi,  
Georgia

---

(111) M 2023 37658 R  
(151) 2023 12 05  
(181) 2033 12 05  
(260) AM 2022 120347 A  
(220) 2022 11 15  
(732) LLC "Global CBS"  
Guramishvili Av. 62, 0141, Tbilisi, Georgia

---

## TRADEMARKS REGISTERED ACCORDING TO THE ACCELERATED PROCEDURE

The decision can be appealed at the Chamber of Appeal of Sakpatenti within 3 months from the publication.

(111) M 2023 37548 R

(151) 2023 11 22

(181) 2033 11 22

(210) AM 124780

(220) 2023 09 20

(732) R.C. Dercelis Nobati

Vill. Derceli, Adigeni, Georgia

(540)



(591) Green, yellow, sky-blue, white, brown, blue

(531) 01.03.01; 01.03.06; 01.03.10; 01.15.11;  
01.15.15; 01.15.21; 05.01.08; 28.19; 29.01.14

(526) დერცელი

(511) 29

(111) M 2023 37576 R

(151) 2023 11 24

(181) 2033 11 24

(210) AM 125446

(220) 2023 11 08

(732) Endre Birich

Maro Makashvili Dead End 3, Entr. 1, floor 3,  
ap. 5, Tbilisi, Georgia

(540)

### Creative Dome

(591) Black-white

(511) 35, 36, 37, 38, 39, 41, 42, 43, 44, 45

(111) M 2023 37577 R

(151) 2023 11 24

(181) 2033 11 24

(210) AM 125529

(220) 2023 11 10

(732) Salome Miminoshvili

Al. Kazbegi Av. 29a, 0177, Tbilisi, Georgia

(540)



(591) A71C33 red, 132D44 dark blue

(531) 26.04.01; 26.04.05; 26.04.07; 27.05.01;

27.05.08; 29.01.12

(511) 41

(111) M 2023 37578 R

(151) 2023 11 24

(181) 2033 11 24

(210) AM 125535

(220) 2023 11 13

(732) LTD "Tecto Group"

Tamar Mepe Settlement 44, ap. 63, 6010,  
Batumi, Georgia

(540)



(591) White, blue

(531) 07.01.24; 26.04.02; 26.04.05; 26.04.12;  
26.04.22; 26.04.24; 26.11.03; 26.11.06;  
26.11.11; 27.05.09; 27.05.10; 27.05.24;  
29.01.12

(511) 36, 37

(111) M 2023 37579 R

(151) 2023 11 24

(181) 2033 11 24

(210) AM 125539

(220) 2023 11 13

(732) JSC "Bank of Georgia"

Gagarin St. 29a, Tbilisi, Georgia

(740) Giorgi Taktakishvili

(540)



(591) Yellow, black, silver

(531) 20.05.16; 26.04.04; 26.04.07; 26.04.22;  
26.04.24; 27.05.01; 28.19; 29.01.12  
(511) 9, 35, 36

(111) M 2023 37580 R  
(151) 2023 11 24  
(181) 2033 11 24  
(210) AM 125540  
(220) 2023 11 13  
(732) JSC "Bank of Georgia"  
Gagarin St. 29a, Tbilisi, Georgia  
(740) Giorgi Taktakishvili  
(540)

**მზანკ**

(591) Black-white  
(511) 9, 35, 36, 39, 41, 42

(111) M 2023 37581 R  
(151) 2023 11 24  
(181) 2033 11 24  
(210) AM 125541  
(220) 2023 11 13  
(732) JSC "Bank of Georgia"  
Gagarin St. 29a, Tbilisi, Georgia  
(740) Giorgi Taktakishvili  
(540)

**mbank**

(591) Black-white  
(511) 9, 35, 36, 39, 41, 42

(111) M 2023 37582 R  
(151) 2023 11 24  
(181) 2033 11 24  
(210) AM 125542  
(220) 2023 11 13  
(732) JSC "Bank of Georgia"  
Gagarin St. 29a, Tbilisi, Georgia  
(740) Giorgi Taktakishvili  
(540)

**ბოგ აპი**

(591) Black-white  
(511) 9, 35, 36, 39, 41, 42

(111) M 2023 37583 R  
(151) 2023 11 24  
(181) 2033 11 24  
(210) AM 125543  
(220) 2023 11 13  
(732) JSC "Bank of Georgia"  
Gagarin St. 29a, Tbilisi, Georgia  
(740) Giorgi Taktakishvili

(540)

**BOG APP**

(591) Black-white  
(511) 9, 35, 36, 39, 41, 42

(111) M 2023 37584 R  
(151) 2023 11 24  
(181) 2033 11 24  
(210) AM 125547  
(220) 2023 11 13  
(732) JSC "Bank of Georgia"  
Gagarin St. 29a, Tbilisi, Georgia  
(740) Giorgi Taktakishvili  
(540)

**sCool Card**

(591) Black-white  
(511) 9, 35, 36

(111) M 2023 37585 R  
(151) 2023 11 24  
(181) 2033 11 24  
(210) AM 125548  
(220) 2023 11 13  
(732) JSC "Bank of Georgia"  
Gagarin St. 29a, Tbilisi, Georgia  
(740) Giorgi Taktakishvili  
(540)

**სკულ ქარდი**

(591) Black-white  
(511) 9, 35, 36, 39, 41, 42

(111) M 2023 37586 R  
(151) 2023 11 24  
(181) 2033 11 24  
(210) AM 125551  
(220) 2023 11 13  
(732) JSC "Bank of Georgia"  
Gagarin St. 29a, Tbilisi, Georgia  
(740) Giorgi Taktakishvili  
(540)

**sCoola**

(591) Black-white  
(511) 9, 35, 36, 41, 42

(111) M 2023 37587 R  
(151) 2023 11 24  
(181) 2033 11 24  
(210) AM 125552  
(220) 2023 11 13  
(732) JSC "Bank of Georgia"  
Gagarin St. 29a, Tbilisi, Georgia  
(740) Giorgi Taktakishvili



(540)

**სქულა**(591) Black-white  
(511) 9, 35, 36, 41, 42

(111) M 2023 37588 R

(151) 2023 11 24

(181) 2033 11 24

(210) AM 125553

(220) 2023 11 13

(732) JSC "Bank of Georgia"

Gagarin St. 29a, Tbilisi, Georgia

(740) Giorgi Taktakishvili

(540)

**სქულაპი**(591) Black-white  
(511) 9, 35, 36, 39, 41, 42

(111) M 2023 37589 R

(151) 2023 11 24

(181) 2033 11 24

(210) AM 125555

(220) 2023 11 13

(732) JSC "Bank of Georgia"

Gagarin St. 29a, Tbilisi, Georgia

(740) Giorgi Taktakishvili

(540)

(591) Crimson, dark crimson, beige, light pink, white  
(531) 26.13.25; 28.19; 29.01.13  
(511) 9, 35, 36, 41, 42

(111) M 2023 37590 R

(151) 2023 11 24

(181) 2033 11 24

(210) AM 125562

(220) 2023 11 13

(732) JSC "Bank of Georgia"

Gagarin St. 29a, Tbilisi, Georgia

(740) Giorgi Taktakishvili

(540)

**sCoolApp**(591) Black-white  
(511) 9, 35, 36, 39, 41, 42

(111) M 2023 37591 R

(151) 2023 11 24

(181) 2033 11 24

(210) AM 125546

(220) 2023 11 13

(732) JSC "Bank of Georgia"

Gagarin St. 29a, Tbilisi, Georgia

(740) Giorgi Taktakishvili

(540)

(591) Yellow, chestnut color, brown  
(531) 18.01.21; 24.17.04; 26.07.05; 26.07.07;  
29.01.12  
(511) 9, 35, 36, 41, 42

(111) M 2023 37608 R

(151) 2023 11 28

(181) 2033 11 28

(210) AM 125077

(220) 2023 10 12

(732) Non-Entrepreneurial (Non-Commercial) Legal  
Entity Svaneti Destination Management  
Organization Shanland  
Vittorio Sela St. 7, 3200, Mestia Township,  
Svaneti, Georgia

(540)

(591) 6D6EA6 light blue, D4855C light garnet red,  
FFCE7E light golden, B0BB66 grass green  
(531) 01.03.01; 01.03.16; 01.15.23; 05.01.01;  
05.01.09; 05.01.10; 05.01.11; 05.01.16;  
06.01.04; 07.01.01; 28.19; 29.01.15

(526) სვანეთი

(511) 29, 39, 43

(111) M 2023 37609 R

(151) 2023 11 28

(181) 2033 11 28

(210) AM 124959

(220) 2023 10 03

(732) TiM S.A.  
ul. T. Regera 111, 43-382 Bielsko-Biala, Poland  
(740) Shalva Gvaramadze  
(540)



(591) Black, white, various shades of yellow, crimson  
(531) 05.03.13; 05.13.08; 05.13.25; 24.07.01;  
25.01.19; 25.05.02; 25.05.25; 26.11.03;  
26.11.06; 27.05.01; 29.01.14  
(526) GEORGIA; Image of the flag of Georgia  
(511) 33

(111) M 2023 37610 R  
(151) 2023 11 28  
(181) 2033 11 28  
(210) AM 125658  
(220) 2023 11 21  
(732) JSC "Nikora Trade"  
Al. Mrevlishvili St. 2, 0180, Tbilisi, Georgia  
(740) Melano Gogisvanidze  
(540)



(591) Dark green, dark crimson, dark blue, orange,  
marengo, lettuce green, dark red, white  
(531) 05.07.08; 05.07.10; 05.07.11; 05.07.12;  
05.07.14; 05.07.22; 05.07.24; 26.01.15; 28.19;  
29.01.15  
(511) 31

(111) M 2023 37611 R  
(151) 2023 11 28  
(181) 2033 11 28  
(210) AM 125160  
(220) 2023 10 16  
(732) Ousama Kafa  
Kiev region, Kyiv-Svyatoshinsky District,  
Vill. Petropavlivska Borshagivka, Vishnevaya,  
45, 08130, Ukraine

(740) Giorgi Taktakishvili  
(540)

**SULI da GULI**  
Georgian tradition

(591) Blue, black, white  
(531) 05.05.20; 26.01.15; 27.05.01; 27.05.10;  
29.01.13  
(511) 43

(111) M 2023 37612 R  
(151) 2023 11 28  
(181) 2033 11 28  
(210) AM 125653  
(220) 2023 11 20  
(732) JSC "Nikora Trade"  
Al. Mrevlishvili St. 2, 0180, Tbilisi, Georgia  
(740) Melano Gogisvanidze  
(540)



(591) FFFFFFF white, 103F36 dark green  
(531) 26.04.02; 26.04.04; 26.04.05; 26.04.22;  
26.04.24; 28.19; 29.01.12  
(511) 31

(111) M 2023 37613 R  
(151) 2023 11 28  
(181) 2033 11 28  
(210) AM 125652  
(220) 2023 11 20  
(732) JSC "Bank of Georgia"  
Gagarin St. 29a, Tbilisi, Georgia  
(740) Giorgi Taktakishvili  
(540)

**იფიქრე,  
ისწავლე,  
იკითხე**

(591) Black-white  
(511) 35, 41,

(111) M 2023 37614 R  
(151) 2023 11 28  
(181) 2033 11 28  
(210) AM 125558  
(220) 2023 11 13

(732) JSC "Bank of Georgia"  
Gagarin St. 29a, Tbilisi, Georgia  
(740) Giorgi Taktakishvili  
(540)

## Glitters

(591) Black-white  
(511) 9, 35, 36, 39, 41, 43

(111) M 2023 37615 R  
(151) 2023 11 28  
(181) 2033 11 28  
(210) AM 125559  
(220) 2023 11 13  
(732) JSC "Bank of Georgia"  
Gagarin St. 29a, Tbilisi, Georgia  
(740) Giorgi Taktakishvili  
(540)

## გლითერი

(591) Black-white  
(511) 9, 35, 36, 41, 43

(111) M 2023 37616 R  
(151) 2023 11 28  
(181) 2033 11 28  
(210) AM 125556  
(220) 2023 11 13  
(732) JSC "Bank of Georgia"  
Gagarin St. 29a, Tbilisi, Georgia  
(740) Giorgi Taktakishvili  
(540)

## სხვა სამყარო

(591) Black-white  
(511) 9, 35, 36, 41, 43

(111) M 2023 37617 R  
(151) 2023 11 28  
(181) 2033 11 28  
(210) AM 125557  
(220) 2023 11 13  
(732) JSC "Bank of Georgia"  
Gagarin St. 29a, Tbilisi, Georgia  
(740) Giorgi Taktakishvili  
(540)

## Another Universe

(591) Black-white  
(511) 9, 35, 36, 41, 43

(111) M 2023 37618 R  
(151) 2023 11 30  
(181) 2033 11 30  
(210) AM 125339  
(220) 2023 10 27

(732) Cooperative Natural Products of Racha  
Kostava St. 7, 0400, Ambrolauri, Georgia  
(540)



რაჭის თაფლი  
RACHA HONEY

(591) FFCD29 yellow, 0B7571 green  
(531) 03.13.04; 03.13.24; 05.05.20; 28.19; 29.01.12  
(526) რაჭის, Racha  
(511) 30

(111) M 2023 37629 R  
(151) 2023 12 04  
(181) 2033 12 04  
(210) AM 125462  
(220) 2023 11 09  
(732) LLC "Adjara Group Brand Property"  
Merab Kostava St. 14, 0108, Mtatsminda  
District, Tbilisi, Georgia  
(540)

ჯიმბრეზი  
GYMBREEZE

(591) Grey, white  
(531) 27.05.01; 28.19  
(511) 28, 35, 41, 43

(111) M 2023 37632 R  
(151) 2023 12 04  
(181) 2033 12 04  
(210) AM 120710  
(220) 2022 12 12  
(732) LLC "Vaporía"  
Vazisubani St. 14, Loft 19, Isani-Samgori  
District, Tbilisi, Georgia  
(540)



(591) Black-white  
(531) 26.03.07; 26.03.22; 26.03.24; 27.05.01;  
27.05.24  
(511) 35

(111) M 2023 37633 R  
 (151) 2023 12 04  
 (181) 2033 12 04  
 (210) AM 125675  
 (220) 2023 11 22  
 (732) LLC "AlcoDelux"  
 Tskneti Highway 65, 8th floor, ap. 36, Vake  
 District, Tbilisi, Georgia  
 (540)

**Glenfire**

(591) Black-white  
 (511) 33

---

(111) M 2023 37634 R  
 (151) 2023 12 04  
 (181) 2033 12 04  
 (210) AM 125684  
 (220) 2023 11 22  
 (732) LTD "WiserMark"  
 Mindeli St. 11, fl. 14, ap. 132, 0186, Tbilisi,  
 Georgia  
 (540)



(591) FCFCFC white, 070000 black  
 (531) 26.04.18; 26.04.24; 27.05.13  
 (511) 33

---

(111) M 2023 37635 R  
 (151) 2023 12 04  
 (181) 2033 12 04  
 (210) AM 125752  
 (220) 2023 11 24  
 (732) LTD "Tuzmotorsi"  
 Katalikos Abraham Pirveli St. 24, Tbilisi,  
 Georgia  
 (540)



(591) White, black, red  
 (531) 27.05.01; 27.05.11; 27.05.17  
 (511) 7

---

(111) M 2023 37636 R  
 (151) 2023 12 04  
 (181) 2033 12 04  
 (210) AM 125761  
 (220) 2023 11 24  
 (732) LLC "Global Mark Corporation"  
 Vill. Diggomi, Patman St. 8, floor 3, ap. 16,  
 Tbilisi, Georgia  
 (740) Giorgi Kartvelishvili  
 (540)

**UNIC**  
**0360d**

(591) Black-white  
 (511) 32

---

## INTERNATIONAL TRADEMARKS FOR WHICH A DECISION ON GRANTING PROTECTIONS IS TAKEN

The decision can be appealed at the Chamber of Appeal of Sakpatenti within 3 months from the publication or at the Mtskheta District Court Administrative Cases Board (Address: №17, Samkhedro St., Mtskheta), within 1 month following the publication.

(260) AM 2023 118790 A\*

(800) 1674749

(151) 2022 04 04

(891) 2022 04 04

(731) TWENTY FOUR SEVEN FASHION LTD

Arie Shenkar 13, Rishon Leziyyon, Israel

(540)

**TWENTYFOURSEVEN**

(591) Black, white

(531) 26.04.22; 26.04.24

(511)

25 – Clothing, footwear, headgear.

(260) AM 2023 119233 A\*

(800) 1680482

(151) 2022 07 20

(891) 2022 07 20

(731) Meito Sangyo Co., Ltd.

41, Sasazuka-cho 2-chome, Nishi-ku,

Nagoya-shi, Aichi 451-8520, Japan

(540)

**ME I TO**

(591) Black, white

(511)

1 – Enzyme preparations for the food industry; enzymes for the food industry; chemical additives for use in the manufacture of food; fatty acids; dextran; glycoprotein; artificial sweeteners [chemical preparations].

(260) AM 2023 120204 A

(800) 1693676

(151) 2022 06 03

(891) 2022 06 03

(731) PREDO SAĞLIK ÜRÜNLERİ SANAYİ VE

TİCARET ANONİM ŞİRKETİ

5. Organize Sanayi Bölgesi, Nolu Cadde No:30

Baspinar/, TR-83561 SEHİTKAMİL

GAZİANTEP, Türkiye

(540)



(591) Green, yellow, orange

(531) 01.15.15; 27.05.02; 27.05.17; 27.05.24;

29.01.14

(511)

3 – Bleaching and cleaning preparations, detergents other than for use in manufacturing operations and for medical purposes, laundry bleach, fabric softeners for laundry use, stain removers, dishwasher detergents; perfumery; non-medicated cosmetics; fragrances; deodorants for personal use and animals soaps; dental care preparations, namely, dentifrices, denture polishes, tooth whitening preparations, mouth washes, not for medical purposes; abrasive preparations; emery cloth; sandpaper; pumice stone; abrasive pastes; polishing preparations for leather, vinyl, metal and wood, polishes and creams for leather, vinyl, metal and wood, wax for polishing.

5 – Pharmaceutical and veterinary preparations for medical purposes; chemical preparations for medical and veterinary purposes, chemical reagents for pharmaceutical and veterinary purposes; medicated cosmetics; dietary supplements for pharmaceutical and veterinary purposes; dietary supplements; nutritional supplements; medical preparations for slimming purposes; food for babies; herbs and herbal beverages adapted for medicinal purposes; dental preparations and articles, namely, teeth filling material, dental impression material, dental adhesives and material for repairing teeth; sanitary preparations for medical use; hygienic pads; hygienic tampons; plasters; materials for dressings; diapers made of paper and textiles for babies, adults and pets; deodorants, other than for human beings or for animals; air purifying preparations; air deodorising preparations.

16 – Paper and cardboard; paper and cardboard for packaging and wrapping purposes, cardboard boxes; paper towels; toilet paper; paper napkins; plastic materials for packaging and wrapping purposes; printing blocks and types; bookbinding material; printed publications; printed matter; books, magazines, newspapers, bill books, printed dispatch notes, printed vouchers, calendars; posters; photographs [printed]; paintings; stickers [stationery]; postage stamps; stationery, office stationery, instructional and teaching material [except furniture and apparatus]; writing and drawing implements; artists' materials; paper products for stationery purposes; adhesives for stationery purposes, pens, pencils, erasers, adhesive tapes for stationery purposes, cardboard cartons [artists' materials], wri-

ting paper, copying paper, paper rolls for cash registers, drawing materials, chalkboards, painting pencils, watercolors [paintings]; office requisites; paint rollers and paintbrushes for painting.

(260) AM 2023 121595 A

(800) 1712551

(151) 2022 07 04

(891) 2022 07 04

(731) Alcadrain s.r.o.

Komunardů 16265, CZ-170 00 Praha 7,  
Holešovice, Czech Republic

(540)



(591) Black, white

(531) 27.05.01; 27.05.17

(511)

6 – Metal structural elements; metal profiles; metal fasteners for joining structural elements; metal fasteners for joining metal profiles; metal connecting means for joining structural elements; metal connecting means for joining metal profiles; metal brackets for attaching structural elements and/or metal profiles to building elements, walls, ceilings, floors; metal elements for attaching structural elements and/or metal profiles to building elements, walls, ceilings, floors; metal anchoring elements for attaching structural elements and/or metal profiles to building elements, walls, ceilings, floors; metal support elements; metal brackets and filler elements of metal for use with structural elements and/or metal profiles; metal brackets for pipes, tubes, hoses and cables; metal mounting frames for sanitary installations; metal mounting frames for sanitary installations fitted with water cisterns, flush valves, pipes and hoses; prefabricated installation compositions of metal structural elements and/or metal profiles and mounting and/or installation frames and brackets; metal prefabricated installation compositions of walls, ceilings, floors or its parts with metal structural elements and/or metal profiles; metal installation frames and brackets; metal drains; metal strips; metal grids; metal traps; metal locksmith products; metal abutments and supports; metal manifolds for piping systems; metal manifolds with flow meters for piping systems; metal manifolds for underfloor heating or cooling; metal manifolds for ceiling cooling or heating; metal quick couplings; metal transition couplings for pipes; metal pipe couplings; metal valves; metal valves for water pipes.

11 – Sanitary apparatus and installations; water distribution and drainage apparatus, namely mixer taps (faucets) for water pipes; drinking water filters; bidets; sinks; fountains; bathrooms fittings; pipe taps; bath tubs; wall linings for bathroom; urinals; pipes as part of sanitary devices and installations; radiators; radiator caps; safety and regulating devices for water supply equipment; sauna apparatus; sitz baths; toilet

seats; flushing apparatus and parts thereof; showers; shower cubicles; water seals being parts of sanitary installations; toilets (water-closets); washbasins; disinfectant dispensers for toilets; hand dryers; bath fittings; whirlpool-jet apparatus; water treatment and filtering apparatus; portable toilets; toilet cisterns; mixing sets being parts of underfloor heating or cooling installations; taps for pipes; fittings for baths; heat pumps; outdoor heat pump units; water storage tank for heat pump; storage water heaters; refrigeration units for cooling buildings; ventilation (air conditioning) apparatus and installations; heat recovery units; heat recovery ventilation units; dehumifiers; metal taps; electronic water flushing devices; plastic taps.

17 – Soundproofing pads and liners for use with goods made of metal; sealing, packing and insulating materials; non-metallic pipes, tubes and hoses; rubber rings; plastic semi-finished products; plastic gaskets; thermal insulating and soundproofing materials; plastic pipe fittings; plastic pipe joints; plastic pipe couplings; plastic quick couplings; plastic transition couplings; plastic couplings with metal thread.

19 – Plastic fasteners for joining structural elements; plastic fasteners for joining metal profiles; plastic couplings for joining structural elements; plastic couplings for joining metal profiles; plastic fixings for attaching structural elements and/or metal profiles to building elements, walls, ceilings, floors; plastic elements for attaching structural elements and/or metal profiles to building elements, walls, ceilings, floors; plastic anchoring elements for attaching structural elements and/or metal profiles to building elements, walls, ceilings, floors; plastic support elements for use in construction; plastic brackets and filler elements for use with structural elements and/or metal profiles; plastic pipe, pipeline, hose and cable supports; wooden plates for use with structural elements and/or metal profiles; non-metallic gutters; plastic gratings; drain traps [valves], not of metal or plastic; non-metallic rigid pipes for the conduction of liquids; non-metallic building materials; plastic pipe fittings; plastic pipe fitting plates; slat plate couplings; plates with graphite addition for use in construction; fireproof plates for use in construction; bathroom tiles; pipes for floor, wall or ceiling heating or cooling; pipes for hot and cold water supply; pipes for air distribution; plastic rail for mounting pipes.

20 – Furniture and parts thereof, namely bathroom and sanitary furniture; articles of plastics, not included in other classes, namely covers or inserts for sinks; containers, not of metal; bathroom shelves; plastic boxes; dressing tables; plastic water-pipes valves; mirrors; plastic products included in this class as plastic fittings (in the opinion of the International Bureau these terms are too vague – Rule 13.2.b) of the Common Regulations); plastic containers (as packaging); plastic clips of cables; plastic dowels; non-metallic screws; non-metallic sealing caps; non-metallic clo-

tures for containers; non-metallic valves for containers; plastic water-pipe valves; plastic manifolds for piping systems; plastic manifolds for underfloor heating or cooling; plastic manifolds for ceiling cooling or heating; plastic connectors for non-electrical cables; non-metallic valves (taps).

(260) AM 2023 121629 A

(800) 1689166

(151) 2022 06 08

(891) 2022 10 31

(731) Loc Troi Group Joint-Stock Company  
23 Ha Hoang Ho Street, My Xuyen Ward,  
Long Xuyen City, An Giang Province,  
Viet Nam

(540)

**COM V ÆTNAM RICE**

(591) Yellow, red and green

(531) 01.17.11; 09.07.01; 09.07.25; 27.03.01;  
29.01.13

(526) CÔM, RICE

(511)

30 – Rice; foodstuffs made from rice.

(260) AM 2023 121776 A

(800) 1714207

(151) 2022 11 08

(891) 2022 11 08

(731) Euro Games Technology Ltd.  
4, "Maritsa" Str., "Vranya-Lozen-Triugulnika"  
BG-1151 Sofia, Bulgaria

(540)

**Super Burning Hot**

(591) Black, white

(511)

9 – Operating computer software for main frame computers; monitors (computer hardware); computer hardware; apparatus for recording images; monitors (computer programs); computer game programs; computer programs for recorded games; apparatus for recording, transmission or reproduction of sound or images; communications servers [computer hardware]; electronic components for gambling machines; computer application software featuring games and gaming; computer software for the administration of on-line games and gaming; computer hardware for games and gaming; computer hardware and software for gambling, gambling machines, gambling games on the Internet and via telecommunication network; computer systems; computer operating system software; computer terminals; interactive terminals; multimedia terminals; electronic terminals for generating lottery tickets; interactive touch screen terminals; computer touchscreens; electronic display panels; liquid crystal display screens; digital signage display panels; multi-

media software; multimedia apparatus and instruments; interactive multimedia software for playing games; computer screens; LCD large-screen displays; liquid crystal displays [LCDs] for home theatres; media streaming software; computer application software for streaming audio-visual media content via the internet; software; computer gaming software; computer software packages; computer operating system software; computer software, recorded; software drivers; virtual reality software; games software; entertainment software for computer games; computer programs for network management; electronic lottery tickets; computer software platforms; operating systems; interactive computer systems; operating system programs; computer game software for use with on-line interactive games; games software for use with video game consoles.

28 – Gaming machines for gambling; chips for gambling; mah-jong; arcade games; gambling machines operating with coins, notes and cards; games; electronic games; parlor games; gaming chips; gaming tables; slot machines [gaming machines]; LCD game machines; slot machines and gaming devices; coin-operated amusement machines; roulette chips; poker chips; chips and dice [gaming equipment]; gaming equipment for casinos; roulette tables; gaming roulette wheels; casino games; gambling machines and amusement machines, automatic and coin-operated; coin-operated amusement machines and/or electronic coin-operated amusement machines with or without the possibility of gain; boxes for coin-operated amusement machines, slot machines and gaming machines; electronic or electrotechnical amusement machines and apparatus, gaming machines, coin-operated entertainment machines; housings for coin-operated amusement machines, gaming equipment, gaming machines, machines for gambling; electropneumatic and electrical gambling machines (slot machines); lottery games; electronic targets for games and sports; video game consoles.

41 – Gambling; entertainment services related to gambling; gaming services for entertainment purposes; casino, gaming and gambling services; training in the development of software systems; provision of gaming equipment for gambling halls; providing casino equipment [gambling]; gaming machine entertainment services; providing casino facilities [gambling]; gaming hall services; amusement arcade services; games equipment rental; rental of gaming machines; providing amusement arcade services; rental of gaming machines with images of fruits; editing or recording of sounds and images; sound recording and video entertainment services; hire of sound reproducing apparatus; provision of gaming equipment for casinos; providing of casino facilities; online gambling services; casino management services; provision of gaming facilities, gaming hall facilities, Internet casinos and online gambling services; lottery services; organizati-

on of lotteries; provision of games by means of a computer based system; online interactive entertainment; on-line casino services; online game services through mobile devices; providing online entertainment in the nature of game tournaments; providing on-line information in the field of computer gaming entertainment; sports betting services; online sports betting services; providing on-line computer games and games of chance; rental of video game consoles.

(260) AM 2023 121810 A

(800) 1715264

(151) 2022 12 08

(891) 2022 12 08

(731) All Things Live Group ApS

Frederiksgade 21, 5., DK-1265 København K,  
Denmark

(540)



(591) Black, white

(531) 27.05.01; 27.05.09

(511)

35 – Promoting performances, road shows stage events, theatrical performances, music concerts, music festivals, comedy shows and other entertainment events of others, and promoting merchandise relating thereto; promoting the concert of others; business management and promoting the special events of others; retail store services featuring musical and theatrical artist and tour-related merchandise and collectibles in the form of clothing bags, toys, drinking bottles, pictures, printed matter, cushions, blankets, linens, tableware, containers and key rings; promoting ticket sales and VIP privileges for entertainment events for others, all the aforementioned in the fields of musical, theatrical, educational, cultural, comedy, variety and family tours and presentations; arranging and conducting corporate events for commercial and advertising purposes.

41 – Concert booking; ticket reservation and booking services for entertainment, sporting and cultural events; entertainment services, namely, organizing, arranging and producing entertainment events in the nature of national tours of concerts, music, music festivals, comedy shows, theatrical shows, theatrical performances, stage shows and educational and cultural events; entertainment services, namely, arranging and conducting of musical concerts; entertainment services, namely, providing information relating to performances, road shows, stage events, theatrical performances, music concerts, comedy shows, and other entertainment events; providing information in the field of music and entertainment via a website, entertainment services in the nature of presenting musical

performances, namely, entertainment image and voice performances via hologram projection and audio soundtracks, entertainment services, namely providing facilities for public events, concerts, performances and theatrical performances; entertainment services, namely, providing information relating to performances, road shows, stage events, theatrical performances, music concerts, ethnic festivals, comedy shows, and other entertainment events; comedy clubs services; providing venues for entertainment, including performance and special event venues; entertainment services, namely, providing podcasts in the field of music, comedy, theater, culture and the arts.

43 – Bar and restaurant services; food and drink catering.

(260) AM 2023 121811 A

(800) 1715276

(151) 2022 12 02

(891) 2022 12 02

(731) Shenzhen SKE Technology Co., Ltd.

Floors 1, 2, 3, 4 & 5 of Plant 3, antuoshan high tech, Industrial Park, Shaer community, Shajing street, Bao'an District, Shenzhen, 518000 Guangdong, China

(540)



(591) Brown

(531) 26.04.04; 26.04.05; 26.04.18; 26.04.24;  
27.05.01; 27.05.09; 27.05.24; 29.01.12

(511)

34 – Tobacco substitutes, not for medical purposes; devices for heating tobacco for the purpose of inhalation; oral vaporizers for smokers; gas containers for cigar lighters; filter tips; flavourings, other than essential oils, for tobacco; flavourings, other than essential oils, for use in electronic cigarettes; electronic cigarettes; liquid solutions for use in electronic cigarettes; electronic cigarette cases.

(260) AM 2023 121822 A

(800) 1715593

(151) 2022 12 20

(891) 2022 12 20

(731) Joint Stock Company "Amber Permalko"

Ul. Okulova, 73, RU-614068 Perm,  
Russian Federation

(540)





(591) White, black, copper, blue, gray, brown, light brown, light gray and pale gray  
 (531) 15.01.01; 25.01.15; 28.05; 29.01.14  
 (526) CRAFT", "VODKA", "MANUAL DISTILLATION", "SERVES FOR DISTILLATION", "COPPER DISTILLATION ALEMBIC", "THE YEAR OF THE PLANT'S FOUNDATION", "1895", "CU", IMAGE OF THE ALEMBIC  
 (511)  
 33 – Vodka.

(260) AM 2023 121823 A  
 (800) 1715596  
 (151) 2022 12 23  
 (891) 2022 12 23  
 (731) "WORLD TRADING COMPANY" mas'uliyati cheklangan jamiyat qo'shma korxonasi Beruniy street 22, G'alaba MFY, Jizzakh city, Jizzakh region, Uzbekistan  
 (540)



(591) Red, blue and grey  
 (531) 26.04.04; 26.04.05; 26.04.09; 26.04.18; 27.05.01; 27.05.03; 27.05.04; 27.05.10; 27.05.12; 27.05.17; 29.01.13  
 (526) COOL  
 (511)  
 1 – Antifreeze.

(260) AM 2023 121824 A  
 (800) 1715626  
 (151) 2023 01 17  
 (891) 2023 01 17  
 (731) JOINT STOCK COMPANY "ALIUM" territory Quarter A, 2, Obolensk settlement, Serpukhov, RU-142279 Moscow region, Russian Federation

(540)  
**ДЕКСОНАЛ**

**DEXONAL**

(591) Black, white  
 (531) 28.05  
 (511)  
 5 – Pharmaceutical preparations; veterinary preparations; hygiene preparations for medical purposes; dietetic substances adapted for medical use; food for babies; adhesive plasters; dressings, medical; teeth filling material; dental impression materials; disinfectants;

preparations for destroying noxious animals; fungicides; herbicides.

(260) AM 2023 121825 A  
 (800) 1715644  
 (151) 2023 01 23  
 (891) 2023 01 23  
 (731) Guess? IP Holder L.P.  
 1444 South Alameda Street, Los Angeles  
 CA 90021, USA  
 (540)

**GUESS ORIGINALS**

(591) Black, white  
 (526) ORIGINALS  
 (511)  
 25 – Swimwear, headwear, socks, shirts, sweatpants, sweatshirts, skirts, pants, shorts, sweaters, jeans, jackets, dresses, body suits.  
 35 – Retail store services and online retail store services featuring men's and women's apparel and personal accessories.

(260) AM 2023 121826 A  
 (800) 1715646  
 (151) 2023 01 29  
 (891) 2023 01 29  
 (731) Paydar hygienic industries co.  
 no. 10, Parian dead-end Alley, Pardis st.,  
 Vanak sq., Tehran, Islamic Republic of Iran  
 (540)



(591) Blue, red and light blue  
 (531) 05.05.16; 05.05.20; 27.05.01; 28.01; 29.01.13  
 (511)  
 3 – Herbal shampoo; bleaching preparations; laundry preparations; stain removers; carpet cleaners; tooth pastes; dishwashing liquid; baby shampoo; stain removing agents; shampoos; pet shampoos, non-medicated; foam cleaning preparations; foam-based face washes, non medicated; toilet cleaners; bath foam; soap; dry shampoo; shampoos for pets; gel-based hand washes, non-medicated; hair-conditioning shampoos; car shampoos; wall cleaning liquids; non-medicated gel-based face washes; fabric softener for laundry use; after-shave lotions; shaving foams; laundry bleach; body shampoos; glass cleaners; handwashing liquid;

after-shave lotions; hair-dyeing shampoo; shaving gel; descaling preparations for household purposes.

(260) AM 2023 121885 A

(800) 1716633

(151) 2022 11 14

(891) 2022 11 14

(731) OnePlus Technology (Shenzhen) Co., Ltd.  
18C02, 18C03, 18C04, and 18C05, Shum  
Yip Terra Building, Binhe Avenue North,  
Futian District, Shenzhen, Guangdong, China

(540)



(591) Black, white

(531) 24.17.05; 24.17.07; 25.01.13; 27.07.01

(511)

9 – Interactive touch screen terminals; humanoid robots with artificial intelligence for use in scientific research; mobile phone software applications, downloadable; computer programs, downloadable; computer programs, recorded; tablet computers; devices for the projection of virtual keyboards; smartwatches; smart-glasses; computer peripheral devices; downloadable operating system programs; recorded operating system programs; wearable computers; stands adapted for laptops; touch screen pens; computer screen saver software, recorded or downloadable; facial recognition apparatus; facsimile machines; global positioning system [GPS] apparatus; intercommunication apparatus; navigational instruments; cell phones; holders adapted for mobile telephones and smartphones; selfie sticks used as smartphone accessories; smartphones; protective films adapted for smartphones; cases for smartphones; covers for smartphones; network communication equipment; network routers; telecommunication apparatus in the form of jewellery; DVD players; wireless headsets for smartphones; earphones; set-top boxes; television apparatus; car video recorders; microphones; cameras; USB cables; sensors; electronic key fobs being remote control apparatus; chips [integrated circuits]; touch screens; theft prevention installations, electric; 3D spectacles; notebook computers; multimedia projectors; smart speakers; TV monitors; remote controls for household purposes; webcams; monitors [computer hardware]; biometric fingerprint door locks; electromagnetic locks; plugs, sockets and other contacts (electric connections); switches, electric; computer keyboards; protective cases for tablet computers; protective films adapted for tablet computer screens; electric control panels; electric door bells; mouse [computer peripheral]; all-in-one personal computer televisions, namely, computerized televisions with the integrated multi-functions of computers and televisions; scales; charging appli-

ances for rechargeable equipment; electrical adapters; wireless chargers for smartphone; batteries, electric; battery chargers; portable power supply in the nature of rechargeable batteries; portable media players.

(260) AM 2023 121892 A

(800) 675210

(151) 1997 04 30

(891) 2023 02 08

(731) BAUSCH HEALTH IRELAND LIMITED  
3013 Lake Drive, Citywest Business Campus,  
Dublin 24, Ireland

(540)

## Omnadren

(591) Black, white

(511)

5 – Pharmaceutical products.

(260) AM 2023 121893 A

(800) 1116787

(151) 2012 04 18

(891) 2023 02 14

(731) Oyster Cosmetics S.p.A.  
Via Barzizza, 37/A, I-46043 Castiglione delle  
Stiviere (MN), Italy

(540)

## ARGAN SILK

(591) Black, white

(511)

3 – Bleaching preparations and other substances for laundry use; cleaning, polishing, scouring and abrasive preparations; soaps; perfumery, essential oils, cosmetics, hair lotions; dentifrices.

(260) AM 2023 121894 A

(800) 1478772

(151) 2019 04 11

(891) 2023 01 03

(731) Dunamu Inc.  
8th, 12th, 15th, 17th, 18th Floor, 369,  
Gangnam-daero, Seocho-gu, Seoul, Republic  
of Korea

(540)



(591) Black, white

(531) 24.15.01; 24.15.07; 27.05.08

(511)

9 – Software; application software for smartphones; computer software for dealing with financial transactions; downloadable computer programs for electronic currencies; software for platforms for generating and managing blockchains; software for platforms for generating and managing tokens of value; software for

platforms for generating and managing virtual currencies; software for managing distributed ledgers; software for trading virtual currencies; software for providing virtual currency price information; computer e-commerce software; computer hardware; computer hardware for blockchain management; computer hardware for mining virtual currencies; computer-readable data carriers with recorded software; computer software for electronic wallets; integrated circuit [IC] cards incorporating functions of electronic currency payment; security tokens [encryption devices].

36 – Fund management for private clients; financial asset management; trusteeship of personal property; preparation of reports relating to finance and investments; financial and investment market risk analysis, appraisal and projection; virtual currency brokerage; providing information on virtual currencies; providing virtual currency price information; virtual currency trading services; issue and redemption of tokens of value; financial trading; payment services provided via the Internet; electronic funds transfer; electronic processing of payments; capital investment.

42 – Scientific and technological services; blockchain as a service [BaaS]; software as a service [SaaS]; platform as a service [PaaS]; hosting of platforms for providing online content; construction of Internet platforms for electronic commerce; hosting of platforms for generating and managing blockchains; hosting of platforms for generating and managing virtual currencies; hosting of platforms for generating and managing tokens of value; technological research relating to computers; technological research relating to blockchains; technological research relating to virtual currencies; software design and development; developing software for electronic wallets; developing software for virtual currencies; development and maintenance of web sites; providing information on computer technology via a web site; providing information on blockchain technology; providing technical advice relating to computers; technical engineering.

---

(260) AM 2023 121939 A

(800) 1716835

(151) 2023 01 23

(891) 2023 01 23

(731) UAB Narbutas International

Odminių g. 3-23, LT-01122 Vilnius, Lithuania

(540)

## **PARTHOS**

(591) Black, white

(511)

20 – Office furniture; home furniture; outdoor furniture; furniture fittings, not of metal.

---

(260) AM 2023 121949 A

(800) 1717280

(151) 2022 11 16

(891) 2022 11 16

(731) HUGO BOSS Trade Mark Management GmbH  
& Co. KG

Dieselstraße 12, 72555 Metzingen, Germany

(540)

## **BOSS CAMEL**

(591) Black, white

(511)

9 – Spectacles and parts therefor; spectacle cases; cell phone cases; laptop cases; smartwatches and software; mobile apps; wearable activity trackers; electronic pens; ear phones; alarm bells; films, downloadable image files; electronic magazines; downloadable music files; podcasts; usb web keys; communications headsets; microphones for communication devices; mobile data receivers; digital optical transmission apparatus; cd storage wallets; digital notepads; electronic memories; labels with integrated rfid chips; labels carrying magnetically recorded or encoded information; labels with machine-readable codes; cases for music storage devices; memory sticks; headsets for virtual reality games; electronic book reader covers; smart speakers; mp4 players; headphones; wireless headphones; in-ear headphones; headphones for smart phones; cases for headphones; noise cancelling headphones; wireless headsets for smartphones; telephone headsets; headphone- microphone combinations; loudspeakers; cabinets for loudspeakers; wireless speakers; portable speaker docks; downloadable virtual goods, namely, computer programs featuring clothing, footwear, headwear and clocks and watches, jewelry, eyewear, fashion accessories, cosmetics and perfume, bags, handbags, purses, card wallets, backpacks, household articles, namely household containers, household textiles, household linen, household utensils and household fragrances, shoe polishing sets, wine openers and wine decanters, stationery, candles, luggage, toys, sport bags, art for use online and in online virtual worlds; gaming software.

14 – Precious metals and their alloys and goods of precious metals or coated therewith (included in this class), namely amulets (jewellery), ornaments (jewellery), charms for key rings, pins (jewellery), bracelets (jewellery), brooches (jewellery), cabochons, diamonds, precious stones, ivory (jewellery), jewellery findings, ornaments of jet, semi-precious stones, necklaces (jewellery), chains (jewellery), tie clips, tie pins, works of art of precious metal, beads for making jewellery, cuff links, lockets (jewellery), earrings, pearls (jewellery), platinum (metal), rings (jewellery), jewellery charms, ornamental pins, jewellery rolls, hat jewellery, clasps for jewellery, jewels, medallions, stick pins, cloisonné jewellery; jewellery; clocks and watches; jewellery boxes and watch boxes; alarm clocks; cuff links.

18 – Leather and imitations of leather, and goods made of these materials (included in this class), namely brief bags, wallets, casings, of leather, for stationery, purses, card wallets [leather ware], garment bags for travel, vanity cases, not fitted, credit card cases [wallets], toiletry bags, cosmetic bags sold empty, straps (leather-), traveling sets, key bags, bags [envelopes, pouches] of leather, for packaging; trunks and travelling bags; bags; umbrellas and parasols; luggage, bags, wallets and other carriers, namely suitcases, rucksacks, backpacks; clothing for pets; collars for animals; dog collars; dog shoes; dog leashes; dog leads; dog parkas; dog clothing; dog apparel; dog coats; dog bellybands; raincoats for dogs; horseshoes; horse covers; horse blankets; horse cloths; horse collars; horse saddles; harness for horses; blinkers for horses; headbands for horses; rain sheets for horses; golf umbrellas; animal skins; hides; walking sticks; whips; harness and saddlery; attaché cases; feed bags; sport bags; leather shoulder belts; beach bags; card cases [notecases]; chain mesh purses; handbag frames; frames for umbrellas or parasols; handbags; suitcase handles; walking cane handles; haversacks; music cases; muzzles; purses; shopping bags; straps for skates; slings for carrying infants; umbrella rings; umbrella sticks; vanity cases, not fitted; walking stick seats; wheeled shopping bags; combination walking sticks and umbrellas; bags for umbrellas; covers for parasols; umbrella covers; beach umbrellas [beach parasols]; metal parts of umbrellas; suitcases; wheeled luggage; toiletry bags; travelling sets [leatherware]; tie cases for travel; cases of imitation leather; key cases made of leather; key cases; cosmetic purses; shaving bags sold empty; driving licence cases; tool pouches, sold empty; carry-on bags; travel luggage; boston bags; casual bags; bucket bags; shoulder bags; cross-body bags; children's shoulder bags; fashion handbags; drawstring bags; wheeled bags; flight bags; bags (game-) [hunting accessories]; bags for campers; hiking bags; work bags; wrist mounted carryall bags; saddlebags; evening handbags; travel baggage; travelling bags made of imitation leather; travel bags made of plastic materials; garment bags for travel made of leather; shoe bags for travel; garment carriers; canvas bags; diplomatic bags; leather bags and wallets; flexible bags for garments; waterproof bags; felt bags; briefcases [leather goods]; artificial fur bags; knitted bags, not of precious metals; bags for sports clothing; wash bags for carrying toiletries; towelling bags; shoe bags; tool bags sold empty; small bags for men; hip-sacks; purses made of precious metal; leather purses; handbags made of leather; handbags made of imitation leather; pouches [sold empty] for holding make-up, keys and other personal items; hat boxes for travel; hat boxes of leather; straps for luggage; straps for coin purses; business card holders in the form of wallets; coin holders; travel cases; luggage covers; bum-bags; clutches [purses]; card wallets [leatherware]; nappy wallets; all-purpose athletic bags; kit bags; bags

for climbers; travelling bags; purse frames; wheeled suitcases; valises; hand luggage; hiking rucksacks; sports packs; harness fittings; studs of leather; straps made of imitation leather; laces (leather -); leather, unworked or semi-worked; leather for harnesses; leather for shoes; imitation leather; moleskin [imitation of leather]; curried skins; polyurethane leather; fur; faux fur; semi-worked fur; leather cloth; articles of clothing for horses; saddle trees; saddlery; animal harnesses; reins; fastenings for saddles; saddle blankets; covers for animals; hunting crops; jockey sticks; spats and knee bandages for horses; leggings for animals; covers and wraps for animals; saddlecloths for horses.

25 – Clothing for men, women and children; stockings; headgear; underwear; nightwear; swimwear; bathrobes; belts; shawls; accessories, namely headscarves, neck scarves, shawls, dress handkerchiefs; ties; gloves; shoes; belts of leather.

35 – Business management, sales consultancy; wholesale and retail services in relation to clothing, footwear, headgear and clocks and watches, eyewear, jewelry, fashion accessories, cosmetics and perfumery, goods of leather, namely trunks and bags, purses, card wallets [leather ware], garment bags for travel, vanity cases, not fitted, toiletry bags, straps (leather), backpacks, key bags, satchels, gym bags, bags [envelopes, pouches] of leather, for packaging, umbrellas and parasols; wholesale and retail services in relation to bed linen, home textiles, household articles, namely household containers, household textiles, household linen, household utensils and household fragrances, shoe polishing sets, wine openers and wine decanters, stationery, luggage, sporting articles; marketing services; market research and market analysis; advertising; sales promotion; rental of advertising space; distribution of goods and advertising material for advertising purposes, including via electronic media and via the internet; presentation of goods, in particular shop and shop window dressing; organization of exhibitions for commercial or advertising purposes; promotion of business relationships by providing of commercial and business contacts; commercial information and advice for consumers [consumer advice shop]; business consultancy and administration; business organization consulting; professional business consulting; business consultancy relating to fashion; organization of fashion shows for commercial, industrial and advertising purposes; management of retail stores, online wholesale and retail services and online ordering services, mail ordering services and computerized online-ordering services in relation to clothing, footwear, headgear and clocks and watches, eyewear, jewelry, fashion accessories, cosmetics and perfumery; management of retail stores, online wholesale and retail services and online ordering services, mail ordering services and computerized online-ordering services in relation to goods of leather, namely trunks and bags, purses, card wallets [leather ware], garment bags for

travel, vanity cases, not fitted, toiletry bags, straps (leather), backpacks, key bags, satchels, gym bags, bags [envelopes, pouches] of leather, for packaging, umbrellas and parasols; management of retail stores, online wholesale and retail services and online ordering services, mail ordering services and computerized online-ordering services in relation to bed linen, home textiles, household articles, namely household containers, household textiles, household linen, household utensils and household fragrances, shoe polishing sets, wine openers and wine decanters, stationery, luggage, sporting articles.

(260) AM 2023 121987 A

(800) 1718072

(151) 2022 10 11

(891) 2022 10 11

(731) Palfinger AG

Lamprechtshausener Bundesstraße 8,  
A-5101 Bergheim bei Salzburg, Austria

(540)

## PT

(591) Black, white

(511)

7 – Lifting and hoisting equipment; platform lifts; lifting platforms; aerial work platforms; mobile elevating work platforms; lifting ramps; self-propelled working baskets; mechanical, mobile access platforms; powered access work platforms; mobile platforms, in particular loading platforms; lifting and lowering platforms for servicing, maintenance and for the construction of buildings, building exteriors, power lines, utility poles, wind power plants; all the aforesaid goods not for application or use on railways.

12 – Attachments for land vehicles and vehicle trailers, in the form of lifting and hoisting equipment; tailboard lifts [parts of land vehicles]; land vehicles incorporating lifting apparatus, especially incorporating platforms for lifting persons; land vehicle trailers incorporating lifting apparatus, especially, incorporating platforms for lifting persons; driverless cars [autonomous cars] incorporating lifting apparatus, especially, incorporating platforms for lifting persons; remote controlled land vehicles incorporating lifting apparatus, especially, incorporating platforms for lifting persons; all the aforesaid goods, not for application or use on railways.

(260) AM 2023 122046 A

(800) 1718161

(151) 2022 12 27

(891) 2022 12 27

(731) "SAGE" Limited Liability Company

ul. General Margelov, d.39, floor 1, pom.109,  
g. Tula, RU-300026 Tulsckaya obl.,  
Russian Federation

(540)

## SAGE

(591) Black, white

(531) 27.05.01

(511)

8 – Glaziers' diamonds [parts of hand tools]; apparatus for tattooing; razors, electric or non-electric; scythe stones; sharpening steels; gimlets [hand tools]; augers [hand tools]; carpenters' augers; hand drills [hand tools]; levers; pitchforks; harpoons; harpoons for fishing; claw hammers; rakes [hand tools]; sand trap rakes; whetstone holders; priming irons [hand tools]; bushhammers; lifting jacks, hand-operated; truncheons; clamps for carpenters or coopers; spades [hand tools]; rabbeting planes; chisels; engraving needles; edge tools [hand tools]; abrading instruments [hand instruments]; numbering punches; goffering irons; implements for decanting liquids [hand tools]; depilation appliances, electric and non-electric; livestock marking tools; nail clippers, electric or non-electric; oyster openers; polishing irons [glazing tools]; ear-piercing apparatus; tube cutting instruments; wire strippers [hand tools]; cattle skinning instruments; riveters [hand tools]; expanders [hand tools]; cutting tools [hand tools]; hand tools, hand-operated; stamping-out tools [hand tools]; picks [hand tools]; sharpening stones; punch rings [knuckle dusters]; trowels; centre punches [hand tools]; daggers; pickaxes; mallets [hand instruments]; pliers; punch pliers [hand tools]; blades [weapons]; annular screw plates; tap wrenches; breast drills; lasts [shoemakers' hand tools]; scythe rings; instruments for punching tickets; diggers [hand tools]; rams [hand tools]; scythes; hainault scythes; fire irons; emery grinding wheels; grindstones [hand tools]; sledgehammers; thistle extractors [hand tools]; tree pruners; nail drawers [hand tools]; blades [hand tools]; razor blades; blades for planes; plane irons; jigsaws; spoons; crow bars; shovels [hand tools]; machetes; beard clippers; hair clippers for personal use, electric and non-electric; hair clippers for animals [hand instruments]; fireplace bellows [hand tools]; swords; hammers [hand tools]; fullers [hand tools]; stone hammers; masons' hammers; riveting hammers [hand tools]; mattocks; ditchers [hand tools]; manicure sets; manicure sets, electric; pedicure sets; needle files; bits [hand tools]; files [tools]; emery files; hand pumps; shaving cases; moulding irons; farriers' knives; budding knives; hunting knives; penknives; grafting tools [hand tools]; braiders [hand tools]; bill-hooks; wick trimmers [scissors]; cattle shearers; border shears; pruning shears; shears; shearers [hand instruments]; scissors; sword scabbards; agricultural implements, hand-operated; side arms, other than firearms; stroping instruments; screwdrivers; sabres; reamer sockets; drill holders [hand tools]; perforating tools [hand tools]; nail files; nail files, electric; saws [hand tools]; bow saws; tweezers; hair-removing tweezers; guns [hand tools]; guns, hand-operated, for the extrusion of mastics; dies [hand tools]; fruit pickers [hand tools];

saw blades [parts of hand tools]; shear blades; tool belts [holders]; crimping irons; hand implements for hair curling; money scoops; instruments and tools for skinning animals; fingernail polishers, electric or non-electric; hackles [hand tools]; pin punches; nail punches; fish tapes [hand tools]; punches [hand tools]; insecticide vaporizers [hand tools]; syringes for spraying insecticides; reamers; frames for handsaws; saw holders; rasps [hand tools]; graving tools [hand tools]; milling cutters [hand tools]; razor strops; leather strops; planes; marline spikes; bits [parts of hand tools]; hollowing bits [parts of hand tools]; pruning scissors; pruning knives; sickles; drawing knives; scrapers [hand tools]; trowels [gardening]; mortise chisels; caulking irons; gouges [hand tools]; mortars for pounding; mitre boxes [hand tools]; branding irons; hatchets; adzes [tools]; vices; hoop cutters [hand tools]; axes; holing axes; fulling tools [hand tools]; earth rammers [hand tools]; tube cutters [hand tools]; squares [hand tools]; extension pieces for braces for screw taps; captive bolt pistols for stunning animals; embossers [hand tools]; apparatus for destroying plant parasites, hand-operated; hand instruments for slaughtering butcher's animals; stretchers for wire and metal bands [hand tools]; flat irons; irons [non-electric hand tools]; razor cases; ratchets [hand tools]; scraping tools [hand tools]; awls; bayonets; pincers; curling tongs; cuticle tweezers; eyelash curlers; electric irons; nail nippers; electrically heated hair curlers [hand implements].

9 – Filters for respiratory masks; dvd players; ticket dispensers; juke boxes, musical; answering machines; fire engines; accumulators, electric; remote control equipment for household equipment; diffraction apparatus [microscopy]; air analysis apparatus; apparatus to check franking; sound transmitting apparatus; fermentation apparatus for laboratory use; breathing apparatus for underwater swimming; breathing apparatus, except for artificial respiration; apparatus and installations for the production of x-rays, not for medical purposes; cash registers; intercommunication apparatus; radiological apparatus for industrial purposes; x-ray apparatus not for medical purposes; blueprint apparatus; flashing lights [luminous signals]; stereoscopic apparatus; telephone apparatus; facsimile machines; phototelegraphy apparatus; beacons, luminous; binoculars; electronic tags for goods; lens hoods; fire hose nozzles; encoded identification bracelets, magnetic; safety tarpaulins; signalling buoys; life buoys; marking buoys; electrolysis apparatus for laboratory use; variometers; verniers; letter scales; weighbridges; precision balances; levelling staffs [surveying instruments]; camcorders; video telephones; viewfinders, photographic; electric plugs; electric sockets; plug connectors; micrometer screws for optical instruments; switchboxes [electricity]; current rectifiers; gas testing instruments; hands-free kits for telephones; heliographic apparatus; peepholes [magnifying lenses] for doors; loudspeakers; detectors; galena crystals [de-

tectors]; diaphragms [photography]; dictating machines; dna chips; electronic notice boards; bullet-proof vests; life jackets; nose clips for divers and swimmers; bells [warning devices]; alarm bells, electric; electric door bells; signal bells; acoustic conduits; mirrors for inspecting work; road signs, luminous or mechanical; signs, luminous; marine depth finders; probes for scientific purposes; buzzers; needles for record players; simulators for the steering and control of vehicles; incubators for bacteria culture; levelling instruments; ionization apparatus not for the treatment of air or water; spark-guards; coaxial cables; fibre optic cables; cables, electric; calculating machines; pocket calculators; decompression chambers; cinematographic cameras; electronic pens [visual display units]; riding helmets; carriers for dark plates [photography]; automated teller machines [atm]; electronic agendas; push buttons for bells; visors for helmets; calibrating rings; protective suits for aviators; commutators; marine compasses; cabinets for loudspeakers; diving suits; reflecting discs for wear, for the prevention of traffic accidents; covers for electric outlets; lasers, not for medical purposes; darkroom lamps [photography]; neon signs; thermionic valves; amplifying tubes; flashlights [photography]; head cleaning tapes [recording]; fire escapes; contact lenses; correcting lenses [optics]; optical lenses; optical condensers; sounding lines; magnifying glasses [optics]; thread counters; magnets; decorative magnets; resuscitation mannequins [teaching apparatus]; divers' masks; solderers' helmets; protective masks, not for medical purposes; voting machines; money counting and sorting machines; material testing instruments and machines; hemline markers; megaphones; diaphragms [acoustics]; diaphragms for scientific apparatus; rules [measuring instruments]; carpenters' rules; dressmakers' measures; mechanisms for coin-operated apparatus; coin-operated mechanisms for television sets; shutter releases [photography]; microscopes; microtomes; microphones; lightning conductors; cases fitted with dissecting instruments [microscopy]; teeth protectors; knee-pads for workers; headphones; surveyors' levels; furniture especially made for laboratories; shoes for protection against accidents, irradiation and fire; objectives [lenses] [optics]; lenses for astrophotography; egg-candlers; fire extinguishers; electrified fences; clothing for protection against accidents, irradiation and fire; clothing for protection against fire; asbestos clothing for protection against fire; clothing especially made for laboratories; ozonisers [ozonators]; octants; eyepieces; spectacle frames; oscillographs; plumb lines; mirrors [optics]; spectacles; sunglasses; goggles for sports; signalling panels, luminous or mechanical; radio pagers; eyeglasses; electronic pocket translators; transmitters of electronic signals for household equipment; switches, electric; periscopes; gloves for divers; asbestos gloves for protection against accidents; gloves for protection against accidents; gloves for protection against x-rays for industrial purposes; furnaces

for laboratory use; pipettes; plane tables [surveying instruments]; x-ray films, exposed; films, exposed; life-saving rafts; laboratory trays; fire pumps; measuring glassware; life belts; circuit breakers; fuses; converters, electric; telerupters; food analysis apparatus; diagnostic apparatus, not for medical purposes; teaching apparatus; apparatus and instruments for astronomy; surveying apparatus and instruments; weighing apparatus and instruments; optical apparatus and instruments; apparatus and instruments for physics; chemistry apparatus and instruments; cosmographic instruments; meteorological instruments; naval signalling apparatus; instruments containing eyepieces; audio- and video-receivers; prisms [optics]; apparatus for changing record player needles; retorts' stands; drainers for use in photography; cleaning apparatus for phonograph records; fire beaters; test tubes; pressure indicator plugs for valves; telephone wires; wires, electric; conductors, electric; copper wire, insulated; fuse wire; record players; rods for water diviners; vacuum tubes; vehicle radios; frames for photographic transparencies; screens for photoengraving; stage lighting regulators; speed regulators for record players; washing trays [photography]; time switches; relays, electric; safety restraints, other than for vehicle seats and sports equipment; x-ray photographs, other than for medical purposes; respirators, other than for artificial respiration; respirators for filtering air; retorts; refractors; horns for loudspeakers; optical fibers [fibres] [light conducting filaments]; traffic lights; dog whistles; signalling whistles; sextants; safety nets; nets for protection against accidents; fire alarms; signals, luminous or mechanical; sonars; lighting ballasts; spectrograph apparatus; spectrosopes; protection devices for personal use against accidents; radiotelegraphy sets; radiotelephony sets; spectacle lenses; optical glass; anti-glare glasses; personal stereos; stereoscopes; fire boats; hands-free kits for phones; drying racks [photography]; spherometers; integrated circuits; printed circuits; ear plugs for divers; television apparatus; telescopes; teleprompters; teleprinters; cordless telephones; crucibles [laboratory]; tone arms for record players; totalizators; vehicle breakdown warning triangles; starter cables for motors; discharge tubes, electric, other than for lighting; capillary tubes for laboratory use; x-ray tubes not for medical purposes; telephone receivers; light-emitting electronic pointers; amplifiers; particle accelerators; sprinkler systems for fire protection; sound reproduction apparatus; invoicing machines; tape recorders; protection devices against x-rays, not for medical purposes; railway traffic safety appliances; oxygen transvasing apparatus; theft prevention installations, electric; film cutting apparatus; drying apparatus for photographic prints; optical character readers; centering apparatus for photographic transparencies; dosage dispensers; acoustic alarms; sounding apparatus and machines; life-saving apparatus and equipment; apparatus for editing cinematographic film; demagnetizing apparatus for

magnetic tapes; whistle alarms; alarms; adding machines; heat regulating apparatus; photocopiers [photographic, electrostatic, thermic]; filters for ultraviolet rays, for photography; magic lanterns; optical lanterns; cameras [photography]; glazing apparatus for photographic prints; shutters [photography]; darkrooms [photography]; flash-bulbs [photography]; enlarging apparatus [photography]; photovoltaic cells; containers for contact lenses; spectacle cases; pince-nez cases; containers for microscope slides; chromatography apparatus for laboratory use; chronographs [time recording apparatus]; pince-nez chains; cyclotrons; fire blankets; pedometers; meteorological balloons; electrified rails for mounting spot lights; pince-nez cords; tripods for cameras; eyeglass shields; workmen's protective face-shields; projection screens; radiology screens for industrial purposes; fluorescent screens; screens [photography]; exposure meters [light meters]; high-frequency apparatus; testing apparatus not for medical purposes; sound recording apparatus; distillation apparatus for scientific purposes; stills for laboratory experiments; projection apparatus; barometers; balances [steelyards]; directional compasses; holograms; plotters; slide projectors; transparencies [photography]; smoke detectors; counterfeit coin detectors; protective helmets; spools [photography]; wind socks for indicating wind direction; asbestos screens for firemen; protective helmets for sports; egg timers [sandglasses]; cases especially made for photographic apparatus and instruments; fog signals, non-explosive.

21 – decorative glass spheres; electric devices for attracting and killing insects; glass incorporating fine electrical conductors; appliances for removing make-up, electric; indoor aquaria; buckets; china ornaments; bird baths; baby baths, portable; plungers for clearing blocked drains; clothing stretchers; hair for brushes; birdcages; carpet beaters [hand instruments]; signboards of porcelain or glass; candle extinguishers; flower pots; glue-pots; large-toothed combs for the hair; combs for animals; abrasive sponges for scrubbing the skin; sponges for household purposes; bath sponges; deodorizing apparatus for personal use; toothpick holders; holders for flowers and plants [flower arranging]; shaving brush stands; toilet paper holders; chamois leather for cleaning; toothpicks; flower-pot covers, not of paper; shaving brushes; cages for household pets; polishing leather; glass bulbs [receptacles]; shoe trees [stretchers]; poultry rings; rings for birds; coin banks; feeding troughs; mangers for animals; washtubs; fused silica [semi-worked product], other than for building; rat traps; aquarium hoods; button-hooks; perfume burners; insect traps; material for brush-making; polishing materials for making shiny, except preparations, paper and stone; isothermic bags; mouse traps; nozzles for watering cans; pouring spouts; nozzles for watering hose; toilet cases; floss for dental purposes; fibreglass thread, other than for textile use; syringes for watering flowers and plants; co-

tion waste for cleaning; wool waste for cleaning; gloves for household purposes; polishing gloves; gardening gloves; trouser presses; make-up removing appliances; glove stretchers; boot jacks; crumb trays; tie presses; clothes-pegs; powder compacts; perfume vaporizers; powder puffs; combs; electric combs; shoe horns; candle drip rings; steel wool for cleaning; currycombs; statues of porcelain, earthenware, ceramic or glass; figurines [statuettes] of porcelain, ceramic, earthenware or glass; glass for vehicle windows [semi-finished product]; plate glass [raw material]; opal glass; opaline glass; enamelled glass, not for building; glass, unworked or semi-worked, except building glass; glass wool, other than for insulation; vitreous silica fibres, other than for textile use; fibreglass, other than for insulation or textile use; clothes racks, for drying; drying racks for laundry; basins [receptacles]; indoor terrariums [plant cultivation]; indoor terrariums [vivariums]; cloth for washing floors; cloths for cleaning; dusting cloths [rags]; furniture dusters; litter boxes [trays] for pets; urns being planters for flowers and plants; atomizers for household purposes; wax-polishing appliances, non-electric, for shoes; water apparatus for cleaning teeth and gums; watering devices; comb cases; fly swatters; corkscrews; animal bristles [brushware]; pig bristles for brush-making; dishwashing brushes; brushes for cleaning tanks and containers; lamp-glass brushes; horse brushes; scrubbing brushes; toothbrushes; toothbrushes, electric; carpet sweepers; shoe brushes; tar-brushes, long handled; toilet brushes; electric brushes, except parts of machines; brushes; eyebrow brushes; nail brushes; nest eggs, artificial; boxes for dispensing paper towels; dustbins; window-boxes; boxes of glass; appliances for removing make-up, non-electric.

35 – Arranging subscriptions to telecommunication services for others; import-export agency services; commercial information agency services; advertising agency services; cost price analysis; rental of advertising space; business auditing; employment agency services; computerized file management; book-keeping; invoicing; business efficiency expert services; demonstration of goods; transcription; opinion polling; market studies; business information; commercial information and advice for consumers [consumer advice shop]; business investigations; business research; marketing research; personnel recruitment; business management and organization consultancy; business organization consultancy; business management consultancy; personnel management consultancy; professional business consultancy; layout services for advertising purposes; marketing; business management of performing artists; business management of sports people; news clipping services; updating of advertising material; word processing; organization of exhibitions for commercial or advertising purposes; arranging newspaper subscriptions for others; organization of fashion shows for promotional purposes; organization of trade fairs for commercial or advertising purposes; shop window dressing; business appraisals;

payroll preparation; data search in computer files for others; sponsorship search; business management assistance; commercial or industrial management assistance; economic forecasting; auctioneering; sales promotion for others; production of advertising films; office machines and equipment rental; rental of advertising time on communication media; publicity material rental; rental of vending machines; rental of photocopying machines; publication of publicity texts; radio advertising; bill-posting; outdoor advertising; distribution of samples; dissemination of advertising matter; direct mail advertising; editing of publicity texts; advertising; online advertising on a computer network; advertising by mail order; television advertising; document reproduction; compilation of statistics; compilation of information into computer databases; business inquiries; systemization of information into computer databases; advisory services for business management; tax preparation; drawing up of statements of accounts; copywriting; telemarketing services; psychological testing for the selection of personnel; business management of hotels; commercial administration of the licensing of the goods and services of others; administrative processing of purchase orders; public relations; modelling for advertising or sales promotion; typing; administrative services for the relocation of businesses; price comparison services; secretarial services; procurement services for others [purchasing goods and services for other businesses]; shorthand; outsourcing services [business assistance]; telephone answering for unavailable subscribers; photocopying services; presentation of goods on communication media, for retail purposes.

(260) AM 2023 122066 A

(800) 1718951

(151) 2023 01 27

(891) 2023 01 27

(731) Limited Liability Company "SPLAT GLOBAL"

territory of the 2nd kilometer of, Okulovka-Kulotino highway, house 1, building 2, room 19, Okulovsky District, RU-174350 Novgorod Region, Russian Federation

(540)

## HomeBiome

(591) Black, white

(511)

3 – Abrasives; amber [perfume]; descaling preparations for household purposes; antistatic preparations for household purposes; aromatics [essential oils]; air fragrancing preparations; cake flavourings [essential oils]; flavourings for beverages [essential oils]; food flavourings [essential oils]; breath freshening sprays; canned pressurized air for cleaning and dusting purposes; balms, other than for medical purposes; basma [cosmetic dye]; lip glosses; nail glitter; polishing stones; abrasive paper; emery paper; polishing paper;



petroleum jelly for cosmetic purposes; shoe polish; cobblers' wax; cotton wool for cosmetic purposes; sachets for perfuming linen; drying agents for dish-washing machines; adhesives for cosmetic purposes; scented water; Javelle water; lavender water; toilet water; wax for parquet floors; floor wax; non-slipping wax for floors; depilatory wax; moustache wax; tailors' wax; creams for leather; polish for furniture and flooring; shoemakers' wax; polishing wax; massage gels, other than for medical purposes; heliotropine; dental bleaching gels; geraniol; make-up; deodorants for pets; deodorants for human beings or for animals; depilatory preparations; air fragrance reed diffusers; scented wood; perfumes; non-slipping liquids for floors; windscreen cleaning liquids; greases for cosmetic purposes; volcanic ash for cleaning; perfumery; decorative transfers for cosmetic purposes; ionone [perfumery]; shaving stones [astringents]; smoothing stones; eyebrow pencils; cosmetic pencils; silicon carbide [abrasive]; carbides of metal [abrasives]; alum stones [astringents]; tripoli stone for polishing; adhesives for affixing false eyelashes; adhesives for affixing false hair; hair conditioners; quillaia bark for washing; corundum [abrasive]; beard dyes; colorants for toilet purposes; cosmetic dyes; starch for laundry purposes; laundry glaze; shoe cream; polishing creams; cosmetic creams; skin whitening creams; polishing rouge; incense; hair spray; nail varnish; hair lotions; lotions for cosmetic purposes; after-shave lotions; beauty masks; oils for perfumes and scents; oils for cosmetic purposes; oils for toilet purposes; essential oils; essential oils of cedarwood; essential oils of lemon; essential oils of citron; oils for cleaning purposes; bergamot oil; gaultheria oil; jasmine oil; lavender oil; almond oil; rose oil; oil of turpentine for degreasing; whiting; cleaning chalk; almond milk for cosmetic purposes; cleansing milk for toilet purposes; musk [perfumery]; soap; deodorant soap; shaving soap; soap for brightening textile; cakes of toilet soap; antiperspirant soap; soap for foot perspiration; almond soap; mint for perfumery; make-up palettes containing cosmetics; emery; gel eye patches for cosmetic purposes; nail art stickers; false nails; eau de Cologne; joss sticks; pastes for razor strops; toothpaste; pumice stone; lipstick cases; hydrogen peroxide for cosmetic purposes; breath freshening strips; teeth whitening strips; sandcloth; glass cloth [abrasive cloth]; lipsticks; pomades for cosmetic purposes; dentifrices; shaving preparations; cosmetic preparations for baths; bath preparations, not for medical purposes; hair straightening preparations; hair waving preparations; laundry soaking preparations; grinding preparations; smoothing preparations [starching]; colour-removing preparations; leather bleaching preparations; polishing preparations; denture polishes; mouthwashes, not for medical purposes; cosmetic preparations for slimming purposes; starch glaze for laundry purposes; preparations to make the leaves of plants shiny; eye-washes, not for medical purposes; fabric softeners for laundry use; preparati-

ons for washing; dry-cleaning preparations; paint stripping preparations; lacquer-removing preparations; make-up removing preparations; floor wax removers [scouring preparations]; varnish-removing preparations; rust removing preparations; nail care preparations; cleaning preparations; preparations for cleaning dentures; wallpaper cleaning preparations; preparations for unblocking drain pipes; chemical cleaning preparations for household purposes; collagen preparations for cosmetic purposes; bleaching preparations [decolorants] for household purposes; laundry bleach; aloe vera preparations for cosmetic purposes; sunscreen preparations; colour-brightening chemicals for household purposes [laundry]; breath freshening preparations for personal hygiene; shining preparations [polish]; make-up powder; diamantine [abrasive]; stain removers; nail varnish removers; vaginal washes for personal sanitary or deodorant purposes; scouring solutions; false eyelashes; baby wipes impregnated with cleaning preparations; tissues impregnated with cosmetic lotions; tissues impregnated with make-up removing preparations; saflol; massage candles for cosmetic purposes; laundry blueing; turpentine for degreasing; potpourris [fragrances]; bleaching soda; washing soda, for cleaning; bath salts, not for medical purposes; bleaching salts; fumigation preparations [perfumes]; leather preservatives [polishes]; ammonia [volatile alkali] [detergent]; astringents for cosmetic purposes; eyebrow cosmetics; make-up preparations; sun-tanning preparations [cosmetics]; hair dyes; neutralizers for permanent waving; cosmetic preparations for eyelashes; cosmetic preparations for skin care; shoe wax; cosmetics; cosmetics for children; cosmetics for animals; mascara; cleansers for intimate personal hygiene purposes, non medicated; douching preparations for personal sanitary or deodorant purposes [toiletries]; detergents, other than for use in manufacturing operations and for medical purposes; degreasers, other than for use in manufacturing processes; bleaching preparations [decolorants] for cosmetic purposes; toiletry preparations; antiperspirants [toiletries]; phytocosmetic preparations; talcum powder, for toilet use; cotton swabs for cosmetic purposes; terpenes [essential oils]; emery cloth; cloths impregnated with a detergent for cleaning; henna [cosmetic dye]; shampoos; shampoos for animals [non-medicated grooming preparations]; shampoos for pets [non-medicated grooming preparations]; dry shampoos; sandpaper; soda lye; herbal extracts for cosmetic purposes; extracts of flowers [perfumes]; ethereal essences; badian essence; mint essence [essential oil].

21 – Autoclaves, non-electric, for cooking; indoor aquaria; wine aerators; buckets; cookie jars; candle jars [holders]; china ornaments; dishes; paper plates; vegetable dishes; saucers; goblets; boxes for sweets; bottles; demijohns; busts of porcelain, ceramic, earthenware or glass; vases; epergnes; fruit bowls; inflatable bath tubs for babies; bird baths; baby baths, portable; plungers for clearing blocked drains; waffle

irons, non-electric; ice buckets; mop wringer buckets; buckets made of woven fabrics; whisks, non-electric, for household purposes; cooking skewers of metal; towel rails and rings; hair for brushes; horsehair for brush-making; funnels; carpet beaters [hand instruments]; signboards of porcelain or glass; candle extinguishers; heads for electric toothbrushes; flower pots; chamber pots; glue-pots; cruets; decanters; large-toothed combs for the hair; combs for animals; tea cosies; abrasive sponges for scrubbing the skin; make-up sponges; sponges for household purposes; toilet sponges; sponge holders; stands for portable baby baths; toothpick holders; soap holders; table napkin holders; holders for flowers and plants [flower arranging]; tea bag rests; shaving brush stands; toilet paper holders; soap dispensing bottles; plug-in diffusers for mosquito repellents; aromatic oil diffusers, other than reed diffusers, electric and non-electric; ironing boards; cutting boards for the kitchen; bread boards; washing boards; crushers for kitchen use, non-electric; strainers for household purposes; smoke absorbers for household purposes; containers for household or kitchen use; kitchen containers; glass jars [carboys]; heat-insulated containers; heat-insulated containers for beverages; thermally insulated containers for food; glass flasks [containers]; closures for pot lids; chamois leather for cleaning; toothpicks; ceramics for household purposes; majolica; works of art of porcelain, ceramic, earthenware, terra-cotta or glass; kitchen grinders, non-electric; cleaning instruments, hand-operated; cabarets [trays]; stew-pans; couscous cooking pots, non-electric; flower-pot covers, not of paper; shaving brushes; make-up brushes; cages for pets; birdcages; baking mats; ladles for serving wine; polishing leather; hot pots, not electrically heated; glass bulbs [receptacles]; shoe trees; napkin rings; poultry rings; rings for birds; coin banks; piggy banks; bread baskets for household purposes; baskets for household purposes; waste paper baskets; feeding troughs; mangers for animals; lunch boxes; tea caddies; washtubs; earthenware saucepans; mess-tins; cauldrons; coffee percolators, non-electric; coffeepots, non-electric; coffee grinders, hand-operated; fused silica [semi-worked product], other than for building; beer mugs; tankards; rat traps; pot lids; aquarium hoods; butter-dish covers; dish covers; cheese-dish covers; reusable silicone food covers; buttonhooks; reusable ice cubes; jugs; incense burners; watering cans; fly traps; insect traps; ice cream scoops; mixing spoons [kitchen utensils]; basting spoons [cooking utensils]; pie servers; spatulas for kitchen use; litter boxes for pets; butter dishes; material for brush-making; polishing materials for making shiny, except preparations, paper and stone; tablemats, not of paper or textile; noodle machines, hand-operated; lint removers, electric or non-electric; pasta makers, hand-operated; polishing apparatus and machines, for household purposes, non-electric; pepper mills, hand-operated; mills for household purposes, hand-operated; fe-

ather-dusters; brooms; isothermic bags; decorating bags for confectioners; bowls [basins]; mosaics of glass, not for building; saucepan scourers of metal; soap boxes; mouse traps; cooking pot sets; nozzles for watering cans; pouring spouts; cake decorating tips and tubes; nozzles for watering hose; fitted picnic baskets, including dishes; toilet cases; floss for dental purposes; fibreglass thread, other than for textile use; cookie [biscuit] cutters; pastry cutters; sprinklers; syringes for watering flowers and plants; egg yolk separators; cotton waste for cleaning; wool waste for cleaning; cleaning tow; cold packs for chilling food and beverages; chopsticks; cocktail stirrers; food steamers, non-electric; pepper pots; oven mitts; animal grooming gloves; gloves for household purposes; car washing mitts; polishing gloves; gardening gloves; pestles for kitchen use; droppers for household purposes; wine-tasting pipettes; droppers for cosmetic purposes; plates for diffusing aromatic oil; plates to prevent milk boiling over; dripping pans; trays for household purposes; trays of paper, for household purposes; lazy susans; heaters for feeding bottles, non-electric; candelabra [candlesticks]; trivets [table utensils]; coasters, not of paper or textile; grill supports; menu card holders; knife rests for the table; flat-iron stands; egg cups; abrasive pads for kitchen purposes; scouring pads; drinking troughs; serving ladles; powdered glass for decoration; pottery; pots; cooking pots, non-electric; painted glassware; tableware, other than knives, forks and spoons; porcelain ware; earthenware; crystal [glassware]; cosmetic utensils; toilet cleaning utensils; trouser presses; tortilla presses, non-electric [kitchen utensils]; deodorizing apparatus for personal use; cruet sets for oil and vinegar; make-up removing appliances; spice sets; apparatus for wax-polishing, non-electric; bottle openers, electric and non-electric; glove stretchers; boot jacks; crumb trays; tie presses; pot-holders; clothes-pegs; glass stoppers; powder compacts, empty; perfume vaporizers; powder puffs; dusting apparatus, non-electric; foam toe separators for use in pedicures; clothing stretchers; combs; electric combs; grills [cooking utensils]; sifters [household utensils]; drinking horns; shoe horns; candle drip rings; broom handles; salad bowls; place mats, not of paper or textile; sugar bowls; beaters, non-electric; egg separators, non-electric, for household purposes; services [dishes]; coffee services [tableware]; liqueur sets; tea services [tableware]; cooking mesh bags; sieves [household utensils]; cinder sifters [household utensils]; tea strainers; siphon bottles for carbonated water; rolling pins, domestic; frying pans; squeegees [cleaning instruments]; steel wool for cleaning; curry-combs; blenders, non-electric, for household purposes; scoops for household purposes; fruit presses, non-electric, for household purposes; straws for drinking; salt cellars; drinking vessels; vessels for making ices and ice cream, non-electric; refrigerating bottles; bulb basters; cups of paper or plastic; glasses [receptacles]; drinking glasses; statues of porcelain, ceramic, eart-

henware, terra-cotta or glass; figurines of porcelain, ceramic, earthenware, terra-cotta or glass; glass for vehicle windows [semi-finished product]; plate glass [raw material]; opal glass; glass, unworked or semi-worked, except building glass; opaline glass; glass incorporating fine electrical conductors; enamelled glass, not for building; glass wool, other than for insulation; vitreous silica fibres, other than for textile use; fibreglass, other than for insulation or textile use; mortars for kitchen use; portable cool boxes, non-electric; soup tureens; drying racks for laundry; rotary washing lines; tajines, non-electric; basins [receptacles]; table plates; disposable table plates; graters for kitchen use; insulating flasks; indoor terrariums [plant cultivation]; indoor terrariums [vivariums]; cloth for washing floors; polishing cloths; cloths for cleaning; dusting cloths [rags]; furniture dusters; beverage urns, non-electric; wax-polishing appliances, non-electric, for shoes; water apparatus for cleaning teeth and gums; electric devices for attracting and killing insects; watering devices; utensils for household purposes; kitchen utensils; cooking utensils, non-electric; coffee filters, non-electric; flasks; hip flasks; drinking bottles for sports; boot trees; moulds [kitchen utensils]; egg poachers; cake moulds; ice cube moulds; cookery moulds; deep fryers, non-electric; comb cases; bread bins; fly swatters; teapots; kettles, non-electric; cups; garlic presses [kitchen utensils]; ironing board covers, shaped; tea infusers; decorative glass spheres; mops; mop wringers; cocktail shakers; cosmetic spatulas; corkscrews, electric and non-electric; animal bristles [brushware]; pig bristles for brush-making; brushes; dishwashing brushes; ski wax brushes; brushes for cleaning tanks and containers; lamp-glass brushes; horse brushes; scrubbing brushes; toothbrushes; toothbrushes, electric; basting brushes; carpet sweepers; shoe brushes; tar-brushes, long handled; toilet brushes; electric brushes, except parts of machines; eyebrow brushes; nail brushes; eyelash brushes; nutcrackers; ice tongs; salad tongs; sugar tongs; decanter tags; nest eggs, artificial; dustbins for household purposes; window-boxes; boxes of glass.

(260) AM 2023 122068 A

(800) 1719075

(151) 2023 02 10

(891) 2023 02 10

(731) UCB Biopharma SRL

Allée de la Recherche 60, B-1070 Bruxelles,  
Belgium

(540)

**RYSTIGGO**

(591) Black, white

(531) 26.01.01; 26.01.06; 27.05.04; 27.05.07;  
27.05.08

(511)

5 – Pharmaceutical preparations and substances.

(260) AM 2023 122069 A

(800) 1719094

(151) 2023 01 16

(891) 2023 01 16

(731) ZHEJIANG CFMOTO POWER CO., LTD.

116 Wuzhou Road, Yuhang Economic  
Development Zone, Hangzhou, 311100  
Zhejiang Province, China

(540)

**ZEHO**

(591) Black, white

(531) 27.05.01; 27.05.14; 27.05.17

(511)

12 – Electric vehicles; vehicles for locomotion by land, air, water or rail; motorcycle frames; motorcycle saddles; motors, electric, for land vehicles; engines for land vehicles; motor scooters; pneumatic tyres; hubs for vehicle wheels; spoilers for vehicles.

(260) AM 2023 122070 A

(800) 1719103

(151) 2022 12 08

(891) 2022 12 08

(731) Yibin Kaiyi Automobile Co., Ltd.

NO.7, SECTION 4, WEST SECTION OF  
NORTH YANGTZE ROAD, LINGANG  
ECONOMIC AND TECHNOLOGICAL  
DEVELOPMENT ZONE, YIBIN CITY,  
SICHUAN PROVINCE, China

(540)

**KAIM**

(591) Black, white

(531) 27.05.01

(511)

37 – Motor vehicle maintenance and repair; vehicle greasing; vehicle washing; anti-rust treatment for vehicles; vehicle service stations [refuelling and maintenance]; vehicle maintenance; vehicle cleaning; vehicle breakdown repair services; rustproofing; tyre balancing.

(260) AM 2023 122071 A

(800) 1719116

(151) 2022 09 30

(891) 2022 09 30

(731) Otkrytoe aktsionernoe obshchestvo "Brestsky

myasokombinat"

ul. Pisatelya Smirnova, 4, 224034 Brest,  
Belarus

(540)

**КОЛОБОК**

(591) Black, white

(531) 28.05

(511)

29 – Meat, fish, poultry, game and foods made therefrom; meat, preserved, dried, smoked; cooked meat; meat, tinned [canned (Am.)]; meat products; charcuterie; sausages; small sausages; smoked foods [meat, fish, poultry, game]; ham; bacon; tripe and foods made therefrom; liver; pork, lard, speck (bacon), ribs and foods made therefrom; meat extracts; meat pastes; liver pastes; pastes made from tripe products; semi-prepared foods made from meat, poultry, game, tripe.

35 – Wholesale and retail trade services in respect of meat, fish, poultry, game and foods made therefrom, meat, preserved, dried, smoked, cooked meat, meat, tinned [canned (Am.)], meat products, charcuterie, sausages, small sausages, smoked foods [meat, fish, poultry, game], ham, bacon, tripe and foods made therefrom, liver, pork, lard, speck (bacon), ribs and foods made therefrom, meat extracts, meat pastes, liver pastes, pastes made from tripe products, semi-prepared foods made from meat, poultry, game, tripe.

(260) AM 2023 122073 A

(800) 1719159

(151) 2023 02 07

(891) 2023 02 07

(731) Big Goose Bicycle Industry (Tianjin) Co., Ltd.  
No. 9, Beihuan Road, Wangqingtu Town,  
Wuqing District, 300480 Tianjin, China

(540)

**GOOSE**

(591) Black, white

(531) 27.05.17

(511)

12 – Mountain bikes; rims for bicycle wheels; push scooters [vehicles]; wheelchairs; tricycles; pushchairs; bicycles; electric bicycles.

(260) AM 2023 122074 A

(800) 1719195

(151) 2022 10 10

(891) 2022 10 10

(731) U.S. INVEST AKTSIASELTS  
Rotermanni tn 8, EE-10111 Tallinn, Estonia

(540)

**FORUS**

(591) Black, white

(511)

9 – Navigation, signaling, detecting, checking (supervision), life-saving and teaching apparatus and instruments; recorded and downloadable media, computer software; fire extinguishing apparatus; apparatus and instruments for conducting, switching, transforming, accumulating, regulating or controlling electricity; security tokens [encryption devices]; chargers for elec-

tronic vehicles, electric-car charger; electric car charging piles; software, for use in relation to the following goods: charging stations for electric vehicles; battery chargers; charging appliances for rechargeable equipment; charging stations for electric vehicles; software and hardware for use in charging motor vehicles; software; system and system support software, and firmware; production support software; artificial intelligence and machine learning software; artificial intelligence software; system support software; virtual assistant software; software and applications for mobile devices; software (recorded programs) and downloadable software; mobile applications (software); applications (apps) for smart devices, including smart phones; downloadable computer software applications, including mobile applications for selecting, ordering, purchasing and paying for goods and services; downloadable mobile applications and software for ordering and delivering consumer goods; downloadable mobile applications and software for distribution of retail goods (transport); retail software; E-commerce software; downloadable software as a mobile application for dark kitchen orders and deliveries; cryptography software; downloadable software and application for use in relation to crypto-currency, blockchain technology, distributed ledger technology and financial trading and for the processing of financial and business transactions; downloadable computer software for managing cryptocurrency transactions using blockchain technology; access control devices; digital locks, digital locking systems; smart locks; electronic security and/or automation systems operated and controlled by computer programs; computer programs to operate vehicles; computer software for mobile applications that enable interaction and interface between vehicles and mobile devices; traffic management software; automation, checking and conducting systems and apparatus for supporting and guaranteeing the work of computer programs and software; automation, security, control and management equipment and systems for residential, office, commercial and industrial buildings and spare parts therefor; electric and electronic security apparatus and instruments; safety monitoring apparatus [electric]; electronic surveillance apparatus; safety, security, protection and signalling devices; integrated electronic safety systems for land vehicles; driver assistance systems for motor vehicles; signalling apparatus and instruments; smoke, gas, light-detectors and sensors; security control apparatus; security surveillance robots; theft prevention apparatus, other than for vehicles; video surveillance systems; computer applications for vehicle navigation apparatus; computer programs for use in the autonomous navigation of vehicles; interactive computer software that provides navigational and travel information; downloadable media; downloadable digital music; E-books.

35 – Advertising; business management, organisation and administration; office functions services; adver-

tising network services for bringing customers and businesses together; promotion of goods and services through sponsorship; promoting the goods and services of others by arranging for sponsors to affiliate their goods and services with sports competitions; advertising of the services of other vendors, enabling customers to conveniently view and compare the services of those vendors; online advertising on a computer network; pay per click advertising; rental of advertising time on communication media; rental of advertising space; online business information and marketing services for establishing contacts between users of social networks and companies; public relation services; marketing; online ordering services; provision of an online marketplace for buyers and sellers of goods and services; provision of e-commerce sites in the nature of online marketplace for the provision, purchase, sale and exchange of music, videos, goods, services, computer software and on-demand applications; provision of an online marketplace for buyers and sellers of music, videos, goods, services, computer software and on-demand applications, via a website; provision of online marketplaces for the purchase, sale and exchange of computer software and on-demand applications; administrative order processing; ordering services for third parties; ordering for others in the fields of retailing, restaurants, online sales platforms, delivery of goods and transport; unmanned retail store services relating to food; providing user reviews for commercial or advertising purposes; providing user rankings for commercial or advertising purposes, providing rankings for commercial or advertising purposes; administrative processing of purchase orders; sponsorship search; business management of companies; business consultancy; procurement services for others [purchasing goods and services for other businesses]; business information; organization of trade fairs for commercial or advertising purposes; renting office machines and equipment; business management of construction and real estate development projects; book-keeping; book-keeping; billing; preparation, submission, mediation and dispatching of invoices, including of invoices related to gas, water, electricity and heat meter readings and readings and measuring data of other meters and measuring systems; drawing up of statements of accounts; tax preparation; auditing; price comparison services; compilation of statistics; business management and organization consultancy; business assistance, management and administrative services; assistance with business planning; business efficiency expert services; preparation of project studies relating to business matters; management administration of commercial undertakings; business administration and management; business management in the field of transport and delivery; providing assistance in the field of business management and planning; business management assistance for industrial or commercial companies; planning concerning business management, namely, searching for partners

for amalgamations and business take-overs as well as for business establishments; business networking services; management of business offices for others; arranging and conducting of business meetings; negotiation of business contracts for others; business process management; business project management; business management of construction and real estate projects; arranging of business introductions; business services relating to the establishment of businesses; operation of businesses [for others]; business acquisitions; management of business projects [for others]; business process re-engineering; business strategy and planning services; business strategy services; negotiation of commercial transactions for third parties; bringing a variety of professionals and clients together for business mediation services; business management services relating to the acquisition of businesses; business merger services; business relocation consulting; agency services for arranging business introductions; business management services relating to the development of businesses; company management, including consultancy in demographic matters; business process management and consulting; business risk assessment services; business planning services; business succession planning; business strategy development services; business assistance relating to franchising; services rendered by a franchisor, namely, assistance in the running or management of industrial or commercial enterprises; administrative assistance in responding to calls for tenders; management assistance; customer relationship management; business management of conference centers; negotiation and conclusion of commercial transactions for third parties; business operation of shopping centers for others; business management of car parking facilities; online business networking services; business management of sporting facilities [for others]; strategic business planning; help in the management of business affairs or commercial functions of an industrial or commercial enterprise; business management consultancy, including cost-benefit analyses; administration of foreign business affairs; business services relating to the arrangement of joint ventures; advisory, consultancy and information services for all the above services; retail and wholesale services, including online sale, in relation to the following goods: clothing, costume accessories, articles of footwear, headgear, sporting goods, sport equipment, sports products, games, playthings, furnishings, soft furnishings, nutritional supplements, foodstuffs, bonbons, beverages, domestic electronic apparatus, audio-visual apparatus, it equipment, recorded content, domestic electrical, beauty implements for humans, cosmetics, beauty products, sanitary articles; retail and wholesale services, including online sale, in relation to the following goods: infant formula, baby products, foodstuffs for domestic animals and pet products, household fittings, sanitary articles, cookery equipment, home appliances, cosmetics, cleaning preparations, buffing preparations, scouring and abrasive

preparations, hair treatment preparations, dentifrices, sanitary preparations, pharmacy goods, medical preparations and veterinary preparations, nutritional supplements and vitamins; retail and wholesale services, online retailing services in relation to foodstuffs, foodstuffs and beverages, fruits and vegetables, horticultural products and agricultural, bonbons, convenience products, alcoholic beverages, non-alcoholic beverages, tobacco, tobacco products, smokers' articles, lighters; retailing and wholesaling (for others), including online retail services in relation to textile material, textile products, furniture and parts of furniture, goods used as home furnishings; retailing and wholesaling (for others), including online retail services in relation to prints, of books, newspapers, magazines, sanitary pads, stationery, school supplies, writing utensils, art, music, video and multimedia products, photographic fittings, retailing and wholesaling of musical instruments; retailing and wholesaling (for others), including online retail services in relation to packages, packaging materials and materials for dressings, decorative wrapping paper, bags for packaging, lap packs, packing cases, tableware accessories, dinnerware; retailing and wholesaling (for others), including online retail services in relation to computing, communications engineering apparatus, cellular phones, domestic electronic apparatus and devices, televisions, still cameras, multimedia equipment and instruments; retailing and wholesaling (for others), including online retail services in relation to motor vehicles, electric vehicles, bikes, wheels, motoring articles, transport means, boats, bicycle accessories, motor vehicle fittings, accessories for boats; retailing and wholesaling (for others), including online retail services in relation to household fittings, household instruments, household or kitchen utensils and containers, tableware, articles made of glass, articles made of porcelain, articles made of earthenware, paper, millboard, bags and other articles of paper or cardboard for packaging and storage, paper handkerchiefs for removing make-up, kitchen rolls, towels of paper; retailing and wholesaling (for others), including online retail services in relation to disposable napkins, sanitary napkins, orthopaedic articles, sanitary equipment and sanitary preparations, sanitary preparations, washing preparations, cleaning and bleaching preparations, cosmetics, perfumery; retailing and wholesaling (for others), including online retail services in relation to clocks and watches, glasses, jeweler goods, childcare articles, construction articles, electric tools, electrically powered hand tools, handicraft tools, mechanically operated tools, electric power tools, cleaning tools, tool carts, tool cabinets, working suits, safety clothing and safety equipment, garden article, gardening tools; retailing and wholesaling (for others), including online retail services featuring lighting apparatus, heaters, steam generating, cooking, cooling appliances and installations, apparatus for drying purposes, ventilation, water pipes and sanitary apparatus and installati-

ons, time pieces, cases for mobile phones, packs (in the nature of rucksacks) for carrying on the back, portfolio cases, magazine file, cosmetic bags, etuis, boxes, pocket wallets, soft furnishings, haberdashery, rugs, floor coverings, Christmas-tree ornaments, foodstuffs for animals, plants and flowers; retailing and wholesaling (for others), including online retail services in relation to industrial oils and greases, lubricants, fuels (including motor spirit) and illuminants, retailing of candles and wicks for lighting, coals for barbeques and lighter fluid, metal materials for building and construction, transportable buildings, ironmongery and small items of metal hardware; retailing and wholesaling (for others), including online retail services in relation to tin foil and foils of metal for packaging, bread bins of metal and food boxes of foil, hand tools and implements, cutlery, razors, electric and non-electric depilatory appliances, razors, razor blades.

36 – Financial and monetary services and banking; insurance underwriting; real estate affairs; issuance of tokens of value; issuing of tokens of value in relation to customer loyalty schemes; financial exchange of crypto assets; electronic transfer of crypto assets; electronic funds transfer; loans [financing]; factoring, factoring affairs; trading with invoices, including invoices for goods; purchase of invoices, including invoices for goods; financial brokerage services relating to trading of invoices; currency trading; providing of financial and monetary information; trading of financial instruments and commodities; insurance brokerage; insurance consultancy, consultancy services relating to insurance; information services in insurance business relating to damage prevention work; real estate affairs; real estate development management (other than construction); providing of project management services (excluding construction) related to real estate in the nature of financing of real estate development projects; rental of offices and office space; real estate management services relating to office premises; building management; estate management; financing of real estate development projects; real estate management services relating to commercial buildings; management of commercial properties; real estate agency services; real estate consultancy; real estate agency services for the sale and rental of buildings; real estate agency services for the sale and rental of businesses; estate agency; real estate trustee services; management of property; real estate brokerage; estate management services relating to transactions in real property; provision of information relating to the property market [real estate]; commercial real estate agency services; real estate management services relating to industrial premises; rent collection; brokerage; rental of commercial, office or production premises (real estate); financial administration of business, office and/or manufacturing facilities; real estate information, including via the Internet; real estate appraisal; repair costs evaluation [financial app-

raisal]; investment services; investment asset management; investment management; management services for real estate investment; real estate investment; real estate investment planning; capital investment in real estate; financial investment in the field of securities; mutual funds; trust investment services; issuance of bonds; provision of funds; financial management of funds; administration of funds; administration of investment funds; investment portfolio management services; management services for real estate investment; estate trust management; financial trust management; financial investment management services; provision of real estate loans; financing of property loans; financing of development projects; advisory and consultancy services relating to all the aforesaid services; business brokerage services; condominium management; provision of temporary office facilities.

37 – Construction services; general building construction works; general contracting and project management in construction; construction supervision by the owner; property development services [construction]; building repairs and other repair services related to construction activities; installation works, namely installation works related to construction activities; construction installation work, namely installation of gas, water, electricity or other similar equipment and wires, pipes and cables; installation of security and safety equipment; construction of structures of metal; building insulating, building sealing; building restoration; information relating to restoration; information services relating to building construction; repair information; rental of construction equipment; heavy equipment rental; building construction supervision; sanding; construction of civil and industrial building sites; warehouse construction and repair; factory construction; scaffolding; painting, interior and exterior; installation, maintenance and repair of ventilating systems; construction of heating installations; plumbing works; construction of water and sewerage installations; construction of cooling installations; construction of technical building systems; maintenance and repair of technical building systems; road construction; maintenance of roads; road repair, including enhancing bitumen; paving (road -); installation of traffic management equipment in connection with road construction; technical maintenance in relation to the following goods: building construction, electrical devices, alarm installations; maintenance of property; cleaning; cleaning services, including cleaning of streets and green areas, cleaning of buildings (interior surfaces), cleaning of buildings (exterior surfaces); cleaning, maintenance, snow clearance and de-icing of roads, streets, car parks, courtyards; real estate maintenance, including maintenance of residential, commercial, trade or office premises; maintenance and repair of electricity, gas, water, sewage, heating and ventilation installations; street cleaning; snow removal; window cleaning; services of electricians; laying of cable; installation and repair of air-conditioning ap-

paratus; boiler cleaning and repair; housekeeping services [cleaning services]; plumbing; fire alarm installation and repair; installation of traffic management systems; electric car charger installation; repair and maintenance of electric car chargers; vehicle battery charging; automobile battery charging; charging of electric vehicles; hybrid vehicle electric charging services; electric vehicle charger repair/maintenance services; maintenance and repair of electric vehicles; vehicle repair; installation work in the field of vehicles; repair and maintenance of vehicles; filling of air-conditioning apparatus; vehicle washing, interior cleaning and polishing; vehicle diagnostics; vehicle maintenance; vehicle service stations [refuelling and maintenance]; vehicle greasing; rust-proofing and rust treatment for vehicles; polishing, washing and cleaning of vehicles; installation and repair of alarm devices; repair information; consultancy, information and advisory services relating to all the foresaid services.

39 – Transport; packaging and storage of goods; travel arrangement; car sharing services; rental of barrows; providing a transport reservation service via mobile applications; transport reservation; parking place rental; transport management as a service, namely, fleet management services in the nature of tracking of vehicle fleets; transport and storage of trash; distribution of energy, electricity distribution; water distribution and supply; transport and storage of waste; courier services [messages or merchandise]; food delivery services; food delivery services; delivery of food by restaurants; delivery of food and drink prepared for consumption; delivery of groceries; cash replenishment of automated teller machines; guarded transport of valuables; car parking; traffic information; guarded transportation; vehicle parking and storage; distribution by pipeline and cable; rental services related to transportation and storage; transport information, advice and reservation services; parking lot services, parking services, mooring; rental of means of transportation; vehicle rental; taxi transport; taxi transport; transport of travellers by taxi; arrangement of taxi transport; taxi transport for people in wheelchairs; providing taxi booking services via mobile applications; advisory and consultancy services relating to all the aforesaid services, consultancy relating to all the aforesaid services.

42 – Scientific and technological services, including research and development relating thereto; industrial analysis, research as a service and industrial design services; quality control and authentication services; design and development of computer hardware and software; electronic data storage; digitization of documents; rental of computer software; software as a service [SaaS]; platform as a service [PaaS]; offering temporary access to online computer software (non-downloadable); creation of application software; platform as a service [PaaS]; design, development, installation, maintenance and updating of computer soft-

ware, computer software design; preparation of data processing programmes; storage of data in computer databases; engineering services; new product development and design activities; product design services; editing and testing of software and applications; energy efficiency assessment; energy auditing; consultancy in the field of energy-saving; research in the field of computer and internet security; providing temporary use of a web-based software application for providing an online marketplace for buyers and sellers of goods and/or services on a global computer network; providing temporary use of a web-based software application to provide an online two-way system for users of an online marketplace to evaluate and provide feedback; hosting e-commerce platforms on the Internet featuring goods and services databases with electronic, interactive access for immediate order placement; providing online non-downloadable software for creating, hosting, updating and managing marketplace platform for buyers and sellers of goods and/or services on a global computer network; cloud computing; providing online non-downloadable computer software and on-demand applications via web pages; server hosting; hosting web portals; hosting platforms on the Internet; hosting of computerized data, files, applications and information; application service provider services; application service provider [ASP], namely, hosting computer software applications of others; providing non-downloadable software via websites; technical advice relating to safety; architectural and urban planning services; technical design; advisory services relating to industrial engineering; architectural consultancy; consultancy relating to technological services in the field of power and energy supply; environmental surveys; technical supervision and inspection; engineering surveying; engineering services; construction drafting; industrial engineering design services; technical design and engineering of security systems; technical design and engineering of fire safety systems; technical design and planning of pipelines for gas, water and waste water; design of heating and water treatment apparatus and equipment; technical design services relating to heating installations; technical design services relating to water supply installations; technical design and planning of water purification plants; technical measuring and testing; tracking and monitoring energy consumption; monitoring and surveillance of water, heat, gas and electricity consumption as a service; recording data relating to energy consumption in buildings; recording of water, heat, gas and electricity consumption data for buildings; energy audit; quality audits; water analysis; technical management of electricity, heating and cooling production; technological consultancy in the fields of energy production and use; technological consultancy for water, heat, gas and electricity consumption; consultancy, advisory and information services in relation to all the aforesaid services; rental of smoke and gas sensors.

43 – Services for providing food; temporary accommodation; hotel services; guesthouses; hostels; room booking; reservation of tourist accommodation; information, advice and reservation services for the provision of food and drink; provision of social event facilities and meeting facilities; holiday and tourist accommodation; rental of social event and meeting facilities; rental of furniture, linens, table settings, and equipment for the provision of food and drink; brasseries; restaurant services; bar services; canteen services; snack-bar services; café services; self-service cafeteria services; self-service restaurant services; providing information about restaurants; information and advice in relation to the preparation of meals; rental of cooking apparatus; food and drink catering; wine bar services, providing information and consultancy relating to wine being services of a sommelier; tastings (providing food/beverages) and consultancy and advice relating thereto; conducting of wine tasting evenings (providing beverages); services for the preparation of food and drink; take-away food and drink services; banqueting services; preparation of meals; corporate hospitality (provision of food and drink); grill restaurants; take-away food services; club services for the provision of food and drink; cookery advice; contract food services; carvery restaurant services; making reservations and bookings for restaurants and meals; reservation of catering facilities; mobile restaurant services; reservation services for booking meals; takeaway services; hospitality services [food and drink]; consultancy, advisory and information services relating to all the aforesaid services.

45 – Security services for the physical protection of tangible property and individuals; monitoring of burglar alarms; manned and unmanned security services; security screening of baggage; rental of safety apparatus and equipment (except vehicles); rental of rescue apparatus and equipment (except vehicles); rental of security apparatus and equipment (except vehicles); rental of fire extinguishers; rental of fire alarms; inspection of factories for safety purposes; concierge services; guard services; opening of locks; lifeguard services; personal body guarding; safety evaluation and preparation of security assessments; security assessment of risks; alarm monitoring services; public events security services; electronic monitoring services for security purposes; physical security consultancy; physical security services; security services for buildings; security guard services for buildings; security services for the physical protection of individuals; monitoring of burglar and security alarms; safety, security and enforcement services; store detective services; airport security services; contract guarding; providing reconnaissance and surveillance services; security services for the physical protection of tangible property; advisory services in relation to safety; safety evaluation; information services relating to safety; night watchman services; night guard services; security guarding for facilities; vetting services of personal



background; security risk management; security assessment of risks; fire prevention consultation; monitoring fire alarms; security inspection services for others; monitoring of security systems; closed-circuit surveillance; information and consultancy relating to all the aforesaid services, consultancy relating to all the aforesaid services.

(260) AM 2023 122080 A

(800) 1719341

(151) 2022 12 09

(891) 2022 12 09

(731) Huanxiu Technology (Shanghai) Co., Ltd.

16th Floor, No. 129 Yan'an West Road,

Jing'an District, 200040 Shanghai City, China

(540)



(591) Black, white

(531) 04.05.01; 05.03.13; 26.13.25

(511)

9 – Computer programs, downloadable; network servers; personal digital assistants [PDAs]; electronic tags for goods; face recognition equipment; intercommunication apparatus; sound transmitting apparatus; monitoring apparatus, other than for medical purposes; audiovisual teaching apparatus; remote control apparatus.

25 – Clothing; ready-made clothing; waterproof clothing; bathing suits; footwear; hats; hosiery; gloves [clothing]; scarves.

30 – Coffee; tea; sugar; honey; cereal-based snack food; pastries; freeze-dried dishes with the main ingredient being rice; cereal preparations; ice cream; condiments.

35 – Advertising; commercial administration of the licensing of the goods and services of others; sales promotion for others; personnel management consultancy; systemization of information into computer databases; business auditing; sponsorship search; rental of vending machines; rental of sales stands; retail services for pharmaceutical, veterinary and sanitary preparations and medical supplies.

38 – Television broadcasting; wireless broadcasting; message sending; communications by computer terminals; computer aided transmission of messages and images; providing user access to global computer networks; providing internet chatrooms; providing access to databases; providing online forums; radio communications.

41 – Educational services; instruction services; publication of electronic newspapers accessible via a glo-

bal computer network; entertainment services; conducting fitness classes; providing entertainment information via a website; providing online videos, not downloadable; providing user reviews for entertainment or cultural purposes; providing television programmes, not downloadable, via video-on-demand services; production of radio and television programmes.

42 – Technological research; material testing; industrial design; dress designing; computer programming; electronic data storage; data encryption services; conversion of data or documents from physical to electronic media; providing virtual computer systems through cloud computing; graphic arts design.

(260) AM 2023 122083 A

(800) 1719460

(151) 2022 12 28

(891) 2022 12 28

(731) TAILG Science and Technology (Jiangsu) Inc., Ltd.

No. 3 Dongsheng Road, Anzhen Street,

Xishan District, Wuxi City, 214000 Jiangsu

Province, China

(540)

**TLG**

(591) Black, white

(531) 27.05.01; 27.05.19; 27.05.22

(511)

12 – Upholstery for vehicles; electric vehicles; motorcycles; motor scooters; electric motorcycles; electric bicycles; self-balancing scooters; electric scooters (electric vehicles); electric wheelchairs; water scooters (personal watercraft).

(260) AM 2023 122086 A

(800) 503874A

(151) 1986 01 24

(891) 2023 02 21

(731) Juvena Marlies Möller AG

Industriestrasse 8, CH-8604 Volketswil,

Switzerland

(540)

**Marlies Möller**

(591) Black, white

(511)

3 – Soaps; perfumery, essential oils, cosmetics; hair lotions; deodorants for personal use.

21 – Toilet utensils, namely combs, sponges, brushes (except paintbrushes).

(260) AM 2023 122092 A  
 (800) 1433745  
 (151) 2018 08 07  
 (891) 2023 02 28  
 (731) ITOCHU Corporation  
 1-3, Umeda 3-chome, Kita-ku, Osaka-shi,  
 Osaka 530-8448, Japan

(540)

## GRAMICCI

(591) Black, white

(511)

18 – Backpacks; bags for campers; bags for sports; bags; beach bags; business card cases; card cases [notecases]; garment bags for travel; luggage tags; walking sticks; parasols; purses; randsels [Japanese school satchels]; rucksacks; school bags; school satchels; shopping bags; suitcases; travelling bags; travelling trunks; trunks [luggage]; umbrella covers; vanity cases, not fitted; umbrellas and their parts; canes; metal parts of canes and walking-sticks; handles for canes and walking sticks; whips; saddlery; leather and fur, unworked or semi-worked.

25 – Clothing; headgear for wear; garters; sock suspenders; suspenders [braces]; waistbands; belts for clothing; footwear [other than special footwear for sports]; masquerade costumes; clothes for sports; special footwear for sports.

35 – Retail services or wholesale services for woven fabrics and beddings; retail services or wholesale services for clothing; retail services or wholesale services for footwear, other than special footwear for sports; retail services or wholesale services for bags and pouches; retail services or wholesale services for personal articles; retail services or wholesale services for nightwear, swimming costumes, mufflers [clothing], gloves and mittens [clothing], headgear for wear, belts for clothing, and socks and stockings other than special sportswear; retail services or wholesale services for towels of textile and handkerchiefs.

(260) AM 2023 122093 A  
 (800) 1528531  
 (151) 2020 02 25  
 (891) 2023 01 05  
 (731) Dai Ruixue

No.12, Huitangqian Lane, Qiaotou Town,  
 Yongjia County, Wenzhou, 325000 Zhejiang,  
 China

(540)



## FORSINING

(591) Black, white

(531) 26.01.16; 26.01.18; 27.05.12

(511)

14 – Watches; watch straps; clocks; jewellery boxes; tie clips; jewellery charms; jewellery findings; jewellery; precious metals, unwrought or semi-wrought; clocks and watches, electric.

(260) AM 2023 122094 A

(800) 1567307

(151) 2020 10 30

(891) 2023 02 07

(731) Antos B.V.

Doornepol 7-9, NL-5301 LV ZALTBOMMEL,  
 Netherlands

(540)



(591) Red (PANTONE: 032) and Blue (PANTONE: REFLEX BLUE).

(531) 02.09.22; 27.03.02; 29.01.12

(511)

5 – Veterinary preparations; dietetic substances and/or preparations for veterinary use; nutritional supplements and nutritional additives, including for veterinary purposes, including mineral supplements for animals and/or for animal feed.

31 – Foodstuffs, feed and snack products for animals, including dog chews, chew snacks and sweets for dogs and cats, including the aforesaid products for improving and caring for oral hygiene; strengthening animal forage; animal feed preparations.

(260) AM 2023 122144 A

(800) 1719611

(151) 2022 12 23

(891) 2022 12 23

(731) "Rafarma" Joint-stock company

Dorozhnaya str., 6A, Terbuny village,  
 Terbunsky district, RU-399540 Lipetsk region,  
 Russian Federation

(540)



## RAPHARMA

(591) Red, shades of red, orange, shades of orange, yellow, shades of yellow, white and purple.

(531) 26.03.06; 27.05.01; 29.01.13

(511)

5 – Chemico-pharmaceutical preparations; medicines for human purposes; nutritional supplements; pastilles

for pharmaceutical purposes; pomades for medical purposes; pharmaceuticals; pharmaceutical preparations; vaccines; vitamin preparations.

---

(260) AM 2023 122145 A

(800) 1719615

(151) 2023 02 17

(891) 2023 02 17

(731) C. R. BARD, INC.

1 Becton Drive, Franklin Lakes NJ 07417, USA

(540)

## HIGHLANDER

(591) Black, white

(511)

10 – Medical devices, namely, catheters, PTA angioplasty balloons and parts and fittings therefor.

---

(260) AM 2023 122146 A

(800) 1719633

(151) 2022 11 22

(891) 2022 11 22

(731) Victron Energy B.V.

De Paal 35, NL-1351 JG Almere, Netherlands

(540)

## Victron Energy

(591) Black, white

(511)

9 – Apparatus and instruments for the conduction, distribution, conversion, storage, regulation and management of electricity; apparatus and instruments for accumulating and storing electricity; apparatus and instruments for controlling electricity; photovoltaic apparatus for generating electricity; electric cables and wires; electric cables for adapters; electric cables for splitters; power inlets; junction boxes for electric wires; measuring, detecting, monitoring and controlling devices; electricity measuring instruments; electric controllers and electric regulators; sensors, detectors and monitoring instruments; solar charge controllers; dongles; autotransformers; galvanic isolators; solar home systems being photovoltaic apparatus for generating solar electricity; inverters; photovoltaic inverters; electrical inverters; DC/AC inverters; AC/DC inverters; inverters for power supply; inverters used in solar power generation; isolation transformers; chargers; current collectors; current transformers; current meters; current limiters; current converters; current shunts; current breakers; current rectifiers; current testers; fault current breakers; alternating current adaptors; electric current adaptors; current overload protectors; direct current converters; DC-DC converters; electric current sensors; AC current sensors; energy meters; electric current transformers; voltage transformers; voltage stabilizers; voltage regulators; voltage dividers; voltage meters; voltage limiters; voltage detectors; voltage testers; high voltage

transformers; voltage monitor modules; induction voltage regulators; voltage surge suppressors; static voltage regulators; maximum power point trackers; electric current switches; electric current rectifiers; fuses for electric current; electric current control devices; instruments for distributing electric current; voltage converters; voltage multipliers; voltage-to-current converters; voltage stabilizing power supply; voltage regulators for vehicles; high voltage power supplies; low voltage power supplies; distribution amplifiers; distribution transformers; distribution boards; electricity distribution boards; distribution consoles (electricity); electric power distribution apparatus; panels for the distribution of electricity; power conditioners; power modules; power connectors; power adapters; power distribution systems; power adaptors; power amplifiers; power controllers; power capacitors; power switches; power analyzers; power testers; power stabilisers; power meters; power cables; power banks; power wires; electric power units; power units [transformers]; power conditioning apparatus; power packs [batteries]; electrical power adaptors; power units [batteries]; power line protectors; power line conditioners; static power converters; power packs [transformers]; electric power analyzers; power distributing boxes; electronic power controllers; outdoor power relays; electronic power transformers; underwater power cables; power regulating apparatus; low power microcontrollers; electric power converters; power distributors [electrical; electrical distributing busbars; high current distributors; switching power supply apparatus; uninterruptible power supply apparatus; electrical power distribution blocks; electric power supply sockets; electrical power outlet boxes; electric power supply units; mains power units (electric -); power-line transmission apparatus; electrical power extension cords; power transformers for amplification; AC/DC power supplies; DC input power supplies; high-voltage power supplies; low-voltage power supplies; accumulators for photovoltaic power; solar-powered battery chargers; solar-powered rechargeable batteries; distribution boxes for electrical power; voltage regulators for electric power; high-frequency switching power supplies; uninterruptible power supply apparatus [battery]; modules for photovoltaic power generation; apparatus for improving power efficiency; crystalline silicon solar power cells; portable power supplies (rechargeable batteries); apparatus for diagnosing electrical power installations; electric batteries for powering electric vehicles; photovoltaic installations for generating electricity [photovoltaic power plants]; apparatus and instruments for regulating the distribution of electricity; apparatus and instruments for conducting the distribution of electricity; apparatus and instruments for controlling the distribution of electricity; apparatus and instruments for switching the distribution of electricity; apparatus and instruments for transforming the distribution of electricity; apparatus and instruments for accumulating the distribution of elec-

tricity; measurement apparatus; data loggers and recorders; computer networking and data communications equipment; controller area network (can bus); computer networks; data processing equipment and accessories (electrical and mechanical); sensors; sensor controllers; electronic sensors; infrared sensors; detectors; electric monitoring apparatus; electric monitoring units; voltage monitoring units; electronic measurement sensors; monitoring control apparatus [electric]; panels for the control of electricity; electric control devices for energy management; electronic apparatus for the remote control of signals; computer software for controlling and managing electricity; apparatus and instruments for controlling the use of electricity; wireless controllers to remotely monitor and control the function and status of other electrical, electronic, and mechanical devices or systems; remote controls; programmable controls; microprocessor controls; electrical controls; remote controllers; multiport controllers; inverter controllers; programmable controllers; electrical controllers; energy control devices; electronic control systems; electrical terminal blocks being studs with bus bar; stud-type electrical terminal blocks; automatic control apparatus; electric control panels; electric control apparatus; process controlling software; electric power controllers; software for operating and managing integrated circuit components; auxiliary battery packs; transfer switches; DC distribution systems; battery adapters; battery booster cables; battery boxes; battery cables; battery cases; battery charge devices; battery chargers; battery charging devices for motor vehicles; battery charging equipment; battery compensation chargers; battery jars; battery jump starters; battery leads; battery packs; battery preheaters; battery separators; battery starters; battery terminals; battery management systems; battery protectors; battery isolators; battery connectors; battery switches; software for apparatus and instruments for the conduction, distribution, conversion, storage, regulation and management of electricity; software for monitoring, analysing, controlling and running physical world operations; electrical engineering software; networking software; computer network hardware; computer bus network; network management control apparatus; network management software; network communication apparatus; software for remote diagnostics; diagnostic apparatus, not for medical purposes; testing apparatus for diagnostic purposes [other than medical]; cellular modem; cellular network modem; gps receivers; automatic solar tracking sensors; electronic sensors for measuring solar radiation; solar energy collectors for electricity generation; photovoltaic apparatus and installations for generating solar electricity; photovoltaic apparatus for converting solar radiation to electrical energy; monitors; monitor screens; tablet monitors; touchscreen monitors; monitoring instruments; monitoring apparatus and instruments; mains monitoring apparatus (electric -); temperature monitors for industrial use; tem-

perature monitors for household use; nonintrusive load monitoring [NILM] apparatus; apparatus for monitoring electrical energy consumption; monitoring apparatus, other than for medical purposes; software for apparatus for measuring, monitoring and analyzing electricity consumption; power relays; midi fuses; mega fuses; field effect transistors (FET); buck-boost converters; solar cells; photovoltaic solar modules; load break isolators; electric transformers; electric voltage transformers; electronic power supplies; power dividers [electric]; regulated power supply apparatus; battery balancers; battery combiners; software for battery monitors; software for power inverters; software for electric inverters.

---

(260) AM 2023 122147 A

(800) 1719685

(151) 2023 01 11

(891) 2023 01 11

(731) ILOVEPDF, S.L.

Sabino Arana 60, Local 2, E-08028 Barcelona, Spain

(540)



(591) Red

(531) 02.09.01; 24.15.21; 27.05.01; 29.01.13

(511)

42 – Scientific and technological services, as well as associated research and design services; industrial analysis and research services; design and development of computer equipment and software; software as a service [SaaS]; platform as a service [PaaS].

---

(260) AM 2023 122149 A

(800) 1719721

(151) 2022 09 15

(891) 2022 09 15

(731) Clinical Services Corporate Operations, Inc.

271 Waverly Oaks Rd. Suite 208, Waltham MA 02452, USA

(540)

## **ALLUCENT CLINICAL RESEARCH SERVICES**

(591) Black, white

(511)

35 – Data management, namely, abstraction and collection of medical data from clinical tests for business purposes; market research and business marketing consulting services in the pharmaceutical, biotechnology, medical device, and diagnostics industries.

42 – Programming of software for managing and collecting patient-generated health data for scientific research purposes; cloud computing featuring software that allows users to collect, review, analyze and report

on clinical research; technical support services, namely, installation and remote administration of software, and troubleshooting of software problems and hosted software applications, all for use in connection with medical research and product regulatory approval, environmental health, health care, and in relation to the design, research, development, and testing of new medical products and devices; cloud computing featuring software for providing telehealth, telemedicine, remote care and virtual health care services to patients; cloud computing featuring software that allows users to collect, track, retrieve, validate, summarize, statistically analyze and present data used in the areas of medical research and product regulatory approval, environmental health, health care, and in relation to the design, research, development, and testing of new medical products and devices; cloud computing featuring software to aggregate, integrate, transfer and manage data generated from home health and remote monitoring devices and applications and health-related smart-phone applications; cloud computing featuring software that provides integrated workflows, analytics, visualizations, and reporting features to deliver, process, analyze, elevate, and display patient-generated health data; cloud computing featuring software that integrates remotely collected health data into databases, systems, platforms, applications, and software that inform clinical research, remote monitoring, and care management; hosting of web-based portal for study sponsors and contract research organizations (CROs) to build programs, enroll members, automate actions, and visualize/analyze data in connection with clinical studies; technical consulting services, namely, evaluating the safety of pharmaceutical, medical, cosmetic and consumer devices and products in clinical development or in commercial production; consulting services for others in the field of design, planning, and implementation project management of clinical trials; analysis of statistical data relating to clinical trials for pharmaceuticals, biotechnology, medical devices and diagnostics for scientific research.

45 – Development of regulatory compliance strategies in the field of medical research, namely, regulatory compliance in drug, biologic, cosmetic and medical device development.

(260) AM 2023 122150 A

(800) 1719723

(151) 2022 11 02

(891) 2022 11 02

(731) Euro Games Technology Ltd.

4, "Maritsa" Str., "Vranya-Lozen-Triugulnika",  
BG-1151 Sofia, Bulgaria

(540)

**LUCKY 7 HOT**

(591) Red, yellow and orange

(531) 24.17.18; 27.05.02; 27.07.02; 29.01.13

(511)

9 – Operating computer software for main frame computers; monitors (computer hardware); computer hardware; apparatus for recording images; monitors (computer programs); computer game programs; recorded computer game programs; apparatus for recording, transmission or reproduction of sound or images; communications servers (computer hardware); electronic components for gambling machines; computer application software featuring games and gaming; computer software for the administration of on-line games and gaming; computer hardware for games and gaming; electronic components and computer software for gambling, gambling machines, gambling games on the Internet and via telecommunication network; computer systems; computer operating system software; computer terminals; interactive terminals; multimedia terminals; electronic terminals for generating lottery tickets; interactive touch screen terminals; computer touchscreens; electronic display panels; liquid crystal display screens; digital signage display panels; multimedia software; multimedia apparatus and instruments; interactive multimedia software for playing games; computer screens; LCD large-screen displays; liquid crystal displays [LCDs] for home theatres; media streaming software; computer application software for streaming audio-visual media content via the internet; software; computer gaming software; computer software packages; computer operating system software; computer software, recorded; software drivers; virtual reality software; games software; entertainment software for computer games; computer programs for network management; electronic lottery tickets; computer software platforms; operating systems; interactive computer systems; operating system programs; computer game software for use with on-line interactive games; interactive casino games provided through a computer or mobile platform; software for slot machines, betting software, software for video slot games, for casino games, for gambling and bingo games, provided online or through computer networks and that can be played on any type of computer device, including arcade games, personal computers, portable devices and mobile phones; automated ticket printing apparatus; automatic ticket dispensing machines; lottery ticket dispensing apparatus; electronic ticket examination machines.

28 – Gaming machines for gambling; chips for gambling; mah-jong; arcade games; gambling machines operating with coins, notes and cards; games; electronic games; parlor games; gaming chips; gaming tables; slot machines [gaming machines]; LCD game machines; slot machines and gaming devices; coin-operated amusement machines; roulette chips; poker chips; chips and dice [gaming equipment]; gaming equipment for casinos; roulette tables; gaming roulette wheels; casino games; gambling machines and amusement machines, automatic and coin-operated; coin-

operated amusement machines and / or electronic coin-operated amusement machines with or without the possibility of gain; boxes for coin-operated amusement machines, slot machines and gaming machines; electronic or electrotechnical amusement machines and apparatus, gaming machines, coin-operated entertainment machines; housings for coin-operated amusement machines, gaming equipment, gaming machines, machines for gambling; electropneumatic and electrical gambling machines (slot machines); lottery games; electronic targets for games and sports; parlor game equipment and accessories not included in other classes, in particular tokens, chips, marbles; parlor games, apparatus, equipment and accessories therefor, not included in other classes, in particular electronic targets, backgammon, scratch cards, playing cards, lottery cards, dice; lottery tickets; printed lottery tickets; lottery scratch cards; scratch cards for playing lottery games.

41 – Gambling; entertainment services related to gambling; gaming services for entertainment purposes; casino, gaming and gambling services; training in the development of software systems; provision of gaming equipment for gambling halls; providing casino equipment [gambling]; gaming machine entertainment services; providing casino facilities [gambling]; providing halls with gaming machines; amusement arcade services; games equipment rental; rental of gaming machines; providing amusement arcade services; rental of gaming machines with images of fruits; editing or recording of sounds and images; sound recording and video entertainment services; hire of sound reproducing apparatus; provision of gaming equipment for casinos; providing of casino facilities; online gambling services; casino, gaming and gambling services; providing amusement arcade services, on-line casino services and on-line betting services via websites; on-line interactive entertainment; on-line casino services; online game services through mobile devices; providing online entertainment in the nature of game tournaments; providing on-line information in the field of computer gaming entertainment; sports betting services; online sports betting services; providing on-line computer games and games of chance; lottery services; organization of lotteries; conducting lotteries; prize draws [lotteries]; conducting lotteries for others; providing slot machine parlors; rental of slot machines [gaming machines].

42 – Computer software technical support services; troubleshooting of computer software problems; provision of technical support in the supervision of computing networks; provision of technical support in the operation of computing networks; technical support services relating to computer software and applications; technical supervision and inspection; monitoring of computer systems by remote access; machine condition monitoring; installation, repair and maintenance of computer software; design, maintenance and upda-

ting of computer software; installation, setting up and maintenance of computer software; design, maintenance, development and updating of computer software; installation and customisation of computer applications software; technical consultancy relating to the installation and maintenance of computer software; computer system monitoring services; design of graphic software systems; development of interactive multimedia software; design and development of computer hardware; advice relating to the design of computer hardware; advisory and information services relating to the design and development of computer hardware; design, development and testing of computer software and hardware, in particular for gambling, casino games and betting.

(260) AM 2023 122151 A

(800) 1719760

(151) 2023 01 30

(891) 2023 01 30

(731) MUSTAFA ŞİHOĞLU

BAŞAK MAH. ERTUĞRUL GAZİ CAD.

NO: 18C, İÇ KAPI NO: 13, Başakşehir,

İstanbul, Türkiye;

ENİS KAYA

MALTEPE MAH. LONDRA ASFALTI CAD.

NO: 32C, İÇ KAPI NO: 53, Zeytinburnu,

İstanbul, Türkiye

(540)

**AURIS**

(591) Black, white

(531) 27.05.01

(511)

9 – Apparatus and instruments for conducting, transforming, accumulating or controlling electricity, electric plugs, junction boxes [electricity], electric switches, circuit breakers, fuses, lighting ballasts, battery starter cables, electrical circuit boards, electric resistances, electric sockets, transformers [electricity], electrical adapters, battery chargers, electric door bells, electric and electronic cables, batteries, electric accumulators, solar panels for production of electricity; measurement apparatus and equipment including those for scientific, nautical, topographic, meteorologic, industrial and laboratory purposes, thermometers, not for medical purposes, barometers, ammeters, voltmeters, hygrometers, testing apparatus not for medical purposes, telescopes, periscopes, directional compasses, speed indicators, laboratory apparatus, microscopes, magnifying glasses, stills, binoculars, ovens and furnaces for laboratory experiments; apparatus for recording, transmission or reproduction of sound or images, cameras, photographic cameras, television apparatus, video recorders, cd and dvd players and recorders, mp3 players, computers, desktop computers, tablet computers, wearable technological devices, namely, smartwatches, smart wristbands and head-mounted cameras, microphones, loudspeakers, ear-

phones, telecommunications apparatus, apparatus for the reproduction of sound or images, computer peripheral devices, cell phones, covers for cell phones, telephone apparatus, computer printers, scanners [data processing equipment], photocopiers; magnetic and optical data carriers and computer software and programmes recorded thereto, downloadable and recordable electronic publications, encoded magnetic and optical cards, movies, tv series and video music clips recorded on magnetic, optical and electronic media; antennas, satellite antennas, amplifiers for antennas, parts of the aforementioned goods; eyeglasses, sunglasses, optical lenses and cases, containers, parts and components thereof; alarms and anti-theft alarms, other than for vehicles, electric bells; signalling apparatus and instruments, luminous or mechanical signs for traffic use; radar apparatus, sonars, night vision apparatus and instruments; decorative magnets.

---

(260) AM 2023 122189 A

(800) 1559041

(151) 2020 09 24

(891) 2023 03 01

(731) Sodiko N.V.

Demerstraat 9, B-3590 Diepenbeek, Belgium;  
Artisan Spirits Box MB  
Paribio g. 21B-2, LT-08129 Vilnius, Lithuania

(540)

## MOONSHINE RUNNERS

(591) Black, white

(511)

33 – Alcoholic beverages (except beer); preparations for making alcoholic beverages; cider.

---

(260) AM 2023 122261 A

(800) 1722198

(151) 2022 12 05

(891) 2022 12 05

(731) Euro Games Technology Ltd.

4, "Maritsa" Str., "Vranya-Lozen-Triugulnika",  
BG-1151 Sofia, Bulgaria

(540)

## HIT WIN

(591) Black, white

(511)

9 – Software; computer gaming software; computer software packages; computer operating system software; computer software, recorded; software drivers; virtual reality software; games software; entertainment software for computer games; computer programs for network management; operating computer software for main frame computers; monitors (computer hardware); computer hardware; apparatus for recording images; monitors (computer programs); computer game programs; computer programs for recor-

ded games; apparatus for recording, transmission or reproduction of sound or images; communications servers [computer hardware]; electronic components for gambling machines; computer application software featuring games and gaming; computer software for the administration of on-line games and gaming; computer hardware for games and gaming; hardware and software for gambling, gambling machines, gambling games on the Internet and via telecommunication network.

28 – Gaming machines for gambling; chips for gambling; mah-jong; arcade games; gambling machines operating with coins, notes and cards; games; electronic games; parlor games; gaming chips; gaming tables; slot machines [gaming machines]; LCD game machines; slot machines and gaming devices; coin-operated amusement machines; roulette chips; poker chips; chips and dice [gaming equipment]; gaming equipment for casinos; roulette tables; gaming roulette wheels; casino games; gambling machines and amusement machines, automatic and coin-operated; coin-operated amusement machines and/or electronic coin-operated amusement machines with or without the possibility of gain; boxes for coin-operated machines, slot machines and gaming machines; electronic or electrotechnical amusement machines and apparatus, gaming machines, coin-operated entertainment machines; housings for coin-operated machines, gaming equipment, gaming machines, machines for gambling; electropneumatic and electrical gambling machines (slot machines).

41 – Gambling; entertainment services related to gambling; gaming services for entertainment purposes; casino, gaming and gambling services; training in the development of software systems; provision of gaming equipment for gambling halls; providing casino equipment [gambling]; gaming machine entertainment services; providing casino facilities [gambling]; gaming hall services; amusement arcade services; games equipment rental; rental of gaming machines; providing amusement arcade services; rental of gaming machines with images of fruits; editing or recording of sounds and images; sound recording and video entertainment services; hire of sound reproducing apparatus; provision of gaming equipment for casinos; providing of casino facilities; online gambling services; casino services; provision of gaming facilities, gaming hall facilities, Internet casinos and online gambling services.

---

(260) AM 2023 122269 A

(800) 1408784

(151) 2018 04 10

(891) 2023 03 02

(731) ROCHE DIAGNOSTICS GmbH

Sandhofer Strasse 116, 68305 Mannheim,  
Germany

(540)

**COBAS MAX**

(591) Black, white

(511)

9 – Scientific instruments and apparatus; laboratory devices for use in research, science and industry; laboratory instruments for scientific and diagnostic purposes; computer hardware and software for medical and diagnostic purposes; computer software for the provision of automated diagnostic laboratory processes; computer software and hardware for use with laboratory instruments, namely, for use in providing remote automated control of diagnostic laboratory instruments, data analysis, and data management.

10 – Medical apparatus and instruments; analyzers for in-vitro diagnostic testing for medical purposes; laboratory apparatus for medical diagnostic purposes.

(260) AM 2023 122270 A

(800) 1433297

(151) 2018 09 05

(891) 2023 03 14

(731) Roche Diagnostics GmbH

Sandhofer Str. 116, 68305 Mannheim, Germany

(540)

**NAVIFY**

(591) Black, white

(511)

35 – Promoting collaboration and the exchange of information and resources via a user community to achieve advances in the fields of nucleic acid sequencing and genotyping, medical diagnostics, clinical diagnostics, medical research, clinical research, life sciences, biology, molecular pathology, molecular diagnostics, laboratory medicine, biotechnology, forensics and genetics; compiling scientific and/or clinical data, in particular patient data; compiling scientific and/or statistical data, in particular clinical data, namely patient data and/or data from clinical studies; computer-based updating and maintenance of data in databases, all in the pharmaceutical and/or healthcare sector; electronic data collection and compilation of statistical information into computer databases in the field of medicine and healthcare; analyzing and compiling business data for innovative healthcare solutions.

(260) AM 2023 122271 A

(800) 1490519

(151) 2019 09 05

(891) 2023 02 16

(731) OFFICINE DOLCE VITA S.R.L.

Corso Buenos Aires 64, I-20124 MILANO

(MI), Italy

(540)

**MAESTRO MASSIMO**

(591) Black, white

(511)

30 – Oat-based food; seasonings; coffee flavorings; food flavorings, other than essential oils; vanilla flavorings for culinary purposes; flavorings, other than essential oils, for beverages; cereal bars; high-protein cereal bars; stick liquorice [confectionery]; cocoa-based beverages; coffee-based beverages; chocolate-based beverages; cocoa beverages with milk; chocolate beverages with milk; cookies; malt biscuits; petit-beurre biscuits; buns; sweetmeats [candy]; puddings; cocoa; coffee; caramels [candy]; peppermint sweets; chocolate; chocolate-based spreads; aromatic preparations for food; confectionery; pralines; macaroons [pastry]; croûtons; cakes; natural sweeteners; flour; oat flakes; chips [cereal products]; corn flakes; pies; fondants [confectionery]; ice cream; cheeseburgers [sandwiches]; corn, roasted; popcorn; pizzas; quiches; sandwiches; cereal-based snack food; rice-based snack food; tacos; tortillas; waffles; chocolate spreads containing nuts; custard; fruit jellies [confectionery]; bread; croutons; rusks; unleavened bread; bread-crumbs; bread rolls; pastry dough; pastries; petits fours [cakes]; tarts; candy; liquorice [confectionery]; pastilles [confectionery]; honey; marzipan; sherbets [ices]; tea; pasta; ravioli; rice; muesli; dough; cake dough; muesli bars; pizza bases; salted biscuits; chocolate candies; boiled sweets; gummy candies; crêpes; croissants; calzones; pizza dough; rice pudding; crème caramels; cookie dough; cocoa-based ingredients for confectionery products; meringues; panettone; nougat; breadsticks; wholemeal bread; toast; taffy; chewing gum; chocolate bars; fresh pasta; dried pasta; polenta; brown rice; cookie mixes; pancake mixes; sponge cakes; coffee, tea, cocoa and artificial coffee; tapioca and sago; flour and preparations made from cereals; bread, pastries and confectionery; sugar, honey, treacle; yeast, baking-powder; ice for refreshment; pancakes; crumpets; filled baguettes; oat bars; rice biscuits; filled brioches; corn chips; crackers; rice crackers; flavoured crackers; crumble; rice cakes; corn cakes; filled bread rolls; pasta containing stuffings; frozen pastry stuffed with meat and vegetables; savory pastries; pies [sweet or savoury]; preserved pizzas; pizzas [prepared]; frozen pizzas; uncooked pizzas; popcorn; caramel coated popcorn; flavoured popcorn; crisps made of cereals; snack food products made from soya flour; snack food products made from rice flour; snack food products made from potato flour; snack foods made from wheat; snack foods made of whole wheat; snack foods made from corn; snacks manufactured from muesli; canapes; fresh pies; flavourings made from fruits; chocolate flavourings; fruit flavourings, except essences; flavorings, other than essential oils, for cakes; chocolate spreads for use on bread; mint for confectionery; chocolate based products; foods with a cocoa base; cereal bars and energy bars;



jam buns; puddings; ice cream candies; panned sweets (non-medicated -); chocolates; chocolate for confectionery and bread; chocolate for toppings; confectionery ices; confectionery containing jam; ice confectionery; confectionery containing jelly; confectionery in liquid form; confectionery in frozen form; frozen dairy confections; frozen confectionery containing ice cream; custard; chocolate creams; chocolate spreads; Turkish delight; muesli desserts; sweets (candy), candy bars and chewing gum; prepared desserts [confectionery]; mousse confections; pandoro; instant dessert puddings; preparations for making sugar confectionery; bakery goods; imitation chocolate; imitation custard; truffles [confectionery]; tablet (confectionary); tiramisu; frozen yogurt pies; baguettes; bread biscuits; biscuits [sweet or savoury]; toasts [biscuits]; barm cakes; rusks; pykelets; crisp breads; pumpnickel; fresh bread; low-salt bread; multigrain bread; flat bread; pre-baked bread; gluten-free bread; toasted bread; macaroons [pastry]; pie shells; malt biscuits; doughnuts; cream buns; brownies; cheesecakes; rolled wafers [biscuits]; wafers; cones for ice cream; prepared desserts [pastries]; frozen cakes; pastry dough; pastry shells; muffins; puff pastry; shortcrust pastry; fresh pasties; long-life pastry; frozen pastries; sweet quiches; savory quiches; sponge fingers [cakes]; covered tarts; vegan cakes; vol-au-vents; rock [confectionery]; chewing candy; milk tablet candy; chocolate candies; boiled sweets; foamed sugar sweets; filled sweetmeats; milk chocolates; filled chocolate; chocolate candies; mallows [confectionery]; sweetmeats [candy]; jelly beans; lollipops; candy mints; sherbets [confectionery]; chocolate eggs; bars based on wheat; granola-based snack bars; chocolate-based meal replacement bars; cereal-based meal replacement bars; foodstuffs made of a sweetener for sweetening desserts; natural low calorie sweeteners; sweet glazes and fillings; syrups and treacles; confectionery chips for baking; chocolate chips; frostings; ice cream stick bars; ice cream confectionery; ice-cream cakes; ice cream substitute; ice cream gateaux; frozen yoghurt [confectionery ices]; doughs, batters, and mixes therefor; yeast and leavening agents; dried and fresh pastas, noodles and dumplings; preparations made from cereals; aromatic preparations for pastries; preparations for making bakery products; aromatic preparations for cakes; food preparations based on grains; malt-based food preparations; gnocchi; pasta preserves; pasta; pasta containing eggs; pasta containing stuffings; pasta in the form of sheets; wholemeal pasta; deep frozen pasta; prepared pasta; egg noodles; dumplings; foodstuffs made from cereals; breakfast cereals, porridge and grits; granola-based snack foods; snack foods prepared from maize; puddings in powder form; bread concentrates; cake doughs; frozen dough; wholemeal bread mixes; doughnut mixes; cake mixes; muffin mixes; mixes for the preparation of bread; dough mix; pastry mixes; pizza mixes; alimentary paste [dough]; filo doughs; cookie dough; rice, pasta

and noodles; ice cream, sorbets and other edible ices; salt, condiments, spices and preserved herbs; vinegar, sauces and other condiments.

---

(260) AM 2023 122273 A

(800) 1534136

(151) 2020 05 06

(891) 2023 03 01

(731) Roja Parfums Holdings Limited

41 New England Street, New England Quarter,  
Brighton BN1 4GQ, United Kingdom

(540)

## ELYSIUM

(591) Black, white

(511)

3 – Perfumery.

---

(260) AM 2023 122311 A

(800) 1722357

(151) 2023 03 06

(891) 2023 03 06

(731) CELLTRION, INC.

23, Academy-ro, Yeonsu-gu, Incheon 22014,  
Republic of Korea

(540)

## Roldenclo

(591) Black, white

(511)

5 – Pharmaceutical preparations; pharmaceutical preparations for the treatment of osteoporosis; pharmaceutical products for the treatment of bone diseases; pharmaceutical products for the treatment of bone loss; drugs for increasing bone density.

---

(260) AM 2023 122314 A

(800) 1722392

(151) 2023 03 03

(891) 2023 03 03

(731) Hill Street Companies LLC

PO Box 260, Oxford MI 48371,  
USA

(540)

## Jamaican Blue

(591) Black, white

(511)

34 – Smokable hemp; dried and cured hemp flower for smoking; smokeable hemp flower in the nature of loose dried hemp prepackaged for smoking; natural plants, namely, dried hemp flowers; smokable concentrates derived from hemp; none of the foregoing containing ingredients derived from cannabis with a delta-9 tetrahydrocannabinol (THC) concentration of not more than 0.3 percent on a dry weight basis.

---

(260) AM 2023 122315 A

(800) 1722400

(151) 2023 02 27

(891) 2023 02 27

(731) Apple Inc.

One Apple Park Way, Cupertino CA 95014,  
USA

(540)

**CALLKIT**

(591) Black, white

(511)

9 – Application development software; computer software for use as an application programming interface (API) for building software applications.

(260) AM 2023 122316 A

(800) 1722495

(151) 2022 12 27

(891) 2022 12 27

(731) Aktsionernoe Obshchestvo "Nizhegorodsky  
khimiko-farmatsevtichesky zavod"Salganskaya St., 7, RU-603105 Nizhny  
Novgorod, Russian Federation

(540)

**КСЕФОМИЕЛИН**

(591) Black, white

(531) 28.05

(511)

5 – Pharmaceuticals, medical and veterinary preparations; sanitary preparations for medical purposes; dietetic food and substances adapted for medical or veterinary use, food for babies; dietary supplements for human beings and animals; nutritional supplements; plasters, materials for dressings; material for dental fillings and dental impressions; disinfectants; preparations for destroying noxious animals; fungicides, herbicides; acaricides; aconitine; alkaloids for medical purposes; alginates for pharmaceutical purposes; algicides; aldehydes for pharmaceutical purposes; dental amalgams of gold; dental amalgams; amino acids for veterinary purposes; amino acids for medical purposes; analgesics; anaesthetics; antibiotics; antiseptics; medicine cases, portable, filled; first-aid boxes, filled; aluminium acetate for pharmaceutical purposes; acetates for pharmaceutical purposes; germicides; oxygen cylinders, filled, for medical purposes; balms for medical purposes; bandages for dressings; diagnostic biomarker reagents for medical purposes; biocides; bracelets impregnated with insect repellent; bromine for pharmaceutical purposes; paper for mustard plasters; fly catching paper; reagent paper for veterinary purposes; reagent paper for medical purposes; mothproofing paper; petroleum jelly for medical purposes; vaccines; oxygen baths; antiseptic cotton; aseptic cotton; absorbent cotton; wadding for medical purposes; cotton for medical purposes; dietetic substances adapted for medical use; radiological contrast

substances for medical purposes; nutritive substances for microorganisms; radioactive substances for medical purposes; bismuth subnitrate for pharmaceutical purposes; melissa water for pharmaceutical purposes; seawater for medicinal bathing; mineral waters for medical purposes; thermal water; dietary fibre; moulding wax for dentists; gases for medical purposes; guaiacol for pharmaceutical purposes; massage gels for medical purposes; sexual stimulant gels; haematogen; haemoglobin; hydrastine; hydrastinine; glycerine for medical purposes; glycerophosphates; glucose for medical purposes; gentian for pharmaceutical purposes; hormones for medical purposes; mustard for pharmaceutical purposes; mustard plasters; mud for baths; medicinal mud; contraceptive sponges; gamboge for medical purposes; gurjun balsam for medical purposes; deodorizers for litter trays; air deodorizing preparations; deodorants, other than for human beings or for animals; deodorants for clothing and textiles; diastase for medical purposes; digitalin; vitamin supplement patches; mineral dietary supplements; dietary supplements; albumin dietary supplements; dietary supplements for animals; yeast dietary supplements; alginate dietary supplements; glucose dietary supplements; casein dietary supplements; lecithin dietary supplements; linseed oil dietary supplements; propolis dietary supplements; protein dietary supplements; protein supplements for animals; royal jelly dietary supplements; pollen dietary supplements; wheat germ dietary supplements; linseed dietary supplements; acai powder dietary supplements; dietary supplements with a cosmetic effect; enzyme dietary supplements; yeast for pharmaceutical purposes; gelatine for medical purposes; cod liver oil; isotopes for medical purposes; immunostimulants; insecticides; iodine for pharmaceutical purposes; iodides for pharmaceutical purposes; alkaline iodides for pharmaceutical purposes; iodoform; calomel [fungicide]; cream of tartar for pharmaceutical purposes; tartar for pharmaceutical purposes; camphor for medical purposes; capsules for medicines; cachets for pharmaceutical purposes; capsules made of dendrimer-based polymers, for pharmaceuticals; haemostatic pencils; wart pencils; caustic pencils; carbolineum [parasiticide]; caustics for pharmaceutical purposes; cachou for pharmaceutical purposes; quassia for medical purposes; quebracho for medical purposes; oxygen for medical purposes; gallic acid for pharmaceutical purposes; acids for pharmaceutical purposes; adhesives for dentures; surgical glues; stem cells for veterinary purposes; stem cells for medical purposes; cocaine for medical purposes; collagen for medical purposes; collodion for pharmaceutical purposes; corn rings for the feet; cannabis bark for medical purposes; medicated sweets; angostura bark for medical purposes; barks for pharmaceutical purposes; cedar wood for use as an insect repellent; condurango bark for medical purposes; croton bark; mangrove bark for pharmaceutical purposes; myrobalan bark for pharmaceutical purposes; quinquina for

medical purposes; medicated animal feed; medicinal roots; rhubarb roots for pharmaceutical purposes; lint for medical purposes; starch for dietetic or pharmaceutical purposes; creosote for pharmaceutical purposes; blood for medical purposes; biological tissue cultures for veterinary purposes; biological tissue cultures for medical purposes; cultures of microorganisms for medical or veterinary use; curare; dental lacquer; liquorice for pharmaceutical purposes; milk sugar for pharmaceutical purposes; adhesive plasters; medicines for alleviating constipation; adhesive tapes for medical purposes; lecithin for medical purposes; lotions for veterinary purposes; medicated hair lotions; lotions for pharmaceutical purposes; medicated after-shave lotions; personal sexual lubricants; lupulin for pharmaceutical purposes; magnesia for pharmaceutical purposes; liniments; ointments for pharmaceutical purposes; sunburn ointments; mercurial ointments; frostbite salve for pharmaceutical purposes; gauze for dressings; medicinal oils; mustard oil for medical purposes; camphor oil for medical purposes; castor oil for medical purposes; oil of turpentine for pharmaceutical purposes; dill oil for medical purposes; dental mastics; dental abrasives; dental impression materials; teeth filling material; dressings, medical; surgical dressings; drugs for medical purposes; medicines for veterinary purposes; serotherapeutic medicines; medicines for human purposes; medicines for dental purposes; menthol; medicinal drinks; moleskin for medical purposes; almond milk for pharmaceutical purposes; powdered milk for babies; royal jelly for pharmaceutical purposes; milk ferments for pharmaceutical purposes; Irish moss for medical purposes; flour for pharmaceutical purposes; linseed meal for pharmaceutical purposes; fish meal for pharmaceutical purposes; fly glue; antibacterial soap; disinfectant soap; medicated soap; freeze-dried meat adapted for medical purposes; mint for pharmaceutical purposes; dietetic beverages adapted for medical purposes; malted milk beverages for medical purposes; injectable dermal fillers; bone void fillers comprised of living tissues; narcotics; medicinal infusions; tincture of iodine; eucalyptol for pharmaceutical purposes; tinctures for medical purposes; opium; opodeldoc; decoctions for pharmaceutical purposes; antiparasitic collars for animals; cotton swabs for medical purposes; cotton wool swabs for medical purposes; stick liquorice for pharmaceutical purposes; sulfur sticks [disinfectants]; pastilles for pharmaceutical purposes; medicated toothpaste; pectin for pharmaceutical purposes; pepsins for pharmaceutical purposes; peptones for pharmaceutical purposes; hydrogen peroxide for medical purposes; pesticides; food for babies; leeches for medical purposes; blood plasma; nicotine patches for use as aids to stop smoking; eyepatches for medical purposes; poultices; compresses; scapulars for surgical purposes; babies' diapers; diapers for pets; swim diapers, reusable, for babies; swim diapers, disposable, for babies; diapers for incontinence; diaper changing

mats, disposable, for babies; bunion pads; breast-nursing pads; pomades for medical purposes; powder of cantharides; pyrethrum powder; anti-uric preparations; bacterial preparations for medical and veterinary use; bacteriological preparations for medical and veterinary use; balsamic preparations for medical purposes; albuminous preparations for medical purposes; biological preparations for veterinary purposes; biological preparations for medical purposes; veterinary preparations; bismuth preparations for pharmaceutical purposes; vitamin preparations; diagnostic preparations for veterinary purposes; diagnostic preparations for medical purposes; douching preparations for medical purposes; bath preparations for medical purposes; therapeutic preparations for the bath; haemorrhoid preparations; preparations for callouses; lice treatment preparations [pediculicides]; acne treatment preparations; preparations to facilitate teething; preparations for the treatment of burns; fumigation preparations for medical purposes; ophotherapy preparations; air purifying preparations; bronchodilating preparations; preparations for reducing sexual activity; sterilizing preparations; soil-sterilizing preparations; corn remedies; pharmaceutical preparations for treating dandruff; vermin destroying preparations; herbicides; preparations for destroying dry rot fungus; larvae exterminating preparations; fly destroying preparations; preparations for destroying mice; slug exterminating preparations; pharmaceutical preparations for skin care; contact lens cleaning preparations; preparations of microorganisms for medical or veterinary use; lime-based pharmaceutical preparations; styptic preparations; medicated eye-washes; medicinal hair growth preparations; nutraceutical preparations for therapeutic or medical purposes; opiates; anticryptogamic preparations; aloe vera preparations for pharmaceutical purposes; preparations of trace elements for human and animal use; sulfonamides [medicines]; pharmaceutical preparations; pharmaceutical preparations for treating sunburn; enzyme preparations for veterinary purposes; enzyme preparations for medical purposes; phytotherapy preparations for medical purposes; chemico-pharmaceutical preparations; chemical preparations for veterinary purposes; chemical preparations for the diagnosis of pregnancy; chemical preparations for medical purposes; chemical preparations for treating diseases affecting cereal plants; chemical preparations for treating wheat blight; chemical preparations for treating diseases affecting vine plants; chemical preparations for treating mildew; chemical preparations for treating phylloxera; chemical preparations for pharmaceutical purposes; chilblain preparations; mothproofing preparations; collyrium; lead water; chemical conductors for electrocardiograph electrodes; albuminous foodstuffs for medical purposes; dietetic foods adapted for medical purposes; by-products of the processing of cereals for dietetic or medical purposes; homogenized food adapted for medical purposes; freeze-dried food adapted for medical purposes;

ses; pharmaceuticals; sanitary towels; panty liners [sanitary]; propolis for pharmaceutical purposes; pearl powder for medical purposes; radium for medical purposes; hydrated chloral for pharmaceutical purposes; solvents for removing adhesive plasters; vaginal washes for medical purposes; solutions for contact lenses; chemical reagents for medical or veterinary purposes; gum for medical purposes; rubber for dental purposes; chewing gum for medical purposes; nicotine gum for use as an aid to stop smoking; insect repellents; insect repellent incense; repellents for dogs; tissues impregnated with pharmaceutical lotions; sarsaparilla for medical purposes; sugar for medical purposes; crystallized rock sugar for medical purposes; asthmatic tea; fumigating sticks; massage candles for therapeutic purposes; linseed for pharmaceutical purposes; tobacco-free cigarettes for medical purposes; siccatives [drying agents] for medical purposes; syrups for pharmaceutical purposes; turpentine for pharmaceutical purposes; milking grease; greases for veterinary purposes; greases for medical purposes; lacteal flour for babies; infant formula; soporifics; bicarbonate of soda for pharmaceutical purposes; bath salts for medical purposes; salts for mineral water baths; salts for medical purposes; potassium salts for medical purposes; sodium salts for medical purposes; smelling salts; mineral water salts; malt for pharmaceutical purposes; semen for artificial insemination; alcohol for pharmaceutical purposes; medicinal alcohol; alloys of precious metals for dental purposes; ergot for pharmaceutical purposes; cooling sprays for medical purposes; antibacterial handwashes; adjuvants for medical purposes; astringents for medical purposes; vermifuges; disinfectants for hygiene purposes; disinfectants for chemical toilets; appetite suppressants for medical purposes; medical preparations for slimming purposes; parasiticides; mouthwashes for medical purposes; medicated dentifrices; febrifuges; depuratives; animal washes [insecticides]; detergents for medical purposes; cattle washes [insecticides]; dog washes [insecticides]; insecticidal veterinary washes; vesicants; purgatives; remedies for perspiration; remedies for foot perspiration; chemical contraceptives; antiparasitic preparations; sedatives; laxatives; tonics [medicines]; medicated toiletry preparations; digestives for pharmaceutical purposes; nervines; bouillons for bacteriological cultures; steroids; headache relief sticks; strychnine; suppositories; serums; tanning pills; appetite suppressant pills; slimming pills; jujube, medicated; antioxidant pills; sanitary tampons; vulnerary sponges; thymol for pharmaceutical purposes; smoking herbs for medical purposes; medicinal herbs; transplants [living tissues]; surgical implants comprised of living tissues; pants, absorbent, for incontinence; sanitary panties; babies' diaper-pants; charcoal for pharmaceutical purposes; fennel for medical purposes; porcelain for dental prostheses; phenol for pharmaceutical purposes; enzymes for veterinary purposes; enzymes for medical purposes; ferments for

pharmaceutical purposes; formic aldehyde for pharmaceutical purposes; phosphates for pharmaceutical purposes; fungicides; quinine for medical purposes; chinoline for medical purposes; diabetic bread adapted for medical use; chloroform; flowers of sulfur for pharmaceutical purposes; cement for animal hooves; bone cement for surgical and orthopaedic purposes; dental cements; medicinal tea; herbal teas for medicinal purposes; insecticidal animal shampoos; medicated shampoos; medicated shampoos for pets; pedicidal shampoos; medicated dry shampoos; pre-filled syringes for medical purposes; eucalyptus for pharmaceutical purposes; plant extracts for medical purposes; plant extracts for pharmaceutical purposes; tobacco extracts [insecticides]; extracts of hops for pharmaceutical purposes; elixirs [pharmaceutical preparations]; ethers for pharmaceutical purposes; esters for pharmaceutical purposes; cellulose esters for pharmaceutical purposes; cellulose ethers for pharmaceutical purposes; rat poison; poisons; bacterial poisons; jalap; angioprotectors; antiplatelet agents; anticoagulants; anti-inflammatory preparations; antithrombotic agents; decongestants; pharmaceutical preparations for the treatment of nervous system diseases; pharmaceutical preparations for the treatment of articular-ligamentous disorders; pharmaceutical preparations for the treatment of musculoskeletal disorders; pharmaceutical preparations for the treatment of various diseases; pharmaceutical preparations for treating injuries; pharmaceuticals for the treatment of thrombophlebitis; anti-itch pharmaceutical preparations; venotonic pharmaceuticals; pharmaceutical preparations for the treatment of venous system diseases; pharmaceutical preparations for the treatment of lymphatic system diseases; pharmaceutical preparations for the treatment of rheumatic lesion; pharmaceutical preparations for the treatment of bacterial infections; products for the regeneration of peripheral nerves; products for regeneration of myelin sheath; nucleic acid sequences for medical, nutraceutical and veterinary purposes; preparations for the relief of pain.

(260) AM 2023 122325 A

(800) 1722629

(151) 2022 12 26

(891) 2022 12 26

(731) Ali SARIBOGA

Akincilar Mahallesi, Posta Caddesi, Dalgic

Sokak No.13 D.5 Gungoren, Istanbul, Türkiye

(540)

**changetocoin**

(591) Black, white

(531) 27.05.01

(511)

35 – Advertising; business management, organization and administration; office functions; administration of consumer loyalty programs; administration of frequ-

ent flyer programs; administrative assistance in responding to calls for tenders; administrative processing of purchase orders; administrative services for medical referrals; administrative services for the relocation of businesses; advertising; advertising agency services; advertising by mail order; advertising services to create brand identity for others; advisory services for business management; appointment reminder services [office functions]; appointment scheduling services [office functions]; arranging newspaper subscriptions for others; arranging subscriptions to electronic toll collection [ETC] services for others; arranging subscriptions to telecommunication services for others; auctioneering; bill-posting; book-keeping; business appraisals; business auditing; business consulting services for digital transformation; business efficiency expert services; business inquiries; business intermediary services relating to the matching of potential private investors with entrepreneurs needing funding; business intermediary services relating to the matching of various professionals with clients; business investigations; business management and organization consultancy; business management assistance; business management consultancy; business management for freelance service providers; business management of hotels; business management of performing artists; business management of reimbursement programmes for others; business management of sports people; business organization consultancy; business project management services for construction projects; business research; commercial administration of the licensing of the goods and services of others; commercial information agency services; commercial intermediation services; commercial lobbying services; commercial or industrial management assistance; competitive intelligence services; compilation of information into computer databases; compilation of statistics; compiling indexes of information for commercial or advertising purposes; computerized file management; computerized management of medical records and files; conducting of commercial events; consultancy regarding advertising communication strategies; consultancy regarding public relations communication strategies; consumer profiling for commercial or marketing purposes; corporate communications services; cost price analysis; data processing services [office functions]; data search in computer files for others; demonstration of goods; development of advertising concepts; direct mail advertising; dissemination of advertising matter; distribution of samples; drawing up of statements of accounts; economic forecasting; employment agency services; financial auditing; gift registry services; import-export agency services; influencer marketing; interim business management; invoicing; layout services for advertising purposes; lead generation services; marketing; marketing in the framework of software publishing; marketing research; market intelligence services; market studies; media relations services; modelling for advertising or

sales promotion; negotiation and conclusion of commercial transactions for third parties; negotiation of business contracts for others; news clipping services; office machines and equipment rental; online advertising on a computer network; online ordering services in the field of restaurant take-out and delivery; online retail services for downloadable and pre-recorded music and movies; online retail services for downloadable digital music; online retail services for downloadable ring tones; opinion polling; organization of exhibitions for commercial or advertising purposes; organization of fashion shows for promotional purposes; organization of trade fairs; outdoor advertising; outsourced administrative management for companies; outsourcing services [business assistance]; pay per click advertising; payroll preparation; personnel management consultancy; personnel recruitment; photocopying services; preparation of business profitability studies; presentation of goods on communication media, for retail purposes; price comparison services; procurement services for others [purchasing goods and services for other businesses]; production of advertising films; production of teleshopping programmes; professional business consultancy; promotion of goods and services through sponsorship of sports events; promotion of goods through influencers; providing business information; providing business information via a website; providing commercial and business contact information; providing commercial information and advice for consumers in the choice of products and services; providing telephone directory information; providing user rankings for commercial or advertising purposes; providing user reviews for commercial or advertising purposes; provision of an online marketplace for buyers and sellers of goods and services; psychological testing for the selection of personnel; publication of publicity texts; publicity material rental; public relations; radio advertising; reception services for visitors [office functions]; registration of written communications and data; rental of advertising space; rental of advertising time on communication media; rental of billboards [advertising boards]; rental of cash registers; rental of office equipment in co-working facilities; rental of photocopying machines; rental of sales stands; rental of vending machines; retail services for pharmaceutical, veterinary and sanitary preparations and medical supplies; retail services for works of art provided by art galleries; retail services relating to bakery products; sales promotion for others; scriptwriting for advertising purposes; search engine optimization for sales promotion; secretarial services; shop window dressing; shorthand; sponsorship search; systemization of information into computer databases; targeted marketing; tax filing services; tax preparation; telemarketing services; telephone answering for unavailable subscribers; telephone switchboard services; television advertising; transcription of communications [office functions]; typing; updating and maintenance

of data in computer databases; updating and maintenance of information in registries; updating of advertising material; web indexing for commercial or advertising purposes; website traffic optimization; wholesale services for pharmaceutical, veterinary and sanitary preparations and medical supplies; word processing; writing of curriculum vitae for others; writing of publicity texts.

36 – Financial, monetary and banking services; insurance services; real estate affairs; accident insurance underwriting; accommodation bureau services [apartments]; actuarial services; antique appraisal; apartment house management; arranging finance for construction projects; art appraisal; bail-bonding; banking; brokerage; brokerage of carbon credits; business liquidation services, financial; capital investment; charitable fund raising; cheque verification; clearing, financial; credit bureau services; crowdfunding; debt advisory services; debt collection agency services; deposits of valuables; electronic funds transfer; electronic funds transfer provided via blockchain technology; electronic transfer of crypto assets; e-wallet payment services; exchanging money; factoring; financial analysis; financial appraisals in responding to calls for tenders; financial consultancy; financial customs brokerage services; financial evaluation [insurance, banking, real estate]; financial evaluation of development costs relating to the oil, gas and mining industries; financial evaluation of standing timber; financial evaluation of wool; financial exchange of crypto assets; financial management; financial management of reimbursement payments for others; financial research; financial sponsorship; financial valuation of intellectual property assets; financing services; fire insurance underwriting; fiscal valuation; health insurance underwriting; hire-purchase financing; instalment loans; insurance brokerage; insurance consultancy; insurance underwriting; investment of funds; issuance of credit cards; issuance of gift certificates; issuance of tokens of value; issuance of travellers' cheques; jewellery appraisal; lending against security; life insurance underwriting; loans [financing]; marine insurance underwriting; mobile banking services; mortgage banking; mutual funds; numismatic appraisal; online banking; organization of monetary collections; pawnbrokerage; preparation of quotes for cost estimation purposes; processing of credit card payments; processing of debit card payments; provident fund services; providing financial information; providing financial information via a website; providing insurance information; providing rebates at participating establishments of others through use of a membership card; real estate affairs; real estate agency services; real estate appraisal; real estate brokerage; real estate management; rental of apartments; rental of farms; rental of offices for co-working; rental of offices [real estate]; rental of real estate; rent collection; repair costs evaluation [financial appraisal]; retirement payment services; safe deposit services; savings bank services;

securities brokerage; stamp appraisal; stock brokerage services; stock exchange quotations; stocks and bonds brokerage; surety services; trusteeship.

---

(260) AM 2023 122326 A

(800) 1722637

(151) 2023 02 01

(891) 2023 02 01

(731) STADA Arzneimittel AG

Stadastraße 2 – 18, 61118 Bad Vilbel, Germany

(540)

## Coldrex ColdRem

(591) Black, white

(511)

5 – Pharmaceutical, veterinary and sanitary preparations; pharmaceutical preparations for cold, flu, cough and sore throat treatment; analgesics; dietetic substances for medical use, food for babies; plasters, materials for dressings; material for stopping teeth, dental wax; disinfectants; preparations for destroying vermin; fungicides, herbicides.

---

(260) AM 2023 122327 A

(800) 1722649

(151) 2023 02 10

(891) 2023 02 10

(731) Bundesagentur für Arbeit

Regensburger Str. 104, 90478 Nürnberg, Germany

(540)



**Federal Employment Agency**  
Germany

(591) Red, white and black

(531) 26.01.03; 26.01.18; 27.05.09; 27.05.24;  
29.01.13

(511)

35 – Consultancy and advisory services relating to personnel placement, recruitment and management; temporary personnel employment services; employment agency services; organizing and conducting job fairs; career planning consultancy; employment recruiting consultancy.

41 – Career and vocational training; electronic publication of information on a wide range of topics online.

45 – Providing information regarding political issues.

---

(260) AM 2023 122349 A

(800) 1723157

(151) 2023 03 16

(891) 2023 03 16

(731) VIKING OUTDOOR FOOTWEAR AS

Brynsveien 16 B, N-0667 OSLO, Norway

(540)

**VIKING**

(591) Black, white

(511)

25 – Clothing, footwear, headwear.

(260) AM 2023 122350 A

(800) 1723190

(151) 2023 02 16

(891) 2023 02 16

(731) PepsiCo, Inc. (a North Carolina corporation)

700 Anderson Hill Road, Purchase,

New York 10577, USA

(540)



(591) Black, white, silver, red and blue

(531) 19.03.01; 26.01.12; 26.07.04; 27.05.01;

29.01.15

(526) The words "ZERO SUGAR", the number "0

(511)

32 – Aperitifs, non-alcoholic; carbonated water; waters [beverages]; cocktails, non-alcoholic; lemonades; non-alcoholic beverages; isotonic beverages; soft drinks; non-alcoholic fruit juice beverages; energy drinks; orgeat; powders for effervescing beverages; sarsaparilla [non-alcoholic beverage]; syrups for lemonade; syrups for beverages; preparations for making carbonated water; pastilles for effervescing beverages; sherbets [beverages]; non-alcoholic fruit extracts; non-alcoholic essences for making beverages.

(260) AM 2023 122351 A

(800) 1723284

(151) 2022 11 30

(891) 2022 11 30

(731) HELLY HANSEN AS

Munkedamsveien 35, N-0250 OSLO, Norway

(540)

**HH**

(591) Black, white

(531) 27.05.22

(511)

9 – Life-saving and teaching apparatus and instruments; diving suits, divers' masks, ear plugs for di-

vers, nose clips for divers and swimmers, gloves for divers, breathing apparatus for underwater swimming; fire-extinguishing apparatus; protective and safety equipment; protective clothing for the prevention of accident or injury; protective headgear; safety goggles; safety spectacles; protective footwear for the prevention of accident or injury; safety boots and shoes; protective vizors and face shields for protection against accidents; safety helmets, ear defenders and earmuffs; eye protection wear for sports, eye protectors, goggles; life jackets; computer software; computer software for mobile and desktop digital devices; mobile apps; computer application software; computer application software for mobile and desktop digital devices; downloadable applications for mobile devices; downloadable mobile application for tracking workouts and fitness activities; computer application software for mobile and desktop digital devices, namely, software that allows users to view and or purchase a wide range of goods and third-party services and access price-comparison information, discount information and product reviews; virtual reality software; electrical and electronic apparatus namely monitoring devices, tracking devices, devices for calculating, monitoring, recording or displaying physical activity levels and/or calories burned and/or the quality of rest and sleep patterns; apparatus or instruments incorporating a horological function for calculating, monitoring, tracking, recording or display purposes; wearable digital electronic devices; pedometers; GPS navigation devices; GPS receivers and transmitters; sound recording and sound reproducing apparatus and instruments; sound and video recordings, telephones and telecommunication apparatus and instruments; computer programs; computer games, computer peripherals; battery chargers; photographic equipment; optical apparatus and instruments; eyewear; spectacles; sunglasses; glasses cases; leather cases, wallets, carriers and holders adapted for glasses and sunglasses; accessories for mobile phones, namely armbands, belt clips, holsters, hard cases, soft cases and silicone cases, screen shields; binoculars; mobile phones, mobile phone chargers; leather cases for mobile phones; cases, holders, straps, carriers for mobile phones; hands free devices for mobile phones; cases, holders, straps, carriers for tablet computers and MP3 players; mouse mats; downloadable virtual goods, namely computer programmes featuring clothing, footwear, headwear, eyewear, bags, sports bags, backpacks, sports equipment, safety equipment and textiles, for use online and in online virtual worlds; downloadable virtual goods, namely, digital images, digital clothing, and digital graphic designs authenticated by non-fungible tokens created with blockchain technology to represent a collectible item.

18 – Bags, briefcases, purses, wallets, card cases, credit card cases, travel luggage, garment bags for travel, key cases, hat boxes of leather and imitation leather, trunks, valises, unfitted vanity cases, harnesses and

saddlery, child harnesses; collars, leads and harnesses for pets; leather and imitation leather laces, leather and imitation leather straps, shoulder belts, animal skins, hides; trunks and travelling bags; umbrellas, parasols and walking sticks; whips, harnesses and saddlery; child harnesses; articles of clothing, collars, leads and harnesses, for pets; bags; purses; pocket wallets; travelling bags and travelling sets; bags, rucksacks, hand bags, satchels, conference folders; back frames for carrying children.

25 – Clothing, footwear, headgear; gloves [clothing]; belts [clothing]; braces [suspenders] for clothing; scarves; neckerchiefs; spats.

35 – Advertising, sales promotion and exhibitions for advertising purposes; retail sales services for protective and safety equipment, protective clothing and headgear for the prevention of accident or injury, safety goggles, safety spectacles, protective footwear for the prevention of accident or injury, safety boots and shoes, protective vizors and face shields for protection against accidents, safety helmets, ear defenders and earmuffs, eye protection wear for sports, eye protectors, goggles, life jackets, computer software, electrical and electronic apparatus, telephones and telecommunication apparatus and instruments, computer programs, computer games, computer peripherals, battery chargers, photographic equipment, optical apparatus and instruments, eyewear, spectacles, sunglasses, glasses cases, leather cases, wallets, carriers and holders adapted for glasses and sunglasses, accessories for mobile phones consisting of armbands, belt clips, holsters, hard cases, soft cases and silicone cases, screen shields, binoculars, mobile phones, mobile phone chargers, leather cases for mobile phones, cases, holders, straps, carriers for mobile phones, hands free devices for mobile phones, cases, holders, straps, carriers for tablet computers and MP3 players, mouse mats, bags, briefcases, purses, wallets, card cases, credit card cases, travel luggage, garment bags for travel, key cases, hat boxes of leather and imitation leather, trunks, valises, unfitted vanity cases, harnesses and saddlery, child harnesses, collars, leads and harnesses for pets, leather and imitation leather laces, leather and imitation leather straps, shoulder belts, animal skins, hides, trunks and travelling bags, umbrellas, parasols and walking sticks, whips, harnesses and saddlery, child harnesses, articles of clothing, collars, leads and harnesses, for pets, purses, pocket wallets, garment bags for travel, travelling bags and travelling sets, bags, rucksacks, hand bags, satchels, folders, back frames for carrying children, textiles and textile goods, textile fabrics, including plastic coated textile fabrics, cushion covers, curtains, bed covers, duvets, duvet covers, bed linen, blankets, pillowcases, quilts, travelling rugs, picnic blankets, textile coasters, table linen, pillowcases, cushion covers, valances, pillows, curtains, face towels, bath towels, towels [textile], sleeping bags, sleeping bags, tents for camping and mo-

untaineering, camping mattresses, camping furniture, camping stoves, portable pots and pans for camping, clothing, footwear, headgear; retail store services featuring virtual goods, namely, clothing, footwear, headwear, eyewear, bags, sports bags, backpacks, sports equipment, safety equipment, textiles, sleeping bags, tents for camping and mountaineering, camping mattresses, camping furniture, camping stoves, portable pots and pans for camping, electronic goods; online retail store services featuring virtual goods, namely, clothing, footwear, headwear, eyewear, bags, sports bags, backpacks, sports equipment, safety equipment, textiles, sleeping bags, tents for camping and mountaineering, camping mattresses, camping furniture, camping stoves, portable pots and pans for camping, electronic goods, images and videos for use in virtual online environments and virtual online fashion shows; loyalty scheme services.

(260) AM 2023 122353 A

(800) 1723405

(151) 2023 02 21

(891) 2023 02 21

(731) H & M Hennes & Mauritz AB  
SE-106 38 Stockholm, Sweden

(540)

## H&M ADORABLES

(591) Black, white

(511)

18 – Bags; suitcases; school bags; rucksacks; pocket wallets; toiletry bags; drawstring pouches; net bags for shopping; umbrellas.

25 – Clothing; footwear; headgear; children's wear; baby clothes; sportswear; nightwear; pyjamas; nightgown; rainwear; pants; denim jeans; footless tights; tops [clothing]; tee-shirts; tank tops; dresses; skirts; shirts; stockings; socks; tights; underwear; swim wear; dressing gowns; bath robes; caps; caps [headwear]; neckerchiefs; mittens; shoes; half-boots; bath slippers; sandals; masquerade costumes.

28 – Gymnastic and sporting articles; games; toys; christmas stockings; decorations and ornaments for christmas trees; party decorations; artificial christmas trees; playing cards; apparatus for games; balls for games; skipping ropes; stuffed toy animals.

35 – Reseller services and retail online in relation to the following goods: bags, suitcases, school bags, rucksacks, pocket wallets, toiletry bags, drawstring pouches, net bags for shopping, umbrellas, clothing, footwear, headgear, clothing for children, baby clothes, sportswear, nightwear, pyjamas, nightgowns, rainproof clothing, trousers, jeans, footless tights, sweaters, t-shirts, tank tops, dresses, skirts, shirts, stockings, socks, tights, underwear, swim wear, robes, beach robes, chaps, caps, neckerchiefs, mitts, shoes, boots; reseller services and retail online services in re-



lation to: shoes for swimming, sandals, articles of fancy dress, gymnastic and sporting articles, games, playthings, christmas stockings, decorations for christmas trees, party decorations, artificial christmas trees, playing cards, games consoles, balls for games, skipping ropes, soft toys; reseller services and retail, in relation to the following goods: bags, suitcases, school bags, rucksacks, pocket wallets, toiletry bags, drawstring pouches, net bags for shopping, umbrellas, clothing, footwear, headgear, clothing for children, baby clothes, sportswear, nightwear, pyjamas, nightgowns, rainproof clothing, trousers, jeans, footless tights, sweaters, t-shirts, tank tops, dresses, skirts, shirt, stockings, socks, tights, underwear, swim wear, robes, beach robes, chaps, caps, neckerchiefs, mitts, shoes, booties; reseller services and retail in relation to the following goods: shoes for swimming, sandals, articles of fancy dress, gymnastic and sporting articles, games, playthings, christmas stockings, decorations for christmas trees, party decorations, artificial christmas trees, playing cards, games consoles, balls for games, skipping ropes, soft toys.

(260) AM 2023 122368 A  
(800) 1723638  
(151) 2023 02 07  
(891) 2023 02 07  
(731) BELLES MARKS LTD  
Artemidos 3-5, ARTEMIDOS TOWER, 1st  
floor, Flat/Office 101,CY-6020 Larnaca,  
Cyprus

(540)

## SAINT CONSTANTIN BRÂNCOVEANU

(591) Black, white  
(511)  
33 – Alcoholic beverages (except beer).

(260) AM 2023 122443 A  
(800) 1724043  
(151) 2023 02 02  
(891) 2023 02 02  
(731) ZHEJIANG GEELY HOLDING GROUP CO.,  
LTD.  
1760 JIANGLING ROAD, BINJIANG  
DISTRICT, HANGZHOU, ZHEJIANG, China

(540)



(591) Black, white  
(531) 24.01.03; 24.11.18; 26.05.01; 26.05.12;  
26.05.24

(511)

12 – Electric vehicles; vehicles for locomotion by land, air, water or rail; gear boxes for land vehicles; propulsion mechanisms for land vehicles; motorcycles; cars; automobile chassis; self-balancing boards; tyres for vehicle wheels; brakes for vehicles.

37 – Retreading of tyres; construction consultancy; construction; upholstery repair; heating equipment installation and repair; electric appliance installation and repair; motor vehicle maintenance and repair; airplane maintenance and repair; rustproofing; furniture maintenance.

(260) AM 2023 122444 A  
(800) 1724131  
(151) 2023 02 24  
(891) 2023 02 24  
(731) NINGBO DEYE INVERTER TECHNOLOGY  
CO., LTD.  
No. 26, Southern YongJiang Road, Daqi,  
Beilun, NingBo, Zhejiang, China

(540)

**Deye** 德業

(591) Black, white  
(531) 27.05.01; 28.03  
(511)  
9 – Inverters [electricity]; battery boxes; high tension batteries; batteries, electric; solar batteries; rechargeable batteries.

(260) AM 2023 122450 A  
(800) 1724246  
(151) 2023 02 28  
(891) 2023 02 28  
(731) Limited Liability Company "LARTA GLASS  
RYAZAN"  
Rayon Yuzhniy Promuzel, 17A, Ryazan,  
RU-390011 Ryazan region, Russian Federation

(540)

**LARTAPRO**  
**ЛАРТАПРО**

(591) Black, white  
(531) 28.05  
(511)  
19 – Window glass for building; window glass, other than vehicle window glass; building glass; plate glass [windows] for building; insulating glass for building; enamelled glass, for building.

20 – Silvered glass [mirrors].

21 – Glass for vehicle windows [semi-finished product]; fused silica [semi-worked product], other than for building; plate glass [raw material]; opal glass; glass, unworked or semi-worked, except building

glass; opaline glass; glass incorporating fine electrical conductors; enamelled glass, not for building.

35 – Retail or wholesale services for construction products.

(260) AM 2023 122451 A

(800) 1724271

(151) 2023 02 28

(891) 2023 02 28

(731) Limited Liability Company "LARTA GLASS RYAZAN"

Rayon Yuzhniy Promuzel, 17A, Ryazan,

RU-390011 Ryazan region, Russian Federation

(540)

**LARTANOME  
ЛАРТАХОУМ**

(591) Black, white

(531) 28.05

(511)

19 – Window glass for building; window glass, other than vehicle window glass; building glass; plate glass [windows] for building; insulating glass for building; enamelled glass, for building.

20 – Silvered glass [mirrors].

21 – Glass for vehicle windows [semi-finished product]; fused silica [semi-worked product], other than for building; plate glass [raw material]; opal glass; glass, unworked or semi-worked, except building glass; opaline glass; glass incorporating fine electrical conductors; enamelled glass, not for building.

35 – Retail or wholesale services for construction products.

(260) AM 2023 122454 A

(800) 1724331

(151) 2023 01 19

(891) 2023 01 19

(731) CHINA TOBACCO GUANGDONG INDUSTRIAL CO., LTD.

8th-16th Floor, No. 186, Linhexiheng Road,

Tianhe, Guangzhou, Guangdong, China

(540)

(591) Black, white

(531) 28.03

(511)

34 – Cigarettes containing tobacco substitutes, not for medical purposes; cigarettes; tobacco; devices for heating tobacco for inhalation; cigarette cases; ashtrays for smokers; lighters for smokers; cigarette paper; cigarette filters; electronic cigarettes.

(260) AM 2023 122512 A

(800) 1725075

(151) 2022 12 09

(891) 2022 12 09

(731) HELL ENERGY Magyarország Kft.

Andrássy út 126., H-1062 Budapest, Hungary

(540)

**HELL**

(591) Black, white

(531) 27.05.01

(511)

29 – Beverages having a milk base; milk-based beverages containing fruit juice; milk-based beverages flavored with chocolate; milk-based beverages containing coffee; dairy-based beverages containing oats; milk; drinks made from dairy products; flavoured milk; milk tea, milk predominating; milk beverages, milk predominating; flavoured milk beverages; milk beverages with cocoa; cocoa flavored milk beverages; artificial milk based desserts; milk drinks containing fruits; oat-based beverages [milk substitute]; plant-based milk substitutes; milk shakes; soya-based beverages used as milk substitutes; milk ferments for culinary purposes.

(260) AM 2023 122529 A

(800) 1725444

(151) 2022 09 16

(891) 2022 09 16

(731) VERTICE TEKSTİL ANONİM ŞİRKETİ  
AŞIK VEYSEL MAH. ATATÜRK BLV.

PARK CITY C1 BLOK 18 K 19, Esenyurt,

İstanbul, Türkiye

(540)

**VERTICE**

(591) Black, white

(511)

25 – Clothing, including underwear and outer clothing, other than special purpose protective clothing; socks, mufflers, shawls, bandanas, scarves, belts; footwear, shoes, slippers, sandals; headgear, hats, caps with visors, berets, caps, skull caps.

35 – Advertising; business management; business administration; the bringing together, for the benefit of others, of clothing, including underwear and outer clothing, other than special purpose protective clothing, socks, mufflers, shawls, bandanas, scarves, belts, footwear, shoes, slippers, sandals, headgear,

hats, caps with visors, berets, caps, skull caps, enabling customers to conveniently view and purchase those goods, such services may be provided by retail stores, wholesale outlets, through mail order catalogues or by means of electronic media, for example, through web sites or television shopping programmers.

(260) AM 2023 122530 A

(800) 1725502

(151) 2022 12 30

(891) 2022 12 30

(731) TTC MAKİNA MÜHENDİSLİK SANAYİ VE  
TİCARET LİMİTED ŞİRKETİ  
ORHANIYE MAHALLESİ, 2051., CADDE,  
NO:65, KAHRAMANKAZAN, ANKARA,  
Türkiye

(540)



(591) Blue, orange, white

(531) 26.04.02; 27.05.09; 27.05.10; 29.01.13

(511)

7 – Machines, machine tools and industrial robots for processing and shaping wood, metals, glass, plastics and minerals, 3D printers; construction machines and robotic mechanisms (machines) for use in construction; bulldozers, diggers (machines), excavators, road construction and road paving machines, drilling machines, rock chilling machines, road sweeping machines; lifting, loading and transmission machines and robotic mechanisms (machines) for lifting, loading and transmission purposes; elevators, escalators and cranes; machines and robotic mechanisms (machines) for use in agriculture and animal breeding, machines and robotic mechanisms (machines) for processing cereals, fruits, vegetables and food; machines for preparing and processing beverages; engines and motors, other than for land vehicles, parts and fittings therefor; hydraulic and pneumatic controls for engines and motors, brakes other than for vehicles, brake linings for engines, crankshafts, gearboxes, other than for land vehicles, cylinders for engines, pistons for engines, turbines, not for land vehicles, filters for engines and motors, oil, air and fuel filters for land vehicle engines, exhausts for land vehicle engines, exhaust manifolds for land vehicle engines, engine cylinders for land vehicles, engine cylinder heads for land vehicles, pistons for land vehicle engines, carburetors for land vehicles, fuel conversion apparatus for land vehicle engines, injectors for land vehicle engines, fuel economisers for land vehicle engines, pumps for land vehicle engines, valves for land vehicle engines, starter motors for land vehicles, dynamos for land vehicle engines, sparking plugs for land vehicle engines; bearings (parts of machines), roller or

ball bearings; machines for mounting and detaching tires; alternators, current generators, electric generators, current generators operated with solar energy; painting machines, automatic spray guns for paint, electric, hydraulic and pneumatic punching machines and guns, electric adhesive tape dispensers (machines), electric guns for compressed gas or liquid spraying machines, electric hand chills, electric hand saws, electric jigsaw machines, spiral machines, compressed air machines, compressors (machines), vehicle washing installations, robotic mechanisms (machines) with the abovementioned functions; electric and gas-operated welding apparatus, electric arc welding apparatus, electric soldering apparatus, electric arc cutting apparatus, electrodes for welding machines, industrial robots (machines) with the abovementioned functions; printing machines; packaging machines, filling, plugging and sealing machines, labellers (machines), sorting machines, industrial robots (machines) with the abovementioned functions, electric packing machines for plugging and sealing of plastics; machines for textile processing, sewing machines, industrial robots (machines) with the abovementioned functions; pumps other than parts of machines or engines, namely, fuel dispensing pumps for service stations, self-regulating fuel pumps; electric kitchen machines for chopping, grinding, crushing, mixing and mincing foodstuff, washing machines, laundry washing machines, dishwashers, spin driers (not heated), electric cleaning machines for cleaning floors, carpets or floorings, vacuum cleaners and parts thereof; automatic vending machines; galvanizing and electropolishing machines; electric door openers and closers; gaskets for engines and motors.

(260) AM 2023 122531 A

(800) 1725592

(151) 2022 12 19

(891) 2022 12 19

(731) BIOTECH VISIONCARE PVT LTD  
block no. 1 abhishree corporate park, opp  
swagat bungalows bus stand, bopal-ambli  
rpad, ahmedabad, gujrat 380058, India

(540)

**OPTIVISC**

(591) Black, white

(531) 27.05.01

(511)

5 – Pharmaceutical preparations for treating arthritis.

(260) AM 2023 122532 A

(800) 1725654

(151) 2023 02 06

(891) 2023 02 06

(731) ABDULLAH KOŞAN  
BAHÇELİEVLER MH. YAŞAM SK.,

MENEKŞE APT. BLOK NO:10 İÇ KAPI  
NO:5, MERKEZ/BİNGÖL, Türkiye

(540)

# KEJO

(591) Black, white

(531) 27.05.01; 27.05.17

(511)

30 – Coffee, cocoa; coffee or cocoa based beverages, chocolate based beverages; pasta, stuffed dumplings, noodles; pastries and bakery products based on flour; desserts based on flour and chocolate; bread, simit [Turkish ring-shaped bagel covered with sesame seeds], poğaç [Turkish bagel], pita, sandwiches, katmer [Turkish pastry], pies, cakes, baklava [Turkish dessert based on dough coated with syrup], kadayıf [Turkish dessert based on dough]; desserts based on dough coated with syrup; puddings, custard, kazandibi [Turkish pudding], rice pudding, keşkül [Turkish pudding]; honey, bee glue for human consumption, propolis for food purposes; condiments for foodstuff, vanilla (flavoring), spices, sauces (condiments), tomato sauce; yeast, baking powder; flour, semolina, starch for food; sugar, cube sugar, powdered sugar; confectionery, chocolate, biscuits, crackers, wafers; chewing gums; tea, iced tea; ice-cream, edible ices; salt; cereal-based snack food, popcorn, crushed oats, corn chips, breakfast cereals, processed wheat for human consumption, crushed barley for human consumption, processed oats for human consumption, processed rye for human consumption, rice; molasses for food.

(260) AM 2023 122533 A

(800) 1725657

(151) 2023 03 08

(891) 2023 03 08

(731) Bayer Aktiengesellschaft

Kaiser-Wilhelm-Allee, 51373 Leverkusen,  
Germany

(540)

# Эльзулис

(591) Black, white

(531) 28.05

(511)

5 – Pharmaceutical preparations for humans including treatment of gynecological related diseases, disorders and deficiencies; pharmaceutical preparations for humans including treatment of hormone related diseases, disorders and deficiencies; pharmaceutical preparations for humans including treatment of cardiological related diseases, disorders and deficiencies; pharmaceutical preparations for humans including treatment of oncological related diseases, disorders and deficiencies; pharmaceutical preparations for humans including treatment of genetic related diseases, disorders and deficiencies.

(260) AM 2023 122612 A

(800) 1726274

(151) 2023 02 25

(891) 2023 02 25

(731) BELYAKOV Anton Vladimirovich

ul. Streletskaya, d. 26A, RU-600021

g. Vladimir, Russian Federation

(540)



(591) Shades of yellow, shades of brown, nude, and white

(531) 02.09.14; 29.01.13

(511)

9 – Accumulators, electric; ear pads for headphones; high-frequency apparatus; electro-dynamic apparatus for the remote control of signals; monitoring apparatus, other than for medical purposes; sound recording apparatus; Global Positioning System [GPS] apparatus; sound transmitting apparatus; intercommunication apparatus; fire extinguishing apparatus; flashing lights [luminous signals]; battery jars; batteries, electric; biochips; electronic tags for goods; encoded identification bracelets, magnetic; connected bracelets [measuring instruments]; electronic key fobs being remote control apparatus; bullet-proof clothing; signalling buoys; life buoys; marking buoys; directional compasses; scales; baby scales; bathroom scales; camcorders; video baby monitors; video telephones; mechanical signs; hands-free kits for telephones; loudspeakers; detectors; smoke detectors; infrared detectors; joysticks for use with computers, other than for video games; dictating machines; light-emitting diodes [LED]; quantum dot light-emitting diodes [QLED]; organic light-emitting diodes [OLED]; wearable video display monitors; electronic numeric displays; DNA chips; electronic interactive whiteboards; electronic notice boards; bullet-proof vests; life jackets; reflective safety vests; padlocks, electronic; locks, electric; bells [warning devices]; alarm bells, electric; electric door bells; signal bells; downloadable emoticons for mobile phones; buzzers; reflective articles for wear, for the prevention of accidents; interfaces for computers; audio interfaces; satellite finder meters; life-saving capsules for natural disasters; biometric identity cards; identity cards, magnetic; video game cartridges; encoded magnetic cards; protective helmets; computer keyboards; thin client computers; encoded key cards; electronic book readers; magnetic encoders; laptop computers; tablet computers; notebook computers; wearable computers; cabinets for loudspeakers; galea crystals [detectors]; lasers, not for medical purposes; flashlights [photography]; fire escapes; resuscitation mannequins [teaching apparatus]; trackballs [computer peripherals]; security tokens [encryption devices]; megaphones; metal detectors for industrial

or military purposes; microphones; modems; monitors [computer hardware]; monitors [computer programs]; headphones; earpieces for remote communication; magnetic data media; optical data media; life saving equipment; rescue laser signalling flares; clothing for protection against accidents, irradiation and fire; clothing for protection against fire; asbestos clothing for protection against fire; survival blankets; biometric passports; radio pagers; transmitters [telecommunication]; telephone transmitters; transmitters of electronic signals; gloves for protection against accidents; asbestos gloves for protection against accidents; computer software platforms, recorded or downloadable; protective films adapted for computer screens; life-saving rafts; digital signs; personal digital assistants [PDAs]; life belts; distance recording apparatus; teaching apparatus; navigational instruments; navigation apparatus for vehicles [on-board computers]; satellite navigational apparatus; telecommunication apparatus in the form of jewellery; audio- and video-receivers; computer software applications, downloadable; fire beaters; computer programs, recorded; computer game software, downloadable; computer programs, downloadable; computer operating programs, recorded; computer screen saver software, recorded or downloadable; processors [central processing units]; baby monitors; transmitting sets [telecommunication]; radios; walkie-talkies; teaching robots; telepresence robots; humanoid robots with artificial intelligence for use in scientific research; speaking tubes; horns for loudspeakers; traffic-light apparatus [signalling devices]; dog whistles; signalling whistles; sports whistles; safety nets; nets for protection against accidents; fire alarms; signals, luminous or mechanical; rescue flares, non-explosive and non-pyrotechnic; sirens; electronic access control systems for interlocking doors; scanners [data processing equipment]; hand-held electronic dictionaries; integrated circuit cards [smart cards]; smartglasses; smartphones; smartwatches; protection devices for personal use against accidents; audiovisual teaching apparatus; radiotelegraphy sets; radiotelephony sets; mobile telephones; cordless telephones; transponders; resuscitation training simulators; telephone receivers; headgear being protective helmets; amplifiers; steering apparatus, automatic, for vehicles; video recorders; sound reproduction apparatus; data processing apparatus; theft prevention installations, electric; optical character readers; acoustic alarms; couplers [data processing equipment]; anti-theft warning apparatus; computer peripheral devices; acoustic couplers; alarms; fog signals, non-explosive; whistle alarms; readers [data processing equipment]; bar code readers; downloadable image files; downloadable music files; animated cartoons; signal lanterns; cameras [photography]; chronographs [time recording apparatus]; sleeves for laptops; covers for personal digital assistants [PDAs]; covers for tablet computers; fire blankets; chips [integrated circuits]; jigs [measuring instruments]; pedometers; protective helmets for

sports; lifeboats; cell phone straps; spectacle cords; projection screens; exposure meters [light meters]; ducts [electricity]; galvanic cells; downloadable graphics for mobile phones; black boxes [data recorders]; 3D spectacles; remote control apparatus; beacons, luminous; signs, luminous; mouse pads; visors for helmets; computers; protective covers for smartphones; downloadable ring tones for mobile phones; wearable activity trackers; safety restraints, other than for vehicle seats and sports equipment; protective films adapted for smartphone screens; shoes for protection against accidents, irradiation and fire; computer software, recorded; computer game software, recorded; mouse [computer peripheral]; protective masks, not for medical purposes.

25 – Bandanas [neckerchiefs]; underwear; sweat-absorbent underwear; berets; overalls; boxer shorts; mittens; collars [clothing]; detachable collars; neckties; ascots; gaiters; spats; leggings [leg warmers]; waistcoats; sports jerseys; hoods [clothing]; scarves; caps being headwear; cap peaks; visors being headwear; combinations [clothing]; suits; bathing suits; masquerade costumes; beach clothes; headscarves; leotards; jackets [clothing]; fishing vests; leggings [trousers]; sports singlets; short-sleeve shirts; fingerless gloves; bibs, not of paper; bibs, sleeved, not of paper; ear muffs [clothing]; socks; beach shoes; sports shoes; footwear; outerclothing; motorists' clothing; cyclists' clothing; clothing for gymnastics; clothing of imitations of leather; latex clothing; waterproof clothing; clothing incorporating LEDs; uniforms; gloves [clothing]; ski gloves; headbands [clothing]; girdles; belts [clothing]; sashes for wear; money belts [clothing]; non-slipping devices for footwear; sweaters; jumper dresses; inner soles; turbans; headwear; aprons [clothing]; tee-shirts; rash guards; dressing gowns; bath robes; bathing caps; hats; skirts; petticoats; skorts.

42 – Water analysis; computer system analysis; recovery of computer data; business card design; graphic design of promotional materials; graphic arts design; computer virus protection services; installation of computer software; material testing; textile testing; research in the field of telecommunications technology; scientific and technological research in the field of natural disasters; website design consultancy; computer security consultancy; information technology [IT] support services [troubleshooting of software]; computer technology consultancy; consultancy in the design and development of computer hardware; internet security consultancy; computer software consultancy; data security consultancy; technological consultancy; dress designing; updating of computer software; monitoring of computer systems to detect breakdowns; monitoring of computer systems for detecting unauthorized access or data breach; monitoring of computer system operation by remote access; electronic monitoring of personally identifying information to detect identity theft via the internet; software as a service

[SaaS]; maintenance of computer software; urban planning; providing information relating to computer technology and programming via a website; providing search engines for the internet; conversion of computer programs and data, other than physical conversion; conducting technical project studies; computer system design; rental of web servers; computer rental; rental of computer software; unlocking of mobile phones; development of computer platforms; computer software design; creating and maintaining websites for others; computer programming; technical writing; duplication of computer programs; packaging design; off-site data backup; telecommunications technology consultancy; user authentication services using single sign-on technology for online software applications; providing virtual computer systems through cloud computing; platform as a service [PaaS]; hosting computer websites; server hosting.

45 – Detective agency services; night guard services; physical security consultancy; monitoring of burglar and security alarms; licensing [legal services] in the framework of software publishing; licensing of intellectual property; licensing of computer software [legal services]; missing person investigations; baby-sitting; pet sitting; evening dress rental; rental of fire extinguishers; clothing rental; rental of fire alarms; personal background investigations; fire-fighting; personal wardrobe styling consultancy; chaperoning; concierge services; guard services; tracking of stolen property; lifeguard services; personal bodyguarding.

---

(260) AM 2023 122614 A  
 (800) 1726333  
 (151) 2023 03 23  
 (891) 2023 03 23  
 (731) CFA Properties, Inc.  
 5200 Buffington Road, Atlanta GA 30349, USA  
 (540)



(591) Black, white  
 (531) 03.07.03; 03.07.19; 03.07.24; 27.03.03;  
 27.05.01  
 (511)  
 43 – Restaurant services.

---

(260) AM 2023 122615 A  
 (800) 1726363  
 (151) 2022 10 25  
 (891) 2022 10 25  
 (731) LIMITED LIABILITY COMPANY  
 "THREE BEARS"  
 7, Zroshuvalna Street, Kyiv 02095, Ukraine

(540)



**Three Bears**

(591) Black, white  
 (531) 03.01.14; 03.01.24; 27.05.01  
 (511)  
 30 – Confectionery (sweets) made from ice cream; ice cream, sorbets and other edible ices; ice [frozen water]; sherbets [ices]; fruit ice cream; ice cream with fruits; ice lollies; ice cream cakes; vareniki (stuffed dumplings); pelmeni; ravioli; vareniki (stuffed dumplings), pelmeni (dumplings stuffed with meat) and ravioli, frozen [semi-finished products].

---

---

**INTERNATIONAL TRADEMARKS PROTECTED IN GEORGIA**

(260) AM 2023 106415 A  
(800) 1498397  
(151) 2019 06 17  
(181) 2029 06 17  
(891) 2019 06 17  
(511) 05, 29, 29, 30, 32, 32

---

(260) AM 2023 120100 A  
(800) 1692495  
(151) 2022 07 20  
(181) 2032 07 20  
(891) 2022 07 20  
(511) 05

---

(260) AM 2023 112330 A  
(800) 1582718  
(151) 2021 02 15  
(181) 2031 02 15  
(891) 2021 02 15  
(511) 05

---

(260) AM 2023 120261 A  
(800) 1694062  
(151) 2022 09 09  
(181) 2032 09 09  
(891) 2022 09 09  
(511) 09, 16, 28, 38, 41, 42

---

(260) AM 2023 119510 A  
(800) 1684162  
(151) 2022 07 07  
(181) 2032 07 07  
(891) 2022 07 07  
(511) 02

---

(260) AM 2023 120263 A  
(800) 1694070  
(151) 2022 09 19  
(181) 2032 09 19  
(891) 2022 09 19  
(511) 39

---

(260) AM 2023 119669 A  
(800) 1279243  
(151) 2015 05 22  
(181) 2025 05 22  
(891) 2022 08 28  
(511) 14, 20

---

(260) AM 2023 120264 A  
(800) 1694107  
(151) 2022 06 10  
(181) 2032 06 10  
(891) 2022 06 10  
(511) 11

---

(260) AM 2023 119945 A  
(800) 1690759  
(151) 2022 06 03  
(181) 2032 06 03  
(891) 2022 06 03  
(511) 03, 16

---

(260) AM 2023 120295 A  
(800) 1695033  
(151) 2022 08 05  
(181) 2032 08 05  
(891) 2022 08 05  
(511) 05

---

(260) AM 2023 119949 A  
(800) 1690853  
(151) 2022 06 27  
(181) 2032 06 27  
(891) 2022 06 27  
(511) 07, 09

---

(260) AM 2023 120296 A  
(800) 1695047  
(151) 2022 06 10  
(181) 2032 06 10  
(891) 2022 06 10  
(511) 03, 35

---

(260) AM 2023 119956 A  
(800) 1690947  
(151) 2022 03 15  
(181) 2032 03 15  
(891) 2022 03 15  
(511) 09, 14, 16, 18, 24, 25, 27, 28, 36, 38, 41, 42, 43, 45

---

(260) AM 2023 120297 A  
(800) 1695050  
(151) 2022 07 11  
(181) 2032 07 11  
(891) 2022 07 11  
(511) 09, 28, 41

---

(260) AM 2023 120298 A  
(800) 1695100  
(151) 2022 10 09  
(181) 2032 10 09  
(891) 2022 10 09  
(511) 43

---

(260) AM 2023 120299 A  
(800) 1695129  
(151) 2022 07 18  
(181) 2032 07 18  
(891) 2022 07 18  
(511) 03, 05, 44

---

(260) AM 2023 120378 A  
(800) 1695791  
(151) 2022 09 02  
(181) 2032 09 02  
(891) 2022 09 02  
(511) 25

---

(260) AM 2023 120379 A  
(800) 1695792  
(151) 2022 10 16  
(181) 2032 10 16  
(891) 2022 10 16  
(511) 35

---

(260) AM 2023 120380 A  
(800) 1695867  
(151) 2022 07 30  
(181) 2032 07 30  
(891) 2022 07 30  
(511) 09, 38, 42

---

(260) AM 2023 120381 A  
(800) 1695884  
(151) 2022 06 29  
(181) 2032 06 29  
(891) 2022 06 29  
(511) 09, 42

---

(260) AM 2023 120382 A  
(800) 1695894  
(151) 2022 09 06  
(181) 2032 09 06  
(891) 2022 09 06  
(511) 05, 35

---

(260) AM 2023 120383 A  
(800) 1695909  
(151) 2022 09 06  
(181) 2032 09 06  
(891) 2022 09 06

(511) 05

---

(260) AM 2023 120384 A  
(800) 1695960  
(151) 2022 09 13  
(181) 2032 09 13  
(891) 2022 09 13  
(511) 25

---

(260) AM 2023 120385 A  
(800) 1696015  
(151) 2022 02 06  
(181) 2032 02 06  
(891) 2022 02 06  
(511) 03, 18, 25, 35

---

(260) AM 2023 120386 A  
(800) 1696016  
(151) 2022 02 06  
(181) 2032 02 06  
(891) 2022 02 06  
(511) 25, 35

---

(260) AM 2023 120387 A  
(800) 1696031  
(151) 2022 08 17  
(181) 2032 08 17  
(891) 2022 08 17  
(511) 35, 36

---

(260) AM 2023 120397 A  
(800) 1696161  
(151) 2022 08 29  
(181) 2032 08 29  
(891) 2022 08 29  
(511) 43

---

(260) AM 2023 120429 A  
(800) 1599502  
(151) 2021 04 15  
(181) 2031 04 15  
(891) 2022 09 15  
(511) 05

---

(260) AM 2023 120432 A  
(800) 1679810  
(151) 2022 06 24  
(181) 2032 06 24  
(891) 2022 09 28  
(511) 03

---



(260) AM 2023 120454 A  
(800) 1697078  
(151) 2022 09 21  
(181) 2032 09 21  
(891) 2022 09 21  
(511) 09

---

(260) AM 2023 120455 A  
(800) 1697176  
(151) 2022 10 25  
(181) 2032 10 25  
(891) 2022 10 25  
(511) 43

---

(260) AM 2023 120456 A  
(800) 1697182  
(151) 2022 06 20  
(181) 2032 06 20  
(891) 2022 06 20  
(511) 09, 28

---

(260) AM 2023 120457 A  
(800) 1697256  
(151) 2022 10 18  
(181) 2032 10 18  
(891) 2022 10 18  
(511) 25

---

(260) AM 2023 120458 A  
(800) 1697322  
(151) 2022 10 09  
(181) 2032 10 09  
(891) 2022 10 09  
(511) 30

---

(260) AM 2023 120459 A  
(800) 1697341  
(151) 2022 05 26  
(181) 2032 05 26  
(891) 2022 05 26  
(511) 09, 41, 42

---

(260) AM 2023 120460 A  
(800) 1697357  
(151) 2022 09 22  
(181) 2032 09 22  
(891) 2022 09 22  
(511) 35, 39, 41

---

(260) AM 2023 120461 A  
(800) 1697369  
(151) 2022 06 02  
(181) 2032 06 02

(891) 2022 06 02  
(511) 34

---

(260) AM 2023 120470 A  
(800) 1697529  
(151) 2022 10 21  
(181) 2032 10 21  
(891) 2022 10 21  
(511) 25, 35

---

(260) AM 2023 120471 A  
(800) 1697545  
(151) 2022 09 28  
(181) 2032 09 28  
(891) 2022 09 28  
(511) 05

---

(260) AM 2023 120472 A  
(800) 1697561  
(151) 2022 09 22  
(181) 2032 09 22  
(891) 2022 09 22  
(511) 03

---

(260) AM 2023 120473 A  
(800) 1697586  
(151) 2022 09 30  
(181) 2032 09 30  
(891) 2022 09 30  
(511) 03

---

(260) AM 2023 120474 A  
(800) 1697636  
(151) 2022 06 21  
(181) 2032 06 21  
(891) 2022 06 21  
(511) 43

---

(260) AM 2023 120480 A  
(800) 1697806  
(151) 2022 07 14  
(181) 2032 07 14  
(891) 2022 07 14  
(511) 41, 42

---

(260) AM 2023 120481 A  
(800) 1697807  
(151) 2022 07 14  
(181) 2032 07 14  
(891) 2022 07 14  
(511) 41, 42

---

(260) AM 2023 120482 A  
(800) 1697842  
(151) 2022 05 13  
(181) 2032 05 13  
(891) 2022 05 13  
(511) 09, 16, 35, 36, 41, 42, 45

---

(260) AM 2023 120485 A  
(800) 1295997  
(151) 2016 02 11  
(181) 2026 02 11  
(891) 2022 10 30  
(511) 19

---

(260) AM 2023 120487 A  
(800) 1607950  
(151) 2021 04 15  
(181) 2031 04 15  
(891) 2022 11 02  
(511) 34

---

(260) AM 2023 120488 A  
(800) 1619465  
(151) 2021 02 16  
(181) 2031 02 16  
(891) 2022 07 22  
(511) 09, 12

---

(260) AM 2023 120489 A  
(800) 1620746  
(151) 2021 05 10  
(181) 2031 05 10  
(891) 2022 10 11  
(511) 07, 09, 11, 35, 37, 40, 42

---

(260) AM 2023 120490 A  
(800) 1659051  
(151) 2021 12 29  
(181) 2031 12 29  
(891) 2022 10 14  
(511) 33

---

(260) AM 2023 120491 A  
(800) 1662406  
(151) 2022 03 17  
(181) 2032 03 17  
(891) 2022 09 14  
(511) 07, 11

---

(260) AM 2023 120493 A  
(800) 1680208  
(151) 2022 05 23  
(181) 2032 05 23

(891) 2022 10 03  
(511) 33

---

(260) AM 2023 120494 A  
(800) 1693417  
(151) 2022 06 08  
(181) 2032 06 08  
(891) 2022 11 05  
(511) 35, 39

---

(260) AM 2023 120539 A  
(800) 1698088  
(151) 2022 08 18  
(181) 2032 08 18  
(891) 2022 08 18  
(511) 05

---

(260) AM 2023 120542 A  
(800) 1698121  
(151) 2022 09 27  
(181) 2032 09 27  
(891) 2022 09 27  
(511) 07

---

(260) AM 2023 120544 A  
(800) 1698246  
(151) 2022 09 20  
(181) 2032 09 20  
(891) 2022 09 20  
(511) 34

---

(260) AM 2023 120548 A  
(800) 1698292  
(151) 2022 08 03  
(181) 2032 08 03  
(891) 2022 08 03  
(511) 01, 03, 05, 09, 10, 35, 38, 41, 42, 44

---

(260) AM 2023 120558 A  
(800) 1698744  
(151) 2022 10 06  
(181) 2032 10 06  
(891) 2022 10 06  
(511) 36

---

(260) AM 2023 120577 A  
(800) 1071145  
(151) 2010 11 23  
(181) 2030 11 23  
(891) 2022 11 14  
(511) 01

---

(260) AM 2023 120578 A  
(800) 1074887  
(151) 2011 02 22  
(181) 2031 02 22  
(891) 2022 11 14  
(511) 01, 02

---

(260) AM 2023 120579 A  
(800) 1223108  
(151) 2014 06 24  
(181) 2024 06 24  
(891) 2022 11 16  
(511) 06, 09

---

(260) AM 2023 120580 A  
(800) 1364251  
(151) 2017 03 16  
(181) 2027 03 16  
(891) 2022 11 09  
(511) 25, 28, 30, 32, 33, 34, 41, 43

---

(260) AM 2023 120581 A  
(800) 1555121  
(151) 2020 08 12  
(181) 2030 08 12  
(891) 2022 09 21  
(511) 30

---

(260) AM 2023 120582 A  
(800) 1566947A  
(151) 2020 07 29  
(181) 2030 07 29  
(891) 2022 11 01  
(511) 09, 41, 42

---

(260) AM 2023 120589 A  
(800) 1686227  
(151) 2022 08 22  
(181) 2032 08 22  
(891) 2022 11 09  
(511) 35, 36, 37

---

(260) AM 2023 120591 A  
(800) 1692738  
(151) 2022 08 22  
(181) 2032 08 22  
(891) 2022 11 09  
(511) 35, 36, 37

---

(260) AM 2023 120592 A  
(800) 1694255  
(151) 2022 09 28  
(181) 2032 09 28

(891) 2022 11 10  
(511) 17, 19

---

(260) AM 2023 120593 A  
(800) 1694458  
(151) 2022 09 28  
(181) 2032 09 28  
(891) 2022 11 10  
(511) 17, 19

---

(260) AM 2023 120594 A  
(800) 1694463  
(151) 2022 09 28  
(181) 2032 09 28  
(891) 2022 11 10  
(511) 17, 19

---

(260) AM 2023 120634 A  
(800) 1699644  
(151) 2022 09 19  
(181) 2032 09 19  
(891) 2022 09 19  
(511) 16, 20, 21, 28

---

(260) AM 2023 120635 A  
(800) 1699655  
(151) 2022 09 02  
(181) 2032 09 02  
(891) 2022 09 02  
(511) 09, 28, 41

---

(260) AM 2023 120636 A  
(800) 1699658  
(151) 2022 07 21  
(181) 2032 07 21  
(891) 2022 07 21  
(511) 07, 09

---

(260) AM 2023 120637 A  
(800) 1699685  
(151) 2022 07 29  
(181) 2032 07 29  
(891) 2022 07 29  
(511) 09, 28, 41

---

(260) AM 2023 120638 A  
(800) 1699710  
(151) 2022 11 02  
(181) 2032 11 02  
(891) 2022 11 02  
(511) 03

---

(260) AM 2023 120671 A  
(800) 1700348  
(151) 2022 07 29  
(181) 2032 07 29  
(891) 2022 07 29  
(511) 01

---

(260) AM 2023 120672 A  
(800) 1700365  
(151) 2022 11 10  
(181) 2032 11 10  
(891) 2022 11 10  
(511) 28

---

(260) AM 2023 120673 A  
(800) 1700429  
(151) 2022 07 29  
(181) 2032 07 29  
(891) 2022 07 29  
(511) 09, 28, 41

---

(260) AM 2023 120674 A  
(800) 1700480  
(151) 2022 08 11  
(181) 2032 08 11  
(891) 2022 08 11  
(511) 06, 19

---

(260) AM 2023 120676 A  
(800) 1700581  
(151) 2022 06 20  
(181) 2032 06 20  
(891) 2022 06 20  
(511) 03, 09, 14, 18, 24, 25, 35

---

(260) AM 2023 120691 A  
(800) 1262011  
(151) 2015 05 01  
(181) 2025 05 01  
(891) 2022 11 18  
(511) 07, 09, 11, 37

---

(260) AM 2023 120692 A  
(800) 1262119  
(151) 2015 05 01  
(181) 2025 05 01  
(891) 2022 11 18  
(511) 07, 09, 11, 37

---

(260) AM 2023 120696 A  
(800) 1665292  
(151) 2021 11 08  
(181) 2031 11 08  
(891) 2022 11 18

(511) 03, 08, 09, 21

---

(260) AM 2023 120697 A  
(800) 1665295  
(151) 2021 11 08  
(181) 2031 11 08  
(891) 2022 11 18  
(511) 03, 08, 09, 21

---

(260) AM 2023 120739 A  
(800) 1701021  
(151) 2022 09 30  
(181) 2032 09 30  
(891) 2022 09 30  
(511) 03

---

(260) AM 2023 120755 A  
(800) 1701302  
(151) 2022 10 17  
(181) 2032 10 17  
(891) 2022 10 17  
(511) 34, 35

---

(260) AM 2023 120783 A  
(800) 1701827  
(151) 2022 09 19  
(181) 2032 09 19  
(891) 2022 09 19  
(511) 05, 35

---

(260) AM 2023 120790 A  
(800) 1701946  
(151) 2022 11 05  
(181) 2032 11 05  
(891) 2022 11 05  
(511) 09

---

(260) AM 2023 120809 A  
(800) 1629652  
(151) 2021 10 26  
(181) 2031 10 26  
(891) 2022 08 12  
(511) 09

---

(260) AM 2023 120810 A  
(800) 1660288  
(151) 2021 12 27  
(181) 2031 12 27  
(891) 2022 09 23  
(511) 28

---

(260) AM 2023 120863 A  
(800) 1702369  
(151) 2022 11 17  
(181) 2032 11 17  
(891) 2022 11 17  
(511) 01

---

(260) AM 2023 120906 A  
(800) 1703304  
(151) 2022 11 13  
(181) 2032 11 13  
(891) 2022 11 13  
(511) 30

---

(260) AM 2023 120864 A  
(800) 1702419  
(151) 2022 07 18  
(181) 2032 07 18  
(891) 2022 07 18  
(511) 09, 11

---

(260) AM 2023 120907 A  
(800) 1703305  
(151) 2022 11 13  
(181) 2032 11 13  
(891) 2022 11 13  
(511) 30

---

(260) AM 2023 120866 A  
(800) 1702441  
(151) 2022 10 05  
(181) 2032 10 05  
(891) 2022 10 05  
(511) 29, 30

---

(260) AM 2023 120908 A  
(800) 1703306  
(151) 2022 11 13  
(181) 2032 11 13  
(891) 2022 11 13  
(511) 30

---

(260) AM 2023 120886 A  
(800) 1702911  
(151) 2022 01 20  
(181) 2032 01 20  
(891) 2022 01 20  
(511) 09, 28, 41

---

(260) AM 2023 120929 A  
(800) 1472039  
(151) 2019 04 16  
(181) 2029 04 16  
(891) 2022 11 10  
(511) 30

---

(260) AM 2023 120887 A  
(800) 1702914  
(151) 2022 03 15  
(181) 2032 03 15  
(891) 2022 03 15  
(511) 09, 25, 41, 42

---

(260) AM 2023 120930 A  
(800) 1582031  
(151) 2020 12 02  
(181) 2030 12 02  
(891) 2022 12 06  
(511) 09, 12, 14, 16, 17, 18, 25, 28, 35, 37, 41, 42

---

(260) AM 2023 120888 A  
(800) 1702915  
(151) 2022 03 15  
(181) 2032 03 15  
(891) 2022 03 15  
(511) 09, 25, 41, 42

---

(260) AM 2023 120932 A  
(800) 1607549  
(151) 2021 06 07  
(181) 2031 06 07  
(891) 2022 11 23  
(511) 09, 10

---

(260) AM 2023 120905 A  
(800) 1703303  
(151) 2022 11 13  
(181) 2032 11 13  
(891) 2022 11 13  
(511) 30

---

(260) AM 2023 120933 A  
(800) 1662939  
(151) 2022 01 31  
(181) 2032 01 31  
(891) 2022 11 15  
(511) 35, 41, 42

---

(260) AM 2023 121034 A  
(800) 1543506  
(151) 2020 05 22  
(181) 2030 05 22  
(891) 2022 11 14  
(511) 05

---

(260) AM 2023 121035 A  
(800) 1580256  
(151) 2021 01 13  
(181) 2031 01 13  
(891) 2022 12 09  
(511) 01, 05

---

(260) AM 2023 121037 A  
(800) 1692670  
(151) 2022 05 30  
(181) 2032 05 30  
(891) 2022 11 16  
(511) 01, 02, 03, 09, 17, 19, 35, 37, 39, 40, 41

---

(260) AM 2023 121038 A  
(800) 1696158  
(151) 2022 08 22  
(181) 2032 08 22  
(891) 2022 11 18  
(511) 35, 36, 37

---

(260) AM 2023 121039 A  
(800) 1698364  
(151) 2022 10 17  
(181) 2032 10 17  
(891) 2022 12 12  
(511) 03, 35

---

(260) AM 2023 121055 A  
(800) 1705393  
(151) 2022 09 15  
(181) 2032 09 15  
(891) 2022 09 15  
(511) 09, 35, 38, 41, 42, 45

---

(260) AM 2023 121056 A  
(800) 1705430  
(151) 2022 02 17  
(181) 2032 02 17  
(891) 2022 02 17  
(511) 16, 29, 30

---

(260) AM 2023 121057 A  
(800) 1705488  
(151) 2022 11 04  
(181) 2032 11 04  
(891) 2022 11 04  
(511) 05

---

(260) AM 2023 121058 A  
(800) 1705489  
(151) 2022 11 04  
(181) 2032 11 04  
(891) 2022 11 04  
(511) 05

---

(260) AM 2023 121059 A  
(800) 1705490  
(151) 2022 11 04  
(181) 2032 11 04  
(891) 2022 11 04  
(511) 05

---

(260) AM 2023 121060 A  
(800) 1705491  
(151) 2022 11 04  
(181) 2032 11 04  
(891) 2022 11 04  
(511) 05

---

(260) AM 2023 121061 A  
(800) 1705492  
(151) 2022 11 04  
(181) 2032 11 04  
(891) 2022 11 04  
(511) 05

---

(260) AM 2023 121068 A  
(800) 1705593  
(151) 2022 10 28  
(181) 2032 10 28  
(891) 2022 10 28  
(511) 05

---

(260) AM 2023 121069 A  
(800) 1705716  
(151) 2022 11 02  
(181) 2032 11 02  
(891) 2022 11 02  
(511) 14

---

(260) AM 2023 121070 A  
(800) 1705722  
(151) 2022 07 25  
(181) 2032 07 25  
(891) 2022 07 25  
(511) 09, 28, 41

---

(260) AM 2023 121072 A  
(800) 1705859  
(151) 2022 06 28  
(181) 2032 06 28  
(891) 2022 06 28  
(511) 05, 10, 35, 36, 39, 44

---

(260) AM 2023 121110 A  
(800) 1019862  
(151) 2009 10 30  
(181) 2029 10 30  
(891) 2022 12 17  
(511) 09

---

(260) AM 2023 121249 A  
(800) 1707843  
(151) 2022 11 15  
(181) 2032 11 15  
(891) 2022 11 15  
(511) 05

---

---

## APPELLATIONS OF ORIGIN OF GOODS

### PROTECTED INTERNATIONAL APPELLATIONS OF ORIGIN OF GOODS

(800) 1273

(151) 2022 03 07

(732) Garlic and Summer Agricultural Cooperative Company of Hamedan City Hamedan Province, Iran

(540)

#### **Iran's Hamedan Garlic**

(511)

31 – Garlic.

---

(800) 1274

(151) 2023 03 15

(732) Handicrafts Union of Isfahan City Isfahan City, Iran

(540)

#### **Kalamkari of Isfahan**

(511)

24 – Kalamkari

---

(800) 1279

(151) 2021 12 08

(732) Kashan Rural Handmade Carpet Manufacturers Cooperative

Josheghan County, Kashan City, Isfahan Province, Iran;

Kashan Handmade Carpet Sellers Union

Josheghan County, Kashan City, Isfahan Province, Iran;

Kashan Handmade Carpet Weavers Union

Josheghan County, Kashan City, Isfahan Province, Iran;

Iran Carpet Company

Josheghan County, Kashan City, Isfahan Province, Iran

(540)

#### **Josheghan Handmade Carpet**

(511)

27 – Handmade Carpet.

---



---

**OFFICIAL NOTIFICATIONS**  
**INVENTIONS**  
**LAPSE OF PATENTS WITH THE RIGHT TO RESTORE**

(21) AP 2006 11216  
(11) P 2012 5657 B  
(73) Erke Erke Arastirmalari Ve Muhendislik A.S.  
(54) GYROSCOPIC APPARATUS  
DATE OF PATENT LAPSE: 2023 11 13  
PATENT RESTORATION TERM: 2024 11 13

---

(21) AP 2011 13122  
(11) P 2016 6545 B  
(73) Ecole Polytechnique Federale De Lausanne (EPFL)  
(54) 2-PIPERAZIN-1-YL-4H-1,3-BENZO-THIAZIN-4-ONE DERIVATIVES AND THEIR USE FOR  
TREATMENT OF MAMMALIAN INFECTIONS  
DATE OF PATENT LAPSE: 2023 11 21  
PATENT RESTORATION TERM: 2024 11 21

---

(21) AP 2016 14811  
(11) P 2020 7174 B  
(73) Merck Sharp & Dohme LLC  
(54) CTLA4 BINDERS  
DATE OF PATENT LAPSE: 2023 11 17  
PATENT RESTORATION TERM: 2024 11 17

---

(21) AP 2016 14812  
(11) P 2021 7220 B  
(73) Merck Sharp & Dohme LLC  
(54) PD1 AND/OR LAG3 BINDERS  
DATE OF PATENT LAPSE: 2023 11 17  
PATENT RESTORATION TERM: 2024 11 17

---

(21) AP 2017 15088  
(11) P 2023 7470 B  
(73) H. Lundbeck A/S  
(54) MAGL Inhibitors  
DATE OF PATENT LAPSE: 2023 11 15  
PATENT RESTORATION TERM: 2024 11 15

---

(21) AP 2021 15785  
(11) P 2023 7567 B  
(73) Giorgi Tumanishvili;  
Tengiz Nadiradze;  
Giorgi Tumanishvili  
(54) RAILWAY CREW WITH ELECTROMAGNETIC POWDER BRAKE  
DATE OF PATENT LAPSE: 2023 11 05  
PATENT RESTORATION TERM: 2024 11 05

---

## EXPIRATION OF PATENT RESTORATION TERM

(21) AP 2008 11836

(11) P 2013 5911 B

(73) Turkcell Teknoloji Arastirma & Gelistirme Anonim Sirketi

(54) GSM TRAFFIC MANAGEMENT SYSTEM

DATE OF PATENT LAPSE: 2022 11 24

DATE OF EXPIRATION OF PATENT RESTORATION TERM: 2023 11 24

---

## UTILITY MODELS

### LAPSE OF PATENTS WITH THE RIGHT TO RESTORE

(21) AU 2018 14928

(11) U 2020 2030 Y

(73) Marine Nikolaishvili;

Thea Muselliani;

Elene Giorgadze;

Natia Chkheidze

(54) THERAPEUTIC AGENT FOR TYPE II DIABETES

DATE OF PATENT LAPSE: 2023 11 20

PATENT RESTORATION TERM: 2024 11 20

---

(21) AU 2020 15494

(11) U 2021 2096 Y

(73) Khaled Atma

(54) THERAPEUTIC COMPOSITION FOR ERECTILE DYSFUNCTION TREATMENT

DATE OF PATENT LAPSE: 2023 11 19

PATENT RESTORATION TERM: 2024 11 19

---

(21) AU 2021 15807

(11) U 2022 2124 Y

(73) Zurab Asashvili

(54) DECORATIVE LAMP

DATE OF PATENT LAPSE: 2023 11 26

PATENT RESTORATION TERM: 2024 11 26

---

---

## DESIGNS

### CANCELLATION OF DESIGNS REGISTRATION

(11) D 2019 797 S  
(73) Giorgi Kalandadze (GE)  
Sakhalkho St. 17, 0113, Tbilisi, Georgia (GE)  
(54) MEMO BOOK  
(18) 2023 05 07  
(58) 2023 11 22

---

(11) D 2013 566 S  
(73) Ramaz Jibghashvili (GE)  
V. Iverieli St. 31/33, ap. 6, 0144, Tbilisi, Georgia (GE)  
(54) SWIMSUIT  
(18) 2023 05 16  
(58) 2023 11 28

---

### EXTENSION OF TERM OF INTERNATIONAL DESIGNS REGISTRATION

(11) DM/103 502  
(73) SAVERGLASS  
3 Rue De La Gare, F-60960, FEUQUIERES (FR)  
(15) 2018 10 31  
(24) 2018 10 31  
(18) 2028 10 31  
(28) 1  
(28') 1  
(54) 1. BOTTLE

---

(11) DM/103 503  
(73) SAVERGLASS  
3 Rue De La Gare, F-60960, FEUQUIERES (FR)  
(15) 2018 10 31  
(24) 2018 10 31  
(18) 2028 10 31  
(28) 1  
(28') 1  
(54) 1. BOTTLE

---

(11) DM/103 504  
(73) SAVERGLASS  
3 Rue De La Gare, F-60960, FEUQUIERES (FR)  
(15) 2018 10 31  
(24) 2018 10 31  
(18) 2028 10 31  
(28) 1  
(28') 1  
(54) 1. BOTTLE

---

(11) DM/103 792  
(73) SAVERGLASS  
3 Rue De La Gare, F-60960, FEUQUIERES (FR)  
(15) 2018 10 23  
(24) 2018 10 23  
(18) 2028 10 23  
(28) 1  
(28') 1  
(54) BOTTLE

---

(11) DM/200 369  
(73) HARRY WINSTON SA  
Chemin Du Tourbillon 8, 1228 Plan-Les-Ouates (CH)  
(15) 2018 11 16  
(24) 2018 11 16  
(18) 2028 11 16  
(28) 18  
(28') 18  
(54) 10.-13. EARRINGS, 14. BRACELET, 15.-16. NECKLACE, 17. EARRINGS, 18. FINGER RING,  
1. EARRINGS, 2.-3. NECKLACE, 4. EARRINGS, 5.-6. BRACELET, 7. EARRINGS,  
8.-9. FINGER RING

---

(11) DM/200 697  
(73) The Swatch Group Management Services AG (The Swatch Group Management Services SA)  
(The Swatch Group Management Services Ltd.)  
Seevorstadt 6, 2502 Biel/Bienne (CH)  
(15) 2018 11 27  
(24) 2018 11 27  
(18) 2028 11 27  
(28) 9  
(28') 5  
(54) 1. WATCH CASE WITH STRAP, 2. WATCH CASE WITH STRAP, 3. WATCH, 4. WATCH,  
5. WRISTWATCH, 6. WATCH CASE WITH STRAP, 7. WATCH CASE WITH STRAP,  
8. WATCH CASE WITH STRAP, 9. WATCH CASE

---

(11) DM/202 255  
(73) Sayyid Nadimi  
1200 AVENUE H E, 76011 Arlington (Texas) (US)  
(15) 2018 10 10  
(24) 2018 10 10  
(18) 2028 10 10  
(28) 1  
(28') 1  
(54) 1. CONTAINER FOR TOBACCO PRODUCTS

---

(11) DM/64635  
(73) SWATCH AG (SWATCH SA) (SWATCH LTD.)  
94, Rue Jakob Stämpfli 2502 Bienne (CH)  
(15) 2003 11 12  
(24) 2003 11 12  
(18) 2028 11 12  
(28) 4  
(28') 1  
(54) WRISTWATCHES

---

(11) DM/70915  
(73) SWATCH AG (SWATCH SA)(SWATCH LTD)  
Jakob-Stämpfli-Strasse 94, CH-2502 BIEL/BIENNE (CH)  
(15) 2008 11 11  
(24) 2008 11 11  
(18) 2028 11 11  
(28) 1  
(28') 1  
(54) WRISTWATCH

---

(11) DM/70957  
(73) THE SWATCH GROUP MANAGEMENT SERVICES AG (THE SWATCH GROUP MANAGEMENT SERVICES SA) (THE SWATCH GROUP MANAGEMENT SERVICES LTD.)  
Seevorstadt 6, CH-2502 BIEL/BIENNE (CH)  
(15) 2008 11 20  
(24) 2008 11 20  
(18) 2028 11 20  
(28) 8  
(28') 2  
(54) WRISTWATCHES

---

(11) DM/70959  
(73) OMEGA SA (OMEGA AG) (OMEGA LTD.)  
Jakob-Stämpfli-Strasse 96, CH-2502 Biel/Bienne (CH)  
(15) 2008 11 20  
(24) 2008 11 20  
(18) 2028 11 20  
(28) 7  
(28') 7  
(54) 1.-2. CADRANS, 3. MONTRE, 4.-7. MONTRES-BRACELETS

---

(11) DM/82096  
(73) HARRY WINSTON SA  
Chemin du Tourbillon 8, CH-1228 Plan-les-Ouates (CH)  
(15) 2013 11 01  
(24) 2013 11 01  
(18) 2028 11 01  
(28) 13  
(28') 13  
(54) 10. NECKLACE, 11. NECKLACE PART, 12. NECKLACE, 13. NECKLACE PART, 1. NECKLACE, 2. NECKLACE PART, 3. NECKLACE, 4. NECKLACE PART, 5.-6. NECKLACES, 7. NECKLACE PART, 8. NECKLACE, 9. NECKLACE PART

---

(11) DM/82130  
(73) HARRY WINSTON SA  
Chemin du Tourbillon 8, CH-1228 Plan-les-Ouates (CH)  
(15) 2013 11 01  
(24) 2013 11 01  
(18) 2028 11 01  
(28) 9  
(28') 9  
(54) 1. BROOCH, 2.-4. ORNAMENTS FOR JEWELRY, 5. BRACELET, 6.-8. EARRINGS, 9. FINGER RING

---

(11) DM/82172  
(73) OMEGA SA (OMEGA AG) (OMEGA LTD.)  
    Jakob-Stämpfli-Strasse 96, CH-2502 Biel/Bienne (CH)  
(15) 2013 11 08  
(24) 2013 11 08  
(18) 2028 11 08  
(28) 1  
(28') 1  
(54) WRISTWATCH

---

(11) DM/82237  
(73) HARRY WINSTON SA  
    Chemin du Tourbillon 8, CH-1228 Plan-les-Ouates (CH)  
(15) 2013 11 15  
(24) 2013 11 15  
(18) 2028 11 15  
(28) 4  
(28') 4  
(54) BRACELET, FINGER RING, JEWELRY DECORATION

---

(11) DM/82256  
(73) SWATCH AG (SWATCH SA) (SWATCH LTD.)  
    Jakob-Stämpfli-Strasse 94, CH-2502 Biel/Bienne (CH)  
(15) 2013 11 15  
(24) 2013 11 15  
(18) 2028 11 15  
(28) 4  
(28') 2  
(54) WRISTWATCHES

---

(11) DM/82258  
(73) OMEGA SA (OMEGA AG) (OMEGA LTD.)  
    Jakob-Stämpfli-Strasse 96, CH-2502 Biel/Bienne (CH)  
(15) 2013 11 22  
(24) 2013 11 22  
(18) 2028 11 22  
(28) 2  
(28') 2  
(54) BRACELET, COLLIER

---

(11) DM/82259  
(73) THE SWATCH GROUP MANAGEMENT SERVICES AG (THE SWATCH GROUP MANAGEMENT SERVICES SA) (THE SWATCH GROUP MANAGEMENT SERVICES LTD)  
    Seevorstadt 6, CH-2502 Biel/Bienne (CH)  
(15) 2013 11 22  
(24) 2013 11 22  
(18) 2028 11 22  
(28) 5  
(28') 1  
(54) WATCH CASES WITH BRACELETS, WATCHES

---

(11) DM/82260  
(73) SWATCH AG (SWATCH SA) (SWATCH LTD.)  
Jakob-Stämpfli-Strasse 94, CH-2502 Biel/Bienne (CH)  
(15) 2013 11 15  
(24) 2013 11 15  
(18) 2028 11 15  
(28) 2  
(28') 2  
(54) WRISTWATCHES

---

(11) DM/82261  
(73) OMEGA SA (OMEGA AG) (OMEGA LTD.)  
Jakob-Stämpfli-Strasse 96, CH-2502 Biel/Bienne (CH)  
(15) 2013 11 15  
(24) 2013 11 15  
(18) 2028 11 15  
(28) 2  
(28') 2  
(54) JEWELRY PARTS

---

(11) DM/82271  
(73) HARRY WINSTON SA  
Chemin du Tourbillon 8, CH-1228 Plan-les-Ouates (CH)  
(15) 2013 11 18  
(24) 2013 11 18  
(18) 2028 11 18  
(28) 2  
(28') 2  
(54) JEWEL PART, NECKLACE

---

## CANCELLATION OF INTERNATIONAL DESIGNS REGISTRATION

(11) DM/100099  
(73) MONTRES JAQUET DROZ SA (MONTRES JAQUET DROZ AG) (MONTRES JAQUET DROZ LTD.)  
Allée du Tourbillon 2, CH-2300 La Chaux-de-Fonds (CH)  
DATE OF REGISTRATION CANCELLATION: 2023 02 21  
(58) 2023 11 21

---

(11) DM/102389  
(73) EVELINE COSMETICS BRAND CONCEPT DEVELOPMENT SP. Z O.O.  
Ul. Wierzbowa Nr 18 PL-90-245 Łódź (PL)  
DATE OF REGISTRATION CANCELLATION: 2022 10 08  
(58) 2023 11 21

---

(11) DM/103284  
(73) MAZY HOLIDAY  
217 Country Club Park #603, Birmingham AL 35213 (US)  
DATE OF REGISTRATION CANCELLATION: 2022 11 14  
(58) 2023 11 21

---

(11) DM/99148  
(73) MAGIC PRODUCTION GROUP (M.P.G.) S.A.  
Findel Business Center, complexe B, rue de Trèves, L-2632 Findel (BX)  
DATE OF REGISTRATION CANCELLATION: 2022 10 02  
(58) 2023 11 21

---

(11) DM/99270  
(73) CURT G. JOA INC.  
100 Crocker Avenue, Sheboygan Falls, WI 53085 (US)  
DATE OF REGISTRATION CANCELLATION: 2022 11 08  
(58) 2023 11 21

---

(11) DM/99828  
(73) HAYAT KIMYA SAN. A.S.  
Sepetlipinar Mh. Hayat Cd. No: 2, Basiskele, TR-41275 Kocaeli (TR)  
DATE OF REGISTRATION CANCELLATION: 2022 12 19  
(58) 2023 11 21

---

(11) DM/99846  
(73) ORIG3N INC.  
27 Drydock Ave., 6th Floor, Boston MA 02210 (US)  
DATE OF REGISTRATION CANCELLATION: 2022 06 16  
(58) 2023 11 21

---

(11) DM/99859  
(73) MONTRES JAQUET DROZ SA (MONTRES JAQUET DROZ AG)  
(MONTRES JAQUET DROZ LTD  
Allée du Tourbillon 2, CH-2300 La Chaux-de-Fonds (CH)  
DATE OF REGISTRATION CANCELLATION: 2023 02 12  
(58) 2023 11 21

---

(11) DM/99860  
(73) MONTRES JAQUET DROZ SA (MONTRES JAQUET DROZ AG) (MONTRES JAQUET DROZ LTD.)  
Allée du Tourbillon 2, CH-2300 La Chaux-de-Fonds (CH)  
DATE OF REGISTRATION CANCELLATION: 2023 02 12  
(58) 2023 11 21

---

(11) DM/99894  
(73) PATROIS GUILLAUME  
55 avenue Marceau, F-75016 Paris (FR)  
DATE OF REGISTRATION CANCELLATION: 2023 02 06  
(58) 2023 11 21

---

(11) DM/99902  
(73) THE SWATCH GROUP MANAGEMENT SERVICES AG (THE SWATCH GROUP MANAGEMENT  
SERVICES SA) (THE SWATCH GROUP MANAGEMENT SERVICES LTD)  
Seevorstadt 6, CH-2502 Biel/Bienne (CH)  
DATE OF REGISTRATION CANCELLATION: 2023 01 29  
(58) 2023 11 21

---



# TRADEMARKS

## EXTENSION OF TERM OF TRADEMARKS REGISTRATION

(111) M 2013 24217 R1 (151) 2013 11 04 (186) 2033 11 04 (732) Monster Energy Company a Delaware Corporation 1 Monster Way, Corona, California 92879, USA	1370 Broadway, New York, New York 10018, USA
(111) M 2013 24185 R1 (151) 2013 10 17 (186) 2033 10 17 (732) Quality is Our Recipe LLC One Dave Thomas Boulevard, Dublin, Ohio 43017, USA	(111) M 2013 24297 R1 (151) 2013 11 18 (186) 2033 11 18 (732) Esprit International (a California Limited Partnership) 1370 Broadway, New York, New York 10018, USA
(111) M 2013 24186 R1 (151) 2013 10 17 (186) 2033 10 17 (732) Quality is Our Recipe LLC One Dave Thomas Boulevard, Dublin, Ohio 43017, USA	(111) M 2013 24299 R1 (151) 2013 11 18 (186) 2033 11 18 (732) JSC "Vere XXI" Family Medicine Training Clinical Center Kiacheli St. 18, 0119, Tbilisi, Georgia
(111) M 2013 24273 R1 (151) 2013 11 18 (186) 2033 11 18 (732) Quality is Our Recipe LLC One Dave Thomas Boulevard, Dublin, Ohio 43017, USA	(111) M 2014 24780 R1 (151) 2014 05 07 (186) 2034 05 07 (732) LTD "ევროოდულ-Euroodul" 20nd m/r 20-13, 3700, Rustavi, Georgia
(111) M 2013 24356 R1 (151) 2013 12 13 (186) 2033 12 13 (732) Tamazi Papunashvili Mgaloblishvili St. 3, 0160, Tbilisi, Georgia	(111) M 2014 24781 R1 (151) 2014 05 07 (186) 2034 05 07 (732) LTD "ევროოდულ-Euroodul" 20nd m/r 20-13, 3700, Rustavi, Georgia
(111) M 2013 24295 R1 (151) 2013 11 18 (186) 2033 11 18 (732) Esprit International (a California Limited Partnership) 1370 Broadway, New York, New York 10018, USA	(111) M 2013 24064 R1 (151) 2013 09 20 (186) 2033 09 20 (732) Davit Buadze L. Kavsadze 7a, 0162, Tbilisi, Georgia
(111) M 2013 24296 R1 (151) 2013 11 18 (186) 2033 11 18 (732) Esprit International (a California Limited Partnership)	(111) M 2013 24323 R1 (151) 2013 11 29 (186) 2033 11 29 (732) Amneal Pharmaceuticals LLC 400 Crossing Boulevard, Third Floor, Bridgewater, New Jersey 08807-2863, USA

## COMPLETE TRANSFER OF RIGHTS

(111) M 2021 34347 R  
(732) LLC "Grand Tobacco"  
22 Hrant Vardanyan St., 0061, Yerevan,  
Armenia  
(770) Mikael Vardanyan  
Bairon St. 3, ap. 38, Yerevan, Armenia  
(580) 2023 11 01

---

(111) M 2023 36735 R  
(732) Weiss Chemie + Technik GmbH & Co. KG  
Hansastraße 2, 35708 Haiger, Germany  
(770) LTD "Vertex"  
Tashkent St. 23/1, ap. 7, Tbilisi, Georgia  
(580) 2023 11 10

---

(111) M 2015 26292 R  
(732) International Masis Tabak LLC  
10 Hrant Vardanyan St., 0802, Masis,  
Ararat region, Armenia  
(770) Mikael Vardanyan  
Bairon St. 3, ap. 38, Yerevan, Armenia  
(580) 2023 11 01

---

## CHANGES OF NAME AND/OR ADDRESS OF TRADEMARKS OWNERS

(111) M 2004 15551 R  
 (732) Wyeth Holdings LLC  
 66 Hudson Boulevard East, New York, NY  
 10001-2192, USA  
 (770) Wyeth Holdings LLC  
 235 East 42nd Street, New York, NY  
 10017, USA  
 (580) 2023 10 06

(111) M 2005 15950 R  
 (732) JSC "Badagoni"  
 Vill. Zemo Khodasheni, 0910, Akhmeta  
 Region, Georgia  
 (770) LTD "Badagoni"  
 Vill. Zemo Khodasheni, 0910, Akhmeta  
 Region, Georgia  
 (580) 2023 11 24

(111) M 2007 17777 R  
 (732) Oakwood Worldwide (US) LP  
 One World Trade Center, 24th Floor, Long  
 Beach, California 90831, USA  
 (770) R & B Realty Group  
 a Limited Partnership Organised and  
 Existing under the Laws of the State of  
 California  
 2222 Corinth Avenue, Los Angeles,  
 California 90064, USA  
 (580) 2023 11 20

(111) M 1999 11477 R  
 (732) Seiko Group Kabushiki Kaisha  
 (Trading as Seiko Group Corporation)  
 5-11, Ginza, 4-Chome, Chuo-Ku, Tokyo,  
 Japan  
 (770) Seiko Holdings Kabushiki Kaisha  
 (Trading as Seiko Holdings Corporation)  
 5-11, Ginza, 4-Chome, Chuo-ku, Tokyo,  
 Japan  
 (580) 2023 11 20

(111) M 1999 11478 R  
 (732) Seiko Group Kabushiki Kaisha  
 (Trading as Seiko Group Corporation)  
 5-11, Ginza, 4-Chome, Chuo-Ku, Tokyo,  
 Japan  
 (770) Seiko Holdings Kabushiki Kaisha  
 (Trading as Seiko Holdings Corporation)  
 5-11, Ginza, 4-Chome, Chuo-ku, Tokyo,  
 Japan  
 (580) 2023 11 20

(111) M 1996 2704 R  
 (732) Seiko Group Kabushiki Kaisha  
 (Trading as Seiko Group Corporation)  
 5-11, Ginza, 4-Chome, Chuo-Ku, Tokyo,  
 Japan  
 (770) Seiko Holdings Kabushiki Kaisha  
 (Trading as Seiko Holdings Corporation)  
 5-11, Ginza, 4-Chome, Chuo-ku, Tokyo,  
 Japan  
 (580) 2023 11 20

(111) M 1996 2706 R  
 (732) Seiko Group Kabushiki Kaisha  
 (Trading as Seiko Group Corporation)  
 5-11, Ginza, 4-Chome, Chuo-Ku, Tokyo,  
 Japan  
 (770) Seiko Holdings Kabushiki Kaisha  
 (Trading as Seiko Holdings Corporation)  
 5-11, Ginza, 4-Chome, Chuo-ku, Tokyo,  
 Japan  
 (580) 2023 11 20

(111) M 1996 2707 R  
 (732) Seiko Group Kabushiki Kaisha  
 (Trading as Seiko Group Corporation)  
 5-11, Ginza, 4-Chome, Chuo-Ku, Tokyo,  
 Japan  
 (770) Seiko Holdings Kabushiki Kaisha  
 (Trading as Seiko Holdings Corporation)  
 5-11, Ginza, 4-Chome, Chuo-ku, Tokyo,  
 Japan  
 (580) 2023 11 20

(111) M 1997 7977 R  
 (732) Seiko Group Kabushiki Kaisha  
 (Trading as Seiko Group Corporation)  
 5-11, Ginza, 4-Chome, Chuo-Ku, Tokyo,  
 Japan  
 (770) Seiko Holdings Kabushiki Kaisha  
 (Trading as Seiko Holdings Corporation)  
 5-11, Ginza, 4-Chome, Chuo-ku, Tokyo,  
 Japan  
 (580) 2023 11 20

(111) M 1999 11726 R  
 (732) Seiko Group Kabushiki Kaisha  
 (Trading as Seiko Group Corporation)  
 5-11, Ginza, 4-Chome, Chuo-Ku, Tokyo,  
 Japan  
 (770) Seiko Holdings Kabushiki Kaisha  
 (Trading as Seiko Holdings Corporation)

5-11, Ginza, 4-Chome, Chuo-ku, Tokyo,  
Japan  
(580) 2023 11 20

---

(111) M 2017 28617 R  
(732) JSC "Badagoni"  
Vill. Zemo Khodasheni, 0910, Akhmeta  
Region, Georgia  
(770) LTD "Badagoni"  
Vill. Zemo Khodasheni, 0910, Akhmeta  
Region, Georgia  
(580) 2023 11 24

---

(111) M 2017 28628 R  
(732) JSC "Badagoni"  
Vill. Zemo Khodasheni, 0910, Akhmeta  
Region, Georgia  
(770) LTD "Badagoni"  
Vill. Zemo Khodasheni, 0910, Akhmeta  
Region, Georgia  
(580) 2023 11 24

---

(111) M 2017 28629 R  
(732) JSC "Badagoni"  
Vill. Zemo Khodasheni, 0910, Akhmeta  
Region, Georgia  
(770) LTD "Badagoni"  
Vill. Zemo Khodasheni, 0910, Akhmeta  
Region, Georgia  
(580) 2023 11 24

---

(111) M 2017 28630 R  
(732) JSC "Badagoni"  
Vill. Zemo Khodasheni, 0910, Akhmeta  
Region, Georgia  
(770) LTD "Badagoni"  
Vill. Zemo Khodasheni, 0910, Akhmeta  
Region, Georgia  
(580) 2023 11 24

---

(111) M 2017 28631 R  
(732) JSC "Badagoni"  
Vill. Zemo Khodasheni, 0910, Akhmeta  
Region, Georgia  
(770) LTD "Badagoni"  
Vill. Zemo Khodasheni, 0910, Akhmeta  
Region, Georgia  
(580) 2023 11 24

---

(111) M 2017 28632 R  
(732) JSC "Badagoni"  
Vill. Zemo Khodasheni, 0910, Akhmeta  
Region, Georgia

(770) LTD "Badagoni"  
Vill. Zemo Khodasheni, 0910, Akhmeta  
Region, Georgia  
(580) 2023 11 24

---

(111) M 1999 12476 R  
(732) Seiko Group Kabushiki Kaisha  
(Trading as Seiko Group Corporation)  
5-11, Ginza, 4-Chome, Chuo-Ku, Tokyo,  
Japan  
(770) Seiko Holdings Kabushiki Kaisha  
(Trading as Seiko Holdings Corporation)  
5-11, Ginza, 4-Chome, Chuo-ku, Tokyo,  
Japan  
(580) 2023 11 20

---

(111) M 2019 30760 R  
(732) Seiko Group Kabushiki Kaisha  
(Trading as Seiko Group Corporation)  
5-11, Ginza, 4-Chome, Chuo-Ku, Tokyo,  
Japan  
(770) Seiko Holdings Kabushiki Kaisha  
(Trading as Seiko Holdings Corporation)  
5-11, Ginza, 4-Chome, Chuo-ku, Tokyo,  
Japan  
(580) 2023 11 20

---

## CANCELLATION OF TRADEMARKS REGISTRATION

(111) M 2013 23684P R  
(151) 2013 05 17  
(732) JSC "m<sup>2</sup> Real Estate"  
Ilia Chavchavadze Av. 29, floor 3, 0179,  
Tbilisi, Georgia  
(141) 2023 11 28

---

(111) M 2021 33864 R  
(151) 2021 04 02  
(732) Sulkhani Sakhvadze  
Vill. Ubisa, Kharagauli Region, Georgia  
(141) 2023 11 27

---

(111) M 2013 23663 R  
(151) 2013 05 17  
(732) Publichnoe Aktsionernoje Obshestvo  
Komercheski Bank "Privatbank"  
Ul. Nabehezhnaya Pabedi, 50,  
g. Dnepropetrovsk, 49094, Ukraine  
(141) 2023 11 28

---

(111) M 2013 23664 R  
(151) 2013 05 17  
(732) MSD International Holdings GmbH  
Veystrasse 20, CH-6000, Lucerne 6,  
Switzerland  
(141) 2023 11 28

---

(111) M 2013 23665 R  
(151) 2013 05 17  
(732) JSC "Iberia Refreshments"  
Orkhevi, Tetrikhevi Hess Settlement, 0198,  
Tbilisi, Georgia  
(141) 2023 11 28

---

(111) M 2013 23666 R  
(151) 2013 05 17  
(732) JSC "Iberia Refreshments"  
Orkhevi, Tetrikhevi Hess Settlement, 0198,  
Tbilisi, Georgia  
(141) 2023 11 28

---

(111) M 2013 23667 R  
(151) 2013 05 17  
(732) JSC "Iberia Refreshments"  
Orkhevi, Tetrikhevi Hess Settlement, 0198,  
Tbilisi, Georgia  
(141) 2023 11 28

---

(111) M 2013 23668 R  
(151) 2013 05 17  
(732) Thai Energy Storage Technology Public  
Company Limited  
387 Moo 4, Sukhumvit Road, Phraek  
Sa Sub-district, Mueang Samut Prakan  
District, Samut Prakan Province, Thailand  
(141) 2023 11 28

---

(111) M 2013 23669 R  
(151) 2013 05 17  
(732) Thai Energy Storage Technology Public  
Company Limited  
387 Moo 4, Sukhumvit Road, Phraek  
Sa Sub-district, Mueang Samut Prakan  
District, Samut Prakan Province, Thailand  
(141) 2023 11 28

---

(111) M 2013 23670 R  
(151) 2013 05 17  
(732) Thai Energy Storage Technology Public  
Company Limited  
387 Moo 4, Sukhumvit Road, Phraek  
Sa Sub-district, Mueang Samut Prakan  
District, Samut Prakan Province, Thailand  
(141) 2023 11 28

---

(111) M 2013 23675 R  
(151) 2013 05 17  
(732) Aflofarm Fabryka Lekow Ltd  
31 Szkolna St., Ksaverov, Poland  
(141) 2023 11 28

---

(111) M 2013 23676 R  
(151) 2013 05 17  
(732) Aflofarm Fabryka Lekow Ltd  
31 Szkolna St., Ksaverov, Poland  
(141) 2023 11 28

---

(111) M 2013 23677 R  
(151) 2013 05 17  
(732) Aflofarm Fabryka Lekow Ltd  
31 Szkolna St., Ksaverov, Poland  
(141) 2023 11 28

---

(111) M 2013 23678 R  
(151) 2013 05 17  
(732) Aflofarm Fabryka Lekow Ltd  
31 Szkolna St., Ksaverov, Poland

(141) 2023 11 28

---

(111) M 2013 23679 R  
 (151) 2013 05 17  
 (732) Aflofarm Fabryka Lekow Ltd  
 31 Szkolna St., Ksaverov, Poland  
 (141) 2023 11 28

---

(111) M 2013 23680 R  
 (151) 2013 05 17  
 (732) Aflofarm Fabryka Lekow Ltd  
 31 Szkolna St., Ksaverov, Poland;  
 Aflofarm Farmacja Polska Ltd  
 133/151 Partyzancka St., Pabianice,  
 Poland  
 (141) 2023 11 28

---

(111) M 2013 23681 R  
 (151) 2013 05 17  
 (732) Aflofarm Fabryka Lekow Ltd  
 31 Szkolna St., Ksaverov, Poland;  
 Aflofarm Farmacja Polska Ltd  
 133/151 Partyzancka St., Pabianice,  
 Poland  
 (141) 2023 11 28

---

(111) M 2013 23682 R  
 (151) 2013 05 17  
 (732) Aflofarm Farmacja Polska Ltd  
 133/151 Partyzancka St., Pabianice,  
 Poland  
 (141) 2023 11 28

---

(111) M 2013 23683 R  
 (151) 2013 05 17  
 (732) Aflofarm Farmacja Polska Ltd  
 133/151 Partyzancka St., Pabianice,  
 Poland  
 (141) 2023 11 28

---

(111) M 2013 23684 R  
 (151) 2013 05 17  
 (732) LLC "Georgian Vegetable Oil  
 Company Karva"  
 Atoneli St. 31, 0105, Tbilisi, Georgia  
 (141) 2023 11 28

---

(111) M 2013 23685 R  
 (151) 2013 05 17  
 (732) LLC "Georgian Vegetable Oil  
 Company Karva"  
 Atoneli St. 31, 0105, Tbilisi, Georgia

(141) 2023 11 28

---

(111) M 2013 23686 R  
 (151) 2013 05 17  
 (732) BYD Company Limited  
 Yan'an Road, Kuichong Town, Longgang  
 District, Shenzhen, People's Republic of  
 China  
 (141) 2023 11 28

---

(111) M 2013 23687 R  
 (151) 2013 05 17  
 (732) Mikheili Tchelidze  
 Temka, X qu., bld. 42, ap. 42, 0178, Tbilisi,  
 Georgia;  
 Sopia Toroshelidze  
 Kobuleti St. 3/15, ap. 45, 0179, Tbilisi,  
 Georgia;  
 Besik Tsikhelashvili  
 Mukhiani I m/r, bld. 9, ap. 46, 0172, Tbilisi,  
 Georgia;  
 Irakli Bibilashvili  
 Jikia St. 6, ap. 7a, 0186, Tbilisi, Georgia  
 (141) 2023 11 28

---

(111) M 2013 23688 R  
 (151) 2013 05 17  
 (732) Nippon Kayaku Kabushiki Kaisha  
 of 11-2, Fujimi 1-chome, Chiyoda-ku,  
 Tokyo, Japan  
 (141) 2023 11 28

---

(111) M 2013 23689 R  
 (151) 2013 05 17  
 (732) LTD "Tsiprovik-Georgia"  
 Gamsakhurdia Av. 14a, 0194, Tbilisi,  
 Georgia  
 (141) 2023 11 28

---

(111) M 2013 23690 R  
 (151) 2013 05 17  
 (732) LTD "Tsiprovik-Georgia"  
 Gamsakhurdia Av. 14a, 0194, Tbilisi,  
 Georgia  
 (141) 2023 11 28

---

(111) M 2013 23692 R  
 (151) 2013 05 17  
 (732) LTD "Omex"  
 Vazha-Pshavela Av. 47, I qu., bld. 2,  
 ap. 105, 0177, Tbilisi, Georgia  
 (141) 2023 11 28

---

- 
- (111) M 2013 23693 R  
(151) 2013 05 17  
(732) Nikoloz Makhviladze  
Ipolite Khvichia St. 7a, 0160, Tbilisi,  
Georgia  
(141) 2023 11 28
- 
- (111) M 2013 23694 R  
(151) 2013 05 17  
(732) Merck Sharp & Dohme Corp.  
One Merck Drive, Whitehouse Station, New  
Jersey 08889, USA  
(141) 2023 11 28
- 
- (111) M 2013 23695 R  
(151) 2013 05 17  
(732) Merck Sharp & Dohme Corp.  
One Merck Drive, Whitehouse Station, New  
Jersey 08889, USA  
(141) 2023 11 28
- 
- (111) M 2013 23696 R  
(151) 2013 05 17  
(732) Merck Sharp & Dohme Corp.  
One Merck Drive, Whitehouse Station, New  
Jersey 08889, USA  
(141) 2023 11 28
- 
- (111) M 2013 23697 R  
(151) 2013 05 17  
(732) OOO Rusinvest  
Novomytishchenskiy Prospekt 41, korp. 1,  
Mytishchi, Moskovskaya oblast, 141018,  
Russian Federation  
(141) 2023 11 28
- 
- (111) M 2013 23698 R  
(151) 2013 05 17  
(732) Barilla G.e.R. Fratelli-Società per Azioni  
Via Mantova 166, Parma, Italy  
(141) 2023 11 28
- 
- (111) M 2013 23700 R  
(151) 2013 05 17  
(732) LTD "Siesta"  
Sanzona 18v, ap. 30, 0141, Tbilisi, Georgia  
(141) 2023 11 28
- 
- (111) M 2013 23706 R  
(151) 2013 05 20  
(732) Cinsay Inc.  
a Nevada Corporation  
13355 Noel Road, Suite 400, Dallas, Texas  
75240, USA  
(141) 2023 11 28
- 
- (111) M 2013 23713 R  
(151) 2013 05 29  
(732) LTD "Caucasian Alco"  
Tamarashvili St. 11, ap. 179, 0179, Tbilisi,  
Georgia  
(141) 2023 12 04
- 
- (111) M 2013 23709 R  
(151) 2013 05 28  
(732) LTD "Iveria Oil International"  
Noneshvili st. 65, 6000, Batumi, Georgia  
(141) 2023 12 04
- 
- (111) M 2013 23710 R  
(151) 2013 05 28  
(732) LTD "Iveria Oil International"  
Noneshvili st. 65, 6000, Batumi, Georgia  
(141) 2023 12 04
- 
- (111) M 2013 23656 R  
(151) 2013 05 13  
(732) LLC "Zadeni"  
Gorgasali Street Lane and Between Krtsanisi  
Street (Plot 19/38), 0105, Old Tbilisi  
District, Tbilisi, Georgia  
(141) 2023 11 22
- 
- (111) M 2013 23714 R  
(151) 2013 05 30  
(732) Zurab Tsereteli  
Niko Nikoladze st. 7, 0108, Tbilisi, Georgia  
(141) 2023 12 04
- 
- (111) M 2013 23711 R  
(151) 2013 05 28  
(732) LLC "Premier Group"  
1 Bretskaya St. 43, Moscow, 123557,  
Russian Federation  
(141) 2023 12 04
- 
- (111) M 2013 23708 R  
(151) 2013 05 20  
(732) JSC "TbilGhvino"  
Sarajishvili Av. 2, 0153, Tbilisi, Georgia  
(141) 2023 11 27
-

(111) M 2013 23658 R  
(151) 2013 05 15  
(732) Erguven Ugur Iashar  
Bogaziji Region, Eti St., 14/12 Arhavi,  
Artvini, Türkiye  
(141) 2023 11 24

---

(111) M 2013 23715 R  
(151) 2013 05 31  
(732) LTD "Microfinance organization Elegance  
Credit"  
Ilia Chavchavadze Av. 34, fl. 5-6, 0162,  
Tbilisi, Georgia  
(141) 2023 12 04

---

(111) M 2013 23712 R  
(151) 2013 05 29  
(732) LTD "Coastal Investment Group"  
Cosmonauts Beach 21, 0119, Tbilisi, Georgia  
(141) 2023 12 04

---



## REGISTRATION OF LICENSE AGREEMENTS

(111) M 2007 17602 R  
(732) JSC "Badagoni"  
Vill. Zemo Khodasheni, 0910 Akhmeta  
Region, Georgia  
(791) LLC "Badagoni Story"  
Gazapkhuli St. 15, ap. 3, Vake District,  
Georgia  
(793) No. 1823  
From 22 11 2023 for the period of validity  
Special  
33 – Alcoholic Beverages.

---

(111) M 2010 20627 R  
(732) JSC "Badagoni"  
Vill. Zemo Khodasheni, 0910 Akhmeta  
Region, Georgia  
(791) LLC "Badagoni Story"  
Gazapkhuli St. 15, ap. 3, Vake District,  
Georgia  
(793) №1824  
From 22 11 2023 for the period of validity  
Special  
33 – Wine.

---

(111) M 2010 20628 R  
(732) JSC "Badagoni"  
Vill. Zemo Khodasheni, 0910 Akhmeta  
Region, Georgia  
(791) LLC "Badagoni Story"  
Gazapkhuli St. 15, ap. 3, Vake District,  
Georgia  
(793) №1825  
From 22 11 2023 for the period of validity  
Special  
33 – Wine.

---

(111) M 2010 20629 R  
(732) JSC "Badagoni"  
Vill. Zemo Khodasheni, 0910 Akhmeta  
Region, Georgia  
(791) LLC "Badagoni Story"  
Gazapkhuli St. 15, ap. 3, Vake District,  
Georgia  
(793) №1826  
From 22 11 2023 for the period of validity  
Special  
33 – Wine.

---

(111) M 2012 22396 R  
(732) JSC "Badagoni"  
Vill. Zemo Khodasheni, 0910 Akhmeta  
Region, Georgia  
(791) LLC "Badagoni Story"  
Gazapkhuli St. 15, ap. 3, Vake District,  
Georgia  
(793) No. 1827  
From 22 11 2023 for the period of validity  
Special  
33 – Alcoholic Beverages.

---

(111) M 2012 22447 R  
(732) JSC "Badagoni"  
Vill. Zemo Khodasheni, 0910 Akhmeta  
Region, Georgia  
(791) LLC "Badagoni Story"  
Gazapkhuli St. 15, ap. 3, Vake District,  
Georgia  
(793) No. 1828  
From 22 11 2023 for the period of validity  
Special  
33 – Alcoholic Beverages.

---

## INTERNATIONAL LICENSE AGREEMENTS

(800) 1536201

(732) DP Global Group Limited  
 Vistra Corporate Services Centre,  
 Wickhams Cay II, Road Town,  
 Tortola Virgin Islands (British),  
 Virgin Islands (British)

(791) Dodo Brand's International DMCC  
 Block Number: 3602-19, Mazaya Business  
 Avenue AA1 Plot No: JLTE-PH2-AA1  
 Jimmera Lakes Towers, Dubai, United Arab  
 Emirates

(793) №1821

Exclusive

From 08 07 2023 to 02 03 2030

25 – Clothing; headwear; t-shirts; aprons; caps; jackets; bandanas; blouses; shirts.

29 – Meat, fish, poultry and game; meat extracts; preserved, frozen, dried and cooked fruits and vegetables; jellies, jams, compotes; eggs; milk, cheese, butter, yoghurt and other milk products; edible oils and fats for food; prepared meals consisting primarily of meat; potato snack foods; soups; salads (fruit); salads (vegetable); vegetable fillings; meat filling.

30 – Pizza; coffee, tea, cocoa and artificial coffee; rice, pasta and noodles; tapioca and sago; flour and preparations made from cereals; bread, pastries and confectionery; chocolate; ice cream, sorbets and other edible ices; sugar, honey, treacle; yeast, baking-powder; salt, seasonings, spices, preserved herbs; vinegar, sauces and other condiments; salad dressings; ice (frozen water); pizza pie crusts; pizza sauces; pizza dough; fresh pizza; frozen pizza; pizza bases; pizza dough; pizza sauces; prepared pizza meals; ice cream; dessert puddings; sweet fillings; chocolate spreads, sweet spreads (honey); mayonnaise and ketchup-based spreads; sandwiches.

35 – Advertising; business management; business administration; office functions; advertising by mail order; providing business information via a web site; demonstration of goods; presentation of goods on communication media for retail purposes; promotion of goods and services through sponsorship of sports events; radio advertising; shop window dressing; retail services and wholesale services in relation to food, drink, clothing and headgear; online retail services and wholesale services in relation to food, drink, clothing and headgear.

39 – Transport; packaging and storage of goods; delivery of goods; courier services; pizza delivery; delivery of food and drink prepared for consumption; delivery of food and drinks by restaurants.

43 – Services for providing food and drink; café services; cafeteria services; restaurant services; catering

services; information and advice in relation to the preparation of meals; take-away fast food services; restaurant services featuring in-restaurant dining and take away food and drink services.

(800) 1537267

(732) DP Global Group Limited  
 Vistra Corporate Services Centre,  
 Wickhams Cay II, Road Town,  
 Tortola Virgin Islands (British),  
 Virgin Islands (British)

(791) Dodo Brand's International DMCC  
 Block Number: 3602-19, Mazaya Business  
 Avenue AA1 Plot No: JLTE-PH2-AA1  
 Jimmera Lakes Towers, Dubai, United Arab  
 Emirates

(793) №1822

Exclusive

From 08 07 2023 to 02 03 2030

9 – Computer software, recorded; computer software applications, downloadable; computers; downloadable mobile applications; downloadable mobile applications to facilitate the ordering of food and drink.

29 – Meat, fish, poultry and game; meat extracts; preserved, frozen, dried and cooked fruits and vegetables; jellies, jams, compotes; eggs; milk, cheese, butter, yoghurt and other milk products; edible oils and fats for food; prepared meals consisting primarily of meat; potato snack foods; soups; salads (fruit); salads (vegetable); vegetable fillings; meat fillings.

30 – Pizza; coffee, tea, cocoa and artificial coffee; rice, pasta and noodles; tapioca and sago; flour and preparations made from cereals; bread, pastries and confectionery; chocolate; ice cream, sorbets and other edible ices; sugar, honey, treacle; yeast, baking-powder; salt, seasonings, spices, preserved herbs; vinegar, sauces and other condiments; salad dressings; ice (frozen water); pizza pie crusts; pizza sauces; pizza dough; fresh pizza; frozen pizza; pizza bases; pizza dough; pizza sauces; prepared pizza meals; ice cream; dessert puddings; sweet fillings; chocolate spreads; sweet spreads [honey]; mayonnaise and ketchup-based spreads; sandwiches.

35 – Advertising; business management; business administration; office functions; advertising by mail order; providing business information via a web site; demonstration of goods; presentation of goods on communication media for retail purposes; promotion of goods and services through sponsorship of sports events; radio advertising; shop window dressing; retail services and wholesale services in relation to food, drink, clothing, headgear and computer software; on-

line retail services and wholesale services in relation to food, drink, clothing, headgear and computer software.

39 – Transport; packaging and storage of goods; delivery of goods; courier services; pizza delivery; delivery of food and drink prepared for consumption; delivery of food and drinks by restaurants.

43 – Services for providing food and drink; café services; cafeteria services; restaurant services; catering services; information and advice in relation to the preparation of meals; take-away fast food services; restaurant services featuring in-restaurant dining and take away food and drink services.

---

# CLASSIFICATION INDEXES

## INVENTIONS

### CONCORDANCE TABLE OF INTERNATIONAL CLASSIFICATION INDEX AND PUBLICATION NUMBERS

INTERNATIONAL CLASSIFICATION INDEXES (51)	NUMBER OF PUBLISHED APPLICATION (10)
A 61 K 31/42; C 07 D 413/04; C 07 D 417/10; C 07 D 413/10; C 07 D 413/12; C 07 D 261/04	AP 2023 15872 A
A 61 K 31/565; A 61 P 5/30; A 61 P 15/02; A 61 P 15/18; A 61 P 15/00; A 61 P 17/00; A 61 P 17/02; A 61 P 37/06; A 61 P 35/00; A 61 P 25/00; C 07 J 1/00	AP 2023 15920 A
C 04 B 38/10; C 04 B 28/14	AP 2023 15972 A

### CONCORDANCE TABLE OF PUBLICATION NUMBERS AND INTERNATIONAL CLASSIFICATION INDEX

NUMBER OF PUBLISHED APPLICATION (10)	INTERNATIONAL CLASSIFICATION INDEXES (51)
AP 2023 15872 A	A 61 K 31/42; C 07 D 413/04; C 07 D 417/10; C 07 D 413/10; C 07 D 413/12; C 07 D 261/04
AP 2023 15920 A	A 61 K 31/565; A 61 P 5/30; A 61 P 15/02; A 61 P 15/18; A 61 P 15/00; A 61 P 17/00; A 61 P 17/02; A 61 P 37/06; A 61 P 35/00; A 61 P 25/00; C 07 J 1/00
AP 2023 15972 A	C 04 B 38/10; C 04 B 28/14

### CONCORDANCE TABLE OF INTERNATIONAL CLASSIFICATION INDEX, PATENT NUMBERS AND PUBLICATION NUMBERS

INTERNATIONAL CLASSIFICATION INDEX (51)	NUMBER OF PATENT (11)	NUMBER OF PUBLISHED APPLICATION (10)
H 02 J 7/00	P 2023 7573 B	AP 2023 15935 A

### CONCORDANCE TABLE OF PATENT NUMBERS, PUBLICATION NUMBERS AND INTERNATIONAL CLASSIFICATION INDEX

NUMBER OF PATENT (11)	NUMBER OF PUBLISHED APPLICATION (10)	INTERNATIONAL CLASSIFICATION INDEX (51)
P 2023 7573 B	AP 2023 15935 A	H 02 J 7/00

**CONCORDANCE TABLE OF APPLICATION NUMBERS,  
PUBLICATION NUMBERS AND PATENTS**

NUMBER OF APPLICATION (21)	NUMBER OF PUBLISHED APPLICATION (10)	NUMBER OF PATENT (11)
AP 2022 15935	AP 2023 15935 A	P 2023 7573 B

**APPLICATION\*\*\***

**CONCORDANCE TABLE OF INTERNATIONAL CLASSIFICATION INDEX  
AND PUBLICATION NUMBERS**

INTERNATIONAL CLASSIFICATION INDEXES (51)	NUMBER OF PUBLISHED APPLICATION (10)
A 61 K 31/715; A 61 K 35/74; A 61 K 9/00; A 61 P 31/04; A 61 P 31/12	AP 2023 16346 A
A 61 K 31/407; A 61 K 31/397; C 07 D 403/02; C 07 D 227/02	AP 2023 16332 A
A 61 K 31/444; A 61 K 31/439; A 61 K 31/437; A 61 K 31/496; A 61 K 31/4184; A 61 P 3/00; C 07 D 401/14; C 07 D 487/08; C 07 D 487/04; C 07 D 413/14; C 07 D 405/14; C 07 D 403/14	AP 2023 16333 A
A 61 K 47/14; A 61 K 47/44; A 61 K 31/355; A 61 P 15/06	AP 2023 16392 A
E 05 B 19/00; E 05 B 47/00	AP 2023 16388 A

**CONCORDANCE TABLE OF PUBLICATION NUMBERS  
AND INTERNATIONAL CLASSIFICATION INDEX**

NUMBER OF PUBLISHED APPLICATION (10)	INTERNATIONAL CLASSIFICATION INDEXES (51)
AP 2023 16332 A	A 61 K 31/407; A 61 K 31/397; C 07 D 403/02; C 07 D 227/02
AP 2023 16333 A	A 61 K 31/444; A 61 K 31/439; A 61 K 31/437; A 61 K 31/496; A 61 K 31/4184; A 61 P 3/00; C 07 D 401/14; C 07 D 487/08; C 07 D 487/04; C 07 D 413/14; C 07 D 405/14; C 07 D 403/14
AP 2023 16346 A	A 61 K 31/715; A 61 K 35/74; A 61 K 9/00; A 61 P 31/04; A 61 P 31/12
AP 2023 16388 A	E 05 B 19/00; E 05 B 47/00
AP 2023 16392 A	A 61 K 47/14; A 61 K 47/44; A 61 K 31/355; A 61 P 15/06

## UTILITY MODELS

### CONCORDANCE TABLE OF INTERNATIONAL CLASSIFICATION INDEX AND PUBLICATION NUMBERS

INTERNATIONAL CLASSIFICATION INDEXES (51)	NUMBER OF PUBLISHED APPLICATION (10)
A 01 B 39/14	AU 2023 16198 U
A 23 G 3/00	AU 2023 16161 U

### CONCORDANCE TABLE OF PUBLICATION NUMBERS AND INTERNATIONAL CLASSIFICATION INDEX

NUMBER OF PUBLISHED APPLICATION (10)	INTERNATIONAL CLASSIFICATION INDEXES (51)
AU 2023 16161 U	A 23 G 3/00
AU 2023 16198 U	A 01 B 39/14

## DESIGNS

### CONCORDANCE TABLE OF INTERNATIONAL CLASSIFICATION INDEX AND PUBLICATION NUMBERS

INTERNATIONAL CLASSIFICATION INDEXES (51)	NUMBER OF PUBLISHED APPLICATION (10)
09-01	AD 2023 1325 S

### CONCORDANCE TABLE OF PUBLICATION NUMBERS AND INTERNATIONAL CLASSIFICATION INDEX

NUMBER OF PUBLISHED APPLICATION (10)	INTERNATIONAL CLASSIFICATION INDEXES (51)
AD 2023 1325 S	09-01

CONCORDANCE TABLE OF INTERNATIONAL CLASSIFICATION INDEX,  
NUMBERS OF REGISTRATION AND PUBLICATION NUMBERS

INTERNATIONAL CLASSIFICATION INDEX (51)	NUMBER OF REGISTRATION (11)	NUMBER OF PUBLISHED APPLICATION (10)
02-02	D 2023 985 S	AD 2023 1307 S

CONCORDANCE TABLE OF NUMBERS OF REGISTRATION,  
PUBLICATION NUMBERS AND INTERNATIONAL CLASSIFICATION INDEX

NUMBER OF REGISTRATION (11)	NUMBER OF PUBLISHED APPLICATION (10)	INTERNATIONAL CLASSIFICATION INDEX (51)
D 2023 985 S	AD 2023 1307 S	02-02

CONCORDANCE TABLE OF APPLICATION NUMBERS,  
PUBLICATION NUMBERS AND NUMBERS OF REGISTRATION

NUMBER OF APPLICATION (21)	NUMBER OF PUBLISHED APPLICATION (10)	NUMBER OF REGISTRATION (11)
AD 2023 1307	AD 2023 1307 S	D 2023 985 S

## TRADEMARKS

### CONCORDANCE TABLE OF REGISTRATION NUMBERS, APPLICATION NUMBERS, PUBLICATION NUMBERS AND BULLETIN NUMBERS

NUMBER OF REGISTRATION (111)	NUMBER OF APPLICATIONS (210)	NUMBER OF PUBLISHED APPLICATIONS (260)	NUMBER OF BULLETIN
1	2	3	4
M 2023 37548 R	AM 124780	–	23(626)2023
M 2023 37549 R	AM 120434	AM 2023 120434 A	12(615)2023
M 2023 37550 R	AM 120814	AM 2023 120814 A	13(616)2023
M 2023 37551 R	AM 119195	AM 2023 119195 A	14(617)2023
M 2023 37552 R	AM 120628	AM 2023 120628 A	14(617)2023
M 2023 37553 R	AM 120629	AM 2023 120629 A	14(617)2023
M 2023 37554 R	AM 120504	AM 2023 120504 A	14(617)2023
M 2023 37555 R	AM 119506	AM 2023 119506 A	9(612)2023
M 2023 37556 R	AM 119760	AM 2023 119760 A	9(612)2023
M 2023 37557 R	AM 120939	AM 2023 120939 A	14(617)2023
M 2023 37558 R	AM 120507	AM 2023 120507 A	12(615)2023
M 2023 37559 R	AM 120527	AM 2023 120527 A	14(617)2023
M 2023 37560 R	AM 120029	AM 2023 120029 A	9(612)2023
M 2023 37561 R	AM 120531	AM 2023 120531 A	14(617)2023
M 2023 37562 R	AM 120515	AM 2023 120515 A	14(617)2023
M 2023 37563 R	AM 120030	AM 2023 120030 A	9(612)2023
M 2023 37564 R	AM 120028	AM 2023 120028 A	9(612)2023
M 2023 37565 R	AM 120512	AM 2023 120512 A	14(617)2023
M 2023 37566 R	AM 120237	AM 2023 120237 A	11(614)2023
M 2023 37567 R	AM 120513	AM 2023 120513 A	12(615)2023
M 2023 37568 R	AM 120626	AM 2023 120626 A	13(616)2023
M 2023 37569 R	AM 119177	AM 2023 119177 A	14(617)2023
M 2023 37570 R	AM 120608	AM 2023 120608 A	14(617)2023
M 2023 37571 R	AM 120730	AM 2023 120730 A	13(616)2023
M 2023 37572 R	AM 120524	AM 2023 120524 A	14(617)2023
M 2023 37573 R	AM 120499	AM 2023 120499 A	14(617)2023
M 2023 37574 R	AM 120498	AM 2023 120498 A	14(617)2023
M 2023 37575 R	AM 120497	AM 2023 120497 A	14(617)2023
M 2023 37576 R	AM 125446	–	23(626)2023
M 2023 37577 R	AM 125529	–	23(626)2023
M 2023 37578 R	AM 125535	–	23(626)2023
M 2023 37579 R	AM 125539	–	23(626)2023
M 2023 37580 R	AM 125540	–	23(626)2023
M 2023 37581 R	AM 125541	–	23(626)2023
M 2023 37582 R	AM 125542	–	23(626)2023
M 2023 37583 R	AM 125543	–	23(626)2023
M 2023 37584 R	AM 125547	–	23(626)2023
M 2023 37585 R	AM 125548	–	23(626)2023
M 2023 37586 R	AM 125551	–	23(626)2023
M 2023 37587 R	AM 125552	–	23(626)2023
M 2023 37588 R	AM 125553	–	23(626)2023
M 2023 37589 R	AM 125555	–	23(626)2023
M 2023 37590 R	AM 125562	–	23(626)2023
M 2023 37591 R	AM 125546	–	23(626)2023
M 2023 37592 R	AM 119893	AM 2023 119893 A	14(617)2023
M 2023 37593 R	AM 119892	AM 2023 119892 A	14(617)2023



1	2	3	4
M 2023 37594 R	AM 120517	AM 2023 120517 A	14(617)2023
M 2023 37595 R	AM 120245	AM 2023 120245 A	12(615)2023
M 2023 37596 R	AM 120440	AM 2023 120440 A	14(617)2023
M 2023 37597 R	AM 120259	AM 2023 120259 A	14(617)2023
M 2023 37598 R	AM 121216	AM 2023 121216 A	15(618)2023
M 2023 37599 R	AM 121333	AM 2023 121333 A	15(618)2023
M 2023 37600 R	AM 120948	AM 2023 120948 A	15(618)2023
M 2023 37601 R	AM 20250	AM 2023 120250 A	11(614)2023
M 2023 37602 R	AM 119991	AM 2023 119991 A	15(618)2023
M 2023 37603 R	AM 120976	AM 2023 120976 A	14(617)2023
M 2023 37604 R	AM 120975	AM 2023 120975 A	14(617)2023
M 2023 37605 R	AM 120938	AM 2023 120938 A	15(618)2023
M 2023 37606 R	AM 119792	AM 2023 119792 A	14(617)2023
M 2023 37607 R	AM 119787	AM 2023 119787 A	15(618)2023
M 2023 37608 R	AM 125077	–	23(626)2023
M 2023 37609 R	AM 124959	–	23(626)2023
M 2023 37610 R	AM 125658	–	23(626)2023
M 2023 37611 R	AM 125160	–	23(626)2023
M 2023 37612 R	AM 125653	–	23(626)2023
M 2023 37613 R	AM 125652	–	23(626)2023
M 2023 37614 R	AM 125558	–	23(626)2023
M 2023 37615 R	AM 125559	–	23(626)2023
M 2023 37616 R	AM 125556	–	23(626)2023
M 2023 37617 R	AM 125557	–	23(626)2023
M 2023 37618 R	AM 125339	–	23(626)2023
M 2023 37619 R	AM 119994	AM 2023 119994 A	15(618)2023
M 2023 37620 R	AM 121301	AM 2023 121301 A	15(618)2023
M 2023 37621 R	AM 121139	AM 2023 121139 A	15(618)2023
M 2023 37622 R	AM 121133	AM 2023 121133 A	15(618)2023
M 2023 37623 R	AM 120046	AM 2023 120046 A	14(617)2023
M 2023 37624 R	AM 119790	AM 2023 119790 A	14(617)2023
M 2023 37625 R	AM 118297	AM 2023 118297 A	12(615)2023
M 2023 37626 R	AM 120858	AM 2023 120858 A	13(616)2023
M 2023 37627 R	AM 120253	AM 2023 120253 A	12(615)2023
M 2023 37628 R	AM 120255	AM 2023 120255 A	12(615)2023
M 2023 37629 R	AM 125462	–	23(626)2023
M 2023 37630 R	AM 119368	AM 2023 119368 A	7(610)2023
M 2023 37631 R	AM 114671	AM 2023 114671 A	15(618)2023
M 2023 37632 R	AM 120710	–	23(626)2023
M 2023 37633 R	AM 125675	–	23(626)2023
M 2023 37634 R	AM 125684	–	23(626)2023
M 2023 37635 R	AM 125752	–	23(626)2023
M 2023 37636 R	AM 125761	–	23(626)2023
M 2023 37637 R	AM 121052	AM 2023 121052 A	16(619)2023
M 2023 37638 R	AM 120862	AM 2023 120862 A	14(617)2023
M 2023 37639 R	AM 120137	AM 2023 120137 A	11(614)2023
M 2023 37640 R	AM 120136	AM 2023 120136 A	11(614)2023
M 2023 37641 R	AM 121242	AM 2023 121242 A	16(619)2023
M 2023 37642 R	AM 120631	AM 2023 120631 A	16(619)2023
M 2023 37643 R	AM 119917	AM 2023 119917 A	11(614)2023
M 2023 37644 R	AM 121303	AM 2023 121303 A	15(618)2023
M 2023 37645 R	AM 121304	AM 2023 121304 A	15(618)2023
M 2023 37646 R	AM 121305	AM 2023 121305 A	15(618)2023
M 2023 37647 R	AM 120023	AM 2023 120023 A	12(615)2023
M 2023 37648 R	AM 20256	AM 2023 120256 A	12(615)2023
M 2023 37649 R	AM 121212	AM 2023 121212 A	15(618)2023

1	2	3	4
M 2023 37650 R	AM 120362	AM 2023 120362 A	12(615)2023
M 2023 37651 R	AM 119983	AM 2023 119983 A	11(614)2023
M 2023 37652 R	AM 120344	AM 2023 120344 A	11(614)2023
M 2023 37653 R	AM 120343	AM 2023 120343 A	12(615)2023
M 2023 37654 R	AM 120358	AM 2023 120358 A	14(617)2023
M 2023 37655 R	AM 120698	AM 2023 120698 A	16(619)2023
M 2023 37656 R	AM 120707	AM 2023 120707 A	15(618)2023
M 2023 37657 R	AM 119880	AM 2023 119880 A	11(614)2023
M 2023 37658 R	AM 120347	AM 2023 120347 A	10(613)2023
M 2023 37659 R	AM 120346	AM 2023 120346 A	10(613)2023
M 2023 37660 R	AM 120348	AM 2023 120348 A	10(613)2023
M 2023 37661 R	AM 120356	AM 2023 120356 A	10(613)2023

CONCORDANCE TABLE OF PUBLICATION NUMBERS  
AND APPLICATION NUMBERS

NUMBER OF PUBLISHED APPLICATION (260)	NUMBER OF APPLICATION (210)	1	2
1	2	AM 2023 122744 A	AM 122744
AM 2023 120251 A*	AM 120251	AM 2023 122822 A	AM 122822
AM 2023 121652 A	AM 121652	AM 2023 122825 A	AM 122825
AM 2023 121653 A	AM 121653	AM 2023 122829 A	AM 122829
AM 2023 122202 A	AM 122202	AM 2023 122848 A	AM 122848
AM 2023 122281 A	AM 122281	AM 2023 122849 A	AM 122849
AM 2023 122287 A	AM 122287	AM 2023 122850 A	AM 122850
AM 2023 122384 A	AM 122384	AM 2023 122851 A	AM 122851
AM 2023 122392 A	AM 122392	AM 2023 122853 A	AM 122853
AM 2023 122414 A	AM 122414	AM 2023 122855 A	AM 122855
AM 2023 122415 A	AM 122415	AM 2023 122943 A	AM 122943
AM 2023 122417 A	AM 122417	AM 2023 122945 A	AM 122945
AM 2023 122498 A	AM 122498	AM 2023 122947 A	AM 122947
AM 2023 122504 A	AM 122504	AM 2023 122949 A	AM 122949
AM 2023 122506 A	AM 122506	AM 2023 122950 A	AM 122950
AM 2023 122568 A	AM 122568	AM 2023 122951 A	AM 122951
AM 2023 122582 A	AM 122582	AM 2023 122952 A	AM 122952
AM 2023 122652 A	AM 122652	AM 2023 122956 A	AM 122956
AM 2023 122653 A	AM 122653	AM 2023 122961 A	AM 122961
AM 2023 122726 A	AM 122726	AM 2023 122963 A	AM 122963
AM 2023 122736 A	AM 122736	AM 2023 122964 A	AM 122964
AM 2023 122741 A	AM 122741	AM 2023 122965 A	AM 122965
AM 2023 122743 A	AM 122743	AM 2023 122966 A	AM 122966
		AM 2023 122984 A	AM 122984
		AM 2023 123577 A	AM 123577

CONCORDANCE TABLE OF INDEX OF GOODS AND/OR SERVICES  
AND APPLICATION NUMBERS

INDEX OF GOODS AND/OR SERVICES (511)	NUMBER OF PUBLISHED APPLICATIONS (260)	1	2
1	2	18	AM 2023 122417 A
3	AM 2023 122415 A	18	AM 2023 122726 A
3	AM 2023 122417 A	18	AM 2023 122736 A
3	AM 2023 122498 A	20	AM 2023 122415 A
3	AM 2023 122568 A	20	AM 2023 122417 A
3	AM 2023 122726 A	20	AM 2023 122853 A
3	AM 2023 122853 A	20	AM 2023 122963 A
3	AM 2023 122943 A	21	AM 2023 122415 A
3	AM 2023 122945 A	21	AM 2023 122417 A
3	AM 2023 122947 A	21	AM 2023 122568 A
3	AM 2023 122949 A	21	AM 2023 122736 A
3	AM 2023 122984 A	21	AM 2023 122853 A
4	AM 2023 122281 A	22	AM 2023 122415 A
5	AM 2023 122498 A	22	AM 2023 122417 A
5	AM 2023 122726 A	24	AM 2023 122415 A
5	AM 2023 122855 A	24	AM 2023 122417 A
5	AM 2023 122943 A	24	AM 2023 122726 A
5	AM 2023 122945 A	24	AM 2023 122853 A
5	AM 2023 122947 A	25	AM 2023 122415 A
5	AM 2023 122949 A	25	AM 2023 122417 A
5	AM 2023 122950 A	25	AM 2023 122726 A
5	AM 2023 122951 A	25	AM 2023 122736 A
5	AM 2023 122952 A	25	AM 2023 122744 A
5	AM 2023 122984 A	26	AM 2023 122415 A
6	AM 2023 122961 A	26	AM 2023 122417 A
7	AM 2023 122568 A	26	AM 2023 122568 A
9	AM 2023 122287 A	26	AM 2023 122726 A
9	AM 2023 122415 A	26	AM 2023 122736 A
9	AM 2023 122417 A	27	AM 2023 122568 A
9	AM 2023 122726 A	27	AM 2023 122736 A
9	AM 2023 122736 A	27	AM 2023 122853 A
9	AM 2023 122744 A	28	AM 2023 122415 A
10	AM 2023 122498 A	28	AM 2023 122417 A
10	AM 2023 122568 A	28	AM 2023 122726 A
10	AM 2023 122855 A	28	AM 2023 122736 A
11	AM 2023 122849 A	28	AM 2023 122744 A
11	AM 2023 122850 A	28	AM 2023 122853 A
11	AM 2023 122853 A	29	AM 2023 122415 A
12	AM 2023 122568 A	29	AM 2023 122417 A
12	AM 2023 122743 A	29	AM 2023 122582 A
14	AM 2023 122415 A	29	AM 2023 122726 A
14	AM 2023 122417 A	29	AM 2023 122744 A
14	AM 2023 122726 A	29	AM 2023 122848 A
15	AM 2023 122853 A	29	AM 2023 122966 A
16	AM 2023 122415 A	30	AM 2023 122384 A
16	AM 2023 122417 A	30	AM 2023 122415 A
16	AM 2023 122726 A	30	AM 2023 122417 A
16	AM 2023 122726 A	30	AM 2023 122498 A
16	AM 2023 122744 A	30	AM 2023 122726 A
18	AM 2023 122415 A	30	AM 2023 122744 A
		30	AM 2023 122966 A
		31	AM 2023 122415 A

1	2
31	AM 2023 122417 A
31	AM 2023 122744 A
32	AM 2023 121652 A
32	AM 2023 121653 A
32	AM 2023 122414 A
32	AM 2023 122415 A
32	AM 2023 122417 A
32	AM 2023 122726 A
32	AM 2023 122744 A
32	AM 2023 122966 A
33	AM 2023 122415 A
33	AM 2023 122417 A
33	AM 2023 122504 A
33	AM 2023 122726 A
33	AM 2023 122822 A
33	AM 2023 122956 A
33	AM 2023 122966 A
34	AM 2023 120251 A*
34	AM 2023 122202 A
34	AM 2023 122392 A
35	AM 2023 121652 A
35	AM 2023 121653 A
35	AM 2023 122287 A
35	AM 2023 122384 A
35	AM 2023 122414 A
35	AM 2023 122415 A
35	AM 2023 122417 A
35	AM 2023 122498 A
35	AM 2023 122506 A
35	AM 2023 122568 A
35	AM 2023 122652 A
35	AM 2023 122653 A
35	AM 2023 122726 A
35	AM 2023 122736 A
35	AM 2023 122744 A
35	AM 2023 122825 A
35	AM 2023 122964 A
35	AM 2023 122965 A
35	AM 2023 123577 A
36	AM 2023 122287 A

1	2
36	AM 2023 122415 A
36	AM 2023 122417 A
36	AM 2023 122652 A
36	AM 2023 122653 A
36	AM 2023 122963 A
36	AM 2023 122964 A
36	AM 2023 122965 A
36	AM 2023 123577 A
37	AM 2023 122652 A
37	AM 2023 122653 A
37	AM 2023 123577 A
39	AM 2023 122825 A
39	AM 2023 122963 A
39	AM 2023 122964 A
39	AM 2023 122965 A
41	AM 2023 122287 A
41	AM 2023 122415 A
41	AM 2023 122417 A
41	AM 2023 122568 A
41	AM 2023 122726 A
41	AM 2023 122736 A
41	AM 2023 122744 A
41	AM 2023 122829 A
41	AM 2023 122851 A
41	AM 2023 122964 A
41	AM 2023 122965 A
42	AM 2023 122287 A
42	AM 2023 122568 A
42	AM 2023 122736 A
42	AM 2023 122963 A
42	AM 2023 122964 A
42	AM 2023 122965 A
43	AM 2023 122415 A
43	AM 2023 122417 A
43	AM 2023 122726 A
43	AM 2023 122741 A
43	AM 2023 122744 A
44	AM 2023 122415 A
44	AM 2023 122417 A

CONCORDANCE TABLE OF INDEX OF GOODS AND/OR SERVICES  
AND NUMBERS OF TRADEMARKS REGISTERED ACCORDING  
TO THE ACCELERATED PROCEDURE

INDEX OF GOODS AND/OR SERVICES (511)	NUMBERS OF REGISTERED ACCORDING TO THE ACCELERATED PROCEDURE (111)	1	2
1	2		
7	M 2023 37635 R	35	M 2023 37616 R
9	M 2023 37579 R	35	M 2023 37617 R
9	M 2023 37580 R	35	M 2023 37629 R
9	M 2023 37581 R	35	M 2023 37632 R
9	M 2023 37582 R	36	M 2023 37576 R
9	M 2023 37583 R	36	M 2023 37578 R
9	M 2023 37584 R	36	M 2023 37579 R
9	M 2023 37585 R	36	M 2023 37580 R
9	M 2023 37586 R	36	M 2023 37581 R
9	M 2023 37587 R	36	M 2023 37582 R
9	M 2023 37588 R	36	M 2023 37583 R
9	M 2023 37589 R	36	M 2023 37584 R
9	M 2023 37590 R	36	M 2023 37585 R
9	M 2023 37591 R	36	M 2023 37586 R
9	M 2023 37614 R	36	M 2023 37587 R
9	M 2023 37615 R	36	M 2023 37588 R
9	M 2023 37616 R	36	M 2023 37589 R
9	M 2023 37617 R	36	M 2023 37590 R
28	M 2023 37629 R	36	M 2023 37591 R
29	M 2023 37548 R	36	M 2023 37614 R
29	M 2023 37608 R	36	M 2023 37615 R
30	M 2023 37618 R	36	M 2023 37616 R
31	M 2023 37610 R	36	M 2023 37617 R
31	M 2023 37612 R	37	M 2023 37576 R
32	M 2023 37636 R	37	M 2023 37578 R
33	M 2023 37609 R	38	M 2023 37576 R
33	M 2023 37633 R	39	M 2023 37576 R
33	M 2023 37634 R	39	M 2023 37580 R
35	M 2023 37576 R	39	M 2023 37581 R
35	M 2023 37579 R	39	M 2023 37582 R
35	M 2023 37580 R	39	M 2023 37583 R
35	M 2023 37581 R	39	M 2023 37588 R
35	M 2023 37582 R	39	M 2023 37590 R
35	M 2023 37583 R	39	M 2023 37608 R
35	M 2023 37584 R	41	M 2023 37576 R
35	M 2023 37585 R	41	M 2023 37577 R
35	M 2023 37586 R	41	M 2023 37580 R
35	M 2023 37587 R	41	M 2023 37581 R
35	M 2023 37588 R	41	M 2023 37582 R
35	M 2023 37589 R	41	M 2023 37583 R
35	M 2023 37590 R	41	M 2023 37586 R
35	M 2023 37591 R	41	M 2023 37587 R
35	M 2023 37613 R	41	M 2023 37588 R
35	M 2023 37614 R	41	M 2023 37589 R
35	M 2023 37615 R	41	M 2023 37590 R
35	M 2023 37616 R	41	M 2023 37591 R
35	M 2023 37615 R	41	M 2023 37613 R
		41	M 2023 37614 R
		41	M 2023 37615 R
		41	M 2023 37616 R
		41	M 2023 37617 R

CLASSIFICATION INDEXES

---

1	2
41	M 2023 37629 R
42	M 2023 37576 R
42	M 2023 37580 R
42	M 2023 37581 R
42	M 2023 37582 R
42	M 2023 37583 R
42	M 2023 37586 R
42	M 2023 37587 R
42	M 2023 37588 R
42	M 2023 37589 R
42	M 2023 37590 R

1	2
42	M 2023 37591 R
42	M 2023 37614 R
42	M 2023 37615 R
42	M 2023 37616 R
42	M 2023 37617 R
43	M 2023 37576 R
43	M 2023 37608 R
43	M 2023 37611 R
43	M 2023 37629 R
44	M 2023 37576 R
45	M 2023 37576 R

# **OFFICIAL BULLETIN OF THE INDUSTRIAL PROPERTY**

**INVENTIONS**

**UTILITY MODELS**

**DESIGNS**

**TRADEMARKS**

**APPELLATIONS OF ORIGIN OF GOODS**

## **23(626)**

EDITOR-IN-CHIEF: N. Bebrishvili

EDITOR-TRANSLATOR: E. Gabunia

PROOFREADER: G. Nadareishvili

COMPUTER LAYOUT: M. Ordenidze  
K. Svanidze

ISSN 2720-8486

[info@sakpatenti.gov.ge](mailto:info@sakpatenti.gov.ge)  
[www.sakpatenti.gov.ge](http://www.sakpatenti.gov.ge)

**LIST OF CODES, IN ALPHABETIC SEQUENCE, AND THE CORRESPONDING (SHORT) NAMES OF STATES, OTHER ENTITIES AND INTERGOVERNMENTAL ORGANIZATIONS**  
(WIPO STANDARD ST.3)

AD	Andorra				
AE	United Arab Emirates				
AF	Afghanistan				
AG	Antigua and Barbuda				
AI	Anguilla				
AL	Albania				
AM	Armenia				
AN	Netherlands Antilles				
AO	Angola				
AP	African Regional Intellectual Property Organization (ARIPO)				
AR	Argentina				
AT	Austria				
AU	Australia				
AW	Aruba				
AZ	Azerbaijan				
BA	Bosnia and Herzegovina				
BB	Barbados				
BD	Bangladesh				
BE	Belgium				
BF	Burkina Faso				
BG	Bulgaria				
BH	Bahrain				
BI	Burundi				
BJ	Benin				
BM	Bermuda				
BN	Brunei Darussalam				
BO	Bolivia				
BR	Brazil				
BS	Bahamas				
BT	Bhutan				
BV	Bouvet Island				
BW	Botswana				
BX	Benelux Office for Intellectual Property (BOIP)				
BY	Belarus				
BZ	Belize				
CA	Canada				
CD	Democratic Republic of the Congo				
CF	Central African Republic				
CG	Congo				
CH	Switzerland				
CI	Cote d'Ivoire				
CK	Cook Islands				
CL	Chile				
CM	Cameroon				
CN	China				
CO	Colombia				
CR	Costa Rica				
CU	Cuba				
CV	Cape Verde				
CY	Cyprus				
CZ	Czech Republic				
DE	Germany				
DJ	Djibouti				
DM	Dominica				
DO	Dominican Republic				
DZ	Algeria				
EA	Eurasian Patent Organization (EAPO)				
EC	Ecuador				
EE	Estonia				
EG	Egypt				
EH	Western Sahara				
EM	Office for Harmonization in the Internal Market (Trademarks and Designs)(OHIM)				
EP	European Patent Office (EPO)				
ER	Eritrea				
ES	Spain				
ET	Ethiopia				
FI	Finland				
FJ	Fiji				
FK	Falkland Islands (Malvinas)				
FO	Faroe Islands				
FR	France				
GA	Gabon				
GB	United Kingdom				
GC	Patent Office of the Cooperation Council for the Arab States of the Gulf (GCC)				
GD	Grenada				
GG	Guernsey				
GH	Ghana				
GI	Gibraltar				
GT	Guatemala				
GW	Guinea- Bissau				
GY	Guyana				
HK	The Hong Kong Special Administrative Region of the People's Republic of China				
HN	Honduras				
HR	Croatia				
HT	Haiti				
HU	Hungary				
IB	International Bureau of the World Intellectual Property Organization (WIPO)				
ID	Indonesia				
IE	Ireland				
IL	Israel				
IM	Isle of Man				
IN	India				
IQ	Iraq				
ID	Indonesia				
IE	Ireland				
IL	Israel				
IM	Isle of Man				
IN	India				
IQ	Iraq				
IR	Iran (Islamic Republic of)				
IS	Iceland				
IT	Italy				
JE	Jersey				
JM	Jamaica				
JO	Jordan				
JP	Japan				
KE	Kenya				
KG	Kyrgyzstan				
KH	Cambodia				
KI	Kiribati				
KM	Saint Kitts and Nevis				
KP	Democratic People's Republic of Korea				
KR	Republic of Korea				
KW	Kuwait				
KY	Cayman Islands				
KZ	Kazakhstan				
LA	Lao People's Democratic Republic				
LB	Lebanon				
LC	Saint Lucia				
LI	Liechtenstein				
LK	Sri Lanka				
LR	Liberia				
LS	Lesotho				
LT	Lithuania				
LU	Luxembourg				
LV	Latvia				
LY	Libyan Arab Jamahiriya				
MA	Morocco				
MC	Monaco				
MD	Republic of Moldova				
ME	Montenegro				
MG	Madagascar				
MK	The former Yugoslav Republic of Macedonia				
ML	Mali				
MM	Myanmar				
MN	Mongolia				
MO	Macao				
MP	Northern Mariana Islands				
MR	Mauritania				
MS	Montserrat				
MT	Malta				
MU	Mauritius				
MV	Maldives				
MW	Malawi				
MX	Mexico				
MY	Malaysia				
MZ	Mozambique				
NA	Namibia				
NE	Niger				
NG	Nigeria				
NI	Nicaragua				
NL	Netherlands				
NO	Norway				
NP	Nepal				
NR	Nauru				
NZ	New Zealand				
OA	African Intellectual Property Organization (OAPI)				
OM	Oman				
PA	Panama				
PE	Peru				
PG	Papua New Guinea				
PH	Philippines				
PK	Pakistan				
PL	Poland				
PT	Portugal				
PW	Palau				
PY	Paraguay				
QA	Qatar				
QZ	Community Plant Variety Office (European Community) (CPVO)				
RO	Romania				
RS	Serbia				
RU	Russian Federation				
RW	Rwanda				
SA	Saudi Arabia				
SB	Solomon Islands				
SC	Seychelles				
SD	Sudan				
SG	Singapore				
SH	Saint Helena				
SI	Slovenia				
SK	Slovakia				
SL	Sierra Leone				
SM	San Marino				
SN	Senegal				
SO	Somalia				
SR	Suriname				
ST	Sao Tome and Principe				
SV	El Salvador				
SY	Syrian Arab Republic				
SZ	Swaziland				
TC	Turks and Caicos Islands				
TD	Chad				
TG	Togo				
TH	Thailand				
TJ	Tajikistan				
TL	Timor-Leste				
TM	Turkmenistan				
TN	Tunisia				
TO	Tonga				
TR	Turkey				
SE	Sweden				
TT	Trinidad and Tobago				
TV	Tuvalu				
TW	Taiwan, Province of China				
TZ	United Republic of Tanzania				
UA	Ukraine				
UG	Uganda				
US	United States of America				
UY	Uruguay				
UZ	Uzbekistan				
VA	Holy See				
VC	Saint Vincent and the Grenadines				
VE	Venezuela				
VG	Virgin Islands (British)				
VN	Viet Nam				
VU	Vanuatu				
WO	World Intellectual Property Organization (WIPO)				
WS	Samoa				
XN	Nordic Patent Institute (NPI)				
YE	Yemen				
ZA	South Africa				
ZM	Zambia				
ZW	Zimbabwe				