



Official Bulletin of the Industrial Property

Inventions

Designs

Trademarks



საქართველოს ინტელექტუალური
საკუთრების ეროვნული ცენტრი
საქპატენტი
SAKPATENTI
NATIONAL INTELLECTUAL PROPERTY
CENTER OF GEORGIA

24(627)

INID CODES FOR IDENTIFICATION OF BIBLIOGRAPHIC DATA

INVENTIONS, UTILITY MODELS

- (10) Number of publication of examined application/
Application publication number***
- (11) Patent number/ Patent number***
Registered utility model number***
- (21) Application number
- (22) Date of filing of the application
- (23) Date of exhibition priority
- (24) Date from which patent may have effect
- (31) Number of priority application
- (32) Date of filing of priority application
- (33) Code of the country or regional organization allotting application number
- (43) Date of publication of application, number of bulletin***
- (44) Date of publication of examined application, on which no grant has taken place and number of bulletin
- (45) Date of publication of patent/ Date of publication of patent***
Date of publication of registered utility model***
- (51) International Patent Classification Index
- (54) Title of the invention/title of the utility model
- (57) Abstract
- (60) Number of examined patent document granted by foreign patent office, date from which patent has effect and country code
- (62) Number and filing date of the earlier application in case of a divisional application
- (71) Name and address of applicant (country code)
- (72) Name of inventor (country code)
- (73) Name and address of patent owner/patent owner***/ registered utility model owner*** (country code)
- (74) Name of representative or patent attorney
- (85) Date of commencement of the national phase of international application (PCT)
- (86) Number and date of filing of international application (PCT)
- (87) Number and date of publication of international application (PCT)
- (94) Calculated date of expiry of the SPC or the duration of the SPC

DESIGNS

- (10) Number of publication for application
- (11) Number of patent and kind of document or number of registration
- (15) Date of registration/Date of patent renewal
- (18) Expected expiration date of patent or registration
- (21) Serial number of application
- (22) Date of filing of the application
- (23) Date of exhibition or the date of the earlier filing and the number of application, if any
- (24) Date from which patent may have effect
- (28) Number of designs included in the application
- (30) Data relating to priority (number of application, date of filing of application, two-letter code identifying the authority with whom the priority application was made)
- (31) Number of priority application
- (32) Date of filing of priority application
- (33) Code of the country or regional organization allotting priority application number
- (34) Two-letter code according to WIPO St.3 identifying the authority with which the priority application was made
- (44) Date of publication of design and number of bulletin (the first publication)
- (45) Date of publication of design registered by WIPO and number of bulletin
- (51) International Classification for designs (class and subclass of the Locarno Classification)
- (54) Title of the invention
- (55) Reproduction of the design
- (57) Description of characteristic features of the design including indication of colors
- (58) Date of recording of any kind of amendment in the Register
- (62) Number of the earlier application, registration and document number and if available the date of filing an application in case of divided application
- (71) Name, surname and address of applicant (country code)
- (72) Name, surname of creator (country code)
- (73) Name, surname and address of patent owner (country code)
- (74) Name, surname of representative or patent attorney
- (81) Contracting states concerned
II designated contracting states according to the 1960 Act
III designated contracting states according to the 1999 Act
- (85) Owner's permanent address
- (86) Owner's nationality
- (87) Owner's residence
- (88) State in which the owner has a real and effective industrial or commercial establishment

TRADEMARKS

- (111) – Number of registration
- (151) – Date of registration
- (156) – Date of the renewal
- (181) – Expected expiration date of registration
- (186) – Renewal expiration date of registration
- (141) – Date of cancel of duration of the mark
- (210) – Serial number of application
- (220) – Date of filing of the application
- (230) – Data concerning exhibition
- (260) – Number of application, for which favorable decision of examination about registration has been taken (publication number)
- (310) – Number of the first application
- (320) – Date of filing of the first application
- (330) – Code, identifying national or regional Office where the first application was made
- (511) – International Classification of Goods and Services for the purposes of registration of trade marks and/or list of goods and/or services classified according thereto
- (526) – Disclaimer
- (531) – Description of figurative elements of Trade Marks according to the International Classification of the Figurative Elements of Marks
- (540) – Reproduction of Trade Mark
- (550) – Nature and kind of Trade Mark
- (551) – Indication to the effect that the mark is a collective mark, a certification mark or a guarantee mark
- (554) – Three-dimensional mark
- (580) – Date of recording of any kind changes in respect of applications or registrations
- (591) – Information concerning colors claimed
- (731) – Name and address of the applicant
- (732) – Name and address of the holder of the registration
- (740) – Name and address of the representative
- (750) – Addreses for correspondence
- (770) – Name and address of the previous applicant or holder in case of change in ownership
- (771) – Previous name and address of the applicant or holder in case of change in ownership
- (791) – Name and address of the licensee
- (793) – Indication of conditions and/or restrictions under the license (Type of license, number of license agreement, data of license, data of validity of license)
- (800) – Certain data relating to the international registration of Trade Marks under the Protocol Relating to Madrid Agreement (International registration number
- (852) – Partial cancellation of the list of goods and services
- (891) – Date of subsequent designation

CODES FOR PUBLICATION IN BULLETIN

- (21) AP 0000 000000 – number of application for invention
- (10) AP 0000 0000 A – number of publication of application for invention
- (11) P 0000 0000 B – number of patent for invention/ patent number***
- (21) API 0000 000000 – number of application for imported patent
- (11) PI 0000 0000 A – number of imported patent
- (21) AU 0000 000000 – number of application for utility model
- (10) AU 0000 000 U – number of publication of application for utility model
- (11) U 0000 000 Y – number of patent for utility model/ registered utility model number***
- (21) AD 0000 000000 – serial number of application for design
- (10) AD 0000 000 S – number of published application for design (first publication)
- (11) D 0000 000 S – registered design

INTERNATIONAL PATENT CLASSIFICATION FOR INVENTIONS AND UTILITY MODELS

- SECTION A – HUMAN NECESSITIES
- SECTION B – PERFORMING OPERATIONS; TRANSPORTING
- SECTION C – CHEMISTRY; METALLURGY
- SECTION D – TEXTILES; PAPER
- SECTION E – FIXED CONSTRUCTIONS
- SECTION F – MECHANICAL ENGINEERING; LIGHTING; HEATING; WEAPONS; BLASTING
- SECTION G – PHYSICS
- SECTION H – ELECTRICITY

* Number of application published after the decision of Appellation Chamber of SAKPATENTI

** Number of application published after Court decision

*** Materials published according to the amendments of May 16, 2023 (No. 2883-XI0b-X03) to the Patent Law of Georgia

- M – Trade Mark
- (210) AM 0000 000000 – Serial number of application;
- (260) AAM 0000 00000 A – Publication number of application;
- (111) M 0000 00000 R – Number of registration;
- (111) MMM0000 00000 Rn – Number of renewals, in which n=1,2,3;
- (111) M 0000 00000 R(P) – Number of registration under partial assignment of rights

Official Bulletin of the Industrial Property

Inventions

Designs

Trademarks

CONTENT

PUBLISHED TITLES OF PROTECTION	3
INVENTIONS	
▪ APPLICATIONS APPROVED FOR GRANTING PATENT	4
▪ PATENTED INVENTIONS	7
▪ APPLICATIONS***	10
DESIGNS	
APPLICATIONS APPROVED FOR REGISTRATION	13
TRADEMARKS	
▪ APPLICATIONS FILED UNDER THE NATIONAL PROCEDURE APPROVED FOR REGISTRATION	16
▪ REGISTERED TRADEMARKS	19
▪ TRADEMARKS REGISTERED ACCORDING TO THE ACCELERATED PROCEDURE	25
▪ INTERNATIONAL TRADEMARKS FOR WHICH A DECISION ON GRANTING PROTECTION IS TAKEN	32
▪ INTERNATIONAL TRADEMARKS PROTECTED IN GEORGIA	95
OFFICIAL NOTIFICATION	
INVENTIONS	
▪ LAPSE OF PATENTS WITH THE RIGHT TO RESTORE	103
▪ EXPIRATION OF PATENT RESTORATION TERM	104
▪ EXPIRATION OF PATENT TERM	104
▪ TRANSFER OF RIGHTS	105
▪ CHANGE OF NAME AND/OR ADDRESS OF PATENTOWNER	106
TRADEMARKS	
▪ EXTENSION OF TERM OF TRADEMARKS REGISTRATION	107
▪ COMPLETE TRANSFER OF RIGHTS	109
▪ CHANGES OF NAME AND/OR ADDRESS OF TRADEMARKS OWNERS	111
▪ CANCELLATION OF TRADEMARKS REGISTRATION	112
▪ CANCELLATION OF INTERNATIONAL TRADEMARK REGISTRATION	112
▪ REGISTRATION OF LICENSE AGREEMENTS	113
CLASSIFICATION INDEXES	
INVENTIONS	114
DESIGNS	117
TRADEMARKS	118

PUBLISHED TITLES OF PROTECTION

INVENTIONS

- **APPLICATIONS APPROVED FOR GRANTING PATENT:**
15900-15902; 15526; 16060
- **PATENTED INVENTIONS:**
7574-7582
- **APPLICATIONS:*****
16387; 16354; 16382; 16363; 16347; 16368

DESIGNS

- APPLICATIONS APPROVED FOR REGISTRATION:**
1323, 1324

TRADEMARKS

- **APPLICATIONS FILED UNDER THE NATIONAL PROCEDURE APPROVED FOR REGISTRATION:**
95361**, 122583; 122654; 122679; 122722, 122723; 122725; 123065; 123189, 123190; 123310; 123312; 123325; 123330-123332; 123334
- **REGISTERED TRADEMARKS:**
37672-17689; 37715-37757
- **TRADEMARKS REGISTERED ACCORDING TO THE ACCELERATED PROCEDURE:**
37662-37671; 37690-37714
- **INTERNATIONAL TRADEMARKS FOR WHICH A DECISION ON GRANTING PROTECTIONS IS TAKEN:**
121402; 121703, 121704; 121807-121809; 121867; 121869; 121871-121873; 121875; 121882-121884; 121888; 121895; 121951, 121952; 121958; 121977, 121978; 121990; 121993; 122048, 122049; 122052-122054; 122057, 122058; 122065; 122081, 122082; 122084; 122087; 122089; 122096-122098; 122100, 122101; 122152; 122158-122160; 122162; 122168; 122171; 122173; 122178, 122179; 122230-122235; 122262-122266; 122268; 122276, 122277; 122305-122307; 122309, 122310; 122312, 122313; 122321-122324; 122328; 122333-122336; 122352; 122364-122367; 122374-122378; 122440-122442; 122453; 122486, 122487; 122596; 122684, 122685
- **INTERNATIONAL TRADEMARKS PROTECTED IN GEORGIA:**
120465-120469; 120559; 120561-120564; 120568; 120571-120573; 120647-120650; 120652; 120679; 120681; 120689; 120756-120760; 120767-120778; 120867, 120868; 120870, 120871; 120873, 120874; 120876-120878; 120881-120884; 120917, 120918; 120920-120928; 121025; 121036; 121062; 121071; 121073; 121084; 121100; 121103; 121111; 121115; 121157, 121158; 121160-121166; 121203, 121204; 121209, 121210; 121248; 121250, 121251; 121361, 121362; 121364-121366; 121451; 121554; 121556; 121607-121609

INVENTIONS

APPLICATIONS APPROVED FOR GRANTING PATENT

The decision can be appealed at the Chamber of Appeal of Sakpatenti within 3 months from the publication or at the Mtskheta District Court Administrative Cases Board (Address: №17, Samkhedro St., Mtskheta), within 1 month following the publication.

PART A

A 21

(10) AP 2023 15900 A (51) Int. Cl. (2006)
A 21 C 1/00
A 21 D 10/04

(21) AP 2022 15900 (22) 2022 03 10

(71) Ramini Ghvaladze (GE)
Varketili 3, IV m/r, bld. 414, ap. 165, 0163,
Tbilisi, Georgia (GE)

(72) Ramini Ghvaladze (GE)

(54) METHOD OF BAKING DOUGH
PRODUCTION WITHOUT
YEAST

(57) A method provides dough production in kneading and fermenting boilers, bread flour is placed in kneading boiler, wherein carbon dioxide gas having the pressure of 5-10 bar is created, წყალში 5-10 bar carbon dioxide dissolved in water under the pressure of 5-10 bar is supplied therein or the boiler contains carbon dioxide under 5-10 bar pressure, and water is sprayed thereto or carbon dioxide pressure of 5-10 bar is created after necessary amount of bread flour and water supplement in kneading boiler and the dough is kneaded, then the pressure is increased up to 7-30 bar in kneading boiler, after that, the dough is moved into bread baking forms placed in fermenting boiler by means of dough supply pipes, besides, the dough supplement is possible into perforated baking forms placed in fermenting boiler after kneading thereat normal atmospheric pressure in kneading boiler through the streams of dough passing through the perforation of 1-2 mm diameter, wherein carbon dioxide is dissolved itself in dough water under 10-20 bar pressure in fermenting boiler. After that, both: kneading and fermenting boilers are released from the gas pressure, and then, dissolved in the water the carbon dioxide begins to be released from the water, and the dough placed in baking forms is fermented, and it is ready for baking without additional cutting and processing. Furthermore, the dough placed in the dough should be locked in supply pipes for this that when boilers are free from the pressure, the dough placed in the pipes won't be fermented.

Claims: 2 independents

(10) AP 2023 15901 A (51) Int. Cl. (2006)
A 21 C 1/00
A 21 D 10/04

(21) AP 2022 15901 (22) 2022 03 10

(71) Ramini Ghvaladze (GE)
Varketili 3, IV m/r, bld. 414, ap. 165, 0163,
Tbilisi, Georgia (GE)

(72) Ramini Ghvaladze (GE)

(54) BAKING MACHINE FOR BAKING BREAD
WITHOUT YEAST

(57) Baking machine includes conical dough kneading boiler 1 having a lid 2 hermetically set thereon by means of screws 8, and a drive 3 having dough kneading lever 4 and the pipes 5 and 6 with taps 7 and 9 attached thereto. In order to carbon dioxide gas supplement, keeping carbon dioxide gas pressure within 5-30 bar and water supplement, as well, rolling door 13 having a lock 14 and a handle 15 is fixed onto the lid from inside. Baking machine also includes second dough fermenting boiler 22 having shape of rectangular parallelepiped, at that, dough kneading boiler has a tap 11 with ball with branched pipe 19 connected thereto supply dough fermenting boiler with dough, and inside of said boiler there are round shape dough outlet heads 25 with a diameter of 30-100 mm equipped with valves; and in addition, fermenting boiler from inside has hermetic rolling door 23 having a lock 24, and bread baking forms 20 fixed onto the carcass 26 movable on horizontal plane, opposite whereof the vertically movable frame 21 with the valves for dough supply heads are attached, at that, frame actuator is executed as a drive 17 and toothed mechanism 18 connected thereto attached to the dough fermenting boiler, furthermore said boiler has a tube 16 for carbon dioxide gas or air under a pressure of 5-20 bar inlet and maintain.

Claims: 1 independent
4 dependents

Fig.: 8

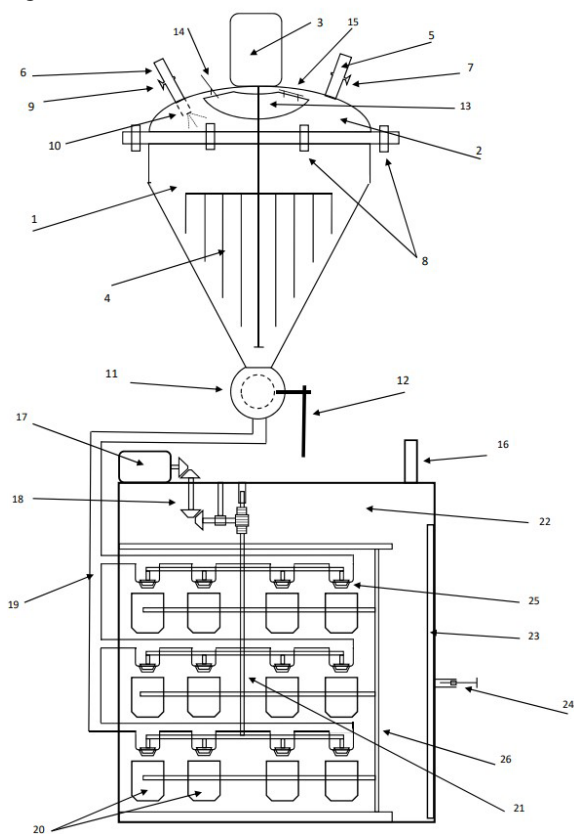


Fig. 1

(10) AP 2023 15902 A (51) Int. Cl. (2006)

A 21 C 1/00

A 21 D 10/04

(21) AP 2022 15902 (22) 2022 03 10

(71) Ramini Ghvaladze (GE)

Varketili 3, IV m/r, bld. 414, ap. 165, 0163,
Tbilisi, Georgia (GE)

(72) Ramini Ghvaladze (GE)

(54) BAKING MACHINE FOR BAKING BREAD
WITHOUT YEAST

(57) Baking machine includes conical dough boiler 1 having a lid 2 hermetically set thereon by means of screws 8, and a drive 3 having dough kneading lever 4 and the pipes 5 and 6 with taps 7 and 9 attached thereto. In order to carbon dioxide gas supplement, keeping carbon dioxide gas pressure within 5-30 bar and water supplement, as well, rolling door 13 having a lock 14 and a handle 15 is fixed onto the lid from inside. Baking machine also includes second dough fermenting boiler 30 having shape of second cylinder, at that, dough kneading boiler from the bottom has a tap 11 with ball with executed branched the pipe 22 connected thereto, and supplying dough to the dough fermenting boiler, and there are having round shape with a diameter of 30-100 mm the dough outlet heads 23 equipped with valves; at that, fermenting boiler has

hermetical lid 25, in order to maintain gas pressure of 5-20 bar created therein, and below of dough supply heads, in 10-20 vertical rows on the circumference, on the rotating frame 27 the bread baking forms 28 are disposed. At that, the drive 17 and connected thereto toothed mechanism 19 are attached to fermenting boiler from outside, it is connected to above-mentioned carcass through connecting element 31, on one hand, and connected to its ball valve 18 to open and close it, and to provide frame and tap synchronous movement at the required time, on another hand. Furthermore, above baking forms and in the distance of 2-3 mm from dough supply heads, the plates 29 are fixed below for the purpose to remove the dough leaking from dough supply heads, during carcass rotation; and in addition, vertically moving frame 24 with the valves of dough supply heads attached thereto is disposed opposite the carcass, and frame actuator is executed as a drive 20 and toothed mechanism 21 connected thereto, attached to the dough fermenting boiler, for the purpose to move the carcass in the vertical plane; furthermore, said boiler has a tube 16 for carbon dioxide gas or air under a pressure of 5-20 bar supplement and maintain.

Claims: 1 independent

4 dependents

Fig.: 7

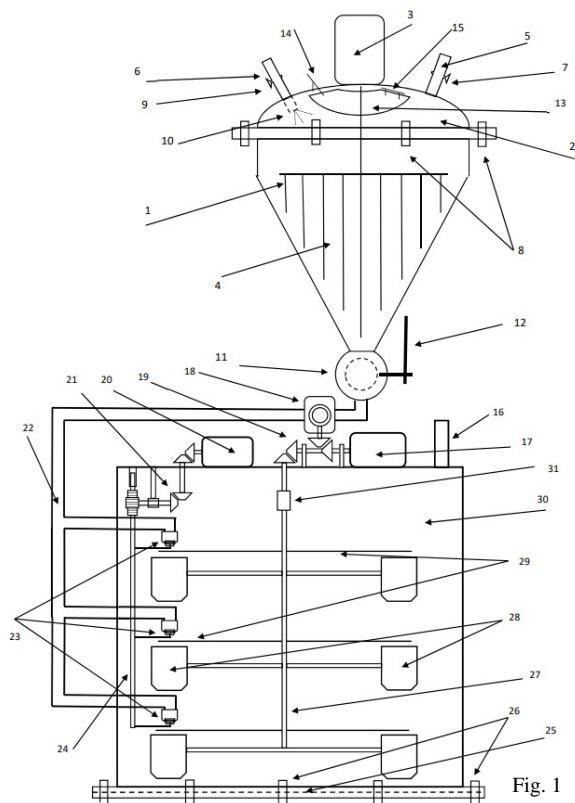


Fig. 1

PART B**B 61**

- (10) AP 2023 15526 A (51) Int. Cl. (2006)
B 61 H 1/00
F 16 D 65/06
F 16 D 69/00
- (21) AP 2019 15526 (22) 2019 04 11
(31) 2018119626
(32) 2018 05 28
(33) RU
- (71) Public Joint Stock Company "Ural Plant of Auto-Textile Products" (RU)
ul. Plekhanova 64, Asbest, Sverdlovskaya obl., 624269, Russian federation (RU)
- (72) SUKHAREV, Evgeniy Albertovich (RU);
ROMANCHENKO, Vitaliy Valerievich (RU);
KUZMINYIKH, Andrey Germanovich (RU)
- (74) Larisa Amirkhanyan
- (85) 2020 12 24
(86) PCT/RU2019/000239, 2019 04 11
- (54) BRAKE SHOE FOR A RAIL VEHICLE
- (57) Brake shoe for freight rail vehicles comprises a metal frame and composite polymeric friction element that is provided with a recess at its center from working surface side thereof. The shoe is made to be flexible in the area of the recess, which, under the operational forces of the brake shoe being pressed by means of a bracket to a wheel exhibiting tread wear close to a maximum permissible value, provides a mutual overlap coefficient of the brake shoe-wheel friction pairing that is from 0.08 to 0.12, when shoe working surface radius exceeds wheel rolling surface radius.
- Claims: 1 independent

- (85) 2022 10 19
(86) PCT/IB2021/052387, 2021 03 23
(54) PLANT AND PROCESS FOR ENERGY
GENERATION AND STORAGE

(57) A plant for storing energy comprises a casing for the storage of a working fluid other than atmospheric air, in gaseous phase and in equilibrium of pressure with the atmosphere; a tank for the storage of said working fluid in liquid or supercritical phase with a temperature close to the critical temperature; wherein said critical temperature is close to the ambient temperature. The plant is configured to perform a closed cyclic thermodynamic transformation (CTT), first in one direction in a charge configuration and then in an opposite direction in a discharge configuration, between said casing and said tank; wherein in the charge configuration the plant stores heat and pressure and in the discharge configuration the plant generates energy. The plant is also configured to define a closed circuit and to perform a closed thermodynamic cycle (TC) in the closed circuit with at least a part of the working fluid, optionally while the plant is in the charge configuration or in the discharge configuration.

Claims: 2 independents
18 dependents

Fig.: 16

PART F**F 01**

- (10) AP 2023 16060 A (51) Int. Cl. (2006)
F 01 K 3/18
F 01 K 25/10
- (21) AP 2021 16060 (22) 2021 03 23
(31) 102020000006196
(32) 2020 03 24
(33) IT
- (71) Energy Dome S.P.A. (IT)
Viale Abruzzi 94, 20131 Milano, Italy (IT)
- (72) SPADACINI, Claudio (IT)
- (74) Shalva Gvaramadze

PATENTED INVENTIONS

PART A

A 01

- (11) P 2023 7576 B (51) Int. Cl. (2006)
A 01 J 5/007
A 01 J 5/14
- (10) AP 2023 16003 A (44) 14(617)/2023
(21) AP 2022 16003
(22) 2022 07 12
(24) 2022 07 12
(73) LEPL Scientific-Research Center
of Agriculture (GE)
Marshal Gelovani Ave. 6, 0159, Tbilisi,
Georgia (GE);
Vladimer Miruashvili (GE)
Dolidze St. 132, 0115, Tbilisi, Georgia (GE);
Giorgi Kutelia (GE)
Noste St. 7, 0101, Tbilisi, Georgia (GE);
Rusudan Barkalia (GE)
Ninoshvili St. 20, Tbilisi, Georgia (GE);
Giuli Gogoli (GE)
Vazisubani, 1 m/r, bld. 8a, ap. 6, Tbilisi,
Georgia (GE)
- (72) Vladimer Miruashvili (GE);
Giorgi Kutelia (GE);
Rusudan Barkalia (GE);
Giuli Gogoli (GE)
- (54) MILKING MACHINE

A 61

- (11) P 2023 7578 B (51) Int. Cl. (2006)
A 61 H 33/06
A 61 K 8/67
A 61 K 8/97
A 61 Q 19/00
- (10) AP 2023 15876 A (44) 13(616)/2023
(21) AP 2022 15876
(22) 2022 02 04
(24) 2022 02 04
(31) AM20210023
(32) 2021 03 19
(33) AM
(73) Armen Gevorgyan (AM)
Davtashen 2nd District 47, ap. 4, 0054, Yerevan,
Armenia (AM)
- (72) Armen Gevorgyan (AM)
- (74) Vakhtang Torotadze
- (54) METHOD OF DEEP CLEANSING OF SKIN

- (11) P 2023 7581 B (51) Int. Cl. (2006)
A 61 K 31/4155
A 61 K 31/4439
A 61 K 31/437
A 61 K 31/55
A 61 K 31/5025
A 61 K 31/538
A 61 K 31/404
A 61 K 31/428
A 61 K 31/427
A 61 K 31/4709
A 61 P 37/02
A 61 P 37/00
A 61 P 35/00
C 07 D 417/14
C 07 D 487/04
C 07 D 471/04

- (10) AP 2023 15865 A (44) 16(619)/2023
(21) AP 2020 15865
(22) 2020 07 28
(24) 2020 07 28
(31) 19188749.6
(32) 2019 07 29
(33) EP
(86) PCT/EP2020/071181, 2020 07 28
(73) Les Laboratoires Servier (FR)
35, rue de Verdun, 92284 Suresnes Cedex,
France (FR);
Vernalis (R&D) Limited (GB)
Granta Park, Cambridge, CB21 6GB, UK (GB)
- (72) NOVAK, Tibor (HU);
DAVIDSON, James Edward Paul (GB);
PACZAL, Attila (HU);
STARCK, Jérôme-Benoit (FR);
KOTSCHY, András (HU);
MURRAY, James Brooke (GB);
BEDFORD, Simon (GB);
CHANRION, Maïa (FR);
COLLAND, Frédéric (FR);
DODSWORTH, Mark Philip (GB);
HERNER, András (HU);
MARAGNO, Ana Leticia (FR);
SANDERS, Emma (GB);
TIMÁRI, Mátyás Pál (HU);
WEBB, Paul (GB)
- (74) Tamaz Shilakadze
- (54) 6,7-DIHYDRO-5H-PYRIDO[2,3-C] PYRIDAZI-
NE DERIVATIVES AND RELATED COMPO-
UNDS AS BCL-XL PROTEIN INHIBITORS
AND PRO-APOPTOTIC AGENTS FOR
TREATING CANCER

-
- (11) P 2023 7580 B (51) Int. Cl. (2006)
A 61 K 31/5377
A 61 K 47/69
A 61 K 47/40
A 61 P 35/02
- (10) AP 2023 15618 A (44) 15(618)/2023
(21) AP 2019 15618
(22) 2019 10 30
(24) 2019 10 30
(31) 62/753,164
(32) 2018 10 31
(33) US
(86) PCT/EP2019/079644, 2019 10 30
(73) Novartis AG (CH)
Lichtstrasse 35, 4056 Basel, Switzerland (CH);
Les Laboratoires Servier (FR)
35, rue de Verdun, 92284 Suresnes Cedex,
France (FR)
(72) CHEMIN, Caroline (FR);
TRAN THU, Thuy (FR);
PEAN, Jean-Manuel (FR);
CHANRION, Maïa (FR)
(74) Tamaz Shilakadze
(54) CYCLODEXTRIN-BASED FORMULA-
TION OF A BCL-2 INHIBITOR
-
- (11) P 2023 7579 B (51) Int. Cl. (2006)
A 61 K 36/00
- (10) AP 2023 16164 A (44) 15(618)/2023
(21) AP 2023 16164
(22) 2023 02 09
(24) 2023 02 09
(73) Babry Oren (US)
15050 Sherman Way #201, Van Nuys, CA,
USA, 91356, USA (US)
(72) Babry Oren (US)
(74) Davit Dzamukashvili
(54) CANCER TREATMENT-PROPHY-
LACTIC PHARMACEUTICAL COMPO-
SITION MADE WITH PLANT RAW
MATERIALS
-
- (11) P 2023 7574 B (51) Int. Cl. (2006)
A 61 K 39/00
A 61 K 39/395
A 61 P 7/02
A 61 P 37/02
C 07 K 16/40
- (10) AP 2023 14803 A (44) 12(615)/2023
(21) AP 2016 14803
(22) 2016 11 09
(24) 2016 11 09
(31) 62/252,814; 62/406,726
(32) 2015 11 09; 2016 10 11
(33) US; US
(86) PCT/US2016/061113, 2016 11 09
- (73) University Of Leicester (GB)
University Rd, Leicester LE1, 7RH, UK (GB);
Omeros Corporation (US)
201 Elliott Avenue West, Seattle,
WA 98119, USA (US)
- (72) DUDLER, Thomas (US);
DEMOPULOS, Gregory, A. (US);
SCHWAEBLE, Hans-Wilhelm (GB)
- (74) Tamar Kochlamazashvili
- (54) METHODS FOR TREATING CONDITIONS
ASSOCIATED WITH MASP-2 DEPENDENT
COMPLEMENT ACTIVATION
-
- (11) P 2023 7575 B (51) Int. Cl. (2006)
A 61 K 39/12
C 07 K 14/18
C 12 N 7/00
- (10) AP 2023 15338 A (44) 13(616)/2023
(21) AP 2018 15338
(22) 2018 10 10
(24) 2018 10 10
(31) 201721036696
(32) 2017 10 16
(33) IN
(86) PCT/IN2018/050645, 2018 10 10
(73) Serum Institute Of India Private Limited (IN)
212/2, Off Soli Poonawalla Road, Hadapsar,
Pune, Maharashtra, 411028, India (IN)
(72) MEHLA, Rajeev (IN);
SONAR, Rohit Bapurav (IN);
BARASKAR, Sandeep Dinkar (IN);
GHODEKAR, Shashikant Janardan (IN);
KUMAR, Vinit (IN);
YEOLEKAR, Leena Ravindra (IN);
DHERE, Rajeev Mhalasakant (IN)
(74) Giorgi Ghvinjilia
(54) STABLE VACCINE COMPOSITIONS
COMPRISING INTER ALIA LIVE
ATTENUATED RECOMBINANT
FLAVIVIRUS AND PROCESS FOR
PREPARATION THEREOF
-

PART B**B 01**

- (11) P 2023 7582 B (51) Int. Cl. (2006)
B 01 D 47/00
B 01 D 53/14
B 01 D 53/92
B 03 C 5/00
- (10) AP 2023 15018 A (44) 13(616/ 2023
(21) AP 2016 15018
(22) 2016 08 31
(24) 2016 08 31
(31) 62/376,619
(32) 2016 08 18
(33) US
(86) PCT/CA2016/000223, 2016 08 31
(73) Pacific Green Technologies Inc. (US)
5205 Prospect Rd. Suite 135-226, San Jose,
CA 95129, USA (US)
(72) McCLELLAND, Kenneth James (CA)
(74) Aleksandre Gegetchkori
(54) INTEGRATED WET SCRUBBING
SYSTEM
-

PART C**C 10**

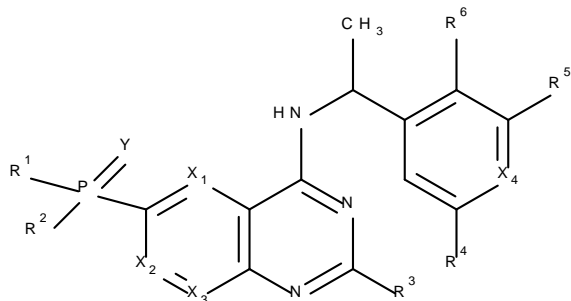
- (11) P 2023 7577 B (51) Int. Cl. (2006)
C 10 L 1/00
C 10 L 1/18
G 01 N 33/28
- (10) AP 2023 15988 A (44) 15(618)/2023
(21) AP 2020 15988
(22) 2020 11 26
(24) 2020 11 26
(31) 19213176.1
(32) 2019 12 03
(33) EP
(86) PCT/EP2020/083471, 2020 11 26
(73) Sicpa Holding SA (CH)
Avenue de Florissant 41, 1008 Prilly,
Switzerland (CH)
(72) ZÜHLKE, Martin (DE);
RIEBE, Daniel (DE);
BEITZ, Toralf (DE);
TILLER, Thomas (CH);
LOPEZ GEJO, Juan (CH);
LASKAY, Ünige (CH)
(74) Liliana Darakhvelidze
(54) METHOD OF MARKING PETROLEUM
HYDROCARBON
-

APPLICATIONS***

PART A

A 61

- (10) AP 2023 16387 A (51) A 61 K 31/675
A 61 P 35/00
C 07 F 9/6568
C 07 F 9/6561
C 07 F 9/6584
- (43) 2023 12 25 №24
(21) AP 2022 16387
(22) 2022 04 13
(31) 21168256.2
(32) 2021 04 14
(33) EP
(71) Bayer Aktiengesellschaft (DE)
Kaiser-Wilhelm-Allee 1, 51373 Leverkusen,
Germany (DE)
(72) PAPE, Felix (DE);
GRESSIES Steffen (DE);
STELLFELD, Timo (DE);
MORTIER, Jeremie Xavier G (DE);
KAMBUROV, Atanas Marinov (DE);
BADER, Benjamin (DE);
GRAHAM, Keith (DE);
HILLIG, Roman (DE);
SCHRÖDER, Jens (DE);
HETHEY, Christoph Philipp (DE);
ARLT, Matthias (DE);
SIEMEISTER, Gerhard (DE);
ERKELENZ, Michael (DE);
NOWAK-REPPPEL, Katrin (DE)
(74) Giorgi Kartvelishvili
(85) 2023 11 09
(86) PCT/EP2022/059857, 2022 04 13
(54) PHOSPHORUS DERIVATIVES AS NOVEL
SOS1 INHIBITORS
(57) Present invention covers phosphorus derivatives
of general formula (I):



(I),
wherein R^1 , R^2 , R^3 , R^4 , R^5 , R^6 , X_1 , X_2 , X_3 , X_4 and Y are
as defined herein, methods of preparing said compo-
unds, intermediate compounds useful for preparing

said compounds, pharmaceutical compositions and
combinations comprising said compounds and the use
of said compounds for manufacturing pharmaceutical
compositions for the treatment or prophylaxis of
diseases, in particular of hyperproliferative disorders,
especially diseases associated with SOS1.

- (10) AP 2023 16354 A (51) A 61 K 39/395
A 61 P 1/04
C 07 K 16/24
- (43) 2023 12 25 №24
(21) AP 2022 16354
(22) 2022 02 17
(31) 63/150,825; 63/180,892; 63/226,037; 63/285,781
(32) 2021 02 18; 2021 04 28; 2021 07 27; 2021 12 03
(33) US; US; US; US
(71) Prometheus Biosciences, INC. (US)
3050 Science park Road, San Diego, CA 92121,
USA (US);
Cedars-Sinai Medical Center (US)
8700 Beverly Blvd. Los Angeles, CA 90048,
USA (US)
(72) LUO, Allison (US);
OTSUKI, Lauren (US);
MANNING, Mark (US);
PAYNE, Robert (US);
LAURENT, Olivier (US);
BILSBOROUGH, Janine (US);
HENKLE, Bradley (US);
TARGAN, Stephan R. (US)
(74) Shalva Gvaramadze
(85) 2023 09 15
(86) PCT/US2022/016841, 2022 02 17
(54) COMPOSITIONS COMPRISING HUMANI-
ZED ANTIBODIES TO TNF-LIKE LIGAND
1A (TL1A) AND USES THEREOF
(57) Described herein are humanized anti-TL1A
antibodies and pharmaceutical compositions for the
treatment of inflammatory bowel disease (IBD), such
as Crohn's Disease (CD) and ulcerative colitis (UC).

- (10) AP 2023 16382 A (51) A 61 K 39/395
A 61 K 47/68
A 61 P 37/02
C 07 K 16/28
C 12 N 15/13
- (43) 2023 12 25 №24
(21) AP 2022 16382
(22) 2022 04 13
(31) 63/174,772 ; 63/279,762
(32) 2021 04 14; 2021 11 16
(33) US; US
(71) Villarís Therapeutics Inc. (US)

2500 Regency Parkway, Cary, North Carolina
27518, USA (US)

(72) FINLAY, William James Jonathan (GB);
HARRIS, John E. (US)

(74) Shalva Gvaramadze

(85) 2023 10 26

(86) PCT/US2022/024620, 2022 04 13

(54) ANTI-CD122 ANTIBODIES AND USES
THEREOF

(57) Provided herein are antibody molecules that bind specifically to CD122 and antigen-binding portions thereof and related compositions, nucleic acid molecules, vectors and host cells. Also provided herein are medical uses of such antibody molecules.

PART B

B 29

(10) AP 2023 16363 A (51) B 29 C 48/21
B 29 C 48/00
B 29 C 48/18

(43) 2023 12 25 №24

(21) AP 2021 16363

(22) 2021 12 21

(31) 63/154,209; 63/154,588

(32) 2021 02 26; 2021 02 26

(33) US; US

(71) Tensar International Corporation (US)
2500 Northwinds Parkway, Suite 500, Alpharetta,
Georgia 30009, USA (US)

(72) CAVANAUGH, Joseph (US);
TYAGI, Manoj Kumar (US);
BAKER, Daniel Mark (US);
CURSON, Andrew (GB);
JENKINS, Tom-Ross (GB);
WALLER, Andrew Edward (GB);
GALLAGHER, Daniel John (GB)

(74) Tamar Kochlamazashvili

(85) 2023 09 25

(86) PCT/US2021/064556, 2021 12 21

(54) MULTILAYER INTEGRAL GEOGRIDS
HAVING A CELLULAR LAYER STRUCTURE,
AND METHODS OF MAKING AND
USING SAME

(57) A multilayer integral geogrid, including one or more cellular layers, has a plurality of oriented multilayer strands interconnected by partially oriented multilayer junctions with an array of openings therein. The multilayer integral geogrid having one or more cellular layers is produced from a coextruded or laminated multilayer polymer starting sheet. The integral geogrid has a multilayer construction, with at least one outer layer thereof having the cellular structure. By virtue of the cellular layer structure, the multilayer integral geogrid provides for increased layer

vertical compressibility under load, resulting in enhanced material properties that provide performance benefits to use of the multilayer integral geogrid to stabilize and strengthen soil, aggregates, or other particulate materials.

Fig.: 1

(10) AP 2023 16347 A (51) B 29 C 55/14
B 29 C 55/12
B 29 D 7/00
B 29 D 28/00
B 32 B 5/02
B 32 B 3/10

(43) 2023 12 25 №24

(21) AP 2021 16347

(22) 2021 12 21

(31) 63/154,209; 63/154,588; 17/355,843;
PCT/US2021/038863

(32) 2021 02 26; 2021 02 26; 2021 06 23; 2021 06 24

(33) US; US; US; US

(71) Tensar International Corporation (US)
2500 Northwinds Parkway, Suite 500, Alpharetta,
Georgia 30009, USA (US)

(72) CURSON, Andrew (US);
JENKINS, Tom, Ross (US);
WALLER, Andrew, Edward (US);
GALLAGHER, Daniel, John (US);
BAKER, Daniel, Mark (US);
TYAGI, Manoj, Kumar (US);
CAVANAUGH, Joseph (US)

(74) Shalva Gvaramadze

(85) 2023 09 08

(86) PCT/US2021/064503, 2021 12 21

(54) HORIZONTAL MECHANICALLY STABILIZING
GEOGRID WITH IMPROVED GEOTECHNICAL
INTERACTION

(57) Aspects of a geogrid system for improving substrate interactions within a geotechnical environment is disclosed. In one aspect features of a geogrid system aid in trapping and restraining aggregate and soil. In one aspect a geotechnical environment is configured with a horizontal multilayer mechanically stabilizing geogrid. In said aspect the geogrid is extruded with a polymeric material and a compressible cellular layer. In said aspect, the horizontal multilayer mechanically stabilizing geogrid is comprised of either a cap or a core of polymeric material or is further comprised of at least one compressible cellular layer configured to the polymeric material. Further, the horizontal multilayer mechanically stabilizing geogrid is configured with a triangle or triaxial geometry with patterned discontinuities and a plurality of strong axes. Said configuration increases soil and aggregate trapping while reducing polymeric use.

PART C

C 25

- (10) AP 2023 16368 A (51) C 25 B 3/01
C 25 B 15/023
C 25 B 15/027
C 25 B 15/031
- (43) 2023 12 25 №24
(21) AP 2022 16368
(22) 2022 03 17
(31) 10 2021 106 890.8
(32) 2021 03 19
(33) DE
(71) Electrochaea GMBH (DE)
Sommelweisstraße 3, 82152 Planegg,
Germany (DE)
(72) HAFENBRADL, Doris (DE);
ERBEN, Johannes (DE);
PATEL, Nitant (DE);
RODRIGO, Jose (DE)
(74) Shalva Gvaramadze
(85) 2023 10 04
(86) PCT/EP2022/057017, 2022 03 17
(54) MEC SYSTEM
(57) He present invention provides MEC stack with several or multiple MEC cells comprising at least one gas inlet and at least one degassing element as well as methods to improve the bio-electromethanation reaction catalysed by bio catalysts in these MEC stacks.
-

DESIGNS

APPLICATIONS APPROVED FOR REGISTRATION

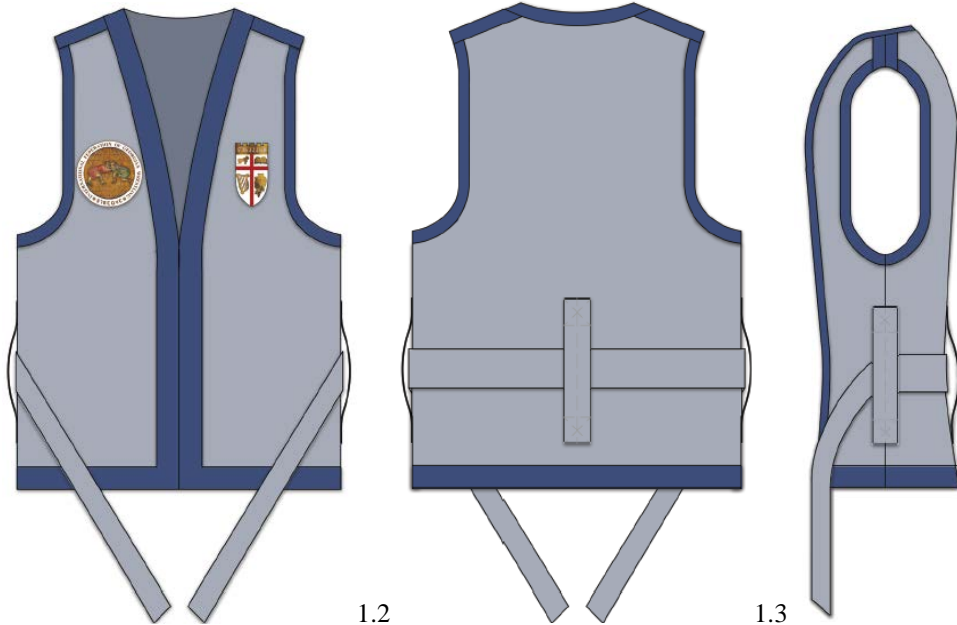
The decision can be appealed at the Chamber of Appeal of Sakpatenti within 3 months from the publication or at the Mtskheta District Court Administrative Cases Board (Address: №17, Samkhedro str., Mtskheta), within 1 month following the publication.

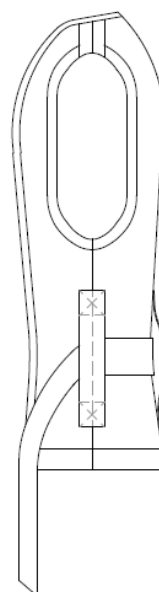
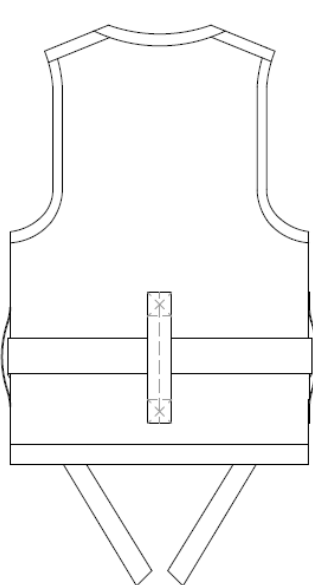
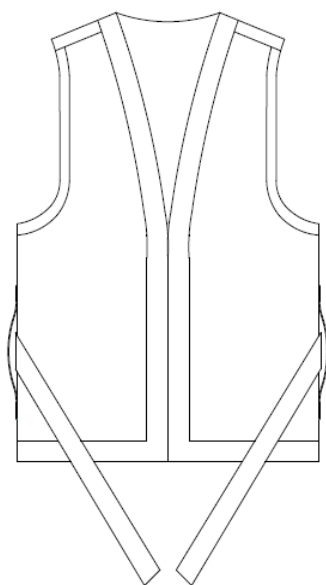
- (10) AD 2023 1323 S (51) 01-01
- (21) AD 2023 1323
- (22) 2023 07 12
- (28) 1
- (71) Giorgi Sabiashvili (GE)
Kvareli St. 103, 0148, Tbilisi, Georgia (GE)
- (72) Giorgi Sabiashvili (GE)
- (54) CONFECTIONARY
- (55)



1.1

- (10) AD 2023 1324 S (51) 02-02
- (21) AD 2023 1324 (22) 2023 07 12
- (28) 3
- (71) N(N)LE International Federation of Georgian Wrestling (GE)
Dodo Abashidze St. 9, ap. 9, Tbilisi, Georgia (GE)
- (72) Vasil Shiukashvili (GE)
- (74) Natia Gogadze (GE)
- (54) CHOKHA (Wrestling Uniform)
- (55)





TRADEMARKS

APPLICATIONS FILED UNDER THE NATIONAL PROCEDURE APPROVED FOR REGISTRATION

The decision can be appealed at the Chamber of Appeal of Sakpatenti within 3 months from the publication or at the Mtskheta District Court Administrative Cases Board (Address: №17, Samkhedro St., Mtskheta), within 1 month following the publication.

(260) AM 2023 95361 A**

(210) AM 95361

(220) 2017 12 05

(731) Amazon Technologies Inc.

410 Terry Avenue North, Seattle, Washington
98109, USA

(740) Tamaz Shilakadze

(540)

ALEXA

(591) Black-white

(511) 9, 42

(260) AM 2023 122583 A

(210) AM 122583

(220) 2023 04 26

(731) Tamar Abuladze

M. Shavishvili St. 1a, ap. 79g., 0186, Tbilisi,
Georgia

(540)



(591) Golden, Black, dark grey

(531) 19.09.02; 27.05.02; 27.05.03; 29.01.13

(511) 30, 35

(260) AM 2023 122654 A

(210) AM 122654

(220) 2023 05 01

(731) LLC "Abru Hotels"

Polikarpe Kakabadze St. 49, 0131, Mtatsminda
District, Tbilisi, Georgia

(540)

ჭიჭიჭი

სასტუმრო & რესტორანი

(591) 9A432F Dark terracotta

(531) 28.19; 29.01.07

(511) 43

(260) AM 2023 122679 A

(210) AM 122679

(220) 2023 05 05

(731) LTD "Kartveli"

Kakheti Highway 110a, 0198, Isani-Samgori
District, Tbilisi, Georgia

(740) Davit Dzamukashvili

(540)



(591) Black, red, golden

(531) 26.04.02; 26.04.22; 26.04.24; 27.05.24;
29.01.13

(511) 33

(260) AM 2023 122722 A

(210) AM 122722

(220) 2023 05 05

(731) Klark, Miurei Kolin

645 S. Allied Way, El Segundo, CA, 90245,
USA

(740) Tamar Kochlamazashvili

(540)

CHILDLIFE

(591) Black-white

(511) 5, 30, 35

(260) AM 2023 122723 A

(210) AM 122723

(220) 2023 05 05

(731) Klark, Miurei Kolin

645 S. Allied Way, El Segundo, CA, 90245,
USA

(740) Tamar Kochlamazashvili

(540)

CHILDLIFE ESSENTIALS(591) Black-white
(511) 5, 30, 35

(260) AM 2023 122725 A

(210) AM 122725

(220) 2023 05 05

(731) Klark, Miurei Kolin

645 S. Allied Way, El Segundo, CA, 90245,
USA

(740) Tamar Kochlamazashvili

(540)



(591) Red, yellow, blue, green

(531) 01.03.02; 01.03.07; 02.09.01; 26.11.07;
26.11.08; 29.01.14

(511) 5, 30, 35

(260) AM 2023 123065 A

(210) AM 123065

(220) 2023 05 26

(731) LLC "Smartfinservice"

Vill. Dighomi, Strabon St. 16, block B, ap. 17,
0159, Saburtalo District, Tbilisi Georgia

(540)

GECRYPTO

(591) White, sky-blue

(531) 27.05.01; 27.05.17; 27.05.19; 29.01.04

(511) 36

(260) AM 2023 123189 A

(210) AM 123189

(220) 2023 06 05

(731) Nicoventures Holdings Limited

Globe House, 1 Water Street, London, 0186,
United Kingdom

(740) Tamar Kochlamazashvili

(540)

**VUSE GO 700
WATERMELON ICE**

(591) Black-white

(511) 34

(260) AM 2023 123190 A

(210) AM 123190

(220) 2023 06 05

(731) Nicoventures Holdings Limited

Globe House, 1 Water Street, London, 0186,
United Kingdom

(740) Tamar Kochlamazashvili

(540)

**VUSE GO 700 BLUEBERRY
ICE**

(591) Black-white

(511) 34

(260) AM 2023 123310 A

(210) AM 123310

(220) 2023 06 09

(731) LLC " ICR Trade"

Dighomi Training Trial Farm, floor 5, 0131,
Tbilisi, Georgia

(540)

Linea  Nera

(591) Black-white

(531) 26.03.23; 26.04.05; 26.04.18; 27.05.01;
27.05.22

(511) 18, 25, 35

(260) AM 2023 123312 A

(210) AM 123312

(220) 2023 06 09

(731) LLC " ICR Trade"

Dighomi Training Trial Farm, floor 5, 0131,
Tbilisi, Georgia

(540)

Linea  Bianca

(591) Black-white

(531) 26.03.23; 26.04.05; 26.04.18; 27.05.01;
27.05.22

(511) 18, 25, 35

(260) AM 2023 123325 A

(210) AM 123325

(220) 2023 06 11

(731) LTD "F B D"

Agladze St. 37a, 0154, Tbilisi, Georgia

(740) Giorgi Ghvinjilia

(540)

სექტორი დ-3

(591) Black-white

(511) 30

(260) AM 2023 123330 A
(210) AM 123330
(220) 2023 06 12
(310) 97856027; 97856031; 97856036
(320) 2023 03 24; 2023 03 24; 2023 03 24
(330) US; US; US
(731) PepsiCo Inc.
700 Anderson Hill Road, Purchase, New York,
10577, USA
(740) Tamar Kochlamazashvili
(540)



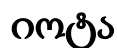
(591) Black, white, red, blue
(531) 26.01.04; 26.01.12; 26.01.20; 26.11.01;
26.11.12; 27.05.17; 29.01.14
(511) 18, 25, 32

(260) AM 2023 123331 A
(210) AM 123331
(220) 2023 06 12
(310) 97856014; 97856019; 97856023
(320) 2023 03 24; 2023 03 24; 2023 03 24
(330) US; US; US
(731) PepsiCo Inc.
700 Anderson Hill Road, Purchase, New York,
10577, USA
(740) Tamar Kochlamazashvili
(540)



(591) Black-white
(531) 26.01.12; 26.01.20; 26.04.10; 26.04.24;
26.11.12; 27.05.17
(511) 18, 25, 32

(260) AM 2023 123332 A
(210) AM 123332
(220) 2023 06 12
(731) LTD "Lermont"
Mikheil Lermontov St. 10, 0105, Tbilisi
Georgia
(540)



(591) 000000 Black-white
(511) 37

(260) AM 2023 123334 A
(210) AM 123334
(220) 2023 06 12
(731) LTD "Lermont"
Mikheil Lermontov St. 10, 0105, Tbilisi
Georgia
(540)

IOTA

(591) Black-white
(511) 37, 43

REGISTERED TRADEMARKS

(111) M 2023 37672 R
 (151) 2023 12 13
 (181) 2033 12 13
 (260) AM 2022 120252 A
 (220) 2022 11 09

(732) LTD "Patara Chilik"
 Dolabauri Square 4, ap. 2, Isani District,
 Tbilisi, Georgia

(111) M 2023 37673 R
 (151) 2023 12 13
 (181) 2033 12 13
 (260) AM 2022 120736 A
 (220) 2022 12 15

(732) Getz Pharma International FZ LLC
 Office No: 1307, 13th floor, Al-Thuraya
 Tower 1, Dubai Media city, United Arab
 Emirates

(111) M 2023 37674 R
 (151) 2023 12 13
 (181) 2033 12 13
 (260) AM 2022 120173 A
 (220) 2022 11 03

(732) Getz Pharma International FZ LLC
 Office No: 1307, 13th floor, Al-Thuraya
 Tower 1, Dubai Media city, United Arab
 Emirates

(111) M 2023 37675 R
 (151) 2023 12 13
 (181) 2033 12 13
 (260) AM 2023 121435 A
 (220) 2023 02 02

(732) Cooperative RK New Product
 Lekhaindrao, Martvili, Georgia

(111) M 2023 37676 R
 (151) 2023 12 13
 (181) 2033 12 13
 (260) AM 2022 120174 A
 (220) 2022 11 03

(732) Getz Pharma International FZ LLC
 Office No: 1307, 13th floor, Al-Thuraya
 Tower 1, Dubai Media city, United Arab
 Emirates

(111) M 2023 37677 R
 (151) 2023 12 13
 (181) 2033 12 13
 (260) AM 2023 121136 A

(220) 2023 01 10
 (732) LTD "IDS Borjomi Beverages Co.N.V."
 Pareraweg N45, Curaçao

(111) M 2023 37678 R
 (151) 2023 12 13
 (181) 2033 12 13
 (260) AM 2023 121135 A
 (220) 2023 01 10

(732) LTD "IDS Borjomi Beverages Co.N.V."
 Pareraweg N45, Curaçao

(111) M 2023 37679 R
 (151) 2023 12 13
 (181) 2033 12 13
 (260) AM 2023 121134 A
 (220) 2023 01 10

(732) LTD "IDS Borjomi Beverages Co.N.V."
 Pareraweg N45, Curaçao

(111) M 2023 37680 R
 (151) 2023 12 13
 (181) 2033 12 13
 (260) AM 2022 120711 A
 (220) 2022 12 12

(732) Tamar Abuladze
 L. Aleksidze St. 4, ap. 79g, 0186, Tbilisi, Georgia

(111) M 2023 37681 R
 (151) 2023 12 13
 (181) 2033 12 13
 (260) AM 2023 121155 A
 (220) 2023 01 12

(732) Basilur Tea Exports (PVT) LTD.
 (A Limited Liability Company Incorporated
 Under the Laws of Sri Lanka)
 143/6, Weediabandara Mawatha, Kelanimulla,
 Angoda, Sri Lanka

(111) M 2023 37682 R
 (151) 2023 12 13
 (181) 2033 12 13
 (260) AM 2023 121123 A
 (220) 2023 01 09

(732) Tony Salame Finance "T.S.F." (Holding) SAL
 Jal el Dib, Zard building, 1st floor, Beirut,
 Lebanon

(111) M 2023 37683 R
 (151) 2023 12 13
 (181) 2033 12 13
 (260) AM 2022 120717 A
 (220) 2022 12 13
 (732) The William Carter Company
 3438 Peachtree Road NE, Suite 1800, Atlanta,
 GA 30326, USA

(111) M 2023 37684 R
 (151) 2023 12 13
 (181) 2033 12 13
 (260) AM 2022 120339 A
 (220) 2022 11 14
 (732) Daviti Gogichaishvili
 Gudamakari St. 4d, ap. 4, 0141, Tbilisi, Georgia

(111) M 2023 37685 R
 (151) 2023 12 13
 (181) 2033 12 13
 (260) AM 2022 120811 A
 (220) 2022 12 16
 (732) LTD "Ana"
 Vill. Dighomi, I. Sheklashvili I Lane, House 3,
 Saburtalo District, Tbilisi, Georgia

(111) M 2023 37686 R
 (151) 2023 12 13
 (181) 2033 12 13
 (260) AM 2022 120598 A
 (220) 2022 12 02
 (732) LTD "Legalis Support"
 Kipshidze St. 9, ap. 57, Tbilisi, Georgia

(111) M 2023 37687 R
 (151) 2023 12 13
 (181) 2033 12 13
 (260) AM 2022 119993 A
 (220) 2022 10 21
 (732) Andrey Partskhaladze
 Shalva Nutsubidze Plateau, V m/r., bld. 3,
 ap. 32, Tbilisi, Georgia

(111) M 2023 37688 R
 (151) 2023 12 13
 (181) 2033 12 13
 (260) AM 2022 120817 A
 (220) 2022 12 19
 (732) Tornike Meshveliani
 Freedom St. 24, Zahesi, Tbilisi, Georgia

(111) M 2023 37689 R
 (151) 2023 12 13
 (181) 2033 12 13
 (260) AM 2022 120945 A
 (220) 2022 12 27
 (732) Tornike Chomakhidze
 Vazha-Pshavela Av., II qu., bld. 3, ap. 43, 0186,
 Tbilisi, Georgia

(111) M 2023 37715 R
 (151) 2023 12 20
 (181) 2033 12 20
 (260) AM 2022 120616 A
 (220) 2022 12 05
 (732) Hill's Pet Nutrition Inc.
 a Delaware orporation
 400 SW Eighth Avenue, Topeka, Kansas
 66603, USA

(111) M 2023 37716 R
 (151) 2023 12 20
 (181) 2033 12 20
 (260) AM 2022 120615 A
 (220) 2022 12 05
 (732) Hill's Pet Nutrition Inc.
 a Delaware orporation
 400 SW Eighth Avenue, Topeka, Kansas
 66603, USA

(111) M 2023 37717 R
 (151) 2023 12 20
 (181) 2033 12 20
 (260) AM 2022 120827 A
 (220) 2022 12 20
 (732) Monster Energy Company
 a Delaware Corporation
 1 Monster Way, Corona, California 92879,
 USA

(111) M 2023 37718 R
 (151) 2023 12 20
 (181) 2033 12 20
 (260) AM 2023 121244 A
 (220) 2023 01 19
 (732) JSC "Friends Cellar"
 Village Shilda, 4816, Kvareli, Georgia

(111) M 2023 37719 R
 (151) 2023 12 20
 (181) 2033 12 20
 (260) AM 2023 121650 A
 (220) 2023 02 14
 (732) Enrico Beridze
 G. Tsitsishvili St. 18, Tbilisi, Georgia

(111) M 2023 37720 R
(151) 2023 12 20
(181) 2033 12 20
(260) AM 2023 121730 A
(220) 2023 02 20
(732) Enrico Beridze
G. Tsitsishvili St. 18, Tbilisi, Georgia

(111) M 2023 37721 R
(151) 2023 12 20
(181) 2033 12 20
(260) AM 2023 121732 A
(220) 2023 02 20
(732) Enrico Beridze
G. Tsitsishvili St. 18, Tbilisi, Georgia

(111) M 2023 37722 R
(151) 2023 12 20
(181) 2033 12 20
(260) AM 2023 121735 A
(220) 2023 02 20
(732) Enrico Beridze
G. Tsitsishvili St. 18, Tbilisi, Georgia

(111) M 2023 37723 R
(151) 2023 12 20
(181) 2033 12 20
(260) AM 2022 119486 A
(220) 2022 09 19
(732) LTD "Pharao"
Arbo St., bld. 1, ap. 52, 0141, Nadzaladevi
District, Tbilisi, Georgia

(111) M 2023 37724 R
(151) 2023 12 20
(181) 2033 12 20
(260) AM 2023 121345 A
(220) 2023 01 26
(732) LTD "Impexpharm"
Giorgi Saakadze II exit 17, 0160, Tbilisi, Georgia

(111) M 2023 37725 R
(151) 2023 12 20
(181) 2033 12 20
(260) AM 2023 124775 A
(220) 2023 09 18
(732) Merinos Hali Sanayi Ve Ticaret Anonim
Sirketi
Mervesehir Mah. Mehmet Erdemoglu Cad. No:4,
TR-27200 Sehitkamil Gaziantep, Türkiye

(111) M 2023 37726 R
(151) 2023 12 20
(181) 2033 12 20
(260) AM 2022 119984 A
(220) 2022 10 21
(732) LLC "Zenni"
Moldovakan St. 43/6, 1800, Erevan, Armenia

(111) M 2023 37727 R
(151) 2023 12 20
(181) 2033 12 20
(260) AM 2022 120822 A
(220) 2022 12 19
(732) Ruslan Bokelovadze
Patsaev Av. 18, ap. 1, Moscow Region,
Dolgoprudny Settlement, Russian Federation

(111) M 2023 37728 R
(151) 2023 12 20
(181) 2033 12 20
(260) AM 2023 121322 A
(220) 2023 01 24
(732) LTD "Wine Company Shumi"
Lionidze St. 33, Telavi, Georgia

(111) M 2023 37729 R
(151) 2023 12 20
(181) 2033 12 20
(260) AM 2022 120518 A
(220) 2022 11 29
(732) Individual Entrepreneur Vitaly Stanishevskiy
Lochin St. 3, floor 2, b. 5, 0102, Chughureti
District, Tbilisi, Georgia

(111) M 2023 37730 R
(151) 2023 12 20
(181) 2033 12 20
(260) AM 2023 121239 A
(220) 2023 01 18
(732) JSC "Telavi Wine Cellar"
Village Kurdghelauri, 2200, Telavi, Georgia

(111) M 2023 37731 R
(151) 2023 12 20
(181) 2033 12 20
(260) AM 2023 121222 A
(220) 2023 01 17
(732) LTD "GM Pharmaceuticals"
Rustavi Highway 52, 0114, Tbilisi, Georgia

(111) M 2023 37732 R (151) 2023 12 20 (181) 2033 12 20 (260) AM 2023 121223 A (220) 2023 01 17 (732) LTD "GM Pharmaceuticals" Rustavi Highway 52, 0114, Tbilisi, Georgia	Zhangcha Road 1, Chancheng District, Foshan City, Guangdong, People's Republic of China
(111) M 2023 37733 R (151) 2023 12 20 (181) 2033 12 20 (260) AM 2023 121341 A (220) 2023 01 25 (732) I/E Lasha Akhvlediani Nikoloz Baratashvili St. 28, Vani Region, Georgia	(111) M 2023 37738 R (151) 2023 12 20 (181) 2033 12 20 (260) AM 2023 121666 A (220) 2023 02 16 (732) JSC "TBS Insurance" Al. Kazbegi Av. 24b, fl. 3, 0177, Tbilisi, Georgia
(111) M 2023 37734 R (151) 2023 12 20 (181) 2033 12 20 (260) AM 2023 121419 A (220) 2023 01 30 (732) Revaz Sakhvadze Kakheti Highway, bld. 7, ap. 5, 0190, Tbilisi, Georgia	(111) M 2023 37739 R (151) 2023 12 20 (181) 2033 12 20 (260) AM 2023 121670 A (220) 2023 02 16 (732) JSC "TBS Insurance" Al. Kazbegi Av. 24b, fl. 3, 0177, Tbilisi, Georgia
(111) M 2023 37735 R (151) 2023 12 20 (181) 2033 12 20 (260) AM 2023 121722 A (220) 2023 02 17 (732) Giorgi Baghashvili Irakli Abashidze St. 34/36, ap. 19, 0179, Tbilisi, Georgia	(111) M 2023 37740 R (151) 2023 12 20 (181) 2033 12 20 (260) AM 2022 120127 A (220) 2022 10 28 (732) FMC Agricultural Solutions A/S (Denmark Public Limited Company) Thyborønvej 78, 7673 Harboøre, Ronland, Denmark
(111) M 2023 37736 R (151) 2023 12 20 (181) 2033 12 20 (260) AM 2023 121632 A (220) 2023 02 13 (732) JSC "Telavi Wine Cellar" Vill. Kurdghelauri, 2200, Telavi Region, Georgia	(111) M 2023 37741 R (151) 2023 12 20 (181) 2033 12 20 (260) AM 2023 121772 A (220) 2023 02 23 (732) Reckitt & Colman (Overseas) Health Limited 103-105 Bath Road, Slough, Berkshire, SL1 3UH, United Kingdom
(111) M 2023 37737 R (151) 2023 12 20 (181) 2033 12 20 (260) AM 2023 121532 A (220) 2023 02 08 (732) Must Energy (Guangdong) Technology Co., LTD 1-5,7,9,10 floor of No.8 building, №115	(111) M 2023 37742 R (151) 2023 12 20 (181) 2033 12 20 (260) AM 2023 121668 A (220) 2023 02 16 (732) JSC "TBS Insurance" Al. Kazbegi Av. 24b, fl. 3, 0177, Tbilisi, Georgia
	(111) M 2023 37743 R (151) 2023 12 20 (181) 2033 12 20 (260) AM 2023 121721 A (220) 2023 02 17 (732) Obshchestvo s Ogranichenoy Otvetstvenostiu "Saizon"

Ul. Trubnaya, dom 14, Pomeshchenie I, Etaj 1,
komnata 11, Vn.ter.g. Municipalni Okrug
Meshchanskiy, 107045, Moskow, Russian
Federation

(LLC Tami I Co)
Repin St. 34, Khimki, Moskow Region,
RU-141402, Russian Federation

(111) M 2023 37744 R
(151) 2023 12 20
(181) 2033 12 20
(260) AM 2022 120605 A
(220) 2022 12 02
(732) Antonio Banderas Limited
114, The Strand, Gzira GZR 1027,
Malta

(111) M 2023 37750 R
(151) 2023 12 20
(181) 2033 12 20
(260) AM 2023 121337 A
(220) 2023 01 25
(732) Limited Liability Company Tami I Co.
(LLC Tami I Co)
Repin St. 34, Khimki, Moskow Region,
RU-141402, Russian Federation

(111) M 2023 37745 R
(151) 2023 12 20
(181) 2033 12 20
(260) AM 2023 121138 A
(220) 2023 01 10
(732) Joint Stock Company "Halychpharm"
Opryshkivska Str. 6/8, Lviv, 79024, Ukraine

(111) M 2023 37751 R
(151) 2023 12 20
(181) 2033 12 20
(260) AM 2023 121338 A
(220) 2023 01 25
(732) Limited Liability Company Tami I Co.
(LLC Tami I Co)
Repin St. 34, Khimki, Moskow Region,
RU-141402, Russian Federation

(111) M 2023 37746 R
(151) 2023 12 20
(181) 2033 12 20
(260) AM 2023 121331 A
(220) 2023 01 24
(732) LTD "B T A Georgia"
Airport, Isani-Samgori District, Tbilisi, Georgia

(111) M 2023 37752 R
(151) 2023 12 20
(181) 2033 12 20
(260) AM 2023 121325 A
(220) 2023 01 24
(732) LTD "B T A Georgia"
Airport, Isani-Samgori District, Tbilisi, Georgia

(111) M 2023 37747 R
(151) 2023 12 20
(181) 2033 12 20
(260) AM 2023 121137 A
(220) 2023 01 10
(732) Joint Stock Company "Halychpharm"
Opryshkivska Str. 6/8, Lviv, 79024, Ukraine

(111) M 2023 37753 R
(151) 2023 12 20
(181) 2033 12 20
(260) AM 2023 121326 A
(220) 2023 01 24
(732) LTD "B T A Georgia"
Airport, Isani-Samgori District, Tbilisi, Georgia

(111) M 2023 37748 R
(151) 2023 12 20
(181) 2033 12 20
(260) AM 2022 120816 A
(220) 2022 12 16
(732) LTD "Spraibi"
Kesklinas District, Tartu Road 83-701, 0115,
Tallinn, Estonia

(111) M 2023 37754 R
(151) 2023 12 20
(181) 2033 12 20
(260) AM 2023 121327 A
(220) 2023 01 24
(732) LTD "B T A Georgia"
Airport, Isani-Samgori District, Tbilisi, Georgia

(111) M 2023 37749 R
(151) 2023 12 20
(181) 2033 12 20
(260) AM 2023 121336 A
(220) 2023 01 25
(732) Limited Liability Company Tami I Co.

(111) M 2023 37755 R
(151) 2023 12 20
(181) 2033 12 20
(260) AM 2023 121328 A
(220) 2023 01 24

(732) LTD "B T A Georgia"
Airport, Isani-Samgori District, Tbilisi, Georgia

(111) M 2023 37756 R
(151) 2023 12 20
(181) 2033 12 20
(260) AM 2023 121329 A
(220) 2023 01 24
(732) LTD "B T A Georgia"
Airport, Isani-Samgori District, Tbilisi, Georgia

(111) M 2023 37757 R
(151) 2023 12 20
(181) 2033 12 20
(260) AM 2023 121330 A
(220) 2023 01 24
(732) LTD "B T A Georgia"
Airport, Isani-Samgori District, Tbilisi, Georgia

TRADEMARKS REGISTERED ACCORDING TO THE ACCELERATED PROCEDURE

The decision can be appealed at the Chamber of Appeal of Sakpatenti within 3 months from the publication.

(111) M 2023 37662 R
(151) 2023 12 11
(181) 2033 12 11
(210) AM 125793
(220) 2023 11 30
(732) Sopio Sukhitashvili
Chichinadze St. 26, Tbilisi, Georgia
(540)



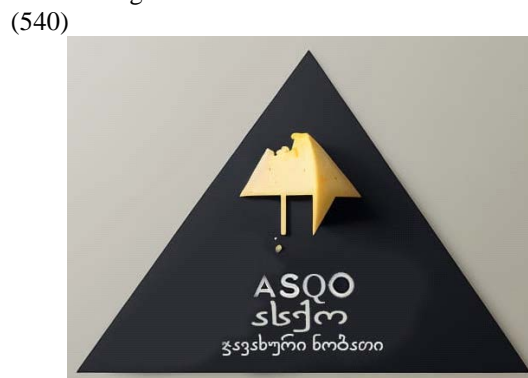
(591) Lilac, white
(531) 02.03.16; 02.03.23; 05.03.13; 05.03.16;
26.01.11; 26.01.12; 26.01.14; 26.01.15
(511) 44

(111) M 2023 37663 R
(151) 2023 12 11
(181) 2033 12 11
(210) AM 125565
(220) 2023 11 14
(732) LTD "Diplomat Georgia"
Tengiz Chantladze St., I Lane 10, 0179, Tbilisi,
Georgia
(540)



(591) F98704 light brown, 44B205 green,
F7E4AF light ivory, FFFFFFFF white
(531) 05.03.13; 05.03.15; 05.03.16; 11.01.01;
11.01.03; 11.01.04; 11.01.17; 27.01.12; 28.19;
29.01.14
(511) 29, 30, 31

(111) M 2023 37664 R
(151) 2023 12 11
(181) 2033 12 11
(210) AM 125671
(220) 2023 11 22
(732) Cooperative Asqo
Vill. Gorelovka, 4th St. 63, Ninotsminda,
Georgia



(591) Orange, black, yellow, white
(531) 08.03.08; 26.03.01; 26.03.16; 26.03.22;
26.03.24; 26.04.11; 27.05.24; 28.19; 29.01.13
(511) 29

(111) M 2023 37665 R
(151) 2023 12 11
(181) 2033 12 11
(210) AM 125672
(220) 2023 11 22
(732) Nobel Ilac Sanayii Ve Ticaret Anonim Sirketi
Representation in Georgia
4 Freedom Square, 0105, Old Tbilisi District,
Tbilisi, Georgia
(740) Tinatin Tskhvediani
(540)

Lantanob
ლანთანობი

(591) Black-white
(511) 5

(111) M 2023 37666 R
(151) 2023 12 12
(181) 2033 12 12
(210) AM 125784
(220) 2023 11 29
(732) LLC "Georgian Wines and Spirits Company"
Achinebuli, 2200, Telavi, Georgia

(540)



(591) Black-white
(531) 07.03.01; 07.15.22
(511) 33

(111) M 2023 37667 R
(151) 2023 12 12
(181) 2033 12 12
(210) AM 125554
(220) 2023 11 13
(732) JSC "Bank of Georgia"
Gagarin St. 29A, 0160, Tbilisi, Georgia
(740) Giorgi Taktakishvili
(540)



(591) White, orange, yellow, lilac, green
(531) 03.01.02; 26.04.04; 26.04.15; 29.01.15
(526) Figure of a lion
(511) 9, 35, 36, 39, 41, 42

(111) M 2023 37668 R
(151) 2023 12 12
(181) 2033 12 12
(210) AM 125763
(220) 2023 11 26
(732) LTD "Askaneli Dzmebi"
Kakheti Highway 110a, 0190, Isani-Samgori
District, Tbilisi, Georgia
(740) Davit Dzamukashvili
(540)



(591) Light green, blue, yellow
(531) 01.17.11; 01.17.25; 26.01.04; 26.01.13;
26.01.16
(511) 33

(111) M 2023 37669 R
(151) 2023 12 12
(181) 2033 12 12
(210) AM 125549
(220) 2023 11 13
(732) JSC "Bank of Georgia"
Gagarin St. 29a, 0160, Tbilisi, Georgia
(740) Giorgi Taktakishvili
(540)



(591) Gray, white, orange
(531) 03.01.02; 26.04.04; 26.04.07; 26.04.15;
26.04.22; 26.04.24; 27.05.24; 29.01.13
(526) Figure of a lion
(511) 9, 35, 36

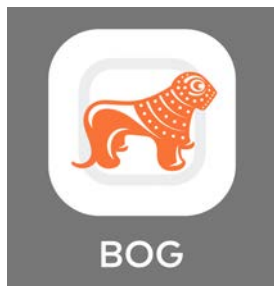
(111) M 2023 37670 R
(151) 2023 12 12
(181) 2033 12 12
(210) AM 125550
(220) 2023 11 13
(732) JSC "Bank of Georgia"
Gagarin St. 29a, 0160, Tbilisi, Georgia
(740) Giorgi Taktakishvil
(540)



(591) Gray, black, white, orange
(531) 03.01.02; 26.04.04; 26.04.15; 27.05.01;
29.01.13
(526) Figure of a lion
(511) 9, 35, 36

(111) M 2023 37671 R
(151) 2023 12 12
(181) 2033 12 12
(210) AM 125544
(220) 2023 11 13
(732) JSC "Bank of Georgia"
Gagarin St. 29a, 0160, Tbilisi, Georgia
(740) Giorgi Taktakishvil

(540)



(591) Gray, white, orange

(531) 03.01.02; 26.04.04; 26.04.08; 26.04.15;
26.04.22; 26.04.24; 27.05.23; 29.01.13

(526) Figure of a lion

(511) 9, 35, 36, 39, 41, 42

(111) M 2023 37690 R

(151) 2023 12 14

(181) 2033 12 14

(210) AM 125561

(220) 2023 11 13

(732) JSC "Bank of Georgia"

Gagarin St. 29a, 0160, Tbilisi, Georgia

(740) Giorgi Taktakishvil

(540)



(591) Gray, white, black, orange

(531) 03.01.02; 26.04.04; 26.04.15; 27.05.01;
29.01.13

(526) Figure of a lion

(511) 9, 35, 36

(111) M 2023 37691 R

(151) 2023 12 14

(181) 2033 12 14

(210) AM 125890

(220) 2023 12 05

(732) LLC "Pino Grigio"

Ljublyana St. 38b, 0159, Didube District,
Tbilisi, Georgia

(540)

Grapes&pips

wine.dine.shop

(591) 000000 black, FFFFFFF white

(511) 35, 43

(111) M 2023 37692 R

(151) 2023 12 14

(181) 2033 12 14

(210) AM 125782

(220) 2023 11 29

(732) LLC "Georgian Wines and Spirits Company"

Achinebuli, 2200, Telavi, Georgia

(540)



(591) Black-white

(531) 01.03.06; 01.03.15; 06.01.04; 06.19.17;
07.11.25

(511) 33

(111) M 2023 37693 R

(151) 2023 12 14

(181) 2033 12 14

(210) AM 125560

(220) 2023 11 13

(732) JSC "Bank of Georgia"

Gagarin St. 29A, 0160, Tbilisi, Georgia

(740) Giorgi Taktakishvil

(540)



(591) Black-white

(531) 03.01.02; 26.04.04; 26.04.15; 27.05.01

(526) Figure of a lion

(511) 9, 35, 36

(111) M 2023 37694 R

(151) 2023 12 14

(181) 2033 12 14

(210) AM 125879

(220) 2023 12 04

(732) LTD "Thermolit"

M. Tamarashvili St. 13 ap. 53, Tbilisi, Georgia

(540)



(591) Red, black, white

(531) 07.03.11; 24.07.01; 26.04.04; 26.04.05;
26.07.15; 27.05.02; 29.01.13

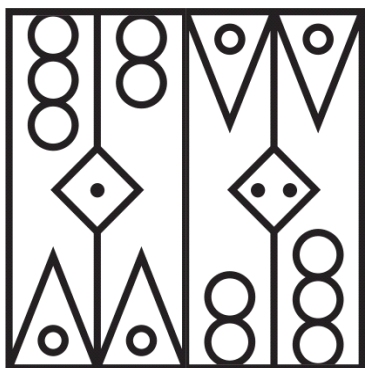
(511) 2, 35

(111) M 2023 37695 R
 (151) 2023 12 14
 (181) 2033 12 14
 (210) AM 125777
 (220) 2023 11 29
 (732) LLC "Georgian Wines and Spirits Company"
 Achinebuli, 2200, Telavi, Georgia
 (540)



(591) Black-white
 (531) 19.07.01; 19.07.09; 27.03.15
 (511) 33

(111) M 2023 37696 R
 (151) 2023 12 14
 (181) 2033 12 14
 (210) AM 125788
 (220) 2023 11 29
 (732) LLC "Georgian Wines and Spirits Company"
 Achinebuli, 2200, Telavi, Georgia
 (540)



(591) Black-white
 (531) 25.01.05; 26.04.11; 26.04.12; 26.04.16
 (511) 33

(111) M 2023 37697 R
 (151) 2023 12 14
 (181) 2033 12 14
 (210) AM 125786
 (220) 2023 11 29
 (732) LLC "Georgian Wines and Spirits Company"
 Achinebuli, 2200, Telavi, Georgia

(540)



(591) Black-white
 (531) 07.05.02; 07.05.06
 (511) 33

(111) M 2023 37698 R
 (151) 2023 12 14
 (181) 2033 12 14
 (210) AM 125785
 (220) 2023 11 29
 (732) LLC "Georgian Wines and Spirits Company"
 Achinebuli, 2200, Telavi, Georgia
 (540)



(591) Black-white
 (531) 11.03.01
 (511) 33

(111) M 2023 37699 R
 (151) 2023 12 18
 (181) 2033 12 18
 (210) AM 126003
 (220) 2023 12 11
 (732) LLC "Kvareli Sellar"
 Vill. Chikaani, 4814, Kvareli, Georgia
 (540)



(591) Golden, white
 (531) 26.01.08; 26.01.16; 29.01.12
 (511) 33

(111) M 2023 37700 R
 (151) 2023 12 18
 (181) 2033 12 18
 (210) AM 125905

(220) 2023 12 07
 (732) Singular Trading Limited
 Level 2, Spinola Park, Mikiel Ang Borg Street,
 St. Julians, SPK 1000, SPK 1000, Malta
 (740) Natalia Babakishvili
 (540)



(591) White, red
 (531) 26.04.02; 26.04.03; 26.04.09; 27.05.01;
 29.01.12
 (511) 9, 41, 42

(111) M 2023 37701 R
 (151) 2023 12 18
 (181) 2033 12 18
 (210) AM 125790
 (220) 2023 11 29
 (732) LLC "Georgian Wines and Spirits Company"
 Achinebuli, 2200, Telavi, Georgia
 (540)



(591) Black-white
 (531) 02.03.23; 07.05.02; 07.05.08; 07.05.25;
 22.05.12
 (511) 33

(111) M 2023 37702 R
 (151) 2023 12 18
 (181) 2033 12 18
 (210) AM 125787
 (220) 2023 11 29
 (732) LLC "Georgian Wines and Spirits Company"
 Achinebuli, 2200, Telavi, Georgia
 (540)



(591) Black-white
 (531) 02.03.23; 07.05.02; 07.05.08; 07.05.25;
 22.05.12
 (511) 33

(111) M 2023 37703 R
 (151) 2023 12 18
 (181) 2033 12 18
 (210) AM 125783
 (220) 2023 11 29
 (732) LLC "Georgian Wines and Spirits Company"
 Achinebuli, 2200, Telavi, Georgia
 (540)



(591) Black-white
 (531) 22.05.13; 22.05.17
 (511) 33

(111) M 2023 37704 R
 (151) 2023 12 18
 (181) 2033 12 18
 (210) AM 125781
 (220) 2023 11 29
 (732) LLC "Georgian Wines and Spirits Company"
 Achinebuli, 2200, Telavi, Georgia
 (540)



(591) Black-white
 (531) 06.19.16; 07.03.15; 22.05.13; 22.05.17
 (511) 33

(111) M 2023 37705 R
 (151) 2023 12 18
 (181) 2033 12 18
 (210) AM 125780
 (220) 2023 11 29
 (732) LLC "Georgian Wines and Spirits Company"
 Achinebuli, 2200, Telavi, Georgia
 (540)



(591) Black-white
 (531) 03.09.06; 03.09.11; 03.09.24; 06.07.02;
 06.07.04; 07.01.01; 07.01.24; 22.05.12
 (511) 33

(111) M 2023 37706 R
 (151) 2023 12 18
 (181) 2033 12 18
 (210) AM 125779
 (220) 2023 11 29
 (732) LLC "Georgian Wines and Spirits Company"
 Achinebuli, 2200, Telavi, Georgia
 (540)



(591) Black-white
 (531) 01.03.06; 01.03.11; 01.03.15; 02.01.23;
 06.07.04; 07.15.22
 (511) 33

(111) M 2023 37707 R
 (151) 2023 12 18
 (181) 2033 12 18
 (210) AM 125778
 (220) 2023 11 29
 (732) LLC "Georgian Wines and Spirits Company"
 Achinebuli, 2200, Telavi, Georgia
 (540)



(591) Black-white
 (531) 06.07.04; 06.19.16; 22.05.12
 (511) 33

(111) M 2023 37708 R
 (151) 2023 12 18
 (181) 2033 12 18
 (210) AM 125902

(220) 2023 12 07
 (732) LTD "Tobacco Workshop"
 Bagebi Settlement, bld. 2, ap. 76, Tbilisi,
 Georgia
 (540)



(591) Black-white
 (531) 26.04.02; 26.04.22; 26.04.24; 27.05.04;
 27.05.24
 (511) 43

(111) M 2023 37709 R
 (151) 2023 12 18
 (181) 2033 12 18
 (210) AM 125904
 (220) 2023 12 07
 (732) JSC "Total 100 Retail"
 Shalva Nutsubidze Plateau, IV m/r, bld. 5, fl. 6,
 ap. 37, Tbilisi, Georgia
 (540)



(591) Red, white, grey
 (531) 26.01.18; 27.01.06; 27.05.01; 27.05.17;
 27.05.22; 27.07.01; 27.07.17; 29.01.13
 (511) 35, 43

(111) M 2023 37710 R
 (151) 2023 12 18
 (181) 2033 12 18
 (210) AM 126014
 (220) 2023 12 11
 (732) LTD "Phaphris Mindvrebi"
 Vill. Akhasheni, Gurjaani Region, Georgia
 (740) Khatuna Imnadze
 (540)

ქლისო
 ЭЛИСО
 ELISO

(591) Black-white
 (511) 33

(111) M 2023 37711 R
 (151) 2023 12 20
 (181) 2033 12 20
 (210) AM 125994
 (220) 2023 12 08
 (732) LLC "Duty Free Points"

Al. Kazbegi Av. 15, floor 9, ap. 42, Block "C",
0160, Saburtalo District, Tbilisi, Georgia
(540)



(591) Silver, brown, black, white
(531) 19.03.24; 27.05.10; 27.05.24; 29.01.12
(511) 34

(111) M 2023 37713 R
(151) 2023 12 20
(181) 2033 12 20
(210) AM 125997
(220) 2023 12 08
(732) LLC "Duty Free Points"
Al. Kazbegi Av. 15, floor 9, ap. 42, Block "C",
0160, Saburtalo District, Tbilisi, Georgia
(540)



(591) White, red, dark blue, blue, black
(531) 19.03.24; 27.05.24; 29.01.13
(511) 34

(111) M 2023 37712 R
(151) 2023 12 20
(181) 2033 12 20
(210) AM 125996
(220) 2023 12 08
(732) LLC "Duty Free Points"
Al. Kazbegi Av. 15, floor 9, ap. 42, Block "C",
0160, Saburtalo District, Tbilisi, Georgia
(540)



(591) Golden, silver, black, white, sky-blue
(531) 19.03.24; 27.05.24; 29.01.13
(511) 34

(111) M 2023 37714 R
(151) 2023 12 20
(181) 2033 12 20
(210) AM 125998
(220) 2023 12 08
(732) Individual Entrepreneur Mirianashvili Chelti
Vazha-Pshavela Av. 62, ap. 18, 0186, Tbilisi,
Georgia
(740) Giorgi Taktakishvili
(540)

Chelti
WINERY

(591) White, red
(531) 27.05.09; 27.05.10; 29.01.01
(511) 33

INTERNATIONAL TRADEMARKS FOR WHICH A DECISION ON GRANTING PROTECTIONS IS TAKEN

The decision can be appealed at the Chamber of Appeal of Sakpatenti within 3 months from the publication or at the Mtskheta District Court Administrative Cases Board (Address: №17, Samkhedro St., Mtskheta), within 1 month following the publication.

(260) AM 2023 121402 A

(800) 1371812

(151) 2017 08 01

(891) 2023 01 09

(731) Company "Go Travel Un Limited"

Suite 1504, 15/F., Chinachem Tower,

34-37 Connaught Road Central, Hong Kong,

China

(540)

Aviasales
Авиасейлс

(591) Black, white

(531) 28.05

(511)

35 – Commercial information agency services; rental of advertising space; computerized file management; business efficiency expert services; opinion polling; market studies; business information; commercial information and advice for consumers [consumer advice shop]; business investigations; business research; marketing research; business management and organization consultancy; business organization consultancy; business management consultancy; layout services for advertising purposes; marketing; updating of advertising material; organization of exhibitions for commercial or advertising purposes; data search in computer files for others; publication of publicity texts; radio advertising; distribution of samples; dissemination of advertising matter; direct mail advertising; writing of publicity texts; advertising; on-line advertising on a computer network; advertising by mail order; television advertising; compilation of statistics; compilation of information into computer databases; systemization of information into computer databases; telemarketing services; price comparison services; outsourcing services [business assistance].

38 – Providing user access to global computer networks; providing access to databases; providing internet chatrooms; computer aided transmission of messages and images; transmission of digital files; communications by computer terminals.

41 – Recreation information; entertainment information; providing on-line electronic publications, not downloadable; practical training [demonstration]; providing recreation facilities; arranging and conducting of colloquiums; arranging and conducting of congresses; arranging and conducting of conferences; ar-

ranging and conducting of concerts; arranging and conducting of workshops [training]; arranging and conducting of seminars; arranging and conducting of symposiums; organization of competitions [education or entertainment]; electronic desktop publishing; on-line publication of electronic books and journals; publication of texts, other than publicity texts; entertainer services; entertainment services; party planning [entertainment]; photographic reporting.

42 – Computer system analysis; installation of computer software; consultancy in the design and development of computer hardware; quality control; updating of computer software; monitoring of computer systems by remote access; maintenance of computer software; conversion of data or documents from physical to electronic media; providing search engines for the internet; conversion of computer programs and data, other than physical conversion; computer system design; rental of computer software; hosting computer sites [web sites]; duplication of computer programs; computer software design; creating and maintaining web sites for others; computer programming.

43 – Accommodation bureau services [hotels, boarding houses]; rental of temporary accommodation; rental of meeting rooms; hotel reservations; boarding house bookings; temporary accommodation reservations; hotel services; motel services; boarding house services.

(260) AM 2023 121703 A

(800) 1714078

(151) 2022 09 08

(891) 2022 09 08

(731) Turlen Holding SA

Rue du Jura 11, CH-2345 Les Breuleux,

Switzerland

(540)

RICHARD MILLE

(591) Black, white

(511)

9 – Downloadable computer software; software for downloadable virtual goods, namely, crypto collectibles and non-fungible tokens (NFTs); software that can virtually reproduce merchandise and crypto collectibles; downloadable cryptographic keys for receiving and spending cryptocurrency; downloadable cryptographic keys for receiving and spending crypto-assets; downloadable computer software for managing cryp-

tocurrency transactions by means of blockchain technology; downloadable digital art images authenticated by non-fungible tokens (NFTs); downloadable software for viewing crypto collectibles, non-fungible tokens and other application tokens; downloadable software intended for use in trading, storing, sending, receiving, accepting and transmitting crypto collectibles, non-fungible tokens and other application tokens; downloadable digital files authenticated by non-fungible tokens [NFTs]; software that can virtually reproduce goods and present them in a virtual world; downloadable digital files authenticated by non-fungible tokens (NFT).

35 – Online retail services for digital files for use in virtual worlds; online retail sale services for digital files that can virtually reproduce goods and present them in a virtual world; providing an online marketplace for buyers and sellers of digital authenticity certificates in the nature of non-fungible tokens (NFTs).

41 – Providing non-downloadable digital files containing publications, images or music; providing non-downloadable images and publications authenticated by non-fungible tokens (NFTs); online entertainment services through virtual goods for use in virtual worlds.

42 – Providing online non-downloadable software giving access to crypto collectibles, non-fungible tokens and other application tokens; design and development of computer software for creating online retail stores enabling the creation and hosting of non-fungible tokens and crypto collectibles.

(260) AM 2023 121704 A

(800) 1714087

(151) 2022 12 09

(891) 2022 12 09

(731) Société des Produits Nestlé S.A.
CH-1800 Vevey, Switzerland

(540)

ДАРЛИНГ

(591) Black, white

(531) 28.05

(511)

31 – Foodstuffs for animals.

(260) AM 2023 121807 A

(800) 1715259

(151) 2022 11 16

(891) 2022 11 16

(731) HYUNDAI MOTOR COMPANY
12, Heolleung-ro, Seocho-gu, Seoul 06797,
Republic of Korea

(540)



(591) Black, white

(531) 26.01.03; 26.01.18; 27.05.01; 27.05.21;
29.01.12

(511)

9 – DNA chips; electric locks for vehicles; instruments for diagnosis [for scientific use]; laboratory instruments [other than for medical use]; apparatus and instruments for physics; optical apparatus and instruments, except for glasses and photographic apparatus; safety equipment for vehicles, namely cameras for vehicles; blind-spot detection cameras for exposing and eliminating the blind spots on both sides of the vehicle; black box camera for cars; car recognizing cameras; night vision infrared cameras with built-in airlines; photographic equipment; video conferencing apparatus; home theater systems; audiovisual teaching apparatus; distance sensors; lidar sensors for detecting objects and motions for autonomous cars; motion recognizing sensors for blind spot; blind spot object detecting sensors; blind spot motion sensors; sensors for measuring speed; apparatus for testing vehicle brakes; apparatus for testing vehicle transmissions; thermostats for vehicles; autonomous driving control systems for vehicles; parking sensors for vehicles; kilometer recorders for vehicles; diagnostic apparatus for vehicles; automatic indicators of low pressure in vehicle tyres; sensors for engines; sensors for determining position, velocity, acceleration and temperature; sensors for determining position; automatic vehicle speed control apparatus; motion sensors for automobiles; electronic sensors for automobiles, namely, forward and backward safety sensors; speed sensors for automobiles; OBD (on-board diagnostics) apparatus for automobiles; electronic sensors for automobiles, namely, detector units for use in controlling the actuation and operation of automotive safety apparatus and equipment; electronic sensors for automobiles, namely, sensors for use in controlling the actuation and operation of automotive safety apparatus and equipment; parking and locational sensors for automobiles; parking sensors for automobiles; crash sensors for automobiles; odometers; backup electronic sensors (for use in vehicle safety equipment); electronic sensors for vehicles; lateral distance sensors for cars; lateral safety sensors for cars; measuring instruments; vehicle speed control apparatus; temperature and environmental sensors for measuring the presence of objects in the environment and the speed, trajectory, and heading of objects; protective eyeglasses; sunglasses; eyeglasses; eyeglass cases; time recording equipment; calculating machines, data-processing equipment and computers; acoustic vehicle alert system of virtual en-

gine sound; collision alarms; alarms for tire pressure monitoring systems; theft prevention apparatus, other than for vehicles; signals, luminous or mechanical; warning lamps for vehicles; fire trucks; air sensors for vehicles; USB battery chargers for use in automobiles; robotic electrical control apparatus; uninterruptible electrical power supplies; voltage regulators for vehicles; electrical controlling devices for engines; charging appliances for rechargeable equipment; charging stations for electric vehicles; electricity devices for controlling energy supply; electrical controlling devices; control installations (electric -); apparatus and instruments for regulating electricity; regulating apparatus, electric; apparatus and instruments for conveying, distributing, transforming, storing, regulating or controlling electric current; current rectifiers; apparatus for adjusting headlights; solar modules; batteries for vehicles; fuel cells; batteries for automobiles; rechargeable batteries; batteries for electric vehicles; electric batteries; nickel-hydrogen batteries; energy storage apparatus comprised of batteries; power bank (rechargeable batteries); electricity measuring apparatus and instruments; starter cables for motors; electric cables, wires, conductors and connection fittings therefor; electric hybrid cables; black boxes [data recorders]; voice processing systems; video recording apparatus for vehicles; car cassette players; smartwatches; wearable computers; apparatus for recording, transmission or reproduction of sound, images and data; remote monitoring apparatus; electronic monitoring instruments, other than for medical use; television monitoring apparatus; GPS navigation device; GPS tracking and location devices; remote control apparatus for industrial automation instruments; radar object detectors for vehicles; navigation apparatus for vehicles [on-board computers]; remote control apparatus; GPS navigation devices for cars; electric telecommunications apparatus; navigation apparatus for automobiles with electronic payment software; telecommunication apparatus for use in cars; electronic payment terminals for cars; electronic terminals for highway toll collection; laboratory robots; humanoid robots with artificial intelligence for use in scientific research; software for controlling robots; downloadable computer software for the provision of information relating to vehicle trip information history, parking location management, trip information, vehicle health management, driving information, and third-party promotional data in the form of advertising for drivers; downloadable and recorded computer software for autonomous driving of motor vehicles; recorded software for data processing for autonomous driving control; downloadable and recorded computer software for the navigation, steering, calibration, and management for autonomous vehicles; downloadable software for parking location identification; downloadable and recorded computer software for vehicle navigation; recorded computer software for the ignition, coordination, calibrating, direction and management of

vehicles; downloadable and recorded computer software for controlling vehicle communications networks; downloadable and recorded computer software platforms for advanced safety and driver assistance systems for vehicles; computer programs and software for vehicles; downloadable software for the control and remote control of vehicles; computer databases; computer software for simple payment; computer application software for use on smartphones for simple payment; in-vehicle audio video navigation software for simple payment; software for secure data storage and retrieval and transmission of customer information used by individuals, banking and financial institutions for electronic payment; downloadable smartphone application (software); computer software for use with route planners, electronic maps and digital dictionaries for navigation purposes; computer application software for smartphones for use in rental car leasing and rental car maintenance; computer software for facilitating payment transactions by electronic means over wireless networks, global computer networks and/or mobile telecommunications devices; downloadable computer application software for use on smartphones for the provision of information relating to vehicle trip information history, parking location management, trip information, vehicle health management, driving information, and third-party promotional data in the form of advertising for drivers; downloadable computer software for providing remote vehicle diagnosis, vehicle maintenance information, entertainment in the form of audio and visual displays in vehicles, third-party communication in vehicles, navigation function, and audio and visual display in vehicles; smartphone application (software) that enables the drivers to make in-vehicle simple payment regarding refueling, parking, using toll gate and purchasing products at various stores; smartphone application (software) that enables the drivers to make in-vehicle simple payment regarding refueling, parking, using toll gate and purchasing products at various stores as well as ordering purchase of foods and beverages in vehicle; computer software that enables the drivers to make in-vehicle simple payment regarding refueling, parking, using toll gate and purchasing products at various stores as well as ordering purchase of foods and beverages in vehicle; application software for providing electronic payment agency services; computer software of in-vehicle simple payment; smartphone application (software) accessible to in-vehicle systems; computer program for simple payment through in-vehicle audio video navigation; computer firmware for platform of in-vehicle simple payment; computer application software for smartphones of in-vehicle simple payment; computer application software for use on smartphones for use in the management of vehicle rental and vehicle maintenance; computer application software for use on smartphones for a vehicle lease; downloadable computer application software in the operation and management of ve-

hicles; recorded computer software for safe car driving; downloadable computer application software for vehicles; computer application software for computers and mobile devices, namely, software for locating and sharing information regarding electric vehicle charging stations; encoded cards for use in relation to the electronic transfer of financial transactions; computer hardware for use with satellite and/or GPS navigation systems for navigation purposes; data processing apparatus; computer hardware for facilitating payment transactions by electronic means over wireless networks, global computer networks and/or mobile telecommunications devices; laser installations, other than for medical use, for sensing distance to objects; steering apparatus, automatic, for vehicles; simulator for optical devices; vehicle drive training simulators; flight simulators for aircraft; electronic payment terminal operated by encoded cards, stored value cards, prepaid cards and smart cards; speech recognition apparatus; digital car driving recording apparatus; black box for cars; electronic keyless entry systems for automobiles (vehicles) (terms too vague in the opinion of the International Bureau – Rule 13 (2) (b) of the Regulations); electronic control apparatus for autonomous driving of vehicles; computer apparatus for parking location identification; security terminal for in-vehicle electronic transactions; devices for in-vehicle e-payment process; computer hardware for vehicle fleet launching, coordination, calibrating, direction, and management; computer hardware for transmission of data within a vehicle and for communications between and among vehicles and a cloud-based platform; LED information display apparatus for car; laser object detectors for use on vehicles; computer apparatus for the control and remote control of vehicles; computer display monitors; computer components and parts; computer hardware; peripherals adapted for use with computers; video game cartridges and cassettes; articles of protective clothing for wear by motorcyclists for protection against accident or injury; downloadable music files; downloadable multimedia file; downloadable image files; downloadable computer graphics; encoded plastic non-magnetically coded IC cards; downloadable ticket; downloadable electronic maps; computer digital maps; game software for metaverse environments; computer interface software for metaverse environments; recorded data files featuring meta data containing information on digital assets; downloadable image files featuring virtual merchandise such as clothing, shoes, bags, headgear, eyewear, sports equipment, works of art, paintings, toys, etc. for metaverse environments; downloadable image files featuring virtual cars for metaverse environments; downloadable image files featuring character images for metaverse environments; downloadable image files featuring avatars for metaverse environments; computer software for creating and managing virtual goods authenticated by non-fungible tokens [NFTs]; content operating software for metaverse environ-

ments; computer software for automatic storage of trading data of blockchain-based non-fungible tokens; computer software for issuing, trading, selling, managing, and verifying blockchain-based non-fungible tokens; encryption apparatus with blockchain-based non-fungible tokens (NFTs); computer software for issuing, trading, selling, managing, and verifying blockchain-based ownership and license of digital contents; downloadable software for virtual money; downloadable computer programmes for electronic money payment; computer application software for allowing users to experience in metaverse environment; computer software for distributing digital content in metaverse environments; computer software for providing digital content in metaverse environments; game software for smartphones in order to experience indirectly various information through metaverse environments; video display managing software; data processing software (for the purpose of editing, storing, sharing, broadcasting, sending and viewing of photos/videos or chatting); computer application software for mobile phone camera based on virtual/augmented reality; computer software for processing digital images featuring services that automatically converts portrait into 3D avatar images; software for creating, manipulating and participating 3D virtual environments; computer e-commerce software for creating and managing virtual goods authenticated by non-fungible tokens [NFTs]; computer software for used in implementing the metaverse environments; computer software for metaverse environments; software for navigating an augmented reality environment; virtual reality software; software for virtual reality experiences; software for navigating a virtual reality environment; virtual reality software for users to experience virtual reality visualization, manipulation and immersion; augmented reality software for interactive experiences; virtual reality software for interactive experiences; software for augmented reality experiences; augmented reality software; virtual reality software that enables you to provide virtual reality experiences with computers, tablets, mobile devices or mobile phones.

(260) AM 2023 121808 A

(800) 1715260

(151) 2022 12 02

(891) 2022 12 02

(731) Nokia Corporation

Karakaari 7, FI-02610 Espoo, Finland

(540)



(591) Blue

(531) 27.05.01; 27.05.25; 29.01.04

(511)

9 – Scientific, research, navigation, surveying, photographic, cinematographic, audiovisual, optical, weigh-

hing, measuring, signalling, detecting, testing, inspecting, life-saving and teaching apparatus and instruments; apparatus and instruments for conducting, switching, transforming, accumulating, regulating or controlling the distribution or use of electricity; apparatus and instruments for recording, transmitting, reproducing or processing sound, images or data; recorded and downloadable media, computer software, blank digital or analogue recording and storage media; mechanisms for coin-operated apparatus; cash registers, calculating devices, computers and computer peripheral devices, data processing apparatus, computer software, magnetic data carriers, recording discs; compact discs, DVDs and other digital and optical recording media; telecommunications devices, apparatuses and equipment, and parts and fittings thereof; base stations for telecommunication networks, computer networks, connectivity networks and wireless communication networks; cells for telecommunication networks, computer networks, connectivity networks and wireless communication networks, transmitters; receivers; electronic controllers, electric switches, antennas, electric cables, coaxial cables, electric wires, insulated copper wires; amplifiers; commutators; modems; radio and microwave transmission devices and equipment; apparatus and instruments for data communication, satellite communication and telecommunication; apparatus and instruments for monitoring of telecommunication networks and data communication networks; radar equipment, ciphering equipment, phones, smartphones and other wearable and portable electronic devices for capturing, receiving, collecting, recording, reading, displaying, organizing, editing, transmitting, sharing, manipulating and reviewing data, text, maps, images and sounds; portable media players; tablets; electronic agendas; electronic book readers; notebook computers, digital photo frames, cameras, camcorders; sensors, presence capture devices; wearable connected devices, namely devices in the form of watches, smart glasses, contact lenses, headbands, gloves, bracelets, earrings, jewelry, helmets and contact lenses that can be used for computing, sensing, scanning, recording, displaying, monitoring, data-processing, remote-controlling, predicting, programming, connecting to computer networks or for telecommunication purposes; wearable connected devices, namely computing devices to be carried by end-users, or to be worn on or into the body of end-users or to be incorporated into clothing, footwear, headgear, contact lenses, bags, textiles, fabrics, tissue and any kinds of materials and portable goods and accessories and that can be used for computing, sensing, scanning, recording, displaying, monitoring, data-processing, remote controlling, predicting, programming, connecting to computer networks or for telecommunication purposes; wearable and portable computing devices; smartwatches; head-mounted displays; devices with electric, electronic and digital functions that can connect to computer networks and which have com-

puting, sensory, scanning, communication, data-storage, biofeedback, physiological-tracking, health-monitoring, fitness-monitoring, predictive or augmented-reality capabilities, in the form of glasses, gloves, watches, clothing, footwear, headgear, bands and helmets; batteries; chargers; printers; covers for phones, smartphones, computers, tablets and other wearable and portable handheld computing devices; audio, imaging, video and radio apparatus and instruments; speakers; headsets, microphones; television and multimedia apparatus; displays for electronic devices, displays for telecommunication devices, displays for computers and mobile phones; hands free kits for phones, smartphones, computers, tablets and other wearable and portable handheld computing devices; electronic publications; Global Positioning System (GPS) apparatus, instruments and devices; navigation apparatus for vehicles (on-board computers); navigational instruments; satellite navigational apparatus, apparatus and software for GPS navigation and mapping systems; electronic chips; microprocessors; semi-conductors; smart cards (integrated circuit cards); printed circuits; remote control apparatus; downloadable sound, video and image files; electronic pens; electronic tags for goods; computer software, computer hardware and wearable computing devices allowing the remote monitoring, control and command of vehicles and vehicle parameters, of household appliances and furniture, of energy management systems, of home automation systems, of security systems, of home entertainment and audio/video equipment, of telecommunication devices, social media devices and computing devices, and of fitness and health telecare equipment; machine to machine (M2M) communications equipment and devices; computer game software; video game cartridges; memory cards for video game machines; software applications; spectacles; smart glasses; binoculars; spectacle frames; optical lenses; contact lenses; optical goods; optical glass; application programming interfaces (APIs); computer software and hardware allowing to listen to music and read audio/video files, to send and read out electronic messages, to take, edit, read, display and share digital photographs, sounds and videos, to browse on the Internet, to chat and to connect to social networks; digital maps; software applications for providing location-based and contextually-relevant advertisement; vision recognition software; audio recognition software; computer software and hardware for the provision and rendering of travel and tourism advice and for providing information about location of entertainment venues, local education institutions, hotels, landmarks, museums, public transportation, traffic, parking information, weather, price comparison, shopping, advertisement, health and fitness, employment information, social activities and cultural events, Points of Interest (POIs), sporting events, food and drink; location tracking devices; software applications and hardware enabling the user to obtain location-related and contextually-relevant in-

formation; computer software and hardware providing health, fitness and well-being information; equipment and apparatus for measuring and/or recording different physiological or other parameters, including heart rate, blood pressure, weight, sleep quality, ventilation, body temperature, skin conductivity, blood glucose, lactic acid, time, speed, acceleration, altitude, environmental temperature, humidity and purity, not for medical use, downloadable software in the nature of a mobile application for displaying and sharing a user's location and finding, locating, and interacting with other users; computer software and hardware allowing online payment and payment at distance; computer software and programs, namely algorithms for the compression, decompression, encoding, decoding and processing of audio, video and imaging data; audio, video and images encoder/decoder (codec), computing and communication hardware and software for use by public safety agencies; air analysis apparatus, alarms; anti-theft warning apparatus, apparatus and instruments for astronomy; automated teller machines (ATM); bar code readers; computer memory devices; control panels (electricity); detectors; diagnostic apparatus, not for medical purposes; distance measuring apparatus; downloadable ring tones for mobile phones; electric installations for the remote control of industrial operations; electro-dynamic apparatus for the remote control of railway points and of signals; electronic notice boards; encoded magnetic cards and identification bracelets; extinguishers; fiber optic cables; heat regulating apparatus; high-frequency apparatus; holograms; electric apparatus for remote ignition; intercommunication apparatus; interfaces for computers; lasers, not for medical purposes; life-saving equipment; light-emitting diodes [LED]; locks, electric; loudspeakers; masts for wireless aerials; material testing instruments and machines; meteorological instruments; metronomes; monitoring apparatus, electric; monitors; optical fibers; optical data media; particle accelerators; pedometers; photocopiers; photovoltaic cells; precision balances; pressure measuring apparatus; printers for use with computers; probes for scientific purposes, radar apparatus; radiological apparatus for industrial purposes; radiotelephony sets; railway traffic safety appliances; telemeters; refractors; regulating apparatus, electric; satellites for scientific purposes; scales; scanners; signs, luminous; simulators for the steering and control of vehicles; gradient indicators; sonars; sounding apparatus and machines; steering apparatus, automatic, for vehicles; stereoscopic apparatus; teleprinters; telescopes; testing apparatus not for medical purposes; theft prevention installations, electric; thermometers, not for medical purposes; thermostats; traffic-light apparatus; USB flash drives; walkie-talkies; weighing machines; X-rays producing apparatus and installations, not for medical purposes; scales for medical and surgical purposes; displays and sensors for vehicles; parts, fittings and accessories of all the aforementioned goods.

12 – Vehicles; apparatus for locomotion by land, air or water; driverless vehicles (autonomous vehicles); electric vehicles; automobiles; cars; cycles; bicycles; motorcycles; boats; trucks; locomotives; wagons; aircrafts; aeroplanes; cable transport apparatus and installations; civilian and military drones; aeronautical apparatus, machines and appliances; anti-theft devices for vehicles; engines, electric motors and propulsion mechanisms for land vehicles, parts, fittings and accessories of all the aforementioned goods.

35 – Advertising; business management; business administration; office functions; arranging subscriptions to telecommunication services for others; providing business and commercial information, commercial or industrial management assistance; collection, compilation, processing, management, updating and maintenance of data in computer databases; compilation of statistics; data search in computer files for others; demonstration of goods; computerized file management; market studies; office machines and equipment rental; provision of an on-line marketplace for buyers and sellers of goods and services; arranging and conducting of commercial, trade and business shows and exhibitions; outsourcing services (business assistance); procurement services for others [purchasing goods and services for other businesses]; wholesale, retail and online store services in the fields of apparatus and equipment for recording, capturing, storing, processing, editing, displaying, transmitting and reproducing sound, images or video; wholesale, retail and online store services in the fields of telecommunications, information technology (IT) and networking devices, equipment, systems and software; wholesale, retail and online store services in the fields of phones, handheld mobile digital electronic devices, wearable computing devices, horological and chronometric instruments, navigation devices, computers, computer hardware and computer software; wholesale, retail and online store services in the fields of energy management systems, home automation systems and security systems; wholesale, retail and online store services in the fields of medical, fitness and health-monitoring equipment and apparatus; wholesale, retail and online store services in the fields of heating, cooking, cooling and lighting apparatus and equipment; information, advisory and consultancy services relating to all the aforesaid services.

37 – Construction services; installation and repair services for electric and electronic devices and systems, telecommunication devices and systems, sensors, chips, microprocessors, semi-conductors, smart cards (integrated circuit cards), printed circuits, navigational devices and systems, vehicles, drones and parts and fittings thereto; rental of construction equipment; electric appliance installation and repair; machinery installation, maintenance and repair; installation, maintenance and repair of computers, tablet computers, computer hardware, computer peripherals, phones, smart-

phones, electronic organizers, smartwatches, cameras, audio and video equipment, wearable and portable computing devices, vehicles, office machines and equipment, household appliances, energy management systems, home automation systems, lighting devices and equipment, sanitary installations, security systems, home entertainment, fitness and health equipment, medical apparatus and instruments, machine to machine (M2M) communications equipment, electric and electronic apparatus, optical and navigation devices; installation, maintenance and repair of telecommunications and networking devices, equipment and systems; information, advisory and consultancy services relating to all the aforesaid.

38 – Telecommunications services; telephone services; teleconferencing services; videoconferencing services; voice mail services; telecommunications routing and junction services; transmission of electronic mail, transmission of digital files; cellular telephone communication; communications by computer terminals; communications by fiber optic and wireless networks; satellite transmission; computer aided transmission of messages, sound, data and images; facsimile transmission; message sending; paging services (radio, telephone or other means of electronic communication); radio communications; radiobroadcasting; television broadcasting; wireless broadcasting, streaming of data, video-on-demand transmission; news agency services; electronic bulletin board services (telecommunications services); rental, hire and leasing of telecommunications devices, equipment and systems; rental of telephones; rental of modems; rental of message sending apparatus; providing online forums; providing telecommunications connections to a global computer network; providing user access to global computer networks; providing telecommunication channels for teleshopping services; providing Internet chatrooms; providing access to databases; rental of access time to global computer networks; information, advisory and consultancy services relating to all the aforesaid services.

41 – Education; providing of training; entertainment; sporting and cultural activities; arranging and conducting of colloquiums, exhibitions, conferences, congresses, in-person educational forums, symposiums, seminars, award ceremonies and workshops; arranging and conducting of commercial, trade and business conferences; organization of competitions (education or entertainment); practical training (demonstration); coaching (training); audio, video and images editing and production services; electronic desktop publishing; news reporters services; on-line publication of electronic books and journals; providing on-line electronic publications, on-line music and on-line videos, not downloadable; publication of texts, other than publicity texts; publication of books; film production, other than advertising films; production of radio and television programmes; television entertainment; ra-

dio entertainment; rental of audio and video equipment; rental of cinematographic apparatus; rental of radio and television sets; game services provided online from a computer network; games equipment rental; information, advisory and consultancy services relating to all the aforesaid services.

42 – Scientific and technological services and research and design relating thereto; industrial analysis, industrial research and industrial design services; quality control and authentication services; design and development of computer hardware and software; installation, maintenance and updating of computer software; computer programming; computer system analysis and design; computer virus protection services; computer security consultancy; engineering; electronic data storage; monitoring of computer systems by remote access; outsource service providers in the field of information technology; recovery of computer data; research and development of new products for others; consultancy in the field of energy-saving; energy auditing; provision of scientific information; scientific laboratory services; technical project studies; technological consultancy; telecommunications technology consultancy; scientific and technological analysis, research, development, planning, optimization, support, technical troubleshooting and consultancy services in the field of telecommunications devices, equipment, networks, systems, solutions and software; design, engineering and development of telecommunications devices, equipment, networks, systems, solutions and software; scientific and technological analysis, research, development, support, technical troubleshooting and consultancy services in the fields of artificial intelligence, nanomaterials, sensors, connectivity, information technology (IT), geolocation and mapping, navigation, computer hardware, computer software, computing technologies, data analytics, audio technologies, imaging and video technologies, digital media technologies, multimedia technologies, virtual reality technologies, radio technologies, medical and health-care technology, public safety technology, energy technologies, transport technologies, wearable computing devices, printing, automation, connected vehicles, connected furniture, connected clothing, connected consumer products, connected home appliances, machine to machines (M2M) systems, presence capture solutions; scientific and technological analysis and research services in the fields of vehicles, furniture, medical, clothing, audio/video, home appliances and consumer products that can communicate via computer or telecommunication network, as well as support, consultancy and development services relating to all the aforementioned services; cloud computing; server hosting; software as a service (SaaS) services; infrastructure as a service (IaaS) services; platform as a service (PaaS) services; application service provider (ASP) services; providing on-line (non-downloadable) software and mobile applications; providing temporary use of on-line non-downloadable software for use

as an application programming interface (API); providing temporary use of on line non-downloadable software development tools; rental of computer software and hardware; rental of audio, imaging, video, digital media, multimedia, virtual reality and presence capture software and hardware; data encoding and decoding services; leasing of data processing equipment; cartography services; mapping services; map creation services; on demand design services of online and digital maps; technical digital imaging services; industrial design; off-site data backup; research in the field of environmental protection and recycling; predictive analytic services relating to computer software, computer hardware and information technology (IT); information, advisory and consultancy services relating to all the aforesaid services.

(260) AM 2023 121809 A

(800) 1715263

(151) 2022 12 02

(891) 2022 12 02

(731) Nokia Corporation

Karakaaari 7, FI-02610 Espoo, Finland

(540)

NOKIA

(591) Black, white

(531) 27.05.01; 27.05.25

(511)

9 – Scientific, research, navigation, surveying, photographic, cinematographic, audiovisual, optical, weighing, measuring, signalling, detecting, testing, inspecting, life-saving and teaching apparatus and instruments; apparatus and instruments for conducting, switching, transforming, accumulating, regulating or controlling the distribution or use of electricity; apparatus and instruments for recording, transmitting, reproducing or processing sound, images or data; recorded and downloadable media, computer software, blank digital or analogue recording and storage media; mechanisms for coin-operated apparatus; cash registers, calculating devices, computers and computer peripheral devices, data processing apparatus, computer software, magnetic data carriers, recording discs; compact discs, DVDs and other digital and optical recording media; telecommunications devices, apparatuses and equipment, and parts and fittings thereof; base stations for telecommunication networks, computer networks, connectivity networks and wireless communication networks; cells for telecommunication networks, computer networks, connectivity networks and wireless communication networks, transmitters; receivers; electronic controllers, electric switches, antennas, electric cables, coaxial cables, electric wires, insulated copper wires; amplifiers; commutators; modems; radio and microwave transmission devices and equipment; apparatus and instruments for data com-

munication, satellite communication and telecommunication; apparatus and instruments for monitoring of telecommunication networks and data communication networks; radar equipment, ciphering equipment, phones, smartphones and other wearable and portable electronic devices for capturing, receiving, collecting, recording, reading, displaying, organizing, editing, transmitting, sharing, manipulating and reviewing data, text, maps, images and sounds; portable media players; tablets; electronic agendas; electronic book readers; notebook computers, digital photo frames, cameras, camcorders; sensors, presence capture devices; wearable connected devices, namely devices in the form of watches, smart glasses, contact lenses, headbands, gloves, bracelets, earrings, jewelry, helmets and contact lenses that can be used for computing, sensing, scanning, recording, displaying, monitoring, data-processing, remote-controlling, predicting, programming, connecting to computer networks or for telecommunication purposes; wearable connected devices, namely computing devices to be carried by end-users, or to be worn on or into the body of end-users or to be incorporated into clothing, footwear, headgear, contact lenses, bags, textiles, fabrics, tissue and any kinds of materials and portable goods and accessories and that can be used for computing, sensing scanning, recording, displaying, monitoring, data-processing, remote controlling, predicting, programming, connecting to computer networks or for telecommunication purposes; wearable and portable computing devices; smartwatches; head-mounted displays; devices with electric, electronic and digital functions that can connect to computer networks and which have computing, sensory, scanning, communication, data-storage, biofeedback, physiological-tracking, health-monitoring, fitness-monitoring, predictive or augmented-reality capabilities, in the form of glasses, gloves, watches, clothing, footwear, headgear, bands and helmets; batteries; chargers; printers; covers for phones, smartphones, computers, tablets and other wearable and portable handheld computing devices; audio, imaging, video and radio apparatus and instruments; speakers; headsets, microphones; television and multimedia apparatus; displays for electronic devices, displays for telecommunication devices, displays for computers and mobile phones; hands free kits for phones, smartphones, computers, tablets and other wearable and portable handheld computing devices; electronic publications; Global Positioning System (GPS) apparatus, instruments and devices; navigation apparatus for vehicles (on-board computers); navigational instruments; satellite navigational apparatus, apparatus and software for GPS navigation and mapping systems; electronic chips; microprocessors; semi-conductors; smart cards (integrated circuit cards); printed circuits; remote control apparatus; downloadable sound, video and image files; electronic pens; electronic tags for goods; computer software, computer hardware and wearable computing devices allowing the re-

mote monitoring, control and command of vehicles and vehicle parameters, of household appliances and furniture, of energy management systems, of home automation systems, of security systems, of home entertainment and audio/video equipment, of telecommunication devices, social media devices and computing devices, and of fitness and health telecare equipment; machine to machine (M2M) communications equipment and devices; computer game software; video game cartridges; memory cards for video game machines; software applications; spectacles; smart glasses; binoculars; spectacle frames; optical lenses; contact lenses; optical goods; optical glass; application programming interfaces (APIs); computer software and hardware allowing to listen to music and read audio/video files, to send and read out electronic messages, to take, edit, read, display and share digital photographs, sounds and videos, to browse on the Internet, to chat and to connect to social networks; digital maps; software applications for providing location-based and contextually-relevant advertisement; vision recognition software; audio recognition software; computer software and hardware for the provision and rendering of travel and tourism advice and for providing information about location of entertainment venues, local education institutions, hotels, landmarks, museums, public transportation, traffic, parking information, weather, price comparison, shopping, advertisement, health and fitness, employment information, social activities and cultural events, Points of Interest (POIs), sporting events, food and drink; location tracking devices; software applications and hardware enabling the user to obtain location-related and contextually-relevant information; computer software and hardware providing health, fitness and well-being information; equipment and apparatus for measuring and/or recording different physiological or other parameters, including heart rate, blood pressure, weight, sleep quality, ventilation, body temperature, skin conductivity, blood glucose, lactic acid, time, speed, acceleration, altitude, environmental temperature, humidity and purity, not for medical use, downloadable software in the nature of a mobile application for displaying and sharing a user's location and finding, locating, and interacting with other users; computer software and hardware allowing online payment and payment at distance; computer software and programs, namely algorithms for the compression, decompression, encoding, decoding and processing of audio, video and imaging data; audio, video and images encoder/decoder (codec), computing and communication hardware and software for use by public safety agencies; air analysis apparatus, alarms; anti-theft warning apparatus, apparatus and instruments for astronomy; automated teller machines (ATM); bar code readers; computer memory devices; control panels (electricity); detectors; diagnostic apparatus, not for medical purposes; distance measuring apparatus; downloadable ring tones for mobile phones; electric

installations for the remote control of industrial operations; electro-dynamic apparatus for the remote control of railway points and of signals; electronic notice boards; encoded magnetic cards and identification bracelets; extinguishers; fiber optic cables; heat regulating apparatus; high-frequency apparatus; holograms; electric apparatus for remote ignition; intercommunication apparatus; interfaces for computers; lasers, not for medical purposes; life-saving equipment; light-emitting diodes [LED]; locks, electric; loudspeakers; masts for wireless aerials; material testing instruments and machines; meteorological instruments; metronomes; monitoring apparatus, electric; monitors; optical fibers; optical data media; particle accelerators; pedometers; photocopiers; photovoltaic cells; precision balances; pressure measuring apparatus; printers for use with computers; probes for scientific purposes, radar apparatus; radiological apparatus for industrial purposes; radiotelephony sets; railway traffic safety appliances; telemeters; refractors; regulating apparatus, electric; satellites for scientific purposes; scales; scanners; signs, luminous; simulators for the steering and control of vehicles; gradient indicators; sonars; sounding apparatus and machines; steering apparatus, automatic, for vehicles; stereoscopic apparatus; teleprinters; telescopes; testing apparatus not for medical purposes; theft prevention installations, electric; thermometers, not for medical purposes; thermostats; traffic-light apparatus; USB flash drives; walkie-talkies; weighing machines; X-rays producing apparatus and installations, not for medical purposes; scales for medical and surgical purposes; displays and sensors for vehicles; parts, fittings and accessories of all the aforementioned goods.

12 – Vehicles; apparatus for locomotion by land, air or water; driverless vehicles (autonomous vehicles); electric vehicles; automobiles; cars; cycles; bicycles; motorcycles; boats; trucks; locomotives; wagons; aircrafts; aeroplanes; cable transport apparatus and installations; civilian and military drones; aeronautical apparatus, machines and appliances; anti-theft devices for vehicles; engines, electric motors and propulsion mechanisms for land vehicles, parts, fittings and accessories of all the aforementioned goods.

35 – Advertising; business management; business administration; office functions; arranging subscriptions to telecommunication services for others; providing business and commercial information, commercial or industrial management assistance; collection, compilation, processing, management, updating and maintenance of data in computer databases; compilation of statistics; data search in computer files for others; demonstration of goods; computerized file management; market studies; office machines and equipment rental; provision of an on-line marketplace for buyers and sellers of goods and services; arranging and conducting of commercial, trade and business shows and exhibitions; outsourcing services (business assistance); pro-

curement services for others [purchasing goods and services for other businesses]; wholesale, retail and online store services in the fields of apparatus and equipment for recording, capturing, storing, processing, editing, displaying, transmitting and reproducing sound, images or video; wholesale, retail and online store services in the fields of telecommunications, information technology (IT) and networking devices, equipment, systems and software; wholesale, retail and online store services in the fields of phones, handheld mobile digital electronic devices, wearable computing devices, horological and chronometric instruments, navigation devices, computers, computer hardware and computer software; wholesale, retail and online store services in the fields of energy management systems, home automation systems and security systems; wholesale, retail and online store services in the fields of medical, fitness and health-monitoring equipment and apparatus; wholesale, retail and online store services in the fields of heating, cooking, cooling and lighting apparatus and equipment; information, advisory and consultancy services relating to all the aforesaid services.

37 – Construction services; installation and repair services for electric and electronic devices and systems, telecommunication devices and systems, sensors, chips, microprocessors, semi-conductors, smart cards (integrated circuit cards), printed circuits, navigational devices and systems, vehicles, drones and parts and fittings thereto; rental of construction equipment; electric appliance installation and repair; machinery installation, maintenance and repair; installation, maintenance and repair of computers, tablet computers, computer hardware, computer peripherals, phones, smartphones, electronic organizers, smartwatches, cameras, audio and video equipment, wearable and portable computing devices, vehicles, office machines and equipment, household appliances, energy management systems, home automation systems, lighting devices and equipment, sanitary installations, security systems, home entertainment, fitness and health equipment, medical apparatus and instruments, machine to machine (M2M) communications equipment, electric and electronic apparatus, optical and navigation devices; installation, maintenance and repair of telecommunications and networking devices, equipment and systems; information, advisory and consultancy services relating to all the aforesaid.

38 – Telecommunications services; telephone services; teleconferencing services; videoconferencing services; voice mail services; telecommunications routing and junction services; transmission of electronic mail, transmission of digital files; cellular telephone communication; communications by computer terminals; communications by fiber optic and wireless networks; satellite transmission; computer aided transmission of messages, sound, data and images; facsimile transmission; message sending; paging services

(radio, telephone or other means of electronic communication); radio communications; radiobroadcasting; television broadcasting; wireless broadcasting, streaming of data, video-on-demand transmission; news agency services; electronic bulletin board services (telecommunications services); rental, hire and leasing of telecommunications devices, equipment and systems; rental of telephones; rental of modems; rental of message sending apparatus; providing online forums; providing telecommunications connections to a global computer network; providing user access to global computer networks; providing telecommunication channels for teleshopping services; providing Internet chatrooms; providing access to databases; rental of access time to global computer networks; information, advisory and consultancy services relating to all the aforesaid services.

41 – Education; providing of training; entertainment; sporting and cultural activities; arranging and conducting of colloquiums, exhibitions, conferences, congresses, in-person educational forums, symposiums, seminars, award ceremonies and workshops; arranging and conducting of commercial, trade and business conferences; organization of competitions (education or entertainment); practical training (demonstration); coaching (training); audio, video and images editing and production services; electronic desktop publishing; news reporters services; on-line publication of electronic books and journals; providing on-line electronic publications, on-line music and on-line videos, not downloadable; publication of texts, other than publicity texts; publication of books; film production, other than advertising films; production of radio and television programmes; television entertainment; radio entertainment; rental of audio and video equipment; rental of cinematographic apparatus; rental of radio and television sets; game services provided on-line from a computer network; games equipment rental; information, advisory and consultancy services relating to all the aforesaid services.

42 – Scientific and technological services and research and design relating thereto; industrial analysis, industrial research and industrial design services; quality control and authentication services; design and development of computer hardware and software; installation, maintenance and updating of computer software; computer programming; computer system analysis and design; computer virus protection services; computer security consultancy; engineering; electronic data storage; monitoring of computer systems by remote access; outsource service providers in the field of information technology; recovery of computer data; research and development of new products for others; consultancy in the field of energy-saving; energy auditing; provision of scientific information; scientific laboratory services; technical project studies; technological consultancy; telecommunications technology consultancy; scientific and technological analysis, re-

search, development, planning, optimization, support, technical troubleshooting and consultancy services in the field of telecommunications devices, equipment, networks, systems, solutions and software; design, engineering and development of telecommunications devices, equipment, networks, systems, solutions and software; scientific and technological analysis, research, development, support, technical troubleshooting and consultancy services in the fields of artificial intelligence, nanomaterials, sensors, connectivity, information technology (IT), geolocation and mapping, navigation, computer hardware, computer software, computing technologies, data analytics, audio technologies, imaging and video technologies, digital media technologies, multimedia technologies, virtual reality technologies, radio technologies, medical and health-care technology, public safety technology, energy technologies, transport technologies, wearable computing devices, printing, automation, connected vehicles, connected furniture, connected clothing, connected consumer products, connected home appliances, machine to machines (M2M) systems, presence capture solutions; scientific and technological analysis and research services in the fields of vehicles, furniture, medical, clothing, audio/video, home appliances and consumer products that can communicate via computer or telecommunication network, as well as support, consultancy and development services relating to all the aforementioned services; cloud computing; server hosting; software as a service (SaaS) services; infrastructure as a service (IaaS) services; platform as a service (PaaS) services; application service provider (ASP) services; providing on-line (non-downloadable) software and mobile applications; providing temporary use of on-line non-downloadable software for use as an application programming interface (API); providing temporary use of on line non-downloadable software development tools; rental of computer software and hardware; rental of audio, imaging, video, digital media, multimedia, virtual reality and presence capture software and hardware; data encoding and decoding services; leasing of data processing equipment; cartography services; mapping services; map creation services; on demand design services of online and digital maps; technical digital imaging services; industrial design; off-site data backup; research in the field of environmental protection and recycling; predictive analytic services relating to computer software, computer hardware and information technology (IT); information, advisory and consultancy services relating to all the aforesaid services.

(260) AM 2023 121867 A

(800) 1715739

(151) 2022 09 01

(891) 2022 09 01

(731) NIPPON PAINT HOLDINGS SG PTE. LTD.
16 RAFFLES QUAY, #17-03 HONG LEONG
BUILDING, SINGAPORE 048581, Singapore

(540)



(591) Blue, red, green, white

(531) 26.04.04; 26.04.05; 26.04.18; 26.04.24;
26.11.01; 26.11.12; 27.05.01; 27.05.03;
27.05.09; 27.05.17; 29.01.15

(511)

35 – Advertising; business management; business administration; office functions; administration of the business affairs of franchises; organising of business competitions; organising of trade competitions; arranging exhibitions for advertising purposes; arranging exhibitions for business purposes; arranging exhibitions for commercial purposes; arranging exhibitions for trade purposes; conducting exhibitions for advertising purposes; conducting exhibitions for business purposes; conducting exhibitions for commercial purposes; conducting exhibitions for trade purposes; event management services [organisation of exhibitions or trade fairs for commercial or advertising purposes]; arranging business shows; business auditing; business consultancy; online retail services; online retail store services; online wholesale services; online wholesale store services; presentation of goods on communication media, for retail purposes; retail services; retail store services; retailing of goods by any means; sales promotion services; online advertising on a computer network; presentation of goods on communication media, for retail purposes; television advertising; production of teleshopping programs; shop window dressing; production of advertising films; recruitment advertising; outdoor advertising; press advertising services; provision of an online marketplace for buyers and sellers of goods and services; import-export agency services; promotion of goods through influencers; influencer marketing; marketing.

(260) AM 2023 121869 A

(800) 1715849

(151) 2022 08 04

(891) 2022 08 04

(731) SOLEPHARM PHARMACEUTICALS

Alkšņu iela 4, LV-2166 Jaunmārupe, Mārupes
nov., Latvia

(540)

**JUNIO•STAR SOLÉ
PHARMA**

(591) Black, white

(511)

5 – Pharmaceutical preparations.

(260) AM 2023 121871 A
 (800) 1715914
 (151) 2023 01 29
 (891) 2023 01 29
 (731) Pakshoo Industrial Group
 no. 29, 2nd Alley, Pakistan st., Shahid Beheshti
 st., Tehran, Islamic Republic of Iran
 (540)



(591) Red and white
 (531) 27.05.10; 27.05.24; 28.01; 29.01.13
 (526) CARE
 (511)
 3 – Air fragrancing preparations; all-purpose cleaners; all-purpose cleaning preparations; automobile cleaners; automobile polish; automobile tire waxes; automobile waxes; bath foam; car cleaning preparations; car shampoos; car wash detergents; cleaning fluids; cleaning preparations; detergents for leather; detergents, other than for use in manufacturing operations and for medical purposes; face washes; floor wax removers [scouring preparations]; gel-based hand washes, non-medicated; geraniol; glass cleaners; glass cleaning preparations; glue removers other than for industrial purposes; leather bleaching preparations; leather preservatives; liquid bath soap; non-medicated hand washes; paint removing compositions; polishing material; polishing wax; preparations for cleaning, protecting and preserving vehicle surfaces; preservatives for leather; preservatives for leather [polishes]; shaving foam; shining preparations [polish]; sponges impregnated with wax; spray cleaners; stain removers; stain removers in tablet form; stain removing agents; tire whitewall cleaners; washing preparations; wax spray; waxes for leather; windscreen cleaning liquids; windshield cleaning liquid.

(260) AM 2023 121872 A
 (800) 1715965
 (151) 2022 10 10
 (891) 2022 10 10
 (731) Royal Gardens LLC
 33 Charents Street, Apt. 31, Nor Hachen,
 Armenia
 (540)

REVERY

(591) Black, white
 (511)
 29 – Potato chips; potato-based snack foods; snack mixes consisting of dried fruit and processed nuts; fruit-based snack foods; nut-based snack foods; vege-

table-based snack foods; cheese-based snack foods; yogurt-based snack foods; seeds, processed; prepared fruits and vegetables; meat.

30 – Iced tea; coffee; high-protein cereal bars; grain-, chocolate-, shrimp-, rice- or corn- based snack foods; snack mixes consisting of crackers or pretzels.

32 – Juice; beer; energy drinks; carbonated and non-carbonated non alcoholic beverages; purified water; carbonated and non-carbonated mineral water; still water; spring water; flavoured water; functional and nutritional water-based drinks, including those with vitamins, minerals or herbs.

35 – Advertising; business management assistance; business administration; office functions; retail or wholesale services for food and beverages.

36 – Financial investments; financial analysis; financial consultancy; financial management; capital investment; investment of funds; venture capital brokerage.

39 – Logistics services consisting of the storage, transport and delivery of goods; packaging of goods.

40 – Processing of raw materials for the manufacture of food and beverages; freezing of foods; smoke house services for smoking food; food canning; food and drink preservation.

43 – Take-away food and drink preparation services; food decorating services; food and drink catering; serving of food and drink (in restaurants); preparation and provision of food and drink for immediate consumption.

(260) AM 2023 121873 A
 (800) 1716030
 (151) 2022 11 17
 (891) 2022 11 17
 (731) Rugby Europe
 45 rue de Liège, F-75008 Paris, France
 (540)



(591) Black, yellow, white
 (531) 01.01.02; 01.01.09; 26.11.02; 26.11.12;
 27.05.01; 27.05.09; 27.05.10; 29.01.12

(511)
 16 – Printing products (printed matter); coloring and drawing books; activity books; magazines; newspapers; books and magazines, including those in connection with sportsmen and sportswomen or sporting events; score sheets; printed teaching material; event programs; bookbinding material; photographs; stickers; photographs of players for collectors; posters;

stationery; adhesives for stationery or household purposes; artists' materials; instructional or teaching material (except apparatus); score sheets; event programs; printing type; printing blocks; paper; cardboard; boxes of cardboard or paper; posters; albums; autograph books; cards; postcards; invitation cards; greeting cards; prospectuses; pamphlets; calendars; personal organizers of paper; diaries (planners); writing instruments; engravings or lithographic works of art; lithographs; paintings (pictures), framed or unframed; aquarelles; patterns for dressmaking; drawings; drawing instruments; handkerchiefs of paper; face towels of paper; table linen of paper; toilet paper; bags and small bags (envelopes, pouches) of paper or plastic for packaging; coasters and place mats of paper; garbage bags of paper or plastic materials; tablecloths of paper; towels of paper; small bags of paper; labels (not of textile); hand towels of paper; handkerchief boxes of paper and cardboard; cases for notebooks; office requisites [except furniture]; file racks for office requisites; bookends; envelopes; bookmarks; gift wrapping paper; desk mats; folders for papers; exercise books; flags of paper; paper banners; pennants (flags) of paper; badges or insignia of paper; pens, felt-tip pens, markers; stamps (seals); postage stamps; tickets, entrance tickets; advertising signs and banners of paper or cardboard; transfers (decalcomanias); self-adhesive labels; cards for travel and for shows, check guarantee cards and debit cards, non-magnetic and of paper or cardboard; money clips (of metal); checkbook cases; baggage tags of paper; passport holders and pouches; travelers' checks; labels of paper or cardboard for suitcases; identity badges of paper; all the aforesaid goods being related to or associated with rugby.

18 – Leather and imitations of leather; leather straps and belts; umbrellas; parasols; sports bags (other than those designed for the goods that they contain); leisure bags; traveling bags; backpacks; satchels; school bags; belt bags; handbags; leather bags; beach bags; garment bags for travel; suitcases [carrying cases]; suitcases; document cases; leather tags for suitcases; belts for suitcases; briefcases (leather goods); unfitted vanity cases, toiletry bags; key cases (leather goods); wallets; purses (coin purses); whips; collars for animals; cases for identity cards; business card cases; harnesses; all the aforesaid goods being related to or associated with rugby.

24 – Bed linen; sheets; eiderdowns [quilts]; bed covers; pillow shams; pillowcases; sleeping bags (padded); curtains of textile, shower curtains; curtain fabrics; linen; textile towels, bath linen, tea towels; blankets; handkerchiefs of textile; flags; flags made of textile or plastic materials; banners; banners of textile materials; pennants; tablecloths and napkins of textile; table linen not of paper; labels of textile materials; all the aforesaid goods being related to or associated with rugby.

25 – Clothing, footwear, headwear; shirts; clothing of leather or imitation of leather; knitted fabrics (clothing); pullovers; sleeveless pullovers; tee-shirts; vests; jerseys; sleeveless jerseys; dresses; skirts; underwear; swimsuits; bathrobes; shorts; trousers; sweaters; tracksuits for sports; sweatshirts; jackets, sports jackets, stadium jackets (jumpers); blazers; raincoats; coats; uniforms; belts (clothing); gloves; aprons; bibs, not of paper; pajamas; scarves; long scarves; shawls; neckties; bandanas; wrist bands (clothing); headbands; hosiery; caps; peaked caps; socks; suspenders; beach, ski or sports footwear; all the aforesaid goods being related to or associated with rugby.

28 – Games, toys; sports balls; play balls and balloons; play balls; table-top games; dolls and stuffed toys; toy vehicles; dolls and plush toys; puzzle; balloons; in-line roller skates; playing cards; scratch cards for playing lottery games; confetti; party hats (toys); hands made of rubber or foam (toys); kites; roller skates; scooters; skateboards; small electronic games for use with a television set; video game apparatus; play blocks; manually or voice-activated game mats, steering wheels for video games and dance mats for video games; electronic game machines with liquid crystal displays; electronic games other than those for use only with television sets; game consoles; prepaid video games for game centers (arcade games); entertainment robots [toys]; gymnastics and sporting articles; appliances for gymnastics; rugby equipment, namely, rugby balls, gloves, knee pads, elbow pads and shoulder pads, shin guards, rugby posts; sports bags and containers for carrying sports articles (designed to fit the objects in question); lottery tickets; scratch cards for playing the lottery; all the aforesaid goods being related to or associated with rugby.

35 – Employment agencies; personnel recruitment; personnel search and selection services; advertising services; rental of billboards; advertising agency services; rental of advertising spaces; services provided by an agency publishing advertising texts; dissemination of advertisements; rental of advertising space; rental of advertising time in film credits; television advertising, radio advertising; promotional agency services for sports and public relations; marketing research; opinion poll services; provision of website space, for advertising goods and services; database compilation services; data bank management services; retail sale services relating to a variety of goods, namely, clothing, footwear, headgear, sports articles, stationery, apparatus for recording, transmitting and reproducing sound and images, books, video games, toys, dolls, newspapers, magazines, publications, pins, insignias, key rings, tickets, fine jewelry, watches, bags, briefcases, flags, non-alcoholic and alcoholic beverages, smokers' articles, confectionery; business information services provided online from a computer database or over the Internet; compilation of advertising messages used as Web pages on the Internet;

compilation of commercial directories for publishing on the Internet or other wireless electronic communication networks; provision of space on websites on the Internet for advertising goods and services; auction services on the Internet; business administration services for the processing of sales made over the Internet; loyalty, incentive and promotional program services for customers; data collection, creation and management, namely collection of domain names in a register; sales promotion, namely creation of preferential programs for customers; electronic commerce (e-commerce) services, namely, commercial information service on products via telecommunication networks for advertising and sales purposes; promoting rugby events and rugby competitions; promoting events in the field of rugby; market study services; market research services; organization of exhibitions for commercial or advertising purposes; organization of advertising for trade fairs; establishing statistics; advertising for sports events in the field of rugby; compilation and recording of commercial data and information on sports performances; Commercial intermediation with respect to contracts for the purchase and sale of goods for the benefit of others; retail sale services for interactive educational and entertainment products, namely, interactive compact disks, CD-ROMs, and computer games; provision of personnel, particularly for selling beverages and foods; services for purchasing goods and services for other businesses for sports or entertainment events; all the aforesaid services being related to or associated with rugby.

38 – Telecommunication services; communication by telephones and mobile telephones; communications by facsimile; communication via electronic computer terminals linked to telecommunication networks, data banks and the Internet or via wireless electronic communication devices; paging services; telephone or video conferencing services; television program broadcasting; broadcasting of cable television programs; radio program broadcasting; transmission (or broadcasting) of radio and television programs relating to sports and sports events; news and press agency services; message transmission services; rental of telephones, facsimile machines and other telecommunication apparatus; transmission of commercial Internet pages online or via wireless electronic communication devices; services for transmitting and broadcasting television and radio programs provided via the Internet or via any wireless electronic communication network; electronic transmission of messages; provision of access to telematic servers and real-time chat forums; computer-aided transmission of messages and images; telecommunication via fiber-optic networks; providing a global computer network or interactive communication technologies for access to private and commercial purchasing and ordering services; telecommunication of computer information (including websites) and other data; transmission of information (including sites by telematic means) via telecommunicati-

on, computer programs and other data; electronic mail services; providing access via the Internet or on any wireless electronic communication network (telecommunication services); providing connections for telecommunications with a global computer network (the Internet) or data banks; provision of access to websites offering digital music on the Internet by means of a global computer network or via wireless electronic communication devices; rental of access time to a database server center (telecommunication services); rental of access time to a computer database (telecommunication services); on-line transmission of electronic publications; simulcast broadcasting and/or networking of film recordings and of sound and video recordings; simultaneous broadcasting and/or netcasting of interactive educational and entertainment products, interactive compact disks, CD-ROMs, computer programs and computer games (telecommunications); providing access to blackboards (notice and advertisement boards) and chat rooms in real time via a global computer network; rental and provision of access time to blackboards (boards for displaying information and advertisements) and to chat rooms in real time by means of a global computer network (communication services); telecommunication services dedicated to retail sale by means of interactive communications with customers; videotext and teletext transmission services; information transmission via communication satellite, microwave or by electronic, digital or analog means; transmission of digital information by cable, wire or fiber; transmitting information by mobile telephones, telephones and facsimile machine; telecommunication services for receiving and exchanging information, messages, images and data; providing discussion groups on the Internet or on any wireless electronic communication network (telecommunications), namely, providing discussion forums on the Internet or on any wireless electronic communication network (telecommunications); providing access to search engines; television and radio broadcasting of sports events; all the aforesaid services being related to or associated with rugby.

41 – Education; training; entertainment; sporting and cultural activities; information relating to entertainment or education; sports training; organizing competitions, prize draws and lotteries; reception and hospitality services (sport, entertainment); reception and hospitality services, namely, customer reception services (entertainment services), including providing tickets to sports or recreational events; entertainment services in connection with sports events; organization of sporting and cultural events and activities; organization of competitions (education or entertainment); organization of sports competitions; organization of events in the field of rugby; organization and conducting of colloquiums, conferences or congresses; providing sports facilities; organization of exhibitions for cultural or educational purposes; timing relating to sporting events; time-keeping during sporting events;

ticket reservation services for sports or entertainment events; information services for sports events or entertainment; information relating to entertainment, to sports and cultural activities; vocational retraining; providing recreational facilities; booking of seats for shows; publication of books; publication of books and electronic journals on-line; book lending; editing of books; production and rental of motion pictures; rental of sound recordings; production, presentation, distribution and/or rental of film recordings and audio and video recordings; audio and video recording services; rental of television sets; rental of video and audiovisual systems; rental of show scenery; videotape editing; production services for radio and television programs and video tapes; photography services; game services provided online from a computer network; online betting and gaming services on the Internet or any wireless electronic communications network; interactive entertainment; electronic publication of books and journals online; electronic desktop publishing; entertainment services relating to sporting events; provision of entertainment infrastructure; translation services; all the aforesaid services being related to or associated with rugby.

(260) AM 2023 121875 A

(800) 1716120

(151) 2022 10 24

(891) 2022 10 24

(731) FRUITBUDDY AUSTRALIA PTY LTD

Level 8, 1 O'Connell St, SYDNEY NSW 2000,
Australia

(540)

MOODICINAL

(591) Black, white

(511)

5 – Antioxidant supplements (term too vague in the opinion of the International Bureau – Rule 13 (2) (b) of the Regulations); dietary food supplements; dietary nutritional supplements; dietary protein supplements; mineral dietary supplements; nutritional supplements; moisturisers (pharmaceuticals); moisturising preparations (pharmaceutical); pain killers (pharmaceuticals); pastilles for pharmaceutical purposes; pharmaceutical compositions; pharmaceutical creams; pharmaceutical drugs; pharmaceutical preparations; pharmaceutical products; pharmaceuticals; tablets (pharmaceuticals); skincare preparations (pharmaceutical); vitamin supplements; vitamins; vitamin drinks; nutritional supplement energy bars; nutritional drinks for dietary purposes; nutritional meal replacements; nutritional supplement protein bars; pharmaceutical tonic preparations; topical cannabidiol (CBD) oils for medical use; plant compounds for use as dietary supplements (veterinary); plant extracts (dietary supplements); plant extracts for pharmaceutical use; preparations of plants for veterinary use; dietetic confectionery adapted for medical purposes; medicated food supplements; tetra-

hydrocannabinol [THC] for medical use; marijuana for medical purposes; medical marijuana; plant extracts for medical use; medicated confectionery; cannabis for medical purposes; medical mouthwashes; medical toothpastes; medicated baby care products; medicated bath additives; medicated bath preparations; medicated candies; medicated chewing pastilles; medicated chewing gum; medicated creams; medicated foot care preparations; medicated hair care preparations; medicated lip care preparations; medicated massage oils; medicated mineral drinks; medicated preparations (term too vague in the opinion of the International Bureau – Rule 13 (2) (b) of the Regulations); medicated shampoos; medicated soap; nausea medications; skin care preparations (medicated); skin care products (medicated); smoking herbs for medical purposes; massage candles for therapeutic purposes; therapeutic agents (medical); therapeutic drugs (medical); beverages containing added vitamins (for medical purposes); medicated beverages; beverages adapted for medical purposes; ice beverages for medical use; waters (beverages) for medical purposes; medicated sweets; medicated mouth spray; medicated plasters; therapeutic biological products (medical); medicinal food supplements; plant compounds for use as dietary supplements (medicinal); extracts of medicinal plants; tonics (medicinal) based on plant extracts; aromatic teas (for medicinal use); herbal compounds for medicinal use; herbal extracts for medicinal purposes; herbal infusions for medicinal use; herbal medicine; herbal tea for medicinal use; medicinal drinks; medicinal herbal preparations; medicinal oils; medicinal preparations; medicinal substances; medicine; tea substitutes (for medicinal use); peppermint pastilles (confectionery), for medicinal use; extracts of medicinal herbs; herb preparations for medicinal purposes; medicinal herbs; herbal beverages for medicinal use; medicinal beverages; medicinal hair growth preparations; medicinal tea; natural pharmaceutical products; natural oils (medicinal).

(260) AM 2023 121882 A

(800) 1716480

(151) 2022 11 11

(891) 2022 11 11

(731) RESTO SYSTEMS LLC

Yekmalyan str. 6, 4th floor, 0002 Yerevan,
Armenia

(540)

syrve

(591) Black, white

(511)

9 – Interfaces for computers; graphical software interface; software application interface for online bank payments; electronic identification cards; electronic key cards; computer software for automating the activities of hospitality enterprises (restaurants, cafes, bars and other catering establishments); computer sof-

ware applications for mobile phones; computer programs for managing business processes of hospitality enterprises (restaurants, cafes, bars and other catering establishments); computer programs used for electronic cash systems; downloadable electronic wallets; mobile application [software] for managing business processes of hospitality enterprises (restaurants, cafes, bars and other catering establishments); computer software for mobile phones; computer software for sales management; software in the form of a mobile application for the delivery and ordering of food, downloadable; software in the form of a mobile application for delivery and ordering from a restaurant, downloadable; software for production automation; software for automation of systems of restaurant activity; computer software, downloadable; computer software, recorded; software for monitoring, analysis, management and execution of operations in real conditions; software for organizing management; software for organizing the management of the activities of hospitality enterprises (restaurants, cafes, bars and other establishments); software for tablet computers; software for collaboration management platforms; software for production support; software for smartphones; software for managing a public catering enterprise (snack bar, restaurant, cafe, bar); software for e-commerce and electronic payments; software and applications for mobile devices; computer software in the form of applications for mobile devices or computers; computer software for the organization of management; computer software for business management; computer software [programs]; mobile software; web application software; application software for cloud computing; network software; operating software; operational computer programs; software packages based on the integration of multiple applications; software platforms, recorded or downloadable; smartphone application downloadable [software]; downloadable computer software applications; smartphone applications [software] downloadable; applications downloadable; mobile applications; software applications for use with mobile devices; downloadable software applications for mobile phones; downloadable software applications; software applications for mobile devices or computers; software; software for process control; software and applications for mobile phones; computer software; downloadable application software for cloud computing; system embedded software; computer programs, recorded; computer programs and microprograms; computer programs; computer programs for business purposes; computer programs for use in automation and management of business processes; computer programs for sales management; computer programs, downloadable; computer operating system programs; applied programs; applied computer programs for smartphones; computer software products; system computer programs; smart cards [cards with microcircuits].

35 – Subscription of telecommunication services for third parties; maintenance of automated databases; demonstration of goods; study of public opinion for market research purposes; market research; business research; market research; marketing research; consultations on the organization and management of business; professional consultations in the field of business; marketing; marketing in terms of software publications; target marketing; updating and maintaining information in electronic databases; updating advertising materials; organizing exhibitions for commercial or promotional purposes; search for information in computer files for third parties; assistance in business management; assistance in the management of commercial or industrial enterprises; commercial mediation; providing business information; providing business information through websites; provision of information in the field of business and commercial contacts; providing a place for online sales to buyers and sellers of goods and services; presentation of goods on all media for the purpose of retail sales; holding commercial events; promoting sales to third parties; consumer profiling for commercial or marketing purposes; distribution of samples; distribution of promotional materials; advertising; interactive advertising in a computer network; collection of information in computer databases; collection and provision of statistical data; information about business transactions; systematization of information in computer databases; coordination and conclusion of commercial transactions for third parties; telemarketing; management of hospitality enterprises (restaurants, cafes, bars and other catering establishments); managing commercial reimbursement programs for third parties; managing the processing of orders for goods; services in the field of public relations; consulting services for business on digital transformation; business management consulting services; online ordering of food from restaurants for takeaway and delivery; market research services; price comparison services; advertising services "pay per click"; supply services for third parties [purchase and provision of entrepreneurs with goods]; subcontracted services [commercial assistance].

42 – Analysis and development of computer systems; computer data recovery; identification and elimination of failures in the software [technical support]; design, development and implementation of software management systems for hospitality enterprises (restaurants, cafes, bars and other catering establishments); software installation; research, development, creation, installation and updating of software for management systems for hospitality enterprises (restaurants, cafes, bars and other catering establishments); computer programming and software design; consulting on the development and maintenance of software; consultations in the field of information technologies; consultations in the field of computer technologies; software consulting; consultations on software management systems for hospitality enterprises (restaurants, cafes,

bars and other catering establishments); consulting services related to the design, development and use of computer hardware and software management systems for hospitality enterprises (restaurants, cafes, bars and other catering establishments); configuration, installation, troubleshooting, repair, modernization and maintenance of software for management systems for hospitality enterprises (restaurants, cafes, bars and other catering establishments); software upgrade; monitoring computer systems for troubleshooting; monitoring of computer systems with remote access; writing and updating computer software for management systems for hospitality enterprises (restaurants, cafes, bars and other catering establishments); writing computer codes; writing computer programs for management systems for hospitality enterprises (restaurants, cafes, bars and other catering establishments); writing software; software setup; software as a service [SaaS]; update of computer programs; software maintenance; maintenance of management system software for hospitality enterprises (restaurants, cafes, bars and other catering establishments); platform as a service [PaaS]; leasing and maintenance of computer software; providing online support services to users of computer programs; design and rental of software products; design and development of embedded software; designing and developing computer software for third parties; design and development of computer software and consulting in this field; design and development of custom computer software; design and development of computer programs for management systems for hospitality enterprises (restaurants, cafes, bars and other catering establishments); design and development of computer programs for mobile applications; computer systems design; design of computer control systems for hospitality enterprises (restaurants, cafes, bars and other catering establishments); software design for individual orders (custom); design, development and writing programs; design, development, maintenance and updating of computer programs; software rental; rental of software and computer programs for management systems for hospitality enterprises (restaurants, cafes, bars and other catering establishments); development of changes in programs for computers (development of changes in computer software for third parties); development, writing, maintenance and updating of software; development of computer platforms; development and development of software for the management of hospitality enterprises (restaurants, cafes, bars and other catering establishments); development of computer programs according to the specifications of third parties; development, updating and maintenance of software and database systems for the management of hospitality enterprises (restaurants, cafes, bars and other catering establishments); software development; development of software for third parties; smartphone software development; development of software and hardware systems to order; development, installation, updating and maintenance

of software; computer support service [installation of programs and software, repair and maintenance services]; creation and maintenance of websites for third parties; creation of computer models; creation, maintenance and updating of software for hospitality enterprises (restaurants, cafes, bars and other catering establishments); maintenance, restoration, modernization and updating of software for hospitality enterprises (restaurants, cafes, bars and other catering establishments); compiling programs for computers; outsourcing services in the field of information technology; computer programming services for data processing; consulting services in the field of telecommunication technologies; consulting and information services related to computer programs; services for user authentication using single sign-on technology for software online applications; computer software development services and related consulting services; installation, updating and technical support services for software for hospitality enterprises (restaurants, cafes, bars and other catering establishments); software engineering services for data processing; software technical support services; installation, repair, maintenance and updating of computer software.

(260) AM 2023 121883 A
(800) 1716492
(151) 2022 10 24
(891) 2022 10 24
(731) GROSCHOPP AG Drives & More
Greefsallee 49, 41747 Viersen, Germany
(540)



(591) Blue and green
(531) 27.05.01; 27.05.05; 27.05.09; 27.05.17;
29.01.12

(511)
9 – Accumulators for photovoltaic power; solar batteries; solar batteries for industrial use; solar batteries for domestic use; electrolyzers [electrolytic cells]; photovoltaic inverters; photovoltaic solar modules; photovoltaic apparatus and installations for generating solar electricity; photovoltaic installations for generating electricity [photovoltaic power plants]; calibrated photovoltaic reference cells; photovoltaic cells; solar energy collectors for electricity generation; solar panel arrays; photovoltaic modules; solar modules; crystalline silicon solar power cells; solar cells for electricity generation; solar cells; galvanic batteries; dry-cell batteries; solar panels; solar panels for the production of electricity; portable solar panels for generating electricity; photovoltaic apparatus for converting solar radiation to electrical energy; photovoltaic

apparatus for generating electricity; electricity storage apparatus; apparatus and instruments for accumulating and storing electricity.

11 – Evacuated heat pipe solar collectors [heat exchangers]; solar thermal collectors [heating]; solar cell lighting apparatus; heat pumps.

35 – Retail services in relation to electricity storage apparatus; wholesale services in relation to electricity storage apparatus; online retail services in relation to electricity storage apparatus; retail services in relation to photovoltaic apparatus for converting solar radiation to electrical energy; wholesale services in relation to photovoltaic apparatus for converting solar radiation to electrical energy; online retail services in relation to photovoltaic apparatus for converting solar radiation to electrical energy; retail services in relation to solar panels; wholesale services in relation to solar panels; online retail services in relation to solar panels; retail services in relation to solar modules; wholesale services in relation to solar modules; online retail services in relation to solar modules; retail services in relation to solar cells for electricity generation; wholesale services in relation to solar cells for electricity generation; online retail services in relation to solar cells for electricity generation; retail services in relation to solar energy collectors for electricity generation; wholesale services in relation to solar energy collectors for electricity generation; online retail services in relation to solar energy collectors for electricity generation; retail services in relation to photovoltaic installations for generating electricity [photovoltaic power plants]; wholesale services in relation to photovoltaic installations for generating electricity [photovoltaic power plants]; online retail services in relation to photovoltaic installations for generating electricity [photovoltaic power plants]; retail services in relation to photovoltaic solar modules; wholesale services in relation to photovoltaic solar modules; online retail services in relation to photovoltaic solar modules; retail services in relation to solar batteries; wholesale services in relation to solar batteries; online retail services in relation to solar batteries; provision of information relating to marketing; direct marketing; arranging and conducting of marketing events; distribution of advertising, marketing and promotional material.

37 – Installation of photovoltaic cells and modules; maintenance, repair and reconditioning of photovoltaic apparatus and installations; installation of residential solar panel power systems; installation of non-residential solar panel power systems.

42 – Energy auditing; consultancy in the field of energy-saving; conducting technical project studies.

(260) AM 2023 121884 A

(800) 1716515

(151) 2023 02 01

(891) 2023 02 01

(731) Hechenbichler GmbH

Cusanusweg 7, A-6020 Innsbruck, Austria

(540)

AMALGEROL

(591) Black, white

(511)

1 – Fertilizers; chemicals used in agriculture; chemicals used in horticulture; chemicals used in forestry; soil conditioning preparations; soil amendments for agricultural purposes.

(260) AM 2023 121888 A

(800) 1716716

(151) 2022 11 08

(891) 2022 11 08

(731) Euro Games Technology Ltd.

4, "Maritsa" Str., "Vranya-Lozen-Triugulnika",
BG-1151 Sofia, Bulgaria

(540)

Burning Bet

(591) Black, white

(511)

9 – Operating computer software for main frame computers; monitors (computer hardware); computer hardware; apparatus for recording images; monitors (computer programs); computer game programs; computer programs for recorded games; apparatus for recording, transmission or reproduction of sound or images; communications servers [computer hardware]; electronic components for gambling machines; computer application software featuring games and gaming; computer software for the administration of on-line games and gaming; computer hardware for games and gaming; computer hardware and software for gambling, gambling machines, gambling games on the Internet and via telecommunication network; computer systems; computer operating system software; computer terminals; interactive terminals; multimedia terminals; electronic terminals for generating lottery tickets; interactive touch screen terminals; computer touchscreens; electronic display panels; liquid crystal display screens; digital signage display panels; multimedia software; multimedia apparatus and instruments; interactive multimedia software for playing games; computer screens; LCD large-screen displays; liquid crystal displays [LCDs] for home theatres; media streaming software; computer application software for streaming audio-visual media content via the Internet; software; computer gaming software; computer software packages; computer operating system software; computer software, recorded; software drivers; virtual reality software; games software; entertainment software for computer games; computer programs for net-

work management; electronic lottery tickets; computer software platforms; operating systems; interactive computer systems; operating system programs; computer game software for use with on-line interactive games; games software for use with video game consoles.

28 – Gaming machines for gambling; chips for gambling; mah-jong; arcade games; gambling machines operating with coins, notes and cards; games; electronic games; parlor games; gaming chips; gaming tables; slot machines [gaming machines]; LCD game machines; slot machines and gaming devices; coin-operated amusement machines; roulette chips; poker chips; chips and dice [gaming equipment]; gaming equipment for casinos; roulette tables; gaming roulette wheels; casino games; gambling machines and amusement machines, automatic and coin-operated; coin-operated amusement machines and/or electronic coin-operated amusement machines with or without the possibility of gain; boxes for coin-operated amusement machines, slot machines and gaming machines; electronic or electrotechnical amusement machines and apparatus, gaming machines, coin-operated entertainment machines; housings for coin-operated amusement machines, gaming equipment, gaming machines, machines for gambling; electropneumatic and electrical gambling machines (slot machines); lottery games; electronic targets for games and sports; video game consoles.

41 – Gambling; entertainment services related to gambling; gaming services for entertainment purposes; casino, gaming and gambling services; training in the development of software systems; provision of gaming equipment for gambling halls; providing casino equipment [gambling]; gaming machine entertainment services; providing casino facilities [gambling]; amusement arcade services; games equipment rental; rental of gaming machines; providing amusement arcade services; rental of gaming machines with images of fruits; editing or recording of sounds and images; sound recording and video entertainment services; hire of sound reproducing apparatus; provision of gaming equipment for casinos; providing of casino facilities; online gambling services; casino management services; provision of gaming facilities, gaming hall facilities, Internet casinos and online gambling services; lottery services; organization of lotteries; provision of games by means of a computer based system; online interactive entertainment; on-line casino services; online game services through mobile devices; providing online entertainment in the nature of game tournaments; providing on-line information in the field of computer gaming entertainment; sports betting services; online sports betting services; providing on-line computer games and games of chance; rental of video game consoles.

(260) AM 2023 121895 A
 (800) 1537731
 (151) 2020 03 13
 (891) 2023 01 24
 (731) Nissan Jidosha Kabushiki Kaisha (also trading as Nissan Motor Co., Ltd.)
 No.2, Takara-cho, Kanagawa-ku, Yokohama-shi, Kanagawa-ken, Japan
 (540)



(591) Black, white
 (531) 25.01.05
 (511)
 35 – Advertising; business management; business administration; office functions; retail or wholesale services for land vehicles, structural parts and fittings therefor; sales promotion for others; compilation of information into computer databases; systemization of information into computer databases; advertising and publicity services for vehicles; import-export agency services; providing information about land vehicles, namely, consumer product information and price comparison information; providing price-comparison information in the field of fuel; commercial information and advice for consumers [consumer advice shop]; administration of consumer loyalty programs; organization of exhibitions for commercial or advertising purposes; organization of trade fairs; vehicle fleet (business management of a -) [for others].

36 – Insurance; financial affairs; monetary affairs; real estate affairs; accident insurance underwriting; brokerage for hire-purchase; credit and cash card services; financial information; financing services; issuance of credit cards; appraisal of used automobiles; insurance services relating to vehicles; providing of comprehensive warranty services for land vehicles, structural parts and fittings therefor; extended warranty insurance services; loans [financing]; automobile lease financing; lease purchase financing of vehicles; debit card services; e-wallet payment services.

(260) AM 2023 121951 A
 (800) 1717367
 (151) 2022 12 29
 (891) 2022 12 29
 (731) Jacobs Douwe Egberts DE GmbH
 Langemarckstraße 4-20, 28199 Bremen,
 Germany

(540)



(591) Red and white

(531) 26.04.04; 26.04.05; 26.04.22; 26.04.24;
27.05.01; 27.05.24; 29.01.12

(511)

30 – Coffee; instant coffee; coffee substitutes; coffee extracts; decaffeinated coffee; coffee capsules, filled; coffee pods, filled; iced coffee; coffee-based beverages; coffee beverages containing milk, milk powder, coffee substitutes, cocoa, chocolate, cereals, fruits, sugar, herbs or spices or a combination of these products; tea; instant tea; tea substitutes; tea extracts; infusions; iced tea; tea-based beverages; herbal infusions, other than for medicinal use; mixtures consisting of tea, herbs, fruits, spices or flavourings or a combination of these products for the preparation (making) of beverages, other than for medicinal use; cocoa; cocoa-based beverages; chocolate; chocolate-based beverages; chocolate extracts in powder, granulated or liquid form.

(260) AM 2023 121952 A

(800) 1717371

(151) 2023 01 27

(891) 2023 01 27

(731) Becton, Dickinson and Company
1 Becton Drive, Franklin Lakes NJ 07417,
USA

(540)

SPECTRALFX

(591) Black, white

(511)

9 – Technology used in connection with laboratory devices, namely, flow cytometers.

(260) AM 2023 121958 A

(800) 1717529

(151) 2023 01 09

(891) 2023 01 09

(731) Obshchestvo s ogranichennoi otvetstvennost'yu
"Mezhdunarodnaya kompaniya "Sibirskoe
zdorov'ye"
ul. Lenina, 48, etazh 3, ofis 36, RU-630004
Novosibirsk, Russian Federation

(540)

**ETHNOSIBERIAN**

(591) Black, white and blue

(531) 01.15.17; 29.01.13

(511)

3 – Abrasive paper; abrasives; adhesives for affixing false eyelashes; adhesives for affixing false hair; adhesives for cosmetic purposes; after-shave lotions; air fragrance reed diffusers; air fragrancing preparations; almond milk for cosmetic purposes; almond oil; almond soap; aloe vera preparations for cosmetic purposes; alum stones [astringents]; amber [perfume]; ammonia [volatile alkali] [detergent]; antiperspirant soap; antiperspirants [toiletries]; antistatic dryer sheets; antistatic drier sheets; antistatic preparations for household purposes; aromatics [essential oils]; astringents for cosmetic purposes; baby wipes impregnated with cleaning preparations; badian essence; balms, other than for medical purposes; basma [cosmetic dye]; bath preparations, not for medical purposes; bath salts, not for medical purposes; beard dyes; beauty masks; bergamot oil; bleaching preparations [decolorants] for cosmetic purposes; bleaching preparations [decolorants] for household purposes; bleaching salts; bleaching soda; body glitter; body paint for cosmetic purposes; breath freshening preparations for personal hygiene; breath freshening sprays; breath freshening strips; cake flavorings [essential oils]; cakes of toilet soap; cakes of soap; canned pressurized air for cleaning and dusting purposes; carbides of metal [abrasives]; chemical cleaning preparations for household purposes; cleaning chalk; cleaning preparations; cleansers for intimate personal hygiene purposes, non medicated; cleansing milk for toilet purposes; cloths impregnated with a detergent for cleaning; cobblers' wax; collagen preparations for cosmetic purposes; color run prevention laundry sheets; color-brightening chemicals for household purposes [laundry]; color-removing preparations; colorants for toilet purposes; corundum [abrasive]; cosmetic creams; cosmetic dyes; cosmetic kits; cosmetic pencils; cosmetic preparations for baths; cosmetic preparations for eyelashes; cosmetic preparations for skin care; cosmetic preparations for slimming purposes; cosmetics for animals; cosmetics for children; cosmetics; cotton swabs for cosmetic purposes; cotton wool for cosmetic purposes; cotton wool impregnated with make-up removing preparations; decorative transfers for cosmetic purposes; degreasers, other than for use in manufacturing processes; dental bleaching gels; dentifrices; denture polishes; deodorant soap; deodorants for human beings or for animals; deodorants for pets; depilatories; depilatory wax; descaling preparations for household purposes; detergents, other than for use in manufacturing operations and for medical purposes; diamantine [abrasive]; double eyelid tapes; douching preparations for personal sanitary or deodorant purposes [toiletries]; dry shampoos; dry-cleaning preparations; drying agents for dishwashing machines; eau de Cologne; emery cloth; emery paper; emery; essential oils of cedarwood; essential oils of citron; essential oils of le-

mon; essential oils; ethereal oils; ethereal essences; extracts of flowers [perfumes]; eye-washes, not for medical purposes; eyebrow cosmetics; eyebrow pencils; fabric softeners for laundry use; false eyelashes; false nails; flavorings for beverages [essential oils]; floor wax removers [scouring preparations]; floor wax; food flavorings [essential oils]; fumigation preparations [perfumes]; gaultheria oil; gel eye patches for cosmetic purposes; geraniol; glass cloth [abrasive cloth]; glass paper; greases for cosmetic purposes; hair conditioners; hair dyes; hair colorants; hair lotions; hair spray; hair straightening preparations; hair waving preparations; heliotropine; henna [cosmetic dye]; herbal extracts for cosmetic purposes; hydrogen peroxide for cosmetic purposes; incense; ionone [perfumery]; jasmine oil; Javelle water; joss sticks; lacquer-removing preparations; laundry blueing; laundry starch; lavender oil; lavender water; leather bleaching preparations; leather preservatives [polishes]; lip glosses; lipstick cases; lipsticks; liquid latex body paint for cosmetic purposes; lotions for cosmetic purposes; make-up powder; make-up preparations; make-up removing preparations; make-up; mascara; massage candles for cosmetic purposes; massage gels, other than for medical purposes; micellar water; mint essence [essential oil]; mint for perfumery; mouthwashes, not for medical purposes; musk [perfumery]; mustache wax; nail art stickers; nail care preparations; nail glitter; nail varnish removers; nail varnish; nail polish; neutralizers for permanent waving; non-slipping liquids for floors; non-slipping wax for floors; oil of turpentine for degreasing; oils for cleaning purposes; oils for cosmetic purposes; oils for perfumes and scents; oils for toilet purposes; paint stripping preparations; pastes for razor strops; perfumery; perfumes; petroleum jelly for cosmetic purposes; phytocosmetic preparations; polish for furniture and flooring; polishing creams; polishing paper; polishing preparations; polishing rouge; polishing stones; polishing wax; pomades for cosmetic purposes; potpourris [fragrances]; preparations for cleaning dentures; preparations for soaking laundry; preparations for unblocking drain pipes; preparations to make the leaves of plants shiny; pumice stone; quillaia bark for washing; rose oil; rust removing preparations; sachets for perfuming linen; saffrol; sandcloth; abrasive cloth; scented water; scented wood; scouring solutions; shampoos for animals [non-medicated grooming preparations]; shampoos for pets [non-medicated grooming preparations]; shampoos; sharpening preparations; shaving preparations; shaving soap; shaving stones [astringents]; shining preparations [polish]; shoe cream; shoe polish; shoemakers' wax; silicon carbide [abrasive]; skin whitening creams; cream for whitening the skin; smoothing preparations [starching]; smoothing stones; soap for brightening textile; soap for foot perspiration; soap; soda lye; stain removers; sun-tanning preparations [cosmetics]; sunscreen preparations; tailors' wax; talcum powder, for toilet use; teeth whitening strips; ter-

penes [essential oils]; tissues impregnated with cosmetic lotions; tissues impregnated with make-up removing preparations; toilet water; toiletry preparations; toothpaste; tripoli stone for polishing; turpentine for degreasing; vaginal washes for personal sanitary or deodorant purposes; varnish-removing preparations; volcanic ash for cleaning; wallpaper cleaning preparations; washing soda, for cleaning; wax for parquet floors; waxes for leather; whitening; windshield cleaning liquids.

5 – Absorbent cotton; absorbent wadding; acai powder dietary supplements; acaricides; acetates for pharmaceutical purposes; acids for pharmaceutical purposes; acne treatment preparations; aconitine; adhesive plasters; adhesive tapes for medical purposes; adhesives for dentures; adjuvants for medical purposes; air deodorising preparations; air purifying preparations; albumin dietary supplements; albuminous foodstuffs for medical purposes; albuminous preparations for medical purposes; alcohol for pharmaceutical purposes; aldehydes for pharmaceutical purposes; algicides; alginate dietary supplements; alginates for pharmaceutical purposes; alkaline iodides for pharmaceutical purposes; alkaloids for medical purposes; alloys of precious metals for dental purposes; almond milk for pharmaceutical purposes; aloe vera preparations for pharmaceutical purposes; aluminium acetate for pharmaceutical purposes; amino acids for medical purposes; amino acids for veterinary purposes; anaesthetics; analgesics; angostura bark for medical purposes; animal washes [insecticides]; anti-uric preparations; antibacterial handwashes; antibacterial soap; antibiotics; anticryptogamic preparations; antioxidant pills; anti-parasitic collars for animals; antiparasitic preparations; antiseptic cotton; antiseptics; appetite suppressant pills; appetite suppressants for medical purposes; aseptic cotton; asthmatic tea; astringents for medical purposes; babies' diaper-pants; babies' nappies; bacterial poisons; bacterial preparations for medical and veterinary use; bacteriological preparations for medical and veterinary use; balms for medical purposes; balsamic preparations for medical purposes; bandages for dressings; barks for pharmaceutical purposes; bath preparations for medical purposes; bath salts for medical purposes; bicarbonate of soda for pharmaceutical purposes; biocides; biological preparations for medical purposes; biological preparations for veterinary purposes; biological tissue cultures for medical purposes; biological tissue cultures for veterinary purposes; bismuth preparations for pharmaceutical purposes; bismuth subnitrate for pharmaceutical purposes; blood for medical purposes; blood plasma; bone cement for surgical and orthopedic purposes; bone void fillers comprised of living tissues; bracelets impregnated with insect repellent; breast-nursing pads; bromine for pharmaceutical purposes; bronchodilating preparations; bunion pads; by-products of the processing of cereals for dietetic or medical purposes; cachets for pharmaceutical purposes; cachou for pharmaceutical

purposes; calomel [fungicide]; camphor for medical purposes; camphor oil for medical purposes; cannabis for medical purposes; capsules for medicines; capsules made of dendrimer-based polymers, for pharmaceuticals; carbolineum [parasiticide]; casein dietary supplements; castor oil for medical purposes; cattle washes [insecticides]; caustic pencils; caustics for pharmaceutical purposes; cedar wood for use as an insect repellent; cellulose esters for pharmaceutical purposes; cement for animal hooves; charcoal for pharmaceutical purposes; chemical conductors for electrocardiograph electrodes; chemical contraceptives; chemical preparations for medical purposes; chemical preparations for pharmaceutical purposes; chemical preparations for the diagnosis of pregnancy; chemical preparations for treating diseases affecting cereal plants; chemical preparations for treating diseases affecting vine plants; chemical preparations for treating mildew; chemical preparations for treating phylloxera; chemical preparations for treating wheat blight; chemical preparations for veterinary purposes; chemical reagents for medical or veterinary purposes; chemico-pharmaceutical preparations; chewing gum for medical purposes; chilblain preparations; chinoline for medical purposes; chloroform; cinchona for medical purposes; cocaine for medical purposes; cod liver oil; collagen for medical purposes; collodion for pharmaceutical purposes; collyrium; compresses; condurango bark for medical purposes; contact lens cleaning preparations; contraceptive sponges; cooling sprays for medical purposes; corn remedies; corn rings for the feet; cotton for medical purposes; cotton sticks for medical purposes; cream of tartar for pharmaceutical purposes; creosote for pharmaceutical purposes; croton bark; crystallized rock sugar for medical purposes; cultures of microorganisms for medical or veterinary use; curare; decoctions for pharmaceutical purposes; dental abrasives; dental amalgams of gold; dental amalgams; dental cements; dental impression materials; dental lacquer; dental mastics; deodorants for clothing and textiles; deodorants, other than for human beings or for animals; deodorisers for litter trays; depuratives; detergents for medical purposes; diabetic bread adapted for medical use; diagnostic biomarker reagents for medical purposes; diagnostic preparations for medical purposes; diagnostic preparations for veterinary purposes; diaper changing mats, disposable, for babies; diapers for incontinence; diapers for pets; diastase for medical purposes; dietary fibre; dietary fiber; dietary supplements for animals; dietary supplements with a cosmetic effect; dietetic beverages adapted for medical purposes; dietetic foods adapted for medical purposes; dietetic substances adapted for medical use; digestives for pharmaceutical purposes; digitalin; dill oil for medical purposes; disinfectant soap; disinfectants for chemical toilets; disinfectants for hygiene purposes; disinfectants; dog washes [insecticides]; douching preparations for me-

dical purposes; dressings, medical; drugs for medical purposes; elixirs [pharmaceutical preparations]; enzyme dietary supplements; enzyme preparations for medical purposes; enzyme preparations for veterinary purposes; enzymes for medical purposes; enzymes for veterinary purposes; ergot for pharmaceutical purposes; esters for pharmaceutical purposes; ethers for pharmaceutical purposes; eucalyptol for pharmaceutical purposes; eucalyptus for pharmaceutical purposes; extracts of hops for pharmaceutical purposes; eyepatches for medical purposes; febrifuges; fennel for medical purposes; ferments for pharmaceutical purposes; first-aid boxes, filled; fish meal for pharmaceutical purposes; flaxseed dietary supplements; flaxseed for pharmaceutical purposes; flaxseed meal for pharmaceutical purposes; flaxseed oil dietary supplements; flour for pharmaceutical purposes; flowers of sulfur for pharmaceutical purposes; fly catching adhesives; fly catching paper; fly destroying preparations; food for babies; formic aldehyde for pharmaceutical purposes; frostbite salve for pharmaceutical purposes; fumigating sticks; fumigation preparations for medical purposes; fungicides; gallic acid for pharmaceutical purposes; gamboge for medical purposes; gases for medical purposes; gauze for dressings; gelatine for medical purposes; gentian for pharmaceutical purposes; germicides; glucose dietary supplements; glucose for medical purposes; glycerine for medical purposes; glycerophosphates; greases for medical purposes; greases for veterinary purposes; guaiacol for pharmaceutical purposes; gum for medical purposes; gurjun balsam for medical purposes; haemorrhoid preparations; haemostatic pencils; hemostatic pencils; headache relief sticks; hematogen; hemoglobin; herbal extracts for medical purposes; herbal teas for medicinal purposes; herbicides; homogenised food adapted for medical purposes; hormones for medical purposes; hydrastine; hydrastinine; hydrated chloral for pharmaceutical purposes; hydrogen peroxide for medical purposes; immunostimulants; infant formula; injectable dermal fillers; insect repellent incense; insect repellents; insecticidal animal shampoos; insecticidal veterinary washes; insecticides; iodides for pharmaceutical purposes; iodine for pharmaceutical purposes; iodoform; Irish moss for medical purposes; isotopes for medical purposes; jalap; jujube, medicated; lacteal flour for babies; lactose for pharmaceutical purposes; larvae exterminating preparations; laxatives; lead water; Goulard water; lecithin dietary supplements; lecithin for medical purposes; leeches for medical purposes; lice treatment preparations [pediculicides]; lime-based pharmaceutical preparations; liniments; lint for medical purposes; liquorice for pharmaceutical purposes; lotions for pharmaceutical purposes; lotions for veterinary purposes; lupulin for pharmaceutical purposes; lyophilized food adapted for medical purposes; lyophilized meat adapted for medical purposes; magnesia for pharmaceutical purposes; malt for pharmaceutical purposes; malted milk beverages for medical purpo-

ses; mangrove bark for pharmaceutical purposes; massage candles for therapeutic purposes; massage gels for medical purposes; media for bacteriological cultures; medical preparations for slimming purposes; medicated after-shave lotions; medicated animal feed; medicated candies; medicated dentifrices; medicated dry shampoos; medicated eye-washes; medicated hair lotions; medicated shampoos for pets; medicated shampoos; medicated soap; medicated toiletry preparations; medicated toothpaste; medicinal alcohol; medicinal drinks; medicinal hair growth preparations; medicinal herbs; medicinal infusions; medicinal mud; medicinal sediment [mud]; medicinal oils; medicinal roots; medicinal tea; medicine cases, portable, filled; medicines for alleviating constipation; medicines for dental purposes; medicines for human purposes; medicines for veterinary purposes; melissa water for pharmaceutical purposes; menthol; mercurial ointments; milk ferments for pharmaceutical purposes; milking grease; mineral dietary supplements; mineral water salts; mint for pharmaceutical purposes; moleskin for medical purposes; mothproofing paper; mothproof paper; mothproofing preparations; moulding wax for dentists; molding wax for dentists; mouthwashes for medical purposes; mud for baths; mustard for pharmaceutical purposes; mustard oil for medical purposes; mustard plasters; mustard poultices; myrobalan bark for pharmaceutical purposes; narcotics; nervines; nicotine gum for use as an aid to stop smoking; nicotine patches for use as aids to stop smoking; nutraceutical preparations for therapeutic or medical purposes; nutritional supplements; nutritive substances for microorganisms; oil of turpentine for pharmaceutical purposes; ointments for pharmaceutical purposes; opiates; opium; opodeldoc; organotherapy preparations; oxygen baths; oxygen cylinders, filled, for medical purposes; oxygen for medical purposes; pants, absorbent, for incontinence; panty liners [sanitary]; paper for mustard plasters; paper for mustard poultices; parasitocides; pastilles for pharmaceutical purposes; lozenges for pharmaceutical purposes; pearl powder for medical purposes; pectin for pharmaceutical purposes; pediculicidal shampoos; pepsins for pharmaceutical purposes; peptones for pharmaceutical purposes; personal sexual lubricants; pesticides; petroleum jelly for medical purposes; pharmaceutical preparations for skin care; pharmaceutical preparations for treating dandruff; pharmaceutical preparations for treating sunburn; pharmaceutical preparations; pharmaceuticals; phenol for pharmaceutical purposes; phosphates for pharmaceutical purposes; phytotherapy preparations for medical purposes; plant extracts for pharmaceutical purposes; poisons; pollen dietary supplements; pomades for medical purposes; porcelain for dental prostheses; potassium salts for medical purposes; poultices; powder of cantharides; powdered milk for babies; pre-filled syringes for medical purposes; preparations for callouses; preparations for destroying dry rot fungus; preparations for destroying

mice; preparations for destroying noxious animals; preparations for reducing sexual activity; preparations for the treatment of burns; preparations of microorganisms for medical or veterinary use; preparations of trace elements for human and animal use; preparations to facilitate teething; propolis dietary supplements; propolis for pharmaceutical purposes; protein dietary supplements; protein supplements for animals; purgatives; evacuants; pyrethrum powder; quassia for medical purposes; quebracho for medical purposes; quinine for medical purposes; radioactive substances for medical purposes; radiological contrast substances for medical purposes; radium for medical purposes; rat poison; reagent paper for medical purposes; reagent paper for veterinary purposes; remedies for foot perspiration; remedies for perspiration; repellents for dogs; rhubarb roots for pharmaceutical purposes; royal jelly dietary supplements; royal jelly for pharmaceutical purposes; rubber for dental purposes; salts for medical purposes; salts for mineral water baths; sanitary napkins; sanitary pants; sanitary tampons; menstruation tampons; sarsaparilla for medical purposes; scapulars for surgical purposes; seawater for medicinal bathing; serotherapeutic medicines; serums; sexual stimulant gels; siccatives [drying agents] for medical purposes; slimming pills; slug exterminating preparations; smelling salts; smoking herbs for medical purposes; sodium salts for medical purposes; soil-sterilising preparations; solutions for contact lenses; solutions for use with contact lenses; solvents for removing adhesive plasters; soporifics; starch for medical purposes; stem cells for veterinary purposes; sterilising preparations; steroids; stick liquorice for pharmaceutical purposes; strychnine; styptic preparations; sugar for medical purposes; sulfonamides [medicines]; sulfur sticks [disinfectants]; sunburn ointments; suppositories; surgical dressings; surgical glues; surgical implants comprised of living tissues; swim diapers, disposable, for babies; swim diapers, reusable, for babies; syrups for pharmaceutical purposes; tanning pills; tartar for pharmaceutical purposes; teeth filling material; therapeutic preparations for the bath; thymol for pharmaceutical purposes; tincture of iodine; tinctures for medical purposes; tissues impregnated with pharmaceutical lotions; tobacco extracts [insecticides]; tobacco-free cigarettes for medical purposes; tonics [medicines]; tranquillizers; transplants [living tissues]; turpentine for pharmaceutical purposes; vaccines; vaginal washes for medical purposes; vermifuges; anthelmintics; vermin destroying preparations; vesicants; veterinary preparations; vitamin preparations; vitamin supplement patches; vulnerary sponges; wadding for medical purposes; wart pencils; wheat germ dietary supplements; yeast dietary supplements; yeast for pharmaceutical purposes.

29 – Agar-agar for culinary purposes; albumen for culinary purposes; alginates for culinary purposes; almond milk for culinary purposes; almond milk-based

beverages; almond milk; almonds, ground; aloe vera prepared for human consumption; anchovy, not live; andouillettes; animal marrow for food; apple purée; arrangements of processed fruit; artichokes, preserved; bacon; beans, preserved; berries, preserved; blood sausage; bone oil for food; broth concentrates; broth; bouillon; bulgogi; butter; buttercream; cabbage rolls stuffed with meat; candied nuts; cassoulet; caviar; charcuterie; cheese; choucroute garnie; cocoa butter for food; coconut butter; coconut fat; coconut milk for culinary purposes; coconut milk-based beverages; coconut milk; coconut oil for food; coconut, desiccated; compotes; condensed milk; corn dogs; corn oil for food; cottage cheese fritters; cottage cheese; cranberry compote; crayfish, not live; cream [dairy products]; croquettes; crustaceans, not live; crystallized fruits; crystallized ginger; dates; duck confits; edible ant larvae, prepared; edible birds' nests; edible fats; edible flowers, dried; edible insects, not live; eggplant paste; eggs; extra virgin olive oil for food; falafel; fat-containing mixtures for bread slices; fatty substances for the manufacture of edible fats; fermented baked milk; fish fillets; fish meal for human consumption; fish mousses; fish roe, prepared; fish, canned; fish, not live; fish, preserved; fish-based foodstuffs; flavored nuts; flaxseed oil for food; frozen fruits; fruit chips; fruit peel; fruit preserved in alcohol; fruit pulp; fruit salads; fruit, preserved; fruit, processed; fruit, stewed; fruit-based concentrate for cooking; fruit-based snack food; fruits, canned; game, not live; gelatine; gherkins; ginger jam; ginger, preserved; guacamole; ham; hash browns; hazelnuts, prepared; herrings, not live; hot dog sausages; hummus; isinglass for food; jams; jellies for food; kefir; kimchi; klipfish [salted and dried cod]; kumys; lactic acid drinks; lard; laver, preserved; lecithin for culinary purposes; lemon juice for culinary purposes; lentils, preserved; liver pâté; liver pastes; liver; lobsters, not live; low-fat potato chips; lyophilized meat; lyophilized vegetables; margarine; meat extracts; meat jellies; meat, canned; meat, preserved; meat; milk beverages, milk predominating; milk ferments for culinary purposes; milk products; milk shakes; milk substitutes; milk; mollusks, not live; mushrooms, preserved; mussels, not live; non-alcoholic eggnog; nut-based spreads; nuts, prepared; oat milk; oils for food; olive oil for food; olives, preserved; omelets; onion rings; onions, preserved; oysters, not live; palm kernel oil for food; palm oil for food; peanut butter; peanut milk for culinary purposes; peanut milk-based beverages; peanut milk; peanuts, prepared; peas, preserved; pectin for culinary purposes; pickled ginger; pickles; pollen prepared as foodstuff; pork; potato crisps; potato chips; potato flakes; potato fritters; potato-based dumplings; poultry, not live; powdered eggs; powdered milk; prawns, not live; preparations for making bouillon; preparations for making soup; preserved garlic; preserved peppers; pressed fruit paste; protein milk; quark; raisins; rape oil for food; ratatouille; rennet; rice

milk for culinary purposes; rice milk; salmon, not live; salted fish; salted meats; sardines, not live; satay; sauerkraut; sausage casings, natural or artificial; sausages in batter; sausages; sea-cucumbers, not live; seaweed extracts for food; seeds, prepared; sesame oil for food; shellfish, not live; shrimps, not live; silkworm chrysalis for human consumption; smetana; snail eggs for consumption; soups; soured milk; soya bean oil for food; soya beans, preserved, for food; soya milk; soya patties; spiny lobsters, not live; suet for food; sunflower oil for food; sunflower seeds, prepared; sweet corn, processed; tagine [prepared meat, fish or vegetable dish]; tahini; tempeh; tofu patties; tofu skin; tofu; tomato juice for cooking; tomato paste; tomato purée; tripe; truffles, preserved; tuna, not live; vegetable juices for cooking; vegetable marrow paste; vegetable mousses; vegetable salads; vegetable soup preparations; vegetable-based concentrate for cooking; vegetable-based cream; vegetable-based spreads; vegetables, canned; vegetables, cooked; vegetables, dried; vegetables, preserved; vegetables, processed; whey; whipped cream; white of eggs; white pudding; yakitori; yogurt; yolk of eggs.

30 – Agave syrup [natural sweetener]; allspice; almond confectionery; almond paste; aniseed; apple sauce [condiment]; aromatic preparations for food; baking powder; baozi; barley meal; batter mixes; bean meal; beer vinegar; bibimbap [rice mixed with vegetables and beef]; bicarbonate of soda for cooking purposes [baking soda]; binding agents for ice cream; biscuits; cookies; bread rolls; bread; breadcrumbs; buckwheat flour; buckwheat, processed; bulgur; buns; burritos; cake dough; cake frosting [icing]; cake powder; cakes; candies; candy decorations for cakes; capers; caramels [candies]; celery salt; cereal bars; cereal preparations; cereal-based snack food; chamomile-based beverages; cheeseburgers [sandwiches]; chewing gum for breath freshening; chewing gum; chicory [coffee substitute]; chips [cereal products]; chocolate beverages with milk; chocolate decorations for cakes; chocolate mousses; chocolate spreads containing nuts; chocolate-based beverages; chocolate-based spreads; chocolate-coated nuts; chocolate; chowchow [condiment]; chutneys [condiments]; cinnamon [spice]; cloves [spice]; cocoa beverages with milk; cocoa-based beverages; cocoa; coconut macaroons; coffee beverages with milk; coffee capsules, filled; coffee flavorings; coffee substitutes; coffee-based beverages; coffee; condiments; confectionery for decorating Christmas trees; confectionery; sugar confectionery; cooking salt; corn flakes; corn flour; corn, milled; corn, roasted; couscous; crackers; cranberry sauce [condiment]; cream of tartar for culinary purposes; croissants; croûtons; croutons; crushed barley; crushed oats; crystallized rock sugar; crème brûlée; curry [spice]; custard; dough; dressings for salad; dulce de leche; edible ices; edible paper wafers; edible paper; edible rice paper; essences for foodstuffs, except ethereal essences and essential oils; ferments for pastes;

flavorings, other than essential oils, for beverages; flavorings, other than essential oils, for cakes; flaxseed for culinary purposes [seasoning]; flour; flour-based dumplings; flowers or leaves for use as tea substitutes; fondants [confectionery]; food flavorings, other than essential oils; frozen yogurt [confectionery ices]; fruit confectionery; fruit jellies [confectionery]; garden herbs, preserved [seasonings]; ginger paste [seasoning]; gingerbread; glucose for culinary purposes; gluten additives for culinary purposes; gluten prepared as foodstuff; gluten-free bread; golden syrup; groats for human food; ground ginger; halvah; ham glaze; harissa [condiment]; high-protein cereal bars; hominy grits; hominy; honey; hot dog sandwiches; husked barley; husked oats; ice cream; ice cubes; ice for refreshment; ice pops; ice, natural or artificial; iced tea; infusions, not medicinal; instant rice; jiaozi; kelp tea; ketchup [sauce]; kimchi pancakes; laksa; leaven; liquorice [confectionery]; lyophilized dishes with the main ingredient being pasta; lyophilized dishes with the main ingredient being rice; macaroni; macarons; malt biscuits; malt extract for food; malt for human consumption; maltose; marinades; marzipan; mayonnaise; meat gravies; meat pies; meat tenderizers for household purposes; minced garlic [condiment]; mint for confectionery; mints for breath freshening; mirror icing [mirror glaze]; miso; molasses for food; muesli; mustard meal; mustard; natural sweeteners; noodle-based prepared meals; noodles; nougat; nut flours; nutmegs; oat flakes; oat-based food; oatmeal; onigiri; orange blossom water for culinary purposes; pains au chocolat; chocolatines; palm sugar; pancakes; pasta sauce; pasta; pastilles [confectionery]; pastries; pastry dough; peanut confectionery; pelmeni; pepper; peppermint sweets; peppers [seasonings]; pesto; petit-beurre biscuits; petits fours; piccalilli; pies; pizzas; popcorn; potato flour; potato-based flatbreads; powders for making ice cream; pralines; preparations for stiffening whipped cream; prepared rice rolled in seaweed; processed seeds for use as a seasoning; profiteroles; propolis; puddings; pâtés en croûte; quiches; quinoa, processed; ramen; ravioli; relish [condiment]; rice cakes; rice crackers; rice pudding; rice pulp for culinary purposes; rice-based snack food; rice; royal jelly; rusks; saffron [seasoning]; sago; salt for preserving foodstuffs; sandwiches; sauces [condiments]; sausage binding materials; savoury pancake mixes; savory pancake mixes; savoury pancakes; savory pancakes; seasonings; seawater for cooking; seaweed [condiment]; semolina; sesame seeds [seasonings]; shaved ice with sweetened red beans; soba noodles; sorbets [ices]; sherbets [ices]; soya flour; soya sauce; spaghetti; spices; spring rolls; star aniseed; starch for food; stick liquorice [confectionery]; sugar; sushi; tabbouleh; tacos; tamarind [condiment]; tapioca flour; tapioca; tarts; tea beverages with milk; tea; tea-based beverages; thickening agents for cooking foodstuffs; tomato sauce; tortillas; turmeric; udon noodles; unleavened bread; unroasted coffee; vanilla flavorings for

culinary purposes; vanillin [vanilla substitute]; vegetal preparations for use as coffee substitutes; vermicelli; vinegar; waffles; wheat flour; wheat germ for human consumption; yeast.

31 – Algarovilla for animal consumption; almonds [fruits]; aloe vera plants; anchovy, live; animal foodstuffs; aromatic sand [litter] for pets; arrangements of fresh fruit; artichokes, fresh; bagasses of cane [raw material]; barley; beans, fresh; beet, fresh; berries, fresh; beverages for pets; bird food; bran mash for animal consumption; bran; bred stock; buckwheat, unprocessed; bushes; cannabis plants; cannabis, unprocessed; cereal seeds, unprocessed; chestnuts, fresh; chicory roots; chicory, fresh; Christmas trees; citrus fruit, fresh; cocoa beans, raw; coconut shell; coconuts; copra; crayfish, live; crustaceans, live; cucumbers, fresh; cuttle bone for birds; distillery waste for animal consumption; dog biscuits; draff; edible chews for animals; edible flaxseed, unprocessed; edible flowers, fresh; edible insects, live; edible sesame, unprocessed; eggs for hatching, fertilised; fish meal for animal consumption; fish spawn; fish, live; fishing bait, live; flax meal [fodder]; flaxseed for animal consumption; flaxseed meal for animal consumption; flower bulbs; bulbs; flowers, dried, for decoration; flowers, natural; forage; freeze-dried fishing bait; fruit residue [marc]; marc; fruit, fresh; garden herbs, fresh; garlic, fresh; ginger, fresh; grains [cereals]; grains for animal consumption; grapes, fresh; groats for poultry; hay; hazelnuts, fresh; herrings, live; hop cones; hops; juniper berries; koi carp, live; kola nuts; cola nuts; leeks, fresh; lemons, fresh; lentils, fresh; lettuce, fresh; lime for animal forage; litter for animals; litter peat; live animals; livestock fattening preparations; lobsters, live; locust beans, raw; maize cake for cattle; maize; malt for brewing and distilling; mash for fattening livestock; meal for animals; menagerie animals; molluscs, live; mollusks, live; mushroom spawn for propagation; mushrooms, fresh; mussels, live; nettles; nuts, unprocessed; oats; oil cake; cattle cake; olives, fresh; onions, fresh; oranges, fresh; oysters, live; palm trees; palms [leaves of the palm tree]; peanut cake for animals; peanut meal for animals; peanuts, fresh; peas, fresh; peppers [plants]; pet food; pine cones; plants, dried, for decoration; plants; pollen [raw material]; potatoes, fresh; poultry, live; preparations for egg laying poultry; quinoa, unprocessed; rape cake for cattle; raw barks; residual products of cereals for animal consumption; residue in a still after distillation; rhubarb, fresh; rice meal for forage; rice, unprocessed; roots for animal consumption; rose bushes; rough cork; rye; salmon, live; salt for cattle; sanded paper [litter] for pets; sardines, live; sea-cucumbers, live; seaweed, unprocessed, for human or animal consumption; seed germ for botanical purposes; seedlings; seeds for planting; plant seeds; shellfish, live; silkworms; soya beans, fresh; spinach, fresh; spiny lobsters, live; squashes, fresh; stall food for animals; straw [forage]; straw litter; straw mulch; strengthening ani-

mal forage; sugarcane; trees; truffles, fresh; trunks of trees; tuna, live; turf, natural; sod; undressed timber; unprocessed sweet corn ears [husked or unhusked]; unsawn timber; vegetable marrows, fresh; vegetables, fresh; vine plants; wheat germ for animal consumption; wheat; wood chips for the manufacture of wood pulp; wreaths of natural flowers; yeast for animal consumption.

32 – Aloe vera drinks, non-alcoholic; barley wine [beer]; beer wort; beer-based cocktails; beer; cocktails, non-alcoholic; energy drinks; extracts of hops for making beer; fruit juices; fruit juice; fruit nectars, non-alcoholic; ginger ale; grape must, unfermented; isotonic beverages; kvass; lemonades; malt beer; malt wort; must; non-alcoholic beverages flavored with coffee; non-alcoholic beverages flavored with tea; non-alcoholic beverages; non-alcoholic dried fruit beverages; non-alcoholic essences for making beverages; non-alcoholic fruit extracts; non-alcoholic fruit juice beverages; non-alcoholic honey-based beverages; orgeat; pastilles for effervescing beverages; powders for effervescing beverages; preparations for making carbonated water; preparations for making non-alcoholic beverages; protein-enriched sports beverages; rice-based beverages, other than milk substitutes; sarsaparilla [non-alcoholic beverage]; shandy; sherbets [beverages]; sorbets [beverages]; smoothies; soft drinks; soya-based beverages, other than milk substitutes; syrups for beverages; syrups for lemonade; vegetable juices [beverages]; whey beverages.

(260) AM 2023 121977 A
(800) 1717932
(151) 2022 10 26
(891) 2022 10 26
(731) First Hawk Street LLC
15821 Ventura Blvd., Suite 370, Los Angeles
CA 91436, USA
(540)

CÉCRED

(591) Black, white
(511)
3 – Hair care preparations; cosmetic preparations for hair care; cosmetic preparations for the hair and scalp; non-medicated dandruff shampoo.
4 – Candles.
5 – Medicated hair care preparations; vitamins; vitamin supplements; dietary supplements, hair growth stimulants, namely, for eyebrows and eyelashes.
8 – Electric hair styling tools, namely, electric irons for styling hair; electric hair curling irons; electric hair straightening irons; electric and non-electric apparatus for the hair (term considered too vague by the International Bureau – Rule 13 (2) (b) of the Regulations).

10 – Microneedle dermal roller; scraping apparatus for gua sha therapy; lasers for cosmetic treatment, namely, for the scalp and hair.

14 – Jewelry boxes; jewels.

18 – All-purpose carrying bags; cosmetic bags sold empty; cosmetic cases sold empty.

21 – Hair styling tools, namely, hair brushes; hair combs; pitchers; electrically-heated hair brushes; electric hair combs.

24 – Pillow cases; bed sheets; towels; silk fabrics.

25 – Clothing, namely, turbans, headwear, shirts, and sweatshirts; sleep masks, namely, for the hair; sleeping garments, namely, for the hair.

(260) AM 2023 121978 A
(800) 1717937
(151) 2022 10 27
(891) 2022 10 27
(731) PayPal, Inc.
2211 North First Street, San Jose CA 95131,
USA
(549)



(591) The color(s) dark blue, medium blue, and light blue is/are claimed as a feature of the mark
(531) 27.05.17; 27.05.19; 27.05.22; 29.01.04
(511)

9 – Downloadable and recorded computer software for processing electronic payments and for transferring funds to and from others; downloadable computer software for creating, preparing, managing, sending, processing, tracking, and reconciling invoices; downloadable computer software for issuing receipts regarding mobile payment transactions; downloadable mobile application software for processing electronic payments and for transferring funds to and from others; downloadable authentication software for controlling access to and communications with computers and computer networks; computer hardware for making, authenticating, facilitating, operating, managing, and processing payment transactions with credit cards, debit cards, prepaid cards, payment cards, gift cards, and other payment forms; electronic devices, namely, point of sale terminals, chip card readers, credit card readers, payment card readers, mobile card readers, charging stands for chip card readers, credit card readers, payment card readers, and mobile card readers; magnetic encoded and coded card readers;

electronic card readers for payment and credit cards; magnetically encoded credit cards; magnetically encoded payment cards being debit cards, gift cards, prepaid gift cards, prepaid cash cards, and prepaid debit cards; downloadable software for sending, receiving, accepting, buying, selling, storing, transmitting, trading and exchanging digital currency, virtual currency, cryptocurrency, stablecoins, digital and blockchain assets, digitized assets, digital tokens, crypto tokens and utility tokens; downloadable software for managing and validating digital currency, virtual currency, cryptocurrency, stablecoin, digital asset, blockchain asset, digitized asset, digital token, crypto token and utility token transactions; downloadable software for use as a digital currency, virtual currency, cryptocurrency, stablecoin, digital asset, digital token, crypto token, and utility token wallet; downloadable software for transfers of digital currency, virtual currency, cryptocurrency, stablecoins, digital and blockchain assets, digitized assets, digital tokens, crypto tokens and utility tokens between parties; downloadable computer software and downloadable mobile application software for facilitating electronic commerce transactions; downloadable computer software, namely, internet browser extensions, plug-ins, and applications for use with electronic commerce transactions and product price monitoring; downloadable computer software and downloadable mobile application software featuring offers, deals, coupons, rebates, rewards, vouchers, price tracking, price notifications, price-comparison information, links to the retail websites of others, promotional materials, and discount information; downloadable software development kits (SDK); downloadable and recorded computer software for creating and managing a business and an online store, namely, inventory management, order processing, order tracking, fulfillment of orders, sales tracking, collection of sales data, and sales analytics; downloadable and recorded computer software used for point of sale transactions; downloadable and recorded computer software used to train and manage employees, record employee hours worked, and generate payroll processing; charging stands adapted for use with handheld digital electronic devices, namely, cell phones, MP3 players, personal digital assistants, point of sale terminals, chip card readers, credit card readers, payment card readers, and mobile card readers.

35 – Promoting the goods of others, namely, providing information regarding discounts, coupons, rebates, vouchers and special offers for the goods of others; promoting the goods and services of others by providing hypertext links to the web sites of others; promoting the goods and services of others by providing a web site featuring links to the online retail web sites of others; business consulting services in the field of online payments; managing and tracking credit card, debit card, ACH, prepaid cards, payment cards, and other forms of payment transactions via electronic communications networks for business purposes; bu-

ness information management, namely, electronic reporting of business analytics relating to payment processing, authentication, tracking, and invoicing; business management, namely, optimization of payments for businesses; promoting the sale of goods and services of others by providing a website featuring offers, deals, coupons, rebates, rewards, vouchers, price tracking, price notifications, price-comparison information, links to the retail websites of others, promotional materials, and discount information; promoting the sale of goods and services of others by providing interactive online applications featuring offers, deals, coupons, rebates, rewards, vouchers, price tracking, price notifications, price-comparison information, links to the retail websites of others, promotional materials, and discount information; providing incentive award programs through issuance and processing of loyalty points for purchase of the goods and services of others; customer loyalty services for commercial, promotional and/or advertising purposes, namely, administration of a program that allows participants to obtain and redeem points or awards for goods and/or services.

36 – Financial services, namely, electronic funds transfer; clearing and reconciling financial transactions via a global computer network and wireless networks; providing a wide variety of payment and financial services, namely, credit card payment processing services, issuing credit cards and providing personal and business lines of credit, electronic payment services involving electronic processing and subsequent transmission of bill payment data, bill payment services with guaranteed payment delivery, all conducted via a global communications network; credit card and debit card transaction processing services; reimbursement of payment processing for fraudulent transactions, transaction errors, and disputed transactions, namely, transactions concerning lost, damaged, misrepresented, or incorrect products or services, all in the field of electronic payment purchases; providing purchase protection services for goods and services purchased by others via a global computer network and wireless networks, namely, fraud reimbursement services in the field of credit card purchases and electronic payment purchases, secure commercial transactions for credit card purchases and electronic payment purchases, and dispute resolution services and reimbursement services for disputed transactions in the field of electronic payment purchases; credit card transaction processing services; credit services, namely, providing revolving credit account services; bill payments services; providing electronic mobile payment services for others in the nature of providing secure commercial transactions and payment options using a mobile device at a point of sale; credit card transaction processing services and payment processing services in the field of credit card payments and electronic payments; electronic foreign exchange payment processing; payment processing services, namely, provi-

ding virtual currency transaction processing services for others; financial services, namely, providing stablecoin currency, virtual currency, digital currency, digital tokens, and cryptocurrency for use by others; financial services, namely, virtual currency, digital currency, stablecoin, and cryptocurrency transfer, trading, exchange, and payment processing services; electronic transfer of cryptocurrency, digital currency, stablecoins, digital and blockchain assets, digitized assets, digital tokens, crypto tokens and utility tokens; electronic wallet services for trading, storing, sending, receiving, validating, verifying, accepting, tracking, transferring, and transmitting virtual currency, and managing virtual currency payment and exchange transactions.

42 – Providing temporary use of online non-downloadable software for processing electronic payments; providing temporary use of online non-downloadable software for creating, preparing, managing, sending, processing, tracking, and reconciling invoices; providing temporary use of online non-downloadable software for issuing receipts regarding mobile payment transactions; providing temporary use of online non-downloadable authentication software for controlling access to and communications with computers and computer networks; providing temporary use of online non-downloadable software for electronic funds transfer; providing temporary use of online non-downloadable software for sending, receiving, accepting, buying, selling, storing, transmitting, validating, verifying, tracking, transferring, trading and exchanging digital currency, virtual currency, cryptocurrency, stablecoins, digital and blockchain assets, digitized assets, digital tokens, crypto tokens and utility tokens; providing temporary use of online non-downloadable software for digital currency payment and exchange transactions; providing temporary use of online non-downloadable software for use in issuing digital currency, virtual currency, cryptocurrency, stablecoins, digital and blockchain assets, digitized assets, digital tokens, crypto tokens and utility tokens; providing temporary use of online non-downloadable software for managing digital currency, virtual currency, cryptocurrency, stablecoin, digital and blockchain asset, digitized asset, digital token, crypto token and utility token payments, money transfers, and commodity transfers; providing temporary use of online non-downloadable software for use with digital currency wallet and storage services; providing temporary use of online non-downloadable software for use as an electronic wallet; providing temporary use of online non-downloadable software for facilitating electronic commerce transactions; providing temporary use of online non-downloadable software featuring offers, deals, coupons, rebates, rewards, vouchers, price tracking, price notifications, price-comparison information, links to the retail websites of others, promotional materials, and discount information; providing temporary use of online non-downloadable software for fra-

ud detection, fraud prevention, and fraud analytics; providing temporary use of online non-downloadable computer software for tracking and analyzing payment activity; providing temporary use of online non-downloadable software to prevent fraud, facilitate integration with loyalty and reward platforms to allow tracking of purchases and accrual of rewards, and enable merchants to embed checkouts in third party sites and applications to sell and take payments on third party platforms; application service provider (ASP) featuring application programming interface (API) software for payment collection, payment transactions, forwarding data and information processing; data mining services; providing temporary use of online non-downloadable software for creating and managing a business and an online store, namely, inventory management, order processing, order tracking, fulfillment of orders, sales tracking, collection of sales data, and sales analytics; providing temporary use of online non-downloadable software used for point of sale transactions; providing temporary use of online non-downloadable software used to train and manage employees, record employee hours worked, and generate payroll processing.

(260) AM 2023 12190 A
 (800) 328543
 (151) 1966 11 28
 (891) 2023 02 21
 (731) Juvena Marlies Möller AG
 Industriestrasse 8, CH-8604 Volketswil,
 Switzerland
 (540)

JUVENA

(591) Black, white
 (531) 27.05.17
 (511)
 3 – Cosmetic products and perfumeries.

(260) AM 2023 121993 A
 (800) 1294608
 (151) 2016 02 29
 (891) 2023 02 16
 (731) Sovereign Brands, L.L.C.
 1300 Old Skokie Valley Road, Highland
 Park IL 60035, USA
 (540)

COPÁN

(591) Black, white
 (511)
 33 – Distilled spirits; tequila.

(260) AM 2023 122048 A
(800) 1718181
(151) 2022 10 26
(891) 2022 10 26
(731) ARTELAR, LLC

1st Krasnoarmeyskaya Street, 31, Flat 80, Perm,
RU-614007 Perm Krai, Russian Federation

(540)

Маэлия
Maelia

(591) Black, white
(531) 27.05.01; 28.05
(511)

3 – Cosmetics; cosmetic creams; perfumery; essential oils; breath fresheners; breath freshening sprays; eye-washes, not for medical purposes; cosmetics for children; sanitary preparations being non-medicated toiletries.

5 – Dietary supplements; pharmaceutical preparations; vitamin formulations for human consumption; medicines for human purposes; medicated sweets; capsules for medicines; ointments for pharmaceutical purposes; haemorrhoid preparations; insect repellents; syrups for pharmaceutical purposes; mouthwashes for medical purposes.

(260) AM 2023 122049 A
(800) 1718186
(151) 2022 12 30
(891) 2022 12 30

(731) AR KAĞIT KOZMETİK SANAYİ VE
TİCARET ANONİM ŞİRKETİ
AYDINLI – İSTANBUL AYOSB MAH. 2.,
SANAYİ CAD. İSTANBUL ANADOLU,
YAKASI OSB 5 Tuzla, İstanbul, Türkiye

(540)



(591) Blue, dark blue and white
(531) 03.13.01; 26.01.19; 27.05.03; 29.01.13
(511)

3 – Bleaching and cleaning preparations, detergents other than for use in manufacturing operations and for medical purposes, laundry bleach, fabric softeners for laundry use, stain removers, dishwasher detergents; perfumery; non-medicated cosmetics; fragrances; deodorants for personal use and animals; soaps; dental care preparations: dentifrices, denture polishes, tooth whitening preparations, mouth washes, not for medical purposes; abrasive preparations; emery cloth; sandpaper; pumice stone; abrasive pastes; polishing pre-

parations for leather, vinyl, metal and wood, polishes and creams for leather, vinyl, metal and wood, wax for polishing.

(260) AM 2023 122052 A
(800) 1718265

(151) 2022 10 05
(891) 2022 10 05

(731) UNİBA TARIM SANAYİ VE TİCARET
ANONİM ŞİRKETİ
AOSB 3.kısım Mahallesi 30.Cadde, No:29
Döşemealtı, Antalya, Türkiye

(540)



(591) Black and green
(531) 02.09.17; 27.05.01; 27.05.09; 27.05.11;
27.05.14; 27.05.17; 29.01.12

(511)

1 – Chemicals used in industry, science, photography, agriculture, horticulture and forestry; manures and soils; unprocessed artificial resins and unprocessed plastics; fire extinguishing compositions; adhesives not for medical, household and stationery purposes.

(260) AM 2023 122053 A
(800) 1718275

(151) 2023 02 08
(891) 2023 02 08

(731) A-T Trade, Inc.
Suite 1100, 1999 Avenue of the Stars,
Los Angeles CA 90067, USA

(540)



(591) Black, white
(531) 03.07.24; 22.01.05

(511)

9 – Metronomes; subwoofers; acoustic amplifiers; acoustic conduits; acoustic couplers; acoustic sound alarms; amplifier stands; audio adapter cables; audio cables; audio headphones; audio mixers; audio mixing consoles; consumer electronic products, namely, audio amplifiers, audio speakers, audio receivers, electrical audio and speaker cables and connectors, audio decoders, video decoders, speakers, power conversion devices, power converters, and power inverters; digital music systems that synchronizes digital radio files stored on a home unit, a car unit, or portable unit and that may be backed up to an internet depository; ef-

fects pedals for guitars; electric cables, wires, conductors and connection fittings therefor; electric control panels; electrical cables for use in connections; electronic effects pedals for use with musical instruments; electronic effects units for musical instruments; electronic sound mixing, processing and synthesizing apparatus; electronic systems for recording and automated playback of acoustic pianos; guitar amplifiers; guitar cables; microphone cables; microphone stands; microphones; musical instrument amplifiers; personal headphones for use with sound transmitting systems; power amplifiers; public address (pa) and sound system accessories, namely, microphone stands, speaker stands, microphone cables, speaker cables, speaker boxes and sound mixers; racks for amplifiers; sound cards; sound mixers; sound mixers with integrated amplifiers; sound recorded magnetic cards, sheets and tapes; stands adapted for stereos and audio speakers; stereo cables; stereo headphones; stereo tuners; studio audio monitors for music production.

15 – Drumsticks; acoustic guitars; bass guitars; covers adapted for guitars; digital pianos; drum brushes; drum parts, namely, routs; drum pedals; drum practice pads; drums and percussion instruments; electric guitars; electronic musical instruments; electronic percussion instruments; guitar accessories, namely, guitar slides; guitar armrests; guitar picks; guitar saddles; guitar straps; music synthesizers; musical instrument strings; pedals, other than electric and electronic effects units, for musical instruments; percussion instruments; piano keyboards; tuners for musical instruments; tuners for electronic musical instruments.

20 – Benches; chairs; electric piano keyboard bench; furniture; furniture, namely, display units; furniture, namely, showcases; piano benches; screens; upholstered furniture.

(260) AM 2023 122054 A

(800) 1718586

(151) 2022 09 30

(891) 2022 09 30

(731) Otkrytoe aktsionemoe obshchestvo "Brestsky myasokombinat"
ul. Pisatelya Smirnova, 4, 224034 Brest,
Belarus

(540)

БЕЛОВЕЖСКОЕ УГОЩЕНИЕ

(591) Black, white

(531) 28.05

(511)

29 – Meat, fish, poultry, game and foods made therefrom; meat, preserved, dried, smoked; cooked meat; meat, tinned [canned (Am.)]; meat products; charcuterie; sausages; small sausages; smoked foods [meat, fish, poultry, game]; ham; bacon; tripe and foods made therefrom; liver; pork, lard, speck (bacon), ribs and foods made therefrom; meat extracts; meat pastes; li-

ver pastes; pastes made from tripe products; semi-prepared foods made from meat, poultry, game, tripe.

35 – Advertising; wholesale and retail trade services in respect of dietetic food adapted for medical purposes, food for babies, meat, fish, poultry, game and foods made therefrom, meat, preserved, dried, smoked, cooked meat, meat, tinned [canned (Am.)], meat products, charcuterie, sausages, small sausages, smoked foods [meat, fish, poultry, game], ham, bacon, tripe and foods made therefrom, liver, pork, lard, speck (bacon), ribs and foods made therefrom, meat extracts, meat pastes, liver pastes, pastes made from tripe products, semi-prepared foods made from meat, poultry, game, tripe, bread, pastries and confectionery, precooked foods made from dough with filling, precooked foods made from dough, namely pastry stuffed with meat, pelmeni, vareniki [stuffed dumplings], pies, pasties, meat pies, pancakes, pizzas; demonstration of goods; promoting the goods and services of others; organization of exhibitions, trade fairs and other events for commercial or advertising purposes.

(260) AM 2023 122057 A

(800) 1718600

(151) 2022 04 25

(891) 2022 04 25

(731) Burkovska Yulia Volodymyrivna
5 Saperne Pole Str., apt. 16, Kyiv 01042,
Ukraine

(540)

Sister's Aroma

(591) Black, white

(511)

3 – Amber [perfume]; antiperspirants [toiletries]; joss sticks; aromatics [essential oils]; potpourris [fragrances]; balms, other than for medical purposes; lip glosses; lipsticks; deodorants for human beings or for animals; scented water; extracts of flowers [perfumes]; herbal extracts for cosmetic purposes; ethereal essences; essential oils; essential oils of cedarwood; essential oils of lemon; essential oils of citron; javelle water; jasmine oil; greases for cosmetic purposes; ionone [perfumery]; collagen preparations for cosmetic purposes; hair conditioners; cosmetics; eyebrow cosmetics; cosmetics for children; cosmetics for animals; beauty masks; cosmetic preparations for baths; cosmetic preparations for eyelashes; cosmetic preparations for skin care; cosmetic creams; essential oil-based creams for aromatherapy use; lavender water; lavender oil; lotions for cosmetic purposes; massage candles for cosmetic purposes; soap; micellar water; cosmetic kits; eau de cologne; oils for toilet purposes; oils for perfumes and scents; cleansers for intimate personal hygiene purposes, non medicated; perfumery; perfumes; gel eye patches for cosmetic purposes; pomades for cosmetic purposes; air fragancing prepa-

rations; sun-tanning preparations [cosmetics]; toiletry preparations; air fragrance reed diffusers; sachets for perfuming linen; sunscreen preparations; toilet water; mascara; shampoos.

4 – Perfumed candles; nightlights [candles]; soy candles; candles.

(260) AM 2023 122058 A

(800) 1718638

(151) 2022 11 04

(891) 2022 11 04

(731) INVESTIGACIÓN Y DESARROLLO DE COSMÉTICOS, S.A.

Calle Costa Brava, 30, E-08030 Barcelona, Spain

(540)

SELVERT
T H E R M A L

(591) Black, white

(531) 26.11.01; 26.11.08; 27.05.01; 27.05.10; 27.05.11

(511)

3 – Cosmetics; cosmetic kits; soaps and gels; facial scrubs; facial cleansing milk; lotions for facial and body care; face and body masks; facial serums for cosmetic use; face and body creams [cosmetics]; anti-aging skin care preparations; anti-aging serums; soaps; cosmetic soaps; hair oil; face and body oils; cosmetic oils; essential oils and aromatic extracts; hair conditioning oils; perfumery, hand cream; cosmetic creams; cosmetic creams for firming skin around eyes; sun creams [cosmetics]; exfoliating creams; moisturizing creams, lotions and gels; hair creams [for cosmetic use]; creams for cellulite reduction; tanning creams and lotions; body deodorants [perfumery]; cosmetic hair lotions; cosmetic preparations for sun protection; cosmetic preparations for the bath and shower; mineral water atomizers with a cosmetic purpose; tissues impregnated with cosmetic lotion.

(260) AM 2023 122065 A

(800) 1718888

(151) 2023 01 11

(891) 2023 01 11

(731) VIENNA INSURANCE GROUP AG Wiener Versicherung Gruppe

Schottenring 30, A-1010 Wien, Austria

(540)



(591) Violet, white

(531) 27.05.01; 27.05.21; 29.01.05

(511)

36 – Insurance; financial affairs; monetary affairs; real estate affairs.

(260) AM 2023 122081 A

(800) 1719361

(151) 2022 12 29

(891) 2022 12 29

(731) Obshchestvo s ogranichennoy otvetstvennostyu "Drekhslers Immo-Servis"

Mozhayskoye sh., 2, vn. ter. Munitsipalnyy okrug Mozhayskiy, RU-121374 Moscow, Russian Federation

(540)

САИФЕМО

(591) Black, white

(531) 28.05

(511)

29 – Agar-agar for culinary purposes; aloe vera prepared for human consumption; alginates for culinary purposes; andouillettes; anchovy, not live; peanuts, prepared; artichokes, preserved; albumen for culinary purposes; white of eggs; beans, preserved; soya beans, preserved, for food; broth; ginger jam; verjuice for culinary purposes; ham; fatty substances for the manufacture of edible fats; laver, preserved; edible birds' nests; sea-cucumbers, not live; cabbage rolls stuffed with meat; peas, preserved; mushrooms, preserved; guacamole; berry-based fool; game, not live; gelatine; meat jellies; jellies for food, other than confectionery; yolk of eggs; coconut fat; bone oil for food; lard; suet for food; edible fats; fruit-based snack food; milk substitutes; soya patties; tofu patties; charcuterie; raisins; caviar; aubergine paste; vegetable marrow paste; fish roe, prepared; ginger, preserved; crystallized ginger; pickled ginger; yogurt; sauerkraut; cassoulet; quark; kephir; kimchi; isinglass for food; potato-based dumplings; klipfish [salted and dried cod]; clams, not live; milk shakes; black pudding; onion rings; arrangements of processed fruit; compotes; meat, tinned; vegetables, tinned; fish, tinned; fruits, tinned; duck confits; broth concentrates; vegetable-based concentrate for cooking; fruit-based concentrate for cooking; corn dogs; gherkins; tofu burger patties; shrimps, not live; prawns, not live; buttercream; croquettes; silk-worm chrysalis for human consumption; sweet corn, processed; koumiss; spiny lobsters, not live; lecithin for culinary purposes; edible ant larvae, prepared; salmon, not live; onions, preserved; margarine; marmalade; oils for food; peanut butter; cocoa butter for food; coconut oil for food; coconut butter; maize oil for food; sesame oil for food; linseed oil for food; extra virgin olive oil for food; olive oil for food; palm oil for food; palm kernel oil for food; sunflower oil for food; rape oil for food; butter; soya bean oil for food; mus-

sels, not live; almonds, ground; animal marrow for food; shellfish, not live; molluscs, not live; milk; peanut milk; peanut milk for culinary purposes; coconut milk; coconut milk for culinary purposes; almond milk; almond milk for culinary purposes; oat milk; rice milk; rice milk for culinary purposes; albumin milk; condensed milk; soured milk; soya milk; powdered milk; fermented baked milk; fish meal for human consumption; vegetable mousses; fish mousses; fruit pulp; meat; meat, preserved; freeze-dried meat; lactic acid drinks; milk beverages, milk predominating; peanut milk-based beverages; coconut milk-based beverages; almond milk-based beverages; edible insects, not live; sausage casings, natural or artificial; vegetables, preserved; freeze-dried vegetables; vegetables, processed; vegetables, dried; vegetables, cooked; hash browns; potato fritters; olives, preserved; lobsters, not live; omelettes; flavoured nuts; candied nuts; coconut, desiccated; nuts, prepared; tomato paste; pressed fruit paste; liver pâté; pectin for culinary purposes; preserved peppers; liver; pickles; vegetable-based prepared meals for toddlers; jams; powdered eggs; milk products; fish-based foodstuffs; poultry, not live; white pudding; bulgogi; pollen prepared as foodstuff; cranberry compote; tomato purée; apple purée; crayfish, not live; crustaceans, not live; ratatouille; fish, preserved; fish, not live; salted fish; vegetable salads; fruit salads; bacon; sardines, not live; satay; pork; herrings, not live; seeds, prepared; sunflower seeds, prepared; cream [dairy products]; whipped cream; vegetable-based cream; fat-containing mixtures for bread slices; smetana; lemon juice for culinary purposes; tomato juice for cooking; vegetable juices for cooking; salted meats; sausages; sausages in batter; hot dog sausages; preparations for making bouillon; preparations for making soup; tofu skin; vegetable-based spreads; nut-based spreads; fruit jelly spreads; tripe; berry soup; soups; vegetable soup preparations; whey; cottage cheese fritters; cheese; tajine [prepared meat, fish or vegetable dish]; tahini; cottage cheese; tofu; tempeh; truffles, preserved; tuna, not live; oysters, not live; falafel; milk ferments for culinary purposes; rennet; fish fillets; dates; crystallized fruits; frozen fruits; fruit, preserved; fruit, processed; fruit preserved in alcohol; fruit, stewed; hazelnuts, prepared; potato flakes; hummus; edible flowers, dried; fruit peel; preserved garlic; lentils, preserved; potato crisps; low-fat potato crisps; fruit chips; choucroute garnie; non-alcoholic eggnog; seaweed extracts for food; meat extracts; berries, preserved; eggs; snail eggs for consumption; yakitori.

30 – Vanilla flavourings for culinary purposes; flavourings, other than essential oils, for cakes; flavourings, other than essential oils, for beverages; coffee flavourings; food flavourings, other than essential oils; star aniseed; baozi; cereal bars; high-protein cereal bars; pancakes; savoury pancakes; freeze-dried dishes with the main ingredient being pasta; freeze-dried dishes with the main ingredient being rice; no-

odle-based prepared meals; buns; bulgur; bread rolls; pains au chocolat; edible paper wafers; edible rice paper; edible paper; burritos; vanillin [vanilla substitute]; waffles; vermicelli; natural sweeteners; sausage binding materials; binding agents for ice cream; orange blossom water for culinary purposes; seawater for cooking; seaweed [condiment]; malt biscuits; cloves [spice]; mirror icing [mirror glaze]; cake frosting [icing]; glucose for culinary purposes; mustard; croûtons; buckwheat, processed; gluten additives for culinary purposes; yeast for brewing beer; yeast; thickening agents for cooking foodstuffs; leaven; rice-based snack food; cereal-based snack food; cocoa substitutes; coffee substitutes; vegetal preparations for use as coffee substitutes; tea substitutes; dressings for salad; fruit jellies [confectionery]; candy decorations for cakes; confectionery in the form of mousses; confectionery for decorating Christmas trees; cakes; Danish pastries; pastries; peanut confectionery; almond confectionery; confectionery; fruit confectionery; pasta; ground ginger; frozen yogurt [confectionery ices]; cocoa; cream of tartar for culinary purposes; capers; coffee capsules, filled; caramels [sweets]; curry [spice]; ketchup [sauce]; quinoa, processed; quiches; gluten prepared as foodstuff; flour-based dumplings; sweets; liquorice [confectionery]; peppermint sweets; mints for breath freshening; liqueur chocolates; dulce de leche; cinnamon [spice]; coffee; unroasted coffee; starch for food; crackers; rice crackers; crème brûlée; custard; flavored jelly crystals for making jelly confectionery; croissants; hominy grits; semolina; oatmeal; crushed barley; groats for human food; ice cubes; corn, milled; corn, roasted; meat pies; fruit coulis [sauces]; turmeric; couscous; laksa; noodles; soba noodles; udon noodles; ice for refreshment; ice, natural or artificial; edible ices; ice pops; potato-based flatbreads; rice cakes; mayonnaise; macaroons [pastries]; macaroni; maltose; hominy; piccalilli; marinades; marzipan; honey; miso; royal jelly; ice cream; bean meal; buckwheat flour; tapioca flour; potato flour; corn flour; nut flours; flour; wheat flour; soya flour; barley meal; chocolate mousses; muesli; mint for confectionery; cocoa beverages with milk; coffee beverages with milk; coffee-based beverages; cocoa-based beverages; chamomile-based beverages; tea-based beverages; tea beverages with milk; chocolate beverages with milk; chocolate-based beverages; infusions, not medicinal; nougat; gnocchi; crushed oats; husked oats; kimchi pancakes; onigiri; nutmegs [spice]; chocolate-coated nuts; stick liquorice [confectionery]; ginger paste [seasoning]; lozenges [confectionery]; molasses for food; pâtés en croûte; pelmeni; pepper; allspice; peppers [seasonings]; pesto; biscuits; coconut macaroons; petit-beurre biscuits; bibimbap [rice mixed with vegetables and beef]; pies; noodle-based prepared meals for toddlers; meat gravies; spelt, processed; fondants [confectionery]; popcorn; powders for making ice cream; baking powder; mustard meal; pralines; aromatic preparations for food; condiments;

meat tenderizers for culinary purposes; cereal preparations; oat-based food; propolis; profiteroles; gingerbread; spices; petits fours; rice pudding; puddings; cake powder; ravioli; ramen; chewing gum; chewing gum for breath freshening; relish [condiment]; rice; prepared rice rolled in seaweed; instant rice; wheat germ for human consumption; spring rolls; sago; sugar; crystallized rock sugar; palm sugar; processed hemp seeds [seasonings]; sesame seeds [seasonings]; linseed for culinary purposes [seasoning]; processed seeds for use as a seasoning; processed squash seeds [seasonings]; aniseed; agave syrup [natural sweetener]; golden syrup; savoury pancake mixes; batter mixes; baking soda [bicarbonate of soda for cooking purposes]; crystallized lemon juice [seasoning]; malt for human consumption; salt for preserving foodstuffs; cooking salt; celery salt; sorbets [ices]; ham glaze; cranberry sauce [condiment]; soya sauce; tomato sauce; apple sauce [condiment]; sauces [condiments]; pasta sauce; spaghetti; seasonings; chocolate-based spreads; chocolate spreads containing nuts; preparations for stiffening whipped cream; shaved ice with sweetened red beans; rusks; breadcrumbs; sushi; sandwiches; tabbouleh; tacos; tamarind [condiment]; tapioca; tarts; dough; pastry dough; almond paste; rice pulp for culinary purposes; cake batter; tortillas; garden herbs, preserved [seasonings]; chocolate decorations for cakes; vinegar; beer vinegar; ferments for pastes; halvah; harissa [condiment]; bread; gluten-free bread; unleavened bread; chips [cereal products]; corn flakes; oat flakes; hot dog sandwiches; flowers or leaves for use as tea substitutes; jiaozi; chicory [coffee substitute]; herbal teas; tea; kelp tea; iced tea; chutneys [condiments]; minced garlic [condiment]; cheeseburgers [sandwiches]; chocolate-covered potato chips; chow-chow [condiment]; saffron [seasoning]; chocolate; malt extract for food; essences for foodstuffs, except etheric essences and essential oils; husked barley.

31 – Algarovilla for animal consumption; anchovy, live; oranges, fresh; peanuts, fresh; artichokes, fresh; draff; beans, fresh; locust beans, raw; soya beans, fresh; birch sauna whisks; wreaths of natural flowers; grapes, fresh; algae, unprocessed, for human or animal consumption; fruit residue [marc]; dog biscuits; sea-cucumbers, live; peas, fresh; buckwheat, unprocessed; mushroom spawn for propagation; mushrooms, fresh; trees; palm trees; turf, natural; unsawn timber; undressed timber; yeast for animal consumption; Christmas trees; edible chews for animals; live animals; menagerie animals; peanut cake for animals; oil cake; maize cake for cattle; rape cake for cattle; bagasses of cane [raw material]; cereal seeds, unprocessed; grains [cereals]; grains for animal consumption; lime for animal forage; fish spawn; ginger, fresh; vegetable marrows, fresh; cocoa beans, raw; koi carp, live; potatoes, fresh; chestnuts, fresh; quinoa, unprocessed; arrangements of fresh fruit; cannabis, unprocessed; copra; raw barks; rough cork; animal foodstuffs; pet

food; stall food for animals; bird food; strengthening animal forage; chicory roots; roots for animal consumption; nettles; groats for poultry; maize; edible sesame, unprocessed; shrubs; rose bushes; spiny lobsters, live; lemons, fresh; vine plants; salmon, live; onions, fresh; flower bulbs; leeks, fresh; olives, fresh; bran mash for animal consumption; mussels, live; almonds [fruits]; shellfish, live; molluscs, live; peanut meal for animals; linseed meal for animal consumption; meal for animals; flax meal [fodder]; rice meal for forage; fish meal for animal consumption; straw mulch; catnip; beverages for pets; edible insects, live; oats; vegetables, fresh; cucumbers, fresh; lobsters, live; coconuts; kola nuts; nuts, unprocessed; bran; distillery waste for animal consumption; residue in a still after distillation; palms [leaves of the palm tree]; cuttle bone for birds; peppers [plants]; aromatic sand [litter] for pets; sand for pet toilets; citrus fruit, fresh; litter for animals; mash for fattening livestock; small spelt, unprocessed; spelt, unprocessed; unprocessed sweet corn ears [husked or unhusked]; fishing bait, live; freeze-dried fishing bait; animal fattening preparations; preparations for egg laying poultry; by-products of the processing of cereals, for animal consumption; seed germ for botanical purposes; poultry, live; wheat; pollen [raw material]; crayfish, live; crustaceans, live; seedlings; plants; aloe vera plants; plants, dried, for decoration; cannabis plants; rhubarb, fresh; rice, unprocessed; rye; wheat germ for animal consumption; fish, live; lettuce, fresh; sardines, live; beet, fresh; herrings, live; seeds for planting; hemp seeds, unprocessed; linseed for animal consumption; edible linseed, unprocessed; unprocessed squash seeds; hay; coconut shell; bred stock; sanded paper [litter] for pets; malt for brewing and distilling; straw [forage]; straw litter; salt for cattle; trunks of trees; wood chips for the manufacture of wood pulp; litter peat; garden herbs, fresh; sugarcane; truffles, fresh; tuna, live; squashes, fresh; oysters, live; fruit, fresh; hazelnuts, fresh; fodder; hops; flowers, natural; flowers, dried, for decoration; edible flowers, fresh; chicory, fresh; silkworms; garlic, fresh; lentils, fresh; pine cones; hop cones; spinach, fresh; juniper berries; berries, fresh; eggs for hatching, fertilized; silkworm eggs; barley.

(260) AM 2023 122082 A

(800) 1719375

(151) 2023 01 03

(891) 2023 01 03

(731) YADEA TECHNOLOGY GROUP CO., LTD.
DONGSHENG ROAD, DACHENG
INDUSTRIAL ZONE, ANZHEN TOWN,
XISHAN DISTRICT, WUXI CITY, 214000
JIANGSU PROVINCE, China

(540)

TTFAR

(591) Black, white

(531) 27.05.01; 27.05.17

(511)

7 – Alternating current servo motors; brushes being parts of motors, generators and dynamos; kick starters for motorcycles; speed governors for machines, engines and motors; electricity generators; bicycle dynamos; ignition magnetos for engines; alternators; dynamos.

9 – Batteries, electric, for vehicles; electric locks for vehicles; electrical and electronic burglar alarms; helmets for motorcyclists; electrical adapters; electric cables and wires; voltage regulators for vehicles; rear-view cameras for vehicles; navigation apparatus for vehicles [on-board computers]; downloadable mobile applications.

12 – Diesel engines for land vehicles; motorcycles; moped; bicycles; remote control vehicles, other than toys; electric vehicles; motors, electric, for land vehicles; mopeds; electric tricycle; electric bicycle.

(260) AM 2023 122084 A

(800) 1719518

(151) 2022 12 13

(891) 2022 12 13

(731) HAVEA COMMERCIAL SERVICES

Parc d'activité Sud Loire Boufféré,
F-85612 MONTAIGU-VENDEE CEDEX,
France

(540)

CALMOSINE

(591) Black, white

(511)

3 – Soaps; perfumery; essential oils; cosmetics; lotions for hair; hydrolates (essential oils); essential oils, namely oleates; dentifrices; bath salts not for medical use; extracts of flowers; oils for cosmetic use; shampoos; lip balms; balms for cosmetic use; gel for cosmetic use; products for mouth-and-tooth care and hygiene; mouthwashes, not for medical use.

(260) AM 2023 122087 A

(800) 920717

(151) 2006 12 20

(891) 2023 02 22

(731) Henkel AG & Co. KGaA

Henkelstraße 67, 40589 Düsseldorf, Germany

(540)

MAKROFLEX

(591) Black, white

(511)

1 – Chemicals used in industry; unprocessed artificial resins, unprocessed plastics; fire extinguishing compositions; tempering and soldering preparations; adhesives used in industry.

(260) AM 2023 122089 A

(800) 1073076

(151) 2010 11 09

(891) 2023 02 22

(731) GIANNI VERSACE S.R.L.

Piazza Luigi Einaudi 4, I-20124 MILANO,
Italy

(540)

VERSACE

(591) Black, white

(511)

3 – Cosmetics, including night and day creams, cleaning preparations for face and body care, bath foam, shaving foam, after-shave products, foundation make-up, nail polish, deodorants for men and women, hand and body soaps, hair shampoos and rinsing products, hair spray, toothpaste and fragrances, namely perfume, toilet water and essential oils for personal use for men and women.

9 – Optical instruments, apparatus and equipment; glasses, sunglasses; spectacles; spectacle frames; monocles; lorgnettes; mobile phones and computer; helmets; parts, fittings, accessories, components and cases for all the aforesaid goods.

14 – Articles made of precious metals and alloys of precious metals with or without precious stones, namely rings, necklaces, bracelets, brooches, earrings, tie clips, cufflinks, diamonds, jewel cases, watches, clocks chronometers, watch cases, costume jewellery, parts and fittings for all the aforesaid goods.

18 – Leather and imitation of leather, handbags, wallets, luggage attache cases, tote bags, briefcases, sport bags, travelling trunks, carry-on bags, shoulder bags, garment bags for travelling, key cases, umbrellas, parasols, walking sticks, whips, harnesses, bridles and saddlery.

25 – Clothing for men, women and children, namely belts, coats, raincoats, waistcoats, blouses and pullovers, jackets, trousers, skirts, dresses, suits, shirts and chemises, T-shirts, sweaters, underwear, socks and stockings, gloves, ties, scarves, hats and caps, boots, shoes and slippers.

35 – Advertising; business management; business administration; office functions; dissemination of advertisements; dissemination of advertising matter; rental of advertising spaces; commercial or industrial business management consultancy and assistance; professional business consultancy; modelling for advertising or business promotion; franchising, namely services provided by a franchisor in helping, managing and developing commercial enterprises (services for third parties); gathering various goods allowing the consumer to view and buy the aforesaid goods in retail stores.

(260) AM 2023 122096 A
 (800) 1589321
 (151) 2021 03 30
 (891) 2022 12 12
 (731) Huizhou Elant Technology Co., Ltd
 Plant of No. 24 Community, Jiangbei,
 Huicheng District, Huizhou City,
 Guangdong Province, China

(540)

Elant

(591) Black, white

(531) 27.05.01

(511)

11 – Light bulbs; electric lamps; lamps; ceiling lights; luminous tubes for lighting; luminous house numbers; street lamps; aquarium lights; light-emitting diodes [LED] lighting apparatus; germicidal lamps for purifying air; burners for lamps; cooking apparatus and installations.

(260) AM 2023 122097 A

(800) 1624702

(151) 2021 09 14

(891) 2023 02 13

(731) Zhejiang Qianjiang Motorcycle Co., Ltd.
 Economic & Development Zone, Wenling,
 317500 Zhejiang Province, China

(540)

QJMOTOR

(591) Black, white

(531) 27.05.01; 27.05.17

(511)

12 – Motorcycles; electric vehicles; electric bicycles.

(260) AM 2023 122098 A

(800) 1626484

(151) 2021 09 14

(891) 2023 01 13

(731) Zhejiang Qianjiang Motorcycle Co., Ltd.
 Economic & Development Zone, Wenling,
 317500 Zhejiang Province, China

(540)



(591) Black, white

(531) 26.11.21; 27.05.17; 27.05.21

(511)

12 – Motorcycles; electric vehicles; electric bicycles; electric tricycles.

(260) AM 2023 122100 A

(800) 1683262

(151) 2022 06 07

(891) 2023 03 01

(731) Janssen Pharmaceutica NV
 Turnhoutseweg 30, B-2340 Beerse, Belgium

(540)

TALVEY

(591) Black, white

(511)

5 – Pharmaceutical preparations for human use.

(260) AM 2023 122101 A

(800) 1705391

(151) 2022 11 24

(891) 2023 02 24

(731) INTERALIMENT
 27 avenue Franklin Roosevelt, F-35400
 Saint-Malo, France

(540)

Maison
Colibri

(591) Red, blue and black

(531) 24.07.01; 24.07.23; 26.11.02; 26.11.08;
 27.05.01; 29.01.14

(511)

30 – Flours; cereal preparations; bread; pastry; cakes; biscuits and cookies; salted biscuits; buns; rusks; pound cakes; tarts; madeleine cakes; financiers (cakes); crêpes dentelles; fruit cakes; small pastries; gingerbread; pancakes; waffles; chocolates; macaroons (pastry); petits fours (cakes); puddings; marzipan; confectionery; candy.

(260) AM 2023 122152 A

(800) 1719838

(151) 2023 01 17

(891) 2023 01 17

(731) Honor Device Co., Ltd.
 Suite 3401, Unit A, Building 6, Shum Yip Sky
 Park, No. 8089, Hongli West Road, Xiangmihu
 Street, Futian District, Shenzhen, 518040
 Guangdong, China

(540)

Himage

(591) Black, white

(511)

9 – Raster image processors; telepresence robots; computer software applications, downloadable; software for processing images, graphics and text; electronic cards for processing images; graphics accelerator;

computer software for processing digital images; tablet computers; smartwatches; smartglasses; notebook computers; computer programs for editing images, sound and video; virtual reality game software; computer hardware; computer software, recorded; central processing units for processing information, data, sound or images; graphics processor units (GPUs); smartphones; foldable smartphones; wearable activity trackers; image intensifiers; virtual reality headsets; earphones; television apparatus; camcorders; video recorders; lenses for video cameras; cameras [photography]; smartphone camera lenses; HD integrated graphics chips; video screens; displays for smartphones; image intensifier tubes; sensors.

(260) AM 2023 122158 A
(800) 1720167
(151) 2023 02 21
(891) 2023 02 21
(731) Sovereign Brands, L.L.C.
1300 Old Skokie Valley Road, Highland Park
US-DE 60035, USA

(540)

DUCAT

(591) Black, white
(511)
33 – Vodka and alcoholic beverages containing vodka.

(260) AM 2023 122159 A
(800) 1720173
(151) 2022 11 02
(891) 2022 11 02
(731) 2769595 Ontario Ltd.
44 Jackes Avenue, Suite 418, Toronto ON M4T
1E5, Canada

(540)

VICE

(591) Black, white
(511)
9 – Batteries for electronic cigarettes; battery chargers for electronic cigarettes.

34 – Electronic cigarettes; refill cartridges for electronic cigarettes; refill cartridges for electronic cigarettes; kits comprising an electronic cigarette and at least one cartridges for electronic cigarettes; nicotine-based liquids for use in electronic cigarettes; liquid solutions for use in electronic cigarettes; cartridges sold filled with liquid nicotine for electronic cigarettes; electronic cigarette refill liquids, namely, chemical flavorings in liquid form; chemical flavorings in liquid form used to refill electronic cigarette cartridges; cartridges sold filled with chemical flavorings in liquid form for electronic cigarettes; tobacco substitutes in liquid solution form for electronic cigarettes; cases for electronic cigarettes; electronic cigarette acces-

sories, namely, cartridges, mouth pieces, cases and boxes; replacement atomizers and electric coils for electronic cigarettes.

(260) AM 2023 122160 A
(800) 1720184
(151) 2023 01 27
(891) 2023 01 27
(731) JOINT STOCK COMPANY "FATS AND OIL
INTEGRATED WORKS"
UL. TITOVA 27, EKATERINBURG,
RU-620085 SVERDLOVSKAYA OBLAST,
Russian Federation

(540)



(591) Red and yellow
(531) 01.03.02; 24.03.07; 28.05; 29.01.13
(511)

29 – Oils and fats for food; butter; margarine; cream-vegetable oils for food; spreads, namely dairy-based spreads, spreads made from vegetable oils and fats; buttercream; fat-containing mixtures for bread slices.

(260) AM 2023 122162 A
(800) 1720252
(151) 2023 01 29
(891) 2023 01 29
(731) Otkrytoe aktsionernoe obschestvo "Kompaniya
Arnest"
ul. Kombinatskaya, 6, g. Nevinnomyssk,
RU-357107 Stavropolsky Krai, Russian
Federation

(540)

SoWell

(591) Black, white
(511)
3 – Balms, other than for medical purposes; lip glosses; nail glitter; body glitter; cotton wool impregnated with make-up removing preparations; scented water; micellar water; toilet water; depilatory wax; moustache wax; creams for leather; massage gels, other than for medical purposes; dental bleaching gels; deodorants for human beings or for animals; depilatory preparations; air fragrance reed diffusers; perfumes; perfumery; eyebrow pencils; cosmetic pencils; hair conditioners; beard dyes; cosmetic dyes; body paint for cosmetic purposes; cosmetic creams; skin whitening creams; essential oil-based creams for aromatherapy use; hair spray; nail varnish; hair lotions; lotions for

cosmetic purposes; after-shave lotions; beauty masks; sheet masks for cosmetic purposes; disposable steam-heated masks, not for medical purposes; oils for cosmetic purposes; almond milk for cosmetic purposes; cleansing milk for toilet purposes; deodorant soap; shaving soap; cakes of toilet soap; antiperspirant soap; soap for foot perspiration; soap; almond soap; make-up palettes containing cosmetics; gel eye patches for cosmetic purposes; eau de Cologne; toothpaste; lipsticks; pomades for cosmetic purposes; cosmetic preparations for baths; bath preparations, not for medical purposes; hair straightening preparations; hair waving preparations; colour-removing preparations; leather bleaching preparations; mouthwashes, not for medical purposes; make-up removing preparations; nail care preparations; aloe vera preparations for cosmetic purposes; sunscreen preparations; make-up powder; tissues impregnated with cosmetic lotions; tissues impregnated with make-up removing preparations; massage candles for cosmetic purposes; bath salts, not for medical purposes; cooling sprays for cosmetic purposes; astringents for cosmetic purposes; eyebrow cosmetics; sun-tanning preparations [cosmetics]; hair dyes; neutralizers for permanent waving; cosmetic preparations for skin care; dentifrices; cosmetics; cosmetics for children; mascara; cleansers for intimate personal hygiene purposes, non medicated; douching preparations for personal sanitary or deodorant purposes [toiletries]; antiperspirants [toiletries]; toiletry preparations; phytocosmetic preparations; toners for cosmetic purposes; dry shampoos; shampoos.

(260) AM 2023 122168 A

(800) 1720376

(151) 2022 11 24

(891) 2022 11 24

(731) ITM ENTREPRISES

24 rue Auguste Chabrières, F-75015 PARIS,
France

(540)

bricorama

(591) Black, yellow

(531) 26.01.01; 26.01.03; 27.01.06; 27.05.01;
29.01.12

(511)

1 – Chemical products for use in industry, science, photography, as well as in agriculture, horticulture and forestry; unprocessed artificial resins, unprocessed plastics; fire extinguishing and fire prevention compositions; tempering and soldering preparations; materials for tanning leather and animal skins; adhesives for use in industry; putties and other paste fillers; composts, manures, fertilizers; biological preparations for use in industry and science; coolant for vehicle engines; chemical additives for engine cooling systems; potting soil; adhesives for use in industry;

glues (size for finishing and priming); adhesives for tiles; cement for mending broken objects.

2 – Colorants, paints, varnishes, lacquers; preservatives against rust and against deterioration of wood; colorants, dyes; printing inks, marking inks and engraving inks; Unprocessed natural resins; metals in foil and powder form for painting, decoration, printing and works of art; dyestuffs; mordants; coatings; thinners for paints; binders for paints; protective products for metals; anti-corrosion agents.

3 – Bleaching preparations and other substances for laundry use; cleaning, polishing, degreasing and abrasive preparations; preservatives for leather (polishes); creams for leather; cleaning shampoo for vehicles; polishing shampoo for vehicles; cleaning products for cooling system, oil systems; windshield washer preparations; scouring product; de-icing product; car polishing products; plastic renovator for automobiles; sandpaper and abrasive strips for sanding; shampoos for pets; toothpastes for pets; cosmetic products for animals; deodorants for animals; stain removers; cotton wool for cosmetic use; incense; scented wood; potpourris [fragrances]; scouring solutions; products for removing paint, rust.

4 – Industrial oils and greases, waxes; lubricants; dust absorbing, wetting and binding compositions; fuels and illuminants; candles and wicks for lighting; anti-seize substances; wood pellets for heating (fuel); charcoal (fuel).

5 – Veterinary preparations; dietetic substances and foods for veterinary use; food supplements for animals; disinfectants; products for destroying vermin; fungicides, herbicides, pesticides; diaper-pants of paper or cellulose for animals; anti-insect products; anti-parasite collars and lotions for animals; repellents for dogs.

6 – Common metals and their alloys, ores; building materials of metal; transportable buildings of metal; non-electric cables and wires of metal; small items of metal hardware; containers of metal for storage or transport; safes; fastening pegs of metal; hardware goods of metal; metal boxes, empty metal tool boxes, storage boxes of metal; bells; clip clamp of metal; metal garden sheds; fences of metal; door handles, locks of metal.

7 – Machines, machine tools, power-operated tools; motors and engines, other than for land vehicles; machine coupling and transmission components, other than for land vehicles; agricultural implements, other than hand-operated hand tools; incubators for eggs; automatic distribution machines; Water and dust vacuum cleaners, bags and filters for vacuum cleaners for dust and water; electric cleaning machines and apparatus, high-pressure cleaning devices, steam cleaning devices; portable electric tools (machines), namely, drills, grinders, sanders, saws, hammer drills,

routers, planers, screwdrivers, heat scrapers; hand-held tools, other than hand-operated; electric brushes (parts of machines); spray guns for paint; electric glue guns; abrasive discs (machine tools) and flap grinding discs for electric grinders, blades (parts of machines), screwing and drilling tips and adapters (parts of machines); emergency power generators; mowers; electric grinders; electric chain saws; riding lawn mowers.

8 – Hand-operated hand tools; gimlets (tools), drill holders (tools), dies (tools) and die holders (tools), wicks (parts of tools) and saw blades (parts of tools), screwing and drilling tips and adapters (parts of machines); graving tools, gouges, taps (tools); vices; secateurs; shovels (tools); rakes (tools); place settings (cutlery, forks, spoons); wedges and blocks for sanding; perforating tools.

9 – Scientific, research, navigation, surveying, photographic, cinematographic, audiovisual, optical, weighing, measuring, signaling, detecting, testing, inspecting, life-saving and teaching apparatus and instruments; apparatus and instruments for conducting, switching, transforming, accumulating, regulating or controlling the distribution or use of electricity; apparatus and instruments for sound, image or data recording, transmission, reproduction or processing; fire extinguishers; downloadable electronic publications; Measuring apparatus and instruments, in particular laser measuring apparatus and instruments, spirit meters and levels; batteries for vehicles; batteries; batteries (cells); rechargeable batteries; battery chargers; USB charger; detectors; apparatus and instruments for conducting, switching, transforming, accumulating, regulating or controlling electricity; electrical hardware, namely, wires, fuses, plugs, switches, boards, boxes, tubings, coils, circuit breaker, cords and cables; apparatus for recording, communication, transmission, reproduction of sound or images; HDMI cord; ADSL filter; hi-fi adapter; extension cables; antennas; thermostats; weather station; intercommunication apparatus; alarms; remote controls; time programmer; software for home automation; protective helmets; protective clothing and footwear; software applications for mobile telephones, tablets, smartphones and other portable computers or communication devices; computer software; computer game software; downloadable software; non-downloadable software; computer games; instant messaging software; file sharing software; communication software for the electronic exchange of data via computer, mobile, wireless and telecommunication networks; data processing equipment; computers; personal electronic organizers; protective spectacles; goggles; protective masks other than for medical use; filters for respiratory masks other than for medical use; protective visors other than for medical use; protective gloves; downloadable digital files authenticated by non-fungible tokens [NFTs]; downloadable image files containing artworks authenticated by non-fungible tokens (NFTs);

software for managing transactions using blockchain technology; downloadable virtual goods, namely, computer programs; downloadable virtual digital assets; downloadable virtual digital assets offered as a digital wallet; speed checking apparatus for vehicles.

10 – Surgical masks; respiratory masks for surgical use; respiratory masks for medical use; sanitary masks for medical use; face masks for medical use; protective masks for medical personnel; nasal protective masks for medical purposes; oral protective masks for medical use; antibacterial protection masks for medical use; antibacterial protective masks for surgical use; face masks for surgical use; facial protection masks for medical use; therapeutic masks to be worn on the face; inserts [medical instruments] for respiratory masks for surgical use; inserts [medical instruments] for respiratory masks for medical use; masks for surgical use for toxic substance protection; masks for protection against toxic substances for medical purposes; gloves for medical use; medical examination gloves; disposable gloves for surgical use; protective gloves for medical use; latex gloves for surgical use; rubber gloves for surgical use; protective gloves for medical personnel; disposable protective gloves for medical use; rubber gloves for medical use; latex gloves for medical use.

11 – Apparatus and installations for lighting, heating, cooling, steam generating, cooking, drying, ventilating, water distribution and sanitary installations; lamps; flashlights, floodlight; headlights for automobiles; electric radiators; barbecues; stoves (heating apparatus); barbecues.

12 – Tractors; wheelbarrows; equipment and accessories for land vehicles, namely, horns, clutch cables, brakes, brake pads, brake calipers, motors, suspension shock absorbers, connecting rods other than parts of motors, driving chains for land vehicles, hydraulic circuits, torque converters, propulsion mechanisms, gear boxes, spoilers, transmission chains, roller chains, transmission shafts, transmission belts, anti-skid chains, shock absorber springs, chains, tires for vehicle wheels, non-skid devices for vehicle tires, reduction gears for wheels, vehicle covers, seat covers, body, chassis, bumpers, windows for vehicles, rear-view mirrors, rims, hub caps for wheels, tires, vehicle wheels; windshields, anti-theft devices and anti-theft devices for wheels, alarms, horns, anti-theft warning devices for vehicles, direction signals for vehicles, air pumps; air filters for engines; caps for fuel tanks; vehicle wheel spokes; handlebars, cycle stands, cycle frames, cycle saddles, chain cranks for cycles, cranks for cycles, footrests for motorcycles, sprockets for vehicles; windshield wiper blades.

13 – Firearms; ammunition and projectiles; explosives; fireworks; pyrotechnic products; firecrackers; gun cases; signal rockets.

14 – Timepieces and chronometric instruments; jewelry cases; boxes of precious metal; watch cases, straps, chains, springs or glasses; key rings [trinkets or fobs]; statues or figurines (statuettes) of precious metals; cases or presentation cases for timepieces; medals.

16 – Paper and cardboard (raw, semi-finished or for stationery or printing); articles of paper and cardboard, namely, calendars, agendas, poster-bills, posters; stationery; cardboard articles; printed matter; cards; loyalty cards without magnetic coding; subscription cards of cardboard or plastic; newspapers; books; handbooks [manuals]; promotional pamphlets; pamphlets; publications; magazines; journals (periodicals); printed matter; prospectuses; publications; journals (magazines); newsletters; guides; catalogs; towels of paper; handkerchiefs of paper; paintings (pictures); engravings; wrapping paper; bags for packaging of paper or plastic; small bags for packaging of paper or plastic; sheets for packaging of paper or plastic; labels, not of textile; flags (of paper); postcards; transfers (decalcomanias); drawings; lithography; pictures; photographs; adhesives for stationery or household purposes; artists' materials; goods of plastic material for packaging; Painting articles; paintbrushes; house painters' rollers.

17 – Rubber, gutta-percha, gum, asbestos, mica being unprocessed or semi-processed and substitutes of all these materials; plastic materials and resins in extruded form used in manufacturing operations; packing, stopping and insulating materials; flexible pipes not of metal; fiberglass for insulation; fiberglass fabrics for insulation; tile joints.

18 – Leather and imitations of leather; animal skins; luggage and transport bags; umbrellas and parasols; walking sticks; whips, harness and saddlery; collars, harnesses, leashes and clothing for animals; bags for carrying animals.

19 – Non-metallic construction materials; non-metallic rigid pipes for building; asphalt, pitch, tar and bitumen; transportable buildings not of metal; monuments not of metal; garden sheds of wood; non-metal garden sheds; fences, not of metal; cement; mortar; products in the nature of powder (coatings being construction materials) for grouting surfaces and particularly floors, excluding chemicals.

20 – Furniture; mirrors (looking glasses), storage or transport containers not of metal; frames; works of art made of wood, wax, plaster, cork, reed, cane, wicker, horn, bone, ivory, whalebone, shell, amber, mother-of-pearl, meerschaum, substitutes for all these materials or of plastic; hangers for clothing; chests of drawers; cushions; shelves; packaging containers of plastic materials; armchairs; seats; bedding (excluding bed linen); mattresses; plate racks; wickerwork; boxes of wood or plastic materials; transat chairs; tables; garden furniture; flower stands; furniture gliders; vice benches of metal; hutches for animals; nesting boxes

for animals; kennels, cushions, bunks, bassinets and baskets for pets; scratching posts for cats.

21 – Household or kitchen utensils and containers; cooking utensils and tableware, except forks, knives and spoons; combs and sponges; brushes, except paintbrushes; brush-making materials; cleaning material; unworked or semi-worked glass, except building glass; glassware, porcelain and earthenware; steel wool; porcelain ware; dishes of glass, porcelain or earthenware; bottles; works of art made of porcelain, terracotta or glass; statues or figurines (statuettes) made of porcelain, terracotta or glass; toilet utensils or cases; trash cans; glasses (receptacles); tableware; indoor aquariums; terrarium; feeding troughs for animals, brushes and combs for animals, litter boxes (trays) for animals, litter trays, cages for pets; cages for birds and pets; feeding troughs and other elements of cage equipment, namely, perches, containers for water, swings, food trays for pets; brushes, sponges, cloths and chamois leather for cleaning vehicles; flower pots; Washing mitts for animals; car washing mitts; household gloves; gardening gloves; kitchen gloves.

22 – Ropes and strings; nets; tents and tarpaulins; awnings of textile or synthetic materials; sails; bags for the transport and storage of merchandise in bulk; padding and stuffing materials, excluding paper, cardboard, rubber or plastic materials; raw fibrous textile materials and their substitutes; vehicle covers, not fitted.

23 – Threads for textile use; elastic threads for textile use; rubber thread for textile use; glass threads for textile use; spun wool; spun silk.

24 – Fabrics for textile use; bed and table covers; elastic fabrics; velvet; bed linen; household linen; table linen not of paper; bath linen (except clothing); curtains of textile or plastic materials.

25 – Clothing, footwear, headgear, fabric masks [clothing].

26 – Lace trimmings, braids and embroidery, and ribbons and bows for haberdashery; buttons, hooks and eyes, pins and needles; artificial flowers; hair ornaments; false hair.

27 – Carpets, rugs, mats and matting, linoleum and other materials for covering existing floors; wall hangings not of textile.

28 – Games, toys; video game apparatus; gymnastic and sporting articles; Christmas tree decorations; Christmas trees of synthetic materials; fishing tackle; balls for games; swimming pools (play articles); slides (games); swings (playthings); playhouses; trampolines; games and toys for pets; pet toys made of rope; pet toys containing catnip; toy animals.

32 – Beers; non-alcoholic beverages; mineral and aerated waters; beverages based on fruit and fruit juices;

syrups and other non-alcoholic preparations for making beverages.

35 – Advertising; advertising by mail, radio or television, online advertising on a computer network; dissemination of advertisements; dissemination of advertising material (leaflets, prospectuses, printed matter, samples); presentation of goods on all communication media for retailing; distribution of advertisements by mail; the bringing together, for the benefit of third parties [excluding the transport thereof], enabling customers to conveniently view and purchase those goods, and retail or wholesale, mail-order sales, retail or wholesale services via the Internet or via any electronic means of the following products: chemicals used in industry, science, photography, as well as in agriculture, horticulture and forestry, unprocessed artificial resins, unprocessed plastics, fire extinguishing and fire prevention compositions, tempering and soldering preparations, materials for tanning animal skins and hides, adhesives [glues] for use in industry, putties and other paste fillers, compost, manures, fertilizers, biological preparations for use in industry and science, coolants for vehicle engines, chemical additives for engine cooling systems, potting soil, adhesives [glues] for use in industry, glues [primers], tile adhesives, cement for mending broken articles, colors, paints, varnishes, lacquers, preservatives against rust and against deterioration of wood, colorants, dyes, printing inks, marking inks and engraving inks, unprocessed natural resins, metals in foil and powder form for use in painting, decorating, printing and art, dyestuffs, mordants, coatings, thinners for paints, binding agents for paints, protective products for metals, anti-corrosive preparations, bleaching preparations and other substances for laundry use, cleaning, polishing, scouring and abrasive preparations, leather preservatives [polishes], creams for leather, cleaning shampoo for vehicles, polishing shampoo for vehicles, cleaners for cooling circuits, oil systems, windshield cleaning preparations, scouring product, de-icing product, products for polishing cars, plastic renovator for automobiles, sandpaper, wedges, abrasive pads and strips for sanding, shampoos for pets, dentifrices for pets, cosmetics for animals, deodorants for animals, stain removers, cotton wool for cosmetic use, incense, scented wood, potpourris [fragrances], scouring solutions, products for removing paint, rust, industrial oils and greases, waxes, lubricants, dust absorbing, wetting and binding compositions, fuels and illuminants, candles and wicks for lighting, anti-seize substances, wood pellets for heating purposes [fuel], charcoal [fuel], veterinary preparations, dietetic food and substances for veterinary use, food supplements for animals, disinfectants, products for destroying vermin, fungicides, herbicides, pesticides, diaper-pants made of paper or cellulose for animals, anti-insect products, antiparasitic collars and lotions for animals, repellents for dogs, common metals and their alloys, ores, construction materials of metal, transportable constructions of

metal, non-electric cables and wires of metal, small items of metal hardware, storage or transport containers of metal, strong boxes, vice benches of metal, fixing plugs of metal, metal hardware products, chests of metal, empty tool cases of metal, storage boxes of metal, bells, clamp rings of metal, garden sheds of metal, fences of metal, door handles, locks of metal, machines, machine tools and power tools, motors and engines, except motors and engines for land vehicles, machine coupling and transmission components, except for land vehicles, agricultural implements other than hand-operated hand tools, incubators for eggs, automatic vending machines, vacuum cleaners for water and dust, bags and filters for wet and dust vacuum cleaners, electric cleaning machines and apparatus, high-pressure cleaning apparatus, steam cleaning apparatus, portable electric tools [machines], namely, drills, grinders, sanders, saws, perforators, routers, planers, screwdrivers, heat scrapers, hand-held tools other than hand-operated, electric brushes [parts of machines], spray guns for paint, glue guns, electric, abrasive discs [machine tools] and flap discs for electric grinders, blades [parts of machines], screwing and drilling bits and adapters [parts of machines], emergency power generators, mowers, electric crushers, electric chain saws, ride-on lawn mowers, hand-operated hand tools, drill bits [tools], drill holders, die [tools] and die holders [tools], drill bits [tool parts], saws [tools] and saw blades [parts of tools], screwing and drilling bits and adapters [parts of tools], chisels, gouges, taps [tools], vices, secateurs, shovels [tools], rakes [tools], cutlery [table cutlery, forks, spoons], scientific, research, navigation, surveying, photographic, cinematographic, audiovisual, optical, weighing, measuring, signaling, detecting, testing, inspecting, life-saving and teaching apparatus and instruments for conducting, distributing, processing, accumulating, regulating or controlling the distribution or consumption of electricity, apparatus and instruments for recording, transmitting, reproducing or processing sound, images or data, fire extinguishers, downloadable electronic publications, measuring apparatus and instruments, particularly laser measuring apparatus and instruments, spirit meters and levels, batteries for vehicles, batteries, cells, rechargeable cells, chargers for batteries, USB charger, detectors, apparatus and instruments for conducting, distributing, processing, accumulating, regulating or controlling electricity, electrical hardware, namely, wires, fuses, sockets, switches, connection boards, casings, sheaths, winding spools, circuit breaker, cords and cables, apparatus for recording, communicating, transmitting, reproducing sound or images, HDMI cord, ADSL filter, HI-FI adapter, extension cables, antennas, thermostats, weather stations, intercoms, alarm instruments, remote controls, time programmer, home automation equipment, protective helmets, protective clothing and shoes, software applications for mobile phones, tablets, smartphones and other portable computers or communica-

tions devices, computer software, computer game software, downloadable software, non-downloadable software, computer games, instant messaging software, file sharing software, communication software for the electronic exchange of data via computer, mbiles, wireless and telecommunications networks, data processing equipment, computers, personal electronic organizers, protective goggles, masks [goggles], protective masks other than for medical use, filters for respiratory masks other than for medical use, protective visors other than for medical use, protective gloves, surgical masks, respiratory masks for surgical use, respiratory masks for medical use, sanitary masks for medical use, face masks for medical use, protective masks for medical personnel, protective nose masks for medical use, oral protective masks for medical use, antibacterial protection masks for medical use, antibacterial protection masks for surgical use, face masks for surgical use, face protection masks for medical use, therapeutic facial masks, inserts [medical instruments] for respiratory masks for surgical use, inserts [medical instruments] for respiratory masks for medical use, masks for protection against toxic substances for surgical use, masks for protection against toxic substances for medical use, gloves for medical use, gloves for medical examinations, disposable gloves for surgical use, protective gloves for medical use, latex gloves for surgical use, rubber gloves for surgical use, protective gloves for medical personnel, disposable protective gloves for medical use, rubber gloves for medical use, latex gloves for medical use, apparatus and installations for lighting, heating, cooling, steam generating, cooking, drying, ventilating, water supply and sanitary installations, lamps, flashlights, projector lamps, headlights for automobiles, electric radiators, barbecue, stoves [heating apparatus], tractors, wheelbarrows, equipment and accessories for land vehicles, namely, horns, clutch cables, brakes, brake pads, brake calipers, motors and engines, suspension shock absorbers, connecting rods other than parts of motors, driving chains for land vehicles, hydraulic circuits, torque converters, propulsion mechanisms, gearboxes, deflectors, transmission chains, roller chains, transmission shafts, transmission belts, anti-skid chains, shock absorber springs, chains, wheel tires for vehicles, non-skid devices for vehicle tires, reduction gears for wheels, vehicle covers, seat covers, body work, chassis, bumpers, windows for vehicles, rear view mirrors, wheel rims, wheel covers, pneumatic tires, vehicle wheels, windshields, anti-theft devices and wheel locks, alarms, horns, anti-theft warning apparatus for vehicles, speed checking apparatus for vehicles, direction indicators for vehicles, air pumps, air filters for motors, caps for petrol tanks, vehicle wheel spokes, handlebars, cycle stands, cycle frames, cycle saddles, chain wheels for cycles, cranks for cycles, footrests for motorcycles, toothed gear transmissions for vehicles, windshield wiper blades, firearms, ammunition and projectiles, explosives, fire-

works, pyrotechnic products, firecrackers, gun cases, signal rockets, horological and chronometric instruments, jewelry cases, boxes of precious metals, cases, bracelets, chains, springs or glasses for watches, key rings [trinkets or fobs], statues or figurines [statuettes] of precious metals, cases or presentation cases for timepieces, medals, paper and cardboard [unprocessed, semi-processed or for stationery or printing purposes], paper and cardboard articles, namely, calendars, diaries, display posters, posters, stationery, cardboard articles, printed matter, cards, loyalty cards without magnetic coding, subscription cards of cardboard or plastic, newspapers, books, manuals, promotional brochures, brochures, publications, magazines, periodical reviews, printed matter, prospectuses, publications, reviews, newsletters, guides, catalogs, napkins of paper, handkerchiefs of paper, paintings [pictures], engravings, wrapping paper, bags for packaging made of paper or plastic, small bags for packaging made of paper or plastic, wrapping sheets made of paper or plastic, labels not of fabric, pennants [of paper], postcards, transfers, drawings, lithography, images, photographs, adhesives [glues] for stationery or household purposes, artists' materials, products made of plastic for packaging, painting articles, paint brushes, house painters' rollers, rubber, gutta-percha, gum, asbestos, unprocessed and semi-processed mica and substitutes for all these materials, plastics and resins in extruded form for use in manufacture, packing, stopping and insulating materials, flexible pipes, not of metal, fiberglass for insulation, fiberglass fabrics for insulation, tile seals, leather and imitations of leather, animal skins, luggage and carrying bags, umbrellas and parasols, walking sticks, whips and saddlery, collars, harnesses, leashes and clothing for animals, carrying bags for animals, construction materials, not of metal, rigid pipes for construction, not of metal, asphalt, pitch, tar and bitumen, transportable constructions, not of metal, monuments, not of metal, garden sheds made of wood, garden sheds, not of metal, fences, not of metal, cement, mortar, products in the nature of powder for patching surfaces and particularly floors, excluding chemicals, furniture, mirrors, storage or transport containers, not of metal, picture frames, works of art made of wood, wax, plaster, cork, reed, cane, wicker, horn, bone, ivory, whalebone, shell, amber, mother-of-pearl, meerscham and substitutes for all these materials, or of plastics, coat hangers, chests of drawers, cushions, shelves, packaging containers made of plastic, armchairs, seats, bedding [except linen], mattresses, plate racks, wickerwork, boxes of wood or plastic, transat chairs, tables, garden furniture, plant stands, furniture gliders, household or kitchen utensils and containers, cooking utensils and crockery, except forks, knives and spoons, combs and sponges, brushes, except paintbrushes, brush-making materials, cleaning materials, unworked or semi-worked glass, except construction glass, glassware, porcelain and earthenware, steel wool, porcelain, crockery

of glass, porcelain or earthenware, bottles, works of art of porcelain, terra-cotta or glass, statues or figurines [statuettes] of porcelain, terra-cotta or glass, toilet utensils or kits, garbage pails, glasses [receptacles], crockery, barbecue grills, indoor aquaria, terrarium, hutches for animals, kennels for animals, kennels, cushions, beds for animals, baskets for household pets, scratching posts for cats, mangers for animals, combs and brushes for animals, litter boxes for animals, litter trays, cages for pets, cages for birds and pets, feeders and other parts of cage equipment, namely, perches, containers for water, swings, feed bins for pets, brushes, sponges, chamois leather and cloths for cleaning vehicles, flower pots, washing mitts for animals, gloves for washing cars, gloves for household purposes, gardening gloves, oven mitts, ropes and string, nets, tents and tarpaulins, awnings made of textile or synthetic materials, sails, bags for the transport and storage of merchandise in bulk, padding materials, except paper, cardboard, rubber or plastics, raw fibrous textile materials and substitutes therefor, vehicle covers, thread for textile use, elastic threads for textile use, rubber thread for textile use, glass threads for textile use, spun wool, spun silk, fabrics for textile use, bed and table covers, elastic fabrics, velvet, bed linen, household linen, table linen not made of paper, bath linen [except clothing], curtains made of textile or plastic, clothing, footwear, headwear, cloth mailers [clothing], lace, braid and embroidery, and haberdashery ribbons and bows, buttons, hooks and eyes, pins and needles, artificial flowers, hair decorations, false hair, carpets, rugs, mats and matting, linoleum and other materials for covering existing floors, non-textile wall hangings, games, toys, video game apparatus, gymnastic and sporting articles, decorations for Christmas trees, Christmas trees made of synthetic materials, fishing tackle, balls for games, swimming pools [play articles], slide [game], play swings, play cabins, trampolines, games and toys for pets, rope toys for pets, pet toys containing catnip, toy animals, beers, soft beverages, mineral and aerated waters, fruit beverages and fruit juices, syrups and other non-alcoholic preparations for making beverages; online retail store services featuring downloadable virtual products, namely, computer programs for use online and in online virtual environments; retail service for downloadable digital files authenticated by non-fungible tokens [NFTs]; providing online sales areas for buyers and sellers of virtual products and services for virtual goods; providing online sales areas for buyers and sellers of virtual products and services, namely, downloadable digital files authenticated by non-fungible tokens [NFTs].

36 – Credit card services; credit services; issuance of credit cards; financing services; loan services (financing); loyalty card services for accumulating purchase points and for receiving purchase coupons, promotional offers and gifts.

37 – Construction information; building construction supervision; masonry; plastering or plumbing; roofing services; sealing services (building); demolition of buildings; rental of construction equipment; cleaning or servicing of vehicles; vehicle breakdown assistance (repair); disinfection; rat exterminating; retreading or vulcanization (repair) of tires; machine installation, maintenance and repair; maintenance and repair of timepieces; repair of locks.

38 – Telecommunication services; services for transmitting and broadcasting information via telematic, audiovisual, telephone and electronic means; providing access to databases; communications by computer terminals or by fiber optic networks for ordering and buying merchandise online; computer-aided transmission of messages and images; provision of Internet discussion forums and groups; electronic bulletin board services (telecommunication services); transmission (or broadcasting) of radio or television programs; audiovisual program broadcasting; electronic transfer of downloadable digital files authenticated by non-fungible tokens [NFTs] and incorporating cryptographic protocols used to operate on a computer platform in the field of blockchain technology.

39 – Transport; packaging and storage of merchandise; travel organization; information with respect to transport; Delivery of newspapers, magazines, journals, periodicals, pamphlets, printed products, catalogs, newsletters, printed publications, prospectuses; water or energy distribution; towing; vehicle rental; delivering merchandise ordered by mail, rental of cars and commercial vehicles; storage of parcels; parcel delivery; transport of parcels; parcel delivery; parcel collection services; parcel reception services.

40 – Sawing of materials; information relating to the treatment of materials; soldering; burnishing by abrasion; planing; refining services; grinding; milling; engraving services; galvanization; gilding services; tin plating; framing of works of art; vulcanization (treatment of materials); decontamination of hazardous materials; production of energy; photographic printing; photographic film development; silkscreen printing; photoengraving services; glass blowing; waste treatment (transformation); sorting of waste and recyclable raw material (transformation).

41 – Providing non-downloadable publications online; electronic publication of brochures, catalogs, newspapers, periodicals, journals and newsletters online; organization and conducting of workshops [training]; ticket agency services; organization of competitions relating to education or entertainment; game services provided online from a computer network; desktop publishing; organizing workshops for educational, recreational or training purposes; education, training, entertainment, information with respect to entertainment or education; organizing exhibitions for cultural or educational purposes, organizing and conducting

colloquiums, conferences and congresses; entertainment services, namely, providing online computer games in which players can earn virtual goods, namely, computer programs; entertainment services, namely, providing online computer games for use in virtual environments.

42 – Scientific and technological services as well as research and design services relating thereto; industrial analysis, industrial research and industrial design services; quality control and authentication services; design of interior decor; services for authenticating immaterial goods using blockchain technology; research and development of new virtual products for third parties; research and development of new downloadable digital files authenticated by non-fungible tokens [NFTs].

44 – Hygienic and beauty care for human beings or animals; agriculture, aquaculture, horticulture and forestry services.

45 – Security services for physical protection of property and individuals; personal and social services provided by others to meet the needs of individuals; rental of protective masks.

(260) AM 2023 122171 A

(800) 1720461

(151) 2023 02 10

(891) 2023 02 10

(731) UAB "Narbutas International"

Odminių g. 3-23, LT-01122 Vilnius, Lithuania

(540)



D-CHAIR

(591) Black, white

(531) 26.13.25; 26.15.25; 27.05.05

(511)

20 – Seats.

(260) AM 2023 122173 A

(800) 1720510

(151) 2022 09 23

(891) 2022 09 23

(731) Holland & Barrett International Limited

Samuel Ryder House, Barling Way, Eliot Park, Nuneaton, Warwickshire CV10 7RH, United Kingdom

(540)

H&B

(591) Black, white

(511)

29 – Bombay mix; butter spreads; compotes; cooked fruits and vegetables; crystallised ginger; dairy products; dairy-based desserts and spreads; dairy substitute-based desserts and spreads; fruit-based desserts and spreads; nut-based desserts and spreads; dried beans; dried berries; dried fruits; dried milk and milk products; dried pulses; dried vegetables; edible fats; edible oils; edible seaweed; eggs; fish; flavoured nuts; food made from animal products; food preserves (term considered too vague by the International Bureau – Rule 13 (2) (b) of the Regulations); fruit and nuts, all being preserved, dried or cooked; fruit; game; jams; jellies; lentils; linseed; meat extracts; meat; milk beverages; milk products; milk; mixed nuts and fruits; mixed nuts and raisins; mixed nuts and seeds; mixed seeds; nut and fruit sprinkles; nut butters; nuts and seeds, all being preserved, dried or cooked; peanuts; potato crisps; poultry; preparations for making soups, dairy-based desserts and spreads (term considered too vague by the International Bureau – Rule 13 (2) (b) of the Regulations); prepared hemp seeds; prepared linseed; prepared nut kernels; prepared nuts; prepared seeds; preserved berries; preserved fruits; preserved vegetables; preserves (term considered too vague by the International Bureau – Rule 13 (2) (b) of the Regulations); preserved, frozen, dried and cooked fruits and vegetables; pulses; raisins; rennet; seed, nut and fruit sprinkles; seeds prepared for human consumption; prepared seeds; semi-dried beans; semi-dried berries; semi-dried fruits; semi-dried pulses; dairy-based snack foods; dairy substitute-based snack foods; fruit-based snack foods; nut-based snack foods; meat substitute-based snack foods; vegetable-based snack foods; legume-based snack foods; soya-based snack foods; soup mixes; spiced nuts; trail mix; treated nuts; treated sub-tropical fruits; tropical mix; whey; yoghurt; yoghurt-coated fruits; yoghurt-coated nuts; yoghurt-coated raisins; yoghurt-coated spices; beverages based on milk protein, compositions for the preparation thereof; protein-based meat substitutes; protein bars and snacks (term considered too vague by the International Bureau – Rule 13 (2) (b) of the Regulations); fruit bars; seaweed snacks; protein milk; milk and milk-substitute drinks and beverages based on protein, compositions for the preparation thereof; milk-substitute drinks and beverages based on whey protein, compositions for the preparation thereof; dairy-based nutritional bars; dairy substitute-based nutritional bars; fruit-based nutritional bars; nut-based nutritional bars; meat substitute-based nutritional bars; vegetable-based nutritional bars; legume-based nutritional bars; meat-based protein food products; meat-substitute-based protein food products; milk-substitute-based protein food products for human consumption; meat substitute-based protein food products for human consumption; sports nutrition products, namely, high protein nut-based foods; olives; drinks

and beverages based on rice;soya milk; soya desserts; soya yoghurt; soya chips; soya patties; processed soya beans; prepared soya beans.

30 – Baked goods, mixes therefor; baking powder; barley flakes; barley meal; barley prepared for human consumption; biscuits; bran for human consumption; bran preparations; bran products (for food); bread meal and cereals, all for food for human consumption; bread mixes; bread; breakfast cereals; brownies; bulgar wheat; cakes; caramel-coated raisins; carbohydrate-based food products; cardamon; carob-coated fruits; carob-coated nuts; carob-coated raisins; carob-coated spices; cereal and flour products; chicory and chicory mixtures, all for use as substitutes for coffee; chocolate; chocolate-coated fruits; chocolate-coated nuts; chocolate-coated raisins; chocolate-coated spices; cinnamon sticks; cloves; cocoa; coffee and chicory mixtures; coffee beans; coffee essences; coffee extracts; coffee substitutes; coffee; coffee (artificial); condiments; confectionery; couscous; crackers; culinary herbs; chocolate desserts; custard-based desserts; ice cream desserts; muesli desserts; cocoa spreads; maple spreads; chocolate spreads; yeast extract spreads; sweet spreads; dried chillies; dried herbs; edible ices; energy bars; flapjacks; flour and preparations made from cereals; vegan baked goods; vegan confectionery; vegan hot chocolate; vegan ice cream; vegan biscuits and cookies; vegan cakes; prepared vegan meals consisting primarily of cereals, rice, oats, grains, pasta or noodles; fruit sauces; fruit tea; ginger; herb teas; herbal preparations and substances (term considered too vague by the International Bureau – Rule 13 (2) (b) of the Regulations); herbal substitutes (term considered too vague by the International Bureau – Rule 13 (2) (b) of the Regulations); herbal teas; herbal drinks and beverages, compositions for the preparation thereof; honey; ice cream; ice; ices; infusions; liquorice; malt for human consumption; meal; millet flakes; millet flour; millet grain prepared for human consumption; muesli and muesli products; muffins; mustard; natural sweeteners; non-medical herbal preparations and substances (term considered too vague by the International Bureau – Rule 13 (2) (b) of the Regulations); non-medical herbal substitutes; non-medicated confectionery; non-medicinal herbal extracts (term considered too vague by the International Bureau – Rule 13 (2) (b) of the Regulations); nutmegs; nutritional bars (term considered too vague by the International Bureau – Rule 13 (2) (b) of the Regulations); cereal-based nutritionally balanced foods containing protein; oat-based nutritionally balanced foods containing protein; rice-based nutritionally balanced foods containing protein; grain-based nutritionally balanced foods containing protein; chocolate-based nutritionally balanced foods containing protein; oat flakes; oatmeal; oats prepared for human consumption; pastries; pastry; pepper; peppercorns; polenta; popcorn; porridge oats; porridge; potato flour; cereal-

based power bars; grain-based power bars; pralines; preparations for making desserts; preparations made from cereals; preparations made from rice; pretzel snack foods; pretzels; pudding mixes; quinoa flour; quinoa (term considered too vague by the International Bureau – Rule 13 (2) (b) of the Regulations); rice cakes; rice crackers; rice flour; rice products; rice; rye flakes; rye flour; rye prepared for human consumption; sago; salt; sauces (condiments); seasonings; semolina; sesame snacks; sesame sticks; calorie controlled prepared food made predominantly from cereals, rice, oats or grains; nutritionally balanced prepared food made predominantly from cereals, rice, oats or grains; cereal-based snack foods; oat-based snack foods; rice-based snack foods; grain-based snack foods; chocolate-based snack foods; soya bran; soya chunks; soya flour; soya mince; soya bean paste; spice tea; spices; sports nutrition products namely, cereal-based meal replacements, grain-based meal replacements, oat-based meal replacements, rice-based meal replacements, high-protein cereal bars, glucose for food, high-protein flapjacks; sugar; sweets; tapioca; tea; tisanes; toffee; treacle; vanilla pods; vinegar; wheat flakes; wheat prepared for human consumption; wheat-germ prepared for human consumption; wheatmeal; whole spices; yeast; wheatgerm.

31 – Agricultural, horticultural and forestry products and grains; berries; bran; chillies (fresh); corn for popping; dried flowers and parts thereof; fresh fruits; fresh vegetables; fresh herbs; fresh pulses; fruits; hemp seeds; lentils (fresh); linseed; malt; natural plants and flowers; nut kernels; nuts; oats; seeds; vegetables; olives.

32 – Aerated water; drinks and beverages containing enhanced concentrations of vitamins and/or minerals and/or proteins, compositions for the preparation thereof; drinks and beverages containing minerals, compositions for the preparation thereof; drinks and beverages containing plant extracts, compositions for the preparation thereof; drinks and beverages containing protein, compositions for the preparation thereof; drinks and beverages for promoting muscle gain, compositions for the preparation thereof; drinks and beverages for promoting weight gain, compositions for the preparation thereof; fruit drinks, compositions for the preparation thereof; fruit juices; isotonic drinks and beverages, compositions for the preparation thereof; isotonic sports drinks and beverages, compositions for the preparation thereof; lemonades; mineral water; minerals (drinks); non-alcoholic beverages, compositions for the preparation thereof; nutritional drinks and beverages not for medical purposes, compositions for the preparation thereof; preparations for making beverages; slimming aids in drink or beverage form, compositions for the preparation thereof; sports nutrition drinks, compositions for the preparation thereof; syrups for drinks and beverages; syrups; tonic drinks, compositions for the preparation thereof; wa-

ter; drinks and beverages based on rice, compositions for the preparation thereof; whey drinks and beverages; protein drinks; protein enriched sports drinks and beverages; plant-based protein-enriched drinks and beverages.

(260) AM 2023 122178 A

(800) 570634

(151) 1991 05 16

(891) 2023 02 07

(731) CMA MACCHINE PER CAFFE' S.r.l.

Via Condotti Bardini, 1, I-31058 Susegana (TV), Italy

(540)

ASTORIA

(591) Black, white

(531) 27.05.17

(511)

11 – Coffee machines, parts and accessories thereof included in this class.

(260) AM 2023 122179 A

(800) 1112432

(151) 2011 10 14

(891) 2023 03 10

(731) ROYAL STYLE S.R.L.

Via Duca d'Aosta, 16, I-31057 SILEA (TV), Italy

(540)

V° 73

(591) Black, white

(531) 24.17.09

(511)

14 – Precious metals and their alloys and goods in precious metals or coated therewith, not included in other classes; jewellery, precious stones; horological and chronometric instruments.

18 – Leather and imitations of leather, and goods made of these materials and not included in other classes; animal skins, hides; trunks and travelling bags; umbrellas, parasols and walking sticks; whips, harness and saddlery.

25 – Clothing, footwear, headgear.

(260) AM 2023 122230 A

(800) 1720877

(151) 2022 12 28

(891) 2022 12 28

(731) Van Pur S.A.

Rakszawa 334, PL-37-111 Rakszawa, Poland

(540)

ŁOMZA

(591) Red and white

(531) 26.04.02; 26.04.04; 27.05.01; 29.01.12

(511)

32 – Beer, non-alcoholic beer.

(260) AM 2023 122231 A

(800) 1720880

(151) 2022 12 30

(891) 2022 12 30

(731) ROYAL ARMENIA JV LTD

Haghtanak 1 street, 1st lane, 16, 0036 Yerevan, Armenia

(540)

TIMCOFF

(591) Black and red

(531) 27.05.01; 29.01.12

(511)

30 – Coffee; ground coffee; roasted coffee beans; instant coffee; artificial coffee; vegetal preparations for use as coffee substitutes; unroasted coffee; coffee beverages with milk; coffee-based beverages.

(260) AM 2023 122232 A

(800) 1720961

(151) 2023 02 22

(891) 2023 02 22

(731) BioSphere Plastic, LLC

4804 NW Bethany Blvd, STE I-2, 233, Portland OR 97229, USA

(540)



BioSphere

(591) Black, white

(531) 26.04.05; 26.04.09; 26.04.12; 26.04.24

(511)

1 – Polymers and polymeric additives for use in the manufacture of industrial products, consumer and household products, sealants, and automotive fluids.

(260) AM 2023 122233 A

(800) 1720965

(151) 2023 02 16

(891) 2023 02 16

(731) ZENITH GLOBAL MANAGEMENT LLC

Suite 9, Henville Building, P.O. Box 590, Charlestown, Nevis, Saint Kitts and Nevis

(540)



APOCALYPSE

(591) Black, white

(531) 27.05.01; 27.05.21

(511)

9 – Batteries, electric, for vehicles; sound recording apparatus; sound transmitting apparatus; loudspeakers; coaxial cables; cables, electric; cabinets for loudspeakers; megaphones; diaphragms [acoustics]; microphones; headphones; sheaths for electric cables; fuses; circuit breakers; satellite navigational apparatus; horns for loudspeakers; couplings, electric; amplifiers; sound reproduction apparatus.

(260) AM 2023 122234 A

(800) 1720998

(151) 2022 12 26

(891) 2022 12 26

(731) Ali SARIBOGA

Akincilar Mahallesi, Posta Caddesi Dalgic
Sokak No.13 D.5, Gungoren – Istanbul, Türkiye

(540)

CoinTrans

(591) Gold

(531) 27.05.01; 27.05.09; 27.05.17; 29.01.12

(511)

35 – Advertising; business management, organization and administration; office functions; administration of consumer loyalty programs; administration of frequent flyer programs; administrative assistance in responding to calls for tenders; administrative processing of purchase orders; administrative services for medical referrals; administrative services for the relocation of businesses; advertising; advertising agency services; advertising by mail order; advertising services to create brand identity for others; advisory services for business management; appointment reminder services [office functions]; appointment scheduling services [office functions]; arranging newspaper subscriptions for others; arranging subscriptions to electronic toll collection [ETC] services for others; arranging subscriptions to telecommunication services for others; auctioneering; bill-posting; book-keeping; business appraisals; business auditing; business consulting services for digital transformation; business efficiency expert services; business inquiries; business intermediary services relating to the matching of potential private investors with entrepreneurs needing funding; business intermediary services relating to the matching of various professionals with clients; business investigations; business management and organization consultancy; business management assistance; busi-

ness management consultancy; business management for freelance service providers; business management of hotels; business management of performing artists; business management of reimbursement programmes for others; business management of sports people; business organization consultancy; business project management services for construction projects; business research; commercial administration of the licensing of the goods and services of others; commercial information agency services; commercial intermediation services; commercial lobbying services; commercial or industrial management assistance; competitive intelligence services; compilation of information into computer databases; compilation of statistics; compiling indexes of information for commercial or advertising purposes; computerized file management; computerized management of medical records and files; conducting of commercial events; consultancy regarding advertising communication strategies; consultancy regarding public relations communication strategies; consumer profiling for commercial or marketing purposes; corporate communications services; cost price analysis; data processing services [office functions]; data search in computer files for others; demonstration of goods; development of advertising concepts; direct mail advertising; dissemination of advertising matter; distribution of samples; drawing up of statements of accounts; economic forecasting; employment agency services; financial auditing; gift registry services; import-export agency services; influencer marketing; interim business management; invoicing; layout services for advertising purposes; lead generation services; marketing; marketing in the framework of software publishing; marketing research; market intelligence services; market studies; media relations services; modelling for advertising or sales promotion; negotiation and conclusion of commercial transactions for third parties; negotiation of business contracts for others; news clipping services; office machines and equipment rental; online advertising on a computer network; online ordering services in the field of restaurant take-out and delivery; online retail services for downloadable and pre-recorded music and movies; online retail services for downloadable digital music; online retail services for downloadable ring tones; opinion polling; organization of exhibitions for commercial or advertising purposes; organization of fashion shows for promotional purposes; organization of trade fairs; outdoor advertising; outsourced administrative management for companies; outsourcing services [business assistance]; pay per click advertising; payroll preparation; personnel management consultancy; personnel recruitment; photocopying services; preparation of business profitability studies; presentation of goods on communication media, for retail purposes; price comparison services; procurement services for others [purchasing goods and services for other businesses]; production of advertising films; production of teleshopping programmes; profe-

ssional business consultancy; promotion of goods and services through sponsorship of sports events; promotion of goods through influencers; providing business information; providing business information via a website; providing commercial and business contact information; providing commercial information and advice for consumers in the choice of products and services; providing telephone directory information; providing user rankings for commercial or advertising purposes; providing user reviews for commercial or advertising purposes; provision of an online marketplace for buyers and sellers of goods and services; psychological testing for the selection of personnel; publication of publicity texts; publicity material rental; public relations; radio advertising; reception services for visitors [office functions]; registration of written communications and data; rental of advertising space; rental of advertising time on communication media; rental of billboards [advertising boards]; rental of cash registers; rental of office equipment in co-working facilities; rental of photocopying machines; rental of sales stands; rental of vending machines; retail services for pharmaceutical, veterinary and sanitary preparations and medical supplies; retail services for works of art provided by art galleries; retail services relating to bakery products; sales promotion for others; scriptwriting for advertising purposes; search engine optimization for sales promotion; secretarial services; shop window dressing; shorthand; sponsorship search; systemization of information into computer databases; targeted marketing; tax filing services; tax preparation; telemarketing services; telephone answering for unavailable subscribers; telephone switchboard services; television advertising; transcription of communications [office functions]; typing; updating and maintenance of data in computer databases; updating and maintenance of information in registries; updating of advertising material; web indexing for commercial or advertising purposes; website traffic optimization; wholesale services for pharmaceutical, veterinary and sanitary preparations and medical supplies; word processing; writing of curriculum vitae for others; writing of publicity texts.

36 – Financial, monetary and banking services; insurance services; real estate affairs; accident insurance underwriting; accommodation bureau services [apartments]; actuarial services; antique appraisal; apartment house management; arranging finance for construction projects; art appraisal; bail-bonding; banking; brokerage; brokerage of carbon credits; business liquidation services, financial; capital investment; charitable fund raising; cheque verification; clearing, financial; credit bureau services; crowdfunding; debt advisory services; debt collection agency services; deposits of valuables; electronic funds transfer; electronic funds transfer provided via blockchain technology; electronic transfer of crypto assets; e-wallet payment services; exchanging money; factoring; financial analysis; financial appraisals in responding to calls for

tenders; financial consultancy; financial customs brokerage services; financial evaluation [insurance, banking, real estate]; financial evaluation of development costs relating to the oil, gas and mining industries; financial evaluation of standing timber; financial evaluation of wool; financial exchange of crypto assets; financial management; financial management of reimbursement payments for others; financial research; financial sponsorship; financial valuation of intellectual property assets; financing services; fire insurance underwriting; fiscal valuation; health insurance underwriting; hire-purchase financing; instalment loans; insurance brokerage; insurance consultancy; insurance underwriting; investment of funds; issuance of credit cards; issuance of gift certificates; issuance of tokens of value; issuance of travellers' cheques; jewellery appraisal; lending against security; life insurance underwriting; loans [financing]; marine insurance underwriting; mobile banking services; mortgage banking; mutual funds; numismatic appraisal; online banking; organization of monetary collections; pawnbrokerage; preparation of quotes for cost estimation purposes; processing of credit card payments; processing of debit card payments; provident fund services; providing financial information; providing financial information via a website; providing insurance information; providing rebates at participating establishments of others through use of a membership card; real estate affairs; real estate agency services; real estate appraisal; real estate brokerage; real estate management; rental of apartments; rental of farms; rental of offices for co-working; rental of offices [real estate]; rental of real estate; rent collection; repair costs evaluation [financial appraisal]; retirement payment services; safe deposit services; savings bank services; securities brokerage; stamp appraisal; stock brokerage services; stock exchange quotations; stocks and bonds brokerage; surety services; trusteeship.

(260) AM 2023 122235 A

(800) 1721098

(151) 2023 02 23

(891) 2023 02 23

(731) UCB Biopharma SRL

Allée de la Recherche 60, B-1070 Bruxelles,
Belgium

(540)



The logo for RYSTIGGO features the brand name in a bold, blue, sans-serif font. To the right of the text, there are two circular icons: a solid lime green circle and a white circle with a lime green outline. The circles are positioned above the 'O' in 'GO'.

(591) Royal blue – lime green – gradient of royal blue
lime green and golden yellow

(531) 26.01.01; 26.01.06; 27.05.04; 27.05.07;
27.05.08; 29.01.13

(511)

5 – Pharmaceutical preparations and substances.

(260) AM 2023 122262 A

(800) 1722209

(151) 2023 02 01

(891) 2023 02 01

(731) KAYATÜRKLER TEKSTİL TURİZM
İTHALAT İHRACAT GIDA VE TARIM
ÜRÜNLERİ SANAYİ VE TİCARET
ANONİM ŞİRKETİ
MEŞRUTİYET MAH. ATATÜRK BLV., 113
ÇANKAYA, ANKARA, Türkiye

(540)

PAULMARK

(591) Black, white

(531) 27.05.01

(511)

25 – Clothing, including underwear and outer clothing, other than special purpose protective clothing; socks, mufflers [clothing], shawls, bandanas, scarves, belts [clothing]; footwear, shoes, slippers, sandals; headgear, hats, caps with visors, berets, caps [headwear], skull caps.

(260) AM 2023 122263 A

(800) 1722216

(151) 2023 02 06

(891) 2023 02 06

(731) Limited Liability Company "AVALON"
Frunze st., vlad. 9/14, Stupino, RU-142803
Moskovskaia Oblast, Russian Federation

(540)

BIS! БИС!

(591) Black, white

(531) 24.17.04; 28.05

(511)

3 – Bleaching preparations and other substances for laundry use; cleaning, polishing, scouring and abrasive preparations; soap; perfumery, essential oils, cosmetics, hair lotions; non-medicated dentifrices; descaling preparations for household purposes; aromatics [essential oils]; sachets for perfuming linen; drying agents for dishwashing machines; polish for furniture and flooring; windscreen cleaning liquids; starch for laundry purposes; creams for leather; polishing creams; cosmetic creams; cleaning chalk; toiletry preparations; laundry soaking preparations; mouthwashes, not for medical purposes; fabric softeners for laundry use; preparations for washing; dry-cleaning preparations; make-up removing preparations; nail care preparations; preparations for unblocking drain pipes; aloe vera preparations for cosmetic purposes; sunscreen preparations; colour-brightening chemicals for household purposes [laundry]; shining preparations [po-

lish]; stain removers; scouring solutions; tissues impregnated with cosmetic lotions; laundry blueing; cosmetic preparations for skin care; cosmetics; detergents, other than for use in manufacturing operations and for medical purposes; cloths impregnated with a detergent for cleaning; shampoos; sanitary preparations being non-medicated toiletries; cleansers for intimate personal hygiene purposes, non medicated; laundry glaze.

(260) AM 2023 122264 A

(800) 1722221

(151) 2023 02 17

(891) 2023 02 17

(731) Obschestvo s ogranichennoy otvetstvennosty
"ECOPOL"

ul. Suvorova, 35, Dzerzhinsk, RU-606010

Nizhegorodskaya oblast, Russian Federation

(540)



(591) Black, blue, green, and red-pink

(531) 26.11.07; 26.11.08; 27.05.01; 29.01.15

(511)

2 – Annotto [dyestuff]; auramine; Canada balsam; white lead; paper for dyeing Easter eggs; dyes; binding preparations for paints; glazes [paints, lacquers]; orange lead; primers; gamboge for painting; gum-lac; titanium dioxide [pigment]; repositionable paint patches; indigo [colorant]; gum resins; colophony; caramel [food colorant]; carbonyl [wood preservative]; cochineal carmine; toner cartridges, filled, for printers and photocopiers; ink cartridges, filled, for printers and photocopiers; edible ink cartridges, filled, for printers; copal; colorants; alizarine dyes; aniline dyes; colorants for the restoration of furniture in the form of markers; ink for leather; colorants for liqueurs; colorants for beverages; shoe dyes; colorants for beer; colorants for butter; dyewood; malt colorants; food dyes; paints; watercolour paints for use in art; aluminium paints; asbestos paints; bactericidal paints; ceramic paints; marking ink for animals; distempers; oil paints for use in art; anti-urine paints; anti-fouling paints; fireproof paints; printing ink; conductive paints; enamels for painting; creosote for wood preservation; turmeric [colorant]; black japan; lacquers; bitumen varnish; bronzing lacquers; wood floor finishes; copal varnish; anti-corrosive bands; anti-rust oils; oils for the preservation of wood; mastic [natural resin]; lime wash; wood stains; cobalt oxide [colorant]; zinc oxide [pigment]; silver paste; printers' pastes [ink]; pigments; coatings [paints]; coatings for roofing felt [paints]; wood coatings [paints]; anti-graffiti coatings [paints]; undercoating for vehicle chassis; varnishes; aluminium powder for painting; bronze powder for painting; silvering powders; metals in powder form

for use in painting, decorating, printing and art; anti-corrosive preparations; protective preparations for metals; mordants; wood mordants; stains for leather; thinners for paints; thinners for lacquers; whitewash; soot [colorant]; carbon black [pigment]; lamp black [pigment]; sandarac; thickeners for paints; sienna earth; siccatives [drying agents] for paints; anti-rust greases; natural resins, raw; malt caramel [food colorant]; badigeon; anti-tarnishing preparations for metals; anti-rust preparations; wood preservatives; sumac for varnishes; red lead; turpentine [thinner for paints]; toner for printers and photocopiers; fixatives [varnishes]; fixatives for watercolours; metal foil for use in painting, decorating, printing and art; yellowwood [colorant]; engraving ink; ink for printers and photocopiers; tattooing ink; edible inks; conductive inks; saffron [colorant]; shellac; dyewood extracts; enamels [varnishes]; silver emulsions [pigments].

(260) AM 2023 122265 A

(800) 946652

(151) 2007 09 13

(891) 2023 02 27

(731) NOREVA PHARMA

66 avenue des Champs Elysées, F-75008

PARIS, France

(540)

NOREVA

(591) Black, white

(511)

3 – Cosmetics, cosmetic preparations for skin care, creams, lotions and pomades for cosmetic purposes, cream for whitening the skin; cosmetic sets, make-up preparations, make-up removing preparations, beauty masks, cleansing milks, lipstick, cosmetic pencils, mascara, make-up, make-up powder, false eyelashes, decorative transfers for cosmetic purposes, false nails, nail varnish; after-shave lotions, cotton buds for cosmetic purposes, depilatory wax, moustache wax, colorants for toilet purposes, depilatories, astringents for cosmetic purposes, bleaching preparations for cosmetic purposes, cotton wool for cosmetic purposes, hydrogen peroxide for cosmetic purposes, shaving stones (antiseptics), alum stones (antiseptics); cosmetic preparations for slimming purposes, for bathing purposes, for skin tanning, sunburn ointments; shaving products, depilatory preparations, preparations for removing lacquers and varnishes, nail care preparations; soaps and toilet soaps, disinfectant soaps, deodorising soaps, anti-perspirant soaps, soaps for brightening textiles, bath salts, not for medical purposes, tissues impregnated with cosmetic lotions, cosmetic dyes; non-medicated oral care products; breath-freshening sprays; greases for cosmetic purposes, petroleum jelly for cosmetic purposes; cosmetics for animals; nutritional supplements for cosmetic purposes; cosmetic products in all galenic forms; hair lotions, shampoos, hair dyes and dyestuffs, hair sprays, neutralizers for permanent

waving, hair waving preparations, shampoos for pets; perfumery, amber, musk, perfumes, bases for flower perfumes, flower extracts, scented wood, deodorants for personal use, toilet water, eau-de-Cologne, scented water, oils for perfumes and scents, mint for use in perfumery, ionone, potpourris, fumigation preparations (perfumes); essential oils, oils for toilet purposes, oils for cosmetic purposes, aromatics (essential oils), badian essence, mint essence, incense; dentifrices, preparations for cleaning dentures, diamantine (abrasive); medicated soaps.

5 – Pharmaceutical and veterinary preparations; sanitary preparations for medical purposes; dietetic substances adapted for medical use; food supplements for medical use; dental impression materials; food for babies, plasters, materials for dressings, disinfectants, preparations for destroying vermin, fungicides.

(260) AM 2023 122266 A

(800) 1151861

(151) 2012 07 16

(891) 2023 02 02

(731) TM Investment Sp. z o.o.

Aleja Jana Pawla II 23, PL-00-854 Warszawa,

Poland

(540)

OTTOFARBE

(591) Black, white

(511)

2 – Paints for decoration and protection of wood; anti-corrosive paints for wood; varnishes.

(260) AM 2023 122268 A

(800) 1374832

(151) 2017 07 19

(891) 2023 03 14

(731) Roche Diagnostics GmbH

Sandhofer Strasse 116, 68305 Mannheim,

Germany

(540)

NAVIFY

(591) Black, white

(511)

9 – Software for use in the field of medicine, medical research and clinical research; medical software for the field of health IT and eHealth; software for use in healthcare information management; downloadable computer databases containing information in the field of medicine; downloadable software for accessing, organizing, interpreting and analyzing information from databases in the medical field; computer databases, in particular computer databases containing information about clinical, molecular, scientific and patient specific data; computer software for authorizing access to medical databases, in particular application software, interface software, software drives, data

communication software and interactive computer software; downloadable cloud computing software.

42 – Design and development of computer hardware and software; hosting services and software as a service and rental of software; IT consultancy and information; providing temporary use of non-downloadable computer software for viewing, analyzing, managing, reporting, and archiving digital images for use in the field of medicine, medical research and clinical research; application service provider [ASP] services, namely, providing online non-downloadable software for use in the field of medicine; providing virtual computer systems through cloud computing; development of non-downloadable online computer portal for the storage of scientific data; electronic storage of medical data and information for physicians and healthcare professionals.

(260) AM 2023 122276 A

(800) 1673918

(151) 2022 04 14

(891) 2023 03 10

(731) XERJOFF GROUP S.p.A.

Via Tenivelli, 29, I-10024 Moncalieri, Italy

(540)

CASAMORATI

(591) Black, white

(511)

3 – Essential oils and aromatic extracts; scented oils used to produce aromas when heated; perfume oils for the manufacture of cosmetic preparations; perfumes; air fragrancing preparations; cosmetics; cosmetic creams; hair care lotions; perfumery and fragrances; perfumed hair lotions.

4 – Candles; perfumed candles; candles; fruit candles; illuminating wax; tallow candles; table candles; candles in tins; candle assemblies; musk scented candles; wax for making candles; nightlights [candles]; aromatherapy fragrance candles; special occasion candles; candles for lighting.

(260) AM 2023 122277 A

(800) 1697022

(151) 2022 09 19

(891) 2023 03 14

(731) Roche Diagnostics GmbH

Sandhofer Strasse 116, 68305 Mannheim,
Germany

(540)



The logo for 'navify' features the word 'navify' in a bold, lowercase, sans-serif font. To the right of the text is a stylized chevron symbol consisting of two thick, black lines forming a right-pointing arrow.

(591) Black, white

(531) 24.15.21; 26.03.23; 27.05.01

(511)

9 – Software for use in the field of medicine, medical research and clinical research; medical software for the field of health IT and eHealth; software for use in healthcare information management; downloadable computer databases containing information in the field of medicine; downloadable software for accessing, organizing, interpreting and analyzing information from databases in the medical field; computer databases, in particular computer databases containing information about clinical, molecular, scientific and patient specific data; computer software for authorizing access to medical databases, in particular application software, interface software, software drives, data communication software and interactive computer software; downloadable cloud computing software.

35 – Promotional services regarding collaboration and the exchange of information and resources via a user community to achieve advances in the fields of nucleic acid sequencing and genotyping, medical diagnostics, clinical diagnostics, medical research, clinical research, life sciences, biology, molecular pathology, molecular diagnostics, laboratory medicine, biotechnology, forensics and genetics; compiling scientific and/or clinical data, in particular patient data; compiling scientific and/or statistical data, in particular clinical data, namely patient data and/or data from clinical studies; computer-based updating and maintenance of data in databases, all in the pharmaceutical and/or healthcare sector; electronic data collection and compilation of statistical information into computer databases in the field of medicine and healthcare; analyzing and compiling business data for innovative healthcare solutions.

42 – Design and development of computer hardware and software; hosting services and software as a service [SaaS] and rental of software; IT consultancy and information; providing temporary use of non-downloadable computer software for viewing, analyzing, managing, reporting, and archiving digital images for use in the field of medicine, medical research and clinical research; application service provider [ASP] services, namely, providing online non-downloadable software for use in the field of medicine; providing virtual computer systems through cloud computing; development of non-downloadable online computer portal for the storage of scientific data; electronic storage of medical data and information for physicians and healthcare professionals.

(260) AM 2023 122305 A

(800) 1722340

(151) 2023 03 06

(891) 2023 03 06

(731) CELLTRION, INC.

23, Academy-ro, Yeonsu-gu, Incheon 22014,
Republic of Korea

(540)

Osenvelt

(591) Black, white

(511)

5 – Pharmaceutical preparations; pharmaceutical products for the treatment of bone diseases; pharmaceutical preparations for the treatment of tumours.

(260) AM 2023 122306 A

(800) 1722341

(151) 2023 03 06

(891) 2023 03 06

(731) CELLTRION, INC.

23, Academy-ro, Yeonsu-gu, Incheon 22014,
Republic of Korea

(540)

Quvozelt

(591) Black, white

(511)

5 – Pharmaceutical preparations; pharmaceutical products for the treatment of bone diseases; pharmaceutical preparations for the treatment of tumours.

(260) AM 2023 122307 A

(800) 1722351

(151) 2022 11 29

(891) 2022 11 29

(731) Obshchestvo s ogranichennoj otvetstvennost`yu "AjTi-Fud"
nab. Tuhachevskogo, d.16, pom. 2P, g. Omsk,
g.o. gorod Omsk, RU-644099 Omskaya oblast`,
Russian Federation

(540)



(591) Black, red and white

(531) 11.01.06; 26.01.03; 26.01.19; 26.04.05;
26.04.10; 26.04.16; 26.04.18; 27.05.01;
27.05.08; 27.05.09; 27.05.10; 27.05.24;
29.01.13

(526) sushi market

(511)

29 – Anchovy, not live; caviar; fish roe, prepared; clams, not live; fish, tinned; shrimps, not live; prawns, not live; spiny lobsters, not live; salmon, not live; mussels, not live; molluscs, not live; fish meal for human consumption; fish mousses; lobsters, not live; fish-based foodstuffs; crayfish, not live; crustaceans, not live; fish, preserved; fish, not live; salted fish; sardines, not live; herrings, not live; sea-cucumbers, not live; tuna, not live; oysters, not live; fish fillets; seaweed extracts for food.

30 – Noodle-based prepared meals; seaweed [condiment]; mustard; rice-based snack food; noodles; rice cakes; marinades; mustard meal; condiments; spices; relish [condiment]; rice; soya sauce; sauces [condiments]; seasonings; sushi.

35 – Demonstration of goods; providing commercial information and advice for consumers in the choice of products and services; organization of exhibitions for commercial or advertising purposes; organization of trade fairs; sales promotion for others; procurement services for others [purchasing goods and services for other businesses].

43 – Snack-bar services; café services; cafeteria services; restaurant services; self-service restaurant services; bar services; food and drink catering.

(260) AM 2023 122309 A

(800) 1722355

(151) 2023 03 06

(891) 2023 03 06

(731) CELLTRION, INC.

23, Academy-ro, Yeonsu-gu, Incheon 22014,
Republic of Korea

(540)

Avtozma

(591) Black, white

(511)

5 – Pharmaceutical preparations; pharmaceuticals; drugs for medical purposes; preparations for the treatment of arthritis; pharmaceutical preparations for suppressing cytokine; preparations for the treatment of arteritis; pharmaceutical preparations for the treatment of lung diseases; pharmaceutical preparations for immunity adjustment; monoclonal antibodies for medical purposes; preparations for the treatment of autoimmune diseases.

(260) AM 2023 122310 A

(800) 1722356

(151) 2023 03 06

(891) 2023 03 06

(731) CELLTRION, INC.

23, Academy-ro, Yeonsu-gu, Incheon 22014,
Republic of Korea

(540)

Enhopma

(591) Black, white

(511)

5 – Pharmaceutical preparations; pharmaceuticals; drugs for medical purposes; preparations for the treatment of arthritis; pharmaceutical preparations for suppressing cytokine; preparations for the treatment of arteritis; pharmaceutical preparations for the treatment of lung diseases; pharmaceutical preparations for immunity adjustment; monoclonal antibodies for

medical purposes; preparations for the treatment of auto-immune diseases.

(260) AM 2023 122312 A

(800) 1722373

(151) 2023 03 08

(891) 2023 03 08

(731) Magner Corporation of America

41 West Street, Middlefield CT 06455, USA

(540)

MAGNER

(591) Black, white

(511)

9 – Coin sorters; coin counters and coin verifiers in the nature of coin acceptors for separating good coins from counterfeits, currency dispensers and currency recyclers, namely, coin wrapping machines, sold singly and in combination, used for discrimination and counting of coins; paper currency counting machines; computers and software for recording and reporting financial transactions.

(260) AM 2023 122313 A

(800) 1722379

(151) 2023 01 03

(891) 2023 01 03

(731) DRAGON POLAND SPÓŁKA Z

OGRANICZONĄ ODPOWIEDZIALNOŚCIĄ

UL. RTM. W. PILECKIEGO 5, PL-32-050

SKAWINA, Poland

(540)



(591) Black, grey, white

(531) 07.01.09; 07.01.24; 27.05.10; 29.01.12

(511)

1 – Caustic soda (sodium hydroxide); calcined soda; caustic soda for industrial purposes; degreasers based on lemon oil for use in manufacturing processes; anhydrous caustic soda; chemical impregnating agents and preservative preparations for surfaces of cement; chemical impregnating agents and preservative preparations for surfaces of stone; chemical impregnating agents and preservative preparations for surfaces of plastic; chemical impregnating agents and preservative preparations for surfaces of leather and textile; degreasing preparations for use in manufacturing processes; solvents for paints; solvents for varnishes; solvents for lacquers; chemical substances for use in the manufacture of scented detergents; chemical substances for use in the manufacture of scented cosmetics; chemical products for the preparation of odorous products; disinfectants; wallpaper removing preparations; chemical preparations for repelling stains.

3 – Soda lye; bleaching soda; washing soda, for cleaning; industrial soap; detergent soap; skin soap; furniture cleaner; polish for furniture and flooring; rust removing preparations; carpet cleaning preparations; toilet cleaners; carpet shampoo; cakes of soap for household cleaning purposes; floor cleaning preparations; lime removers; cleaning agents for stone; mould removing preparations; degreasers other than for use in manufacturing processes; cleaning products; grease-removing preparations; preparations for cleaning and removing sediment, preparations for cleaning and removing deposits; stain removers; whitening preparations; detergents; sandpaper; abrasive emulsions; polishing materials; shining preparations; polishing wax; floor wax; wax for parquet floors; wax stripping preparations; furniture polish; washing liquids; scouring liquids; essential oils for use in the manufacture of scented products; preparations for unblocking sinks; descaling preparations for household purposes; preparations for unblocking drain pipes; drain cleaning preparations; cleaning preparations for cleansing drains; drain and sink unblocking preparations; solvents for removing varnishes; solvents for removing paints; alcoholic solvents being cleaning preparations; degreasing solvents, other than for use in manufacturing processes; sand cloth; preparations to make the leaves of plants shiny; oils for cleaning purposes; oil of turpentine for degreasing; colour-removing preparations; tripoli stone for polishing; polishing paper; wallpaper cleaning preparations; dry cleaning fluids; dry-cleaning preparations; toiletries; shining preparations [polish]; windscreen cleaning liquids; stain removing benzine; stain removing agents; non-slipping liquids for floors.

5 – Air deodorizing preparations; deodorants for clothing; deodorants for textiles; air deodorizer and refresher sprays.

35 – Advertising; market research and opinion polling; marketing; promotion; compilation and dissemination of information relating to cleaning, impregnating and preservative preparations (commercial information agencies); organization of trade shows and exhibitions for commercial and publicity purposes; management of shops or wholesale outlets selling household chemicals and cleaning preparations, including via the internet; matching business partners, assistance in business negotiations.

(260) AM 2023 122321 A

(800) 1722616

(151) 2022 11 17

(891) 2022 11 17

(731) LLOYD Shoes GmbH

Hans-Hermann-Meyer-Str. 1, 27232 Sulingen, Germany

(540)

1888
LLOYD GERMANY

(591) Black, white

(531) 27.05.01; 27.05.09; 27.05.17; 27.07.01

(511)

9 – Covers for tablet computers; cases for personal digital assistants [pdas]; cell phone cases; covers for smartphones; spectacles; sunglasses; spectacle cases; spectacle frames; spectacle chains.

18 – Leather and imitations of leather; umbrellas; parasols; walking sticks; trunks and suitcases; purses; gym bags; rucksacks; key cases; luggage tags; bags; pocket wallets; hipsacks; pouch baby carriers; luggage.

25 – Clothing; footwear; headgear; belts [clothing].

(260) AM 2023 122322 A

(800) 1722617

(151) 2022 11 17

(891) 2022 11 17

(731) LLOYD Shoes GmbH

Hans-Hermann-Meyer-Str. 1, 27232 Sulingen,
Germany

(540)

LLOYD
GERMANY 1888

(591) Black, white

(531) 27.05.01; 27.05.09; 27.05.17

(511)

9 – Covers for tablet computers; cases for personal digital assistants [pdas]; cell phone cases; covers for smartphones; spectacles; sunglasses; spectacle cases; spectacle frames; spectacle chains.

18 – Leather and imitations of leather; umbrellas; parasols; walking sticks; trunks and suitcases; purses; gym bags; rucksacks; key cases; luggage tags; bags; pocket wallets; hipsacks; pouch baby carriers; luggage.

25 – Clothing; footwear; headgear; belts [clothing].

(260) AM 2023 122323 A

(800) 1722618

(151) 2022 11 17

(891) 2022 11 17

(731) LLOYD Shoes GmbH

Hans-Hermann-Meyer-Str. 1, 27232 Sulingen,
Germany

(540)

1888
LLOYD GERMANY

(591) Black, white and red

(531) 26.04.05; 26.04.17; 26.04.24; 26.07.18; 27.05;
27.05.01; 27.05.09; 27.05.24; 27.07.24

(511)

9 – Covers for tablet computers; cases for personal digital assistants [pdas]; cell phone cases; covers for smartphones; spectacles; sunglasses; spectacle cases; spectacle frames; spectacle chains.

18 – Leather and imitations of leather; umbrellas; parasols; walking sticks; trunks and suitcases; purses; gym bags; rucksacks; key cases; luggage tags; bags; pocket wallets; hipsacks; pouch baby carriers; luggage.

25 – Clothing; footwear; headgear; belts [clothing].

(260) AM 2023 122324 A

(800) 1722619

(151) 2022 11 17

(891) 2022 11 17

(731) LLOYD Shoes GmbH

Hans-Hermann-Meyer-Str. 1, 27232 Sulingen,
Germany

(540)

LLOYD
GERMANY 1888

(591) Red and black

(531) 26.04.05; 26.04.17; 26.04.18; 27.05.01;
27.05.09; 27.05.17; 29.01.12

(511)

9 – Covers for tablet computers; cases for personal digital assistants [pdas]; cell phone cases; covers for smartphones; spectacles; sunglasses; spectacle cases; spectacle frames; spectacle chains.

18 – Leather and imitations of leather; umbrellas; parasols; walking sticks; trunks and suitcases; purses; gym bags; rucksacks; key cases; luggage tags; bags; pocket wallets; hipsacks; pouch baby carriers; luggage.

25 – Clothing; footwear; headgear; belts [clothing].

(260) AM 2023 122328 A

(800) 1722657

(151) 2023 03 08

(891) 2023 03 08

(731) Areteia Therapeutics, Inc.

101 Glen Lennox Drive, Suite 300, Chapel
Hill NC 27517, USA

(540)

ARETEIA THERAPEUTICS

(591) Black, white

(511)

5 – Pharmaceutical preparations for the treatment and prevention of respiratory diseases and asthma.

(260) AM 2023 122333 A

(800) 1722847

(151) 2022 11 26

(891) 2022 11 26

(731) Apple Inc.

One Apple Park Way; Cupertino CA 95014, USA

(540)



(591) Blue, white and yellow

(531) 01.03.01; 01.15.11; 26.04.04; 26.04.13; 29.01.13

(511)

9 – Downloadable and recorded software for processing, transmitting and displaying text, data, images, audio, audio visual content, and other multimedia content; downloadable and recorded computer software for viewing weather information.

(260) AM 2023 122334 A

(800) 1722873

(151) 2022 10 19

(891) 2022 10 19

(731) ARI PETROL KİMYA ENDÜSTRİ VE TİCARET ANONİM ŞİRKETİ
ORTA MAH. NUMUNEBAĞI CAD., ÖZAY
HAN 44 A Bayrampaşa, İstanbul, Türkiye

(540)



(591) Blue and red

(531) 27.05.01; 27.05.17; 29.01.12

(511)

4 – Industrial oils and greases; cutting fluids; dust absorbing, wetting and binding compositions; solid fuels: coal, firewood; liquid and gas fuels; petrol, diesel oil, liquified petroleum gas, natural gas, fuel oil and their non-chemical additives; candles; wicks; wax [raw material]; wax and paraffin for lighting purposes.

(260) AM 2023 122335 A

(800) 1722893

(151) 2023 03 01

(891) 2023 03 01

(731) "AnviLab" Company Limited

Festivalnaya str., 10, Sergiev Posad, Urban settlement Sergiev Posad, Sergiev-Posad municipal district, RU-141302 Moscow Region, Russian Federation

(540)

ЭНТЕРОСТИМ

(591) Black, white

(531) 28.05

(511)

5 – Dietetic substances adapted for medical use; dietary fiber; vitamin supplement patches; nutritional supplements; enzyme dietary supplements; barks for pharmaceutical purposes; medicinal roots; adhesive plasters; medicines for human purposes; pastilles for pharmaceutical purposes; food for babies; pomades for medical purposes; vitamin preparations; pharmaceutical preparations; phytotherapy preparations for medical purposes; chemico-pharmaceutical preparations; dietetic foods adapted for medical purposes; pharmaceuticals; chewing gum for medical purposes; digestives for pharmaceutical purposes; suppositories; plant extracts for pharmaceutical purposes.

(260) AM 2023 122336 A

(800) 1722912

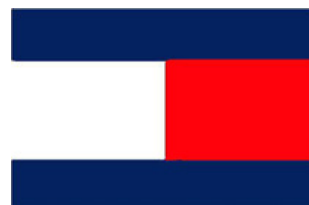
(151) 2022 05 05

(891) 2022 05 05

(731) Tommy Hilfiger Licensing B.V.

Danzigerkade 165, NL-1013 AP Amsterdam, Netherlands

(540)



(591) Red and dark blue

(531) 24.07.01; 24.07.23; 26.04.09; 26.04.24; 29.01.13

(511)

9 – Photographic, cinematographic and optical apparatus and instruments; optical goods such as spectacles, protective spectacles, spectacle glasses, eyeglass frames, contact lenses, sunglasses; sunglass products, namely, headstraps, sunglass retainers, eyeglass cases and sunglasses cases, spectacle presentation boxes, spectacle chains and spectacle cords, parts for all aforesaid goods; camera cases; cases and holders for portable computers and mobile phones; video cameras; video disks and magnetic optical discs featuring topics in the fields of fashion, modeling, cosmetics, li-

festyle, culture, art, music and entertainment; visual and/or machine-readable data carriers for entering bonus and reward transactions; magnetic cards; magnetically encoded and smart (programmable) cards; encoded membership cards; blank magnetic data carriers; pre-recorded discs featuring topics in the fields of fashion, modeling, cosmetics, lifestyle, culture, art, music and entertainment; computers; computer peripheral equipment; recorded computer programs featuring topics in the fields of fashion, modeling, cosmetics, lifestyle, culture, art, music and entertainment; mouse pads; downloadable electronic publications in the nature of books, magazines, newsletters, brochures and catalogs in the fields of fashion, modeling, cosmetics, lifestyle, culture, art, music and entertainment; pocket calculators; video game cartridges; communication, telecommunication, telephone and mobile telephone apparatus and instruments; telephones, mobile telephones, communication devices and cases therefor; ringtones [downloadable]; screen savers and screen wallpaper; reading tablets and other devices for reading and viewing text; content, both audio and/or visual; software applications (apps), including apps for installation on telephones, mobile telephones and communications and wireless communication devices; bags and cases adapted for holding or carrying telephones, mobile telephones communications and wireless communications equipment; electronic and computerized personal organizers; computer software relating to the retailing of fashion, fashion accessories and personal grooming products; computer software for downloading, publishing, displaying, posting, labeling, blogging, sharing or other ways of providing electronic media or information via the internet or other communication networks; electronic publications provided on-line via databases or via the internet (including web sites); downloadable virtual reality applications, namely computer programs featuring perfumery, cosmetics, clothing, footwear, headgear, textile goods, goods made of leather or imitations of leather, bags, eyewear, jewellery, watches, horological and chronometric instruments, household accessories and articles for use online and in online virtual worlds; 3D fashion software; computer software platforms; platform software; collaboration software platforms [software]; collaboration software; communication, networking and social networking software; e-commerce software; 3D computer graphics software; software for a digital showroom; tokens [software]; 3D animation software; virtual and augmented reality software; downloadable digital files authenticated by non-fungible tokens (NFT) for enabling the authenticity, ownership, availability and trading of digital assets and creations such as art, in-game items and videos on computer software platforms; downloadable software for processing transactions related to crypto-collectibles, non-fungible tokens and other application tokens; downloadable computer software for use in the safeguarding of digital files, including audio, vi-

deo, text, binary, still images, graphics and multimedia files; downloadable image file containing artwork, text, audio, video, games and internet web links relating to sporting and cultural activities; downloadable multimedia file containing artwork, text, audio, video, games, and internet web links relating to non-fungible tokens; downloadable software for blockchain-based inventory management; downloadable software for viewing crypto-collectibles, non-fungible tokens and other application tokens; downloadable software for use in electronically trading, storing, sending, receiving, accepting and transmitting crypto-collectibles, non-fungible tokens and other application tokens; downloadable software for use in electronically trading, storing, sending, receiving, accepting and transmitting digital currency, and managing digital currency payment and exchange transactions; magnetic coded cards, namely, gift cards; memory cards; digital picture frames; digital cameras; camera lenses; over ear headsets; charging devices and cables; headphones; power banks; speakers; cases adapted for ear buds; earbuds; phone stands; phone cases; gaming headsets; gaming keyboards and computer hardware for games and gaming; digital smart trackers; virtual reality headsets; downloadable virtual goods to be used, worn or seen in virtual worlds and/or virtual environments, namely computer programs featuring perfumery and cosmetics, glasses, sunglasses and headphones, jewellery and watches, art, bags, textile goods, clothing, headgear and footwear; wearable activity trackers; smartwatches.

35 – Retail store services, and assistance on commercial business in connection with perfumery, cosmetics, clothing, footwear, headgear, textile goods, goods made of leather or imitations of leather, bags, eyewear, jewellery, watches, horological and chronometric instruments, household accessories and articles; the aforesaid services also in connection with franchising; provision of information regarding business management, business administration; online retail store services by mail order companies in the field of for perfumery, cosmetics, clothing, footwear, headgear, textile goods, goods made of leather or imitations of leather, bags, eyewear, jewellery, watches, horological and chronometric instruments, home accessories and articles, household accessories, books, art pictures, cards, calendars, posters, prints, stickers and cartoon printed books; administrative services in respect of the closing of franchise agreements for perfumery, cosmetics, clothing, footwear, headgear, textile goods, goods made of leather or imitations of leather, bags, eyewear, jewellery, watches, horological and chronometric instruments, home accessories and articles; retail store services and/or on-line retail store services in relation to virtual goods, namely, perfumery, cosmetics, clothing, footwear, headgear, textile goods, goods made of leather or imitations of leather, bags, eyewear, jewellery, watches, horological and chronometric instruments, art, household accessories and articles

for use online; assistance in franchised commercial business management; organisation of trade fairs for commercial or advertising purposes; advertising; office functions; aforementioned services also provided via internet; presentation of goods on communication media, for retail purposes; commercial administration of the licensing of the goods and services of others; promotional services; sales promotion for others; organization of fashion shows for promotional purposes; personnel management consultancy; administrative services for the relocation of businesses; secretarial services; accounting; rental of vending machines; sponsorship search.

(260) AM 2023 122352 A

(800) 1723363

(151) 2022 12 28

(891) 2022 12 28

(731) CANADA GREEN GATE KOZMETİK
ÜRÜNLERİ SANAYİ VE TİCARET
ANONİM ŞİRKETİ
ACIDEREOSB MAH. TOROSLAR CAD. 17,
Sarıçam, Adana, Türkiye

(540)



(591) Black, white

(531) 26.04.22

(511)

3 – Bleaching and cleaning preparations, detergents other than for use in manufacturing operations and for medical purposes, laundry bleach, fabric softeners for laundry use, stain removers, dishwasher detergents; perfumery; non-medicated cosmetics; fragrances; deodorants for personal use and animals; soaps; dental care preparations; dentifrices, denture polishes, tooth whitening preparations, mouth washes, not for medical purposes; polishing preparations for leather, vinyl, metal and wood, polishes and creams for leather, vinyl, metal and wood, wax for polishing.

5 – Pharmaceutical and veterinary preparations for medical purposes; chemical preparations for medical and veterinary purposes, chemical reagents for pharmaceutical and veterinary purposes; medicated cosmetics; dietary supplements for pharmaceutical and veterinary purposes; dietary supplements; nutritional supplements; medical preparations for slimming purposes; food for babies; herbs and herbal beverages adapted for medicinal purposes; sanitary preparations for medical use; hygienic pads; hygienic tampons; plasters; materials for dressings; diapers made of paper and textiles for babies, adults and pets; deodorants, other than for human beings or for animals; air

purifying preparations; air deodorising preparations; disinfectants; antiseptics; detergents for medical purposes.

(260) AM 2023 122364 A

(800) 1723628

(151) 2022 12 23

(891) 2022 12 23

(731) YILDIZ HOLDİNG ANONİM ŞİRKETİ
Kısıklı Mahallesi, Çeşme Çıkmazı Sokak,
No:6/1, Üsküdar, İstanbul, Türkiye

(540)



(591) Red, blue, white, green and orange

(531) 01.15.21; 27.05.02; 29.01.15

(511)

30 – Confectionery, chocolates, biscuits, crackers, wafers.

(260) AM 2023 122365 A

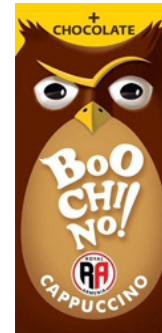
(800) 1723631

(151) 2022 12 30

(891) 2022 12 30

(731) ROYAL ARMENIA JV LTD
Haghtanak 1 street, 1st lane, 16, 0036
Yerevan, Armenia

(540)



(591) Light brown, dark brown, yellow, black, white and red

(531) 03.07.05; 03.07.24; 24.17.05; 26.01.03;

26.01.18; 26.04.05; 26.04.15; 26.04.18;

26.04.24; 27.01.12; 27.05.01; 27.05.08;

27.05.09; 27.05.10; 27.05.24; 29.01.15

(526) ARMENIA+CHOCOLATE CAPPUCINO

(511)

30 – Coffee, in particular cappuccino; instant coffee, in particular instant cappuccino; instant coffee mixes, in particular instant coffee mixes for making cappuccino.

(260) AM 2023 122366 A
 (800) 1723632
 (151) 2022 12 30
 (891) 2022 12 30
 (731) ROYAL ARMENIA JV LTD
 Haghtanak 1 street, 1st lane, 16; 0036
 Yerevan, Armenia
 (540)



(591) Brown, light brown, dark brown, yellow, turquoise, black, white and red
 (531) 03.07.05; 03.07.24; 26.01.03; 26.01.18; 26.04.05; 26.04.15; 26.04.18; 26.04.24; 27.01.12; 27.05.01; 27.05.08; 27.05.09; 27.05.10; 27.05.24; 29.01.15
 (526) ARMENIA, CARMEL, CAPPUCINO
 (511)
 30 – Coffee, in particular cappuccino; instant coffee, in particular instant cappuccino; instant coffee mixes, in particular instant coffee mixes for making cappuccino.

(260) AM 2023 122367 A
 (800) 1723635
 (151) 2023 01 20
 (891) 2023 01 20
 (731) Burberry Limited
 Horseferry House,; Horseferry Road, London
 SW1P 2AW, United Kingdom
 (540)



(591) Black, white
 (531) 02.01.02; 02.01.20
 (511)
 18 – Leather and imitations of leather; bags; holdalls; handbags; shoulder bags; trunks; valises; suitcases; travelling bags; crossbody bags; tote bags; garment bags; bum-bags; belt bags; vanity cases (empty); baby bags; baby carriers; baby harnesses; rucksacks; satchels; shopping bags; wheeled shopping bags; purses; pouches; wallets; key holders being key cases; card holders; pochettes; document carriers; labels and lug-

gage labels (made of leather or imitation leather), leather and imitation leather tags; cosmetic cases and bags (not fitted); tie cases; leather boxes; umbrellas; parasols; walking sticks; horse blankets; pet clothing; pet collars; animal leashes.

25 – Clothing, footwear, headgear, belts.

(260) AM 2023 122374 A
 (800) 615795
 (151) 1994 03 16
 (891) 2023 02 07
 (731) MONACO HOME LUXURY TRADE SARL
 1 rue du Gabian, MC-98000 Monaco,
 Monaco
 (540)

REMINISCENCE

(591) Black, white
 (531) 27.05.01; 27.05.17
 (511)
 3 – Eaux de toilette, perfumes; perfumery products, namely, perfumed soaps, perfumed lotions, powders, perfumed gels for showering; cosmetics, namely foundations; beauty products, namely lipstick, mascara, make-up; essential oils, hair lotions; dentifrices.

(260) AM 2023 122375 A
 (800) 743966
 (151) 2000 10 06
 (891) 2023 03 24
 (731) Mera Tiernahrung GmbH
 Industriestrasse 16; 47623 Kevelaer, Germany
 (540)

MERA

(591) Black, white
 (511)
 31 – Foodstuffs for animals.

(260) AM 2023 122376 A
 (800) 862905
 (151) 2005 07 20
 (891) 2023 01 31
 (731) ALPHANOVA SANTE
 9 allée des Narcisses; F-83320
 CARQUEIRANNE, France
 (540)

ALPHANOVA

(591) Black, white
 (511)
 3 – Bleaching preparations and other substances for laundry use; cleaning, polishing, scouring and abrasive preparations; soap; perfumery goods, essential oils, cosmetics, hair lotions.
 5 – Pharmaceutical, veterinary and sanitary preparations; dietetic substances adapted for medical use, food

for babies; plasters, materials for dressings; material for stopping teeth and dental wax; disinfectants; preparations for destroying vermin; fungicides, herbicides.

10 – Surgical, medical, dental and veterinary apparatus and instruments, artificial limbs, eyes and teeth; orthopedic articles; suture materials.

(260) AM 2023 122377 A

(800) 958247

(151) 2008 01 29

(891) 2023 03 22

(731) CATALFER SRL

Via Campo dei Fiori, 9; I-21010 Brunello (VA), Italy

(540)

ONETECH

(591) Black, white

(511)

3 – Abrasive discs; emery paper, emery cloth; sandpaper; coated and bonded abrasives; hard and flexible abrasives.

(260) AM 2023 122378 A

(800) 1238164

(151) 2014 09 01

(891) 2023 03 02

(731) Loskutov Dmitriy Gennadyevich

Rybatskiy pr., 43, 1, 183; RU-192076 Saint-Petersburg, Russian Federation

(540)



(591) Black, white and gray

(531) 02.01.02; 27.05.17; 29.01.12

(511)

9 – Magnetic data carriers, recording discs; compact discs, DVDs and other digital recording media; computer software, recorded; computer programmes [programs], recorded; computer game programs; computer programs [downloadable software]; computer operating programs, recorded; electronic publications, downloadable; downloadable image files; downloadable music files.

25 – Bandanas [neckerchiefs]; belts [clothing]; berets; boots; caps [headwear]; clothing; drawers [clothing]; footwear; gloves [clothing]; hats; headbands [clothing]; hoods [clothing]; hosiery; jackets [clothing]; jerseys [clothing]; knitwear [clothing]; masquerade costumes; mittens; outerclothing; overalls; overcoats; paper clothing; parkas; ready-made clothing; scarves; shirts; shoes; socks; boots for sports; sports jerseys; stuff jackets [clothing]; suits; sweaters; tee-shirts; trousers; uniforms; fishing vests.

41 – Game services provided on-line from a computer network; providing on-line electronic publications, not downloadable; electronic desktop publishing.

(260) AM 2023 122440 A

(800) 1724010

(151) 2022 11 29

(891) 2022 11 29

(731) Euro Games Technology Ltd.

4, "Maritsa" Str., "Vranya-Lozen-Triugulnika", BG-1151 Sofia, Bulgaria

(540)

Joker Burst

(591) Black, white

(511)

9 – Operating computer software for main frame computers; monitors (computer hardware); computer hardware; apparatus for recording images; monitors (computer programs); computer game programs; computer programs for recorded games; apparatus for recording, transmission or reproduction of sound or images; communications servers [computer hardware]; electronic components for gambling machines; computer application software featuring games and gaming; computer software for the administration of on-line games and gaming; computer hardware for games and gaming; computer hardware and software for gambling, gambling machines, gambling games on the Internet and via telecommunication network; computer systems; computer operating system software; computer terminals; interactive terminals; multimedia terminals; electronic terminals for generating lottery tickets; interactive touch screen terminals; computer touchscreens; electronic display panels; liquid crystal display screens; digital signage display panels; multimedia software; multimedia apparatus and instruments; interactive multimedia software for playing games; computer screens; LCD large-screen displays; liquid crystal displays [LCDs] for home theatres; media streaming software; computer application software for streaming audio-visual media content via the Internet; software; computer gaming software; computer software packages; computer operating system software; computer software, recorded; software drivers; virtual reality software; games software; entertainment software for computer games; computer programs for network management; electronic lottery tickets; computer software platforms; operating systems; interactive computer systems; operating system programs; computer game software for use with on-line interactive games; games software for use with video game consoles.

28 – Gaming machines for gambling; chips for gambling; mah-jong; arcade games; gambling machines operating with coins, notes and cards; games; electronic games; parlor games; gaming chips; gaming tables; slot machines [gaming machines]; LCD game ma-

chines; slot machines and gaming devices; coin-operated amusement machines; roulette chips; poker chips; chips and dice [gaming equipment]; gaming equipment for casinos; roulette tables; gaming roulette wheels; casino games; gambling machines and amusement machines, automatic and coin-operated; coin-operated amusement machines and/or electronic coin-operated amusement machines with or without the possibility of gain; boxes for coin-operated amusement machines, slot machines and gaming machines; electronic or electrotechnical amusement machines and apparatus, gaming machines, coin-operated entertainment machines; housings for coin-operated amusement machines, gaming equipment, gaming machines, machines for gambling; electropneumatic and electrical gambling machines (slot machines); lottery games; electronic targets for games and sports; video game consoles.

41 – Gambling; entertainment services related to gambling; gaming services for entertainment purposes; casino, gaming and gambling services; training in the development of software systems; provision of gaming equipment for gambling halls; providing casino equipment [gambling]; gaming machine entertainment services; providing casino facilities [gambling]; amusement arcade services; amusement arcades; games equipment rental; rental of gaming machines; providing amusement arcade services; rental of gaming machines with images of fruits; editing or recording of sounds and images; sound recording and video entertainment services; hire of sound reproducing apparatus; provision of gaming equipment for casinos; providing of casino facilities; online gambling services; casino management services; provision of gaming facilities, gaming hall facilities, Internet casinos and online gambling services; lottery services; organization of lotteries; provision of games by means of a computer based system; online interactive entertainment; on-line casino services; online game services through mobile devices; providing online entertainment in the nature of game tournaments; providing on-line information in the field of computer gaming entertainment; sports betting services; online sports betting services; providing on-line computer games and games of chance; rental of video game consoles.

(260) AM 2023 122441 A

(800) 1724026

(151) 2023 02 23

(891) 2023 02 23

(731) Zhejiang Orient Gene Biotech Co., Ltd
3787#, East Yangguang Avenue, Dipu Street,
Anji Zone, Huzhou City, 313300 Zhejiang
Province, China

(540)



(591) Black, white

(531) 26.05.04; 26.05.24; 26.11.02; 26.11.12;
27.05.01

(511)

9 – DNA chips; gene amplifiers [laboratory apparatus]; devices for analyzing genome information; computer programs, downloadable; microscopes; DNA microarrays for laboratory use.

10 – Diagnostic apparatus for medical purposes; medical apparatus and instruments; dental apparatus and instruments; radiological apparatus for medical purposes.

(260) AM 2023 122442 A

(800) 1724037

(151) 2023 03 02

(891) 2023 03 02

(731) LIMITED LIABILITY COMPANY VCO
Ershovo village, 121, Odintsovo,
RU-143055 Moscow Region, Russian
Federation

(540)



(591) Black, yellow, red and orange

(531) 24.01.05; 24.01.15; 24.09.03; 24.09.05;
24.09.07; 25.01.25; 26.03.23; 26.11.02;
26.11.12; 27.05.01; 27.05.17; 29.01.15

(511)

29 – Agar-agar for culinary purposes; aloe vera prepared for human consumption; alginates for culinary purposes; andouillettes; anchovy, not live; peanuts, prepared; artichokes, preserved; white of eggs; beans, preserved; soya beans, preserved, for food; broth; ginger jam; verjuice for culinary purposes; ham; fatty substances for the manufacture of edible fats; liver, preserved; edible birds' nests; sea-cucumbers, not live; cabbage rolls stuffed with meat; peas, preserved; mushrooms, preserved; guacamole; berry-based fool; game, not live; gelatine; meat jellies; jellies for food, other than confectionery; yolk of eggs; coconut fat; bone oil for food; lard; suet for food; edible fats; fruit-based snack food; milk substitutes; soya patties; tofu patties; charcuterie; raisins; caviar; aubergine paste; vegetable marrow paste; fish roe, prepared; ginger, preserved; crystallized ginger; pickled ginger; yogurt;

sauerkraut; cassoulet; quark; kephir; kimchi; isinglass for food; potato-based dumplings; klipfish [salted and dried cod]; Clams [not live]; milk shakes; black pudding; onion rings; arrangements of processed fruit; compotes; meat, tinned; vegetables, tinned; fish, tinned; fruits, tinned; duck confits; broth concentrates; vegetable-based concentrate for cooking; fruit-based concentrate for cooking; corn dogs; gherkins; shrimps, not live; prawns, not live; buttercream; croquettes; silkworm chrysalis for human consumption; sweet corn, processed; koumiss; spiny lobsters, not live; lecithin for culinary purposes; edible ant larvae, prepared; salmon, not live; onions, preserved; margarine; marmalade; oils for food; peanut butter; cocoa butter for food; coconut oil for food; coconut butter; maize oil for food; sesame oil for food; linseed oil for food; extra virgin olive oil for food; olive oil for food; palm oil for food; palm kernel oil for food; sunflower oil for food; rape oil for food; butter; soya bean oil for food; mussels, not live; almonds, ground; animal marrow for food; shellfish, not live; molluscs, not live; milk; peanut milk; peanut milk for culinary purposes; coconut milk; coconut milk for culinary purposes; almond milk; almond milk for culinary purposes; oat milk; rice milk; rice milk for culinary purposes; albumin milk; curd; condensed milk; soured milk; soya milk; powdered milk; fermented baked milk; fish meal for human consumption; vegetable mousses; fish mousses; fruit pulp; meat; meat, preserved; freeze-dried meat; lactic acid drinks; milk beverages, milk predominating; peanut milk-based beverages; coconut milk-based beverages; almond milk-based beverages; edible insects, not live; sausage casings, natural or artificial; vegetables, preserved; freeze-dried vegetables; vegetables, processed; vegetables, dried; vegetables, cooked; hash browns; potato fritters; olives, preserved; lobsters, not live; omelettes; flavoured nuts; candied nuts; coconut, desiccated; nuts, prepared; tomato paste; pressed fruit paste; liver pâté; pectin for culinary purposes; preserved peppers; liver; pickles; vegetable-based prepared meals for toddlers; jams; powdered eggs; milk products; fish-based foodstuffs; poultry, not live; white pudding; bulgogi; pollen prepared as foodstuff; cranberry compote; tomato purée; apple purée; crayfish, not live; crustaceans, not live; ratatouille; fish, preserved; fish, not live; salted fish; vegetable salads; fruit salads; bacon; sardines, not live; satay; pork; herrings, not live; seeds, prepared; sunflower seeds, prepared; cream [dairy products]; whipped cream; vegetable-based cream; fat-based spreads for bread slices; smetana; lemon juice for culinary purposes; tomato juice for cooking; vegetable juices for cooking; salted meats; sausages; sausages in batter; hot dog sausages; preparations for making bo-uillon; preparations for making soup; tofu skin; vegetable-based spreads; nut-based spreads; fruit jelly spreads; tripe; berry soup; soups; vegetable soup preparations; whey; cottage cheese fritters; cheese; tajine [prepared meat, fish or vegetable dish]; tahini; cottage

cheese; tofu; tempeh; truffles, preserved; tuna, not live; oysters, not live; falafel; milk ferments for culinary purposes; rennet; fish fillets; dates; crystallized fruits; frozen fruits; fruit, preserved; fruit, processed; fruit preserved in alcohol; fruit, stewed; hazelnuts, prepared; potato flakes; hummus; edible flowers, dried; fruit peel; preserved garlic; lentils, preserved; potato crisps; low-fat potato crisps; fruit chips; choucroute garnie; non-alcoholic eggnog; seaweed extracts for food; meat extracts; berries, preserved; eggs; snail eggs for consumption; yakitori.

(260) AM 2023 122453 A

(800) 1724281

(151) 2023 03 13

(891) 2023 03 13

(731) DANHSON-BG OOD

ul. Otets Paisiy 26, BG-2400 Radomir, Bulgaria

(540)

Лакс Laxx

(591) Black, white

(531) 28.05

(511)

3 – Essential oils; essential oils for use in manufacturing processes; cosmetic balm creams; cosmetics and cosmetic preparations; massage gels other than for medical purposes; perfumes for industrial purposes; washing and bleaching preparations; cleaning, polishing and abrasive preparations; soaps.

5 – Medicated throat sprays; cough medicines; pharmaceutical preparations for the treatment of esophagitis; pharmaceutical preparations for the treatment of acid reflux; pharmaceutical preparations for the treatment of gastroesophageal reflux disease.

35 – Office functions; business management services.

(260) AM 2023 122486 A

(800) 1620713

(151) 2021 04 08

(891) 2023 03 02

(731) KOLODYAZHNIY OLEKSIY

provulok Otakara Yarosha, 16B, apt. 21A,
Kharkiv 61045, Ukraine

(540)



(591) Black, white

(531) 26.01.01; 26.01.03; 26.01.18; 27.05.01;
27.05.10

(511)

5 – Antiseptics; absorbent cotton; aseptic cotton; germicides; balms for medical purposes; balsamic preparations for medical purposes; bromine for pharmaceutical purposes; cotton for medical purposes; wadding

for medical purposes; cotton swabs for medical purposes; vitamin preparations; mineral waters for medical purposes; vulnerary sponges; rubber for dental purposes; disinfectants; disinfectants for hygiene purposes; dietetic foods adapted for medical purposes; chewing gum for medical purposes; iodine for pharmaceutical purposes; acids for pharmaceutical purposes; bone cement for surgical and orthopaedic purposes; fly glue; adhesive tapes for medical purposes; adhesives for dentures; drugs for medical purposes; medicines for dental purposes; ointments for pharmaceutical purposes; gauze for dressings; massage candles for therapeutic purposes; dental impression materials; teeth filling material; antibacterial soap; antibacterial handwashes; disinfectant soap; medicated soap; mineral food supplements; moulding wax for dentists; medicinal drinks; medicinal infusions; medicinal oils; medicated toothpaste; nutritional supplements; pomades for medical purposes; porcelain for dental prostheses; preparations for callouses; chilblain preparations; bath preparations for medical purposes; medicated toiletry preparations; medicinal hair growth preparations; medicated eye-washes; tissues impregnated with pharmaceutical lotions; sulfur sticks [disinfectants]; salts for medical purposes; alcohol for pharmaceutical purposes; alloys of precious metals for dental purposes; dental abrasives; dental amalgams; dental amalgams of gold; dental mastics; dental cements; strychnine; medicinal herbs; pharmaceutical preparations for skin care; pharmaceuticals; phytotherapy preparations for medical purposes; medicinal tea; medicated shampoos; medicated dry shampoos.

10 – Surgical apparatus and instruments; dental apparatus and instruments; mirrors for dentists; dental burs; bracelets for medical purposes; ear picks; acupuncture needles; suture needles; needles for medical purposes; clips, surgical; electric acupuncture instruments; teeth protectors for dental purposes; finger guards for medical purposes; scissors for surgery; corn knives; knives for surgical purposes; saws for surgical purposes; pill crushers; receptacles for applying medicines; dentures; artificial limbs; surgical cutlery; scalpels; pins for artificial teeth; artificial teeth; artificial jaws.

11 – Disinfectant apparatus; disinfectant apparatus for medical purposes; dental ovens.

16 – Fountain pens; forms, printed; pads [stationery]; drawing pads; wristbands for the retention of writing instruments; pamphlets; booklets; toilet paper; modelling clay; polymer modelling clay; bibs of paper; bibs, sleeved, of paper; note books; money clips; paper clasps; pen clips; clips for name badge holders [office requisites]; moisteners [office requisites]; moisteners for gummed surfaces [office requisites]; newsletters; calendars; adhesive bands for stationery or household purposes; adhesive tapes for stationery or household purposes; gluten [glue] for stationery or household purposes; adhesives [glues] for stationery

or household purposes; envelopes [stationery]; boxes of paper or cardboard; sheets of reclaimed cellulose for wrapping; absorbent sheets of paper or plastic for foodstuff packaging; humidity control sheets of paper or plastic for foodstuff packaging; flyers; sealing compounds for stationery purposes; modelling materials; stickers [stationery]; dental tray covers of paper; fingerstalls for office use; sealing wafers; pencils; office requisites, except furniture; bottle envelopes of paper or cardboard; paper bags for use in the sterilization of medical instruments; packing [cushioning, stuffing] materials of paper or cardboard; wrapping paper; paper; parchment paper; plastic film for wrapping; gummed cloth for stationery purposes; blotters; padding materials of paper or cardboard; prospectuses; marking pens [stationery]; face towels of paper; towels of paper; self-adhesive tapes for stationery or household purposes; paper ribbons, other than haberdashery or hair decorations; bags [envelopes, pouches] of paper or plastics, for packaging; placards of paper or cardboard; stationery; filter paper; filtering materials of paper; tablemats of paper; tissues of paper for removing make-up; gummed tape [stationery].

35 – Administration of consumer loyalty programs; cost price analysis; business auditing; financial auditing; market studies; opinion polling; demonstration of goods; advisory services for business management; business research; economic forecasting; marketing; marketing research; providing commercial and business contact information; provision of an online marketplace for buyers and sellers of goods and services; organization of exhibitions for commercial or advertising purposes; business management and organization consultancy; commercial information agency services; corporate communications services; layout services for advertising purposes; market intelligence services; advertising agency services; commercial intermediation services; wholesale services for pharmaceutical, veterinary and sanitary preparations and medical supplies; retail services for pharmaceutical, veterinary and sanitary preparations and medical supplies; search engine optimization for sales promotion; presentation of goods on communication media, for retail purposes; advertising; outdoor advertising; advertising by mail order; dissemination of advertising matter; sales promotion for others; professional business consultancy; providing business information via a website; online advertising on a computer network.

37 – Machinery installation, maintenance and repair; disinfecting; sterilization of medical instruments.

44 – Health counselling; massage; medical assistance; health care; hospital services; orthodontic services; medical clinic services; convalescent home services; opticians' services; rest home services; services of a psychologist; beauty salon services; sanatorium services; health centre services; manicuring; medical equipment rental; dentistry services; tattooing; therapy services; pharmacy advice; physiotherapy.

(260) AM 2023 122487 A
 (800) 1638707
 (151) 2021 12 08
 (891) 2023 02 24
 (731) ENOUGH CO., LTD.
 6, Dangsansan-ro, 135beon-gil, Gunpo-si,
 Gyeonggi-do, Republic of Korea
 (540)

ENOUGH

(591) Black, white
 (511)
 3 – Functional cosmetics being skin care preparations; nail cosmetics; lavender oil; lipsticks; make-up; cosmetic preparations for baths; body and beauty care cosmetics; cosmetic preparations for body care; shampoos; joss sticks; toiletry preparations; skin lotions; cosmetic preparations for skin care; eye shadow; toilet water; cold cream; solid powder for compacts (cosmetics); foundation; perfumes; cosmetics.

(260) AM 2023 122596 A
 (800) 1726042
 (151) 2022 08 19
 (891) 2022 08 19
 (731) PEPCO Poland Sp. z o.o.
 Strzeszyńska 73A, PL-60-479 Poznań, Poland
 (540)

PEPCO

(591) Black, white
 (511)
 35 – Retail and wholesale services in relation to the following goods: detergent soap, detergent, briquettes, and illuminants, carbon, medical and veterinary preparations and articles; wholesaling and retailing services relating to the following goods: electric kitchen machines for food preparation (other than cooking), laundry care apparatus and laundering machines, garden tools, hand-operated; retail and wholesale services in relation to the following goods: audio/visual and photographic devices, spectacles, batteries, communications equipment, audio devices and radio receivers; retail and wholesale services in relation to the following goods: sanitary installations and devices, burnishers, stoves, filters for household use, lighters; retail and wholesale services in relation to the following goods: accessories for jewellery, time instruments, musical instruments; retail and wholesale services in relation to the following goods: artists' materials and supplies, textile material for decoration, adhesives, trekking poles, pocket wallets, backpacks; retail and wholesale services in relation to the following goods: ornaments and decorations being made of plastic, clothing storage stands, beds, indoor blinds, pillows; retail and wholesale services in relation to the following goods: statues and figurines of glass, garden article, animal requisites; retail and wholesale services in relation to the following goods: curtains for win-

dows, household linen, loose covers for furniture, blankets, wall decorations, wallpaper; retail and wholesale services in relation to the following goods: party novelties, playground activity apparatus, pot plants, flower seeds, bulbs (plant -); retail and wholesale services in relation to the following goods: deodorant and anti-perspirant preparations, oral hygiene preparations, hair goods, water-based personal lubricants, silicone-based personal lubricants, condoms, cosmetic preparations for skin care, makeup; retail and wholesale services in relation to the following goods: sanitary preparations for medical purposes, absorbent articles for personal hygiene, sanitary towels, sanitary tampons, babies' napkins, hair brushes, decorative articles for the hair, hair grips, barrettes (hair slides), hair bands; retail and wholesale services in relation to the following goods: non-electric razors, hair removal and shaving preparations, nail cosmetics, air fresheners, mosquito repellents for application to the skin, toilet paper in roll form; retail and wholesale services in relation to the following goods: wood for do-it-yourself purposes, adhesives for do-it-yourself purposes, hand tools and implements, hand-operated, paint brushes, arts, crafts and modelling equipment; retail and wholesale services in relation to the following goods: coffee, tea, cocoa, cocoa drinks, milk beverages, non-alcoholic drinks, sparkling soft drinks, fruit juices, non-aerated water, aerated waters, beer and non-alcoholic beer, spirits (beverages), wine, sparkling wine; retail and wholesale services in relation to the following goods: grain-based savoury snacks, corn-based savoury snacks, chocolate confectionery, gum sweets, candy, candy bars and chewing gum, cookies, pastries, pastry preparations, bread biscuits, chocolate, lollipops, jellybeans; retail and wholesale services in relation to the following goods: sauces (condiments), dressings for salad, pasta sauces, ketchup, mayonnaise, mustard, chocolate cream, dairy-based dips, cooked dishes with a vegetable base, ready meals containing rice, ready-made dishes of meat, instant soup, edible spices.

(260) AM 2023 122684 A
 (800) 1727170
 (151) 2023 03 28
 (891) 2023 03 28
 (731) UAB Narbutas International
 Odminių g. 3-23, LT-01122 Vilnius, Lithuania
 (540)

CANNIE

(591) Black, white
 (511)
 20 – Furniture; furniture fittings, not of metal.

(260) AM 2023 122685 A

(800) 1727247

(151) 2022 11 10

(891) 2022 11 10

(731) Stichting European Climate Foundation
Riviermarkt 5, NL-2513 AM Gravenhage,
Netherlands

(540)



(591) Teal (RGB: 29, 182, 193; CMYK: 72, 0, 27, 0;
HEX: #1DB6C1) Yellow (RGB: 251, 190, 11;
CMYK: 1, 28, 93, 0; HEX: #FBBE0B) Dark
Teal (RGB: 11, 128, 146; CMYK: 82, 29, 34,
12; HEX: #0B8092) Orange (RGB: 242, 140,
21; CMYK: 2, 51, 81, 0; HEX: #FB8C15)

(531) 26.01.02; 26.01.06; 26.01.24; 26.11.02;
26.11.12; 29.01.13

(511)

35 – Advertising; business management, organization and administration; office functions; promotional services; publicity services; advertising services to promote the charitable works of others; advertising text publication services.

36 – Financial, monetary and banking services; fund-raising and financial sponsorship; providing monetary grants to charities; providing project grants for environmental and health awareness projects; charitable fund-raising.

38 – Communications services, including communication services in the field of climate change, global warming and energy transition; providing online communication links which transfer the website user to other local and global web pages; transmission of news, news agency services.

41 – Education; providing or training; freelance journalism services; publishing services including electronic publishing services.

42 – Scientific and technological services and research and design relating thereto; industrial analysis, industrial research and industrial design services; research in the field of climate change, global warming and energy transition; providing scientific information in the fields of climate change, global warming and energy transition.

INTERNATIONAL TRADEMARKS PROTECTED IN GEORGIA

(260) AM 2023 120465 A
(800) 1697470
(151) 2022 10 19
(181) 2032 10 19
(891) 2022 10 19
(511) 05

(260) AM 2023 120562 A
(800) 1698901
(151) 2022 10 18
(181) 2032 10 18
(891) 2022 10 18
(511) 25

(260) AM 2023 120466 A
(800) 1697471
(151) 2022 10 19
(181) 2032 10 19
(891) 2022 10 19
(511) 05

(260) AM 2023 120563 A
(800) 1698928
(151) 2022 07 20
(181) 2032 07 20
(891) 2022 07 20
(511) 07, 12

(260) AM 2023 120467 A
(800) 1697472
(151) 2022 10 19
(181) 2032 10 19
(891) 2022 10 19
(511) 05

(260) AM 2023 120564 A
(800) 1698948
(151) 2022 10 04
(181) 2032 10 04
(891) 2022 10 04
(511) 32

(260) AM 2023 120468 A
(800) 1697473
(151) 2022 10 19
(181) 2032 10 19
(891) 2022 10 19
(511) 05

(260) AM 2023 120568 A
(800) 1699394
(151) 2022 09 14
(181) 2032 09 14
(891) 2022 09 14
(511) 36, 37, 42

(260) AM 2023 120469 A
(800) 1697496
(151) 2022 09 09
(181) 2032 09 09
(891) 2022 09 09
(511) 34

(260) AM 2023 120571 A
(800) 1699452
(151) 2022 10 24
(181) 2032 10 24
(891) 2022 10 24
(511) 35

(260) AM 2023 120559 A
(800) 1698764
(151) 2022 10 28
(181) 2032 10 28
(891) 2022 10 28
(511) 05

(260) AM 2023 120572 A
(800) 1699461
(151) 2022 11 01
(181) 2032 11 01
(891) 2022 11 01
(511) 05, 35, 42, 44

(260) AM 2023 120561 A
(800) 1698842
(151) 2022 10 10
(181) 2032 10 10
(891) 2022 10 10
(511) 30

(260) AM 2023 120573 A
(800) 1699532
(151) 2022 11 03
(181) 2032 11 03
(891) 2022 11 03
(511) 05, 16, 44

(260) AM 2023 120647 A
(800) 1699887
(151) 2022 07 07
(181) 2032 07 07
(891) 2022 07 07
(511) 20

(260) AM 2023 120689 A
(800) 1700928
(151) 2022 09 21
(181) 2032 09 21
(891) 2022 09 21
(511) 10

(260) AM 2023 120648 A
(800) 1699894
(151) 2022 05 13
(181) 2032 05 13
(891) 2022 05 13
(511) 09, 14, 16, 18, 21, 24, 25, 28, 38, 39, 41

(260) AM 2023 120756 A
(800) 1701315
(151) 2022 06 13
(181) 2032 06 13
(891) 2022 06 13
(511) 09, 16, 25, 41

(260) AM 2023 120649 A
(800) 1699934
(151) 2022 09 19
(181) 2032 09 19
(891) 2022 09 19
(511) 33

(260) AM 2023 120757 A
(800) 1701326
(151) 2022 11 15
(181) 2032 11 15
(891) 2022 11 15
(511) 34

(260) AM 2023 120650 A
(800) 1699935
(151) 2022 10 20
(181) 2032 10 20
(891) 2022 10 20
(511) 03

(260) AM 2023 120758 A
(800) 1701338
(151) 2022 10 21
(181) 2032 10 21
(891) 2022 10 21
(511) 35, 36, 39

(260) AM 2023 120652 A
(800) 1699967
(151) 2022 07 04
(181) 2032 07 04
(891) 2022 07 04
(511) 05

(260) AM 2023 120759 A
(800) 1701362
(151) 2022 09 06
(181) 2032 09 06
(891) 2022 09 06
(511) 05

(260) AM 2023 120679 A
(800) 1700623
(151) 2022 09 12
(181) 2032 09 12
(891) 2022 09 12
(511) 30

(260) AM 2023 120760 A
(800) 1701388
(151) 2022 11 10
(181) 2032 11 10
(891) 2022 11 10
(511) 42

(260) AM 2023 120681 A
(800) 1700648
(151) 2022 10 08
(181) 2032 10 08
(891) 2022 10 08
(511) 35

(260) AM 2023 120767 A
(800) 1701503
(151) 2022 11 16
(181) 2032 11 16
(891) 2022 11 16
(511) 19

(260) AM 2023 120768 A
(800) 1701520
(151) 2022 11 15
(181) 2032 11 15
(891) 2022 11 15
(511) 25

(260) AM 2023 120769 A
(800) 1701600
(151) 2022 09 09
(181) 2032 09 09
(891) 2022 09 09
(511) 32

(260) AM 2023 120770 A
(800) 1701601
(151) 2022 09 09
(181) 2032 09 09
(891) 2022 09 09
(511) 32

(260) AM 2023 120771 A
(800) 1701630
(151) 2022 11 10
(181) 2032 11 10
(891) 2022 11 10
(511) 09

(260) AM 2023 120772 A
(800) 1701662
(151) 2022 11 11
(181) 2032 11 11
(891) 2022 11 11
(511) 05

(260) AM 2023 120773 A
(800) 1701674
(151) 2022 11 15
(181) 2032 11 15
(891) 2022 11 15
(511) 09, 11, 35

(260) AM 2023 120774 A
(800) 1701700
(151) 2022 11 21
(181) 2032 11 21
(891) 2022 11 21
(511) 12

(260) AM 2023 120775 A
(800) 1701748
(151) 2022 11 07
(181) 2032 11 07
(891) 2022 11 07
(511) 07, 10, 14, 40, 42

(260) AM 2023 120776 A
(800) 1701757
(151) 2022 06 02
(181) 2032 06 02
(891) 2022 06 02
(511) 29

(260) AM 2023 120777 A
(800) 1701761
(151) 2022 07 26
(181) 2032 07 26
(891) 2022 07 26
(511) 05

(260) AM 2023 120778 A
(800) 1701763
(151) 2022 10 05
(181) 2032 10 05
(891) 2022 10 05
(511) 43

(260) AM 2023 120867 A
(800) 1702442
(151) 2022 10 05
(181) 2032 10 05
(891) 2022 10 05
(511) 29, 30

(260) AM 2023 120868 A
(800) 1702452
(151) 2022 11 21
(181) 2032 11 21
(891) 2022 11 21
(511) 24, 25

(260) AM 2023 120870 A
(800) 1702552
(151) 2022 07 05
(181) 2032 07 05
(891) 2022 07 05
(511) 29, 30, 32

(260) AM 2023 120871 A
(800) 1702558
(151) 2022 10 27
(181) 2032 10 27
(891) 2022 10 27
(511) 42, 43

(260) AM 2023 120882 A
(800) 1702824
(151) 2022 10 18
(181) 2032 10 18
(891) 2022 10 18
(511) 39, 43

(260) AM 2023 120873 A
(800) 1702588
(151) 2022 06 21
(181) 2032 06 21
(891) 2022 06 21
(511) 29, 30

(260) AM 2023 120883 A
(800) 1702827
(151) 2022 11 01
(181) 2032 11 01
(891) 2022 11 01
(511) 33

(260) AM 2023 120874 A
(800) 1702605
(151) 2022 06 02
(181) 2032 06 02
(891) 2022 06 02
(511) 34

(260) AM 2023 120884 A
(800) 1702829
(151) 2022 11 03
(181) 2032 11 03
(891) 2022 11 03
(511) 09, 41

(260) AM 2023 120876 A
(800) 1702694
(151) 2022 08 09
(181) 2032 08 09
(891) 2022 08 09
(511) 19, 20

(260) AM 2023 120917 A
(800) 1703645
(151) 2022 06 03
(181) 2032 06 03
(891) 2022 06 03
(511) 30

(260) AM 2023 120877 A
(800) 1702708
(151) 2022 08 16
(181) 2032 08 16
(891) 2022 08 16
(511) 25

(260) AM 2023 120918 A
(800) 1703660
(151) 2022 07 14
(181) 2032 07 14
(891) 2022 07 14
(511) 09, 28, 37, 38, 41, 42

(260) AM 2023 120878 A
(800) 1702754
(151) 2022 02 06
(181) 2032 02 06
(891) 2022 02 06
(511) 25, 35

(260) AM 2023 120920 A
(800) 1703743
(151) 2022 10 07
(181) 2032 10 07
(891) 2022 10 07
(511) 16, 35, 38, 39, 41, 42, 43

(260) AM 2023 120881 A
(800) 1702822
(151) 2022 08 09
(181) 2032 08 09
(891) 2022 08 09
(511) 30

(260) AM 2023 120921 A
(800) 1703755
(151) 2022 09 20
(181) 2032 09 20
(891) 2022 09 20
(511) 34

(260) AM 2023 120922 A
(800) 1703756
(151) 2022 10 18
(181) 2032 10 18
(891) 2022 10 18
(511) 39, 43

(260) AM 2023 121025 A
(800) 717450
(151) 1999 07 13
(181) 2029 07 13
(891) 2022 12 07
(511) 03, 09, 14

(260) AM 2023 120923 A
(800) 1703768
(151) 2022 10 28
(181) 2032 10 28
(891) 2022 10 28
(511) 09, 14, 18, 25

(260) AM 2023 121036 A
(800) 1609199
(151) 2021 05 31
(181) 2031 05 31
(891) 2022 12 13
(511) 06, 07, 08, 11, 19

(260) AM 2023 120924 A
(800) 1703812
(151) 2022 11 07
(181) 2032 11 07
(891) 2022 11 07
(511) 07, 10, 14, 40, 42

(260) AM 2023 121062 A
(800) 1705496
(151) 2022 11 04
(181) 2032 11 04
(891) 2022 11 04
(511) 05

(260) AM 2023 120925 A
(800) 1703854
(151) 2022 11 18
(181) 2032 11 18
(891) 2022 11 18
(511) 07, 37

(260) AM 2023 121071 A
(800) 1705746
(151) 2022 12 02
(181) 2032 12 02
(891) 2022 12 02
(511) 10

(260) AM 2023 120926 A
(800) 921912
(151) 2007 03 19
(181) 2027 03 19
(891) 2022 11 17
(511) 16

(260) AM 2023 121073 A
(800) 1705890
(151) 2022 12 09
(181) 2032 12 09
(891) 2022 12 09
(511) 20

(260) AM 2023 120927 A
(800) 1357160
(151) 2017 02 06
(181) 2027 02 06
(891) 2022 03 10
(511) 37

(260) AM 2023 121084 A
(800) 1706148
(151) 2022 09 30
(181) 2032 09 30
(891) 2022 09 30
(511) 07, 09, 11, 17, 21, 35, 37

(260) AM 2023 120928 A
(800) 1469820
(151) 2019 03 05
(181) 2029 03 05
(891) 2022 11 30
(511) 09, 16, 28, 41

(260) AM 2023 121100 A
(800) 1706617
(151) 2022 09 26
(181) 2032 09 26
(891) 2022 09 26
(511) 09, 38, 39, 42

(260) AM 2023 121103 A
 (800) 1706726
 (151) 2022 05 31
 (181) 2032 05 31
 (891) 2022 05 31
 (511) 16, 35, 41, 45

(260) AM 2023 121162 A
 (800) 1706925
 (151) 2022 07 25
 (181) 2032 07 25
 (891) 2022 07 25
 (511) 09

(260) AM 2023 121111 A
 (800) 1482674
 (151) 2019 03 07
 (181) 2029 03 07
 (891) 2022 12 06
 (511) 29, 30, 31, 33
 (551) Collective

(260) AM 2023 121163 A
 (800) 1706976
 (151) 2022 08 24
 (181) 2032 08 24
 (891) 2022 08 24
 (511) 12

(260) AM 2023 121115 A
 (800) 1686040
 (151) 2022 08 02
 (181) 2032 08 02
 (891) 2022 12 17
 (511) 09, 36, 42

(260) AM 2023 121164 A
 (800) 1706988
 (151) 2022 09 27
 (181) 2032 09 27
 (891) 2022 09 27
 (511) 29, 32, 35

(260) AM 2023 121157 A
 (800) 1706828
 (151) 2022 08 19
 (181) 2032 08 19
 (891) 2022 08 19
 (511) 32

(260) AM 2023 121165 A
 (800) 1706994
 (151) 2022 11 02
 (181) 2032 11 02
 (891) 2022 11 02
 (511) 01, 09, 19, 42

(260) AM 2023 121158 A
 (800) 1706831
 (151) 2022 09 16
 (181) 2032 09 16
 (891) 2022 09 16
 (511) 05, 10, 17, 19, 20, 21, 22, 24, 25

(260) AM 2023 121166 A
 (800) 1707008
 (151) 2022 11 15
 (181) 2032 11 15
 (891) 2022 11 15
 (511) 35

(260) AM 2023 121160 A
 (800) 1706863
 (151) 2022 11 28
 (181) 2032 11 28
 (891) 2022 11 28
 (511) 29

(260) AM 2023 121203 A
 (800) 1707801
 (151) 2022 11 04
 (181) 2032 11 04
 (891) 2022 11 04
 (511) 34

(260) AM 2023 121161 A
 (800) 1706872
 (151) 2022 11 11
 (181) 2032 11 11
 (891) 2022 11 11
 (511) 01, 05, 29

(260) AM 2023 121204 A
 (800) 1707829
 (151) 2022 04 15
 (181) 2032 04 15
 (891) 2022 04 15
 (511) 19, 37, 40, 42

(260) AM 2023 121209 A
(800) 1693630
(151) 2022 10 03
(181) 2032 10 03
(891) 2022 12 22
(511) 25

(260) AM 2023 121364 A
(800) 1708805
(151) 2022 12 13
(181) 2032 12 13
(891) 2022 12 13
(511) 34

(260) AM 2023 121210 A
(800) 1696052
(151) 2022 10 03
(181) 2032 10 03
(891) 2022 12 22
(511) 18

(260) AM 2023 121365 A
(800) 1708873
(151) 2022 07 05
(181) 2032 07 05
(891) 2022 07 05
(511) 07, 08, 09, 11, 21

(260) AM 2023 121248 A
(800) 1707834
(151) 2022 06 27
(181) 2032 06 27
(891) 2022 06 27
(511) 07, 09, 11

(260) AM 2023 121366 A
(800) 1708910
(151) 2022 12 12
(181) 2032 12 12
(891) 2022 12 12
(511) 17, 19

(260) AM 2023 121250 A
(800) 1707844
(151) 2022 11 15
(181) 2032 11 15
(891) 2022 11 15
(511) 05

(260) AM 2023 121451 A
(800) 1710115
(151) 2022 10 17
(181) 2032 10 17
(891) 2022 10 17
(511) 10

(260) AM 2023 121251 A
(800) 1707851
(151) 2022 11 30
(181) 2032 11 30
(891) 2022 11 30
(511) 30

(260) AM 2023 121554 A
(800) 1711707
(151) 2022 11 04
(181) 2032 11 04
(891) 2022 11 04
(511) 13

(260) AM 2023 121361 A
(800) 1708659
(151) 2022 10 04
(181) 2032 10 04
(891) 2022 10 04
(511) 03

(260) AM 2023 121556 A
(800) 1711766
(151) 2023 01 09
(181) 2033 01 09
(891) 2023 01 09
(511) 31

(260) AM 2023 121362 A
(800) 1708660
(151) 2022 11 17
(181) 2032 11 17
(891) 2022 11 17
(511) 35, 39, 41

(260) AM 2023 121607 A
(800) 1712882
(151) 2022 11 16
(181) 2032 11 16
(891) 2022 11 16
(511) 35, 37, 39

(260) AM 2023 121608 A
(800) 1712897
(151) 2022 11 16
(181) 2032 11 16
(891) 2022 11 16
(511) 14

(260) AM 2023 121609 A
(800) 836565
(151) 2004 09 27
(181) 2024 09 27
(891) 2023 01 25
(511) 33

OFFICIAL NOTIFICATIONS
INVENTIONS
LAPSE OF PATENTS WITH THE RIGHT TO RESTORE

(21) AP 2009 12290
(11) P 2014 6119 B
(73) Boehringer Ingelheim International GMBH
(54) ANTI-IGF ANTIBODIES
DATE OF PATENT LAPSE: 2023 12 11
PATENT RESTORATION TERM: 2024 12 11

(21) AP 2010 12771
(11) P 2015 6367 B
(73) Rajendra Babu ARUMUGAM;
CHETTIAR Kannappan
(54) WIND BASED LOAD ISOLATED ELECTRICAL CHARGING SYSTEM
DATE OF PATENT LAPSE: 2023 12 02
PATENT RESTORATION TERM: 2024 12 02

(21) AP 2010 12776
(11) P 2015 6340 B
(73) Red Leaf Resources Inc.
(54) METHODS AND SYSTEMS FOR REMOVING FINES FROM HYDROCARBON-CONTAINING FLUIDS
DATE OF PATENT LAPSE: 2023 12 03
PATENT RESTORATION TERM: 2024 12 03

(21) AP 2011 13130
(11) P 2015 6304 B
(73) LG Chem LTD.
(54) COMPLEX FORMULATION COMPRISING LERCANIDIPINE HYDROCHLORIDE AND VALSARTAN
AND METHOD FOR THE PREPARATION THEREOF
DATE OF PATENT LAPSE: 2023 12 07
PATENT RESTORATION TERM: 2024 12 07

(21) AP 2015 14523
(11) P 2020 7086 B
(73) Tolmar International Limited
(54) SYRINGE PLUNGER SYSTEM WITH SELF-LOCKING THREADED GEOMETRY
DATE OF PATENT LAPSE: 2023 12 04
PATENT RESTORATION TERM: 2024 12 04

(21) AP 2021 15814
(11) P 2023 7481 B
(73) LLC "AQUIX"
(54) WATER TREATMENT METHOD AND SYSTEM
DATE OF PATENT LAPSE: 2023 11 29
PATENT RESTORATION TERM: 2024 11 29

(21) AP 2021 15817
(11) P 2023 7482 B
(73) LLC "AQUIX"
(54) BEVERAGE (DRINK) PREPARATION MODULE
DATE OF PATENT LAPSE: 2023 12 02
PATENT RESTORATION TERM: 2024 12 02

EXPIRATION OF PATENTS RESTORATION TERM

(21) AP 2008 11833
(11) P 2012 5646 B
(73) Joint Stock Company "Greendex"
(54) 3-(2,2,2-TRIMETHYLHYDRAZINIUM) PROPIONATE SALTS FOR ISCHEMIC HEART DISEASE TREATMENT
DATE OF PATENT LAPSE: 2022 12 03
DATE OF EXPIRATION OF PATENT RESTORATION TERM: 2023 12 03

(21) AP 2013 13863
(11) P 2017 6718 B
(73) Pfizer Inc.
(54) ARYL AND HETEROARYL FUSED LACTAM
DATE OF PATENT LAPSE: 2022 12 05
DATE OF EXPIRATION OF PATENT RESTORATION TERM: 2023 12 05

(21) AP 2017 15120
(11) P 2020 7137 B
(73) Medid Innovation Development LTD
(54) ANTISEPTIC COMPOSITION COMPRISING UNITHIOL AND DIMETHYLSULFOXIDE, USE OF THE COMPOSITION AND METHOD OF WOUND TREATMENT WITH ITS USE
DATE OF PATENT LAPSE: 2022 12 05
DATE OF EXPIRATION OF PATENT RESTORATION TERM: 2023 12 05

(21) AP 2017 15121
(11) P 2022 7353 B
(73) Merck Sharp & Dohme Corp.
(54) TETRACYCLIC HETEROCYCLE COMPOUNDS USEFUL AS HIV INTEGRASE INHIBITORS
DATE OF PATENT LAPSE: 2022 11 30
DATE OF EXPIRATION OF PATENT RESTORATION TERM: 2023 11 30

EXPIRATION OF PATENT TERM

(21) AP 2003 8862
(11) P 2011 5290 B
(73) Incyte Holdings Corporation
(54) 3-AMINOPYRROLIDINE DERIVATIVES AS MODULATORS OF CHEMOKINE RECEPTORS
DATE OF EXPIRATION OF PATENT: 2023 11 26

TRANSFER OF RIGHTS

(21) AP 2014 14132

(11) P 2021 7330 B

(54) LABELED INHIBITORS OF PROSTATE SPECIFIC MEMBRANE ANTIGEN (PSMA), THEIR USE AS IMAGING AGENTS AND PHARMACEUTICAL AGENTS FOR THE TREATMENT OF PROSTATE CANCER

NAME AND ADDRESS OF NEW PATENT OWNER: Novartis Pharma AG (CH)

Forum 1, Novartis Campus, 4056 Basel,
Switzerland (CH)

NAME AND ADDRESS OF FORMER PATENT OWNER: Deutsches Krebsforschungszentrum (DE)

Im Neuenheimer Feld 280, 69120 Heidelberg,
Germany (DE);
Ruprecht-Karls-Universität Heidelberg (DE)
Grabengasse 1, 69117 Heidelberg, Germany (DE)

DATE OF REGISTRATION: 2023 12 15

(21) AP 2014 15377

(11) P 2023 7479 B

(54) LABELED INHIBITORS OF PROSTATE SPECIFIC MEMBRANE ANTIGEN (PSMA), THEIR USE AS IMAGING AGENTS AND PHARMACEUTICAL AGENTS FOR THE TREATMENT OF PROSTATE CANCER

NAME AND ADDRESS OF NEW PATENT OWNER: Novartis Pharma AG (CH)

Forum 1, Novartis Campus, 4056 Basel,
Switzerland (CH)

NAME AND ADDRESS OF FORMER PATENT OWNER: Ruprecht-Karls-Universität Heidelberg (DE)

Grabengasse 1, 69117 Heidelberg, Germany (DE);
Deutsches Krebsforschungszentrum (DE)
Im Neuenheimer Feld 280, 69120 Heidelberg,
Germany (DE)

DATE OF REGISTRATION: 2023 12 15

(21) AP 2014 15719

(11) P 2023 7496 B

(54) LABELED INHIBITORS OF PROSTATE SPECIFIC MEMBRANE ANTIGEN (PSMA), THEIR USE AS IMAGING AGENTS AND PHARMACEUTICAL AGENTS FOR THE TREATMENT OF PROSTATE CANCER

NAME AND ADDRESS OF NEW PATENT OWNER: Novartis Pharma AG (CH)

Forum 1, Novartis Campus, 4056 Basel,
Switzerland (CH)

NAME AND ADDRESS OF FORMER PATENT OWNER: Ruprecht-Karls-Universität Heidelberg (DE)

Grabengasse 1, 69117 Heidelberg, Germany (DE);
Deutsches Krebsforschungszentrum (DE)
Im Neuenheimer Feld 280, 69120 Heidelberg,
Germany (DE)

DATE OF REGISTRATION: 2023 12 15

(21) AP 2014 15720

(11) P 2023 7497 B

(54) LABELED INHIBITORS OF PROSTATE SPECIFIC MEMBRANE ANTIGEN (PSMA), THEIR USE AS IMAGING AGENTS AND PHARMACEUTICAL AGENTS FOR THE TREATMENT OF PROSTATE CANCER

NAME AND ADDRESS OF NEW PATENT OWNER: Novartis Pharma AG (CH)

Forum 1, Novartis Campus, 4056 Basel,
Switzerland (CH)

NAME AND ADDRESS OF FORMER PATENT OWNER: Ruprecht-Karls-Universität Heidelberg (DE)
Grabengasse 1, 69117 Heidelberg, Germany (DE);
Deutsches Krebsforschungszentrum (DE)
Im Neuenheimer Feld 280, 69120 Heidelberg,
Germany (DE)

DATE OF REGISTRATION: 2023 12 15

CHANGE OF NAME AND/OR ADDRESS OF PATENTOWNER

(21) AP 2005 9692

(11) P 2008 4551 B

(54) 4-PHENYLAMINO-QUINAZOLIN-6-YL-AMIDES

NAME AND ADDRESS OF NEW PATENT OWNER: Warner-Lambert Company LLC (US)
235 East 42nd Street, New York, NY 10017-5703,
USA (US)

NAME AND ADDRESS OF FORMER PATENT OWNER: Warner-Lambert Company LLC (US)
201 Tabor Road, Morris Plains, NJ 07950, USA (US)

DATE OF REGISTRATION: 2023 12 04

TRADEMARKS**EXTENSION OF TERM OF TRADEMARKS REGISTRATION**

(111) M 2004 15427 R2
(151) 2004 02 13
(186) 2034 02 13
(732) Colgate-Palmolive Company
300 Park Avenue, New York, NY 10022, USA

(111) M 2004 15426 R2
(151) 2004 02 13
(186) 2034 02 13
(732) Colgate-Palmolive Company
300 Park Avenue, New York, NY 10022, USA

(111) M 2004 15571 R2
(151) 2004 06 15
(186) 2034 06 15
(732) Guardian Industries LLC
2300 Harmon Road, Auburn Hills,
Michigan 48326, USA

(111) M 2004 15583 R2
(151) 2004 07 01
(186) 2034 07 01
(732) Guardian Europe S.a.r.l.
19, Rue Du Puits-Romain, L-8070 Bertrange,
Luxembourg

(111) M 2004 15671 R2
(151) 2004 10 05
(186) 2034 10 05
(732) Underberg GmbH & Co. KG
Underbergstr.1-3, Rheinberg, D-47495,
Germany

(111) M 2013 23881 R1
(151) 2013 08 14
(186) 2033 08 14
(732) Clarios Technology and Recycling GmbH
Am Leineufer 51, 30419 Hannover, Germany

(111) M 2013 23882 R1
(151) 2013 08 14
(186) 2033 08 14
(732) Clarios Technology and Recycling GmbH
Am Leineufer 51, 30419 Hannover, Germany

(111) M 2013 24036 R1
(151) 2013 09 17
(186) 2033 09 17
(732) Elemis USA Inc.
1140 Broadway, Suite 1601, New York,
NY 10001, USA

(111) M 2013 24175 R1
(151) 2013 10 17
(186) 2033 10 17
(732) Kraft Foods Danmark Intellectual
Property APS
Ringager 2 A, 2, DK-2605 Brondby, Denmark

(111) M 2013 24176 R1
(151) 2013 10 17
(186) 2033 10 17
(732) Kraft Foods Danmark Intellectual
Property APS
Ringager 2 A, 2, DK-2605 Brondby, Denmark

(111) M 2013 24392 R1
(151) 2013 12 30
(186) 2033 12 30
(732) Otis Elevator Company
10 Farm Springs, Farmington, Connecticut
06032, USA

(111) M 2013 24393 R1
(151) 2013 12 30
(186) 2033 12 30
(732) Otis Elevator Company
10 Farm Springs, Farmington, Connecticut
06032, USA

(111) M 2014 24435 R1
(151) 2014 01 21
(186) 2034 01 21
(732) Disney Enterprises Inc.
a Delaware Corporation
500 South Buena Vista St., Burbank,
California 91521, USA

(111) M 2014 24436 R1
(151) 2014 01 21
(186) 2034 01 21
(732) Disney Enterprises Inc.
a Delaware Corporation
500 South Buena Vista St., Burbank,
California 91521, USA

(111) M 2013 23831 R1
(151) 2013 07 01
(186) 2033 07 01
(732) Kakhaber Mekvevrishvili
Kavkasioni St. 41, ap. 17, 2200, Telavi,
Georgia

(111) M 2014 24445 R1
(151) 2014 01 24
(186) 2034 01 24
(732) Herbalife International Inc.
800 W. Olympic Blvd., suite 406,
Los Angeles, CA 90015, USA

(111) M 2014 24595 R1
(151) 2014 03 25
(186) 2034 03 25
(732) LTD "Tarieli"
Inasaridze St. 14a, 6000, Tbilisi, Georgia

COMPLETE TRANSFER OF RIGHTS

(111) M 2023 37263 R
(732) International Masis Tabak LLC
10 Hrant Vardanyan St., 0802, Masis,
Ararat region, Armenia
(770) Mikael Vardanyan
Bayron St. 3, ap. 38, Yerevan, Armenia
(580) 2023 11 01

(111) M 2005 16175 R
(732) Grand Tobacco LLC
22 Hrant Vardanyan St., Yerevan, 0061,
Armenia
(770) Mikayel Vardanyan
Bayron St. 3, ap. 38, Erevani, Armenia
(580) 2023 11 01

(111) M 2023 37262 R
(732) Grand Tobacco LLC
22 Hrant Vardanyan St., Yerevan, 0061,
Armenia
(770) Mikael Vardanyan
Bayron St. 3, ap. 38, Yerevan, Armenia
(580) 2023 11 01

(111) M 2005 16177 R
(732) International Masis Tabak LLC
10 Hrant Vardanyan St., 0802 Masis,
Ararat region, Armenia
(770) Mikayel Vardanyan
Bayron St. 3, ap. 38, Yerevan, Armenia
(580) 2023 11 01

(111) M 2023 37261 R
(732) International Masis Tabak LLC
10 Hrant Vardanyan St., 0802, Masis,
Ararat region, Armenia
(770) Mikael Vardanyan
Bayron St. 3, ap. 38, Yerevan, Armenia
(580) 2023 11 01

(111) M 2005 16178 R
(732) Grand Tobacco LLC
22 Hrant Vardanyan St., Yerevan, 0061,
Armenia
(770) Mikayel Vardanyan
Bayron St. 3, ap. 38, Yerevan, Armenia
(580) 2023 11 01

(111) M 2023 37395 R
(732) International Masis Tabak LLC
10 Hrant Vardanyan St., 0802, Masis,
Ararat region, Armenia
(770) Mikayel Vardanyan
Bayron St. 3, ap. 38, Yerevan, Armenia
(580) 2023 11 01

(111) M 2005 16179 R
(732) International Masis Tabak LLC
10 Hrant Vardanyan St., 0802, Masis,
Ararat region, Armenia
(770) Mikayel Vardanyan
Bayron St. 3, ap. 38, Yerevan, Armenia
(580) 2023 11 01

(111) M 2005 16171 R
(732) Grand Tobacco LLC
22 Hrant Vardanyan St., Yerevan, 0061,
Armenia
(770) Mikayel Vardanyan
Bayron St. 3, ap. 38, Erevani, Armenia
(580) 2023 11 01

(111) M 2005 16180 R
(732) Grand Tobacco LLC
22 Hrant Vardanyan St., Yerevan, 0061,
Armenia
(770) Mikayel Vardanyan
Bayron St. 3, ap. 38, Yerevan, Armenia
(580) 2023 11 01

(111) M 2005 16174 R
(732) International Masis Tabak LLC
10 Hrant Vardanyan St., 0802, Masis,
Ararat region, Armenia
(770) Mikayel Vardanyan
Bayron St. 3, ap. 38, Yerevan, Armenia
(580) 2023 11 01

(111) M 2005 16181 R
(732) International Masis Tabak LLC
10 Hrant Vardanyan St., 0802, Masis,
Ararat region, Armenia
(770) Mikayel Vardanyan
Bayron St. 3, ap. 38, Yerevan, Armenia
(580) 2023 11 01

(111) M 2005 16182 R
(732) Grand Tobacco LLC
22 Hrant Vardanyan St., Yerevan, 0061,
Armenia
(770) Mikayel Vardanyan
Bayron St. 3, ap. 38, Yerevan, Armenia
(580) 2023 11 01

(111) M 2005 16184 R
(732) International Masis Tabak LLC
10 Hrant Vardanyan St., 0802, Masis,
Ararat region, Armenia
(770) Mikayel Vardanyan
Bayron St. 3, ap. 38, Yerevan, Armenia
(580) 2023 11 01

(111) M 2006 16918 R
(732) International Masis Tabak LLC
10 Hrant Vardanyan St., 0802, Masis,
Ararat region, Armenia
(770) Mikayel Vardanyan
Bayron St. 3, ap. 38, Yerevan, Armenia
(580) 2023 11 01

(111) M 2007 17777 R
(732) Ascott International Management (2001)
Pte Ltd
168 Robinson Road, #30-01, Capital Tower,
068912, Singapore
(770) Oakwood Worldwide (US) LP
One World Trade Center, 24th Floor, Long
Beach, California 90831, USA
(580) 2023 11 20

(111) M 2008 18772 R
(732) International Masis Tabak LLC
10 Hrant Vardanyan St., 0802, Masis,
Ararat region, Armenia
(770) Mikayel Vardaniyn
Bayron St. 3, ap. 38, Yerevan, Armenia
(580) 2023 11 01

(111) M 2010 20823 R
(732) International Masis Tabak LLC
10 Hrant Vardanyan St., 0802, Masis,
Ararat region, Armenia
(770) Mikayel Vardanyan
Bayron St. 3, ap. 38, Yerevan, Armenia
(580) 2023 11 01

CHANGES OF NAME AND/OR ADDRESS OF TRADEMARKS OWNERS

(111) M 2022 35366 R (732) Exxon Mobil Corporation 22777 Spingwoods Village Parkway, Spring, TX 77389, USA (770) Exxon Mobil Corporation 5959 Las Colinas Boulevard, Irving, Texas 75039-2298, USA (580) 2023 12 07	Alfred-Nobel-Strasse 10, 40789 Monheim am Rhein, Germany (580) 2023 11 21
(111) M 1998 8222 R (732) Bayer Intellectual Property GmbH Alfred-Nobel-Strasse 50, 40789 Monheim am Rhein, Germany (770) Bayer Intellectual Property GmbH Alfred-Nobel-Strasse 10, 40789 Monheim am Rhein, Germany (580) 2023 11 21	(111) M 1996 3733 R (732) Bayer Intellectual Property GmbH Alfred-Nobel-Strasse 50, 40789 Monheim am Rhein, Germany (770) Bayer Intellectual Property GmbH Alfred-Nobel-Strasse 10, 40789 Monheim am Rhein, Germany (580) 2023 11 21
(111) M 1998 8705 R (732) Bayer Intellectual Property GmbH Alfred-Nobel-Strasse 50, 40789 Monheim am Rhein, Germany (770) Bayer Intellectual Property GmbH Alfred-Nobel-Strasse 10, 40789 Monheim am Rhein, Germany (580) 2023 11 21	(111) M 2007 17847 R (732) Bayer Intellectual Property GmbH Alfred-Nobel-Strasse 50, 40789 Monheim am Rhein, Germany (770) Bayer Intellectual Property GmbH Alfred-Nobel-Strasse 10, 40789 Monheim am Rhein, Germany (580) 2023 11 21
(111) M 1998 8917 R (732) Bayer Intellectual Property GmbH Alfred-Nobel-Strasse 50, 40789 Monheim am Rhein, Germany (770) Bayer Intellectual Property GmbH Alfred-Nobel-Strasse 10, 40789 Monheim am Rhein, Germany (580) 2023 11 21	(111) M 2011 21331 R (732) Singular Trading Limited Level 2, Spinola Park, Mikiel Ang Borg St., St.-Julians, SPK 1000, Malta (770) Singular Trading Limited Tagliaferro Business Centre, Level 2, High Street C/W, Gaiety Lane, Sliema, SLM 1551, Malta (580) 2023 11 08
(111) M 1995 959 R (732) Bayer Intellectual Property GmbH Alfred-Nobel-Strasse 50, 40789 Monheim am Rhein, Germany (770) Bayer Intellectual Property GmbH Alfred-Nobel-Strasse 10, 40789 Monheim am Rhein, Germany (580) 2023 11 21	(111) M 1997 4622 R (732) Bayer Intellectual Property GmbH Alfred-Nobel-Strasse 50, 40789 Monheim am Rhein, Germany (770) Bayer Intellectual Property GmbH Alfred-Nobel-Strasse 10, 40789 Monheim am Rhein, Germany (580) 2023 11 21
(111) M 1995 545 R (732) Bayer Intellectual Property GmbH Alfred-Nobel-Strasse 50, 40789 Monheim am Rhein, Germany (770) Bayer Intellectual Property GmbH	

CANCELLATION OF TRADEMARK REGISTRATION

(111) M 2013 23716 R

(151) 2013 06 06

(732) LLC "Geo Alko Company"

Sh. Nutsubidze Plateau, II m/r., II qu., bld. 1, ap. 10, 0183, Tbilisi, Georgia

(141) 2023 12 13

CANCELLATION OF INTERNATIONAL TRADEMARK REGISTRATION

(800) 1001404

(732) Hachette Filipacchi Presse

2 Rue Des Cévennes, F-75015 Paris, France

(141) 2023 12 14

REGISTRATION OF LICENSE AGREEMENTS

(111) M 2005 15950 R
(732) JSC "Badagoni"
Vill Zemo Khodasheni, 0910, Akhmeta
Reguin, Georgia
(791) LLC "Badagoni Story"
Gazapkhuli St. 15, ap. 3, Vake District,
Tbilisi, Georgia
(793) №1829
From 22 11 2023 to the period of validity of
the trademark
Special
Class: 33

(111) M 2017 28617 R
(732) JSC "Badagoni"
Vill Zemo Khodasheni, 0910, Akhmeta
Reguin, Georgia
(791) LLC "Badagoni Story"
Gazapkhuli St. 15, ap. 3, Vake District,
Tbilisi, Georgia
(793) №1830
From 22 11 2023 to the period of validity of
the trademark
Special
Class: 33, 35

(111) M 2017 28628 R
(732) JSC "Badagoni"
Vill Zemo Khodasheni, 0910, Akhmeta
Reguin, Georgia
(791) LLC "Badagoni Story"
Gazapkhuli St. 15, ap. 3, Vake District,
Tbilisi, Georgia
(793) №1831
From 22 11 2023 to the period of validity of
the trademark
Special
Class: 33, 35

(111) M 2017 28629 R
(732) JSC "Badagoni"
Vill Zemo Khodasheni, 0910, Akhmeta
Reguin, Georgia
(791) LLC "Badagoni Story"
Gazapkhuli St. 15, ap. 3, Vake District,
Tbilisi, Georgia
(793) №1832
From 22 11 2023 to the period of validity of
the trademark
Special
Class: 33, 35

(111) M 2017 28630 R
(732) JSC "Badagoni"
Vill Zemo Khodasheni, 0910, Akhmeta
Reguin, Georgia
(791) LLC "Badagoni Story"
Gazapkhuli St. 15, ap. 3, Vake District,
Tbilisi, Georgia
(793) №1833
From 22 11 2023 to the period of validity of
the trademark
Special
Class: 33, 35

(111) M 2017 28631 R
(732) JSC "Badagoni"
Vill Zemo Khodasheni, 0910, Akhmeta
Reguin, Georgia
(791) LLC "Badagoni Story"
Gazapkhuli St. 15, ap. 3, Vake District,
Tbilisi, Georgia
(793) №1834
From 22 11 2023 to the period of validity of
the trademark
Special
Class: 33, 35

(111) M 2017 28632 R
(732) JSC "Badagoni"
Vill Zemo Khodasheni, 0910, Akhmeta
Reguin, Georgia
(791) LLC "Badagoni Story"
Gazapkhuli St. 15, ap. 3, Vake District,
Tbilisi, Georgia
(793) №1835
From 22 11 2023 to the period of validity of
the trademark
Special
Class: 33, 35

CLASSIFICATION INDEXES

INVENTIONS

CONCORDANCE TABLE OF INTERNATIONAL CLASSIFICATION INDEX AND PUBLICATION NUMBERS

INTERNATIONAL CLASSIFICATION INDEXES (51)	NUMBER OF PUBLISHED APPLICATION (10)
A 21 C 1/00; A 21 D 10/04	AP 2023 15900 A
A 21 C 1/00; A 21 D 10/04	AP 2023 15901 A
A 21 C 1/00; A 21 D 10/04	AP 2023 15902 A
B 61 H 1/00; F 16 D 65/06; F 16 D 69/00	AP 2023 15526 A
F 01 K 3/18; F 01 K 25/10	AP 2023 16060 A

CONCORDANCE TABLE OF PUBLICATION NUMBERS AND INTERNATIONAL CLASSIFICATION INDEX

NUMBER OF PUBLISHED APPLICATION (10)	INTERNATIONAL CLASSIFICATION INDEXES (51)
AP 2023 15526 A	B 61 H 1/00; F 16 D 65/06; F 16 D 69/00
AP 2023 15900 A	A 21 C 1/00; A 21 D 10/04
AP 2023 15901 A	A 21 C 1/00; A 21 D 10/04
AP 2023 15902 A	A 21 C 1/00; A 21 D 10/04
AP 2023 16060 A	F 01 K 3/18; F 01 K 25/10

CONCORDANCE TABLE OF INTERNATIONAL CLASSIFICATION INDEX, PATENT NUMBERS AND PUBLICATION NUMBERS

INTERNATIONAL CLASSIFICATION INDEX (51)	NUMBER OF PATENT (11)	NUMBER OF PUBLISHED APPLICATION (10)
A 01 J 5/007; A 01 J 5/14	P 2023 7576 B	AP 2023 16003 A
A 61 H 33/06; A 61 K 8/67; A 61 K 8/97; A 61 Q 19/00	P 2023 7578 B	AP 2023 15876 A
A 61 K 31/4155; A 61 K 31/4439; A 61 K 31/437; A 61 K 31/55; A 61 K 31/5025; A 61 K 31/538; A 61 K 31/404; A 61 K 31/428; A 61 K 31/427; A 61 K 31/4709; A 61 P 37/02; A 61 P 37/00; A 61 P 35/00; C 07 D 417/14; C 07 D 487/04; C 07 D 471/04	P 2023 7581 B	AP 2023 15865 A
A 61 K 31/5377; A 61 K 47/69; A 61 K 47/40; A 61 P 35/02	P 2023 7580 B	AP 2023 15618 A
A 61 K 36/00	P 2023 7579 B	AP 2023 16164 A
A 61 K 39/00; A 61 K 39/395; A 61 P 7/02; A 61 P 37/02; C 07 K 16/40	P 2023 7574 B	AP 2023 14803 A
A 61 K 39/12; C 07 K 14/18; C 12 N 7/00	P 2023 7575 B	AP 2023 15338 A
B 01D 47/00; B 01D 53/14; B 01 D 53/92; B 03C 5/00	P 2023 7582 B	AP 2023 15018 A
C 10 L 1/00; C 10 L 1/18; G 01 N 33/28	P 2023 7577 B	AP 2023 15988 A

**CONCORDANCE TABLE OF PATENT NUMBERS,
PUBLICATION NUMBERS AND INTERNATIONAL CLASSIFICATION INDEX**

NUMBER OF PATENT (11)	NUMBER OF PUBLISHED APPLICATION (10)	INTERNATIONAL CLASSIFICATION INDEX (51)
P 2023 7574 B	AP 2023 14803 A	A 61 K 39/00; A 61 K 39/395; A 61 P 7/02; A 61 P 37/02; C 07 K 16/40
P 2023 7575 B	AP 2023 15338 A	A 61 K 39/12; C 07 K 14/18; C 12 N 7/00
P 2023 7576 B	AP 2023 16003 A	A 01 J 5/007; A 01 J 5/14
P 2023 7577 B	AP 2023 15988 A	C 10 L 1/00; C 10 L 1/18; G 01 N 33/28
P 2023 7578 B	AP 2023 15876 A	A 61 H 33/06; A 61 K 8/67; A 61 K 8/97; A 61 Q 19/00
P 2023 7579 B	AP 2023 16164 A	A 61 K 36/00
P 2023 7580 B	AP 2023 15618 A	A 61 K 31/5377; A 61 K 47/69; A 61 K 47/40; A 61 P 35/02
P 2023 7581 B	AP 2023 15865 A	A 61 K 31/4155; A 61 K 31/4439; A 61 K 31/437; A 61 K 31/55; A 61 K 31/5025; A 61 K 31/538; A 61 K 31/404; A 61 K 31/428; A 61 K 31/427; A 61 K 31/4709; A 61 P 37/02; A 61 P 37/00; A 61 P 35/00; C 07 D 417/14; C 07 D 487/04; C 07 D 471/04
P 2023 7582 B	AP 2023 15018 A	B 01D 47/00; B 01D 53/14; B 01 D 53/92; B 03C 5/00

**CONCORDANCE TABLE OF APPLICATION NUMBERS,
PUBLICATION NUMBERS AND PATENTS**

NUMBER OF APPLICATION (21)	NUMBER OF PUBLISHED APPLICATION (10)	NUMBER OF PATENT (11)
AP 2016 14803	AP 2023 14803 A	P 2023 7574 B
AP 2016 15018	AP 2023 15018 A	P 2023 7582 B
AP 2018 15338	AP 2023 15338 A	P 2023 7575 B
AP 2019 15618	AP 2023 15618 A	P 2023 7580 B
AP 2020 15865	AP 2023 15865 A	P 2023 7581 B
AP 2022 15876	AP 2023 15876 A	P 2023 7578 B
AP 2020 15988	AP 2023 15988 A	P 2023 7577 B
AP 2022 16003	AP 2023 16003 A	P 2023 7576 B
AP 2023 16164	AP 2023 16164 A	P 2023 7579 B

APPLICATIONS*****CONCORDANCE TABLE OF INTERNATIONAL CLASSIFICATION INDEX
AND PUBLICATION NUMBERS**

INTERNATIONAL CLASSIFICATION INDEXES (51)	NUMBER OF PUBLISHED APPLICATION (10)
A 61 K 31/675; A 61 P 35/00; C 07 F 9/6568; C 07 F 9/6561; C 07 F 9/6584	AP 2023 16387 A
A 61 K 39/395; A 61 P 1/04; C 07 K 16/24	AP 2023 16354 A
A 61 K 39/395; A 61 K 47/68; A 61 P 37/02; C 07 K 16/28; C 12 N 15/13	AP 2023 16382 A
B 29 C 48/21; B 29 C 48/00; B 29 C 48/18	AP 2023 16363 A
B 29 C 55/14; B 29 C 55/12; B 29 D 7/00; B 29 D 28/00; B 32 B 5/02; B 32 B 3/10	AP 2023 16347 A
C 25 B 3/01; C 25 B 15/023; C 25 B 15/027; C 25 B 15/031	AP 2023 16368 A

**CONCORDANCE TABLE OF PUBLICATION NUMBERS
AND INTERNATIONAL CLASSIFICATION INDEX**

NUMBER OF PUBLISHED APPLICATION (10)	INTERNATIONAL CLASSIFICATION INDEXES (51)
AP 2023 16347 A	B 29 C 55/14; B 29 C 55/12; B 29 D 7/00; B 29 D 28/00; B 32 B 5/02; B 32 B 3/10
AP 2023 16354 A	A 61 K 39/395; A 61 P 1/04; C 07 K 16/24
AP 2023 16363 A	B 29 C 48/21; B 29 C 48/00; B 29 C 48/18
AP 2023 16368 A	C 25 B 3/01; C 25 B 15/023; C 25 B 15/027; C 25 B 15/031
AP 2023 16382 A	A 61 K 39/395; A 61 K 47/68; A 61 P 37/02; C 07 K 16/28; C 12 N 15/13
AP 2023 16387 A	A 61 K 31/675; A 61 P 35/00; C 07 F 9/6568; C 07 F 9/6561; C 07 F 9/6584

DESIGNS**CONCORDANCE TABLE OF INTERNATIONAL CLASSIFICATION INDEX
AND PUBLICATION NUMBERS**

INTERNATIONAL CLASSIFICATION INDEXES (51)	NUMBER OF PUBLISHED APPLICATION (10)
01-01	AD 2023 1323 S
02-02	AD 2023 1324 S

**CONCORDANCE TABLE OF PUBLICATION NUMBERS
AND INTERNATIONAL CLASSIFICATION INDEX**

NUMBER OF PUBLISHED APPLICATION (10)	INTERNATIONAL CLASSIFICATION INDEXES (51)
AD 2023 1323 S	01-01
AD 2023 1324 S	02-02

TRADEMARKS

CONCORDANCE TABLE OF REGISTRATION NUMBERS, APPLICATION NUMBERS, PUBLICATION NUMBERS AND BULLETIN NUMBERS

NUMBER OF REGISTRATION (111)	NUMBER OF APPLICATIONS (210)	NUMBER OF PUBLISHED APPLICATIONS (260)	NUMBER OF BULLETIN
1	2	3	4
M 2023 37662 R	AM 125793	–	24(627)2023
M 2023 37663 R	AM 125565	–	24(627)2023
M 2023 37664 R	AM 125671	–	24(627)2023
M 2023 37665 R	AM 125672	–	24(627)2023
M 2023 37666 R	AM 125784	–	24(627)2023
M 2023 37667 R	AM 125554	–	24(627)2023
M 2023 37668 R	AM 125763	–	24(627)2023
M 2023 37669 R	AM 125549	–	24(627)2023
M 2023 37670 R	AM 125550	–	24(627)2023
M 2023 37671 R	AM 125544	–	24(627)2023
M 2023 37672 R	AM 120252	AM 2023 120252 A	14(617)2023
M 2023 37673 R	AM 120736	AM 2023 120736 A	13(616)2023
M 2023 37674 R	AM 120173	AM 2023 120173 A	12(615)2023
M 2023 37675 R	AM 121435	AM 2023 121435 A	17(620)2023
M 2023 37676 R	AM 120174	AM 2023 120174 A	12(615)2023
M 2023 37677 R	AM 121136	AM 2023 121136 A	15(618)2023
M 2023 37678 R	AM 121135	AM 2023 121135 A	15(618)2023
M 2023 37679 R	AM 121134	AM 2023 121134 A	15(618)2023
M 2023 37680 R	AM 120711	AM 2023 120711 A	15(618)2023
M 2023 37681 R	AM 121155	AM 2023 121155 A	16(619)2023
M 2023 37682 R	AM 121123	AM 2023 121123 A	15(618)2023
M 2023 37683 R	AM 120717	AM 2023 120717 A	16(619)2023
M 2023 37684 R	AM 120339	AM 2023 120339 A	14(617)2023
M 2023 37685 R	AM 120811	AM 2023 120811 A	16(619)2023
M 2023 37686 R	AM 120598	AM 2023 120598 A	14(617)2023
M 2023 37687 R	AM 119993	AM 2023 119993 A	11(614)2023
M 2023 37688 R	AM 120817	AM 2023 120817 A	16(619)2023
M 2023 37689 R	AM 120945	AM 2023 120945 A	16(619)2023
M 2023 37690 R	AM 125561	–	24(627)2023
M 2023 37691 R	AM 125890	–	24(627)2023
M 2023 37692 R	AM 125782	–	24(627)2023
M 2023 37693 R	AM 125560	–	24(627)2023
M 2023 37694 R	AM 125879	–	24(627)2023
M 2023 37695 R	AM 125777	–	24(627)2023
M 2023 37696 R	AM 125788	–	24(627)2023
M 2023 37697 R	AM 125786	–	24(627)2023
M 2023 37698 R	AM 125785	–	24(627)2023
M 2023 37699 R	AM 126003	–	24(627)2023
M 2023 37700 R	AM 125905	–	24(627)2023
M 2023 37701 R	AM 125790	–	24(627)2023
M 2023 37702 R	AM 125787	–	24(627)2023
M 2023 37703 R	AM 125783	–	24(627)2023
M 2023 37704 R	AM 125781	–	24(627)2023
M 2023 37705 R	AM 125780	–	24(627)2023
M 2023 37706 R	AM 125779	–	24(627)2023
M 2023 37707 R	AM 125778	–	24(627)2023

1	2	3	4
M 2023 37708 R	AM 125902	–	24(627)2023
M 2023 37709 R	AM 125904	–	24(627)2023
M 2023 37710 R	AM 126014	–	24(627)2023
M 2023 37711 R	AM 125994	–	24(627)2023
M 2023 37712 R	AM 125996	–	24(627)2023
M 2023 37713 R	AM 125997	–	24(627)2023
M 2023 37714 R	AM 125998	–	24(627)2023
M 2023 37715 R	AM 120616	AM 2023 120616 A	13(616)2023
M 2023 37716 R	AM 120615	AM 2023 120615 A	13(616)2023
M 2023 37717 R	AM 120827	AM 2023 120827 A	14(617)2023
M 2023 37718 R	AM 121244	AM 2023 121244 A	17(620)2023
M 2023 37719 R	AM 121650	AM 2023 121650 A	17(620)2023
M 2023 37720 R	AM 121730	AM 2023 121730 A	17(620)2023
M 2023 37721 R	AM 121732	AM 2023 121732 A	17(620)2023
M 2023 37722 R	AM 121735	AM 2023 121735 A	17(620)2023
M 2023 37723 R	AM 119486	AM 2023 119486 A	11(614)2023
M 2023 37724 R	AM 121345	AM 2023 121345 A	17(620)2023
M 2023 37725 R	AM 124775	AM 2023 124775 A	24(627)2023
M 2023 37726 R	AM 119984	AM 2023 119984 A	11(614)2023
M 2023 37727 R	AM 120822	AM 2023 120822 A	16(619)2023
M 2023 37728 R	AM 121322	AM 2023 121322 A	17(620)2023
M 2023 37729 R	AM 120518	AM 2023 120518 A	12(615)2023
M 2023 37730 R	AM 121239	AM 2023 121239 A	17(620)2023
M 2023 37731 R	AM 121222	AM 2023 121222 A	17(620)2023
M 2023 37732 R	AM 121223	AM 2023 121223 A	17(620)2023
M 2023 37733 R	AM 121341	AM 2023 121341 A	17(620)2023
M 2023 37734 R	AM 121419	AM 2023 121419 A	17(620)2023
M 2023 37735 R	AM 121722	AM 2023 121722 A	17(620)2023
M 2023 37736 R	AM 121632	AM 2023 121632 A	17(620)2023
M 2023 37737 R	AM 121532	AM 2023 121532 A	17(620)2023
M 2023 37738 R	AM 121666	AM 2023 121666 A	17(620)2023
M 2023 37739 R	AM 121670	AM 2023 121670 A	17(620)2023
M 2023 37740 R	AM 120127	AM 2023 120127 A	12(615)2023
M 2023 37741 R	AM 121772	AM 2023 121772 A	17(620)2023
M 2023 37742 R	AM 121668	AM 2023 121668 A	17(620)2023
M 2023 37743 R	AM 121721	AM 2023 121721 A	17(620)2023
M 2023 37744 R	AM 120605	AM 2023 120605 A	17(620)2023
M 2023 37745 R	AM 121138	AM 2023 121138 A	15(618)2023
M 2023 37746 R	AM 121331	AM 2023 121331 A	15(618)2023
M 2023 37747 R	AM 121137	AM 2023 121137 A	15(618)2023
M 2023 37748 R	AM 120816	AM 2023 120816 A	15(618)2023
M 2023 37749 R	AM 121336	AM 2023 121336 A	17(620)2023
M 2023 37750 R	AM 121337	AM 2023 121337 A	17(620)2023
M 2023 37751 R	AM 121338	AM 2023 121338 A	17(620)2023
M 2023 37752 R	AM 121325	AM 2023 121325 A	15(618)2023
M 2023 37753 R	AM 121326	AM 2023 121326 A	15(618)2023
M 2023 37754 R	AM 121327	AM 2023 121327 A	15(618)2023
M 2023 37755 R	AM 121328	AM 2023 121328 A	15(618)2023
M 2023 37756 R	AM 121329	AM 2023 121329 A	15(618)2023
M 2023 37757 R	AM 121330	AM 2023 121330 A	15(618)2023

CONCORDANCE TABLE OF PUBLICATION NUMBERS
AND APPLICATION NUMBERS

NUMBER OF PUBLISHED APPLICATION (260)	NUMBER OF APPLICATION (210)
1	2
AM 2023 95361 A**	AM 95361
AM 2023 122583 A	AM 122583
AM 2023 122654 A	AM 122654
AM 2023 122679 A	AM 122679
AM 2023 122722 A	AM 122722
AM 2023 122723 A	AM 122723
AM 2023 122725 A	AM 122725

1	2
AM 2023 123065 A	AM 123065
AM 2023 123189 A	AM 123189
AM 2023 123190 A	AM 123190
AM 2023 123310 A	AM 123310
AM 2023 123312 A	AM 123312
AM 2023 123325 A	AM 123325
AM 2023 123330 A	AM 123330
AM 2023 123331 A	AM 123331
AM 2023 123332 A	AM 123332
AM 2023 123334 A	AM 123334

CONCORDANCE TABLE OF INDEX OF GOODS AND/OR SERVICES
AND APPLICATION NUMBERS

INDEX OF GOODS AND/OR SERVICES (511)	NUMBER OF PUBLISHED APPLICATIONS (260)
1	2
5	AM 2023 122722 A
5	AM 2023 122723 A
5	AM 2023 122725 A
9	AM 2023 95361 A**
18	AM 2023 123310 A
18	AM 2023 123312 A
18	AM 2023 123330 A
18	AM 2023 123331 A
25	AM 2023 123310 A
25	AM 2023 123312 A
25	AM 2023 123330 A
25	AM 2023 123331 A
30	AM 2023 122583 A
30	AM 2023 122722 A
30	AM 2023 122723 A

1	2
30	AM 2023 122725 A
30	AM 2023 123325 A
32	AM 2023 123330 A
32	AM 2023 123331 A
33	AM 2023 122679 A
34	AM 2023 123189 A
34	AM 2023 123190 A
35	AM 2023 122583 A
35	AM 2023 122722 A
35	AM 2023 122723 A
35	AM 2023 122725 A
35	AM 2023 123310 A
35	AM 2023 123312 A
36	AM 2023 123065 A
37	AM 2023 123332 A
37	AM 2023 123334 A
42	AM 2023 95361 A**
43	AM 2023 122654 A
43	AM 2023 123334 A

CONCORDANCE TABLE OF INDEX OF GOODS AND/OR SERVICES
AND NUMBERS OF TRADEMARKS REGISTERED ACCORDING
TO THE ACCELERATED PROCEDURE

INDEX OF GOODS AND/OR SERVICES (511)	NUMBERS OF REGISTERED ACCORDING TO THE ACCELERATED PROCEDURE (111)	1	2
1	2		
2	M 2023 37694 R	33	M 2023 37707 R
5	M 2023 37665 R	33	M 2023 37710 R
9	M 2023 37667 R	33	M 2023 37714 R
9	M 2023 37669 R	34	M 2023 37711 R
9	M 2023 37670 R	34	M 2023 37712 R
9	M 2023 37671 R	34	M 2023 37713 R
9	M 2023 37690 R	35	M 2023 37667 R
9	M 2023 37693 R	35	M 2023 37669 R
9	M 2023 37700 R	35	M 2023 37670 R
29	M 2023 37663 R	35	M 2023 37671 R
29	M 2023 37664 R	35	M 2023 37690 R
30	M 2023 37663 R	35	M 2023 37691 R
31	M 2023 37663 R	35	M 2023 37693 R
33	M 2023 37666 R	35	M 2023 37694 R
33	M 2023 37668 R	35	M 2023 37709 R
33	M 2023 37692 R	36	M 2023 37667 R
33	M 2023 37695 R	36	M 2023 37669 R
33	M 2023 37696 R	36	M 2023 37670 R
33	M 2023 37697 R	36	M 2023 37671 R
33	M 2023 37698 R	36	M 2023 37690 R
33	M 2023 37699 R	36	M 2023 37693 R
33	M 2023 37701 R	39	M 2023 37667 R
33	M 2023 37702 R	39	M 2023 37671 R
33	M 2023 37703 R	41	M 2023 37667 R
33	M 2023 37704 R	41	M 2023 37671 R
33	M 2023 37705 R	41	M 2023 37700 R
33	M 2023 37706 R	42	M 2023 37667 R
		42	M 2023 37671 R
		42	M 2023 37700 R
		42	M 2023 37700 R
		43	M 2023 37691 R
		43	M 2023 37708 R
		43	M 2023 37709 R
		44	M 2023 37662 R

OFFICIAL BULLETIN OF THE INDUSTRIAL PROPERTY

INVENTIONS
DESIGNS
TRADEMARKS

24(627)

EDITOR-IN-CHIEF: N. Bebrishvili

EDITOR-TRANSLATOR: E. Gabunia

PROOFREADER: G. Nadareishvili

COMPUTER LAYOUT: M. Ordenidze
K. Svanidze

ISSN 2720-8486

info@sakpatenti.gov.ge
www.sakpatenti.gov.ge

**LIST OF CODES, IN ALPHABETIC SEQUENCE, AND THE CORRESPONDING (SHORT) NAMES OF STATES, OTHER ENTITIES AND INTERGOVERNMENTAL ORGANIZATIONS
(WIPO STANDARD ST.3)**

AD	Andorra				
AE	United Arab Emirates				
AF	Afghanistan				
AG	Antigua and Barbuda				
AI	Anguilla				
AL	Albania				
AM	Armenia				
AN	Netherlands Antilles				
AO	Angola				
AP	African Regional Intellectual Property Organization (ARIPO)				
AR	Argentina				
AT	Austria				
AU	Australia				
AW	Aruba				
AZ	Azerbaijan				
BA	Bosnia and Herzegovina				
BB	Barbados				
BD	Bangladesh				
BE	Belgium				
BF	Burkina Faso				
BG	Bulgaria				
BH	Bahrain				
BI	Burundi				
BJ	Benin				
BM	Bermuda				
BN	Brunei Darussalam				
BO	Bolivia				
BR	Brazil				
BS	Bahamas				
BT	Bhutan				
BV	Bouvet Island				
BW	Botswana				
BX	Benelux Office for Intellectual Property (BOIP)				
BY	Belarus				
BZ	Belize				
CA	Canada				
CD	Democratic Republic of the Congo				
CF	Central African Republic				
CG	Congo				
CH	Switzerland				
CI	Cote d'Ivoire				
CK	Cook Islands				
CL	Chile				
CM	Cameroon				
CN	China				
CO	Colombia				
CR	Costa Rica				
CU	Cuba				
CV	Cape Verde				
CY	Cyprus				
CZ	Czech Republic				
DE	Germany				
DJ	Djibouti				
DM	Dominica				
DO	Dominican Republic				
DZ	Algeria				
EA	Eurasian Patent Organization (EAPO)				
EC	Ecuador				
EE	Estonia				
EG	Egypt				
EH	Western Sahara				
EM	Office for Harmonization in the Internal Market (Trademarks and Designs)(OHIM)				
EP	European Patent Office (EPO)				
ER	Eritrea				
ES	Spain				
ET	Ethiopia				
FI	Finland				
FJ	Fiji				
FK	Falkland Islands (Malvinas)				
FO	Faroe Islands				
FR	France				
GA	Gabon				
GB	United Kingdom				
GC	Patent Office of the Cooperation Council for the Arab States of the Gulf (GCC)				
GD	Grenada				
GG	Guernsey				
GH	Ghana				
GI	Gibraltar				
GT	Guatemala				
GW	Guinea- Bissau				
GY	Guyana				
HK	The Hong Kong Special Administrative Region of the People's Republic of China				
HN	Honduras				
HR	Croatia				
HT	Haiti				
HU	Hungary				
IB	International Bureau of the World Intellectual Property Organization (WIPO)				
ID	Indonesia				
IE	Ireland				
IL	Israel				
IM	Isle of Man				
IN	India				
IQ	Iraq				
ID	Indonesia				
IE	Ireland				
IL	Israel				
IM	Isle of Man				
IN	India				
IQ	Iraq				
IR	Iran (Islamic Republic of)				
IS	Iceland				
IT	Italy				
JE	Jersey				
JM	Jamaica				
JO	Jordan				
JP	Japan				
KE	Kenya				
KG	Kyrgyzstan				
KH	Cambodia				
KI	Kiribati				
KM	Saint Kitts and Nevis				
KP	Democratic People's Republic of Korea				
KR	Republic of Korea				
KW	Kuwait				
KY	Cayman Islands				
KZ	Kazakhstan				
LA	Lao People's Democratic Republic				
LB	Lebanon				
LC	Saint Lucia				
LI	Liechtenstein				
LK	Sri Lanka				
LR	Liberia				
LS	Lesotho				
LT	Lithuania				
LU	Luxembourg				
LV	Latvia				
LY	Libyan Arab Jamahiriya				
MA	Morocco				
MC	Monaco				
MD	Republic of Moldova				
ME	Montenegro				
MG	Madagascar				
MK	The former Yugoslav Republic of Macedonia				
ML	Mali				
MM	Myanmar				
MN	Mongolia				
MO	Macao				
MP	Northern Mariana Islands				
MR	Mauritania				
MS	Montserrat				
MT	Malta				
MU	Mauritius				
MV	Maldives				
MW	Malawi				
MX	Mexico				
MY	Malaysia				
MZ	Mozambique				
NA	Namibia				
NE	Niger				
NG	Nigeria				
NI	Nicaragua				
NL	Netherlands				
NO	Norway				
NP	Nepal				
NR	Nauru				
NZ	New Zealand				
OA	African Intellectual Property Organization (OAPI)				
OM	Oman				
PA	Panama				
PE	Peru				
PG	Papua New Guinea				
PH	Philippines				
PK	Pakistan				
PL	Poland				
PT	Portugal				
PW	Palau				
PY	Paraguay				
QA	Qatar				
QZ	Community Plant Variety Office (European Community) (CPVO)				
RO	Romania				
RS	Serbia				
RU	Russian Federation				
RW	Rwanda				
SA	Saudi Arabia				
SB	Solomon Islands				
SC	Seychelles				
SD	Sudan				
SG	Singapore				
SH	Saint Helena				
SI	Slovenia				
SK	Slovakia				
SL	Sierra Leone				
SM	San Marino				
SN	Senegal				
SO	Somalia				
SR	Suriname				
ST	Sao Tome and Principe				
SV	El Salvador				
SY	Syrian Arab Republic				
SZ	Swaziland				
TC	Turks and Caicos Islands				
TD	Chad				
TG	Togo				
TH	Thailand				
TJ	Tajikistan				
TL	Timor-Leste				
TM	Turkmenistan				
TN	Tunisia				
TO	Tonga				
TR	Turkey				
SE	Sweden				
TT	Trinidad and Tobago				
TV	Tuvalu				
TW	Taiwan, Province of China				
TZ	United Republic of Tanzania				
UA	Ukraine				
UG	Uganda				
US	United States of America				
UY	Uruguay				
UZ	Uzbekistan				
VA	Holy See				
VC	Saint Vincent and the Grenadines				
VE	Venezuela				
VG	Virgin Islands (British)				
VN	Viet Nam				
VU	Vanuatu				
WO	World Intellectual Property Organization (WIPO)				
WS	Samoa				
XN	Nordic Patent Institute (NPI)				
YE	Yemen				
ZA	South Africa				
ZM	Zambia				
ZW	Zimbabwe				