



**NATIONAL INTELLECTUAL PROPERTY CENTER OF GEORGIA  
SAKPATENTI**

**OFFICIAL BULLETIN  
OF THE INDUSTRIAL PROPERTY**

**3(511)**

**2019  
TBILISI**

# INID CODES FOR IDENTIFICATION OF BIBLIOGRAPHIC DATA

## INVENTIONS, UTILITY MODELS

- (10) Number of publication for application, which has been examined
- (11) Number of patent and kind of document
- (21) Serial number of application
- (22) Date of filing of the application
- (23) Date of exhibition or the date of the earlier filing and the number of application, if any
- (24) Date from which patent may have effect
- (31) Number of priority application
- (32) Date of filing of priority application
- (33) Code of the country or regional organization allotting priority application number
- (44) Date of publication of application not granted, but examined and number of bulletin
- (45) Date of publication of registered document
- (51) International Patent Classification Index
- (54) Title of the invention
- (57) Abstract
- (60) Number of examined patent document granted by foreign patent office, date from which patent has effect and country code
- (62) Number of the earlier application and in case of divided application, date of filing an application
- (71) Name, surname and address of applicant (country code)
- (72) Name, surname of inventor (country code)
- (73) Name, surname and address of patent owner (country code)
- (74) Name, surname of representative or patent attorney
- (85) Date of commencement of the national phase of International Application
- (86) Number and date of filing of international application
- (87) Number and date of publication of international application

## DESIGNS

- (10) Number of publication for application
- (11) Number of patent and kind of document or number of registration
- (15) Date of registration/Date of patent renewal
- (18) Expected expiration date of patent or registration
- (21) Serial number of application
- (22) Date of filing of the application
- (23) Date of exhibition or the date of the earlier filing and the number of application, if any
- (24) Date from which patent may have effect
- (28) Number of designs included in the application
- (30) Data relating to priority (number of application, date of filing of application, two-letter code identifying the authority with whom the priority application was made)
- (31) Number of priority application
- (32) Date of filing of priority application
- (33) Code of the country or regional organization allotting priority application number
- (34) Two-letter code according to WIPO St.3 identifying the authority with which the priority application was made
- (44) Date of publication of design and number of bulletin (the first publication)
- (45) Date of publication of design registered by WIPO and number of bulletin
- (51) International Classification for designs (class and subclass of the Locarno Classification)
- (54) Title of the invention
- (55) Reproduction of the design
- (57) Description of characteristic features of the design including indication of colors
- (58) Date of recording of any kind of amendment in the Register
- (62) Number of the earlier application, registration and document number and if available the date of filing an application in case of divided application
- (71) Name, surname and address of applicant (country code)
- (72) Name, surname of creator (country code)
- (73) Name, surname and address of patent owner (country code)
- (74) Name, surname of representative or patent attorney
- (81) Contracting states concerned
  - II designated contracting states according to the 1960 Act
  - III designated contracting states according to the 1999 Act
- (85) Owner's permanent address
- (86) Owner's nationality
- (87) Owner's residence
- (88) State in which the owner has a real and effective industrial or commercial establishment

## TRADEMARKS

- (111) – Number of registration
- (151) – Date of registration
- (156) – Date of the renewal
- (181) – Expected expiration date of registration
- (186) – Renewal expiration date of registration
- (141) – Date of cancel of duration of the mark
- (210) – Serial number of application
- (220) – Date of filing of the application
- (230) – Data concerning exhibition
- (260) – Number of application, for which favorable decision of examination about registration has been taken (publication number)
- (310) – Number of the first application
- (320) – Date of filing of the first application
- (330) – Code, identifying national or regional Office where the first application was made
- (511) – International Classification of Goods and Services for the purposes of registration of trade marks and/or list of goods and/or services classified according thereto
- (531) – Description of figurative elements of Trade Marks according to the International Classification of the Figurative Elements of Marks
- (540) – Reproduction of Trade Mark
- (550) – Nature and kind of Trade Mark
- (580) – Date of recording of any kind changes in respect of applications or registrations
- (591) – Information concerning colors claimed
- (731) – Name and address of the applicant
- (732) – Name and address of the holder of the registration
- (740) – Name and address of the representative
- (750) – Address for correspondence
- (770) – Name and address of the previous applicant or holder in case of change in ownership
- (771) – Previous name and address of the applicant or holder in case of change in ownership
- (791) – Name and address of the licensee
- (793) – Indication of conditions and/or restrictions under the license (Type of license, number of license agreement, data of license, data of validity of license)
- (800) – Certain data relating to the international registration of Trade Marks under the Protocol Relating to Madrid Agreement (International registration number)

## CODES FOR PUBLICATION IN BULLETIN

- (21) AP 0000 000000 – serial number of application for invention
- (10) AP 0000 0000 A – number of published application for invention (first publication)
- (11) P 0000 0000 B – number of patent for invention (second publication)
- (21) API 0000 000000 – number of application for imported patent
- (11) PI 0000 0000 A – number of imported patent (first publication)
- (21) AU 0000 000000 – serial number of application for utility model
- (10) AU 0000 000 U – number of published application for utility model (first publication)
- (11) U 0000 000 Y – number of patent for utility model (second publication)
- (21) AD 0000 000000 – serial number of application for design
- (10) AD 0000 000 S – number of published application for design (first publication)
- (11) D 0000 000 S – number of patent for design (second publication)

## INTERNATIONAL PATENT CLASSIFICATION FOR INVENTIONS AND UTILITY MODELS

- SECTION A – HUMAN NECESSITIES
- SECTION B – PERFORMING OPERATIONS; TRANSPORTING
- SECTION C – CHEMISTRY; METALLURGY
- SECTION D – TEXTILES; PAPER
- SECTION E – FIXED CONSTRUCTIONS
- SECTION F – MECHANICAL ENGINEERING; LIGHTING; HEATING; WEAPONS; BLASTING
- SECTION G – PHYSICS
- SECTION H – ELECTRICITY

- 
- M – Trade Mark
  - (210) AM 0000 000000 – Serial number of application;
  - (260) AAM 0000 00000 A – Publication number of application;
  - (111) M 0000 00000 R – Number of registration;
  - (111) MMM0000 00000 Rn – Number of renewals, in which n=1,2,3;
  - (111) M 0000 00000 R(P) – Number of registration under partial assignment of rights
-



**NATIONAL INTELLECTUAL PROPERTY CENTER OF GEORGIA  
SAKPATENTI**

**OFFICIAL BULLETIN  
OF THE INDUSTRIAL PROPERTY**

**3(511)**

**INVENTIONS**

**UTILITY MODELS**

**DESIGNS**

**TRADEMARKS**

**APPELLATIONS OF ORIGIN OF GOODS**

DATE OF PUBLICATION

2019 02 11

# CONTENTS

<b>PUBLISHED TITLES OF PROTECTION</b> .....	3
<b>INVENTIONS</b>	
▪ APPLICATIONS APPROVED FOR GRANTING PATENTS .....	4
▪ PATENTED INVENTIONS .....	9
<b>UTILITY MODELS</b>	
▪ APPLICATIONS APPROVED FOR GRANTING PATENTS .....	11
▪ PATENTED UTILITY MODEL .....	12
<b>DESIGNS</b>	
▪ APPLICATION APPROVED FOR REGISTRATION .....	13
▪ REGISTERED DESIGN .....	17
▪ DESIGNS, WHICH HAVE BEEN REGISTERED WITH THE INTERNATIONAL BUREAU CLAIMING PRIORITY ON THE TERRITORY OF GEORGIA .....	18
<b>TRADEMARKS</b>	
▪ APPLICATIONS FILED UNDER THE NATIONAL PROCEDURE APPROVED FOR REGISTRATION .....	45
▪ REGISTERED TRADEMARKS .....	53
▪ TRADEMARKS REGISTERED ACCORDING TO THE ACCELERATED PROCEDURE .....	60
▪ INTERNATIONAL TRADEMARKS FOR WHICH A DECISION ON GRANTING PROTECTION IS TAKEN .....	62
▪ INTERNATIONAL TRADEMARKS PROTECTED IN GEORGIA .....	113
<b>APPELLATIONS OF ORIGIN OF GOODS</b>	
APPELLATIONS OF ORIGIN OF GOODS FILED IN GEORGIA FOR EXAMINATION UNDER LISBON AGREEMENT, ON THE BASIS OF THE INTERNATIONAL REGISTRATION .....	123
<b>OFFICIAL NOTIFICATIONS</b>	
<b>INVENTIONS</b>	
▪ RENEWAL OF PATENTS .....	125
▪ CANCELLATION OF PATENTS .....	125
▪ TRANSFER OF RIGHT .....	126
<b>UTILITY MODELS</b>	
▪ RENEWAL OF PATENTS .....	127
▪ CANCELLATION OF PATENTS .....	127
<b>TRADEMARKS</b>	
▪ RENEWAL OF REGISTRATIONS .....	129
▪ COMPLETE TRANSFER OF RIGHT .....	135
▪ CHANGES IN NAMES AND/OR ADDRESSES OF OWNERS .....	137
▪ TERMINATION OF TRADEMARK REGISTRATIONS .....	140
▪ CHANGE OF THE LIST OF GOODS AND/OR SERVICES OF TRADEMARKS .....	143
▪ LICENSE AGREEMENT .....	143
<b>CLASSIFICATION INDEXES</b>	
INVENTIONS .....	144
UTILITY MODELS .....	146
DESIGNS .....	147
TRADEMARKS .....	148

## **PUBLISHED TITLES OF PROTECTION**

### **INVENTIONS**

- **APPLICATIONS APPROVED FOR GRANTING PATENT:**  
14292; 14540; 13952; 14012; 14559; 14393; 14434; 14509; 14340; 14405; 14694
- **PATENTED INVENTIONS:**  
6942-6948

### **UTILITY MODELS**

- **APPLICATIONS APPROVED FOR GRANTING PATENTS:**  
14635; 14657
- **PATENTED UTILITY MODEL:**  
2000

### **DESIGNS**

- **APPLICATION APPROVED FOR REGISTRATION:**  
1046
- **REGISTERED DESIGN:**  
798
- **DESIGNS WHICH HAVE BEEN REGISTERED WITH THE INTERNATIONAL BUREAU CLAIMING PRIORITY ON THE TERRITORY OF GEORGIA:**  
100325; 102299; 103502; 103503, 103504; 103548; 103583; 103590; 103683, 103684; 103690; 103692

### **TRADEMARKS**

- **APPLICATIONS FILED UNDER THE NATIONAL PROCEDURE APPROVED FOR REGISTRATION:**  
92366; 97066; 97776, 97777; 97791; 97805; 97963, 97964; 97983, 97984; 98010, 98011; 98149; 98151-98155; 98162; 98164; 98173, 98174; 98177, 98178; 98180; 98192; 98194; 98199; 98201, 98202; 98204, 98205; 98212; 98222; 98226; 98228, 98229; 98232; 98236; 98238; 98245; 98377; 98393; 98398; 98413; 98584; 98659
- **REGISTERED TRADEMARKS:**  
28987; 30714-30765; 30774-30792
- **TRADEMARKS REGISTERED ACCORDING TO THE ACCELERATED PROCEDURE:**  
30766-30773; 30793
- **INTERNATIONAL TRADEMARKS FOR WHICH A DECISION ON GRANTING PROTECTIONS IS TAKEN:**  
91204\*; 92522\*; 93304; 93826\*; 94383\*; 95418\*; 96188; 96276; 96491; 96746; 96754; 96930; 97122, 97123; 97238; 97273, 97274; 97276-97278; 97283-97298; 97300-97314; 97316-97323; 97335; 97499; 97501-97504; 97508; 97511; 97513; 97515-97517; 97528; 97548-97552; 97555, 97556; 97561; 97578; 97590-97596; 97598; 97620; 97734; 97823; 97845, 97846; 97936-97945
- **INTERNATIONAL TRADEMARKS PROTECTED IN GEORGIA:**  
92557; 94087; 95264; 95615; 95618; 95642, 95643; 95677; 95679, 95680; 95682-95685; 95687; 95696; 95747; 95760; 95764-95766; 95771-95773; 95775-95788; 95792; 95796, 95797; 95816; 95819, 95820; 95828, 95829; 95832-95834; 95836; 95845; 95849; 95851, 95852; 95859-95862; 95864-95868; 95871; 95873-95875; 95879; 95895, 95896; 95898-95902; 95904, 95905; 95908; 95912; 95926; 95936-95940; 95947-95951; 95956-95959; 95961; 95967; 95969, 95970; 95992-95997; 95999; 96001; 96003, 96004; 96021; 96041; 96047-96049; 96064, 96065; 96080, 96081; 96083; 96085-96087; 96105, 96106; 96147, 96148; 96181-96187; 96204; 96218; 96221; 96235; 96237; 96242; 96257; 96259-96262; 96270; 96287; 96291; 96293

### **APPELLATIONS OF ORIGIN OF GOODS**

#### **APPELLATIONS OF ORIGIN OF GOODS FILED IN GEORGIA FOR EXAMINATION UNDER LISBON AGREEMENT, ON THE BASIS OF THE INTERNATIONAL REGISTRATIONS:**

1512-1515; 1532; 1534, 1535

---

# INVENTIONS

## APPLICATIONS APPROVED FOR GRANTING PATENTS

The decision can be appealed at the Chamber of Appeal of Sakpatenti within 3 months from the publication or at the Mtskheta District Court Administrative Cases Board (Address: №17, Samkhedro str., Mtskheta), within 1 month following the publication.

### PART A

#### A 61

**(10) AP 2019 14292 A**      **(51) Int. Cl. (2006)**  
**A 61 K 9/20**  
**A 61 K 31/40**

(21) AP 2015 014292      (22) 2015 03 05  
(31) 2014/02685  
(32) 2014 03 06  
(33) TR  
(71) SANOVEL ILAC SANAYI VE TICARET  
A.S. (TR)  
Balabandere Cad. Ilac Sanayi Yolu  
No: 14 Istinye, Sariyer, 34460, Istanbul (TR)

(72) TÜRKYILMAZ, Ali (TR);  
TURP, Ali Hasan (TR);  
SAYDAM, Mehtap (TR);  
ÜLGEN, Onur (TR)

(74) Larisa Amirkhanyan  
(85) 2016 10 05

(86) PCT/EP2015/054631, 2015 03 05

**(54) PHARMACEUTICAL FORMULATIONS  
OF VILDAGLIPTIN**

(57) Pharmaceutical formulation comprises vildagliptin and a diluent. At that, the ratio of vildagliptin to diluent is in the range of 0.04 - 0.24.

Claims: 1 independent  
8 dependent

---

**(10) AP 2019 14540 A**      **(51) Int. Cl. (2006)**  
**A 61 K 31/395**  
**A 61 P 31/04**  
**C 07 D 471/04**  
**C 07 D 413/14**  
**C 07 D 405/14**  
**C 07 D 401/14**  
**C 07 D 497/04**  
**C 07 D 493/04**  
**C 07 D 495/04**  
**C 07 D 491/04**

(21) AP 2015 14540      (22) 2015 12 14  
(31) 14198414.6  
(32) 2014 12 17  
(33) EP

(71) AZIENDE CHIMICHE RIUNITE  
ANGELINI FRANCESCO A.C.R.A.F.  
S.P.A. (IT)  
Viale Amelia, 70 00181 Roma (IT)

(72) OMBRATO, Rosella (IT);  
GAROFALO, Barbara (IT);  
MANGANO, Giorgina (IT);  
CAPEZZONE DE JOANNON,  
Alessandra (IT);  
CORSO, Gaia (IT);  
CAVARISCHIA, Claudia (IT);  
FURLOTTI, Guido (IT);  
IACOANGELI, Tommaso (IT)

(74) Liliana Darakhvelidze

(85) 2017 07 10

(86) PCT/EP2015/079528; 2015 12 14

**(54) ANTIBACTERIAL COMPOUNDS  
HAVING BROAD SPECTRUM OF  
ACTIVITY**

(57) Present invention relates to novel antibacterial compounds, pharmaceutical compositions containing them, and their usage as antimicrobials.

Claims: 4 independent  
12 dependent

Table: 3

---

**(10) AP 2019 13952 A**      **(51) Int. Cl. (2006)**  
**A 61 K 39/17**  
**A 61 P 35/00**  
**C 12 N 15/09**

(21) AP 2014 013952      (22) 2014 03 04

(31) 61/782,994

(32) 2013 03 14

(33) US

(71) ICAHN SCHOOL OF MEDICINE AT  
MOUNT SINAI (US)  
One Gustave L. Levy Place New York,  
NY 10029 (US);  
MEMORIAL SLOAN KETTERING  
CANCER CENTER (US)  
1275 York Avenue New York,  
NY 10065 (US)

(72) PALESE, Peter (US);  
GARCIA-SASTRE, Adolfo (US);  
ZAMARIN, Dmitriy (US);  
ALLISON, James (US);  
WOLCHOK, Jedd, D. (US)

(74) Shalva Gvaramadze  
 (85) 2015 10 07  
 (86) PCT/US2014/020299, 2014 03 04  
 (54) **NEWCASTLE DISEASE VIRUSES  
 AND USES THEREOF**  
 (57) Invention relates to chimeric Newcastle disease viruses (NDV) combined with cell prosthetic death protein (PD1) antagonist, wherein NDV contains coding cytokine nucleotide sequence, and PD1 antagonist is an antibody specifically connecting to PD1, usage at cancer treatment.  
 Claims: 7 independent  
 22 dependent  
 Fig.: 47

**(10) AP 2019 14012 A (51) Int. Cl. (2006)  
 A 61 L 15/44  
 A 61 K 9/00  
 A 61 K 47/34  
 A 61 K 9/70  
 A 61 K 31/355  
 A 61 L 15/26**

(21) AP 2014 014012 (22) 2014 04 11  
 (71) BIO.LO.GA. S.R.L. (IT)  
 Via Giuseppe Lazzarin, 66 I-31015  
 Conegliano (Treviso) (IT)

(72) PANIN, Giorgio (IT)

(74) Vakhtang Torotadze

(85) 2015 12 07

(86) PCT/EP2014/ 000979, 2014 04 11

(54) **SHEET FOR CUTANEOUS  
 APPLICATION CONTAINING VITAMIN  
 E OR AN ESTER THEREOF**

(57) The sheet for cutaneous application comprising support layer made of loosely woven fabric embedded in a layer of silicone elastomer incorporating vitamin E or an ester thereof, wherein the layer of silicone elastomer has a thickness less or equal to 2.0 mm, and silicone elastomer contains elasticity modifier consisting of triglyceride of saturated C8-C18 fatty acids.

Claims: 6 independent

15 dependent

Table: 6

**(10) AP 2019 14559 A (51) Int. Cl. (2006)  
 A 61 M 5/31  
 B 23 P 17/04**

(21) AP 2014 14559 (22) 2014 06 20

(62) AP 2014 014039 2014 06 20

(31) 61/840,969; 61/837,421; 61/881,214

(32) 2013 09 23; 2013 06 28; 2013 06 20

(33) US; US; US

(71) BAXALTA INCORPORATED (US)

1200 Lakeside Drive Bannockburn, Illinois  
 60015 (US);

BAXALTA GMBH (CH)

Thurgauerstrasse 130 CH-8152 Glattpark  
 (Opfikon) (CH)

(72) LOEW-BASELLI, Alexandra (AT);

SPOTTS, Gerald Dickey (US);

OH, MyungShin (US)

(74) Shalva Gvaramadze

(85) 2017 08 07

(86) PCT/US2014/043517; 2014 06 20

(54) **PROVIDING A PHARMACOKI-  
 NETIC DRUG DOSING REGIME**

(57) There is represented a system and a method for providing a therapeutic plasma protein dosing regime. The system includes model generator executed to determine pharmacokinetic model of population plasma therapeutic protein clearance, and population plasma therapeutic protein clearance, spread of the plasma thermal protein volume for the population, and pharmacokinetic server, to determine the specific pharmacokinetic profile of patient by specifying pharmacokinetic model of population through the analysis of patient's specific characteristics and blood samples to determine first and second regimes of plasma therapeutic protein dosage.

Claims: 2 independent

18 dependent

Fig.: 31

## A 62

**(10) AP 2019 14393 A (51) Int. Cl. (2006)  
 A 62 C 13/66  
 A 62 C 13/74**

(21) AP 2015 014393 (22) 2015 06 22

(31) 14/313,761; 14/704,820

(32) 2014 06 24; 2015 05 05

(33) US; US

(71) ROUSSEAU INC. (US)

3925 N Hastingway, O-Claire, W1 54703 (US)

(72) ROUSSEAU, Randy (US);

ROUSSEAU, Hector (US);

BARROWS, Ryan H. (US);

SEYMOUR, Justun C. (US)

(74) Tamaz Shilakadze

(85) 2017 01 23

(86) PCT/US2015/036895, 2015 06 22

(54) **FIRE EXTINGUISHER WITH  
 INTERNAL MIXING AND GAS  
 CARTRIDGE**

(57) Manual fire extinguisher aimed to improve and simplify the inspection and technical maintenance of fire extinguisher by minimally trained personnel without the need for specialized equipment are disclosed. Improvements include an anti-caking mechanism that can be rotated outside the chamber to loosen, stir or agitate the powder in the chamber to ensure good powder flowability. Additional improvements include larger opening to fill the



chamber with the powder more quickly, and to simplify the inspection of powder in the chamber, as well. Another improvement includes the usage of cartridge with CO<sub>2</sub> located outside the chamber to provide simplified servicing or replacement of cartridge with CO<sub>2</sub>, and the capability to maintain normal pressure in the chamber, as well, allowing fire extinguishers to be carried as non-hazardous materials. Due to these features, maintenance intervals will be extended while fire extinguishers will become in a state of readiness.

Claims: 1 independent

9 dependent

Fig.: 10

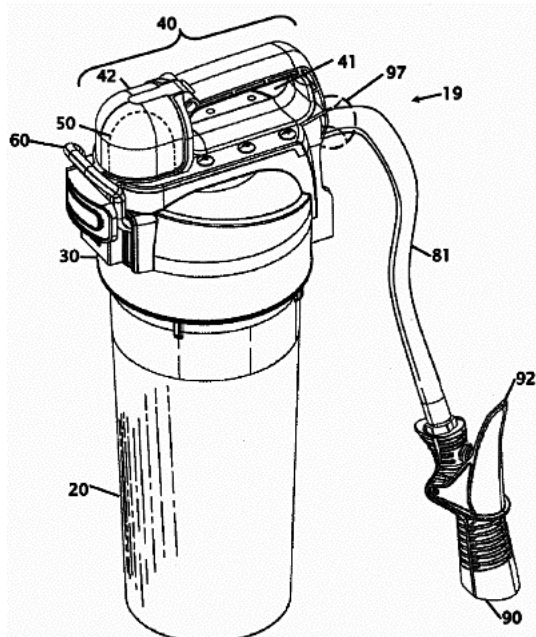


Fig. 1

## PART B

### B 02

(10) AP 2019 14434 A (51) Int. Cl. (2006)  
B 02 C 18/30

(21) AP 2017 014434 (22) 2017 02 27

(71) Tengiz Chkhaidze (GE)

Tashkentis q., shes. 4, b. 6, 0160,

Tbilisi (GE);

Revaz Varsimashvili (GE)

Vazha-Pshavelas V kv., korp. 4, b. 82,

0186, Tbilisi (GE);

Nino Chkhaidze (GE)

Tashkentis q., shes. 4, b. 6, 0160,

Tbilisi (GE)

(71) Tengiz Chkhaidze (GE);

Revaz Varsimashvili (GE);

Nino Chkhaidze (GE)

(54) **DEVICE FOR BREAKING PRODUCTS**

(57) A device includes a case 2, a fast 3, an auger 1, a lattice 4, a cutter 5, telescopic arms 14, 15 for auger rotation. Monolithic auger from one side is ended with face surface having diameter equal to auger outer diameter, and whereon the cutter is installed; at that, near said face surface, on the auger, the additional cutter 7 is installed, one end whereof is engaged with the cams 9, and another end – with a spring 8; and at auger rotation it is capable of reciprocative motion. Nonround tooth gears 11, 12 of variable passing, and the plates 13 passing rotation onto ouger are installed on ouger another end.

Claims: 1 independent

1 dependent

Fig.: 2

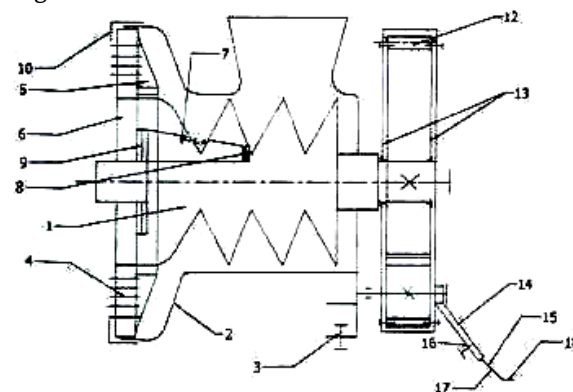


Fig. 2

**B 66****(10) AP 2019 14509 A (51) Int. Cl. (2006)****B 66 D 5/26**

(21) AP 2017 14509 (22) 2017 06 05

(71) Rusudan Bitsadze (GE)

Pekinis q. 31g, b. 29, 0160, Tbilisi (GE);

Simon Bitsadze (GE)

Pekinis q. 31g, b. 29, 0160, Tbilisi (GE)

(72) Rusudan Bitsadze (GE);

Simon Bitsadze (GE)

**(54) MAGNETIC PUSHER**

(57) A pusher includes interconnect-shaped housing 1 of different diameter hydraulic cylinders 3 and 6; at that, small-diameter hydraulic cylinder 7 piston rod 8 is adapted to communicate with an actuator, and large-diameter piston 4 is an anchor of direct current electromagnet placed in large-diameter hydraulic cylinder, placed in electromagnet coil 2; at that, small stroke small-current electromagnet 13 is attached to body lower part on both sides of armature 14 having rods 15 and 18 from both sides; at that, upper rod 15 has horizontally located pin 16 capable to be engaged with an eye 17 located on large diameter piston lower side, and armature lower rod has a protrusion 19 to impact on a contact 20 of limit switch.

Claims: 1 independent

Fig.: 2

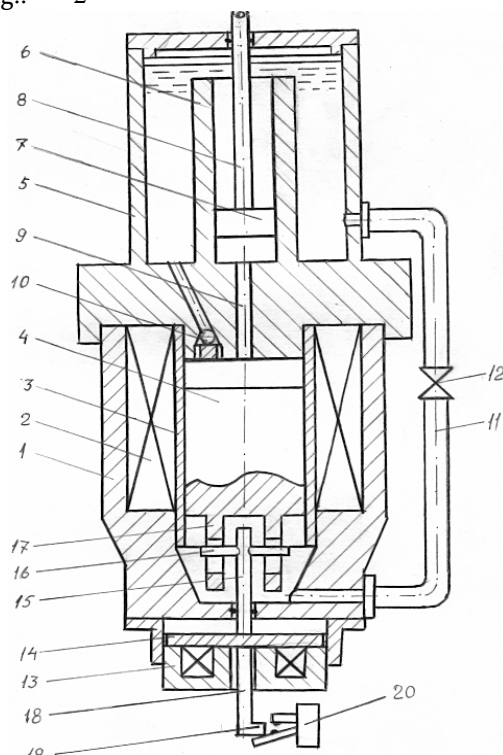


Fig. 1

**PART C****C 07****(10) AP 2019 14340 A (51) Int. Cl. (2006)****C 07 B 57/00****C 07 D 487/06**

(21) AP 2014 014340 (22) 2014 05 09

(71) TECNIMEDE SOCIEDADE TECNICO-MEDICINAL S.A. (PT)

Rua Tapada Grande, Nº2 Abrunheira

P-2710-089 Sintra (PT)

(72) PARDAL FILIPE, Augusto Eugénio (PT);

EUFRÁSIO PEDROSO, Pedro Filipe (PT);

ALMEIDA PECORELLI, Susana

Marques (PT);

CASIMIRO CAIXADO, Carlos Alberto

Eufrásio (PT);

LOPES, Ana Sofia da Conceição (PT);

DAMIL, João Carlos Ramos (PT);

E OLIVEIRA SANTOS, Pedro Paulo de

Lacerda (PT)

(74) Tamaz Shilakadze

(85) 2016 12 05

(86) PCT/PT2014/000027, 2014 05 09

**(54) PROCESS FOR OBTAINING****OPTICALLY ACTIVE PIRLINDOLE****ENANTIOMERS AND SALTS THEREOF**

(57) Present invention provides new process for obtaining optically active pirlindole enantiomers, in the form of free base or pharmaceutically acceptable salts.

Claims: 1 independent

13 dependent

**PART E****E 01**

(10) AP 2019 14405 A (51) Int. Cl. (2006)

E 01 C 7/36

C 04 B 7/26

C 04 B 7/28

C 04 B 11/00

(21) AP 2017 014405 (22) 2017 02 02

(71) LEPL GEORGIAN TECHNICAL  
UNIVERSITY (GE)

M. Kostavas q. 77, 0175, Tbilisi (GE)

(72) Razhden Shvitaridze (GE);

Malkhaz Turdzeladze (GE);

Bela Keshelava (GE);

Merab Abazadze (GE);

Shalva Verulava (GE);

Davit Bedukadze (GE)

(74) Givi Sibashvili

(54) **METHOD FOR BASES OF ROADS AND  
GROUND STRUCTURES BUILDING**

(57) A method for bases of roads and ground structures building includes mixing mineral materials and cement; laying, wetting, and compaction; at that, a sediment from shale clay of the river Duruji is used as mineral material, and cement with activity of at least 22.5 mPa, e.g. cement type 22.5 X, is used as cement.

Claims: 1 independent

**PART F****F 03**

(10) AP 2019 14694 A (51) Int. Cl. (2006)

F 03 G 4/00

(21) AP 2018 14694 (22) 2018 02 06

(71) Solomon Ioramashvili (GE)

Al. Griboedovis q. 3, 0108, Tbilisi (GE);

Shalva Kochladze (GE)

Al. Kazbegis gamz. 11a, b. 42, 0160,

Tbilisi (GE);

Davit Jincharadze (GE)

Kekelidzis q. 25, b. 69, 0179, Tbilisi (GE)

(72) Solomon Ioramashvili (GE);

Shalva Kochladze (GE);

Davit Jincharadze (GE)

(74) Vakhtang Torotadze

(54) **GEOHERMAL POWER  
INSTALLATION**

(57) Geothermal power installation contains lowered from earth surface one-side close well 1 filled with liquid thermal agent 14, downstream 4 and ascending 3 pipes whereof are deeped in well

and connected to each other by heat exchanger 6; at that, downstream pipe is equipped with at least one or more consecutively arranged mechanical check valves 12 and on downstream pipe, a pump 5 is mounted on earth surface, a condensate and thermal agent steam injecting downward, and ascending pipe end is connected to steam turbine 7 on earth surface, by means of pulse accelerator made of controlled valve 10, its control means, and the nozzle 11 directed to the turbine; at that, the turbine, in its turn, is connected to specified pump by means of pipeline and condenser 9, and electric generator 8 is connected to the turbine.

Claims: 1 independent

4 dependent

Fig.: 2

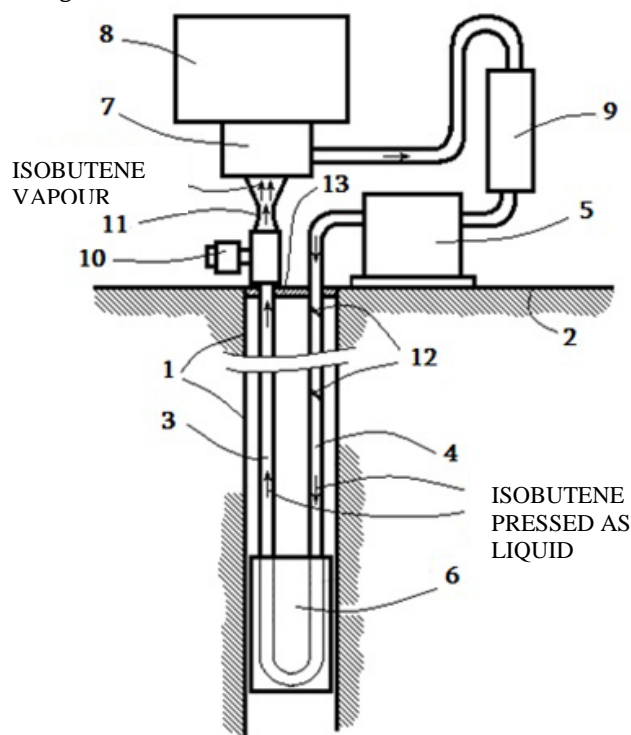


Fig. 1

# PATENTED INVENTIONS

## PART A

### A 61

- (11) P 2019 6944 B**      **(51) Int. Cl. (2006)**  
**A 61 K 9/14**  
 (10) AP 2018 14415 A      (44) 20(504)/2018  
 (21) AP 2015 14415  
 (22) 2015 07 08  
 (24) 2015 07 08  
 (31) 2014/08049  
 (32) 2014 07 09  
 (33) TR  
 (86) PCT/EP2015/065599, 2015 07 08  
 (73) ARVEN ILAC SANAYI VE TICARET  
 A.S. (TR)  
 Balabandere Cad. Ilac Sanayi Yolu, No: 14  
 Istinye, Sariyer, 34460 Istanbul (TR)  
 (72) TÜRKYILMAZ, Ali (TR);  
 CELIK, Devrim (TR);  
 AKDAS, Özlem (TR)  
 (74) Larisa Amirkhanyan  
 (54) **PROCESS FOR PREPARING THE  
 INHALATION FORMULATIONS**

- (11) P 2019 6947 B**      **(51) Int. Cl. (2006)**  
**A 61 K 31/58**  
**A 61 K 38/17**  
 (10) AP 2018 13826 A      (44) 20(504)/2018  
 (21) AP 2013 13826  
 (22) 2013 11 05  
 (24) 2013 11 05  
 (31) 61/770,535; 61/722,511  
 (32) 2013 02 28; 2012 11 05  
 (33) US; US  
 (86) PCT/US2013/068386, 2013 11 05  
 (73) PALATIN TECHNOLOGIES, INC. (US)  
 4b Cedar Brook Drive Cranbury,  
 NJ 08512 (US)  
 (72) SPANA, Carl (US);  
 JORDAN, Robert (US);  
 EDELSON, Jeffrey, D. (US)  
 (74) Shalva Gvaramadze  
 (54) **BREMELANOTIDE THERAPY FOR  
 FEMALE SEXUAL DYSFUNCTION**

- (11) P 2019 6945 B**      **(51) Int. Cl. (2006)**  
**A 61 K 31/4985**  
**A 61 P 25/04**  
 (10) AP 2018 14341 A      (44) 20(504)/2018  
 (21) AP 2014 14341  
 (22) 2014 05 09

- (24) 2014 05 09  
 (86) PCT/PT2014/000028, 2014 05 09  
 (73) TECNIMEDE SOCIEDADE TECNICO-  
 MEDICINAL S.A. (PT)  
 Rua Tapada Grande, N2 Abrunheira  
 P-2710-089 Sintra (PT)  
 (72) PARDAL FILIPE, Augusto Eugénio (PT);  
 EUFRÁSIO PEDROSO, Pedro Filipe (PT);  
 ALMEIDA PECORELLI, Susana  
 Marques (PT);  
 CASIMIRO CAIXADO, Carlos Alberto  
 Eufrásio (PT);  
 LOPES, Ana Sofia da Conceição (PT);  
 DAMIL, João Carlos (PT);  
 (74) Tamaz Shilakadze  
 (54) **(R)-PIRLINDOLE AND ITS PHARMA-  
 CEUTICALLY ACCEPTABLE SALTS  
 FOR USE IN MEDICINE**

- (11) P 2019 6946 B**      **(51) Int. Cl. (2006)**  
**A 61 K 31/4985**  
**A 61 P 25/04**  
 (10) AP 2018 14342 A      (44) 20(504)/2018  
 (21) AP 2014 14342  
 (22) 2014 05 09  
 (24) 2014 05 09  
 (86) PCT/PT2014/000029, 2014 05 09  
 (73) TECNIMEDE SOCIEDADE TECNICO-  
 MEDICINAL S.A. (PT)  
 Rua Tapada Grande, N2 Abrunheira  
 P-2710-089 Sintra (PT)  
 (72) PARDAL FILIPE, Augusto Eugénio (PT);  
 EUFRÁSIO PEDROSO, Pedro Filipe (PT);  
 ALMEIDA PECORELLI, Susana  
 Marques (PT);  
 CASIMIRO CAIXADO, Carlos Alberto  
 Eufrásio (PT);  
 LOPES, Ana Sofia da Conceição (PT);  
 DAMIL, João Carlos (PT);  
 (74) Tamaz Shilakadze  
 (54) **(S)-PIRLINDOLE OR ITS PHARMA-  
 CEUTICALLY ACCEPTABLE SALTS  
 FOR USE IN MEDICINE**

**PART C****C 07**

- (11) **P 2019 6942 B** (51) **Int. Cl. (2006)**  
**C 07 D 217/14**  
**A 61 K 31/4375**  
**A 61 K 31/472**  
**A 61 K 31/4741**  
**C 07 D 471/04**  
**C 07 D 491/14**  
**A 61 P 11/06**  
**A 61 P 17/06**  
**A 61 P 19/02**  
**A 61 P 43/00**
- (10) AP 2018 14401 A (44) 18(502)/2018  
(21) AP 2015 14401  
(22) 2015 06 30  
(24) 2015 06 30  
(31) 2014-262775; 2014-136359  
(32) 2014 12 25; 2014 07 01  
(33) JP; JP  
(86) PCT/JP2015/069370, 2015 06 30  
(73) TAKEDA PHARMACEUTICAL COMPANY LIMITED (JP)  
1-1, Doshomachi 4-chome, Chuo-ku, Osaka-shi, Osaka 5410045 (JP)  
(72) YAMAMOTO, Satoshi (JP);  
SHIRAI, Junya (JP);  
ODA, Tsuneo (JP);  
KONO, Mitsunori (JP);  
OCHIDA, Atsuko (JP);  
IMADA, Takashi (JP);  
TOKUHARA, Hidekazu (JP);  
TOMATA, Yoshihide (JP);  
ISHII, Naoki (JP);  
TAWADA, Michiko (JP);  
FUKASE, Yoshiyuki (US);  
YUKAWA, Tomoya (JP);  
FUKUMOTO, Shoji (JP)  
(74) Shalva Gvaramadze  
(85) 2017 02 01  
(86) PCT/JP2015/069370, 2015 06 30  
(54) **HETEROCYCLIC COMPOUNDS AND THEIR USE AS RETINOID-RELATED ORPHAN RECEPTOR (ROR) GAMMA-T INHIBITORS**

**C 12**

- (11) **P 2019 6943 B** (51) **Int. Cl. (2006)**  
**C 12 N 15/77**  
**C 12 P 13/00**  
**C 12 N 15/52**
- (10) AP 2018 14125 A (44) 19(503)/2018  
(21) AP 2014 14125  
(22) 2014 10 08

- (24) 2014 10 08  
(31) 10-2014-0091307; 10-2013-0121090  
(32) 2014 07 18; 2013 10 11  
(33) KR; KR  
(86) PCT/KR2014/009468, 2014 10 08  
(73) CJ CHEILJEDANG CORP. (KR)  
(Sangnam-Dong) 330, Dongho-ro, Jung-gu, Seoul 100-400 (KR)  
(72) MOON, Jun Ok (KR);  
LIM, Sang Jo (KR);  
KWON, Do Hyun (KR);  
LEE, Kwang Ho (KR);  
BAE, Hyun Won (KR)  
(74) Shalva Gvaramadze  
(85) 2016 04 25  
(86) PCT/KR2014/009468, 2014 10 08  
(54) **METHOD OF PRODUCING L-AMINO ACIDS**

**PART H****H 02**

- (11) **P 2019 6948 B** (51) **Int. Cl. (2006)**  
**H 02 K 21/24**
- (10) AP 2018 14480 A (44) 20(504)/2018  
(21) AP 2015 14480  
(22) 2015 09 29  
(24) 2015 09 29  
(31) 62/058,019; 14/608,019  
(32) 2014 09 30; 2015 01 28  
(33) US; US  
(86) PCT/US2015/052961, 2015 09 29  
(73) RAEEN, Bahram (US)  
2162 San Vicente blvd., Santa Monica, CA 90402 (US)  
(72) RAEEN, Bahram (US)  
(74) Shalva Gvaramadze  
(85) 2017 04 24  
(86) PCT/US2015/052961, 2015 09 29  
(54) **ELECTRIC GENERATOR**

---

# UTILITY MODELS

## APPLICATIONS APPROVED FOR GRANTING PATENTS

The decision can be appealed at the Chamber of Appeal of Sakpatenti within 3 months from the publication or at the Mtskheta District Court Administrative Cases Board (Address: №17, Samkhedro str., Mtskheta), within 1 month following the publication.

### PART C

#### C 08

(10) AU 2019 14635 U (51) Int. Cl. (2006)  
C 08 L 63/00

(21) AU 2017 14635 (22) 2017 11 29

(71) Omar Mukbaniani (GE)

Choportis q. 28, 0192, Tbilisi (GE);

Jimsher Aneli (GE)

Mukhianis IV kv., korp. 8, b. 142,

0172, Tbilisi (GE);

Eliza Markarashvili (GE)

S. Mirianashvilis IV chikhi, b.18, 0131,

Tbilisi (GE);

Tamar Tatrishvili (GE)

Sop. Dighomi, G. Atonelis q. 19,

3305, Tbilisi (GE)

(72) Omar Mukbaniani (GE);

Jimsher Aneli (GE);

Eliza Markarashvili (GE);

Tamar Tatrishvili (GE)

(54) **POLYMERIC COMPOSIT**

(57) Polymeric composit contains sawdust and phenylethoxysilane – as a binder.

Claims: 1 independent

---

that, additional side channels themselves are formed as rows of chambers 6 and 7 located on opposite sides of common axis and obliquely directed from the axis to outside; at that, row of chambers located on one side of axis is offset relative to a row of chambers located on another side of axis; in addition, air guide element 8 with rounded and beveled ends 9 and 10 is inserted into each chamber to ensure, on one hand, direction of exhaust gas part along arc path and, on another hand, the direction of part of exhaust gases in the zigzag central channel.

Claims: 1 independent

1 dependent

Fig.: 1

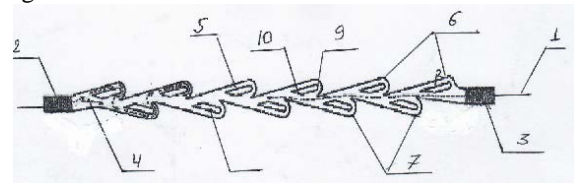


Fig. 1

---

### PART F

#### F 01

(10) AU 2019 14657 U (51) Int. Cl. (2006)  
F 01 N 1/02

(21) AU 2017 14657 (22) 2017 12 21

(71) Paata Tsitskishvili (GE)

Nutsubidzis q. 211, korp. 3, b. 31, 0177,

Tbilisi (GE)

(72) Paata Tsitskishvili (GE)

(54) **VEHICLE DAMPER**

(57) A damper contains a housing with inlet- 1 located along an axis and outlet 2 pipes, and labyrinth channel connecting them, and it is formed in the housing by zigzag central channel 4 running along the axis and additional side channels 5; at

---

## PATENTED UTILITY MODEL

### PART C

#### C 09

(11) U 2019 2000 Y (51) Int. Cl. (2006)  
C 09 B 61/00

(10) AU 2018 14596 U 44) 16(500)/2018

(21) AU 2017 14596

(22) 2017 09 28

(24) 2017 09 28

(73) Miranda Khachidze (GE)

A. Kurdianis q. 6, 0113, Tbilisi (GE);

Mariam Chkhaidze (GE)

Vazha-Pshavelas VI kv., korp. 37, b. 58,

0186, Tbilisi (GE);

Imeda Rubashvili (GE)

Glinkas q. 31, 0141, Tbilisi (GE);

Ketevan Ebralidze (GE)

Nutsubidzis IV mkr., korp. 9, b. 7,

Tbilisi (GE);

Manana Buzariashvili (GE)

Sakhalkhos q. 6/9, 0144, Tbilisi (GE);

Mzia Tsitsagi (GE)

Dighmis mas. III kv., korp. 16, b. 17,

0159, Tbilisi (GE)

(72) Miranda Khachidze (GE);

Mariam Chkhaidze (GE);

Imeda Rubashvili (GE);

Ketevan Ebralidze (GE);

Manana Buzariashvili (GE);

Mzia Tsitsagi (GE)

(74) Liliana Darakhvelidze

(54) **METHOD FOR ANTHOCYANIN  
PREPARATION**

---

---

# DESIGN

## APPLICATION APPROVED FOR REGISTRATION

The decision can be appealed at the Chamber of Appeal of Sakpatenti within 3 months from the publication or at the Mtskheta District Court Administrative Cases Board (Address: №17, Samkhedro str., Mtskheta), within 1 month following the publication.

- (10) AD 2019 1046 S (51) 26-04  
(21) AD 2018 1046 (22) 2018 07 10  
(28) 4  
(71) Jein Giorgobiani (GE)  
K. Tsamebulis gamz. 73, b. 10, 0144, Tbilisi (GE)  
(72) Jein Giorgobiani (GE)  
(54) 1.4. FESTIVE CANDLES  
(55)



1.1



1.2



1.3



1.4



1.5



1.6



1.7



1.8



1.9



1.10

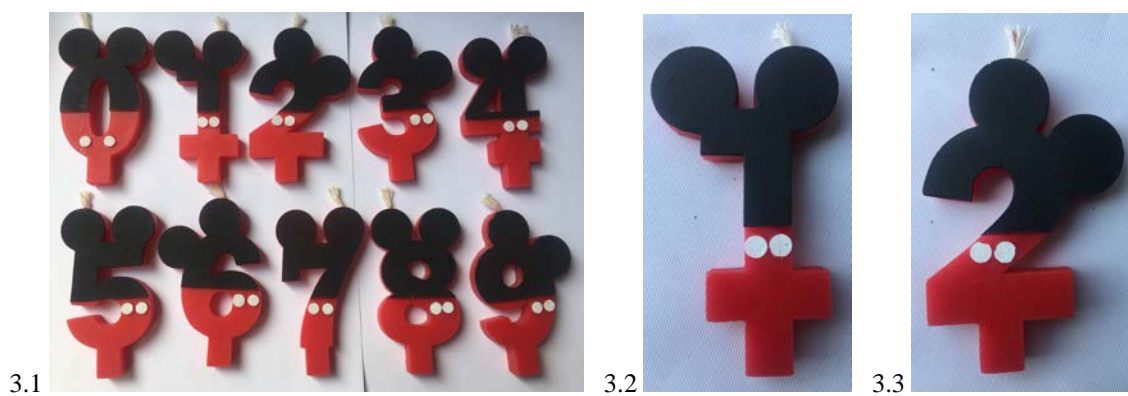
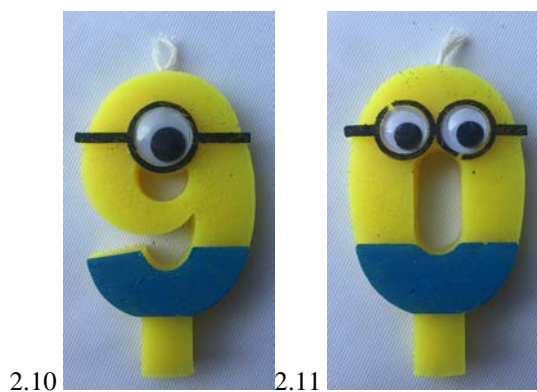
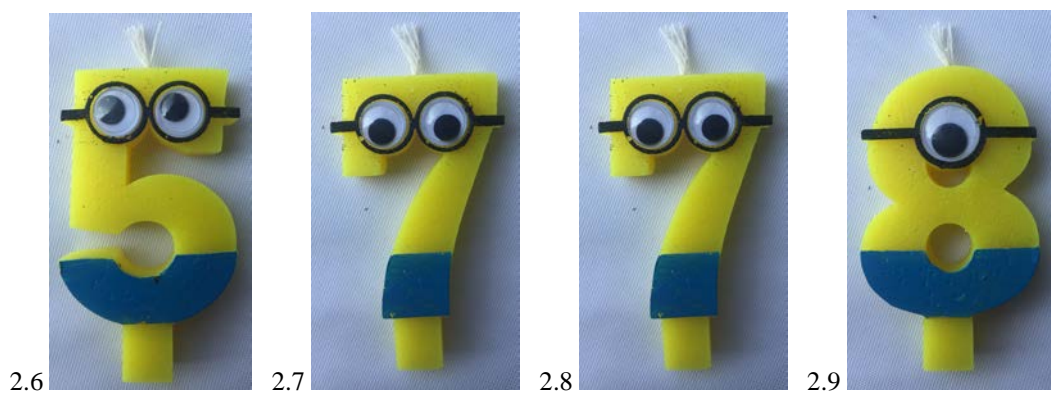
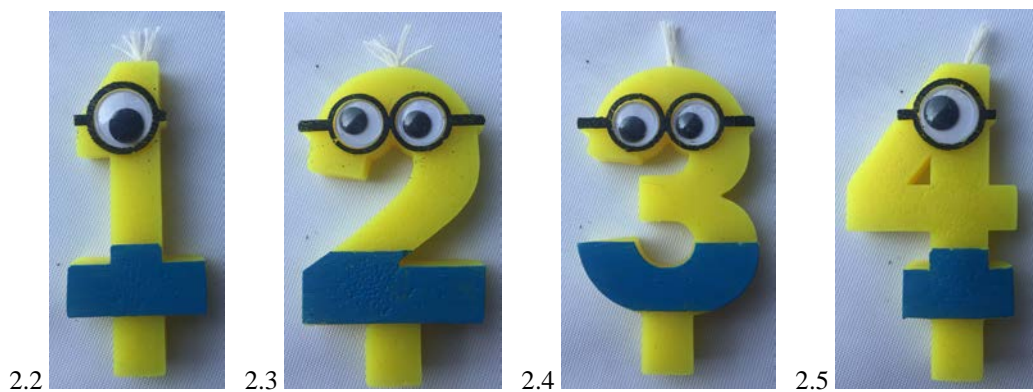


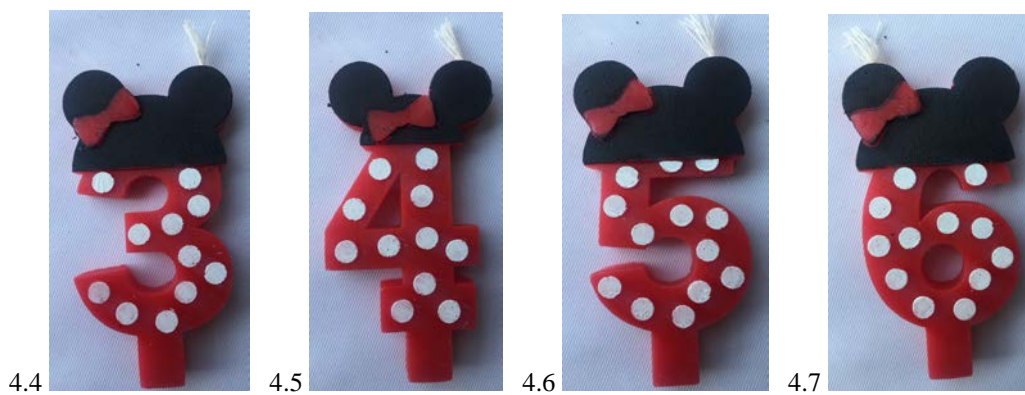
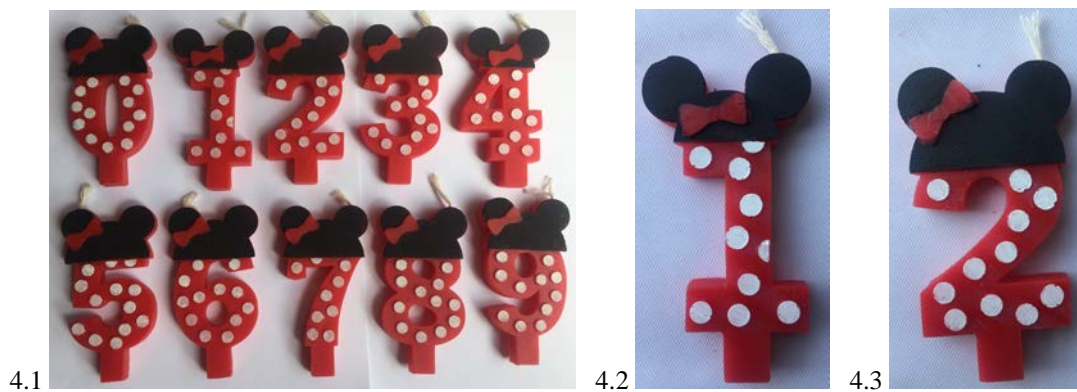
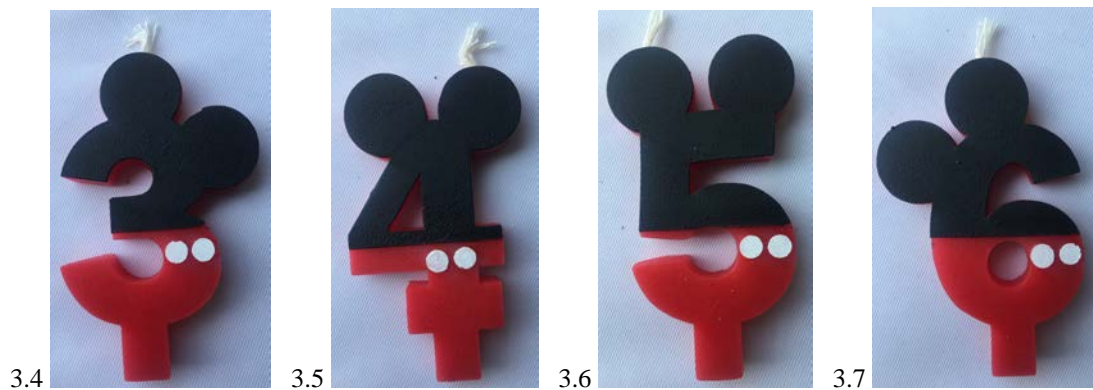
1.11



2.1









4.8



4.9



4.10



4.11

---

## REGISTERED DESIGN

(11) **D 2019 798 S**      (51) **03-01**  
(10) AD 2018 1037 S      (44) 2018 10 25 №20  
(21) AD 2018 1037  
(22) 2018 05 18  
(24) 2018 05 18  
(28) 2  
(18) 2023 05 18  
(73) Giorgi Kalandadze (GE)  
      Sakhalkhos q. 17, 0113, Tbilisi (GE)  
(72) Giorgi Kalandadze (GE)  
(54) **1. PURSE, 2. PURSE HANDLE**

---

**DESIGNS, WHICH HAVE BEEN REGISTERED WITH THE INTERNATIONAL BUREAU CLAIMING PRIORITY ON THE TERRITORY OF GEORGIA**

The decision can be appealed at the Chamber of Appeal of Sakpatenti within 3 months from the publication or at the Mtskheta District Court Administrative Cases Board (Address: №17, Samkhedro Str., Mtskheta), within 1 month following the publication.

**(11) DM/100 325**

(15) 2018 03 19

(22) 2018 03 19

(28) 1

(73) TISSOT SA (TISSOT AG) (TISSOT LTD)

Chemin Des Tourelles 17, CH-2400, Le Locle (CH)

(85) CH

(86) CH

(87) CH

(88) CH

(89) CH

(81) II. BZ, MA III. AL, AM, AZ, BA, CH, EM, GE, KG, LI, MD, ME, MK, MN, OM, SG, TN, TR

(72) David QUINCHE

Rue Jaquet-Droz 5, 2300, La Chaux-de-Fonds (CH);

Fiona MATTHEY

Rue Neuve 3, 2300, La Chaux-de-Fonds (CH)

(74) The Swatch Group AG (The Swatch Group SA) (The Swatch Group Ltd.)

Faubourg Du Lac 6, CH-2501, Biel/Bienne (CH)

(46) 2018 11 19

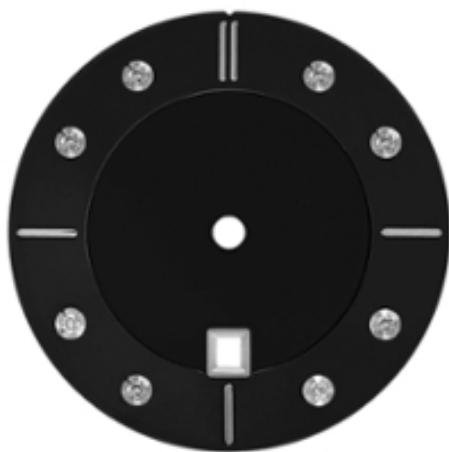
(54) 1. Watch dial

(55)

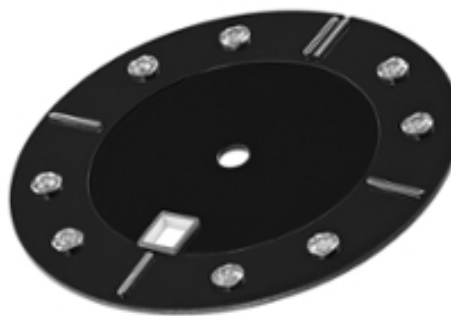
**(51) 10-07**

(44) 46/2018 (2018 11 23)

**1.1**



**1.2**



**(11) DM/102 299**

(15) 2018 05 16

(22) 2018 05 16

(28) 1

(30) No1: 17.11.2017; 29/626,514; US

(73) SIRE SPIRITS, LLC

264 West 40th Street, 15th Floor, 10018, New York (US)

(85) –

(86) US

(87) US

(88) US

(89) US

(81) III. AL, AM, AZ, BA, BG, BN, BW, CH, DE, DK, EE, EG, EM, ES, FI, FR, GE, GH, HR, HU, IS, JP, KG, KH, KP, KR, LI, LT, LV, MC, MD, ME, MK, MN, NA, NO, OA, OM, PL, RO, RS, RU, RW, SG, SI, ST, SY, TJ, TM, TN, TR, UA

(72) Curtis J. Jackson

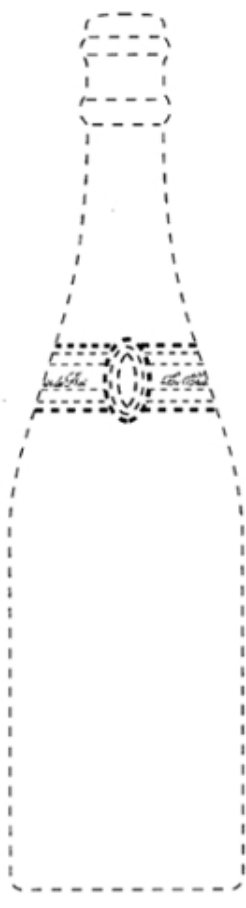
III, 264 West 40th St., 15th Fl., 10018, New York (US)

(74) Stephen J. Lieb

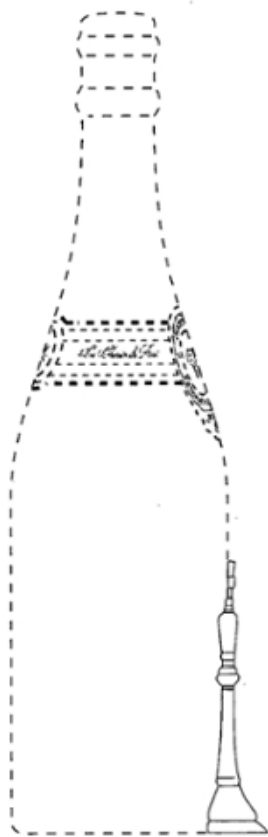
Wissing Miller, LLP, 1325 Avenue Of The Americas, 10019, New York (US)

(54) 1. Beverage bottle

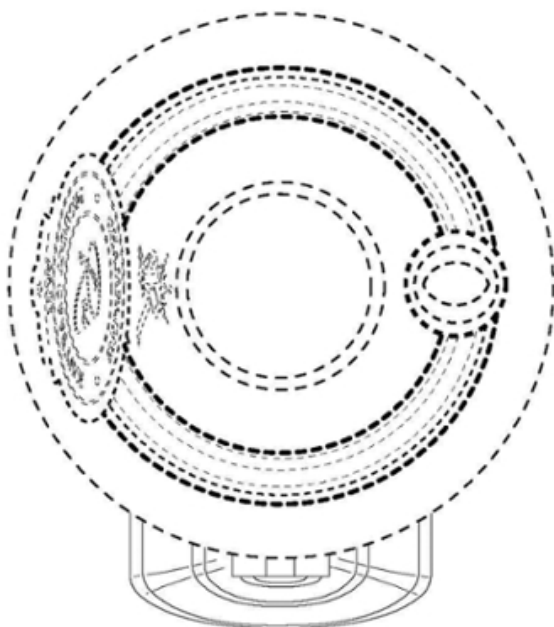
(55)

**1.1****1.2****1.3**

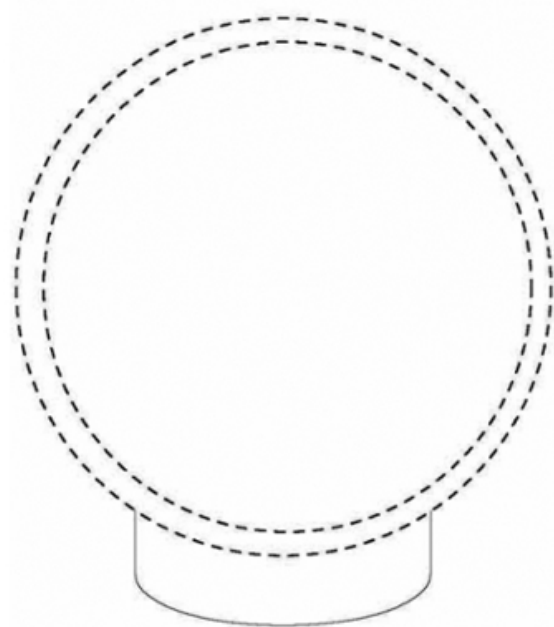
1.4



1.5



1.6



**(11) DM/103 502**

(15) 2018 10 31

(22) 2018 10 31

(28) 1

(30) No1: 03.07.2018; 005384500-0001; EM

(73) SAVERGLASS

3 Rue De La Gare, F-60960, FEUQUIERES (FR)

(85) FR, EM

(86) FR, EM

(87) FR, EM

(88) FR, EM

(89) FR

(81) III. AM, CH, GB, GE, JP, MC, SG, TR, UA

(74) NOVAGRAAF FRANCE

2 Rue Sarah Bernhardt, CS 90017, F-92665, ASNIÈRES-SUR-SEINE Cedex (FR)

(54) 1. Bottle

(55)

**1.1****1.2****1.3****1.4**



**(11) DM/103 503**

(15) 2018 10 31

(22) 2018 10 31

(28) 1

(30) No1: 03.07.2018; 005384518-0001; EM

(73) SAVERGLASS

3 Rue De La Gare, F-60960, FEUQUIERES (FR)

(85) FR, EM

(86) FR, EM

(87) FR, EM

(88) FR, EM

(89) FR

(81) III. AM, CH, GB, GE, JP, MC, SG, TR, UA

(74) NOVAGRAAF FRANCE

2 Rue Sarah Bernhardt, CS 90017, F-92665, ASNIÈRES-SUR-SEINE Cedex (FR)

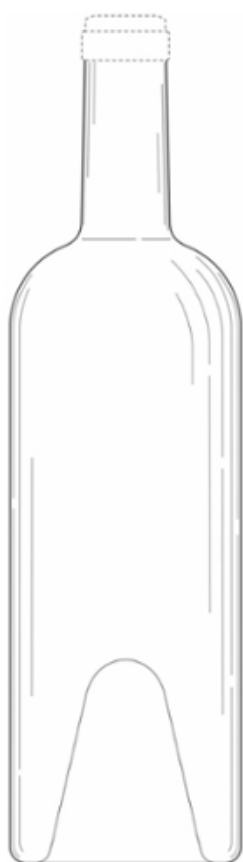
(54) 1. Bottle

(55)

**(51) 09-01**

(44) 45/2018 (2018 11 16)

**1.1**



**1.2**



**1.3**



**1.4**



**(11) DM/103 504**

(15) 2018 10 31

(22) 2018 10 31

(28) 1

(30) No1: 03.07.2018; 005385002-0001; EM

(73) SAVERGLASS

3 Rue De La Gare, F-60960, FEUQUIERES (FR)

(85) FR, EM

(86) FR, EM

(87) FR, EM

(88) FR, EM

(89) FR

(81) III. AM, CH, GB, GE, JP, MC, SG, TR, UA

(74) NOVAGRAAF FRANCE

2 Rue Sarah Bernhardt, CS 90017, F-92665, ASNIÈRES-SUR-SEINE Cedex (FR)

(54) 1. Bottle

(55)

**(51) 09-01**

(44) 45/2018 (2018 11 16)

**1.1****1.2****1.3****1.4**

1.3

**(11) DM/103 548**

(15) 2018 08 08

(22) 2018 08 08

(28) 2

(73) PORTABLE MULTIMEDIA LIMITED

Dorna House Two, Guildford Road, West End, GU24 9PW (GB), Woking (GB)

(85) –

(86) –

(87) GB

(88) NO

(89) NO

(81) III. AM, AZ, GE, IS, JP, MD, NO, RS, RU, TR, UA

(72) Portable Multimedia Limited

Dorna House Two Guildford Road, GU24 9PW, Woking (GB)

(74) Herrington Carmichael LLP

27 Broad Street, GU24 9PW, Wokingham (GB)

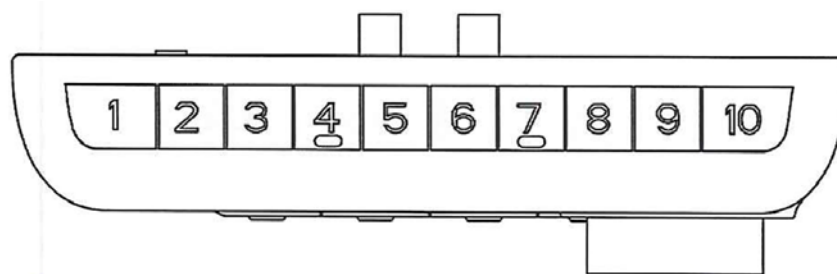
(54) 1.-2. Frequency converters [radio and television]

(55)

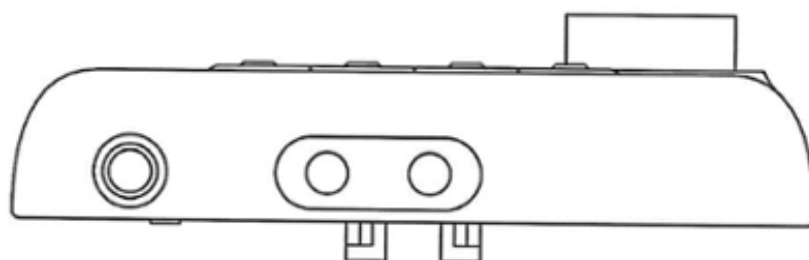
**(51) 14-03**

(44) 45/2018 (2018 11 16)

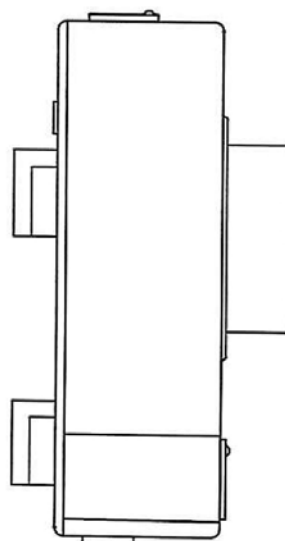
**1.1**



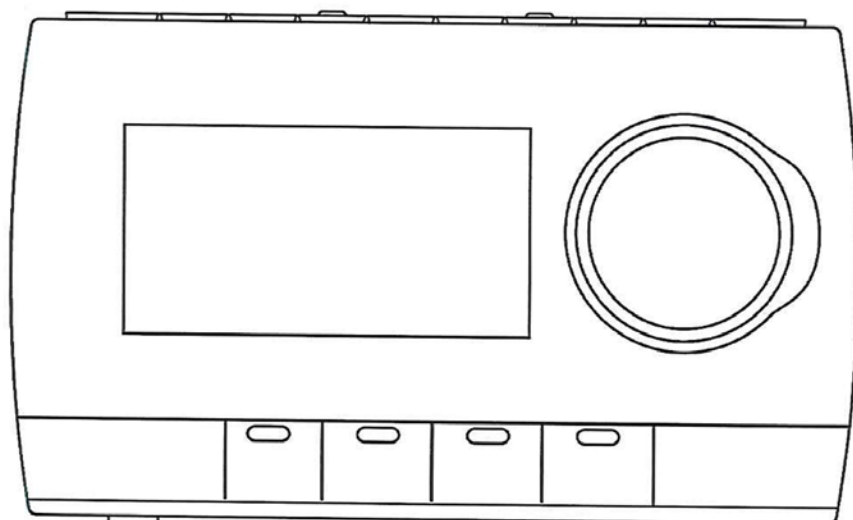
**1.2**



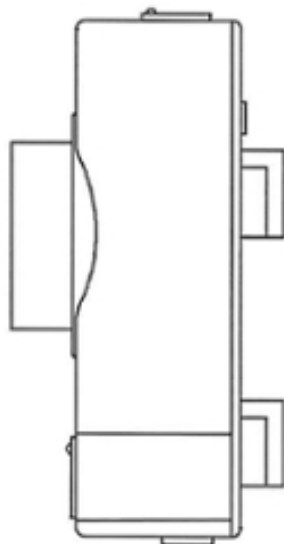
**1.3**



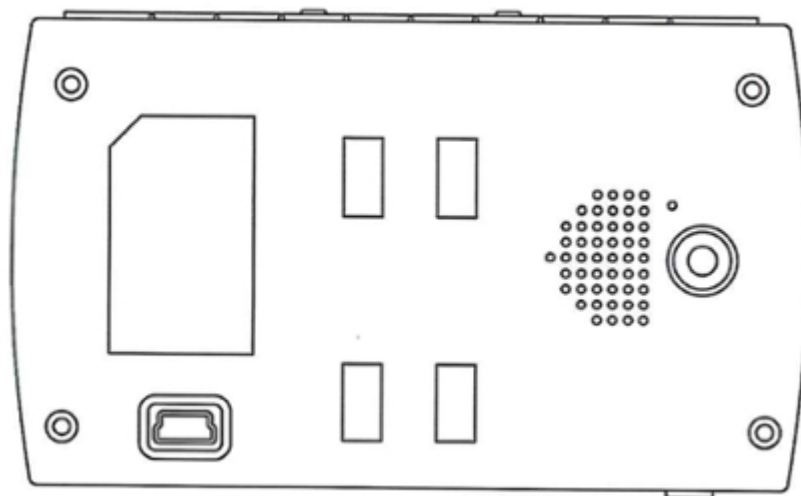
**1.4**



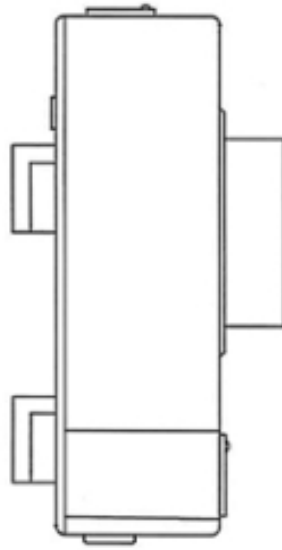
1.5



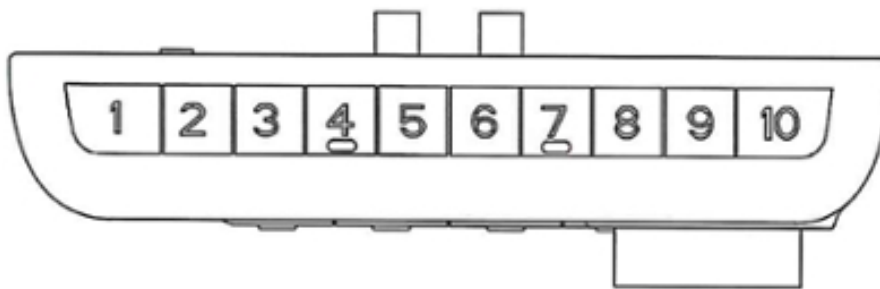
1.6



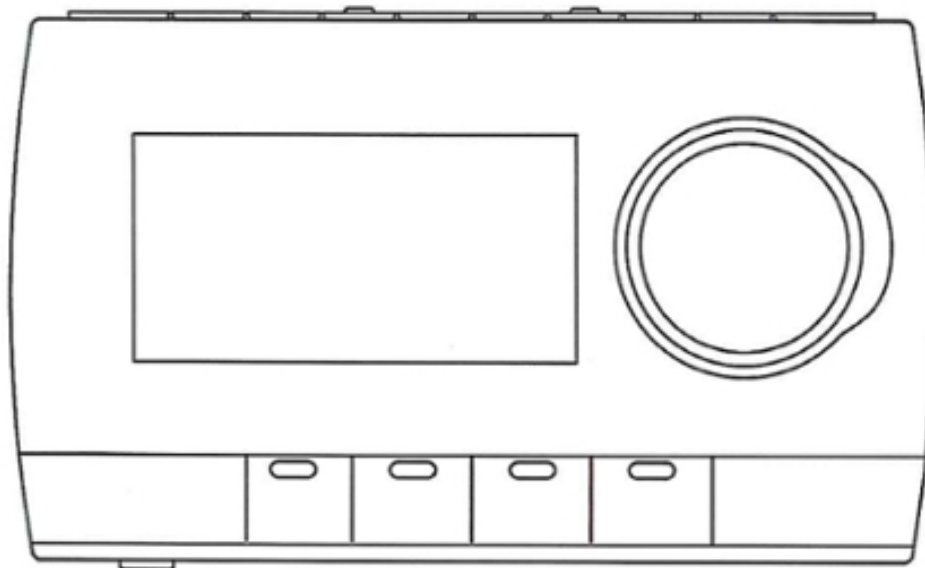
2.1



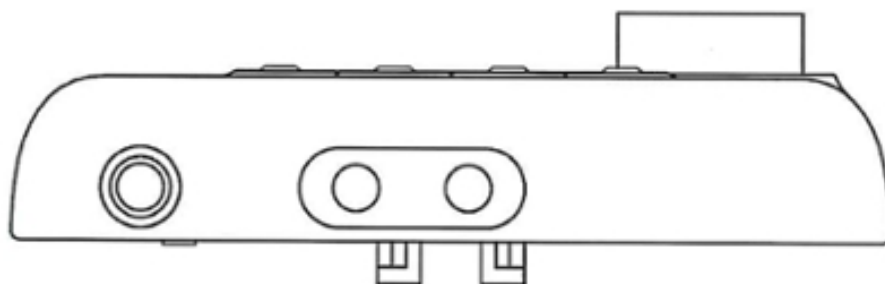
2.2



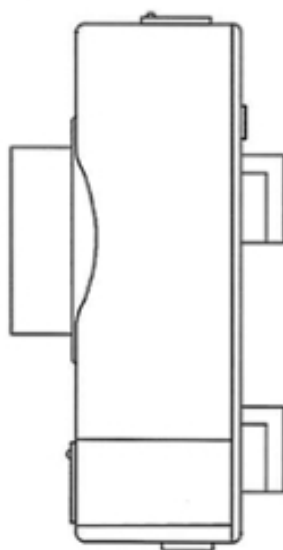
2.3



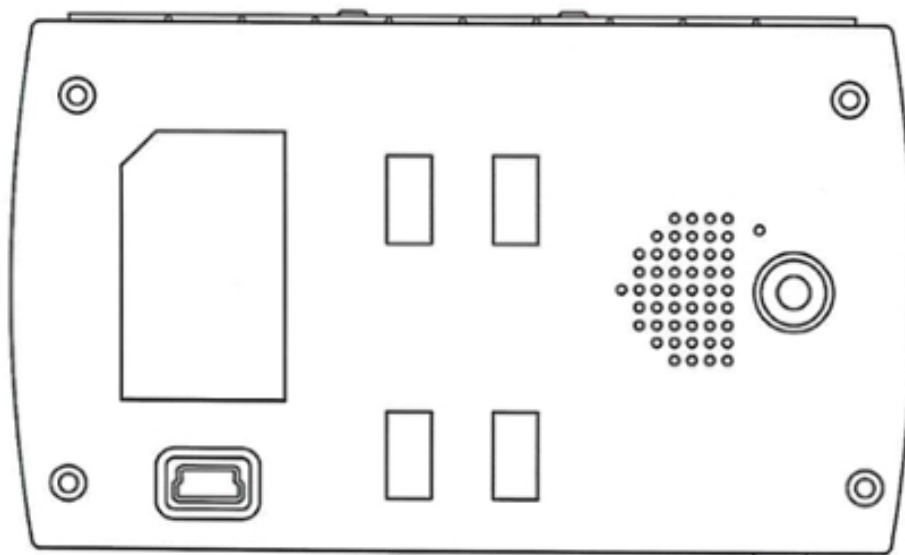
2.4



2.5



2.6



(11) DM/103 583

(15) 2018 08 17

(22) 2018 08 17

(28) 3

(73) NORWEGIAN DEFENCE MATERIAL AGENCY

Grev Wedels Plass 1, N-0151, Oslo (NO)

(85) NO

(86) NO

(87) NO

(88) NO

(89) NO

(81) III. AL, AM, AZ, BA, BG, BN, BW, CH, DE, DK, EE, EG, EM, ES, FI, FR, GE, GH, HR, HU, IS, KG, KH, KP, LI, LT, LV, MC, MD, ME, MK, MN, NA, NO, OA, OM, PL, RO, RS, RW, SG, SI, ST, SY, TJ, TM, TN, TR, UA, US

(72) Norwegian Defence Material Agency

Grev Wedels Plass 1, 0151, Oslo (NO)

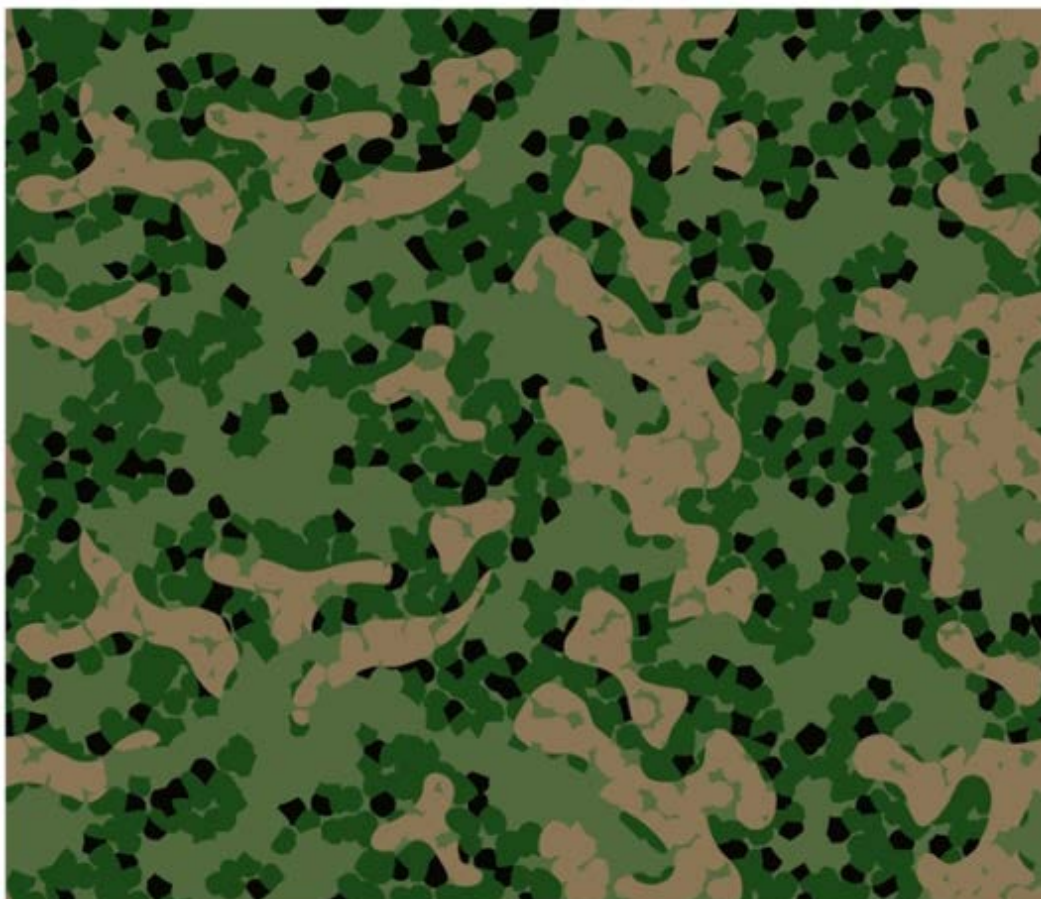
(74) Geir J. Kruge

Grev Wedels Plass 1, N-0151, Oslo (NO)

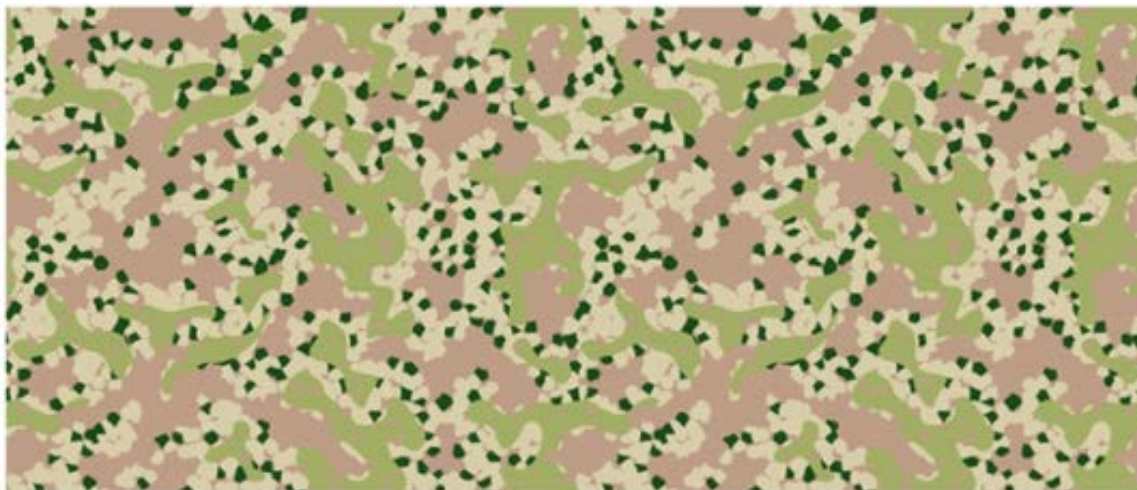
(54) 1.-3. Ornamentation

(55)

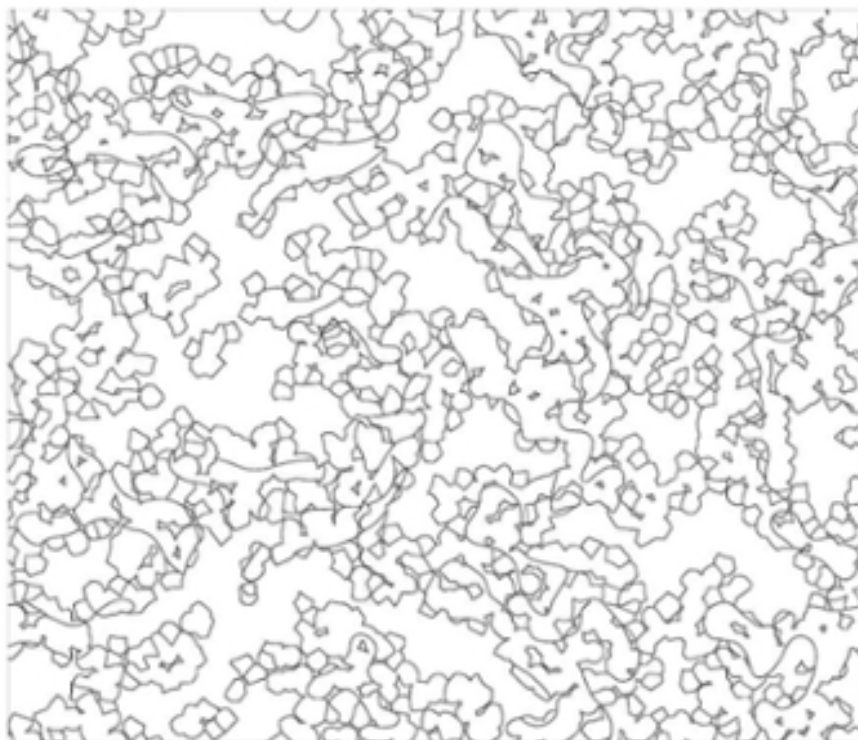
1



2



3



---

(11) DM/103 590  
(15) 2018 10 22

(51) 09-03  
(44) 45/2018 (2018 11 16)



(22) 2018 10 22

(28) 6

(73) NOVARTIS AG

Postbox, CH-4002, Basel (CH)

(85) –

(86) –

(87) CH

(88) CH

(89) CH

(81) III. AM, AZ, EM, GE, KG, MD, MN, RU, TJ, TM, TR, UA

(74) Sandoz International GmbH, Global Trademarks, Domain Names & Copyrights

Industriestr. 25, 83607, Holzkirchen (DE)

(54) 1.-6. Ornamentation for packagings for pharmaceuticals

(55)

**1**



**2**



3



4



5



6



(11) DM/103 683

(51) 08-08

(15) 2018 08 08

(44) 46/2018 (2018 11 23)

(22) 2018 08 08

(28) 4

(73) PORTABLE MULTIMEDIA LIMITED

Dorna House Two, Guildford Road, West End Woking, GU24 9PW (GB)

(85) –

(86) –

(87) GB

(88) NO

(89) NO

(81) III. AM, AZ, GE, IS, JP, MD, NO, RS, RU, TR, UA

(72) Portable Multimedia Limited

Dorna House Two Guildford Road, West End, GU24 9PW Woking (GB)

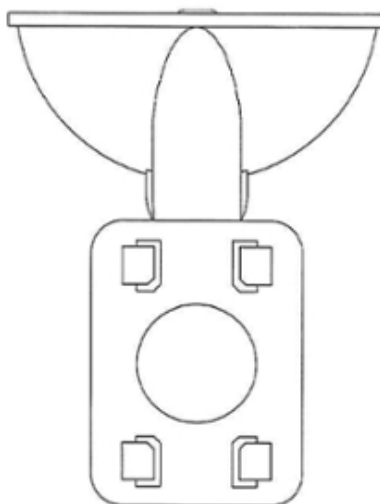
(74) Herrington Carmichael LLP

27 Broad Street, Wokingham, RG40 1AU (GB)

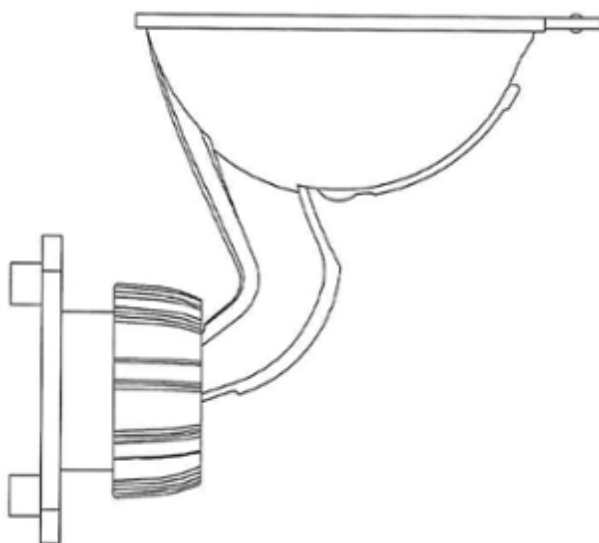
(54) 1.-4. Brackets with suction cups

(55)

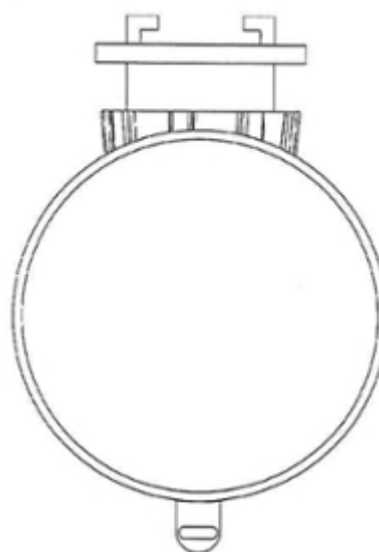
1.1



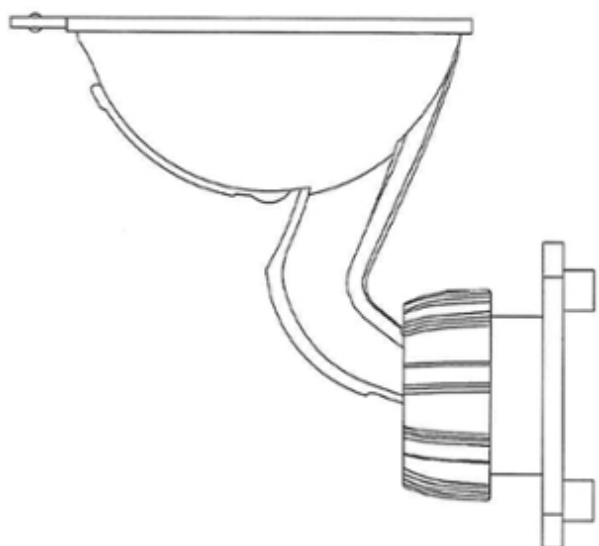
1.2



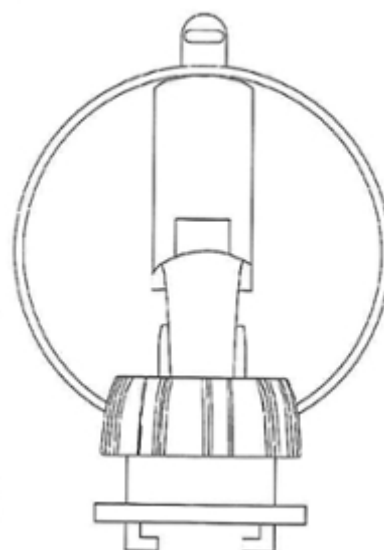
1.3



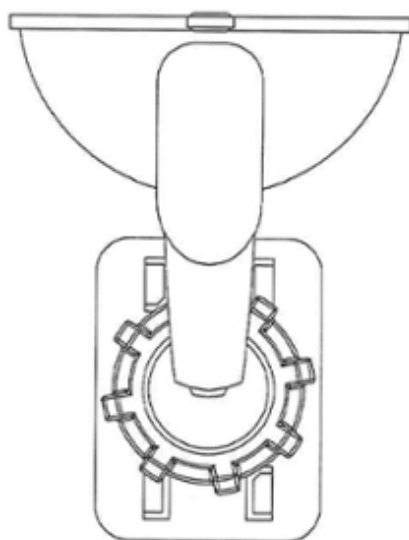
1.4



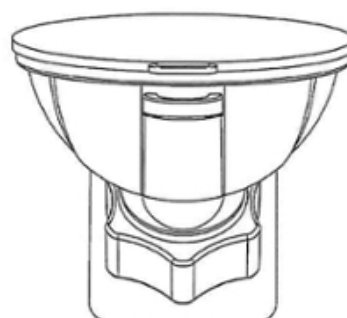
1.5



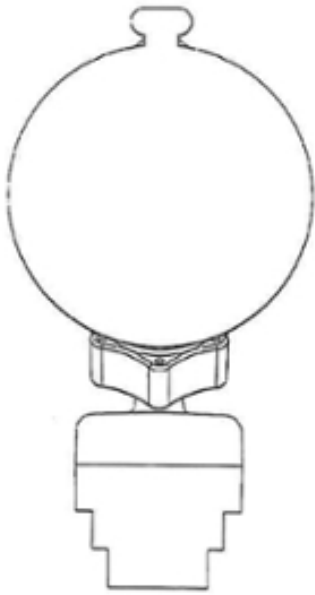
1.6



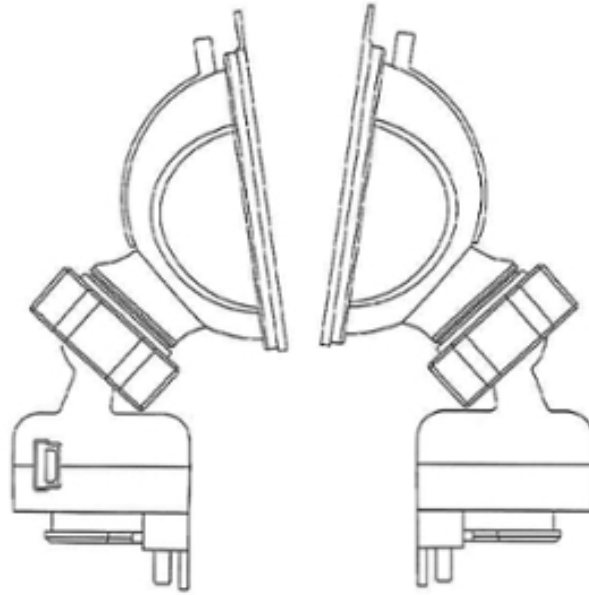
2.1



2.2

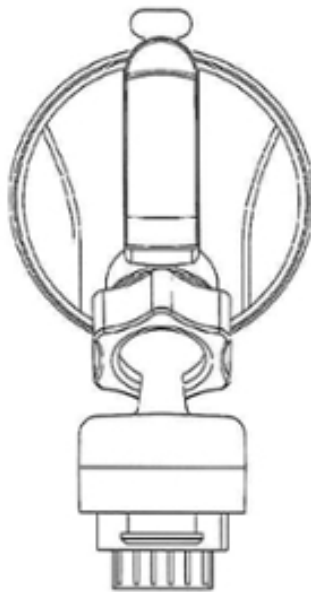


2.3

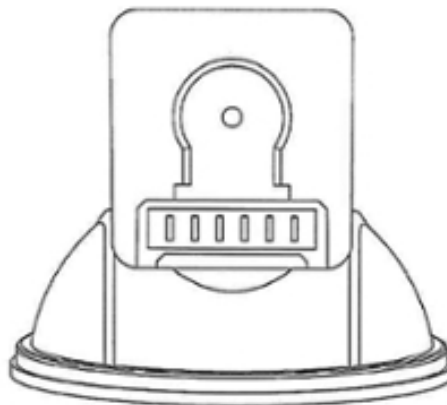


2.4

2.5



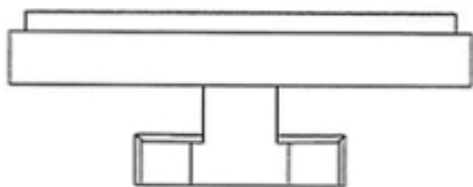
2.6



3.1



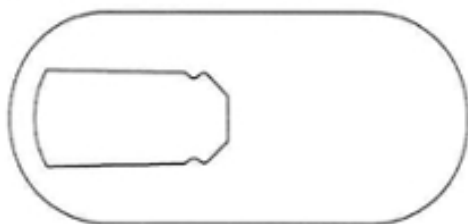
3.2



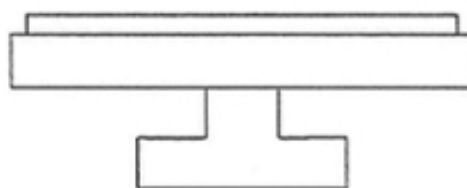
3.3



3.4



3.5



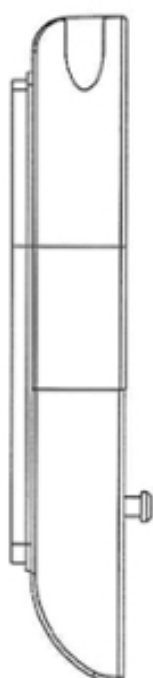
3.6



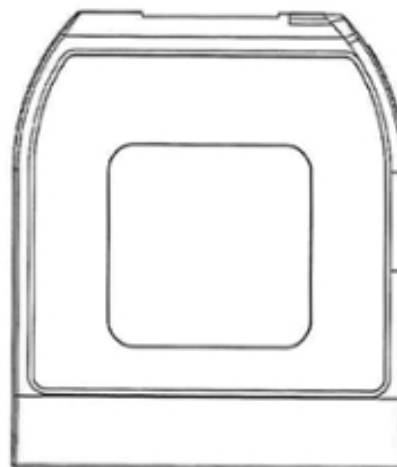
4.1



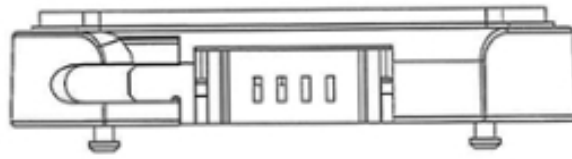
4.2



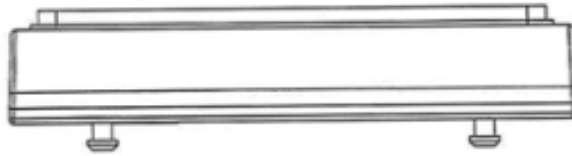
4.3



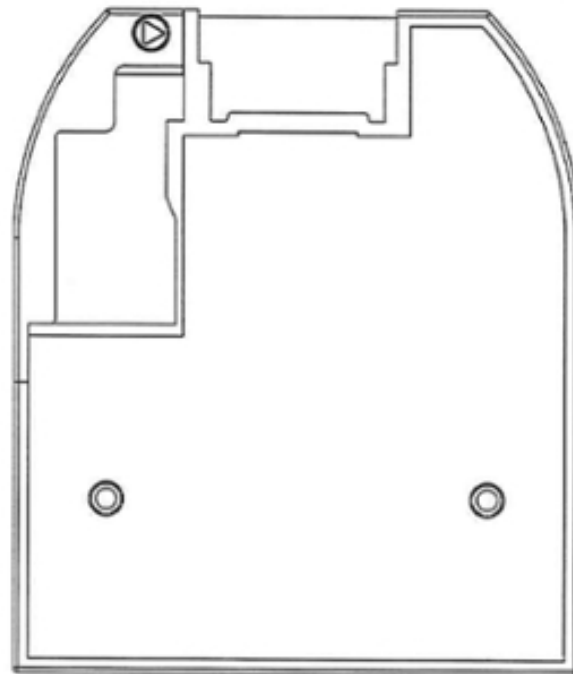
**4.4**



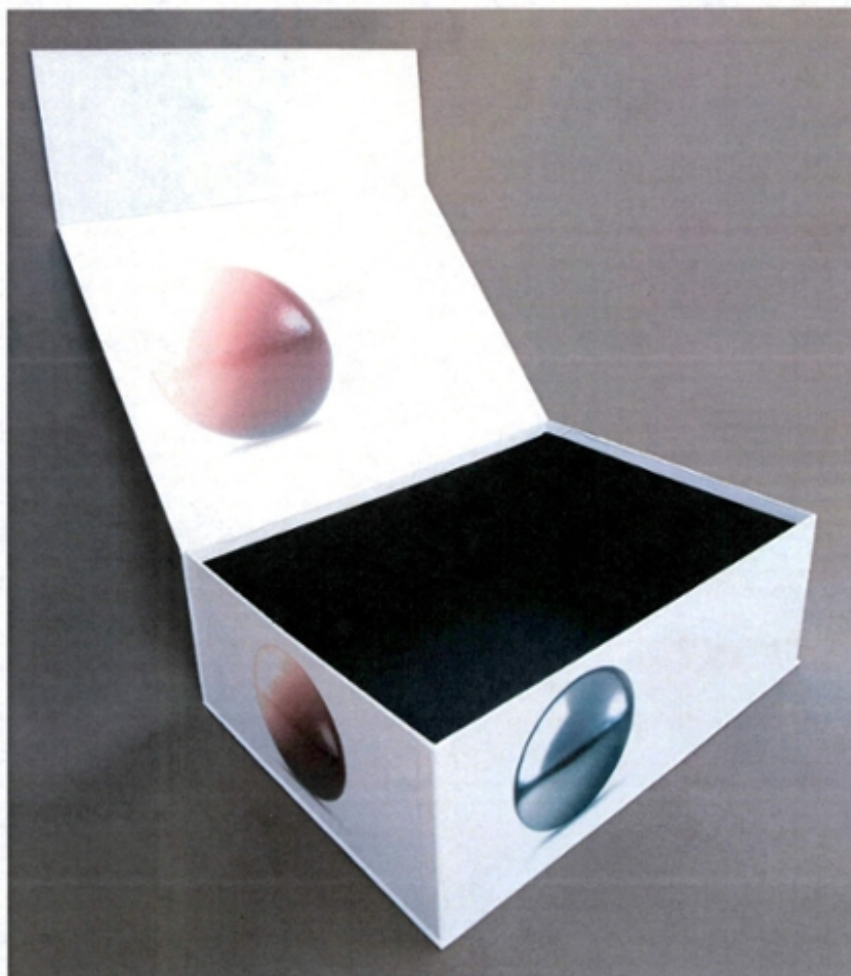
**4.5**



**4.6**

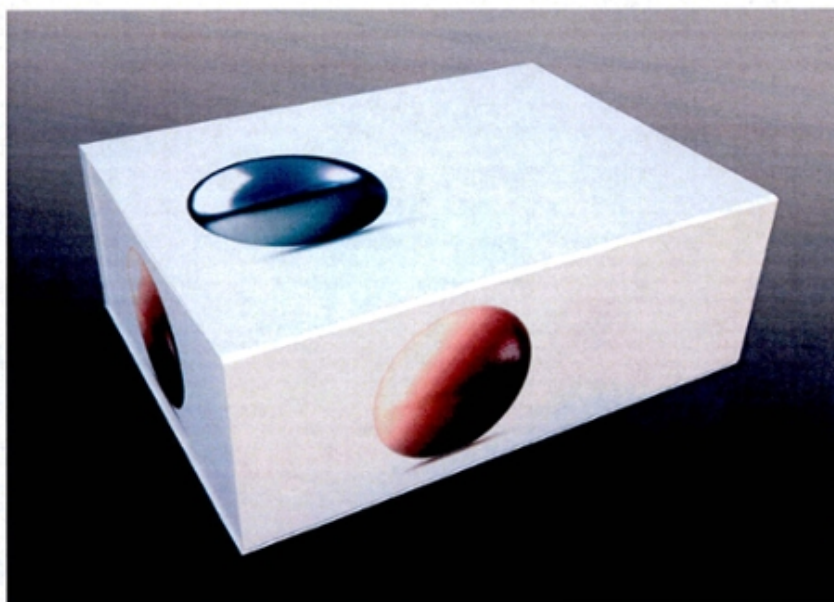


- (11) **DM/103 684** (51) **09-03**  
(15) 2018 05 17 (44) 46/2018 (2018 11 23)  
(22) 2018 05 17  
(28) 1  
(73) POLARITYTE, INC.  
1960 S 4250 W, Salt Lake City, UT 84104 (US)  
(85) US  
(86) US  
(87) US  
(88) US  
(89) US  
(81) III. AL, AM, AZ, BA, BG, BN, BW, CH, DE, DK, EE, EG, EM, ES, FI, FR, GE, GH, HR, HU, IS, JP,  
KG, KH, KP, KR, LI, LT, LV, MC, MD, ME, MK, MN, NA, NO, OA, OM, PL, RO, RS, RU, RW, SG, SI,  
ST, SY, TJ, TM, TN, TR, UA, US  
(72) Edward Swanson  
1960 S 4250 W, Salt Lake, UT 84104 (US);  
Denver Lough  
1960 S 4250 W, Salt Lake, UT 84104 (US)  
(74) Cahn & Samuels LLP  
1100 17th St., NW SSte. 401, Washington, DC 20036 (US)  
(54) 1. Packaging for transport and handling of biological materials  
(55)

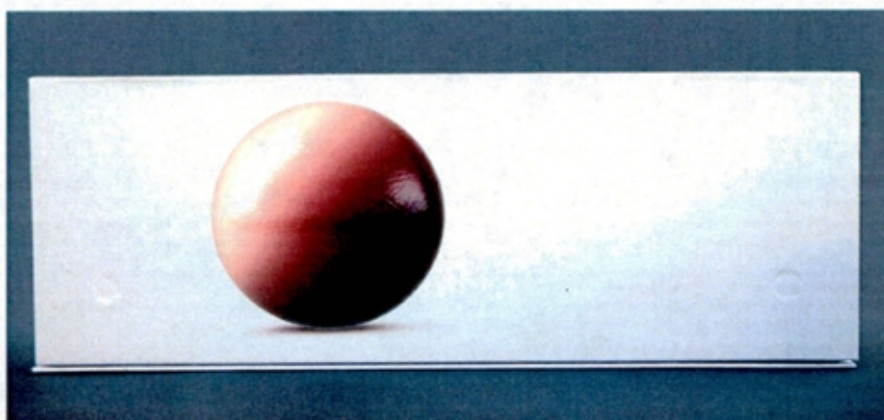
**1.1**



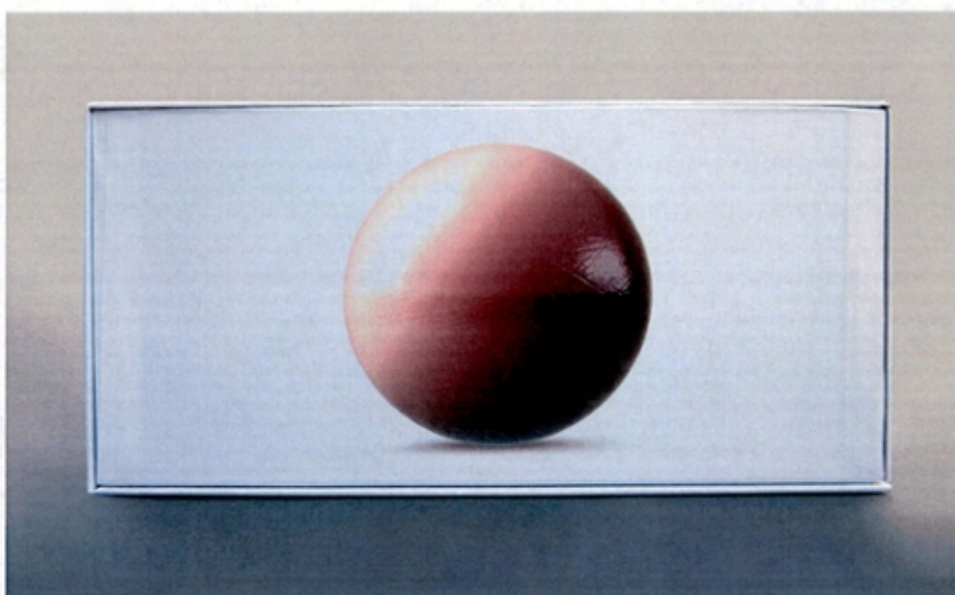
1.2



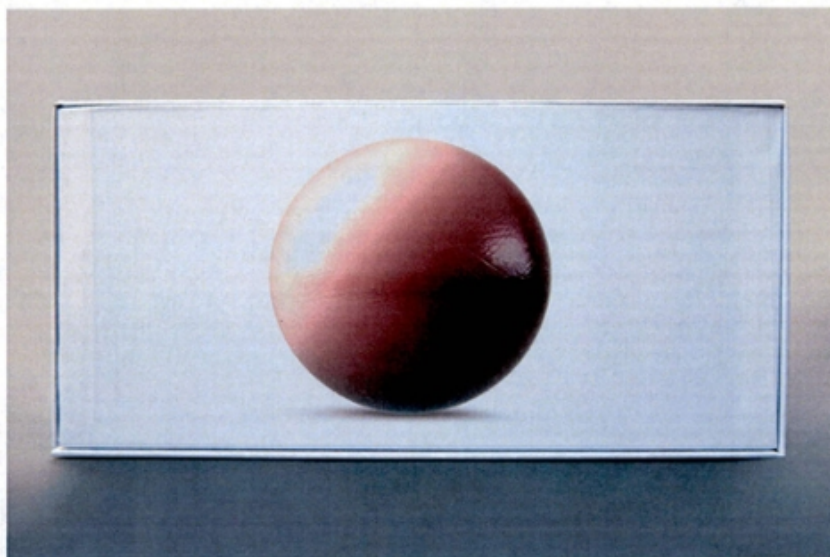
1.3



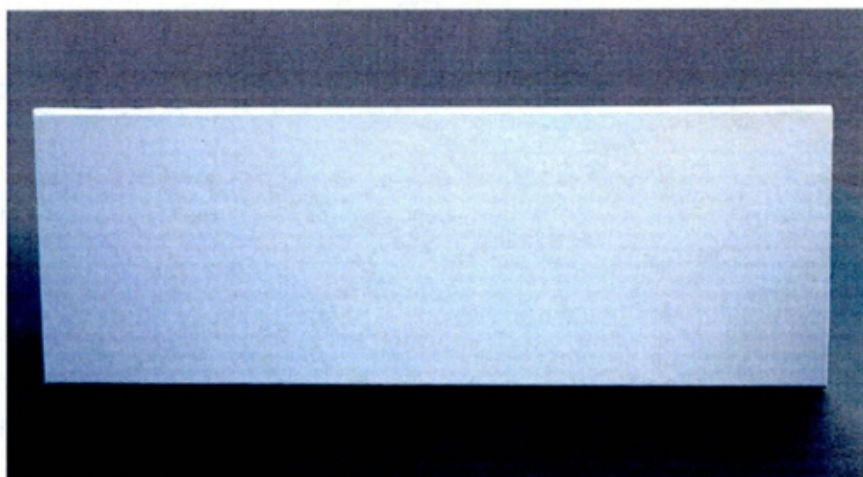
1.4



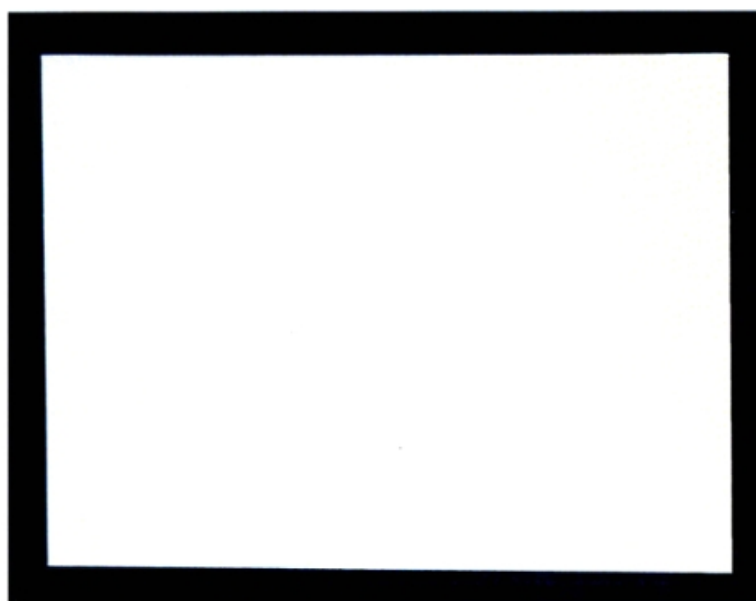
1.5



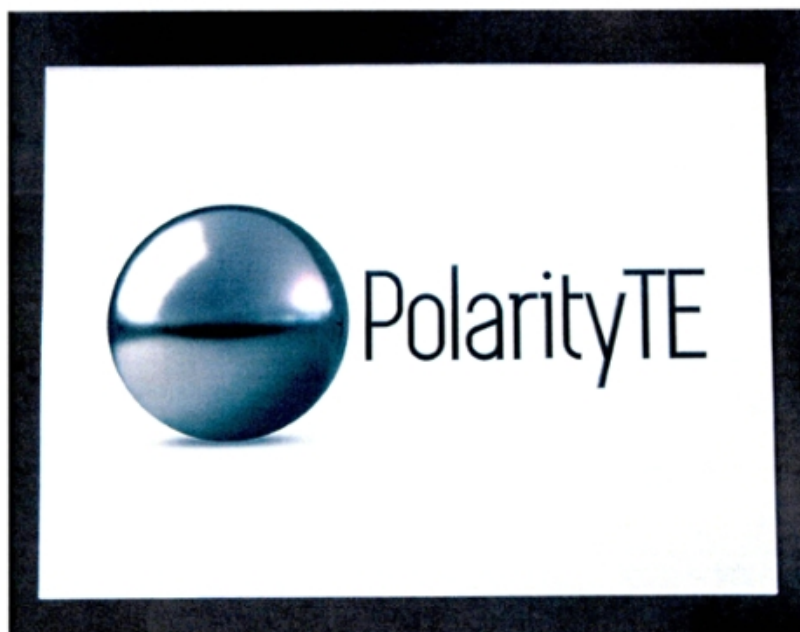
1.6



1.7



1.8



---

(11) DM/103 690

(15) 2018 07 16

(22) 2018 07 16

(28) 3

(30) No1: 17.01.2018; 004669133; EM; No2: 17.01.2018; 004669133; EM; No3: 17.01.2018; 004669133; EM

(73) DAIICHI SANKYO EUROPE GMBH

Zielstattstrasse 48, 81379, München (DE)

(85) –

(86) –

(87) DE

(88) DE, EM

(89) EM

(81) II. MA III. AL, AM, AZ, BW, CH, EG, GE, GH, KG, MD, ME, NA, NO, OA, RS, RU, TJ, TM, TR, UA

(74) Hoffmann Eitle Patent- Und Rechtsanwälte PartmBb

Arabellastrasse 30, 81925, München (DE)

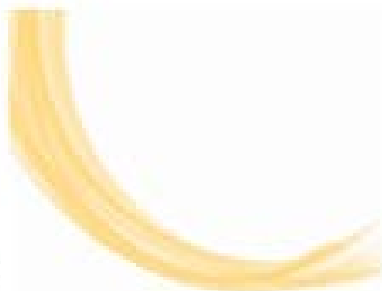
(54) 1.-3. Logos

(55)

1



2



3



**(11) DM/103 692**

(15) 2018 05 15

(22) 2018 05 15

(28) 12

(30) No1: 22.11.2017; 4518082-0003; EM; No2: 22.11.2017; 4518082-0006; EM;  
 No3: 22.11.2017; 4518082-0010; EM; No4: 22.11.2017; 4518082-0013; EM;  
 No5: 22.11.2017; 4518082-0019; EM; No6: 22.11.2017; 4518082-0022; EM;  
 No7: 24.04.2018; 5245651-0001; EM; No8: 24.04.2018; 5245651-0002; EM;  
 No9: 24.04.2018; 5245651-0003; EM; No10: 24.04.2018; 5245651-0004; EM;  
 No11: 24.04.2018; 5245651-0005; EM; No12: 24.04.2018; 5245651-0007; EM

(73) WAGNER PENSEL AB

Junegatan 4, SE-564 31, Bankeryd (SE)

(85) –

(86) –

(87) SE

(88) EM

(89) EM

(81) III. CH, GE, IS, KR, MC, MD, ME, MK, NO, RS, RU, SY, TR, UA, US

(72) BO EKSTRÖM

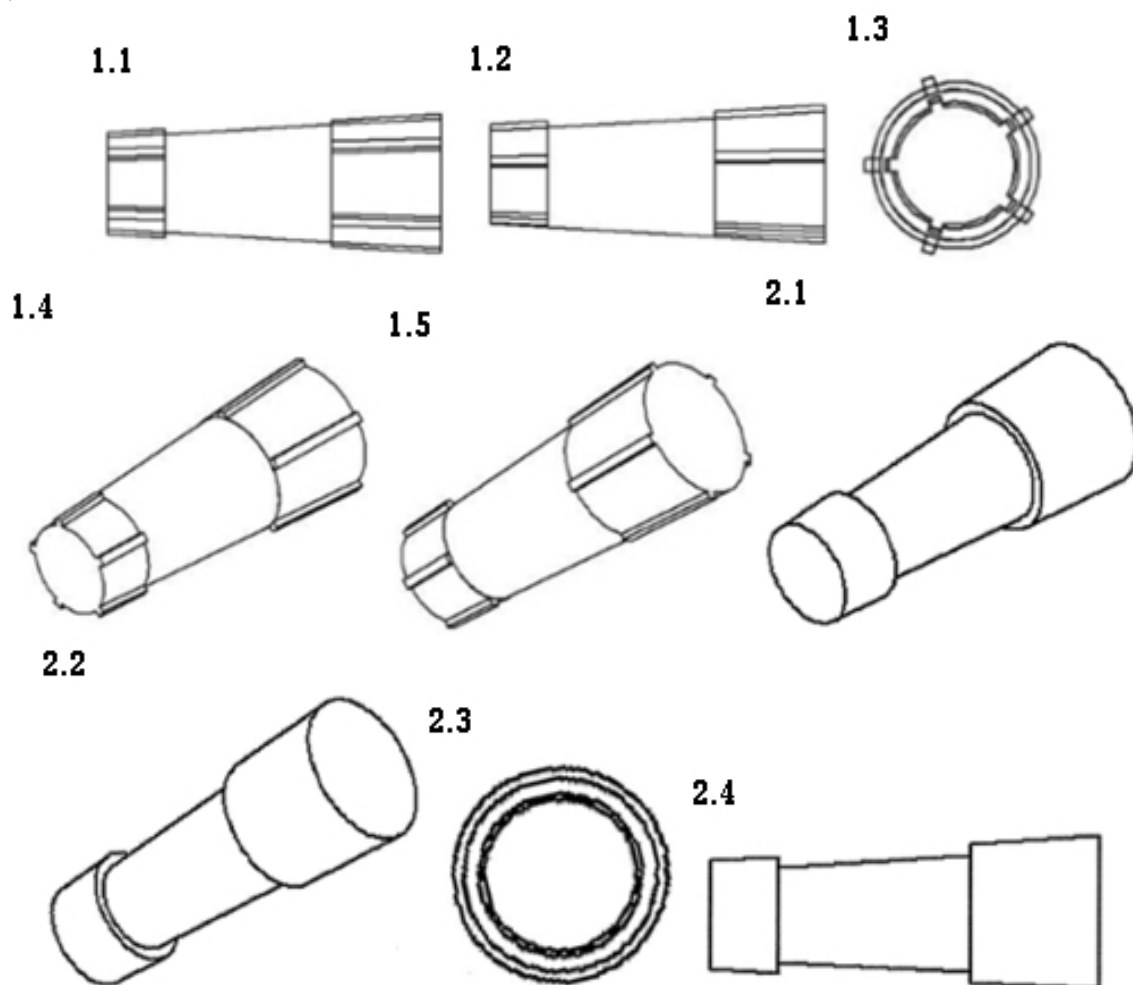
LYCKÅSVÄGEN 17, 57441, VETLANDA (SE)

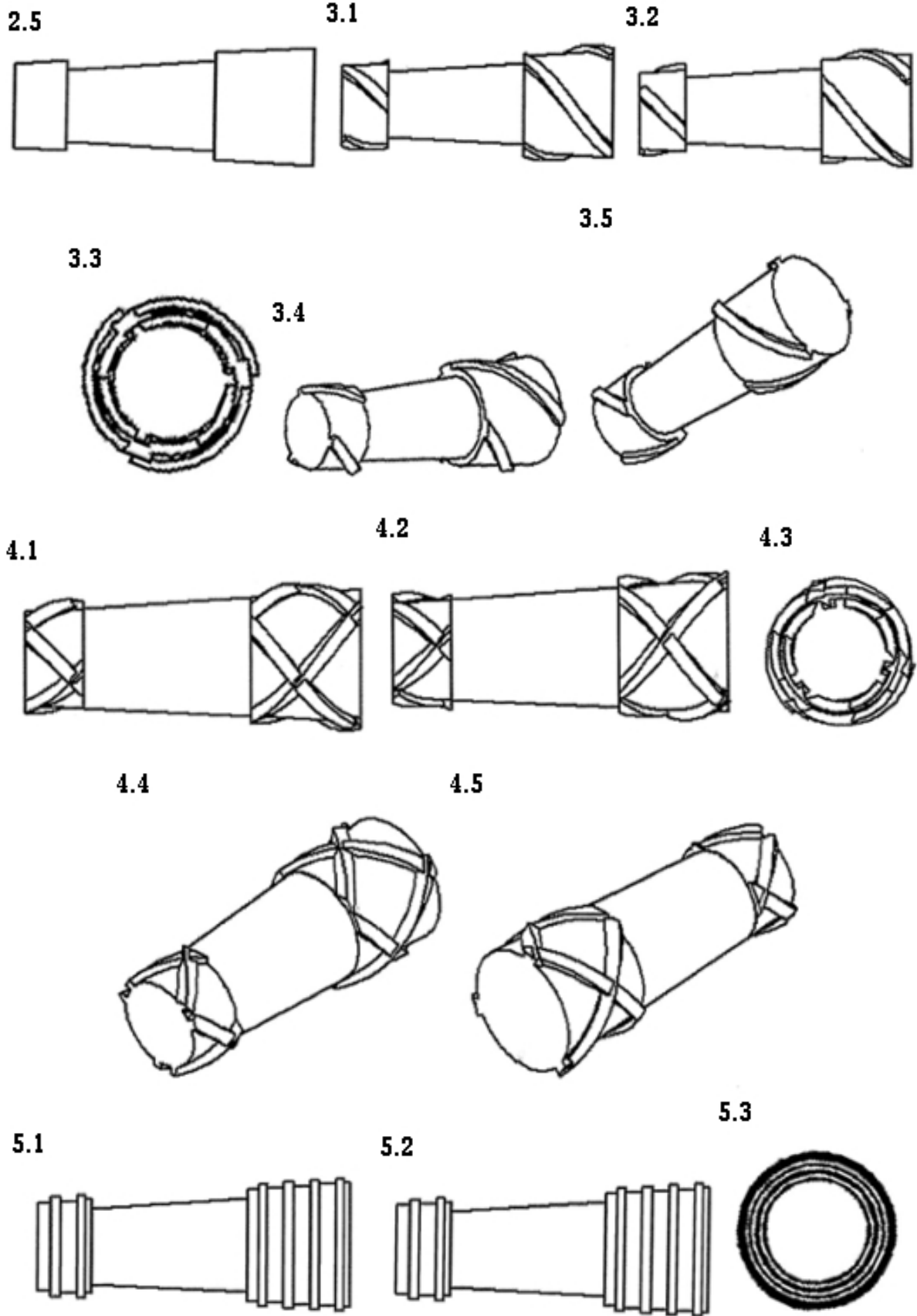
(74) GOTAPATENT AB

Box 3127, SE-550 03, Jönköping (SE)

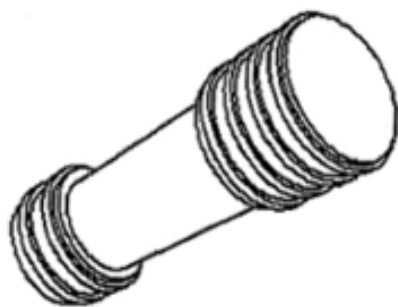
(54) 1.-12. Paintbrush extension pole adapters

(55)

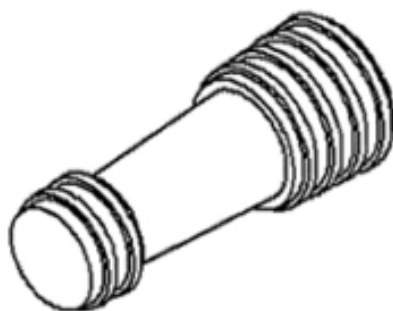




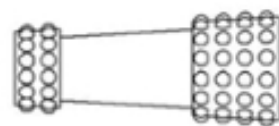
5.4



5.5



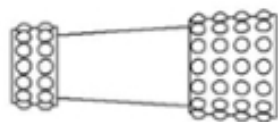
6.1



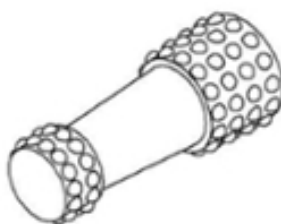
6.2



6.3



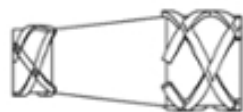
6.4



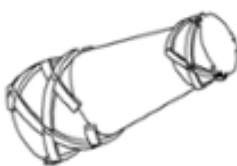
6.5



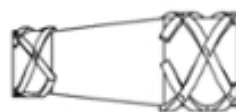
7.1



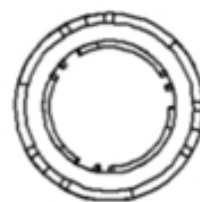
7.2



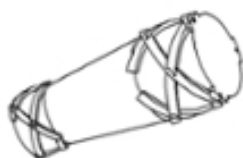
7.3



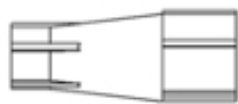
7.4



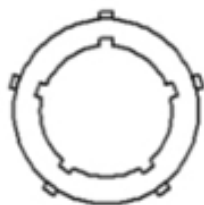
7.5



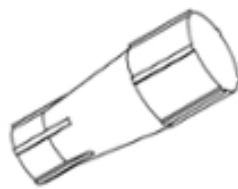
8.1



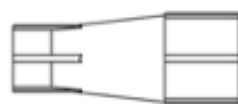
8.2



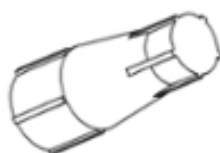
8.3



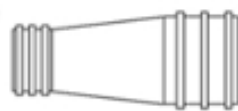
8.4



8.5



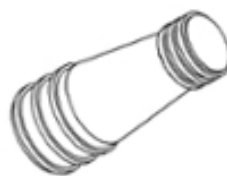
9.1



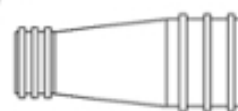
9.2



9.3



9.4



9.5



10.1



10.2

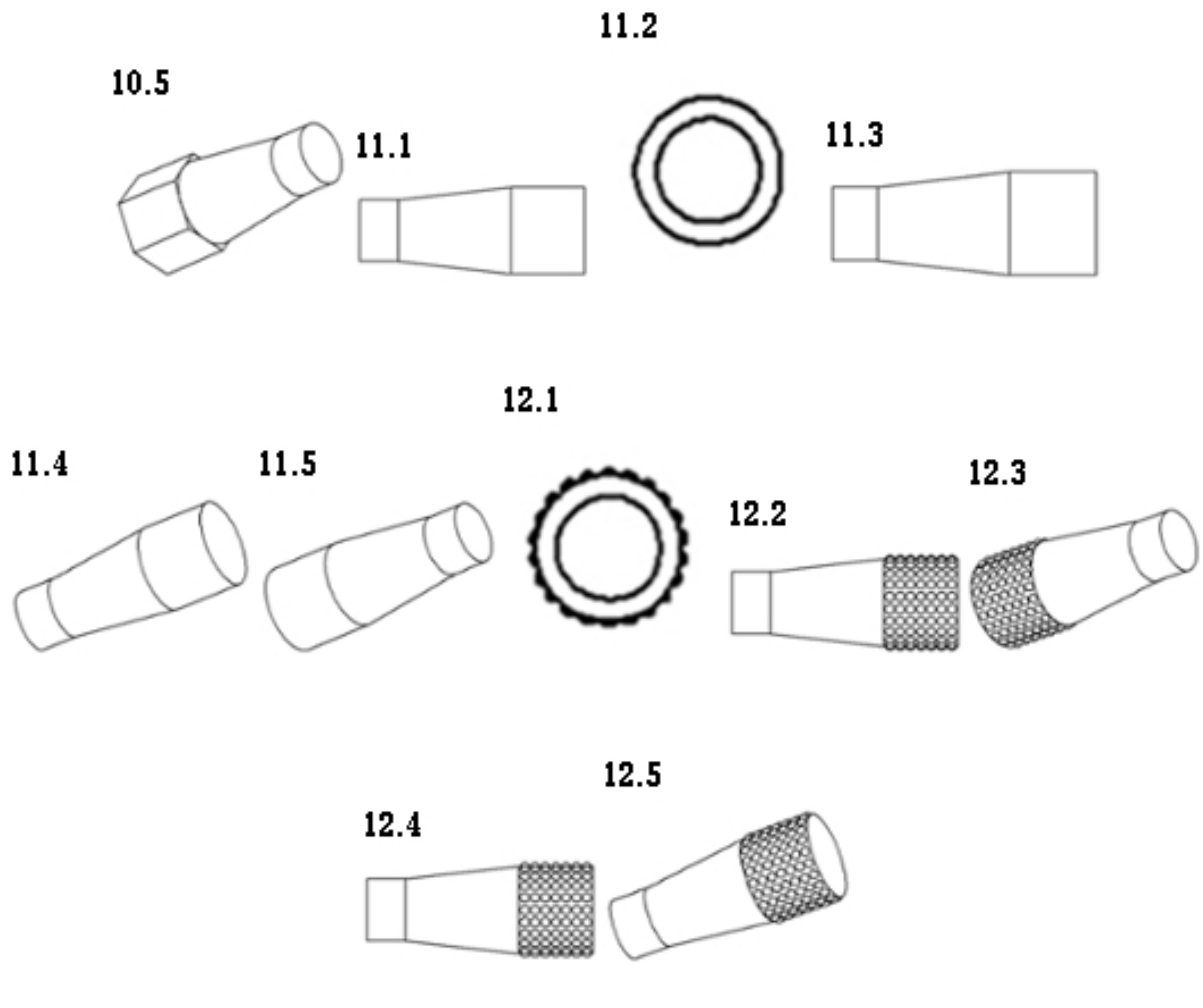


10.3



10.4





---

# TRADEMARKS

## APPLICATIONS FILED UNDER THE NATIONAL PROCEDURE APPROVED FOR REGISTRATION

The decision can be appealed at the Chamber of Appeal of Sakpatenti within 3 months from the publication or at the Mtskheta District Court Administrative Cases Board (Address: №17, Samkhedro St., Mtskheta), within 1 month following the publication.

(260) AM 2019 92366 A  
(210) AM 92366  
(220) 25 05 2017  
(731) INPHA LLP Representative office in Georgia  
Besikis q. 4 (nakveti 46/10),  
0108, Tbilisi, Georgia  
(740) Keso Antelidze  
(540)

**დევიტი**  
**ДеВит**  
**DeVit**

(511) 5

---

(260) AM 2019 97066 A  
(210) AM 97066  
(220) 29 03 2018  
(731) LTD "BIOPOLE"  
I. Noneshvilis q. 65, 6000, Batumi, Georgia  
(740) Salome Chikovani  
(540)

**МИЛДРО-ФОРТЕ**  
**MILDRO-FORTE**  
**მილდრო-ფორტე**

(591) Black, white  
(511) 5

---

(260) AM 2019 97776 A  
(210) AM 97776  
(220) 22 05 2018  
(731) LEPL "SAZOGADOEBRIVI  
MAUTSKEBELI"  
M. Kostavas q. 68, 0171, Tbilisi, Georgia  
(540)

**პირველი არხი - საქართველოს**

**ტელევიზია**

**First Channel - Georgian  
Television**  
**Pirveli arkhi - Georgian  
Television**

(591) Black, white  
(526) საქართველო, Georgia  
(511) 9, 16, 35, 38, 41

---

(260) AM 2019 97777 A  
(210) AM 97777  
(220) 22 05 2018  
(731) LEPL "SAZOGADOEBRIVI  
MAUTSKEBELI"  
M. Kostavas q. 68, 0171, Tbilisi, Georgia  
(540)

**პირველი არხი - საქართველოს  
რადიო**

**First Channel - Georgian  
Radio**  
**Pirveli arkhi - Georgian  
Radio**

(591) Black, white  
(526) საქართველო, Georgia  
(511) 9, 16, 35, 38, 41

---

(260) AM 2019 97791 A  
(210) AM 97791  
(220) 23 05 2018  
(731) LEPL "SAZOGADOEBRIVI  
MAUTSKEBELI"  
M. Kostavas q. 68, 0171, Tbilisi, Georgia  
(540)

**საქართველოს პირველი არხი**  
**First Channel of Georgia**

(591) Black, white  
(526) საქართველო, Georgia  
(511) 9, 16, 35, 38, 41

---

(260) AM 2019 97805 A  
(210) AM 97805  
(220) 23 05 2018  
(731) PRIDE FC WORLDWIDE HOLDINGS, LLC  
6650 South Torrey Pines Drive, Las Vegas,  
Nevada 89118, USA



(740) Tamaz Shilakadze  
(540)



(591) Black, white  
(531) 01.15.03; 02.09.14; 27.03.01; 27.03.15;  
27.05.17  
(511) 25

(260) AM 2019 97963 A  
(210) AM 97963  
(220) 04 06 2018

(731) Abdi Ýbrahim Ýlaç Sanayi ve Ticaret  
Anonim Þirketi  
Reþitpaþa Mahallesi Eski Büyükdere Caddesi  
No:4 34467 Maslak Sarýyer Ýstanbul, Turkey

(740) Tamaz Shilakadze  
(540)

**SEQVELL**

(531) 27.05.01; 27.05.17  
(511) 5

(260) AM 2019 97964 A  
(210) AM 97964  
(220) 04 06 2018

(731) Abdi Ýbrahim Ýlaç Sanayi ve Ticaret  
Anonim Þirketi  
Reþitpaþa Mahallesi Eski Büyükdere Caddesi  
No:4 34467 Maslak Sarýyer Ýstanbul, Turkey

(740) Tamaz Shilakadze  
(540)

**საქველი**

(591) Black, white  
(531) 28.19  
(511) 5

(260) AM 2019 97983 A  
(210) AM 97983  
(220) 07 06 2018

(731) GRAS SAVOYE, Soci t  par Actions  
Simplifi e  
33-34 Quai de Dion Bouton, 92800 Puteaux,  
France

(740) Natalia Babakishvili  
(540)

**GS**

(591) Black, white  
(511) 36

(260) AM 2019 97984 A  
(210) AM 97984  
(220) 07 06 2018  
(731) GRAS SAVOYE Soci t  par Actions  
Simplifi e  
33-34 Quai de Dion Bouton, 92800 Puteaux,  
France

(740) Natalia Babakishvili  
(540)



(591) Black, white  
(531) 27.05.17; 27.05.23  
(511) 36

(260) AM 2019 98010 A  
(210) AM 98010  
(220) 13 06 2018

(731) LTD "SENSO VITA PHARMACY"  
Beliashvilis q. 43, 0159, Tbilisi, Georgia  
(540)

**Ornitab**

(591) Black, white  
(511) 5

(260) AM 2019 98011 A  
(210) AM 98011  
(220) 13 06 2018

(731) LTD "SENSO VITA PHARMACY"  
Beliashvilis q. 43, 0159, Tbilisi, Georgia  
(540)

**Activemotus**

(591) Black, white  
(511) 5

(260) AM 2019 98149 A  
(210) AM 98149  
(220) 14 06 2018

(731) I/E Gogia Jaadze  
Varketili 3, I mkr., korp. 3, b. 111, Isani-  
Samgoris raioni, 0163, Tbilisi, Georgia  
(540)



(591) Brown, dark brown, white  
 (531) 19.09.01; 19.09.02; 28.19; 29.01.12  
 (511) 30

(260) AM 2019 98151 A  
 (210) AM 98151  
 (220) 18 06 2018  
 (310) 87/726,964  
 (320) 19 12 2017  
 (330) US

(731) GENZYME CORPORATION  
 50 Binney Street, Cambridge, MA 02142,  
 USA

(740) Shalva Gvaramadze  
 (540)

## ZOKREZO

(511) 5

(260) AM 2019 98152 A  
 (210) AM 98152  
 (220) 18 06 2018  
 (310) 87/726,902  
 (320) 19 12 2017  
 (330) US

(731) GENZYME CORPORATION  
 50 Binney Street, Cambridge, MA 02142,  
 USA

(740) Shalva Gvaramadze  
 (540)

## FITABREVO

(511) 5

(260) AM 2019 98153 A  
 (210) AM 98153  
 (220) 18 06 2018  
 (310) 87/726,932  
 (320) 19 12 2017  
 (330) US

(731) GENZYME CORPORATION  
 50 Binney Street, Cambridge, MA 02142,  
 USA

(740) Shalva Gvaramadze  
 (540)

## FITBREVO

(511) 5

(260) AM 2019 98154 A  
 (210) AM 98154  
 (220) 18 06 2018  
 (310) 87/726,974  
 (320) 19 12 2017  
 (330) US

(731) GENZYME CORPORATION  
 50 Binney Street, Cambridge, MA 02142,  
 USA

(740) Shalva Gvaramadze  
 (540)

## FITVERSA

(511) 5

(260) AM 2019 98155 A  
 (210) AM 98155  
 (220) 18 06 2018  
 (310) 87/726,943  
 (320) 19 12 2017  
 (330) US

(731) GENZYME CORPORATION  
 50 Binney Street, Cambridge, MA 02142,  
 USA

(740) Shalva Gvaramadze  
 (540)

## KAMAVOSIR

(511) 5

(260) AM 2019 98162 A  
 (210) AM 98162  
 (220) 18 06 2018  
 (731) N(N)LE International Standards Research  
 Center

M. Gorkis q. 2, Chughuretis raioni, 0102,  
 Tbilisi, Georgia

(540)



საერთაშორისო სტანდარტების კვლევითი ინსტიტუტი  
 Research Institute of International Standards

(591) Silver, blue, golden, white  
 (531) 01.03.01; 01.03.15; 25.07.04; 26.02.01;  
 26.02.07; 29.01.13

(526) საერთაშორისო სტანდარტების  
 კვლევითი ინსტიტუტი  
 Research Institute of International Standards

(511) 41

(260) AM 2019 98164 A  
 (210) AM 98164  
 (220) 19 06 2018  
 (731) Shalva Khargelia  
 Isakadzis q. 12, b. 44, Tbilisi, Georgia  
 (740) Aleksandre Kvernadze  
 (540)

აბრაგო  
**ABRAGI**  
**АБРАГИ**

(591) Black, white  
 (511) 32, 33

(260) AM 2019 98173 A  
 (210) AM 98173  
 (220) 20 06 2018  
 (310) 1874226  
 (320) 20 12 2017  
 (330) CA  
 (731) MARIELLE GLOBAL LIMITED  
 Palm Grove House, P.O. Box 438, Road  
 Town, Tortola, Virgin Islands (British)  
 (740) Merab Kvimsadze  
 (540)

**MOPLAY**

(591) Black, white  
 (531) 27.05.01  
 (511) 41

(260) AM 2019 98174 A  
 (210) AM 98174  
 (220) 20 06 2018  
 (310) 1874227  
 (320) 20 12 2017  
 (330) CA  
 (731) MARIELLE GLOBAL LIMITED  
 Palm Grove House, P.O. Box 438, Road  
 Town, Tortola, Virgin Islands (British)  
 (740) Merab Kvimsadze  
 (540)



(591) Black, white  
 (531) 26.04.01; 26.04.04; 26.04.05; 26.04.18;  
 26.04.24; 27.05.17; 27.05.24  
 (511) 41

(260) AM 2019 98177 A  
 (210) AM 98177  
 (220) 21 06 2018  
 (731) HANKY PANKY LTD  
 a New York corporation  
 373 Park Aveniu Sout, New York, 10016,  
 USA  
 (740) Shalva Gvaramadze  
 (540)

**HANKY PANKY**

(591) Black, white  
 (511) 25, 35

(260) AM 2019 98178 A  
 (210) AM 98178  
 (220) 21 06 2018  
 (731) HANKY PANKY LTD  
 a New York corporation  
 373 Park Aveniu Sout, New York, 10016,  
 USA  
 (740) Shalva Gvaramadze  
 (540)



(591) Black, white  
 (531) 26.04.05; 26.04.24; 27.05.01; 27.05.24  
 (511) 25, 35

(260) AM 2019 98180 A  
 (210) AM 98180  
 (220) 21 06 2018  
 (731) IMPERIAL TOBACCO LIMITED  
 121 Winterstoke Road, Bristol BS3 2LL,  
 United Kingdom  
 (740) Giorgi Ghvinjilia  
 (540)

**GOLDEN VIRGINIA**

(511) 34

(260) AM 2019 98192 A  
 (210) AM 98192  
 (220) 22 06 2018  
 (310) UK00003316967  
 (320) 11 06 2018  
 (330) GB  
 (731) MARIELLE GLOBAL LIMITED  
 Palm Grove House, PO Box 438, Road  
 Town, Tortola, Virgin Islands (British)

(740) Merab Kvimsadze

(540)

**MOPLAY**

(591) Black, white

(531) 27.05.01

(511) 9, 28, 35, 36, 38, 41, 42

(260) AM 2019 98194 A

(210) AM 98194

(220) 22 06 2018

(310) UK00003317009

(320) 11 06 2018

(330) GB

(731) MARIELLE GLOBAL LIMITED

Palm Grove House, PO Box 438, Road  
Town, Tortola, Virgin Islands (British)

(740) Merab Kvimsadze

(540)



(591) Black, white

(531) 26.04.01; 26.04.04; 26.04.18; 26.04.24;  
27.05.17; 27.05.24

(511) 9, 28, 35, 36, 38, 41, 42

(260) AM 2019 98199 A

(210) AM 98199

(220) 22 06 2018

(731) LTD "BASIC GROUP"

Kojris 1.1, b.12, Dzveli Tbilisis raioni, Tbilisi,  
Georgia

(740) Tamar Khizanishvili

(540)



(591) Lilac, yellow, white

(531) 26.04.22; 26.04.24; 27.05.01; 27.05.17;  
27.05.24; 29.01.13

(511) 25, 35

(260) AM 2019 98201 A

(210) AM 98201

(220) 25 06 2018

(731) LTD "GRAND ROYAL"

Al. Kazbegis gamz. 28, 0177, Tbilisi,  
Georgia

(540)



(591) Black, white

(531) 27.05.01; 27.05.17

(511) 32

(260) AM 2019 98202 A


(210) AM 98202

(220) 25 06 2018

(731) LTD "GRAND ROYAL"

Al. Kazbegis gamz. 28, 0177, Tbilisi,  
Georgia

(540)



(591) Black, white

(531) 05.03.13; 05.03.15; 26.11.02; 26.11.06;  
26.11.13; 27.05.01; 27.05.17

(511) 5

(260) AM 2019 98204 A

(210) AM 98204

(220) 25 06 2018

(731) CAINIAO SMART LOGISTICS HOLDING  
LIMITEDFourth Floor, One Capital Place, P.O. Box  
847, Grand Cayman, KY1-1103, Cayman  
Islands

(740) Tamaz Shilakadze

(540)



(591) Black, white

(511) 9, 16, 35, 36, 38, 39, 41, 42

(260) AM 2019 98205 A

(210) AM 98205

(220) 25 06 2018

(731) CAINIAO SMART LOGISTICS HOLDING  
LIMITED

Fourth Floor, One Capital Place, P.O. Box  
847, Grand Cayman, KY1-1103, Cayman  
Islands

(740) Tamaz Shilakadze  
(540)

**CAI  
N!ΔO**

(591) Black, white  
(531) 27.01.01; 27.01.03; 27.05.01  
(511) 9, 16, 35, 36, 38, 39, 41, 42

(260) AM 2019 98212 A  
(210) AM 98212  
(220) 26 06 2018  
(731) LTD "ASKANELI DZMEBI"  
Kakhetis Gzatk. 110a, 0198, Tbilisi, Georgia  
(740) Giorgi Taktakishvili  
(540)

**Golden Age**  
**Золотой Век**  
**ოქროს საუკუნე**

(591) Black, white  
(511) 33

(260) AM 2019 98222 A  
(210) AM 98222  
(220) 27 06 2018  
(731) BATA BRANDS SA  
Avenue d'Ouchy 61, Lausanne, 1006,  
Switzerland  
(740) Giorgi Kartvelishvili  
(540)

**ავ ლაბი**

(591) Black, white  
(511) 35

(260) AM 2019 98226 A  
(210) AM 98226  
(220) 28 06 2018  
(731) LTD "PATRONUS LEGAL QONSALTING"  
Krtsanisis II Shes. 15, kor. 3, b. 42, Dzveli  
Tbilisis raioni, 0114, Tbilisi, Georgia  
(540)

**Patronus Legal**  
ATTORNEYS & COUNSELORS AT LAW

(591) Black, white and grey  
(531) 27.05.10  
(511) 35, 36, 38, 41, 42, 44, 45

(260) AM 2019 98228 A  
(210) AM 98228  
(220) 28 06 2018  
(731) LTD "PATRONUS LEGAL CONSALTING"  
Krtsanisis II Shes. 15, korp. 3, b. 42, Dzveli  
Tbilisis raioni, 0114, Tbilisi, Georgia  
(540)

**პატრონუს ლეგალ**

(591) Black, white  
(511) 35, 36, 38, 41, 42, 44, 45

(260) AM 2019 98229 A  
(210) AM 98229  
(220) 28 06 2018  
(731) LTD "PATRONUS LEGAL CONSALTING"  
Krtsanisis II Shes. 15, korp. 3, b. 42, Dzveli  
Tbilisis raioni, 0114, Tbilisi, Georgia  
(540)

**პატრონუსი**

(591) Black, white  
(511) 35, 36, 38, 41, 42, 44, 45

(260) AM 2019 98232 A  
(210) AM 98232  
(220) 28 06 2018  
(731) SHELL BRANDS INTERNATIONAL AG  
Baareratte, 6340 Baar, Switzerland  
(740) Tamaz Shilakadze  
(540)

**DYNAFLEX**

(591) Black, white  
(511) 4

(260) AM 2019 98236 A  
(210) AM 98236  
(220) 28 06 2018  
(731) BINGGRAE CO., LTD.  
45, Dasansunhwan-ro, Namyangju-si,  
Gyeonggi-do, Republic of Korea  
(740) Giorgi Taktakishvili  
(540)

**Binggrae**

(591) Black, white  
(511) 29, 30

(260) AM 2019 98238 A  
 (210) AM 98238  
 (220) 29 06 2018  
 (731) MONSTER ENERGY COMPANY  
 a Delaware corporation  
 1 Monster Way, Corona, California 92879,  
 USA  
 (740) Shalva Gvaramadze  
 (540)

**MONSTER**

(591) Black, white  
 (511) 29, 30

(260) AM 2019 98245 A  
 (210) AM 98245  
 (220) 02 07 2018  
 (731) FACEBOOK, INC  
 (a Delaware corporation)  
 1601 Willow Road, Menlo Park, California,  
 94025, USA  
 (740) Tamar Kochlamazashvili  
 (540)



(591) Black, white  
 (531) 02.09.14  
 (511) 9, 35, 36, 38, 41, 42, 45

(260) AM 2019 98377 A  
 (210) AM 98377  
 (220) 04 07 2018  
 (731) Aleksandre Jokhadze  
 Gamrekelis q10, b.72, 0194, Tbilisi, Georgia  
 (540)



(591) Black, white  
 (531) 03.07.01; 03.07.16; 19.01.01; 19.01.07;  
 27.01.12; 27.07.01  
 (511) 33

(260) AM 2019 98393 A  
 (210) AM 98393  
 (220) 06 07 2018  
 (731) FACEBOOK INC.  
 (a Delaware corporation)  
 1601 Willow Road, Menlo Park, California,  
 94025, USA  
 (740) Tamar Kochlamazashvili  
 (540)

facebook

(591) Black, white  
 (531) 27.05.02  
 (511) 9, 35, 36, 38, 41, 42, 45

(260) AM 2019 98398 A  
 (210) AM 98398  
 (220) 09 07 2018  
 (731) Vladimer Tavadze  
 Ts. Dadianis q. 108, 0180, Tbilisi, Georgia  
 (540)



(591) Beige, green, orange, red, black  
 (531) 07.01.09; 11.01.01; 11.03.02; 19.07.01;  
 19.09.01; 28.19; 29.01.15  
 (511) 43

(260) AM 2019 98413 A  
 (210) AM 98413  
 (220) 11 07 2018  
 (731) YAGMUR PVC MUTEAHHITLIK MAKINE  
 INSAAT ITHALAT IHRACAT SANAYI VE  
 TICARET LIMITED SIRKETI  
 KUSGET HALICILAR SITESI, 176 NOLU  
 CADDE, NO: 43, SEHITKAMIL/ AZIANTEP,  
 Turkey  
 (740) Pavle Meipariani  
 (540)

**RAINLINE**

(591) Blue, white  
(531) 27.05.01; 29.01.04  
(511) 17, 19

---

(260) AM 2019 98584 A  
(210) AM 98584  
(220) 20 07 2018  
(731) SANTA FARMA İLAÇ SANAYİİ  
ANONİM ŞİRKETİ  
Okmeydanı, Boru Çiçeği Sk. No.16 Kat:4,  
34382 Şişli İSTANBUL,  
(740) Pavle Meipariani  
(540)

**Fungosi**

(591) Black, white  
(531) 27.05.17  
(511) 5

---

(260) AM 2019 98659 A  
(210) AM 98659  
(220) 20 07 2018  
(731) LTD "GEORGIA"  
Tsinanuris q. 26, 0112, Tbilisi, Georgia  
(540)



(591) Green, blue, white  
(531) 26.04.04; 26.04.22; 26.04.24; 27.05.24;  
29.01.13  
(511) 10

---

## REGISTERED TRADEMARKS

(111) M 2017 28987 R  
 (151) 20 10 2017  
 (181) 01 12 2027  
 (260) AM 2016 86005 A  
 (220) 05 02 2016  
 (732) CELINE

16 rue Vivienne, 75002 Paris, France

(111) M 2019 30714 R  
 (151) 22 01 2019  
 (181) 22 01 2029  
 (260) AM 2015 82681 A  
 (220) 25 06 2015  
 (732) ASOS PLC

Second Floor, Greater London House  
 Hampstead Road, NW1 7FB London, United  
 Kingdom

(111) M 2019 30715 R  
 (151) 25 01 2019  
 (181) 25 01 2029  
 (260) AM 2016 85710 A  
 (220) 12 01 2016  
 (732) SOPORCEL-SOCIEDADE PORTUGUESA  
 DE PAPEL S.A.  
 Lavos, 3081-851 Figueira da Foz, Portugal

(111) M 2017 28987 R  
 (151) 20 10 2017  
 (181) 01 12 2027  
 (260) AM 2016 86005 A  
 (220) 05 02 2016  
 (732) CELINE

16 rue Vivienne, 75002 Paris, France

(111) M 2019 30716 R  
 (151) 25 01 2019  
 (181) 25 01 2029  
 (260) AM 2016 88282 A  
 (220) 15 08 2016

(732) LTD "ZHORZHOLIANI TRADING"  
 Nutsubidzis IV m/r, korp. 17, Saburtalos  
 r-ni, Tbilisi, Georgia

(111) M 2019 30717 R  
 (151) 25 01 2019  
 (181) 25 01 2029  
 (260) AM 2016 89718 A  
 (220) 30 11 2016

(732) SCHLOSS KALTENBERG KONIGLICHE

HOLDING UND LIZENZ KG  
 Schindler 8, 82269, Gelendorf, Germany

(111) M 2019 30718 R  
 (151) 25 01 2019  
 (181) 25 01 2029  
 (260) AM 2017 92705 A  
 (220) 09 06 2017

(732) LTD "ATLAS"  
 Tchovelidzis q. 10a, Mtatsmindis Raioni,  
 Tbilisi, Georgia

(111) M 2019 30719 R  
 (151) 25 01 2019  
 (181) 25 01 2029  
 (260) AM 2017 92707 A  
 (220) 09 06 2017

(732) LTD "ATLAS"  
 Tchovelidzis q. 10a, Mtatsmindis Raioni,  
 Tbilisi, Georgia

(111) M 2019 30720 R  
 (151) 25 01 2019  
 (181) 25 01 2029  
 (260) AM 2017 92709 A  
 (220) 09 06 2017

(732) LTD "ATLAS"  
 Tchovelidzis q. 10a, Mtatsmindis Raioni,  
 Tbilisi, Georgia

(111) M 2019 30721 R  
 (151) 25 01 2019  
 (181) 25 01 2029  
 (260) AM 2017 93782 A  
 (220) 16 08 2017

(732) LTD "TWINS WINE HOUSE IN  
 NAPAREULI"  
 Sop. Napareuli, Region of Telavi, Georgia

(111) M 2019 30722 R  
 (151) 25 01 2019  
 (181) 25 01 2029  
 (260) AM 2017 94010 A  
 (220) 01 09 2017

(732) PADIDEH SHIMI GHARB  
 4t Flor, No.22, Ias Biding, Tavanir Strit,  
 Valiasr Strit, Teirani, Safosto Kodi  
 14348-87736, Iran (Islamic Republic of)



(111) M 2019 30723 R  
(151) 25 01 2019  
(181) 25 01 2029  
(260) AM 2017 94080 A  
(220) 07 09 2017  
(732) PAKSHOO INDUSTRIAL GROUP CO.  
31, Second Alley, Pakistan Street, Shahid  
Beheshti avenue, Tehran, Iran (Islamic Republic  
of)

(111) M 2019 30724 R  
(151) 25 01 2019  
(181) 25 01 2029  
(260) AM 2017 92346 A  
(220) 24 05 2017  
(732) MCDONALD'S INTERNATIONAL  
PROPERTY COMPANY, LTD.  
110 North Carpenter Street, Chicago, Illinois  
60607, USA

(111) M 2019 30725 R  
(151) 25 01 2019  
(181) 25 01 2029  
(260) AM 2017 94270 A  
(220) 22 09 2017  
(732) CJSC "CANONPHARMA PRODUCTION"  
Ul. Zarechnaya 105, 141100, Shelkovo,  
M/O, Russian Federation

(111) M 2019 30726 R  
(151) 25 01 2019  
(181) 25 01 2029  
(260) AM 2017 94402 A  
(220) 03 10 2017  
(732) GRAND CANDY LLC  
31 Masis Str., 0061, Yerevan, Armenia

(111) M 2019 30727 R  
(151) 25 01 2019  
(181) 25 01 2029  
(260) AM 2017 94490 A  
(220) 09 10 2017  
(732) LTD "Gallery KIDS"  
Rustavelis Gamz. 2/4, (nakv. 065/009), 0105,  
Tbilisi, Georgia

(111) M 2019 30728 R  
(151) 25 01 2019  
(181) 25 01 2029  
(260) AM 2017 94544 A  
(220) 10 10 2017  
(732) ) LTD "GEOMOT"  
Melashvilis q. / Mazniashvilis q. 12/8, 6000,  
Batumi, Georgia

(111) M 2019 30729 R  
(151) 25 01 2019  
(181) 25 01 2029  
(260) AM 2017 94564 A  
(220) 11 10 2017  
(732) SUBWAY IP INC.  
Florida, 33166, Maiami Springs, otakhi 500,  
Roial Poiniana Bul. 700, USA

(111) M 2019 30730 R  
(151) 25 01 2019  
(181) 25 01 2029  
(260) AM 2017 94565 A  
(220) 11 10 2017  
(732) SUBWAY IP INC.  
Florida, 33166, Maiami Springs, otakhi 500,  
Roial Poiniana Bul. 700, USA

(111) M 2019 30731 R  
(151) 25 01 2019  
(181) 25 01 2029  
(260) AM 2017 94712 A  
(220) 19 10 2017  
(732) ) LTD "MZISA"  
Oshkhelebis q. 34, b. 18 E, 0145, Tbilisi,  
Georgia

(111) M 2019 30732 R  
(151) 25 01 2019  
(181) 25 01 2029  
(260) AM 2017 94741 A  
(220) 24 10 2017  
(732) LTD "TIMELESS"  
Rustavelis gamz. 46, dzveli Tbilisis r-ni,  
0108, Tbilisi, Georgia

(111) M 2019 30733 R  
(151) 25 01 2019  
(181) 25 01 2029  
(260) AM 2017 95137 A  
(220) 20 11 2017  
(732) LTD "GEORGIAN OLIVE"  
Vazisubani, II mkr., korp. 19, b. 41, 0152,  
Tbilisi, Georgia

(111) M 2019 30734 R  
(151) 25 01 2019  
(181) 25 01 2029  
(260) AM 2017 95152 A  
(220) 22 11 2017  
(732) JSC "AID GROUP"  
G. Panjikidzis q., shesak. I, b. 24, Vake-  
Saburtalos r-ni, Tbilisi, Georgia

(111) M 2019 30735 R  
(151) 25 01 2019  
(181) 25 01 2029  
(260) AM 2017 95210 A  
(220) 28 11 2017  
(732) GETZ PHARMA INTERNATIONAL  
FZ LLC  
Office No. 1307, 13th Floor, Al-Thuraya  
Tower 1, Dubai Media City, Dubai, United  
Arab Emirates

---

(111) M 2019 30740 R  
(151) 25 01 2019  
(181) 25 01 2029  
(260) AM 2017 95218 A  
(220) 28 11 2017  
(732) GETZ PHARMA INTERNATIONAL  
FZ LLC  
Office No. 1307, 13th Floor, Al-Thuraya  
Tower 1, Dubai Media City, Dubai, United  
Arab Emirates

---

(111) M 2019 30736 R  
(151) 25 01 2019  
(181) 25 01 2029  
(260) AM 2017 95213 A  
(220) 28 11 2017  
(732) GETZ PHARMA INTERNATIONAL  
FZ LLC  
Office No. 1307, 13th Floor, Al-Thuraya  
Tower 1, Dubai Media City, Dubai, United  
Arab Emirates

---

(111) M 2019 30741 R  
(151) 25 01 2019  
(181) 25 01 2029  
(260) AM 2017 95219 A  
(220) 28 11 2017  
(732) GETZ PHARMA INTERNATIONAL  
FZ LLC  
Office No. 1307, 13th Floor, Al-Thuraya  
Tower 1, Dubai Media City, Dubai, United  
Arab Emirates

---

(111) M 2019 30737 R  
(151) 25 01 2019  
(181) 25 01 2029  
(260) AM 2017 95214 A  
(220) 28 11 2017  
(732) GETZ PHARMA INTERNATIONAL  
FZ LLC  
Office No. 1307, 13th Floor, Al-Thuraya  
Tower 1, Dubai Media City, Dubai, United  
Arab Emirates

---

(111) M 2019 30742 R  
(151) 25 01 2019  
(181) 25 01 2029  
(260) AM 2017 95220 A  
(220) 28 11 2017  
(732) GETZ PHARMA INTERNATIONAL  
FZ LLC  
Office No. 1307, 13th Floor, Al-Thuraya  
Tower 1, Dubai Media City, Dubai, United  
Arab Emirates

---

(111) M 2019 30738 R  
(151) 25 01 2019  
(181) 25 01 2029  
(260) AM 2017 95216 A  
(220) 28 11 2017  
(732) GETZ PHARMA INTERNATIONAL  
FZ LLC  
Office No. 1307, 13th Floor, Al-Thuraya  
Tower 1, Dubai Media City, Dubai, United  
Arab Emirates

---

(111) M 2019 30743 R  
(151) 25 01 2019  
(181) 25 01 2029  
(260) AM 2017 95221 A  
(220) 28 11 2017  
(732) GETZ PHARMA INTERNATIONAL  
FZ LLC  
Office No. 1307, 13th Floor, Al-Thuraya  
Tower 1, Dubai Media City, Dubai, United  
Arab Emirates

---

(111) M 2019 30739 R  
(151) 25 01 2019  
(181) 25 01 2029  
(260) AM 2017 95217 A  
(220) 28 11 2017  
(732) GETZ PHARMA INTERNATIONAL  
FZ LLC  
Office No. 1307, 13th Floor, Al-Thuraya  
Tower 1, Dubai Media City, Dubai, United  
Arab Emirates

---

(111) M 2019 30744 R  
(151) 25 01 2019  
(181) 25 01 2029  
(260) AM 2017 95396 A  
(220) 06 12 2017  
(732) VLADIMER SAANISHVILI  
I. Abashidzis q. 31, b. 19, 0179, Tbilisi,  
Georgia

---

---

(111) M 2019 30745 R (151) 25 01 2019 (181) 25 01 2029 (260) AM 2017 95405 A (220) 06 12 2017 (732) ELEMENTOS TRADE LIMITED Avlonos, 1 Maria House, Nicosia, 1075, Cyprus	(111) M 2019 30751 R (151) 25 01 2019 (181) 25 01 2029 (260) AM 2018 96162 A (220) 30 01 2018 (732) KANSAI PAINT CO., LTD 33-1, Kanzaki-cho, Amagasaki-shi, Hyogo, 661-8555, Japan
(111) M 2019 30746 R (151) 25 01 2019 (181) 25 01 2029 (260) AM 2017 95560 A (220) 19 12 2017 (732) HANKOOK TIRE CO., LTD 133, Teheran-ro (Yeoksam-dong), Gangnam-gu, Seoul, Republic of Korea	(111) M 2019 30752 R (151) 25 01 2019 (181) 25 01 2029 (260) AM 2018 96177 A (220) 01 02 2018 (732) SWISS PHARMA INTERNATIONAL AG Waldmannstrasse 8, Zurich, 8001, Switzerland
(111) M 2019 30747 R (151) 25 01 2019 (181) 25 01 2029 (260) AM 2017 95599 A (220) 21 12 2017 (732) JSC "TBC LIZING" I. Chavchavadzis gamz. 80, Vake- Saburtalos r-ni, Tbilisi, Georgia	(111) M 2019 30753 R (151) 25 01 2019 (181) 25 01 2029 (260) AM 2018 96236 A (220) 05 02 2018 (732) STRIPE INC. 185 Berry Steet. Suite 550, San-Francisco, California 94107, USA
(111) M 2019 30748 R (151) 25 01 2019 (181) 25 01 2029 (260) AM 2018 95758 A (220) 04 01 2018 (732) NSAR GENERAL TRADING LLC P.O. Box 171611, Dubai, United Arab Emirates	(111) M 2019 30754 R (151) 25 01 2019 (181) 25 01 2029 (260) AM 2018 96299 A (220) 09 02 2018 (732) MERCK SHARP & DOHME CORP. One Merck Drive, Whitehouse Station, New Jersey, 08889, USA
(111) M 2019 30749 R (151) 25 01 2019 (181) 25 01 2029 (260) AM 2018 96154 A (220) 29 01 2018 (732) MINDSHARE MEDIA UK LIMITED Central St Giles, 1 St Giles High Street, London WC2H 8AR, United Kingdom	(111) M 2019 30755 R (151) 25 01 2019 (181) 25 01 2029 (260) AM 2018 96304 A (220) 09 02 2018 (732) LTD "BERLIN 1972" Dighmis masivi, V kvart., korp. 12, b. 45, 0159, Tbilisi, Georgia
(111) M 2019 30750 R (151) 25 01 2019 (181) 25 01 2029 (260) AM 2018 96155 A (220) 29 01 2018 (732) WAVEMAKER GLOBAL LIMITED 18 Sea Containers, Upper Ground, London SE1 9E, United Kingdom	(111) M 2019 30756 R (151) 25 01 2019 (181) 25 01 2029 (260) AM 2018 96307 A (220) 12 02 2018 (732) GELA MIKADZE Lalionis shesakhvevi 5, 0101, Tbilisi, Georgia

---

(111) M 2019 30757 R  
 (151) 25 01 2019  
 (181) 25 01 2029  
 (260) AM 2018 96313 A  
 (220) 13 02 2018  
 (732) ) LTD "გლორია LLC GLORIA"  
 V. Gorgaslis q. 3, 0105, Tbilisi, Georgia

(111) M 2019 30763 R  
 (151) 25 01 2019  
 (181) 25 01 2029  
 (260) AM 2018 96544 A  
 (220) 26 02 2018  
 (732) LTD "MILANO"  
 Gldanis VIII mkr., korp. 12, b.56, 0139,  
 Tbilisi, Georgia

(111) M 2019 30758 R  
 (151) 25 01 2019  
 (181) 25 01 2029  
 (260) AM 2018 96332 A  
 (220) 14 02 2018  
 (732) E. I. DU PONT DE NEMOURS AND  
 COMPANY  
 Chestnut Run Plaza, 974 Centre Road,  
 Wilmington, DE 19805, USA

(111) M 2019 30764 R  
 (151) 25 01 2019  
 (181) 25 01 2029  
 (260) AM 2018 96561 A  
 (220) 27 02 2018  
 (732) E. I. DU PONT DE NEMOURS AND  
 COMPANY  
 Chestnut Run Plaza, 974 Centre Road,  
 Wilmington, DE 19805, USA

(111) M 2019 30759 R  
 (151) 25 01 2019  
 (181) 25 01 2029  
 (260) AM 2018 96333 A  
 (220) 14 02 2018  
 (732) E. I. DU PONT DE NEMOURS AND  
 COMPANY  
 Chestnut Run Plaza, 974 Centre Road,  
 Wilmington, DE 19805, USA

(111) M 2019 30765 R  
 (151) 25 01 2019  
 (181) 25 01 2029  
 (260) AM 2018 96649 A  
 (220) 05 03 2018  
 (732) LTD "DEAMED"  
 Kipshidzis q. 4, b. 49, 0162, Tbilisi, Georgia

(111) M 2019 30760 R  
 (151) 25 01 2019  
 (181) 25 01 2029  
 (260) AM 2018 96531 A  
 (220) 23 02 2018  
 (732) SEIKO HOLDINGS KABUSHIKI KAISHA  
 (trading as Seiko Holdings Corporation)  
 5-11, Ginza 4-chome, Chuo-ku, Tokyo, Japan

(111) M 2019 30774 R  
 (151) 05 02 2019  
 (181) 05 02 2029  
 (260) AM 2016 90032 A  
 (220) 20 12 2016  
 (732) LTD "EUROPHARMA GEORGIA"  
 Machabelis q. 5, 0114, Tbilisi, Georgia

(111) M 2019 30761 R  
 (151) 25 01 2019  
 (181) 25 01 2029  
 (260) AM 2018 96542 A  
 (220) 26 02 2018  
 (732) N(N)LE KNOWLEDGE FOUNDATION  
 D. Aghmasheneblis kheivani 240, 0159,  
 Tbilisi, Georgia

(111) M 2019 30775 R  
 (151) 05 02 2019  
 (181) 05 02 2029  
 (260) AM 2017 91996 A  
 (220) 05 05 2017  
 (732) LTD "VAZISUBANI ESTATE"  
 K. Marjanishvilis q. 7, Old Tbilisi d-ct,  
 0102, Tbilisi, Georgia

(111) M 2019 30762 R  
 (151) 25 01 2019  
 (181) 25 01 2029  
 (260) AM 2018 96543 A  
 (220) 26 02 2018  
 (732) N(N)LE KNOWLEDGE FOUNDATION  
 D. Aghmasheneblis kheivani 240, 0159,  
 Tbilisi, Georgia

(111) M 2019 30776 R  
 (151) 05 02 2019  
 (181) 05 02 2029  
 (260) AM 2017 92762 A  
 (220) 13 06 2017  
 (732) INGA GAVVA  
 V. Botchorishvilis q. 37b, 0171, Tbilisi,  
 Georgia

---

(111) M 2019 30777 R (151) 05 02 2019 (181) 05 02 2029 (260) AM 2017 92851 A (220) 20 06 2017 (732) HARRINGTON DEVELOPMENT INC. Elvira Mendez Street, Vallarino Bldg, 3-rd Floor, Panama, Republic of Panama	Floor, Panama, Republic of Panama, Republic of Panama
(111) M 2019 30778 R (151) 05 02 2019 (181) 05 02 2029 (260) AM 2017 93588 A (220) 01 08 2017 (732) HARRINGTON DEVELOPMENT INC. Elvira Mendez Street, Vallarino Bldg, 3-rd Floor, Panama, Republic of Panama	(111) M 2019 30783 R (151) 05 02 2019 (181) 05 02 2029 (260) AM 2017 94891 A (220) 02 11 2017 (732) LTD "HERITAGE WINE GEORGIA" D. Aghmasheneblis q. 2, chikhi 5, 0159, Sop. Dighomi, Tbilisi, Georgia
(111) M 2019 30779 R (151) 05 02 2019 (181) 05 02 2029 (260) AM 2017 94360 A (220) 29 09 2017 (732) JAZIRA EIRVEIZ KOMPANI, QEI.ES.SI International Airport, Block (1), Plot (800010), Kuwait	(111) M 2019 30784 R (151) 05 02 2019 (181) 05 02 2029 (260) AM 2017 95429 A (220) 08 12 2017 (732) SOPIO JINCHARADZE Nutsubidzis Plato II, Kvart. II, korp. I, b. 28, 0183, Tbilisi, Georgia
(111) M 2019 30780 R (151) 05 02 2019 (181) 05 02 2029 (260) AM 2017 94361 A (220) 29 09 2017 (732) JAZIRA EIRVEIZ KOMPANI, QEI.ES.SI International Airport, Block (1), Plot (800010), Kuwait	(111) M 2019 30785 R (151) 05 02 2019 (181) 05 02 2029 (260) AM 2017 95505 A (220) 12 12 2017 (732) FGX INTERNATIONAL INC. 500 George Washington Highway, Smithfield, Rhode Island 02917, USA
(111) M 2019 30781 R (151) 05 02 2019 (181) 05 02 2029 (260) AM 2017 94399 A (220) 02 10 2017 (732) Harrington Development Inc. Elvira Mendez Street, Vallarino Bldg, 3rd Floor, Panama, Republic of Panama, Republic of Panama	(111) M 2019 30786 R (151) 05 02 2019 (181) 05 02 2029 (260) AM 2017 95530 A (220) 15 12 2017 (732) SOPIO JINCHARADZE Nutsubidzis Plato II, Kvart. II, korp. I, b. 28, 0183, Tbilisi, Georgia
(111) M 2019 30782 R (151) 05 02 2019 (181) 05 02 2029 (260) AM 2017 94400 A (220) 02 10 2017 (732) Harrington Development Inc. Elvira Mendez Street, Vallarino Bldg, 3rd	(111) M 2019 30787 R (151) 05 02 2019 (181) 05 02 2029 (260) AM 2018 95830 A (220) 05 01 2018 (732) AL - SAFEH RESTAURANT Ze Hashimit Kingdom Of Jordan, Amman, Jordan Televijn Imploii'z Hausing, Iasmin Eria, Kuaider Khraisat Str., Bldg. 25, P.o. Boqs 568 Amani 11941, Jordan
	(111) M 2019 30788 R (151) 05 02 2019 (181) 05 02 2029

---

(260) AM 2018 96226 A  
(220) 05 02 2018  
(732) LTD "GOLD PAKI"  
Saburtalos q. 45, sad. 2, Skhveni, Tbilisi,  
Georgia

---

(111) M 2019 30789 R  
(151) 05 02 2019  
(181) 05 02 2029  
(260) AM 2018 96229 A  
(220) 05 02 2018  
(732) LTD "ELIXIR"  
Nakrdzalis q. 63, Sop. Shroma, Lagodekhis  
Raioni, Georgia

---

(111) M 2019 30790 R  
(151) 05 02 2019  
(181) 05 02 2029  
(260) AM 2018 96559 A  
(220) 26 02 2018  
(732) PRICE COSTCO INTERNATIONAL, INC  
999 Lake Drive Issaquah, Washington, 98027,  
USA

---

(111) M 2019 30791 R  
(151) 05 02 2019  
(181) 05 02 2029  
(260) AM 2018 97088 A  
(220) 29 03 2018  
(732) LTD "GMP"  
Sop. Ponitchala 65, 0165, Tbilisi, Georgia

---

(111) M 2019 30792 R  
(151) 05 02 2019  
(181) 05 02 2029  
(260) AM 2018 97089 A  
(220) 29 03 2018  
(732) LTD "GMP"  
Sop. Ponitchala 65, 0165, Tbilisi, Georgia

---

## TRADEMARKS REGISTERED ACCORDING TO THE ACCELERATED PROCEDURE

The decision can be appealed at the Chamber of Appeal of Sakpatenti within 3 months from the publication.

(111) M 2019 30766 R  
(151) 25 01 2019  
(181) 25 01 2029  
(210) AM 101225  
(220) 11 01 2019  
(732) Julieta Alakhiarova  
Sop. Sartitchala, Gardabani, Georgia  
(540)

ალბატროსი  
**ALBATROS**

(591) Black, white  
(511) 25

(111) M 2019 30767 R  
(151) 28 01 2019  
(181) 28 01 2029  
(210) AM 101222  
(220) 11 01 2019  
(732) Julieta Alakhiarova  
Sop. Sartitchala, Gardabani, Georgia  
(540)

**BARREL**  
ბარრელ

(591) Black, white  
(511) 25

(111) M 2019 30768 R  
(151) 28 01 2019  
(181) 28 01 2029  
(210) AM 101227  
(220) 11 01 2019  
(732) LTD "DIALUX"  
Shavshetis q.24, Batumi, Georgia  
(540)

**KERA**®

(591) Black, white  
(531) 12.03.11; 27.03.15  
(511) 35, 37

(111) M 2019 30769 R  
(151) 28 01 2019

(210) AM 100870  
(220) 24 12 2018  
(732) BRITISH AMERICAN TOBACCO  
(BRANDS) INC. (a Delaware corporation)  
251 Little Falls Drive, Suite 100, Delaware,  
Wilmington, 19808-1674, USA  
(740) Tamar Kotchlamazashvili  
(540)



(591) Black, white  
(531) 26.01.05; 26.11.02; 27.05.01; 27.05.11;  
27.05.24  
(511) 34

(111) M 2019 30770 R  
(151) 30 01 2019  
(181) 30 01 2029  
(210) AM 100868  
(220) 24 12 2018  
(732) JSC "Georgian Oil & Gaz Corporation"  
Kakhetis gzat. 21, 0190, Tbilisi, Georgia  
(740) Elene Kalandadze  
(540)



(591) Blue, blue, light blue, light blue, dark pink, white  
(531) 01.01.02; 01.01.10; 26.04.07; 26.04.09;  
27.05.01; 28.19; 29.01.12  
(526) საქართველო  
(511) 4, 42

(111) M 2019 30771 R  
(151) 04 02 2019  
(181) 04 02 2029  
(210) AM 101242  
(220) 17 01 2019  
(732) N(N)LE USINESS INSTITUTE OF  
GEORGIA  
Gldani, V mkr., korp. 13, b. 6, Tbilisi, Georgia

(540)



(591) Blue, green, white, gray  
 (531) 03.04.01; 03.04.02; 03.04.11; 06.19.09;  
 06.19.11; 26.04.01; 26.04.03; 26.04.07;  
 26.04.15; 29.01.14  
 (511) 29

(540)

**GREENNET**  
 We do **IT** better. Much better.

(591) White, green, black, red  
 (531) 26.04.18; 27.05.01; 27.05.10; 29.01.13  
 (511) 37, 42

(111) M 2019 30772 R  
 (151) 04 02 2019  
 (181) 04 02 2029  
 (210) AM 101385  
 (220) 29 01 2019  
 (732) LTD "PETROGLYPH"  
 Altai D-ct, Vil. Altaiskoe, Lesozavodskiy  
 pereulok 2, 659653, Russian Federation  
 (740) Irakli Gvilia  
 (540)

**PETROGLYPH**

(591) Black, white  
 (511) 32

(111) M 2019 30773 R  
 (151) 05 02 2019  
 (181) 05 02 2029  
 (210) AM 100867  
 (220) 24 12 2018  
 (732) DIAGEO IRELAND  
 St. Jeims's Gate, Dublin 8, Ireland  
 (740) Tamar Kotchlamazashvili  
 (540)

**HARP**

(591) Black, white  
 (511) 32

(111) M 2019 30793 R  
 (151) 06 02 2019  
 (181) 06 02 2029  
 (210) AM 100873  
 (220) 24 12 2018  
 (732) LTD "GREEN SYSTEMS"  
 I. Chavchavadzis gamz. 75, korp. 10, b. 46,  
 Vakis raioni, Tbilisi, Georgia  
 (740) Amza Kakauridze



## INTERNATIONAL TRADEMARKS FOR WHICH A DECISION ON GRANTING PROTECTIONS IS TAKEN

The decision can be appealed at the Chamber of Appeal of Sakpatenti within 3 months from the publication or at the Mtskheta District Court Administrative Cases Board (Address: №17, Samkhedro str., Mtskheta), within 1 month following the publication.

(260) AM 2019 91204 A\*

(800) 1333562

(151) 2016 11 29

(891) 2016 11 29

(731) LA PERLA GLOBAL MANAGEMENT  
(UK) LIMITED  
39 St. James's Street, London SW1A 1JD,  
United Kingdom

(540)

### La Mia Perla

(511)

3 – Perfumery, fragrances, cosmetics, make-up, non-medicated skin care preparations, bath and shower gels, soaps, body creams, body lotions, body oils, bronzing oils, body sprays, body washes, deodorants, antiperspirant deodorants, shampoos, conditioners; essential oils; hair lotions; eye shadows, eye powders, eye creams, mascaras, eye liners, eye pencils, eyebrow pencils, foundations, concealers, powders, pressed powders, loose powders, blushers, bronzers; nail varnish, nail polish; highlighters, face glitter, lip sticks, lip glosses, lip liners, lip balms; eau-de-cologne, toilet water; essential oils; massage oils, aromatherapy oils; pre-shave and aftershave preparations; shaving creams; depilatories; toiletries; non-medicated toilet preparations; skincare products; facecare products; haircare products; nailcare products; handcare products; moisturisers, toners, cleansers, make-up removers, face masks, face packs; preparations, creams and lotions for the hair, face and skin; serums, hair conditioning masks, hair sprays, hair gels, hair mousses; preparations, creams, lotions, sprays and mousses for tanning and/or for protection against the sun; after-sun lotions, creams and sprays; cotton wool; talcum powder; pot-pourri; joss sticks; bath salts; dentifrices, toothpaste, mouthwash; false eyelashes, false nails; tissues impregnated with cosmetic lotions; teeth whitening preparations.

(260) AM 2019 92522 A\*

(800) 1345617

(151) 2016 11 23

(891) 2016 11 23

(731) LA PERLA GLOBAL MANAGEMENT  
(UK) LIMITED  
39 St. James's Street LONDON SW1A 1JD,  
United Kingdom

(540)

### LA PERLA

(591) Black and white

(511)

3 – Perfumery; soaps; essential oils, cosmetics, hair lotions; dentifrices; cosmetics; eye makeup, eye shadows, eye powders, eye creams, mascaras, eye liners, eye pencils, eyebrow pencils, face make-up, foundations, concealers, powders, pressed powders, loose powders, blushers, bronzers; nail varnish, nail polish; highlighters, face glitter, make-up for lips, lipsticks, lip glosses, lip liners, lip balms; eau-de-cologne, toilet water; essential oils; massage oils, aromatherapy oils; pre-shave and aftershave preparations; shaving creams; depilatories; deodorants; antiperspirants; toiletries; non-medicated toilet preparations; skincare products; facecare products; haircare products; nailcare products; handcare products; moisturisers, toners, cleansers, make-up removers, face masks, face packs; preparations, creams and lotions for the hair, face and skin; hair lotions; shampoos, conditioners, serums, hair conditioning masks, hair sprays, hair gels, hair mousses; preparations, creams, lotions, sprays and mousses for tanning and/or for protection against the sun; after-sun lotions, creams and sprays; cotton wool; talcum powder; pot-pourri; joss sticks; bath salts; dentifrices, toothpaste, mouthwash; false eyelashes, false nails; tissues impregnated with cosmetic lotions; teeth whitening preparations.

(260) AM 2019 93304 A

(800) 1353353

(151) 2017 05 16

(891) 2017 05 16

(731) JANSSEN PHARMACEUTICA NV  
Turnhoutseweg 30 B-2340 Beerse, Belgium

(540)

### KAVESTEL

(591) Black and white

(511)

5 – Pharmaceutical preparations for human use.

(260) AM 2019 93826 A\*

(800) 1360164

(151) 2017 05 04

(891) 2017 05 04

(731) CHANEL SARL  
Quai du Général-Guisan 24, CH-1204 Genève  
(CH), Switzerland

(540)

## CHANEL

(591) Black, white

(511)

9 – Optical apparatus and instruments; sunglasses, spectacles, binoculars; cases and cords for sunglasses, spectacles and binoculars; frames and lenses for spectacles and for sunglasses; shells, cases, covers and carrying bags for mobile telephones, apparatus and for telecommunication instruments; shells, cases, covers and carrying bags for tablet computers and for computer apparatus and instruments; shells, cases, covers and carrying bags for electronic apparatus; cards for mobile telephones; electronic publications relating to fashion or beauty; magnetically coded credit cards, debit cards, loyalty cards; mechanism for coin-operated apparatus for dispensing perfumes and cosmetics; mouse pads; compact discs, CD-ROMs, DVDs and Blu-ray disks; USB flash drives; decorative magnets; graphic elements and downloadable ringtones for mobile telephones; accessories for mobile telephones, tablet computers and for portable computers; selfie sticks; personal digital assistants; software; software applications for personal computers, portable computers, mobile telephones and for tablet computers; battery chargers; chargers for mobile telephones and for telecommunication apparatus and instruments; chargers for computer apparatus and instruments; chargers for electronic apparatus; luminous or mechanical signs; luminous or mechanical signals.

14 – Watches; watch straps; movements for timepieces; chronometers; dials [timepieces]; watch chains, watch glasses; cases and presentation cases for timepieces; unwrought or semi-wrought precious metals; cases and boxes for jewelry; jewelry, jewelry articles, bracelets, broaches, chains, charms [jewelry], cloisonne jewelry, earrings; hat ornaments [jewelry], pins [jewelry], medals, necklaces, rings; tie pins, ornamental pins, paste jewelry, boxes of precious metal; jewelry cases [caskets]; key rings.

18 – Leather and imitations of leather; animal skins; trunks, carrying cases, suitcases and traveling sets [leatherware]; umbrellas, parasols and walking sticks; whips, harness and saddlery; wallets; purses (coin purses); garment bags for travel; bags; card holders; business card cases; music cases; vanity cases, not fitted; briefcases; handbags, backpacks, wheeled bags; bags for climbers and campers, travel bags, beach bags, school bags; collars or clothing for animals; shopping bags; bags or small bags (envelopes, pouches) of leather for packaging; key cases; attaché cases; luggage tags of leather; hat boxes of leather; leather laces.

25 – Clothing, footwear, headgear; shirts; clothing of leather or imitation of leather; belts (clothing); furs (clothing); gloves (clothing); scarves; shawls; neckties; hosiery; socks; bedroom slippers; stockings; tights; beach, ski or sports footwear; underwear; sleep masks; uniforms; money belts [clothing].

(260) AM 2019 94383 A\*

(800) 1366143

(151) 2017 01 04

(891) 2017 01 04

(731) WILH. WILHELMSSEN HOLDING ASA  
Strandveien 20 N-1366 Lysaker, Norway

(540)

## WILHELMSSEN

(591) Black and white

(511)

35 – Business management; business administration; accounting services; cost reporting; cost analysis; inventory management services; sourcing and buying services (business and/or office functions); marketing services; dealing with shipping formalities related to customs, port, passport and health services; market research services; import agency and export agency services; arranging and co-ordinating (business and/or office functions) of provision of goods, supplies and fuel and support services for vessel owners, charterers or cargo owners; arranging and supply (business and/or office functions) of marine, maritime and industrial spare parts and machinery for vessel owners, charterers or cargo owners; employment agency services for the provision of crew and staff for vessel owners, charterers or cargo owners, manning services; retail and wholesale services relating to chemicals and gases used in industry and science, chemicals and gases for use in marine and/or maritime industry, chemicals for use in operation and maintenance of ships and boats, industrial gases and refrigerants, cleaning and de-greasing chemicals, chemicals for treating water, and chemicals for treating oils and gases; retail and wholesale services relating to inert gases, unprocessed artificial resins, unprocessed plastics, fire extinguishing compositions, fire extinguishing gases, fire extinguishing foams, fire extinguishing powders, fire extinguishing liquids, fireproofing and flame resistant preparations, chemical spill solutions, surface-active chemical agents, chemical products for industrial removal of corrosion and contamination, preparations to break down and decompose oil, chemical products for marine and industrial treatment of bunker oil and heavy fuel oil, tempering and soldering preparations, welding preparations, chemical substances for preserving foodstuffs, tanning substances, and adhesives used in industry; retail and wholesale services relating to paints, varnishes and lacquers, and preservatives against corrosion and rust and against deterioration of wood; retail and wholesale services re-

lating to bleaching preparations and other substances for laundry use, and cleaning, polishing, scouring, degree sing and/or abrasive preparations; retail and wholesale services relating to paint and rust removing preparations, and industrial abrasives; retail and wholesale services relating to soaps, perfumery, essential oils, cosmetics, hair lotions, and dentifrices, retail and wholesale services relating to polishing paper, abrasive paper, and grinding paper, retail and wholesale services relating to common metals and their alloys, metal building materials, transportable buildings of metal, ironmongery, small items of metal hardware, pipes and tubes of metal, and goods of common metal not included in other classes, and their parts and fittings; retail and wholesale services relating to gas containers, gas cylinders, and their parts and fittings; retail and wholesale services relating to consumables for welding, welding rods, welding wires, and welding metals; retail and wholesale services relating to parts and fittings for refrigerating apparatus and refrigerators; retail and wholesale services relating to ores; retail and wholesale services relating to ropes and cables of metal or predominantly made of metal, wire rope, wire rope slings, load handling straps, and rope thimbles of metal; retail and wholesale services relating to machines for use on or in ships and/or offshore-installations, machines for use in marine and/or maritime activities, machine tools, electric welding machines and apparatus, gas welding machines and apparatus, compressors, and compressors for refrigerators and refrigerating plants; retail and wholesale services relating to equipment, apparatus and machines for the treatment and preparation of surfaces, equipment, apparatus and machines for sandblasting, equipment, apparatus and machines for grinding, equipment, apparatus and machines for the application of paint and coatings to surfaces, paint spraying equipment and apparatus, high pressure washing equipment and apparatus, air tools, air compressors, motors and engines (except for land vehicles), machine coupling and transmission components (except for land vehicles), pumps and pump systems and pump installations, pumps and pump systems and pump installations for dosing and circulation of chemicals and liquids, fuel pumps, generating machines for inert gasses, generators, valves, pressure valves, vacuum valves, closing valves, non-return valves, and pressure regulators, and their parts and fittings, retail and wholesale services relating to hand tools and implements (hand-operated), non-electric welding apparatus and welding tools, fire and escape related hand tools, and their parts and fittings; retail and wholesale services relating to scientific, nautical, surveying, photographic, optical, weighing, measuring, signalling, checking (supervision), life-saving and teaching apparatus and instruments, and their parts and fittings; retail and wholesale services relating to apparatus and instruments for conducting, switching, transforming, accu-

mulating, regulating or controlling electricity, and their parts and fittings; retail and wholesale services relating to apparatus for recording, transmission and reproduction of sound, images and data, and their parts and fittings; retail and wholesale services relating to software; retail and wholesale services relating to fire-extinguishing apparatus and installations, fire suppression apparatus, systems and installations, fire prevention apparatus, systems and installations, firefighting apparatus, systems and installations, safety apparatus, installations and equipment breathing apparatus, detection and alarm apparatus, systems and installations, lifesaving equipment, life rafts and buoys, protective clothing, electric arc welding apparatus, electrical installation materials, electrical and electronic apparatuses and installations, and electrical and electronic automation apparatuses and installations, and their parts and fittings; retail and wholesale services relating to apparatuses, systems and installations for monitoring, controlling, detecting, alerting and alarming, and their parts and fittings; retail and wholesale services relating to programmable logic controllers/controllers (PLC), and their parts and fittings; retail and wholesale services relating to gas and oxygen analyzers, dewpoint analyzers, temperature sensors, pressure sensors, and flow rate sensors, and their parts and fittings; retail and wholesale services relating to medical apparatus and instruments, respirators and masks for artificial respiration, resuscitation apparatus, and stretchers, and their parts and fittings; retail and wholesale services relating to apparatus for lighting, heating, steam generating, cooking, cooling, refrigerating, drying, ventilating, water supply and sanitary purposes, and their parts and fittings; retail and wholesale services relating to air conditioning and ventilation installations, provision stores (cooled), and freezer/ chiller compartments, stores and plants, and their parts and fittings; retail and wholesale services relating to burners, fuel burners, flue gas driers, thermostatic valves, and flushometer valves, and their parts and fittings; retail and wholesale services relating to vehicles, apparatus for locomotion by land, air or water, and their parts and fittings; retail and wholesale services relating to rubber, gutta-percha, gum, asbestos, mica and goods made from these materials and not included in other classes; retail and wholesale services relating to plastics in extruded form for use in manufacture; retail and wholesale services relating to packing, stopping and insulating materials, jointing materials and gaskets; retail and wholesale services relating to flexible pipes, not of metal, flexible hoses and tubes, not of metal, rubber and plastic tubes for air conditioning plants, rubber and plastic tubes for paint spraying, rubber and plastic tubes for high pressure washing and cleaning, and watering tubes; retail and wholesale services relating to hose couplings, not of metal, pipe connections, not of metal, hose fittings, not of metal, couplings

and armatures for fire hoses, not of metal, screens for fire protection, padding and stuffing materials of rubber or plastics, floating barriers against pollution and contamination, stoppers of rubber or plastics, plastic soldering threads, insulating paint, sockets and collars for tubes, not of metal, hoses of textile, valves of rubber, packers and gaskets, floating booms for the containment of pollutants, oil absorbent pads, sacks and cloths for containing and cleanup of oil spills, plastic fibers (not for textile use), and parts and fittings for all the aforementioned goods; retail and wholesale services relating to ropes, rope slings, rope ladders cables, cords, cordage, string, twine, anchoring ropes, mooring ropes, ropes for towing, sheets and halyards (ropes) for sailboats, ropes for hunting, ropes for fishing and fish farming, arborists ropes and slings, fishing nets, net pens for fish farming, nets and slings for load handling, all the aforementioned goods not being made of metal or predominantly being made of other materials than metal; retail and wholesale services relating to sails for yachts; retail and wholesale services relating to textile fibres, textile fibres for repairing and reinforcement of surfboards, skateboards, helmets and skis, and plastic fibres for textile use; information and consultancy rotated to all the aforementioned services.

37 – Construction (building), installation, inspection, maintenance and repair services; services of shipbuilding; inspection, maintenance, repair, destruction and recycling of sea and ocean going rigs, vessels, and platforms, inspection of ship building and ship building projects; installation, inspection, maintenance and repair of fire-fighting and rescue and safety apparatus and systems; installation, inspection, maintenance and repair of refrigerating, heating, ventilating and air conditioning apparatus and systems; installation, inspection, inspection, maintenance and repair of electrical installations and systems, including electro automation installations and systems; installation, inspection, maintenance and repair of gas distribution apparatus and systems; installation, inspection, maintenance and repair of central welding and gas and inert gas installations; refilling and testing of gas containers; cleaning and repair of boilers; painting services; building, installation, maintenance and repair of machines, under water repair; rental of welding machines and equipment; rental of gas cylinders and containers; rental of air compressors; rental of machines, systems and equipment for building, maintenance and repair purposes; rental of cleaning machines and equipment; rental of waste treatment machines and equipment information and consultancy related to all the aforementioned services.

39 – Logistics, transport and freight services; shipping services; ship brokerage, bunker brokerage, transport brokerage; transport reservation; freight

forwarding; freighting; arranging and managing transportation of cargo and/or containers to and from ports on behalf of vessel owners, charterers or cargo owners; container handling; dispatch of goods; delivery of goods; warehousing; packaging and storage of goods; inspection of vehicles, ships and/or goods before transport; carriage of goods or cargo; cargo handling services; logistics services for vessel owners, charterers or cargo owners; provisioning of ships; crew and passenger logistics; arranging of travels; packaging and packing of goods for dispatch; load handling; services in connection with marine towing, unloading and loading, and operating harbours and docks; rental of means of transport including boats and ships; rental of containers; rental of warehouse space; travel arrangement services; services for ship clearance with customs, harbour, immigration and health authorities; delivery and transport brokerage of goods; arranging shore excursions; supervision of port and terminal operations; harboring services for ships and boats; distribution services; information and consultancy related to all the aforementioned services.

---

(260) AM 2019 95418 A\*

(800) 1377316

(151) 2017 09 18

(891) 2017 09 18

(731) QINGDAO DOUBLESTAR TIRE INDUSTRIAL CO., LTD

No.66 of Gangxing Avenue, Boli Town, Huangdao District, Qingdao City Shandong Province, China

(540)

**A O S E N**

(591) Black, white

(531) 27.01.12

(511)

12 – Inner tubes for pneumatic tires [tyres]; casings for pneumatic tires [tyres]; spikes for tires [tyres]; pneumatic tires [tyres]; tires, solid, for vehicle wheels; automobile tires [tyres]; vehicle wheel tires [tyres]; patches (adhesive rubber -) for repairing inner tubes; inner tubes for bicycles, cycles; repair out-fits for inner tubes.

---

(260) AM 2019 96188 A

(800) 1385701

(151) 2017 06 23

(891) 2017 06 23

(731) AKTSIONERNOE OBSHCHESTVO "BI-END-BI (B&B)"

Highway Ryazanovskoe, 1, Podolsk City, RU-142111 The Moscow region, Russian Federation

(540)



(591) White, brown, ocher

(531) 03.04.02; 19.03.24; 28.05; 29.01.13

(511)

30 – Confectionery, namely, caramels [candy], sweetmeats [candy], liquorice [confectionery], peppermint sweets.

(260) AM 2019 96276 A

(800) 995257

(151) 2009 02 10

(891) 2017 11 23

(731) BEIERSDORF AG

Unnastrasse 48, 20253 Hamburg, Germany

(540)

## AQUAporin ACTIVE

(591) Black, white

(511)

3 – Preparations for body and beauty-care.

5 – Medicated and dermatological preparations for cosmetic purposes.

(260) AM 2019 96491 A

(800) 1331148

(151) 2016 02 10

(891) 2018 01 23

(731) ARTSANA S.P.A.

Via Saldarini Catelli, 1, I-22070 Grandate (CO), Italy

(540)



(591) Black, white

(531) 26.04.04; 26.04.06; 26.04.24; 27.05.17; 27.05.24

(511)

3 – Bleaching preparations and other substances for laundry use; polishing preparations; soaps; perfumery, essential oils, cosmetics, hair lotions; dentifrices;

eau de cologne; lavender water; perfume water; ammonia [volatile alkali] [detergent]; aloe vera preparations for cosmetic purposes; amber [perfume]; starch glaze for laundry purposes; fabric softeners for laundry use; aromatics [essential oils]; flavourings for beverages [essential oils]; cake flavourings [essential oils]; astringents for cosmetic purposes; non-medicated lotions; bath foam; flower perfumes (bases for -); cotton sticks for cosmetic purposes; javelle water; laundry wax; parquet floor wax; laundry blue; colorants for toilet purposes; cosmetics; creams (cosmetic -); barrier creams; polishing creams; skin whitening creams; washing soda, for cleaning; deodorants for human use (perfumery); detergents other than for use in manufacturing operations and for medical purposes; heliotropine; badian essence; mint essence [essential oil]; oil of turpentine for degreasing; bergamot oil; ethereal essences; extracts of flowers [perfumes]; massage gels other than for medical purposes; dental bleaching gels; geraniol; cleaning chalk; greases for cosmetic purposes; incense; ionone [perfumery]; almond milk for cosmetic purposes; cleansing milk for toilet purposes; scented wood; hair lotions; lotions for cosmetic purposes; lip gloss; shoe wax; cosmetic masks; mint for perfumery; transfers (decorative -) for cosmetic purposes; musk [perfumery]; cosmetic kits; oils for toilet purposes; massage oils; essential oils; cedarwood (essential oils of -); lemon [essential oils of -]; oils for perfumes and scents; oils for cleaning purposes; oils for cosmetic purposes; gaultheria oil; jasmine oil; lavender oil; almond oil; rose oil; cotton wool for cosmetic purposes; polishing stones; smoothing stones; pumice stone; alum stones [astringents]; pomades for cosmetic purposes; pot-pourri; sun-tanning preparations [cosmetics]; baths (cosmetic preparations for -); douching preparations for personal sanitary or deodorant purposes [toiletries]; laundry glaze; shining preparations; sun tan lotion; colour-brightening chemicals for household purposes [laundry]; skincare cosmetics; laundry preparations; antiperspirants [toiletries]; fumigation preparations [perfumes]; laundry bleach; dental rinses, non medicated; nail care preparations; cleaning agents for household purposes; toiletries; smoothing preparations [starching]; laundry soaking preparations; sachets for perfuming linen; degreasers other than for use in manufacturing processes; make-up removing preparations; color-removing preparations; perfumery; air fragrancing preparations; starch for laundry purposes; bath salts, not for medical purposes; bleaching salts; cloths impregnated with a detergent for cleaning; almond soap; soap; antiperspirant soap; deodorant soap; disinfectant soap; medicated soap; soaps in liquid form; shampoo; dry shampoos; destainers; emery; bleaching soda; furbishing preparations; breath freshening sprays; talcum powder, for toilet use; emery cloth; glass cloth; terpenes [essential oils]; dyes (cosmetic -); beard dyes; tissues impregnated with cosmetic lotions; anti-bac-

terial detergents; cotton sticks for cleaning ears; body creams; non-medicated creams, namely non-medicated diaper rash creams; sun creams (cosmetic); detergents for cloths washing machines; cleansing milk for cosmetic purposes; skin conditioning creams non for medical use; scented sachets.

5 – Pharmaceutical preparations; sanitary preparations for medical purposes; foods and dietetic substances adapted for medical use; food for babies; food supplements for humans; plasters, materials for dressings; disinfectants; preparations for destroying vermin; acaricides; fly catching paper; sea water for medicinal bathing; melissa water for pharmaceutical purposes; goulard water; mineral waters for medical purposes; thermal water; nutritional supplements; dietetic foods adapted for medical purposes; nutrition for infants; starch for dietetic or pharmaceutical purposes; amino acids for medical purposes; anaesthetics; antiseptics; dressings, medical; menstruation bandages; absorbent articles for personal hygiene; sanitary pads; feminine hygiene pads; styptic preparations; oxygen baths; bath preparations for medical purposes; balms for medical purposes; liquorice for pharmaceutical purposes; sanitary wear; bandages for dressings; medicated dressings; dietetic beverages adapted for medical purposes; bicarbonate of soda for pharmaceutical purposes; medicine cases, portable, filled; bracelets for medical purposes; lozenges for pharmaceutical purposes; rubber for dental purposes; quinquina for medical purposes; chinoline for medical purposes; belts for sanitary napkins [towels]; eye-washes; compresses; cachets for pharmaceutical purposes; sterile gauze pads; antiseptic cotton; aseptic cotton; cotton for medical purposes; breast-nursing pads; decoctions for pharmaceutical purposes; deodorants, other than for personal use; air deodorising preparations; deodorants for clothing and textiles; depuratives; detergents for medical purposes; digestives for pharmaceutical purposes; disinfectants for hygiene purposes; disinfectants impregnated into tissues; balsamic preparations for medical purposes; eucalyptus for pharmaceutical purposes; eucalyptol for pharmaceutical purposes; laxatives; lacteal flour for babies; flour for pharmaceutical purposes; first-aid boxes, filled; milk ferments for pharmaceutical purposes; ferments for pharmaceutical purposes; fibre (dietary -); fennel for medical purposes; gauze for dressings; glycerine for medical purposes; plasters; insect repellent incense; medicinal infusions; insecticides; insect repellent incense; alginate dietary supplements; casein dietary supplements; enzyme dietary supplements; wheat germ dietary supplements; glucose dietary supplements; lecithin dietary supplements; yeast dietary supplements; pollen dietary supplements; propolis dietary supplements; protein dietary supplements; protein supplements for animals; mineral food supplements; iodine for pharmaceutical purposes; milk of almonds for pharmaceutical purposes; malted milk beverages

for medical purposes; milk sugar for pharmaceutical purposes; cedar wood for use as an insect repellent; lotions for pharmaceutical purposes; eyepatches for medical purposes; bandaging material; haemostatic pencils; medicines for human purposes; medicines for dental purposes; mint for pharmaceutical purposes; menthol; moleskin for medical purposes; fly destroying preparations; pants, absorbent, for incontinents; pants (sanitary -); adhesive bands for medical purposes; medicinal oils; camphor oil for medical purposes; cod liver oil; castor oil for medical purposes; flaxseed oil dietary supplements; absorbent wadding; wadding for medical purposes; diaper-pants (babies' -); incontinence pads; royal jelly dietary supplements; royal jelly for pharmaceutical purposes; parasiticides; jujube, medicated; pomades for medical purposes; aloe vera preparations for pharmaceutical purposes; preparations for topical treatment of insect bites; preparations of trace elements for human use; teething (preparations to facilitate -); bath (therapeutic preparations for the -); sunburn ointments; biological preparations for medical purposes; chemico-pharmaceutical preparations; sunburn preparations for pharmaceutical purposes; burns (preparations for the treatment of -); skin care (pharmaceutical preparations for -); organotherapy preparations; fumigation preparations for medical purposes; diagnostic preparations; air purifying preparations; mouth washes for medical use; insect repellents; propolis for pharmaceutical purposes; panty liners; chemical reagents for medical purposes; tonics [medicines]; constipation (medicines for alleviating -); remedies for perspiration; mineral water salts; potassium salts for medical purposes; sodium salts for medical purposes; smelling salts; salts for mineral water baths; bath salts for medical purposes; salts for medical purposes; syrups for pharmaceutical purposes; solvents for removing adhesive plasters; dietetic substances adapted for medical use; cooling sprays for medical purposes; vulnerary sponges; surgical dressings; sulfur sticks [disinfectants]; menstruation pads; breast-nursing pads; medicinal tea; tincture of iodine; tinctures for medical purposes; herbal teas for medicinal purposes; tissues impregnated with pharmaceutical lotions; cachou for pharmaceutical purposes; mercurial ointments; ointments for pharmaceutical purposes; medicated creams; anti-bacterial preparations; anti-bacterial gels for medical use; anti-inflammatory gels for gums; cold cream for medical use; sterile solutions for medical purposes; sterilising solutions.

6 – Stove guards [of metal]; cabinet locks, wardrobe latches of metal; drawer latch; door stops.

8 – Hand tools and implements (hand-operated); cutlery; silver plate [knives, forks and spoons]; whetstone holders; manicure sets; pedicure sets; knives; table cutlery [knives, forks and spoons]; spoons; ladles [hand tools]; scissors; nail scissors; table

forks; rasps [hand tools]; nail files; nail files, electric; hair clippers for personal use, electric and non-electric; nail extractors; cutlery for use by children; plastic cutlery; cutlery of silicon; manicure sets, electric; nail clippers, electric or non-electric; vegetable shredders; pen knives; meat choppers [hand tools]; vegetable choppers; vaporizers (insecticide -) [hand tools].

9 – Weighing, measuring, signaling, checking (supervision), life-saving and teaching apparatus and instruments; apparatus for recording, transmission or reproduction of sound or images; magnetic data carriers, recording discs; compact discs, DVDs and other digital recording media; data processing equipment, computers; computer software; precision measuring apparatus; projectors; weighing apparatus and instruments; electric apparatus (including radios); regulating apparatus, electric; measuring devices, electric; monitoring apparatus, electric; amplifiers; audiovisual teaching apparatus; diagnostic apparatus, not for medical purposes; apparatus for recording sound; apparatus for the reproduction of sound; apparatus for the transmission of sound; transparency projection apparatus; security surveillance apparatus; radios; teaching apparatus; automatic barriers aimed to prevent the transit; balancing apparatus; magnets (decorative -); smart cards [integrated circuit cards]; video game cartridges; head protection; protective helmets for sports; safety restraints, other than for vehicle seats and sports equipment; discs (compact-) [audio-video]; portable computers; measuring spoons; safety covers for electrical sockets and plugs; transparencies [photography]; floppy disks; recording discs; music CDs; animated cartoons; anti-interference devices [electricity]; ignition (electric apparatus for remote -); safety locking devices (electric); dosimeters; downloadable image files; downloadable music files; record players; hygrometers; temperature indicating apparatus; compact disc players; disk drives for computers; DVD players; readers [data processing equipment]; portable media players; cassette players; cameras; rules [measuring instruments]; monitors; voice monitors; intercommunication apparatus; clocks (time -) [time recording devices]; lactometers; games software; audiovisual receivers; telephone receivers; life jackets; computer programmes [programs], recorded; measuring instruments; sound recording carriers; magnetic data carriers; optical data carriers; thermometers, not for medical purposes; thermometers for testing water temperature; bath thermometers; encoded magnetic cards; tablet computers.

10 – Medical or dental instruments and apparatus; orthopedic articles; suture materials; teething rings; aerosol dispensers for medical purposes; obstetric apparatus; fumigation apparatus for medical purposes; massage apparatus; nursing appliances; diagnostic apparatus for medical purposes; body cavities

(appliances for washing -); esthetic massage apparatus; hot air therapeutic apparatus; ice bags for medical purposes; water bags for medical purposes; baby bottles without teats; babies' bottles of polypropylene; elastic stockings for surgical purposes; wheeled trolleys adapted for use as walking aids; feeding bottle valves; umbilical belts; belts for orthopaedic purposes; maternity belts; droppers for medical purposes; abdominal corsets; spoons for administering medicine; thermal packs for first aid purposes; air cushions for medical purposes; cushions for medical purposes; pads (heating -), electric, for medical purposes; covers for baby feeding bottles; bandages, elastic; slings [supporting bandages]; corsets for medical purposes; gloves for massage; incontinence sheets; mouth guards for medical purposes; feeding bottles (babies' bottles); nipple shields for personal use; ear picks; containers for use with breast pumps; syringes for injections; hypodermic syringes; dummies for babies; orthopedic soles; thermometers for medical purposes; cases for thermometer probes for medical use; feeding bottle teats; feeding bottle teats; breast pumps; breast pumps for use by nursing mothers; draw-sheets for sick beds; humidifying apparatus for medical use; vaporizers for medical purposes; nasal aspirators; babies' pacifiers (teats); cups adapted for feeding babies and children.

11 – Apparatus for lighting, heating, steam generating, refrigerating, drying, ventilating; hot air apparatus; deodorising apparatus, not for personal use; ionization apparatus for the treatment of air or water; ventilation [air-conditioning] installations and apparatus; air purifying apparatus and machines; lighting apparatus and installations; refrigerating appliances and installations; heating apparatus, electric; kilns; fumigation apparatus, not for medical purposes; disinfectant apparatus; hair driers [dryers]; germicidal burners; pads [cushions] (heating -), electric, not for medical purposes; light diffusers; driers (air -); evaporators; steam generating apparatus; chandeliers; standard lamps; arc lamps; electric lamps; lamps; lights, electric, for Christmas trees; lightbulbs; lamp shades; water heaters [apparatus]; air heating apparatus; toilet seats; sterilisers; sterilisers for babies' feeding bottles; air humidifiers; humidifiers; room humidifiers; air humidifiers, other than for medical purposes; baths.

12 – Vehicles; apparatus for locomotion by land; car sun blinds; baby carriages; security harness for vehicle seats; vehicle safety harness for carry cots; vehicle safety harnesses for pram bodies; bicycles; wheeled transporters for babies; buggies; harnesses for prams; covers for baby carriages; rearview mirrors; wheels for bicycles, cycles; safety seats for children [for vehicles]; vehicle seats; security harness systems for vehicle seats; stroller covers; harnesses for use with pushchairs; covers for prams; pushchair covers and hoods; tricycles; sun blinds adap-

ted for automobiles; baskets for strollers and prams; strollers covers; vehicle seat covers (fitted); parasols, umbrellas, sun shades for strollers; bottle holders (parts of strollers); frames for strollers; mosquito nets for strollers.

16 – Paper, cardboard; stationery; adhesives for stationery or household purposes; artists' materials; paint brushes; instructional and teaching material; aquarelles; scrapbooks; paper towels; drawing sets; stencil cases; stickers [stationery]; bibs of paper; table linen of paper; tickets; greeting cards; occasion cards; musical greeting cards; pads [stationery]; sketch pads; envelopes; calendars; articles of stationery; writing board erasers; song books; copying paper; wrapping paper; writing paper; drawer liners of paper, perfumed or not; papier mâché; cards; folders for papers; placards of paper or cardboard; posters; paper stationery; postcards; catalogues; tablemats of paper; letter trays; document files; stationery (cabinets for -) [office requisites]; glues for stationery or household purposes; compasses for drawing; wrappers [stationery]; covers of paper for flower pots; rub down transfers; diaries; drawings; dispensers (adhesive tape -) [office requisites]; labels, not of textile; highlighters; handkerchiefs of paper; paperweights; figurines [statuettes] of papier mâché; paper bows; paper sheets [stationery]; drawing materials; writing materials; school supplies [stationery]; photographs [printed]; flags of paper; writing chalk; newspapers; comic strips; rubber erasers; paper-clips; pictures; ink; blackboards; writing slates; booklets; books; books for children; pencil sharpening machines, electric or non-electric; handbooks [manuals]; terrestrial globes; stencils [stationery]; modelling materials; plastics for modelling; pencils; slate pencils; pencil leads; adhesive tapes for stationery or household purposes; paper ribbons; modelling paste; pastel crayons; pens [office requisites]; nibs; writing brushes; paintbrushes; periodicals; pencil holders; penholders; chalk holders; boxes for pens; erasing products; printed publications; writing or drawing books; office binders; drafting rulers; magazines (periodicals); bags [envelopes, pouches] of paper or plastics, for packaging; paper bags; bags of plastics for lining refuse bins; paper wipes; boxes of cardboard or paper; paint boxes [articles for use in school]; index cards [stationery]; bookmarkers; inkwells; writing cases [sets]; printed matter; writing instruments; drawing instruments; photograph stands; notebooks; inking pads; drawing boards; writing tablets; palettes for painters; gummed cloth for stationery purposes; canvas for painting; pencil sharpeners, electric or non-electric; sealing stamps; place mats of paper; table napkins of paper; tissues of paper for removing make-up; flyers; cookery books.

20 – Furniture, mirrors, picture frames; bed fittings, not of metal; furniture fittings (not of metal); door fittings, not of metal; cupboards; security cabinets;

coatstands; benches [furniture]; chests, not of metal; babies' playpens; expandable safety gates for stairs; infant walkers; chests for toys; chests of drawers; trays (not of metal); safety locks [non-metallic, non-electric]; child resistant security closures (non-metallic-) for containers; containers, not of metal [storage, transport]; bed frames, cot frames, cradle frames; cots for use by children; safety cots; cushions; support pillows for use in car safety seats for babies and children; pregnancy cushions; air cushions, not for medical purposes; towel dispensers, fixed, not of metal; divans; display stands; corner cap components, not of metal; baby changing platforms; statuettes of wood, wax, plaster or plastic; hooks, not of metal, for clothes rails; clothes hooks, not of metal; safety hooks, not of metal; clothes hangers and clothes hooks; pillows; air pillows, not for medical purposes; signboards of wood or plastics; beds; mattresses; changing mats; furniture; furniture for children's bedrooms; chimes (wind -) [decoration]; mattress (straw -); screens [furniture]; settees; armchairs for small children; book rests [furniture]; playpens; bed bases; furniture shelves; racks; shelves for storage; index cabinets; boxes of wood or plastic; babies' bouncing chairs; desks; sun loungers; chairs; babies' chairs; loungers; high chairs for babies; stools; mirrors (silvered glass); mirrors (hand-held -) [toilet mirrors]; mats for infant playpens; drafting tables; wooden beds; interior textile window blinds; non-metallic barrels; armchairs; children bed's guards; wooden dressers; cots; child seats; stove guards, not of metal; cabinet locks, wardrobe latches, not of metal; drawer latch; door stops; crib bumpers; anti mites mattresses, anti mites pillows; mattresses and pillows adapted for strollers and prams.

21 – Household or kitchen utensils and containers; combs and sponges; brushes (except paintbrushes); articles for cleaning purposes; deodorising apparatus for personal use; polishing apparatus and machines, for household purposes, non-electric; aerosol dispensers, not for medical purposes; basins [bowls]; beverage glassware; beakers with spouts for children; cups of paper or plastic; bottles; glass flasks [containers]; insulating flasks; refrigerating bottles; vacuum flasks for holding drinks; pitchers; straws for drinking; baskets for domestic use; waste paper baskets; heat-insulated containers; thermal containers for babies' bottles (non-electric); portable coolers; covers for dishes; pot lids; mixing spoons [kitchen utensils]; comb cases; electric devices for attracting and dispersing insects; soap dispensers; water apparatus for cleaning teeth and gums; milk powder dispensers; electric apparatus for killing insects; blenders, non-electric, for household purposes; flasks; whisks, non-electric, for household purposes; portable cold boxes [non-electric]; graters for kitchen use; basting spoons, for kitchen use; toilet cases; picnic baskets (fitted -), including dishes; cleaning cloth; dustbins; combs; electric combs; combs for



the hair (large-toothed -); plates to prevent milk boiling over; table plates; serving platters; paper plates; plastic plates; disposable table plates; saucers; soap boxes; sponge holders; napkin holders; fruit presses, non-electric, for household purposes; drinking vessels; lunch boxes; containers for household or kitchen use; kitchen containers; thermally insulated containers for food; piggy banks; heaters for feeding bottles, non-electric; dispensers for paper towels; cookie jars; soap dishes; baby bottle drying racks; buckets; trivets [table utensils]; brushes; hair for brushes; nail brushes; dishwashing brushes; brushes for cleaning tanks and containers; brushes for cleaning feeding equipment; feeding bottle brushes; toilet brushes; toothbrushes; toothbrushes, electric; toilet sponges; sponges for household purposes; cake moulds; cookery molds [moulds]; cleaning instruments, hand-operated; cups; saucepans (earthenware -); insect traps; kitchen grinders, non-electric; cosmetic utensils; cooking utensils, non-electric; kitchen utensils; household utensils; toilet utensils; perfume vaporizers; baby baths, portable; baby bath tubs; pots; vases; chamber pots; potties; diaper pails; food storage containers.

24 – Bed covers; table covers; mattress covers; face towels [made of textile materials]; towels; bath linen, except clothing; linens; bed linen; tablecloths, not of paper; diapered linen; bed blankets; bed covers of paper; travelling rugs (lap robes); labels; handkerchiefs of textile; pillowcases [pillow slips]; cushion covering materials; flags, not of paper; washing mitts; bed sheets; drugget; sleeping bag liners; moleskin [fabric]; ticks [mattress covers]; oilcloth for use as tablecloths; gummed cloth, other than for stationery; shower curtains of textile or plastic; non-woven textile fabrics; place mats, not of paper; textile napkins; napkins, of cloth, for removing makeup; quilts; mosquito nets; cot covers; cot sheets; cot blankets; children blankets; linings (textile); linings (textile) for high chairs for babies.

25 – Clothing, footwear, headgear; clothing of imitations of leather; clothing of leather; clothing for gymnastics; gowns; bath robes; non-slipping devices for footwear; bandanas [neckerchiefs]; bibs, not of paper; caps [headwear]; berets; underwear; maternity lingerie; smocks; boas (necklets); teddies [undergarments]; garters; corsets; galoshes; sports shoes; stockings; slippers; socks; jodhpurs; short-sleeve shirts; shirts; hats; hats (paper -) [clothing]; jackets; hoods [clothing]; belts [clothing]; belts (money -) [clothing]; tights; shoulder wraps; detachable collars; neck warmers; ear muffs [clothing]; layettes [clothing]; suits; beachwear; masquerade costumes; ties; swimming caps; shower caps; headbands [clothing]; pocket squares; gaiters; jackets [clothing]; skirts; pinafore dresses; aprons [clothing]; girdles; gloves; ski gloves; mackintoshes; ready-to-wear clothing; paper clothing; knitwear [clothing]; jumpers; leg warmers; leggings [trousers]; singlets; hosiery; swimsuits;

sweaters; muffs [clothing]; pelerines; skorts; maternity underwear; underpants; bathing drawers; babies' pants [clothing]; trousers; mules; parkas; pelisses; pyjamas; ponchos; pullovers; brassieres; nursing bras; sandals; bath sandals; infants' footwear; children's shoes; bath shoes; gymnastic shoes; beach shoes; ski boots; shawls; sashes for wear; topcoats; outerclothing; trouser straps; ankle boots; boots; teeshirts; combinations [clothing]; visors [headwear]; wooden shoes; disposable maternity underwear.

28 – Games and playthings; gymnastic and sporting articles not included in other classes; decorations for Christmas trees; Christmas trees of synthetic material; swings; games (apparatus for -); conjuring apparatus; video game apparatus; kites; pools (swimming -) [play articles]; dolls; golf clubs; hockey sticks; twirling batons; targets; electronic targets; toy bicycles; marbles for playing games; skittles [games]; ninepins; blocks (building -) [toys]; playing balls; soap bubbles [toys]; cricket bags; golf bags, with or without wheels; cups for dice; kaleidoscopes; doll rooms; bells for Christmas trees; paper party hats; playing cards; dolls' houses; rocking horses; confetti; toy construction kits; dice; ornaments for Christmas trees, except illumination articles and confectionery; flying discs [toys]; sling shots [sports articles]; darts; swimming floats for recreational use; toys; playthings of polyethylene, metal and wood; ride-on toys; rattles; radio-controlled playthings; squeeze toys; stuffed toys; fabric toys; board games; ring games; building games; draughts; dominoes; chess games; parlour games; portable games with liquid crystal displays; pachinkos; electronic games; musical games; talking toys; snow globes; gloves for games; baseball gloves; golf gloves; fencing gauntlets; batting gloves [accessories for games]; boxing gloves; paddings (protective -) [parts of sports suits]; scale model kits [toys]; dolls' beds; toy cameras; bowling apparatus and machinery; arcade video game machines; marionettes; masks [playthings]; theatrical masks; mobiles [toys]; scale model vehicles; scooters [toys]; snow for Christmas trees (artificial -); novelties for parties, dances [party favors, favours]; party favors; teddy bears; balls for games; knee guards [sports articles]; elbow guards [sports articles]; shin guards [sports articles]; roller skates; inline roller skates; ice skates; plushes [toys]; toy weapons; toy vehicle tracks; dolls' feeding bottles; candle holders for Christmas trees; toy projectors; punching bags; jigsaw puzzles; bats for games; butterfly nets; chessboards; skateboards; sleds [sports articles]; rattles (playthings); skating boots with skates attached; foosball tables; tables for table tennis; play mats incorporating infant toys (playthings); checkerboards; trampolines; tops (spinning -) [toys]; tricycles [playthings]; toy cars; small play cars for children; radio-controlled toy vehicles; dolls' clothes; shuttlecocks; ride-on toy vehicles (motorised -); electronically operated toy motor vehicles.

35 – Advertising; shop window dressing; demonstration of goods; direct mail advertising; marketing services; exhibitions for commercial or advertising purposes; organisation of trade fairs for commercial or advertising purposes; fashion shows for promotional purposes (organization of -); presentation of goods on communication media, for retail purposes; sales promotion for others; procurement services for third parties (acquisition of goods and services for other companies); modelling for advertising or sales promotion; news clipping services; telemarketing services.

(260) AM 2019 96746 A

(800) 1390801

(151) 2017 11 23

(891) 2017 11 23

(731) Private Joint Stock Company "ARTWINERY"  
87 Patris Lumumba Str., Bakhmut Donetsk  
region 84500, Ukraine

(540)

## Tutto bene

(591) Black and white

(531) 27.05.17

(511)

33 – Alcoholic beverages, except beer; alcoholic beverages containing fruit; digesters (liqueurs and spirits); herb liqueurs; aperitifs; brandy; sparkling wines; vermouth; wine; flavoured wine; white wines; grape wine; table wines; old wine; dessert wines; semi-dry sparkling wines; sweet sparkling wines; dry sparkling wines; semi-sweet sparkling wines; muscat sparkling wines; vintage wine; muscat wine; semi-sweet wine; semi-dry wine; ordinary wine; carbonated wine; fruit wines; rose wines; sweet wines; dry wines; red wines; whisky; vodka; gin; cocktails; curacao; liqueurs; fruit liqueurs; pre-mixed alcoholic beverages, other than beer-based; chocolate liqueurs; bitters; distilled beverages; piquette; rum; cider; low alcohol drinks, except beers; spirits (beverages); alcoholic extracts; fruit extracts, alcoholic.

(260) AM 2019 96754 A

(800) 1390968

(151) 2017 11 23

(891) 2017 11 23

(731) Private Joint Stock Company "ARTWINERY"  
87 Patris Lumumba Str., Bakhmut Donetsk  
region 84500, Ukraine

(540)

## ARTWINE

(591) Black and white

(511)

33 – Alcoholic beverages, except beer; alcoholic beverages containing fruit; digesters (liqueurs and

spirits); herb liqueurs; aperitifs; brandy; sparkling wines; vermouth; wine; flavoured wine; white wines; grape wine; table wines; old wine; dessert wines; semi-sweet sparkling wines; semi-dry sparkling wines; sweet sparkling wines; dry sparkling wines; muscat sparkling wines; vintage wine; muscat wine; semi-sweet wine; semi-dry wine; ordinary wine; carbonated wine; fruit wines; rose wines; sweet wines; dry wines; red wines; whisky; vodka; gin; cocktails; curacao; liqueurs; fruit liqueurs; pre-mixed alcoholic beverages, other than beer-based; chocolate liqueurs; bitters; distilled beverages; piquette; rum; cider; low alcohol drinks, except beers; spirits (beverages); alcoholic extracts; fruit extracts, alcoholic.

(260) AM 2019 96930 A

(800) 1393039

(151) 2017 12 04

(891) 2017 12 04

(731) AMERICAN AIR FILTER COMPANY, INC.  
Suite 2200, 9920 Corporate Campus Drive  
Louisville KY 40223, USA

(540)

## SENSOR 360

(591) Black and white

(526) SENSOR

(511)

9 – Air quality measurement apparatus, namely, particle counters; air quality analyzing and monitoring apparatus and instruments, namely, electronic monitors and detectors for monitoring and detecting airborne particulates and for monitoring and measuring air speed, pressure drop, and humidity; air quality particulate measurement instruments, namely, particle counters; sensors for monitoring and measuring the level of gaseous or odorous contaminants; detectors for detecting the presence of gaseous or odorous contaminants.

(260) AM 2019 97122 A

(800) 1395417

(151) 2017 12 13

(891) 2017 12 13

(731) UNICOSMETIC Company Limited  
Piskarevskiy prospect 63/6, liter A, pom. 5-N,  
office 11, RU-195273 Saint Petersburg,  
Russian Federation

(540)



(591) Dark brown, yellow

(531) 25.01.25; 26.04.02; 26.04.05; 26.04.12;  
26.04.16; 26.04.24; 27.05.10; 27.05.24;  
29.01.12

(511)

3 – Hair balsams, other than for medical purposes; hair conditioners; hair spray; hair lotions; hair masks; cosmetic oils for the hair; soap; cosmetic kits comprised of hair care products; sprays for hair care; professional hair care products for use in beauty salons; beauty serums for hair care; shampoos; dry shampoos.

(260) AM 2019 97123 A

(800) 1395421

(151) 2017 12 29

(891) 2017 12 29

(731) Limited Liability Company, "Agrofirma  
"SeDeK"

ul. Generala Belova, d. 51, str. 1A,  
RU-115583 Moscow, Russian Federation

(540)

**СеДеК**

(591) Black, white

(531) 28.05

(511)

31 – Citrus fruit, fresh; nuts [fruits]; animal foodstuffs; trees; Christmas trees; trunks of trees; shrubs; oats; berries, fresh; beet, fresh; bran; unsawn timber; undressed timber; cocoa beans, raw; sugarcane; locust beans, raw; cereal seeds, unprocessed; mushrooms, fresh; mushroom spawn for propagation; chestnuts, fresh; chicory roots; chicory, fresh; lemons, fresh; coconut shell; coconuts; cucumbers, fresh; hop cones; bran mash for animal consumption; copra; vegetables, fresh; squashes, fresh; straw mulch; distillery waste for animal consumption; beans, fresh; flowers, natural; pollen [raw material]; hay; wheat; fruit, fresh; turf, natural; juniper berries; seed germ for botanical purposes; grains [cereals]; seeds for planting; garden herbs, fresh; plants; seedlings; hops; kola nuts; lettuce, fresh; lentils, fresh; rough cork; maize; malt for brewing and distilling; fruit residue [marc]; hazelnuts, fresh; flower bulbs; onions, fresh; olives, fresh; oranges, fresh; barley; nettles; palms [leaves of the palm tree]; palm trees; vine plants; pine cones; peppers [plants]; leeks, fresh; peas, fresh; potatoes, fresh; roots for animal consumption; grapes, fresh; rhubarb, fresh; rose bushes; rye; edible sesame, unprocessed; truffles, fresh; almonds [fruits]; peanuts, fresh; bagasses of cane [raw material]; raw barks; rice, unprocessed; aloe vera plants; spinach, fresh; artichokes, fresh; garlic, fresh; vegetable marrows, fresh; edible linseed, unprocessed; arrangements of fresh fruit; unprocessed sweet corn ears [husked or unhusked].

(260) AM 2019 97238 A

(800) 1395763

(151) 2017 11 10

(891) 2017 11 10

(731) Obshchestvo s ogranichennoy  
otvetstvennostyu "SIRIUS"  
derevnja Krivcovo, dom 2, Solnechnogorskij  
rajon, RU-141554 Moskovskaja oblast',  
Russian Federation

(540)

**ZOO-ZOO**  
**СИРИУС**

(591) Black, white

(531) 27.05.17; 28.05

(511)

30 – Aromatic preparations for food; vanilla flavorings for culinary purposes; flavorings, other than essential oils, for cakes; flavorings, other than essential oils, for beverages; coffee flavorings; food flavorings, other than essential oils; star aniseed; baozi [stuffed buns]; cereal bars; high-protein cereal bars; pancakes; noodle-based prepared meals; buns; bread rolls; edible rice paper; edible paper; burritos; vanillin [vanilla substitute]; vareniki [stuffed dumplings]; waffles; vermicelli [noodles]; natural sweeteners; sausage binding materials; binding agents for ice cream; sea water for cooking; seaweed [condiment]; malt biscuits; cloves [spice]; cake frosting [icing]; glucose for culinary purposes; mustard; gluten additives for culinary purposes; yeast; thickening agents for cooking foodstuffs; leaven; rice-based snack food; cereal-based snack food; artificial coffee; vegetal preparations for use as coffee substitutes; dressings for salad; fruit jellies [confectionery]; candy decorations for cakes; confectionery for decorating Christmas trees; cakes; pastries; peanut confectionery; almond confectionery; pasta; ginger [spice]; frozen yogurt [confectionery ices]; cocoa; cream of tartar for culinary purposes; capers; caramels [candy]; curry [spice]; ketchup [sauce]; gimbap [Korean rice dish]; quiches; gluten prepared as foodstuff; sweetmeats [candy]; liquorice [confectionery]; peppermint sweets; cinnamon [spice]; coffee; unroasted coffee; starch for food; crackers; custard; hominy grits; semolina; oatmeal; crushed barley; groats for human food; corn, milled; corn, roasted; meat pies; turmeric; couscous [semolina]; noodles; ice for refreshment; candy; ice, natural or artificial; edible ices; rice cakes; mayonnaise; macaroons [pastry]; macaroni; maltose; hominy; marinades; marzipan; honey; royal jelly; ice cream; bean meal; tapioca flour; potato flour; corn flour; nut flours; flour; wheat flour; soya flour; barley meal; dessert mousses [confectionery]; chocolate mousses; muesli; mint for confectionery; cocoa beverages with milk; coffee beve-

rages with milk; coffee-based beverages; cocoa-based beverages; tea-based beverages; chocolate beverages with milk; chocolate-based beverages; infusions, not medicinal; crushed oats; husked oats; okonomiyaki [Japanese savory pancakes]; chocolate-coated nuts; nutmegs; stick liquorice [confectionery]; soya bean paste [condiment]; pastilles [confectionery]; molasses for food; pâtés en croûte; pelmeni [dumplings stuffed with meat]; pepper; allspice; peppers [seasonings]; pesto [sauce]; cookies; petit-beurre biscuits; pies; pizzas; meat gravies; fondants [confectionery]; popcorn; powders for making ice cream; baking powder; mustard meal; pralines; condiments; meat tenderizers for household purposes; cereal preparations; oat-based food; propolis; gingerbread; spices; petits fours [cakes]; puddings; rice pudding; cake powder; fruit coulis [sauces]; ravioli; ramen [Japanese noodle-based dish]; chewing gum; relish [condiment]; rice; wheat germ for human consumption; spring rolls; sago; sugar; palm sugar; aniseed; golden syrup; confectionery; batter mixes for okonomiyaki [Japanese savory pancakes]; baking soda [bicarbonate of soda for cooking purposes]; malt for human consumption; salt for preserving foodstuffs; cooking salt; celery salt; sherbets [ices]; ham glaze; soya sauce; tomato sauce; pasta sauce; sauces [condiments]; spaghetti; seasonings; preparations for stiffening whipped cream; rusks; breadcrumbs; sushi; sandwiches; tabbouleh; tacos; tapioca; tarts; dough; pastry dough; almond paste; rice pulp for culinary purposes; cake dough; tortillas; garden herbs, preserved [seasonings]; chocolate decorations for cakes; vinegar; beer vinegar; ferments for pastes; halvah; bread; unleavened bread; corn flakes; oat flakes; chips [cereal products]; flowers or leaves for use as tea substitutes; jiaozi [stuffed dumplings]; chicory [coffee substitute]; tea; iced tea; chutneys [condiments]; minced garlic [condiment]; cheeseburgers [sandwiches]; chow-chow [condiment]; saffron [seasoning]; chocolate; malt extract for food; essences for foodstuffs, except etheric essences and essential oils; husked barley.

(260) AM 2019 97273 A  
 (800) 1189044  
 (151) 2013 12 04  
 (891) 2018 03 21  
 (731) ABBOTT PRODUCTS OPERATIONS AG  
 Hegenheimermattweg 127, CH-4123  
 Allschwil, Switzerland  
 (540)

## DUPHABEARS

(591) Black, white  
 (511)  
 5 – Pharmaceutical products and preparations containing lactulose as active ingredient for human use; dietetic foodstuffs and preparations for human medi-

cal use; dietary food supplements containing lactulose for human use.

29 – Milk and dairy products; milk derivatives.

30 – Confectionery containing lactulose.

(260) AM 2019 97274 A  
 (800) 1197463  
 (151) 2013 06 10  
 (891) 2018 02 26  
 (731) MANCHESTER UNITED FOOTBALL CLUB, LIMITED  
 Sir Matt Busby Way, Old Trafford,  
 Manchester M16 0RA, United Kingdom  
 (540)

## MAN UTD

(591) Black, white  
 (511)  
 25 – Clothing, footwear, headgear; articles of outer clothing; articles of sports clothing; leisurewear; articles of underclothing; lingerie; hosiery; footwear being articles of clothing; headgear (for wear); shirts; boots; underwear; coats; overalls; collar protectors and collars; ear muffs; football boots and shoes; fittings of metal for boots and shoes; shorts; T-shirts; socks; sweaters; caps; hats; scarves; jackets; dressing gowns; pyjamas; sandals; slippers; footwear; boxer shorts; beach clothes and shoes; baby boots; and bibs; romper suits; baby pants and sleep suits; dungarees; braces; belts; berets; wrist bands; track suits; ties; cravats; aprons; bathrobes; bathing caps and suits; bathing trunks; galoshes; garters; gloves and mittens; headbands; jerseys; jumpers and knitwear; leggings; clothes linings; parkas; shawls; singlets; skirts; vests; visors; waistcoats; water-proof clothing.  
 35 – Advertising; business management; business administration; office functions; advertising via the Internet; provision of advertising space; provision of space on web sites for advertising goods and services; organisation, arrangement and conducting of exhibitions, events and conferences for commercial or advertising purposes; operation and supervision of membership schemes; promotional activities relating to loyalty award schemes, incentive award schemes and frequent buyer programmes; organisation, operation and supervision of incentive and loyalty schemes and frequent buyer programmes; data processing; provision of business information; retail services connected with the sale of bleaching preparations and other substances for laundry use, cleaning, polishing, scouring and abrasive preparations, soaps, perfumery, essential oils, cosmetics, hair lotions, dentifrices, toilet waters, after-shave lotions, eau de cologne, flower oils and scented waters, flower perfumes, antiperspirants, deodorants for personal use, deodorant soaps for body and feet, incense,

bath salts and preparations, bath oils, bath foams, shower gels, medicated soaps, non-medicated toilet preparations, toiletries, talcum powders, hair care preparations, shampoos, hair conditioners, hair dyes and hair sprays, depilatory preparations, shaving preparations, skin care preparations, oils, creams, lotions, gels and powders for the skin, make-up and make-up removing preparations, cosmetic kits, cosmetic dyes, cosmetic body paint, eyebrow cosmetics and preparations, lipsticks, nail polish and nail preparations, cosmetic pencils, cotton wool for cosmetic purposes, transfers (decorative) for cosmetic purposes, sun tanning preparations, toothpaste, mouth washes, detergents, fabric softeners, air fresheners consisting of perfume products, potpourris, boot cream, boot polish, creams for leather, car cleaning preparations, windscreen cleaning liquids, candles and wicks for lighting, plasters, materials for dressings, vitamins, food supplements, common metals and their alloys, metal building materials, transportable buildings of metal, ironmongery, small items of metal hardware, pipes and tubes of metal, safes, ores, badges, vehicle badges, signs, plaques, number plates, ornaments, figurines, statues and statuettes, works of art, money boxes, trophies, bronzes, keys, key blanks key rings and key chains, locks, hand tools and implements (hand-operated), cutlery, razors, razor blades, shavers, shaving cases, manicure and pedicure implements and sets, scissors, penknives, scientific, nautical, surveying, photographic, cinematographic, optical, weighing, measuring, signalling, checking (supervision), life-saving and teaching apparatus and instruments, apparatus and instruments for conducting, switching, transforming, accumulating, regulating or controlling electricity, apparatus for recording, transmission or reproduction of sound or images, magnetic data carriers, recording discs, automatic vending machines and mechanisms for coin-operated apparatus, cash registers, calculating machines, data processing equipment and computers, fire-extinguishing apparatus, radios, televisions, electrical and electronic apparatus for use in the reception of satellite, terrestrial or cable broadcasts, video recorders, tape recorders, cassette players, record players, juke boxes, CD players, CD-ROM players, DVD players, DVD recorders, MP3 players, MP3 readers, audio and/or video file recorders and/or players, magnetic data carriers, recording discs, magnetic tapes for recording and reproducing sound or vision, audio recordings, video recordings, audio and video recordings, recorded programmes for television and for radio, motion picture films, animated cartoons, photographic transparencies and photographic and cinematographic films prepared for exhibition purposes, CDs, DVDs, and other digital recording media; CD ROMs, cassettes, video cassettes, gramophone and phonographic records, downloadable and streamable audio and video recordings, downloadable and streamable ring tones, mu-

sic, MP3s, graphics, games and video images, screen savers, downloadable electronic publications, remote control apparatus, cameras, video cameras, cases for photographic apparatus and instruments, camera film, digital photo frames, anti-dazzle shades, glasses and visors, binoculars, prescription and non-prescription eye glasses, spectacles and sunglasses and cases, chains, cords and frames therefor, containers for contact lenses, optical goods, holograms, compasses and barometers, bells, calculating machines, computers, portable computers, computer hardware and parts and fittings therefor, computer peripherals, mouse mats, wrist pads, computer mice, keyboard and screen covers, customised computer disks and CD-ROMs, computer software, computer programs, computer games programs, pre-recorded games on CD, software and any other recording media, downloadable computer software, electronic storage media, memory cards, customised storage boxes for electronic storage media, CDs, DVDs and disks, games for video game machines, home video game machines and amusement apparatus all for use with television receivers, telephones, mobile telephones, parts and accessories for mobile telephones, mobile telephone covers, mobile telephone cases, telephone answering apparatus, telephone recorders and telephones incorporating facsimile machines, smart cards, telephone cards, encrypted smart cards, encoded smart cards, encrypted telephone cards, encoded telephone cards, encrypted cards, encoded cards, magnetic identity cards, PDAs (personal digital assistants), time recording apparatus, magnets, magnifying glasses, measures and measuring instruments, mechanical signs, neon signs, sockets, plugs and switches, ticket dispensers, vehicle breakdown warning apparatus, apparatus for lighting, heating, steam generating, cooking, refrigerating, drying, ventilating, water supply and sanitary purposes, apparatus and equipment for cooling, sterilizing, air-conditioning, air freshening, air purifying, water purifying, lights, electric Christmas tree lights, light fittings, luminaires, lamps, lampshades, lampshade holders, light diffusers, electric torches, pocket torches, torches for lighting, bathroom ware, vehicles, apparatus for locomotion by land, air or water, parts and fittings for vehicles, land vehicles and motor land vehicles and parts, components and fittings therefor, bicycles, cycles, tricycles and velocipedes and parts, components and fittings therefor, alarms for vehicles, bells for bicycles, bells for cycles, bells for tricycles, bells for velocipedes, carriers for bicycles, carriers for cycles, carriers for luggage, carriers for sailboards, carriers for surfboards, carriers for skis, carriers for tricycles, carriers for velocipedes, buggies, canoes, golf bag trolleys, golf carts, oars, paddles, parachutes, parachuting apparatus, perambulators, pushchairs, strollers, pumps for inflating tyres, roof bars, boxes, cases, linings, racks, all for vehicles, seat covers and/or shaped covers for vehicles,

sledges, tyres, upholstery for vehicles, visors (strips) for vehicle screens, wheelbarrows, wheelchairs, wheeled carriers, jewellery, precious stones, horological and chronometric instruments, watches and clocks, badges and bars for use with jewellery, earrings, keys and key rings, key blanks and key chains, trinkets and fobs, pins and pendants, jewellery charms, cases and boxes, buckles, busts and statues, candle sticks and candle extinguishers, cigar and cigarette holders, flasks and goblets, hat and shoe ornaments, matchboxes and match holders, works of art, napkin holders and napkin rings, tankards, urns and vases, nutcrackers, salt cellars and salt shakers, tie pins and clips, cuff links, coins and copper tokens, costume jewellery, silver ornaments, objects of imitation gold, medals, watch straps, musical instruments, paper, cardboard, printed matter, bookbinding material, photographs, stationery, adhesives for stationery or household purposes, artists' materials, paint brushes, typewriters and office requisites, instructional and teaching material, plastic materials for packaging, printers' type, printing blocks, newspapers, magazines, periodical publications, books, programme binders, manuals, writing or drawing books and pads, playing cards, cards, birthday cards, greeting cards, postcards, tickets, timetables, note pads and note books, photo engravings, albums, photograph albums, address books, cheque book holders, almanacs, holders, cases and boxes for pens, blotters and jotters, pens and pencils, pencil and pen holders, wooden pen sets, erasers and erasing products, pencil sharpeners, rulers, booklets, book markers and book ends, posters, letter trays, calendars, paper weights and paper clips, gift bags and bags for packaging, gift wrap, gift tags and packaging paper, envelopes, folders, labels, seals, blackboards and scrap books, height charts and charts, carrier bags and garbage bags, prints and pictures, ink and ink wells, paper knives, poster magazines, signs and advertisement boards, tapes and dispensers, diaries, hat boxes, pads of paper, stickers and stencils, beer mats, coasters, catalogues, decalcomanias, confetti, transfers and diagrams, drawing instruments and materials, paint boxes and brushes, patterns and embroidery design, engravings and etchings, paper towels and handkerchiefs, flags, toilet paper, maps, place mats, graphic prints, representations and reproductions, lithographs and lithographic works of art, portraits, table cloths and napkins, prints, poster magazines, animal skins, hides, trunks and travelling bags, umbrellas, parasols and walking sticks, whips, harness and saddlery, suitcases, school bags and satchels, back packs and beach bags, umbrella covers, duffel bags, boot bags, holdalls, wallets, bags, cases, key cases, purses, boxes, pouches, credit card holders, cheque book holders, walking canes, attaché cases and brief cases, bands and straps of leather, leather shoe and boot linings, collars and covers for animals, leather trimmings, laces, leads and leashes, furniture,

mirrors, picture frames, goods of cork, reed, cane, wicker, horn, bone, ivory, whalebone, shell, amber, mother-of-pearl, meerschaum and substitutes for all these materials, key rings, locks, plaques, mirrors, headboards being furniture, works of art of wood, wax, plaster or plastic, sleeping bags for camping, baskets, bins, display stands and boards, sign boards, placards, decorative wall plaques, bottle caps and casings, bottle racks, corks for bottles, containers, casks, chests, cases and boxes, coffins, busts, chairs, tables, closures for containers, clothes hooks, pegs and pins, coat hangers, hat and coat stands, cots and cradles, playpens, cupboards, curtain tie backs, pillows and cushions, sofas and settees, deck chairs, decorations for foodstuffs, divans, dog kennels, mobiles, stools, trays, drinking straws, statues and figurines, fire screens, knife handles, house numbers, jewellery cases and caskets, key boards for hanging keys, magazine racks, name plates and number plates, plugs and stoppers, wickerwork, statuettes, model stadia, household or kitchen utensils and containers, combs and sponges, brushes, brush-making materials, articles for cleaning purposes, glassware, porcelain and earthenware, domestic utensils and containers, chinaware, pottery, comb cases, drinking glasses, half-pint glasses, pint glasses, mugs, whisky glasses, wine glasses, champagne flutes, glass tumblers, glass whisky tumblers, brooms, money boxes, toothbrushes and toothbrush holders, articles for cleaning purposes, baskets, beer mugs, heated insulated containers for beverages, bins, bottle openers, ironing boards, bottles, plastic sports bottles, balls, boxes, bread and cutting boards, trays, dishes, vanity cases, soap boxes and holders, spice sets, squeezers, glass stoppers, strainers, picnic baskets, pie servers, non-metal watering cans, piggy banks, pictures, polishing materials, pots, powder compacts and puffs, rolling pins, scoops and siphons, drinking vessels and flasks, dustbins, cocktail shakers, napkin holders and rings, paper plates, toothpick holders and toothpicks, tankards, tea caddies and tea services, tea pots, egg cups and egg timers, enamelled glass, flowers pots, gloves for household purposes, ice buckets and ice cube moulds, jugs and kettles, menu card holders, shaving brushes and shaving brush stands and holders, shoe horns, shoe brushes and shoe trees, vases, candy boxes, ceramics for household purposes, chamois leather for cleaning, coasters, coffee services and coffee pots, cooking pots and utensils, cork screws and coolers, crockery, cups, decanters, sign boards, perfume sprayers and burners, salad bowls, salt cellars and shakers, tableware, table utensils, toilet utensils, works of art of porcelain, earthenware, china, terracotta or glass, buckets, gifts of china, earthenware, porcelain, terracotta, pewterware or glass, butter dishes and covers, button hooks, candle sticks and candle extinguishers, cages for household pets, moulds, customised storage boxes, ropes, string, nets, tents, awnings, tarpa-

ulins, sails, sacks and bags, bags for the storage of tents, bivouac bags, canvas structures, clothes lines, cords made of plastics materials and/or textile, covers for ponds, covers for swimming pools, eider-down, fabric in the form of a canopy cover, fabric roofed structures, feathers for bedding and/or stuffing upholstery, fillings for duvets, pillows, quilts, upholstered pillows, flexible sack-like containers, fly sheets, garden nets, groundsheets, hammocks, mar-quees, nets for leaves, nets for protective use in gar-dening, nets for shading, nets for windbreak purpo-ses, netting made from acrylic, outdoor sun screens made of textile, retractable covers, rope ladders, ro-pes, screens for protection against the wind, shelters made from canvas, plastic or nylon, emergency and standby shelters, twine, vehicle covers, washing li-nes, waterproof coverings for camping, yarns and threads, for textile use, textiles for making up into articles of clothing, bed and table covers, curtains, towels, flannels, banners, flags, beach towels, valan-ces, sheets, duvet covers, bath and bed linen, table and household linen, bed blankets, cloths and covers, bed spreads, bunting, coasters, covers for furniture, eiderdowns, handkerchiefs, labels, mats, mattress covers, fabrics, pillow cases and pillow shams, quilts, rugs, runners, napkins and serviettes, sleeping bags, table cloths, wall hangings, clothing, footwear, headgear, articles of outer clothing, articles of sports clothing, leisurewear, articles of underclothing, lin-gerie, hosiery, shirts, boots, underwear, coats, over-ralls, collar protectors and collars, ear muffs, football boots and shoes, fittings of metal for boots and sho-es, shorts, T-shirts, socks, sweaters, caps, hats, scar-ves, jackets, dressing gowns, pyjamas, sandals, slip-pers, footwear, boxer shorts, beach clothes and sho-es, baby boots, diapers and bibs, romper suits, baby pants and sleep suits, dungarees, braces, belts and berets, wrist bands, track suits, ties, cravats, aprons, bathrobes, bathing caps and suits, bathing trunks, galoshes, garters, gloves and mittens, headbands, jer-seys, jumpers and knitwear, leggings, clothes li-nings, parkas, shawls, singlets, skirts, vests, visors, waistcoats, waterproof clothing, belts, lace and emb-roidery, ribbons and braid, buttons, hooks and eyes, pins and needles, artificial flowers, badges, rosettes, patches, hairbands and slides, belt clasps, sewing baskets, clothing fasteners and shoe fasteners, needle and pin cushions, hairgrips, hair and shoe ornaments, sewing thimbles, hat ornaments, shoe laces, nume-rals or letters for marking linen, hairnets, brooches and buckles, edging for clothing, competitor num-bers, cords, tea cosies, expanding bands for holding sleeves, fancy goods, frills and fringes, reins for gui-ding children, tassels, mini football kits, mini shorts, mini shirts, mini jerseys, carpets, rugs, mats and mat-ting, linoleum and other materials for covering exist-ing floors, wall hangings (non-textile), wallpaper, games and playthings, gymnastic and sporting artic-les, decorations for Christmas trees, toys, party no-

velty hats, shin guards, gloves for games, balloons, balls, playing balls, footballs, teddy bears, playing cards, Christmas crackers, synthetic Christmas trees and stands, cups for dice, darts, dice, dolls and dolls' clothes, dolls' beds, dolls' houses and rooms, tables for indoor football, golf bags and gloves, jokes and novelties, spinning tops, kites, knee guards and pro-jective padding, marbles, marionettes and puppets, skis, slides, surfboards, skateboards, snowboards, skittles, sleighs, masks, mobiles, rattles, roller ska-tes, in-line skates, bodybuilding apparatus, exercise apparatus, meat, fish, poultry and game, meat ex-tracts, preserved, frozen, dried and cooked fruits and vegetables, jellies, jams, compotes, eggs, milk and milk products, edible oils and fats, prepared meals, meat products, fruit sauces, products made from bacon, preserved beans, dairy products, cocoa butter and peanut butter, fruit and vegetable chips and crisps, croquettes, crystallised fruits, preserved fruits, edible bird's nests, fish and fish products, frosted and frozen fruits, fruit jellies and fruit peel and fruit products, game and game products, preser-ved and conserved jams and marmalades, jellies for food, margarine, processed peanuts, piccalilli and pickles, poultry and poultry products, raisins, fruit salads, sausages, tomato purée, vegetable juices and soups and preparations, coffee, tea, cocoa, sugar, rice, tapioca, sago, artificial coffee, flour and prepa-rations made from cereals, bread, pastry and con-fectionery, ices, honey, treacle, yeast, baking-pow-der, salt, mustard, vinegar, sauces (condiments), spi-ces, ice, chicory, all spices, barley and bean pro-ducts, chocolate, cocoa-based and flavoured bevera-ges, biscuits, bread buns and cakes, edible candy, chewing gum, Christmas tree confectionery, cocoa and coffee products, condiments, pop corn, breakfast cereals, ice cream and ice cream products, custard, cake decorations and edible ices, fondants, frozen yoghurt, gingerbread, golden syrup, honey and ho-ney products, ketchup, liquorice and lozenges, ma-caroni and macaroons, mayonnaise, pies, muesli and mustard, pancakes and pasta, pastries and pastry, pizzas, puddings, ravioli, relish, vermicelli and rice, bread, rusks and sandwiches, tomato sauce and other fruit and vegetable sauces, semolina, sherbets and sorbets, spaghetti, sugar products, tarts, waffles, fresh fruits and vegetables, seeds, natural plants and flowers, foodstuffs for animals, malt, beers, mineral and aerated waters and other non-alcoholic drinks, wines, fortified wines, alcopops, brandy, champag-ne, cider, cognac, digestifs, gin, liqueurs, perry, port, rum, sherry, tequila, vermouth, vodka, aperitifs, coc-ktails, mixtures of wine and fruit flavourings, punch, lighters, matches; business management of footba-llers; information, advisory and consultancy services in relation to all of the aforesaid.

38 – Telecommunications; broadcasting; broadcas-ting and transmission of radio and television prog-rammes; audio and/or video broadcasting; data trans-

mission and data broadcasting; cellular telephone communication services; cable, satellite and terrestrial broadcasting services; communications by fibre optic networks; broadcasting via the Internet and other computer and communications networks; web-casting services; broadcasting, transmission, reception and other dissemination of text, messages, information, data, sound and images; communications services by satellite, television and/or radio; electronic communications via the Internet and other computer and communications networks; transmission of radio and television programmes, text, messages, information, data, sound and images via communication and computer networks; computer aided transmission of information, text, sounds, messages, images, data and radio television programmes; broadcasting and transmission of digital information by means of cable, wire or fibre; receiving and exchanging of information, text, sounds, images, data and messages; electronic mail services; interactive video text services; news information and news agency services; message sending; communications by and/or between computers and computer terminals and computer networks; communications for access to databases and computer networks; communication services for access to information, sound, images, text and data via communication and computer networks; telecommunications services for access to a communications or computer network; retrieval, provision and display of information from a computer stored databank; electronic display of information, text, images, messages and data; online communication services; provision of discussion forums and chat room services; information, advisory and consultancy services relating to all of the aforesaid services.

41 – Education; providing of training; entertainment; sporting and cultural activities; organisation of sporting events; provision of entertainment, training, recreational, sporting and cultural activities and facilities; entertainment services relating to sport; instruction and educational services; football coaching, football schools and schooling; arranging and conducting of education and training in relation to football; arranging, conducting and provision of football instructional courses; football entertainment services; physical education; fitness training services; provision of practical training and demonstrations; sport and holiday camp services (in the nature of entertainment); rental of sporting equipment; practical training and demonstrations; arranging, organising and conducting of conferences, workshops, seminars, conventions, events and exhibitions; arranging, organising and conducting of games, contests and competitions; lotteries; organisation of prize draws [lotteries] for commercial and advertising purposes; gaming services; arranging, organising and conducting of award ceremonies; provision of museum facilities; provision of stadium facilities and services; rental of stadium facilities; sports club services; he-

alth club services; provision of information relating to football; football entertainment services; fan club services; fan club membership scheme services; booking and ticketing services for sports, entertainment, cultural and educational events; box office services; entertainment, training, recreational, and sporting information services provided via the Internet and other computer and communications networks; education and entertainment services provided by means of radio, television, telephony, the Internet and online databases; television and radio programming; entertainment and educational services featuring electronic media, multimedia content, audio and video content, movies, pictures, photographs, graphics, images, text and related information provided via the Internet and other communications networks; film production; production, presentation and distribution of video recordings, sound recordings, DVDs, CDs, CD-ROMs, video and audio tapes; production of television and radio programmes; production of sporting events for television and radio; publication of magazines, books, texts and printed matter; publishing by electronic means; providing non-downloadable electronic publications online; provision of television programmes, radio programmes, films, audio and/or visual material and games online (not downloadable); provision of news online; provision of information relating to sport and entertainment; information relating to sport and entertainment provided online from a computer database or the Internet; information, advisory and consultancy services relating to all of the aforesaid services.

(260) AM 2019 97276 A

(800) 1251867

(151) 2015 04 16

(891) 2018 02 16

(731) Open Joint-Stock Company, "HLEBPROM"  
Molodogvardeitsev str., 2A, RU-454014  
Chelyabinsk, Russian Federation

(540)

**DR. KÖRNER**

(591) Black, white

(511)

30 – High-protein cereal bars; rice-based snack food; bread; cereal-based snack food; corn, milled; maize, milled; muesli; oat-based food; rice; wheat germ for human consumption; linseed for human consumption; flaxseed for human consumption; chips [cereal products]; corn flakes; maize flakes; oat flakes.

(260) AM 2019 97277 A

(800) 1319155

(151) 2016 02 24

(891) 2018 01 23

(731) PIKDARE S.R.L.



Via Saldarini Catelli, 10; I-22070 Casnate con Bernate (CO), Italy  
(540)



(591) Black, white  
(531) 26.01; 26.01.18; 26.01.24; 27.05; 27.05.10; 27.05.24  
(511)  
3 – Non-medicated oils.

5 – Disinfectants for medical use; medical dressings, coverings and applicators; first-aid boxes, filled; adhesive plasters; enema preparations; absorbent cotton; medicated creams; disinfectants; gauze for dressings; alcohol-based antibacterial skin sanitizer gels; cooling sprays for medical purposes; haemostatic preparations; hemostatics for medical purposes; medicated oils; sterile solutions for medical purposes; eyepatches for medical purposes; eye bandages for medical use; pregnancy testing preparations for home use; air deodorising preparations; gauze compresses; medicated plasters; saline solutions; diagnostic tests strips for medical purposes; diagnostic reagents.

9 – Computer software.

10 – Aerosol dispensers for medical purposes; medical syringe needles; apparatus for intestinal washing; urine and feces testing instruments for medical and diagnostic purposes; corsets for medical purposes; electric warming pads for medical use; heating cushions [pads], electric, for medical purposes; cushions [pads] (heating -), for medical purposes; cushions for medical purposes; chemically activated hot and cold gel packs for medical use; vaginal douche bags; supportive bandages; orthopaedic bandages; bandages, elastic; surgical mesh; incontinence sheets; sphygmomanometers; disposable syringes; injection syringes; medical syringes; stethoscopes; ear plugs for medical purposes; ear plugs for protection against noise; clinical thermometers; thermometers for medical purposes; electronic thermometers for medical use; digital thermometers for medical purposes; mercury thermometers for medical use; hypodermic syringes; catheters; orthopedic articles; inhalers; rigid bandages for orthopaedic purposes; humidifiers and vaporisers for medical purposes; heat pads for medical use; ice bags for medical purposes; dispo-

sable gloves; medical and surgical gloves; tourniquets; therapeutic devices for administering oxygen; surgical drapes.

11 – Electric hot-water bottles; humidifiers; electric humidifiers; sterilizers.

(260) AM 2019 97278 A  
(800) 1325017  
(151) 2016 06 07  
(891) 2018 01 15  
(731) J. CHOO LIMITED  
10 Howick Place; London SW1P 1GW,  
United Kingdom

(540)

**JIMMY CHOO**

(591) Black, white  
(531) 27.05.01  
(511)

3 – Soaps, bath gel, shower gel; perfumery, fragrances, eau de toilette, colognes, aftershave, perfumes in solid form; cosmetics, make-up preparations; essential oils, body oils, body lotion, body cream, hair lotions, hair conditioners, foot lotions; bath preparations not for medical purposes, balms not for medical purposes; nail care preparations, nail varnish, nail polish, nail varnish and nail polish removing preparations; talcum powder; sunscreen preparations; sun-tanning preparations; pumice stone; emery; dentifrices; shoe cream, shoe polish, shoe wax; cleaning and polishing preparations, including cleaning and polishing preparations for leather, footwear, handbags, sunglasses; room fragrance, room fragrancing preparations.

6 – Small items of metal hardware; buckles of common metal (hardware); metal name plaques; closures of metal; fastenings of metal; badges, tags, ferrules, rivets of non-precious metal, hinges, hooks, chains, padlocks, locks and keys; locks of metal for bags; boxes, casks and chests of common metal, ornaments, figurines and works of art of common metal.

9 – Eyewear, sunglasses, spectacles, sunglasses and spectacles cases and frames, optical frames; pouches and bags adapted to carry sunglasses and spectacles; laptop cases, laptop bags; mobile phone cases, mobile phone straps; encoded bank cards, encoded loyalty cards; bags made of leather or imitations of leather adapted for electrical apparatus and instruments, mobile phones, laptops, PDAs; apparatus for recording, transmission or reproduction of sound or images, magnetic data carriers, recording discs; pre-recorded CDs, CD-ROMs, tapes and discs; protective footwear; electronic publications (downloadable); software applications (Apps); mouse mats, electronic tags for goods.

14 – Precious metals and their alloys and goods in precious metals or coated therewith; jewellery, costume jewellery, arm cuffs (jewellery), wrist bands (jewellery); jewellery made of leather; key rings (trinkets or fobs); key fobs; trinkets of metal; key fobs of leather or imitations of leather incorporating key rings; horological and chronometric instruments; watches, bracelets and straps for watches, cases adapted to contain watches; jewellery boxes, boxes of precious metals; tie clips, cuff links; parts and fittings for the aforesaid goods; shoe ornaments and handbag ornaments of precious metal, buckles of precious metal for watch bands; key rings; key chains.

16 – Printed matter; stationery; photographs, posters, pictures, prints, books, magazines, brochures, catalogues, periodicals, booklets, calendars, paper, cardboard, greetings cards; instructional and teaching material (except apparatus); plastic materials for packaging (not included in other classes); paper or plastic bags; boxes of cardboard; gift paper, wrapping paper; pens, pencils; notebooks, writing pads, pencil boxes; document folders; desktop business card holders; passport holders; passport cases; cheque book holders, cases and covers; printed gift vouchers and vouchers of value, not encoded; money clips of common metals.

35 – Advertising and marketing services; sales promotion for others; procurement services for others; retail services in relation to soaps, bath gel, shower gel, perfumery, fragrances, eau de toilette, colognes, aftershave, perfumes in solid form, cosmetics, make up preparations, essential oils, body oils, body lotion, body cream, hair lotions, hair conditioners, foot lotions, bath preparations not for medical purposes, balms not for medical purposes, nail care preparations, nail varnish, nail polish, nail varnish and nail polish removing preparations, talcum powder, sunscreen preparations, sun-tanning preparations, pumice stone, emery, dentifrices, shoe cream, shoe polish, shoe wax, cleaning and polishing preparations, including cleaning and polishing preparations for leather, footwear, handbags, sunglasses, room fragrance, room fragrancing preparations, small items of metal hardware, buckles, money clips of common metals, metal name plaques, key rings, key chains, closures of metal, fastenings of metal, metal fittings for leather goods, footwear, clothing, badges, tags, ferrules, rivets of non-precious metal, hinges, hooks, chains, padlocks, locks, keys, locks of metal for bags, ornaments, figurines and works of art of common metal boxes, casks and chests of common metal, chains for pets, eyewear, sunglasses, spectacles, sunglasses and spectacles cases and frames, optical frames, pouches and bags adapted to carry sunglasses and spectacles, laptop cases, laptop bags, mobile phone cases, mobile phone straps, encoded bank cards, encoded loyalty cards, bags made of leather or imitations of leather adapted for electrical apparatus and instruments, mo-

bile phones, laptops, PDAs, apparatus for recording, transmission or reproduction of sound or images, magnetic data carriers, recording discs, pre-recorded CDs, CD-ROMs, tapes and discs, protective footwear, electronic publications (downloadable), software applications (Apps), mouse mats, electronic tags for goods, precious metals and their alloys and goods in precious metals or coated therewith, jewellery, costume jewellery, arm cuffs (jewellery), wrist bands (jewellery), jewellery made of leather, key rings (trinkets or fobs), key fobs, trinkets of metal, key fobs of leather or imitations of leather incorporating key rings, horological and chronometric instruments, watches, bracelets and straps for watches, cases adapted to contain watches, jewellery boxes, boxes of precious metals, tie clips, cuff links, shoe ornaments and handbag ornaments of precious metal, buckles of precious metal, printed matter, stationery, photographs, posters, pictures, prints, books, magazines, brochures, catalogues, periodicals, booklets, calendars, paper, cardboard, greetings cards, instructional and teaching material (except apparatus), plastic materials for packaging, paper or plastic bags, boxes of cardboard, gift paper, wrapping paper, pens, pencils, notebooks, writing pads, pencil boxes, document folders, business card holders, passport holders, passport cases, cheque book holders, cases and covers, gift vouchers, vouchers of value, leather and imitations of leather, and goods made of these materials and handbags, travelling bags, weekend bags, trunks, trunks for storing shoes, purses, wallets, clutch bags, travel wallets, luggage tags, luggage label holders, cosmetic bags, make-up bags, vanity bags, vanity cases not fitted, pouches, cases, bags, shoe bags, cloth bags, backpacks, garment bags, beach bags, briefcases, suitcases, attache cases, cases of leather or leather board, key cases, key bags, key holders, card cases, card holders, credit card holders, debit card holders, bank card holders, business card cases, document cases, hat boxes, parasols, umbrellas, walking sticks, laces (leather), leashes, collars and leads for animals, garments and clothing for pets, pet food in the form of chews, dog biscuits, edible chews for animals, clothing, footwear, headgear, scarves, gloves, hats, swimming hats, belts, raincoats, hosiery, sashes for wear, wedding dresses, fur stoles, fur muffs, fur hats, fur coats, kaftans, swimwear, toys for pets, exercise machines, exercise bicycles, treadmills, gloves adapted for sport, bags adapted for sports equipment, boots and shoes adapted for sport, skateboards, body boards, surfboards, and parts and fittings for all the aforesaid goods; advice and assistance in the selection of goods; providing information and advice to consumers regarding the selection of products and items to be purchased; including, but not limited to, all the aforesaid services provided via mail order or the Internet, the world wide web and/or via communications networks.

(260) AM 2019 97283 A

(800) 1369053

(151) 2017 07 26

(891) 2018 03 12

(731) LTD "BTC HOLDING"

ul. Leningradskaya, zdanie 2, str. 6, vladenie,  
39, Pomeschenie OB02\_11, RU-141402

Khimki, Moscow region, Russian Federation

(540)

# URBAN TIGER

(591) Black, white

(531) 27.05.17

(511)

18 – Leather and imitations of leather, including pocket wallets; business card cases; goods for documents, not fitted, namely pocket wallets, card cases [notecases], attaché cases, purses, briefcases, credit card holders; purses; haversacks; rucksacks; travelling bags; net bags for shopping; bags for climbers; cases for travelling sets [leatherware]; baby carriers with handles; garment bags for travel; handbags; tool bags, empty; wheeled bags; beach bags; bags for sports; bags for campers; shopping bags; school satchels; key cases [leatherware]; suitcases; cases of leather; cases of imitation leather.

25 – Clothing, footwear, headgear.

[jewelry]; pins [jewelry]; ornamental pins; tie pins; key rings [split rings with trinket or decorative fob]; tie clips; cuff links; jewelry; necklaces [jewelry]; split rings of precious metal for keys; rings [jewelry]; lockets [jewelry]; earrings [jewelry]; pendants [jewelry]; key fobs.

16 – Paper and cardboard; printed matter; bookbinding material; photographs [printed]; stationery; plastic materials for packaging.

21 – Household or kitchen utensils and containers; glassware, porcelain and earthenware; cups; beer mugs.

28 – Games; toy dolls; gymnastic and sporting articles; decorations for Christmas trees; golf bags, with or without wheels; cricket bags.

35 – Business auditing; commercial information and advice for consumers [consumer advice shop]; presentation of goods on communication media, for retail purposes; retail and wholesale services for goods; organization of exhibitions for commercial or advertising purposes; organization of fashion shows for promotional purposes; organization of trade fairs for commercial or advertising purposes; shop window dressing; rental of advertising time on communication media; publicity material rental; radio advertising; bill-posting; advertising; on-line advertising on a computer network; television advertising.

(260) AM 2019 97284 A

(800) 1372667

(151) 2017 08 08

(891) 2018 03 12

(731) LTD "BTC HOLDING"

ul. Leningradskaya, vladenie 39, str. 6,  
zdanie 2, pomeschenie OB02\_11, Khimki,  
RU-141402 Moscow region, Russian

Federation

(540)

# URBAN TIGER

(591) Black, white

(531) 27.05.01; 27.05.17

(511)

9 – Data carriers; flash memory cards; record players; headphones; shoes for protection against accidents, irradiation and fire; clothing for protection against accidents, irradiation and fire; clothing for protection against fire; asbestos clothing for protection against fire; asbestos gloves for protection against accidents; gloves for protection against accidents; cases for telephones.

14 – Precious metals and their alloys; amulets [jewelry]; costume jewelry; bracelets [jewelry]; watch bands; key chain tags; key fobs [jewelry]; brooches

(260) AM 2019 97285 A

(800) 1377127

(151) 2017 08 08

(891) 2018 03 12

(731) LTD "BTC HOLDING"

Pomeschenie OB02\_11, zdanie 2, str. 6,  
vladenie 39, ul. Leningradskaya, Khimki,  
RU-141402 Moscow region, Russian  
Federation

(540)



(591) Black, white

(531) 03.01; 03.01.04; 03.01.16; 27.05.01; 27.05.17

(511)

9 – Data carriers; memory cards; record players; headphones; shoes for protection against accidents, irradiation and fire; clothing for protection against accidents, irradiation and fire; clothing for protection against fire; asbestos clothing for protection against fire; asbestos gloves for protection against accidents;

gloves for protection against accidents; cases for telephones.

14 – Precious metals and their alloys; amulets [jewelry]; costume jewelry; bracelets [jewelry]; watch bands; key fobs [jewelry]; brooches [jewelry]; pins [jewelry]; ornamental pins; tie pins; key rings [split rings with trinket or decorative fob]; tie clips; cuff links; jewelry; necklaces [jewelry]; split rings of precious metal for keys; rings [jewelry]; lockets [jewelry]; earrings [jewelry]; pendants [jewelry]; key chain tags; key fobs.

16 – Paper and cardboard; printed matter; bookbinding material; photographs [printed]; stationery; plastic materials for packaging.

21 – Household or kitchen utensils and containers; glassware, porcelain and earthenware; cups; beer mugs.

28 – Games; toy dolls; gymnastic and sporting articles; decorations for Christmas trees; golf bags, with or without wheels; cricket bags.

35 – Business auditing; commercial information and advice for consumers [consumer advice shop]; presentation of goods on communication media, for retail purposes; retail and wholesale services for goods; organization of exhibitions for commercial or advertising purposes; organization of fashion shows for promotional purposes; organization of trade fairs for commercial or advertising purposes; shop window dressing; rental of advertising time on communication media; publicity material rental; radio advertising; bill-posting; advertising; on-line advertising on a computer network; television advertising.

(260) AM 2019 97286 A

(800) 1386621

(151) 2017 06 09

(891) 2018 03 09

(731) LARDINI S.R.L.

Via A. Grandi, 15/A, I-60024 FILOTTRANO  
(ANCONA), Italy

(540)

## LARDINI

(591) Black, white

(511)

18 – Clothing for pets; umbrella rings; saddle trees; saddlery; key cases; fastenings for saddles; leather straps; harness for animals; mountaineering sticks; walking sticks; umbrella sticks; vanity cases, not fitted; trunks [luggage]; travelling trunks; bags; beach bags; bags for sports; shopping bags; wheeled shopping bags; purses; handbags; travelling sets [leatherware]; bridles [harness]; kid; briefcases; school satchels; leatherboard; cases of leather or leatherboard; girths of leather; collars for animals; horse collars; horse blankets; leather laces; straps of leather [saddlery]; harness straps; leather, unworked or semi-worked; moleskin [imitation of leather]; umbrella covers; whips; knee-pads for horses; covers for horse saddles; pads for horse saddles; harness fittings; leather leashes; imitation leather; walking stick handles; umbrella handles; suitcase handles; slings for carrying infants; pouch baby carriers; bits for animals [harness]; muzzles; parasols; blinkers [harness]; umbrellas; fur; animal skins; curried skins; chamois leather, other than for cleaning purposes; business card cases; credit card cases [wallets]; card cases [notecases]; pocket wallets; randsels [Japanese school satchels]; reins; haversacks; bags for campers; travelling bags; bags for climbers; boxes of leather or leatherboard; boxes of vulcanised fibre; hat boxes of leather; riding saddles; saddlecloths for horses; stirrups; luggage tags; frames for umbrellas or parasols; handbag frames; traces [harness]; suitcases; small suitcases; attaché cases; garment bags for travel; rucksacks; tanned leather.

25 – Waterproof clothing; clothing of imitations of leather; clothing of leather; motorists' clothing; cyclists' clothing; clothing for gymnastics; dresses; suits; jumper dresses; bath robes; non-slipping devices for footwear; clothing; bandanas [neckerchiefs]; caps [headwear]; berets; underwear; bibs, not of paper; sweat-absorbent underwear; boas [necklets]; bodies [clothing]; braces for clothing [suspenders]; corsets [underclothing]; galoshes; skull caps; footwear; boots for sports; stockings; sweat-absorbent stockings; socks; sweat-absorbent socks; breeches for wear; bathing trunks; albs; shirts; short-sleeve shirts; bodices [lingerie]; sports singlets; hats; top hats; paper hats [clothing]; coats; hoods [clothing]; hat frames [skeletons]; chasubles; belts [clothing]; money belts [clothing]; tights; collars [clothing]; detachable collars; camisoles; headgear for wear; layettes [clothing]; corselets; bathing suits; masquerade costumes; beach clothes; neckties; ascots; bathing caps; shower caps; panties; headbands [clothing]; pocket squares; fittings of metal for footwear; ready-made linings [parts of clothing]; scarfs; gabardines [clothing]; boot uppers; gaiters; jackets [clothing]; garters; fishing vests; gilets; stuff jackets [clothing]; skirts; overalls; aprons [clothing]; girdles; gloves [clothing]; mittens; ski gloves; welts for footwear; ready-made clothing; paper clothing; knitwear [clothing]; jerseys [clothing]; leggings [leg warmers]; leggings [trousers]; liveries; hosiery; sports jerseys; sweaters; muffs [clothing]; maniples; pelerines; mantillas; sleep masks; skorts; miters [hats]; boxer shorts; babies' pants [underwear]; underpants; wet suits for water-skiing; vests; trousers; slippers; ear muffs [clothing]; parkas; pelisses; furs [clothing]; shirt yokes; pajamas (Am.); cuffs; ponchos; tips for footwear; stocking suspenders; sock suspenders; brassieres; heelpieces for stockings; sandals; bath sandals; saris; sarongs; neck scarfs [mufflers]; footmuffs, not electrically heated; shoes; esparto

shoes or sandals; bath slippers; gymnastic shoes; beach shoes; football boots; sports shoes; ski boots; shawls; sashes for wear; wimples; inner soles; overcoats; outerclothing; dress shields; petticoats; trouser straps; chemises; shirt fronts; half-boots; lace boots; boots; fur stoles; soles for footwear; studs for football boots; heels; heelpieces for footwear; pockets for clothing; tee-shirts; togas; footwear uppers; ankle boots; turbans; combinations [clothing]; uniforms; valenki [felted boots]; veils [clothing]; dressing gowns; visors [headwear]; cap peaks; wooden shoes; bow ties; flip-flops [footwear]; blouses; ascots [ties].

35 – Retail or wholesale services, also provided through the internet or by mail, of all the products included in classes 3, 4, 9, 14, 18, 21, 25; business management of a franchising network in relation to the sale of all the products included in classes 3, 4, 9, 14, 18, 21, 25; shop window dressing; distribution of samples; direct mail advertising; outsourced administrative management for companies; marketing; negotiation and conclusion of commercial transactions for third parties; publicity material rental; organization of exhibitions for commercial or advertising purposes; organization of trade fairs for commercial or advertising purposes; organization of fashion shows for promotional purposes; presentation of goods on communication media, for retail purposes; production of advertising films; design of advertising materials; advertising; on-line advertising on a computer network; personnel recruitment; public relations; marketing research; market studies; typing; business management and organization consultancy; news clipping services; shorthand; systemization of information into computer databases; updating and maintenance of data in computer databases.

(260) AM 2019 97287 A

(800) 976891

(151) 2008 05 07

(891) 2018 02 23

(731) EREPUBLIK LABS LTD.

Unit 4 Block A, Broomfield Business

Park, Malahide, Co Dublin K36 RF83, Ireland

(540)

## EREPUBLIK

(591) Black, white

(511)

35 – Advertising; business management; business administration; office functions.

41 – Education; providing of training; entertainment; sporting and cultural activities.

(260) AM 2019 97288 A

(800) 1396563

(151) 2017 11 29

(891) 2017 11 29

(731) UBON AGRICULTURAL ENERGY CO., LTD.

299 Village No. 9, Nadee Sub-district,

Nayear District, Ubon Ratchathani 34160,

Thailand

(540)



(591) Shades of yellow and gold.

(531) 05.05.04; 27.03.11; 28.03; 29.01.02

(511)

30 – Tapioca, tapioca starch for food.

(260) AM 2019 97289 A

(800) 1396568

(151) 2017 11 09

(891) 2017 11 09

(731) THE GILLETTE COMPANY LLC

One Gillette Park; Boston MA 02127, USA

(540)

## AQUA-GRIP

(591) Black, white

(511)

8 – Razors.

(260) AM 2019 97290 A

(800) 1396581

(151) 2017 10 06

(891) 2017 10 06

(731) APPLE INC.

One Apple Park Way, Cupertino, CA 95014,

USA

(540)

## APPLE PODCASTS

(591) Black, white

(526) PODCASTS

(511)

41 – Providing ongoing podcasts in the fields of entertainment, music, news, current events, public affairs, politics, government, sports, fitness, recreation, health, medicine, business, finance, history, arts, culture, society, education, science, technology, children, families, religion, spirituality, games, hobbies, fiction, and topics of general interest; providing a website for the uploading, storing, sharing, viewing and posting of podcasts (terms considered too vague by the International Bureau – Rule 13 (2) (b) of the

Common Regulations); providing websites featuring information about podcasts in the field of entertainment, music, sports, news, and arts and culture (terms considered too vague by the International Bureau – Rule 13 (2) (b) of the Common Regulations); providing information, reviews and personalized recommendations of educational and entertainment podcasts; publication and presentation of reviews, surveys, and ratings, and providing interactive websites for the posting and sharing of reviews, survey, and ratings, relating to educational and entertainment podcasts (terms considered too vague by the International Bureau – Rule 13 (2) (b) of the Common Regulations).

(260) AM 2019 97291 A  
 (800) 1396593  
 (151) 2018 01 03  
 (891) 2018 01 03  
 (731) RE/MAX, LLC  
 5075 S. Syracuse St., Denver CO 80237, USA  
 (540)



(591) Black, white  
 (531) 18.05.01; 18.05.06  
 (511)

35 – Advertising via electronic media and specifically the internet; advertising of commercial or residential real estate; arranging and conducting trade shows in the field of real estate and real estate franchise services; business services, namely, registering, screening and verifying the credentials of third-party vendors, suppliers and contractors on behalf of others; creating and updating advertising material; franchising, namely, consultation and assistance in business management, organization and promotion; franchising, namely, offering business management assistance in the establishment and/or operation of real estate brokerage offices; preparing advertisements for others; promoting the goods and services of others by providing hypertext links to the web sites of others; providing consumer information in the field of real estate; real estate advertising services; real estate auctions; real estate marketing services; real estate marketing services, namely, on-line services featuring tours of residential and commercial

real estate; referrals in the field of real estate brokerage.

36 – Agencies or brokerage for renting of buildings; charitable fund raising; providing real estate listings and real estate information via the internet; real estate agency services; real estate management services; real estate valuation services; real estate brokerage; real estate consultancy.

(260) AM 2019 97292 A  
 (800) 1396605  
 (151) 2017 11 14  
 (891) 2017 11 14  
 (731) IVOCLAR VIVADENT AG  
 Bänderstrasse 2, FL-9494 Schaan,  
 Liechtenstein  
 (540)

## SR Orthosit S PE

(591) Black, white  
 (511)  
 5 – Materials and auxiliary materials for use in dentistry, in particular for the manufacture of prostheses and artificial teeth; artificial veneers.  
 10 – Apparatus, devices, tools, and instruments for dental use, in particular shade guides; artificial teeth; dental plates; shade guides.

(260) AM 2019 97293 A  
 (800) 1396658  
 (151) 2017 10 11  
 (891) 2017 10 11  
 (731) FIIZY OÜ  
 Toom-Kooli 1, EE-10130 Tallinn, Estonia  
 (540)


## SOLCREDIT

(591) Black, white  
 (511)  
 35 – Advertising services for others, marketing and promotional services; business analysis, research and information services; business assistance, management and administrative services; provision of commercial information; arranging of commercial and business contacts.  
 36 – Financial and monetary services, and banking; fundraising and sponsorship; insurance underwriting; provision of prepaid cards and tokens (terms considered linguistically incorrect by the International Bureau – rule 13 (2) (b) of the Common Regulations); real estate services; safe deposit services; valuation services; provision of loans.

(260) AM 2019 97294 A  
 (800) 1396679  
 (151) 2017 11 14

(891) 2017 11 14  
 (731) Obshestvo s ogranichennoy, otvetstvennostyu  
 "J-UNITED GROUP" OOO "J-UNITED  
 GROUP"  
 83, Beruniy street, Olmazarskiy district,  
 Tashkent city 100020, Uzbekistan

(540)



(591) Black, white  
 (531) 27.05.11; 27.05.13  
 (511)

6 – Common metals and their alloys; ores; metal materials for building and construction; transportable buildings of metal; non-electric cables and wires of common metal; small items of metal hardware; metal containers for storage or transport; safes.

11 – Apparatus for lighting, heating, steam generating, cooking, refrigerating, drying, ventilating, water supply and sanitary purposes.

17 – Unprocessed and semi-processed rubber, gutta-percha, gum, asbestos, mica and substitutes for all these materials; plastics and resins in extruded form for use in manufacture; packing, stopping and insulating materials; flexible pipes, tubes and hoses, not of metal.

(260) AM 2019 97295 A  
 (800) 1396683  
 (151) 2017 12 11  
 (891) 2017 12 11  
 (731) RUIAN KING FILTERS, AUTO PARTS  
 CO., LTD.  
 No.8 Lane 75, Tianfeng Street, Zhaozhai  
 Village, Tangxia Town, Ruian City, 325204  
 Zhejiang Province, China

(540)



(591) Black, white  
 (531) 24.15; 24.15.02; 24.15.13; 27.05; 27.05.08  
 (511)

7 – Oil filters [parts of engines]; diesel oil filters [parts of engines]; generators of electricity; air filters [parts of engines]; bearings [parts of machines]; filters for cleaning cooling air, for engines; valves [parts of machines]; condensing installations; pumps [parts of machines, engines or motors]; hydraulic oil filters.

(260) AM 2019 97296 A  
 (800) 1396700  
 (151) 2017 12 22  
 (891) 2017 12 22  
 (731) SHANDONG HENGFENG COMPOSITE  
 MATERIAL CO., LTD  
 (Middle of Beisanhuan Road); Industrial  
 Park, Guan County, Liaocheng City,  
 Shandong Province, China

(540)



(591) Black, white  
 (531) 28.03  
 (511)

6 – Building materials of metal; steel wire; containers of metal [storage, transport]; steel sheets; metal guardrail; steel alloys; anti-friction metal; steel tubes; ironmongery; sheets and plates of metal.

(260) AM 2019 97297 A  
 (800) 1396723  
 (151) 2017 12 22  
 (891) 2017 12 22  
 (731) Public Joint Stock Company, "SIBUR Holding"  
 Eastern Industrial Area, building 30, Block 1,  
 No.6, Tobolsk, RU-626150 Tyumen Region,  
 Russian Federation

(540)



(591) Turquoise and black  
 (531) 26.11.01; 26.11.08; 27.05.11; 28.05; 29.01;  
 29.01.12

(511)  
 1 – Unprocessed plastics; polymer resins, unprocessed, namely thermoplastic polymers, polyethylene terephthalate, secondary and amorphous polyethylene terephthalate; synthetic resins, unprocessed, namely thermoplastic polymers, polyethylene terephthalate, secondary and amorphous polyethylene terephthalate; polyester-based chemicals.

(260) AM 2019 97298 A  
 (800) 1396726  
 (151) 2017 12 15  
 (891) 2017 12 15  
 (731) LANKWITZER LACKFABRIK GMBH  
 Haynauer Straße 61 – 63, 12249 Berlin, Germany  
 (540)

**Lankwitzer**

(591) Black, white

(511)

2 – Paints, varnishes, lacquers, ground coatings [lacquers and paints], filler materials [lacquers and paints], primer [lacquers and paints], thinners [lacquers and paints].

35 – Wholesale services in relation to paints, lacquers and thinners.

(260) AM 2019 97300 A

(800) 1396757

(151) 2018 02 05

(891) 2018 02 05

(731) SEMAFOR-ONLINE S.R.L.

Str. Independentei nr. 8, of. 12; MD-2043  
Chişinău, Moldova (Republic of)

(540)



(591) Black, white

(531) 18.07.01; 18.07.19; 26.01.01; 26.01.06;  
26.03.04; 26.07.09; 27.05.11

(511)

35 – Advertising; business management; business administration; office functions.

38 – Telecommunications.

(260) AM 2019 97301 A

(800) 1396793

(151) 2017 10 03

(891) 2017 10 03

(731) Charitable Organization, "CHARITABLE FOUNDATION, "KYIV SCHOOL OF ECONOMICS"

vul. P.Sahaidachnoho, 16 B, kv. 23, Kyiv  
04070, Ukraine

(540)



(591) Black, white

(531) 01.17; 01.17.01; 26.02; 26.02.03; 27.05.10;  
27.05.24

(526) CIS

(511)

41 – Academies [education]; teaching; educational services; videotaping; arranging and conducting of congresses; arranging and conducting of colloquiums; arranging and conducting of conferences; arranging and conducting of concerts; arranging and conducting of in-person educational forums; arranging and conducting of workshops [training]; arran-

ging and conducting of seminars; arranging and conducting of symposiums; electronic desktop publishing; dubbing; educational examination; providing on-line videos, not downloadable; providing on-line electronic publications, not downloadable; correspondence courses; game services provided on-line from a computer network; recreation information; education information; training services provided via simulators; tutoring; writing of texts, other than for advertising purposes; organization of exhibitions for cultural or educational purposes; organization of competitions [education or entertainment]; educational services provided by schools; lending library services; layout services, other than for advertising purposes; language interpreter services; coaching [training]; club services [entertainment or education]; translation; mobile library services; practical training [demonstration]; vocational retraining; vocational guidance [education or training advice]; on-line publication of electronic books and journals; publication of books; publication of texts, other than publicity texts.

42 – Technical research; scientific research; surveying; scientific laboratory services; conducting technical project studies; technical writing; technological consultancy.

(260) AM 2019 97302 A

(800) 1396797

(151) 2017 12 12

(891) 2017 12 12

(731) W. L. GORE &amp; ASSOCIATES, INC.

555 Paper Mill Road; Newark DE 19711,  
USA

(540)



(591) Black, white

(531) 26.01.20; 26.04; 26.04.03; 26.04.07; 26.04.24;  
27.05; 27.05.24

(511)

9 – Protective clothing, namely, pants, coats, footwear, coveralls, jackets, gloves, mittens, pants, parkas, vests, jumpsuits, rain suits, head wear, glove liners.

22 – Bivy bags, tents, synthetic fibers for textile use, camouflage covers, nettings and tarpaulins.



24 – Fabric for the manufacture of outerwear, fabric for the manufacture of protective clothing; fabric for the manufacture of sleeping bags; fabric for the manufacture of bullet proof vests; fabric for the manufacture of clothing; fabric for the manufacture of footwear; fabric for the manufacture of headwear; fabric for the manufacture of tents; sleeping bags.

25 – Clothing, namely, shirts, singlets, crop tops, jerseys, pants, tights, shorts, knickers, bibs, coats, parkas, vests, footwear, head wear, gloves, mittens, glove inserts, coveralls, jumpsuits, rain suits, arm warmers, leg warmers, knee warmers, neck gaiters, fishing waders, athletic base layers, gaiters, balaclavas, scarfs, jackets, dresses, skirts, skorts, suits, socks, shoe covers, helmet covers, pullovers, uniforms.

(260) AM 2019 97303 A

(800) 1396855

(151) 2017 12 26

(891) 2017 12 26

(731) Aktsionernoe obshchestvo "DONSKOY TABAK"

ulitsa 1-ya Lugovaya, 17, RU-344002

g. Rostov-na-Donu, Russian Federation

(540)

# TAYLOR

(591) Black, white

(531) 27.05.01

(511)

34 – Flavorings, other than essential oils, for tobacco; gas containers for cigar lighters; absorbent paper for tobacco pipes; cigarette paper; liquid solutions for use in electronic cigarettes; lighters for smokers; tobacco pouches; books of cigarette papers; matchboxes; humidors; firestones; cigar cutters; cigar holders; cigarette holders; mouthpieces for cigarette holders; tips of yellow amber for cigar and cigarette holders; ashtrays for smokers; spittoons for tobacco users; pipe racks for tobacco pipes; pipe cleaners for tobacco pipes; cigarettes; cigarettes containing tobacco substitutes, not for medical purposes; electronic cigarettes; cigarillos; cigars; tobacco jars; match holders; matches; oral vaporizers for smokers; tobacco; snuffboxes; chewing tobacco; snuff; tobacco pipes; herbs for smoking; pocket machines for rolling cigarettes; cigarette filters; cigarette tips; cigar cases; cigarette cases.

(260) AM 2019 97304 A

(800) 1396860

(151) 2018 01 12

(891) 2018 01 12

(731) LOTTE Corporation

(Sincheon-dong); 300, Olympic-ro, Songpa-gu, Seoul, Republic of Korea

(540)



(591) Red and white

(531) 26.04.03; 26.04.18; 27.05.21; 27.05.24;

29.01.12

(511)

5 – Pharmaceutical preparations; milk sugar for pharmaceutical purposes; powdered milk for babies; disinfectants; veterinary preparations; fabric deodorizers; microorganisms for medical purposes; first-aid boxes, filled; bandages for dressings; sticking plasters; sanitary pads; cotton for medical purposes; teeth filling material; babies' diapers [napkins]; medicated diapers; adult diapers; adhesives for catching flies; mothproofing paper; food for babies; medical and surgical plasters.

29 – Frozen beans; pollen prepared as foodstuff; frozen vegetables; processed fruit products; processed vegetable products; vegetable juices for cooking; tofu; processed bean products (other than bean curds and their processed foodstuff); frozen fruits; frozen meat; edible eggs; processed meat; processed dairy products; edible oils and fats; silkworm chrysalis for human consumption; fish and shellfish (not live) (including those frozen or preserved with salt); processed seaweed products; food products made from fish and shellfish; preserved/frozen/dried and cooked fruits and vegetables; soups; jellies; side dishes based on prepared vegetables; fish; meat; poultry and game, not live.

30 – Polished cereals; edible flour of cereals; almond paste; processed cereals; yeast; malt for human consumption; sugar for food; rice cakes; soya sauce; chemical seasoning; sauces; spices; edible salt; tea; coffee; tea-based beverages; ice; meat tenderizers for household purposes; flour and preparations made from cereals; condiments.

31 – Grains [cereals]; vegetables, fresh; fresh beets; copra; malt for brewing and distilling; fodder; plant seeds; fruit, fresh; natural plants and flowers; hops; raw cocoa beans; eggs for hatching, fertilized; live animals; worms, live; fish and shellfish, live; fresh seaweeds; litter for domestic animals; straw litter; raw barks; wood chips for the manufacture of wood pulp; Christmas trees; live baits; wreaths of natural flowers; silkworms; seaweed for human or animal consumption.

32 – Extracts of hops for making beer; malt extracts for making liquors; non-alcoholic beverages; fruit beverages and fruit juices; soft drinks; sports drinks; aerated water; pastilles for effervescing beverages; powders for effervescing beverages; preparations for making effervescent beverages; syrups and other preparations for making beverages; mineral water; waters [beverages]; drinking water; tonic water; flavor enhanced water; beer; alcohol-free beers; beer-based beverages.

33 – Korean distilled spirits (soju); refined rice wine (yag-ju); sake; Korean traditional rice wine (bupju); unstrained rice wine (tag-ju); Korean traditional rice wine (makgeoli); sparkling fruit wine; vodka; brandy; champagne; wines and liqueurs; western liquor; whisky; kaoliang (Chinese liquor); laojiao [Chinese brewed alcoholic beverages]; black raspberry wine (bokbunjaju); ginseng liquor; red ginseng liquor; wild ginseng liquor; alcoholic beverages except beers.

34 – Tobacco; tobacco substitutes; cigarettes containing tobacco substitutes, not for medical purposes; electronic cigarettes; nicotine liquid for electronic cigarettes; smoking tobacco; smokers' articles; cigarette cases; ashtrays for smokers; cigar cases; neck chains for electronic cigarettes; smokers' articles of precious metal; smokers' articles, not of precious metal; electronic cigarette cases; matches; cigarette lighters; lighters for smokers; tobacco filters for use with lighters.

(260) AM 2019 97305 A

(800) 1396901

(151) 2018 01 11

(891) 2018 01 11

(731) PHILIP MORRIS BRANDS SÀRL  
Quai Jeanrenaud 3, CH-2000 Neuchâtel,  
Switzerland

(540)



(591) Dark purple, purple, light purple, pink, red, orange, yellow, light green, green, dark green, light blue, blue, dark blue, black, gray and white

(531) 24.15.02; 24.15.11; 25.01.01; 25.07.01;  
25.07.20; 26.01.12; 26.11.07; 26.11.25;  
27.05.10; 29.01.15

(511)

34 – Tobacco, raw or manufactured; tobacco products; cigars, cigarettes, cigarillos, tobacco for roll-

your-own cigarettes, pipe tobacco, chewing tobacco, snuff tobacco, kretek; snus; tobacco substitutes (not for medical purposes); electronic cigarettes; tobacco products for the purpose of being heated; electronic devices and their parts for the purpose of heating cigarettes or tobacco in order to release nicotine-containing aerosol for inhalation; liquid nicotine solutions for use in electronic cigarettes; smokers' articles, cigarette paper, cigarette tubes, cigarette filters, tobacco tins, cigarette cases, ashtrays, pipes, pocket apparatus for rolling cigarettes, lighters, matches.

(260) AM 2019 97306 A

(800) 1396902

(151) 2018 01 11

(891) 2018 01 11

(731) PHILIP MORRIS BRANDS SÀRL  
Quai Jeanrenaud 3; CH-2000 Neuchâtel,  
Switzerland

(540)



(591) Dark purple, purple, light purple, pink, red, orange, yellow, light green, green, dark green, black, gray and white

(531) 16.01.04; 16.01.25; 25.07.01; 25.07.20;  
26.11.03; 26.11.07; 26.11.25; 29.01.15

(511)

34 – Tobacco, raw or manufactured; tobacco products; cigars, cigarettes, cigarillos, tobacco for roll-your-own cigarettes, pipe tobacco, chewing tobacco, snuff tobacco, kretek; snus; tobacco substitutes (not for medical purposes); electronic cigarettes; tobacco products for the purpose of being heated; electronic devices and their parts for the purpose of heating cigarettes or tobacco in order to release nicotine-containing aerosol for inhalation; liquid nicotine solutions for use in electronic cigarettes; smokers' articles, cigarette paper, cigarette tubes, cigarette filters, tobacco tins, cigarette cases, ashtrays, pipes, pocket apparatus for rolling cigarettes, lighters, matches.

(260) AM 2019 97307 A

(800) 1396927

(151) 2018 02 28

(891) 2018 02 28

(731) STADA Arzneimittel AG  
Stadastr. 2-18; 61118 Bad Vilbel, Germany

(540)

**RUXXIMLA**

(591) Black, white

(511)

5 – Pharmaceutical preparations; veterinary preparations; medicine; sanitary preparations for medical purposes; dietary supplements and dietetic preparations; dietary supplements for humans; dietary supplements for animals; medical and veterinary preparations and articles; infant formula; diagnostic preparations; plasters, materials for dressings; dressings, medical; teeth filling material; dental impression materials; disinfectants; preparations for destroying vermin; fungicides; herbicides.

10 – Surgical instruments; medical and veterinary apparatus and instruments; dental apparatus and instruments; medical instruments for application on animal bodies; applicators for medications; medical apparatus for introducing pharmaceutical preparations into the human body; diagnostic apparatus for medical purposes; artificial limbs; artificial eyes; artificial teeth; orthopedic articles.

44 – Medical services; providing of medical information relating to diseases and health problems, including online and on the internet; dissemination of medical information via an interactive platform.

(260) AM 2019 97308 A

(800) 1396930

(151) 2018 02 28

(891) 2018 02 28

(731) STADA Arzneimittel AG

Stadastr. 2-18, 61118 Bad Vilbel, Germany

(540)

**TUXIMBLIS**

(591) Black, white

(511)

5 – Pharmaceutical preparations; veterinary preparations; medicine; sanitary preparations for medical purposes; dietary supplements and dietetic preparations; dietary supplements for humans; dietary supplements for animals; medical and veterinary preparations and articles; infant formula; diagnostic preparations; plasters, materials for dressings; dressings, medical; teeth filling material; dental impression materials; disinfectants; preparations for destroying vermin; fungicides; herbicides.

10 – Surgical instruments; medical and veterinary apparatus and instruments; dental apparatus and instruments; medical instruments for application on animal bodies; applicators for medications; medical apparatus for introducing pharmaceutical preparations into the human body; diagnostic apparatus for medical purposes; artificial limbs; artificial eyes; artificial teeth; orthopedic articles.

44 – Medical services; providing of medical information relating to diseases and health problems, including online and on the internet; dissemination of medical information via an interactive platform.

(260) AM 2019 97309 A

(800) 1396933

(151) 2018 02 28

(891) 2018 02 28

(731) STADA Arzneimittel AG

Stadastr. 2-18, 61118 Bad Vilbel, Germany

(540)

**TUXSIMY**

(591) Black, white

(511)

5 – Pharmaceutical preparations; veterinary preparations; medicine; sanitary preparations for medical purposes; dietary supplements and dietetic preparations; dietary supplements for humans; dietary supplements for animals; medical and veterinary preparations and articles; infant formula; diagnostic preparations; plasters, materials for dressings; dressings, medical; teeth filling material; dental impression materials; disinfectants; preparations for destroying vermin; fungicides; herbicides.

10 – Surgical instruments; medical and veterinary apparatus and instruments; dental apparatus and instruments; medical instruments for application on animal bodies; applicators for medications; medical apparatus for introducing pharmaceutical preparations into the human body; diagnostic apparatus for medical purposes; artificial limbs; artificial eyes; artificial teeth; orthopedic articles.

44 – Medical services; providing of medical information relating to diseases and health problems, including online and on the internet; dissemination of medical information via an interactive platform.

(260) AM 2019 97310 A

(800) 1396938

(151) 2018 02 28

(891) 2018 02 28

(731) STADA Arzneimittel AG

Stadastr. 2-18, 61118 Bad Vilbel, Germany

(540)

**RUXYMLA**

(591) Black, white

(511)

5 – Pharmaceutical preparations; veterinary preparations; medicine; sanitary preparations for medical purposes; dietary supplements and dietetic preparations; dietary supplements for humans; dietary supplements for animals; medical and veterinary preparations and articles; infant formula; diagnostic preparations; plasters, materials for dressings; dressings,

medical; teeth filling material; dental impression materials; disinfectants; preparations for destroying vermin; fungicides; herbicides.

10 – Surgical instruments; medical and veterinary apparatus and instruments; dental apparatus and instruments; medical instruments for application on animal bodies; applicators for medications; medical apparatus for introducing pharmaceutical preparations into the human body; diagnostic apparatus for medical purposes; artificial limbs; artificial eyes; artificial teeth; orthopedic articles.

44 – Medical services; providing of medical information relating to diseases and health problems, including online and on the internet; dissemination of medical information via an interactive platform.

---

(260) AM 2019 97311 A  
 (800) 1396940  
 (151) 2018 02 28  
 (891) 2018 02 28  
 (731) STADA Arzneimittel AG  
 Stadastr. 2-18, 61118 Bad Vilbel, Germany  
 (540)

## RUXIMBLIS

(591) Black, white  
 (511)

5 – Pharmaceutical preparations; veterinary preparations; medicine; sanitary preparations for medical purposes; dietary supplements and dietetic preparations; dietary supplements for humans; dietary supplements for animals; medical and veterinary preparations and articles; infant formula; diagnostic preparations; plasters, materials for dressings; dressings, medical; teeth filling material; dental impression materials; disinfectants; preparations for destroying vermin; fungicides; herbicides.

10 – Surgical instruments; medical and veterinary apparatus and instruments; dental apparatus and instruments; medical instruments for application on animal bodies; applicators for medications; medical apparatus for introducing pharmaceutical preparations into the human body; diagnostic apparatus for medical purposes; artificial limbs; artificial eyes; artificial teeth; orthopedic articles.

44 – Medical services; providing of medical information relating to diseases and health problems, including online and on the internet; dissemination of medical information via an interactive platform.

---

(260) AM 2019 97312 A  
 (800) 1396941  
 (151) 2018 02 28  
 (891) 2018 02 28  
 (731) STADA Arzneimittel AG  
 Stadastr. 2-18, 61118 Bad Vilbel, Germany

(540)

## ABLYMICO

(591) Black, white  
 (511)

5 – Pharmaceutical preparations; veterinary preparations; medicine; sanitary preparations for medical purposes; dietary supplements and dietetic preparations; dietary supplements for humans; dietary supplements for animals; medical and veterinary preparations and articles; infant formula; diagnostic preparations; plasters, materials for dressings; dressings, medical; teeth filling material; dental impression materials; disinfectants; preparations for destroying vermin; fungicides; herbicides.

10 – Surgical instruments; medical and veterinary apparatus and instruments; dental apparatus and instruments; medical instruments for application on animal bodies; applicators for medications; medical apparatus for introducing pharmaceutical preparations into the human body; diagnostic apparatus for medical purposes; artificial limbs; artificial eyes; artificial teeth; orthopedic articles.

44 – Medical services; providing of medical information relating to diseases and health problems, including online and on the internet; dissemination of medical information via an interactive platform.

---

(260) AM 2019 97313 A  
 (800) 1396942  
 (151) 2018 02 28  
 (891) 2018 02 28  
 (731) STADA Arzneimittel AG  
 Stadastr. 2-18, 61118 Bad Vilbel, Germany  
 (540)

## TUXANUVA

(591) Black, white  
 (511)

5 – Pharmaceutical preparations; veterinary preparations; medicine; sanitary preparations for medical purposes; dietary supplements and dietetic preparations; dietary supplements for humans; dietary supplements for animals; medical and veterinary preparations and articles; infant formula; diagnostic preparations; plasters, materials for dressings; dressings, medical; teeth filling material; dental impression materials; disinfectants; preparations for destroying vermin; fungicides; herbicides.

10 – Surgical instruments; medical and veterinary apparatus and instruments; dental apparatus and instruments; medical instruments for application on animal bodies; applicators for medications; medical apparatus for introducing pharmaceutical preparations into the human body; diagnostic apparatus for medical purposes; artificial limbs; artificial eyes; artificial teeth; orthopedic articles.

44 – Medical services; providing of medical information relating to diseases and health problems, including online and on the internet; dissemination of medical information via an interactive platform.

---

(260) AM 2019 97314 A

(800) 1396943

(151) 2018 02 28

(891) 2018 02 28

(731) STADA Arzneimittel AG

Stadastr. 2-18, 61118 Bad Vilbel, Germany

(540)

## RIQOLTUX

(591) Black, white

(511)

5 – Pharmaceutical preparations; veterinary preparations; medicine; sanitary preparations for medical purposes; dietary supplements and dietetic preparations; dietary supplements for humans; dietary supplements for animals; medical and veterinary preparations and articles; infant formula; diagnostic preparations; plasters, materials for dressings; dressings, medical; teeth filling material; dental impression materials; disinfectants; preparations for destroying vermin; fungicides; herbicides.

10 – Surgical instruments; medical and veterinary apparatus and instruments; dental apparatus and instruments; medical instruments for application on animal bodies; applicators for medications; medical apparatus for introducing pharmaceutical preparations into the human body; diagnostic apparatus for medical purposes; artificial limbs; artificial eyes; artificial teeth; orthopedic articles.

44 – Medical services; providing of medical information relating to diseases and health problems, including online and on the internet; dissemination of medical information via an interactive platform.

---

(260) AM 2019 97316 A

(800) 1396945

(151) 2018 02 28

(891) 2018 02 28

(731) STADA Arzneimittel AG

Stadastr. 2-18, 61118 Bad Vilbel, Germany

(540)

## BIMCIZA

(591) Black, white

(511)

5 – Pharmaceutical preparations; veterinary preparations; medicine; sanitary preparations for medical purposes; dietary supplements and dietetic preparations; dietary supplements for humans; dietary supplements for animals; medical and veterinary preparations and articles; infant formula; diagnostic preparations; plasters, materials for dressings; dressings,

medical; teeth filling material; dental impression materials; disinfectants; preparations for destroying vermin; fungicides; herbicides.

10 – Surgical instruments; medical and veterinary apparatus and instruments; dental apparatus and instruments; medical instruments for application on animal bodies; applicators for medications; medical apparatus for introducing pharmaceutical preparations into the human body; diagnostic apparatus for medical purposes; artificial limbs; artificial eyes; artificial teeth; orthopedic articles.

44 – Medical services; providing of medical information relating to diseases and health problems, including online and on the internet; dissemination of medical information via an interactive platform.

---

(260) AM 2019 97317 A

(800) 1396946

(151) 2018 02 28

(891) 2018 02 28

(731) STADA Arzneimittel AG

Stadastr. 2-18, 61118 Bad Vilbel, Germany

(540)

## OYAVAS

(591) Black, white

(511)

5 – Pharmaceutical preparations; veterinary preparations; medicine; sanitary preparations for medical purposes; dietary supplements and dietetic preparations; dietary supplements for humans; dietary supplements for animals; medical and veterinary preparations and articles; infant formula; diagnostic preparations; plasters, materials for dressings; dressings, medical; teeth filling material; dental impression materials; disinfectants; preparations for destroying vermin; fungicides; herbicides.

10 – Surgical instruments; medical and veterinary apparatus and instruments; dental apparatus and instruments; medical instruments for application on animal bodies; applicators for medications; medical apparatus for introducing pharmaceutical preparations into the human body; diagnostic apparatus for medical purposes; artificial limbs; artificial eyes; artificial teeth; orthopedic articles.

44 – Medical services; providing of medical information relating to diseases and health problems, including online and on the internet; dissemination of medical information via an interactive platform.

---

(260) AM 2019 97318 A

(800) 1396947

(151) 2018 02 28

(891) 2018 02 28

(731) STADA Arzneimittel AG

Stadastr. 2-18, 61118 Bad Vilbel, Germany

(540)

**BEVTONO**

(591) Black, white

(511)

5 – Pharmaceutical preparations; veterinary preparations; medicine; sanitary preparations for medical purposes; dietary supplements and dietetic preparations; dietary supplements for humans; dietary supplements for animals; medical and veterinary preparations and articles; infant formula; diagnostic preparations; plasters, materials for dressings; dressings, medical; teeth filling material; dental impression materials; disinfectants; preparations for destroying vermin; fungicides; herbicides.

10 – Surgical instruments; medical and veterinary apparatus and instruments; dental apparatus and instruments; medical instruments for application on animal bodies; applicators for medications; medical apparatus for introducing pharmaceutical preparations into the human body; diagnostic apparatus for medical purposes; artificial limbs; artificial eyes; artificial teeth; orthopedic articles.

44 – Medical services; providing of medical information relating to diseases and health problems, including online and on the internet; dissemination of medical information via an interactive platform.

business management analysis and consulting in the fields of banking, financial services and monetary affairs, communications, life sciences and healthcare, computer security, retail, transportation, and government and public sector.

39 – Services connected with the functioning of airports, namely, transportation consulting services.

42 – Scientific and technological services, namely, technology research and analysis and scientific research, development and design in the fields of communications, life sciences and healthcare, computer security, retail, transportation, financial services, and government and public sector; industrial analysis and product quality testing of software applications and information technology products of others to assure quality and compliance with industry standards and best practices; design and development of computer software; design and development of electronic data security systems; computer programming for others and computer programming consultation services; computer consultation in the field of computer security; data security consultancy; computer security threat analysis for protecting data; data security consultancy in the fields of banking, financial services and monetary affairs, communications, life sciences and healthcare, computer security, retail, transportation, and government and public sector; computer software consulting.

(260) AM 2019 97319 A

(800) 1396980

(151) 2018 01 31

(891) 2018 01 31

(731) UNISYS CORPORATION

Mailstop: 2NW, Suite 100, 801 Lakeview  
Drive, Blue Bell PA 19424, USA

(540)



(591) Black, white

(531) 26.01.03; 26.01.18; 27.05.21; 27.05.24

511)

35 – Business management consulting; providing consumer product and services advice relating to the computer software and computer consulting Industries; business advisory services in the field of air transportation logistics; business management consultancy services in the field of airport operations;

(260) AM 2019 97320 A

(800) 1397037

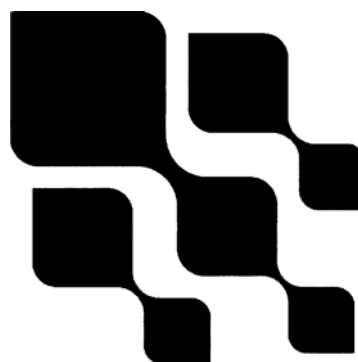
(151) 2017 12 05

(891) 2017 12 05

(731) ZHEJIANG TENGGEN ELECTRIC CO., LTD.

Sulv Industrial Area, Liushi Town, Yueqing  
City, Zhejiang Province, China

(540)



(591) Black, white

(531) 26.13.25

(511)

9 – Converters, electric; circuit breakers; relays, electric; sockets, plugs and other contacts [electric connections]; mutual inductor; motor-starter; conductors (lightning -); coils, electric; protectors (voltage surge -); fuses.

(260) AM 2019 97321 A  
 (800) 1397038  
 (151) 2017 12 05  
 (891) 2017 12 05  
 (731) ZHEJIANG TENGEN ELECTRIC CO., LTD.  
 Sulv Industrial Area, Liushi Town, Yueqing  
 City, Zhejiang Province, China

(540)

**TENGEN**

(591) Black, white  
 (531) 27.05.01; 27.05.17  
 (511)

9 – Converters, electric; circuit breakers; relays, electric; sockets, plugs and other contacts [electric connections]; mutual inductor; motor-starter; conductors (lightning -); coils, electric; protectors (voltage surge -); fuses.

(260) AM 2019 97322 A  
 (800) 1397057  
 (151) 2017 12 27  
 (891) 2017 12 27  
 (731) MENGHAI TEA FACTORY,  
 (General Partnership)  
 No.1, New Tea Road, Menghai Town,  
 Menghai County, Xishuangbanna Dai  
 Autonomous Prefecture, Yunnan Province,  
 China

(540)

大益茶庭

(591) Black, white  
 (531) 28.03  
 (511)

43 – Restaurant services; teahouse; café services; rental of meeting rooms; day-nursery [crèche] services; boarding for animals; rental of chairs, tables, table linen, glassware; rental of cooking apparatus; rental of drinking water dispensers; accommodation bureau services [hotels, boarding houses].

(260) AM 2019 97323 A  
 (800) 1397058  
 (151) 2017 10 30  
 (891) 2017 10 30  
 (731) HUAWEI TECHNOLOGIES CO., LTD.  
 Administration Building, Huawei Technologies Co., Ltd., Bantian, Longgang District,  
 Shenzhen, China

(540)

**HUAWEI P80**

(591) Black, white

(511)  
 9 – Smartglasses; smartwatches; wearable activity trackers; covers for smartphones; selfie sticks (hand-held monopods); digital photo frames; microphones; computer hardware; computer memories; integrated circuit cards (smart cards); cabinets for loudspeakers; modems; sleeves for laptops; smartphones; electric batteries; battery chargers; mobile power source (rechargeable batteries); tablet computers; laptop computers; notebook computers; bags adapted for laptops; headphones; loudspeakers; portable media players; sound transmitting apparatus; camcorders; cameras (photography); computer keyboards; mouse (computer peripheral); pedometers; electric monitoring apparatus; connected bracelets (measuring instruments); recorded computer programmes (programs); downloadable computer software applications; interactive touch screen terminals; set-top boxes; humanoid robots with artificial intelligence; electronic sheet music, downloadable; smart rings; audio interfaces; virtual reality headsets; digital video recorders.

(260) AM 2019 97335 A  
 (800) 1397164  
 (151) 2017 10 26  
 (891) 2017 10 26  
 (731) NAZARUK Vadym Petrovych  
 vul. Danyla Halytskoho, 6, kv. 26, m. Rivne  
 33018, Ukraine  
 (540)



(591) Black, white  
 (531) 24.03.01; 24.03.07; 24.03.18; 26.01.18;  
 26.01.21; 27.05.09; 27.05.24

(511)  
 30 – Allspice; almond confectionery; almond paste; aniseed; aromatic preparations for food; artificial coffee; baking powder; baking soda [bicarbonate of soda for cooking purposes]; baozi [stuffed buns]; barley meal; batter mixes for okonomiyaki [Japanese savoury pancakes]; bean meal; beer vinegar; binding agents for ice cream; biscuits; bread; bread rolls; breadcrumbs; buns; burritos; cake dough; cake frosting [icing]; cake powder; cakes; candy decorations for cakes; candy; capers; caramels [candy]; celery salt; cereal bars; cereal preparations; cereal-based

snack food; cheeseburgers [sandwiches]; chewing gum; chicory [coffee substitute]; chips [cereal products]; chocolate; chocolate beverages with milk; chocolate decorations for cakes; chocolate mousses; chocolate-based beverages; chocolate-coated nuts; chow-chow [condiment]; chutneys [condiments]; cinnamon [spice]; cloves [spice]; cocoa; cocoa beverages with milk; cocoa-based beverages; coffee; coffee beverages with milk; coffee flavourings; coffee-based beverages; condiments; confectionery; confectionery for decorating Christmas trees; cooking salt; corn flakes; corn flour; corn, milled; corn, roasted; couscous [semolina]; crackers; cream of tartar for culinary purposes; crushed barley; crushed oats; curry [spice]; custard; dessert mousses [confectionery]; dough; dressings for salad; edible ices; edible paper; edible rice paper; essences for foodstuffs, except etheric essences and essential oils; ferments for pastes; flavourings, other than essential oils, for beverages; flavourings, other than essential oils, for cakes; flowers or leaves for use as tea substitutes; fondants [confectionery]; food flavourings, other than essential oils; frozen yoghurt [confectionery ices]; fruit coulis [sauces]; fruit jellies [confectionery]; garden herbs, preserved [seasonings]; gimbap [Korean rice dish]; ginger [spice]; gingerbread; glucose for culinary purposes; gluten additives for culinary purposes; gluten prepared as foodstuff; golden syrup; groats for human food; halvah; ham glaze; high-protein cereal bars; hominy; hominy grits; honey; husked barley; husked oats; ice cream; ice for refreshment; ice, natural or artificial; iced tea; infusions, not medicinal; jiaozi [stuffed dumplings]; ketchup [sauce]; leaven; linseed for culinary purposes (seasoning); liquorice [confectionery]; lozenges [confectionery]; macaroni; macarons [pastry]; malt biscuits; malt extract for food; malt for human consumption; maltose; marinades; marzipan; mayonnaise; meal; meat gravies; meat pies; meat tenderizers, for household purposes; minced garlic [condiment]; mint for confectionery; molasses for food; muesli; mustard; mustard meal; natural sweeteners; noodle-based prepared meals; noodles; nut flours; nutmegs; oat flakes; oat-based food; oatmeal; okonomiyaki [Japanese savoury pancakes]; palm sugar; pancakes; pasta; pasta sauce; pastries; pastry dough; pâtés en croute; peanut confectionery; pelmeni [dumplings stuffed with meat]; pepper; peppermint sweets; peppers [seasonings]; pesto [sauce]; petit-beurre biscuits; petits fours [cakes]; pies; pizzas; popcorn; potato flour; powders for making ice cream; pralines; preparations for stiffening whipped cream; propolis; puddings; quiches; ramen [Japanese noodle-based dish]; ravioli; relish [condiment]; rice; rice cakes; rice pudding; rice pulp for culinary purposes; rice-based snack food; royal jelly; rusks; saffron [seasoning]; sago; salt for preserving foodstuffs; sandwiches; sauces [condiments]; sausage binding materials; sea water for cooking; seasonings; seaweed [condiment]; se-

molina; sherbets [ices]; soya bean paste [condiment]; soya flour; soya sauce; spaghetti; spices; spring rolls; star aniseed; starch for food; stick liquorice [confectionery]; sugar; sushi; sweetmeats [candy]; tabbouleh; tacos; tapioca; tapioca flour; tarts; tea; tea-based beverages; thickening agents for cooking foodstuffs; tomato sauce; tortillas; turmeric; unleavened bread; unroasted coffee; vanilla flavourings for culinary purposes; vanillin [vanilla substitute]; vareniks [stuffed dumplings]; vegetal preparations for use as coffee substitutes; vermicelli [noodles]; vinegar; waffles; wheat flour; wheat germ for human consumption; yeast.

---

(260) AM 2019 97499 A

(800) 1397995

(151) 2018 02 09

(891) 2018 02 09

(731) SWISS PHARMA INTERNATIONAL AG

Waldmannstrasse 8, CH-8001 Zurich,

Switzerland

(540)

## MEDANA

(591) Black, white

(511)

3 – Soaps, perfumery, essential oils, cosmetics, hair lotions, dentifrices.

5 – Pharmaceutical preparations, dietetic foodstuffs and substances for medical use, food supplements suitable for human consumption.

---

(260) AM 2019 97501 A

(800) 1398017

(151) 2017 11 21

(891) 2017 11 21

(731) OTRUM AS

Kirkegata 17, N-0153 Oslo, Norway

(540)

## OTRUM

(591) Black, white

(511)

9 – Access control and alarm monitoring systems; alarm panels; alarms; alarm sensors; apparatus for processing electronic payments; apparatus for processing, transmitting and storing database information; apparatus for broadcasting, recording, storage, transmission, reception, processing or reproduction of sound, images or data; apparatus for the input, output, transmission and storage of data; application software; application software for smartphones; communications software; communications software for connecting computer network users; communications software for connecting global computer networks; computer communications software to allow customers to access bank account information and



transact bank business; computer e-commerce software to allow users to perform electronic business transactions via a global computer network; computer firewall software; computer game software; computer programs and software; computer programs for accessing and using the internet; computer programs for connecting remotely to computers or computer networks; computer programs for data processing; computer programs for editing images, sound and video; computer programs for enabling access or entrance control; computer programs for user interface design; computer programs for using the Internet and the World Wide Web; computer programs for video and computer games; computer software applications, downloadable; computer software for business purposes; computer software for communicating with users of hand-held computers; computer software for controlling and managing access server applications; computer software for controlling self-service terminals; computer software for controlling the operation of audio and video devices; computer software for creating searchable databases; computer software for organizing and viewing digital images and photographs; computer software for processing information; computer software for use in automating and managing business processes; computer software for use in providing multiple user access to a global computer information network; computer software programs; data processing programs; digital signs; downloadable applications for use with mobile devices; downloadable cloud computing software; downloadable computer software; downloadable computer software for remote monitoring and analysis; downloadable computer software programs; downloadable interactive entertainment software for playing computer and video games; downloadable multimedia files; downloadable musical sound recordings; downloadable music files; downloadable podcasts; downloadable video and audio files; embedded operating software; image recognition software; instant messaging software; operating and user instructions for computer software stored in digital form; remote controls for televisions; software; software and applications for mobile devices; software for diagnostics and troubleshooting; software for facilitating secure credit card transactions; software for processing images, graphics and text; speech recognition software; telecommunications software; virtual private network [VPN] operating software; voice recognition software.

38 – Audio, video and data transmission by cable, satellite, computer networks, telephone lines and ISDN lines; broadcasting of films and television programs via a video-on-demand service; broadcasting of television programmes, motion picture films, and other audiovisual and multimedia content; cable transmission of sounds, images, signals and data; collection and transmission of electronic messages; communication by electronic means; communication

of information by computer; computer aided transmission of messages, data and images; delivery of messages by electronic transmission; digital data transfer; digital text messaging; digital transmission of data via the Internet; electronic and digital transmission of voice, data, images, signals and messages; electronic communications services; electronic order transmission; electronic transmission of encrypted data; interactive broadcasting; interactive communication services; interactive transmission and delivery of information and video via digital networks; interactive teletext services; interactive videotext services; Internet protocol television [IPTV] transmission services; netcasting [broadcasting over a global computer network]; pay-per-view television transmission services; providing access to an electronic marketplace [portal] on computer networks; providing access to a video sharing portal; providing access to a web, mail and news portal; providing access to digital music web sites on the Internet; providing access to e-commerce platforms on the Internet; providing access to electronic information, communication and transaction platforms on the Internet; providing access to electronic publications; providing access to information and portals via the Internet; providing access to multimedia content online; providing access to platforms and portals on the Internet; providing electronic transmission of credit card transaction data and electronic payment data via a global computer network; providing information about cable television broadcasting; providing information about television broadcasting; providing instant messaging services; providing on-line access to data; providing on-line access to databases; providing user access to information and information services available on the Internet and on other computer networks; providing user access to search engines; provision of access to an Internet portal featuring video-on-demand programs; provision of telecommunication access to films and television programs provided via a video-on-demand service; provision of telecommunication access to video and audio content provided via an on-line video-on-demand service; sending, receiving and forwarding of electronic messages; streaming of video; television streaming services; transfer of data via the Internet; transmission, broadcasting and reception of audio, video, still and moving images, text and data in real time; transmission of advertising programs and media advertising communications via digital communications networks; transmission of electronic messages; transmission of digital information; transmission of videos, movies, pictures, images, text, photos, games, user-generated content, audio content, and information via the Internet; video-on-demand transmission.

41 – Digital video, audio and multimedia entertainment publishing services; distribution of motion pictures, distribution of television programming to cab-

le television systems; electronic games services provided by means of a global communication network; entertainment by Internet Protocol television; entertainment in the nature of mobile television services; entertainment services provided via a global communication network; film distribution; gaming; information about leisure activities; information relating to education or entertainment, provided on-line from a computer database or the Internet or by means of television or radio programs; interactive entertainment services; on-line entertainment services; on-line game services; production and rental of films, video films, radio and television programs; providing entertainment by means of television, radio, cinema, cable television, satellite television and the Internet; providing entertainment information by electronic means; providing films, not downloadable, via video-on-demand transmission services; providing movie, television and music video entertainment via an interactive web site; providing non-downloadable films and television programs via a video-on-demand service; providing non-downloadable films and television programs via pay-per-view television channels; providing television programs, not downloadable, via video-on-demand transmission services; provision of multimedia entertainment programs by television, broadband, wireless and on-line services; radio and television entertainment provided via the Internet; rental of audio and video equipment; rental of films, motion pictures, videos and sound recordings; rental of radio and television sets; rental of television programs; ticket agency services [entertainment].

42 – Administration of user rights in computer networks; analysis of technical data; brand design services; cloud computing; commissioned writing of computer programs, software and code for the creation of web pages on the Internet; compilation of computer programs; compilation of web pages for the Internet; computer-aided design of video graphics; computer-aided graphic design; computer programming and computer software design; computer programming for data processing and communication systems; computer programming services for commercial analysis and reporting; computer programming services for data warehousing; computer programming services relating to multimedia and interactive applications; computer software technical support services; computer system integration services; computer technology consultancy; configuration, installation, fault diagnosis, repair, upgrading and maintenance of computer software; configuration of computer software; configuration of computer systems and networks; consultancy in the field of cloud computing networks and applications; consultancy in the field of computer programming; consultancy in the field of computer software design; consultancy in the field of programming and development of e-business portals; consultancy relating to

the design of homepages and Internet sites; consultancy services in the field of design, selection, implementation and use of computer hardware and software systems; creating, designing and maintaining customized web pages and portals; creation, maintenance, and updating of computer software; creation of computer programs; cross-platform conversion of digital content into other forms of digital content; customization of computer software; customized design of computer software; data encryption and decoding services; design and development of computer databases; design and development of computer database software; design and development of computer game software; design and development of computer software; design and development of computer software for database management; design and development of computer software for data processing; design and development of computer software for evaluation and calculation of data; design and development of multimedia products, design and development of new products; design and development of software for electronic television program guides; design and development of video game software; design and graphic arts design for the creation of web pages on the Internet; design and hosting of web portals; design and rental of software; design, development, installation, implementation and maintenance of computer software; design of computer databases; design of computer graphics; design of web sites for advertising purposes; design services; development of computer software for creating electronic television program guides; electronic data storage and data backup services; electronic storage of digital photographs; electronic storage of digital video files; graphic design services; hosting computer databases; hosting computer application software in the field of knowledge management for creating searchable databases of information and data; hosting a web site for the electronic storage of digital photographs and videos; hosting e-commerce platforms on the Internet; hosting digital content on the Internet; hosting multimedia and interactive applications; hosting multimedia entertainment content; hosting web portals; installation, maintenance and updating of computer software; interactive hosting services which allow the users to publish and share their own content and images on-line; monitoring of computer systems by remote access; monitoring of computer systems to detect breakdowns; off-site data backup; on-line data storage; preparation of reports relating to computer programming; product testing; programming of customized web pages featuring user-defined information, personal profiles and information; programming of multimedia applications; programming of operating software for accessing and using a cloud computing network; programming of software for e-commerce platforms; providing temporary use of non-downloadable software applications accessible via a web site; providing tempo-

rary use of non-downloadable software for analyzing financial data and generating reports; providing temporary use of non-downloadable software to enable content providers to track multimedia content; providing temporary use of on-line non-downloadable computer software for use in broadcast monitoring applications; providing temporary use of web-based software; providing weather information; rental and maintenance of computer software; rental of application software; rental of electronic storage space [web space] on the Internet; rental of operating software for accessing and using a cloud computing network; rental of web servers; rental of software for importing and managing data; research, development, design and upgrading of computer software; research in the field of communications technology; server hosting; software as a service [SaaS]; server administration; testing of computer software; troubleshooting of computer software problems [technical support]; web design; writing of computer programs; writing of computer software.

(260) AM 2019 97502 A

(800) 1398036

(151) 2017 12 20

(891) 2017 12 20

(731) Obschestvo s ogranichennoi otvetstvennostiu "UPRAVLAIUSHAYA KOMPANIA NATIONALNOGO, KONEVODCHESKOGO, SOYUZA"

Presnenskaya naberezhnaya, house 8, building 1, floor 11, RU-123317 Moscow, Russian Federation

(540)



(591) Black, white and orange

(531) 25.03.01; 25.03.05; 26.01.03; 26.01.24; 27.05.24; 29.01.13

(511)

9 – Monitors [computer programs]; software for computers or mobile phones, cell phones, tablets, portable computer devices; computer apparatus; computer software applications, downloadable; software applications for mobile phones, cell phones, tablets, portable computer devices; programs for computers, or mobile phones, cell phones, tablets, portable computer devices; computer game software for computers or mobile phones, cell phones, tablets, portable computer devices; computer programs [downloadable software]; operational programs for computers or mobile phones, cell phones, tablets, portable computer devices; electronic publications, downloadable; downloadable image files; downloadable music files; downloadable computer programs for review and interaction with submission of ima-

ges, audio-visual and video content and related texts and data; computer program software for social network applications; downloadable ring tones for mobile phones.

36 – Credit bureau services; debt collection agency services; real estate agency services; financial analysis; rental of apartments; rental of real estate; rental of offices [real estate]; lease-purchase financing; savings bank services; accommodation bureau services [apartments]; rent collection; issuance of travelers' checks; issuance of credit cards; issuance of tokens of value; capital investment; insurance information; financial information; clearing, financial; insurance consultancy; financial consultancy; stock exchange quotations; lending against security; business liquidation services, financial; brokerage; financial management; exchanging money; processing of debit card payments; processing of credit card payments; factoring; organization of collections; antique appraisal; jewellery [jewelry (Am.)] appraisal; financial evaluation of standing timber; stamp appraisal; real estate appraisal; numismatic appraisal; art appraisal; financial evaluation of wool; financial evaluation [insurance, banking, real estate]; repair costs evaluation [financial appraisal]; electronic funds transfer; surety services; securities brokerage; real estate brokerage; brokerage of carbon credits; insurance brokerage; loans [financing]; pawnbrokerage; check [cheque] verification; charitable fund raising; financial sponsorship; mortgage banking; instalment loans; insurance underwriting; life insurance underwriting; health insurance underwriting; accident insurance underwriting; marine insurance underwriting; fire insurance underwriting; apartment house management; real estate management; actuarial services; banking; stock brokerage services; retirement payment services; trusteeship; provident fund services; reward payment services; mutual funds; financing services; safe deposit services; deposits of valuables; fiscal valuation; rental of farms; debt advisory services; online banking; financial customs brokerage services.

41 – Modelling for artists; bookmaking [gambling] services; bookmaking [turf accountancy] services; academies [education]; rental of sports grounds; rental of tennis courts; lending library services; booking of seats for shows; videotaping; physical education; discotheque services; animal training; dubbing; gambling services; publication of books; education information; recreation information; entertainment information; movie studio services; health club services [health and fitness training]; layout services, other than for advertising purposes; microfilming; videotape editing; production of radio and television programs; game services provided on-line from a computer network; religious education; gymnastic instruction; correspondence courses; practical training [demonstration]; organization of balls; provi-

ding recreation facilities; arranging and conducting of colloquiums; arranging and conducting of congresses; arranging and conducting of conferences; arranging and conducting of concerts; arranging and conducting of workshops [training]; arranging and conducting of seminars; arranging and conducting of symposiums; organization and conducting of gambling in betting offices and sweepstakes; organization of competitions [education or entertainment]; arranging of beauty contests; organization and conducting of bingo; organization and conducting of electronic games; organization and conducting of media-games; organization and conducting of poker tournaments; organization and conducting of cards games contests; organization and conducting of entertainment competitions; organization of fashion shows for entertainment purposes; organization of shows [impresario services]; organization of sports competitions; vocational guidance [education or training advice]; amusement park services; sign language interpretation; television entertainment; mobile library services; vocational retraining; karaoke services; providing golf facilities; providing sports facilities; providing amusement arcade services; cinema presentations; presentation of live performances; theatre productions; conducting fitness classes; educational examination; timing of sports events; film production, other than advertising films; rental of audio equipment; rental of video cameras; rental of video cassette recorders; rental of videotapes; rental of show scenery; rental of sound recordings; toy rental; rental of cinematographic apparatus and movie projectors; rental of motion pictures; games equipment rental; rental of stadium facilities; rental of lighting apparatus for theatrical sets or television studios; rental of radio and television sets; rental of skin diving equipment; rental of sports equipment, except vehicles; rental of stage scenery; electronic desktop publishing; interactive publications of sports events results; interactive publications about sports contests and events; interactive publications about ongoing sports contests and events; forecasting for the results of sports or other events [entertainment]; coefficient calculation for the result of a sporting event or other event; on-line publication of electronic books and journals; publication of texts, other than publicity texts; radio entertainment; entertainer services; entertainment services; zoological garden services; news reporters services; party planning [entertainment]; music composition services; subtitling; holiday camp services [entertainment]; disc jockey services; personal trainer services [fitness training]; providing casino facilities [gambling]; calligraphy services; club services [entertainment or education]; providing museum facilities [presentation, exhibitions]; teaching; orchestra services; translation; ticket agency services [entertainment]; coaching [training]; sport camp services; recording studio services; language interpreter services; nursery schools; photo-

graphy; photographic reporting; boarding school education; production of shows; nightclub services [entertainment]; presentation of variety shows; providing on-line electronic publications, not downloadable; organization of exhibitions for cultural or educational purposes; organization of lotteries; writing and publication of texts, other than publicity texts; scriptwriting, other than for advertising purposes; educational services provided by schools; videotape film production, other than advertising films.

(260) AM 2019 97503 A

(800) 1398043

(151) 2017 08 30

(891) 2017 08 30

(731) WHIMSICAL HOLDING LIMITED

Arch. Makariou III, 197, GALA TOWER,

Flat/Office 301, CY-3030 Limassol, Cyprus

(540)



(591) Blue and white

(531) 05.05.20; 05.05.21; 29.01.04

(511)

42 – Research in the field of medicine and pharmacology; medical laboratory services; analysis of human tissues for medical research; laboratory services relating to the production of monoclonal antibodies; medical research; scientific research for medical purposes in the area of cancerous diseases; scientific investigations for medical purposes; research services; provision of research services; scientific research; biomedical research services; biological research; bacteriological research; research relating to biotechnology; genetic research; biological research, clinical research and medical research; chemical analysis and research, including analysis relating to medicines, pharmaceuticals and biochemistry; research laboratories; research on the subject of pharmaceuticals; bacteriological research and testing; blood analysis services for scientific research purposes; research in the field of gene therapy; toxicity testing for research purposes; DNA screening for scientific research purposes; cell separation research services; scientific research relating to bacteriology; research and development services in the field of antibodies; research and development services in the field of immunology; research and development services in the field of cytology; research and development services in the field of bacteriology; research and development services in the field of immunohistology; preparation of immunohistological samples for analysis in research laboratories; preparation of biological samples for analysis in research laboratories; scienti-

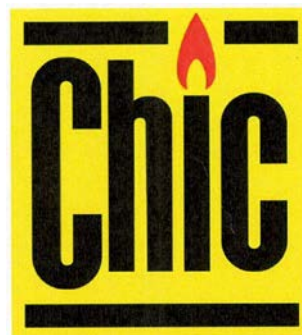
fic research in the field of genetics and genetic engineering.

44 – Human healthcare services; consulting services relating to health care; advice relating to dentistry; nutritional advice; psychological counseling; medical information; medical clinic services; medical consultations; dental consultations; nutrition consultancy; medical services; medical examination of individuals; medical care; medical nursing; health centers; services for the provision of medical facilities; conducting of medical examinations; performing diagnosis of diseases; preparation of reports relating to medical matters; psychiatric services; psychotherapy services; holistic psychotherapy; reflexology; physical rehabilitation; hospitals; physician services; dentistry; telemedicine services; pharmaceutical consultancy services; trans-telephone heart monitoring services; sports medicine services; medical health assessment services; health care services offered through a network of health care providers on a contract basis; services for the testing of blood; blood bank services; cord blood bank services; collection and preservation of human blood; DNA screening for medical purposes; pathology services; medical screening; cholesterol testing; genetic testing for medical purposes; RNA or DNA analysis for cancer diagnosis and prognosis; services for the testing of sera; services for the testing of urine; medical testing services relating to the diagnosis and treatment of disease; medical analysis services for cancer diagnosis and prognosis; medical analysis services relating to the treatment of persons; medical analysis services relating to the treatment of patients; medical analysis for the diagnosis and treatment of persons; medical diagnostic services; medical services relating to the removal, treatment and processing of bone marrow; medical services relating to the removal, treatment and processing of umbilical cord blood; medical services relating to the removal, treatment and processing of stem cells; medical services relating to the removal, treatment and processing of human blood; medical services relating to the removal, treatment and processing of human cells; medical and health services relating to DNA, genetics and genetic testing; medical services for the treatment of conditions of the human body; medical services for the diagnosis of conditions of the human body; medical laboratory services for the analysis of samples taken from patients; medical laboratory services for the analysis of blood samples taken from patients; analysis of human tissues for medical treatment; provision of medical information from a website.

(260) AM 2019 97504 A  
(800) 1398077  
(151) 2017 11 20  
(891) 2017 11 20  
(731) OLEKSANDR VOYCHYSHEN

Korolova Str., 85, building 3, flat 27, Odesa  
65122, Ukraine

(540)



(591) Yellow, red and black  
(531) 01.15.05; 27.05.07; 27.05.11; 29.01.13  
(511)

34 – Flavorings, other than essential oils, for use in electronic cigarettes; oral vaporizers for smokers; tobacco jars; gas containers for cigar lighters; lighters for smokers; firestones; smokers' articles; liquid nicotine solutions for use in electronic cigarettes; liquid solutions for use in electronic cigarettes; electronic cigarettes; snuff boxes.

(260) AM 2019 97508 A  
(800) 1398134  
(151) 2018 02 28  
(891) 2018 02 28  
(731) JANSSEN PHARMACEUTICA NV  
Turnhoutseweg 30, B-2340 Beerse, Belgium  
(540)

## SONTELVO

(591) Black, white  
(511)  
5 – Pharmaceutical preparations for human use, namely oncology, autoimmune, infectious disease, anti-viral and central nervous system products.

(260) AM 2019 97511 A  
(800) 1225447  
(151) 2014 07 22  
(891) 2018 03 21  
(731) Belarusian-German Joint Venture "Santa Bremor" Limited Liability Company  
ul. Katin Bor 106, 224025 Brest, Belarus  
(540)



(591) White, blue, red, dark red and pink  
 (531) 02.05.01; 25.03.01; 25.03.03; 28.05; 29.01.13  
 (511)  
 30 – Ice cream, including fruit ice cream, frozen yoghurt [confectionery ices], sherbets [ices], edible ice, including fruit ice; confectionery.

(260) AM 2019 97513 A  
 (800) 1263243  
 (151) 2015 06 18  
 (891) 2018 03 30  
 (731) FUJIREBIO INC.  
 1-1, Nishishinjuku 2-chome, Shinjuku-ku,  
 Tokyo 163-0410, Japan

(540)



(591) Blue and green  
 (531) 01.15.15; 25.07.20; 25.07.21; 26.13.25;  
 29.01.13  
 (511)  
 5 – Diagnostic reagents and preparations for clinical and medical purposes.  
 10 – Immunological diagnostic apparatus for medical purposes.

(260) AM 2019 97515 A  
 (800) 1305208  
 (151) 2016 04 07  
 (891) 2018 02 24  
 (731) MELLEM INTERNATIONAL B.V.  
 Jane Addamslaan 46, NL-1187 DA  
 Amstelveen, Netherlands

(540)



(591) Yellow and black  
 (531) 07.11.01; 13.01.06; 29.01.12  
 (511)  
 39 – Motor coach rental; boat rental; aircraft rental; booking of seats for travel; travel reservation; trans-

port reservation; arranging of travel tours; arranging of cruises; armored car transportation of valuables; transport of travellers; car rental; vehicle rental; escorting of travellers; excursions (tourism).

(260) AM 2019 97516 A  
 (800) 1360811  
 (151) 2017 05 24  
 (891) 2018 04 03  
 (731) FUTURE ENTERPRISES PTE. LTD.  
 31 Harrison Road, #08-01 Food Empire  
 Building, Singapore 369649, Singapore

(540)

## KRACKS

(591) Black, white  
 (531) 27.05.17  
 (511)  
 29 – Fruit-based snack food; milk beverages; nuts, prepared; potato crisps; potato chips; potato flakes; processed sunflower seeds.

(260) AM 2019 97517 A  
 (800) 1394217  
 (151) 2018 01 04  
 (891) 2018 03 22  
 (731) RADISSON HOTELS INTERNATIONAL,  
 INC.  
 Carlson Parkway P.O. Box 59159,  
 Minneapolis MN 55459, USA

(540)

## RED RADISSON

(591) Black, white  
 (511)  
 43 – Hotel, bar and restaurant services; services for the reservation of rooms.

(260) AM 2019 97528 A  
 (800) 1398444  
 (151) 2017 06 27  
 (891) 2017 06 27  
 (731) Société à responsabilité limitée  
 "VOLKOVSKAYA PIVOVARNYA"  
 Volkovskoe chosse, vl. 12, str.1,  
 Moskovskaya oblast, 6, RU-141006  
 g. Mytichtchi, Russian Federation

(540)



(591) Black, white

(531) 03.01.08; 03.01.16; 28.05

(511)

32 – Beer, malt beer; de-alcoholized beers; ginger beer; flavored beers; wheat beers; low-alcohol beers; porter [beer]; black beers [roasted malt beers]; beer-based cocktails; beer-based beverages; shandies; coffee-flavored beers; extracts of hops for manufacturing beer; kvass [non-alcoholic beverage].

33 – Ciders; Mead [hydromel]; alcoholic punch; alcoholic beverages containing fruit; alcoholic preparations for cocktails

(260) AM 2019 97548 A

(800) 1399108

(151) 2017 07 20

(891) 2017 07 20

(731) ED. ZÜBLIN AG

Albstadt Weg 3, 70567 Stuttgart, Germany

(540)



(591) Black, red and white

(531) 26.11.06; 26.11.08; 27.05.11; 29.01.12

(511)

6 – Building and construction materials and elements of metal; structures and transportable buildings of metal; unprocessed and semi-processed materials of metal.

19 – Building and construction materials and elements, not of metal; structures and transportable buildings, not of metal; wood and artificial wood; pitch, tar, bitumen and asphalt; stone, clay, rock and non-metallic minerals for building or construction; precast pavers, not of metal; armour-plating, not of metal.

37 – Extraction of natural resources; building, construction and demolition; building maintenance and repair; installation, maintenance and repair of plumbing; lift and elevator installation, maintenance and repair; hvac (heating, ventilation and air conditioning) installation, maintenance and repair; road sealing and stripping; interior sealing and caulking services; waterproofing of basements; road stripping; installation of bridge expansion joints; application of slip-resistant safety floor sealers; application of waterproof coatings; pavement stripping; plant refurbishment; painting of metal surfaces to prevent corrosion; coating of drains; coating of sewers; coating of brickwork; asbestos extraction; coating [painting] services; application of coatings to tunnels; applica-

tion of coatings for the repair of walls; application of screeds; application of rendering to tunnels; application of waterproof coatings for roofs; application of surface coatings; application of protective paint to wood; application of anti-graffiti coatings; application of coatings to swimming pools; application of protective coatings to cavity surfaces; application of rendering to swimming pools; excavating services for verifying the location of utility lines; advisory services relating to the installation of power plants; advisory services relating to the repair of civil engineering structures; advisory services relating to the repair of plumbing; advice relating to preventing blockages in septic tanks; advice relating to preventing blockages in plumbing lines; advisory services relating to the maintenance of plumbing; advisory services relating to the reinstatement of trenches; advisory services relating to surfacing projects; advisory services relating to pipe laying; advisory services relating to the installation of fixings; advisory services relating to the installation of plumbing; information services relating to installation of security systems; repair information; construction of wave energy power plants; apartment refurbishment services; advisory services relating to the repair of environmental control systems; advisory services relating to the maintenance of environmental control systems; advisory services relating to the installation of lighting apparatus; advisory services relating to the installation of fire prevention equipment; advisory services relating to the installation of building automation equipment; advisory services relating to the installation of hydraulic equipment; advisory services relating to the installation of passenger lifts; advisory services relating to the maintenance of fixings; advisory services relating to the renovation of property; advisory services relating to the maintenance of buildings; providing information relating to the repair or maintenance of storage tanks; providing information relating to the rental of construction machines and apparatus; providing information relating to the repair or maintenance of gasoline station equipment; providing information relating to the repair or maintenance of chemical plants; providing information relating to the repair or maintenance of bicycle parking apparatus; providing information relating to the repair or maintenance of water pollution control equipment; providing information relating to the repair or maintenance of construction machines and apparatus; providing information relating to the repair or maintenance of mechanical parking systems; providing information relating to the repair or maintenance of waste crushing machines and apparatus; coating of concrete; coating of conduits; coating services for the repair of industrial engineering plant; coating services for the repair of engineering plant; coating services for the maintenance of industrial engineering plant; coating services for the maintenance of marine engineering plant; concrete re-

pairs; concrete renovation; drilling; roofing installation; resurfacing of roofs; ceiling installation; decorating of buildings; asbestos removal; soil covering; soil stabilization means; pavement marking services; pressure grouting services; insulating of pipes; installation of sewer liners; installation of lighting systems; fitting of floor coverings; installation of ground anchors; installation of grills; services for the installation of cavity wall ties; installation of interior partitions for buildings; installation of cavity wall insulation; installation of sun roofs; installing dry-wall panels; installation of doors; installation of false floors; installation of mezzanine floors; installation of internal partitioning; installation of electrical wiring; electrical installation services; installation of roof timbering; renovation, repair and maintenance of electrical wiring; renovation of electrical wiring; erection of reinforced concrete structures utilising sliding and climbing formworks; erection of grandstands; fence erection services; erection of sliding formworks; erection of curtain walling; information services relating to maintenance of security systems; information services relating to the refurbishment of buildings; damp proofing services; marine construction services; interior refurbishment of buildings; interior renovation of commercial premises; pipeline construction and maintenance; irrigation devices installation and repair; installation, repair and maintenance of boiler tubes; installation, repair and maintenance of cleanroom facilities and equipment; installation and maintenance of irrigation systems; installation and maintenance of photovoltaic installations; installation and maintenance of solar thermal installations; installation services for building scaffolds, working and building platforms; installation services of building scaffolds; installation of building scaffolds, working and building platforms; installation of lighting apparatus; installation of lightning conductors; application of fire retardant coatings; ceiling lining installation; installation of fixtures and fittings for domestic premises; installing fencing; installing septic tanks; installation of electric light and power systems; installation of coloured panels in building fascia; installation of plant; installation of building automation equipment; installation of hydraulic equipment; installation of industrial plant; installation of insulating materials; installing septic fields; installation of storage facilities; installation of Industrial machinery; installation of photovoltaic cells and modules; installation of shelving; installation of rainwater drainage systems; installation of rainwater collection systems; installation of rainwater harvesting systems; installation of rainwater tanks; installation of pipe insulation; installation of street information placards; installation of street furniture; installation of drying apparatus; installation of environmental protection systems; installation of traffic management systems; installation of pneumatic bulk material handling systems; installation of tubular linings

in passageways; installation of environmental engineering systems; installation of transmission lines; installing wallboard; installation of plumbing systems; installation of water supply apparatus; installation of fabricated construction units; installation of basement waterproofing products; installation services for building scaffolds, working and building platforms; servicing of cranes; servicing of conduits; swimming-pool maintenance; maintenance of roads; insulation services; laying of cable; plumbing and glazing services; plumbing and installation of gas and water supply systems; anti-corrosion treatment; varnishing of board materials; installation and maintenance of land irrigation systems; painting, interior and exterior; painting and varnishing; mechanical cleaning of waterways; installing siding; installation of fittings for buildings; installation of felt roofs; installation of racks; installation of doors and windows; erection of pre-fabricated buildings; assembling [installation] of storage systems; assembling [installation] of shelving; assembling [installation] of building framework; repointing of brickwork; installation of parquet flooring; concrete polishing; pumping septic tanks; cleaning of drains; cleaning of water supply plumbing; cleaning of building sites; dismantling of scaffolding; cleaning of site roads; cleaning of property; septic tank cleaning; cleaning of stone work; cleaning of urban areas; cleaning of public areas; renovation of property; renovation of kitchens; welding for repair purposes; repair or maintenance of building equipment; repair or maintenance of bicycle parking apparatus; repair or maintenance of chemical plants; repair or maintenance of machines and apparatus for woodworking; maintenance and repair of storage tanks; repair or maintenance of mining machines and apparatus; repair or maintenance of nuclear power plants; repair or maintenance of machines and apparatus for lumbering; repair or maintenance of waste crushing machines and apparatus; repair or maintenance of machines and apparatus for veneer making; repair or maintenance of machines and apparatus for plywood making; repair or maintenance of construction machines and apparatus; repair or maintenance of cultivating machines and implements; repair and maintenance of building scaffolds, working and building platforms; maintenance and repair of earth moving equipment; maintenance and repair of earth moving machines; maintenance and repair of energy generating installations; maintenance and repair of gas and electricity installations; maintenance and repair of refrigerating apparatus; maintenance and repair of cooling appliances and installations; maintenance and repair of road making equipment; maintenance and repair of road making machines; maintenance and repair of wave energy power plants; maintenance and repair of wind power plants; maintenance and repair of mining equipment; repair or maintenance of water pollution control equipment; repair or



maintenance of mechanical parking systems; repair of construction machines and equipment; repair of biogas plants and machines; repair of fire damage; repair of pressurised containers; repair of energy production plants and machines; repair of energy supply installations; repair of power lines; repair of gas supply systems; repair of water pollution control equipment; scaffolding repair; repair of hollowware; repair of canalization systems; services for the repair of canals; repair of air filters; repair of air filters and parts thereof; repair of machines for treating organic waste; services for the repair of conduits; repair of sanitary installations; repair of drying apparatus; repair of water supply apparatus; repair of water supply installations; services for the repair of heat exchangers; repair of fences; repairing construction works; rust removing; rustproofing; renovating services relating to discharge conduits; restoration of architectural works; restoration of baths; restoration of retail premises; renovation of industrial boilers; renovating services relating to conduits for water supply; renovation of nuclear plant; repair services for floor coverings; repair services for stair coverings; repair services for wall coverings; floor sanding; drill bit sharpening; spray painting of metals; spray painting; abrasive cleaning of metallic surfaces; underwater abrasive cleaning of metallic surfaces; abrasive cleaning of non-metallic surfaces; underwater abrasive cleaning of non-metallic surfaces; street sweeping services; marking of roads; street cleaning; ceiling texturing; texturing (ceiling or wall -); wall texturing; paper hanging; joinery [repair]; drywall installation services; renovation of commercial premises; maintenance of property; underwater dredging; underwater repair; floor layering; installation of gas and water pipelines; installing wood flooring; laying of land cables; mains laying; laying floor tile; tile laying, bricklaying or block laying; laying of sea cables; carpet laying; installation of water pipes; servicing of nuclear plant; maintenance and repair of flooring; maintaining and repair of roof guttering; maintaining and repair of rain channels; repair or maintenance of water purifying apparatus; maintenance and repair of systems incorporating hoses which convey fluid; maintenance, repair and reconditioning of photovoltaic apparatus and installations; maintenance of water pollution control equipment; maintaining septic systems; provision of maintenance services for sports centers; maintenance of water purifying apparatus; civil engineering maintenance involving the use of pressurised jets of abrasive-containing water; civil engineering maintenance involving the use of hydromechanical cutting equipment; civil engineering maintenance involving the use of water-jet cutting equipment; carpentry services; providing information relating to septic tank cleaning services.

(260) AM 2019 97549 A  
 (800) 1399141  
 (151) 2017 10 30  
 (891) 2017 10 30  
 (731) HUAWEI TECHNOLOGIES CO., LTD.  
 Administration Building, Huawei  
 Technologies Co., Ltd.  
 Bantian, Longgang District, Shenzhen, China  
 (540)

## HUAWEI P40

(591) Black, white  
 (511)  
 9 – Recorded computer programmes (programs); downloadable computer software applications; interactive touch screen terminals; humanoid robots with artificial intelligence; electronic sheet music, downloadable; smart rings; audio interfaces; virtual reality headsets; digital video recorders; set-top boxes; smartglasses; smartwatches; wearable activity trackers; covers for smartphones; selfie sticks (hand-held monopods); digital photo frames; microphones; computer hardware; computer memories; integrated circuit cards (smart cards); cabinets for loudspeakers; modems; sleeves for laptops; smartphones; electric batteries; battery chargers; mobile power source (rechargeable batteries); loudspeakers; portable media players; sound transmitting apparatus; camcorders; cameras (photography); computer keyboards; mouse (computer peripheral); pedometers; electric monitoring apparatus; connected bracelets (measuring instruments); tablet computers; laptop computers; notebook computers; bags adapted for laptops; headphones.

(260) AM 2019 97550 A  
 (800) 1399144  
 (151) 2017 12 07  
 (891) 2017 12 07  
 (731) TOVARYSTVO Z OBMEZHENOYU  
 VIDPOVIDALNISTYU "SANDORA"  
 s. Mykolaivske, Vitovskiyi rgn., Mykolaivska  
 obl. 57262, Ukraine  
 (5400)



(591) Green, dark green, light green, blue, white, red, beige, brown, grey, black, pink, violet, orange and yellow

(531) 03.05.09; 03.05.24; 03.05.25; 05.07.22;  
05.07.24; 16.01.14; 18.01.05; 28.05; 29.01;  
29.01.15

(511)

32 – Aperitifs, non-alcoholic; aerated water; waters (beverages); table waters; cocktails, non-alcoholic; lemonades; non-alcoholic beverages; whey beverages; soft drinks; non-alcoholic fruit juice beverages; fruit nectars, non-alcoholic; syrups for lemonade; syrups for beverages; smoothies; fruit juices; cider, non-alcoholic; preparations for making aerated water; preparations for making beverages; non-alcoholic fruit extracts; essences for making beverages.

(260) AM 2019 97551 A

(800) 1399145

(151) 2017 12 07

(891) 2017 12 07

(731) TOVARYSTVO Z OBMEZHENOYU  
VIDPOVIDALNISTYU "SANDORA"  
s. Mykolaivske, Vitovskiyi rgn., Mykolaivska  
obl. 57262, Ukraine

(540)



(591) Green, dark green, light green, blue, white,  
red, beige, brown, grey, black and pink

(531) 03.05.09; 03.05.24; 03.05.25; 05.07.10;  
05.07.13; 21.03.11; 28.05; 29.01.15

(511)

32 – Aperitifs, non-alcoholic; aerated water; waters (beverages); table waters; cocktails, non-alcoholic; lemonades; non-alcoholic beverages; whey beverages; soft drinks; non-alcoholic fruit juice beverages; fruit nectars, non-alcoholic; syrups for lemonade; syrups for beverages; smoothies; fruit juices; cider, non-alcoholic; preparations for making aerated water; preparations for making beverages; non-alcoholic fruit extracts; essences for making beverages.

(260) AM 2019 97552 A

(800) 1399149

(151) 2017 11 30

(891) 2017 11 30

(731) MARAZZI GROUP S.r.l.  
Viale Regina Pacis, 39, I-41049 SASSUOLO  
(MO), Italy

(540)



(591) Black, white

(531) 26.04.02; 26.04.05; 26.04.12; 26.11.07;  
26.11.08; 26.11.09

(511)

19 – Building materials, not of metal to the exclusion of windows, roller shutters, jalousies and related equipment; coverings and claddings for floors and walls; ceramic tiles.

(260) AM 2019 97555 A

(800) 1399189

(151) 2018 01 13

(891) 2018 01 13

(731) ARIAD PHARMACEUTICALS, INC.  
40 Landsdowne Street, Cambridge MA 02139,  
USA

(540)



(591) Orange, light blue, turquoise, light green,  
green

(531) 26.02.05; 26.02.07; 29.01.14

(511)

5 – Pharmaceutical preparations.

(260) AM 2019 97556 A

(800) 1399215

(151) 2018 02 09

(891) 2018 02 09

(731) MYOVANT SCIENCES GMBH  
Viaduktstrasse 8, CH-4051 Basel, Switzerland

(540)

**MYOVANT**

(591) Black, white

(511)

5 – Pharmaceutical and biological preparations for medical use.

44 – Information services in the field of health and medicine and provision of information regarding medicines and drugs for medical use via a website.

(260) AM 2019 97561 A

(800) 963726

(151) 2008 03 27

(891) 2018 03 28

(731) Otkrytoe aktsionernoe obshchestvo

"Borisovskiy zavod avtotraktornogo elektrooborudovaniya" – upravlyayushchaya kompaniya holdinga "Avtokomponenty"  
95, ul. Daumana, 222120 Borisov, Belarus

(540)

**BATE**

(591) Black, white

(531) 27.05.01

(511)

7 – Dynamos and alternators and spare parts (not included in other classes); starters for motors and engines, spare parts (not included in other classes); washing machines, motors electric other than for land vehicles; fruit presses electric for household purposes; meat choppers (machines); spray guns for paint.

9 – Low and high voltage transformers; ignition distributors, spare parts (not included in other classes); ignition coils; electric apparatus for commutation, spare parts (not included in other classes); electric soldering irons, cables, electric connections, wire connector blocks.

(260) AM 2019 97578 A

(800) 1399277

(151) 2017 12 19

(891) 2017 12 19

(731) Otkrytoe aktsionerное obshchestvo  
"SYKTYVKAR TISSYU GRUP"  
pr. Bumazhnikov, 4, g. Syktyvkar, RU-167026  
Respublika Komi, Russian Federation

(540)



(591) Blue

(531) 03.05.01; 03.05.24; 29.01.04

(511)

3 – Cotton wool for cosmetic purposes; cotton sticks for cosmetic purposes; cotton swabs for cosmetic purposes; tissues impregnated with cosmetic lotions.

5 – Sanitary pads; menstruation bandages.

16 – Toilet paper; hygienic paper; table linen of paper; towels of paper; handkerchiefs of paper; face towels of paper; bibs of paper; tissues of paper for removing make-up.

21 – Toilet paper holders; toilet paper dispensers; boxes for dispensing paper towels.

35 – Sales promotion for others; procurement services for others [purchasing goods and services for other businesses]; advertising; publicity.

(260) AM 2019 97590 A

(800) 1399527

(151) 2018 03 21

(891) 2018 03 21

(731) PIVOVARÝ STAROPRAMEN S.R.O.  
Nádražní 43/84, CZ-150 00 Praha 5, Czech  
Republic

(540)

**LIFE YOUR WAY**

(591) Black, white

(511)

32 – Beer; flavored beers; beer-based beverages; non-alcoholic beer; non-alcoholic beer flavored beverages; lagers.

(260) AM 2019 97591 A

(800) 1399542

(151) 2018 01 22

(891) 2018 01 22

(731) MONUS d.o.o.  
Aleksandra Dubčeka 14, 11080 Beograd-  
Zemun, Serbia

(540)

**Opposite**

(591) Black, white

(511)

34 – Tobacco; smokers' articles; matches.

(260) AM 2019 97592 A

(800) 1399558

(151) 2018 01 31

(891) 2018 01 31

(731) SOCIÉTÉ DES PRODUITS NESTLÉ S.A.  
CH-1800 Vevey, Switzerland

(540)

**ВЕСЕЛЫЕ МАКАРОШКИ**

(591) Black, white

(531) 28.05

(511)

30 – Fruit jellies [confectionery]; confectionery, including marshmallows; sweetmeats [candy]; candy.

(260) AM 2019 97593 A

(800) 1399628

(151) 2017 06 17

(891) 2017 06 17

(731) BEHSHAHR INDUSTRIAL COMPANY  
8th K.m. of Fath Highway, Tehran, Iran  
(Islamic Republic of)

(540)



(591) Gold and black.

(531) 27.05.02; 28.01; 29.01.12

(511)

21 – Bottles.

29 – Canned beans, dates, animal oils for culinary purposes, animal oils for food, grapeseed oil for culinary purposes, grapeseed oil for food, butter with herbs, margarine, tomato paste, canned peas, colza oil for food, soybean oil for food, edible oils, cooking oil, rice bran oil for food, palm oil for culinary purposes, palm oil for food, canned vegetables, sunflower oil for culinary purposes, sunflower oil for food, sesame oil, coconut oil, coconut butter, potato chips, cheese, butter cream, peanut butter, coconut butter, cocoa butter, nut butter, butter, chowder, soups, bone oil, edible, edible fats, edible oils and fats, cream corn oil, maize oil, fruit salads, fruit jellies, pickles, tuna canned, fatty substances for the manufacture of edible fats, fat containing mixtures for bread slices, coconut fat, margarine, jellies for food, jams, palm kernel oil for culinary purposes, olive oil for cooking, olive oil for culinary purposes, olive oil for food, processed nuts, roasted nuts, shelled nuts, milk, canned meat, meat shortening, hydrogenated oils for culinary purposes, hydrogenated oils for food.

30 – Flour, crumpets, salt, instant coffee, lasagna, cheese bread, chocolate powder, brown rice, flour and preparations made from cereals, honey, vinegar, sugar, seasonings, saffron (seasonings), rice, pizzas, coffee, cocoa, chocolates, chewing gum, cakes, cake powder, bread, ice cream, sweets, spices, sugar, spaghetti, paprika [spice], cake butter, pasta, biscuits.

32 – Seltzer water; drinking water; soft drinks, non-carbonated; flavored water; sherbets [beverages].

35 – Advertising; marketing; retail services for food-stuffs; export agency services of bottles, canned beans, dates animal oils for culinary purposes, animal oils for food, grapeseed oil for culinary purposes, grapeseed oil for food, butter with herbs, margarine, tomato paste, canned peas, colza oil for food, soybean oil for food, edible oils, cooking oil, rice bran

oil for food, palm oil for culinary purposes, palm oil for food, canned vegetables, sunflower oil for culinary purposes, sunflower oil for food, sesame oil, coconut oil, coconut butter, potato chips, cheese, butter cream, peanut butter, coconut butter, cocoa butter, nut butter, butter, chowder, soups, bone oil, edible, edible fats, edible oils and fats, cream, corn oil, maize oil, fruit salads, fruit jellies, pickles, tuna, canned, fatty substances for the manufacture of edible fats, fat containing mixtures for bread slices, coconut fat, margarine, jellies for food, jams, palm kernel oil for culinary purposes, olive oil for cooking, olive oil for culinary purposes, olive oil for food, processed nuts, roasted nuts, shelled nuts, milk canned meat, meat, shortening, hydrogenated oils for culinary purposes, hydrogenated oils for food, flour, crumpets, salt, instant coffee, lasagna, cheese bread, chocolate powder, brown rice, flour and preparations made from cereals, honey, vinegar, sugar, seasonings, saffron (seasonings), rice, pizzas, coffee, cocoa, chocolates, chewing gum, cakes, cake powder, bread, ice cream, sweets, spices, sugar, spaghetti, paprika [spices], cake butter, pasta, biscuits, seltzer water, drinking water, soft drinks, non-carbonated, flavored water, sherbets [beverages].

39 – Packaging of goods; warehousing; transportation of goods, namely of bottles, canned beans, dates, animal oils for culinary purposes, animal oils for food, grapeseed oil for culinary purposes, grapeseed oil for food, butter with herbs, margarine, tomato paste, canned peas, colza oil for food, soybean oil for food, edible oils cooking oil, rice bran oil for food, palm oil for culinary purposes, palm oil for food, canned vegetables, sunflower oil for culinary purposes, sunflower oil for food, sesame oil, coconut oil, coconut butter, potato chips, cheese, butter cream, peanut butter, coconut butter, cocoa butter, nut butter, butter, chowder, soups, bone oil, edible, edible fats, edible oils and fats, cream, corn oil, maiza oil, fruit salads, fruit jellies, pickles, tuna, canned, fatty substances for the manufacture of edible fats, fat-containing mixtures for bread slices, coconut fat, margarine, jellies for food, jams, palm kernel oil for culinary purposes, olive oil for cooking, olive oil for culinary purposes, olive oil for food, processed nuts, roasted nuts, shelled nuts, milk, canned meat, meat, shortening, hydrogenated oils for culinary purposes, hydrogenated oils for food, flour, crumpets, salt, instant coffee, lasagna, cheese bread, chocolate powder, brown rice, flour and preparations made from cereals, honey, vinegar, sugar, seasonings, saffron (seasonings), rice, pizzas, coffee, cocoa, chocolates, chewing gum, cakes, cakes powder, bread, ice cream, sweets, spices, sugar, spaghetti, parika [spice], cake butter, pasta, biscuits, seltzer water, drinking water, soft drinks, non-carbonated, flavored water, sherbets [beverage].

(260) AM 2019 97594 A

(800) 1399641

(151) 2017 12 27

(891) 2017 12 27

(731) YIWU LIANG CHENG HOUSEHOLD

PRODUCTS, CO., LTD

No.588, Chunhua Road, Beiyuan Street,

Jinhua, Yiwu, Zhejiang, China

(540)

**Posehome**

(591) Black, white

(531) 27.05.01

(511)

25 – Clothing; layettes (clothing); bathing suits; waterproof clothing; shoes; hats; hosiery; gloves (clothing); scarfs; leather belts (clothing).

(260) AM 2019 97595 A

(800) 1399667

(151) 2018 01 24

(891) 2018 01 24

(731) DERWIX SRL

Via Coriano, 58, I-47924 Rimini (RN), Italy

(540)

**BARBARA ALVISI**

(591) Black, white

(511)

25 – Bath sandals; stockings; berets; hosiery; neck scarves; bodices; belts; shawls; sweaters; jumpers; pullovers; socks; shirts; short-sleeve shirts; clothing; hats; headgear for wear; detachable collars; combinations [clothing]; suits; ready-made clothing; breeches for wear; trousers; gloves; jackets [clothing]; headbands; parkas; bandanas; clothing of imitations of leather; tee shirts; skorts; ponchos; leggings; jumper dresses; albs.

(260) AM 2019 97596 A

(800) 1399718

(151) 2018 03 09

(891) 2018 03 09

(731) EUROPULL S.r.l.

Via Calabria, 10, I-41012 Carpi (MO), Italy

(540)

**ACCADEMIA MARINARA**

(591) Black, white

(511)

25 – Clothing; casualwear; menswear; leisurewear; sportswear; waterproof outerclothing; shirts; berets; headgear; coats; stuff jackets [clothing]; cardigans; neckerchiefs; sweat shirts; jackets [clothing]; gilets; raincoats; hosiery; undershirts; short-sleeved t-shirts; long-sleeved shirts; tee-shirts; waist belts; cravats;

trousers; casual trousers; short trousers; polo shirts; footwear; footwear for men; casual footwear; deck shoes; men's socks.

(260) AM 2019 97598 A

(800) 1399800

(151) 2017 08 24

(891) 2017 08 24

(731) ADP GAUSELMANN GMBH

Merkur-Allee 1-15, 32339 Espelkamp,

Germany

(540)

**Pop Art Fruits**

(591) Black, white

(511)

9 – Computer software; coin-operated mechanisms; computer and video games software; games software in particular for use on any computer platform, including electronic entertainment and games consoles; computer game programs video games (software); computer game software provided through a global computer network or supplied by means of multi-media electronic broadcast or through telecommunications or electronic transmission or via the internet; computer games, leisure and recreational software, video games and computer software, all being provided in the form of storage media; programs for operating electric and electronic apparatus for games, amusement and/or entertainment purposes; computer software for computer games on the internet; online games (software), in particular for online betting games, online prize games, online gambling games, online games of skill and online casino games; computer software in the form of an app for mobile devices and computers; calculating apparatus in coin-operated machines and parts for the aforesaid goods; electric, electronic, optical or automatic apparatus, for identifying data carriers, identity cards and credit cards, bank notes and coins; software in particular for casino and/or amusement arcade games, for gaming machines and/or slot machines each one with or without prize payouts; gaming software that generates or displays wager outcomes of gaming machines; operational computer games software; computer software for managing of games (game collection); computer programs for video games.

28 – Games; toys; gaming apparatus (including coin-operated apparatus); coin-operated arcade games (machines); games for amusement arcades (included in this class); coin-operated video gaming apparatus; video games apparatus adapted for use with external screens or monitors only; casino fittings, namely roulette tables, roulette wheels; coin-operated automatic gaming machines and gaming machines, in particular for gaming arcades, with or without a prize payout; electronic or electrotechnical gaming apparatus, automatic gaming machines, gaming machi-

nes, slot machines operated by coins, tokens, banknotes, tickets or by means of electronic, magnetic or biometric storage media, in particular for commercial use in casinos and amusement arcades, with or without a prize payout; automatic gaming machines and gaming machines, in particular for commercial use in casinos and gaming arcades, with or without a prize payout; coin-operated gaming machines and/or electronic money-based gaming apparatus (machines), with or without prizes; housings adapted for gaming machines, gaming apparatus and automatic gaming machines, operated by means of coins, tokens, tickets or by means of electronic, magnetic or biometric storage media, in particular for commercial use in casinos and gaming arcades, with or without a prize payout; electronic games; electronic game entertainment apparatus and parts thereof; video output game machines; drawing apparatus for prize games and lotteries, draws or raffles; housings of metal, plastic and/or wood for coin-operated automatic machines; apparatus for games (including video games), other than adapted for use with external screens or monitors only; electropneumatic and electric slot machines with pulling handles (gaming machines); gaming tables, in particular for table football, billiards, sliding games: flying discs (toys) and darts; gaming machines, namely, electric, electronic or electromechanical gaming apparatus for bingo games, lotteries or video lottery games and for betting offices, connected or unconnected to a computer network; LCD games consoles; automatic gaming machines; all the aforesaid automatic gaming machines operating in networks; apparatus and devices for accepting and storing money, being fittings for the aforesaid automatic machines, included in this class; automatic lottery machines.

(260) AM 2019 97620 A  
 (800) 1134933  
 (151) 2012 08 09  
 (891) 2018 03 22  
 (731) HARAT'S PUB INTERNATIONAL LTD.  
 59 Merrion Square, Dublin 2, D02 NH01  
 (IE), Ireland  
 (540)

**HARAT'S**

(591) Green  
 (531) 27.05.01; 29.01.03  
 (511)  
 43 – Cafés; Cafeterias; Restaurants; Bar services.

(260) AM 2019 97734 A  
 (800) 1402268  
 (151) 2018 03 29  
 (891) 2018 03 29

(731) ORIFLAME COSMETICS AG  
 c/o Oriflame Global Management AG,  
 Bleicheplatz 3, CH-8200 Schaffhausen,  
 Switzerland

(540)  
**SO FEVER ORIFLAME**

(591) Black, white  
 (511)  
 3 – Soaps; perfumery, essential oils, cosmetics, hair lotions; toothpaste.

(260) AM 2019 97823 A  
 (800) 1402739  
 (151) 2018 03 23  
 (891) 2018 03 23  
 (731) IVOCLAR VIVADENT AG  
 Bendererstrasse 2, FL-9494 Schaan,  
 Liechtenstein

(540)  
**Bluephase G4**

(591) Black, white  
 (511)  
 10 – Apparatus, devices, tools and instruments for dental use; polymerization apparatus for dental use.

(260) AM 2019 97845 A  
 (800) 1403373  
 (151) 2018 01 11  
 (891) 2018 01 11  
 (731) Qingdao Grandstone Tyre Corporation  
 Limited  
 Room 509, No.54 Beijing Road, Baoshui  
 DIST, Qingdao, Shandong Prov., China  
 (540)

**GRANDSTONE**

(591) Black, white  
 (531) 26.11.21; 27.03.15; 27.05.01  
 (526) GRANDSTONE  
 (511)  
 12 – Wheels; cycles; tricycle brackets (bicycle, tricycle parts); pumps for bicycle tires; automobile inner tubes; automobile tires [tyres]; tricycle tyres; casings for pneumatic tires [tyres]; solid tires; automobile tires [tyres]; inner tubes of bicycles and tricycles.

(260) AM 2019 97846 A  
 (800) 1403405  
 (151) 2017 12 27  
 (891) 2017 12 27  
 (731) VALENTINO S.P.A.  
 Via Turati, 16/18, I-20121 MILANO, Italy

(540)

# I ♥ SPIKE

(591) Black, white

(531) 02.09.01; 24.17.25

(511)

18 – Leather and imitations of leather; purses; school bags; school satchels; card cases; travelling trunks; duffel bags for travel; rucksacks; wallets; shopping bags; attaché cases; beach bags; bags; handbags; travelling bags; handbag frames; pouches; briefcases; cases of leather; vanity cases not fitted; leather key cases; suitcases; bags for sports; hat boxes of leather; garment bags for travel; leather shoulder belts; leather straps; fur; raw skins; dog collars; clothing for pets; umbrellas; umbrella sticks; walking sticks; whips, saddlery, harness fittings.

25 – Clothing; overalls; underwear; sweaters; shirts; jumpers; suits; ready-made clothing; trousers; outer clothing; knitwear; coats; skirts; petticoats; pullovers; overcoats; jackets; stuff jackets; ski jackets; ski pants; parkas; clothing of leather; T-shirts; blouses; pants; dressing gowns; formal dresses; vests; jerseys; pajamas; bathrobes; brassieres; camisoles; corselets; slippers; children's clothing; layettes; bathing caps; bathing suits; clothing for gymnastics; waterproof clothing; raincoats; masquerade costumes; footwear; slippers; bath slippers; boots; sport boots; horse-riding boots; galoshes; shoes; beach shoes; sandals; sport shoes; gymnastic shoes; overshoes; headgear; hats; caps; cap peaks; socks; sock suspenders; stockings; garters; gloves; mittens; muffs; shawls; ties; neckties; scarves and foulards (clothing article); veils; bandanas; furs (clothing); fur stoles; belts; wedding dresses.

35 – The bringing together, for others, of a variety of goods (excluding the transport thereof), enabling customers to conveniently view and purchase those goods; the aforesaid services may be provided via retail outlets, wholesale warehouses, mail order catalogues or by means of electronic media, including via websites; services relating to e-commerce included in this class, including online sales via websites on which users can view, search and buy goods of various kinds; retailing and wholesaling of cosmetics, spectacles, mobile telephones, jewellery, clocks and watches, bags, accessories of leather, clothing, footwear, haberdashery articles.

(260) AM 2019 97936 A

(800) 1404776

(151) 2017 12 21

(891) 2017 12 21

(731) BOBKOV GLEB VIKTOROVICH

Trofimova ul, d.10, kv. 179, RU-115432  
Moscow, Russian Federation

(540)



(591) Pink, dark pink, white, light pink, golden yellow, dark yellow, light blue, beige, light brown and black

(531) 02.03.07; 24.09.01; 24.09.20; 29.01.15

(511)

3 – Abrasive cloth; abrasive paper; abrasives; adhesives for affixing false eyelashes; adhesives for affixing false hair; adhesives for cosmetic purposes; after-shave lotions; air fragrancing preparations; almond milk for cosmetic purposes; almond oil; almond soap; aloe vera preparations for cosmetic purposes; alum stones [astringents]; amber [perfume]; ammonia [volatile alkali] [detergent]; antiperspirant soap; antiperspirants [toiletries]; antistatic preparations for household purposes; aromatics [essential oils]; astringents for cosmetic purposes; badian essence; balms, other than for medical purposes; bases for flower perfumes; bath preparations, not for medical purposes; bath salts, not for medical purposes; beard dyes; beauty masks; bergamot oil; bleaching preparations [decolorants] for cosmetic purposes; bleaching salts; bleaching soda; breath freshening sprays; breath freshening strips; cake flavorings [essential oils]; cakes of toilet soap; canned pressurized air for cleaning and dusting purposes; carbides of metal [abrasives]; cleaning chalk; cleaning preparations; cleansing milk for toilet purposes; cloths impregnated with a detergent for cleaning; cobblers' wax; colorants for toilet purposes; color- [colour-] brightening chemicals for household purposes [laundry]; color-removing preparations; corundum [abrasive]; cosmetic creams; cosmetic dyes; cosmetic kits; cosmetic pencils; cosmetic preparations for baths; cosmetic preparations for eyelashes; cosmetic preparations for skin care; cosmetic preparations for slimming purposes; cosmetics; cosmetics for animals; cotton sticks for cosmetic purposes; cotton wool for cosmetic purposes; creams for leather; decorative transfers for cosmetic purposes; degreasers, other than for use in manufacturing processes; dental bleaching gels; dentifrices; denture polishes; deodo-

rants for human beings or for animals; deodorants for pets; deodorant soap; depilatory preparations; depilatory wax; descaling preparations for household purposes; detergents, other than for use in manufacturing operations and for medical purposes; diamantine [abrasive]; dry-cleaning preparations; drying agents for dishwashing machines; dry shampoos; eau de Cologne; emery; emery cloth; emery paper; essential oils; essential oils of cedarwood; essential oils of citron; essential oils of lemon; ethereal essences; extracts of flowers [perfumes]; eyebrow cosmetics; eyebrow pencils; fabric softeners for laundry use; false eyelashes; false nails; flavorings for beverages [essential oils]; floor wax; floor wax removers [scouring preparations]; food flavorings [essential oils]; fumigation preparations [perfumes]; furbishing preparations; gaultheria oil; geraniol; glass cloth [abrasive cloth]; greases for cosmetic purposes; grinding preparations; hair conditioners; hair dyes; hair lotions; hair spray; hair straightening preparations; hair waving preparations; heliotropine; henna [cosmetic dye]; hydrogen peroxide for cosmetic purposes; incense; ionone [perfumery]; jasmine oil; Javelle water; joss sticks; lacquer-removing preparations; laundry bleach; laundry blueing; laundry glaze; laundry preparations; laundry soaking preparations; laundry starch; laundry wax; lavender oil; lavender water; leather bleaching preparations; lip glosses; lipstick cases; lipsticks; lotions for cosmetic purposes; makeup; make-up powder; make-up preparations; make-up removing preparations; mascara; massage gels, other than for medical purposes; mint essence [essential oil]; mint for perfumery; mouthwashes, not for medical purposes; musk [perfumery]; mus-tache wax; nail art stickers; nail care preparations; nail polish; neutralizers for permanent waving; non-slipping liquids for floors; non-slipping wax for floors; oil of turpentine for degreasing; oils for cleaning purposes; oils for cosmetic purposes; oils for perfumes and scents; oils for toilet purposes; paint stripping preparations; pastes for razor strops; perfumery; perfumes; petroleum jelly for cosmetic purposes; polish for furniture and flooring; polishing creams; polishing paper; polishing preparations; polishing rouge; polishing stones; polishing wax; pomades for cosmetic purposes; potpourris [fragrances]; preparations for cleaning dentures; preparations for unblocking drain pipes; preparations to make the leaves of plants shiny; preservatives for leather [polishes]; pumice stone; quillaia bark for washing; rose oil; rust removing preparations; sachets for perfuming linen; safrol; sandpaper; scented water; scented wood; scouring solutions; shampoos; shampoos for animals [non-medicated grooming preparations]; shaving preparations; shaving soap; shaving stones [astringents]; shining preparations [polish]; shoe cream; shoemakers' wax; shoe polish; shoe wax; silicon carbide [abrasive]; skin whitening creams; smoothing preparations [starching]; smoothing

stones; soap; soap for brightening textile; soap for foot perspiration; soda lye; stain removers; starch glaze for laundry purposes; sunscreen preparations; sun-tanning preparations [cosmetics]; tailors' wax; talcum powder, for toilet use; terpenes [essential oils]; tissues impregnated with cosmetic lotions; tissues impregnated with make-up removing preparations; toilet water; tripoli stone for polishing; turpentine for degreasing; varnish-removing preparations; volcanic ash for cleaning; wallpaper cleaning preparations; washing soda, for cleaning; whitening; windshield cleaning liquids.

16 – Absorbent sheets of paper or plastic for food-stuff packaging; address stamps; address plates for addressing machines; addressing machines; adhesive tape dispensers [office requisites]; adhesive tapes for stationery or household purposes; adhesive bands for stationery or household purposes; adhesives [glues] for stationery or household purposes; advertisement boards of paper or cardboard; albums; scrapbooks; almanacs; announcement cards [stationery]; aqua-relles; architects' models; arithmetical tables; artists' watercolour saucers; atlases; bags [envelopes, pouches] of paper or plastics, for packaging; bags for microwave cooking; balls for ball-point pens; bibs of paper; binding strips [bookbinding]; biological samples for use in microscopy [teaching materials]; blackboards; blotters; blueprints; bookbinding material; bookbinding apparatus and machines [office equipment]; bookends; booklets; bookmarkers; books; bottle envelopes of paper or cardboard; bottle wrappers of paper or cardboard; boxes of paper or cardboard; cabinets for stationery [office requisites]; calendars; canvas for painting; carbon paper; cardboard; cardboard tubes; cards; cases for stamps [seals]; catalogues; chalk for lithography; chalk holders; charcoal pencils; chart pointers, non-electronic; chromolithographs [chromos]; cigar bands; clipboards; clips for offices; cloth for bookbinding; coasters of paper; comic books; compasses for drawing; composing frames [printing]; composing sticks; conical paper bags; copying paper [stationery]; cords for bookbinding; correcting fluids [office requisites]; correcting ink [heliography]; correcting tapes [office requisites]; covers [stationery]; cream containers of paper; credit card imprinters, non-electric; desk mats; diagrams; document files [stationery]; document laminators for office use; document holders [stationery]; drawer liners of paper, perfumed or not; drawing pads; drawing pins; drawing boards; drawing materials; drawing instruments; drawing sets; drawing pens; drawing rulers; duplicators; elastic bands for offices; electrocardiograph paper; electrotypes; embroidery designs [patterns]; engraving plates; engravings; envelope sealing machines for offices; envelopes [stationery]; erasing products; erasing shields; etching needles; etchings; fabrics for bookbinding; face towels of paper; figurines [statuettes] of papier mâché; files [office requisites]; filter paper;



filtering materials [paper]; finger-stalls [office requisites]; flags of paper; flower-pot covers of paper; flyers; folders for papers; folders [stationery]; forms, printed; fountain pens; franking machines for office use; French curves; galley racks [printing]; garbage bags of paper or of plastics; geographical maps; glue for stationery or household purposes; gluten [glue] for stationery or household purposes; graining combs; graphic prints; graphic reproductions; graphic representations; greeting cards; gummed tape [stationery]; gummed cloth for stationery purposes; gums [adhesives] for stationery or household purposes; hand labelling appliances; hand-rests for painters; handkerchiefs of paper; handwriting specimens for copying; hat boxes of cardboard; hectographs; histological sections for teaching purposes; holders for stamps [seals]; holders for checkbooks [cheque books]; house painters' rollers; humidity control sheets of paper or plastic for foodstuff packaging; index cards [stationery]; indexes; Indian inks; ink; ink sticks; ink stones [ink reservoirs]; inking pads; inking ribbons; inking sheets for duplicators; inking sheets for document reproducing machines; inking ribbons for computer printers; inkstands; inkwells; isinglass for stationery or household purposes; labels of paper or cardboard; ledgers [books]; letter trays; lithographic works of art; lithographic stones; lithographs; loose-leaf binders; magazines [periodicals]; manifolds [stationery]; handbooks [manuals]; marking chalk; marking pens [stationery]; mats for beer glasses; mimeograph apparatus and machines; modelling clay; modelling wax, not for dental purposes; modelling materials; modelling paste; moisteners [office requisites]; moisteners for gummed surfaces [office requisites]; money clips; moulds for modelling clays [artists' materials]; apparatus for mounting photographs; musical greeting cards; newsletters; newspapers; nibs; nibs of gold; note books; numbering apparatus; numbers [type]; obliterating stamps; office perforators; office requisites, except furniture; oleographs; packaging material made of starches; packing [cushioning, stuffing] materials of paper or cardboard; pads [stationery]; page holders; paint boxes [articles for use in school]; paint trays; paintbrushes; painters' brushes; painters' easels; paintings [pictures], framed or unframed; palettes for painters; pamphlets; pantographs [drawing instruments]; paper; paper for recording machines; paper sheets [stationery]; paper clasps; luminous paper; paper tapes and cards for the recordal of computer programmes; paper for radiograms; paper ribbons; paper shredders for office use; paper coffee filters; paper bows; paper-clips; paperweights; papier mâché; parchment paper; passport holders; pastels [crayons]; pen clips; pen cases; pen wipers; pencil sharpening machines, electric or non-electric; pencil leads; pencil holders; pencil lead holders; pencil sharpeners, electric or non-electric; pencils; penholders; pens [office requisites]; perforated cards for

Jacquard looms; periodicals; photo-engravings; photograph stands; photographs [printed]; pictures; placards of paper or cardboard; place mats of paper; plastic film for wrapping; plastic bubble packs for wrapping or packaging; plastic cling film, extensible, for palletization; plastics for modeling; polymer modelling clay; portraits; postage stamps; postcards; posters; printed timetables; printed matter; printed publications; printers' blankets, not of textile; printers' reglets; printing blocks; printing type; printing sets, portable [office requisites]; prints [engravings]; prospectuses; punches [office requisites]; rice paper; rollers for typewriters; rubber erasers; school supplies [stationery]; scrapers [erasers] for offices; sealing stamps; sealing wax; sealing machines for offices; sealing compounds for stationery purposes; sealing wafers; seals [stamps]; self-adhesive tapes for stationery or household purposes; sewing patterns; sheets of reclaimed cellulose for wrapping; shields [paper seals]; signboards of paper or cardboard; silver paper; slate pencils; song books; spools for inking ribbons; square rulers for drawing; squares for drawing; stamp pads; stamp stands; stamps [seals]; stands for pens and pencils; stapling presses [office requisites]; starch paste [adhesive] for stationery or household purposes; stationery; steatite [tailor's chalk]; steel letters; steel pens; stencil cases; stencil plates; stencils [stationery]; stencils; stickers [stationery]; stuffing of paper or cardboard; T-squares for drawing; table linen of paper; table napkins of paper; table runners of paper; tablecloths of paper; tablemats of paper; tags for index cards; tailors' chalk; teaching materials [except apparatus]; terrestrial globes; tickets; tissues of paper for removing make-up; toilet paper; towels of paper; tracing patterns; tracing paper; tracing cloth; tracing needles for drawing purposes; trading cards, other than for games; transfers [decalcomanias]; transparencies [stationery]; trays for sorting and counting money; type [numerals and letters]; typewriter ribbons; typewriter keys; typewriters, electric or non-electric; vignetting apparatus; viscose sheets for wrapping; waxed paper; wood pulp board [stationery]; wood pulp paper; wrapping paper; wristbands for the retention of writing instruments; writing slates; writing or drawing books; writing chalk; writing materials; writing paper; writing cases [stationery]; writing cases [sets]; writing brushes; writing instruments; writing board erasers; Xuan paper for Chinese painting and calligraphy.

(260) AM 2019 97937 A

(800) 1404876

(151) 2018 02 26

(891) 2018 02 26

(731) GARNET INTERNATIONAL RESOURCES  
PTY LTD  
L18 Exchange Tower, The Esp, PERTH WA  
6000, Australia

(540)



(591) Black, white

(531) 24.15.21; 26.01.04; 26.03.23; 27.05.01;  
27.05.17; 27.05.23

(511)

3 – Abrasives; abrasive preparations; abrasive blasting materials; abrasive grains namely garnets for use as an abrasive in sand-blasting, grinding, polishing and high pressure cutting.

(260) AM 2019 97938 A

(800) 1404879

(151) 2017 12 06

(891) 2017 12 06

(731) DONGXIA DATONG (BEIJING)  
MANAGEMENT AND CONSULTING CO.,  
LTD.

1101, 11th Floor, Ideal Plaza, No. 58 North  
4th Ring Road West, Haidian District, Beijing,  
China

(540)

(591) Black, white

(531) 27.05.01; 27.05.23

(511)

9 – Mobile software applications, downloadable; mobile software applications for taxi booking; computer programs [downloadable software]; time recording apparatus; Global Positioning System [GPS] apparatus; Global Positioning System [GPS] receiver; electronic key fobs being remote control apparatus; bicycle helmets; locks, electric; batteries, electric, for vehicles.

12 – Locomotives; motorcycles; bicycles; moped; electric bicycles; electric vehicles; trolley railways; pushchairs; bicycle tyres; non-skid devices for vehicle tyres.

39 – Piloting; car transport; vehicle breakdown towing services; car sharing services; bicycle rental services; vehicle rental; providing taxi booking ser-

vices through mobile software applications; car parking; rental of warehouses; passenger transport; courier services [messages or merchandise]; providing driving directions for travel purposes.

(260) AM 2019 97939 A

(800) 1404917

(151) 2018 01 31

(891) 2018 01 31

(731) Limited Liability Company "ECTO"  
Khlebniy per, 6, fl. 1, pom. I, room 7,  
RU-121069 Moscow, Russian Federation

(540)

## План Б

## Plan B

(591) Black, white

(531) 28.05

(511)

32 – Non-alcoholic beverages, including non-alcoholic energy drinks.

(260) AM 2019 97940 A

(800) 1404942

(151) 2018 02 02

(891) 2018 02 02

(731) ESSITY HYGIENE AND HEALTH  
AKTIEBOLAG

Mölnåls bro 2, SE-405 03 Göteborg, Sweden

(540)



(591) Black, white

(531) 09.03.01; 09.03.03

(511)

3 – Wipes made of paper, cellulose or non-woven synthetic fibres impregnated with cosmetic preparations.

16 – Paper, paper articles, goods made of paper and/or cellulose, namely handkerchiefs, wipes.

(260) AM 2019 97941 A

(800) 1404962

(151) 2018 03 01

(891) 2018 03 01

(731) APPLE INC.

One Apple Park Way, Cupertino CA 95014,  
USA

(540)

**iPod**

(591) Black, white

(531) 27.05.17

(511)

28 – Hand-held unit for playing electronic games.

(260) AM 2019 97942 A

(800) 1404992

(151) 2018 05 02

(891) 2018 05 02

(731) JANSSEN PHARMACEUTICA NV

Turnhoutseweg 30, B-2340 Beerse, Belgium

(540)

**TALFANZA**

(591) Black, white

(511)

5 – Human pharmaceutical preparations for the prevention and treatment of viral diseases, auto-immune and inflammatory diseases, cardiovascular diseases, central nervous system diseases, pain, dermatologic diseases, gastro-intestinal diseases, infectious-related diseases, metabolic diseases, oncologic diseases, ophthalmic diseases and respiratory diseases; vaccines for human use.

(260) AM 2019 97943 A

(800) 1405010

(151) 2018 02 05

(891) 2018 02 05

(731) LABORATORIOS NORMON, S.A.

Ronda de Valdecarrizo, 6, E-28760 Tres  
Cantos (Madrid), Spain

(540)

**GALOTAM**

(591) Black, white

(511)

5 – Pharmaceutical and veterinary products; hygiene and sanitary products for medical use; dietetic subs-

tances for medical use, food for babies; plasters, material for dressings; teeth filling and dental impression materials; disinfectants; products for destroying vermin; fungicides, herbicides.

(260) AM 2019 97944 A

(800) 560430

(151) 1990 09 25

(891) 2018 05 08

(731) SCHNEIDER SCHREIBGERÄTE GMBH

Schwarzenbach 9, 78144 Tennenbronn,  
Germany

(540)



**SCHNEIDER**

*für gute Schrift*

(591) Black, white

(531) 26.01.18; 27.05.01; 27.05.10

(511)

16 – Stationery articles, in particular paste and ink ballpoint pens, fiber pens, press crayons, fountain pens, eraser pencils; paper and stationery (included in this class), especially drawing paper, writing paper, class notebooks, envelopes.

(260) AM 2019 97945 A

(800) 1092222

(151) 2011 07 20

(891) 2018 05 09

(731) EMPREDIVER, S.L.

Calle 103, 16, 1ª La Cañada, E-46980 Paterna  
(Valencia), Spain

(540)

**CASMAR**

(591) White and black

(531) 27.05.01

(511)

3 – Perfumery and cosmetic products; toilet soap; hair lotions and dentifrices.

---

**INTERNATIONAL TRADEMARKS PROTECTED IN GEORGIA**

(260) AM 2019 92557 A  
(800) 1345928  
(151) 2017 02 14  
(181) 2027 02 14  
(891) 2017 02 14  
(511) 03

---

(260) AM 2019 95677 A  
(800) 1380443  
(151) 2017 09 28  
(181) 2027 09 28  
(891) 2017 09 28  
(511) 32

---

(260) AM 2019 94087 A  
(800) 1364472  
(151) 2017 03 02  
(181) 2027 03 02  
(891) 2017 03 02  
(511) 03

---

(260) AM 2019 95679 A  
(800) 1380467  
(151) 2017 10 10  
(181) 2027 10 10  
(891) 2017 10 10  
(511) 03

---

(260) AM 2019 95264 A  
(800) 1375823  
(151) 2016 03 14  
(181) 2026 03 14  
(891) 2016 03 14  
(511) 03, 05, 09, 42

---

(260) AM 2019 95680 A  
(800) 1380489  
(151) 2017 10 11  
(181) 2027 10 11  
(891) 2017 10 11  
(511) 05

---

(260) AM 2019 95615 A  
(800) 1378495  
(151) 2017 10 20  
(181) 2027 10 20  
(891) 2017 10 20  
(511) 09

---

(260) AM 2019 95682 A  
(800) 1380504  
(151) 2017 10 11  
(181) 2027 10 11  
(891) 2017 10 11  
(511) 05

---

(260) AM 2019 95618 A  
(800) 1378812  
(151) 2017 01 18  
(181) 2027 01 18  
(891) 2017 01 18  
(511) 03, 05, 07, 09, 10, 11, 38, 42

---

(260) AM 2019 95683 A  
(800) 1380505  
(151) 2017 10 11  
(181) 2027 10 11  
(891) 2017 10 11  
(511) 05

---

(260) AM 2019 95642 A  
(800) 1380332  
(151) 2017 06 08  
(181) 2027 06 08  
(891) 2017 06 08  
(511) 09, 42

---

(260) AM 2019 95684 A  
(800) 1380525  
(151) 2017 10 02  
(181) 2027 10 02  
(891) 2017 10 02  
(511) 05

---

(260) AM 2019 95643 A  
(800) 1380334  
(151) 2017 06 08  
(181) 2027 06 08  
(891) 2017 06 08  
(511) 09, 42

---

(260) AM 2019 95685 A  
(800) 1380542  
(151) 2017 11 03  
(181) 2027 11 03  
(891) 2017 11 03  
(511) 09

---

(260) AM 2019 95687 A  
(800) 1380670  
(151) 2017 09 08  
(181) 2027 09 08  
(891) 2017 09 08  
(511) 05

---

(260) AM 2019 95696 A  
(800) 1380711  
(151) 2017 10 27  
(181) 2027 10 27  
(891) 2017 10 27  
(511) 09

---

(260) AM 2019 95747 A  
(800) 1379907  
(151) 2017 05 25  
(181) 2027 05 25  
(891) 2017 05 25  
(511) 01, 19

---

(260) AM 2019 95760 A  
(800) 1380045  
(151) 2017 04 13  
(181) 2027 04 13  
(891) 2017 04 13  
(511) 05, 10

---

(260) AM 2019 95764 A  
(800) 1380094  
(151) 2017 07 26  
(181) 2027 07 26  
(891) 2017 07 26  
(511) 12, 35

---

(260) AM 2019 95765 A  
(800) 1380106  
(151) 2017 06 08  
(181) 2027 06 08  
(891) 2017 06 08  
(511) 30

---

(260) AM 2019 95766 A  
(800) 1380129  
(151) 2017 08 22  
(181) 2027 08 22  
(891) 2017 08 22  
(511) 05, 29, 32, 35, 39

---

(260) AM 2019 95771 A  
(800) 1380179  
(151) 2017 10 12  
(181) 2027 10 12

(891) 2017 10 12  
(511) 12

---

(260) AM 2019 95772 A  
(800) 1380188  
(151) 2017 10 10  
(181) 2027 10 10  
(891) 2017 10 10  
(511) 03, 35

---

(260) AM 2019 95773 A  
(800) 1380734  
(151) 2017 10 13  
(181) 2027 10 13  
(891) 2017 10 13  
(511) 03

---

(260) AM 2019 95775 A  
(800) 1380736  
(151) 2017 10 13  
(181) 2027 10 13  
(891) 2017 10 13  
(511) 05

---

(260) AM 2019 95776 A  
(800) 1380749  
(151) 2017 10 09  
(181) 2027 10 09  
(891) 2017 10 09  
(511) 04

---

(260) AM 2019 95777 A  
(800) 1380761  
(151) 2017 04 27  
(181) 2027 04 27  
(891) 2017 04 27  
(511) 01, 16, 35

---

(260) AM 2019 95778 A  
(800) 1380762  
(151) 2017 10 11  
(181) 2027 10 11  
(891) 2017 10 11  
(511) 34

---

(260) AM 2019 95779 A  
(800) 1380763  
(151) 2017 10 17  
(181) 2027 10 17  
(891) 2017 10 17  
(511) 05

---

(260) AM 2019 95780 A  
(800) 1380768  
(151) 2017 01 16  
(181) 2027 01 16  
(891) 2017 01 16  
(511) 03, 05, 10

---

(260) AM 2019 95781 A  
(800) 1380772  
(151) 2017 10 12  
(181) 2027 10 12  
(891) 2017 10 12  
(511) 12

---

(260) AM 2019 95782 A  
(800) 1380774  
(151) 2017 01 09  
(181) 2027 01 09  
(891) 2017 01 09  
(511) 09, 20, 42

---

(260) AM 2019 95783 A  
(800) 1380775  
(151) 2017 05 24  
(181) 2027 05 24  
(891) 2017 05 24  
(511) 41, 42

---

(260) AM 2019 95784 A  
(800) 1380788  
(151) 2017 09 13  
(181) 2027 09 13  
(891) 2017 09 13  
(511) 11

---

(260) AM 2019 95785 A  
(800) 1380815  
(151) 2017 01 26  
(181) 2027 01 16  
(891) 2017 01 26  
(511) 09

---

(260) AM 2019 95786 A  
(800) 1380826  
(151) 2017 10 31  
(181) 2027 10 31  
(891) 2017 10 31  
(511) 17

---

(260) AM 2019 95787 A  
(800) 1380844  
(151) 2017 11 13  
(181) 2027 11 13

(891) 2017 11 13  
(511) 05

---

(260) AM 2019 95788 A  
(800) 1380845  
(151) 2017 11 13  
(181) 2027 11 13  
(891) 2017 11 13  
(511) 05

---

(260) AM 2019 95792 A  
(800) 1380989  
(151) 2017 10 17  
(181) 2027 10 17  
(891) 2017 10 17  
(511) 05, 30

---

(260) AM 2019 95796 A  
(800) 1381054  
(151) 2017 03 02  
(181) 2027 03 12  
(891) 2017 03 02  
(511) 30

---

(260) AM 2019 95797 A  
(800) 1381056  
(151) 2017 05 11  
(181) 2027 05 11  
(891) 2017 05 11  
(511) 25

---

(260) AM 2019 95816 A  
(800) 1381517  
(151) 2017 10 25  
(181) 2027 10 25  
(891) 2017 10 25  
(511) 09

---

(260) AM 2019 95819 A  
(800) 855569  
(151) 2005 06 06  
(181) 2025 06 06  
(891) 2017 12 06  
(511) 05

---

(260) AM 2019 95820 A  
(800) 1175820  
(151) 2013 07 16  
(181) 2023 07 16  
(891) 2017 10 31  
(511) 10

---

(260) AM 2019 95828 A  
(800) 1370299  
(151) 2018 07 26  
(181) 2027 07 26  
(891) 2017 11 16  
(511) 05

---

(260) AM 2019 95829 A  
(800) 1370300  
(151) 2017 07 26  
(181) 2027 07 26  
(891) 2017 11 16  
(511) 05

---

(260) AM 2019 95832 A  
(800) 1381562  
(151) 2017 10 13  
(181) 2027 10 13  
(891) 2017 10 13  
(511) 05

---

(260) AM 2019 95833 A  
(800) 1381563  
(151) 2017 10 13  
(181) 2027 10 13  
(891) 2017 10 13  
(511) 05

---

(260) AM 2019 95834 A  
(800) 1381627  
(151) 2017 11 14  
(181) 2027 11 14  
(891) 2017 11 14  
(511) 35, 36, 45

---

(260) AM 2019 95836 A  
(800) 1381632  
(151) 2017 07 10  
(181) 2027 07 10  
(891) 2017 07 10  
(511) 29, 30

---

(260) AM 2019 95845 A  
(800) 1382340  
(151) 2017 10 31  
(181) 2027 10 31  
(891) 2017 10 31  
(511) 07, 08

---

(260) AM 2019 95849 A  
(800) 1381895  
(151) 2017 09 06  
(181) 2027 09 06

(891) 2017 09 06  
(511) 30

---

(260) AM 2019 95851 A  
(800) 1382365  
(151) 2017 11 15  
(181) 2027 11 15  
(891) 2017 11 15  
(511) 30

---

(260) AM 2019 95852 A  
(800) 1381907  
(151) 2017 10 31  
(181) 2027 10 31  
(891) 2017 10 31  
(511) 35, 39

---

(260) AM 2019 95859 A  
(800) 1381951  
(151) 2017 09 01  
(181) 2027 09 01  
(891) 2017 09 01  
(511) 14

---

(260) AM 2019 95860 A  
(800) 778811  
(151) 2002 02 27  
(181) 2022 02 27  
(891) 2017 03 07  
(511) 01

---

(260) AM 2019 95861 A  
(800) 1381959  
(151) 2017 09 14  
(181) 2027 09 14  
(891) 2017 09 14  
(511) 05

---

(260) AM 2019 95862 A  
(800) 782473  
(151) 2002 05 23  
(181) 2022 05 23  
(891) 2017 11 06  
(511) 33

---

(260) AM 2019 95864 A  
(800) 1381984  
(151) 2017 11 20  
(181) 2027 11 20  
(891) 2017 11 20  
(511) 05

---

(260) AM 2019 95865 A  
(800) 1056115  
(151) 2009 11 20  
(181) 2019 11 20  
(891) 2017 11 08  
(511) 37

---

(260) AM 2019 95866 A  
(800) 1382054  
(151) 2017 10 16  
(181) 2027 10 16  
(891) 2017 10 16  
(511) 03, 09, 10, 16, 18, 25, 28, 35, 40, 42

---

(260) AM 2019 95867 A  
(800) 1062591  
(151) 2010 04 30  
(181) 2020 04 30  
(891) 2017 11 27  
(511) 16, 17, 21, 22, 24

---

(260) AM 2019 95868 A  
(800) 1382072  
(151) 2017 11 13  
(181) 2027 11 13  
(891) 2017 11 13  
(511) 05

---

(260) AM 2019 95871 A  
(800) 1382079  
(151) 2018 11 10  
(181) 2027 11 10  
(891) 2017 11 10  
(511) 03, 05

---

(260) AM 2019 95873 A  
(800) 1215743  
(151) 2014 02 27  
(181) 2024 02 27  
(891) 2017 12 12  
(511) 25, 28, 30, 32, 33, 34, 41, 43

---

(260) AM 2019 95874 A  
(800) 1226073  
(151) 2014 02 27  
(181) 2024 02 27  
(891) 2017 12 12  
(511) 25, 28, 30, 32, 33, 34, 41, 43

---

(260) AM 2019 95875 A  
(800) 1251545  
(151) 2015 03 13  
(181) 2025 03 13

(891) 2017 12 07  
(511) 30

---

(260) AM 2019 95879 A  
(800) 1382099  
(151) 2017 08 01  
(181) 2027 08 01  
(891) 2017 08 01  
(511) 01, 02, 03, 05, 21, 25, 26

---

(260) AM 2019 95895 A  
(800) 1382373  
(151) 2017 07 27  
(181) 2027 07 27  
(891) 2017 07 27  
(511) 03, 05

---

(260) AM 2019 95896 A  
(800) 1382377  
(151) 2017 09 08  
(181) 2027 09 08  
(891) 2017 09 08  
(511) 09

---

(260) AM 2019 95898 A  
(800) 1382422  
(151) 2017 10 20  
(181) 2027 10 20  
(891) 2017 10 20  
(511) 09

---

(260) AM 2019 95899 A  
(800) 1382450  
(151) 2017 11 13  
(181) 2027 11 13  
(891) 2017 11 13  
(511) 05

---

(260) AM 2019 95900 A  
(800) 1382490  
(151) 2017 07 24  
(181) 2027 07 24  
(891) 2017 07 24  
(511) 03, 05

---

(260) AM 2019 95901 A  
(800) 1382491  
(151) 2017 07 25  
(181) 2027 07 25  
(891) 2017 07 25  
(511) 05

---



(260) AM 2019 95902 A  
(800) 1382493  
(151) 2017 08 24  
(181) 2027 08 24  
(891) 2017 08 24  
(511) 06, 07, 08, 09, 12, 13, 14, 17, 29, 30, 31, 32,  
33, 35, 36, 38, 39, 40, 41, 42, 44, 45

---

(260) AM 2019 95904 A  
(800) 1382510  
(151) 2017 09 29  
(181) 2027 09 29  
(891) 2017 09 29  
(511) 24

---

(260) AM 2019 95905 A  
(800) 1382516  
(151) 2017 11 13  
(181) 2027 11 13  
(891) 2017 11 13  
(511) 03, 05

---

(260) AM 2019 95908 A  
(800) 1382576  
(151) 2017 06 12  
(181) 2027 06 12  
(891) 2017 06 12  
(511) 09, 11

---

(260) AM 2019 95912 A  
(800) 1382714  
(151) 2017 10 23  
(181) 2027 10 23  
(891) 2017 10 23  
(511) 41

---

(260) AM 2019 95926 A  
(800) 1382932  
(151) 2017 11 22  
(181) 2027 11 22  
(891) 2017 11 22  
(511) 03, 05

---

(260) AM 2019 95936 A  
(800) 630577  
(151) 1995 01 03  
(181) 2025 01 03  
(891) 2017 11 22  
(511) 05

---

(260) AM 2019 95937 A  
(800) 950340  
(151) 2007 10 19  
(181) 2027 10 19  
(891) 2017 12 14  
(511) 03

---

(260) AM 2019 95938 A  
(800) 1017247  
(151) 2009 09 02  
(181) 2019 09 02  
(891) 2017 10 13  
(511) 34

---

(260) AM 2019 95939 A  
(800) 1073872  
(151) 2010 10 01  
(181) 2020 10 01  
(891) 2017 12 21  
(511) 34

---

(260) AM 2019 95940 A  
(800) 1211596  
(151) 2013 11 21  
(181) 2023 11 21  
(891) 2017 11 20  
(511) 06, 07, 09, 37, 42

---

(260) AM 2019 95947 A  
(800) 1383581  
(151) 2017 05 18  
(181) 2027 05 18  
(891) 2017 05 18  
(511) 09, 10, 12, 16, 17, 20, 21, 22, 23, 24, 25, 27,  
35, 42

---

(260) AM 2019 95948 A  
(800) 1383600  
(151) 2017 07 25  
(181) 2027 07 25  
(891) 2017 07 25  
(511) 09

---

(260) AM 2019 95949 A  
(800) 1383628  
(151) 2017 07 27  
(181) 2027 07 27  
(891) 2017 07 27  
(511) 29

---

(260) AM 2019 95950 A  
(800) 1383636  
(151) 2017 09 25  
(181) 2027 09 25  
(891) 2017 09 25  
(511) 09

---

(260) AM 2019 95951 A  
(800) 1383637  
(151) 2017 09 28  
(181) 2027 09 28  
(891) 2017 09 28  
(511) 09

---

(260) AM 2019 95956 A  
(800) 1383839  
(151) 2017 07 25  
(181) 2027 07 25  
(891) 2017 07 25  
(511) 09

---

(260) AM 2019 95957 A  
(800) 1383907  
(151) 2017 11 15  
(181) 2027 11 15  
(891) 2017 11 15  
(511) 30

---

(260) AM 2019 95958 A  
(800) 1383921  
(151) 2017 11 28  
(181) 2027 11 28  
(891) 2017 11 28  
(511) 05

---

(260) AM 2019 95959 A  
(800) 1383922  
(151) 2017 11 24  
(181) 2027 11 24  
(891) 2017 11 24  
(511) 05

---

(260) AM 2019 95961 A  
(800) 1383951  
(151) 2017 03 30  
(181) 2027 03 30  
(891) 2017 03 30  
(511) 26

---

(260) AM 2019 95967 A  
(800) 1311304  
(151) 2016 05 31

(181) 2026 05 31  
(891) 2017 11 14  
(511) 41

---

(260) AM 2019 95969 A  
(800) 1350166  
(151) 2016 11 10  
(181) 2026 11 10  
(891) 2017 11 09  
(511) 09, 37, 42

---

(260) AM 2019 95970 A  
(800) 1350985  
(151) 2016 11 10  
(181) 2026 11 10  
(891) 2017 11 09  
(511) 09, 37, 42

---

(260) AM 2019 95992 A  
(800) 1382984  
(151) 2017 09 19  
(181) 2027 09 19  
(891) 2017 09 19  
(511) 30

---

(260) AM 2019 95993 A  
(800) 1383016  
(151) 2017 11 20  
(181) 2027 11 20  
(891) 2017 11 20  
(511) 09

---

(260) AM 2019 95994 A  
(800) 1383071  
(151) 2017 09 05  
(181) 2027 09 05  
(891) 2017 09 05  
(511) 09, 28

---

(260) AM 2019 95995 A  
(800) 1383082  
(151) 2017 10 31  
(181) 2027 10 31  
(891) 2017 10 31  
(511) 12

---

(260) AM 2019 95996 A  
(800) 1383101  
(151) 2017 10 27  
(181) 2027 10 27  
(891) 2017 10 27  
(511) 09

---

(260) AM 2019 95997 A  
(800) 1383128  
(151) 2017 02 22  
(181) 2027 02 22  
(891) 2017 02 22  
(511) 09, 35, 36, 42, 45

---

(260) AM 2019 95999 A  
(800) 1383163  
(151) 2017 11 28  
(181) 2027 11 28  
(891) 2017 11 28  
(511) 05

---

(260) AM 2019 96001 A  
(800) 1383164  
(151) 2017 11 28  
(181) 2027 11 28  
(891) 2017 11 28  
(511) 05

---

(260) AM 2019 96003 A  
(800) 1383165  
(151) 2017 11 28  
(181) 2027 11 28  
(891) 2017 11 28  
(511) 05

---

(260) AM 2019 96004 A  
(800) 1383183  
(151) 2017 11 15  
(181) 2027 11 15  
(891) 2017 11 15  
(511) 18, 25

---

(260) AM 2019 96021 A  
(800) 1383578  
(151) 2017 05 12  
(181) 2027 05 12  
(891) 2017 05 12  
(511) 03

---

(260) AM 2019 96041 A  
(800) 1384458  
(151) 2017 10 10  
(181) 2027 10 10  
(891) 2017 10 10  
(511) 03

---

(260) AM 2019 96047 A  
(800) 1384542  
(151) 2017 09 13

(181) 2027 09 13  
(891) 2017 09 13  
(511) 06

---

(260) AM 2019 96048 A  
(800) 1384564  
(151) 2017 10 20  
(181) 2027 10 20  
(891) 2017 10 20  
(511) 06

---

(260) AM 2019 96049 A  
(800) 1384126  
(151) 2017 09 29  
(181) 2027 09 29  
(891) 2017 09 29  
(511) 09

---

(260) AM 2019 96064 A  
(800) 1340005  
(151) 2016 10 31  
(181) 2026 10 31  
(891) 2017 11 13  
(511) 25, 35

---

(260) AM 2019 96065 A  
(800) 1342421  
(151) 2016 11 15  
(181) 2026 11 15  
(891) 2017 11 16  
(511) 25, 35

---

(260) AM 2019 96080 A  
(800) 1384920  
(151) 2017 05 22  
(181) 2027 05 22  
(891) 2017 05 22  
(511) 20, 37, 42

---

(260) AM 2019 96081 A  
(800) 1384945  
(151) 2017 11 08  
(181) 2027 11 08  
(891) 2017 11 08  
(511) 11

---

(260) AM 2019 96083 A  
(800) 1384981  
(151) 2017 07 19  
(181) 2027 07 19  
(891) 2017 07 19  
(511) 30

---

(260) AM 2019 96085 A  
(800) 1385006  
(151) 2017 10 31  
(181) 2027 10 31  
(891) 2017 10 31  
(511) 02

---

(260) AM 2019 96086 A  
(800) 1385029  
(151) 2017 11 07  
(181) 2027 11 07  
(891) 2017 11 07  
(511) 05

---

(260) AM 2019 96087 A  
(800) 1385030  
(151) 2017 11 14  
(181) 2027 11 14  
(891) 2017 11 14  
(511) 05

---

(260) AM 2019 96105 A  
(800) 1209025  
(151) 2014 04 28  
(181) 2024 04 28  
(891) 2018 01 03  
(511) 09

---

(260) AM 2019 96106 A  
(800) 1277515  
(151) 2015 09 30  
(181) 2025 09 30  
(891) 2017 11 20  
(511) 11

---

(260) AM 2019 96147 A  
(800) 1385055  
(151) 2018 11 14  
(181) 2027 11 14  
(891) 2017 11 14  
(511) 05

---

(260) AM 2019 96148 A  
(800) 1385056  
(151) 2017 11 23  
(181) 2027 11 14  
(891) 2017 11 23  
(511) 12

---

(260) AM 2019 96181 A  
(800) 1385661  
(151) 2017 11 08

(181) 2027 11 08  
(891) 2017 11 08  
(511) 05

---

(260) AM 2019 96182 A  
(800) 1385662  
(151) 2017 11 08  
(181) 2027 11 08  
(891) 2017 11 08  
(511) 05

---

(260) AM 2019 96183 A  
(800) 1385663  
(151) 2017 11 07  
(181) 2027 11 07  
(891) 2017 11 07  
(511) 05

---

(260) AM 2019 96184 A  
(800) 1385664  
(151) 2017 11 08  
(181) 2027 11 08  
(891) 2017 11 08  
(511) 05

---

(260) AM 2019 96185 A  
(800) 1385665  
(151) 2017 11 08  
(181) 2027 11 08  
(891) 2017 11 08  
(511) 05

---

(260) AM 2019 96186 A  
(800) 1385670  
(151) 2017 12 19  
(181) 2027 12 19  
(891) 2017 12 19  
(511) 05

---

(260) AM 2019 96187 A  
(800) 1385687  
(151) 2017 10 27  
(181) 2027 10 27  
(891) 2017 10 27  
(511) 34

---

(260) AM 2019 96204 A  
(800) 1385753  
(151) 2017 10 25  
(181) 2027 10 25  
(891) 2017 10 25  
(511) 30, 33, 34

---

(260) AM 2019 96218 A  
(800) 1385782  
(151) 2017 10 03  
(181) 2027 10 03  
(891) 2017 10 03  
(511) 09

---

(260) AM 2019 96221 A  
(800) 1385469  
(151) 2017 10 17  
(181) 2027 10 17  
(891) 2017 10 17  
(511) 09, 28

---

(260) AM 2019 96235 A  
(800) 1385606  
(151) 2017 06 13  
(181) 2027 06 13  
(891) 2017 06 13  
(511) 39

---

(260) AM 2019 96237 A  
(800) 1385608  
(151) 2017 07 12  
(181) 2027 07 12  
(891) 2017 07 12  
(511) 06

---

(260) AM 2019 96242 A  
(800) 1385629  
(151) 2017 11 20  
(181) 2027 11 20  
(891) 2017 11 20  
(511) 28

---

(260) AM 2019 96257 A  
(800) 1385654  
(151) 2017 11 08  
(181) 2027 11 08  
(891) 2017 11 08  
(511) 05

---

(260) AM 2019 96259 A  
(800) 1385655  
(151) 2017 11 08  
(181) 2027 11 08  
(891) 2017 11 08  
(511) 05

---

(260) AM 2019 96260 A  
(800) 1385656  
(151) 2017 11 08

(181) 2027 11 08  
(891) 2017 11 08  
(511) 05

---

(260) AM 2019 96261 A  
(800) 1385657  
(151) 2017 11 08  
(181) 2027 11 08  
(891) 2017 11 08  
(511) 05

---

(260) AM 2019 96262 A  
(800) 1385659  
(151) 2017 11 07  
(181) 2027 11 07  
(891) 2017 11 07  
(511) 05

---

(260) AM 2019 96270 A  
(800) 1385887  
(151) 2017 08 02  
(181) 2027 08 02  
(891) 2017 08 02  
(511) 09, 35, 36, 38, 40, 42, 45

---

(260) AM 2019 96287 A  
(800) 1153735  
(151) 2012 07 19  
(181) 2022 07 19  
(891) 2017 11 26  
(511) 06

---

(260) AM 2019 96291 A  
(800) 1322799  
(151) 2016 07 26  
(181) 2026 07 26  
(891) 2017 11 23  
(511) 03, 05

---

(260) AM 2019 96293 A  
(800) 1370221  
(151) 2017 01 12  
(181) 2027 01 12  
(891) 2017 11 23  
(511) 03, 05

---

---

## APPELLATIONS OF ORIGIN OF GOODS

### APPELLATIONS OF ORIGIN OF GOODS FILED IN GEORGIA FOR EXAMINATION UNDER LISBON AGREEMENT, ON THE BASIS OF THE INTERNATIONAL REGISTRATION

The decision can be appealed at the Chamber of Appeal of Sakpatenti within 3 months from the publication or at the Mtskheta District Court Administrative Cases Board (Address: №17, Samkhedro str., Mtskheta), within 1 month after publication.

Number of Identification: 1512  
Number of International Registration: 1096  
Data of International Registration: 2017 09 26  
Application Filing Date: 2018 06 28  
Appellation of Origin of Good: **VERMENTINO DI SARDEGNA**  
The Goods for which the Registration of Appellation of Origin is Required: 33 – Wine  
Name and Address of Applicant: Consorzio Tutela Vini di Sardegna  
Largo Carlo Felice, 72 - Cagliari (Ca) – Italy (registered office) / Viale Armando Diaz, 221 - Cagliari (Ca) – Italy (place of business), Italy  
Ministero delle Politiche Agricole, Alimentari e Forestali  
Via XX Settembre, 20 – 00187 Roma, Italy

---

Number of Identification: 1513  
Number of International Registration: 1097  
Data of International Registration: 2017 09 26  
Application Filing Date: 2018 06 28  
Appellation of Origin of Good: **VERNACCIA DI SERRAPETRONA**  
The Goods for which the Registration of Appellation of Origin is Required: 33 – Wine  
Name and Address of Applicant: Istituto Marchigiano di Tutela Vini  
Viale dell'Industria, 5 - 60035 JESI (AN), Italy  
Ministero delle Politiche Agricole, Alimentari e Forestali  
Via XX Settembre, 20 – 00187 Roma, Italy

---

Number of Identification: 1514  
Number of International Registration: 1098  
Data of International Registration: 2017 09 26  
Application Filing Date: 2018 06 28  
Appellation of Origin of Good: **MONTEFALCO SAGRANTINO**  
The Goods for which the Registration of Appellation of Origin is Required: 33 – Wine  
Name and Address of Applicant: Consorzio Tutela Vini Montefalco  
Piazza del Comune, 16 06036 Montefalco (PG), Italy  
Ministero delle Politiche Agricole, Alimentari e Forestali  
Via XX Settembre, 20 – 00187 Roma, Italy

---

Number of Identification: 1515  
 Number of International Registration: 1063  
 Data of International Registration: 2017 02 22  
 Application Filing Date: 2017 08 03  
 Appellation of Origin of Good: **LANGHE**  
 The Goods for which the Registration of Appellation of Origin is Required: 33 – Wine  
 Name and Address of Applicant: Consorzio di Tutela Barolo Barbaresco Alba Langhe e Dogliani  
 Corso Enotria 2/c – Loc. Ampelion – 12051 Alba CN, Italy

Number of Identification: 1532  
 Number of International Registration: 1099  
 Data of International Registration: 2018 01 10  
 Application Filing Date: 2018 06 28  
 Appellation of Origin of Good: **delle Venezie**  
 The Goods for which the Registration of Appellation of Origin is Required: 33 – Wine  
 Name and Address of Applicant: Consorzio Volontario per la Tutela dei Vini DOC "delle Venezie"  
 Calle Larga XXII Marzo San Marco 2032 30124 Venice,  
 (via G. Mazzini 2 36053 Gambellara (Vicenza)), Italy

Number of Identification: 1534  
 Number of International Registration: 1100  
 Data of International Registration: 2018 02 02  
 Application Filing Date: 2018 07 20  
 Appellation of Origin of Good: **HERCEGOVAČKI MED**  
 The Goods for which the Registration of Appellation of Origin is Required: 30 – Honey.  
 Name and Address of Applicant: Udruuga pčelara neposrednih proizvođača "MATICA"  
 Mostar fra. Ambre Miletića 30, 88000 Mostar, Bosnia and Herzegovina

Number of Identification: 1535  
 Number of International Registration: 1101  
 Data of International Registration: 2018 02 02  
 Application Filing Date: 2018 07 20  
 Appellation of Origin of Good: **CAZINSKI MED OD KESTENA**  
 The Goods for which the Registration of Appellation of Origin is Required: 30 – Honey.  
 Name and Address of Applicant: "Udruženje pčelara Kesten Cazin"  
 Hasana Mujezinovića b.b., 77220 Cazin, Bosnia and Herzegovina

---

# OFFICIAL NOTIFICATION

## INVENTIONS

### RENEWAL OF PATENTS

(21) AP 2015 14011

**(11) P 2017 6654 B**

(73) LEPL "RAPHIEL DVALI INSTITUTE OF MASHINE MECHANICS"

(54) **RADIAL-PRESSING MACHINE FOR AXISYMMETRIC ARTICLES PRODUCTION**

DATE OF CANCELLATION OF PATENT: 2018 12 07

DATE OF RESTORATION OF PATENT: 2019 02 11

---

(21) AP 2016 14333

**(11) P 2018 6844 B**

(73) Guram Dgebuadze;

Tamazi Batsikadze;

Zurab Razmadze;

Alexander Mikaberidze

(54) **FACILITY/MODULE FOR CONTROLLED LOWTEMPERATURE NUCLEAR REACTION EXECUTION**

DATE OF CANCELLATION OF PATENT: 2018 11 30

DATE OF RESTORATION OF PATENT: 2019 02 11

---

### CANCELLATION OF PATENTS

(21) AP 2007 10824

**(11) P 2011 5147 B**

(73) NOVARTIS AG

(54) **PYRIMIDINE DERIVATIVES USED AS PI-3 KINASE INHIBITORS**

DATE OF PATENT CANCELLATION: 2018 01 22

PATENT RESTORATION IS AVAILABLE: 2019 01 22

---

(21) AP 2006 10920

**(11) P 2011 5268 B**

(73) FLSMIDTH A/S

(54) **CYCLONE SEPARATOR**

DATE OF PATENT CANCELLATION: 2017 12 28

PATENT RESTORATION IS AVAILABLE: 2018 12 28

---

(21) AP 2012 13034

**(11) P 2014 6090 B**

(73) GIORGI NICOLAESCU

(54) **METHOD TO CARRY OUT INFORMATIONAL PHONE CALLS**

DATE OF PATENT CANCELLATION: 2018 01 17

PATENT RESTORATION IS AVAILABLE: 2019 01 17

---



(21) AP 2012 13233

**(11) P 2015 6264 B**

(73) POLICHEM S.A

(54) **USE OF NIFURATEL TO TREAT INFECTIONS CAUSED BY CLOSTRIDIUM SPECIES**

DATE OF PATENT CANCELLATION: 2018 01 19

PATENT RESTORATION IS AVAILABLE: 2019 01 19

---

(21) AP 1999 5454

**(11) P 2002 2678 B**

(73) NOVARTIS AG

(54) **BICYCLIC HETEROAROMATIC COMPOUNDS AS PROTEIN TYROSINE KINASE INHIBITORS, THEIR PHARMACEUTICAL COMPOSITIONS AND METHODS FOR TREATMENT**

DATE OF PATENT CANCELLATION: 2018 01 08

PATENT RESTORATION IS AVAILABLE: 2019 01 08

---

(21) AP 2001 6551

**(11) P 2004 3236 B**

(73) Warner-Lambert Company

(54) **ASYMMETRIC SYNTHESIS OF PREGABALIN**

DATE OF PATENT CANCELLATION: 2018 01 11

PATENT RESTORATION IS AVAILABLE: 2019 01 11

---

(21) AP 2005 9574

**(11) P 2010 5121 B**

(73) Intel Corporation

(54) **TRANSPORT FORMAT COMBINATION SELECTION IN A WIRELESS TRANSMIT/RECEIVE UNIT**

DATE OF PATENT CANCELLATION: 2018 01 07

PATENT RESTORATION IS AVAILABLE: 2019 01 07

---

## TRANSFER OF RIGHT

(21) AP 2012 13170

**(11) P 2015 6257 B**

(54) **NAPHTHA ISOMERISATION ON THREE CATALYTIC REACTION ZONES INSIDE DISTILLATION COLUMN**

Last Name and Addresses: LIMITED COMPANY "REACTIVE RECTIFICATION TECHNOLOGY"  
Piskarevskiy prospekt, dom 150, korp. 2, Lit. A, Of. 202, 195273, St. Peterburg,  
Russian Federation

New name and Addresses: RRT Global Inc. (US)  
160 Green Drive, Swit 160, Dower, Kent, 19904, Delaware(US)

Date of Registry: 2019 01 30

---

## UTILITY MODELS

### RENEWAL OF PATENTS

(21) AU 2015 14018  
**(11) U 2016 1913 Y**  
(73) Giorgi Chechelashvili;  
Ivane Chkhaidze  
(54) **WINDOW**  
DATE OF CANCELLATION OF PATENT: 2018 12 17  
DATE OF RESTORATION OF PATENT: 2019 02 11

---

(21) AU 2016 14187  
**(11) U 2017 1936 Y**  
(73) Vakhtang Ghlonti;  
Nino Ghlonti  
(54) **BEEHIVE**  
DATE OF CANCELLATION OF PATENT: 2018 06 23  
DATE OF RESTORATION OF PATENT: 2019 02 11

---

(21) AU 2016 14355  
**(11) U 2018 1968 Y**  
(73) Sergo Taliuridze  
(54) **BOTTLE LID**  
DATE OF CANCELLATION OF PATENT: 2018 12 21  
DATE OF RESTORATION OF PATENT: 2019 02 11

---

(21) AU 2016 14374  
**(11) U 2017 1951 Y**  
(73) Levan Aleksishvili  
(54) **TELECOMMUNICATION SYSTEM FOR FOOD AND CONSUMER COMMODITY PURCHASE  
AND DELIVERY TO PLACE**  
DATE OF CANCELLATION OF PATENT: 2018 12 30  
DATE OF RESTORATION OF PATENT: 2019 02 11

---

### CANCELLATION OF PATENTS

(21) AU 2015 13693  
**(11) U 2016 1907 Y**  
(73) Joni Gigineishvili;  
Akaki Chkhaidze;  
Nanan Intskirveli  
(54) **RAIL TRANSPORT COMPOSITE BRAKE BLOCK**  
DATE OF CANCELLATION OF PATENT: 2018 01 06  
PATENT RESTORATION IS AVAILABLE: 2019 01 06

---

(21) AU 2016 14041

**(11) U 2017 1938 Y**

(73) Giorgi Mamisashvili

(54) **MULTIFUNCTIONAL ADDITIVE FOR FUEL**

DATE OF CANCELLATION OF PATENT: 2018 01 21

PATENT RESTORATION IS AVAILABLE: 2019 01 21

---

**TRADEMARKS****RENEWAL OF REGISTRATIONS**

(111) M 1998 11304 R2

(156) 16 12 1998

(186) 16 12 2028

(732) GENERAL MOTORS LLC

300 Renaissance Center, City of Detroit,  
State of Michigan 48265-3000, USA

(111) M 1999 11421 R2

(156) 26 01 1999

(186) 26 01 2029

(732) HYUNDAI MOTOR COMPANY

140-2, Kye-Dong, Jongro-ku, Seoul,  
Republic of Korea

(111) M 1998 11250 R2

(156) 09 12 1998

(186) 09 12 2028

(732) MEDA AB

Pipers Väg 2A, Box 906 SE-170 09 Solna,  
Sweden

(111) M 1999 11422 R2

(156) 26 01 1999

(186) 26 01 2029

(732) UNILEVER N.V.

Weena 455, NL-3013 AL Rotterdam,  
Netherlands

(111) M 1999 11503 R2

(156) 12 02 1999

(186) 12 02 2029

(732) SOCIETE DES PRODUITS NESTLE S.A.

Vevey, Switzerland

(111) M 1999 11506 R2

(156) 16 02 1999

(186) 16 02 2029

(732) VIIV HEALTHCARE UK LIMITED

980 Great West Road, Brentford, Middlesex  
TW8 9GS, United Kingdom

(111) M 1999 11363 R2

(156) 11 01 1999

(186) 11 01 2029

(732) CHAMPAGNE LOUIS ROEDERER (CLR)

21 Boulevard Lundy, 51100 Reims, France

(111) M 1999 11434 R2

(156) 26 01 1999

(186) 26 01 2029

(732) MEDA PHARMA GMBH & CO. KG

Benzstrasse 1, D-61352 Bad Homburg,  
Germany

(111) M 1998 11311 R2

(156) 16 12 1998

(186) 16 12 2028

(732) ARNTZ BETEILGUNGS GMBH & CO, KG

Corveyer Allee 15, D-37671 Hoxter,  
Germany

(111) M 1999 11483 R2

(156) 11 02 1999

(186) 11 02 2029

(732) DOMAINES REYBIER, SOCIETE ANONYME

CHT Cos d'Estournel 33180 Saint -Estephe,  
France

(111) M 1999 11417 R2

(156) 26 01 1999

(186) 26 01 2029

(732) BUCHER AG LANGENTHAL

Bern-Zurich-Strasse 31, CH-4900  
Langenthal, Switzerland

(111) M 1999 11465 R2

(156) 10 02 1999

(186) 10 02 2029

(732) UNILEVER N.V.

Weena 455, NL-3013 AL Rotterdam,  
Netherlands

(111) M 1999 11459 R2

(156) 09 02 1999

(186) 09 02 2029

(732) JACQUES BOGART INTERNATIONAL BV

Parklaan 34, 3016 BC Roterdami,  
Netherlands

(111) M 1999 11493 R2

(156) 11 02 1999

(186) 11 02 2029

(732) NOVO NORDISK A/S

Novo Alle, DK-2880 Bagsvaerd, Denmark

(111) M 1999 11507 R2  
(156) 16 02 1999  
(186) 16 02 2029  
(732) GLAXO GROUP LIMITED  
980 Great West Road, Brentford, Middlesex  
TW8 9GS, United Kingdom

---

(111) M 1999 12890 R2  
(156) 03 11 1999  
(186) 03 11 2029  
(732) ORION ELEKTRONIKAI KFT  
H-1106 Budapest, Jaszberenyi ut 29,  
Hungary

---

(111) M 1999 11831 R2  
(156) 19 04 1999  
(186) 19 04 2029  
(732) NOVO NORDISK HEALTH CARE AG  
Thurgauerstrasse 36/38, CH-8050 Zürich,  
Switzerland

---

(111) M 1999 11499 R2  
(156) 11 02 1999  
(186) 11 02 2029  
(732) BAYER CONSUMER CARE AG  
Peter Merian-Str. 84, 4052 Basel, Switzerland

---

(111) M 1999 11682 R2  
(156) 15 03 1999  
(186) 15 03 2029  
(732) WEETABIX LIMITED  
Weetabix Mills, Burton Latimer, Kettering,  
Northants NN15 5JR, United Kingdom

---

(111) M 1999 12239 R2  
(156) 14 05 1999  
(186) 14 05 2029  
(732) VIIV HEALTHCARE UK LIMITED  
980 Great West Road, Brentford, Middlesex  
TW8 9GS, United Kingdom

---

(111) M 1999 11937 R2  
(156) 30 04 1999  
(186) 30 04 2029  
(732) WM.WRIGLEY JR.COMPANY  
1132 West Blackhawk Street, Chicago,  
Illinois 60642, USA

---

(111) M 1999 12388 R2  
(156) 15 06 1999  
(186) 15 06 2029

(732) LVMH FRAGRANCE BRANDS  
Société Anonyme  
77 rue Anatole France 92300 Levallois  
Perret, France

---

(111) M 1999 12447 R2  
(156) 02 07 1999  
(186) 02 07 2029  
(732) GLAXOSMITHKLINE CONSUMER  
HEALTHCARE (UK) IP LIMITED  
980 Great West Road, Brentford, Middlesex  
TW8 9GS, United Kingdom

---

(111) M 1999 12354 R2  
(156) 15 06 1999  
(186) 15 06 2029  
(732) VIIV HEALTHCARE UK LIMITED  
980 Great West Road, Brentford, Middlesex  
TW8 9GS, United Kingdom

---

(111) M 1999 12368 R2  
(156) 15 06 1999  
(186) 15 06 2029  
(732) VIIV HEALTHCARE UK LIMITED  
980 Great West Road, Brentford, Middlesex  
TW8 9GS, United Kingdom

---

(111) M 1999 12778 R2  
(156) 23 09 1999  
(186) 23 09 2029  
(732) UPSA SAS  
3, rue Joseph Monier 92500 Rueill  
Malmaison, France

---

(111) M 1999 12779 R2  
(156) 23 09 1999  
(186) 23 09 2029  
(732) UPSA SAS  
3, rue Joseph Monier 92500 Rueill  
Malmaison, France

---

(111) M 1999 11444 R2  
(156) 09 02 1999  
(186) 09 02 2029  
(732) Bayer Intellectual Property GMBH  
Alfred-Nobel-Strasse 10, 40789 Monheim am  
Rhein, Germany

---

(111) M 1999 11445 R2  
(156) 09 02 1999  
(186) 09 02 2029

(732) Bayer Intellectual Property GMBH  
Alfred-Nobel-Strasse 10, 40789 Monheim  
am Rhein, Germany

---

(111) M 2008 19016 R1  
(156) 29 12 2008  
(186) 29 12 2028

(732) EXIDE TECHNOLOGIES S.A.  
Ul. Gdynska 31/33 PL-61-016, Poznan,  
Poland

---

(111) M 2008 18971 R1  
(156) 15 12 2008  
(186) 15 12 2028

(732) BRACCO SUISSE S.A.  
Via Cantonale, Galleria 2, CH-6928 Manno,  
Switzerland

---

(111) M 2008 18532 R1  
(156) 16 06 2008  
(186) 16 06 2028

(732) SS "TBILGVINO"  
Sarajshvilis gamz. 2, 0153, Tbilisi, Georgia

---

(111) M 2009 19031 R1  
(156) 16 01 2009  
(186) 16 01 2029

(732) IDILIA FOODS, S.L.  
LEPANTO 410-414, 08025 BARCELONA,  
Spain

---

(111) M 2008 18773 R1  
(156) 16 10 2008  
(186) 16 10 2028

(732) JSC "GEFA"  
Akaki Beliashvilis q. 142, 0159, Tbilisi,  
Georgia

---

(111) M 2008 18774 R1  
(156) 16 10 2008  
(186) 16 10 2028

(732) JSC "GEFA"  
Akaki Beliashvilis q. 142, 0159, Tbilisi,  
Georgia

---

(111) M 2009 19907 R1  
(156) 02 11 2009  
(186) 02 11 2029

(732) HSBC GROUP MANAGMENT  
SERVICES LIMITED  
8 Canada Square, London, E14 5HQ, United  
Kingdom

---

(111) M 2009 19032 R1

(156) 16 01 2009

(186) 16 01 2029

(732) LTD "GORELLI"

Shindisis Gzat. me-2 Km., Gori, 1400,  
Georgia

---

(111) M 2008 18924 R1

(156) 28 11 2008

(186) 28 11 2028

(732) LTD "SASTUMROEBISA DA

RESTORNEBIS MENEJMENT JGUFI-  
M/GROUP"

Marshal Gelovanis gamz.2, me-5 sar., 0159,  
Tbilisi, Georgia

---

(111) M 2008 18927 R1

(156) 28 11 2008

(186) 28 11 2028

(732) LTD "SASTUMROEBISA DA

RESTORNEBIS MENEJMENT JGUFI-  
M/GROUP"

Marshal Gelovanis gamz.2, me-5 sar., 0159,  
Tbilisi, Georgia

---

(111) M 1998 11100 R2

(156) 25 11 1998

(186) 25 11 2028

(732) AUTOMOBILES PEUGEOT

7 rue Henzi Sante-Claire Deville, 92500  
RUEIL-MALMAISON, France

---

(111) M 2009 19047 R1

(156) 16 01 2009

(186) 16 01 2029

(732) DEKOR RULO FIRÇA SANAYI VE

TICARET LIMITED ŞİRKETİ

E-5 Yanyol Cad, No:42 Kaynarca Pendik  
ISTANBUL, Turkey

---

(111) M 2009 19082 R1

(156) 13 02 2009

(186) 13 02 2029

(732) JENOME SEWING MACHINE COMPANY

LIMITED

1463 Hazama-Machi, Hachiojo-Shi, Tokio,  
Japan

---

(111) M 1999 12131 R2

(156) 12 05 1999

(186) 12 05 2029

(732) WM.WRIGLEY JR. COMPANY

1132 West Blackhawk Street, Chicago,  
Illinois 60642, USA

---

(111) M 2009 19116 R1  
 (156) 16 03 2009  
 (186) 16 03 2029  
 (732) NOVARTIS AG  
 CH-4002 Basel, Switzerland

---

(111) M 2009 19118 R1  
 (156) 16 03 2009  
 (186) 16 03 2029  
 (732) THE GOODYEAR TIRE & RUBBER  
 COMPANY  
 200 Innovation Way, Akron, Ohio  
 44316-0001, USA

---

(111) M 2009 19106 R1  
 (156) 02 03 2009  
 (186) 02 03 2029  
 (732) DESITIN ARZNEIMITTEL GMBH  
 Weg beim Jager 214, 22335 Hamburg,  
 Germany

---

(111) M 2009 19166 R1  
 (156) 30 03 2009  
 (186) 30 03 2029  
 (732) NOVARTIS AG  
 4002 Basel, Switzerland

---

(111) M 2009 19134 R1  
 (156) 16 03 2009  
 (186) 16 03 2029  
 (732) VANGUARD TRADEMARK HOLDINGS  
 USA LLC  
 600 Corporate Park Drive, St. Louis,  
 Missouri 63105, USA

---

(111) M 2009 19190 R1  
 (156) 30 03 2009  
 (186) 30 03 2029  
 (732) WORLD MEDICINE LIMITED  
 Commonwealth Trust Limited, Drake  
 Chambers, Tortola, Virgin Islands (British)

---

(111) M 2009 19518 R1  
 (156) 13 07 2009  
 (186) 13 07 2029  
 (732) NEW AMERICA NETWORK, INC.  
 186 Princeton Hightstown Road, Building  
 3A, Suite 7, Princeton Junction, New-Jersey  
 08550, USA

---

(111) M 2009 19519 R1  
 (156) 13 07 2009  
 (186) 13 07 2029

(732) NEW AMERICA NETWORK, INC.  
 186 Princeton Hightstown Road, Building  
 3A, Suite 7, Princeton Junction, New-Jersey  
 08550, USA

---

(111) M 2009 19350 R1  
 (156) 15 05 2009  
 (186) 15 05 2029  
 (732) CELGENE CORPORATION  
 a Delaware corporation  
 86 Morris Avenue, Summit, New Jersey  
 07901, USA

---

(111) M 2009 19606 R1  
 (156) 24 07 2009  
 (186) 24 07 2029  
 (732) JAPAN TOBACCO INC.  
 2-2-1, Toranomom, Minato-ku, Tokyo, Japan

---

(111) M 2009 19761 R1  
 (156) 11 09 2009  
 (186) 11 09 2029  
 (732) JAPAN TOBACCO INC.  
 2-2-1, Toranomom, Minato-ku, Tokyo, Japan

---

(111) M 2009 19931 R1  
 (156) 02 11 2009  
 (186) 02 11 2029  
 (732) GLAXOSMITHKLINE CONSUMER  
 HEALTHCARE (UK) IP LIMITED  
 980 Great West Road, Brentford, Middlesex  
 TW8 9GS, United Kingdom

---

(111) M 2009 19894 R1  
 (156) 16 10 2009  
 (186) 16 10 2029  
 (732) SMITHKLINE BEECHAM LIMITED  
 980 Great West Road, Brentford, Middlesex  
 TW8 9GS, United Kingdom

---

(111) M 2009 20128 R1  
 (156) 28 12 2009  
 (186) 28 12 2029  
 (732) GILEAD SCIENCES, INC  
 a Delaware corporation  
 333 Lakeside Drive, Foster City, California  
 94404, USA

---

(111) M 2009 20129 R1  
 (156) 28 12 2009  
 (186) 28 12 2029  
 (732) GILEAD SCIENCES, INC

a Delaware corporation  
333 Lakeside Drive, Foster City, California  
94404, USA

Chuo-ku, Tokyo, Japan

(111) M 1998 10568 R2  
(156) 26 08 1998  
(186) 26 08 2028  
(732) BILLBOARD IP HOLDINGS LLC  
340 Madison Avenue, New York,  
New York 10173, USA

(111) M 1999 12064 R2  
(156) 10 05 1999  
(186) 10 05 2029  
(732) KAO CORPORATION  
14-10, Nihonbashi Kayabacho, 1-chome,  
Chuo-ku, Tokyo, Japan

(111) M 1998 11103 R2  
(156) 25 11 1998  
(186) 25 11 2028  
(732) ELEKTRA ENTERTAINMENT GROUP  
INC.  
1633 Broadway, New York, New York  
10019, USA

(111) M 1999 12065 R2  
(156) 10 05 1999  
(186) 10 05 2029  
(732) KAO CORPORATION  
14-10, Nihonbashi Kayabacho, 1-chome,  
Chuo-ku, Tokyo, Japan

(111) M 1999 12098 R2  
(156) 10 05 1999  
(186) 10 05 2029  
(732) KATE SPADE & COMPANY  
5901 West Side Avenue, North Bergen, NJ  
07047, USA

(111) M 1999 12066 R2  
(156) 10 05 1999  
(186) 10 05 2029  
(732) KAO CORPORATION  
14-10, Nihonbashi Kayabacho, 1-chome,  
Chuo-ku, Tokyo, Japan

(111) M 1998 10569 R2  
(156) 26 08 1998  
(186) 26 08 2028  
(732) LABORATOIRES EXPANSCIENCE  
1 Place des Saisons, 92048 PARIS LA  
DEFENSE CEDEX, France

(111) M 1998 11200 R2  
(156) 02 12 1998  
(186) 02 12 2028  
(732) INTERPARFUMS S.A.  
4 Rond Point des Champs Elysee, 75008  
Paris, France

(111) M 1999 12059 R2  
(156) 10 05 1999  
(186) 10 05 2029  
(732) KAO CORPORATION  
14-10, Nihonbashi Kayabacho, 1-chome,  
Chuo-ku, Tokyo, Japan

(111) M 1999 11510 R2  
(156) 16 02 1999  
(186) 16 02 2029  
(732) B.S.A.  
33 Avenue du Main Tour Maine  
Montparnasse 75015 Paris, France

(111) M 1999 12061 R2  
(156) 10 05 1999  
(186) 10 05 2029  
(732) KAO CORPORATION  
14-10, Nihonbashi Kayabacho, 1-chome,  
Chuo-ku, Tokyo, Japan

(111) M 1999 11634 R2  
(156) 18 02 1999  
(186) 18 02 2029  
(732) BAYER S.A.S.  
16, rue Jean-Marie Leclair, 69009 Lyon,  
France

(111) M 1999 12063 R2  
(156) 10 05 1999  
(186) 10 05 2029  
(732) KAO CORPORATION  
14-10, Nihonbashi Kayabacho, 1-chome,

(111) M 1999 12011 R2  
(156) 10 05 1999  
(186) 10 05 2029  
(732) INSTITUT DE SELECTION ANIMALE  
B.V.  
Sporstraat 69, 5831 CK BOXMEER,  
Netherlands



(111) M 1999 12079 R2  
(156) 10 05 1999  
(186) 10 05 2029  
(732) VIIV HEALTHCARE UK LIMITED  
980 Great West Road, Brentford, Middlesex  
TW8 9GS, United Kingdom

---

(732) LVMH FRAGRANCE BRANDS,  
Société Anonyme  
77 rue Anatole France 92300 Levallois  
Perret, France

---

(111) M 1999 12080 R2  
(156) 10 05 1999  
(186) 10 05 2029  
(732) VIIV HEALTHCARE UK LIMITED  
980 Great West Road, Brentford, Middlesex  
TW8 9GS, United Kingdom

---

(111) M 1999 11943 R2  
(156) 06 05 1999  
(186) 06 05 2029  
(732) GLAXO GROUP LIMITED  
980 Great West Road, Brentford, Middlesex  
TW8 9GS, United Kingdom

---

(111) M 1999 11944 R2  
(156) 06 05 1999  
(186) 06 05 2029  
(732) GLAXO GROUP LIMITED  
980 Great West Road, Brentford, Middlesex  
TW8 9GS, United Kingdom

---

(111) M 1999 11946 R2  
(156) 06 05 1999  
(186) 06 05 2029  
(732) GLAXO GROUP LIMITED  
980 Great West Road, Brentford, Middlesex  
TW8 9GS, United Kingdom

---

(111) M 1999 12190 R2  
(156) 13 05 1999  
(186) 13 05 2029  
(732) GLAXO GROUP LIMITED  
980 Great West Road, Brentford, Middlesex  
TW8 9GS, United Kingdom

---

(111) M 1999 11827 R2  
(156) 19 04 1999  
(186) 19 04 2029  
(732) POKONOBÉ ASSOCIATES, A  
PARTNERSHIP  
48 Alta Wista, San Anselmo, California  
94960, USA

---

(111) M 1999 12997 R2  
(156) 10 12 1999  
(186) 10 12 2029

---

## COMPLETE TRANSFER OF RIGHTS

- 
- (111) M 1998 8938 R  
(732) INTEL SAT LICENSE HOLDINGS LLC  
4, rue Albert Borshette, L-1246, Luxembourg  
(770) INTEL SAT INVESTMENTS S.A.  
4, rue Albert Borshette, L-1246, Luxembourg  
(580) 28 01 2019
- 
- (111) M 1996 1416 R  
(732) BOARDRIDERS IP HOLDINGS LLC  
5600 Argosy Circle, Suite 100, Huntington  
Beach CA 92649, USA  
(770) QS HOLDINGS SARL  
9-11, rue Louvigny, L-1946 Luxembourg,  
Luxembourg  
(580) 26 12 2018
- 
- (111) M 1998 10568 R  
(732) BILLBOARD IP HOLDINGS LLC  
340 Madison Avenue, New York, New York  
10173, USA  
(770) PROMETHEUS GLOBAL MEDIA LLC  
770 Broadway, New York, NY 10003-9595,  
USA  
(580) 29 11 2018
- 
- (111) M 2012 23094 R  
(732) ALLIED GLOBAL TOBACCO LIMITED  
Wey Court West, Union Road, Farnham,  
GU9 7PT Surrey, United Kingdom  
(770) LTD "OMEGA-2"  
Sarajishvilis q. 13-15-17, Tbilisi, 0159,  
Georgia  
(580) 28 12 2018
- 
- (111) M 2014 25074 R  
(732) LTD "ASPHARMA – Georgian  
Pharmaceutical Company"  
Mckhetis 8, Tbilisi, 0179, Georgia  
(770) JSC "Asal Dish Tijaret Representative  
in Georgia"  
Metekhis q. 22, Tbilisi, 0103, Georgia  
(580) 23 01 2019
- 
- (111) M 2014 24998 R  
(732) LTD "ASPHARMA – Georgian  
Pharmaceutical Company"  
Mckhetis 8, Tbilisi, Georgia  
(770) JSC "Asal Dish Tijaret Representative  
in Georgia"
- 
- Metekhis q. 22, Tbilisi, 0103, Georgia  
(580) 23 01 2019
- 
- (111) M 2014 24999 R  
(732) LTD "ASPHARMA – Georgian  
Pharmaceutical Company"  
Mckhetis 8, Tbilisi, 0179, Georgia  
(770) JSC "Asal Dish Tijaret Representative  
in Georgia"  
Metekhis q. 22, Tbilisi, 0103, Georgia  
(580) 23 01 2019
- 
- (111) M 2015 26044 R  
(732) LTD "ICR FUUD END BEVERAGE"  
Vake Saburtalos r-ni Digmis Sastsavlo  
Sacdeli Meurneobis Teritoria, Sartuli 5,  
Tbilisi, Georgia  
(770) LTD "International Corporation ICR"  
Davit D. Agmasheneblis gamz. 173, 0112,  
Tbilisi, Georgia  
(580) 10 11 2017
- 
- (111) M 2016 27828 R  
(732) LTD "CHEMI SAKHLI"  
Vake Saburtalos r-ni Digmis Sastsavlo  
Sacdeli Meurneobis Teritoria, Sartuli 2,  
Tbilisi, Georgia  
(770) LTD "International Corporation ICR"  
D. Agmasheneblis gamz. 173, 0112, Tbilisi,  
Georgia  
(580) 10 11 2017
- 
- (111) M 2016 27829 R  
(732) LTD "CHEMI SAKHLI"  
Vake Saburtalos r-ni Digmis Sastsavlo  
Sacdeli Meurneobis Teritoria, Sartuli 2,  
Tbilisi, Georgia  
(770) LTD "International Corporation ICR"  
D. Agmasheneblis gamz. 173, Tbilisi, 0112,  
Georgia  
(580) 10 11 2017
- 
- (111) M 2016 27830 R  
(732) LTD "CHEMI SAKHLI"  
Vake Saburtalos r-ni Digmis Sastsavlo  
Sacdeli Meurneobis Teritoria, Sar. 2,  
Tbilisi, Georgia  
(770) LTD "International Corporation ICR"  
D. Agmasheneblis gamz. 173, 0112, Tbilisi,  
Georgia
-

---

(580) 10 11 2017

---

(111) M 2016 27831 R  
(732) LTD "ICR FUUD END BEVERAGE"  
Digmis Sastsavlo Sacdeli Meurneobis  
Teritoria, Sart. 5, Vake Saburtalos r-ni,  
Tbilisi, Georgia  
(770) LTD "International Corporation ICR"  
D. Agmasheneblis gamz. 173, 0112, Tbilisi,  
Georgia  
(580) 10 11 2017

---

(111) M 2016 27833 R  
(732) LTD "ICR FUUD END BEVERAGE"  
Digmis Sastsavlo Sacdeli Meurneobis  
Teritoria, Sart. 5, Vake-Saburtalos r-ni,  
Tbilisi, Georgia  
(770) LTD "International Corporation ICR"  
D. Agmasheneblis gamz. 173, 0112, Tbilisi,  
Georgia  
(580) 10 11 2017

---

(111) M 2016 27836 R  
(732) LTD "ICR FUUD END BEVERAGE"  
Digmis Sastsavlo Sacdeli Meurneobis  
Teritoria, Sart. 5, Vake-Saburtalos r-ni,  
Tbilisi, Georgia  
(770) LTD "International Corporation ICR"  
D. Agmasheneblis gamz. 173, Tbilisi, 0112,  
Georgia  
(580) 10 11 2017

---

(111) M 2016 27837 R  
(732) LTD "ICR FUUD END BEVERAGE"  
Digmis Sastsavlo Sacdeli Meurneobis  
Teritoria, Sart. 5, Vake-Saburtalos r-ni,  
Tbilisi, Georgia  
(770) LTD "International Corporation ICR"  
D. Agmasheneblis gamz. 173, Tbilisi, 0112,  
Georgia  
(580) 10 11 2017

---

(111) M 2016 27838 R  
(732) LTD "ICR FUUD END BEVERAGE"  
Digmis Sastsavlo Sacdeli Meurneobis  
Teritoria, Sart. 5, Vake-Saburtalos r-ni,  
Tbilisi, Georgia  
(770) LTD "International Corporation ICR"  
D. Agmasheneblis gamz. 173, Tbilisi, 0112,  
Georgia  
(580) 10 11 2017

---

(111) M 2016 27964 R  
(732) LTD "ICR FUUD END BEVERAGE"  
Digmis Sastsavlo Sacdeli Meurneobis  
Teritoria, Sart. 5, Vake-Saburtalos r-ni,  
Tbilisi, Georgia  
(770) LTD "International Corporation ICR"  
D. Agmasheneblis gamz. 173, 0112, Tbilisi,  
Georgia  
(580) 10 11 2017

---

(111) M 2016 27965 R  
(732) LTD "ICR FUUD END BEVERAGE"  
Digmis Sastsavlo Sacdeli Meurneobis  
Teritoria, Sart. 5, Vake-Saburtalos r-ni,  
Tbilisi, Georgia  
(770) LTD "International Corporation ICR"  
D. Agmasheneblis gamz. 173, 0112, Tbilisi,  
Georgia  
(580) 10 11 2017

---

(111) M 2016 27966 R  
(732) LTD "ICR FUUD END BEVERAGE"  
Digmis Sastsavlo Sacdeli Meurneobis  
Teritoria, Sart. 5, Vake-Saburtalos r-ni,  
Tbilisi, Georgia  
(770) LTD "International Corporation ICR"  
D. Agmasheneblis gamz. 173, 0112, Tbilisi,  
Georgia  
(580) 10 11 2017

---

(111) M 2016 28033 R  
(732) LTD "FUL HAUSE"  
Vazha-Pshavelas gamz. 76b, (nakveti  
N39/032), b. 39, Vake-Saburtalos r-ni  
Tbilisi, Georgia  
(770) LTD "DRIMTIM"  
Tsknetis q. 6, b. 23, 0162, Tbilisi, Georgia  
(580) 09 01 2019

---

(111) M 2017 28787 R  
(732) LTD "ATLAS"  
Tchovelidzis q. 10a, Mtatsmindis r-ni  
Tbilisi, Georgia  
(770) LTD "ATLANTIC CHANNELS"  
Delaveri 19904, Doveri, Niu Bartonis  
Gzatkecili 850, Seria 201, USA  
(580) 20 12 2018

---

(111) M 2018 30376 R  
(732) LTD "IVOL Georgia"  
Nucubidzis q. 10, b. 20, Tbilisi, Georgia  
(770) LTD "IVOLI"  
Apakidzis q. 11, b. 61, Tbilisi, 0160, Georgia  
(580) 14 01 2019

---

---

**CHANGES IN NAMES AND/OR ADDRESSES OF OWNERS**

(111) M 1999 11459 R  
 (732) JACQUES BOGART INTERNATIONAL  
 BV  
 Parklaan 34, 3016 BC Rotterdam,  
 Netherlands  
 (770) JACQUES BOGART INTERNATIONAL BV  
 Westblaak 89, 3012KG Rotterdam,  
 Netherlands  
 (580) 28 01 2019

---

(111) M 1999 11923 R  
 (732) BRITISH AMERICAN TOBACCO  
 (BRANDS) INC.  
 251 Little Falls Drive, Suite 100,  
 Wilmington, DE 19808-1674, USA  
 (770) BRITISH AMERICAN TOBACCO  
 (BRANDS) INC.  
 2711 Centerville Road, Suite 300,  
 Wilmington, Delaware 19808, USA  
 (580) 21 01 2019

---

(111) M 1999 11937 R  
 (732) WM.WRIGLEY JR.COMPANY  
 1132 West Blackhawk Street, Chicago,  
 Illinois 60642, USA  
 (770) WM.WRIGLEY JR.COMPANY  
 410 North Michigan Avenue, Chicago,  
 Illinois 60611, USA  
 (580) 22 01 2019

---

(111) M 2005 15965 R  
 (732) Aktsionernoe obshchestvo "TehnoNIKOL"  
 Ul Giliarovskovo, Dom. 47, Stroenie 5,  
 Et. 5, Pom. 1, Kom. 22, 129110, Moscow,  
 Russian Federation  
 (770) Zakrytoe aktsionernoe obshchestvo  
 "TehnoNIKOL"  
 Krymskiy val, 8, 117049, Moscow, Russian  
 Federation  
 (580) 08 01 2019

---

(111) M 2005 15966 R  
 (732) Aktsionernoe obshchestvo "TehnoNIKOL"  
 Ul Giliarovskovo, Dom. 47, Stroenie 5,  
 Et. 5, Pom. 1, Kom. 22, 129110, Moscow,  
 Russian Federation  
 (770) Zakrytoe aktsionernoe obshchestvo  
 "TehnoNIKOL"  
 Krymskiy val, 8, 117049, Moscow, Russian  
 Federation  
 (580) 08 01 2019

---

(111) M 1996 1416 R  
 (732) QS HOLDINGS SARL  
 9-11, rue Louvigny, L-1946 Luxembourg,  
 Luxembourg  
 (770) QS HOLDINGS SARL  
 L-1628 Luxembourg, 1 rue de Glacis,  
 Luxembourg  
 (580) 26 12 2018

---

(111) M 2007 17228 R  
 (732) Chloride Group Plc  
 C/O VERTIV, TOR, SAINT-CLOUD WAY,  
 MAIDENHEAD SL6 8BN, United Kingdom  
 (770) CHLORIDE GROUP PLC  
 Ebury Gate, 23 Lower Belgrave Street,  
 London SW1W 0NR, United Kingdom  
 (580) 29 10 2018

---

(111) M 2007 17563 R  
 (732) Aktsionernoe obshchestvo "TehnoNIKOL"  
 Ul. Giliarovskovo, Dom. 47, Stroenie 5,  
 Et. 5, Pom. 1, Kom. 22, 129110, Moscow,  
 Russian Federation  
 (770) Zakrytoe aktsionernoe obshchestvo  
 "TehnoNIKOL"  
 Krymskiy val, 8, 119049, Moscow, Russian  
 Federation  
 (580) 08 01 2019

---

(111) M 2008 18773 R  
 (732) JSC "GEFA"  
 Akaki Belashvili q. 142, Tbilisi, 0159, Georgia  
 (770) LTD " GPC "  
 Marjanishvili q. 26, Tbilisi, 0102, Georgia  
 (580) 24 01 2019

---

(111) M 2008 18774 R  
 (732) JSC "GEFA"  
 Akaki Belashvili q. 142, Tbilisi, 0102,  
 Georgia  
 (770) LTD "GPC"  
 Marjanishvili q. 26, Tbilisi, 0102, Georgia  
 (580) 24 01 2019

---

(111) M 1998 11100 R  
 (732) AUTOMOBILES PEUGEOT  
 7 rue Henzi Sante-Claire Deville, 92500  
 RUEIL-MALMAISON, France  
 (770) AUTOMOBILES PEUGEOT  
 75 Avenue de la Grande-Armee, F-75116  
 Paris, France

---

---

(580) 27 11 2018

---

(111) M 2009 19082 R  
(732) JENOME SEWING MACHINE COMPANY LIMITED  
1463 Hazama-Machi, Hachiojo-Shi, Tokio, Japan  
(770) JENOME SEWING MACHINE COMPANY LIMITED  
No1-1, Kyobashi, 3-Chome, Chuo-Ku, Tokyo, Japan  
(580) 21 01 2019

---

(111) M 1999 12131 R  
(732) WM.WRIGLEY JR.COMPANY  
1132 West Blackhawk Street, Chicago, Illinois 60642, USA  
(770) WM.WRIGLEY JR.COMPANY  
410 North Michigan Avenue, Chicago, Illinois 60611, USA  
(580) 22 01 2019

---

(111) M 2009 19100 R  
(732) Aktsionernoe obshchestvo "TehnoNIKOL"  
Ul. Giliarovskovo, Dom. 47, Stroenie 5, Et. 5, Pom. 1, Kom. 22, 129110, Moscow, Russian Federation  
(770) Zakrytoe aktsionernoe obshchestvo "TehnoNIKOL"  
Krymskiy val, 8, 119049, Moscow, Russian Federation  
(580) 30 11 2018

---

(111) M 2012 22773 R  
(732) Aktsionernoe obshchestvo "TehnoNIKOL"  
Ul. Giliarovskovo, Dom. 47, Stroenie 5, Et. 5, Pom. 1, Kom. 22, 129110, Moscow, Russian Federation  
(770) Zakrytoe aktsionernoe obshchestvo "TehnoNIKOL"  
Krymskiy val, 8, 119049, Moscow, Russian Federation  
(580) 08 01 2019

---

(111) M 2012 22774 R  
(732) Aktsionernoe obshchestvo "TehnoNIKOL"  
Ul. Giliarovskovo, Dom. 47, Stroenie 5, Et. 5, Pom. 1, Kom. 22, 129110, Moscow, Russian Federation  
(770) Zakrytoe aktsionernoe obshchestvo "TehnoNIKOL"  
Krymskiy val, 8, 119049, Moscow, Russian Federation  
(580) 08 01 2019

---

(111) M 2013 23941 R  
(732) Aktsionernoe obshchestvo "TehnoNIKOL"  
Ul. Giliarovskovo, Dom. 47, Stroenie 5, Et. 5, Pom. 1, Kom. 22, 129110, Moscow, Russian Federation  
(770) Zakrytoe aktsionernoe obshchestvo "TEKHNONIKOL"  
Krimski Val, 8, Moscow 119049, Russian Federation  
(580) 08 01 2019

---

(111) M 2014 24776 R  
(732) BRITISH AMERICAN TOBACCO (BRANDS) INC. (a Delaware corporation)  
251 Little Falls Drive, Suite 100, Wilmington, DE 19808-1674, USA  
(770) BRITISH AMERICAN TOBACCO (BRANDS) INC. (a Delaware corporation)  
2711 Centerville Road, Suite 300, Wilmington, Delaware 19808, USA  
(580) 18 01 2019

---

(111) M 2014 25229 R  
(732) BRITISH AMERICAN TOBACCO (BRANDS) INC. (a Delaware corporation)  
251 Little Falls Drive, Suite 100, Wilmington, DE 19808-1674, USA  
(770) BRITISH AMERICAN TOBACCO (BRANDS) INC. (a Delaware corporation)  
2711 Centerville Road, Suite 300, Wilmington, Delaware 19808, USA  
(580) 18 01 2019

---

(111) M 2014 25327 R  
(732) BRITISH AMERICAN TOBACCO (BRANDS) INC. (a Delaware corporation)  
251 Little Falls Drive, Suite 100, Wilmington, DE 19808-1674, USA  
(770) BRITISH AMERICAN TOBACCO (BRANDS) INC. (a Delaware corporation)  
2711 Centerville Road, Suite 300, Wilmington, Delaware 19808, USA  
(580) 18 01 2019

---

(111) M 2014 25236 R  
(732) BRITISH AMERICAN TOBACCO (BRANDS) INC. (a Delaware corporation)  
251 Little Falls Drive, Suite 100, Wilmington, DE 19808-1674, USA  
(770) BRITISH AMERICAN TOBACCO (BRANDS) INC. (a Delaware corporation)  
2711 Centerville Road, Suite 300, Wilmington, Delaware 19808, USA  
(580) 18 01 2019

---

(111) M 2014 25283 R  
(732) BRITISH AMERICAN TOBACCO  
(BRANDS) INC. (a Delaware corporation)  
251 Little Falls Drive, Suite 100,  
Wilmington, DE 19808-1674, USA  
(770) BRITISH AMERICAN TOBACCO  
(BRANDS) INC. (a Delaware corporation)  
2711 Centerville Road, Suite 300,  
Wilmington, Delaware 19808, USA  
(580) 21 01 2019

---

(111) M 2016 26830 R  
(732) BRITISH AMERICAN TOBACCO  
(BRANDS) INC. (a Delaware corporation)  
251 Little Falls Drive, Suite 100,  
Wilmington, DE 19808-1674, USA  
(770) BRITISH AMERICAN TOBACCO  
(BRANDS) INC. (a Delaware corporation)  
2711 Centerville Road, Suite 300,  
Wilmington, Delaware 19808, USA  
(580) 21 01 2019

---

(111) M 2015 25866 R  
(732) BRITISH AMERICAN TOBACCO  
(BRANDS) INC. (a Delaware corporation)  
251 Little Falls Drive, Suite 100,  
Wilmington, DE 19808-1674, USA  
(770) BRITISH AMERICAN TOBACCO  
(BRANDS) INC. (a Delaware corporation)  
2711 Centerville Road, Suite 300,  
Wilmington, Delaware 19808, USA  
(580) 21 01 2019

---

(111) M 2016 27821 R  
(732) BRITISH AMERICAN TOBACCO  
(BRANDS) INC. (a Delaware corporation)  
251 Little Falls Drive, Suite 100,  
Wilmington, DE 19808-1674, USA  
(770) BRITISH AMERICAN TOBACCO  
(BRANDS) INC. (a Delaware corporation)  
2711 Centerville Road, Suite 300,  
Wilmington, Delaware 19808, USA  
(580) 18 01 2019

---

(111) M 2017 28482 R  
(732) Aktsionernoe obshchestvo "TehnoNIKOL"  
Ul. Giliarovskovo, Dom. 47, Stroenie 5,  
Et. 5, Pom. 1, Kom. 22, 129110, Moscow,  
Russian  
Federation  
(770) Zakritoe aktsionernoe obshchestvo  
"TEKHNONIKOL"  
Krimski Val, 8, Moscow 119049, Russian  
Federation  
(580) 30 11 2018

---

(111) M 2017 28575 R  
(732) BRITISH AMERICAN TOBACCO  
(BRANDS) INC. (a Delaware corporation)  
251 Little Falls Drive, Suite 100,  
Wilmington, DE 19808-1674, USA  
(770) BRITISH AMERICAN TOBACCO  
(BRANDS) INC. (a Delaware corporation)  
2711 Sentervil Roud, Suit 300,  
Uilmingtoni, Delaveri 19808, USA  
(580) 21 01 2019

---

(111) M 2018 29428 R  
(732) Aktsionernoe obshchestvo "TehnoNIKOL"  
Ul. Giliarovskovo, Dom. 47, Stroenie 5,  
Et. 5, Pom. 1, Kom. 22, 129110, Moscow,  
Russian Federation  
(770) Zakritoe aktsionernoe obshchestvo  
"TEKHNONIKOL"  
Krimski Val, 8, Moscow 119049, Russian  
Federation  
(580) 08 01 2019

---

(111) M 2018 29429 R  
(732) Aktsionernoe obshchestvo "TehnoNIKOL"  
Ul. Giliarovskovo, Dom. 47, Stroenie 5,  
Et. 5, Pom. 1, Kom. 22, 129110, Moscow,  
Russian Federation  
(770) Zakritoe aktsionernoe obshchestvo  
"TEKHNONIKOL"  
Krimski Val, 8, Moscow 119049, Russian  
Federation  
(580) 08 01 2019

---

(111) M 2018 29396 R  
(732) BRBRITISH AMERICAN TOBACCO  
(BRANDS) INC. a Delaware corporation  
251 Little Falls Drive, Suite 100,  
Wilmington, DE 19808-1674, USA  
(770) BRBRITISH AMERICAN TOBACCO  
(BRANDS) INC. a Delaware corporation  
2711 Centerville Road, Suite 300,  
Wilmington, Delaware 19808, USA  
(580) 21 01 2019

---

## TERMINATION OF TRADEMARK REGISTRATIONS

(111) M 1998 9898 R  
(151) 26 06 1998  
(181) 2018 12 26  
(732) ROTHMANS OF PALL MALL LIMITED  
Route de France 17, Boncourt, 2926,  
Switzerland

---

(111) M 1998 9939 R  
(151) 07 07 1998  
(181) 2019 01 07  
(732) SMITHKLINE BEECHAM (CORK)  
LIMITED  
Currabinny, Carrigaline, County Cork,  
Ireland

---

(111) M 1998 9949 R  
(151) 07 07 1998  
(181) 2019 01 07  
(732) THE PROCTER & GAMBLE COMPANY  
One Procter & Gamble Plaza, Cincinnati,  
Ohio, USA

---

(111) M 1998 9952 R  
(151) 07 07 1998  
(181) 2019 01 07  
(732) ORACLE AMERICA, INC.  
500 Oracle Parkway, Redwood Shores,  
California 94065, USA

---

(111) M 2008 18516 R  
(151) 16 06 2008  
(181) 2018 12 16  
(732) LTD "QALAMANI"  
Ilia Chavchavadzis gamz. 11, b.29, Tbilisi,  
0175, Georgia

---

(111) M 2008 18563 R  
(151) 01 07 2008  
(181) 2019 01 01  
(732) LTD "TREIDLAINI"  
D. Gamrekelis q.19, ofisi 29, Tbilisi, 0160,  
Georgia

---

(111) M 2008 18523 R  
(151) 16 06 2008  
(181) 2018 12 16  
(732) AESTHETICA LTD.  
Dorchester House, 7 Church Street Hamilton,  
HM11, Bermuda

---

(111) M 2008 18526 R  
(151) 16 06 2008  
(181) 2018 12 16  
(732) BELA ABZIANIDZE  
Muskhelishvilis q. 2a, Qutaisi, 4609, Georgia

---

(111) M 2008 18527 R  
(151) 16 06 2008  
(181) 2018 12 16  
(732) DAVIT BERUASHVILI  
Sop. Ruisi, Karelis r-ni 4517, Georgia

---

(111) M 2008 18530 R  
(151) 16 06 2008  
(181) 2018 12 16  
(732) ZENTIVA A.S.  
Ul. Kabelovny 130, 102 37 Praha 10,  
Dolni Mecholupy, Czech Republic

---

(111) M 2008 18533 R  
(151) 16 06 2008  
(181) 2018 12 16  
(732) JSC "TBILGVINO"  
Sarajishvilis gamz. 2, Tbilisi, 0153,  
Georgia

---

(111) M 2008 18544 R  
(151) 16 06 2008  
(181) 2018 12 16  
(732) ZURAB ELOSHVILI  
Iosebisdzis q.72, b.9, Tbilisi, 0160,  
Georgia

---

(111) M 2008 18588 R  
(151) 11 07 2008  
(181) 2019 01 11  
(732) ALEKSANDR SLOBODYAN  
ul. Radunskaia, d. 26, kv. 55, 02097 Kiev,  
Ukraine

---

(111) M 2008 18589 R  
(151) 11 07 2008  
(181) 2019 01 11  
(732) HENRI WINTERMANS CIGARS B.V.  
Nieuwstraat 75, 5521 CB Eersel, Netherlands

---

(111) M 2008 18553 R  
(151) 16 06 2008  
(181) 2018 12 16

(732) LTD "ZHORZHOLIANI TREIDINGI"  
Zhiuli Shartavas q., 43, Tbilisi, 0160,  
Georgia

---

(111) M 2008 18554 R  
(151) 16 06 2008  
(181) 2018 12 16

(732) LTD "ZHORZHOLIANI TREIDINGI"  
Zhiuli Shartavas q., 43, 0160, Tbilisi,  
Georgia

---

(111) M 2008 18593 R  
(151) 11 07 2008  
(181) 2019 01 11

(732) DANGLARE INVESTMENTS LTD  
Rodus Building, 4th Floor, Road Reef, Road  
Town, Tortola, Virgin Islands (British)

---

(111) M 2008 18594 R  
(151) 11 07 2008  
(181) 2019 01 11

(732) DELL INC. (a Delaware corporation)  
One Dell Way, Round Rock, Texas 78682,  
USA

---

(111) M 2008 18596 R  
(151) 11 07 2008  
(181) 2019 01 11

(732) LTD "Georgian Spirits and Wine Company"  
Sop. Achinebuli, Telavi, 2200, Georgia

---

(111) M 2008 18597 R  
(151) 11 07 2008  
(181) 2019 01 11

(732) LTD "Georgian Spirits and Wine Company"  
Sop. Achinebuli, Telavi, 2200, Georgia

---

(111) M 2008 18610 R  
(151) 17 07 2008  
(181) 2019 01 17

(732) Товариство з обмеженою відповідальністю  
"ФРУТ МАЙСТЕР ФУДС"  
вул. Б. Хмельницького 163, м. Бэрэгово,  
Закарпатська обл. 90202, Ukraine

---

(111) M 2008 18611 R  
(151) 17 07 2008  
(181) 2019 01 17

(732) Товариство з обмеженою відповідальністю  
"ФРУТ МАЙСТЕР ФУДС"  
вул. Б. Хмельницького 163, м. Бэрэгово,  
Закарпатська обл. 90202, Ukraine

---

(111) M 2008 18612 R  
(151) 17 07 2008  
(181) 2019 01 17

(732) Товариство з обмеженою відповідальністю  
"ФРУТ МАЙСТЕР ФУДС"  
вул. Б. Хмельницького 163, м.Бэрэгово,  
Закарпатська обл. 90202, Ukraine

---

(111) M 2008 18613 R  
(151) 17 07 2008  
(181) 2019 01 17

(732) Товариство з обмеженою відповідальністю  
"ФРУТ МАЙСТЕР ФУДС"  
вул. Б. Хмельницького 163, м.Бэрэгово,  
Закарпатська обл. 90202, Ukraine

---

(111) M 2008 18614 R  
(151) 17 07 2008  
(181) 2019 01 17

(732) Товариство з обмеженою відповідальністю  
"ФРУТ МАЙСТЕР ФУДС"  
вул. Б. Хмельницького 163, м. Бэрэгово,  
Закарпатська обл. 90202, Ukraine

---

(111) M 2008 18615 R  
(151) 17 07 2008  
(181) 2019 01 17

(732) Товариство з обмеженою відповідальністю  
"ФРУТ МАЙСТЕР ФУДС"  
вул. Б. Хмельницького 163, м. Бэрэгово,  
Закарпатська обл. 90202, Ukraine

---

(111) M 2008 18616 R  
(151) 17 07 2008  
(181) 2019 01 17

(732) Товариство з обмеженою відповідальністю  
"ФРУТ МАЙСТЕР ФУДС"  
вул. Б. Хмельницького 163, м. Бэрэгово,  
Закарпатська обл. 90202, Ukraine

---

(111) M 2008 18617 R  
(151) 17 07 2008  
(181) 2019 01 17

(732) Товариство з обмеженою відповідальністю  
"ФРУТ МАЙСТЕР ФУДС"  
вул. Б. Хмельницького 163, м. Бэрэгово,  
Закарпатська обл. 90202, Ukraine

---

(111) M 2008 18618 R  
(151) 17 07 2008  
(181) 2019 01 17

(732) Товариство з обмеженою відповідальністю  
"ФРУТ МАЙСТЕР ФУДС"



вул. Б. Хмельницького 163, м. Бэрэгово,  
Закарпатська обл. 90202, Ukraine

---

(111) M 2008 18604 R  
(151) 11 07 2008  
(181) 2019 01 11  
(732) TAMARA FILIPPOVA  
Via san Gaspare Bertoni 38-37042 Caldiero  
(Verona), Italy

---

(111) M 2008 18608 R  
(151) 11 07 2008  
(181) 2019 01 11  
(732) SANOFI-AVENTIS DEUTSCHLAND  
GmbH  
Brueningstrasse 50, D-65926 Frankfurt am  
Main, Germany

---

(111) M 1998 10010 R  
(151) 09 07 1998  
(181) 2019 01 09  
(732) COSTAN, S.P.A.  
I-32020 Limana (Belluno), Italy

---

(111) M 1998 10016 R  
(151) 09 07 1998  
(181) 2019 01 09  
(732) PERFETTI VAN MELLE S.P.A.  
7, Via XXV Aprile, 20020 Lainate (Milano),  
Italy

---

CHANGE OF THE LIST OF GOODS AND/OR SERVICES  
OF TRADEMARK

(111) M 2008 18517 R  
(732) NIAZ DIASAMIDZE  
Paliashvilis q. 33a, 0179, Tbilisi, Georgia  
(511) 35, 41

---

(111) M 1999 11944 R  
(732) GLAXO GROUP LIMITED  
980 Great West Road, Brentford, Middlesex  
TW8 9GS, United Kingdom  
(511) 5

---

LICENSE AGREEMENT

(111) M 2012 22368 R  
(732) LTD "TEGETA MOTORS"  
Davit D. Agmasheneblis kheivani,  
me-12 km. 5, 0131, Tbilisi, Georgia  
(791) LTD "TEGETA CAR RENT"  
I. Chavchavadzis gamz. 83, sart. 5,  
b. 17, A Bloki, Vakis r-ni, Tbilisi, Georgia  
(793) 1567  
(793) 01 11 2018 – 01 11 2020  
(793) Simple  
(793) 1, 4, 7. 9, 12. 37

---

---

# CLASSIFICATION INDEXES

## INVENTIONS

### CONCORDANCE TABLE OF INTERNATIONAL CLASSIFICATION INDEX AND PUBLICATION NUMBERS

INTERNATIONAL CLASSIFICATION INDEXES (51)	NUMBER OF PUBLISHED APPLICATION (10)
A 61 K 9/20; A 61 K 31/40	AP 2019 14292 A
A 61 K 31/395; A 61 P 31/04; C 07 D 471/04; C 07 D 413/14; C 07 D 405/14; C 07 D 401/14; C 07 D 497/04; C 07 D 493/04; C 07 D 495/04; C 07 D 491/04	AP 2019 14540 A
A 61 K 39/17; A 61 P 35/00; C 12 N 15/09	AP 2019 13952 A
A 61 L 15/44; A 61 K 9/00; A 61 K 47/34; A 61 K 9/70; A 61 K 31/355; A 61 L 15/26	AP 2019 14012 A
A 61 M 5/31; B 23 P 17/04	AP 2019 14559 A
A 62 C 13/66; A 62 C 13/74	AP 2019 14393 A
B 02 C 18/30	AP 2019 14434 A
B 66 D 5/26	AP 2019 14509 A
C 07 B 57/00; C 07 D 487/06	AP 2019 14340 A
E 01 C 7/36; C 04 B 7/26, 7/28, 11/00	AP 2019 14405 A
F 03 G 4/00	AP 2019 14694 A

### CONCORDANCE TABLE OF PUBLICATION NUMBERS AND INTERNATIONAL CLASSIFICATION INDEX

NUMBER OF PUBLISHED APPLICATION (10)	INTERNATIONAL CLASSIFICATION INDEXES (51)
AP 2019 13952 A	A 61 K 39/17; A 61 P 35/00; C 12 N 15/09
AP 2019 14012 A	A 61 L 15/44; A 61 K 9/00; A 61 K 47/34; A 61 K 9/70; A 61 K 31/355; A 61 L 15/26
AP 2019 14292 A	A 61 K 9/20; A 61 K 31/40
AP 2019 14340 A	C 07 B 57/00; C 07 D 487/06
AP 2019 14393 A	A 62 C 13/66; A 62 C 13/74
AP 2019 14405 A	E 01 C 7/36; C 04 B 7/26, 7/28, 11/00
AP 2019 14434 A	B 02 C 18/30
AP 2019 14509 A	B 66 D 5/26
AP 2019 14540 A	A 61 K 31/395; A 61 P 31/04; C 07 D 471/04; C 07 D 413/14; C 07 D 405/14; C 07 D 401/14; C 07 D 497/04; C 07 D 493/04; C 07 D 495/04; C 07 D 491/04
AP 2019 14559 A	A 61 M 5/31; B 23 P 17/04
AP 2019 14694 A	F 03 G 4/00

**CONCORDANCE TABLE OF INTERNATIONAL CLASSIFICATION INDEX,  
PATENT NUMBERS AND PUBLICATION NUMBERS**

INTERNATIONAL CLASSIFICATION INDEX (51)	NUMBER OF PATENT (11)	NUMBER OF PUBLISHED APPLICATION (10)
A 61 K 9/14	P 2019 6944 B	AP 2018 14415 A
A 61 K 31/58; A 61 K 38/17	P 2019 6947 B	AP 2018 13826 A
A 61 K 31/4985; A 61 P 25/04	P 2019 6945 B	AP 2018 14341 A
A 61 K 31/4985; A 61 P 25/04	P 2019 6946 B	AP 2018 14342 A
C 07 D 217/14; A 61 K 31/4375; A 61 K 31/472; A 61 K 31/4741; C 07 D 471/04; C 07 D 491/14; A 61 P 11/06; A 61 P 17/06; A 61 P 19/02; A 61 P 43/00	P 2019 6942 B	AP 2018 14401 A
C 12 N 15/77; C 12 P 13/00; C 12 N 15/52	P 2019 6943 B	AP 2018 14125 A
H 02 K 21/24	P 2019 6948 B	AP 2018 14480 A

**CONCORDANCE TABLE OF PATENT NUMBERS,  
PUBLICATION NUMBERS AND INTERNATIONAL CLASSIFICATION INDEX**

NUMBER OF PATENT (11)	NUMBER OF PUBLISHED APPLICATION (10)	INTERNATIONAL CLASSIFICATION INDEX (51)
P 2019 6942 B	AP 2018 14401 A	C 07 D 217/14; A 61 K 31/4375; A 61 K 31/472; A 61 K 31/4741; C 07 D 471/04; C 07 D 491/14; A 61 P 11/06; A 61 P 17/06; A 61 P 19/02; A 61 P 43/00
P 2019 6943 B	AP 2018 14125 A	C 12 N 15/77; C 12 P 13/00; C 12 N 15/52
P 2019 6944 B	AP 2018 14415 A	A 61 K 9/14
P 2019 6945 B	AP 2018 14341 A	A 61 K 31/4985; A 61 P 25/04;
P 2019 6946 B	AP 2018 14342 A	A 61 K 31/4985; A 61 P 25/04;
P 2019 6947 B	AP 2018 13826 A	A 61 K 31/58; A 61 K 38/17
P 2019 6948 B	AP 2018 14480 A	H 02 K 21/24

**CONCORDANCE TABLE OF APPLICATION NUMBERS, PUBLICATION NUMBERS  
AND PATENTS**

NUMBER OF APPLICATION (21)	NUMBER OF PUBLISHED APPLICATION (10)	NUMBER OF PATENT (11)
AP 2013 13826	AP 2018 13826 A	P 2019 6947 B
AP 2014 14125	AP 2018 14125 A	P 2019 6943 B
AP 2014 14341	AP 2018 14341 A	P 2019 6945 B
AP 2014 14342	AP 2018 14342 A	P 2019 6946 B
AP 2015 14401	AP 2018 14401 A	P 2019 6942 B
AP 2015 14415	AP 2018 14415 A	P 2019 6944 B
AP 2015 14480	AP 2018 14480 A	P 2019 6948 B

## UTILITY MODELS

### CONCORDANCE TABLE OF INTERNATIONAL CLASSIFICATION INDEX AND PUBLICATION NUMBERS

INTERNATIONAL CLASSIFICATION INDEXES (51)	NUMBER OF PUBLISHED APPLICATION (10)
C 08 L 63/00	AU 2019 14635 U
F 01 N 1/02	AU 2019 14657 U

### CONCORDANCE TABLE OF PUBLICATION NUMBERS AND INTERNATIONAL CLASSIFICATION INDEX

NUMBER OF PUBLISHED APPLICATION (10)	INTERNATIONAL CLASSIFICATION INDEXES (51)
AU 2019 14635 U	C 08 L 63/00
AU 2019 14657 U	F 01 N 1/02

### CONCORDANCE TABLE OF INTERNATIONAL CLASSIFICATION INDEX, PATENT NUMBERS AND PUBLICATION NUMBERS

INTERNATIONAL CLASSIFICATION INDEX (51)	NUMBER OF PATENT (11)	NUMBER OF PUBLISHED APPLICATION (10)
C 09 B 61/00	U 2019 2000 Y	AU 2018 14596

### CONCORDANCE TABLE OF PATENT NUMBERS, PUBLICATION NUMBERS AND INTERNATIONAL CLASSIFICATION INDEX

NUMBER OF PATENT (11)	NUMBER OF PUBLISHED APPLICATION (10)	INTERNATIONAL CLASSIFICATION INDEX (51)
U 2019 2000 Y	AU 2018 14596	C 09 B 61/00

### CONCORDANCE TABLE OF APPLICATION NUMBERS, PUBLICATION NUMBERS AND PATENTS

NUMBER OF APPLICATION (21)	NUMBER OF PUBLISHED APPLICATION (10)	NUMBER OF PATENT (11)
AU 2017 14596	AU 2018 14596	U 2019 2000 Y

**DESIGNS****CONCORDANCE TABLE OF INTERNATIONAL CLASSIFICATION INDEX  
AND PUBLICATION NUMBERS**

INTERNATIONAL CLASSIFICATION INDEXES (51)	NUMBER OF PUBLISHED APPLICATION (10)
26-04	AD 2019 1046 S

**CONCORDANCE TABLE OF PUBLICATION NUMBERS  
AND INTERNATIONAL CLASSIFICATION INDEX**

NUMBER OF PUBLISHED APPLICATION (10)	INTERNATIONAL CLASSIFICATION INDEXES (51)
AD 2019 1046 S	26-04

**CONCORDANCE TABLE OF INTERNATIONAL CLASSIFICATION INDEX,  
PATENT NUMBERS AND PUBLICATION NUMBERS**

INTERNATIONAL CLASSIFICATION INDEX (51)	NUMBER OF PATENT (11)	NUMBER OF PUBLISHED APPLICATION (10)
03-01	D 2019 798 S	AD 2018 1037 S

**CONCORDANCE TABLE OF PATENT NUMBERS,  
PUBLICATION NUMBERS AND INTERNATIONAL CLASSIFICATION INDEX**

NUMBER OF PATENT (11)	NUMBER OF PUBLISHED APPLICATION (10)	INTERNATIONAL CLASSIFICATION INDEX (51)
D 2019 798 S	AD 2018 1037 S	03-01

**CONCORDANCE TABLE OF APPLICATION NUMBERS, PUBLICATION NUMBERS  
AND PATENTS**

NUMBER OF APPLICATION (21)	NUMBER OF PUBLISHED APPLICATION (10)	NUMBER OF PATENT (11)
AD 2018 1037	AD 2018 1037 S	D 2019 798 S

## TRADEMARKS

### CONCORDANCE TABLE OF REGISTRATION NUMBERS, APPLICATION NUMBERS, PUBLICATION NUMBERS AND BULLETIN NUMBERS

NUMBER OF REGISTRATION (111)	NUMBER OF APPLICATIONS (210)	NUMBER OF PUBLISHED APPLICATIONS (260)	NUMBER OF BULLETIN
M 2017 28987 R	AM 86005	AM 2016 86005 A	21(457) 2016
M 2019 30714 R	AM 82681	AM 2015 82681 A	11(447) 2016
M 2019 30715 R	AM 85710	AM 2018 85710 A	16(500) 2018
M 2019 30716 R	AM 88282	AM 2018 88282 A	9(493) 2018
M 2019 30717 R	AM 89718	AM 2018 89718 A	16(500) 2018
M 2019 30718 R	AM 92705	AM 2018 92705 A	18(502) 2018
M 2019 30719 R	AM 92707	AM 2018 92707 A	18(502) 2018
M 2019 30720 R	AM 92709	AM 2018 92709 A	18(502) 2018
M 2019 30721 R	AM 93782	AM 2018 93782 A	12(496) 2018
M 2019 30722 R	AM 94010	AM 2018 94010 A	13(497) 2018
M 2019 30723 R	AM 94080	AM 2018 94080 A	14(498) 2018
M 2019 30724 R	AM 92346	AM 2018 92346 A	15(499) 2018
M 2019 30725 R	AM 94270	AM 2018 94270 A	14(498) 2018
M 2019 30726 R	AM 94402	AM 2018 94402 A	13(497) 2018
M 2019 30727 R	AM 94490	AM 2018 94490 A	12(496) 2018
M 2019 30728 R	AM 94544	AM 2018 94544 A	12(496) 2018
M 2019 30729 R	AM 94564	AM 2018 94564 A	12(496) 2018
M 2019 30730 R	AM 94565	AM 2018 94565 A	12(496) 2018
M 2019 30731 R	AM 94712	AM 2018 94712 A	12(496) 2018
M 2019 30732 R	AM 94741	AM 2018 94741 A	13(497) 2018
M 2019 30733 R	AM 95137	AM 2018 95137 A	14(498) 2018
M 2019 30734 R	AM 95152	AM 2018 95152 A	18(502) 2018
M 2019 30735 R	AM 95210	AM 2018 95210 A	13(497) 2018
M 2019 30736 R	AM 95213	AM 2018 95213 A	13(497) 2018
M 2019 30737 R	AM 95214	AM 2018 95214 A	15(499) 2018
M 2019 30738 R	AM 95216	AM 2018 95216 A	14(498) 2018
M 2019 30739 R	AM 95217	AM 2018 95217 A	14(498) 2018
M 2019 30740 R	AM 95218	AM 2018 95218 A	14(498) 2018
M 2019 30741 R	AM 95219	AM 2018 95219 A	14(498) 2018
M 2019 30742 R	AM 95220	AM 2018 95220 A	14(498) 2018
M 2019 30743 R	AM 95221	AM 2018 95221 A	14(498) 2018
M 2019 30744 R	AM 95396	AM 2018 95396 A	13(497) 2018
M 2019 30745 R	AM 95405	AM 2018 95405 A	14(498) 2018
M 2019 30746 R	AM 95560	AM 2018 95560 A	14(498) 2018
M 2019 30747 R	AM 95599	AM 2018 95599 A	18(502) 2018
M 2019 30748 R	AM 95758	AM 2018 95758 A	17(501) 2018
M 2019 30749 R	AM 96154	AM 2018 96154 A	17(501) 2018
M 2019 30750 R	AM 96155	AM 2018 96155 A	17(501) 2018
M 2019 30751 R	AM 96162	AM 2018 96162 A	16(500) 2018
M 2019 30752 R	AM 96177	AM 2018 96177 A	18(502) 2018
M 2019 30753 R	AM 96236	AM 2018 96236 A	16(500) 2018
M 2019 30754 R	AM 96299	AM 2018 96299 A	16(500) 2018
M 2019 30755 R	AM 96304	AM 2018 96304 A	18(502) 2018
M 2019 30756 R	AM 96307	AM 2018 96307 A	17(501) 2018
M 2019 30757 R	AM 96313	AM 2018 96313 A	17(501) 2018
M 2019 30758 R	AM 96332	AM 2018 96332 A	18(502) 2018
M 2019 30759 R	AM 96333	AM 2018 96333 A	18(502) 2018

1	2	3	4
M 2019 30760 R	AM 96531	AM 2018 96531 A	18(502) 2018
M 2019 30761 R	AM 96542	AM 2018 96542 A	18(502) 2018
M 2019 30762 R	AM 96543	AM 2018 96543 A	18(502) 2018
M 2019 30763 R	AM 96544	AM 2018 96544 A	18(502) 2018
M 2019 30764 R	AM 96561	AM 2018 96561 A	18(502) 2018
M 2019 30765 R	AM 96649	AM 2018 96649 A	18(502) 2018
M 2019 30766 R	AM 101255	-	3(511)2019
M 2019 30767 R	AM 101222	-	3(511)2019
M 2019 30768 R	AM101227	-	3(511)2019
M 2019 30769 R	AM 100870	-	3(511)2019
M 2019 30770 R	AM 100868	-	3(511)2019
M 2019 30771 R	AM 101242	-	3(511)2019
M 2019 30772 R	AM 101385	-	3(511)2019
M 2019 30773 R	AM 100867	-	3(511)2019
M 2019 30774 R	AM 90032	AM 2018 90032 A	13(497) 2018
M 2019 30775 R	AM 91996	AM 2018 91996 A	14(498) 2018
M 2019 30776 R	AM 92762	AM 2018 92762 A	4(488) 2018
M 2019 30777 R	AM 92851	AM 2018 92851 A	4(488) 2018
M 2019 30778 R	AM 93588	AM 2018 93588 A	14(498) 2018
M 2019 30779 R	AM 94360	AM 2018 94360 A	14(498) 2018
M 2019 30780 R	AM 94361	AM 2018 94361 A	14(498) 2018
M 2019 30781 R	AM 94399	AM 2018 94399 A	14(498) 2018
M 2019 30782 R	AM 94400	AM 2018 94400 A	14(498) 2018
M 2019 30783 R	AM 94891	AM 2018 94891 A	14(498) 2018
M 2019 30784 R	AM 95429	AM 2018 95429 A	14(498) 2018
M 2019 30785 R	AM 95505	AM 2018 95505 A	14(498) 2018
M 2019 30786 R	AM 95530	AM 2018 95530 A	14(498) 2018
M 2019 30787 R	AM 95830	AM 2018 95830 A	17(501) 2018
M 2019 30788 R	AM 96226	AM 2018 96226 A	18(502) 2018
M 2019 30789 R	AM 96229	AM 2018 96229 A	18(502) 2018
M 2019 30790 R	AM 96559	AM 2018 96559 A	18(502) 2018
M 2019 30791 R	AM 97088	AM 2018 97088 A	20(504) 2018
M 2019 30792 R	AM 97089	AM 2018 97089 A	20(504) 2018
M 2019 30793 R	AM 100873	-	3(511)2019

**CONCORDANCE TABLE OF PUBLICATION NUMBERS  
AND APPLICATION NUMBERS**

NUMBER OF PUBLISHED APPLICATION (260)	NUMBER OF APPLICATION (210)	1	2
		1	2
AM 2019 92366 A	AM 92366	AM 2019 98010 A	AM 98010
AM 2019 97066 A	AM 97066	AM 2019 98011 A	AM 98011
AM 2019 97776 A	AM 97776	AM 2019 98149 A	AM 98149
AM 2019 97777 A	AM 97777	AM 2019 98151 A	AM 98151
AM 2019 97791 A	AM 97791	AM 2019 98152 A	AM 98152
AM 2019 97805 A	AM 97805	AM 2019 98153 A	AM 98153
AM 2019 97963 A	AM 97963	AM 2019 98154 A	AM 98154
AM 2019 97964 A	AM 97964	AM 2019 98155 A	AM 98155
AM 2019 97983 A	AM 97983	AM 2019 98162 A	AM 98162
AM 2019 97984 A	AM 97984	AM 2019 98164 A	AM 98164
		AM 2019 98173 A	AM 98173
		AM 2019 98174 A	AM 98174
		AM 2019 98177 A	AM 98177
		AM 2019 98178 A	AM 98178
		AM 2019 98180 A	AM 98180



1	2
AM 2019 98192 A	AM 98192
AM 2019 98194 A	AM 98194
AM 2019 98199 A	AM 98199
AM 2019 98201 A	AM 98201
AM 2019 98202 A	AM 98202
AM 2019 98204 A	AM 98204
AM 2019 98205 A	AM 98205
AM 2019 98212 A	AM 98212
AM 2019 98222 A	AM 98222
AM 2019 98226 A	AM 98226
AM 2019 98228 A	AM 98228

1	2
AM 2019 98229 A	AM 98229
AM 2019 98232 A	AM 98232
AM 2019 98236 A	AM 98236
AM 2019 98238 A	AM 98238
AM 2019 98245 A	AM 98245
AM 2019 98377 A	AM 98377
AM 2019 98393 A	AM 98393
AM 2019 98398 A	AM 98398
AM 2019 98413 A	AM 98413
AM 2019 98584 A	AM 98584
AM 2019 98659 A	AM 98659

CONCORDANCE TABLE OF INDEX OF GOODS AND/OR SERVICES  
AND APPLICATION NUMBERS

INDEX OF GOODS AND/OR SERVICES (511)	NUMBER OF PUBLISHED APPLICATIONS (26)
1	2
4	AM 2019 98232 A
5	AM 2019 92366 A
5	AM 2019 97066 A
5	AM 2019 97963 A
5	AM 2019 97964 A
5	AM 2019 98010 A
5	AM 2019 98011 A
5	AM 2019 98151 A
5	AM 2019 98152 A
5	AM 2019 98153 A
5	AM 2019 98154 A
5	AM 2019 98155 A
5	AM 2019 98202 A
5	AM 2019 98584 A
9	AM 2019 97776 A
9	AM 2019 97777 A
9	AM 2019 97791 A
9	AM 2019 98192 A
9	AM 2019 98194 A
9	AM 2019 98204 A
9	AM 2019 98205 A
9	AM 2019 98245 A
9	AM 2019 98393 A
10	AM 2019 98659 A
16	AM 2019 97776 A
16	AM 2019 97777 A
16	AM 2019 97791 A
16	AM 2019 98204 A
16	AM 2019 98205 A
17	AM 2019 98413 A
19	AM 2019 98413 A
25	AM 2019 97805 A
25	AM 2019 98177 A
25	AM 2019 98178 A

1	2
25	AM 2019 98199 A
28	AM 2019 98192 A
28	AM 2019 98194 A
29	AM 2019 98236 A
29	AM 2019 98238 A
30	AM 2019 98149 A
30	AM 2019 98236 A
30	AM 2019 98238 A
32	AM 2019 98164 A
32	AM 2019 98201 A
33	AM 2019 98164 A
33	AM 2019 98212 A
33	AM 2019 98377 A
34	AM 2019 98180 A
35	AM 2019 97776 A
35	AM 2019 97777 A
35	AM 2019 97791 A
35	AM 2019 98177 A
35	AM 2019 98178 A
35	AM 2019 98192 A
35	AM 2019 98194 A
35	AM 2019 98199 A
35	AM 2019 98204 A
35	AM 2019 98205 A
35	AM 2019 98222 A
35	AM 2019 98226 A
35	AM 2019 98228 A
35	AM 2019 98229 A
35	AM 2019 98245 A
35	AM 2019 98393 A
36	AM 2019 97983 A
36	AM 2019 97984 A
36	AM 2019 98192 A
36	AM 2019 98194 A
36	AM 2019 98204 A
36	AM 2019 98205 A
36	AM 2019 98226 A
36	AM 2019 98228 A
36	AM 2019 98229 A

1	2
36	AM 2019 98245 A
36	AM 2019 98393 A
38	AM 2019 97776 A
38	AM 2019 97777 A
38	AM 2019 97791 A
38	AM 2019 98192 A
38	AM 2019 98194 A
38	AM 2019 98204 A
38	AM 2019 98205 A
38	AM 2019 98226 A
38	AM 2019 98228 A
38	AM 2019 98229 A
38	AM 2019 98245 A
38	AM 2019 98393 A
39	AM 2019 98204 A
39	AM 2019 98205 A
41	AM 2019 97776 A
41	AM 2019 97777 A
41	AM 2019 97791 A
41	AM 2019 98162 A
41	AM 2019 98173 A
41	AM 2019 98174 A
41	AM 2019 98192 A
41	AM 2019 98194 A
41	AM 2019 98204 A

1	2
41	AM 2019 98205 A
41	AM 2019 98226 A
41	AM 2019 98228 A
41	AM 2019 98229 A
41	AM 2019 98245 A
41	AM 2019 98393 A
42	AM 2019 98192 A
42	AM 2019 98194 A
42	AM 2019 98204 A
42	AM 2019 98205 A
42	AM 2019 98226 A
42	AM 2019 98228 A
42	AM 2019 98229 A
42	AM 2019 98245 A
42	AM 2019 98393 A
43	AM 2019 98398 A
44	AM 2019 98226 A
44	AM 2019 98228 A
44	AM 2019 98229 A
45	AM 2019 98226 A
45	AM 2019 98228 A
45	AM 2019 98229 A
45	AM 2019 98245 A
45	AM 2019 98393 A

**CONCORDANCE TABLE OF INDEX OF GOODS AND/OR SERVICES  
AND NUMBERS OF TRADEMARKS REGISTERED ACCORDING  
TO THE ACCELERATED PROCEDURE**

INDEX OF GOODS AND/OR SERVICES (511)	NUMBERS OF REGISTERED ACCORDING TO THE ACCELERATED PROCEDURE (111)
4	M 2019 30770 R
25	M 2019 30766 R
25	M 2019 30767 R
29	M 2019 30771 R
32	M 2019 30772 R
32	M 2019 30773 R
34	M 2019 30769 R
35	M 2019 30768 R
37	M 2019 30768 R
37	M 2019 30793 R
42	M 2019 30770 R
42	M 2019 30793 R

# OFFICIAL BULLETIN OF THE INDUSTRIAL PROPERTY

INVENTIONS  
UTILITY MODELS  
DESIGNS  
TRADEMARKS  
APPELLATIONS OF ORIGIN OF GOODS

## 3(511)

EDITOR-IN-CHIEF: N. Bebrishvili

EDITOR-TRANSLATOR: E. Gabunia

PROOFREADER: A. Shikhashvili

COMPUTER LAYOUT: M. Ordenidze  
K. Svanidze

[www.sakpatenti.gov.ge](http://www.sakpatenti.gov.ge)

E-mail: [info@sakpatenti.org.ge](mailto:info@sakpatenti.org.ge)